

GROUP 80B**SPLICE LOCATIONS****CONTENTS**

HOW TO READ SPLICE LOCATIONS.....	80B-2	FLOOR CONSOLE.....	80B-10
INDEX.....	80B-3	FRONT FLOOR AND ROOF	80B-11
ENGINE COMPARTMENT.....	80B-5	REAR FLOOR AND UNDER FLOOR.	80B-11
ENGINE	80B-6	DOOR	80B-12
DASH PANEL	80B-8	BACK DOOR	80B-12

HOW TO READ SPLICE LOCATIONS

M1802000100380

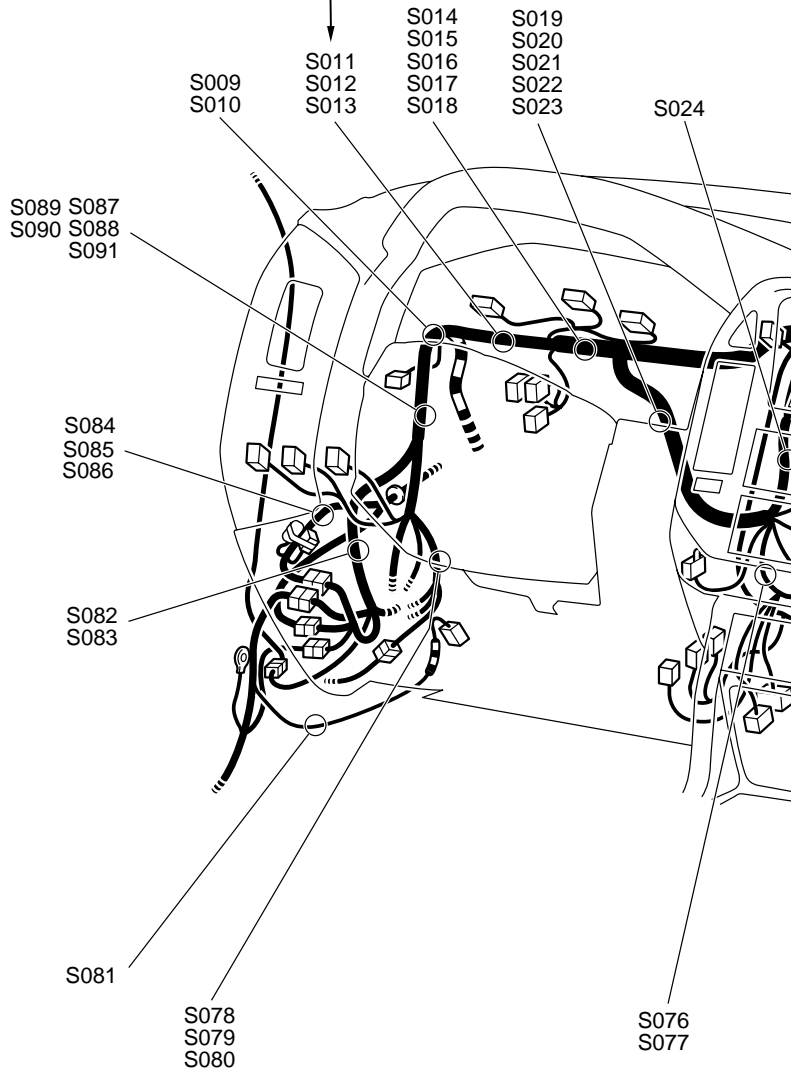
"Splice locations" describes splice points of each wiring harness on an actual vehicle.

Indicates a splice point number.
The splice point numbers are identical to those in "circuit diagrams," making them easy to use.
In addition, the splice point numbers are usually numbered clockwise.

Example: S 013

Sequential number

Prefix meaning splice point



ACX02177 AB

INDEX

M1802000900546

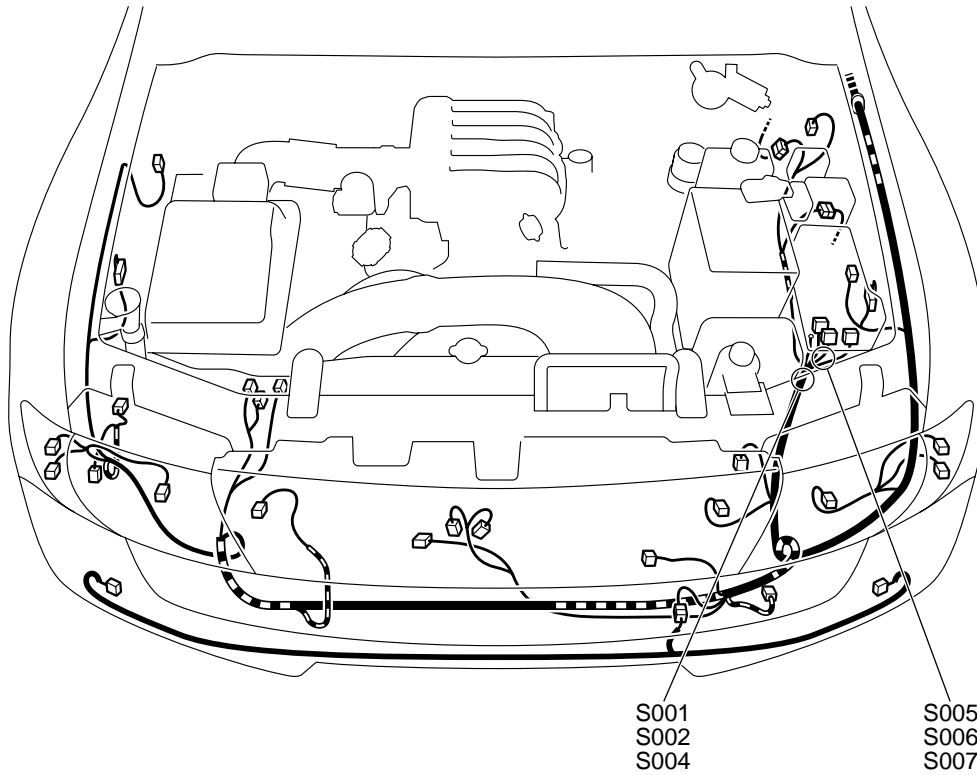
This index shows the page numbers where the splice locations are.

SPLICE LOCATION NO.	PAGE	SPLICE LOCATION NO.	PAGE	SPLICE LOCATION NO.	PAGE	SPLICE LOCATION NO.	PAGE
S001	P.80B-5	S033	P.80B-8	S064	P.80B-8	S095	P.80B-8
S002	P.80B-5	S034	P.80B-8	S065	P.80B-8	S096	P.80B-8
S004	P.80B-5	S035	P.80B-8	S066	P.80B-8	S097	P.80B-8
S005	P.80B-5	S036	P.80B-8	S067	P.80B-8	S098	P.80B-8
S006	P.80B-5	S037	P.80B-8	S068	P.80B-8	S099	P.80B-8
S007	P.80B-5	S038	P.80B-8	S069	P.80B-8	S100	P.80B-8
S008	P.80B-6	S039	P.80B-8	S070	P.80B-8	S101	P.80B-8
S009	P.80B-6	S040	P.80B-8	S071	P.80B-8	S102	P.80B-8
S010	P.80B-6	S041	P.80B-8	S072	P.80B-8	S103	P.80B-8
S011	P.80B-6	S042	P.80B-8	S073	P.80B-8	S104	P.80B-8
S012	P.80B-6	S043	P.80B-8	S074	P.80B-8	S105	P.80B-8
S013	P.80B-6	S044	P.80B-8	S075	P.80B-8	S106	P.80B-8
S014	P.80B-6	S045	P.80B-8	S076	P.80B-8	S107	P.80B-8
S015	P.80B-6	S046	P.80B-8	S077	P.80B-8	S108	P.80B-8
S016	P.80B-6	S047	P.80B-8	S078	P.80B-8	S109	P.80B-8
S017	P.80B-8	S048	P.80B-8	S079	P.80B-8	S110	P.80B-8
S018	P.80B-8	S049	P.80B-8	S080	P.80B-8	S111	P.80B-8
S019	P.80B-8	S050	P.80B-8	S081	P.80B-8	S112	P.80B-8
S020	P.80B-8	S051	P.80B-8	S082	P.80B-8	S114	P.80B-8
S021	P.80B-8	S052	P.80B-8	S083	P.80B-8	S115	P.80B-8
S022	P.80B-8	S053	P.80B-8	S084	P.80B-8	S116	P.80B-8
S023	P.80B-8	S054	P.80B-8	S085	P.80B-8	S117	P.80B-8
S024	P.80B-8	S055	P.80B-8	S086	P.80B-8	S118	P.80B-8
S025	P.80B-8	S056	P.80B-8	S087	P.80B-8	S119	P.80B-8
S026	P.80B-8	S057	P.80B-8	S088	P.80B-8	S120	P.80B-8
S027	P.80B-8	S058	P.80B-8	S089	P.80B-8	S121	P.80B-8
S028	P.80B-8	S059	P.80B-8	S090	P.80B-8	S122	P.80B-8
S029	P.80B-8	S060	P.80B-8	S091	P.80B-8	S123	P.80B-8
S030	P.80B-8	S061	P.80B-8	S092	P.80B-8	S124	P.80B-8
S031	P.80B-8	S062	P.80B-8	S093	P.80B-8	S125	P.80B-8
S032	P.80B-8	S063	P.80B-8	S094	P.80B-8	S126	P.80B-8

SPLICE LOCATION NO.	PAGE	SPLICE LOCATION NO.	PAGE	SPLICE LOCATION NO.	PAGE	SPLICE LOCATION NO.	PAGE
S127	P.80B-8	S151	P.80B-10	S177	P.80B-10	S199	P.80B-12
S128	P.80B-8	S152	P.80B-10	S178	P.80B-10	S200	P.80B-12
S129	P.80B-8	S153	P.80B-10	S179	P.80B-10	S201	P.80B-12
S130	P.80B-8	S154	P.80B-10	S180	P.80B-10	S202	P.80B-12
S131	P.80B-10	S159	P.80B-10	S181	P.80B-10	S203	P.80B-12
S132	P.80B-10	S160	P.80B-10	S182	P.80B-10	S204	P.80B-12
S133	P.80B-10	S161	P.80B-10	S183	P.80B-10	S205	P.80B-12
S136	P.80B-10	S162	P.80B-10	S184	P.80B-11	S206	P.80B-12
S137	P.80B-10	S163	P.80B-10	S185	P.80B-11	S207	P.80B-12
S138	P.80B-10	S164	P.80B-10	S186	P.80B-11	S208	P.80B-12
S139	P.80B-10	S165	P.80B-10	S187	P.80B-11	S209	P.80B-12
S140	P.80B-10	S166	P.80B-10	S188	P.80B-11	S210	P.80B-11
S141	P.80B-10	S167	P.80B-10	S189	P.80B-11	S211	P.80B-11
S142	P.80B-10	S168	P.80B-10	S190	P.80B-11	S213	P.80B-11
S143	P.80B-10	S169	P.80B-10	S191	P.80B-11	S214	P.80B-11
S144	P.80B-10	S170	P.80B-10	S192	P.80B-11	S215	P.80B-11
S145	P.80B-10	S171	P.80B-10	S193	P.80B-11	S216	P.80B-8
S146	P.80B-10	S172	P.80B-10	S194	P.80B-11	S217	P.80B-10
S147	P.80B-10	S173	P.80B-10	S195	P.80B-11	S218	P.80B-10
S148	P.80B-10	S174	P.80B-10	S196	P.80B-11	S219	P.80B-10
S149	P.80B-10	S175	P.80B-10	S197	P.80B-11	S220	P.80B-10
S150	P.80B-10	S176	P.80B-10	S198	P.80B-12		

ENGINE COMPARTMENT

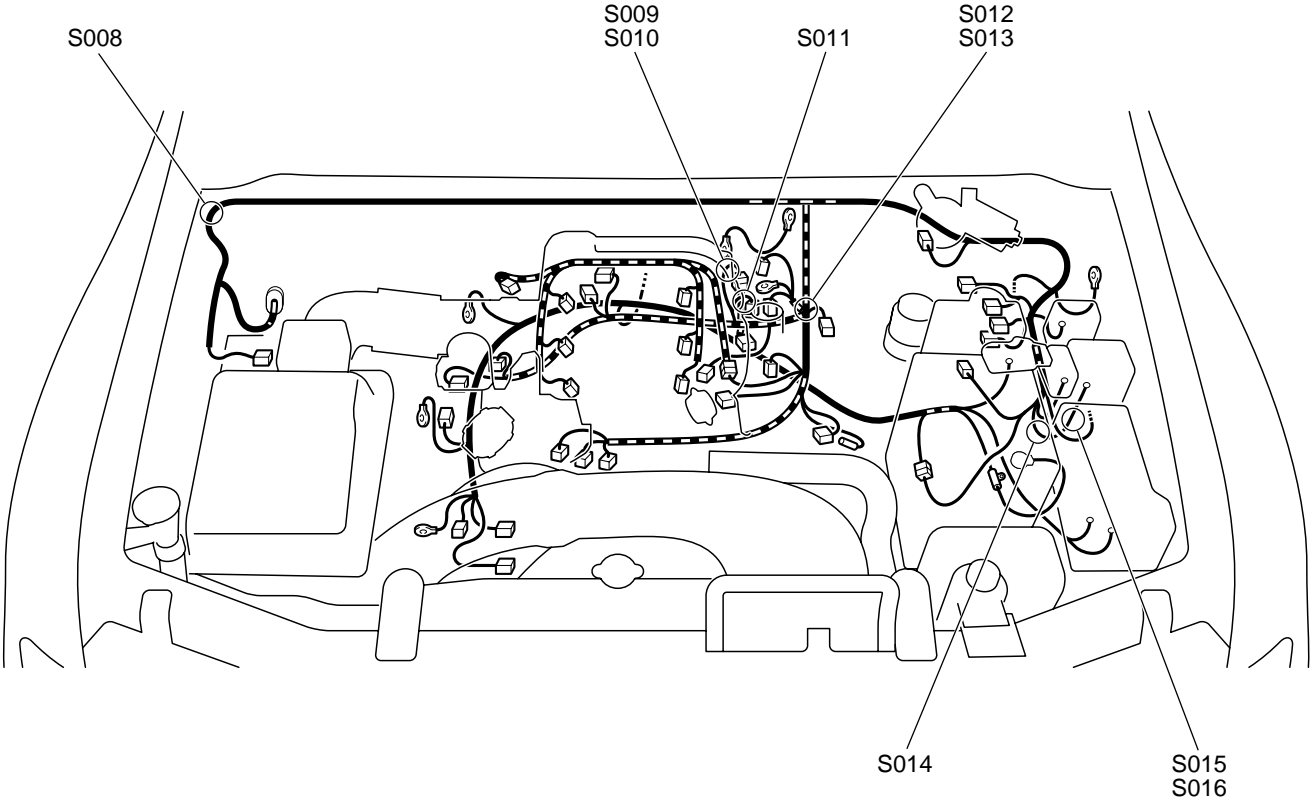
M1802000200451



AC203884 AB

ENGINE

M1802001600076

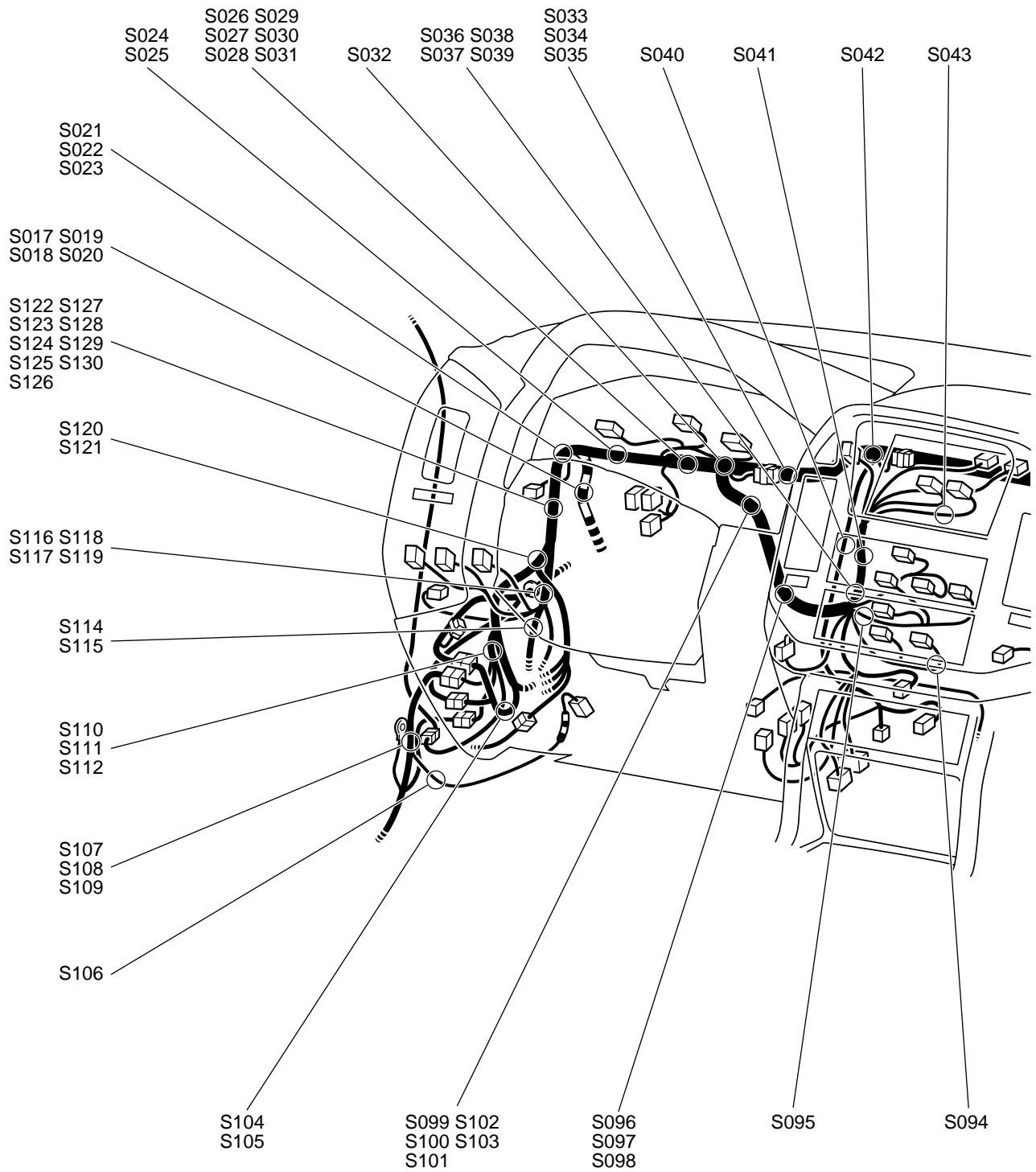


AC203885 AB

NOTES

DASH PANEL

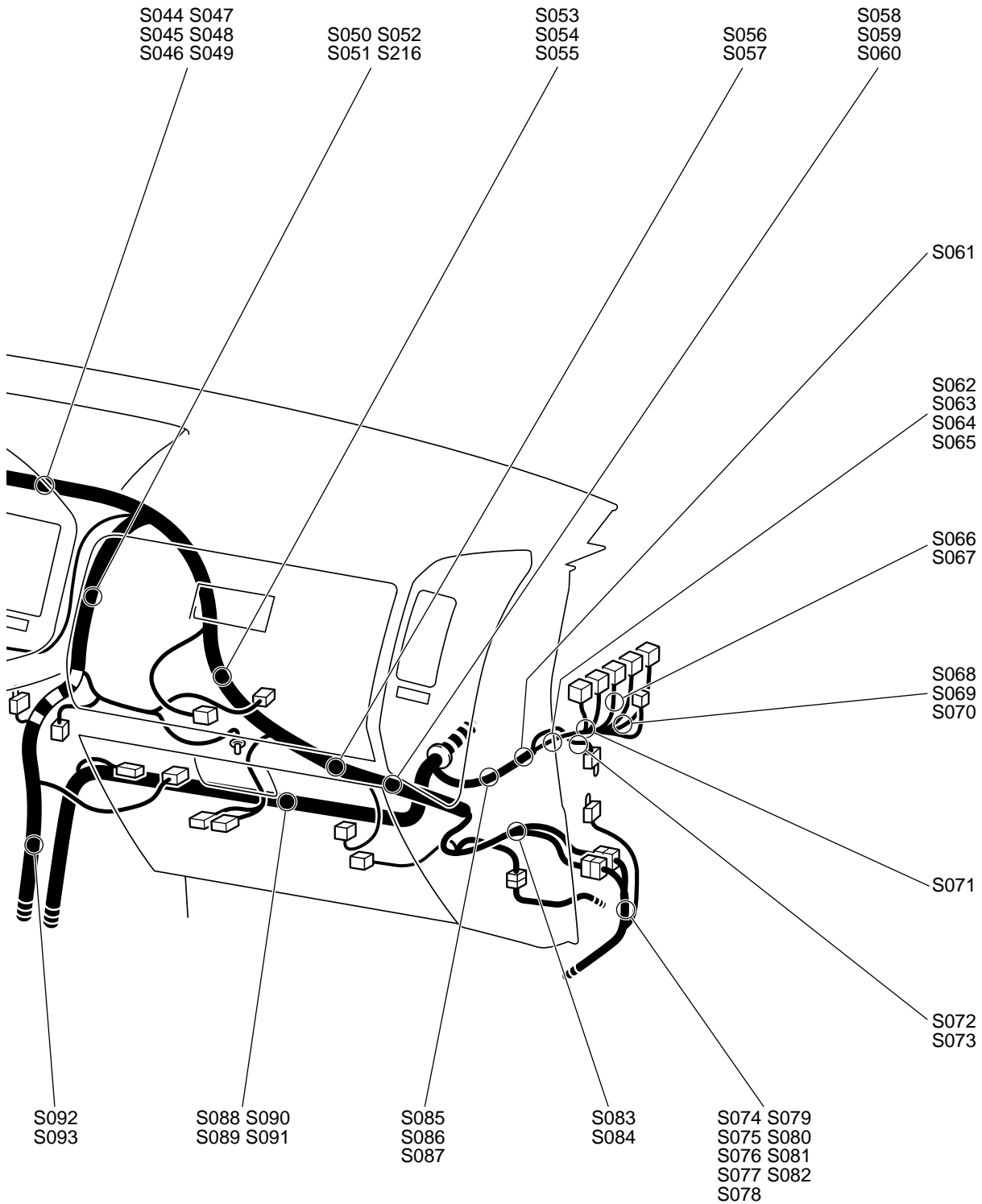
M1802000300458



AC203886AB

**SPLICE LOCATIONS
DASH PANEL**

80B-9

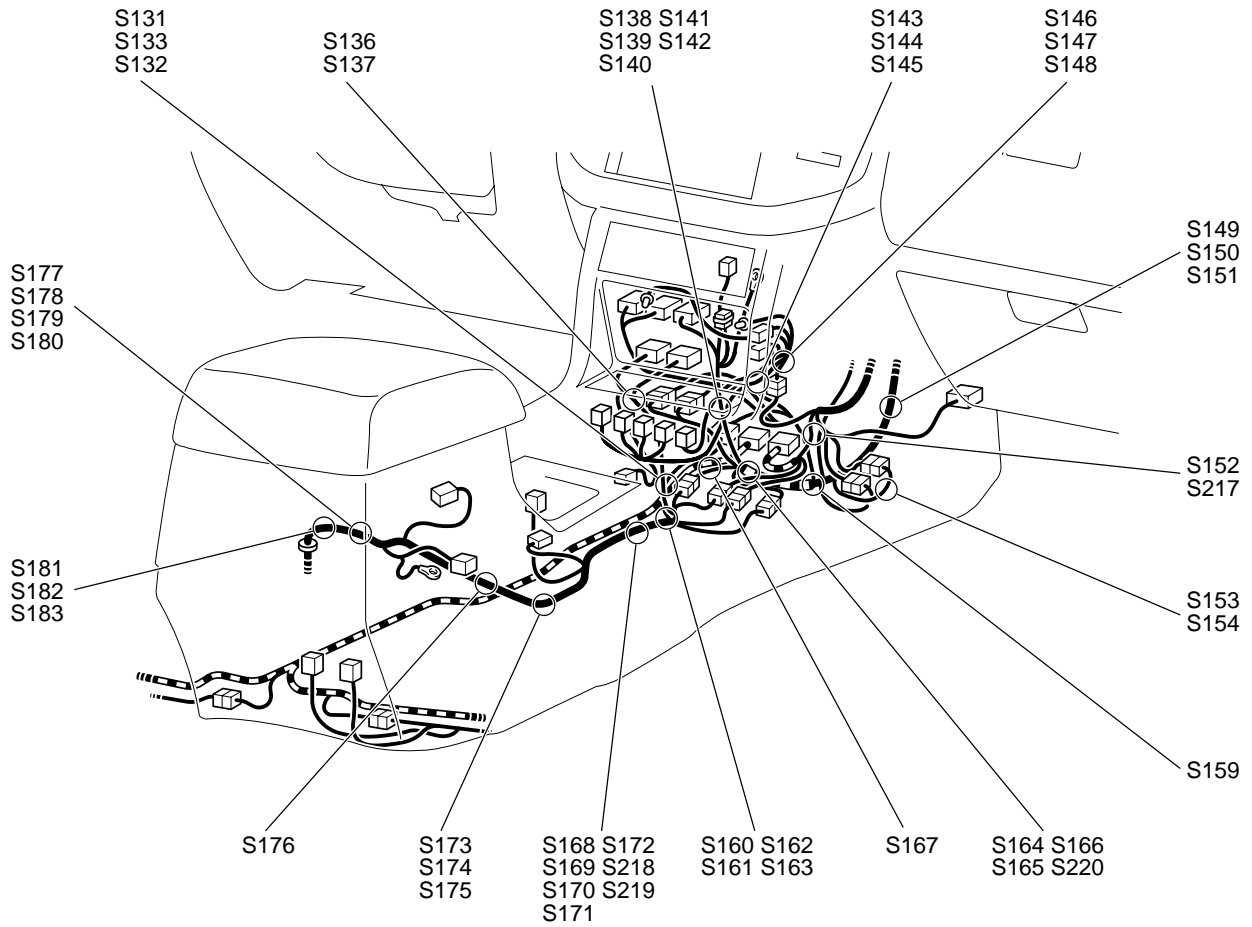


AC203887AB

TSB Revision

FLOOR CONSOLE

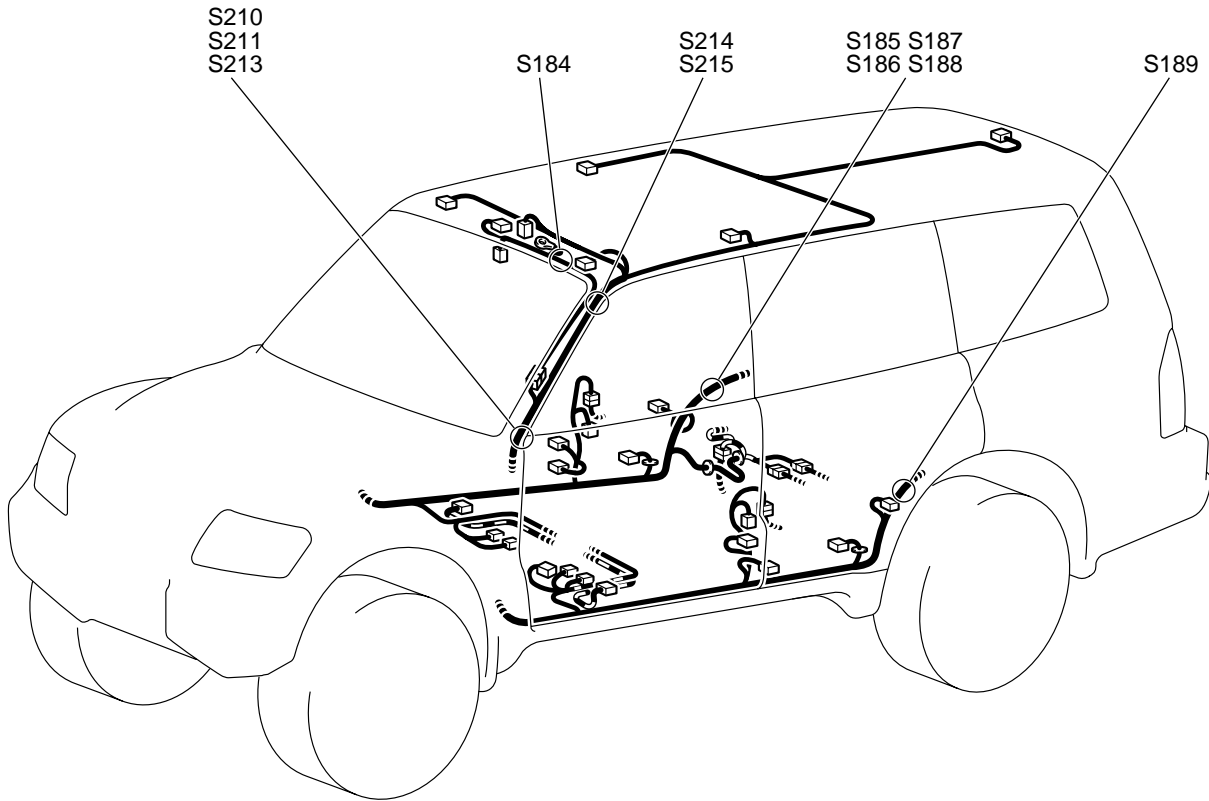
M1802001700062



AC203888AB

FRONT FLOOR AND ROOF

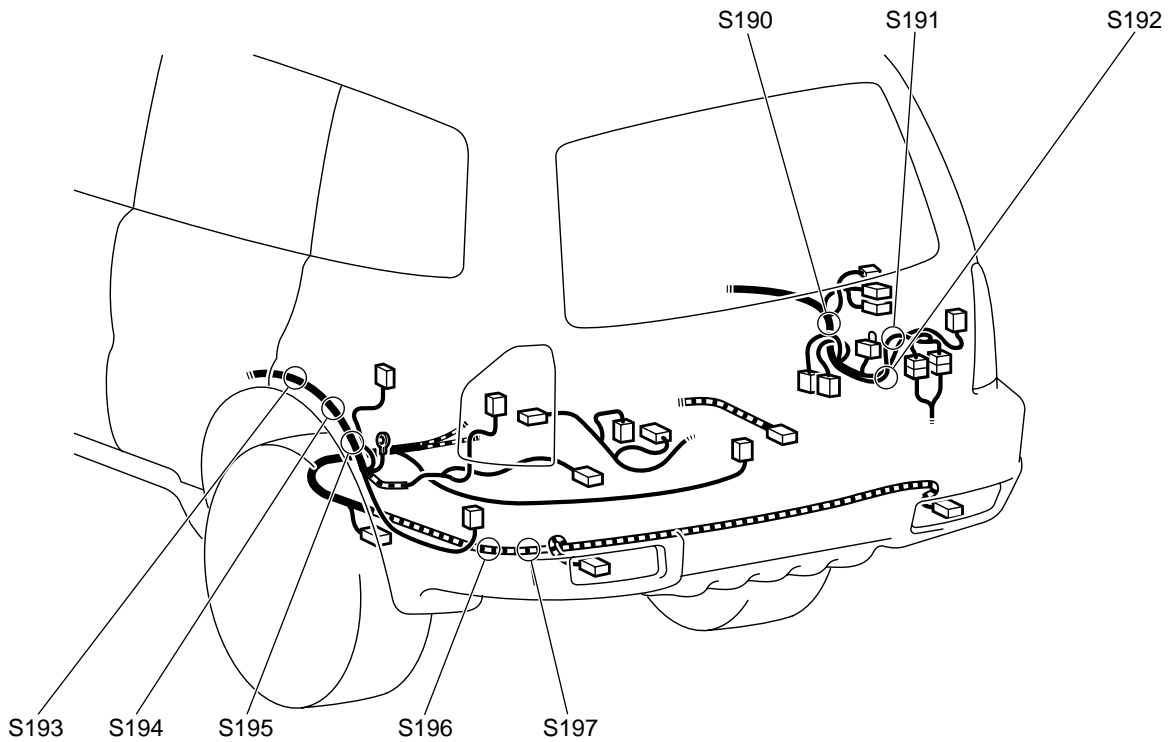
M1802001800069



AC203889AB

REAR FLOOR AND UNDER FLOOR

M1802001900066



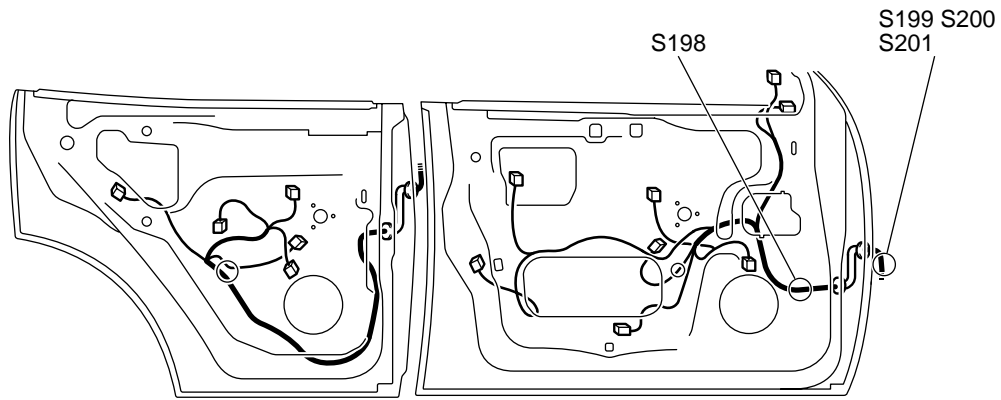
AC100886AC

TSB Revision

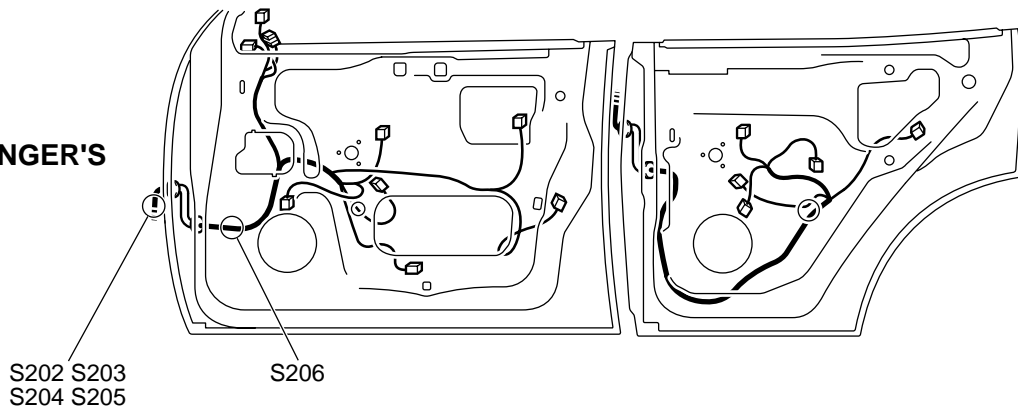
DOOR

M1802000800419

DRIVER'S
SIDE



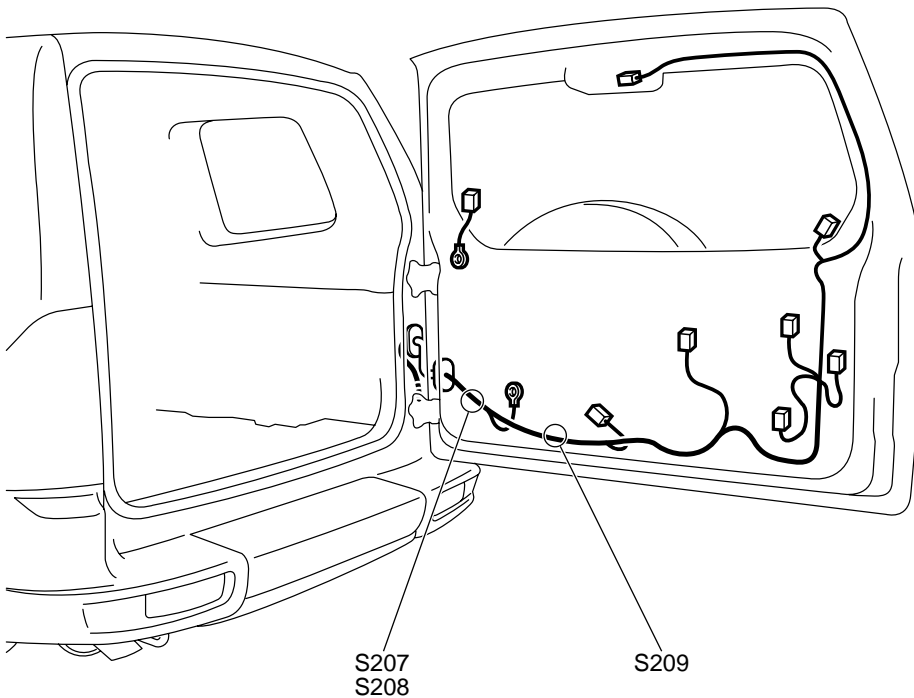
PASSENGER'S
SIDE



AC100887AC

BACK DOOR

M1802002000066



ACX02164 AD