

GROUP 70

**COMPONENT
LOCATIONS**

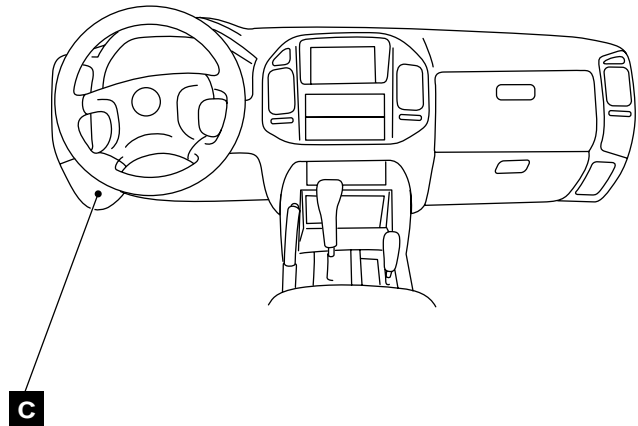
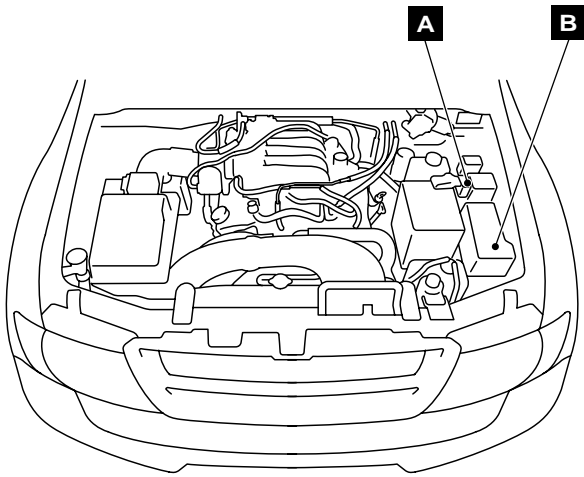
CONTENTS

| | | | |
|------------------------------------|-------------|----------------------------|--------------|
| FUSIBLE LINK AND FUSE | 70-2 | SENSOR | 70-10 |
| INSPECTION TERMINAL | 70-3 | CONTROL UNIT | 70-17 |
| GROUNDING | 70-4 | SOLENOID VALVE..... | 70-20 |
| GROUNDING CABLE | 70-7 | DIODE | 70-22 |
| RELAY | 70-8 | OTHER DEVICES..... | 70-23 |

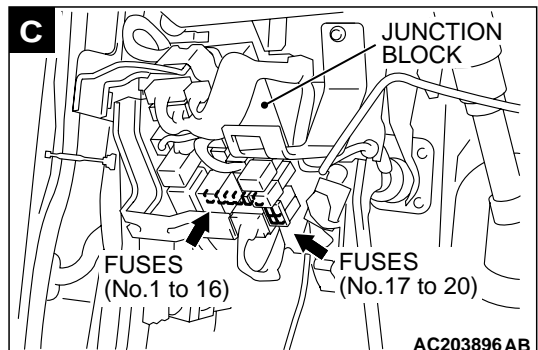
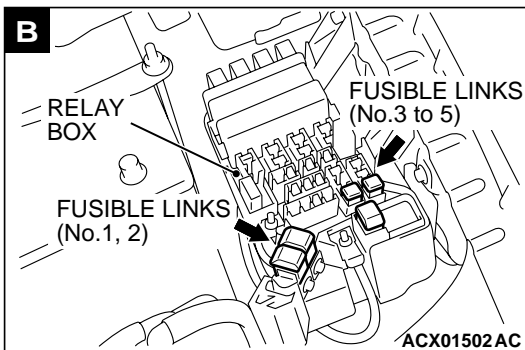
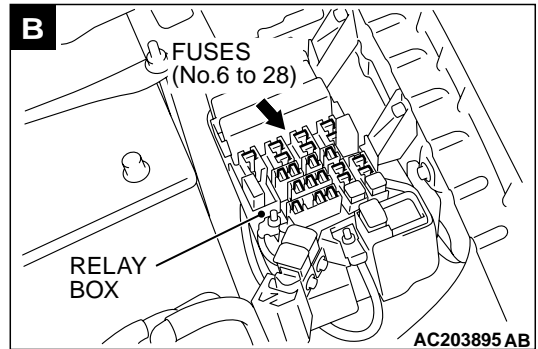
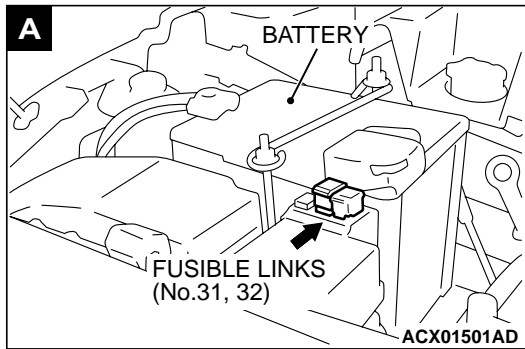
FUSIBLE LINK AND FUSE

M1701000100302

| NAME | SYMBOL | NAME | SYMBOL |
|---|--------|--|--------|
| Fuses No.6 to 28 (Engine compartment) | B | Fusible links No.1 to 5 (Engine compartment) | B |
| Fuses No.1 to 20 (Passenger compartment) | C | Fusible links No.31, 32 (Battery positive terminal) | A |



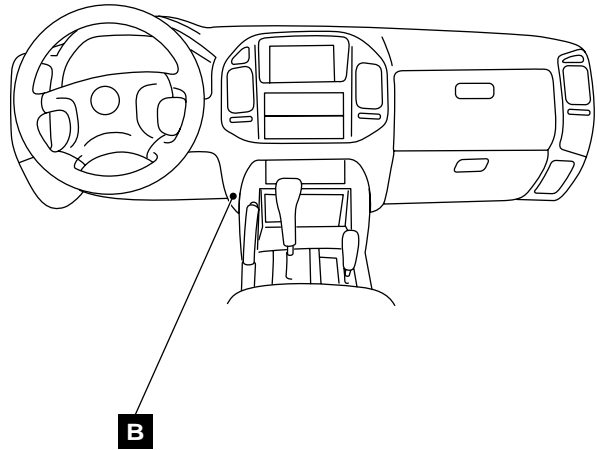
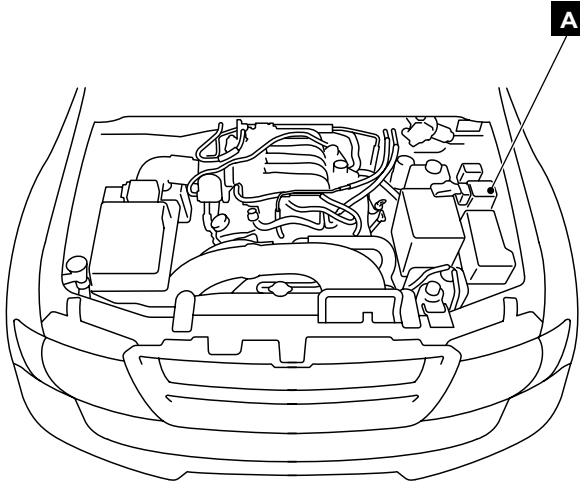
AC203894 AB



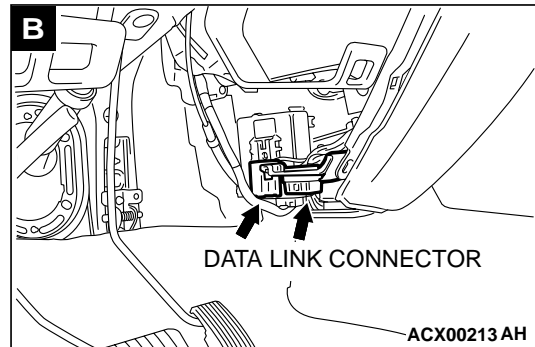
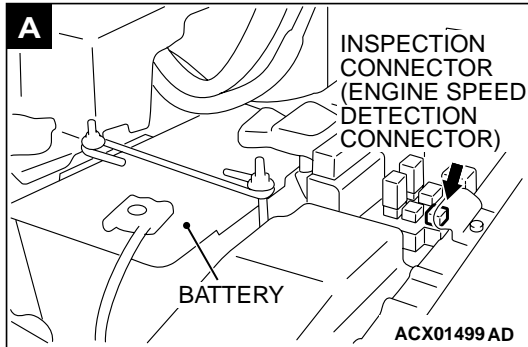
INSPECTION TERMINAL

M1701000200291

| NAME | SYMBOL | NAME | SYMBOL |
|---------------------|--------|---|--------|
| Data link connector | B | Inspection connector (Engine speed detection connector) | A |

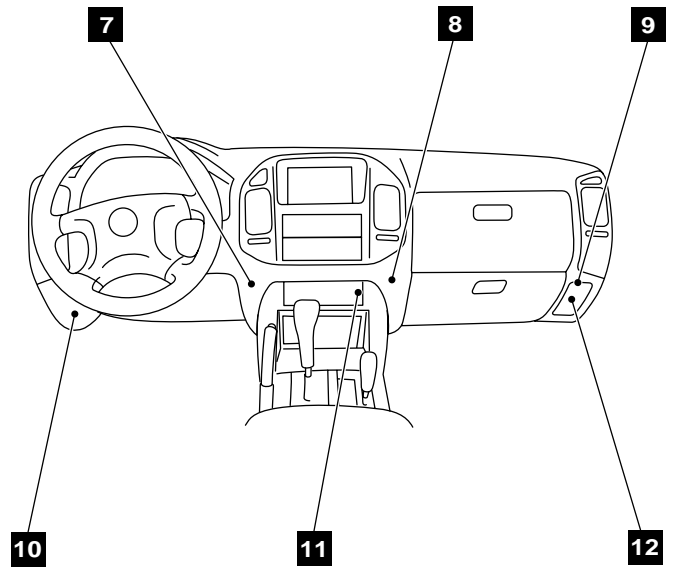
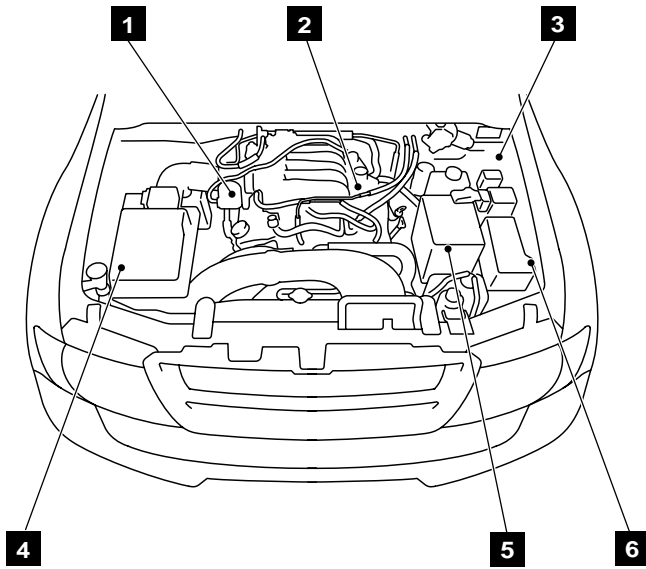


AC203894 AC

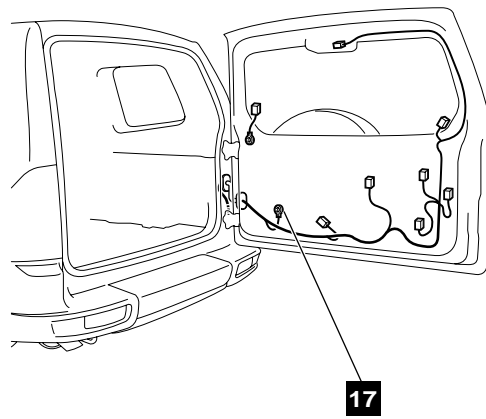
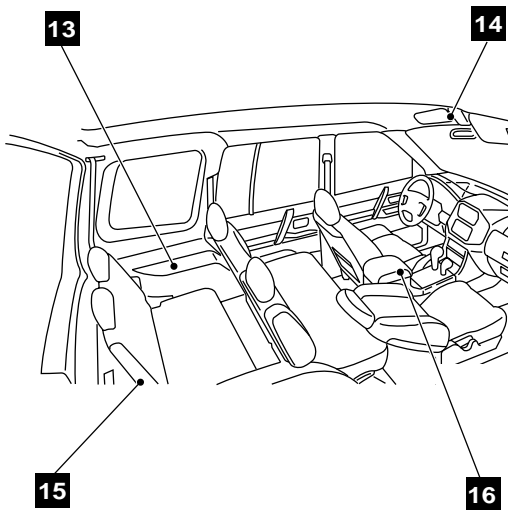


GROUNDING

M1701000300306

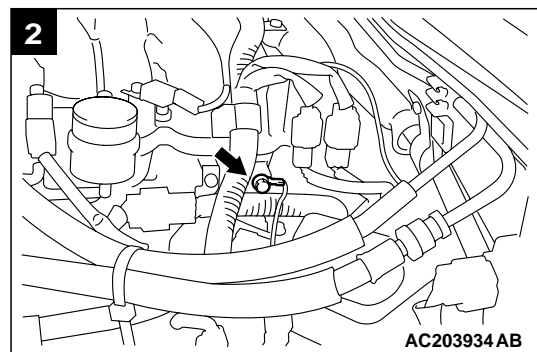
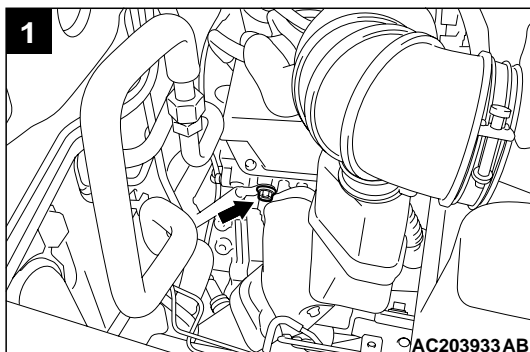


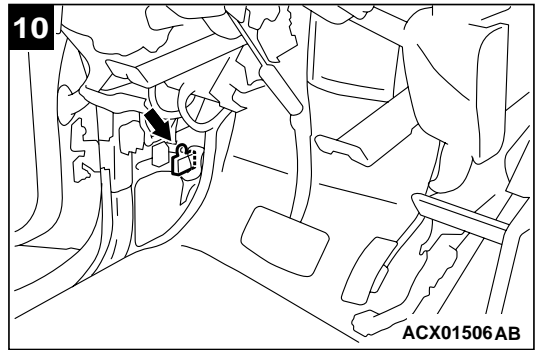
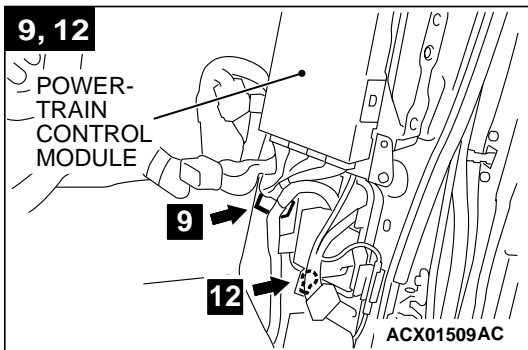
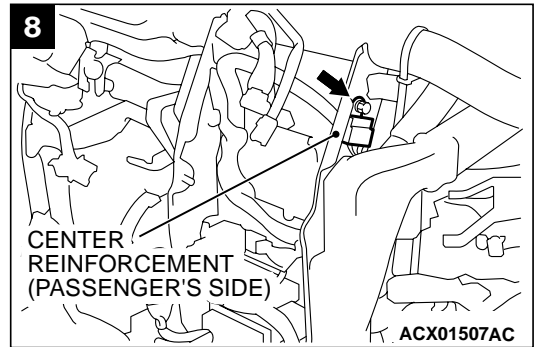
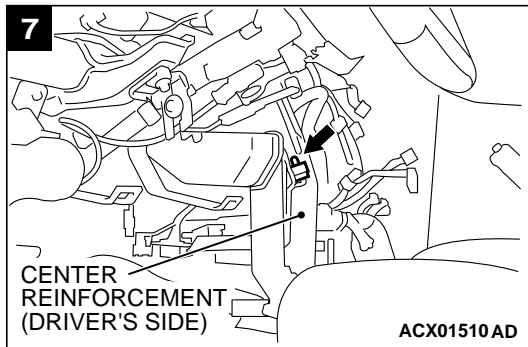
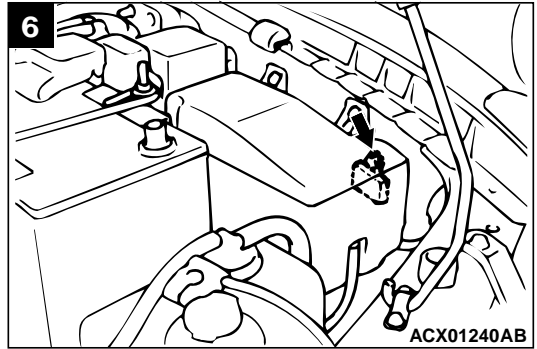
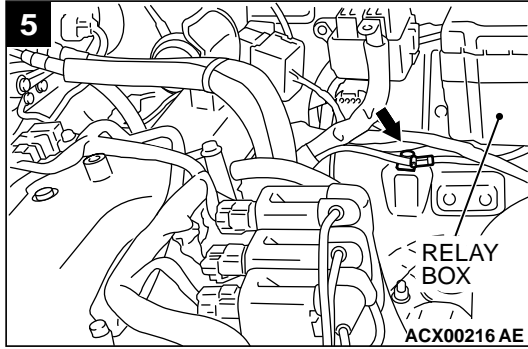
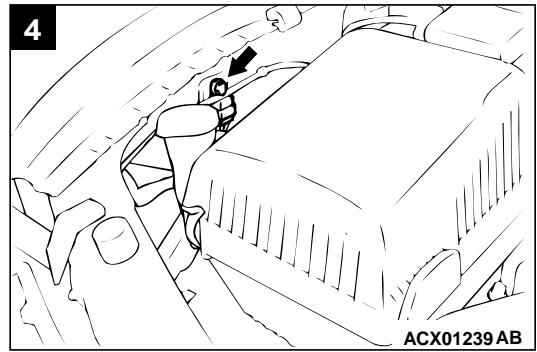
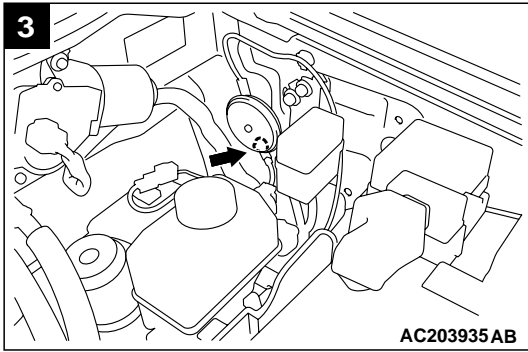
AC203894 AD

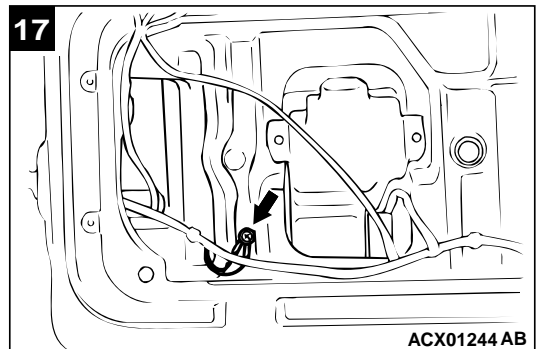
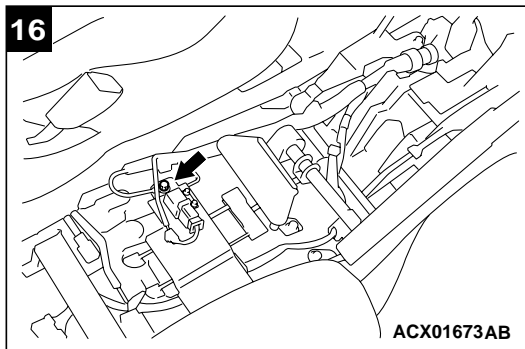
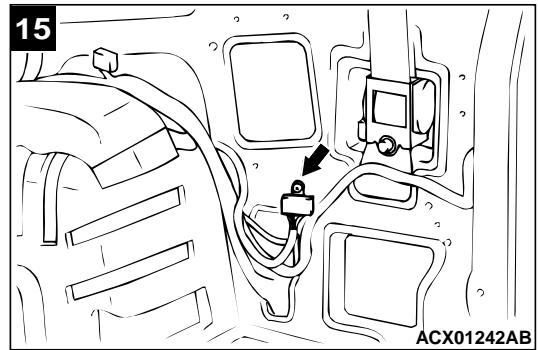
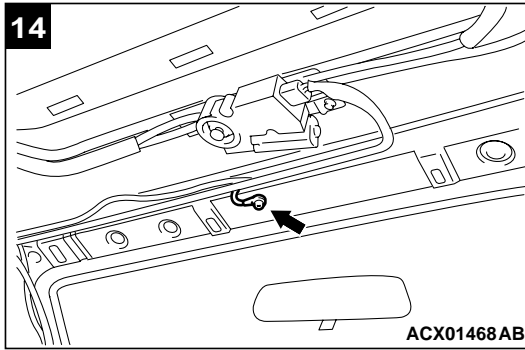
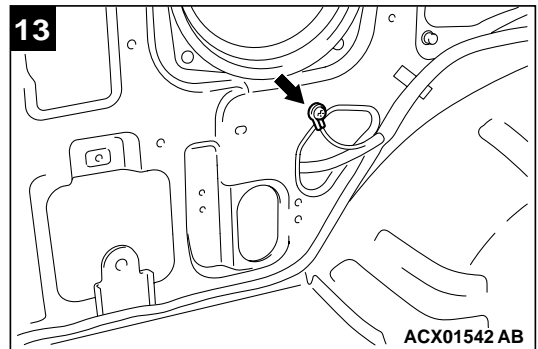
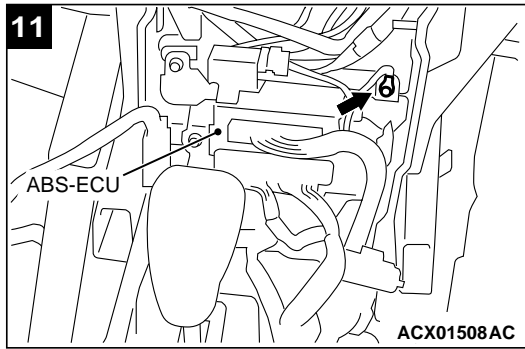


ACX01741AB

NOTE: 1 to 17 numbers correspond to the body ground point numbers in CIRCUIT DIAGRAMS.

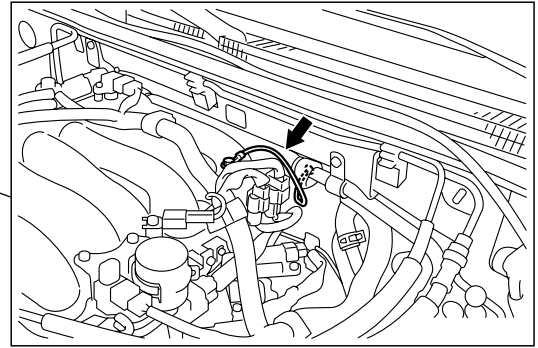
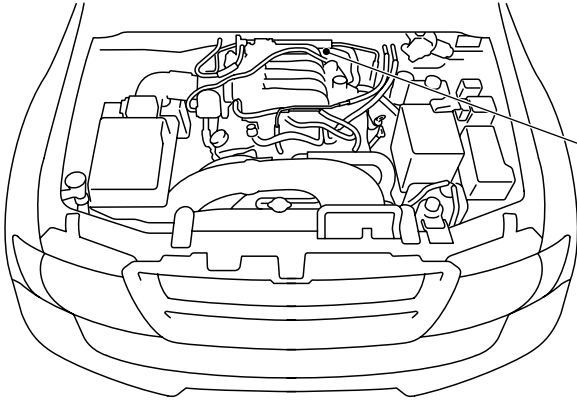




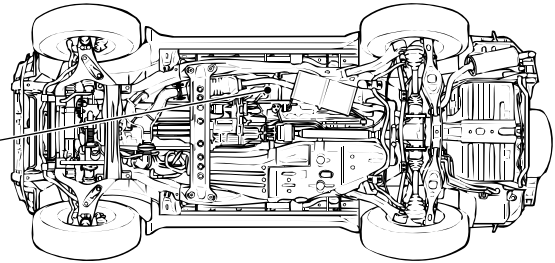
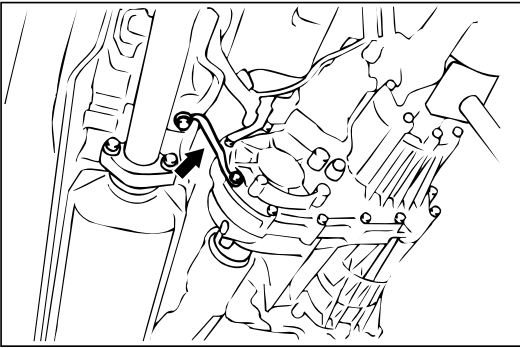


GROUNDING CABLE

M1701001000256



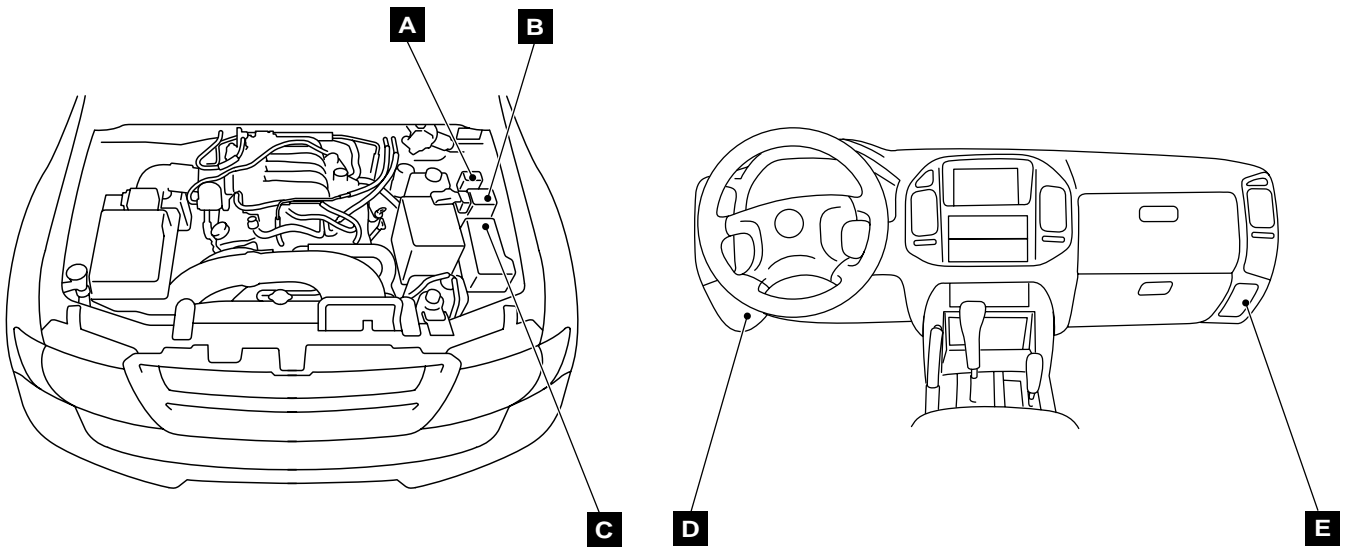
AC203897AB



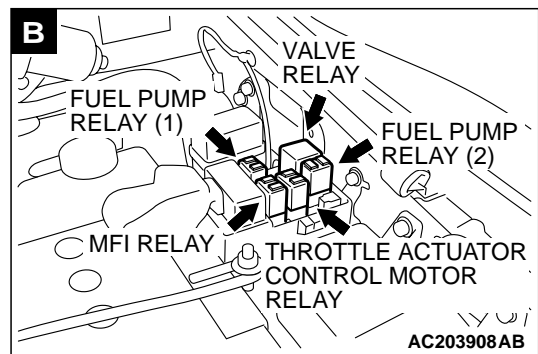
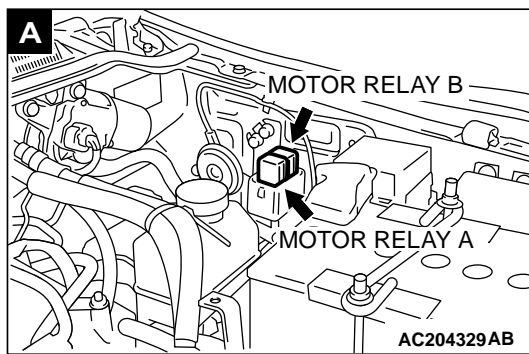
ACX01822AB

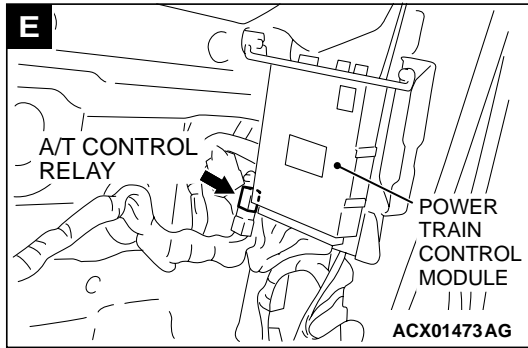
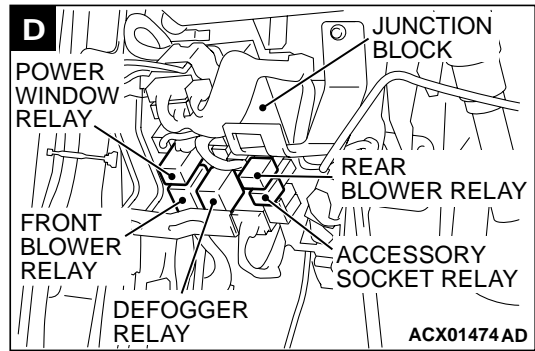
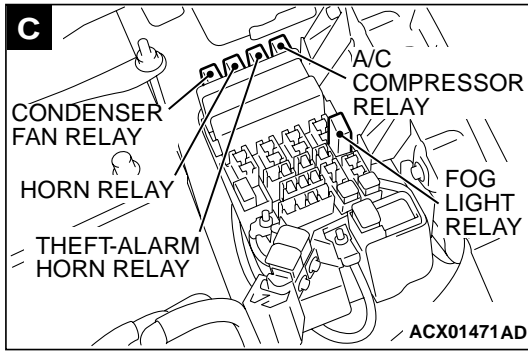
RELAY

| NAME | SYMBOL | NAME | SYMBOL |
|------------------------|--------|---------------------------------------|--------|
| Accessory socket relay | D | Horn relay | C |
| A/C compressor relay | C | MFI relay | B |
| A/T control relay | E | Motor relay A | A |
| Condenser fan relay | C | Motor relay B | A |
| Defogger relay | D | Power window relay | D |
| Fog light relay | C | Rear blower relay | D |
| Front blower relay | D | Theft-alarm horn relay | C |
| Fuel pump relay (1) | B | Throttle actuator control motor relay | B |
| Fuel pump relay (2) | B | Valve relay | B |



AC203894 AE

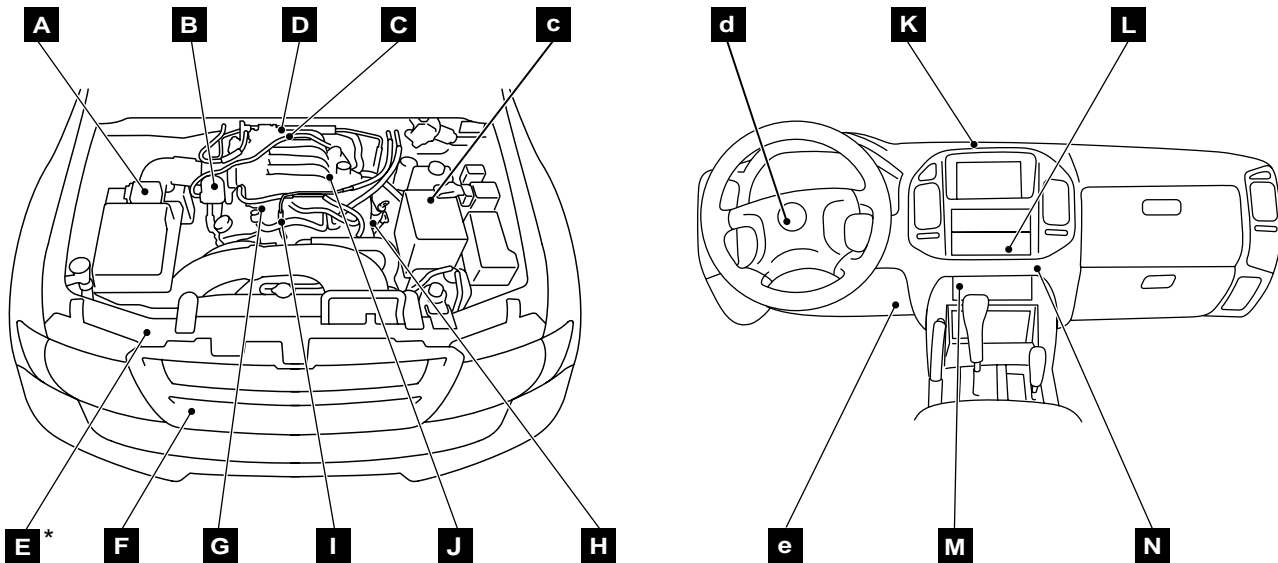




SENSOR

M1701000600329

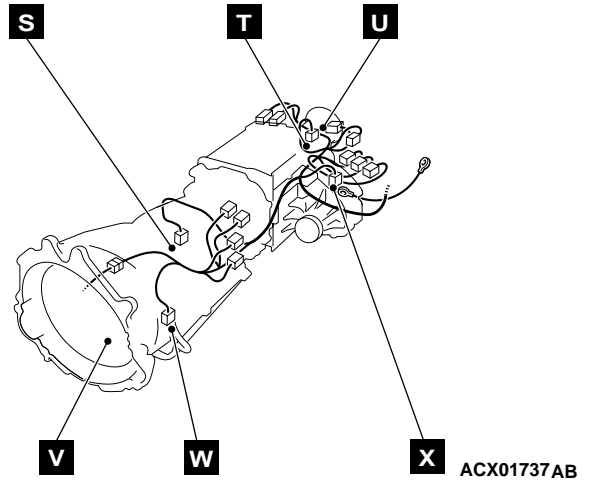
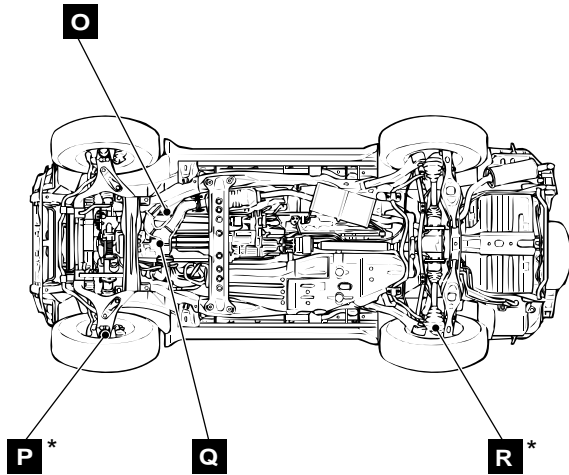
| NAME | SYMBOL | NAME | SYMBOL |
|---|--------|---|--------|
| ABS sensor (front) | P* | Knock sensor | J |
| ABS sensor (rear) | R* | Left bank heated oxygen sensor (front) | O |
| Accelerator pedal position sensor | e | Left bank heated oxygen sensor (rear) | O |
| Air conditioning sensor <Automatic A/C> | M | Lock sensor | H |
| Air conditioning sensor <Manual A/C> | N | Manifold differential pressure sensor | D |
| Air conditioning sensor <Rear cooler, rear heater and rear A/C> | Z | Output shaft speed sensor | S |
| | | Outside air temperature sensor | F |
| Camshaft position sensor | C | Photo sensor | K |
| Crankshaft position sensor | I | pressure sensor | c |
| Engine coolant temperature sensor | G | Rear propeller shaft speed sensor | T |
| Front impact sensor | E* | Right bank heated oxygen sensor (front) | Q |
| Front propeller shaft speed sensor | X | Right bank heated oxygen sensor (rear) | Q |
| Fuel tank differential pressure sensor | b | Side impact sensor | a* |
| Fuel level sensor (Incorporating fuel tank temperature sensor) | b | Steering wheel sensor | d |
| G and yaw rate sensor | Y | Throttle position sensor | B |
| Heater water temperature sensor <Automatic A/C> | M | Transmission fluid temperature sensor | V |
| Input shaft speed sensor | W | Vehicle speed sensor | U |
| Inside air temperature sensor | L | Volume airflow sensor | A |



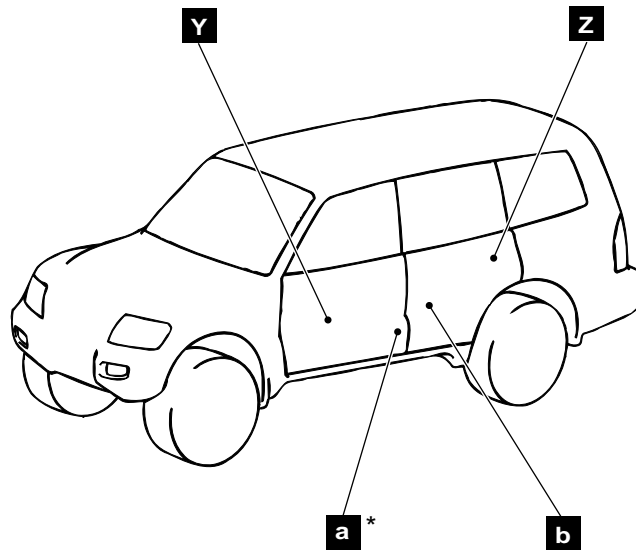
AC203894AF

NOTE:

*: equipped at both right and left sides.



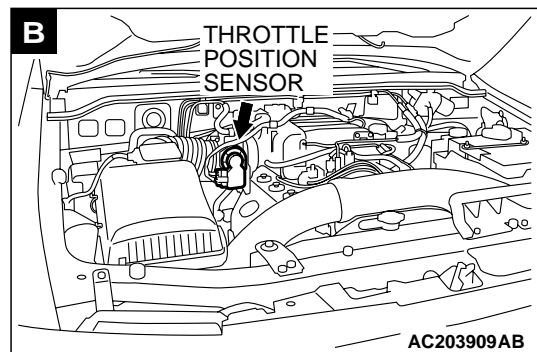
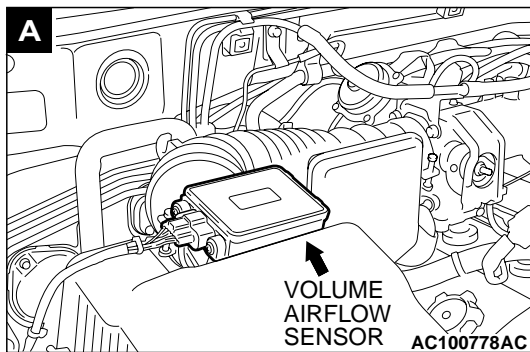
ACX01737AB

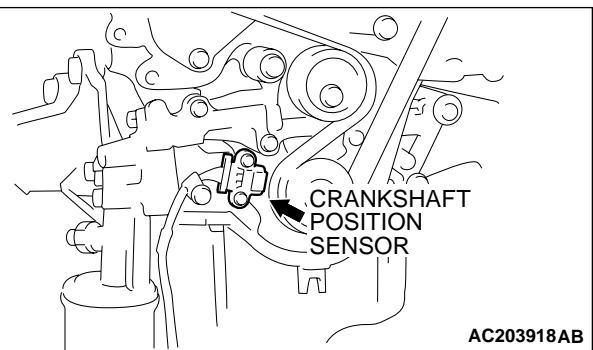
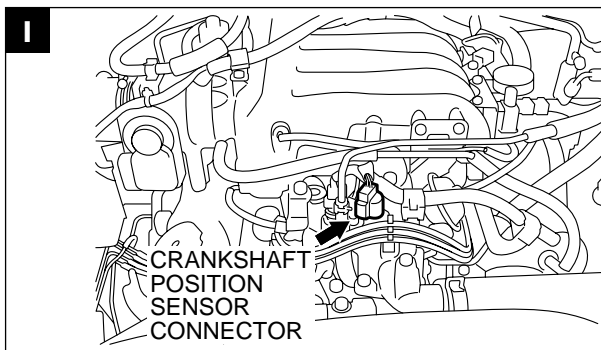
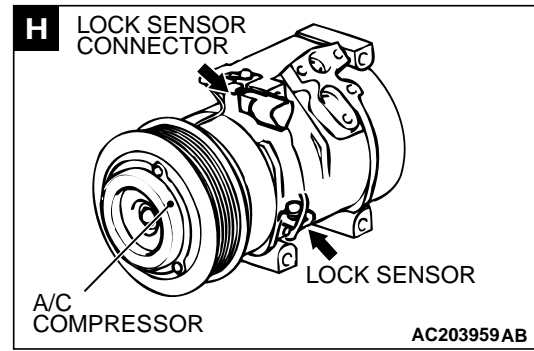
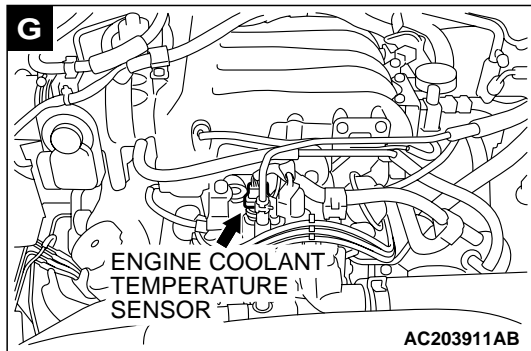
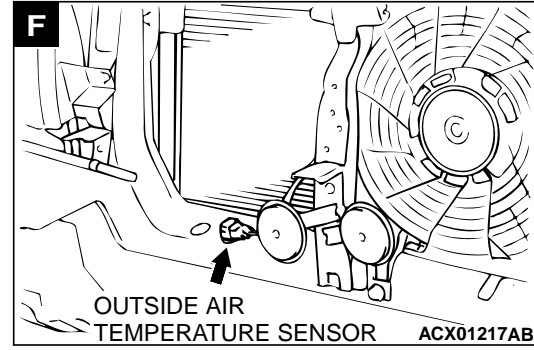
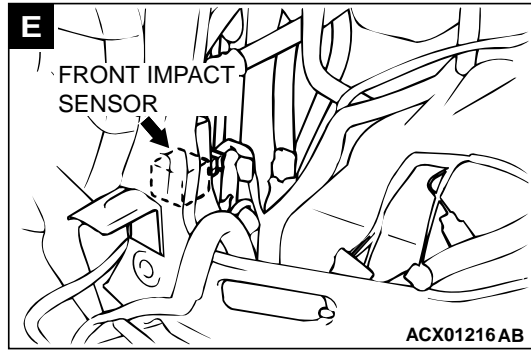
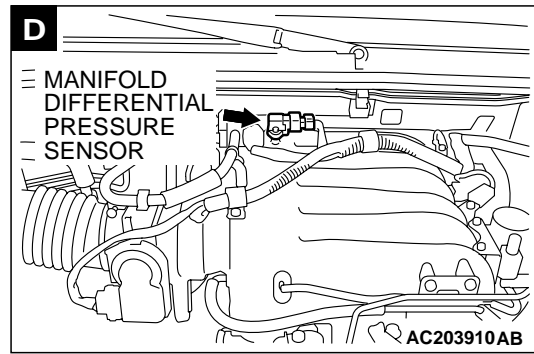
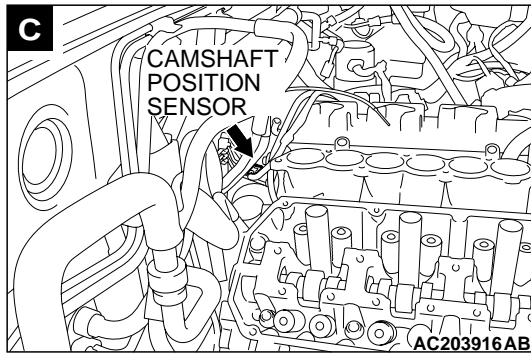


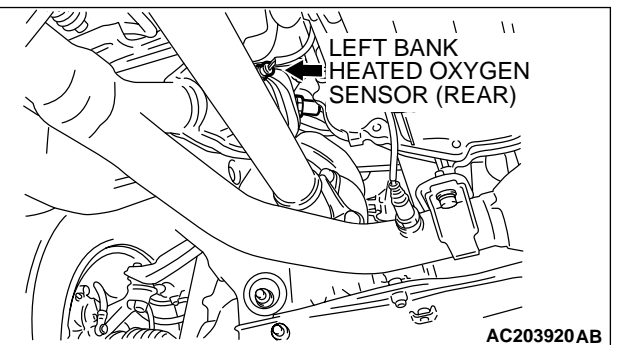
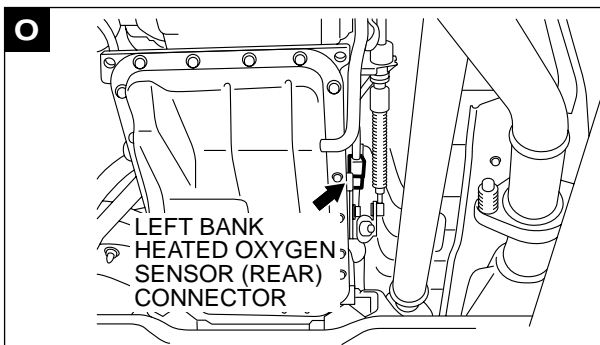
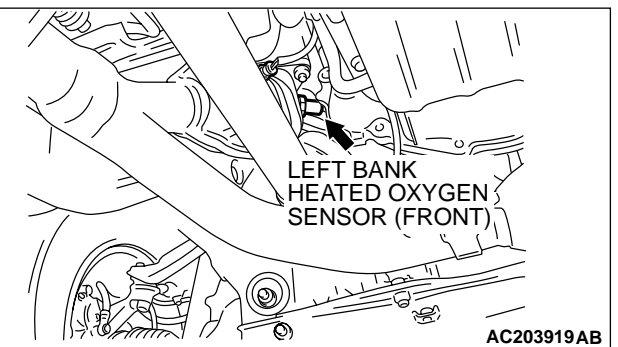
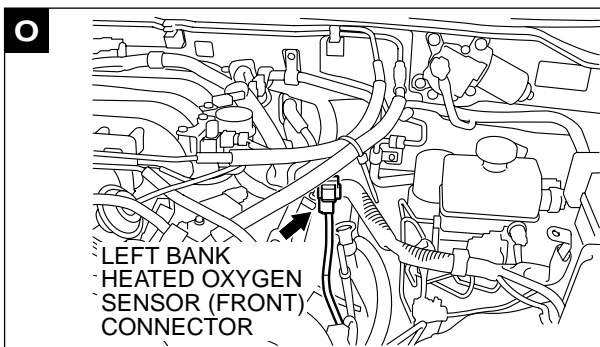
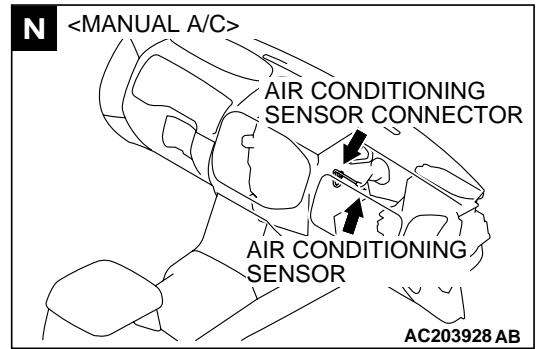
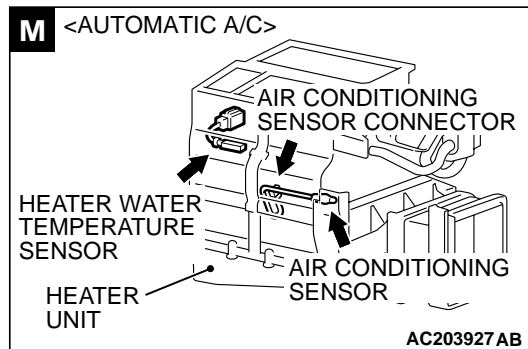
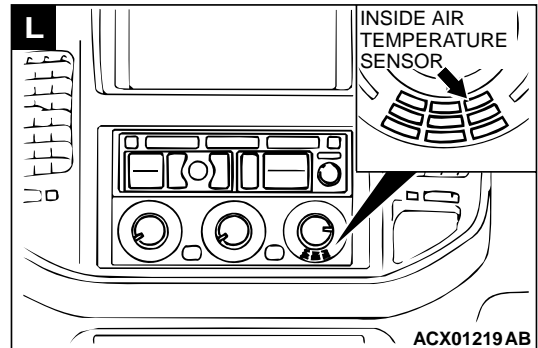
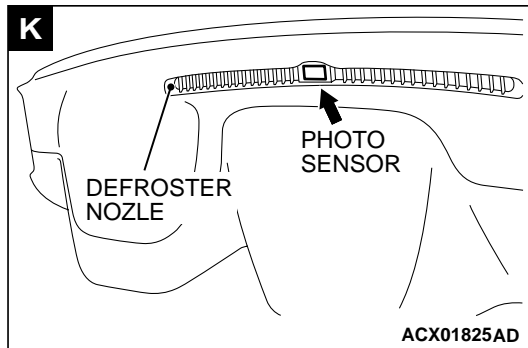
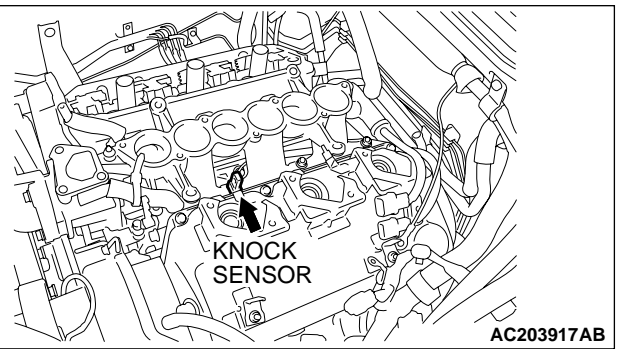
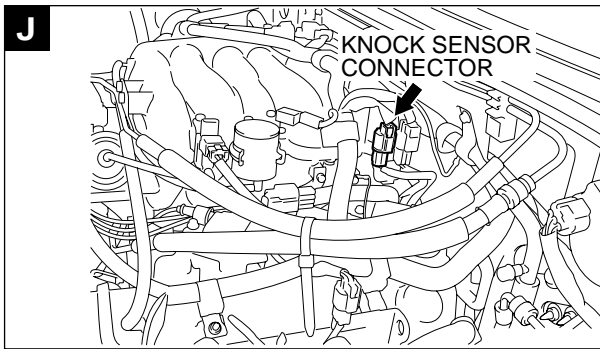
ACX01213AF

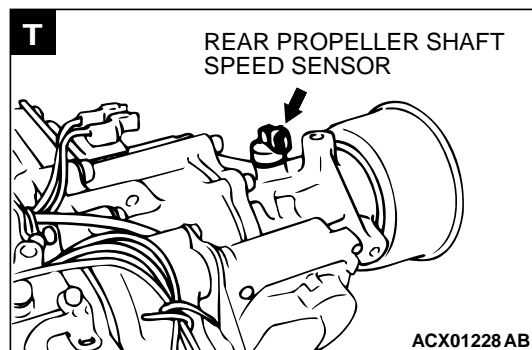
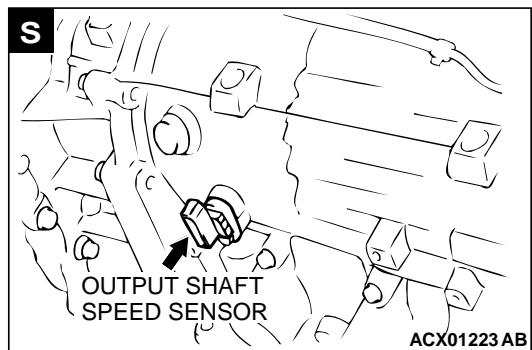
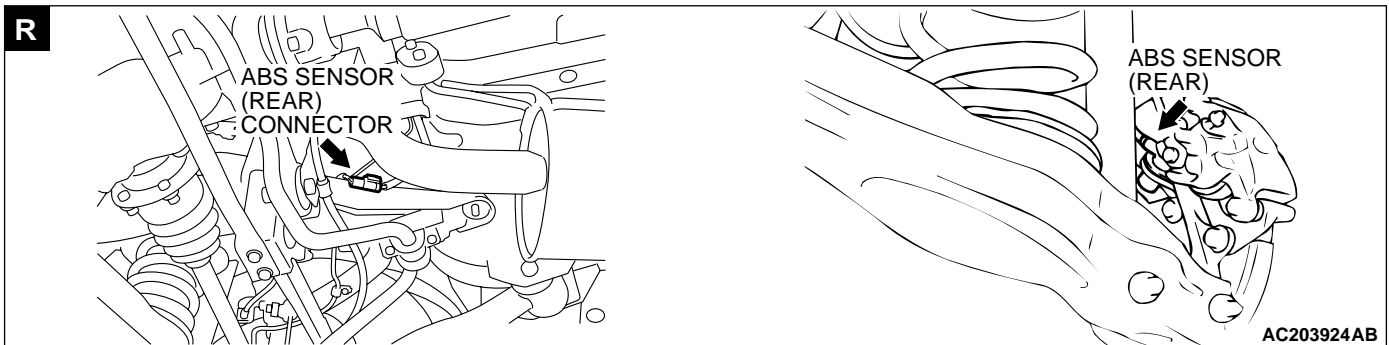
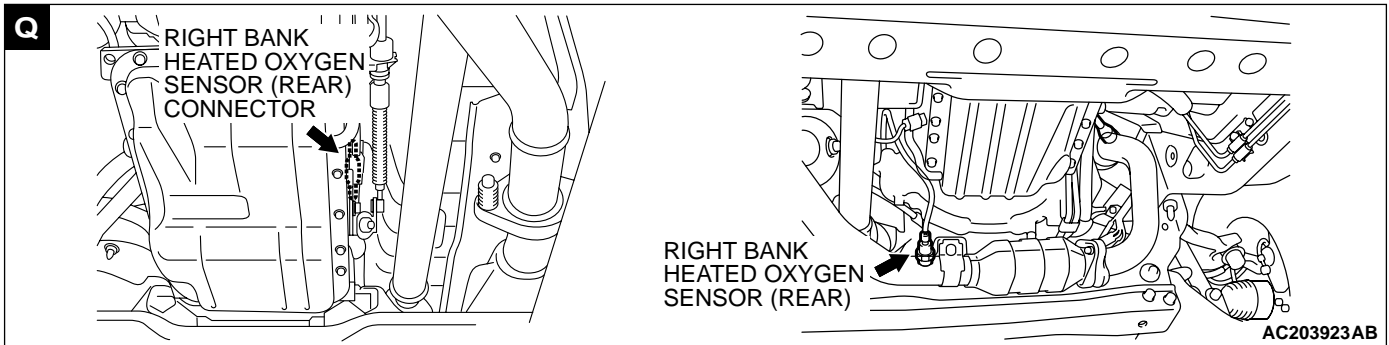
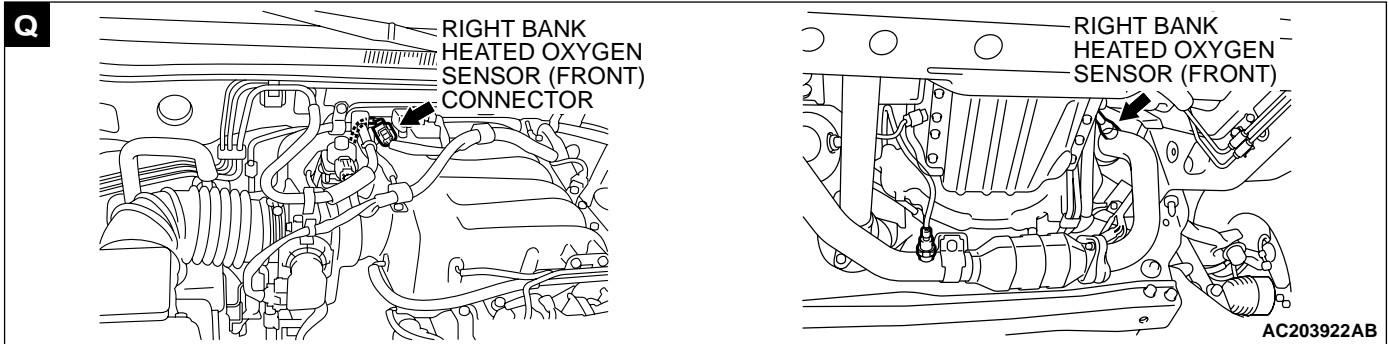
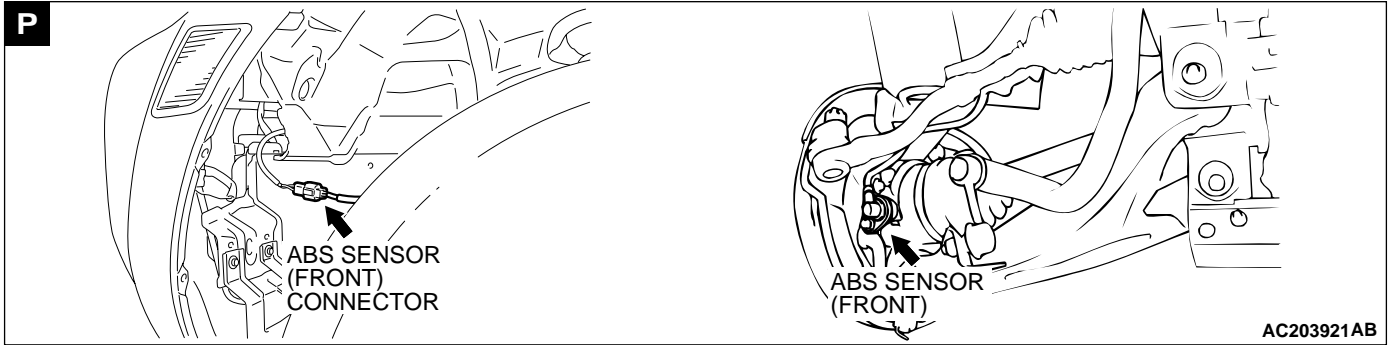
NOTE:

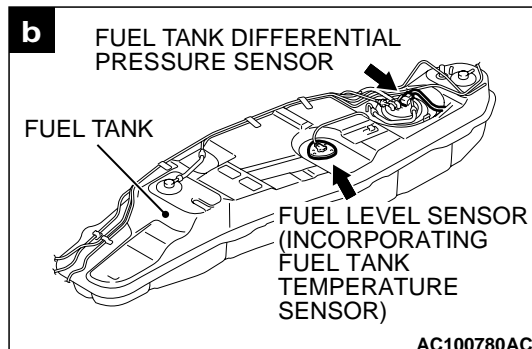
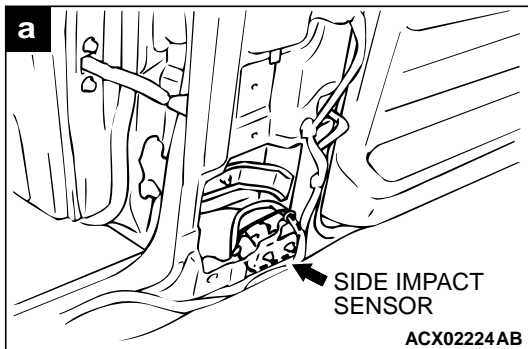
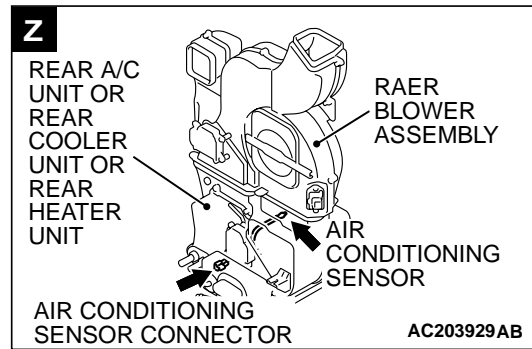
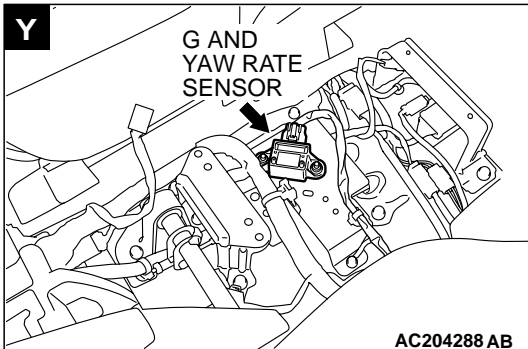
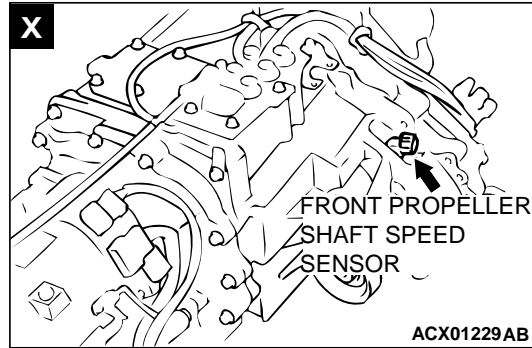
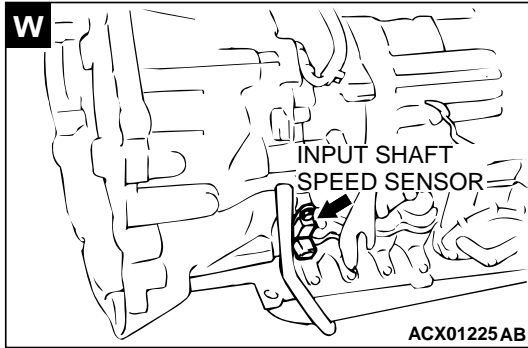
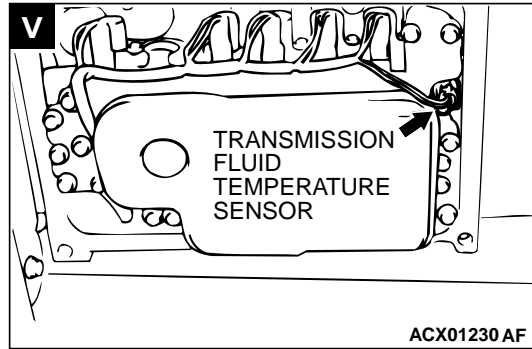
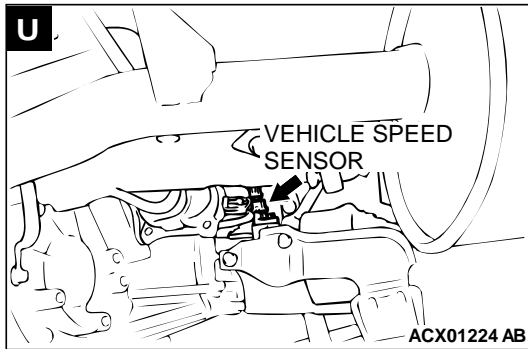
*: equipped at both right and left sides.

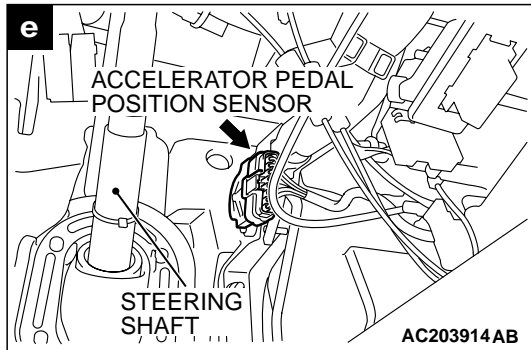
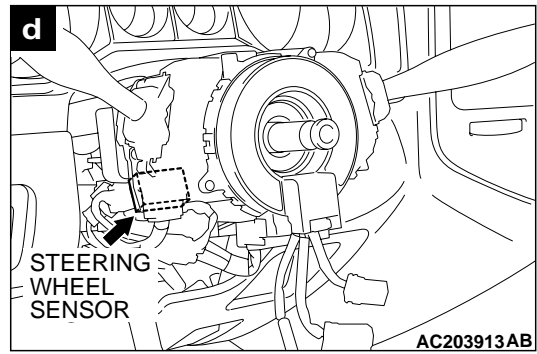
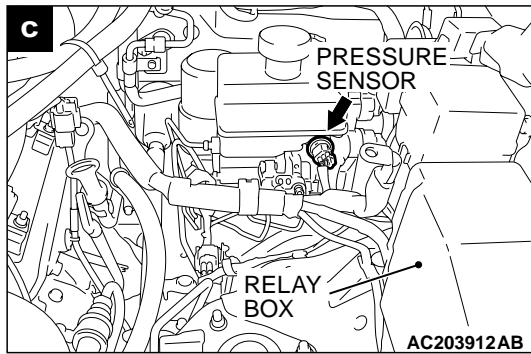








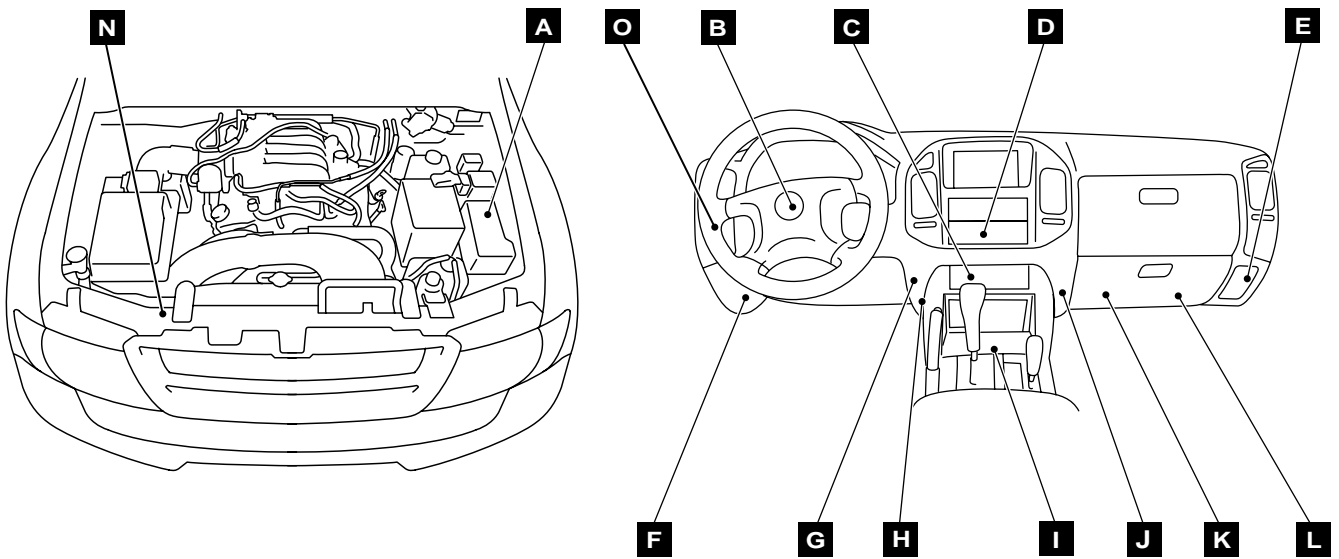




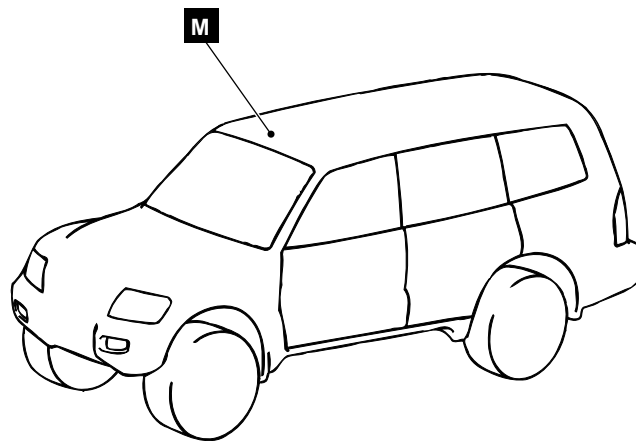
CONTROL UNIT

M1701000700285

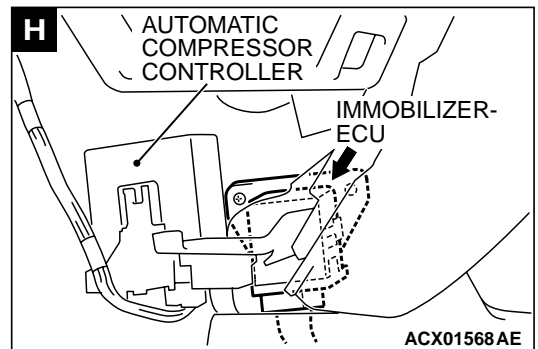
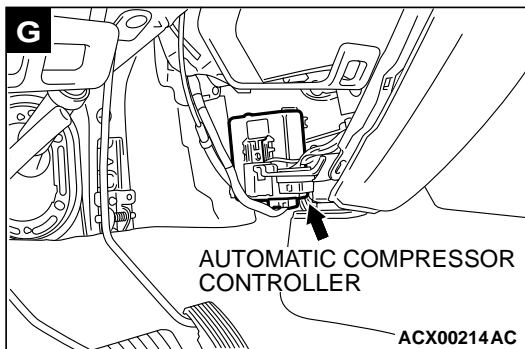
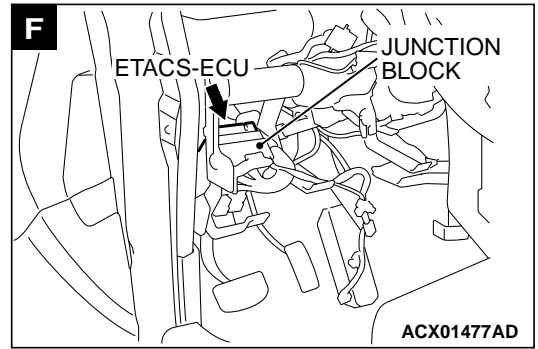
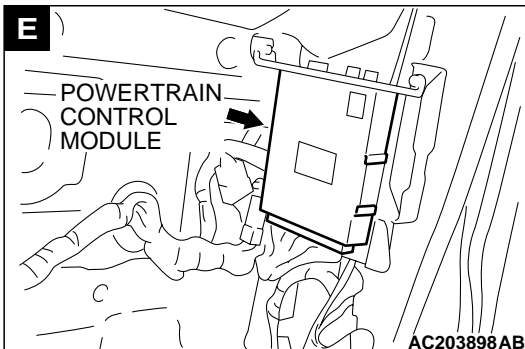
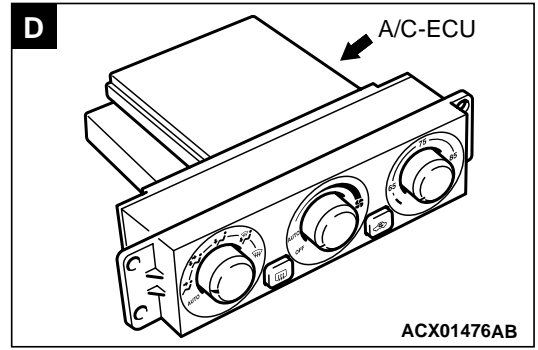
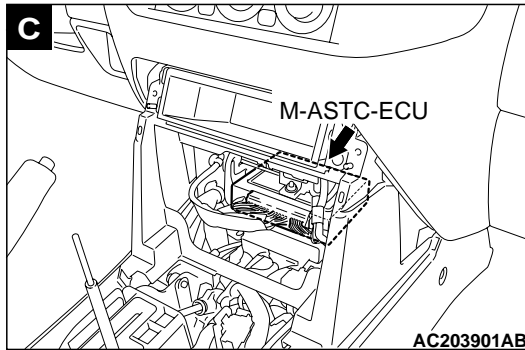
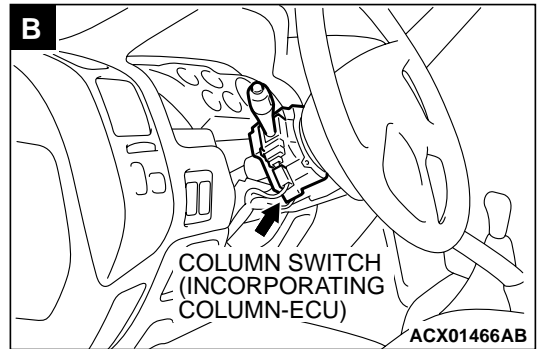
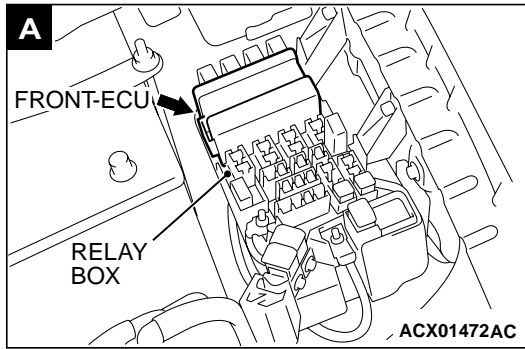
| NAME | SYMBOL | NAME | SYMBOL |
|--|--------|--|--------|
| A/C-ECU | D | Motor antenna-ECU | L |
| ASTC-ECU | C | Powertrain control module | E |
| Automatic compressor controller | G | Rear A/C control unit | J |
| Column switch (Incorporating column-ECU) | B | Rear cooler control unit | J |
| DRL-ECU | N | Rear heater control unit | J |
| ETACS-ECU | F | Side step light-ECU | O |
| Front-ECU | A | SRS-ECU | I |
| Heater blower controller unit | K | Sunroof motor assembly (Incorporating sunroof-ECU) | M |
| Immobilizer-ECU | H | Transfer-ECU | C |

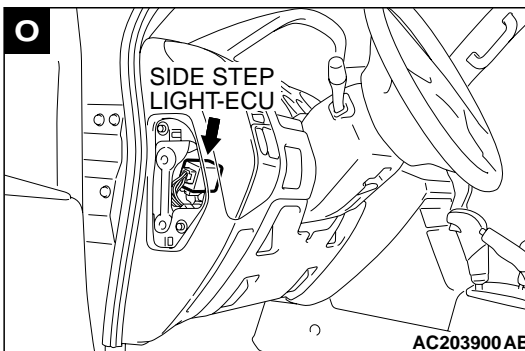
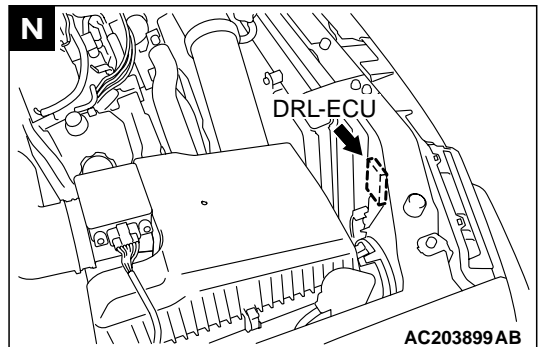
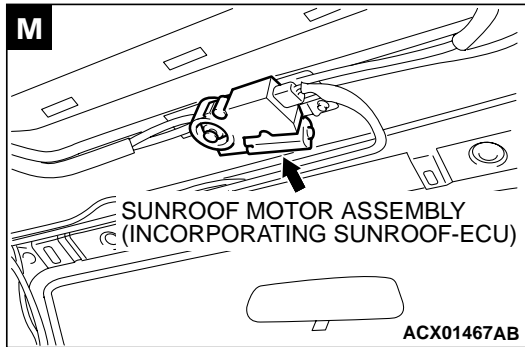
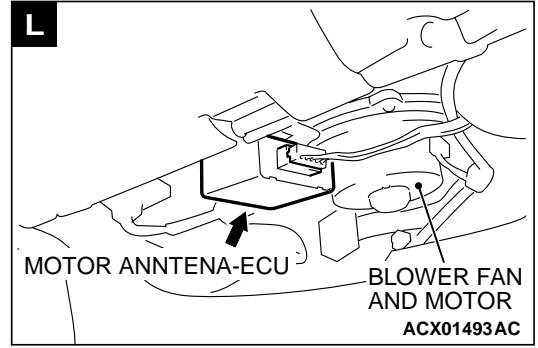
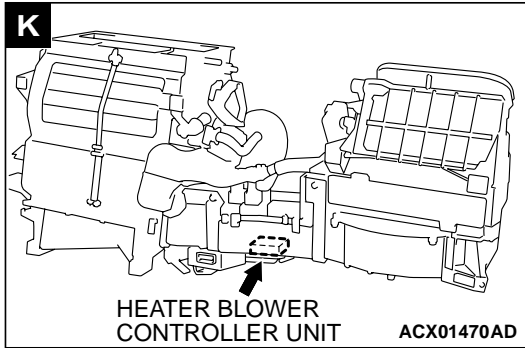
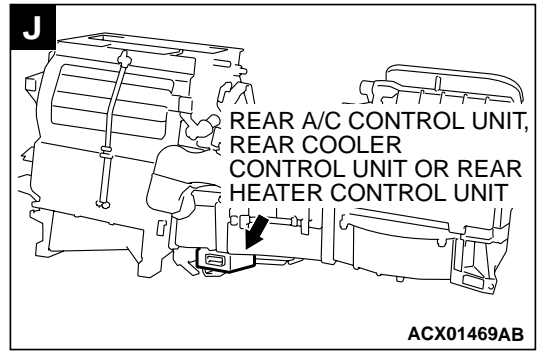
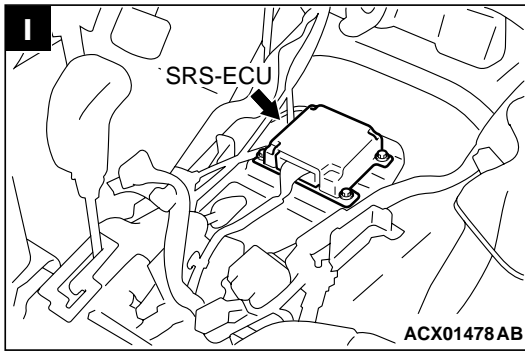


AC203894 AG



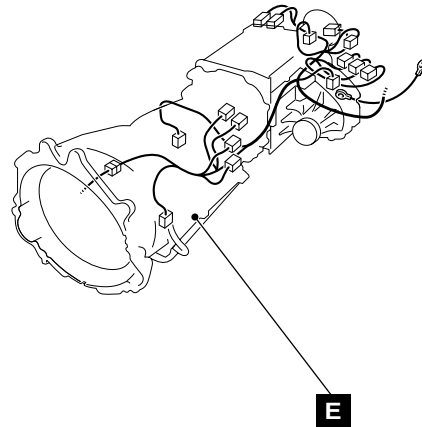
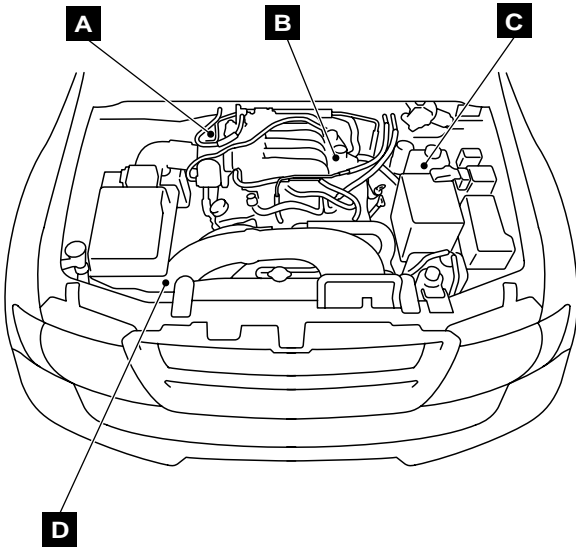
ACX01213 AB



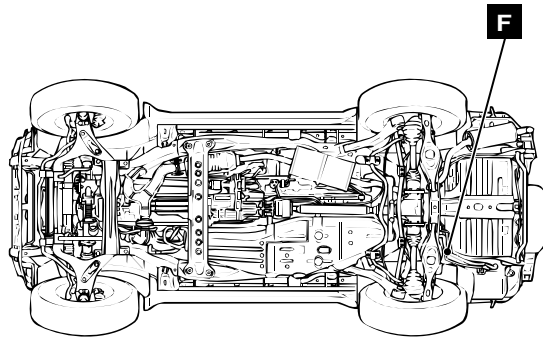


SOLENOID VALVE

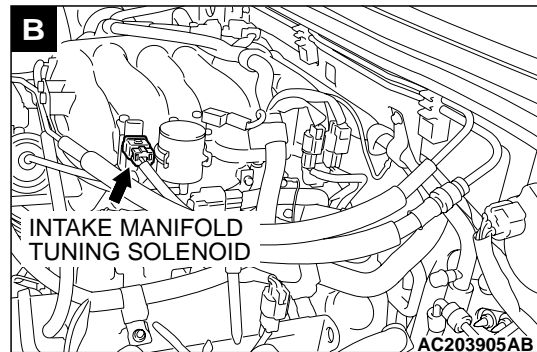
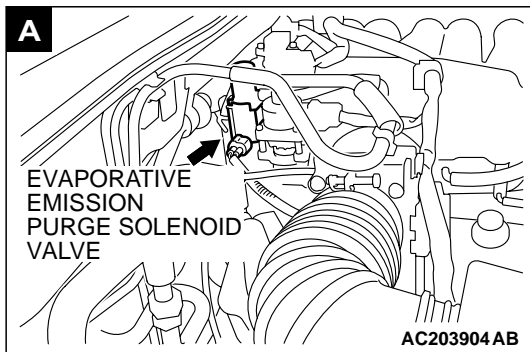
| NAME | SYMBOL | NAME | SYMBOL |
|---|--------|---------------------------------|--------|
| A/T control solenoid valve assembly | E | Hydraulic brake booster (HBB) | C |
| Evaporative emission purge solenoid valve | A | Intake manifold tuning solenoid | B |
| | | Solenoid valve A | D |
| Evaporative emission ventilation solenoid valve | F | Solenoid valve B | D |

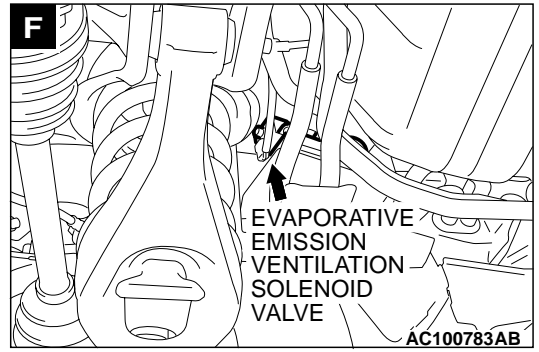
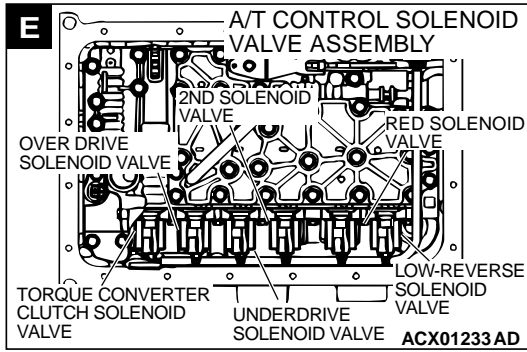
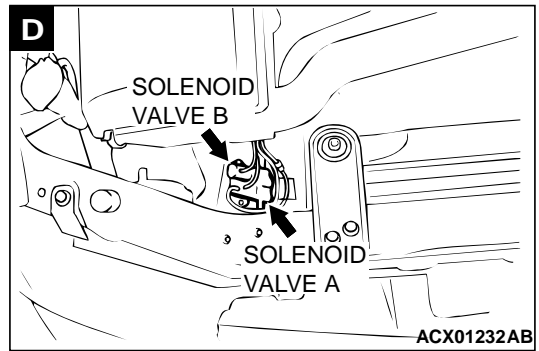
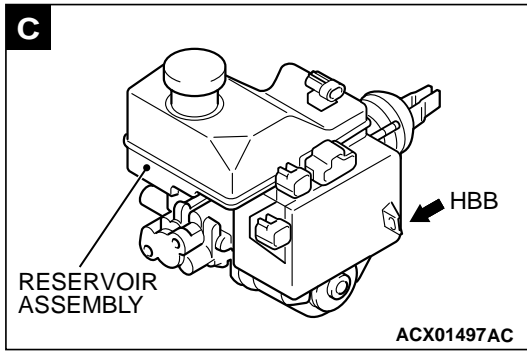


AC203902AB



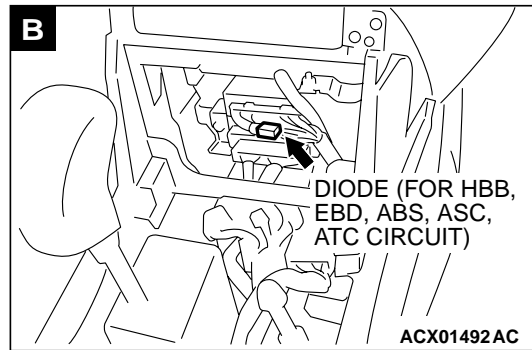
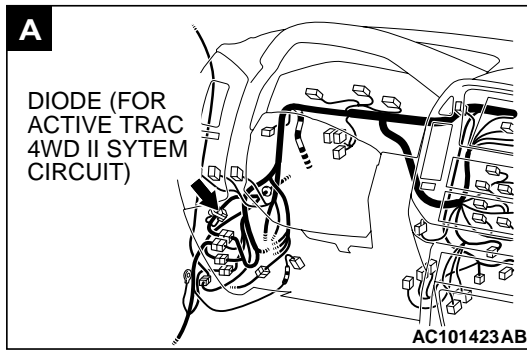
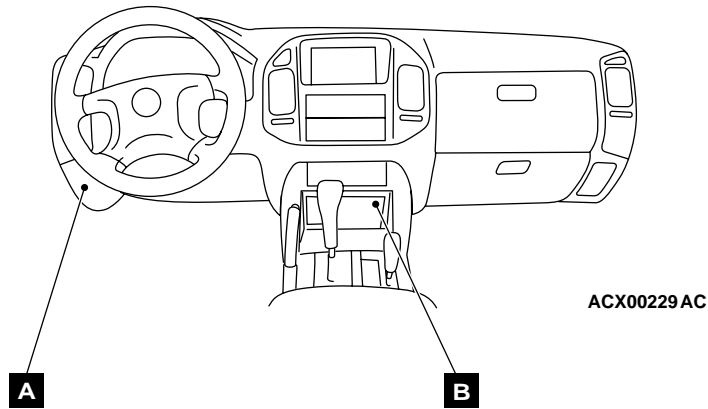
AC101952AC





DIODE

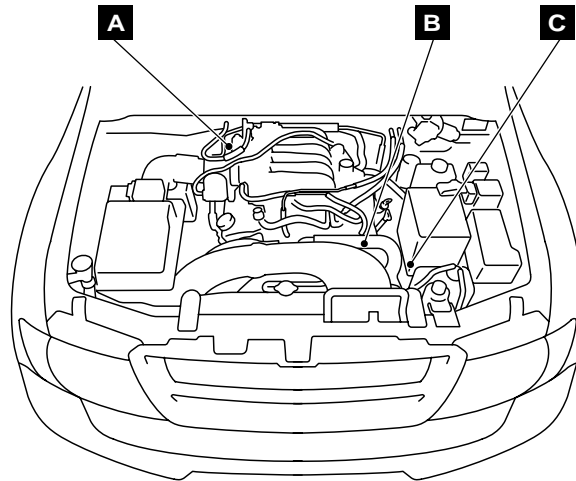
| NAME | SYMBOL | NAME | SYMBOL |
|---|--------|---|--------|
| Diode (for active trac 4WD II system circuit) | A | Diode (for HBB, EBD, ABS, ASC, ATC circuit) | B |



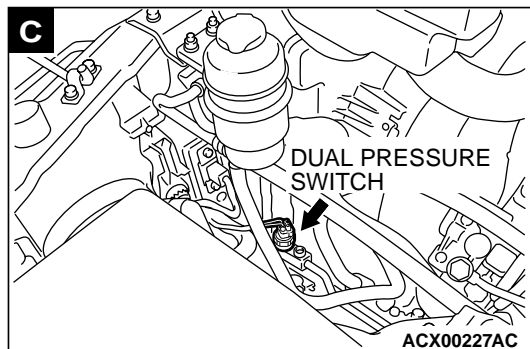
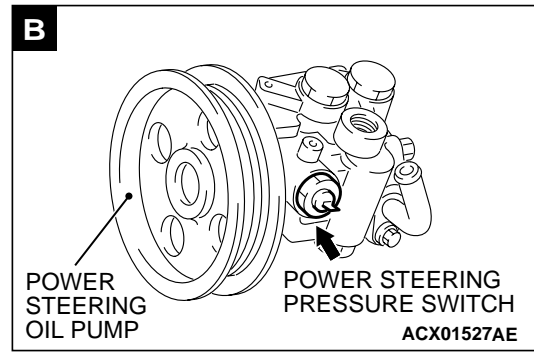
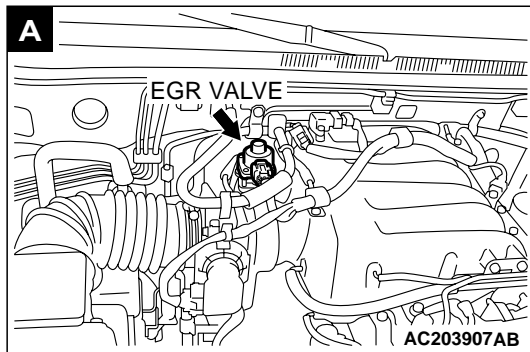
OTHER DEVICES

M1701005600250

| NAME | SYMBOL | NAME | SYMBOL |
|----------------------|--------|--------------------------------|--------|
| Dual pressure switch | C | Power steering pressure switch | B |
| EGR valve | A | | |



AC203906AB



NOTES