
GROUP 80B**SPLICE LOCATIONS****CONTENTS**

HOW TO READ SPLICE LOCATIONS	80B-2	FLOOR CONSOLE.....	80B-10
INDEX.....	80B-3	FRONT FLOOR AND ROOF	80B-11
ENGINE COMPARTMENT.....	80B-5	REAR FLOOR AND UNDER FLOOR.	80B-12
ENGINE	80B-5	DOOR	80B-13
DASH PANEL	80B-6	BACK DOOR	80B-13

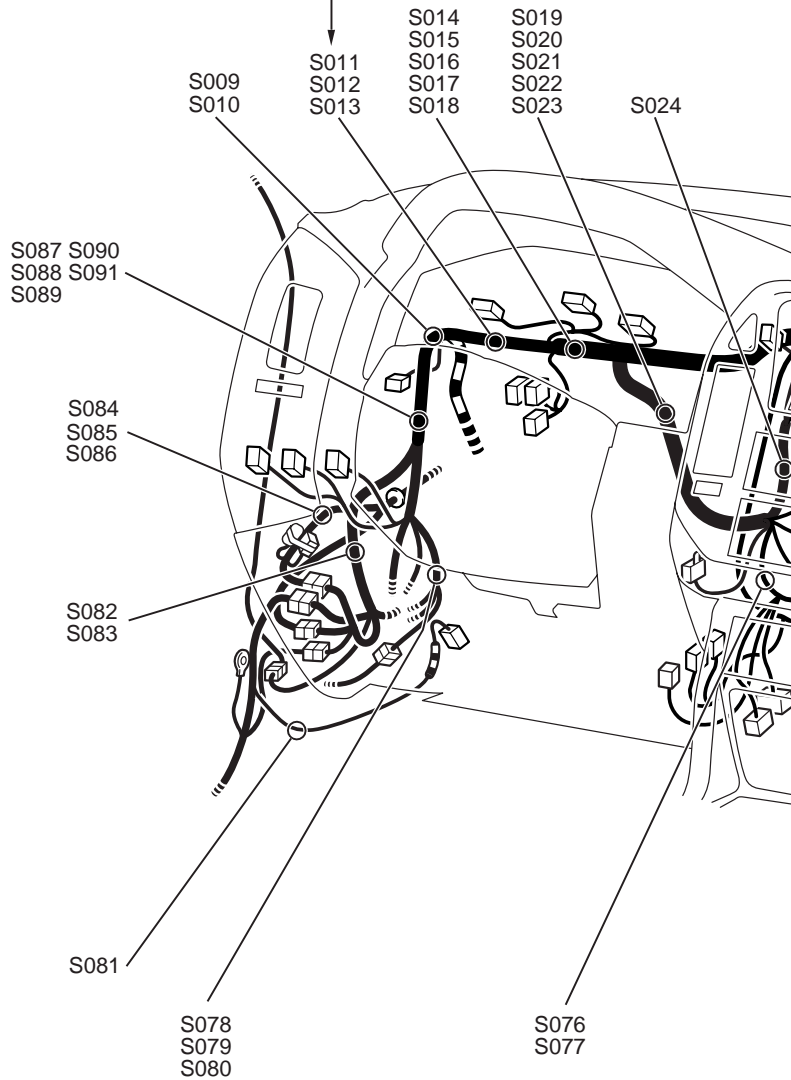
HOW TO READ SPLICE LOCATIONS

"Splice locations" describes splice points of each wiring harness on an actual vehicle. Some variations are included in one splice location. Accordingly, some locations may not be applicable for individual vehicles.

Indicates a splice point number.
The splice point numbers are identical to those in "CIRCUIT DIAGRAMS," making them easy to use.
In addition, the splice point numbers are usually numbered clockwise.

Example: S 013

- Sequential number
- Prefix meaning splice point



INDEX

M1802000901118

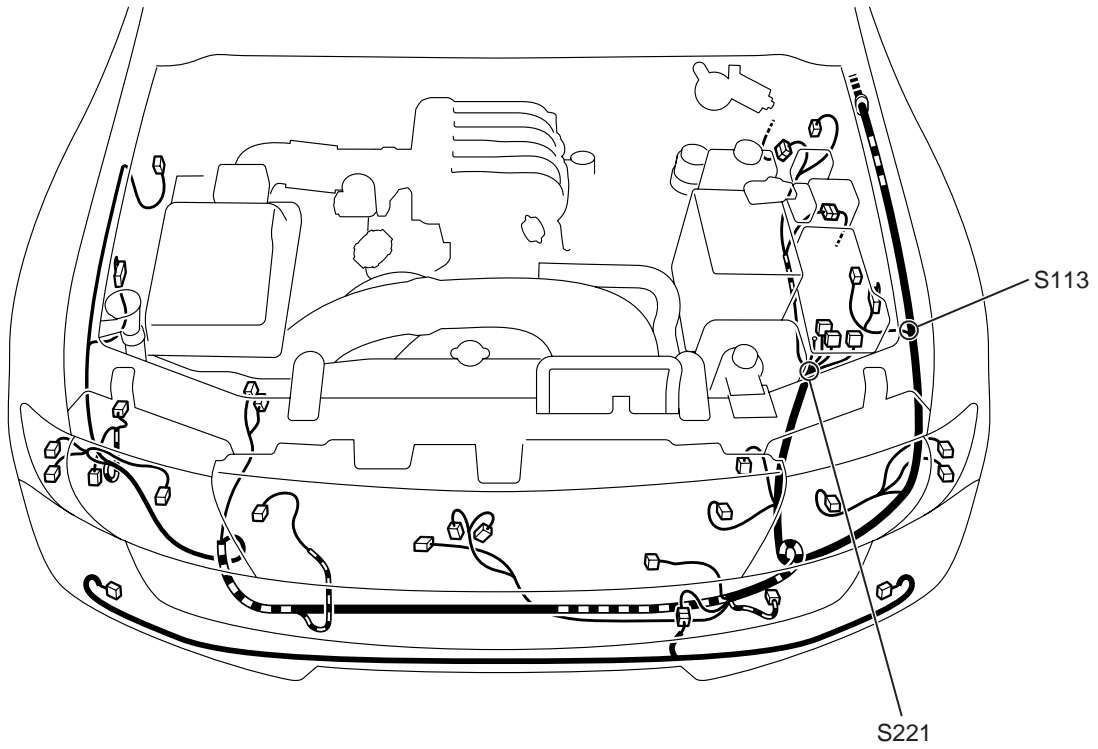
This index shows the page numbers where the splice locations are.

SPLICE LOCATION NO.	PAGE	SPLICE LOCATION NO.	PAGE	SPLICE LOCATION NO.	PAGE	SPLICE LOCATION NO.	PAGE
S007	P.80B-6	S072	P.80B-6	S129	P.80B-6	S177	P.80B-10
S008	P.80B-5	S073	P.80B-6	S130	P.80B-6	S178	P.80B-10
S009	P.80B-5	S074	P.80B-6	S131	P.80B-10	S179	P.80B-10
S010	P.80B-5	S075	P.80B-6	S132	P.80B-10	S180	P.80B-10
S011	P.80B-5	S076	P.80B-6	S133	P.80B-10	S182	P.80B-10
S012	P.80B-5	S077	P.80B-6	S137	P.80B-10	S183	P.80B-10
S013	P.80B-5	S078	P.80B-6	S138	P.80B-10	S184	P.80B-11
S015	P.80B-5	S079	P.80B-6	S139	P.80B-10	S185	P.80B-11
S016	P.80B-5	S080	P.80B-6	S140	P.80B-10	S186	P.80B-11
S018	P.80B-6	S081	P.80B-6	S144	P.80B-10	S189	P.80B-11
S019	P.80B-6	S082	P.80B-6	S145	P.80B-10	S190	P.80B-12
S022	P.80B-6	S085	P.80B-6	S146	P.80B-10	S191	P.80B-12
S024	P.80B-6	S086	P.80B-6	S147	P.80B-10	S192	P.80B-12
S025	P.80B-6	S087	P.80B-6	S148	P.80B-10	S193	P.80B-12
S027	P.80B-6	S089	P.80B-6	S149	P.80B-10	S194	P.80B-12
S035	P.80B-6	S090	P.80B-6	S150	P.80B-10	S196	P.80B-12
S036	P.80B-6	S091	P.80B-6	S151	P.80B-10	S197	P.80B-12
S041	P.80B-6	S094	P.80B-6	S154	P.80B-10	S198	P.80B-13
S042	P.80B-6	S097	P.80B-6	S159	P.80B-10	S199	P.80B-13
S043	P.80B-6	S101	P.80B-6	S164	P.80B-10	S200	P.80B-13
S045	P.80B-6	S105	P.80B-6	S165	P.80B-10	S201	P.80B-13
S051	P.80B-6	S106	P.80B-6	S166	P.80B-10	S203	P.80B-13
S052	P.80B-6	S108	P.80B-6	S168	P.80B-10	S204	P.80B-13
S056	P.80B-6	S109	P.80B-6	S169	P.80B-10	S205	P.80B-13
S058	P.80B-6	S112	P.80B-6	S170	P.80B-10	S206	P.80B-13
S061	P.80B-6	S113	P.80B-6	S171	P.80B-10	S207	P.80B-13
S062	P.80B-6	S115	P.80B-6	S172	P.80B-10	S208	P.80B-13
S063	P.80B-6	S118	P.80B-6	S173	P.80B-10	S209	P.80B-13
S064	P.80B-6	S119	P.80B-6	S174	P.80B-10	S210	P.80B-11
S065	P.80B-6	S121	P.80B-6	S175	P.80B-10	S211	P.80B-11
S067	P.80B-6	S126	P.80B-6	S176	P.80B-10	S213	P.80B-11

SPLICE LOCATION NO.	PAGE	SPLICE LOCATION NO.	PAGE	SPLICE LOCATION NO.	PAGE	SPLICE LOCATION NO.	PAGE
S214	P.80B-11	S261	P.80B-6	S288	P.80B-11	S324	P.80B-6
S215	P.80B-11	S262	P.80B-6	S289	P.80B-11	S326	P.80B-6
S217	P.80B-6	S263	P.80B-6	S290	P.80B-12	S330	P.80B-6
S221	P.80B-5	S264	P.80B-6	S291	P.80B-12	S331	P.80B-6
S228	P.80B-6	S267	P.80B-6	S292	P.80B-12	S332	P.80B-6
S229	P.80B-6	S268	P.80B-6	S294	P.80B-11	S333	P.80B-6
S230	P.80B-6	S269	P.80B-6	S295	P.80B-11	S334	P.80B-6
S231	P.80B-6	S272	P.80B-10	S298	P.80B-6	S335	P.80B-6
S234	P.80B-6	S273	P.80B-10	S300	P.80B-6	S336	P.80B-6
S235	P.80B-6	S274	P.80B-10	S304	P.80B-6	S337	P.80B-6
S236	P.80B-6	S275	P.80B-10	S305	P.80B-6	S338	P.80B-6
S238	P.80B-6	S276	P.80B-11	S307	P.80B-6	S339	P.80B-6
S240	P.80B-6	S277	P.80B-11	S308	P.80B-6	S340	P.80B-6
S241	P.80B-6	S278	P.80B-11	S309	P.80B-6	S342	P.80B-10
S243	P.80B-6	S279	P.80B-11	S310	P.80B-6	S343	P.80B-10
S244	P.80B-6	S280	P.80B-11	S311	P.80B-6	S348	P.80B-6
S248	P.80B-6	S281	P.80B-11	S312	P.80B-6	S349	P.80B-6
S249	P.80B-6	S282	P.80B-11	S313	P.80B-6	S351	P.80B-6
S256	P.80B-6	S283	P.80B-11	S314	P.80B-6	S352	P.80B-6
S257	P.80B-6	S284	P.80B-11	S315	P.80B-6	S357	P.80B-6
S258	P.80B-6	S285	P.80B-11	S321	P.80B-6	S358	P.80B-6
S259	P.80B-6	S286	P.80B-11	S322	P.80B-6	S359	P.80B-6
S260	P.80B-6	S287	P.80B-11	S323	P.80B-6	S360	P.80B-6

ENGINE COMPARTMENT

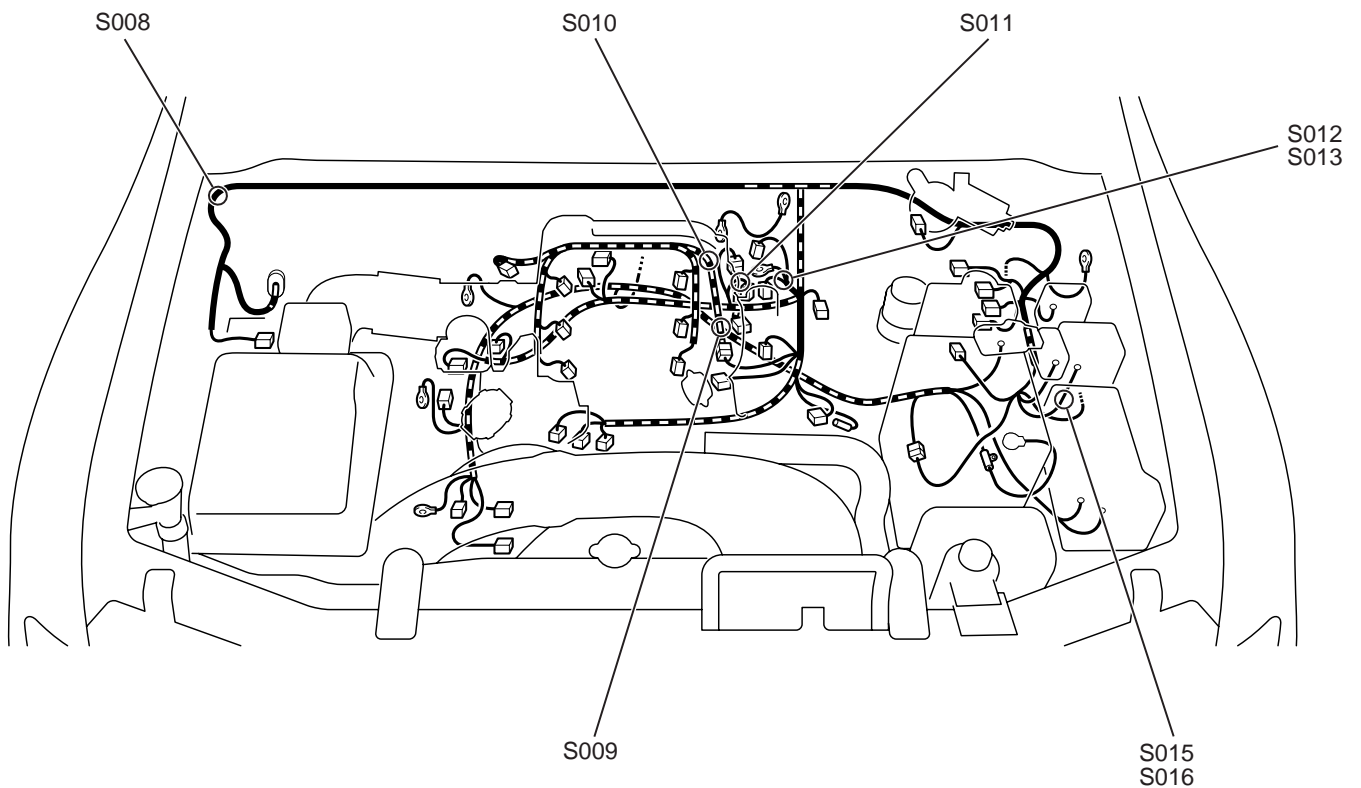
M1802000200707



AC303845AB

ENGINE

M1802001600128

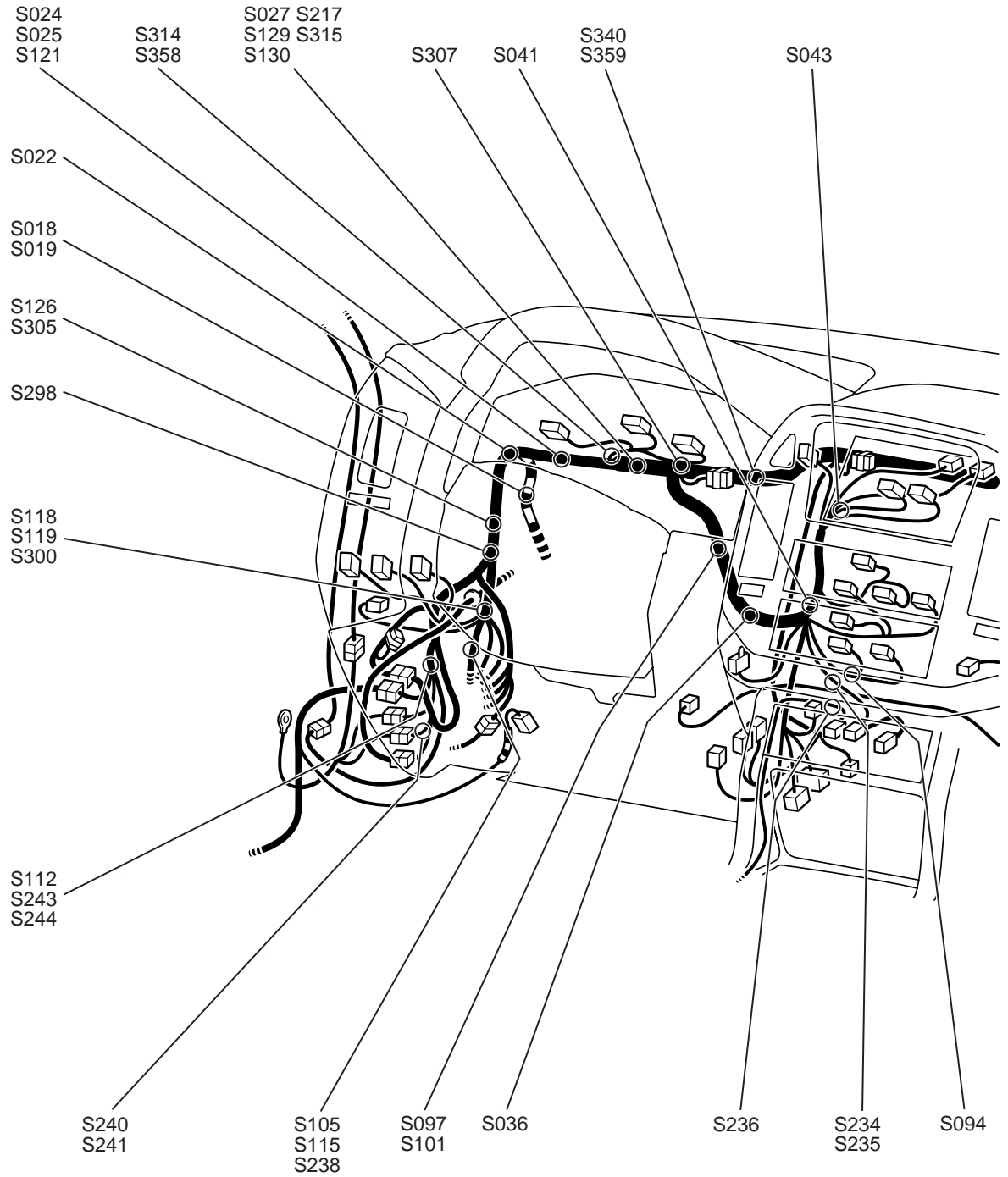


AC500831AB

TSB Revision

DASH PANEL

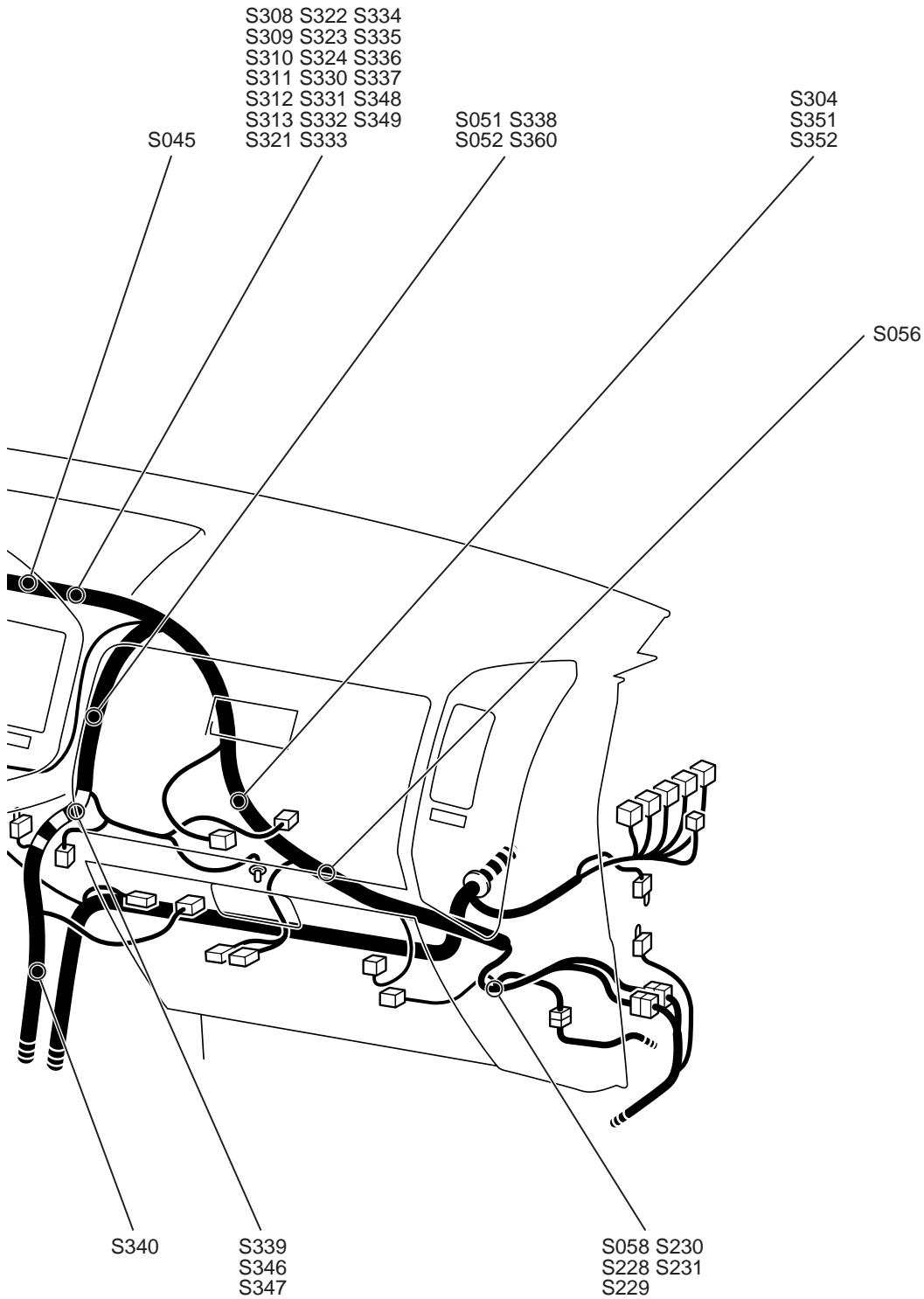
M1802000300964



AC500833AB

SPLICE LOCATIONS
DASH PANEL

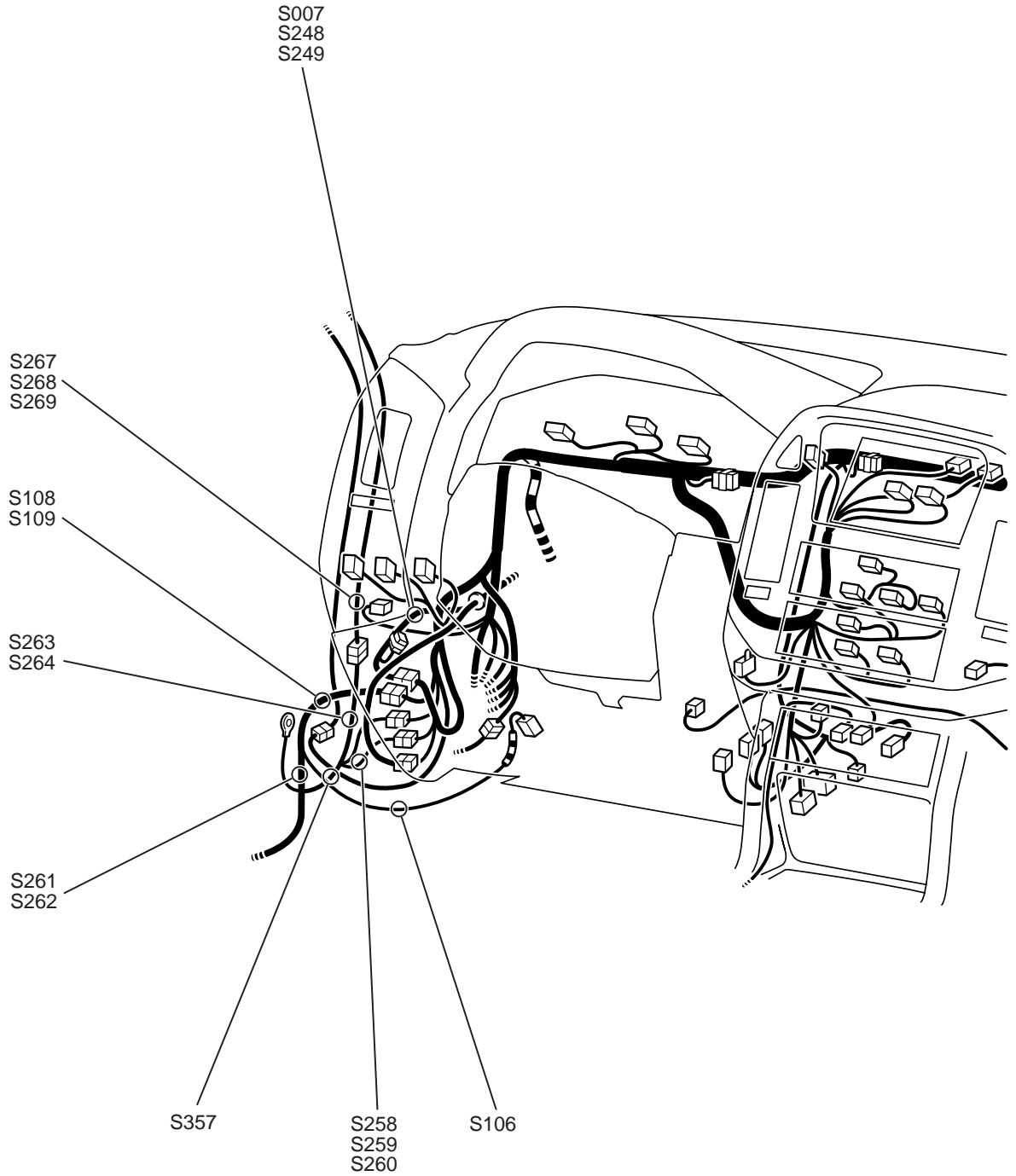
80B-7

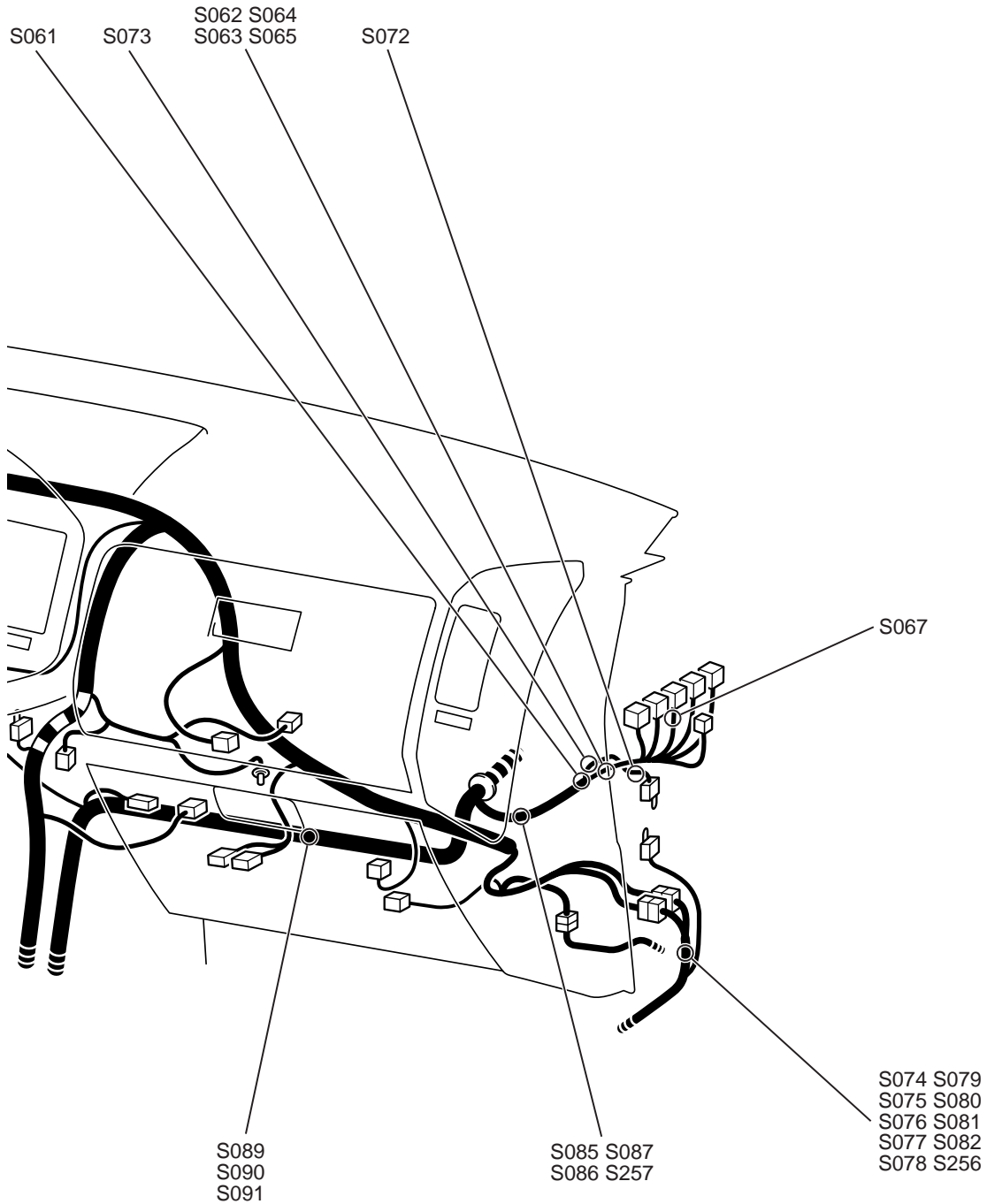


AC500834AB

TSB Revision

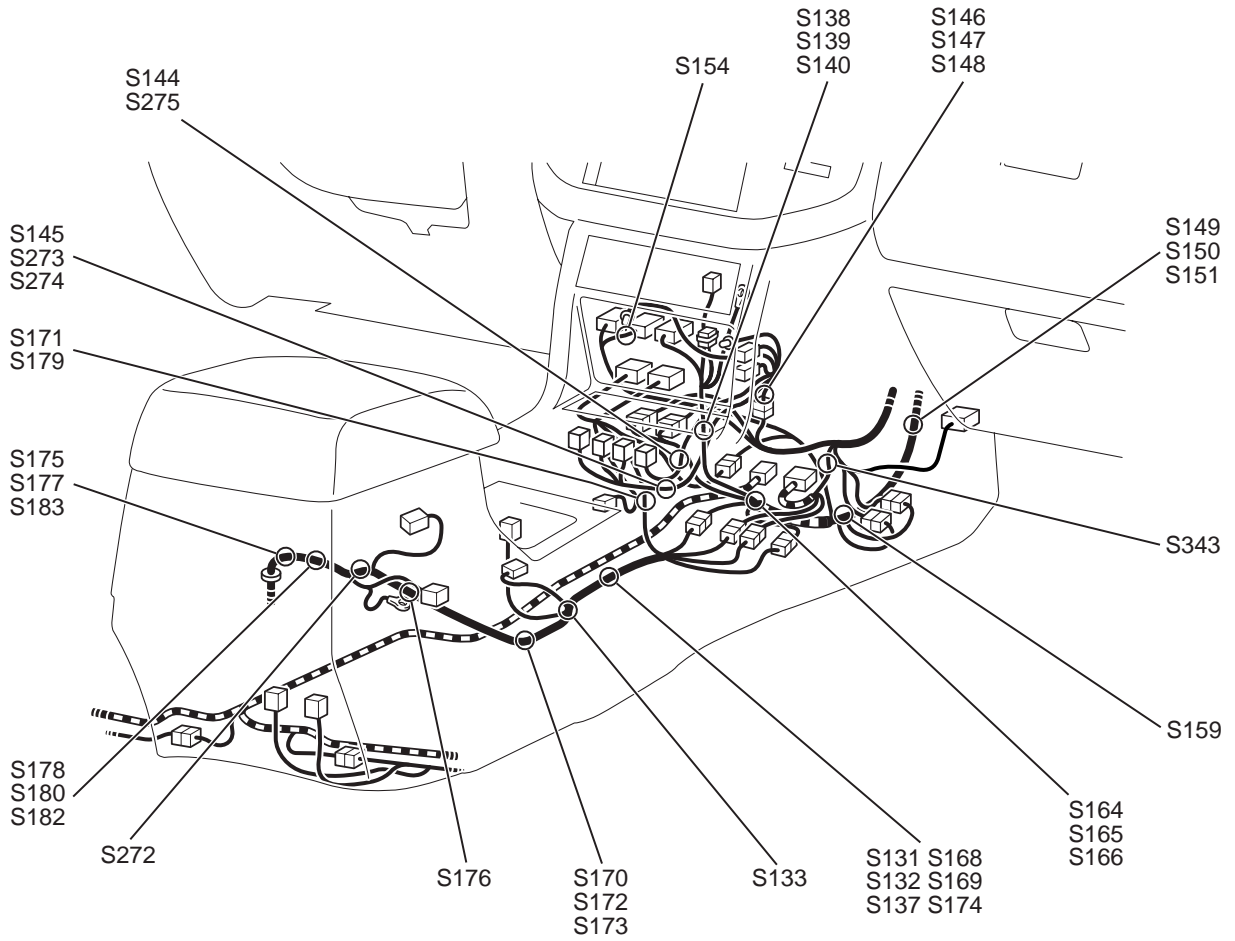
DASH PANEL (CONTINUED)





FLOOR CONSOLE

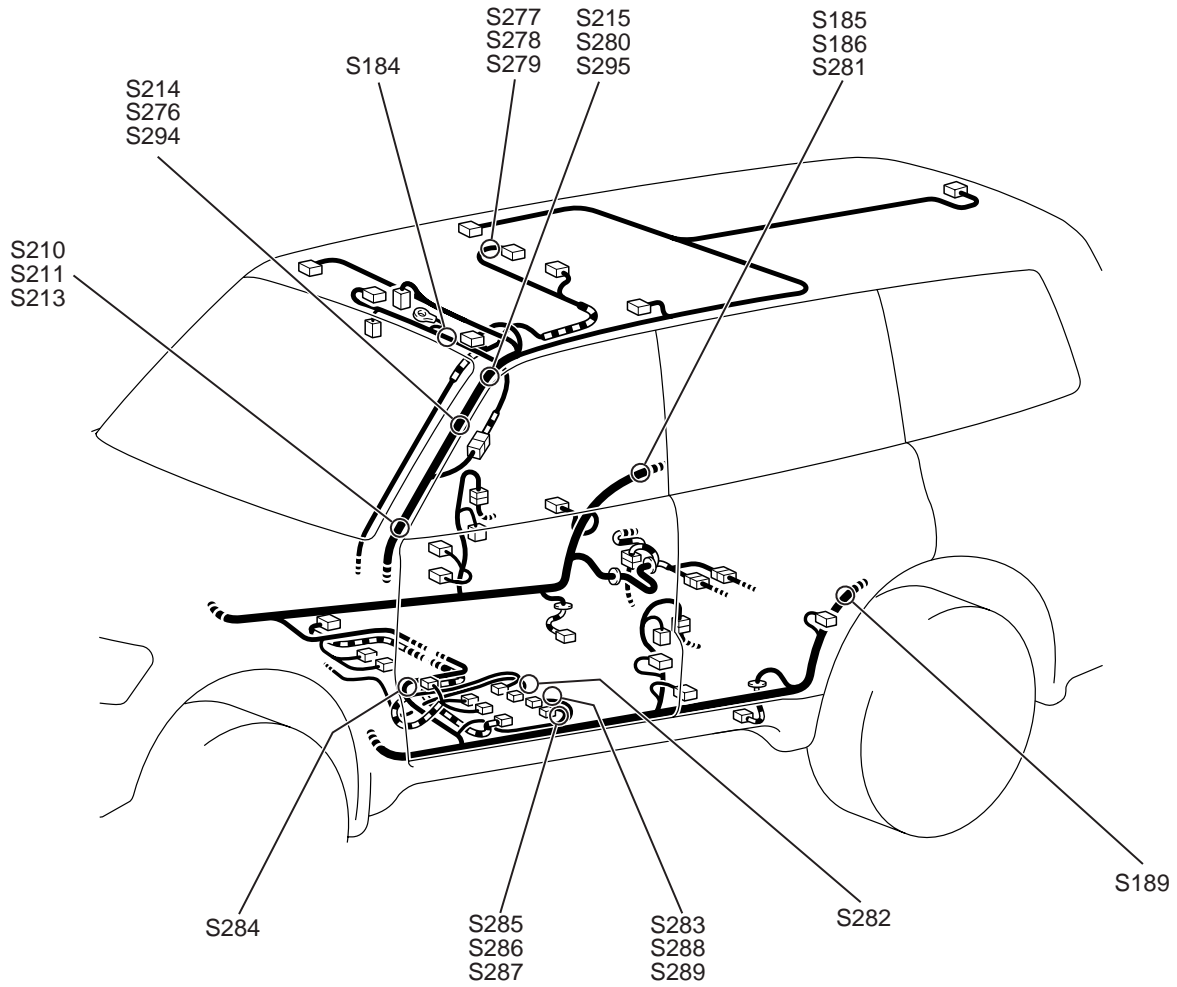
M1802001700147



AC500832AB

FRONT FLOOR AND ROOF

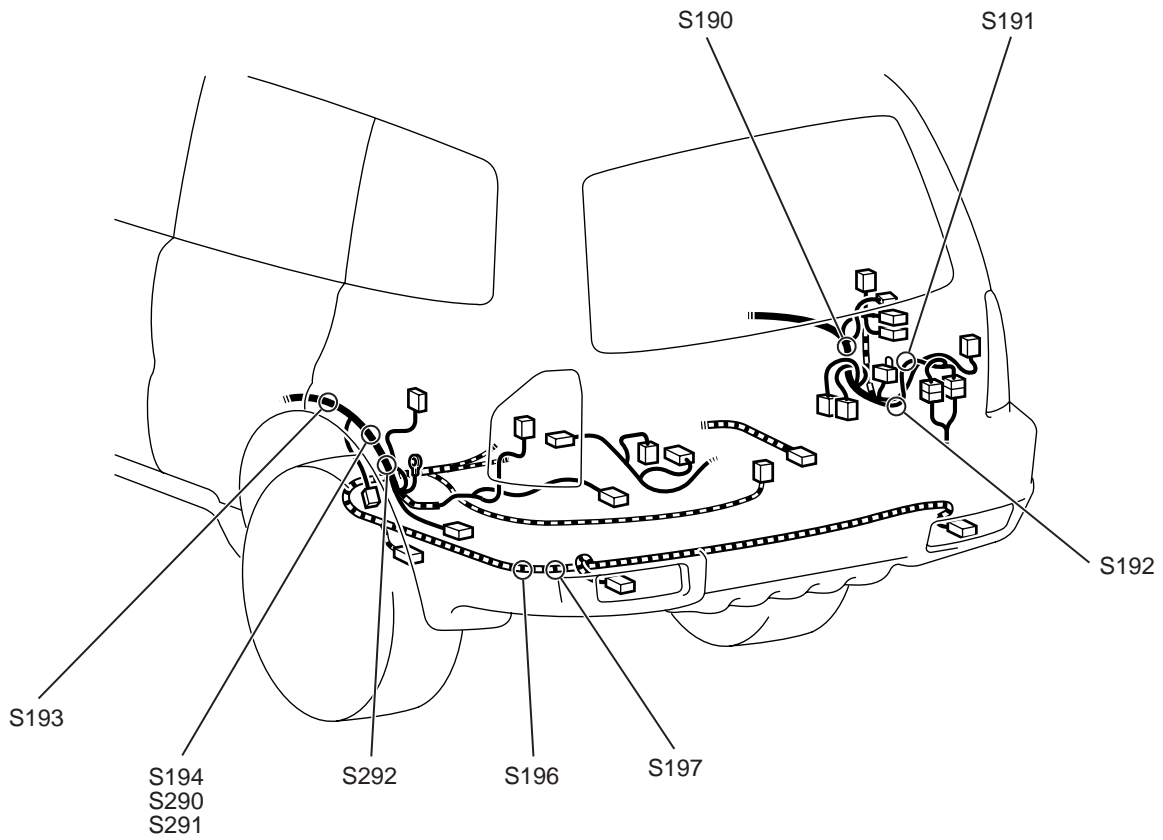
M1802001800092



AC303849AC

REAR FLOOR AND UNDER FLOOR

M1802001900099

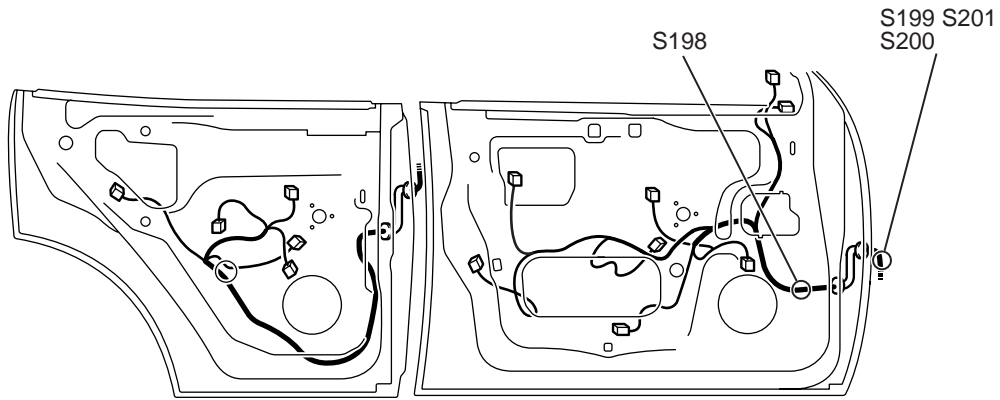


AC303850AC

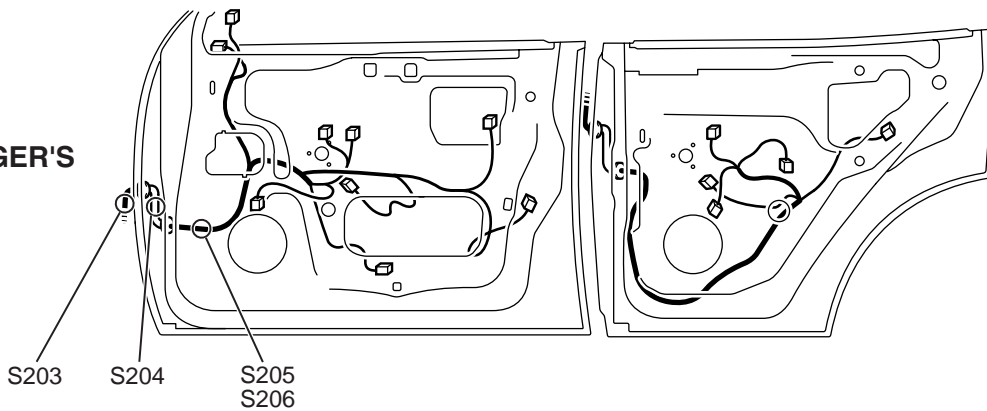
DOOR

M180200800602

DRIVER'S
SIDE



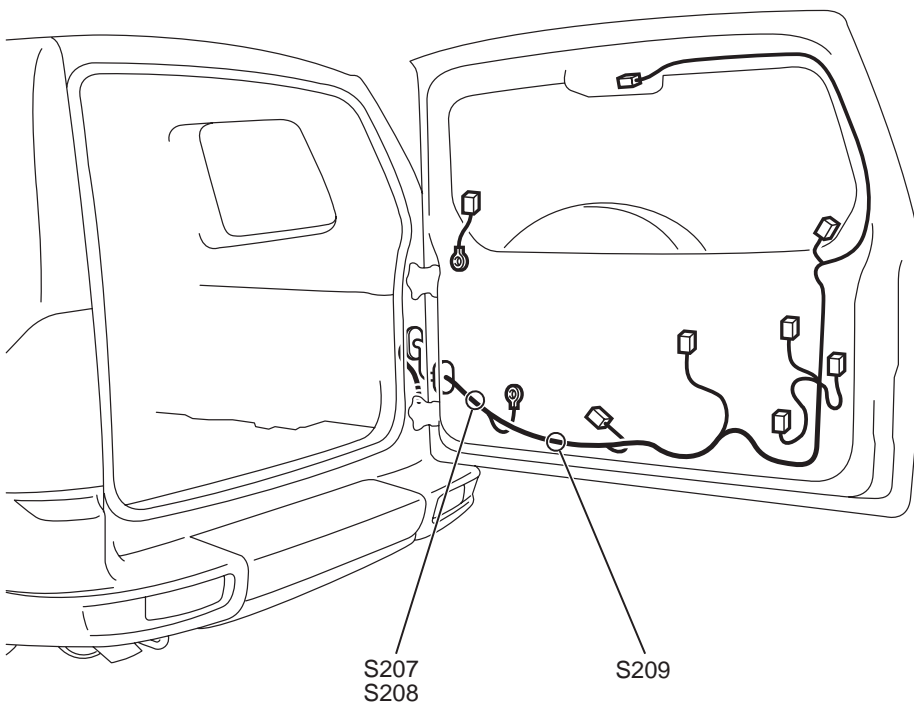
PASSENGER'S
SIDE



AC400838AB

BACK DOOR

M1802002000099



ACX02164AE

NOTES