
GROUP 70

**COMPONENT
LOCATIONS**

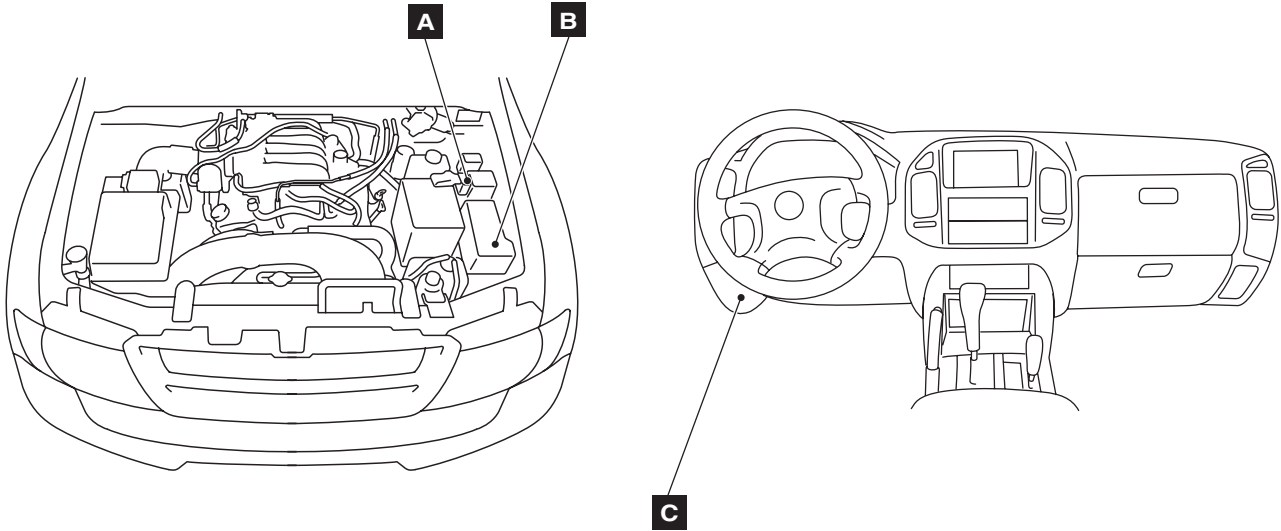
CONTENTS

FUSIBLE LINK AND FUSE	70-2	SENSOR	70-10
INSPECTION TERMINAL	70-3	DIODE	70-17
GROUNDING	70-4	CONTROL UNIT	70-18
GROUNDING CABLE	70-7	OTHER DEVICES	70-21
RELAY	70-8	SOLENOID VALVE	70-22

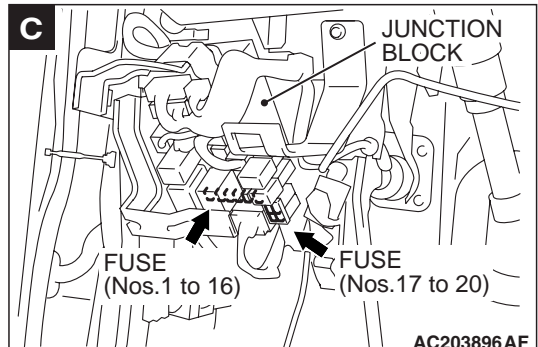
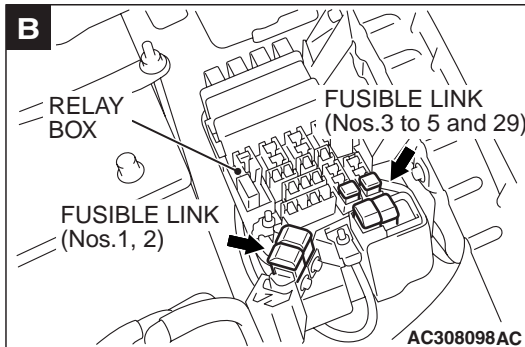
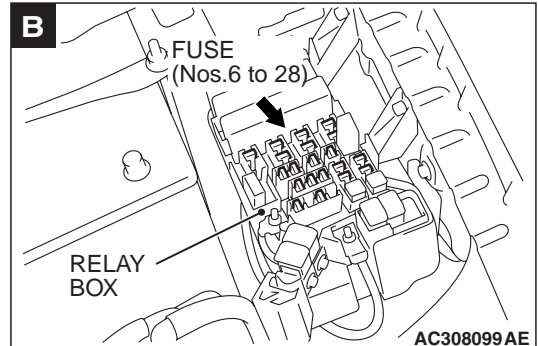
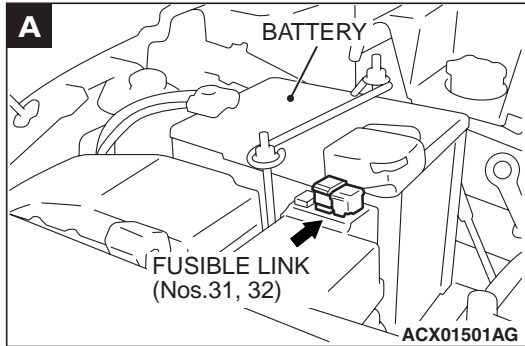
FUSIBLE LINK AND FUSE

M1701000100722

NAME	SYMBOL	NAME	SYMBOL
Fuse Nos.1 to 20 (Passenger compartment)	C	Fusible link Nos.1 to 5 and 29 (Engine compartment)	B
Fuse Nos.6 to 28 (Engine compartment)	B	Fusible link Nos.31, 32 (Battery positive terminal)	A



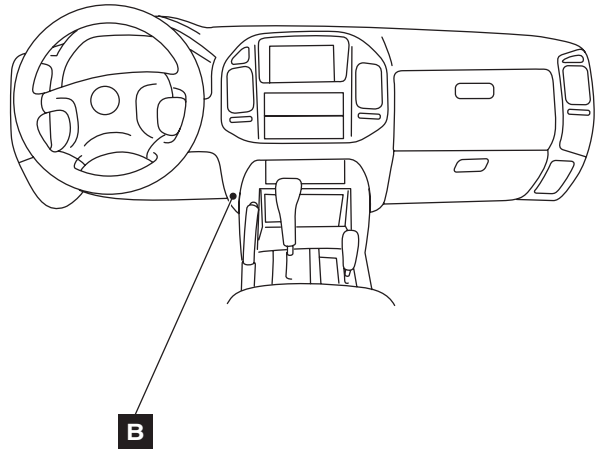
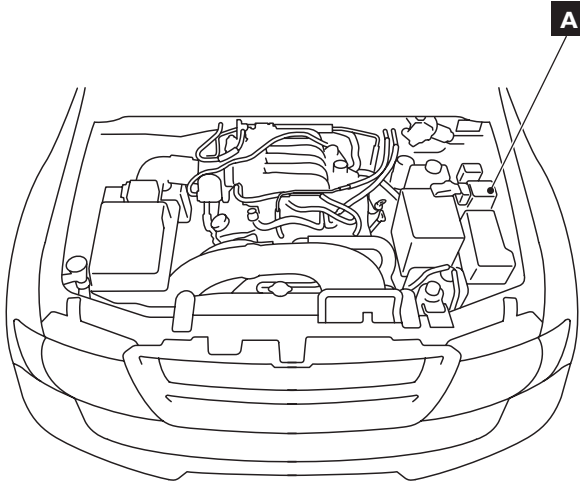
AC203894 AB



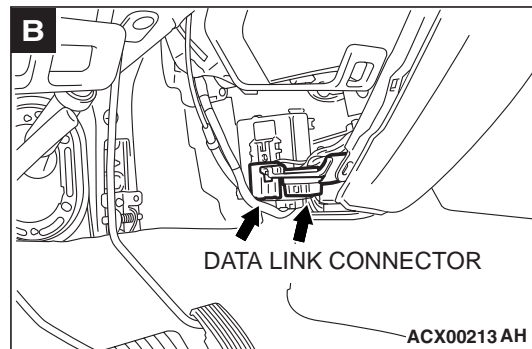
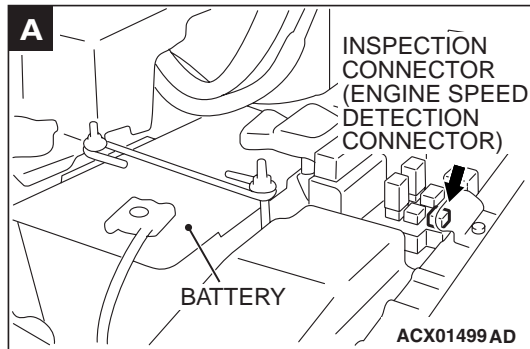
INSPECTION TERMINAL

M1701000200291

NAME	SYMBOL	NAME	SYMBOL
Data link connector	B	Inspection connector (Engine speed detection connector)	A

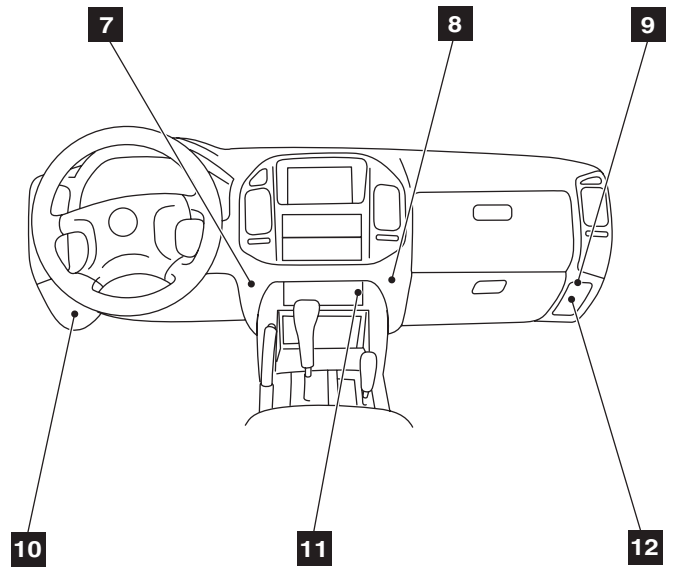
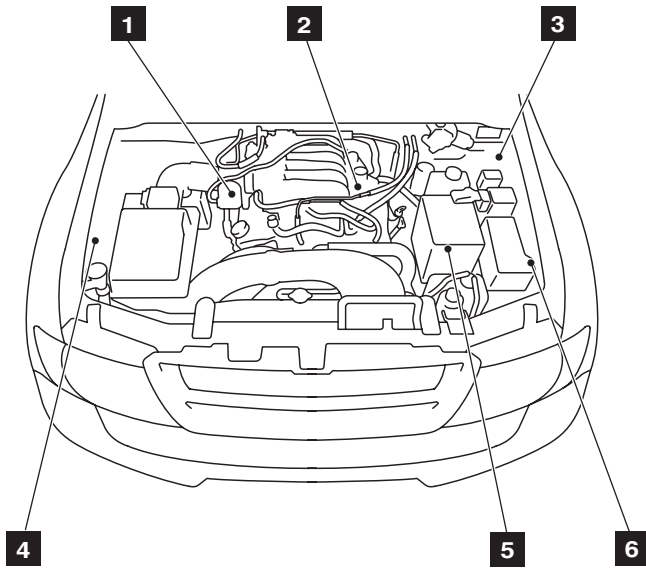


AC203894 AC

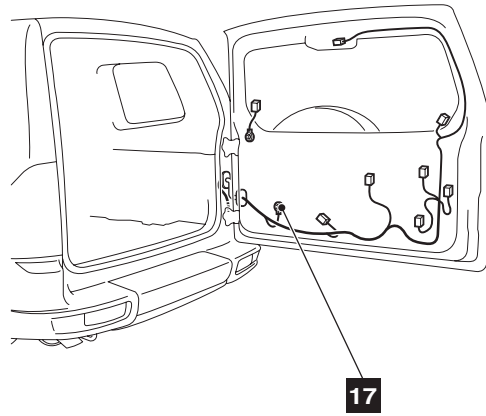
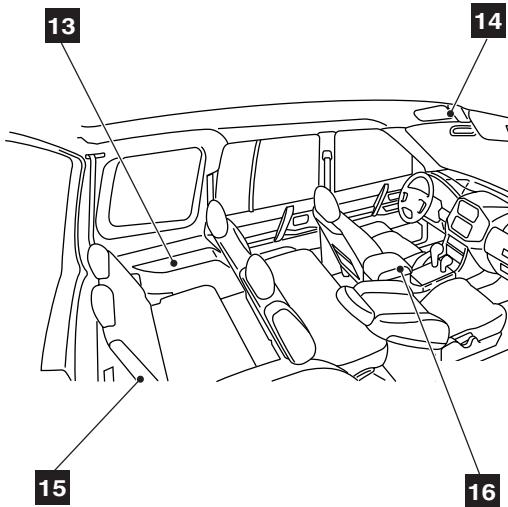


GROUNDING

M1701000300599

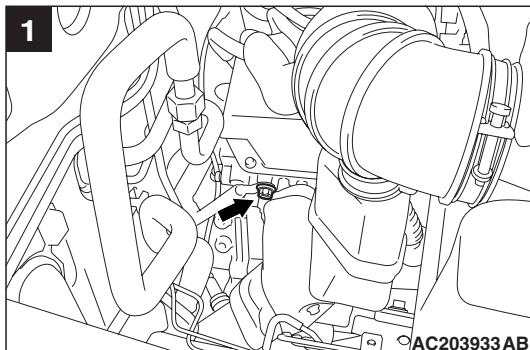


AC203894AK

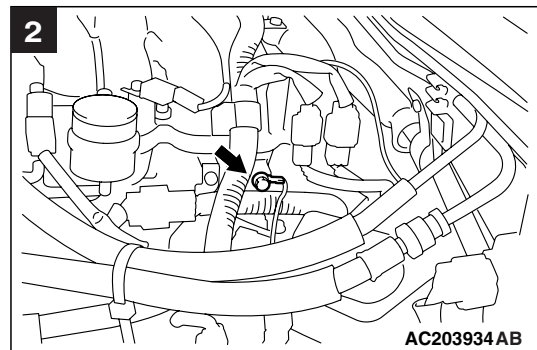


ACX01741AC

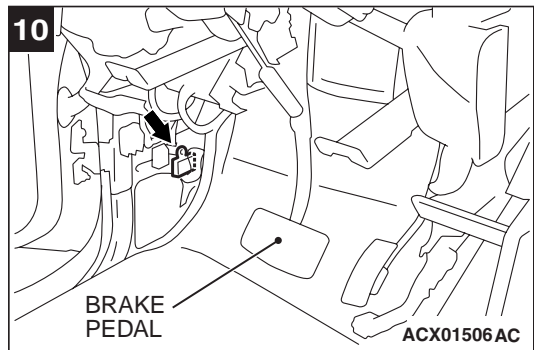
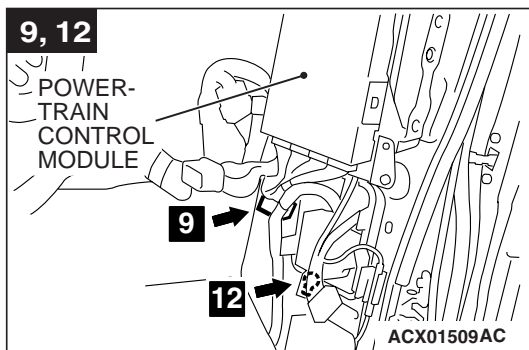
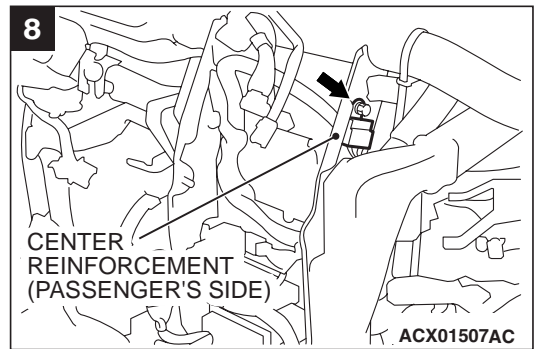
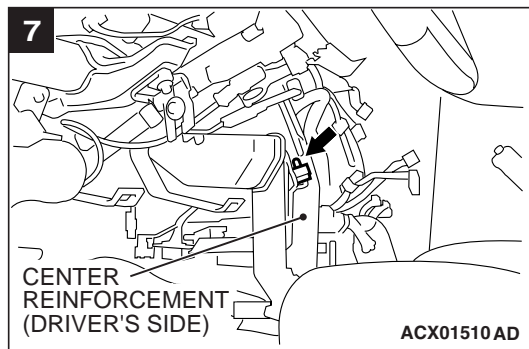
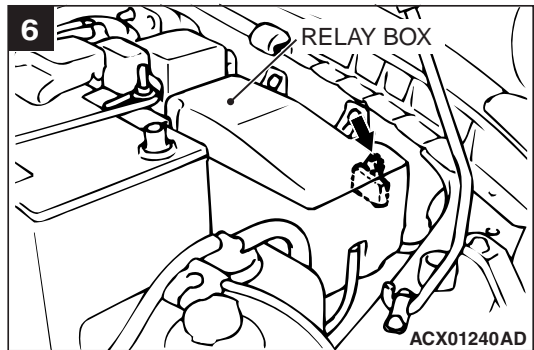
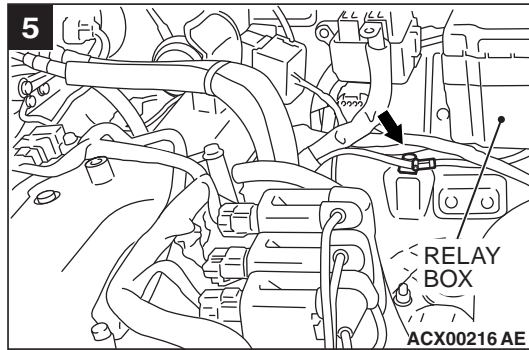
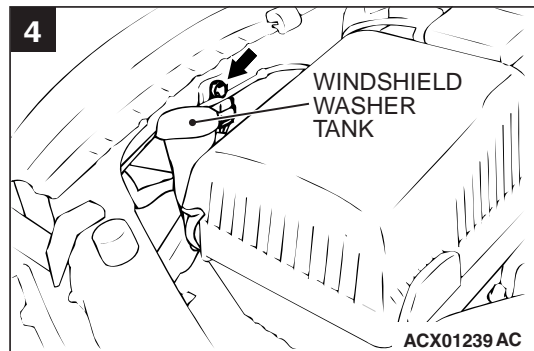
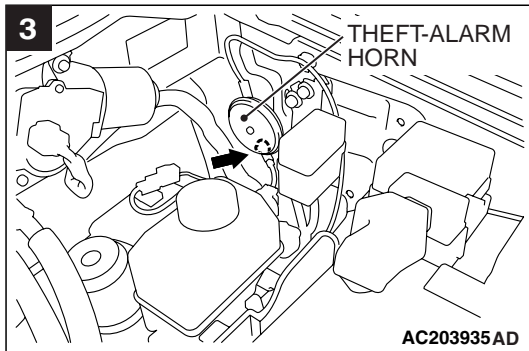
NOTE: 1 to 17 numbers correspond to the body ground point numbers in CIRCUIT DIAGRAMS.

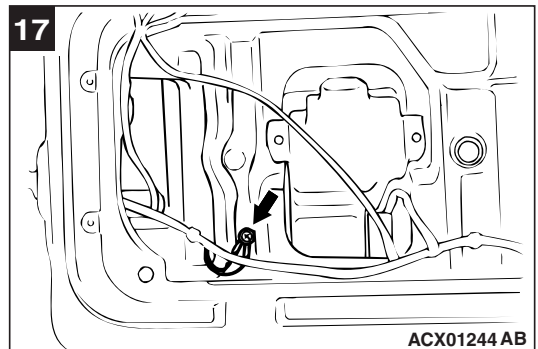
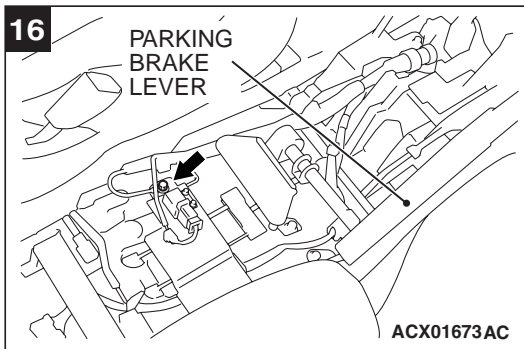
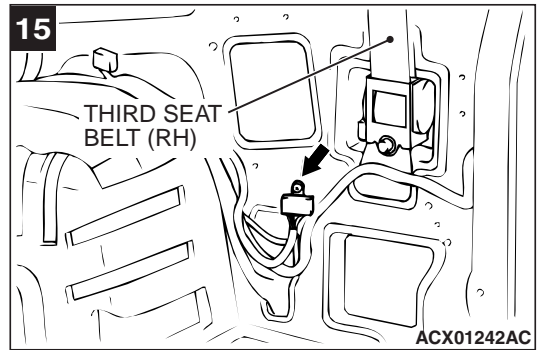
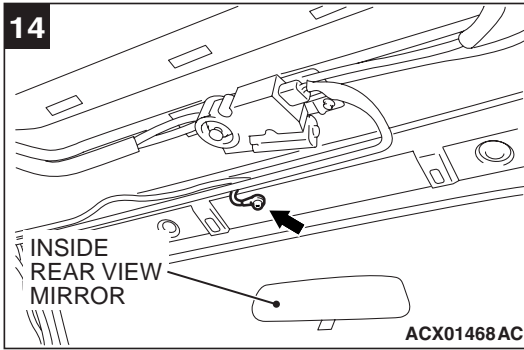
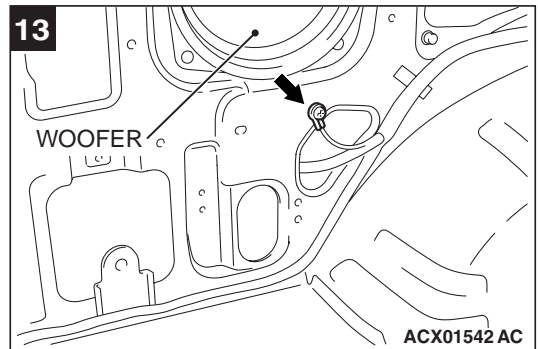
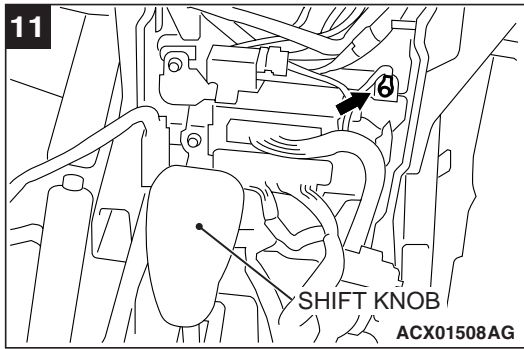


AC203933AB



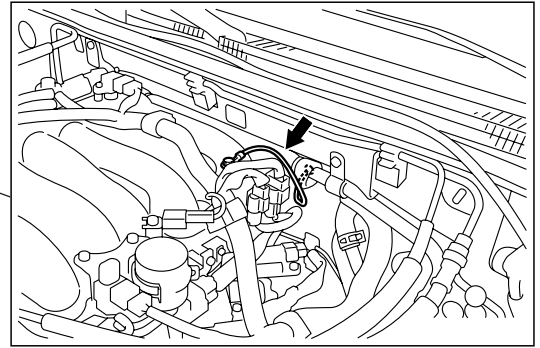
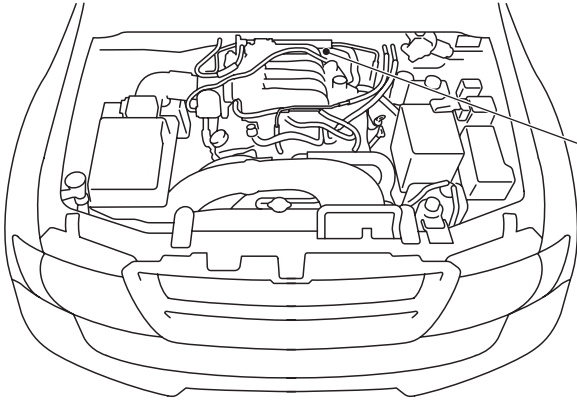
AC203934AB



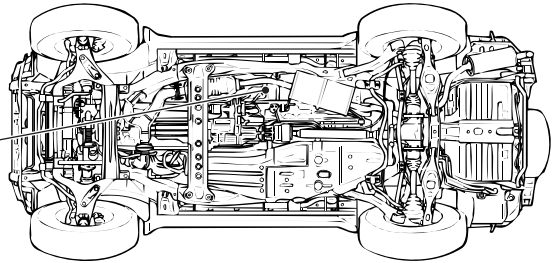
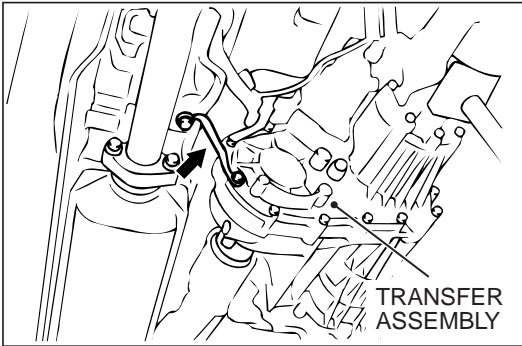


GROUNDING CABLE

M1701001000483



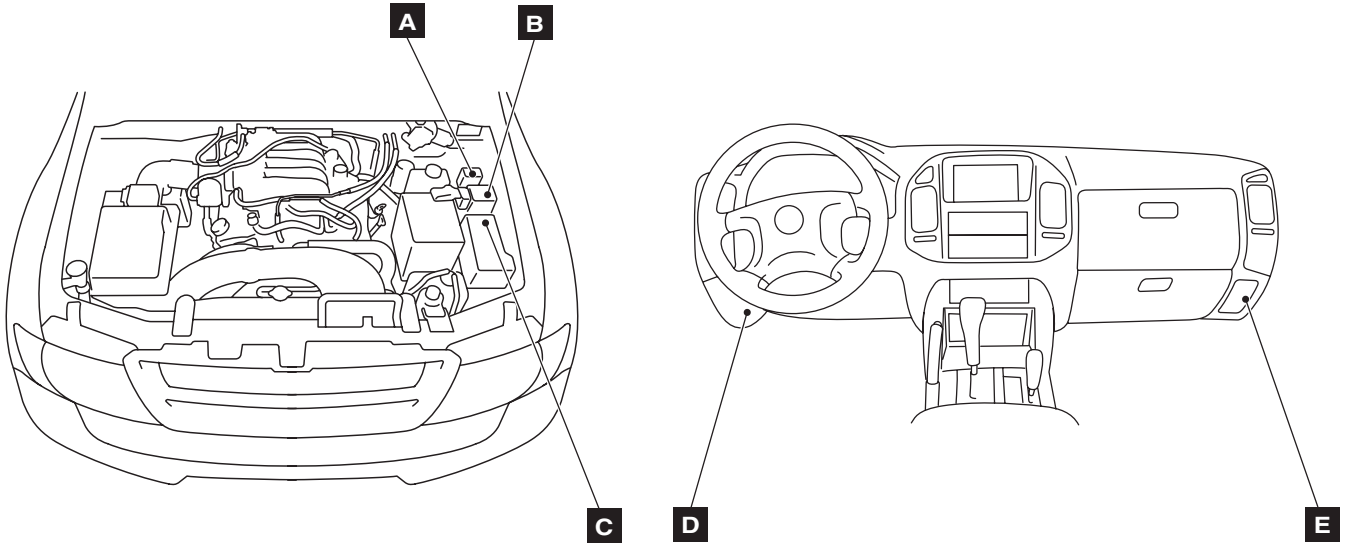
AC203897AB



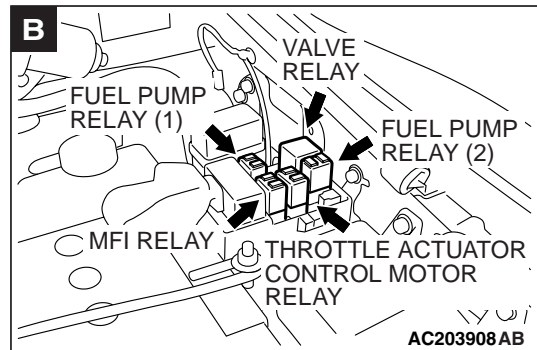
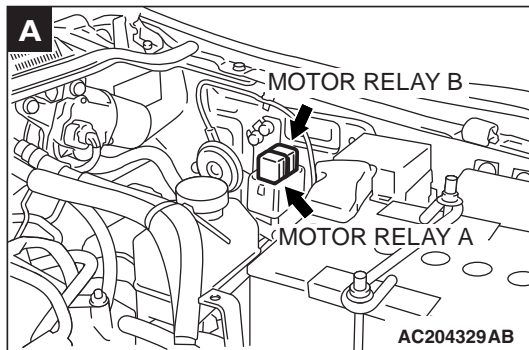
ACX01822AD

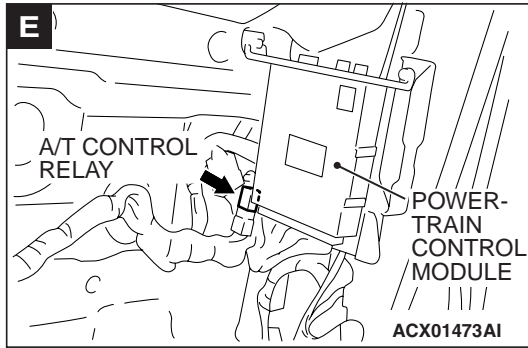
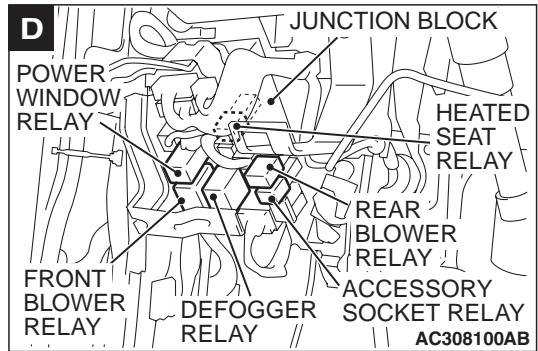
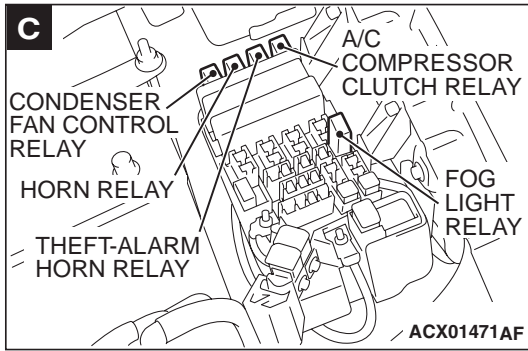
RELAY

NAME	SYMBOL	NAME	SYMBOL
Accessory socket relay	D	Horn relay	C
A/C compressor clutch relay	C	MFI relay	B
A/T control relay	E	Motor relay A	A
Condenser fan control relay	C	Motor relay B	A
Defogger relay	D	Power window relay	D
Fog light relay	C	Rear blower relay	D
Front blower relay	D	Theft-alarm horn relay	C
Fuel pump relay (1)	B	Throttle actuator control motor relay	B
Fuel pump relay (2)	B	Valve relay	B
Heated seat relay	D		



AC203894 AE

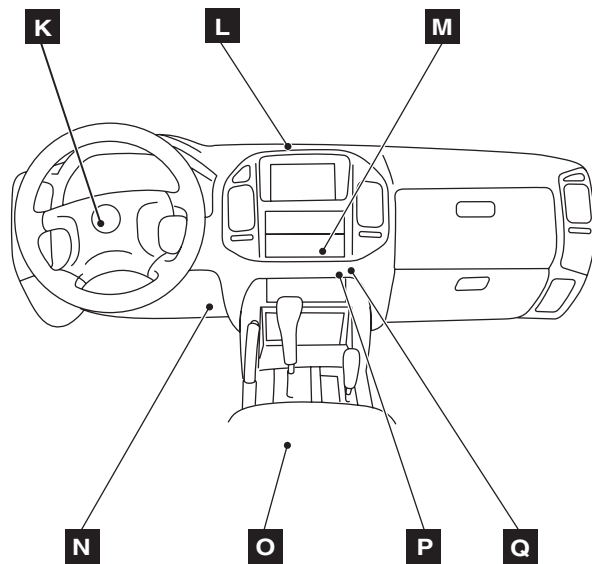
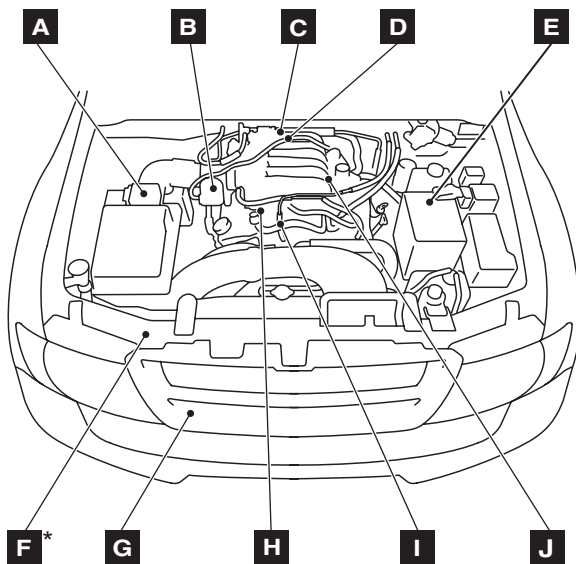




SENSOR

M1701000600879

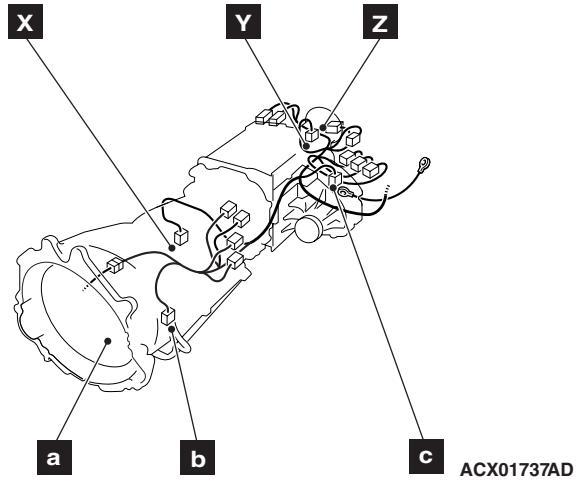
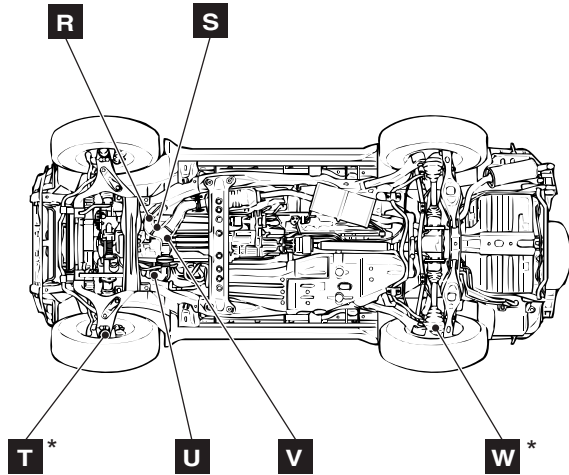
NAME	SYMBOL	NAME	SYMBOL
Accelerator pedal position sensor	N	Left bank heated oxygen sensor (rear)	S
A/C sensor <Automatic A/C>	P	Manifold absolute pressure sensor	C
A/C sensor <Manual A/C>	Q	Output shaft speed sensor	X
A/C sensor <Rear cooler, rear heater and rear A/C>	d	Photo sensor <Automatic A/C>	L
Ambient air temperature sensor	G	Pressure sensor <M-ASTC>	E
Camshaft position sensor	D	Rear propeller shaft speed sensor	Y
Crankshaft position sensor	I	Right bank heated oxygen sensor (front)	U
Engine coolant temperature sensor	H	Right bank heated oxygen sensor (rear)	V
Front impact sensor	F	Side impact sensor	f
Front propeller shaft speed sensor	c	Steering wheel sensor <M-ASTC>	K
Fuel level sensor (Incorporating fuel tank temperature sensor)	g	Throttle position sensor	B
Fuel tank differential pressure sensor	g	TPMS transmitter (Incorporating pressure sensor)	e
G and yaw rate sensor	O	Transmission fluid temperature sensor	a
Heater water temperature sensor <Automatic A/C>	P	Vehicle speed sensor	Z
Input shaft speed sensor	b	Volume airflow sensor	A
Inside air temperature sensor <Automatic A/C>	M	Wheel speed sensor (front)	T
Knock sensor	J	Wheel speed sensor (rear)	W
Left bank heated oxygen sensor (front)	R		



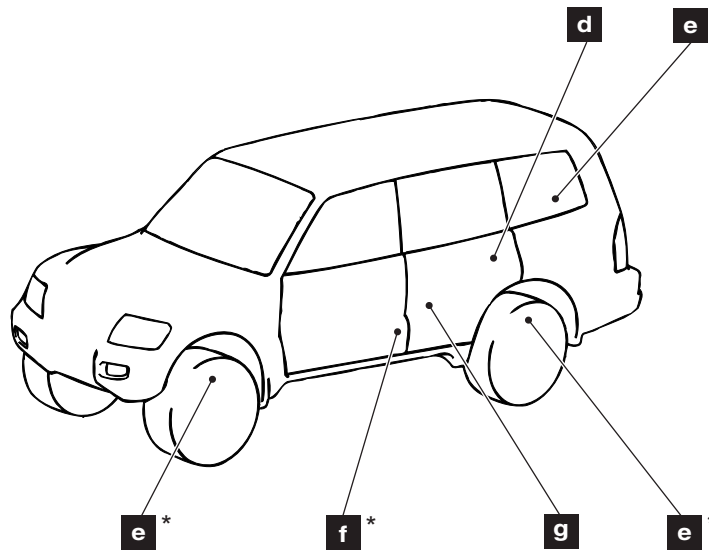
AC203894AJ

NOTE:

*: equipped at both right and left sides.



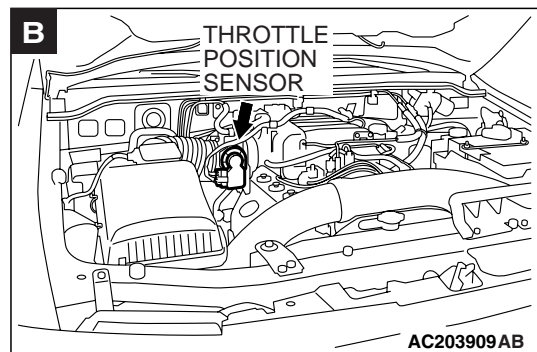
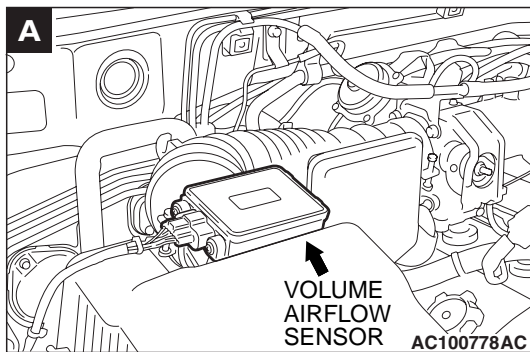
ACX01737AD

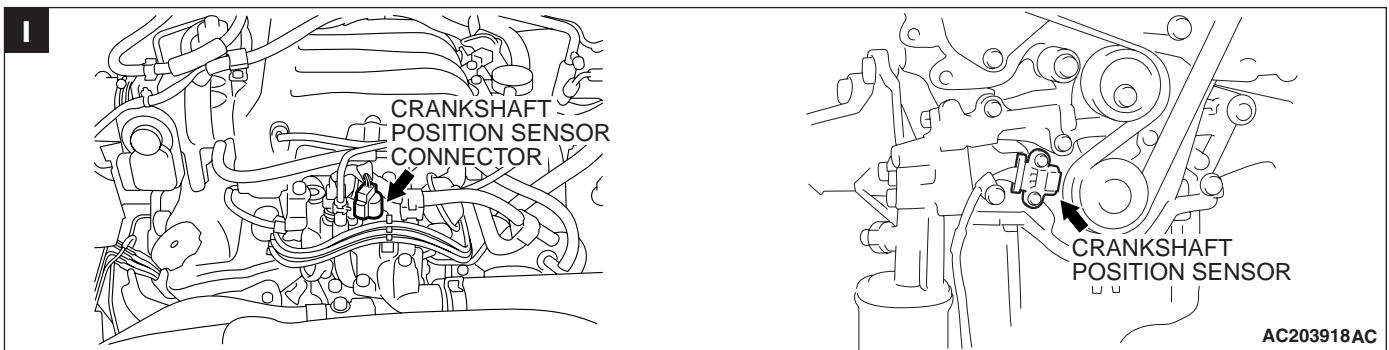
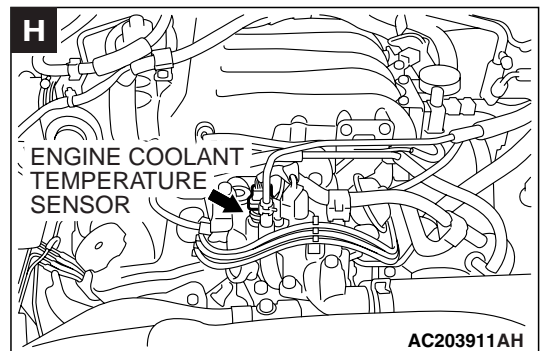
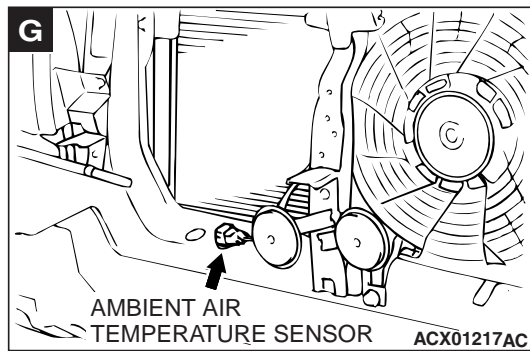
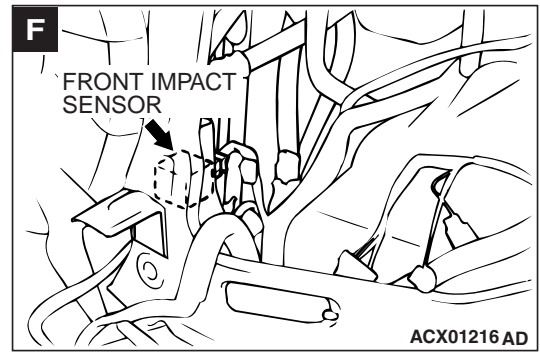
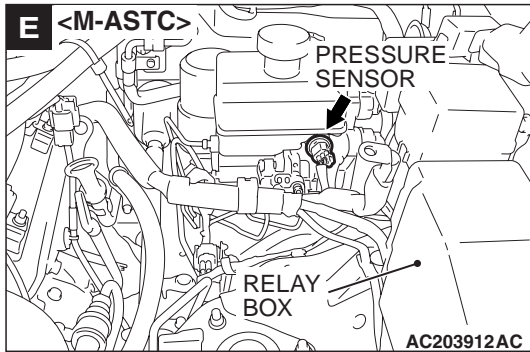
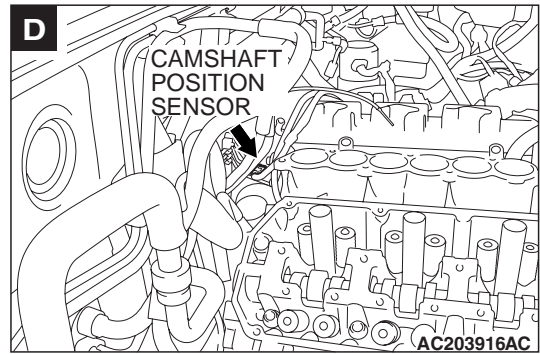
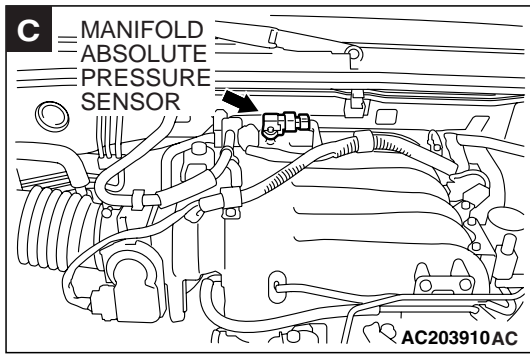


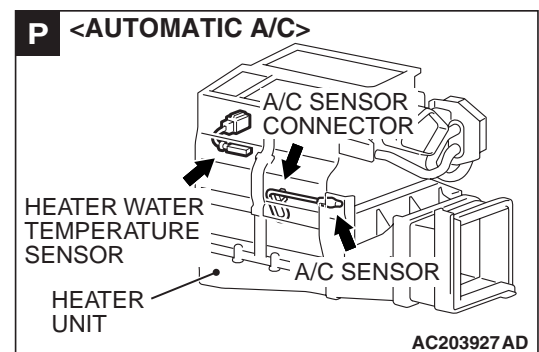
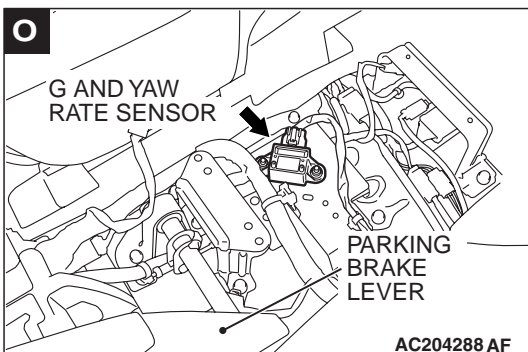
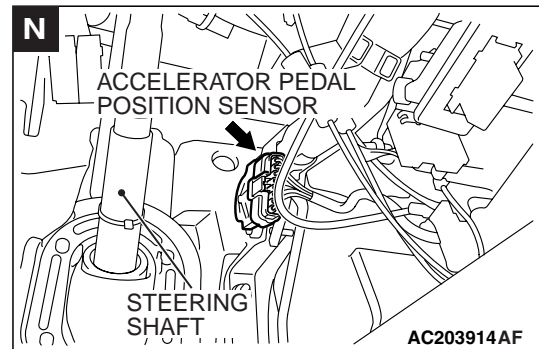
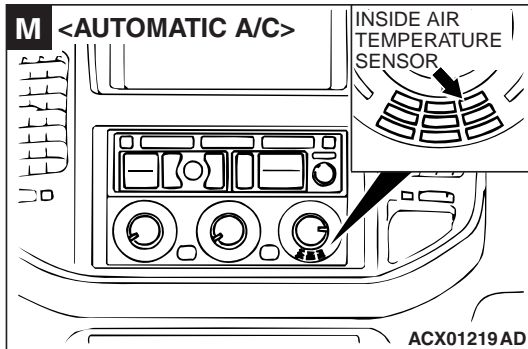
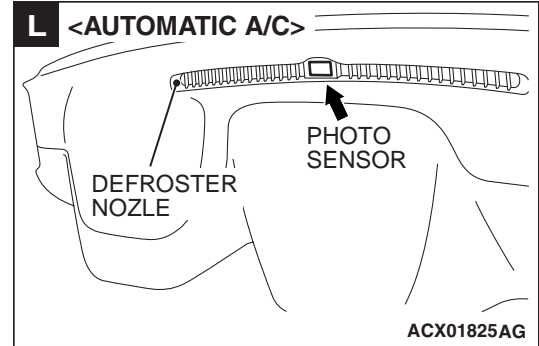
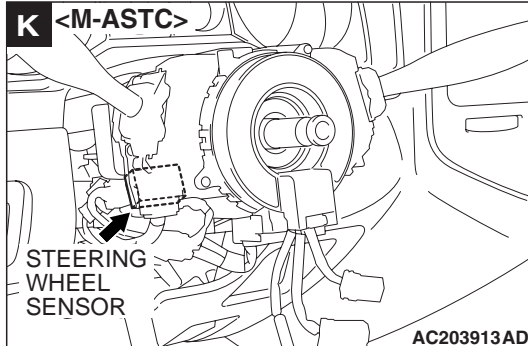
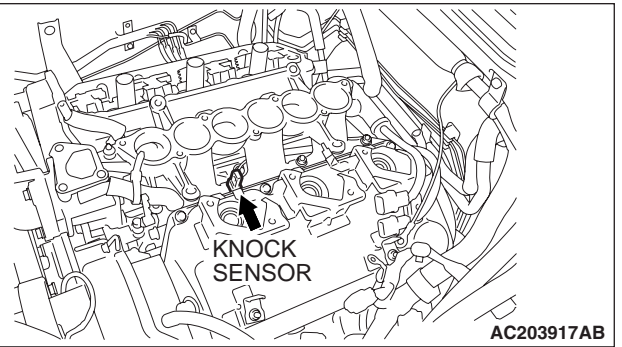
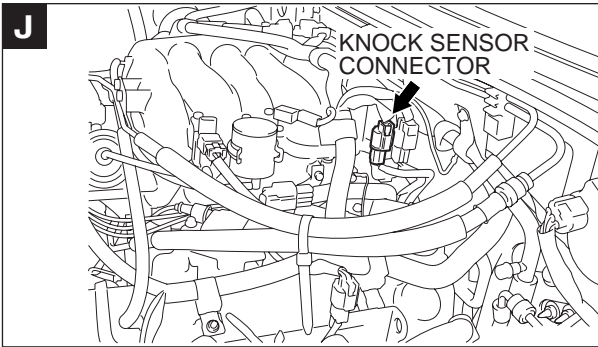
ACX01213AJ

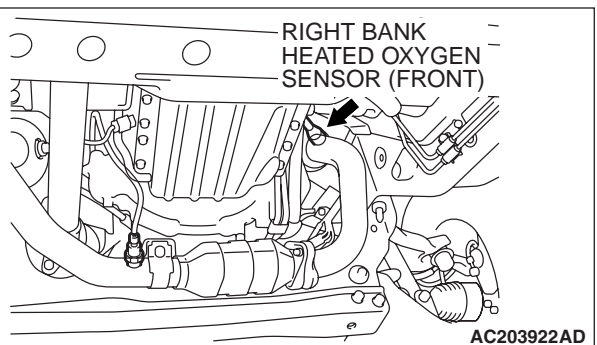
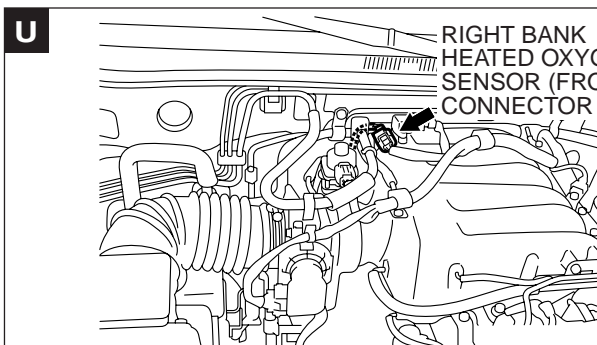
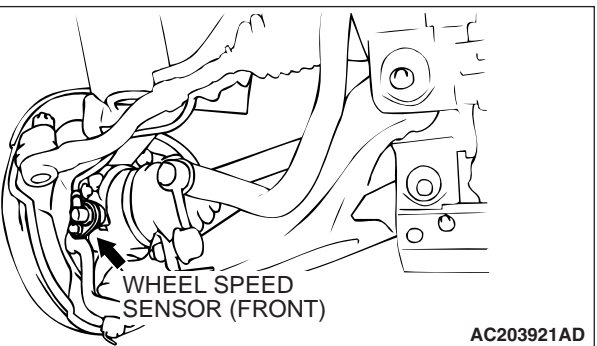
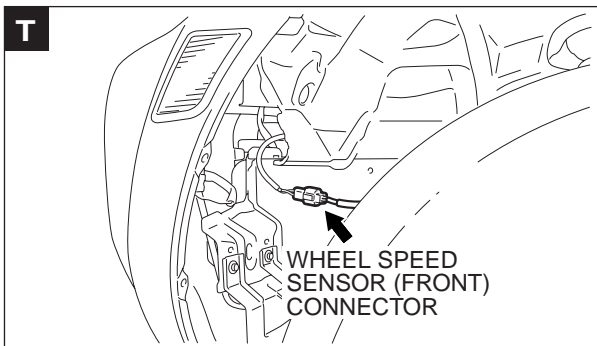
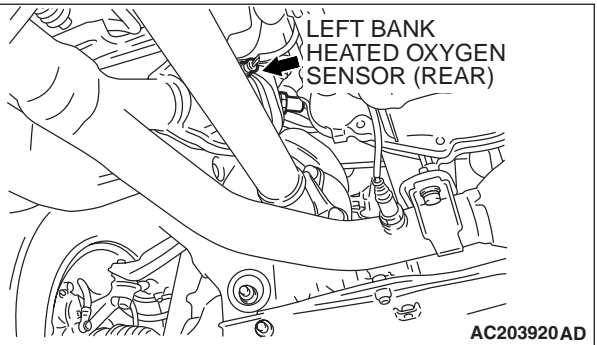
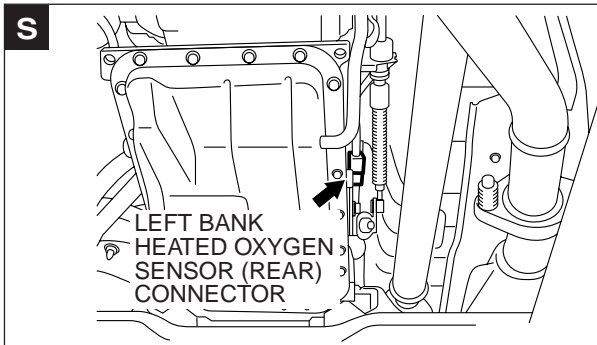
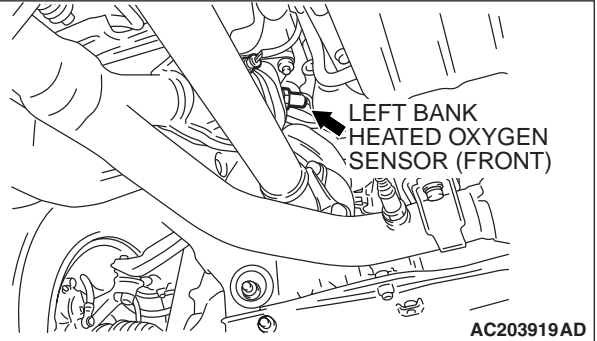
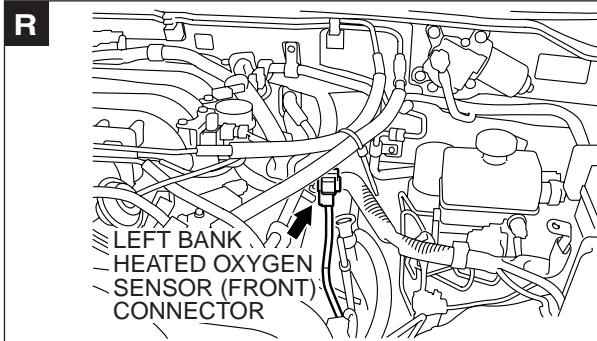
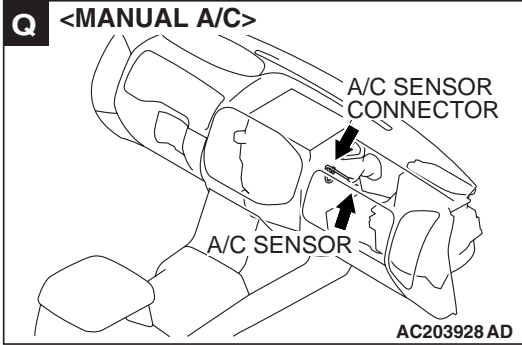
NOTE:

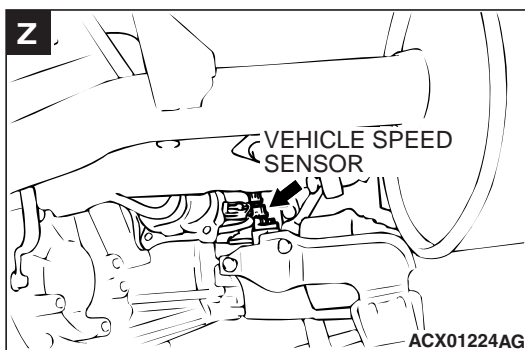
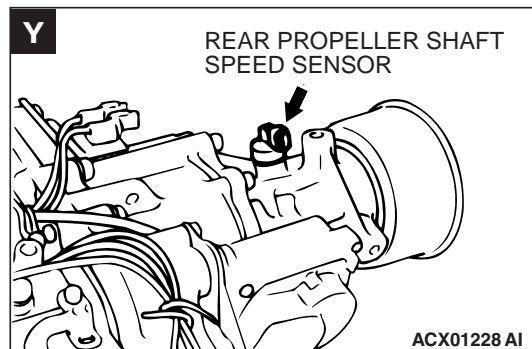
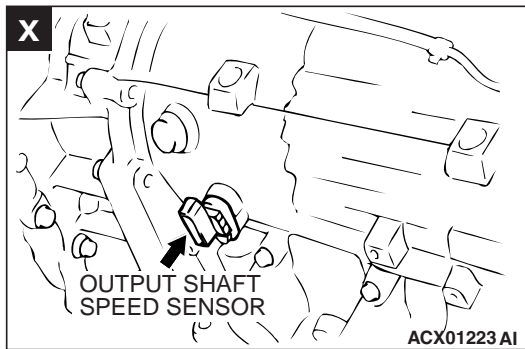
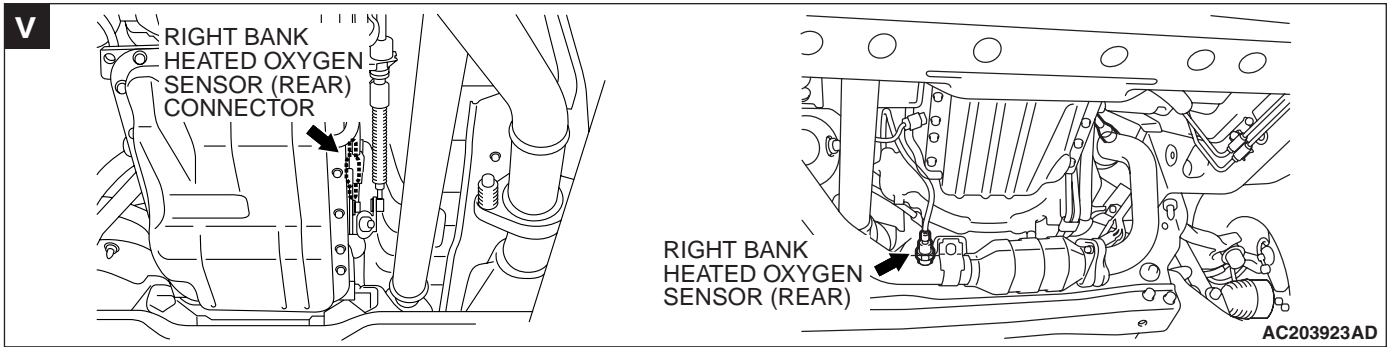
*: equipped at both right and left sides.

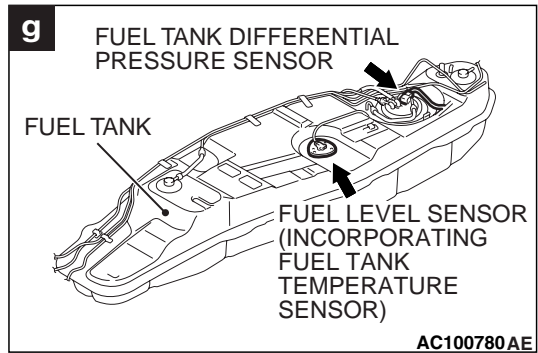
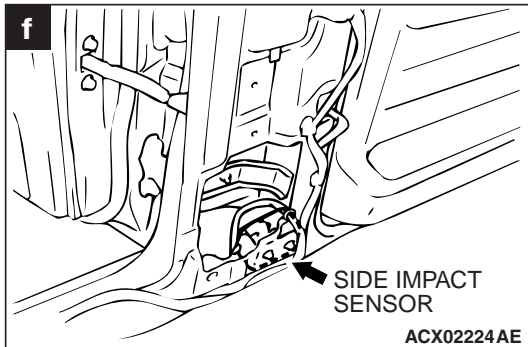
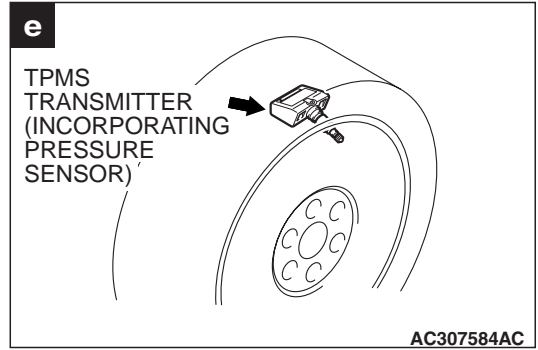
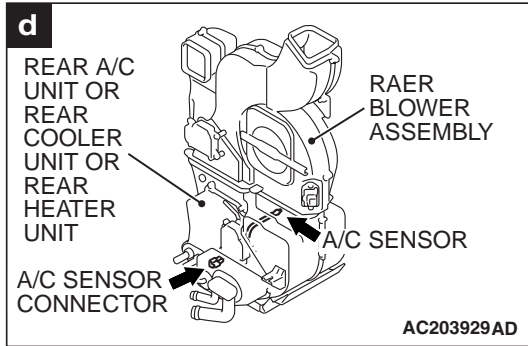
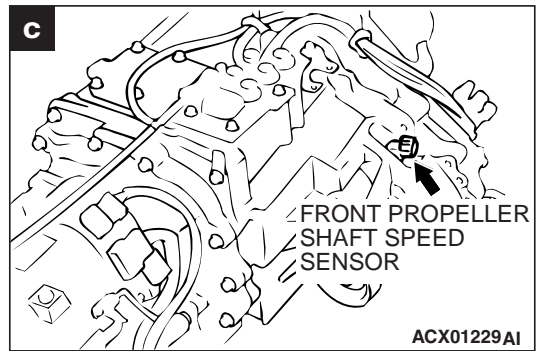
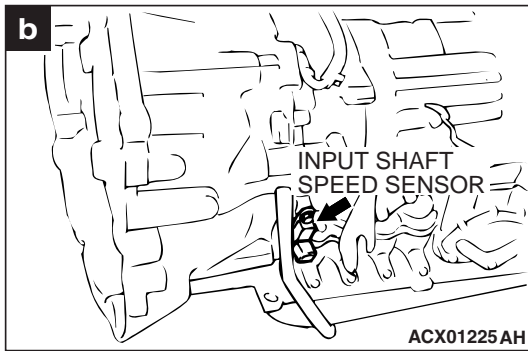








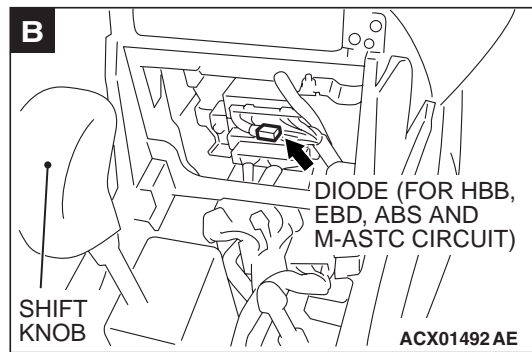
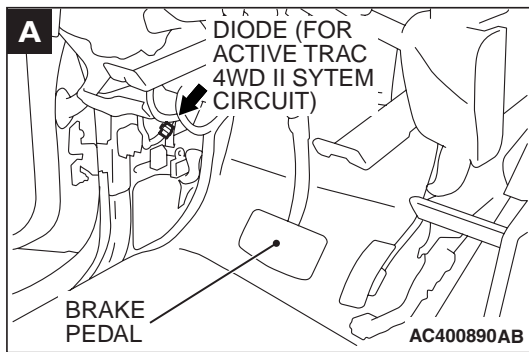
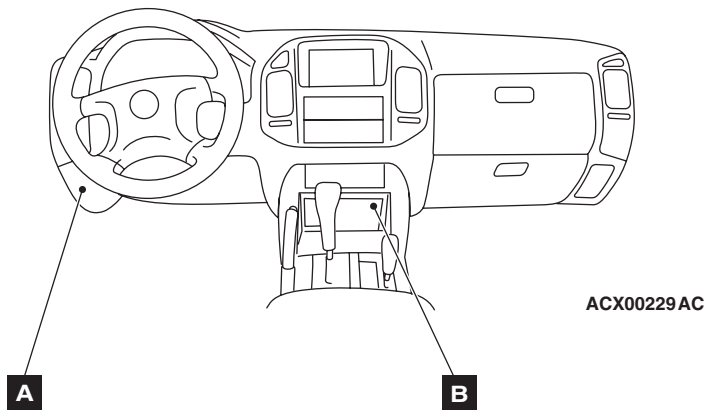




DIODE

M1701000900245

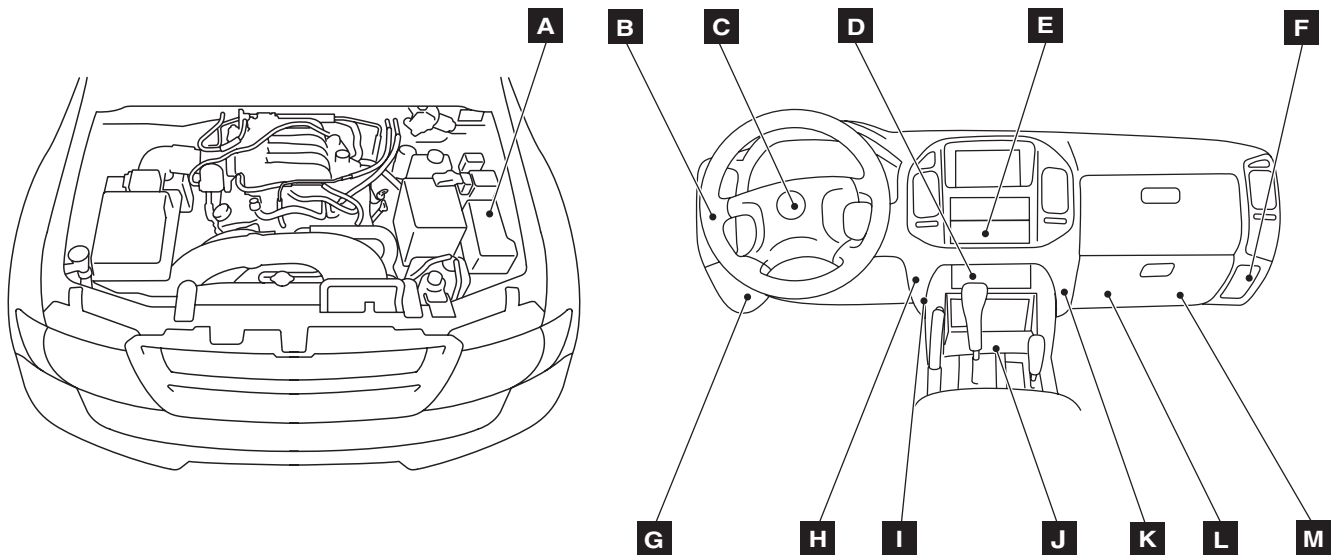
NAME	SYMBOL	NAME	SYMBOL
Diode (for active TRAC 4WD II system circuit)	A	Diode (for HBB, EBD, ABS and M-ASTC circuit)	B



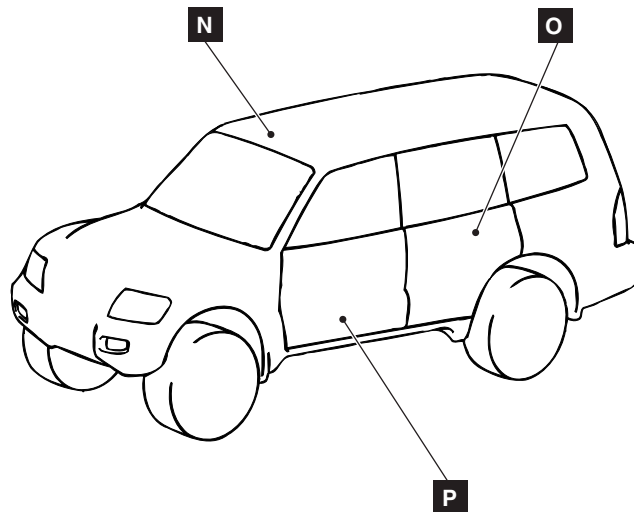
CONTROL UNIT

M1701000700575

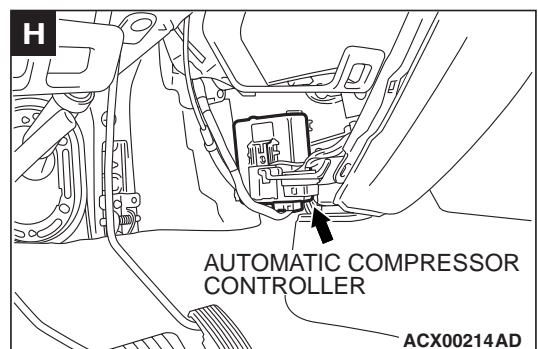
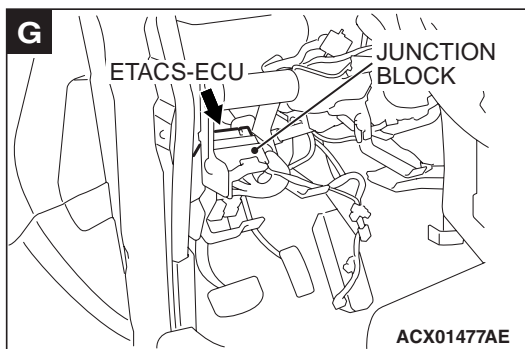
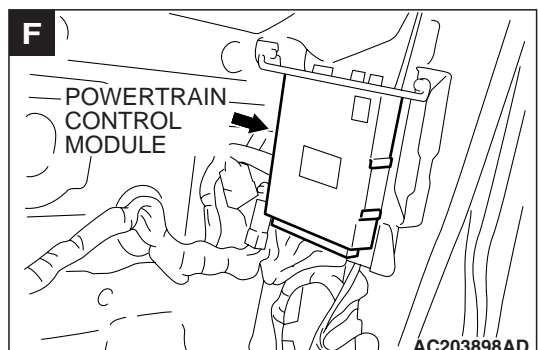
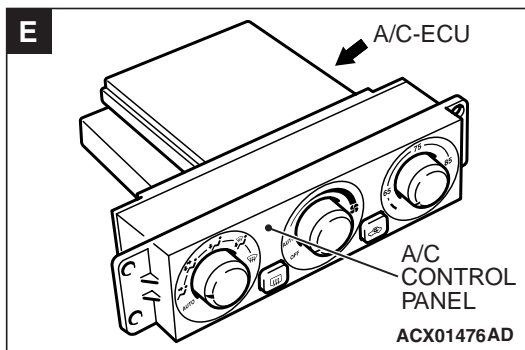
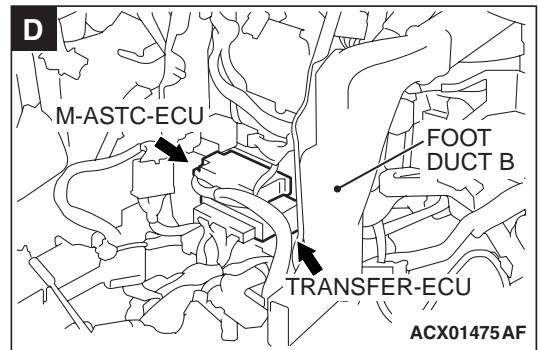
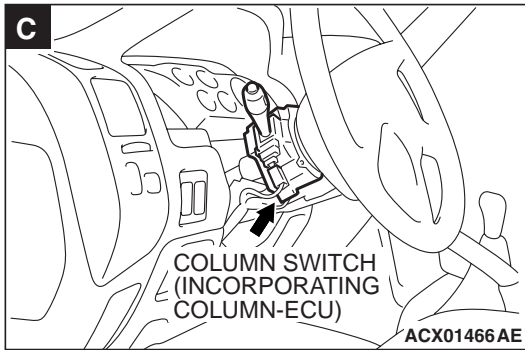
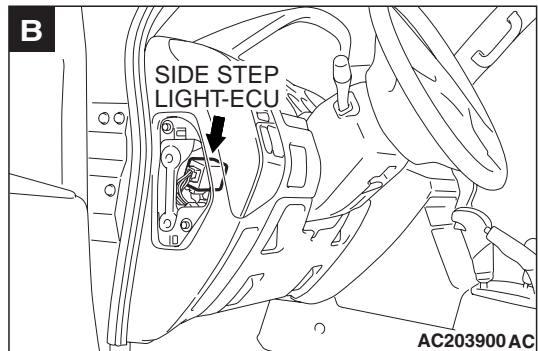
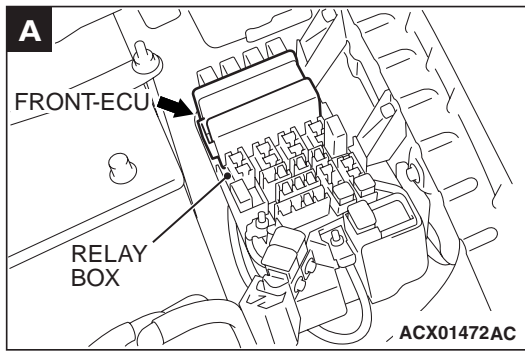
NAME	SYMBOL	NAME	SYMBOL
A/C-ECU	E	Rear A/C control unit	K
Automatic compressor controller	H	Rear cooler control unit	K
Column switch (Incorporating column-ECU)	C	Rear heater control unit	K
ETACS-ECU	G	Side step light-ECU	B
Front-ECU	A	SRS-ECU	J
Heater blower controller unit	L	Sunroof motor assembly (Incorporating sunroof-ECU)	N
Immobilizer-ECU	I	TPMS receiver	O
M-ASTC-ECU	D	Transfer-ECU	D
Motor antenna-ECU	M	Video controller unit	P
Powertrain control module	F		

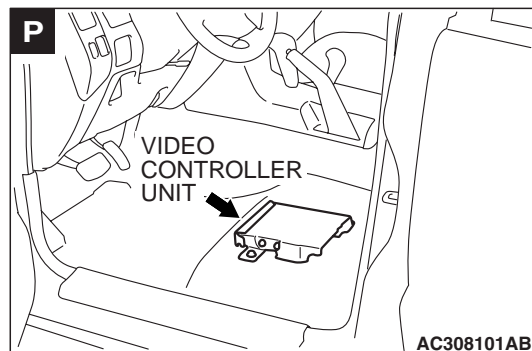
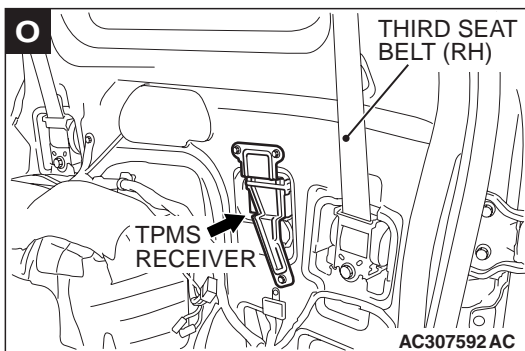
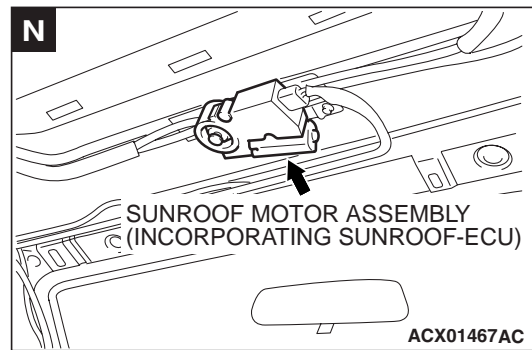
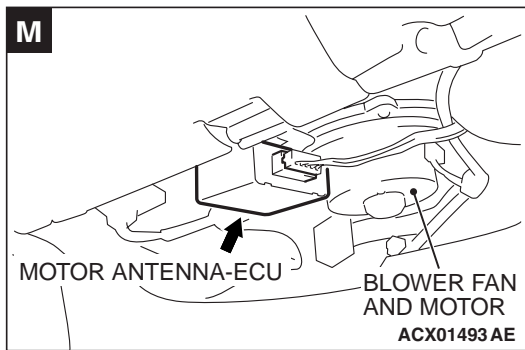
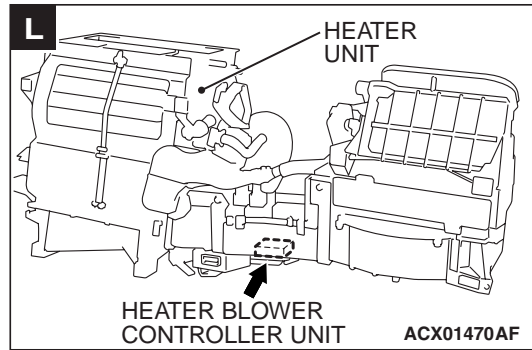
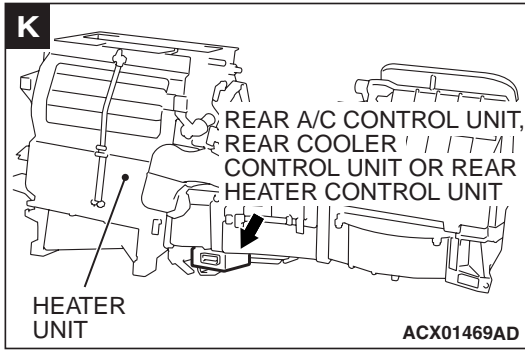
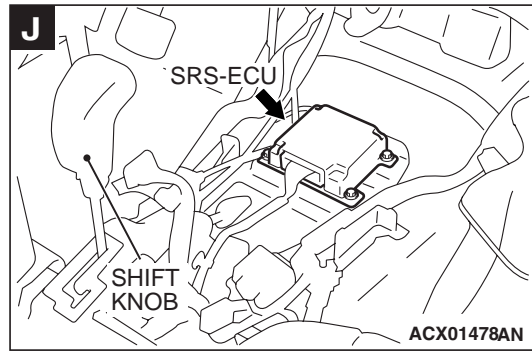
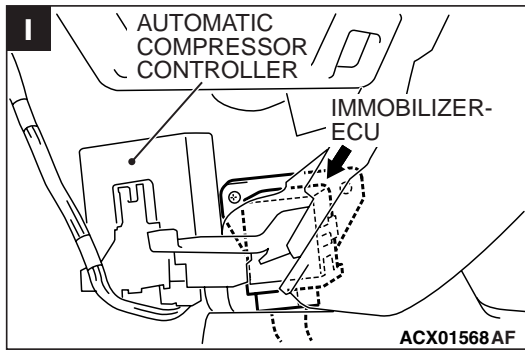


AC203894AI



ACX01213AH

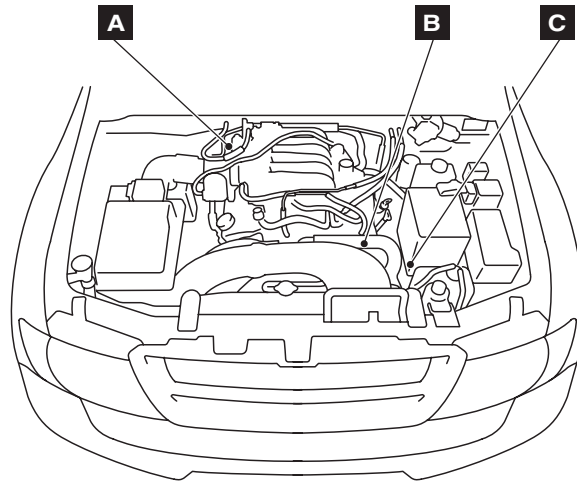




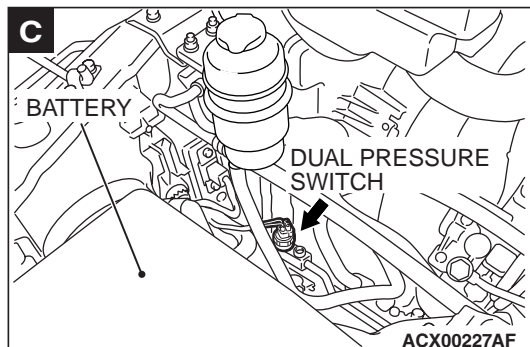
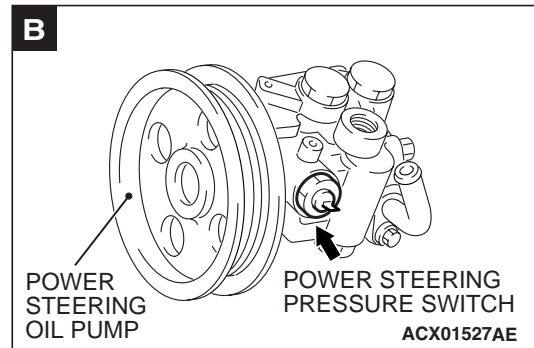
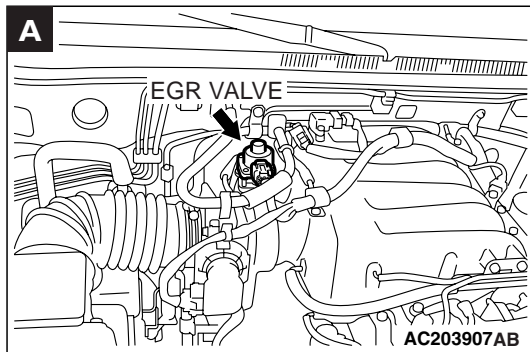
OTHER DEVICES

M1701005600391

NAME	SYMBOL	NAME	SYMBOL
Dual pressure switch	C	Power steering pressure switch	B
EGR valve	A		



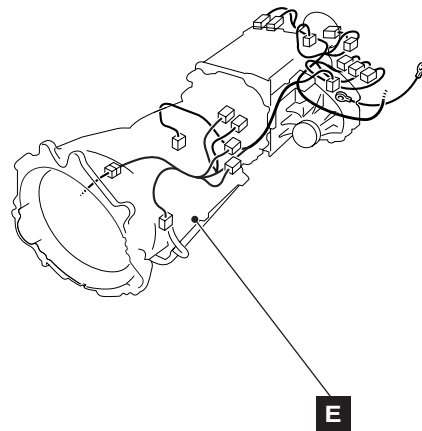
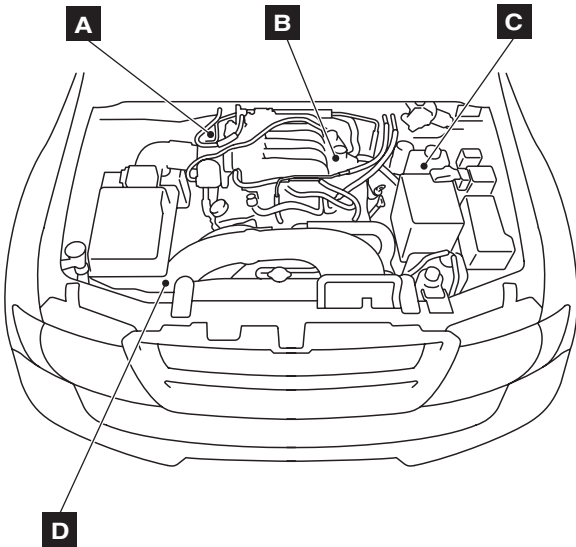
AC203906AB



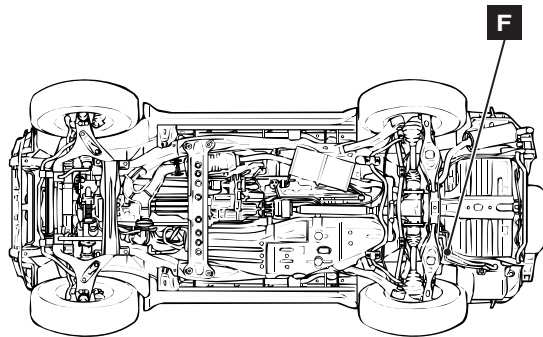
SOLENOID VALVE

M170100800602

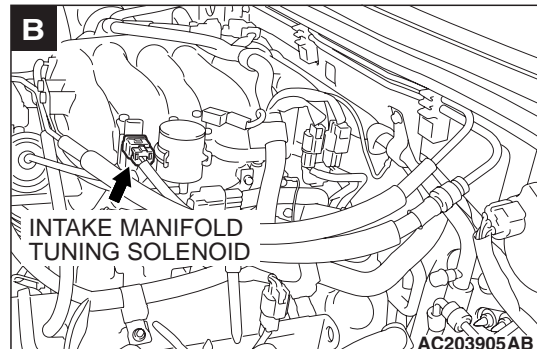
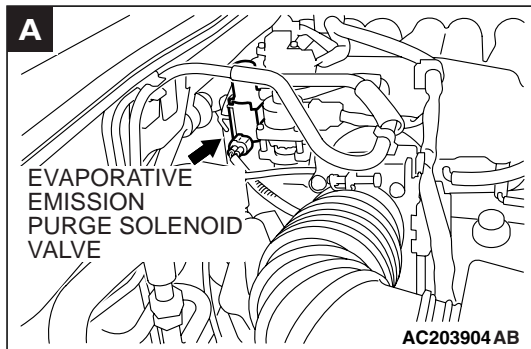
NAME	SYMBOL	NAME	SYMBOL
A/T control solenoid valve assembly	E	Hydraulic brake booster (HBB)	C
Evaporative emission purge solenoid valve	A	Intake manifold tuning solenoid	B
Evaporative emission ventilation solenoid valve	F	Solenoid valve A <Active TRAC 4WD II system>	D
		Solenoid valve B <Active TRAC 4WD II system>	D

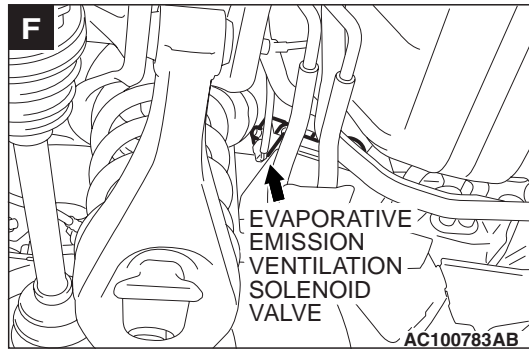
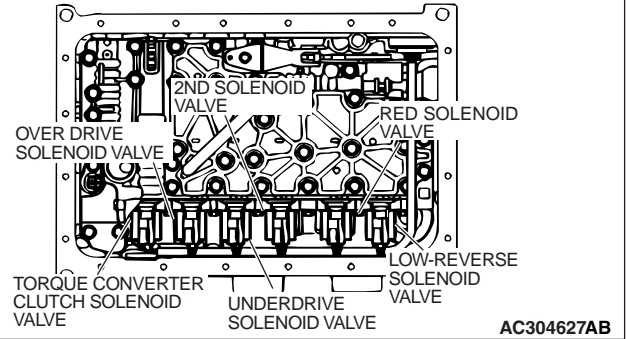
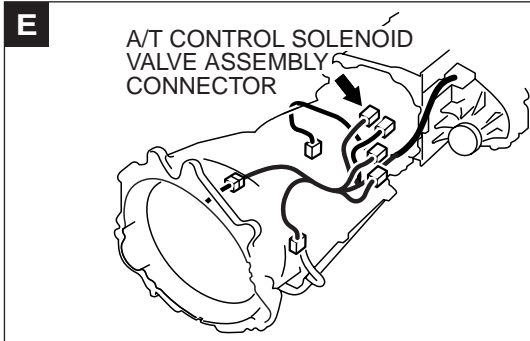
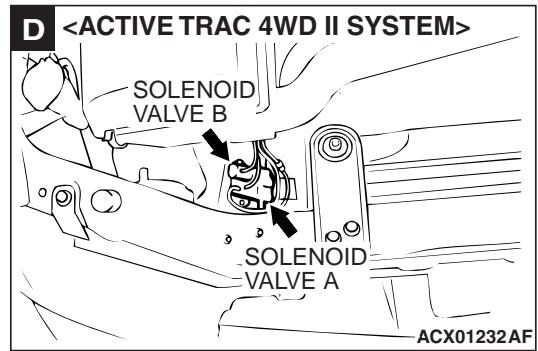
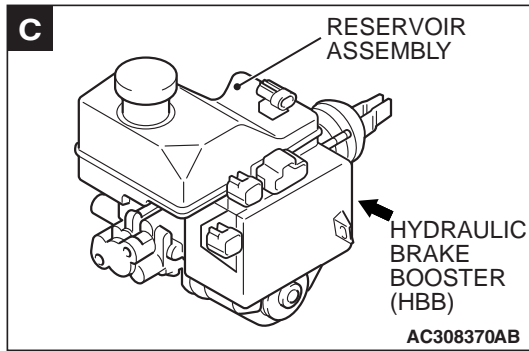


AC203902 AB



AC101952 AC





NOTES