

CLUTCH

CONTENTS

21109000190

GENERAL INFORMATION	2	CLUTCH PEDAL	4
SERVICE SPECIFICATIONS	2	CLUTCH CONTROL	5
LUBRICANTS	2	Clutch Master Cylinder	7
ON-VEHICLE SERVICE	2		
Clutch Pedal Inspection and Adjustment	2		
Bleeding	3		



GENERAL INFORMATION

21100010093

The clutch is a dry single-disc, diaphragm type; hydraulic pressure is used for the clutch control.

SERVICE SPECIFICATIONS

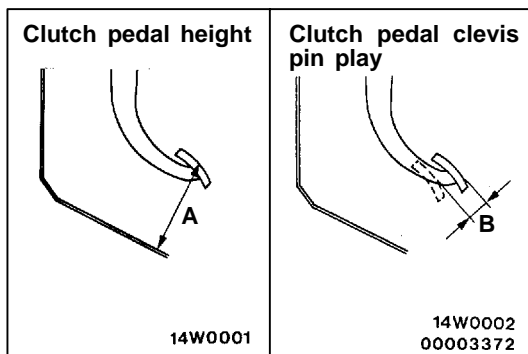
21100030150

Items	Standard value
Clutch pedal height mm	224 - 227 <L.H. drive vehicles> 211 - 214 <R.H. drive vehicles>
Clutch pedal clevis pin play mm	1 - 3
Clutch pedal free play mm	6 - 13
Distance between the clutch pedal and the toeboard when the clutch is disengaged mm	125 or more

LUBRICANTS

21100040078

Items	Specified lubricants	Quantity
Clutch fluid	Brake fluid DOT3 or DOT4	As required
Push rod assembly	Rubber grease	
Boot		
Release cylinder push rod	MITSUBISHI genuine grease Part No. 0101011	

**ON-VEHICLE SERVICE**

21100090158

CLUTCH PEDAL INSPECTION AND ADJUSTMENT

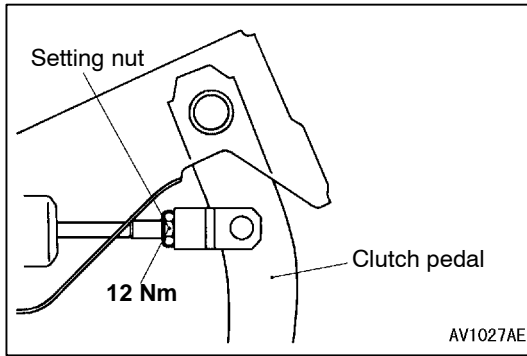
1. Turn up the carpet, etc. under the clutch pedal.
2. Measure the clutch pedal height and the clutch pedal clevis pin play.

Standard value (A):

224 - 227 <L.H. drive vehicles>

211 - 214 <R.H. drive vehicles>

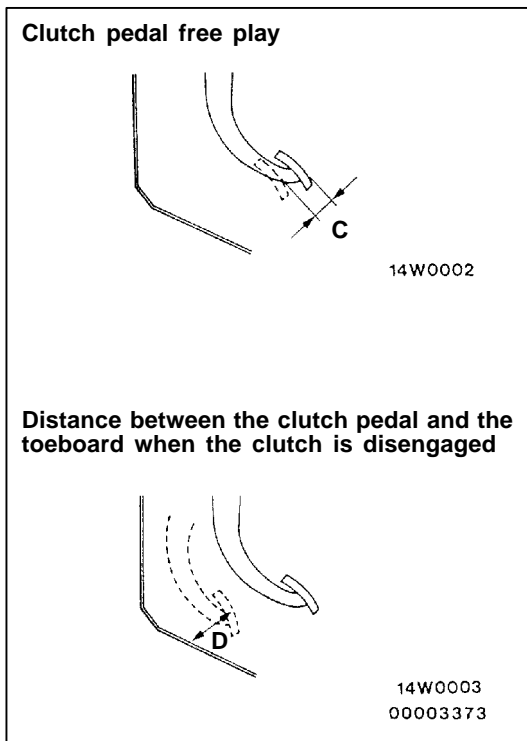
Standard value (B): 1 - 3 mm



- If the clutch pedal height and the clutch pedal clevis pin play are outside the standard value, turn the setting nut to adjust them to the standard value.

Caution

Do not push in the master cylinder push rod at this time, otherwise the clutch will not operate properly.

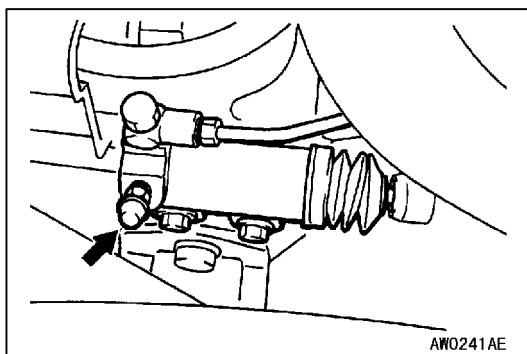


- After completing the adjustments, confirm that the clutch pedal free play (measured at the face of the pedal pad) and the distance between the clutch pedal (the face of the pedal pad) and the toeboard when the clutch is disengaged are within the standard value ranges.

Standard value (C): 6 - 13 mm

Standard value (D): 125 mm or more

- If the clutch pedal free play and the distance between the clutch pedal and the toeboard when the clutch is disengaged do not agree with the standard values, it is probably the result of either air in the hydraulic system or a faulty master cylinder or clutch. Bleed the air, or disassemble and inspect the master cylinder or clutch.
- Turn back the carpet, etc.



BLEEDING

21100140143

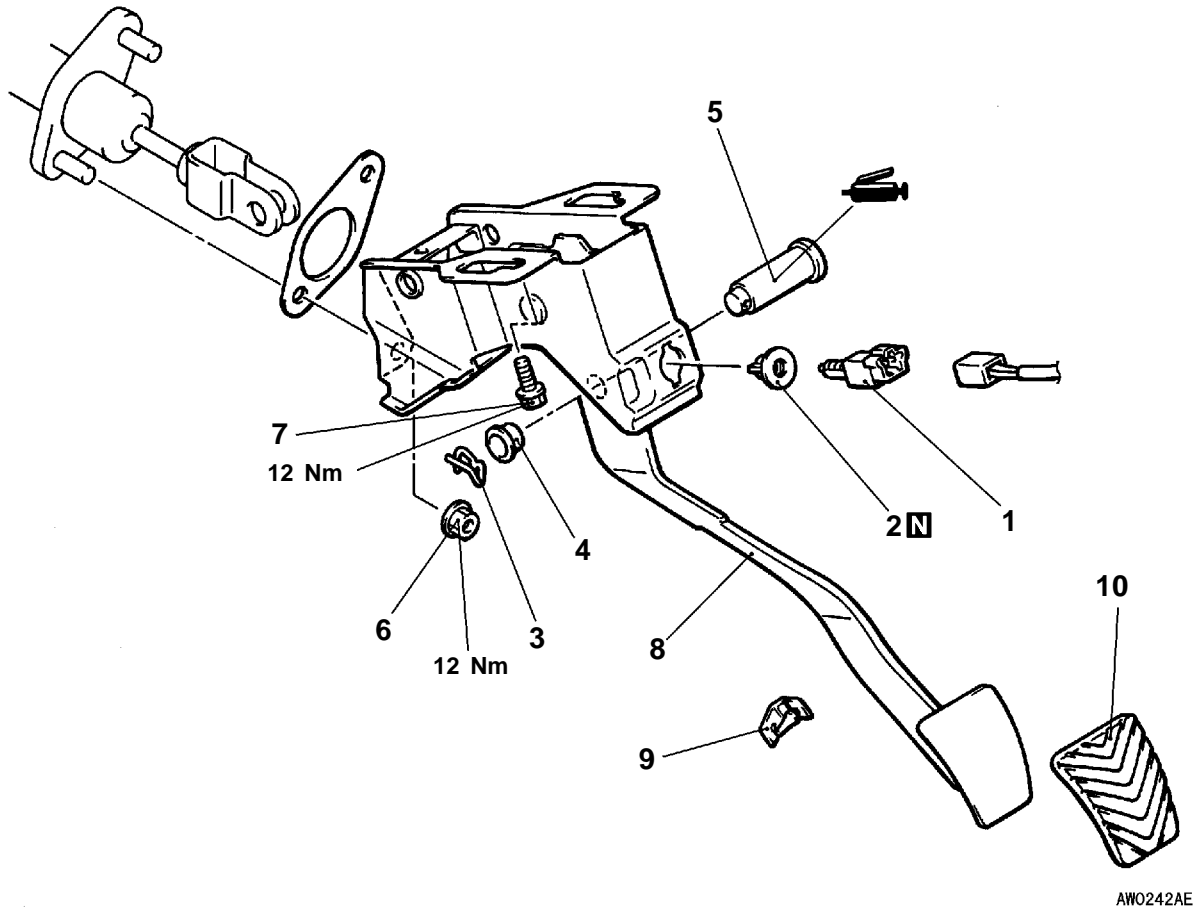
Specified fluid: Brake fluid DOT 3 or DOT 4

Caution

Use the specified brake fluid. Avoid using a mixture of the specified fluid and other fluid.

CLUTCH PEDAL**REMOVAL AND INSTALLATION**

Post-installation Operation
Clutch Pedal Adjustment (Refer to P.21-2)



AW0242AE

Removal steps

- | | |
|---|---|
| <ol style="list-style-type: none"> 1. Clutch switch 2. Clip 3. Snap pin 4. Bushing 5. Pin assembly | <ol style="list-style-type: none"> 6. Clutch master cylinder mounting nut 7. Master cylinder member mounting bolt 8. Clutch pedal 9. Stopper <R.H. drive vehicles> 10. Pedal pad |
|---|---|

CLUTCH CONTROL

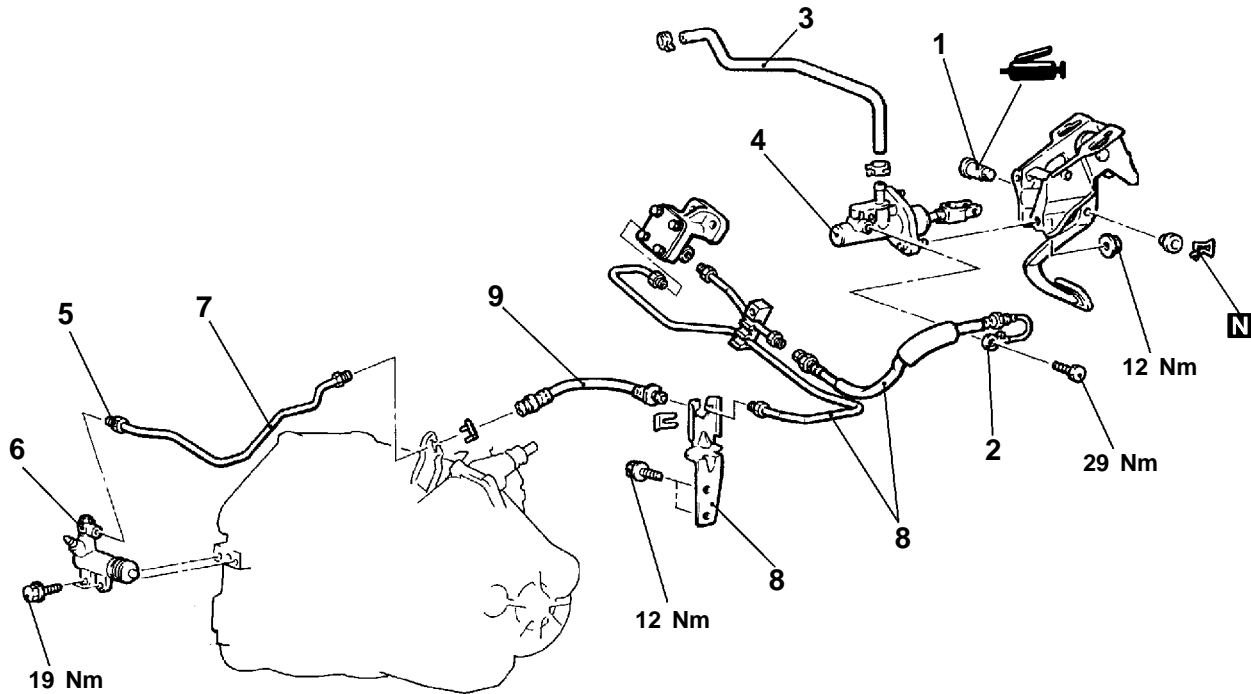
REMOVAL AND INSTALLATION

Pre-removal Operation
Clutch Fluid Draining

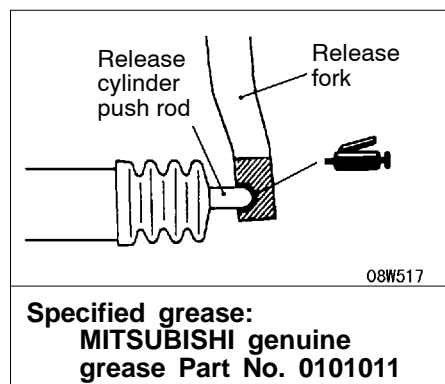
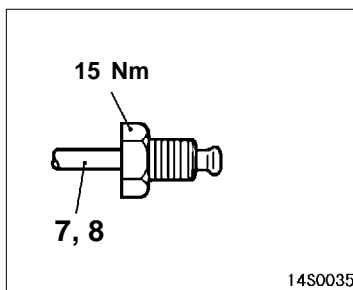
Post-installation Operation

- Clutch Fluid Supplying
- Clutch Line Bleeding (Refer to P.21-3)
- Clutch Pedal Adjustment (Refer to P.21-2)

<L.H. drive vehicles>



W0243AE
00009433



Clutch master cylinder removal steps

1. Clevis pin assembly
2. Clutch pipe connection
3. Reservoir hose
4. Clutch master cylinder

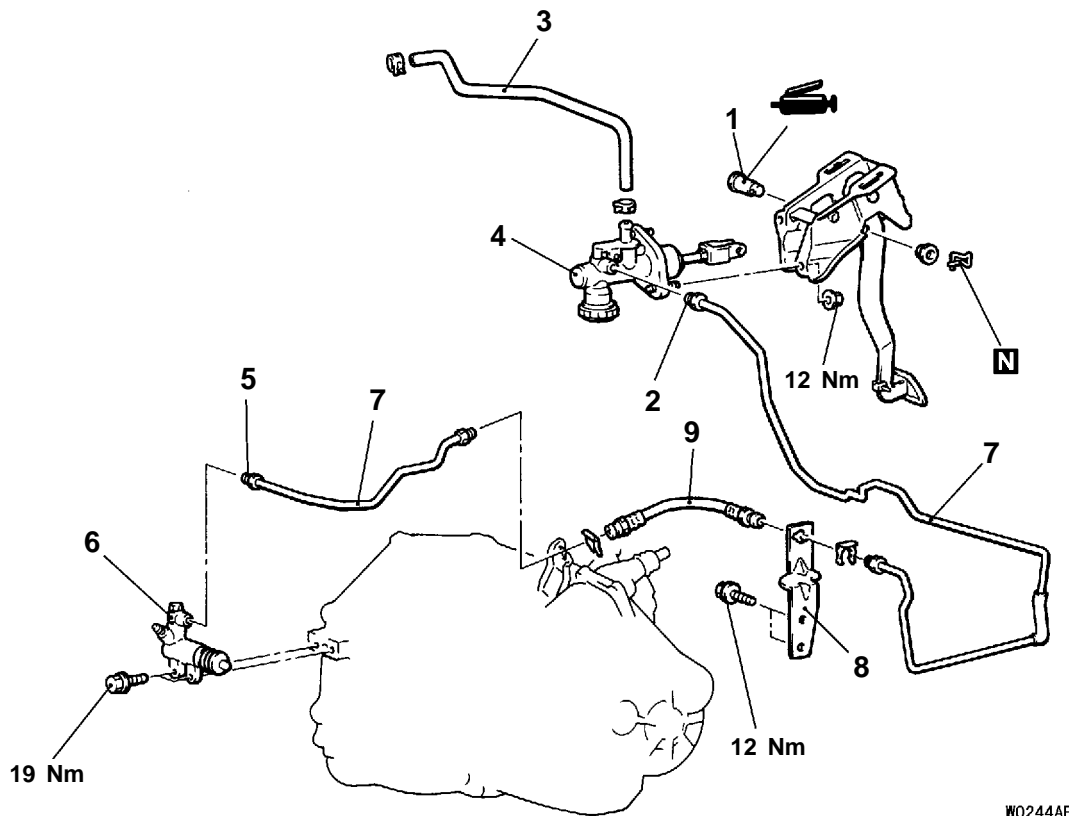
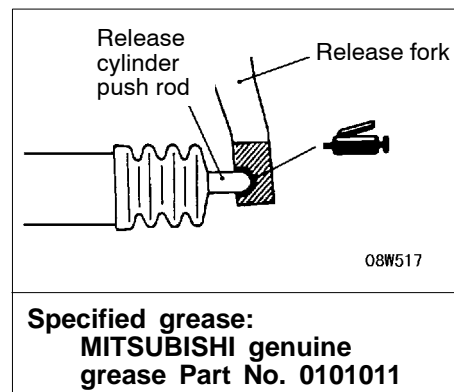
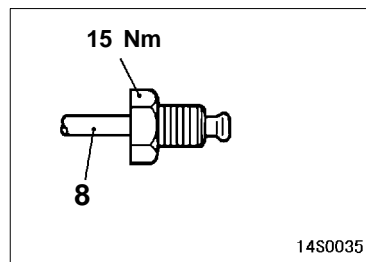
Clutch release cylinder removal steps

5. Clutch pipe connection
6. Clutch release cylinder

Clutch line removal steps

7. Clutch pipe
8. Clutch hose
9. Bracket
10. Clutch hose

<R.H. drive vehicles>

W0244AE
00009434

Specified grease:
MITSUBISHI genuine
grease Part No. 0101011

Clutch master cylinder removal steps

1. Clevis pin assembly
2. Clutch pipe connection
3. Reservoir hose
4. Clutch master cylinder

Clutch release cylinder removal steps

5. Clutch pipe connection
6. Clutch release cylinder

Clutch line removal steps

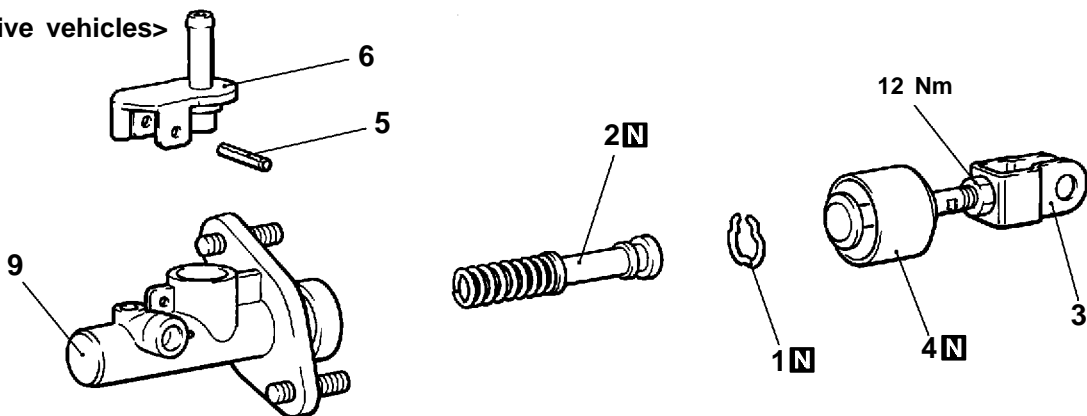
7. Clutch pipe
8. Bracket
9. Clutch hose

**DISASSEMBLY AND REASSEMBLY
CLUTCH MASTER CYLINDER**

21100210172

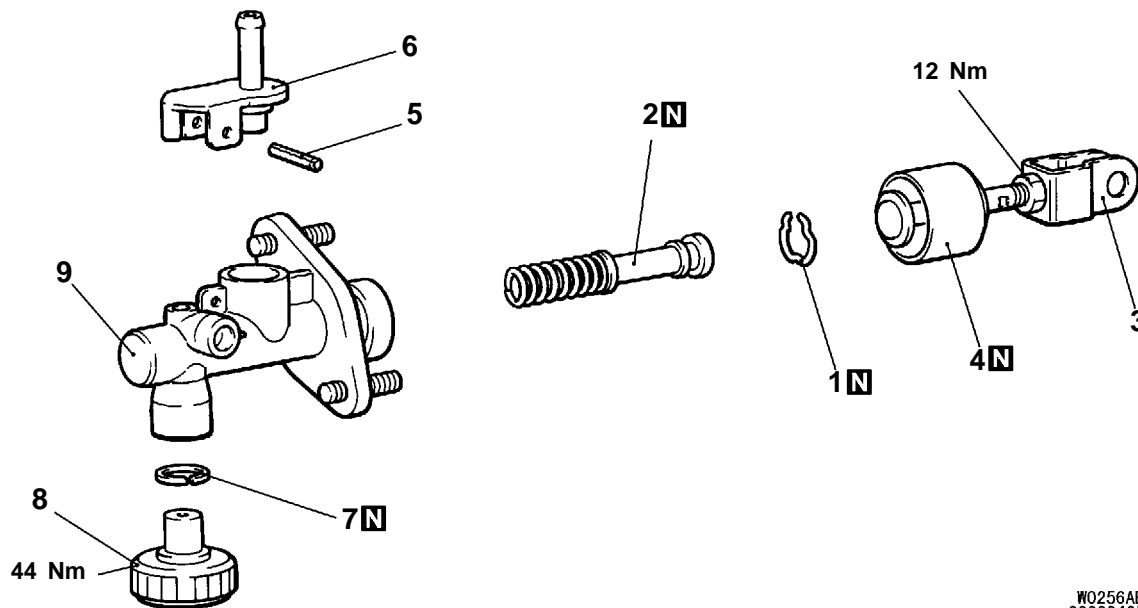
Caution
Do not disassemble piston assembly.

<L.H. drive vehicles>



W0245AE

<R.H. drive vehicles>



W0256AE
00009435

W0524AE

Piston repair kit

W0523AE

**Clutch fluid:
Brake fluid DOT3 or DOT4**

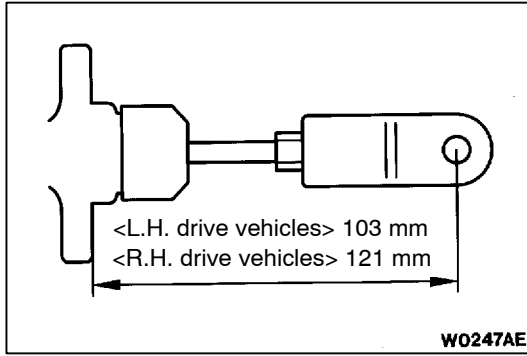
08R0007

Grease: Rubber grease

Disassembly steps

- ▶◀
1. Piston stopper ring
 2. Piston assembly
 3. Push rod assembly
 4. Boot
 5. Spring pin

6. Nipple
7. Gasket
8. Damper assembly
9. Master cylinder body

**INSTALLATION SERVICE POINT****▶A◀ PUSH ROD ASSEMBLY INSTALLATION**

Set the length of the push rod assembly to the shown dimension to make the adjustment of clutch pedal easier.