

HEATER, AIR CONDITIONER AND VENTILATION

CONTENTS

55109000164

GENERAL INFORMATION	3	ON-VEHICLE SERVICE	8
Safety Precautions	3	Sight Glass Refrigerant Level Test	8
SERVICE SPECIFICATIONS	4	Magnetic Clutch Test	8
LUBRICANTS	4	Receiver Drier Test	8
SPECIAL TOOLS	4	Compressor Drive Belt Adjustment	8
TROUBLESHOOTING	5	Dual Pressure Switch Check	9

CONTINUED ON NEXT PAGE

WARNINGS REGARDING SERVICING OF SUPPLEMENTAL RESTRAINT SYSTEM (SRS) EQUIPPED VEHICLES

WARNING!

- (1) Improper service or maintenance of any component of the SRS, or any SRS-related component, can lead to personal injury or death to service personnel (from inadvertent firing of the air bag) or to the driver and passenger (from rendering the SRS inoperative).
- (2) Service or maintenance of any SRS component or SRS-related component must be performed only at an authorized MITSUBISHI dealer.
- (3) MITSUBISHI dealer personnel must thoroughly review this manual, and especially its GROUP 52B - Supplemental Restraint System (SRS) before beginning any service or maintenance of any component of the SRS or any SRS-related component.

NOTE

The SRS includes the following components: SRS-ECU, SRS warning lamp, air bag module, clock spring, side impact sensors and interconnecting wiring. Other SRS-related components (that may have to be removed/installed in connection with SRS service or maintenance) are indicated in the table of contents by an asterisk (*).

Charging	10	AIR THERMO SENSOR	25
Performance Test	14	BLOWER MOTOR ASSEMBLY, AUTOMATIC	
Refrigerant Leak Repair	16	COMPRESSOR-ECU AND INSIDE/OUTSIDE	
Compressor Noise	16	AIR CHANGEOVER DAMPER MOTOR .	26
Power Relay Check	17	COMPRESSOR AND TENSION	
Idle-up Operation Check	18	PULLEY	27
Air Purifier Assembly Replacement	18	CONDENSER AND CONDENSER FAN	
HEATER CONTROL ASSEMBLY AND A/C		MOTOR	31
SWITCH	19	REFRIGERANT LINE	33
HEATER UNIT*, BLOWER UNIT*,		VENTILATORS*	36
RESISTER* AND EVAPORATOR*	22		

GENERAL INFORMATION

55200010312

The heater system uses a two-way-flow full-air-mix system that features high performance and low operating noise, and includes an independent face air blowing function. The A/C system is basically the same as the conventional system, but a new

refrigerant system has been adopted as a response to restrictions on the use of chlorofluorocarbons. In addition, an air purifier which carries out fine A/C control has been included.

Items		Specifications
Heater unit	Type	Two-way-flow full-air-mix system
Heater control assembly		Dial type
Compressor	Model	Scroll type <CSC08>
Dual pressure switch kPa	High-pressure switch	ON → OFF: 2,940, OFF → ON: 2,350
	Low-pressure switch	ON → OFF: 196, OFF → ON: 221
Refrigerant and quantity g		R-134a (HFC-134a), Approx. 500 - 600

SAFETY PRECAUTIONS

Because R-134a refrigerant is a hydrofluorocarbon (HFC) which contains hydrogen atoms in place of chlorine atoms, it will not cause damage to the ozone layer.

Refrigerant R-134a is transparent and colourless in both the liquid and vapour state. Since it has a boiling point of -29.8°C , at atmospheric pressure, it will be a vapour at all normal temperatures and pressures. The vapour is heavier than air, non-flammable, and nonexplosive. The following precautions must be observed when handling R-134a.

Caution

Wear safety goggles when servicing the refrigeration system.

R-134a evaporates so rapidly at normal atmospheric pressures and temperatures that it tends to freeze anything it contacts. For this reason, extreme care must be taken to prevent any liquid refrigerant from contacting the skin and especially the eyes. Always wear safety goggles when servicing the refrigeration part of the A/C system. Keep a bottle of sterile mineral oil handy when working on the refrigeration system. Should any liquid refrigerant get into the eyes, use a few drops of mineral oil to wash them out. R-134a is rapidly absorbed by the oil. Next splash the eyes with plenty of cold water. Call your doctor immediately even though irritation has ceased after treatment.

Caution

Do not heat R-134a above 40°C

In most instances, moderate heat is required to bring the pressure of the refrigerant in its container above the pressure of the system when charging or adding refrigerant.

A bucket or large pan of hot water not over 40°C is all the heat required for this purpose. Do not heat the refrigerant container with a blow torch or any other means that would raise temperature and pressure above this temperature. Do not weld or steam clean on or near the system components or refrigerant lines.

Caution

Keep R-134a containers upright when charging the system.

When metering R-134a into the refrigeration system keep the supply tank or cans in an upright position. If the refrigerant container is on its side or upside down, liquid refrigerant will enter the system and damage the compressor.

Caution

- 1. The leak detector for R-134a should be used to check for refrigerant gas leaks.**
- 2. Do not allow liquid refrigerant to touch bright metal.**

Refrigerant will tarnish bright metal and chrome surfaces, and in combination with moisture can severely corrode all metal surfaces.

SERVICE SPECIFICATIONS

55200030332

Items	Standard value
Idle speed r/min	650 ± 50
Idle up speed r/min	800 ± 50
Resistor (for blower motor) Ω	LO: 2.30, ML:1.10, MH: 0.40
Air gap (Magnetic clutch)	0.25 - 0.55

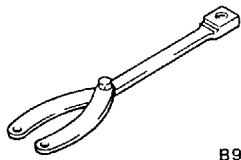
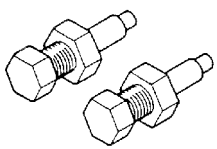
LUBRICANTS

55200040236

Items	Specified lubricants	Quantity
Each connection of refrigerant line	DENSO OIL 8	As required
Compressor refrigerant unit lubricant mL	DENSO OIL 8	60 - 100

SPECIAL TOOLS

55200060157

Tool	Number	Name	Use
 <p>B991367</p>	MB991367	Special spanner	Removal and installation of armature mounting nut of compressor
 <p>B991386</p>	MB991386	Pin	

TROUBLESHOOTING

55200070389

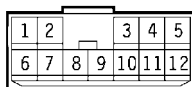
TROUBLESHOOTING PROCEDURES

Trouble symptom	Problem cause	Remedy	Reference page
When the ignition switch is "ON", the A/C does not operate	Fuse is defective	Replace the fuse	-
	Harness or connector is defective	Repair the harness or connector	-
	A/C compressor relay is defective	Replace the A/C compressor relay	55-17
	A/C compressor magnetic clutch is defective	Replace the armature plate, rotor or clutch coil	55-8
	Refrigerant leak or overfilling of refrigerant	Replenish the refrigerant, repair the leak or take out some of the refrigerant	55-8
	Dual pressure switch is defective	Replace the dual pressure switch	55-9
	A/C switch is defective	Replace the blower switch assembly	55-20
	Blower switch is defective	Replace the blower switch assembly	55-20
	Automatic compressor-ECU is defective	Replace the automatic compressor-ECU	55-7
Engine-ECU is defective	Replace the engine-ECU	-	
When the A/C is operating, temperature inside the passenger compartment doesn't decrease (cool air is not emitted)	Refrigerant leak	Replenish the refrigerant and repair the leak	55-8
	Dual pressure switch is defective	Replace the dual pressure switch	55-9
	Automatic compressor-ECU is defective	Replace the automatic compressor-ECU	55-7
	Engine-ECU is defective	Replace the engine-ECU	-
Blower fan and motor do not turn	Fuse is defective	Replace the fuse	-
	Harness or connector is defective	Repair the harness or connector	-
	Blower relay is defective	Replace the blower relay	55-17
	Blower fan and motor are defective	Replace the blower fan and motor	55-26
	Resistor (for blower motor) is defective	Replace the resistor	55-24
	Blower switch is defective	Replace the blower switch assembly	55-20

Trouble symptom	Problem cause	Remedy	Reference page
Blower fan and motor do not stop turning	Harness or connector is defective	Repair the harness or connector	-
	Blower switch is defective	Replace the blower switch assembly	55-20
	Blower relay is defective	Replace the blower relay	55-17
When the A/C is operating condenser fan or radiator fan does not turn	Fuse is defective	Replace the fuse	-
	Harness or connector is defective	Repair the harness or connector	-
	Condenser fan motor is defective	Replace the condenser fan motor	55-32
	Radiator fan motor is defective	Replace the radiator fan motor	-
	Engine-ECU is defective	Replace the engine-ECU	-
Inside and outside changeover does not operate	Harness or connector is defective	Repair the harness or connector	-
	Inside and outside changeover switch is defective	Replace the blower switch assembly	55-20
	Inside and outside changeover damper motor is defective	Replace the inside and outside changeover damper motor	55-26

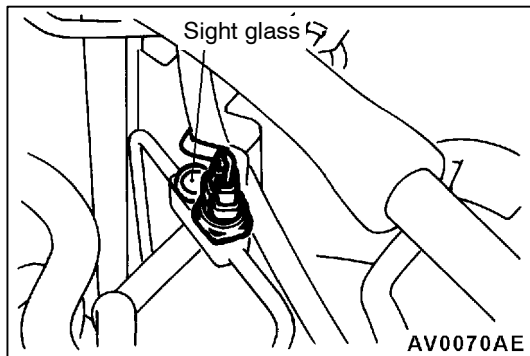
INSPECTION AT THE AUTOMATIC COMPRESSOR-ECU TERMINAL

55201030096



V0710AE

Terminal No.	Check item	Checking requirements	Normal condition
1	Earth	Always	0 V
2	-	-	-
3	Input from air thermo sensor to Automatic compressor-ECU	Air thermo sensor detection temperature: 5°C	1.1 V
4	Automatic compressor-ECU power supply (IG2)	Ignition switch: ON	Battery voltage
5	Output from ECU to A/C compressor relay	A/C compressor relay: OFF	Battery voltage
		A/C compressor relay: ON	0 V
6	Air thermo sensor earth	Always	0 V
7-10	-	-	-
11	Input from A/C switch to Automatic compressor-ECU	A/C switch: OFF	0 V
		A/C switch: ON	Battery voltage
12	Output from ECU to engine-ECU	Air thermo sensor detection temperature: 5°C or less	Battery voltage
		Air thermo sensor detection temperature: 8°C or more	0 V



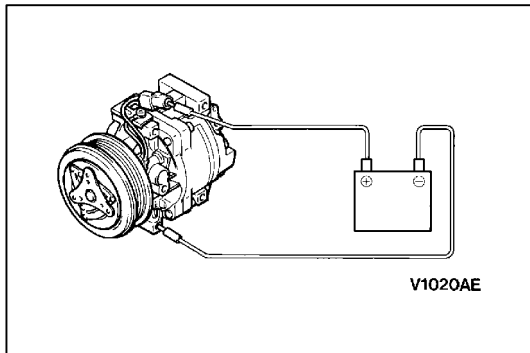
ON-VEHICLE SERVICE

55200840225

SIGHT GLASS REFRIGERANT LEVEL TEST

The sight glass is a refrigerant level indicator. To check the refrigerant level, clean the sight glass and start the vehicle engine. Push the A/C button to operate the compressor, place the blower switch to high and move the temperature control lever to max cool. After operating for a few minutes in this manner, check the sight glass.

1. If the sight glass is clear, the magnetic clutch is engaged, the compressor discharge line is warm and the compressor inlet line is cool; the system has a full charge.
2. If the sight glass is clear, the magnetic clutch is engaged and there is no significant temperature difference between compressor inlet and discharge lines; the system has lost some refrigerant.
3. If the sight glass shows foam or bubbles, the system could be low on charge. The system has to be recharged with refrigerant.



MAGNETIC CLUTCH TEST

55200850303

1. Disconnect the connector (1-pin) to the magnetic clutch.
2. Connect battery (+) voltage directly to the connector for the magnetic clutch.
3. If the magnetic clutch is normal, there will be "click". If the pulley and armature do not make contact ('click'), there is a malfunction.

RECEIVER DRIER TEST

55200860115

Operate the unit and check the piping temperature by touching the receiver drier outlet and inlet.

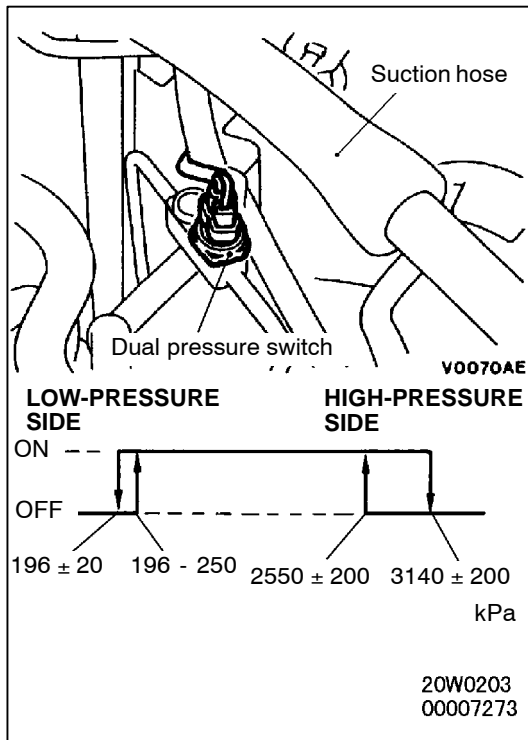
If there is a difference in the temperatures, the receiver drier is restricted.

Replace the receiver drier.

COMPRESSOR DRIVE BELT ADJUSTMENT

55200100101

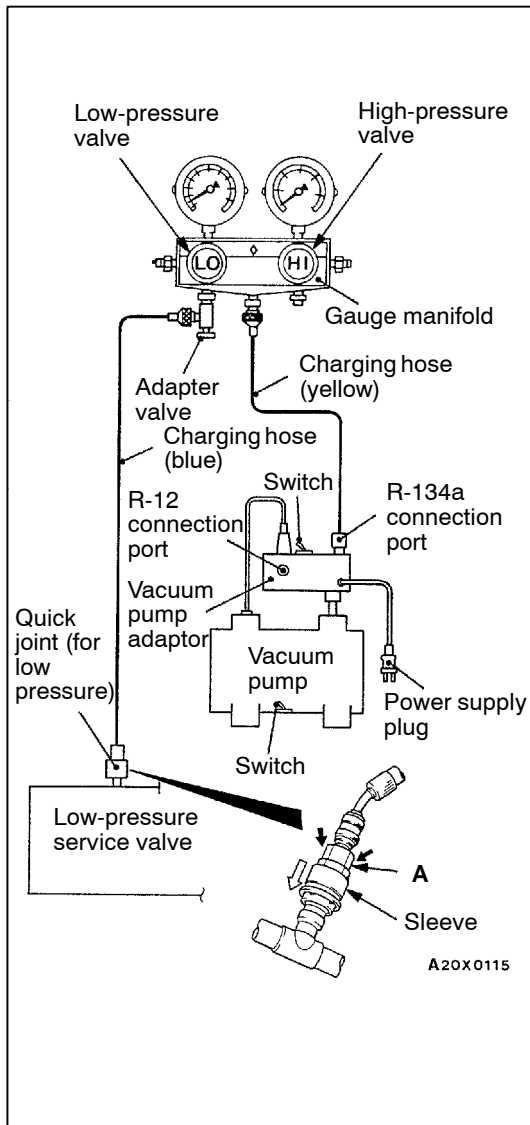
Refer to GROUP 11 - On-vehicle Service.



DUAL PRESSURE SWITCH CHECK

55201040235

1. Remove the dual pressure switch connector and connect the high/low pressure side terminals located on the harness side as shown in the illustration.
2. Install a gauge manifold to the high-pressure side service valve of the refrigerant line. (Refer to Performance Test.)
3. When the high/low pressure sides of the dual pressure switch are at operation pressure (ON) and there is continuity between the respective terminals, then the condition is normal. If there is no continuity, replace the switch.



CHARGING

1. With the handles turned back all the way (valve closed), install the adaptor valve to the low-pressure side of the gauge manifold.
2. Connect the charging hose (blue) to the adaptor valve.
3. Connect the quick joint (for low-pressure) to the charging hose (blue).
4. Connect the quick joint (for low-pressure) to the low-pressure service valve.

NOTE

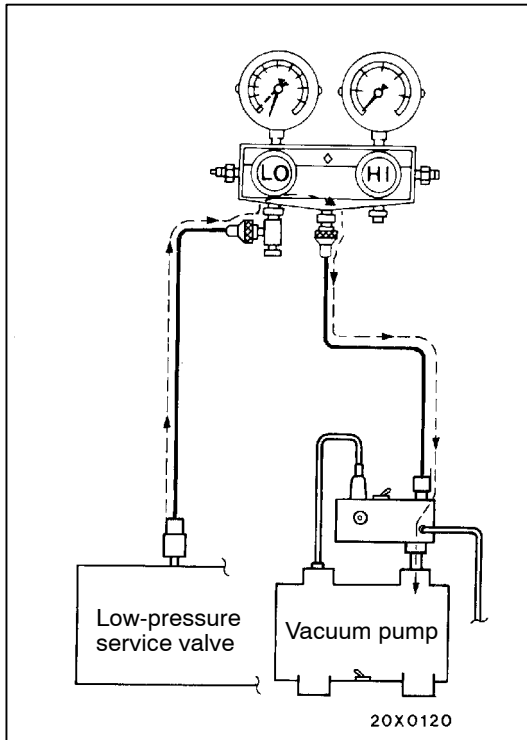
The low-pressure service valve should be connected to the suction hose.

Caution

- (1) Use tools that are suited to R-134a.
 - (2) To install the quick joint, press section "A" firmly against the service valve until a click is heard. When connecting, run your hand along the hose while pressing to ensure that there are no bends in the hose.
5. Close the high and low-pressure valves of the gauge manifold.
 6. Install the vacuum pump adaptor to the vacuum pump.
 7. Connect the vacuum pump plug to the vacuum pump adaptor.
 8. Connect the charging hose (yellow) to the R-134a connection port of the vacuum pump adaptor.
 9. Tighten the adaptor valve handle (valve open).
 10. Open the low-pressure valve of the gauge manifold.
 11. Turn the power switch of the vacuum pump to the ON position.

NOTE

Even if the vacuum pump power switch is turned ON, the vacuum pump will not operate because of the power supply connection in step (7).



12. Turn the vacuum pump adaptor switch to the R-134a side to start the vacuum pump.

Caution

Do not operate the compressor for evacuation.

13. Evacuate to a vacuum reading of 100 kPa or higher (takes approx. 10 minutes).
14. Turn the vacuum pump adaptor switch OFF and allow to stand it for 5 minutes.

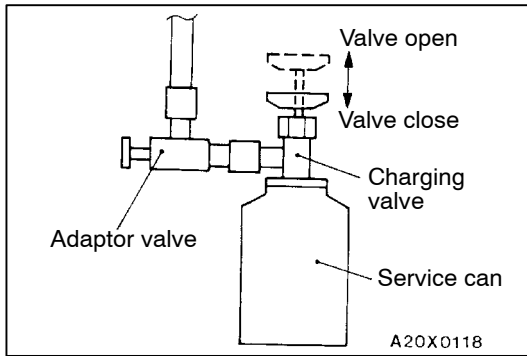
Caution

Do not operate the compressor in the vacuum condition; damage may occur.

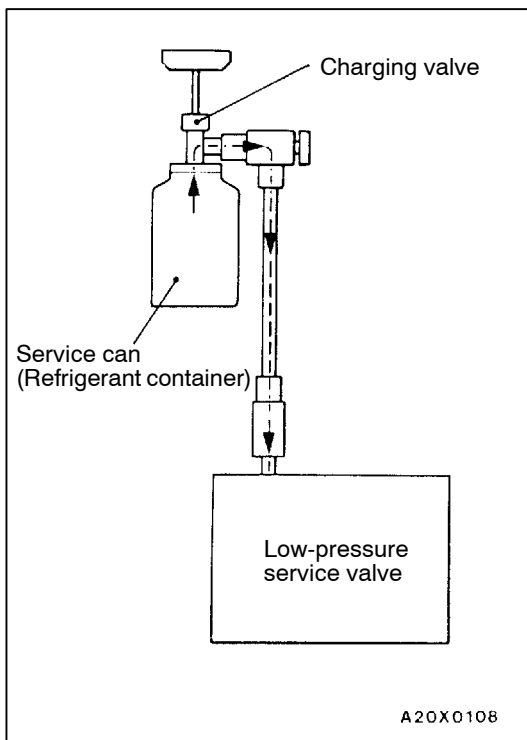
15. Carry out a leak test. (Good if the negative pressure does not drop.)

Caution

If the negative pressure drops, increase the tightness of the connections, and then repeat the evacuation procedure from step (12).



16. With the handle turned back all the way (valve open), install the charging valve to the service can.
17. Turn the handle of the adaptor valve back all the way (valve closed), remove it from the gauge manifold and install the service can.
18. Tighten the handle of the charging valve (valve closed) to puncture the service can.



19. Turn the handle of the charging valve back (valve open) and tighten the handle of the adaptor valve (valve open) to charge the system with refrigerant.

Caution

If the service can is inverted, liquid refrigerant may be drawn into the compressor damaging it by liquid compression. Keep the service can upright to ensure that refrigerant is charged in gas state.

20. If the refrigerant is not drawn in, turn the handle of the adaptor valve back all the way (valve closed).
21. Check for gas leaks using a leak detector. If a gas leak is detected, re-tighten the connections, and then repeat the charging procedure from evacuation in step (12).

Caution

The leak detector for R-134a should be used.

22. Start the engine.
23. Operate the A/C and set to the lowest temperature (MAX. COOL).

24. Fix the engine speed at 1,500 r/min.
25. Tighten the handle of the adaptor valve (valve open) to charge the required volume of refrigerant.

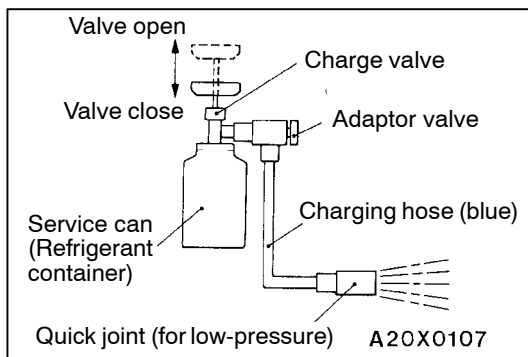
Caution

If the service can is inverted, liquid refrigerant may be drawn into the compressor damaging it by liquid compression. Keep the service can upright to ensure that refrigerant is charged in gas state.

26. After charging with refrigerant, turn the handle of the adaptor valve back all the way (valve closed).
27. Tighten the charging valve handle (valve closed).
Remove the quick joint (for low-pressure) from the low-pressure service valve.

NOTE

If the service can is not emptied completely, keep the handles of the charging valve and adaptor valve closed for the next charging.

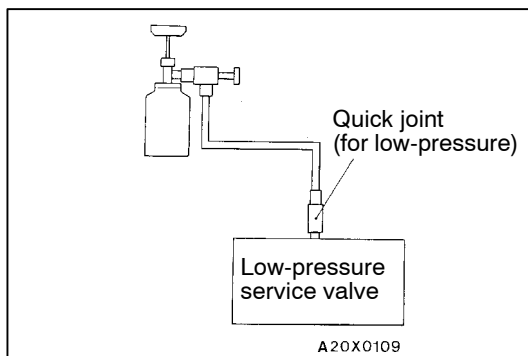


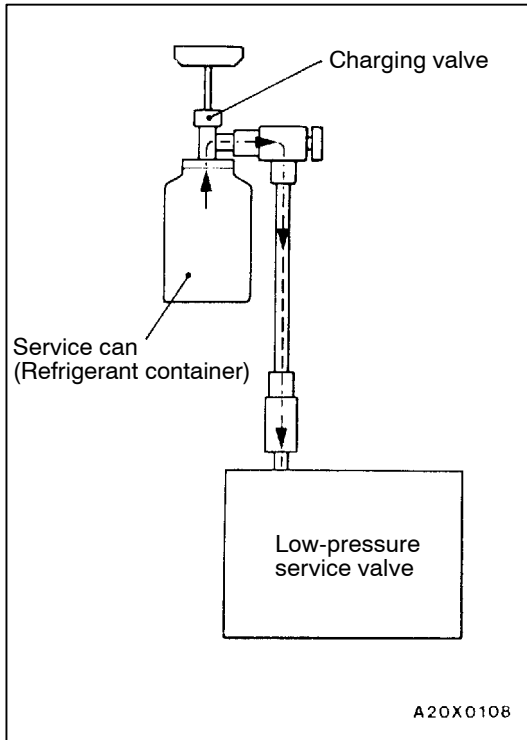
CORRECTING LOW REFRIGERANT LEVEL IN CASE THE SERVICE CAN IS USED.

1. Install the charge valve with the handle turned all the way back (valve open) to the service can.
2. Install the adaptor valve with the handle turned all the way back (valve close) to the charging valve.
3. Connect the charging hose (blue) to the adaptor valve.
4. Connect the charging hose (blue) to the quick joint (for low-pressure).
5. Tighten the handle of the charge valve (valve close), and pierce the service can.
6. Turn the handle of the adaptor valve to bleed the air.
7. Install the quick joint (for low-pressure) to the low-pressure service valve.

NOTE

The low-pressure service valve should be connected to the suction hose.





8. Start the engine.
9. Operate the air conditioner and set at the lowest temperature (MAX. COOL).
10. Fix the engine speed at 1,500 r/min.
11. Tighten the handle of the adaptor valve (valve open), and replenish refrigerant while checking the quantity through the sight glass.

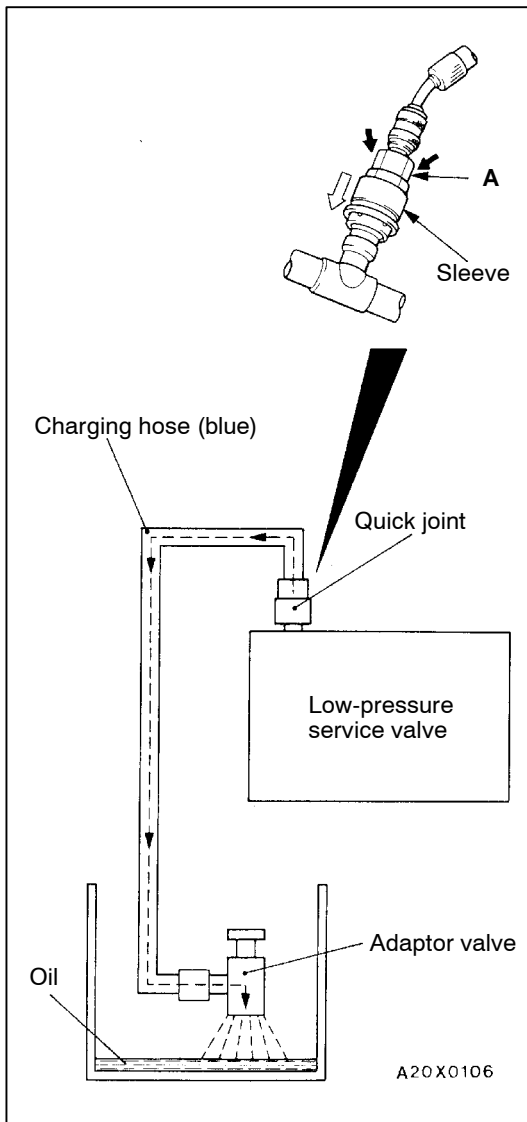
Caution

If the service can is inverted, liquid refrigerant may be draw into the compressor damaging it by liquid compression. Keep the service can upright to ensure that refrigerant is changed in gas state.

12. After replenishing is completed, turn the handle of the adaptor valve all the way back (valve close), and remove the quick joint.

NOTE

When there is remainder of refrigerant in the service can, keep it for next use with the charge value and the valve of the adaptor valve being closed.



DISCHARGING SYSTEM

1. Run the engine at an engine speed of 1,200 - 1,500 r/min for approximately 5 minutes with the A/C operating to return to the oil.

NOTE

Returning the oil will be more effective if it is done while driving.

2. Stop the engine.
3. Connect the charging hose (blue) to the adaptor valve with its handle turned back all the way (valve closed).
4. Connect the quick joint to the charging hose (blue).
5. Install the quick joint to the low-pressure service valve.

NOTE

The low-pressure service valve should be connected to the suction hose.

Caution

To connect the quick joint, press section "A" firmly against the service valve until a click is heard. When connecting, run your hand along the hose while pressing to ensure that there are no bends in the hose.

6. Place the adaptor valve inside the container and discharge the refrigerant by opening the handle gradually so that oil does not gush out.

NOTE

Any oil remaining in the container should be returned to the A/C system.

REFILLING OF OIL IN THE A/C SYSTEM

Too little oil will provide inadequate compressor lubrication and cause a compressor failure. Too much oil will increase discharge air temperature.

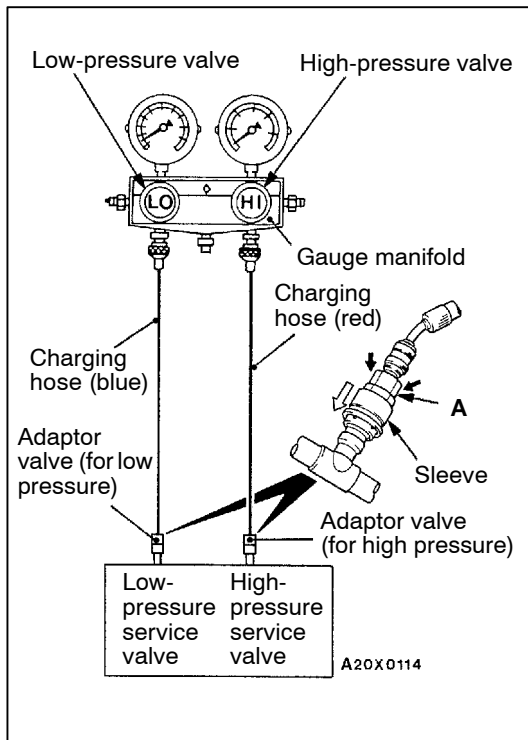
When a compressor is installed at the factory, it contains 120 mL of refrigerant oil. While the A/C system is in operation, the oil is carried through the entire system by the refrigerant. Some of this oil will be trapped and retained in various parts of the system.

When the following system components are changed, it is necessary to add oil to the system to replace the oil being removed with the component.

Compressor oil: DENSO OIL 8

Quantity

- Condenser: 10 mL**
- Evaporator: 40 mL**
- Suction hose: 6.5 mL**



PERFORMANCE TEST

55200140257

1. The vehicles to be tested should be in a place that is not in direct sunlight.
2. Close the high and low-pressure valve of the gauge manifold.
3. Connect the charging hose (blue) to the low-pressure valve and connect the charging hose (red) to the high-pressure valve of the gauge manifold.
4. Install the quick joint (for low-pressure) to the charging hose (blue), and connect the quick joint (for high-pressure) to the charging hose (red).
5. Connect the quick joint (for low-pressure) to the low-pressure service valve and connect the quick joint (for high-pressure) to the high-pressure service valve.

NOTE

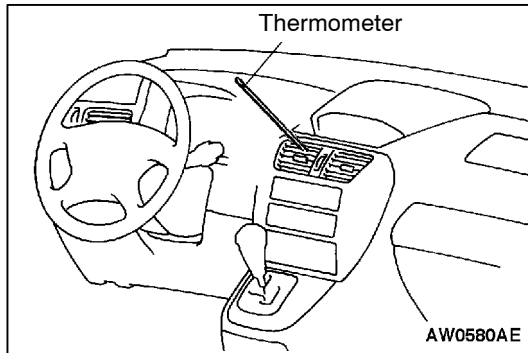
The high-pressure service valve is on liquid pipe A and the low-pressure service valve is on the suction hose.

Caution

To connect the quick joint, press section “A” firmly against the service valve until a click is heard. When connecting, run your hand along the hose while pressing to ensure that there are no bends in the hose.

6. Start the engine.

7. Set the controls to the A/C as follows:
 A/C switch: A/C - ON position
 Mode selection: Face position
 Temperature control: Max. cooling position
 Air selection: Recirculation position
 Blower switch: HI (Fast) position
8. Adjust engine speed to 1,000 r/min with A/C clutch engaged.
9. Engine should be warmed up with doors and windows closed.



10. Insert a thermometer in the center A/C outlet and operate the engine for 20 minutes.
11. Note the discharge air temperature.

NOTE

If the clutch cycles, take the reading before the clutch disengages.

Performance Temperature Chart

Garage ambient temperature °C	20	25	35	40
Discharge air temperature °C	2.5 - 4.5	2.5 - 4.5	4.0 - 6.5	6.5 - 9.0
Compressor high-pressure kPa	765 - 960	765 - 960	1,325 - 1,420	1,570 - 1,765
Compressor low-pressure kPa	40 - 135	40 - 135	80 - 175	155 - 255

REFRIGERANT LEAK REPAIR 55200150045**LOST CHARGE**

If the system has lost all charge due to a leak:

1. Evacuate the system. (See procedure.)
2. Charge the system with approximately one pound of refrigerant.
3. Check for leaks.
4. Discharge the system.
5. Repair leaks.
6. Replace receiver drier.

Caution

Replacement filter-drier units must be sealed while in storage. The drier used in these units will saturate water quickly upon exposure to the atmosphere. When installing a drier, have all tools and supplies ready for quick reassembly to avoid keeping the system open any longer than necessary.

7. Evacuate and charge system.

LOW CHARGE

If the system has not lost all of its refrigerant charge; locate and repair all leaks. If it is necessary to increase the system pressure to find the leak (because of an especially low charge) add refrigerant. If it is possible to repair the leak without discharging the refrigerant system, use the procedure for correcting low refrigerant level.

COMPRESSOR NOISE 55200870033

You must first know the conditions when the noise occurs. These conditions are: weather, vehicle speed, in gear or neutral, engine temperature or any other special conditions.

Noises that develop during A/C operation can often be misleading. For example: what sounds like a failed front bearing or connecting rod, may be caused by loose bolts, nuts, mounting brackets, or a loose clutch assembly. Verify accessory drive belt tension (power steering or alternator).

Improper accessory drive belt tension can cause a misleading noise when the compressor is engaged and little or no noise when the compressor is disengaged.

Drive belts are speed-sensitive. That is, at different engine speeds, and depending upon belt tension, belts can develop unusual noises that are often mistaken for mechanical problems within the compressor.

HANDLING TUBING AND FITTINGS

Kinks in the refrigerant tubing or sharp bends in the refrigerant hose lines will greatly reduce the capacity of the entire system. High pressures are produced in the system when it is operating. Extreme care must be exercised to make sure that all connections are pressure tight. Dirt and moisture can enter the system when it is opened for repair or replacement of lines or components. The following precautions must be observed. The system must be completely discharged before opening any fitting of connection in the refrigeration system. Open fittings with caution even after the system has been discharged. If any pressure is noticed as a fitting is loosened, allow trapped pressure to bleed off very slowly.

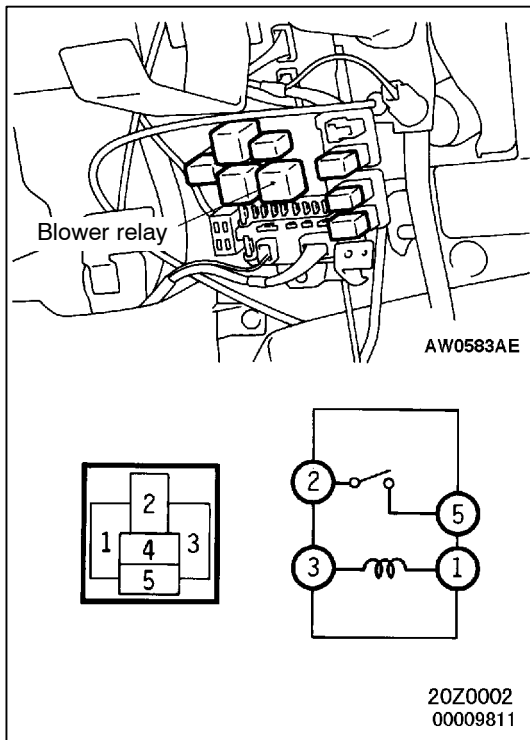
Never attempt to rebend formed lines to fit. Use the correct line for the installation you are servicing. A good rule for the flexible hose lines is keep the radius of all bends at least 10 times the diameter of the hose.

Sharper bends will reduce the flow of refrigerant. The flexible hose lines should be routed so that they are at least 80 mm from the exhaust manifold. It is good practice to inspect all flexible hose lines at least once a year to make sure they are in good condition and properly routed.

Unified plumbing connections with O-rings, these O-rings are not reusable.

ADJUSTMENT

1. Select a quiet area for testing. Duplicate conditions as much as possible. Switch compressor on and off several times to clearly identify compressor noise. To duplicate high ambient conditions (high head pressure), restrict air flow through condenser. Install manifold gauge set to make sure discharge pressure doesn't exceed 2,070 kPa.
2. Tighten all compressor mounting bolts, clutch mounting bolt, and compressor drive belt. Check to assure clutch coil is tight (no rotation or wobble).
3. Check refrigerant hoses for rubbing or interference that can cause unusual noises.
4. Check refrigerant charge. (See "Charging System".)
5. Recheck compressor noise as in Step 1.
6. If noise still exists, loosen compressor mounting bolts and retorque. Repeat Step 1.
7. If noise continues, replace compressor and repeat Step 1.

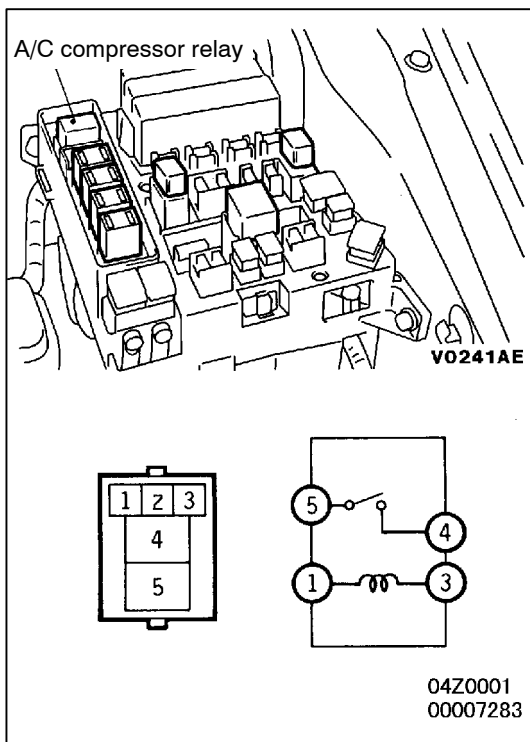


POWER RELAY CHECK

55200880296

BLOWER RELAY

Battery voltage	Terminal No.			
	1	3	2	5
Power is not supplied	○	○		
Power is supplied	⊕	⊖	○	○



A/C COMPRESSOR RELAY

Battery voltage	Terminal No.			
	1	3	4	5
Power is not supplied	○	○		
Power is supplied	⊕	⊖	○	○

FAN CONTROL RELAY

Refer to GROUP 14 - Radiator.

IDLE-UP OPERATION CHECK

55200160338

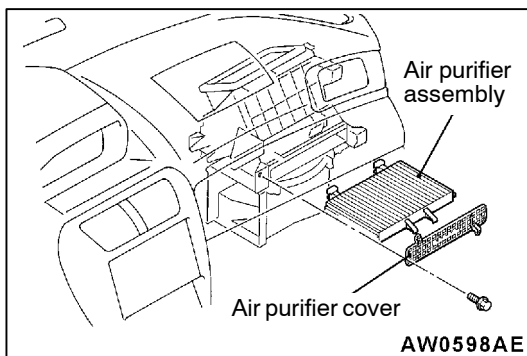
1. Before inspection and adjustment, set vehicle in the following condition:
 - Engine coolant temperature: 80 - 90°C
 - Lights, electric cooling fan and accessories: Set to OFF
 - Transmission: Neutral (N or P for vehicles with A/T)
 - Steering wheel: Straightforward
2. Check whether or not the idling speed is the standard value.

Standard value: 650 ± 50 r/min

3. When the A/C is running after turning the A/C switch to ON, and the blower switch to the MH or HI position, check to be sure that the idle speed is at the standard value.

Standard value: 800 ± 50 r/min**NOTE**

There is no necessity to make an adjustment, because the idling speed is automatically adjusted by the ISC system. If, however, there occurs a deviation from the standard value for some reason, check the ISC system. (Refer to GROUP 13A - On-vehicle Service.)

**AIR PURIFIER ASSEMBLY REPLACEMENT**

55501100024

1. Remove the glove box.
2. Remove the air purifier cover and the air purifier assembly.
3. Install a new air purifier assembly and install the air purifier cover.
4. Install the glove box.

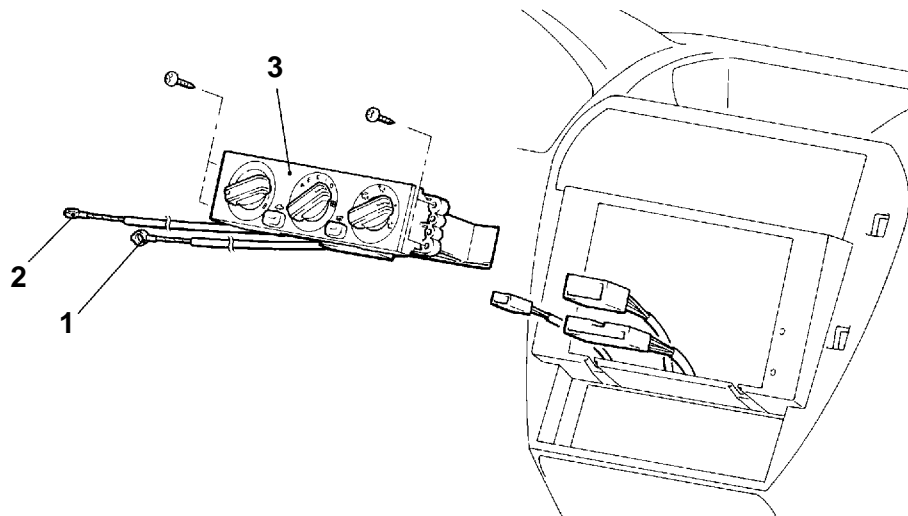
HEATER CONTROL ASSEMBLY AND A/C SWITCH

55200240162

REMOVAL AND INSTALLATION

Pre-removal and Post-installation Operation

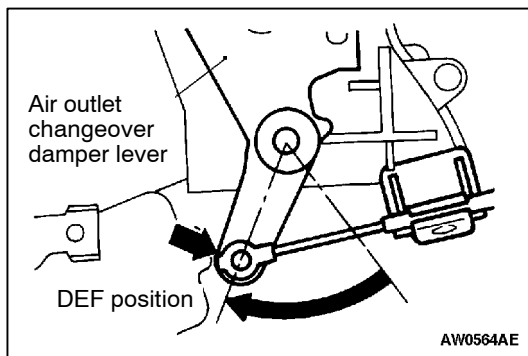
- Center Air Outlet Assembly, Instrument Under Cover Removal and Installation (Refer to GROUP 52A - Instrument Panel.)
- Radio, Tape Player Removal and Installation (Refer to GROUP 54.)



AW0557AE

Removal steps

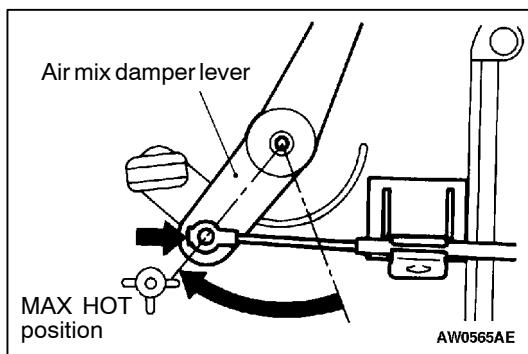
- ▶B◀ 1. Air mix damper cable connection
- ▶A◀ 2. Air outlet changeover damper cable connection
- 3. Heater control assembly



INSTALLATION SERVICE POINTS

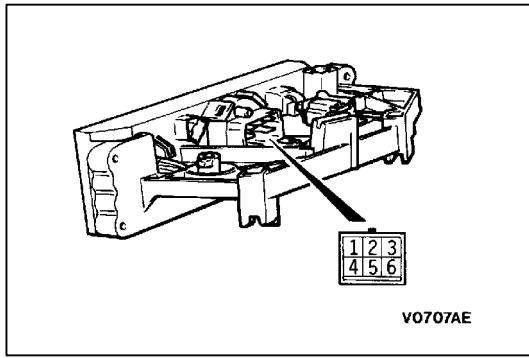
▶A◀ AIR OUTLET CHANGEOVER DAMPER CABLE CONNECTION

1. Set the air outlet changeover control knob on the heater control assembly to the DEF position.
2. Set the air outlet changeover damper lever of the heater unit to the DEF position (turn clockwise the damper lever until it stops), and then connect the cable to the lever.



▶B◀ AIR MIX DAMPER CABLE CONNECTION

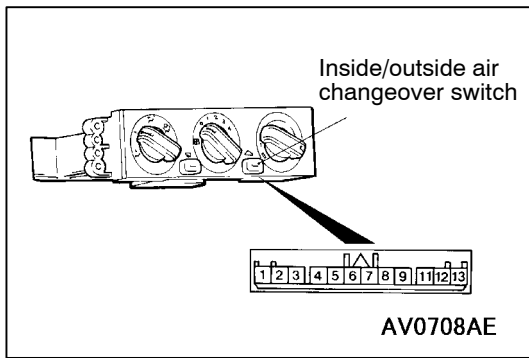
1. Set the temperature control knob on the heater control assembly to the MAX HOT position.
2. Set the air mix damper lever of the heater unit to the MAX HOT position (turn clockwise the damper lever until it stops), and then connect the cable to the lever.



INSPECTION

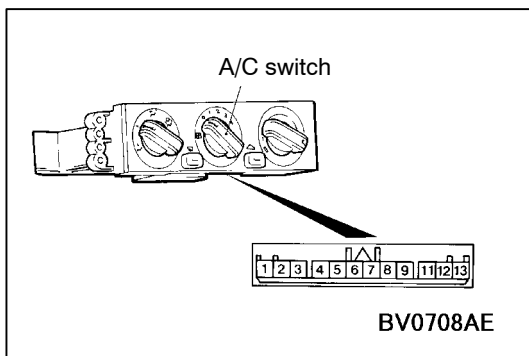
BLOWER SWITCH CONTINUITY CHECK

Switch position	Terminal No.					
	1	2	3	4	5	6
OFF						
● (LO)			○	—	○	
● (ML)	○	—	○			
● (MH)			○	—		○
● (HI)			○	—	○	



INSIDE/OUTSIDE AIR CHANGEOVER SWITCH CONTINUITY CHECK

Switch position	Terminal No.						
	1	2	3	IND	4	8	9
RECIRC		○	○	○	○		○
FRESH	○				○		○

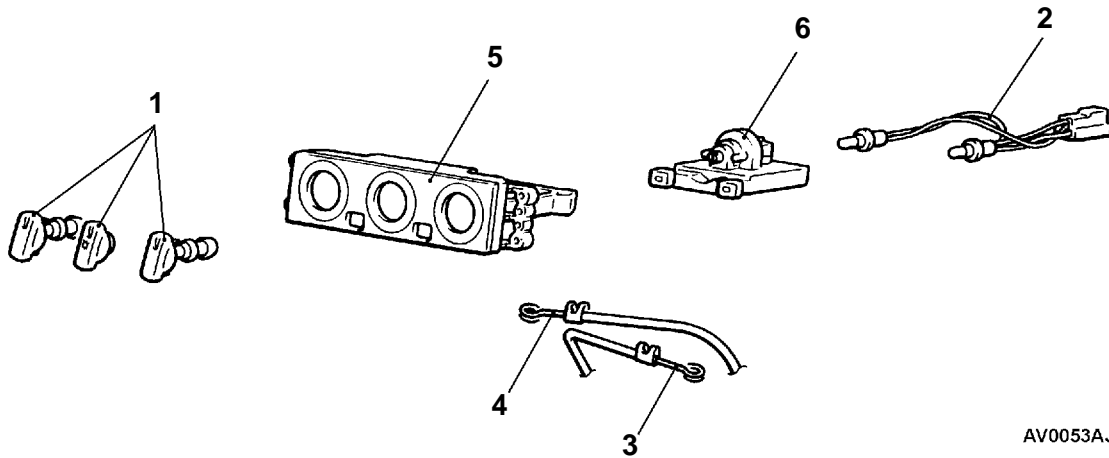


A/C SWITCH CONTINUITY CHECK

Switch position	Terminal No.						
	5	IND	6	7	8	9	
OFF							○
ON	○	○	○	○			○

DISASSEMBLY AND REASSEMBLY

55100130084

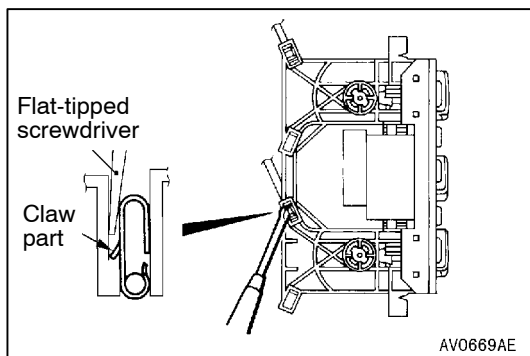


Disassembly steps

1. Knob assembly
2. Bulb harness
3. Air outlet changeover damper cable



4. Air mix damper cable
5. Heater control panel
6. Blower switch assembly



DISASSEMBLY SERVICE POINT

◀▶ AIR OUTLET CHANGEOVER DAMPER CABLE/AIR MIX DAMPER CABLE REMOVAL

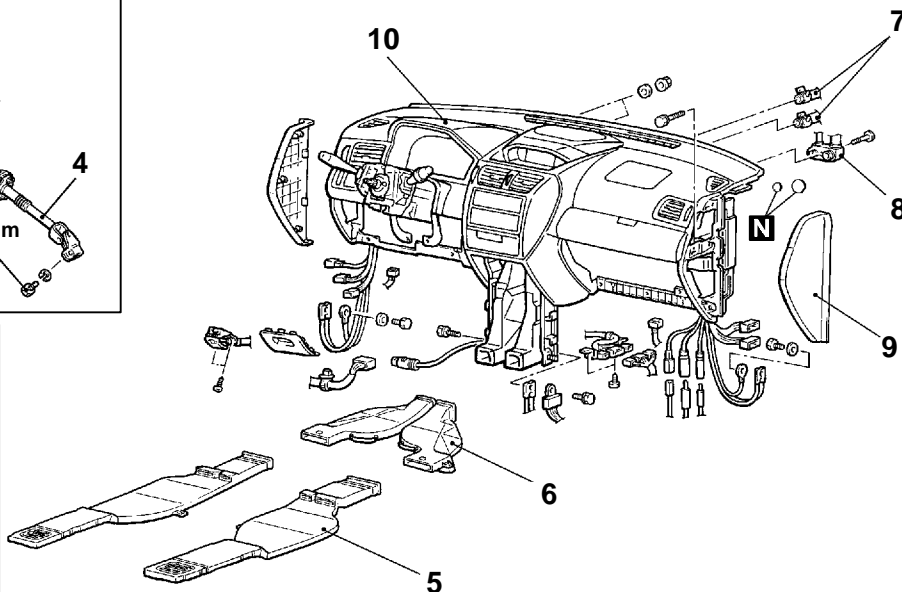
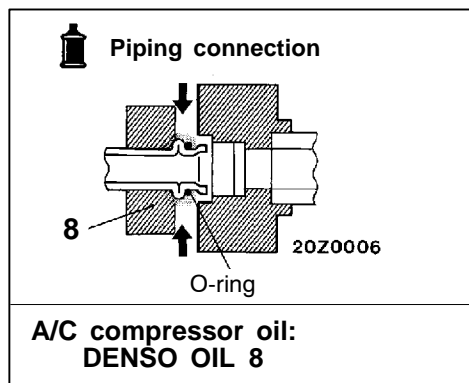
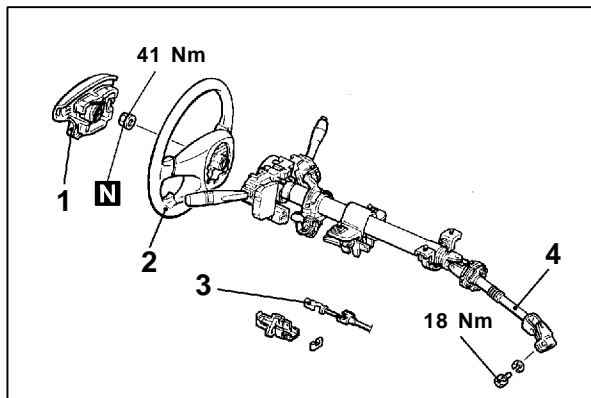
Insert a flat-tipped screwdriver into the control base clip from inner side, and then remove the cable by lifting the claw part of the clip.

HEATER UNIT, BLOWER UNIT, RESISTER AND EVAPORATOR

REMOVAL AND INSTALLATION

Caution: SRS

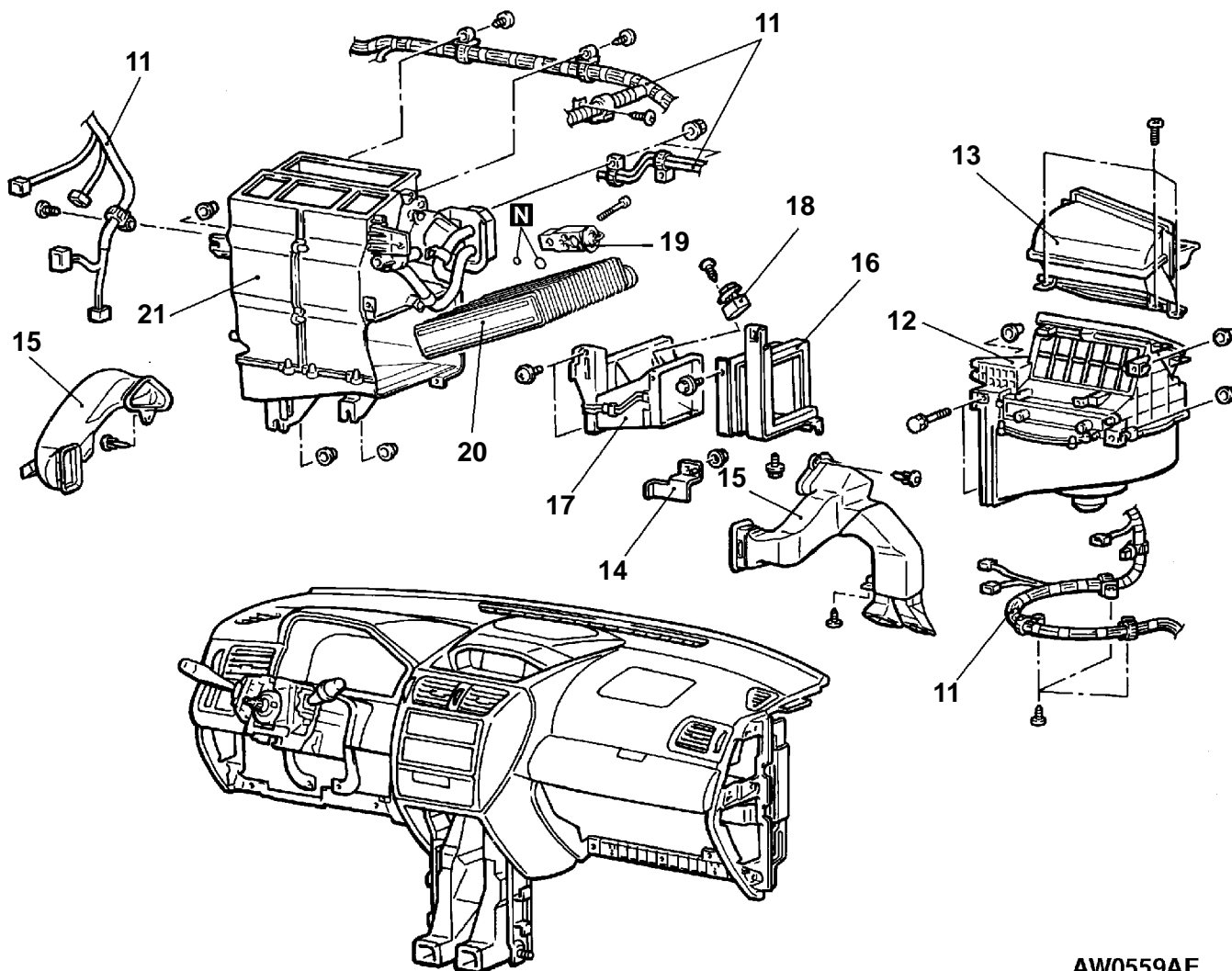
When removing and installing the floor console assembly from vehicles equipped with SRS, do not let it bump against the SRS-ECU or the components.



AW0558AE
00009812

Heater unit and blower unit removal steps

- Discharging and Charging of Refrigerant (Refer to P.55-10.)
 - Discharging and Charging of Engine Coolant (Refer to GROUP 14 - On-vehicle Service.)
 - Engine Cover Removal and Installation (Refer to GROUP 11 - Engine Assembly.)
 - Air Cleaner Assembly Removal and Installation.
 - Front Scuff Plate, Rear Scuff Plate and Cowl Side Trim Removal and Installation (Refer to GROUP 52A - Trims.)
 - Glove Box and Instrument Under Cover Removal and Installation (Refer to GROUP 52A - Instrument Panel.)
 - Front Seat Assembly (Driver's side) Removal and Installation (Refer to GROUP 52A - Seat.)
 - Shift Lever Assembly Removal and Installation (Refer to GROUP 22 - Transmission Control.) <M/T>
 - Selector Lever Assembly Removal and Installation (Refer to GROUP 23 - Transmission Control.) <A/T>
 - Floor Carpet Removal and Installation.
 - Door check and body connection (driver side)
1. Air bag module (Refer to GROUP 52B)
 2. Steering wheel
 3. Key inter lock cable <A/T>
 4. Steering column shaft assembly connection
 5. Rear heater duct C <SPACE WAGON>
 6. Rear heater duct B
 7. Heater hoses connection
 8. Front pipe assembly connection
 9. Instrument panel side cover
 10. Instrument panel assembly

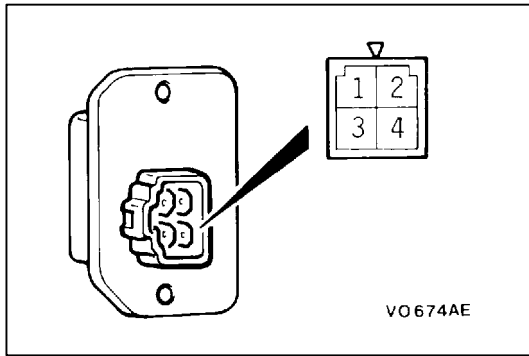


AW0559AE

- 11. Instrument panel wiring harness
- 12. Blower unit
- 13. Intake duct
- 14. Glove box support bracket
- 15. Foot duct
- 16. Joint duct A
- 17. Joint duct B
- 21. Heater unit

Evaporator and Resister removal steps

- Discharging and Charging of Refrigerant (Refer to P.55-10.)
- Engine Cover (Refer to GROUP 11 - Engine Assembly.)
- Air Cleaner Assembly
- Front Scuff Plate, Rear Scuff Plate and Cowl Side Trim (Refer to GROUP 52A - Trims.)
- Glove Box and Instrument Under Cover (Refer to GROUP 52A - Instrument Panel.)
- 8. Front pipe assembly connection
- 19. Expansion valve
- 14. Glove box support bracket
- 16. Joint duct A
- 17. Joint duct B
- 18. Resistor
- 15. Foot duct (passenger's side)
- 20. Evaporator



INSPECTION

55100510031

RESISTOR CHECK

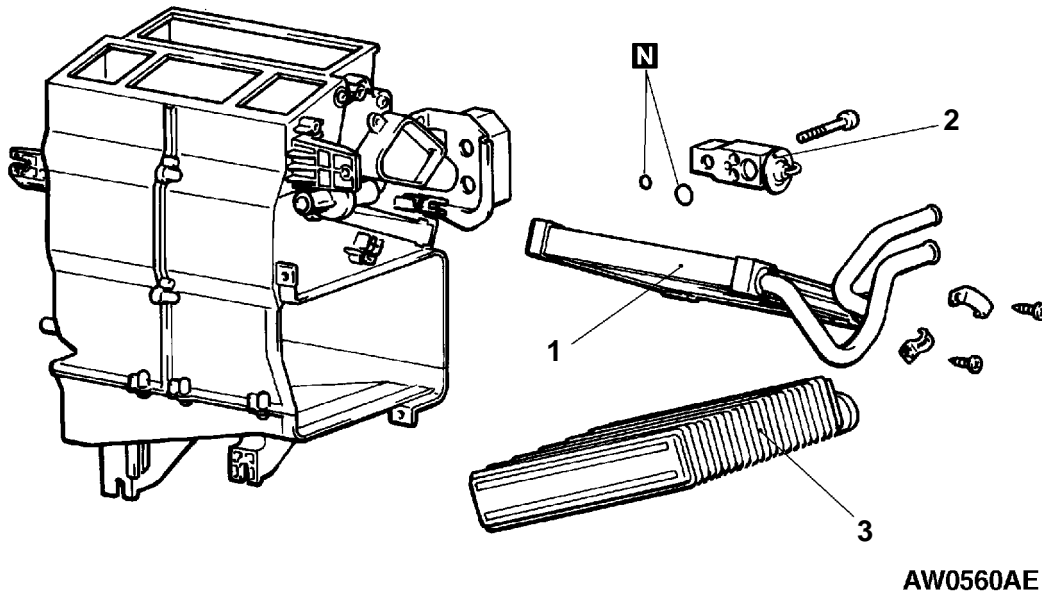
Use a circuit tester to measure the resistance between the terminals as indicated below. Check that the measured value is at the standard value.

Standard value:

Measurement terminal	Standard value Ω
Between terminals 3 and 2 (LO)	2.30
Between terminals 3 and 4 (ML)	1.10
Between terminals 3 and 1 (MH)	0.40

DISASSEMBLY AND REASSEMBLY

55100540016

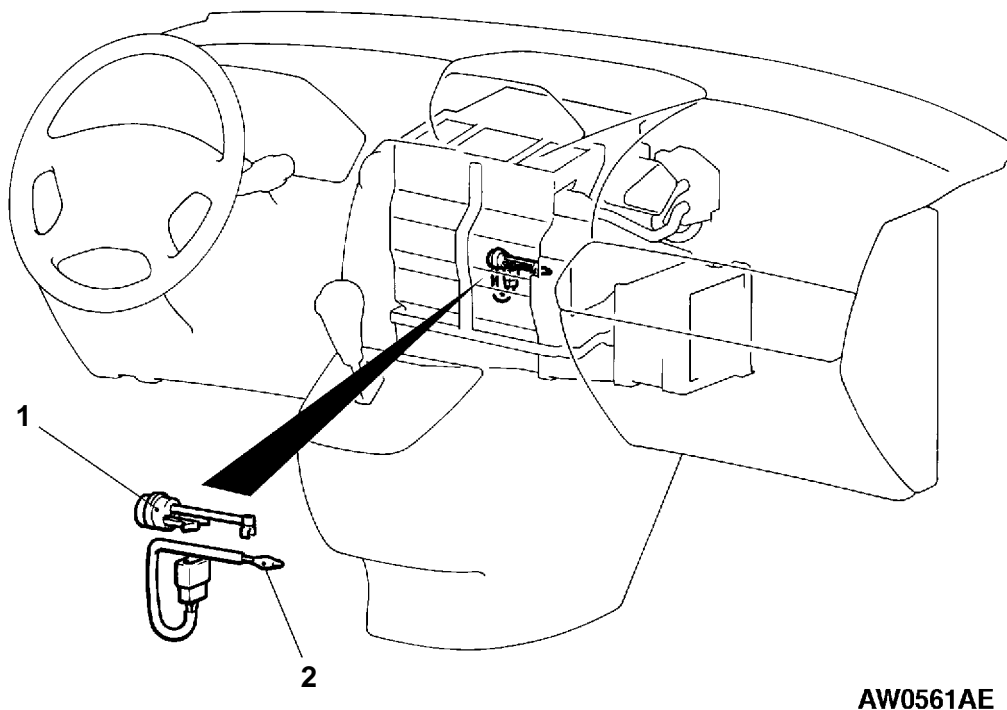


Disassembly steps

1. Heater core
2. Expansion valve
3. Evaporator

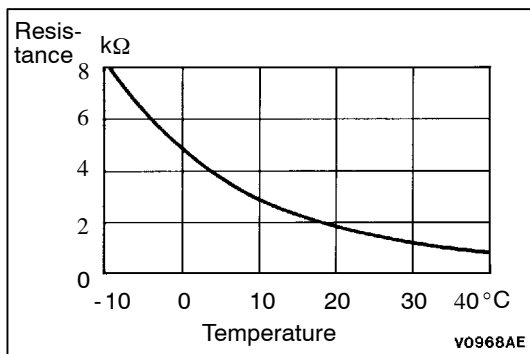
AIR THERMO SENSOR REMOVAL AND INSTALLATION

55201350017



Removal steps

1. Air thermo sensor clip
2. Air thermo sensor



INSPECTION

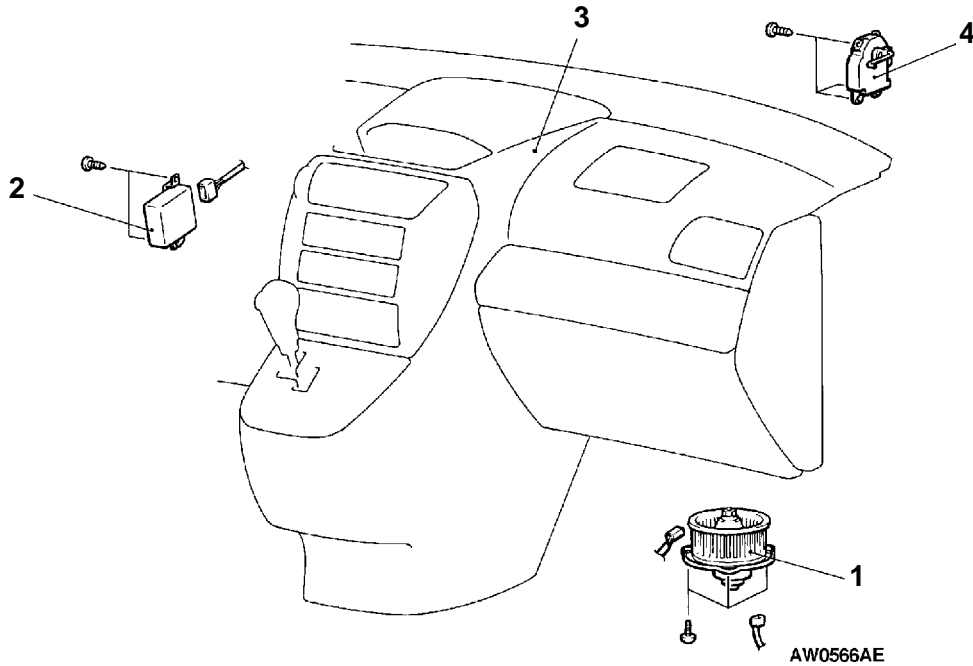
55201360010

AIE THERMO SENSOR CHECK

Measure the resistance between terminals under two or more temperature conditions. The resistance should be close to the values shown in the graph.

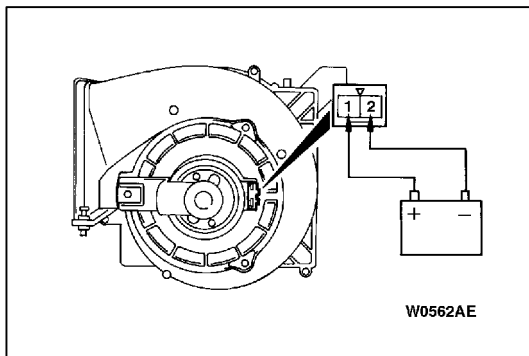
BLOWER MOTOR ASSEMBLY, AUTOMATIC COMPRESSOR-ECU AND INSIDE/OUTSIDE AIR CHANGEOVER DAMPER MOTOR 55100500045

REMOVAL AND INSTALLATION



- 1. Blower motor assembly
- 2. Automatic compressor-ECU

- Inside/outside air changeover damper motor removal steps**
- 3. Instrument panel
(Refer to GROUP 52A)
 - 4. Inside/outside air changeover damper motor



INSPECTION

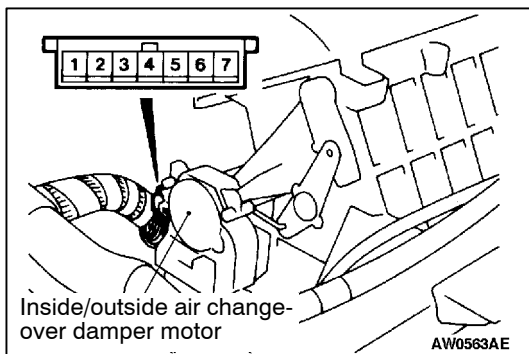
55100510048

BLOWER MOTOR CHECK

When battery voltage is applied between the terminals, check that the motor operates. Also, check that there is no abnormal noise.

INSIDE/OUTSIDE CHANGEOVER DAMPER MOTOR CHECK

Battery connection terminal			Lever operation
1	5	7	
⊕	—	⊖	Moves to the outside air position
⊕	—	⊖	Moves to the inside air position



Caution

Cut off the battery voltage when the damper is in the inside air position or outside air position.

COMPRESSOR AND TENSION PULLEY

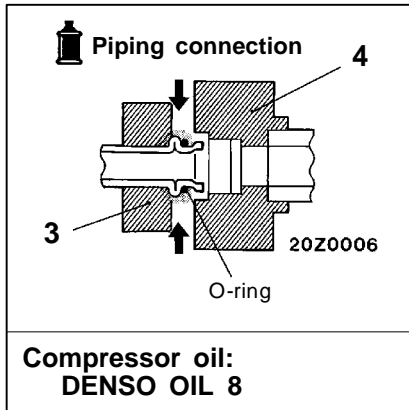
REMOVAL AND INSTALLATION

Pre-removal Operation

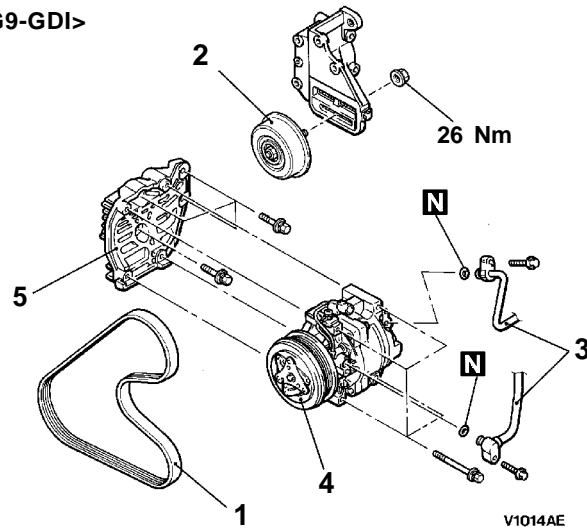
- Discharging of Refrigerant (Refer to P.55-13.)

Post-installation Operation

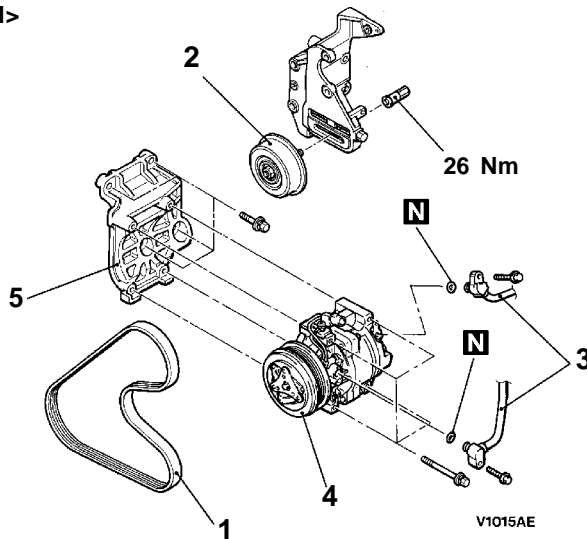
- Charging of Refrigerant (Refer to P.55-10.)
- Drive Belt Tension Adjustment (Refer to GROUP 11 - On-vehicle Service.)



< 4G9-GDI >



< 4G6-GDI >



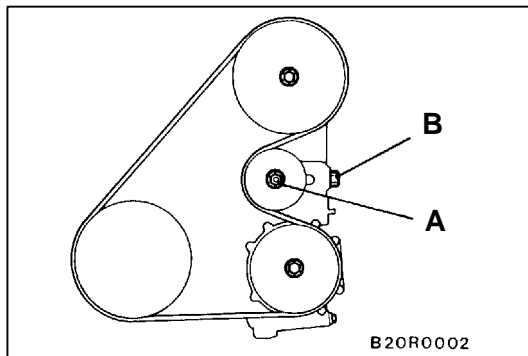
00007476

Removal steps

- Under cover
 - Condenser fan (Refer to P.55-33.)
1. Drive belt
 2. Tension pulley



3. Suction hose and discharge hose connection
4. Compressor
5. Compressor bracket



REMOVAL SERVICE POINTS

◀A▶ DRIVE BELT REMOVAL

1. Loosen the nut "A" for holding.
2. Loosen the bolt "B" for adjustment.
3. Remove the drive belt.

◀B▶ SUCTION HOSE, DISCHARGE HOSE DISCONNECTION

Plug the disconnected hose and the compressor nipple not to let foreign matter get into them.

Caution

Seal the hoses completely, otherwise the compressor oil and receiver will absorb water vapour easily.

◀C▶ COMPRESSOR REMOVAL

When doing this work, be careful not to spill the compressor oil.

INSTALLATION SERVICE POINT

▶A◀ COMPRESSOR INSTALLATION

If a new compressor is installed, first adjust the amount of oil according to the procedures described below, and then install the compressor.

1. Measure the amount (X mL) of oil within the removed compressor.
2. Drain (from the new compressor) the amount of oil calculated according to the following formula, and then install the new compressor.

New compressor oil amount

$$80 \text{ mL} - X \text{ mL} = Y \text{ mL}$$

NOTE

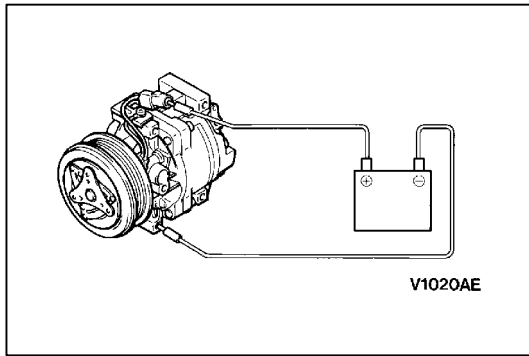
- (1) Y mL indicates the amount of oil in the refrigerant line, the condenser, the evaporator etc.
- (2) When replacing the following parts at the same time as the compressor, subtract the rated oil amount of the each part from Y mL and discharge from the new compressor.

Quantity

Evaporator: 40 mL

Condenser: 10 mL

Suction hose: 6.5 mL



INSPECTION

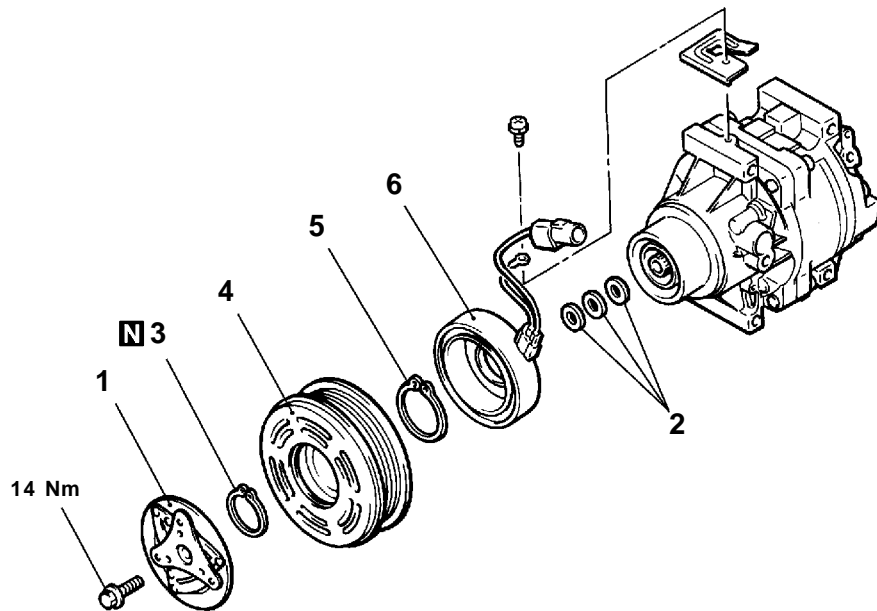
55200850310

COMPRESSOR MAGNETIC CLUTCH OPERATION INSPECTION

Connect the battery (+) terminal to the compressor side terminal, and earth the battery (-) terminal to the body of the compressor. The condition is normal if the sound of the magnetic clutch (click) can be heard.

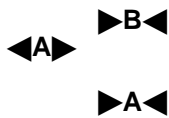
MAGNETIC CLUTCH DISASSEMBLY AND REASSEMBLY

55200460346

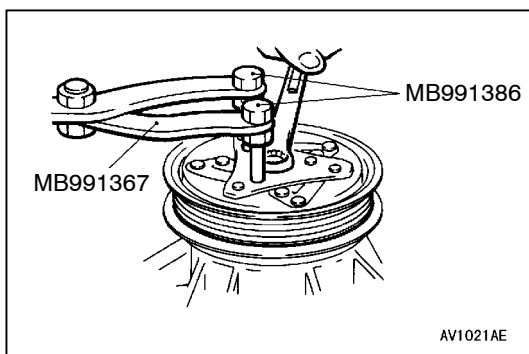


AV1016AE

Magnetic clutch disassembly steps



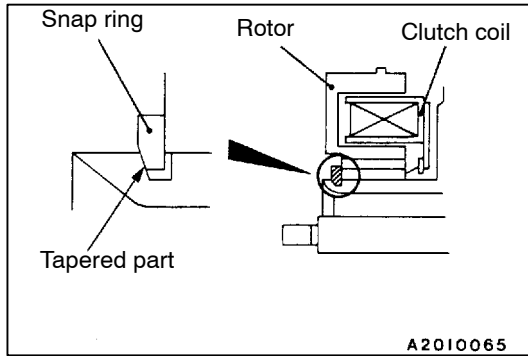
- Air gap adjustment
- 1. Armature plate
- 2. Shims
- 3. Snap ring
- 4. Rotor
- 5. Snap ring
- 6. Clutch coil



DISASSEMBLY SERVICE POINT

◀A▶ **ARMATURE PLATE REMOVAL**

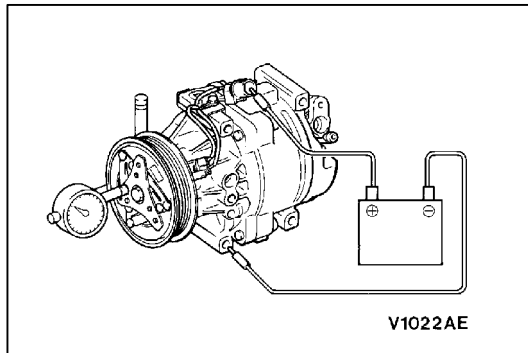
AV1021AE



REASSEMBLY SERVICE POINTS

▶A◀ SNAP RING INSTALLATION

Install the snap ring so that the tapered surface is at the outer side.



▶B◀ AIR GAP ADJUSTMENT

Check whether or not the air gap of the clutch is within the standard value.

Standard value: 0.25 - 0.55 mm

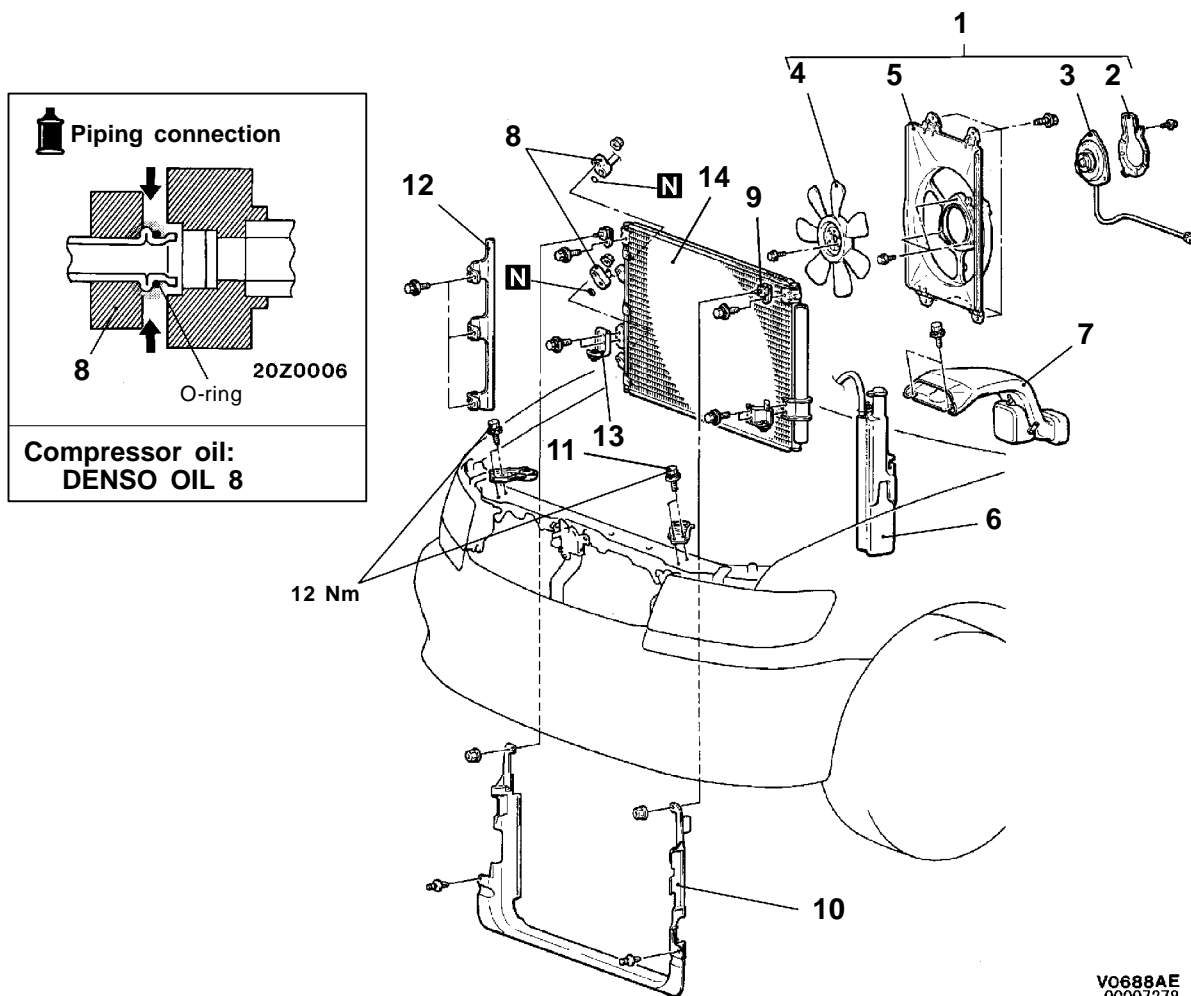
NOTE

If there is a deviation of the air gap from the standard value, make the necessary adjustment by adjusting the number of shims.

CONDENSER AND CONDENSER FAN MOTOR

55200670381

REMOVAL AND INSTALLATION



VO688AE
00007278

Condenser fan motor removal steps

1. Condenser fan motor and shroud assembly
2. Condenser fan motor cover
3. Condenser fan motor assembly
4. Condenser fan
5. Condenser fan shroud

Condenser removal steps

- Discharging and charging of refrigerant (Refer to P.55-10.)
- Discharging and charging of engine coolant (Refer to GROUP 14 - On-vehicle service.)
- Air cleaner assembly
- Radiator grille (Refer to GROUP 51 - Radiator grille.) <SPACE RUNNER>
- 6. Reserve tank
- 7. Air intake duct
- 8. Discharge hose and liquid pipe A connection
- 9. Condenser upper bracket
- Under Cover Removal and Installation
- 10. Air guide panel
- 11. Radiator upper mounting bolts
- 12. Condenser side cover
- 13. Condenser lower bracket
- 14. Condenser assembly



REMOVAL SERVICE POINTS**◀A▶ DISCHARGE HOSE AND LIQUID PIPE A DISCONNECTION**

Plug the disconnected pipe, hose and the condenser nipple not to let foreign matter get into them.

Caution

Seal the hoses completely, otherwise the compressor oil and receiver will absorb water vapour easily.

◀B▶ CONDENSER ASSEMBLY REMOVAL

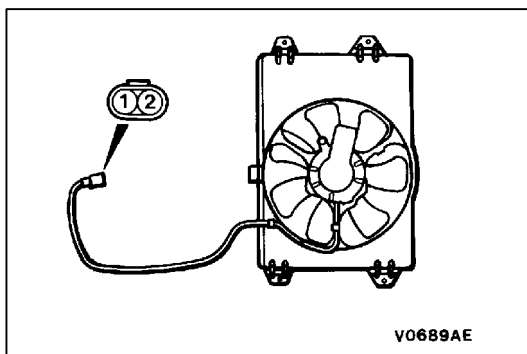
1. Remove the installation bolts from headlamp support member side.
2. Disengage the lower part of the radiator, and then move the radiator slightly toward the engine.
3. Raise the condenser assembly to remove it from the engine compartment.

INSTALLATION SERVICE POINT**▶A◀ CONDENSER ASSEMBLY INSTALLATION**

When replacing the condenser, refill it with a specified amount of compressor oil and install it. (to the vehicle).

Compressor oil: DENSO OIL 8

Quantity: 10 mL

**INSPECTION**

55200680209

CONDENSER FAN MOTOR CHECK

Check to be sure that the condenser fan motor operates.

Terminals connected to battery		Condenser fan condition
1	2	
⊕	⊖	Operates

55200640375

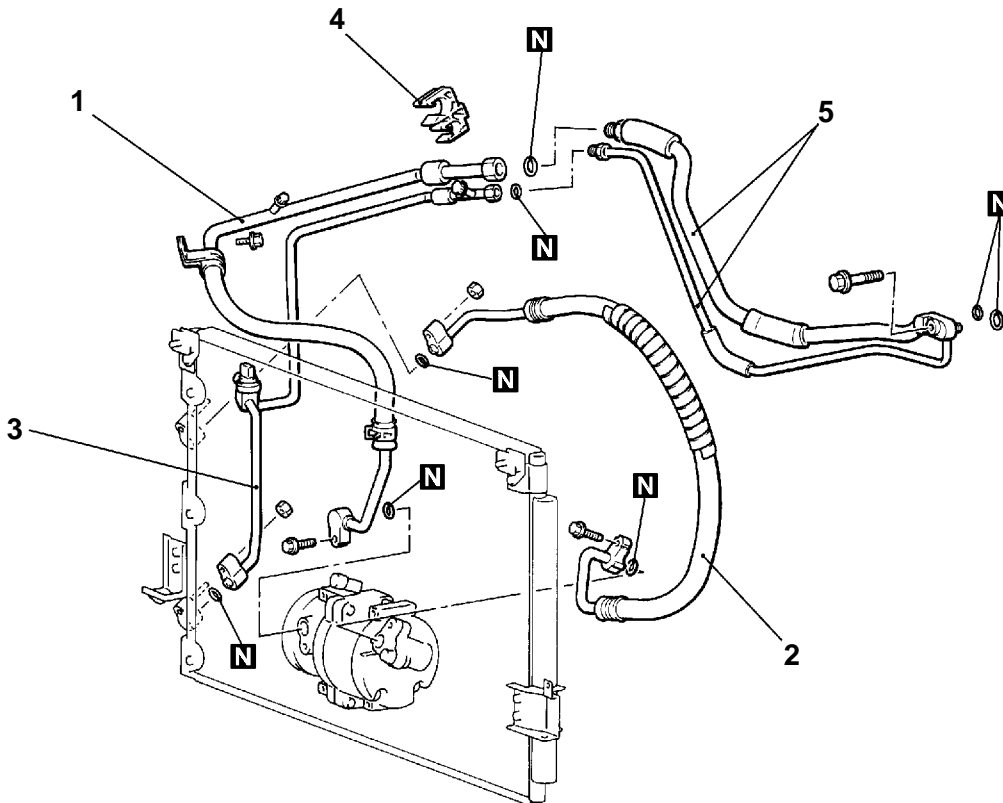
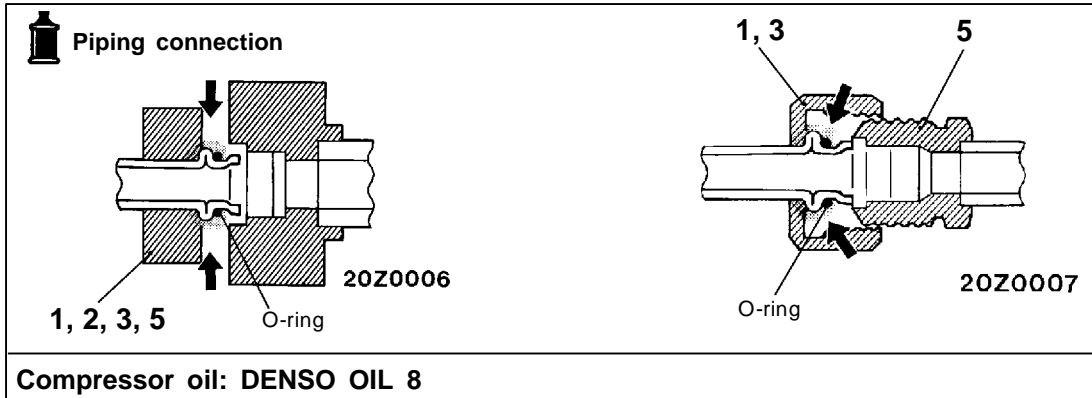
REFRIGERANT LINE

REMOVAL AND INSTALLATION

<L.H. DRIVE VEHICLES>

Pre-removal and Post-installation Operation

- Discharging and Charging of Refrigerant (Refer to P.55-10.)
- Engine Cover Removal and Installation (Refer to GROUP 11 - Engine Assembly.)
- Air Cleaner Assembly Removal and Installation.
- Canister Removal and Installation (Refer to GROUP 17.)



AW0590AE

Removal steps



1. Suction hose
2. Discharge hose
3. Liquid pipe A

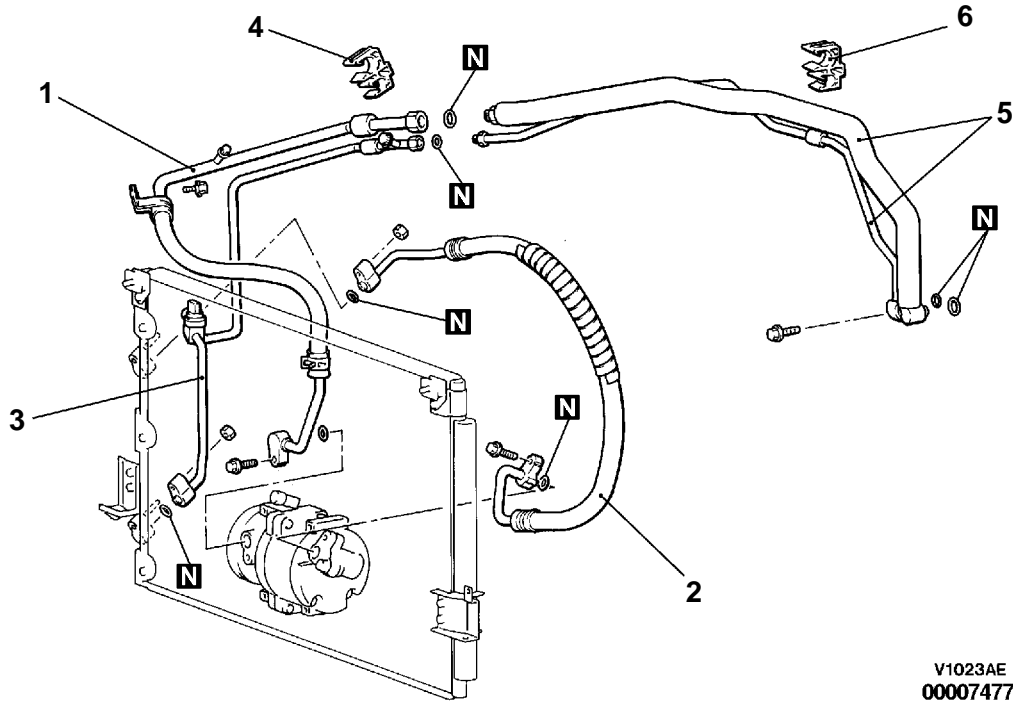
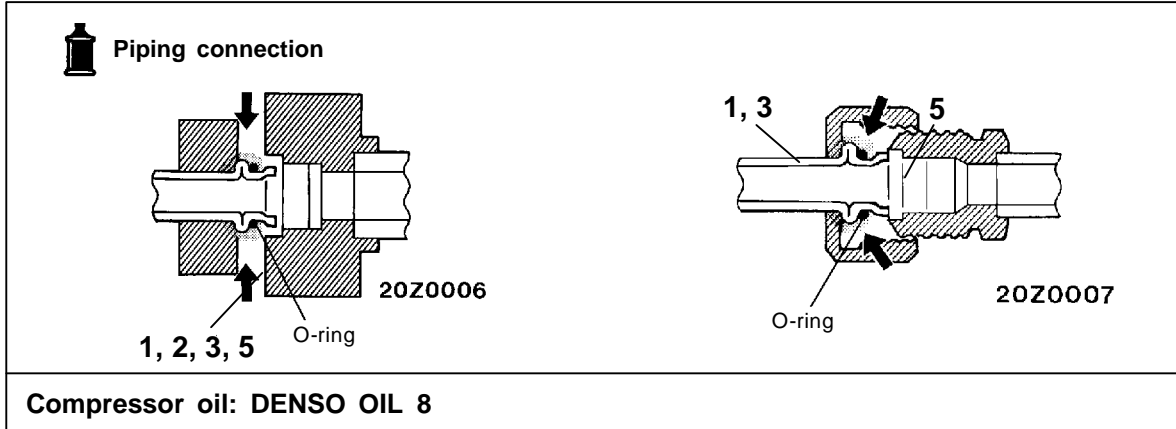


4. Clamp
5. Front pipe assembly

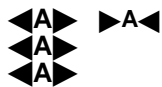
<R.H. DRIVE VEHICLES>

Pre-removal and Post-installation Operation

- Discharging and Charging of Refrigerant (Refer to P.55-10.)
- Engine Cover Removal and Installation (Refer to GROUP 11 - Engine Assembly.)
- Air Cleaner Assembly Removal and Installation.
- Canister Removal and Installation (Refer to GROUP 17.)



Removal steps



1. Suction hose
2. Discharge hose
3. Liquid pipe A



4. Clamp
5. Front pipe assembly
6. Clamp

REMOVAL SERVICE POINT**◀A▶ HOSE/PIPE DISCONNECTION**

Plug the disconnected hose, the receiver, the evaporator and the compressor nipple not to let foreign matter get into them.

Caution

Seal the hoses completely, otherwise the compressor oil and receiver will absorb water vapour easily.

INSTALLATION SERVICE POINT**▶A◀ SUCTION HOSE INSTALLATION**

When replacing the suction hose, refill them with a specified amount of compressor oil, and then install them.

Compressor oil: DENSO OIL 8

Quantity:

Suction hose: 6.5 mL

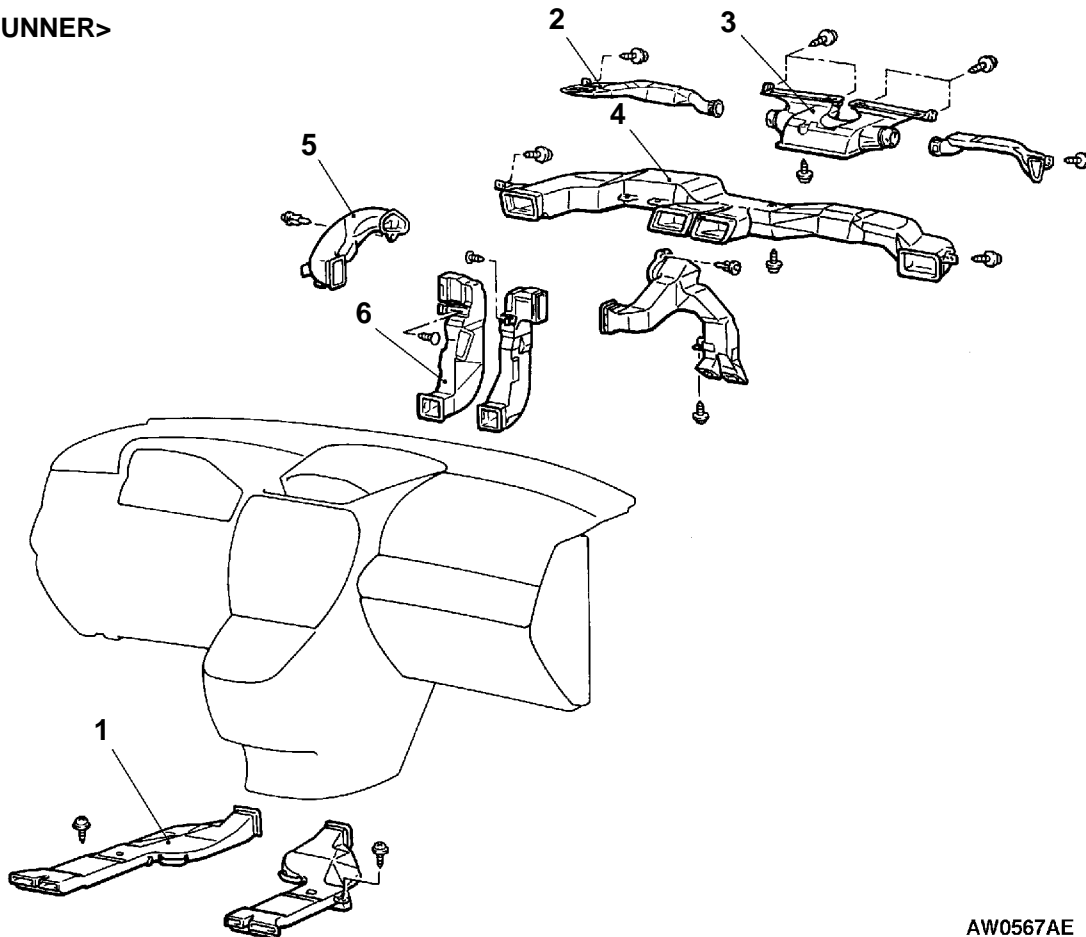
VENTILATORS

REMOVAL AND INSTALLATION

Caution: SRS

When removing and installing the floor console assembly from vehicles equipped with SRS, do not let it bump against the SRS-ECU or the components.

<SPACE RUNNER>



AW0567AE

Rear heater duct B removal steps

- Front scuff plate, cowl side trim and center console assembly (Refer to GROUP 52A - Instrument Panel.)
 - Floor carpet
1. Rear heater duct B

Defroster nozzle and distribution duct removal steps

- Instrument panel (Refer to GROUP 52A.)
2. Side defroster duct
 3. Defroster nozzle assembly
 4. Distribution duct

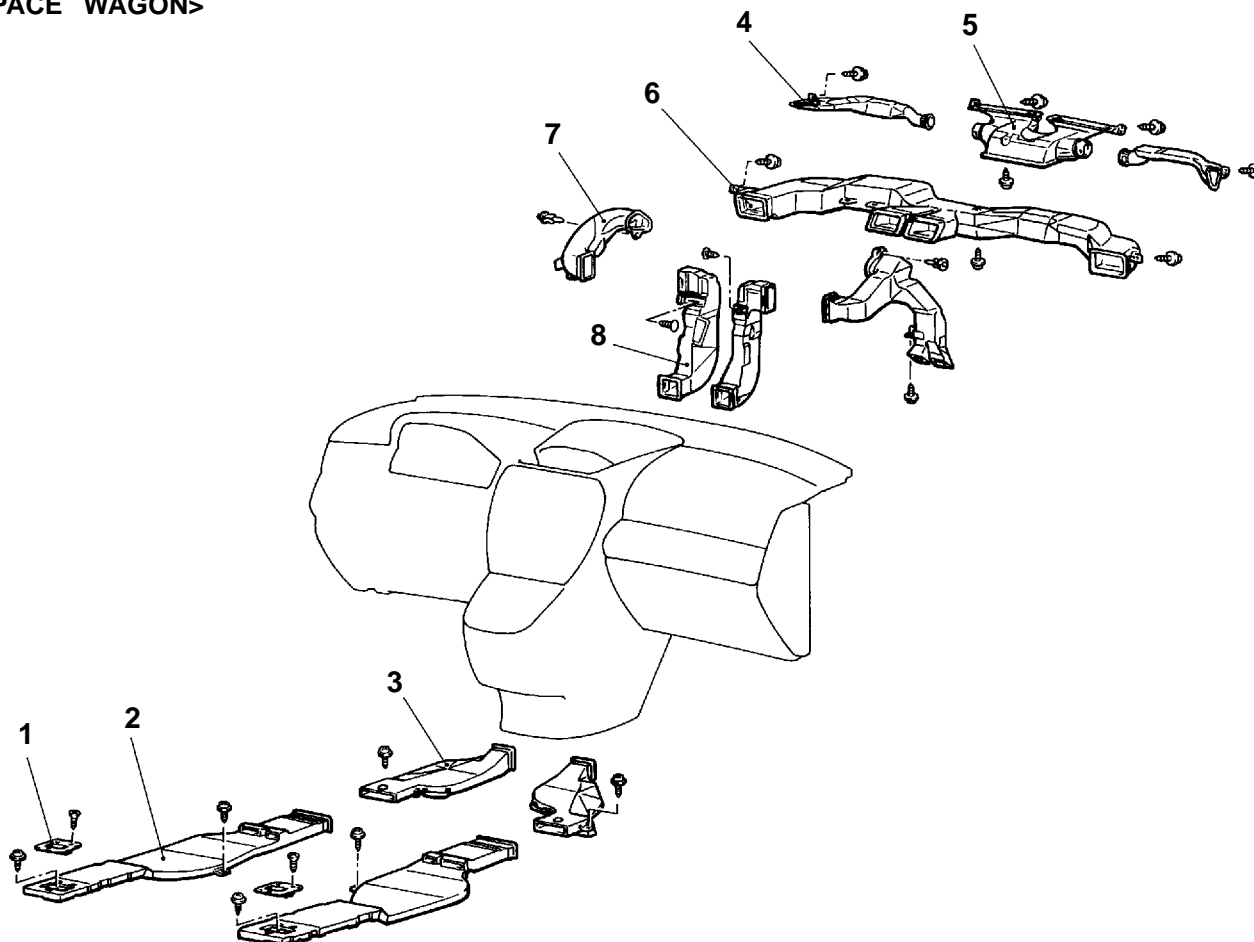
Foot distribution duct and rear heater duct A removal steps

- Instrument panel (Refer to GROUP 52A.)
 - Blower unit, joint duct and glove box support bracket (Refer to P.55-22.)
5. Foot distribution duct
 6. Rear heater duct A

NOTE

For the center air outlet assembly and the side air outlet assembly, refer to GROUP 52A - Instrument panel.

<SPACE WAGON>



AW0568AE

Rear heater duct B and rear heater duct C removal steps

- Front scuff plate, rear scuff plate, cowl side trim and center console assembly (Refer to GROUP 52A - Instrument Panel.)
 - Front seats and second seats (Refer to GROUP 52A - Seats.)
 - Seat adjuster side cover and seat adjuster end cover (Refer to GROUP 52A - Seats.)
 - Floor carpet
1. Rear heater nozzle garnish
 2. Rear heater duct C
 3. Rear heater duct B

Defroster nozzle and distribution duct removal steps

- Instrument panel (Refer to GROUP 52A.)
4. Side defroster duct
 5. Defroster nozzle assembly
 6. Distribution duct

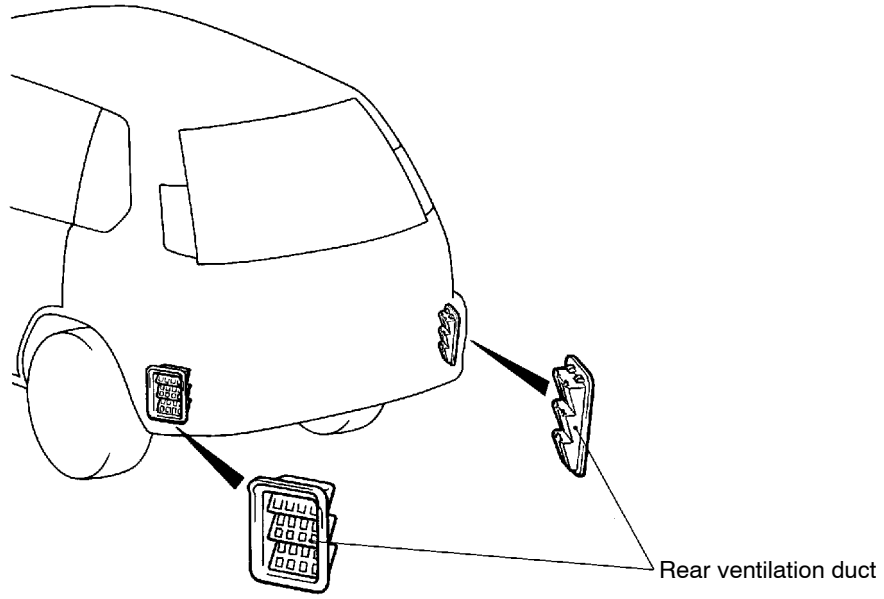
Foot distribution duct and rear heater duct A removal steps

- Instrument panel (Refer to GROUP 52A.)
 - Blower unit, joint duct and glove box support bracket (Refer to P.55-22.)
7. Foot distribution duct
 8. Rear heater duct A

NOTE

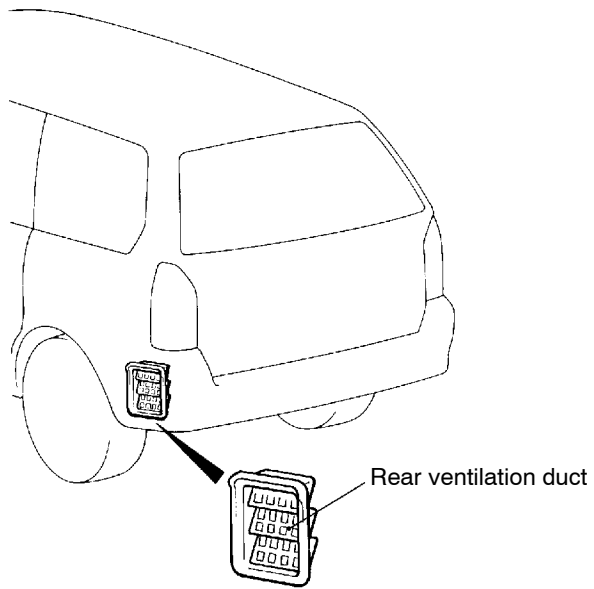
For the center air outlet assembly and the side air outlet assembly, refer to GROUP 52A - Instrument panel.

<SPACE RUNNER>



A1024AE

<SPACE WAGON>



AV0693AE

NOTE
For the front deck garnish, refer to GROUP 51 - Windshield wiper and washer.