

GROUP 34 REAR SUSPENSION

GENERAL

OUTLINE OF CHANGES

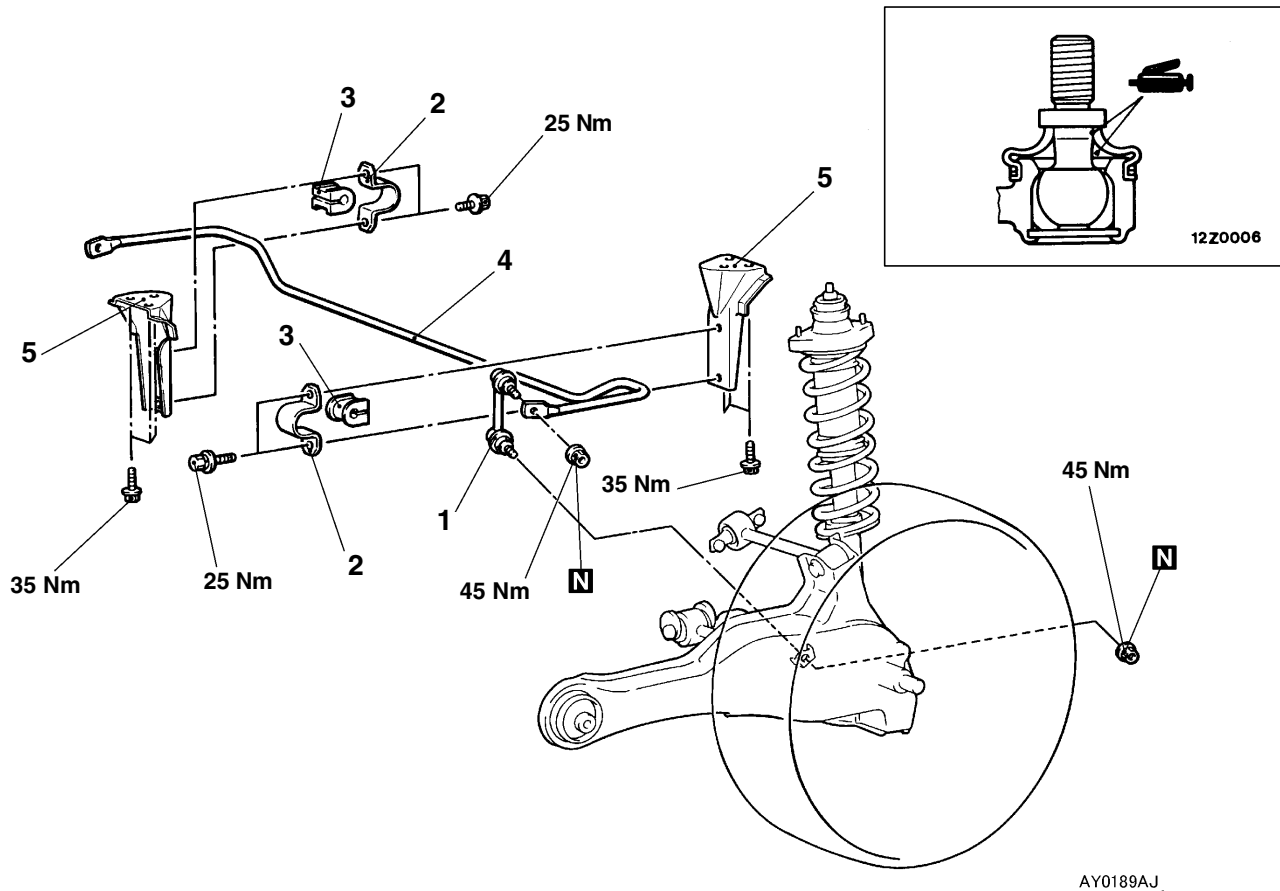
- The coil spring specifications have been changed.
- The removal and installation procedures have been established due to the change of the stabilizer bar mounting clamp.

COIL SPRING

Items	Specifications
Wire dia. × O.D. × free length mm	10 × 86 × 414

STABILIZER BAR

The number of stabilizer bar mounting bolts has been changed from 1 to 2. The procedures other than those shown below are the same as before.



Removal steps

1. Stabilizer link
2. Clamp
3. Bushing
4. Stabilizer bar

▶◀ 5. Stabilizer bracket

NOTE

Points to note for installation are the same procedures as before.

NOTES