
WIRING HARNESS CONFIGURATION DIAGRAMS

CONTENTS

ENGINE COMPARTMENT

4G1 engine <L.H. drive vehicles>	2-2
4G1 engine <R.H. drive vehicles>	2-4
F9Q1 engine <L.H. drive vehicles>	2-6
F9Q1 engine <R.H. drive vehicles>	2-8

DASH PANEL

L.H. drive vehicles	2-10
R.H. drive vehicles	2-14

FLOOR AND ROOF

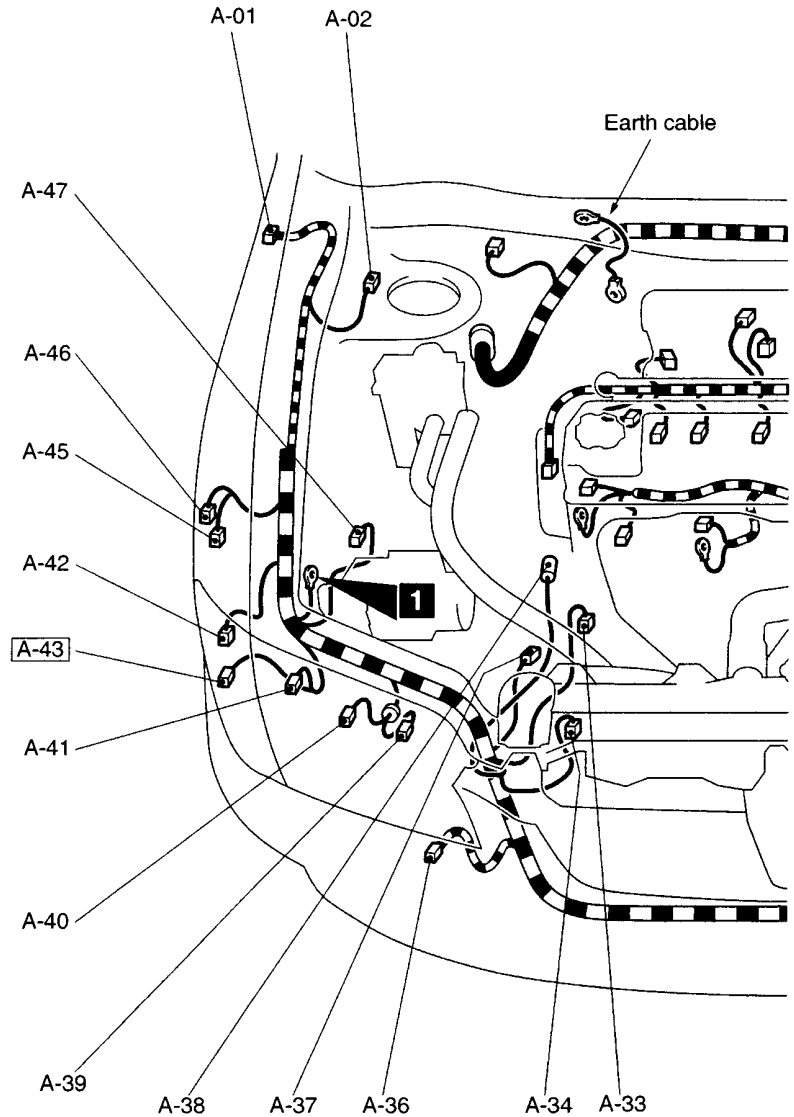
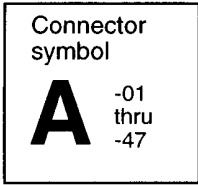
L.H. drive vehicles	2-18
R.H. drive vehicles	2-20

LUGGAGE COMPARTMENT 2-22



ENGINE COMPARTMENT

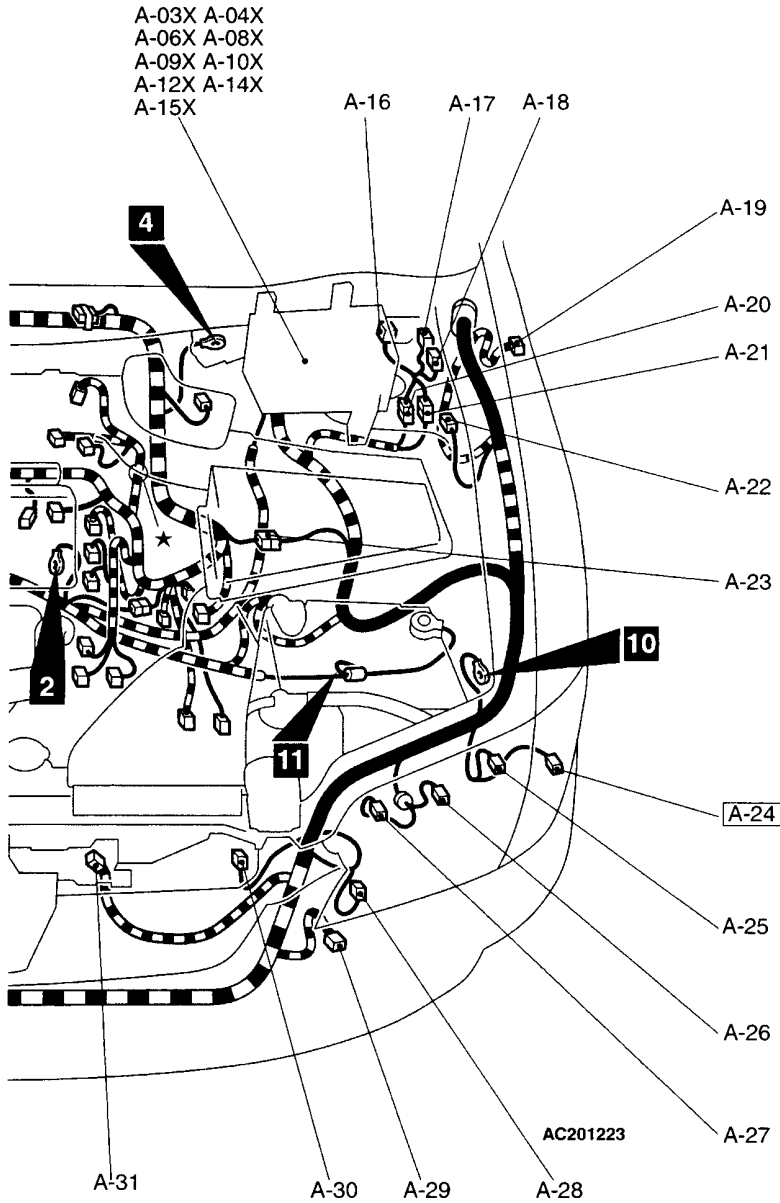
4G1 engine <L.H. drive vehicles>



Connector colour code

- B: Black
- Y: Yellow
- L: Blue
- G: Green
- R: Red
- BR: Brown
- V: Violet
- O: Orange
- GR: Gray

A-01 (2-B)	Side turn signal lamp (RH)	A-17 (5)	DRL relay 1
A-02 (2-B)	Front speed sensor (RH) <ABS>	A-18 (5)	DRL relay 2
A-03X (5)	Headlamp washer relay	A-19 (2-B)	Side turn signal lamp (LH)
A-04X (4)	Alternator relay	A-20 (10-B)	Front wiring harness and DRL wiring harness combination
A-06X (5)	Horn relay	A-21 (10-B)	Front wiring harness and DRL wiring harness combination
A-08X (5)	Condenser fan relay (HI)	A-22 (2-B)	Front speed sensor (LH) <ABS>
A-09X (5)	Condenser fan relay (LO)	A-23 (10-B)	Front wiring harness and control wiring harness combination
A-10X (5)	A/C compressor relay	A-24 (2-B)	Front turn signal lamp (LH)
A-12X (5)	Headlamp relay	A-25 (3-B)	Headlamp leveling unit (LH)
A-14X (5)	Radiator fan relay		
A-15X (5)	Tail lamp relay <DRL>		
A-16 (13)	DRL-ECU		



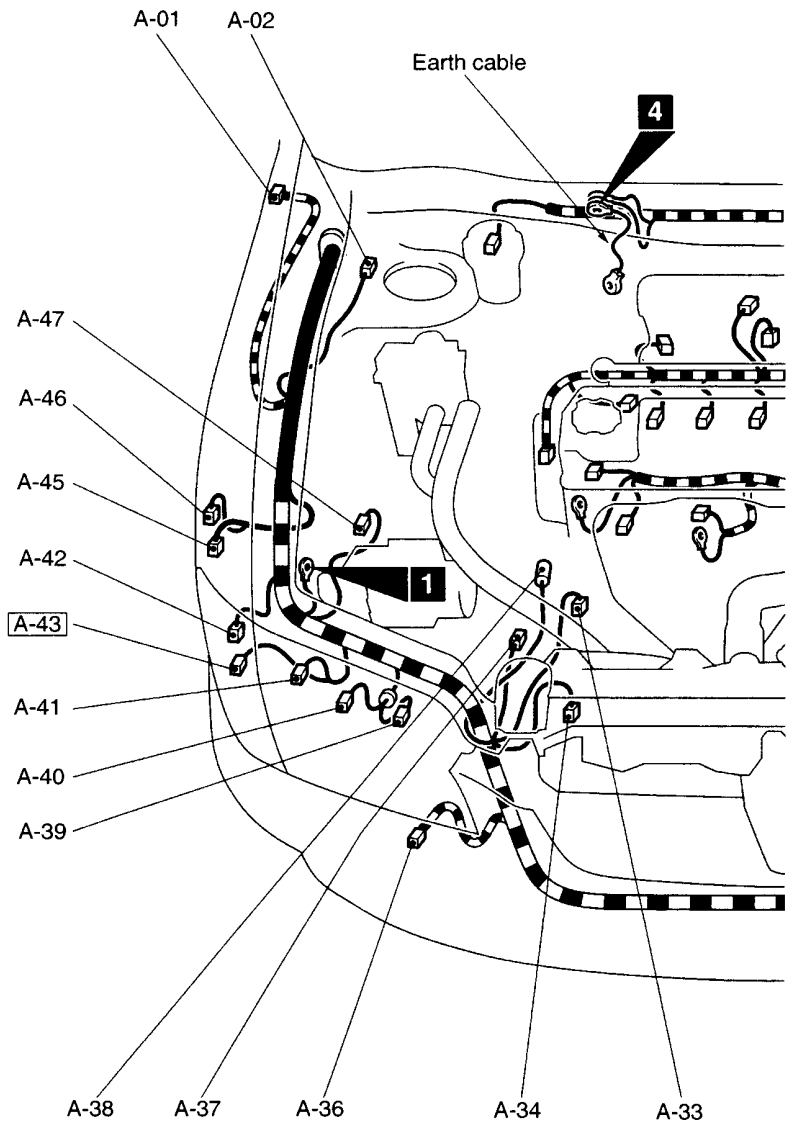
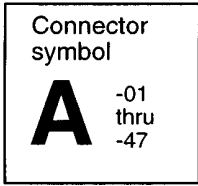
- A-26 (2-B) Position lamp (LH)
- A-27 (3-B) Headlamp (LH)
- A-28 (2-BR) Outside thermo sensor
- A-29 (2-GR) Front fog lamp (LH)
- A-30 (2-B) Horn (LO)
- A-31 (2-B) Radiator fan motor
- A-33 (2-BR) Dual pressure switch
- A-34 (4-B) Condenser fan motor
- A-36 (2-GR) Front fog lamp (RH)
- A-37 (1-B) A/C refrigerant temperature switch and magnetic clutch
- A-38 (1) Power steering oil pressure switch

- A-39 (3-B) Headlamp (RH)
- A-40 (2-B) Position lamp (RH)
- A-41 (3-B) Headlamp leveling unit (RH)
- A-42 (2-B) Headlamp washer motor
- A-43(2-B) Front turn signal lamp (RH)
- A-45 (2-B) Windshield washer motor
- A-46 (2) Rear washer motor
- A-47 (31-B) ABS-ECU

NOTE
 Connector numbers enclosed by a box means connectors of which have been changed.

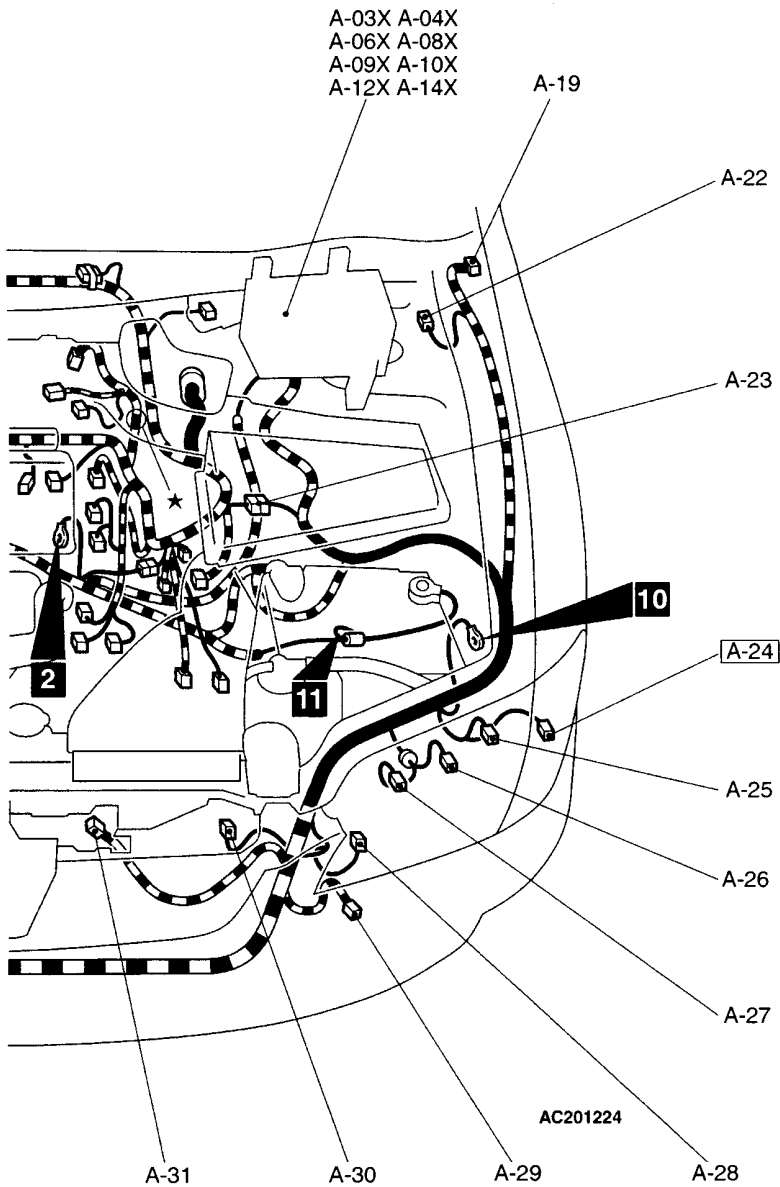
ENGINE COMPARTMENT

4G1 engine <R.H. drive vehicles>



- Connector colour code
- B: Black
 - Y: Yellow
 - L: Blue
 - G: Green
 - R: Red
 - BR: Brown
 - V: Violet
 - O: Orange
 - GR: Gray

A-01 (2-B)	Side turn signal lamp (RH)	A-19 (2-B)	Side turn signal lamp (LH)
A-02 (2-B)	Front speed sensor (RH) <ABS>	A-22 (2-B)	Front speed sensor (LH) <ABS>
A-03X (5)	Headlamp washer relay	A-23 (10-B)	Front wiring harness and control wiring harness combination
A-04X (4)	Alternator relay	A-24 (2-B)	Front turn signal lamp (LH)
A-06X (5)	Horn relay	A-25 (3-B)	Headlamp leveling unit (LH)
A-08X (5)	Condenser fan relay (HI)	A-26 (2-B)	Position lamp (LH)
A-09X (5)	Condenser fan relay (LO)	A-27 (3-B)	Headlamp (LH)
A-10X (5)	A/C compressor relay	A-28 (2-BR)	Outside thermo sensor
A-12X (5)	Headlamp relay	A-29 (2-GR)	Front fog lamp (LH)
A-14X (5)	Radiator fan relay		



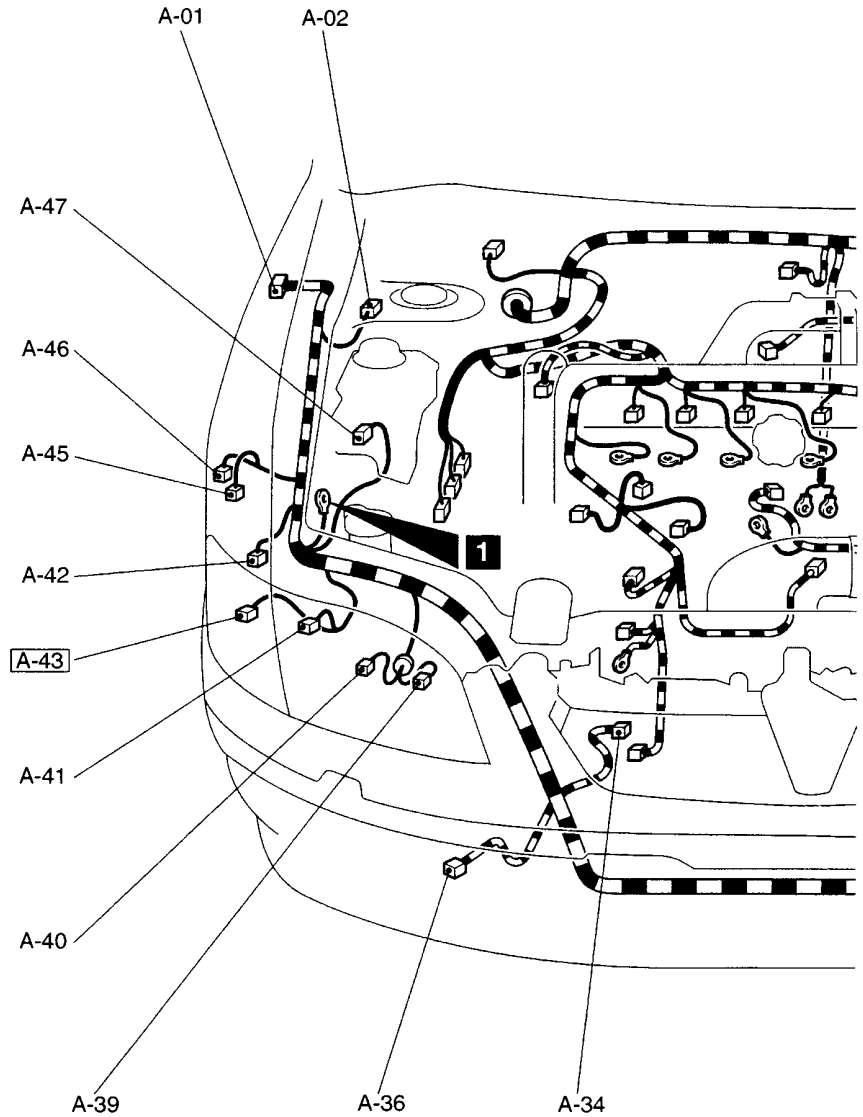
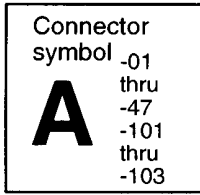
- A-30 (2-B) Horn (LO)
- A-31 (2-B) Radiator fan motor
- A-33 (2-BR) Dual pressure switch
- A-34 (4-B) Condenser fan motor
- A-36 (2-GR) Front fog lamp (RH)
- A-37 (1-B) A/C refrigerant temperature switch and magnetic clutch
- A-38 (1) Power steering oil pressure switch
- A-39 (3-B) Headlamp (RH)
- A-40 (2-B) Position lamp (RH)

- A-41 (3-B) Headlamp leveling unit (RH)
- A-42 (2-B) Headlamp washer motor
- A-43 (2-B) Front turn signal lamp (RH)
- A-45 (2-B) Windshield washer motor
- A-46 (2) Rear washer motor
- A-47 (31-B) ABS-ECU

NOTE
Connector numbers enclosed by a box means connectors of which have been changed.

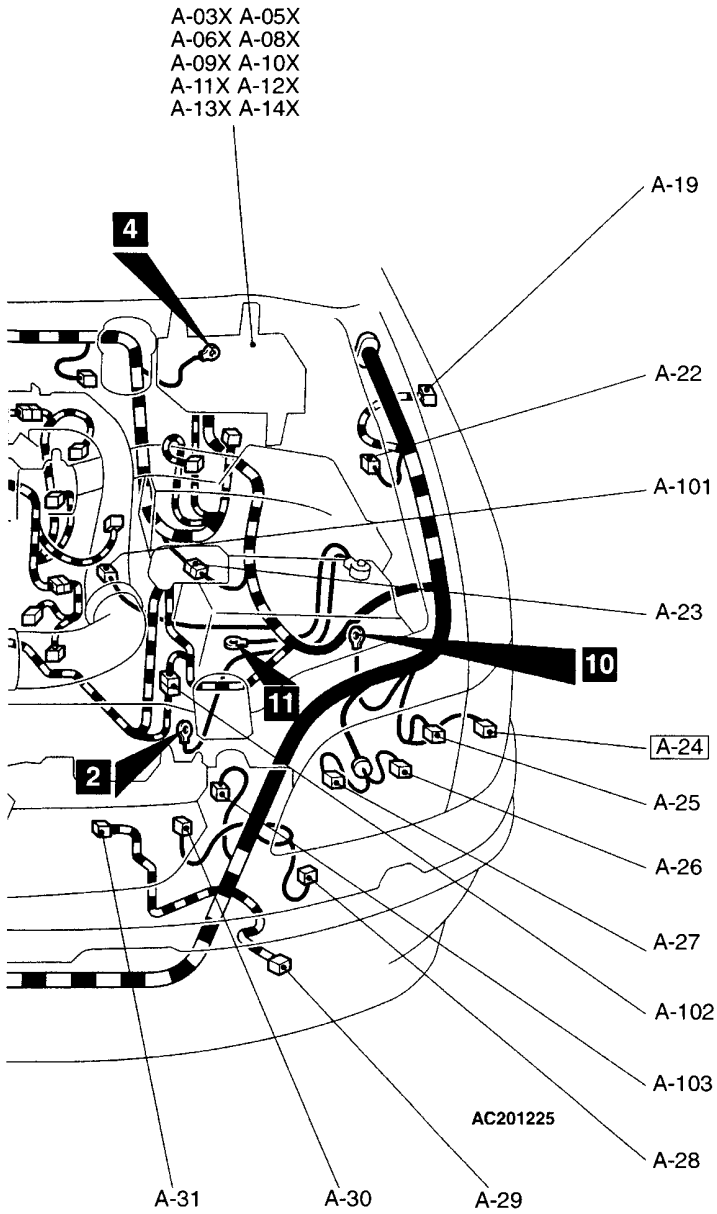
ENGINE COMPARTMENT

F9Q1 engine <L.H. drive vehicles>



Connector colour code
 B: Black
 Y: Yellow
 L: Blue
 G: Green
 R: Red
 BR: Brown
 V: Violet
 O: Orange
 GR: Gray

- | | | | |
|------------|-------------------------------|-------------------|---|
| A-01 (2-B) | Side turn signal lamp (RH) | A-14X (5) | Radiator fan relay |
| A-02 (2-B) | Front speed sensor (RH) <ABS> | A-19 (2-B) | Side turn signal lamp (LH) |
| A-03X (5) | Headlamp washer relay | A-22 (2-B) | Front speed sensor (LH) <ABS> |
| A-05X (5) | Condenser fan relay (LO) | A-23 (12-B) | Front wiring harness and control wiring harness combination |
| A-06X (5) | Horn relay | <u>A-24</u> (2-B) | Front turn signal lamp (LH) |
| A-08X (5) | Condenser fan relay (HI) | A-25 (3-B) | Headlamp leveling unit (LH) |
| A-09X (5) | Additional heater relay 1 | A-26 (2-B) | Position lamp (LH) |
| A-10X (5) | A/C compressor relay | A-27 (3-B) | Headlamp (LH) |
| A-11X (5) | Fuel line heater relay | A-28 (2-BR) | Outside thermo sensor |
| A-12X (5) | Headlamp relay | | |
| A-13X (5) | Additional heater relay 2 | | |



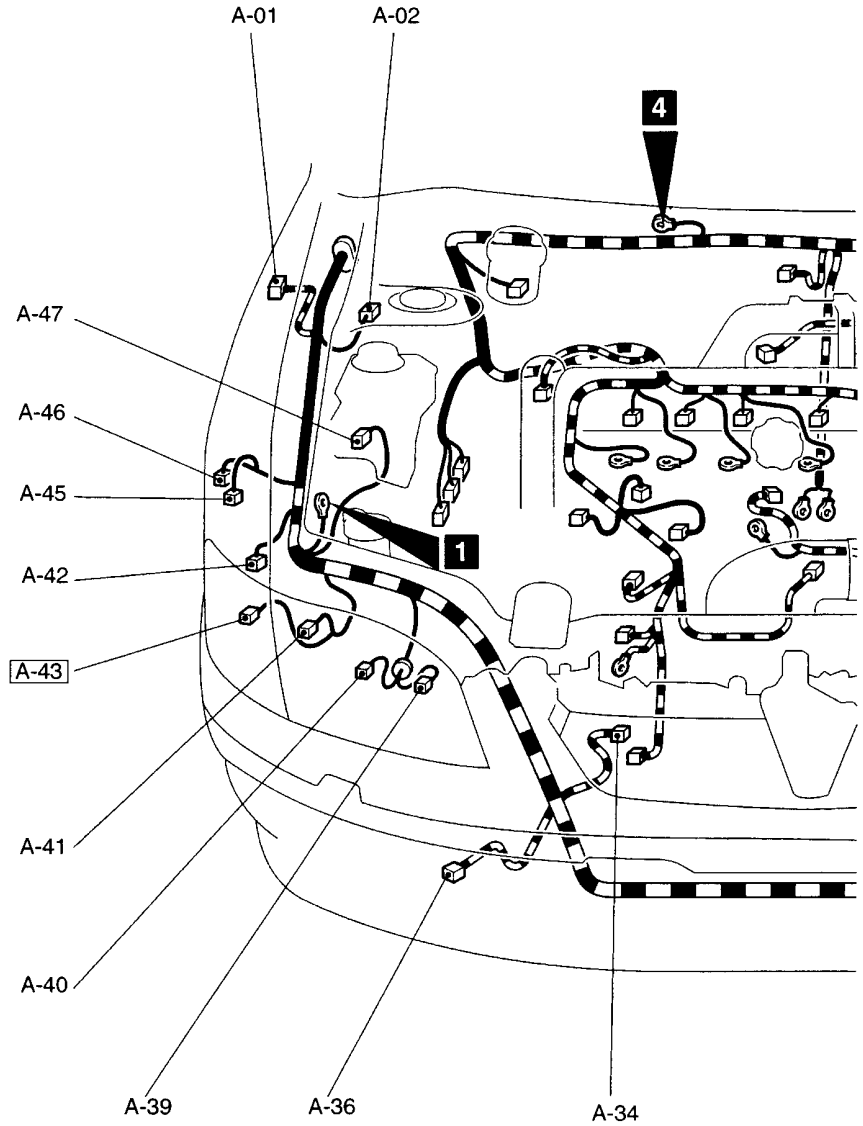
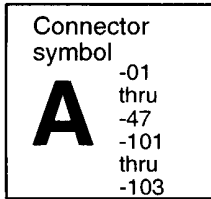
- A-29 (2-GR) Front fog lamp (LH)
- A-30 (2-B) Horn (LO)
- A-31 (4-GR) Radiator fan motor
- A-34 (4-GR) Condenser fan motor
- A-36 (2-GR) Front fog lamp (RH)
- A-39 (3-B) Headlamp (RH)
- A-40 (2-B) Position lamp (RH)
- A-41 (3-B) Headlamp leveling unit (RH)
- A-42 (2-B) Headlamp washer motor
- A-43 (2-B) Front turn signal lamp (RH)
- A-45 (2-B) Windshield washer motor

- A-46 (2) Rear washer motor
- A-47 (31-B) ABS-ECU
- A-101 (2-B) Fuel line heater
- A-102 (1-B) Front wiring harness and battery cable assembly combination
- A-103 (4-B) Triple pressure switch

NOTE
 Connector numbers enclosed by a box means connectors of which have been changed.

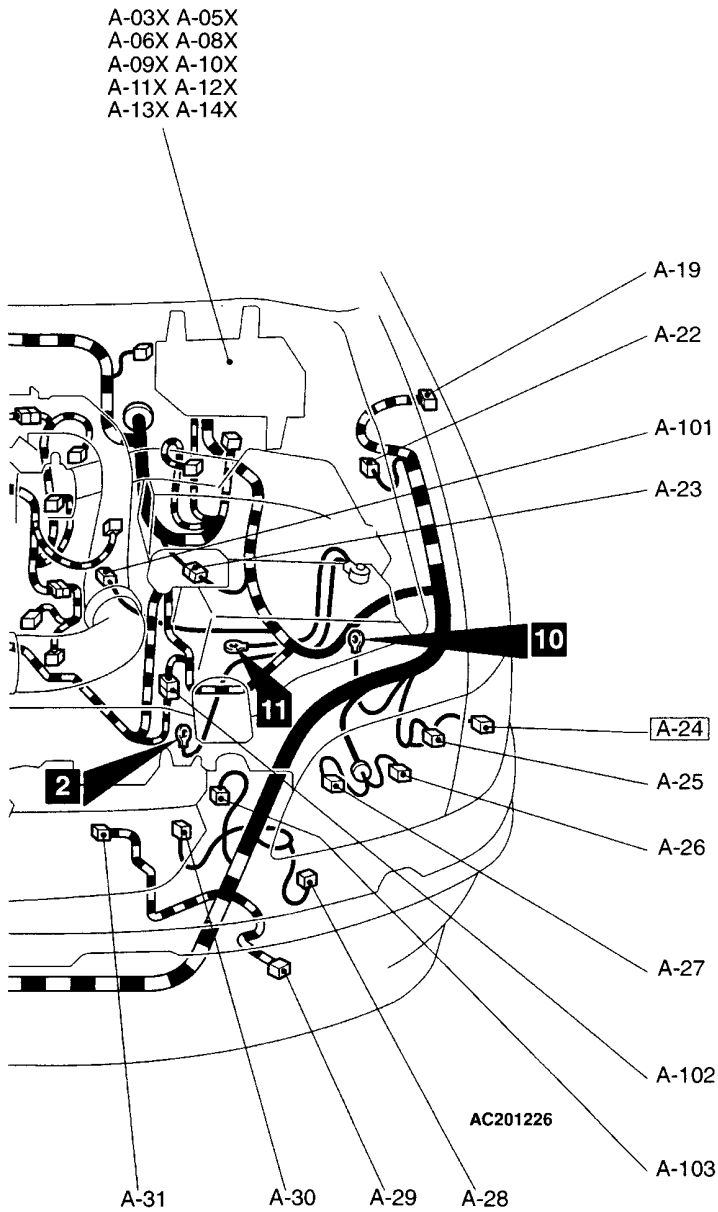
ENGINE COMPARTMENT

F9Q1 engine <R.H. drive vehicles>



Connector colour code
 B: Black
 Y: Yellow
 L: Blue
 G: Green
 R: Red
 BR: Brown
 V: Violet
 O: Orange
 GR: Gray

- | | | | |
|------------|-------------------------------|-------------------|---|
| A-01 (2-B) | Side turn signal lamp (RH) | A-14X (5) | Radiator fan relay |
| A-02 (2-B) | Front speed sensor (RH) <ABS> | A-19 (2-B) | Side turn signal lamp (LH) |
| A-03X (5) | Headlamp washer relay | A-22 (2-B) | Front speed sensor (LH) <ABS> |
| A-05X (5) | Condenser fan relay (LO) | A-23 (12-B) | Front wiring harness and control wiring harness combination |
| A-06X (5) | Horn relay | A-24 (2-B) | Front turn signal lamp (LH) |
| A-08X (5) | Condenser fan relay (HI) | A-25 (3-B) | Headlamp leveling unit (LH) |
| A-09X (5) | Additional heater relay 1 | A-26 (2-B) | Position lamp (LH) |
| A-10X (5) | A/C compressor relay | A-27 (3-B) | Headlamp (LH) |
| A-11X (5) | Fuel line heater relay | A-28 (2-BR) | Outside thermo sensor |
| A-12X (5) | Headlamp relay | | |
| A-13X (5) | Additional heater relay 2 | | |



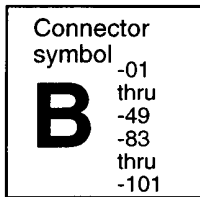
- A-29 (2-GR) Front fog lamp (LH)
- A-30 (2-B) Horn (LO)
- A-31 (4-GR) Radiator fan motor
- A-34 (4-GR) Condenser fan motor
- A-36 (2-GR) Front fog lamp (RH)
- A-39 (3-B) Headlamp (RH)
- A-40 (2-B) Position lamp (RH)
- A-41 (3-B) Headlamp leveling unit (RH)
- A-42 (2-B) Headlamp washer motor
- A-43 (2-B) Front turn signal lamp (RH)
- A-45 (2-B) Windshield washer motor

- A-46 (2) Rear washer motor
- A-47 (31-B) ABS-ECU
- A-101 (2-B) Fuel line heater
- A-102 (1-B) Front wiring harness and battery cable assembly combination
- A-103 (4-B) Triple pressure switch

NOTE
 Connector numbers enclosed by a box means connectors of which have been changed.

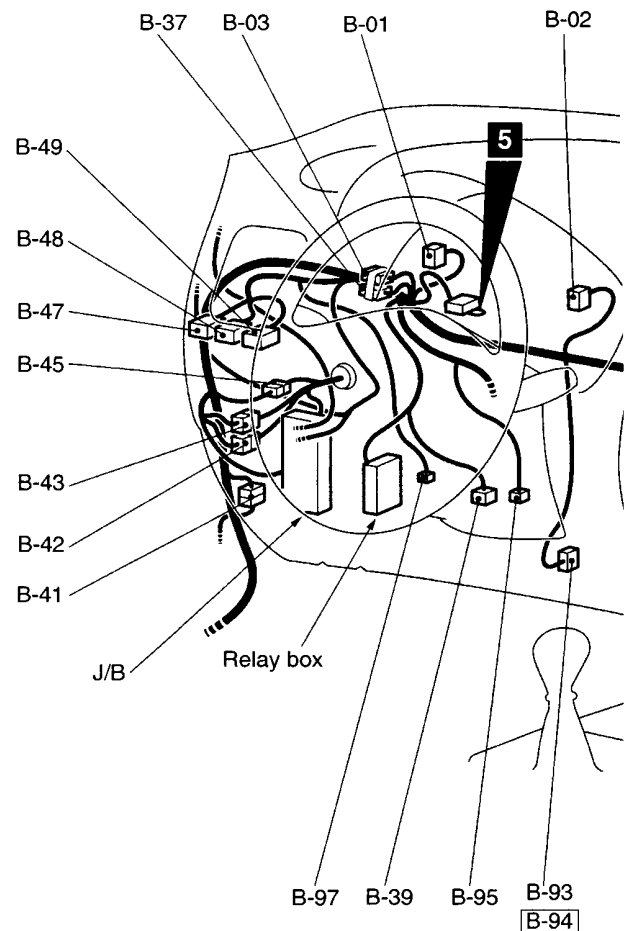
DASH PANEL

L.H. drive vehicles

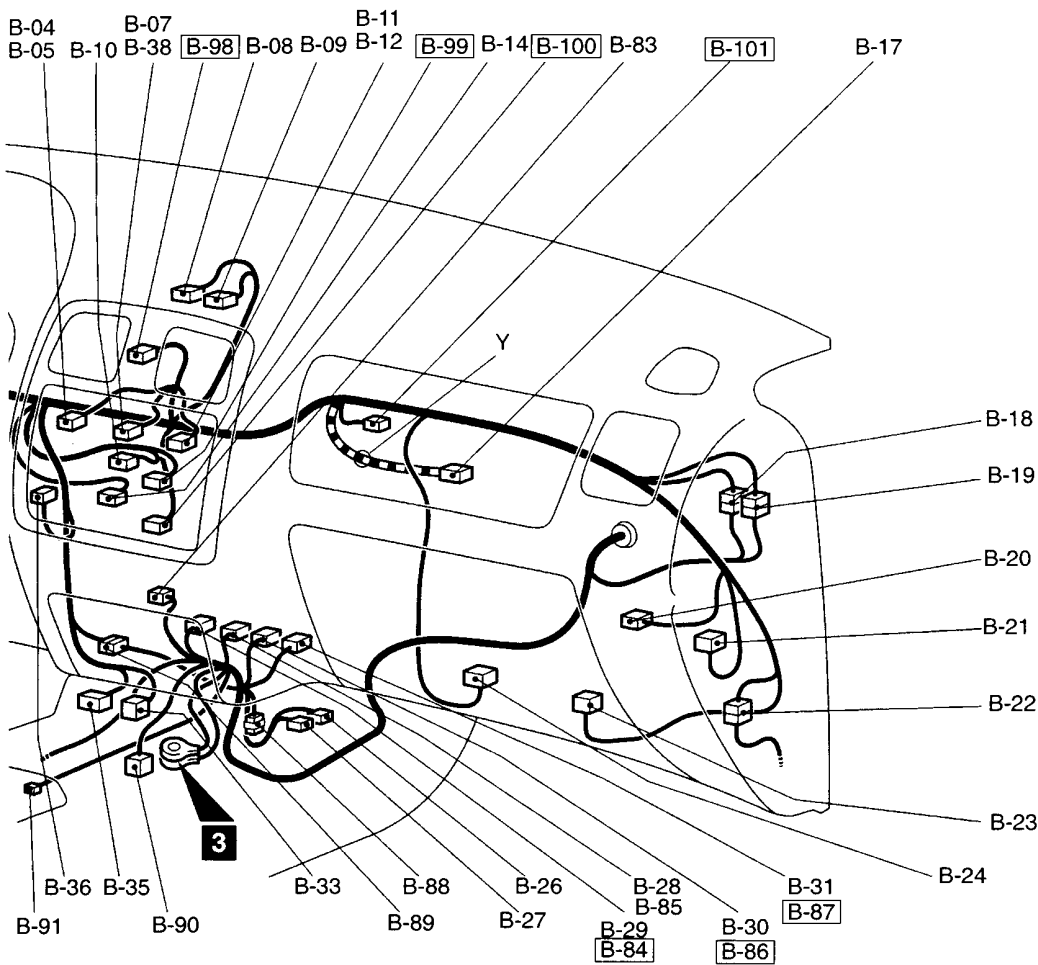


Connector colour code

B: Black
Y: Yellow
L: Blue
G: Green
R: Red
BR: Brown
V: Violet
O: Orange
GR: Gray



B-01 (25)	Combination meter	B-19 (22)	Control wiring harness and body wiring harness combination
B-02 (25)	Combination meter	B-20 (4-G)	Outside/inside air selection damper control motor
B-03 (2-B)	Diode (Headlamp circuit)	B-21 (22-G)	Keyless entry receiver-ECU
B-04 (16)	Audio unit <Vehicles with navigation system>	B-22 (22)	Body wiring harness and front door wiring harness (Passenger's side) combination
B-05 (14)	Audio unit <Vehicles without navigation system>	B-23 (2)	Blower motor
B-07 (1-B)	Audio unit <Vehicles with navigation system>	B-24 (4)	Resistor
B-08 (16-B)	Multi center display	B-26 (4)	Engine control relay <Petrol> or Main relay <Diesel>
B-09 (20-B)	Multi center display	B-27 (4)	Fuel pump relay <Petrol>
B-10 (6)	Blower switch	B-28 (26-Y)	Engine-ECU <4G1-M/T>
B-11 (14)	Audio unit <Vehicles with navigation system>	B-29 (16-Y)	Engine-ECU <4G1-M/T>
B-12 (1-B)	Audio unit <Vehicles without navigation system>	B-30 (12-Y)	Engine-ECU <4G1-M/T>
B-14 (12-B)	Navigation unit	B-31 (22-Y)	Engine-ECU <4G1-M/T>
B-17 (2-R)	Air bag module (squib) (Passenger's side)	B-33 (12)	Diagnosis connector <Petrol>
B-18 (4)	Control wiring harness and body wiring harness combination	B-35 (16-B)	Diagnosis connector

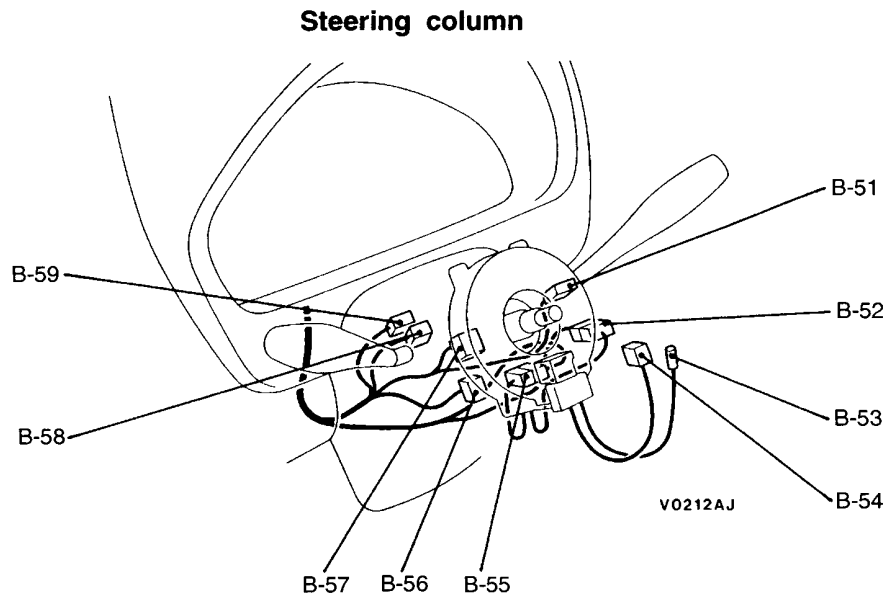
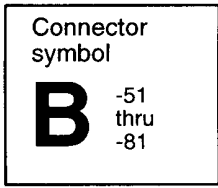


AC201227

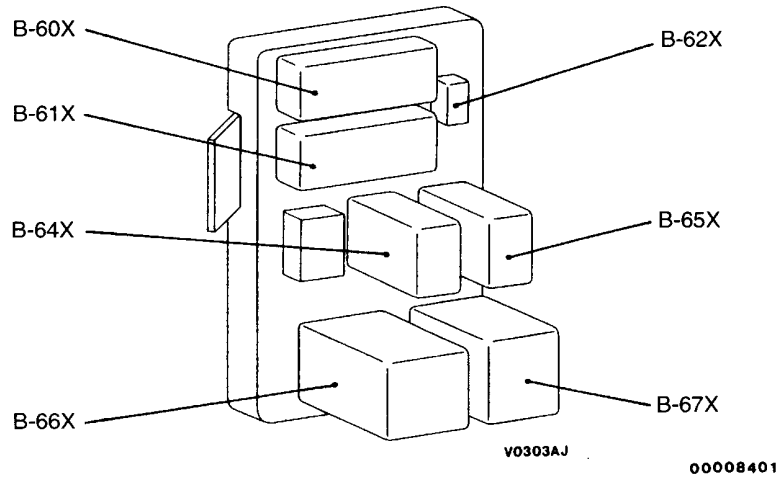
- | | | | |
|--------------|---|-------------|---|
| B-36 (12-B) | Immobilizer-ECU | B-88 (2-B) | Diode (Engine control circuit) <Diesel> |
| B-37 (2-B) | Diode (Keyless entry system circuit) | B-89 (22) | Control wiring harness and body wiring harness combination <Except 4G1-M/T> |
| B-38 (16) | Audio unit <Vehicles without navigation system> | B-90 (4) | Oxygen sensor (Rear) <4G1> |
| B-39 (3-B) | Stop lamp switch <Petrol> | B-91 (6) | Shift switch assembly <A/T> |
| B-41 (32) | Body wiring harness and front door wiring harness (Driver's side) combination | B-93 (6-B) | Accelerator pedal position sensor <Diesel> |
| B-42 (18) | Front wiring harness and body wiring harness combination | B-94 (8-GR) | No connection <Petrol> |
| B-43 (22-GR) | Front wiring harness and body wiring harness combination | B-95 (4-BR) | Stop lamp switch <Diesel> |
| B-45 (10-B) | Front wiring harness and body wiring harness combination | B-97 (4) | Clutch switch <Diesel> |
| B-47 (10) | Fog lamp switch | B-98 (10) | Hazard warning switch |
| B-48 (6) | Headlamp leveling switch | B-99 (16) | A/C-ECU |
| B-49 (12) | Remote controlled door mirror switch | B-100 (3) | Ashtray assembly |
| B-83 (4) | A/T relay | B-101 (4) | Air thermo sensor |
| B-84 (35-GR) | Engine-A/T-ECU | | |
| B-85 (26-GR) | Engine-A/T-ECU | | |
| B-86 (28-GR) | Engine-A/T-ECU | | |
| B-87 (30-GR) | Engine-A/T-ECU | | |

NOTE
Connector numbers enclosed by a box means connectors of which have been changed or added.

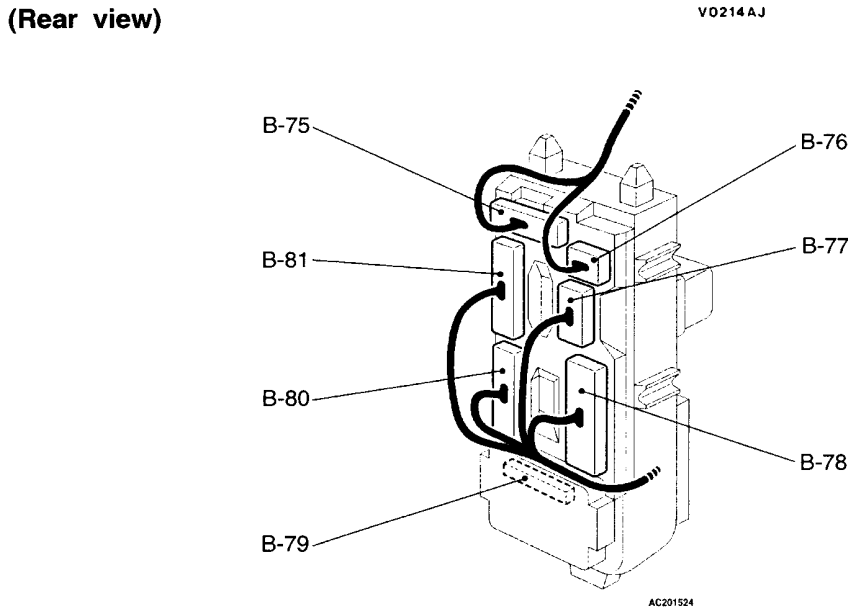
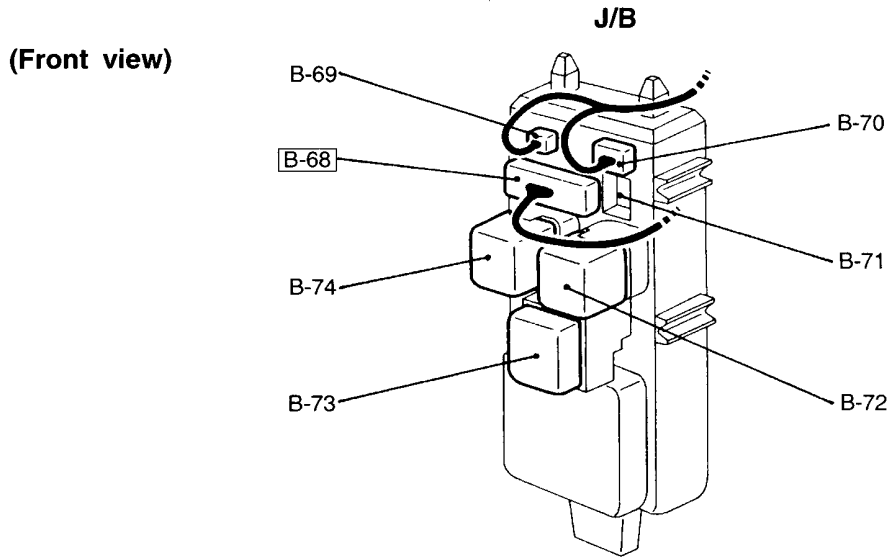
L.H. drive vehicles



Rear box in passenger compartment



- | | | | |
|------------|--|------------------|---|
| B-51 (12) | Column switch | B-60X (33) | J/C (1) |
| B-52 (2-R) | Clock spring <SRS> | B-61X (33) | J/C (2) |
| B-53 (1) | Horn switch <SRS> | B-62X (3-B) | Diode |
| B-54 (2) | Air bag module (squib) (Driver's side) | B-64X (5) | Front fog lamp relay |
| B-55 (3) | Clock spring <SRS> | B-65X (5) | Rear fog lamp relay |
| B-56 (10) | Column switch | B-66X (7) | Rear intermittent wiper relay |
| B-57 (6) | Column switch | B-67X (9) | Door lock-ECU |
| B-58 (6) | Ignition switch | B-68 (18) | J/B and body wiring harness combination |
| B-59 (2) | Ignition key ring antenna | | |



Connector colour code
 B: Black
 Y: Yellow
 L: Blue
 G: Green
 R: Red
 BR: Brown
 V: Violet
 O: Orange
 GR: Gray

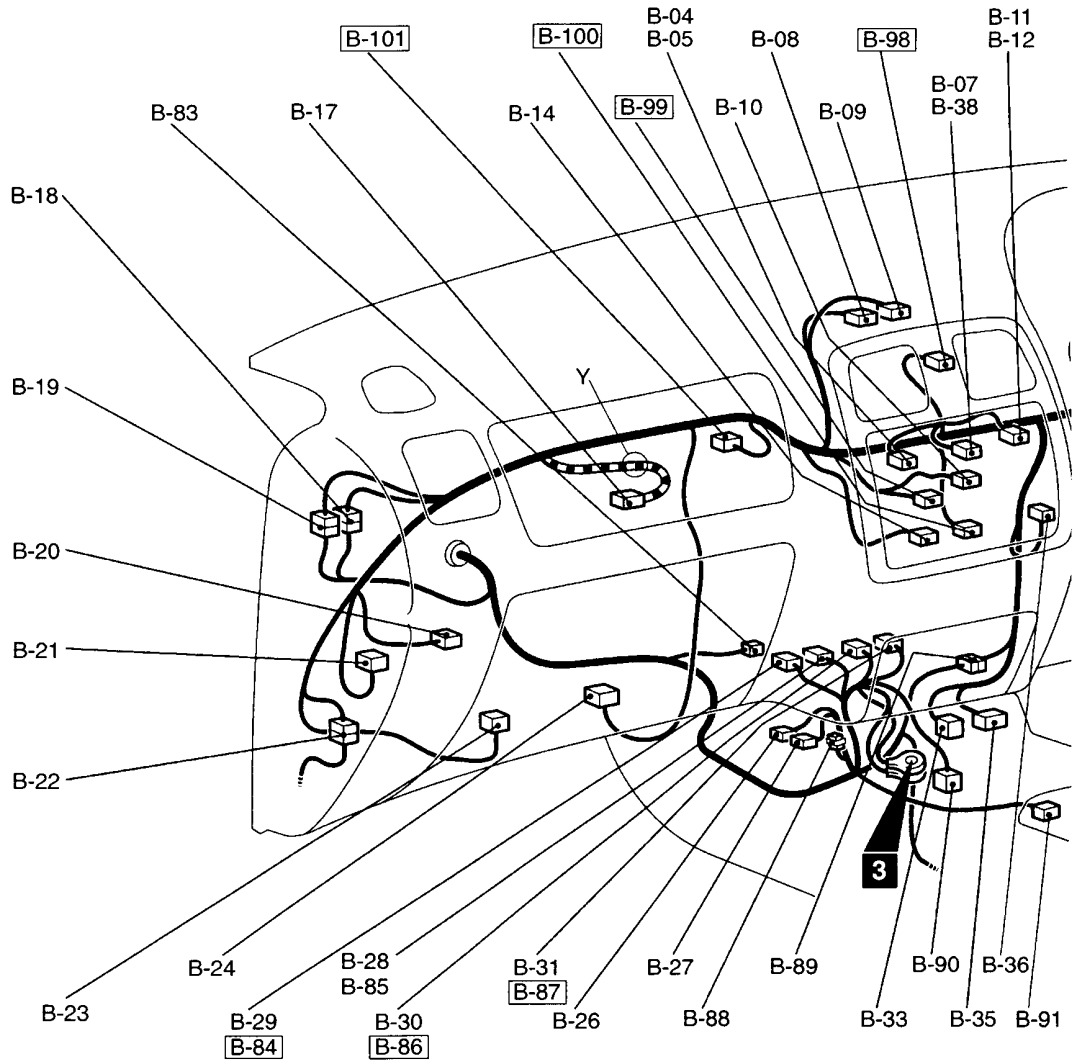
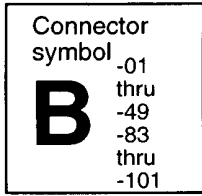
- B-69 (2) J/B and roof wiring harness combination
- B-70 (6) J/B and roof wiring harness combination
- B-71 (8) No connection
- B-72 (5) Defogger relay
- B-73 (5) Turn-signal and hazard warning flasher unit
- B-74 (5) Blower relay
- B-75 (20) Front wiring harness and J/B combination
- B-76 (2) Front wiring harness and J/B combination

- B-77 (3) Body wiring harness and J/B combination
- B-78 (18) Body wiring harness and J/B combination
- B-79 (10) Buzzer-ECU
- B-80 (22) Body wiring harness and J/B combination
- B-81 (22) Body wiring harness and J/B combination

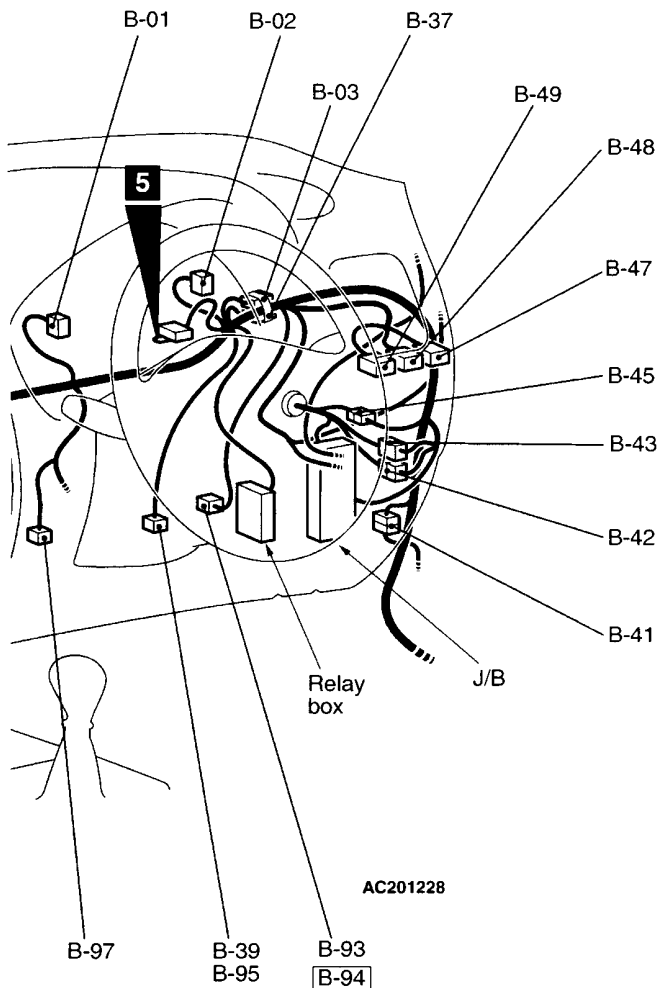
NOTE
 Connector numbers enclosed by a box means connectors of which have been changed.

DASH PANEL

R.H. drive vehicles



B-01 (25)	Combination meter	B-19 (22)	Control wiring harness and body wiring harness combination
B-02 (25)	Combination meter	B-20 (4-G)	Outside/inside air selection damper control motor
B-03 (2-B)	Diode (Headlamp circuit)	B-21 (22-G)	Keyless entry receiver-ECU
B-04 (16)	Audio unit <Vehicles with navigation system>	B-22 (22)	Body wiring harness and front door wiring harness (Passenger's side) combination
B-05 (14)	Audio unit <Vehicles without navigation system>	B-23 (2)	Blower motor
B-07 (1-B)	Audio unit <Vehicles with navigation system>	B-24 (4)	Resistor
B-08 (16-B)	Multi center display	B-26 (4)	Engine control relay <Petrol> or Main relay <Diesel>
B-09 (20-B)	Multi center display	B-27 (4)	Fuel pump relay <Petrol>
B-10 (6)	Blower switch	B-28 (26-Y)	Engine-ECU <4G1-M/T>
B-11 (14)	Audio unit <Vehicles with navigation system>	B-29 (16-Y)	Engine-ECU <4G1-M/T>
B-12 (1-B)	Audio unit <Vehicles without navigation system>	B-30 (12-Y)	Engine-ECU <4G1-M/T>
B-14 (12-B)	Navigation unit	B-31 (22-Y)	Engine-ECU <4G1-M/T>
B-17 (2-R)	Air bag module (squib) (Passenger's side)	B-33 (12)	Diagnosis connector <Petrol>
B-18 (4)	Control wiring harness and body wiring harness combination	B-35 (16-B)	Diagnosis connector

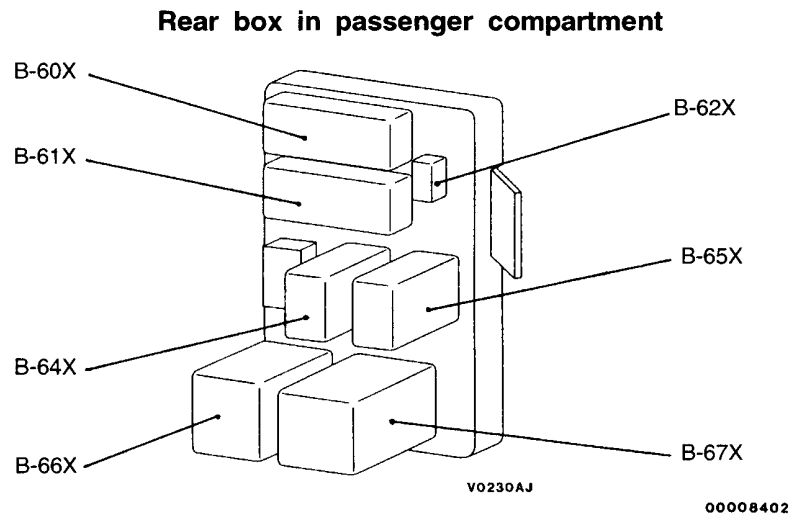
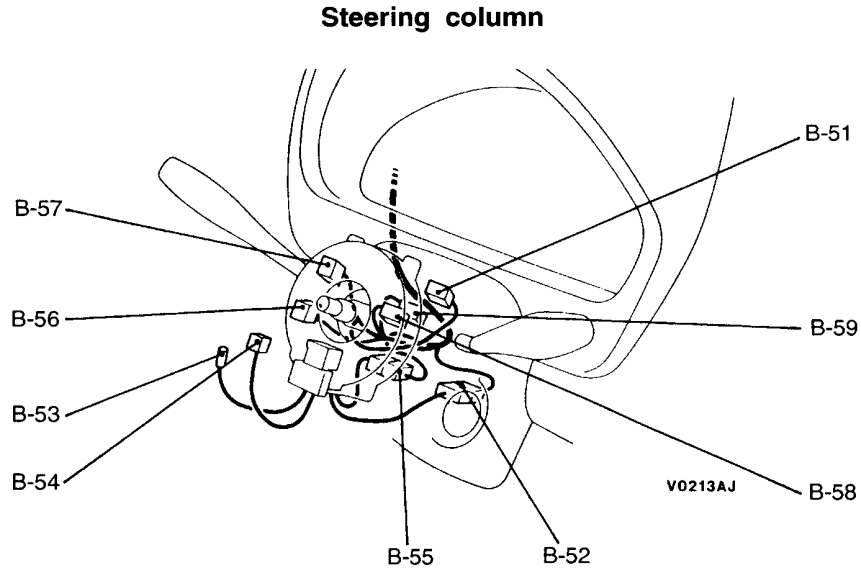
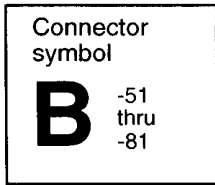


Connector colour code
 B: Black
 Y: Yellow
 L: Blue
 G: Green
 R: Red
 BR: Brown
 V: Violet
 O: Orange
 GR: Gray

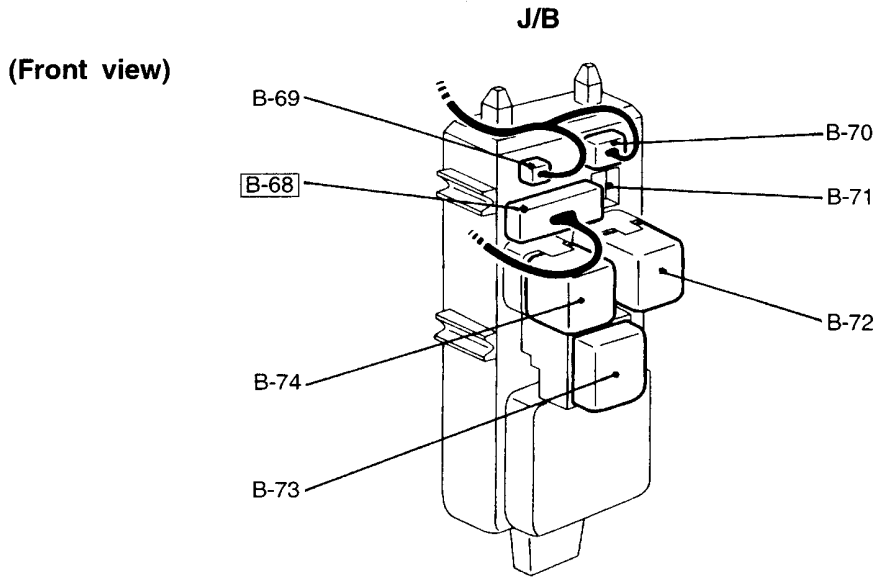
- | | | | |
|---------------------|---|--------------------|---|
| B-36 (12-B) | Immobilizer-ECU | B-88 (2-B) | Diode (Engine control circuit) <Diesel> |
| B-37 (2-B) | Diode (Keyless entry system circuit) | B-89 (22) | Control wiring harness and body wiring harness combination <Except 4G1-M/T> |
| B-38 (16) | Audio unit <Vehicles without navigation system> | B-90 (4) | Oxygen sensor (Rear) <4G1> |
| B-39 (3-B) | Stop lamp switch <Petrol> | B-91 (6) | Shift switch assembly <A/T> |
| B-41 (32) | Body wiring harness and front door wiring harness (Driver's side) combination | B-93 (6-B) | Accelerator pedal position sensor <Diesel> |
| B-42 (18) | Front wiring harness and body wiring harness combination | B-94 (8-GR) | No connection <Petrol> |
| B-43 (22-GR) | Front wiring harness and body wiring harness combination | B-95 (4-BR) | Stop lamp switch <Diesel> |
| B-45 (10-B) | Front wiring harness and body wiring harness combination | B-97 (4) | Clutch switch <Diesel> |
| B-47 (10) | Fog lamp switch | B-98 (10) | Hazard warning switch |
| B-48 (6) | Headlamp leveling switch | B-99 (12-B) | A/C-ECU |
| B-49 (12) | Remote controlled door mirror switch | B-100 (3) | Ashtray assembly |
| B-83 (4) | A/T relay | B-101 (4) | Air thermo sensor |
| B-84 (35-GR) | Engine-A/T-ECU | | |
| B-85 (26-GR) | Engine-A/T-ECU | | |
| B-86 (28-GR) | Engine-A/T-ECU | | |
| B-87 (30-GR) | Engine-A/T-ECU | | |

NOTE
 Connector numbers enclosed by a box means connectors of which have been changed or added.

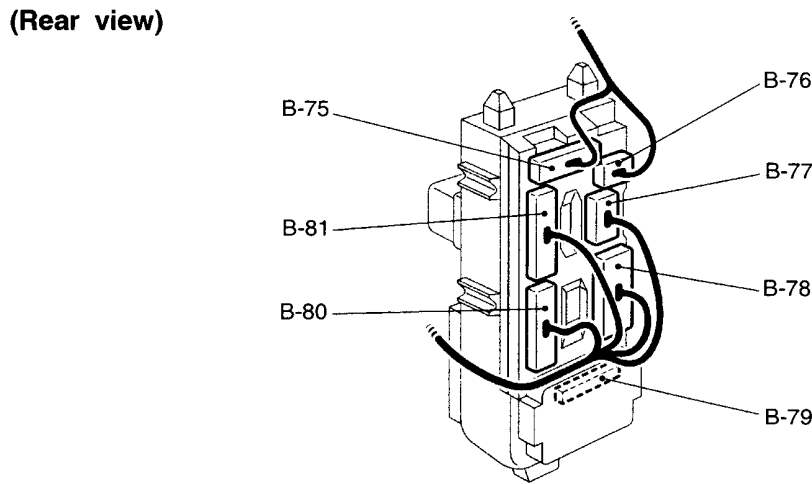
R.H. drive vehicles



B-51 (12)	Column switch	B-60X (33)	J/C (1)
B-52 (2-R)	Clock spring <SRS>	B-61X (33)	J/C (2)
B-53 (1)	Horn switch <SRS>	B-62X (3-B)	Diode
B-54 (2)	Air bag module (squib) (Driver's side)	B-64X (5)	Front fog lamp relay
B-55 (3)	Clock spring <SRS>	B-65X (5)	Rear fog lamp relay
B-56 (10)	Column switch	B-66X (7)	Rear intermittent wiper relay
B-57 (6)	Column switch	B-67X (9)	Door lock-ECU
B-58 (6)	Ignition switch	B-68 (18)	J/B and body wiring harness combination
B-59 (2)	Ignition key ring antenna	B-69 (2)	J/B and roof wiring harness combination



V0215AJ



AC201525

Connector colour code
 B: Black
 Y: Yellow
 L: Blue
 G: Green
 R: Red
 BR: Brown
 V: Violet
 O: Orange
 GR: Gray

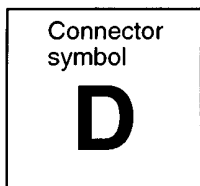
B-70 (6) J/B and roof wiring harness combination
 B-71 (8) No connection
 B-72 (5) Defogger relay
 B-73 (5) Turn-signal and hazard warning flasher unit
 B-74 (5) Blower relay
 B-75 (20) Front wiring harness and J/B combination
 B-76 (2) Front wiring harness and J/B combination
 B-77 (3) Body wiring harness and J/B combination

B-78 (18) Body wiring harness and J/B combination
 B-79 (10) Buzzer-ECU
 B-80 (22) Body wiring harness and J/B combination
 B-81 (22) Body wiring harness and J/B combination

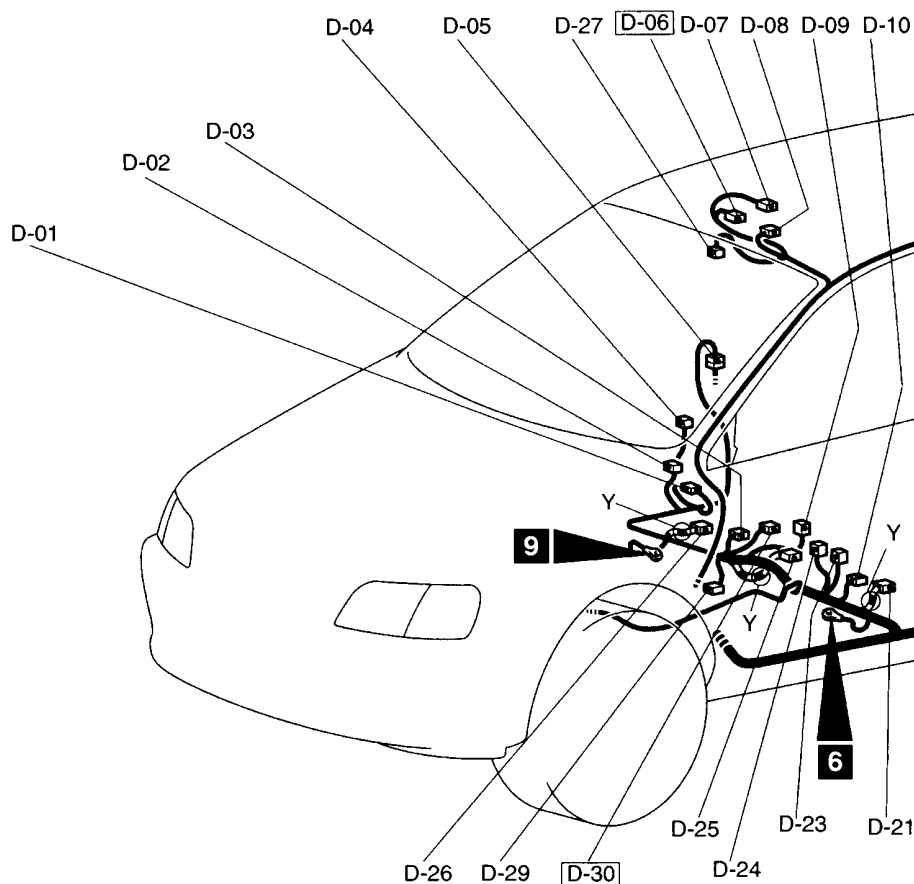
NOTE
 Connector numbers enclosed by a box means connectors of which have been changed.

FLOOR AND ROOF

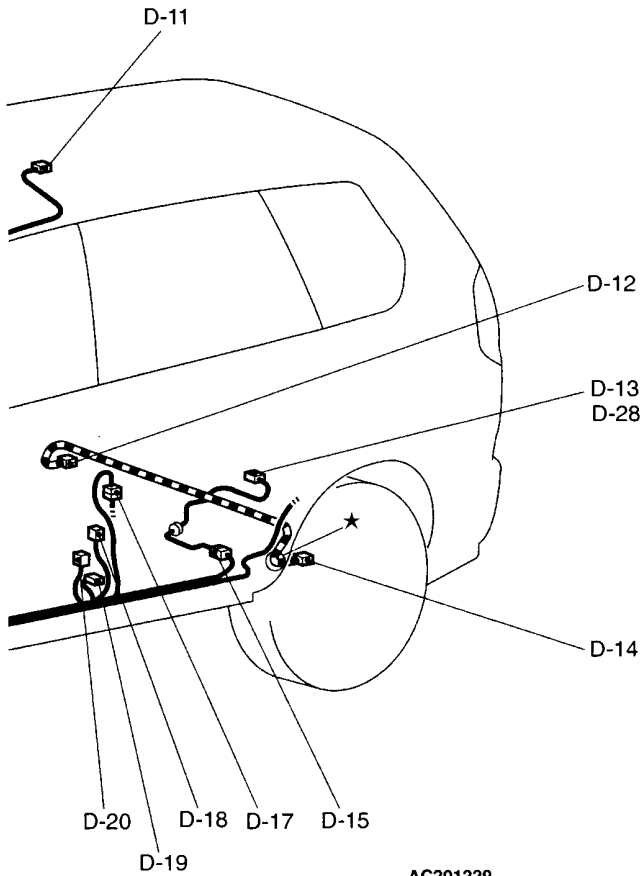
L.H. drive vehicles



Connector colour code
 B: Black
 Y: Yellow
 L: Blue
 G: Green
 R: Red
 BR: Brown
 V: Violet
 O: Orange
 GR: Gray



- | | | | |
|------------------|---|-------------|---|
| D-01 (1-B) | Front door switch (Passenger's side) | D-09 (6) | Heated seat switch (RH) |
| D-02 (2-R) | Seat belt pretensioner (Passenger's side) | D-10 (3-B) | Heated seat (LH) |
| D-03 (3-B) | Heated seat (RH) | D-11 (2) | Room lamp <Vehicles without sunroof> |
| D-04 (2-Y) | Side impact sensor (RH) | D-12 (2-B) | Rear speed sensor (RH) <ABS> |
| D-05 (10) | Body wiring harness and rear door wiring harness (RH) combination | D-13 (5-GR) | Fuel pump and gauge unit assembly <Petrol> |
| D-06 (10) | Sunroof assembly | D-14 (2-B) | Rear speed sensor (LH) <ABS> |
| D-07 (2) | Sunroof motor | D-15 (10) | Body wiring harness and fuel wiring harness combination |
| D-08 (8) | Room lamp and sunroof switch | | |



AC201229

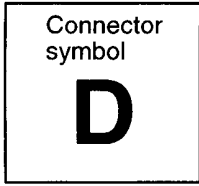
- D-17 (10) Body wiring harness and rear door wiring harness (LH) combination
- D-18 (2-Y) Side impact sensor (LH)
- D-19 (2) Front door switch (Driver's side)
- D-20 (2-R) Seat belt pretensioner (Driver's side)
- D-21 (2-R) Side air bag module (squib) (LH)
- D-23 (6) Heated seat switch (LH)
- D-24 (1-B) Parking brake switch
- D-25 (36-O) SRS-ECU
- D-26 (2-R) Side air bag module (squib) (RH)

- D-27 (1) Map lamp <Vehicles without sunroof>
- D-28 (5-B) Fuel gauge unit <Diesel>
- D-29 (2) A/T selector lever position illumination lamp
- D-30 (2) No connection

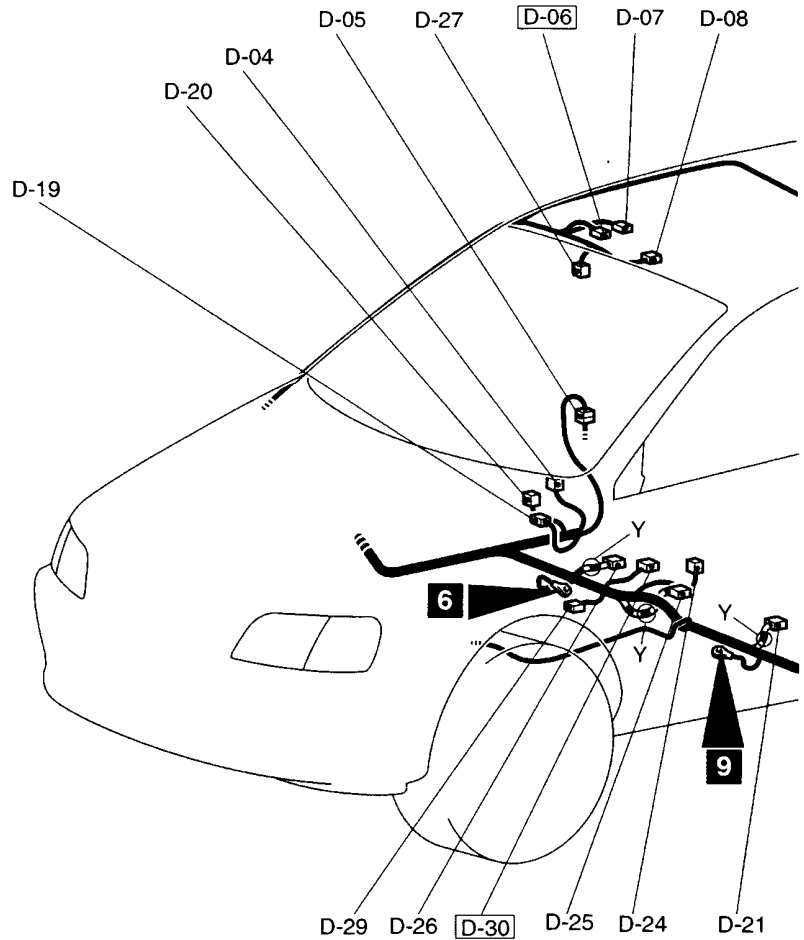
NOTE
Connector numbers enclosed by a box means connectors of which have been changed or added.

FLOOR AND ROOF

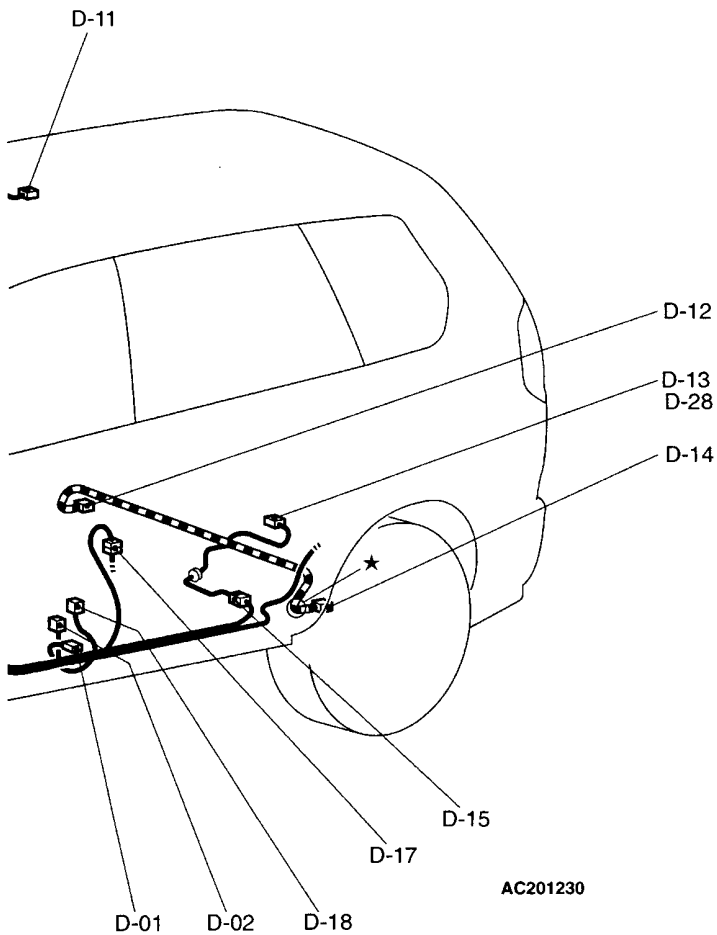
R.H. drive vehicles



Connector colour code
 B: Black
 Y: Yellow
 L: Blue
 G: Green
 R: Red
 BR: Brown
 V: Violet
 O: Orange
 GR: Gray



- | | | | |
|------------------|---|-------------|---|
| D-01 (1-B) | Front door switch (Passenger's side) | D-11 (2) | Room lamp <Vehicles without sunroof> |
| D-02 (2-R) | Seat belt pretensioner (Passenger's side) | D-12 (2-B) | Rear speed sensor (RH) |
| D-04 (2-Y) | Side impact sensor (RH) | D-13 (5-GR) | Fuel pump and gauge unit assembly <Petrol> |
| D-05 (10) | Body wiring harness and rear door wiring harness (RH) combination | D-14 (2-B) | Rear speed sensor (LH) |
| D-06 (10) | Sunroof assembly | D-15 (10) | Body wiring harness and fuel wiring harness combination |
| D-07 (2) | Sunroof motor | | |
| D-08 (8) | Room lamp and sunroof switch | | |

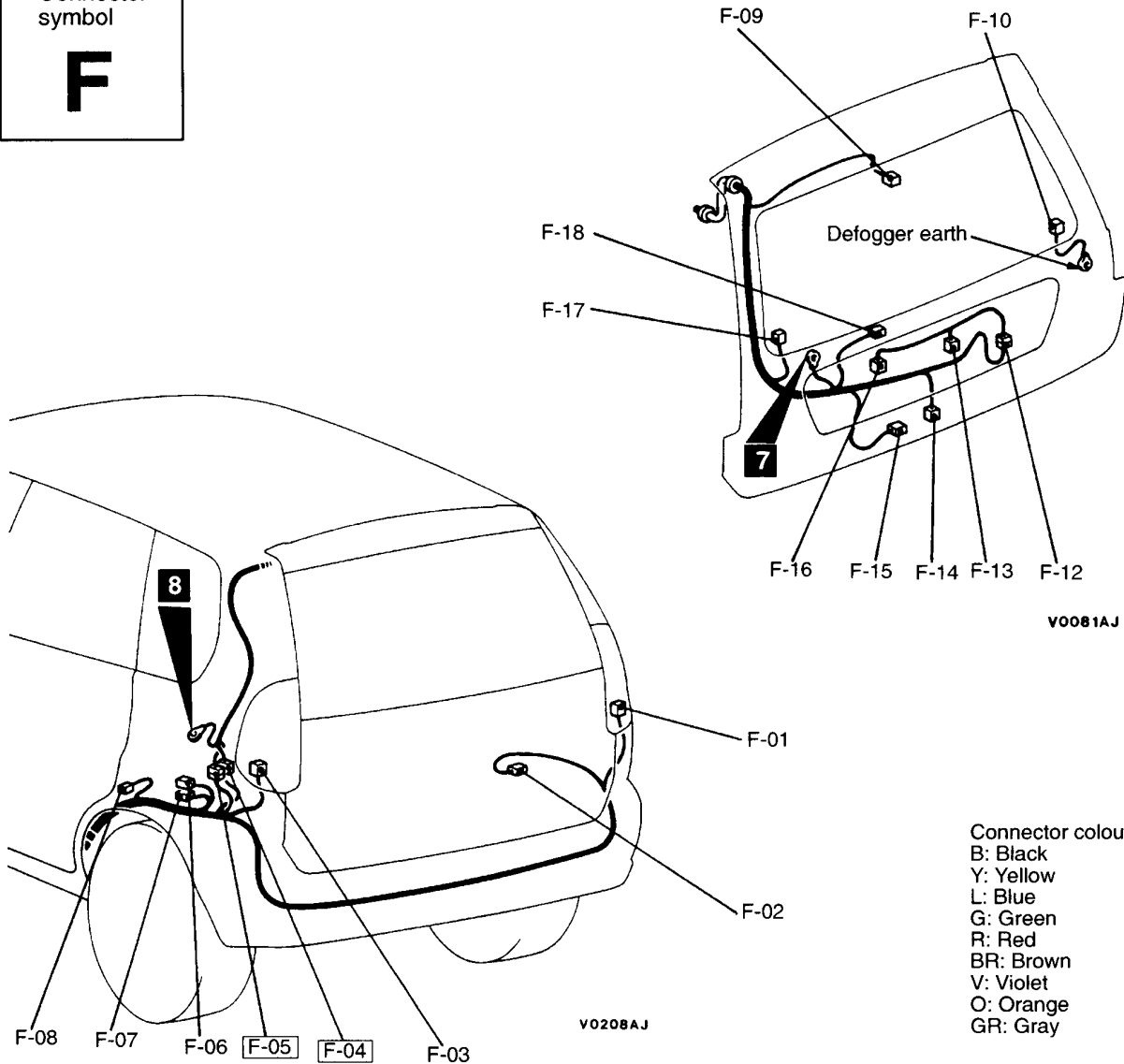
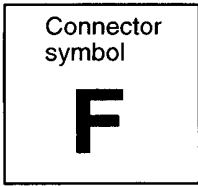


- D-17 (10) Body wiring harness and rear door wiring harness (LH) combination
- D-18 (2-Y) Side impact sensor (LH)
- D-19 (2) Front door switch (Driver's side)
- D-20 (2-R) Seat belt pretensioner (Driver's side)
- D-21 (2-R) Side air bag module (squib) (LH)
- D-24 (1-B) Parking brake switch
- D-25 (36-O) SRS-ECU
- D-26 (2-R) Side air bag module (squib) (RH)

- D-27 (1) Map lamp <Vehicles without sunroof>
- D-28 (5-B) Fuel gauge unit <Diesel>
- D-29 (2) A/T selector lever position illumination lamp
- D-30 (2) No connection

NOTE
 Connector numbers enclosed by a box means connectors of which have been changed or added.

LUGGAGE COMPARTMENT



- F-01 (6) Rear combination lamp (RH)
- F-02 (1-B) Rear door switch (RH)
- F-03 (6) Rear combination lamp (LH)
- F-04 (4-B) Body wiring harness and gate wiring harness combination
- F-05 (4) Body wiring harness and gate wiring harness combination
- F-06 (1) Luggage compartment lamp
- F-07 (1) Luggage compartment lamp
- F-08 (1-B) Rear door switch (LH)
- F-09 (2) High mounted stop lamp
- F-10 (1) Defogger (-)

- F-12 (2) Gate wiring harness and licence plate lamp wiring harness combination
- F-13 (2) Licence plate lamp (RH)
- F-14 (1-B) Rear gate switch
- F-15 (2) Rear gate lock actuator
- F-16 (2) Licence plate lamp (LH)
- F-17 (1-B) Defogger (+)
- F-18 (3) Rear wiper motor

NOTE
Connector numbers enclosed by a box means connectors of which have been changed.