
SINGLE PART INSTALLATION POSITION

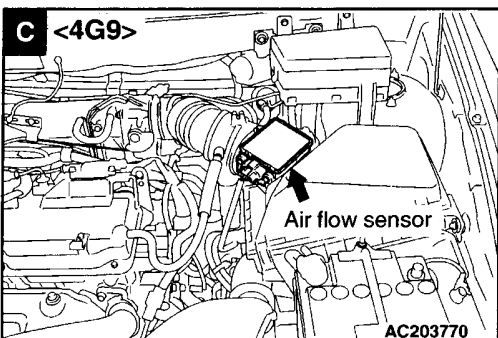
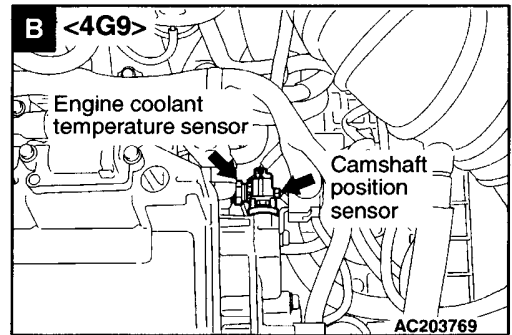
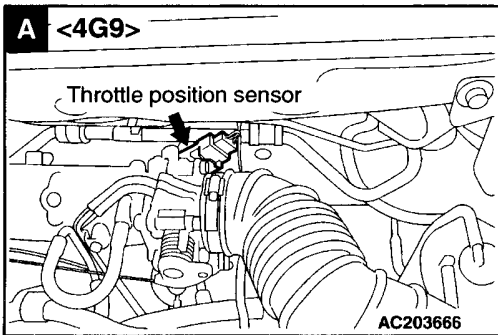
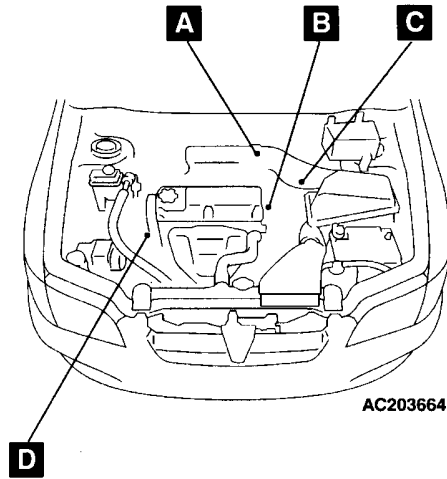
CONTENTS

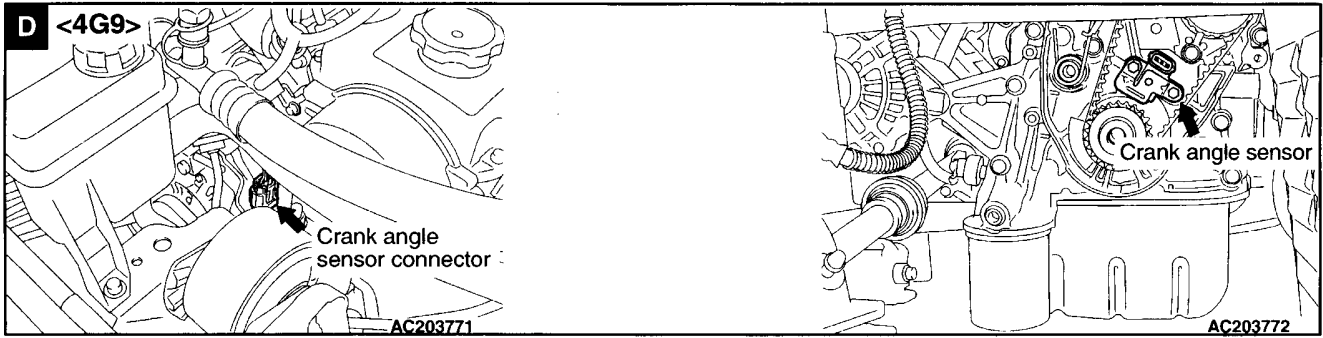
SENSOR	3-2	EARTH CABLE	3-3
SOLENOID VALVE	3-3		



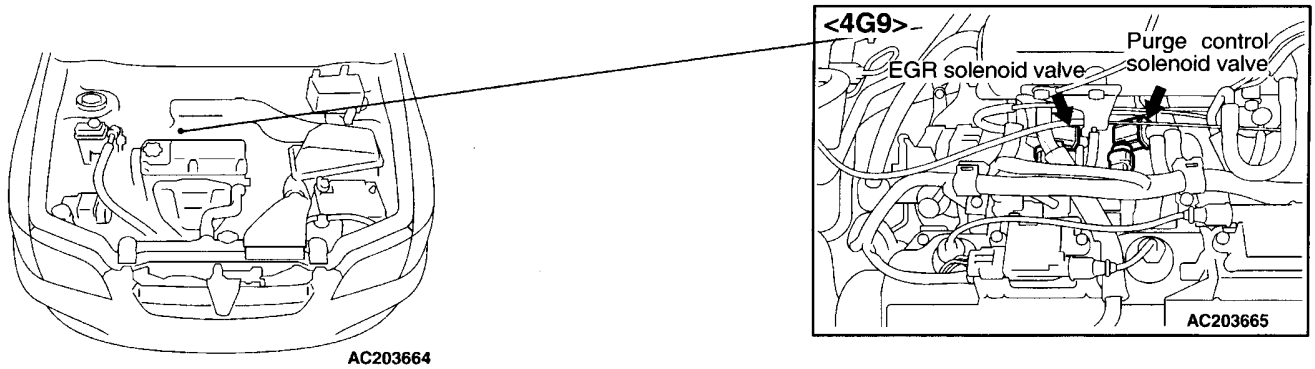
SENSOR

Name	Symbol	Name	Symbol
Air flow sensor <4G9>	C	Engine coolant temperature sensor <4G9>	B
Camshaft position sensor <4G9>	B	Throttle position sensor <4G9>	A
Crank angle sensor <4G9>	D		





SOLENOID VALVE



EARTH CABLE

