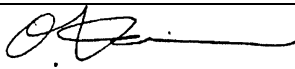




SERVICE BULLETIN

PUBLICATION GROUP, AFTER SALES SERVICE DEP.
MITSUBISHI MOTOR SALES EUROPE BV

SERVICE BULLETIN		No.: ESB-99E55-502	
		Date: 1999-12-30	<Model> <M/Y>
Subject:	CORRECTION TO AIR PURIFIER REMOVAL AND INSTALLATION	(EC) SPACE STAR (DG1A, DG5A)	98-10
Group:	HEATER, A/C & VENTILATION		
CORRECTION	 O. Kai - E.V.P. & G.M. After Sales Service Dept.		
1. Description:			
The incorrectness of a description of air purifier removal and installation has been rectified.			
2. Applicable Manuals:			
Manual	Pub. No.	Language	Page(s)
'99 SPACE STAR Workshop Manual	CMXE99E1	(English)	55-17, 26
	CMXS99E1	(Spanish)	
	CMXF99E1	(French)	
	CMXG99E1	(German)	
	CMXD99E1	(Dutch)	
	CMXW99E1	(Swedish)	
	CMXI99E1	(Italian)	
3. Details:			

IDLE-UP OPERATION CHECK

- Before inspection and adjustment, set vehicle in the following condition:
 - Engine coolant temperature: 80 - 90°C
 - Lights, electric cooling fan and accessories: Set to OFF.
 - Transmission: Neutral (N or P for vehicles with A/T)
 - Steering wheel: Straightforward
- Check whether or not the idling speed is the standard value.

Standard value:

<4G1> 750 ± 100 r/min

<4G9> 700 ± 100 r/min

- When the A/C is running after running the A/C switch to ON, and the blower switch to the MH or HI position, check to be sure that the idle speed is at the standard value.

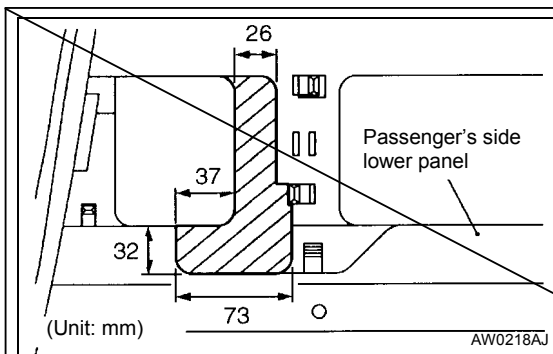
Standard value:

Engine	Idle speed r/min	
	When load by A/C is low	When load by A/C is high
4G1	750 ± 100	850 ± 100
4G9	700 ± 100	800 ± 100

NOTE

There is no necessity to make an adjustment, because the idling speed is automatically adjusted by the ISC system. If, however, there occurs a deviation from the standard value for some reason, check the ISC system. (Refer to GROUP 13A – On-vehicle Service.)

<Deleted>



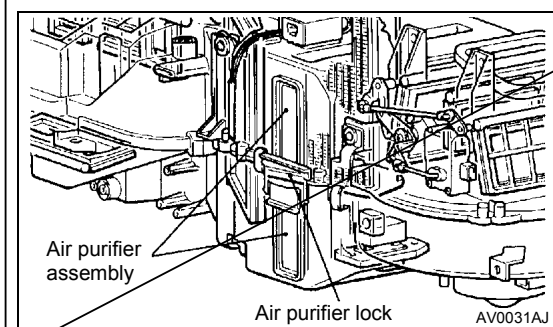
AIR PURIFIER ASSEMBLY REPLACEMENT

55501100817

- Remove the glove box
- Disconnect the harness from the passenger's side lower panel. <Initial math-production model>
- Cut the passenger's side lower panel as shown in the illustration. <Initial math-production model>

Caution

Take care not to damage the harness and the others parts when cutting the passenger's side lower panel.



- Remove the air purifier lock and the air purifier assembly.
- Install a new air purifier assembly and install the air purifier lock.

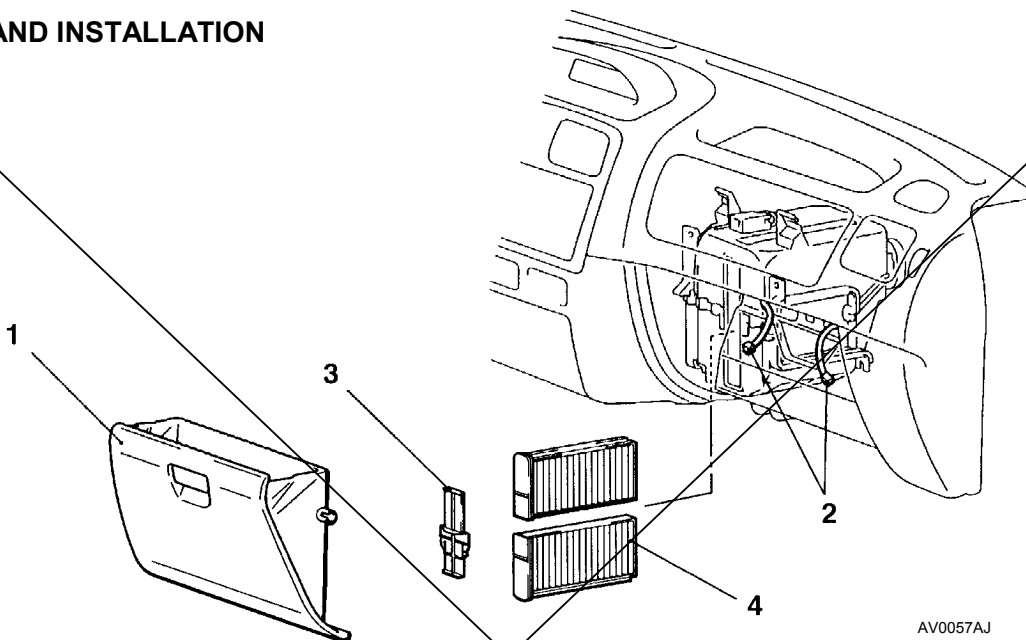
NOTE

On installation, it is unnecessary to replace the passenger's side lower panel because the cut portion can be left as it is. <Initial math-production model>

- Install the glove box.

AIR PURIFIER ASSEMBLY

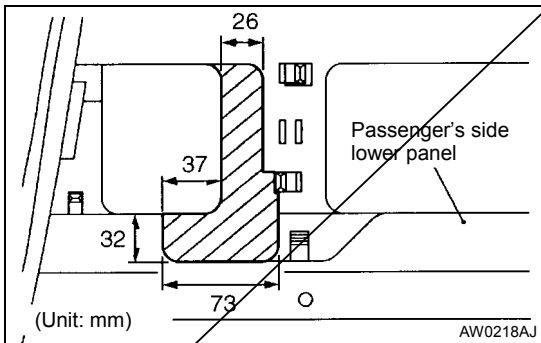
REMOVAL AND INSTALLATION



Removal steps

1. Glove box
2. Harness connector connection

3. Air purifier lock
4. Air purifier assembly



REMOVAL SERVICE POINT

**◀A▶ AIR PURIFIER LOCK REMOVAL
<INITIAL MATH-PRODUCTION MODEL>**

Disconnect the harness from the passenger's side lower panel.

2. Cut the passenger's side lower panel as shown in the illustration.

Caution

Take care not to damage the harness and the others parts when cutting the passenger's side lower panel.

NOTE

On installation, it is unnecessary to replace the passenger's side lower panel because the cut portion can be left as it is.

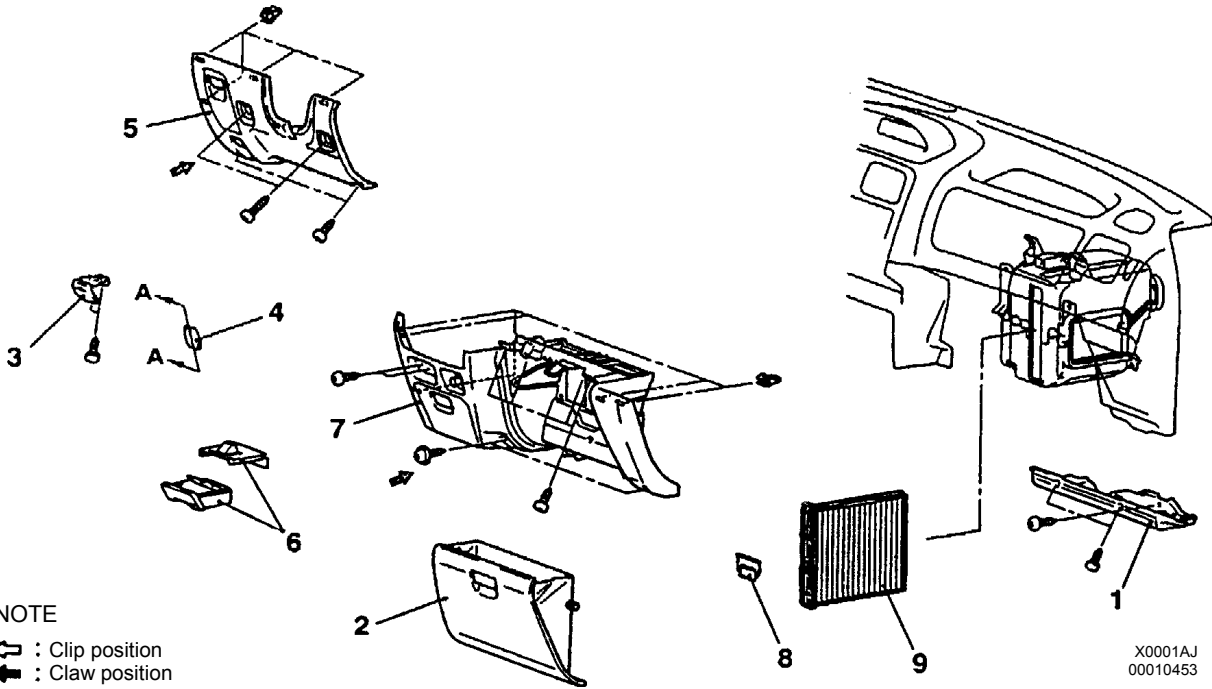
3. Remove the air purifier lock.

<To be replaced by the following and subsequent pages.>

<Added>

<1-PIECE TYPE AIR PURIFIER (VEHICLES WITH A/C)>

REMOVAL

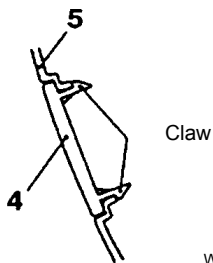


NOTE

↔ : Clip position
➔ : Claw position

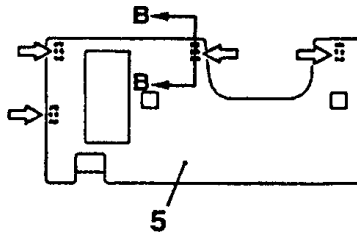
X0001AJ
00010453

Section A-A



WO136AJ

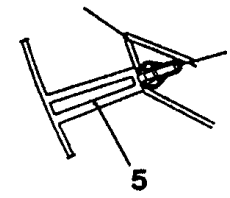
View A



WO203AJ

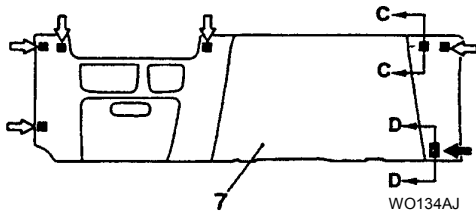
Section B-B

Instrument panel assembly



WO135AJ

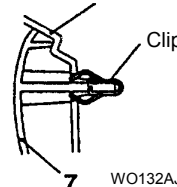
View B



WO134AJ

Section C-C

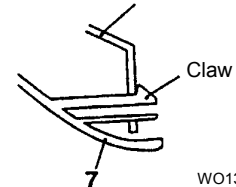
Instrument panel assembly



WO132AJ

Section D-D

Instrument panel assembly



WO133AJ

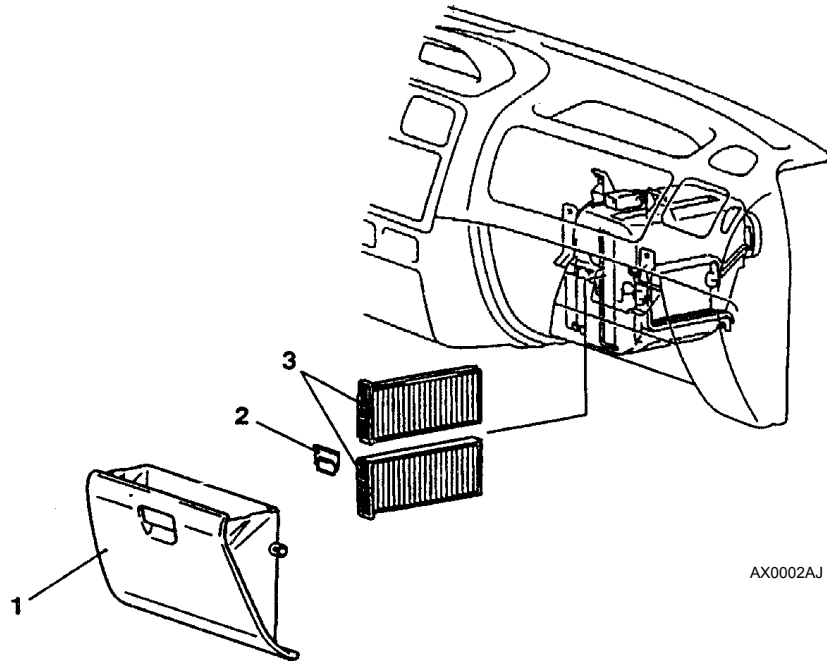
Removal steps

1. Under cover
2. Glove box
3. Hood lock release handle
4. Driver's side lower plug
5. Driver's side lower panel assembly
6. Ashtray assembly
7. Passenger's side lower panel assembly
8. Air purifier lock
9. Air purifier assembly

<Added>

<2-PIECE TYPE AIR PURIFIER (VEHICLES WITH A/C)>

REMOVAL AND INSTALLATION



Removal steps

1. Glove box
2. Air purifier lock

◀A▶ ▶A◀ 3. Air purifier assembly

REMOVAL SERVICE POINT

◀A▶ AIR PURIFIER ASSEMBLY REMOVAL

1. Pull out the upper air purifier horizontally.
2. Lift the lower air purifier to the position of the upper air purifier, and pull the lower air purifier out horizontally.

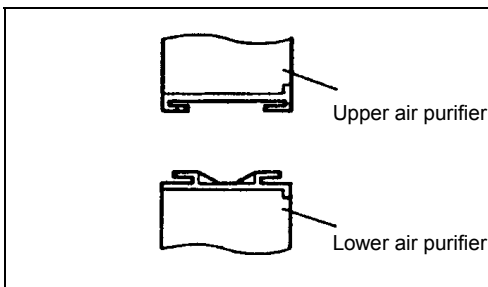
INSTALLATION SERVICE POINT

▶A◀ AIR PURIFIER ASSEMBLY INSTALLATION

1. Install the lower air purifier.
2. Install the upper air purifier. At this time, check to ensure that the lower air purifier top surface rail and the upper air purifier bottom are properly locked.

NOTE

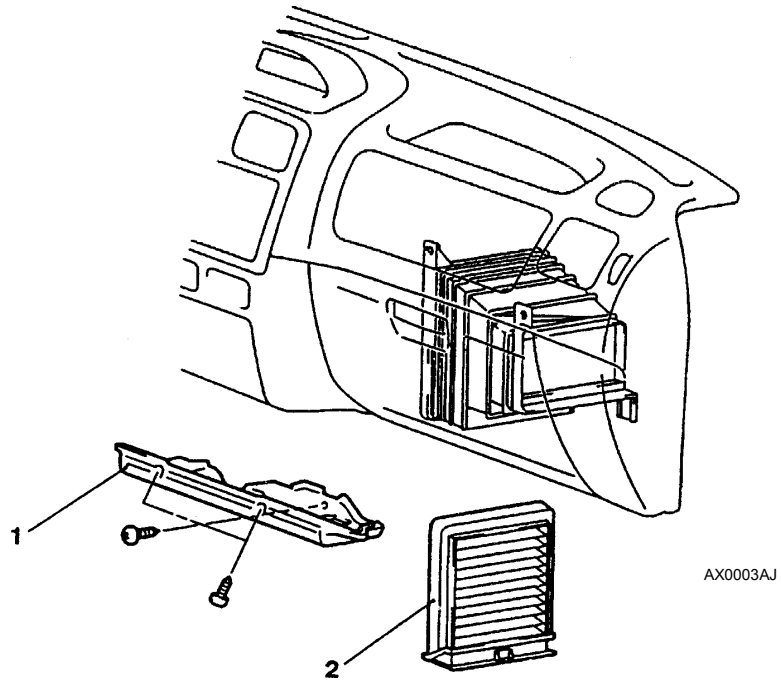
On installation of the upper air purifier requires a slight force.



AX0004J

<Added>

**<1-PIECE TYPE AIR PURIFIER (VEHICLES WITHOUT A/C)>
REMOVAL AND INSTALLATION**



Removal steps

1. Under cover
2. Air purifier assembly