

# GENERAL

## CONTENTS

00109000829

<b>HOW TO USE THIS MANUAL</b> .....	<b>2</b>	Models .....	13
Scope of Maintenance, Repair and Servicing		Model Code .....	15
Explanations .....	2	Chassis Number .....	16
Definition of Terms .....	2	Engine Model Number .....	17
Indication of Tightening Torque .....	2		
Model Indications .....	3	<b>MAJOR SPECIFICATIONS</b> .....	<b>18</b>
Explanation of Manual Contents .....	4	<b>PRECAUTIONS BEFORE SERVICE</b> .....	<b>20</b>
<b>HOW TO USE</b>		<b>SUPPLEMENTAL RESTRAINT SYSTEM (SRS)</b>	
<b>TROUBLESHOOTING/INSPECTION SERVICE</b>		<b>AND SEAT BELT WITH</b>	
<b>POINTS</b> .....	<b>6</b>	<b>PRE-TENSIONER</b> .....	<b>24</b>
Troubleshooting Contents .....	6	<b>SUPPORT LOCATIONS FOR LIFTING AND</b>	
Diagnosis Function .....	7	<b>JACKING</b> .....	<b>28</b>
How to Use the Inspection Procedures .....	9	Support Positions for a Garage Jack and Axle	
Connector Measurement Service Points .....	10	Stands .....	28
Connector Inspection .....	11	Support Positions for a Single-Post Lift or	
Inspection Service Points for a Blown Fuse ...	12	Double-Post Lift .....	29
Points to Note for Intermittent Malfunctions ...	12	Support Positions and Support Method for an	
<b>VEHICLE IDENTIFICATION</b> .....	<b>13</b>	H-Bar Lift .....	30
Vehicle Information Code Plate .....	13	<b>STANDARD PART/TIGHTENING-TORQUE</b>	
		<b>TABLE</b> .....	<b>32</b>

## HOW TO USE THIS MANUAL

00100010302

### SCOPE OF MAINTENANCE, REPAIR AND SERVICING EXPLANATIONS

This manual provides explanations, etc. concerning procedures for the inspection, maintenance, repair and servicing of the subject model. Note, however, that for engine and transmission-related component parts, this manual covers only on-vehicle inspections, adjustments, and the removal and installation procedures for major components.

For detailed information concerning the inspection, checking, adjustment, disassembly and reassembly of the engine, transmission and major components after they have been removed from the vehicle, please refer to separate manuals covering the engine and the transmission.

### ON-VEHICLE SERVICE

"On-vehicle Service" is procedures for performing inspections and adjustments of particularly important locations with regard to the construction and for maintenance and servicing, but other inspection (for looseness, play, cracking, damage, etc.) must also be performed.

### INSPECTION

Under this title are presented inspection and checking procedures to be performed by using special tools and measuring instruments and by feeling, but, for actual maintenance and servicing procedures, visual inspections should always be performed as well.

### DEFINITION OF TERMS

#### STANDARD VALUE

Indicates the value used as the standard for judging the quality of a part or assembly on inspection or the value to which the part or assembly is corrected and adjusted. It is given by tolerance.

#### LIMIT

Shows the standard for judging the quality of a part or assembly on inspection and means the maximum or minimum value within which the part or assembly must be kept functionally or in strength. It is a value established outside the range of standard value.

#### REFERENCE VALUE

Indicates the adjustment value prior to starting the work (presented in order to facilitate assembly and adjustment procedures, and so they can be completed in a shorter time).

#### CAUTION

Indicates the presentation of information particularly vital to the worker during the performance of maintenance and servicing procedures in order to avoid the possibility of injury to the worker, or damage to component parts, or a reduction of component or vehicle function or performance, etc.

### INDICATION OF TIGHTENING TORQUE

The tightening torque shown in this manual is a basic value with a tolerance of  $\pm 10\%$  except the following cases when the upper and lower limits of tightening torque are given.

- (1) The tolerance of the basic value is within  $\pm 10\%$ .
- (2) Special bolts or the like are in use.
- (3) Special tightening methods are used.

**MODEL INDICATIONS**

The following abbreviations are used in this manual for classification of model types.

1800: Indicates models equipped with the 1,800 mL <4G93> petrol engine.

2400: Indicates models equipped with the 2,400 mL <6G64> petrol engine.

GDI: Indicates the gasoline direct injection.

M/T: Indicates the manual transmission, or models equipped with the manual transmission.

A/T: Indicates the automatic transmission, or models equipped with the automatic transmission.

A/C: Indicates the air conditioner.

## EXPLANATION OF MANUAL CONTENTS

Indicates procedures to be performed before the work in that section is started, and procedures to be performed after the work in that section is finished.

**Component Diagram**

A diagram of the component parts is provided near the front of each section in order to give a reader a better understanding of the installed condition of component parts.

Indicates (by symbols) where lubrication is necessary.

**Maintenance and Servicing Procedures**

The numbers provided within the diagram indicate the sequence for maintenance and servicing procedures.

- Removal steps:  
The part designation number corresponds to the number in the illustration to indicate removal steps.
- Disassembly steps:  
The part designation number corresponds to the number in the illustration to indicate disassembly steps.

- Installation steps:  
Specified in case installation is impossible in reverse order of removal steps. Omitted if installation is possible in reverse order of removal steps.
- Reassembly steps:  
Specified in case reassembly is impossible in reverse order of disassembly steps. Omitted if reassembly is possible in reverse order of disassembly steps.






**Classifications of Major Maintenance/Service Points**

When there are major points relative to maintenance and servicing procedures (such as essential maintenance and service points, maintenance and service standard values, information regarding the use of special tools, etc.), these are arranged together as major maintenance and service points and explained in detail.

- ◀A▶ : Indicates that there are essential points for removal or disassembly.  
▶A◀ : Indicates that there are essential points for installation or reassembly.

**Symbols for Lubrication, Sealants and Adhesives**

Information concerning the locations for lubrication and for application of sealants and adhesives is provided, by using symbols, in the diagram of component parts or on the page following the component parts page, and explained.

-  : Grease  
(multipurpose grease unless there is a brand or type specified)
-  : Sealant or adhesive
-  : Brake fluid or automatic transmission fluid
-  : Engine oil, gear oil or air conditioner compressor oil
-  : Adhesive tape or butyl rubber tape

Indicates the group title.

Indicates the section title.

Indicates the group number.

Indicates the page number.

STEERING - Power Steering Oil Pump 37A-29

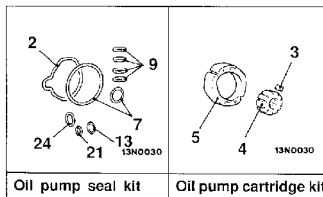
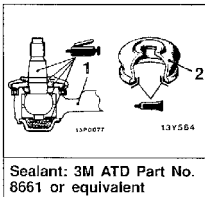
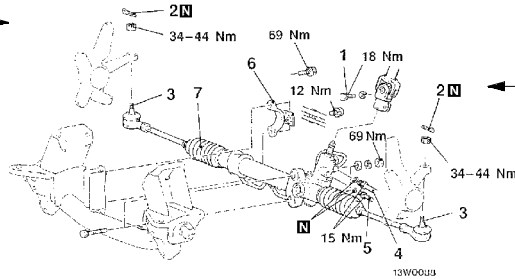
**POWER STEERING GEAR BOX**

120000039

**REMOVAL AND INSTALLATION**

**Pre-removal Operation**  
 (1) Power Steering Fluid Draining (Refer to P. 37A-10.)  
 (2) Air Cleaner Assembly Removal  
 (3) Under Cover Removal (Refer to GROUP 42 - Under Cover.)

<2WD>



**Removal steps**

1. Lower shaft assembly and gear box connecting bolt
2. Split pin
3. Connection for tie-rod end and knuckle
4. Connection for return tube

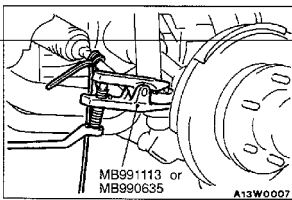
5. Connection for pressure tube
6. Clamp
7. Gear box assembly

**REMOVAL SERVICE POINTS**

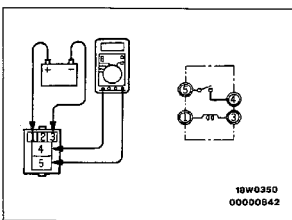
**TIE-ROD END DISCONNECTION**

**Caution**

1. Using the special tool, loosen the tie rod end mounting nut. Only loosen the nut; do not remove it from the ball joint.
2. Support the special tool with a cord, etc. to prevent it from coming off.



**HEADLAMP RELAY CONTINUITY INSPECTION**



Battery voltage	Terminal No.				
	1	3	4	5	
Power is not supplied	○	○			
Power is supplied	⊕	⊖	⊖	⊕	○

**N** Denotes non-reusable part.

Denotes tightening torque. For bolts and nuts which do not have a tightening torque listed, refer to the "Standard Parts-tightening-torque Table".

Repair kit or set parts are shown. (Only very frequently used parts are shown.)

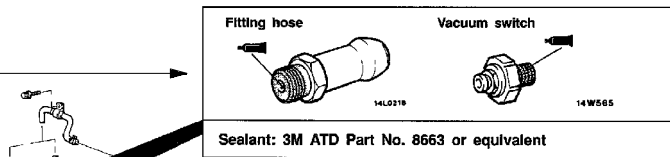
Operating procedures, cautions, etc. on removal, installation, disassembly and reassembly are described.

○—○ indicates that there is a continuity between the terminals.

⊕—⊖ indicates terminals to which battery voltage is applied.

**35A-26 BASIC BRAKE SYSTEM - Master Cylinder and Brake Booster**

**Lubrication and sealing points**



The title of the page (following the page on which the diagram of component parts is presented) indicating the locations of lubrication and sealing procedures.

# HOW TO USE TROUBLESHOOTING/INSPECTION SERVICE POINTS

00100020152

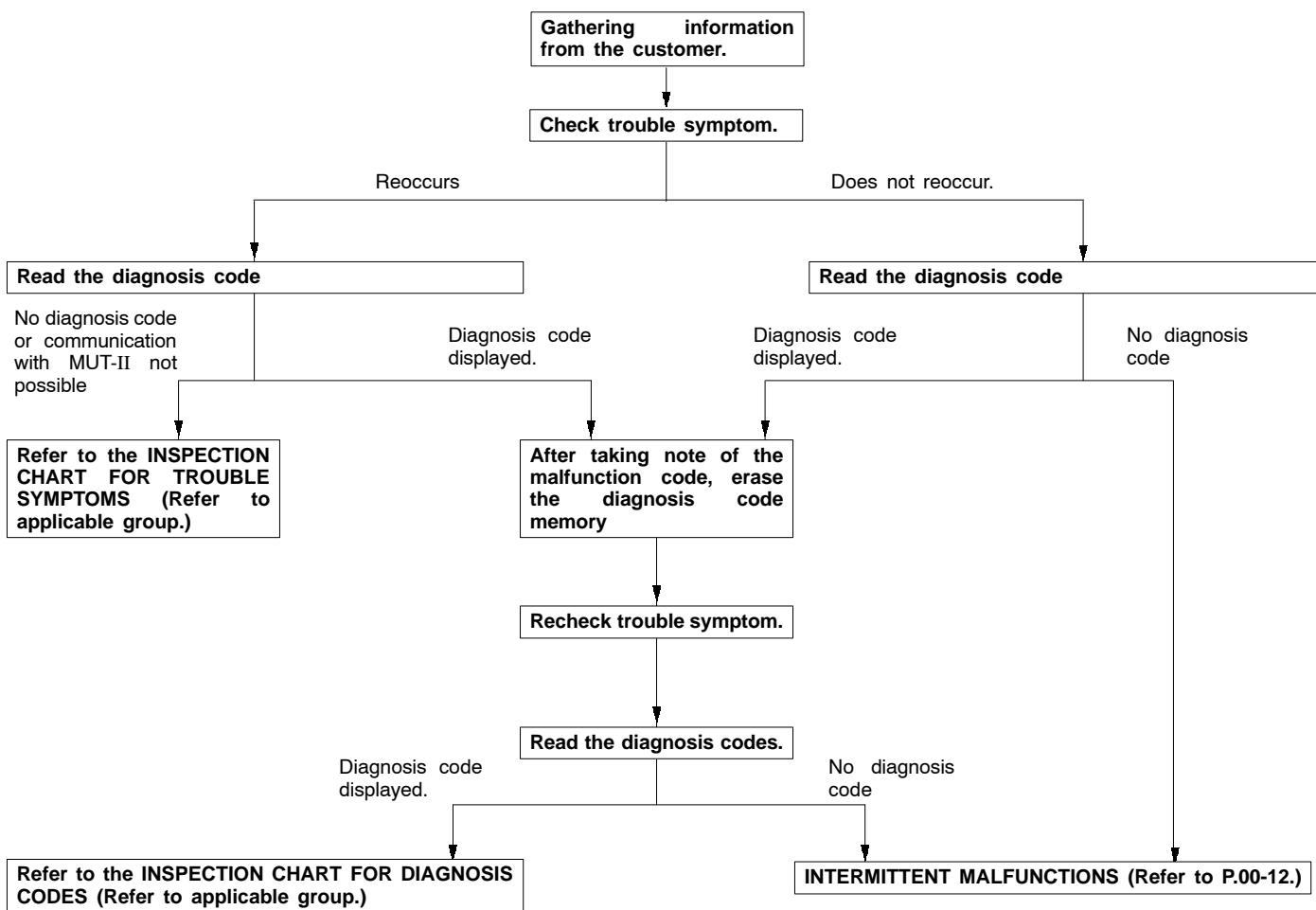
Troubleshooting of electronic control systems for which the MUT-II can be used follows the basic outline described below. Furthermore, even in systems for which the MUT-II cannot be used, part of these systems still follow this outline.

## TROUBLESHOOTING CONTENTS

### 1. STANDARD FLOW OF DIAGNOSIS TROUBLESHOOTING

The troubleshooting sections follow the basic diagnosis flow which is given below. If the diagnosis flow is different from that given below, or if additional explanation is required, the details of such differences or additions will also be listed.

#### Diagnosis method



### 2. SYSTEM OPERATION AND SYMPTOM VERIFICATION TESTS

If verification of the trouble symptoms is difficult, procedures for checking operation and verifying trouble symptoms are shown.

### 3. DIAGNOSIS FUNCTION

Details which are different from those in the “Diagnosis Function” section on the next page are listed.

**4. INSPECTION CHART FOR DIAGNOSIS CODES****5. INSPECTION PROCEDURE FOR DIAGNOSIS CODES**

Indicates the inspection procedures corresponding to each diagnosis code. (Refer to P.00-9 for how to use the inspection procedures.)

**6. INSPECTION CHART FOR TROUBLE SYMPTOMS**

If there are trouble symptoms even though the results of inspection using the MUT-II show that all diagnosis codes are normal, inspection procedures for each trouble symptom will be found by means of this chart.

**7. INSPECTION PROCEDURE FOR TROUBLE SYMPTOM**

Indicates the inspection procedures corresponding to each trouble symptoms classified in the Inspection Chart for Trouble Symptoms. (Refer to P.00-9 for how to use the inspection procedures.)

**8. SERVICE DATA REFERENCE TABLE**

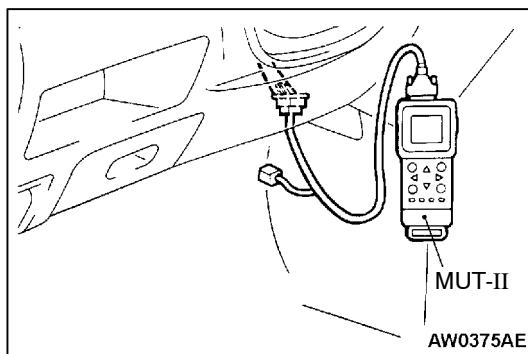
Inspection items and normal judgement values have been provided in this chart as reference information.

**9. CHECK AT ECU TERMINALS**

Terminal numbers for the ECU connectors, inspection items and standard values have been provided in this chart as reference information.

**10. INSPECTION PROCEDURES USING AN OSCILLOSCOPE**

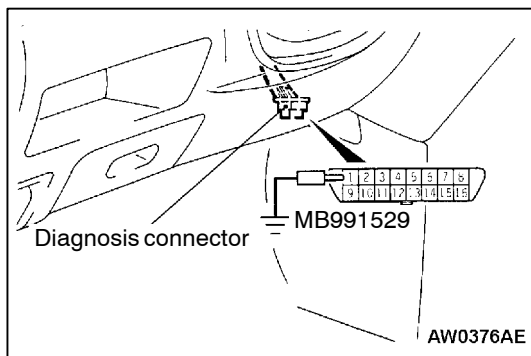
When there are inspection procedures using an oscilloscope, these are listed here.

**DIAGNOSIS FUNCTION****METHOD OF READING DIAGNOSIS CODES****WHEN USING THE MUT-II**

Connect the MUT-II to the diagnosis connector and take a reading of the diagnosis codes.

**Caution**

Turn off the ignition switch before connecting or disconnecting the MUT-II.



## WHEN USING THE WARNING LAMP

1. Use the special tool to earth No.1 terminal (diagnosis control terminal) of the diagnosis connector.
2. To check ABS system, remove the valve relay.

### NOTE

That is because the valve relay is off and the warning lamp remains illuminated if there is a fault in the ABS system.

3. Turn on the ignition switch.
4. Read out a diagnosis code by observing how the warning lamp flashes.

## Applicable systems

System name	Warning lamp name
GDI	Engine warning lamp
A/T	Neutral position indicator lamp
ABS	ABS warning lamp

## Indication of diagnosis code by warning lamp

When the diagnosis code No.24 is output	When no diagnosis code is output*

### NOTE

\*: Even if the ABS system is normal, removing the valve relay causes the diagnosis code No.52 to be output.

## METHOD OF ERASING DIAGNOSIS CODES

### WHEN USING THE MUT-II

Connect the MUT-II to the diagnosis connector and erase the diagnosis code.

### Caution

Turn off the ignition switch before connecting or disconnecting the MUT-II.

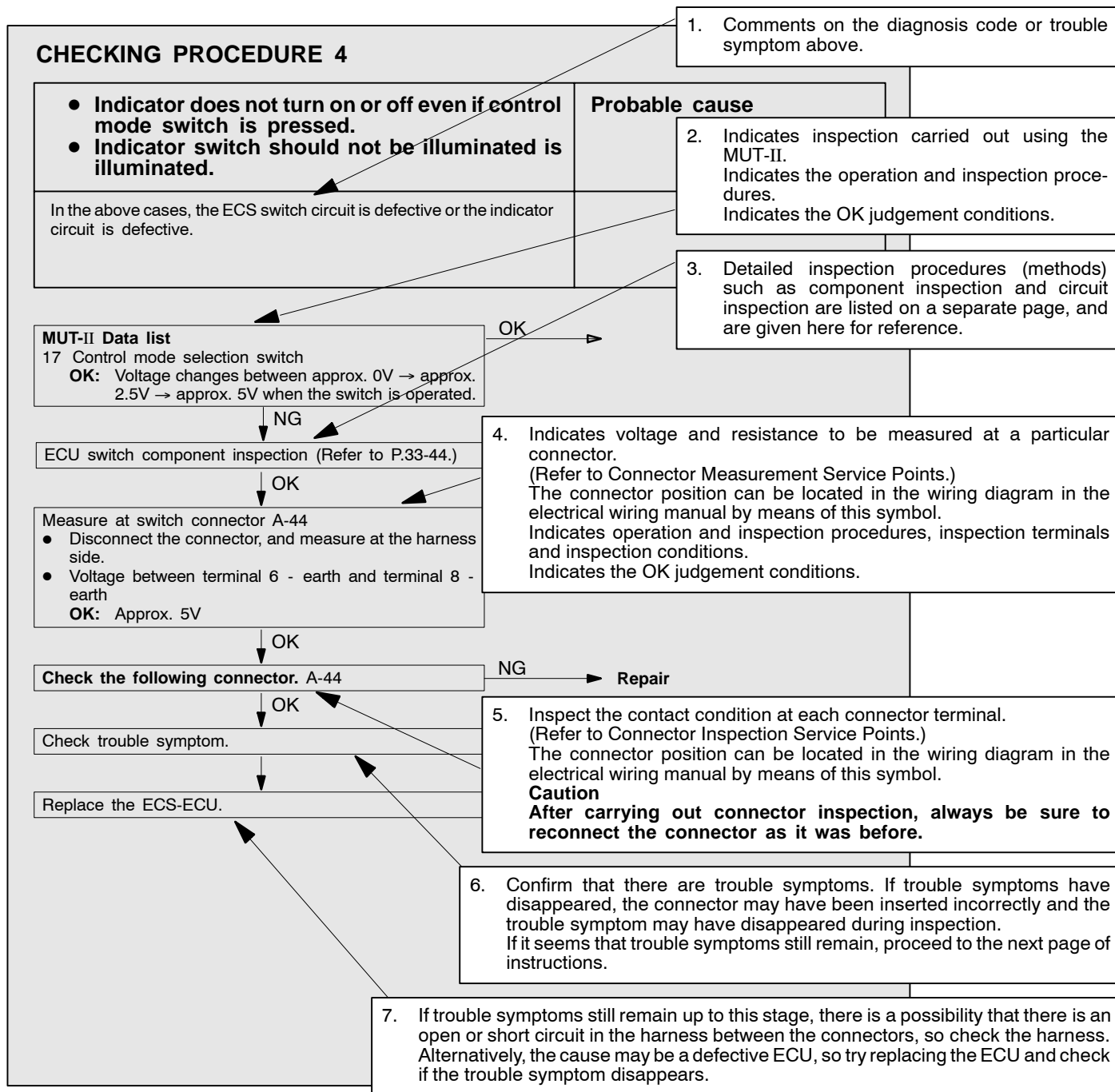
### WHEN NOT USING THE MUT-II

1. Turn the ignition switch to OFF.
2. After disconnecting the battery cable from the battery (-) terminal for 10 seconds or more, reconnect the cable.
3. After the engine has warmed up, run it at idle for about 15 minutes.



## HOW TO USE THE INSPECTION PROCEDURES

The causes of a high frequency of problems occurring in electronic circuitry are generally the connectors, components, the ECU and the harnesses between connectors, in that order. These inspection procedures follow this order, and they first try to discover a problem with a connector or a defective component.



## HARNESS INSPECTION

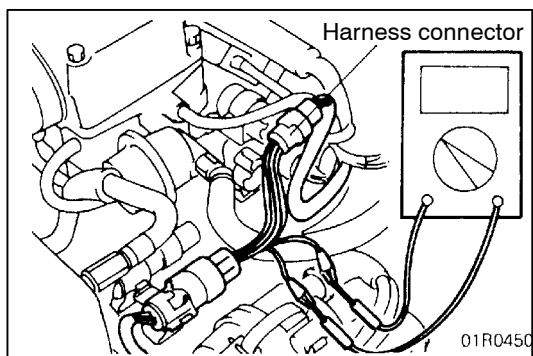
Check for an open or short circuit in the harness between the terminals which were defective according to the connector measurements. Carry out this inspection while referring to the electrical wiring manual. Here, "Check harness between power supply and terminal xx" also includes checking for blown fuses. For inspection service points when there is a blown fuse, refer to "Inspection Service Points for a Blown Fuse."

## MEASURES TO TAKE AFTER REPLACING THE ECU

If the trouble symptoms have not disappeared even after replacing the ECU, repeat the inspection procedure from the beginning.

## CONNECTOR MEASUREMENT SERVICE POINTS

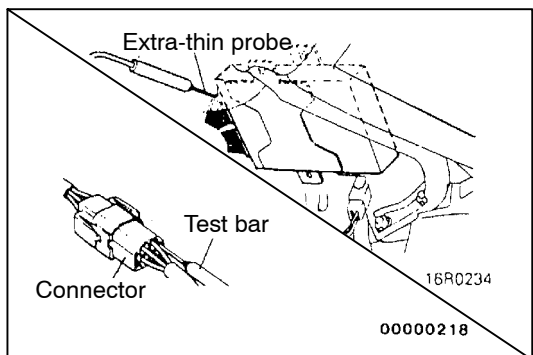
Turn the ignition switch to OFF when connecting/disconnecting the connectors, and turn the ignition switch to ON when measuring if there are no instructions to be contrary.



### IF INSPECTING WITH THE CONNECTOR CONNECTED (WITH CIRCUIT IN A CONDITION OF CONTINUITY)

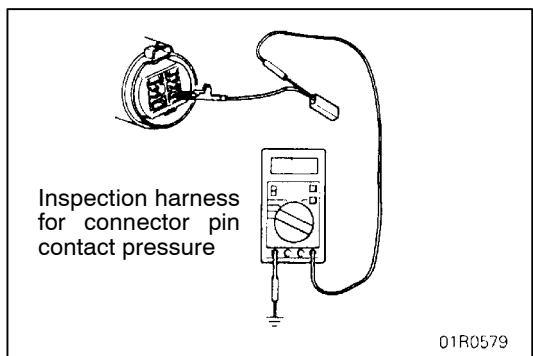
#### Waterproof Connectors

Be sure to use the special tool (harness connector). Never insert a test bar from the harness side, because to do so will reduce the waterproof performance and result in corrosion.



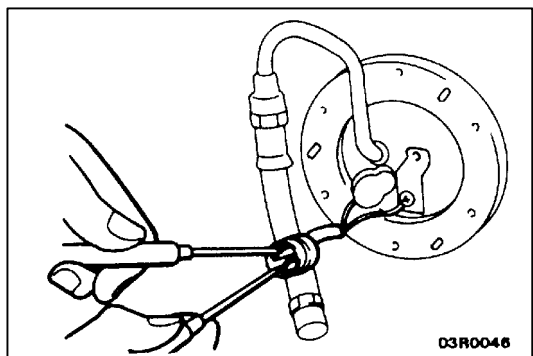
#### Ordinary (non-waterproof) Connectors

Check by inserting the test bar from the harness side. Note that if the connector (control unit, etc.) is too small to permit insertion of the test bar, it should not be forced; use a special tool (the extra-thin probe in the harness set for checking for this purpose).



### IF INSPECTING WITH THE CONNECTOR DISCONNECTED <When Inspecting a Female Pin>

Use the special tool (inspection harness for connector pin contact pressure in the harness set for inspection). The inspection harness for connector pin contact pressure should be used. The test bar should never be forcibly inserted, as it may cause a defective contact.

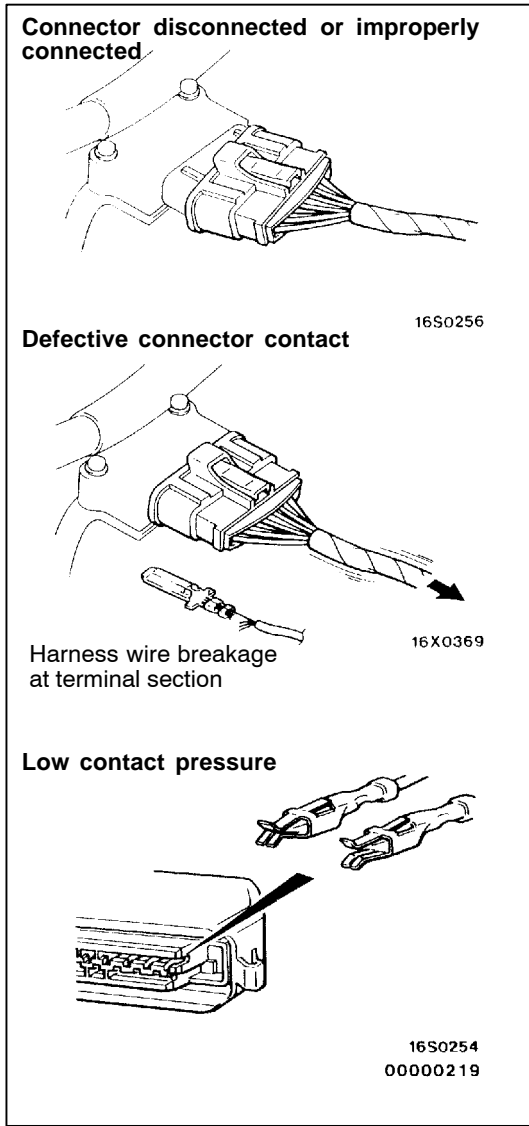


### <When Inspecting a Male Pin>

Touch the pin directly with the test bar.

#### Caution

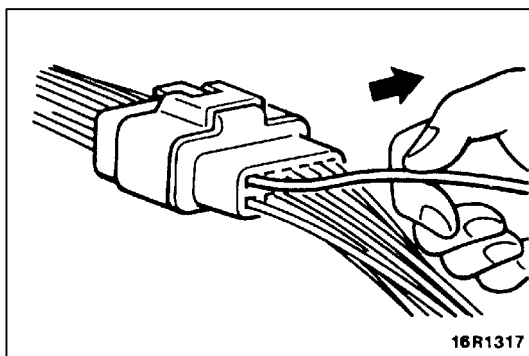
At this time, be careful not to short the connector pins with the test bars. To do so may damage the circuits inside the ECU.



## CONNECTOR INSPECTION

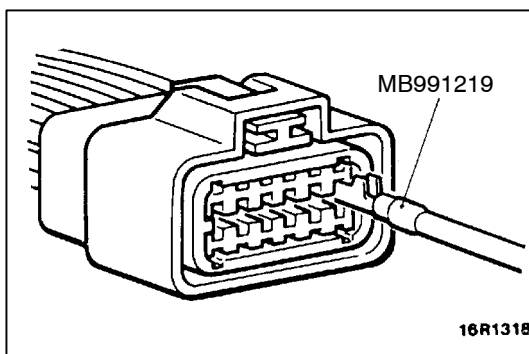
### VISUAL INSPECTION

- Connector is disconnected or improperly connected
- Connector pins are pulled out
- Due to harness tension at terminal section
- Low contact pressure between male and female terminals
- Low connection pressure due to rusted terminals or foreign matter lodged in terminals



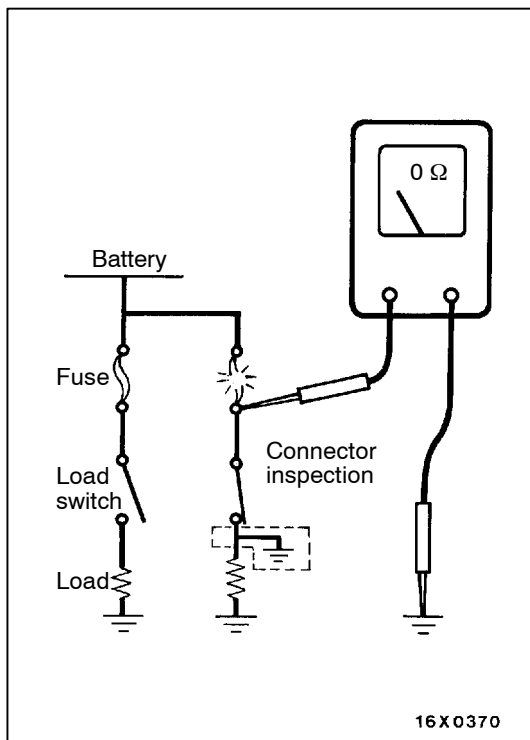
### CONNECTOR PIN INSPECTION

If the connector pin stopper is damaged, the terminal connections (male and female pins) will not be perfect even if the connector body is connected, and the pins may pull out of the reverse side of the connector. Therefore, gently pull the harnesses one by one to make sure that no pins pull out of the connector.



### CONNECTOR ENGAGEMENT INSPECTION

Use the special tool (connector pin connection pressure inspection harness of the inspection harness set) to inspect the engagement of the male pins and females pins. (Pin drawing force : 1 N or more)

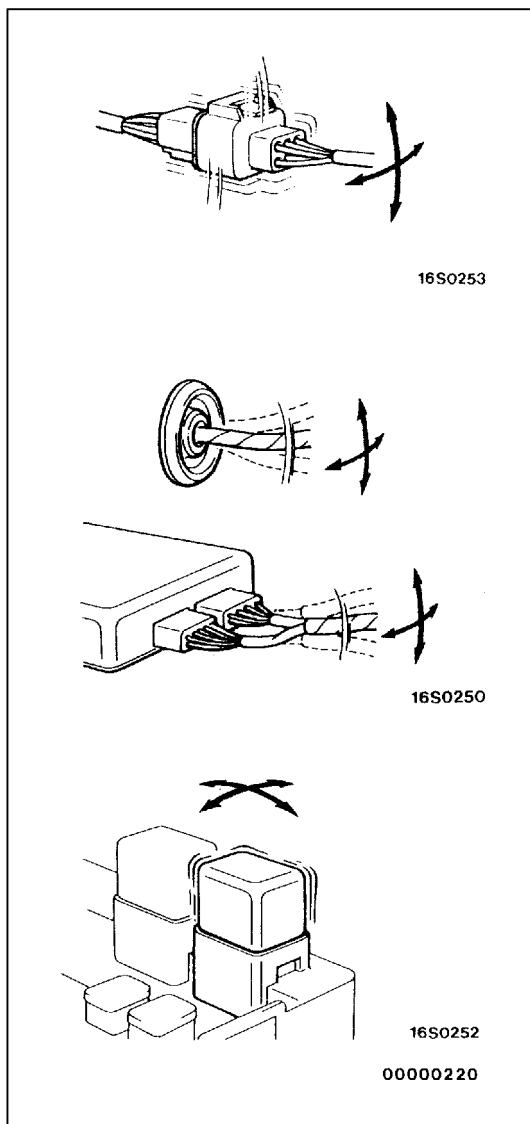


## INSPECTION SERVICE POINTS FOR A BLOWN FUSE

Remove the fuse and measure the resistance between the load side of the fuse and the earth. Set the switches of all circuits which are connected to this fuse to a condition of continuity. If the resistance is almost 0 Ω at this time, there is a short somewhere between these switches and the load. If the resistance is not 0 Ω, there is no short at the present time, but a momentary short has probably caused the fuse to blow.

The main causes of a short circuit are the following.

- Harness being clamped by the vehicle body
- Damage to the outer casing of the harness due to wear or heat
- Water getting into the connector or circuitry
- Human error (mistakenly shorting a circuit, etc.)



## POINTS TO NOTE FOR INTERMITTENT MALFUNCTIONS

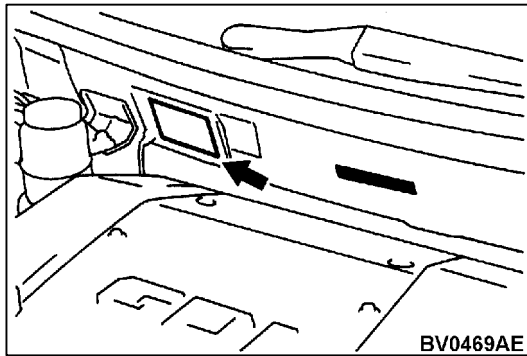
Intermittent malfunctions often occur under certain conditions, and if these conditions can be ascertained, determining the cause becomes simple. In order to ascertain the conditions under which an intermittent malfunction occurs, first ask the customer for details about the driving conditions, weather conditions, frequency of occurrence and trouble symptoms, and then try to recreate the trouble symptoms. Next, ascertain whether the reason why the trouble symptom occurred under these conditions is due to vibration, temperature or some other factor. If vibration is thought to be the cause, carry out the following checks with the connectors and components to confirm whether the trouble symptom occurs.

The objects to be checked are connectors and components which are indicated by inspection procedures or given as probable causes (which generates diagnosis codes or trouble symptoms.)

- Gently shake the connector up, down and to the left and right.
- Gently shake the wiring harness up, down and to the left and right.
- Gently rock each sensor and relay, etc. by hand.
- Gently shake the wiring harness at suspensions and other moving parts.

### NOTE

If determining the cause is difficult, the flight recorder function of the MUT-II can also be used.



BV0469AE

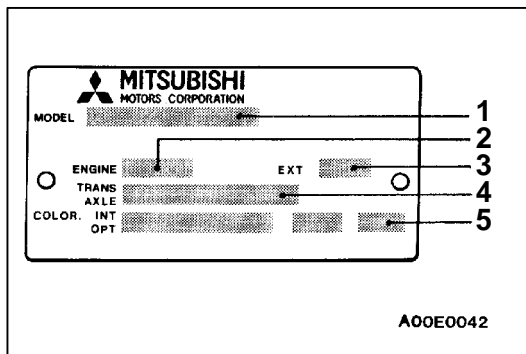
## VEHICLE IDENTIFICATION

00100540085

### VEHICLE INFORMATION CODE PLATE

#### LOCATION

Vehicle information code plate is riveted on the toeboard inside the engine compartment.



A00E0042

#### CODE PLATE DESCRIPTION

The plate shows model code, engine model, transmission model, and body colour code.

No.	Item	Contents	
1	MODEL	N84W	N84W: Vehicle model
		LNUCL6	LNUCL6: Model series
2	ENGINE	4G64	Engine model
3	EXT	A69A	Exterior code
4	TRANS AXLE	F5M42	Transmission code
5	COLOR INT OPT	A69 50H 03V	A69: Body colour code
			50H: Interior code
			03V: Equipment code

For monotone colour vehicles, the body colour code shall be indicated. For two-tone or three-way two-tone colour vehicles, each colour code only shall be indicated in series.

## MODELS

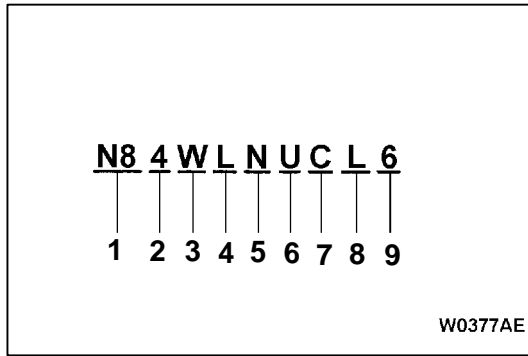
00100030223

### <SPACE RUNNER>

Model code		Engine model	Transmission model	Fuel supply system
N61W	SNUCL6/R6	4G93-DOHC-GDI (1,834 mL)	F5M42 (2WD-5M/T)	GDI
	SNFCL6			
	SNUGL6			
	SRUCL6/R6		F4A42 (2WD-4A/T)	
	SRFCL6			
	SRUGL6			

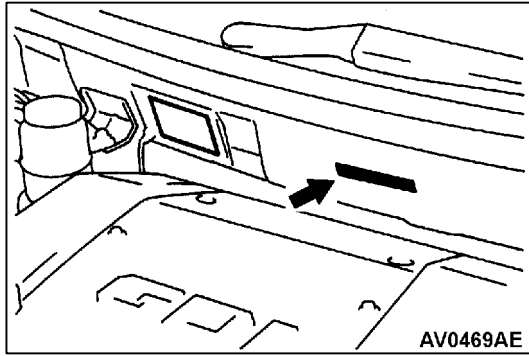
## &lt;SPACE WAGON&gt;

Model code		Engine model	Transmission model	Fuel supply system
N84W	LNUCL6/R6	4G64-DOHC-GDI (2,351 mL)	F5M42 (2WD-5M/T)	GDI
	LNFLCL6			
	LNUGL6			
	LNHCL6/R6			
	LNGCL6			
	LNHGL6			
	LRUCL6/R6		F4A42 (2WD-4A/T)	
	LRFLCL6			
	LRUGL6			
	LRHCL6/R6			
	LRGCL6			
	LRHGL6			
N94W	LNUCL6/R6		W5M42 (4WD-5M/T)	
	LNFLCL6			
	LNHCL6/R6			
	LNGCL6			

**MODEL CODE**

00100040257



No.	Items	Contents
1	Development	N6: SPACE RUNNER (2WD) N8: SPACE WAGON (2WD) N9: SPACE WAGON (Full time 4WD)
2	Engine type	1: 1,800 mL petrol engine 4: 2,400 mL petrol engine
3	Body type	W: Wagon
4	Body style	S: 3-door station wagon L: 4-door station wagon
5	Transmission type	N: 5-speed manual transmission R: 4-speed automatic transmission
6	Trim level	U,F,H,G: GLX
7	Specification engine feature	C,G: GDI-DOHC
8	Steering wheel location	L: Left hand R: Right hand
9	Destination	6: For Europe



**CHASSIS NUMBER**

00100560104

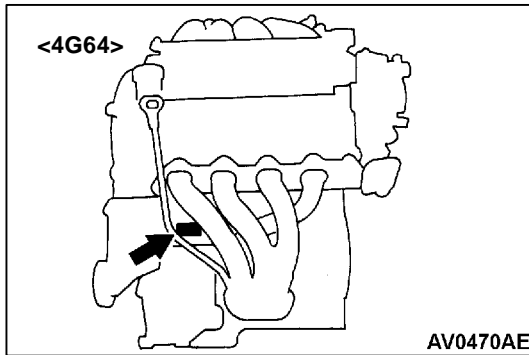
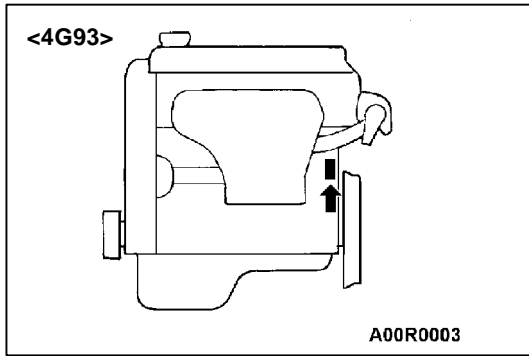
The chassis number is stamped on the toeboard inside the engine compartment.


**J** **M** **B** **L** **N** **N8** **4** **W** **X** **Z** **000001**   
 1 2 3 4 5 6 7 8 9 10 11

W0378AE

No.	Items		Contents
1	Fixed figure	J	Asia
2	Distribution channel	M	Japan channel
3	Destination	A	For Europe, right hand drive
		B	For Europe, left hand drive
4	Body style	S	3-door station wagon
		L	4-door station wagon
5	Transmission type	N	5-speed manual transmission
		R	4-speed automatic transmission
6	Development order	N6	SPACE RUNNER (2WD)
		N8	SPACE WAGON (2WD)
		N9	SPACE WAGON (Full time 4WD)
7	Engine	1	4G93: 1,834 mL petrol engine
		4	4G64: 2,351 mL petrol engine
8	Sort	W	Station wagon
9	Model year	X	1999
10	Plant	Z	Okazaki Motor Vehicle Works
11	Serial number	-	-





**ENGINE MODEL NUMBER**

00100570107

1. The engine model number is stamped at the cylinder block as shown in the following.

Engine model	Engine displacement
4G93	1,834
4G64	2,351

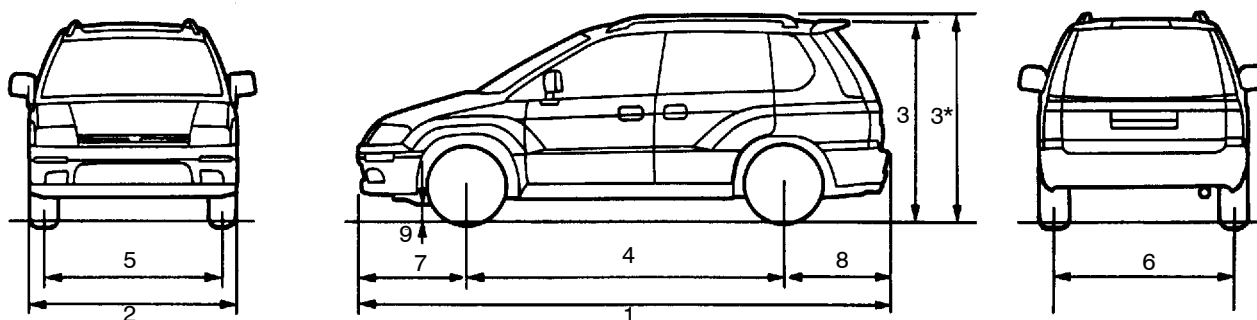
2. The engine serial number is stamped near the engine model number.

Engine serial number	AA0201 to YY9999
----------------------	------------------

## MAJOR SPECIFICATIONS

00100080143

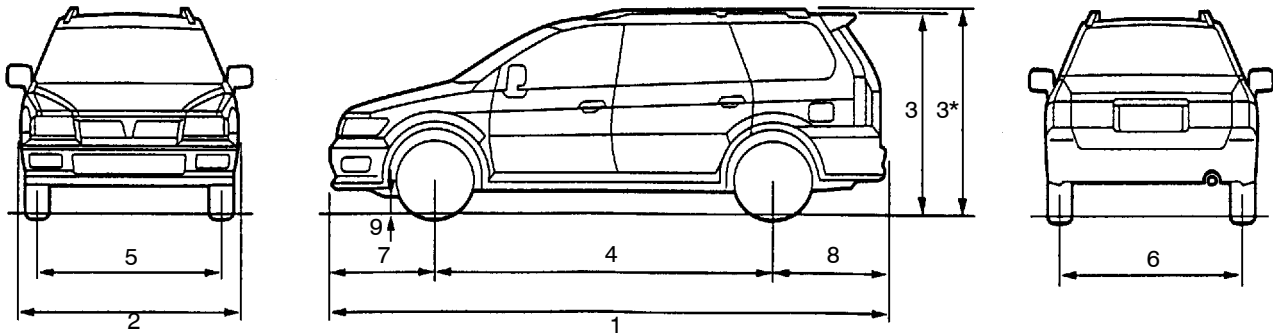
## &lt;SPACE RUNNER&gt;



Items		N61W SNUCL6, SNUCR6, SNFCL6, SNUGL6	N61W SRUCL6, SRUCR6, SRFCL6, SRUGL6
Vehicle dimensions mm	Overall length	1 4,290	4,290
	Overall width	2 1,695	1,695
	Overall height (unladen)	3 1,650 1,680*	1,650 1,680*
	Wheelbase	4 2,550	2,550
	Track-front	5 1,460	1,460
	Track-rear	6 1,465	1,465
	Overhang-front	7 890	890
	Overhang-rear	8 850	850
	Ground clearance (unladen)	9 155	155
Vehicle weight kg	Kerb weight	1,360	1,380
	Max. gross vehicle weight	1,880	1,880
	Max. axle weight rating-front	1,000	1,000
	Max. axle weight rating-rear	900	900
Seating capacity		5	5
Engine	Model No.	4G93	4G93
	Total displacement mL	1,834	1,834
Transmission	Model No.	F5M42	F4A42
	Type	5-speed manual	4-speed automatic
Fuel system	Fuel supply system	Gasoline Direct Injection	

\*: Vehicles with roof rails

<SPACE WAGON>



Items		N84W LNUCL6, LNUCR6, LNFCL6, LNUGL6	N84W LNHCL6, LNHCR6, LNGCL6, LNHGL6	N84W LRUCL6, LRUCR6, LRFCL6, LRUGL6	N84W LRHCL6, LRHCR6, LRGCL6, LRGHL6	N94W LNUCL6, LNUCR6, LNFCL6	N94W LNHCL6, LNHCR6, LNGCL6
Vehicle dimensions mm	Overall length	1	4,600	4,600	4,600	4,600	4,600
	Overall width	2	1,775	1,775	1,775	1,775	1,775
	Overall height (unladen)	3	1,650 1,690*	1,650 1,690*	1,650 1,690*	1,650 1,690*	1,650 1,690*
	Wheelbase	4	2,780	2,780	2,780	2,780	2,780
	Track-front	5	1,500	1,500	1,500	1,500	1,500
	Track-rear	6	1,535	1,535	1,535	1,535	1,535
	Overhang-front	7	890	890	890	890	890
	Overhang-rear	8	930	930	930	930	930
	Ground clearance (unladen)	9	155	155	155	155	155
Vehicle weight kg	Kerb weight		1,510	1,510	1,530	1,530	1,610
	Max. gross vehicle weight		2,180	2,180	2,180	2,180	2,260
	Max. axle weight rating-front		1,070	1,070	1,070	1,070	1,090
	Max. axle weight rating-rear		1,130	1,130	1,130	1,130	1,190
Seating capacity			7	6	7	6	7
Engine	Model No.		4G64	4G64	4G64	4G64	4G64
	Total displacement mL		2,351	2,351	2,351	2,351	2,351
Transmission	Model No.		F5M42	F5M42	F4A42	F4A42	W5M42
	Type		5-speed manual	5-speed manual	4-speed automatic	4-speed automatic	5-speed manual
Fuel system	Fuel supply system	Gasoline Direct Injection					

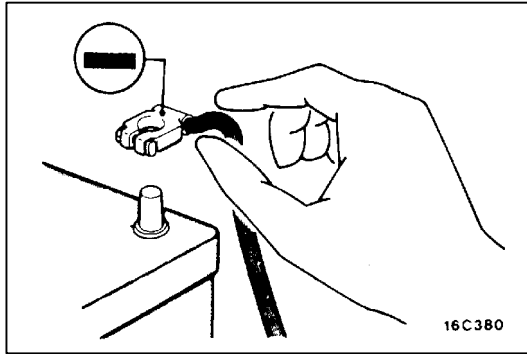
\*: Vehicles with roof rails

## PRECAUTIONS BEFORE SERVICE

00100050229

### SUPPLEMENTAL RESTRAINT SYSTEM (SRS), SEAT BELT WITH PRE-TENSIONER

1. Items to follow when servicing SRS
  - (1) Be sure to read GROUP 52B - Supplemental Restraint System (SRS).  
For safe operations, please follow the directions and heed all warnings.
  - (2) Wait at least 60 seconds after disconnecting the battery cable before doing any further work. The SRS system is designed to retain enough voltage to deploy the air bag even after the battery has been disconnected. Serious injury may result from unintended air bag deployment if work is done on the SRS system immediately after the battery cable is disconnected.
  - (3) Warning labels must be heeded when servicing or handling SRS components and seat belt with pre-tensioner. Warning labels are located in the following locations.
    - Sun visor
    - Glove box
    - SRS air bag control unit
    - Steering wheel
    - Steering gear and linkage
    - Air bag module (driver's side and front passenger's side)
    - Clock spring
    - Seat belt with pre-tensioner
    - Side air bag module
    - Side impact sensor
  - (4) Always use the designated special tools and test equipment.
  - (5) Store components removed from the SRS and seat belt with pre-tensioner in a clean and dry place.  
The air bag module and seat belt with pre-tensioner should be stored on a flat surface and placed so that the pad surface is facing upward.  
Do not place anything on top of it.
  - (6) Never attempt to disassemble or repair the SRS components (SRS air bag control unit, air bag module, clock spring and side impact sensor) and seat belt with pre-tensioner.
  - (7) Whenever you finish servicing the SRS and seat belt with pre-tensioner, check the SRS warning lamp operation to make sure that the system functions properly.
  - (8) Be sure to deploy the air bag and seat belt with pre-tensioner before disposing of the air bag module and seat belt with pre-tensioner or disposing of a vehicle equipped with an air bag and seat belt with pre-tensioner. (Refer to GROUP 52B - Air Bag Module and Seat Belt Pre-tensioner Disposal Procedures.)
2. Observe the following when carrying out operations on places where SRS components and seat belt with pre-tensioner are installed, including operations not directly related to the SRS air bag and seat belt with pre-tensioner.
  - (1) When removing or installing parts do not allow any impact or shock to the SRS components and seat belt with pre-tensioner.
  - (2) SRS components and seat belt with pre-tensioner should not be subjected to heat, so remove the SRS components and seat belt with pre-tensioner before drying or baking the vehicle after painting.
    - SRS air bag control unit, air bag module, clock spring and side impact sensor: 93°C or more
    - Seat belt with pre-tensioner 90°C or moreAfter re-installing them, check the SRS warning lamp operation to make sure that the system functions properly.



## SERVICING THE ELECTRICAL SYSTEM

Before replacing a component related to the electrical system and before undertaking any repair procedures involving the electrical system, be sure to first disconnect the negative (-) cable from the battery in order to avoid damage caused by short-circuiting.

### Caution

**Before connecting or disconnecting the negative (-) cable, be sure to turn off the ignition switch and the lighting switch.**

(If this is not done, there is the possibility of semiconductor parts being damaged.)

## APPLICATION OF ANTI-CORROSION AGENTS AND UNDERCOATS

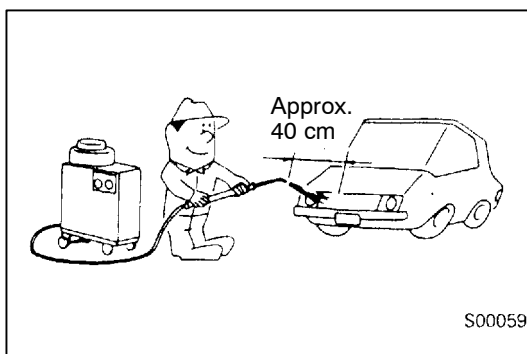
If oil or grease gets onto the oxygen sensor, it will cause a drop in the performance of the sensor.

Cover the oxygen sensor with a protective cover when applying anti-corrosion agents and undercoats.

## PRE-INSPECTION CONDITION

“Pre-inspection condition” refers to the condition that the vehicle must be in before proper engine inspection can be carried out. If you see the words “Set the vehicle to the pre-inspection condition”. in this manual, it means to set the vehicle to the following condition.

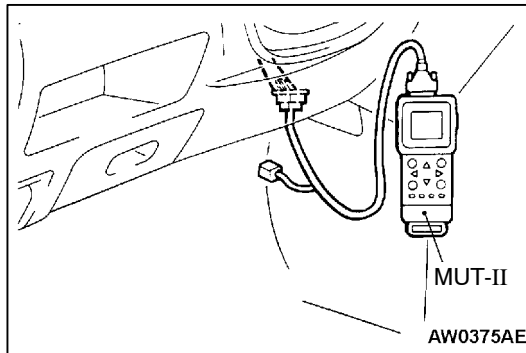
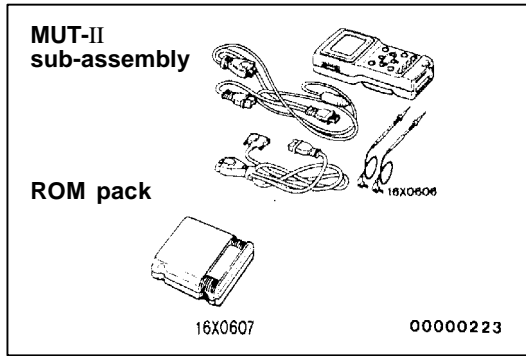
- Engine coolant temperature: 80-90°C
- Lamps, electric cooling fan and all accessories: OFF
- M/T: Neutral
- A/T: P range



## VEHICLE WASHING

If high-pressure car-washing equipment or steam car-washing equipment is used to wash the vehicle, be sure to note the following information in order to avoid damage to plastic components, etc.

- Spray nozzle distance: Approx. 40 cm or more
- Spray pressure: 3,900 kPa or less
- Spray temperature: 82°C or less
- Time of concentrated spray to one point: within 30 sec.



## MUT-II

Refer to the "MUT-II REFERENCE MANUAL" or "MUT-II OPERATING INSTRUCTIONS" for instructions on handling the MUT-II.

Connect the MUT-II to the diagnosis connector as shown in the illustration.

### Caution

**Connection and disconnection of the MUT-II should always be made with the ignition switch in the OFF position.**

## IN ORDER TO PREVENT VEHICLES FROM FIRE

"Improper installation of electrical or fuel related parts could cause a fire. In order to retain the high quality and safety of the vehicle, it is important that any accessories that may be fitted or modifications/repairs that may be carried out which involve the electrical or fuel systems, **MUST** be carried out in accordance with MMC's information/Instructions".

## ENGINE OILS

### Health Warning

Prolonged and repeated contact with mineral oil will result in the removal of natural fats from the skin, leading to dryness, irritation and dermatitis. In addition, used engine oil contains potentially harmful contaminants which may cause skin cancer. Adequate means of skin protection and washing facilities must be provided.

## Recommended Precautions

The most effective precaution is to adapt working practices which prevent, as far as practicable, the risk of skin contact with mineral oils, for example by using enclosed systems for handling used engine oil and by degreasing components, where practicable, before handling them.

## Other precautions:

- Avoid prolonged and repeated contact with oils, particularly used engine oils.
- Wear protective clothing, including impervious gloves where practicable.
- Avoid contaminating clothes, particularly underpants, with oil.
- Do not put oily rags in pockets, the use of overalls without pockets will avoid this.
- Do not wear heavily soiled clothing and oil-impregnated foot-wear. Overalls must be cleaned regularly and kept separately from personal clothing.
- Where there is a risk of eye contact, eye protection should be worn, for example, chemical goggles or face shields; in addition an eye wash facility should be provided.
- Obtain First Aid treatment immediately for open cuts and wounds.
- Wash regularly with soap and water to ensure all oil is removed, especially before meals (skin cleansers and nail brushes will help). After cleaning, the application of preparations containing lanolin to replace the natural skin oils is advised.
- Do not use petrol, kerosine, diesel fuel, gas oil, thinners or solvents for cleaning skin.
- Use barrier creams, applying them before each work period, to help the removal of oil from the skin after work.
- If skin disorders develop, obtain medical advice without delay.

# SUPPLEMENTAL RESTRAINT SYSTEM (SRS) AND SEAT BELT WITH PRE-TENSIONER

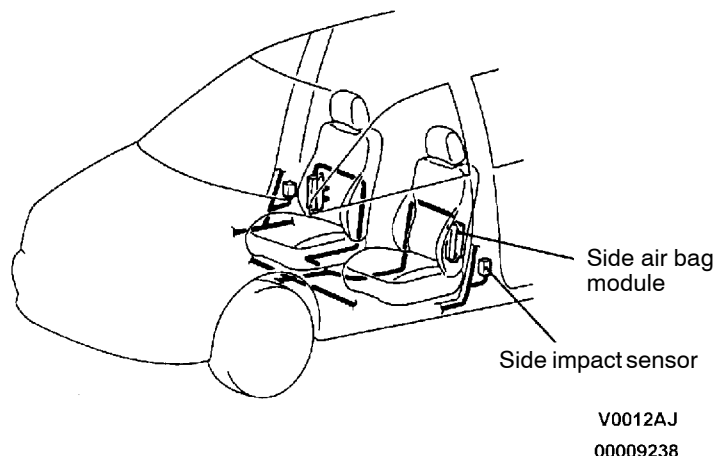
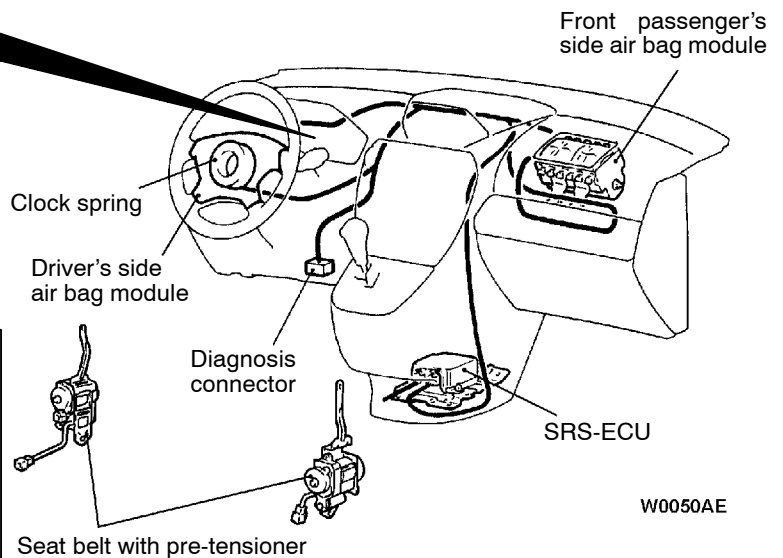
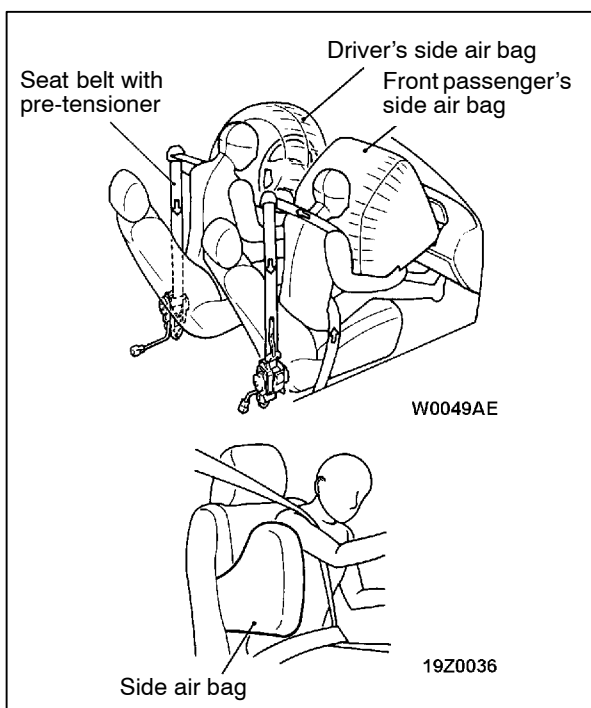
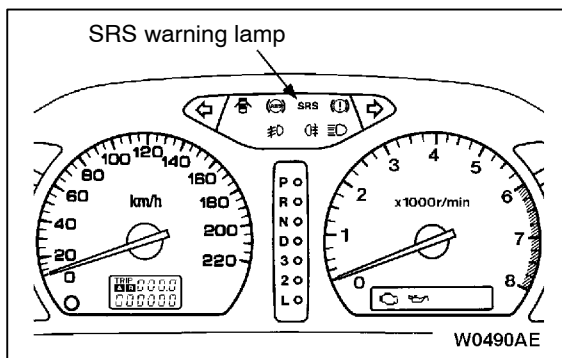
00100590073

To improve safety, the SRS and seat belts with pre-tensioner are available as optional parts. These systems enhance collision safety by restraining the front passengers in case of an accident. The SRS works with the pre-tensioner simultaneously when a collision is detected.

The SRS consists of four air bag modules, SRS air bag control unit (SRS-ECU), side impact sensor, SRS warning lamp and clock spring. The air bags are located in the centre of the steering wheel, above the glove box, and built into the front seat back assemblies. Each air bag has a folded air bag and an inflator unit. The SRS-ECU under the floor console monitors the system and has a safing G sensor and an analog G sensor. The side impact sensor inside the center pillar monitors any shocks coming from the side of the vehicle. The warning lamp on the instrument panel indicates the

operational status of the SRS. The clock spring is installed in the steering column.

The SRS side air bag deploys if an impact received at the side of the vehicle is stronger than a certain set value, in order to protect the upper bodies of front seat passengers in the event of a collision. The seat belt pre-tensioner is built into the front seat belt retractor. Only authorized service personnel should do work on or around the SRS components and seat belt with pre-tensioner. Those service personnel should read this manual carefully before starting any such work. Extreme care must be used when servicing the SRS to avoid injury to the service personnel (by inadvertent deployment of the air bags or inadvertent operation of the seat belt with pre-tensioner) or the driver (by rendering the SRS or the seat belt with pre-tensioner inoperative).





## SEAT BELT WITH PRE-TENSIONER

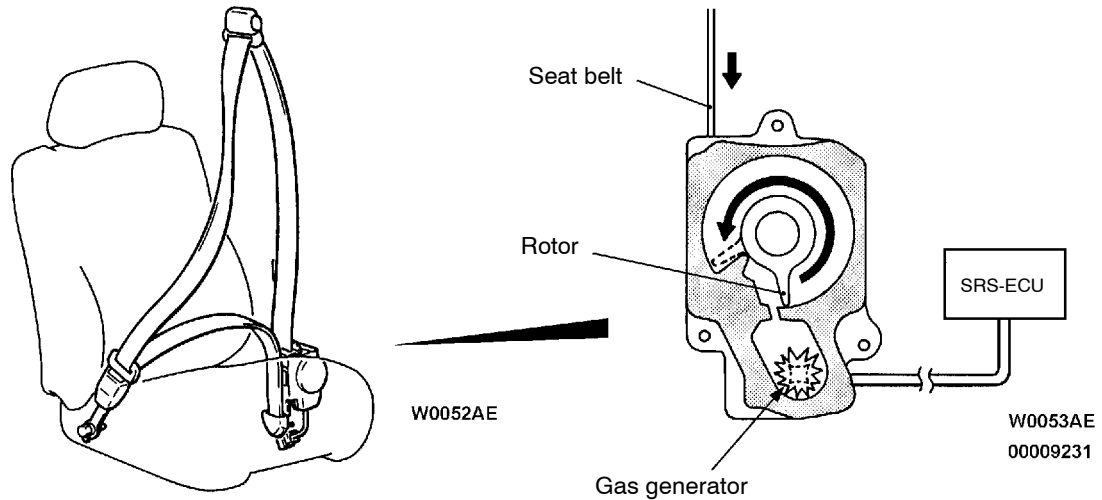
The seat belts with pre-tensioners are installed on both center pillars.

The pre-tensioner, which is controlled by the SRS-ECU, works simultaneously with the SRS air bag in a head-on collision. When triggered, the SRS-ECU sends a squib igniting signal to the gas generator. Generated gas moves the rotor to take up seat

belt slack. This prevents a passenger from moving forwards excessively. After this, the ELR works to inhibit the seat belt.

### Caution

**Never disassemble or give an impact to the seat belt with pre-tensioner.**



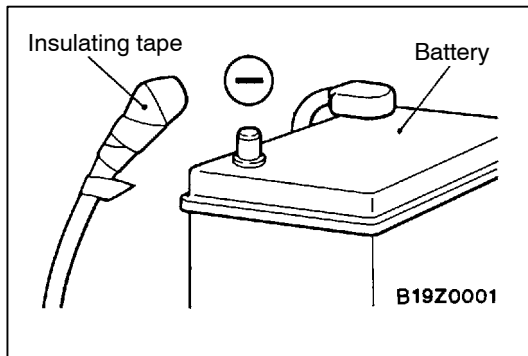
## SRS SERVICE PRECAUTIONS

00100600073

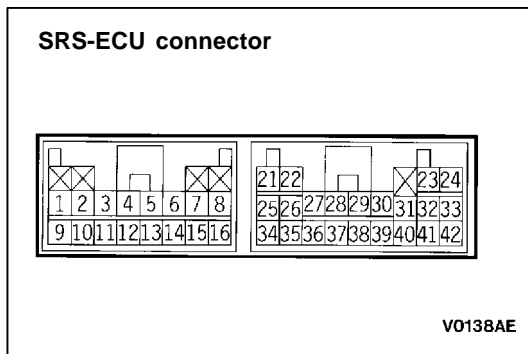
1. In order to avoid injury to yourself or others from accidental deployment of the air bag and accidental operation of the seat belt with pre-tensioner during servicing, read and carefully follow all the precautions and procedures described in this manual.
2. Do not use any electrical test equipment on or near SRS components, except those specified on GROUP 52B.
3. **Never Attempt to Repair the Following Components:**
  - SRS air bag control unit (SRS-ECU)
  - Clock Spring
  - Air bag module (Driver's side or front passenger's side)
  - Side air bag module
  - Side impact sensor
  - Seat belt with Pre-tensioner

### NOTE

If any of these components are diagnosed as faulty, they should only be replaced, in accordance with the INDIVIDUAL COMPONENTS SERVICE procedures in this manual, starting at page GROUP 52B.



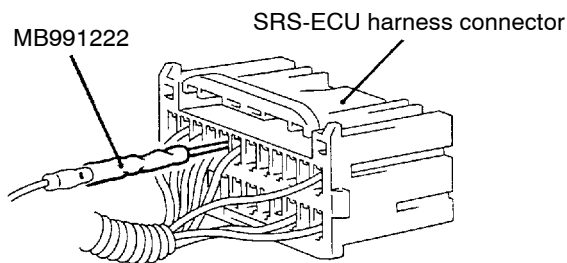
4. After disconnecting the battery cable, wait 60 seconds or more before proceeding with the following work. The SRS system is designed to retain enough voltage to deploy the air bag for a short time even after the battery has been disconnected, so serious injury may result from unintended air bag deployment if work is done on the SRS system immediately after the battery cables are disconnected.



5. Do not attempt to repair the wiring harness connectors of the SRS. If any of the connectors are diagnosed as faulty, replace the wiring harness. If the wires are diagnosed as faulty, replace or repair the wiring harness according to the following table.

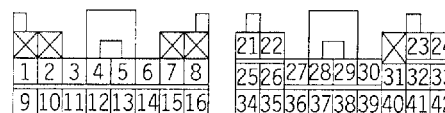
SRS-ECU Terminal No.	Destination of harness	Corrective action
3	Instrument panel wiring harness → Earth	Correct or replace each wiring harness.
4	Instrument panel wiring harness → Combination meter (SRS warning lamp)	
5, 6	Instrument panel wiring harness → Air bag module (Front passenger's side)	
7, 8	Instrument panel wiring harness → Clock spring	Correct or replace the dash wiring harness. Replace the clock spring.
9	Instrument panel wiring harness → Junction block (fuse No.8)	Correct or replace each wiring harness.
12	Instrument panel wiring harness → Junction block (fuse No.6)	
16	Instrument panel wiring harness → Diagnosis connector	
21, 22	Side air bag wiring harness → Side air bag module (L.H.)	
23, 24	Side air bag wiring harness → Side air bag module (R.H.)	
27, 28	Assist wiring harness → Seat belt with pre-tensioner (Front passenger's side)	
29, 30	Floor wiring harness → Seat belt with pre-tensioner (Driver's side)	
34, 36	Side air bag wiring harness → Floor wiring harness <L.H. drive vehicles>, Assist wiring harness <R.H. drive vehicles> → Side impact sensor (L.H.)	
40, 42	Side air bag wiring harness → Assist wiring harness <L.H. drive vehicles>, Floor wiring harness <R.H. drive vehicles> → Side impact sensor (R.H.)	

6. Inspection of the SRS-ECU harness connector <vehicles with SRS side air bag> should be carried out by the following procedure.  
Insert the special tool (narrow probe in the harness set) into connector from harness side (rear side), and connect the tester to this probe. If any tool other than the special tool is used, it may cause damage to the harness and other components. Furthermore, measurement should not be carried out by touching the probe directly against the terminals from the front of the connector. The terminals are plated to increase their conductivity, so that if they are touched directly by the probe, the plating may break, which will cause drops in reliability.



19R0052

SRS-ECU harness connector (rear side)



19I0099  
00005711

7. SRS components and seat belt with pre-tensioner should not be subjected to heat, so remove the SRS-ECU, air bag module (driver's side and front passenger's side), clock spring, side impact sensor, front seat assembly (side air bag module), and seat belt with pre-tensioner before drying or baking the vehicle after painting.
- SRS-ECU, air bag module, clock spring, side impact sensor: 93°C or more
  - Seat belt with pre-tensioner: 90°C or more
8. Whenever you finish servicing the SRS, check warning lamp operation to make sure that the system functions properly. (Refer to GROUP 52B.)
9. Make certain that the ignition switch is OFF when the MUT-II is connected or disconnected.
10. If you have any questions about the SRS, please contact your local distributor.

**NOTE**

SERIOUS INJURY CAN RESULT FROM UNINTENDED AIR BAG DEPLOYMENT, SO USE ONLY THE PROCEDURES AND EQUIPMENT SPECIFIED IN THIS MANUAL.

## SUPPORT LOCATIONS FOR LIFTING AND JACKING

00100070065

### Caution

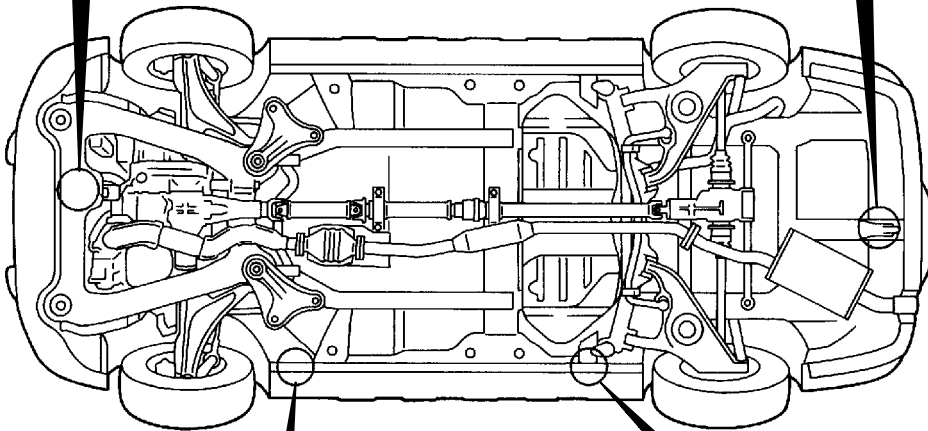
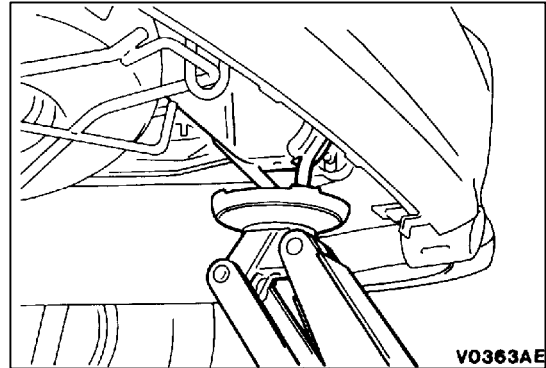
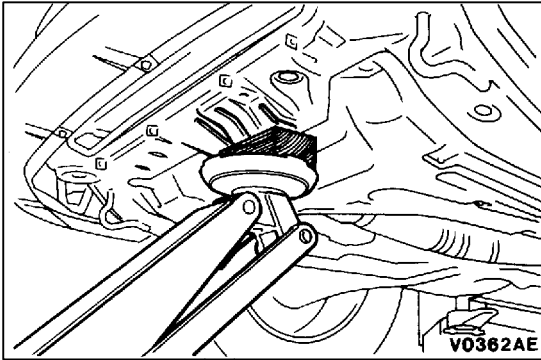
Do not support the vehicles at locations other than specified supporting points. If do so, this will cause damage, etc.

### SUPPORT POSITIONS FOR A GARAGE JACK AND AXLE STANDS

#### GARAGE JACK

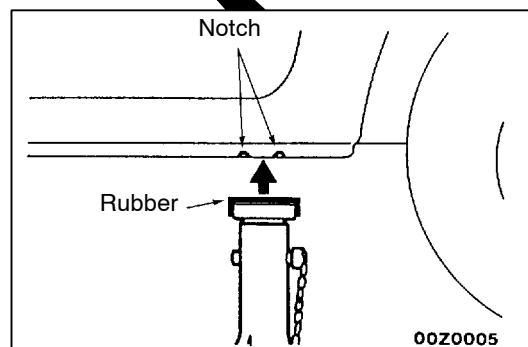
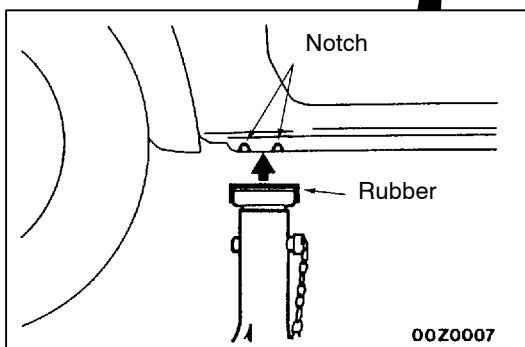
### Caution

Never support any point other than the specified one, or it will be deformed.



V1090AE

#### AXLE STANDS

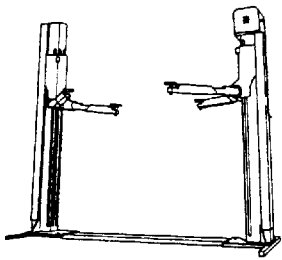


00009548

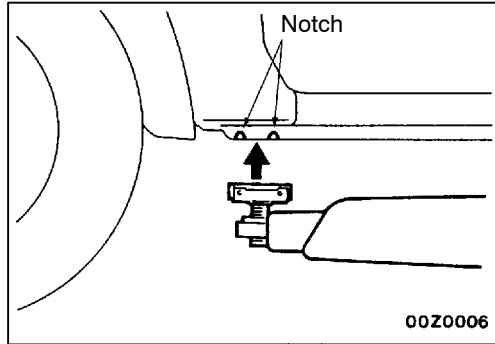
**SUPPORT POSITIONS FOR A SINGLE-POST LIFT OR DOUBLE-POST LIFT**

**Caution**  
 When service procedures require removing rear suspension, spare tyre and rear bumper, place additional weight on rear end of vehicle or anchor vehicle to hoist to prevent tipping of centre of gravity changes.

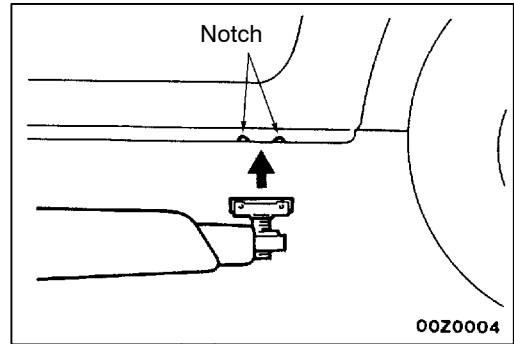
**DOUBLE-POST LIFT**



00E610

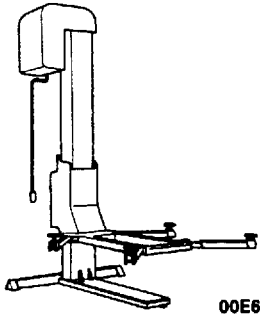


00Z0006

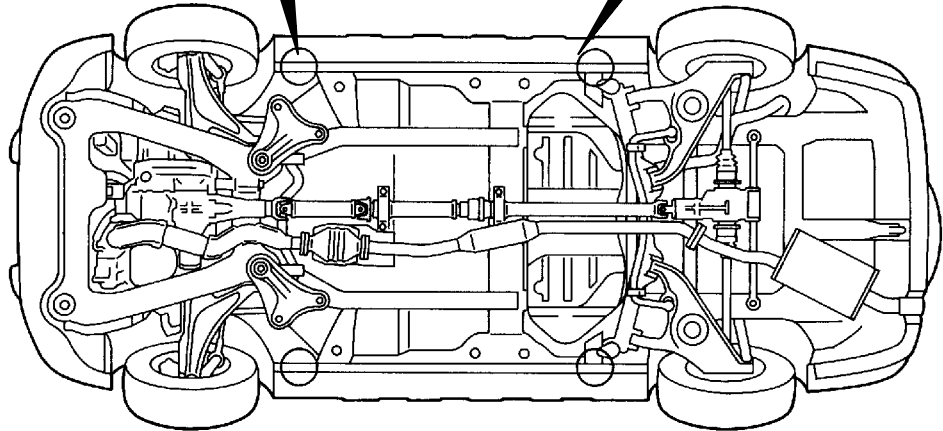


00Z0004

**SINGLE-POST LIFT**

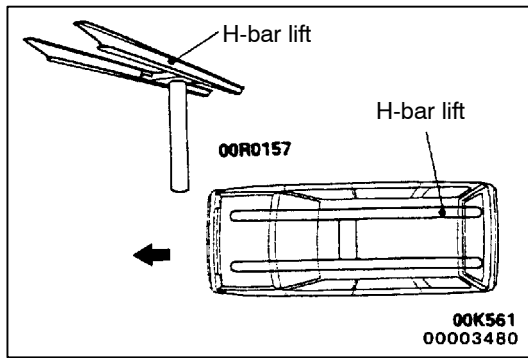


00E609



V1090AE

00009549

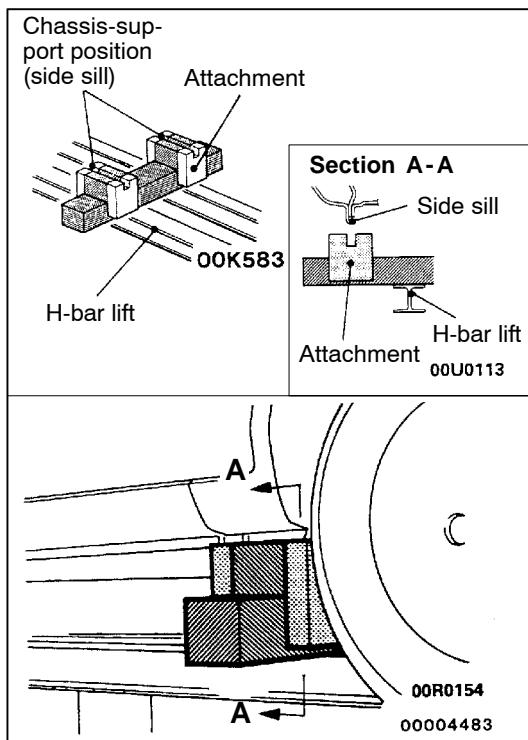


## SUPPORT POSITIONS AND SUPPORT METHOD FOR AN H-BAR LIFT

### Caution

When service procedures require removing rear suspension, fuel tank, spare tyre and rear bumper, place additional weight on rear end of vehicle or anchor vehicle to hoist to prevent tipping of centre of gravity changes.

When H-bar lift is used to lift up vehicles, use of metallic attachment attached to the H-bar lift may cause damage to the suspension arm etc. Therefore, lift up the vehicle by the following procedure.

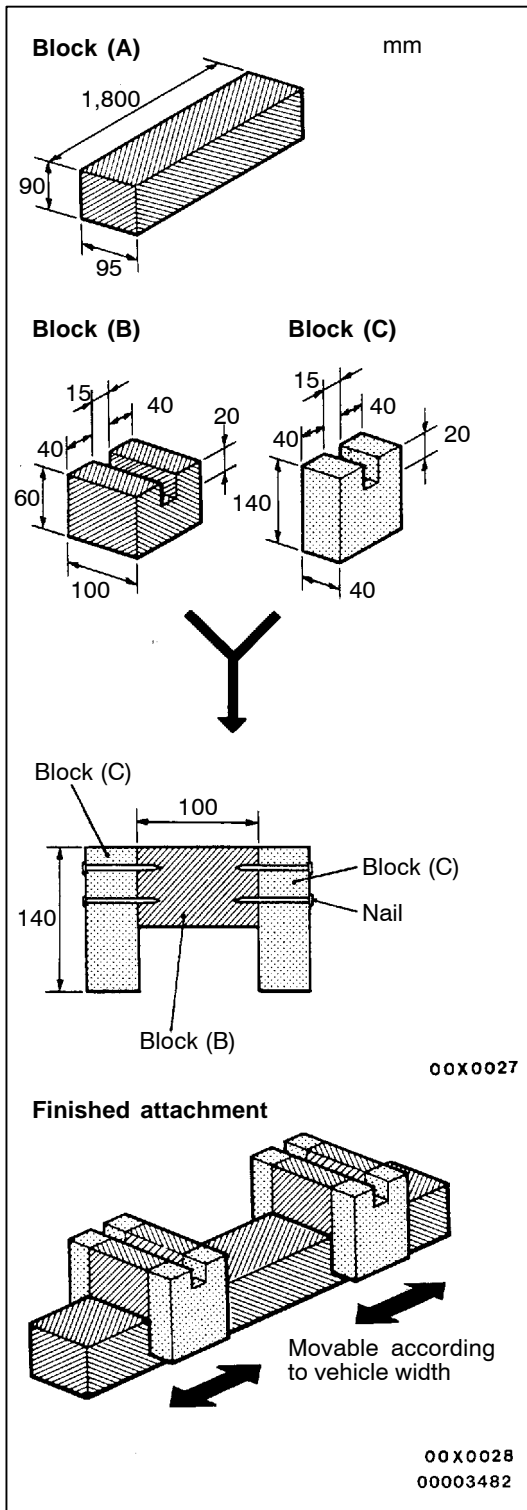


1. Place the vehicle on the H-bar lift (same direction).
2. Place attachments on the H-bar lift at the designated chassis-support positions. When making the attachments, refer to the section concerning making them.

### Caution

If support is at any location other than the designated positions, the body or suspension might be deformed or otherwise damaged, so care should be taken to support only at the correct (designated) positions.

3. Raise the H-bar lift to the height at which the vehicle is slightly raised and check to be sure that the vehicle is correctly and sufficiently secured; then raise the vehicle.



**PREPARATION OF “ATTACHMENTS”**

1. Prepare the blocks (wooden) and nails as shown in the figure.

Item	Dimensions mm	Quantity
Block (A)	90 × 95 × 1,800	2
Block (B)	60 × 100 × 95	4
Block (C)	140 × 40 × 95	8
Nail	70 or more	32

**Caution**

**The wood selected for the blocks must be hard.**

2. For the (B) blocks and (C) blocks, use a saw and chisel or similar tool to make grooves of the dimensions shown in the figure.
3. Make four “ATTACHMENTS” such as shown in the figure nailing (B) and (C) blocks so that each (B) blocks is sandwiches between (C) blocks.

**STANDARD PART/TIGHTENING-TORQUE TABLE**

00100110033

Each torque value in the table is a standard value for tightening under the following conditions.

- (1) Bolts, nuts and washers are all made of steel and plated with zinc.
- (2) The threads and bearing surface of bolts and nuts are all in dry condition.

The values in the table are not applicable:

- (1) If toothed washers are inserted.
- (2) If plastic parts are fastened.
- (3) If bolts are tightened to plastic or die-cast inserted nuts.
- (4) If self-tapping screws or self-locking nuts are used.

**Standard bolt and nut tightening torque**

Thread size		Torque Nm		
Bolt nominal diameter (mm)	Pitch (mm)	Head mark "4"	Head mark "7"	Head mark "8"
M5	0.8	2.5	4.9	5.9
M6	1.0	4.9	8.8	9.8
M8	1.25	12	22	25
M10	1.25	24	44	52
M12	1.25	41	81	96
M14	1.5	72	137	157
M16	1.5	111	206	235
M18	1.5	167	304	343
M20	1.5	226	412	481
M22	1.5	304	559	647
M24	1.5	392	735	853

**Flange bolt and nut tightening torque**

Thread size		Torque Nm		
Bolt nominal diameter (mm)	Pitch (mm)	Head mark "4"	Head mark "7"	Head mark "8"
M6	1.0	4.9	9.8	12
M8	1.25	13	24	28
M10	1.25	26	49	57
M10	1.5	24	44	54
M12	1.25	46	93	103
M12	1.75	42	81	96