

# POWER PLANT MOUNT

## CONTENTS

32109000165

GENERAL INFORMATION .....	2	FRONTMEMBER .....	5
ENGINE MOUNTING .....	3	ROLL STOPPER .....	8
TRANSMISSION MOUNTING .....	4		

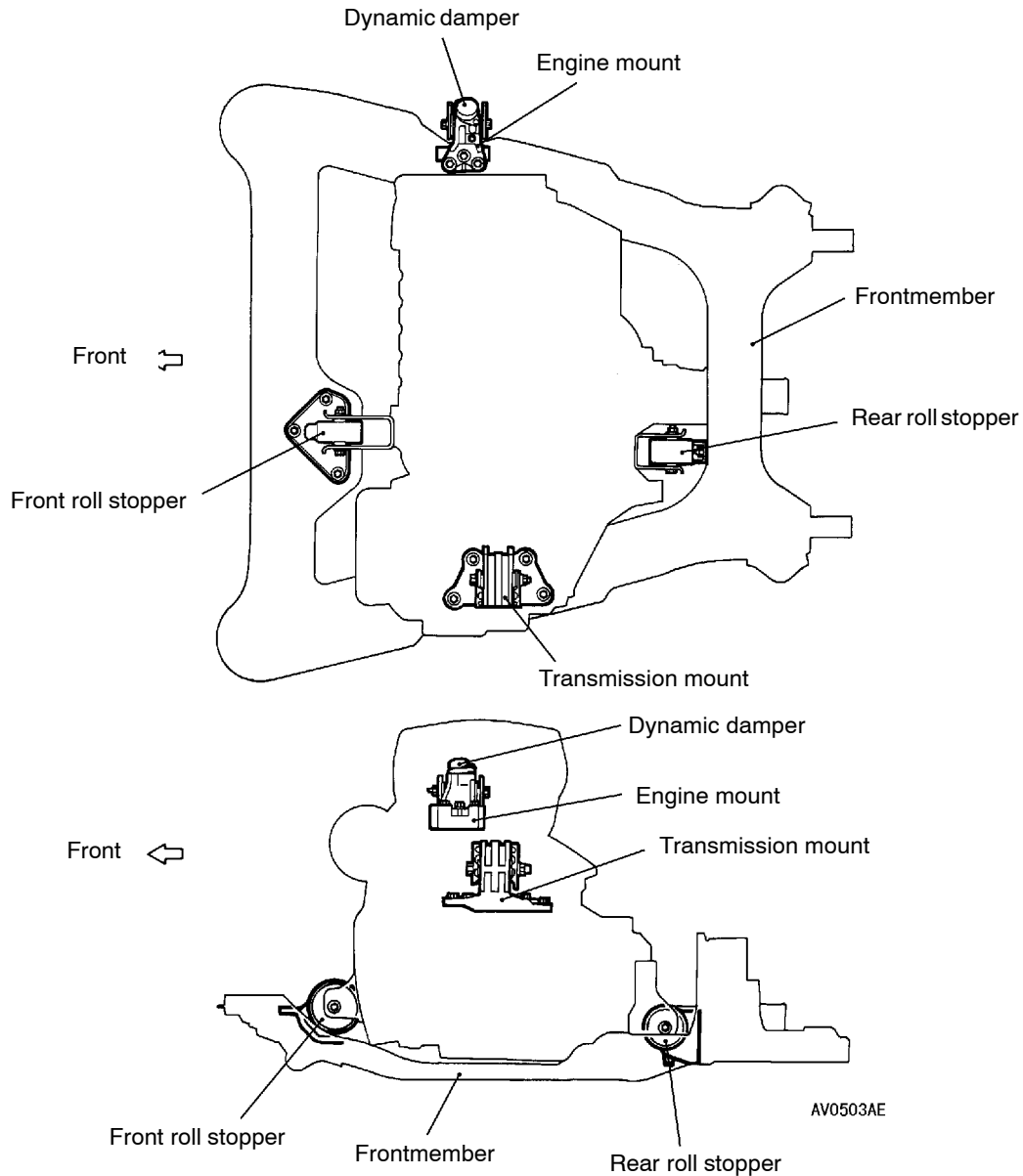


## GENERAL INFORMATION

32100010150

The engine-transmission mount is of an inertial axis supporting type whose excellent features have already been proven in many Mitsubishi vehicles. The inertial axis supporting type mount supports

the front upper part of the engine at the front and the rear upper part of the transmission at the rear. This arrangement effectively suppresses the engine vibration.



# ENGINE MOUNTING

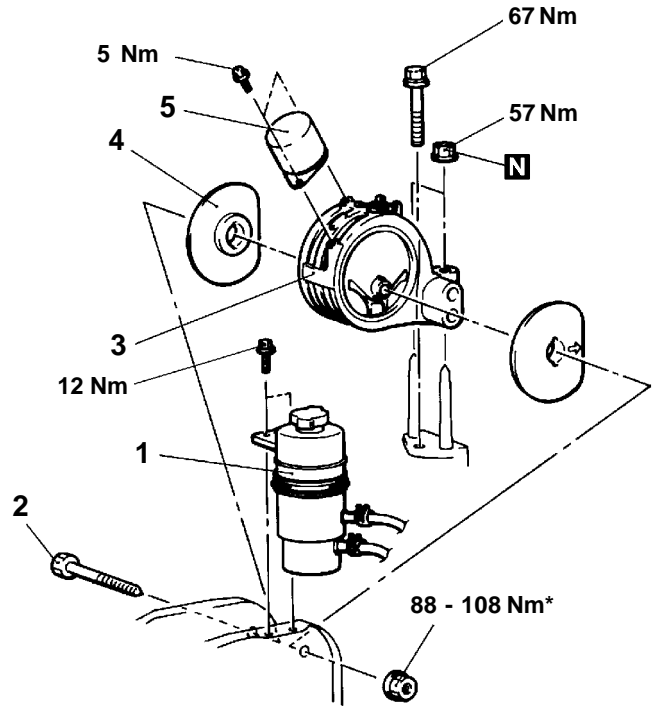
32100110263

## REMOVAL AND INSTALLATION

### Caution

Provisionally tighten the parts marked by an asterisk (\*), and then fully tighten after loading the full weight of the engine on the vehicle body.

- Pre-removal and Post-installation Operation**
- Engine Cover Removal and Installation
  - Jack Up the Engine and Transmission Assembly until Weight is off the Insulator.

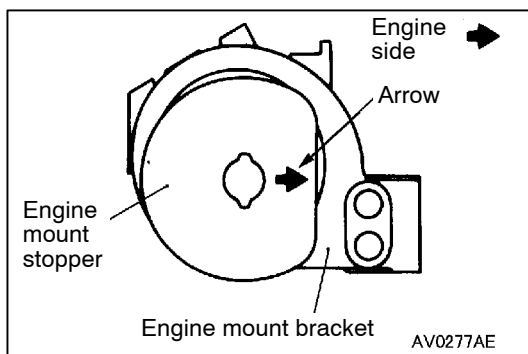


BV0276AE

### Removal steps

1. Oil reserver
2. Engine mount insulator mounting bolt

- ▶A◀
3. Engine mount bracket
  4. Engine mount stopper
  5. Dynamic damper



### INSTALLATION SERVICE POINT

#### ▶A◀ ENGINE MOUNT STOPPER INSTALLATION

Install the engine mount stopper so that the arrow faces the direction shown.

## TRANSMISSION MOUNTING

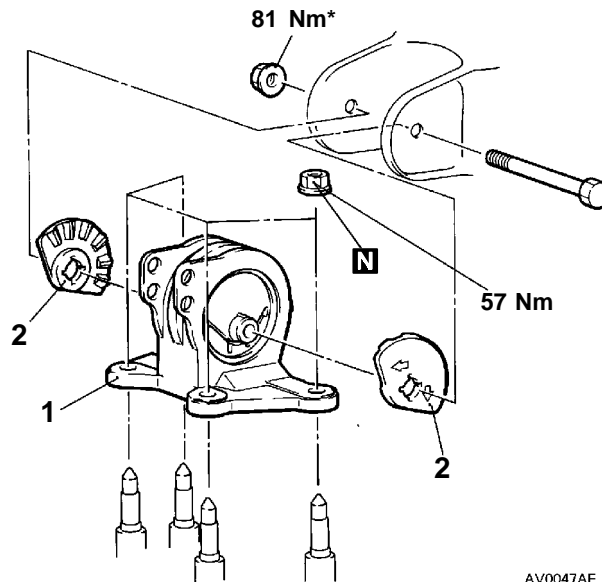
### REMOVAL AND INSTALLATION

#### Caution

Provisionally tighten the parts marked by an asterisk (\*), and then fully tighten after loading the full weight of the engine on the vehicle body.

#### Pre-removal and Post-installation Operation

- Air Cleaner Assembly Removal and Installation (Refer to GROUP 15)
- Frontmember Removal and Installation (Refer to P.32-5.)



#### Removal steps

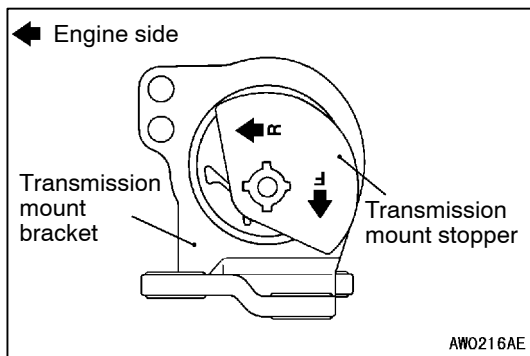


1. Transmission mount bracket
2. Transmission mount stoppers

### REMOVAL SERVICE POINT

#### TRANSMISSION MOUNT BRACKET REMOVAL

1. Support the engine and transmission assembly with a garage jack.
2. Remove the transmission mount bracket mounting bolts and nuts.
3. After lowering the engine and transmission assembly, remove the transmission mount bracket.



## INSTALLATION SERVICE POINT

### ▶A◀ TRANSMISSION MOUNT STOPPER INSTALLATION

Install the transmission mount stopper so that the arrow faces the direction shown.

#### NOTE

Disregard F and R stamped as a shared part.

## FRONTMEMBER

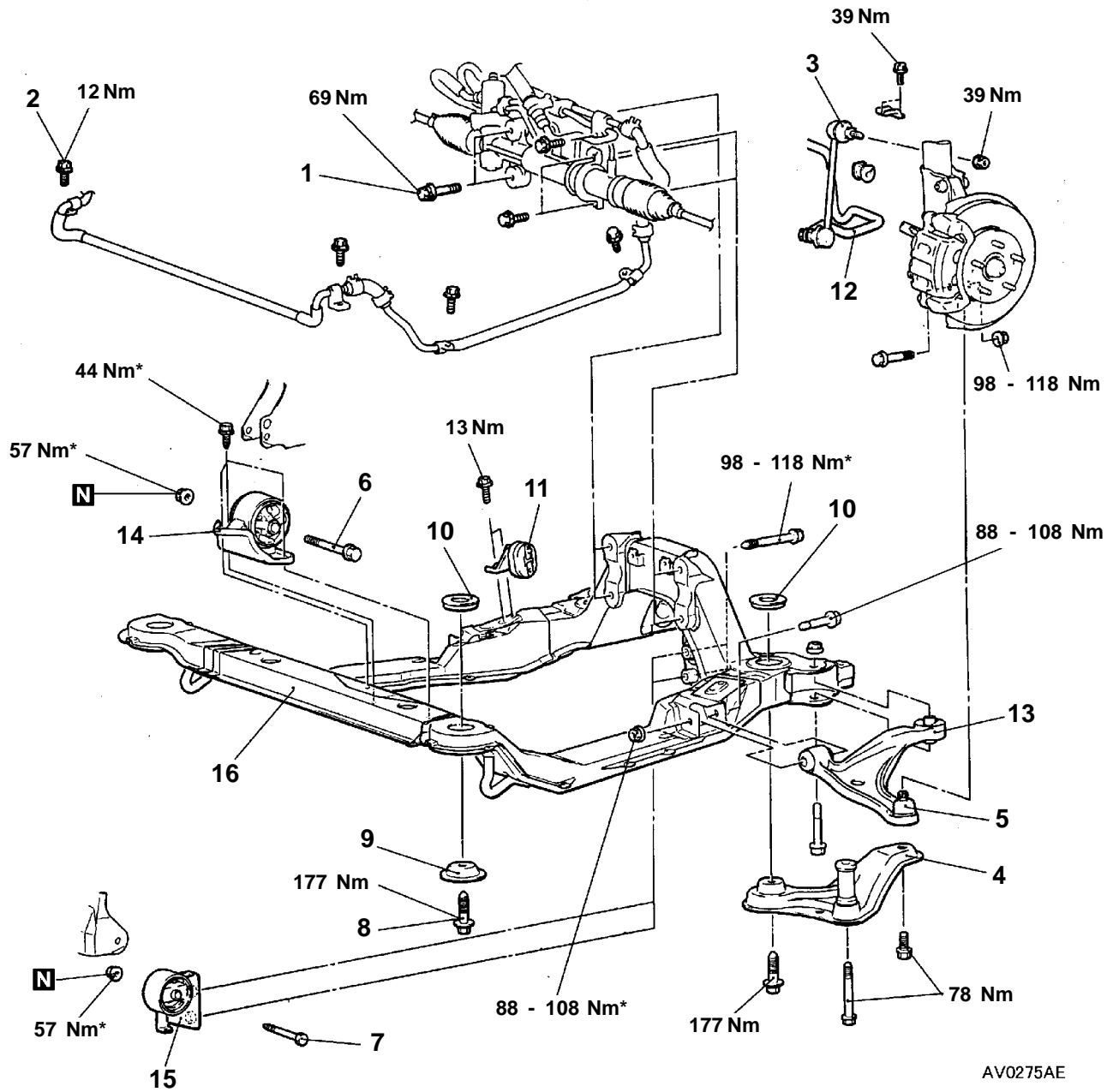
### REMOVAL AND INSTALLATION

#### Caution

1. Before removing the steering gear box, refer to GROUP 52B – SRS Air Bag. Set the front wheels straightforward, and then remove the ignition key; otherwise the SRS clock spring will be damaged. This makes the SRS air bag inoperative and will invite serious driver injury.
2. Provisionally tighten the parts marked by an asterisk (\*), and then fully tighten after loading the full weight of the engine on the vehicle body.

#### Pre-removal and Post-installation Operations

- Under Cover Removal and Installation
- Side Cover Mounting Clip on Frontmember Side Removal and Installation
- Push Dust Cover to Check that Cracks or Damage are not present (After Installation Only)
- Front Exhaust Pipe Removal and Installation (Refer to GROUP 15.)
- Transfer Assembly Removal and Installation <4WD> (Refer to GROUP 22 <M/T> or 23 <A/T>.)



AV0275AE

**Frontmember removal steps**

◀A▶

1. Steering gear and linkage mounting bolt

2. Oil line mounting bolt

3. Stabilizer link connection

4. Stay

▶B◀

5. Lower arm assembly connection

6. Front roll stopper connecting bolt

7. Rear roll stopper connecting bolt

◀B▶

8. Frontmember mounting bolt

▶A◀

9. Lower stopper

10. Upper stopper

11. Front hanger

12. Stabilizer bar

13. Lower arm assembly

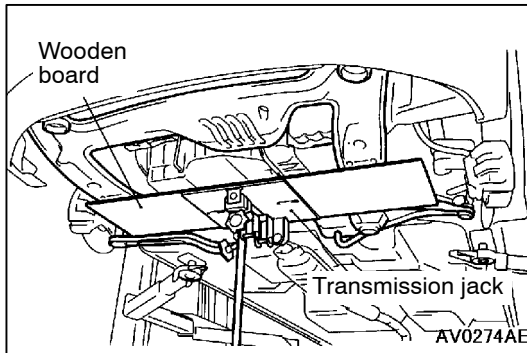
14. Front roll stopper

15. Rear roll stopper

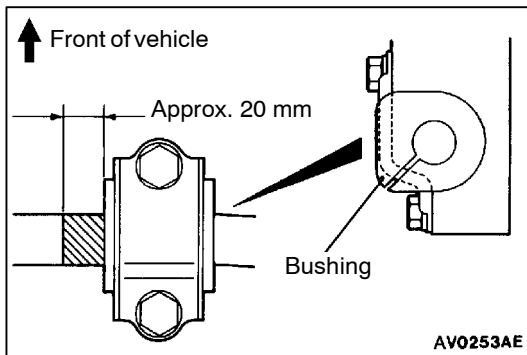
16. Frontmember

**REMOVAL SERVICE POINT****◀A▶ STEERING GEAR AND LINKAGE MOUNTING BOLT REMOVAL**

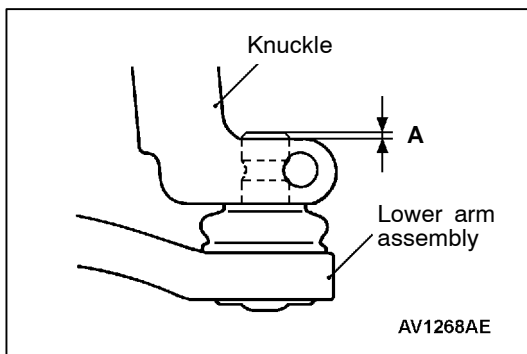
Use a wire to fix the steering gear box on the vehicle before removing the steering gear and linkage mounting bolts.

**◀B▶ FRONTMEMBER MOUNTING BOLT REMOVAL**

1. Use a wire to fix the radiator on the vehicle before removing the frontmember.
2. Support the frontmember with a garage jack and a wooden board, and remove the frontmember mounting bolts.

**INSTALLATION SERVICE POINT****▶A◀ STABILIZER BAR INSTALLATION**

1. Install the bushing so that its cutting faces the direction shown.
2. Place the stabilizer bar identification mark at the left of the vehicle and position it as shown in the illustration. Tighten the stabilizer bar bracket mounting bolts.

**▶B◀ LOWER ARM ASSEMBLY INSTALLATION**

1. Install the lower arm assembly to the knuckle.

**Caution**

**Be careful that the ball joint stud does not project more than 4 mm from the knuckle (A shown).**

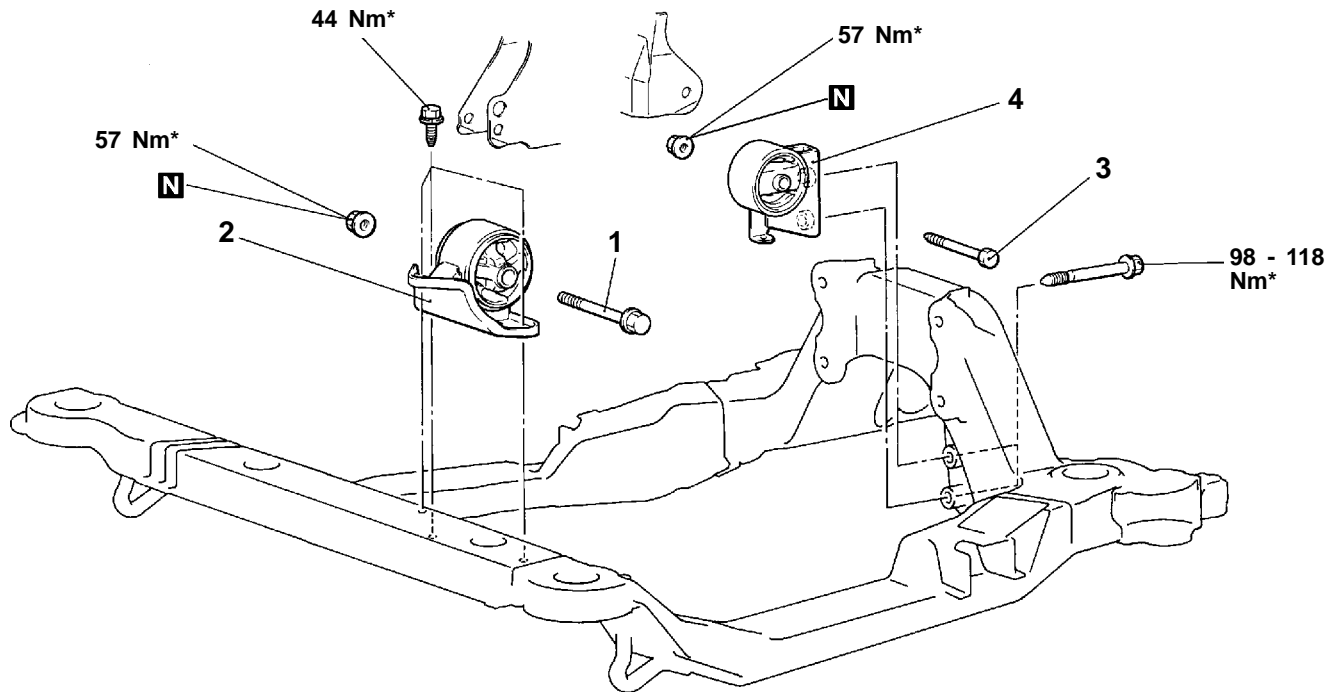
2. Replace the dust cover if grease spouted out due to the knuckle too much pressed in.
3. Check that no clearance is present between the knuckle and dust cover.

## ROLL STOPPER

32100140170

**Caution**

Provisionally tighten the parts marked by an asterisk (\*), and then fully tighten after loading the full weight of the engine on the vehicle body.



BV0278AE

**Front roll stopper removal steps**

- Radiator (Refer to GROUP 14)
- 1. Front roll stopper connecting bolt
- 2. Front roll stopper

**Rear roll stopper removal steps**

- 3. Rear roll stopper connecting bolt
- 4. Rear roll stopper