
PARKING BRAKES

CONTENTS

36109000255

GENERAL INFORMATION	2	Parking Brake Switch Check	4
SERVICE SPECIFICATIONS	2	Lining Running-In	4
LUBRICANTS	2	PARKING BRAKE LEVER	5
SPECIAL TOOL	2	PARKING BRAKE CABLE	6
ON-VEHICLE SERVICE	3	PARKING BRAKE DRUM	8
Parking Brake Lever Stroke Check and Adjustment	3		

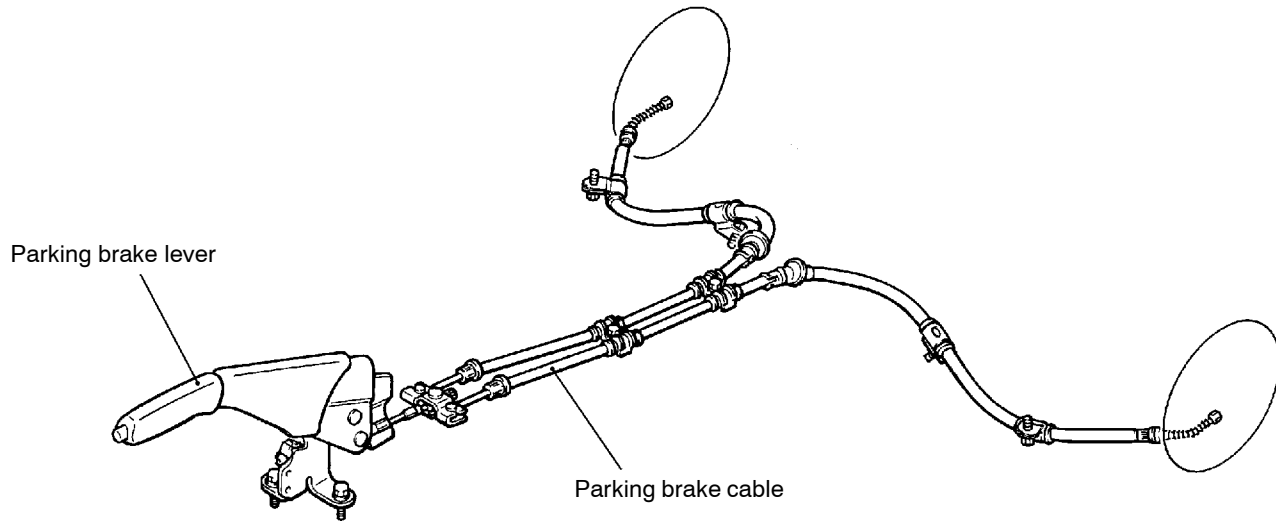


GENERAL INFORMATION

36100010226

The parking brake is of a mechanical control type acting on the rear wheels. A lever is used to apply the parking brake. The operation method utilizes

a parking brake lever which is in an offset position at the passenger's side.

CONSTRUCTION DIAGRAM

AV0866AE

SERVICE SPECIFICATIONS

36100030208

Items	Standard value	Limit
Parking brake lever stroke	3 - 5 notches	-
Rear brake lining thickness mm	2.8	1.0
Rear drum inside diameter mm	168.0	169.0

LUBRICANTS

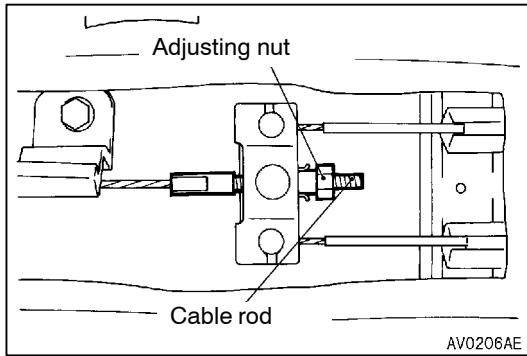
36100040034

Items	Specified lubricants
Backing plate	Multipurpose grease
Shoe and lining assembly	
Adjuster	

SPECIAL TOOL

36100060061

Tool	Number	Name	Use
	A: MB991017 B: MB990998 C: MB991000	A, B: Front hub remover and installer C: Spacer	Wheel bearing provisional holding MB991000, which belongs to MB990998, should be used as a spacer.



ON-VEHICLE SERVICE

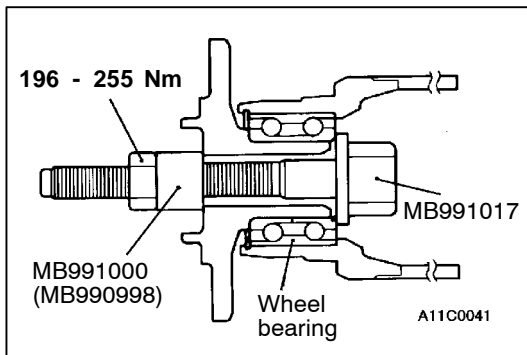
36100090213

PARKING BRAKE LEVER STROKE CHECK AND ADJUSTMENT

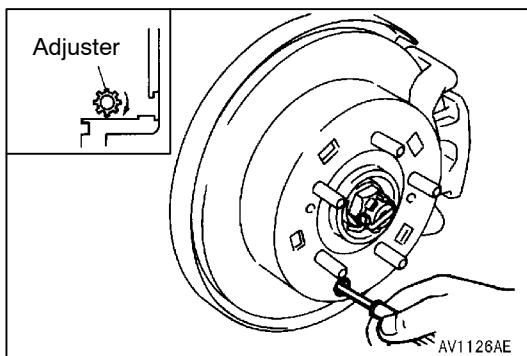
1. Pull the parking brake lever with a force of approx. 196 N and count the number of notches.

Standard value: 3 - 5 notches

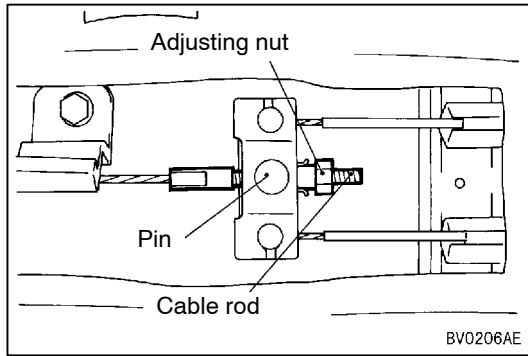
2. If the parking brake lever stroke is not the standard value, adjust as described below.
 - (1) Remove the parking cover, and then loosen the adjusting nut to move it to the cable rod end so that the cable will be free.
 - (2) Remove the drive shaft from the hub <4WD>. (Refer to GROUP 27B.)



- (3) Attach the special tool to the hub as shown in the illustration. <4WD>



- (4) Remove the adjustment hole plug, and then use a flat-tip (-) screwdriver to turn the adjuster in the direction of the arrow (the direction which expands the shoe) so that the disc will not rotate. Return the adjuster five notches in the direction opposite to the direction of the arrow.

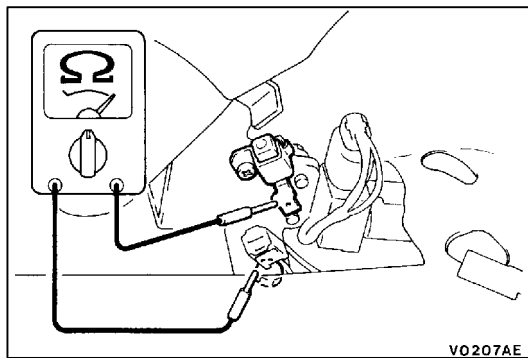


- (5) Turn the adjusting nut to adjust the parking brake lever stroke to the standard value. After adjusting, check that there is no space between the adjusting nut and the parking brake lever.

Caution

If the parking brake lever stroke is below the standard value and the braking is too firm, the rear brakes may drag.

- (6) After adjusting the parking brake lever stroke, jack up the rear of the vehicle. Release the parking brake and turn the rear wheels to check that the rear brakes are not dragging.

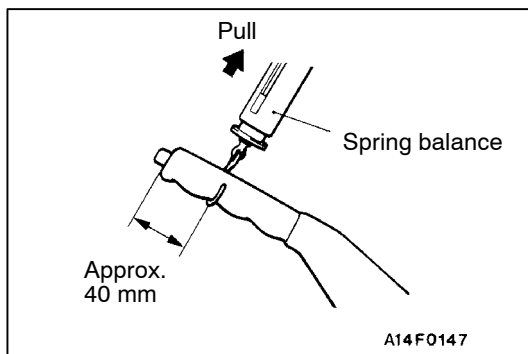


PARKING BRAKE SWITCH CHECK

36100330179

Check for continuity between the parking brake switch terminal and the switch mounting bolt.

When parking brake lever is pulled	Continuity
When parking brake lever is released	No continuity



LINING RUNNING-IN

36100110087

Carry out running-in by the following procedure when replacing the parking brake linings or the rear brake disc rotors, or when brake performance is insufficient.

Caution

Carry out running-in in a place with good visibility, and pay careful attention to safety.

- Adjust the parking brake stroke to the specified value.
Standard value [Operation force: Approx. 196 N] : 3 - 5 notches
- Hook a spring balance onto the centre of the parking brake lever grip and pull it with a force of 98 - 147 N in a direction perpendicular to the handle.
- Drive the vehicle at a constant speed of 35 - 50 km/h for 100 metres.
- Release the parking brake and let the brakes cool for 5 - 10 minutes.
- Repeat the procedure in steps 2. to 4. 4 - 5 times.

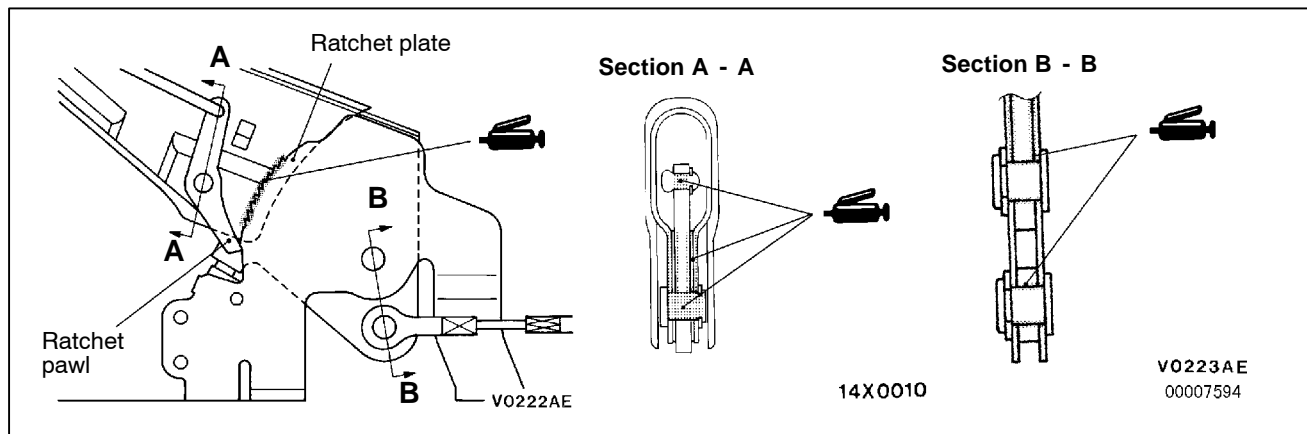
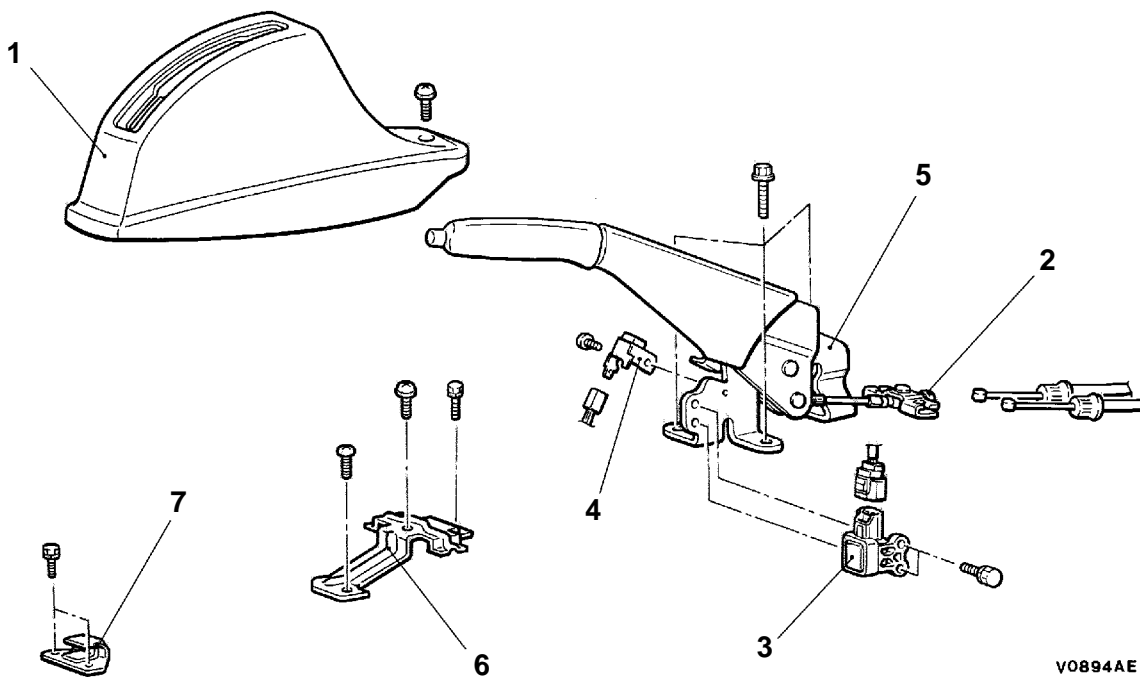
PARKING BRAKE LEVER

36100130267

REMOVAL AND INSTALLATION

Post-installation Operation

Parking Brake Lever Stroke Check and Adjustment
(Refer to P.36-3.)



Removal steps

- | | |
|--|---|
| <ol style="list-style-type: none"> 1. Parking cover 2. Adjusting nut 3. G sensor
<4WD - Vehicles with ABS> 4. Parking brake switch | <ol style="list-style-type: none"> 5. Parking brake lever 6. Parking cover bracket A
<SPACE RUNNER> 7. Parking cover bracket B |
|--|---|

PARKING BRAKE CABLE

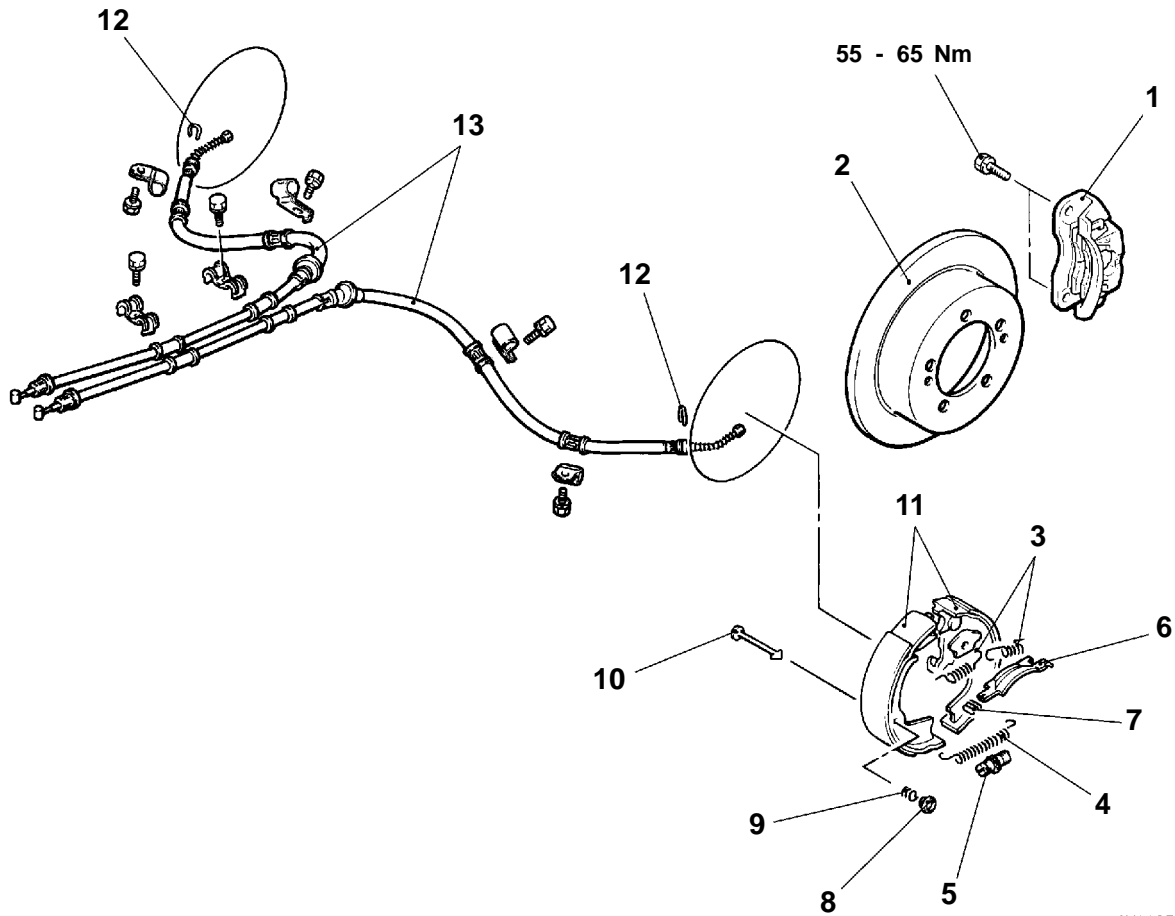
REMOVAL AND INSTALLATION

Pre-removal Operation

Parking Cover and Rear Seat Removal
(Refer to GROUP 52A.)

Post-installation Operation

- Parking Brake Lever Stroke Check and Adjustment
(Refer to P.36-3.)
- Parking Cover and Rear Seat Installation
(Refer to GROUP 52A.)



AV1125AE

Removal steps

◀A▶

1. Rear brake caliper assembly
2. Rear brake disc
- ▶B◀ 3. Shoe-to-anchor spring
- ▶A◀ 4. Adjusting screw spring
5. Adjuster
6. Strut
7. Strut return spring

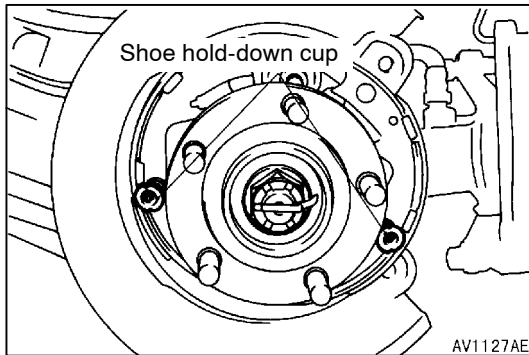
◀B▶

8. Shoe hold-down cup
9. Shoe hold-down spring
10. Shoe hold-down pin
11. Shoe and lining assembly
12. Clip
13. Parking brake cable

REMOVAL SERVICE POINTS

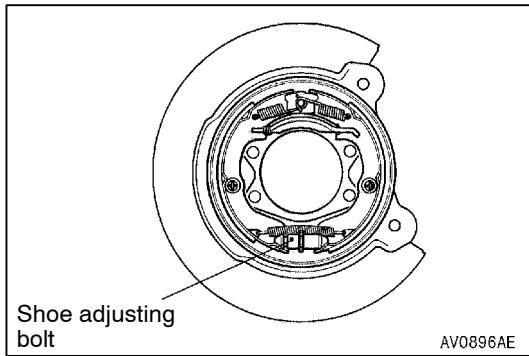
◀A▶ REAR BRAKE CALIPER ASSEMBLY REMOVAL

Remove the rear brake caliper assembly and support it with wire or similar.



◀B▶ SHOE HOLD-DOWN CUP REMOVAL

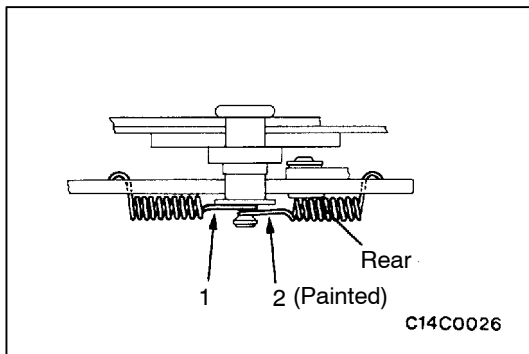
Extend the shoe and lining assembly, and remove the shoe hold-down cup.



INSTALLATION SERVICE POINTS

▶A◀ ADJUSTER INSTALLATION

Install the adjuster so that the shoe adjusting bolt of left hand wheel is attached towards the front of the vehicle, and the shoe adjusting bolt of right hand wheel is towards the rear of the vehicle.



▶B◀ SHOE-TO-ANCHOR SPRING INSTALLATION

Install the shoe-to-anchor springs in the order shown in the illustration.

Caution

The load on the respective shoe-to-anchor springs is different, so the spring in the figure has been painted.

NOTE

The figure shows the left wheel; for the right wheel, the position is symmetrical.

PARKING BRAKE DRUM

REMOVAL AND INSTALLATION

Caution

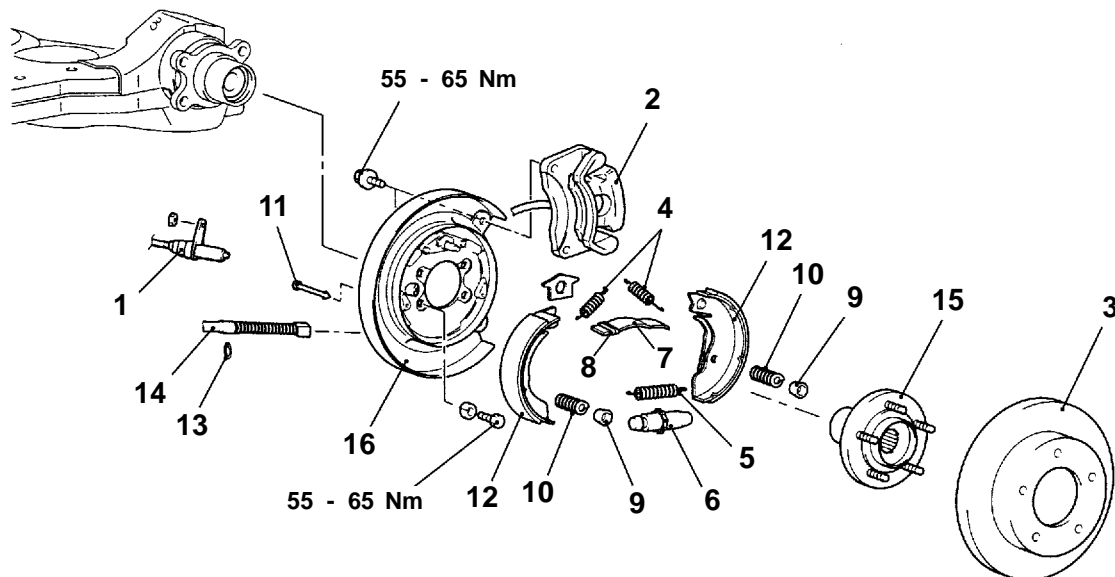
For 2WD-vehicles with ABS, care must be taken not to scratch or damage the teeth of the ABS rotor. The ABS rotor must never be dropped. If the teeth of the ABS rotor are chipped, resulting in a deformation of the ABS rotor, it will not be able to accurately detect the wheel rotation speed, and the system will not function normally.

Pre-removal Operation

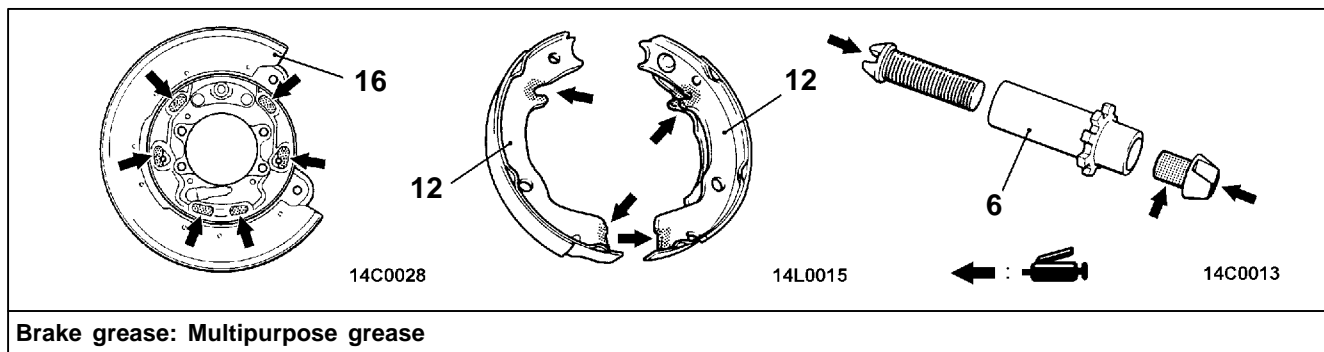
Drive Shaft Removal <4WD>
(Refer to GROUP 27B.)

Post-installation Operation

- Drive Shaft Installation <4WD>
(Refer to GROUP 27B.)
- Parking Brake Lever Stroke Check and Adjustment
(Refer to P.36-3.)



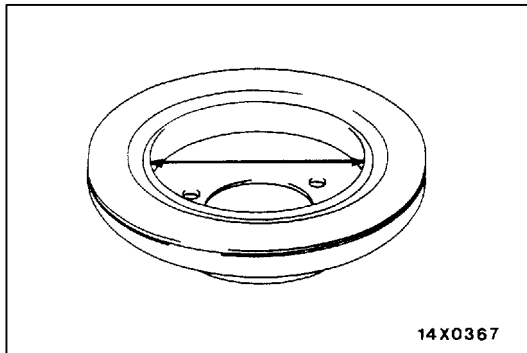
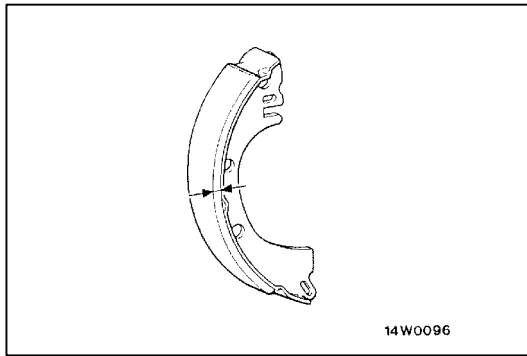
W0038AE
00008859



Brake grease: Multipurpose grease

Removal steps

1. Rear speed sensor
<2WD - Vehicles with ABS>
(Refer to GROUP 35B.)
2. Rear brake caliper
(Refer to P.36-8)
3. Rear brake disc
4. Shoe-to-anchor spring
(Refer to P.36-8)
5. Adjusting screw spring
6. Adjuster (Refer to P.36-8)
7. Strut
8. Strut return spring
9. Shoe hold-down cup
(Refer to P.36-8)
10. Shoe hold-down spring
11. Shoe hold-down pin
12. Shoe and lining assembly
13. Clip
14. Parking brake cable
15. Rear hub assembly
(Refer to GROUP 27.)
16. Backing plate



INSPECTION

36100260096

BRAKE LINING AND BRAKE DRUM CHECK

1. Measure the thickness of the brake lining at several places.

Standard value: 2.8 mm

Limit: 1.0 mm

2. If the thickness of the brake lining has worn down to the limit value or more, replace the shoe and lining assemblies on both sides of the vehicle.

3. Measure the inside diameter of the brake disc in two places or more.

Standard value: 168.0 mm

Limit: 169.0 mm

4. If the inside of the brake disc has worn down to the limit value or more, or if it is excessively worn on one side, replace the brake disc.

NOTES