
GENERAL

CONTENTS

HOW TO USE THIS MANUAL	2	Chassis Number	5
Model Indications	2	New Vehicles	6
VEHICLE IDENTIFICATION	2	MAJOR SPECIFICATIONS <SPACE WAGON>	7
Models	2		
Model Code	4		

HOW TO USE THIS MANUAL

MODEL INDICATIONS

The following abbreviations are used in this manual for classification of model types.

- 2000: Indicates models equipped with the 2,000 mL <6G63> petrol engine.
 2400: Indicates models equipped with the 2,400 mL <6G64> petrol engine.
 GDI: Indicates the gasoline direct injection, or engine equipped with the gasoline direct injection.
 MPI: Indicates the multipoint injection, or engine equipped with the multipoint injection.
 DOHC: Indicates an engine with the double overhead camshaft, or a model equipped with such an engine.
 SOHC: Indicates an engine with the single overhead camshaft, or a model equipped with such an engine.
 V.V.T.: Indicates the variable valve timing.
 M/T: Indicates the manual transmission, or models equipped with the manual transmission.
 A/T: Indicates the automatic transmission, or models equipped with the automatic transmission.
 A/C: Indicates the air conditioner.

VEHICLE IDENTIFICATION

MODELS

<SPACE RUNNER>

Model code		Engine model	Transmission model	Fuel supply system
N63W	SNUEL6/R6	4G63-SOHC (1,997 mL)	F5M42 (2WD-5M/T)	MPI
	SNFEL6			
	SNDEL6			
	SRUEL6/R6		F4A42 (2WD-4A/T)	
	SRFEL6			
	SRDEL6			
N64W	SNHCL6	4G64-DOHC-GDI with Variable Valve Timing (2,351 mL)	F5M42 (2WD-5M/T)	GDI
	SNGCL6			
	SNJCL6			
	SRHCL6		F4A42 (2WD-4A/T)	
	SRGCL6			
	SRJCL6			

<SPACE WAGON>

Model code		Engine model	Transmission model	Fuel supply system
N83W	LNUEL6/R6	4G63-SOHC (1,997 mL)	F5M42 (2WD-5M/T)	MPI
	LNFE6			
N84W	LNUCL6/R6	4G64-DOHC-GDI with Variable Valve Timing (2,351 mL)	F4A42 (2WD-4A/T)	GDI
	LNDCL6			
	LNHCL6/R6			
	LNJCL6			
	LNFL6			
	LNGCL6			
	LRUCL6/R6		W5M42 (4WD-5M/T)	
	LRDCL6			
	LRHCL6/R6			
	LRJCL6			
	LRFCL6			
	LRGCL6			
N94W	LNUCL6/R6		W5M42 (4WD-5M/T)	
	LNHCL6/R6			
	LNFL6			
	LNGCL6			



MODEL CODE

<u>N</u>	<u>8</u>	<u>4</u>	<u>W</u>	<u>L</u>	<u>N</u>	<u>U</u>	<u>C</u>	<u>L</u>	<u>6</u>
1	2	3	4	5	6	7	8	9	

W0377AE

No.	Items		Contents	
1	Development		N6	SPACE RUNNER (2WD)
			N8	SPACE WAGON (2WD)
			N9	SPACE WAGON (Full time 4WD)
2	Engine type		3	2,000 mL petrol engine
			4	2,400 mL petrol engine
3	Body type		W	Wagon
4	Body style		S	3-door station wagon
			L	4-door station wagon
5	Transmission type		N	5-speed manual transmission
			R	4-speed automatic transmission
6	Trim level	SPACE RUNNER	U	2000GLX
			F	2000GLX (For Northern Europe)
			D	2000GLX (For Germany)
			H	2400GLS
			G	2400GLS (For Northern Europe)
			J	2400GLS (For Germany)
	SPACE WAGON	U	GLX (seven seats)	
		F	GLX (seven seats, For Northern Europe)	
		D	GLX (seven seats, For Germany)	
		H	GLX (six seats)	
		G	GLX (six seats, For Northern Europe)	
		J	GLX (six seats, For Germany)	
7	Specification engine feature		E	MPI
			C	GDI-DOHC
8	Steering wheel location		L	Left hand
			R	Right hand
9	Destination		6	For Europe

CHASSIS NUMBER


J **M** **B** **L** **N** **N8** **4** **W** **1** **Z** **000001** 
 1 2 3 4 5 6 7 8 9 10 11

Y0043AE

No.	Items		Contents
1	Fixed figure	J	Asia
2	Distribution channel	M	Japan channel
3	Destination	A	For Europe, right hand drive
		B	For Europe, left hand drive
4	Body style	S	3-door station wagon
		L	4-door station wagon
5	Transmission type	N	5-speed manual transmission
		R	4-speed automatic transmission
6	Development order	N6	SPACE RUNNER (2WD)
		N8	SPACE WAGON (2WD)
		N9	SPACE WAGON (Full time 4WD)
7	Engine	3	4G63: 1,997 mL petrol engine
		4	4G64: 2,351 mL petrol engine
8	Sort	W	Station wagon
9	Model year	1	2001
10	Plant	Z	Okazaki Motor Vehicle Works
11	Serial number	-	-

NEW VEHICLES

New vehicle have been added as shown below.

New vehicles have been developed from the respective basic vehicles. The specifications described overleaf show only a particular part of the new vehicles. For the remaining part, refer to specifications for basic vehicles.

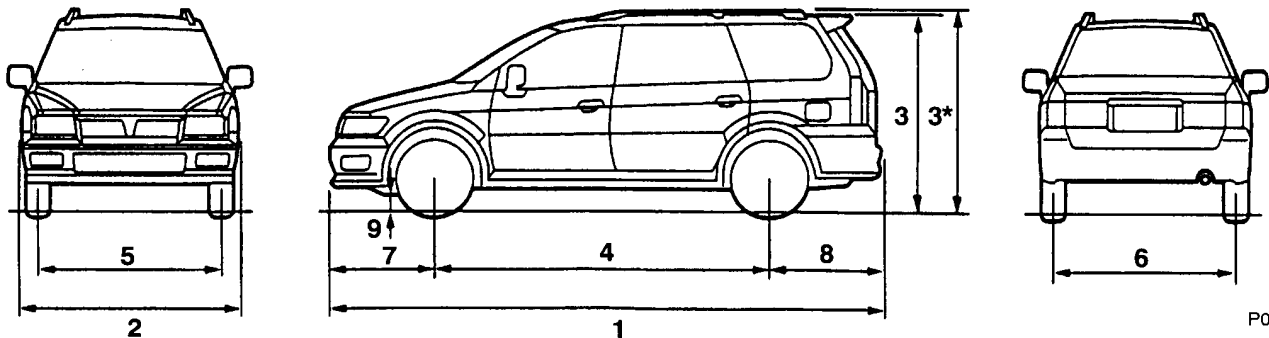
<SPACE RUNNER>

New vehicle	Basic vehicle
N63W SNDEL6	N63W SNUJL6
N63W SRDEL6	N63W SRUJL6
N64W SNJCL6	N64W SNHGL6
N64W SRJCL6	N64W SRHGL6

<SPACE WAGON>

New vehicle	Basic vehicle
N83W LNUEL6	N84W LNUCL6
N83W LNUER6	N84W LNUCR6
N83W LNFEL6	N84W LNUCL6
N84W LNDCL6	N84W LNUGL6
N84W LRDCL6	N84W LRUGL6
N84W LNJCL6	N84W LNHGL6
N84W LRJCL6	N84W LRHGL6

MAJOR SPECIFICATIONS <SPACE WAGON>



P01A063

Items		N83W LNUEL6, LNUER6, LNFEL6	
Vehicle dimensions mm	Overall length	1	4,600
	Overall width	2	1,775
	Overall height (unladen)	3	1,650 1,690*
	Wheelbase	4	2,780
	Track – front	5	1,500
	Track – rear	6	1,535
	Overhang – front	7	890
	Overhang – rear	8	930
	Ground clearance (unladen)	9	155
Vehicle weight kg	Kerb weight		1,470
	Max. gross vehicle weight		2,120
	Max. axle weight rating – front		1,010
	Max. axle weight rating – rear		1,130
Seating capacity			7
Engine	Model No.		4G63
	Total displacement mL		1,997
Transmission	Model No.		F5M42
	Type		5-speed manual
Fuel system	Fuel supply system		Electronically controlled multipoint injection

*: Vehicles with roof rails