

ACCELERATOR CONTROL, FUEL & EXHAUST SYSTEMS

SECTION FE

GI
MA
EM
LC
EC
FE
CL
MT
AT
FA
RA
BR
ST
RS
BT
HA
EL
IDX

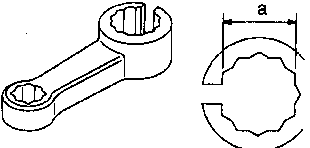
CONTENTS

PREPARATION/ACCELERATOR CONTROL SYSTEM2	Adjusting Accelerator Wire2	
Special Service Tool2	FUEL SYSTEM3	
	EXHAUST SYSTEM4	

PREPARATION/ACCELERATOR CONTROL SYSTEM

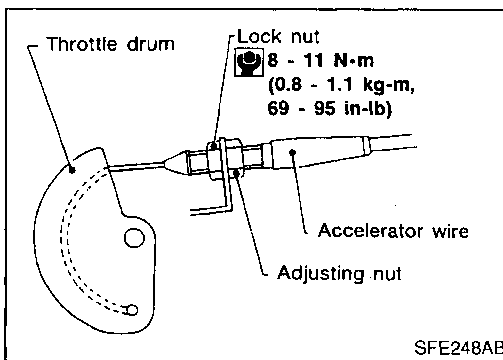
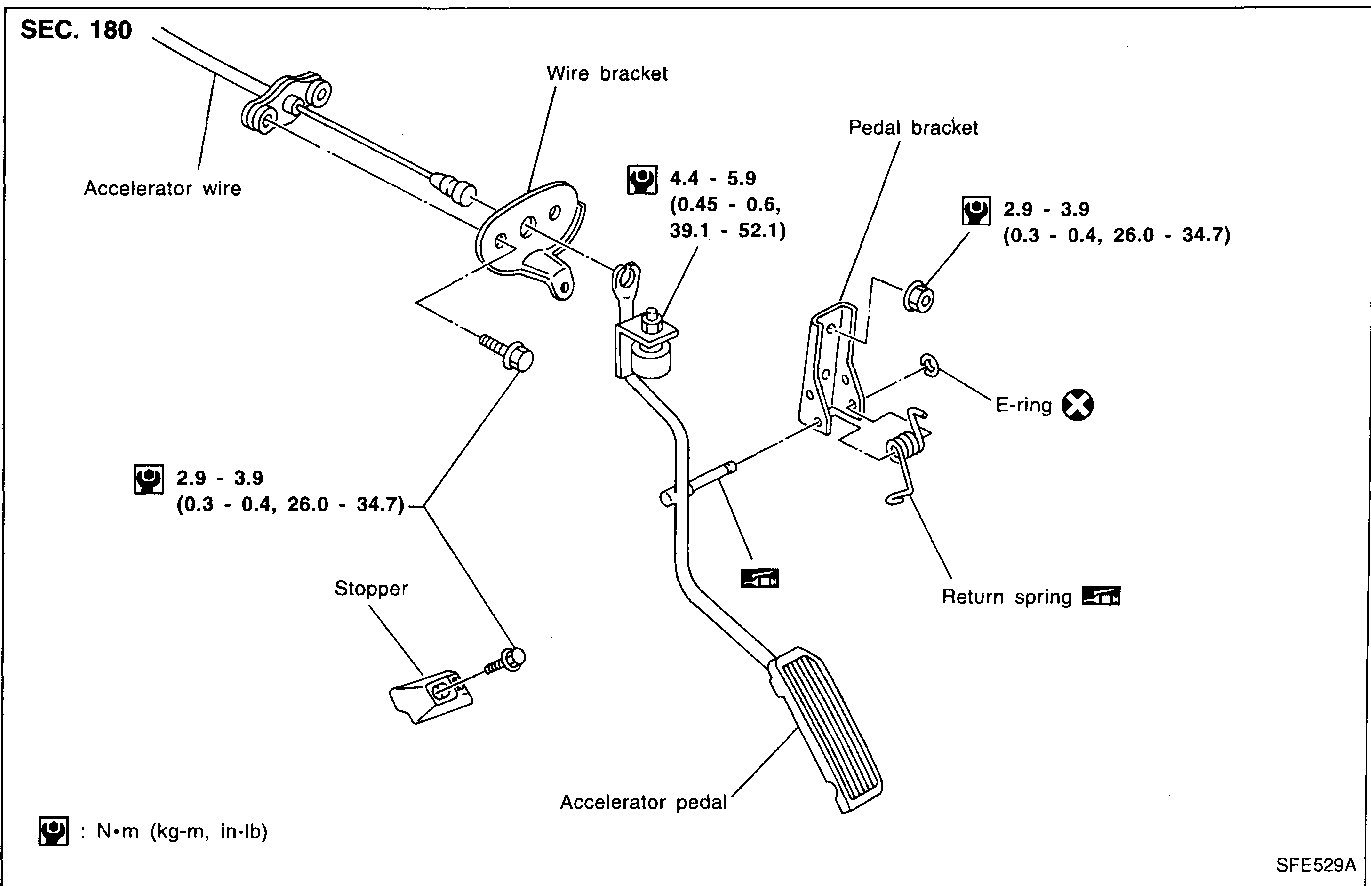
Special Service Tool

The actual shapes of Kent-Moore tools may differ from those of special service tools illustrated here.

Tool number (Kent-Moore No.) Tool name	Description
KV10114400 (J-38365) Heated oxygen sensor wrench	 <p>Loosening or tightening front and rear heated oxygen sensors</p> <p>$a = 22 \text{ mm (0.87 in)}$</p>
	NT636

CAUTION:

- When removing accelerator wire, make a mark to indicate lock nut's initial position.
- Check that throttle valve opens fully when accelerator pedal is fully depressed. Also check that it returns to idle position when pedal is released.
- Check accelerator control parts for improper contact with any adjacent parts.
- When connecting accelerator wire, be careful not to twist or scratch wire.



Adjusting Accelerator Wire

CAUTION:

- Make sure the ASCD wire is not pulling the throttle drum.
 - Refer to "AUTOMATIC SPEED CONTROL DEVICE" in EL section for ASCD wire adjustment.
1. Loosen lock nut, and tighten adjusting nut until throttle drum starts to move.
 2. From that position turn back adjusting nut 1.5 to 2 turns, and fasten it with lock nut.

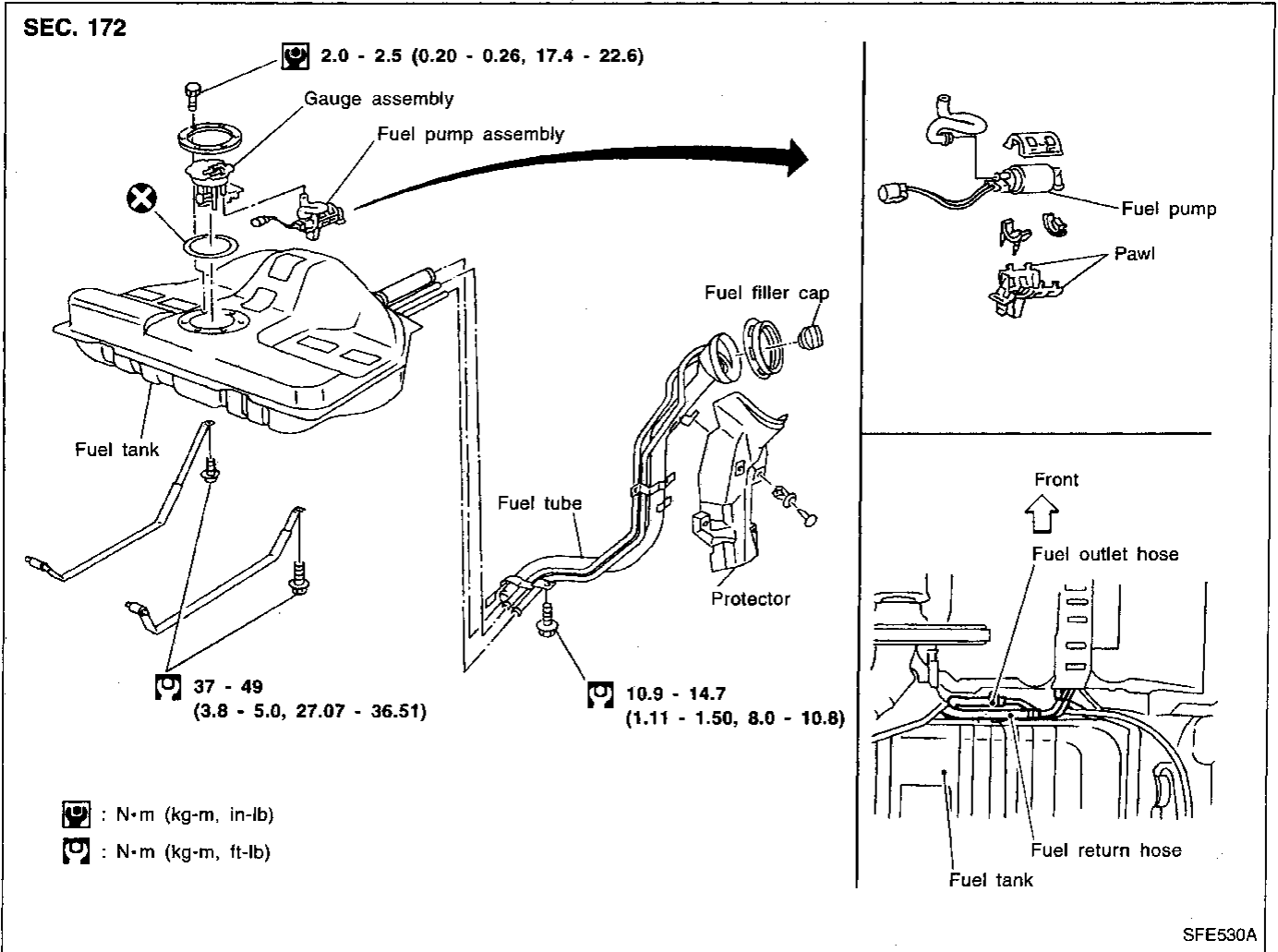
FUEL SYSTEM

WARNING:

- Be sure to furnish workshop with a CO₂ fire extinguisher.
- Do not smoke while servicing fuel system. Keep open flames and sparks away from work area.

CAUTION:

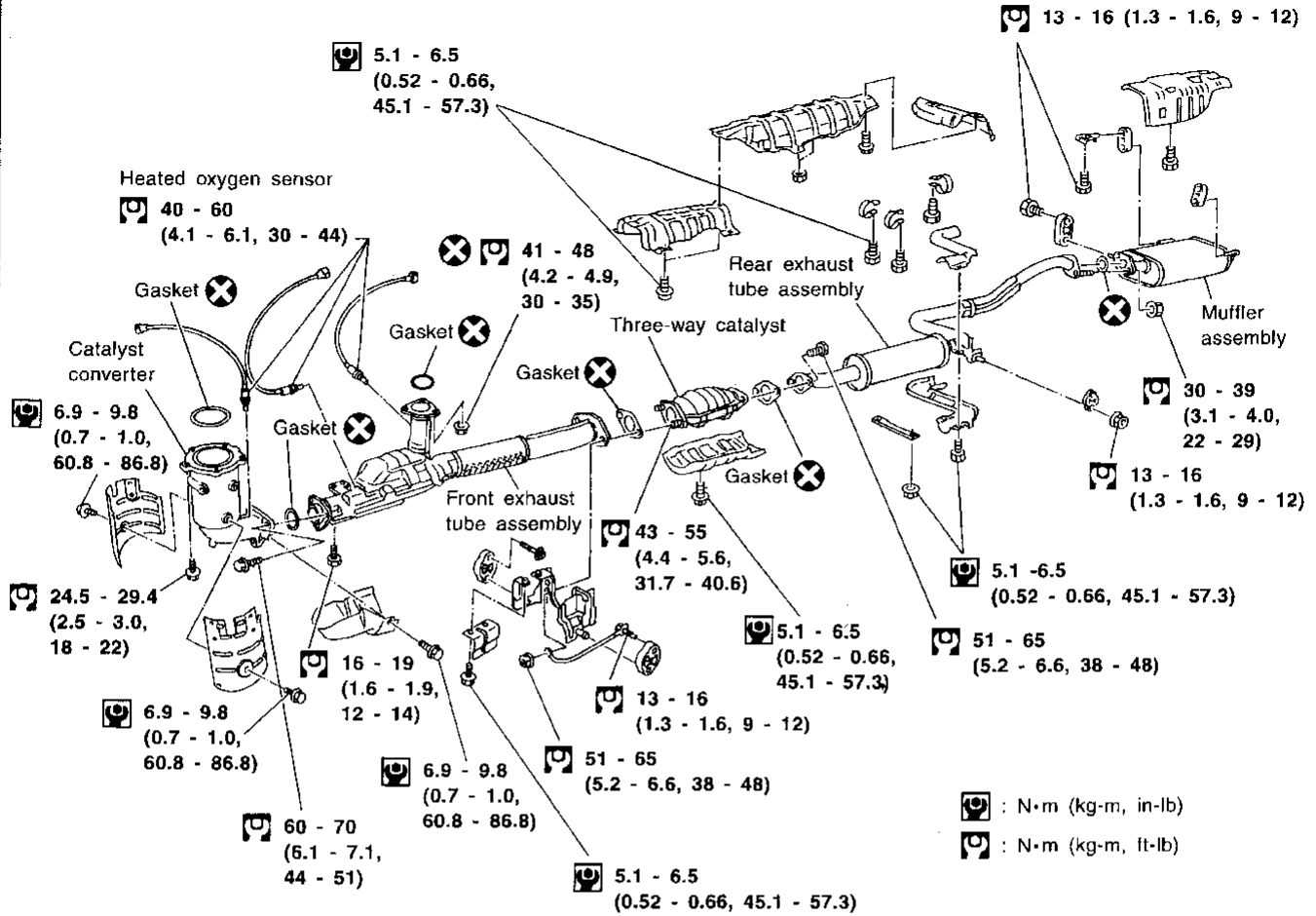
- Before removing fuel line parts carry out the following procedures:
 - a. Put drained fuel in an explosion-proof container and put the lid on securely.
 - b. Release fuel pressure from fuel line. Refer to "Changing Fuel Filter" in MA section.
 - c. Disconnect battery ground cable.
- Always replace O-ring and clamps with new ones.
- Do not kink or twist tubes when they are being installed.
- Do not tighten hose clamps excessively to avoid damaging hoses.
- After installing tubes, run engine and check for fuel leaks at connections.
- Use only a genuine fuel filler cap as a replacement.
- For inspection of On Board Refueling Vapor Recovery (ORVR) system, refer to EC section ("EVAPORATIVE EMISSION SYSTEM").



GI
MA
EM
LC
EC
FE
CL
MT
AT
FA
RA
BR
ST
RS
BT
HA
EL
IDX

EXHAUST SYSTEM

SEC. 200 (California emission)



SFE532A

GI
 MA
 EM
 LC
 EC
FE
 CL
 MT
 AT
 FA
 RA
 BR
 ST
 RS
 BT
 HA
 EL
 IDX