

# FRONT & REAR AXLE

## SECTION **AX**

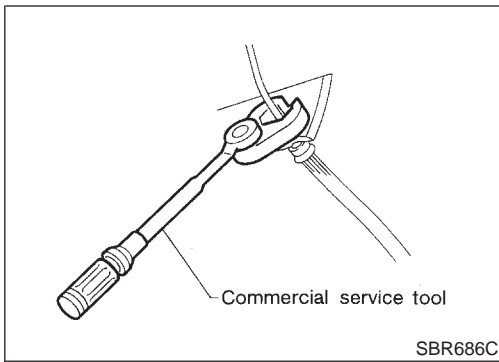
GI  
MA  
EM  
LC  
EC  
FE  
AT  
**AX**  
SU  
BR  
ST  
RS  
BT  
HA  
SC  
EL  
IDX

## CONTENTS

<p><b>FRONT AXLE</b> .....2</p> <p style="padding-left: 20px;">Precautions .....2</p> <p style="padding-left: 40px;">PRECAUTIONS .....2</p> <p style="padding-left: 20px;">Preparation .....2</p> <p style="padding-left: 40px;">SPECIAL SERVICE TOOLS .....2</p> <p style="padding-left: 40px;">COMMERCIAL SERVICE TOOLS .....2</p> <p style="padding-left: 20px;">Noise, Vibration and Harshness (NVH)</p> <p style="padding-left: 40px;">Troubleshooting .....3</p> <p style="padding-left: 60px;">NVH TROUBLESHOOTING CHART .....3</p> <p style="padding-left: 20px;">On-vehicle Service.....3</p> <p style="padding-left: 40px;">FRONT AXLE PARTS .....3</p> <p style="padding-left: 40px;">FRONT WHEEL BEARING .....4</p> <p style="padding-left: 40px;">DRIVE SHAFT .....4</p> <p style="padding-left: 20px;">Wheel Hub and Knuckle.....5</p> <p style="padding-left: 40px;">COMPONENTS .....5</p> <p style="padding-left: 40px;">REMOVAL.....5</p> <p style="padding-left: 40px;">INSTALLATION.....6</p> <p style="padding-left: 40px;">DISASSEMBLY .....7</p> <p style="padding-left: 40px;">INSPECTION.....8</p> <p style="padding-left: 40px;">ASSEMBLY .....8</p> <p style="padding-left: 20px;">Drive Shaft .....9</p> <p style="padding-left: 40px;">COMPONENTS .....9</p> <p style="padding-left: 40px;">REMOVAL.....10</p> <p style="padding-left: 40px;">INSTALLATION.....11</p>	<p style="padding-left: 40px;">DISASSEMBLY.....11</p> <p style="padding-left: 40px;">INSPECTION.....13</p> <p style="padding-left: 40px;">ASSEMBLY .....13</p> <p style="padding-left: 20px;">Service Data and Specifications (SDS).....15</p> <p style="padding-left: 40px;">DRIVE SHAFT .....15</p> <p style="padding-left: 40px;">WHEEL BEARING (FRONT) .....16</p> <p><b>REAR AXLE</b>.....17</p> <p style="padding-left: 20px;">Precautions .....17</p> <p style="padding-left: 40px;">PRECAUTIONS .....17</p> <p style="padding-left: 20px;">Preparation .....17</p> <p style="padding-left: 40px;">SPECIAL SERVICE TOOLS .....17</p> <p style="padding-left: 40px;">COMMERCIAL SERVICE TOOLS.....17</p> <p style="padding-left: 20px;">Noise, Vibration and Harshness (NVH)</p> <p style="padding-left: 40px;">Troubleshooting .....18</p> <p style="padding-left: 20px;">On-vehicle Service.....18</p> <p style="padding-left: 40px;">REAR AXLE PARTS.....18</p> <p style="padding-left: 40px;">REAR WHEEL BEARING .....18</p> <p style="padding-left: 20px;">Wheel Hub .....19</p> <p style="padding-left: 40px;">COMPONENTS .....19</p> <p style="padding-left: 40px;">REMOVAL.....19</p> <p style="padding-left: 40px;">INSTALLATION.....20</p> <p style="padding-left: 20px;">Service Data and Specifications (SDS).....22</p> <p style="padding-left: 40px;">WHEEL BEARING (REAR) .....22</p>
---	--

# FRONT AXLE

## Precautions



## Precautions

### PRECAUTIONS

NHAX0001

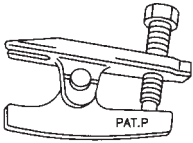
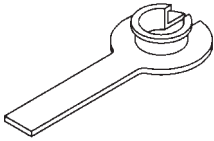
- When installing rubber parts, final tightening must be carried out under unladen condition\* with tires on ground.  
\*: Fuel, radiator coolant and engine oil full. Spare tire, jack, hand tools and mats in designated positions.
- After installing removed suspension parts, check wheel alignment and adjust if necessary.
- Use flare nut wrench when removing or installing brake tubes.
- Always torque brake lines when installing.

## Preparation

## SPECIAL SERVICE TOOLS

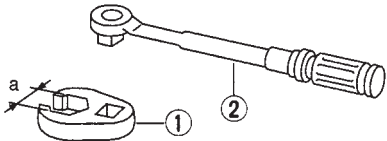
NHAX0002

The actual shapes of Kent-Moore tools may differ from those of special service tools illustrated here.

Tool number (Kent-Moore No.) Tool name	Description
HT72520000 (J25730-B) Ball joint remover	 <p>Removing tie-rod outer end and lower ball joint</p> <p>NT146</p>
KV38106700 (J34296) KV38106800 (J34297) Differential side oil seal protector	 <p>Installing drive shaft LH: KV38106700 (J34296) RH: KV38106800 (J34297)</p> <p>NT147</p>

## COMMERCIAL SERVICE TOOLS

NHAX0003

Tool name	Description
1 Flare nut crowfoot 2 Torque wrench	 <p>Removing and installing each brake piping a: 10 mm (0.39 in)</p> <p>NT360</p>

# FRONT AXLE

Noise, Vibration and Harshness (NVH) Troubleshooting

## Noise, Vibration and Harshness (NVH) Troubleshooting

=NHAX0004

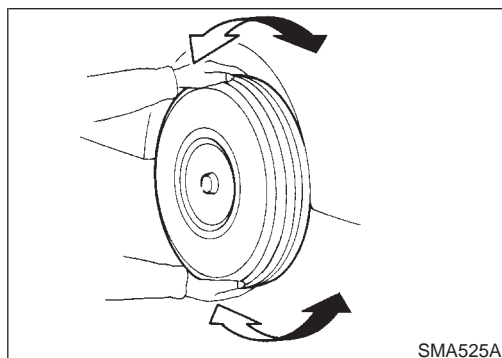
### NVH TROUBLESHOOTING CHART

NHAX0004S01

Use the chart below to help you find the cause of the symptom. If necessary, repair or replace these parts.

Reference page			—	AX-13	—	AX-5, 19	—	AX-4, 18	Refer to DRIVE SHAFT in this chart.	Refer to AXLE in this chart.	SU-4	SU-4	SU-4	BR-7	ST-5	
Possible cause and SUSPECTED PARTS			Excessive joint angle	Joint sliding resistance	Imbalance	Improper installation, looseness	Parts interference	Wheel bearing damage	DRIVE SHAFT	AXLE	SUSPENSION	TIRES	ROAD WHEEL	BRAKES	STEERING	
Symptom	DRIVE SHAFT	Noise, Vibration	×	×						×	×	×	×	×	×	
		Shake	×		×					×	×	×	×	×	×	
	AXLE	Noise				×	×		×		×	×	×	×	×	×
		Shake				×	×		×		×	×	×	×	×	×
		Vibration				×	×		×		×	×				×
		Shimmy				×	×					×	×	×	×	×
		Judder				×						×	×	×	×	×
		Poor quality ride or handling				×	×	×				×	×	×		

×: Applicable



### On-vehicle Service

#### FRONT AXLE PARTS

NHAX0005

Check front axle and front suspension parts for excessive play, cracks, wear or other damage.

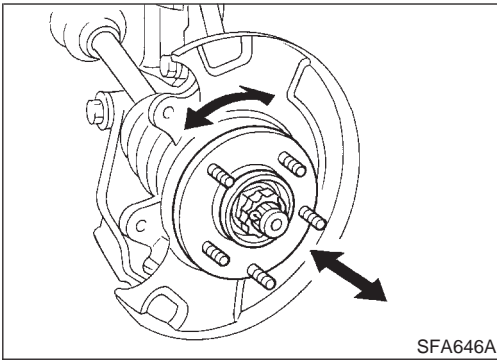
- Shake each front wheel to check for excessive play.
- Make sure that cotter pin is inserted.
- Retighten all axle and suspension nuts and bolts to the specified torque.

**Tightening torque:**

**Refer to SU-9, "FRONT SUSPENSION".**

## FRONT AXLE

On-vehicle Service (Cont'd)



### FRONT WHEEL BEARING

NHAX0006

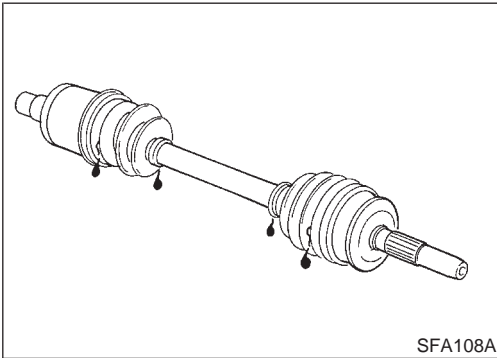
- Check that wheel bearings operate smoothly.
- Check axial end play.

**Axial end play:**

**Less than 0.05 mm (0.0020 in)**

If out of specification or wheel bearing does not turn smoothly, replace wheel bearing assembly.

Refer to "Wheel Hub and Knuckle", "FRONT AXLE", AX-5.



### DRIVE SHAFT

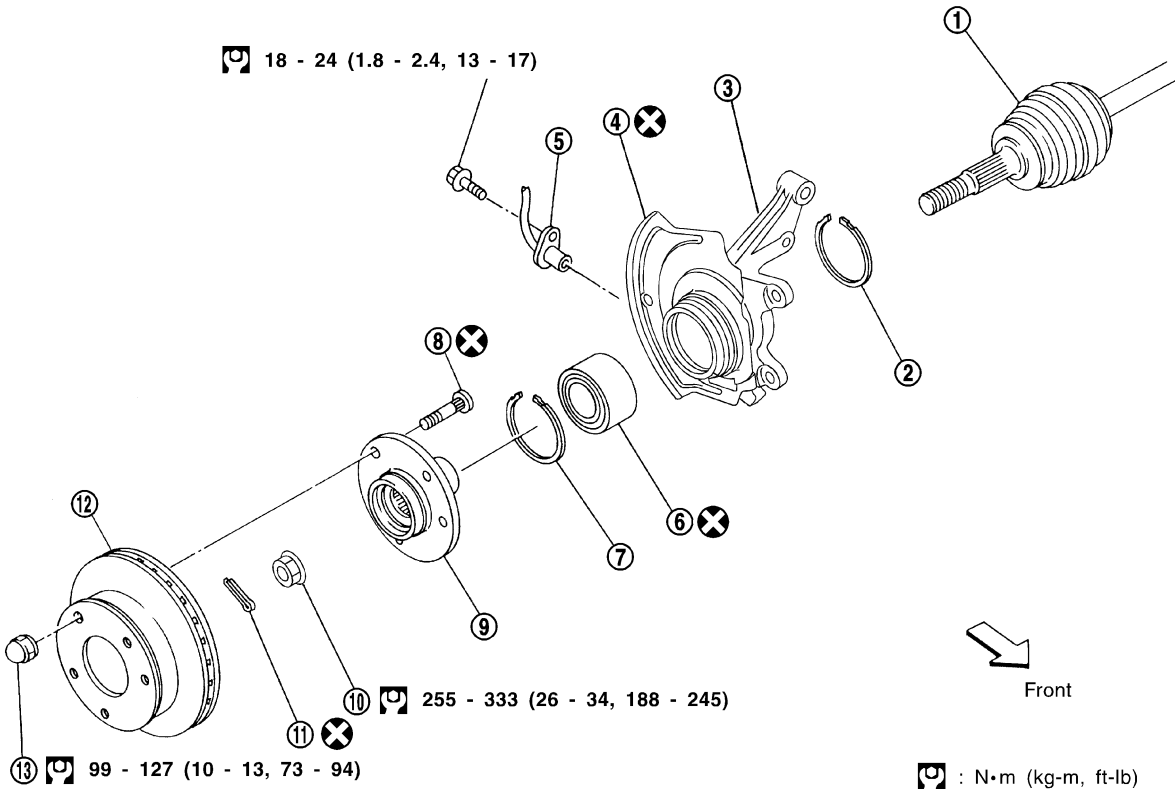
NHAX0007

Check for grease leakage or other damage.

## Wheel Hub and Knuckle COMPONENTS

=NHAX0008

SEC. 400



SAX024

- |                 |                           |                            |
|-----------------|---------------------------|----------------------------|
| 1. Drive shaft  | 6. Wheel bearing assembly | 10. Wheel bearing lock nut |
| 2. Snap ring    | 7. Snap ring              | 11. Cotter pin             |
| 3. Knuckle      | 8. Hub bolt               | 12. Brake disc             |
| 4. Baffle plate | 9. Wheel hub              | 13. Wheel nut              |
| 5. ABS sensor   |                           |                            |

### REMOVAL

NHAX0009

#### CAUTION:

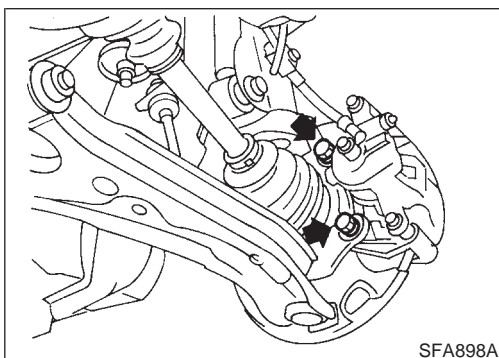
Before removing the front axle assembly, disconnect the ABS wheel sensor from the assembly. Then move it away from the front axle assembly area.

Failure to do so may result in damage to the sensor wires and the sensor becoming inoperative.

1. Remove wheel bearing lock nut.

2. Remove brake caliper assembly and rotor.

Brake hose need not be disconnected from brake caliper. In this case, suspend caliper assembly with wire so as not to stretch brake hose. Be careful not to depress brake pedal, or piston will pop out. Make sure brake hose is not twisted.



SFA898A

GI

MA

EM

LC

EC

FE

AT

AX

SU

BR

ST

RS

BT

HA

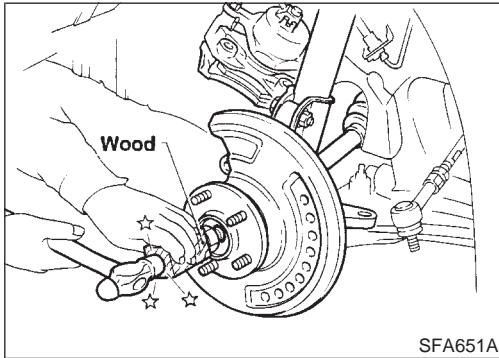
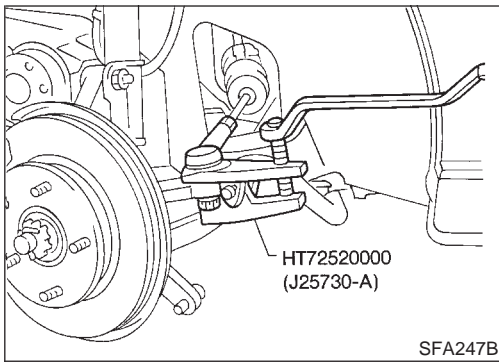
SC

EL

IDX

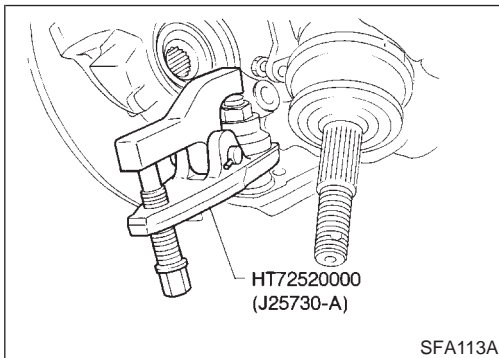
# FRONT AXLE

## Wheel Hub and Knuckle (Cont'd)

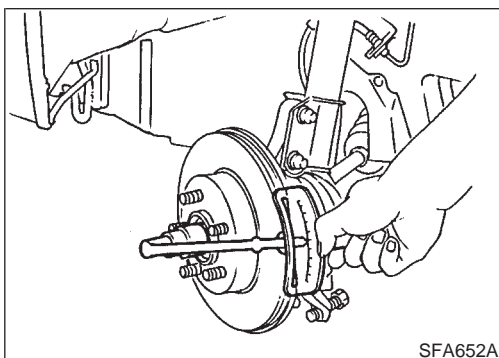


3. Separate tie-rod from knuckle with Tool.  
**Install stud nut on stud bolt to prevent damage to stud bolt.**

4. Separate drive shaft from knuckle by lightly tapping it. If it is hard to remove, use a puller.
  - **Cover boots with shop towel so as not to damage them when removing drive shaft.**
  - **When removing drive shaft, do not exceed more than 22° angle on drive shaft joint portion. Or, in doing so, try not to excessively stretch the slide joint.**
  - **Do not lift the drive shaft with axle while holding only the middle axle.**
  - **After tightening drive shaft or side shaft with bolts, do not lift the drive shaft while holding only the middle axle.**
  - **Do not put down drive shaft while it is inserted into trans-axle without supporting the middle axle, wheel side joint etc.**



5. Loosen lower ball joint tightening nut.
6. Separate knuckle from lower ball joint stud with Tool.
7. Remove knuckle from transverse link.



## INSTALLATION

NHAX0010

1. Install knuckle with wheel hub.

**When installing knuckle to strut, be sure to hold bolts and tighten nuts.**

**⚙️ : 125 - 155 N·m (13 - 15 kg·m, 93 - 114 ft·lb)**

- **Before tightening, apply oil to threaded portion of drive shaft.**
- **When removing drive shaft, do not exceed more than 22° angle on drive shaft joint portion. Or, in doing so, try not to excessively stretch the slide joint.**

# FRONT AXLE

Wheel Hub and Knuckle (Cont'd)

- Do not lift the drive shaft with axle while holding only the middle axle.
  - After tightening drive shaft or side shaft with bolts, do not lift the drive shaft while holding only the middle axle.
  - Do not put down drive shaft while it is inserted into transaxle without supporting the middle axle, wheel side joint etc.
2. Tighten wheel bearing lock nut.  
**⚙️ : 255 - 333 N-m (26 - 34 kg-m, 188 - 245 ft-lb)**
  3. Check that wheel bearings operate smoothly.
  4. Check wheel bearing axial end play.  
**Axial end play:  
Less than 0.05 mm (0.0020 in)**

GI

MA

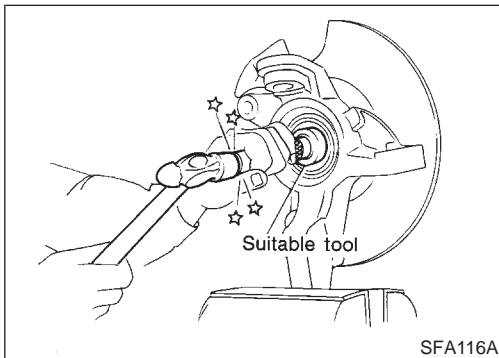
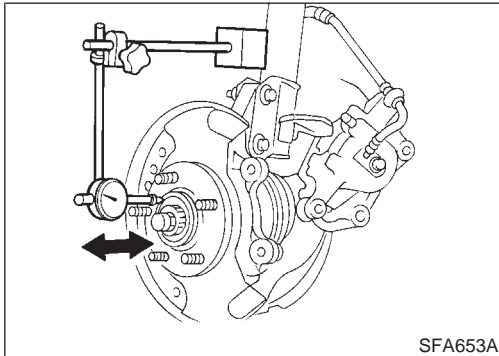
EM

LC

EC

FE

AT



## DISASSEMBLY

NHAX0011

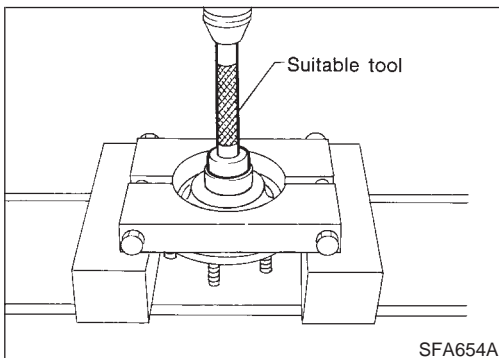
### CAUTION:

When removing wheel hub or wheel bearing from knuckle, replace wheel bearing assembly (outer race, inner races and grease seals) with a new one.

### Wheel Hub

NHAX0011S01

Drive out hub with inner race (outside) from knuckle with a suitable tool.

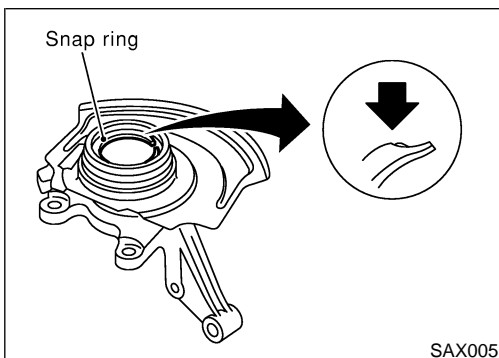


### Wheel Bearing

NHAX0011S02

When replacing wheel bearing, replace complete wheel bearing assembly (Inner races and outer race).

1. Remove bearing inner race (outside).
2. Remove snap rings.



AX

SU

BR

ST

RS

BT

HA

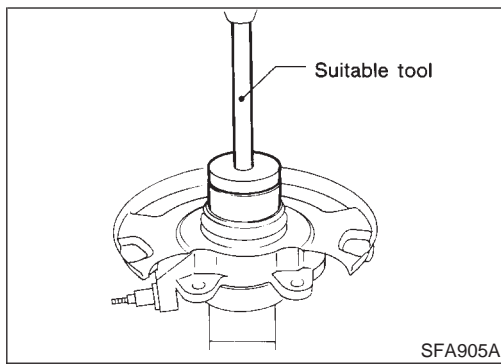
SC

EL

IDX

# FRONT AXLE

## Wheel Hub and Knuckle (Cont'd)



3. Press out bearing outer race.

## INSPECTION

### Wheel Hub and Knuckle

Check wheel hub and knuckle for cracks by using a magnetic exploration or dyeing test.

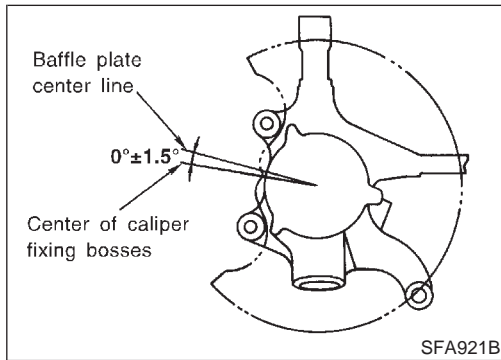
NHAX0012

NHAX0012S01

### Snap Ring

Check snap ring for wear or cracks. Replace if necessary.

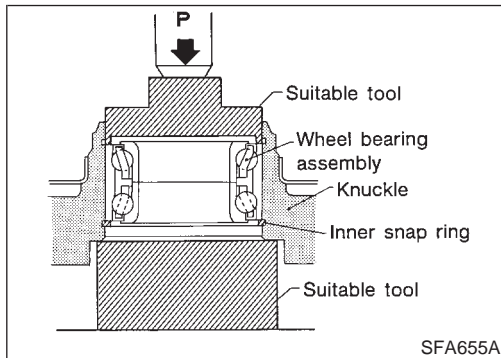
NHAX0012S02



## ASSEMBLY

- When removing baffle plate, replace it with a new one.
- When installing the baffle plate, press new plate so that it is in contact with knuckle wall. Refer to figure at left.

NHAX0013



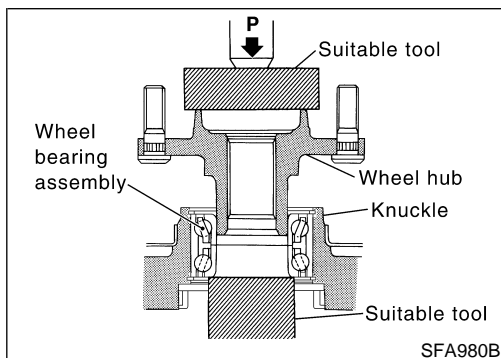
1. Install inner snap ring into groove of knuckle.
2. Press new wheel bearing assembly into knuckle until it contacts snap ring.

**Maximum load P:**

**29 kN (3 ton, 3.3 US ton, 3.0 Imp ton)**

### CAUTION:

- Do not press inner race of wheel bearing assembly.
- Do not apply oil or grease to mating surfaces of wheel bearing outer race and knuckle.



3. Install outer snap ring into groove of knuckle.
4. Press wheel hub into knuckle until it stops when the end of the wheel bearing is hit.

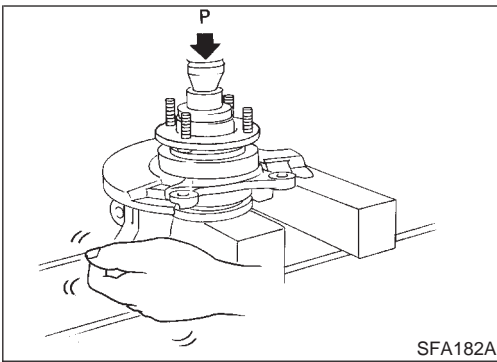
**Maximum load P:**

**49 kN (5 ton, 5.5 US ton, 4.9 Imp ton)**



# FRONT AXLE

Wheel Hub and Knuckle (Cont'd)



SFA182A

5. Check bearing operation.
  - a. Add load P with press.
 

**Load P:**  
**49.0 kN**  
**(5.0 ton, 5.5 US ton, 4.92 Imp ton)**
  - b. Spin knuckle several turns in both directions.
  - c. Make sure that wheel bearings operate smoothly.

## Drive Shaft COMPONENTS

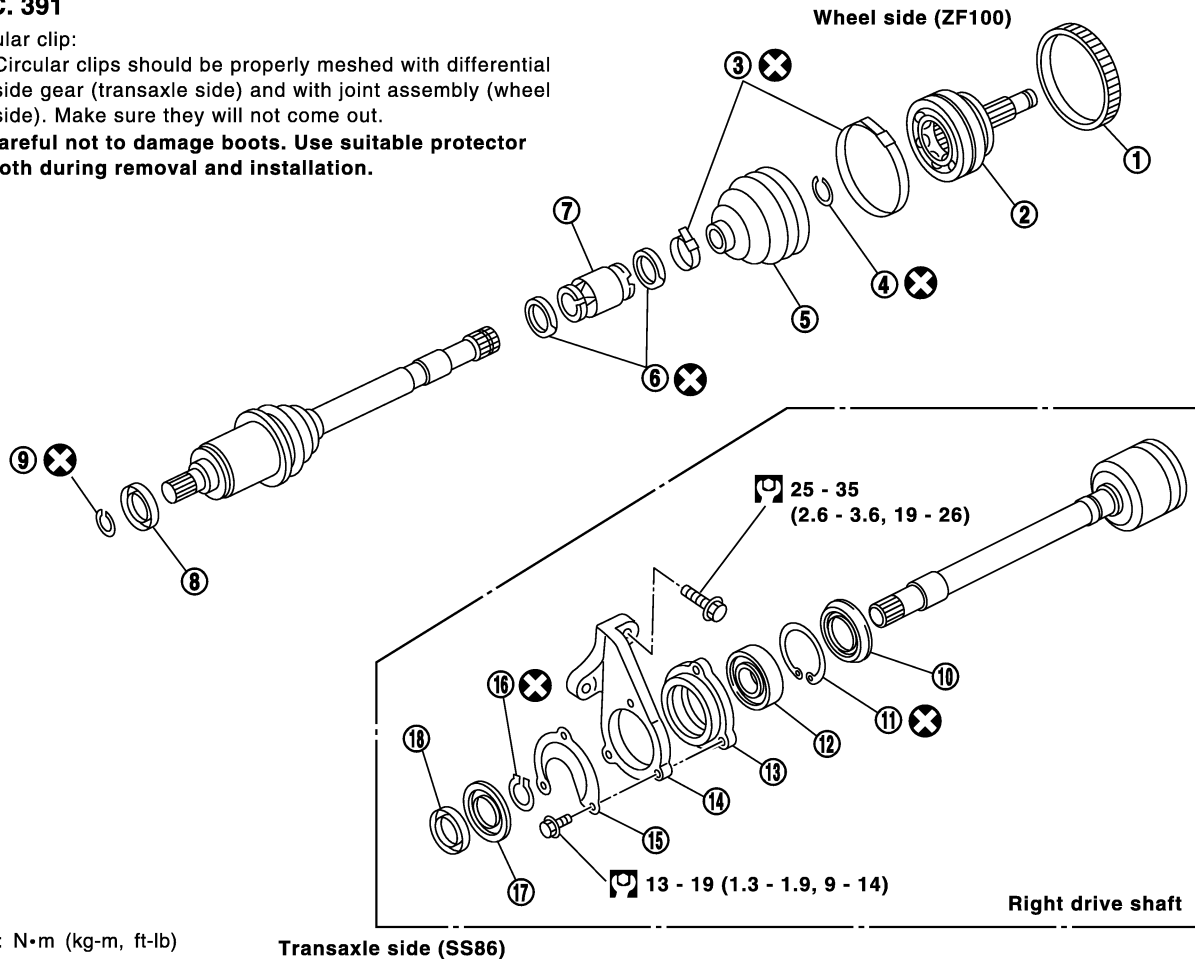
NHAX0016

### SEC. 391

#### Circular clip:

Circular clips should be properly meshed with differential side gear (transaxle side) and with joint assembly (wheel side). Make sure they will not come out.

**Be careful not to damage boots. Use suitable protector or cloth during removal and installation.**



: N·m (kg-m, ft-lb)

Transaxle side (SS86)

Right drive shaft

SAX027

- |                        |                                 |                                 |
|------------------------|---------------------------------|---------------------------------|
| 1. ABS sensor rotor    | 7. Dynamic damper               | 13. Support bearing retainer    |
| 2. Joint assembly      | 8. Dust shield                  | 14. Support bearing bracket     |
| 3. Boot band           | 9. Circular clip                | 15. Shield heat plate           |
| 4. Circular clip       | 10. Support bearing dust shield | 16. Snap ring                   |
| 5. Boot                | 11. Snap ring                   | 17. Support bearing dust shield |
| 6. Dynamic damper band | 12. Support bearing             | 18. Dust shield                 |

GI

MA

EM

LC

EC

FE

AT

AX

SU

BR

ST

RS

BT

HA

SC

EL

IDX

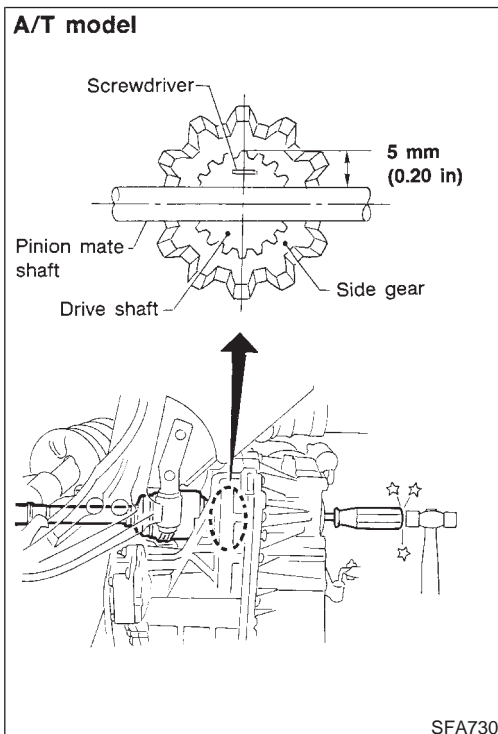
# FRONT AXLE

Drive Shaft (Cont'd)

## REMOVAL

=NHAX0014

1. Remove wheel bearing lock nut.
- Brake caliper need not be disconnected. Do not twist or stretch brake hose when moving components.**
2. Remove strut lower mount bolts.
  3. Remove brake hose clip.
  4. Separate drive shaft from knuckle by lightly tapping it. If it is hard to remove, use a puller.
- **Cover boots with shop towel so as not to damage them when removing drive shaft.**
  - **When removing drive shaft, do not exceed more than 22° angle on drive shaft joint portion. Or, in doing so, try not to excessively stretch the slide joint.**
  - **Do not lift the drive shaft with axle while holding only the middle axle.**
  - **After tightening drive shaft or side shaft with bolts, do not lift the drive shaft while holding only the middle axle.**
  - **Do not put down drive shaft while it is inserted into transaxle without supporting the middle axle, wheel side joint etc.**
- Refer to "Wheel Hub and Knuckle", "FRONT AXLE", AX-5.
5. Remove right drive shaft from transaxle.
  6. Remove left drive shaft from transaxle.



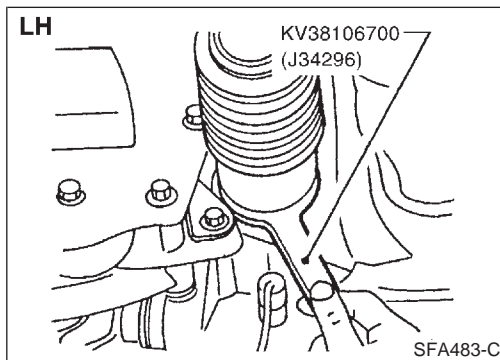
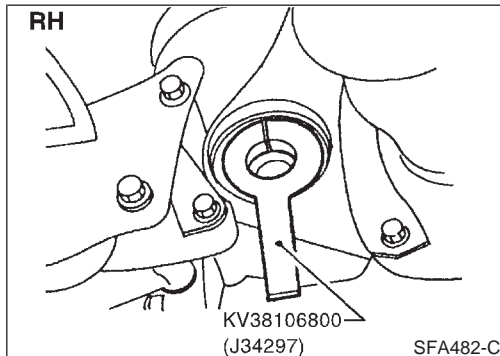
### — For A/T models —

- Insert screwdriver into transaxle opening for right drive shaft and strike with a hammer.

**Be careful not to damage pinion mate shaft and side gear.**

## INSTALLATION

- When removing drive shaft, do not exceed more than 22° angle on drive shaft joint portion. Or, in doing so, try not to excessively stretch the slide joint. NHAX0015
- Do not lift the drive shaft with axle while holding only the middle axle. GI
- After tightening drive shaft or side shaft with bolts, do not lift the drive shaft while holding only the middle axle. MA
- Do not put down drive shaft while it is inserted into transaxle without supporting the middle axle, wheel side joint etc. EM



### Transaxle Side

1. Drive a new oil seal to transaxle. Refer to MA-21, "Replacing Oil Seal" or "Differential Side Oil Seal Replacement", "ON-VEHICLE SERVICE". NHAX0015S01
2. Set Tool along the inner circumference of oil seal. LC
3. Insert drive shaft into transaxle. Be sure to properly align the serrations and then withdraw Tool. EC
4. Push drive shaft, then press-fit circular clip on the drive shaft into circular clip groove of side gear. FE
5. After its insertion, try to pull the flange out of the slide joint by hand. If it pulls out, the circular clip is not properly meshed with the side gear. AT

### Wheel Side

- Install drive shaft into knuckle. NHAX0015S02
- Tighten upper knuckle nut and wheel bearing lock nut. Refer to section Installation in "Wheel Hub and Knuckle", "FRONT AXLE", AX-5. BT

## DISASSEMBLY

### Transaxle Side

The joint on the transaxle side cannot be disassembled. NHAX0017  
NHAX0017S01

GI

MA

EM

LC

EC

FE

AT

AX

SU

BR

ST

RS

BT

HA

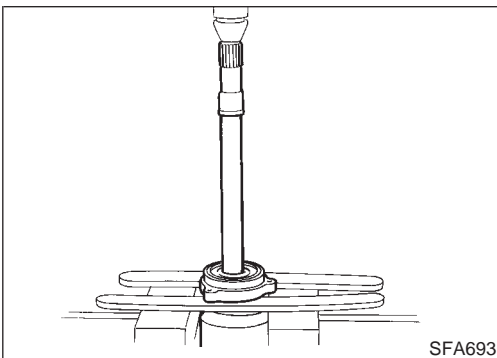
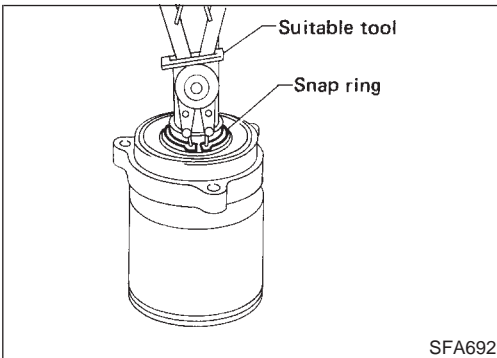
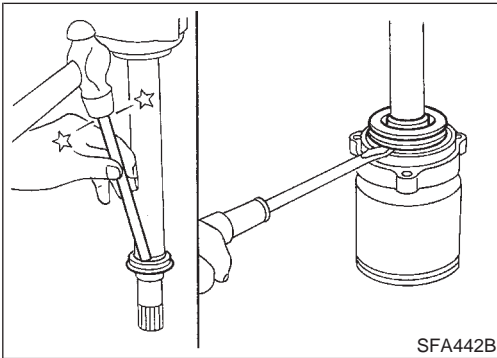
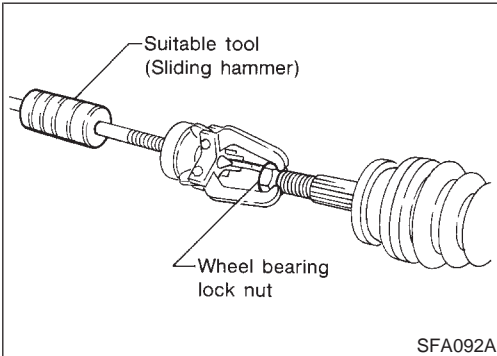
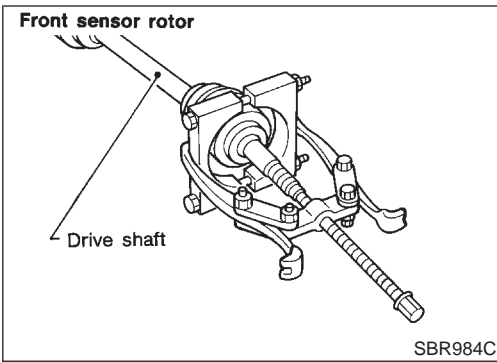
SC

EL

IDX

# FRONT AXLE

## Drive Shaft (Cont'd)



## Wheel Side

NHAX0017S02

### CAUTION:

The joint on the wheel side cannot be disassembled.

1. Before separating joint assembly, put matching marks on drive shaft and joint assembly.
2. Remove ABS sensor rotor.

3. Separate joint assembly with a suitable tool.

Be careful not to damage threads on drive shaft.

4. Remove boot bands.
5. Draw out boot.

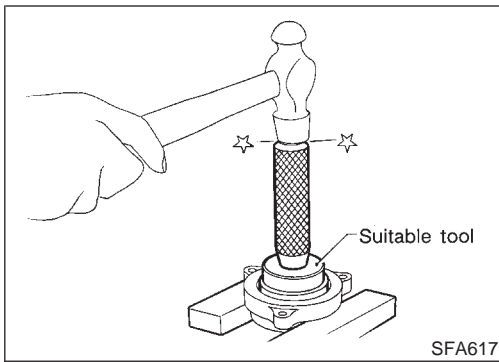
## Support Bearing

NHAX0017S03

1. Remove dust shield.
2. Remove support bearing dust shield.

3. Remove snap ring.

4. Press support bearing assembly off of drive shaft.
5. Remove support bearing dust shield.
6. Remove snap ring.



7. Separate support bearing from support bearing retainer.

## INSPECTION

Thoroughly clean all parts in cleaning solvent, and dry with compressed air. Check parts for evidence of deformation or other damage.

### Drive Shaft

Replace drive shaft if it is twisted or cracked.

### Boot

Check boot for fatigue, cracks or wear. Replace boot with new boot bands.

### Joint Assembly (Transaxle side)

- Check serration for deformation. Replace if necessary.
- Check slide joint housing for any damage. Replace if necessary.

### Joint Assembly (Wheel side)

Replace joint assembly if it is deformed or damaged.

### Support Bearing

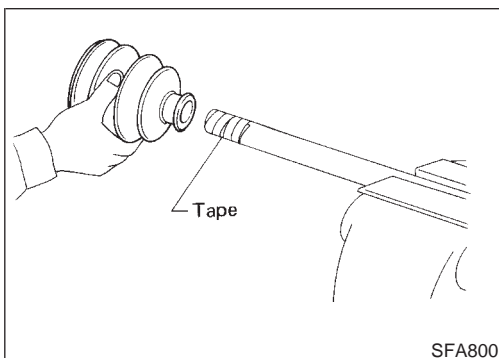
Make sure wheel bearing rolls freely and is free from noise, cracks, pitting or wear.

### Support Bearing Bracket

Check support bearing bracket for cracks with a magnetic exploration or dyeing test.

## ASSEMBLY

- After drive shaft has been assembled, ensure that it moves smoothly over its entire range without binding.
- Use NISSAN GENUINE GREASE or equivalent after every overhaul.



### Wheel Side

1. Install boot and new small boot band on drive shaft. Cover drive shaft serration with tape so as not to damage boot during installation.

GI

MA

EM

LC

EC

FE

AT

AX

SU

BR

ST

RS

BT

HA

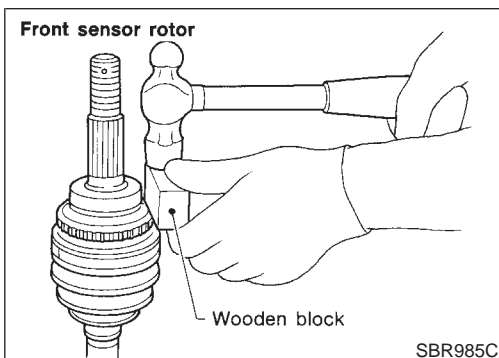
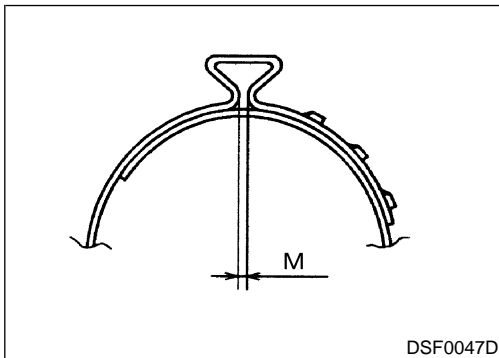
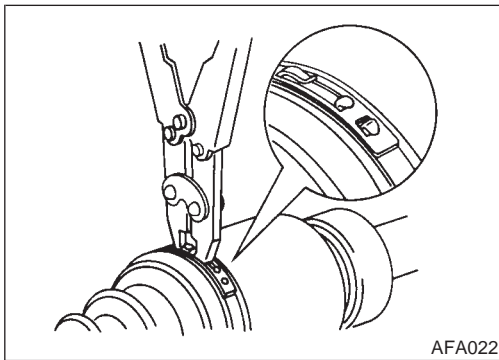
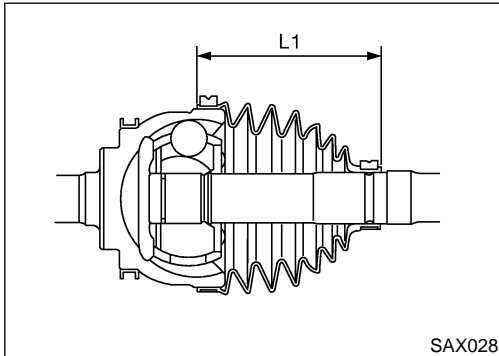
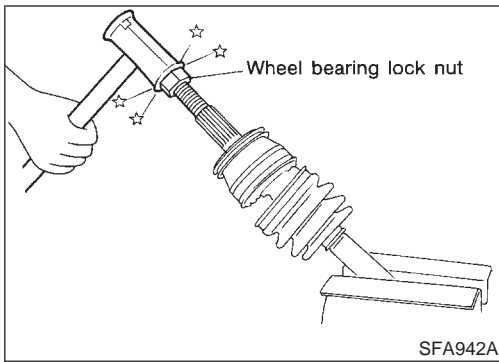
SC

EL

IDX

# FRONT AXLE

## Drive Shaft (Cont'd)



2. Set joint assembly onto drive shaft by lightly tapping it. Install joint assembly securely, ensuring marks which were made during disassembly are properly aligned.

3. Pack drive shaft with specified amount of grease.

**Specified amount of grease:**  
**115 - 125 g (4.06 - 4.41 oz)**

4. Make sure that boot is properly installed on the drive shaft groove. Set boot so that it does not swell and deform when its length is "L<sub>1</sub>".

**Length "L<sub>1</sub>":**  
**103 mm (4.06 in)**

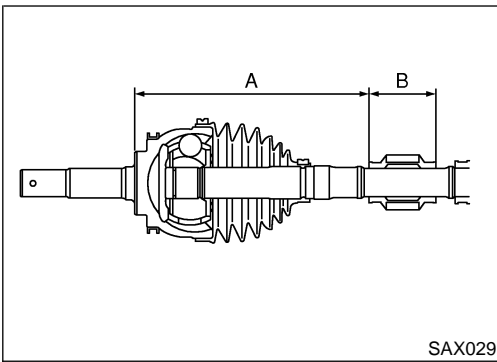
5. Lock new larger and smaller boot bands securely with a suitable tool.

### CAUTION:

Fix boot band so that dimension "M" in figure is within specification below.

**Dimension "M":**  
**Large-diameter side:**  
**2.0 - 3.0 mm (0.079 - 0.118 in)**  
**Small-diameter side:**  
**2.0 - 3.0 mm (0.079 - 0.118 in)**

6. Install the sensor rotor. For front sensor rotor, use hammer and wooden block. For rear sensor rotor, use suitable drift and press.
  - Always replace sensor rotor with new one.



## Dynamic Damper

NHAX0019S02

1. Use new damper bands when installing.
2. Install dynamic damper from stationary-joint side while holding it securely.

### Length:

“A”: 205 - 215 mm (8.07 - 8.46 in)

“B”: 50 mm (1.97 in)

GI

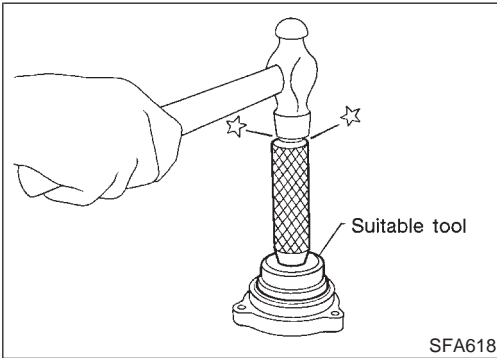
MA

## Transaxle Side

NHAX0019S03

The joint on the transaxle side cannot be disassembled.

EM



## Support Bearing

NHAX0019S04

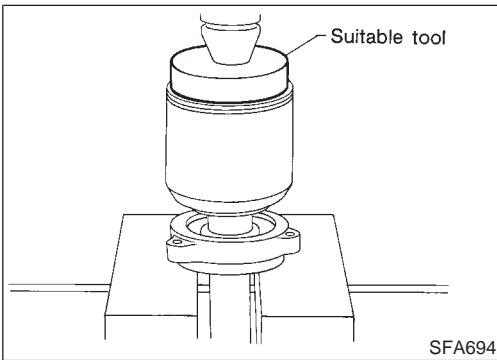
- Press bearing into retainer.
- Install snap ring.
- Install support bearing dust shield.

LC

EC

FE

AT



- Press drive shaft into bearing.

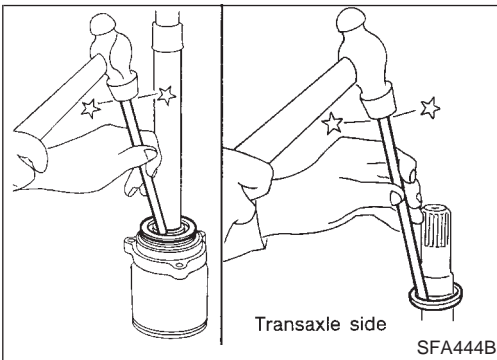
**AX**

SU

BR

ST

RS



- Install snap ring.
- Install support bearing dust shield.
- Install dust shield.

BT

HA

SC

EL

## Service Data and Specifications (SDS)

### DRIVE SHAFT

NHAX0020

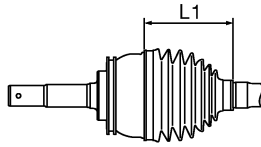
IDX

Applied model			All
Joint type	Transaxle side		SS86
	Wheel side		ZF100
	Quality		Nissan genuine grease or equivalent
Grease	Capacity g (oz)	Wheel side	115 - 125 (4.06 - 4.41)
Boot length mm (in)	Wheel side “L <sub>1</sub> ”		103 (4.06)

# FRONT AXLE

Service Data and Specifications (SDS) (Cont'd)

Applied model	All
---------------	-----



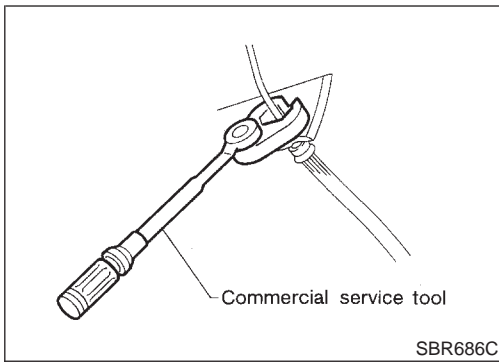
SAX030

## WHEEL BEARING (FRONT)

NHAX0021

Wheel bearing axial end play limit mm (in)	Less than 0.05 (0.0020)
Wheel bearing lock nut tightening torque N·m (kg·m, ft·lb)	255 - 333 (26 - 34, 188 - 245)





## Precautions

### PRECAUTIONS

- When installing each rubber part, final tightening must be carried out under unladen condition\* with tires on ground. \*: Fuel, radiator coolant and engine oil full. Spare tire, jack, hand tools and mats in designated positions.
- Use flare nut wrench when removing or installing brake tubes.
- After installing removed suspension parts, check wheel alignment.
- Do not jack up at the trailing arm and lateral link.
- Always torque brake lines when installing.

NHAX0022

GI

MA

EM

LC

EC

FE

AT

AX

## Preparation

### SPECIAL SERVICE TOOLS

The actual shapes of Kent-Moore tools may differ from those of special service tools illustrated here.

NHAX0032

Tool number (Kent-Moore No.) Tool name	Description
ST15310000 ( — ) Drift	<p>Install ABS sensor rotor                      a: 84 mm (3.31 in) dia.                      b: 96 mm (3.78 in) dia.                      c: 8 mm (0.31 in)                      d: 20 mm (0.79 in)</p> <p>NT607</p>

SU

BR

ST

RS

BT

### COMMERCIAL SERVICE TOOLS

NHAX0024

Tool name	Description
GG94310000 1 Flare nut crowfoot 2 Torque wrench	<p>Removing and installing brake piping                      a: 10 mm (0.39 in)</p> <p>NT360</p>
Drift	<p>Install ABS sensor rotor                      a: 75 mm (2.95 in) dia.                      b: 62 mm (2.44 in) dia.</p> <p>NT371</p>

HA

SC

EL

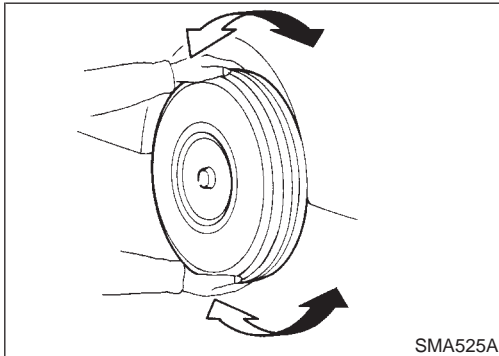
IDX

## REAR AXLE

Noise, Vibration and Harshness (NVH) Troubleshooting

### Noise, Vibration and Harshness (NVH) Troubleshooting

Refer to "Noise, Vibration and Harshness (NVH) Troubleshooting", "FRONT AXLE", AX-3. NHAX0025

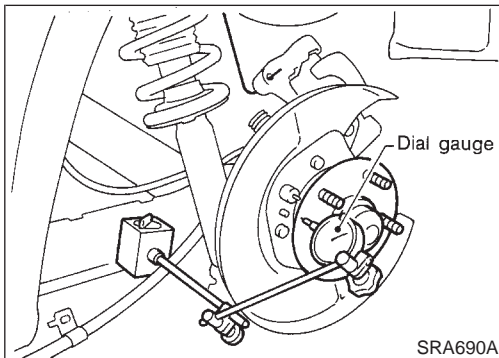


#### On-vehicle Service

##### REAR AXLE PARTS

Check axle and suspension parts for excessive play, wear or damage. NHAX0026

- Shake each rear wheel to check for excessive play.

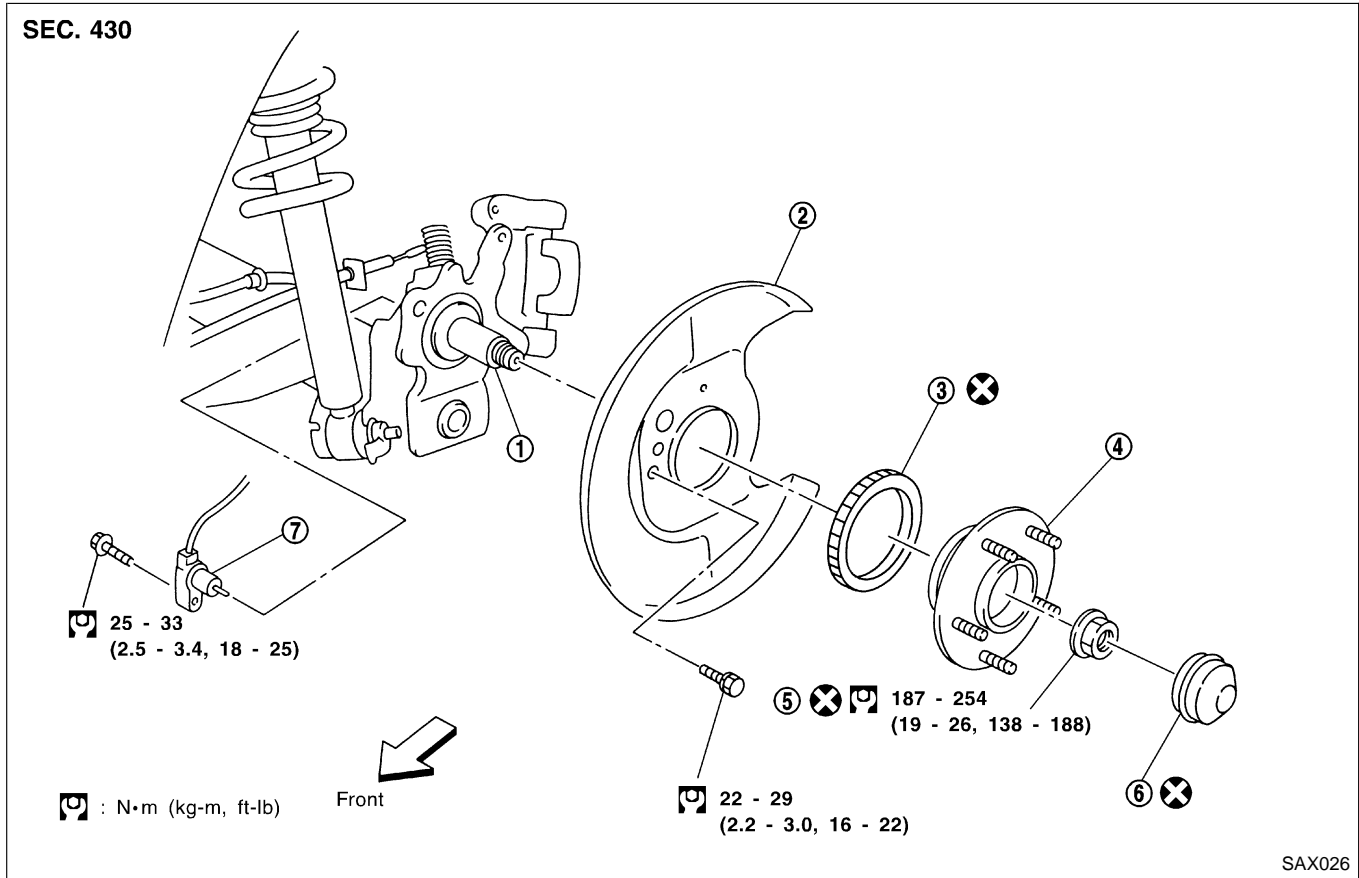


##### REAR WHEEL BEARING

- Check axial end play.  
**Axial end play:**  
**Less than 0.05 mm (0.0020 in)**
- Check that wheel hub bearings operate smoothly.
- Check tightening torque of wheel bearing lock nut.  
**⚙️ : 187 - 254 N·m (19 - 26 kg-m, 138 - 188 ft-lb)**
- Replace wheel bearing assembly if there is axial end play or wheel bearing does not turn smoothly. Refer to "Wheel Hub", "REAR AXLE", AX-19. NHAX0027

Wheel Hub  
COMPONENTS

NHAX0028



- |                     |                           |               |
|---------------------|---------------------------|---------------|
| 1. Spindle          | 4. Wheel hub bearing      | 6. Hub cap    |
| 2. Baffle plate     | 5. Wheel bearing lock nut | 7. ABS sensor |
| 3. ABS sensor rotor |                           |               |

REMOVAL

NHAX0029

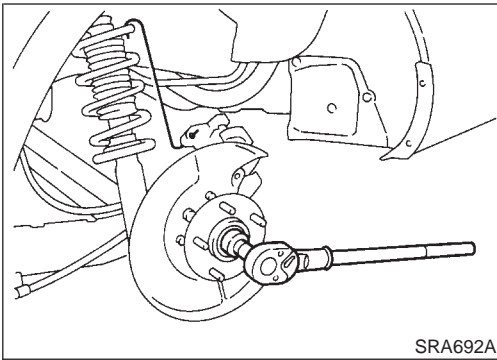
**CAUTION:**

- Before removing the rear wheel hub assembly, disconnect the ABS wheel sensor from the assembly. Then move it away from the hub assembly. Failure to do so may result in damage to the sensor wires and the sensor becoming inoperative.
- Wheel hub bearing does not require maintenance. If any of the following symptoms are noted, replace wheel hub bearing assembly.
  - 1) Growling noise is emitted from wheel hub bearing during operation.
  - 2) Wheel hub bearing drags or turns roughly. This occurs when turning hub by hand after bearing lock nut is tightened to specified torque.

GI  
MA  
EM  
LC  
EC  
FE  
AT  
AX  
SU  
BR  
ST  
RS  
BT  
HA  
SC  
EL  
IDX

## REAR AXLE

### Wheel Hub (Cont'd)

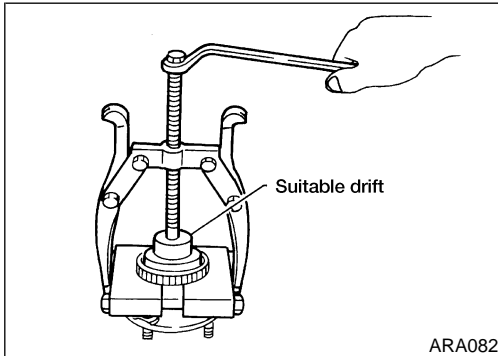


1. Remove brake caliper assembly.
2. Remove wheel bearing lock nut.
3. Remove brake rotor.
4. Remove wheel hub bearing from spindle.

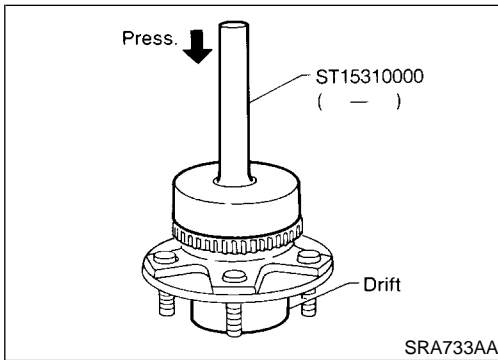
**Brake hose does not need to be disconnected from brake caliper.**

**Suspend caliper assembly with wire so as not to stretch brake hose.**

**Be careful not to depress brake pedal, or piston will pop out. Make sure brake hose is not twisted.**



5. Remove the sensor rotor using suitable puller, drift and bearing replacer.

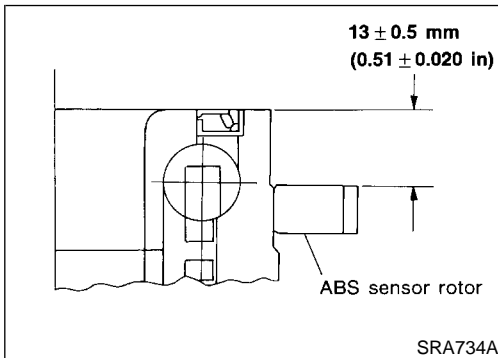


### INSTALLATION

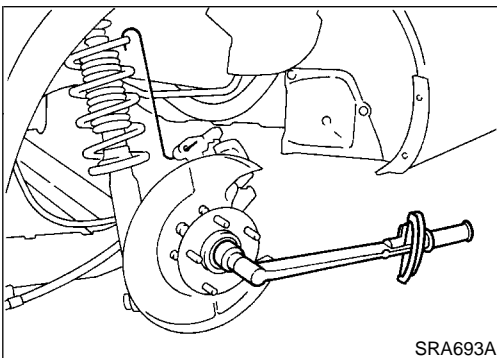
NHAX0030

- With vehicles equipped with ABS, press-fit ABS sensor rotor into wheel hub bearing using a drift.

**Do not reuse ABS sensor rotor. When installing, replace it with a new one.**



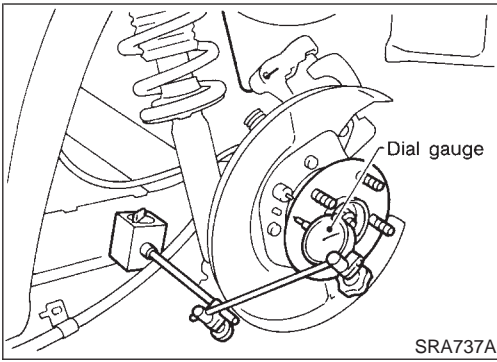
- Press-fit ABS sensor rotor as far as the location shown in figure at left.



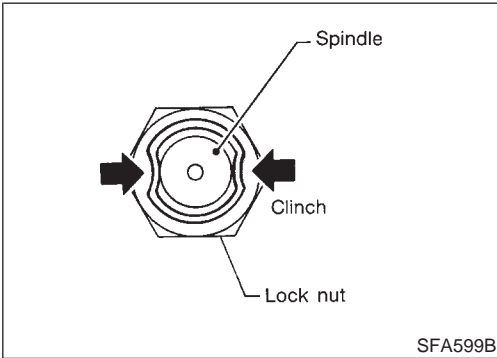
- Install wheel hub bearing.
- Tighten wheel bearing lock nut.  
Before tightening, apply oil to threaded portion of rear spindle.  
**Do not reuse wheel bearing lock nut.**  
**⚙️ : 187 - 254 N-m (19 - 26 kg-m, 138 - 188 ft-lb)**
- Check that wheel bearings operate smoothly.

# REAR AXLE

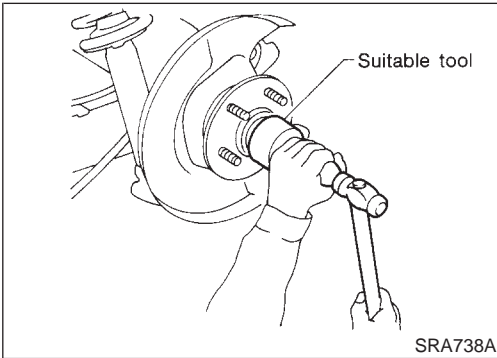
Wheel Hub (Cont'd)



- Check wheel hub bearing axial end play.  
**Axial end play:**  
**Less than 0.05 mm (0.0020 in)**



- Clinch two places of lock nut.



- Install hub cap using a suitable tool.  
**Do not reuse hub cap. When installing, replace it with a new one.**

GI

MA

EM

LC

EC

FE

AT

**AX**

SU

BR

ST

RS

BT

HA

SC

EL

IDX

# REAR AXLE

*Service Data and Specifications (SDS)*

## Service Data and Specifications (SDS) WHEEL BEARING (REAR)

=NHAX0031

Wheel bearing axial end play limit mm (in)	Less than 0.05 (0.0020)
Wheel bearing lock nut tightening torque N-m (kg-m, ft-lb)	187 - 254 (19 - 26, 138 - 188)