

# SECTION MA

GH

MA

EM

LC

EC

FE

CL

MT

AT

FA

RA

BR

ST

RS

BT

HA

EL

IDX

## CONTENTS

<b>PRECAUTIONS AND PREPARATION</b> .....2	Checking EVAP Vapor Lines .....16
Supplemental Restraint System (SRS) "AIR BAG" .....2	<b>CHASSIS AND BODY MAINTENANCE</b> .....17
Special Service Tool .....2	Checking Exhaust System.....17
<b>GENERAL MAINTENANCE</b> .....3	Checking Clutch Fluid Level and Leaks.....17
<b>PERIODIC MAINTENANCE</b> .....5	Checking M/T Oil .....17
Schedule 1 .....6	Changing M/T Oil.....17
Schedule 2 .....7	Checking A/T Fluid .....18
<b>RECOMMENDED FLUIDS AND LUBRICANTS</b> .....8	Changing A/T Fluid .....18
Fluids and Lubricants .....8	Balancing Wheels .....19
SAE Viscosity Number .....8	Tire Rotation .....19
Anti-freeze Coolant Mixture Ratio .....9	Checking Brake Fluid Level and Leaks.....19
<b>ENGINE MAINTENANCE</b> .....10	Checking Brake Lines and Cables .....19
Checking Drive Belts .....10	Checking Disc Brake .....19
Changing Engine Coolant.....11	Checking Steering Gear and Linkage .....20
Checking Fuel Lines .....12	Checking Power Steering Fluid and Lines .....20
Changing Fuel Filter .....12	Lubricating Locks, Hinges and Hood Latches.....21
Changing Air Cleaner Filter .....13	Checking Seat Belts, Buckles, Retractors, Anchors and Adjusters.....21
Changing Engine Oil.....14	<b>SERVICE DATA AND SPECIFICATIONS (SDS)</b> .....22
Changing Oil Filter.....14	Engine Maintenance .....22
Changing Spark Plugs.....15	Chassis and Body Maintenance.....22

## PRECAUTIONS AND PREPARATION

### Supplemental Restraint System (SRS) "AIR BAG"

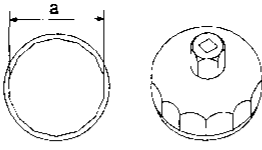
The Supplemental Restraint System "AIR BAG", used along with a seat belt, helps to reduce the risk or severity of injury to the driver and front passenger in a frontal collision. The Supplemental Restraint System consists of air bag modules (located in the center of the steering wheel and on the instrument panel on the passenger side), a diagnosis sensor unit, warning lamp, wiring harness and spiral cable. If the vehicle is equipped with side air bags as the Supplemental Restraint System, the side air bag used along with the seat belt helps to reduce the risk or severity of injury to the driver and front passenger in a side collision. The side air bag consists of air bag modules (located in the outer side of front seats), satellite sensor, diagnosis sensor unit (which is one of components of air bags for a frontal collision), wiring harness, warning lamp (which is one of components of air bags for a frontal collision). Information necessary to service the system safely is included in the **RS section** in this Service Manual.

#### WARNING:

- **To avoid rendering the SRS inoperative, which could increase the risk of personal injury or death in the event of a collision which would result in air bag inflation, all maintenance must be performed by an authorized NISSAN dealer.**
- **Improper maintenance, including incorrect removal and installation of the SRS, can lead to personal injury caused by unintentional activation of the system.**
- **Do not use electrical test equipment on any circuit related to the SRS unless instructed to in this Service Manual. SRS wiring harnesses can be identified with yellow harness protector or yellow insulation tape before the harness connectors.**

### Special Service Tool

The actual shapes of Kent-Moore tools may differ from these of special service tools illustrated here.

Tool number (Kent-Moore No.) Tool name	Description
KV10115801 (J38956) Oil filter wrench	 NT375 a: 64.3 mm (2.531 in)

## GENERAL MAINTENANCE

General maintenance includes those items which should be checked during normal day-to-day operation of the vehicle. They are essential if the vehicle is to continue operating properly. The owners can perform checks and inspections themselves or have their NISSAN dealers do them.

Item	Reference page	
<b>OUTSIDE THE VEHICLE</b>		
The maintenance items listed here should be performed from time to time, unless otherwise specified.		
<b>Tires</b> Check the pressure with a gauge periodically when at a service station, including the spare, and adjust to the specified pressure if necessary. Check carefully for damage, cuts or excessive wear.	—	GI <b>MA</b> EM
<b>Wheel nuts</b> When checking the tires, make sure no nuts are missing, and check for any loose nuts. Tighten if necessary.	—	LC
<b>Tire rotation</b> Tires should be rotated every 12,000 km (7,500 miles).	MA-19	EC
<b>Wheel alignment and balance</b> If the vehicle pulls to either side while driving on a straight and level road, or if you detect uneven or abnormal tire wear, there may be a need for wheel alignment. If the steering wheel or seat vibrates at normal highway speeds, wheel balancing may be needed.	MA-19 FA-7	FE
<b>Windshield wiper blades</b> Check for cracks or wear if they do not wipe properly.	—	CL
<b>Doors and engine hood</b> Check that all doors and the engine hood operate smoothly as well as the trunk lid or back hatch. Also make sure that all latches lock securely. Lubricate if necessary. Make sure that the secondary latch keeps the hood from opening when the primary latch is released.	MA-21	MT
When driving in areas using road salt or other corrosive materials, check lubrication frequently.		
<b>INSIDE THE VEHICLE</b>		
The maintenance items listed here should be checked on a regular basis, such as when performing periodic maintenance, cleaning the vehicle, etc.		
<b>Lights</b> Make sure that the headlights, stop lights, tail lights, turn signal lights, and other lights are all operating properly and installed securely. Also check headlight aim.	—	AT FA
<b>Warning lights and buzzers/chimes</b> Make sure that all warning lights and buzzers/chimes are operating properly.	—	RA
<b>Windshield wiper and washer</b> Check that the wipers and washer operate properly and that the wipers do not streak.	—	BR
<b>Windshield defroster</b> Check that air comes out of the defroster outlets properly and in good quantity when operating the heater or air conditioner.	—	ST
<b>Steering wheel</b> Check that it has the specified play. Be sure to check for changes in the steering condition, such as excessive play, hard steering or strange noises.	—	RS
<b>Free play: Less than 35 mm (1.38 in)</b>		
<b>Seats</b> Check seat position controls such as seat adjusters, seatback recliner, etc. to make sure they operate smoothly and that all latches lock securely in every position. Check that the head restraints move up and down smoothly and that the locks (if equipped) hold securely in all latched positions. Check that the latches lock securely for folding-down rear seatbacks.	—	BT
<b>Seat belts</b> Check that all parts of the seat belt system (e.g. buckles, anchors, adjusters and retractors) operate properly and smoothly, and are installed securely. Check the belt webbing for cuts, fraying, wear or damage.	MA-21 RS-5	HA

EL

IDX

## GENERAL MAINTENANCE

Item	Reference page
<b>Clutch pedal</b> Make sure the pedal operates smoothly and check that it has the proper free play.	CL-5
<b>Brakes</b> Check that the brake does not pull the vehicle to one side when applied.	—
<b>Brake pedal</b> Check the pedal for smooth operation and make sure it has the proper distance under it when depressed fully. Check the brake booster function. Be sure to keep the floor mats away from the pedal.	BR-7, 10
<b>Parking brake</b> Check that the lever has the proper travel and make sure that the vehicle is held securely on a fairly steep hill when only the parking brake is applied.	BR-22
<b>Automatic transaxle "Park position" mechanism</b> Check that the lock release button on the selector lever operates properly and smoothly. On a fairly steep hill check that the vehicle is held securely with the selector lever in the "P" position without applying any brakes.	—
<b>UNDER THE HOOD AND VEHICLE</b>	
The maintenance items listed here should be checked periodically (e.g. each time you check the engine oil or refuel).	
<b>Windshield washer fluid</b> Check that there is adequate fluid in the tank.	—
<b>Engine coolant level</b> Check the coolant level when the engine is cold.	MA-11
<b>Radiator and hoses</b> Check the front of the radiator and clean off any dirt, insects, leaves, etc., that may have accumulated. Make sure the hoses have no cracks, deformation, deterioration or loose connections.	—
<b>Brake and clutch fluid levels</b> Make sure that the brake and clutch fluid levels are between the "MAX" and "MIN" lines on the reservoir.	MA-17, 19
<b>Battery</b> Check the fluid level in each cell. It should be between the "MAX" and "MIN" lines.	—
<b>Engine drive belts</b> Make sure that no belt is frayed, worn, cracked or oily.	MA-10
<b>Engine oil level</b> Check the level on the dipstick after parking the vehicle on a level spot and turning off the engine.	MA-14
<b>Power steering fluid level and lines</b> Check the level in the reservoir tank with the engine off. Check the lines for proper attachment, leaks, cracks, etc.	MA-20
<b>Automatic transaxle fluid level</b> Check the level on the dipstick after putting the selector lever in "P" with the engine idling.	MA-18
<b>Exhaust system</b> Make sure there are no loose supports, cracks or holes. If the sound of the exhaust seems unusual or there is a smell of exhaust fumes, immediately locate the trouble and correct it.	MA-17
<b>Underbody</b> The underbody is frequently exposed to corrosive substances such as those used on icy roads or to control dust. It is very important to remove these substances, otherwise rust will form on the floor pan, frame, fuel lines and around the exhaust system. At the end of winter, the underbody should be thoroughly flushed with plain water, being careful to clean those areas where mud and dirt can easily accumulate.	—
<b>Fluid leaks</b> Check under the vehicle for fuel, oil, water or other fluid leaks after the vehicle has been parked for a while. Water dripping from the air conditioner after use is normal. If you should notice any leaks or gasoline fumes are evident, check for the cause and correct it immediately.	—

# PERIODIC MAINTENANCE

Two different maintenance schedules are provided, and should be used, depending upon the conditions in which the vehicle is mainly operated. **After 60,000 miles (96,000 km) or 48 months, continue the periodic maintenance at the same mileage/time intervals.**

## SCHEDULE 1

Follow Periodic Maintenance Schedule 1 if your driving habits frequently includes one or more of the following driving conditions:

- Repeated short trips of less than 5 miles (8 km).
- Repeated short trips of less than 10 miles (16 km) with outside temperatures remaining below freezing.
- Operating in hot weather in stop-and-go "rush hour" traffic.
- Extensive idling and/or low speed driving for long distances, such as police, taxi or door-to-door delivery use.
- Driving in dusty conditions.
- Driving on rough, muddy, or salt spread roads.
- Towing a trailer, using a camper or a car-top carrier.

## SCHEDULE 2

Follow Periodic Maintenance Schedule 2 if none of the driving conditions shown in Schedule 1 apply to your driving habits.

GI

MA

EM

LC

EC

FE

CL

MT

AT

FA

RA

BR

ST

RS

BT

HA

EL

IDX

Schedule 1

Abbreviations: R = Replace. I = Inspect. Correct or replace if necessary. [ ]: At the mileage intervals only

MAINTENANCE OPERATION	MAINTENANCE INTERVAL												Reference page						
	Miles x 1,000	3.75	7.5	11.25	15	18.75	22.5	26.25	30	33.75	37.5	41.25		45	48.75	52.5	56.25	60	
Perform at number of miles, kilometers or months, whichever comes first.		(6)	(12)	(18)	(24)	(30)	(36)	(42)	(48)	(54)	(60)	(66)	(72)	(78)	(84)	(90)	(96)		
Months	3	6	9	12	15	18	21	24	27	30	33	36	39	42	45	48			
<b>Emission control system maintenance</b>																			
Drive belts	See NOTE (1)																	I*	MA-10
Air cleaner filter	See NOTE (2)																	[R]	MA-13
EVAP vapor lines																		I*	MA-16
Fuel lines																		I*	MA-12
Fuel filter	See NOTE (3)*																		MA-12
Engine coolant	See NOTE (4)																	R*	MA-11
Engine oil	R	R	R	R	R	R	R	R	R	R	R	R	R	R	R	R	R	MA-14	
Engine oil filter (Use part No. 15208-31U00 or equivalent.)	R	R	R	R	R	R	R	R	R	R	R	R	R	R	R	R	R	MA-14	
Spark plugs (Use PLATINUM-TIPPED type.)																		[R]	MA-15
Intake & exhaust valve clearance	See NOTE (5)																		
<b>Chassis and body maintenance</b>																			
Brake lines & cables																		I	MA-19
Brake pads & discs																		I	MA-19, 20
Manual transaxle oil & automatic transaxle fluid	See NOTE (6)																	I	MA-17, 18
Steering gear & linkage, axle & suspension parts																		I	MA-20, FA-6, RA-5
Exhaust system																		I	MA-17
Drive shaft boots																		I	FA-8
Air bag system	See NOTE (7)																		RS-10

**NOTE: (1)** After 60,000 miles (96,000 km) or 48 months, inspect every 15,000 miles (24,000 km) or 12 months.  
**(2)** If operating mainly in dusty conditions, more frequent maintenance may be required.  
**(3)** If vehicle is operated under extremely adverse weather conditions or in areas where ambient temperatures are either extremely low or extremely high, the filters might become clogged. In such an event, replace them immediately.  
**(4)** After 60,000 miles (96,000 km) or 48 months, replace every 30,000 miles (48,000 km) or 24 months.  
**(5)** If valve noise increases, inspect valve clearance.  
**(6)** If towing a trailer, using a camper or a car-top carrier, or driving on rough or muddy roads, change (not just inspect) oil at every 30,000 miles (48,000 km) or 24 months.  
**(7)** Inspect the air bag system 10 years after the date of manufacture noted on the FMVSS certification label.  
 ★ Maintenance items and intervals with "★" are recommended by NISSAN for reliable vehicle operation. The owner need not perform such maintenance in order to maintain the emission warranty or manufacturer recall liability. Other maintenance items and intervals are required.

Schedule 2

Abbreviations: R = Replace. I = Inspect. Correct or replace if necessary. [ ]: At the mileage intervals only

MAINTENANCE OPERATION		MAINTENANCE INTERVAL											Reference page	
		7.5	15	22.5	30	37.5	45	52.5	60					
	Miles x 1,000	(12)	(24)	(36)	(48)	(60)	(72)	(84)	(96)					
	Months	6	12	18	24	30	36	42	48					
<b>Emission control system maintenance</b>														
Drive belts	See NOTE (1)									I*				MA-10
Air cleaner filter				[R]						[R]				MA-13
EVAP vapor lines				I*						I*				MA-16
Fuel lines				I*						I*				MA-12
Fuel filter	See NOTE (2)*													MA-12
Engine coolant	See NOTE (3)									R*				MA-11
Engine oil		R	R	R	R	R	R	R	R	R	R	R	R	MA-14
Engine oil filter (Use part No. 15208-31U00 or equivalent.)		R	R	R	R	R	R	R	R	R	R	R	R	MA-14
Spark plugs (Use PLATINUM-TIPPED type.)										[R]				MA-15
Intake & exhaust valve clearance	See NOTE (4)													
<b>Chassis and body maintenance</b>														
Brake lines & cables		I	I	I	I	I	I	I	I	I	I	I	I	MA-19
Brake pads & discs		I	I	I	I	I	I	I	I	I	I	I	I	MA-19, 20
Manual transaxle oil & automatic transaxle fluid		I	I	I	I	I	I	I	I	I	I	I	I	MA-17, 18
Steering gear linkage, axle & suspension parts		I	I	I	I	I	I	I	I	I	I	I	I	MA-20, FA-6, RA-5
Exhaust system		I	I	I	I	I	I	I	I	I	I	I	I	MA-17
Drive shaft boots		I	I	I	I	I	I	I	I	I	I	I	I	FA-8
Air bag system	See NOTE (5)													RS-10

**NOTE:** (1) After 60,000 miles (96,000 km) or 48 months, inspect every 15,000 miles (24,000 km) or 12 months.  
 (2) If vehicle is operated under extremely adverse weather conditions or in areas where ambient temperatures are either extremely low or extremely high, the filters might become clogged. In such an event, replace them immediately.  
 (3) After 60,000 miles (96,000 km) or 48 months, replace every 30,000 miles (48,000 km) or 24 months.  
 (4) If valve noise increases, inspect valve clearance.  
 (5) Inspect the air bag system 10 years after the date of manufacture noted on the FMVSS certification label.  
 ★ Maintenance items and intervals with "\*" are recommended by NISSAN for reliable vehicle operation. The owner need not perform such maintenance in order to maintain the emission warranty or manufacturer recall liability. Other maintenance items and intervals are required.

# RECOMMENDED FLUIDS AND LUBRICANTS

## Fluids and Lubricants

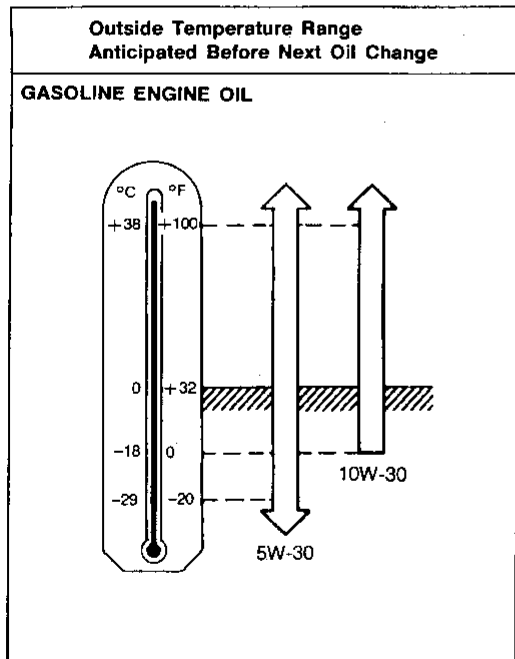
	Capacity (Approximate)			Recommended fluids and lubricants
	US measure	Imp measure	Liter	
Engine oil (Refill)				
With oil filter	4-1/4 qt	3-1/2 qt	4.0	<ul style="list-style-type: none"> <li>• API SG or SH and Energy Conserving II*1</li> <li>• API Certification Mark*1</li> </ul>
Without oil filter	3-7/8 qt	3-1/4 qt	3.7	
Cooling system				
With reservoir	9 qt	7-1/2 qt	8.5	Anti-freeze coolant (Ethylene glycol base)
Reservoir	7/8 qt	3/4 qt	0.8	
Manual transaxle gear oil				
RS5F50V	9-1/8 - 9-1/2 pt	7-5/8 - 7-7/8 pt	4.3 - 4.5	API GL-4, Viscosity SAE 80W-90 only
RS5F50A	9-1/2 - 10-1/8 pt	7-7/8 - 8-1/2 pt	4.5 - 4.8	API GL-4, Viscosity SAE 80W-90 only
Automatic transaxle fluid				
RE4F04A/V	10 qt	8-1/4 qt	9.4	Nissan Matic "D" (Continental U.S. and Alaska) or Genuine Nissan Automatic Transmission Fluid (Canada)*2
Power steering fluid	---	---	---	Type DEXRON™ III or equivalent
Brake & Clutch fluid	---	---	---	Genuine Nissan Brake Fluid*3 or equivalent DOT 3 (US FMVSS No. 116)
Multi-purpose grease	---	---	---	NLGI No. 2 (Lithium soap base)

\*1: For further details, see "SAE Viscosity Number".

\*2: Dexron™ III/Mercon™ or equivalent may also be used. Outside the continental United States and Alaska contact a NISSAN dealership for more information regarding suitable fluids, including recommended brand(s) of Dexron™ III/Mercon™ Automatic Transmission Fluid.

\*3: For more information regarding suitable fluids, contact a NISSAN dealership.

## SAE Viscosity Number



SAE 5W-30 viscosity oil is preferred for all temperatures. SAE 10W-30 viscosity oil may be used if the ambient temperature is above -18°C (0°F).



## Anti-freeze Coolant Mixture Ratio

The engine cooling system is filled at the factory with a high-quality, year-round, anti-freeze coolant solution. The anti-freeze solution contains rust and corrosion inhibitors. Therefore, additional cooling system additives are not necessary.

**CAUTION:**

**When adding or replacing coolant, be sure to use only an ethylene glycol anti-freeze with the proper mixture ratio of 50% anti-freeze and 50% soft water.**

Outside temperature down to		Anti-freeze	Soft water
°C	°F		
-35	-30	50%	50%

Other types of coolant solutions may damage the cooling system.

GI

MA

EM

LC

EC

FE

CL

MT

AT

FA

RA

BR

ST

RS

BT

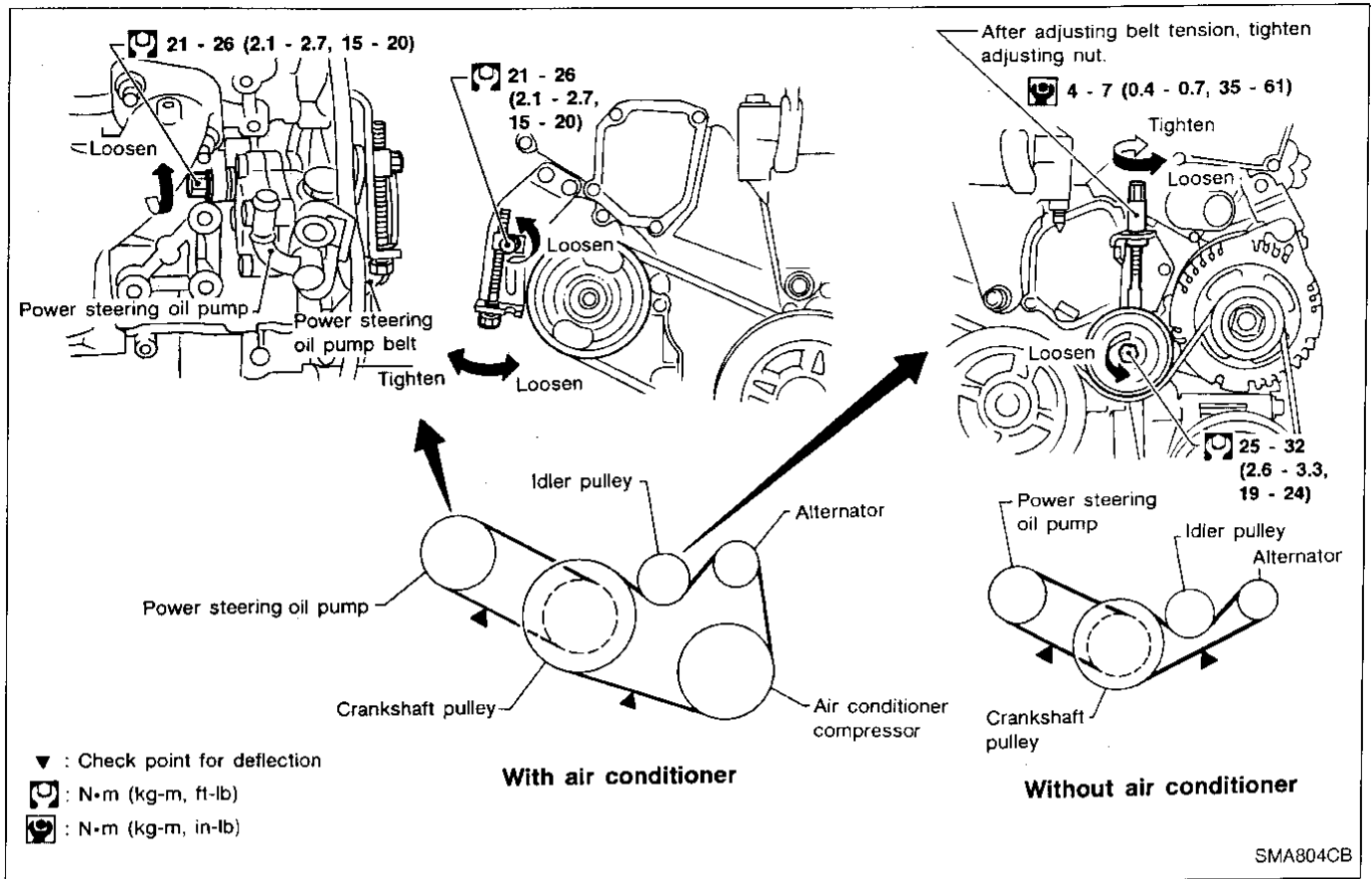
HA

EL

IDX

# ENGINE MAINTENANCE

## Checking Drive Belts



1. Inspect for cracks, fraying, wear or oil. If necessary, replace with a new one.
2. Inspect drive belt deflections by pushing midway between pulleys.

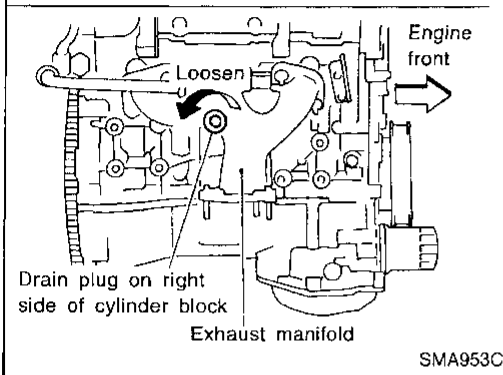
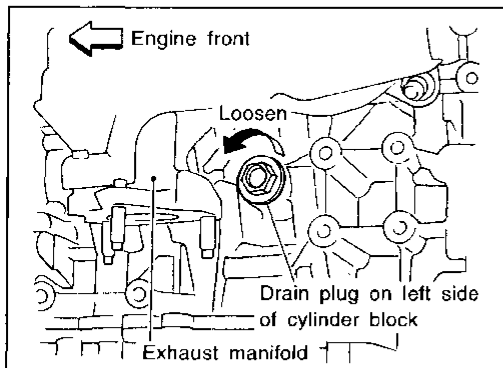
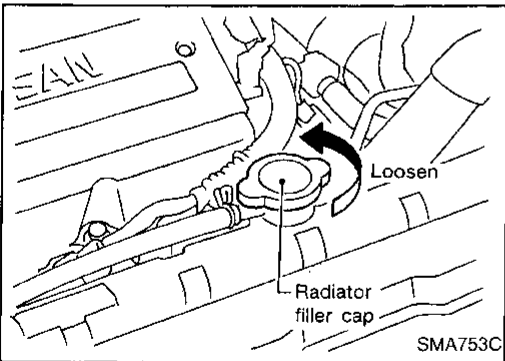
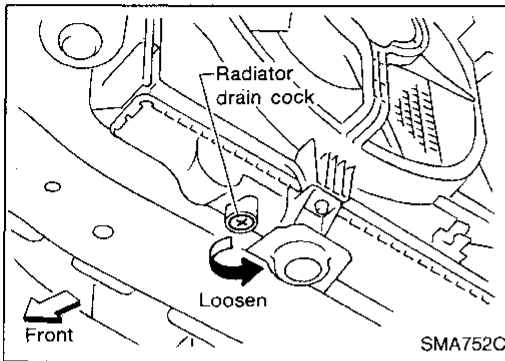
**Inspect drive belt deflections when engine is cold.**

**Adjust if belt deflections exceed the limit.**

**Belt deflection:**

Unit: mm (in)

Drive belts	Used belt deflection		Deflection of new belt
	Limit	Deflection after adjustment	
Alternator			
With air conditioner compressor	7 (0.28)	4.2 - 4.6 (0.165 - 0.181)	3.8 - 4.1 (0.150 - 0.161)
Without air conditioner compressor	10 (0.39)	6.3 - 6.9 (0.248 - 0.272)	5.8 - 6.2 (0.228 - 0.244)
Power steering oil pump	11 (0.43)	7.3 - 8 (0.287 - 0.315)	6.5 - 7 (0.256 - 0.276)
Applied pushing force	98 N (10 kg, 22 lb)		



## Changing Engine Coolant

### WARNING:

To avoid the danger of being scalded, never change the coolant when the engine is hot.

1. Open radiator drain cock at the bottom of radiator, and remove radiator filler cap.
2. Remove reservoir tank, drain coolant, then clean reservoir tank. Install it temporarily.
  - **Be careful not to allow coolant to contact drive belts.**

3. Open drain plugs on both sides of cylinder block.

4. Close and tighten drain plugs securely.
5. Flush cooling system by running fresh water through radiator.
  - **Apply sealant to the drain plug thread.**
    - ⌚: 60 - 66 N·m (6.1 - 6.7 kg-m, 44 - 48 ft-lb) Left side
    - 18 - 22 N·m (1.8 - 2.2 kg-m, 13 - 16 ft-lb) Right side

GI

MA

EM

LC

EC

FE

CL

MT

AT

FA

RA

BR

ST

RS

BT

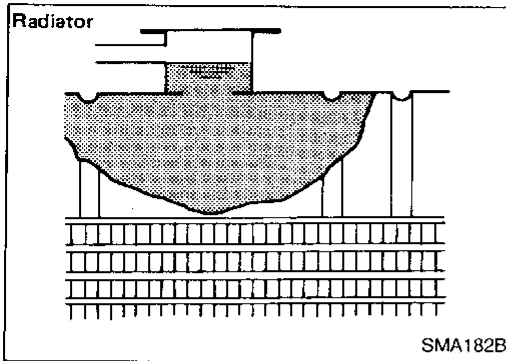
HA

EL

IDX

## ENGINE MAINTENANCE

### Changing Engine Coolant (Cont'd)



- Fill radiator slowly with proper mixture of coolant and water. Fill reservoir tank up to the "H" level. Then install radiator cap.

**Coolant capacity (With reservoir tank):**

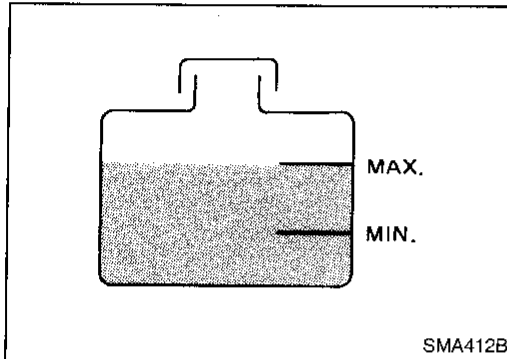
8.5ℓ (9 US qt, 7-1/2 Imp qt)

**Reservoir tank:**

0.8ℓ (7/8 US qt, 3/4 Imp qt)

Pour coolant through coolant filler neck slowly to allow air in system to escape.

Regarding anti-freeze coolant mixture ratio, see MA-9.

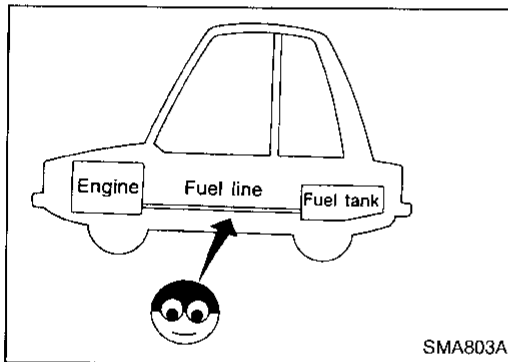


- Start engine and warm it up until it reaches normal operating temperature. Then race engine 2 or 3 times under no-load. Watch coolant temperature gauge for signs of overheating.
- Stop engine. After it completely cools down, refill radiator up to filler opening. Fill reservoir tank up to the "H" level.
- Check drain cock and drain plug for any sign of leakage.

### Checking Fuel Lines

Inspect fuel lines and tank for improper attachment, leaks, cracks, damage, chafing or deterioration.

If necessary, repair or replace.

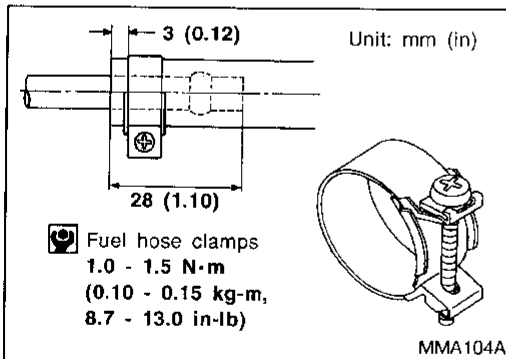


### CAUTION:

Tighten high-pressure rubber hose clamp so that clamp end is 3 mm (0.12 in) from hose end.

Tightening torque specifications are the same for all rubber hose clamps.

Ensure that screw does not contact adjacent parts.



### Changing Fuel Filter

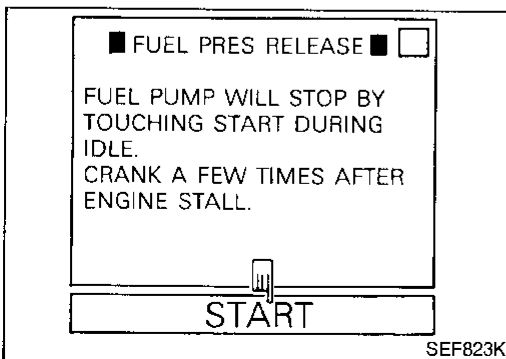
#### WARNING:

Before removing fuel filter, release fuel pressure from fuel line to eliminate danger.



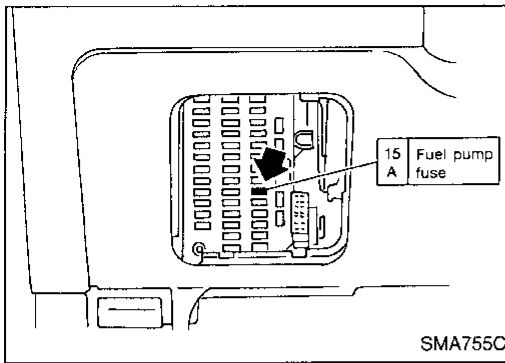
- Start engine.
- Perform "FUEL PRESSURE RELEASE" in "WORK SUPPORT" mode with CONSULT.
- After engine stalls, crank engine two or three times to make sure that fuel pressure is released.
- Turn ignition switch off.

OR

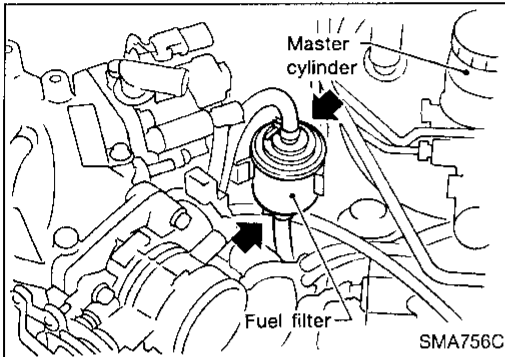


# ENGINE MAINTENANCE

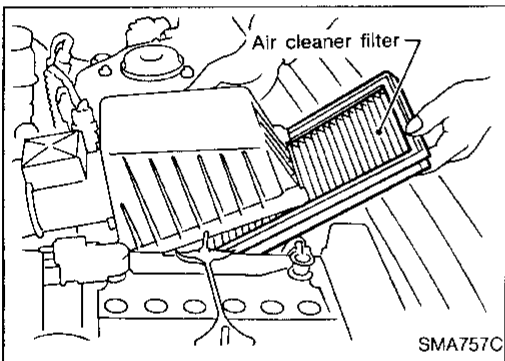
## Changing Fuel Filter (Cont'd)



1. Remove fuel pump fuse.
2. Start engine.
3. After engine stalls, crank engine two or three times to make sure that fuel pressure is released.
4. Turn ignition switch off and install fuel pump fuse.



5. Loosen fuel hose clamps.
  6. Replace fuel filter.
- Be careful not to spill fuel over engine compartment. Place a shop towel to absorb fuel.
  - Use a high-pressure type fuel filter. Do not use a synthetic resinous fuel filter.
  - When tightening fuel hose clamps, refer to "Checking Fuel Lines".



## Changing Air Cleaner Filter

### Viscous paper type

The viscous paper type filter does not need cleaning between renewals.

GI

MA

EM

LC

EC

FE

CL

MT

AT

FA

RA

BR

ST

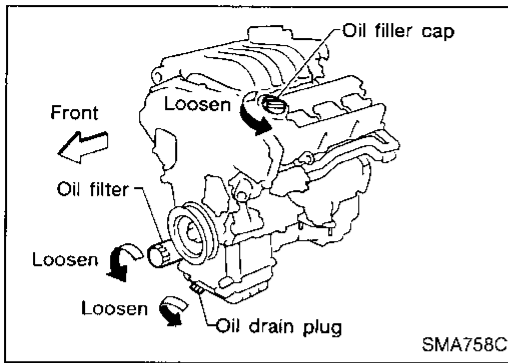
RS

BT

HA

EL

IDX



## Changing Engine Oil

### WARNING:

- Be careful not to burn yourself, as the engine oil is hot.
- Prolonged and repeated contact with used engine oil may cause skin cancer; try to avoid direct skin contact with used oil. If skin contact is made, wash thoroughly with soap or hand cleaner as soon as possible.

1. Warm up engine, and check for oil leakage from engine components.
2. Stop engine and wait for more than 10 minutes.
3. Remove drain plug and oil filler cap.
4. Drain oil and refill with new engine oil.

Oil specification and viscosity

- API SG or SH and Energy Conserving II
- API Certification Mark
- See "RECOMMENDED FLUIDS AND LUBRICANTS", MA-8.

Refill oil capacity (Approximate):


Unit: liter (US qt, Imp qt)

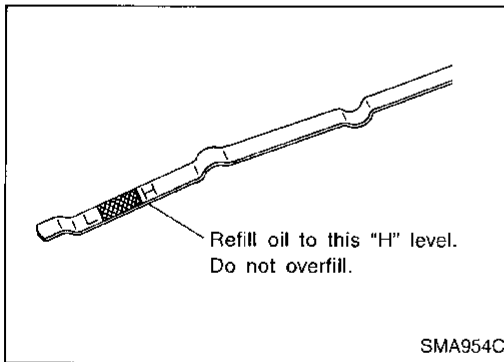
With oil filter change	4.0 (4-1/4, 3-1/2)
Without oil filter change	3.7 (3-7/8, 3-1/4)

### CAUTION:

- Be sure to clean drain plug and install with new washer.

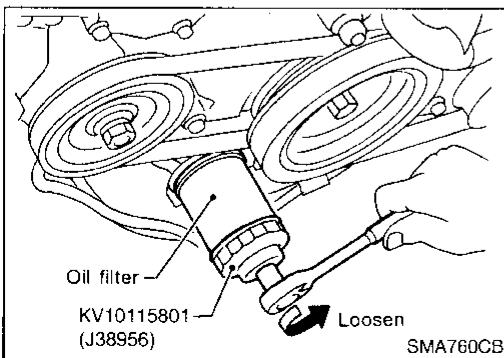
Drain plug:

: 29 - 39 N·m (3.0 - 4.0 kg·m, 22 - 29 ft·lb)



- The refill capacity depends on the oil temperature and drain time; use the "Refill oil capacity" values as a reference and be certain to check with the dipstick when changing the oil.
- Never pull out level gauge while filling engine oil.

5. Warm up engine and check area around drain plug and oil filter for oil leakage.
6. Stop engine and wait for more than 10 minutes.
7. Check oil level.



## Changing Oil Filter

1. The oil filter is a small full-floating cartridge type and is provided with a relief valve.

Refer to LC section ("OIL FILTER").

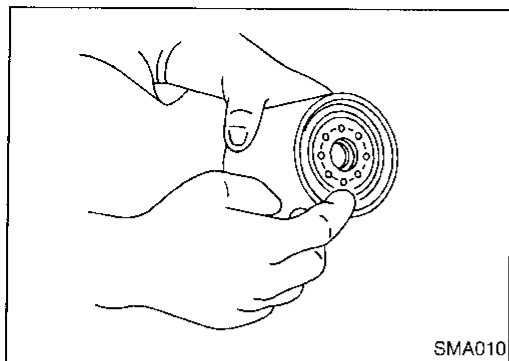
2. Remove oil filter with Tool or suitable tool.

### WARNING:

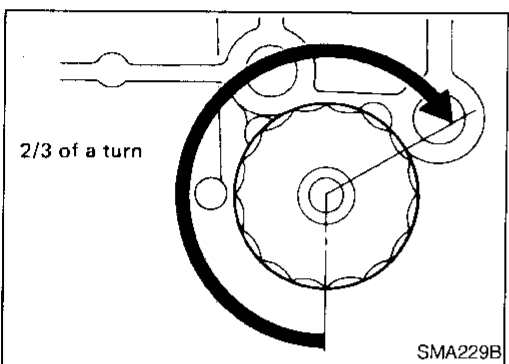
Be careful not to burn yourself, as the engine and the engine oil are hot.

# ENGINE MAINTENANCE

## Changing Oil Filter (Cont'd)



- Clean oil filter mounting surface on cylinder block. Coat rubber seal of new oil filter with engine oil.

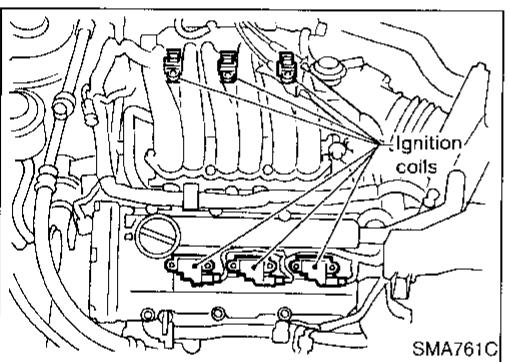


- Screw in the oil filter until a slight resistance is felt, then tighten additionally 2/3 turn.
- Add engine oil.

**Oil filter:**

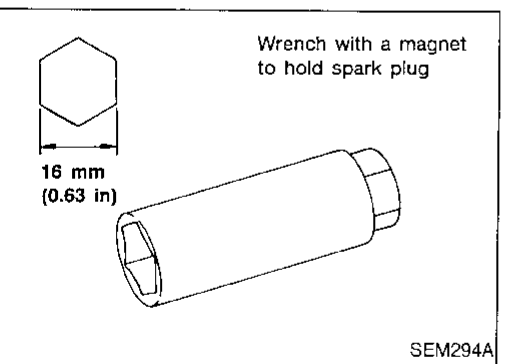
: 14.7 - 20.5 N·m (1.5 - 2.1 kg-m, 11 - 15 ft-lb)

Refer to "Changing Engine Oil", MA-14 .



## Changing Spark Plugs

- Remove left side rocker cover ornament.
- Disconnect ignition coil harness connectors.
- Loosen ignition coil fixing bolts and pull out coil from intake manifold connector.



- Remove spark plugs with suitable spark plug wrench.

### Spark plug (Platinum-tipped type):

Make	NGK
Standard type	PFR5G-11
Hot type	PFR4G-11
Cold type	PFR6G-11

### Use standard type spark plug for normal condition.

The hot type spark plug is suitable when fouling may occur with the standard type spark plug such as:

- frequent engine starts
- low ambient temperatures

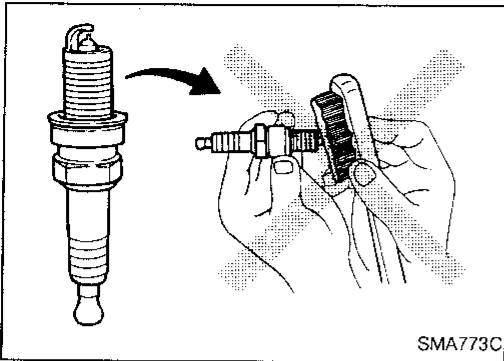
The cold type spark plug is suitable when spark knock may occur with the standard type spark plug such as:

- extended highway driving
- frequent high engine revolution

: 20 - 29 N·m (2.0 - 3.0 kg-m, 14 - 22 ft-lb)

## ENGINE MAINTENANCE

### Changing Spark Plugs (Cont'd)



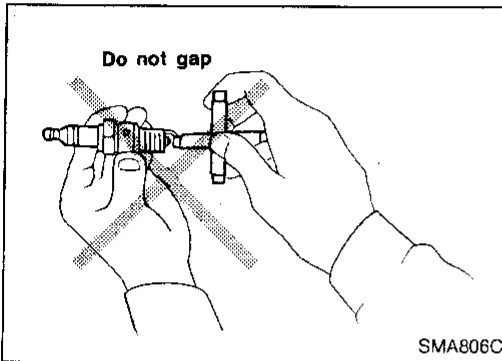
- Do not use a wire brush for cleaning.
- If plug tip is covered with carbon, spark plug cleaner may be used.

Cleaner air pressure:

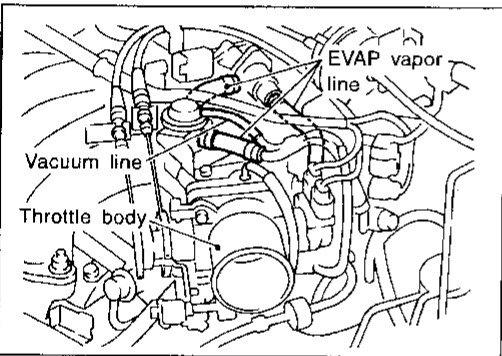
Less than 588 kPa (6 kg/cm<sup>2</sup>, 85 psi)

Cleaning time:

Less than 20 seconds



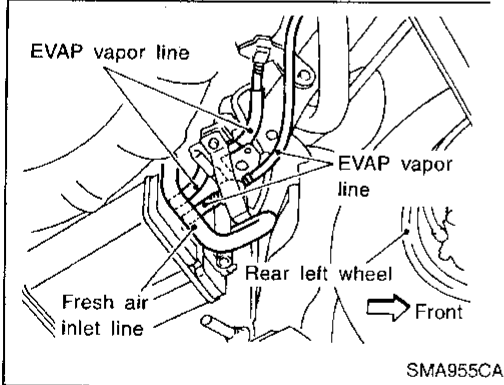
- Checking and adjusting plug gap is not required between change intervals.



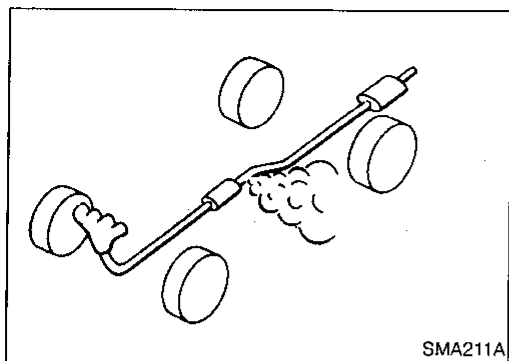
### Checking EVAP Vapor Lines

1. Visually inspect EVAP vapor lines for improper attachment and for cracks, damage, loose connections, chafing and deterioration.
2. Inspect fuel tank filler cap vacuum relief valve for clogging, sticking, etc.

Refer to EVAPORATIVE EMISSION SYSTEM in EC section.



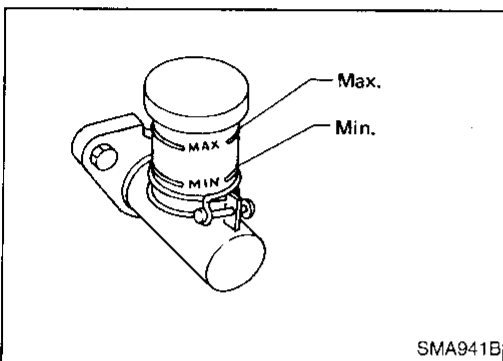




SMA211A

## Checking Exhaust System

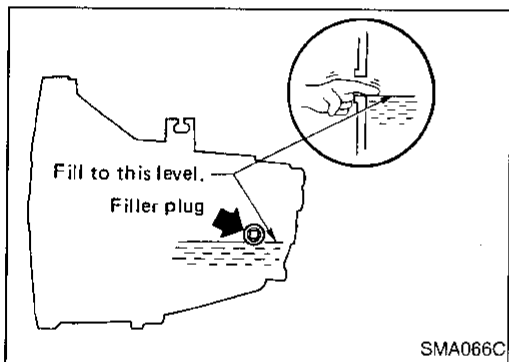
Check exhaust pipes, muffler and mounting for improper attachment, leaks, cracks, damage, chafing or deterioration.



SMA941B

## Checking Clutch Fluid Level and Leaks

If fluid level is extremely low, check clutch system for leaks.



SMA066C

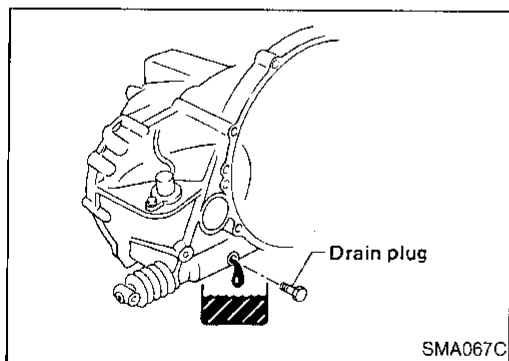
## Checking M/T Oil

Check for oil leakage and oil level.

**Never start engine while checking oil level.**

**Filler plug:**

: 25 - 34 N·m (2.5 - 3.5 kg·m, 18 - 25 ft·lb)



SMA067C

## Changing M/T Oil

1. Drain oil from drain plug and refill with new gear oil.
2. Check oil level.

**Oil grade:**

API GL-4

**Viscosity:**

See "RECOMMENDED FLUIDS AND LUBRICANTS", MA-8.

**Capacity:**

RS5F50A

4.5 - 4.8 ℓ

(9-1/2 - 10-1/8 US pt, 7-7/8 - 8-1/2 Imp pt)

RS5F50V

4.3 - 4.5 ℓ

(9-1/8 - 9-1/2 US pt, 7-5/8 - 7-7/8 Imp pt)

**Drain plug:**

: 15 - 20 N·m (1.5 - 2.0 kg·m, 11 - 14 ft·lb)

GI

MA

EM

LC

EC

FE

CL

MT

AT

FA

RA

BR

ST

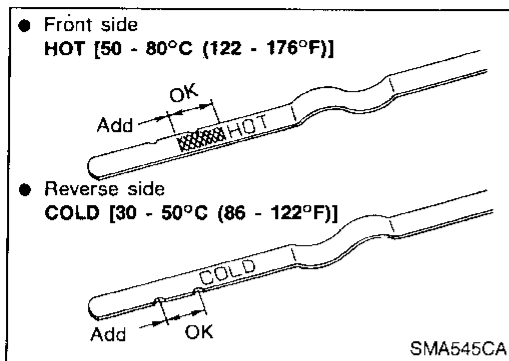
RS

BT

HA

EL

IDX

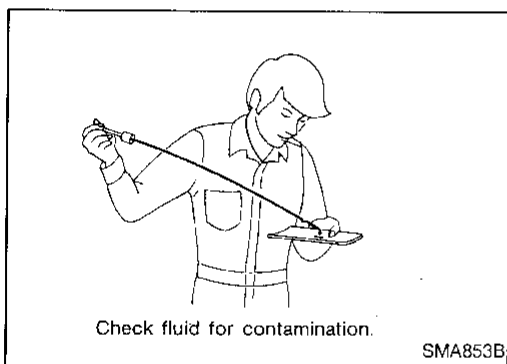


## Checking A/T Fluid

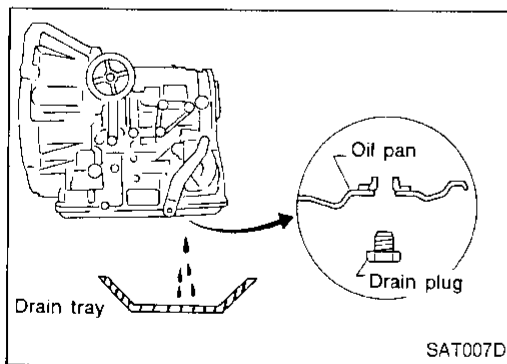
1. Warm up engine.
2. Check for fluid leakage.
3. Before driving, fluid level can be checked at fluid temperatures of 30 to 50°C (86 to 122°F) using "COLD" range on dipstick.
  - a. Park vehicle on level surface and set parking brake.
  - b. Start engine and move selector lever through each gear position. Leave selector lever in "P" position.
  - c. Check fluid level with engine idling.
  - d. Remove dipstick and wipe clean with lint-free paper.
  - e. Re-insert dipstick into charging pipe as far as it will go.
  - f. Remove dipstick and note reading. If reading is at low side of range, add fluid to the charging pipe.

### Do not overfill.

4. Drive vehicle for approximately 5 minutes in urban areas.
5. Re-check fluid level at fluid temperatures of 50 to 80°C (122 to 176°F) using "HOT" range on dipstick.



6. Check fluid condition.
  - If fluid is very dark or smells burned, refer to AT section for checking operation of A/T. Flush cooling system after repair of A/T.
  - If A/T fluid contains frictional material (clutches, bands, etc.), replace radiator and flush cooler line using cleaning solvent and compressed air after repair of A/T. Refer to LC section ("Radiator", "ENGINE COOLING SYSTEM").



## Changing A/T Fluid

1. Warm up A/T fluid.
2. Stop engine.
3. Drain A/T fluid from drain plug and refill with new A/T fluid. Always refill same volume with drained fluid.

### Fluid grade:

**Nissan Matic "D" (Continental U.S. and Alaska) or Genuine Nissan Automatic Transmission Fluid (Canada)**

Refer to "RECOMMENDED FLUIDS AND LUBRICANTS", MA-8.

### Fluid capacity (With torque converter):

**RE4F04A/V**

**9.4 ℓ (10 US qt, 8-1/4 Imp qt)**

### Drain plug:

**⌘: 29 - 39 N·m (3.0 - 4.0 kg·m, 22 - 29 ft·lb)**

4. Run engine at idle speed for five minutes.
5. Check fluid level and condition. Refer to "Checking A/T Fluid". If fluid is still dirty, repeat step 2. through 5.

## Balancing Wheels

Adjust wheel balance using road wheel center.

**Wheel balance (Maximum allowable unbalance):**

Maximum allowable unbalance	Dynamic (At rim flange)	10 (0.35) (one side)
	Static	20 (0.71)

GI

MA

EM

LC

EC

FE

CL

MT

AT

FA

RA

BR

ST

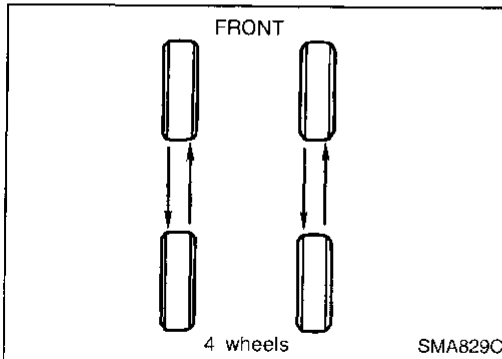
RS

BT

HA

EL

IDX



## Tire Rotation

Do not include the T-type spare tire when rotating the tires.

Wheel nuts:

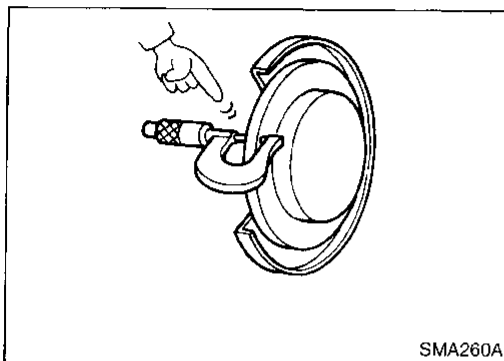
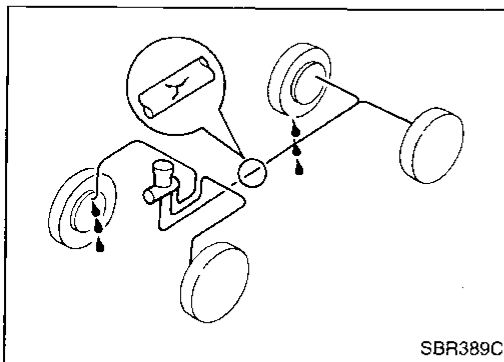
: 98 - 118 N·m (10.0 - 12.0 kg·m, 72 - 87 ft·lb)

## Checking Brake Fluid Level and Leaks

If fluid level is extremely low, check brake system for leaks.

## Checking Brake Lines and Cables

Check brake fluid lines and parking brake cables for improper attachment, leaks, chafing, abrasions, deterioration, etc.



## Checking Disc Brake

### ROTOR

Check condition and thickness.

Unit: mm (in)

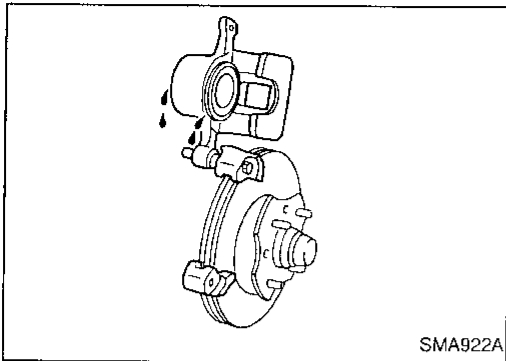
	Front	Rear
Brake model	CL25VB	CL9HA
Standard thickness	22 (0.87)	9 (0.35)
Maximum runout	0.08 (0.0031)	0.15 (0.0059)
Minimum thickness (Wear limit)	20.0 (0.787)	8.0 (0.315)

# CHASSIS AND BODY MAINTENANCE

## Checking Disc Brake (Cont'd)

### CALIPER

Check for leakage.



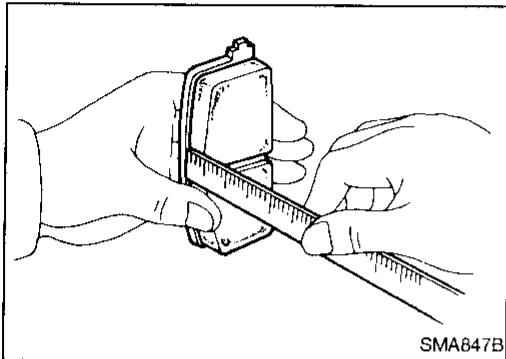
SMA922A

### PAD

Check for wear or damage.

Unit: mm (in)

Brake model	CL25VB	CL9HA
Standard thickness	11 (0.43)	10 (0.39)
Minimum thickness (Wear limit)	2.0 (0.079)	1.5 (0.059)



SMA847B

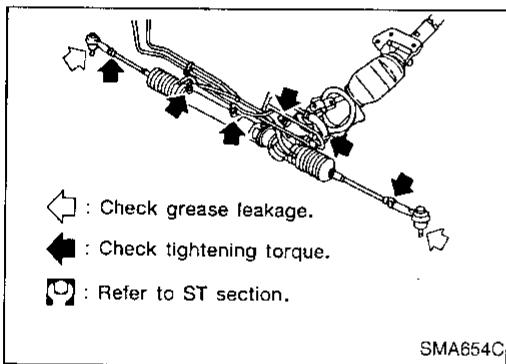
## Checking Steering Gear and Linkage

### STEERING GEAR

- Check gear housing and boots for looseness, damage and grease leakage.
- Check connection with steering column for looseness.

### STEERING LINKAGE

Check ball joint, dust cover and other component parts for looseness, wear, damage and grease leakage.



SMA654C

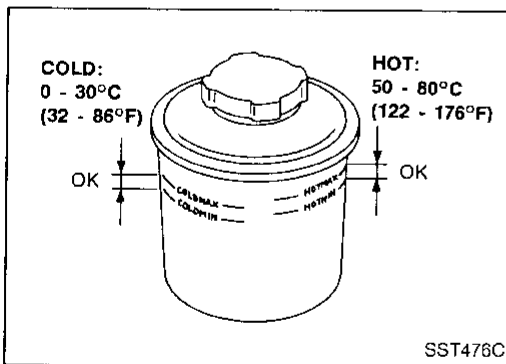
## Checking Power Steering Fluid and Lines

Check fluid level in reservoir tank with engine off.

Use "HOT" range at fluid temperatures of 50 to 80°C (122 to 176°F) or "COLD" range at fluid temperatures of 0 to 30°C (32 to 86°F).

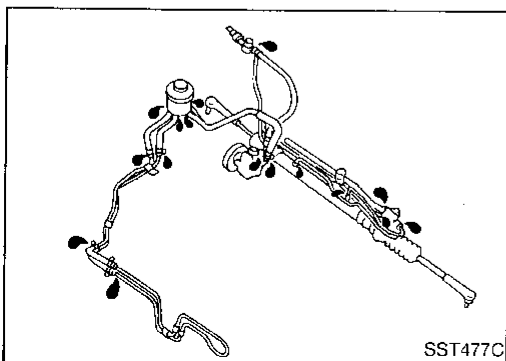
### CAUTION:

- Do not overfill.
- Recommended fluid is Automatic Transmission Fluid type DEXRON™III or equivalent.



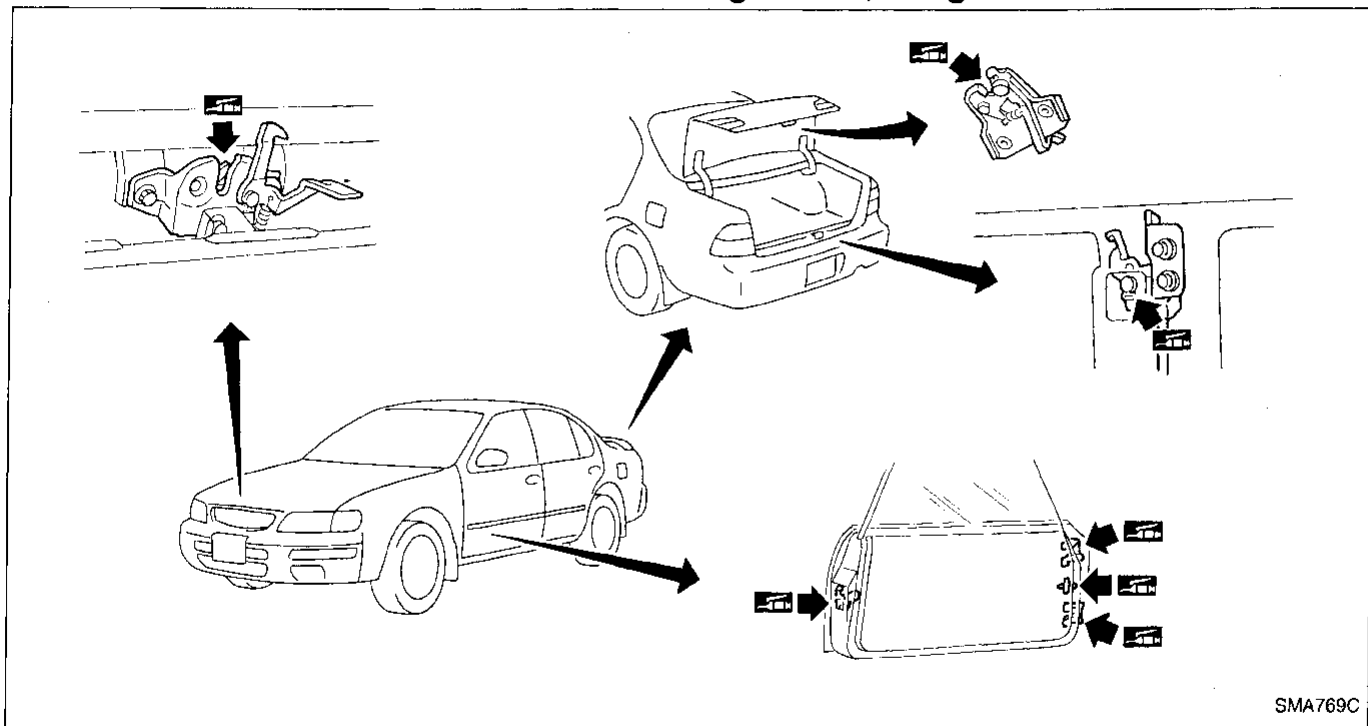
SST476C

- Check lines for improper attachment, leaks, cracks, damage, loose connections, chafing and deterioration.
- Check rack boots for accumulation of power steering fluid.



SST477C

## Lubricating Locks, Hinges and Hood Latches



GI

MA

EM

LC

EC

FE

CL

MT

## Checking Seat Belts, Buckles, Retractors, Anchors and Adjusters

AT

FA

RA

BR

ST

RS

BT

HA

EL


IDX

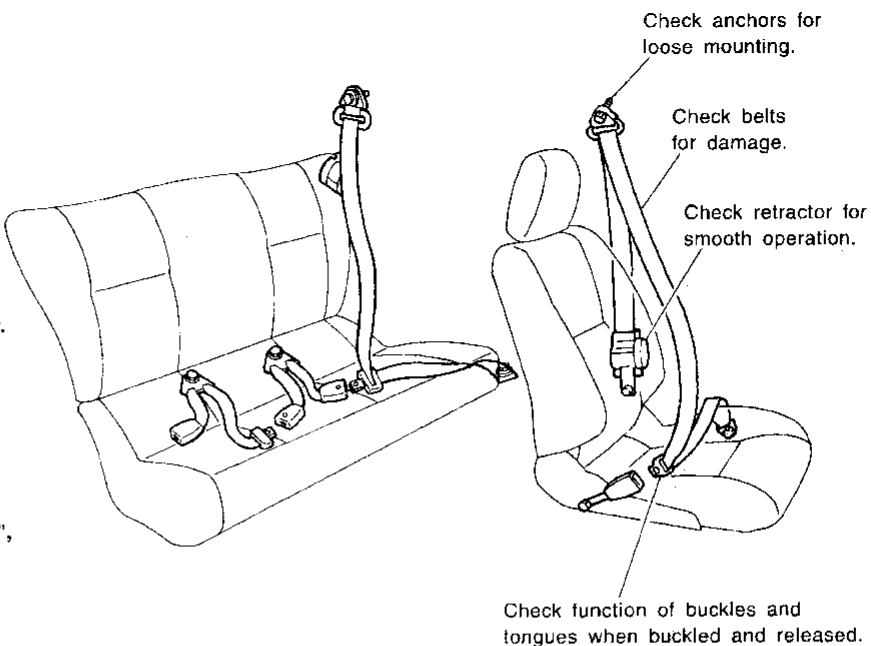
### CAUTION:

- After any collision, inspect all seat belt assemblies, including retractors and other attached hardware (i.e. guide rail set). Nissan recommends to replace all seat belt assemblies in use during a collision, unless not damaged and properly operating after minor collision. Also inspect seat belt assemblies not in use during a collision, and replace if damaged or improperly operating.
- If any component of seat belt assembly is questionable, do not repair. Replace as seat belt assembly.
- If webbing is cut, frayed, or damaged, replace belt assembly.
- Never oil tongue and buckle.
- Use a genuine seat belt assembly.

For details, refer to "Seat Belt Inspection", "SEAT BELTS" in RS section.

### Anchor bolt

 43 - 55 N·m (4.4 - 5.6 kg-m, 32 - 41 ft-lb)



MMA098AB

# SERVICE DATA AND SPECIFICATIONS (SDS)

## Engine Maintenance

### INSPECTION AND ADJUSTMENT

#### Drive belt deflection

Unit: mm (in)

Drive belts	Used belt deflection		Deflection of new belt
	Limit	Deflection after adjustment	
Alternator			
With air conditioner compressor	7 (0.28)	4.2 - 4.6 (0.165 - 0.181)	3.8 - 4.1 (0.150 - 0.161)
Without air conditioner compressor	10 (0.39)	6.3 - 6.9 (0.248 - 0.272)	5.8 - 6.2 (0.228 - 0.244)
Power steering oil pump	11 (0.43)	7.3 - 8 (0.287 - 0.315)	6.5 - 7 (0.256 - 0.276)
Applied pushing force	98 N (10 kg, 22 lb)		

#### Spark plug

		Platinum tipped type
Make		NGK
Type		
Standard		PFR5G-11
Hot		PFR4G-11
Cold		PFR6G-11
Plug gap	mm (in)	1.0 - 1.1 (0.039 - 0.043)

## Chassis and Body Maintenance

### INSPECTION AND ADJUSTMENT

#### Wheel balance

Maximum allowable unbalance	Dynamic (At rim flange)	10 (0.35) (one side)
	g (oz)	
	Static	20 (0.71)
	g (oz)	