

HEATER & AIR CONDITIONER

SECTION HA

GI
MA
EM
LC
EC
FE
CL
MT
AT
AX
SU
BR
ST
RS
BT
HA
SC
EL
IDX

CONTENTS

<div style="border: 1px solid black; width: 100px; height: 15px; margin: 0 auto;"></div> AUTO <div style="border: 1px solid black; width: 100px; height: 15px; margin: 0 auto;"></div>	
PRECAUTIONS	3
Supplemental Restraint System (SRS) "AIR BAG" and "SEAT BELT PRE-TENSIONER"	3
Precautions for Working with HFC-134a (R-134a)	3
General Refrigerant Precautions	4
Precautions for Refrigerant Connection	4
Precautions for Servicing Compressor	8
Precautions for Service Equipment	8
Wiring Diagrams and Trouble Diagnosis	10
PREPARATION	11
Special Service Tools	11
HFC-134a (R-134a) Service Tools and Equipment	12
DESCRIPTION	15
Refrigeration System	15
V-6 Variable Displacement Compressor	16
Component Layout	21
Introduction	22
Features	22
Overview of Control System	25
Control Operation	25
Discharge Air Flow	27
System Description	28
TROUBLE DIAGNOSES	29
Component Location	29
Circuit Diagram	31
Wiring Diagram - A/C, A -	32
Auto Amp. Terminals and Reference Value	35
Self-diagnosis	37
How to Perform Trouble Diagnoses for Quick and Accurate Repair	47
Operational Check	48
A/C System	51
Mode Door Motor	54
Air Mix Door Motor	61
Intake Door Motor	64
Blower Motor	67

Magnet Clutch	76
Insufficient Cooling	82
Insufficient Heating	90
Noise	91
Self-diagnosis	92
Memory Function	93
ECON (ECONOMY) Mode	94
Ambient Sensor Circuit	94
In-vehicle Sensor Circuit	98
Sunload Sensor Circuit	101
Intake Sensor Circuit	105
Air Mix Door Motor PBR Circuit	107
SERVICE PROCEDURE	108
HFC-134a (R-134a) Service Procedure	108
Maintenance of Lubricant Quantity in Compressor	110
Compressor	113
Compressor Clutch	113
Heater Unit (Heater Core)	117
Blower and Cooling Unit (A/C Evaporator)	118
Refrigerant Lines	119
Belt	123
Idle Air Control Valve (IACV) - Auxiliary Air Control (AAC) Valve	123
SERVICE DATA AND SPECIFICATIONS (SDS)	124
Auto	124

<div style="border: 1px solid black; width: 100px; height: 15px; margin: 0 auto;"></div> MANUAL <div style="border: 1px solid black; width: 100px; height: 15px; margin: 0 auto;"></div>	
PRECAUTIONS	125
Supplemental Restraint System (SRS) "AIR BAG" and "SEAT BELT PRE-TENSIONER"	125
Precautions for Working with HFC-134a (R-134a)	125
General Refrigerant Precautions	126
Precautions for Refrigerant Connection	126
Precautions for Servicing Compressor	130
Precautions for Service Equipment	130
Wiring Diagrams and Trouble Diagnosis	132
PREPARATION	133

CONTENTS (Cont'd)

Special Service Tools	133	Insufficient Cooling	170
HFC-134a (R-134a) Service Tools and Equipment.....	134	Insufficient Heating	178
DESCRIPTION	137	Air Mix Door.....	179
Refrigeration System	137	Mode Door.....	183
V-6 Variable Displacement Compressor.....	138	Magnet Clutch.....	186
Component Layout	143	Noise.....	193
Control Operation	144	SERVICE PROCEDURE	194
Discharge Air Flow.....	145	HFC-134a (R-134a) Service Procedure	194
System Description.....	146	Maintenance of Lubricant Quantity in Compressor	196
TROUBLE DIAGNOSES	147	Compressor	200
Component Location.....	147	Compressor Clutch	200
Circuit Diagram - Air Conditioner.....	149	Heater Unit (Heater Core)	204
Wiring Diagram - A/C, M -	150	Blower and Cooling Unit (A/C Evaporator)	205
How to Perform Trouble Diagnoses for Quick and Accurate Repair	154	Refrigerant Lines	206
Operational Check.....	155	Belt.....	210
A/C System.....	157	Idle Air Control Valve (IACV) - Auxiliary Air Control (AAC) Valve	210
Intake Door	160	SERVICE DATA AND SPECIFICATIONS (SDS)	211
Blower Motor.....	164	Manual	211

PRECAUTIONS

AUTO



Supplemental Restraint System (SRS) "AIR BAG" and "SEAT BELT PRE-TENSIONER"

Supplemental Restraint System (SRS) "AIR BAG" and "SEAT BELT PRE-TENSIONER"

NFHA0153

The Supplemental Restraint System such as "AIR BAG" and "SEAT BELT PRE-TENSIONER" used along with a seat belt, helps to reduce the risk or severity of injury to the driver and front passenger for certain types of collision. The SRS system composition which is available to NISSAN MODEL A33 is as follows (The composition varies according to optional equipment.):

- For a frontal collision
The Supplemental Restraint System consists of driver air bag module (located in the center of the steering wheel), front passenger air bag module (located on the instrument panel on passenger side), seat belt pre-tensioners, a diagnosis sensor unit, warning lamp, wiring harness and spiral cable.
- For a side collision
The Supplemental Restraint System consists of front side air bag module (located in the outer side of front seat), satellite sensor, diagnosis sensor unit (one of components of air bags for a frontal collision), wiring harness, warning lamp (one of components of air bags for a frontal collision).

Information necessary to service the system safely is included in the **RS section** of this Service Manual.

WARNING:

- To avoid rendering the SRS inoperative, which could increase the risk of personal injury or death in the event of a collision which would result in air bag inflation, all maintenance should be performed by an authorized NISSAN dealer.
- Improper maintenance, including incorrect removal and installation of the SRS, can lead to personal injury caused by intentional activation of the system. For removal of Spiral Cable and Air Bag Module, see the RS section.
- Do not use electrical test equipment on any circuit related to the SRS unless instructed to in this Service Manual. Spiral cable and wiring harnesses covered with yellow insulation or tape either just before the harness connectors or for the complete harness are related to the SRS.

Precautions for Working with HFC-134a (R-134a)

NFHA0154

WARNING:

- CFC-12 (R-12) refrigerant and HFC-134a (R-134a) refrigerant are not compatible. If the refrigerants are mixed and compressor failure is likely to occur, refer to "CONTAMINATED REFRIGERANT" below. To determine the purity of HFC-134a (R-134a) in the vehicle and recovery tank, use Refrigerant Recovery/Recycling Recharging equipment (ACR4) (J-39500-NI) and Refrigerant Identifier.
- Use only specified lubricant for the HFC-134a (R-134a) A/C system and HFC-134a (R-134a) components. If lubricant other than that specified is used, compressor failure is likely to occur.
- The specified HFC-134a (R-134a) lubricant rapidly absorbs moisture from the atmosphere. The following handling precautions must be observed:
 - a) When removing refrigerant components from a vehicle, immediately cap (seal) the component to minimize the entry of moisture from the atmosphere.
 - b) When installing refrigerant components to a vehicle, do not remove the caps (unseal) until just before connecting the components. Connect all refrigerant loop components as quickly as possible to minimize the entry of moisture into system.
 - c) Only use the specified lubricant from a sealed container. Immediately reseal containers of lubricant. Without proper sealing, lubricant will become moisture saturated and should not be used.
 - d) Avoid breathing A/C refrigerant and lubricant vapor or mist. Exposure may irritate eyes, nose and throat. Remove R-134a from the A/C system, using certified service equipment meeting requirements of SAE J2210 (R-134a recycling equipment), or J2209 (R-134a recovery equipment). If accidental system discharge occurs, ventilate work area before resuming service. Additional health and safety information may be obtained from refrigerant and lubricant manufacturers.
 - e) Do not allow lubricant (Nissan A/C System Oil Type S) to come in contact with styrofoam parts. Damage may result.

CONTAMINATED REFRIGERANT

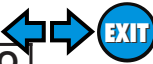
NFHA0154S01

If a refrigerant other than pure R-134a is identified in a vehicle, your options are:

- Explain to the customer that environmental regulations prohibit the release of contaminated refrigerant into the atmosphere.

PRECAUTIONS

AUTO



Precautions for Working with HFC-134a (R-134a) (Cont'd)

- Explain that recovery of the contaminated refrigerant could damage your service equipment and refrigerant supply.
- Suggest the customer return the vehicle to the location of previous service where the contamination may have occurred.
- If you choose to perform the repair, recover the refrigerant using only **dedicated equipment and containers. Do not recover contaminated refrigerant into your existing service equipment.** If your facility does not have dedicated recovery equipment, you may contact a local refrigerant product retailer for available service. This refrigerant must be disposed of in accordance with all federal and local regulations. In addition, replacement of all refrigerant system components on the vehicle is recommended.
- If the vehicle is within the warranty period, the air conditioner warranty is void. Please contact Nissan Customer Affairs for further assistance.

General Refrigerant Precautions

NFHA0155

WARNING:

- **Do not release refrigerant into the air. Use approved recovery/recycling equipment to capture the refrigerant every time an air conditioning system is discharged.**
- **Always wear eye and hand protection (goggles and gloves) when working with any refrigerant or air conditioning system.**
- **Do not store or heat refrigerant containers above 52°C (125°F).**
- **Do not heat a refrigerant container with an open flame; if container warming is required, place the bottom of the container in a warm pail of water.**
- **Do not intentionally drop, puncture, or incinerate refrigerant containers.**
- **Keep refrigerant away from open flames: poisonous gas will be produced if refrigerant burns.**
- **Refrigerant will displace oxygen, therefore be certain to work in well ventilated areas to prevent suffocation.**
- **Do not pressure test or leak test HFC-134a (R-134a) service equipment and/or vehicle air conditioning systems with compressed air during repair. Some mixtures of air and R-134a have been shown to be combustible at elevated pressures. These mixtures, if ignited, may cause injury or property damage. Additional health and safety information may be obtained from refrigerant manufacturers.**

Precautions for Refrigerant Connection

NFHA0156

A new type refrigerant connection has been introduced to all refrigerant lines except the following location.

- Expansion valve to cooling unit

FEATURES OF NEW TYPE REFRIGERANT CONNECTION

NFHA0156S01

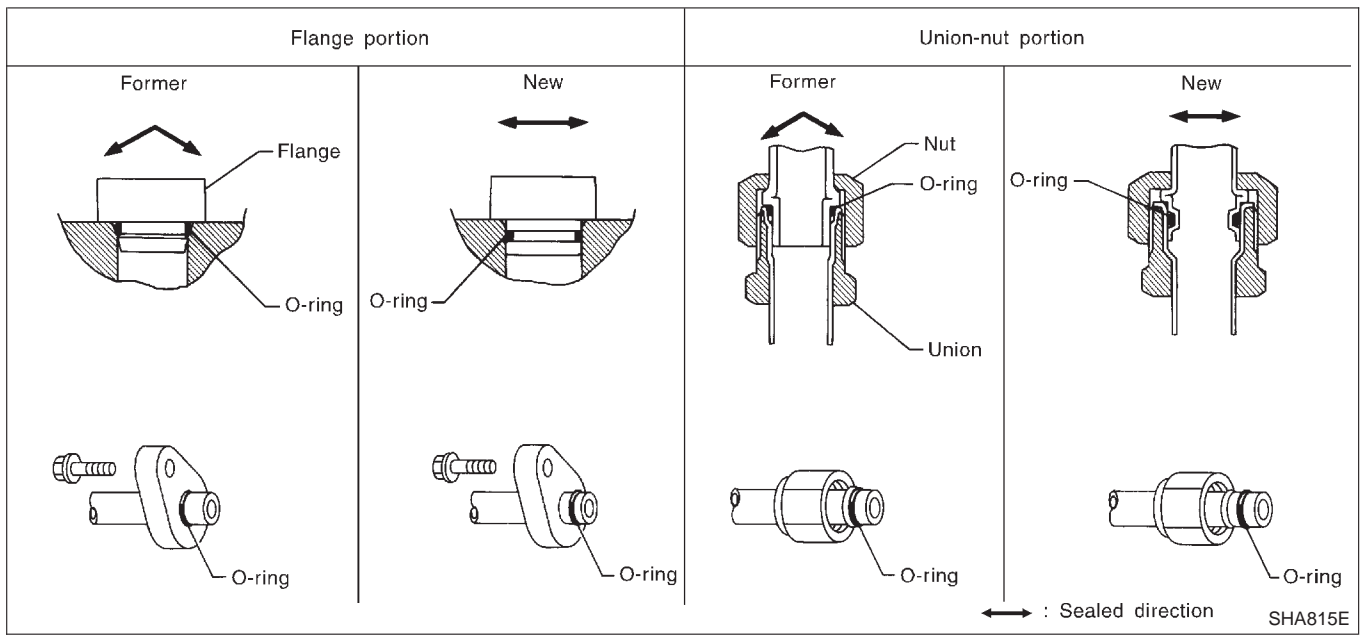
- The O-ring has been relocated. It has also been provided with a groove for proper installation. This eliminates the chance of the O-ring being caught in, or damaged by, the mating part. The sealing direction of the O-ring is now set vertically in relation to the contacting surface of the mating part to improve sealing characteristics.
- The reaction force of the O-ring will not occur in the direction that causes the joint to pull out, thereby facilitating piping connections.

PRECAUTIONS

AUTO

EXIT

Precautions for Refrigerant Connection (Cont'd)



GI

MA

EM

LC

EC

FE

CL

MT

AT

AX

SU

BR

ST

RS

BT

HA

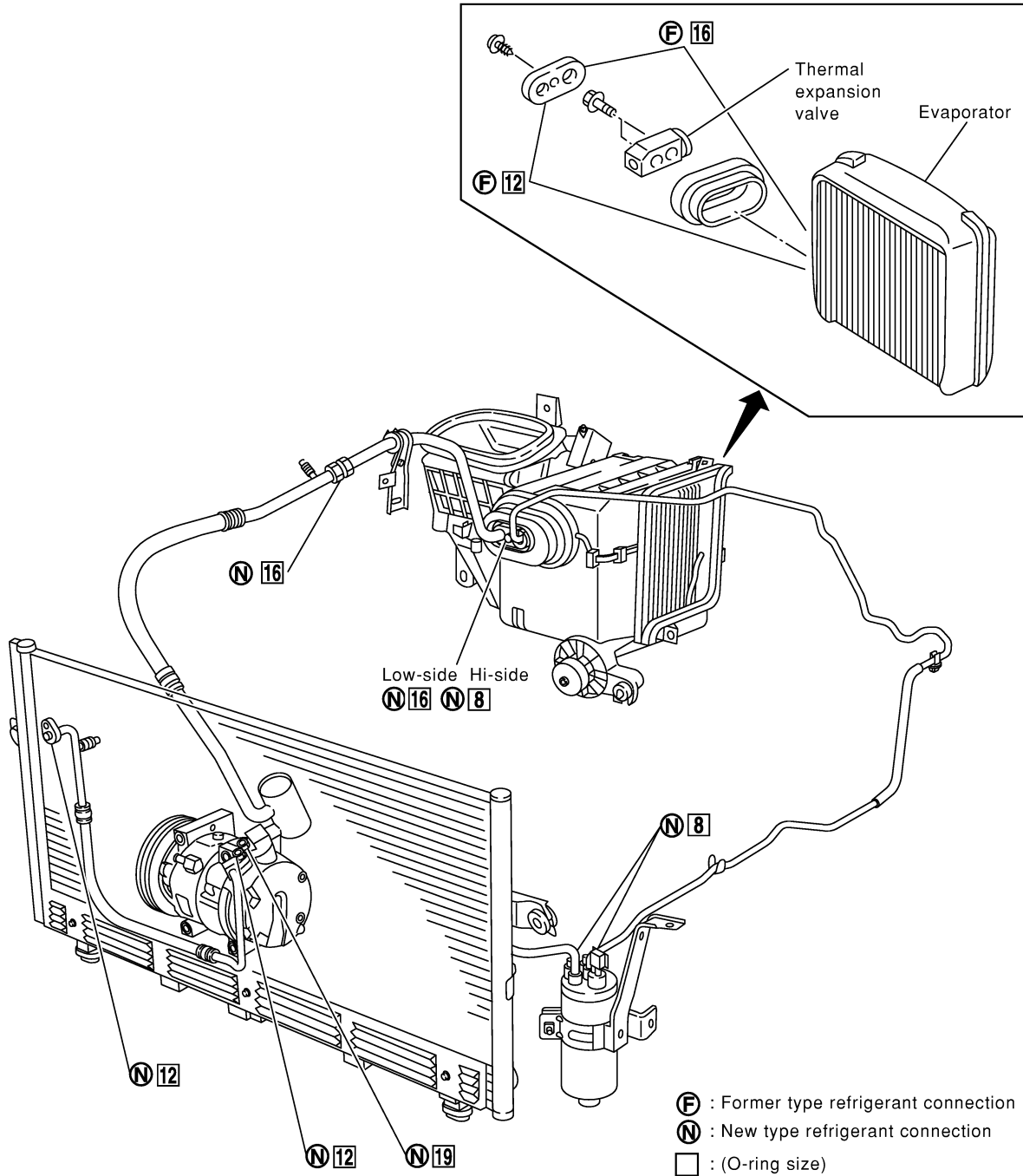
SC

EL

IDX

O-RING AND REFRIGERANT CONNECTION

NFHA0156S02



RHA452HC

CAUTION:

The new and former refrigerant connections use different O-ring configurations. Do not confuse O-rings since they are not interchangeable. If a wrong O-ring is installed, refrigerant will leak at, or around, the connection.

PRECAUTIONS

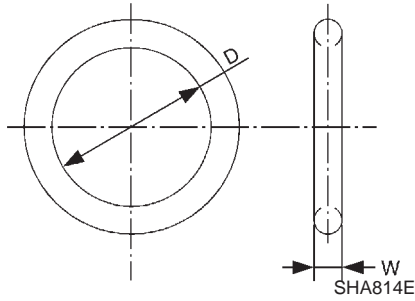
AUTO

EXIT

Precautions for Refrigerant Connection (Cont'd)

O-Ring Part Numbers and Specifications

NFHA0156S0201



Connection type	O-ring size	Part number	D mm (in)	W mm (in)
New	8	92471 N8210	6.8 (0.268)	1.85 (0.0728)
Former		92470 N8200	6.07 (0.2390)	1.78 (0.0701)
New	12	92472 N8210	10.9 (0.429)	2.43 (0.0957)
Former		92475 71L00	11.0 (0.433)	2.4 (0.094)
New	16	92473 N8210	13.6 (0.535)	2.43 (0.0957)
Former		92475 72L00	14.3 (0.563)	2.3 (0.0906)
New	19	92474 N8210	16.5 (0.650)	2.43 (0.0957)
Former		92477 N8200	17.12 (0.6740)	1.78 (0.0701)

WARNING:

Make sure all refrigerant is discharged into the recycling equipment and the pressure in the system is less than atmospheric pressure. Then gradually loosen the discharge side hose fitting and remove it.

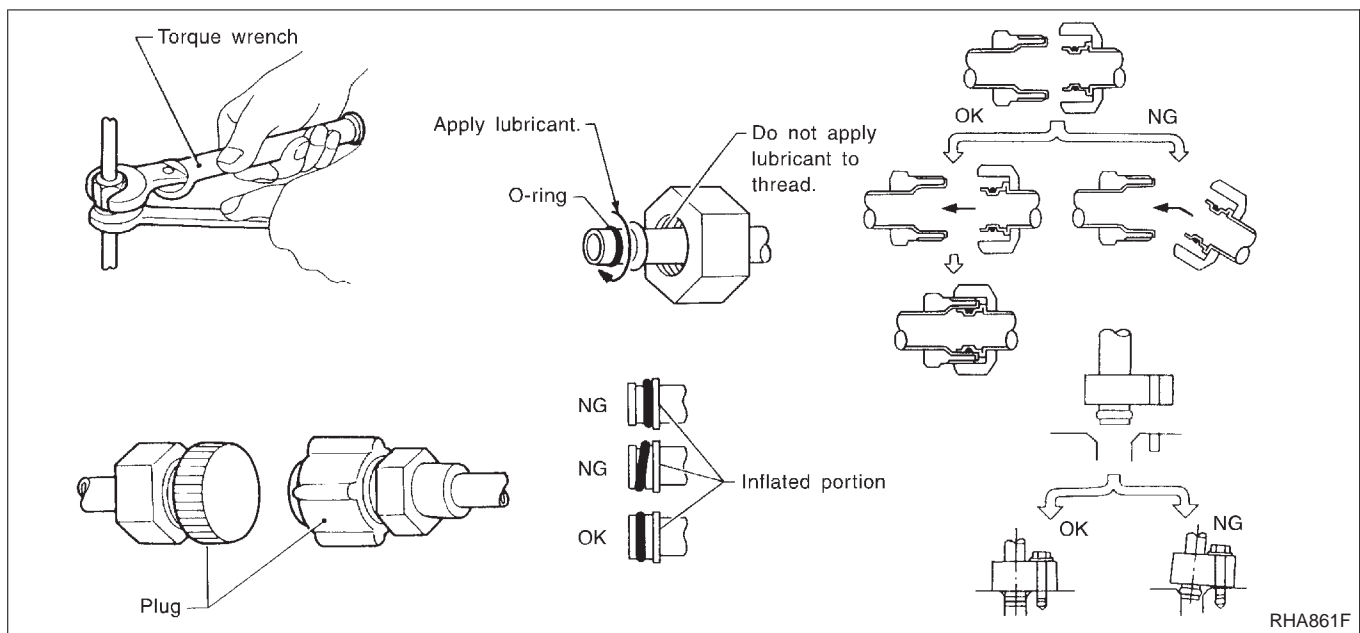
CAUTION:

When replacing or cleaning refrigerant cycle components, observe the following.

- When the compressor is removed, store it in the same position as it is when mounted on the car. Failure to do so will cause lubricant to enter the low pressure chamber.
- When connecting tubes, always use a torque wrench and a back-up wrench.
- After disconnecting tubes, immediately plug all openings to prevent entry of dirt and moisture.
- When installing an air conditioner in the vehicle, connect the pipes as the final stage of the operation. Do not remove the seal caps of pipes and other components until just before required for connection.
- Allow components stored in cool areas to warm to working area temperature before removing seal caps. This prevents condensation from forming inside A/C components.
- Thoroughly remove moisture from the refrigeration system before charging the refrigerant.
- Always replace used O-rings.
- When connecting tube, apply lubricant to circle of the O-rings shown in illustration. Be careful not to apply lubricant to threaded portion.
Lubricant name: Nissan A/C System Oil Type S
Part number: KLH00-PAGS0
- O-ring must be closely attached to dented portion of tube.
- When replacing the O-ring, be careful not to damage O-ring and tube.
- Connect tube until you hear it click, then tighten the nut or bolt by hand until snug. Make sure that the O-ring is installed to tube correctly.
- After connecting line, conduct leak test and make sure that there is no leakage from connections. When the gas leaking point is found, disconnect that line and replace the O-ring. Then tighten connections of seal seat to the specified torque.

GI
MA
EM
LG
EC
FE
CL
MT
AT
AX
SU
BR
ST
RS
BT
HA
SC
EL
IDX

Precautions for Refrigerant Connection (Cont'd)



Precautions for Servicing Compressor

NFHA0157

- Plug all openings to prevent moisture and foreign matter from entering.
- When the compressor is removed, store it in the same position as it is when mounted on the car.
- When replacing or repairing compressor, follow "Maintenance of Lubricant Quantity in Compressor" exactly. Refer to HA-110.
- Keep friction surfaces between clutch and pulley clean. If the surface is contaminated, with lubricant, wipe it off by using a clean waste cloth moistened with thinner.
- After compressor service operation, turn the compressor shaft by hand more than five turns in both directions. This will equally distribute lubricant inside the compressor. After the compressor is installed, let the engine idle and operate the compressor for one hour.
- After replacing the compressor magnet clutch, apply voltage to the new one and check for normal operation.

Precautions for Service Equipment RECOVERY/RECYCLING EQUIPMENT

NFHA0158

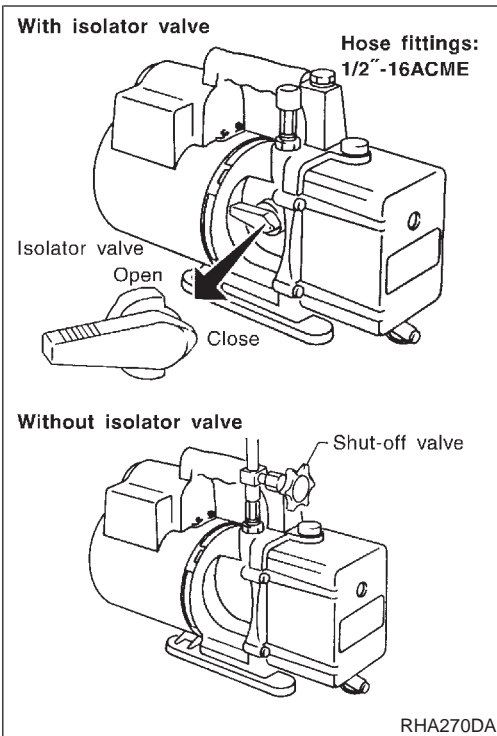
NFHA0158S01

Be certain to follow the manufacturers instructions for machine operation and machine maintenance. Never introduce any refrigerant other than that specified into the machine.

ELECTRONIC LEAK DETECTOR

NFHA0158S02

Be certain to follow the manufacturer's instructions for tester operation and tester maintenance.



VACUUM PUMP

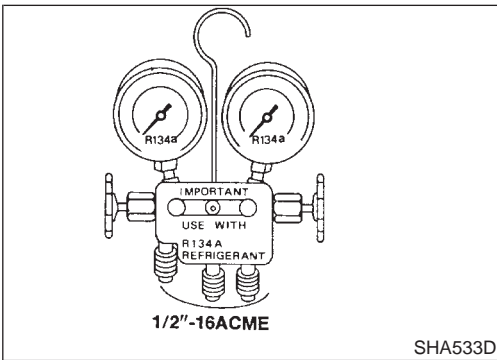
NFHA0158S03

The lubricant contained inside the vacuum pump is not compatible with the specified lubricant for HFC-134a (R-134a) A/C systems. The vent side of the vacuum pump is exposed to atmospheric pressure. So the vacuum pump lubricant may migrate out of the pump into the service hose. This is possible when the pump is switched off after evacuation (vacuuming) and hose is connected to it.

To prevent this migration, use a manual valve placed near the hose-to-pump connection, as follows.

- Usually vacuum pumps have a manual isolator valve as part of the pump. Close this valve to isolate the service hose from the pump.
- For pumps without an isolator, use a hose equipped with a manual shut-off valve near the pump end. Close the valve to isolate the hose from the pump.
- If the hose has an automatic shut off valve, disconnect the hose from the pump. As long as the hose is connected, the valve is open and lubricating oil may migrate.

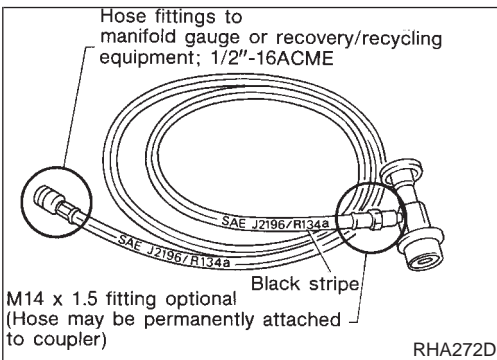
Some one-way valves open when vacuum is applied and close under a no vacuum condition. Such valves may restrict the pump's ability to pull a deep vacuum and are not recommended.



MANIFOLD GAUGE SET

NFHA0158S04

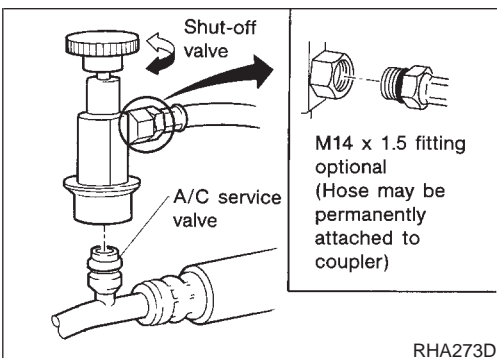
Be certain that the gauge face indicates R-134a or 134a. Be sure the gauge set has 1/2"-16 ACME threaded connections for service hoses. Confirm the set has been used only with refrigerant HFC-134a (R-134a) and specified lubricants.



SERVICE HOSES

NFHA0158S05

Be certain that the service hoses display the markings described (colored hose with black stripe). All hoses must include positive shut off devices (either manual or automatic) near the end of the hoses opposite the manifold gauge.



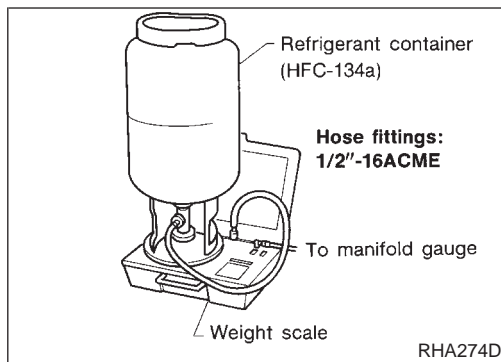
SERVICE COUPLERS

NFHA0158S06

Never attempt to connect HFC-134a (R-134a) service couplers to an CFC-12 (R-12) A/C system. The HFC-134a (R-134a) couplers will not properly connect to the CFC-12 (R-12) system. However, if an improper connection is attempted, discharging and contamination may occur.

Shut-off valve rotation	A/C service valve
Clockwise	Open
Counterclockwise	Close

GI
MA
EM
LC
EC
FE
CL
MT
AT
AX
SU
BR
ST
RS
BT
HA
SC
EL
IDX



REFRIGERANT WEIGHT SCALE

NFHA0158S07

Verify that no refrigerant other than HFC-134a (R-134a) and specified lubricants have been used with the scale. If the scale controls refrigerant flow electronically, the hose fitting must be 1/2"-16 ACME.

CALIBRATING ACR4 WEIGHT SCALE

NFHA0158S08

Calibrate the scale every three months.

To calibrate the weight scale on the ACR4 (J-39500-INF):

1. Press **Shift/Reset** and **Enter** at the same time.
2. Press **8787**. "A1" will be displayed.
3. Remove all weight from the scale.
4. Press **0**, then press **Enter**. "0.00" will be displayed and change to "A2".
5. Place a known weight (dumbbell or similar weight), between 4.5 and 8.6 kg (10 and 19 lb) on the center of the weight scale.
6. Enter the known weight using four digits. (Example 10 lb = 10.00, 10.5 lb = 10.50)
7. Press **Enter** — the display returns to the vacuum mode.
8. Press **Shift/Reset** and **Enter** at the same time.
9. Press **6** — the known weight on the scale is displayed.
10. Remove the known weight from the scale. "0.00" will be displayed.
11. Press **Shift/Reset** to return the ACR4 to the program mode.

CHARGING CYLINDER

NFHA0158S09

Using a charging cylinder is not recommended. Refrigerant may be vented into air from cylinder's top valve when filling the cylinder with refrigerant. Also, the accuracy of the cylinder is generally less than that of an electronic scale or of quality recycle/recharge equipment.

Wiring Diagrams and Trouble Diagnosis

NFHA0159

When you read wiring diagrams, refer to the following:

- GI-11, "HOW TO READ WIRING DIAGRAMS" in GI section
- EL-10, "Wiring Diagram — POWER —" for power distribution circuit in EL section

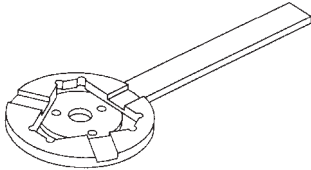
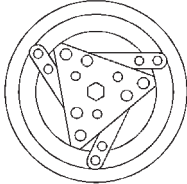
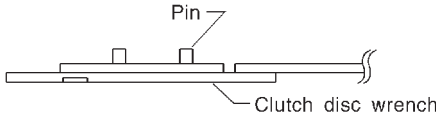
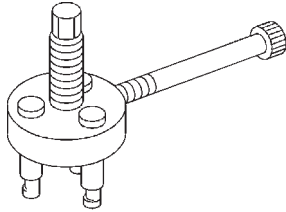
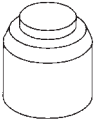
When you perform trouble diagnosis, refer to the following:

- GI-36, "HOW TO FOLLOW TEST GROUP IN TROUBLE DIAGNOSIS" in GI section
- GI-25, "HOW TO PERFORM EFFICIENT DIAGNOSIS FOR AN ELECTRICAL INCIDENT" in GI section

Special Service Tools

NFHA0160

The actual shapes of Kent-Moore tools may differ from those of special service tools illustrated here.

Tool number (Kent-Moore No.) Tool name	Description	
KV99106100 (J-41260) Clutch disc wrench	 <p>NT232</p>  <p>When replacing the magnet clutch in the above compressor, use a clutch disc wrench with the pin side on the clutch disc to remove it.</p>  <p>Pin Clutch disc wrench</p> <p>NT378</p>	GI MA EM LC EC FE CL MT AT AX
KV99232340 (J-38874) or KV992T0001 (—) Clutch disc puller	 <p>NT376</p>	SU BR ST
KV99106200 (J-41261) Pulley installer	 <p>NT235</p>	RS BT

HA

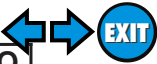
SC

EL

IDX

PREPARATION

AUTO



HFC-134a (R-134a) Service Tools and Equipment

HFC-134a (R-134a) Service Tools and Equipment

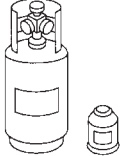

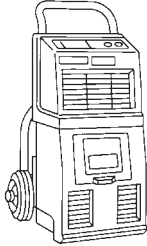
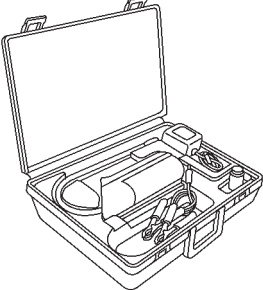
=NFHA0161

Never mix HFC-134a refrigerant and/or its specified lubricant with CFC-12 (R-12) refrigerant and/or its lubricant.

Separate and non-interchangeable service equipment must be used for handling each type of refrigerant/lubricant.

Refrigerant container fittings, service hose fittings and service equipment fittings (equipment which handles refrigerant and/or lubricant) are different between CFC-12 (R-12) and HFC-134a (R-134a). This is to avoid mixed use of the refrigerants/lubricant.

Adapters that convert one size fitting to another must never be used: refrigerant/lubricant contamination will occur and compressor failure will result.

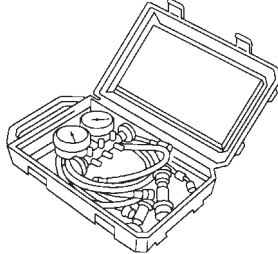
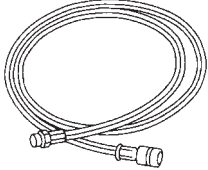
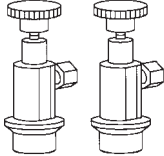
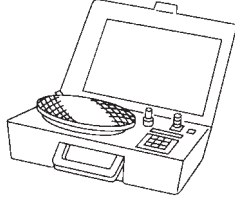
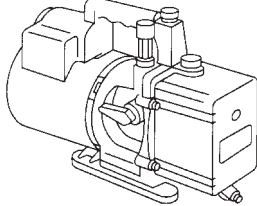
Tool number (Kent-Moore No.) Tool name	Description
HFC-134a (R-134a) refrigerant	<div style="display: flex; align-items: center; justify-content: space-around;">  <div style="text-align: right;"> <p>Container color: Light blue Container marking: HFC-134a (R-134a) Fitting size: Thread size</p> <ul style="list-style-type: none"> ● Large container 1/2"-16 ACME </div> </div> <p style="text-align: center;">NT196</p>
KLH00-PAGS0 (—) Nissan A/C System Oil Type S	<div style="display: flex; align-items: center; justify-content: center;">  <div style="text-align: right; margin-left: 20px;"> <p>Type: Poly alkylene glycol oil (PAG), type S Application: HFC-134a (R-134a) swash plate (piston) compressors (Nissan only) Lubricity: 40 ml (1.4 US fl oz, 1.4 Imp fl oz)</p> </div> </div> <p style="text-align: center;">NT197</p>
(J-39500-NI) Recovery/Recycling Recharging equipment (ACR4)	<div style="display: flex; align-items: center; justify-content: center;">  <div style="text-align: right; margin-left: 20px;"> <p>Function: Refrigerant Recovery and Recycling and Recharging</p> </div> </div> <p style="text-align: center;">NT195</p>
(J-41995) Electrical leak detector	<div style="display: flex; align-items: center; justify-content: center;">  <div style="text-align: right; margin-left: 20px;"> <p>Power supply:</p> <ul style="list-style-type: none"> ● DC 12V (Cigarette lighter) </div> </div> <p style="text-align: center;">AHA281A</p>

PREPARATION

AUTO

EXIT

HFC-134a (R-134a) Service Tools and Equipment (Cont'd)

Tool number (Kent-Moore No.) Tool name	Description	GI
(J-39183) Manifold gauge set (with hoses and cou- plers)	 <p>Identification:</p> <ul style="list-style-type: none"> ● The gauge face indicates R-134a. Fitting size: Thread size <ul style="list-style-type: none"> ● 1/2"-16 ACME <p>NT199</p>	MA
Service hoses <ul style="list-style-type: none"> ● High side hose (J-39501-72) ● Low side hose (J-39502-72) ● Utility hose (J-39476-72) 	 <p>Hose color:</p> <ul style="list-style-type: none"> ● Low hose: Blue with black stripe ● High hose: Red with black stripe ● Utility hose: Yellow with black stripe or green with black stripe Hose fitting to gauge: <ul style="list-style-type: none"> ● 1/2"-16 ACME <p>NT201</p>	EC
Service couplers <ul style="list-style-type: none"> ● High side coupler (J-39500-20) ● Low side coupler (J-39500-24) 	 <p>Hose fitting to service hose:</p> <ul style="list-style-type: none"> ● M14 x 1.5 fitting is optional or permanently attached. <p>NT202</p>	MT
(J-39650) Refrigerant weight scale	 <p>For measuring of refrigerant</p> Fitting size: Thread size <ul style="list-style-type: none"> ● 1/2"-16 ACME <p>NT200</p>	AX
(J-39649) Vacuum pump (Including the isolator valve)	 <p>Capacity:</p> <ul style="list-style-type: none"> ● Air displacement: 4 CFM ● Micron rating: 20 microns ● Oil capacity: 482 g (17 oz) Fitting size: Thread size <ul style="list-style-type: none"> ● 1/2"-16 ACME <p>NT203</p>	ST

HA

SC

EL

IDX

PREPARATION

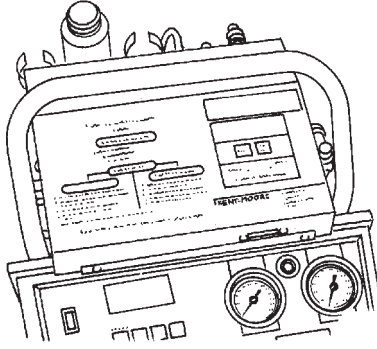
AUTO



HFC-134a (R-134a) Service Tools and Equipment (Cont'd)

COMMERCIAL SERVICE TOOL

NFHA0161S01

Tool name	Description
Refrigerant identifier equipment	 <p>For checking refrigerant purity and for system contamination</p> <p>NT765</p>

Refrigeration System

REFRIGERATION CYCLE

NFHA0162

Refrigerant Flow

The refrigerant flows in the standard pattern, that is, through the compressor, the condenser, the liquid tank, through the evaporator, and back to the compressor. The refrigerant evaporation through the evaporator coil is controlled by an externally equalized expansion valve, located inside the evaporator case.

NFHA0162S01

Freeze Protection

Under normal operating conditions, when the A/C is switched on, the compressor runs continuously, and the evaporator pressure, and therefore, temperature is controlled by the V-6 variable displacement compressor to prevent freeze up.

NFHA0162S02

Refrigerant System Protection

Refrigerant Pressure Sensor

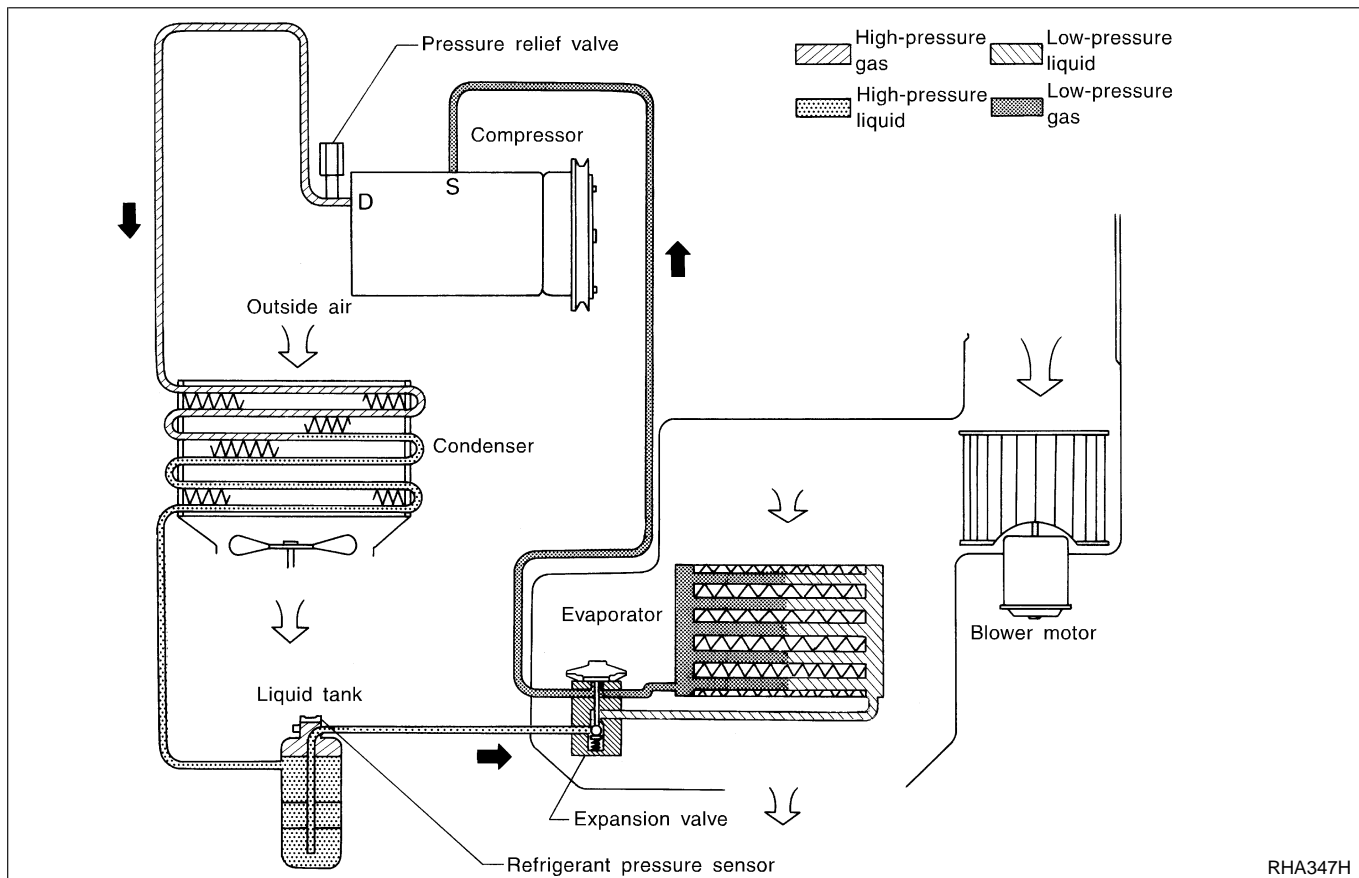
The refrigerant system is protected against excessively high or low pressures by the refrigerant pressure sensor, located on the liquid tank. If the system pressure rises above, or falls below the specifications, the refrigerant pressure sensor detects the pressure inside the refrigerant line and sends the voltage signal to the ECM. ECM makes the A/C relay go OFF and stops the compressor when pressure on the high pressure side detected by refrigerant pressure sensor is over about 2,746 kPa (28 kg/cm², 398 psi), psi or below about 177 kPa (1.8 kg/cm², 26 psi).

NFHA0162S03

Pressure Relief Valve

The refrigerant system is also protected by a pressure relief valve, located in the rear head of the compressor. When the pressure of refrigerant in the system increases to an abnormal level [more than 3,727 kPa (38 kg/cm², 540 psi)], the release port on the pressure relief valve automatically opens and releases refrigerant into the atmosphere.

NFHA0162S0302



RHA347H

V-6 Variable Displacement Compressor

GENERAL INFORMATION

1. The V-6 variable compressor differs from previous units. The vent temperatures of the V-6 variable compressor do not drop too far below 5°C (41°F) when:
 - evaporator intake air temperature is less than 20°C (68°F)
 - engine is running at speeds less than 1,500 rpm.This is because the V-6 compressor provides a means of “capacity” control.
2. The V-6 variable compressor provides refrigerant control under varying conditions. During cold winters, it may not produce high refrigerant pressure discharge (compared to previous units) when used with air conditioning systems.
3. A “clanking” sound may occasionally be heard during refrigerant charge. The sound indicates that the tilt angle of the swash plate has changed and is not a problem.
4. For air conditioning systems with the V-6 compressor, the clutch remains engaged unless: the system main switch, fan switch or ignition switch is turned OFF. When ambient (outside) temperatures are low or when the amount of refrigerant is insufficient, the clutch is disengaged to protect the compressor.
5. A constant range of suction pressure is maintained when engine speed is greater than a certain value. It normally ranges from 147 to 177 kPa (1.5 to 1.8 kg/cm², 21 to 26 psi) under varying conditions. In previous compressors, however, suction pressure was reduced with increases in engine speed.

=NFHA0163

=NFHA0164

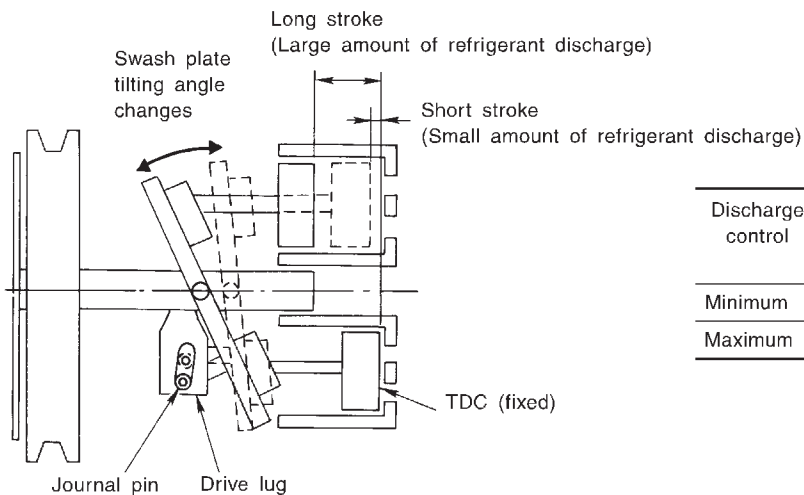
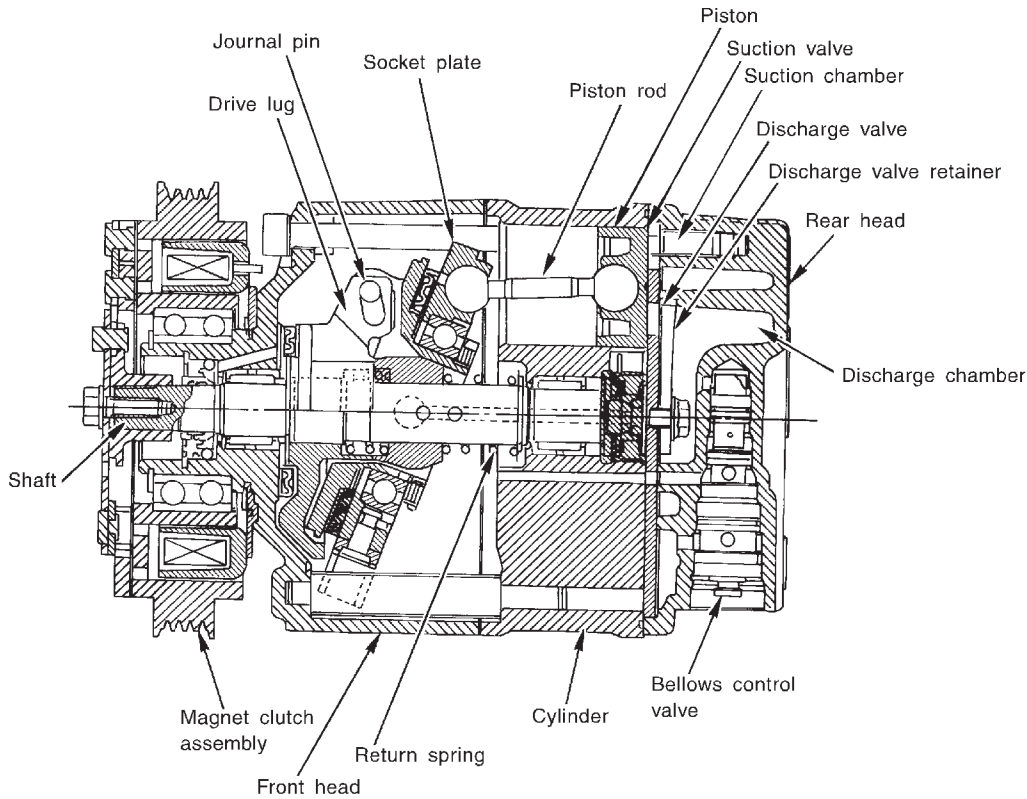
NFHA0164S01

DESCRIPTION

General

The variable compressor is basically a swash plate type that changes piston stroke in response to the required cooling capacity.

The tilt of the swash plate allows the piston's stroke to change so that refrigerant discharge can be continuously changed from 14.5 to 184 cm³ (0.885 to 11.228 cu in).



Discharge control	Discharge capacity cm ³ (cu in)/rev.	Piston stroke length mm (in)
Minimum	14.5 (0.885)	2.3 (0.091)
Maximum	184 (11.228)	28.6 (1.126)

RHA037DD

GI
MA
EM
LC
EC
FE
CL
MT
AT
AX
SU
BR
ST
RS
BT
HA
SC
EL
IDX

Operation

=NFHA0164S02

1. Operation Control Valve

NFHA0164S0201

Operation control valve is located in the suction port (low-pressure) side, and opens or closes in response to changes in refrigerant suction pressure.

Operation of the valve controls the internal pressure of the crankcase.

The angle of the swash plate is controlled between the crankcase's internal pressure and the piston cylinder pressure.

2. Maximum Cooling

NFHA0164S0202

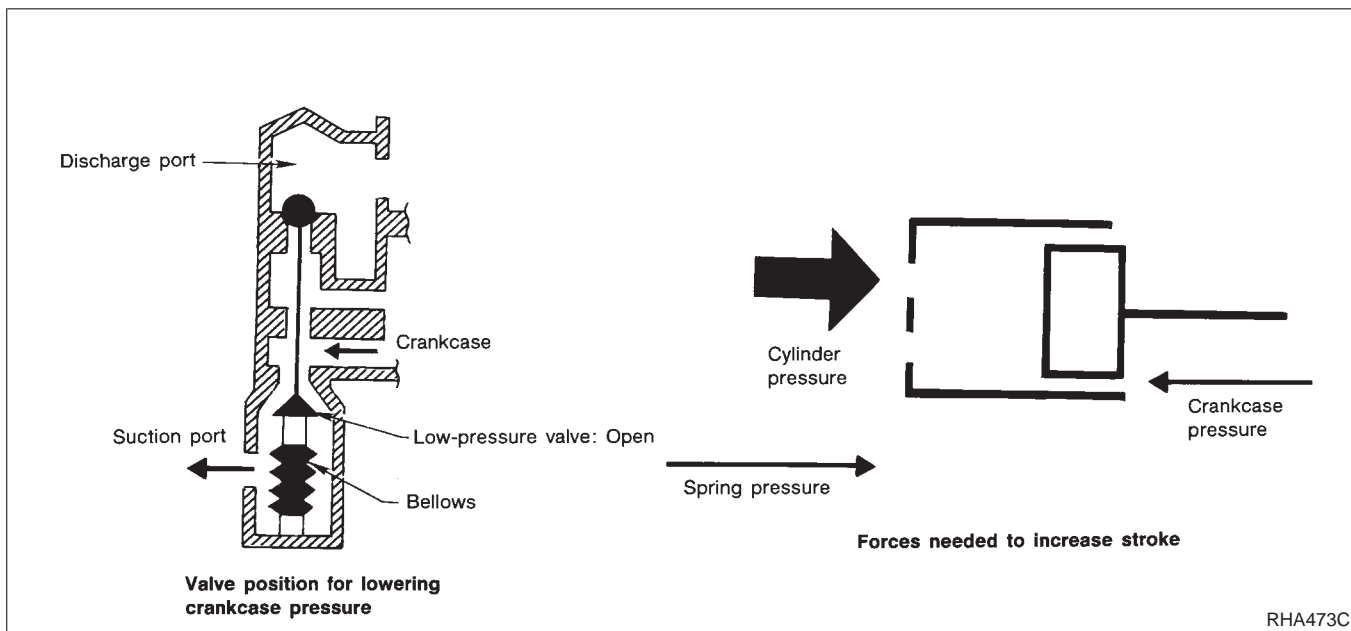
Refrigerant pressure on the low-pressure side increases with an increase in heat loads.

When this occurs, the control valve's bellows compress to open the low-pressure side valve and close the high-pressure side valve.

This causes the following pressure changes:

- the crankcase's internal pressure to equal the pressure on the low-pressure side;
- the cylinder's internal pressure to be greater than the crankcase's internal pressure.

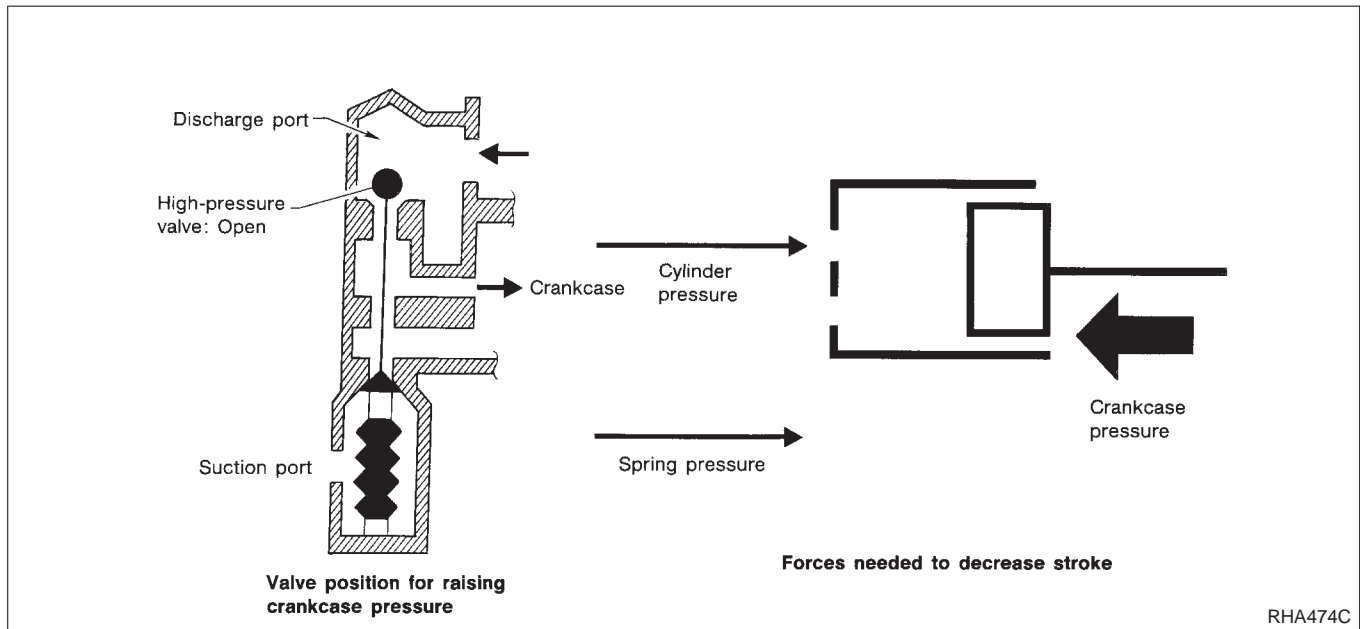
Under this condition, the swash plate is set to the maximum stroke position.



=NFHA0164S0203

3. Capacity Control

- Refrigerant pressure on suction side is low during high speed driving or when ambient or interior temperature is low.
- The bellows expands when refrigerant pressure on the suction pressure side drops below approximately 177 kPa (1.8 kg/cm², 26 psi). Since suction pressure is low, it makes the suction port close and the discharge port open. Thus, crankcase pressure becomes high as high pressure enters the crankcase.
- The force acts around the journal pin near the swash plate, and is generated by the pressure difference before and behind the piston. The drive lug and journal pin are located where the piston generates the highest pressure. Piston pressure is between suction pressure P_s and discharge pressure P_d , which is near suction pressure P_s . If crankcase pressure P_c rises due to capacity control, the force around the journal pin makes the swash plate angle decrease and also the piston stroke decrease. In other words, crankcase pressure increase triggers pressure difference between the piston and the crankcase. The pressure difference changes the angle of the swash plate.



GI
MA
EM
LC
EC
FE
CL
MT
AT
AX
SU
BR
ST
RS
BT
HA
SC
EL
IDX

V-6 Variable Displacement Compressor (Cont'd)

IACV-AAC CONTROL SYSTEM

=NFHA0165

Operation

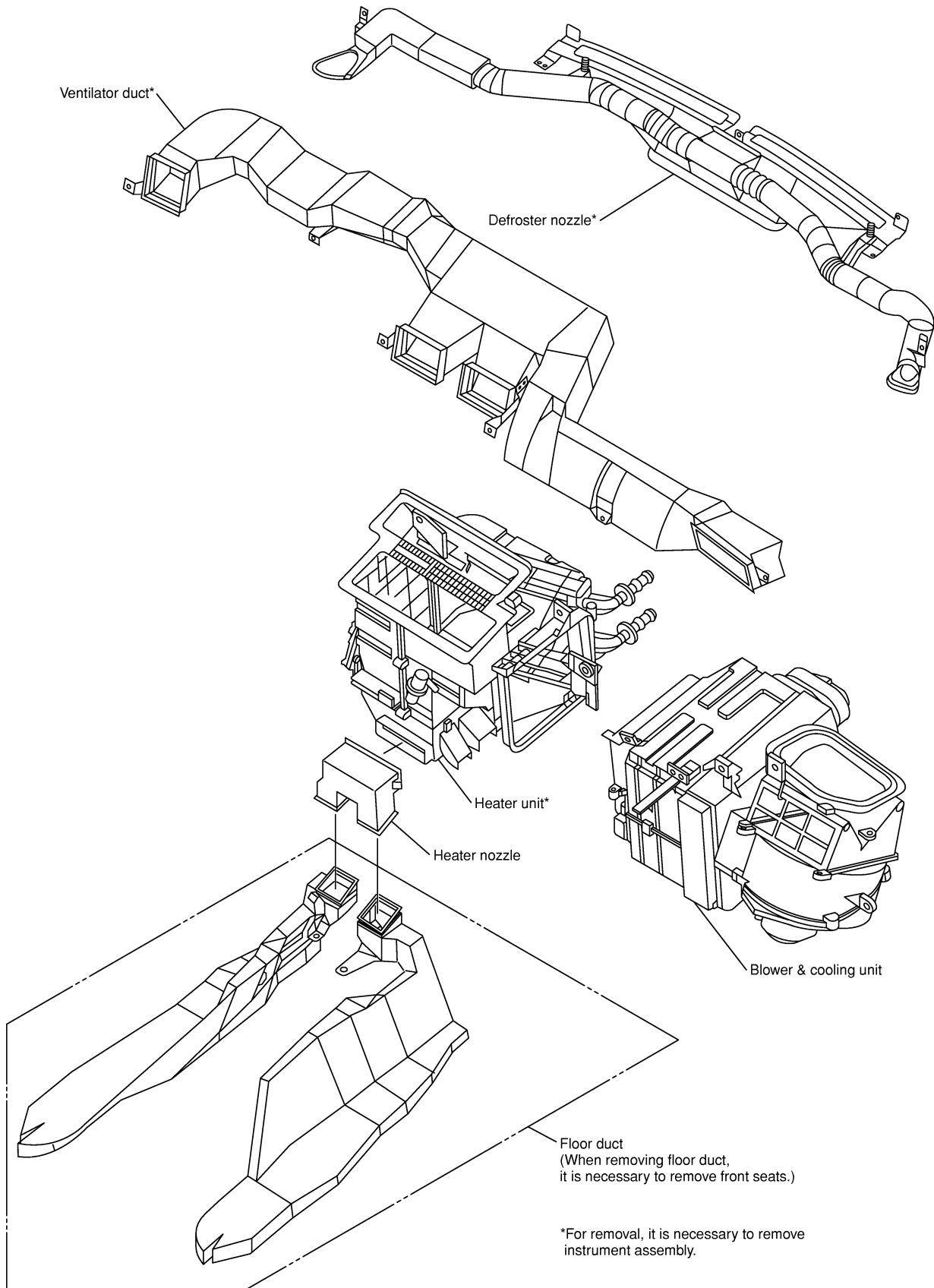
NFHA0165S02

When the air conditioner is OFF, the ECM detects the load applied to the engine, and controls the IACV-AAC valve to adjust the engine idling speed to the appropriate rpm by supplying additional air from the IACV-AAC valve.

When the air conditioner is ON (A/C relay is ON), refrigerant-pressure sensor converts refrigeration-pressure on the high pressure side into the voltage value, which is output to ECM which protects refrigeration cycle and control idle speed by the output voltage data, and additional air is supplied to the engine. If the appropriate engine speed is not reached, the IACV-AAC valve supplies the additional air required to increase the engine rpm.

Component Layout

NFHA0166



GI

MA

EM

LC

EC

FE

CL

MT

AT

AX

SU

BR

ST

RS

BT

HA

SC

EL

IDX

RHA349H

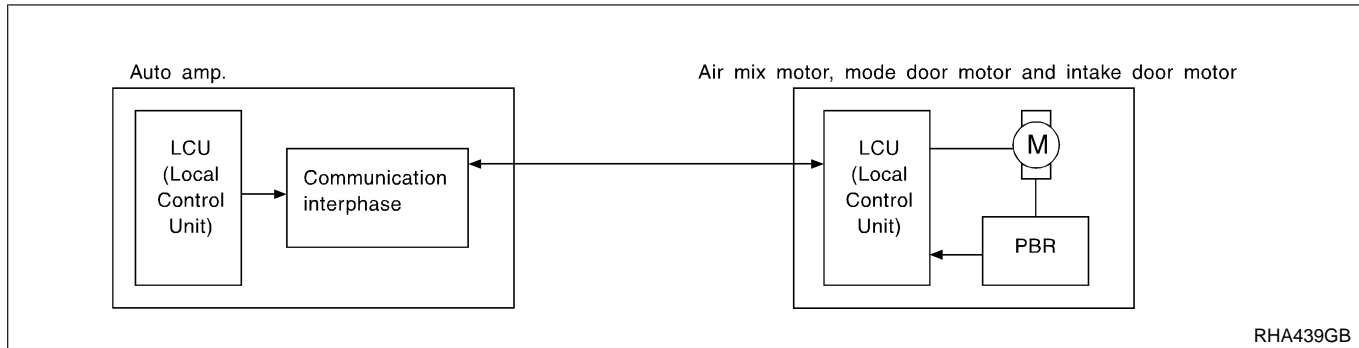
Introduction

AIR CONDITIONER LAN SYSTEM OVERVIEW CONTROL SYSTEM

NFHA0167

NFHA0167S01

The LAN system consists of auto amp., air mix door motor, intake door motor and mode door motor. A configuration of these components is shown in the diagram below.



Features

NFHA0168

SYSTEM CONSTRUCTION (LAN)

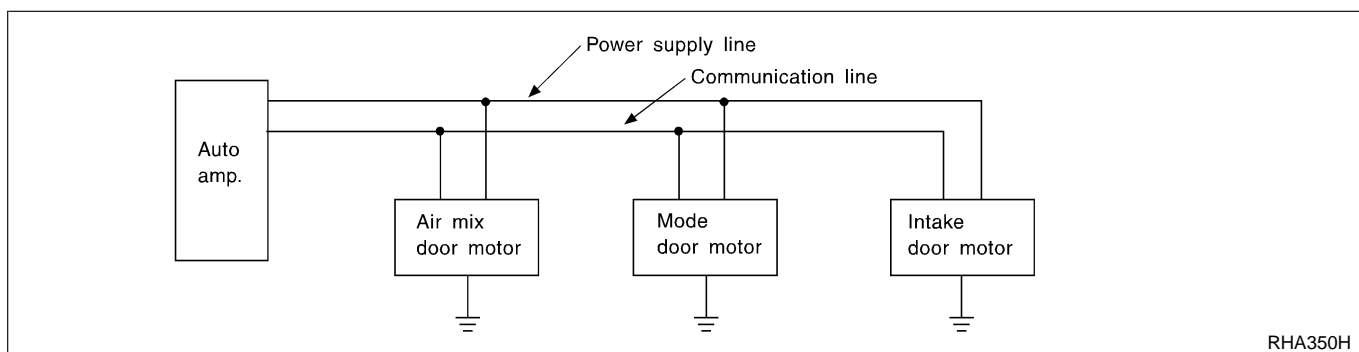
NFHA0168S01

A small network is constructed between the auto amplifier, air mix door motor, mode door motor and intake door motor. The auto amplifier and motors are connected by data transmission lines and motor power supply lines. The LAN network is built through the ground circuits of the three motors.

Addresses, motor opening angle signals, motor stop signals and error checking messages are all transmitted through the data transmission lines connecting the auto amplifier and three motors.

The following functions are contained in LCUs built into the air mix door motor, intake door motor and the mode door motor.

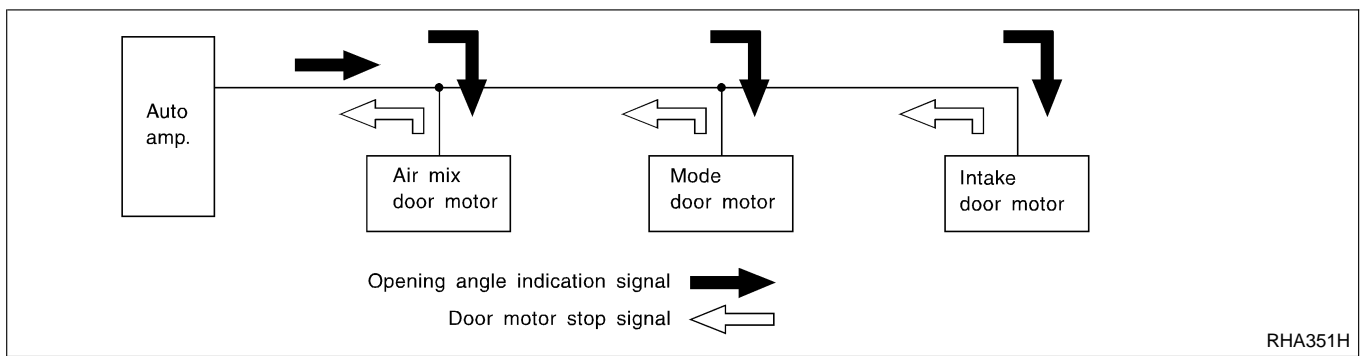
- Address
- Motor opening angle signals
- Data transmission
- Motor stop and drive decision
- Opening angle sensor (PBR function)
- Comparison
- Decision (Auto amplifier indicated value and motor opening angle comparison)



Operation

NFHA0168S0101

The auto amplifier receives data from each of the sensors. The amplifier sends air mix door, intake door and mode door opening angle data to the air mix door motor LCU, mode door LCU and intake door motor LCU. The air mix door motor, intake door motor and mode door motor read their respective signals according to the address signal. Opening angle indication signals received from the auto amplifier and each of the motor position sensors are compared by the LCUs in each motor with the existing decision and opening angles. Subsequently, HOT/COLD, FRESH/RECIRCULATION or DEFROST/VENT operation is selected. The new selection data is returned to the auto amplifier.



RHA351H

Transmission Data and Transmission Order

NFHA0168S0102

Amplifier data is transmitted consecutively to each of the door motors following the form shown in figure below. Start: Initial compulsory signal sent to each of the door motors.

Address: Data sent from the auto amplifier is selected according to data-based decisions made by the air mix door motor, intake door motor and mode door motor.

If the addresses are identical, the opening angle data and error check signals are received by the door motor LCUs. The LCUs then make the appropriate error decision. If the opening angle data is normal, door control begins.

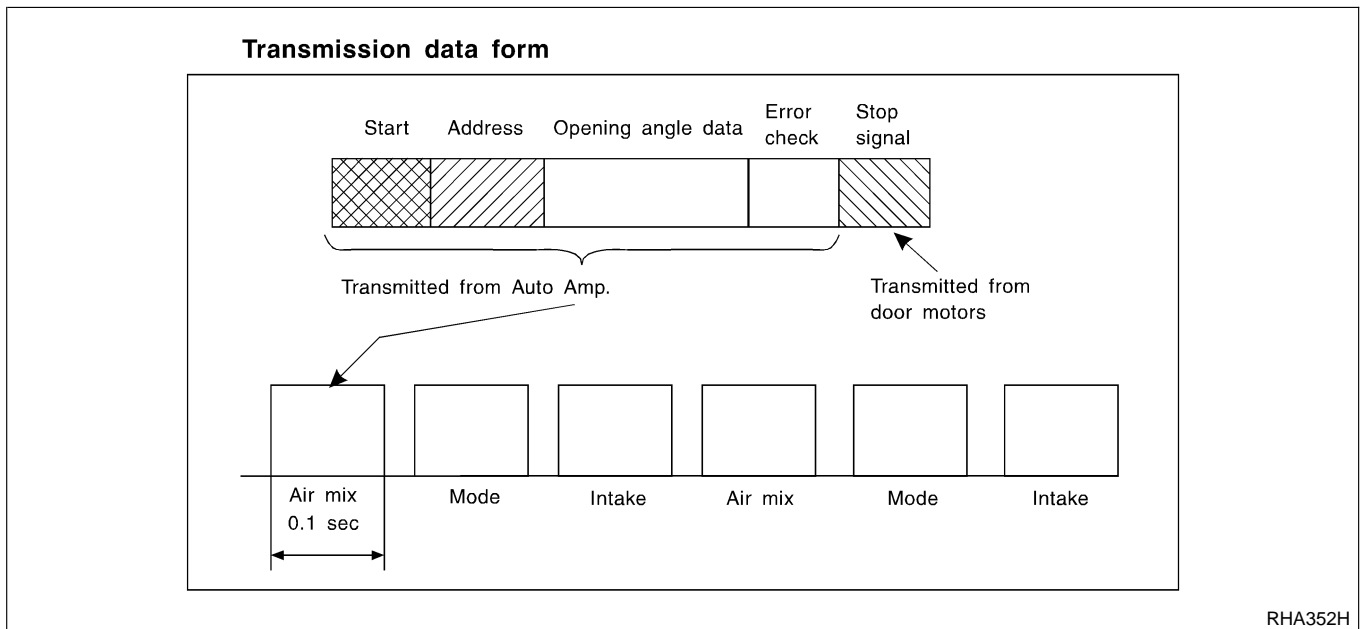
If an error exists, the received data is rejected and corrected data received. Finally, door control is based upon the corrected opening angle data.

Opening angle: Data that shows the indicated door opening angle of each door motor.

Error check: Procedure by which sent and received data is checked for errors. Error data is then compiled. The error check prevents corrupted data from being used by the air mix door motor, intake door motor and mode door motor. Error data can be related to the following problems.

- Abnormal electrical frequency
- Poor electrical connections
- Signal leakage from transmission lines
- Signal level fluctuation

Stop signal: At the end of each transmission, a stop operation, in-operation, or internal problem message is delivered to the auto amplifier. This completes one data transmission and control cycle.

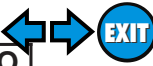


RHA352H

Air Mix Door Control (Automatic Temperature Control)

NFHA0168S0103

The air mix door is automatically controlled so that in-vehicle temperature is maintained at a predetermined value by: The temperature setting, ambient temperature, in-vehicle temperature and amount of sunload.



Features (Cont'd)

Fan Speed Control

NFHA0168S0104

Blower speed is automatically controlled based on temperature setting, ambient temperature, in-vehicle temperature, intake temperature, amount of sunload and air mix door position.

With FAN switch set to "AUTO", the blower motor starts to gradually increase air flow volume.

When engine coolant temperature is low, the blower motor operation is delayed to prevent cool air from flowing.

Intake Door Control

NFHA0168S0105

The intake doors are automatically controlled based on temperature setting, ambient temperature, in-vehicle temperature, intake temperature, amount of sunload, air mix door position and ON-OFF operation of the compressor.

Outlet Door Control

NFHA0168S0106

The outlet door is automatically controlled by: The temperature setting, ambient temperature, in-vehicle temperature, intake temperature and amount of sunload.

Magnet Clutch Control

NFHA0168S0107

The ECM controls compressor operation using input signals from the throttle position sensor, refrigerant pressure sensor and auto amplifier.

Self-diagnostic System

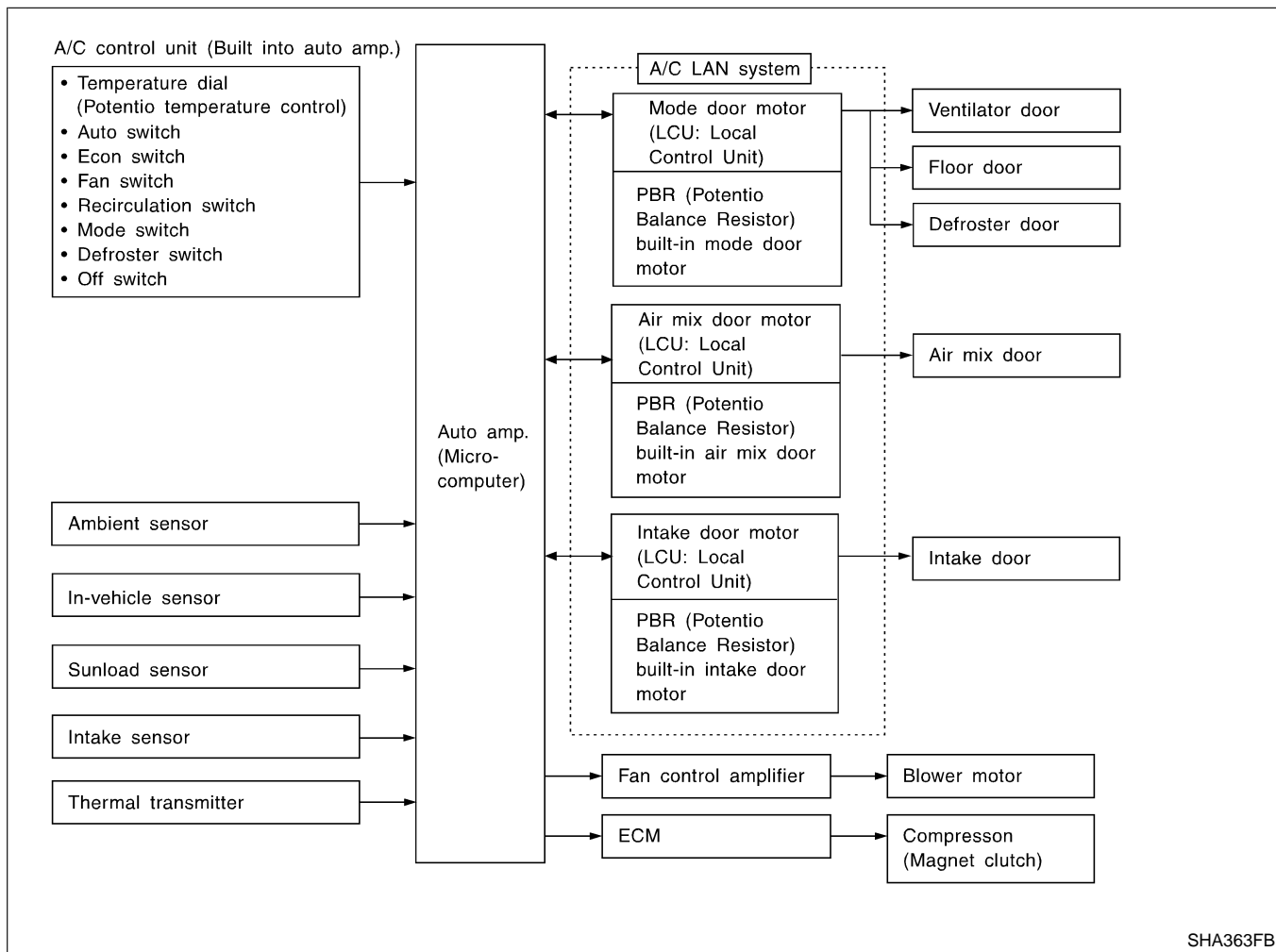
NFHA0168S0108

The self-diagnostic system is built into the auto amplifier (LCU) to quickly locate the cause of problems.

Overview of Control System

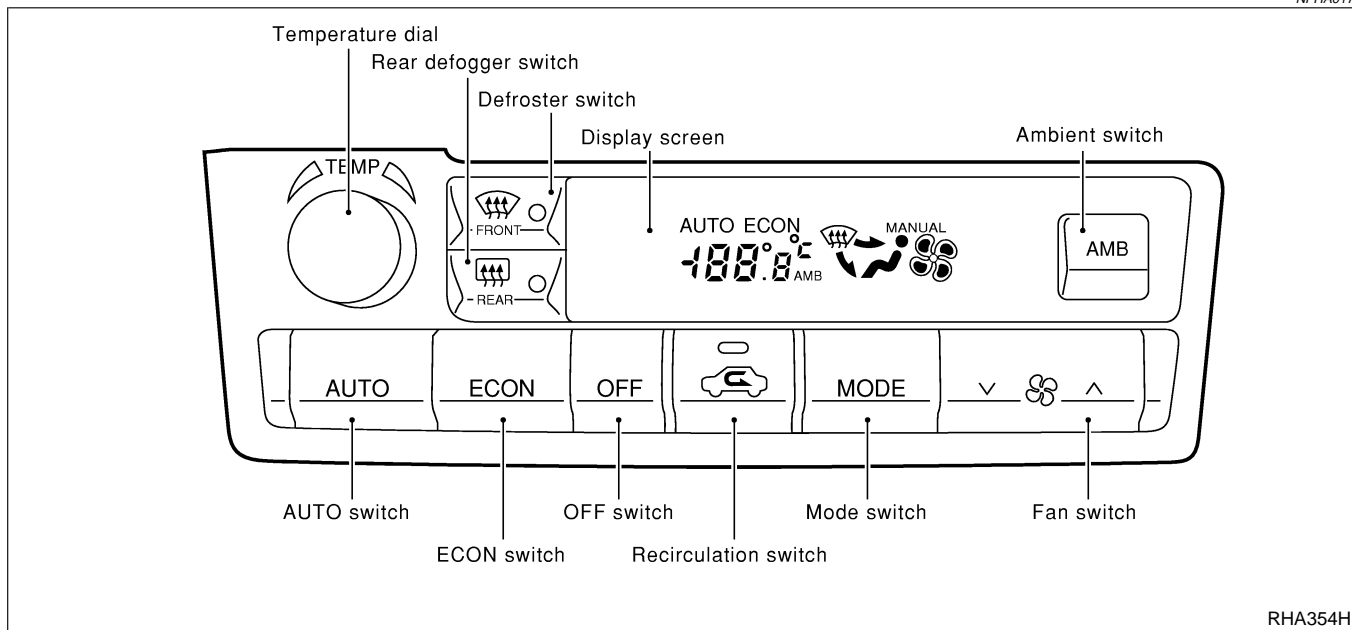
=NFHA0169

The control system consists of input sensors, switches, the automatic amplifier (microcomputer) and outputs. The relationship of these components is shown in the diagram below:



Control Operation

NFHA0170



Control Operation (Cont'd)

DISPLAY SCREEN

NFHA0170S01

Displays the operational status of the system.

AUTO SWITCH

NFHA0170S02

The compressor, intake doors, air mix door, outlet doors, and blower speed are automatically controlled so that the in-vehicle temperature will reach, and be maintained at the set temperature selected by the operator.

ECON SWITCH

NFHA0170S03

By pressing the ECON switch, the display should indicate ECON and the compressor always turns OFF. With the compressor OFF, the system will not remove heat (cool) or de-humidify. The system will maintain the in-vehicle temperature at the set temperature when the set temperature is above the ambient (outside) temperature. The system will set the intake doors to the outside air position.

TEMPERATURE DIAL (POTENTIAL TEMPERATURE CONTROL)

NFHA0170S04

Increases or decreases the set temperature.

OFF SWITCH





NFHA0170S05

The compressor and blower are OFF, the intake doors are set to the outside air position, and the air outlet doors are set to the foot (80% foot and 20% defrost) position.

FAN SWITCH

NFHA0170S06

Manual control of the blower speed. Four speeds are available for manual control (as shown on the display screen):

low  , medium low  , medium high  , high 

RECIRCULATION (REC) SWITCH

NFHA0170S07

OFF position: Outside air is drawn into the passenger compartment.

ON position: Interior air is recirculated inside the vehicle.

DEFROSTER (DEF) SWITCH

NFHA0170S08

Positions the air outlet doors to the defrost position. Also positions the intake doors to the outside air position.

MODE SWITCHES

NFHA0170S09

Control the air discharge outlets.

REAR WINDOW DEFOGGER SWITCH

NFHA0170S10

When illumination is ON, rear window is defogged.

DESCRIPTION

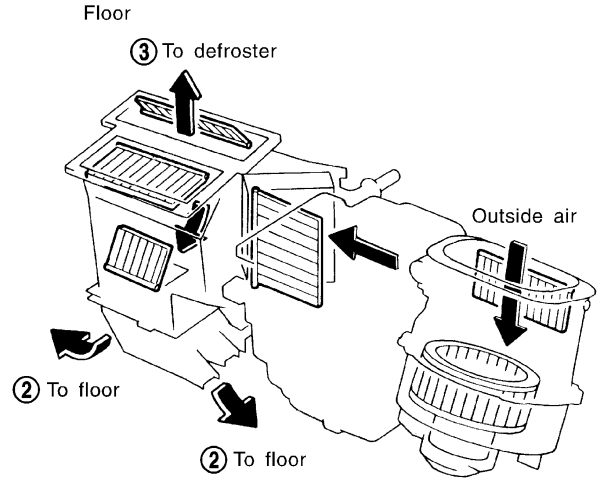
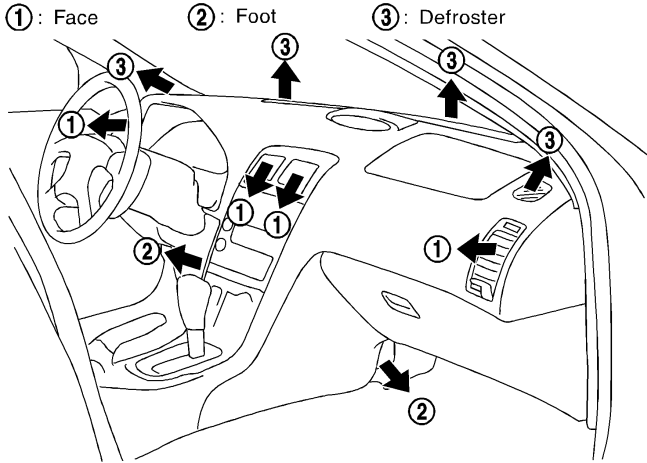
AUTO

EXIT

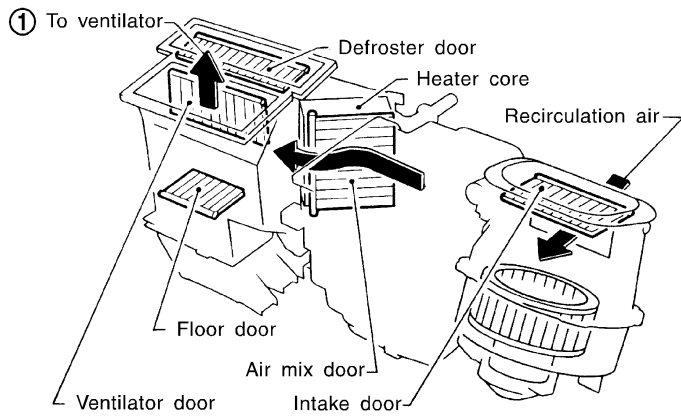
Discharge Air Flow

Discharge Air Flow

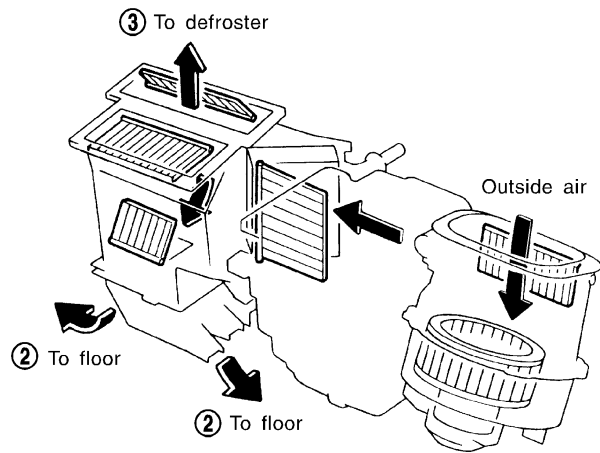
NFHA0171



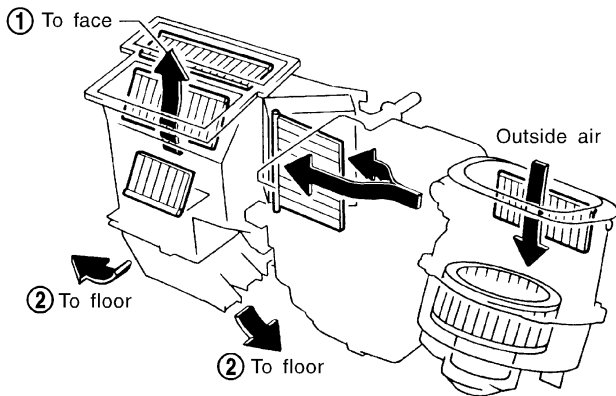
Face
(switch "ON")



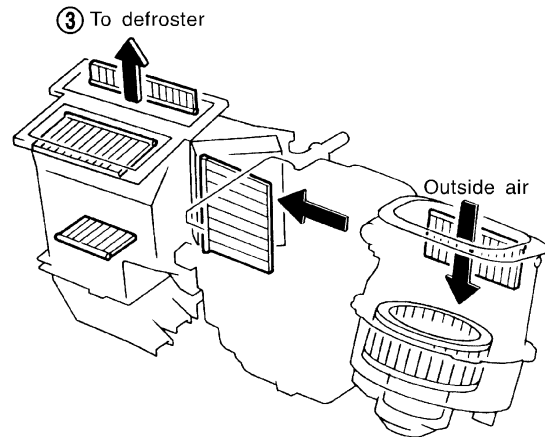
Floor and defroster



Bi-level
(switch "OFF")



Defroster



- GI
- MA
- EM
- LC
- EC
- FE
- CL
- MT
- AT
- AX
- SU
- BR
- ST
- RS
- BT
- HA**
- SC
- EL
- IDX

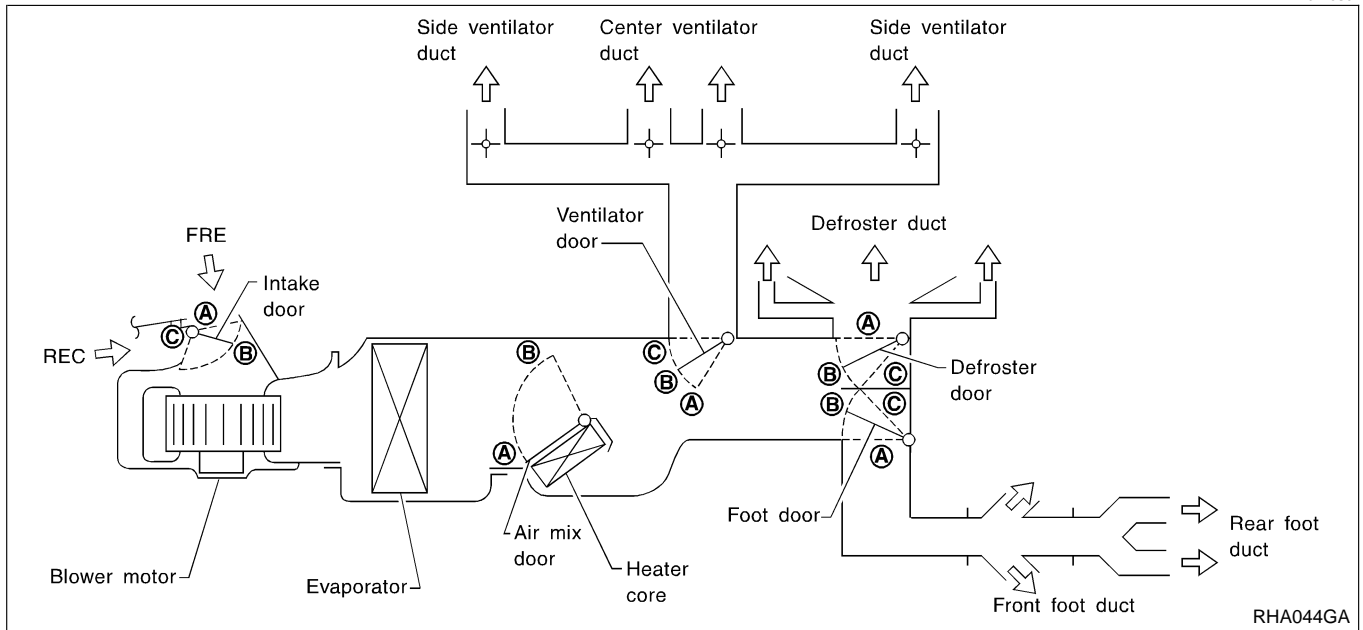
RHA355H

System Description

NFHA0246

SWITCHES AND THEIR CONTROL FUNCTIONS

NFHA0246S01



RHA044GA

Position or switch	MODE SW				Front DEF SW		AUTO SW	ECON SW	REC SW		Temperature DIAL		
	VENT	B/L	FOOT	D/F	ON	OFF			ON	OFF	TEMP		
Door							AUTO	ECON			18.0°C (65°F)	—	32.0°C (85°F)
Ventilator door	A	B	C	C	C	—	AUTO	AUTO	—	—	—		
Foot door	A	B	C	C	A	—			—	—	—		
Defroster door	A	A	B	C	C	—			—	—	—		
Air mix door	—				—	—			—	—	A	AUTO	B
Intake door	—				C	—	—	—	A	AUTO*1	—		

*1: Automatically controlled when REC switch is OFF.

Component Location ENGINE COMPARTMENT

NFHA0172

NFHA0172S01

GI

MA

EM

LC

EC

FE

CL

MT

AT

AX

SU

BR

ST

RS

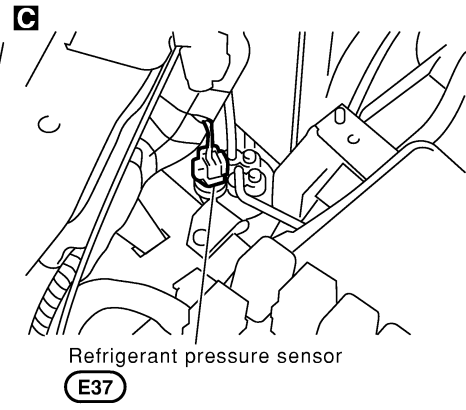
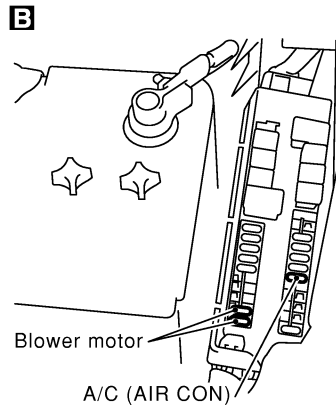
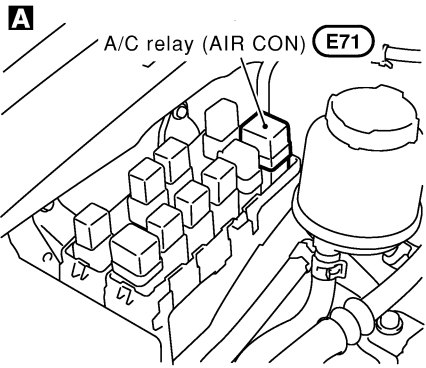
BT

HA

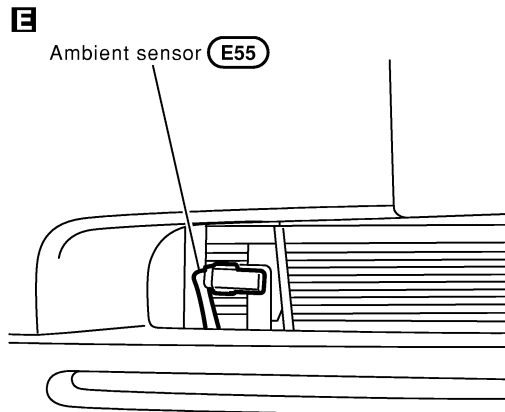
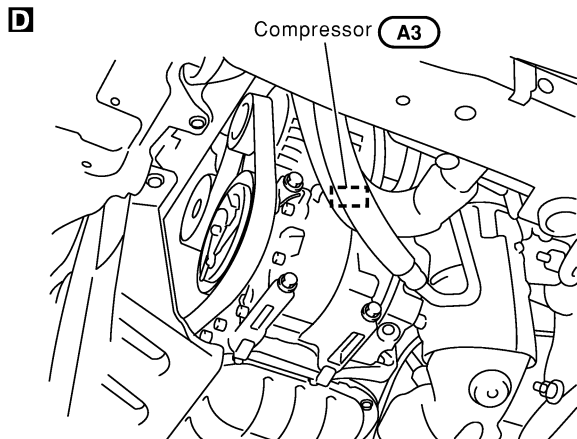
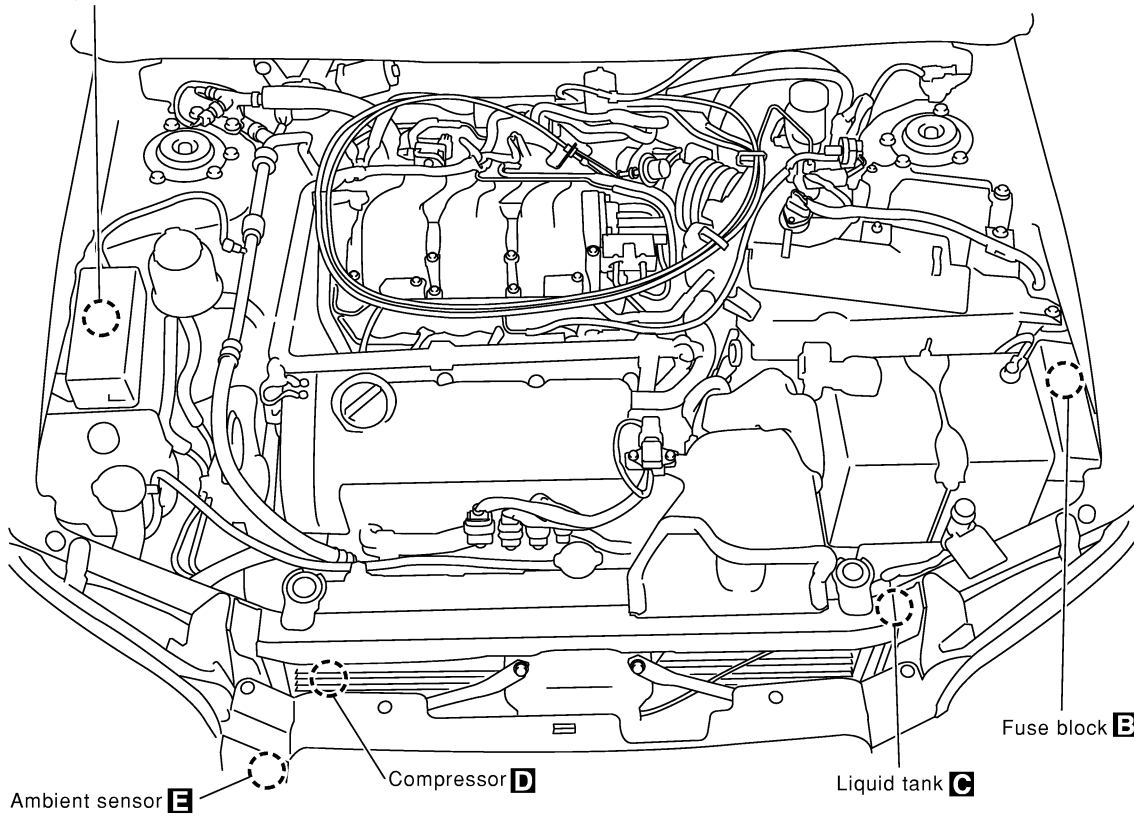
SC

EL

IDX

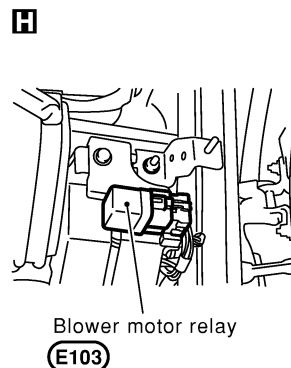
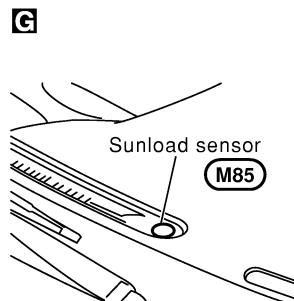
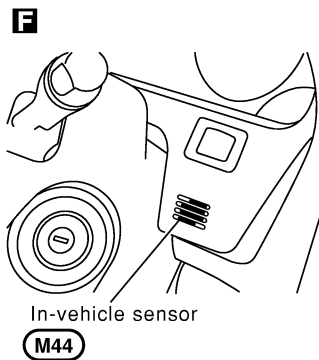
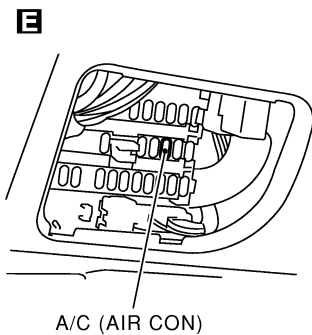
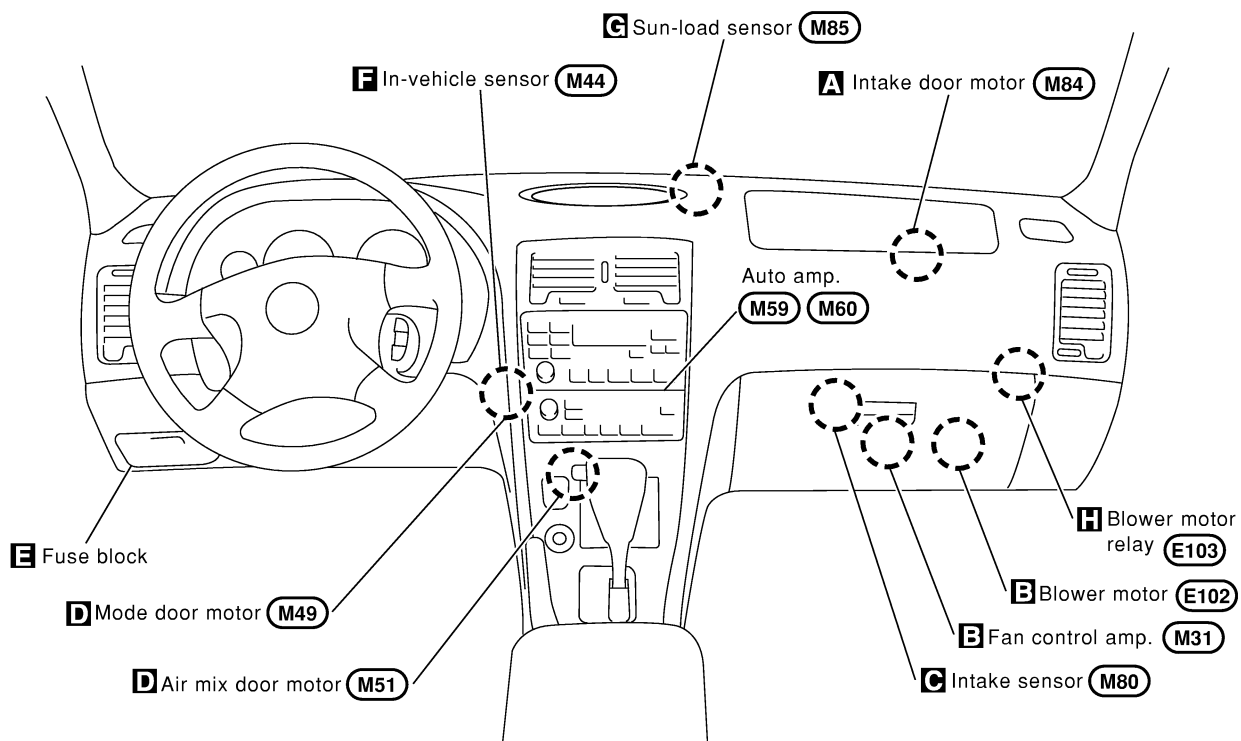
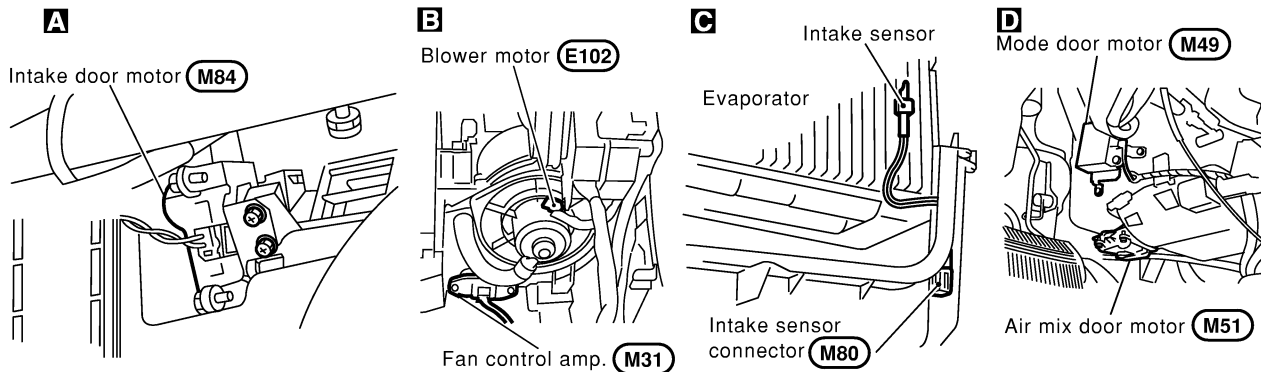


Relay box-1 **A**



PASSENGER COMPARTMENT

NFHA0172S02

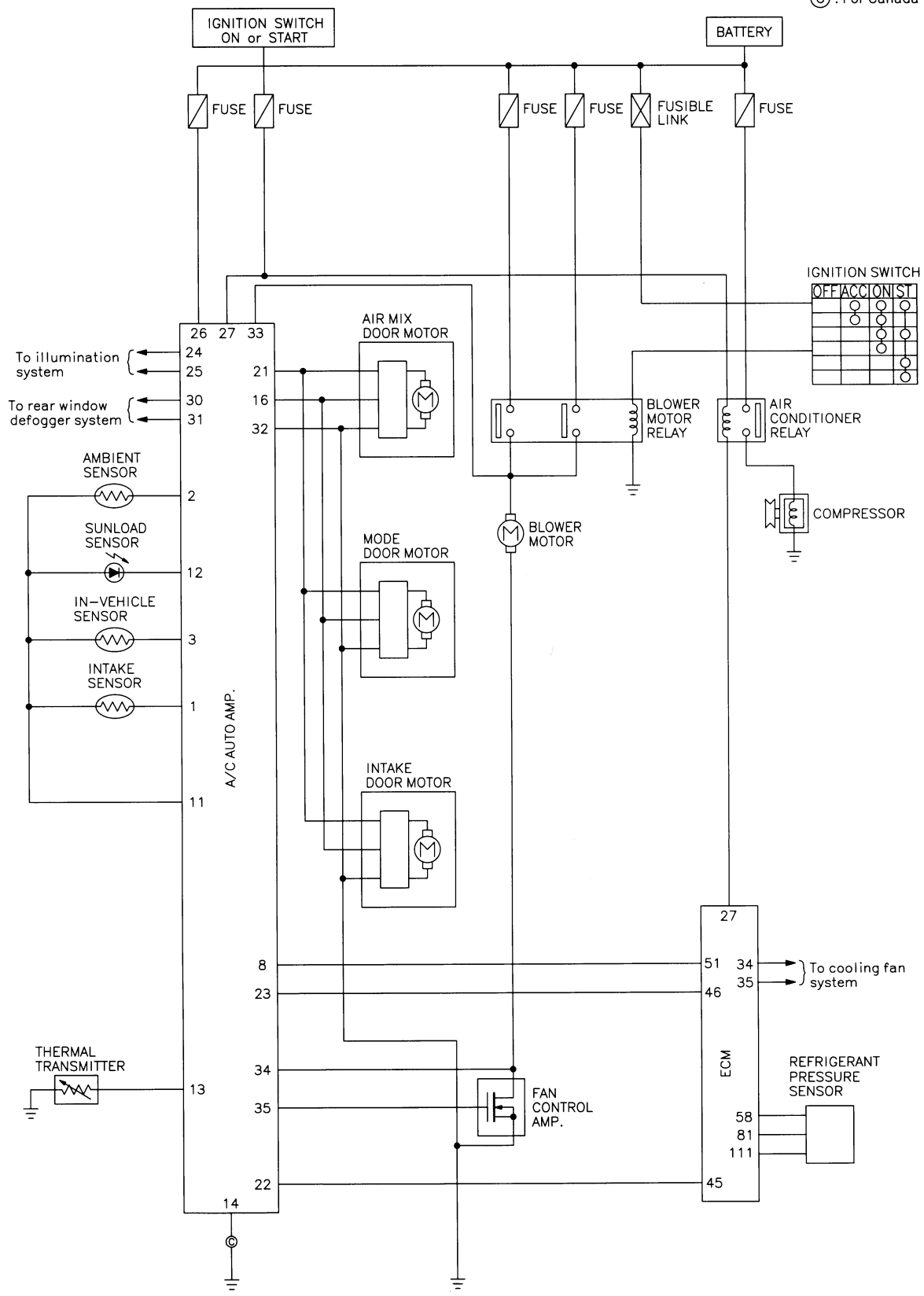


RHA454H

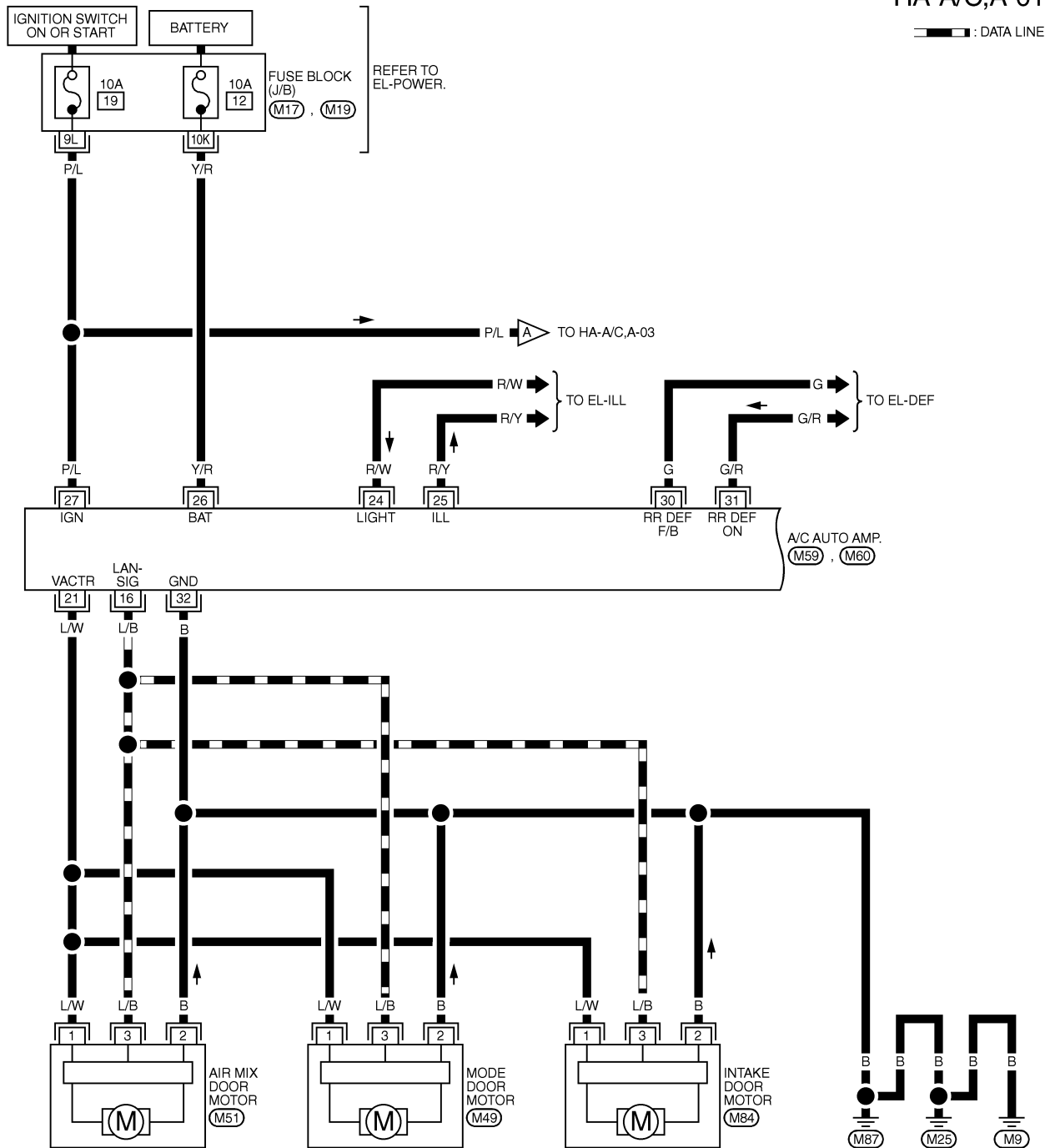
Circuit Diagram

NFHA0173

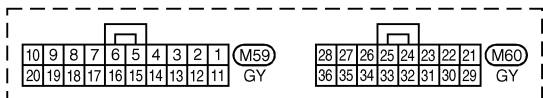
© : For Canada



- GI
- MA
- EM
- LC
- EC
- FE
- CL
- MT
- AT
- AX
- SU
- BR
- ST
- RS
- BT
- HA**
- SC
- EL
- IDX



1	(M49) . (M51) . (M84)
2	W . W . W
3	



REFER TO THE FOLLOWING.
(M17) , **(M19)** - FUSE BLOCK -
 JUNCTION BOX (J/B)

TROUBLE DIAGNOSES

AUTO

EXIT

Wiring Diagram — A/C, A — (Cont'd)

HA-A/C,A-02

Ⓢ : FOR CANADA

GI

MA

EM

LC

EC

FE

CL

MT

AT

AX

SU

BR

ST

RS

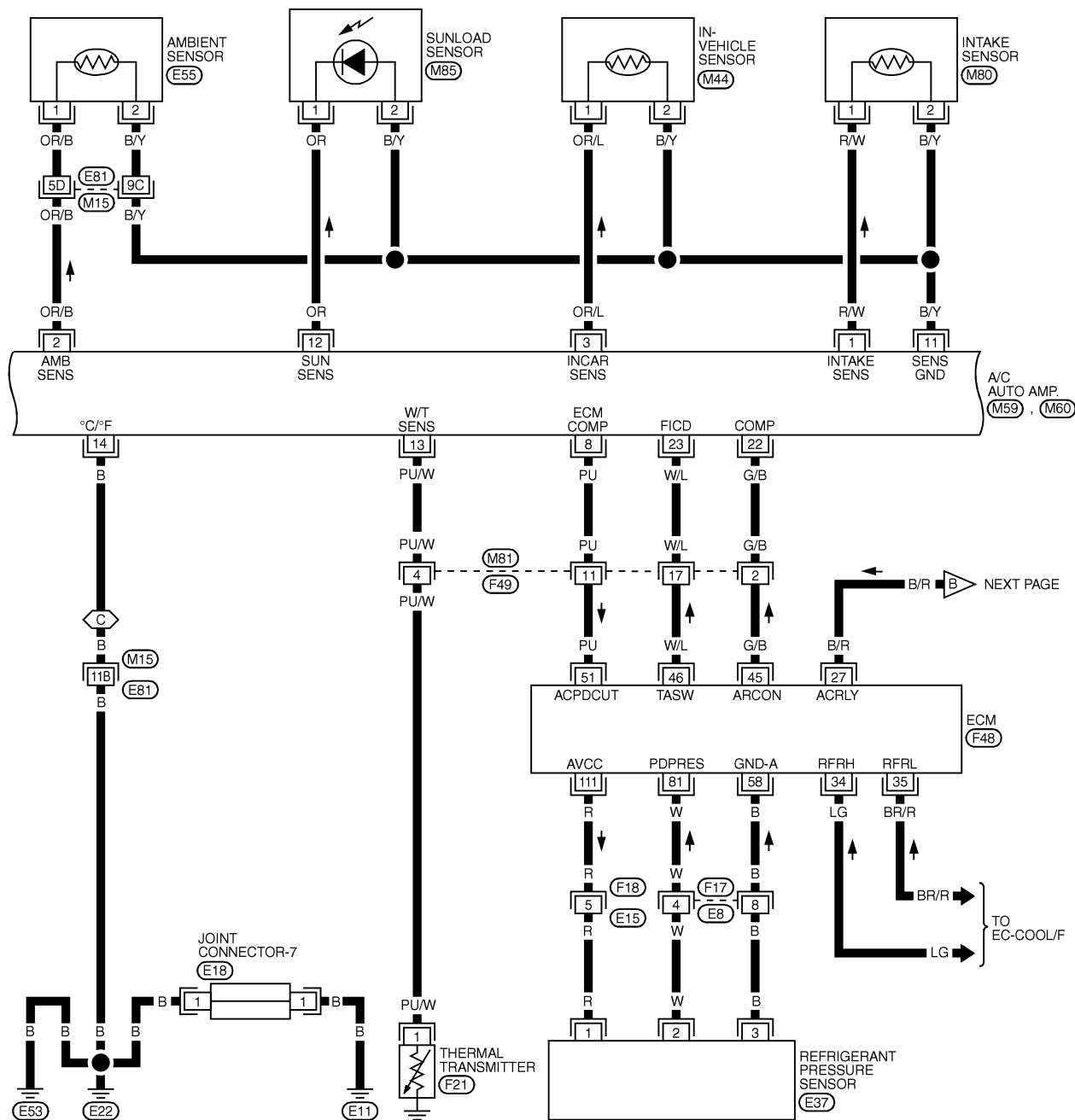
BT

HA

SC

EL

IDX



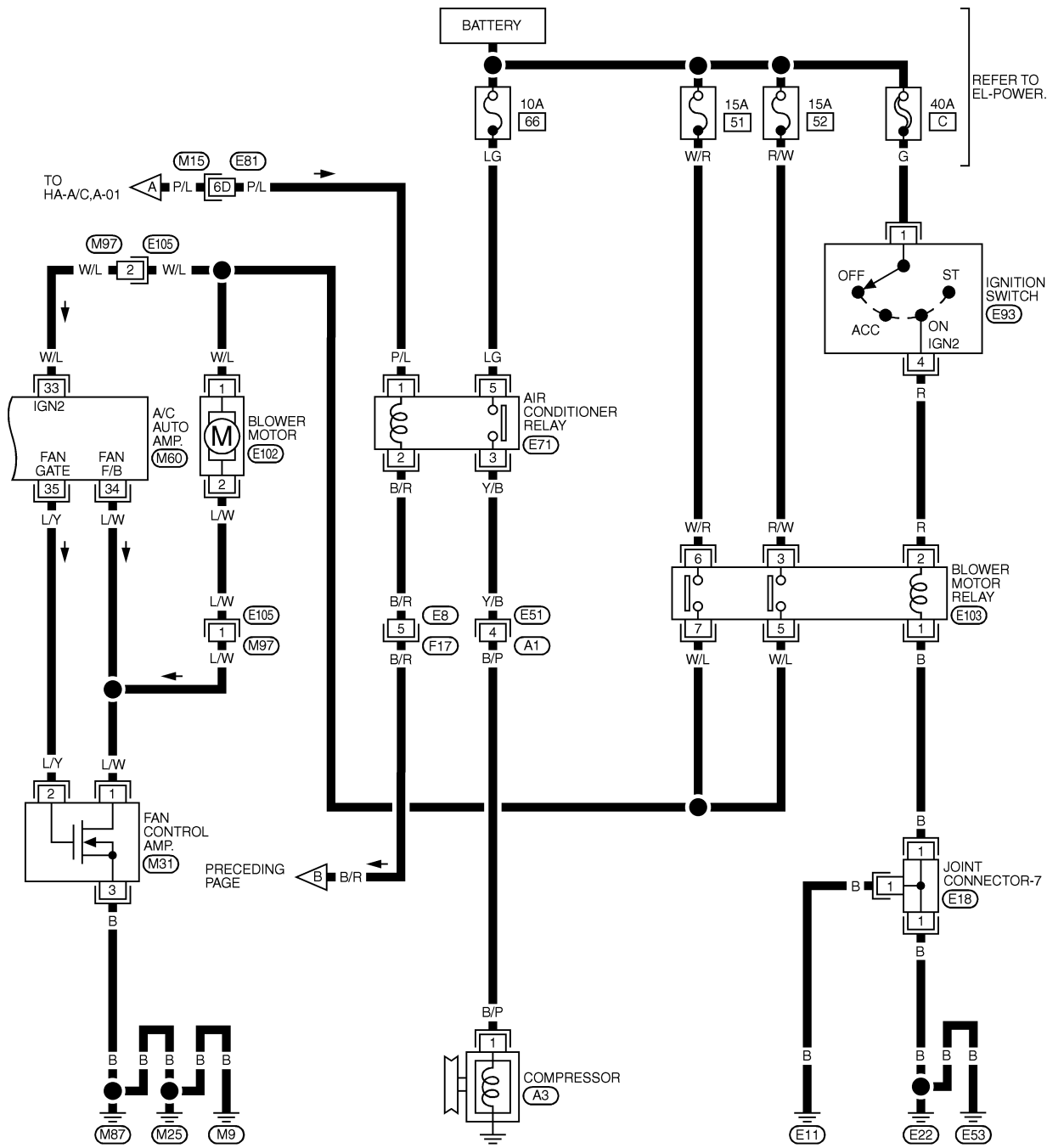
REFER TO THE FOLLOWING.
 (M15), (E81) - SUPER
 MULTIPLE JUNCTION (SMJ)
 (F48) - ELECTRICAL UNITS

MHA916A

TROUBLE DIAGNOSES

Wiring Diagram — A/C, A — (Cont'd)

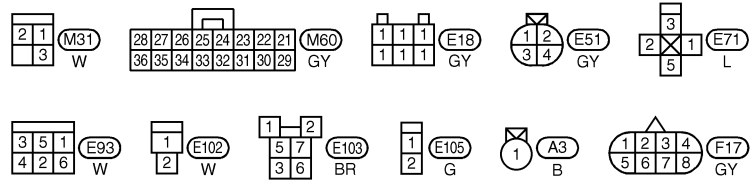
HA-A/C,A-03



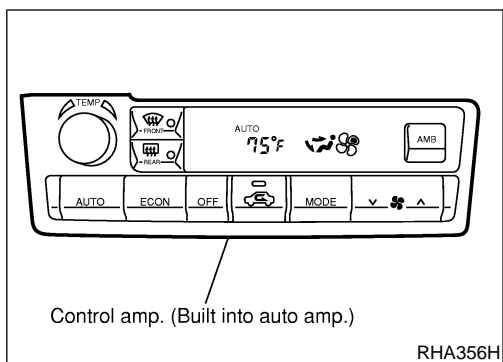
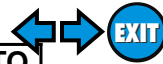
REFER TO EL-POWER.

PRECEDING PAGE

REFER TO THE FOLLOWING.
 (M15), (E81) - SUPER
 MULTIPLE JUNCTION (SMJ)



MHA913A



Auto Amp. Terminals and Reference Value

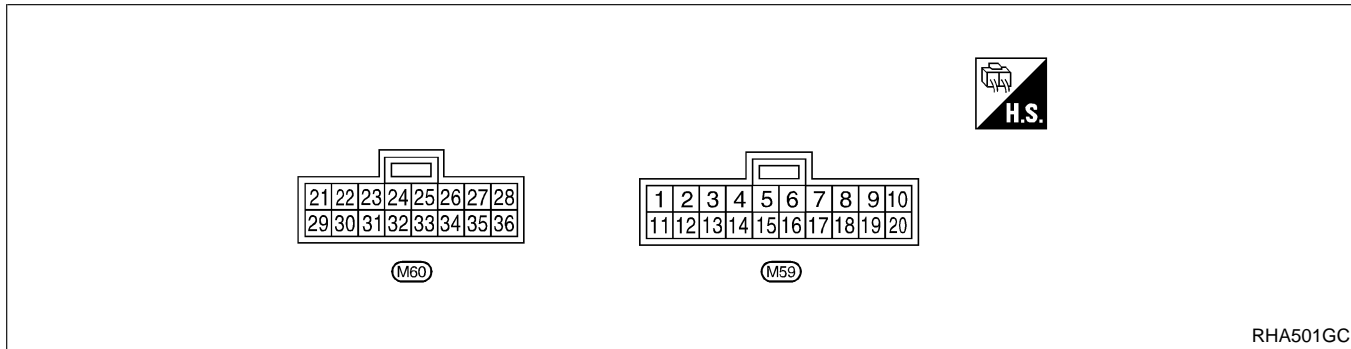
NFHA0175

INSPECTION OF AUTO AMP.

NFHA0175S01

- Measure voltage between each terminal and body ground by following "AUTO AMP. INSPECTION TABLE".

- Pin connector terminal layout



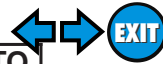
AUTO AMP. INSPECTION TABLE

NFHA0175S02


TERMINAL NO.	ITEM	CONDITION		Voltage V	
1	Intake sensor	—		—	
2	Ambient sensor	—		—	
3	In-vehicle sensor	—		—	
8	ECM COMP		Compressor ON	Approximately 0	
			Compressor OFF	Approximately 4.6	
11	Sensor ground	—		Approximately 0	
12	Sunload sensor	—		—	
13	Thermal transmitter		Engine coolant temperature	Approximately 40°C (104°F)	Approximately 10.8
				Approximately 55°C (131°F)	Approximately 9.9
				Approximately 60°C (140°F)	Approximately 9.5
14	Ground (for Canada)	—		Approximately 0	
16	A/C LAN signal	—		—	
21	Power supply for mode door motor, intake door motor and air mix door motor	—		*1	
22	Compressor ON signal		Compressor	ON	Approximately 0
				OFF	Approximately 4.6
26	Power supply for BAT	—		BATTERY VOLTAGE	

TROUBLE DIAGNOSES

AUTO



Auto Amp. Terminals and Reference Value (Cont'd)

TERMINAL NO.	ITEM		CONDITION	Voltage V	
27	Power supply for IGN		—	Approximately 12	
30	Rear window defogger feed back		Rear window defogger switch	ON	Approximately 12
				OFF	Approximately 0
31	Rear window defogger ON signal		Rear window defogger switch	ON	Approximately 0
				OFF	Approximately 12
32	Ground			—	Approximately 0
33	Power source for A/C			Ignition voltage feed back	Approximately 12
34	Blower motor feed back			Fan speed: Low	Approximately 7 - 10
35	Fan control AMP. control signal	Fan speed	Low, Middle low or Middle high	Approximately 2.5 - 3.0	
			High	Approximately 9 - 10	

*1: When the motor is working, approx. 0V will be indicated. When the motor stops, approx. 12V will exist.

Self-diagnosis

=NFHA0176

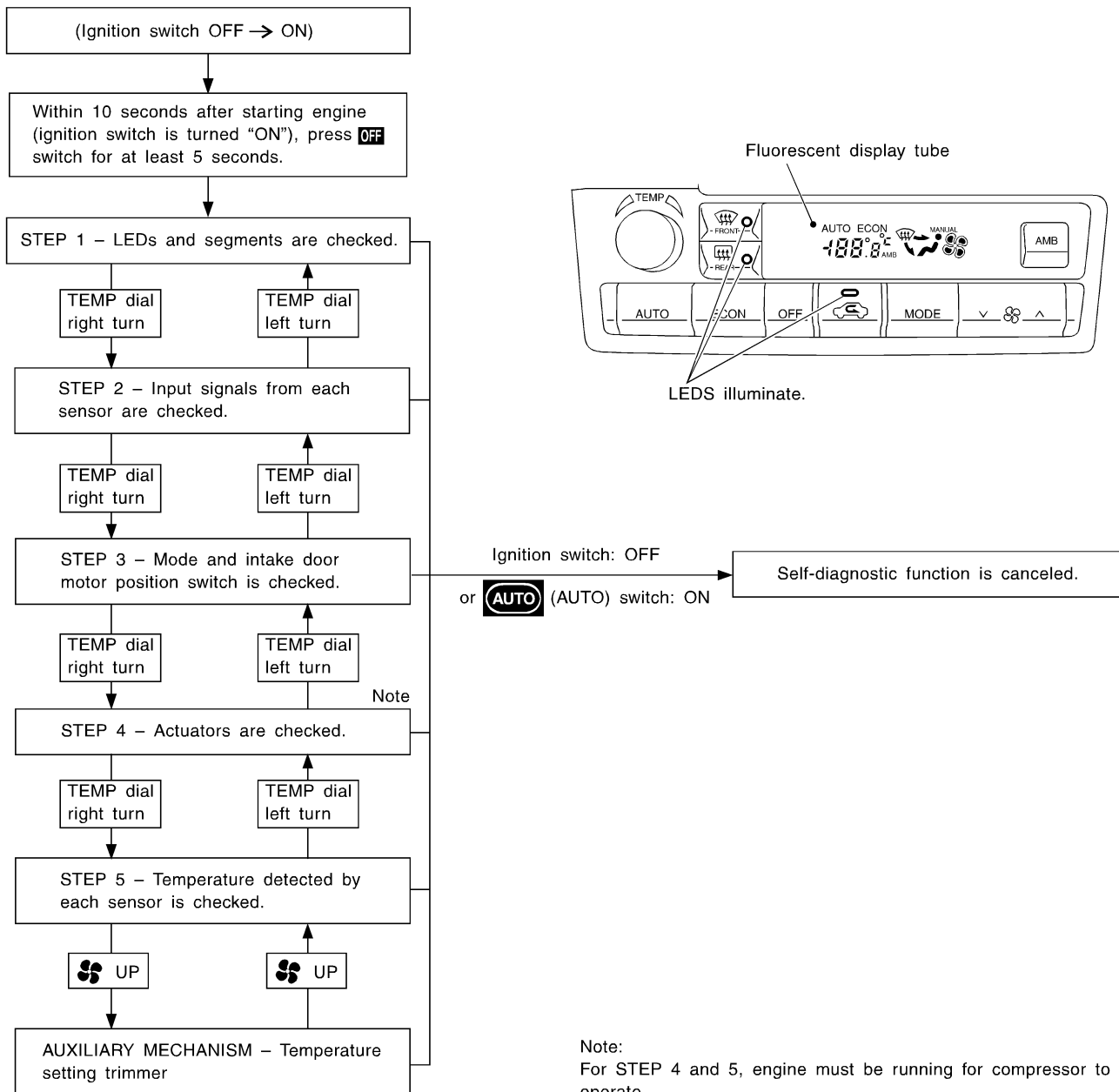
NFHA0176S01

INTRODUCTION AND GENERAL DESCRIPTION

The self-diagnostic system diagnoses sensors, door motors, blower motor, etc. by system line. Refer to applicable sections (items) for details. Shifting from normal control to the self-diagnostic system is accomplished by starting the engine (turning the ignition switch from "OFF" to "ON") and pressing "OFF" switch for at least 5 seconds. The "OFF" switch must be pressed within 5 seconds after starting the engine (ignition switch is turned "ON"). This system will be canceled by either pressing AUTO (AUTO) switch or turning the ignition switch "OFF". Shifting from one step to another is accomplished by means of pushing TEMP dial right turn or TEMP dial left turn switch, as required.

Additionally shifting from STEP 5 to AUXILIARY MECHANISM is accomplished by means of pushing (fan) UP switch.

GI
MA
EM
LC
EC
FE
CL
MT
AT
AX
SU
BR
ST
RS
BT
HA
SC
EL
IDX



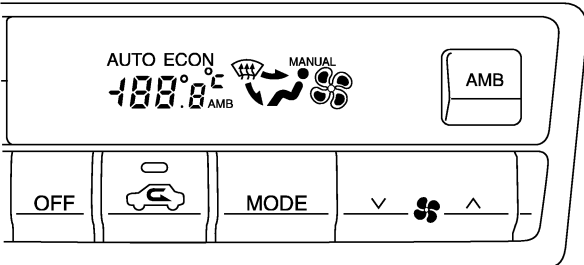
RHA357H

Perform all of the following tests to narrow the problem to a specific assembly, actuator, or function. Link to the Diagnostic Procedure which corresponds to malfunctions noted in these tests. If the A/C display screen has no display, check all power supply circuits to the A/C Auto Amp.

FUNCTION CONFIRMATION PROCEDURE

NFHA0176S02

1	ENTER SELF-DIAGNOSTIC MODE
<p>Perform steps 1 - 3</p> <ol style="list-style-type: none"> 1. Turn the ignition OFF. 2. Start the engine. 3. Immediately after starting the engine press and hold the OFF switch (for the auto A/C system) for at least 5 seconds. The A/C Auto Amp. should now be in Self Diagnosis mode. Self Diagnosis steps 1 - 5 can now be performed. Self Diagnosis step 1 will be displayed first. Shifting from one step to another is accomplished by pressing the temperature increase or decrease switch. 	
▶	GO TO 2.

2	STEP 1 LED/DISPLAY CHECK
<p>Verify all segments illuminate. If all segments do not illuminate the fluorescent display tube is malfunctioning or the system has not entered self diagnosis which would indicate a malfunctioning OFF switch. Do all LEDs and segments illuminate?</p>	
<p>Display malfunction</p> 	
RHA358H	
Yes or No	
Yes	▶ GO TO 3.
No	▶ Malfunctioning OFF switch, LED or fluorescent display tube. Replace A/C auto amp.

3	CHECK TO ADVANCE SELF-DIAGNOSIS STEP 2
<p>1. Turn the TEMP dial clockwise. 2. Advance to self-diagnosis STEP 2. If the system does not shift between step 1 and 2, a malfunctioning TEMP dial is indicated.</p>	
Yes or No	
Yes	▶ GO TO 4.
No	▶ Malfunctioning TEMP dial. Replace A/C auto amp.

TROUBLE DIAGNOSES

AUTO

EXIT

Self-diagnosis (Cont'd)

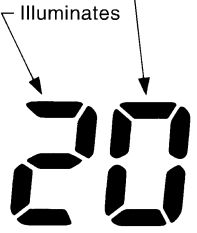
4	CHECK TO RETURN SELF-DIAGNOSIS STEP 1	
<p>1. Turn the TEMP dial counterclockwise. 2. Return to self-diagnosis STEP 1. If the system does not shift between step 1 and 2, a malfunctioning TEMP dial is indicated.</p>		
Yes or No		
Yes	▶	GO TO 5.
No	▶	Malfunctioning TEMP dial. Replace A/C auto amp.

GI

MA

EM

LC

5	STEP 2 - SENSOR CIRCUITS ARE CHECKED FOR OPEN OR SHORT CIRCUIT	
<p>Turn the TEMP dial clockwise, advance to STEP 2: Wait (about 25 seconds) for two digit Code to appear. This is the Electronic Sensor Input Check which includes circuits. Does code No. 20 appear on the display?</p>		
<p>Display (when all sensors are in good order)</p> <p style="margin-left: 100px;">Illuminates 25 seconds after "2" is illuminated.</p> <p style="margin-left: 50px;">Illuminates</p> 		
RHA970DB		
Yes or No		
Yes	▶	GO TO 6.
No	▶	GO TO 13.

EC

FE

CL

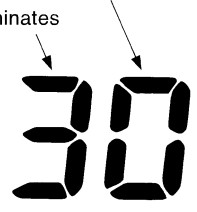
MT

AT

AX

SU

BR

6	STEP 3 - MODE DOOR AND INTAKE DOOR POSITIONS ARE CHECKED	
<p>Turn the TEMP dial clockwise, advance to STEP 3. Wait (about 50 seconds) for two digit Code to appear. This is the Mode Door and Intake Door Position Switch input checks including circuits. Does code No. 30 appear on the display?</p>		
<p>Display (when all doors are in good order)</p> <p style="margin-left: 100px;">Illuminates 50 seconds after "3" is shown on display.</p> <p style="margin-left: 50px;">Illuminates</p> 		
RHA869DD		
Yes or No		
Yes	▶	GO TO 7.
No	▶	GO TO 14.

ST

RS

BT

HA

SC

EL

IDX

TROUBLE DIAGNOSES

AUTO



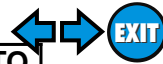
Self-diagnosis (Cont'd)

7	STEP 4 - OPERATION OF EACH ACTUATOR IS CHECKED
<p>Turn the TEMP dial clockwise, advance to STEP 4. Engine running. This is Heater and A/C system check. Code 41 will be displayed. Use the DEF switch to advance the code number from 41 to 46. After 46, the display will return to code 41 and can be advanced to 46 again.</p> <p style="text-align: center;">Changes from "1" to "6".</p> <div style="text-align: center;"></div> <p style="text-align: right;">RHA495A</p>	
▶	GO TO 8.

TROUBLE DIAGNOSES

AUTO

Self-diagnosis (Cont'd)



GI
MA
EM
LC
EC
FE
CL
MT
AT
AX
SU
BR
ST
RS
BT
HA
SC
EL
IDX

8 CHECK ACTUATORS

Confirm operation of system components according to the following charts.
Checks must be made visually, by listening to any noise, or by touching air outlets with your hand, etc. for improper operation.

Code No.	41	42	43	44	45	46
Actuator						
Mode door	VENT	B/L	B/L	FOOT	D/F	DEF
Intake door	REC	REC	20% FRE	FRE	FRE	FRE
Air mix door	Full Cold	Full Cold	Full Hot	Full Hot	Full Hot	Full Hot
Blower motor	4 - 5 V	9 - 11 V	7 - 9 V	7 - 9 V	7 - 9 V	10 - 12 V
Compressor	ON	ON	OFF	OFF	ON	ON

MTBL0314

Operating condition of each actuator cannot be checked by indicators.

Discharge air flow

Mode switch	Air outlet/distribution		
	Face	Foot	Defroster
	100%	—	—
	60%	40%	—
	—	80%	20%
	—	60%	40%
	—	—	100%

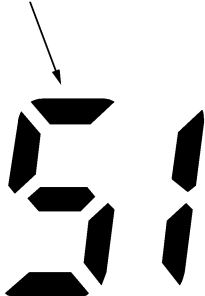
MTBL0128

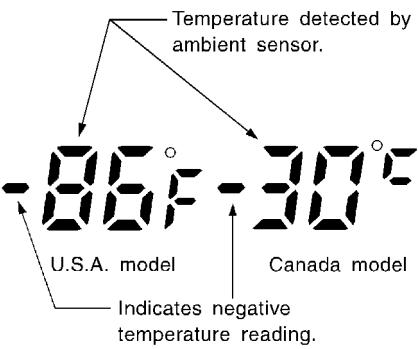
OK or NG

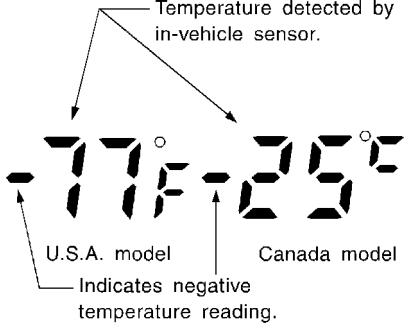
OK ► GO TO 9.

- NG ►
- Air outlet does not change.
Go to "Mode Door Motor" (HA-54).
 - Intake door does not change.
Go to "Intake Door Motor" (HA-64).
 - Blower motor operation is malfunctioning.
Go to "Blower Motor" (HA-67).
 - Magnet clutch does not engage.
Go to "Magnet Clutch" (HA-76).
 - Discharge air temperature does not change.
Go to "Air Mix Door Motor" (HA-61).

Self-diagnosis (Cont'd)

9	STEP 5 - TEMPERATURE OF EACH SENSOR IS CHECKED
<p>Turn the TEMP dial clockwise, advance to STEP 5. This is Intake sensor, In Vehicle sensor and Ambient Sensor function check. Code 51 will be displayed.</p> <p>NOTE: Each sensor reading should be approximately the actual temperature.</p> <p style="text-align: center;">"51" appears on display.</p> <div style="text-align: center;">  </div> <p style="text-align: right;">RHA359H</p>	
▶	GO TO 10.

10	CHECK AMBIENT SENSOR
<p>Press DEF once, temperature detected by the Ambient Sensor is displayed.</p> <div style="text-align: center;">  </div> <p style="text-align: center;">OK or NG</p>	
OK ▶	GO TO 11.
NG ▶	Go to Ambient Sensor Circuit (HA-94).

11	CHECK IN-VEHICLE SENSOR
<p>Press DEF second time, temperature detected by the In Vehicle Sensor is displayed.</p> <div style="text-align: center;">  </div> <p style="text-align: center;">OK or NG</p>	
OK ▶	GO TO 12.
NG ▶	Go to In-vehicle Sensor Circuit (HA-98).

TROUBLE DIAGNOSES

AUTO

EXIT

Self-diagnosis (Cont'd)

12	CHECK INTAKE SENSOR	
<p>Press DEF third time, temperature detected by the Intake Sensor is displayed.</p> <div style="text-align: center;"> </div> <p style="text-align: right;">RHA500G</p> <p style="text-align: center;">OK or NG</p>		
OK	▶	<ol style="list-style-type: none"> 1. Press (DEF) switch the fourth time. Display returns to original presentation 51. 2. Turn ignition switch OFF or (AUTO) switch ON. 3. END
NG	▶	Go to Intake Sensor Circuit (HA-105).

GI

MA

EM

LC

EC

FE

CL

MT

AT

AX

SU

BR

ST

RS

BT

HA

SC

EL

IDX

Self-diagnosis (Cont'd)

13 CHECK MALFUNCTIONING SENSOR

NOTE:

- A blinking mark (-) preceding the Code No. indicates a short circuit.
- If 2 or more items are malfunctioning the corresponding codes will alternately blink twice.
- A circuit will be detected as open or shorted and its code No. will be displayed when input signals correspond with conditions in the following chart.

Code No.	Sensor	Open circuit	Short circuit	Reference page
21	Ambient sensor	Less than -41.7°C (-43°F)	Greater than 100°C (212°F)	*3
-21				
22	In-vehicle sensor	Less than -41.7°C (-43°F)	Greater than 100°C (212°F)	*4
-22				
24	Intake sensor	Less than -43.8°C (-47°F)	Greater than 100°C (212°F)	*5
-24				
25	Sunload sensor*2	Less than 0.228 mA	Greater than 0.98 mA	*6
-25				
26	PBR*1	Greater than 95%	Less than 5%	*7
-26				

MTBL0454

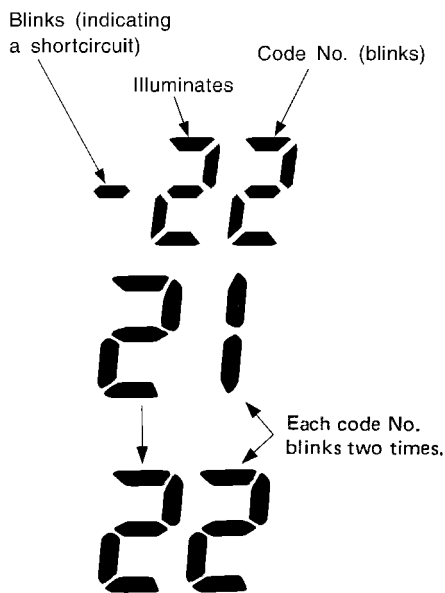
*1: "95%" and "5%" refer to percentage with respect to stroke of air mix door. (Full cold: 0%, Full hot: 100%)

*2: **Conduct self-diagnosis STEP 2 under sunshine.**

When conducting indoors, direct light (more than 60W) at sunload sensor.

*3: HA-94, *4: HA-98, *5: HA-105, *6: HA-101, *7: HA-107

Display (when sensor malfunctions)

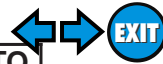


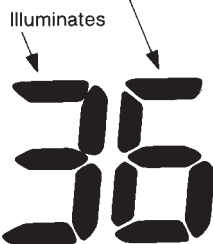
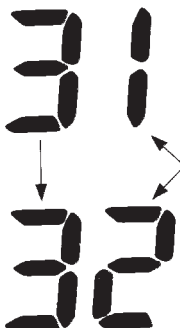
RHA455G

RHA501A

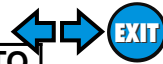


INSPECTION END



14	CHECK MALFUNCTIONING DOOR MOTOR POSITION SWITCH
<p>30- Mode door and intake door position switches are in working order. Continue ot next step.</p> <p>31- Mode door circuit / switch in vent position switch is malfunctioning.</p> <p>32- Mode door circuit / switch in B/L position switch is malfunctioning.</p> <p>34- Mode door circuit / switch in Foot position switch is malfunctioning.</p> <p>35- Mode door circuit / switch in Foot Def. position switch is malfunctioning.</p> <p>36- Mode door circuit / switch in Def. position switch is malfunctioning.</p> <p>37- Intake door mode circuit / switch in Fresh Air position is malfunctioning.</p> <p>38- Intake door mode circuit / switch in 20% Fresh Air position is malfunctioning.</p> <p>39- Intake door mode circuit / switch in Recirculation Air position is malfunctioning.</p> <p>NOTE:</p> <ul style="list-style-type: none"> ● If 2 or more items are malfunctioning the corresponding codes will alternately blink twice. ● If the Mode Door Motor harness is disconnected repeated display pattern of 31 → 32 → 34 → 35 → 36 will occur. ● If Intake Door Motor harness is disconnected repeated display pattern of 37 → 38 → 39 will occur. ● If any Mode Door Motor Position Switch is malfunctioning the Mode Door Motor will also malfunction. <div style="text-align: center; margin-top: 20px;"> <p>Display (when a door is out of order)</p> <p>Code No. (blinks)</p>  <p style="text-align: right;">RHA168DA</p>  <p style="text-align: right;">RHA498A</p> </div>	
▶	INSPECTION END

- GI
- MA
- EM
- LC
- EC
- FE
- CL
- MT
- AT
- AX
- SU
- BR
- ST
- RS
- BT
- HA
- SC
- EL
- IDX



Self-diagnosis (Cont'd)

AUXILIARY MECHANISM: TEMPERATURE SETTING TRIMMER

=NFHA0176S03

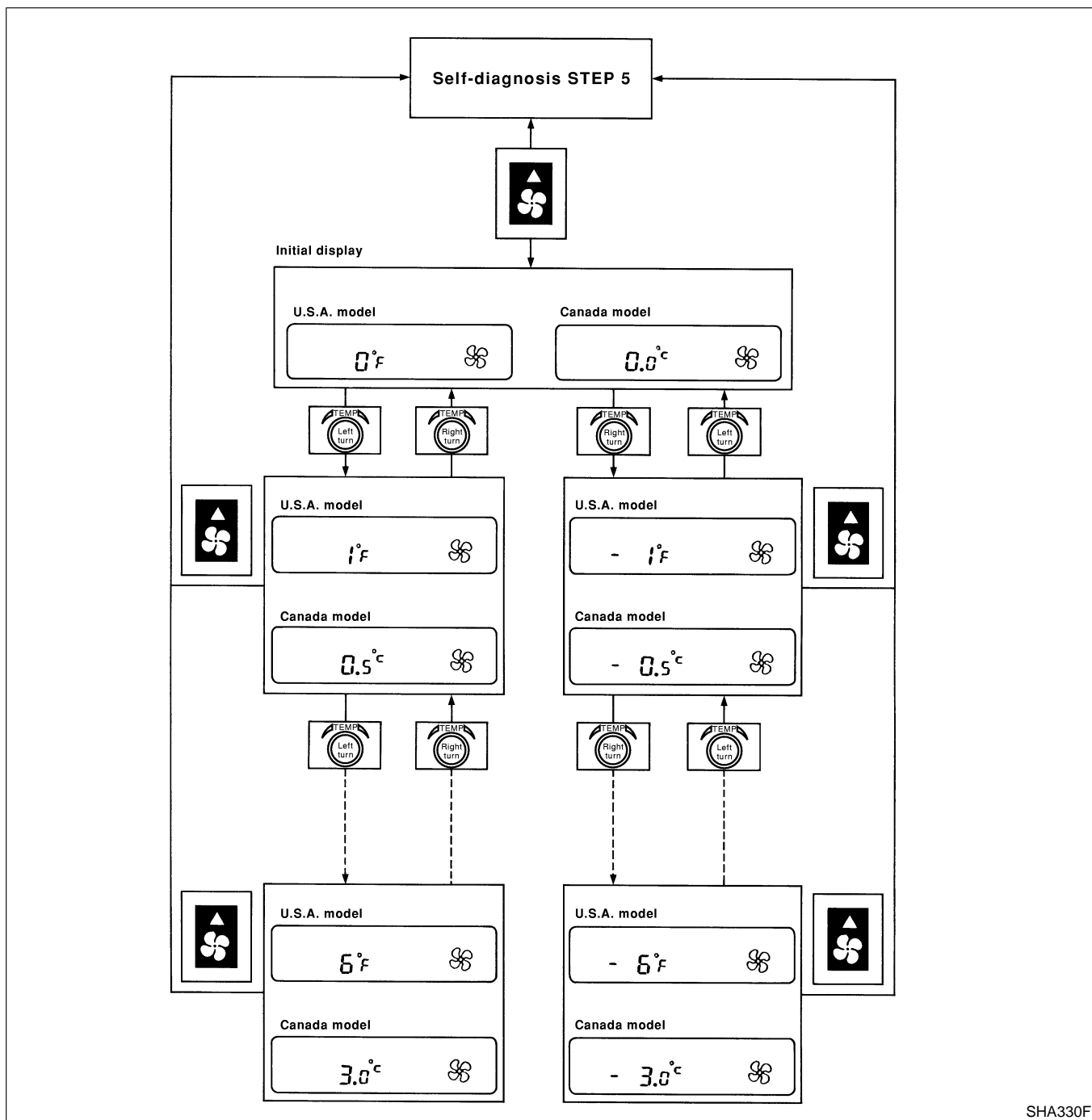
Unconfirmed Incidents

NFHA0176S0301

The customer may feel that the cabin temperature is not being controlled or regulated to the temperature indicated by the auto A/C display screen. To satisfy individual driver preference the Temperature Setting Trimmer may be used to compensate in a range of $\pm 3^{\circ}\text{C}$ ($\pm 6^{\circ}\text{F}$).

1. Enter Self Diagnosis mode and select STEP 5.
2. Press the Fan Up switch: This will set the A/C system in auxiliary mode and the display will show 61.
3. Turn the temperature dial clockwise or counterclockwise: The temperature will change at a rate of 0.5°C (1°F).

If power is lost to the A/C Auto Amp. trimmer setting is canceled and setting becomes that of initial condition, 0° .



SHA330F

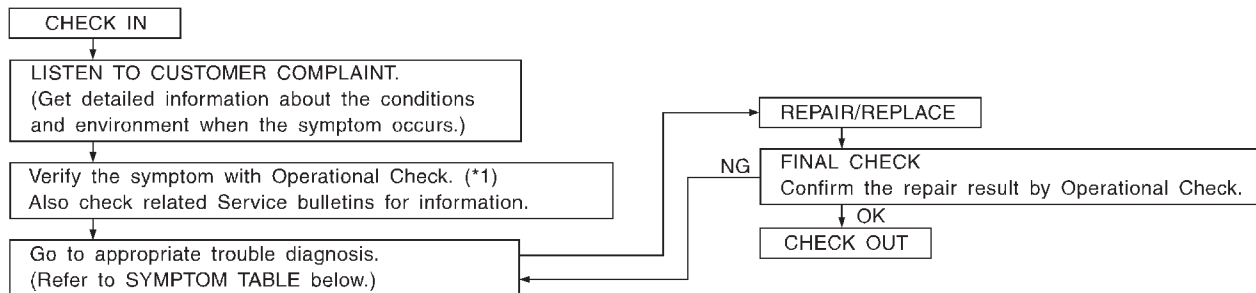
When battery cable is disconnected, trimmer operation is canceled. Temperature set becomes that of initial condition, i.e. 0°C (0°F).

How to Perform Trouble Diagnoses for Quick and Accurate Repair

=NFHA0177

NFHA0177S01

WORK FLOW



SHA900E

*1: Operational Check (HA-48)

SYMPTOM TABLE

NFHA0177S02

Symptom	Reference Page
● A/C system does not come on.	● Go to Trouble Diagnosis Procedure for A/C system. HA-51
● Air outlet does not change.	● Go to Trouble Diagnosis Procedure for Mode Door Motor. (LAN) HA-54
● Mode door motor does not operate normally.	
● Discharge air temperature does not change.	● Go to Trouble Diagnosis Procedure for Air Mix Door Motor. (LAN) HA-61
● Air mix door motor does not operate normally.	
● Intake door does not change.	● Go to Trouble Diagnosis Procedure for Intake Door Motor. (LAN) HA-64
● Intake door motor does not operate normally.	
● Blower motor operation is malfunctioning.	● Go to Trouble Diagnosis Procedure for Blower Motor. HA-67
● Blower motor operation is malfunctioning under out of starting fan speed control.	
● Magnet clutch does not engage.	● Go to Trouble Diagnosis Procedure for Magnet Clutch. HA-76
● Insufficient cooling.	● Go to Trouble Diagnosis Procedure for Insufficient Cooling. HA-82
● Insufficient heating.	● Go to Trouble Diagnosis Procedure for Insufficient Heating. HA-90
● Noise.	● Go to Trouble Diagnosis Procedure for Noise. HA-91
● Self-diagnosis can not be performed.	● Go to Trouble Diagnosis Procedure for Self-diagnosis. HA-92
● Memory function does not operate.	● Go to Trouble Diagnosis Procedure for Memory Function. HA-93
● ECON mode does not operate.	● Go to Trouble Diagnosis Procedure for ECON (ECONOMY) — mode. HA-94

Operational Check

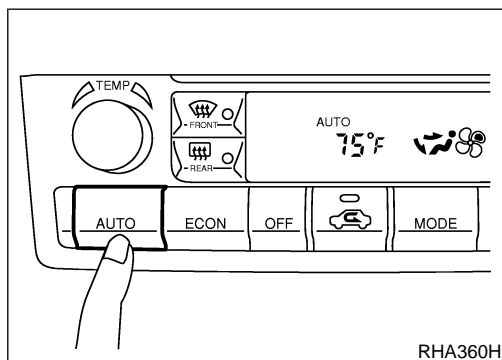
NFHA0178

The purpose of the operational check is to confirm that the system operates properly.

CONDITIONS:

NFHA0178S01

- Engine running and at normal operating temperature.



PROCEDURE:

NFHA0178S02

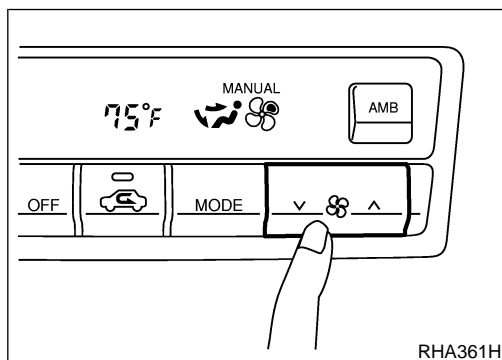
1. Check Memory Function

NFHA0178S0201

1. Set the temperature 75°F or 25°C.
2. Press OFF switch.
3. Turn the ignition off.
4. Turn the ignition on.
5. Press the AUTO switch.
6. Confirm that the set temperature remains at previous temperature.
7. Press OFF switch.



If NG, go to trouble diagnosis procedure for memory function (HA-93).

If OK, continue with next check.

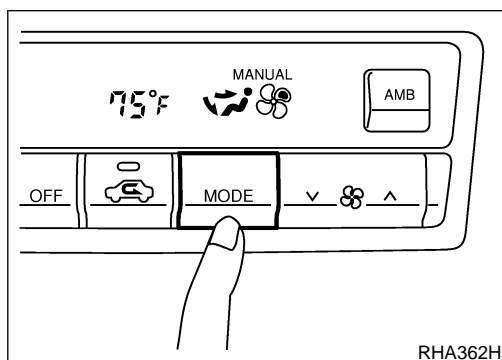


2. Check Blower

NFHA0178S0202

1. Press fan switch (up side) one time. Blower should operate on low speed. The fan symbol should have one blade lit .
2. Press fan switch (up side) one more time, and continue checking blower speed and fan symbol until all speeds are checked.
3. Leave blower on MAX speed .

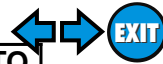
If NG, go to trouble diagnosis procedure for blower motor (HA-67).
If OK, continue with next check.



3. Check Discharge Air

NFHA0178S0203

1. Press mode switch four times and DEF button.
2. Each position indicator should change shape.



Discharge air flow

Mode control knob	Air outlet/distribution		
	Face	Foot	Defroster
	100%	-	-
	60%	40%	-
	-	80%	20%
	-	60%	40%
	-	-	100%

RHA654F

- Confirm that discharge air comes out according to the air distribution table at left.
Refer to "Discharge Air Flow" (HA-27).

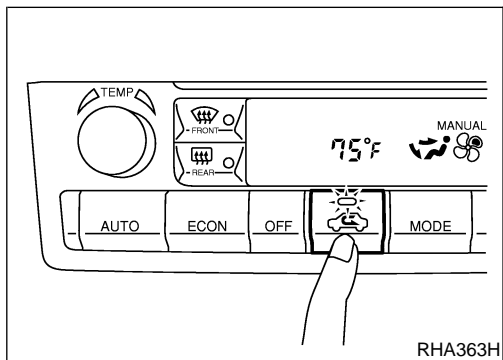
NOTE:

Confirm that the compressor clutch is engaged (visual inspection) and intake door position is at FRESH when the DEF is selected.

Intake door position is checked in the next step.

If NG, go to trouble diagnosis procedure for mode door motor (HA-54).

If OK, continue with next check.



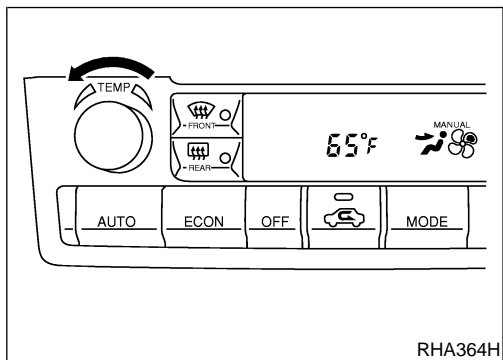
4. Check Recirculation

NFHA0178S0204

- Press REC switch.
Recirculation indicator should illuminate.
- Listen for intake door position change (you should hear blower sound change slightly).

If NG, go to trouble diagnosis procedure for intake door (HA-64).

If OK, continue with next check.



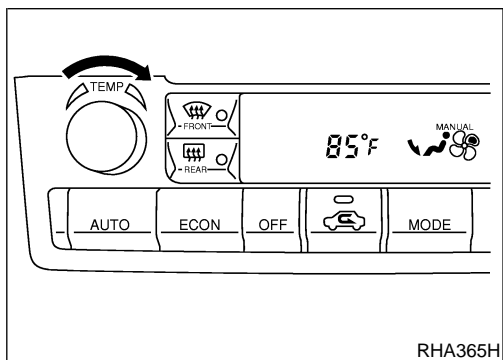
5. Check Temperature Decrease

NFHA0178S0205

- Turn the temperature dial counterclockwise until 18°C (65°F) is displayed.
- Check for cold air at discharge air outlets.

If NG, go to trouble diagnosis procedure for insufficient cooling (HA-82).

If OK, continue with next check.



6. Check Temperature Increase

NFHA0178S0206

- Turn the temperature dial clockwise until 32°C (85°F) is displayed.
- Check for hot air at discharge air outlets.

If NG, go to trouble diagnosis procedure for insufficient heating (HA-90).

If OK, continue with next check.

GI

MA

EM

LC

EC

FE

CL

MT

AT

AX

SU

BR

ST

RS

BT

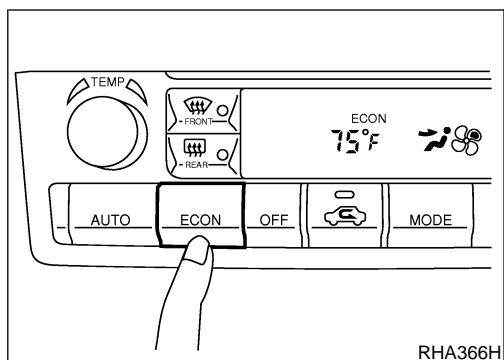
HA

SC

EL

IDX

Operational Check (Cont'd)



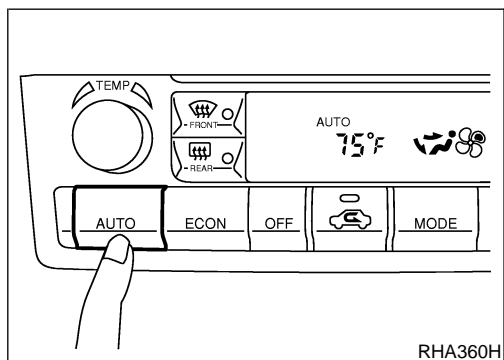
7. Check ECON (Economy) Mode

NFHA0178S0207

1. Set the temperature 75°F or 25°C.
2. Press ECON switch.
3. Display should indicate ECON (no AUTO).
Confirm that the compressor clutch is not engaged (visual inspection).
(Discharge air and blower speed will depend on ambient, in-vehicle and set temperatures.)

If NG, go to trouble diagnosis procedure for ECON (Economy) mode (HA-94).

If OK, continue with next check.



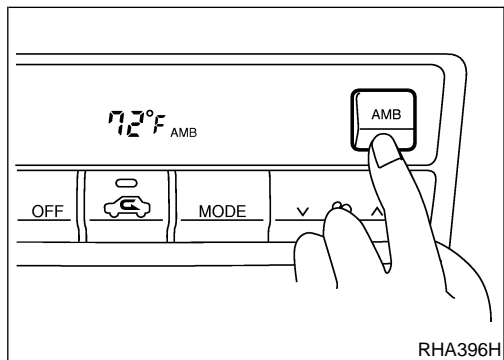
8. Check AUTO Mode

NFHA0178S0208

1. Press AUTO switch.
2. Display should indicate AUTO (no ECON).
Confirm that the compressor clutch engages (audio or visual inspection).
(Discharge air and blower speed will depend on ambient, in-vehicle and set temperatures.)

If NG, go to trouble diagnosis procedure for A/C system (HA-51), then if necessary, trouble diagnosis procedure for magnet clutch (HA-76).

If OK, continue with next check.



9. Check Ambient Display

NFHA0178S0209

1. Press AMB switch.
2. Display should show the outside (ambient) temperature for approximately 5 seconds.

If all operational check are OK (symptom can not be duplicated), go to "Incident Simulation Tests" (GI-26) and perform tests as outlined to simulate driving conditions environment. If symptom appears, refer to "Symptom Table" (HA-47) and perform applicable trouble diagnosis procedures.

A/C System

TROUBLE DIAGNOSIS PROCEDURE FOR A/C SYSTEM

=NFHA0179

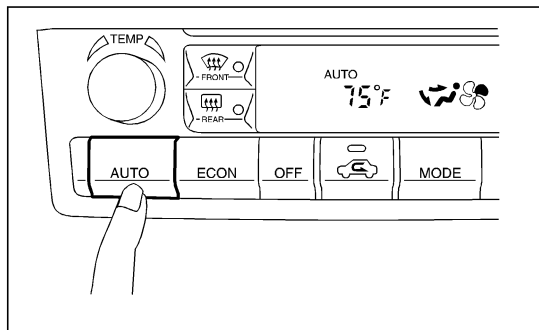
SYMPTOM:

- A/C system does not come on.

INSPECTION FLOW

GI
 MA
 EM
 LC
 EC
 FE
 CL
 MT
 AT
 AX
 SU
 BR
 ST
 RS
 BT
 HA
 SC
 EL
 IDX

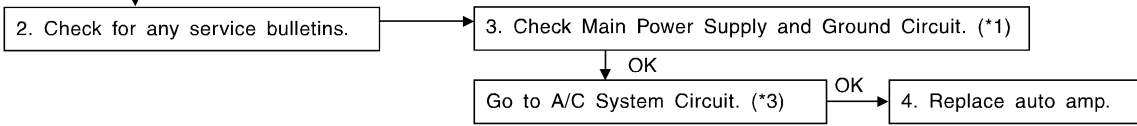
1. Confirm symptom by performing the following operational check.



OPERATIONAL CHECK – AUTO mode

- a. Press AUTO switch.
- b. Display should indicate AUTO (not ECON).
 Confirm that the compressor clutch engages (audio or visual inspection).
 (Discharge air and blower speed will depend on ambient, in-vehicle, and temperatures switch.)

**If OK (symptom cannot be duplicated), perform complete operational check (*2).
 If NG (symptom is confirmed), continue with STEP-2 following.**

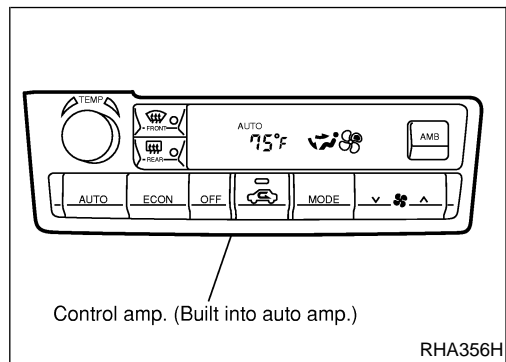


RHA367H

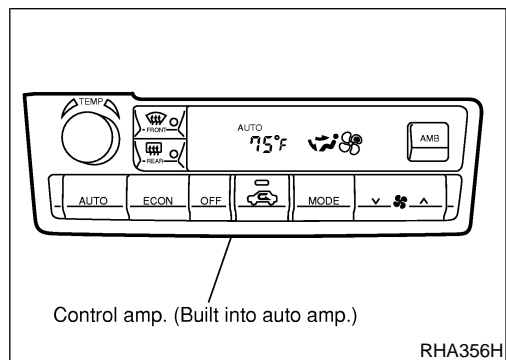
*1: HA-52

*2: HA-48

*3: HA-52



RHA356H



RHA356H

COMPONENT DESCRIPTION

Automatic Amplifier (Auto Amp.)

NFHA0247

NFHA0247S01

The auto amplifier has a built-in microcomputer which processes information sent from various sensors needed for air conditioner operation. The air mix door motor, mode door motor, intake door motor, blower motor and compressor are then controlled.

The auto amplifier is unitized with control mechanisms. Signals from various switches and Potentio Temperature Control (PTC) are directly entered into auto amplifier.

Self-diagnostic functions are also built into auto amplifier to provide quick check of malfunctions in the auto air conditioner system.

Potentio Temperature Control (PTC)

NFHA0247S02

The PTC is built into the A/C auto amp. It can be set at an interval of 0.5°C (1.0°F) in the 18°C (65°F) to 32°C (85°F) temperature range by pushing the temperature button. The set temperature is digitally displayed.

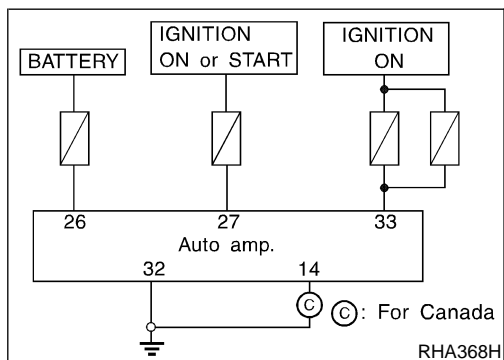
MAIN POWER SUPPLY AND GROUND CIRCUIT CHECK

=NFHA0180

Power Supply Circuit Check

NFHA0180S03

Check power supply circuit for air conditioner system.
Refer to EL-10, "Wiring Diagram — POWER —".



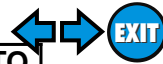
DIAGNOSTIC PROCEDURE

SYMPTOM:

- A/C system does not come on.

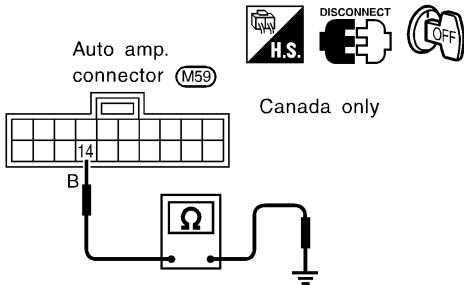
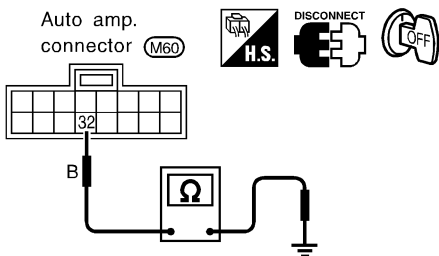
NFHA0181

1	CHECK POWER SUPPLY CIRCUIT FOR AUTO AMP.										
Measure voltage across terminal Nos. 26, 27, 33 and body ground.											
<div style="display: flex; justify-content: space-between; align-items: flex-start;"> <div style="width: 40%;"> </div> <div style="width: 55%;"> <table border="1" style="width: 100%; border-collapse: collapse; text-align: center;"> <thead> <tr> <th colspan="2">Votmeter terminal</th> <th rowspan="2">Voltage</th> </tr> <tr> <th>(+)</th> <th>(-)</th> </tr> </thead> <tbody> <tr> <td>26</td> <td rowspan="3">Body ground</td> <td rowspan="3">Approx. 12V</td> </tr> <tr> <td>27</td> </tr> <tr> <td>33</td> </tr> </tbody> </table> </div> </div>		Votmeter terminal		Voltage	(+)	(-)	26	Body ground	Approx. 12V	27	33
Votmeter terminal		Voltage									
(+)	(-)										
26	Body ground	Approx. 12V									
27											
33											
SHA319F											
OK or NG											
OK	▶ GO TO 2.										
NG	▶ Check auto amp. ground circuit. <ul style="list-style-type: none"> ● Check 10A fuse (Nos. 12 and 19, located in the fuse block) and 15A fuses (Nos. 51 and 52, located in the fuse block). ● If fuses are OK, check for open circuit in wiring harness. Repair or replace as necessary. ● If fuses are NG, replace fuse and check wiring harness for short circuit. Repair or replace as necessary. 										



2 CHECK BODY GROUND CIRCUIT FOR AUTO AMP.

Does continuity exist between auto amp. Harness terminal Nos. 32, 14 and body ground?



Votmeter terminal		Continuity
(+)	(-)	
32	Body ground	Yes
14 (Canada only)		

SHA320F

Yes or No

Yes	▶	Replace auto amp. INSPECTION END
No	▶	Repair or replace harness.

GI
MA
EM
LC
EC
FE
CL
MT
AT
AX
SU
BR
ST
RS
BT
HA
SC
EL
IDX

Mode Door Motor

TROUBLE DIAGNOSIS PROCEDURE FOR MODE DOOR MOTOR (LAN)

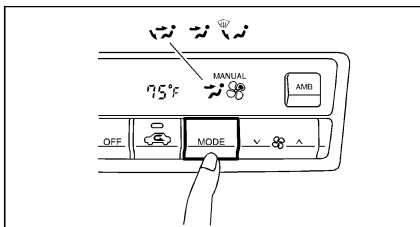
=NFHA0182

SYMPTOM:

- Air outlet does not change.
- Mode door motor does not operate normally.

INSPECTION FLOW

1. Confirm symptom by performing the following operational check.



OPERATIONAL CHECK – Discharge air

- a. Press mode switch four times and DEF button.
- b. Each position indicator should change shape.

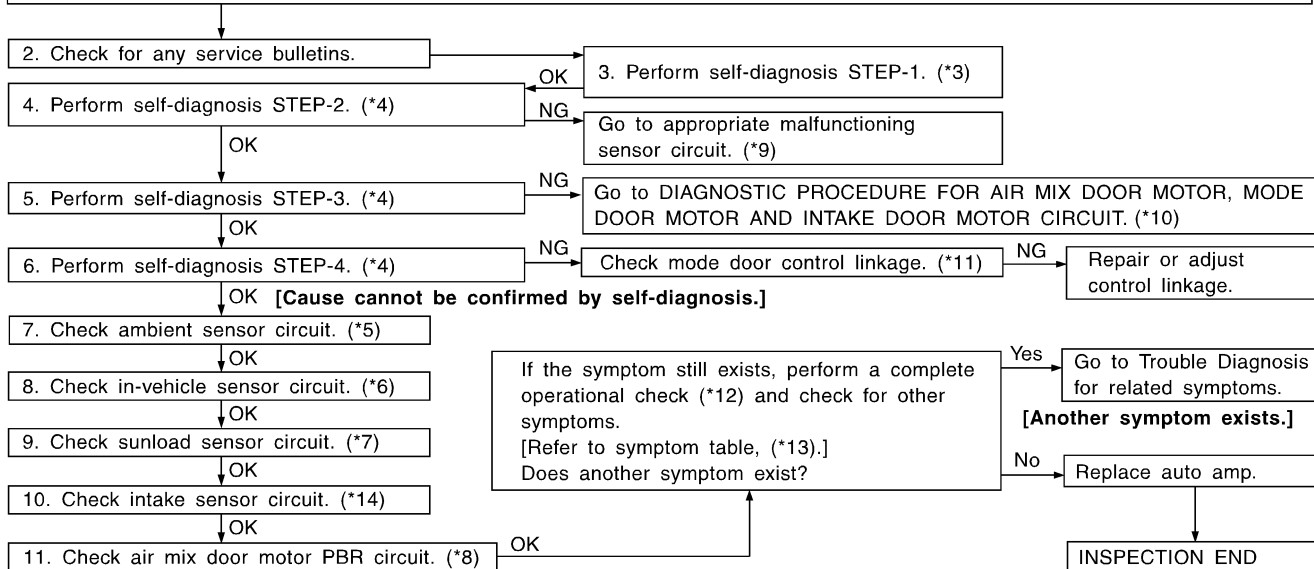
c. Confirm that discharge air comes out according to the air distribution table at left.
Refer to “Discharge Air Flow” (*1).

NOTE:

- If OK (symptom cannot be duplicated), perform complete operational check (*2).
- If NG (symptom is confirmed), continue with STEP-2 following.
- Confirm that the compressor clutch is engaged (visual inspection) and intake door position is at FRESH when DEF is selected. Intake door position is checked in the next step.

Discharge air flow

Mode control knob	Air outlet/distribution		
	Face	Foot	Defroster
	100%	–	–
	60%	40%	–
	–	80%	20%
	–	60%	40%
	–	–	100%



RHA370H

- *1: HA-27
- *2: HA-48
- *3: HA-37
- *4: HA-38
- *5: HA-94
- *6: HA-98

- *7: HA-101
- *8: HA-107
- *9: FUNCTION CONFIRMATION PROCEDURE (HA-38), see No. 13.
- *10: HA-56

- *11: HA-59
- *12: HA-48
- *13: HA-47
- *14: HA-105

SYSTEM DESCRIPTION

Component Parts

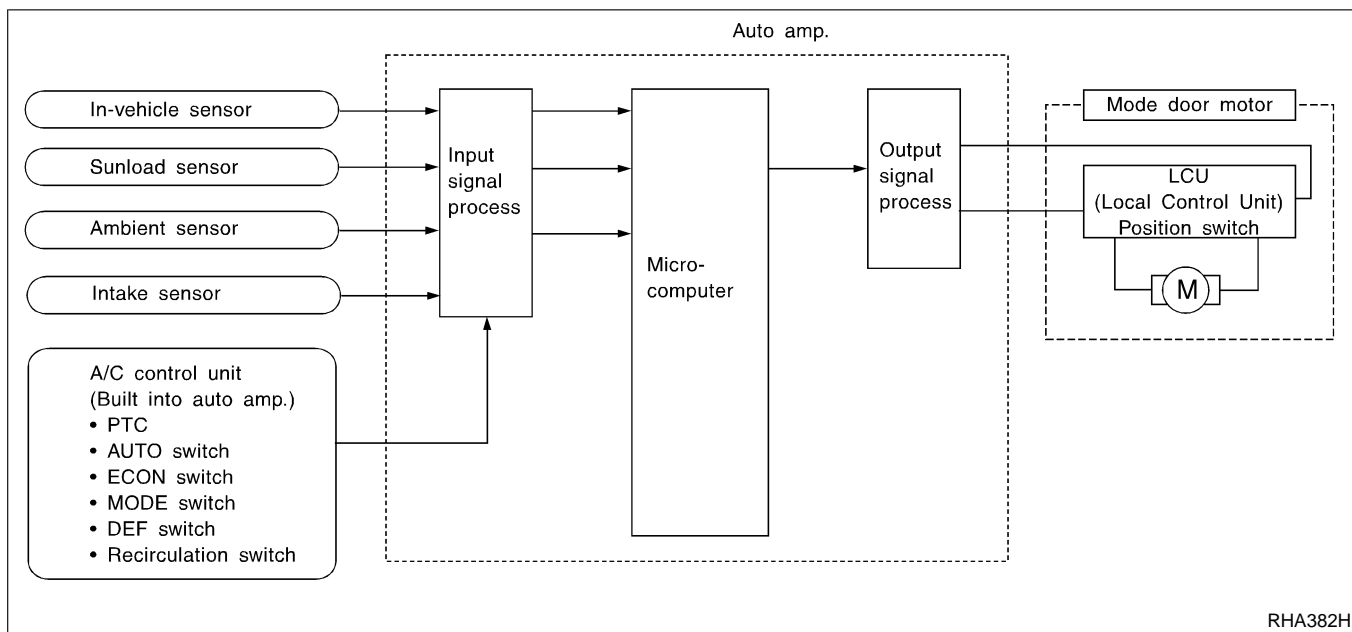
Mode door control system components are:

- 1) Auto amp.
- 2) Mode door motor (LCU)
- 3) In-vehicle sensor
- 4) Ambient sensor
- 5) Sunload sensor
- 6) Intake sensor

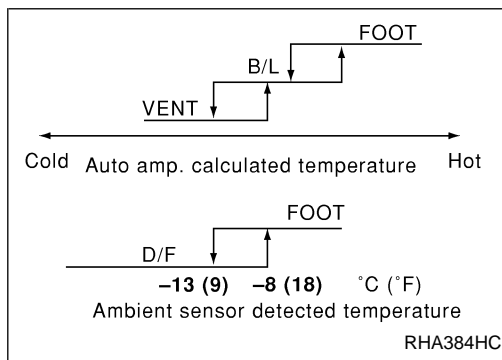
System Operation

The auto amplifier receives data from each of the sensors. The amplifier sends air mix door, mode door and intake door opening angle data to the air mix door motor LCU, mode door motor LCU and intake door motor LCU.

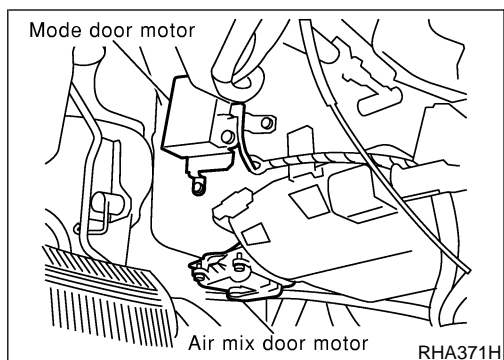
The air mix door motor, mode door motor and intake door motor read their respective signals according to the address signal. Opening angle indication signals received from the auto amplifier and each of the motor position sensors are compared by the LCUs in each motor with the existing decision and opening angles. Subsequently, HOT/COLD or OPEN/CLOSE or DEFROST/VENT operation is selected. The new selection data is returned to the auto amplifier.



Mode Door Control Specification

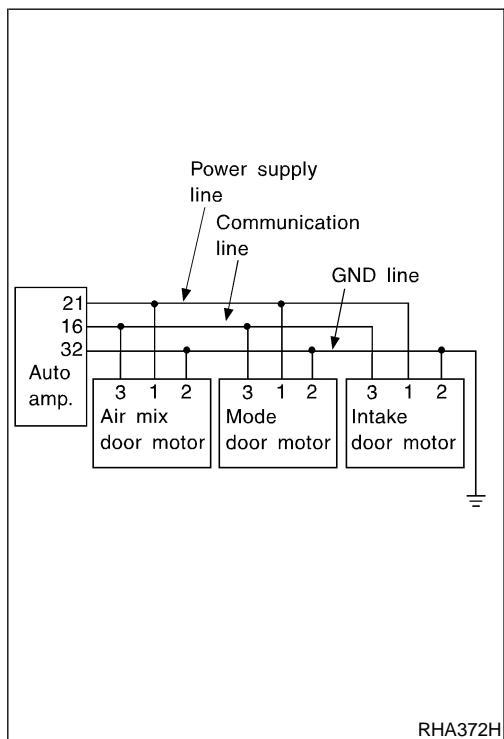


Mode Door Motor (Cont'd)



COMPONENT DESCRIPTION

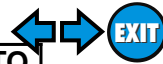
The mode door motor is attached to the heater unit. It rotates so that air is discharged from the outlet set by the auto amplifier. Motor rotation is conveyed to a link which activates the mode door. NFHA0184





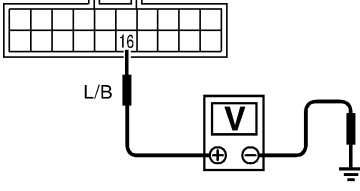


DIAGNOSTIC PROCEDURE FOR AIR MIX DOOR MOTOR, MODE DOOR MOTOR AND INTAKE DOOR MOTOR CIRCUIT





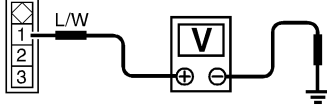
SYMPTOM: Air mix door motor, mode door motor and/or intake door motor does not operate normally. NFHA0185

1	CHECK POWER SUPPLY FOR AUTO AMP. (LCU) SIDE
Do approx. 12 volts exist between auto amp. (LCU) harness terminal No. 21 and body ground?	
RHA373H	
NOTE:	
If the result is NG or No after checking circuit continuity, repair harness or connector.	
Yes or No	
Yes	▶ GO TO 2.
No	▶ Replace auto amp. (LCU).



2	CHECK SIGNAL FOR AUTO AMP. (LCU) SIDE	
<p>Do approx. 5.5 volts exist between auto amp. (LCU) terminal No. 16 and body ground?</p> <div style="text-align: center;">     </div> <p>Auto amp. connector (M59)</p>  <p style="text-align: right;">RHA374H</p>		
<p>NOTE: If the result is NG or No after checking circuit continuity, repair harness or connector.</p> <p style="text-align: center;">Yes or No</p>		
Yes	▶	GO TO 3.
No	▶	Replace auto amp. (LCU).

GI
MA
EM
LC
EC
FE
CL

3	CHECK POWER SUPPLY FOR MOTOR SIDE	
<p>Do approx. 12 volts exist between door motor (LCU) harness terminal No. 1 and body ground?</p> <div style="text-align: center;">     </div> <p>Mode door motor connector (M49) or air mix door motor connector (M51) Intake door motor connector (M84)</p>  <p style="text-align: right;">RHA375H</p>		
<p style="text-align: center;">Yes or No</p>		
Yes	▶	GO TO 4.
No	▶	Repair harness or connector.

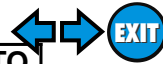
MT
AT
AX
SU
BR
ST
RS

HA

SC
EL
IDX

TROUBLE DIAGNOSES

← AUTO →



Mode Door Motor (Cont'd)

4	CHECK SIGNAL FOR MOTOR SIDE	
Do approx. 5.5 volts exist between door motor (LCU) terminal No. 3 and body ground?		
<p>Mode door motor connector (M49) or air mix door motor connector (M51) Intake door motor (M84)</p>		
RHA376H		
Yes or No		
Yes	▶	GO TO 5.
No	▶	Repair harness or connector.

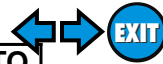
5	CHECK MOTOR GROUND CIRCUIT	
Does continuity exist between door motor (LCU) harness terminal No. 2 and body ground?		
<p>Mode door motor connector (M49) or air mix door motor connector (M51) Intake door motor (M84)</p>		
RHA377H		
Yes or No		
Yes	▶	GO TO 6.
No	▶	Repair harness or connector.

6	CHECK MOTOR OPERATION	
Disconnect and reconnect the motor connector and confirm the motor operation.		
OK or NG		
OK (Return to operate normally.)	▶	Poor contacting the motor connector
NG (Does not operate normally.)	▶	GO TO 7.

TROUBLE DIAGNOSES

AUTO

Mode Door Motor (Cont'd)



7	CHECK MODE DOOR MOTOR AND AIR MIX DOOR MOTOR OPERATION	
1. Disconnect the intake door motor connector. 2. Reconnect the mode door motor and air mix door motor connector and confirm the mode door motor and air mix door motor operation.		
OK or NG		
OK (Mode door motor and air mix door motor operate normally.)	▶	Replace the intake door motor.
NG (Mode door motor and air mix door motor do not operate normally.)	▶	GO TO 8.

GI
MA
EM
LC

8	CHECK AIR MIX DOOR MOTOR AND INTAKE DOOR MOTOR OPERATION	
1. Disconnect the mode door motor connector. 2. Reconnect the intake door motor and confirm the air mix door motor and intake door motor operation.		
OK or NG		
OK (Air mix door motor and intake door motor operate normally.)	▶	Replace mode door motor.
NG (Air mix door motor and intake door motor do not operate normally.)	▶	GO TO 9.

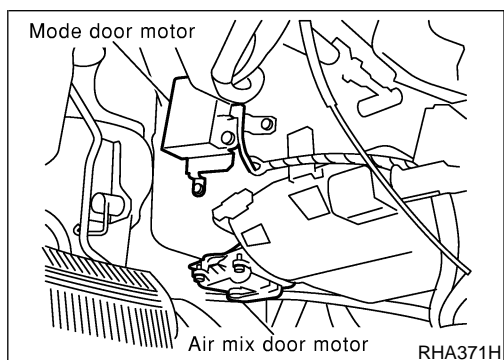
EC
FE
CL
MT
AT

9	CHECK INTAKE DOOR MOTOR AND MODE DOOR MOTOR OPERATION	
1. Disconnect the air mix door motor connector. 2. Reconnect the mode door motor and confirm the intake door motor and mode door motor operation.		
OK or NG		
OK (Intake door motor and mode door motor operate normally.)	▶	Replace air mix door motor.
NG (Intake door motor and mode door motor do not operate normally.)	▶	Replace auto amp.

AX
SU
BR
ST
RS

BT

HA



CONTROL LINKAGE ADJUSTMENT

Mode Door

NFHA0186

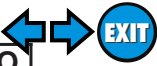
NFHA0186S01

1. Install mode door motor on heater unit and connect it to main harness.
2. Set up code No. in Self-diagnosis STEP 4. Refer to HA-38.
3. Move side link by hand and hold mode door in DEF mode.
4. Attach mode door motor rod to side link rod holder.
5. Make sure mode door operates properly when changing from code No. 44 to 45 by pushing DEF switch.

SC
EL
IDX

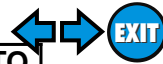
TROUBLE DIAGNOSES

AUTO



Mode Door Motor (Cont'd)

41	42	43	44	45	46
VENT	B/L	B/L	FOOT	D/F	DEF



Air Mix Door Motor

TROUBLE DIAGNOSIS PROCEDURE FOR AIR MIX DOOR (LAN)

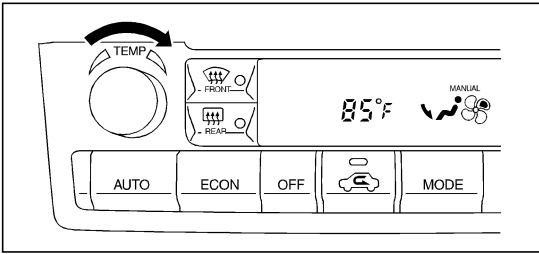
=NFHA0187

SYMPTOM:

- Discharge air temperature does not change.
- Air mix door motor does not operate.

INSPECTION FLOW

1. Confirm symptom by performing the following operational check.



OPERATIONAL CHECK

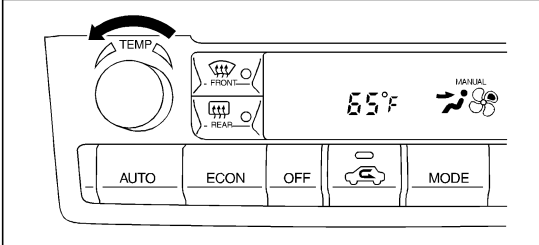
Temperature increase

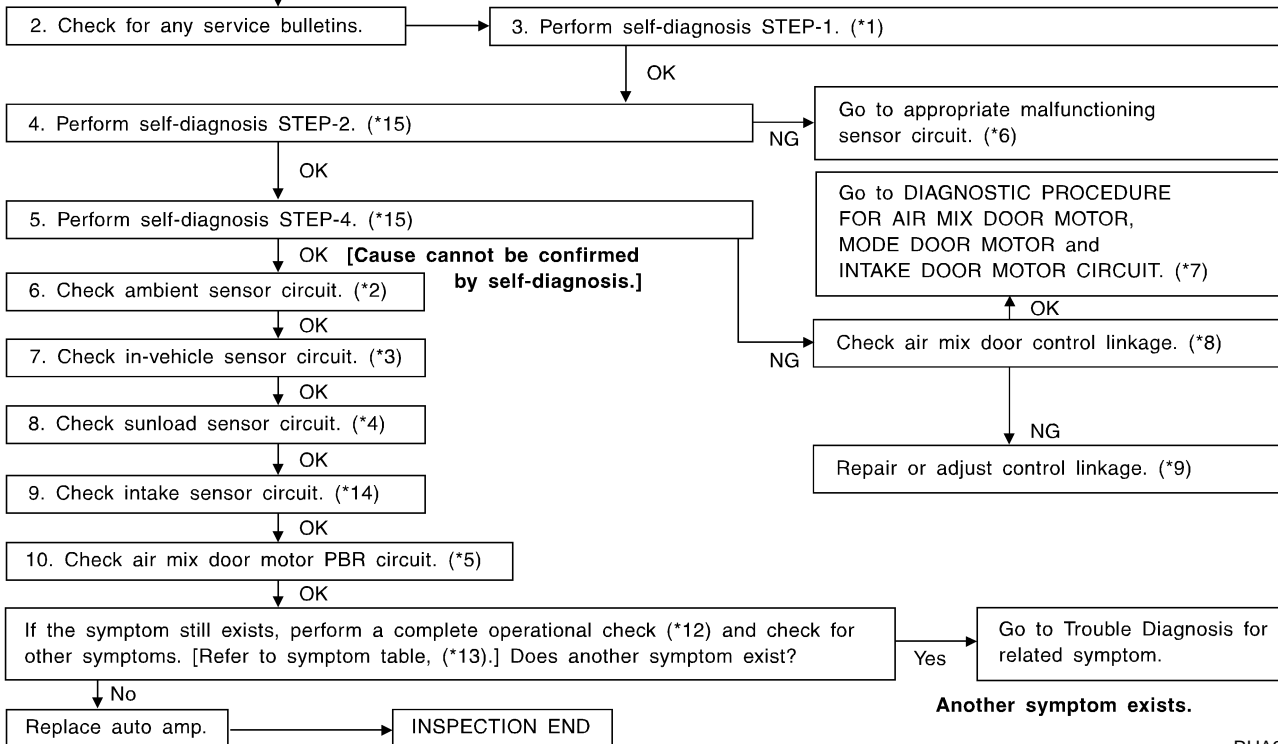
a. Turn the temperature dial clockwise until 32°C (85°F) is displayed.
b. Check for hot air at discharge air outlets.

Temperature decrease

a. Turn the temperature dial counterclockwise until 18°C (65°F) is displayed.
b. Check for cold air at discharge air outlets.

**If OK (symptom cannot be duplicated), perform complete operational check (*10).
If NG (symptom is confirmed), continue with STEP-2 following.**





*1: HA-37
*2: HA-94
*3: HA-98
*4: HA-101
*5: HA-107

*7: HA-56
*8: HA-63
*9: HA-63
*10: HA-48

*12: HA-48
*13: HA-47
*14: HA-105
*15: HA-38

*6: FUNCTION CONFIRMATION PROCEDURE (HA-38), see No. 13.

RHA378H

GI
MA
EM
LC
EC
FE
CL
MT
AT
AX
SU
BR
ST
RS
BT
HA
SC
EL
IDX

Air Mix Door Motor (Cont'd)

SYSTEM DESCRIPTION

Component Parts

Air mix door control system components are:

- 1) Auto amp.
- 2) Air mix door motor (LCU)
- 3) In-vehicle sensor
- 4) Ambient sensor
- 5) Sunload sensor
- 6) Intake sensor

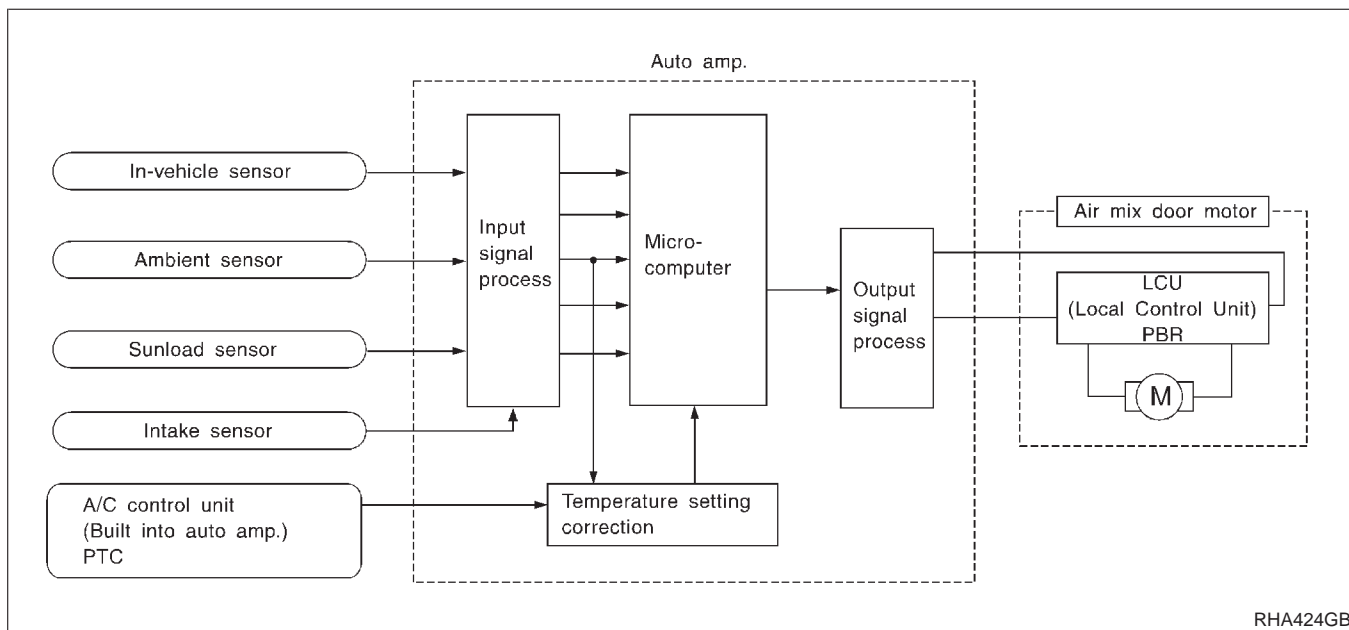
=NFHA0188

NFHA0188S01

System Operation

The auto amplifier receives data from each of the sensors. The amplifier sends air mix door, mode door, intake door opening angle data to the air mix door motor LCU, mode door motor LCU and intake door motor LCU. The air mix door motor, mode door motor and intake door motor read their respective signals according to the address signal. Opening angle indication signals received from the auto amplifier and each of the motor position sensors are compared by the LCUs in each motor with the existing decision and opening angles. Subsequently, HOT/COLD or DEFROST/VENT operation is selected. The new selection data is returned to the auto amplifier.

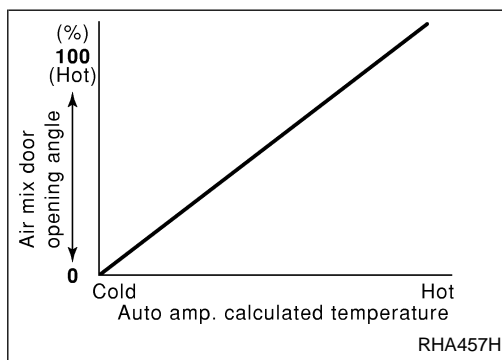
NFHA0188S02

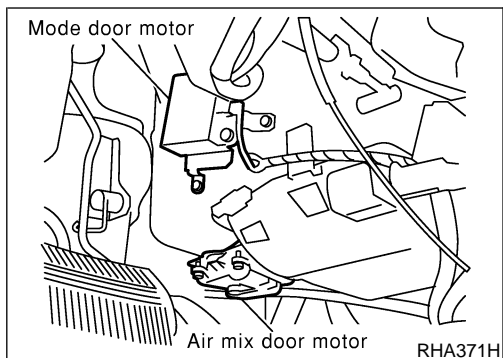


RHA424GB

Air Mix Door Control Specification

NFHA0188S03





COMPONENT DESCRIPTION

NFHA0189

The air mix door motor is attached to the heater unit. It rotates so that the air mix door is opened or closed to a position set by the auto amplifier. Motor rotation is then conveyed through a shaft and the air mix door position is then fed back to the auto amplifier by PBR built-in air mix door motor.

GI

MA

EM

LC

DIAGNOSTIC PROCEDURE

NFHA0248

SYMPTOM: Discharge air temperature does not change.

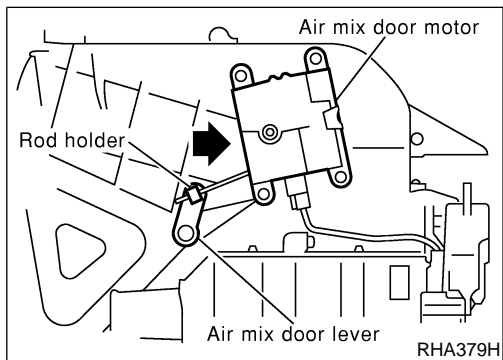
- Refer to HA-56.

EC

FE

CL

MT



CONTROL LINKAGE ADJUSTMENT

NFHA0190

Air Mix Door

NFHA0190S01

1. Install air mix door motor on heater unit and connect it to main harness.
2. Set up code No. 41 in Self-diagnosis STEP 4. Refer to HA-37.
3. Move air mix door lever by hand and hold it in full cold position.
4. Attach air mix door lever to rod holder.
5. Make sure air mix door operates properly when changing from code No. 41 to 46 by pushing DEF switch.

AT

AX

SU

BR

41	42	43	44	45	46
Full cold			Full hot		

ST

RS

BT

HA

SC

EL

IDX

Intake Door Motor

TROUBLE DIAGNOSIS PROCEDURE FOR INTAKE DOOR (LAN)

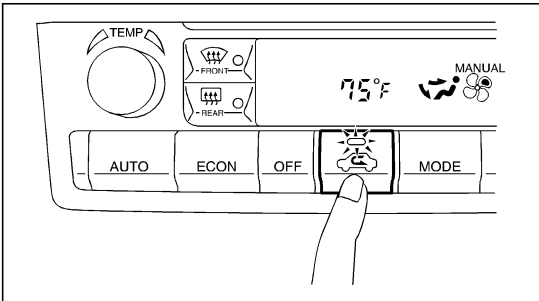
=NFHA0191

SYMPTOM:

- Intake door does not change.
- Intake door motor does not operate normally.

INSPECTION FLOW

1. Confirm symptom by performing the following operational check.



a. Press REC switch. Recirculation indicator should illuminate.

b. Listen for intake door position change (you should hear blower sound change slightly).

If OK (symptom cannot be duplicated), perform complete operational check (*9).

If NG (symptom is confirmed), continue with STEP-2 following.

2. Check for any service bulletins.

3. Perform self-diagnosis STEP-1. (*1)

OK

4. Perform self-diagnosis STEP-2. (*10)

NG → Go to appropriate malfunctioning sensor circuit. (*6)

OK

Go to DIAGNOSTIC PROCEDURE for air mix door motor, mode door motor and intake door motor circuit. (*7)

5. Perform self-diagnosis STEP-4. (*10)

OK

[Cause cannot be confirmed by self-diagnosis.]

NG → Check intake door control linkage. (*8)

6. Check ambient sensor circuit. (*2)

OK

7. Check in-vehicle sensor circuit. (*3)

OK

8. Check sunload sensor circuit. (*4)

OK

9. Check intake sensor circuit. (*13)

OK

10. Check air mix door motor PBR circuit. (*5)

OK

Repair or adjust control linkage.

Replace auto amp.

If the symptom still exists, perform a complete operational check (*11) and check for other symptoms. [Refer to symptom table, (*12).] Does another symptom exist?

No

Yes

Go To Trouble Diagnosis for related symptoms.

Another symptom exists.

INSPECTION END

RHA381H

- *1: HA-37
- *2: HA-94
- *3: HA-98
- *4: HA-101
- *5: HA-107

- *6: FUNCTION CONFIRMATION PROCEDURE (HA-38), see No. 13.
- *7: HA-66
- *8: HA-66

- *9: HA-48
- *10: HA-38
- *11: HA-48
- *12: HA-47
- *13: HA-105

SYSTEM DESCRIPTION

Component Parts

Intake door control system components are:

- 1) Auto amp.
- 2) Intake door motor
- 3) In-vehicle sensor
- 4) Ambient sensor
- 5) Sunload sensor
- 6) Intake sensor

=NFHA0192

NFHA0192S01

GI

MA

EM

LC

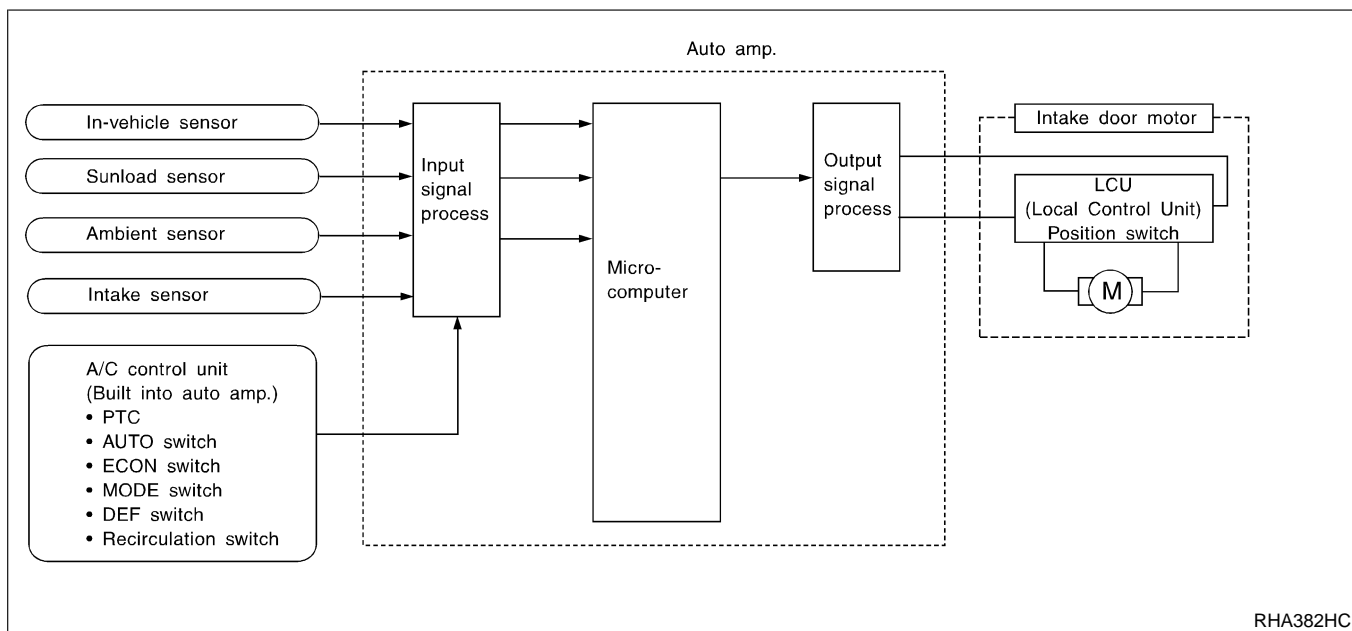
EC

FE

System Operation

The intake door control determines intake door position based on the ambient temperature, the intake air temperature and the in-vehicle temperature. When the ECON, DEFROST, or OFF switches are pushed, the auto amplifier sets the intake door at the "Fresh" position.

NFHA0192S02



RHA382HC

CL

MT

AT

AX

SU

BR

ST

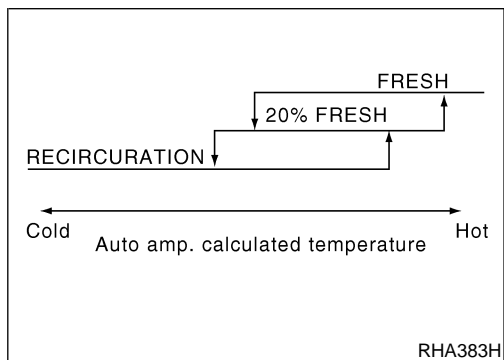
RS

BT

HA

Intake Door Control Specification

NFHA0192S03



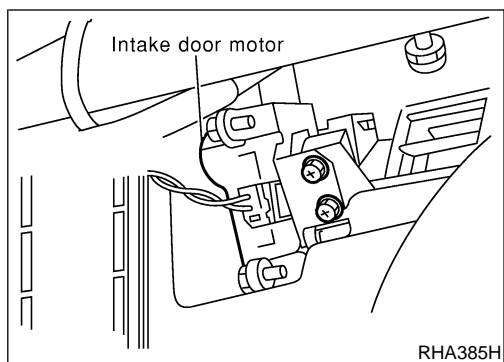
RHA383H

SC

EL

IDX

Intake Door Motor (Cont'd)



COMPONENT DESCRIPTION

NFHA0193

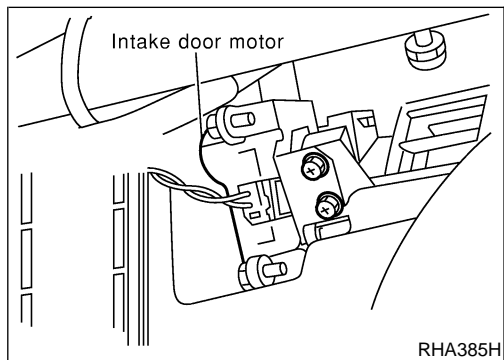
The intake door motor is attached to the intake unit. It rotates so that air is drawn from inlets set by the auto amplifier. Motor rotation is conveyed to a lever which activates the intake door.

DIAGNOSTIC PROCEDURE

NFHA0194

SYMPTOM: Intake door motor does not operate normally.

- Refer to HA-56.



CONTROL LINKAGE ADJUSTMENT

NFHA0195

Intake Door

NFHA0195S01

1. Install intake door motor on intake unit and connect it to main harness.
2. Set up code No. 41 in Self-diagnosis STEP 4. Refer to HA-38.
3. Make sure intake door operates properly when changing from code No. 41 to 46 by pushing DEF switch.

41	42	43	44	45	46
REC	20% FRE			FRE	

Blower Motor

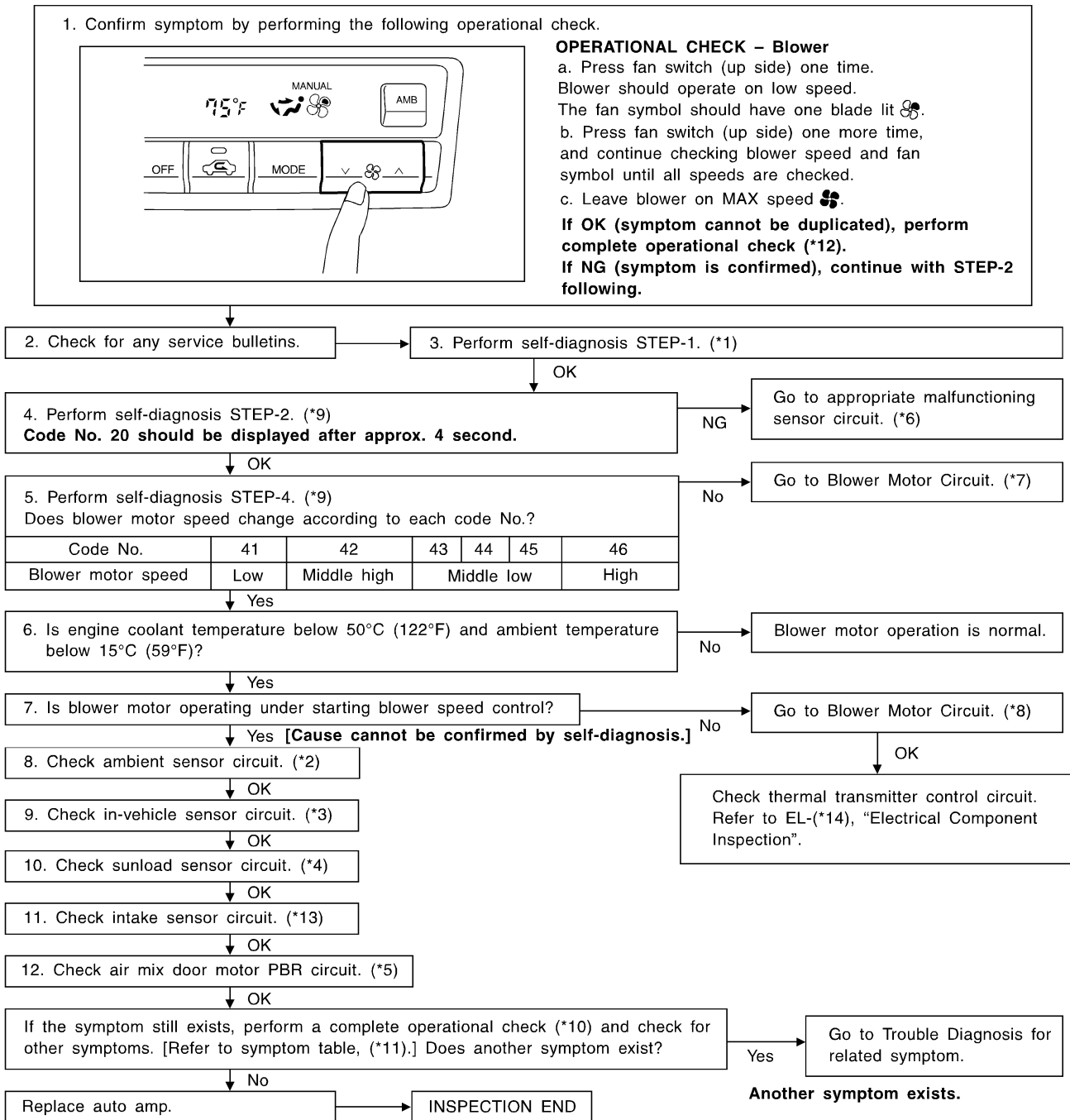
TROUBLE DIAGNOSIS PROCEDURE FOR BLOWER MOTOR

=NFHA0196

SYMPTOM:

- Blower motor operation is malfunctioning.
- Blower motor operation is malfunctioning under out of starting fan speed control.

INSPECTION FLOW



*1: HA-37

*2: HA-94

*3: HA-98

*4: HA-101

*5: HA-107

*6: FUNCTION CONFIRMATION PROCEDURE (HA-38), see No. 13.

*7: HA-70

*8: HA-70

*9: HA-38

*10: HA-48

*11: HA-47

*12: HA-48

*13: HA-105

*14: EL-119

RHA387H

SYSTEM DESCRIPTION

Component parts

=NFHA0197

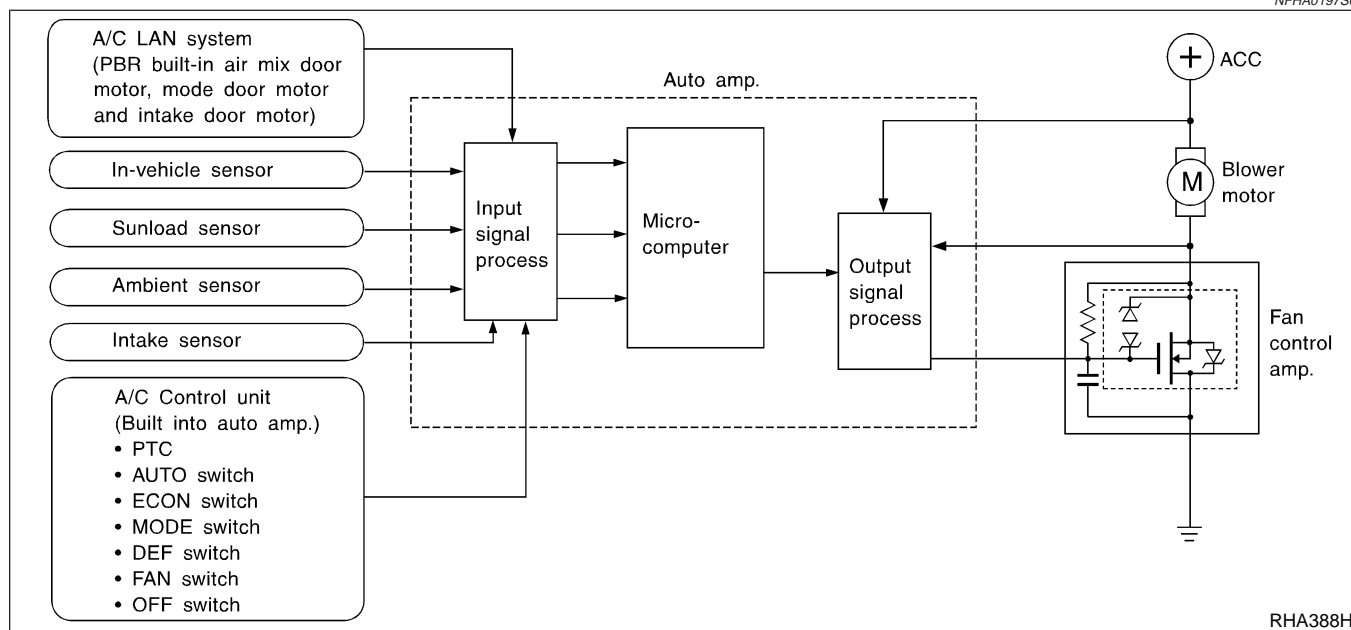
NFHA0197S01

Fan speed control system components are:

- 1) Auto amp.
- 2) Fan control amp.
- 3) A/C LAN system (PBR built-in air mix door motor, mode door motor and intake door motor)
- 4) In-vehicle sensor
- 5) Ambient sensor
- 6) Sunload sensor
- 7) Intake sensor

System Operation

NFHA0197S02



Automatic Mode

NFHA0197S03

In the automatic mode, the blower motor speed is calculated by the automatic amplifier based on inputs from the PBR, in-vehicle sensor, sunload sensor, intake sensor and ambient sensor. The blower motor applied voltage ranges from approximately 5 volts (lowest speed) to 12 volts (highest speed).

The control blower speed (in the range of 5 to 12V), the automatic amplifier supplies a gate voltage to the fan control amplifier. Based on this voltage, the fan control amplifier controls the voltage supplied to the blower motor.

Starting Fan Speed Control

Start Up From "COLD SOAK" Condition (Automatic mode)

NFHA0197S04

NFHA0197S0401

In a cold start up condition where the engine coolant temperature is below 50°C (122°F), the blower will not operate for a short period of time (up to 126 seconds). The exact start delay time varies depending on the ambient and engine coolant temperature.

In the most extreme case (very low ambient) the blower starting delay will be 126 seconds as described above. After this delay, the blower will operate at low speed until the engine coolant temperature rises above 55°C (131°F), at which time the blower speed will increase to the objective speed.

Start Up From Normal or "HOT SOAK" Condition (Automatic mode)

The blower will begin operation momentarily after the AUTO button is pushed. The blower speed will gradually rise to the objective speed over a time period of 3 seconds or less (actual time depends on the objective blower speed).

GI
MA
MA

Blower Speed Compensation

Sunload

When the in-vehicle temperature and the set temperature are very close, the blower will be operating at low speed. The low speed will vary depending on the sunload. During conditions of high sunload, the blower low speed is "normal" low speed (approx. 6V). During low or no sunload conditions, the low speed will drop to "low" low speed (approx. 5V).

EM
EM
LC
EC

Ambient

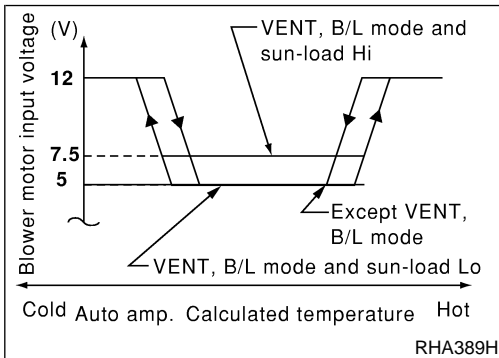
When the ambient temperature is in the "moderate" range [10 - 15°C (50 - 59°F)], the computed blower voltage will be compensated (reduced) by up to 3.5V (depending on the blower speed). In the "extreme" ambient ranges [below 0°C (32°F) and above 20°C (68°F)] the computed objective blower voltage is not compensated at all. In the ambient temperature ranges between "moderate" and "extreme" [0 - 10°C (32 - 50°F) and 15 - 20°C (59 - 68°F)], the amount of compensation (for a given blower speed) varies depending on the ambient temperature.

FE
FE
CL
CL
MT
MT
AT
AT

AX

SU

BR



Fan Speed Control Specification

NFHA0197S06

ST

RS

BT

HA

COMPONENT DESCRIPTION

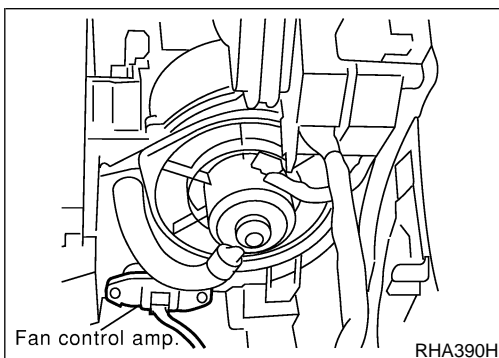
Fan Control Amplifier

The fan control amplifier is located on the cooling unit. The fan control amp. receives a gate voltage from the auto amp. to steplessly maintain the blower fan motor voltage in the 5 to 12 volt range (approx.).

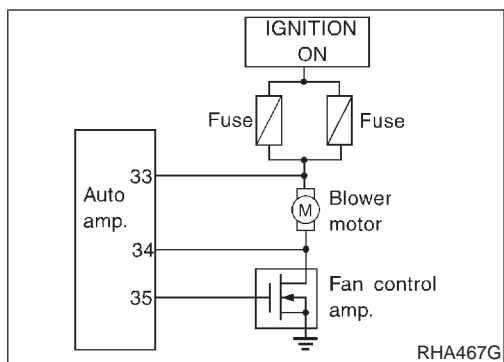
SC

EL

IDX



Blower Motor (Cont'd)



DIAGNOSTIC PROCEDURE

NFHA0199

SYMPTOM: Blower motor operation is malfunctioning under Starting Fan Speed Control.

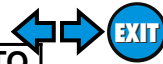
1	CHECK POWER SUPPLY FOR FAN CONTROL AMP.
<p>Disconnect fan control amp. harness connector. Do approx. 12 volts exist between fan control amp. harness terminal No. 1 and body ground?</p>	
RHA392H	
Yes or No	
Yes	▶ GO TO 2.
No	▶ GO TO 8.

2	CHECK BODY GROUND CIRCUIT FOR FAN CONTROL AMP.
<p>Does continuity exist between fan control amp. harness terminal No. 3 and body ground?</p>	
RHA393H	
Yes or No	
Yes	▶ Reconnect fan control amp. harness connector. And GO TO 3.
No	▶ Repair harness or connector.

TROUBLE DIAGNOSES

AUTO

Blower Motor (Cont'd)

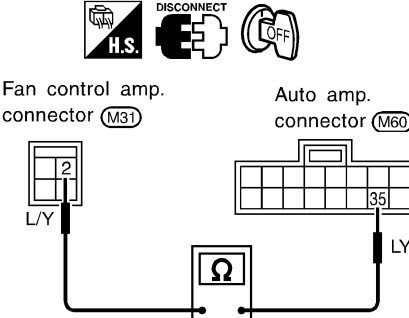


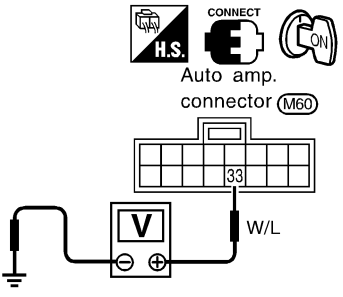
3	CHECK VOLTAGE FOR FAN CONTROL AMP.	
<p>Set up Self-diagnosis STEP 4. Measure voltage across fan control amp. harness terminal No. 2 and body ground.</p>		
RHA786H		
OK or NG		
OK	▶	GO TO 4.
NG	▶	<ol style="list-style-type: none"> 1. If the voltage is less than 2.5V, replace fan control amp. 2. If the voltage is more than 3.0V, GO TO 4. 3. Go to "FUNCTION CONFIRMATION PROCEDURE", "Self-diagnosis", HA-38 and perform self-diagnosis STEP 4. <p style="text-align: center;">Confirm that blower motor operation is normal.</p>

4	CHECK FAN CONTROL AMP.	
Refer to HA-75.		
OK or NG		
OK	▶	GO TO 5.
NG	▶	<ol style="list-style-type: none"> 1. Replace fan control amp. 2. Go to "FUNCTION CONFIRMATION PROCEDURE", "Self-diagnosis", HA-38 and perform self-diagnosis STEP 4. <p style="text-align: center;">Confirm that blower motor operation is normal.</p>

GI
MA
EM
LC
EC
FE
CL
MT
AT
AX
SU
BR
ST
RS
BT
HA
SC
EL
IDX

Blower Motor (Cont'd)

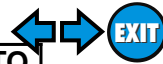
5	CHECK FAN CONTROL AMP. CIRCUIT BETWEEN FAN CONTROL AMP. AND AUTO AMP. (LCU)	
<p>1. Disconnect auto amp. (LCU) and fan control amp. harness connector. 2. Check circuit continuity between auto amp. (LCU) harness terminal No. 35 and fan control amp. harness terminal No. 2.</p>		
		
SHA375F		
<p>Continuity should exist. If OK, check harness for short.</p> <p style="text-align: center;">OK or NG</p>		
OK	▶	GO TO 6.
NG	▶	Repair harness or connector.

6	CHECK FAN FEED BACK CIRCUIT	
<p>Reconnect auto amp. (LCU) harness connector. Do approx. 12 volts exist between auto amp. (LCU) harness terminal No. 33 and body ground?</p>		
		
SHA371F		
Yes or No		
Yes	▶	GO TO 7.
No	▶	Check power supply circuit and 15A fuses (Nos. 51 and 52, located in the fuse block). Refer to EL-10, "Wiring Diagram — POWER —". <ul style="list-style-type: none"> ● If OK, check for open circuit in wiring harness. Repair or replace as necessary. ● If NG, replace fuse and check wiring harness for short circuit. Repair or replace as necessary.

TROUBLE DIAGNOSES

AUTO

Blower Motor (Cont'd)



7	CHECK POWER SUPPLY FOR AUTO AMP.	
Do approx. 12 volts exist between auto amp. harness terminal No. 34 and body ground?		
SHA370F		
Yes or No		
Yes	▶	1. Replace auto amp. 2. Go to "FUNCTION CONFIRMATION PROCEDURE", "Self-diagnosis", HA-38 and perform self-diagnosis STEP-4. Confirm that blower motor operation is normal.
No	▶	GO TO 10.

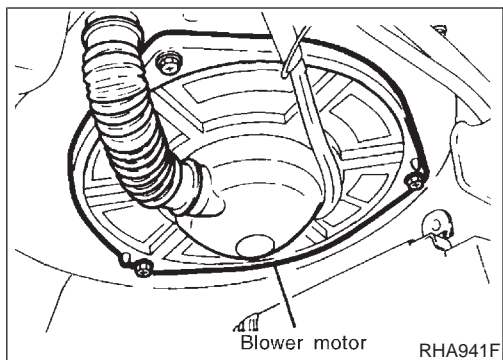
GI
 MA
 EM
 LC
 EC
 FE
 CL
 MT
 AT
 AX
 SU
 BR
 ST
 RS
 BT
 HA
 SC
 EL
 IDX

8	CHECK POWER SUPPLY FOR BLOWER MOTOR	
Disconnect blower motor harness connector. Do approx. 12 volts exist between blower motor harness terminal No. 1 and body ground?		
RHA091GE		
Yes or No		
Yes	▶	GO TO 9.
No	▶	Check power supply circuit and 15A fuses (No. 51 and 52, located in the fuse block). <ul style="list-style-type: none"> ● Check blower motor relay. ● If OK, check for open circuit in wiring harness. Repair or replace as necessary. ● If NG, replace fuse and check wiring harness for short circuit. Repair or replace as necessary.

Blower Motor (Cont'd)

9	CHECK CIRCUIT CONTINUITY BETWEEN BLOWER MOTOR AND FAN CONTROL AMP.	
<p>Disconnect blower motor connector and auto amp. (LCU) connector. Check circuit continuity between blower motor harness terminal No. 2 and fan control amp. harness terminal No. 1.</p>		
RHA397H		
OK or NG		
OK	▶	<p>Check blower motor. (Refer to HA-75.)</p> <ol style="list-style-type: none"> 1. If NG, replace blower motor. 2. Go to "FUNCTION CONFIRMATION PROCEDURE", "Self-diagnosis", HA-38 and perform self-diagnosis STEP-4. Confirm that blower motor operation is normal.
NG	▶	Repair harness or connector.

10	CHECK BLOWER MOTOR CIRCUIT BETWEEN BLOWER MOTOR AND AUTO AMP. (LCU)	
<p>Check circuit continuity between blower motor harness terminal No. 2 and auto amp. (LCU) harness terminal No. 34.</p>		
SHA372F		
OK or NG		
<p>Continuity should exist. If OK, check harness for short.</p>		
OK	▶	INSPECTION END
NG	▶	Repair harness or connector.



COMPONENT INSPECTION

Blower Motor

NFHA0200

NFHA0200S01

Confirm smooth rotation of the blower motor.

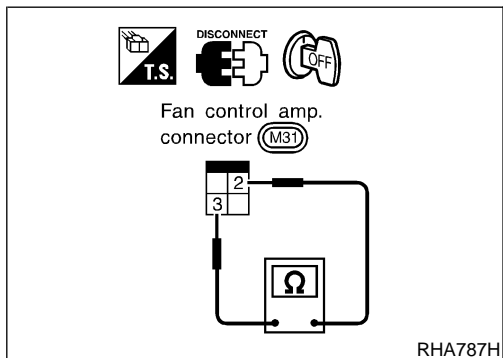
- Ensure that there are no foreign particles inside the intake unit.

GI

MA

EM

LC



Fan Control Amp.

NFHA0200S02

Check continuity between terminal Nos. 2 and 3.

Terminal No.	Continuity
2 - 3	Yes

EC

FE

CL

MT

AT

AX

SU

BR

ST

RS

BT

HA

SC

EL

IDX

Magnet Clutch

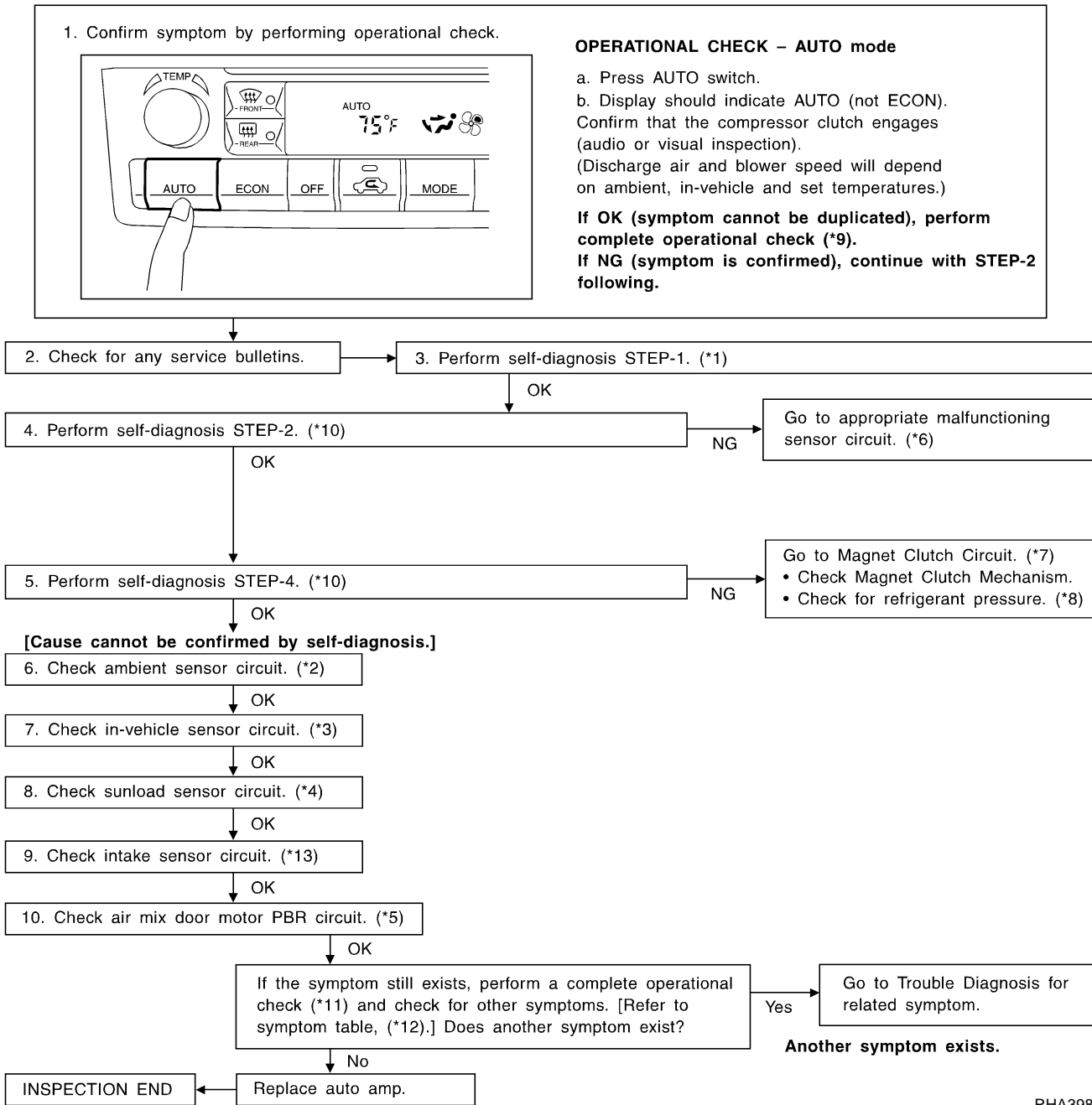
TROUBLE DIAGNOSIS PROCEDURE FOR MAGNET CLUTCH

=NFHA0201

SYMPTOM:

- Magnet clutch does not engage.

INSPECTION FLOW

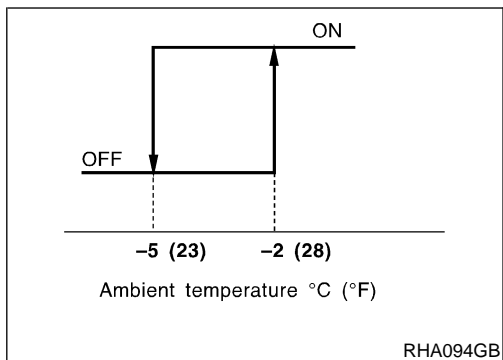
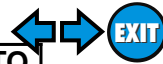


*1: FUNCTION CONFIRMATION PROCEDURE (HA-38)
 *2: HA-94
 *3: HA-98
 *4: HA-101
 *5: HA-107

*6: FUNCTION CONFIRMATION PROCEDURE (HA-38), see No. 13.
 *7: HA-77
 *8: HA-85
 *9: HA-48

*10: HA-38
 *11: HA-48
 *12: HA-47
 *13: HA-105

RHA398H

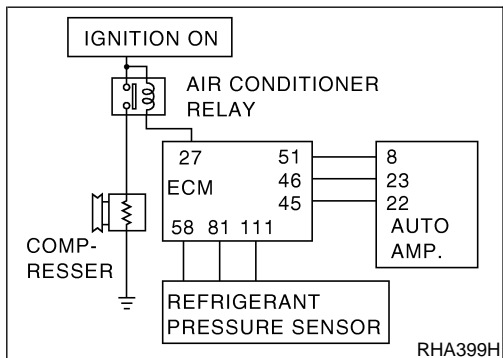


SYSTEM DESCRIPTION

Auto amplifier controls compressor operation by ambient temperature and signal from ECM. =NFHA0202

Low Temperature Protection Control

Auto amplifier will turn the compressor "ON" or "OFF" as determined by a signal detected by ambient sensor. NFHA0202S01
 When ambient temperatures are greater than -2°C (28°F), the compressor turns "ON". The compressor turns "OFF" when ambient temperatures are less than -5°C (23°F).



DIAGNOSTIC PROCEDURE

SYMPTOM: Magnet clutch does not engage when **AUTO** switch is ON. NFHA0203

1	CHECK POWER SUPPLY FOR COMPRESSOR	<p>Disconnect compressor harness connector. Do approx. 12 volts exist between compressor harness terminal No. 1 and body ground?</p> <div style="text-align: center;"> <p>Compressor connector (A3)</p> </div> <p style="text-align: right;">RHA096GC</p> <p style="text-align: center;">Yes or No</p>
Yes	▶	<p>Check magnet clutch coil.</p> <ol style="list-style-type: none"> 1. If NG, replace magnet clutch. Refer to HA-113. 2. Go to "FUNCTION CONFIRMATION PROCEDURE", "Self-diagnosis", HA-38 and perform self-diagnosis STEP-4. <p style="text-align: center;">Confirm that magnet clutch operation is normal.</p>
No	▶	<p>Disconnect A/C relay. And GO TO 2.</p>

GI
MA
EM
LC
EC
FE
CL
MT
AT
AX
SU
BR
ST
RS
BT
HA
SC
EL
IDX

TROUBLE DIAGNOSES

← → **AUTO**

EXIT

Magnet Clutch (Cont'd)

2	CHECK CIRCUIT CONTINUITY BETWEEN A/C RELAY HARNESS TERMINAL NO. 3 AND COMPRESSOR HARNESS TERMINAL NO. 1	
RHA400H		
<p>Continuity should exist. If OK, check harness for short.</p> <p style="text-align: center;">OK or NG</p>		
OK	▶	GO TO 3.
NG	▶	Repair harness or connector.

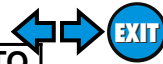
3	CHECK POWER SUPPLY FOR A/C RELAY	
<p>Disconnect A/C relay. Do approx. 12 volts exist between A/C relay harness terminal Nos. 1, 5 and body ground?</p>		
RHA401H		
Yes or No		
Yes	▶	GO TO 4.
No	▶	<p>Check power supply circuit and 10A (Nos. 19, 66) fuse at fuse block. Refer to EL-10, "Wiring Diagram — POWER —".</p> <ul style="list-style-type: none"> ● If OK, check for open circuit in wiring harness. Repair or replace as necessary. ● If NG, replace fuse and check wiring harness for short circuit. Repair or replace as necessary.

4	CHECK A/C RELAY AFTER DISCONNECTING IT	
Refer to HA-81.		
OK or NG		
OK	▶	Reconnect A/C relay. And GO TO 5.
NG	▶	<ol style="list-style-type: none"> 1. Replace A/C relay. 2. Go to "FUNCTION CONFIRMATION PROCEDURE", "Self-diagnosis", HA-38 and perform self-diagnosis STEP-4. <p>Confirm that magnet clutch operation is normal.</p>

TROUBLE DIAGNOSES

AUTO

Magnet Clutch (Cont'd)

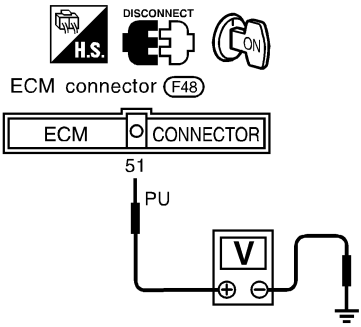


5	CHECK COIL SIDE CIRCUIT OF A/C RELAY	
Do approx. 12 volts exist between ECM harness terminal No. 27 and body ground?		
RHA482GD		
Yes or No		
Yes	▶	GO TO 6.
No	▶	Disconnect A/C relay. Disconnect ECM harness connector. GO TO 9.

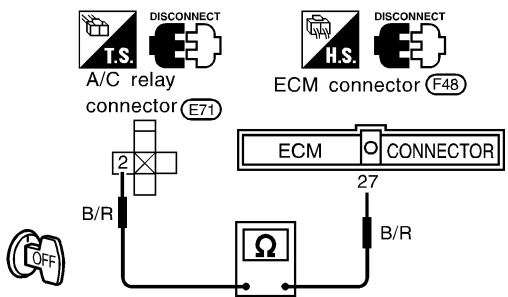
GI
MA
EM
LC
EC
FE
CL
MT
AT
AX
SU
BR
ST
RS
BT
HA
SC
EL
IDX

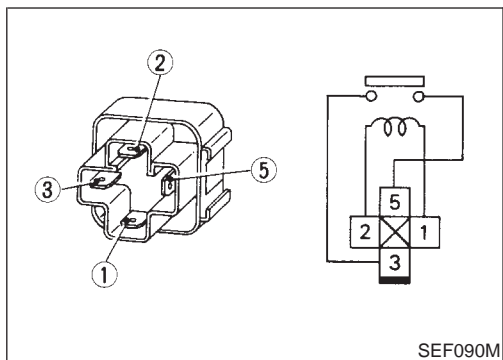
6	CHECK VOLTAGE FOR ECM	
Do approx. 12 volts exist between ECM harness terminal No. 45 and body ground?		
RHA701FG		
Yes or No		
Yes	▶	GO TO 7.
No	▶	Check ECM. Refer to EC-148, "ECM Terminals and Reference Value".

Magnet Clutch (Cont'd)

7	CHECK REFRIGERANT PRESSURE SENSOR INPUT SIGNAL	
Do approx. 12 volts exist between ECM harness terminal No. 51 and ground?		
		
SHA434F		
Yes or No		
Yes	▶	GO TO 8.
No	▶	1. Repair harness or connector. 2. Go to "FUNCTION CONFIRMATION PROCEDURE", "Self-diagnosis", HA-38 and perform self-diagnosis STEP-4. Confirm that magnet clutch operation is normal.

8	CHECK REFRIGERANT PRESSURE SENSOR	
Refer to HA-81.		
OK or NG		
OK	▶	GO TO 9.
NG	▶	Replace refrigerant pressure sensor.

9	CHECK CIRCUIT CONTINUITY BETWEEN A/C RELAY AND ECM	
Check circuit continuity between A/C relay harness terminal No. 2 and ECM harness terminal No. 27.		
		
RHA403H		
<p style="color: blue;">Continuity should exist.</p> <p>If OK, check harness for short.</p>		
OK or NG		
OK	▶	Check ECM. Refer to EC-148, "ECM Terminals and Reference Value".
NG	▶	Repair harness or connector. Replace auto amp.



COMPONENT INSPECTION

A/C Relay

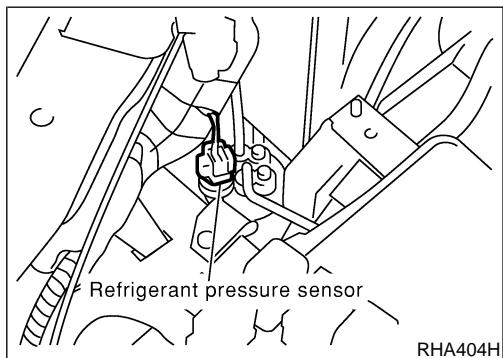
NFHA0204

NFHA0204S01

Check continuity between terminal Nos. 3 and 5.

Conditions	Continuity
12V direct current supply between terminal Nos. 1 and 2	Yes
No current supply	No

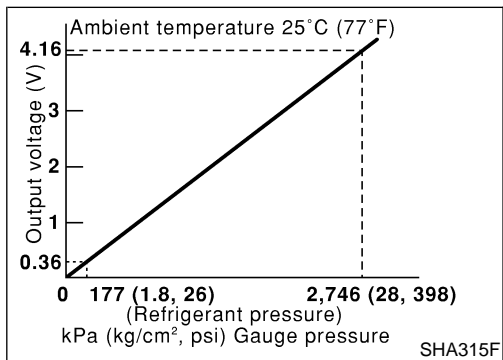
If NG, replace relay.



Refrigerant Pressure Sensor

NFHA0204S02

Make sure that higher A/C refrigerant pressure results in higher refrigerant-pressure sensor output voltage.



GI

MA

EM

LC

EC

FE

CL

MT

AT

AX

SU

BR

ST

RS

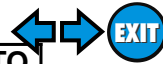
BT

HA

SC

EL

IDX



Insufficient Cooling

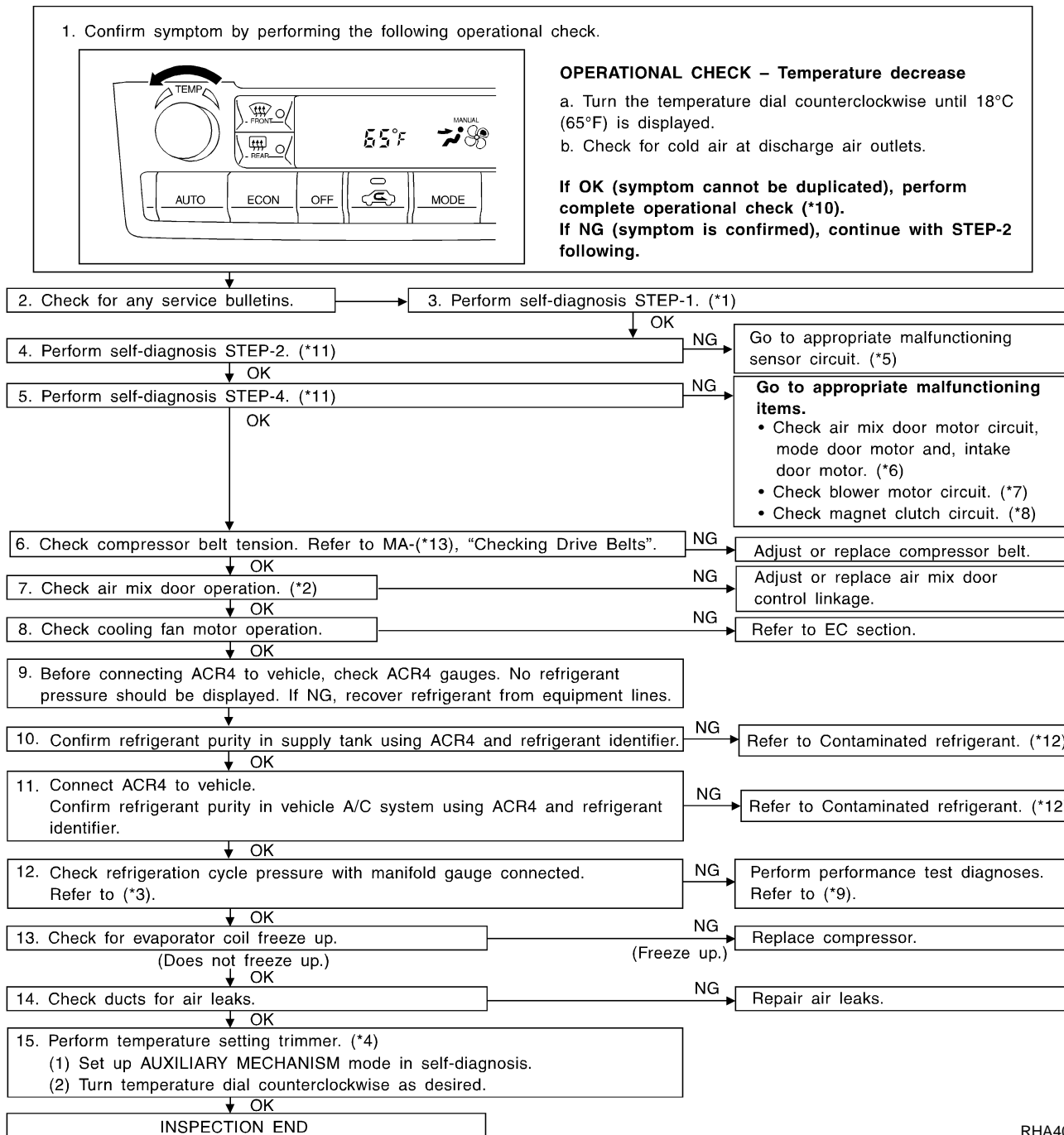
TROUBLE DIAGNOSIS PROCEDURE FOR INSUFFICIENT COOLING

=NFHA0205

SYMPTOM:

- Insufficient cooling

INSPECTION FLOW



RHA405H

*1: HA-37

*6: HA-55

*9: HA-83

*2: HA-63

*7: HA-68

*10: HA-48

*3: HA-85

*8: HA-77

*11: HA-38

*4: HA-46

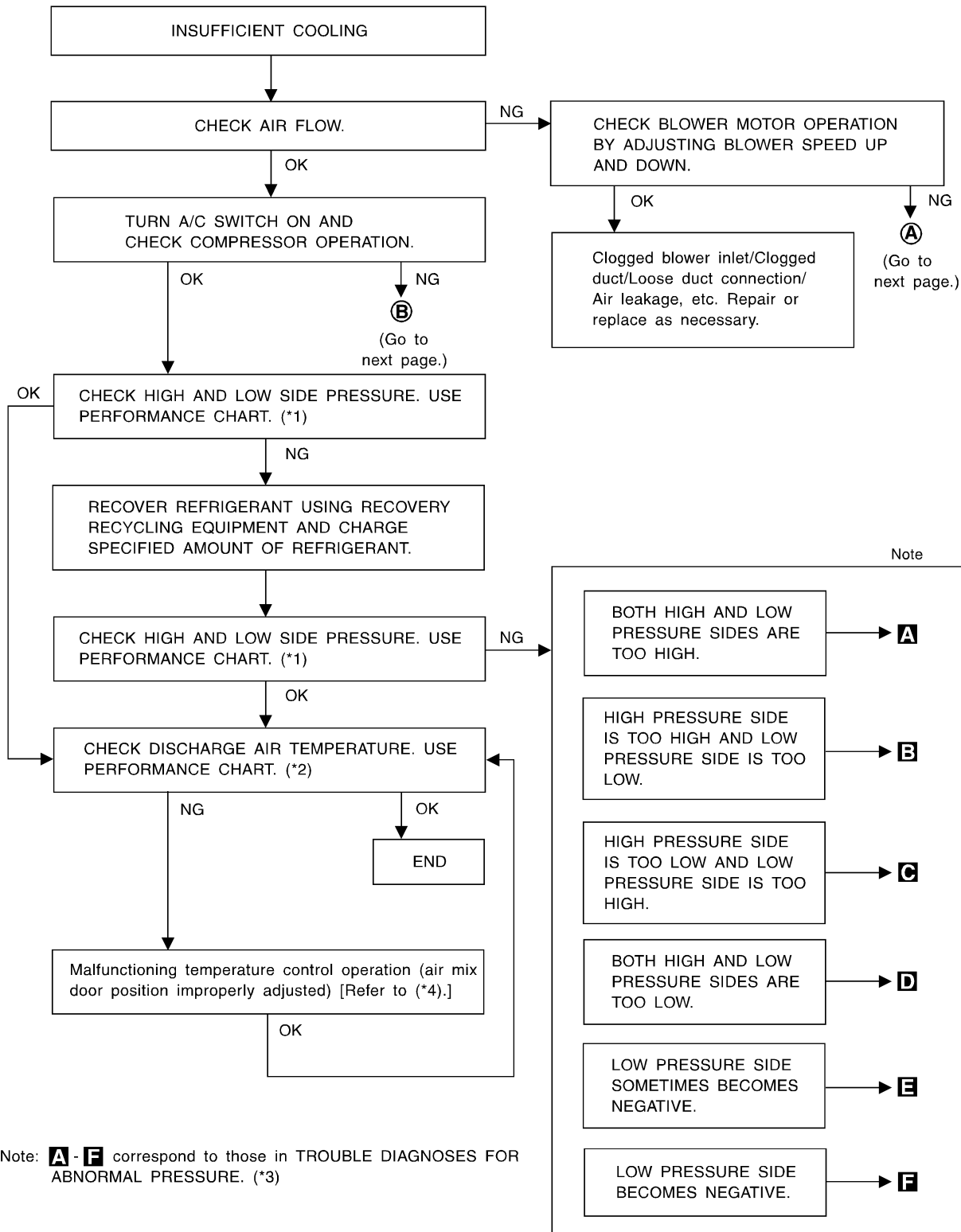
*12: HA-3

*5: FUNCTION CONFIRMATION PROCEDURE (HA-38), see No. 13.

*13: MA-13

PERFORMANCE TEST DIAGNOSES

NFHA0206



Note: **A - F** correspond to those in TROUBLE DIAGNOSES FOR ABNORMAL PRESSURE. (*3)

SHA344F

*1: HA-85
*2: HA-85

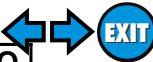
*3: HA-86

*4: HA-62

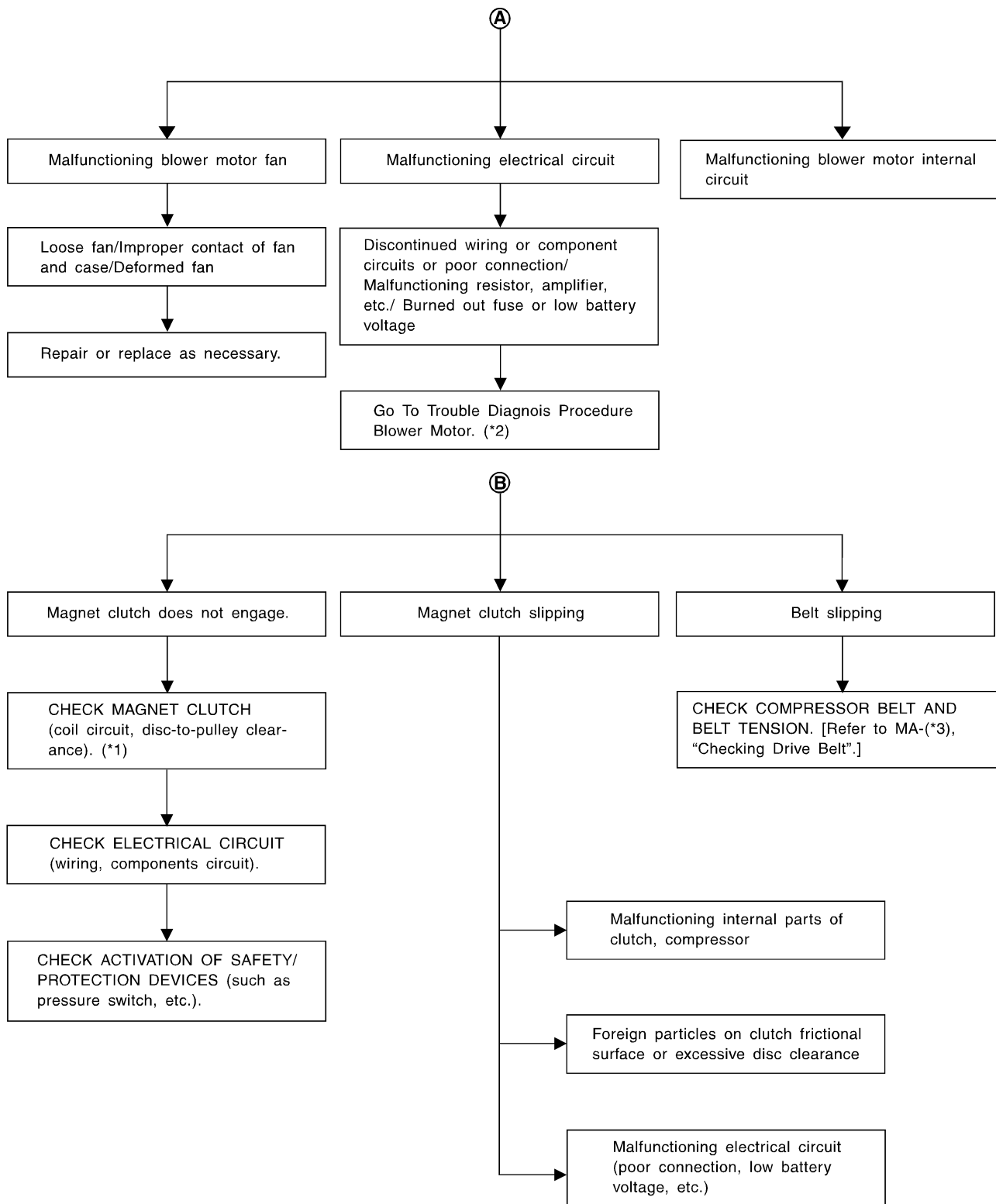
GI
MA
EM
LC
EC
FE
CL
MT
AT
AX
SU
BR
ST
RS
BT
HA
SC
EL
IDX

TROUBLE DIAGNOSES

AUTO



Insufficient Cooling (Cont'd)



SHA329F

*1: HA-113

*2: HA-67

*3: MA-13

TROUBLE DIAGNOSES

AUTO



Insufficient Cooling (Cont'd)




PERFORMANCE TEST

Test Condition

NFHA0207

Testing must be performed as follows:

NFHA0207S01

Vehicle location	Indoors or in the shade (in a well-ventilated place)
Doors	Closed
Door windows	Open
Hood	Open
TEMP.	Max. COLD
Mode switch	 (Ventilation) set
REC switch	 (Recirculation) set
 (blower) speed	Max. speed set
Engine speed	Idle speed

Operate the air conditioning system for 10 minutes before taking measurements.

Test Reading

Recirculating-to-discharge Air Temperature Table

NFHA0207S02

NFHA0207S0201

Inside air (Recirculating air) at blower assembly inlet		Discharge air temperature at center ventilator °C (°F)
Relative humidity %	Air temperature °C (°F)	
50 - 60	15 (59)	3.5 - 5.4 (38 - 42)
	20 (68)	6.6 - 8.9 (44 - 48)
	25 (77)	9.5 - 12.6 (49 - 55)
	30 (86)	13.4 - 16.5 (56 - 62)
	35 (95)	17.6 - 21.3 (64 - 70)
60 - 70	15 (59)	5.4 - 7.1 (42 - 45)
	20 (68)	8.9 - 11.0 (48 - 52)
	25 (77)	12.6 - 15.4 (55 - 60)
	30 (86)	16.5 - 20.0 (62 - 68)
	35 (95)	21.3 - 24.8 (70 - 77)

Ambient Air Temperature-to-operating Pressure Table

NFHA0207S0202

Ambient air		High-pressure (Discharge side) kPa (kg/cm ² , psi)	Low-pressure (Suction side) kPa (kg/cm ² , psi)
Relative humidity %	Air temperature °C (°F)		
50 - 70	15 (59)	539 - 657 (5.5 - 6.7, 78 - 95)	177 - 216 (1.8 - 2.2, 26 - 31)
	20 (68)	677 - 824 (6.9 - 8.4, 98 - 119)	167 - 206 (1.7 - 2.1, 24 - 30)
	25 (77)	843 - 1,030 (8.6 - 10.5, 122 - 149)	177 - 226 (1.8 - 2.3, 26 - 33)
	30 (86)	1,030 - 1,275 (10.5 - 13.0, 149 - 185)	216 - 255 (2.2 - 2.6, 31 - 37)
	35 (95)	1,245 - 1,520 (12.7 - 15.5, 181 - 220)	265 - 324 (2.7 - 3.3, 38 - 47)

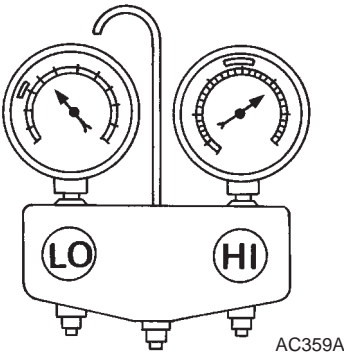
TROUBLE DIAGNOSES FOR ABNORMAL PRESSURE

NFHA0208

Whenever system's high and/or low side pressure is abnormal, diagnose using a manifold gauge. The marker above the gauge scale in the following tables indicates the standard (normal) pressure range. Since the standard (normal) pressure, however, differs from vehicle to vehicle, refer to HA-85 ("Ambient air temperature-to-operating pressure table").

Both High and Low-pressure Sides are Too High.

NFHA0208S01

Gauge indication	Refrigerant cycle	Probable cause	Corrective action
<p>Both high and low-pressure sides are too high.</p> <p>A</p> 	<ul style="list-style-type: none"> Pressure is reduced soon after water is splashed on condenser. 	<p>Excessive refrigerant charge in refrigeration cycle</p>	<p>Reduce refrigerant until specified pressure is obtained.</p>
	<p>Air suction by cooling fan is insufficient.</p>	<p>Insufficient condenser cooling performance</p> <p style="text-align: center;">↓</p> <ol style="list-style-type: none"> Condenser fins are clogged. Improper fan rotation of cooling fan 	<ul style="list-style-type: none"> Clean condenser. Check and repair cooling fan as necessary.
	<ul style="list-style-type: none"> Low-pressure pipe is not cold. When compressor is stopped high-pressure value quickly drops by approximately 196 kPa (2 kg/cm², 28 psi). It then decreases gradually thereafter. 	<p>Poor heat exchange in condenser (After compressor operation stops, high pressure decreases too slowly.)</p> <p style="text-align: center;">↓</p> <p>Air in refrigeration cycle</p>	<p>Evacuate repeatedly and recharge system.</p>
	<p>Engine tends to overheat.</p>	<p>Engine cooling systems malfunction.</p>	<p>Check and repair each engine cooling system.</p>
	<ul style="list-style-type: none"> An area of the low-pressure pipe is colder than areas near the evaporator outlet. Plates are sometimes covered with frost. 	<ul style="list-style-type: none"> Excessive liquid refrigerant on low-pressure side Excessive refrigerant discharge flow Expansion valve is open a little compared with the specification. <p style="text-align: center;">↓</p> <ol style="list-style-type: none"> Improper thermal valve installation Improper expansion valve adjustment 	<p>Replace expansion valve.</p>

TROUBLE DIAGNOSES

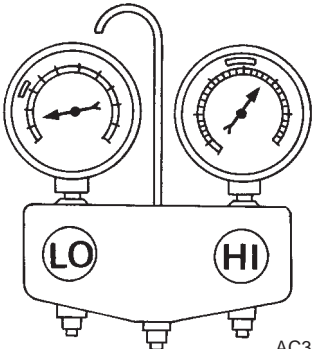
AUTO

EXIT

Insufficient Cooling (Cont'd)

High-pressure Side is Too High and Low-pressure Side is Too Low.

NFHA0208S02

Gauge indication	Refrigerant cycle	Probable cause	Corrective action
<p>High-pressure side is too high and low-pressure side is too low.</p> <p>B</p>  <p>AC360A</p>	<p>Upper side of condenser and high-pressure side are hot, however, liquid tank is not so hot.</p>	<p>High-pressure tube or parts located between compressor and condenser are clogged or crushed.</p>	<ul style="list-style-type: none"> • Check and repair or replace malfunctioning parts. • Check lubricant for contamination.

GI

MA

EM

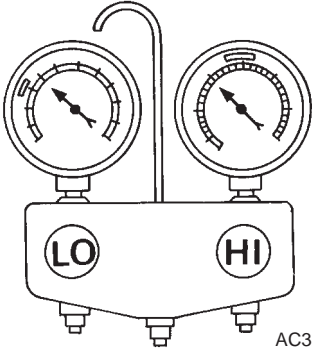
LC

EC

FE

High-pressure Side is Too Low and Low-pressure Side is Too High.

NFHA0208S03

Gauge indication	Refrigerant cycle	Probable cause	Corrective action
<p>High-pressure side is too low and low-pressure side is too high.</p> <p>C</p>  <p>AC356A</p>	<p>High and low-pressure sides become equal soon after compressor operation stops.</p>	<p>Compressor pressure operation is improper.</p> <p>↓</p> <p>Damaged inside compressor packings</p>	<p>Replace compressor.</p>
	<p>No temperature difference between high and low-pressure sides</p>	<p>Compressor pressure operation is improper.</p> <p>↓</p> <p>Damaged inside compressor packings.</p>	<p>Replace compressor.</p>

CL

MT

AT

AX

SU

BR

ST

RS

BT

HA

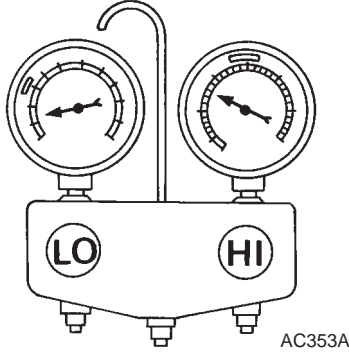
SC

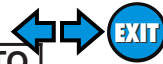
EL

IDX

Both High- and Low-pressure Sides are Too Low.

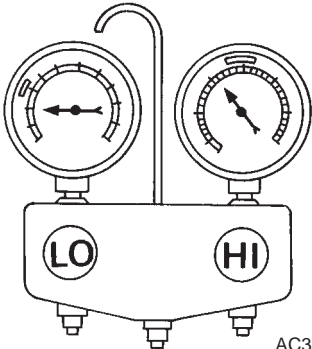
NFHA0208S04

Gauge indication	Refrigerant cycle	Probable cause	Corrective action
<p>Both high- and low-pressure sides are too low.</p> <p>D</p> 	<ul style="list-style-type: none"> ● There is a big temperature difference between receiver drier outlet and inlet. Outlet temperature is extremely low. ● Liquid tank inlet and expansion valve are frosted. 	<p>Compressor discharge capacity does not change. (Compressor stroke is set at maximum.)</p>	<ul style="list-style-type: none"> ● Replace liquid tank. ● Check lubricant for contamination.
	<ul style="list-style-type: none"> ● Temperature of expansion valve inlet is extremely low as compared with areas near liquid tank. ● Expansion valve inlet may be frosted. ● Temperature difference occurs somewhere in high-pressure side 	<p>High-pressure pipe located between receiver drier and expansion valve is clogged.</p>	<ul style="list-style-type: none"> ● Check and repair malfunctioning parts. ● Check lubricant for contamination.
	<ul style="list-style-type: none"> ● Expansion valve and liquid tank are warm or only cool when touched. 	<p>Low refrigerant charge</p> <p style="text-align: center;">↓</p> <p>Leaking fittings or components</p>	<p>Check refrigerant for leaks. Refer to "Checking Refrigerant Leaks", HA-120.</p>
	<p>There is a big temperature difference between expansion valve inlet and outlet while the valve itself is frosted.</p>	<p>Expansion valve closes a little compared with the specification.</p> <p style="text-align: center;">↓</p> <ol style="list-style-type: none"> 1. Improper expansion valve adjustment 2. Malfunctioning thermal valve 3. Outlet and inlet may be clogged. 	<ul style="list-style-type: none"> ● Remove foreign particles by using compressed air. ● Check lubricant for contamination.
	<p>An area of the low-pressure pipe is colder than areas near the evaporator outlet.</p>	<p>Low-pressure pipe is clogged or crushed.</p>	<ul style="list-style-type: none"> ● Check and repair malfunctioning parts. ● Check lubricant for contamination.
	<p>Air flow volume is not enough or is too low.</p>	<p>Evaporator is frozen.</p> <p style="text-align: center;">↓</p> <p>Compressor discharge capacity does not change. (Compressor stroke is set at maximum length.)</p>	<p>Replace compressor.</p>



Low-pressure Side Sometimes Becomes Negative.

NFHA0208S05

Gauge indication	Refrigerant cycle	Probable cause	Corrective action
<p>Low-pressure side sometimes becomes negative.</p> <p>E</p>  <p style="text-align: right;"><small>AC354A</small></p>	<ul style="list-style-type: none"> ● Air conditioning system does not function and does not cyclically cool the compartment air. ● The system constantly functions for a certain period of time after compressor is stopped and restarted. 	<p>Refrigerant does not discharge cyclically.</p> <p style="text-align: center;">↓</p> <p>Moisture is frozen at expansion valve outlet and inlet.</p> <p style="text-align: center;">↓</p> <p>Water is mixed with refrigerant.</p>	<ul style="list-style-type: none"> ● Drain water from refrigerant or replace refrigerant. ● Replace liquid tank.

GI

MA

EM

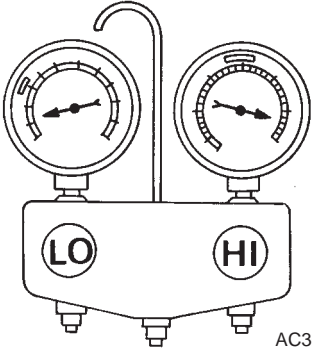
LC

EC

FE

Low-pressure Side Becomes Negative.

NFHA0208S06

Gauge indication	Refrigerant cycle	Probable cause	Corrective action
<p>Low-pressure side becomes negative.</p> <p>F</p>  <p style="text-align: right;"><small>AC362A</small></p>	<p>Liquid tank or front/rear side of expansion valve's pipe is frosted or dewed.</p>	<p>High-pressure side is closed and refrigerant does not flow.</p> <p style="text-align: center;">↓</p> <p>Expansion valve or liquid tank is frosted.</p>	<p>Leave the system at rest until no frost is present. Start it again to check whether or not the problem is caused by water or foreign particles.</p> <ul style="list-style-type: none"> ● If water is the cause, initially cooling is okay. Then the water freezes causing a blockage. Drain water from refrigerant or replace refrigerant. ● If due to foreign particles, remove expansion valve and remove the particles with dry and compressed air (not shop air). ● If either of the above methods cannot correct the problem, replace expansion valve. ● Replace liquid tank. ● Check lubricant for contamination.

CL

MT

AT

AX

SU

BR

ST

RS

BT

HA

SC

EL

IDX

Insufficient Heating

TROUBLE DIAGNOSIS PROCEDURE FOR INSUFFICIENT HEATING

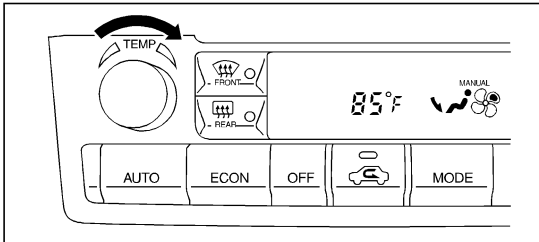
=NFHA0209

SYMPTOM:

- Insufficient heating

INSPECTION FLOW

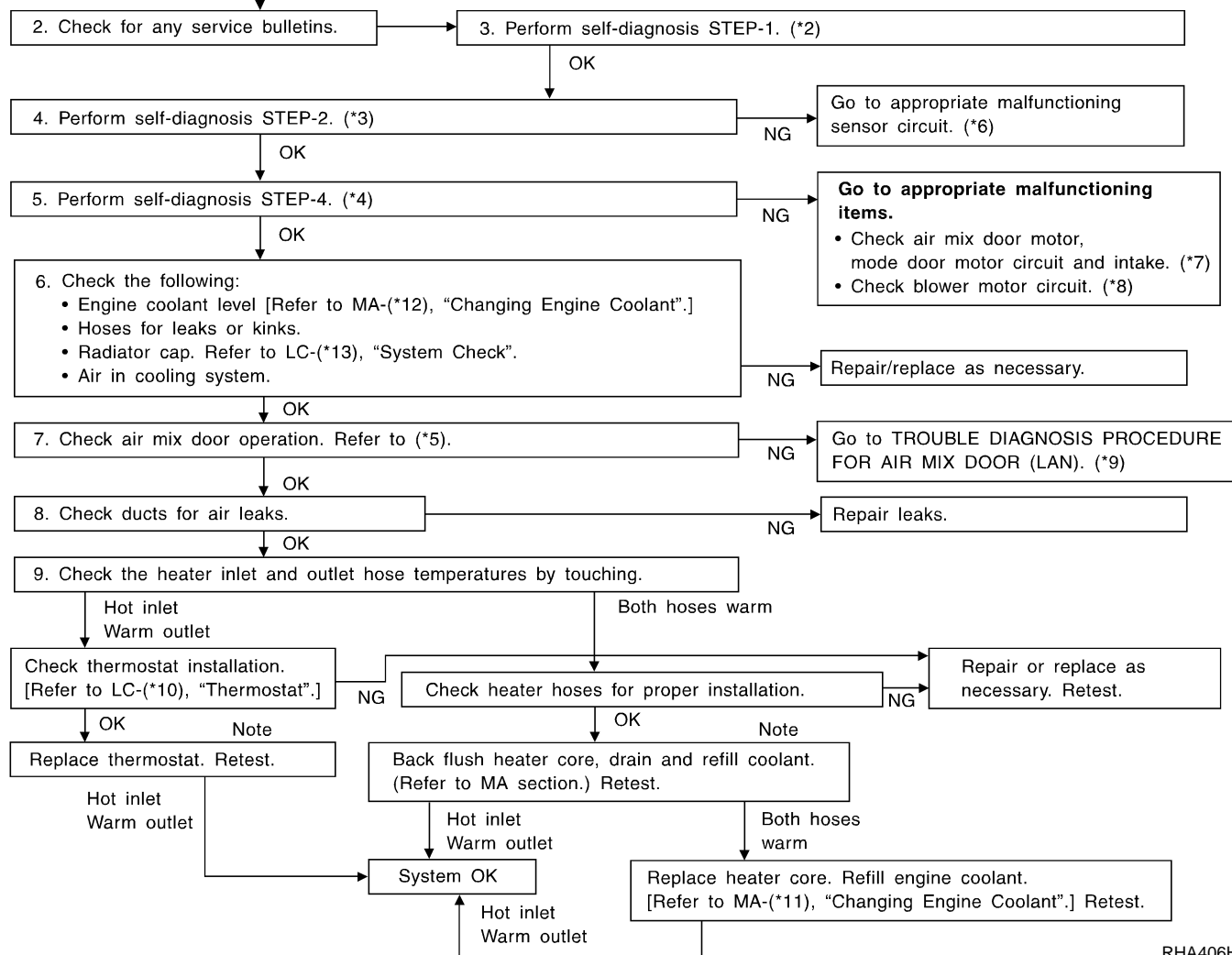
1. Confirm symptom by performing the following operational check.



OPERATIONAL CHECK – Temperature increase

- a. Turn the temperature dial clockwise until 32°C (85°F) is displayed.
- b. Check for hot air at discharge air outlets.

**If OK (symptom cannot be duplicated), perform complete operational check (*1).
If NG (symptom is confirmed), continue with STEP-2 following.**



RHA406H

- | | | |
|--|---|---|
| <p>*1: HA-48
*2: HA-37
*3: HA-38
*4: HA-38
*5: HA-63</p> | <p>*6: FUNCTION CONFIRMATION PROCEDURE (HA-38), see No. 13.
*7: HA-56
*8: HA-70</p> | <p>*9: HA-61
*10: LC-14
*11: MA-14
*12: MA-14
*13: LC-9</p> |
|--|---|---|

Noise

TROUBLE DIAGNOSIS PROCEDURE FOR NOISE

SYMPTOM:

- Noise

=NFHA0210

GI

MA

EM

LC

EC

FE

CL

MT

AT

AX

SU

BR

ST

RS

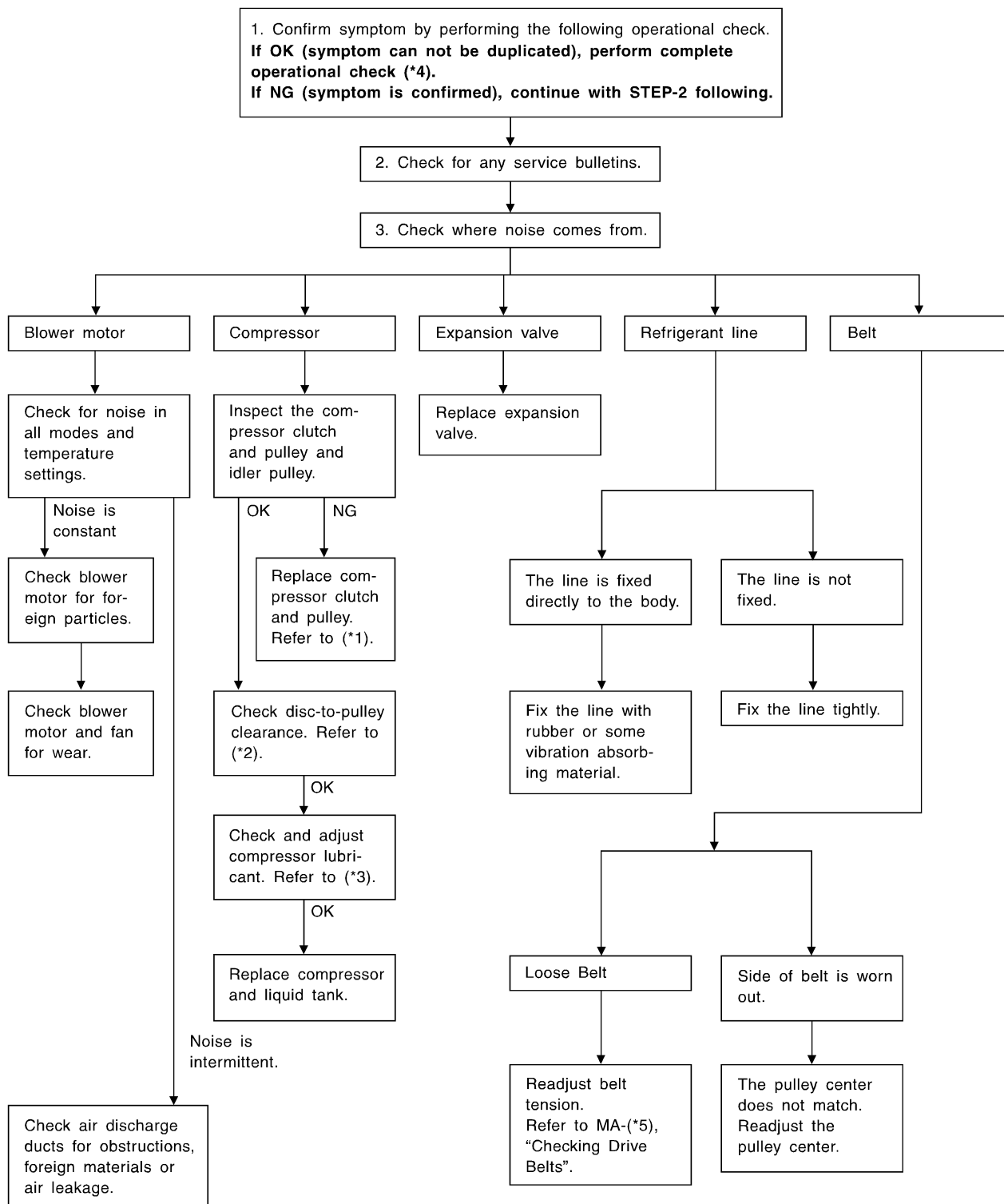
BT

HA

SC

EL

IDX



*1: HA-113
*2: HA-115

*3: HA-110
*4: HA-48

*5: MA-13

Self-diagnosis

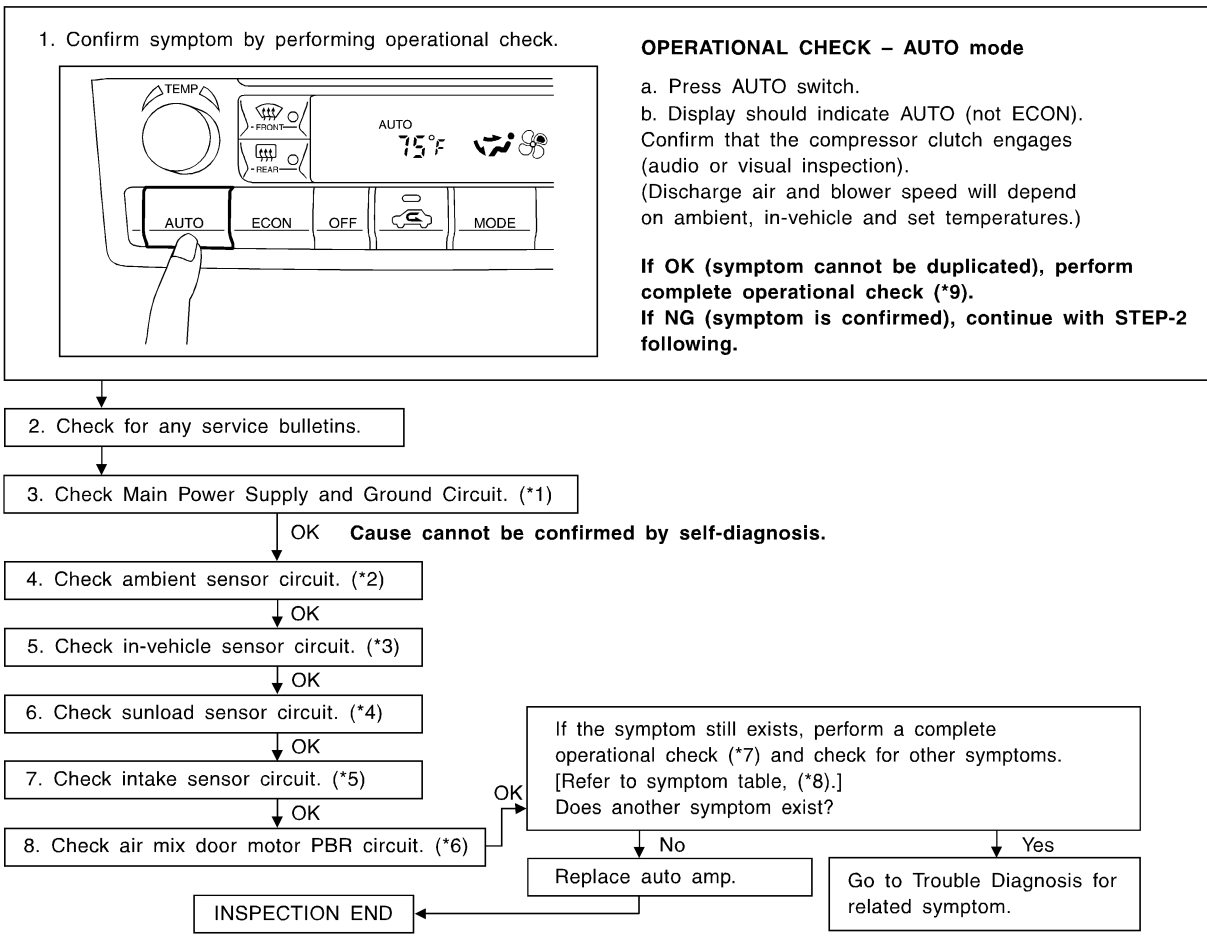
TROUBLE DIAGNOSIS PROCEDURE FOR SELF-DIAGNOSIS

=NFHA0211

SYMPTOM:

- Self-diagnosis cannot be performed.

INSPECTION FLOW

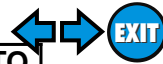


*1: HA-52
*2: HA-94
*3: HA-98

*4: HA-101
*5: HA-105
*6: HA-107

*7: HA-48
*8: HA-47
*9: HA-48

RHA407H



Memory Function

TROUBLE DIAGNOSIS PROCEDURE FOR MEMORY FUNCTION

=NFHA0212

SYMPTOM:

- Memory function does not operate.

INSPECTION FLOW

GI

MA

EM

LC

EC

FE

CL

MT

AT

AX

SU

BR

ST

SHA322F

RS

BT

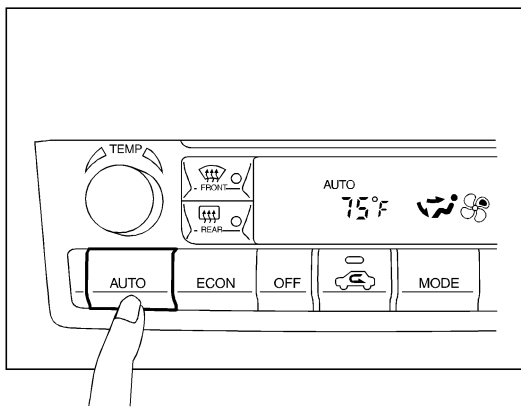
HA

SC

EL

IDX

1. Confirm symptom by performing the following operational check.

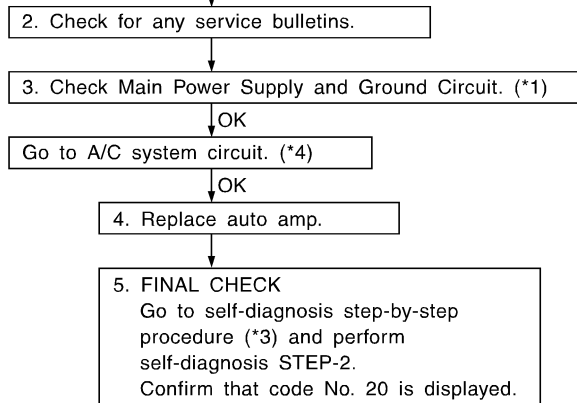


OPERATIONAL CHECK – Memory function

- a. Set the temperature 75°F or 25°C.
- b. Press OFF switch.
- c. Turn the ignition off.
- d. Turn the ignition on.
- e. Press the AUTO switch.
- f. Confirm that the set temperature remains at previous temperature.
- g. Press OFF switch.

If OK (symptom cannot be duplicated), perform complete operational check (*2).

If NG (symptom is confirmed), continue with STEP-2 following.



*1: HA-52
*2: HA-48

*3: HA-38

*4: HA-52

ECON (ECONOMY) Mode

TROUBLE DIAGNOSIS PROCEDURE FOR ECON (ECONOMY) MODE

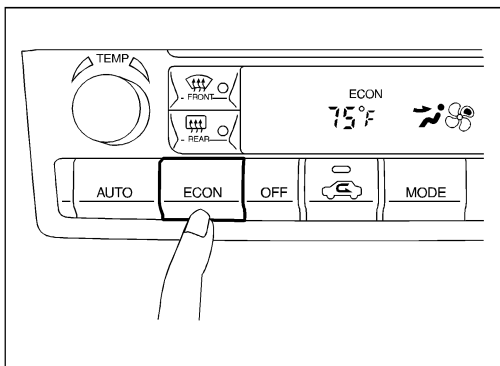
=NFHA0213

SYMPTOM:

- ECON mode does not operate.

INSPECTION FLOW

1. Confirm symptom by performing the following operational check.



OPERATIONAL CHECK – ECON (ECONOMY) mode

- a. Set the temperature 75°F or 25°C.
 - b. Press ECON switch.
 - c. Display should indicate ECON (not AUTO).
- Confirm that the compressor clutch is not engaged (visual inspection).
(Discharge air and blower speed will depend on ambient, in-vehicle, and set temperatures.)

If OK (symptom cannot be duplicated), perform complete operational check (*2).
If NG (symptom is confirmed), continue with STEP-2 following.

2. Check for any service bulletins.

3. Check Main Power Supply and Ground Circuit. (*1)

OK

Go to A/C system circuit. (*4)

OK

4. Replace auto amp.

5. FINAL CHECK

Go to self-diagnosis step-by-step procedure (*3) and perform self-diagnosis STEP-2.
Confirm that code No. 20 is displayed.

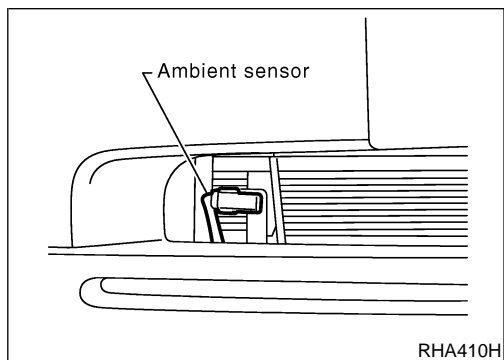
SHA323F

*1: HA-52

*3: HA-38

*4: HA-52

*2: HA-48



RHA410H

Ambient Sensor Circuit COMPONENT DESCRIPTION

NFHA0214

The ambient sensor is attached in front of the driver's side condenser. It detects ambient temperature and converts it into a resistance value which is then input into the auto amplifier.

AMBIENT TEMPERATURE INPUT PROCESS

NFHA0215

The automatic amplifier includes a "processing circuit" for the ambient sensor input. However, when the temperature detected by the ambient sensor increases quickly, the processing circuit retards the auto amp. function. It only allows the auto amp. to recognize an ambient temperature increase of 0.33°C (0.6°F) per 100 seconds. As an example, consider stopping for a cup of coffee after high speed driving. Although the actual ambient temperature has not changed, the temperature detected by the ambient sensor will increase. This is because the heat from the engine compartment can radiate to the front grille area, location of the ambient sensor.

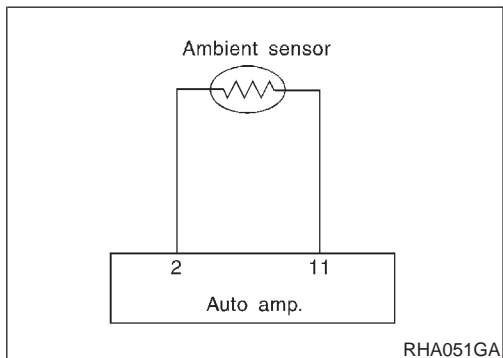
GI
MA
EM
LC

DIAGNOSTIC PROCEDURE

NFHA0216

SYMPTOM: Ambient sensor circuit is open or shorted. ($\overline{2}$! or $\overline{2}$! is indicated on the display as a result of conducting Self-diagnosis STEP 2.)

EC
FE
CL
MT



1	CHECK VOLTAGE BETWEEN AMBIENT SENSOR HARNESS CONNECTOR AND BODY GROUND
<p>Disconnect ambient sensor harness connector. Do approx. 5 volts exist between ambient sensor harness terminal No. 1 and body ground?</p> <div style="text-align: center;"> </div> <p style="text-align: right;"><small>RHA052GE</small></p> <p style="text-align: center;">Yes or No</p>	
Yes	▶ GO TO 2.
No	▶ GO TO 4.

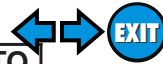
AT
AX
SU
BR
ST
RS
BT

HA

SC
EL
IDX

TROUBLE DIAGNOSES

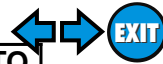
AUTO



Ambient Sensor Circuit (Cont'd)

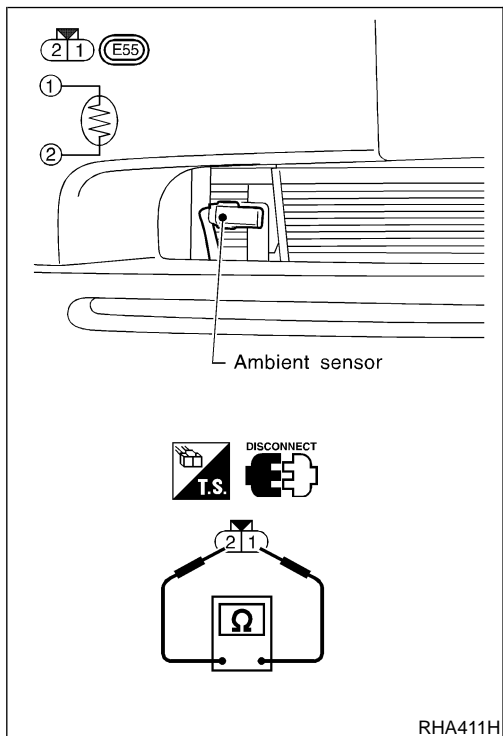
2	CHECK AMBIENT SENSOR CIRCUIT BETWEEN AMBIENT SENSOR AND AUTO AMP. (LCU)	
<p>1. Disconnect auto amp. (LCU) harness connector. 2. Check circuit continuity between ambient sensor harness terminal No. 2 and auto amp. (LCU) harness terminal No. 11.</p>		
RHA475GC		
<p>Continuity should exist. If OK, check harness for short.</p>		
OK or NG		
OK	▶	GO TO 3.
NG	▶	Repair harness or connector.

3	CHECK AMBIENT SENSOR	
Refer to HA-97.		
OK or NG		
OK	▶	1. Replace auto amp. (LCU). 2. Go to "FUNCTION CONFIRMATION PROCEDURE", "Self-diagnosis", HA-38 and perform self-diagnosis STEP-2. Confirm that code No. 20 is displayed.
NG	▶	Replace ambient sensor.



4	CHECK AMBIENT SENSOR CIRCUIT BETWEEN AMBIENT SENSOR AND AUTO AMP. (LCU)
<p>1. Disconnect auto amp. (LCU) harness connector. 2. Check circuit continuity between ambient sensor harness terminal No. 1 and auto amp. (LCU) harness terminal No. 2.</p>	
RHA476GB	
<p>Continuity should exist. If OK, check harness for short.</p>	
OK or NG	
OK	<p>▶ 1. Replace auto amp. (LCU). 2. Go to "FUNCTION CONFIRMATION PROCEDURE", "Self-diagnosis", HA-38 and perform self-diagnosis STEP-2. Confirm that code No. 20 is displayed.</p>
NG	▶ Repair harness or connector.

GI
MA
EM
LC
EC
FE
CL
MT
AT
AX
SU
BR
ST
RS
BT
HA
SC
EL
IDX



COMPONENT INSPECTION

Ambient Sensor

NFHA0217

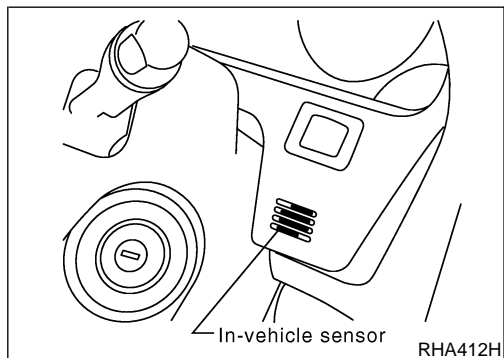
NFHA0217S01

After disconnecting ambient sensor harness connector, measure resistance between terminals 2 and 1 at sensor harness side, using the table below.

Temperature °C (°F)	Resistance kΩ
-15 (5)	12.73
-10 (14)	9.92
-5 (23)	7.80
0 (32)	6.19
5 (41)	4.95
10 (50)	3.99
15 (59)	3.24
20 (68)	2.65
25 (77)	2.19
30 (86)	1.81

Temperature °C (°F)	Resistance kΩ
35 (95)	1.51
40 (104)	1.27
45 (113)	1.07

If NG, replace ambient sensor.



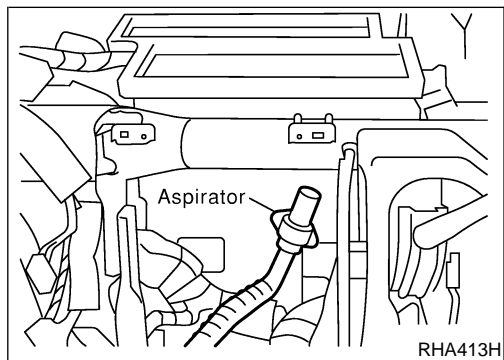
In-vehicle Sensor Circuit COMPONENT DESCRIPTION

NFHA0218

In-vehicle sensor

NFHA0218S01

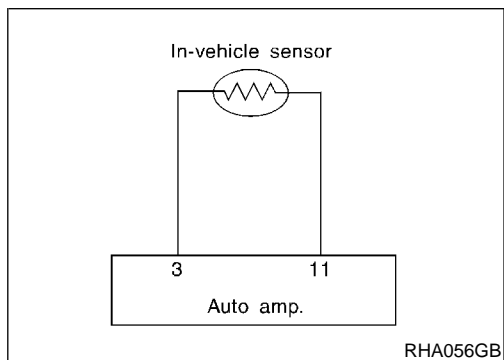
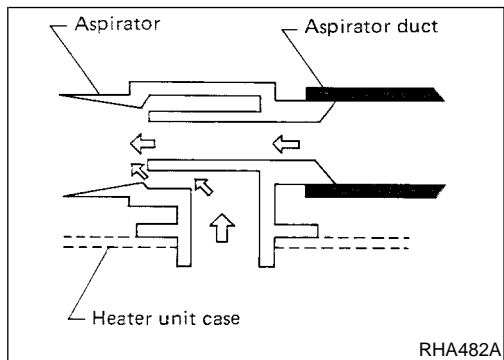
The in-vehicle sensor is located on instrument lower panel. It converts variations in temperature of compartment air drawn from the aspirator into a resistance value. It is then input into the auto amplifier.



Aspirator

NFHA0218S02

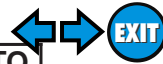
The aspirator is located in front of heater unit. It produces vacuum pressure due to air discharged from the heater unit, continuously taking compartment air in the aspirator.



DIAGNOSTIC PROCEDURE

NEHA0219

SYMPTOM: In-vehicle sensor circuit is open or shorted. (CC or -CC is indicated on the display as a result of conducting Self-diagnosis STEP 2.)



1	CHECK IN-VEHICLE SENSOR CIRCUIT BETWEEN IN-VEHICLE SENSOR AND BODY GROUND	
<p>Disconnect in-vehicle sensor harness connector. Do approx. 5 volts exist between in-vehicle sensor harness terminal No. 1 and body ground?</p>		
SHA318F		
Yes or No		
Yes	▶	GO TO 2.
No	▶	GO TO 4.

GI
MA
EM
LC
EC
FE
CL
MT

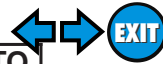
2	CHECK IN-VEHICLE SENSOR CIRCUIT BETWEEN IN-VEHICLE SENSOR AND AUTO AMP. (LCU)	
<p>1. Disconnect auto amp. (LCU) harness connector. 2. Check circuit continuity between in-vehicle sensor harness terminal No. 2 and auto amp. (LCU) harness terminal No. 11.</p>		
RHA478GC		
<p>Continuity should exist. If OK, check harness for short.</p>		
OK or NG		
OK	▶	GO TO 3.
NG	▶	Repair harness or connector.

AT
AX
SU
BR
ST
RS
BT
HA

SC
EL
IDX

TROUBLE DIAGNOSES

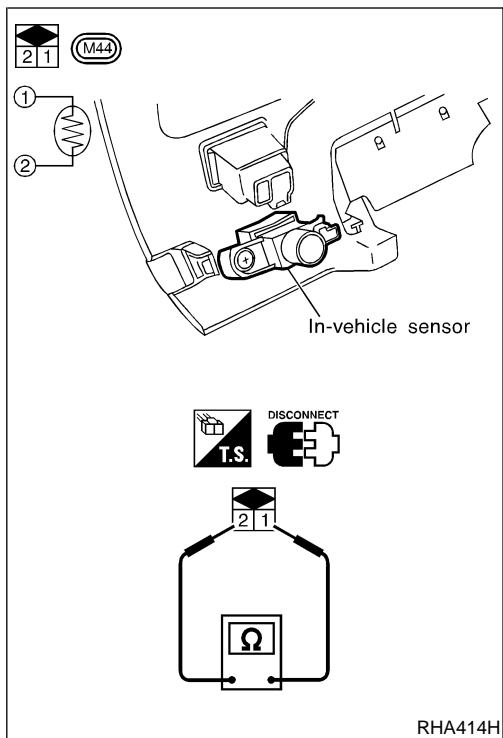
AUTO



In-vehicle Sensor Circuit (Cont'd)

3	CHECK IN-VEHICLE SENSOR	
Refer to HA-101.		
OK or NG		
OK	▶	<ol style="list-style-type: none"> 1. Replace auto amp. 2. Go to "FUNCTION CONFIRMATION PROCEDURE", "Self-diagnosis", HA-38 and perform self-diagnosis STEP-2. Confirm that code No. 20 is displayed.
NG	▶	<ol style="list-style-type: none"> 1. Replace in-vehicle sensor. 2. Go to "FUNCTION CONFIRMATION PROCEDURE", "Self-diagnosis", HA-38 and perform self-diagnosis STEP-2. Confirm that code No. 20 is displayed.

4	CHECK IN-VEHICLE SENSOR CIRCUIT BETWEEN AMBIENT SENSOR AND AUTO AMP. (LCU)	
<ol style="list-style-type: none"> 1. Disconnect auto amp. (LCU) harness connector. 2. Check circuit continuity between in-vehicle sensor harness terminal No. 1 and auto amp. (LCU) harness terminal No. 3. 		
RHA479GC		
<p>Continuity should exist. If OK, check harness for short.</p>		
OK or NG		
OK	▶	<ol style="list-style-type: none"> 1. Replace auto amp. (LCU). 2. Go to "FUNCTION CONFIRMATION PROCEDURE", "Self-diagnosis", HA-38 and perform self-diagnosis STEP-2. Confirm that code No. 20 is displayed.
NG	▶	Repair harness or connector.



COMPONENT INSPECTION

NFHA0220

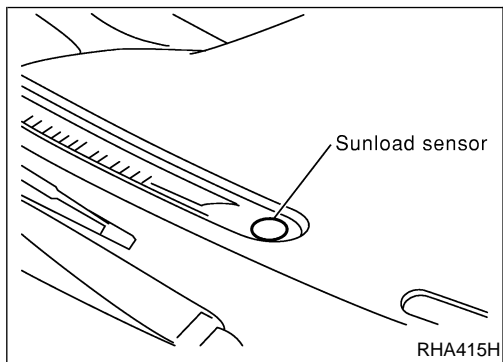
In-vehicle Sensor

NFHA0220S01

After disconnecting in-vehicle sensor harness connector, measure resistance between terminals 1 and 2 at sensor harness side, using the table below.

Temperature °C (°F)	Resistance kΩ
-15 (5)	12.73
-10 (14)	9.92
-5 (23)	7.80
0 (32)	6.19
5 (41)	4.95
10 (50)	3.99
15 (59)	3.24
20 (68)	2.65
25 (77)	2.19
30 (86)	1.81
35 (95)	1.51
40 (104)	1.27
45 (113)	1.07

If NG, replace in-vehicle sensor.



Sunload Sensor Circuit

COMPONENT DESCRIPTION

NFHA0221

The sunload sensor is located on the right defroster grille. It detects sunload entering through windshield by means of a photo diode. The sensor converts the sunload into a current value which is then input into the auto amplifier.

SUNLOAD INPUT PROCESS

NFHA0222

The auto amp. also includes a processing circuit which "average" the variations in detected sunload over a period of time. This prevents drastic swings in the ATC system operation due to small or quick variations in detected sunload.

For example, consider driving along a road bordered by an occasional group of large trees. The sunload detected by the sunload sensor will vary whenever the trees obstruct the sunlight. The processing circuit averages the detected sunload over a period of time, so that the (insignificant) effect of the trees momentarily

GI

MA

EM

LC

EC

FE

CL

MT

AT

AX

SU

BR

ST

RS

BT

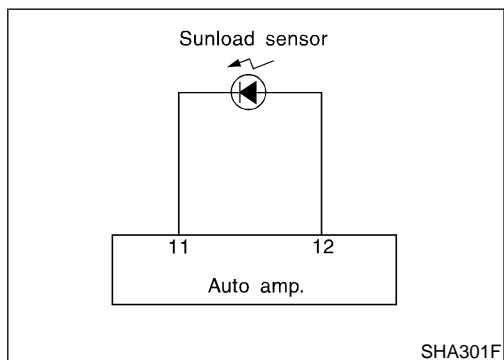
HA

SC

EL

IDX

obstructing the sunlight does not cause any change in the ATC system operation. On the other hand, shortly after entering a long tunnel, the system will recognize the change in sunload, and the system will react accordingly.



DIAGNOSTIC PROCEDURE

SYMPTOM: Sunload sensor circuit is open or shorted. (25 or -25 is indicated on the display as a result of conducting Self-diagnosis STEP 2.)

NEHA0223

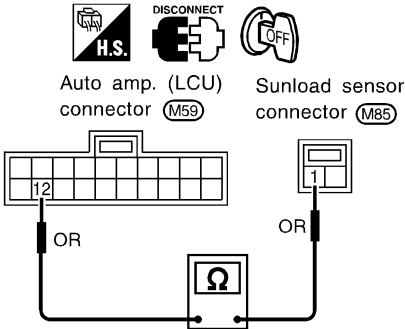
1	CHECK SUNLOAD SENSOR CIRCUIT BETWEEN SUNLOAD SENSOR AND BODY GROUND
<p>Disconnect sunload sensor harness connector. Do approx. 5 volts exist between sunload sensor harness terminal No. 1 and body ground?</p> <div style="text-align: center;"> </div> <p style="text-align: right;">RHA062GD</p>	
Yes or No	
Yes	▶ GO TO 2.
No	▶ GO TO 4.

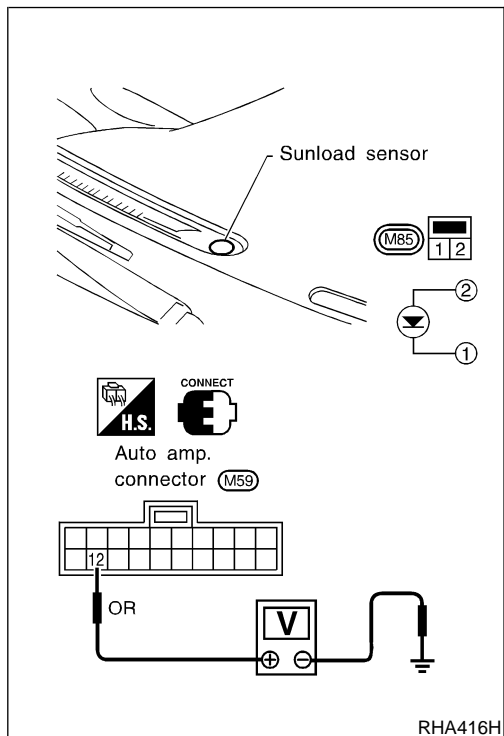
2	CHECK SUNLOAD SENSOR CIRCUIT BETWEEN SUNLOAD SENSOR AND AUTO AMP. (LCU)	
<p>1. Disconnect auto amp. (LCU) harness connector. 2. Check circuit continuity between sunload sensor harness terminal No. 2 and auto amp. (LCU) harness terminal No. 11.</p>		
RHA483GC		
<p>Continuity should exist. If OK, check harness for short.</p>		
OK or NG		
OK	▶	GO TO 3.
NG	▶	Repair harness or connector.

3	CHECK SUNLOAD SENSOR	
Refer to HA-104.		
OK or NG		
OK	▶	1. Replace auto amp. (LCU). 2. Go to "FUNCTION CONFIRMATION PROCEDURE", "Self-diagnosis", HA-38 and perform self-diagnosis STEP-2. Confirm that code No. 20 is displayed.
NG	▶	1. Replace sunload sensor. 2. Go to "FUNCTION CONFIRMATION PROCEDURE", "Self-diagnosis", HA-38 and perform self-diagnosis STEP-2. Confirm that code No. 20 is displayed.

GI
 MA
 EM
 LC
 EC
 FE
 CL
 MT
 AT
 AX
 SU
 BR
 ST
 RS
 BT
 HA
 SC
 EL
 IDX

Sunload Sensor Circuit (Cont'd)

4	CHECK SUNLOAD SENSOR CIRCUIT BETWEEN SUNLOAD SENSOR AND AUTO AMP. (LCU)
<ol style="list-style-type: none"> 1. Disconnect auto amp. (LCU) harness connector. 2. Check circuit continuity between sunload sensor harness terminal No. 1 and auto amp. (LCU) harness terminal No. 12. 	
	
RHA484GC	
<p>Continuity should exist. If OK, check harness for short.</p> <p style="text-align: center;">OK or NG</p>	
OK	<ol style="list-style-type: none"> 1. Replace auto amp. 2. Go to "FUNCTION CONFIRMATION PROCEDURE", "Self-diagnosis", HA-38 and perform self-diagnosis STEP-2. Confirm that code No. 20 is displayed.
NG	Repair harness or connector.



COMPONENT INSPECTION

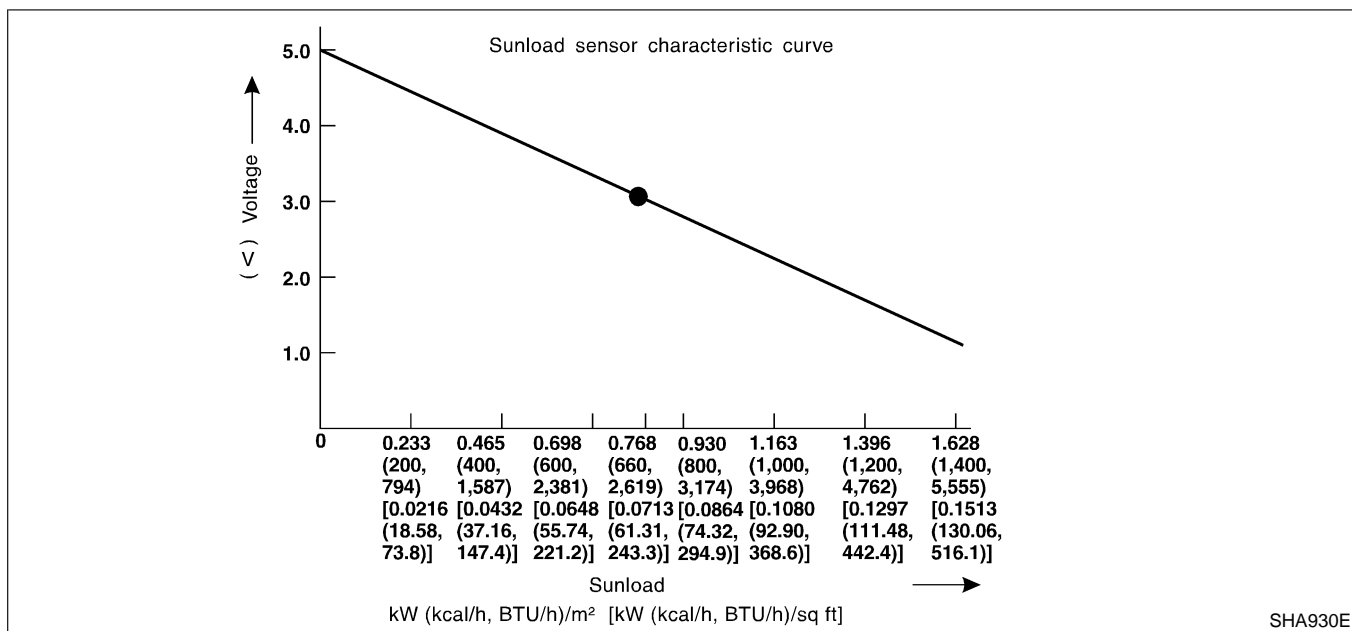
Sunload Sensor

NFHA0224

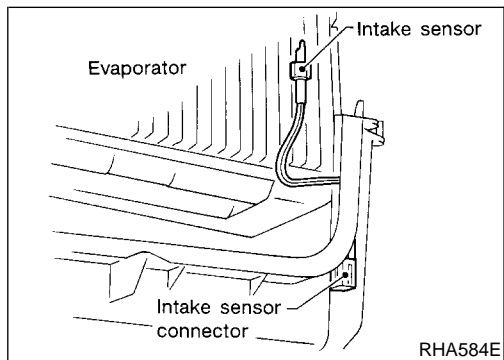
NFHA0224S01

Measure voltage between auto amp. terminal 12 and body ground.
If NG, replace sunload sensor.

- **When checking sunload sensor, select a place where sun shines directly on it.**



GI
MA
EM
LC
EC
FE
CL



Intake Sensor Circuit COMPONENT DESCRIPTION Intake Sensor

NFHA0225

NFHA0225S01

The intake sensor is located on the cooling unit. It converts temperature of air after it passes through the evaporator into a resistance value which is then input to the auto amp.

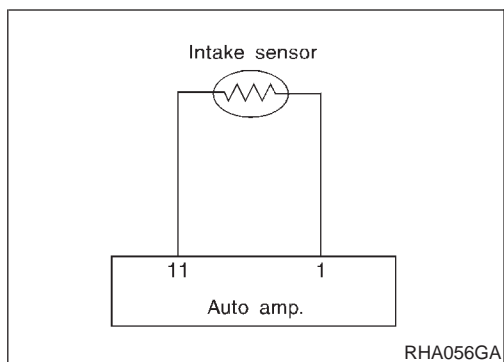
After disconnecting intake sensor harness connector, measure resistance between terminals 1 and 2 at sensor harness side, using the table below.

MT
AT
AX
SU
BR
ST
RS
BT
HA
SC
EL
IDX

Temperature °C (°F)	Resistance kΩ
-15 (5)	12.73
-10 (14)	9.92
-5 (23)	7.80
0 (32)	6.19
5 (41)	4.95
10 (50)	3.99
15 (59)	3.24
20 (68)	2.65
25 (77)	2.19
30 (86)	1.81
35 (95)	1.51
40 (104)	1.27
45 (113)	1.07

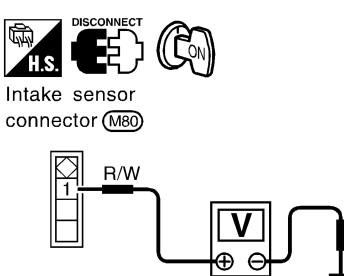
If NG, replace intake sensor.

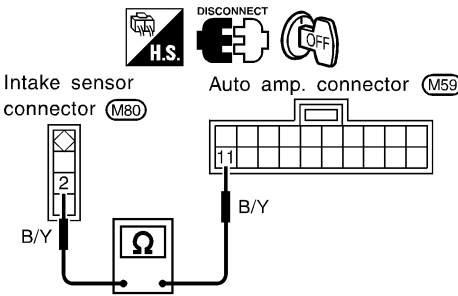
Intake Sensor Circuit (Cont'd)



DIAGNOSTIC PROCEDURE

SYMPTOM: Intake sensor circuit is open or shorted. (24 or -24 is indicated on the display as a result of conducting Self-diagnosis STEP 2.) NFHA0226

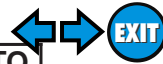
1	CHECK INTAKE SENSOR CIRCUIT BETWEEN INTAKE SENSOR AND BODY GROUND						
<p>Disconnect intake sensor harness connector. Do approx. 5 volts exist between intake sensor harness terminal No. 1 and body ground?</p> <div style="text-align: center;">  <p>Intake sensor connector (M80)</p> </div> <p style="text-align: right;">RHA417H</p> <p style="text-align: center;">Yes or No</p> <table border="1" style="width: 100%; border-collapse: collapse;"> <tr> <td style="width: 20%;">Yes</td> <td style="width: 5%; text-align: center;">▶</td> <td>GO TO 2.</td> </tr> <tr> <td>No</td> <td style="text-align: center;">▶</td> <td>GO TO 4.</td> </tr> </table>		Yes	▶	GO TO 2.	No	▶	GO TO 4.
Yes	▶	GO TO 2.					
No	▶	GO TO 4.					

2	CHECK INTAKE SENSOR CIRCUIT BETWEEN INTAKE SENSOR AND AUTO AMP. (LCU)						
<p>1. Disconnect auto amp. (LCU) harness connector. 2. Check circuit continuity between intake sensor harness terminal No. 2 and auto amp. (LCU) harness terminal No. 11.</p> <div style="text-align: center;">  <p>Intake sensor connector (M80) Auto amp. connector (M59)</p> </div> <p style="text-align: right;">RHA418H</p> <p style="text-align: center;">Continuity should exist. If OK, check harness for short.</p> <p style="text-align: center;">OK or NG</p> <table border="1" style="width: 100%; border-collapse: collapse;"> <tr> <td style="width: 20%;">OK</td> <td style="width: 5%; text-align: center;">▶</td> <td>GO TO 3.</td> </tr> <tr> <td>NG</td> <td style="text-align: center;">▶</td> <td>Repair harness or connector.</td> </tr> </table>		OK	▶	GO TO 3.	NG	▶	Repair harness or connector.
OK	▶	GO TO 3.					
NG	▶	Repair harness or connector.					

TROUBLE DIAGNOSES

AUTO

Intake Sensor Circuit (Cont'd)



3	CHECK INTAKE SENSOR
Refer to HA-105.	
OK or NG	
OK	<ul style="list-style-type: none"> ▶ 1. Replace auto amp. ▶ 2. Go to "FUNCTION CONFIRMATION PROCEDURE", "Self-diagnosis", HA-38 and perform self-diagnosis STEP-2. Confirm that code No. 20 is displayed.
NG	<ul style="list-style-type: none"> ▶ 1. Replace intake sensor. ▶ 2. Go to "FUNCTION CONFIRMATION PROCEDURE", "Self-diagnosis", HA-38 and perform self-diagnosis STEP-2. Confirm that code No. 20 is displayed.

GI

MA

EM

LC

EC

4	CHECK INTAKE SENSOR CIRCUIT BETWEEN AMBIENT SENSOR AND AUTO AMP. (LCU)
<ul style="list-style-type: none"> 1. Disconnect auto amp. (LCU) harness connector. 2. Check circuit continuity between intake sensor harness terminal No. 1 and auto amp. (LCU) harness terminal No. 1. 	
<p>Continuity should exist. If OK, check harness for short.</p>	
OK or NG	
OK	<ul style="list-style-type: none"> ▶ 1. Replace auto amp. ▶ 2. Go to "FUNCTION CONFIRMATION PROCEDURE", "Self-diagnosis", HA-38 and perform self-diagnosis STEP-2. Confirm that code No. 20 is displayed.
NG	Repair harness or connector.

FE

CL

MT

AT

RHA419H

AX

SU

BR

ST

RS

BT

HA

Air Mix Door Motor PBR Circuit DIAGNOSTIC PROCEDURE

NFHA0227

For description of air mix door motor, mode door motor and intake door motor circuit, refer to HA-62.

SYMPTOM: If PBR circuit is open or shorted. (-25 or 25 is indicated on the display as a result of conducting Self-diagnosis STEP 2.)

EL

IDX

Perform diagnostic procedure for air mix door motor, mode door motor and intake. Refer to HA-56.

HFC-134a (R-134a) Service Procedure

NFHA0228

NFHA0228S01

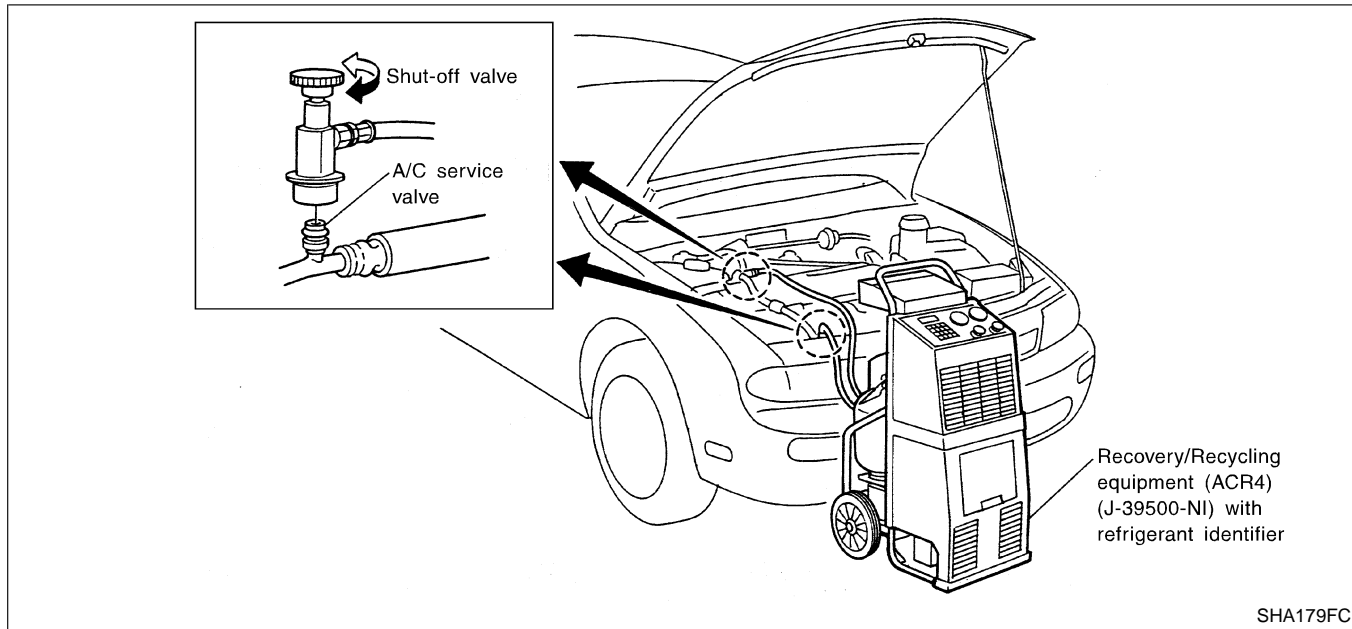
NFHA0228S0101

SETTING OF SERVICE TOOLS AND EQUIPMENT

Discharging Refrigerant

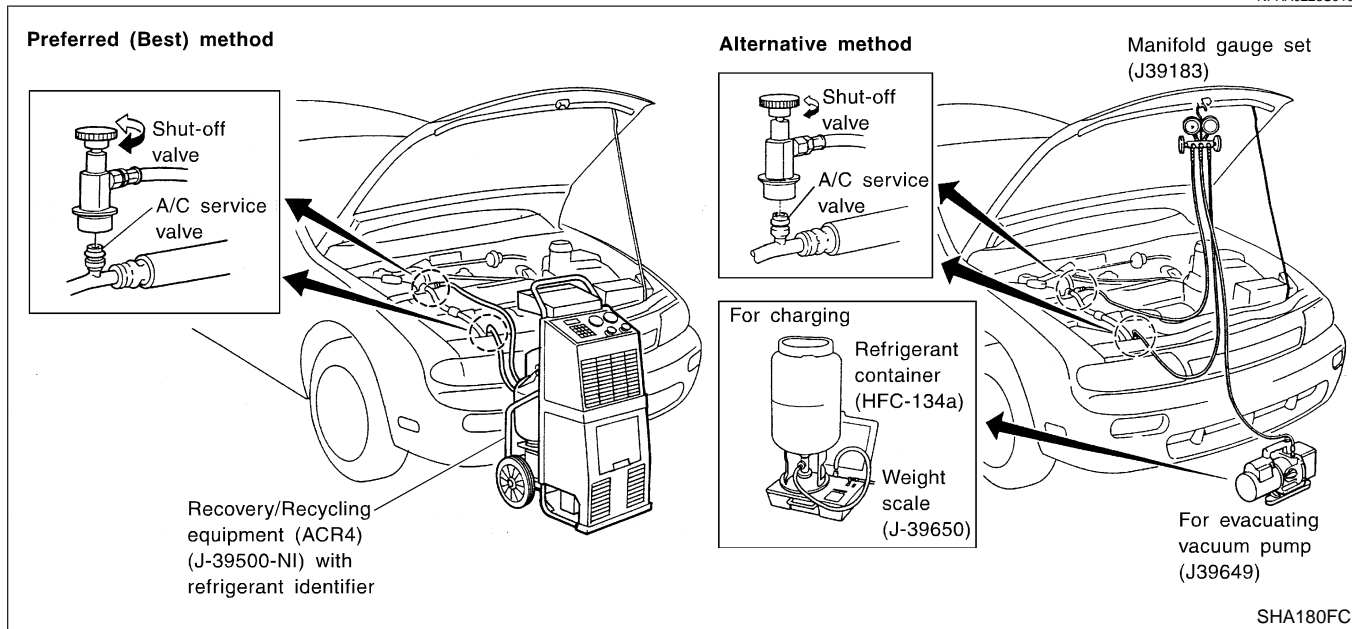
WARNING:

Avoid breathing A/C refrigerant and lubricant vapor or mist. Exposure may irritate eyes, nose and throat. Remove HFC-134a (R-134a) from A/C system using certified service equipment meeting requirements of SAE J2210 (R-134a recycling equipment) or J2209 (R-134a recovery equipment). If accidental system discharge occurs, ventilate work area before resuming service. Additional health and safety information may be obtained from refrigerant and lubricant manufacturers.



Evacuating System and Charging Refrigerant

NFHA0228S0102

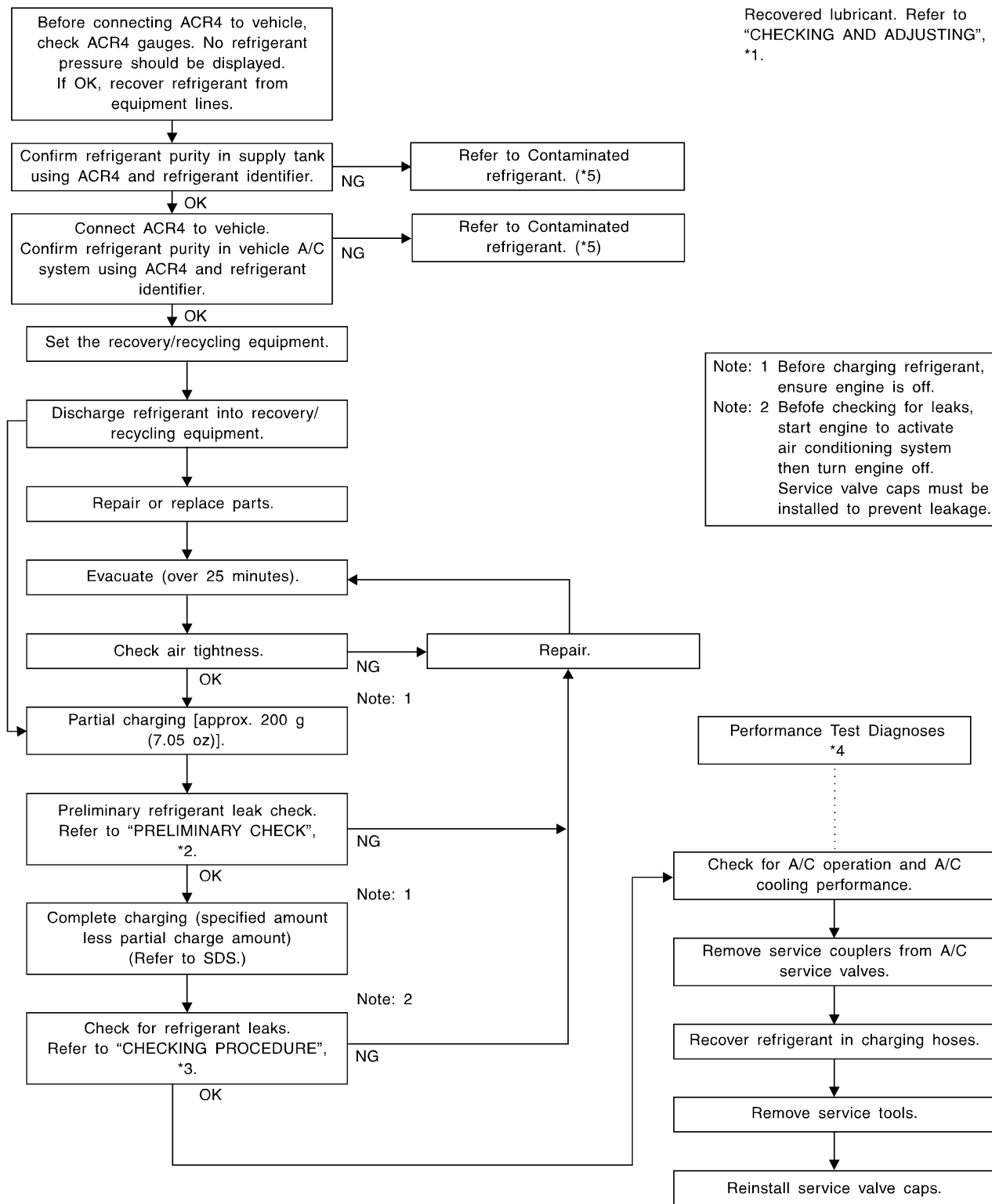


SERVICE PROCEDURE

AUTO

EXIT

HFC-134a (R-134a) Service Procedure (Cont'd)



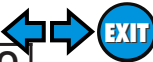
GI
MA
EM
LC
EC
FE
CL
MT
AT
AX
SU
BR
ST
RS
BT
HA
SC
EL
IDX

*1: HA-110
*2: HA-120

*3: HA-121
*4: HA-83

*5: HA-3

SHA251F



Maintenance of Lubricant Quantity in Compressor

NFHA0229

The lubricant in the compressor circulates through the system with the refrigerant. Add lubricant to compressor when replacing any component or after a large gas leakage occurred. It is important to maintain the specified amount. If lubricant quantity is not maintained properly, the following malfunctions may result:

- Lack of lubricant: May lead to a seized compressor
- Excessive lubricant: Inadequate cooling (thermal exchange interference)

LUBRICANT

NFHA0229S01

Name: Nissan A/C System Oil Type S
Part number: KLH00-PAGS0

CHECKING AND ADJUSTING

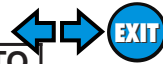
NFHA0229S02

Adjust the lubricant quantity according to the test group shown below.

1	CHECK LUBRICANT RETURN OPERATION	
Can lubricant return operation be performed? ● A/C system works properly. ● There is no evidence of a large amount of lubricant leakage.		
Yes or No		
Yes	▶	GO TO 2.
No	▶	GO TO 3.

2	PERFORM LUBRICANT RETURN OPERATION, PROCEEDING AS FOLLOWS:	
1. Start engine, and set the following conditions: Test condition Engine speed: Idling to 1,200 rpm A/C or AUTO switch: ON Blower speed: Max. position Temp. control: Optional [Set so that intake air temperature is 25 to 30°C (77 to 86°F).] 2. Next item is for V-6 compressor. Connect the manifold gauge, and check that the high pressure side pressure is 588 kPa (6 kg/cm², 85 psi) or higher. If less than the reference level, attach a cover to the front face of the condenser to raise the pressure. 3. Perform lubricant return operation for about 10 minutes. 4. Stop engine. CAUTION: If excessive lubricant leakage is noted, do not perform the lubricant return operation.		
OK	▶	GO TO 3.

3	CHECK COMPRESSOR	
Should the compressor be replaced? <div style="text-align: center;">Yes or No</div>		
Yes	▶	Go to "Lubricant Adjustment Procedure for Compressor Replacement", (HA-111).
No	▶	GO TO 4.



4	CHECK ANY PART	
Is there any part to be replaced? (Evaporator, condenser, liquid tank or in case there is evidence of a large amount of lubricant leakage.)		
Yes or No		
Yes	▶	Go to "Lubricant Adjusting Procedure for Components Replacement Except Compressor", (HA-111).
No	▶	Carry out the A/C performance test.

Lubricant Adjusting Procedure for Components Replacement Except Compressor

NFHA0229S0201

After replacing any of the following major components, add the correct amount of lubricant to the system.

Amount of lubricant to be added

Part replaced	Lubricant to be added to system	Remarks
	Amount of lubricant ml (US fl oz, Imp fl oz)	
Evaporator	75 (2.5, 2.6)	—
Condenser	75 (2.5, 2.6)	—
Liquid tank	5 (0.2, 0.2)	Add if compressor is not replaced. *1
In case of refrigerant leak	30 (1.0, 1.1)	Large leak
	—	Small leak *2

*1: If compressor is replaced, addition of lubricant is included in the table.

*2: If refrigerant leak is small, no addition of lubricant is needed.

Lubricant Adjusting Procedure for Compressor Replacement

NFHA0229S0202

1. Before connecting ACR4 to vehicle, check ACR4 gauges. No refrigerant pressure should be displayed. If NG, recover refrigerant from equipment lines.
2. Connect ACR4 to vehicle. Confirm refrigerant purity in supply tank using ACR4 and refrigerant identifier. If NG, refer to "CONTAMINATED REFRIGERANT", HA-3.
3. Confirm refrigerant purity in vehicle A/C system using ACR4 and refrigerant identifier. If NG, refer to "CONTAMINATED REFRIGERANT", HA-3.
4. Discharge refrigerant into the refrigerant recovery/recycling equipment. Measure lubricant discharged into the recovery/recycling equipment.
5. Remove the drain plug of the "old" (removed) compressor. Drain the lubricant into a graduated container and record the amount of drained lubricant.
6. Remove the drain plug and drain the lubricant from the "new" compressor into a separate, clean container.
7. Measure an amount of new lubricant installed equal to amount drained from "old" compressor. Add this lubricant to "new" compressor through the suction port opening.
8. Measure an amount of new lubricant equal to the amount recovered during discharging. Add this lubricant to "new" compressor through the suction port opening.
9. Torque the drain plug.

18 - 19 N·m (1.8 - 1.9 kg·m, 13 - 14 ft·lb)

GI
MA
EM
LC
EC
FE
CL
MT
AT
AX
SU
BR
ST
RS
BT
HA
SC
EL
IDX

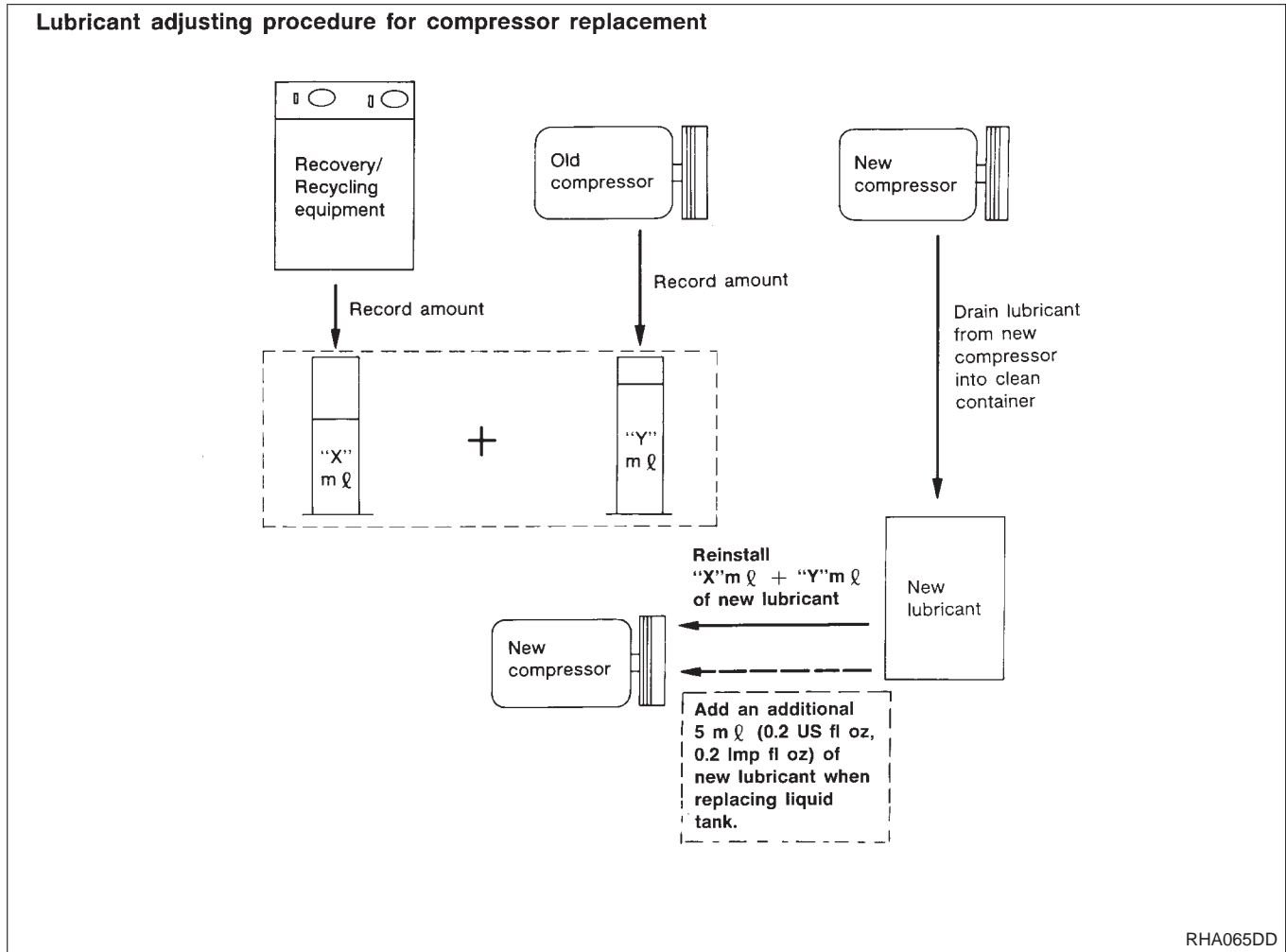
SERVICE PROCEDURE

AUTO



Maintenance of Lubricant Quantity in Compressor (Cont'd)

10. If the liquid tank also needs to be replaced, add an additional 5 mℓ (0.2 US fl oz, 0.2 Imp fl oz) of lubricant at this time. Do not add this 5 mℓ (0.2 US fl oz, 0.2 Imp fl oz) of lubricant if only replacing the compressor.

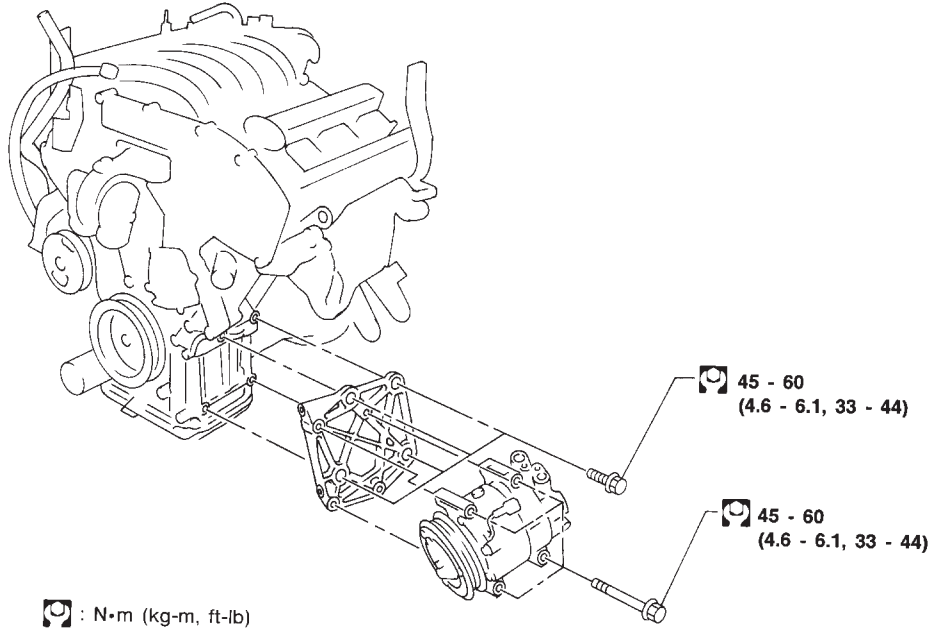


Compressor REMOVAL AND INSTALLATION

NFHA0230

GI
MA
EM
LC
EC
FE
CL
MT
AT
AX
SU
BR

SEC. 274-275



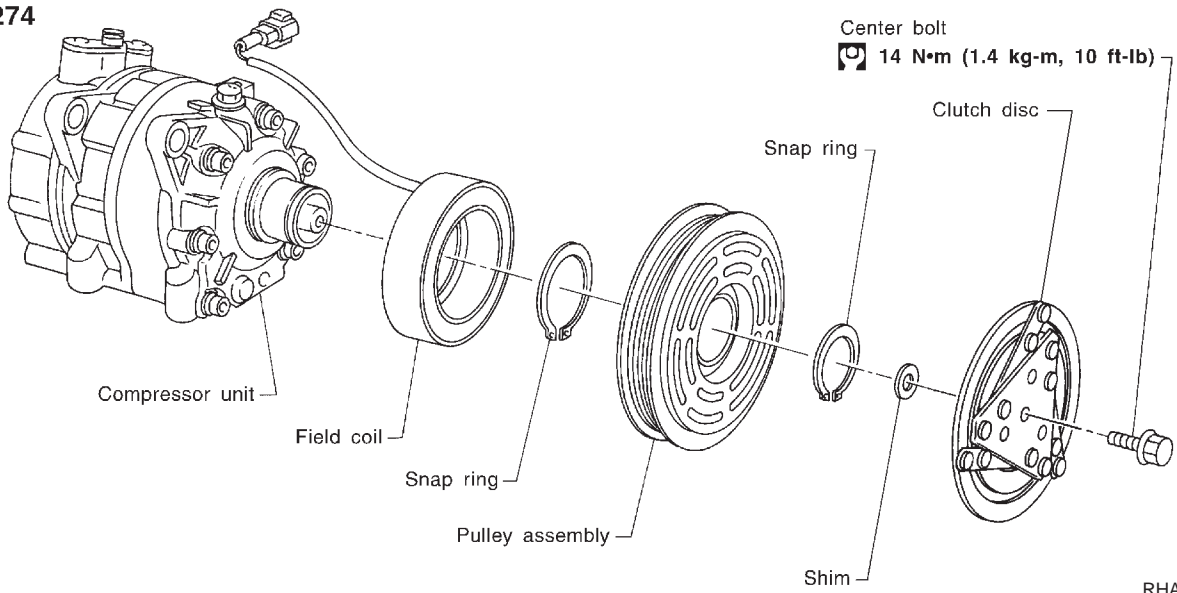
RHA463E

Compressor Clutch OVERHAUL

NFHA0231

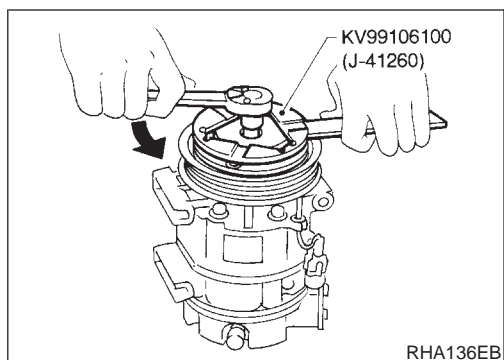
ST
RS
BT
HA
SC
EL
IDX

SEC. 274



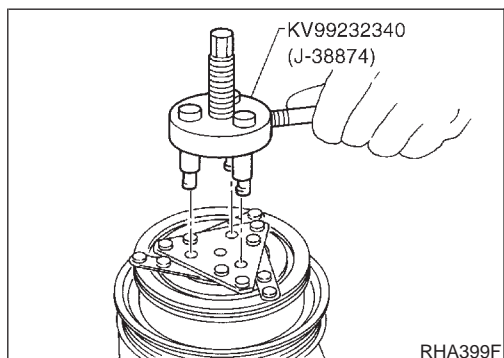
RHA122F

Compressor Clutch (Cont'd)

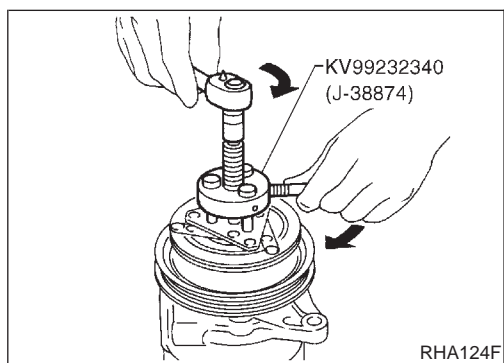


REMOVAL

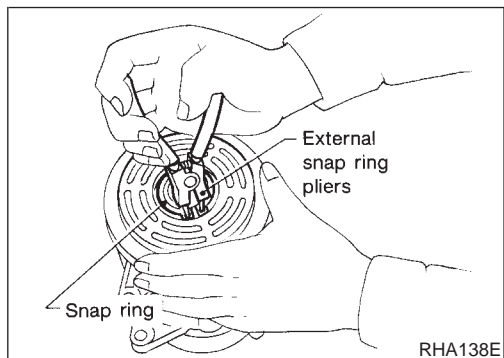
- When removing center bolt, hold clutch disc with clutch disc wrench. NFHA0232



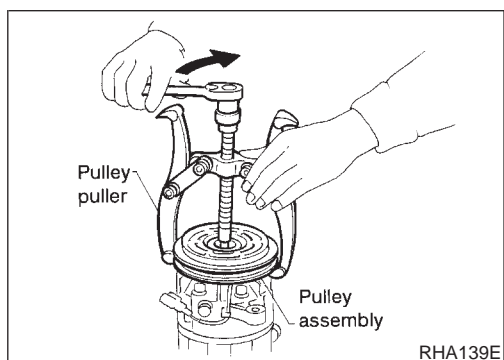
- Remove the clutch disc using the clutch disc puller. Insert the holder's three pins into the holes in the clutch disc. Rotate the holder clockwise to hook it onto the plate. Then, tighten the center bolt to remove the clutch disc. After removing the clutch disc, remove the shims from either the drive shaft or the clutch disc.

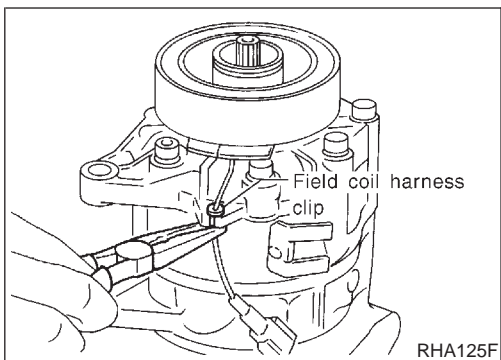


- Remove the snap ring using external snap ring pliers.

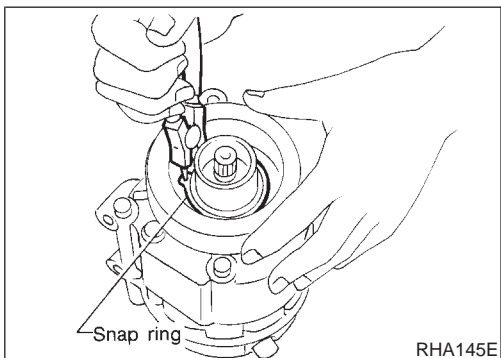


- Pulley removal
Position the center pulley puller on the end of the drive shaft, and remove the pulley assembly using any commercially available pulley puller.
To prevent the pulley groove from being deformed, the puller claws should be positioned onto the edge of the pulley assembly.

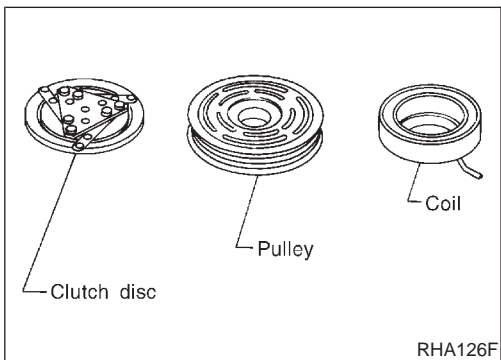




- Remove the field coil harness clip using a pair of pliers.



- Remove the snap ring using external snap ring pliers.



INSPECTION

Clutch Disc

NFHA0233

If the contact surface shows signs of damage due to excessive heat, replace clutch disc and pulley.

NFHA0233S01

Pulley

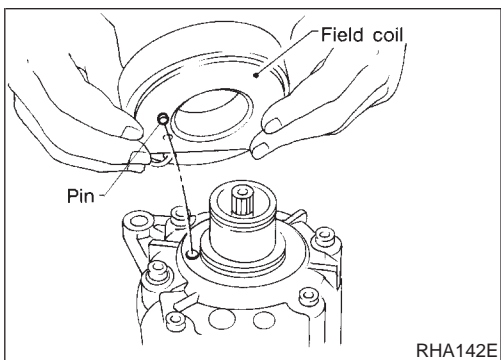
NFHA0233S02

Check the appearance of the pulley assembly. If the contact surface of pulley shows signs of excessive grooving, replace clutch disc and pulley. The contact surfaces of the pulley assembly should be cleaned with a suitable solvent before reinstallation.

Coil

NFHA0233S03

Check coil for loose connection or cracked insulation.



INSTALLATION

NFHA0234

- Install the field coil.
Be sure to align the coil's pin with the hole in the compressor's front head.
- Install the field coil harness clip using a screwdriver.

GI

MA

EM

LC

EC

FE

CL

MT

AT

AX

SU

BR

ST

RS

BT

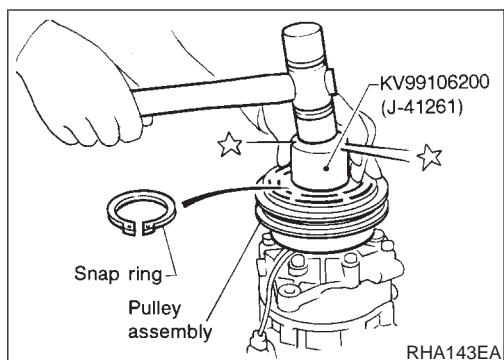
HA

SC

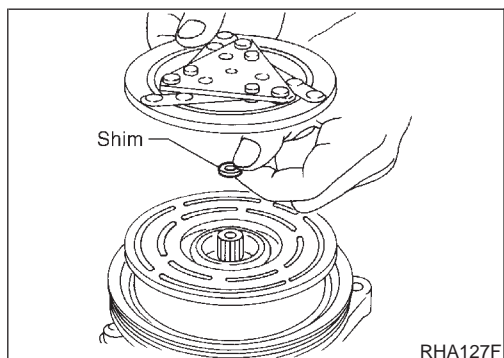
EL

IDX

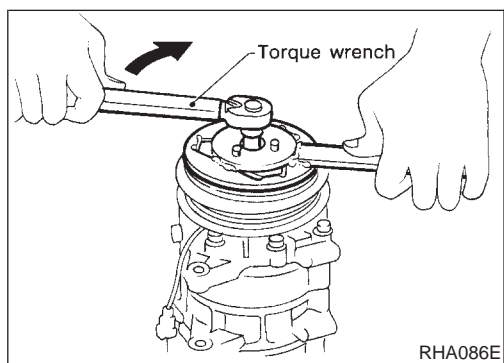
Compressor Clutch (Cont'd)



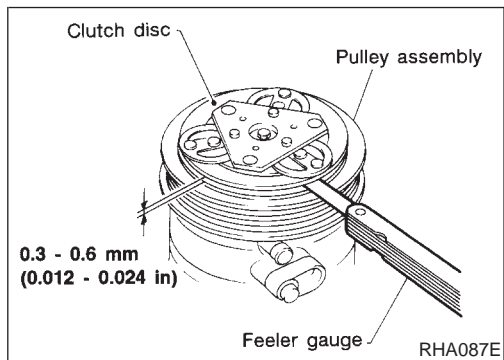
- Install the pulley assembly using the installer and a hand press, and then install the snap ring using snap ring pliers.



- Install the clutch disc on the drive shaft, together with the original shim(s). Press the clutch disc down by hand.



- Using the holder to prevent clutch disc rotation, tighten the bolt to 14 N·m (1.4 kg·m, 10 ft·lb) torque. **After tightening the bolt, check that the pulley rotates smoothly.**



- Check clearance around the entire periphery of clutch disc. **Disc-to-pulley clearance: 0.3 - 0.6 mm (0.012 - 0.024 in)**
If the specified clearance is not obtained, replace adjusting spacer and readjust.

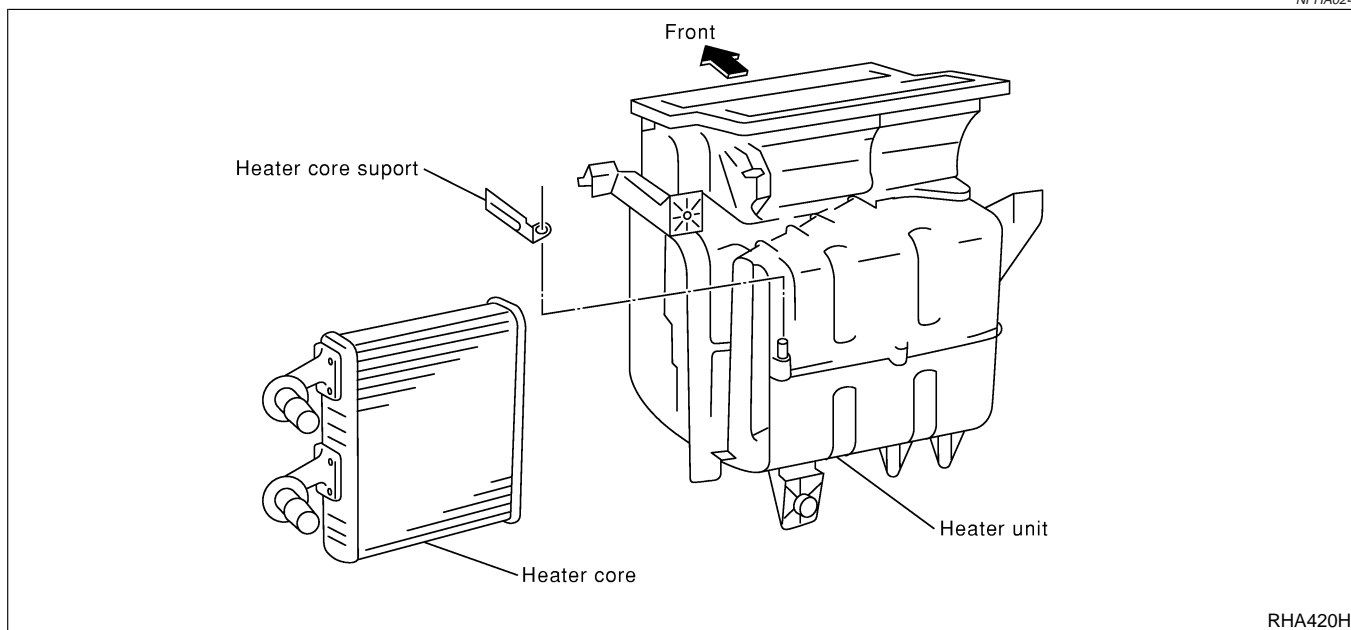
Break-in Operation

NFHA0234S01

When replacing compressor clutch assembly, always carry out the break-in operation. This is done by engaging and disengaging the clutch about thirty times. Break-in operation raises the level of transmitted torque.

Heater Unit (Heater Core) REMOVAL

NFHA0249



RHA420H

1. Drain the cooling system. Refer to MA-14, "Changing Engine Coolant".
2. Disconnect the two heater hoses from inside the engine compartment.
3. Remove the Blower and cooling unit. Refer to HA-118.
4. Remove the steering member assembly. Refer to BT-28, "Removal and Installation".
5. Remove the heater unit.
6. Remove the heater core.

INSTALLATION

NFHA0250

Installation is basically the reverse order of removal.
When filling radiator with coolant, refer to MA-14, "Changing Engine Coolant".

GI

MA

EM

LC

EC

FE

CL

MT

AT

AX

SU

BR

ST

RS

BT

HA

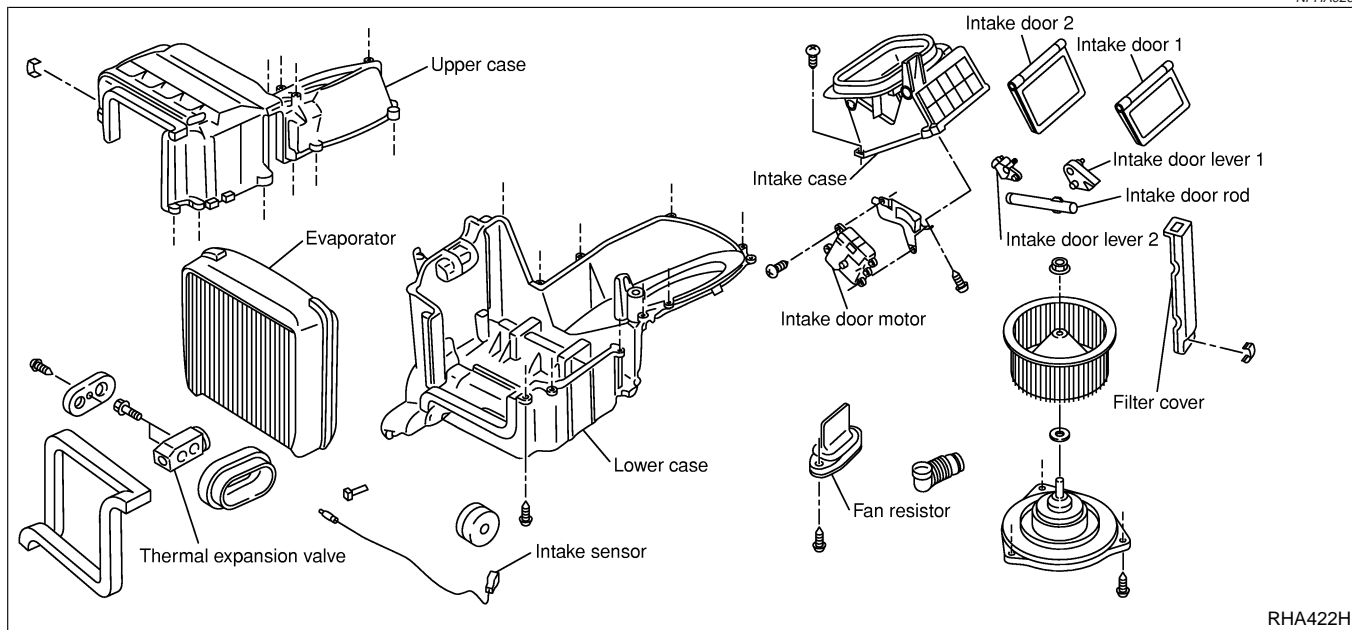
SC

EL

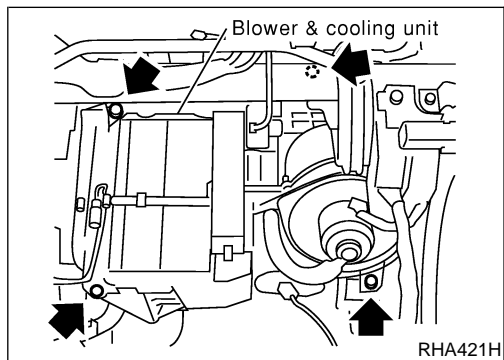
IDX

Blower and Cooling Unit (A/C Evaporator) REMOVAL

NFHA0251



RHA422H



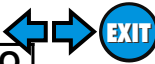
RHA421H

1. Discharge the A/C system. Refer to HA-108.
2. Disconnect the two refrigerant lines from the engine compartment.
Cap the A/C lines to prevent moisture from entering the system.
3. Remove the glove box and mating trim. Refer to BT-28, "Removal and Installation".
4. Disconnect the thermal amp. connector.
5. Disconnect the intake sensor connector.
6. Disconnect the fan control amp. and blower motor connector.
7. Remove the blower and cooling unit.
8. Separate the blower and cooling unit case, and remove the evaporator.
9. Remove the three bolts and then remove the motor from the blower case.

INSTALLATION

Installation is basically the reverse order of removal.
Recharge the A/C system. Refer to HA-108.

NFHA0252

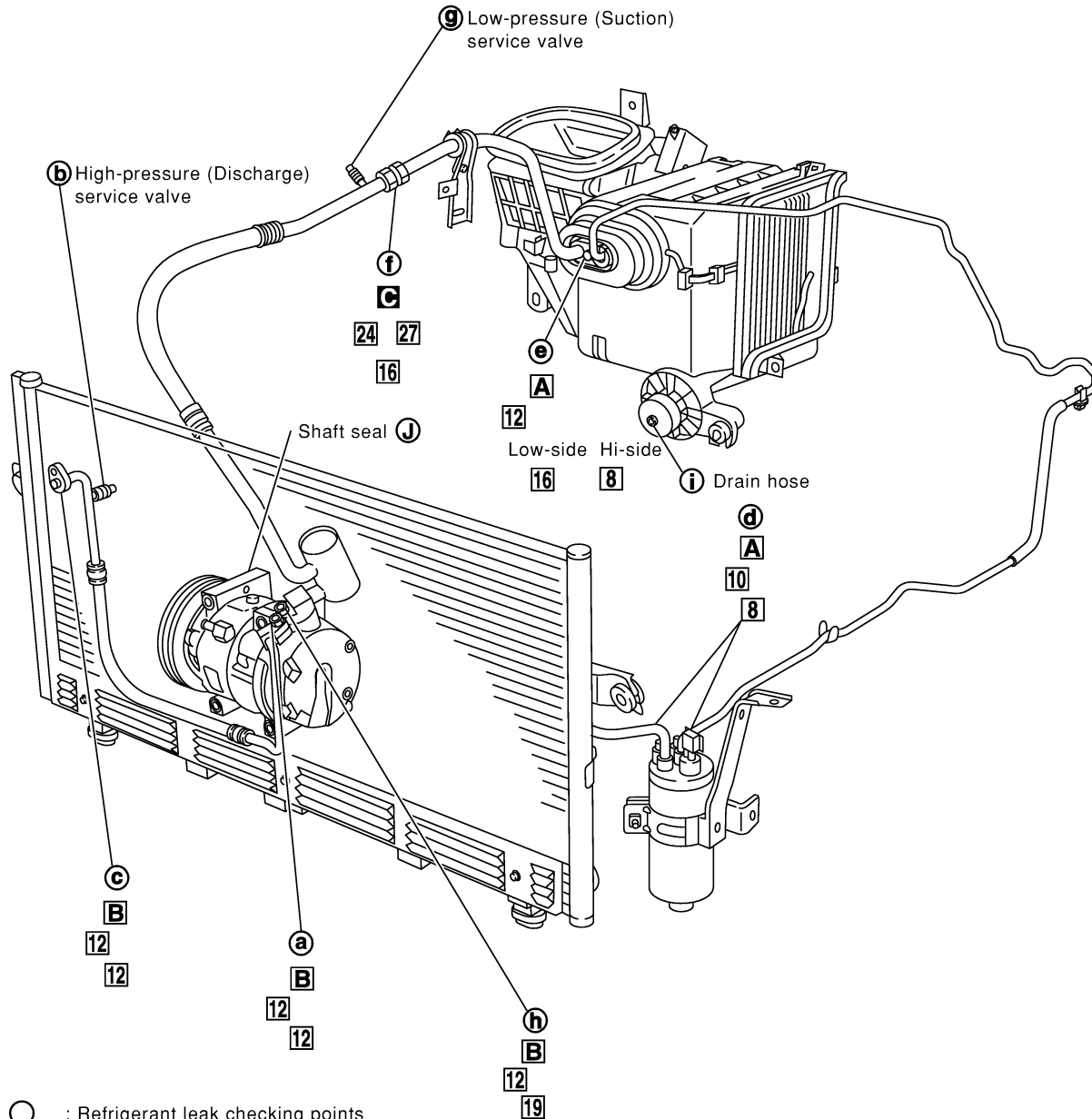


Refrigerant Lines

REMOVAL AND INSTALLATION

=NFHA0235

- Refer to page HA-4 regarding "Precautions for Refrigerant Connection".



- : Refrigerant leak checking points
- : (Tightening torque)
- □ : (Wrench size)
- : (O-ring size)
- ⊖ : N·m (kg-m, in-lb)
- ⊖ : N·m (kg-m, ft-lb)
- A** : 2.9 - 5.9 (0.29 - 0.61, 26 - 52)
- B** : 7.8 - 19.6 (0.78 - 2.00, 68 - 173)
- C** : 15 - 24 (1.5 - 2.4, 11 - 18)

GI
MA
EM
LC
EC
FE
CL
MT
AT
AX
SU
BR
ST
RS
BT

HA

SC
EL
IDX

RHA423HC

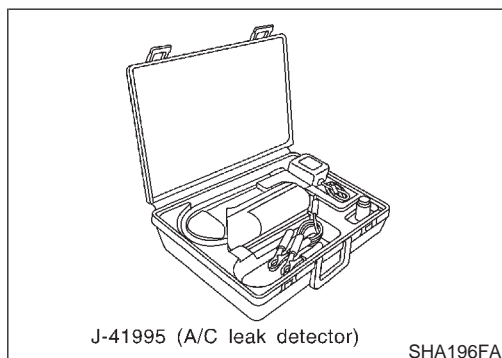
CHECKING REFRIGERANT LEAKS

NFHA0236

Preliminary Check

NFHA0236S01

Perform a visual inspection of all refrigeration parts, fittings, hoses, and components for signs of A/C lubricant leakage, damage and corrosion. Take note of the areas with A/C lubricant leakage to allow extra time in these areas with electronic leak detector.



J-41995 (A/C leak detector)

SHA196FA

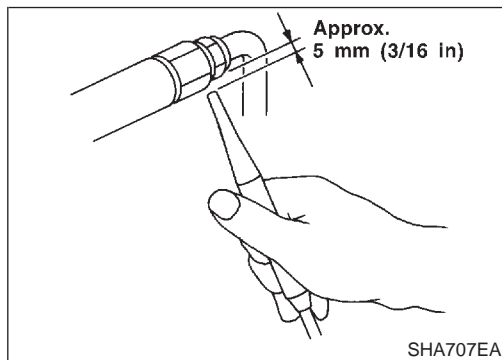
Precautions for Handling Leak Detector

NFHA0236S02

When performing a refrigerant leak check, use a J-41995 A/C leak detector or equivalent. Ensure that the instrument is calibrated and set properly per the operating instructions.

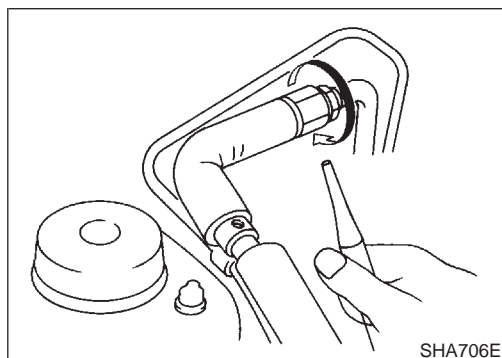
The leak detector is a delicate device. In order to use the leak detector properly, read the operating instructions and perform any specified maintenance.

Other gases in the work area or substances on the A/C components, for example, anti-freeze, windshield washer fluid, solvents and lubricants, may falsely trigger the leak detector. Make sure the surfaces to be checked are clean. Clean with a dry cloth or blow off with shop air. Do not allow the sensor tip of the detector to contact with any substance. This can also cause false readings and may damage the detector.



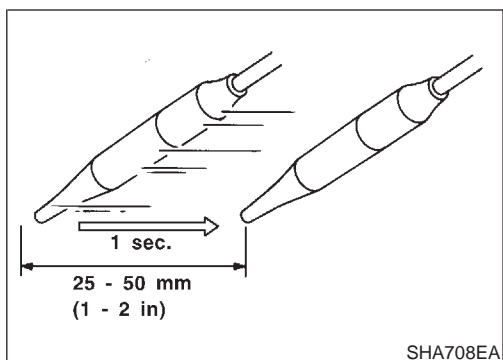
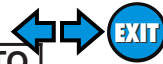
SHA707EA

1. Position probe approximately 5 mm (3/16 in) away from point to be checked.



SHA706E

2. When testing, circle each fitting completely with probe.



3. Move probe along component approximately 25 to 50 mm (1 to 2 in)/sec.

GI

MA

EM

LC

Checking Procedure

To prevent inaccurate or false readings, make sure there is no refrigerant vapor, shop chemicals, or cigarette smoke in the vicinity of the vehicle. Perform the leak test in calm area (low air/wind movement) so that the leaking refrigerant is not dispersed.

NFHA0236S03

1. Turn engine off.
2. Connect a suitable A/C manifold gauge set to the A/C service ports.
3. Check if the A/C refrigerant pressure is at least 345 kPa (3.52 kg/cm², 50 psi) above 16°C (61°F). If less than specification, recover/evacuate and recharge the system with the specified amount of refrigerant.

EC

FE

CL

MT

NOTE:

At temperatures below 16°C (61°F), leaks may not be detected since the system may not reach 345 kPa (3.52 kg/cm², 50 psi).

4. Conduct the leak test from the high side (compressor discharge **a** to evaporator inlet **e**) to the low side (evaporator discharge **e** to shaft seal **j**). Refer to HA-119. Perform a leak check for the following areas carefully. Clean the component to be checked and move the leak detector probe completely around the connection/component.

AT

AX

SU

BR

- **Compressor**

Check the fitting of high and low pressure hoses, relief valve and shaft seal.

ST

- **Liquid tank**

Check the pressure switch, tube fitting, weld seams and the fusible plug mount.

RS

- **Service valves**

Check all around the service valves. Ensure service valve caps are secured on the service valves (to prevent leaks).

BT

NOTE:

After removing A/C manifold gauge set from service valves, wipe any residue from valves to prevent any false readings by leak detector.

HA

- **Cooling unit (Evaporator)**

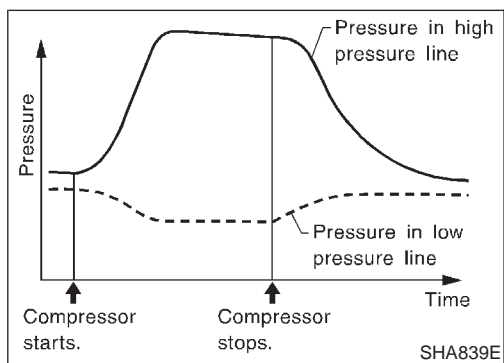
With engine OFF, turn blower fan on "High" for at least 15 seconds to dissipate any refrigerant trace in the cooling unit. Wait a minimum of 10 minutes accumulation time (refer to the manufacturer's recommended procedure for actual wait time) before inserting the leak detector probe into the drain hose. Keep the probe inserted for at least ten seconds. Use caution not to contaminate the probe tip with water or dirt that may be in the drain hose.

SC

EL

IDX

5. If a leak detector detects a leak, verify at least once by blowing compressed air into area of suspected leak, then repeat check as outlined above.
6. Do not stop when one leak is found. Continue to check for additional leaks at all system components. If no leaks are found, perform steps 7 - 10.
7. Start engine.
8. Set the heater A/C control as follows:
 - 1) A/C switch ON.
 - 2) Face mode
 - 3) Recirculation switch ON
 - 4) Max cold temperature
 - 5) Fan speed high
9. Run engine at 1,500 rpm for at least 2 minutes.
10. Turn engine off and perform leak check again following steps 4 through 6 above.



Refrigerant leaks should be checked immediately after stopping the engine. Begin with the leak detector at the compressor. The pressure on the high pressure side will gradually drop after refrigerant circulation stops and pressure on the low pressure side will gradually rise, as shown in the graph. Some leaks are more easily detected when pressure is high.

11. Before connecting ACR4 to vehicle, check ACR4 gauges. No refrigerant pressure should be displayed. If pressure is displayed, recover refrigerant from equipment lines and then check refrigerant purity.
12. Confirm refrigerant purity in supply tank using ACR4 and refrigerant identifier.
13. Confirm refrigerant purity in vehicle A/C system using ACR4 and refrigerant identifier.
14. Discharge A/C system using approved refrigerant recovery equipment. Repair the leaking fitting or component as necessary.
15. Evacuate and recharge A/C system and perform the leak test to confirm no refrigerant leaks.
16. Conduct A/C performance test to ensure system works properly.

Belt

TENSION ADJUSTMENT

- Refer to MA-13, “Checking Drive Belt”.

NFHA0237

GI

MA

EM

LC

Idle Air Control Valve (IACV) — Auxiliary Air Control (AAC) Valve

INSPECTION

- Refer to EC-499, and HA-20, “Description”.

NFHA0238

EC

FE

CL

MT

AT

AX

SU

BR

ST

RS

BT

HA

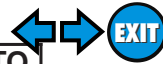
SC

EL

IDX

SERVICE DATA AND SPECIFICATIONS (SDS)

AUTO



Auto

Auto

COMPRESSOR

NFHA0241

Model		CALSONIC make V-6
Type		V-6 variable displacement
Displacement cm ³ (cu in)/rev.	Max.	184 (11.228)
	Min.	14.5 (0.885)
Cylinder bore x stroke mm (in)		37 (1.46) x [2.3 - 28.6 (0.091 - 1.126)]
Direction of rotation		Clockwise (viewed from drive end)
Drive belt		Poly V

LUBRICANT

NFHA0242

Model		CALSONIC make V-6
Name		Nissan A/C System Oil Type S
Part number		KLH00-PAGS0
Capacity mℓ (US fl oz, Imp fl oz)	Total in system	200 (6.8, 7.0)
	Compressor (Service part) charging amount	200 (6.8, 7.0)

REFRIGERANT

NFHA0243

Type	HFC-134a (R-134a)
Capacity kg (lb)	0.60 - 0.70 (1.32 - 1.54)

ENGINE IDLING SPEED (WHEN A/C IS ON)

NFHA0244

- Refer to EC-499, "Description".

BELT TENSION

NFHA0245

- Refer to MA-13, "Checking Drive Belts".

Supplemental Restraint System (SRS) "AIR BAG" and "SEAT BELT PRE-TENSIONER"

NFHA0060

The Supplemental Restraint System such as "AIR BAG" and "SEAT BELT PRE-TENSIONER" used along with a seat belt, helps to reduce the risk or severity of injury to the driver and front passenger for certain types of collision. The SRS system composition which is available to NISSAN MODEL A33 is as follows (The composition varies according to optional equipment.):

- For a frontal collision
The Supplemental Restraint System consists of driver air bag module (located in the center of the steering wheel), front passenger air bag module (located on the instrument panel on passenger side), seat belt pre-tensioners, a diagnosis sensor unit, warning lamp, wiring harness and spiral cable.
- For a side collision
The Supplemental Restraint System consists of front side air bag module (located in the outer side of front seat), satellite sensor, diagnosis sensor unit (one of components of air bags for a frontal collision), wiring harness, warning lamp (one of components of air bags for a frontal collision).

Information necessary to service the system safely is included in the **RS section** of this Service Manual.

WARNING:

- To avoid rendering the SRS inoperative, which could increase the risk of personal injury or death in the event of a collision which would result in air bag inflation, all maintenance should be performed by an authorized NISSAN dealer.
- Improper maintenance, including incorrect removal and installation of the SRS, can lead to personal injury caused by intentional activation of the system. For removal of Spiral Cable and Air Bag Module, see the RS section.
- Do not use electrical test equipment on any circuit related to the SRS unless instructed to in this Service Manual. Spiral cable and wiring harnesses covered with yellow insulation or tape either just before the harness connectors or for the complete harness are related to the SRS.

Precautions for Working with HFC-134a (R-134a)

NFHA0061

WARNING:

- CFC-12 (R-12) refrigerant and HFC-134a (R-134a) refrigerant are not compatible. If the refrigerants are mixed and compressor failure is likely to occur, refer to "CONTAMINATED REFRIGERANT" below. To determine the purity of HFC-134a (R-134a) in the vehicle and recovery tank, use Refrigerant Recovery/Recycling Recharging equipment (ACR4) (J-39500-NI) and Refrigerant Identifier.
- Use only specified lubricant for the HFC-134a (R-134a) A/C system and HFC-134a (R-134a) components. If lubricant other than that specified is used, compressor failure is likely to occur.
- The specified HFC-134a (R-134a) lubricant rapidly absorbs moisture from the atmosphere. The following handling precautions must be observed:
 - a) When removing refrigerant components from a vehicle, immediately cap (seal) the component to minimize the entry of moisture from the atmosphere.
 - b) When installing refrigerant components to a vehicle, do not remove the caps (unseal) until just before connecting the components. Connect all refrigerant loop components as quickly as possible to minimize the entry of moisture into system.
 - c) Only use the specified lubricant from a sealed container. Immediately reseal containers of lubricant. Without proper sealing, lubricant will become moisture saturated and should not be used.
 - d) Avoid breathing A/C refrigerant and lubricant vapor or mist. Exposure may irritate eyes, nose and throat. Remove R-134a from the A/C system, using certified service equipment meeting requirements of SAE J2210 (R-134a recycling equipment), or J2209 (R-134a recovery equipment). If accidental system discharge occurs, ventilate work area before resuming service. Additional health and safety information may be obtained from refrigerant and lubricant manufacturers.
 - e) Do not allow lubricant (Nissan A/C System Oil Type S) to come in contact with styrofoam parts. Damage may result.

CONTAMINATED REFRIGERANT

NFHA0061S01

If a refrigerant other than pure R-134a is identified in a vehicle, your options are:

- Explain to the customer that environmental regulations prohibit the release of contaminated refrigerant into the atmosphere.

Precautions for Working with HFC-134a (R-134a) (Cont'd)

- Explain that recovery of the contaminated refrigerant could damage your service equipment and refrigerant supply.
- Suggest the customer return the vehicle to the location of previous service where the contamination may have occurred.
- If you choose to perform the repair, recover the refrigerant using only **dedicated equipment and containers. Do not recover contaminated refrigerant into your existing service equipment.** If your facility does not have dedicated recovery equipment, you may contact a local refrigerant product retailer for available service. This refrigerant must be disposed of in accordance with all federal and local regulations. In addition, replacement of all refrigerant system components on the vehicle is recommended.
- If the vehicle is within the warranty period, the air conditioner warranty is void. Please contact Nissan Customer Affairs for further assistance.

General Refrigerant Precautions

NFHA0062

WARNING:

- **Do not release refrigerant into the air. Use approved recovery/recycling equipment to capture the refrigerant every time an air conditioning system is discharged.**
- **Always wear eye and hand protection (goggles and gloves) when working with any refrigerant or air conditioning system.**
- **Do not store or heat refrigerant containers above 52°C (125°F).**
- **Do not heat a refrigerant container with an open flame; if container warming is required, place the bottom of the container in a warm pail of water.**
- **Do not intentionally drop, puncture, or incinerate refrigerant containers.**
- **Keep refrigerant away from open flames: poisonous gas will be produced if refrigerant burns.**
- **Refrigerant will displace oxygen, therefore be certain to work in well ventilated areas to prevent suffocation.**
- **Do not pressure test or leak test HFC-134a (R-134a) service equipment and/or vehicle air conditioning systems with compressed air during repair. Some mixtures of air and R-134a have been shown to be combustible at elevated pressures. These mixtures, if ignited, may cause injury or property damage. Additional health and safety information may be obtained from refrigerant manufacturers.**

Precautions for Refrigerant Connection

NFHA0063

A new type refrigerant connection has been introduced to all refrigerant lines except the following portion.

- Expansion valve to cooling unit

FEATURES OF NEW TYPE REFRIGERANT CONNECTION

NFHA0063S01

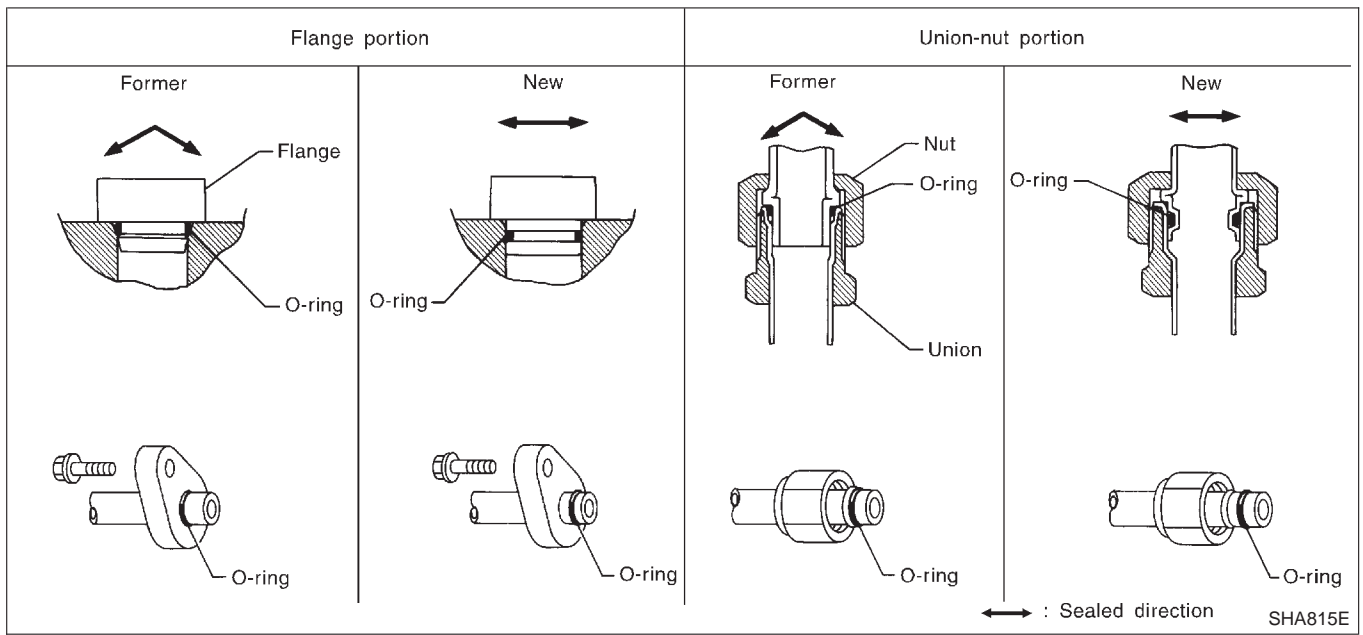
- The O-ring has been relocated. It has also been provided with a groove for proper installation. This eliminates the chance of the O-ring being caught in, or damaged by, the mating part. The sealing direction of the O-ring is now set vertically in relation to the contacting surface of the mating part to improve sealing characteristics.
- The reaction force of the O-ring will not occur in the direction that causes the joint to pull out, thereby facilitating piping connections.

PRECAUTIONS

MANUAL

EXIT

Precautions for Refrigerant Connection (Cont'd)



GI

MA

EM

LC

EC

FE

CL

MT

AT

AX

SU

BR

ST

RS

BT

HA

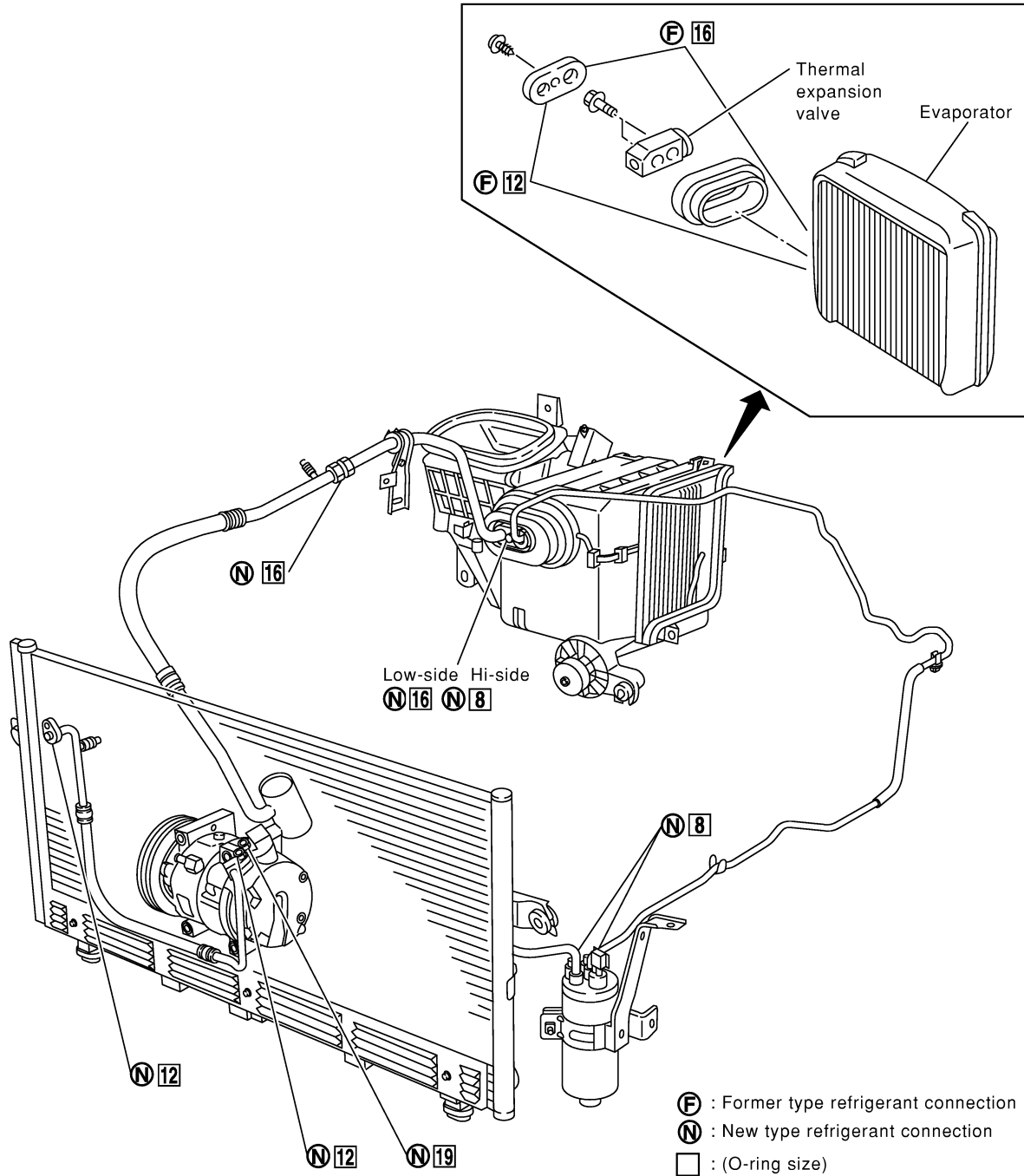
SC

EL

IDX

O-RING AND REFRIGERANT CONNECTION

NFHA0063S02



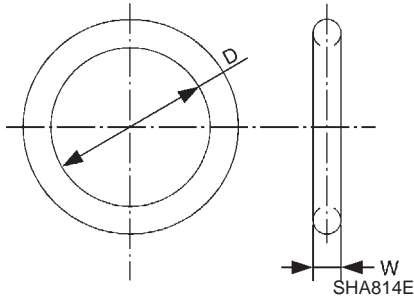
RHA452HC

CAUTION:

The new and former refrigerant connections use different O-ring configurations. Do not confuse O-rings since they are not interchangeable. If a wrong O-ring is installed, refrigerant will leak at, or around, the connection.

O-Ring Part Numbers and Specifications

NFHA0063S0201



Connection type	O-ring size	Part number	D mm (in)	W mm (in)
New	8	92471 N8210	6.8 (0.268)	1.85 (0.0728)
Former		92470 N8200	6.07 (0.2390)	1.78 (0.0701)
New	12	92472 N8210	10.9 (0.429)	2.43 (0.0957)
Former		92475 71L00	11.0 (0.433)	2.4 (0.094)
New	16	92473 N8210	13.6 (0.535)	2.43 (0.0957)
Former		92475 72L00	14.3 (0.563)	2.3 (0.0906)
New	19	92474 N8210	16.5 (0.650)	2.43 (0.0957)
Former		92477 N8200	17.12 (0.6740)	1.78 (0.0701)

WARNING:

Make sure all refrigerant is discharged into the recycling equipment and the pressure in the system is less than atmospheric pressure. Then gradually loosen the discharge side hose fitting and remove it.

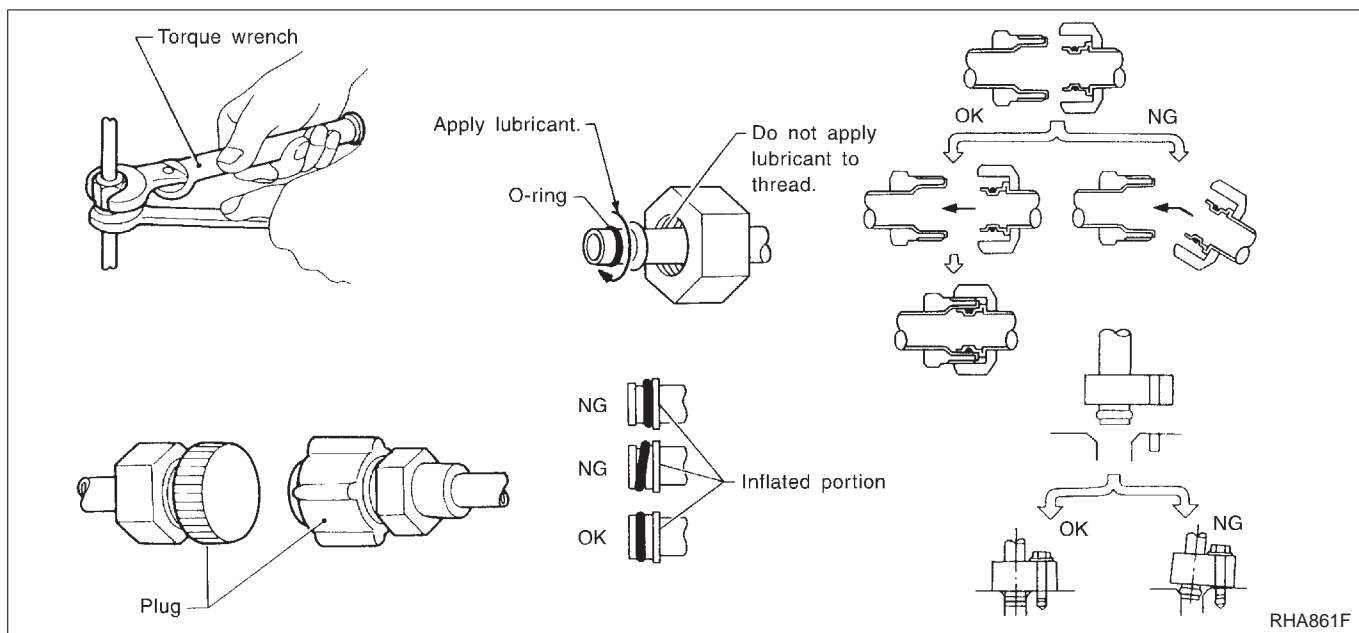
CAUTION:

When replacing or cleaning refrigerant cycle components, observe the following.

- When the compressor is removed, store it in the same position as it is when mounted on the car. Failure to do so will cause lubricant to enter the low pressure chamber.
- When connecting tubes, always use a torque wrench and a back-up wrench.
- After disconnecting tubes, immediately plug all openings to prevent entry of dirt and moisture.
- When installing an air conditioner in the vehicle, connect the pipes as the final stage of the operation. Do not remove the seal caps of pipes and other components until just before required for connection.
- Allow components stored in cool areas to warm to working area temperature before removing seal caps. This prevents condensation from forming inside A/C components.
- Thoroughly remove moisture from the refrigeration system before charging the refrigerant.
- Always replace used O-rings.
- When connecting tube, apply lubricant to circle of the O-rings shown in illustration. Be careful not to apply lubricant to threaded portion.
Lubricant name: Nissan A/C System Oil Type S
Part number: KLH00-PAGS0
- O-ring must be closely attached to dented portion of tube.
- When replacing the O-ring, be careful not to damage O-ring and tube.
- Connect tube until you hear it click, then tighten the nut or bolt by hand until snug. Make sure that the O-ring is installed to tube correctly.
- After connecting line, conduct leak test and make sure that there is no leakage from connections. When the gas leaking point is found, disconnect that line and replace the O-ring. Then tighten connections of seal seat to the specified torque.

GI
MA
EM
LG
EC
FE
CL
MT
AT
AX
SU
BR
ST
RS
BT
HA
SC
EL
IDX

Precautions for Refrigerant Connection (Cont'd)



Precautions for Servicing Compressor

NFHA0064

- Plug all openings to prevent moisture and foreign matter from entering.
- When the compressor is removed, store it in the same position as it is when mounted on the car.
- When replacing or repairing compressor, follow "Maintenance of Lubricant Quantity in Compressor" exactly. Refer to HA-196.
- Keep friction surfaces between clutch and pulley clean. If the surface is contaminated, with lubricant, wipe it off by using a clean waste cloth moistened with thinner.
- After compressor service operation, turn the compressor shaft by hand more than five turns in both directions. This will equally distribute lubricant inside the compressor. After the compressor is installed, let the engine idle and operate the compressor for one hour.
- After replacing the compressor magnet clutch, apply voltage to the new one and check for normal operation.

Precautions for Service Equipment RECOVERY/RECYCLING EQUIPMENT

NFHA0065

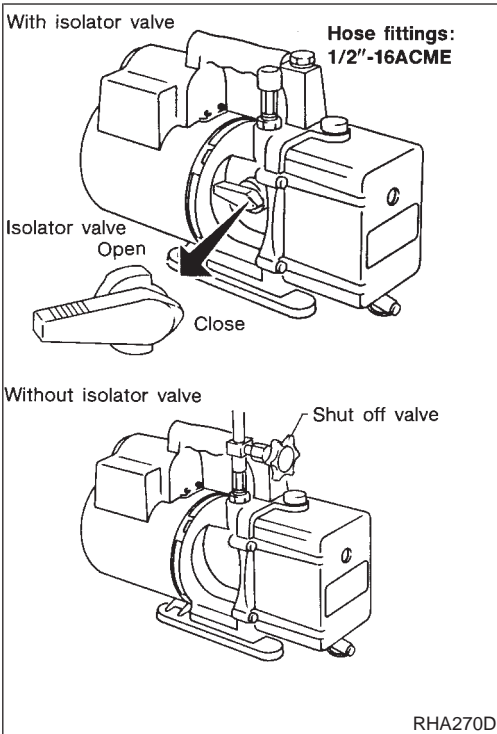
NFHA0065S01

Follow the manufacturer's instructions for machine operation and machine maintenance. Never introduce any refrigerant other than that specified into the machine.

ELECTRONIC LEAK DETECTOR

NFHA0065S02

Follow the manufacturer's instructions for tester operation and tester maintenance.



VACUUM PUMP

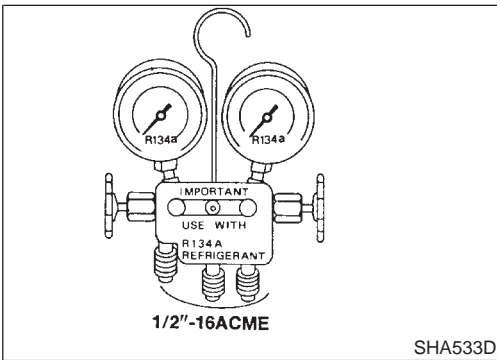
NFHA0065S03

The lubricant contained inside the vacuum pump is not compatible with the specified lubricant for HFC-134a (R-134a) A/C systems. The vent side of the vacuum pump is exposed to atmospheric pressure. So the vacuum pump lubricant may migrate out of the pump into the service hose. This is possible when the pump is switched off after evacuation (vacuuming) and hose is connected to it.

To prevent this migration, use a manual valve situated near the hose-to-pump connection, as follows.

- Usually vacuum pumps have a manual isolator valve as part of the pump. Close this valve to isolate the service hose from the pump.
- For pumps without an isolator, use a hose equipped with a manual shut-off valve near the pump end. Close the valve to isolate the hose from the pump.
- If the hose has an automatic shut off valve, disconnect the hose from the pump: as long as the hose is connected, the valve is open and lubricating oil may migrate.

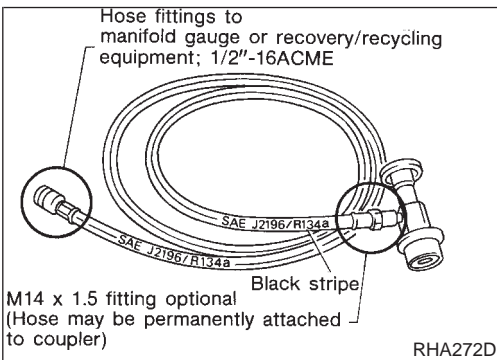
Some one-way valves open when vacuum is applied and close under a no vacuum condition. Such valves may restrict the pump's ability to pull a deep vacuum and are not recommended.



MANIFOLD GAUGE SET

NFHA0065S04

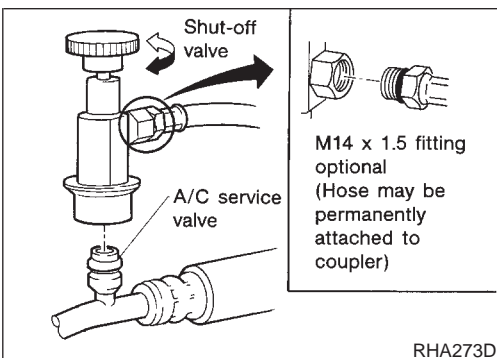
Be certain that the gauge face indicates R-134a or 134a. Make sure the gauge set has 1/2"-16 ACME threaded connections for service hoses. Confirm the set has been used only with refrigerant HFC-134a (R-134a) along with specified lubricant.



SERVICE HOSES

NFHA0065S05

Be certain that the service hoses display the markings described (colored hose with black stripe). All hoses must include positive shut off devices (either manual or automatic) near the end of the hoses opposite the manifold gauge.



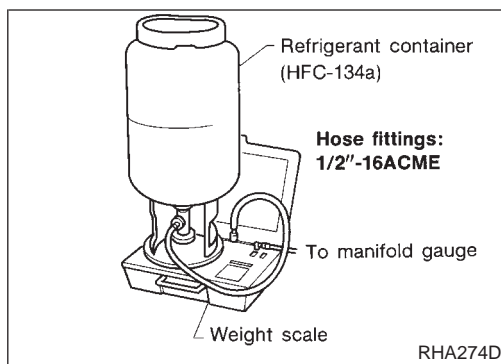
SERVICE COUPLERS

NFHA0065S06

Never attempt to connect HFC-134a (R-134a) service couplers to an CFC-12 (R-12) A/C system. The HFC-134a (R-134a) couplers will not properly connect to the CFC-12 (R-12) system. However, if an improper connection is attempted, discharging and contamination may occur.

Shut-off valve rotation	A/C service valve
Clockwise	Open
Counterclockwise	Close

GI
MA
EM
LC
EC
FE
CL
MT
AT
AX
SU
BR
ST
RS
BT
HA
SC
EL
IDX



REFRIGERANT WEIGHT SCALE

NFHA0065S07

Verify that no refrigerant other than HFC-134a (R-134a) and specified lubricants have been used with the scale. If the scale controls refrigerant flow electronically, the hose fitting must be 1/2"-16 ACME.

CALIBRATING ACR4 WEIGHT SCALE

NFHA0065S09

Calibrate the scale every three months.

To calibrate the weight scale on the ACR4 (J-39500-INF):

1. Press **Shift/Reset** and **Enter** at the same time.
2. Press **8787**. "A1" will be displayed.
3. Remove all weight from the scale.
4. Press **0**, then press **Enter**. "0.00" will be displayed and change to "A2".
5. Place a known weight (dumbbell or similar weight), between 4.5 and 8.6 kg (10 and 19 lb) on the center of the weight scale.
6. Enter the known weight using four digits. (Example 10 lb = 10.00, 10.5 lb = 10.50)
7. Press **Enter** — the display returns to the vacuum mode.
8. Press **Shift/Reset** and **Enter** at the same time.
9. Press **6** — the known weight on the scale is displayed.
10. Remove the known weight from the scale. "0.00" will be displayed.
11. Press **Shift/Reset** to return the ACR4 to the program mode.

CHARGING CYLINDER

NFHA0065S08

Using a charging cylinder is not recommended. Refrigerant may be vented into air from cylinder's top valve when filling the cylinder with refrigerant. Also, the accuracy of the cylinder is generally less than that of an electronic scale or of quality recycle/recharge equipment.

Wiring Diagrams and Trouble Diagnosis

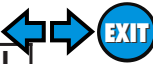
NFHA0066

When you read wiring diagrams, refer to the following:

- GI-11, "HOW TO READ WIRING DIAGRAMS" in GI section
- EL-10, "Wiring Diagram — POWER —" for power distribution circuit in EL section

When you perform trouble diagnosis, refer to the following:

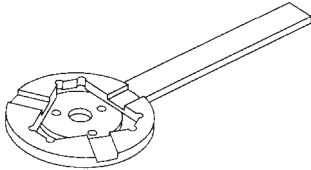
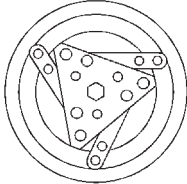
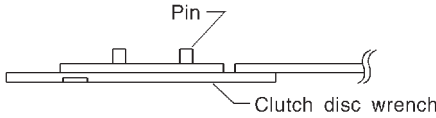
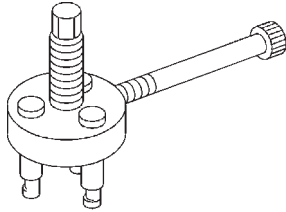
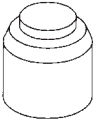
- GI-36, "HOW TO FOLLOW TEST GROUP IN TROUBLE DIAGNOSIS" in GI section
- GI-25, "HOW TO PERFORM EFFICIENT DIAGNOSIS FOR AN ELECTRICAL INCIDENT" in GI section



Special Service Tools

NFHA0067

The actual shapes of Kent-Moore tools may differ from those of special service tools illustrated here.

Tool number (Kent-Moore No.) Tool name	Description	
KV99106100 (J-41260) Clutch disc wrench	<div style="text-align: center;">  </div> <p style="text-align: center;">NT232</p> <div style="text-align: center;">  </div> <p style="text-align: center;">When replacing the magnet clutch in the above compressor, use a clutch disc wrench with the pin side on the clutch disc to remove it.</p> <div style="text-align: center;">  <p style="text-align: center;">Pin Clutch disc wrench</p> </div> <p style="text-align: center;">NT378</p>	<p>Removing center bolt</p> <p>GI</p> <p>MA</p> <p>EM</p> <p>LC</p> <p>EC</p> <p>FE</p> <p>CL</p> <p>MT</p> <p>AT</p> <p>AX</p>
KV99232340 (J-38874) or KV992T0001 (—) Clutch disc puller	<div style="text-align: center;">  </div> <p style="text-align: center;">NT376</p>	<p>Removing clutch disc</p> <p>SU</p> <p>BR</p> <p>ST</p>
KV99106200 (J-41261) Pulley installer	<div style="text-align: center;">  </div> <p style="text-align: center;">NT235</p>	<p>Installing pulley</p> <p>RS</p> <p>BT</p>

HA

SC

EL

IDX

HFC-134a (R-134a) Service Tools and Equipment

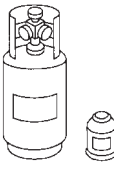

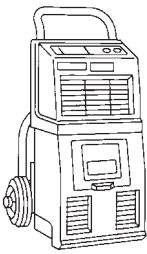
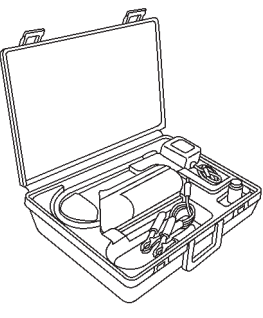
=NFHA0068

Never mix HFC-134a refrigerant and/or its specified lubricant with CFC-12 (R-12) refrigerant and/or its lubricant.

Separate and non-interchangeable service equipment must be used for handling each type of refrigerant/lubricant.

Refrigerant container fittings, service hose fittings and service equipment fittings (equipment which handles refrigerant and/or lubricant) are different between CFC-12 (R-12) and HFC-134a (R-134a). This is to avoid mixed use of the refrigerants/lubricant.

Adapters that convert one size fitting to another must never be used: refrigerant/lubricant contamination will occur and compressor failure will result.

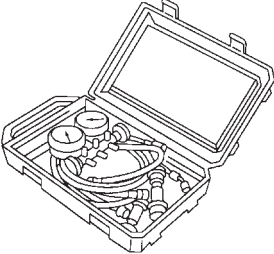
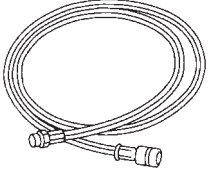
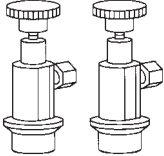

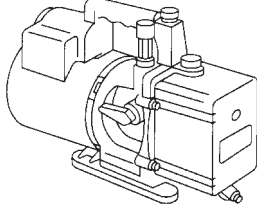
Tool number (Kent-Moore No.) Tool name	Description	
HFC-134a (R-134a) refrigerant		Container color: Light blue Container marking: HFC-134a (R-134a) Fitting size: Thread size ● large container 1/2"-16 ACME
NT196		
KLH00-PAGS0 (—) Nissan A/C System Oil Type S		Type: Poly alkylene glycol oil (PAG), type S Application: HFC-134a (R-134a) swash plate (piston) compressors (Nissan only) Lubricity: 40 mℓ (1.4 US fl oz, 1.4 Imp fl oz)
NT197		
(J-39500-NI) Recovery/Recycling Recharging equipment (ACR4)		Function: Refrigerant Recovery and Recycling and Recharging
NT195		
(J-41995) Electrical leak detector		Power supply: ● DC 12V (Cigarette lighter)
AHA281A		

PREPARATION

MANUAL

EXIT

HFC-134a (R-134a) Service Tools and Equipment (Cont'd)

Tool number (Kent-Moore No.) Tool name	Description	
(J-39183) Manifold gauge set (with hoses and couplers)	 <p>Identification:</p> <ul style="list-style-type: none"> The gauge face indicates R-134a. Fitting size: Thread size 1/2"-16 ACME <p>NT199</p>	GI MA EM LC
Service hoses <ul style="list-style-type: none"> High side hose (J-39501-72) Low side hose (J-39502-72) Utility hose (J-39476-72) 	 <p>Hose color:</p> <ul style="list-style-type: none"> Low hose: Blue with black stripe High hose: Red with black stripe Utility hose: Yellow with black stripe or green with black stripe <p>Hose fitting to gauge:</p> <ul style="list-style-type: none"> 1/2"-16 ACME <p>NT201</p>	EC FE CL
Service couplers <ul style="list-style-type: none"> High side coupler (J-39500-20) Low side coupler (J-39500-24) 	 <p>Hose fitting to service hose:</p> <ul style="list-style-type: none"> M14 x 1.5 fitting is optional or permanently attached. <p>NT202</p>	MT AT
(J-39650) Refrigerant weight scale	 <p>For measuring of refrigerant</p> <p>Fitting size: Thread size</p> <ul style="list-style-type: none"> 1/2"-16 ACME <p>NT200</p>	AX SU BR
(J-39649) Vacuum pump (Including the isolator valve)	 <p>Capacity:</p> <ul style="list-style-type: none"> Air displacement: 4 CFM Micron rating: 20 microns Oil capacity: 482 g (17 oz) <p>Fitting size: Thread size</p> <ul style="list-style-type: none"> 1/2"-16 ACME <p>NT203</p>	ST RS BT

HA

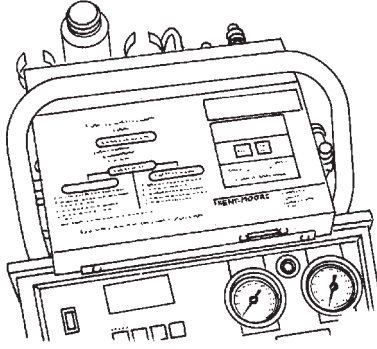
SC

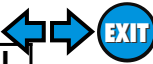
EL

IDX

COMMERCIAL SERVICE TOOL

NFHA0068S01

Tool name	Description
Refrigerant identifier equipment	 <p>For checking refrigerant purity and for system contamination</p> <p>NT765</p>



Refrigeration System

REFRIGERATION CYCLE

Refrigerant Flow

The refrigerant flows in the standard pattern, that is, through the compressor, the condenser, the liquid tank, through the evaporator, and back to the compressor. The refrigerant evaporation through the evaporator coil is controlled by an externally equalized expansion valve, located inside the evaporator case.

Freeze Protection

Under normal operating conditions, when the A/C is switched on, the compressor runs continuously, and the evaporator pressure, and therefore, temperature is controlled by the V-6 variable displacement compressor to prevent freeze up.

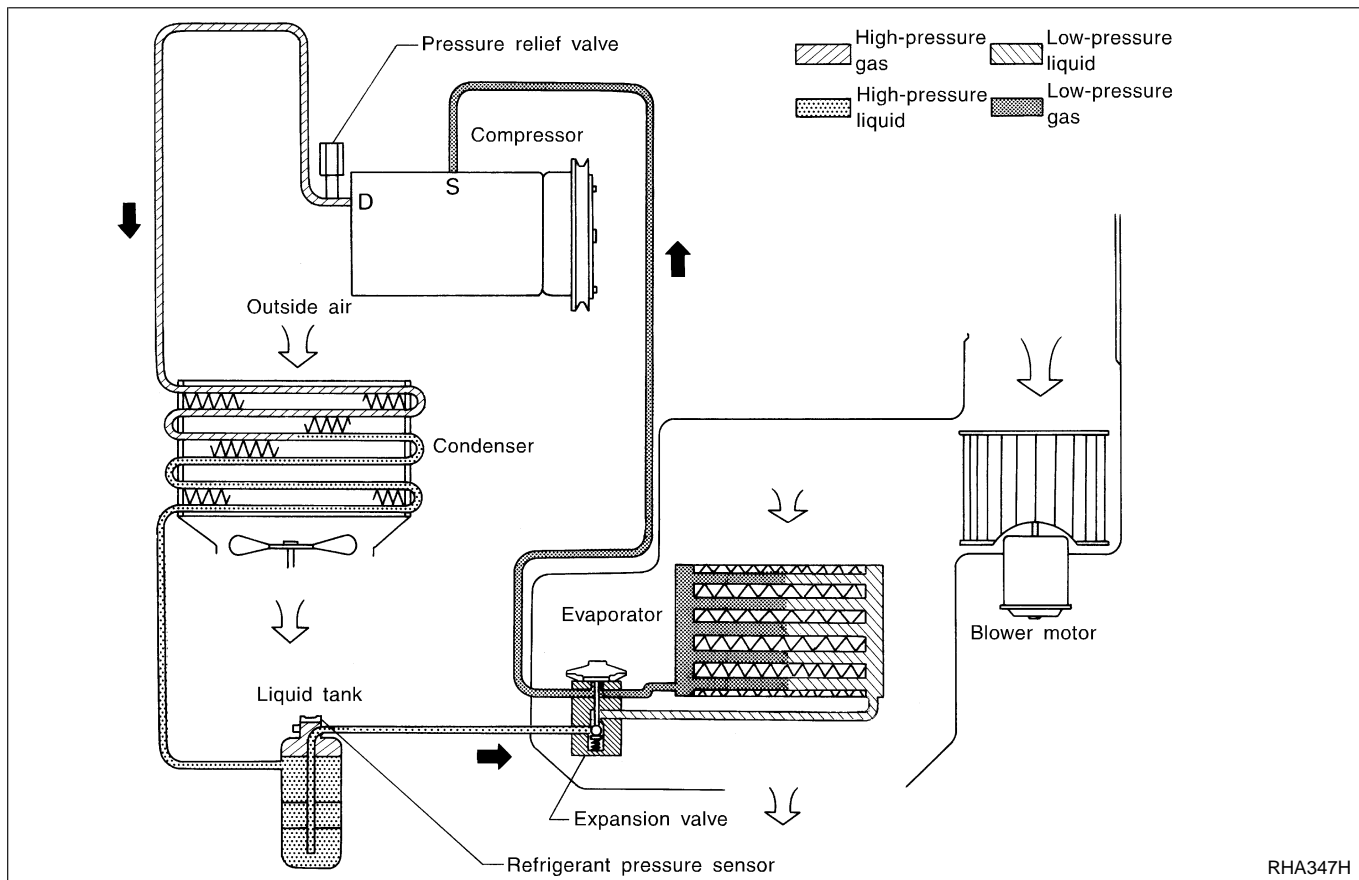
Refrigerant System Protection

Refrigerant Pressure Sensor

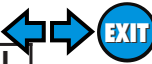
The refrigerant system is protected against excessively high or low pressures by the refrigerant pressure sensor, located on the liquid tank. If the system pressure rises above, or falls below the specifications, the refrigerant pressure sensor detects the pressure inside the refrigerant line and sends the voltage signal to the ECM. ECM makes the A/C relay go OFF and stops the compressor when pressure on the high pressure side detected by refrigerant pressure sensor is over about 2,746 kPa (28 kg/cm², 398 psi) or below about 177 kPa (1.8 kg/cm², 26 psi).

Pressure Relief Valve

The refrigerant system is also protected by a pressure relief valve, located in the rear head of the compressor. When the pressure of refrigerant in the system increases to an abnormal level [more than 3,727 kPa (38 kg/cm², 540 psi)], the release port on the pressure relief valve automatically opens and releases refrigerant into the atmosphere.



GI
MA
EM
LC
EC
FE
CL
MT
AT
AX
SU
BR
ST
RS
BT
HA
SC
EL
IDX



V-6 Variable Displacement Compressor

GENERAL INFORMATION

=NFHA0070

1. The V-6 variable compressor differs from previous units. The vent temperatures of the V-6 variable compressor do not drop too far below 5°C (41°F) when:
 - evaporator intake air temperature is less than 20°C (68°F)
 - engine is running at speeds less than 1,500 rpm.This is because the V-6 compressor provides a means of “capacity” control.
2. The V-6 variable compressor provides refrigerant control under varying conditions. During cold winters, it may not produce high refrigerant pressure discharge (compared to previous units) when used with air conditioning systems.
3. A “clanking” sound may occasionally be heard during refrigerant charge. The sound indicates that the tilt angle of the swash plate has changed and is not a problem.
4. For air conditioning systems with the V-6 compressor, the clutch remains engaged unless: the system main switch, fan switch or ignition switch is turned OFF. When ambient (outside) temperatures are low or when the amount of refrigerant is insufficient, the clutch is disengaged to protect the compressor.
5. A constant range of suction pressure is maintained when engine speed is greater than a certain value. It normally ranges from 147 to 177 kPa (1.5 to 1.8 kg/cm², 21 to 26 psi) under varying conditions. In previous compressors, however, suction pressure was reduced with increases in engine speed.

DESCRIPTION

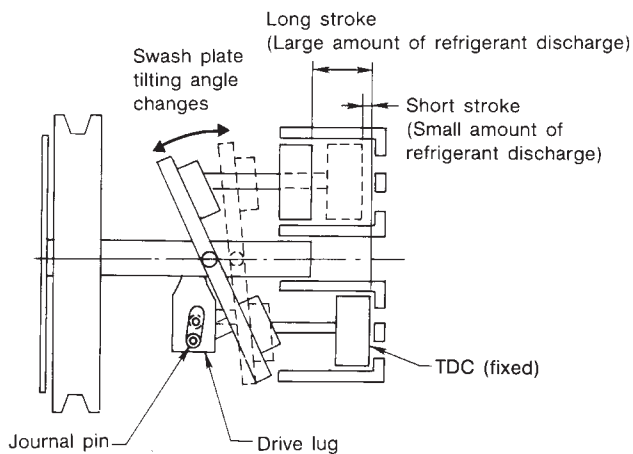
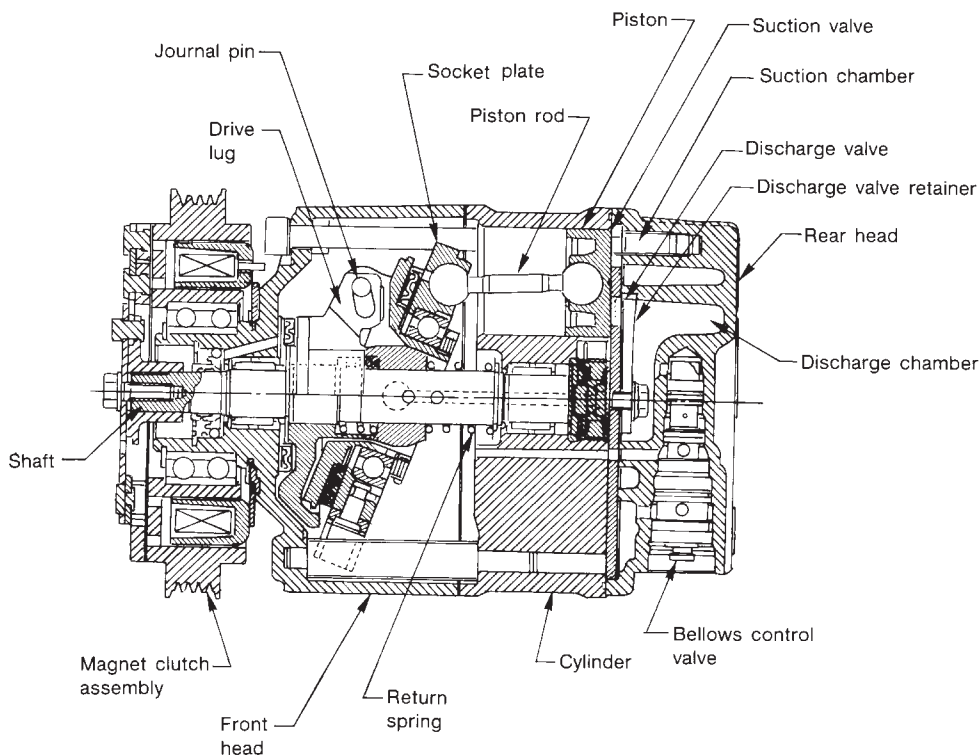
General

The variable compressor is basically a swash plate type that changes piston stroke in response to the required cooling capacity.

The tilt of the swash plate allows the piston's stroke to change so that refrigerant discharge can be continuously changed from 14.5 to 184 cm³ (0.885 to 11.228 cu in).

=NFHA0132

NFHA0132S01



Discharge control	Discharge capacity cm ³ (cu in)/rev.	Piston stroke length mm (in)
Minimum	14.5 (0.885)	2.3 (0.091)
Maximum	184 (11.228)	28.6 (1.126)

RHA037DB

GI
MA
EM
LC
EC
FE
CL
MT
AT
AX
SU
BR
ST
RS
BT
HA
SC
EL
IDX

Operation

1. Operation Control Valve

=NFHA0132S02

NFHA0132S0201

Operation control valve is located in the suction port (low-pressure) side, and opens or closes in response to changes in refrigerant suction pressure.

Operation of the valve controls the internal pressure of the crankcase.

The angle of the swash plate is controlled between the crankcase's internal pressure and the piston cylinder pressure.

2. Maximum Cooling

NFHA0132S0202

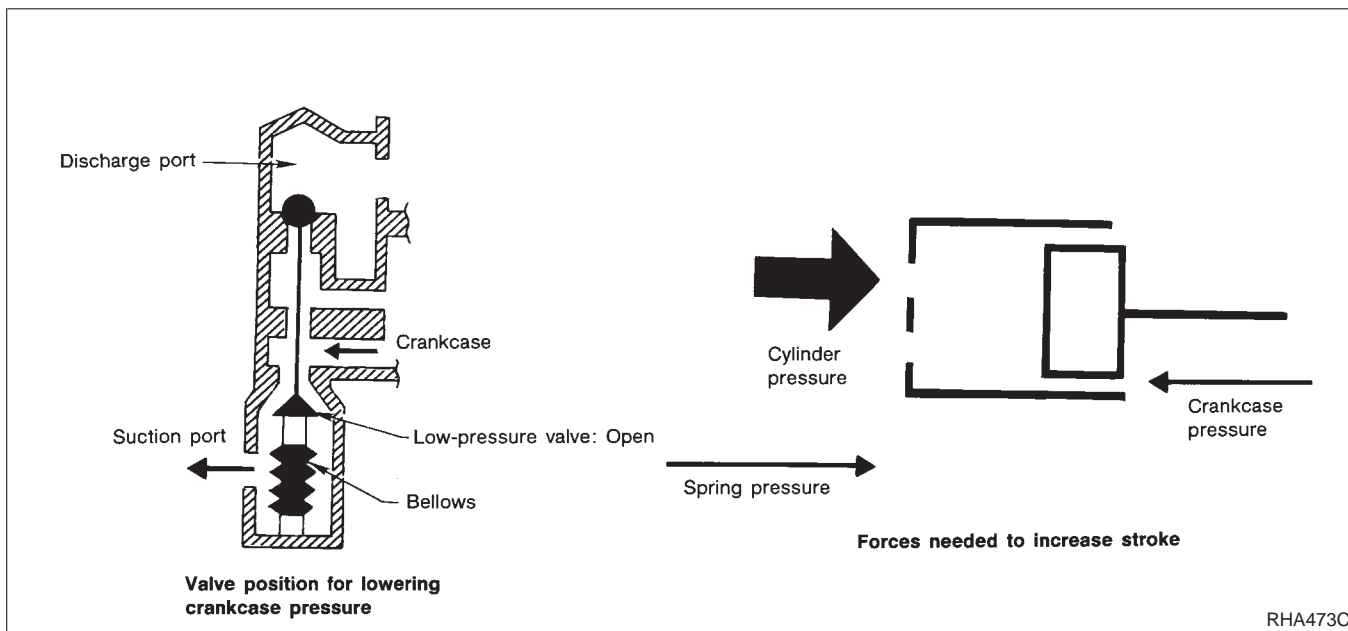
Refrigerant pressure on the low-pressure side increases with an increase in heat loads.

When this occurs, the control valve's bellows compress to open the low-pressure side valve and close the high-pressure side valve.

This causes the following pressure changes:

- the crankcase's internal pressure to equal the pressure on the low-pressure side;
- the cylinder's internal pressure to be greater than the crankcase's internal pressure.

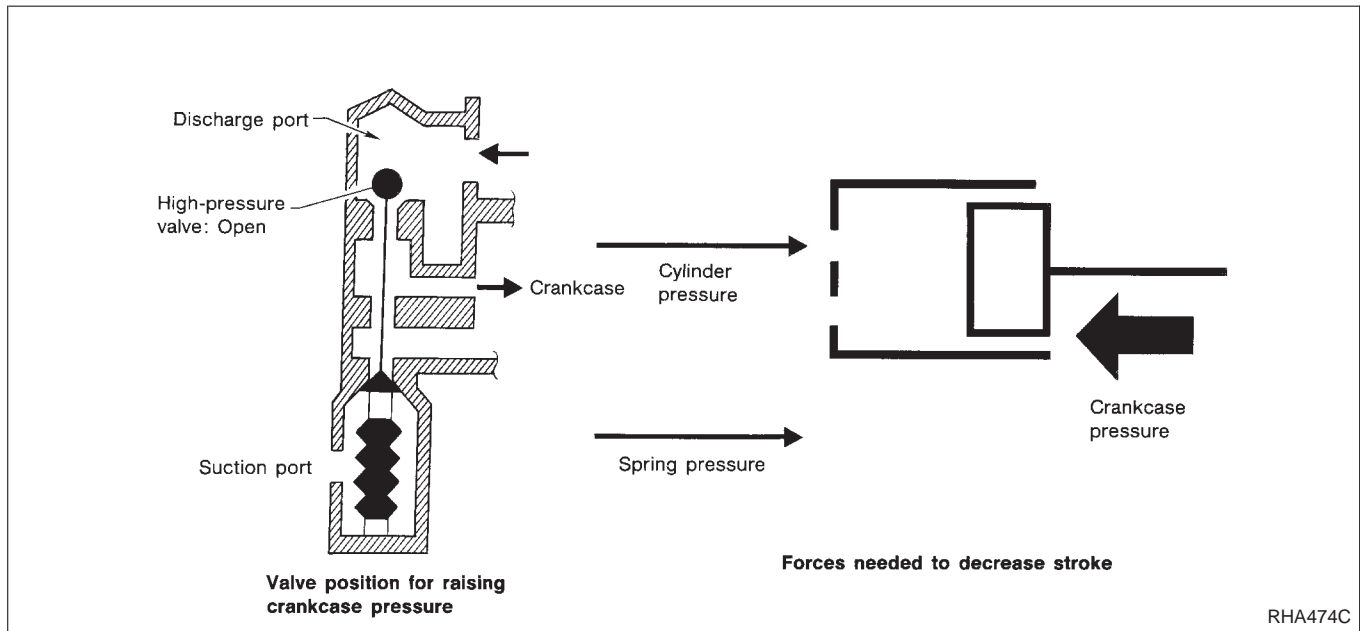
Under this condition, the swash plate is set to the maximum stroke position.



=NFHA0132S0203

3. Capacity Control

- Refrigerant pressure on suction side is low during high speed driving or when ambient or interior temperature is low.
- The bellows expands when refrigerant pressure on the suction pressure side drops below approximately 177 kPa (1.8 kg/cm², 26 psi).
Since suction pressure is low, it makes the suction port close and the discharge port open. Thus, crankcase pressure becomes high as high pressure enters the crankcase.
- The force acts around the journal pin near the swash plate, and is generated by the pressure difference before and behind the piston.
The drive lug and journal pin are located where the piston generates the highest pressure. Piston pressure is between suction pressure P_s and discharge pressure P_d , which is near suction pressure P_s . If crankcase pressure P_c rises due to capacity control, the force around the journal pin makes the swash plate angle decrease and also the piston stroke decrease. In other words, crankcase pressure increase triggers pressure difference between the piston and the crankcase. The pressure difference changes the angle of the swash plate.



GI
MA
EM
LC
EC
FE
CL
MT
AT
AX
SU
BR
ST
RS
BT
HA
SC
EL
IDX

IACV-AAC CONTROL SYSTEM

=NFHA0133

Operation

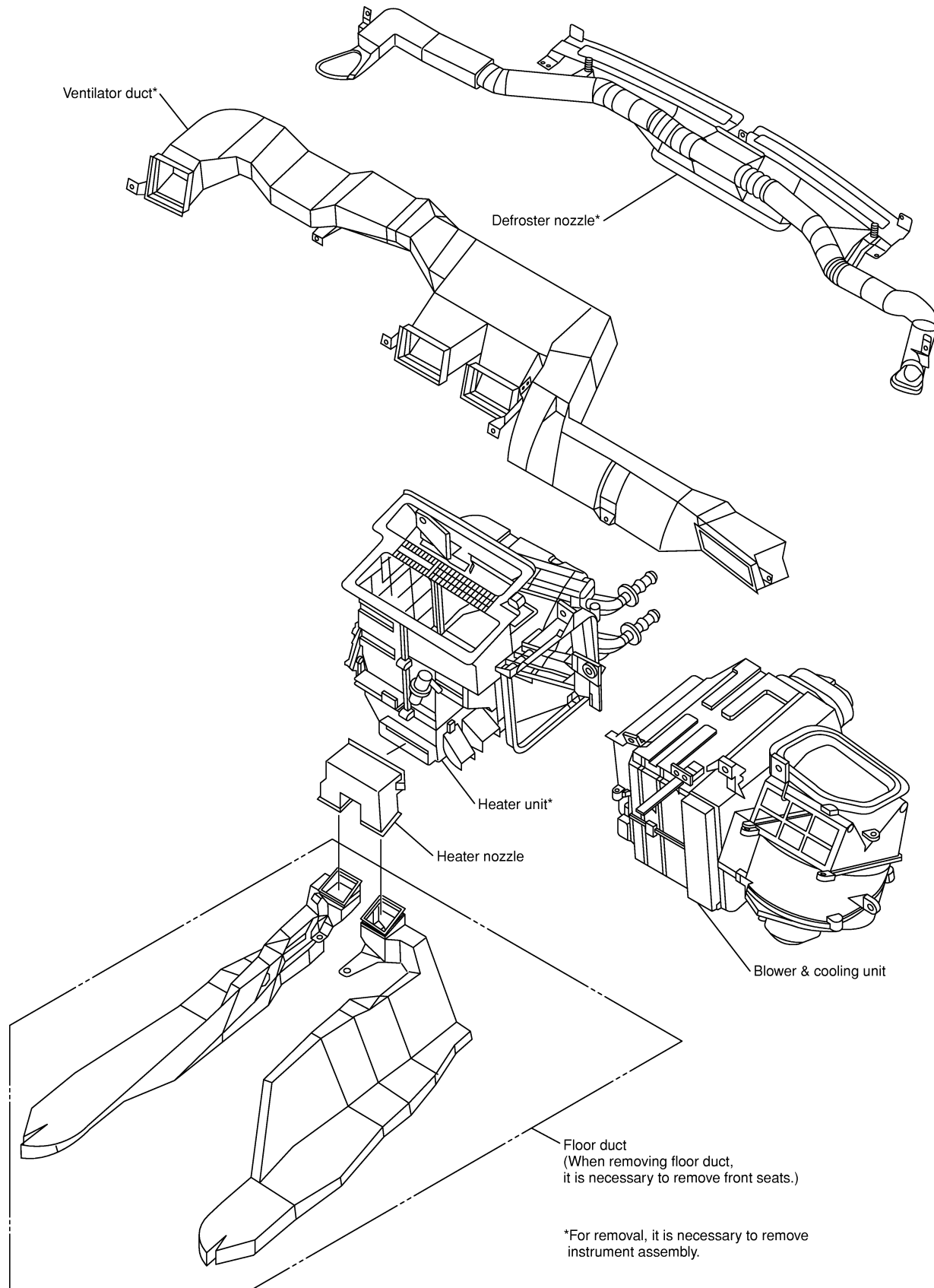
NFHA0133S02

When the air conditioner is OFF, the ECM detects the load applied to the engine, and controls the IACV-AAC valve to adjust the engine idling speed to the appropriate rpm by supplying additional air from the IACV-AAC valve.

When the air conditioner is ON (A/C relay is ON), refrigerant-pressure sensor converts refrigeration-pressure on the high pressure side into the voltage value, which is output to ECM which protects refrigeration cycle and control idle speed by the output voltage data, and additional air is supplied to the engine. If the appropriate engine speed is not reached, the IACV-AAC valve supplies the additional air required to increase the engine rpm.

Component Layout

NFHA0071



GI

MA

EM

LC

EC

FE

CL

MT

AT

AX

SU

BR

ST

RS

BT

HA

SC

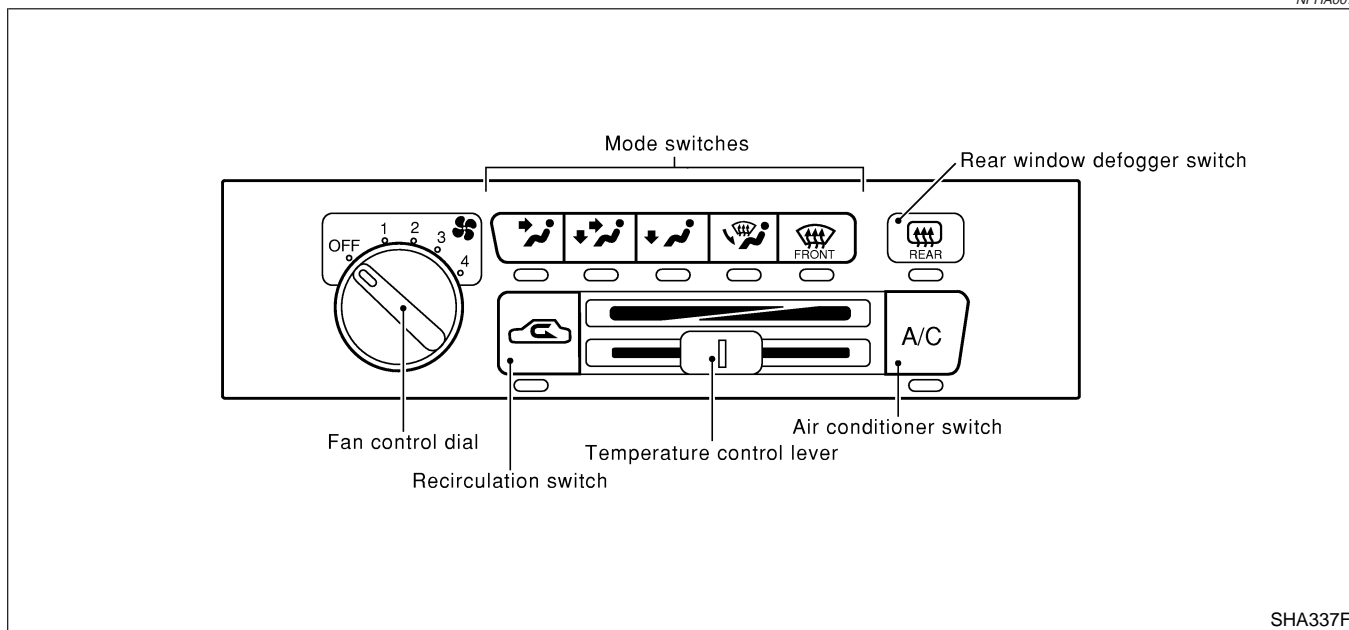
EL

IDX

RHA349H

Control Operation

NFHA0072



SHA337F

FAN CONTROL DIAL

This dial turns the fan ON and OFF, and controls fan speed.

NFHA0072S01

MODE SWITCHES

This switch allows control of the outlet air flow.

In "DEF" or "D/F" mode, the intake door is set to "FRESH".

The compressor turns on when the Mode switch is moved to "DEF".

NFHA0072S02

TEMPERATURE CONTROL LEVER

This lever allows adjustment of the temperature of the outlet air.

NFHA0072S03

RECIRCULATION (REC) SWITCH

OFF position: Outside air is drawn into the passenger compartment.

ON position: Interior air is recirculated inside the vehicle. The indicator lamp will also light.

Recirculation is canceled when DEF or D/F is selected, and resumes when another mode is chosen.

If the refrigerant pressure sensor input signal is high, recirculation is canceled, when VENT, B/L and FOOT mode is selected.

NFHA0072S04

AIR CONDITIONER SWITCH

The air conditioner switch controls the A/C system. When the switch is depressed with the fan ON, the compressor will turn ON. The indicator lamp will also light.

The air conditioner cooling function operates only when the engine is running.

NFHA0072S05

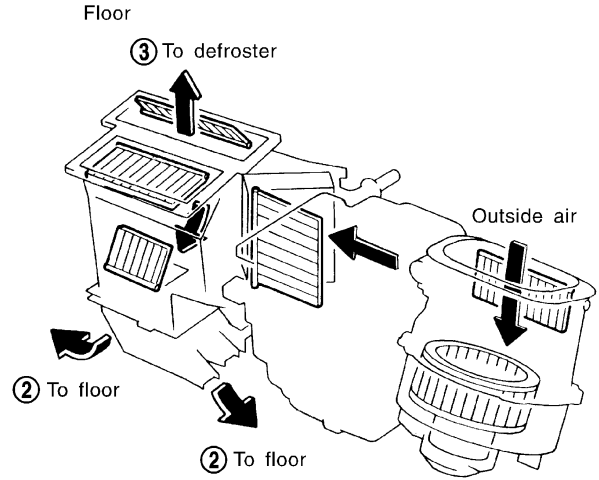
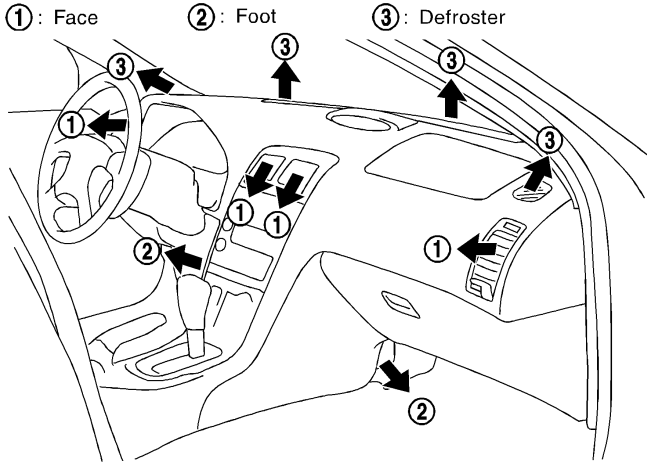
REAR WINDOW DEFOGGER SWITCH


When illumination is ON, rear window is defogging.

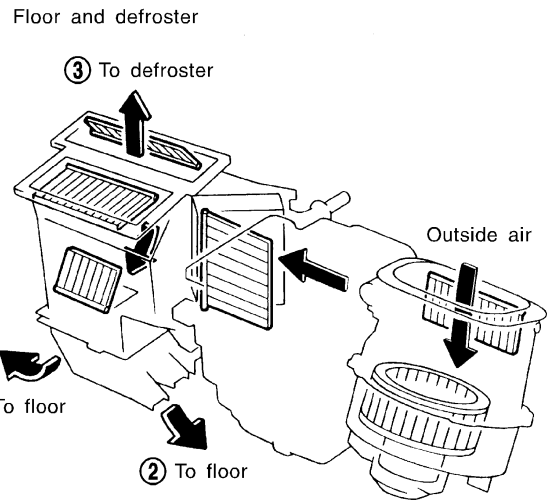
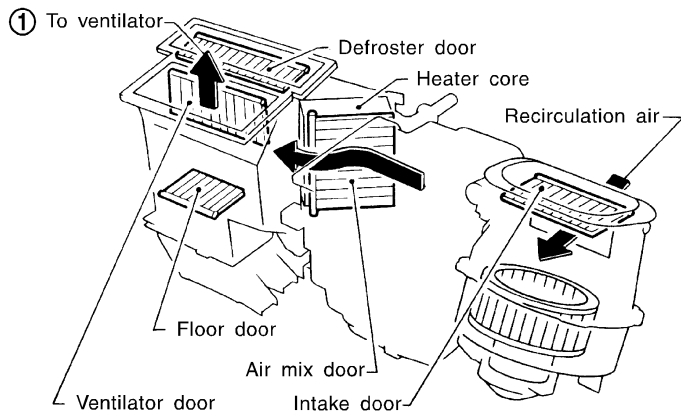
NFHA0072S06


Discharge Air Flow

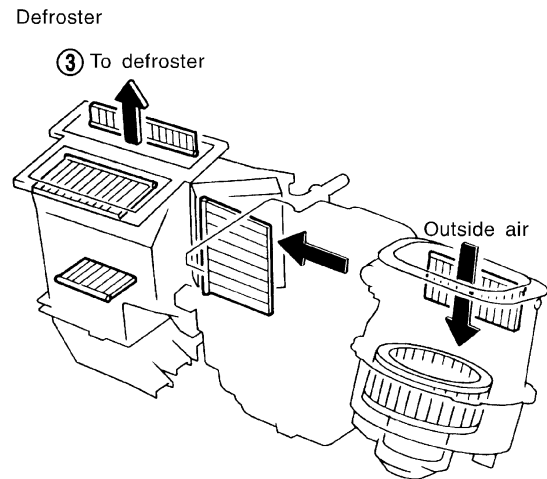
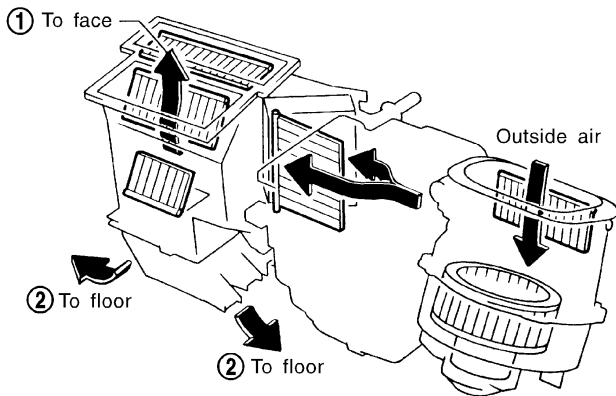
NFHA0073



Face
 switch "ON"



Bi-level
 switch "OFF"















- GI
- MA
- EM
- LC
- EC
- FE
- CL
- MT
- AT
- AX
- SU
- BR
- ST
- RS
- BT
- HA**
- SC
- EL
- IDX

RHA355H

System Description
SWITCHES AND THEIR CONTROL FUNCTIONS

NFHA0074

NFHA0074S01

Knob/Switch	Knob/Switch position							Air outlet	Intake air	Compressor
	A/C									
A/C	○							—	—	ON*1
Mode			○					VENT	—	—
				○				B/L	—	—
					○			FOOT	—	—
						○		D/F	FRE	—
							○	DEF	FRE	—
							○	—	REC*2	—

*1: Compressor is operated by ECM.

*2: In DEF and D/F modes, REC switch is canceled.

Component Location

NFHA0085

NFHA0085S01

ENGINE COMPARTMENT

GI

MA

EM

LC

EC

FE

CL

MT

AT

AX

SU

BR

ST

RS

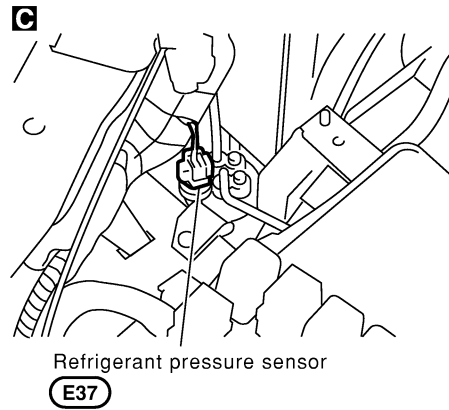
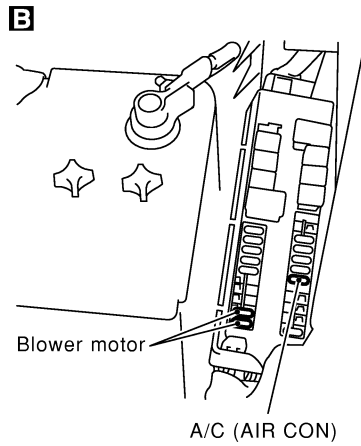
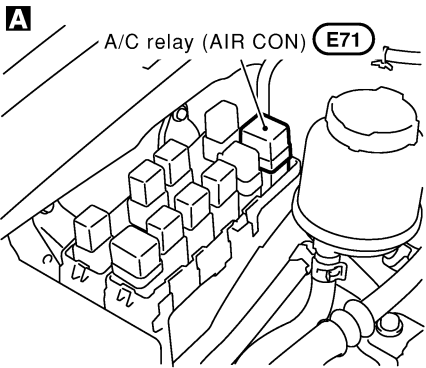
BT

HA

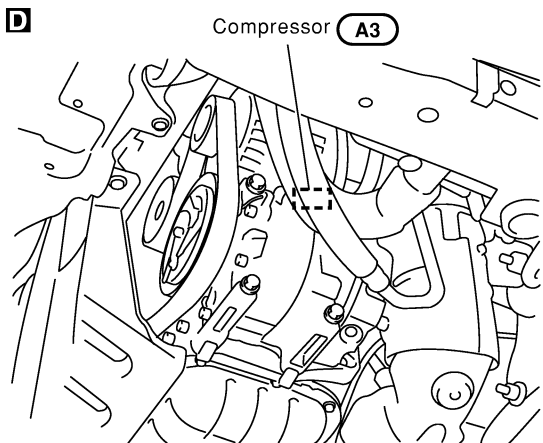
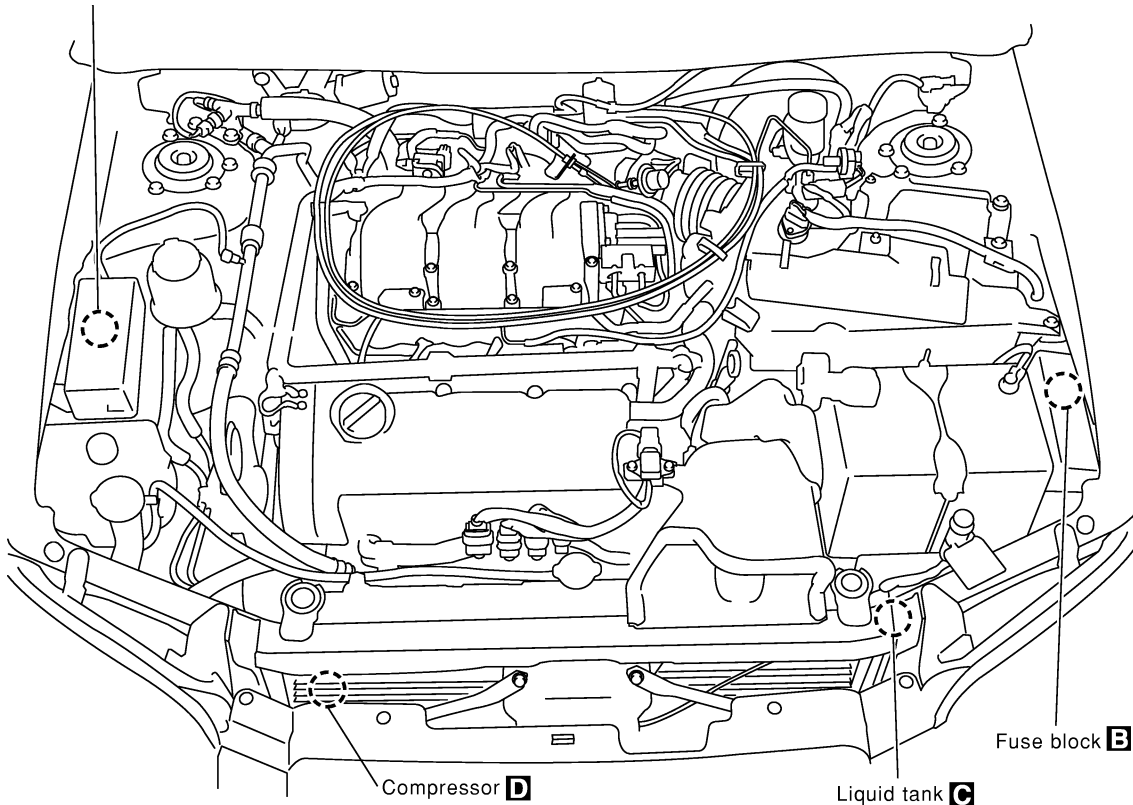
SC

EL

IDX



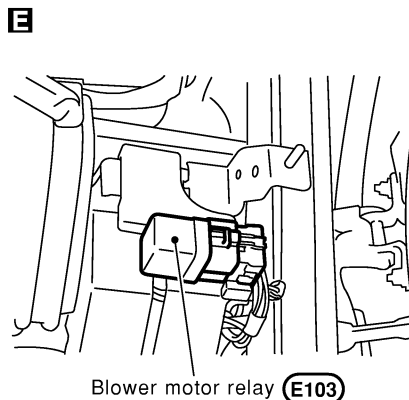
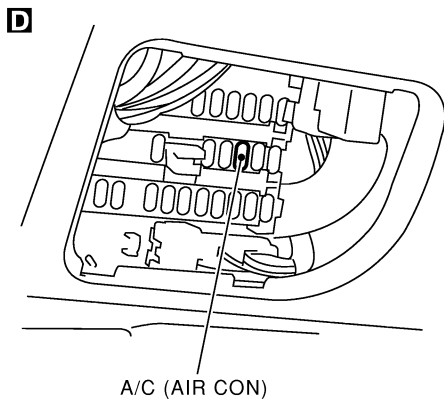
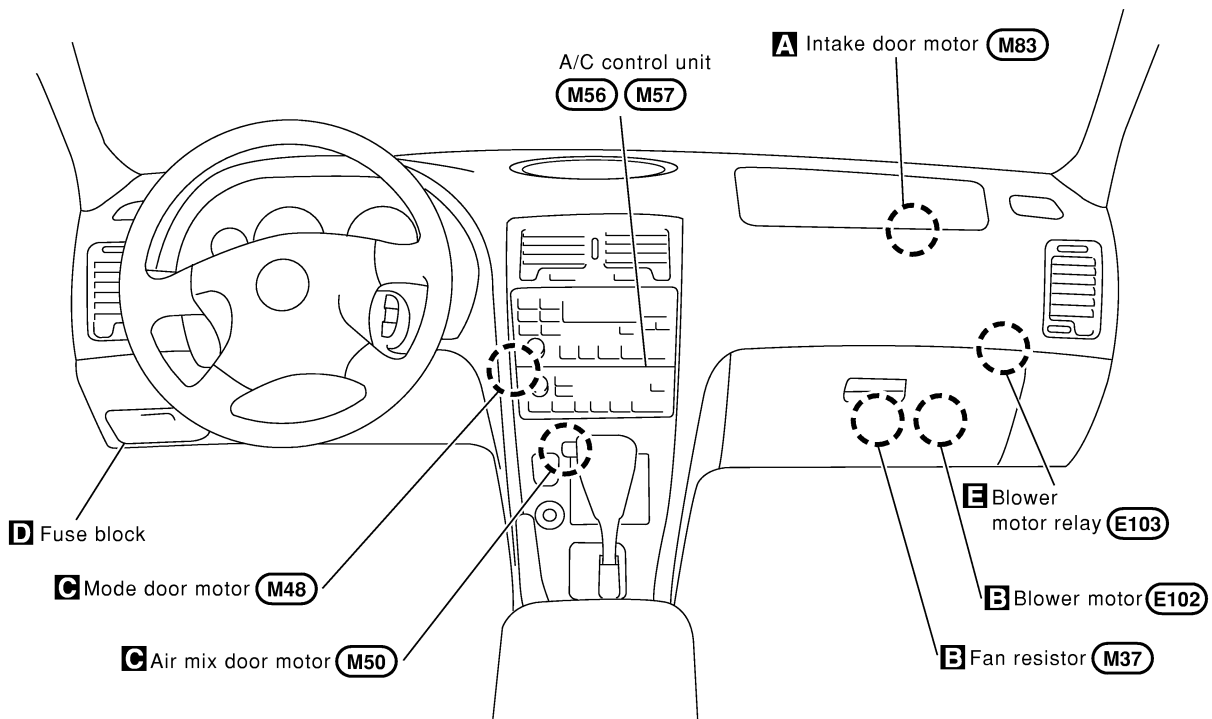
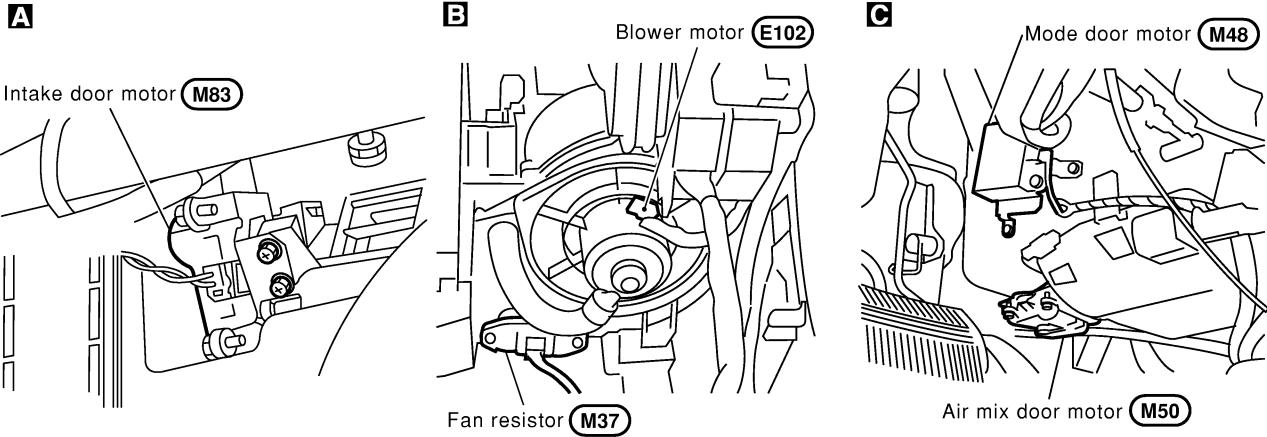
Relay box-1 **A**



Component Location (Cont'd)

PASSENGER COMPARTMENT

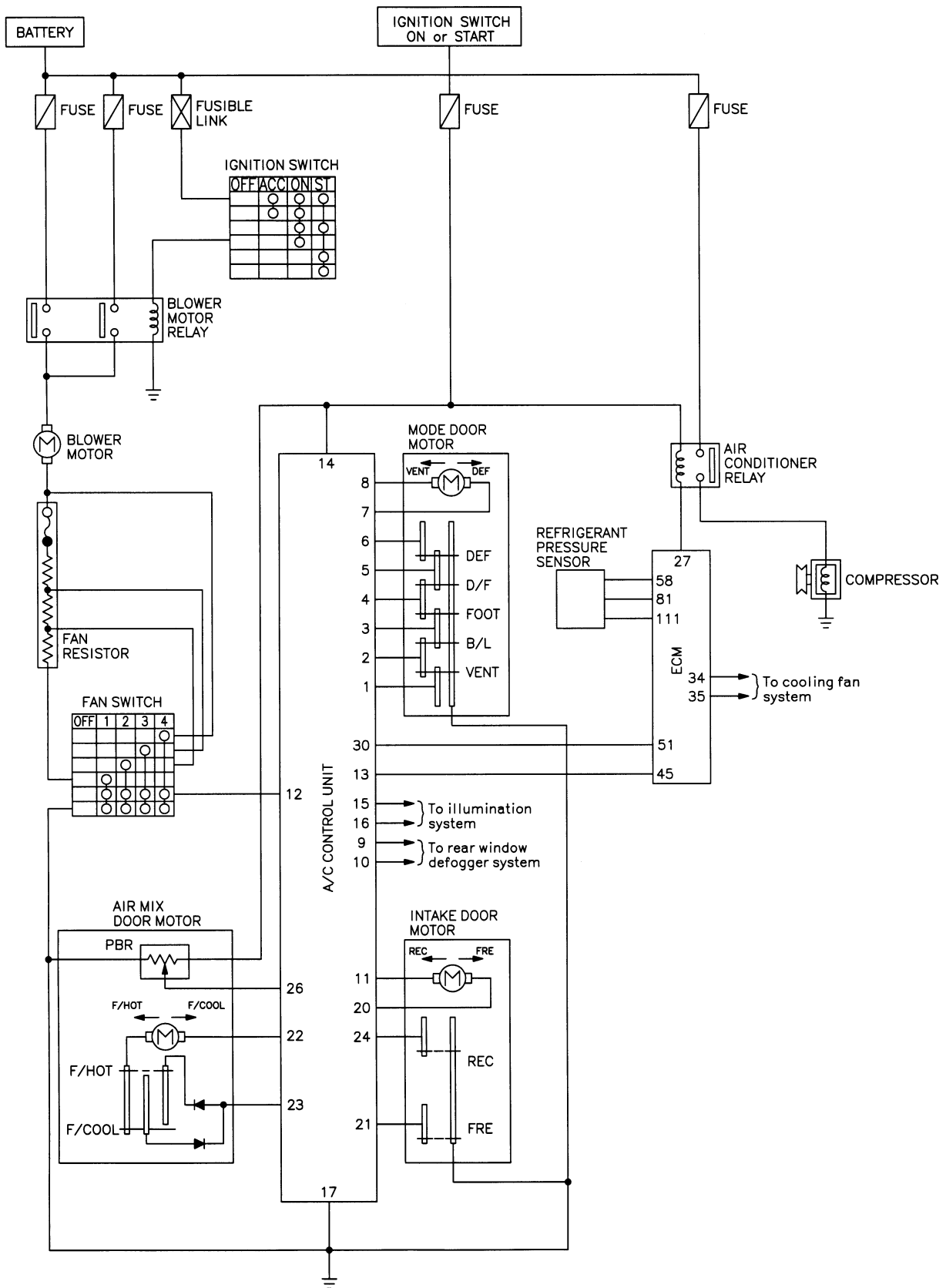
NFHA0085S02



RHA456H

Circuit Diagram — Air Conditioner

NFHA0087



- GI
- MA
- EM
- LC
- EC
- FE
- CL
- MT
- AT
- AX
- SU
- BR
- ST
- RS
- BT
- HA**
- SC
- EL
- IDX

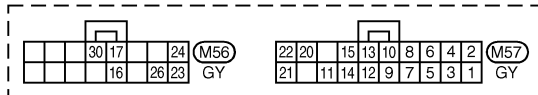
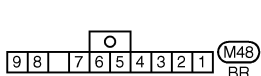
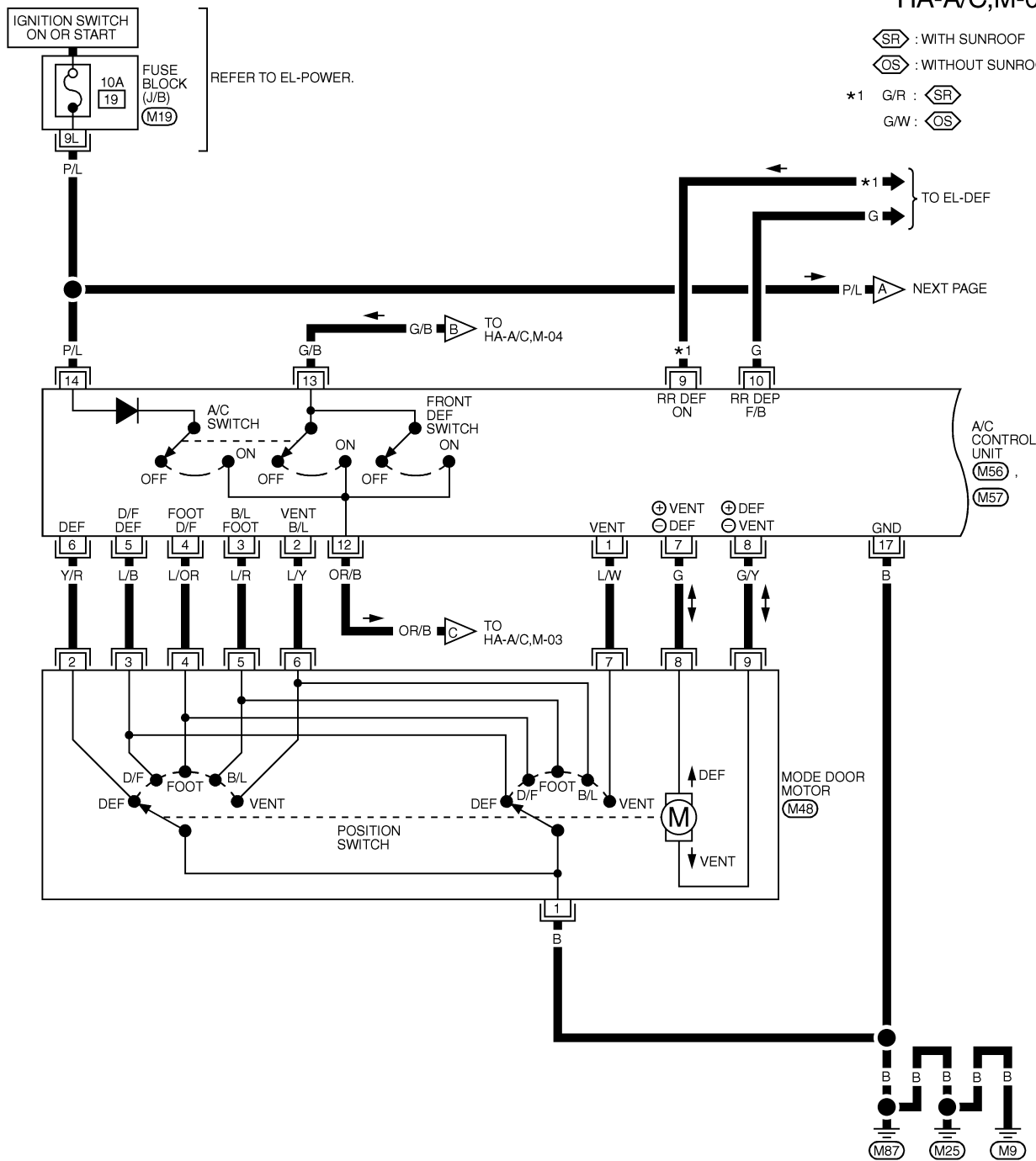
MHA950A

Wiring Diagram — A/C, M —

NFHA0088

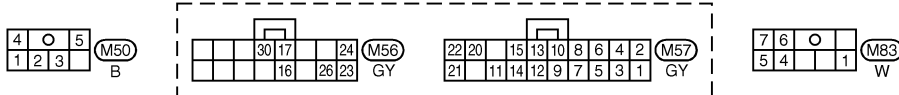
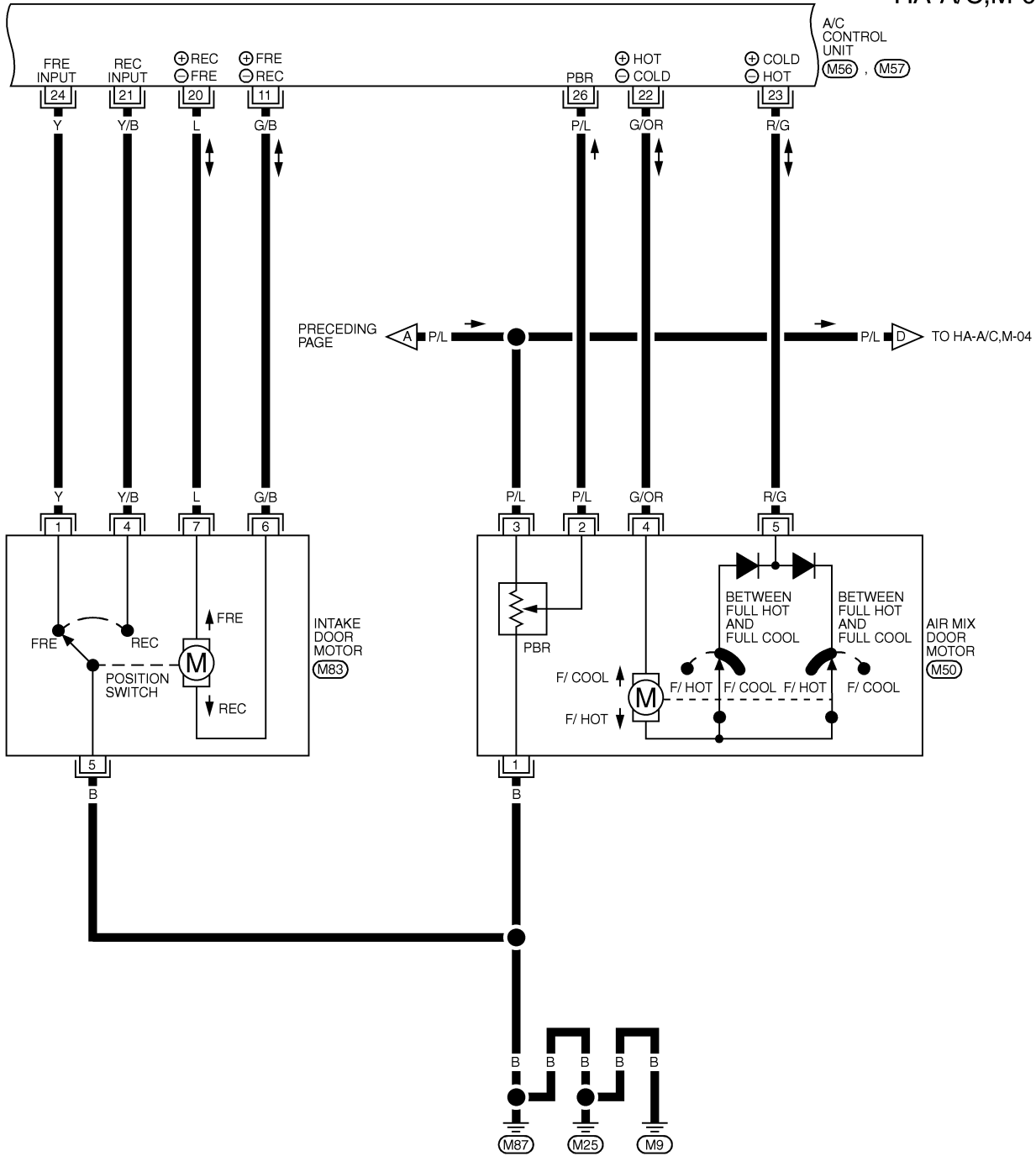
HA-A/C,M-01

- ⊖SR : WITH SUNROOF
- ⊖OS : WITHOUT SUNROOF
- *1 G/R : ⊖SR
- G/W : ⊖OS



REFER TO THE FOLLOWING.
 (M19) - FUSE BLOCK - JUNCTION BOX (J/B)

HA-A/C,M-02

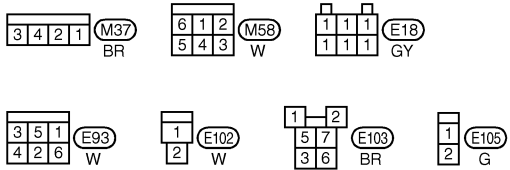
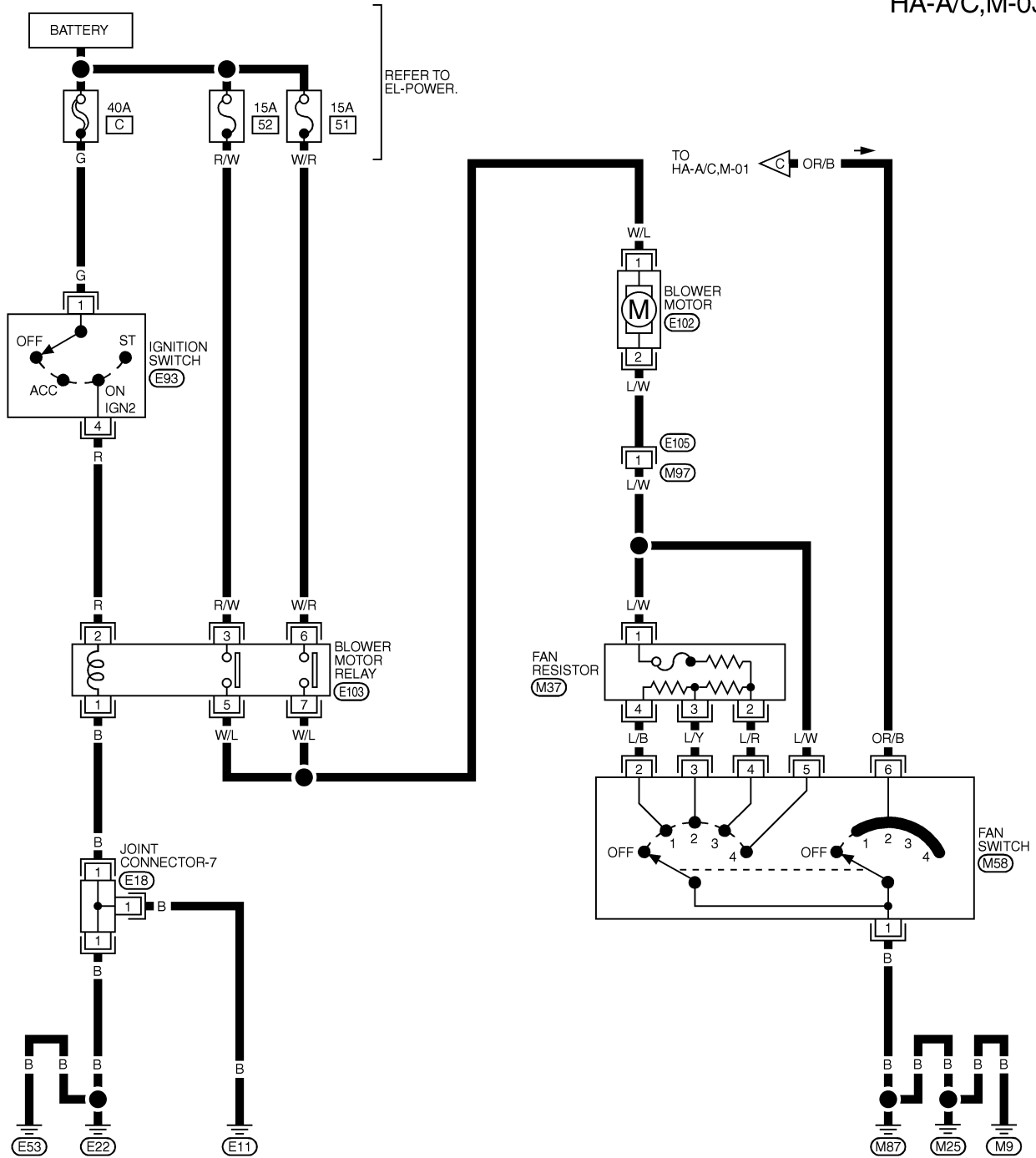


GI
MA
EM
LC
EC
FE
CL
MT
AT
AX
SU
BR
ST
RS
BT
HA

SC
EL
IDX

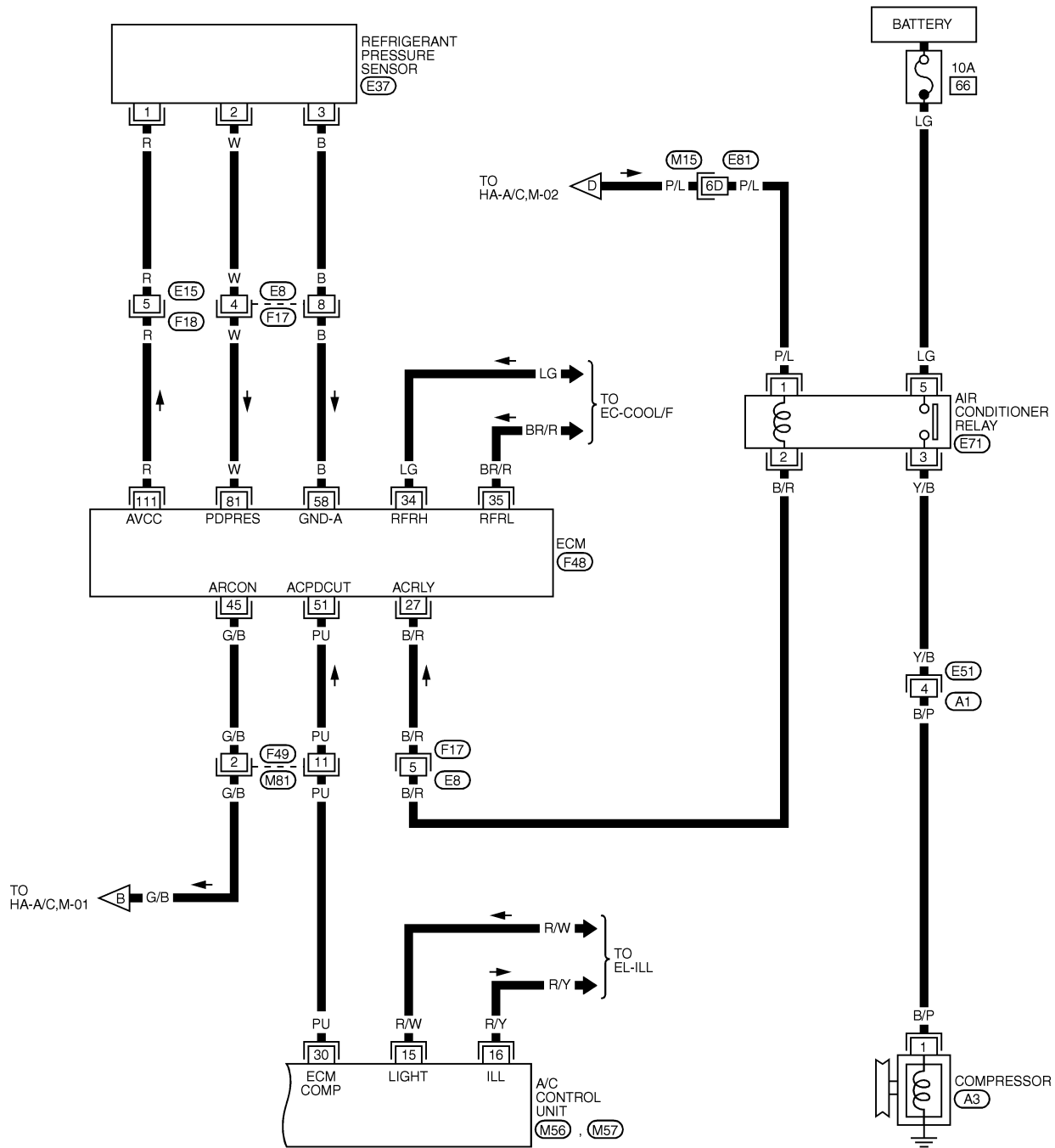
Wiring Diagram — A/C, M — (Cont'd)

HA-A/C,M-03

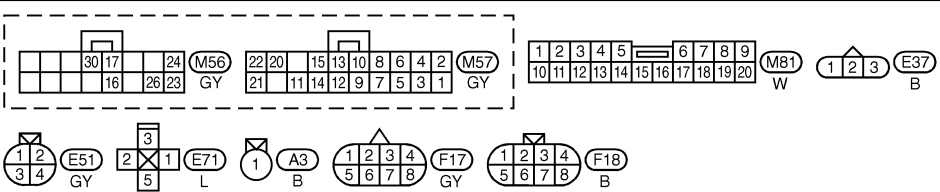


MHA908A

HA-A/C,M-04



- GI
- MA
- EM
- LC
- EC
- FE
- CL
- MT
- AT
- AX
- SU
- BR
- ST
- RS
- BT
- HA**
- SC
- EL
- IDX



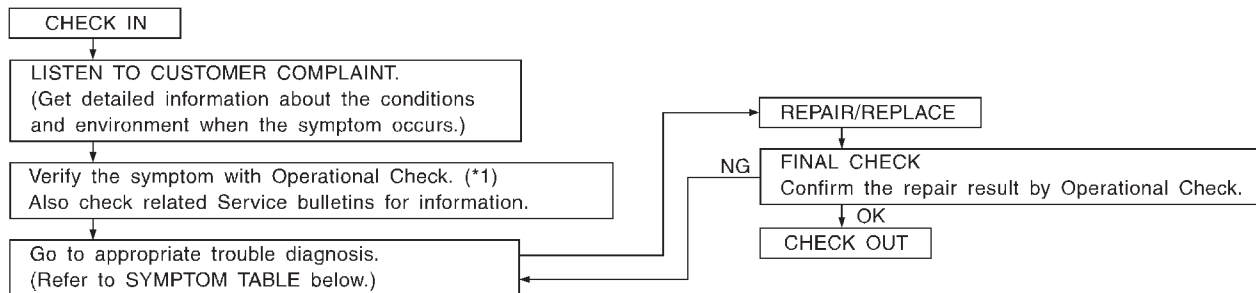
REFER TO THE FOLLOWING.
 (M15), (E81) - SUPER
 MULTIPLE JUNCTION (SMJ)
 (F48) - ELECTRICAL UNITS

How to Perform Trouble Diagnoses for Quick and Accurate Repair

NFHA0075

NFHA0075S01

WORK FLOW



SHA900E

*1: HA-155

SYMPTOM TABLE

NFHA0075S02

Symptom	Reference page	
● A/C system does not come on.	● Go to Trouble Diagnosis Procedure for A/C system.	HA-157
● Intake door does not change in VENT, B/L or FOOT mode.	● Go to Trouble Diagnosis Procedure for Intake Door.	HA-160
● Blower motor does not rotate at all.	● Go to Trouble Diagnosis Procedure for Blower Motor.	HA-164
● Insufficient cooling.	● Go to Trouble Diagnosis Procedure for Insufficient cooling.	HA-170
● Insufficient heating.	● Go to Trouble Diagnosis Procedure for Insufficient heating.	HA-178
● Air mix door motor does not operate normally.	● Go to Trouble Diagnosis Procedure for Air mix door motor.	HA-179
● Mode door does not change.	● Go to Trouble Diagnosis Procedure for Mode door.	HA-183
● Magnet clutch does not engage when A/C switch and fan switch are ON.	● Go to Trouble Diagnosis Procedure for Magnet Clutch.	HA-186
● Noise	● Go to Trouble Diagnosis Procedure for Noise.	HA-193

Operational Check

=NFHA0076

The purpose of the operational check is to confirm that the system operates as it should. The systems which are checked are the blower, mode (discharge air), intake air, temperature decrease, temperature increase.

CONDITIONS:

Engine running at normal operating temperature.

NFHA0076S01

PROCEDURE:

1. Check Blower

NFHA0076S02

NFHA0076S0201

1. Turn fan control dial to 1-speed.
Blower should operate on 1-speed.
2. Then turn fan control dial to 2-speed.
3. Continue checking blower speed until all four speeds are checked.
4. Leave blower on 4-speed.

If NG, go to trouble diagnosis procedure for blower motor (HA-164).
If OK, continue with next check.

2. Check Discharge Air

NFHA0076S0202

1. Press each mode switch.

2. Confirm that discharge air comes out according to the air distribution table at left.

Refer to "Discharge Air Flow" in "DESCRIPTION" (HA-145).

NOTE:

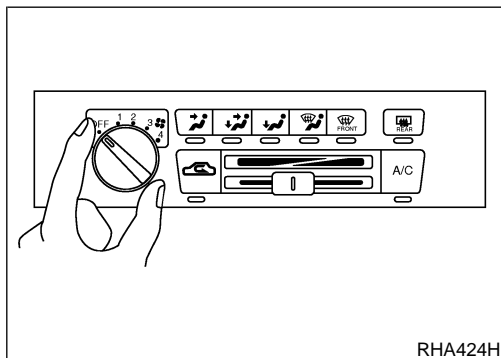
Confirm that the compressor clutch is engaged (visual inspection) and intake door position is at FRESH when the DEF () is pressed.

Confirm that the intake door position is at FRESH when the D/F () is pressed.

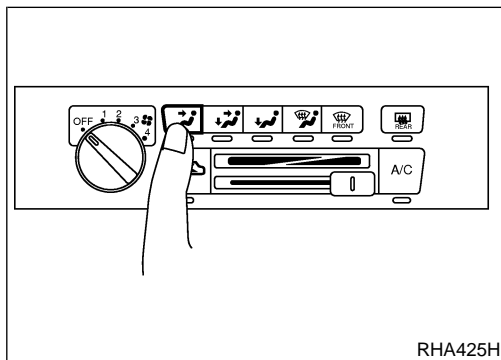
Intake door position is checked in the next step.

If NG, go to trouble diagnosis procedure for mode door motor (HA-183).

If OK, continue with next check.



RHA424H



RHA425H

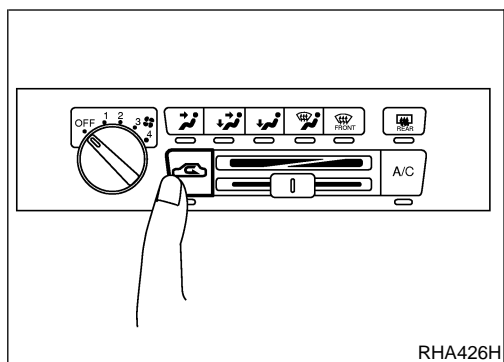
Discharge air flow

Mode switch	Air outlet/distribution		
	Face	Foot	Defroster
	100%	-	-
	60%	40%	-
	-	80%	20%
	-	60%	40%
	-	-	100%

SHA345F

GI
MA
EM
LC
EC
FE
CL
MT
AT
AX
SU
BR
ST
RS
BT
HA
SC
EL
IDX

Operational Check (Cont'd)


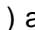


3. Check Recirculation

NFHA0076S0203

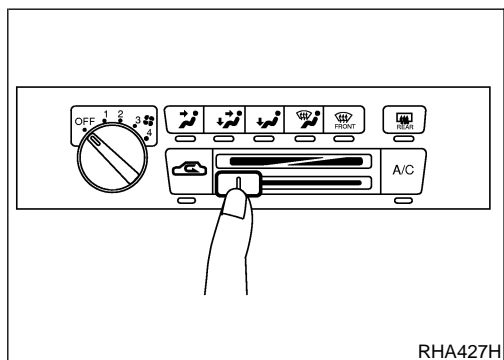
1. Press recirculation switch.
Recirculation indicator should light.
2. Listen for intake door position change (you should hear blower sound change slightly).

NOTE:

Confirm that the RECIRCULATION (REC) switch is canceled in the DEF () and D/F () mode.

If NG, go to trouble diagnosis procedure for intake door motor (HA-160).

If OK, continue with next check.



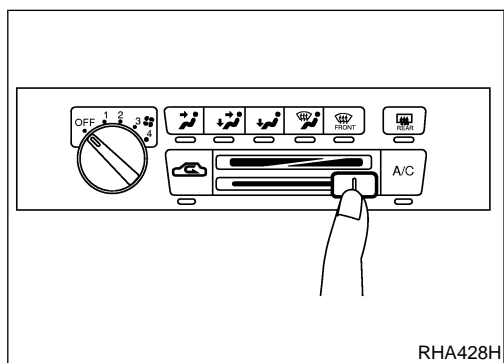
4. Check Temperature Decrease

NFHA0076S0204

1. Slide temperature control lever to full cold.
2. Check for cold air at discharge air outlets.

If NG, go to trouble diagnosis procedure for insufficient cooling motor (HA-170).

If OK, continue with next check.



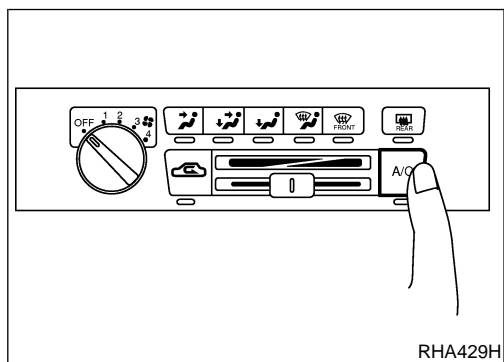
5. Check Temperature Increase

NFHA0076S0205

1. Slide temperature control lever to full hot.
2. Check for hot air at discharge air outlets.

If NG, go to trouble diagnosis procedure for insufficient heating motor (HA-178).

If OK, continue with next check.



6. Check Air Conditioner Switch

NFHA0076S0206

Turn fan control switch to the desired (1 to 4-speed) position and push the air conditioner switch to turn ON the air conditioner.

The indicator light should come on when air conditioner is ON.

If NG, go to trouble diagnosis procedure for A/C system (HA-157).

If OK, continue with next check.

If all operational check are OK (symptom can not be duplicated), go to "Incident Simulation Tests" (GI-26) and perform tests as outlined to simulate driving conditions environment. If symptom appears, refer to "Symptom Table" (HA-154) and perform applicable trouble diagnosis procedures.

A/C System

TRouble DIAGNOSIS PROCEDURE FOR A/C SYSTEM

=NFHA0253

Symptom:

- A/C system does not come on.

INSPECTION FLOW

GI

MA

EM

LC

EC

FE

CL

MT

AT

AX

SU

BR

ST

RS

BT

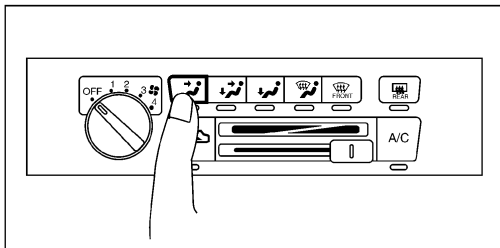
HA

SC

EL

IDX

1. Confirm symptom by performing the following operational check.



OPERATIONAL CHECK

Confirm that the system operate normally.

If OK (symptom cannot be duplicated), perform complete operational check (*2).

If NG (symptom is confirmed), continue with STEP-2 following.

2. Check for any service bulletins.

OK

3. Check main power supply and ground circuit. (*1)

OK

4. Go to A/C system circuit. (*3)

OK

5. Replace push control unit.

OK

INSPECTION END

*1: HA-158

*2: HA-155

*3: HA-149

MAIN POWER SUPPLY AND GROUND CIRCUIT CHECK

=NFHA0254

Power Supply Circuit Check

NFHA0254S01

Check power supply circuit for air conditioner system.
Refer to EL-10, "Wiring Diagram — POWER —".

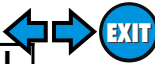
DIAGNOSTIC PROCEDURE

NFHA0255

SYMPTOM:

- A/C system does not come on.

1	CHECK POWER SUPPLY CIRCUIT FOR A/C CONTROL UNIT									
Measure voltage across terminal No. 14 and body ground.										
RHA386H										
<table border="1" style="margin: auto; border-collapse: collapse;"> <thead> <tr> <th colspan="2" style="text-align: center;">Votmeter terminal</th> <th rowspan="2" style="text-align: center;">Voltage</th> </tr> <tr> <th style="text-align: center;">(+)</th> <th style="text-align: center;">(-)</th> </tr> </thead> <tbody> <tr> <td style="text-align: center;">14</td> <td style="text-align: center;">Body ground</td> <td style="text-align: center;">Approx. 12V</td> </tr> </tbody> </table>			Votmeter terminal		Voltage	(+)	(-)	14	Body ground	Approx. 12V
Votmeter terminal		Voltage								
(+)	(-)									
14	Body ground	Approx. 12V								
MTBL0323										
OK or NG										
OK	▶	GO TO 2.								
NG	▶	Check 10A fuse (No. 19) at fuse block.								



2	CHECK BODY GROUND CIRCUIT FOR A/C CONTROL UNIT									
<p>Check for continuity between terminal No. 17 and body ground.</p> <div style="text-align: center;"> </div> <table border="1" style="margin-left: auto; margin-right: auto; border-collapse: collapse;"> <thead> <tr> <th colspan="2" style="text-align: center;">Ohmmeter terminal</th> <th rowspan="2" style="text-align: center;">Continuity</th> </tr> <tr> <th style="text-align: center;">(+)</th> <th style="text-align: center;">(-)</th> </tr> </thead> <tbody> <tr> <td style="text-align: center;">17</td> <td style="text-align: center;">Body ground</td> <td style="text-align: center;">Yes</td> </tr> </tbody> </table> <p style="text-align: center;">OK or NG</p>			Ohmmeter terminal		Continuity	(+)	(-)	17	Body ground	Yes
Ohmmeter terminal		Continuity								
(+)	(-)									
17	Body ground	Yes								
OK	▶	INSPECTION END								
NG	▶	If NG, repair harness or connector.								

GI
 MA
 EM
 LC
 EC
 FE
 CL
 MT
 AT
 AX
 SU
 BR
 ST
 RS
 BT
 HA
 SC
 EL
 IDX

Intake Door

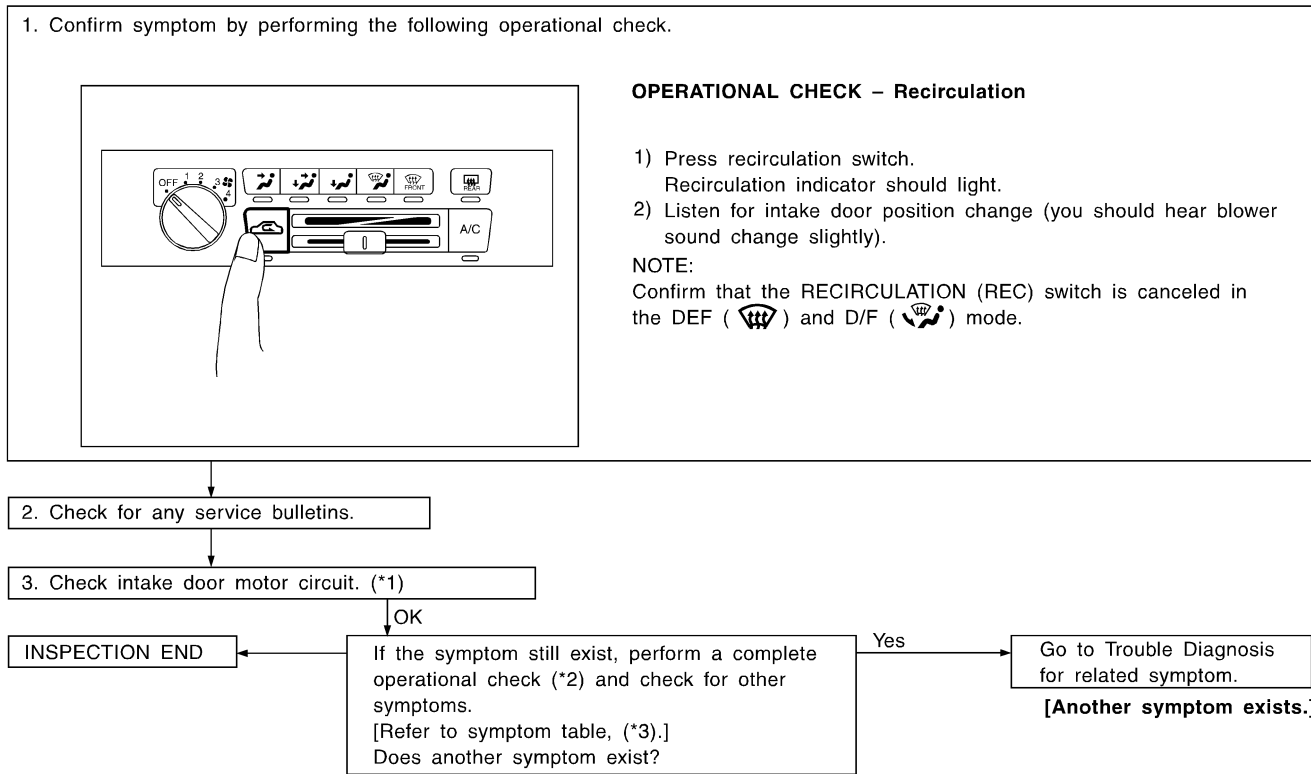
TROUBLE DIAGNOSIS PROCEDURE FOR INTAKE DOOR

=NFHA0135

Symptom:

- Intake door does not change in VENT, B/L or FOOT mode.

Inspection Flow

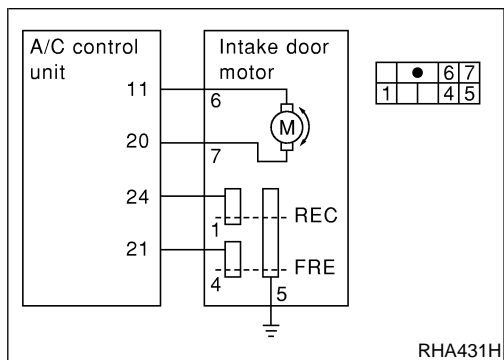


RHA430H

*1: HA-161

*2: HA-155

*3: HA-154



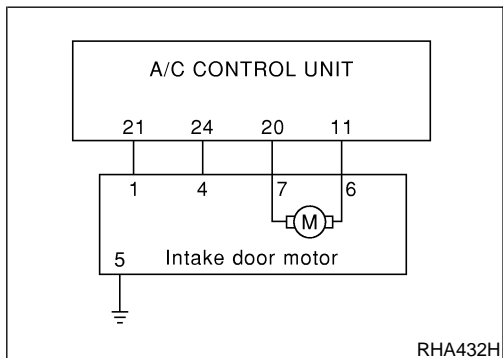
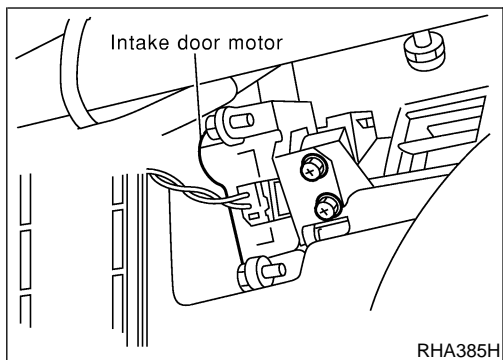
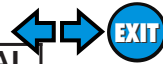
SYSTEM DESCRIPTION

Intake Door Motor

NFHA0136

NFHA0136S01

The intake door motor is installed on the blower and intake unit. Using a link it opens and closes the intake door. When RECIRCULATION switch is at REC (except DEF and D/F modes), the A/C control unit sets the intake door at the "RECIRCULATION" position. RECIRCULATION switch is canceled by MODE switch in DEF and D/F modes.



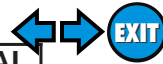
DIAGNOSTIC PROCEDURE

SYMPTOM: Intake door motor does not operate normally.

NFHA0090

1	CHECK BODY GROUND CIRCUIT FOR INTAKE DOOR MOTOR	
<p>Check circuit continuity between intake door harness terminal No. 5 and body ground.</p> <div style="text-align: center;"> </div> <p style="text-align: right;">RHA433H</p>		
<p>Continuity should exist. If OK, check harness for short.</p> <p style="text-align: center;">OK or NG</p>		
OK	▶	GO TO 2.
NG	▶	Repair harness or connector.

GI
MA
EM
LC
EC
FE
CL
MT
AT
AX
SU
BR
ST
RS
BT
HA
SC
EL
IDX



Intake Door (Cont'd)

2
CHECK FOR AUTO AMP. OUTPUT

Measure voltage across auto amp. harness terminals and body ground.

A/C control unit connector (M57)

Volts (V) meter

Recirculation switch condition	Terminals No.		Condition	Voltage V
	(+)	(-)		
REC	20	Body ground	REC	5
	11		0	
FRE	11	Body ground	FRE	5
	20		0	

0V: Approx. 0V
5V: Approx. 5V

SHA324F

OK or NG

OK	▶	INSPECTION END
NG	▶	GO TO 3.

3
CHECK CIRCUIT CONTINUITY BETWEEN EACH TERMINAL ON A/C CONTROL UNIT AND ON INTAKE DOOR MOTOR

Intake door motor connector (M83)

Auto amp. connector (M57)

Auto amp. connector (M56)

Terminal No.		Continuity
A/C CONTROL UNIT	Intake door motor	
11	6	Yes
20	7	
21	4	
24	1	

RHA435H

Continuity should exist.

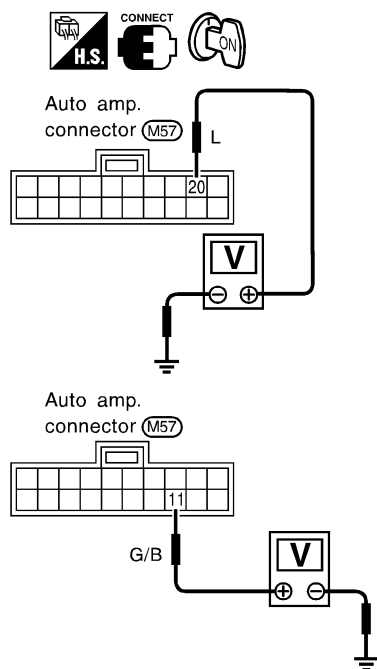
If OK, check harness for short.

OK or NG

OK	▶	GO TO 4.
NG	▶	Repair harness or connector.

4 CHECK FOR A/C CONTROL UNIT OUTPUT

Measure voltage across A/C control unit harness terminals and body ground.



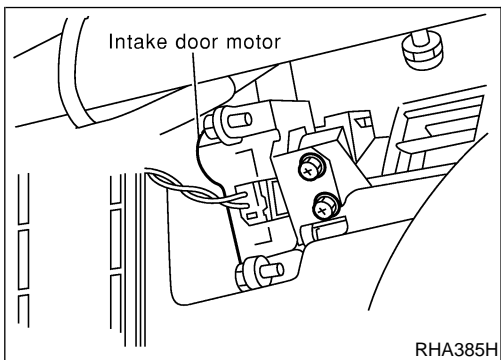
REURCLATION SWITCH	Terminals No.		Condition	Voltage V
	(+)	(-)		
REC (ON)	20	Body ground	REC	12
	11			0
FRE (OFF)	20		FRE	0
	11			12

0V: Approx. 0V
12V: Approx. 12V

RHA436H

OK or NG

- | | | |
|----|---|----------------------------|
| OK | ▶ | Replace intake door motor. |
| NG | ▶ | Replace A/C control unit. |



CONTROL LINKAGE ADJUSTMENT

Intake Door Motor

1. Install intake door motor on blower and intake unit. Ensure that the intake door motor lever is fitted into the slit portion of intake door link.
2. Connect the intake door motor harness connector.
3. Turn ignition switch to ON.
4. Check that intake door operates properly when RECIRCULATION switch is turned ON and OFF.

NFHA0093

NFHA0093S04

RHA385H

Blower Motor

TROUBLE DIAGNOSIS PROCEDURE FOR BLOWER MOTOR

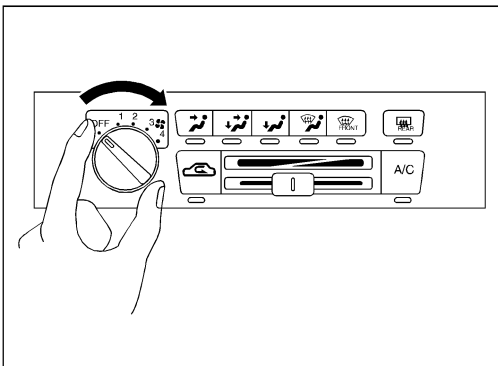
=NFHA0138

Symptom:

- Blower motor does not rotate at all.

Inspection Flow

1. Confirm symptom by performing the following operational check.



OPERATIONAL CHECK – Blower motor

- 1) Turn fan control dial to 1-speed.
Blower should operate on 1-speed.
- 2) Then turn fan control dial to 2-speed.
- 3) Continue checking blower speed until all four speeds are checked.
- 4) Leave blower on 4-speed.

2. Check for any service bulletins.

3. Check blower motor circuit. (*1)

OK

INSPECTION END

If the symptom still exist, perform a complete operational check (*2) and check for other symptoms.
[Refer to symptom table, (*3).]
Does another symptom exist?

Yes

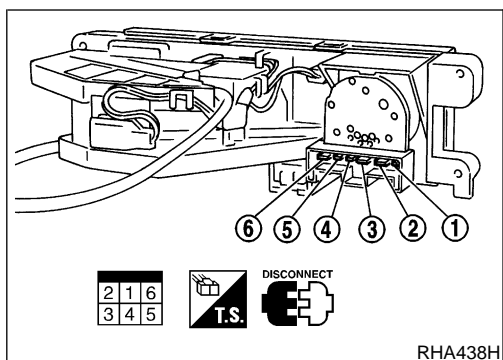
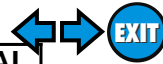
Go to Trouble Diagnosis for related symptom.
[Another symptom exists.]

RHA437H

*1: HA-166

*2: HA-155

*3: HA-154



ELECTRICAL COMPONENTS INSPECTION

=NFHA0139

Fan Switch

NFHA0139S01

Check continuity between terminals at each switch position.

SWITCH POSITION	Continuity between terminals
OFF	
1	2 — 1 — 6
2	3 — 1 — 6
3	4 — 1 — 6
4	5 — 1 — 6

GI

MA

EM

LC

EC

FE

CL

MT

Blower Motor

NFHA0139S02

Confirm smooth rotation of the blower motor.

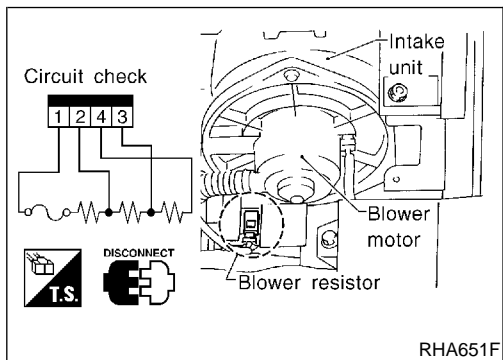
- Ensure that there are no foreign particles inside the intake unit.

AT

AX

SU

BR



Blower Resistor

NFHA0139S03

Check resistance between terminals.

Terminal No.		Resistance
(+)	(-)	
3	1	Approx. 0.9 - 1.1Ω
4		Approx. 2.75 - 2.95Ω
2		Approx. 0.3 - 0.5Ω

ST

RS

BT

HA

SC

EL

IDX

DIAGNOSTIC PROCEDURE

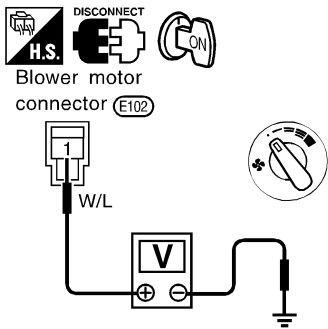
=NFHA0089

SYMPTOM:

- **Blower motor does not rotate.**

Test group No.	INCIDENT
1	Fan fails to rotate.
2	Fan does not rotate at 1-speed.
3	Fan does not rotate at 2-speed.
4	Fan does not rotate at 3-speed.
5	Fan does not rotate at 4-speed.

1	DIAGNOSTIC PROCEDURE	
Check if blower motor rotates properly at each fan speed. Conduct checks as per table at above.		
1	▶	GO TO 2.
2, 3, 4	▶	GO TO 8.
5	▶	GO TO 10.

2	CHECK POWER SUPPLY FOR BLOWER MOTOR	
1. Disconnect blower motor harness connector. 2. Do approx. 12 volts exist between blower motor harness terminal No. 1 and body ground?		
 <p style="text-align: center;">Yes or No</p>		
RHA343FC		
Yes	▶	GO TO 3.
No	▶	Check 15A (Nos. 51 and No. 52) fuses at fuse block. Refer to EL-10, "Wiring Diagram — POWER —". Check blower relay.

3	CHECK CIRCUIT CONTINUITY FOR BLOWER MOTOR	
<p>1. Turn fan control switch to any position except OFF.</p> <p>2. Check circuit continuity between blower motor harness terminal No. 2 and body ground.</p>		
<p style="text-align: center;">Continuity should exist.</p> <p style="text-align: center;">OK or NG</p>		
RHA344FC		
OK	▶	GO TO 4.
NG	▶	Reconnect blower motor harness connector. GO TO 5.

GI
 MA
 EM
 LC
 EC
 FE
 CL

4	CHECK BLOWER MOTOR	
<p>(Refer to Electrical Components Inspection.) (HA-165)</p>		
OK or NG		
OK	▶	INSPECTION END
NG	▶	Replace blower motor.

MT
 AT
 AX

5	CHECK BLOWER MOTOR CIRCUIT BETWEEN BLOWER MOTOR AND RESISTOR	
<p>Do approx. 12 volts exist between resistor harness terminal No. 1 and body ground?</p>		
<p style="text-align: center;">Yes or No</p>		
RHA575FB		
Yes	▶	Disconnect fan switch harness connector. GO TO 7.
No	▶	Disconnect blower motor and resistor harness connectors. GO TO 6.

SU
 BR
 ST
 RS
 BT
 HA

SC
 EL
 IDX

Blower Motor (Cont'd)

6	CHECK CIRCUIT CONTINUITY BETWEEN BLOWER MOTOR AND RESISTOR	
Check circuit continuity between blower motor harness terminal No. 2 and resistor harness terminal No. 1.		
RHA576FB		
<p>Continuity should exist. If OK, check harness for short.</p> <p style="text-align: center;">OK or NG</p>		
OK	▶	INSPECTION END
NG	▶	Repair harness or connector.

7	CHECK GROUND CIRCUIT FOR FAN SWITCH	
Check circuit continuity between fan switch harness terminal No. 1 and body ground.		
RHA440H		
<p style="text-align: center;">OK or NG</p>		
OK	▶	GO TO 8.
NG	▶	Repair harness or connector.

8	CHECK RESISTOR AFTER DISCONNECTING IT	
(Refer to Electrical Components Inspection.) (HA-165)		
OK or NG		
OK	▶	GO TO 9.
NG	▶	Replace resistor.

9	CHECK RESISTOR HARNESS CONNECTOR	
Reconnect resistor harness connector.		
OK or NG		
1	▶	GO TO 12.
2, 3, 4	▶	GO TO 10.

10	CHECK FAN SWITCH CIRCUIT																		
Do approx. 12 volts exist between each fan switch harness terminal and body ground?																			
		<table border="1" style="width: 100%; border-collapse: collapse;"> <thead> <tr> <th rowspan="2">Test group No.</th> <th colspan="2">Terminals No.</th> <th rowspan="2">Voltage</th> </tr> <tr> <th>(+)</th> <th>(-)</th> </tr> </thead> <tbody> <tr> <td>2</td> <td>5</td> <td rowspan="4" style="text-align: center;">Body ground</td> <td rowspan="4" style="text-align: center;">Approx. 12V</td> </tr> <tr> <td>3</td> <td>4</td> </tr> <tr> <td>4</td> <td>3</td> </tr> <tr> <td>5</td> <td>2</td> </tr> </tbody> </table>		Test group No.	Terminals No.		Voltage	(+)	(-)	2	5	Body ground	Approx. 12V	3	4	4	3	5	2
Test group No.	Terminals No.		Voltage																
	(+)	(-)																	
2	5	Body ground	Approx. 12V																
3	4																		
4	3																		
5	2																		
SHA325F																			
Yes or No																			
Yes		▶ GO TO 12.																	
No		▶ GO TO 11.																	

11	CHECK CIRCUIT CONTINUITY BETWEEN FAN SWITCH HARNESS TERMINAL AND RESISTOR HARNESS TERMINAL																					
		<table border="1" style="width: 100%; border-collapse: collapse;"> <thead> <tr> <th rowspan="2">Fan switch</th> <th colspan="2">Terminal No.</th> <th rowspan="2">Continuity</th> </tr> <tr> <th>Fan switch</th> <th>Resistor</th> </tr> </thead> <tbody> <tr> <td>2</td> <td></td> <td>4</td> <td rowspan="4" style="text-align: center;">Yes</td> </tr> <tr> <td>3</td> <td></td> <td>3</td> </tr> <tr> <td>4</td> <td></td> <td>2</td> </tr> <tr> <td>5</td> <td></td> <td>1</td> </tr> </tbody> </table>		Fan switch	Terminal No.		Continuity	Fan switch	Resistor	2		4	Yes	3		3	4		2	5		1
Fan switch	Terminal No.		Continuity																			
	Fan switch	Resistor																				
2		4	Yes																			
3		3																				
4		2																				
5		1																				
SHA326F																						
OK or NG																						
OK		▶ Check harness for short.																				
NG		▶ Repair harness or connector.																				

12	CHECK FAN SWITCH AFTER DISCONNECTING IT		
(Refer to Electrical Components Inspection.) (HA-165)			
OK or NG			
OK		▶ INSPECTION END	
NG		▶ Replace fan switch.	

GI
MA
EM
LC
EC
FE
CL
MT
AT
AX
SU
BR
ST
RS
BT
HA
SC
EL
IDX

Insufficient Cooling

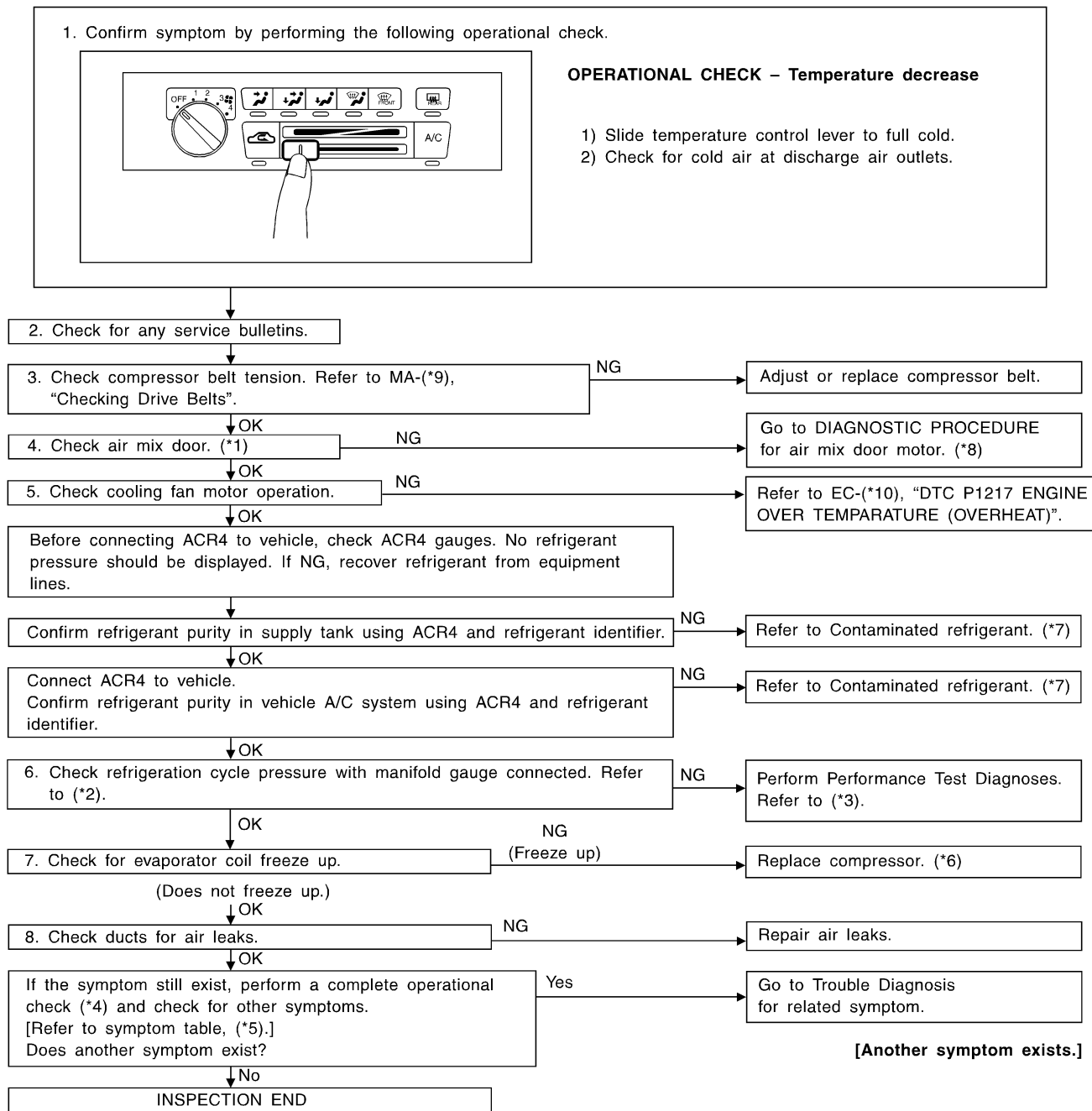
TROUBLE DIAGNOSIS PROCEDURE FOR INSUFFICIENT COOLING

=NFHA0150

Symptom:

- Insufficient Cooling.

Inspection Flow



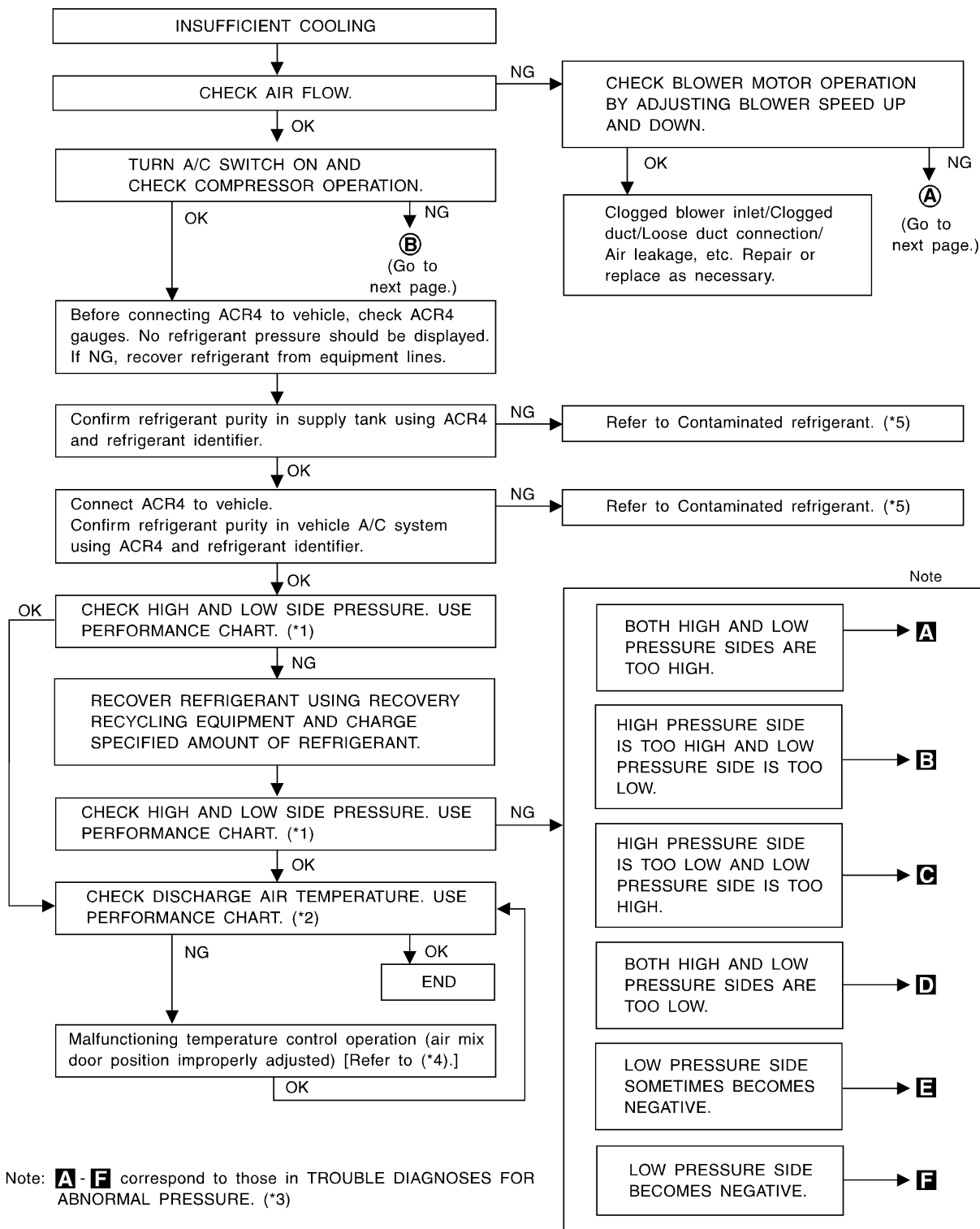
RHA443H

- *1: HA-179
- *2: HA-173
- *3: HA-171
- *4: HA-155

- *5: HA-154
- *6: HA-200
- *7: HA-125

- *8: HA-179
- *9: MA-13
- *10: EC-561

PERFORMANCE TEST DIAGNOSES



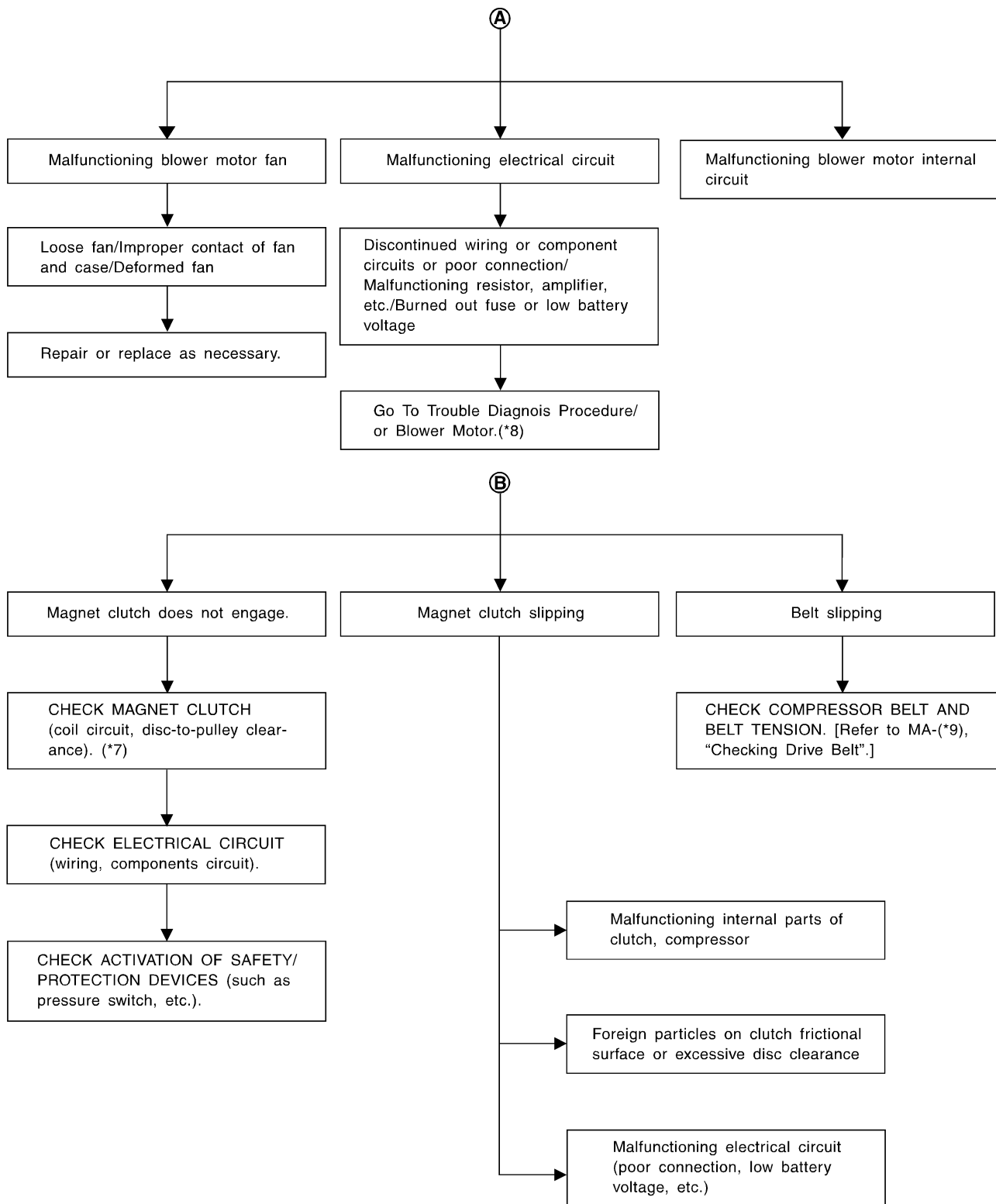
Note: **A - F** correspond to those in TROUBLE DIAGNOSES FOR ABNORMAL PRESSURE. (*3)

*1: HA-173
*2: HA-173

*3: HA-174
*4: HA-179

*5: HA-125

GI
MA
EM
LC
EC
FE
CL
MT
AT
AX
SU
BR
ST
RS
BT
HA
SC
EL
IDX



SHA334F

*7: HA-202

*8: HA-164

*9: MA-13

=NFHA0083

NFHA0083S01

PERFORMANCE TEST

Test Condition

Testing must be performed as follows:

Vehicle location	Indoors or in the shade (in a well-ventilated place)
Doors	Closed
Door windows	Open
Hood	Open
TEMP.	Max. COLD
Discharge Air	Face Vent
REC switch	(Recirculation) set
FAN speed	High speed
Engine speed	Idle speed

Operate the air conditioning system for 10 minutes before taking measurements.

Test Reading

Recirculating-to-discharge Air Temperature Table

NFHA0083S02

NFHA0083S0201

Inside air (Recirculating air) at blower assembly inlet		Discharge air temperature at center ventilator °C (°F)
Relative humidity %	Air temperature °C (°F)	
50 - 60	15 (59)	3.5 - 5.4 (38 - 42)
	20 (68)	6.6 - 8.9 (44 - 48)
	25 (77)	9.5 - 12.6 (49 - 55)
	30 (86)	13.4 - 16.5 (56 - 62)
	35 (95)	17.6 - 21.3 (64 - 70)
60 - 70	15 (59)	5.4 - 7.1 (42 - 45)
	20 (68)	8.9 - 11.0 (48 - 52)
	25 (77)	12.6 - 15.4 (55 - 60)
	30 (86)	16.5 - 20.0 (62 - 68)
	35 (95)	21.3 - 24.8 (70 - 77)

Ambient Air Temperature-to-operating Pressure Table

NFHA0083S0202

Ambient air		High-pressure (Discharge side) kPa (kg/cm ² , psi)	Low-pressure (Suction side) kPa (kg/cm ² , psi)
Relative humidity %	Air temperature °C (°F)		
50 - 70	15 (59)	539 - 657 (5.5 - 6.7, 78 - 95)	177 - 216 (1.8 - 2.2, 26 - 31)
	20 (68)	677 - 824 (6.9 - 8.4, 98 - 119)	167 - 206 (1.7 - 2.1, 24 - 30)
	25 (77)	843 - 1,030 (8.6 - 10.5, 122 - 149)	177 - 226 (1.8 - 2.3, 26 - 33)
	30 (86)	1,030 - 1,275 (10.5 - 13.0, 149 - 185)	216 - 255 (2.2 - 2.6, 31 - 37)
	35 (95)	1,245 - 1,520 (12.7 - 15.5, 181 - 220)	265 - 324 (2.7 - 3.3, 38 - 47)

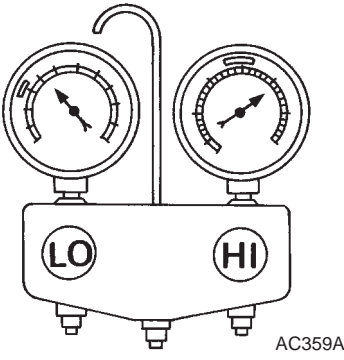
TROUBLE DIAGNOSES FOR ABNORMAL PRESSURE

NFHA0084

Whenever system's high and/or low side pressure is abnormal, diagnose using a manifold gauge. The marker above the gauge scale in the following tables indicates the standard (normal) pressure range. Since the standard (normal) pressure, however, differs from vehicle to vehicle, refer to HA-173 ("Ambient air temperature-to-operating pressure table").

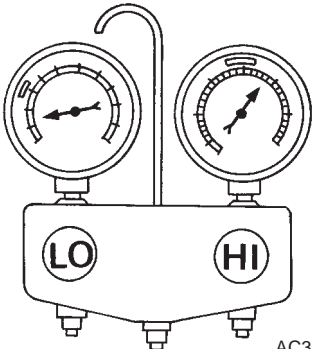
Both High and Low-pressure Sides are Too High.

NFHA0084S01

Gauge indication	Refrigerant cycle	Probable cause	Corrective action
<p>Both high and low-pressure sides are too high.</p> <p>A</p> 	<ul style="list-style-type: none"> Pressure is reduced soon after water is splashed on condenser. 	<p>Excessive refrigerant charge in refrigeration cycle</p>	<p>Reduce refrigerant until specified pressure is obtained.</p>
	<p>Air suction by cooling fan is insufficient.</p>	<p>Insufficient condenser cooling performance</p> <p>↓</p> <ol style="list-style-type: none"> Condenser fins are clogged. Improper fan rotation of cooling fan 	<ul style="list-style-type: none"> Clean condenser. Check and repair cooling fan as necessary.
	<ul style="list-style-type: none"> Low-pressure pipe is not cold. When compressor is stopped high-pressure value quickly drops by approximately 196 kPa (2 kg/cm², 28 psi). It then decreases gradually thereafter. 	<p>Poor heat exchange in condenser (After compressor operation stops, high pressure decreases too slowly.)</p> <p>↓</p> <p>Air in refrigeration cycle</p>	<p>Evacuate repeatedly and recharge system.</p>
	<p>Engine tends to overheat.</p>	<p>Engine cooling systems malfunction.</p>	<p>Check and repair each engine cooling system.</p>
	<ul style="list-style-type: none"> An area of the low-pressure pipe is colder than areas near the evaporator outlet. Plates are sometimes covered with frost. 	<ul style="list-style-type: none"> Excessive liquid refrigerant on low-pressure side Excessive refrigerant discharge flow Expansion valve is open a little compared with the specification. <p>↓</p> <ol style="list-style-type: none"> Improper thermal valve installation Improper expansion valve adjustment 	<p>Replace expansion valve.</p>

High-pressure Side is Too High and Low-pressure Side is Too Low.

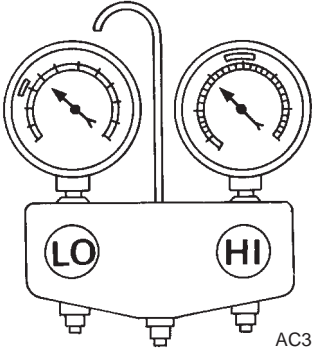
NFHA0084S02

Gauge indication	Refrigerant cycle	Probable cause	Corrective action
<p>High-pressure side is too high and low-pressure side is too low.</p> <p>B</p>  <p style="text-align: right; font-size: small;">AC360A</p>	<p>Upper side of condenser and high-pressure side are hot, however, liquid tank is not so hot.</p>	<p>High-pressure tube or parts located between compressor and condenser are clogged or crushed.</p>	<ul style="list-style-type: none"> ● Check and repair or replace malfunctioning parts. ● Check lubricant for contamination.

GI
MA
EM
LC
EC
FE

High-pressure Side is Too Low and Low-pressure Side is Too High.

NFHA0084S03

Gauge indication	Refrigerant cycle	Probable cause	Corrective action
<p>High-pressure side is too low and low-pressure side is too high.</p> <p>C</p>  <p style="text-align: right; font-size: small;">AC356A</p>	<p>High and low-pressure sides become equal soon after compressor operation stops.</p>	<p>Compressor pressure operation is improper.</p> <p style="text-align: center;">↓</p> <p>Damaged inside compressor packings</p>	<p>Replace compressor.</p>
	<p>No temperature difference between high and low-pressure sides</p>	<p>Compressor pressure operation is improper.</p> <p style="text-align: center;">↓</p> <p>Damaged inside compressor packings.</p>	<p>Replace compressor.</p>

CL
MT
AT
AX
SU
BR
ST

RS
BT

HA

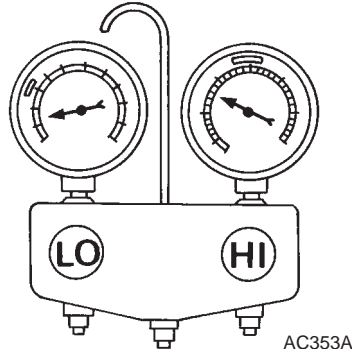
SC

EL

IDX

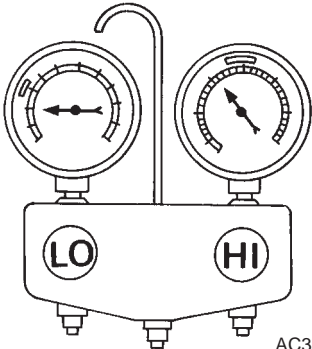
Both High- and Low-pressure Sides are Too Low.

NFHA0084S04

Gauge indication	Refrigerant cycle	Probable cause	Corrective action
<p>Both high- and low-pressure sides are too low.</p> <p>D</p> 	<ul style="list-style-type: none"> There is a big temperature difference between receiver drier outlet and inlet. Outlet temperature is extremely low. Liquid tank inlet and expansion valve are frosted. 	<p>Compressor discharge capacity does not change. (Compressor stroke is set at maximum.)</p>	<ul style="list-style-type: none"> Replace liquid tank. Check lubricant for contamination.
	<ul style="list-style-type: none"> Temperature of expansion valve inlet is extremely low as compared with areas near liquid tank. Expansion valve inlet may be frosted. Temperature difference occurs somewhere in high-pressure side 	<p>High-pressure pipe located between receiver drier and expansion valve is clogged.</p>	<ul style="list-style-type: none"> Check and repair malfunctioning parts. Check lubricant for contamination.
	<ul style="list-style-type: none"> Expansion valve and liquid tank are warm or only cool when touched. 	<p>Low refrigerant charge</p> <p style="text-align: center;">↓</p> <p>Leaking fittings or components</p>	<p>Check refrigerant for leaks. Refer to "Checking Refrigerant Leaks", HA-207.</p>
	<p>There is a big temperature difference between expansion valve inlet and outlet while the valve itself is frosted.</p>	<p>Expansion valve closes a little compared with the specification.</p> <p style="text-align: center;">↓</p> <ol style="list-style-type: none"> Improper expansion valve adjustment Malfunctioning thermal valve Outlet and inlet may be clogged. 	<ul style="list-style-type: none"> Remove foreign particles by using compressed air. Check lubricant for contamination.
	<p>An area of the low-pressure pipe is colder than areas near the evaporator outlet.</p>	<p>Low-pressure pipe is clogged or crushed.</p>	<ul style="list-style-type: none"> Check and repair malfunctioning parts. Check lubricant for contamination.
	<p>Air flow volume is not enough or is too low.</p>	<p>Evaporator is frozen.</p> <p style="text-align: center;">↓</p> <p>Compressor discharge capacity does not change. (Compressor stroke is set at maximum length.)</p>	<p>Replace compressor.</p>

Low-pressure Side Sometimes Becomes Negative.

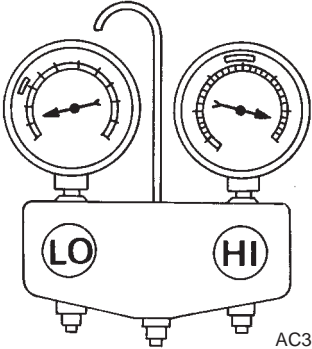
NFHA0084S05

Gauge indication	Refrigerant cycle	Probable cause	Corrective action
<p>Low-pressure side sometimes becomes negative.</p> <p>E</p>  <p style="text-align: right; font-size: small;">AC354A</p>	<ul style="list-style-type: none"> ● Air conditioning system does not function and does not cyclically cool the compartment air. ● The system constantly functions for a certain period of time after compressor is stopped and restarted. 	<p>Refrigerant does not discharge cyclically.</p> <p style="text-align: center;">↓</p> <p>Moisture is frozen at expansion valve outlet and inlet.</p> <p style="text-align: center;">↓</p> <p>Water is mixed with refrigerant.</p>	<ul style="list-style-type: none"> ● Drain water from refrigerant or replace refrigerant. ● Replace liquid tank.

GI
MA
EM
LC
EC
FE

Low-pressure Side Becomes Negative.

NFHA0084S06

Gauge indication	Refrigerant cycle	Probable cause	Corrective action
<p>Low-pressure side becomes negative.</p> <p>F</p>  <p style="text-align: right; font-size: small;">AC362A</p>	<p>Liquid tank or front/rear side of expansion valve's pipe is frosted or dewed.</p>	<p>High-pressure side is closed and refrigerant does not flow.</p> <p style="text-align: center;">↓</p> <p>Expansion valve or liquid tank is frosted.</p>	<p>Leave the system at rest until no frost is present. Start it again to check whether or not the problem is caused by water or foreign particles.</p> <ul style="list-style-type: none"> ● If water is the cause, initially cooling is okay. Then the water freezes causing a blockage. Drain water from refrigerant or replace refrigerant. ● If due to foreign particles, remove expansion valve and remove particles with dry and compressed air (not shop air). ● If either of the above methods cannot correct the problem, replace expansion valve. ● Replace liquid tank. ● Check lubricant for contamination.

CL
MT
AT
AX
SU
BR
ST
RS
BT

HA
SC
EL
IDX

Insufficient Heating

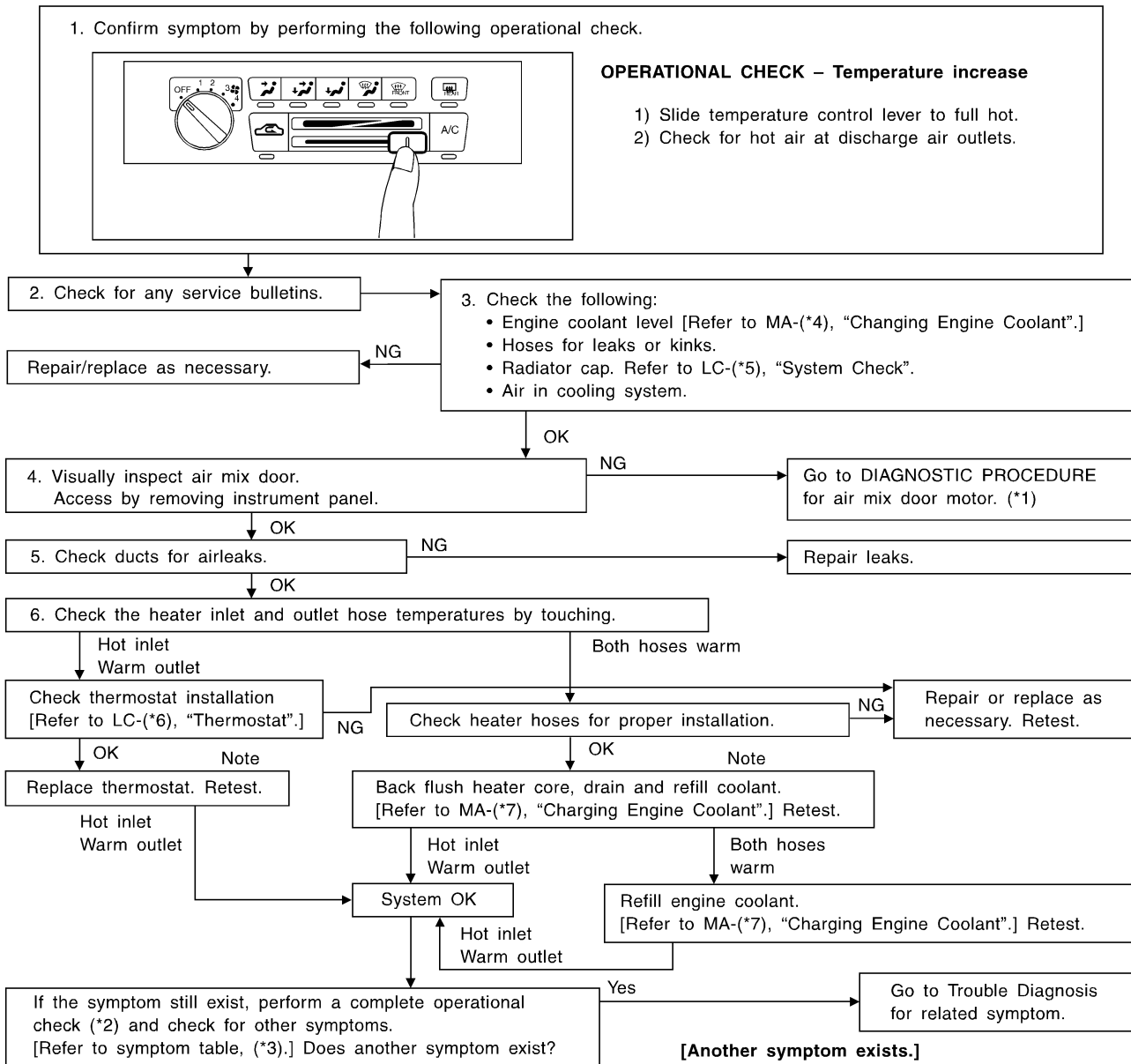
TROUBLE DIAGNOSIS PROCEDURE FOR INSUFFICIENT HEATING

=NFHA0140

Symptom:

- Insufficient Heating.

Inspection Flow



RHA444H

*1: HA-179
*2: HA-155
*3: HA-154

*4: MA-14
*5: LC-9

*6: LC-14
*7: MA-14

Air Mix Door

TROUBLE DIAGNOSIS PROCEDURE FOR AIR MIX DOOR MOTOR

=NFHA0256

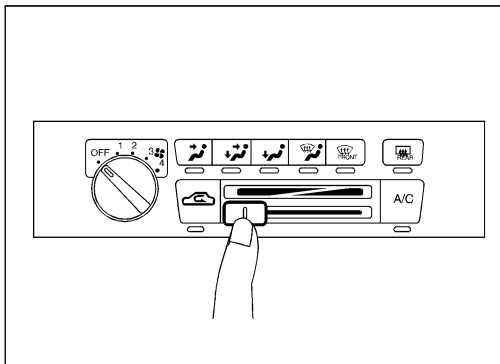
SYMPTOM:

- Air mix door motor does not operate normally.

INSPECTION FLOW

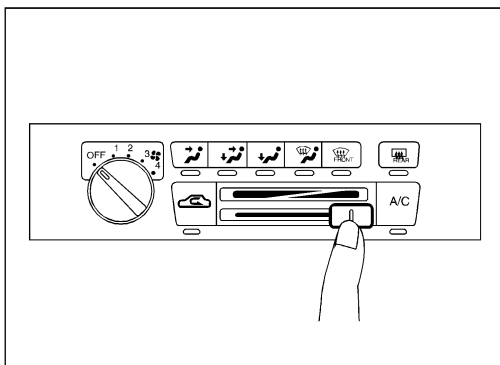
GI
 MA
 EM
 LC
 EC
 FE
 CL
 MT
 AT
 AX
 SU
 BR
 ST
 RS
 BT
 HA
 SC
 EL
 IDX

1. Confirm symptom by performing the following operational check.



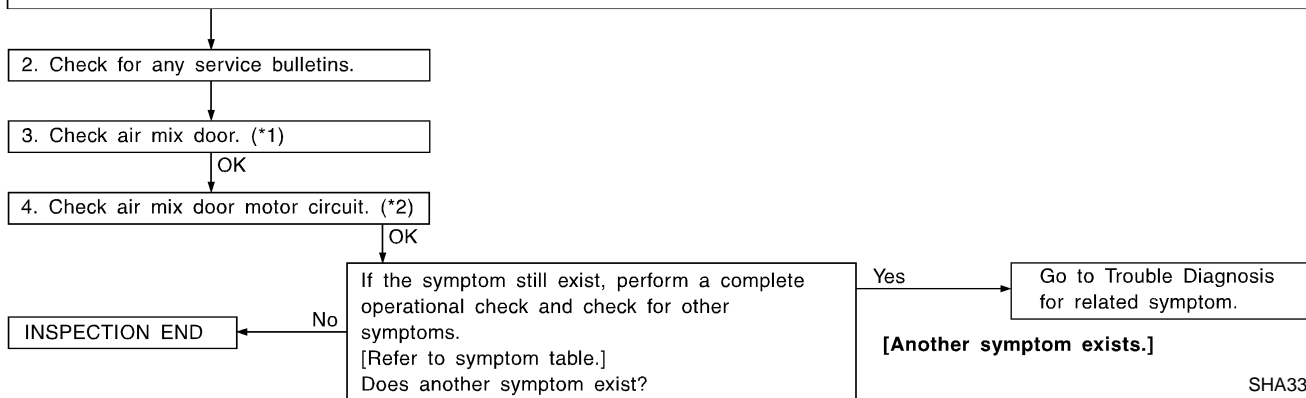
OPERATIONAL CHECK – Temperature decrease and increase

1. Check Temperature Decrease
 - a) Slide temperature control lever to full cold.
 - b) Check for cold air at discharge air outlets.



2. Check Temperature Increase
 - a) Slide temperature control lever to full hot.
 - b) Check for hot air at discharge air outlets.

If OK (symptom cannot be duplicated). Perform complete operational check. (*3)
If NG (symptom is confirmed), continue with STEP-2 following.



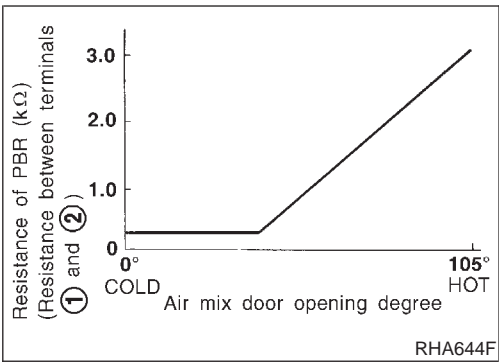
SHA335F

*1: HA-182

*2: HA-181

*3: HA-155

Air Mix Door (Cont'd)



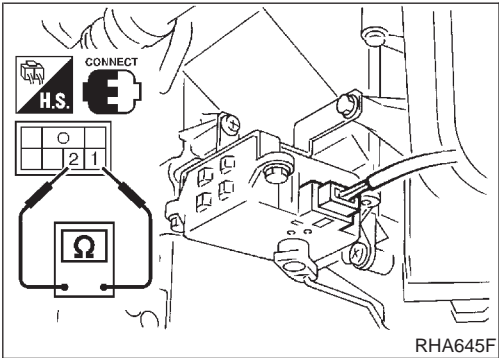
CONTROL SYSTEM INPUT COMPONENT

NFHA0258

PBR

NFHA0258S01

Measure resistance between terminals 1 and 2 at vehicle harness side.



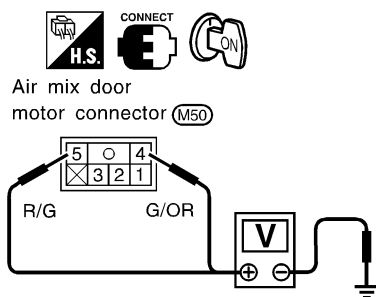
DIAGNOSTIC PROCEDURE

SYMPTOM:

- Air mix door motor does not operate normally.

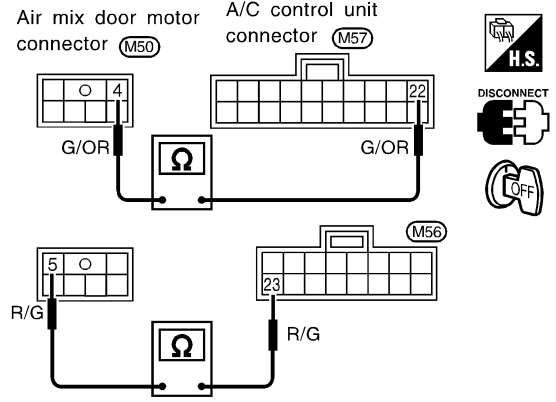
1	CHECK POWER SUPPLY FOR A/C CONTROL UNIT.	
Refer to "MAIN POWER SUPPLY AND GROUND CIRCUIT CHECK", HA-158.		
OK or NG		
OK	▶	GO TO 2.
NG	▶	Repair or replace.

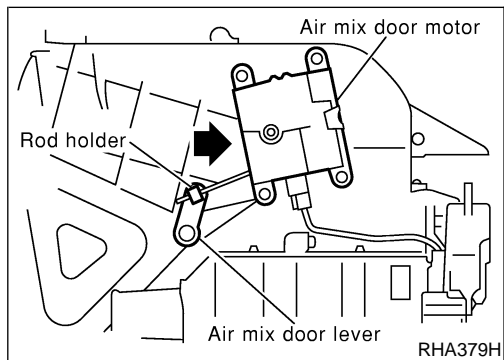
2	CHECK PBR	
Refer to HA-180.		
OK or NG		
OK	▶	GO TO 3.
NG	▶	Replace air mix door motor.

3	CHECK FOR OUTPUT OF AUTO AMP.													
Do approx. 10.5 volts exist between air mix door motor harness terminal Nos. 4, 5 and body ground?														
 <table border="1" style="margin-left: auto; margin-right: auto; border-collapse: collapse;"> <thead> <tr> <th rowspan="2">Air mix door operation</th> <th colspan="2">Terminal No.</th> <th rowspan="2">Voltage</th> </tr> <tr> <th>(+)</th> <th>(-)</th> </tr> </thead> <tbody> <tr> <td>Cold → Hot</td> <td>4</td> <td rowspan="2">Body ground</td> <td rowspan="2">Approx. 10.5V</td> </tr> <tr> <td>Hot → Cold</td> <td>5</td> </tr> </tbody> </table>			Air mix door operation	Terminal No.		Voltage	(+)	(-)	Cold → Hot	4	Body ground	Approx. 10.5V	Hot → Cold	5
Air mix door operation	Terminal No.			Voltage										
	(+)	(-)												
Cold → Hot	4	Body ground	Approx. 10.5V											
Hot → Cold	5													
Yes or No														
Yes	▶	GO TO 4.												
No	▶	Replace A/C control unit.												

SHA327F

GI
MA
EM
LC
EC
FE
CL
MT
AT
AX
SU
BR
ST
RS
BT
HA
SC
EL
IDX

4	CHECK CIRCUIT CONTINUITY BETWEEN AIR MIX DOOR MOTOR HARNESS TERMINAL NOS. (4), 5 AND A/C CONTROL UNIT HARNESS TERMINAL NOS. (22), 23
<p>Continuity should exist. If OK, check harness for short.</p> <div style="text-align: center;">  </div> <p style="text-align: right;">RHA380H</p>	
OK or NG	
OK	▶ Replace air mix door motor.
NG	▶ Repair harness or connector.



CONTROL LINKAGE ADJUSTMENT

NFHA0257

Air Mix Door

NFHA0257S01

1. Install air mix door motor on heater unit and connect it to main harness.
Make sure lever of air mix door is fitted into the slit of the air mix door link.
2. Turn ignition switch to ON.
3. Slide temperature control lever to full cold.
4. Check that air mix door operates properly when temperature control lever is slid to full hot and full cold.

Mode Door

TROUBLE DIAGNOSIS PROCEDURE FOR MODE DOOR

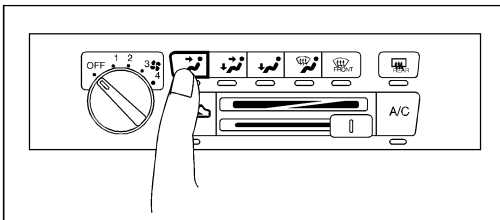
=NFHA0142

Symptom:

- Air outlet does not change.

Inspection Flow

1. Confirm symptom by performing the following operational check.



OPERATIONAL CHECK – Discharge air.

1) Push mode switch.

2) Confirm that discharge air comes out according to the air distribution table at left.
Refer to “Discharge Air Flow” in “DESCRIPTION” (*4).

Discharge air flow

Mode switch	Mode door/distribution		
	Face	Foot	Defroster
	100%	–	–
	60%	40%	–
	–	80%	20%
	–	60%	40%
	–	–	100%

2. Check for any service bulletins.

3. Check mode door operation. (*1)

NG

Go to Trouble Diagnosis Procedure for mode door motor. (*5)

OK

INSPECTION END

If the symptom still exist, perform a complete operational check (*2) and check for other symptoms.
[Refer to symptom table, (*3).]
Does another symptom exist?

Yes

Go to Trouble Diagnosis for related symptom.
[Another symptom exists.]

*1: HA-185
*2: HA-155

*3: HA-154
*4: HA-145

*5: HA-184

RHA445H

GI
 MA
 EM
 LC
 EC
 FE
 CL
 MT
 AT
 AX
 SU
 BR
 ST
 RS
 BT
 HA
 SC
 EL
 IDX

Mode Door (Cont'd)

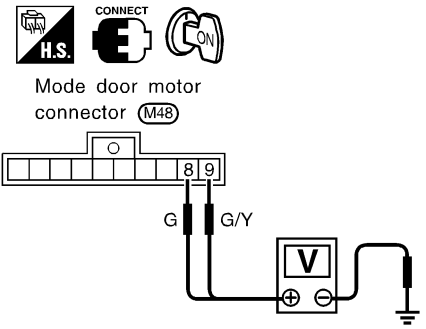
DIAGNOSTIC PROCEDURE

=NFHA0260

SYMPTOM:

- Mode door motor does not operate normally.

1	CHECK POWER SUPPLY FOR A/C CONTROL UNIT	
Refer to "MAIN POWER SUPPLY AND GROUND CIRCUIT CHECK", HA-158.		
OK or NG		
OK	▶	GO TO 2.
NG	▶	Repair or replace.

2	CHECK FOR OUTPUT OF A/C CONTROL UNIT	
Do approx. 10.5 volts exist between mode door motor harness terminal Nos. 8, 9 and body ground?		
		
Yes or No		
Yes	▶	GO TO 3.
No	▶	Replace auto amp.

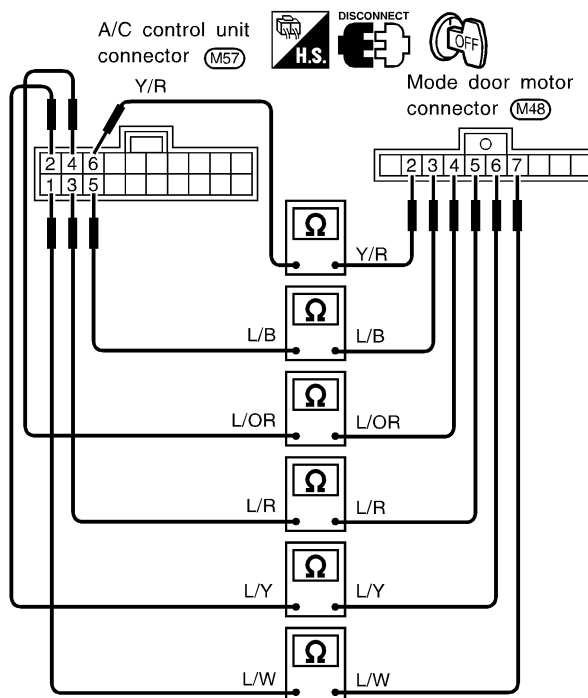
Mode door operation	Terminal No.		Voltage
	(+)	(-)	
VENT → DEF	9	Body ground	Approx. 10.5V
DEF → VENT	8		

SHA328F

3 CHECK CIRCUIT CONTINUITY BETWEEN MODE DOOR MOTOR HARNESS TERMINAL AND A/C CONTROL UNIT HARNESS TERMINAL

Continuity should exist.

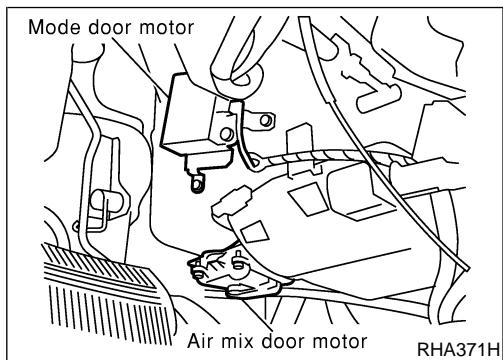
If OK, check harness for short.



RHA395H

OK or NG

OK	▶	Replace air mix door motor.
NG	▶	Repair harness or connector.



CONTROL LINKAGE ADJUSTMENT

NFHA0151

Mode Door

NFHA0151S01

1. Install mode door motor on heater unit and connect it to main harness.
Make sure lever of mode door motor is fitted into the slit of mode door link.
2. Turn ignition switch to ON.
3. Turn VENT switch ON.
4. Turn DEF switch ON. Check that slide link operates at the full-open position.
Also turn DEF switch ON to check that slide link operates at the fully-open position.

Magnet Clutch

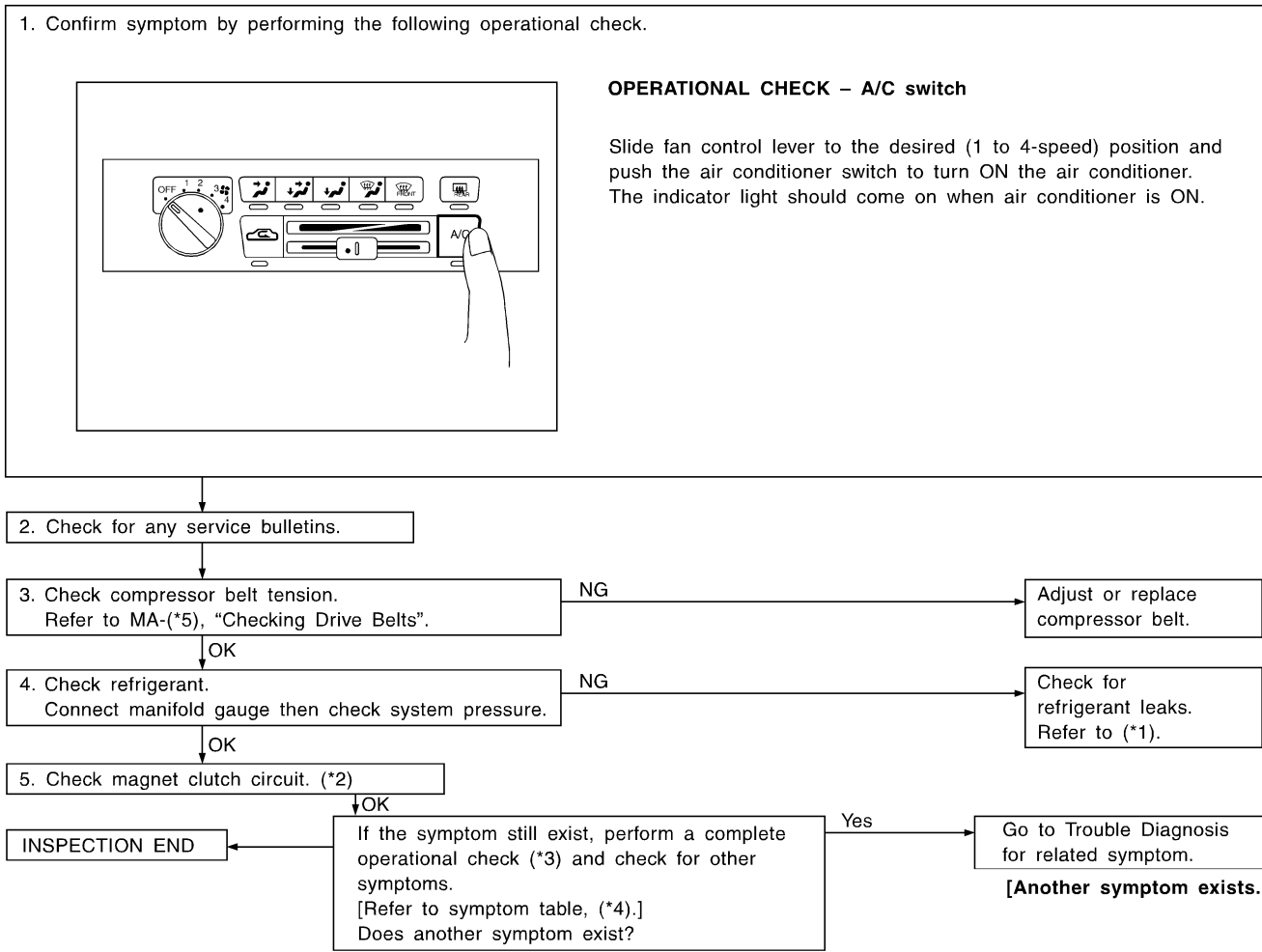
TROUBLE DIAGNOSIS PROCEDURE FOR MAGNET CLUTCH

=NFHA0119

Symptom:

- Magnet clutch does not operate when A/C switch and fan switch are ON.

Inspection Flow



RHA446H

*1: HA-207
*2: HA-187

*3: HA-155
*4: HA-154

*5: MA-13

DIAGNOSTIC PROCEDURE

SYMPTOM:

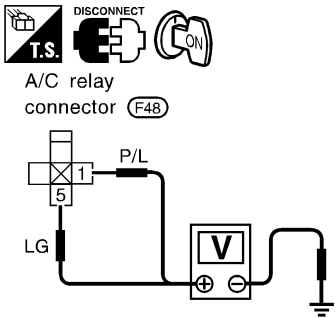
- Magnet clutch does not engage when A/C switch and fan switch are ON.

1	CHECK POWER SUPPLY FOR COMPRESSOR	<p>Disconnect compressor harness connector. Do approx. 12 volts exist between compressor harness terminal No. 1 and body ground?</p> <div style="text-align: center;"> <p>Compressor connector (A3)</p> </div> <p style="text-align: right;">RHA747FH</p> <p style="text-align: center;">Yes or No</p>	GI MA EM LC EC FE CL MT
	Yes	▶ GO TO 2.	
	No	▶ Disconnect A/C relay. GO TO 3.	

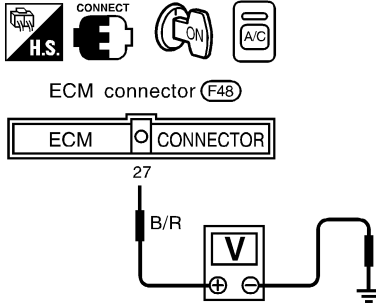
2	CHECK MAGNET CLUTCH COIL	<p>OK or NG</p>	AT AX
	NG	▶ Replace magnet clutch. Refer to HA-200.	

3	CHECK CIRCUIT CONTINUITY BETWEEN A/C RELAY HARNESS TERMINAL NO. 3 AND COMPRESSOR HARNESS TERMINAL NO. 1	<div style="text-align: center;"> <p>Compressor connector (A3)</p> <p>A/C relay connector (E71)</p> </div> <p style="text-align: right;">RHA447H</p> <p style="text-align: center;">OK or NG</p> <p>Continuity should exist. If OK, check harness for short.</p>	SU BR ST RS BT HA SC EL IDX
	OK	▶ GO TO 4.	
	NG	▶ Repair harness or connector.	

Magnet Clutch (Cont'd)

4	CHECK POWER SUPPLY FOR A/C RELAY	
Disconnect A/C relay. Do approx. 12 volts exist between A/C relay harness terminal Nos. 1, 5 and body ground?		
		
RHA439H		
Yes or No		
Yes	▶	GO TO 5.
No	▶	Check power supply circuit and 10A (Nos. 19, 66) fuse at fuse block. Refer to EL-10, "Wiring Diagram — POWER —".

5	CHECK A/C RELAY AFTER DISCONNECTING IT	
Refer to HA-192.		
OK or NG		
OK	▶	Reconnect A/C relay. GO TO 6.
NG	▶	Replace A/C relay.

6	CHECK COIL SIDE CIRCUIT OF A/C RELAY	
Do approx. 0 volts exist between ECM harness terminal No. 27 and body ground?		
		
SHA311FA		
Yes or No		
Yes	▶	GO TO 8.
No	▶	Disconnect A/C relay. Disconnect ECM harness connector. GO TO 7.

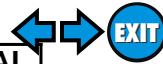
7	CHECK CIRCUIT CONTINUITY BETWEEN A/C RELAY HARNESS TERMINAL NO. 2 AND ECM HARNESS TERMINAL NO. 27	<div style="text-align: center;"> </div> <p style="text-align: center; color: blue;">Continuity should exist.</p> <p style="text-align: right;">RHA448H</p> <p style="text-align: center;">OK or NG</p> <table border="1" style="width: 100%; border-collapse: collapse; margin-top: 10px;"> <tr> <td style="width: 20%;">OK</td> <td style="width: 5%; text-align: center;">▶</td> <td>Check harness for short.</td> </tr> <tr> <td>NG</td> <td style="text-align: center;">▶</td> <td>Repair harness or connector.</td> </tr> </table>	OK	▶	Check harness for short.	NG	▶	Repair harness or connector.	GI MA EM LC EC FE CL MT
OK	▶	Check harness for short.							
NG	▶	Repair harness or connector.							

8	CHECK REFRIGERANT PRESSURE SENSOR INPUT SIGNAL	<p>Do approx. 12 volts between ECM harness terminal No. 51 and body ground?</p> <div style="text-align: center;"> </div> <p style="text-align: right;">RHA449H</p> <p style="text-align: center;">Yes or No</p> <table border="1" style="width: 100%; border-collapse: collapse; margin-top: 10px;"> <tr> <td style="width: 20%;">Yes</td> <td style="width: 5%; text-align: center;">▶</td> <td>GO TO 10.</td> </tr> <tr> <td>No</td> <td style="text-align: center;">▶</td> <td>Check ECM. Refer to EC-148, "ECM Terminals and Reference Value". Repair harness or connector.</td> </tr> </table>	Yes	▶	GO TO 10.	No	▶	Check ECM. Refer to EC-148, "ECM Terminals and Reference Value". Repair harness or connector.	AT AX SU BR ST RS BT HA
Yes	▶	GO TO 10.							
No	▶	Check ECM. Refer to EC-148, "ECM Terminals and Reference Value". Repair harness or connector.							

9	CHECK REFRIGERANT PRESSURE SENSOR	<p>Refer to HA-192.</p> <p style="text-align: center;">OK or NG</p> <table border="1" style="width: 100%; border-collapse: collapse; margin-top: 10px;"> <tr> <td style="width: 20%;">OK</td> <td style="width: 5%; text-align: center;">▶</td> <td>Disconnect A/C switch harness connector. GO TO 10.</td> </tr> <tr> <td>NG</td> <td style="text-align: center;">▶</td> <td>Replace refrigerant pressure sensor.</td> </tr> </table>	OK	▶	Disconnect A/C switch harness connector. GO TO 10.	NG	▶	Replace refrigerant pressure sensor.	SC EL IDX
OK	▶	Disconnect A/C switch harness connector. GO TO 10.							
NG	▶	Replace refrigerant pressure sensor.							

10	CHECK VOLTAGE FOR ECM
<p>Do approx. 0 volts exist between ECM harness terminal No. 45 and body ground?</p> <div style="text-align: center;"> </div> <p style="text-align: right;">SHA312F</p>	
Yes or No	
Yes	▶ GO TO 11.
No	▶ Check ECM. Refer to EC-148, "ECM Terminals and Reference Value". Repair harness or connector.

11	CHECK CIRCUIT CONTINUITY BETWEEN A/C CONTROL UNIT HARNESS TERMINAL NO. 12 AND FAN SWITCH HARNESS TERMINAL NO. 6
<div style="text-align: center;"> </div> <p style="text-align: right;">RHA450H</p>	
Continuity should exist.	
If OK, check harness for short.	
OK or NG	
OK	▶ GO TO 12.
NG	▶ Repair harness or connector.

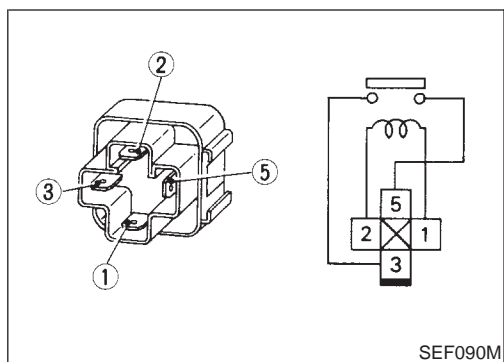


12	CHECK BODY GROUND CIRCUIT FOR FAN SWITCH	
Does continuity exist between fan switch harness terminal No. 1 and body ground?		
<p style="text-align: center;">Fan switch connector (M58)</p>		
RHA451H		
Yes or No		
Yes	▶	GO TO 13.
No	▶	Repair harness or connector.

13	CHECK FAN SWITCH	
Refer to HA-165.		
OK or NG		
OK	▶	Replace A/C control unit.
NG	▶	Replace fan switch.

GI
 MA
 EM
 LC
 EC
 FE
 CL
 MT
 AT
 AX
 SU
 BR
 ST
 RS
 BT
 HA
 SC
 EL
 IDX

Magnet Clutch (Cont'd)



ELECTRICAL COMPONENTS INSPECTION

=NFHA0092

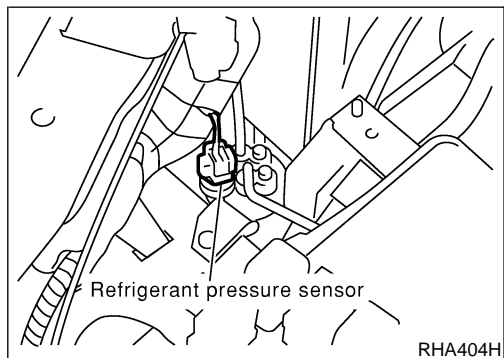
A/C Relay

NFHA0092S07

Check continuity between terminal Nos. 3 and 5.

Conditions	Continuity
12V direct current supply between terminal Nos. 1 and 2	Yes
No current supply	No

If NG, replace relay.

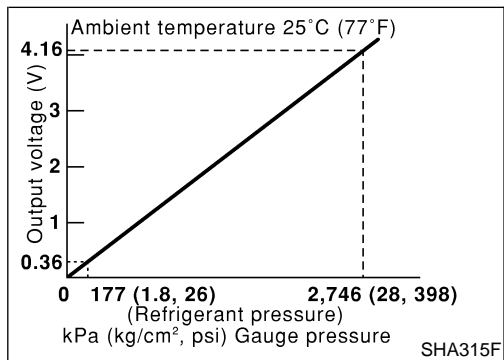


Refrigerant Pressure Sensor

NFHA0092S08

Make sure that higher A/C refrigerant pressure results in higher refrigerant-pressure sensor output voltage.

	OFF kPa (kg/cm ² , psi)
Low-pressure side	Decreasing to 0.18 (0.00184, 0.03)
High-pressure side	Increasing to 2.74 (0.0279, 0.40)



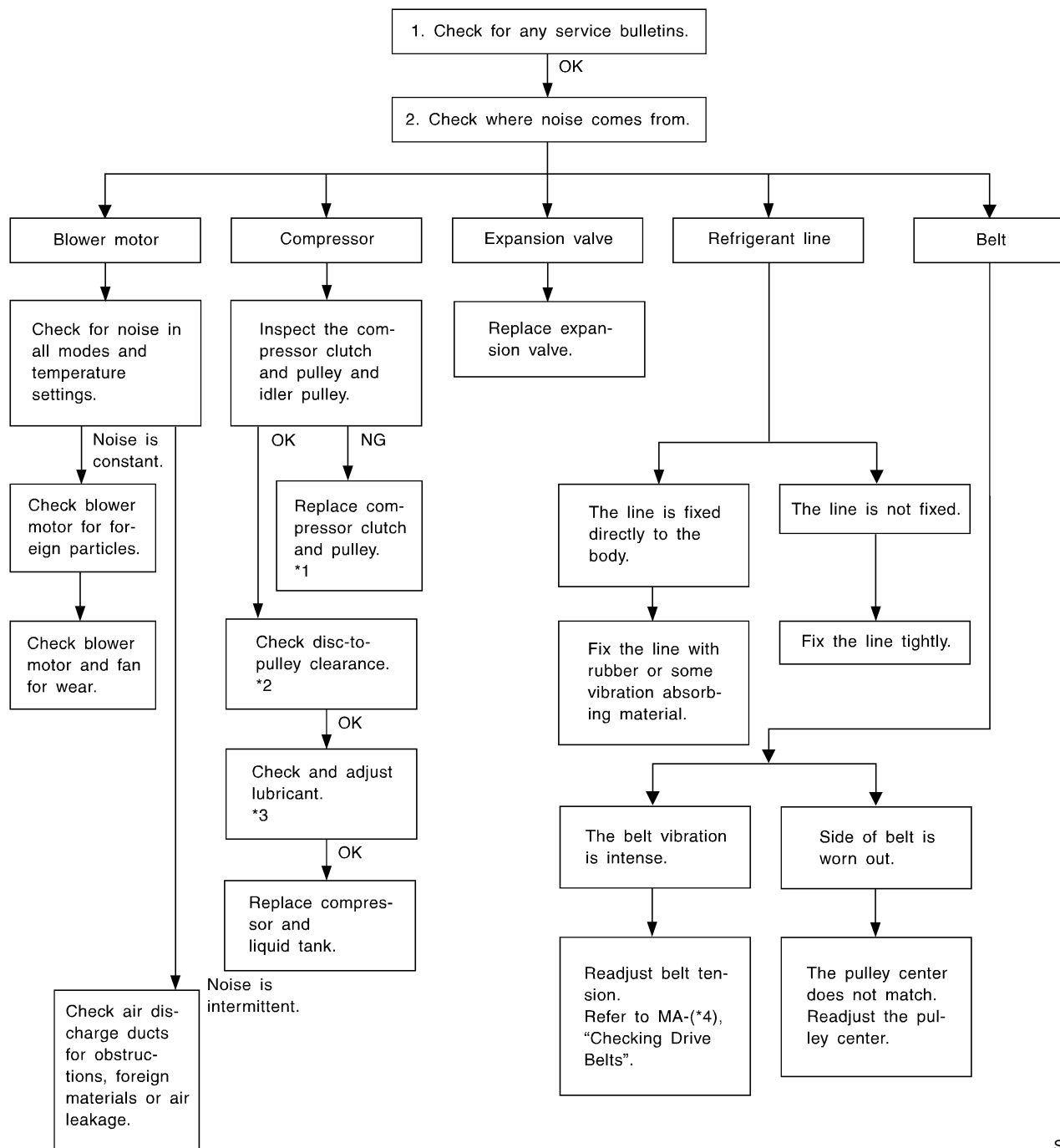
Noise TROUBLE DIAGNOSIS PROCEDURE FOR NOISE

=NFHA0080 GI

Symptom:

- Noise

Inspection Flow



*1: HA-202
*2: HA-202

*3: HA-196

*4: MA-13

SHA336F

GI
MA
EM
LC
EC
FE
CL
MT
AT
AX
SU
BR
ST
RS
BT
HA
SC
EL
IDX

HFC-134a (R-134a) Service Procedure

NFHA0094

NFHA0094S01

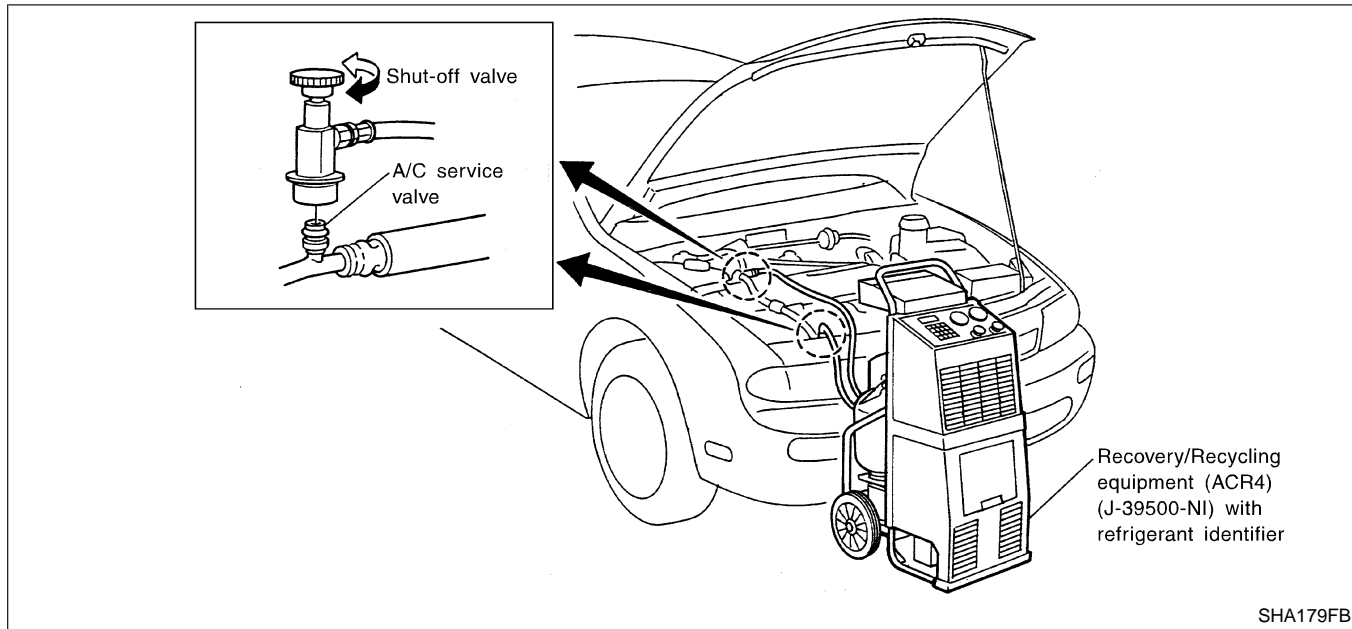
NFHA0094S0101

SETTING OF SERVICE TOOLS AND EQUIPMENT

Discharging Refrigerant

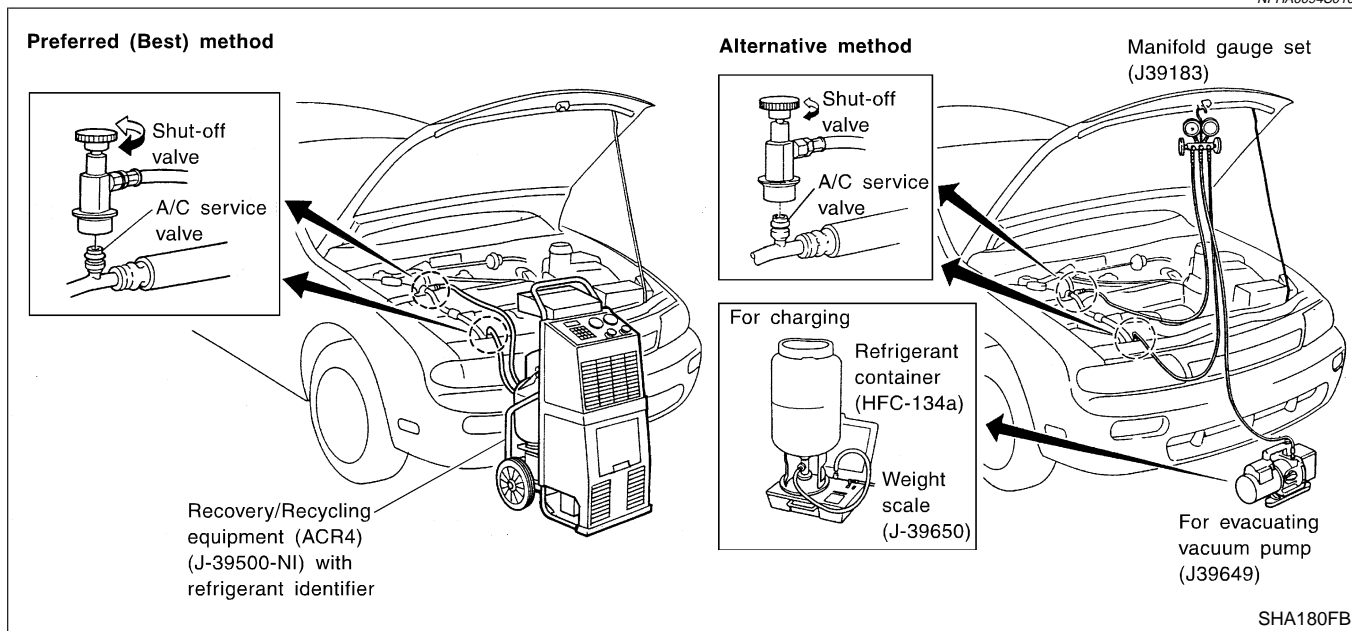
WARNING:

Avoid breathing A/C refrigerant and lubricant vapor or mist. Exposure may irritate eyes, nose and throat. Remove HFC-134a (R-134a) from A/C system using certified service equipment meeting requirements of SAE J2210 (R-134a recycling equipment) or J2209 (R-134a recovery equipment). If accidental system discharge occurs, ventilate work area before resuming service. Additional health and safety information may be obtained from refrigerant and lubricant manufacturers.



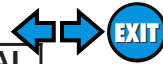
Evacuating System and Charging Refrigerant

NFHA0094S0102



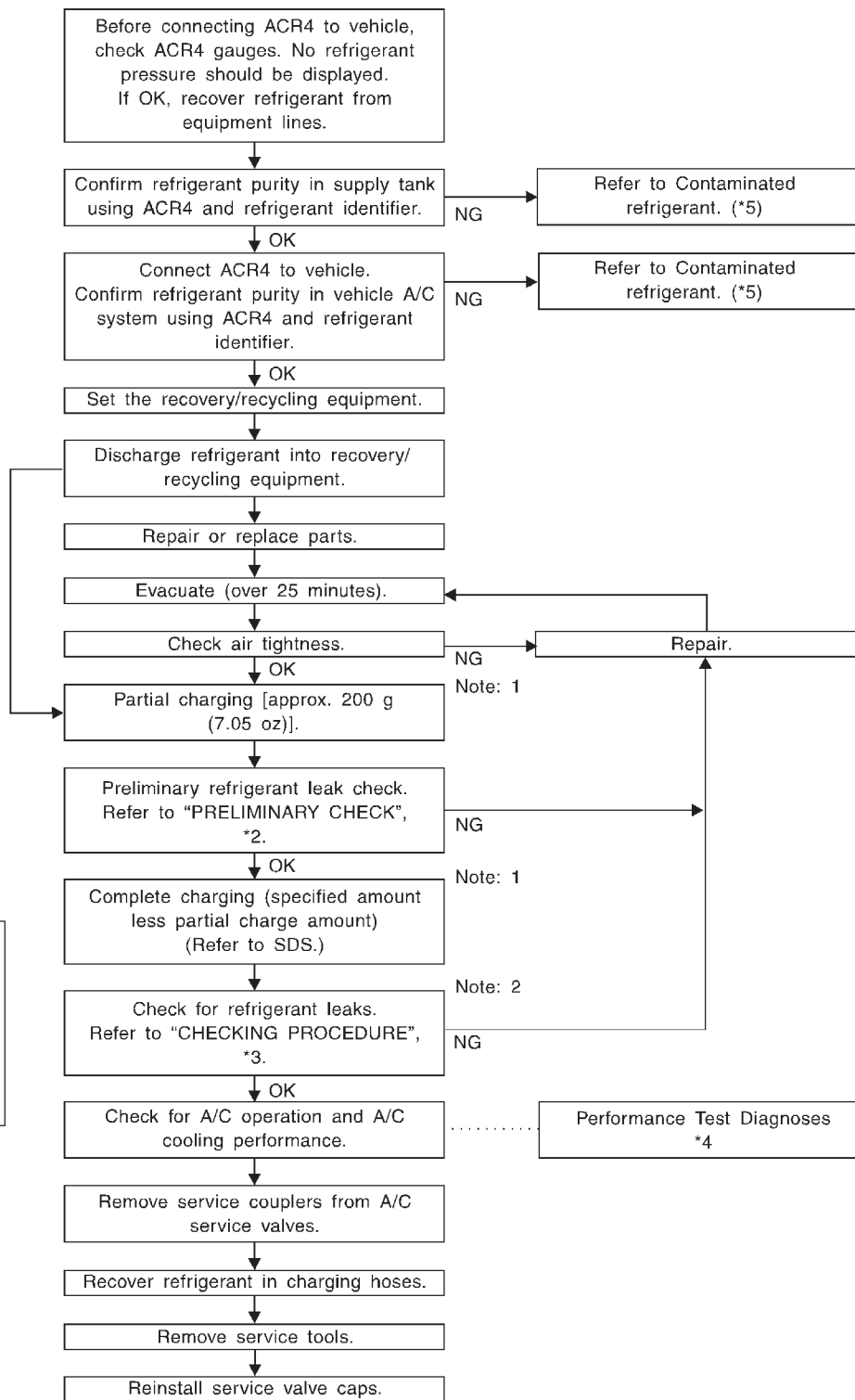
SERVICE PROCEDURE

MANUAL



HFC-134a (R-134a) Service Procedure (Cont'd)

Recovered lubricant. Refer to "CHECKING AND ADJUSTING", *1.



GI
MA
EM
LC
EC
FE
CL
MT
AT
AX
SU
BR
ST
RS
BT
HA
SC
EL
IDX

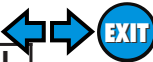
Note: 1 Before charging refrigerant, ensure engine is off.
Note: 2 Before checking for leaks, start engine to activate air conditioning system then turn engine off. Service valve caps must be installed to prevent leakage.

*1: HA-196
*2: HA-207

*3: HA-208
*4: HA-171

*5: HA-125

SHA193F



Maintenance of Lubricant Quantity in Compressor

NFHA0095

The lubricant in the compressor circulates through the system with the refrigerant. Add lubricant to compressor when replacing any component or after a large gas leakage occurred. It is important to maintain the specified amount. If lubricant quantity is not maintained properly, the following malfunctions may result:

- Lack of lubricant: May lead to a seized compressor
- Excessive lubricant: Inadequate cooling (thermal exchange interference)

LUBRICANT

NFHA0095S01

Name: Nissan A/C System Oil Type S
Part number: KLH00-PAGS0

CHECKING AND ADJUSTING

NFHA0095S02

Adjust the lubricant quantity according to the test group shown below.

1	LUBRICANT RETURN OPERATION	
Can lubricant return operation be performed? ● A/C system works properly. ● There is no evidence of a large amount of lubricant leakage.		
Yes or No		
Yes	▶	GO TO 2.
No	▶	GO TO 3.

2	PERFORM LUBRICANT RETURN OPERATION, PROCEEDING AS FOLLOWS	
1. Start engine, and set the following conditions: Test condition Engine speed: Idling to 1,200 rpm A/C or AUTO switch: ON Blower speed: Max. position Temp. control: Optional [Set so that intake air temperature is 25 to 30°C (77 to 86°F).] 2. Next item is for V-6 compressor. Connect the manifold gauge, and check that the high pressure side pressure is 588 kPa (6 kg/cm², 85 psi) or higher. If less than the reference level, attach a cover to the front face of the condenser to raise the pressure. 3. Perform lubricant return operation for about 10 minutes. 4. Stop engine. CAUTION: If excessive lubricant leakage is noted, do not perform the lubricant return operation.		
▶		GO TO 3.

3	CHECK COMPRESSOR	
Should the compressor be replaced? <div style="text-align: center;">Yes or No</div>		
Yes	▶	GO TO HA-198.
No	▶	GO TO 4.

SERVICE PROCEDURE

MANUAL

EXIT

Maintenance of Lubricant Quantity in Compressor (Cont'd)

4	CHECK ANY PART	
Is there any part to be replaced? (Evaporator, condenser, liquid tank or in case there is evidence of a large amount of lubricant leakage.) <p style="text-align: center;">Yes or No</p>		
Yes	▶	GO TO HA-198.
No	▶	Carry out the A/C performance test.

GI

MA

EM

LC

EC

FE

CL

MT

AT

AX

SU

BR

ST

RS

BT

HA

SC

EL

IDX

Lubricant Adjusting Procedure for Components Replacement Except Compressor

=NFHA0095S0201

After replacing any of the following major components, add the correct amount of lubricant to the system.

Amount of lubricant to be added

Part replaced	Lubricant to be added to system	Remarks
	Amount of lubricant mℓ (US fl oz, Imp fl oz)	
Evaporator	75 (2.5, 2.6)	—
Condenser	75 (2.5, 2.6)	—
Liquid tank	5 (0.2, 0.2)	Add if compressor is not replaced. *1
In case of refrigerant leak	30 (1.0, 1.1)	Large leak
	—	Small leak *2

*1: If compressor is replaced, addition of lubricant is included in the table.

*2: If refrigerant leak is small, no addition of lubricant is needed.

Lubricant Adjustment Procedure for Compressor Replacement

NFHA0095S0202

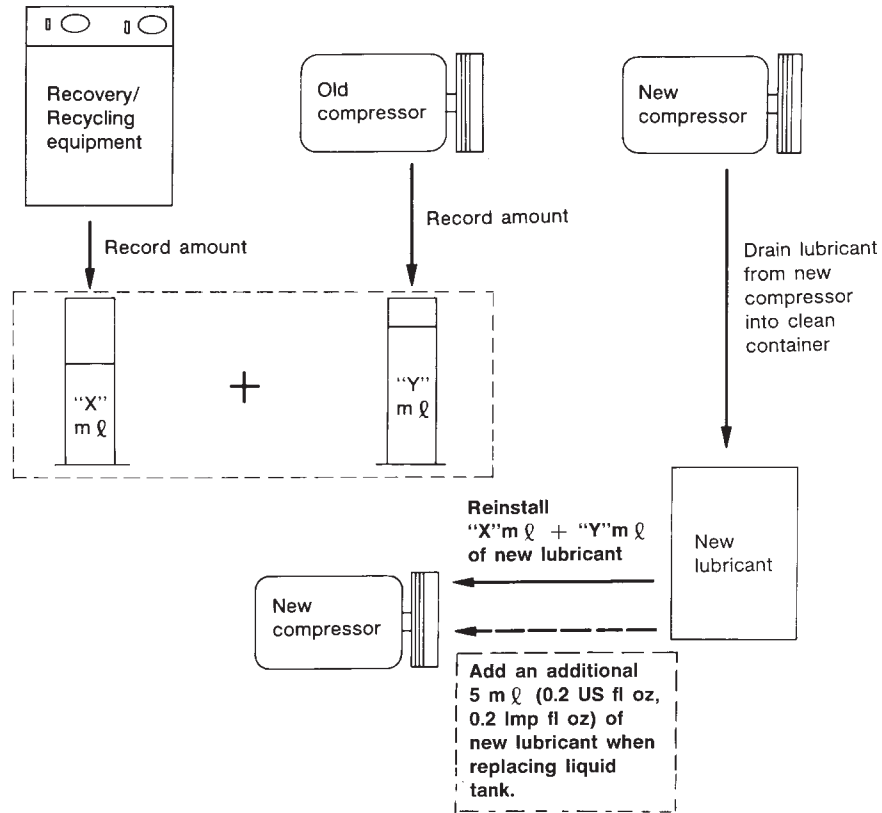
1. Before connecting ACR4 to vehicle, check ACR4 gauges. No refrigerant pressure should be displayed. If OK, recover refrigerant from equipment lines.
2. Confirm refrigerant purity in supply tank using ACR4 and refrigerant identifier. If NG, refer to “CONTAMINATED REFRIGERANT”, HA-125.
3. Connect ACR4 to vehicle. Confirm refrigerant purity in vehicle A/C system using ACR4 and refrigerant identifier. If NG, refer to “CONTAMINATED REFRIGERANT”, HA-125.
4. Discharge refrigerant into the refrigerant recovery/recycling equipment. Measure lubricant discharged into the recovery/recycling equipment.
5. Remove the drain plug of the “old” (removed) compressor. Drain the lubricant into a graduated container and record the amount of drained lubricant.
6. Remove the drain plug and drain the lubricant from the “new” compressor into a separate, clean container.
7. Measure an amount of new lubricant installed equal to amount drained from “old” compressor. Add this lubricant to “new” compressor through the suction port opening.
8. Measure an amount of new lubricant equal to the amount recovered during discharging. Add this lubricant to “new” compressor through the suction port opening.
9. Torque the drain plug.

V-6 compressor:

18 - 19 N·m (1.8 - 1.9 kg·m, 13 - 14 ft·lb)

10. If the liquid tank also needs to be replaced, add an additional 5 mℓ (0.2 US fl oz, 0.2 Imp fl oz) of lubricant at this time. Do not add this 5 mℓ (0.2 US fl oz, 0.2 Imp fl oz) of lubricant if only replacing the compressor.

Lubricant adjusting procedure for compressor replacement



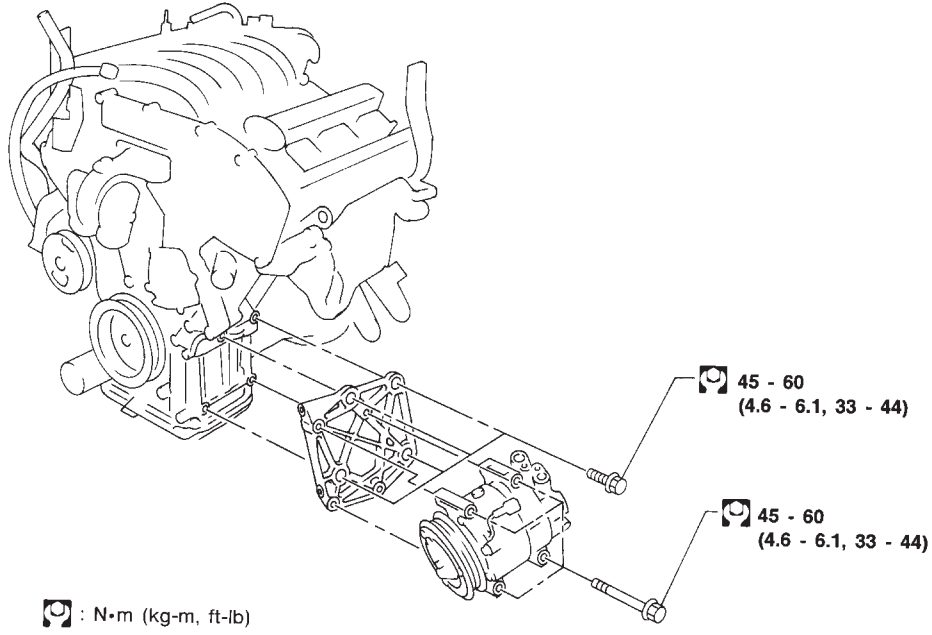
RHA065DD

- GI
- MA
- EM
- LC
- EC
- FE
- CL
- MT
- AT
- AX
- SU
- BR
- ST
- RS
- BT
- HA**
- SC
- EL
- IDX

Compressor REMOVAL AND INSTALLATION

NFHA0096

SEC. 274-275

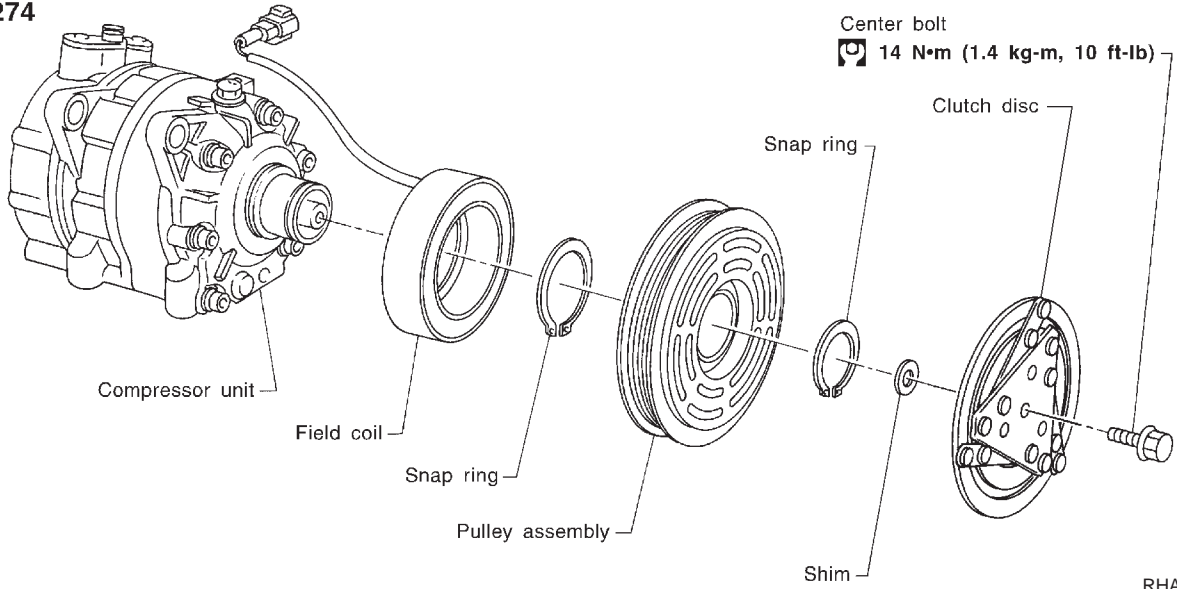


RHA463E

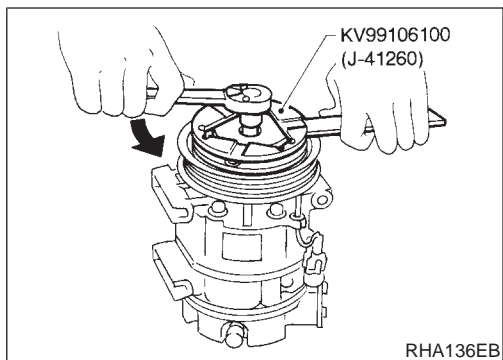
Compressor Clutch OVERHAUL

NFHA0097

SEC. 274

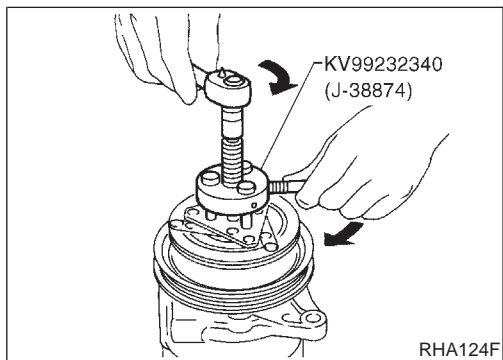
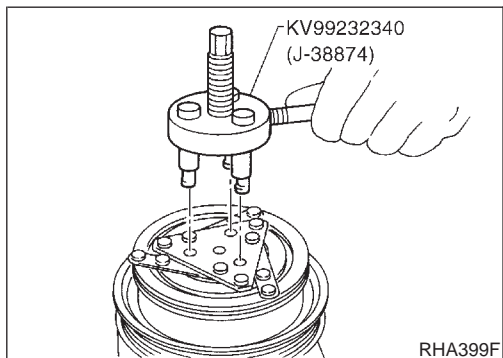


RHA122F

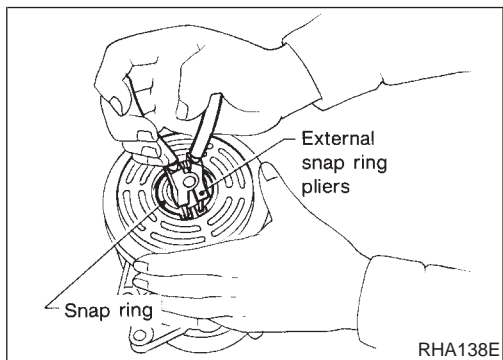


REMOVAL

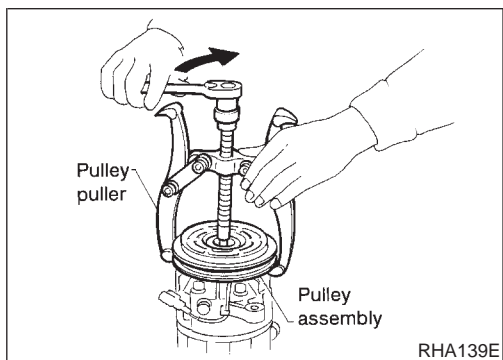
- When removing center bolt, hold clutch disc with clutch disc wrench. NFHA0098



- Remove the clutch disc using the clutch disc puller. Insert the holder's three pins into the holes in the clutch disc. Rotate the holder clockwise to hook it onto the plate. Then, tighten the center bolt to remove the clutch disc. After removing the clutch disc, remove the shims from either the drive shaft or the clutch disc.



- Remove the snap ring using external snap ring pliers.



- Pulley removal
Position the center pulley puller on the end of the drive shaft, and remove the pulley assembly using any commercially available pulley puller.
To prevent the pulley groove from being deformed, the puller claws should be positioned onto the edge of the pulley assembly.

GI

MA

EM

LC

EC

FE

CL

MT

AT

AX

SU

BR

ST

RS

BT

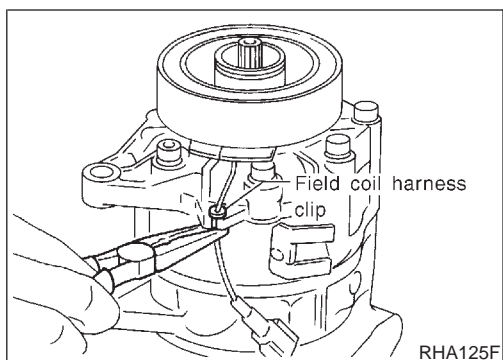
HA

SC

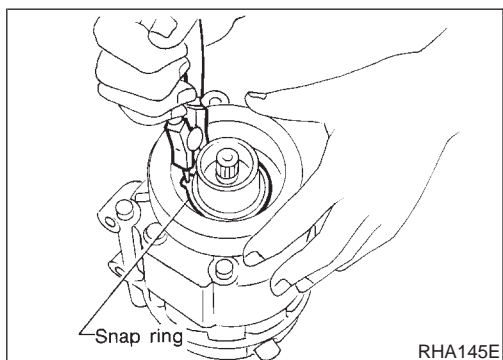
EL

IDX

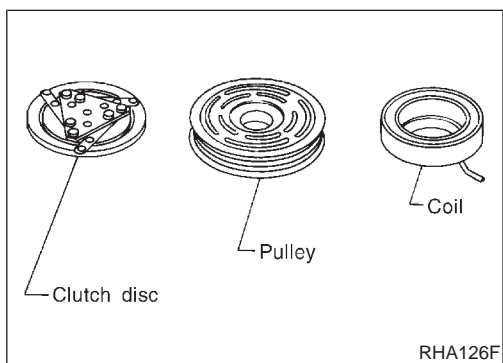
Compressor Clutch (Cont'd)



- Remove the field coil harness clip using a pair of pliers.



- Remove the snap ring using external snap ring pliers.



INSPECTION

Clutch Disc

NFHA0099

If the contact surface shows signs of damage due to excessive heat, replace clutch disc and pulley.

NFHA0099S01

Pulley

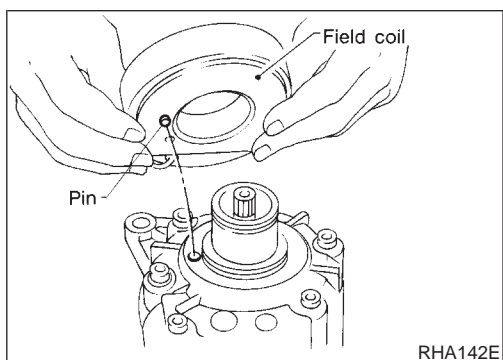
NFHA0099S02

Check the appearance of the pulley assembly. If the contact surface of pulley shows signs of excessive grooving, replace clutch disc and pulley. The contact surfaces of the pulley assembly should be cleaned with a suitable solvent before reinstallation.

Coil

NFHA0099S03

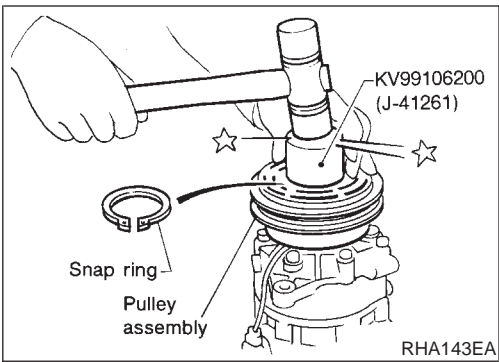
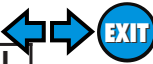
Check coil for loose connection or cracked insulation.



INSTALLATION

NFHA0100

- Install the field coil.
Be sure to align the coil's pin with the hole in the compressor's front head.
- Install the field coil harness clip using a screwdriver.



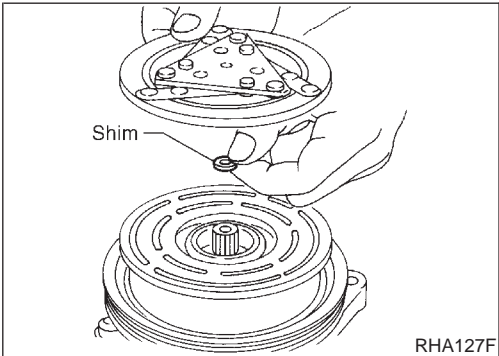
- Install the pulley assembly using the installer and a hand press, and then install the snap ring using snap ring pliers.

GI

MA

EM

LC



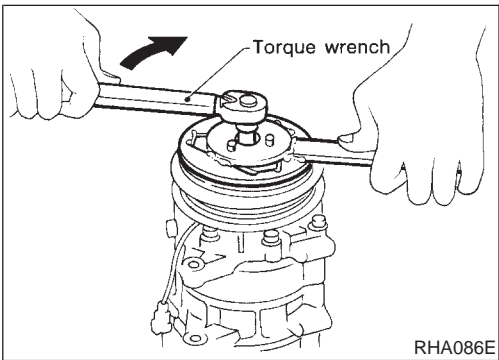
- Install the clutch disc on the drive shaft, together with the original shim(s). Press the clutch disc down by hand.

EC

FE

CL

MT



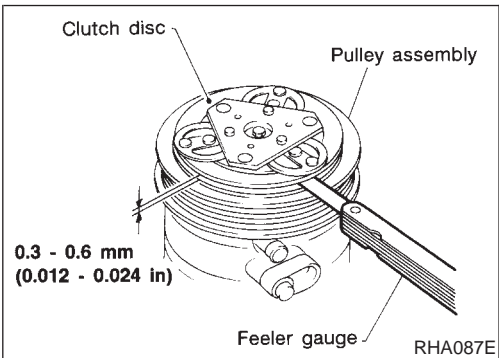
- Using the holder to prevent clutch disc rotation, tighten the bolt to 14 N·m (1.4 kg·m, 10 ft·lb) torque. **After tightening the bolt, check that the pulley rotates smoothly.**

AT

AX

SU

BR



- Check clearance around the entire periphery of clutch disc.

Disc-to-pulley clearance:

0.3 - 0.6 mm (0.012 - 0.024 in)

If the specified clearance is not obtained, replace adjusting spacer and readjust.

ST

RS

BT

HA

Break-in Operation

When replacing compressor clutch assembly, always carry out the break-in operation. This is done by engaging and disengaging the clutch about thirty times. Break-in operation raises the level of transmitted torque.

NFHA0100S01

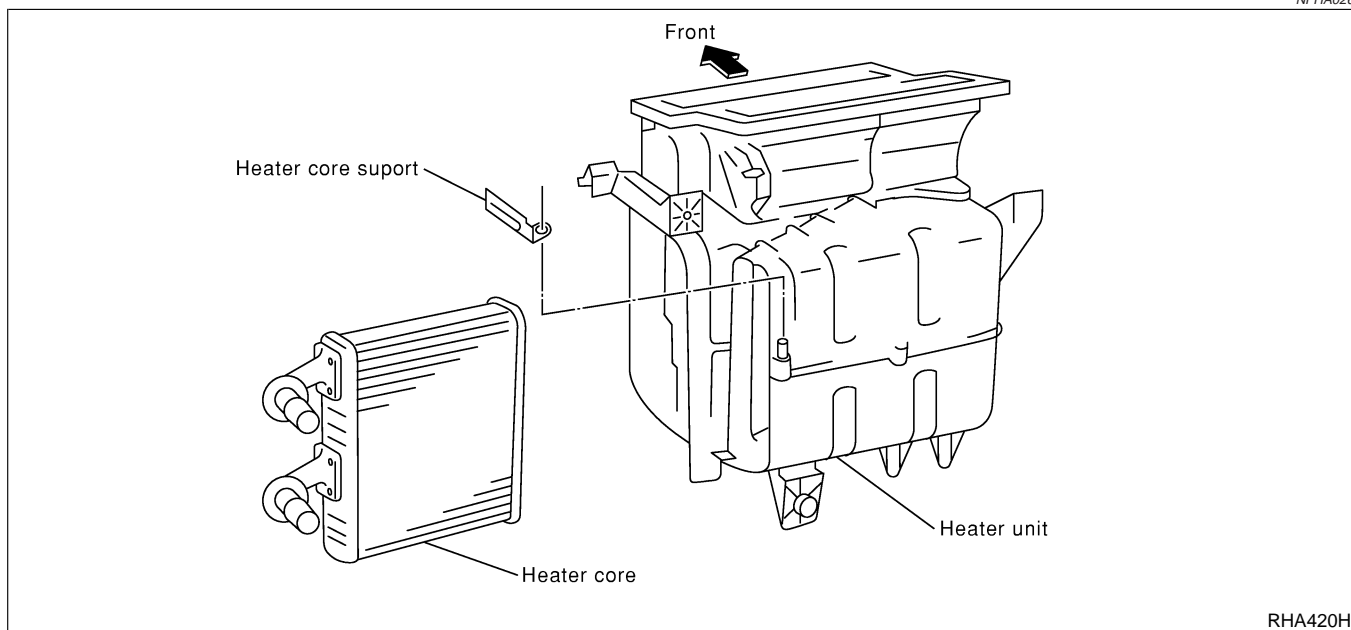
SC

EL

IDX

Heater Unit (Heater Core) REMOVAL

NFHA0261



RHA420H

1. Drain the cooling system. Refer to MA-14, "Changing Engine Coolant".
2. Disconnect the two heater hoses from inside the engine compartment.
3. Remove the blower and cooling unit. Refer to HA-205.
4. Remove the steering member assembly. Refer to BT-28, "Removal and Installation".
5. Remove the heater unit.
6. Remove the heater core.

INSTALLATION

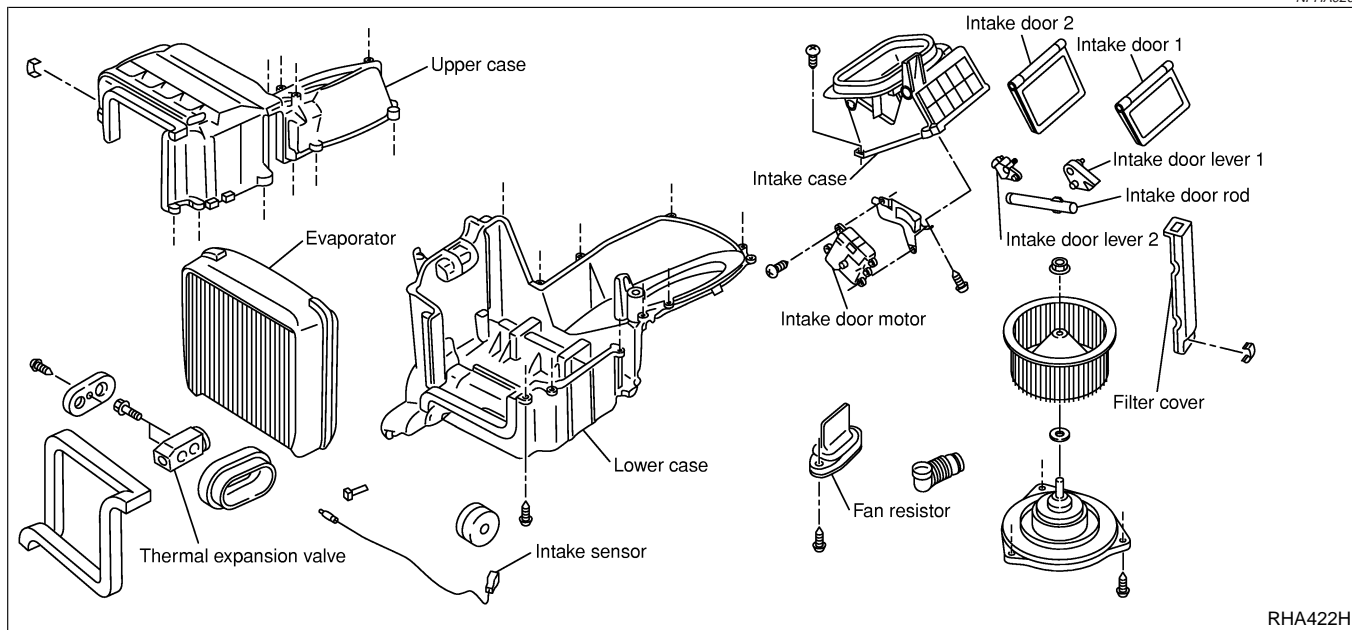
NFHA0262

Installation is basically the reverse order of removal.

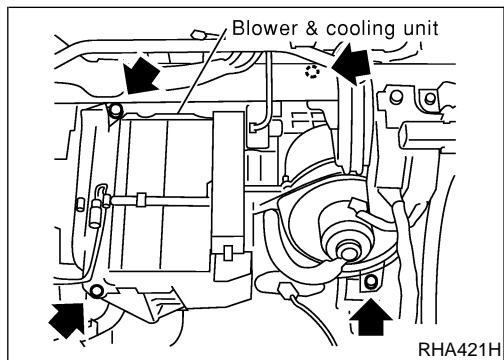
When filling radiator with coolant, refer to MA-14, "Changing Engine Coolant".

Blower and Cooling Unit (A/C Evaporator) REMOVAL

NFHA0263



RHA422H



RHA421H

1. Discharge the A/C system. Refer to HA-194.
2. Disconnect the two refrigerant lines from the engine compartment.
Cap the A/C lines to prevent moisture from entering the system.
3. Remove the glove box and mating trim. Refer to BT-28, "Removal and Installation".
4. Disconnect the thermal amp. connector.
5. Disconnect the fan resistor and blower motor connector.
6. Remove the blower and cooling unit.
7. Separate the blower and cooling unit case, and remove the evaporator.

INSTALLATION

Installation is basically the reverse order of removal.
Recharge the A/C system. Refer to HA-194.

NFHA0264

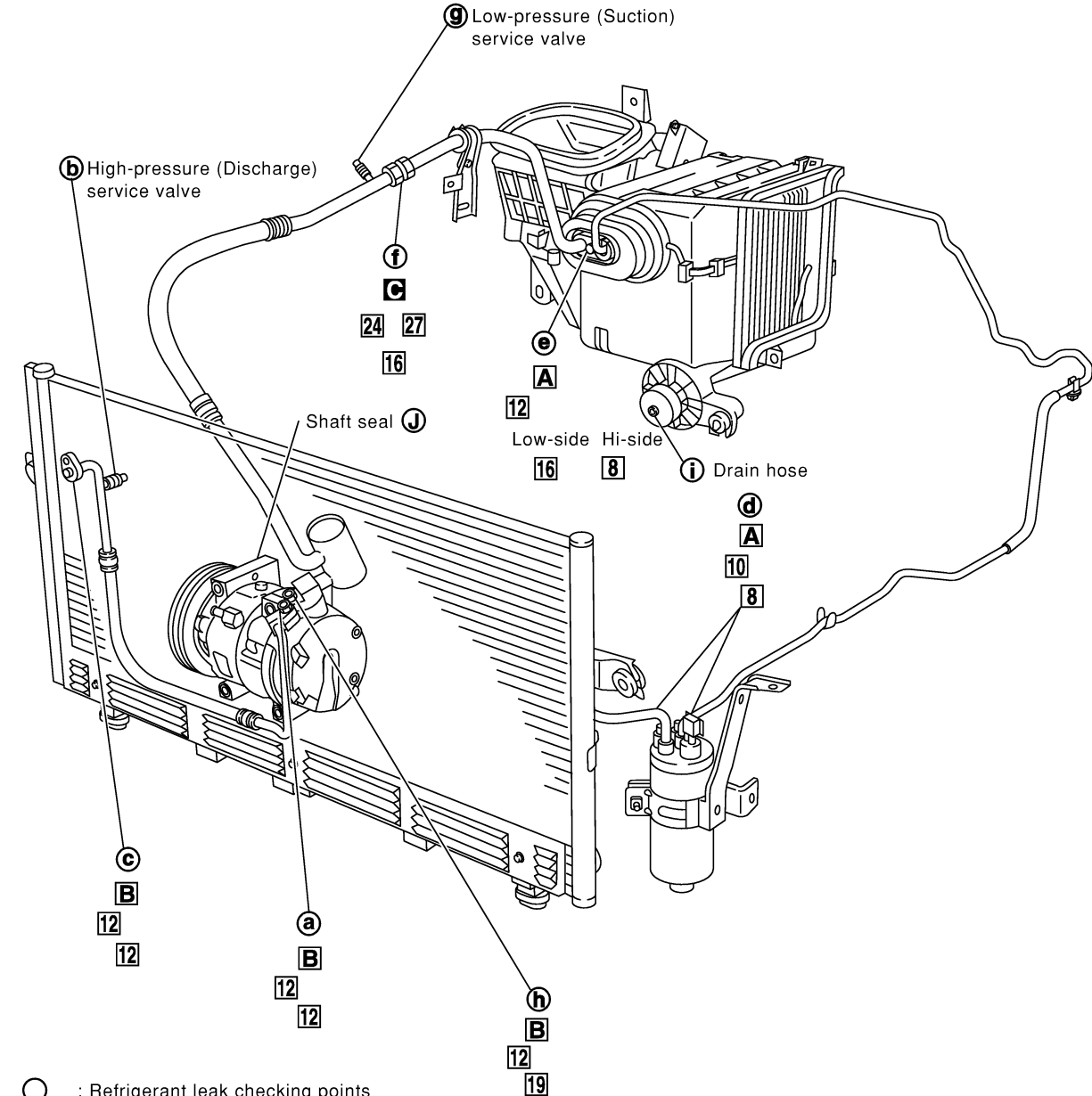
GI
MA
EM
LC
EC
FE
CL
MT
AT
AX
SU
BR
ST
RS
BT
HA
SC
EL
IDX

Refrigerant Lines

REMOVAL AND INSTALLATION

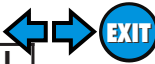
=NFHA0101

- Refer to page HA-126 regarding "Precautions for Refrigerant Connection".



- : Refrigerant leak checking points
- : (Tightening torque)
- □ : (Wrench size)
- : (O-ring size)
- ⊕ : N·m (kg-m, in-lb)
- ⊖ : N·m (kg-m, ft-lb)
- A** : 2.9 - 5.9 (0.29 - 0.61, 26 - 52)
- B** : 7.8 - 19.6 (0.78 - 2.00, 68 - 173)
- C** : 15 - 24 (1.5 - 2.4, 11 - 18)

RHA423HC



CHECKING REFRIGERANT LEAKS

=NFHA0102

Preliminary Check

NFHA0102S01

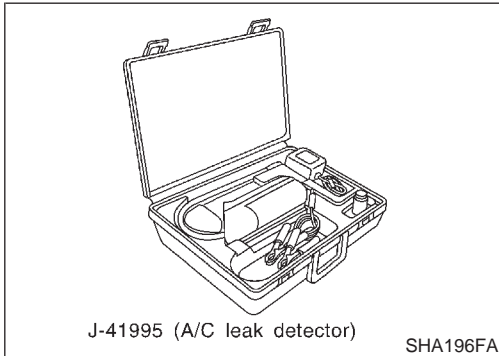
Perform a visual inspection of all refrigeration parts, fittings, hoses, and components for signs of A/C lubricant leakage, damage and corrosion. Take note of the areas with A/C lubricant leakage to allow extra time in these areas with electronic leak detector.

GI

MA

EM

LC



J-41995 (A/C leak detector)

SHA196FA

Precautions for Handling Leak Detector

NFHA0102S02

When performing a refrigerant leak check, use a J-41995 A/C leak detector or equivalent. Ensure that the instrument is calibrated and set properly per the operating instructions.

The leak detector is a delicate device. In order to use the leak detector properly, read the operating instructions and perform any specified maintenance.

Other gases in the work area or substances on the A/C components, for example, anti-freeze, windshield washer fluid, solvents and lubricants, may falsely trigger the leak detector. Make sure the surfaces to be checked are clean. Clean with a dry cloth or blow off with shop air. Do not allow the sensor tip of the detector to contact with any substance. This can also cause false readings and may damage the detector.

EC

FE

CL

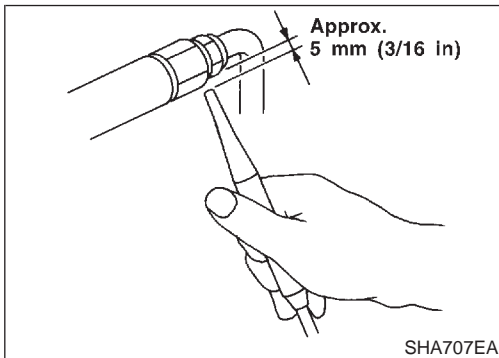
MT

AT

AX

SU

BR



SHA707EA

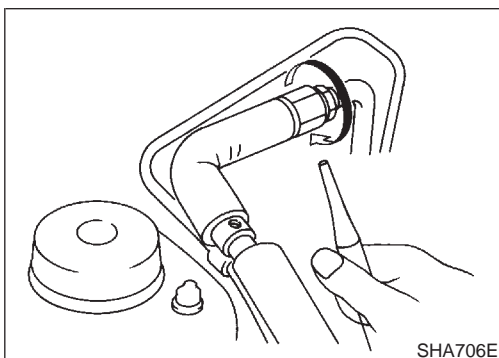
1. Position probe approximately 5 mm (3/16 in) away from point to be checked.

ST

RS

BT

HA



SHA706E

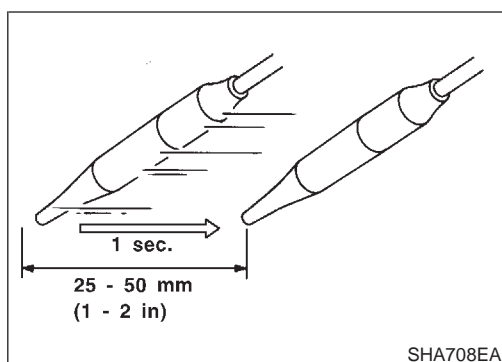
2. When testing, circle each fitting completely with probe.

SC

EL

IDX

Refrigerant Lines (Cont'd)



3. Move probe along component approximately 25 to 50 mm (1 to 2 in)/sec.

Checking Procedure

To prevent inaccurate or false readings, make sure there is no refrigerant vapor, shop chemicals, or cigarette smoke in the vicinity of the vehicle. Perform the leak test in calm area (low air/wind movement) so that the leaking refrigerant is not dispersed.

1. Turn engine off.
2. Connect a suitable A/C manifold gauge set to the A/C service ports.
3. Check if the A/C refrigerant pressure is at least 345 kPa (3.52 kg/cm², 50 psi) above 16°C (61°F). If less than specification, recover/evacuate and recharge the system with the specified amount of refrigerant.

NOTE:

At temperatures below 16°C (61°F), leaks may not be detected since the system may not reach 345 kPa (3.52 kg/cm², 50 psi).

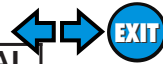
4. Conduct the leak test from the high side (compressor discharge **a** to evaporator inlet **e**) to the low side (evaporator discharge **e** to shaft seal **j**). Refer to HA-206. Perform a leak check for the following areas carefully. Clean the component to be checked and move the leak detector probe completely around the connection/component.

- **Compressor**
Check the fitting of high and low pressure hoses, relief valve and shaft seal.
- **Liquid tank**
Check the pressure switch, tube fitting, weld seams and the fusible plug mount.
- **Service valves**
Check all around the service valves. Ensure service valve caps are secured on the service valves (to prevent leaks).

NOTE:

After removing A/C manifold gauge set from service valves, wipe any residue from valves to prevent any false readings by leak detector.

- **Cooling unit (Evaporator)**
With engine OFF, turn blower fan on "High" for at least 15 seconds to dissipate any refrigerant trace in the cooling unit. Wait a minimum of 10 minutes accumulation time (refer to the manufacturer's recommended procedure for actual wait time) before inserting the leak detector probe into the drain hose. Keep the probe inserted for at least ten seconds. Use caution not to contaminate the probe tip with water or dirt that may be in the drain hose.



5. If a leak detector detects a leak, verify at least once by blowing compressed air into area of suspected leak, then repeat check as outlined above.
6. Do not stop when one leak is found. Continue to check for additional leaks at all system components. If no leaks are found, perform steps 7 - 10.
7. Start engine.
8. Set the heater A/C control as follows:
 - 1) A/C switch ON.
 - 2) Face mode
 - 3) Recirculation switch ON
 - 4) Max cold temperature
 - 5) Fan speed high
9. Run engine at 1,500 rpm for at least 2 minutes.
10. Turn engine off and perform leak check again following steps 4 through 6 above.

GI

MA

EM

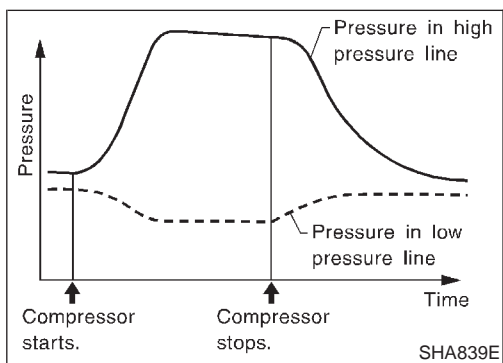
LC

EC

FE

CL

MT



Refrigerant leaks should be checked immediately after stopping the engine. Begin with the leak detector at the compressor. The pressure on the high pressure side will gradually drop after refrigerant circulation stops and pressure on the low pressure side will gradually rise, as shown in the graph. Some leaks are more easily detected when pressure is high.

AT

AX

SU

BR

11. Before connecting ACR4 to vehicle, check ACR4 gauges. No refrigerant pressure should be displayed. If pressure is displayed, recover refrigerant from equipment lines and then check refrigerant purity.
12. Confirm refrigerant purity in supply tank using ACR4 and refrigerant identifier.
13. Confirm refrigerant purity in vehicle A/C system using ACR4 and refrigerant identifier.
14. Discharge A/C system using approved refrigerant recovery equipment. Repair the leaking fitting or component as necessary.
15. Evacuate and recharge A/C system and perform the leak test to confirm no refrigerant leaks.
16. Conduct A/C performance test to ensure system works properly.

ST

RS

BT

HA

SC

EL

IDX

Belt

TENSION ADJUSTMENT

- Refer to MA-13, “Checking Drive Belt”.

NFHA0103

Idle Air Control Valve (IACV) — Auxiliary Air Control (AAC) Valve

INSPECTION

- Refer to EC-499, “Description”.

NFHA0104

Manual

COMPRESSOR

NFHA0105

Model	CALSONIC make V-6	
Type	V-6 variable displacement	
Displacement cm ³ (cu in)/rev.	Max.	184 (11.228)
	Min.	14.5 (0.885)
Cylinder bore x stroke mm (in)	37 (1.46) x [2.3 - 28.6 (0.091 - 1.126)]	
Direction of rotation	Clockwise (viewed from drive end)	
Drive belt	Poly V	

LUBRICANT

NFHA0106

Model	CALSONIC make V-6	
Name	Nissan A/C System Oil Type S	
Part number	KLH00-PAGS0	
Capacity mℓ (US fl oz, Imp fl oz)	Total in system	200 (6.8, 7.0)
	Compressor (Service part) charging amount	200 (6.8, 7.0)

REFRIGERANT

NFHA0107

Type	HFC-134a (R-134a)
Capacity kg (lb)	0.60 - 0.70 (1.32 - 1.54)

ENGINE IDLING SPEED (WHEN A/C IS ON)

NFHA0108

- Refer to EC-499, "Description".

BELT TENSION

NFHA0109

- Refer to MA-13, "Checking Drive Belt".

GI
MA
EM
LC
EC
FE
CL
MT
AT
AX
SU
BR
ST
RS
BT
HA
SC
EL
IDX

NOTES