

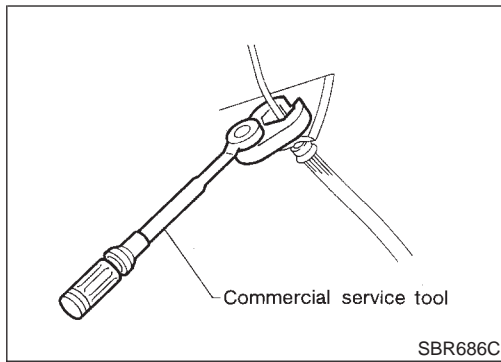
SECTION CL

CONTENTS

PRECAUTIONS	2	Assembly	11
Precautions	2	Installation	11
PREPARATION	3	PIPING	12
Special Service Tools	3	Removal	12
Commercial Service Tools	3	Installation	12
NOISE, VIBRATION AND HARSHNESS (NVH)		CLUTCH RELEASE MECHANISM	13
TROUBLESHOOTING	4	Components	13
NVH Troubleshooting Chart	4	Removal	13
CLUTCH	4	Inspection	13
CLUTCH SYSTEM	5	Installation	13
Components	5	CLUTCH DISC, CLUTCH COVER AND	
Inspection and Adjustment	6	FLYWHEEL	15
ADJUSTING CLUTCH PEDAL	6	Components	15
AIR BLEEDING PROCEDURE	7	Inspection and Adjustment	15
CLUTCH MASTER CYLINDER	8	CLUTCH DISC	15
Components	8	CLUTCH COVER	15
Removal	8	FLYWHEEL	16
Installation	8	Installation	16
Disassembly	9	SERVICE DATA AND SPECIFICATIONS (SDS)	17
Inspection	9	Clutch Control System	17
Assembly	9	Clutch Master Cylinder	17
OPERATING CYLINDER	10	Clutch Operating Cylinder	17
Components	10	Clutch Disc	17
Removal	10	Clutch Cover	17
Disassembly	10	Clutch Pedal	17
Inspection	11		

PRECAUTIONS

Precautions



Precautions

NFCL0001

- Recommended fluid is brake fluid “DOT 3”.
- Never reuse drained brake fluid.
- Be careful not to splash brake fluid on painted areas.
- When removing and installing clutch piping, use Tool.
- Use new brake fluid to clean or wash all parts of master cylinder and operating cylinder.
- Never use mineral oils such as gasoline or kerosene. It will ruin the rubber parts of the hydraulic system.

WARNING:

After cleaning clutch disc, wipe it with a dust collector. Do not use compressed air.

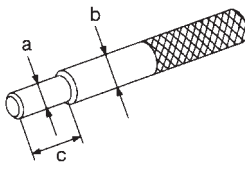
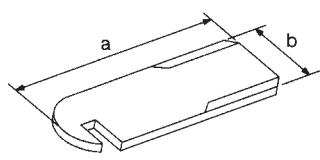
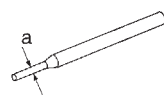
PREPARATION

Special Service Tools

Special Service Tools

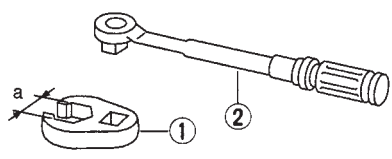
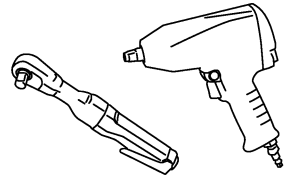
NFCL0002

The actual shapes of Kent-Moore tools may differ from those of special service tools illustrated here.

Tool number (Kent-Moore No.) Tool name	Description		GI MA EM LC
ST20630000 (J26366) Clutch aligning bar	 <p>NT405</p>	Installing clutch cover and clutch disc a: 15.8 mm (0.622 in) dia. b: 22.9 mm (0.902 in) dia. c: 45.0 mm (1.772 in)	EC FE
ST20050240 (—) Diaphragm spring adjusting wrench	 <p>NT404</p>	Adjusting unevenness of diaphragm spring of clutch cover a: 150 mm (5.91 in) b: 25 mm (0.98 in)	CL
KV32101000 (J25689-A) Pin punch	 <p>NT410</p>	Removing and installing spring pin a: 4 mm (0.16 in) dia.	MT AT

Commercial Service Tools

NFCL0003

Tool name	Description		AX
1 Flare nut crowfoot 2 Torque wrench	 <p>NT360</p>	Removing and installing clutch piping a: 10 mm (0.39 in)	SU BR
Power tool	 <p>PBIC0190E</p>	Loosening bolts and nuts	ST RS BT HA SC EL IDX

NOISE, VIBRATION AND HARSHNESS (NVH) TROUBLESHOOTING

NVH Troubleshooting Chart

NVH Troubleshooting Chart

Use the chart below to help you find the cause of the symptom. The numbers indicate the order of the inspection. If necessary, repair or replace these parts.

NFCL0004S07

CLUTCH

NFCL0004S07/01

Reference page	SUSPECTED PARTS (Possible cause)			
	Clutch grabs/chatters	Clutch pedal spongy	Clutch noisy	Clutch slips
CL-6				1
CL-7		1		
CL-8		2		
CL-10		2		
Refer to EM-62, "Removal and Installation".	1			
CL-13			1	
CL-15				5
CL-15		2		
CL-15				5
CL-15				5
CL-15		2		
CL-15		2		
CL-15		2		
CL-15				5
CL-15				6
CL-15		2		
CL-15				4
CL-16				5

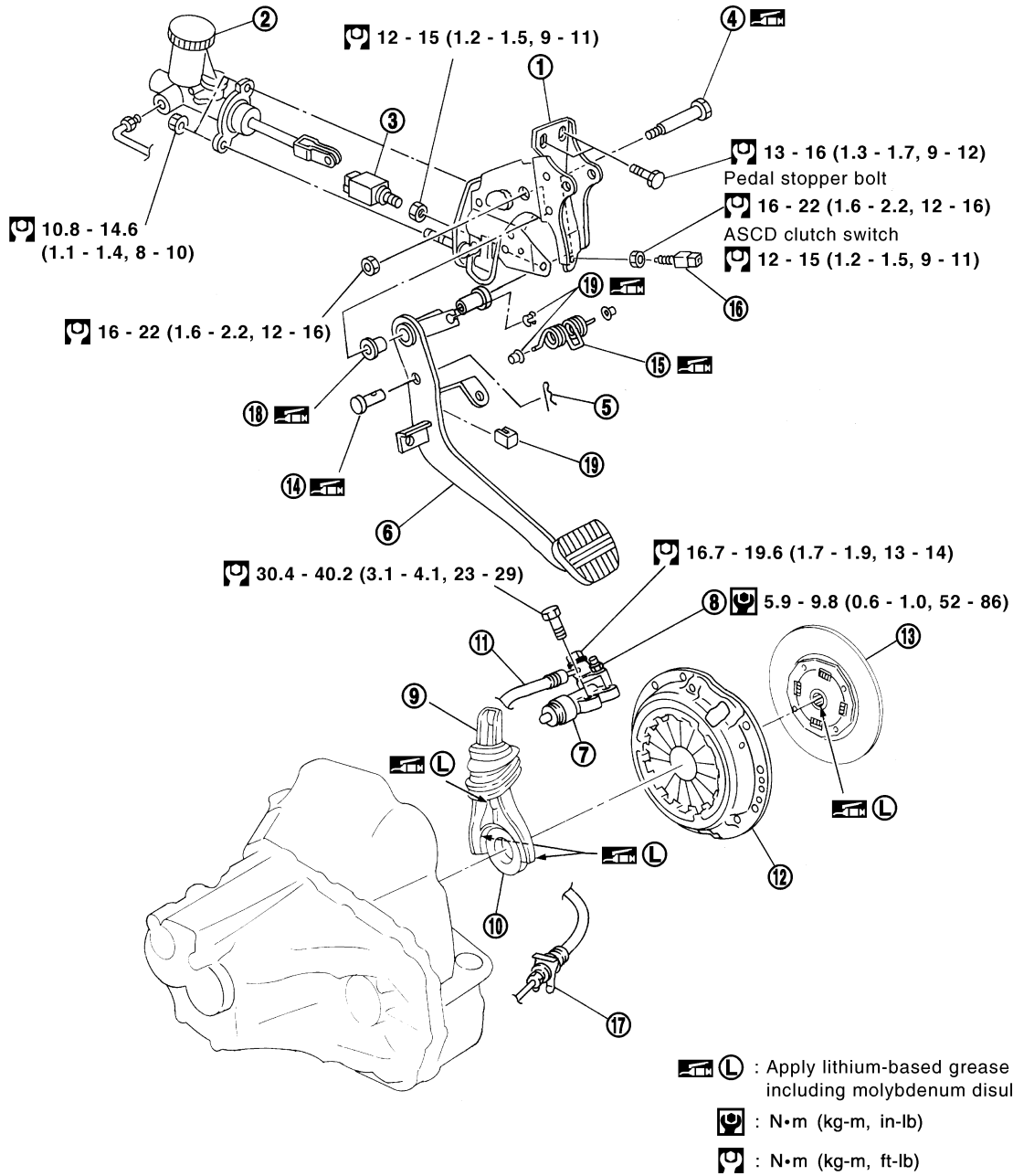
CLUTCH SYSTEM

Components

Components

NFCL0005

SEC. 300•305•306•465



SCL912

- | | | |
|----------------------------|----------------------|------------------------|
| 1. Pedal bracket | 8. Air bleeder valve | 14. Clevis pin |
| 2. Clutch master cylinder | 9. Withdrawal lever | 15. Assist spring |
| 3. Clutch interlock switch | 10. Release bearing | 16. ASCD clutch switch |
| 4. Fulcrum pin | 11. Clutch hose | 17. Lock plate |
| 5. Pin | 12. Clutch cover | 18. Bushing |
| 6. Clutch pedal | 13. Clutch disc | 19. Stopper rubber |
| 7. Operating cylinder | | |

GI

MA

EM

LC

EC

FE

CL

MT

AT

AX

SU

BR

ST

RS

BT

HA

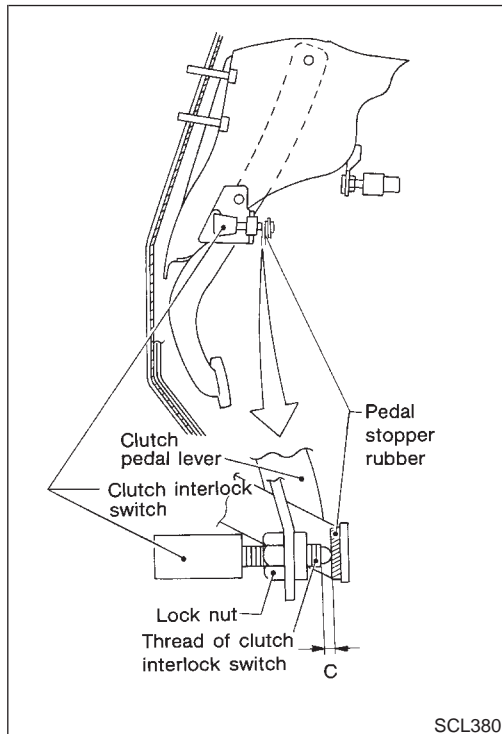
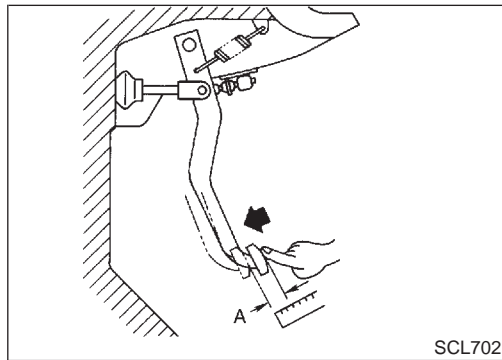
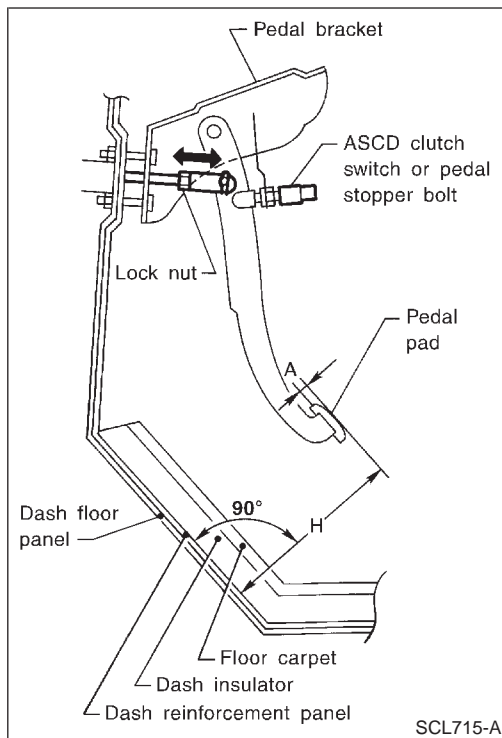
SC

EL

IDX

CLUTCH SYSTEM

Inspection and Adjustment



Inspection and Adjustment

ADJUSTING CLUTCH PEDAL

Pedal Height

1. Adjust pedal height with ASCD clutch switch or pedal stopper bolt.

Pedal height "H":
179.5 - 189.5 mm (7.07 - 7.46 in)

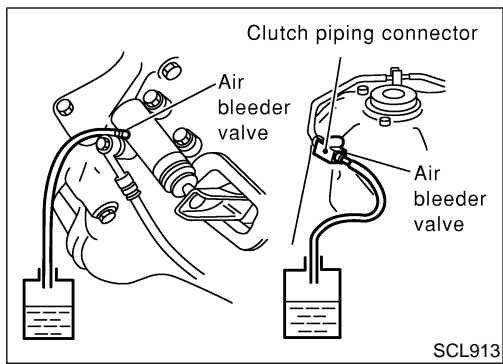
2. Adjust pedal free play with master cylinder push rod. Then tighten lock nut.

Pedal free play "A":
9 - 16 mm (0.35 - 0.63 in)

- Push or step on clutch pedal until resistance is felt, and check the distance the pedal moves.

3. Adjust clearance "C" shown in the figure while fully depressing clutch pedal fully.

Clearance "C":
0.1 - 1.5 mm (0.004 - 0.059 in)




AIR BLEEDING PROCEDURE

NFCL0006S02

1. Bleed air from clutch piping connector and operating cylinder according to the following procedure.
 - **Carefully monitor fluid level at master cylinder during air bleeding operation.**
 - **Be careful not to splash brake fluid on painted areas; it may cause paint damage. If brake fluid is splashed on painted areas, wash it away with water immediately.**
- a. Top up reservoir of master cylinder with recommended brake fluid.
- b. Connect a transparent vinyl tube to air bleeder valve.
- c. Slowly depress clutch pedal to its full stroke and release it completely. Repeat this operation several times at 2 to 3 second intervals.
- d. Holding clutch pedal depressed, open air bleeder valve to release air.
- e. Close air bleeder valve.
- f. Release clutch pedal and wait at least 5 seconds.
- g. Repeat steps c through f above until brake fluid flows from air bleeder valve without air bubbles.
2. Bleed air from clutch operating cylinder according to the above same procedure.
3. Repeat the above air bleeding procedures 1 and 2 several times.

Tightening torque of air bleeder valve:

 : 5.9 - 9.8 N·m (0.6 - 1.0 kg-m, 52 - 86 in-lb)

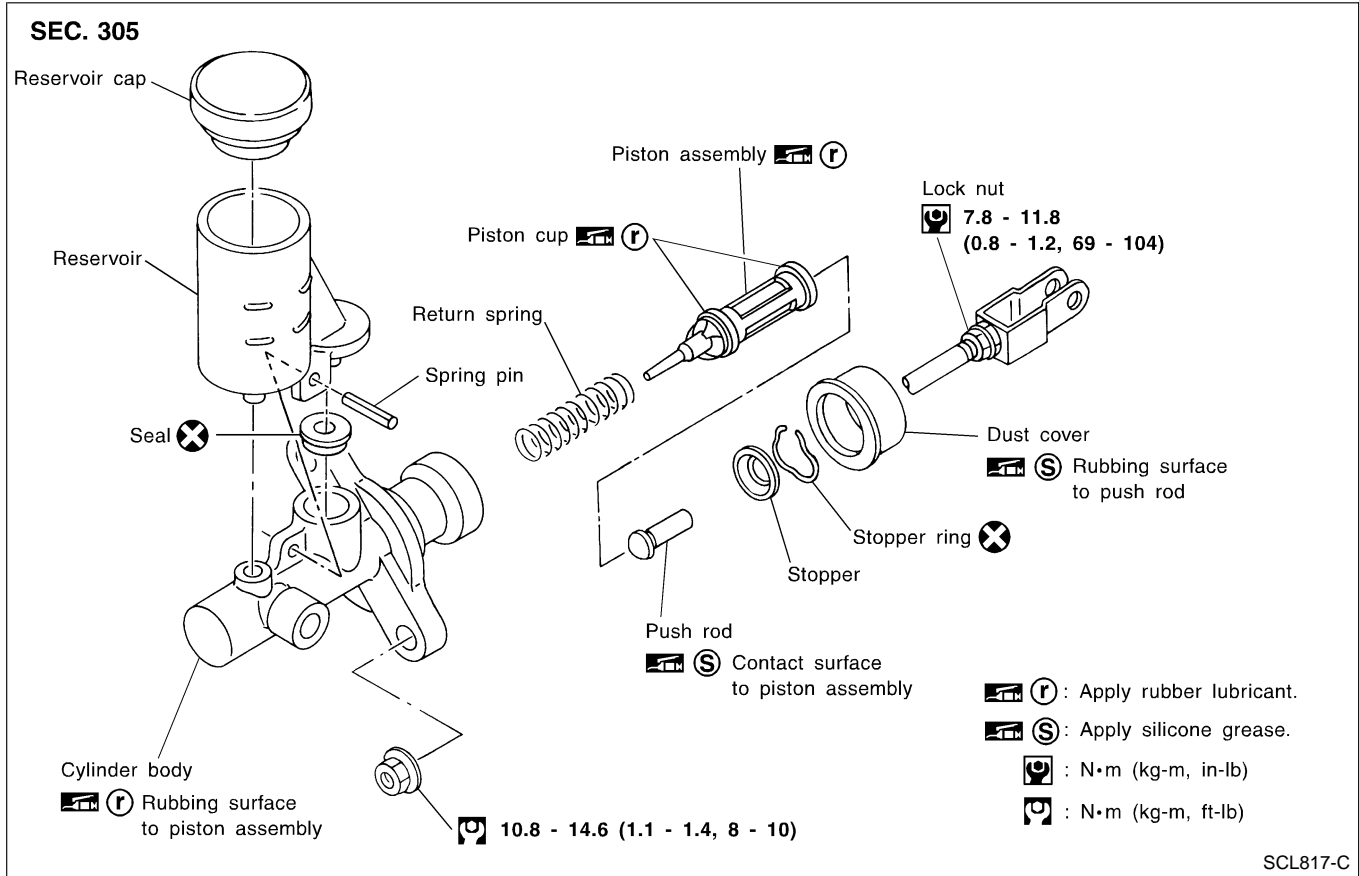
GI
MA
EM
LC
EC
FE
CL
MT
AT
AX
SU
BR
ST
RS
BT
HA
SC
EL
IDX

CLUTCH MASTER CYLINDER

Components

Components

NFCL0007



Removal

NFCL0008

1. Drain brake fluid.

CAUTION:

Be careful not to splash brake fluid on painted areas; it may cause paint damage. If brake fluid is splashed on painted areas, wash it away with water immediately.

2. Remove clutch tube using a flare nut wrench.
3. Remove snap pin between clutch pedal and push rod, and remove clevis pin.
4. Unscrew master cylinder assembly mounting nuts and remove master cylinder assembly from vehicle.

Installation

NFCL0009

1. Connect clutch tube to master cylinder assembly, and hand-tighten flare nut.
2. Install master cylinder assembly to vehicle, and tighten mounting nuts to the specified torque.
Ⓢ : 10.8 - 14.6 N·m (1.1 - 1.4 kg-m, 8 - 10 ft-lb)
3. Tighten clutch tube flare nut using a flare nut torque wrench.
Ⓢ : 15 - 17 N·m (1.5 - 1.7 kg-m, 11 - 12 ft-lb)
4. After installing clevis pin, install snap pin to connect clutch pedal to push rod.

CL-8

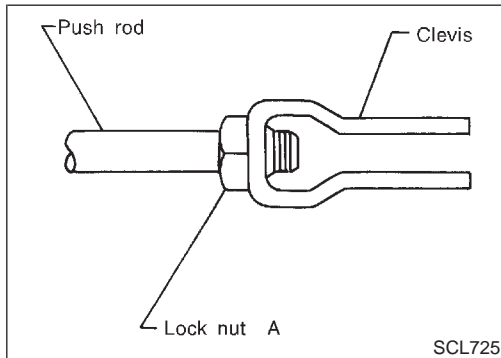
5. After finishing the operation, bleed air from clutch piping connector and operating cylinder. (Refer to "Air Bleeding Procedure", CL-7.)

GI

MA

EM

LC



Disassembly

1. Loosen push rod lock nut A to remove clevis and lock nut A. ^{NFCL0010}
2. Remove dust cover.
3. Remove stopper ring and stopper, and remove push rod from cylinder body. During removal, keep push rod depressed, to prevent piston inside master cylinder from popping out.
4. Remove piston assembly from cylinder body.

EC

FE

CL

MT

Inspection

Check the following items, and replace if necessary.

^{NFCL0011}

AT

- Rubbing surface of cylinder and piston, for uneven wear, rust or damage
- Piston with piston cup, for wear or damage
- Return spring, for wear or damage
- Dust cover, for cracks, deformation or damage
- Reservoir, for deformation or damage

AX

SU

BR

Assembly

1. Apply rubber lubricant to the sliding part of piston assembly, and insert piston assembly. ^{NFCL0012}
2. After installing stopper to push rod, install stopper ring while keeping piston assembly depressed by hand, so that piston assembly will not pop out.

ST

RS

CAUTION:


Stopper ring cannot be reused. Always use a new stopper ring for assembly.

BT

HA

3. Install dust cover.
4. Install clevis to push rod, and tighten lock nut A to the specified torque.

SC

 : 7.8 - 11.8 N·m (0.8 - 1.2 kg·m, 69 - 104 in·lb)

5. Install spring pin using a pin punch.

EL

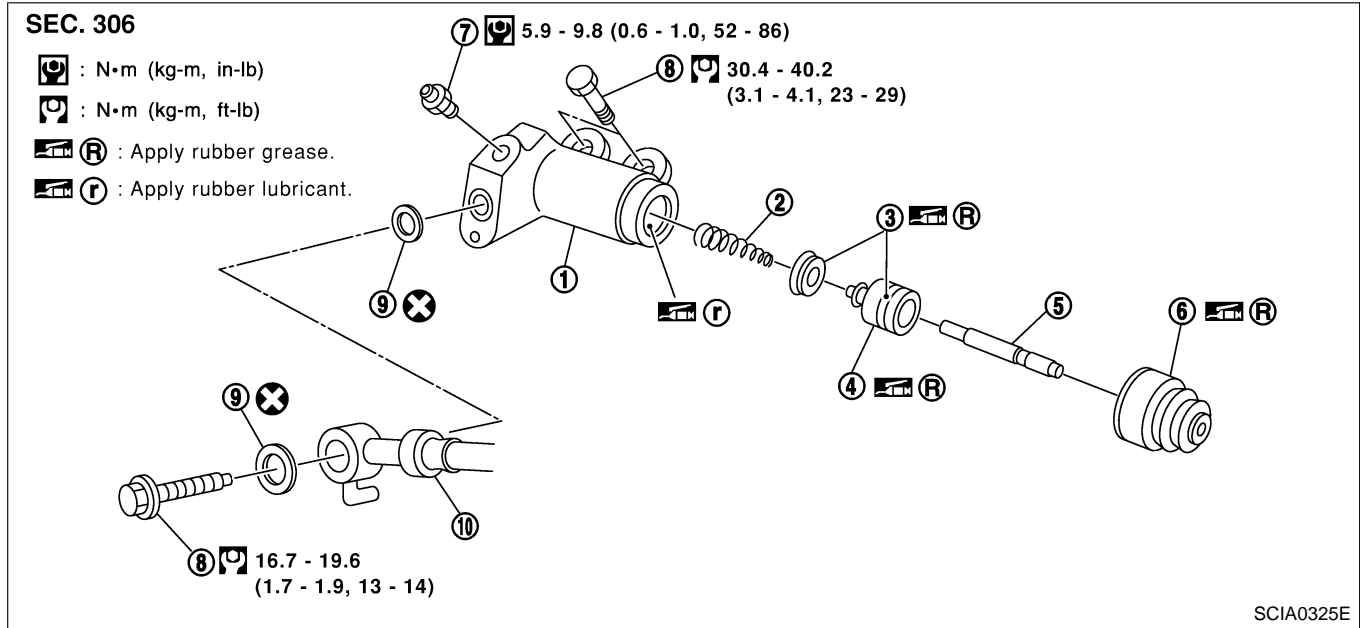
IDX

OPERATING CYLINDER

Components

Components

NFCL0019



1. Cylinder body
2. Piston spring
3. Piston cup
4. Piston assembly

5. Push rod
6. Dust cover
7. Air bleeder valve

8. Union bolt
9. Copper washer
10. Clutch hose

Removal

NFCL0020

1. Drain brake fluid.

CAUTION:

Be careful not to splash brake fluid on painted areas; it may cause paint damage. If brake fluid is splashed on painted areas, wash it away with water immediately.

2. Remove union bolt and clutch hose from operating cylinder.
3. Remove operating cylinder mounting bolts, and remove cylinder from vehicle.

Disassembly

NFCL0021

Remove dust cover, push rod, remove piston assembly and piston spring from cylinder body.

Inspection

NFCL0022

Inspect for following, and replace parts if necessary.

- Damage, foreign material, wear, rust, and pinholes on the cylinder inner surface, piston, and sliding part of piston cup
- Weak spring
- Crack and deformation of dust cover

GI

MA

EM

LC

Assembly

NFCL0023

1. Install piston spring.
2. Apply recommended rubber grease to piston cup and piston, and insert piston assembly.
3. Install push rod.
4. Install dust cover.

EC

FE

CL

MT

Installation

NFCL0024

Install the components in the reverse order of removal. Adhere to the operations described below.

CAUTION:

Install the hose without twisting it.

- The copper washer of the union bolt should not be reused. Always use a new copper washer for installation.
- After finishing the operation, bleed air from the clutch piping connector and operating cylinder. Refer to “Air Bleeding Procedure”, CL-7.

AT

AX

SU

BR

ST

RS

BT

HA

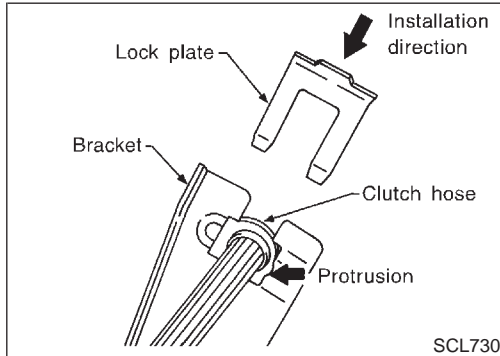
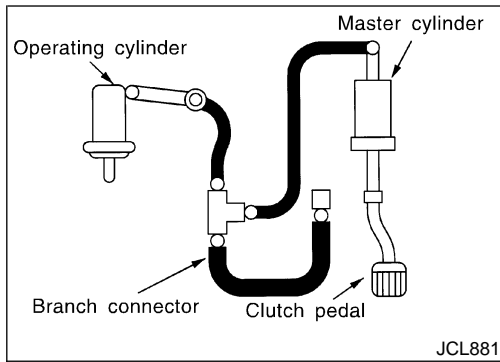
SC

EL

IDX

PIPING

Removal



Removal

NFCL0025

1. Remove air cleaner and air duct.
2. Drain brake fluid.

CAUTION:

Be careful not to splash brake fluid on painted areas; it may cause paint damage. If brake fluid is splashed on painted areas, wash it away with water immediately.

3. Remove flare nut using a flare nut wrench.
4. Remove clutch hose and clutch tube.

Installation


NFCL0026

1. When installing clutch hose to bracket, face lock plate in the correct direction as shown to secure clutch hose.

CAUTION:

Install clutch hose without twisting or bending it.


2. Tighten flare nut to the specified torque, using a flare nut wrench.

 : 15 - 17 N·m (1.5 - 1.7 kg-m, 11 - 12 ft-lb)

CAUTION:

Be careful not to damage flare nut and clutch tube.

3. Install clutch hose to operating cylinder, and tighten mounting bolts to the specified torque.

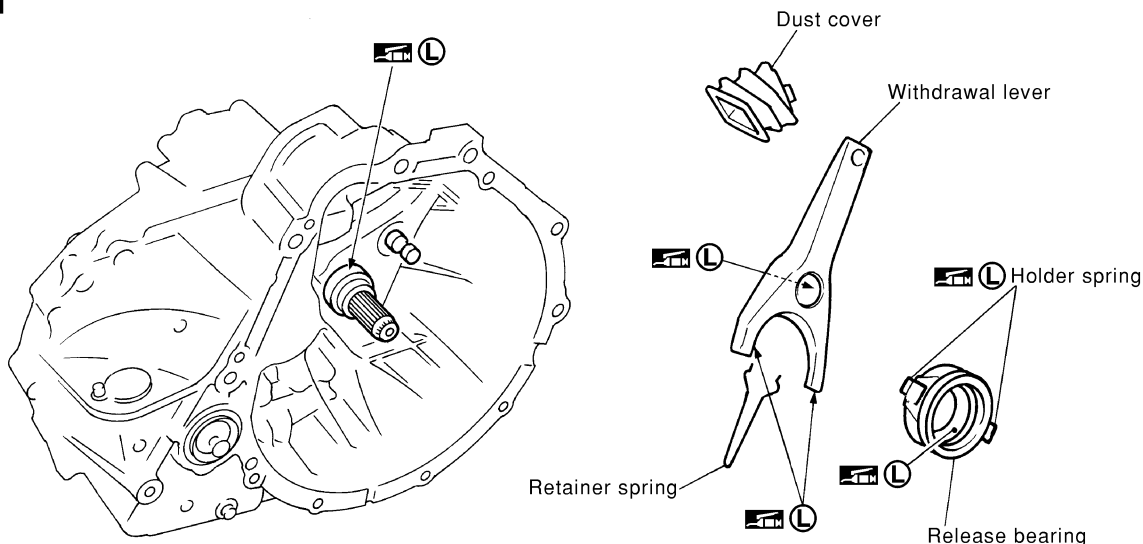
 : 16.7 - 19.6 N·m (1.7 - 1.9 kg-m, 13 - 14 ft-lb)

4. After finishing the operation, bleed air from the clutch piping connector and operating cylinder. Refer to "Air Bleeding Procedure", CL-7.

Components

NFCL0027

SEC. 321



L : Apply lithium-based grease including molybdenum disulphide.

SCL914

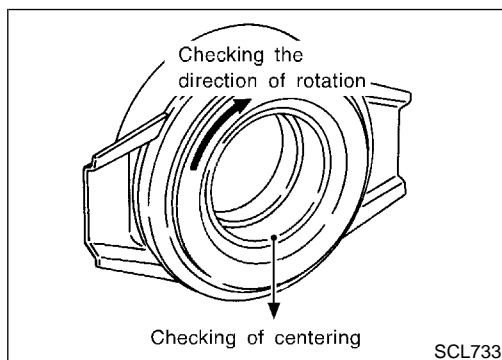
GI
MA
EM
LC
EC
FE
CL

Removal

1. Remove manual transaxle from vehicle. Refer to MT-13, "Removal".
2. Move withdrawal lever enough to remove release bearing, and remove release bearing from clutch withdrawal lever.
3. Remove dust cover.
4. Remove retainer spring from withdrawal lever.

NFCL0028

AT
AX
SU



SCL733

Inspection

- Replace the release bearing if it is seized, damaged, faulty in rotation direction, or has poor aligning function.
- Replace the withdrawal lever if its contact surface is worn abnormally.
- Replace the dust cover if it is deformed or cracked.

NFCL0029

ST
RS
BT

Installation

1. Apply a coat of grease to parts as instructed in the following cautions and notes before installation.

NFCL0030

CAUTION:

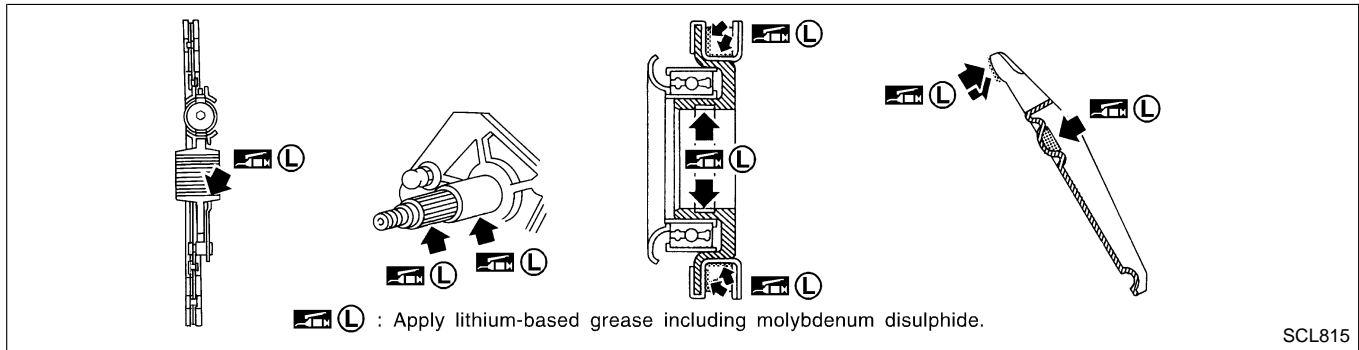
- Be sure to apply grease to the clutch components. Otherwise, abnormal noise, poor clutch disengagement, or clutch damage may occur. Wipe the excess grease off completely, because it may cause the clutch components to slip and shudder.
- Keep the clutch disc facing, pressure plate, and flywheel free of oil and grease.

SC
EL
IDX

CLUTCH RELEASE MECHANISM

Installation (Cont'd)

- Clean old grease and abrasive materials off the grease application area.

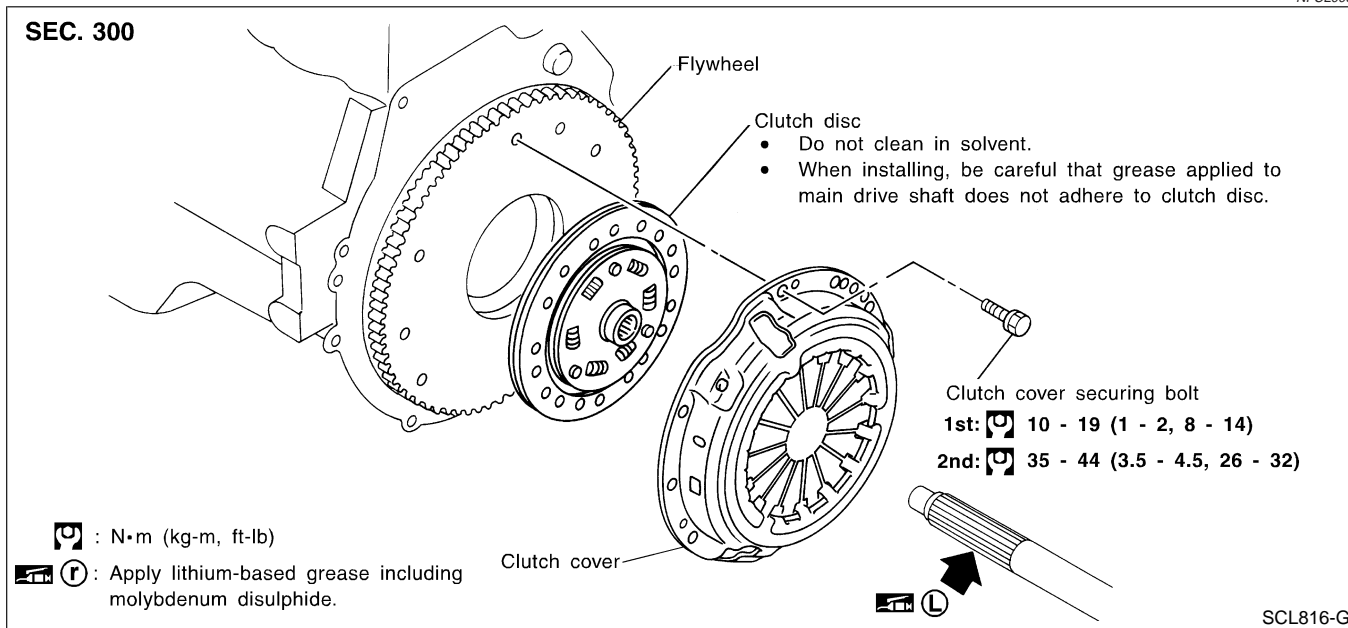


NOTE:

- Equally apply a coat [approximately 1 mm (0.04 in) thick] of clutch sleeve grease to withdrawal lever and holder spring frictional surfaces.
 - Apply a coat of clutch sleeve grease to the grooves on contact surfaces of the withdrawal lever ball pin and inner surface of release bearing so that grease application, make sure that grease is flush with grooves.
 - Equally apply a thin coat of clutch sleeve grease to release bearing frictional surface. After grease application, install release bearing. Wipe off excess grease forced out during bearing installation. Remove release bearing.
2. Installation is in the reverse order of removal.

Components

NFCL0031



GI

MA

EM

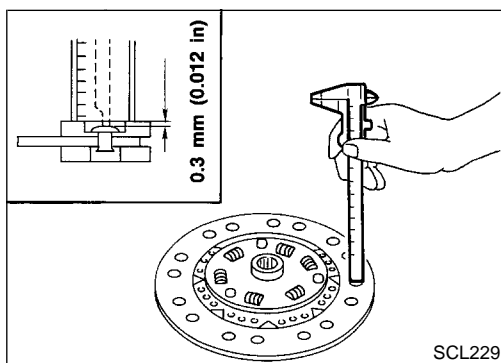
LC

EC

FE

CL

MT



Inspection and Adjustment

CLUTCH DISC

NFCL0032

NFCL0032S01

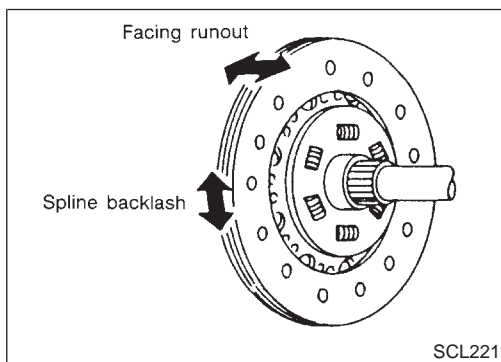
- Check clutch disc for wear of facing.
**Wear limit of facing surface to rivet head:
0.3 mm (0.012 in)**

AT

AX

SU

BR



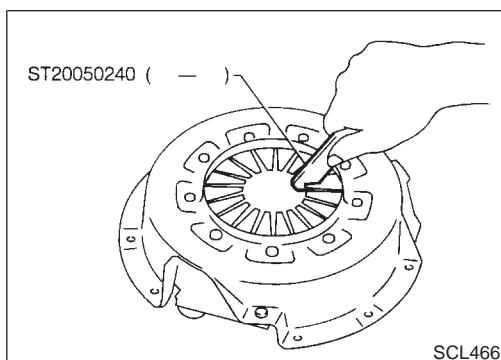
- Check clutch disc for backlash of spline and runout of facing.
**Maximum spline backlash (at outer edge of disc):
1.0 mm (0.039 in)**
**Runout limit:
1.0 mm (0.039 in)**
**Distance of runout check point (from hub center):
120 mm (4.72 in)**
- Check clutch disc for burns, discoloration or oil or grease leakage. Replace if necessary.

ST

RS

BT

HA



CLUTCH COVER

NFCL0032S02

- Check clutch cover installed on vehicle for unevenness of diaphragm spring toe height.
**Uneven limit:
0.5 mm (0.020 in)**
- If out of limit, adjust the height with Tool.

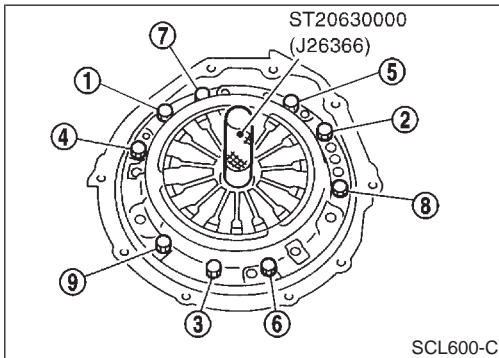
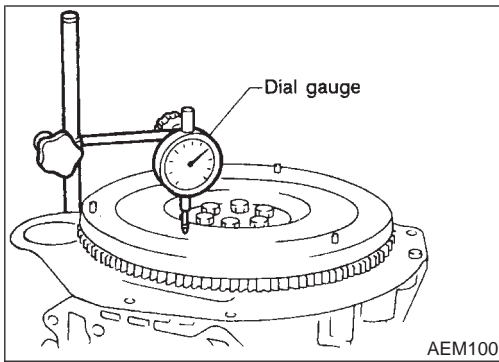
SC

EL

IDX

CLUTCH DISC, CLUTCH COVER AND FLYWHEEL

Inspection and Adjustment (Cont'd)



FLYWHEEL

- Check contact surface of flywheel for slight burns or discoloration. Repair flywheel with emery paper. NFCL0032S03
- Check flywheel runout.


Maximum allowable runout:

Refer to EM-75, "Flywheel/drive plate runout".

Installation

- Insert Tool into clutch disc hub when installing clutch cover and disc. NFCL0033
- **Be careful not to allow grease to contaminate clutch facing.**
- Tighten bolts in numerical order.

First step:

 : 10 - 19 N·m (1 - 2 kg·m, 8 - 14 ft·lb)

Final step:

 : 35 - 44 N·m (3.5 - 4.5 kg·m, 26 - 32 ft·lb)

SERVICE DATA AND SPECIFICATIONS (SDS)

Clutch Control System

Clutch Control System		<small>NFCL0034</small>
Type of clutch control	Hydraulic	GI
Clutch Master Cylinder		<small>NFCL0035</small>
		Unit: mm (in)
Inner diameter	15.87 (5/8)	MA
Clutch Operating Cylinder		<small>NFCL0036</small>
		Unit: mm (in)
Inner diameter	19.05 (3/4)	EM
Clutch Disc		<small>NFCL0038</small>
Model	250	FE
Facing size (Outer dia. × inner dia. × thickness)	250 mm × 160 mm × 3.5 mm (9.84 in × 6.30 in × 0.138 in)	CL
Thickness of disc assembly With load	8.1 - 8.5 mm (0.319 - 0.335 in) with 4,903 N (500 kg, 1,102 lb)	MT
Wear limit of facing surface to rivet head	0.3 mm (0.012 in)	AT
Facing runout limit	1.0 mm (0.039 in)	AX
Distance of runout check point (from the hub center)	120 mm (4.72 in)	SU
Maximum spline backlash (at outer edge of disc)	1.0 mm (0.039 in)	BR
Clutch Cover		<small>NFCL0039</small>
Model	250	ST
Set load	7,355 N (750 kg, 1,653 lb)	RS
Uneven limit of diaphragm spring toe height	0.5 mm (0.020 in)	BT
Clutch Pedal		<small>NFCL0040</small>
		Unit: mm (in)
Pedal height "H"*	179.5 - 189.5 (7.07 - 7.46)	HA
Pedal free play "A"	9 - 16 (0.35 - 0.63)	SC
Clearance "C" between pedal stopper rubber and clutch interlock switch threaded end while clutch pedal is fully depressed.	0.1 - 1.5 (0.004 - 0.059)	EL

*: Measured from surface of dash reinforcement panel to surface of pedal pad

IDX

NOTES