

SECTION **AV**

AUDIO VISUAL, NAVIGATION & TELEPHONE SYSTEM

CONTENTS

PRECAUTIONS	5	FOR CD ONLY	35	A
Precautions for Supplemental Restraint System (SRS) "AIR BAG" and "SEAT BELT PRE-TENSIONER"	5	Noise Inspection	35	B
Wiring Diagrams and Trouble Diagnosis	5	TYPE OF NOISE AND POSSIBLE CAUSE	35	C
PREPARATION	6	Power Supply Circuit Inspection	35	D
Commercial Service Tool	6	Steering Switch Check	37	E
AUDIO	7	AV Switch Check	38	F
Component Parts and Harness Connector Location... ..	7	Audio Communication Line Check (Without Navigation System)	38	G
System Description	8	Audio Communication Line Check (With Navigation System)	38	H
BASE SYSTEM	8	Sound Is Not Heard From Front Door Speaker (Base System)	39	I
BOSE® SYSTEM	8	Sound Is Not Heard From Rear Door Speaker (Base System)	41	J
SPEED SENSITIVE VOLUME SYSTEM	9	Sound Is Not Heard From Front Door Speaker (BOSE System)	43	AV
Schematic	10	Sound Is Not Heard From Rear Door Speaker (BOSE System)	47	L
BASE SYSTEM	10	Sound Is Not Heard From Subwoofers (Base System)	50	M
BOSE SYSTEM (WITHOUT NAVI)	11	Sound Is Not Heard From Subwoofers (BOSE System)	54	
BOSE SYSTEM (WITH NAVI)	12	Removal and Installation of Audio Unit	56	
Wiring Diagram -AUDIO-	13	Removal and Installation for AV Switch	57	
BASE SYSTEM	13	REMOVAL	57	
BOSE SYSTEM	17	INSTALLATION	57	
Terminals and Reference Value for Audio Unit for Base System	25	Removal and Installation of Front Door Speaker	57	
Terminals and Reference Value for Audio Unit for BOSE System	26	REMOVAL	57	
Terminals and Reference Value for Subwoofer Amp. (Base System)	27	INSTALLATION	57	
Terminals and Reference Value for BOSE Speaker Amp.	28	Removal and Installation of Rear Door Speaker	57	
Terminals and Reference Value for AV Switch	30	REMOVAL	57	
AV Switch Self-Diagnosis Function	30	INSTALLATION	57	
STARTING THE SELF-DIAGNOSIS MODE	31	Removal and Installation of Tweeter	57	
EXITING THE SELF-DIAGNOSIS MODE	31	REMOVAL	57	
DIAGNOSIS FUNCTION	31	INSTALLATION	58	
Trouble Diagnosis	32	Removal and Installation of Subwoofer (Base System)	58	
MALFUNCTION WITH RADIO, TAPE AND CD (BASE SYSTEM)	32	REMOVAL	58	
MALFUNCTION WITH RADIO, TAPE AND CD (BOSE SYSTEM)	32	INSTALLATION	58	
FOR RADIO ONLY	34	Removal and Installation of Subwoofer (BOSE System)	58	
FOR CASSETTE PLAYER ONLY	34			

tem)	58	Steering Wheel Audio Control Switch Check	91
REMOVAL	58	Removal and Installation of Display Unit	92
INSTALLATION	58	Removal and Installation of AV Switch	92
Removal and Installation of Subwoofer Amp. (Base System)	58	NAVIGATION SYSTEM	93
REMOVAL	58	System Description	93
INSTALLATION	59	TRAVEL DISTANCE	93
Removal and Installation of BOSE Speaker Amp... ..	59	TRAVEL DIRECTION	93
REMOVAL	59	MAP-MATCHING	93
INSTALLATION	59	GPS (GLOBAL POSITIONING SYSTEM)	94
AUDIO ANTENNA	60	COMPONENT DESCRIPTION	95
System Description	60	BIRDVIEW™	95
Wiring Diagram -W/ANT-	61	MAP DISPLAY	96
Location of Antenna	62	FUNCTION OF CENTER SWITCH	97
Window Antenna Repair	62	“VIEW” MODE	102
ELEMENT CHECK	62	“HEADING” MODE	103
ELEMENT REPAIR	63	“NEARBY DISPLAY ICONS” MODE	103
INTEGRATED DISPLAY SYSTEM	64	“SAVE CURRENT LOCATION” MODE	103
System Description	64	“ADJUST CURRENT LOCATION” MODE	103
AV SWITCH SYSTEM	64	“AUTO RE-ROUTE” MODE	104
PRECAUTION OF LCD MONITOR	64	“AVOID AREA SETTINGS” MODE	104
POWER SUPPLY AND GROUND	64	“CLEAR MEMORY” MODE	104
DRIVE COMPUTER	65	“EDIT ADDRESS BOOK” MODE	105
SETTING SCREEN	67	“GPS INFORMATION” MODE	105
WARNING INDICATIONS	67	“QUICK STOP CUSTOMER SETTING” MODE	105
AV COMMUNICATION LINE	68	“SET AVERAGE SPEED” MODE	105
CAN COMMUNICATION SYSTEM DESCRIPTION	68	“TRACKING” MODE	106
Component Parts and Harness Connector Location.. ..	68	GUIDANCE VOLUME	106
Schematic	69	DISPLAY WITH PUSHED “TRIP” BUTTON	106
Wiring Diagram — INF/D —	70	TRIP 1 OR TRIP 2	107
Wiring Diagram — COMM —	75	FUEL ECONOMY	107
Terminals and Reference Value for Display Unit	77	MAINTENANCE	107
Terminals and Reference Value for AV Switch	78	ENGINE OIL OR TIRE ROTATION	107
On Board Self-Diagnosis Function	80	WARNING INDICATIONS	108
DESCRIPTION	80	Component Parts Location	108
DIAGNOSIS ITEM	80	Schematic	109
Self-Diagnosis Mode	80	Wiring Diagram —NAVI—	110
OPERATION PROCEDURES	80	Schematic	117
NETWORK CHECK	81	Wiring Diagram — COMM —	118
PARTS CHECK	81	Terminals and Reference Value for NAVI Control unit	121
HVAC DETAIL SCREEN	82	Terminals and Reference Value for Display Control unit	123
VERSION CHECK	82	Terminals and Reference Value for Display unit	127
CAN DIAG MNTR (CAN DIAG MONITOR)	82	Terminals and Reference Value for AV Switch	129
AV Switch Self-Diagnosis Function	82	Terminals and Reference Value for BCM	130
STARTING THE SELF-DIAGNOSIS MODE	82	On Board Self-Diagnosis Function	132
EXITING THE SELF-DIAGNOSIS MODE	82	DESCRIPTION	132
DIAGNOSIS FUNCTION	82	DIAGNOSIS ITEM	132
Trouble Diagnosis Chart by Symptom	83	Self-Diagnosis Mode (DCU)	133
Power Supply and Ground Circuit Check for Display Unit	84	OPERATION PROCEDURE	133
Power Supply and Ground Circuit Check for AV Switch	85	SELF-DIAGNOSIS RESULT	134
Vehicle Speed Signal Check	86	Self-Diagnosis Mode (NAVI)	135
Illumination Signal Check	87	OPERATION PROCEDURE	135
Ignition Signal Check	87	SELF-DIAGNOSIS RESULT	136
Audio Communication Line Check	88	CONFIRMATION/ADJUSTMENT Mode	137
AV Communication Line Check	89	OPERATION PROCEDURE	137
CAN Communication Line Check	90	DISPLAY DIAGNOSIS	138
		VEHICLE SIGNALS	138
		AUTO CLIMATE CONTROL	139

NAVIGATION	139	Guide Sound is Not Heard	173	
DISPLAY DIAGNOSIS	139	Screen is Not Shown	174	A
VEHICLE SIGNALS	140	Audio Screen is Not Shown (NAVI Screen is Shown)	174	
HISTORY OF ERRORS	141	A/C Screen is Not Shown (NAVI Screen is Shown)	174	
DIAGNOSIS BY HISTORY OF ERRORS	141	TRIP, FUEL ECON and MAINTENANCE Screens are Not Shown	174	B
NAVIGATION	143	Average Fuel Economy Displayed is Not Shown ("is is Shown)	175	
CAN DIAG SUPPORT MONITOR	145	Distance to Empty Displayed is Not Shown ("is is Shown)	175	C
OPERATION PROCEDURE	145	Driving Distance or Average speed Displayed is Not Shown ("is is Shown)	176	
AV Switch Self-Diagnosis Function	145	WARNING DOOR OPEN Screen is Not Shown ..	176	D
STARTING THE SELF-DIAGNOSIS MODE	146	Unable to Operate All of AV switches (Unable to start Self-Diagnosis)	177	
EXITING THE SELF-DIAGNOSIS MODE	146	Audio Does Not Work	177	E
DIAGNOSIS FUNCTION	146	A/C Does Not Work	177	
Power Supply and Ground Circuit Check for NAVI Control Unit	147	Navigation System Does Not Activate	178	F
Power Supply and Ground Circuit Check for Display Control Unit	148	Previous NAVI Conditions Are Not Stored	178	
Power Supply and Ground Circuit Check for Display Unit	149	Previous Vehicle Conditions Are Not Stored	178	G
Power Supply and Ground Circuit Check for AV Switch	151	Position of Current-Location Mark is Not Correct ..	178	
Vehicle Speed Signal Check for NAVI Control Unit ..	152	Radio Wave From GPS Satellite is Not Received ..	179	
Vehicle Speed Signal Check for Display Control Unit ..	153	Driving Test	179	
Illumination Signal Check for NAVI Control Unit ..	154	Example of Symptoms Judged Not Malfunction ..	180	
Illumination Signal Check for Display Control Unit ..	154	BASIC OPERATION	180	H
Ignition Signal Check for NAVI Control Unit	154	VEHICLE MARK	180	
Ignition Signal Check for Display Control Unit	155	DESTINATION, PASSING POINTS, AND MENU ITEMS CANNOT BE SELECTED/SET	181	I
Reverse Signal Check for NAVI Control Unit	155	VOICE GUIDE	182	
Reverse Signal Check for Display Control Unit ...	155	ROUTE SEARCH	182	
AV Communication Line Check (Between Display Control Unit and NAVI Control Unit)	156	EXAMPLES OF CURRENT-LOCATION MARK DISPLACEMENT	183	J
Audio Communication Line Check (Between Display Control Unit and Audio Unit)	157	CURRENT LOCATION MARK SHOWS A POSITION WHICH IS COMPLETELY WRONG	186	
Display Communication Line Check (Between Display Control Unit and Display Unit)	159	CURRENT-LOCATION MARK JUMPS	186	AV
AV Communication Line Check (Between Display Control Unit and AV Switch)	161	CURRENT LOCATION MARK IS IN A RIVER OR SEA	187	
CAN Communication Line Check	162	WHEN DRIVING ON SAME ROAD, SOMETIMES CURRENT-LOCATION MARK IS IN RIGHT PLACE AND SOMETIMES IT IS WRONG PLACE	187	L
If NAVI control unit detects that DVD-ROM map is not inserted	162	LOCATION CORRECTION BY MAP-MATCHING IS SLOW	187	
If NAVI control unit detects that inserted DVD-ROM map malfunctioning or if it is impossible to load data from DVD-ROM map	162	ALTHOUGH GPS RECEIVING DISPLAY IS GREEN, VEHICLE MARK DOES NOT RETURN TO CORRECT LOCATION	187	M
If Connection Between NAVI Control Unit and GPS Antenna is Malfunctioning	163	NAME OF CURRENT PLACE IS NOT DISPLAYED	187	
RGB Screen is Not Shown	163	CONTENTS OF DISPLAY DIFFER FOR BIRD-VIEW™ AND THE (FLAT) MAP SCREEN	187	
Color of RGB Image is Not Proper (NAVI Screen looks bluish)	164	Program Loading of NAVI Control Unit	188	
Color of RGB Image is Not Proper (NAVI Screen looks reddish)	165	Removal and Installation of NAVI control unit	189	
Color of RGB Image is Not Proper (NAVI Screen looks yellowish)	166	REMOVAL	189	
Color of RGB Image is Not Proper (Except NAVI Screen looks bluish)	167	INSTALLATION	189	
Color of RGB Image is Not Proper (Except NAVI Screen looks reddish)	168	Removal and Installation of GPS Antenna	189	
Color of RGB Image is Not Proper (Except NAVI Screen looks yellowish)	169	REMOVAL	189	
RGB Screen is Rolling (NAVI Screen)	171	INSTALLATION	189	
RGB Screen Is Rolling (Except NAVI Screen)	172	Removal and Installation of Steering Wheel Switch ..	189	
		Removal and Installation of AV Switch	189	

Removal and Installation of Display Unit	189
Removal and Installation of Display Control Unit .	189

PRECAUTIONS

PRECAUTIONS

PFP:00001

Precautions for Supplemental Restraint System (SRS) “AIR BAG” and “SEAT BELT PRE-TENSIONER”

EKS005K5

The Supplemental Restraint System such as “AIR BAG” and “SEAT BELT PRE-TENSIONER”, used along with a front seat belt, helps to reduce the risk or severity of injury to the driver and front passenger for certain types of collision. This system includes seat belt switch inputs and dual stage front air bag modules. The SRS system uses the seat belt switches to determine the front air bag deployment, and may only deploy one front air bag, depending on the severity of a collision and whether the front occupants are belted or unbelted. Information necessary to service the system safely is included in the SRS and SB section of this Service Manual.

WARNING:

- To avoid rendering the SRS inoperative, which could increase the risk of personal injury or death in the event of a collision which would result in air bag inflation, all maintenance must be performed by an authorized NISSAN/INFINITI dealer.
- Improper maintenance, including incorrect removal and installation of the SRS, can lead to personal injury caused by unintentional activation of the system. For removal of Spiral Cable and Air Bag Module, see the SRS section.
- Do not use electrical test equipment on any circuit related to the SRS unless instructed to in this Service Manual. SRS wiring harnesses can be identified by yellow and/or orange harnesses or harness connectors.

Wiring Diagrams and Trouble Diagnosis

EKS003XP

When you read wiring diagrams, refer to the following:

- [GI-12. "How to Read Wiring Diagrams"](#)
- [PG-3. "POWER SUPPLY ROUTING CIRCUIT"](#)

When you perform trouble diagnosis, refer to the following:

- [GI-10. "HOW TO FOLLOW TEST GROUPS IN TROUBLE DIAGNOSES"](#)
- [GI-25. "How to Perform Efficient Diagnosis for an Electrical Incident"](#)

A

B

C

D

E

F

G

H

I

J

AV

L

M

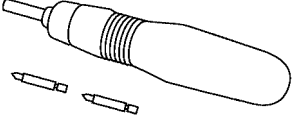
PREPARATION

PREPARATION

PF0:00002

Commercial Service Tool

EKS003XQ

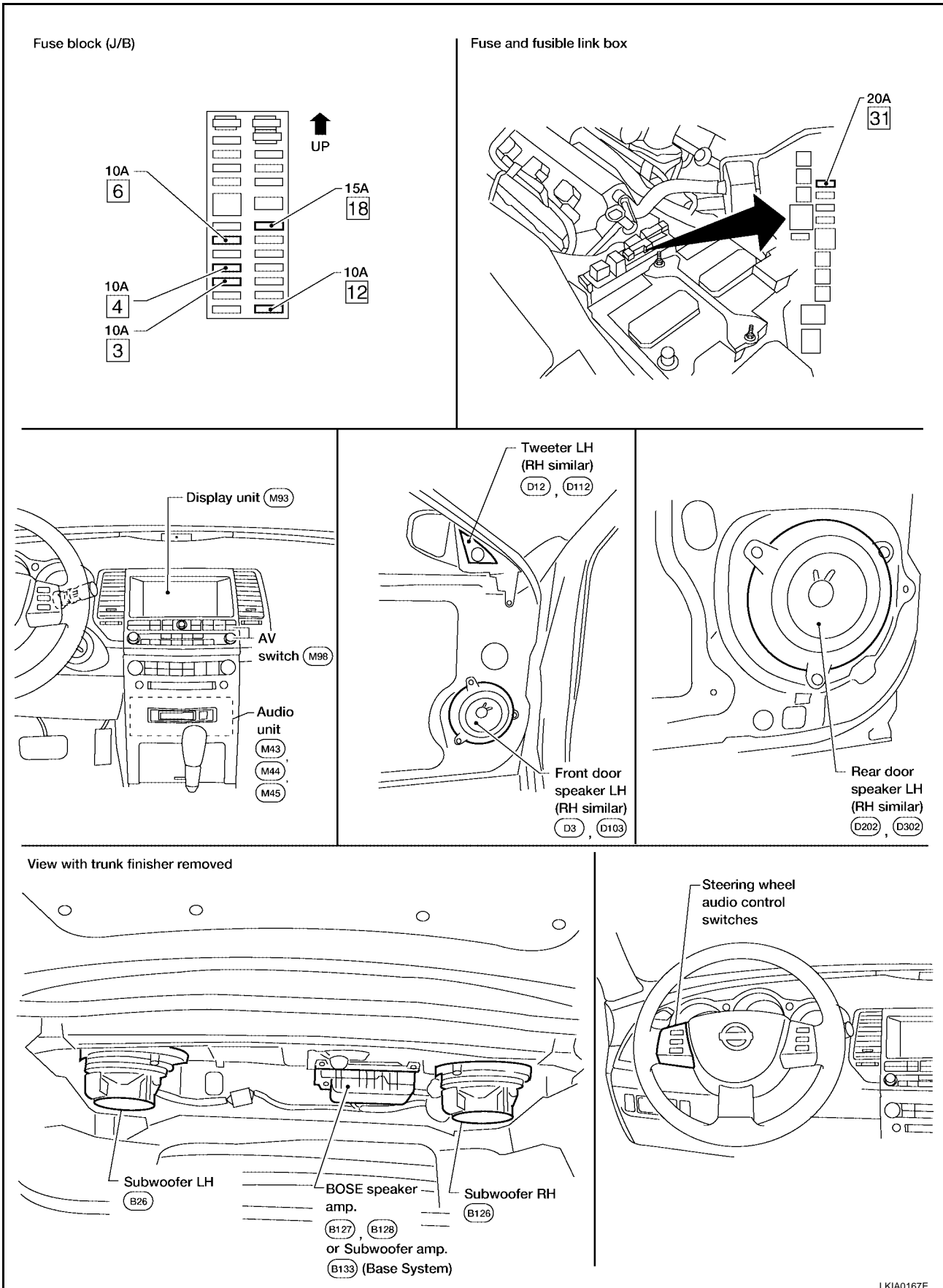
Tool name	Description
<p>Power tool</p>  <p>PBIC0191E</p>	<p>Loosening bolts and nuts</p>

AUDIO

Component Parts and Harness Connector Location

PFP:28111

EKS0044H



A
B
C
D
E
F
G
H
I
J
L
M

AV

LKIA0167E

System Description BASE SYSTEM

Refer to Owner's Manual for audio system operating instructions.
Power is supplied at all times

- through 20A fuse [No. 31, located in the fuse and fusible link box]
- to audio unit terminal 6 and
- through 10A fuse [No. 3, located in the fuse block (J/B)]
- to AV switch terminal 1 and
- to display unit terminal 1.

With the ignition switch in the ACC or ON position, power is supplied

- through 10A fuse [No. 6, located in the fuse block (J/B)]
- to audio unit terminal 10 and
- to AV switch terminal 2 and
- to display unit terminal 2 and
- through 10A fuse [No. 4, located in the fuse block (J/B)]
- to subwoofer amp. terminal 9.

With the ignition switch in the ON or START position, power is supplied

- through 10A fuse [No. 12, located in the fuse block (J/B)]
- to display unit terminal 3.

Ground is supplied through the case of the audio unit.
Ground is also supplied

- to subwoofer amp. terminal 7
- through body grounds B117 and B132.

Then audio signals are supplied

- through audio unit terminals 1, 2, 3, 4, 13, 14, 15 and 16
- to terminals + and - of front door speaker LH and RH
- to terminals + and - of tweeter LH and RH.
- to terminals + and - of rear door speaker LH and RH
- to terminals 1, 2, 3 and 4 of subwoofer amp. and
- through subwoofer amp. terminals 5, 6, 8 and 10
- to terminals + and - of subwoofer LH and RH.

When one of steering wheel audio control switches is pushed to volume up, seek up, or mode ON, resistance in steering switch circuit changes depending on which button is pushed.

When one of steering wheel audio control switches is pushed to volume down, seek down, or power ON, resistance in steering switch circuit changes depending on which button is pushed.

BOSE® SYSTEM

Refer to Owner's Manual for audio system operating instructions.
Power is supplied at all times

- through 20A fuse [No. 31, located in the fuse and fusible link box]
- to audio unit terminal 6 and
- to BOSE speaker amp. terminal 1
- through 10A fuse [No. 3, located in the fuse block (J/B)]
- to AV switch terminal 1 and
- to display unit terminal 1 (without NAVI) or display control unit terminal 1 (with NAVI).

With the ignition switch in the ACC or ON position, power is supplied

- through 10A fuse [No. 6, located in the fuse block (J/B)]
- to audio unit terminal 10 and
- to AV switch terminal 2 and
- to display unit terminal 2 (without NAVI) or display control unit terminal 10 (with NAVI).

AUDIO

Ground is supplied through the case of the audio unit.

Ground is also supplied

- to BOSE speaker amp. terminal 17 and
- to subwoofer RH terminal 5
- through body grounds B117 and B132 and
- to AV switch terminal 5 and
- to display unit terminal 6 (without NAVI) or display control unit terminal 3 (with NAVI)
- through body grounds M57, M61 and M79.

Then audio signals are supplied

- through audio unit terminals 1, 2, 3, 4, 13, 14, 15 and 16
- to Bose speaker amp. terminals 23, 24, 25, 26, 27, 28, 29 and 30.

Audio signals are amplified by the BOSE speaker amp.

The amplified audio signals are supplied

- through BOSE speaker amp. terminals 2, 9,10,11,12, 13, 14, 15, 16 and 18
- to terminals + and - of front door speaker LH and RH and
- to terminals + and - of tweeter LH and RH and
- to terminals + and - of rear door speaker LH and RH and
- to terminals + and - of subwoofer LH and
- to terminals 1 and 2 of subwoofer RH.

When one of steering wheel audio control switches is pushed to volume up, seek up, or mode ON, resistance in steering switch circuit changes depending on which button is pushed.

When one of steering wheel audio control switches is pushed to volume down, seek down, or power ON, resistance in steering switch circuit changes depending on which button is pushed.

SPEED SENSITIVE VOLUME SYSTEM

Volume level of this system goes up and down automatically in proportion to the vehicle speed. The control level can be selected by the customer. This system is equipped only for BOSE system.

A

B

C

D

E

F

G

H

I

J

AV

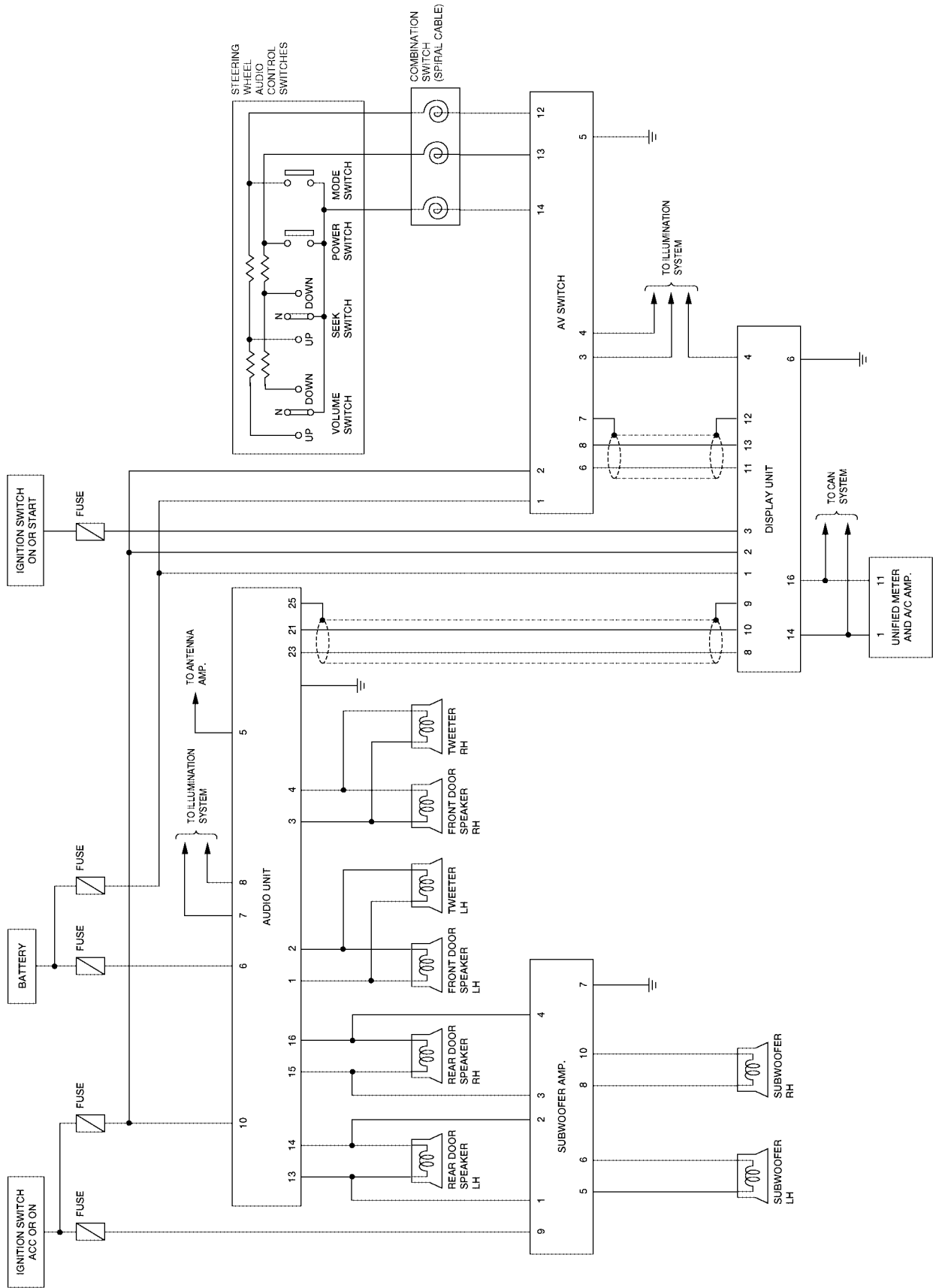
L

M

AUDIO

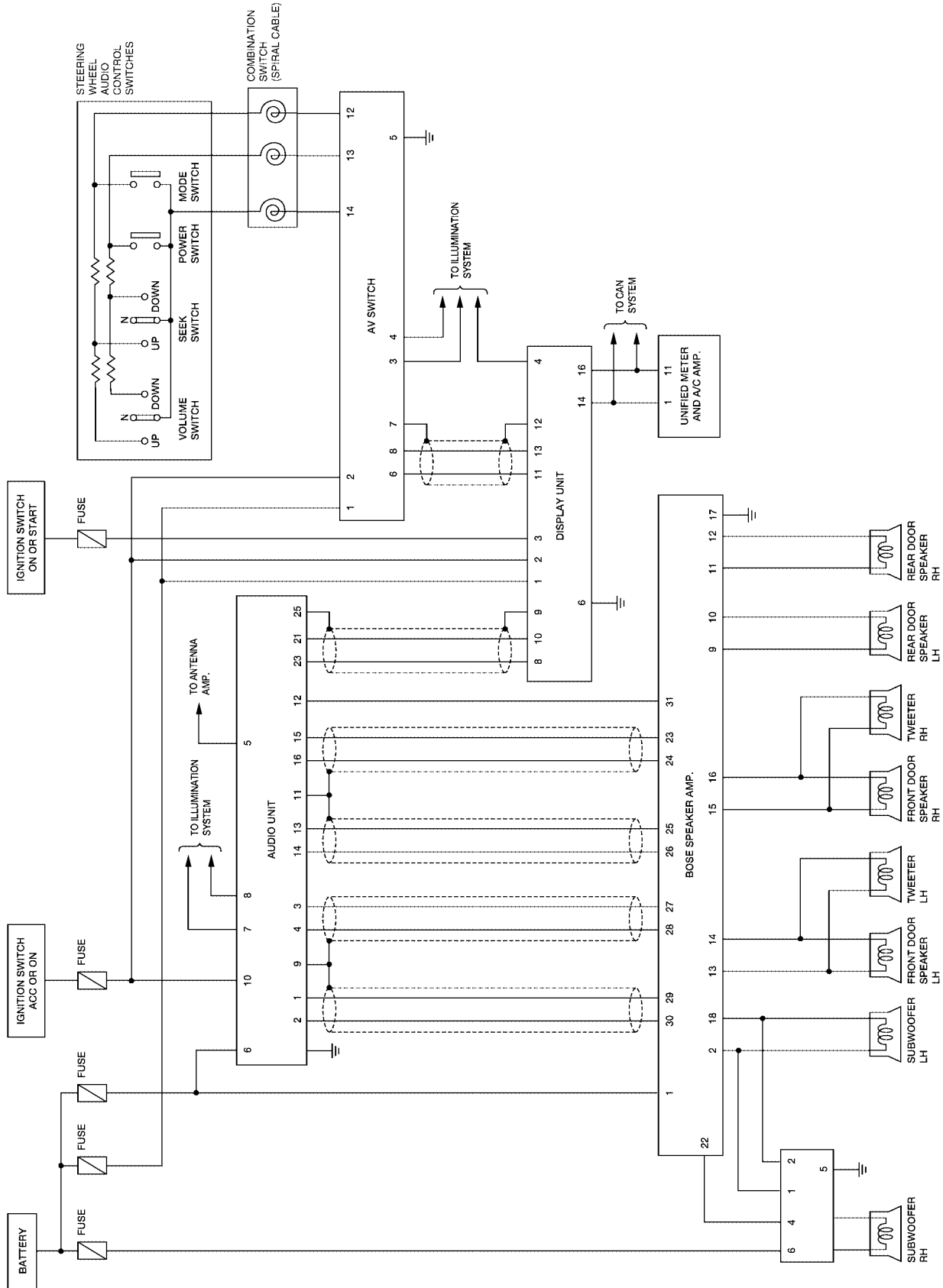
Schematic BASE SYSTEM

EKS0044J



AUDIO

BOSE SYSTEM (WITHOUT NAVI)

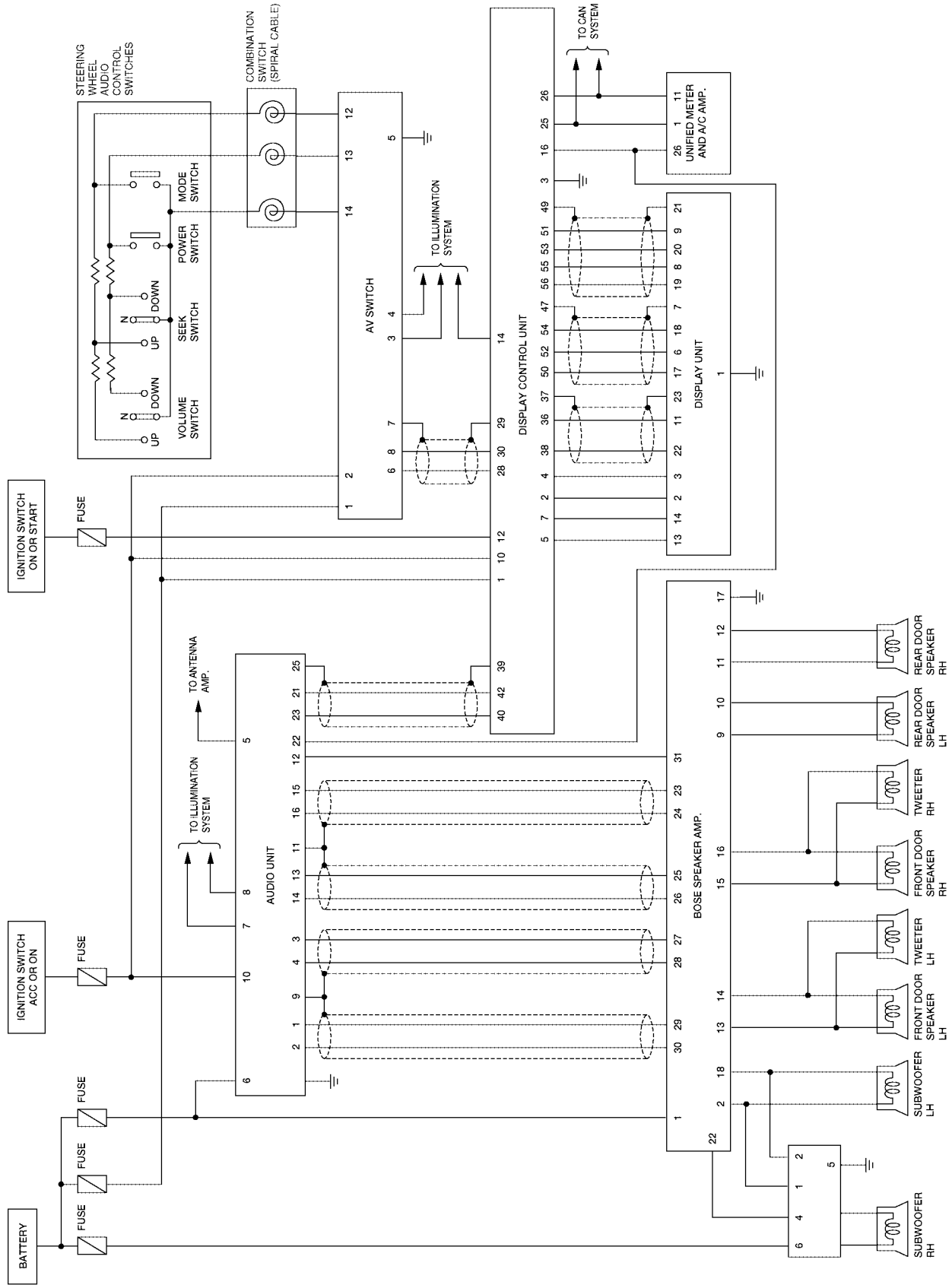


A
B
C
D
E
F
G
H
I
J
K
L
M

AV

AUDIO

BOSE SYSTEM (WITH NAVI)

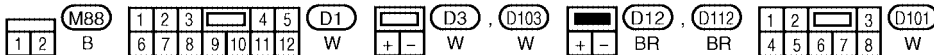
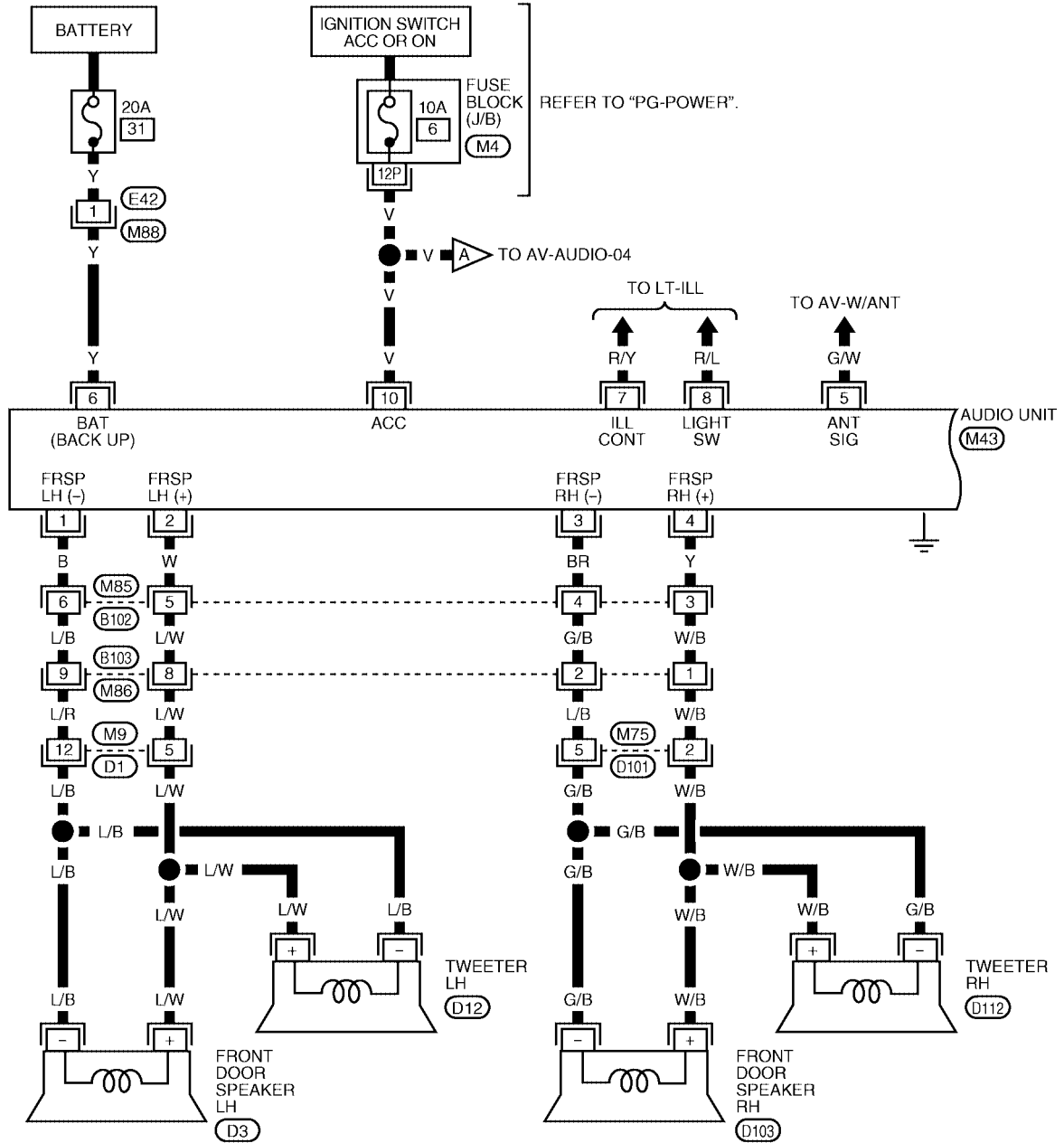


AUDIO

Wiring Diagram -AUDIO- BASE SYSTEM

EKS0044K

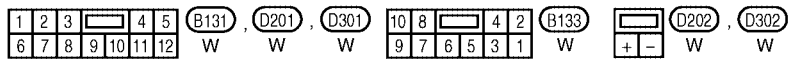
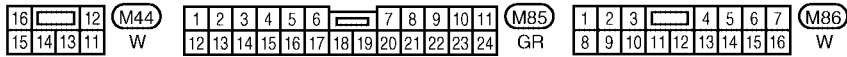
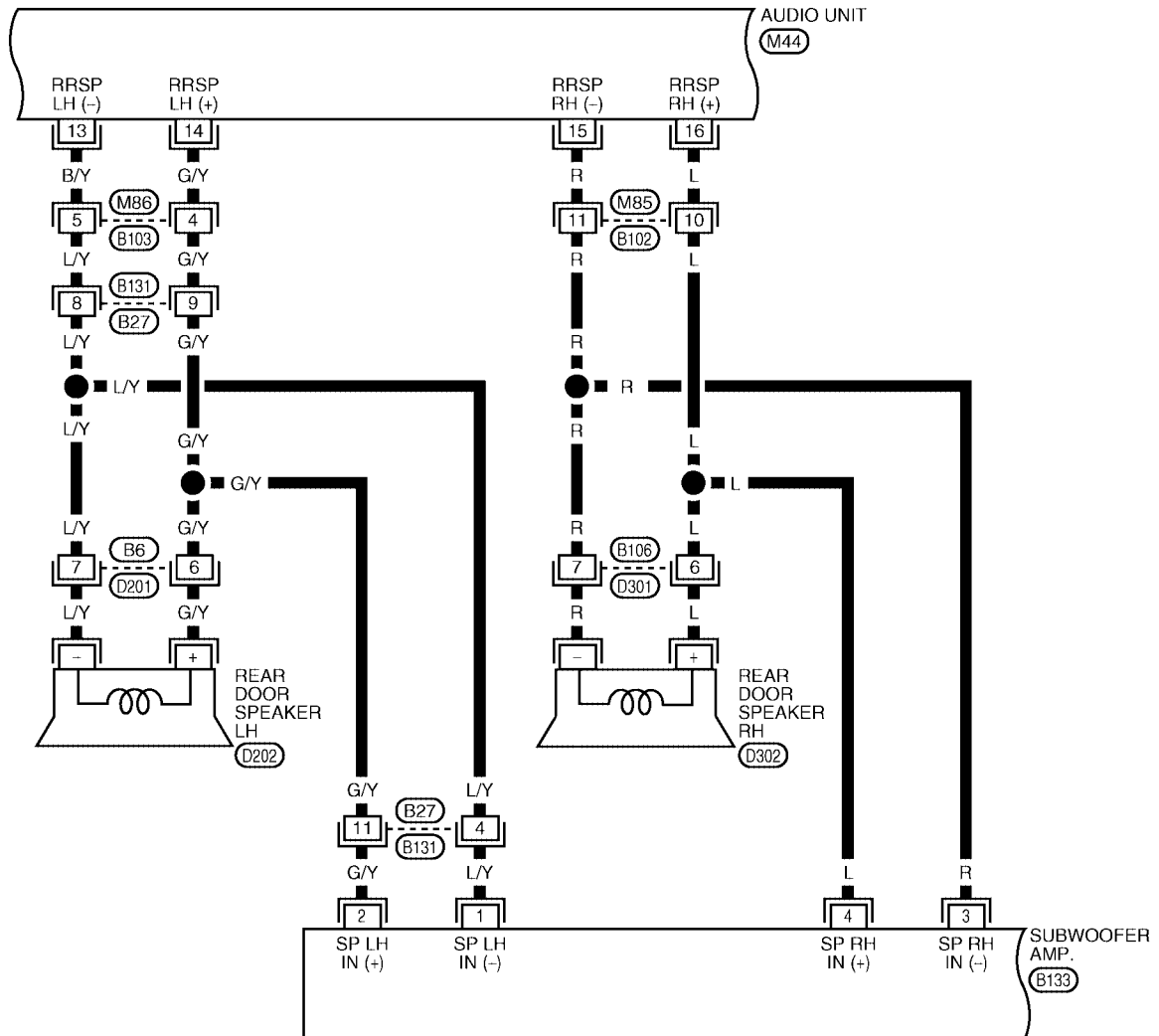
AV-AUDIO-01



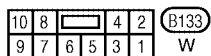
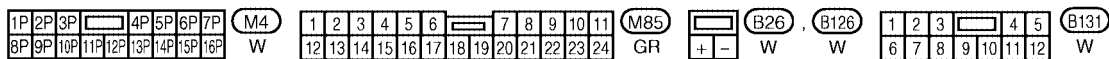
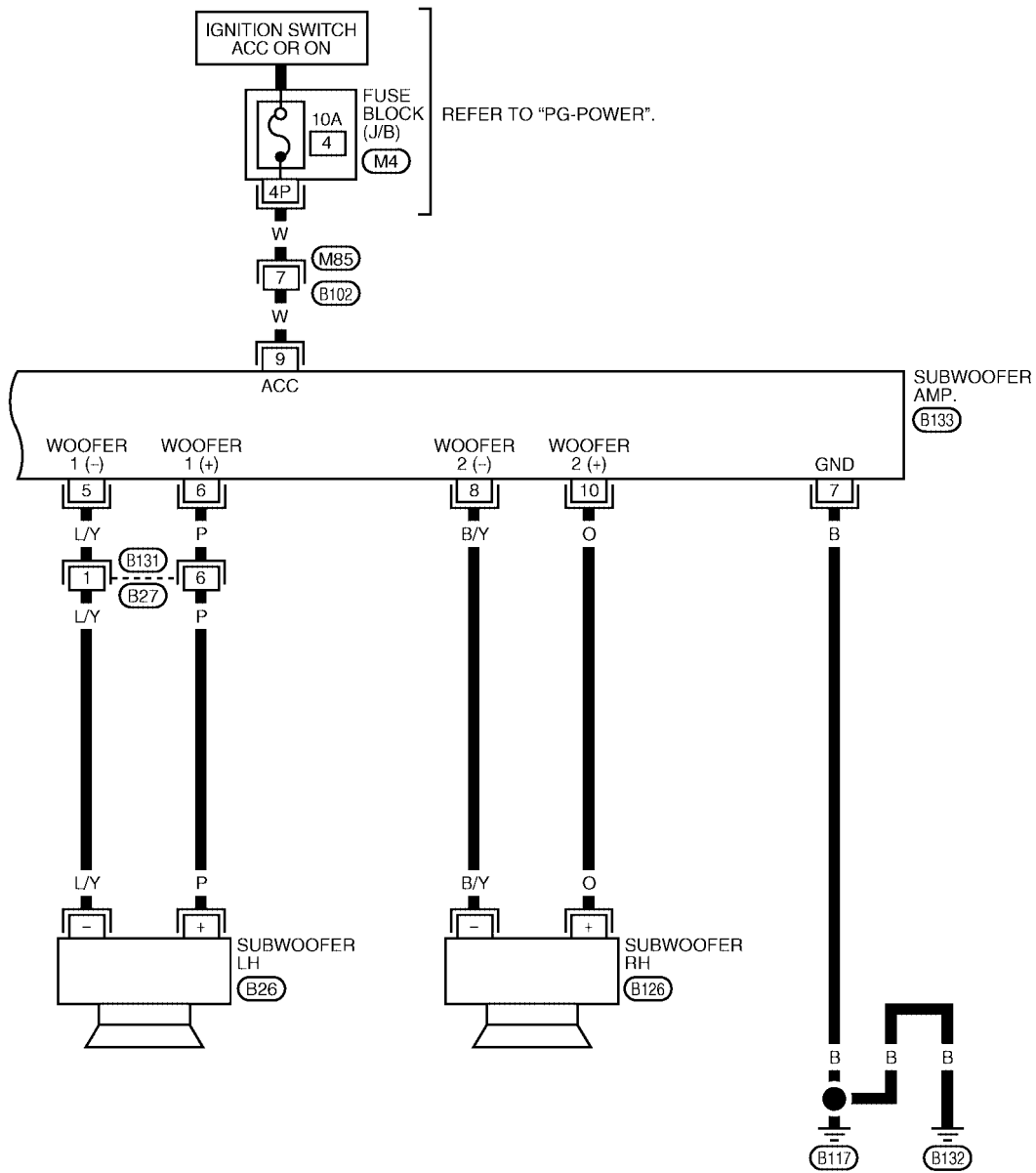
LKWA0140E

AUDIO

AV-AUDIO-02



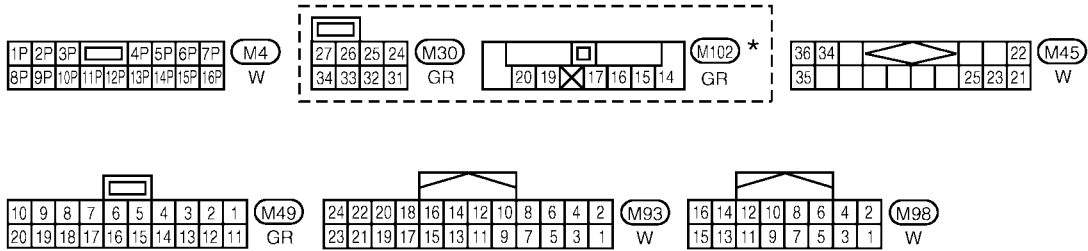
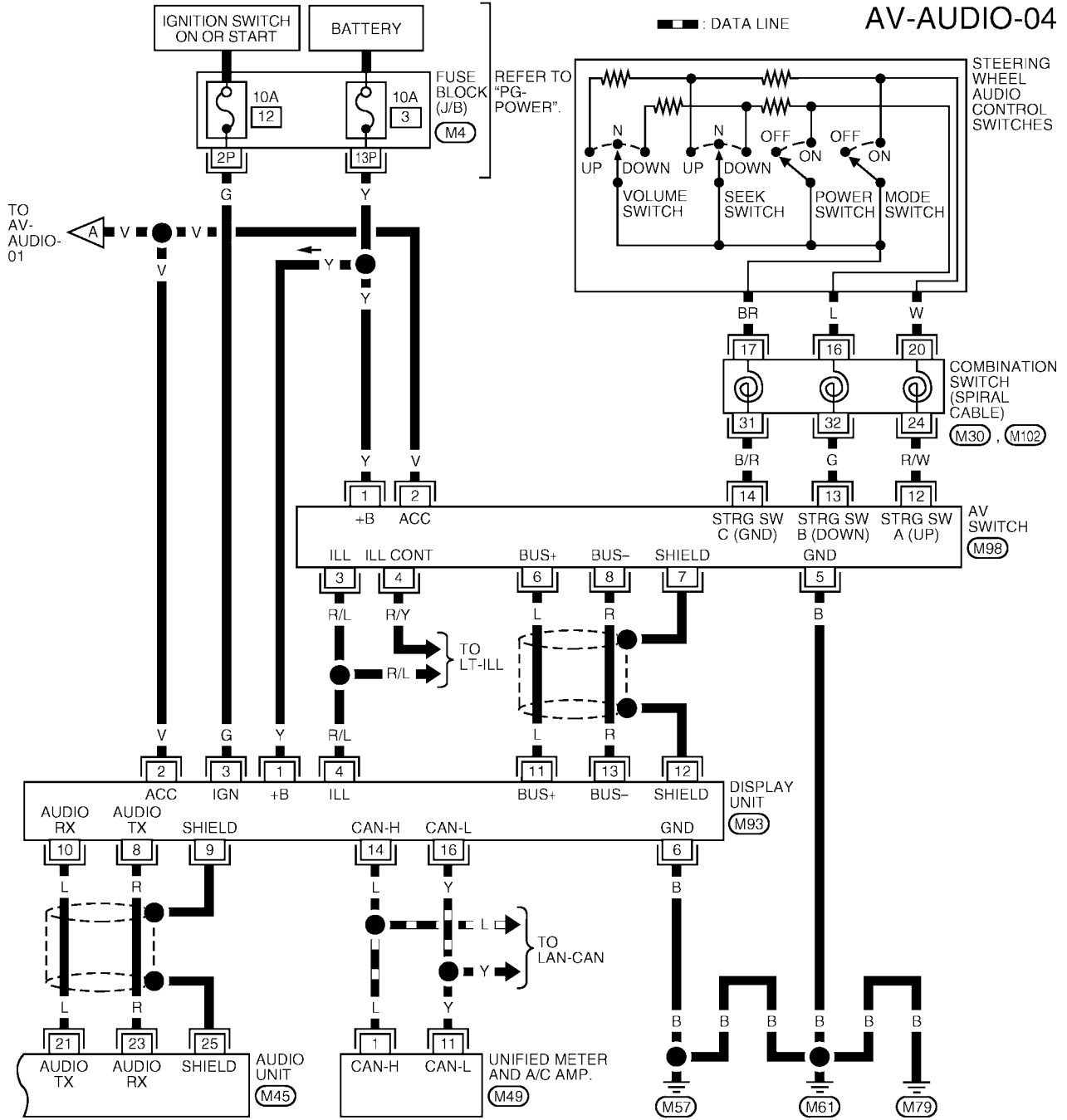
LKWA0141E



A
B
C
D
E
F
G
H
I
J
AV
L
M

AUDIO

AV-AUDIO-04



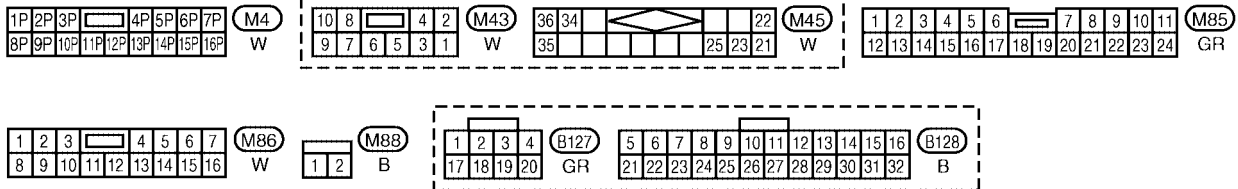
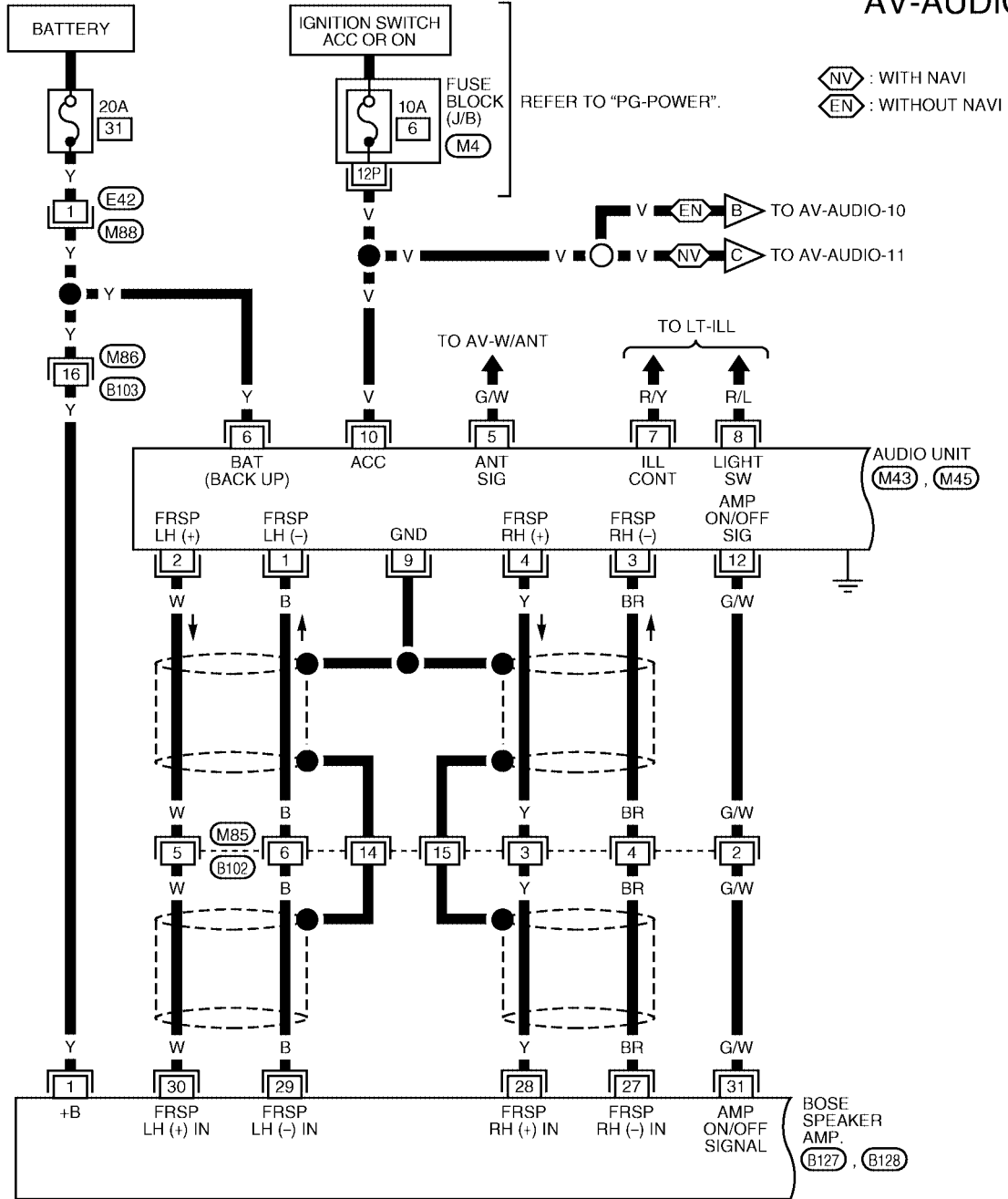
*: THIS CONNECTOR IS NOT SHOWN IN "HARNESS LAYOUT" OF PG SECTION.

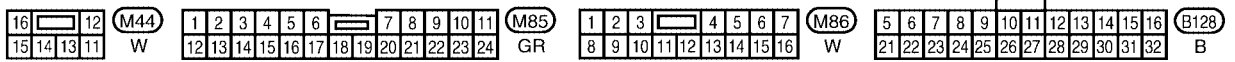
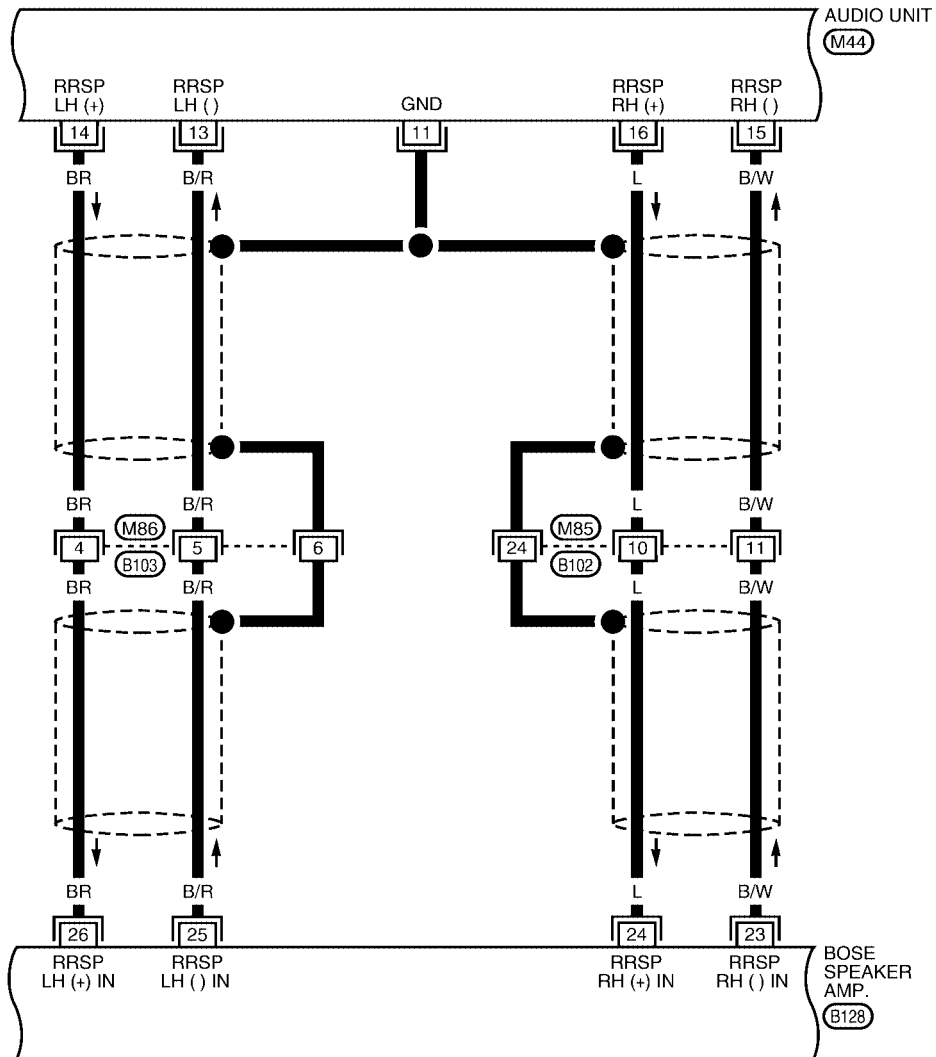
LKWA0143E

AUDIO

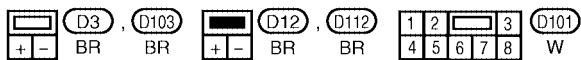
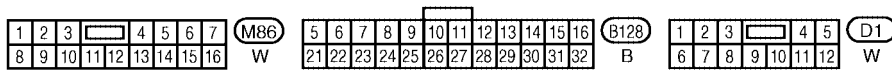
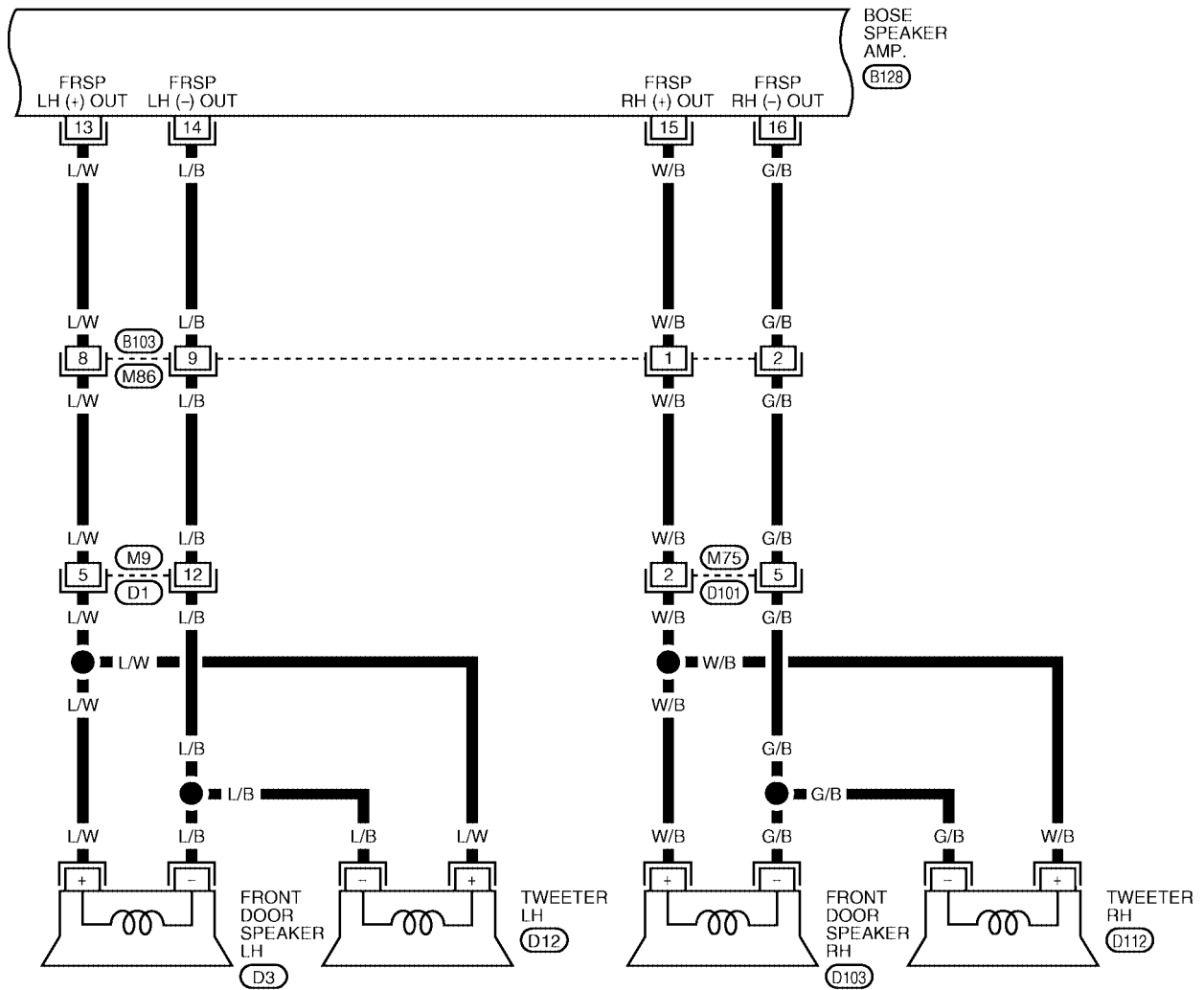
BOSE SYSTEM

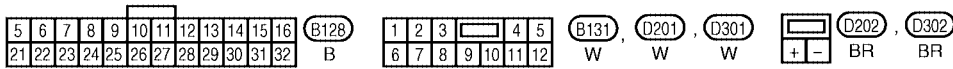
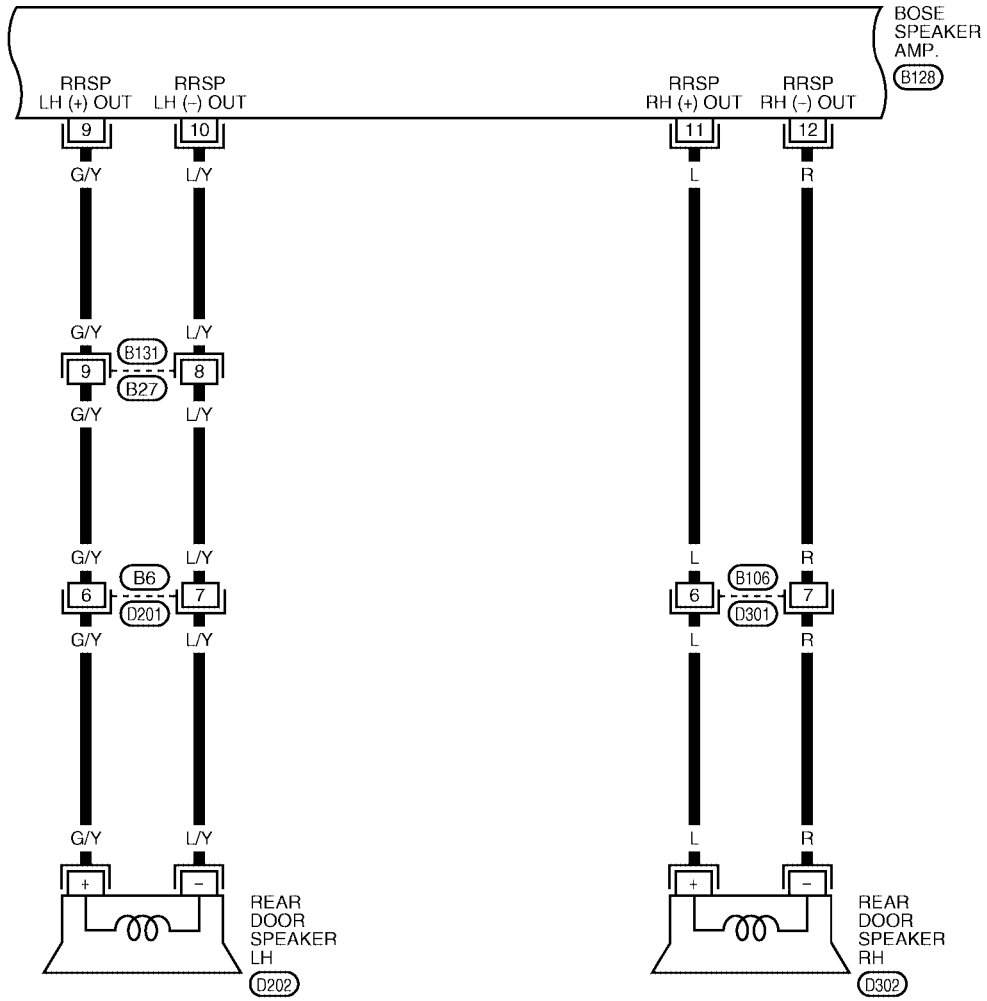
AV-AUDIO-05

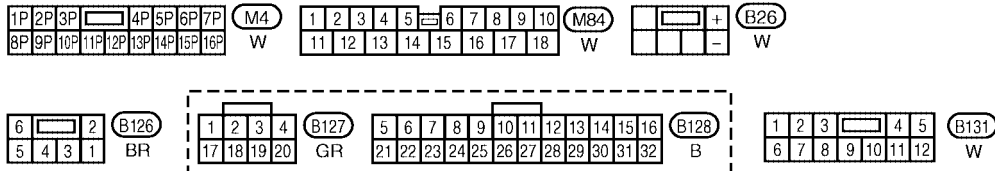
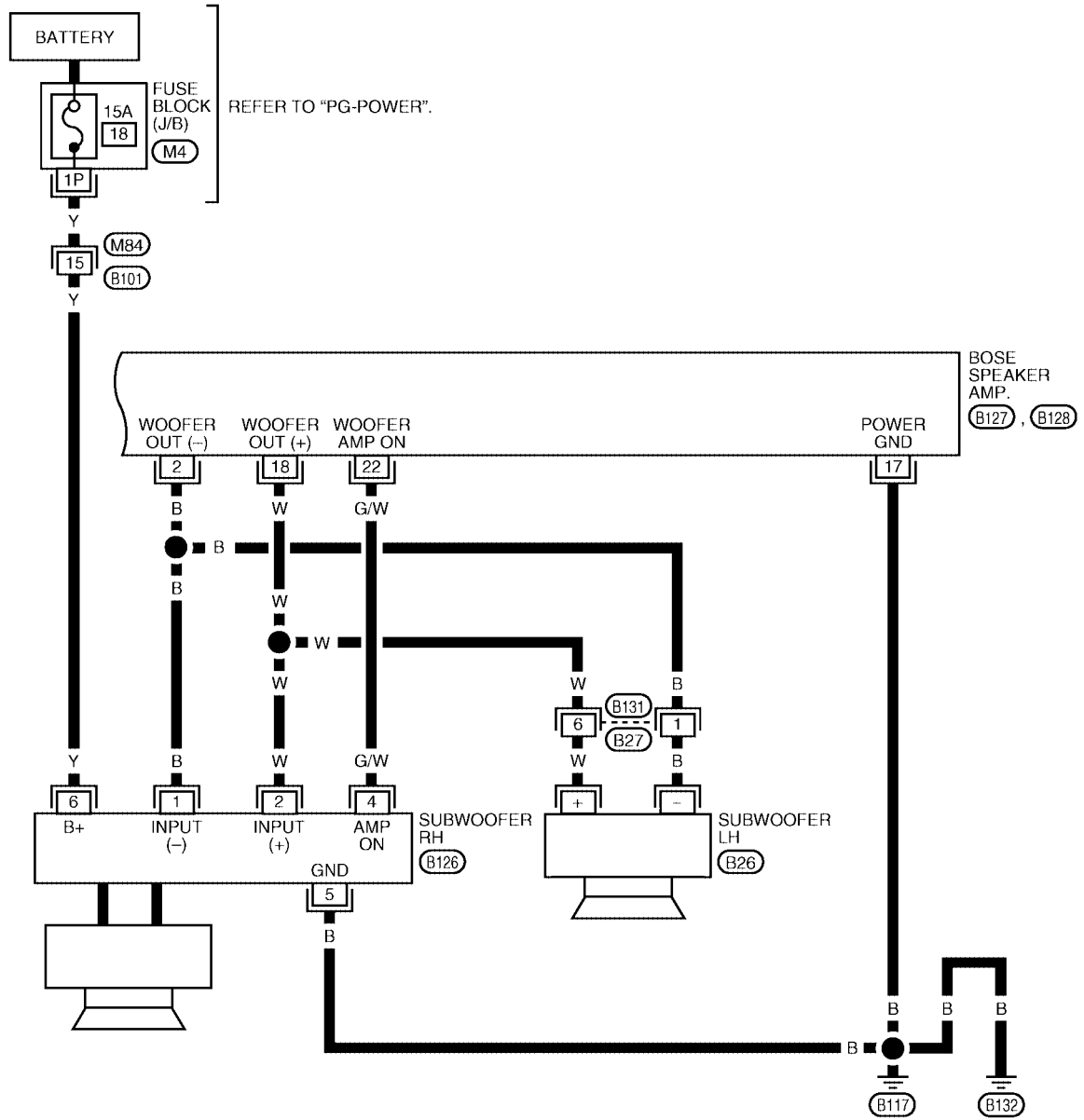




A
B
C
D
E
F
G
H
I
J
K
L
M

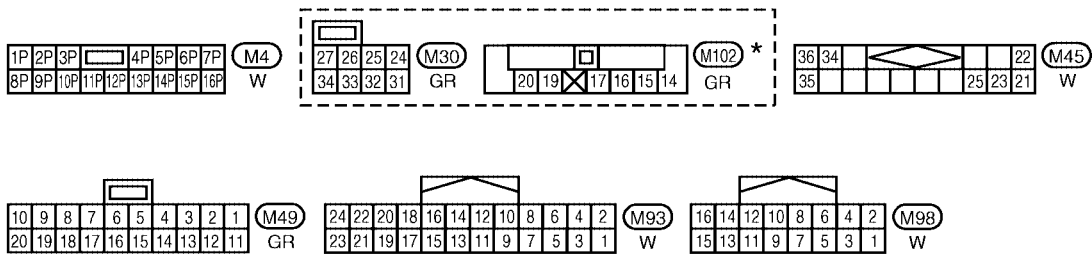
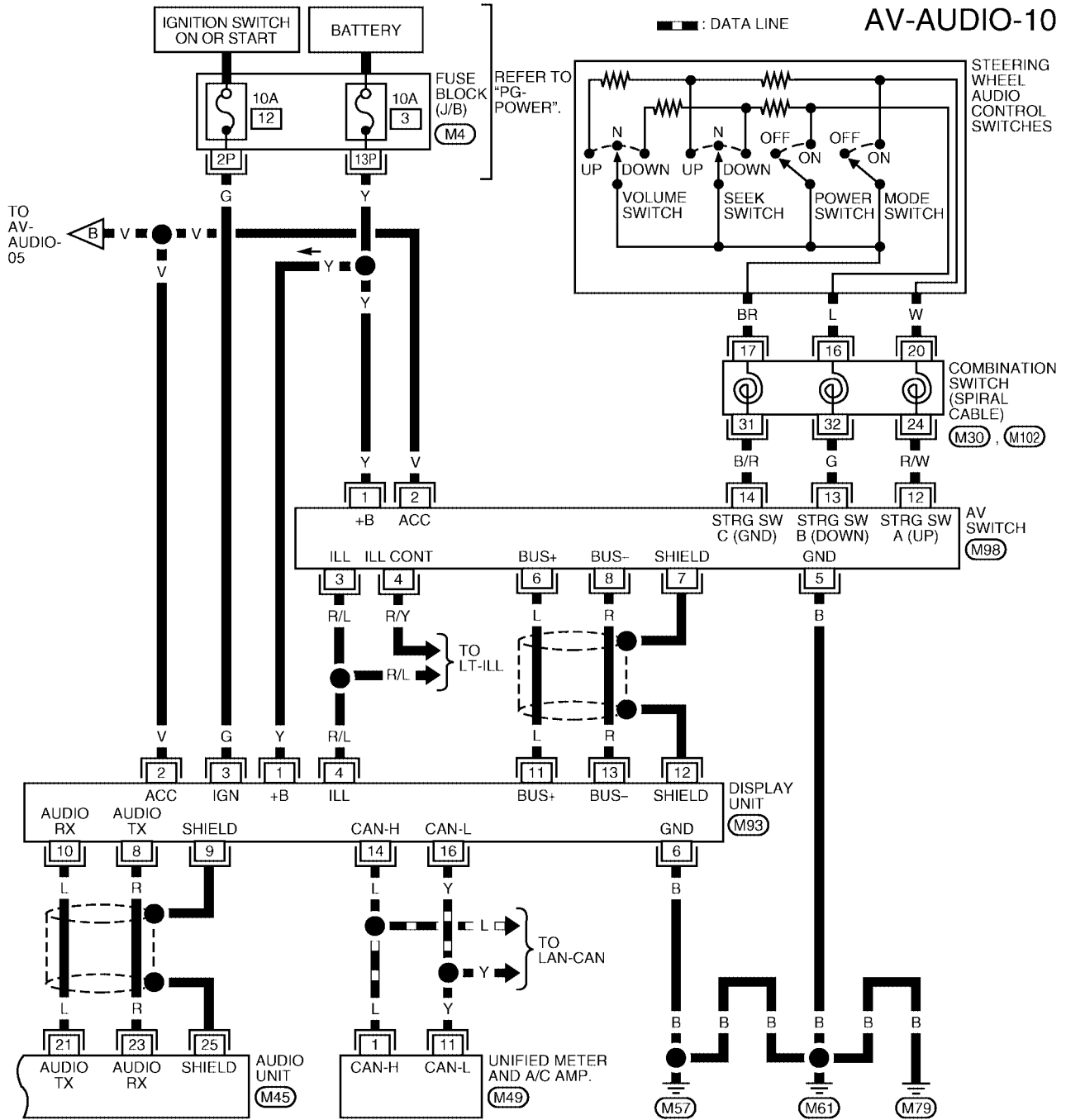






A
B
C
D
E
F
G
H
I
J
AV
L
M

AUDIO

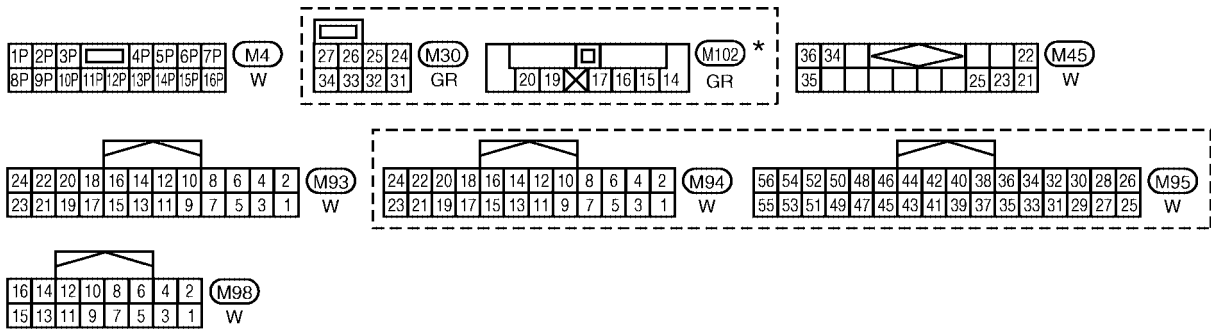
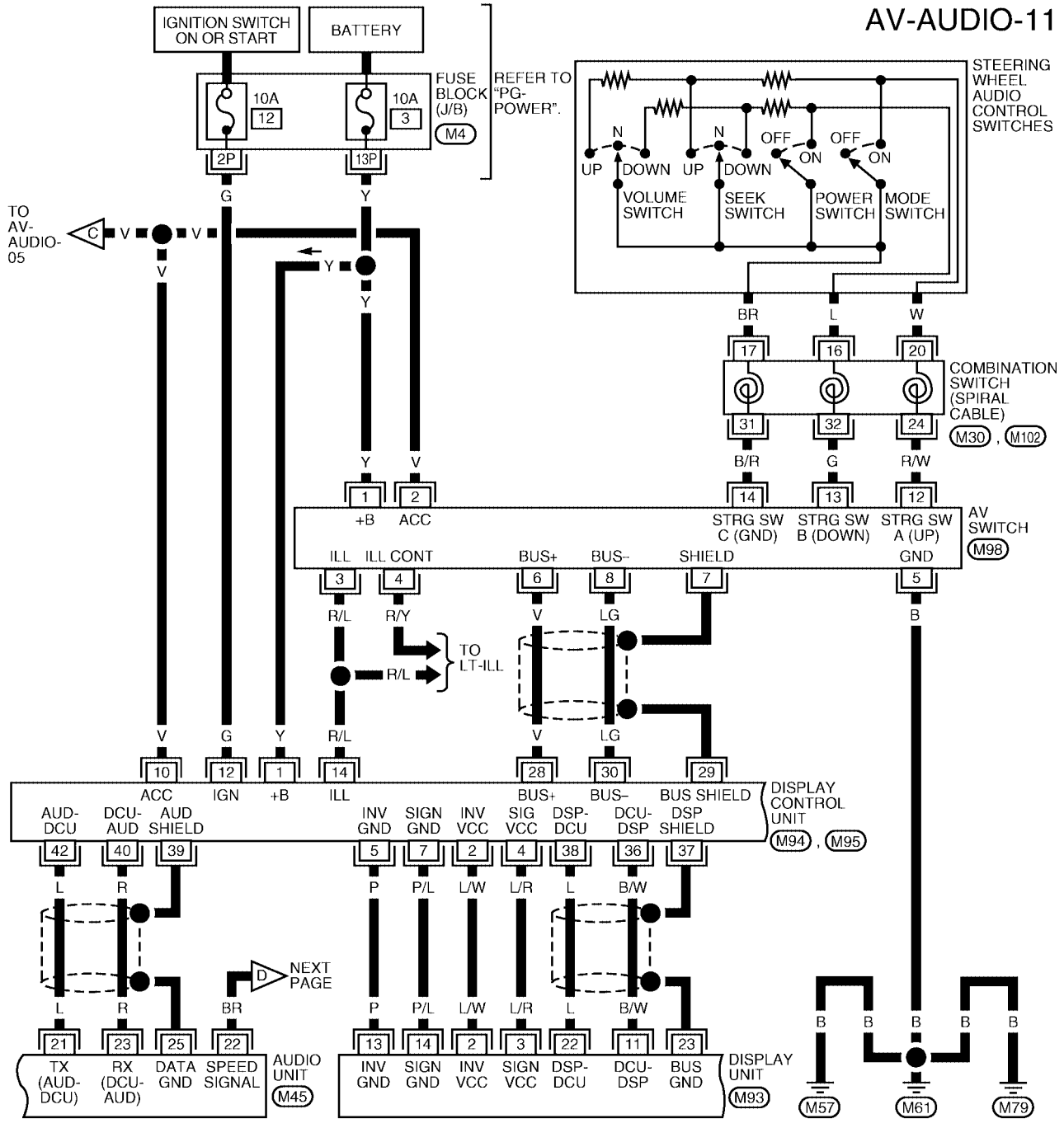


*: THIS CONNECTOR IS NOT SHOWN IN "HARNESS LAYOUT" OF PG SECTION.

LKWA0149E

AUDIO

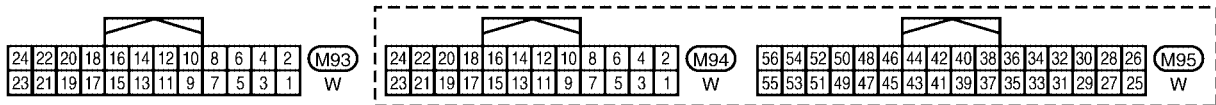
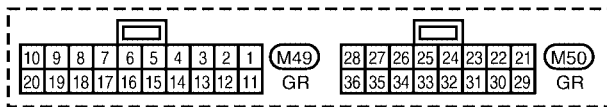
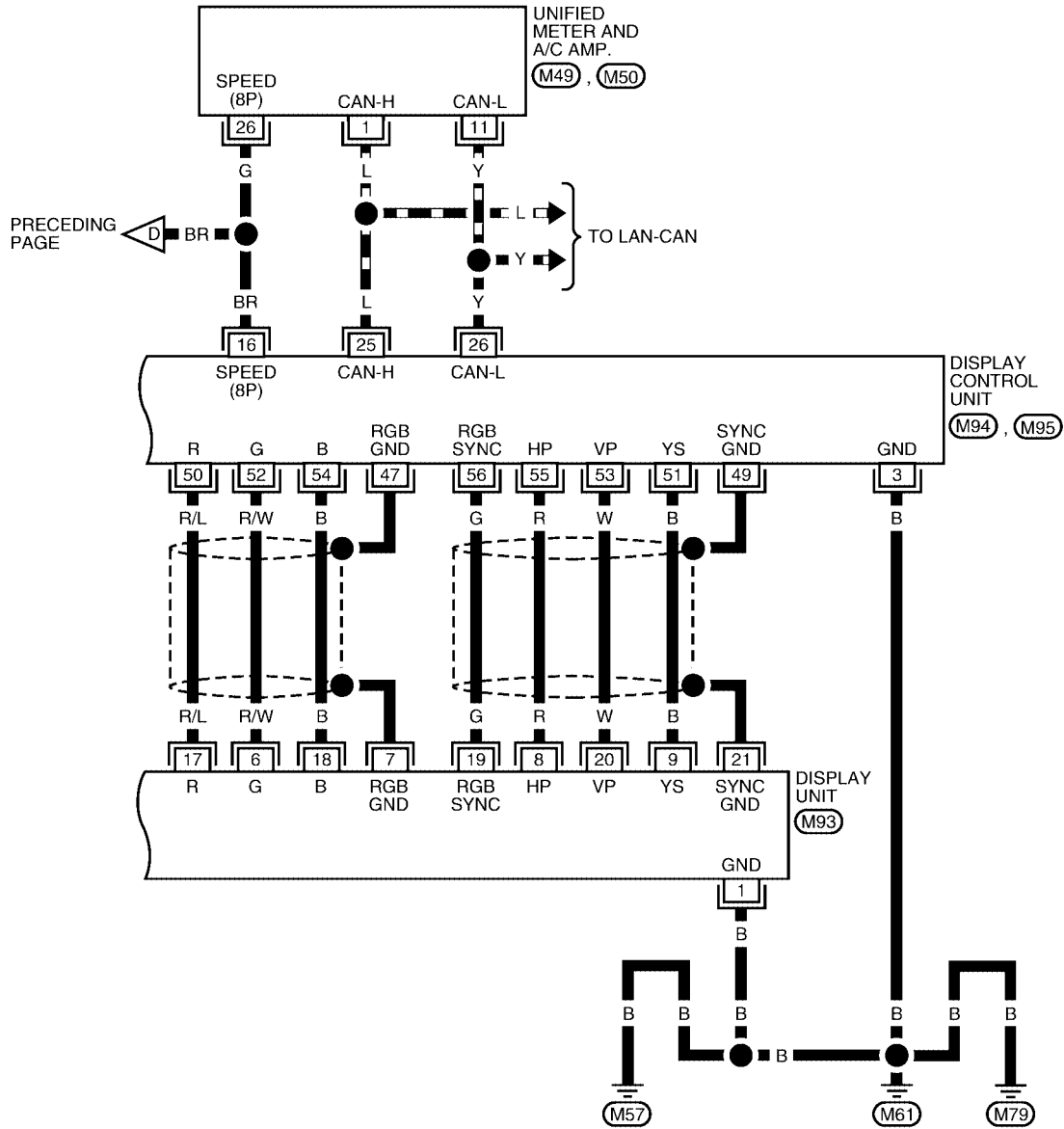
AV-AUDIO-11



*: THIS CONNECTOR IS NOT SHOWN IN "HARNESS LAYOUT" OF PG SECTION.

LKWA0150E

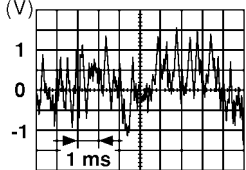
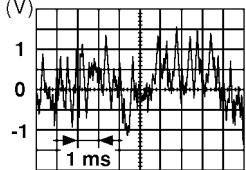
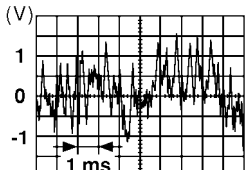
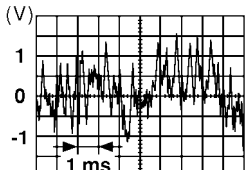
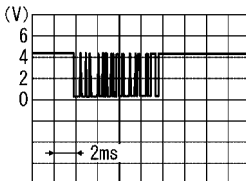
▬ : DATA LINE



AUDIO

Terminals and Reference Value for Audio Unit for Base System

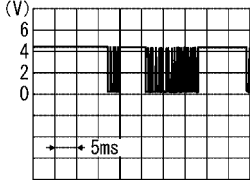
EKS0044L

Terminal (Wire color)		Item	Signal input/ output	Condition		Reference value	Example of symp- tom
+	-			Ignition switch	Operation		
2 (W)	1(B)	Audio sound signal front LH	Output	ON	Receive audio signal	 <p style="text-align: right; font-size: small;">SKIA0177E</p>	No sound from front door speaker LH or tweeter LH
4 (Y)	3 (BR)	Audio sound signal front RH	Output	ON	Receive audio signal	 <p style="text-align: right; font-size: small;">SKIA0177E</p>	No sound from front door speaker RH or tweeter RH
5 (G/W)	Ground	Antenna signal	Output	ON	-	More than approx.10V	System does not work properly.
6 (Y)	Ground	Battery	Input	-	-	Battery voltage	System will not work properly.
10 (V)	Ground	ACC signal	Input	ON	Ignition switch ACC or ON	Battery voltage	System does not work properly.
14 (G/Y)	13 (B/Y)	Audio sound signal rear LH	Output	ON	Receive audio signal	 <p style="text-align: right; font-size: small;">SKIA0177E</p>	No sound from rear door speaker LH
16 (L)	15 (R)	Audio sound signal rear RH	Output	ON	Receive audio signal	 <p style="text-align: right; font-size: small;">SKIA0177E</p>	No sound from rear door speaker RH
21 (L)	Ground	Audio TX	Output	ON	Operate audio volume	 <p style="text-align: right; font-size: small;">SKIA4402E</p>	Audio does not operate properly.

A
B
C
D
E
F
G
H
I
J
L
M

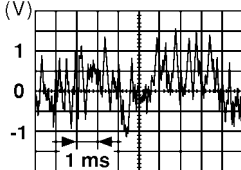
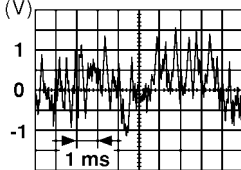
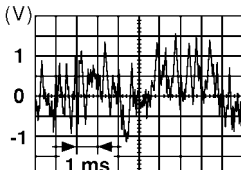
AV

AUDIO

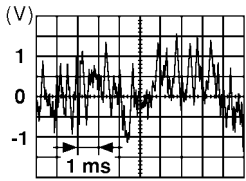
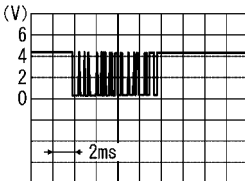
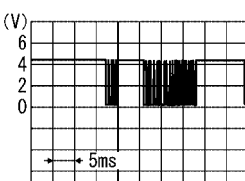
Terminal (Wire color)		Item	Signal input/ output	Condition		Reference value	Example of symp- tom
+	-			Ignition switch	Operation		
23 (R)	Ground	Audio RX	Input	ON	Operate audio volume	 SKIA4403E	Audio does not operate properly.
25	-	Shield	-	-	-	Approx. 0V	-

Terminals and Reference Value for Audio Unit for BOSE System

EKS0044M

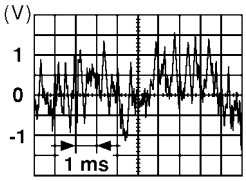
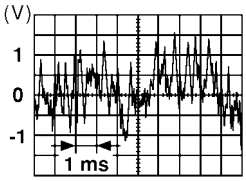
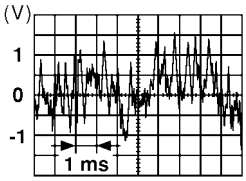
Terminal (Wire color)		Item	Signal input/ output	Condition		Reference value	Example of symp- tom
+	-			Ignition switch	Operation		
2 (W)	1 (B)	Audio sound signal front LH	Output	ON	Receive audio signal	 SKIA0177E	No sound from front door speaker LH or tweeter LH
4 (Y)	3 (BR)	Audio sound signal front RH	Output	ON	Receive audio signal	 SKIA0177E	No sound from front door speaker RH or tweeter RH
5 (G/W)	Ground	Antenna signal	Output	ON	-	More than approx. 10V	System does not work properly.
6 (Y)	Ground	Battery power	Input	-	-	Battery voltage	System will not work properly.
9	-	Shield	-	-	-	Approx. 0V	Interference and distortion heard from speakers.
10 (V)	Ground	ACC signal	Input	ON	-	Battery voltage	System does not work properly.
11	-	Shield	-	-	-	Approx. 0V	Interference and distortion heard from speakers.
12 (G/W)	Ground	Amp. ON signal	Output	ON	-	More than approx. 6.5V	Amp. does not work properly.
14 (BR)	13 (B/R)	Audio sound signal rear LH	Output	ON	Receive audio signal	 SKIA0177E	No sound from rear speaker LH

AUDIO

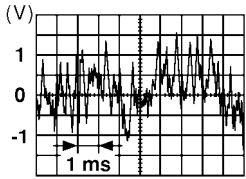
Terminal (Wire color)		Item	Signal input/ output	Condition		Reference value	Example of symp- tom
+	-			Ignition switch	Operation		
16 (L)	15 (B/W)	Audio sound signal rear RH	Output	ON	Receive audio signal	 SKIA0177E	No sound from rear speaker RH
21 (L)	Ground	Audio TX	Output	ON	Operate audio volume	 SKIA4402E	Audio does not operate properly.
23 (R)	Ground	Audio RX	Input	ON	Operate audio volume	 SKIA4403E	Audio does not operate properly.
25	-	Shield	-	ON	-	Approx.0V	

Terminals and Reference Value for Subwoofer Amp. (Base System)

EKS004TE

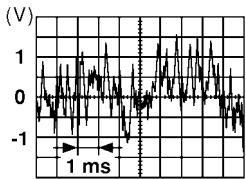
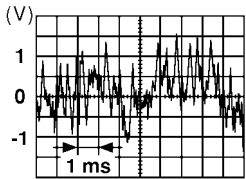
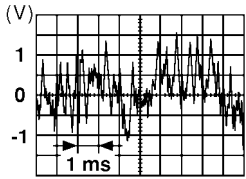
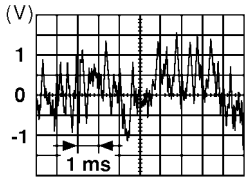
Terminal (wire color)		Item	Signal input/ output	Condition		Reference value	Example of symptom
+	-			Ignition switch	Operation		
2 (G/Y)	1 (L/Y)	Subwoofer LH	Input	ON	Receive audio signal	 SKIA0177E	No sound from subwoofer LH
4 (L)	3 (R)	Subwoofer RH	Input	ON	Receive audio signal	 SKIA0177E	No sound from subwoofer RH
6 (P)	5 (L/Y)	Subwoofer LH	Output	ON	Receive audio signal	 SKIA0177E	No sound from subwoofer LH

AUDIO

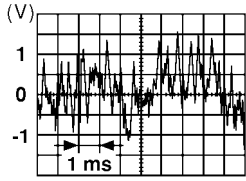
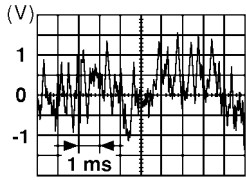
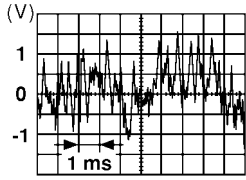
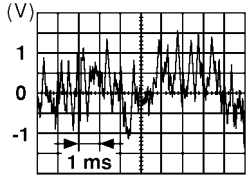
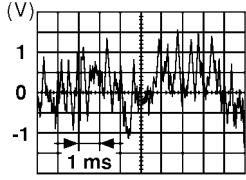
Terminal (wire color)		Item	Signal input/output	Condition		Reference value	Example of symptom
+	-			Ignition switch	Operation		
7 (B)	Ground	Ground	-	ON	-	-	-
9 (W)	Ground	ACC signal	Input	ON	Ignition switch ACC or ON	Battery voltage	System does not work properly.
10 (O)	8 (B/Y)	Subwoofer RH	Output	ON	Receive audio signal	 SKIA0177E	No sound from subwoofer RH

Terminals and Reference Value for BOSE Speaker Amp.

EKS0044N

Terminal (wire color)		Item	Signal input/output	Condition		Reference value	Example of symptom
+	-			Ignition switch	Operation		
1 (Y)	Ground	Battery	Input	-	-	Battery voltage	System does not work properly.
18 (W)	2 (B)	Woofer	Output	ON	Receive audio signal	 SKIA0177E	No sound from subwoofers
9 (G/Y)	10 (L/Y)	Rear door speaker LH	Output	ON	Receive audio signal	 SKIA0177E	No sound from rear speaker LH
11 (L)	12 (R)	Rear door speaker RH	Output	ON	Receive audio signal	 SKIA0177E	No sound from rear speaker RH
13 (L/W)	14 (L/B)	Front door speaker LH and tweeter LH	Output	ON	Receive audio signal	 SKIA0177E	No sound from front door speaker LH or tweeter LH

AUDIO

Terminal (wire color)		Item	Signal input/ output	Condition		Reference value	Example of symptom
+	-			Ignition switch	Operation		
15 (W/B)	16 (G/B)	Front door speaker RH and tweeter RH	Output	ON	Receive audio signal	 SKIA0177E	No sound from front door speaker RH or tweeter RH
17 (B)	Ground	Ground	-	ON	-	-	-
22 (G/W)	Ground	Subwoofer RH ON signal	Input	ON	-	Approx. 6.5V	Subwoofer RH does not work properly
24 (L)	23 (B/W)	Audio sound signal rear RH	Input	ON	Receive audio signal	 SKIA0177E	No sound from rear speaker RH
26 (BR)	25 (B/R)	Audio sound signal rear LH	Input	ON	Receive audio signal	 SKIA0177E	No sound from rear speaker LH
28 (Y)	27 (BR)	Audio sound signal front RH	Input	ON	Receive audio signal	 SKIA0177E	No sound from front door speaker RH or tweeter RH
30 (W)	29 (B)	Audio sound signal front LH	Input	ON	Receive audio signal	 SKIA0177E	No sound from front door speaker LH or tweeter LH
31 (G/W)	Ground	Amp. ON sig- nal	Input	ON	-	More than approx. 6.5V	System does not work properly.

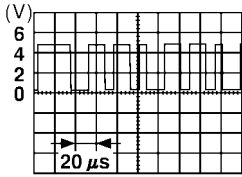
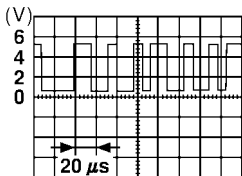
A
B
C
D
E
F
G
H
I
J
L
M

AV

AUDIO

Terminals and Reference Value for AV Switch

EKS005K8

Terminal No. (Wire color)		Item	Signal input/ output	Condition		Voltage	Example of symptom
+	-			Ignition switch	Operation		
1 (Y)	Ground	Battery power	Input	OFF	-	Battery voltage	System does not work properly.
2 (V)	Ground	ACC signal	Input	ACC	-	Battery voltage	System does not work properly.
3 (R/L)	Ground	Illumination signal	Input	OFF	Lighting switch is ON (position 1).	Battery voltage	AV switch illumi- nation does not come on when lighting switch is ON (position 1).
					Turn lighting switch OFF.	Approx. 3.0V or less	
4 (R/Y)	Ground	Illumination control signal	Input	ON	Illumination control switch is operated by lighting switch in 1st position.	Changes between approx. 0 and approx. 12V.	AV switch illumi- nation cannot be controlled.
5 (B)	Ground	Ground	-	ON	-	Approx. 0V	-
6 (L)	Ground	Communica- tion signal (+)	Input/ output	ON	-	 <small>SKIA0175E</small>	System does not work properly.
7	-	Shield ground	-	-	-	-	-
8 (R)	Ground	Communica- tion signal (-)	Input/ output	ON	-	 <small>SKIA0176E</small>	System does not work properly.
12 (R/W)	Ground	Remote con- trol A	Input	ON	Press MODE switch	Approx. 0V	Steering wheel audio controls do not function.
					Press SEEK UP switch	Approx. 0.75V	
					Press VOL UP switch	Approx. 2V	
					Except for above	Approx. 5V	
13 (G)	Ground	Remote con- trol B	Input	ON	Press POWER switch	Approx. 0V	Steering wheel audio controls do not function.
					Press SEEK DOWN switch	Approx. 0.75V	
					Press VOL DOWN switch	Approx. 2V	
					Except for above	Approx. 5V	
14 (B/R)	-	Remote con- trol ground	-	-	-	-	Steering wheel audio controls do not function.

AV Switch Self-Diagnosis Function

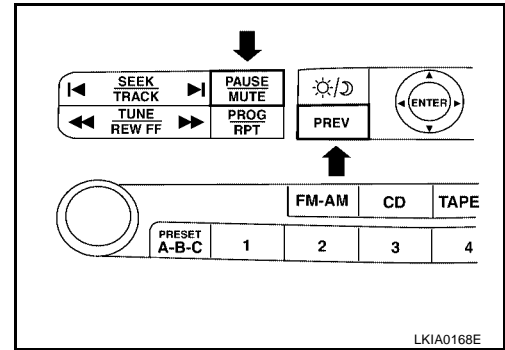
EKS00440

It can check ON/OFF operation of each switch in the AV switch and diagnose the input signals to the steering switch.

AUDIO

STARTING THE SELF-DIAGNOSIS MODE

1. Turn ignition switch from OFF to ACC.
2. Within 10 seconds press and hold the switches "PAUSE/MUTE" and "PREV" simultaneously for 3 seconds.
Then the self-diagnosis operates. A single beep indicates self-diagnosis mode is active.
3. Press each switch and listen for beep.



EXITING THE SELF-DIAGNOSIS MODE

- Turn ignition switch OFF. Then the self-diagnosis ends.

DIAGNOSIS FUNCTION

- It can illuminate all the indicators (LED) in the AV switch.
- It can check for continuity of the switches by sounding the beep when each AV switch and steering switch is pressed.
- It can check for continuity of harness between AV switch and steering switch.

A
B
C
D
E
F
G
H
I
J
AV
L
M

AUDIO

EKS0044P

Trouble Diagnosis

The majority of the audio troubles are the result of outside causes (bad CD/cassette, electromagnetic interference, etc.). Check the inspection items below to diagnose the malfunction.

MALFUNCTION WITH RADIO, TAPE AND CD (BASE SYSTEM)

Symptom	Possible cause
Inoperative	<ul style="list-style-type: none"> ● AV switch check. Refer to AV-30, "AV Switch Self-Diagnosis Function" . If above check is OK, replace audio unit.
Steering switch does not operate	<ul style="list-style-type: none"> ● Steering switch check. Refer to AV-37, "Steering Switch Check" . ● Audio communication line check (Without Navigation System). Refer to AV-88, "Audio Communication Line Check" . If above check is OK, replace audio unit.
Audio screen is not shown	<ul style="list-style-type: none"> ● Display unit check. Refer to AV-80, "Self-Diagnosis Mode" .
All speakers do not sound	<ul style="list-style-type: none"> ● Audio unit ● Audio unit power circuit check. Refer to AV-35, "Power Supply Circuit Inspection" .
One or several speakers do not sound	<ul style="list-style-type: none"> ● Front door speaker check. Refer to AV-39, "Sound Is Not Heard From Front Door Speaker (Base System)" . ● Rear door speaker check. Refer to AV-41, "Sound Is Not Heard From Rear Door Speaker (Base System)" .
Poor sound	<ul style="list-style-type: none"> ● Audio unit ● Speaker
Noisy	<ul style="list-style-type: none"> ● Audio unit ● Each electrical equipment

MALFUNCTION WITH RADIO, TAPE AND CD (BOSE SYSTEM)

Symptom	Possible cause
Inoperative	<ul style="list-style-type: none"> ● AV switch check. Refer to AV-30, "AV Switch Self-Diagnosis Function" . If above check is OK, replace audio unit.
Steering switch does not operate	<ul style="list-style-type: none"> ● Steering switch check. Refer to AV-37, "Steering Switch Check" . ● Audio communication line check (Without Navigation System). Refer to AV-88, "Audio Communication Line Check" . ● Audio communication line check (With Navigation System). Refer to AV-157, "Audio Communication Line Check (Between Display Control Unit and Audio Unit)" . If above check is OK, replace audio unit.
Audio screen is not shown	<ul style="list-style-type: none"> ● Display unit check. Refer to AV-80, "Self-Diagnosis Mode" (without navigation system), AV-133, "Self-Diagnosis Mode (DCU)" (with navigation system).
All speakers do not sound	<ul style="list-style-type: none"> ● Audio unit ● Audio unit power circuit check. Refer to AV-35, "Power Supply Circuit Inspection" . ● BOSE speaker amp. ON signal ● BOSE speaker amp. ground circuit ● BOSE speaker amp.
One or several speakers do not sound	<ul style="list-style-type: none"> ● Front door speaker check. Refer to AV-43, "Sound Is Not Heard From Front Door Speaker (BOSE System)" . ● Rear door speaker check. Refer to AV-47, "Sound Is Not Heard From Rear Door Speaker (BOSE System)" .

AUDIO

Symptom	Possible cause	
Poor sound	<ul style="list-style-type: none">● Audio unit● BOSE speaker amp.● Speaker	A
Noisy	<ul style="list-style-type: none">● Audio unit● BOSE speaker amp.● Each electrical equipment	B

C

D

E

F

G

H

I

J

AV

L

M

AUDIO

FOR RADIO ONLY

Symptom	Possible cause
No sound	<ul style="list-style-type: none"> ● Audio unit ● Antenna feeder, wiring or connections ● Antenna amplifier, power supply, wiring or connections
Noisy	<ul style="list-style-type: none"> ● Audio unit ● Antenna feeder, wiring or connections ● Antenna amplifier, power supply, wiring or connections ● Noise prevention parts ● Each electrical equipment ● Wire harness of each piece of electrical equipment
Selected radio stations stored in memory are deleted	<ul style="list-style-type: none"> ● Audio unit ● Audio unit power circuit. Refer to AV-35, "Power Supply Circuit Inspection".

NOTE:

1. This is noise resulting from variations in field strength, such as fading noise and multi-path noise, or external noise from trains and other sources. It is not a malfunction.
 - Fading noise: This noise occurs because of variations in the field strength in a narrow range due to mountains or buildings blocking the signal.
 - Multi-path noise: This noise results from the waves sent directly from the broadcast station arriving at the antenna at a different time from the waves which reflect off of mountains or buildings.

FOR CASSETTE PLAYER ONLY

Symptom	Possible cause
Cassette tape cannot be inserted.	<ul style="list-style-type: none"> ● Audio unit ● Audio unit power circuit. Refer to AV-35, "Power Supply Circuit Inspection".
Cassette tape cannot be ejected.	
Auto reverse does not work, or the tape direction changes in the middle of play.	Audio unit
There is much noise.	
The sound is not clear.	
Sound fluctuates/tape speed not correct.	
No sound	

AUDIO

FOR CD ONLY

Symptom	Possible cause
CD cannot be inserted.	<ul style="list-style-type: none"> ● Audio unit ● Audio unit power circuit. Refer to AV-35. "Power Supply Circuit Inspection" .
CD cannot be ejected.	
The CD cannot be played.	Audio unit
The sound skips, stops suddenly, or is distorted.	

Noise Inspection

EKS0044Q

The vehicle itself can be a source of noise if noise prevention parts or electrical equipment is malfunction. Check if noise is caused and/or changed by engine speed, ignition switch turned to each position, and operation of each piece of electrical equipment, and determine the cause.

NOTE:

The source of the noise can be found easily by listening to the noise while removing the fuses of electrical components, one by one.

TYPE OF NOISE AND POSSIBLE CAUSE

Occurrence condition	Possible cause
Occurs only when engine is ON.	<ul style="list-style-type: none"> ● Ignition components
	<ul style="list-style-type: none"> ● Generator
The occurrence of the noise is linked with the operation of the fuel pump.	<ul style="list-style-type: none"> ● Fuel pump condenser (taped in body harness near rear kicking plate LH)
Noise only occurs when various electrical components are operating.	<ul style="list-style-type: none"> ● Relay malfunction, radio malfunction
	<ul style="list-style-type: none"> ● Motor case ground ● Motor
The noise occurs constantly, not just under certain conditions.	<ul style="list-style-type: none"> ● Rear defogger coil malfunction ● Open circuit in printed heater ● Poor ground of antenna amplifier or antenna feeder line
A cracking or snapping sound occurs while the vehicle is being driven, especially when it is vibrating excessively.	<ul style="list-style-type: none"> ● Ground wire of body parts. ● Ground due to improper part installation ● Wiring connections or a short circuit

Power Supply Circuit Inspection

EKS0044R

1. CHECK FUSE

- Check that the following fuses of the subwoofer amp. (base system), BOSE speaker amp. (with BOSE) and audio unit are not blown.

Unit	Terminals	Signal name	Fuse No.
Audio unit	6	Battery power	31
	10	Ignition switch ACC or ON	6
Subwoofer amp. (base system)	9	Ignition switch ACC or ON	4
BOSE speaker amp. (with BOSE)	1	Battery power	31

OK or NG

OK >> GO TO 2.

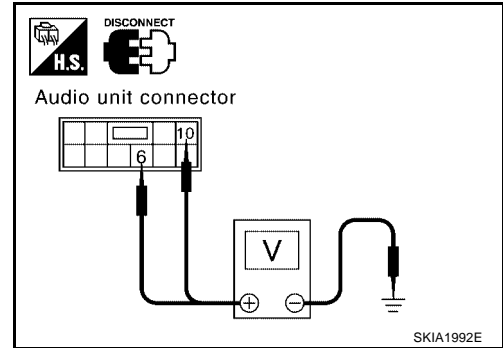
NG >> If fuse is blown, be sure to eliminate cause of problem before installing new fuse. Refer to [PG-3. "POWER SUPPLY ROUTING CIRCUIT"](#) .

AUDIO

2. POWER SUPPLY CIRCUIT CHECK

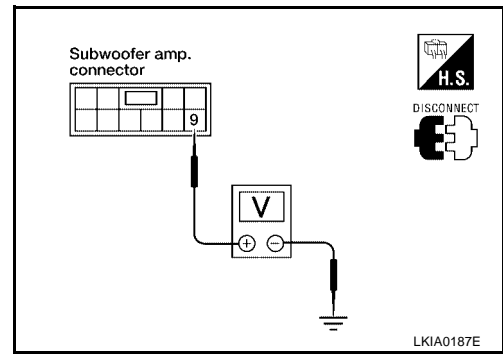
1. Disconnect audio unit, subwoofer amp. (base system) or BOSE speaker amp. (with BOSE) connector.
2. Check voltage between the audio unit and ground.

Unit	Terminal No.			OFF	ACC	ON
	(+)		(-)			
	Connector	Terminal (wire color)				
Audio unit	M43	6 (Y)	Ground	Battery voltage	Battery voltage	Battery voltage
		10 (V)	Ground	0 V	Battery voltage	Battery voltage



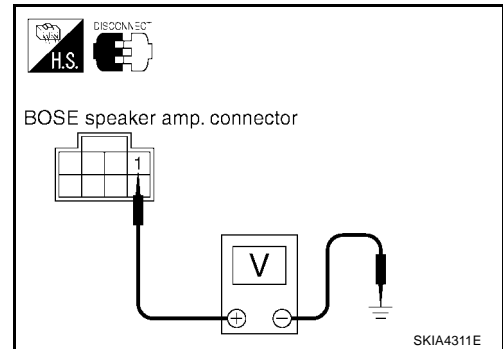
3. Check voltage between subwoofer amp. (base system) and ground.

Unit	Terminal No.			OFF	ACC	ON
	(+)		(-)			
	Connector	Terminal (wire color)				
Subwoofer amp.	B133	9 (W)	Ground	0 V	Battery voltage	Battery voltage



4. Check voltage between BOSE speaker amp. (with BOSE) and ground.

Unit	Terminal No.			OFF	ACC	ON
	(+)		(-)			
	Connector	Terminal (wire color)				
BOSE speaker amp.	B127	1(Y)	Ground	Battery voltage	Battery voltage	Battery voltage



OK or NG

OK >> GO TO 3.

NG >> ● Check connector housings for disconnected or loose terminals.

- Repair harness or connector.

3. GROUND CIRCUIT CHECK

Check continuity between subwoofer amp. (base system) harness connector B133 terminal 7 (B) or BOSE speaker amp. (with BOSE) harness connector B127 terminal 17 (B) and ground.

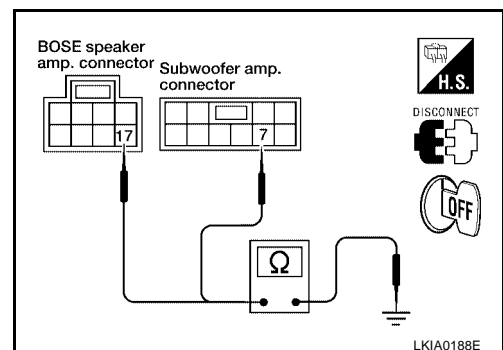
Continuity should exist.

OK or NG

OK >> INSPECTION END.

NG >> ● Check connector housings for disconnected or loose terminals.

- Repair harness or connector.



Steering Switch Check

1. AV SWITCH SELF-DIAGNOSIS FUNCTION CHECK

1. Start AV switch self-diagnosis function. Refer to [AV-30, "AV Switch Self-Diagnosis Function"](#).
2. Operate steering switch.

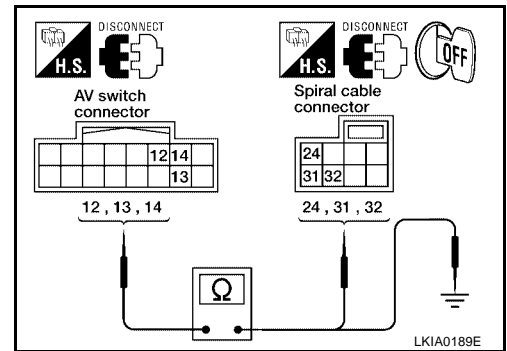
Does steering switch operate normally?

- YES >> INSPECTION END.
 NO >> GO TO 2.

2. CHECK HARNESS

1. Turn ignition switch OFF.
2. Disconnect AV switch connector and spiral cable connector.
3. Check continuity between spiral cable harness connector terminal and AV switch harness connector terminal.

Terminals				Continuity
Spiral cable		AV switch		
Connector	Terminal	Connector	Terminal (Wire color)	
M30	32 (G)	M98	13 (G)	Yes
	31(B/R)		14 (B/R)	
	24 (R/W)		12 (R/W)	



4. Check continuity between AV switch and ground.

Terminals			Continuity
AV switch (+)		(-)	
Connector	Terminal (Wire color)		
M98	12 (R/W)	Ground	No
	13 (G)		
	14 (B/R)		

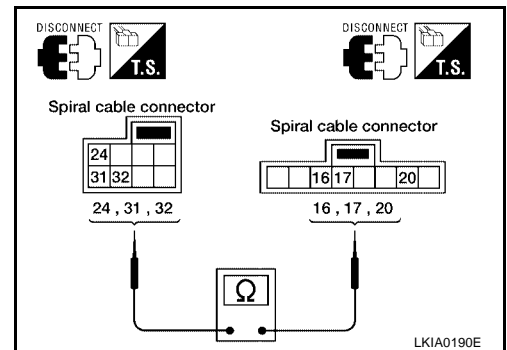
OK or NG

- OK >> GO TO 2.
 NG >> Repair harness.

3. SPIRAL CABLE CHECK

1. Disconnect spiral cable connector.
2. Check continuity between spiral cable harness connector terminal and AV switch harness connector terminal.

Terminals				Continuity
Spiral cable				
Connector	Terminal	Connector	Terminal	
M30	32	M102	16	Yes
	31		17	
	24		20	



OK or NG

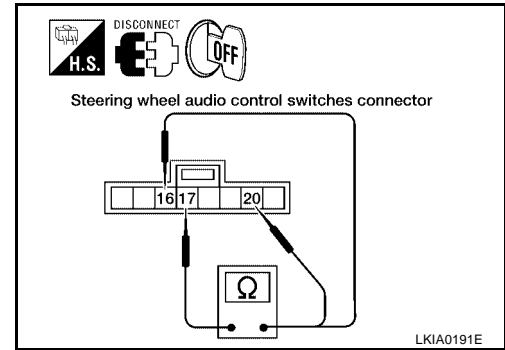
- OK >> GO TO 4.
 NG >> Replace spiral cable. Refer to [SRS-42, "SPIRAL CABLE"](#).

AUDIO

4. CHECK STEERING SWITCH RESISTANCE

Check resistance steering switch terminals.

Terminal	Signal name	Condition	Resistance (Ω) (Approx.)	
16	17	Seek (down)	Depress (station) down switch.	165
		Power	Depress power switch.	0
		Volume (down)	Depress volume down switch.	487
20	17	Seek (up)	Depress (station) up switch.	165
		Mode	Depress mode switch.	0
		Volume (up)	Depress volume up switch.	487



OK or NG

- OK >> INSPECTION END.
- NG >> Replace steering switch.

AV Switch Check

EKS0044T

1. AV SWITCH SELF-DIAGNOSIS FUNCTION CHECK

1. Start AV switch self-diagnosis function. Refer to [AV-30, "AV Switch Self-Diagnosis Function"](#) .
2. Operate voluntary switch.

Does AV switch operate normally?

- YES >> INSPECTION END.
- NO >> Replace AV switch.

Audio Communication Line Check (Without Navigation System)

EKS0044U

1. CHECK AUDIO COMMUNICATION LINE

- Start audio communication line check. Refer to [AV-88, "Audio Communication Line Check"](#) .

OK or NG

- OK >> INSPECTION END.
- NG >> Replace malfunctioning part.

Audio Communication Line Check (With Navigation System)

EKS0044V

1. CHECK AUDIO COMMUNICATION LINE

- Start audio communication line check. Refer to [AV-157, "Audio Communication Line Check \(Between Display Control Unit and Audio Unit\)"](#) .

OK or NG

- OK >> INSPECTION END.
- NG >> Replace malfunctioning part.

AUDIO

Sound Is Not Heard From Front Door Speaker (Base System)

EKS0044W

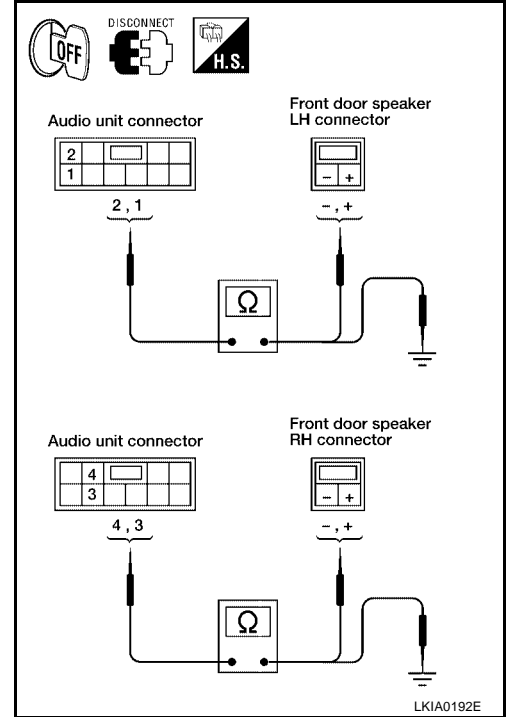
1. HARNESS CHECK

1. Disconnect audio unit connector and front door speaker connector.
2. Check continuity between audio unit harness connector terminal and front door speaker harness connector terminal.

Terminals				Continuity
Audio unit		Speaker		
Connector	Terminal (Wire color)	Connector	Terminal (Wire color)	
M43	2 (W)	D3	+ (L/W)	Yes
	1 (B)		- (L/B)	
	4 (Y)	D103	+ (W/B)	
	3 (BR)		- (G/B)	

3. Check continuity between audio unit harness connector terminal and ground.

Terminals			Continuity
Audio unit		—	
Connector	Terminal (Wire color)		
M43	2 (W)	Ground	No
	1 (B)		
	4 (Y)		
	3 (BR)		



OK or NG

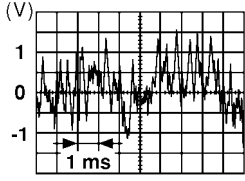
- OK >> GO TO 2.
 NG >> ● Check connector housings for disconnected or loose terminals.
 ● Repair harness or connector.

A
B
C
D
E
F
G
H
I
J
AV
L
M

AUDIO

2. FRONT SPEAKER SIGNAL CHECK

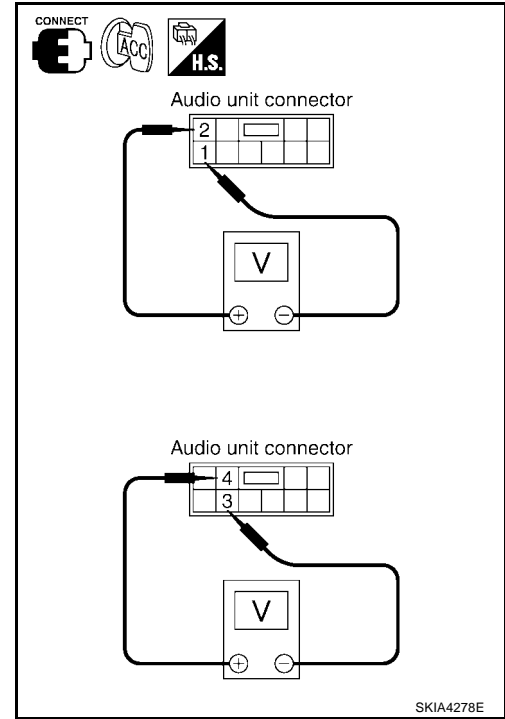
1. Connect audio unit connector and front speaker connector.
2. Turn ignition switch ACC.
3. Push "POWER" switch.
4. Check the signal between audio unit harness connector terminal and ground with CONSULT-II or oscilloscope.

Con- nec- tor	Terminals		Con- nec- tor	Termi- nal (Wire color)	Condi- tion	Reference signal
	(+)	(-)				
M43	2 (W)	1 (B)	M43	3 (BR)	Receive audio signal	
	4 (Y)	3 (BR)				

SKIA0177E

OK or NG

- OK >> Replace front speaker.
 NG >> Replace audio unit.



AUDIO

Sound Is Not Heard From Rear Door Speaker (Base System)

EKS0044X

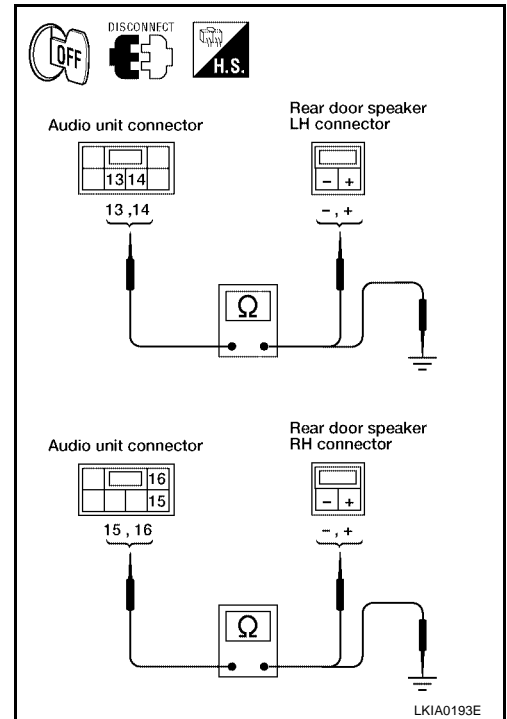
1. HARNESS CHECK

1. Disconnect audio unit connector and rear door speaker connector.
2. Check continuity between audio unit harness connector terminal and rear door speaker harness connector terminal.

Terminals				Continuity
Audio unit		Speaker		
Connector	Terminal (Wire color)	Connector	Terminal (Wire color)	
M44	13 (B/Y)	D202	- (L/Y)	Yes
	14 (G/Y)		+ (G/Y)	
	15 (R)	D302	- (R)	
	16 (L)		+ (L)	

3. Check continuity between audio unit harness connector terminal and ground.

Terminals				Continuity
Audio unit		—		
Connector	Terminal (Wire color)			
M44	13 (B/Y)	Ground		No
	14 (G/Y)			
	15 (R)			
	16 (L)			



OK or NG

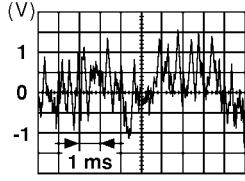
- OK >> GO TO 2.
 NG >> ● Check connector housings for disconnected or loose terminals.
 ● Repair harness or connector.

A
B
C
D
E
F
G
H
I
J
AV
L
M

AUDIO

2. REAR SPEAKER SIGNAL CHECK

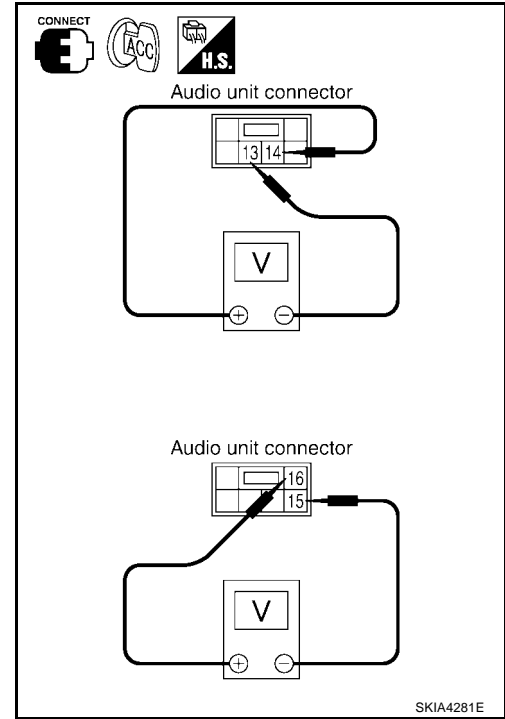
1. Connect audio unit connector and rear speaker connector.
2. Turn ignition switch ACC.
3. Push "POWER" switch.
4. Check the signal audio unit harness connector terminal with CONSULT-II or oscilloscope.

		Terminals		Condi- tion	Reference signal
		(+)	(-)		
Con- nector	Termi- nal (Wire color)	Con- nector	Termi- nal (Wire color)		
M44	14 (G/Y)	M44	13 (B/Y)	Receive audio signal	
	16 (L)		15 (R)		

SKIA0177E

OK or NG

- OK >> Replace front speaker.
 NG >> Replace audio unit.



AUDIO

Sound Is Not Heard From Front Door Speaker (BOSE System)

EKS0044Y

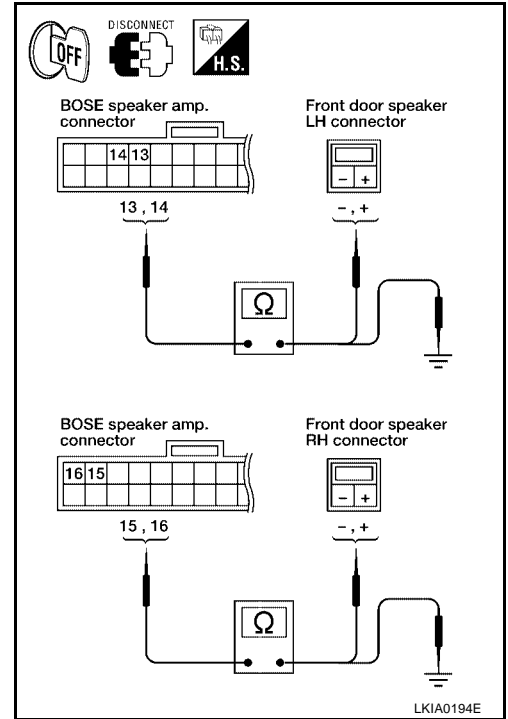
1. HARNESS CHECK

1. Disconnect BOSE speaker amp. connector and front door speaker connector.
2. Check continuity between BOSE speaker amp. harness connector terminal and front door speaker harness connector terminal.

Terminals				Continuity
BOSE speaker amp.		Speaker		
Connector	Terminal (Wire color)	Connector	Terminal (Wire color)	
B128	13 (L/W)	D3	+ (L/W)	Yes
	14 (L/B)		- (L/B)	
	15 (W/B)	D103	+ (W/B)	
	16 (G/B)		- (G/B)	

3. Check continuity between BOSE speaker amp. harness connector terminal and ground.

Terminals			Continuity
BOSE speaker amp.		—	
Connector	Terminal (Wire color)		
B128	13 (L/W)	Ground	No
	14 (L/B)		
	15 (W/B)		
	16 (G/B)		



OK or NG

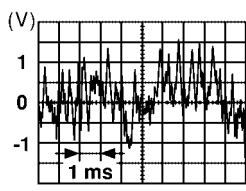
- OK >> GO TO 2.
 NG >> ● Check connector housings for disconnected or loose terminals.
 ● Repair harness or connector.

A
B
C
D
E
F
G
H
I
J
AV
L
M

AUDIO

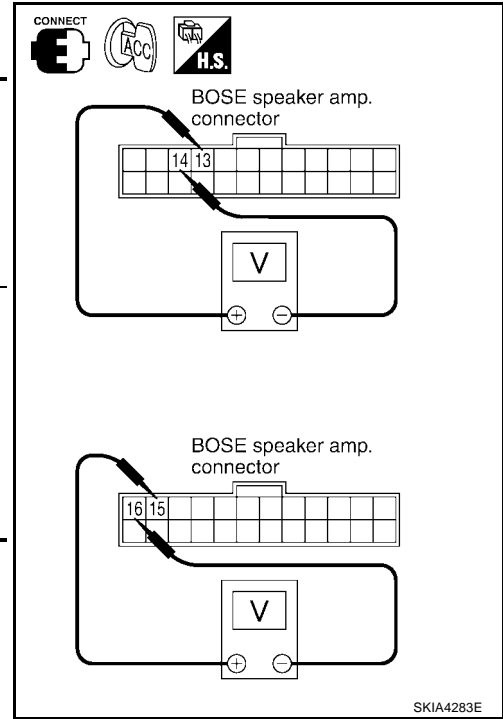
2. FRONT SPEAKER SIGNAL CHECK

1. Connect BOSE speaker amp. connector and front door speaker connector.
2. Turn ignition switch ACC.
3. Push "POWER" switch.
4. Check the signal BOSE speaker amp. harness connector terminal with CONSULT-II or oscilloscope.

Terminals				Condi- tion	Reference signal
(+)		(-)			
Con- nector	Termi- nal (Wire color)	Con- nector	Termi- nal (Wire color)		
B128	13 (L/ W)	B128	14 (L/ B)	Receive audio signal	
	15 (W/ B)		16 (G/ B)		

OK or NG

- OK >> Replace front door speaker.
 NG >> GO TO 3.



AUDIO

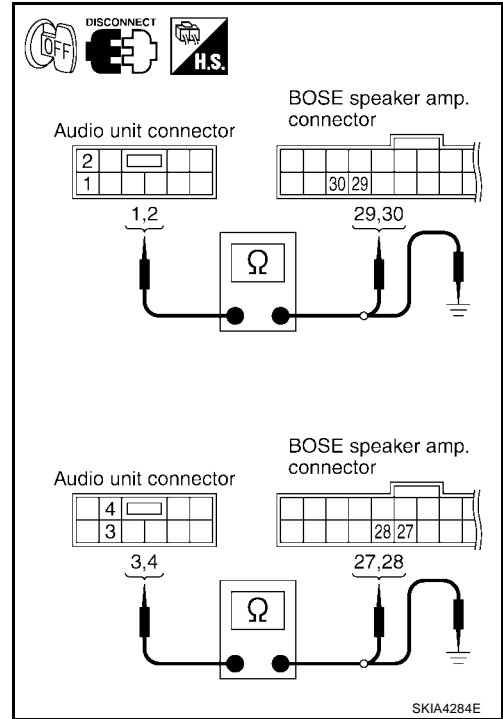
3. HARNESS CHECK

1. Disconnect audio unit connector and BOSE speaker amp. connector.
2. Check continuity between audio unit harness connector terminal and BOSE speaker amp. harness connector terminal.

Terminals				Continuity
Audio unit		BOSE speaker amp.		
Connector	Terminal (Wire color)	Connector	Terminal (Wire color)	
M43	1 (B)	B128	29 (B)	Yes
	2 (W)		30 (W)	
	3 (BR)		27 (BR)	
	4 (Y)		28 (Y)	

3. Check continuity between audio unit harness connector terminal and ground.

Terminals			Continuity
Audio unit		—	
Connector	Terminal (Wire color)		
M43	1 (B)	Ground	No
	2 (W)		
	3 (BR)		
	4 (Y)		



OK or NG

- OK >> GO TO 4.
 NG >> ● Check connector housings for disconnected or loose terminals.
 ● Repair harness or connector.

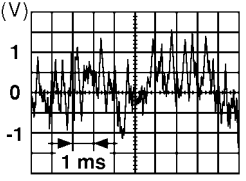
A
B
C
D
E
F
G
H
I
J
L
M

AV

AUDIO

4. FRONT SPEAKER SIGNAL CHECK

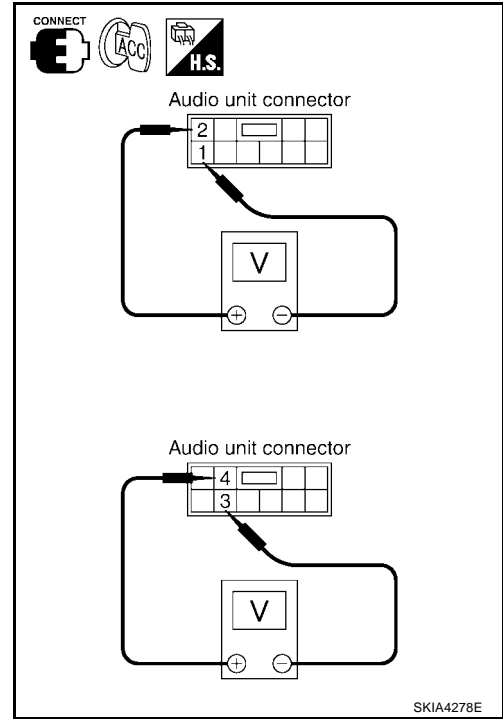
1. Connect audio unit connector and BOSE speaker amp. connector.
2. Turn ignition switch ACC.
3. Push "POWER" switch.
4. Check the signal audio unit harness connector terminal with CONSULT-II or oscilloscope.

Terminals		Con- nector	Termi- nal (Wire color)	Con- nector	Termi- nal (Wire color)	Condi- tion	Reference signal
(+)	(-)						
M43	2 (W)	M43	4 (Y)	M43	1 (B)	Receive audio signal	
					3 (BR)		

SKIA0177E

OK or NG

- OK >> Replace BOSE speaker amp.
 NG >> Replace audio unit.



AUDIO

Sound Is Not Heard From Rear Door Speaker (BOSE System)

EKS0044Z

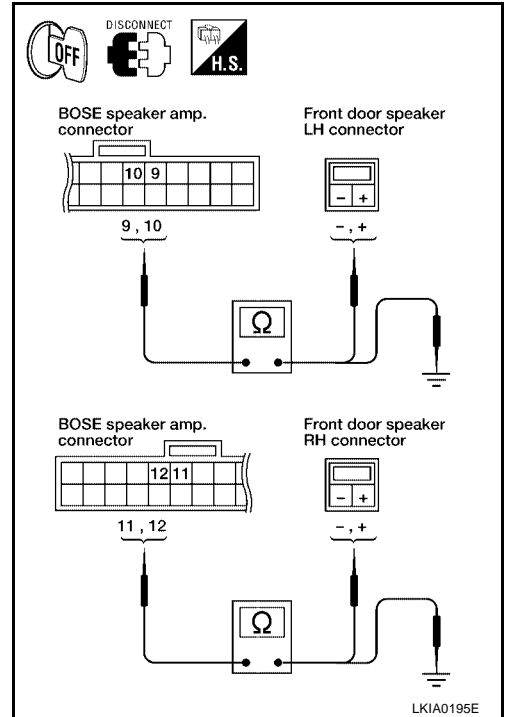
1. HARNESS CHECK

1. Disconnect BOSE speaker amp. connector and rear door speaker connector.
2. Check continuity between BOSE speaker amp. harness connector terminal and speaker harness connector terminal.

Terminals				Continuity
BOSE speaker amp.		Speaker		
Connector	Terminal (Wire color)	Connector	Terminal (Wire color)	
B128	9 (G/Y)	D202	+ (G/Y)	Yes
	10 (L/Y)		- (L/Y)	
	11 (L)	D302	+ (L)	
	12 (R)		- (R)	

3. Check continuity between BOSE speaker amp. harness connector terminal and ground.

Terminals			Continuity
BOSE speaker amp.		—	
Connector	Terminal (Wire color)		
B128	9 (G/Y)	Ground	No
	10 (L/Y)		
	11 (L)		
	12 (R)		



OK or NG

- OK >> GO TO 2.
 NG >> ● Check connector housings for disconnected or loose terminals.
 ● Repair harness or connector.

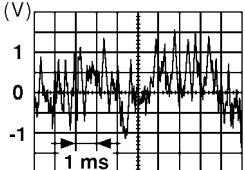
A
B
C
D
E
F
G
H
I
J
L
M

AV

AUDIO

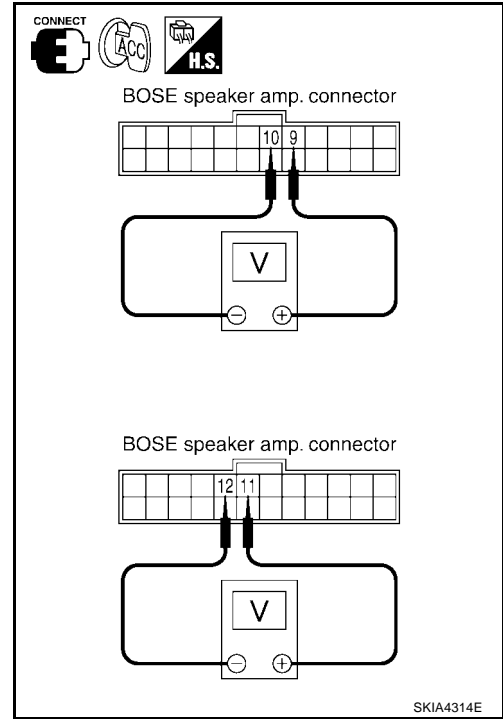
2. REAR SPEAKER SIGNAL CHECK

1. Connect BOSE speaker amp. connector and rear door speaker connector.
2. Turn ignition switch ACC.
3. Push "POWER" switch.
4. Check the signal BOSE speaker amp. harness connector terminal with CONSULT-II or oscilloscope.

Terminals		Con- nec- tor	Ter- minal (Wire color)	Con- nec- tor	Ter- minal (Wire color)	Condi- tion	Reference signal
(+)	(-)						
B128	9 (G/ Y)	B128	10 (L/ Y)	Receive audio signal	12 (R)		
	11 (L)						

OK or NG

- OK >> Replace rear door speaker.
 NG >> GO TO 3.



AUDIO

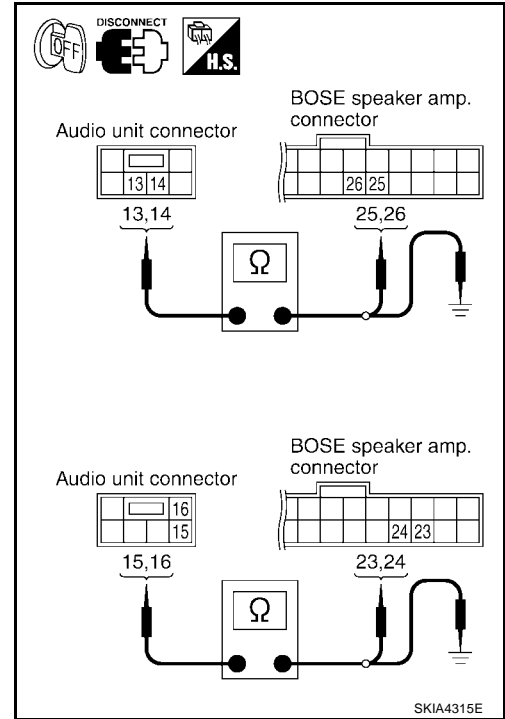
3. HARNESS CHECK

1. Disconnect audio unit connector and BOSE speaker amp. connector.
2. Check continuity between audio unit harness connector terminal and BOSE speaker amp. harness connector terminal.

Terminals				Continuity
Audio unit		BOSE speaker amp.		
Connector	Terminal (Wire color)	Connector	Terminal (Wire color)	
M44	13 (B/R)	B128	25 (B/R)	Yes
	14 (BR)		26 (BR)	
	15 (B/W)		23 (B/W)	
	16 (L)		24 (L)	

3. Check continuity between audio unit harness connector terminal and ground.

Terminals			Continuity
Audio unit		—	
Connector	Terminal (Wire color)		
M44	13 (B/R)	Ground	No
	14 (BR)		
	15 (B/W)		
	16 (L)		



OK or NG

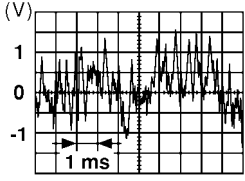
- OK >> GO TO 4.
- NG >> ● Check connector housings for disconnected or loose terminals.
 - Repair harness or connector.

A
B
C
D
E
F
G
H
I
J
AV
L
M

AUDIO

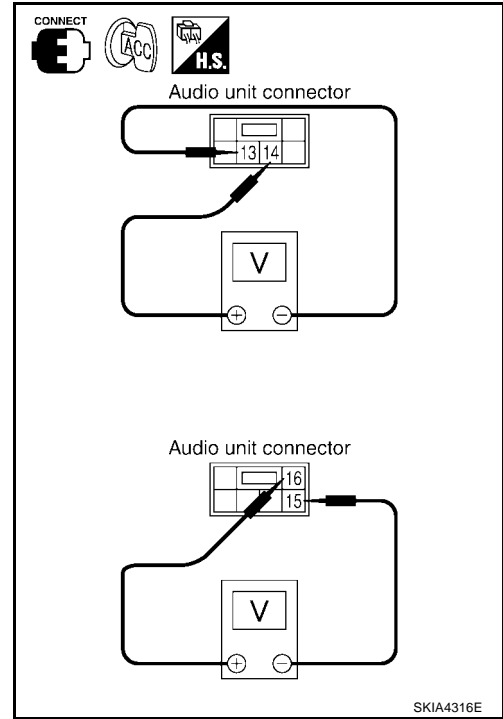
4. REAR SPEAKER SIGNAL CHECK

1. Connect audio unit connector and BOSE speaker amp. connector.
2. Turn ignition switch ACC.
3. Push "POWER" switch.
4. Check the signal audio unit harness connector terminal with CONSULT-II or oscilloscope.

		Terminals		Condi- tion	Reference signal
		(+)	(-)		
Con- nector	Termi- nal (Wire color)	Con- nector	Termi- nal (Wire color)		
M44	14 (BR)	M44	13 (B/ R)	Receive audio signal	 <small>SKIA0177E</small>
	16 (L)		15 (B/ W)		

OK or NG

- OK >> Replace BOSE speaker amp.
 NG >> Replace audio unit.



Sound Is Not Heard From Subwoofers (Base System)

EKS004TF

1. CHECK FUSE

- Check that the following fuse is not blown.

Unit	Terminals	Signal name	Fuse No.
Subwoofer amp.	9	Ignition switch ACC or ON	4

OK or NG

- OK >> GO TO 2.
 NG >> If fuse is blown, be sure to eliminate cause of problem before installing new fuse. Refer to [PG-3, "POWER SUPPLY ROUTING CIRCUIT"](#).

AUDIO

2. POWER SUPPLY CIRCUIT CHECK

1. Disconnect subwoofer amp. connector.
2. Check voltage between the subwoofer amp. and ground.

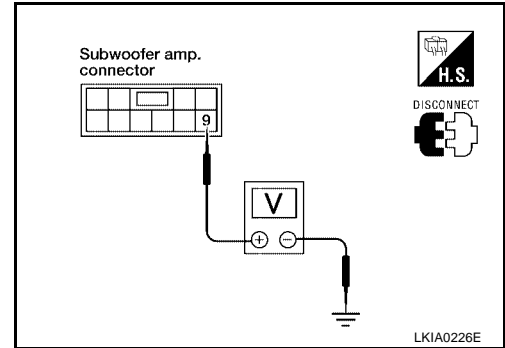
Unit	Terminal No.			OFF	ACC	ON
	(+)		(-)			
	Connector	Terminal (wire color)				
Subwoofer amp.	B133	9 (W)	Ground	0V	Battery voltage	Battery voltage

OK or NG

OK >> GO TO 3.

NG >> ● Check connector housings for disconnected or loose terminals.

- Repair harness or connector.



3. GROUND CIRCUIT CHECK

Check continuity between subwoofer amp. harness connector B133 terminal 7 (B) and ground.

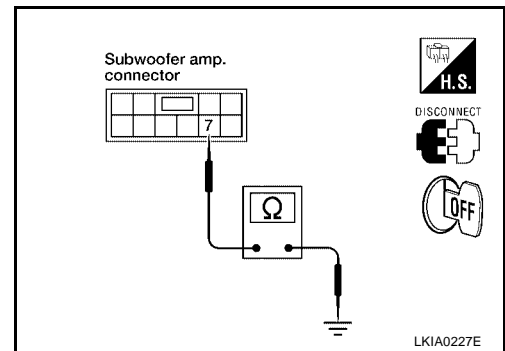
Continuity should exist.

OK or NG

OK >> GO TO 4.

NG >> ● Check connector housings for disconnected or loose terminals.

- Repair harness or connector.

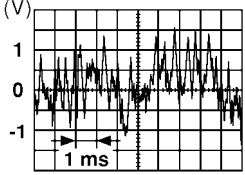
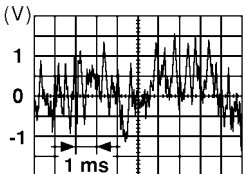


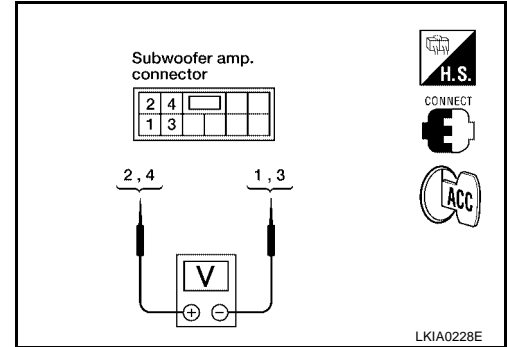
A
B
C
D
E
F
G
H
I
J
AV
L
M

AUDIO

4. SUBWOOFER AMP. INPUT SIGNAL CHECK

1. Connect subwoofer amp. connector.
2. Turn ignition switch to ACC.
3. Check the signal subwoofer amp. harness connector terminal with CONSULT-II or oscilloscope.

Terminals				Condi- tion	Reference signal
(+) Terminal (Wire color)		(-) Terminal (Wire color)			
Con- nec- tor	Ter- mi- nal (Wire color)	Con- nec- tor	Ter- mi- nal (Wire color)		
B133	1 (L/ Y)	B133	2 (G/ Y)	Receive audio signal	 SKIA0177E
B133	3 (R)	B133	4 (L)	Receive audio signal	 SKIA0177E



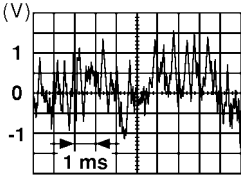
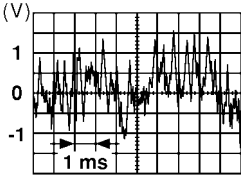
OK or NG

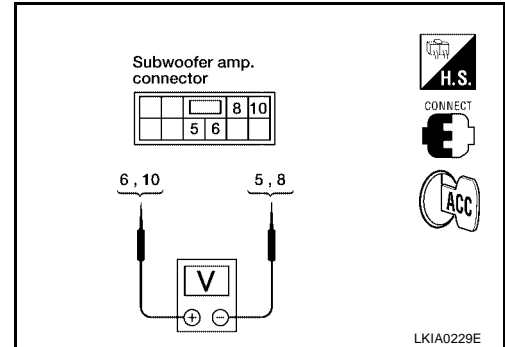
- OK >> GO TO 5.
- NG >> ● Check connector housings for disconnected or loose terminals.
● Repair harness or connector.

AUDIO

5. SUBWOOFER AMP. OUTPUT SIGNAL CHECK

1. Turn ignition switch to ACC.
2. Check the signal subwoofer amp. harness connector terminal with CONSULT-II or oscilloscope.

Terminals				Condi- tion	Reference signal
(+)		(-)			
Con- nec- tor	Ter- minal (Wire color)	Con- nec- tor	Ter- minal (Wire color)		
B133	5 (L/ Y)	B133	6 (P)	Receive audio signal	 <p style="text-align: right;">SKIA0177E</p>
B133	8 (B/ Y)	B133	10 (O)	Receive audio signal	 <p style="text-align: right;">SKIA0177E</p>



OK or NG

- OK >> Replace woofer.
 NG >> GO TO 6.

A
B
C
D
E
F
G
H
I
J
L
M

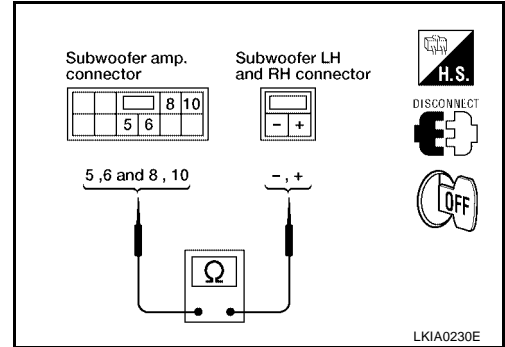
AV

AUDIO

6. HARNESS CHECK

1. Turn ignition switch to OFF.
2. Disconnect subwoofer amp. connector and subwoofer connectors.
3. Check continuity between subwoofer amp. harness connector terminal and subwoofer harness connector terminal.

Terminals				Continuity
Subwoofer amp.		Subwoofer		
Connector	Terminal (Wire color)	Connector	Terminal (Wire color)	
B133	5 (L/Y)	B26	- (L/Y)	Yes
	6 (P)		+ (P)	
	8 (B/Y)	B126	- (B/Y)	
	10 (O)		+ (O)	



4. Check continuity between subwoofer amp. harness connector terminal and ground.

Terminals			Continuity
Connector	Terminal (Wire color)	—	
B133	5 (L/Y)	Ground	No
	6 (P)		
	8 (B/Y)		
	10 (O)		

OK or NG

- OK >> Replace subwoofer amp.
 NG >> ● Check connector housings for disconnected or loose terminals.
 ● Repair harness or connector.

Sound Is Not Heard From Subwoofers (BOSE System)

EKS00450

1. CHECK FUSE

- Check that the following fuse is not blown.

Unit	Terminals	Signal name	Fuse No.
Subwoofer RH	6	Battery power	18

OK or NG

- OK >> GO TO 2.
 NG >> If fuse is blown, be sure to eliminate cause of problem before installing new fuse. Refer to [PG-3, "POWER SUPPLY ROUTING CIRCUIT"](#).

AUDIO

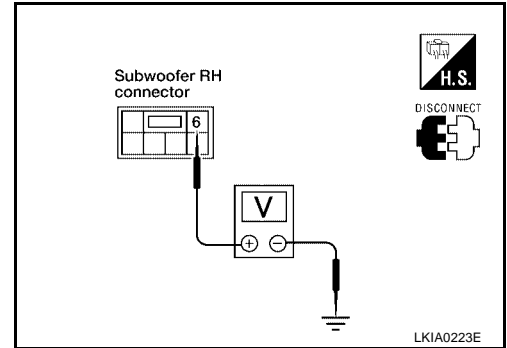
2. POWER SUPPLY CIRCUIT CHECK

1. Disconnect subwoofer RH connector.
2. Check voltage between the subwoofer RH and ground.

Unit	Terminal No.			OFF	ACC	ON
	(+)		(-)			
	Connector	Terminal (wire color)				
Subwoofer RH	B126	6 (Y)	Ground	Battery voltage	Battery voltage	Battery voltage

OK or NG

- OK >> GO TO 3.
 NG >> ● Check connector housings for disconnected or loose terminals.
 ● Repair harness or connector.



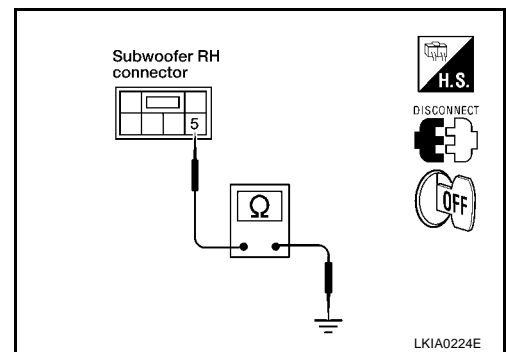
3. GROUND CIRCUIT CHECK

Check continuity between subwoofer RH harness connector B126 terminal 5 (B) and ground.

Continuity should exist.

OK or NG

- OK >> GO TO 4.
 NG >> ● Check connector housings for disconnected or loose terminals.
 ● Repair harness or connector.



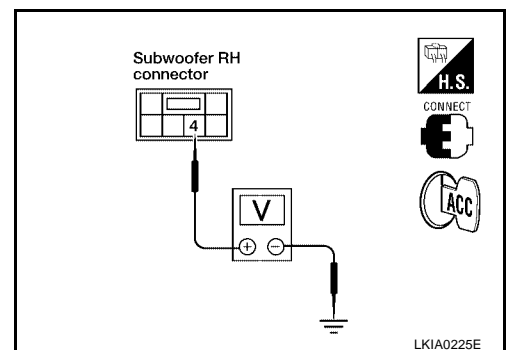
4. CHECK SUBWOOFER AMP. ON SIGNAL

1. Operate system and check voltage between subwoofer RH harness connector B126 terminal 4 (G/W) and ground.

Voltage : Approx. 6.5V

OK or NG

- OK >> GO TO 4.
 NG >> ● Check connector housings for disconnected or loose terminals.
 ● Repair harness or connector.

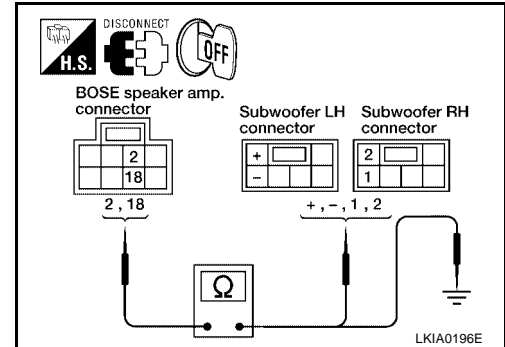


AUDIO

5. HARNESS CHECK

1. Disconnect BOSE speaker amp. connector and subwoofer connectors.
2. Check continuity between BOSE speaker amp. harness connector terminal and subwoofer harness connector harness connector terminal.

Terminals				Continuity
BOSE speaker amp.		Subwoofer		
Connector	Terminal (Wire color)	Connector	Terminal (Wire color)	
B127	2 (B)	B26	- (B)	Yes
		B126	1 (B)	
	18 (W)	B26	+ (W)	
		B126	2 (W)	



3. Check continuity between BOSE speaker amp. harness connector terminal and ground.

Terminals			Continuity
BOSE speaker amp.		—	
Connector	Terminal (Wire color)		
B127	2 (B)	Ground	No
	18 (W)		

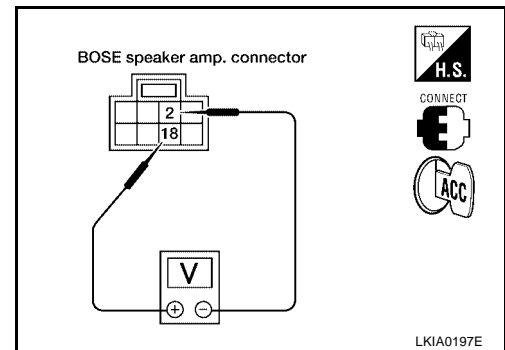
OK or NG

- OK >> GO TO 5.
 NG >> ● Check connector housings for disconnected or loose terminals.
 ● Repair harness or connector.

6. WOOFER SIGNAL CHECK

1. Connect BOSE speaker amp. connector and woofer connector.
2. Turn ignition switch ACC.
3. Check the signal BOSE speaker amp. harness connector terminal with CONSULT-II or oscilloscope.

Terminals				Condition	Reference signal
(+) Terminal (Wire color)		(-) Terminal (Wire color)			
Connector	Terminal (Wire color)	Connector	Terminal (Wire color)		
B127	18 (W)	B127	2 (B)	Receive audio signal	



OK or NG

- OK >> Replace woofer.
 NG >> Replace BOSE speaker amp.

Removal and Installation of Audio Unit

Refer to [IP-13, "Center Stack Assembly"](#) .

EKS00452

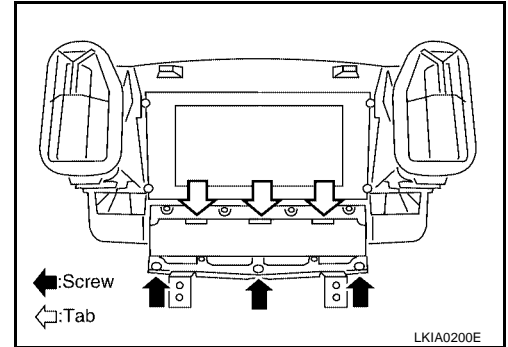
AUDIO

Removal and Installation for AV Switch

EKS00453

REMOVAL

1. Remove cluster lid D. Refer to [IP-12, "Cluster Lid D"](#) .
2. Remove screws.
3. Carefully release tabs and remove AV switch.



INSTALLATION

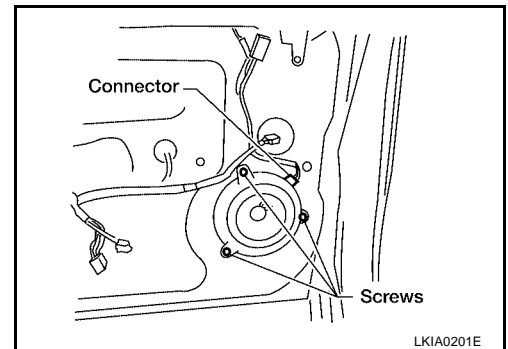
Install in the reverse order of removal.

Removal and Installation of Front Door Speaker

EKS00454

REMOVAL

1. Remove door finisher. Refer to [EI-30, "Front Door"](#) .
2. Remove screws and remove speaker.
3. Disconnect connector.



INSTALLATION

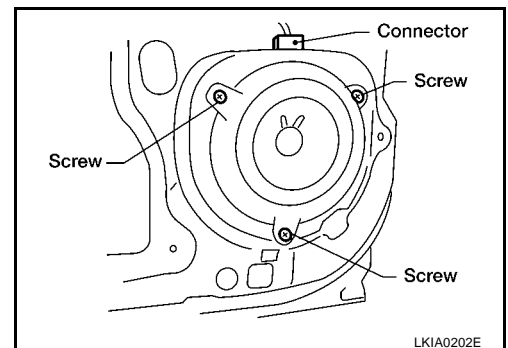
Install in the reverse order of removal.

Removal and Installation of Rear Door Speaker

EKS00456

REMOVAL

1. Remove door finisher. Refer to [EI-31, "Rear Door"](#) .
2. Remove screws and remove speaker.
3. Disconnect connector.



INSTALLATION

Install in the reverse order of removal.

Removal and Installation of Tweeter

EKS00458

REMOVAL

1. Remove door finisher. Refer to [EI-30, "Front Door"](#) .

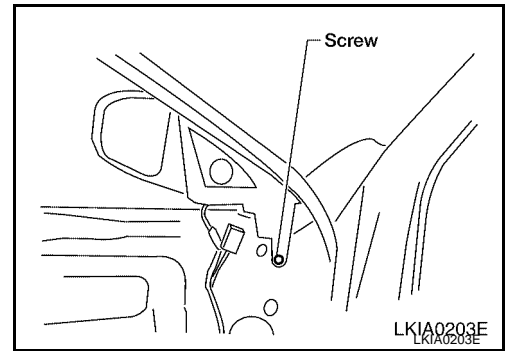
A
B
C
D
E
F
G
H
I
J

AV

L
M

AUDIO

2. Remove screws and remove tweeter.
3. Disconnect connector.



INSTALLATION

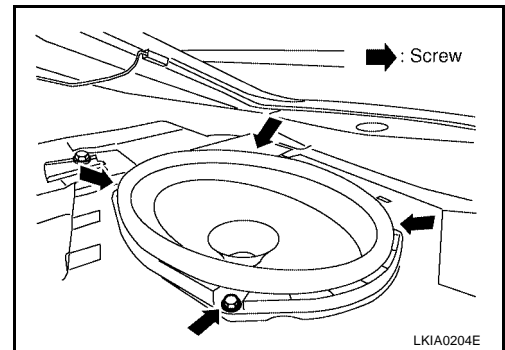
Install in the reverse order of removal.

Removal and Installation of Subwoofer (Base System)

EKS00459

REMOVAL

1. Remove rear parcel shelf finisher. Refer to [EI-34, "REAR PARCEL SHELF FINISHER"](#).
2. Remove screws.
3. Lift subwoofer out and disconnect connector.



INSTALLATION

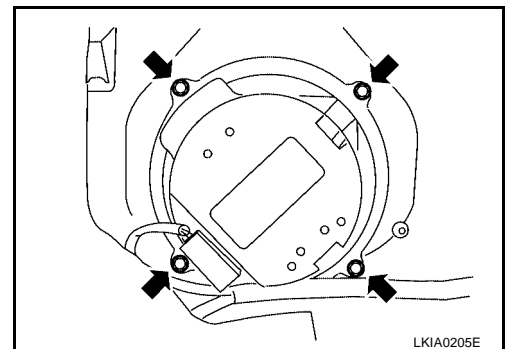
Install in the reverse order of removal.

Removal and Installation of Subwoofer (BOSE System)

EKS00476

REMOVAL

1. Lower upper trunk finisher. Refer to [EI-42, "TRUNK ROOM TRIM & TRUNK LID FINISHER"](#).
2. Disconnect connector.
3. Remove screws.



INSTALLATION

Install in the reverse order of removal.

Removal and Installation of Subwoofer Amp. (Base System)

EKS00477

REMOVAL

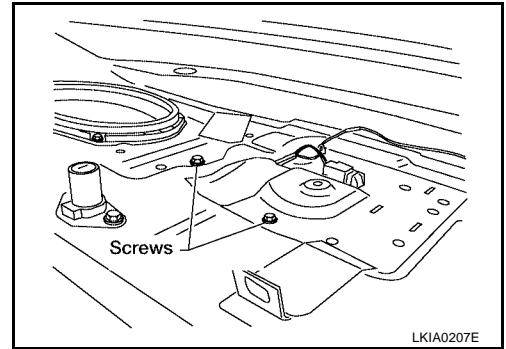
1. Remove rear parcel shelf finisher. Refer to [EI-34, "REAR PARCEL SHELF FINISHER"](#).
2. Lower upper trunk finisher. Refer to [EI-42, "TRUNK ROOM TRIM & TRUNK LID FINISHER"](#).
3. Disconnect connector.

AUDIO

4. Remove screws.

CAUTION:

Carefully support the amp. when removing screws.



INSTALLATION

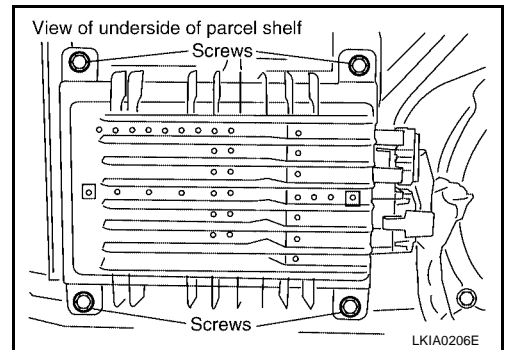
Install in the reverse order of removal.

Removal and Installation of BOSE Speaker Amp.

EKS0045A

REMOVAL

1. Lower upper trunk finisher. Refer to [EI-42, "TRUNK ROOM TRIM & TRUNK LID FINISHER"](#).
2. Remove screws and disconnect connectors to remove BOSE speaker amp. from underside of rear parcel shelf.



INSTALLATION

Install in the reverse order of removal.

A
B
C
D
E
F
G
H
I
J
AV
L
M

AUDIO ANTENNA

PF2:28200

System Description

EKS004A8

With the ignition switch in ACC or ON, power is supplied

- through 10A fuse [No. 6, located in the fuse block (J/B)]
- to audio unit terminal 10.

Ground is supplied through the case of the antenna amp.

When the radio switch is turned ON, antenna signal is supplied

- through audio unit terminal 5
- to the antenna amp. terminal 1.

Then the antenna amp. is activated.

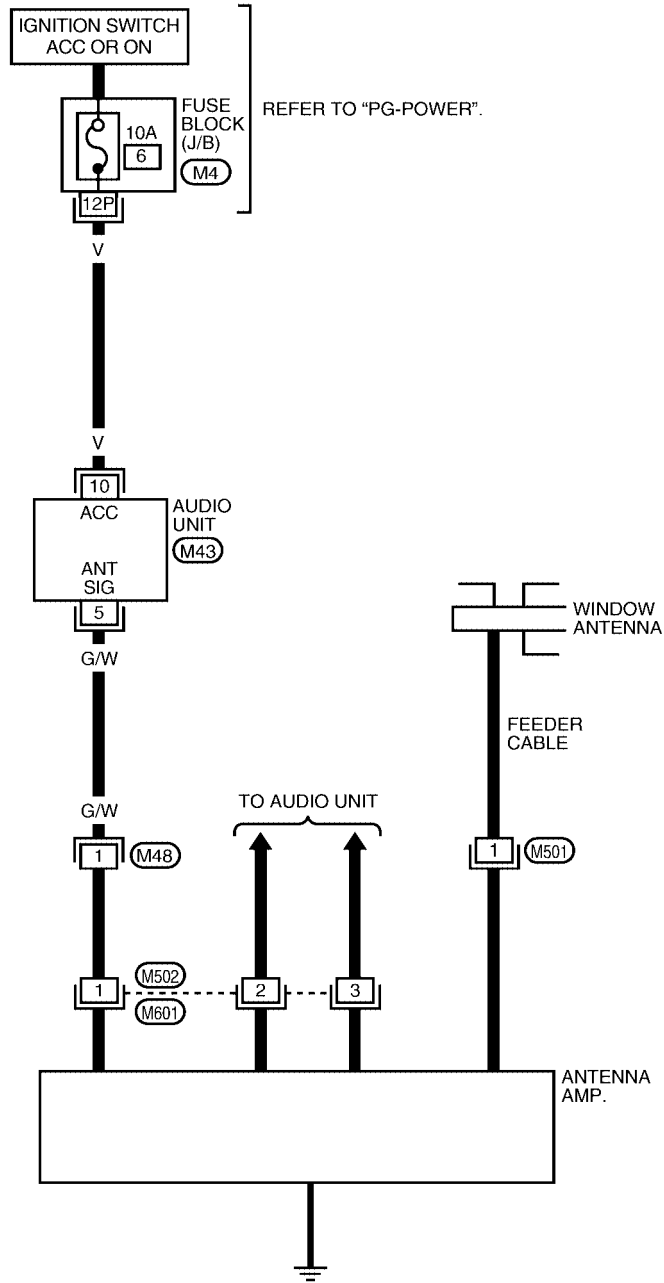
The amplified radio signals are supplied to the audio unit through the antenna amp.

AUDIO ANTENNA

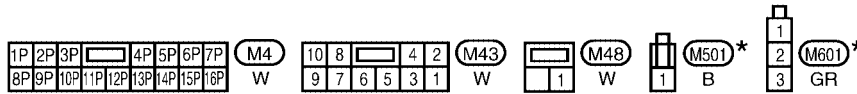
Wiring Diagram -W/ANT-

EKS004A9

AV-W/ANT-01



A
B
C
D
E
F
G
H
I
J
AV
L
M



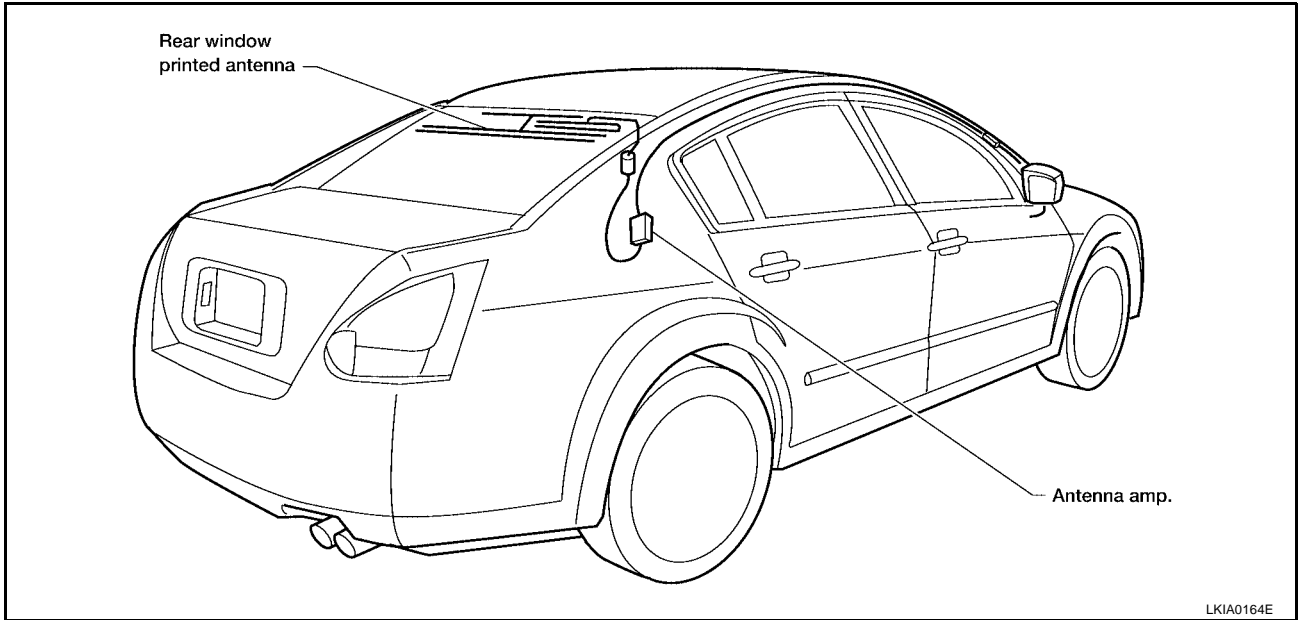
*: THIS CONNECTOR IS NOT SHOWN IN "HARNESS LAYOUT" OF PG SECTION.

LKWA0152E

AUDIO ANTENNA

Location of Antenna

EKS004AA

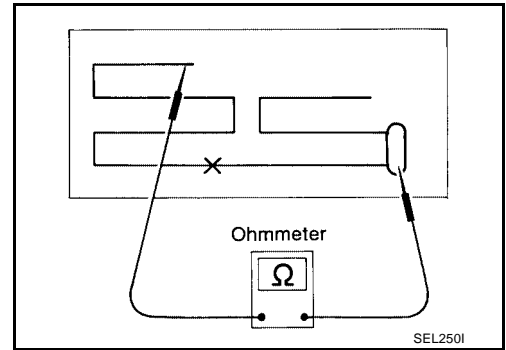


LKIA0164E

Window Antenna Repair ELEMENT CHECK

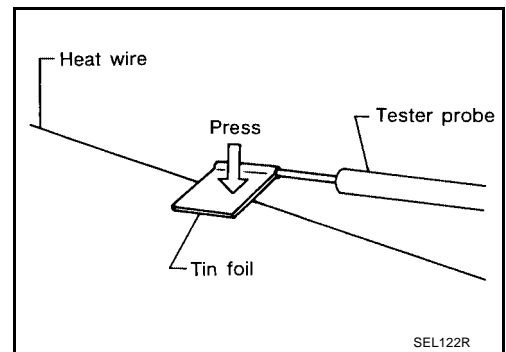
EKS004AB

1. Attach probe circuit tester (ohm setting) to antenna terminal on each side.



SEL250I

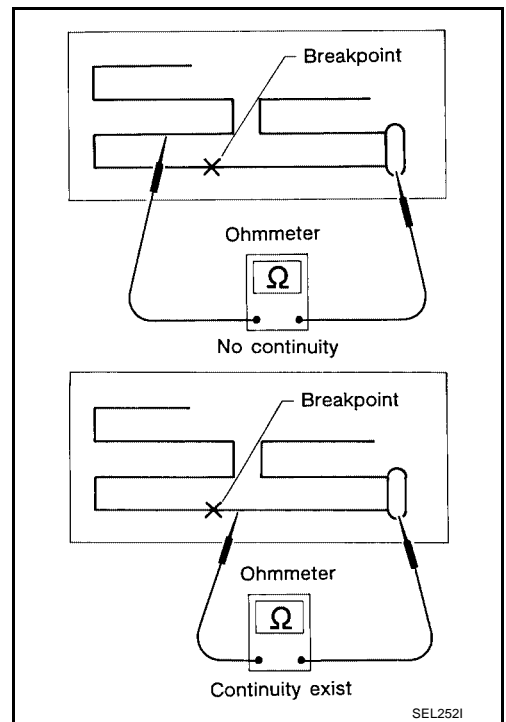
- When measuring continuity, wrap tin foil around the top of probe. Then, press the foil against the wire with your finger.



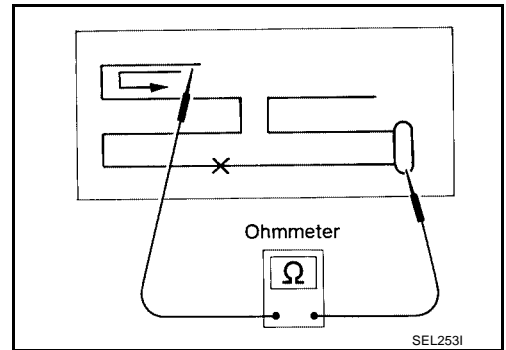
SEL122R

AUDIO ANTENNA

2. If an element is broken, no continuity will exist.



3. To locate a break, move probe along element. Tester indication will change abruptly when probe passes the broken point.



ELEMENT REPAIR

Refer to [GW-113, "Filament Repair"](#) .

A
B
C
D
E
F
G
H
I
J
AV
L
M

INTEGRATED DISPLAY SYSTEM

PF2:28090

System Description AV SWITCH SYSTEM

EKS0045D

Refer to Owner's Manual for AV switch operating instructions.

Using the AV switch at the center of the instrument panel, the controls of the following systems are centralized:

- Integrated display system (Drive computer, setting screen, clock, etc.)
- Audio system

PRECAUTION OF LCD MONITOR

- Brightness of LED backlight display may change, depending on in-car temperature. In low temperatures, the refreshing rate of the picture also becomes low because of the low response of the LCD monitor. When passenger area becomes warm, however, the LCD recovers the normal display.
- Backlight sometimes flickers or darkens according to the total operation hours and the number of times switched ON and OFF. In this case, entire display unit should be replaced. (Backlight cannot be replaced separately.)

POWER SUPPLY AND GROUND

Power is supplied at all times

- through 20A fuse (No. 31, located in fuse and fusible link box)
- to audio unit terminal 6
- through 10A fuse [No. 3, located in fuse block (J/B)]
- to display unit terminal 1 and
- to AV switch terminal 1.

When ignition switch is in ACC or ON position, power is supplied

- through 10A fuse [No. 6, located in fuse block (J/B)]
- to display unit terminal 2,
- to AV switch terminal 2.

When ignition switch is in ON or START position, power is supplied

- through 10A fuse [No. 12, located in fuse block (J/B)]
- to unified meter and A/C amp. terminal 22 and
- to display unit terminal 3.

Ground is supplied

- to display unit terminal 6
- to AV switch terminal 5
- to unified meter and A/C amp. terminals 29 and 30
- through body grounds M57, M61 and M79.

INTEGRATED DISPLAY SYSTEM

DRIVE COMPUTER

Refer to Owner's Manual for drive computer operating instructions.

TRIP Switch

When "TRIP" switch is pressed, TRIP screen displays. Display indicates journey time (TIME), trip odometer (DIST), and average vehicle speed (AVG).

Pressing "TRIP" switch once cycles display from TRIP 1→TRIP 2→Display OFF→TRIP 1.

"TIME"

- Journey time indication is conducted by reset or battery connection.
- When pushing "TRIP RESET" or "TRIP" switch for more than approximately 1.5 seconds, journey time will be reset.
- If journey time is reset, journey distance and average speed will be reset at the same time.

"DIST"

- Trip odometer indication is conducted by vehicle speed signal.
- When pushing "TRIP RESET" or "TRIP" switch for more than approximately 1.5 seconds, driving distance will be reset.
- If trip odometer is reset, journey time average speed will be reset at the same time.

"AVG"

- Average speed indication is conducted by running distance and running time.
- Indication will be renewed every 30 seconds.
- When pushing "TRIP RESET" or "TRIP" switch for more than approximately 1.5 seconds, average speed will be reset.
- After reset operation, the displays shows "*" for 30 seconds.

FUEL ECON Switch

When "FUEL ECON" switch is pressed, FUEL ECON screen displays. Display indicates average fuel consumption (AVG), and distance to empty (DTE).

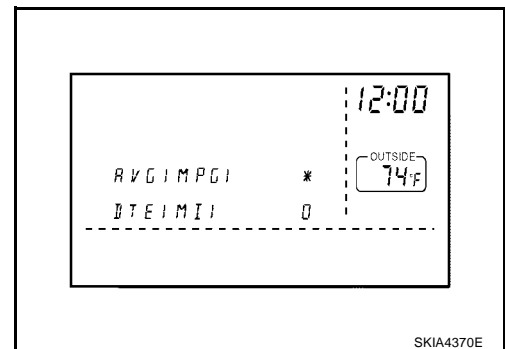
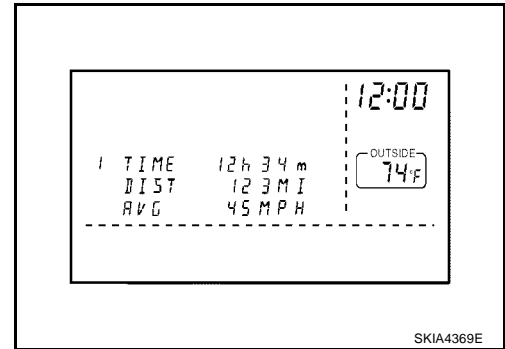
Pressing "FUEL ECON" switch once cycles display from FUEL ECON→Display OFF→FUEL ECON.

"AVG" (Average Fuel Consumption)

- Average fuel consumption indication is conducted by ECM pulse signal and vehicle speed signal after system is reset.
- Indication will be renewed every 30 seconds.
- When pushing "TRIP RESET" or "FUEL ECON" switch for more than approximately 1.5 seconds, average fuel economy will be reset.
- After reset operation, the display shows "*.*" until the vehicle is driven 500 m (1,600 ft.) or 30 seconds has passed.

"DTE" (Distance to Empty)

- Distance to empty receives via CAN communication and indicates values calculated by meter.
- Display range is max 999 miles (max 999 km).
- If low-fuel WARNING is received from combination meter via CAN communication, distance to empty indication will be "*".
- Indication will be renewed every 30 seconds.



INTEGRATED DISPLAY SYSTEM

MAINT Switch (Maintenance Switch)

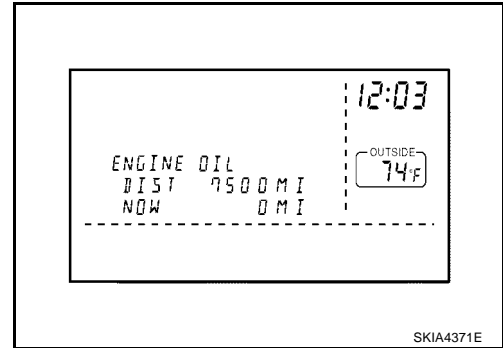
- When “MAINT” switch is pressed, vehicle information screen displays. Display indicates engine oil, tire rotation, and tire pressure.
- Pressing “MAINT” switch once cycles display from engine oil→tire rotation→tire pressure^{Note} →engine oil.

NOTE:

There is no low tire pressure warning system when display is OFF.

Engine Oil and Tire Rotation Interval

- Operating the joystick left/right, service interval distance can be set.
- When journey distance is the same as service interval distance, alert is displayed. (SERVICE ALERT setting is ON.)
- Selected service interval distance is 0 - 7,500 miles (0 - 12,000 km) in increments of 500 miles (800 km).
- Press and hold “TRIP RESET” or “MAINT” switch for 1.5 seconds or longer, to reset present journey distance.
- Settings cannot be changed during driving.



H, M Switch

- When “H” or “M” switch is pressed and held for 1.5 seconds or more, mode is changed to clock mode.
- “hour” and “minute” are flashed.
- When “H” switch is pressed, “hour” is adjusted.
- When “M” switch is pressed, “minute” is adjusted.

INTEGRATED DISPLAY SYSTEM

SETTING SCREEN

- Setting of electric status can be changed by AV switch. The signal is sent to BCM through display unit to change vehicle electric system setting.
- Display unit is communicating with seat ECU.
- Pressing “SETTING” switch once cycles display from DISPLAY→LANGUAGE→BEEP SET→SERVICE ALERT→PERSONALIZED SETTINGS MENU→DISPLAY OFF→DISPLAY.
- Using the joystick, setting of each item will become possible.

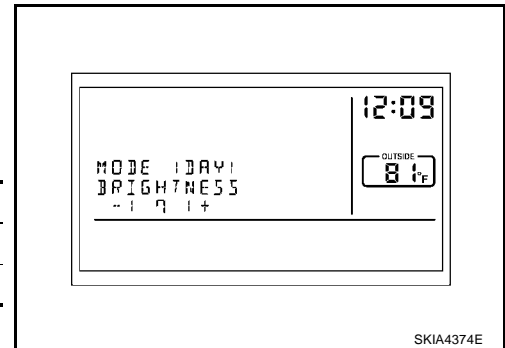
Adjustable Vehicle Status

Setting items		Setting variations	Initial setting	Operation
DISPLAY		ON/OFF	ON	It switches display/Non-display of the screen.
LANGUAGE		ENGLISH/ FRANCAIS	–	It switches displayed language.
BEEP SET		ON/OFF	ON	It selects beep sound ON/OFF during switch operation.
SERVICE ALERT		ON/OFF	OFF	It switches display/Non-display of alert indication. ● When the setting is ON, if engine oil or tire rotation will be replace distance, alert is displayed. ● When the setting is OFF, alert is not displayed.
PERSONALIZED SETTINGS MENU	CONFIRM RESET SETTINGS	YES/NO	OFF	If YES is selected, all setting items are return to default.

D/N SCREEN

- When D/N switch is pressed, adjustment luminance of screen changes.
- If D/N is pressed again, DAY-NIGHT(NIGHT-DAY) mode (screen of adjustment luminance) changes.
As follows:

Now	Change display
DAY	DAY (adjustment)→NIGHT (adjustment)→DAY (adjustment)→.....
NIGHT	NIGHT (adjustment)→DAY (adjustment)→NIGHT (adjustment)→.....



- Press “PREV” or do not operate for 10 sec. when displayed screen of adjustment luminance, returns to default screen (same mode).
- Can adjust luminance by joystick (R/L) in adjustment screen.
- Adjustment range is a 12 stage (MIN to MAX) and default set value is 10 (DAY) and 4 (NIGHT).

WARNING INDICATIONS

When unified meter and A/C amp. receives warning signal from some control units or sensors, then combination meter warning lamp is illuminated.

Then unified meter and A/C amp. sends warning signal to display unit warning indications on the screen.

Warning indicators	Warning lamps in instrument panel	Warning detection and cancel conditions		Cases of malfunction
DOOR OPEN	Door	Detection condition	Vehicle is running [approx. 5 km/h (3 MPH) or faster] and door ajar of any of the doors is detected.	Door is open
		Cancel condition	Vehicle is stopped and all the doors lock.	

INTEGRATED DISPLAY SYSTEM

AV COMMUNICATION LINE

Display unit is controlled by the following unit with AV communication line.

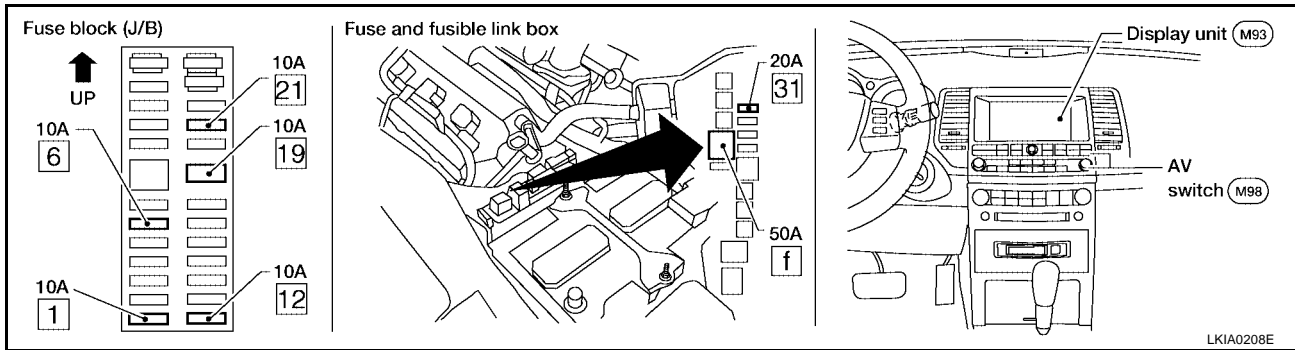
- AV switch

CAN COMMUNICATION SYSTEM DESCRIPTION

Refer to [LAN-8, "CAN COMMUNICATION"](#) .

Component Parts and Harness Connector Location

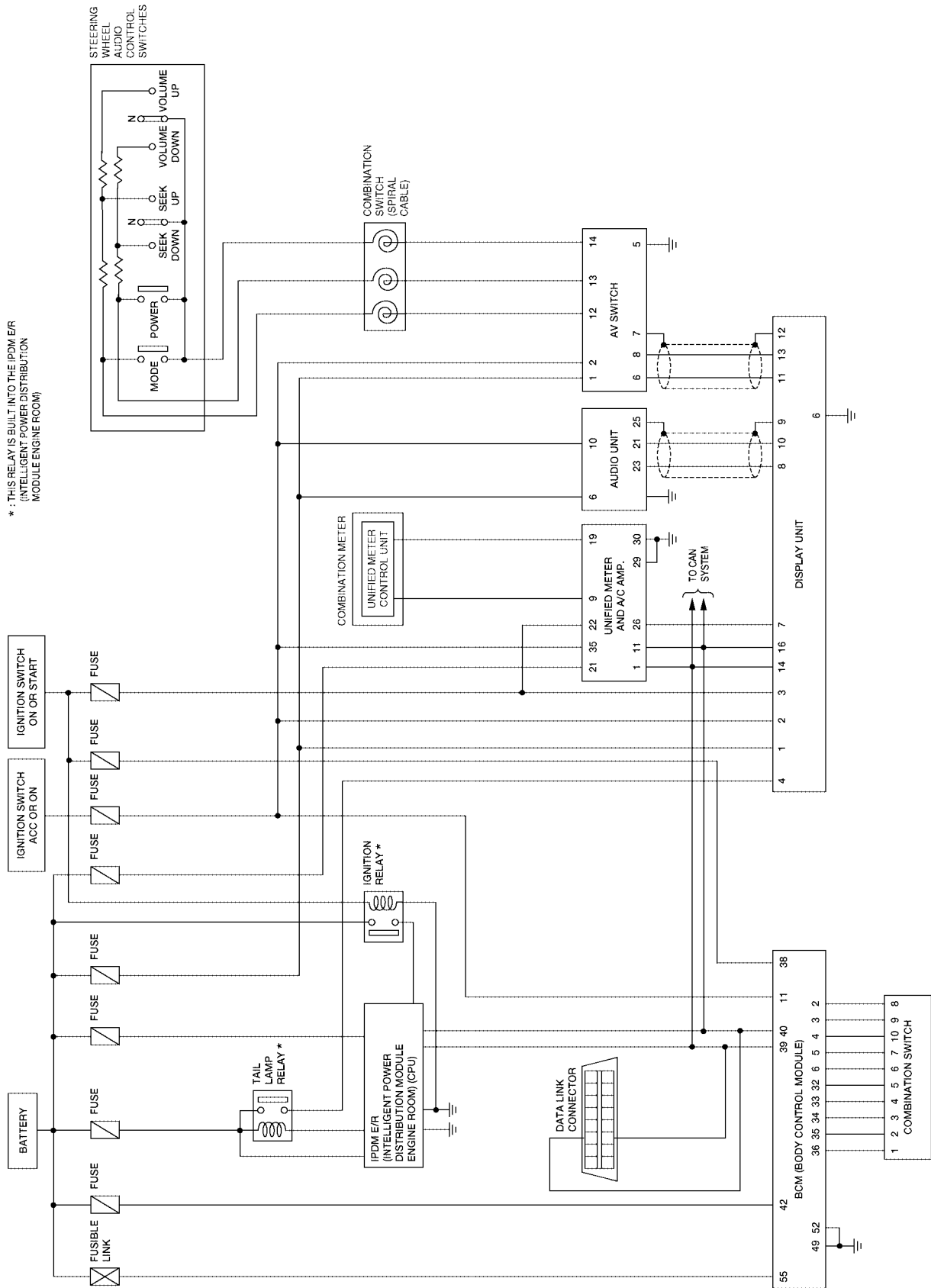
EKS0045F



INTEGRATED DISPLAY SYSTEM

Schematic

EKS0045G



* : THIS RELAY IS BUILT INTO THE IPDM E/R (INTELLIGENT POWER DISTRIBUTION MODULE ENGINE ROOM)

A
B
C
D
E
F
G
H
I
J
L
M

AV

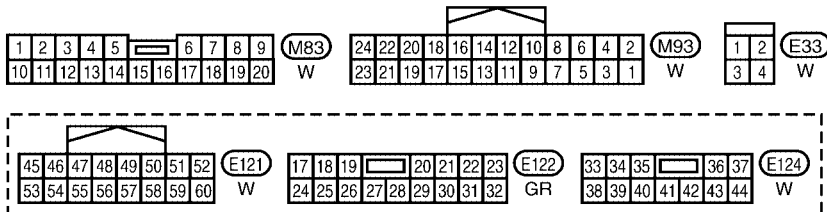
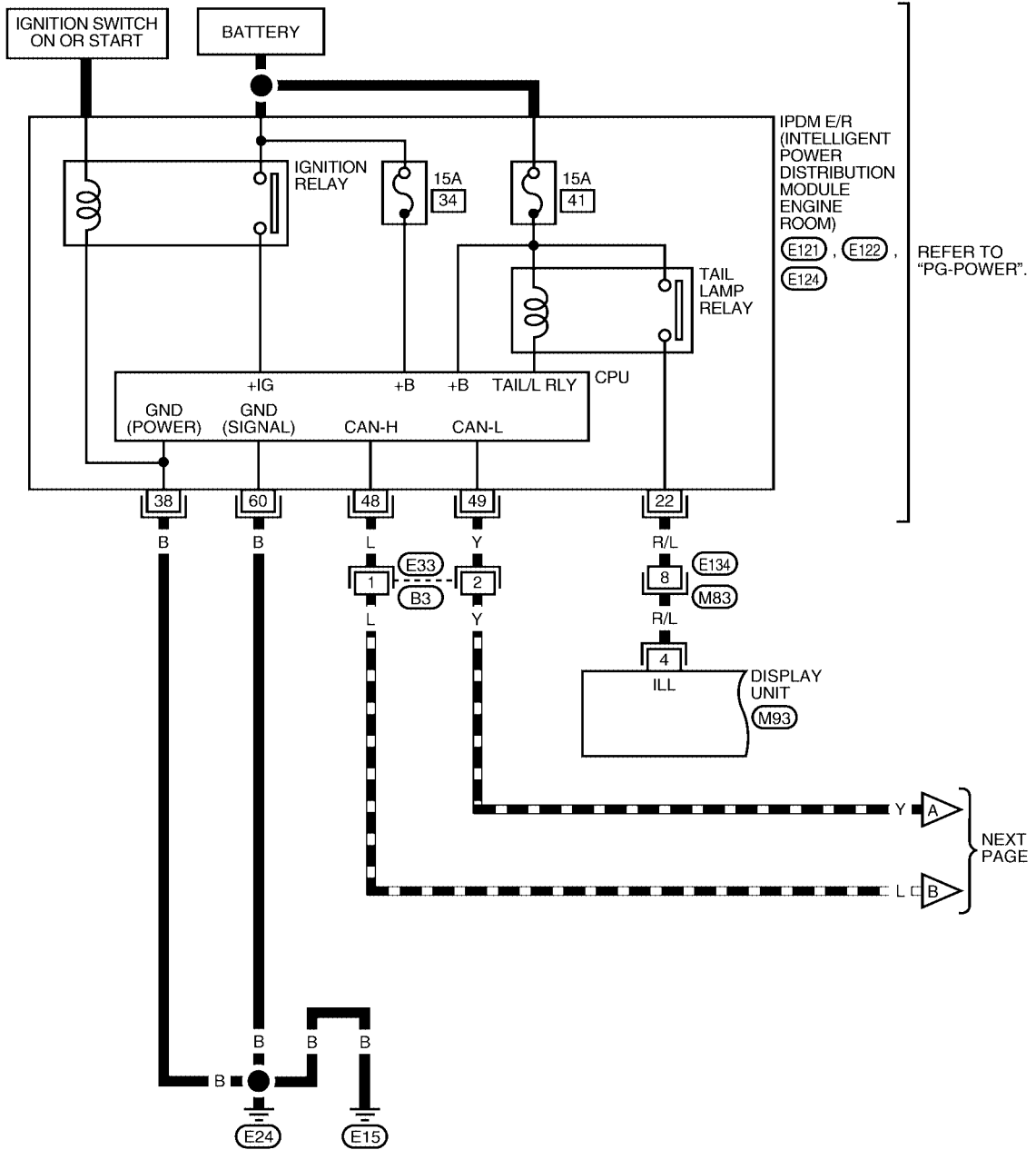
INTEGRATED DISPLAY SYSTEM

Wiring Diagram — INF/D —

EKS0045H

AV-INF/D-01

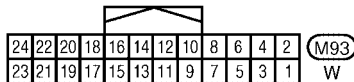
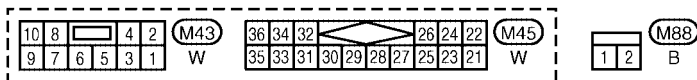
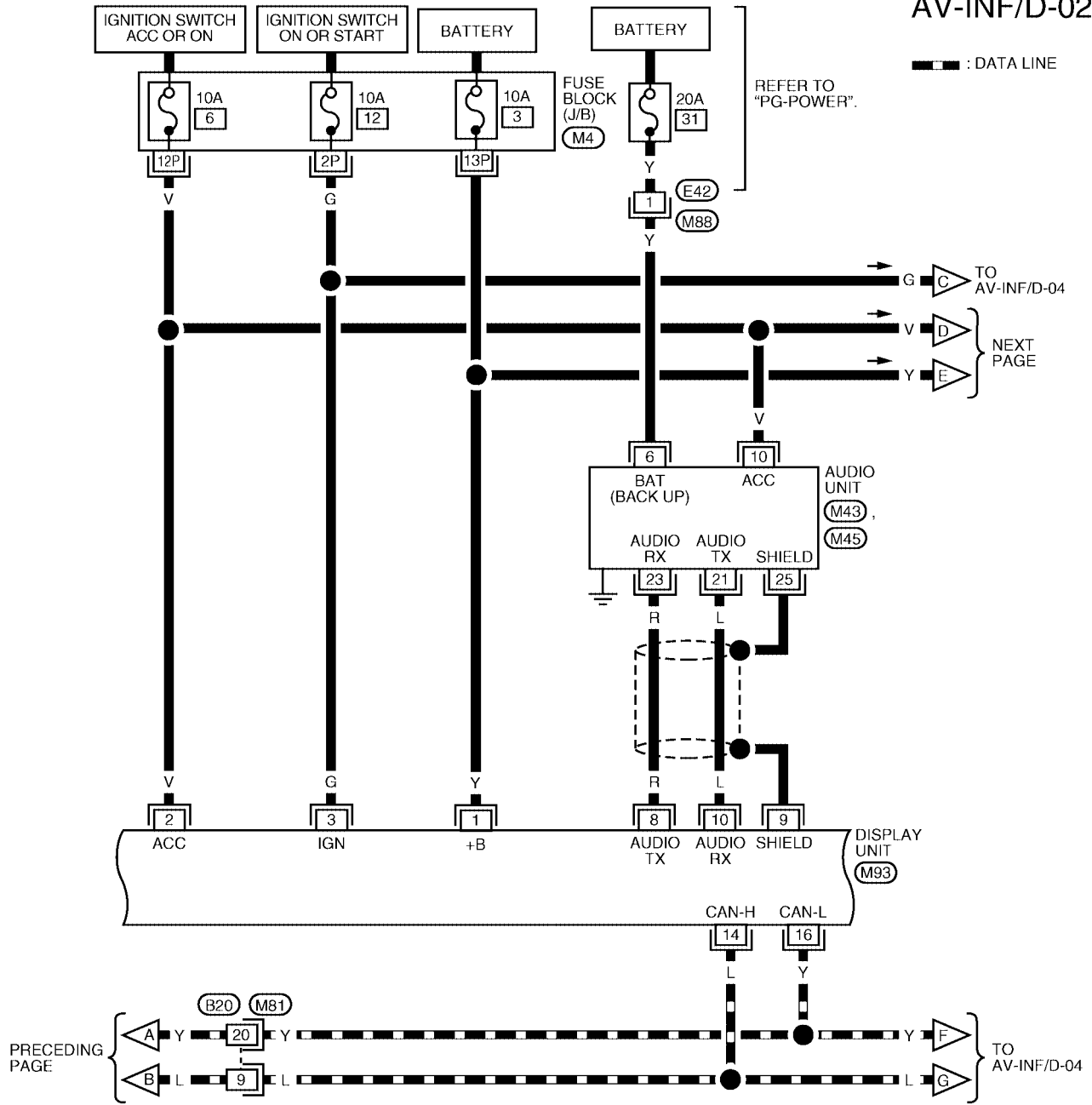
▬ : DATA LINE



LKWA0156E

INTEGRATED DISPLAY SYSTEM

AV-INF/D-02

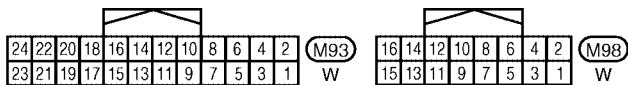
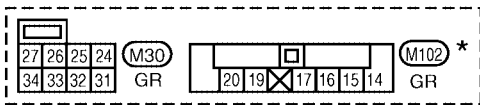
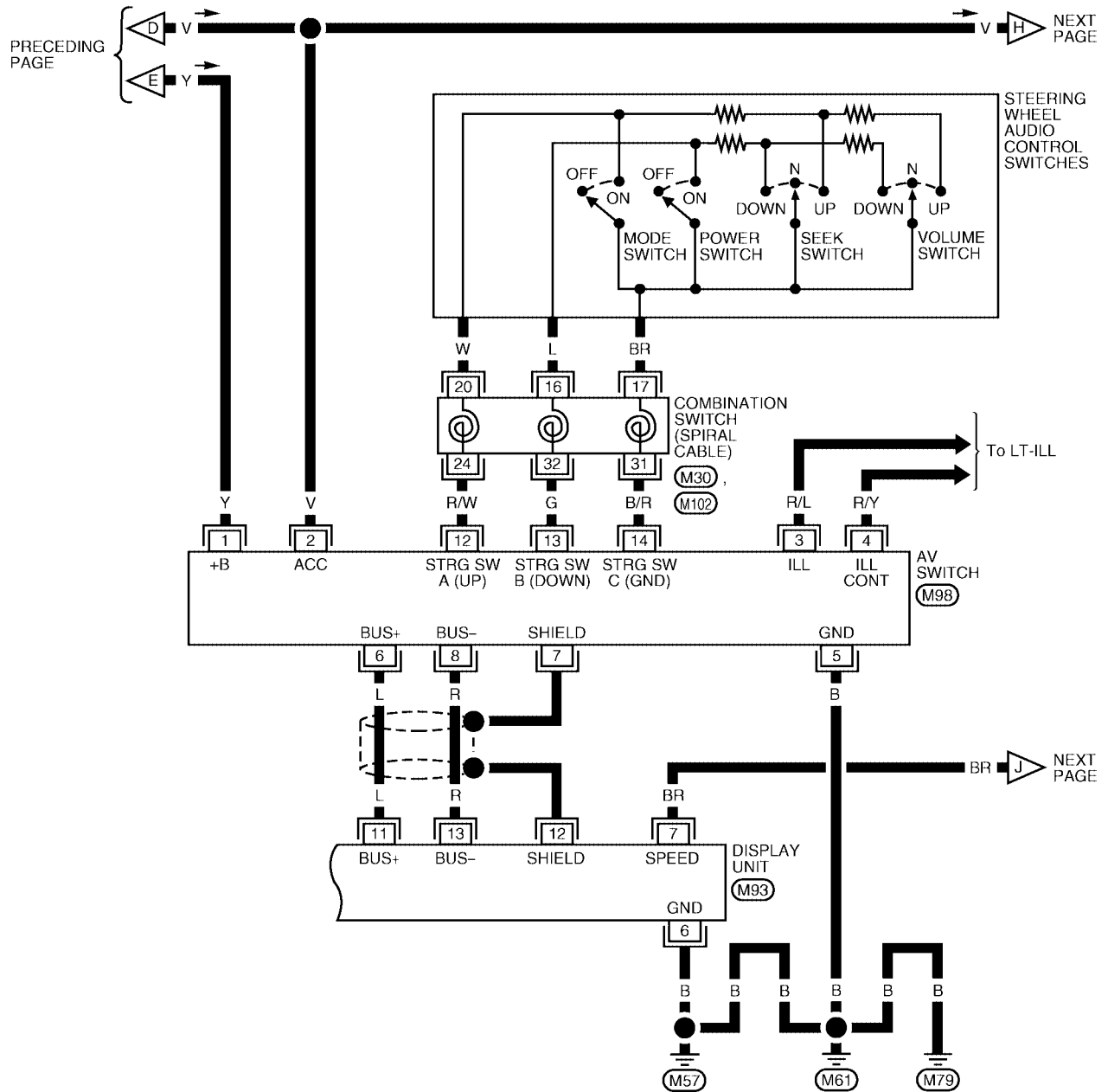


REFER TO THE FOLLOWING.
 (M4) - FUSE BLOCK - JUNCTION BOX (J/B)

LKWA0157E

INTEGRATED DISPLAY SYSTEM

AV-INF/D-03

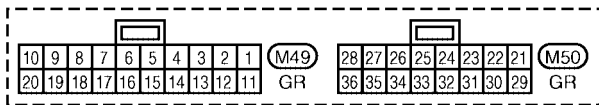
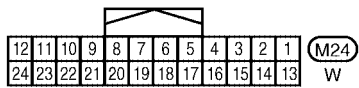
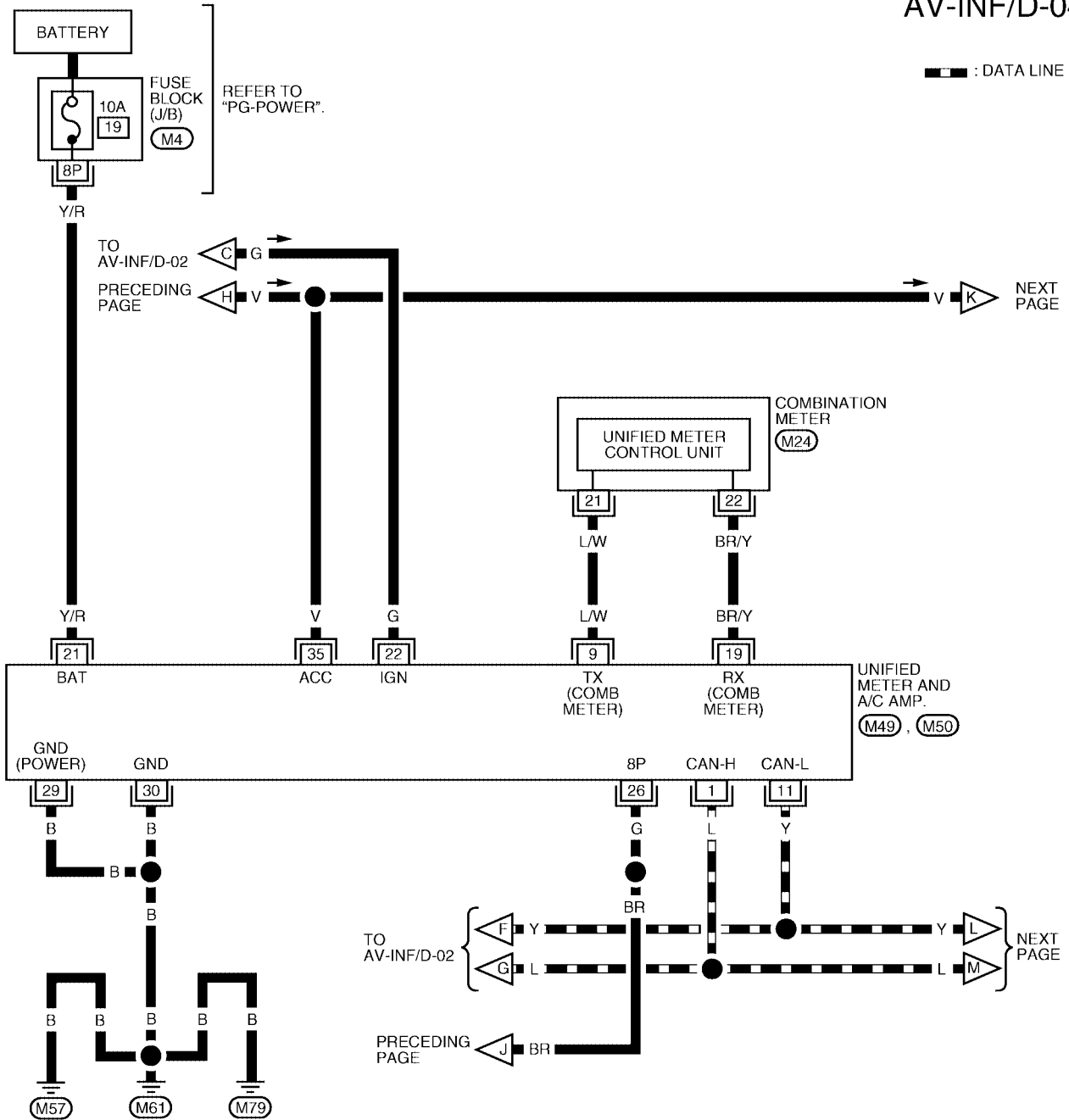


*: THIS CONNECTOR IS NOT SHOWN IN "HARNESS LAYOUT" OF PG SECTION.

LKWA0158E

INTEGRATED DISPLAY SYSTEM

AV-INF/D-04



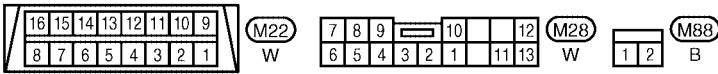
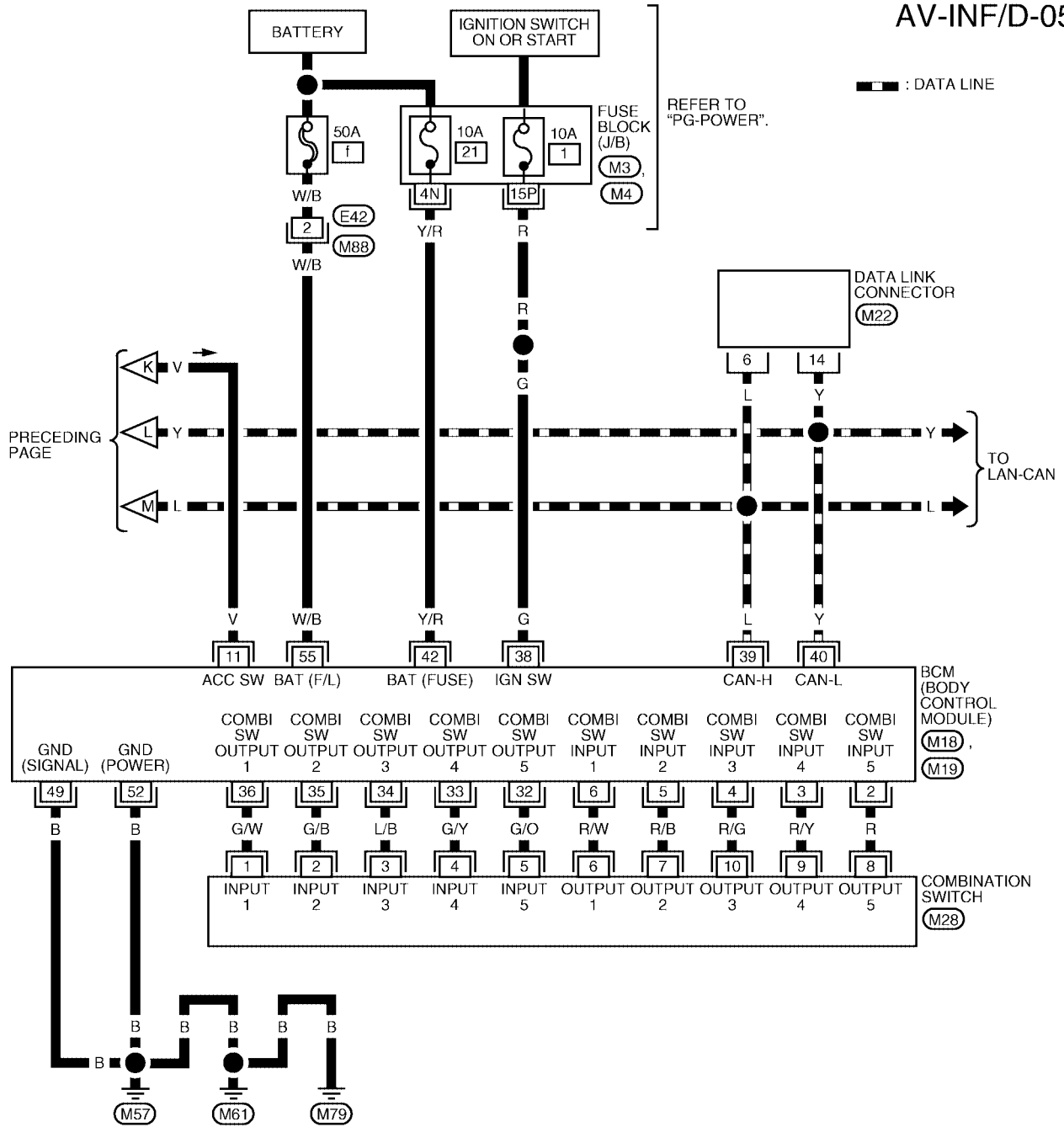
REFER TO THE FOLLOWING.

- M4 - FUSE BLOCK - JUNCTION BOX (J/B)

LKWA0159E

INTEGRATED DISPLAY SYSTEM

AV-INF/D-05



REFER TO THE FOLLOWING.
 (M3), (M4) - FUSE BLOCK - JUNCTION BOX (J/B)
 (M18), (M19) - ELECTRICAL UNITS

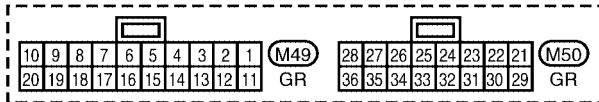
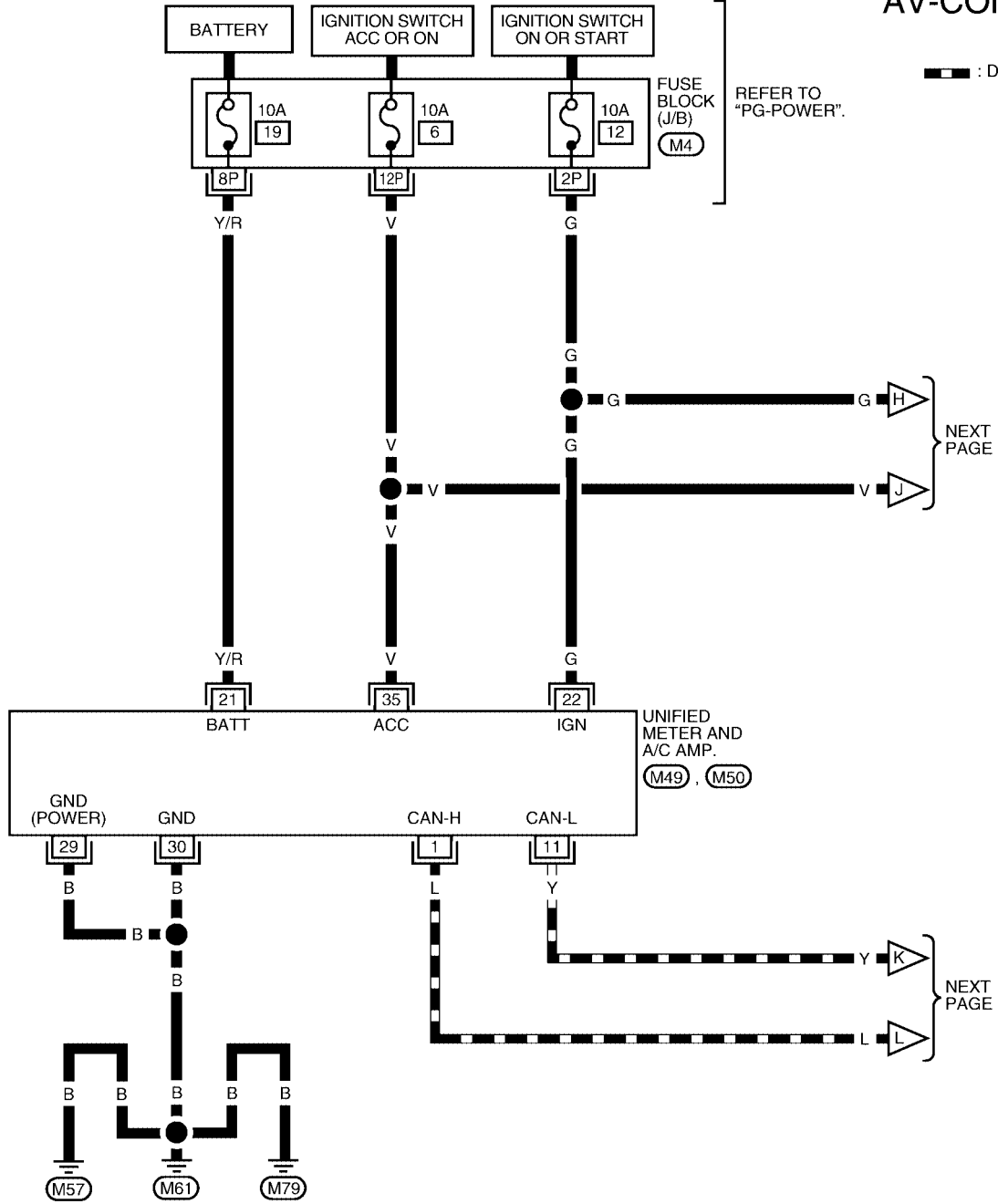
LKWA0160E

INTEGRATED DISPLAY SYSTEM

Wiring Diagram — COMM —

EKS00451

AV-COMM-04



REFER TO THE FOLLOWING.

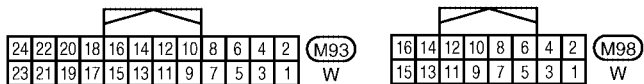
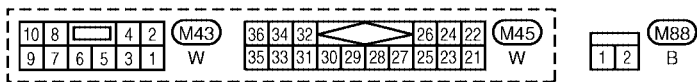
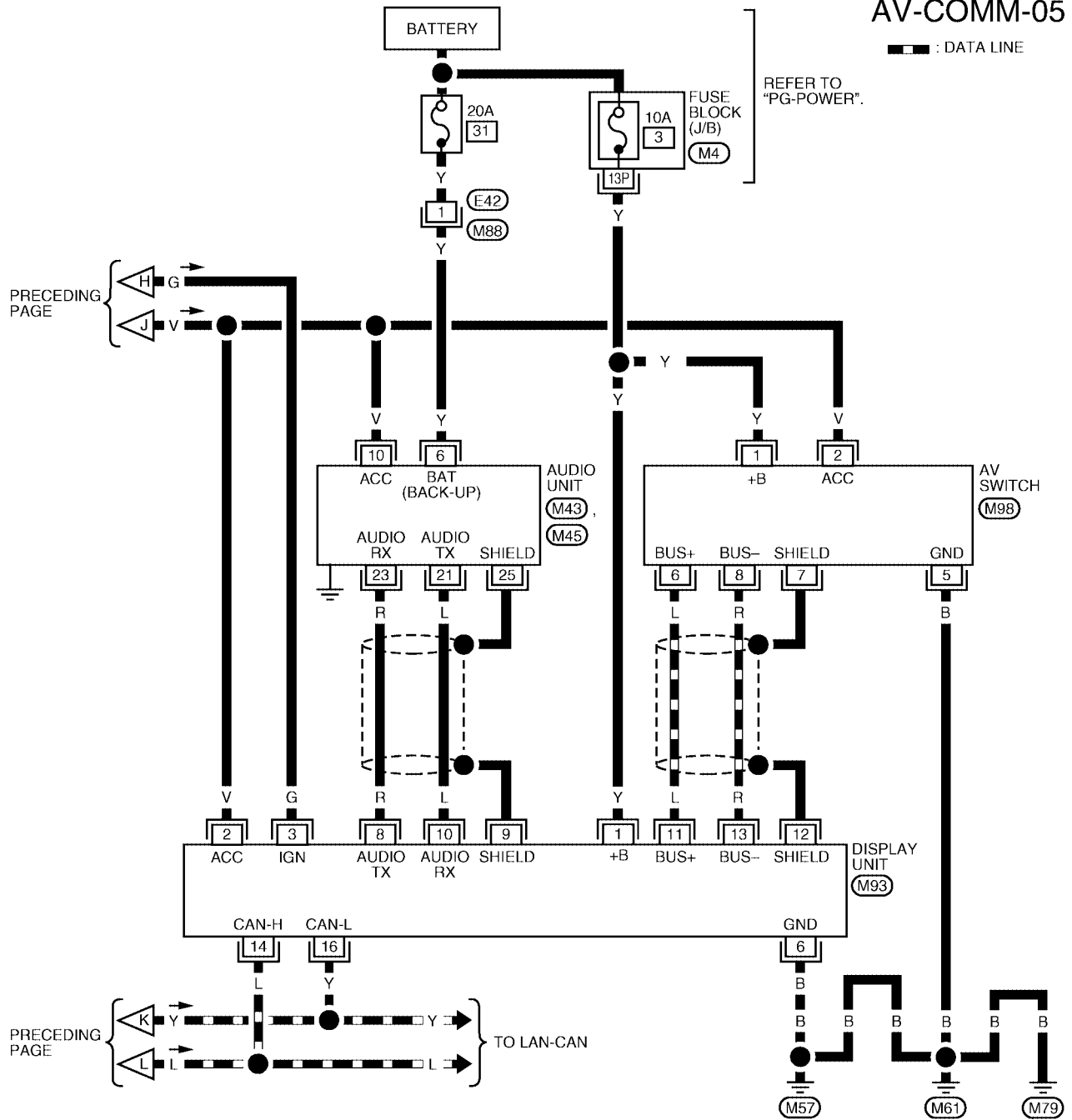
- (M4) - FUSE BLOCK - JUNCTION BOX (J/B)

LKWA0174E

INTEGRATED DISPLAY SYSTEM

AV-COMM-05

— : DATA LINE



REFER TO THE FOLLOWING.

(M4) - FUSE BLOCK - JUNCTION BOX (J/B)

INTEGRATED DISPLAY SYSTEM

Terminals and Reference Value for Display Unit

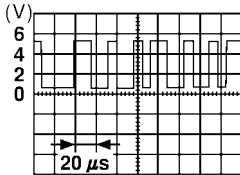
EKS0045J

Terminal No. (Wire color)		Item	Signal input/ output	Condition		Voltage	Example of symptom
+	-			Ignition switch	Operation		
1 (Y)	Ground	Battery power	Input	OFF	-	Battery voltage	System does not work properly.
2 (V)	Ground	ACC signal	Input	ACC	-	Battery voltage	System does not work properly.
3 (G)	Ground	Ignition signal	Input	ON	-	Battery voltage	A/C operation is not possible. Vehicle information setting is not possible.
4 (R/L)	Ground	Illumination signal	Input	OFF	Lighting switch is ON (position 1).	Battery voltage	Audio unit illumination does not come on when lighting switch is ON (position 1).
					Turn lighting switch OFF.	Approx. 3.0V or less	
6 (B)	Ground	Ground	-	ON	-	Approx. 0V	-
7 (BR)	Ground	Vehicle speed signal (8-pulse)	Input	ON	When vehicle speed is approx. 40 km/h (25 MPH)		Drive computer item is not displayed correctly.
8 (R)	Ground	Audio TX	Output	ON	Operate audio volume.		Audio does not operate properly.
9	-	Shield ground	-	-	-	-	-
10 (L)	Ground	Audio RX	Input	ON	Operate audio volume.		Audio does not operate properly.
11 (L)	Ground	Communication signal (+)	Input/output	ON	-		System does not work properly.
12	-	Shield ground	-	-	-	-	-

A
B
C
D
E
F
G
H
I
J
L
M

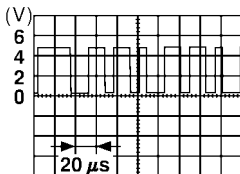
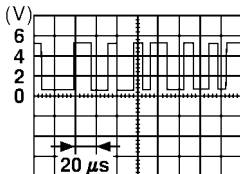
AV

INTEGRATED DISPLAY SYSTEM

Terminal No. (Wire color)		Item	Signal input/ output	Condition		Voltage	Example of symptom
+	-			Ignition switch	Operation		
13 (R)	Ground	Communica- tion signal (-)	Input/ output	ON	-	 SKIA0176E	System does not work properly.
14 (L)	-	CAN-H	-	-	-	-	-
16 (Y)	-	CAN-L	-	-	-	-	-

Terminals and Reference Value for AV Switch

EKS0045K

Terminal No. (Wire color)		Item	Signal input/ output	Condition		Voltage	Example of symptom
+	-			Ignition switch	Operation		
1 (Y)	Ground	Battery power	Input	OFF	-	Battery voltage	System does not work properly.
2 (V)	Ground	ACC signal	Input	ACC	-	Battery voltage	System does not work properly.
3 (R/L)	Ground	Illumination signal	Input	OFF	Lighting switch is ON (position 1).	Battery voltage	AV switch illumi- nation does not come on when lighting switch is ON (position 1).
					Turn lighting switch OFF.	Approx. 3.0V or less	
4 (R/Y)	Ground	Illumination control signal	Input	ON	Illumination control switch is operated by lighting switch in 1st position.	Changes between approx. 0 and approx. 12V.	AV switch illumi- nation cannot be controlled.
5 (B)	Ground	Ground	-	ON	-	Approx. 0V	-
6 (L)	Ground	Communica- tion signal (+)	Input/ output	ON	-	 SKIA0175E	System does not work properly.
7	-	Shield ground	-	-	-	-	-
8 (R)	Ground	Communica- tion signal (-)	Input/ output	ON	-	 SKIA0176E	System does not work properly.
12 (R/W)	Ground	Remote con- trol A	Input	ON	Press MODE switch	Approx. 0V	Steering wheel audio controls do not function.
					Press SEEK UP switch	Approx. 0.75V	
					Press VOL UP switch	Approx. 2V	
					Except for above	Approx. 5V	

INTEGRATED DISPLAY SYSTEM

Terminal No. (Wire color)		Item	Signal input/ output	Condition		Voltage	Example of symptom
+	-			Ignition switch	Operation		
13 (G)	Ground	Remote control B	Input	ON	Press POWER switch	Approx. 0V	Steering wheel audio controls do not function.
					Press SEEK DOWN switch	Approx. 0.75V	
					Press VOL DOWN switch	Approx. 2V	
					Except for above	Approx. 5V	
14 (B/R)	-	Remote control ground	-	-	-	-	Steering wheel audio controls do not function.

A
B
C
D
E
F
G
H
I
J
L
M

AV

INTEGRATED DISPLAY SYSTEM

EKS0045L

On Board Self-Diagnosis Function

DESCRIPTION

- Diagnosis function consists of the self-diagnosis mode performed automatically.
- Self-diagnosis mode checks for connections between the units constituting this system, analyzes each individual unit at the same time, and displays the results on the LCD screen.

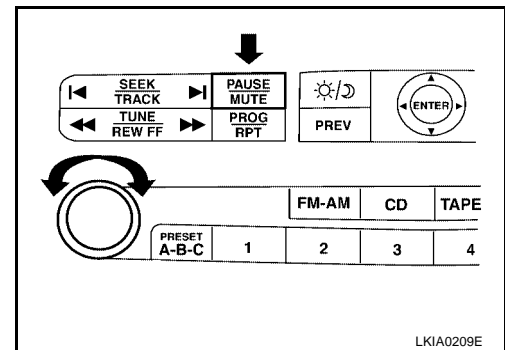
DIAGNOSIS ITEM

Mode	Item	Description	Reference page
Self-diagnosis	NETWORK CHECK	Check network between control unit and switch connected from display unit via communication line.	AV-81. "NETWORK CHECK"
	PARTS CHECK	<ul style="list-style-type: none"> • Perform diagnosis and setting of display unit. • Perform self-diagnosis for auto air conditioner system. 	AV-81. "PARTS CHECK"
	VERSION CHECK	Displays version of each unit.	AV-82. "VERSION CHECK"
	CAN DIAG MNTR	Display unit displays CAN communication status.	AV-82. "CAN DIAG MNTR (CAN DIAG MONITOR)"

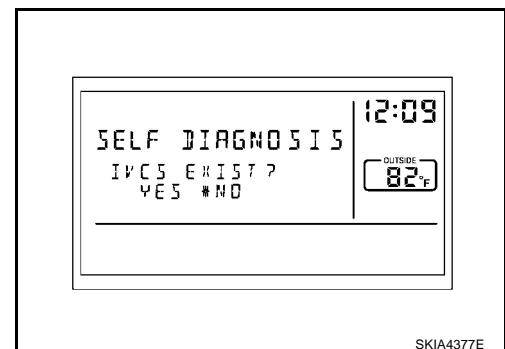
Self-Diagnosis Mode OPERATION PROCEDURES

EKS0045M

1. Start the engine.
2. Turn the audio system off.
3. While pressing the "PAUSE/MUTE" switch, turn the volume control dial clockwise or counterclockwise for 30 clicks or more. (When the self-diagnosis mode is started, a short beep will be heard.)



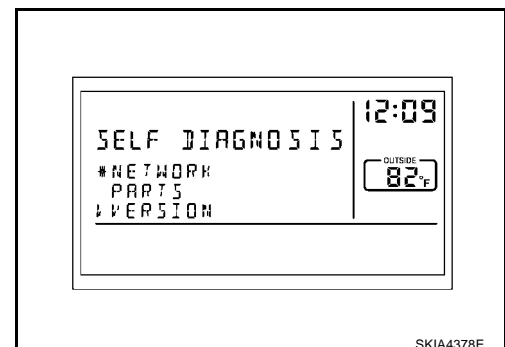
4. Display unit connection check screen.
5. Select each connecting unit (IVCS, CHANGER, SATELLITE RADIO).



6. Self-diagnosis screen is displayed.
 - Using the joystick, select each item, and perform diagnosis.

CAUTION:

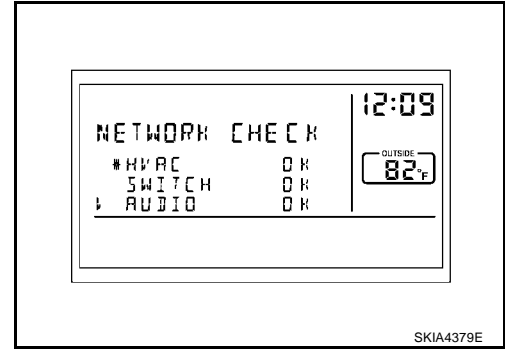
If self-diagnosis cannot be activated, refer to [AV-83. "Trouble Diagnosis Chart by Symptom"](#).



INTEGRATED DISPLAY SYSTEM

NETWORK CHECK

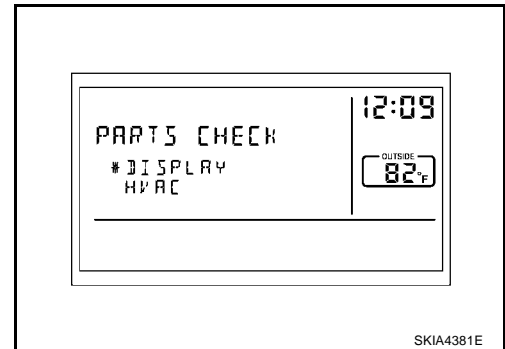
Selecting NETWORK CHECK on self-diagnosis screen, display self-diagnostic results.



Diagnosis item	Contents	DTC return condition	Reference at error
HVAC	OK/NG	Communication error between unified meter and A/C amp. and display unit.	AV-90. "CAN Communication Line Check"
SWITCH	OK/NG	Communication error between AV switch and display unit.	AV-89. "AV Communication Line Check"
AUDIO	OK/NG	Communication error between audio and display unit.	AV-88. "Audio Communication Line Check"

PARTS CHECK

- Selecting PARTS CHECK on self-diagnosis screen, displays selection screen.
- Select DISPLAY, indicates DISPLAY DETAIL screen. Display diagnosis and setting can be performed.
- Select HVAC, indicates HVAC DETAIL screen. Auto air conditioner system self-diagnosis can be performed.

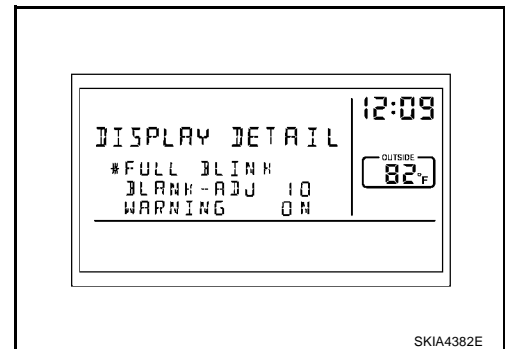


DISPLAY DETAIL SCREEN

Items	Description
FULL BLINK	All display unit segments turn ON.
BLANK-ADJ	Adjust the display timeout for 5 to 15 seconds. (Default is 10 seconds.) ^{Note}
WARNING	Select warning indication ON/OFF. (Default is ON.)

NOTE:

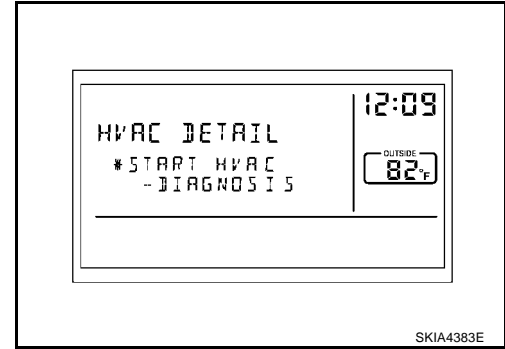
Except an audio screen.



INTEGRATED DISPLAY SYSTEM

HVAC DETAIL SCREEN

Press the joystick, start auto air conditioner system self-diagnosis.
Refer to [ATC-42, "A/C System Self-diagnosis Function"](#) .



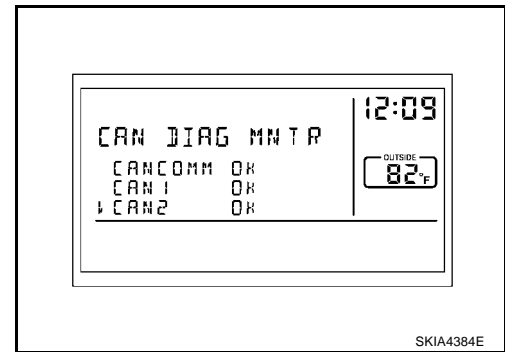
VERSION CHECK

Check ID and version of display, AV switch, and audio.

CAN DIAG MNTR (CAN DIAG MONITOR)

Display CAN communication status.

Items shown	Contents
CANCOMM	OK/NG
CAN1	OK/UNKWN
CAN2	OK/UNKWN
CAN3	OK/UNKWN
CAN4	OK/UNKWN
CAN5	OK/UNKWN
CAN6	OK/UNKWN
CAN7	OK/UNKWN
CAN8	OK/UNKWN
CAN9	OK/UNKWN



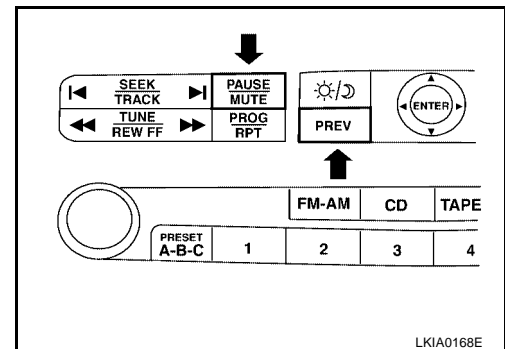
AV Switch Self-Diagnosis Function

EKS0045N

It can check ON/OFF operation of each switch in the AV switch and diagnose the input signals to the steering switch (audio).

STARTING THE SELF-DIAGNOSIS MODE

1. Turn ignition switch from OFF to ACC.
2. Within 10 seconds press and hold the switches "PAUSE/MUTE" and "PREV" simultaneously for 3 seconds.
Then the self-diagnosis operates. A single beep indicates that self-diagnosis mode is active.
3. Press each switch and listen for beep.



EXITING THE SELF-DIAGNOSIS MODE

- Turn ignition switch OFF. Then the self-diagnosis ends.

DIAGNOSIS FUNCTION

- It can illuminate all the indicators (LED) in the AV switch.
- It can check for continuity of the switches by sounding the beep when each AV switch and steering switch is pressed.
- It can check for continuity of harness between AV switch and steering switch (audio).

INTEGRATED DISPLAY SYSTEM

Trouble Diagnosis Chart by Symptom

EKS00450

Symptom	Suspect Systems and reference
No screen is shown.	Refer to AV-84. "Power Supply and Ground Circuit Check for Display Unit" . If above is normal, replace display unit.
Screen does not switch to nighttime mode after the lighting switch is turned 1st.	Refer to AV-87. "Illumination Signal Check" . If above is normal, replace display unit.
TRIP and FUEL ECON screen do not appear.	Refer to AV-87. "Ignition Signal Check" . If above is normal, replace display unit.
<ul style="list-style-type: none"> ● Trip odometer (DIST) is not added up. ● Average vehicle speed (AVG) is not displayed. 	Refer to DI-20. "Vehicle Speed Signal Inspection" . If above is normal, replace display unit.
Average fuel consumption (AVG) is not displayed.	<ul style="list-style-type: none"> ● Refer to DI-20. "Vehicle Speed Signal Inspection" . ● Refer to AV-90. "CAN Communication Line Check" . If above is normal, replace display unit.
Distance to empty (DTE) is not displayed.	<ul style="list-style-type: none"> ● Check if speedometer operates. If it does not operate, go to DI-20. "Vehicle Speed Signal Inspection" . ● Check if fuel gauge operates. If it does not operate, go to DI-24. "Fuel Level Sensor Signal Inspection 1" . ● Refer to AV-90. "CAN Communication Line Check" . If above is normal, replace display unit.
Door warning screen does not appear.	<ul style="list-style-type: none"> ● Refer to DI-20. "Vehicle Speed Signal Inspection" . ● Refer to AV-90. "CAN Communication Line Check" . If above is normal, replace display unit.
AV switch and all switch operation are not possible. (Do not start self-diagnosis.)	<ul style="list-style-type: none"> ● Refer to AV-85. "Power Supply and Ground Circuit Check for AV Switch" . ● Refer to AV-82. "AV Switch Self-Diagnosis Function" . ● Refer to AV-89. "AV Communication Line Check" . If above is normal, replace display unit.
Audio operation is not possible.	<ul style="list-style-type: none"> ● Refer to AV-82. "AV Switch Self-Diagnosis Function" . ● Refer to AV-88. "Audio Communication Line Check" .
Air conditioner operation is not possible.	<ul style="list-style-type: none"> ● Refer to AV-82. "AV Switch Self-Diagnosis Function" . ● Refer to AV-90. "CAN Communication Line Check" .

A
B
C
D
E
F
G
H
I
J
AV
L
M

INTEGRATED DISPLAY SYSTEM

Power Supply and Ground Circuit Check for Display Unit

EKS0045P

1. CHECK FUSE

Check if the following fuses for display unit are blown.

Unit	Power source	Fuse No.
Display unit	Battery power	3
	Ignition switch ACC or ON	6
	Ignition switch ON or START	12

OK or NG

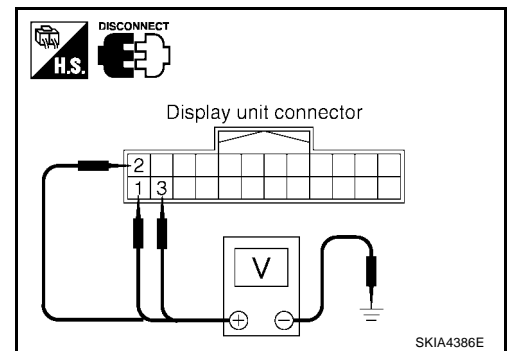
OK >> GO TO 2.

NG >> If fuse is blown be sure to eliminate case of malfunction before installing new fuse. Refer to [PG-3](#), "[POWER SUPPLY ROUTING CIRCUIT](#)".

2. CHECK POWER SUPPLY CIRCUIT

1. Disconnect display connector.
2. Check voltage between display unit connector and ground.

Terminals		Ignition switch position			
(+)		(-)	OFF	ACC	ON
Connector	Terminal (Wire color)				
M93	1 (Y)	Ground	Battery voltage	Battery voltage	Battery voltage
	2 (V)	Ground	0V	Battery voltage	Battery voltage
	3 (G)	Ground	0V	0V	Battery voltage



OK or NG

OK >> GO TO 3.

NG >> Check harness for open or short between display and fuse.

3. CHECK GROUND CIRCUIT

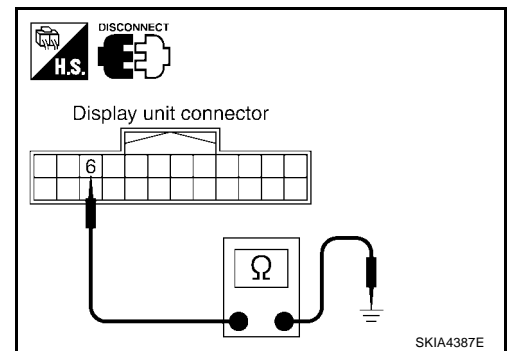
Check continuity between display unit harness connector M93 terminal 6 (B) and ground.

Continuity should exist.

OK or NG

OK >> INSPECTION END.

NG >> Repair ground harness.



INTEGRATED DISPLAY SYSTEM

EKS0045Q

Power Supply and Ground Circuit Check for AV Switch

1. CHECK FUSES

Check the fuse below.

Unit	Power source	Fuse No.
AV switch	Battery power	3
	Ignition switch ACC or ON	6

OK or NG

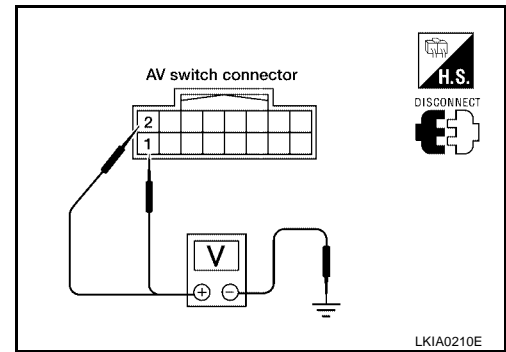
OK >> GO TO 2.

NG >> If fuse is blown be sure to eliminate case of malfunction before installing new fuse. Refer to [PG-3](#), "[POWER SUPPLY ROUTING CIRCUIT](#)".

2. CHECK POWER SUPPLY CIRCUIT

- Disconnect AV switch connector.
- Check voltage between AV switch and ground.

Terminals		Ignition switch position			
(+)		(-)	OFF	ACC	ON
Connector	Terminal (Wire color)				
M98	1 (Y)	Ground	Battery voltage	Battery voltage	Battery voltage
	2 (V)	Ground	0V	Battery voltage	Battery voltage



OK or NG

OK >> GO TO 3.

NG >> Check harness for open or short between AV switch and fuse.

3. CHECK GROUND CIRCUIT

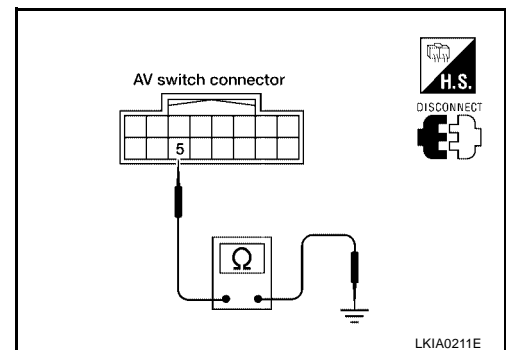
- Check continuity between AV switch harness connector M98 terminal 5 (B) and ground.

Continuity should exist.

OK or NG

OK >> INSPECTION END.

NG >> Repair ground harness.



A
B
C
D
E
F
G
H
I
J
L
M

AV

INTEGRATED DISPLAY SYSTEM

EKS004TG

Vehicle Speed Signal Check

1. CHECK HARNESS

1. Turn ignition switch OFF.
2. Disconnect display unit connector and unified meter and A/C amp. connector.
3. Check continuity between display unit harness connector M93 terminal 7 (BR) and unified meter and A/C amp. harness connector M50 terminal 26 (G).

Continuity should exist.

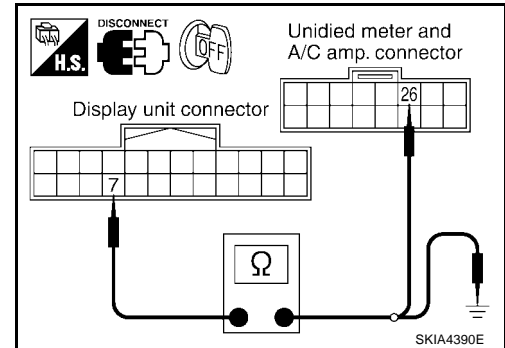
4. Check continuity between display unit harness connector M93 terminal 7 (BR) and ground.

Continuity should not exist.

OK or NG

OK >> GO TO 2.

NG >> Repair harness.



2. CHECK 1: VEHICLE SPEED SIGNAL

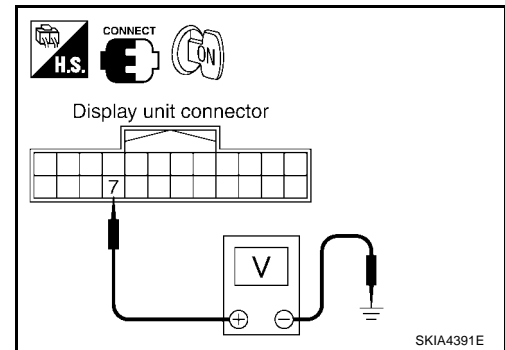
1. Connect display unit connector and unified meter and A/C amp. connector.
2. Turn ignition switch ON.
3. Check voltage between display unit harness connector M93 terminal 7 (BR) and ground.

Approx. 3.5V or more.

OK or NG

OK >> GO TO 3.

NG >> Replace display unit.



3. CHECK 2: VEHICLE SPEED SIGNAL

1. Drive vehicle at a constant speed.
2. Check the signal between display unit harness connector M93 terminal 7 (BR) and ground with CONSULT-II or oscilloscope.

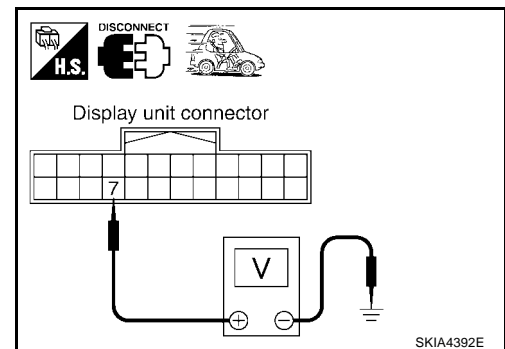
7 (BR) - Ground

: Refer to [AV-77, "Terminals and Reference Value for Display Unit"](#) .

OK or NG

OK >> Replace display unit.

NG >> Check unified meter and A/C amp. system. Refer to [DI-20, "Vehicle Speed Signal Inspection"](#) .



INTEGRATED DISPLAY SYSTEM

Illumination Signal Check

EKS0045S

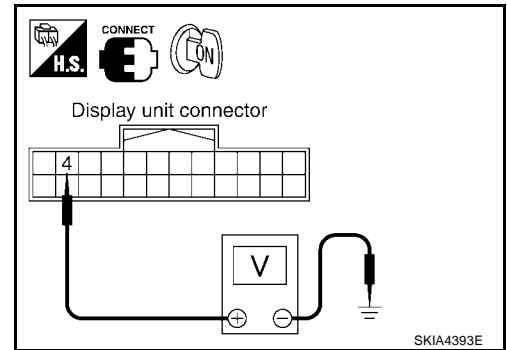
1. CHECK ILLUMINATION SIGNAL

1. Turn ignition switch ON.
2. Check voltage between display unit and ground.

Terminals			Lighting switch position	
(+)		(-)	1st or 2nd position	OFF
Connector	Terminal (Wire color)			
M93	4 (R/L)	Ground	Battery voltage	Approx. 3V or less

OK or NG

- OK >> Replace display unit.
 NG >> Check harness for open or short between display unit and IPDM E/R.



Ignition Signal Check

EKS0045T

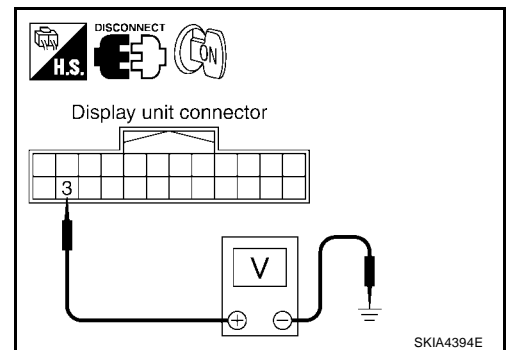
1. CHECK IGNITION SIGNAL

1. Disconnect the display unit connector.
2. Turn ignition switch ON.
3. Check voltage between display unit harness connector M93 terminal 3 (G) and ground.

Battery voltage should exist.

OK or NG

- OK >> Replace display unit.
 NG >> Check harness for open or short between display unit and fuse.



A
B
C
D
E
F
G
H
I
J
AV
L
M

INTEGRATED DISPLAY SYSTEM

EKS0045U

Audio Communication Line Check

1. CHECK HARNESS

1. Turn ignition switch OFF.
2. Disconnect audio unit connector and display unit connector.
3. Check continuity between audio unit and display unit.

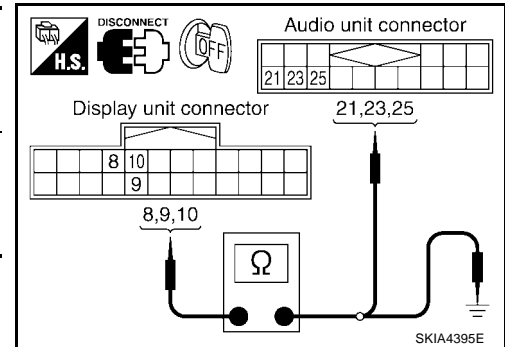
Terminals				Continuity
Display unit		Audio unit		
Connector	Terminal (Wire color)	Connector	Terminal (Wire color)	
M93	8 (R)	M45	23 (R)	Yes
	10 (L)		21 (L)	
	9		25	

4. Check continuity between display unit and ground.

Terminals			Continuity
Display unit		Ground	
Connector	Terminal (Wire color)		
M93	8 (R)		No
	10 (L)		

OK or NG

- OK >> GO TO 2.
 NG >> Repair harness.



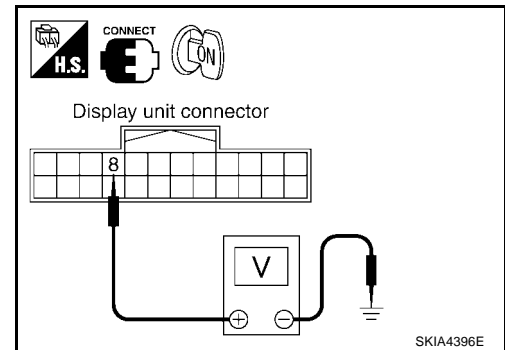
2. CHECK AUDIO TX COMMUNICATION SIGNAL

1. Connect display unit connector.
2. Turn ignition switch ON.
3. Check voltage between display unit harness connector M93 terminal 8 (R) and ground.

Approx. 3.5V

OK or NG

- OK >> GO TO 3.
 NG >> Replace display unit.



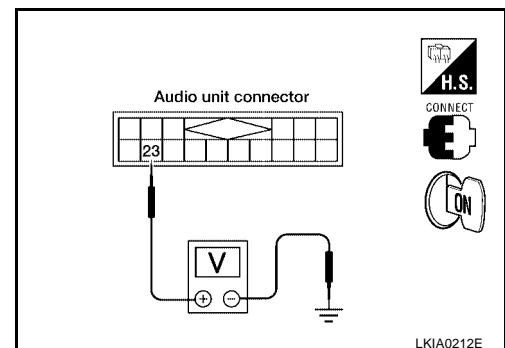
3. CHECK AUDIO RX COMMUNICATION SIGNAL

1. Connect audio unit connector.
2. Turn ignition switch ON.
3. Check voltage between audio unit harness connector M45 terminal 23 (R) and ground.

Approx. 3.5V

OK or NG

- OK >> GO TO 4.
 NG >> Replace audio unit.



INTEGRATED DISPLAY SYSTEM

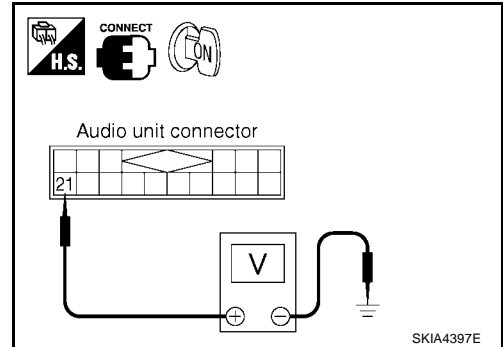
4. CHECK AUDIO TX COMMUNICATION SIGNAL

1. Turn ignition switch ON.
2. Check the signal between audio unit harness connector M45 terminal 21 (L) and ground with CONSULT-II or oscilloscope.

Approx. 3.5V

OK or NG

- OK >> GO TO 5.
 NG >> Replace audio unit.



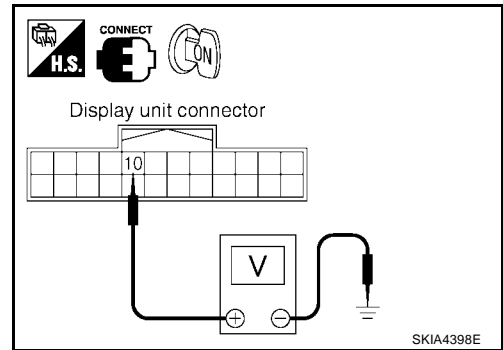
5. CHECK AUDIO RX COMMUNICATION SIGNAL

1. Turn ignition switch ON.
2. Check the signal between display unit harness connector M93 terminal 10 (L) and ground with CONSULT-II or oscilloscope.

10 (L) - Ground : Refer to [AV-77, "Terminals and Reference Value for Display Unit"](#).

OK or NG

- OK >> INSPECTION END.
 NG >> Replace display unit.



AV Communication Line Check

1. CHECK AV SWITCH CIRCUIT

1. Turn ignition switch OFF.
2. Disconnect display unit connector and AV switch connector.
3. Check continuity between display unit and AV switch.

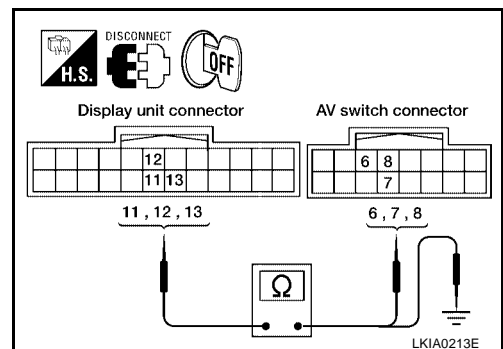
Terminals				Continuity
Display unit		AV switch		
Connector	Terminal (Wire color)	Connector	Terminal (Wire color)	
M93	11 (L)	M98	6 (L)	Yes
	13 (R)		8 (R)	
	12		7	

4. Check continuity between display unit and ground.

Terminals			Continuity
Connector	Terminal (Wire color)	Terminal	
M93	11 (L)	Ground	No
	13 (R)		

OK or NG

- OK >> GO TO 2.
 NG >> Replace harness.



A
B
C
D
E
F
G
H
I
J
L
M

AV

INTEGRATED DISPLAY SYSTEM

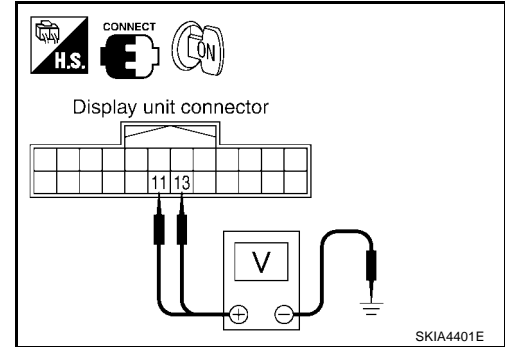
2. CHECK AV COMMUNICATION SIGNAL

1. Connect display unit connector and AV switch connector.
2. Turn ignition switch ON.
3. Check the signal between display unit harness connector M93 terminals 11 (L), 13 (R) and ground with CONSULT-II or oscilloscope.

11 (L), 13 (R) - Ground : Refer to [AV-77, "Terminals and Reference Value for Display Unit"](#) .

OK or NG

- OK >> Replace AV switch.
 NG >> Replace display unit.

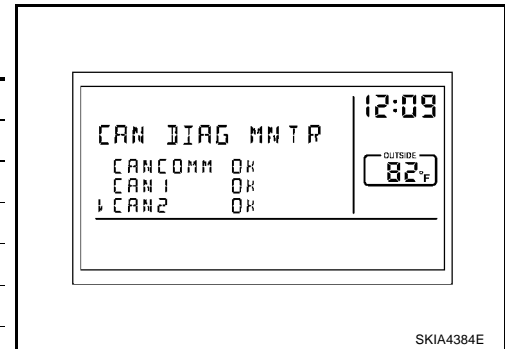


CAN Communication Line Check

1. CHECK MONITOR DESCRIPTION

1. Start display unit self-diagnosis. Refer to [AV-80, "Self-Diagnosis Mode"](#) .
2. Select "CAN DIAG MNTR". Refer to [AV-82, "CAN DIAG MNTR \(CAN DIAG MONITOR\)"](#) .

Diagnosis item	Data monitor display description	
	Normal condition	Error (example)
CANCOMM	OK	NG
CAN1	OK	UNKWN
CAN2	OK	UNKWN
CAN3	OK	UNKWN
CAN4	OK	UNKWN
CAN5	OK	UNKWN
CAN6	OK	UNKWN
CAN7	OK	UNKWN
CAN8	OK	UNKWN
CAN9	OK	UNKWN



3. Record each item display description (OK/NG/UNKWN) displayed on the following CAN DIAG MONITOR Check Sheet.

CAN DIAG MONITOR Check Sheet

Diagnosis item	Screen display		Diagnosis item	Screen display	
	OK	NG		OK	UNKWN
CANCOMM	OK	NG	CAN5	OK	UNKWN
CAN1	OK	UNKWN	CAN6	OK	UNKWN
CAN2	OK	UNKWN	CAN7	OK	UNKWN
CAN3	OK	UNKWN	CAN8	OK	UNKWN
CAN4	OK	UNKWN	CAN9	OK	UNKWN

>> After filling in CAN DIAG MONITOR Check Sheet, go to [LAN-8, "CAN COMMUNICATION"](#) .

INTEGRATED DISPLAY SYSTEM

EKS0045X

Steering Wheel Audio Control Switch Check

1. AV SWITCH SELF-DIAGNOSIS FUNCTION CHECK

1. Start AV switch self-diagnosis function. Refer to [AV-82, "AV Switch Self-Diagnosis Function"](#).
2. Operate steering wheel audio control switch.

Dose steering wheel audio control switch operate normally?

- OK >> INSPECTION END.
 NG >> GO TO 2.

2. CHECK HARNESS

1. Turn ignition switch OFF.
2. Disconnect AV switch connector and spiral cable connector.
3. Check continuity between spiral cable harness connector terminals and AV switch harness connector terminals.

Terminals				Continuity
Spiral cable		AV switch		
Connector	Terminal	Connector	Terminal (Wire color)	
M30	32 (G)	M98	13 (G)	Yes
	31 (B/R)		14 (B/R)	
	24 (R/W)		12 (R/W)	

4. Check continuity between AV switch and ground.

Terminals			Continuity
AV switch (+)		(-)	
Connector	Terminal (Wire color)		
M98	12 (R/W)	Ground	No
	13 (G)		
	14 (B/R)		

OK or NG

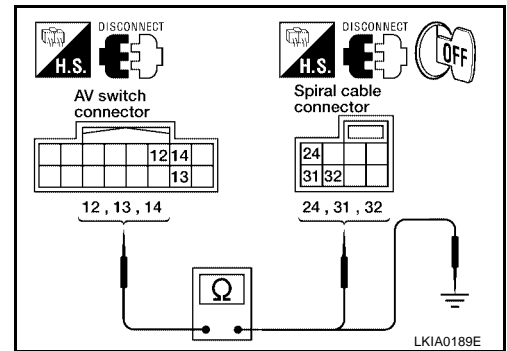
- OK >> GO TO 2.
 NG >> Repair harness.

3. SPIRAL CABLE CHECK

Check spiral cable harness.

OK or NG

- OK >> GO TO 4.
 NG >> Replace spiral cable. Refer to [SRS-42, "SPIRAL CABLE"](#).



A
B
C
D
E
F
G
H
I
J
L
M

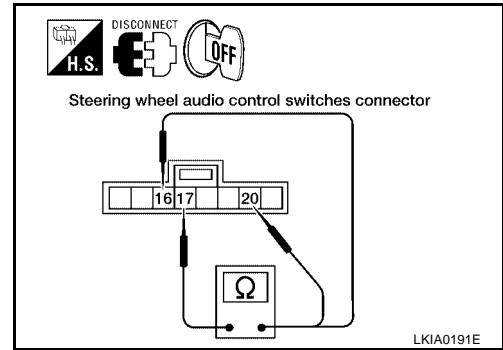
AV

INTEGRATED DISPLAY SYSTEM

4. CHECK STEERING WHEEL AUDIO CONTROL SWITCH RESISTANCE

Check resistance steering wheel audio control switch terminals.

Terminal		Signal name	Condition	Resistance (Ω) (Approx.)
(+)	(-)			
16	17	Seek (down)	Depress (station) down switch.	165
		Power	Depress power switch.	0
		Volume (down)	Depress volume down switch.	487
20	17	Seek (up)	Depress (station) up switch.	165
		Mode	Depress mode switch.	0
		Volume (up)	Depress volume up switch.	487



OK or NG

OK >> Replace AV switch.

NG >> Replace steering wheel audio control switch.

Removal and Installation of Display Unit

EKS004T8

Refer to [IP-13, "Center Stack Assembly"](#) .

Removal and Installation of AV Switch

EKS0045Z

Refer to [AV-57, "Removal and Installation for AV Switch"](#) .

NAVIGATION SYSTEM

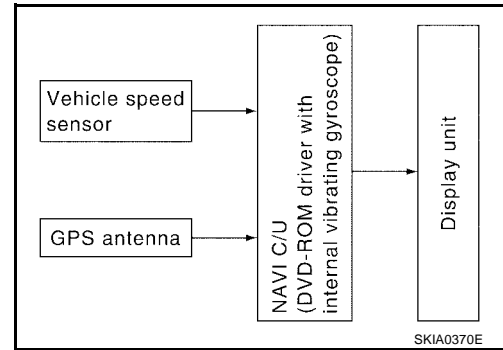
PFP:25915

System Description

EKS00460

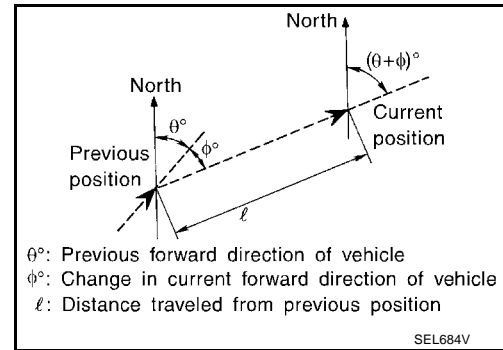
The navigation system periodically calculates the vehicle's current position according to the following three signals: Travel distance of the vehicle as determined by the vehicle speed sensor, turning angle of the vehicle as determined by the gyroscope (angular velocity sensor), and the direction of vehicle travel as determined by the GPS antenna (GPS information).

The current position of the vehicle is then identified by comparing the calculated vehicle position with map data read from the map DVD-ROM, which is stored in the DVD-ROM drive (map-matching), and indicated on the screen with a current-location mark.



By comparing the vehicle position detection results found by the GPS and by map-matching, more accurate vehicle position data can be used.

The current vehicle position will be calculated by detecting the distance the vehicle moved from the previous calculation point and its direction.



TRAVEL DISTANCE

Travel distance calculations are based on the vehicle speed sensor input signal. Therefore, the calculation may become incorrect as the tires wear down. To prevent this, an automatic distance fine adjustment function has been adopted.

TRAVEL DIRECTION

Change in the travel direction of the vehicle is calculated by a gyroscope (angular velocity sensor) and a GPS antenna (GPS information). As the gyroscope and GPS antenna have both merit and demerit, input signals from them are prioritized in each situation. However, this order of priority may change in accordance with more detailed travel conditions so that the travel direction is detected more accurately.

Type	Advantage	Disadvantage
Gyroscope (angular velocity sensor)	<ul style="list-style-type: none"> Can detect the vehicle's turning angle quite accurately. 	<ul style="list-style-type: none"> Direction errors may accumulate when the vehicle is driven for long distances without stopping.
GPS antenna (GPS information)	<ul style="list-style-type: none"> Can detect the vehicle's travel direction (North/South/East/West). 	<ul style="list-style-type: none"> Correct direction cannot be detected when the vehicle speed is low.

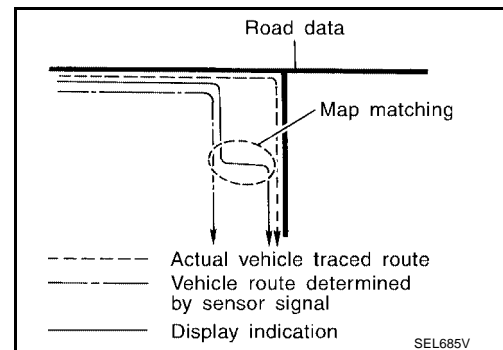
MAP-MATCHING

Map-matching is a function that repositions the vehicle on the road map when a new location is judged to be the most accurate. This is done by comparing the current vehicle position, calculated by the method described in the position detection principle, with the road map data around the vehicle, read from the map DVD-ROM stored in the DVD-ROM drive.

Therefore, the vehicle position may not be corrected after the vehicle is driven over a certain distance or time in which GPS information is hard to receive. In this case, the current-location mark on the display must be corrected manually.

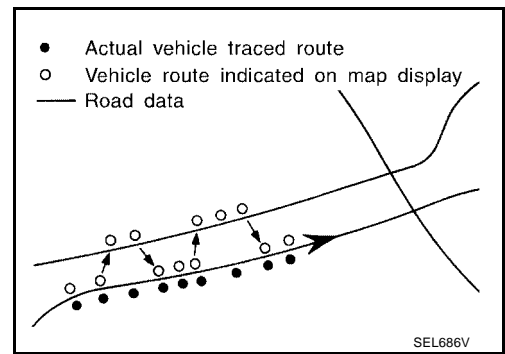
CAUTION:

The road map data is based on data stored in the map DVD-ROM.

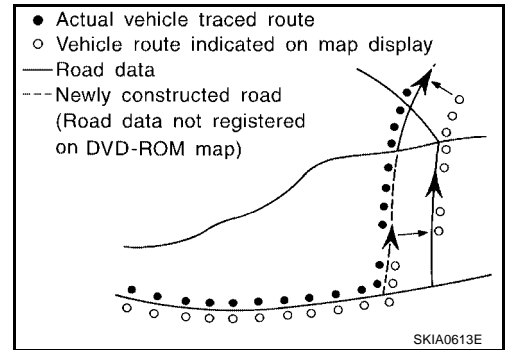


NAVIGATION SYSTEM

- In map-matching, alternative routes to reach the destination will be shown and prioritized, after the road on which the vehicle is currently driven has been judged and the current-location mark has been repositioned.
If there is an error in distance and/or direction, the alternative routes will be shown in different order of priority, and the wrong road can be avoided.
If two roads are running in parallel, they are of the same priority. Therefore, the current-location mark may appear on either of them alternately, depending on maneuvering of the steering wheel and configuration of the road.

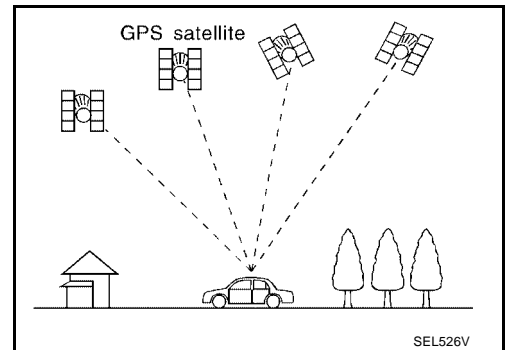


- Map-matching does not function correctly when the road on which the vehicle is driving is new and not recorded in the map DVD-ROM, or when the road pattern stored in the map data and the actual road pattern are different due to repair.
When driving on a road not present in the map, the map-matching function may find another road and position the current-location mark on it. Then, when the correct road is detected, the current-location mark may leap to it.
- Effective range for comparing the vehicle position and travel direction calculated by the distance and direction with the road data read from the map DVD-ROM is limited. Therefore, when there is an excessive gap between the current vehicle position and the position on the map, correction by map-matching is not possible.



GPS (GLOBAL POSITIONING SYSTEM)

GPS (Global Positioning System) has been developed and controlled by the US Department of Defense. The system utilizes GPS satellite (NAVSTAR), sending out radio waves while flying on an orbit around the earth at the height of approx. 21,000 km (13,000 miles). The GPS receiver calculates the vehicle's position in three dimensions (latitude/longitude/altitude) according to the time lag of the radio waves received from four or more GPS satellites (three-dimensional positioning). If radio waves were received only from three GPS satellites, the GPS receiver calculates the vehicle's position in two dimensions (latitude/longitude), utilizing the altitude data calculated previously by using radio waves from four or more GPS satellites (two-dimensional positioning).



Accuracy of the GPS will deteriorate under the following conditions.

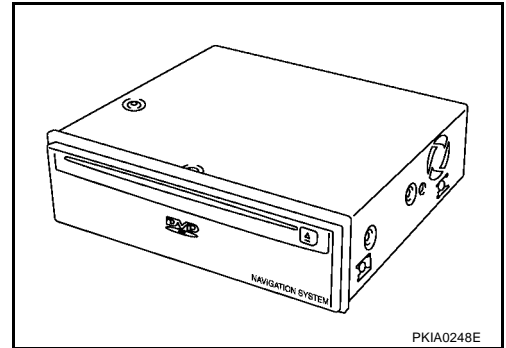
- In two-dimensional positioning, the GPS accuracy will deteriorate when the altitude of the vehicle position changes.
- There may be an error of approximately 10 m (30 ft) in position detected by three-dimensional positioning, which is more accurate than two-dimensional positioning. The accuracy can be even lower depending on the arrangement of the GPS satellites utilized for the positioning.
- Position detection is not possible when the vehicle is in an area where radio waves from the GPS satellite do not reach, such as in a tunnel, parking lot in a building, and under an elevated highway. Radio waves from the GPS satellites may not be received when some object is located over the GPS antenna.
- Position correction by GPS is not available while the vehicle is stopped.

NAVIGATION SYSTEM

COMPONENT DESCRIPTION

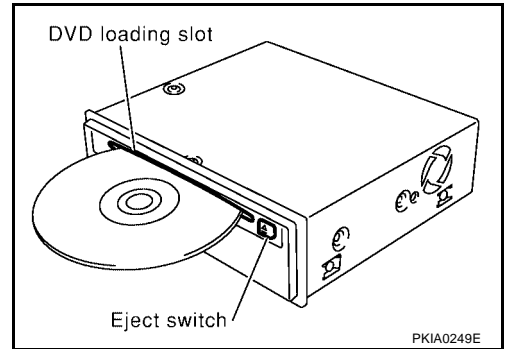
NAVI Control Unit

- The gyro (angular speed sensor) and the DVD-ROM drive are built-in units that control the navigation functions.
- Signals are received from the gyro, the vehicle speed sensor, and the GPS antenna. Vehicle location is determined by combining this data with the data contained in the DVD-ROM map. Location information is shown on liquid crystal display panel.



DVD-ROM Drive

Maps, traffic control regulations, and other pertinent information can be easily read from the DVD-ROM disc.



Map DVD-ROM

- The map DVD-ROM has maps, traffic control regulations, and other pertinent information.
- To improve DVD-ROM map matching and route determination functions, the DVD-ROM uses an exclusive Nissan format. Therefore, the use of a DVD-ROM provided by other manufacturers cannot be used.

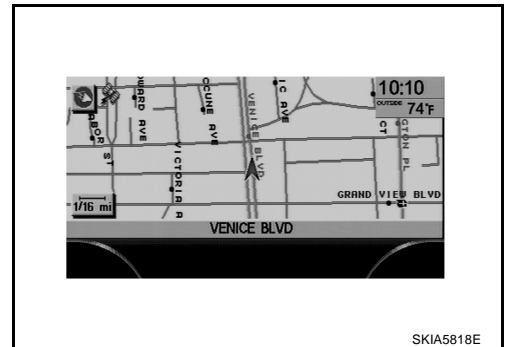
Gyro (Angular Speed Sensor)

- The oscillator gyro sensor is used to detect changes in vehicle steering angle.
- The gyro is built into the navigation (NAVI) control unit.

BIRDVIEW™

The BIRDVIEW™ provides a detailed and easily seen display of road conditions covering the vehicle's immediate to distant area.

- MAP DISPLAY

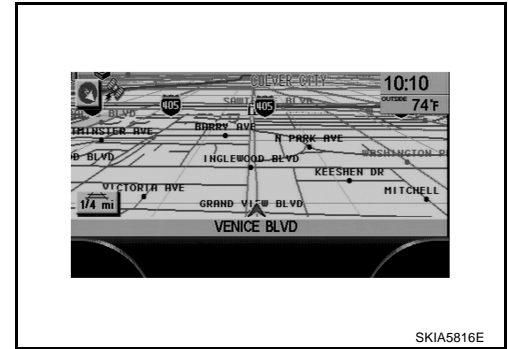


A
B
C
D
E
F
G
H
I
J
L
M

AV

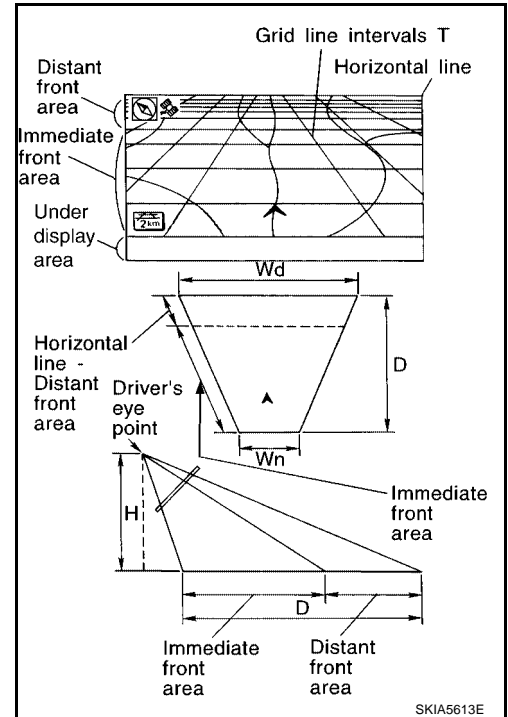
NAVIGATION SYSTEM

- BIRDVIEW™



Description

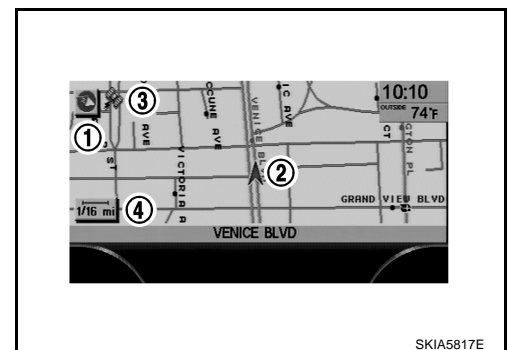
- Display area: Trapezoidal representation showing approximate distances (W_n , D , and W_d).
- Ten horizontal grid lines indicate display width while six vertical grid lines indicate display depth and direction.
- Pushing the “ZOOM IN” button during operation displays the scale change and the view point height on the left side of the screen. The height of the view point increases or decreases when “ZOOM” or “WIDE” is selected with the joystick.



MAP DISPLAY

Function of each icon is as follows:

1. Azimuth indication.
2. Position marker.
 - The tip of the arrow shows the current location. The shaft of the arrow indicates the direction in which the vehicle is traveling.
3. GPS reception signal (indicates current reception conditions).
4. Distance display (shows the distance in a reduced scale).

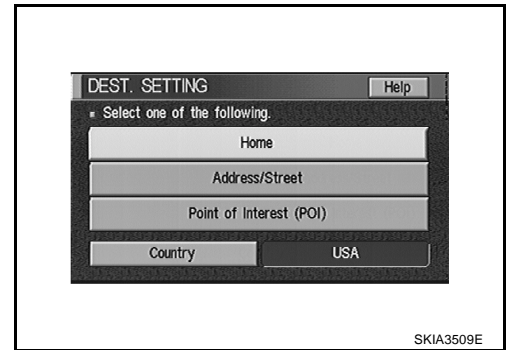


NAVIGATION SYSTEM

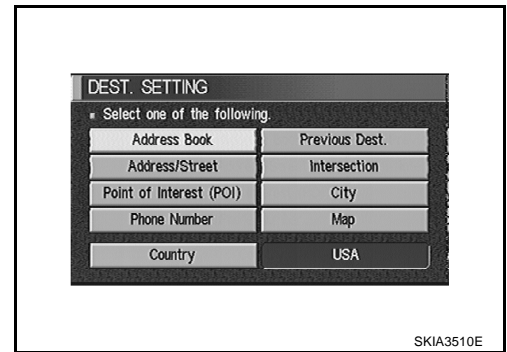
FUNCTION OF CENTER SWITCH

Display with Pushed "DEST" button

- Easy Mode



- Expert Mode



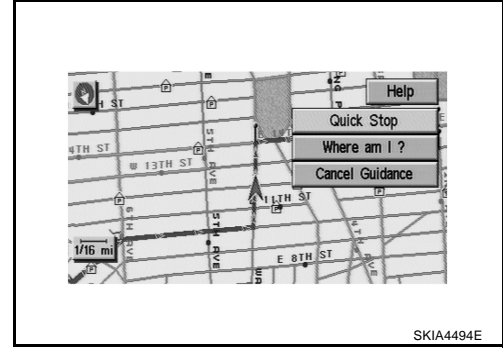
The function of each icon is as follows:

Icon	Mode		Description
	Easy	Expert	
Address Book		×	Favorite place can be saved to memory.
Address/Street	×	×	The destination can be searched from the address.
Point of Interest (POI)	×	×	The destination of favorite facility can be searched.
Previous Dest.		×	The previous ten destinations stored in memory are displayed.
Intersection		×	The destination can be searched from the intersection.
City		×	The destination can be searched from city name.
Map		×	The destination can be searched from the map.
Phone Number		×	When two or more countries are included in one DVD-ROM, the destination can be searched for under the country name.
Home	×		Sets the home as a destination.
Help	×		Explanation of navigational functions appear on the display.
Country	×	×	Select country (USA, CANADA)

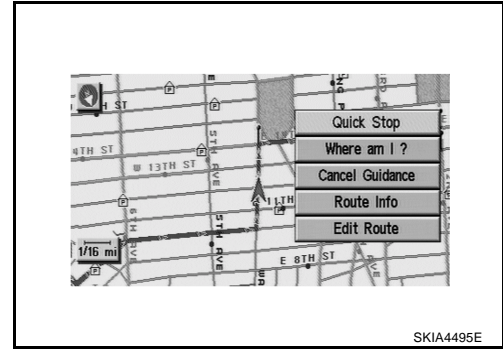
NAVIGATION SYSTEM

Display with Pushed “ROUTE” button

- Easy Mode



- Expert Mode



The function of each icon is as follows:

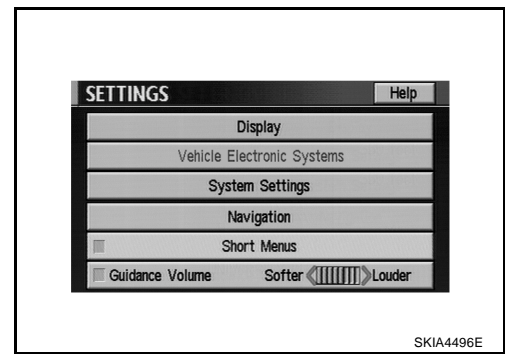
Icon	Mode		Description
	Easy	Expert	
Quick Stop	×	×	The selected facility is set as the destination or waypoint. (Route guidance has been turned OFF or the destination has been reached.)
Where am I?	×	×	Next, current and previous street names can be displayed.
Cancel Guidance	×	×	The following items can be selected. <ul style="list-style-type: none"> ● All Destinations ● Way point ● Not Cancel
Route Info.*		×	The following items can be selected. <ul style="list-style-type: none"> ● Complete Route ● Turn List ● Route Simulation (Displayed only when the destination area has been set.)
Edit Route*		×	Change the destination or add the transit points of the route set in the route guide. (Displayed only when the automatic reroute function has been turned OFF and the recommended route is not followed.)
Help	×		Explanation of navigational functions appear on the display.

*: When destinations have been entered, route guidance has been turned OFF or destination has been reached, “Route Info.” and “Edit Route” are not displayed.

NAVIGATION SYSTEM

Display with Pushed “SETTING” button

The function of each icon is as follows:

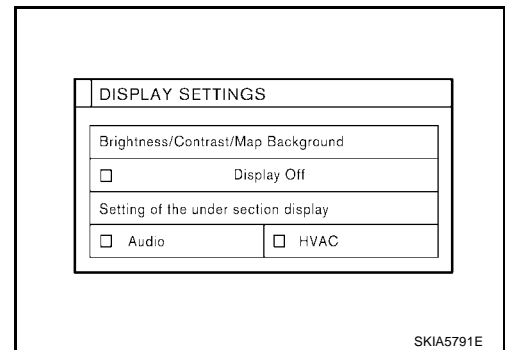


Icon	Description
Display	Settings of display can be performed.
Vehicle Electronic Systems	Settings of vehicle electrical equipment can be performed.
System Settings	Settings of linguistic select, time adjusting and beep sound can be performed.
Navigation	Settings and adjusting of navigation can be performed.
Short Menus	Easy Mode and Expert Easy Mode can be switched.
Guidance Volume	The volume and/or on/off of voice prompt can be controlled by the joystick.
Help (only easy mode)	Explanation of navigational functions appear on the display.

Display Settings

How To Perform Navigation Setting

1. Start the engine.
2. Push “SETTING” button.
3. Select “Display”.



Application Items

Icon	Description	Reference page
Brightness/Contrast/Map Background	Brightness, Contrast and Map Background can be set.	AV-99
Display Off	Display sleep mode ON/OFF can be switched.	AV-99
Setting of the under section display	The setting status of A/C or AV can be shown.	AV-100

Brightness/Contrast/Map Back ground

How To Perform Navigation Setting

1. Select “Brightness/Contrast/Map Background”.
 - Brightness, Contrast and Back ground are shown at the lower part of the screen, and it can be set by pushing joystick.

Display Off

How To Perform Navigation Setting

1. Select “Display Off”.
 - When setting is turned on (Indicator light ON), the display will be under sleep mode.

NAVIGATION SYSTEM

Setting of the under section display

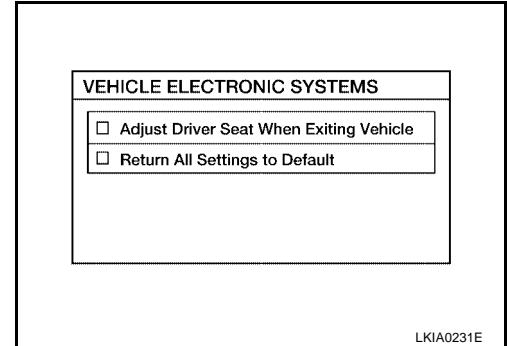
How To Perform Navigation Setting

1. Select "Setting of the Under Section Display".
 - The setting status that is selected from A/C or AV is shown at the lower part of the screen.

Vehicle Electronic Systems

How To Perform Navigation Setting

1. Start the engine.
2. Push "SETTING" button.
3. Select "Vehicle Electronic Systems".



Application Items

Icon	Description	Reference page
Adjust Driver Seat When Exiting Vehicle	The driver's seat automatically moves back and returns to the original position.	AV-100
Return All Settings Default	All settings will return to the initial conditions.	AV-100

Adjust Driver Seat When Exiting Vehicle

How To Perform Navigation Setting

1. Select "Adjust Driver Seat When Exiting Vehicle".
 - The driver's seat automatically moves back and returns to the original position when the switch is turned on.
(Indicator light is illuminated-ON, Indicator light is not illuminated-OFF.)

Return All Settings Default

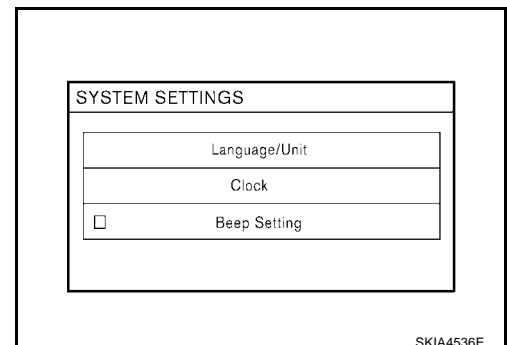
How To Perform Navigation Setting

1. Select "Return All Settings Default".
 - All settings made by VEHICLE ELECTRONICS will return to the initial conditions when the switch is turned on.
(Indicator light is illuminated-ON, Indicator light is not illuminated-OFF.)

System Settings

How To Perform Navigation Setting

1. Start the engine.
2. Push "SETTING" button.
3. Select "System Settings".



NAVIGATION SYSTEM

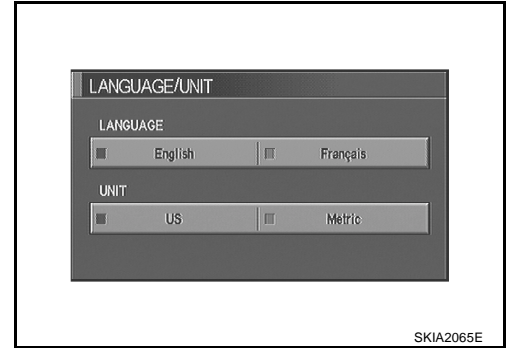
Application Items

Icon	Description	Reference page
	Settings of Language or unit can be performed.	AV-101
	Settings of clock can be performed.	AV-101
	Settings of Beep sound can be performed.	AV-101

Language Setting

How To Perform Navigation Setting

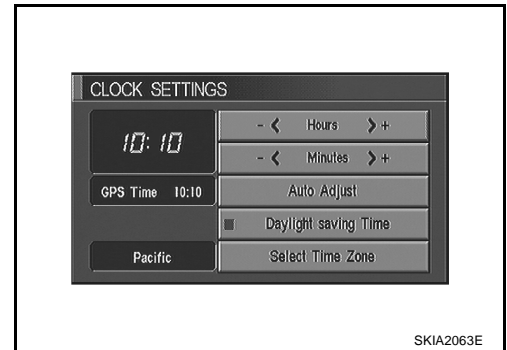
1. Select "Language/Unit".
 - Language setting can be switched.
 - Unit setting can be changed.



Clock Settings

How To Perform Navigation Setting

1. Select "Clock".
 - Select the "Hours" or "Minutes" key and tilt the joystick to the right or left to adjust the time.
 - Turn ON and OFF daylight saving time.
 - Select the "Auto Adjust" key. The time will be reset to the GPS time.
 - Select the "Select Time Zone" key. The [TIME ZONE] screen will appear.



Beep Setting

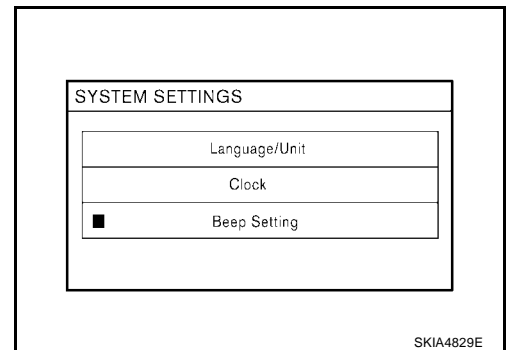
How To Perform Navigation Setting

1. Select "Beep Setting".
 - When Beep Setting is on (indicator light on), a beep will sound if the button is pushed.

NOTE:

Items in exception of Beep Setting ON/OFF.

- An error beep.
- An interrupted-screen beep.

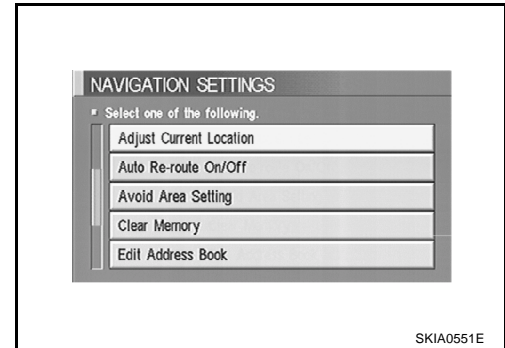


NAVIGATION SYSTEM

Navigation Setting

How To Perform Navigation Setting

1. Start the engine.
2. Push "SETTING" button.
3. Select "NAVIGATION".

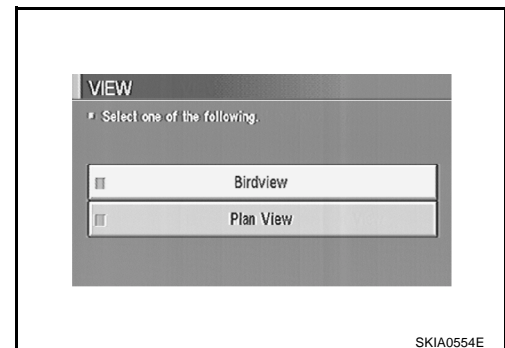


Application Items

Icon	Description	Reference page
View	Map display mode can be switched.	AV-102
Heading	Heading of the map display can be customized for either north heading or the actual driving direction of the vehicle.	AV-103
Nearby Display Icons	Icons of facilities can be displayed. Facilities to be displayed can be selected from the variety selections.	AV-103
Save Current Location	Current vehicle location can be registered in Address Book.	AV-103
Adjust Current Location	Current location of position marker can be adjusted. Direction of position marker also can be calibrated when heading direction of the vehicle on the display is not matched with the actual direction.	AV-103
Auto Re-route On/Off	ON/OFF of Auto Re-route can be switched.	AV-104
Avoid Area Setting	A particular area can be avoided when routing.	AV-104
Clear Memory	Address Book, Previous destination or Avoid area can be deleted.	AV-104
Edit Address Book	Address Book can be edited.	AV-105
GPS Information	The GPS data includes longitude, latitude and altitude (distance above sea level) of the present vehicle position, and current date and time for the area in which the vehicle is being driven. Also indicated are the GPS reception conditions and the GPS satellite position.	AV-105
Quick Stop Customer Setting	One facility of your selection can be added to your Quick Stop.	AV-105
Set Average Speed for Estimated Journey Time	Average vehicle speed can be set to calibrate estimated journey time for the destination.	AV-105
Tracking On/Off	Tracking to the present vehicle position can be displayed.	AV-106

"VIEW" MODE

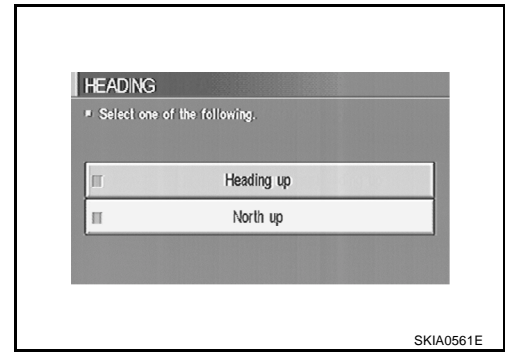
1. Select "Birdview™" or "Plan View" icon.
 - To open the map screen display with Birdview™, select "Bird-view™".
 - To open the map screen display with Plan View, select "Plan View".



NAVIGATION SYSTEM

“HEADING” MODE

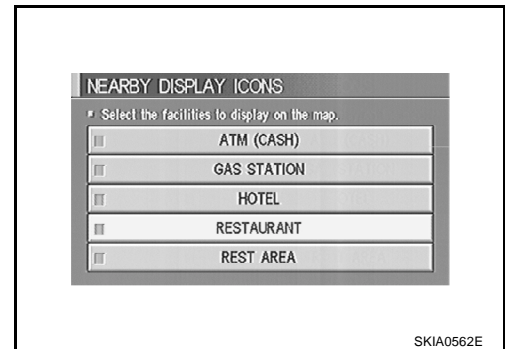
- To display North up, select “North up”.
- To display the car heading up, select “Heading up”.



A
B
C
D

“NEARBY DISPLAY ICONS” MODE

- Select an icon to display on the map screen.



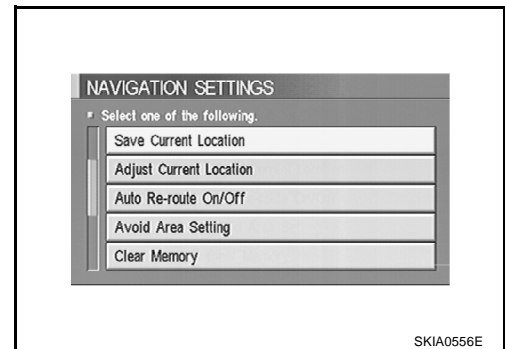
E
F
G
H

“SAVE CURRENT LOCATION” MODE

- The current vehicle location can be registered in “Address Book”.

NOTE:

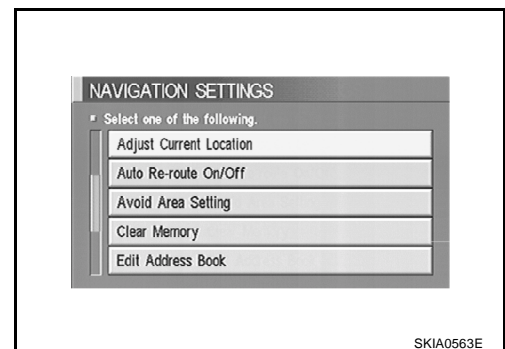
“Address Book” can store 50 items max.



I
J
AV
L

“ADJUST CURRENT LOCATION” MODE

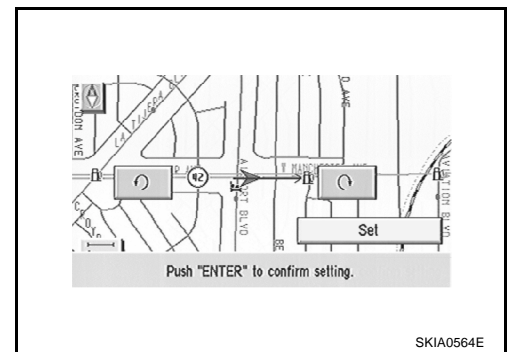
1. Select an icon “right” or “left” to calibrate the heading direction. (Arrow marks will rotate corresponding to the calibration key.)



M

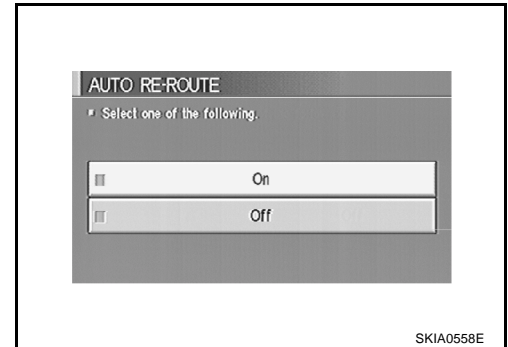
NAVIGATION SYSTEM

2. Select "Set". Then the vehicle mark will be matched to the arrow mark.



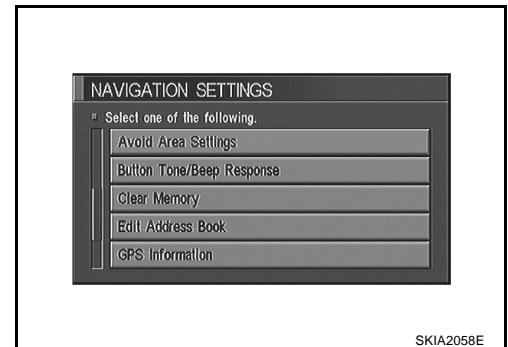
"AUTO RE-ROUTE" MODE

- To activate "AUTO RE-ROUTE" mode, select "On".
- To deactivate "AUTO RE-ROUTE" mode, select "Off".



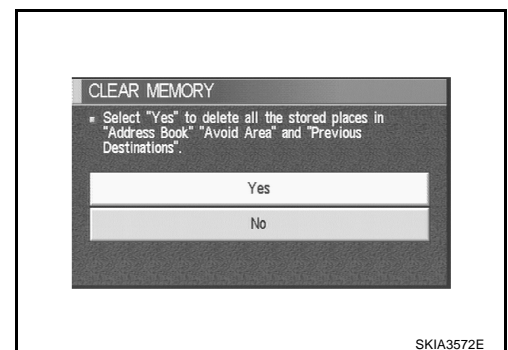
"AVOID AREA SETTINGS" MODE

- Areas to avoid can be registered.



"CLEAR MEMORY" MODE

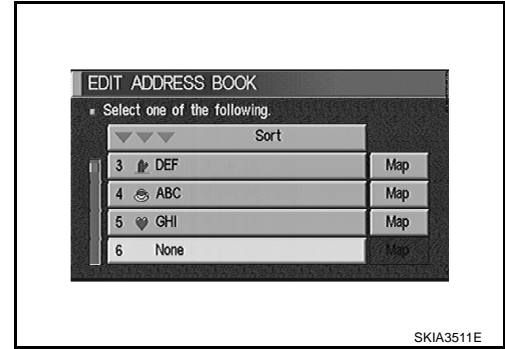
- To delete all the stored places in "Address Book", "Avoid Area" and "Previous Destinations", select "Yes".



NAVIGATION SYSTEM

“EDIT ADDRESS BOOK” MODE

- Edit the items registered in Address Book.



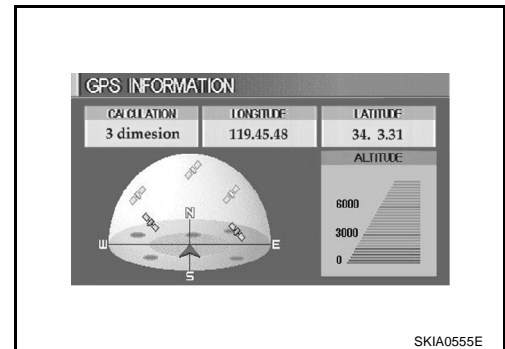
A
B
C
D

“GPS INFORMATION” MODE

- Latitude, longitude, altitude, astrometric state, and satellite location are displayed as GPS information.

NOTE:

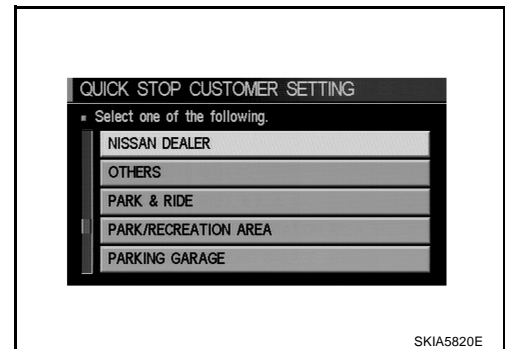
Altitude is displayed only in three-dimensional status.



E
F
G
H

“QUICK STOP CUSTOMER SETTING” MODE

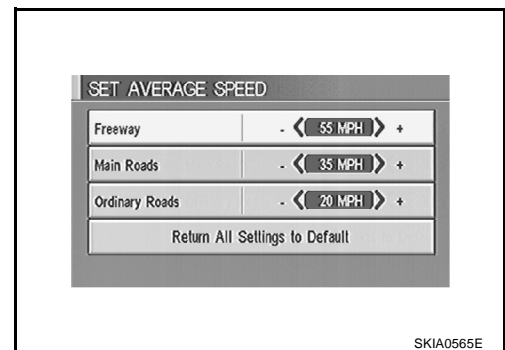
- Select a category for the “Quick Stop” menu.



I
J
AV
L

“SET AVERAGE SPEED” MODE

- Set the average vehicle speed to calibrate the estimated journey time for the destination.
- Set three items: “Freeway”, “Main Roads”, and “Ordinary Roads”.



M

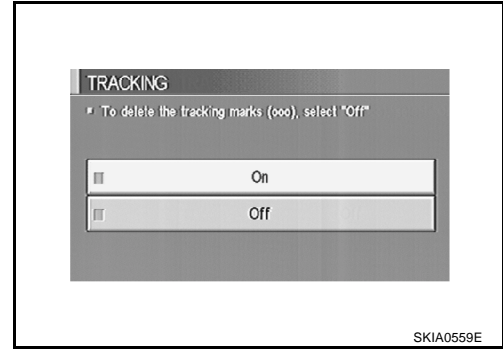
NAVIGATION SYSTEM

“TRACKING” MODE

- To delete the tracking marks on the map, select “Off”.
- To leave the tracking marks on the map, select “On”.

NOTE:

When a trail display is turned OFF, trail data is erased from the memory.

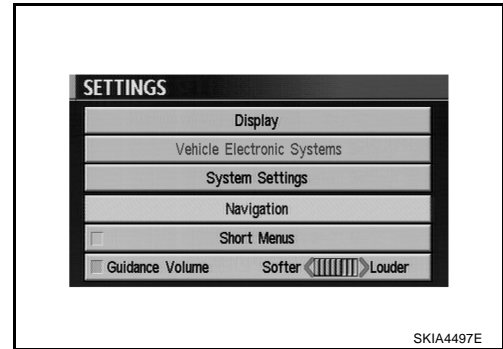


SKIA0559E

GUIDANCE VOLUME

Description

Following guidance volume settings can be changed.



SKIA4497E

Activation/Deactivation Setting

- The voice prompt can be turned on/off by pressing the “Guidance Volume” button.

Voice Volume Setting

- Volume of the voice can be controlled by tilting the joystick to left/right.

DISPLAY WITH PUSHED “TRIP” BUTTON

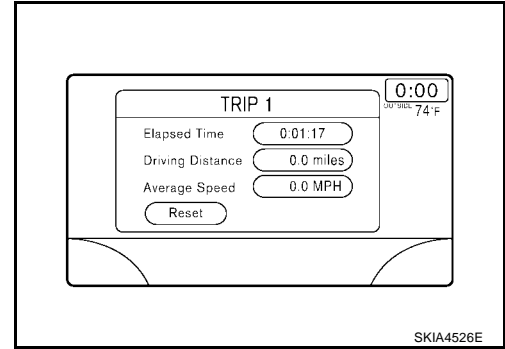
- When the “TRIP” button is pushed, the following models will display on the screen.
- Warning message (if there are any) →TRIP1→TRIP2→FUEL ECONOMY→MAINTENANCE→OFF.

Display items	Display/Setting contents		Reference page
Trip1 or Trip2	Elapsed Time	Displays driving time with a range of 0000:00:00 to 9999:59:59.	AV-107
	Driving Distance [(km) or (miles)]	Displays driving distance with a range of 00000.0 to 99999.9.	
	Average speed [(km/h) or (MPH)]	Displays average speed with a range of 000.0 to 999.9.	
Fuel Economy	Average Fuel Economy [(MPG) or (l/100km)]	Displays fuel economy with ignition switch ON, average fuel economy each 30 minutes.	AV-107
	Distance to Empty [(km) or (miles)], [(MPG) or (l/100km)]	Displays possible driving distance with remaining fuel.	
	Fuel Economy (MPG)	Displays fuel economy each approx. 100 ms.	
Maintenance	Engine oil	Maintenance intervals of engine oil and setting of oil change cycle.	AV-107
	Tire rotation	Maintenance intervals of tire and setting of tire replacement cycle.	
	Tire pressure	Tire pressure displayed as tire pressure information.	

NAVIGATION SYSTEM

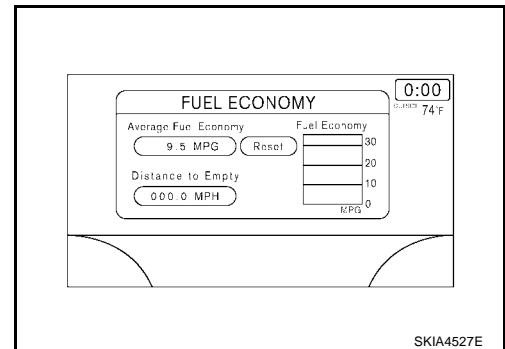
TRIP 1 OR TRIP 2

- Elapsed time, Driving distance and Average speed are displayed as Trip 1 information or Trip 2 information.
- The way to reset is by pushing the “Reset” switch or by keeping pushing “TRIP” button more than 1.5 seconds.



FUEL ECONOMY

- Average Fuel Economy, Distance to Empty, Fuel Economy are displayed as Fuel Economy information.
- The way to reset is by pushing the “Reset” switch or by keeping pushing “TRIP” button more than 1.5 seconds.

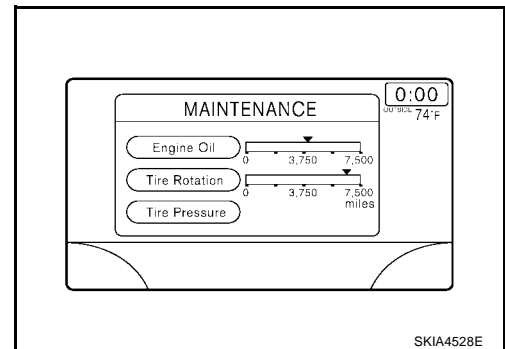


MAINTENANCE

- Engine Oil, Tire Rotation and Tire pressure are displayed as Maintenance information.

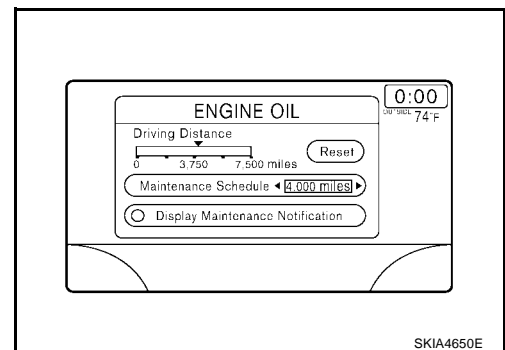
NOTE:

In a case of a vehicle with Low tire pressure warning control unit, “Tire Pressure” switch is displayed.



ENGINE OIL OR TIRE ROTATION

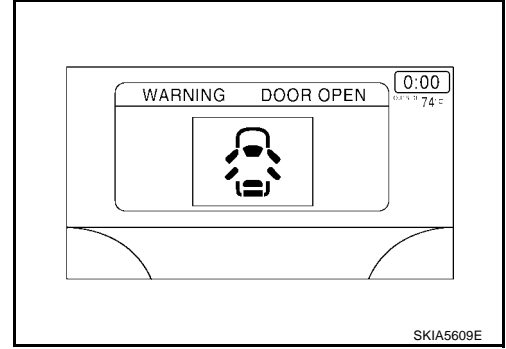
- Possible to set up interval of engine oil and tire rotation by tilting joystick right and left.



NAVIGATION SYSTEM

WARNING INDICATIONS

Warning signal (Door switch signal) is received from BCM through CAN communication line.

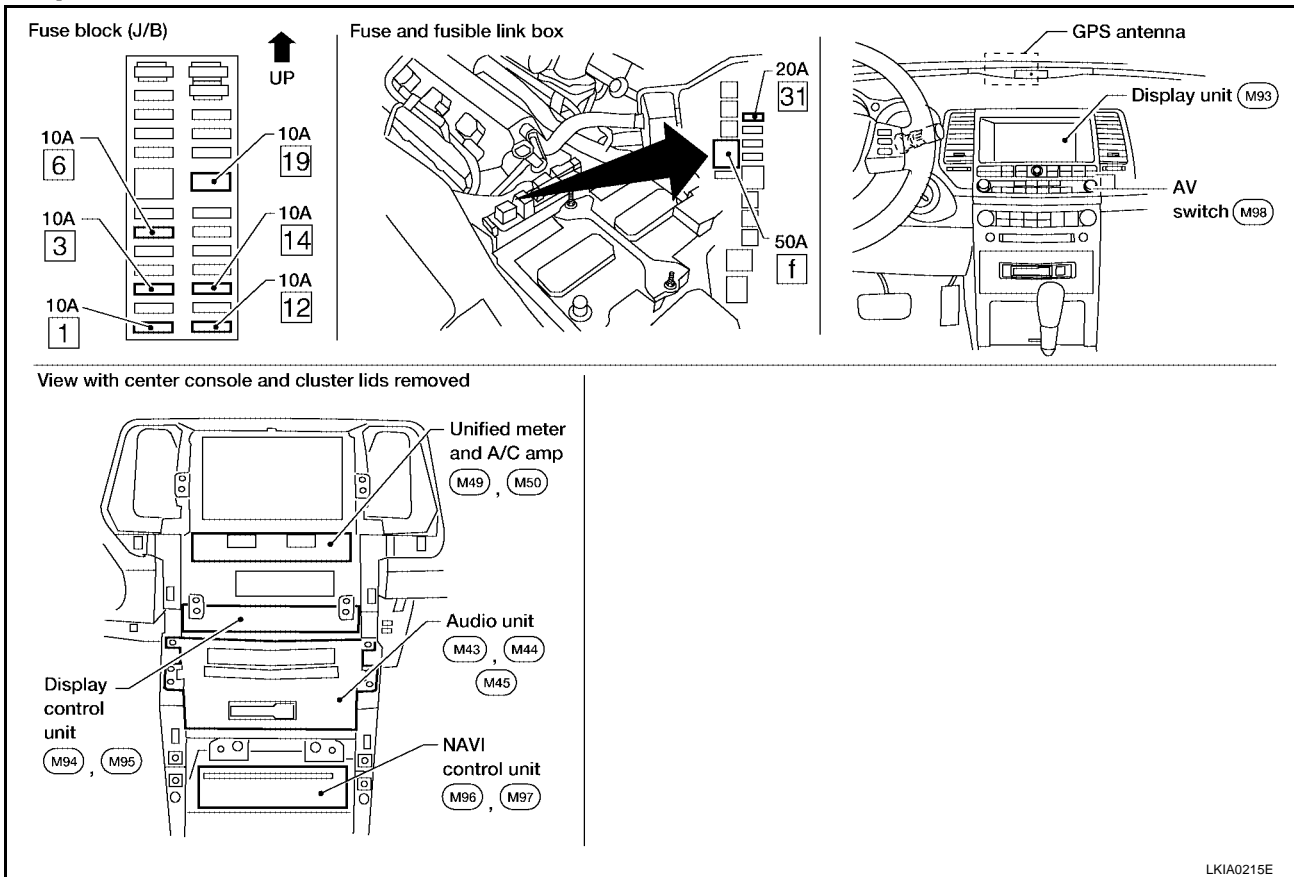


SKIA5609E

Warning indicators	Warning lamps in instrument panel	Warning detection and cancel conditions		Cases of malfunction
DOOR OPEN	Door	Detection condition	Vehicle is running [approx. 5 km/h (3 MPH) or faster] and door ajar of any of the doors is detected.	Door is open
		Cancel condition	Vehicle is stopped and all the doors lock.	

Component Parts Location

EKS00461



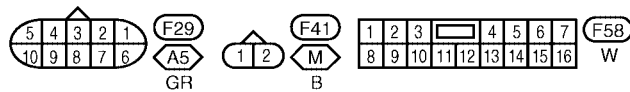
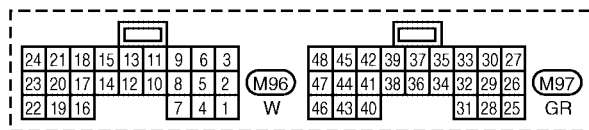
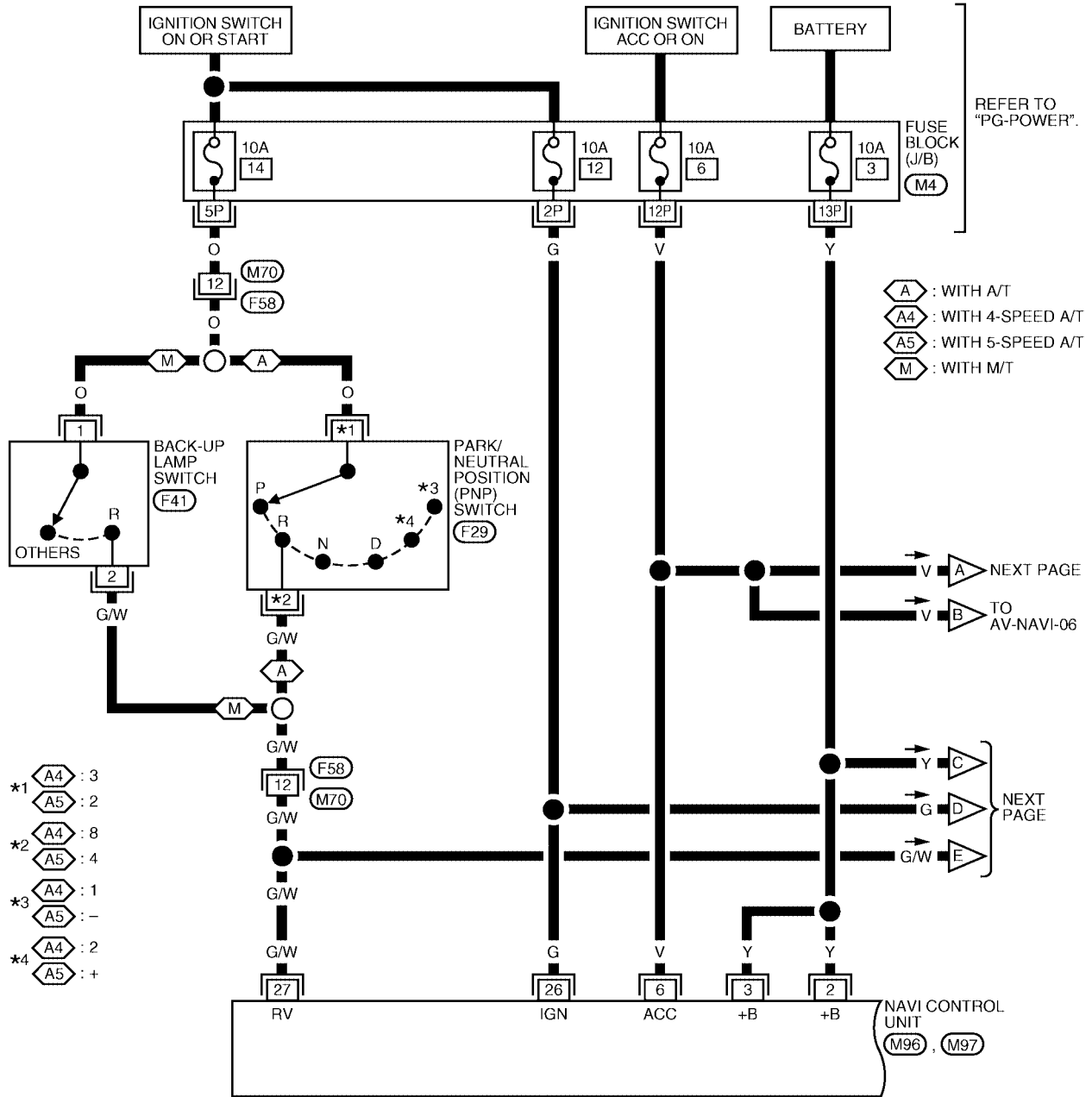
LKIA0215E

NAVIGATION SYSTEM

Wiring Diagram —NAVI—

EKS00463

AV-NAVI-01



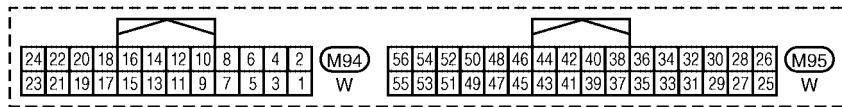
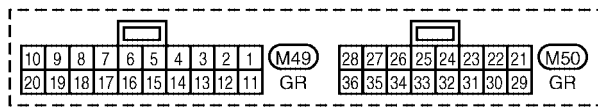
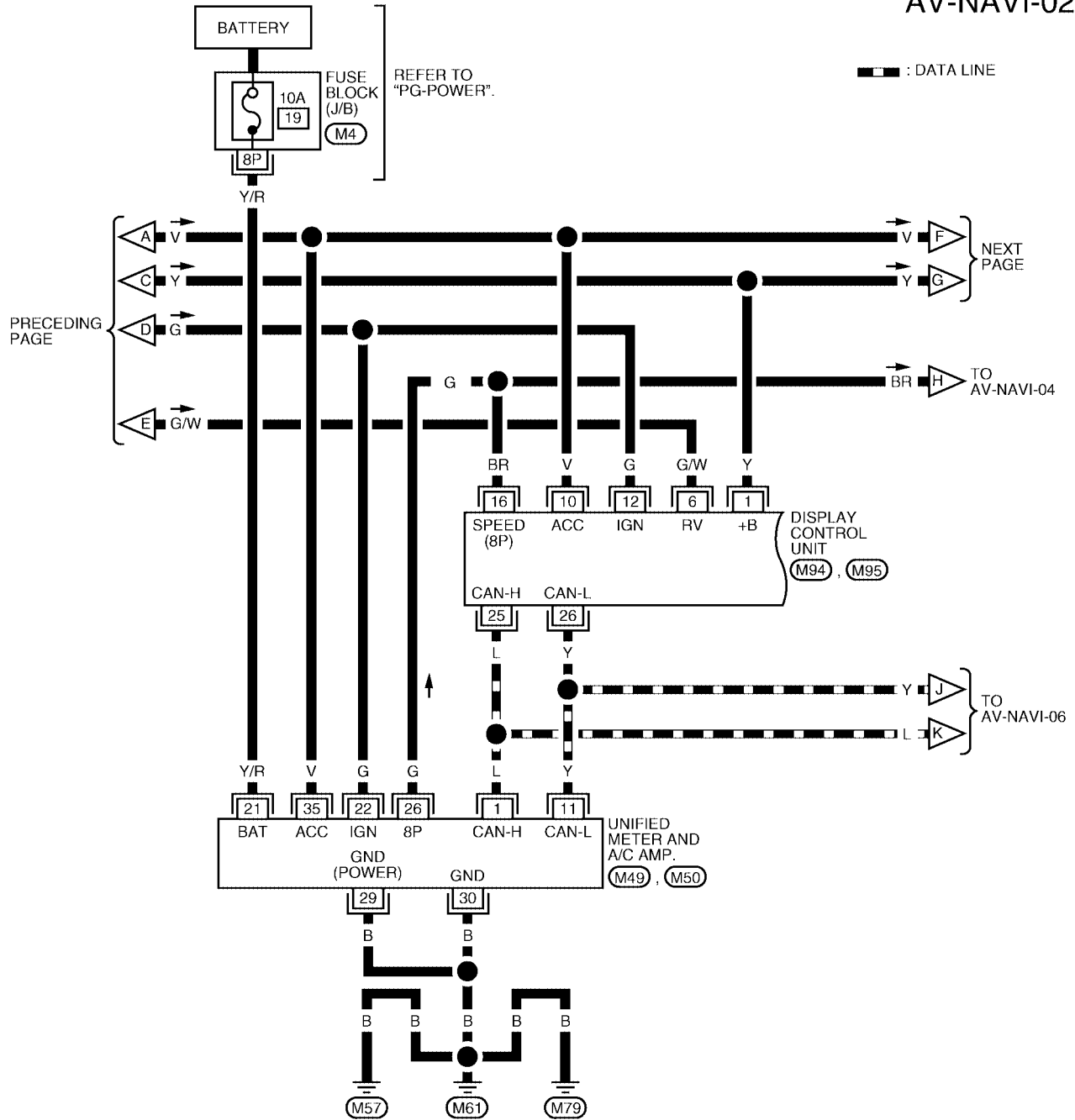
REFER TO THE FOLLOWING.

(M4) - FUSE BLOCK - JUNCTION BOX (J/B)

LKWA0162E

NAVIGATION SYSTEM

AV-NAVI-02



REFER TO THE FOLLOWING.

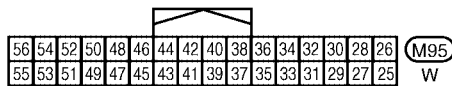
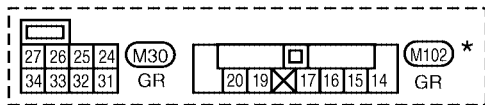
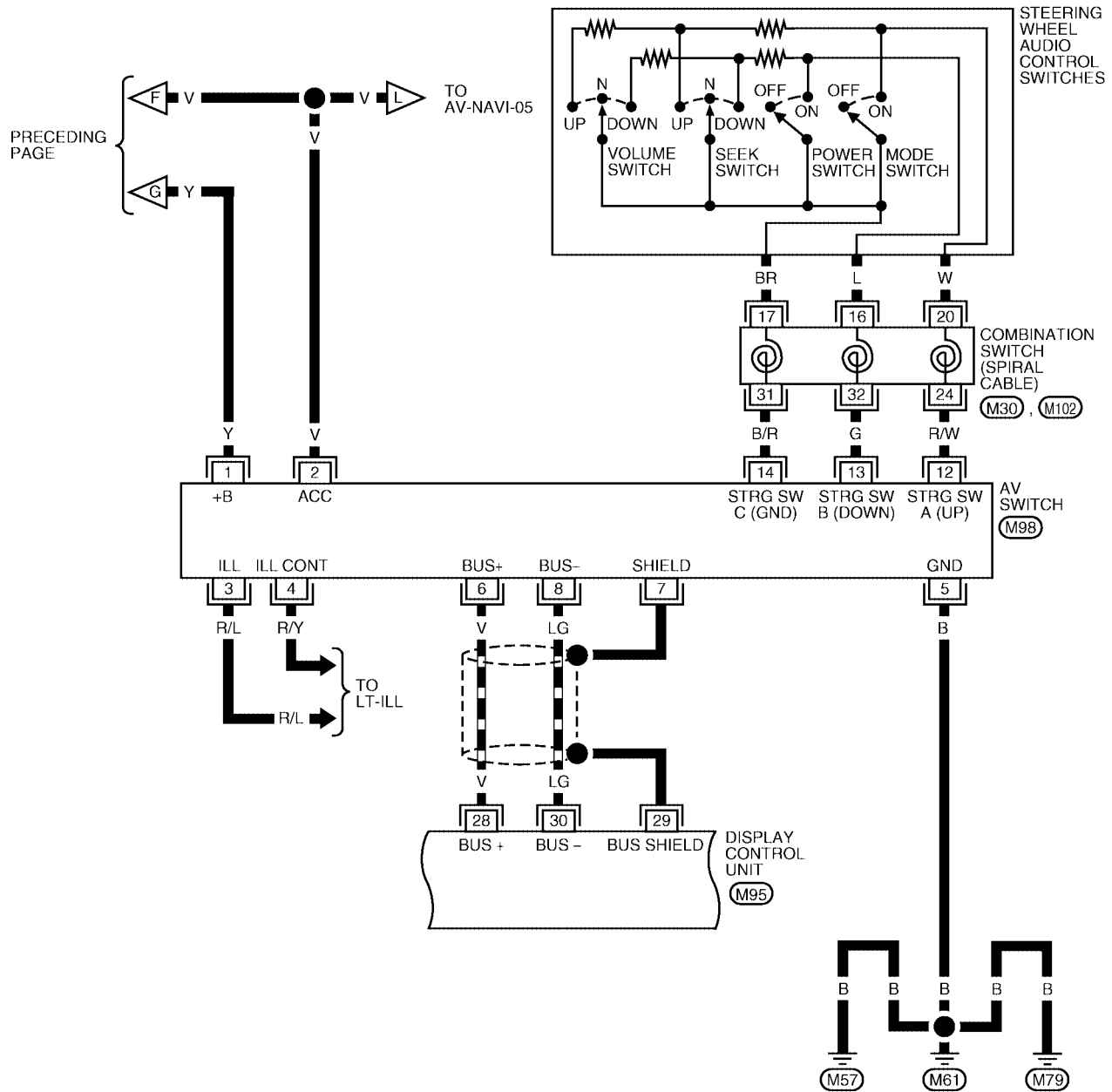
(M4) - FUSE BLOCK - JUNCTION BOX (J/B)

LKWA0163E

NAVIGATION SYSTEM

AV-NAVI-03

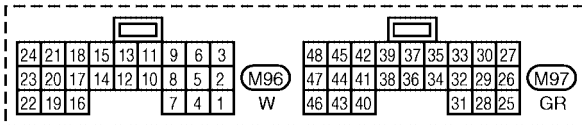
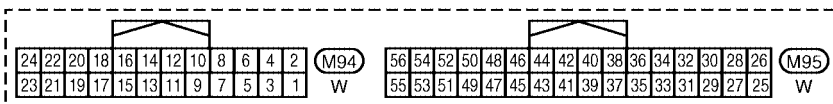
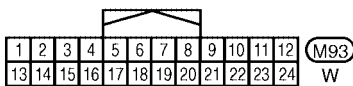
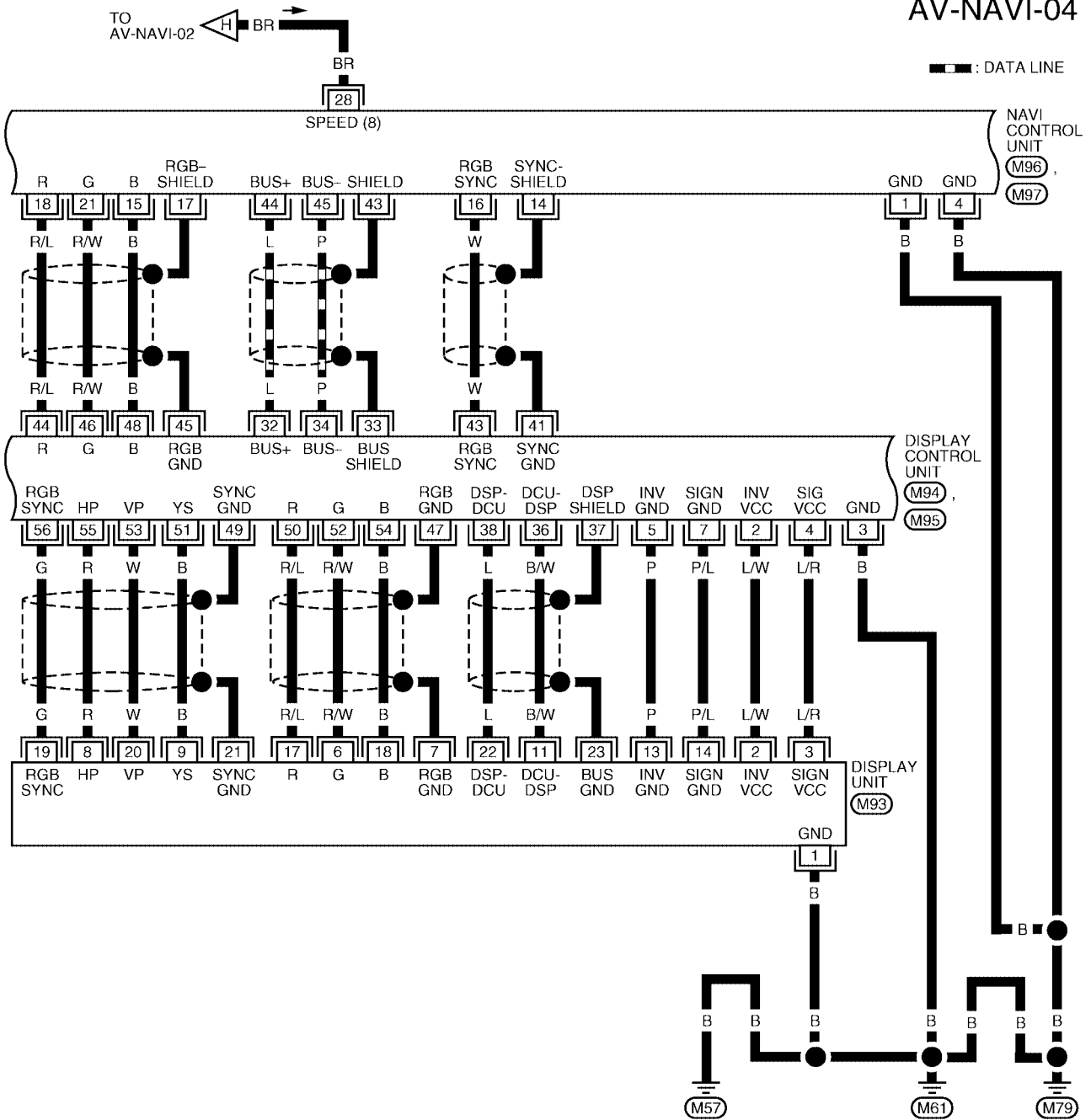
— : DATA LINE



*: THIS CONNECTOR IS NOT SHOWN IN "HARNESS LAYOUT" OF PG SECTION.

NAVIGATION SYSTEM

AV-NAVI-04

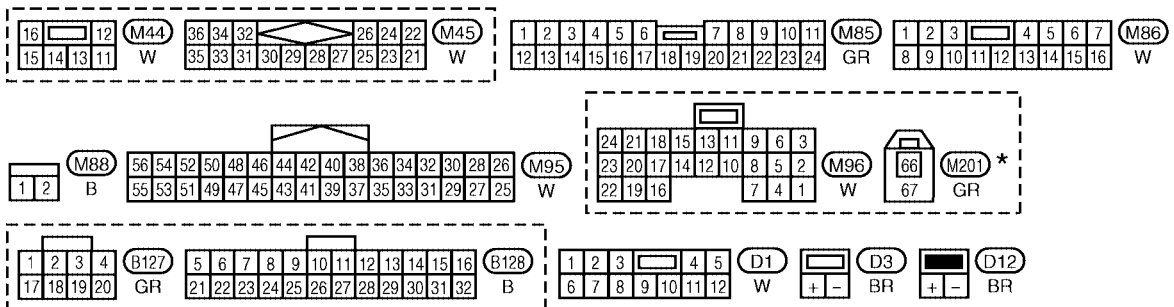
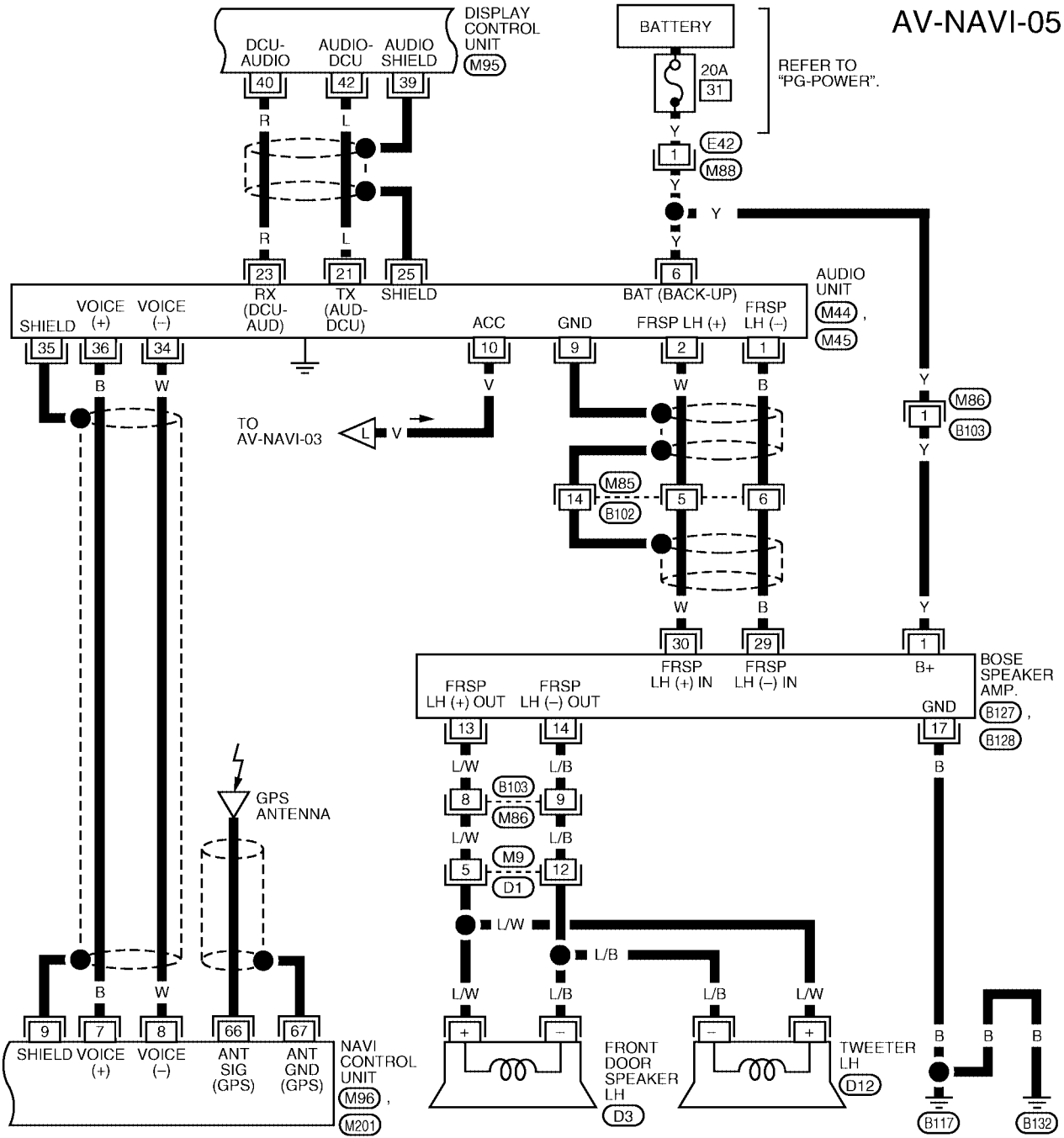


A
B
C
D
E
F
G
H
I
J
K
L
M

AV

NAVIGATION SYSTEM

AV-NAVI-05

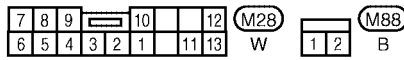
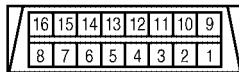
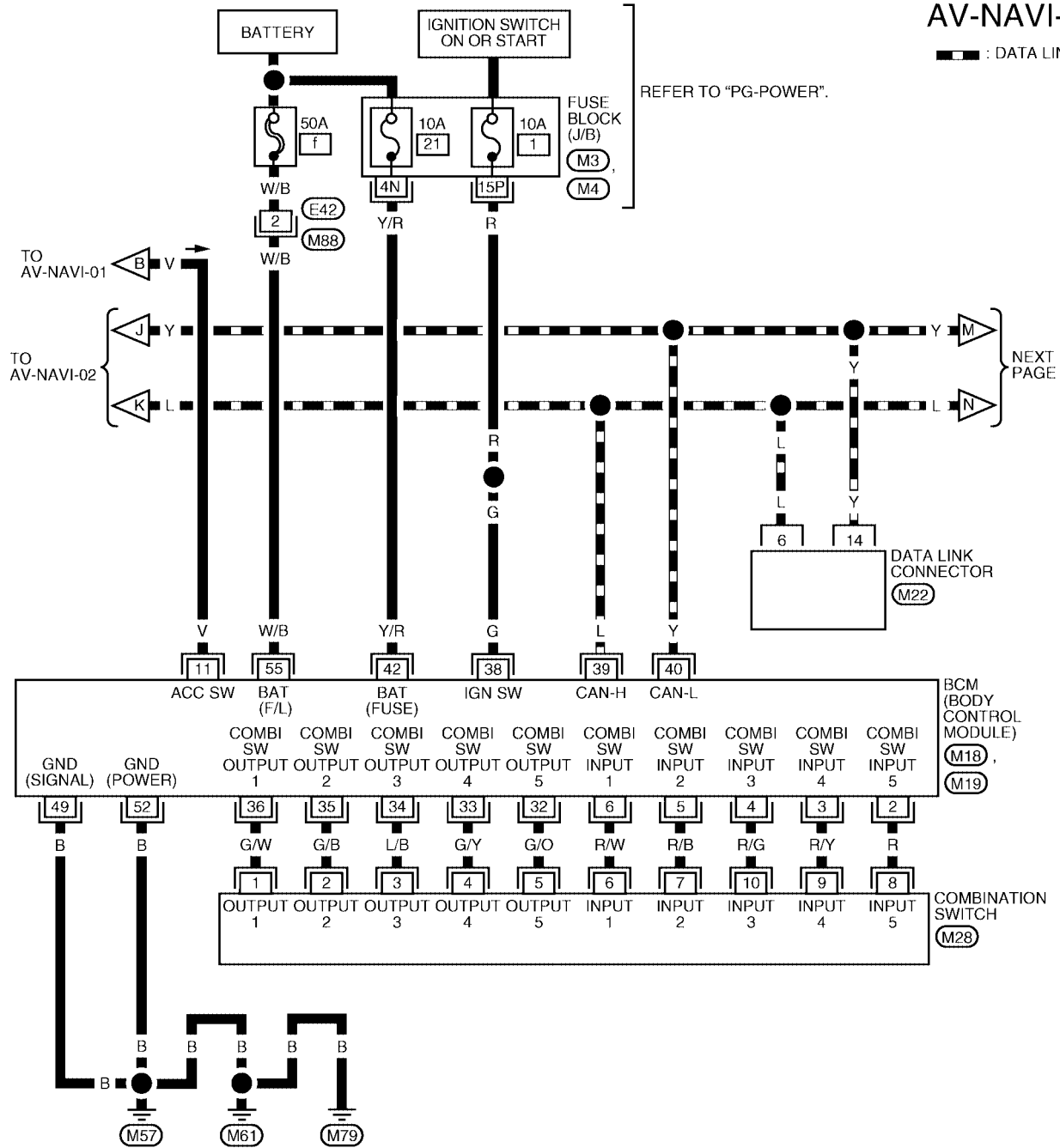


* : THIS CONNECTOR IS NOT SHOWN IN "HARNESS LAYOUT" OF PG SECTION.

NAVIGATION SYSTEM

AV-NAVI-06

— : DATA LINE



REFER TO THE FOLLOWING.
 (M3), (M4) - FUSE BLOCK - JUNCTION BOX (J/B)
 (M18), (M19) - ELECTRICAL UNITS

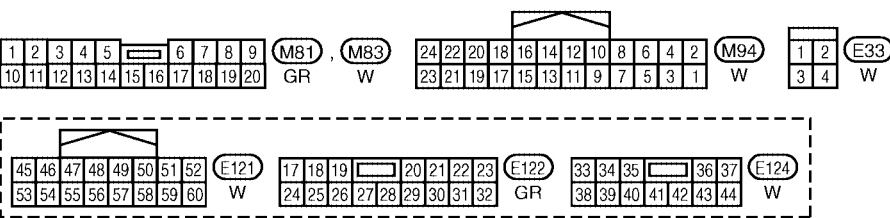
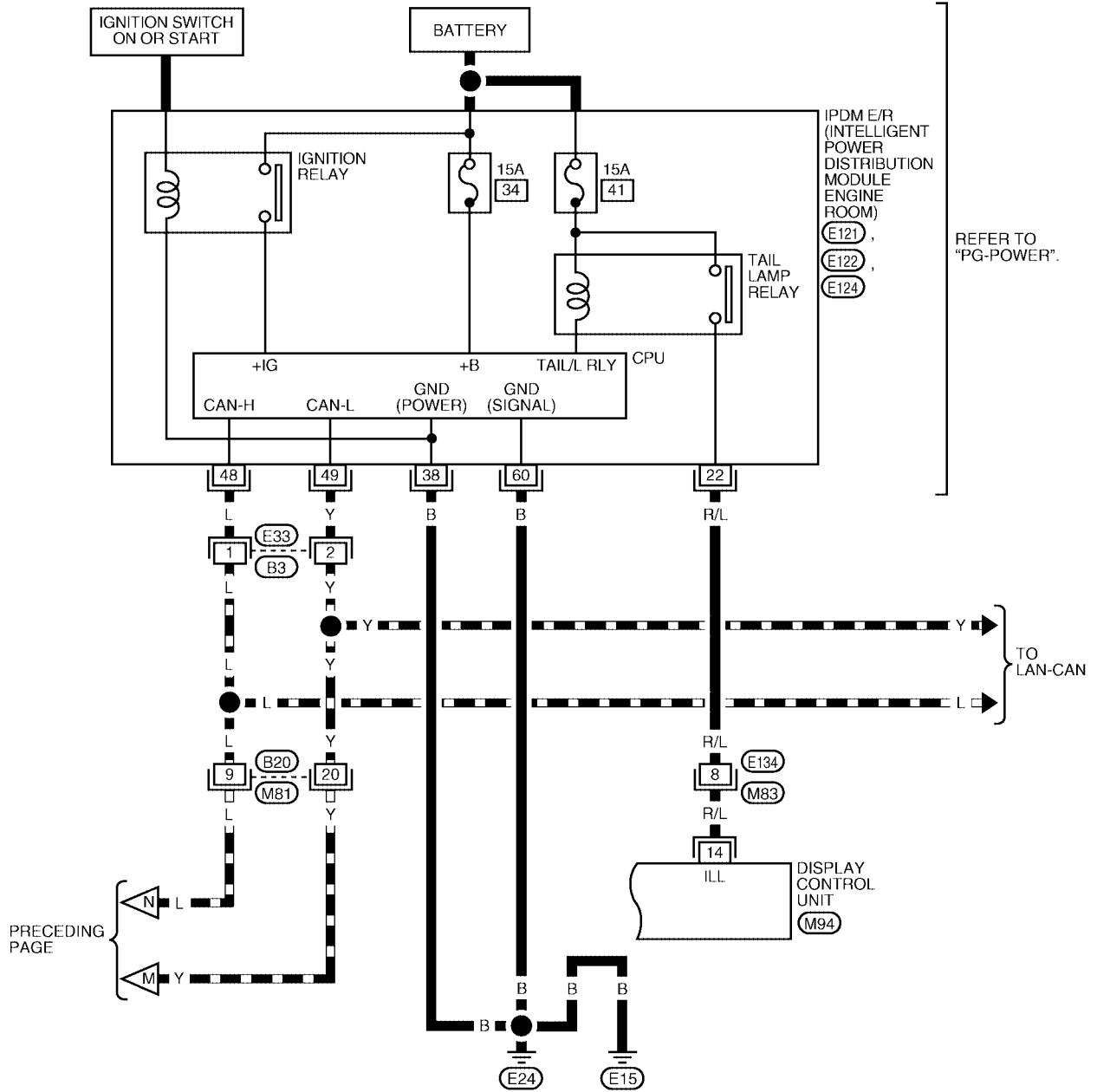
A
B
C
D
E
F
G
H
I
J
K
L
M

AV

NAVIGATION SYSTEM

AV-NAVI-07

— : DATA LINE

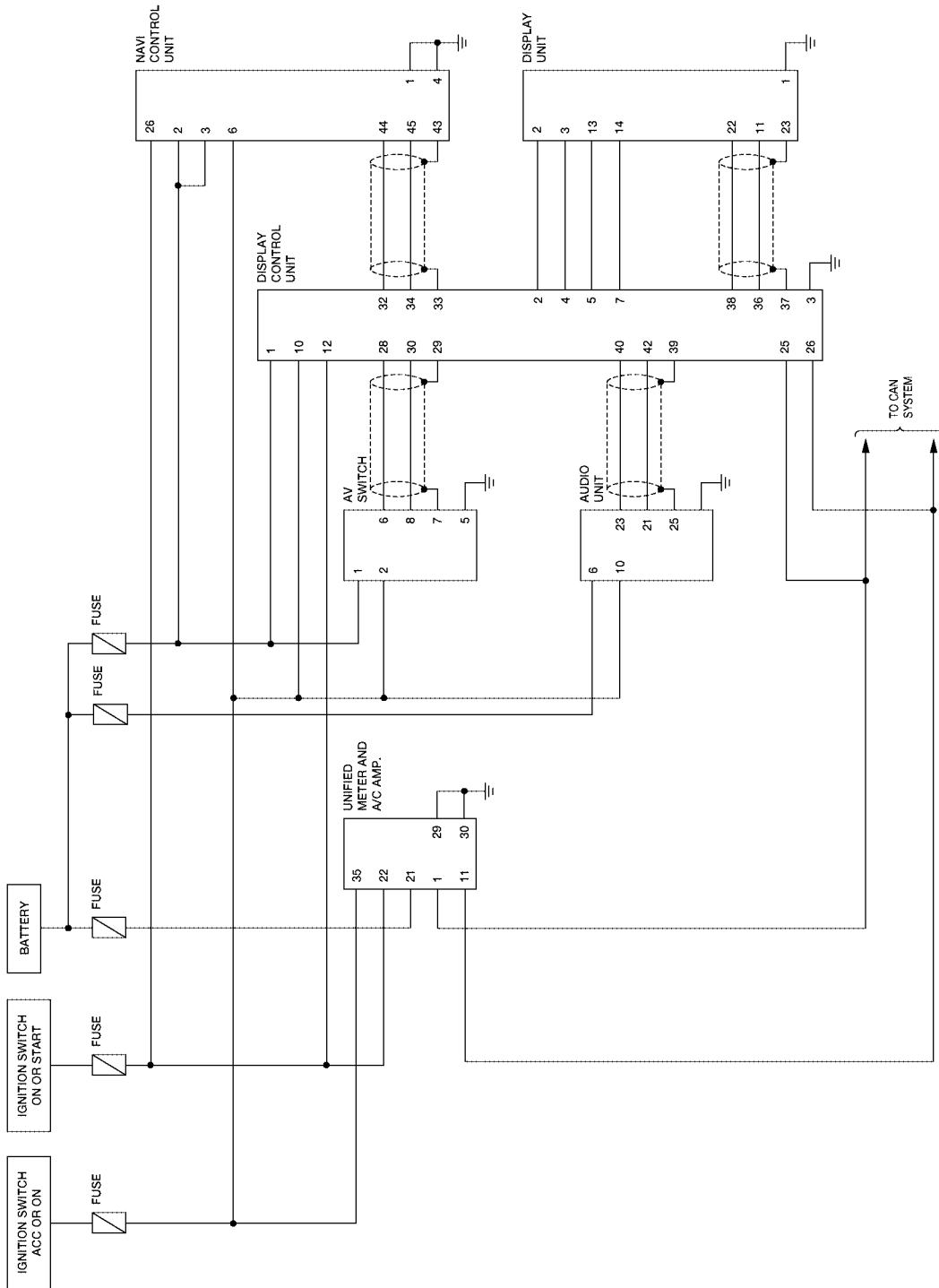


LKWA0168E

NAVIGATION SYSTEM

Schematic

EKS00470



A
B
C
D
E
F
G
H
I
J
L
M

AV

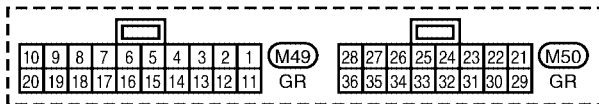
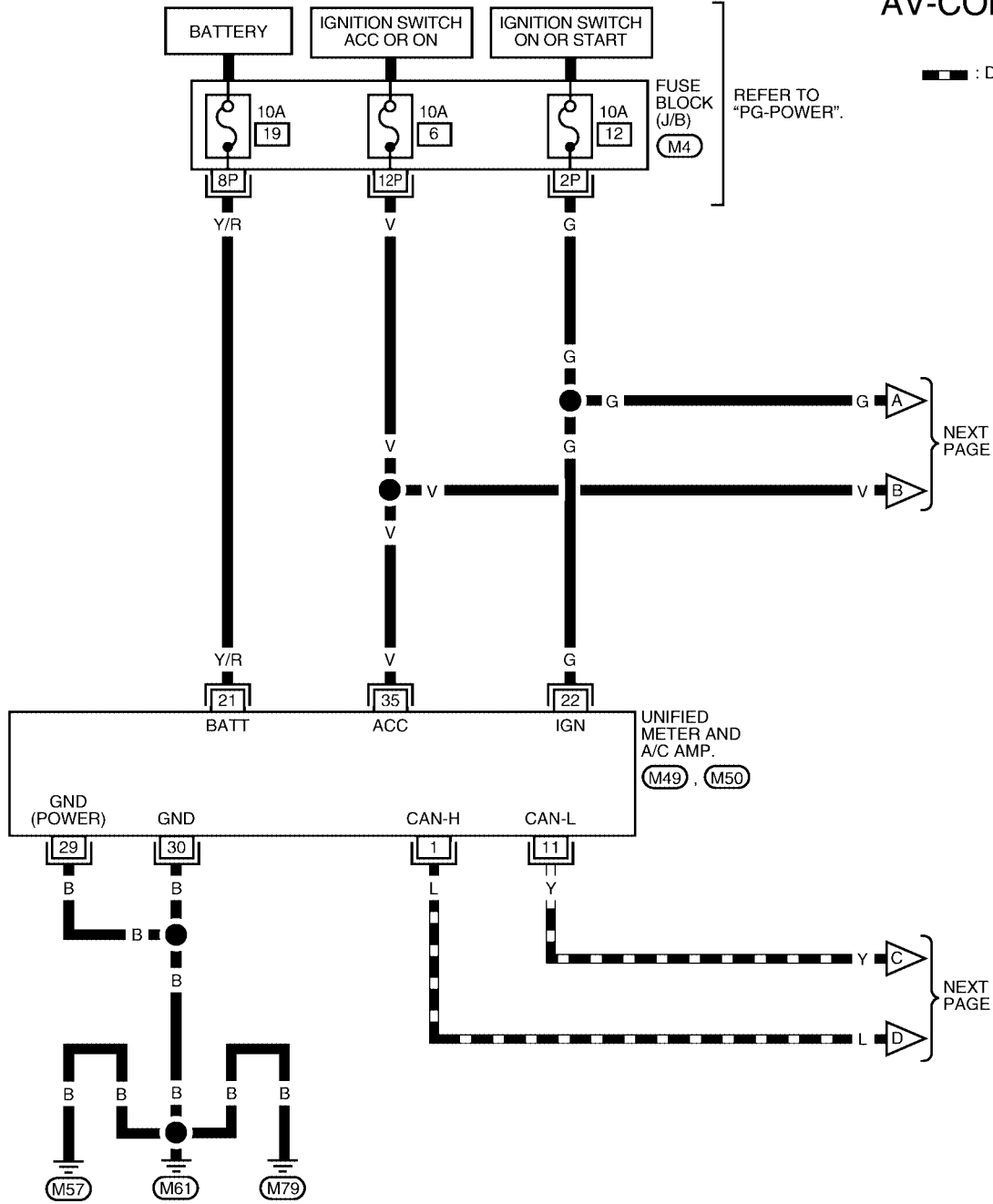
LKWA0170E

NAVIGATION SYSTEM

Wiring Diagram — COMM —

EKS00464

AV-COMM-01



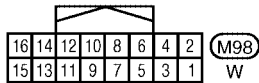
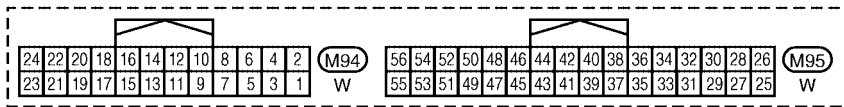
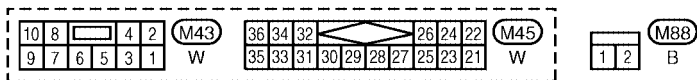
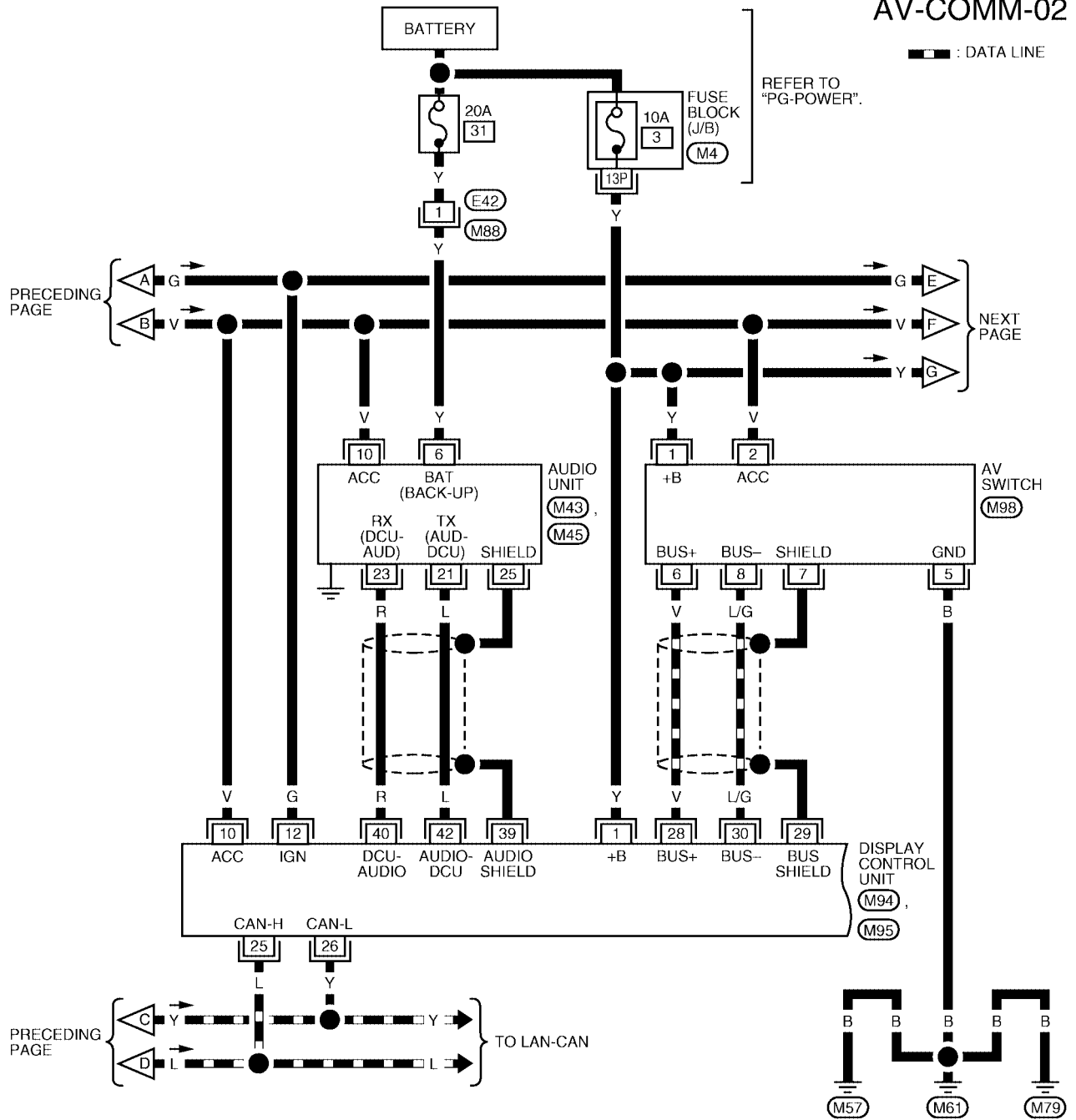
REFER TO THE FOLLOWING.

- (M4) - FUSE BLOCK -
- JUNCTION BOX (J/B)

LKWA0171E

NAVIGATION SYSTEM

AV-COMM-02

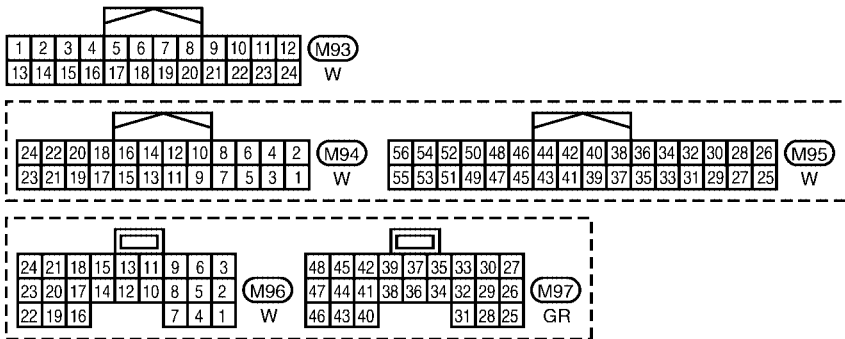
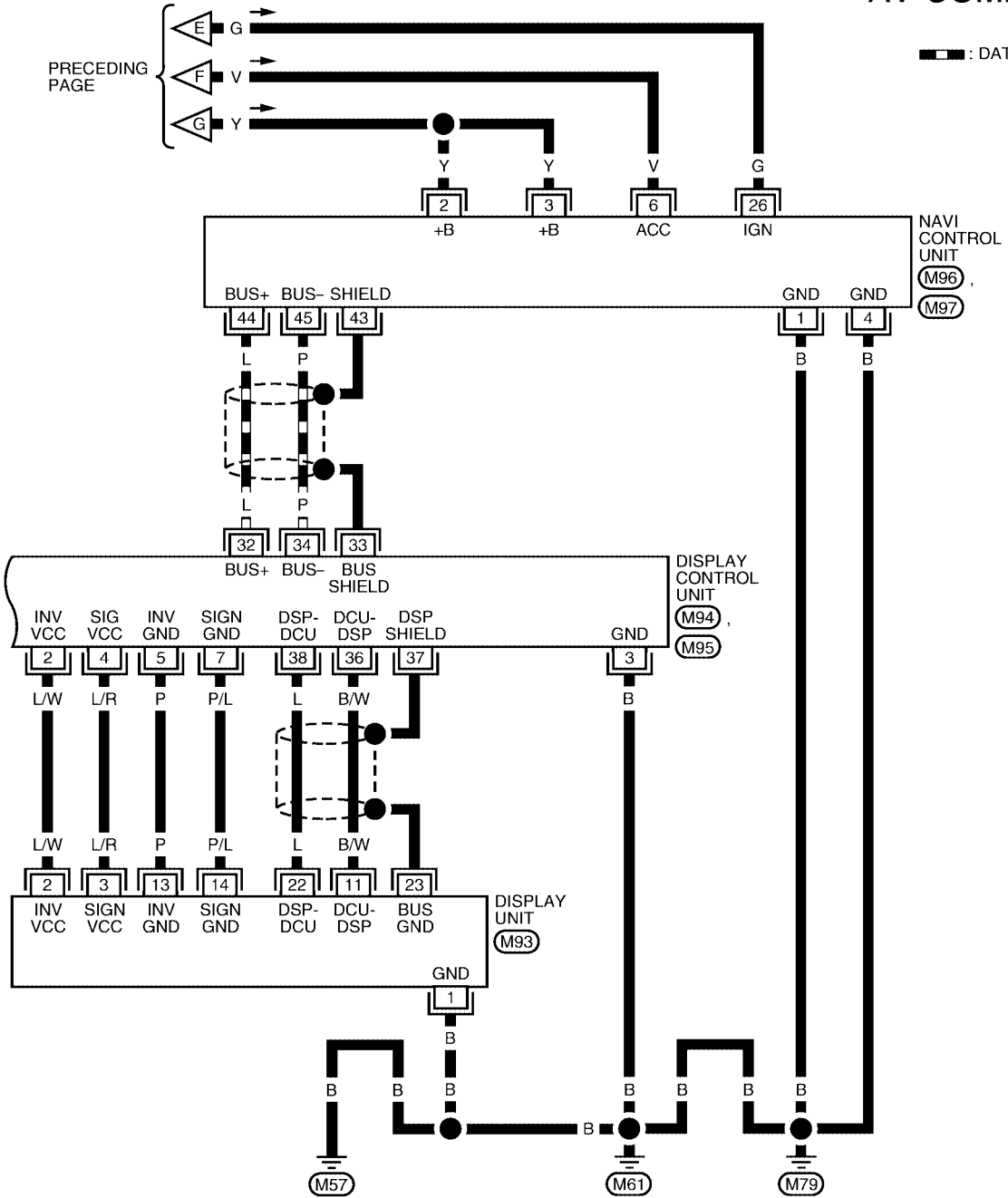


REFER TO THE FOLLOWING.
 (M4) - FUSE BLOCK - JUNCTION BOX (J/B)

LKWA0172E

NAVIGATION SYSTEM

AV-COMM-03

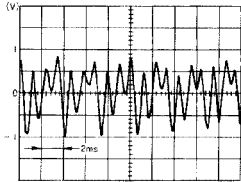
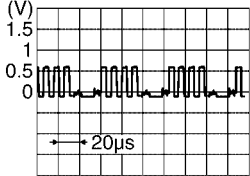
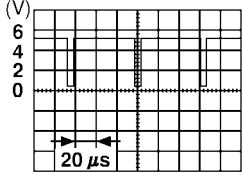
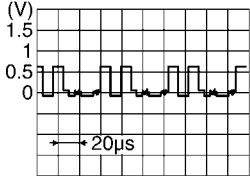
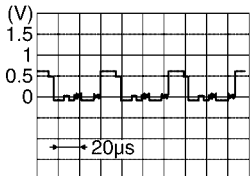


LKWA0173E

NAVIGATION SYSTEM

Terminals and Reference Value for NAVI Control unit

EKS00465

Terminal No. (Wire color)		Item	Signal input/ output	Condition		Voltage	Example of symptom
+	-			Igni- tion switch	Operation		
1 (B)	Ground	Ground	-	ON	-	Approx. 0 V	-
2 (Y)	Ground	Battery power	Input	OFF	-	Battery voltage	System does not work properly.
3 (Y)							
4 (B)	Ground	Ground	-	ON	-	Approx. 0 V	-
6 (V)	Ground	ACC signal	Input	ACC	-	Battery voltage	System does not work properly.
7 (B)	8 (W)	Voice guide signal	Output	ON	Press the "GUIDE/ VOICE" button.		Only route guide and operation guide are not heard.
							SKIA0171J
9	-	Shield ground	-	-	-	-	-
14	-	Shield ground	-	-	-	-	-
15 (B)	17	RGB signal (B: blue)	Output	ON	Select "Display Diagnosis (NAVI)" of CONFIRMATION/ ADJUSTMENT function.		RGB screen looks yellowish.
							SKIA4979E
16 (W)	14	RGB syn- chronizing signal	Output	ON	Press the "MAP" button.		RGB screen is rolling.
							SKIA0164E
17	-	Shield ground	-	-	-	-	-
18 (R/L)	17	RGB signal (R: red)	Output	ON	Select "Display Diagnosis (NAVI)" of CONFIRMATION/ ADJUSTMENT function.		RGB screen looks bluish.
							SKIA4977E
21 (R/W)	17	RGB signal (G: green)	Output	ON	Select "Display Diagnosis (NAVI)" of CONFIRMATION/ ADJUSTMENT function.		RGB screen looks reddish.
							SKIA4978E

A
B
C
D
E
F
G
H
I
J
AV
L
M

NAVIGATION SYSTEM

Terminal No. (Wire color)		Item	Signal input/ output	Condition		Voltage	Example of symptom
+	-			Igni- tion switch	Operation		
27 (G/W)	Ground	Reverse signal	Input	ON	Selector lever in R position	Battery voltage	The navigation current-location mark moves strangely when the vehicle is moving back- wards.
					Selector lever not in R position	Approx. 0V	
28 (BR)	Ground	Vehicle speed signal (8-pulse)	Input	ON	When vehicle speed is approx. 40 km/h (25 MPH)	<p>Vehicle speed : approx.40km/h</p> <p>10ms</p> <p>a ≈ 3.5V b ≈ 1.5V SKIA0168E</p>	Navigation cur- rent-location mark does not indicate the cor- rect position.
43	-	Shield ground	-	-	-	-	-
44 (L)	Ground	Communica- tion signal (+)	Input/ output	ON	-	<p>(V)</p> <p>6 4 2 0</p> <p>20 μs SKIA0175E</p>	System does not work properly.
45 (P)	Ground	Communica- tion signal (-)	Input/ output	ON	-	<p>(V)</p> <p>6 4 2 0</p> <p>20 μs SKIA0176E</p>	System does not work properly.
66	67	GPS signal	Input	ON	Connector is not connected.	Approx. 5 V	Navigation sys- tem GPS correc- tion is not possible.

NAVIGATION SYSTEM

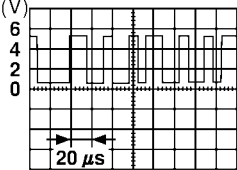
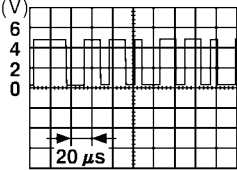
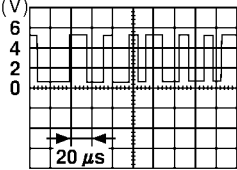
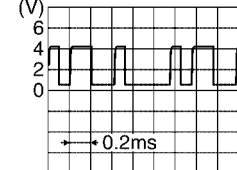
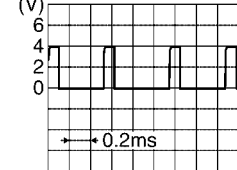
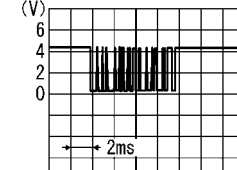
Terminals and Reference Value for Display Control unit

EKS00466

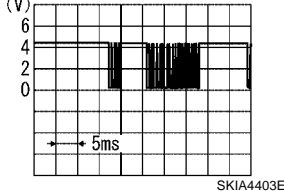
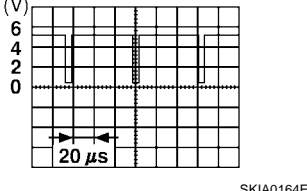
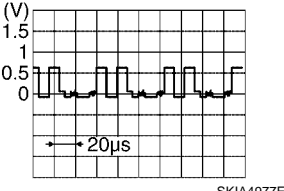
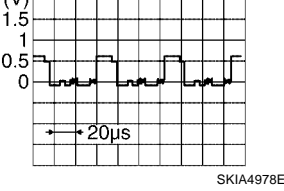
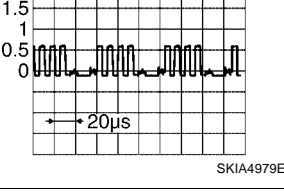
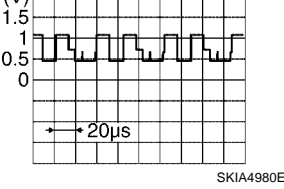
Terminal No. (Wire color)		Item	Signal input/ output	Condition		Voltage	Example of symptom
+	-			Igni- tion switch	Operation		
1 (Y)	Ground	Battery Power	Input	OFF	-	Battery voltage	System does not work properly.
2 (L/W)	Ground	Power Supply (Inverter)	Output	ON	-	Approx. 9 V	Screen is not shown.
3 (B)	Ground	Ground	-	ON	-	Approx. 0 V	-
4 (L/R)	Ground	Power Supply (Signal)	Output	ON	-	Approx. 9 V	Screen is not shown.
5 (P)	Ground	(Inverter) Ground	-	ON	-	Approx. 0 V	-
6 (G/W)	Ground	Reverse signal	Input	ON	Selector lever in R position	Battery voltage	Impossible to gain direction of vehicle.
					Selector lever not in R position	Approx. 0 V	
7 (P/L)	Ground	(Signal) Ground	-	ON	-	Approx. 0 V	-
10 (V)	Ground	ACC signal	Input	ACC	-	Battery voltage	System does not work properly.
12 (G)	Ground	Ignition signal	Input	ON	-	Battery voltage	A/C operation is not possible. Vehicle information setting is not possible.
14 (R/L)	Ground	Illumination signal	Input	OFF	Lighting switch position 1st or 2nd	Battery voltage	Audio unit illumination does not come on when lighting switch is ON (position 1).
					Lighting switch position OFF	Approx. 0 V	
16 (BR)	Ground	Vehicle speed signal (8-pulse)	Input	ON	When vehicle speed is approx. 40 km/h (25 MPH)	<p style="text-align: center;">Vehicle speed : approx.40km/h</p> <p style="text-align: center;">a ≙ 3.5V b ≙ 1.5V SKIA0168E</p>	Value of vehicle information is not accurately displayed.
25 (L)	-	CAN H	-	-	-	-	-
26 (Y)	-	CAN L	-	-	-	-	-
28 (V)	Ground	Communication signal (+)	Input/Output	ON	-	<p style="text-align: center;">(V)</p> <p style="text-align: center;">6 4 2 0</p> <p style="text-align: center;">20 µs SKIA0175E</p>	System does not work properly.
29	-	Shield ground	-	-	-	-	-

A
B
C
D
E
F
G
H
I
J
AV
L
M

NAVIGATION SYSTEM

Terminal No. (Wire color)		Item	Signal input/ output	Condition		Voltage	Example of symptom
+	-			Igni- tion switch	Operation		
30 (LG)	Ground	Communica- tion signal (-)	Input/ output	ON	-	 <p style="text-align: right; font-size: small;">SKIA0176E</p>	System does not work properly.
32 (L)	Ground	Communica- tion signal (+)	Input/ output	ON	-	 <p style="text-align: right; font-size: small;">SKIA0175E</p>	System does not work properly.
33	-	Shield ground	-	-	-	-	-
34 (P)	Ground	Communica- tion signal (-)	Input/ output	ON	-	 <p style="text-align: right; font-size: small;">SKIA0176E</p>	System does not work properly.
36 (B/W)	37	Display Com- munication signal (DCU-DSP)	Output	ON	Press the "TRIP" button.	 <p style="text-align: right; font-size: small;">SKIA4364E</p>	Though a screen is displayed, it is impossible to adjust bright- ness.
37	-	Shield ground	-	-	-	-	-
38 (L)	37	Display Com- munication signal (DSP-DCU)	Input	ON	Press the "TRIP" button.	 <p style="text-align: right; font-size: small;">SKIA4363E</p>	Though a screen is displayed, it is impossible to adjust bright- ness.
39	-	Shield ground	-	-	-	-	-
40 (R)	Ground	Audio TX Communica- tion signal	Output	ON	Operate audio volume.	 <p style="text-align: right; font-size: small;">SKIA4402E</p>	Audio does not operate properly.

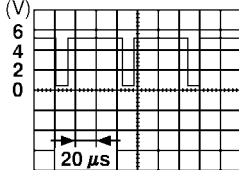
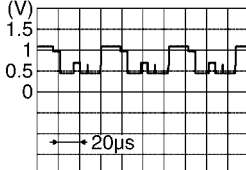
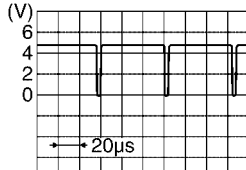
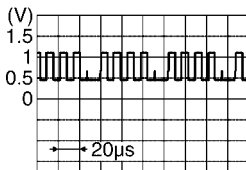
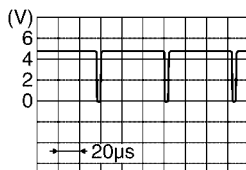
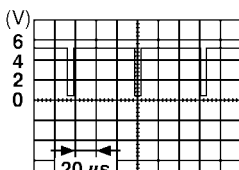
NAVIGATION SYSTEM

Terminal No. (Wire color)		Item	Signal input/ output	Condition		Voltage	Example of symptom
+	-			Igni- tion switch	Operation		
41	-	Shield ground	-	-	-	-	-
42 (L)	Ground	Audio RX communica- tion signal	Input	ON	Operate audio volume.		Audio does not operate properly.
43 (W)	41	RGB syn- chronizing signal	Input	ON	Press the "MAP" button.		RGB screen is rolling.
44 (R/L)	45	RGB signal (R: red)	Input	ON	Select "Display Diagnosis (NAVI)" of CONFIRMATION/ ADJUSTMENT function.		RGB screen looks bluish.
45	-	Shield ground	-	-	-	-	-
46 (R/W)	45	RGB signal (G: green)	Input	ON	Select "Display Diagnosis (NAVI)" of CONFIRMATION/ ADJUSTMENT function.		RGB screen looks reddish.
47	-	Shield ground	-	-	-	-	-
48 (B)	45	RGB signal (B: blue)	Input	ON	Select "Display Diagnosis (NAVI)" of CONFIRMATION/ ADJUSTMENT function.		RGB screen looks yellowish.
49	-	Shield ground	-	-	-	-	-
50 (R/L)	47	RGB signal (R: red)	Output	ON	Select "Display Diagnosis (DCU)" of CONFIRMATION/ ADJUSTMENT function.		RGB screen looks bluish.

A
B
C
D
E
F
G
H
I
J
K
L
M

AV


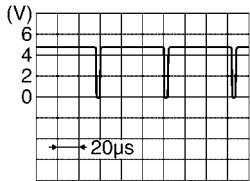
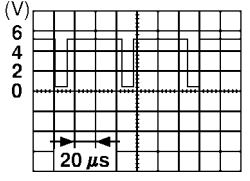
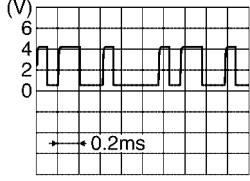
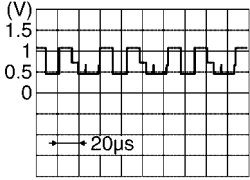
NAVIGATION SYSTEM

Terminal No. (Wire color)		Item	Signal input/ output	Condition		Voltage	Example of symptom
+	-			Igni- tion switch	Operation		
51 (B)	49	RGB area (YS) signal	Output	ON	Press the "TRIP" button.	 <p style="text-align: right; font-size: small;">SKIA0162E</p>	RGB screen is not shown.
52 (R/W)	47	RGB signal (G: green)	Output	ON	Select "Display Diagnosis (DCU)" of CONFIRMATION/ ADJUSTMENT function.	 <p style="text-align: right; font-size: small;">SKIA4981E</p>	RGB screen looks reddish.
53 (W)	49	Vertical syn- chronizing (VP) signal	Output	ON	-	 <p style="text-align: right; font-size: small;">SKIA4983E</p>	RGB screen is not shown.
54 (B)	47	RGB signal (B: blue)	Output	ON	Select "Display Diagnosis (DCU)" of CONFIRMATION/ ADJUSTMENT function.	 <p style="text-align: right; font-size: small;">SKIA4982E</p>	RGB screen looks yellowish.
55 (R)	49	Horizontal synchroniz- ing (HP) sig- nal	Input	ON	-	 <p style="text-align: right; font-size: small;">SKIA4983E</p>	RGB screen is not shown.
56 (G)	49	RGB syn- chronizing signal	Output	ON	Press the "TRIP" button.	 <p style="text-align: right; font-size: small;">SKIA0164E</p>	RGB screen is rolling.

NAVIGATION SYSTEM

Terminals and Reference Value for Display unit

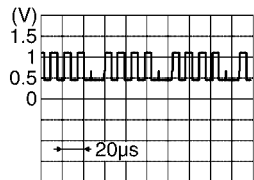
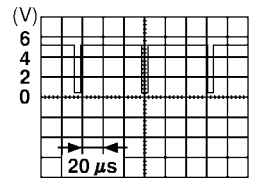
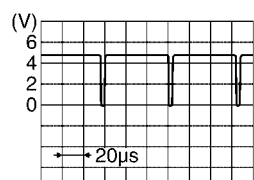

EKS00467

Terminal No. (Wire color)		Item	Signal input/output	Condition		Voltage	Example of symptom
+	-			Ignition switch	Operation		
1 (B)	Ground	Ground	-	ON	-	Approx. 0 V	-
2 (L/W)	Ground	Power supply (Inverter)	Input	ON	-	Approx. 9 V	Screen is not shown.
3 (L/R)	Ground	Power supply (Signal)	Input	ON	-	Approx. 9 V	Screen is not shown.
6 (R/W)	7	RGB signal (G: green)	Input	ON	Select "Display Diagnosis (DCU)" of CONFIRMATION/ADJUSTMENT function.	 <p style="text-align: right; font-size: small;">SKIA4981E</p>	RGB screen looks reddish.
7	-	Shield ground	-	-	-	-	-
8 (R)	21	Horizontal synchronizing (HP) signal	Output	ON	-	 <p style="text-align: right; font-size: small;">SKIA4983E</p>	RGB screen is not shown.
9 (B)	21	RGB area (YS) signal	Input	ON	Press the "TRIP" button.	 <p style="text-align: right; font-size: small;">SKIA0162E</p>	RGB screen is not shown.
11 (B/W)	23	Display communication signal (DCU-DSP)	Input	ON	-	 <p style="text-align: right; font-size: small;">SKIA4364E</p>	Though a screen is displayed, it is impossible to adjust brightness.
13 (P)	Ground	(Inverter) Ground	-	ON	-	Approx. 0 V	-
14 (P/L)	Ground	(Signal) Ground	-	ON	-	Approx. 0 V	-
17 (R/L)	7	RGB signal (R: red)	Input	ON	Select "Display Diagnosis (DCU)" of CONFIRMATION/ADJUSTMENT function.	 <p style="text-align: right; font-size: small;">SKIA4980E</p>	RGB screen looks bluish.

A
B
C
D
E
F
G
H
I
J
L
M

AV

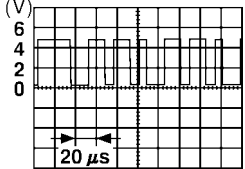
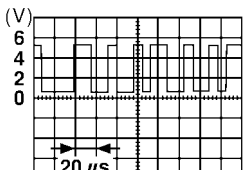
NAVIGATION SYSTEM

Terminal No. (Wire color)		Item	Signal input/output	Condition		Voltage	Example of symptom
+	-			Ignition switch	Operation		
18(B)	7	RGB signal (B: blue)	Input	ON	Select "Display Diagnosis (DCU)" of CONFIRMATION/ADJUSTMENT function.	 <p style="text-align: right; font-size: small;">SKIA4982E</p>	RGB screen looks yellowish.
19 (G)	21	RGB synchronizing signal	Input	ON	Press the "TRIP" button.	 <p style="text-align: right; font-size: small;">SKIA0164E</p>	RGB screen is rolling.
20 (W)	21	Vertical synchronizing (VP) signal	Input	ON	-	 <p style="text-align: right; font-size: small;">SKIA4983E</p>	RGB screen is not shown.
21	-	Shield ground	-	-	-	-	-
22 (L)	23	Display communication signal (DSP-DCU)	Output	ON	-	 <p style="text-align: right; font-size: small;">SKIA4363E</p>	Though a screen is displayed, it is impossible to adjust brightness.
23	-	Shield ground	-	-	-	-	-

NAVIGATION SYSTEM

Terminals and Reference Value for AV Switch

EKS00468

Terminal No. (Wire color)		Item	Signal input/ output	Condition		Voltage	Example of symptom
+	-			Igni- tion switch	Operation		
1 (Y/R)	Ground	Battery power	Input	OFF	-	Battery voltage	System does not work properly.
2 (V)	Ground	ACC signal	Input	ACC	-	Battery voltage	System does not work properly.
3 (R/L)	Ground	Illumination signal	Input	OFF	Lighting switch is ON (position 1).	Battery voltage	AV switch illumi- nation does not come on when lighting switch is ON (position 1).
					Turn lighting switch OFF.	Approx. 3.0V or less	
4 (R/Y)	Ground	Illumination ground	Output	ON	-	Approx. 0V	AV switch illumi- nation does not come on when lighting switch is ON (position 1).
5 (B)	Ground	Ground	-	ON	-	Approx. 0V	-
6 (V)	Ground	Communica- tion signal (+)	Input/ Output	ON	-	 SKIA0175E	System does not work properly.
7	-	Shield ground	-	-	-	-	-
8 (LG)	Ground	Communica- tion signal (-)	Input/ Output	ON	-	 SKIA0176E	System does not work properly.
12 (R/W)	Ground	Remote con- trol A	Input	ON	Press MODE switch	Approx. 0 V	Steering wheel audio controls do not function.
					Press SEEK UP switch	Approx. 0.75 V	
					Press VOL UP switch	Approx. 2 V	
					Except for above	Approx. 5 V	
13 (G)	Ground	Remote con- trol B	Input	ON	Press POWER switch	Approx. 0 V	Steering wheel audio controls do not function.
					Press SEEK DOWN switch	Approx. 0.75 V	
					Press VOL DOWN switch	Approx. 2 V	
					Except for above	Approx. 5 V	
14 (B/R)	-	Remote con- trol ground	-	-	-	-	Steering wheel audio controls do not function.

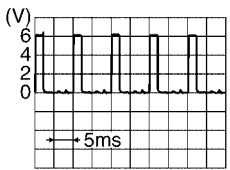
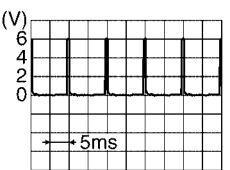
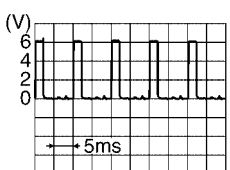

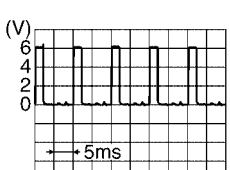


A
B
C
D
E
F
G
H
I
J
K
L
M

AV

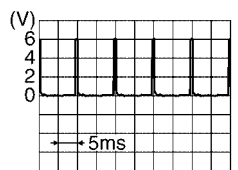
NAVIGATION SYSTEM

Terminals and Reference Value for BCM

EKS005HA

Terminal No.	Wire color	Signal name	Measuring condition		Reference value (Approx.)
			Ignition switch	Operation or condition	
2	R	Combination switch input 5	ON	Lighting, turn, wiper OFF Wiper dial position 4	 <p style="text-align: right;">SKIA5291E</p>
3	R/Y	Combination switch input 4	ON	Lighting, turn, wiper OFF Wiper dial position 4	 <p style="text-align: right;">SKIA5292E</p>
4	R/G	Combination switch input 3	ON	Lighting, turn, wiper OFF Wiper dial position 4	 <p style="text-align: right;">SKIA5291E</p>
5	R/B	Combination switch input 2	ON	Lighting, turn, wiper OFF Wiper dial position 4	 <p style="text-align: right;">SKIA5292E</p>
6	R/W	Combination switch input 1			
11	V	Ignition switch (ACC)	ACC	—	Battery voltage
32	G/O	Combination switch output 5	ON	Lighting, turn, wiper OFF Wiper dial position 4	 <p style="text-align: right;">SKIA5291E</p>
33	G/Y	Combination switch output 4	ON	Lighting, turn, wiper OFF Wiper dial position 4	 <p style="text-align: right;">SKIA5292E</p>
34	L/B	Combination switch output 3	ON	Lighting, turn, wiper OFF Wiper dial position 4	 <p style="text-align: right;">SKIA5291E</p>

NAVIGATION SYSTEM

Terminal No.	Wire color	Signal name	Measuring condition		Reference value (Approx.)
			Ignition switch	Operation or condition	
35	G/B	Combination switch output 2	ON	Lighting, turn, wiper OFF Wiper dial position 4	
36	G/W	Combination switch output 1			
38	G	Ignition switch (ON)	ON	—	Battery voltage
39	L	CAN- H	—	—	—
40	Y	CAN- L	—	—	—
42	Y/R	Battery power supply	OFF	—	Battery voltage
49	B	Ground	ON	—	0V
52	B	Ground	ON	—	0V
55	W/B	Battery power supply (fusible link)	OFF	—	Battery voltage

A
B
C
D
E
F
G
H
I
J
L
M

AV

NAVIGATION SYSTEM

EKS00469

On Board Self-Diagnosis Function

DESCRIPTION

- Diagnosis function consists of the self-diagnosis mode performed automatically and the CONFIRMATION/ADJUSTMENT mode operated manually.
- Self-diagnosis mode checks for connections between the units constituting this system, analyzes each individual unit at the same time, and displays the results on the LCD screen.
- CONFIRMATION/ADJUSTMENT mode is used to perform trouble diagnosis that require operation and judgment by an operator (trouble that cannot be automatically judged by the system), to check/change the set value, and to display the History of Errors of the navigation system.

DIAGNOSIS ITEM

Mode		Description			
Self-diagnosis(DCU)		Display control unit diagnosis			
Self-diagnosis(NAVI)		<ul style="list-style-type: none"> ● NAVI Control unit diagnosis (DVD-ROM drive will not be diagnosed when no map DVD-ROM is in it) ● Analyzes connection between the NAVI control unit and the GPS antenna connection between the NAVI control unit and each unit, and operation of each unit. 			
CONFIRMATION/ ADJUSTMENT	Display diagnosis		On display control unit mode, color tone and shading of the screen can be checked by the display of a color bar and a gray scale.		
	Vehicle signals		On display control unit mode, analyzes the following vehicle signals: Vehicle speed signal, light signal ^{NOTE} , ignition switch signal, and reverse signal.		
	Auto Climate Control		A/C self-diagnosis of A/C system.		
	Navigation	Display diagnosis		On NAVI C/U mode, color tone and shading of the screen can be checked by the display of a color bar and a gray scale.	
		Vehicle signals		On NAVI C/U mode, analyzes the following vehicle signals: Vehicle speed signal, light signal, ignition switch signal, and reverse signal.	
		History of Errors		Diagnosis results previously stored in the memory (before turning ignition switch ON) are displayed in this mode. Time and location when/where the errors occurred are also displayed.	
		Navigation	Display Longitude & Latitude		Display the map. Use the joystick to adjust position. Longitude and latitude will be displayed.
			Speed Calibration		Under ordinary conditions, the navigation system distance measuring function will automatically compensate for minute decreases in wheel and tire diameter caused by tire wear or low -pressure. Speed calibration immediately restores system accuracy in cases such as when distance calibration is needed because of the use of tire chains in inclement weather.
	Angle adjustment		Corrects difference between actual turning angle of a vehicle and turning angle of the car mark on the display.		
	Initialize Location		This mode is for initializing the current location. Use when the vehicle is transported a long distance on a trailer, etc.		
CAN DIAG SUPPORT MONITOR		Display status of CAN communication.			

NOTE:

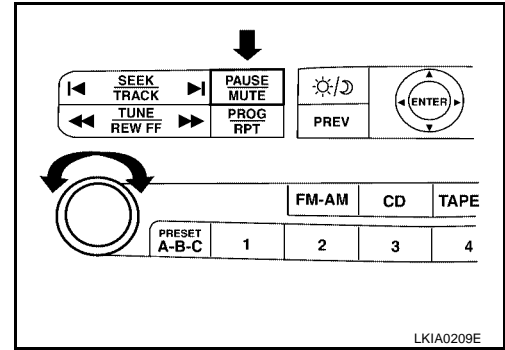
Make the status that is set by D/N function be shown.

NAVIGATION SYSTEM

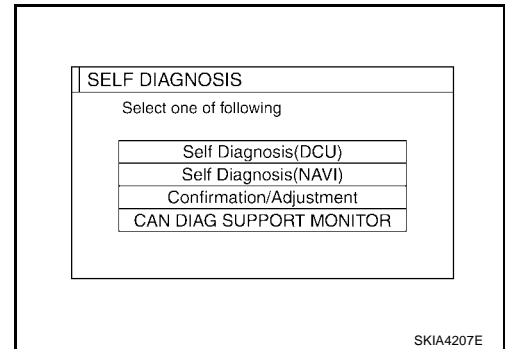
EKS0046A

Self-Diagnosis Mode (DCU) OPERATION PROCEDURE

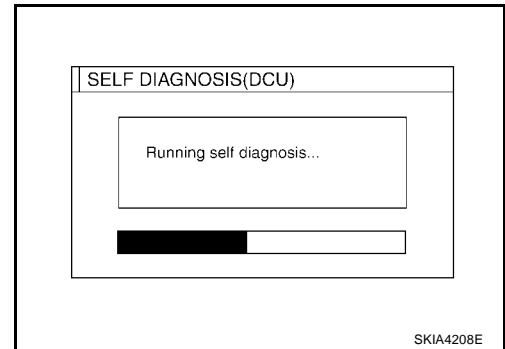
1. Start the engine.
2. Turn the audio system off.
3. While pressing the "PAUSE/MUTE" button, turn the volume control dial clockwise or counterclockwise for 30 clicks or more. (When the self-diagnosis mode is started, a short beep will be heard.)
 - Shifting from current screen to previous screen is performed by pressing "PREV" button.



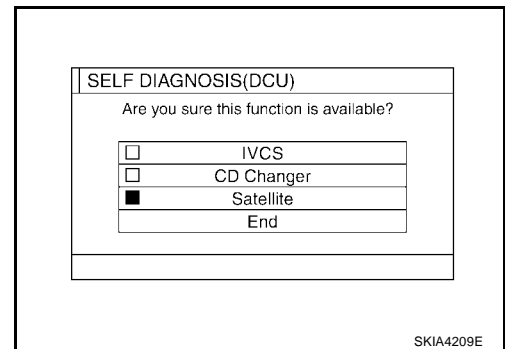
4. The initial trouble diagnosis screen will be shown, and items "Self-Diagnosis (DCU)", "Self-Diagnosis (NAVI)", "Confirmation/Adjustment" and "CAN DIAG SUPPORT MONITOR" will become selective.



5. Perform self-diagnosis by selecting the "Self-diagnosis".
 - Self-diagnosis subdivision screen will be shown and the operation enters the self-diagnosis mode.
 - A bar graph shown below the self-diagnosis subdivision screen indicates progress of the diagnosis.



6. When the self-diagnosis completes, optional part confirmation screen will be shown.
 - When connection of an optional part is judged error, a screen to check if the optional part is actually fitted on the vehicle or not will be shown. When fitted, select the switch of the part on the screen and press "End". Then the "SELF DIAGNOSIS" screen will be shown.
 - When the optional part is connected normally, the switch for the part will not appear on the screen.



A
B
C
D
E
F
G
H
I
J
AV
L
M

NAVIGATION SYSTEM

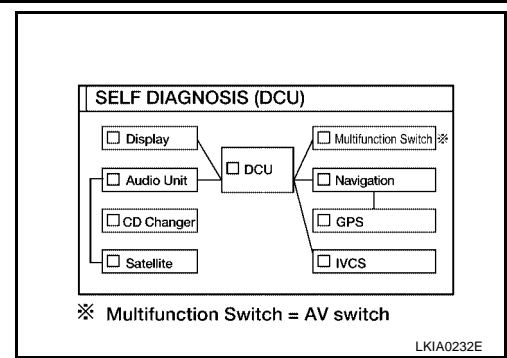
7. On the "SELF DIAGNOSIS" screen, each unit name will be colored according to the diagnosis result, as follows.

Green : Not malfunctioning.

Yellow : Cannot be judged by self-diagnosis results.

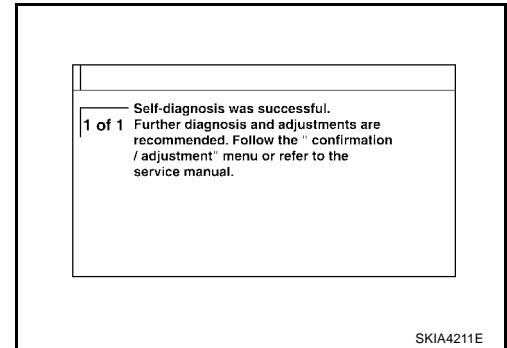
Red : Unit is malfunctioning.

- If several malfunctions are present in a unit, color of its switch on the screen will be either red, yellow, or grey, determined by the malfunction of the highest priority.



8. Select a switch on the "SELF DIAGNOSIS" screen and comments for the diagnosis results will be shown.

- When the switch is green, the following comment will be shown. "Self-diagnosis was successful. Further diagnosis and adjustments are recommended. Follow the "confirmation/adjustment" menu or refer to the service manual."
- When the switch is yellow, the following comment will be shown. "Connection to the following unit is abnormal. See the service manual for further details".
- When the switch is red, the following comment will be shown. "DCU is abnormal".



SELF-DIAGNOSIS RESULT

Quick reference table

1. Select a malfunctioning diagnosis No. in the diagnosis result quick reference table.
2. Find estimated malfunctioning system in the diagnosis No. table and perform check by referring to [AV-118, "Wiring Diagram — COMM —"](#) .
3. Turn the ignition switch OFF and perform self-diagnosis again.

Switch color	Screen switch				Diagnosis No.
	DCU*	Audio unit	NAVI control unit	GPS antenna	
Red	×				1
Yellow	×	×			2
	×		×	×	3

*: DCU = Display control unit

CAUTION:

- When AV switch has a malfunction, you cannot start.
- When display unit has a malfunction, you cannot start.
- Check the following when the self-diagnosis mode cannot be used.
 - AV communication line between display control unit and AV switch. Refer to [AV-161, "AV Communication Line Check \(Between Display Control Unit and AV Switch\)"](#) .
 - AV switch power supply and ground circuit. Refer to [AV-151, "Power Supply and Ground Circuit Check for AV Switch"](#) .
 - Display communication line between display control unit and display unit. Refer to [AV-159, "Display Communication Line Check \(Between Display Control Unit and Display Unit\)"](#) .
 - Display unit power supply and ground circuit. Refer to [AV-149, "Power Supply and Ground Circuit Check for Display Unit"](#) .

NAVIGATION SYSTEM

Self-Diagnosis Codes

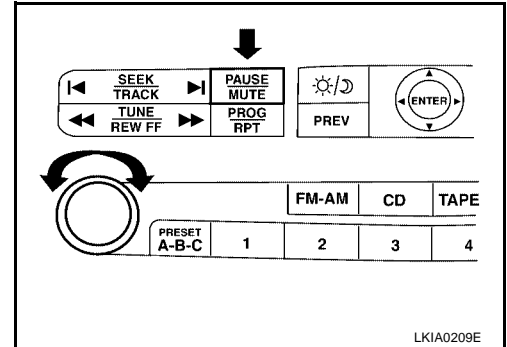
Diagnosis No.	Possible cause	Reference page
1	Display control unit malfunction	Refer to AV-189 .
2	Audio unit power supply and ground circuit. Audio communication line between display control unit and audio unit.	Refer to AV-156 .
3	NAVI control unit power supply and ground circuit AV communication line between display control unit and NAVI control unit.	Refer to AV-156 .

Self-Diagnosis Mode (NAVI) OPERATION PROCEDURE

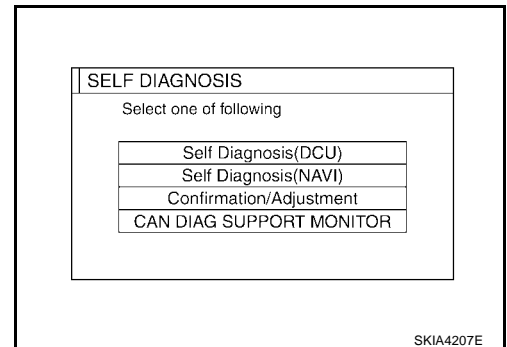
EKS0046B

1. Start the engine.
2. Turn the audio system off.
3. While pressing the "PAUSE/MUTE" button, turn the volume control dial clockwise or counterclockwise for 30 clicks or more. (When the self-diagnosis mode is started, a short beep will be heard.)

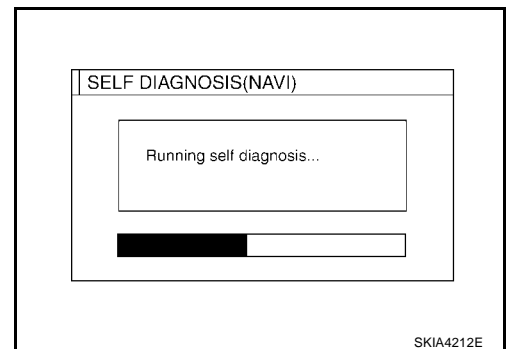
- Shifting from current screen to previous screen is performed by pressing "PREV" button.



4. The initial trouble diagnosis screen will be shown, and items "Self-Diagnosis (DCU)", "Self-Diagnosis (NAVI)", "Confirmation/Adjustment" and "CAN DIAG SUPPORT MONITOR" will become selective.



5. Perform self-diagnosis by selecting the "Self-diagnosis (NAVI)".
 - Self-diagnosis subdivision screen will be shown and the operation enters the self-diagnosis mode.
 - A bar graph shown below the self-diagnosis subdivision screen indicates progress of the diagnosis.



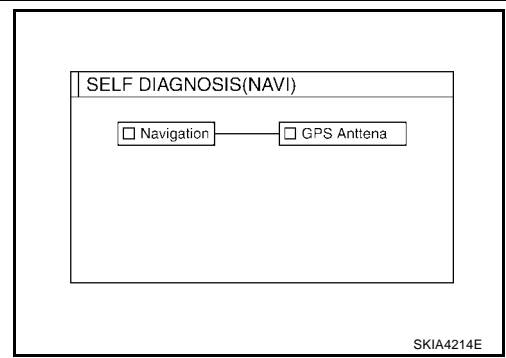
A
B
C
D
E
F
G
H
I
J
AV
L
M

NAVIGATION SYSTEM

6. On the “SELF DIAGNOSIS” screen, each unit name will be colored according to the diagnosis result, as follows.

- Green** : Not malfunctioning.
- Yellow** : Cannot be judged by self-diagnosis results.
- Red** : Unit is malfunctioning.
- Gray** : Diagnosis has not been done.

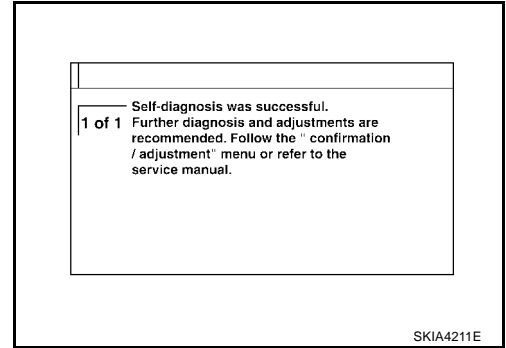
- If several malfunctions are present in a unit, color of its switch on the screen will be either red, yellow, or gray, determined by the malfunction of the highest priority.



SKIA4214E

7. Select a switch on the “SELF DIAGNOSIS” screen and comments for the diagnosis results will be shown.

- When the switch is green, the following comment will be shown. “Self-diagnosis was successful. Further diagnosis and adjustments are recommended. Follow the “Confirmation and Adjustments” menu or refer to the service manual.”
- When the switch is yellow, the following comment will be shown. “Connection to the following unit is abnormal. See the service manual for further details”.
- When the switch is red, the following comment will be shown. “Center Control Unit is abnormal”.
- When the switch is gray, the following comment will be shown. “Self-diagnosis for DVD-ROM DRIVER of NAVI was not conducted because no DVD-ROM was available.”



SKIA4211E

SELF-DIAGNOSIS RESULT

Quick reference table

1. Select an malfunctioning diagnosis No. in the diagnosis result quick reference table.
2. Find estimated malfunctioning system in the diagnosis No. table and perform check by referring to [AV-118, "Wiring Diagram — COMM —"](#) .
3. Turn the ignition switch OFF and perform self-diagnosis again.

Switch color	Screen switch		Diagnosis No.
	Center control unit*	GPS antenna	
Red	×		1
Gray	×		2
Yellow	×		3
	×		4
	×	×	5

*: Center Control unit = NAVI control unit

CAUTION:

- When AV switch has a malfunction, you cannot start.
- When display unit has a malfunction, you cannot start.
- Check the following when the self-diagnosis mode cannot be used.
 - AV communication line between display control unit and AV switch. Refer to [AV-161, "AV Communication Line Check \(Between Display Control Unit and AV Switch\)"](#) .
 - AV switch power supply and ground circuit. Refer to [AV-151, "Power Supply and Ground Circuit Check for AV Switch"](#) .
 - Display communication line between display control unit and display unit. Refer to [AV-159, "Display Communication Line Check \(Between Display Control Unit and Display Unit\)"](#) .
 - Display unit power supply and ground circuit. Refer to [AV-149, "Power Supply and Ground Circuit Check for Display Unit"](#) .

NAVIGATION SYSTEM

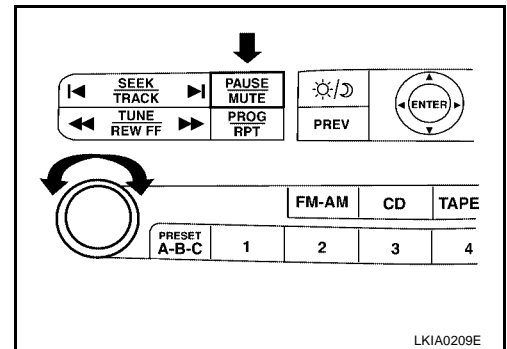
Self-diagnosis codes

Diagnosis No.	Possible cause	Reference page
1	NAVI control unit malfunction	Refer to AV-189
2	No map DVD-ROM is inserted in the NAVI control unit.	Refer to AV-162
3	When "DVD-ROM error. Please check disc." is shown. 1. Eject map DVD-ROM and check if it is compatible with the system. 2. Check ejected DVD-ROM for dirt, damage, and warpage. 3. If no error is found, insert a known good map DVD-ROM of the same type and perform self-diagnosis again. If same result is shown, the NAVI control unit is malfunctioning. If result is normal, the map DVD-ROM is malfunctioning.	Refer to AV-162
4	If "Error found in DVD-ROM or DVD-ROM driver in control unit. Please perform diagnosis in accordance with service manual" is shown, carry out same inspection as diagnosis No. 3.	Refer to AV-162
5	GPS antenna system 1. Visually check for a broken wire in the GPS antenna coaxial cable. 2. Disconnect GPS antenna connector, and make sure approximately 5V is supplied from the NAVI control unit. If not, the NAVI control unit is malfunctioning. If 5V is supplied, replace the GPS antenna. If the connection is still malfunction after the replacement of the GPS antenna, the NAVI control unit is malfunctioning.	Refer to AV-163

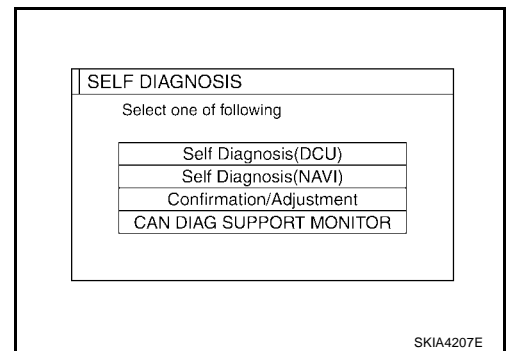
CONFIRMATION/ADJUSTMENT Mode OPERATION PROCEDURE

EKS0046C

- Start the engine.
- Turn the audio system off.
- While pressing the "PAUSE/MUTE" button, turn the volume control dial clockwise or counterclockwise for 30 clicks or more. (When the self-diagnosis mode is started, a short beep will be heard.)
 - Shifting from current screen to previous screen is performed by pressing "PREV" button.

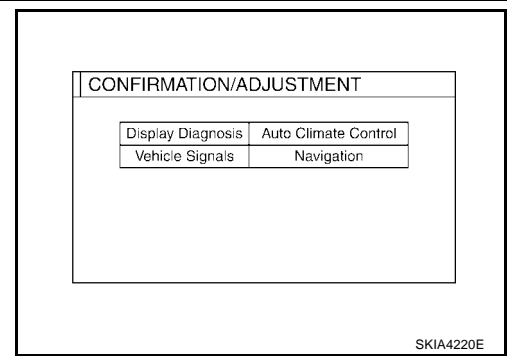


- The initial trouble diagnosis screen will be shown, and items "Self-Diagnosis (DCU)", "Self-Diagnosis (NAVI)", "Confirmation/Adjustment" and "CAN DIAG SUPPORT MONITOR" will become selective.

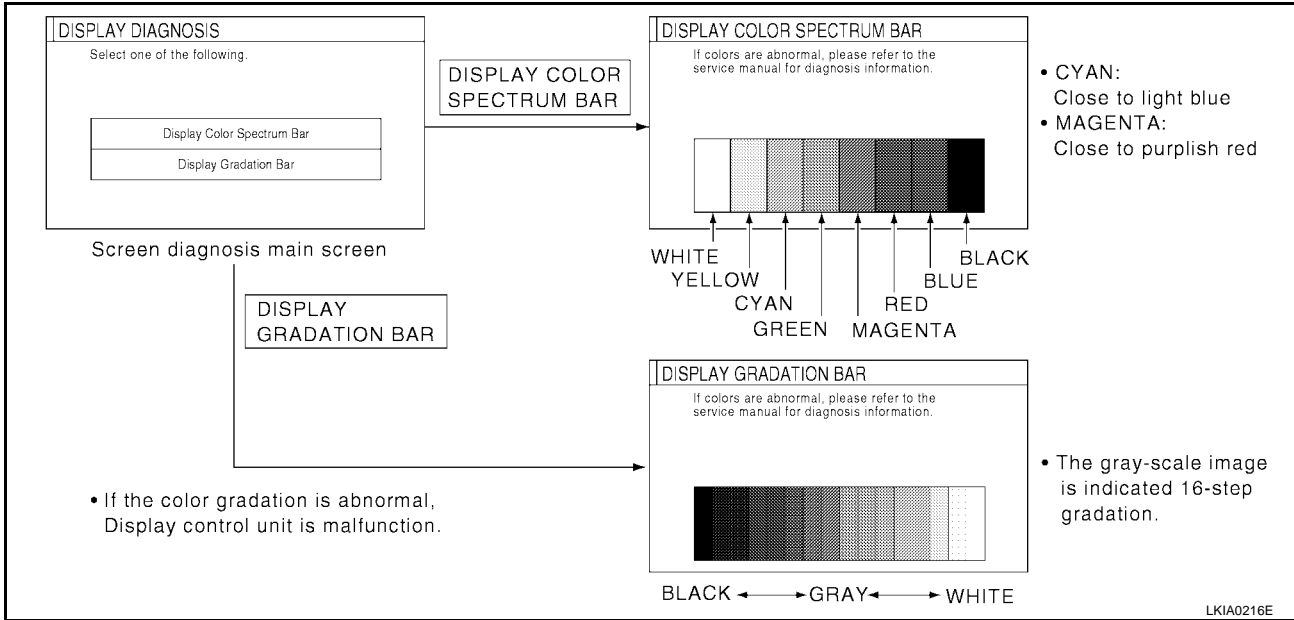


NAVIGATION SYSTEM

5. When "Confirmation/Adjustment" is selected on the initial trouble diagnosis screen, the operation will enter the CONFIRMATION/ADJUSTMENT mode. In this mode, check and adjustment of each item will become possible.
6. The initial trouble diagnosis screen will be shown, and items "Display Diagnosis", "Vehicle Signals", "Auto Climate Control" and "Navigation" will become selective.
7. Select each switch on "CONFIRMATION/ADJUSTMENT" screen to display the relevant diagnosis screen.



DISPLAY DIAGNOSIS



- When RGB signal error occurred in the RGB system, tone of the color bar will change as follows.
 - R (red) signal error** : Screen looks bluish
 - G (green) signal error** : Screen looks reddish
 - B (blue) signal error** : Screen looks yellowish
- When the color of the screen looks unusual, refer to [AV-167, "Color of RGB Image is Not Proper \(Except NAVI Screen looks bluish\)"](#) , [AV-168, "Color of RGB Image is Not Proper \(Except NAVI Screen looks reddish\)"](#) and [AV-169, "Color of RGB Image is Not Proper \(Except NAVI Screen looks yellowish\)"](#) .

VEHICLE SIGNALS

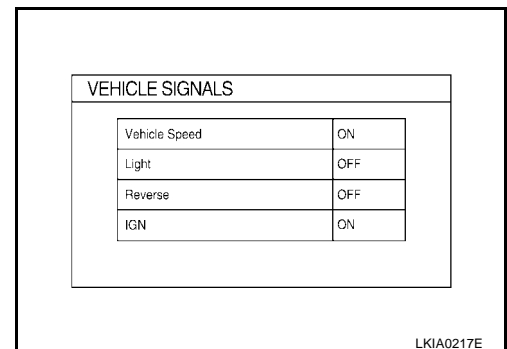
- A comparison check can be made of each actual vehicle signal and the signals recognized by the system.

CAUTION:

In case of confirming light signal, set D/N mode to ON/OFF of lighting switch (normal setting).

- **OFF: D (Day mode)**
- **ON: N (Night mode)**

Unless above setting, light signal (ON/OFF) may not be accurately displayed.



NAVIGATION SYSTEM

Diagnosis item	Display	Condition	Remarks
Vehicle speed	ON	Vehicle speed > 0 km/h (0 MPH)	Changes in indication may be delayed by approx. 1.5 seconds. This is normal.
	OFF	Vehicle speed = 0 km/h (0 MPH)	
	–	Ignition switch in ACC position	
Light	ON	Lighting switch ON	–
	OFF	Lighting switch OFF	
IGN	ON	Ignition switch ON	–
	OFF	Ignition switch ACC or OFF	
Reverse	ON	Selector lever in R position	Changes in indication may be delayed by approx. 1.5 seconds. This is normal.
	OFF	Selector lever in other than R position	
	–	Ignition switch in ACC position	

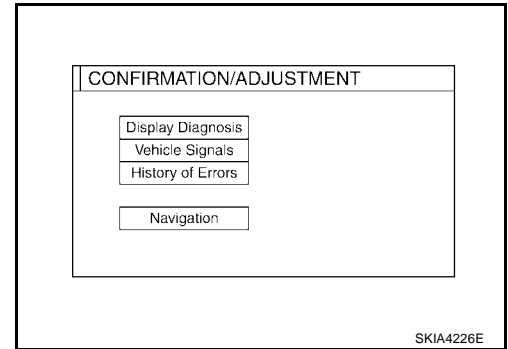
- If vehicle speed is NG, refer to [AV-153, "Vehicle Speed Signal Check for Display Control Unit"](#) .
- If light is NG, refer to [AV-154, "Illumination Signal Check for Display Control Unit"](#) .
- If IGN is NG, refer to [AV-155, "Ignition Signal Check for Display Control Unit"](#) .
- If reverse is NG, refer to [AV-155, "Reverse Signal Check for Display Control Unit"](#) .

AUTO CLIMATE CONTROL

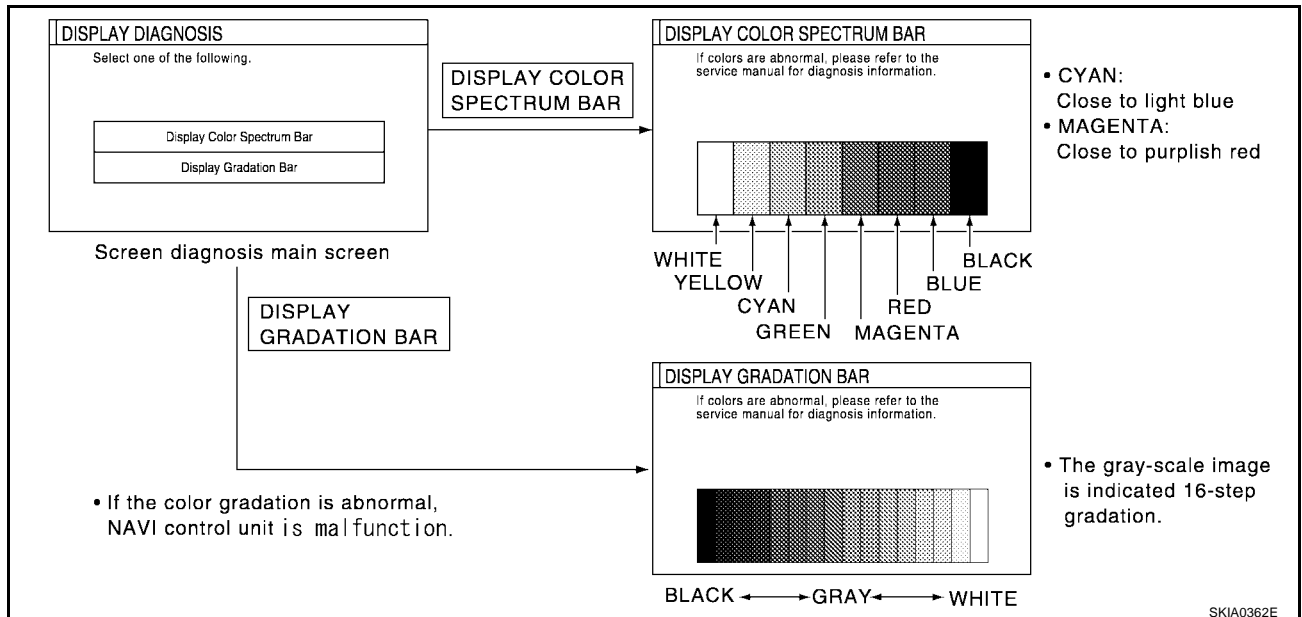
- Refer to ATC Automatic Air Conditioner [ATC-42, "A/C System Self-diagnosis Function"](#) for details.

NAVIGATION

1. The initial trouble diagnosis screen will be shown, and items "Display Diagnosis", "Vehicle Signals", "History of Errors" and "Navigation" will become selective.
2. Select each switch on "CONFIRMATION/ADJUSTMENT" screen to display the relevant diagnosis screen.



DISPLAY DIAGNOSIS



- When RGB signal error occurred in the RGB system, tone of the color bar will change as follows.

NAVIGATION SYSTEM

- R (red) signal error** : Screen looks bluish
- G (green) signal error** : Screen looks reddish
- B (blue) signal error** : Screen looks yellowish

- When the color of the screen looks unusual, refer to [AV-164, "Color of RGB Image is Not Proper \(NAVI Screen looks bluish\)"](#) , [AV-165, "Color of RGB Image is Not Proper \(NAVI Screen looks reddish\)"](#) and [AV-169, "Color of RGB Image is Not Proper \(Except NAVI Screen looks yellowish\)"](#) .

VEHICLE SIGNALS

- A comparison check can be made of each actual vehicle signal and the signals recognized by the system.

CAUTION:

In case of confirming light signal, set D/N mode to ON/OFF of light switch (normal setting).

- **OFF: D (Day mode)**
- **ON: N (Night mode)**

Unless above setting, light signal (ON/OFF) may not be accurately displayed.

VEHICLE SIGNALS	
Vehicle Speed	ON
Light	OFF
Reverse	OFF
IGN	ON

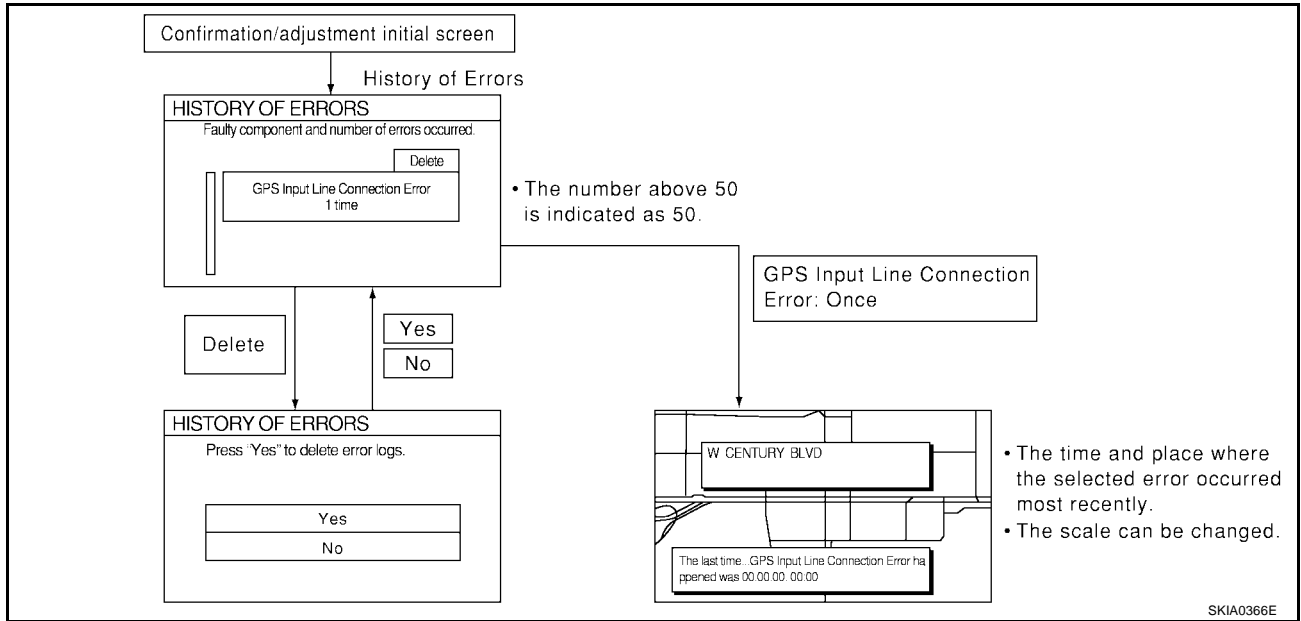
LKIA0217E

Diagnosis item	Display	Condition	Remarks
Vehicle speed	ON	Vehicle speed > 0 km/h (0 MPH)	Changes in indication may be delayed by approx. 1.5 seconds. This is normal.
	OFF	Vehicle speed = 0 km/h (0 MPH)	
	–	Ignition switch in ACC position	
Light	ON	Lighting switch ON	–
	OFF	Lighting switch OFF	
IGN	ON	Ignition switch ON	–
	OFF	Ignition switch ACC or OFF	
Reverse	ON	Selector lever in R position	Changes in indication may be delayed by approx. 1.5 seconds. This is normal.
	OFF	Selector lever in other than R position	
	–	Ignition switch in ACC position	

- If vehicle speed is NG, refer to [AV-152, "Vehicle Speed Signal Check for NAVI Control Unit"](#) .
- If light is NG, refer to [AV-154, "Illumination Signal Check for NAVI Control Unit"](#) .
- If IGN is NG, refer to [AV-154, "Ignition Signal Check for NAVI Control Unit"](#) .
- If reverse is NG, refer to [AV-155, "Reverse Signal Check for NAVI Control Unit"](#) .

NAVIGATION SYSTEM

HISTORY OF ERRORS



DIAGNOSIS BY HISTORY OF ERRORS

The “Self-diagnosis” results indicate whether an error occurred during the period from when the ignition switch is turned to ON until “Self-diagnosis” is completed.

If an error occurred before the ignition switch was turned to ON and does not occur again until the “Self-diagnosis” is completed, the diagnosis result will be judged normal. Therefore, those errors in the past, which cannot be found by the “Self-diagnosis”, must be found by diagnosing the “History of Errors”.

The History of Errors displays the time and place of the most recent occurrence of that error. However, take note of the following points.

- Correct time of the error occurrence may not be displayed when the GPS antenna substrate within the NAVI control unit has malfunctioned.
- Place of the error occurrence is represented by the position of the current-location mark at the time when the error occurred. If the current-location mark has deviated from the correct position, then the place of the error occurrence may be located correctly.
- The maximum number of occurrences which can be stored is 50. For the 51st and later occurrences, the displayed number remains 50.

When a reproducible malfunction occurred but its cause cannot be identified because several errors are present, record the item, number and place (longitude/latitude) of error occurrence (or delete the History of Errors), then turn the ignition switch from OFF to ON to reproduce the malfunction. Check the History of Errors to find the items which show an increased number of occurrences, and diagnose the item.

Error item	Possible causes	Example of symptom
	Action/symptom	
Gyro sensor disconnected	Communications malfunction between NAVI control unit and internal gyro	<ul style="list-style-type: none"> • Navigation location detection performance has deteriorated. (Angular velocity cannot be detected.)
	<ul style="list-style-type: none"> • Perform self-diagnosis. • When the NAVI control unit is judged normal by self-diagnosis, the symptom may be intermittent, caused by strong radio interference. 	
GPS disconnected	Communication error between NAVI control unit and internal GPS substrate	<ul style="list-style-type: none"> • Navigation location detection performance has deteriorated. (Location correction using GPS is not performed.) • GPS receiving status remains gray.
	<ul style="list-style-type: none"> • Perform self-diagnosis. • When the NAVI control unit is judged normal by self-diagnosis, the symptom may be intermittent, caused by strong radio interference. 	

NAVIGATION SYSTEM

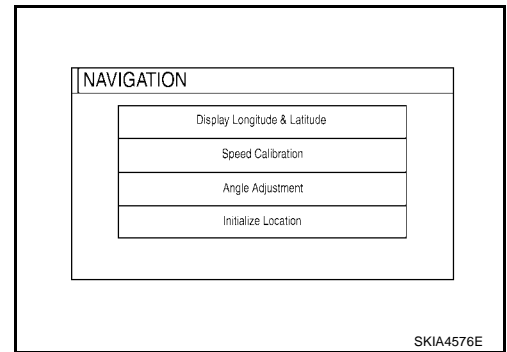
Error item	Possible causes	Example of symptom
	Action/symptom	
GPS transmission cable malfunction	Malfunctioning transmission wires to NAVI control unit and internal GPS substrate	<ul style="list-style-type: none"> ● During self-diagnosis, GPS diagnosis is not performed.
	<ul style="list-style-type: none"> ● Perform self-diagnosis. ● When the NAVI control unit is judged normal by self-diagnosis, the symptom may be intermittent, caused by strong radio interference. 	
GPS input line connection error	Malfunctioning receiving wires to NAVI control unit and internal GPS substrate	<ul style="list-style-type: none"> ● Navigation location detection performance has deteriorated. (Location correction using GPS is not performed.) ● GPS receiving status remains gray.
	<ul style="list-style-type: none"> ● Perform self-diagnosis. ● When the NAVI control unit is judged normal by self-diagnosis, the symptom may be intermittent, caused by strong radio interference. 	
GPS TCX0 over GPS TCX0 under	Oscillating frequency of the GPS substrate frequency synchronizing oscillation circuit exceeded (or below) the specification	<ul style="list-style-type: none"> ● Navigation location detection performance has deteriorated. (Location correction using GPS is not performed.) ● GPS receiving status remains gray.
	<ul style="list-style-type: none"> ● Perform self-diagnosis. ● When the NAVI control unit is judged normal by self-diagnosis, the symptom may be intermittent, caused by strong radio interference, or the control unit may have been subjected to excessively high or low temperatures. 	
GPS ROM malfunction GPS RAM malfunction	Contents of ROM (or RAM) in GPS substrate are malfunctioning.	<ul style="list-style-type: none"> ● Location detection accuracy of the navigation system will deteriorate, depending on the error area in the memory, because GPS cannot make correct positioning. (Location correction using GPS is not performed.)
	<ul style="list-style-type: none"> ● Perform self-diagnosis. ● When the NAVI control unit is judged normal by self-diagnosis, the symptom may be intermittent, caused by strong radio interference. 	
GPS RTC malfunction	Clock IC in GPS substrate is malfunctioning.	<ul style="list-style-type: none"> ● Correct time may not be displayed. ● After the power is turned on, the system always takes some time until GPS positioning becomes possible. (The GPS receiver starts positioning without re-collecting the whole satellite information when it judged the data stored in the receiver is correct.) ● Correct time of error occurrence may not be stored in the "History of Errors".
	<ul style="list-style-type: none"> ● Perform self-diagnosis. ● When the NAVI control unit is judged normal by self-diagnosis, the symptom may be intermittent, caused by strong radio interference. 	
GPS antenna disconnected	Malfunctioning connection between GPS substrate in NAVI control unit and GPS antenna.	<ul style="list-style-type: none"> ● Navigation location detection performance has deteriorated. (Location correction using GPS is not performed.) ● GPS receiving status remains gray.
	<ul style="list-style-type: none"> ● Perform self-diagnosis. ● When connection between NAVI control unit and GPS antenna is judged normal by self-diagnosis, the symptom may be intermittent, caused by impact or vibration. 	
Low voltage of GPS	The power voltage supplied to the GPS circuit board has decreased.	<ul style="list-style-type: none"> ● Navigation location detection performance has deteriorated. (Location correction using GPS is not performed.) ● GPS receiving status remains gray.
	<ul style="list-style-type: none"> ● Perform self-diagnosis. ● When connection between NAVI control unit and GPS antenna is judged normal by self-diagnosis, the symptom may be intermittent, caused by impact or vibration. 	

NAVIGATION SYSTEM

Error item	Possible causes	Example of symptom
	Action/symptom	
DVD-ROM Malfunction DVD-ROM Read error DVD-ROM Response Error	Malfunctioning NAVI control unit	-
	Dedicated map DVD-ROM is in the system, but the data cannot be read. <ul style="list-style-type: none"> ● Is map DVD-ROM damaged, warped, or dirty? <ul style="list-style-type: none"> - If damaged or warped, the map DVD-ROM is malfunctioning. - If dirty, wipe the DVD-ROM clean with a soft cloth. ● Perform self-diagnosis. ● When NAVI control unit is judged normal by self-diagnosis, the symptom is judged intermittent, caused by vibration. 	<ul style="list-style-type: none"> ● The map of a particular location cannot be displayed. ● Specific guidance information cannot be displayed. ● Map display is slow. ● Guidance information display is slow. ● System has been affected by vibration.

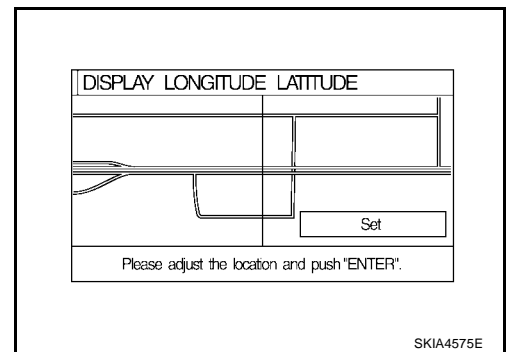
NAVIGATION

1. The initial trouble diagnosis screen will be shown, and items "Display Longitude & Latitude", "Speed Calibration", "Angle Adjustment" and "Initialize Location" will become selective.
2. Select each switch on "NAVIGATION" screen to display the relevant diagnosis screen.



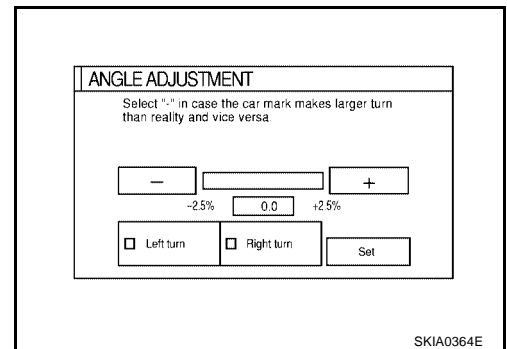
Display Longitude & Latitude

- Able to confirm/adjust longitude and latitude.



Angle adjustment

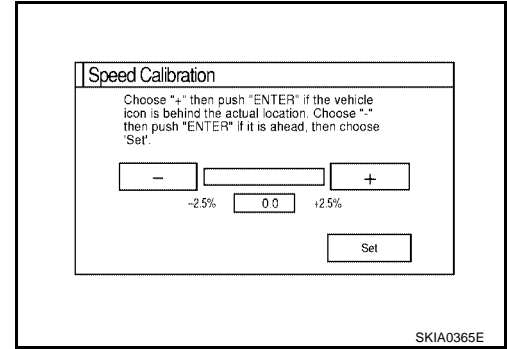
- Adjusts turning angle output detected by the gyroscope.



NAVIGATION SYSTEM

Speed Calibration

- During normal driving, distance error caused by tire wear and tire pressure change is automatically adjusted for by the automatic distance correction function. This function, on the other hand, is for immediate adjustment, in cases such as driving with tire chain fitted on tires.



Initialize Location

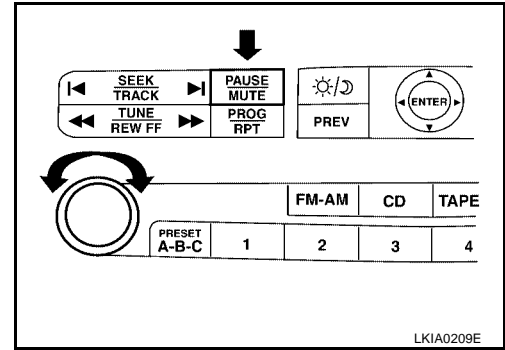
- This mode is for initializing the current location.

NAVIGATION SYSTEM

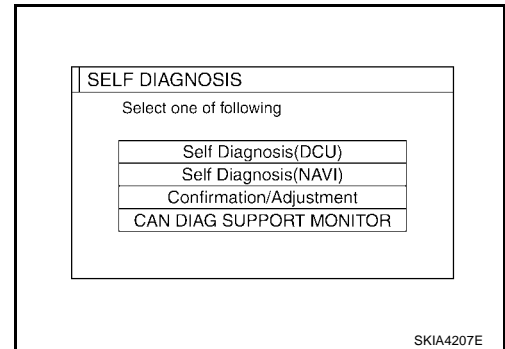
EKS0046D

CAN DIAG SUPPORT MONITOR OPERATION PROCEDURE

1. Start the engine.
2. Turn the audio system off.
3. While pressing the "PAUSE/MUTE" button, turn the volume control dial clockwise or counterclockwise for 30 clicks or more. (When the self-diagnosis mode is started, a short beep will be heard.)
 - Shifting from current screen to previous screen is performed by pressing "PREV" button.

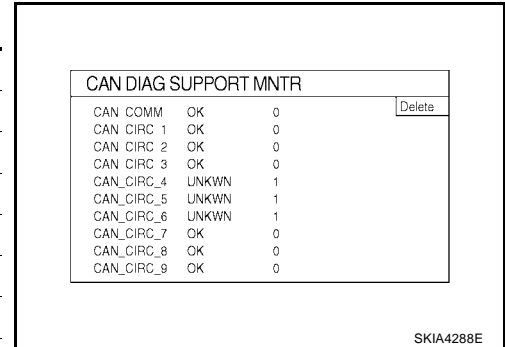


4. The initial trouble diagnosis screen will be shown, and items "Self-Diagnosis (DCU)", "Self-Diagnosis (NAVI)", "Confirmation/Adjustment" and "CAN DIAG SUPPORT MONITOR" will become selective.
5. Select "CAN DIAG SUPPORT MONITOR".



6. Display status of CAN communication.

Item	Content	Error counter
CANCOMM	OK/NG	0-50
CAN_CIRC_1	OK/UNKWN	0-50
CAN_CIRC_2	OK/UNKWN	0-50
CAN_CIRC_3	OK/UNKWN	0-50
CAN_CIRC_4	OK/UNKWN	0-50
CAN_CIRC_5	OK/UNKWN	0-50
CAN_CIRC_6	OK/UNKWN	0-50
CAN_CIRC_7	OK/UNKWN	0-50
CAN_CIRC_8	OK/UNKWN	0-50
CAN_CIRC_9	OK/UNKWN	0-50



- If the IGN is turned on and UNKWN is shown on the screen, the value of the counter will be up. (MAX50)
- The value of the Counter does not change if the IGN changes to OFF. (MAX50)
- If the Counter shows the value of 50 and UNKWN is shown, the value of 50 will not be changed.

AV Switch Self-Diagnosis Function

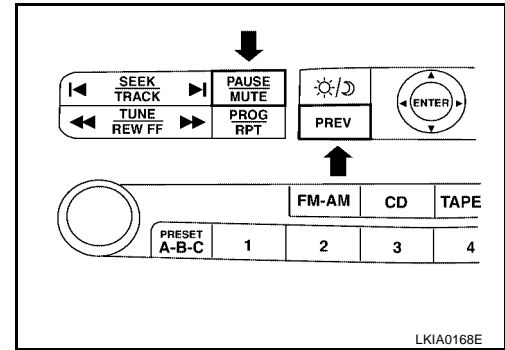
EKS00479

It can check ON/OFF operation of each switch in the AV switch and diagnose the input signals to the steering switch.

NAVIGATION SYSTEM

STARTING THE SELF-DIAGNOSIS MODE

1. Turn ignition switch from OFF to ACC.
2. Within 10 seconds press and hold the switches "PAUSE/MUTE" and "PREV" simultaneously for 3 seconds.
Then the self-diagnosis operates. A single beep indicates self-diagnosis mode is active.
3. Press each switch and listen for beep.



EXITING THE SELF-DIAGNOSIS MODE

- Turn ignition switch OFF. Then the self-diagnosis ends.

DIAGNOSIS FUNCTION

- It can illuminate all the indicators (LED) in the AV switch.
- It can check for continuity of the switches by sounding the beep when each AV switch and steering switch is pressed.
- It can check for continuity of harness between AV switch and steering switch.

NAVIGATION SYSTEM

EKS0046F

Power Supply and Ground Circuit Check for NAVI Control Unit

1. CHECK FUSE

- Make sure the following fuses of the NAVI control unit are not blown.

Terminals		Power source	Fuse No.
Connector	Terminal (Wire color)		
M96	2 (Y), 3 (Y)	Battery power	3
	6 (V)	ACC power	6

OK or NG

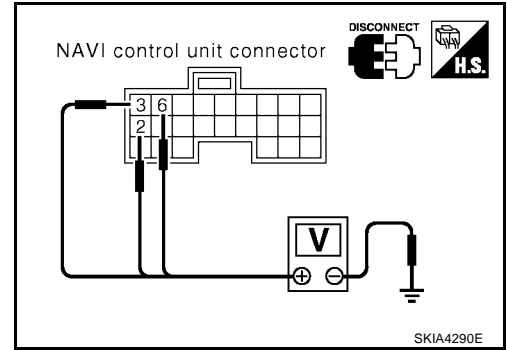
OK >> GO TO 2.

NG >> If fuse is blown, be sure to eliminate case of malfunction before installing new fuse. Refer to [PG-3](#), "[POWER SUPPLY ROUTING CIRCUIT](#)".

2. CHECK POWER SUPPLY CIRCUIT

1. Disconnect NAVI control unit connector.
2. Check voltage between connector terminals and ground as follows.

Terminals			Ignition switch position		
(+)		(-)	OFF	ACC	ON
Connector	Terminal (Wire color)				
M96	2 (Y), 3 (Y)	Ground	Battery voltage	Battery voltage	Battery voltage
	6 (V)		0V	Battery voltage	Battery voltage



OK or NG

OK >> GO TO 3.

NG >> Check harness for open or short between NAVI control unit and fuse.

3. CHECK GROUND CIRCUIT

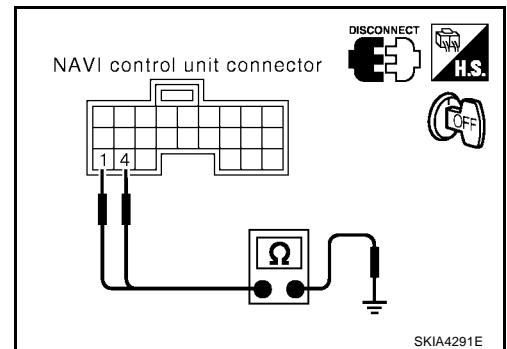
Check continuity between the following NAVI control unit and ground.

Terminals			Ignition switch	Continuity
(+)		(-)		
Connector	Terminal (Wire color)			
M96	1 (B), 4 (B)	Ground	OFF	Yes

OK or NG

OK >> INSPECTION END.

NG >> Repair or replace harness.



NAVIGATION SYSTEM

EKS0046G

Power Supply and Ground Circuit Check for Display Control Unit

1. CHECK FUSE

- Make sure the following fuses of the display control unit are not blown.

Terminals		Power source	Fuse No.
Connector	Terminal (Wire color)		
M94	1 (Y)	Battery power	3
	10 (V)	ACC power	6

OK or NG

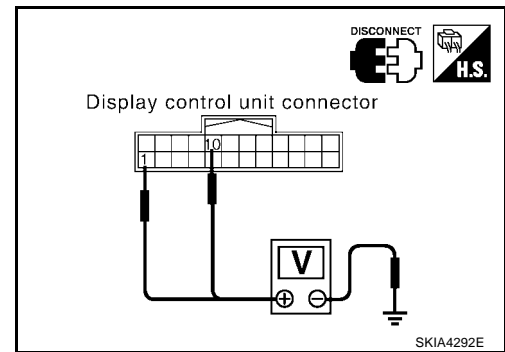
OK >> GO TO 2.

NG >> If fuse is blown, be sure to eliminate case of malfunction before installing new fuse. Refer to [PG-3, "POWER SUPPLY ROUTING CIRCUIT"](#).

2. CHECK POWER SUPPLY CIRCUIT

1. Disconnect display control unit connector.
2. Check voltage between connector terminals and ground as follows.

Terminals		Ignition switch position	Ignition switch position		
(+)			OFF	ACC	ON
Connector	Terminal (Wire color)	(-)			
M94	1 (Y)	Ground	Battery voltage	Battery voltage	Battery voltage
	10 (V)		0V	Battery voltage	Battery voltage



OK or NG

OK >> GO TO 3.

NG >> Check harness for open or short between display control unit and fuse.

3. CHECK GROUND CIRCUIT

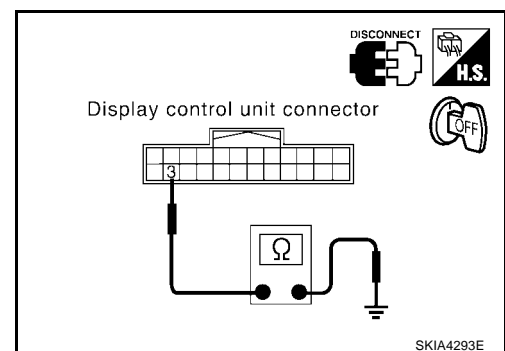
Check continuity between the following display control unit and ground.

Terminals		Ignition switch	Continuity	
(+)				(-)
Connector	Terminal (Wire color)	(-)		
M94	3 (B)	Ground	OFF	Yes

OK or NG

OK >> INSPECTION END.

NG >> Repair or replace harness.



NAVIGATION SYSTEM

EKS0046H

Power Supply and Ground Circuit Check for Display Unit

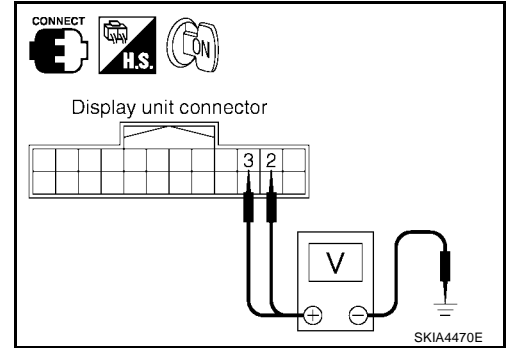
1. CHECK 1: POWER SUPPLY CIRCUIT

1. Disconnect display unit connector.
2. Turn ignition switch ON.
3. Check voltage between display unit harness connector M93 terminals 2 (L/W), 3 (L/R) and ground.

Approx. 9 V

OK or NG

- OK >> GO TO 2.
 NG >> GO TO 3.



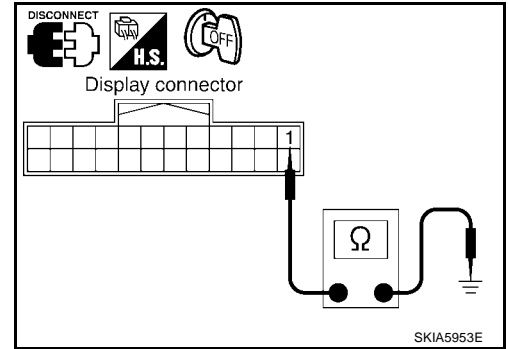
2. CHECK GROUND CIRCUIT

Check continuity between display unit and ground as follows.

Terminals		Ignition switch	Continuity	
(+)				
Connector	Terminal (Wire color)	(-)		
M93	1 (B)	Ground	OFF	Yes

OK or NG

- OK >> INSPECTION END.
 NG >> Repair harness.



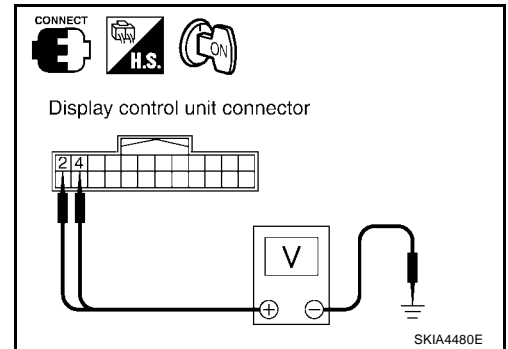
3. CHECK POWER SUPPLY CIRCUIT

Check voltage between display control unit harness connector M94 terminals 2 (L/W), 4 (L/R) and ground.

Approx. 9 V

OK or NG

- OK >> Repair harness.
 NG >> GO TO 4.



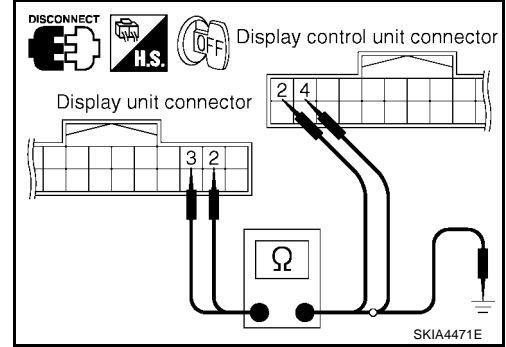
A
B
C
D
E
F
G
H
I
J
AV
L
M

NAVIGATION SYSTEM

4. CHECK HARNESS

1. Turn ignition switch OFF.
2. Disconnect display unit connector and display control unit connector.
3. Check continuity between display control unit harness connector M94 terminals 2 (L/W), 4 (L/R) and display unit harness connector M93 terminals 2 (L/W), 3 (L/R).

Terminals				Continuity
Display control unit (+)		Display unit (-)		
Connector	Terminal (Wire color)	Connector	Terminal (Wire color)	
M94	2 (L/W)	M93	2 (L/W)	Yes
	4 (L/R)		3 (L/R)	



4. Check continuity between display unit and ground.

Terminals			Continuity
Display unit (+)		(-)	
Connector	Terminal (Wire color)		
M93	2 (L/W)	Ground	No
	3 (L/R)		

OK or NG

- OK >> Replace display control unit.
- NG >> Repair harness.

NAVIGATION SYSTEM

EKS0046I

Power Supply and Ground Circuit Check for AV Switch

1. CHECK FUSE

- Make sure the following fuses of the AV switch are not blown.

Terminals		Power source	Fuse No.
Connector	Terminal (Wire color)		
M98	1 (Y/R)	Battery power	3
	2 (V)	ACC power	6

OK or NG

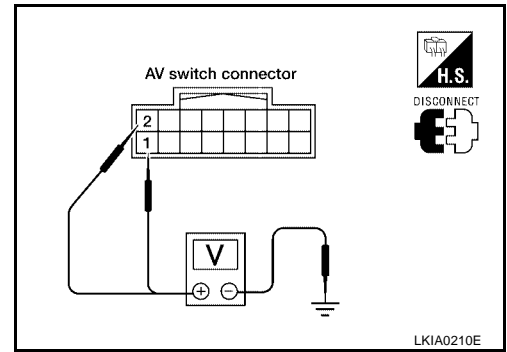
OK >> GO TO 2.

NG >> If fuse is blown, be sure to eliminate case of malfunction before installing new fuse. Refer to [PG-3](#), "[POWER SUPPLY ROUTING CIRCUIT](#)".

2. CHECK POWER SUPPLY CIRCUIT

1. Disconnect AV switch connector.
2. Check voltage between connector terminals and ground as follows.

Terminals			Ignition switch position		
(+)		(-)	OFF	ACC	ON
Connector	Terminal (Wire color)				
M98	1 (Y/R)	Ground	Battery voltage	Battery voltage	Battery voltage
	2 (V)		0V	Battery voltage	Battery voltage



OK or NG

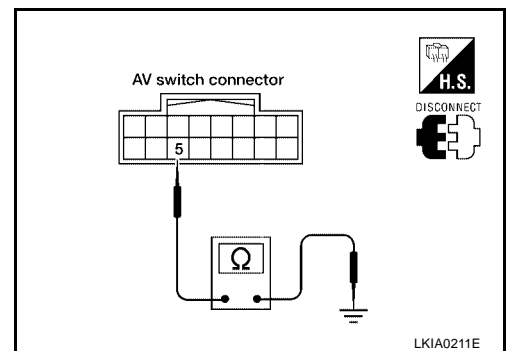
OK >> GO TO 3.

NG >> Check harness for open or short between AV switch and fuse.

3. CHECK GROUND CIRCUIT

Check continuity between AV switch and ground as follows.

Terminals			Ignition switch	Continuity
(+)		(-)		
Connector	Terminal (Wire color)			
M98	5 (B)	Ground	OFF	Yes



OK or NG

OK >> INSPECTION END.

NG >> Repair or replace harness.

NAVIGATION SYSTEM

EKS0046J

Vehicle Speed Signal Check for NAVI Control Unit

1. CHECK HARNESS

1. Turn ignition switch OFF.
2. Disconnect NAVI control unit connector and unified meter and A/C amp. connector.
3. Check continuity between NAVI control unit harness connector M97 terminal 28 (BR) and unified meter and A/C amp. harness connector M50 terminal 26 (G).

Continuity should exist.

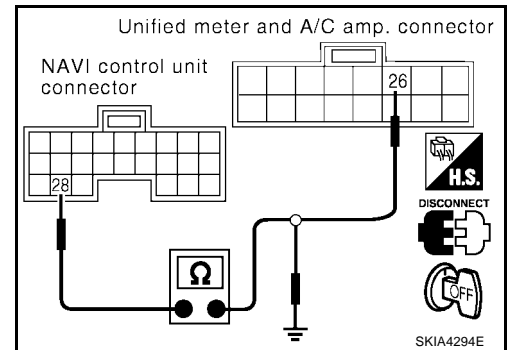
4. Check continuity between NAVI control unit harness connector M97 terminal 28 (BR) and ground.

Continuity should not exist.

OK or NG

OK >> GO TO 2.

NG >> Repair harness.



2. CHECK 1: VEHICLE SPEED SIGNAL

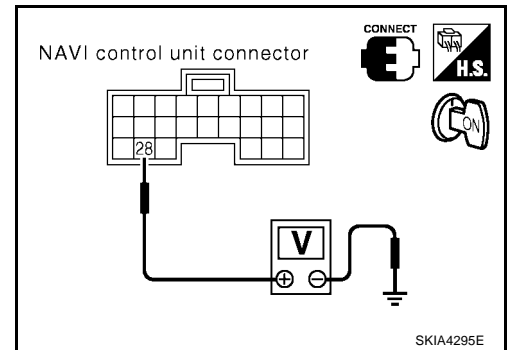
1. Connect NAVI control unit connector and unified meter and A/C amp. connector.
2. Turn ignition switch ON.
3. Check voltage between NAVI control unit harness connector M97 terminal 28 (BR) and ground.

Approx. 3.5V or more

OK or NG

OK >> GO TO 3.

NG >> Replace NAVI control unit.



3. CHECK 2: VEHICLE SPEED SIGNAL

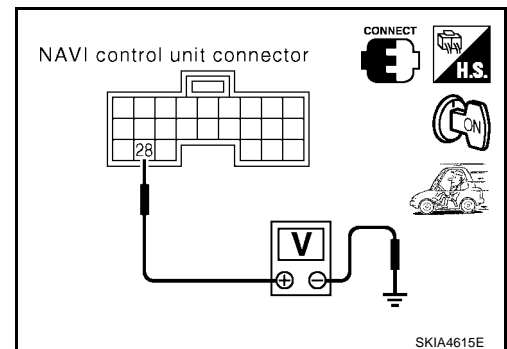
1. Drive vehicle at a constant speed.
2. Check signal between NAVI control unit harness connector M97 terminal 28 (BR) and ground with CONSULT-II or oscilloscope.

28 (BR) – Ground : Refer to [AV-121, "Terminals and Reference Value for NAVI Control unit"](#) .

OK or NG

OK >> Replace NAVI control unit.

NG >> Check combination meter system. Refer to [DI-20, "Vehicle Speed Signal Inspection"](#) .



NAVIGATION SYSTEM

EKS0046K

Vehicle Speed Signal Check for Display Control Unit

1. CHECK HARNESS

1. Turn ignition switch OFF.
2. Disconnect display control unit connector and combination unified meter and A/C amp. connector.
3. Check continuity between display control unit harness connector M94 terminal 16 (BR) and unified meter and A/C amp. harness connector M50 terminal 26 (G).

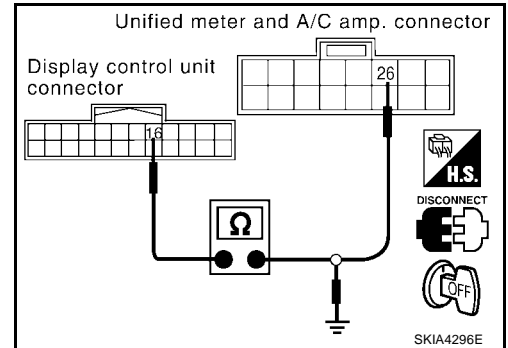
Continuity should exist.

4. Check continuity between display control unit harness connector M94 terminal 16 (BR) and ground.

Continuity should not exist.

OK or NG

- OK >> GO TO 2.
- NG >> Repair harness.



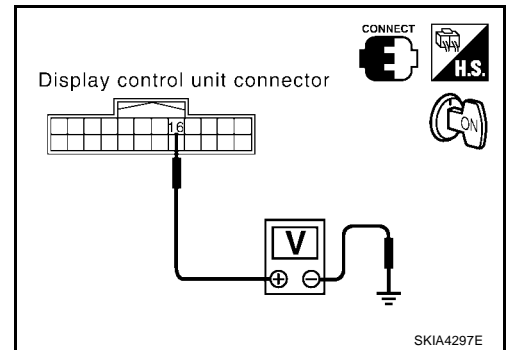
2. CHECK 1: VEHICLE SPEED SIGNAL

1. Connect display control unit connector and unified meter and A/C amp. connector.
2. Turn ignition switch ON.
3. Check voltage between display control unit harness connector M94 terminal 16 (BR) and ground.

Approx. 3.5V or more

OK or NG

- OK >> GO TO 3.
- NG >> Replace display control unit.



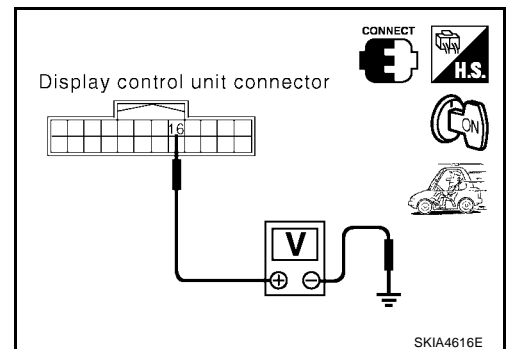
3. CHECK 2: VEHICLE SPEED SIGNAL

1. Drive vehicle at a constant speed.
2. Check signal between display control unit harness connector M94 terminal 16 (BR) and ground with CONSULT-II or oscilloscope.

16 (BR) – Ground : Refer to [AV-123, "Terminals and Reference Value for Display Control unit"](#) .

OK or NG

- OK >> Replace display control unit.
- NG >> Check unified meter and A/C amp. system. Refer to [DI-20, "Vehicle Speed Signal Inspection"](#) .



NAVIGATION SYSTEM

EKS0046L

Illumination Signal Check for NAVI Control Unit

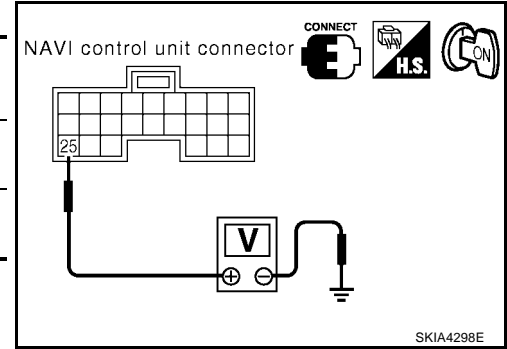
1. CHECK ILLUMINATION SIGNAL

1. Turn the ignition switch ON.
2. Check voltage between NAVI control unit and ground.

Terminals			Lighting switch position	
(+)		(-)	1st or 2nd position	OFF
Connector	Terminal (Wire color)		Battery voltage	Approx. 0V
M97	25 (R/L)	Ground		

OK or NG

- OK >> Replace NAVI control unit.
 NG >> Check harness for open or short between NAVI control unit and IPDM E/R.



Illumination Signal Check for Display Control Unit

EKS0046M

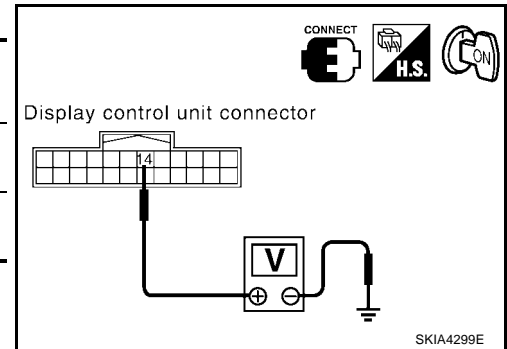
1. CHECK ILLUMINATION SIGNAL

1. Turn ignition switch ON.
2. Check voltage between display control unit and ground.

Terminals			Lighting switch position	
(+)		(-)	1st or 2nd position	OFF
Connector	Terminal (Wire color)		Battery voltage	Approx. 0V
M94	14 (R/L)	Ground		

OK or NG

- OK >> Replace display control unit.
 NG >> Check harness for open or short between display control unit and IPDM E/R.



Ignition Signal Check for NAVI Control Unit

EKS0046N

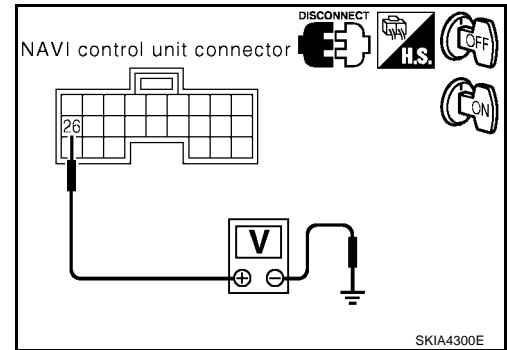
1. CHECK IGNITION SIGNAL

1. Disconnect NAVI control unit connector.
2. Turn ignition switch ON.
3. Check voltage between NAVI control unit harness connector M97 terminal 26 (G) and ground.

Battery voltage should exist.

OK or NG

- OK >> Replace NAVI control unit.
 NG >> Check harness for open or short between NAVI control unit and fuse.



NAVIGATION SYSTEM

Ignition Signal Check for Display Control Unit

EKS00460

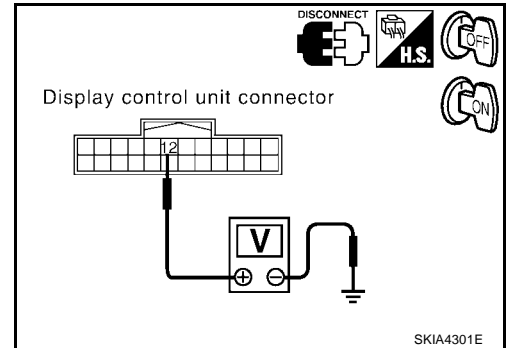
1. CHECK IGNITION SIGNAL

1. Disconnect display control unit connector.
2. Turn ignition switch ON.
3. Check voltage between display control unit harness connector M94 terminal 12 (G) and ground.

Battery voltage should exist.

OK or NG

- OK >> Replace display control unit.
 NG >> Check harness for open or short between display control unit and fuse.



Reverse Signal Check for NAVI Control Unit

EKS0046P

1. CHECK REVERSE LAMP

1. Turn ignition switch ON.
2. Selector lever into R-position. Do back-up lamps come on?

YES or NO

- YES >> GO TO 2.
 NO >> Check back-up lamp system. Refer to [LT-132, "BACK-UP LAMP"](#) .

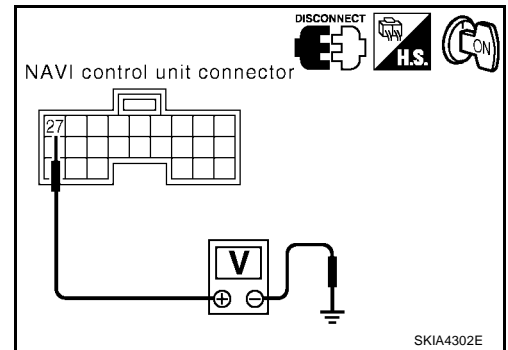
2. CHECK REVERSE SIGNAL

With the selector lever in R-position, check voltage between NAVI control unit and ground.

Terminals		Selector lever position		
(+)		(-)	R-position	
Connector	Terminal (Wire color)		R-position	Other than R-position
M97	27 (G/W)	Ground	Battery voltage	Approx. 0V

OK or NG

- OK >> Replace NAVI control unit.
 NG >> Check harness for open or short between NAVI control unit and back-up lamp position relay.



Reverse Signal Check for Display Control Unit

EKS0046Q

1. CHECK REVERSE LAMP

1. Turn ignition switch ON.
2. Selector lever into R-position. Do back-up lamps come on?

YES or NO

- YES >> GO TO 2.
 NO >> Check back-up lamp system. Refer to [LT-132, "BACK-UP LAMP"](#) .

NAVIGATION SYSTEM

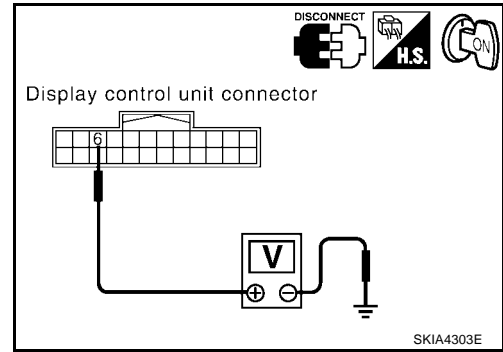
2. CHECK REVERSE SIGNAL

With the selector lever in R-position, check voltage between display control unit and ground.

Terminals			Selector lever position	
(+)		(-)	R-position	Other than R-position
Connector	Terminal (Wire color)			
M94	6 (G/W)	Ground	Battery voltage	Approx. 0V

OK or NG

- OK >> Replace display control unit.
- NG >> Check harness for open or short between display control unit and back-up lamp position relay.



AV Communication Line Check (Between Display Control Unit and NAVI Control Unit)

EKS0046R

1. CHECK POWER SUPPLY AND GROUND CIRCUIT

1. Check system of power supply and ground circuit NAVI control unit. Refer to [AV-147, "Power Supply and Ground Circuit Check for NAVI Control Unit"](#).

OK or NG

- OK >> GO TO 2.
- NG >> Check the malfunctioning parts.

2. CHECK HARNESS

1. Turn ignition switch OFF.
2. Disconnect NAVI control unit connector and display control unit connector.
3. Check continuity between NAVI control unit and display control unit.

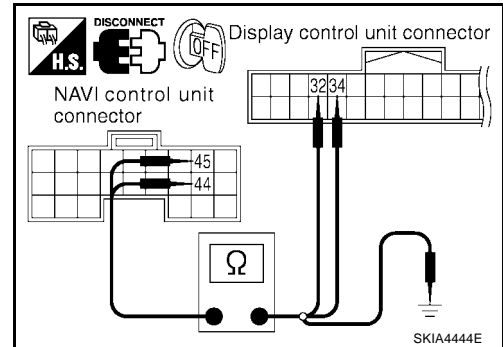
Terminals				Continuity
NAVI control unit (+)		Display control unit (-)		
Connector	Terminal (Wire color)	Connector	Terminal (Wire color)	
M97	44 (L)	M95	32 (L)	Yes
	45 (P)		34 (P)	

4. Check continuity between NAVI control unit and ground.

Terminals			Continuity
NAVI control unit(+)		(-)	
Connector	Terminal (Wire color)		
M97	44 (L)	Ground	No
	45 (P)		

OK or NG

- OK >> GO TO 3.
- NG >> Repair harness or connector.



NAVIGATION SYSTEM

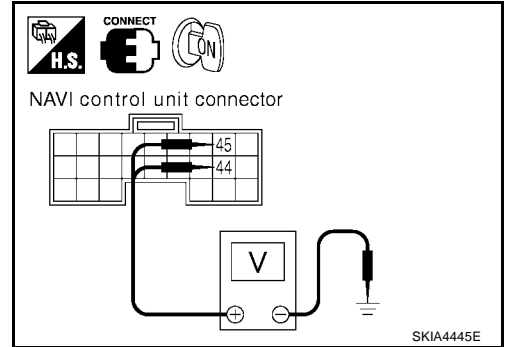
3. CHECK AV COMMUNICATION SIGNAL

1. Connect NAVI control unit connector and display control unit connector.
2. Turn ignition switch ON.
3. Check signal between NAVI control unit harness connector M97 terminal 44 (L) and 45 (P) with CONSULT-II or oscilloscope.

44 (L) , 45 (P)-Ground : Refer to [AV-121, "Terminals and Reference Value for NAVI Control unit"](#) .

OK or NG

- OK >> Replace display control unit.
 NG >> Replace NAVI control unit.



Audio Communication Line Check (Between Display Control Unit and Audio Unit)

EKS0046S

1. CHECK POWER SUPPLY AND GROUND CIRCUIT

1. Check system of power supply and ground circuit audio unit. Refer to [AV-35, "Power Supply Circuit Inspection"](#) .

OK or NG

- OK >> GO TO 2.
 NG >> Check the malfunctioning parts.

2. CHECK HARNESS

1. Turn ignition switch OFF.
2. Disconnect audio unit connector and display control unit connector.
3. Check continuity between audio unit and display control unit.

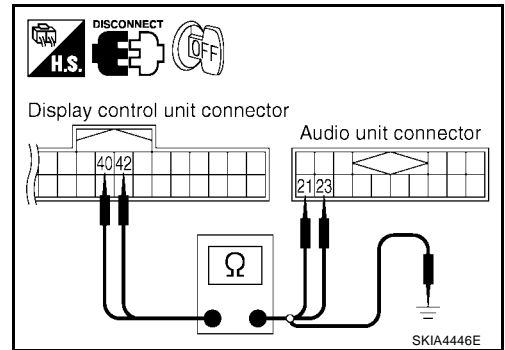
Terminals				Continuity
Display control unit (+)		Audio unit (-)		
Connector	Terminal (Wire color)	Connector	Terminal (Wire color)	
M95	40 (R)	M46	23 (R)	Yes
	42 (L)		21 (L)	

4. Check continuity between display control unit and ground.

Terminals			Continuity
Display control unit(+)		(-)	
Connector	Terminal (Wire color)		
M95	40 (R)	Ground	No
	42 (L)		

OK or NG

- OK >> GO TO 3.
 NG >> Repair harness or connector.



A
B
C
D
E
F
G
H
I
J
L
M

AV

NAVIGATION SYSTEM

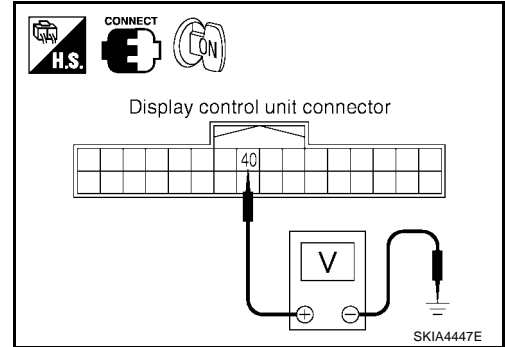
3. CHECK 1: AUDIO-TX COMMUNICATION SIGNAL

1. Connect display control unit connector .
2. Turn ignition switch ON.
3. Check voltage between display control unit harness connector M95 terminal 40 (R) and ground.

Approx. 3.5 V or more

OK or NG

- OK >> GO TO 4.
NG >> Replace display control unit.



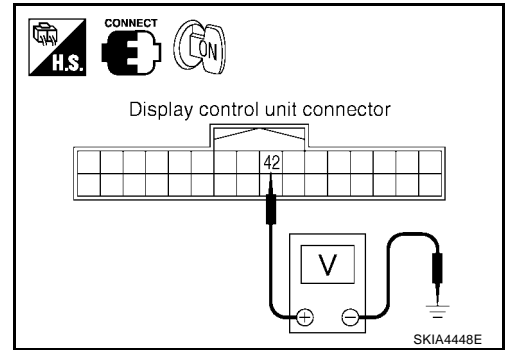
4. CHECK 2: AUDIO-RX COMMUNICATION SIGNAL

1. Connect audio unit connector.
2. Turn ignition switch ON.
3. Check voltage between display control unit harness connector M95 terminal 42 (L) and ground.

Approx. 3.5 V or more

OK or NG

- OK >> GO TO 5.
NG >> Replace audio unit.



5. CHECK 3: AUDIO-TX COMMUNICATION SIGNAL

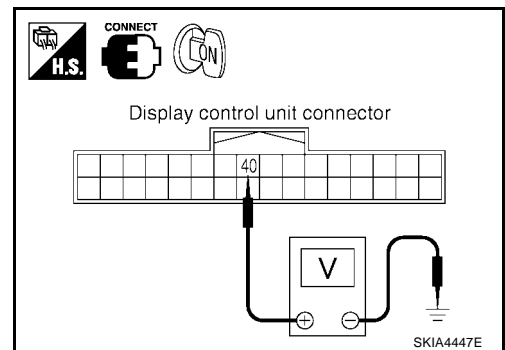
1. Turn ignition switch ON.
2. Check signal between display control unit harness connector M95 terminal 40 (R) and ground with CONSULT-II or oscilloscope.

40 (R) - Ground

: Refer to [AV-123, "Terminals and Reference Value for Display Control unit"](#) .

OK or NG

- OK >> GO TO 6.
NG >> Replace audio unit.



NAVIGATION SYSTEM

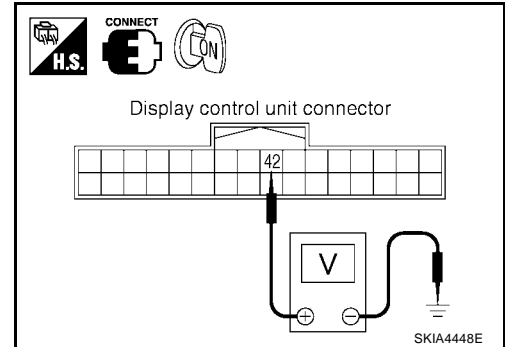
6. CHECK 4: AUDIO-RX COMMUNICATION SIGNAL

1. Turn ignition switch ON.
2. Check signal between display control unit harness connector M95 terminal 42 (L) and ground with CONSULT-II or oscilloscope.

42 (L) - Ground : Refer to [AV-123, "Terminals and Reference Value for Display Control unit"](#) .

OK or NG

- OK >> Replace audio unit.
 NG >> Replace display control unit.



Display Communication Line Check (Between Display Control Unit and Display Unit)

EKS0046T

1. CHECK HARNESS

1. Turn ignition switch OFF.
2. Disconnect display unit connector and display control unit connector.
3. Check continuity between display control unit and display unit.

Terminals				Continuity
Display control unit (+)		Display unit (-)		
Connector	Terminal (Wire color)	Connector	Terminal (Wire color)	
M95	36 (B/W)	M93	11 (B/W)	Yes
	38 (L)		22 (L)	

4. Check continuity between display control unit and ground.

Terminals			Continuity
Display control unit(+)		(-)	
Connector	Terminal (Wire color)		
M95	36 (B/W)	Ground	No
	38 (L)		

OK or NG

- OK >> GO TO 2.
 NG >> Repair harness or connector.

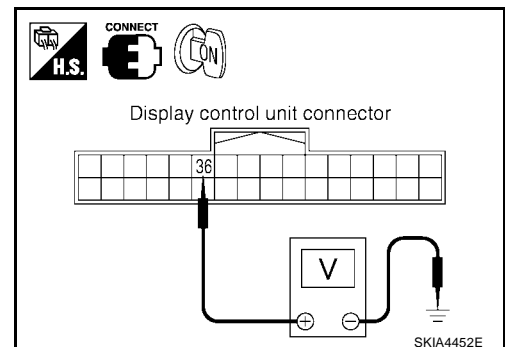
2. CHECK 1: COMMUNICATION SIGNAL (DCU-DSP)

1. Connect display control unit connector .
2. Turn ignition switch ON.
3. Check voltage between display control unit harness connector M95 terminal 36 (B/W) and ground.

Approx. 3.5 V or more

OK or NG

- OK >> GO TO 3.
 NG >> Replace display control unit.



A
B
C
D
E
F
G
H
I
J
AV
L
M

NAVIGATION SYSTEM

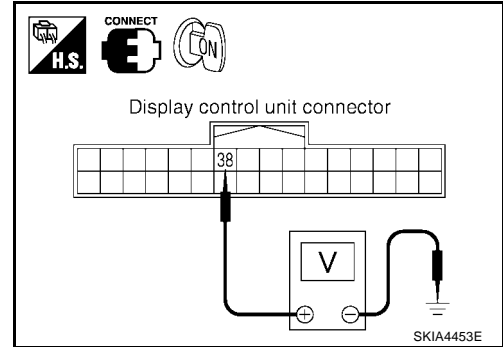
3. CHECK 2: COMMUNICATION SIGNAL (DSP-DCU)

1. Connect display unit connector.
2. Turn ignition switch ON.
3. Check voltage between display control unit harness connector M95 terminal 38 (L) and ground.

Approx. 3.5 V or more

OK or NG

- OK >> GO TO 4.
NG >> Replace display unit.



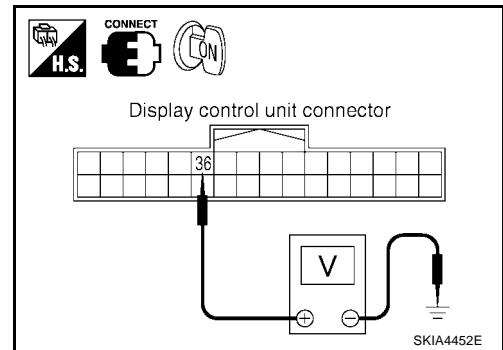
4. CHECK 3: COMMUNICATION SIGNAL (DCU-DSP)

1. Turn ignition switch ON.
2. Check signal between display control unit harness connector M95 terminal 36 (B/W) and ground with CONSULT-II or oscilloscope.

36 (B/W) - Ground : Refer to [AV-123, "Terminals and Reference Value for Display Control unit"](#) .

OK or NG

- OK >> GO TO 5.
NG >> Replace display unit.



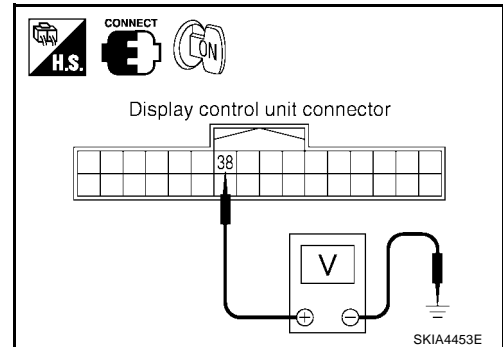
5. CHECK 4: COMMUNICATION SIGNAL (DSP-DCU)

1. Turn ignition switch ON.
2. Check signal between display control unit harness connector M95 terminal 38 (L) and ground with CONSULT-II or oscilloscope.

38 (L) - Ground : Refer to [AV-123, "Terminals and Reference Value for Display Control unit"](#) .

OK or NG

- OK >> Replace display unit.
NG >> Replace display control unit.



NAVIGATION SYSTEM

AV Communication Line Check (Between Display Control Unit and AV Switch)

EKS0046U

1. CHECK AV SWITCH CIRCUIT

1. Turn ignition switch OFF.
2. Disconnect display control unit connector and AV switch connector.
3. Check continuity between display control unit and AV switch.

Terminals				Continuity
Display control unit (+)		AV switch (-)		
Connector	Terminal (Wire color)	Connector	Terminal (Wire color)	
M95	28 (V)	M98	6 (V)	Yes
	30 (LG)		8 (LG)	

4. Check continuity between display control unit and ground.

Terminals			Continuity
Display control unit(+)		(-)	
Connector	Terminal (Wire color)		
M95	28 (V)	Ground	No
	30 (LG)		

OK or NG

- OK >> GO TO 2.
 NG >> Repair harness or connector.

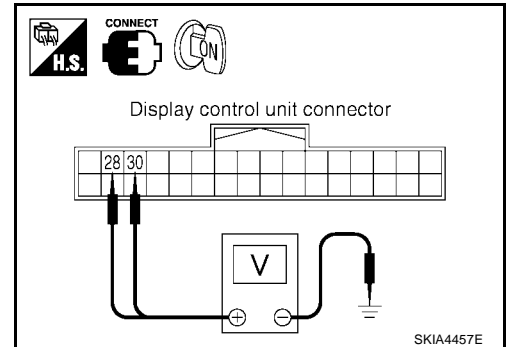
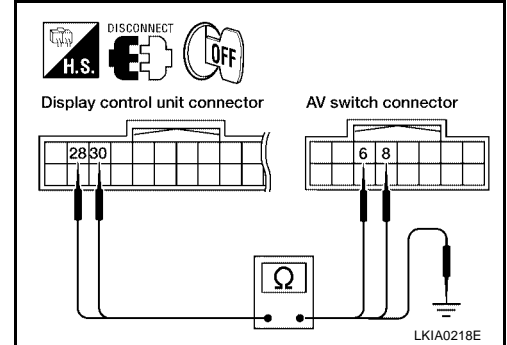
2. CHECK AV COMMUNICATION SIGNAL

1. Connect display control unit connector and AV switch connector.
2. Turn ignition switch ON.
3. Check signal between display control unit harness connector M95 terminal 28 (L) and 30 (LG) with CONSULT-II or oscilloscope.

28 (L), 30 (LG) - Ground : Refer to [AV-123](#), "[Terminals and Reference Value for Display Control unit](#)".

OK or NG

- OK >> Replace AV switch.
 NG >> Replace display control unit.



A
B
C
D
E
F
G
H
I
J
L
M

AV

NAVIGATION SYSTEM

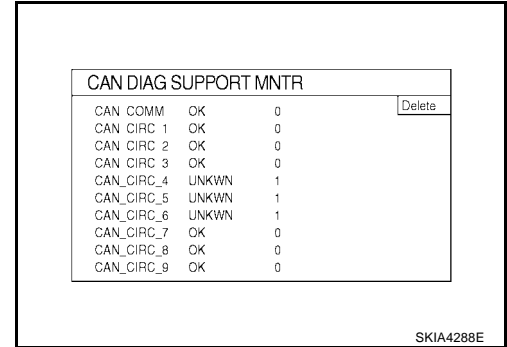
EKS0046V

CAN Communication Line Check

1. CHECK MONITOR DESCRIPTION

1. Start display control unit self-diagnosis. Refer to [AV-133, "Self-Diagnosis Mode \(DCU\)"](#) .
2. Select "CAN DIAG SUPPORT MONITOR". Refer to [AV-145, "CAN DIAG SUPPORT MONITOR"](#) .

Item	content		Error counter
	Normal condition	Errorr (Example)	
CANCOMM	OK	NG	0-50
CAN_CIRC_1	OK	UNKWN	0-50
CAN_CIRC_2	OK	UNKWN	0-50
CAN_CIRC_3	OK	UNKWN	0-50
CAN_CIRC_4	OK	UNKWN	0-50
CAN_CIRC_5	OK	UNKWN	0-50
CAN_CIRC_6	OK	UNKWN	0-50
CAN_CIRC_7	OK	UNKWN	0-50
CAN_CIRC_8	OK	UNKWN	0-50
CAN_CIRC_9	OK	UNKWN	0-50



3. Record each item display description (OK/NG/UNKWN) displayed on the following CAN DIAG SUPPORT MONITOR Check Sheet.

CAN DIAG SUPPORT MONITOR Check Sheet

Diagnosis item	Screen display		Diagnosis item	Screen display	
CANCOMM	OK	NG	CAN_CIRC_5	OK	UNKWN
CAN_CIRC_1	OK	UNKWN	CAN_CIRC_6	OK	UNKWN
CAN_CIRC_2	OK	UNKWN	CAN_CIRC_7	OK	UNKWN
CAN_CIRC_3	OK	UNKWN	CAN_CIRC_8	OK	UNKWN
CAN_CIRC_4	OK	UNKWN	CAN_CIRC_9	OK	UNKWN

>> After filling in CAN DIAG SUPPORT MONITOR Check Sheet, GO TO [LAN-8, "CAN COMMUNICATION"](#) .

If NAVI control unit detects that DVD-ROM map is not inserted

EKS0046W

1. CHECK DVD-ROM

1. Make sure identified DVD-ROM map is inserted.

OK or NG

- OK >> Replace NAVI control unit.
- NG >> Insert identified DVD-ROM map.

If NAVI control unit detects that inserted DVD-ROM map malfunctioning or if it is impossible to load data from DVD-ROM map

EKS0046X

1. CHECK1: DVD-ROM

1. Remove inserted DVD-ROM map to check that it is identified.

OK or NG

- OK >> GO TO 2.
- NG >> Replace identified DVD-ROM map.

2. CHECK 2: DVD-ROM

1. Check removed DVD-ROM that there are no dirt, scratch and warp.

OK or NG

- OK >> GO TO 3.
- NG >> Replace DVD-ROM map.

3. CHECK 3: DVD-ROM

1. Insert same DVD-ROM to make sure same diagnosis result is found as last self-diagnosis.

OK or NG

- OK >> Replace NAVI control unit.
- NG >> Replace DVD-ROM map.

If Connection Between NAVI Control Unit and GPS Antenna is Malfunctioning

EKS0046Y

1. CHECK GPS ANTENNA

1. Check cable for GPS antenna by watching out to see that cable is malfunctioning.

OK or NG

- OK >> GO TO 2.
- NG >> Replace GPS antenna.

2. CHECK BY REPLACEMENT OF GPS ANTENNA

1. Replace other functional GPS antenna to try self-diagnosis again.

Result of self-diagnosis; Found same result?

- Yes >> Replace NAVI control unit.
- No >> Replace GPS antenna.

RGB Screen is Not Shown

EKS0046Z

1. CHECK HARNESS

1. Turn ignition switch OFF.
2. Disconnect display control unit connector and display unit connector.
3. Check continuity between display control unit harness connector M95 terminal 51 (B) and display unit harness connector M93 terminal 9 (B).

Continuity should exist.

4. Check continuity between display control unit harness connector M95 terminal 55 (R) and display unit harness connector M93 terminal 8 (R).

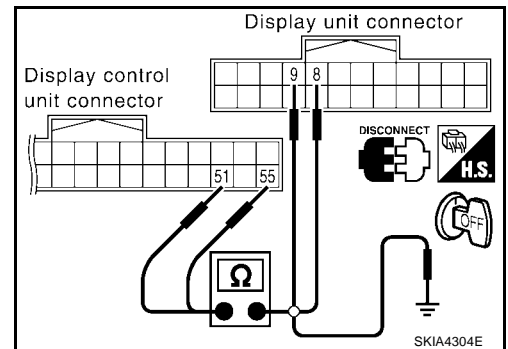
Continuity should exist.

5. Check continuity between display control unit harness connector M95 terminal 51 (B), 55 (R) and ground.

Continuity should not exist.

OK or NG

- OK >> GO TO 2.
- NG >> Repair harness.



NAVIGATION SYSTEM

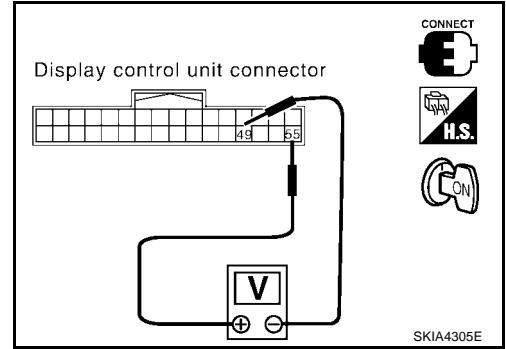
2. CHECK HORIZONTAL SYNCHRONIZATION SIGNAL

1. Connect display control unit connector and display unit connector.
2. Turn ignition switch ON.
3. Check signal between display control unit connector M95 terminals 55 (R) and 49 with CONSULT-II or oscilloscope.

55 (R) - 49 : Refer to [AV-123, "Terminals and Reference Value for Display Control unit"](#) .

OK or NG

- OK >> GO TO 3.
 NG >> Replace display unit.



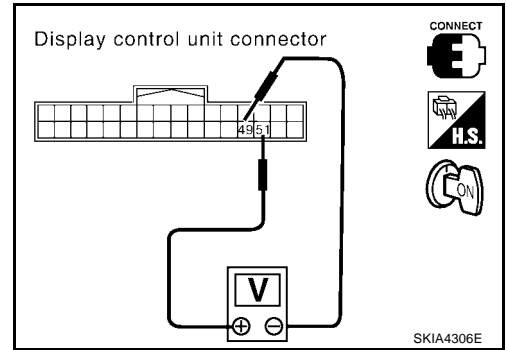
3. CHECK RGB AREA SIGNAL

1. Press the "TRIP" button.
2. Check signal between display control unit connector M95 terminals 51 (B) and 49 with CONSULT-II or oscilloscope.

51 (B) - 49 : Refer to [AV-123, "Terminals and Reference Value for Display Control unit"](#) .

OK or NG

- OK >> Replace display unit.
 NG >> Replace display control unit.



Color of RGB Image is Not Proper (NAVI Screen looks bluish)

EKS00470

1. CHECK RGB HARNESS

1. Turn ignition switch OFF.
2. Disconnect NAVI control unit connector and display control unit connector.
3. Check continuity between NAVI control unit and display control unit.
4. Check continuity between NAVI control unit and ground.

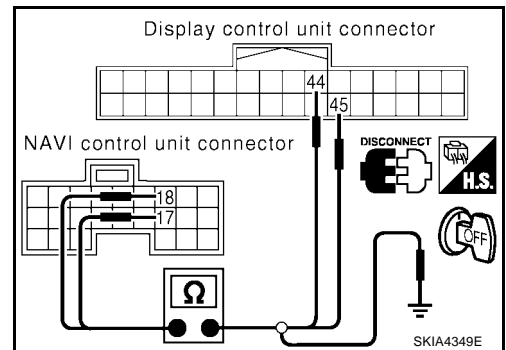
● **When the screen looks bluish**

Terminals				Continuity
NAVI control unit (+)		Display control unit (-)		
Connector	Terminal (Wire color)	Connector	Terminal (Wire color)	
M96	18 (R/L)	M95	44 (R/L)	Yes
	17		45	

Terminals			Continuity
NAVI control unit (+)		(-)	
Connector	Terminal (Wire color)		
M96	18 (R/L)	Ground	No
	17		

OK or NG

- OK >> GO TO 2.
 NG >> Repair harness or connector.



NAVIGATION SYSTEM

2. CHECK RGB SIGNAL

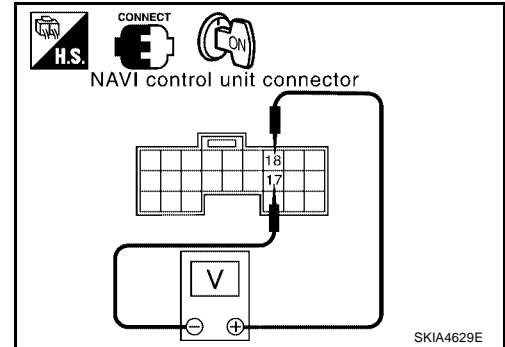
1. Connect NAVI control unit connector and display control unit connector.
2. Turn ignition switch ON.
3. Display "Color bar" by "CONFIRMATION/ADJUSTMENT" mode.
4. Check signal between NAVI control unit connector M96 terminal 18 (R/L) and 17 with CONSULT-II or oscilloscope.

- **When the screen looks bluish.**

Voltage signal between NAVI control unit connector M96 terminal 18 (R/L) and 17.

18 (R/L) – 17

: Refer to [AV-121, "Terminals and Reference Value for NAVI Control unit"](#) .



OK or NG

- OK >> Replace display control unit.
- NG >> Replace NAVI control unit.

Color of RGB Image is Not Proper (NAVI Screen looks reddish)

EKS00471

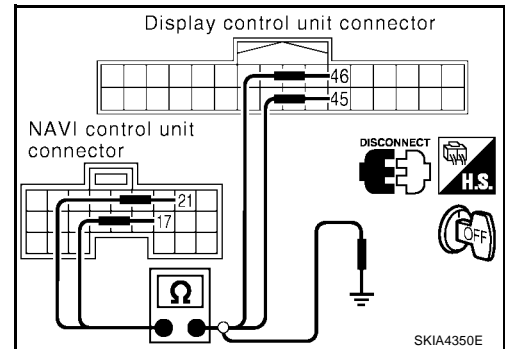
1. CHECK RGB HARNESS

1. Turn ignition switch OFF.
2. Disconnect NAVI control unit connector and display control unit connector.
3. Check continuity between NAVI control unit and display control unit.
4. Check continuity between NAVI control unit and ground.

- **When the screen looks reddish.**

Terminals				Continuity
NAVI control unit (+)		Display control unit (-)		
Connector	Terminal (Wire color)	Connector	Terminal (Wire color)	Yes
M96	21 (R/W)	M95	46 (R/W)	
	17		45	

Terminals				Continuity
NAVI control unit (+)		(-)		
Connector	Terminal (Wire color)			No
M96	21 (R/W)	Ground		
	17			



OK or NG

- OK >> GO TO 2.
- NG >> Repair harness or connector.

NAVIGATION SYSTEM

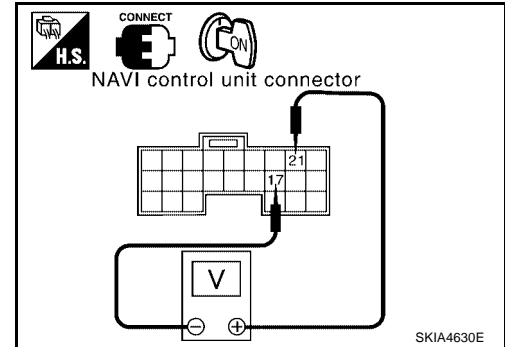
2. CHECK RGB SIGNAL

1. Connect NAVI control unit connector and display control unit connector.
2. Turn ignition switch ON.
3. Display "Color bar" by "CONFIRMATION/ADJUSTMENT" mode.
4. Check signal between NAVI control unit connector M96 terminal 21 (R/W) and 17 with CONSULT-II or oscilloscope.

- **When the screen looks reddish.**
Voltage signal between NAVI control unit connector M96 terminal 21 (R/W) and 17.

21 (R/W) – 17

: Refer to AV-121, "Terminals and Reference Value for NAVI Control unit" .



OK or NG

- OK >> Replace display control unit.
- NG >> Replace NAVI control unit.

Color of RGB Image is Not Proper (NAVI Screen looks yellowish)

EKS00472

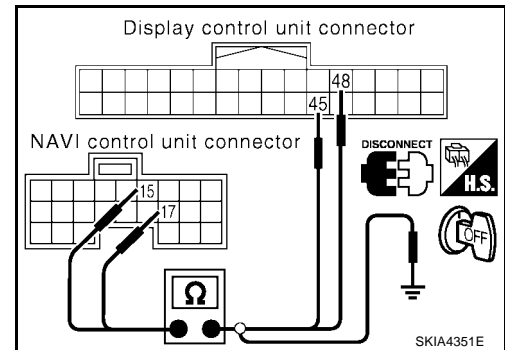
1. CHECK RGB HARNESS

1. Turn ignition switch OFF.
2. Disconnect NAVI control unit connector and display control unit connector.
3. Check continuity between NAVI control unit and display control unit.
4. Check continuity between NAVI control unit and ground.

- **When the screen looks yellowish.**

Terminals				Continuity
NAVI control unit (+)		Display control unit (-)		
Connector	Terminal (Wire color)	Connector	Terminal (Wire color)	
M96	15 (B)	M95	48 (B)	Yes
	17		45	

Terminals				Continuity
NAVI control unit(+)			(-)	
Connector	Terminal (Wire color)			
M96	15 (B)		Ground	No
	17			



OK or NG

- OK >> GO TO 2.
- NG >> Repair harness or connector.

NAVIGATION SYSTEM

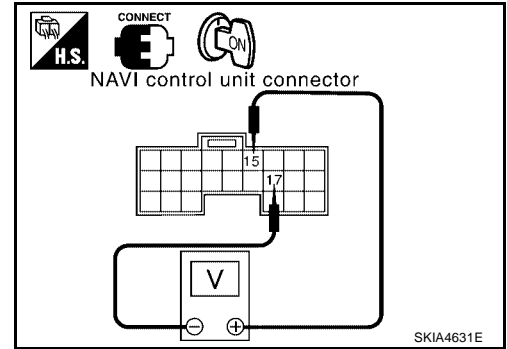
2. CHECK RGB SIGNAL

1. Connect NAVI control unit connector and display control unit connector.
2. Turn ignition switch ON.
3. Display "Color bar" by "CONFIRMATION/ADJUSTMENT" mode.
4. Check signal between NAVI control unit connector M96 terminal 15 (B) and 17 with CONSULT-II or oscilloscope.

- **When the screen looks yellowish.**
Voltage signal between NAVI control unit connector M96 terminal 15 (B) and 17.

15 (B) – 17

: Refer to AV-121, "Terminals and Reference Value for NAVI Control unit" .



OK or NG

- OK >> Replace display control unit.
- NG >> Replace NAVI control unit.

Color of RGB Image is Not Proper (Except NAVI Screen looks bluish)

EKS00473

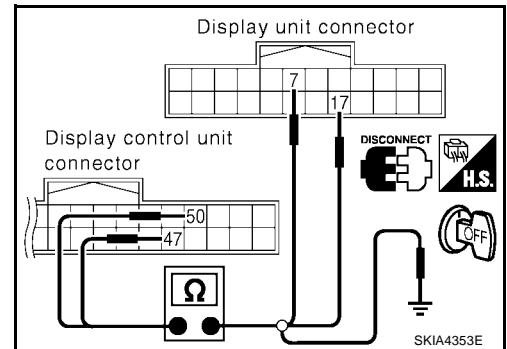
1. CHECK RGB HARNESS

1. Turn ignition switch OFF.
2. Disconnect display control unit connector and display unit connector.
3. Check continuity between display control unit and display unit.
4. Check continuity between display control unit and ground.

- **When the screen looks bluish**

Terminals				Continuity
Display control unit (+)		Display unit (-)		
Connector	Terminal (Wire color)	Connector	Terminal (Wire color)	
M95	50 (R/L)	M93	17 (R/L)	Yes
	47		7	

Terminals				Continuity
Display control unit (+)		(-)		
Connector	Terminal (Wire color)			
M95	50 (R/L)	Ground		No
	47			



OK or NG

- OK >> GO TO 2.
- NG >> Repair harness or connector.

A
B
C
D
E
F
G
H
I
J
AV
L
M

NAVIGATION SYSTEM

2. CHECK RGB SIGNAL

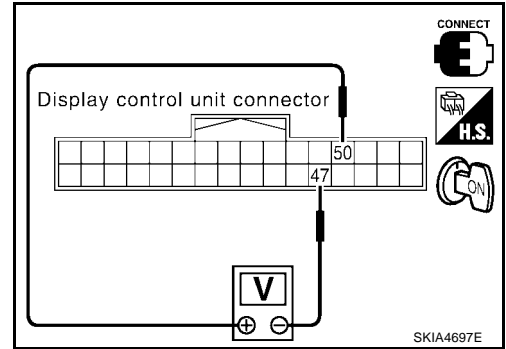
1. Connect display control unit connector and display unit connector.
2. Turn ignition switch ON.
3. Display "Color bar" by "CONFIRMATION/ADJUSTMENT" mode.
4. Check the following with CONSULT-II or oscilloscope.

- **When the screen looks bluish.**

Voltage signal between display control unit connector M95 terminal 50 (R/L) and 47.

50 (R/L) – 47

: Refer to [AV-123](#), "[Terminals and Reference Value for Display Control unit](#)".



OK or NG

- OK >> Replace display unit.
- NG >> Replace display control unit.

Color of RGB Image is Not Proper (Except NAVI Screen looks reddish)

EKS00474

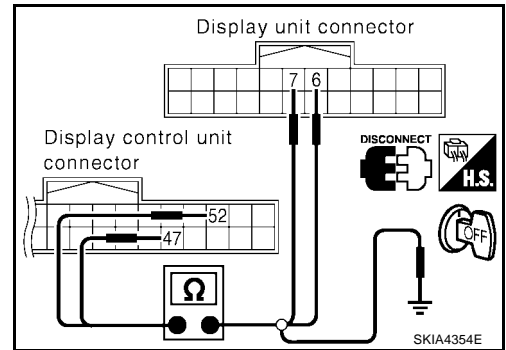
1. CHECK RGB HARNESS

1. Turn ignition switch OFF.
2. Disconnect display control unit connector and display unit connector.
3. Check continuity between display control unit and display unit.
4. Check continuity between display control unit and ground.

- **When the screen looks reddish.**

Terminals				Continuity
Display control unit (+)		Display unit (-)		
Connector	Terminal (Wire color)	Connector	Terminal (Wire color)	
M95	52 (R/W)	M93	6 (R/W)	Yes
	47		7	

Terminals			Continuity
Display control unit (+)		(-)	
Connector	Terminal (Wire color)		
M95	52 (R/W)	Ground	No
	47		



OK or NG

- OK >> GO TO 2.
- NG >> Repair harness or connector.

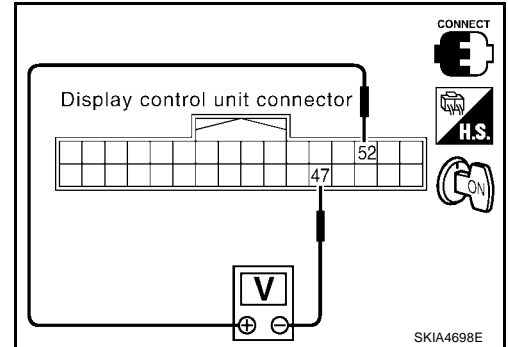
NAVIGATION SYSTEM

2. CHECK RGB SIGNAL

1. Connect display control unit connector and display unit connector.
 2. Turn ignition switch ON.
 3. Display "Color bar" by "CONFIRMATION/ADJUSTMENT" mode.
 4. Check the following with CONSULT-II or oscilloscope.
- **When the screen looks reddish.**
Voltage signal between display control unit connector M95 terminal 52 (R/W) and 47.

52 (R/W) – 47

: Refer to [AV-123, "Terminals and Reference Value for Display Control unit"](#) .



OK or NG

- OK >> Replace display unit.
- NG >> Replace display control unit.

Color of RGB Image is Not Proper (Except NAVI Screen looks yellowish)

EKS00475

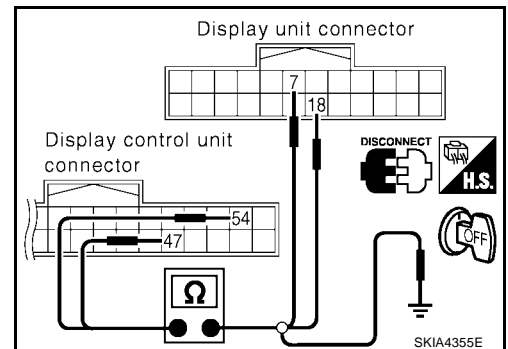
1. CHECK RGB HARNESS

1. Turn ignition switch OFF.
2. Disconnect display control unit connector and display unit connector.
3. Check continuity between display control unit and display unit.
4. Check continuity between display control unit and ground.

- **When the screen looks yellowish.**

Terminals				Continuity
Display control unit (+)		Display unit (-)		
Connector	Terminal (Wire color)	Connector	Terminal (Wire color)	
M95	54 (B)	M93	18 (B)	Yes
	47		7	

Terminals			Continuity
Display control unit (+)		(-)	
Connector	Terminal (Wire color)		
M95	54 (B)	Ground	No
	47		



OK or NG

- OK >> GO TO 2.
- NG >> Repair harness or connector.

NAVIGATION SYSTEM

2. CHECK RGB SIGNAL

1. Connect display control unit connector and display unit connector.
2. Turn ignition switch ON.
3. Display "Color bar" by "CONFIRMATION/ADJUSTMENT" mode.
4. Check the following with CONSULT-II or oscilloscope.

- **When the screen looks yellowish.**

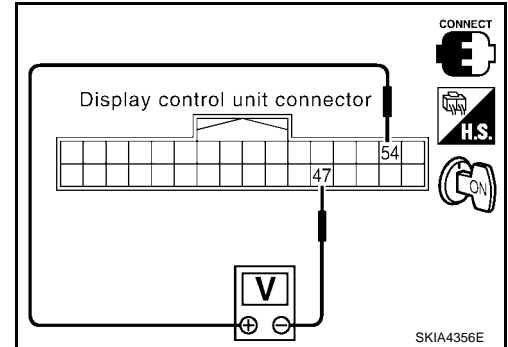
Voltage signal between display control unit connector M95 terminal 54 (B) and 47.

54 (B) – 47

: Refer to [AV-123, "Terminals and Reference Value for Display Control unit"](#) .

OK or NG

- OK >> Replace display unit.
- NG >> Replace display control unit.



NAVIGATION SYSTEM

EKS00476

RGB Screen is Rolling (NAVI Screen)

1. CHECK HARNESS

1. Turn ignition switch OFF.
2. Disconnect NAVI control unit connector and display control unit connector.
3. Check continuity between NAVI control unit and display control unit.

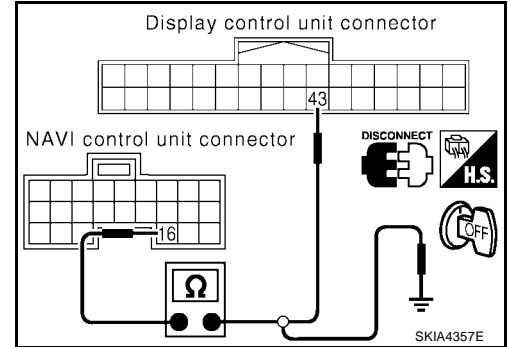
Terminals				Continuity
NAVI control unit (+)		Display control unit (-)		
Connector	Terminal (Wire color)	Connector	Terminal (Wire color)	
M96	16 (W)	M95	43 (W)	Yes

4. Check continuity between NAVI control unit and ground.

Terminals			Continuity
NAVI control unit (+)		(-)	
Connector	Terminal (Wire color)		
M96	16 (W)	Ground	No

OK or NG

- OK >> GO TO 2.
 NG >> Repair harness.



2. CHECK RGB SYNCHRONIZING SIGNAL

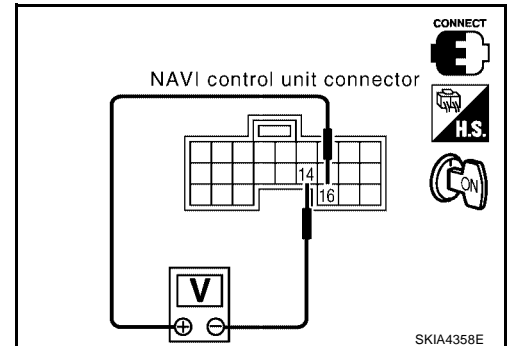
1. Connect NAVI control unit connector and display control unit connector.
2. Turn ignition switch ON.
3. Check signal between NAVI control unit connector M95 terminals 16 (W) and 14 with CONSULT-II or oscilloscope.

16 (W) – 14

: Refer to AV-121, "Terminals and Reference Value for NAVI Control unit" .

OK or NG

- OK >> Replace display control unit.
 NG >> Replace NAVI control unit.



NAVIGATION SYSTEM

EKS00477

RGB Screen Is Rolling (Except NAVI Screen)

1. CHECK HARNESS

1. Turn ignition switch OFF.
2. Disconnect display control unit connector and display unit connector.
3. Check continuity between display control unit and display unit.

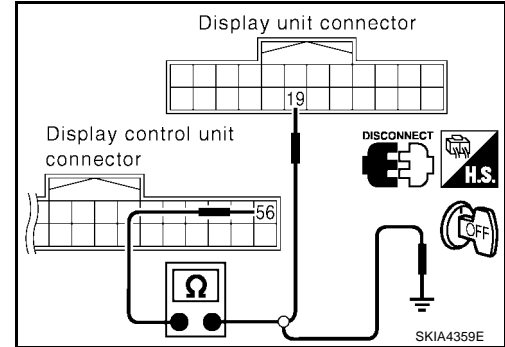
Terminals				Continuity
Display control unit (+)		Display unit (-)		
Connector	Terminal (Wire color)	Connector	Terminal (Wire color)	
M95	56 (G)	M93	19 (G)	Yes

4. Check continuity between display control unit and ground.

Terminals			Continuity
Display control unit (+)		(-)	
Connector	Terminal (Wire color)		
M95	56 (G)	Ground	No

OK or NG

- OK >> GO TO 2.
 NG >> Repair harness.



2. CHECK RGB SYNCHRONIZING SIGNAL

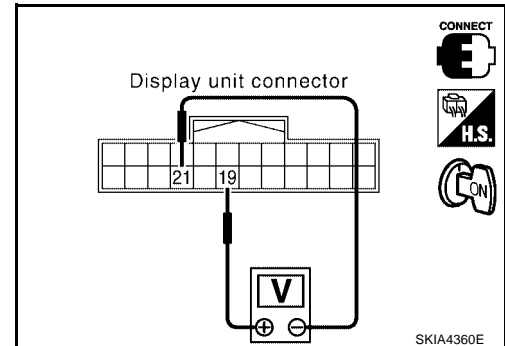
1. Connect display control unit connector and display unit connector.
2. Turn ignition switch ON.
3. Check signal between display unit connector M93 terminals 19 (G) and 21 with CONSULT-II or oscilloscope.

19 (G) – 21

: Refer to [AV-123](#), "Terminals and Reference Value for Display Control unit" .

OK or NG

- OK >> Replace display unit.
 NG >> Replace display control unit.



NAVIGATION SYSTEM

EKS00478

Guide Sound is Not Heard

1. CHECK VOICE GUIDE SETTING

- While driving in the dark pink route, voice guide does not operate. (note)
- Is volume setting not switched ON?

NOTE:

Voice guide is only available at intersections that satisfy certain conditions (indicated by ● on the map). Therefore, guidance may not be given even when the route on the map changes direction.

Yes or No

- Yes >> GO TO 2.
No >> Switch the setting ON and turn the volume up.

2. CHECK HARNESS

1. Turn ignition switch OFF.
2. Disconnect NAVI control unit connector and audio unit connector.
3. Check continuity between NAVI control unit and audio unit.

Terminals				Continuity
NAVI control unit (+)		Audio unit (-)		
Connector	Terminal (Wire color)	Connector	Terminal (Wire color)	
M96	7 (B)	M45	36 (B)	Yes
	8 (W)		34 (W)	

4. Check continuity between NAVI control unit and ground.

Terminals			Continuity
NAVI control unit(+)		(-)	
Connector	Terminal (Wire color)		
M96	7 (B)	Ground	No
	8 (W)		

Ok or NG

- OK >> GO TO 3.
NG >> Repair harness.

3. CHECK VOICE GUIDE

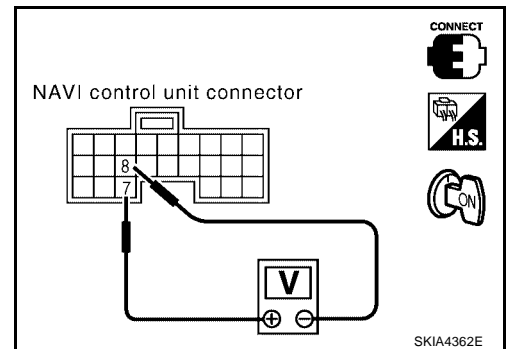
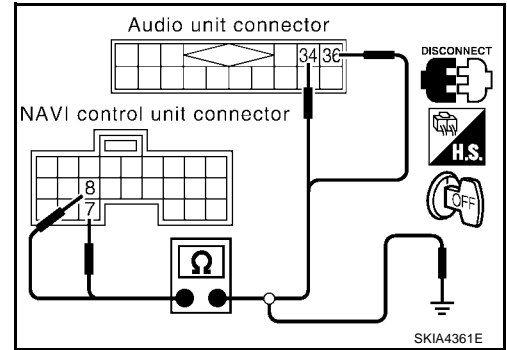
1. Connect NAVI control unit connector and audio unit connector.
2. Turn ignition switch ON.
3. Check signal between NAVI control unit harness connector M96 terminal 7 (B) and 8 (W) with CONSULT-II or oscilloscope.

7 (B) – 8 (W)

: Refer to [AV-121, "Terminals and Reference Value for NAVI Control unit"](#) .

OK or NG

- OK >> Replace audio unit.
NG >> Replace NAVI control unit.



NAVIGATION SYSTEM

Screen is Not Shown

EKS00479

1. POWER SUPPLY AND GROUND CIRCUIT CHECK

Check power supply and ground circuit. Refer to [AV-148, "Power Supply and Ground Circuit Check for Display Control Unit"](#) .

OK or NG

- OK >> Replace display unit.
- NG >> Check the malfunctioning parts.

Audio Screen is Not Shown (NAVI Screen is Shown)

EKS0047A

1. CHECK 1: COMMUNICATION LINE

1. Check audio communication line. Refer to [AV-157, "Audio Communication Line Check \(Between Display Control Unit and Audio Unit\)"](#) .

OK or NG

- OK >> GO TO 2.
- NG >> Check the malfunctioning parts.

2. CHECK 2: COMMUNICATION LINE

1. Check display communication line. Refer to [AV-159, "Display Communication Line Check \(Between Display Control Unit and Display Unit\)"](#) .

OK or NG

- OK >> Replace display unit.
- NG >> Check the malfunctioning parts.

A/C Screen is Not Shown (NAVI Screen is Shown)

EKS0047B

1. CHECK CAN COMMUNICATION LINE

1. Check CAN communication line. Refer to [AV-162, "CAN Communication Line Check"](#) .

OK or NG

- OK >> GO TO 2.
- NG >> After filling out CAN DIAG SUPPORT MONITOR check sheet, GO TO [LAN-8, "CAN COMMUNICATION"](#) .

2. CHECK COMMUNICATION LINE

1. Check display communication line. Refer to [AV-159, "Display Communication Line Check \(Between Display Control Unit and Display Unit\)"](#) .

OK or NG

- OK >> Replace display unit.
- NG >> Check the malfunctioning parts.

TRIP, FUEL ECON and MAINTENANCE Screens are Not Shown

EKS0047C

1. CHECK IGNITION SIGNAL

1. Check ignition signal. Refer to [AV-155, "Ignition Signal Check for Display Control Unit"](#) .

OK or NG

- OK >> GO TO 2.
- NG >> Check the malfunctioning parts.

2. CHECK POWER SUPPLY AND GROUND CIRCUIT

1. Check power supply circuit for display unit. Refer to [AV-148, "Power Supply and Ground Circuit Check for Display Control Unit"](#) .

OK or NG

- OK >> GO TO 3.
- NG >> Check the malfunctioning parts.

NAVIGATION SYSTEM

3. CHECK COMMUNICATION LINE

1. Check display communication line. Refer to [AV-159, "Display Communication Line Check \(Between Display Control Unit and Display Unit\)"](#) .

OK or NG

- OK >> Replace display unit.
NG >> Check the malfunctioning parts.

*Average Fuel Economy Displayed is Not Shown (" " is Shown)

EKS0047D

1. CHECK VEHICLE SPEED SIGNAL

1. Check vehicle speed signal. Refer to [AV-153, "Vehicle Speed Signal Check for Display Control Unit"](#) .

OK or NG

- OK >> GO TO 2.
NG >> Check the malfunctioning parts.

2. CHECK CAN COMMUNICATION LINE

1. Check CAN communication line. Refer to [AV-162, "CAN Communication Line Check"](#) .

OK or NG

- OK >> GO TO 3.
NG >> After filling out CAN DIAG SUPPORT MONITOR check sheet, GO TO [LAN-8, "CAN COMMUNICATION"](#) .

3. CHECK COMMUNICATION LINE

1. Check display communication line. Refer to [AV-159, "Display Communication Line Check \(Between Display Control Unit and Display Unit\)"](#) .

OK or NG

- OK >> Replace display unit.
NG >> Check the malfunctioning parts.

*Distance to Empty Displayed is Not Shown (" "is Shown)

EKS0047E

1. CHECK SPEED METER

1. Confirm that speed meter is functioning.

Is speed meter functioning?

- YES >> GO TO 2.
NO >> Refer to [DI-20, "Vehicle Speed Signal Inspection"](#) .

2. CHECK FUEL METER

1. Confirm that fuel meter is functioning.

Is fuel meter functioning?

- YES >> GO TO 3.
NO >> Refer to [DI-24, "Fuel Level Sensor Signal Inspection 1"](#) .

3. CHECK CAN COMMUNICATION LINE

1. Check CAN communication line. Refer to [AV-162, "CAN Communication Line Check"](#) .

OK or NG

- OK >> GO TO 4.
NG >> After filling out CAN DIAG SUPPORT MONITOR check sheet, GO TO [LAN-8, "CAN COMMUNICATION"](#) .

NAVIGATION SYSTEM

4. CHECK COMMUNICATION LINE

1. Check display communication line. Refer to [AV-159, "Display Communication Line Check \(Between Display Control Unit and Display Unit\)"](#) .

OK or NG

- OK >> Replace display unit.
- NG >> Check the malfunctioning parts.

*Driving Distance or Average speed Displayed is Not Shown (" " is Shown) EKS0047F

1. CHECK VEHICLE SPEED SIGNAL

1. Check vehicle speed signal. Refer to [AV-153, "Vehicle Speed Signal Check for Display Control Unit"](#) .

OK or NG

- OK >> GO TO 2.
- NG >> Check the malfunctioning parts.

2. CHECK CAN COMMUNICATION LINE

1. Check CAN communication line. Refer to [AV-162, "CAN Communication Line Check"](#) .

OK or NG

- OK >> GO TO 3.
- NG >> After filling out CAN DIAG SUPPORT MONITOR check sheet, GO TO [LAN-8, "CAN COMMUNICATION"](#) .

3. CHECK COMMUNICATION LINE

1. Check display communication line. Refer to [AV-159, "Display Communication Line Check \(Between Display Control Unit and Display Unit\)"](#) .

OK or NG

- OK >> Replace display unit.
- NG >> Check the malfunctioning parts.

WARNING DOOR OPEN Screen is Not Shown EKS0047G

1. CHECK VEHICLE SPEED SIGNAL

1. Check vehicle speed signal. Refer to [AV-153, "Vehicle Speed Signal Check for Display Control Unit"](#) .

OK or NG

- OK >> GO TO 2.
- NG >> Check the malfunctioning parts.

2. CHECK CAN COMMUNICATION LINE

1. Check CAN communication line. Refer to [AV-162, "CAN Communication Line Check"](#) .

OK or NG

- OK >> GO TO 3.
- NG >> After filling out CAN DIAG SUPPORT MONITOR check sheet, GO TO [LAN-8, "CAN COMMUNICATION"](#) .

3. CHECK COMMUNICATION LINE

1. Check display communication line. Refer to [AV-159, "Display Communication Line Check \(Between Display Control Unit and Display Unit\)"](#) .

OK or NG

- OK >> Replace display unit.
- NG >> Check the malfunctioning parts.

NAVIGATION SYSTEM

Unable to Operate All of AV switches (Unable to start Self-Diagnosis)

EKS0047I

1. CHECK POWER SUPPLY AND GROUND CIRCUIT

1. Check power supply and ground circuit. Refer to [AV-151, "Power Supply and Ground Circuit Check for AV Switch"](#).

OK or NG

- OK >> GO TO 2.
- NG >> Check the malfunctioning parts.

2. AV SWITCH SELF-DIAGNOSIS

1. AV switch self-diagnosis. Refer to [AV-145, "AV Switch Self-Diagnosis Function"](#).

OK or NG

- OK >> GO TO 3.
- NG >> Check the malfunctioning parts.

3. CHECK COMMUNICATION LINE

1. Check communication line. Refer to [AV-161, "AV Communication Line Check \(Between Display Control Unit and AV Switch\)"](#).

OK or NG

- OK >> Replace AV switch.
- NG >> Replace display control unit.

Audio Does Not Work

EKS0047J

1. AV SWITCH SELF-DIAGNOSIS

1. AV switch self-diagnosis. Refer to [AV-145, "AV Switch Self-Diagnosis Function"](#).

OK or NG

- OK >> GO TO 2.
- NG >> Check the malfunctioning parts.

2. CHECK COMMUNICATION LINE

1. Check audio communication line. Refer to [AV-157, "Audio Communication Line Check \(Between Display Control Unit and Audio Unit\)"](#).

OK or NG

- OK >> Replace audio unit.
- NG >> Check the malfunctioning parts.

A/C Does Not Work

EKS0047K

1. AV SWITCH SELF-DIAGNOSIS

1. AV switch self-diagnosis. Refer to [AV-145, "AV Switch Self-Diagnosis Function"](#).

OK or NG

- OK >> GO TO 2.
- NG >> Check the malfunctioning parts.

2. CHECK COMMUNICATION LINE

1. Check AV communication line. Refer to [AV-161, "AV Communication Line Check \(Between Display Control Unit and AV Switch\)"](#).

OK or NG

- OK >> GO TO 3.
- NG >> Check the malfunctioning parts.

A

B

C

D

E

F

G

H

I

J

AV

L

M

NAVIGATION SYSTEM

3. CHECK CAN COMMUNICATION LINE

1. Check CAN communication line. Refer to [AV-162, "CAN Communication Line Check"](#) .

OK or NG

- OK >> Replace display control unit.
- NG >> After filling out CAN DIAG SUPPORT MONITOR check sheet, GO TO [LAN-8, "CAN COMMUNICATION"](#) .

Navigation System Does Not Activate

EKS0047L

1. POWER SUPPLY AND GROUND CIRCUIT CHECK

Check power supply and ground circuit. Refer to [AV-147, "Power Supply and Ground Circuit Check for NAVI Control Unit"](#) .

OK or NG

- OK >> Replace NAVI control unit.
- NG >> Check the malfunctioning parts.

Previous NAVI Conditions Are Not Stored

EKS0047M

1. CHECK BATTERY POWER

- Check NAVI control unit battery power.
Refer to [AV-147, "Power Supply and Ground Circuit Check for NAVI Control Unit"](#) .

OK or NG

- OK >> Replace NAVI control unit.
- NG >> Check NAVI control unit battery power system harness.

Previous Vehicle Conditions Are Not Stored

EKS0047N

1. CHECK BATTERY POWER

- Check display control unit battery power.
Refer to [AV-148, "Power Supply and Ground Circuit Check for Display Control Unit"](#) .

OK or NG

- OK >> Replace display control unit.
- NG >> Check display control unit battery power system harness.

Position of Current–Location Mark is Not Correct

EKS0047O

1. SELF-DIAGNOSIS

- "Self-diagnosis mode" of the self-diagnosis function. Refer to [AV-135, "Self-Diagnosis Mode \(NAVI\)"](#) .

OK or NG

- OK >> GO TO 2.
- NG >> Check the malfunctioning parts.

2. HISTORY OF ERRORS DIAGNOSIS

- Was any error stored in [AV-141, "HISTORY OF ERRORS"](#) of the CONFIRMATION/ADJUSTMENT mode?

YES or NO

- YES >> [AV-141, "DIAGNOSIS BY HISTORY OF ERRORS"](#).
- NO >> [AV-179, "Driving Test"](#).

Radio Wave From GPS Satellite is Not Received

EKS0047P

1. CHECK ENVIRONMENT

- Check if any metal object that intercepts radio waves or an object that emits radio waves (such as a portable phone) is located near the GPS antenna. Check if the vehicle is shielded by a building.

OK or NG

- OK >> ● System is not malfunction.
The GPS antenna may not be able to receive radio waves from the GPS satellite if it is shielded by metal object or an object emitting radio waves is placed near it.
- NG >> GO TO 2.

2. SELF-DIAGNOSIS

- “Self-diagnosis mode” of the self-diagnosis function. Refer to [AV-135, "Self-Diagnosis Mode \(NAVI\)"](#).

OK or NG

- OK >> Replace GPS antenna.
- NG >> Check the malfunctioning parts.

Driving Test

EKS0047Q

1. DRIVING TEST 1

1. Scroll the map screen to display the area to make correction. Press “ENTER” and select “CURRENT LOCATION CORRECTION”.
2. Correct direction of the vehicle mark.
3. Perform the distance correction of the CONFIRMATION/ADJUSTMENT mode.
Note: Normally, adjustment is not necessary because this system has automatic distance correction function. However, when a tire chain is fitted, adjustment in accordance with the tire diameter ratio must be made.
4. Are symptoms malfunctioning to the [AV-180, "Example of Symptoms Judged Not Malfunction"](#) present after driving the vehicle?

YES or NO

- YES >> Limit of the location detection capacity of the navigation system.
- NO >> GO TO 2.

2. DRIVING TEST 2

- Did any malfunction occur when the proper test in the following test patterns is performed?
- Test pattern
Driving test finds the difference between the symptoms monitored with and without each sensor.
 - Test pattern 1: Test method with no GPS location correction
Disconnect GPS antenna connector (GT5) connected to the NAVI control unit. Accurately adjust the current location and the direction, then drive the vehicle.
 - Test pattern 2: Test method with no map-matching
Accurately adjust the current location and the direction. Eject the map DVD-ROM from the NAVI control unit with ignition switch turned to OFF, then drive the vehicle. After driving, insert the map DVD-ROM back

A
B
C
D
E
F
G
H
I
J

AV

NAVIGATION SYSTEM

in the unit, display the track of the vehicle on the map screen and compare it with the actual road configuration.

- Sample tests
 - <To determine if the current-location mark skips at the same position, if so, whether it is caused by map-matching or by GPS>
Perform test pattern 1.
 - <To determine if the pattern of streets displayed is correct or not>
Perform test pattern 1 & 2.
Compare the track of the vehicle on the map screen and the actual road configuration. For fairly accurate tracking, plotting shall be made every several hundred meters.
 - <When the distance is adjusted accurately>
Perform test pattern 1 & 2.
Drive on a road of which distance is accurately known (by utilizing distance posts on a highway). Calculate the rate of change (increased/decreased) of the distance by comparing with the actual distance.
Correction = A/B
A: Distance shown on the screen
B: Actual distance

YES or NO

YES >> ● If adjustment is insufficient, perform adjustment again.

- If any error is found in the map, please let us know.
- Replace NAVI control unit.

NO >> Limit of the location detection capacity of the navigation system.

Example of Symptoms Judged Not Malfunction BASIC OPERATION

EKS0047R

Symptom	Cause	Remedy
No image is shown.	Display brightness adjustment is set fully to DARK side.	Adjust the display brightness.
No guide sound is heard. Audio guide volume is too low or too high.	Volume control is set to OFF, MIN or MAX.	Adjust the audio guide volume.
	Audio guidance is not available while the vehicle is driving on a dark pink route.	System is not malfunctioning.
Screen is too dark. Motion of the image is too slow.	Temperature inside the vehicle is low.	Wait until the temperature inside the vehicle reaches the proper temperature.
Small black or bright spots appear on the screen.	Symptom peculiar to a liquid crystal display.	System is not malfunction.

VEHICLE MARK

Symptom	Cause	Remedy
Map screen and BIRDVVIEW™ Name of the place vary with the screen.	Some thinning of the character data is done to prevent the display becoming to complex. In some cases and in some locations, the display contents may differ. The same place name, street name, etc. may not be displayed every time on account of the data processing.	System is not malfunctioning.
Vehicle mark is not positioned correctly.	Vehicle is transferred by ferry or by towing after its ignition switch is turned to OFF.	Drive the vehicle for a while in the GPS satellite signal receiving condition.
Screen will not switch to nighttime mode after the lighting switch is turned ON.	The daytime screen is selected by the "SWITCH SCREENS" when the last time the screen dimming setting is done. Switching between daytime/nighttime screen may be inhibited by the automatic illumination adjustment function.	Perform screen dimming and select the nighttime screen by "SWITCH SCREENS".
Map screen will not scroll in accordance with the vehicle travel.	Current location is not displayed.	Press "MAP" button to display the current location.
Vehicle mark will not be shown.	Current location is not displayed.	Press "MAP" button to display the current location.

NAVIGATION SYSTEM

Symptom	Cause	Remedy	
Accuracy indicator (GPS satellite mark) on the map screen stays gray.	GPS satellite signal is intercepted because the vehicle is in or behind a building.	Move the vehicle out to an open space.	A
	GPS satellite signal cannot be received because an obstacle is placed on top of the display.	Do not place anything in the center on top of the display.	B
	GPS satellites are not visible from current location.	Wait until GPS satellites are visible by moving the vehicle.	C
Vehicle location accuracy is low.	Accuracy indicator (GPS satellite mark) on the map screen stays gray.	Current location is not determined.	C
	Vehicle speed setting by the vehicle speed pulse has been deviated (advanced or retarded) from the actual vehicle speed because tire chain is fitted or the system has been used on another vehicle.	Drive the vehicle for a while [for approx. 30 minutes at approx. 30 km/h (19 MPH)] and the deviation will be automatically adjusted. If advancement or retard still occur, perform the distance adjustment by CONFIRMATION/ADJUSTMENT mode of diagnosis function.	D E
	Map data has error or omission. (Vehicle mark is always deviated to the same position.)	As a rule, an updated map DVD-ROM will be released once a year.	F

DESTINATION, PASSING POINTS, AND MENU ITEMS CANNOT BE SELECTED/SET

Symptom	Cause	Remedy	
Destination cannot be set.	Destination to be set is on an expressway.	Set the destination on an ordinary road.	G
Passing point is not searched when re-searching the route.	The vehicle has already passed the passing point, or the system judged so.	To include the passing points that have been passed into the route again, set the route again.	H
Route information will not be displayed.	Route searching has not been done.	Set the destination and perform route searching.	I
	Vehicle mark is not on the recommended route.	Drive on the recommended route.	
	Route guide is turned OFF.	Turn route guide ON.	
	Route information is not available on the dark pink route.	System is not malfunctioning.	J
After the route searching, no guide sign will appear as the vehicle goes near the entrance/exit to the toll road.	Vehicle mark is not on the recommended route. (On the display, only guide signs related to the recommended route will be shown.)	Drive on the recommended route.	AV
Automatic route searching is not possible.	Vehicle is driving on a highway (gray route), or no recommended route is available.	Drive on a road to be searched. Or re-search the route manually. In this case, however, the whole route will be searched.	L
Performed automatic detour search (or detour search). However, the result is the same as that of the previous search.	Performed search with every conditions considered. However, the result is the same as that of the previous search.	System is not malfunctioning.	M
Passing points cannot be set.	More than five passing points were set.	Passing points can be set up to five. To stop at more than five points, perform sharing in several steps.	
When setting the route, the starting point cannot be selected.	The current vehicle location is always set as the starting point of a route.	System is not malfunctioning.	
Some menu items cannot be selected.	The vehicle is being driven.	Stop the vehicle at a safe place and then operate the system.	

NAVIGATION SYSTEM

VOICE GUIDE

Symptom	Cause	Remedy
Voice guide will not operate.	Note: Voice guide is only available at intersections that satisfy certain conditions (indicated by ● on the map). Therefore, guidance may not be given even when the route on the map changes direction.	System is not malfunctioning.
	The vehicle is not on the recommended route.	Return to the recommended route or re-search the route.
	Voice guide is turned OFF.	Turn voice guide ON.
	Route guide is turned OFF.	Turn route guide ON.
Voice guide does not match the actual road pattern.	Voice guide may vary with the direction to which the vehicle is turn and the connection of the road to other roads.	Drive in conformity to the actual traffic rules.

ROUTE SEARCH

Symptom	Cause	Remedy
No route is shown.	No road to be searched is found around the destination.	Find wider road (orange road or wider) nearby and reset the destination and passing points onto it. Take care of the traveling direction when there are separate up and down roads.
	Starting point and the destination are too close.	Set the destination at more distant point.
	Conditional traffic regulation (day of the week/ time of the day) is set at the area around the current location or the destination.	Turn the time-regulating search conditions OFF. Turn "Avoid regulation time" in the search conditions OFF.
Indicated route is intermittent.	In some areas, highways (gray routes) are not used for the search ^(Note) Therefore, the route to the current location or the passing points may be intermittent.	System is not malfunctioning.
When the vehicle has passed the recommended route, it is deleted from the screen.	A recommended route is controlled by each section. When the vehicle has passed the passing point 1, then the map data from the starting point up to the passing point 1 will be deleted. (The data may remain undeleted in some area.)	System is not malfunctioning.
Detouring route is recommended.	In some areas, highways (gray routes) are not used for the search. (Note). Therefore, detour route may be recommended.	Set the route closer to the basic route (gray route).
	A detour route may be shown when some traffic regulation (one-way traffic, etc.) is set at the area around the starting point or the destination.	Slightly move the starting point or the destination, or set the passing point on the route of your choice.
	In the area where highways (gray routes) are used for the search, left turn has priority around the current location and the destination (passing points). For this reason, the recommended route may be detouring.	System is not malfunctioning.
Landmarks on the map do not match the actual ones.	This can be happen due to omission or error in the map data.	As a rule, an updated map DVD-ROM will be released once a year. Wait until the latest map has become available.
Recommended route is far from the starting point, passing points, and destination.	Starting point, passing points, and destination of the route guide were set far from the desired points because route searching data around these area were not stored.	Reset the destination onto the road nearby. If this road is one of the highways (gray routes), an ordinary road nearby may be displayed as the recommended route.

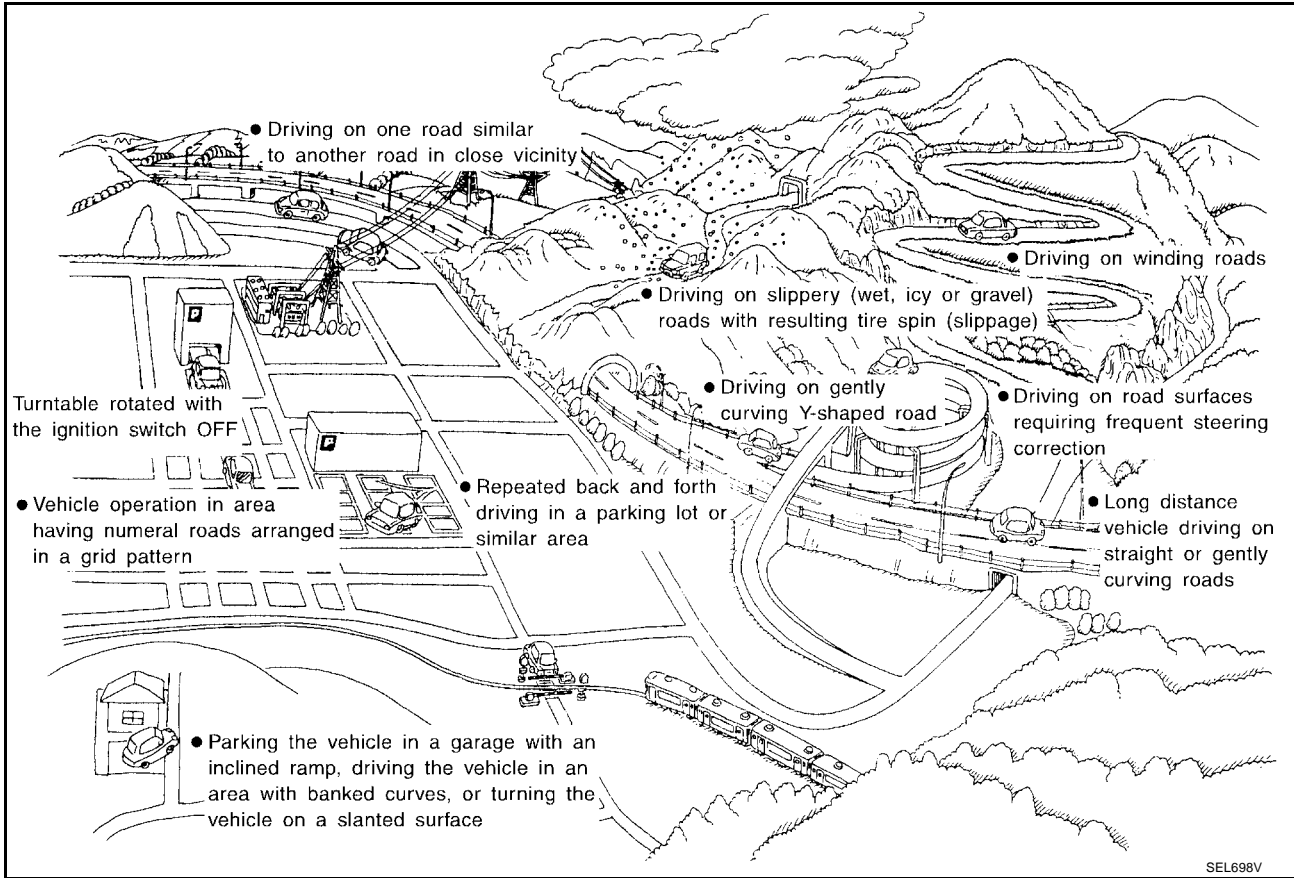
NOTE:

Except for the ordinance-designated cities and the prefectural capitals. (Malfunctioning areas may be changed in the updated map disc.)

NAVIGATION SYSTEM

EXAMPLES OF CURRENT-LOCATION MARK DISPLACEMENT

Vehicle's travel amount is calculated by reading its travel distance and turning angle. Therefore, if the vehicle is driven in the following manner, an error will occur in the vehicle's current location display. If correct location has not been restored after driving the vehicle for a while, perform location correction.

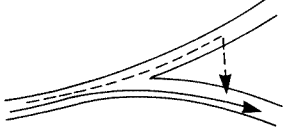
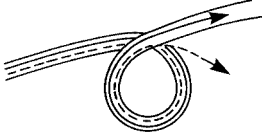
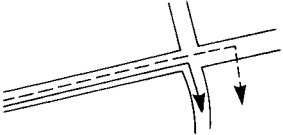
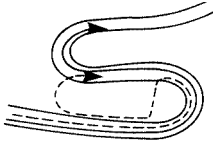

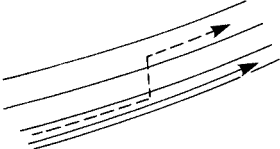


A
B
C
D
E
F
G
H
I
J

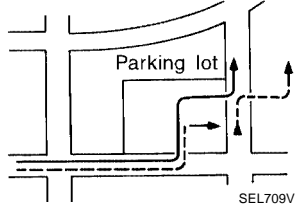
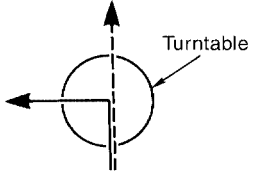
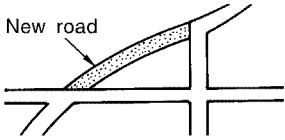

AV

L
M

NAVIGATION SYSTEM

	Cause (condition) -: While driving ooo: Display	Driving condition	Remarks (correction, etc.)
Road configuration	<p>Y-intersections</p>  <p style="text-align: center; font-size: small;">ELK0192D</p>	<p>At a Y intersection or similar gradual division of roads, an error in the direction of travel deduced by the sensor may result in the current-location mark appearing on the wrong road.</p>	<p>If after travelling about 10 km (6 miles) the correct location has not been restored, perform location correction and, if necessary, direction correction.</p>
	<p>Spiral roads</p>  <p style="text-align: center; font-size: small;">ELK0193D</p>	<p>When driving on a large, continuous spiral road (such as loop bridge), turning angle error is accumulated and the vehicle mark may deviate from the correct location.</p>	
	<p>Straight roads</p>  <p style="text-align: center; font-size: small;">ELK0194D</p>	<p>When driving on a long, straight road and slow curve without stopping, map-matching does not work effectively enough and distance errors may accumulate. As a result, the vehicle mark may deviate from the correct location when the vehicle is turned at a corner.</p>	
	<p>Zigzag roads</p>  <p style="text-align: center; font-size: small;">ELK0195D</p>	<p>When driving on a zigzag road, the map may be matched to other roads in the similar direction nearby at every turn, and the vehicle mark may deviate from the correct location.</p>	
	<p>Roads laid out in a grid pattern</p>  <p style="text-align: center; font-size: small;">ELK0196D</p>	<p>When driving where roads are laid out in a grid pattern, or where many roads are running in the similar direction nearby, the map may be matched to them by mistake and the vehicle mark may deviate from the correct location.</p>	
	<p>Parallel roads</p>  <p style="text-align: center; font-size: small;">ELK0197D</p>	<p>When two roads are running in parallel (such as highway and sideway), the map may be matched to the other road by mistake and the vehicle mark may deviate from the correct location.</p>	

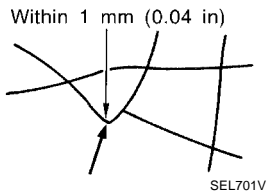
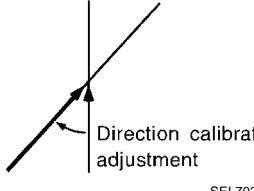
NAVIGATION SYSTEM

Cause (condition) -: While driving ooo: Display		Driving condition	Remarks (correction, etc.)
Place	In a parking lot  <small>SEL709V</small>	When driving in a parking lot, or other location where there are no roads on the map, matching may place the vehicle mark on a nearby road. When the vehicle returns to the road, the vehicle mark may have deviated from the correct location. When driving in circle or turning the steering wheel repeatedly, direction errors accumulate, and the vehicle mark may deviate from the correct location.	If after travelling about 10 km (6 miles) the correct location has not been restored, perform location correction and, if necessary, direction correction.
	Turntable  <small>SEL710V</small>	When the ignition switch is OFF, the navigation system cannot get the signal from the gyroscope (angular speed sensor). Therefore, the displayed direction may be wrong and the correct road may not be easily returned to after rotating the vehicle on a turntable with the ignition OFF.	
	Slippery roads	On snow, wet roads, gravel, or other roads where tires may slip easily, accumulated mileage errors may cause the vehicle mark to deviate from the correct road.	
	Slopes	When parking in sloped garages, when travelling on banked roads, or in other cases where the vehicle turns when tilted, an error in the turning angle will occur, and the vehicle mark may deviate from the road.	
Map data	Road not displayed on the map screen  <small>SEL699V</small>	When driving on new roads or other roads not displayed on the map screen, map matching does not function correctly and matches the location to a nearby road. When the vehicle returns to a road which is on the map, the vehicle mark may deviate from the correct road.	
	Different road pattern (Changed due to repair)  <small>ELK0201D</small>	If the road pattern stored in the map data and the actual road pattern are different, map matching does not function correctly and matches the location to a nearby road. The vehicle mark may deviate from the correct road.	
Vehicle	Use of tire chains	When tire chains are used, the mileage is not correctly detected, and the vehicle mark may deviate from the correct road.	Drive the vehicle for a while. If the distance still deviates, adjust it by using the distance adjustment function. (If the tire chain is removed, recover the original value.)

A
B
C
D
E
F
G
H
I
J
L
M

AV

NAVIGATION SYSTEM

Cause (condition) -: While driving ooo: Display		Driving condition	Remarks (correction, etc.)
Precautions for driving	Just after the engine is started	If the vehicle is driven just after the engine is started when the gyroscope (angular speed sensor) correction is not completed, the vehicle can lose its direction and may have deviated from the correct location.	Wait for a short while before driving after starting the engine.
	Continuous driving without stopping	When driving long distances without stopping, direction errors may accumulate, and the current-location mark may deviate from the correct road.	Stop and adjust the orientation.
	Abusive driving	Spinning the wheels or engaging in other kinds of abusive driving may result in the system being unable perform correct detection, and may cause the vehicle mark to deviate from the correct road.	If after travelling about 10 km (6 miles) the correct location has not been restored, perform location correction and, if necessary, direction correction.
How to correct location	Position correction accuracy <div style="text-align: center;">  </div>	If the accuracy of location settings is poor, accuracy may be reduced when the correct road cannot be found, particularly in places where there are many roads.	Enter in the road displayed on the screen with an accuracy of approx. 1mm. Caution: Whenever possible, use detailed map for the correction.
	Direction when location is corrected <div style="text-align: center;">  </div>	If the accuracy of location settings during correction is poor, accuracy may be reduced afterwards.	Perform direction correction.

CURRENT LOCATION MARK SHOWS A POSITION WHICH IS COMPLETELY WRONG

In the following cases, the current-location mark may appear on completely different position in the map depending on the GPS satellite signal receiving conditions. In this case, perform location correction and direction correction.

- When location correction has not been done
 - If the receiving conditions of the GPS satellite signal is poor, if the current-location mark becomes out of place, it may move to a completely different location and not come back if location correction is not done. The position will be corrected if the GPS signal can be received.
- When the vehicle has traveled by ferry, or when the vehicle has been being towed
 - Because calculation of the current location cannot be done when travelling with the ignition OFF, for example when traveling by ferry or when being towed, the location before travel is displayed. If the precise location can be detected with GPS, the location will be corrected.

CURRENT-LOCATION MARK JUMPS

In the following cases, the current-location mark may appear to jump as a result of automatic correction of the current location.

- When map-matching has been done
 - If the current location and the current-location mark are different when map-matching is done, the current-location mark may seem to jump. At this time, the location may be “corrected” to the wrong road or to a location which is not on a road.
- When GPS location correction has been done
 - If the current location and the current-location mark are different when the location is corrected using GPS measurements, the current-location mark may seem to jump. At this time, the location may be “corrected” to a location which is not on a road.

NAVIGATION SYSTEM

CURRENT LOCATION MARK IS IN A RIVER OR SEA

The navigation system moves the current-location mark with no distinction between land and rivers or sea. If the location mark is somehow out of place, it may appear that the vehicle is driving in a river or the sea.

WHEN DRIVING ON SAME ROAD, SOMETIMES CURRENT-LOCATION MARK IS IN RIGHT PLACE AND SOMETIMES IT IS WRONG PLACE

The conditions of the GPS antenna (GPS data) and gyroscope (angular speed sensor) change gradually. Depending on the road traveled and the operation of the steering wheel, the location detection results will be different. Therefore, even on a road on which the location has never been wrong, conditions may cause the vehicle mark to deviate.

LOCATION CORRECTION BY MAP-MATCHING IS SLOW

- The map-matching function needs to refer to the data of the surrounding area. It is necessary to drive some distance for the function to work.
- Because map-matching operates on this principle, when there are many roads running in similar directions in the surrounding area, no matching determination may be made. The location may not be corrected until some special feature is found.

ALTHOUGH GPS RECEIVING DISPLAY IS GREEN, VEHICLE MARK DOES NOT RETURN TO CORRECT LOCATION

- The GPS accuracy has an error of approximately 10 m (30 ft). In some cases the current-location mark may not be on the correct street, even when GPS location-correction is done.
- The navigation system compares the results of GPS location detection with the results from map-matching location detection. The one which is determined to have higher accuracy is used.
- GPS location correction may not be performed when the vehicle is stopped.

NAME OF CURRENT PLACE IS NOT DISPLAYED

The current place name may not be displayed if there are no place names displayed on the map screen.

CONTENTS OF DISPLAY DIFFER FOR BIRDVIEW™ AND THE (FLAT) MAP SCREEN

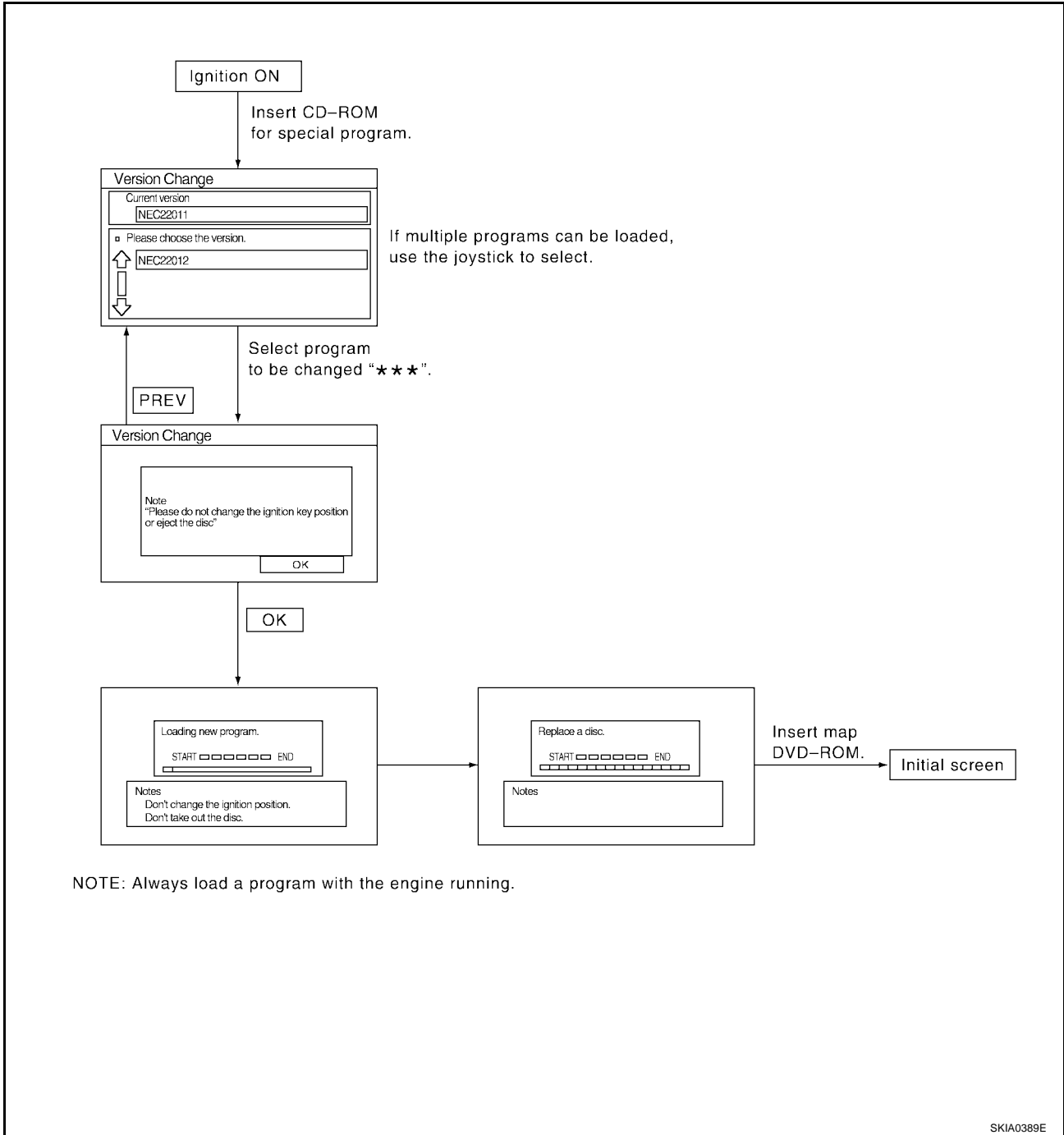
Difference of the BIRDVIEW™ screen from the flat map screen are as follows.

- The current place name displays names which are primarily in the direction of vehicle travel.
- The amount of time before the vehicle travel or turn angle is updated on the screen is longer than for the (flat) map display.
- The conditions for display of place names, roads, and other data are different for nearby areas and for more distant areas.
- Some thinning of the character data is done to prevent the display becoming too complex. In some cases and in some locations, the display contents may differ.
- The same place name, street name, etc. may be displayed multiple times.

A
B
C
D
E
F
G
H
I
J
AV
L
M

Program Loading of NAVI Control Unit

EKS0047S



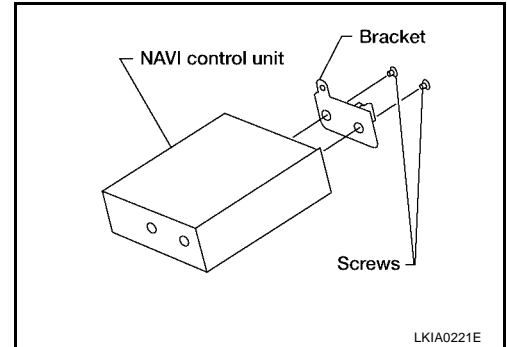
NAVIGATION SYSTEM

Removal and Installation of NAVI control unit

EKS0047T

REMOVAL

1. Remove center stack. Refer to [IP-13, "Center Stack Assembly"](#) .
2. Remove screws and remove remaining bracket.



INSTALLATION

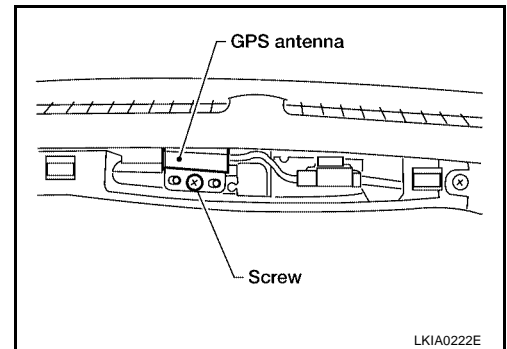
Install in the reverse order of removal.

Removal and Installation of GPS Antenna

EKS0047U

REMOVAL

1. Remove security indicator lamp.
2. Remove screw.
3. Disconnect connector and remove GPS antenna.



INSTALLATION

Install in the reverse order of removal.

Removal and Installation of Steering Wheel Switch

EKS0047V

Refer to [PS-9, "Removal and Installation"](#) .

Removal and Installation of AV Switch

EKS0047A

Refer to [AV-57, "Removal and Installation for AV Switch"](#) .

Removal and Installation of Display Unit

EKS0047B

Refer to [IP-13, "Center Stack Assembly"](#) .

Removal and Installation of Display Control Unit

EKS0047C

Refer to [IP-13, "Center Stack Assembly"](#) .

A
B
C
D
E
F
G
H
I
J
AV

NAVIGATION SYSTEM
