

SECTION EI
EXTERIOR & INTERIOR

A
B
C
D
E
F
G
H
EI
J
K
L
M

CONTENTS

PRECAUTIONS	3	FRONT GRILLE	18
Precautions for Supplemental Restraint System (SRS) "AIR BAG" and "SEAT BELT PRE-TENSIONER"	3	Removal and Installation	18
Precautions	3	REMOVAL	18
PREPARATION	4	INSTALLATION	18
Special Service Tools	4	COWL TOP	19
Commercial Service Tools	4	Removal and Installation	19
SQUEAK AND RATTLE TROUBLE DIAGNOSIS	5	REMOVAL	19
Work Flow	5	INSTALLATION	19
CUSTOMER INTERVIEW	5	FRONT FENDER	20
DUPLICATE THE NOISE AND TEST DRIVE	6	Removal and Installation	20
CHECK RELATED SERVICE BULLETINS	6	REMOVAL	20
LOCATE THE NOISE AND IDENTIFY THE ROOT CAUSE	6	INSTALLATION	20
REPAIR THE CAUSE	6	FENDER PROTECTOR	21
CONFIRM THE REPAIR	7	Components	21
Generic Squeak and Rattle Troubleshooting	7	Removal and Installation	22
INSTRUMENT PANEL	7	FRONT FENDER PROTECTOR	22
CENTER CONSOLE	7	REAR FENDER PROTECTOR	22
DOORS	7	MUDGUARD	23
TRUNK	8	Removal and Installation	23
SUNROOF/HEADLINING	8	REMOVAL	23
OVERHEAD CONSOLE (FRONT AND REAR).....	8	INSTALLATION	23
SEATS	8	LICENSE LAMP FINISHER	24
UNDERHOOD	8	Removal and Installation	24
Diagnostic Worksheet	9	REMOVAL	24
CLIP AND FASTENER	11	INSTALLATION	24
Description	11	REAR AIR SPOILER	25
FRONT BUMPER	14	Removal and Installation	25
Removal and Installation	14	REMOVAL	25
REMOVAL	14	INSTALLATION	25
INSTALLATION	15	ROOF SIDE MOLDING	26
REAR BUMPER	16	Removal and Installation	26
Removal and Installation	16	REMOVAL	26
REMOVAL	16	INSTALLATION	26
INSTALLATION	17	REAR PILLAR FINISHER	27
		Removal and Installation	27
		REMOVAL	27
		INSTALLATION	27

DOOR OUTSIDE MOLDING	28	REAR PARCEL SHELF FINISHER	36
Removal and Installation	28	Removal and Installation	36
FRONT DOOR OUTSIDE MOLDING	28	REMOVAL	36
REAR DOOR OUTSIDE MOLDING	28	INSTALLATION	36
SIDE GUARD MOLDING	29	SUNSHADE	37
Removal and Installation	29	Component Parts and Harness Connector Location ..	37
REMOVAL	29	Wiring Diagram — SHADE —	38
INSTALLATION	29	Removal and Installation	40
DOOR FINISHER	30	REMOVAL	40
Removal and Installation	30	INSTALLATION	40
FRONT DOOR	30	FLOOR TRIM	41
REAR DOOR	32	Removal and Installation	41
BODY SIDE TRIM	34	REMOVAL	41
Removal and Installation	34	INSTALLATION	41
CENTER PILLAR LOWER GARNISH	34	HEADLINING	42
CENTER PILLAR UPPER GARNISH	35	Removal and Installation	42
REAR PILLAR FINISHER	35	REMOVAL	43
DASH SIDE FINISHER	35	INSTALLATION	43
		TRUNK ROOM TRIM & TRUNK LID FINISHER	44
		Removal and Installation	44

PRECAUTIONS

PRECAUTIONS

PF:00001

Precautions for Supplemental Restraint System (SRS) “AIR BAG” and “SEAT BELT PRE-TENSIONER”

EIS003VX

The Supplemental Restraint System such as “AIR BAG” and “SEAT BELT PRE-TENSIONER”, used along with a front seat belt, helps to reduce the risk or severity of injury to the driver and front passenger for certain types of collision. This system includes seat belt switch inputs and dual stage front air bag modules. The SRS system uses the seat belt switches to determine the front air bag deployment, and may only deploy one front air bag, depending on the severity of a collision and whether the front occupants are belted or unbelted. Information necessary to service the system safely is included in the SRS and SB section of this Service Manual.

WARNING:

- To avoid rendering the SRS inoperative, which could increase the risk of personal injury or death in the event of a collision which would result in air bag inflation, all maintenance must be performed by an authorized NISSAN/INFINITI dealer.
- Improper maintenance, including incorrect removal and installation of the SRS, can lead to personal injury caused by unintentional activation of the system. For removal of Spiral Cable and Air Bag Module, see the SRS section.
- Do not use electrical test equipment on any circuit related to the SRS unless instructed to in this Service Manual. SRS wiring harnesses can be identified by yellow and/or orange harnesses or harness connectors.

Precautions

EIS003VY

- When removing or disassembling any part, be careful not to damage or deform it. Protect parts which may get in the way with cloth.
- When removing parts with a screwdriver or other tool, protect parts by wrapping them with vinyl or tape.
- Keep removed parts protected with cloth.
- If a clip is deformed or damaged, replace it.
- If an un reusable part is removed, replace it with a new one.
- Tighten bolts and nuts firmly to the specified torque.
- After re-assembly has been completed, make sure each part functions correctly.
- Remove stains in the following way.
 - Water-soluble stains:
Dip a cloth in warm water, and squeeze tightly. After wiping the stain, wipe with a soft dry cloth.
 - Oil stain:
Dissolve a synthetic detergent in warm water (density of 2 to 3% or less), dip the cloth, then clean off the stain with the cloth. Next, dip the soft cloth in fresh water, and then squeeze it tightly. Then clean off the detergent completely. Then wipe the area with a soft dry cloth.
- Do not use any organic solvent, such as thinner or benzine.

PREPARATION

PREPARATION

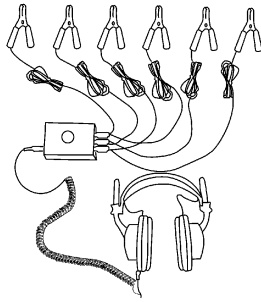
PFP:00002

Special Service Tools

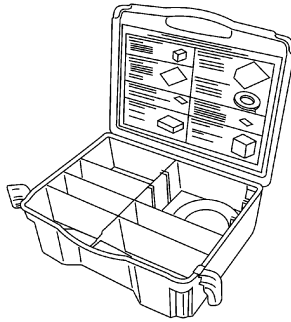
EIS003VZ

The actual shapes of Kent-Moore tools may differ from those of special service tools illustrated here.

Tool number (Kent-Moore No.) Tool name	Description
— (J-39570) Chassis ear	Locating the noise
— (J-43980) NISSAN Squeak and Rattle kit	Repairing the cause of noise



SBT839

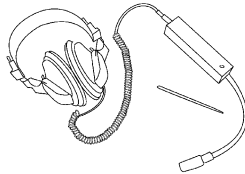


SBT840

Commercial Service Tools

EIS003W0

Tool number (Kent-Moore No.) Tool name	Description
— (J-39565) Engine ear	Locating the noise



SIA0995E

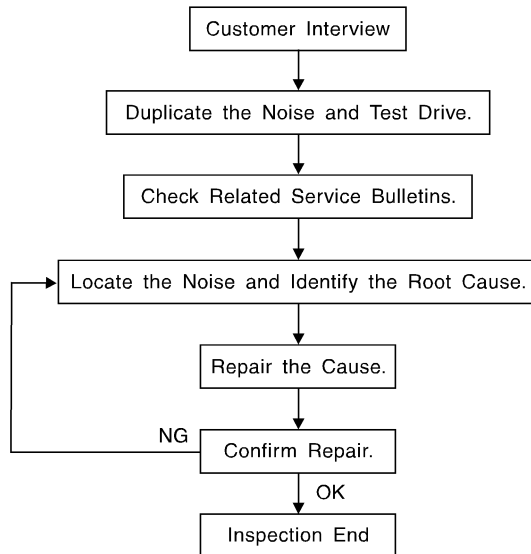
SQUEAK AND RATTLE TROUBLE DIAGNOSIS

SQUEAK AND RATTLE TROUBLE DIAGNOSIS

PFP:00000

Work Flow

EIS003W1



SBT842

CUSTOMER INTERVIEW

Interview the customer, if possible, to determine the conditions that exist when the noise occurs. Use the Diagnostic Worksheet during the interview to document the facts and conditions when the noise occurs and any customer's comments; refer to [EI-9, "Diagnostic Worksheet"](#). This information is necessary to duplicate the conditions that exist when the noise occurs.

- The customer may not be able to provide a detailed description or the location of the noise. Attempt to obtain all the facts and conditions that exist when the noise occurs (or does not occur).
- If there is more than one noise in the vehicle, be sure to diagnose and repair the noise that the customer is concerned about. This can be accomplished by test driving the vehicle with the customer.
- After identifying the type of noise, isolate the noise in terms of its characteristics. The noise characteristics are provided so the customer, service adviser and technician are all speaking the same language when defining the noise.
- Squeak — (Like tennis shoes on a clean floor)
Squeak characteristics include the light contact/fast movement/brought on by road conditions/hard surfaces = higher pitch noise/softer surfaces = lower pitch noises/edge to surface = chirping
- Creak — (Like walking on an old wooden floor)
Creak characteristics include firm contact/slow movement/twisting with a rotational movement/pitch dependent on materials/often brought on by activity.
- Rattle — (Like shaking a baby rattle)
Rattle characteristics include the fast repeated contact/vibration or similar movement/loose parts/missing clip or fastener/incorrect clearance.
- Knock — (Like a knock on a door)
Knock characteristics include hollow sounding/sometimes repeating/often brought on by driver action.
- Tick — (Like a clock second hand)
Tick characteristics include gentle contacting of light materials/loose components/can be caused by driver action or road conditions.
- Thump — (Heavy, muffled knock noise)
Thump characteristics include softer knock/dead sound often brought on by activity.
- Buzz — (Like a bumblebee)
Buzz characteristics include high frequency rattle/firm contact.
- Often the degree of acceptable noise level will vary depending upon the person. A noise that you may judge as acceptable may be very irritating to the customer.
- Weather conditions, especially humidity and temperature, may have a great effect on noise level.

SQUEAK AND RATTLE TROUBLE DIAGNOSIS

DUPLICATE THE NOISE AND TEST DRIVE

If possible, drive the vehicle with the customer until the noise is duplicated. Note any additional information on the Diagnostic Worksheet regarding the conditions or location of the noise. This information can be used to duplicate the same conditions when you confirm the repair.

If the noise can be duplicated easily during the test drive, to help identify the source of the noise, try to duplicate the noise with the vehicle stopped by doing one or all of the following:

- Close a door.
- Tap or push/pull around the area where the noise appears to be coming from.
- Rev the engine.
- Use a floor jack to recreate vehicle "twist".
- At idle, apply engine load (electrical load, half-clutch on M/T model, drive position on A/T model).
- Raise the vehicle on a hoist and hit a tire with a rubber hammer.
- Drive the vehicle and attempt to duplicate the conditions the customer states exist when the noise occurs.
- If it is difficult to duplicate the noise, drive the vehicle slowly on an undulating or rough road to stress the vehicle body.

CHECK RELATED SERVICE BULLETINS

After verifying the customer concern or symptom, check ASIST for Technical Service Bulletins (TSBs) related to that concern or symptom.

If a TSB relates to the symptom, follow the procedure to repair the noise.

LOCATE THE NOISE AND IDENTIFY THE ROOT CAUSE

1. Narrow down the noise to a general area. To help pinpoint the source of the noise, use a listening tool (Chassis Ear: J-39570, Engine Ear: J-39565 and mechanics stethoscope).
2. Narrow down the noise to a more specific area and identify the cause of the noise by:
 - Removing the components in the area that you suspect the noise is coming from.
Do not use too much force when removing clips and fasteners, otherwise clips and fasteners can be broken or lost during the repair, resulting in the creation of new noise.
 - Tapping or pushing/pulling the component that you suspect is causing the noise.
Do not tap or push/pull the component with excessive force, otherwise the noise will be eliminated only temporarily.
 - Feeling for a vibration with your hand by touching the component(s) that you suspect is (are) causing the noise.
 - Placing a piece of paper between components that you suspect are causing the noise.
 - Looking for loose components and contact marks.

Refer to [EI-7, "Generic Squeak and Rattle Troubleshooting"](#) .

REPAIR THE CAUSE

- If the cause is a loose component, tighten the component securely.
- If the cause is insufficient clearance between components:
 - Separate components by repositioning or loosening and retightening the component, if possible.
 - Insulate components with a suitable insulator such as urethane pads, foam blocks, felt cloth tape or urethane tape. A NISSAN Squeak and Rattle Kit (J-43980) is available through your authorized NISSAN Parts Department.

CAUTION:

Do not use excessive force as many components are constructed of plastic and may be damaged. Always check with the Parts Department for the latest parts information.

The following materials are contained in the NISSAN Squeak and Rattle Kit (J-43980). Each item can be ordered separately as needed.

URETHANE PADS [1.5 mm (0.059 in) thick]

Insulates connectors, harness, etc.

76268-9E005: 100 x 135 mm (3.94 x 5.31 in)/76884-71L01: 60 x 85 mm (2.36 x 3.35 in)/76884-71L02: 15 x 25 mm (0.59 x 0.98 in)

INSULATOR (Foam blocks)

Insulates components from contact. Can be used to fill space behind a panel.

SQUEAK AND RATTLE TROUBLE DIAGNOSIS

73982-9E000: 45 mm (1.77 in) thick, 50 x 50 mm (1.97 x 1.97 in)/73982-50Y00: 10 mm (0.39 in) thick, 50 x 50 mm (1.97 x 1.97 in)

INSULATOR (Light foam block)

80845-71L00: 30 mm (1.18 in) thick, 30 x 50 mm (1.18 x 1.97 in)

FELT CLOTH TAPE

Used to insulate where movement does not occur. Ideal for instrument panel applications.

68370-4B000: 15 x 25 mm (0.59 x 0.98 in) pad/68239-13E00: 5 mm (0.20 in) wide tape roll

The following materials, not found in the kit, can also be used to repair squeaks and rattles.

UHMW (TEFLON) TAPE

Insulates where slight movement is present. Ideal for instrument panel applications.

SILICONE GREASE

Used in place of UHMW tape that will be visible or not fit.

Note: Will only last a few months.

SILICONE SPRAY

Use when grease cannot be applied.

DUCT TAPE

Use to eliminate movement.

CONFIRM THE REPAIR

Confirm that the cause of a noise is repaired by test driving the vehicle. Operate the vehicle under the same conditions as when the noise originally occurred. Refer to the notes on the Diagnostic Worksheet.

Generic Squeak and Rattle Troubleshooting

EIS00580

Refer to Table of Contents for specific component removal and installation information.

INSTRUMENT PANEL

Most incidents are caused by contact and movement between:

1. The cluster lid A and instrument panel
2. Acrylic lens and combination meter housing
3. Instrument panel to front pillar garnish
4. Instrument panel to windshield
5. Instrument panel pins
6. Wiring harnesses behind the combination meter
7. A/C defroster duct and duct joint

These incidents can usually be located by tapping or moving the components to duplicate the noise or by pressing on the components while driving to stop the noise. Most of these incidents can be repaired by applying felt cloth tape or silicone spray (in hard to reach areas). Urethane pads can be used to insulate wiring harness.

CAUTION:

Do not use silicone spray to isolate a squeak or rattle. If you saturate the area with silicone, you will not be able to recheck the repair.

CENTER CONSOLE

Components to pay attention to include:

1. Shifter assembly cover to finisher
2. A/C control unit and cluster lid C
3. Wiring harnesses behind audio and A/C control unit

The instrument panel repair and isolation procedures also apply to the center console.

DOORS

Pay attention to the:

1. Finisher and inner panel making a slapping noise
2. Inside handle escutcheon to door finisher
3. Wiring harnesses tapping
4. Door striker out of alignment causing a popping noise on starts and stops

SQUEAK AND RATTLE TROUBLE DIAGNOSIS

Tapping or moving the components or pressing on them while driving to duplicate the conditions can isolate many of these incidents. You can usually insulate the areas with felt cloth tape or insulator foam blocks from the NISSAN Squeak and Rattle Kit (J-43980) to repair the noise.

TRUNK

Trunk noises are often caused by a loose jack or loose items put into the trunk by the owner. In addition look for:

1. Trunk lid bumpers out of adjustment
2. Trunk lid striker out of adjustment
3. The trunk lid torsion bars knocking together
4. A loose license plate or bracket

Most of these incidents can be repaired by adjusting, securing or insulating the item(s) or component(s) causing the noise.

SUNROOF/HEADLINING

Noises in the sunroof/headlining area can often be traced to one of the following:

1. Sunroof lid, rail, linkage or seals making a rattle or light knocking noise
2. Sun visor shaft shaking in the holder
3. Front or rear windshield touching headliner and squeaking

Again, pressing on the components to stop the noise while duplicating the conditions can isolate most of these incidents. Repairs usually consist of insulating with felt cloth tape.

OVERHEAD CONSOLE (FRONT AND REAR)

Overhead console noises are often caused by the console panel clips not being engaged correctly. Most of these incidents are repaired by pushing up on the console at the clip locations until the clips engage.

In addition look for:

1. Loose harness or harness connectors.
2. Front console map/reading lamp lens loose.
3. Loose screws at console attachment points.

SEATS

When isolating seat noise it's important to note the position the seat is in and the load placed on the seat when the noise is present. These conditions should be duplicated when verifying and isolating the cause of the noise.

Cause of seat noise include:

1. Headrest rods and holder
2. A squeak between the seat pad cushion and frame
3. The rear seatback lock and bracket

These noises can be isolated by moving or pressing on the suspected components while duplicating the conditions under which the noise occurs. Most of these incidents can be repaired by repositioning the component or applying urethane tape to the contact area.

UNDERHOOD

Some interior noise may be caused by components under the hood or on the engine wall. The noise is then transmitted into the passenger compartment.

Causes of transmitted underhood noise include:

1. Any component installed on the engine wall
2. Components that pass through the engine wall
3. Engine wall mounts and connectors
4. Loose radiator pins
5. Hood bumpers out of adjustment
6. Hood striker out of adjustment

These noises can be difficult to isolate since they cannot be reached from the interior of the vehicle. The best method is to secure, move or insulate one component at a time and test drive the vehicle. Also, engine RPM or load can be changed to isolate the noise. Repairs can usually be made by moving, adjusting, securing, or insulating the component causing the noise.

SQUEAK AND RATTLE TROUBLE DIAGNOSIS

Diagnostic Worksheet

EIS0058N

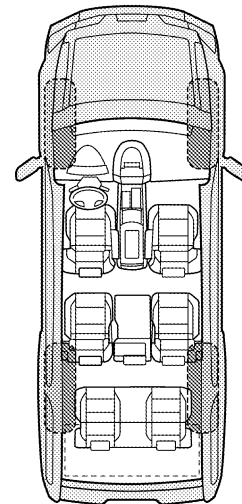
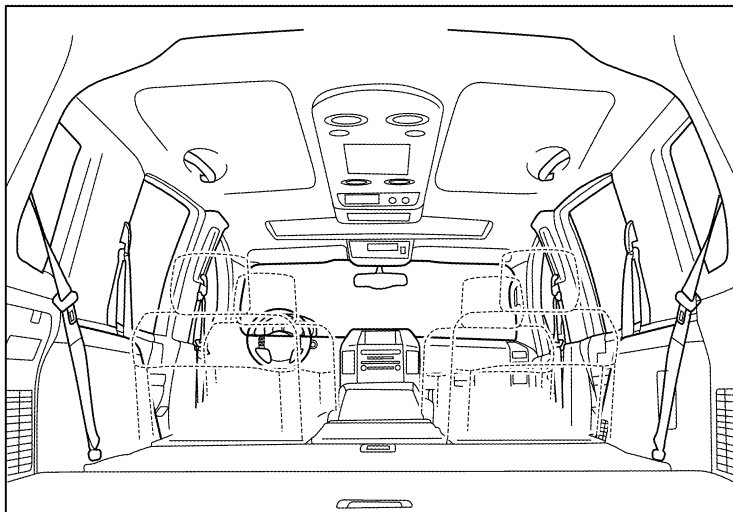
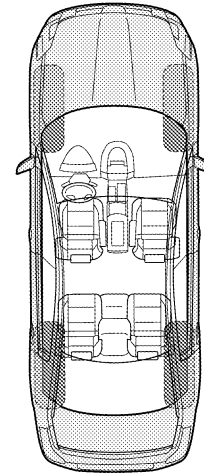
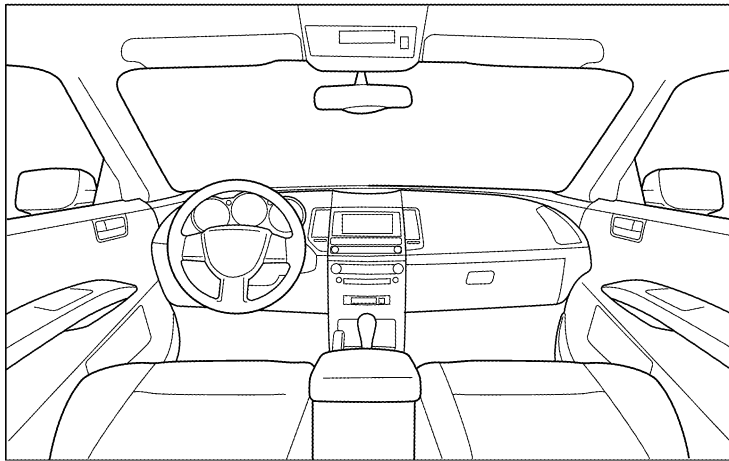
Dear Customer:

We are concerned about your satisfaction with your vehicle. Repairing a squeak or rattle sometimes can be very difficult. To help us fix your vehicle right the first time, please take a moment to note the area of the vehicle where the squeak or rattle occurs and under what conditions. You may be asked to take a test drive with a service advisor or technician to ensure we confirm the noise you are hearing.

SQUEAK & RATTLE DIAGNOSTIC WORKSHEET

I. WHERE DOES THE NOISE COME FROM? (circle the area of the vehicle)

The illustrations are for reference only, and may not reflect the actual configuration of your vehicle.



Continue to page 2 of the worksheet and briefly describe the location of the noise or rattle. In addition, please indicate the conditions which are present when the noise occurs.

A
B
C
D
E
F
G
H
EI
J
K
L
M

SQUEAK AND RATTLE TROUBLE DIAGNOSIS

SQUEAK & RATTLE DIAGNOSTIC WORKSHEET - page 2

Briefly describe the location where the noise occurs:

II. WHEN DOES IT OCCUR? (please check the boxes that apply)

- | | |
|---|--|
| <input type="checkbox"/> Anytime | <input type="checkbox"/> After sitting out in the rain |
| <input type="checkbox"/> 1st time in the morning | <input type="checkbox"/> When it is raining or wet |
| <input type="checkbox"/> Only when it is cold outside | <input type="checkbox"/> Dry or dusty conditions |
| <input type="checkbox"/> Only when it is hot outside | <input type="checkbox"/> Other: |

III. WHEN DRIVING:

- Through driveways
- Over rough roads
- Over speed bumps
- Only about ____ mph
- On acceleration
- Coming to a stop
- On turns: left, right or either (circle)
- With passengers or cargo
- Other: _____
- After driving ____ miles or ____ minutes

IV. WHAT TYPE OF NOISE

- Squeak (like tennis shoes on a clean floor)
- Creak (like walking on an old wooden floor)
- Rattle (like shaking a baby rattle)
- Knock (like a knock at the door)
- Tick (like a clock second hand)
- Thump (heavy muffled knock noise)
- Buzz (like a bumble bee)

TO BE COMPLETED BY DEALERSHIP PERSONNEL

Test Drive Notes:

	YES	NO	Initials of person performing
Vehicle test driven with customer	<input type="checkbox"/>	<input type="checkbox"/>	_____
- Noise verified on test drive	<input type="checkbox"/>	<input type="checkbox"/>	_____
- Noise source located and repaired	<input type="checkbox"/>	<input type="checkbox"/>	_____
- Follow up test drive performed to confirm repair	<input type="checkbox"/>	<input type="checkbox"/>	_____

VIN: _____ Customer Name _____

W.O.# _____ Date: _____

This form must be attached to Work Order

LAI0071E

CLIP AND FASTENER


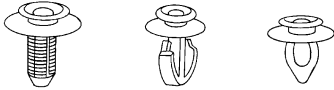


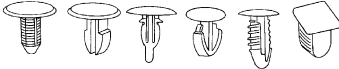
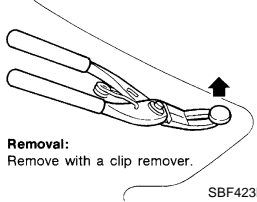

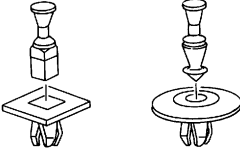
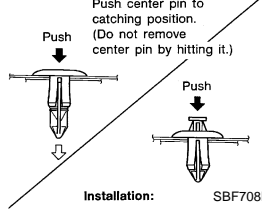

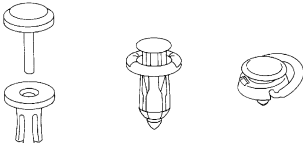
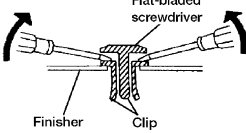

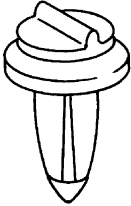
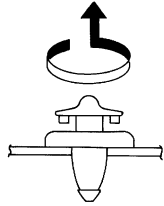

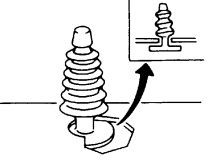
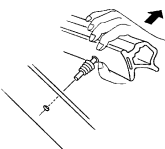
CLIP AND FASTENER

PFP:76906

EIS003W4

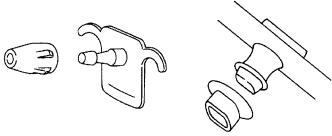
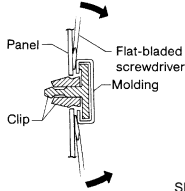

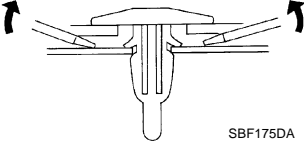
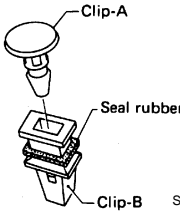
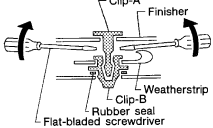
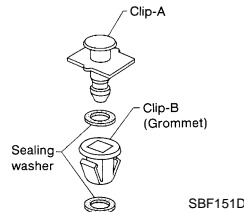
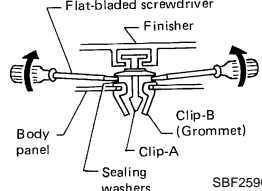
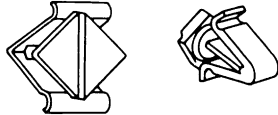
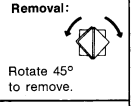

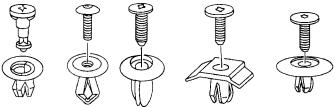

Description

- Clips and fasteners in EI section correspond to the following numbers and symbols.
- Replace any clips and/or fasteners which are damaged during removal or installation.

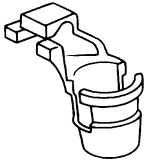
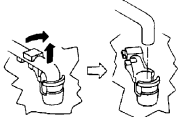

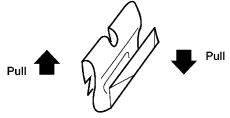
Symbol No.	Shapes	Removal & Installation
C101 	 SBF302H	Removal: Remove by bending up with flat-bladed screwdrivers or clip remover.  SBF367BA
C103 	 SBT095	Removal: Remove with a clip remover.  SBF423H
C203 	 SBF258G	Installation: Push center pin to catching position. (Do not remove center pin by hitting it.)  SBF708E
C205 	 MBT080A	Removal: Flat-bladed screwdriver Finisher Clip  SBF638CA
C206 	 MBF519B	 MBF520B
CE103 	 SBF104B	Removal:  SBF147B

A
B
C
D
E
F
G
H
EI
J
K
L
M

CLIP AND FASTENER

Symbol No.	Shapes	Removal & Installation
CE107	 <p style="text-align: center;">SBF411H</p>	 <p style="text-align: right;">SBF767B</p>
CE117	 <p style="text-align: center;">SBF174D</p>	<p>Removal: Remove by bending up with a flat-bladed screwdriver or pliers.</p>  <p style="text-align: right;">SBF175DA</p>
CF110	 <p style="text-align: center;">SBF648B</p>	<p>Removal:</p>  <p style="text-align: right;">SBF649B</p>
CF118	 <p style="text-align: center;">SBF151D</p>	<p>Removal:</p>  <p style="text-align: right;">SBF259G</p>
CG101	 <p style="text-align: center;">SBF145B</p>	<p>Removal:</p>  <p style="text-align: center;">Rotate 45° to remove.</p> <p>Installation:</p>  <p style="text-align: right;">SBF085B</p>
CS101	 <p style="text-align: center;">SBF078B</p>	<p>Removal:</p> <ol style="list-style-type: none"> Screw out with a Phillips screwdriver. Remove female portion with flat-bladed screwdriver.  <p style="text-align: right;">SBF992G</p>

CLIP AND FASTENER

Symbol No.	Shapes	Removal & Installation
CR103	 <p style="text-align: center;">SBF768B</p>	<p>Removal: Holder portion of clip must be spread out to remove rod.</p>  <p style="text-align: center;">SBF770B</p>
Metal Clip	 <p style="text-align: center;">WBT072</p>	<p>Removal:</p>  <p style="text-align: center;">WBT073</p>

A
B
C
D
E
F
G
H
I
J
K
L
M

EI

FRONT BUMPER

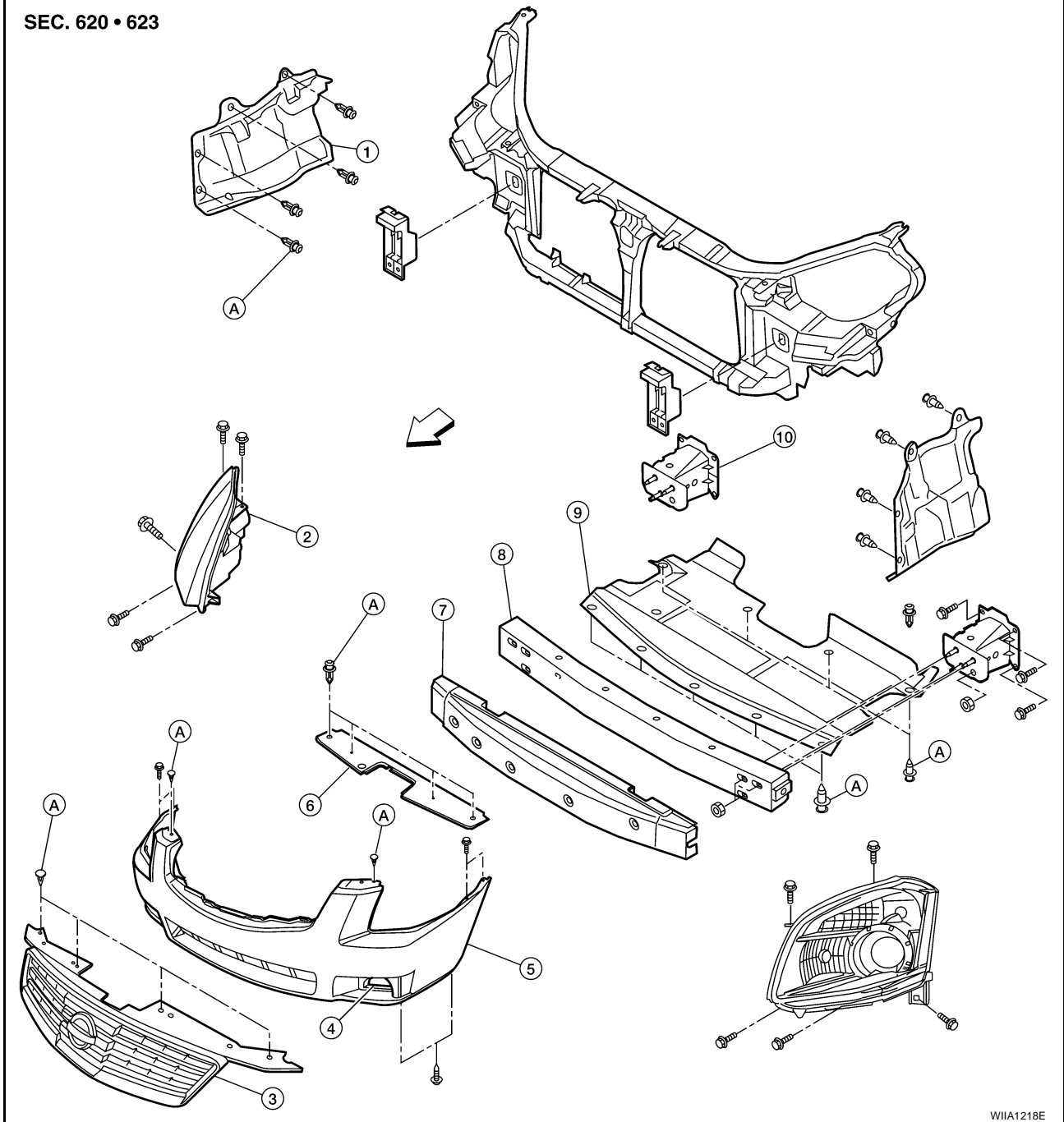
FRONT BUMPER

PFP:F2022

Removal and Installation

EIS003W5

SEC. 620 • 623



WIIA1218E

- | | | |
|---------------------------|-------------------------------|----------------------|
| 1. Side splash cover | 2. Front combination lamp | 3. Front grille |
| 4. Fog lamp | 5. Front bumper fascia | 6. Grille top cover |
| 7. Energy absorbing foam | 8. Front bumper reinforcement | 9. Engine undercover |
| 10. Front bumper supports | A. Clip C205 | B. Clip C103 |
- ← Vehicle front

REMOVAL

1. Remove grille top cover.
2. Remove front grille. Refer to [EI-18, "FRONT GRILLE"](#).
3. Remove front bumper fascia screws, then partially remove front fender protector RH/LH. Refer to [EI-21, "FENDER PROTECTOR"](#).

FRONT BUMPER

4. Remove side splash cover. A
5. Remove engine undercover. A
6. Disconnect fog lamp wire harness in front bumper fascia. A
7. Remove front bumper fascia. A
8. Pull off energy absorbing foam from front bumper. B
9. Disconnect ambient temperature sensor wiring harness. B
10. Remove front bumper reinforcement. C
11. Remove front bumper supports. C
12. Disconnect wire harness and remove front combination lamp RH/LH. Refer to [LT-36, "COMBINATION LAMP"](#). D

INSTALLATION

Installation is in the reverse order of removal.

E

F

G

H

EI

J

K

L

M

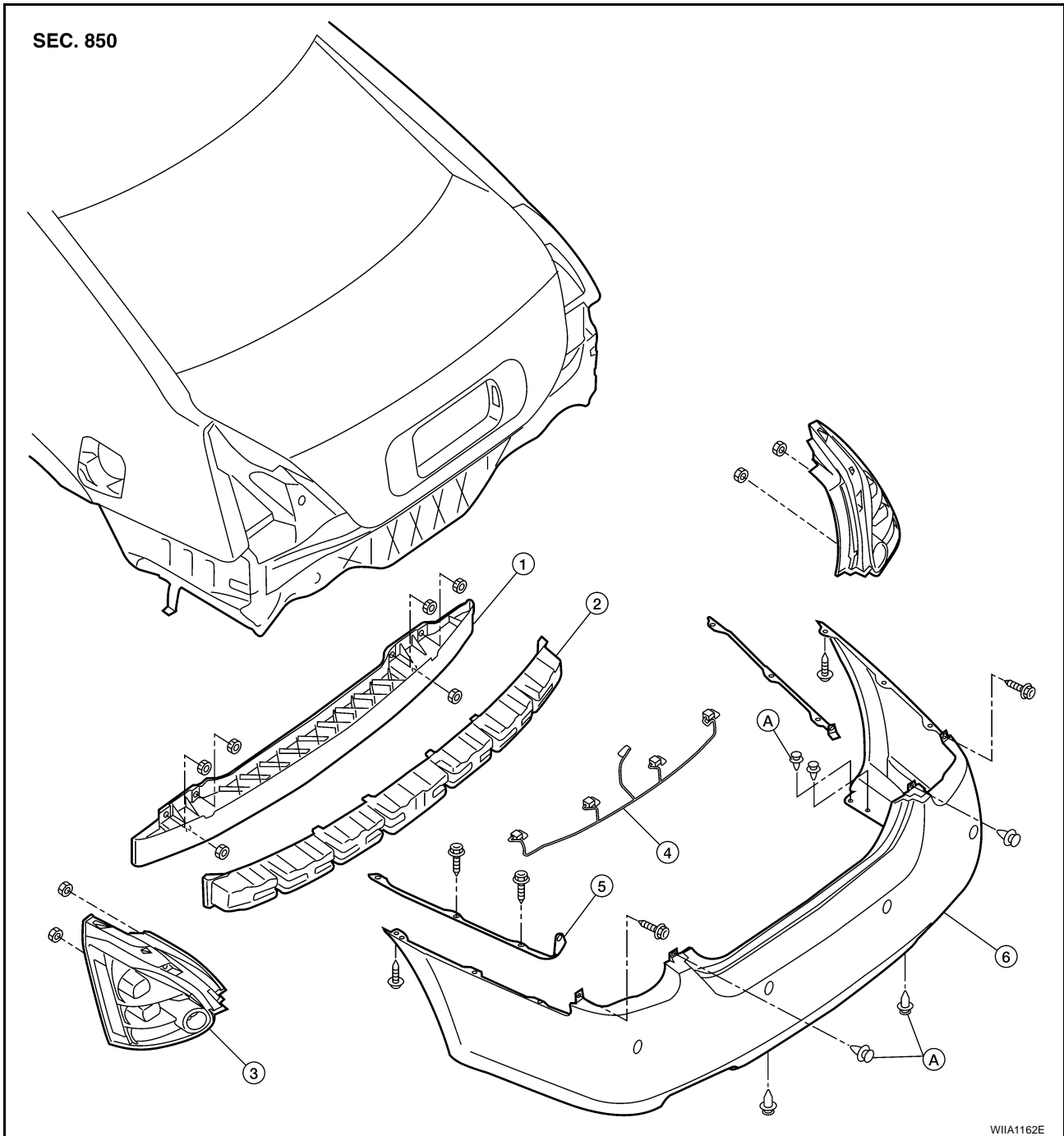
REAR BUMPER

REAR BUMPER

PFPH5022

Removal and Installation

EIS003W6



- | | | |
|---------------------------------------|-----------------------------|--------------------------|
| 1. Rear bumper reinforcement | 2. Energy absorbing foam | 3. Rear combination lamp |
| 4. Sonar sensor harness (if equipped) | 5. Rear bumper side bracket | 6. Rear bumper fascia |
| A. Clip C205 | | |

REMOVAL

1. Remove rear trunk plate, then partially remove trunk side finishers. Refer to [EI-44, "TRUNK ROOM TRIM & TRUNK LID FINISHER"](#).
2. Remove rear combination lamp RH/LH. Refer to [LT-125, "REAR COMBINATION LAMP"](#).
3. Disconnect sonar sensor harness connector(if equipped)
4. Remove rear bumper fascia.
 - If fascia is to be replaced, remove bracket from fascia.

REAR BUMPER

5. Remove energy absorber from rear bumper reinforcement.
6. Remove rear bumper reinforcement.

A

INSTALLATION

Installation is in the reverse order of removal.

B

C

D

E

F

G

H

EI

J

K

L

M

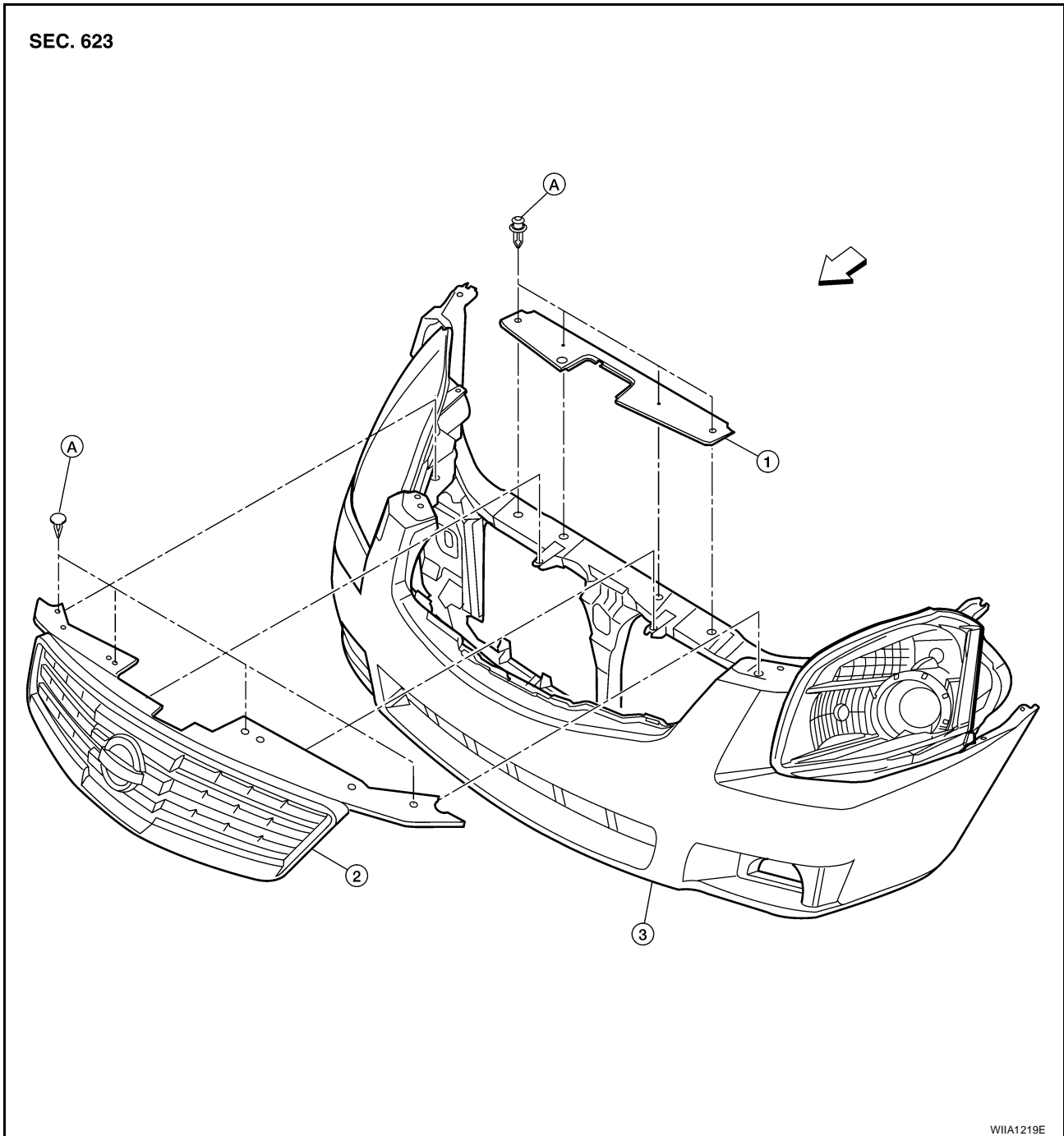
FRONT GRILLE

FRONT GRILLE

PFP:62310

Removal and Installation

EIS003W7



WIIA1219E

1. Grille top cover

2. Front grille

3. Front bumper fascia

A. Clip C205

← Vehicle front

REMOVAL

1. Remove the clips, then remove grille top cover.
2. Remove the front grille clips.
3. Release the tabs near lower edge and remove front grille.

INSTALLATION

Installation is in the reverse order of removal.

COWL TOP

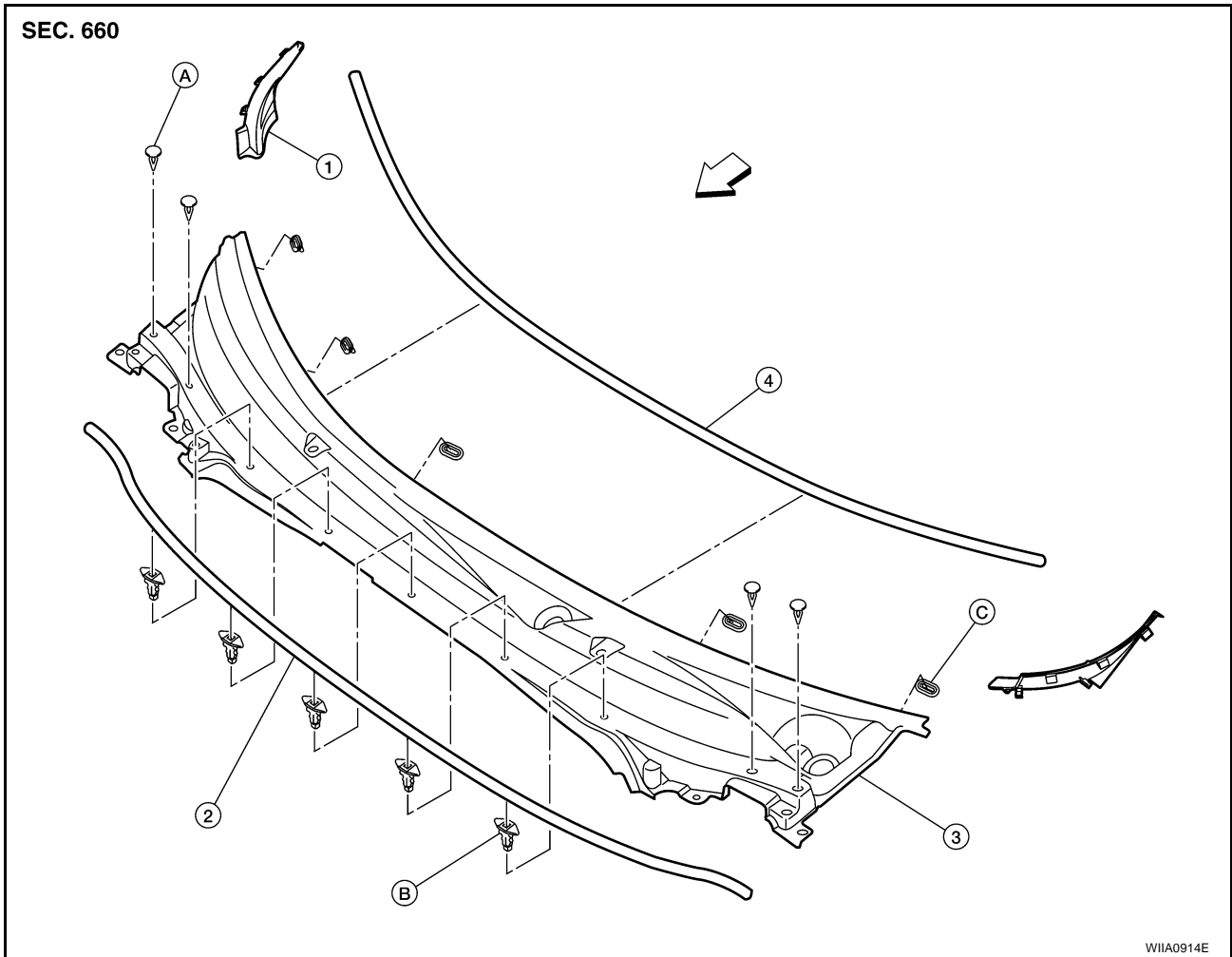
PF6:66100

EIS003W8

COWL TOP

Removal and Installation

SEC. 660



- | | | |
|------------------|---------------------------|---------------|
| 1. Fender cover | 2. Cowl weatherstrip seal | 3. Cowl top |
| 4. Cowl top seal | A. Clip C103 | B. Clip CE103 |
| C. Grommet | ← Vehicle front | |

REMOVAL

1. Remove wiper arms RH/LH from the vehicle. Refer to [WW-20, "Front Wiper Arms"](#).
2. Remove fender covers.
3. Remove cowl top clips, then partially lift cowl top for access.
4. Disconnect windshield washer tube. Refer to [WW-22, "Washer Tube Layout"](#).
5. Remove cowl top seal and weatherstrip seal.
6. Remove cowl top.
7. Remove windshield washer nozzles and hoses from cowl top.

INSTALLATION

Installation is in the reverse order of removal.

FRONT FENDER

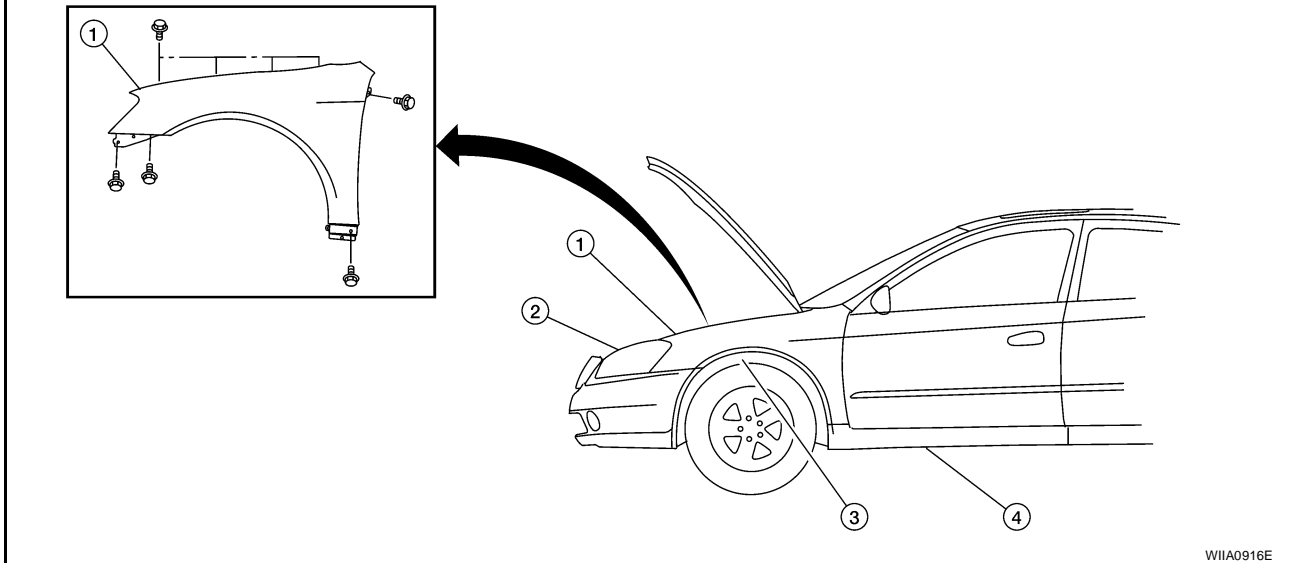
FRONT FENDER

PFP:63100

Removal and Installation

EIS003W9

SEC. 630



WIIA0916E

1. Front fender
2. Front combination lamp
3. Front fender protector
4. Center mudguard

REMOVAL

1. Remove front combination lamp. Refer to [LT-36, "Removal and Installation"](#).
2. Remove front fender protector. Refer to [EI-22, "Removal and Installation"](#).
3. Remove front portion of center mud guard. Refer to [EI-23, "Removal and Installation"](#).
4. Remove front fender.

INSTALLATION

Installation is in the reverse order of removal.

FENDER PROTECTOR

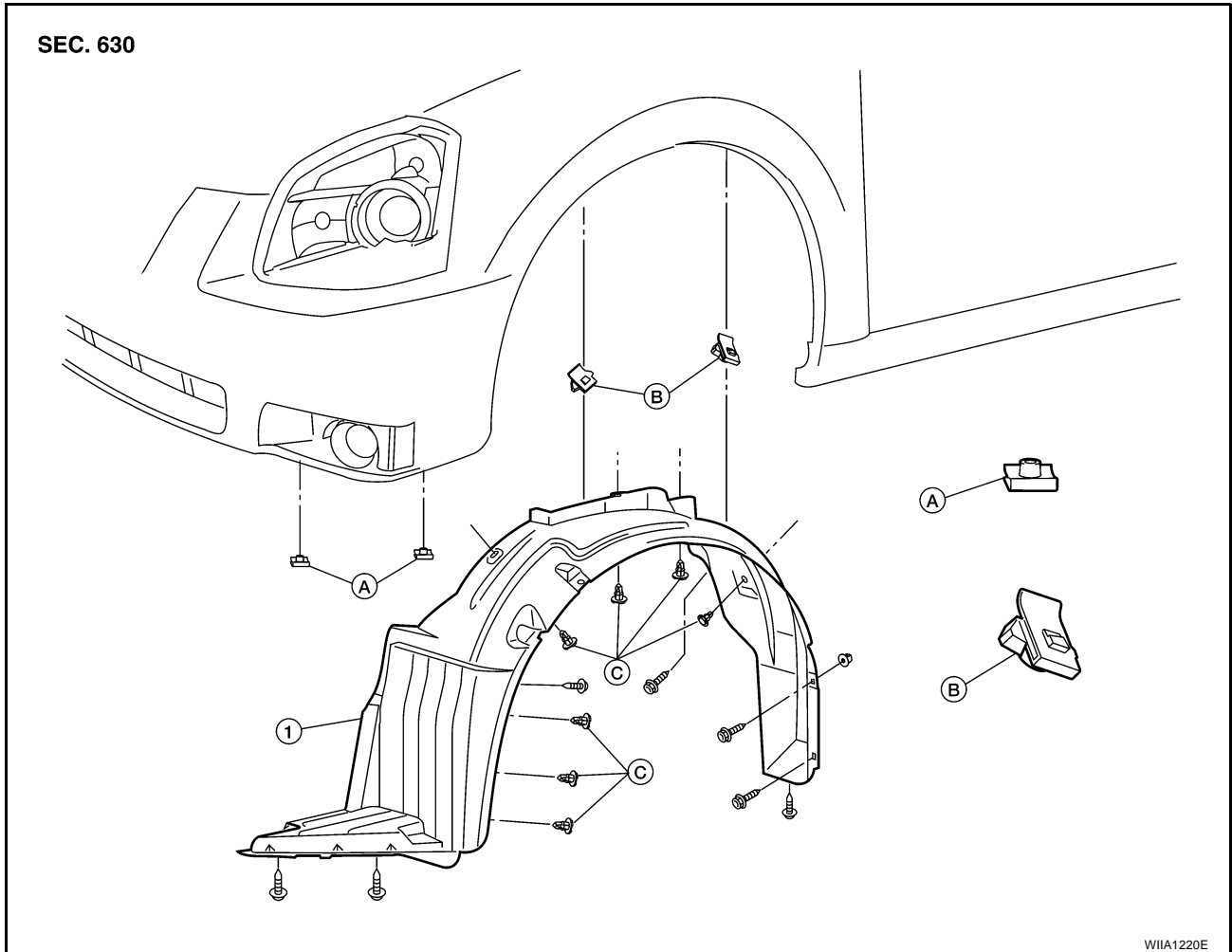
PF:63840

EIS007X6

FENDER PROTECTOR

Components

Front



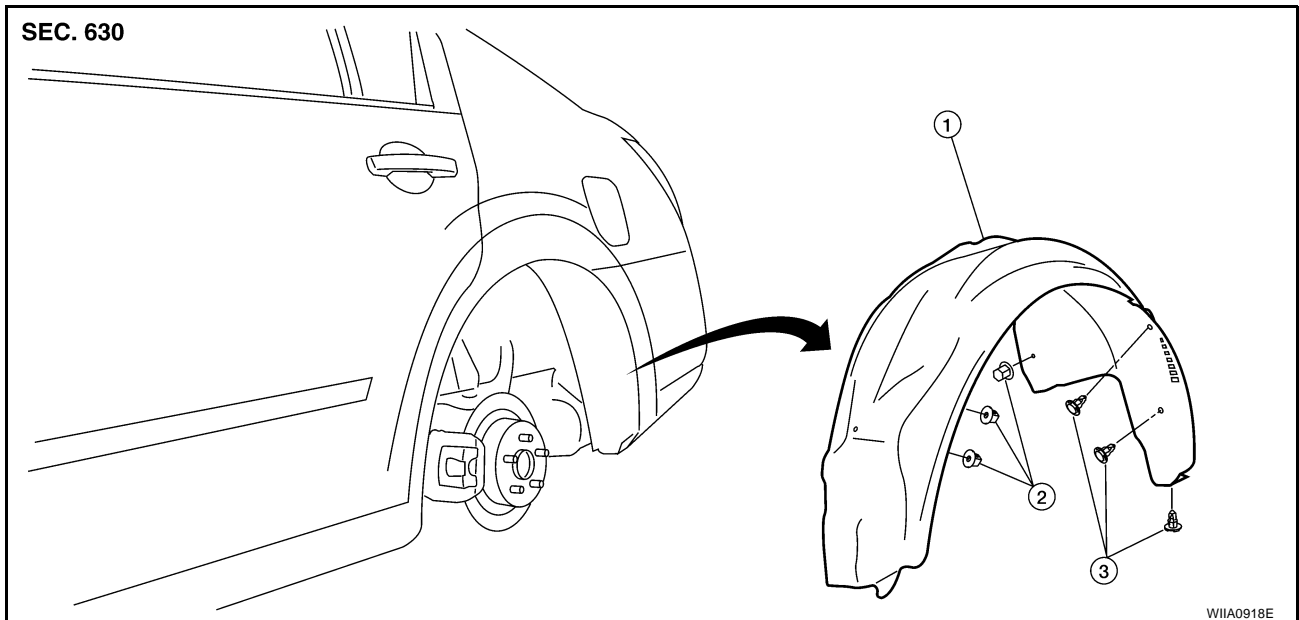
1. Front fender protector

A. J-clip

B. Clip

C. Pushpin C205

Rear



A
B
C
D
E
F
G
H
EI
J
K
L
M

FENDER PROTECTOR

1. Rear fender protector

2. Push nut

3. Pushpin C205

Removal and Installation FRONT FENDER PROTECTOR

EIS003WA

Removal

1. Remove front fender protector screws.
2. Remove pushpins.
3. Remove clips.
4. Remove front fender protector.

Installation

Installation is in the reverse order of removal.

REAR FENDER PROTECTOR

Removal

1. Remove rear fender protector push nuts.
2. Remove pushpins.
3. Remove rear fender protector.

Installation

Installation is in the reverse order of removal.

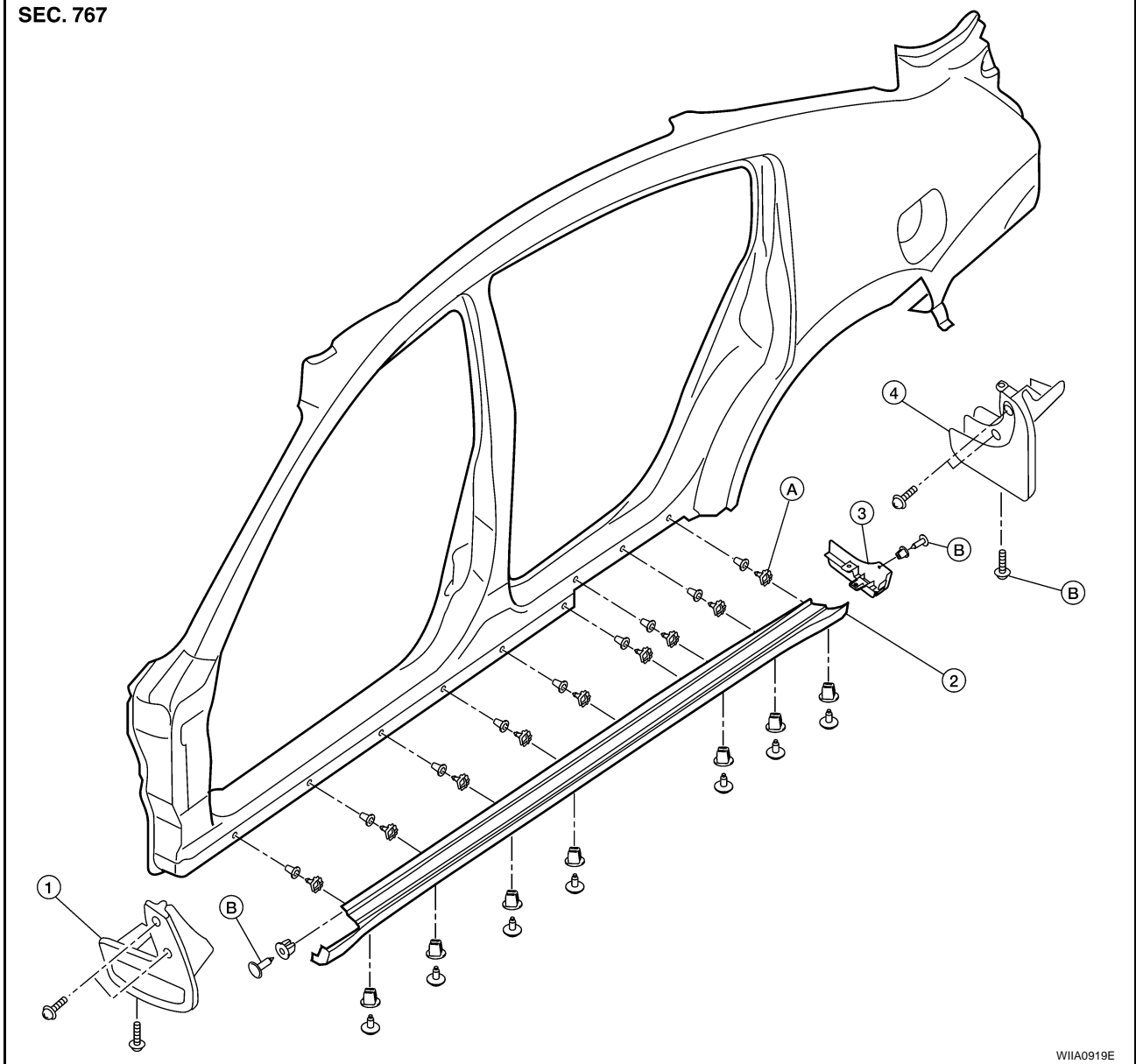
MUDGUARD

MUDGUARD

Removal and Installation

PF6:63854

EIS003WB



- | | | |
|-------------------|--------------------|--------------|
| 1. Front mudguard | 2. Center mudguard | 3. End cap |
| 4. Rear mudguard | A. Clip CF118 | B. Clip C205 |

REMOVAL

1. Remove front mudguard screws, then remove front mudguard.
2. Remove center mudguard screws.
3. Release clips.
4. Remove center mudguard.
5. Remove rear mudguard screws and release clip.
6. Remove rear mudguard.

INSTALLATION

Installation is in the reverse order of removal.

A
B
C
D
E
F
G
H
EI
J
K
L
M

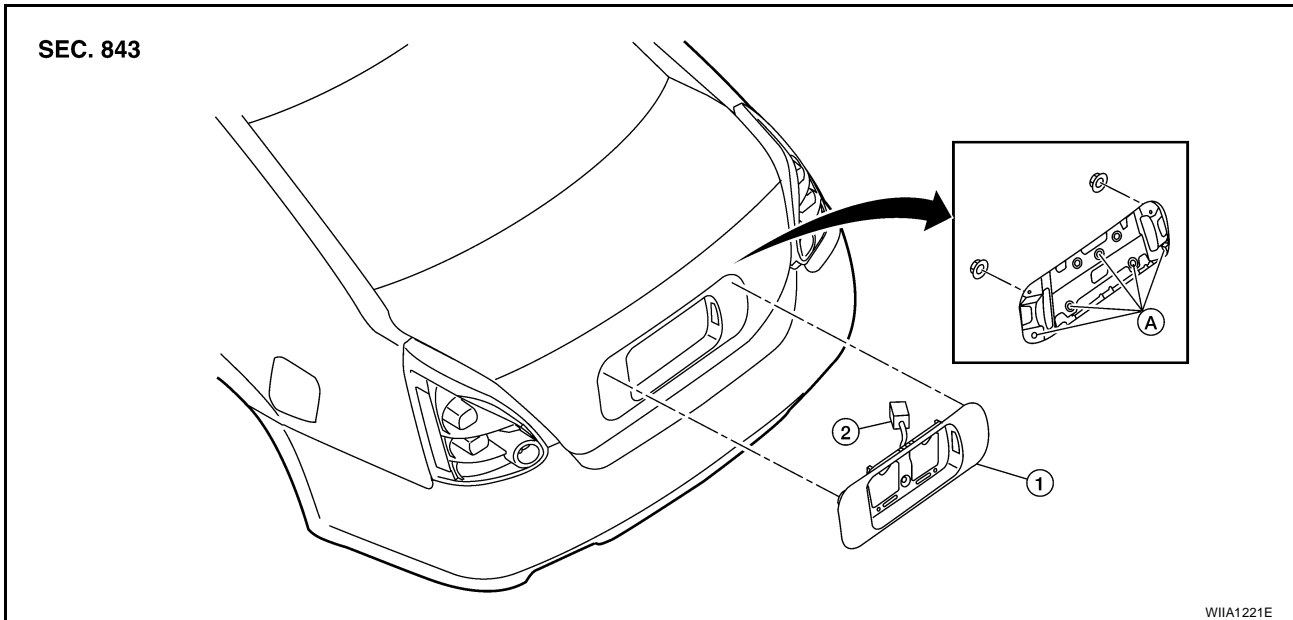
LICENSE LAMP FINISHER

LICENSE LAMP FINISHER

PFP:84810

Removal and Installation

EIS003WC



1. License lamp finisher

2. Trunk opener request switch

Clip C101

REMOVAL

1. Remove trunk lid finisher. Refer to [EI-44. "TRUNK ROOM TRIM & TRUNK LID FINISHER"](#).
2. Remove license lamp finisher nuts and release clips.
3. Disconnect trunk opener request switch connector, then remove license lamp finisher.

INSTALLATION

Installation is in the reverse order of removal.

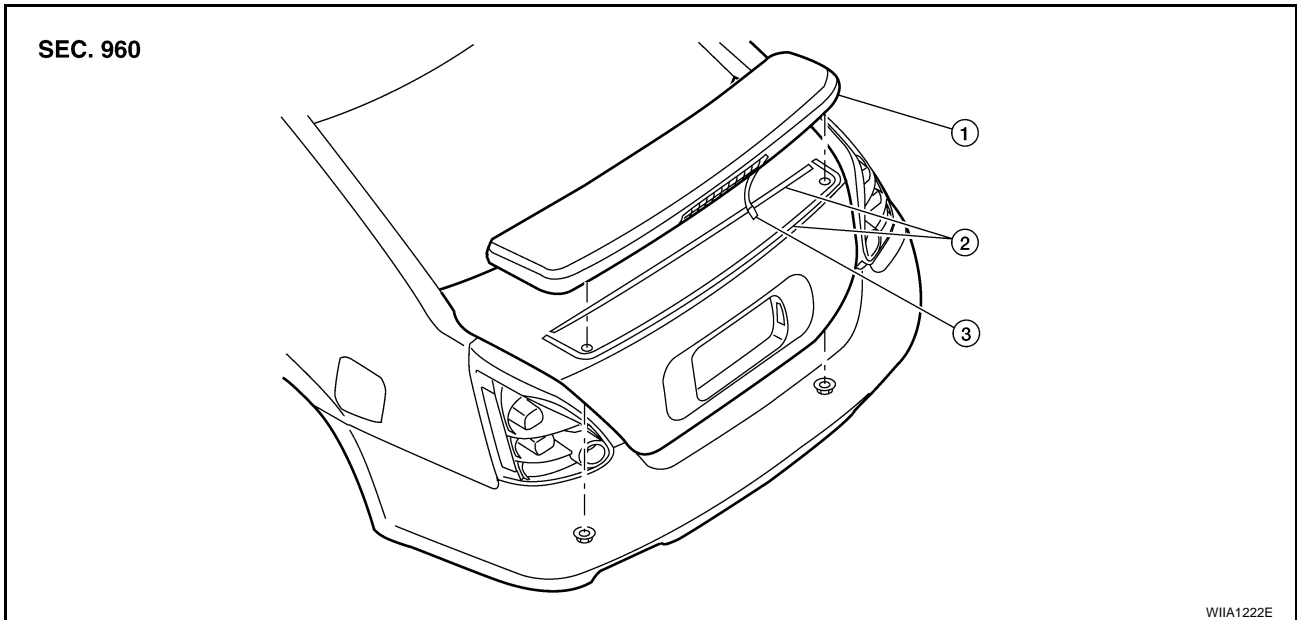
REAR AIR SPOILER

PFK:K6030

REAR AIR SPOILER

Removal and Installation

EIS003WD



1. Rear air spoiler

2. Foam tape

3. Center high mount stop lamp connector

REMOVAL

1. Remove trunk lid finisher. Refer to [EI-44, "TRUNK ROOM TRIM & TRUNK LID FINISHER"](#).
2. Remove three nuts attaching spoiler to trunk lid.
3. Using a trim stick, carefully remove spoiler by prying adhesive free.

CAUTION:

Use care not to damage paint on trunk and not to damage spoiler if it is to be replaced.

4. Disconnect the center high mount stop lamp connector, then remove the rear air spoiler.

INSTALLATION

Installation is in the reverse order of removal.

NOTE:

- When installing, make sure that there are not any gaps or waves at the ends of the spoiler.
- Before installing spoiler, clean surface where spoiler will be mounted with isopropyl alcohol or equivalent to degrease the surface.

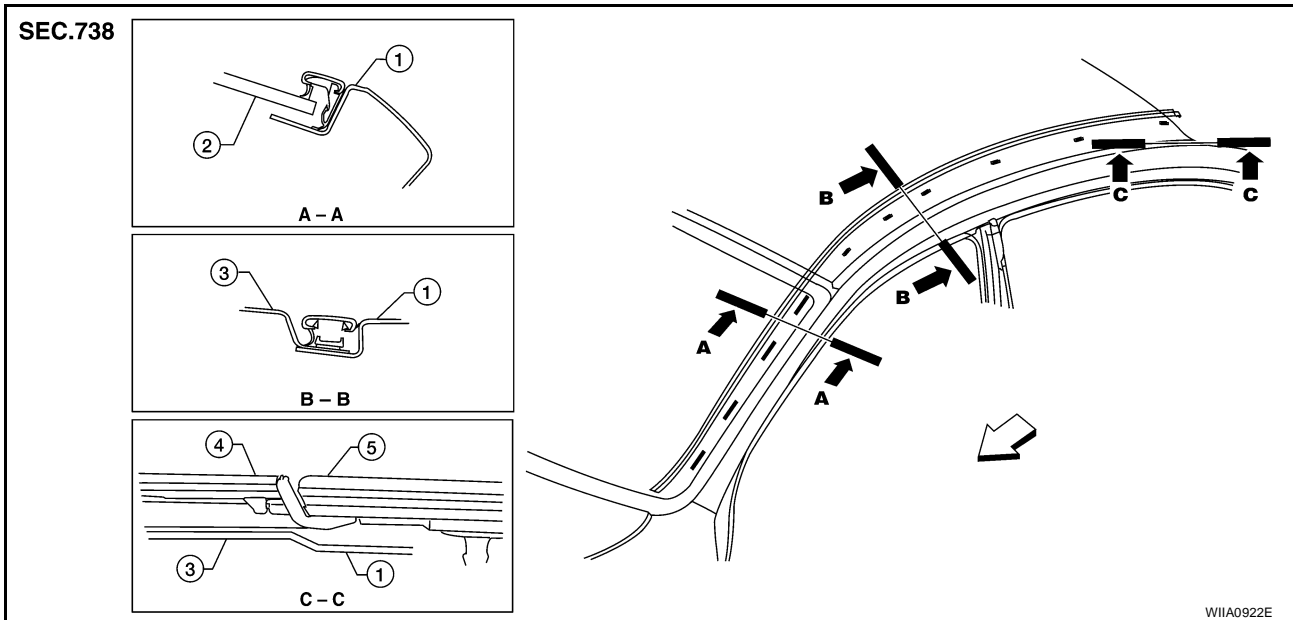
ROOF SIDE MOLDING

PFP:73854

ROOF SIDE MOLDING

Removal and Installation

EIS003WE



1. Body outer side panel
2. Windshield
3. Roof
4. Roof side molding
5. Rear pillar finisher

REMOVAL

CAUTION:

Never apply tack-paper adhesive remover to body panel surface finished with lacquer-based paints.

- Original roof side molding may be affixed to body panel with double-faced adhesive tape.

1. Remove rear pillar finisher. Refer to [EI-27, "REAR PILLAR FINISHER"](#).
2. Heat molding (if necessary) to between 30° and 40°C (86° to 104°F) with a heat gun.
3. Lift rear edge of molding from body panel surface and cut away adhesive tape while working forward.
4. Disconnect clips, and remove roof side molding.
 - Remove all traces of adhesive tape from surfaces.

INSTALLATION

- On vehicles coated with Hard Clear Coat, use double-faced 3M adhesive tape Product No. 4210 or equivalent, after priming with 3M primer Product No. N200 or C-100 or equivalent.
 - The repair parts are also affixed with double-faced adhesive tape.
 - To re-use existing molding, clean all traces of double sided tape from the molding and apply new double-faced tape to the molding.
1. Clean the panel surface with isopropyl alcohol or equivalent to degrease the surface.
 2. Heat the panel and molding tape surface to 30° to 40°C (86° to 104°F).
 3. Remove the backing sheet from the tape surface.
 4. Align clips as necessary, then use a roller to apply 5 kg-f (11 lbs.-ft) and press molding to surface.

CAUTION:

To secure contact, do not wash vehicle for 24 hours after installation.

REAR PILLAR FINISHER

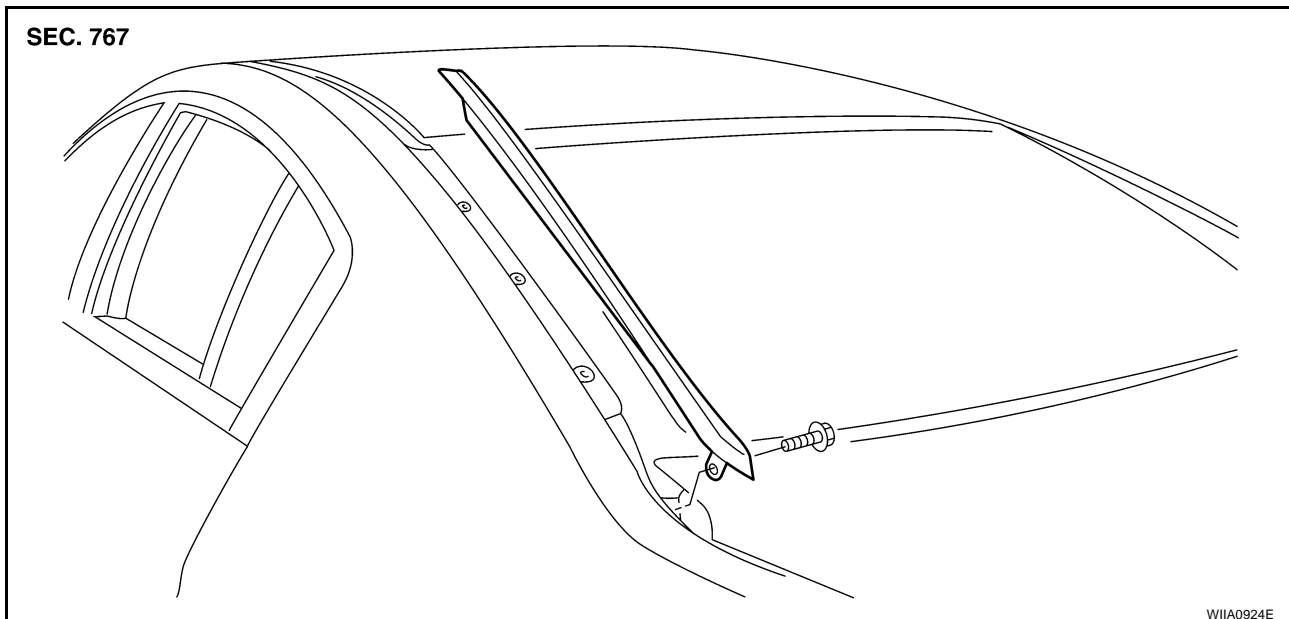
REAR PILLAR FINISHER

PFP:76934

Removal and Installation

EIS003WF

SEC. 767



REMOVAL

1. Open trunk lid.
2. Remove screw in bottom corner of rear pillar finisher.
3. Using a trim stick, release clips and remove finisher.

INSTALLATION

Installation is in the reverse order of removal.

A

B

C

D

E

F

G

H

EI

J

K

L

M

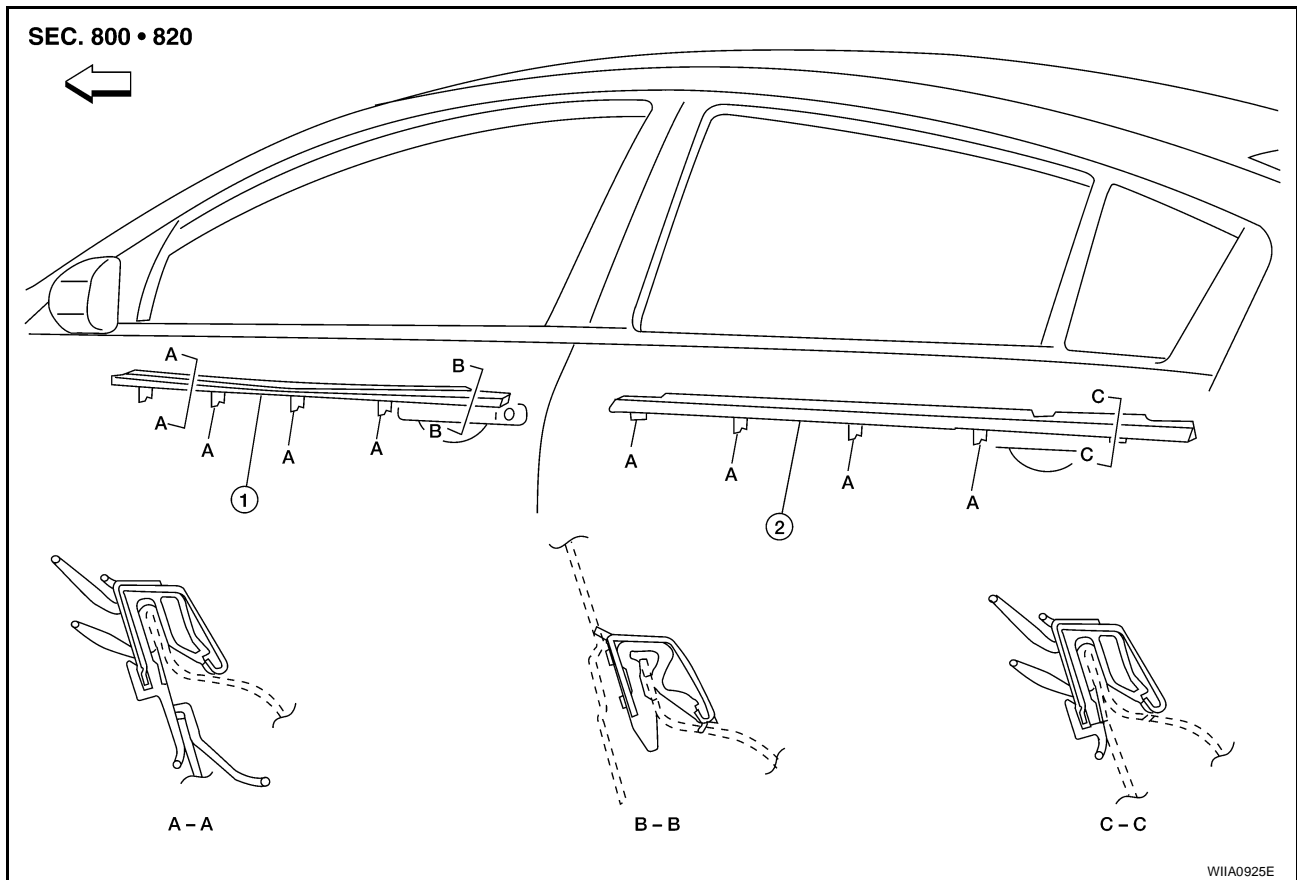
DOOR OUTSIDE MOLDING

DOOR OUTSIDE MOLDING

PFP:82820

Removal and Installation

EIS003WG



1. Front door outside molding 2. Rear door outside molding ← Vehicle front

FRONT DOOR OUTSIDE MOLDING

Removal

1. Open windows fully.
2. Lift and twist molding beginning at rear edge, disconnect clips from flange and remove molding.

Installation

Installation is in the reverse order of removal.

REAR DOOR OUTSIDE MOLDING

Removal

1. Open windows fully.
2. Lift and twist molding beginning at rear edge, disconnect clips from flange and remove molding.

Installation

Installation is in the reverse order of removal.

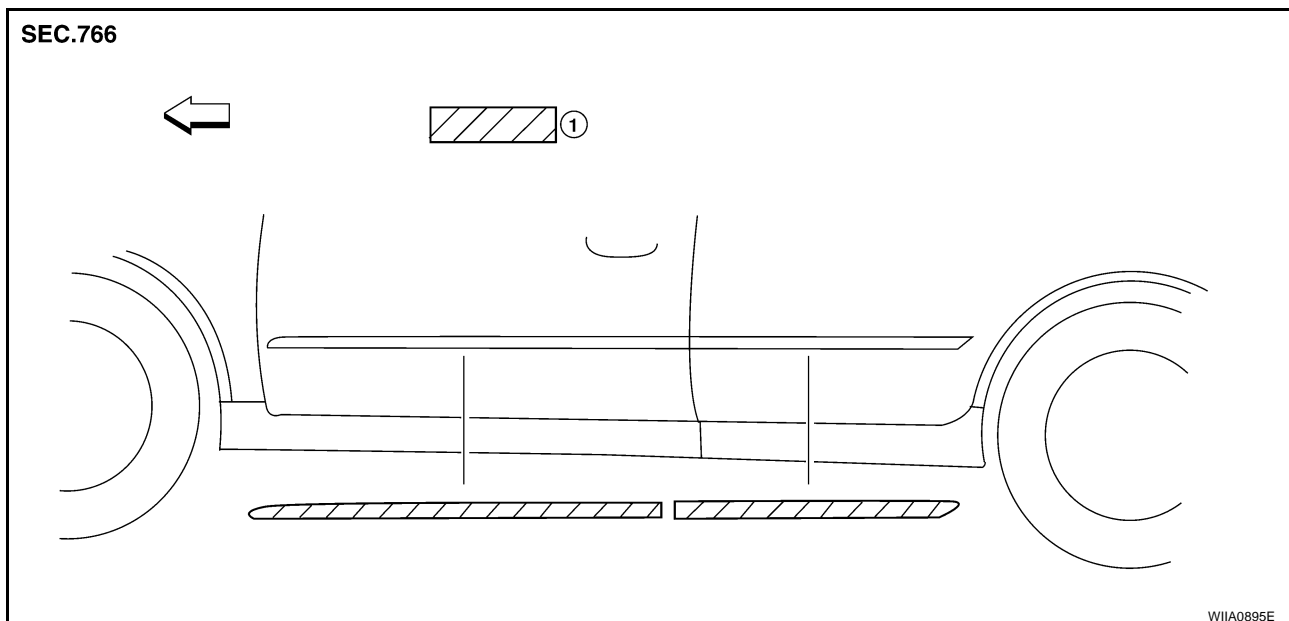
SIDE GUARD MOLDING

SIDE GUARD MOLDING

PFP:76840

Removal and Installation

EIS003WH



1. Double-faced adhesive tape ← Vehicle front

REMOVAL

CAUTION:

Never apply tack-paper adhesive remover to body panel surface finished with lacquer-based paints.

- Original side guard molding is affixed to body panel with double-faced adhesive tape.
1. Heat molding to between 30° and 40°C (86° to 104°F) with a heat gun.
 2. Raise end of molding and cut away tape to remove molding.
 3. Remove all traces of tape.

INSTALLATION

- On vehicles coated with Hard Clear Coat, use double-faced 3M adhesive tape Product No. 4210 or equivalent, after priming with 3M primer Product No. N200 or C-100 or equivalent.
 - The repair parts are also affixed with double-faced adhesive tape.
 - To re-use existing molding, clean all traces of double sided tape from the molding and apply new double-faced tape to the molding.
1. Clean the panel surface with isopropyl alcohol or equivalent to degrease the surface.
 2. Heat the panel and molding tape surface to 30° to 40°C (86° to 104°F).
 3. Remove the backing sheet from the tape surface.
 4. Press ends by hand and use a roller to apply 5 kg-f (11 lbs.-f) to press molding to door surface.

CAUTION:

To secure contact, do not wash vehicle for 24 hours after installation.

DOOR FINISHER

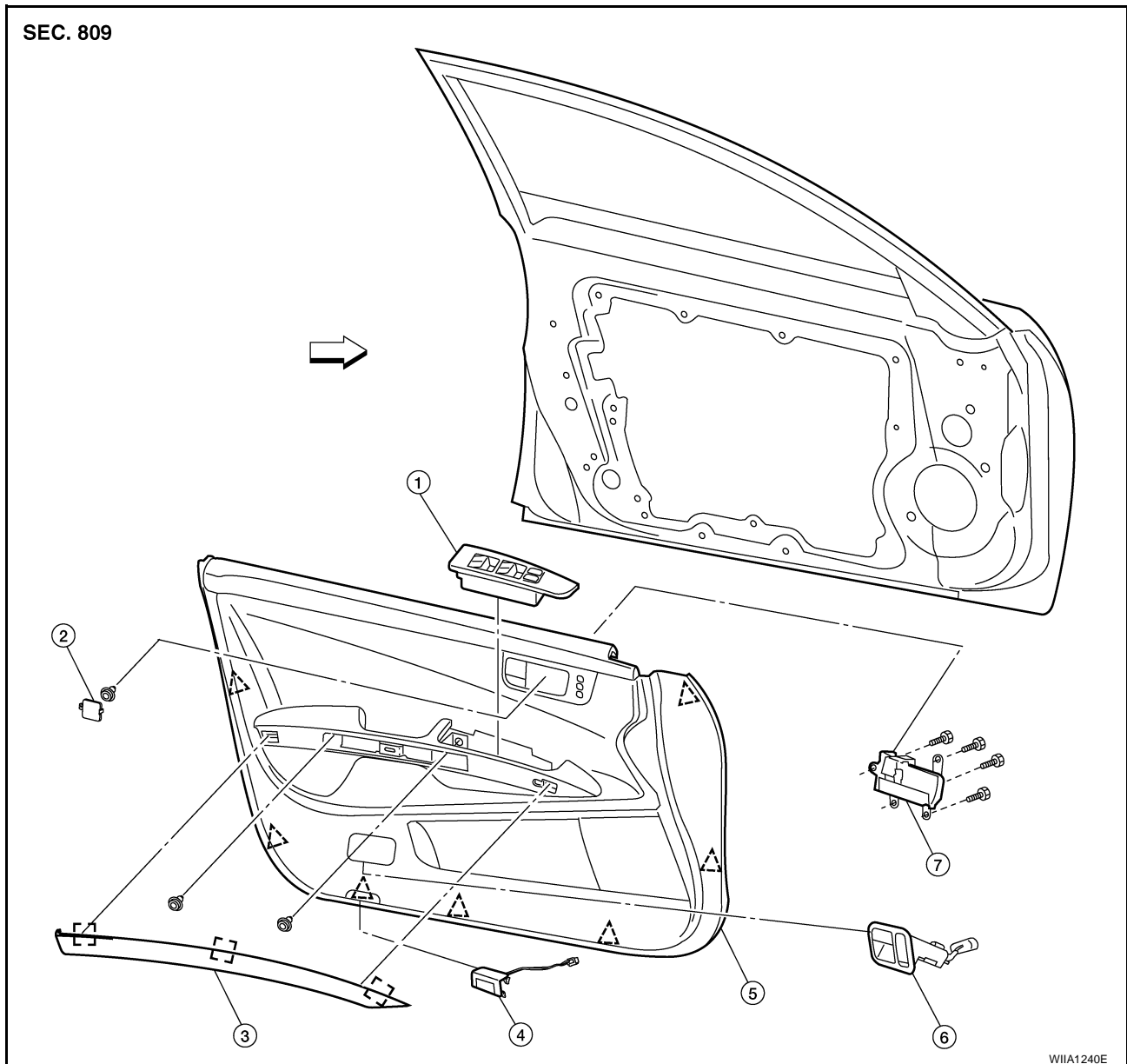
PFP:80900

EIS003WI

DOOR FINISHER

Removal and Installation FRONT DOOR

SEC. 809



WIIA1240E

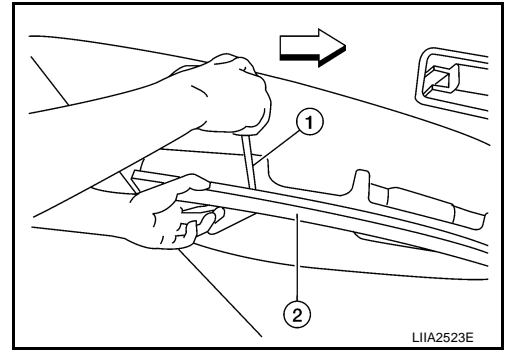
- | | | |
|---|------------------------|--|
| 1. Power window and door lock/unlock switch | 2. Cover | 3. Trim molding |
| 4. Step lamp | 5. Front door finisher | 6. Trunk/fuel lid opener switch assembly |
| 7. Inside door handle assembly | □ Metal clip | △ Clip C101 |
- ← Vehicle front

Removal

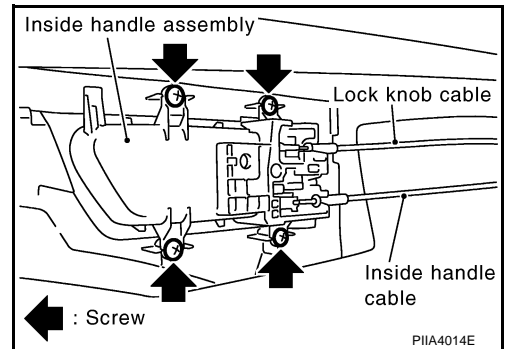
1. Disconnect the negative and positive battery cables, then wait at least 3 minutes.
2. Remove cover from inside door handle assembly escutcheon, then remove screw.
3. Remove power window and door lock/unlock switch and disconnect harnesses.
4. Remove trim molding from armrest.
 - Insert suitable non-metallic tool into pry slot at rear edge of trim molding and release first metal clip only.

DOOR FINISHER

- Reposition tool (1) near pull handle and release additional clips working toward vehicle front until trim molding (2) is fully disengaged from front door finisher.



5. Remove front door finisher screws and release clips attaching door finisher to inner door.
6. Remove front door finisher.
7. Disconnect wire harness and remove step lamp.
8. Disconnect harness and remove trunk/fuel lid opener switch assembly.
9. Disconnect lock cable and handle cable and remove inside door handle assembly.



Installation

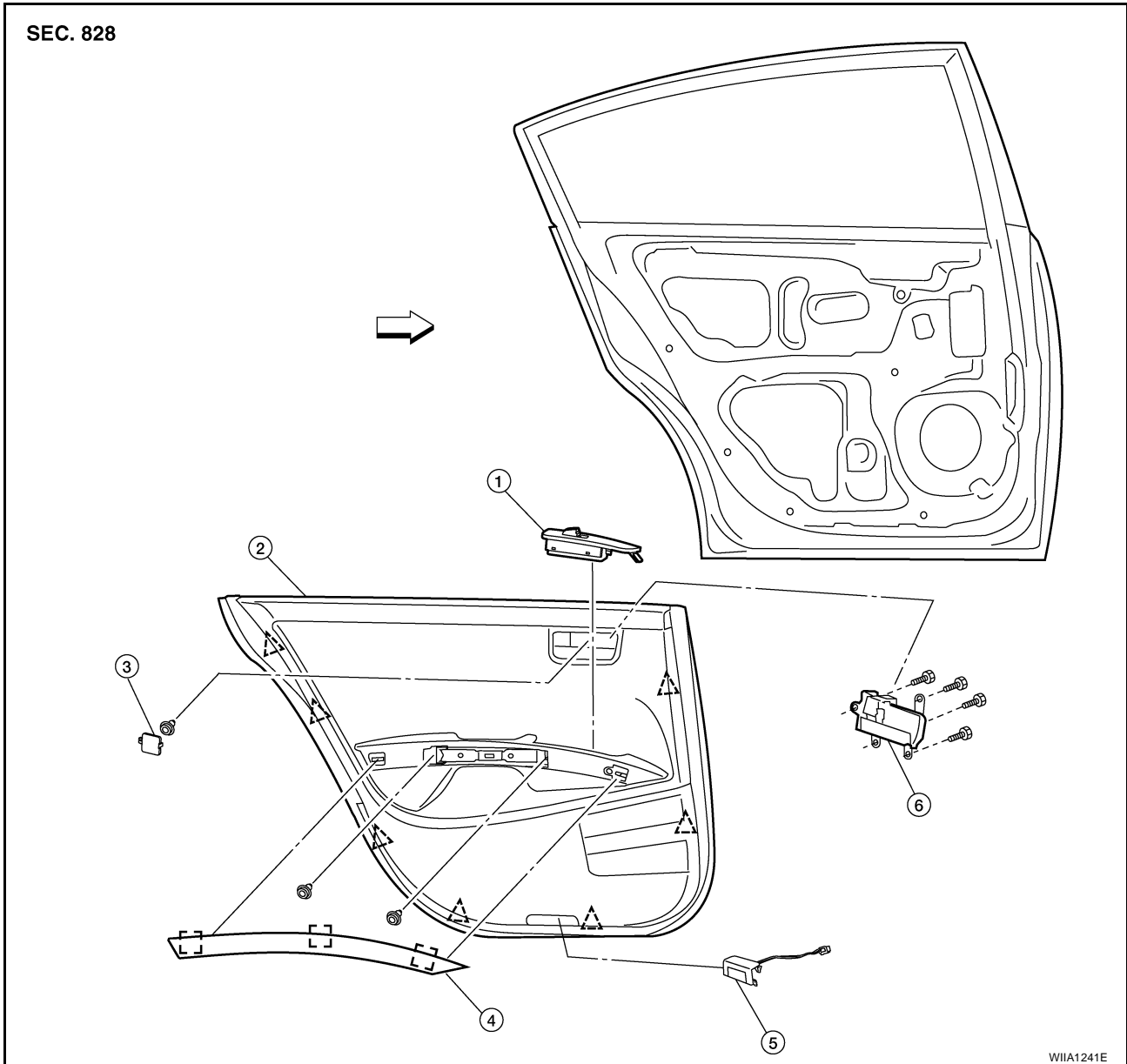
Installation is in the reverse order of removal.

A
B
C
D
E
F
G
H
EI
J
K
L
M

DOOR FINISHER

REAR DOOR

SEC. 828



1. Rear power window switch

2. Rear door finisher

3. Cover

4. Trim molding

5. Step lamp

6. Inside door handle assembly

[] Metal clip

△ Clip C101

← Vehicle front

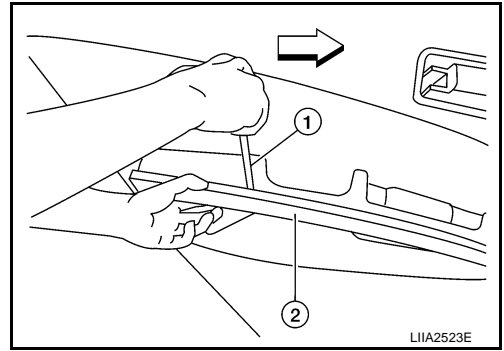
WIIA1241E

Removal

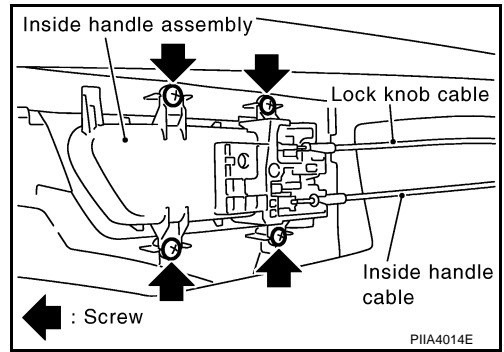
1. Disconnect the negative and positive battery cables, then wait at least 3 minutes.
2. Remove cover from inside door handle assembly escutcheon, then remove screw.
3. Remove rear power window switch and disconnect harnesses.
4. Remove trim molding from armrest.
 - Insert suitable non-metallic tool into pry slot at rear edge of trim molding and release first metal clip only.

DOOR FINISHER

- Reposition tool (1) near pull handle and release additional clips working toward vehicle front until trim molding (2) is fully disengaged from front door finisher.



5. Remove screws and release clips attaching door finisher to inner door.
6. Disconnect wire harness and remove step lamp.
7. Remove rear door finisher.
8. Disconnect lock cable and handle cable.



Installation

Installation is in the reverse order of removal.

A
B
C
D
E
F
G
H
EI
J
K
L
M

BODY SIDE TRIM

BODY SIDE TRIM

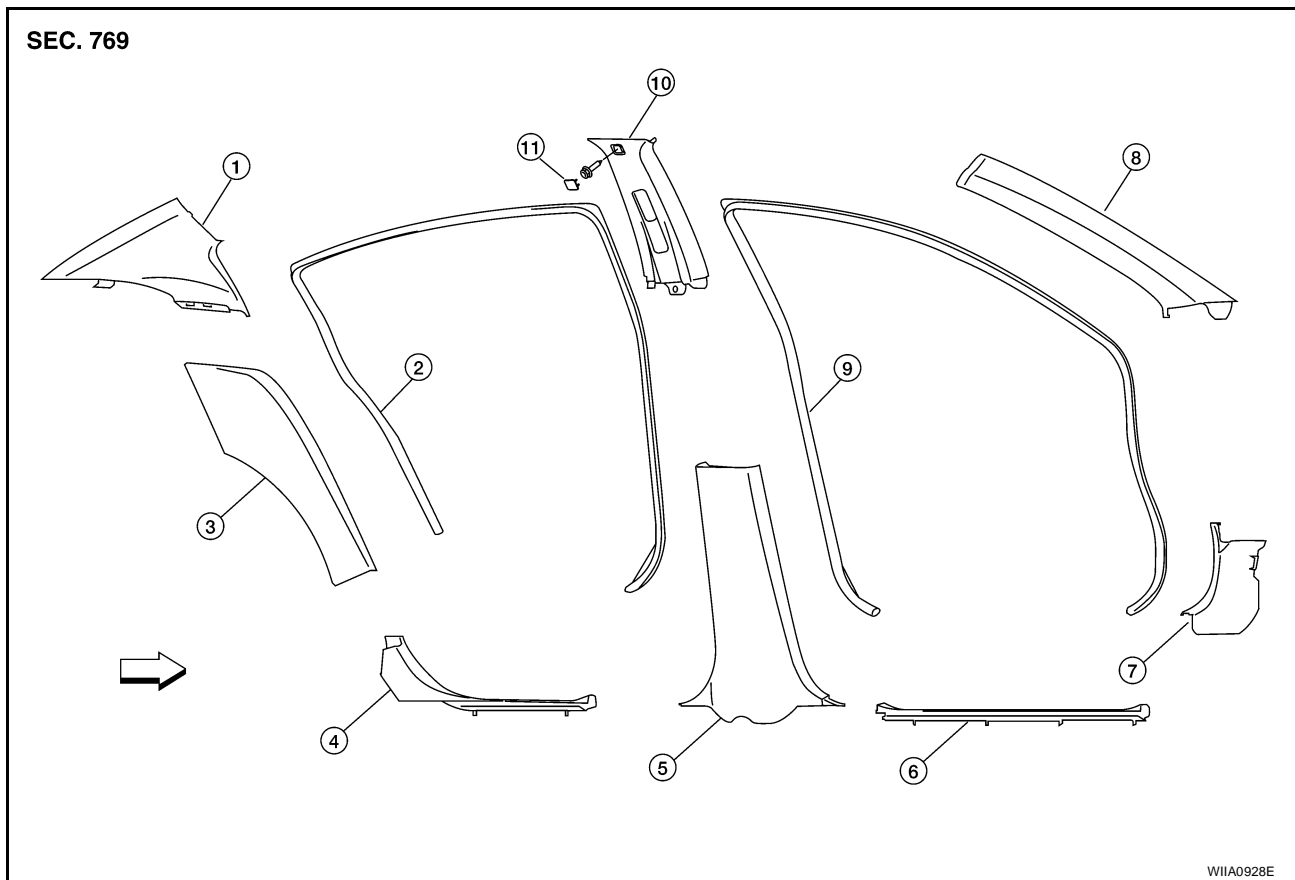
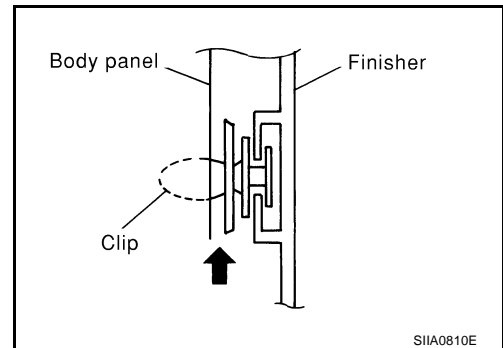
PFP:76913

Removal and Installation

EIS003WJ

CAUTION:

- When removing or installing body side welts, do not allow butyl seal to come in contact with pillar garnish.
- Insert screw driver rolled with cloth between panel on vehicle and clips (as indicated with arrow), and disconnect clips.



- | | | |
|---------------------------------|-------------------------------------|-------------------------|
| 1. Rear pillar garnish | 2. Rear body side welt | 3. Rear pillar finisher |
| 4. Rear kicking plate | 5. Center pillar lower garnish | 6. Front kicking plate |
| 7. Dash side finisher | 8. Front pillar garnish | 9. Front body side welt |
| 10. Center pillar upper garnish | 11. Seat belt shoulder anchor cover | ← Vehicle front |

CENTER PILLAR LOWER GARNISH

Removal

1. Remove front and rear kicking plates.
2. Remove center pillar lower garnish.

Installation

Installation is in the reverse order of removal.

BODY SIDE TRIM

CENTER PILLAR UPPER GARNISH

Removal

1. Remove seat belt shoulder anchor. Refer to [SB-4, "Removal and Installation of Front Seat Belt"](#).
2. Remove front and rear kicking plate.
3. Remove center pillar lower garnish.
4. Remove bolt covers and bolts.
5. Remove center pillar upper garnish.

Installation

Installation is in the reverse order of removal.

REAR PILLAR FINISHER

Removal

1. Remove bolt cover and bolt.
2. Remove rear pillar finisher.

Installation

Installation is in the reverse order of removal.

DASH SIDE FINISHER

Removal

1. Remove front kicking plate.
2. Remove dash side finisher.

Installation

Installation is in the reverse order of removal.

A

B

C

D

E

F

G

H

EI

J

K

L

M

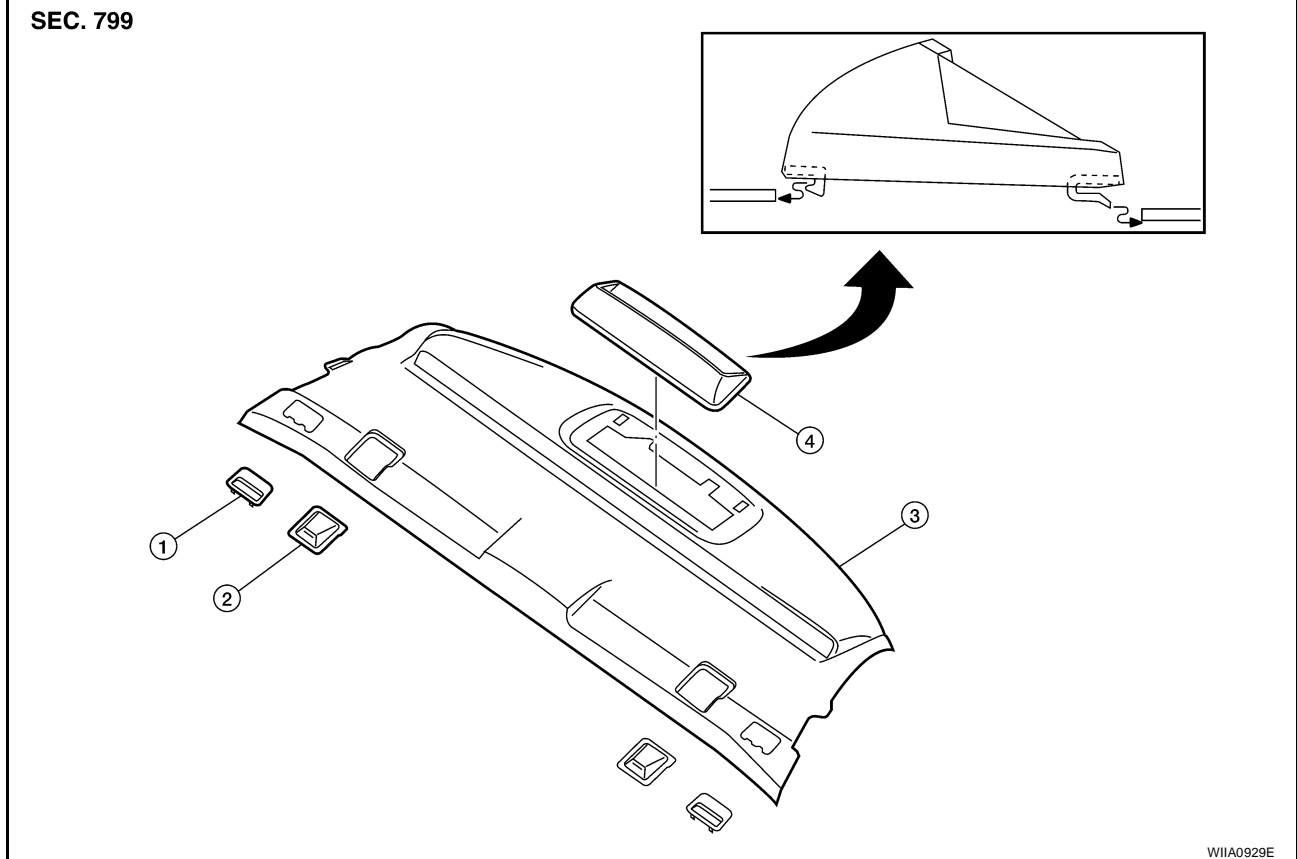
REAR PARCEL SHELF FINISHER

REAR PARCEL SHELF FINISHER

PFP:79910

Removal and Installation

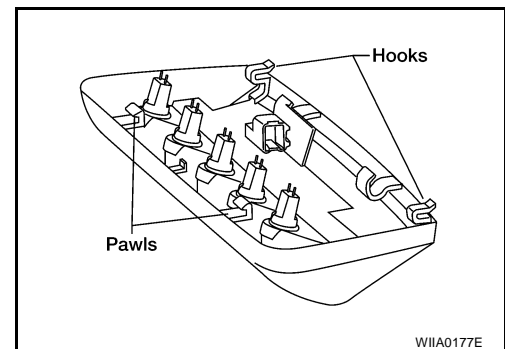
EIS003WK



1. Seat belt guide
2. Anchor cover
3. Rear parcel shelf finisher
4. High mounted stop lamp (if equipped)

REMOVAL

1. Disconnect the negative and positive battery cables, then wait at least 3 minutes.
2. Remove rear seat. Refer to [SE-102, "REAR SEAT"](#).
3. Remove rear seat belt anchor bolts. Refer to [SB-5, "Removal and Installation of Rear Seat Belt"](#).
4. Remove inside rear pillar finisher. Refer to [EI-34, "BODY SIDE TRIM"](#).
5. Remove the high mounted stop lamp, then disconnect connector (if equipped).
6. Remove halo trim.
7. Remove rear parcel shelf finisher.



INSTALLATION

Installation is in the reverse order of removal.

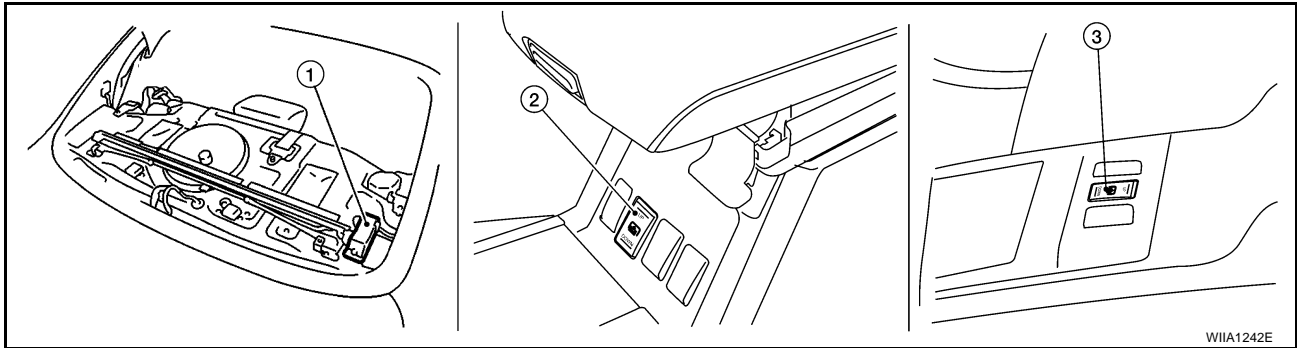
SUNSHADE

SUNSHADE

PFP:97580

Component Parts and Harness Connector Location

EIS003WL



1. Rear sunshade unit B130

2. Rear sunshade front switch M183

3. Rear sunshade rear switch B207

A
B
C
D
E
F
G
H
I
J
K
L
M

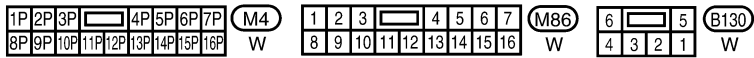
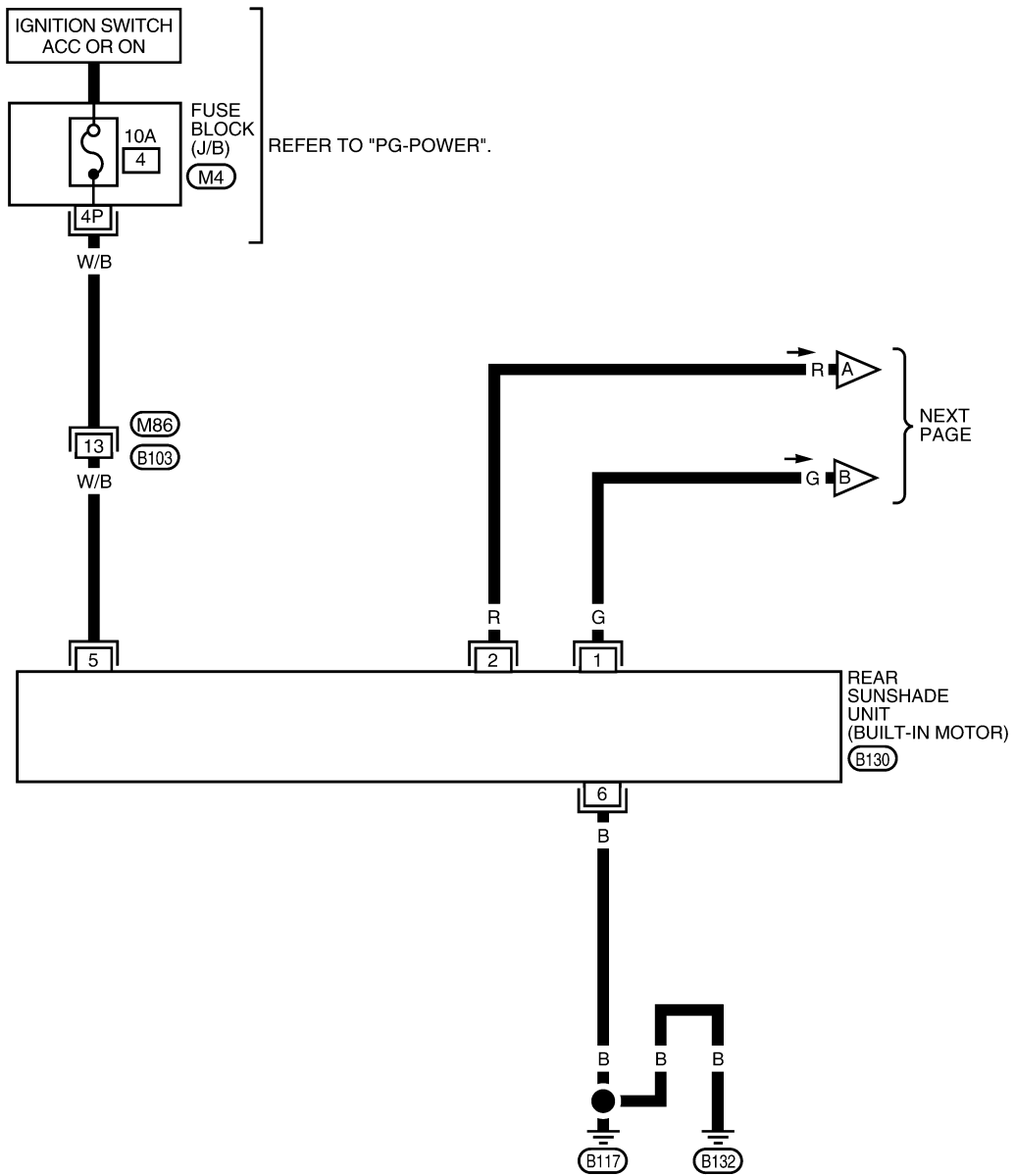
EI

SUNSHADE

Wiring Diagram — SHADE —

EIS003WM

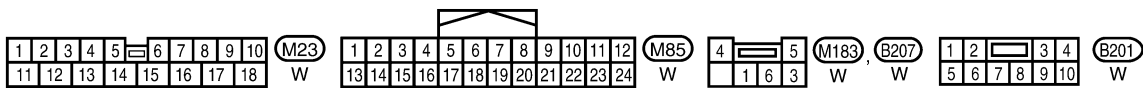
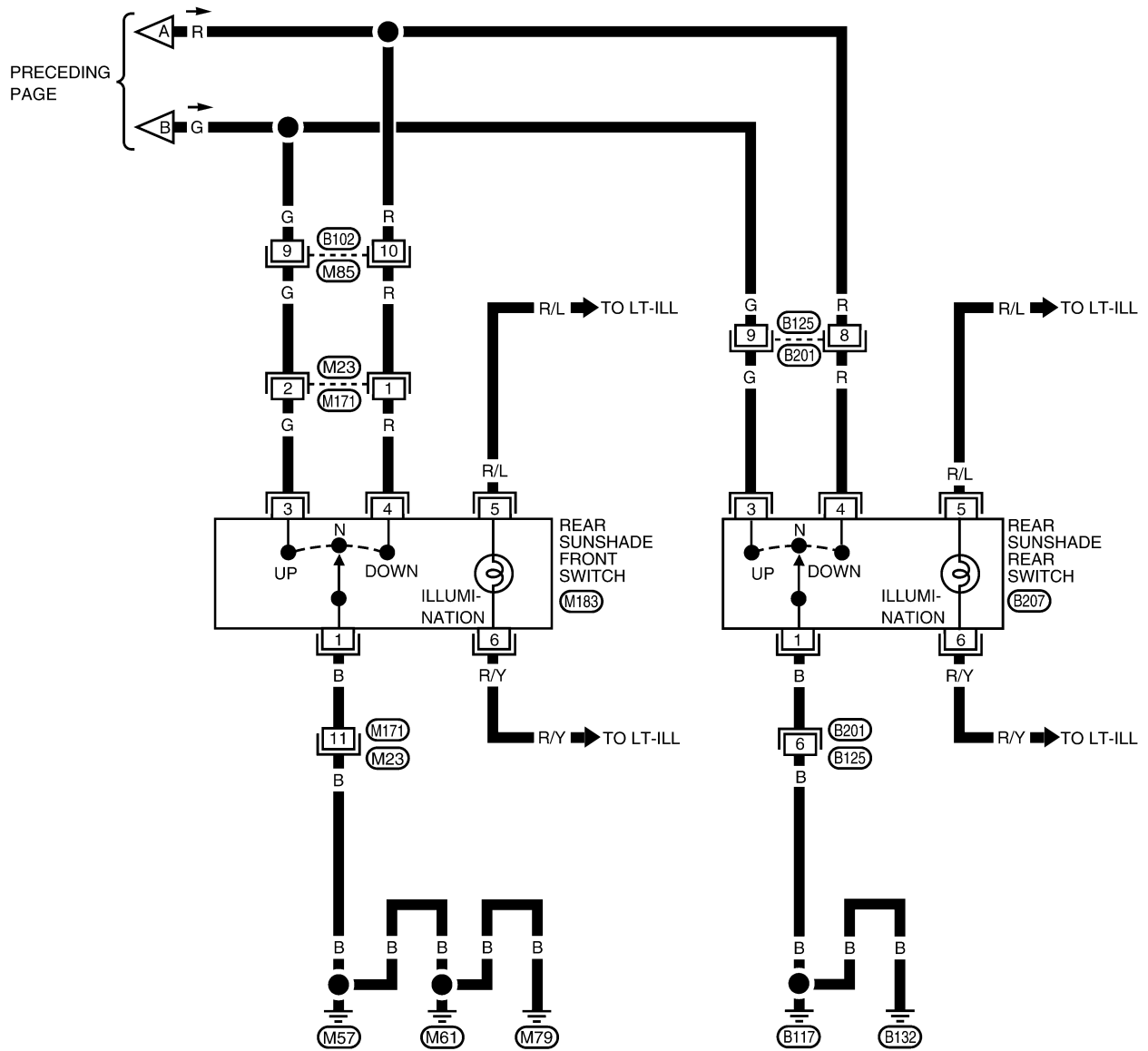
EI-SHADE-01



WIWA1859E

SUNSHADE

EI-SHADE-02

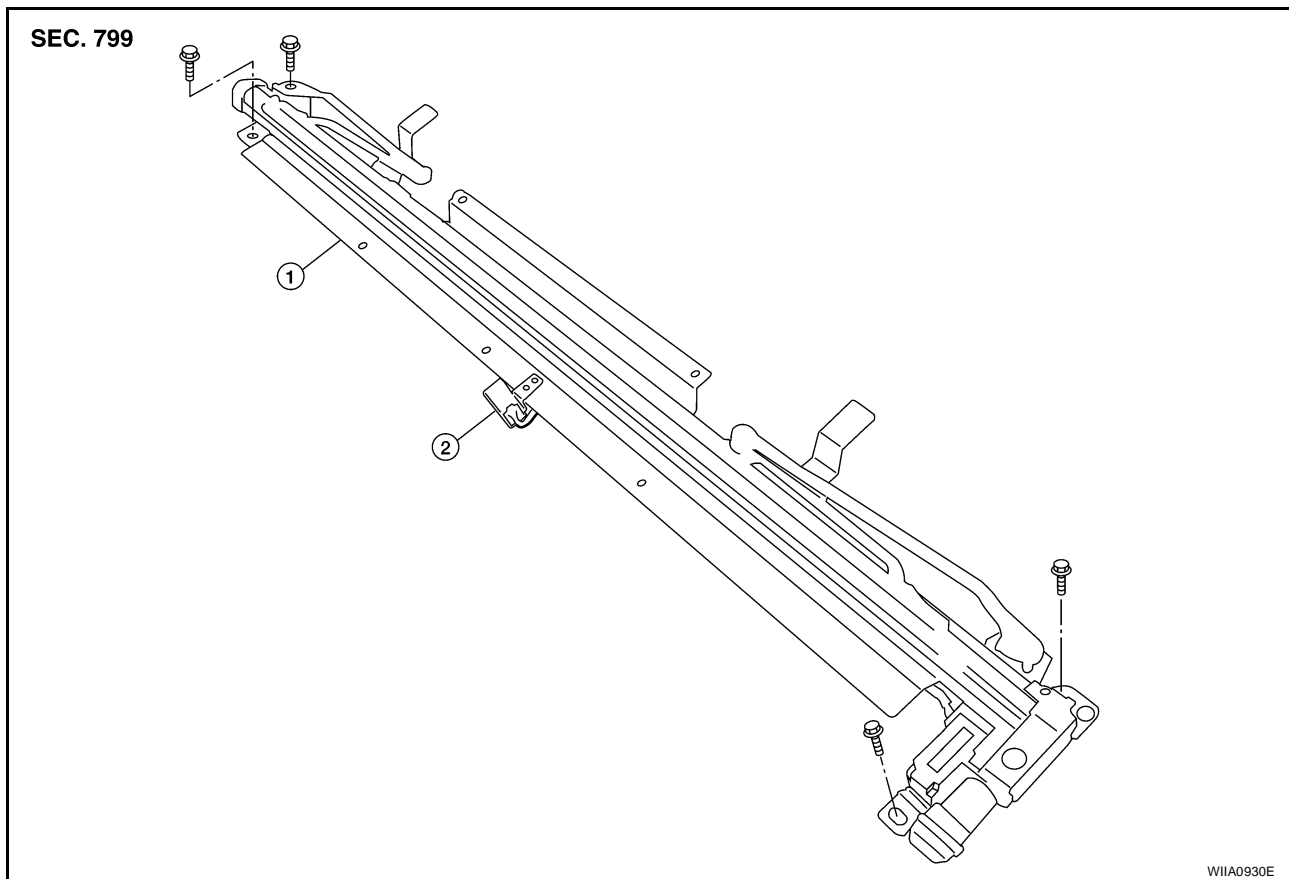


WIWA1981E

SUNSHADE

Removal and Installation

EIS003WN



1. Sunshade assembly

2. Sunshade harness connector

← Vehicle front

REMOVAL

1. Remove rear parcel shelf finisher. Refer to [EI-36, "REAR PARCEL SHELF FINISHER"](#).
2. Remove sunshade screws.
3. Disconnect sunshade harness connector.
4. Remove sunshade assembly.

INSTALLATION

Installation is in the reverse order of removal.

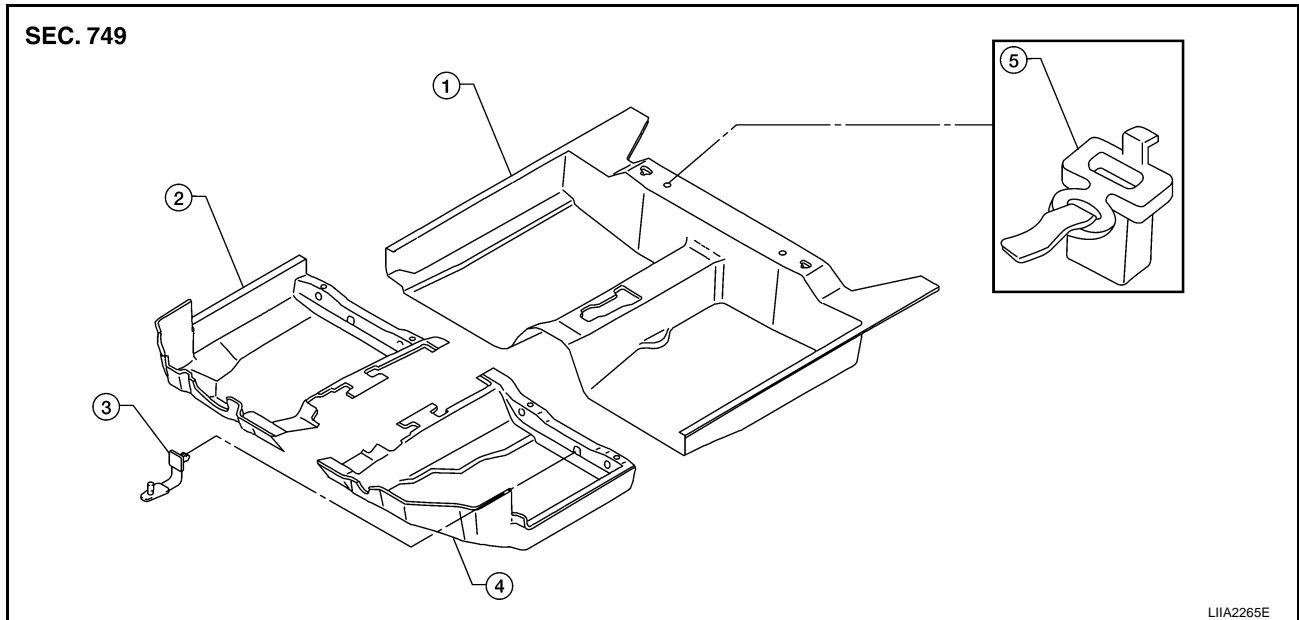
FLOOR TRIM

PFP:74902

EIS003WO

FLOOR TRIM

Removal and Installation



- | | | |
|--------------------|---------------------------|--------------------------------------|
| 1. Rear carpet | 2. Front carpet RH | 3. Service mat bracket (driver only) |
| 4. Front carpet LH | 5. Rear seat cushion hook | |

REMOVAL

1. Disconnect the negative and positive battery cables, then wait at least 3 minutes.
2. Remove lower body side trim. Refer to [EI-34, "BODY SIDE TRIM"](#).
3. Remove front seats. Refer to [SE-96, "FRONT SEAT"](#).
4. Remove rear seat cushion. Refer to [SE-102, "REAR SEAT"](#).
 - On 4 seat model, remove seat backs.
5. Remove center console. Refer to [IP-10, "INSTRUMENT PANEL ASSEMBLY"](#).
6. Remove lower seat belt anchors. Refer to [SB-4, "SEAT BELTS"](#).
7. Remove service mat bracket.
8. Remove front carpet RH/LH.
9. Remove rear seat cushion hooks.
10. Remove rear carpet.

INSTALLATION

Installation is in the reverse order of removal.

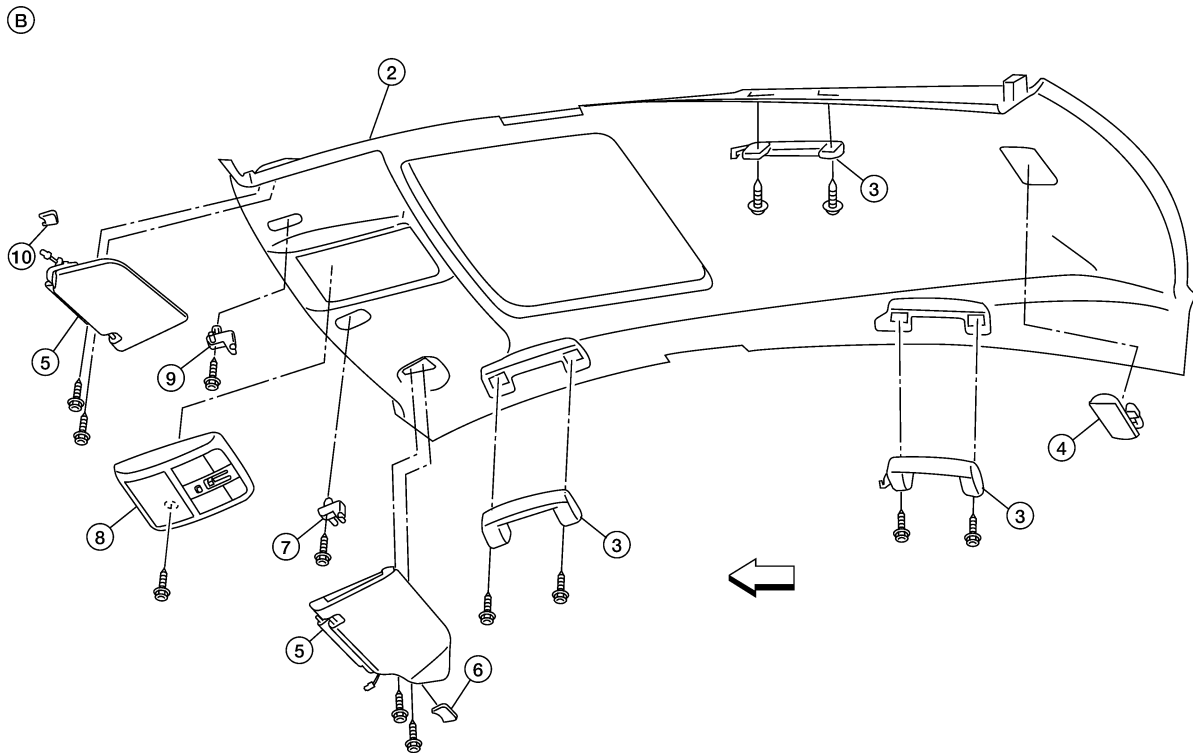
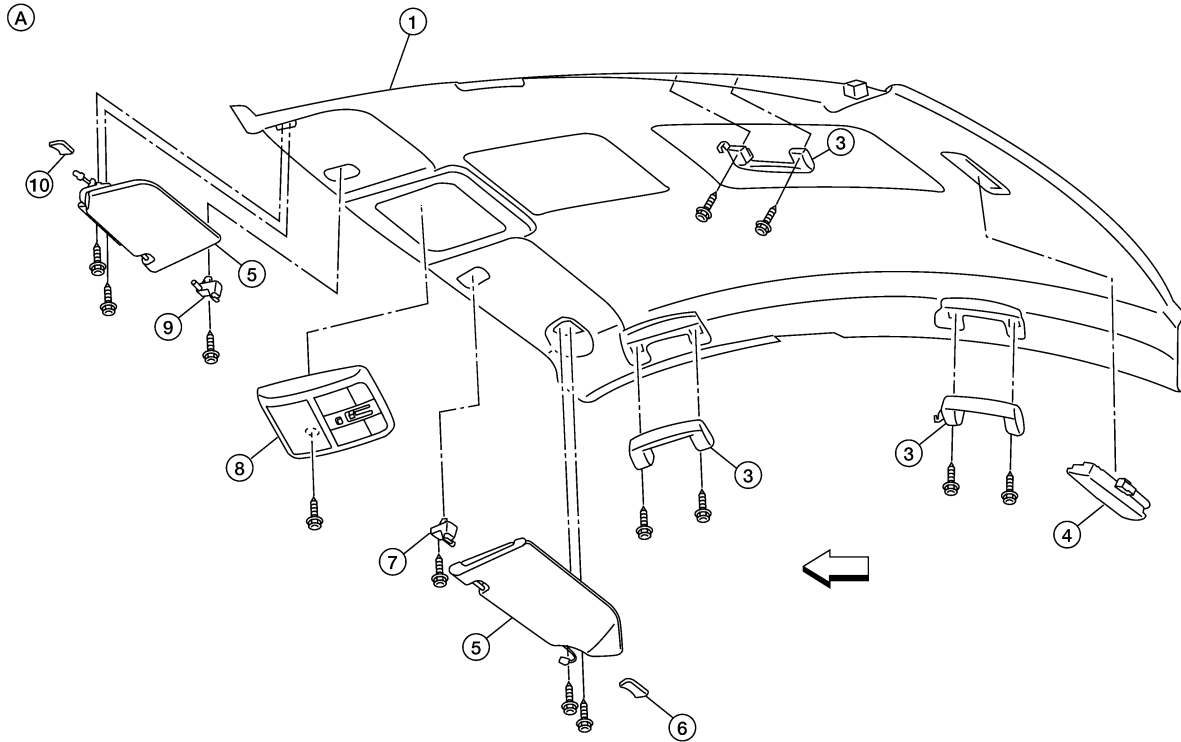
HEADLINING

PFP:73910

EIS003WP

HEADLINING

Removal and Installation



- | | | |
|----------------------------------|---------------------------|----------------------------------|
| 1. Headlining skyview roof | 2. Headlining sun roof | 3. Assist grips |
| 4. Interior lamp assembly | 5. Sunvisor LH and RH | 6. Cap, RH |
| 7. Holder, sunvisor assembly, LH | 8. Console assembly, roof | 9. Holder, sunvisor assembly, LH |

WIIA1223E

HEADLINING

10. Cap, LH

A. Headlining with skyview roof

B. Headlining with sunroof

← Vehicle front

A

REMOVAL

CAUTION:

Disconnect both cables from battery and wait at least 3 minutes.

1. Disconnect the negative and positive battery cables, then wait at least 3 minutes.
2. Remove front and rear door kicking plates. Refer to [EI-34, "BODY SIDE TRIM"](#).
3. Remove lower dash side trim. Refer to [EI-34, "BODY SIDE TRIM"](#).
4. Remove front pillar garnish, center pillar lower and upper garnish, and rear pillar garnish. Refer to [EI-34, "BODY SIDE TRIM"](#).
5. Remove front and rear door welts. Refer to [EI-34, "BODY SIDE TRIM"](#).
6. Remove assist grips.
7. Remove interior lamp assembly.
8. Remove roof console assembly.
9. Remove RH and LH caps from sunvisor brackets.
10. Remove screws from each sunvisor bracket and remove RH and LH sunvisor.
11. Remove sunvisor assembly holders.
12. Remove windshield garnish molding. Refer to [EI-34, "BODY SIDE TRIM"](#).
13. Remove clips attaching headlining to roof.
14. Take out headlining from the left rear door.

B

C

D

E

F

G

H

INSTALLATION

Installation is in the reverse order of removal.

EI

J

K

L

M

TRUNK ROOM TRIM & TRUNK LID FINISHER

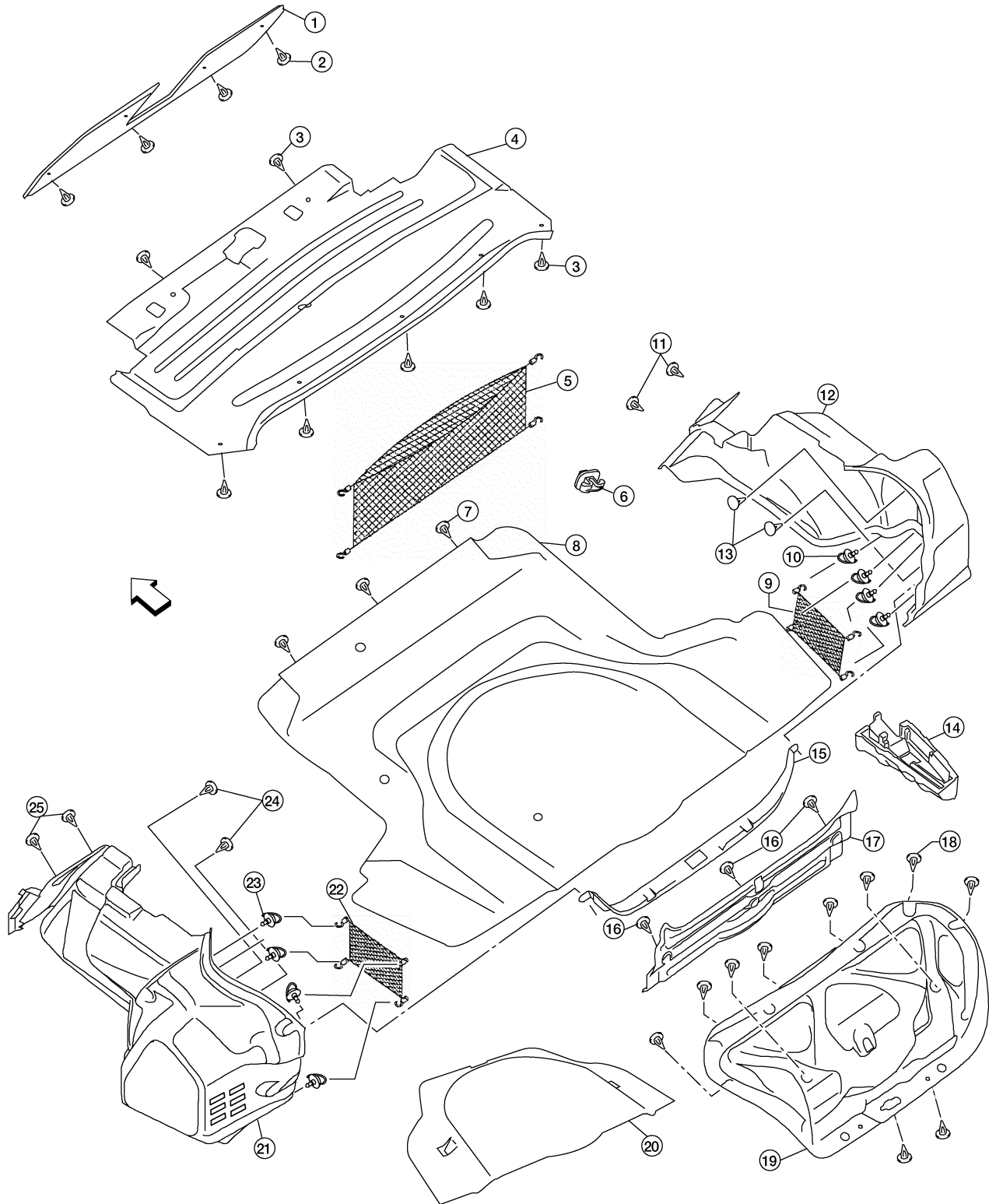
TRUNK ROOM TRIM & TRUNK LID FINISHER

PFP:84920

Removal and Installation

EIS003WQ

SEC. 849



WIIA0932E

- 1. Trunk forward carpet
- 4. Upper trunk finisher
- 7. Clip C103
- 10. Trunk net hooks RH

- 2. Clip C103
- 5. Trunk net
- 8. Trunk floor carpet
- 11. Clip C103

- 3. Clip C103
- 6. Trunk room lamp
- 9. Trunk net, RH
- 12. Trunk side finisher, RH

TRUNK ROOM TRIM & TRUNK LID FINISHER

- | | | |
|------------------------|--------------------------|-----------------------------|
| 13. Clip C103 | 14. Box assembly | 15. Rear trunk plate |
| 16. Clip C103 | 17. Trunk finisher, rear | 18. Clip C103 |
| 19. Trunk lid finisher | 20. Spare tire cover | 21. Trunk side finisher, LH |
| 22. Trunk net, LH | 23. Trunk net hooks LH | 24. Clip C103 |
| 25. Clip C103 | ⇐ Vehicle front | |

A

B

C

D

E

F

G

H

EI

J

K

L

M

TRUNK ROOM TRIM & TRUNK LID FINISHER
