

SECTION **RAX**  
REAR AXLE

A  
B  
C

RAX

CONTENTS

E

<b>PRECAUTIONS</b> .....	2	On-Vehicle Service .....	5	F
Precautions .....	2	REAR WHEEL BEARING .....	5	
<b>PREPARATION</b> .....	3	Removal and Installation .....	6	
Commercial Service Tools .....	3	REMOVAL .....	6	G
<b>NOISE, VIBRATION, AND HARSHNESS (NVH)</b>		INSPECTION AFTER REMOVAL .....	7	
<b>TROUBLESHOOTING</b> .....	4	INSTALLATION .....	7	H
NVH Troubleshooting Chart .....	4	<b>SERVICE DATA AND SPECIFICATIONS (SDS)</b> .....	8	
<b>WHEEL HUB</b> .....	5	Wheel Hub Assembly (Rear) .....	8	

I

J

K

L

M

# PRECAUTIONS

---

## PRECAUTIONS

PFP:00001

### Precautions

EDS001EW

- When installing each rubber part, the final tightening must be carried out under unladen condition\* with the tires on the ground.  
\* Fuel, radiator coolant and engine oil full. Spare tire, jack, hand tools and mats in designated positions.
- After installing the suspension components, check the wheel alignment.
- Do not jack up the vehicle at the rear lower link, front lower link, or the radius rod.

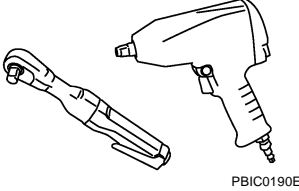
# PREPARATION

## PREPARATION

PF0:00002

### Commercial Service Tools

EDS001EX

Tool name	Description
<p data-bbox="162 298 272 323">Power tool</p>  <p data-bbox="852 499 922 514">PBIC0190E</p>	<p data-bbox="1015 298 1266 323">Loosening bolts and nuts</p>

A

B

C

**RAX**

E

F

G

H

I

J

K

L

M

# NOISE, VIBRATION, AND HARSHNESS (NVH) TROUBLESHOOTING

## NOISE, VIBRATION, AND HARSHNESS (NVH) TROUBLESHOOTING

PF0:00003

### NVH Troubleshooting Chart

EDS001EY

Use the chart below to help you find the cause of the symptom. If necessary, repair or replace these parts.

Reference page			<a href="#">RAX-6, "Removal and Installation"</a>	<a href="#">RAX-6, "Removal and Installation"</a>	RAX-5	<a href="#">WT-4, "NVH Troubleshooting Chart"</a>	<a href="#">WT-4, "NVH Troubleshooting Chart"</a>
Possible cause and SUSPECTED PARTS			Improper installation, looseness	Parts interference	Wheel bearing damage	TIRES	ROAD WHEEL
Symptom	REAR AXLE	Noise	x	x		x	x
		Shake	x	x		x	x
		Vibration	x	x		x	
		Shimmy	x	x		x	x
		Shudder	x			x	x
		Poor quality ride or handling	x	x	x	x	x

x: Applicable

# WHEEL HUB

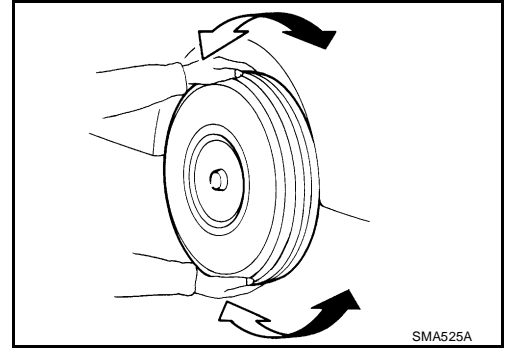
## WHEEL HUB

PFP:43202

### On-Vehicle Service

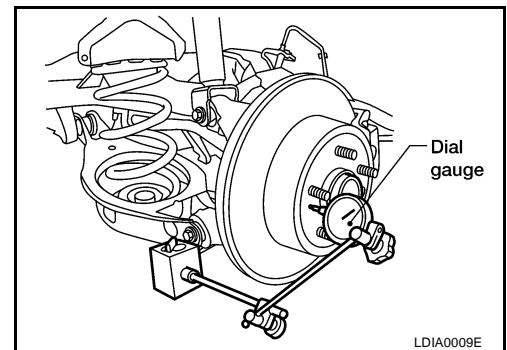
EDS001EZ

- Check the axle and suspension parts for excessive play, wear or damage.
- Shake each rear wheel to check for excessive play as shown.



### REAR WHEEL BEARING

- Check that the axial end play is within specification.
  - Axial end play : 0.1 mm (0.004 in) or less**
- Check that the wheel hub bearings operate smoothly.
- Replace the wheel hub assembly if the axial end play is not within specification or the wheel hub assembly does not turn smoothly. Refer to [RAX-6, "Removal and Installation"](#).

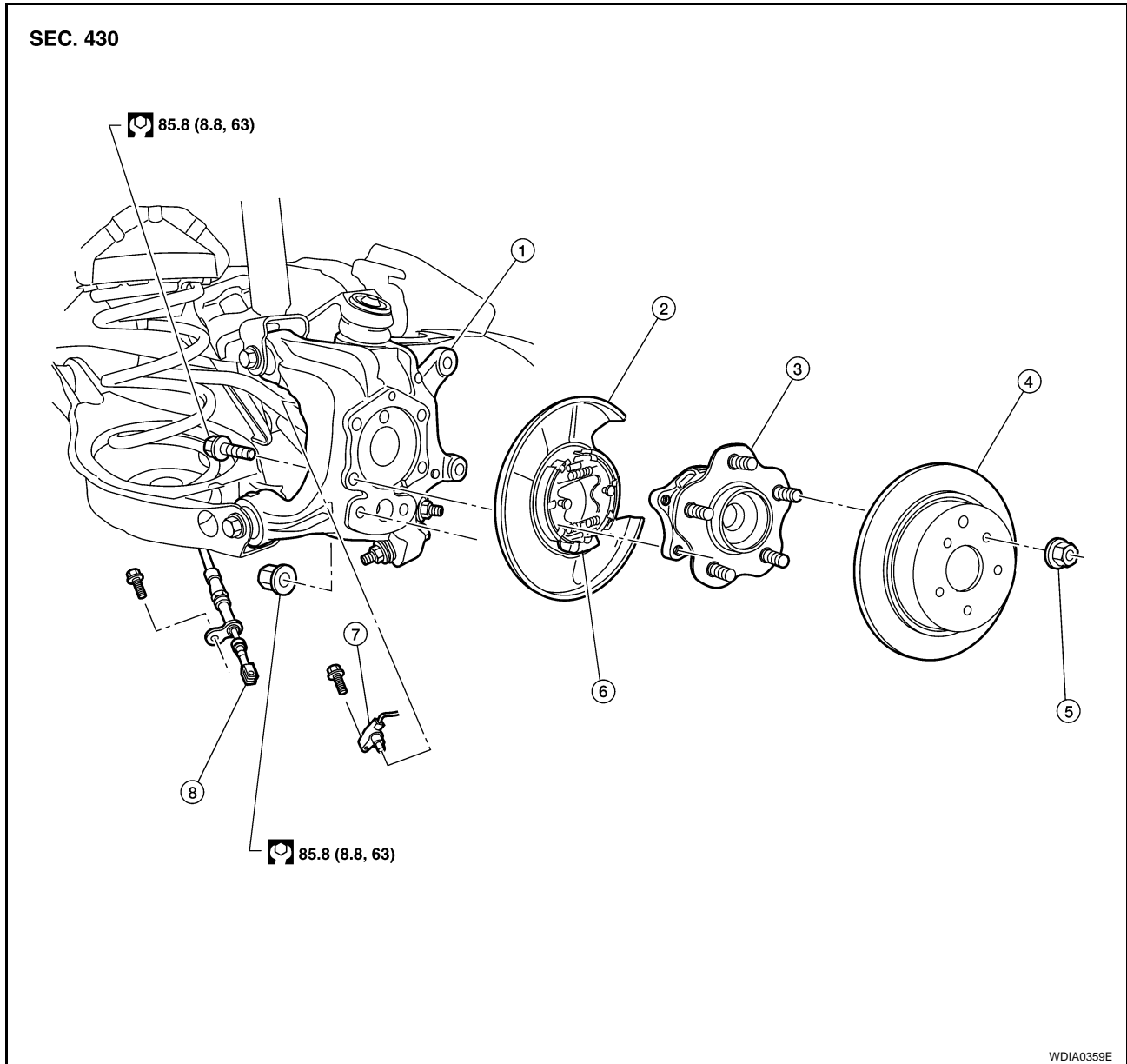


A  
B  
C  
RAX  
E  
F  
G  
H  
I  
J  
K  
L  
M

# WHEEL HUB

## Removal and Installation

EDS001F0



- |                |                        |                       |
|----------------|------------------------|-----------------------|
| 1. Knuckle     | 2. Baffle plate        | 3. Wheel hub assembly |
| 4. Brake rotor | 5. Wheel nut           | 6. Anchor block       |
| 7. ABS sensor  | 8. Parking brake cable |                       |

### REMOVAL

#### CAUTION:

Wheel hub assembly does not require maintenance. If any of the following symptoms are noted, replace the wheel hub assembly.

- A growling noise is emitted from the wheel hub assembly while driving.
  - The wheel hub assembly drags or turns roughly.
1. Remove the brake rotor. Refer to [BR-30, "Removal and Installation of Caliper Assembly and Disc Rotor"](#).
  2. Remove the rear ABS sensor, then move it away from the wheel hub assembly. Refer to [BRC-41, "Removal and Installation"](#) (TCS/ABS) or [BRC-94, "Removal and Installation"](#) (VCD/TCS/ABS).

#### CAUTION:

- Failure to remove the ABS sensor may result in damage to the sensor wires and the sensor being inoperative.
3. Remove the wheel hub bolts from knuckle and remove the wheel hub assembly.

# WHEEL HUB

## INSPECTION AFTER REMOVAL

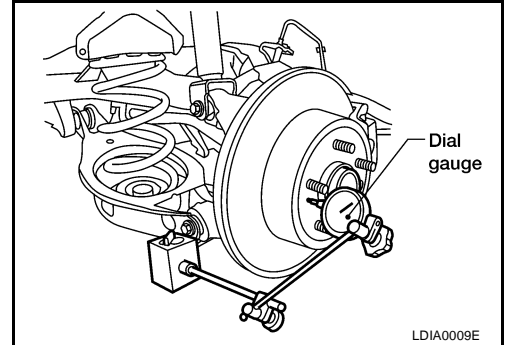
Check for any deformity, cracks, or damage on the wheel hub assembly, replace if necessary.

## INSTALLATION

Installation is in the reverse order of removal.

- Check that the wheel bearings operate smoothly.
- Check that the wheel hub bearing axial end play is within specification.

**Axial end play : 0.1 mm (0.004 in) or less**



A  
B  
C  
RAX  
E  
F  
G  
H  
I  
J  
K  
L  
M

# SERVICE DATA AND SPECIFICATIONS (SDS)

---

## SERVICE DATA AND SPECIFICATIONS (SDS)

PF0:00030

### Wheel Hub Assembly (Rear)

EDS001F1

---

Axial end play	0.1 mm (0.004 in) or less
----------------	---------------------------

---