

SECTION **FFD**
FRONT FINAL DRIVE

A
B
C
FFD

CONTENTS

PRECAUTIONS	2	TOTAL PRELOAD	15	F
Precautions	2	DRIVE GEAR TO DRIVE PINION BACKLASH...	15	
PREPARATION	3	COMPANION FLANGE RUNOUT	15	G
Special Service Tools	3	TOOTH CONTACT	15	
Commercial Service Tools	5	Disassembly and Assembly	16	H
NOISE, VIBRATION AND HARSHNESS (NVH)		REMOVAL OF DRIVE GEAR AND DIFFERENTIAL CASE ASSEMBLY	16	
TROUBLESHOOTING	6	REMOVAL OF DRIVE PINION ASSEMBLY	18	I
NVH Troubleshooting Chart	6	DIFFERENTIAL CASE DISASSEMBLY	20	
FRONT OIL SEAL	7	INSPECTION	21	J
Removal and Installation	7	ADJUSTMENT OF DIFFERENTIAL CASE	22	
REMOVAL	7	Adjustment of Drive Gear and Drive Pinion Assembly	24	K
INSTALLATION	8	DRIVE PINION HEIGHT ADJUSTING WASHER SELECTION	24	
SIDE OIL SEALS	9	PINION GEAR HEIGHT	25	L
Removal and Installation	9	TOOTH CONTACT	26	
REMOVAL	9	INSTALLATION OF DRIVE PINION ASSEMBLY..	27	M
REAR COVER GASKET	10	INSTALLATION OF DIFFERENTIAL CASE ASSEMBLY	29	
Removal and Installation	10	SERVICE DATA AND SPECIFICATIONS (SDS)	32	
REMOVAL	10	General Specifications	32	
INSTALLATION	10	Side Gear Adjustment	32	
FRONT FINAL DRIVE ASSEMBLY	11	Total Preload Adjustment	32	
Removal and Installation	11	Drive Pinion Height Adjustment	33	
REMOVAL	11			
INSTALLATION	12			
Components	13			
M205 2-PINION	13			
Pre-Inspection	15			

PRECAUTIONS

PRECAUTIONS

PF0:00001

Precautions

UDS000BF

CAUTION:

- Before starting diagnosis of the vehicle, understand symptoms well. Perform correct and systematic operations.
- Check for the correct installation status prior removal or disassembly. When matching marks are required, be sure they do not interfere with the function of the parts they are applied to.
- Carry out an overhaul in a clean work place, Using a dust proof room is recommended.
- Before disassembly, using steam or white gasoline, completely remove sand and mud from the exterior the unit, preventing them from entering into the unit during disassembly or assembly.
- Check appearance of the disassembled parts for damage, deformation, and abnormal wear. If a malfunction is detected, replace it with a new one.
- Normally replace lock pins, oil seals, and bearings with new ones every times they are removed.
- In principle, tighten bolts or nuts gradually in several steps working diagonally from inside to outside. If tightening sequence is specified, observe it.
- Clean and flush the parts sufficiently and blow them dry.
- Be careful not to damage the sliding surfaces and mating surface.
- When applying sealant, remove the old sealant from the mounting surface; then remove any moisture, oil, and foreign materials from the application and mounting surfaces.
- Always use shop paper for cleaning the inside of components.
- Avoid using cotton gloves or a shop cloth to prevent entering of lint.
- During assembly, observe the specified tightening torque, and new differential gear oil, Vaseline, or multi-purpose grease, as specified for each vehicle, when necessary.

PREPARATION

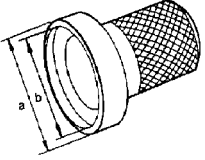
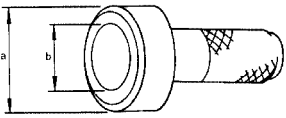
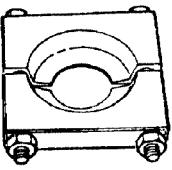
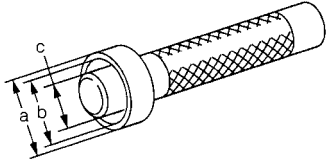
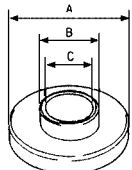
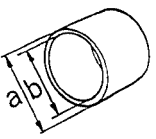
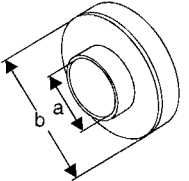
PF0:00002

PREPARATION

Special Service Tools

UDS000BG

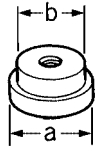
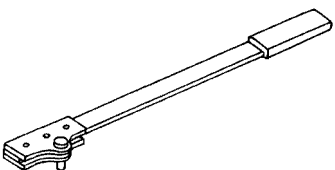
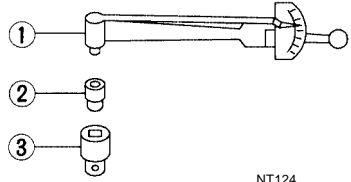
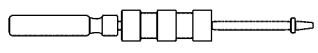
The actual shapes of Kent-Moore tools may differ from those of special service tools illustrated here.

Tool number (Kent-Moore No.) Tool name	Description
ST35271000 (—) Drift	 ZZA0702D Installing drive pinion front bearing outer race. a: 72 mm (2.83 in) dia. b: 36 mm (1.42 in) dia.
KV38100500 (J-25273) Drift	 ZZA0811D Installing front oil seal. a: 80 mm (3.15 in) dia. b: 60 mm (2.36 in) dia.
ST30021000 (—) Puller	 ZZA0700D <ul style="list-style-type: none"> ● Removing side bearing inner race. ● Removing drive pinion rear bearing inner race.
KV38100300 (J-25523) Drift	 ZZA1046D Installing side bearing inner race. a: 54 mm (2.13 in) dia. b: 46 mm (1.81 in) dia. c: 32mm (1.26 in) dia.
ST30901000 (—) Drift	 SDIA0217J Installing drive pinion rear bearing outer race. A: 79mm (3.11 in) dia. B: 45 mm (1.77 in) dia. C: 35.2 mm (1.39 in) dia.
KV40104810 (—) Drift	 ZZA1003D Installing drive pinion front bearing outer race. a: 68 mm (2.68 in) dia. b: 55 mm (2.17 in) dia.
KV38102200 (—) Drift	 NT660 Installing front oil seal. a: 90 mm (3.54 in) dia. b: 55.3 mm (2.18 in) dia.

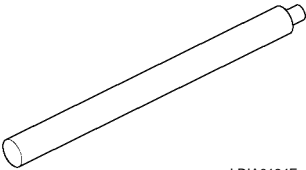
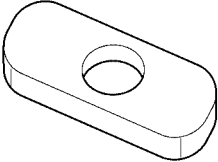
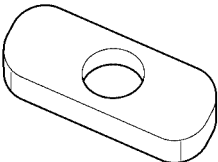
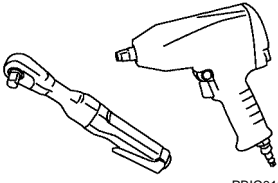
A
B
C
FFD
E
F
G
H
I
J
K
L
M

FFD

PREPARATION

Tool number (Kent-Moore No.) Tool name	Description
ST33081000 (—) Adapter <div style="text-align: center;">  <p style="margin: 0;">ZZA1000D</p> </div>	Removing and installing side bearing inner race. a: 43 mm (1.69 in) dia. b: 33.5 mm (1.32 in) dia.
KV38108300 (J-44195) Companion flange wrench <div style="text-align: center;">  <p style="margin: 0;">NT771</p> </div>	Removing and installing drive pinion nut.
ST3127S000 (J-25765-A) Preload gauge 1. GG91030000 (J-25765) Torque wrench 2. HT62940000 (—) Socket adapter (1/2") 3. HT62900000 (—) Socket adapter (3/8") <div style="text-align: center;">  <p style="margin: 0;">NT124</p> </div>	Inspecting drive pinion bearing preload and total preload.
TBD Pinion block	Adjusting pinion gear height
6740 Cone	Adjusting pinion gear height
6741 Screw	Adjusting pinion gear height
6739 Pinion height lock	Adjusting pinion gear height
TBD Arbor disc	Adjusting pinion gear height
D-115-2 Scooter block	Adjusting pinion gear height
D-115-3 Arbor	Adjusting pinion gear height
C-4040 Installer	Installing drive pinion rear bearing inner race.
KV40105230 (—) Drift	Installing drive pinion rear bearing outer race. a: 92 mm (3.62 in) dia. b: 85.5 mm (3.37 in) dia.
SP8P Slide hammer <div style="text-align: center;">  <p style="margin: 0;">LDIA0133E</p> </div>	<ul style="list-style-type: none"> ● Removing front oil seal ● Removing side oil seal

PREPARATION

Tool number (Kent-Moore No.) Tool name		Description	
C-4171 Handle	 <small>LDIA0134E</small>	<ul style="list-style-type: none"> ● Removing drive pinion front bearing outer race ● Removing drive pinion rear bearing outer race 	A B C
D-103 Remover	 <small>LDIA0135E</small>	Removing drive pinion front bearing outer race	FFD E
C-4307 Remover	 <small>LDIA0135E</small>	Removing drive pinion rear bearing outer race	F G H
Commercial Service Tools			<small>UDS000BH</small>
Tool name		Description	I
Power tool	 <small>PBIC0190E</small>	Loosening bolts and nuts	J K L M

NOISE, VIBRATION AND HARSHNESS (NVH) TROUBLESHOOTING

NOISE, VIBRATION AND HARSHNESS (NVH) TROUBLESHOOTING

PF0:00003

NVH Troubleshooting Chart

UDS000BI

Use the chart below to help you find the cause of the symptom. If necessary, repair or replace these parts.

			Reference page																									
			Possible cause and suspected parts																									
Symptom	Differential	Noise	×	×	×	×	×	×	×	×	×	×	×	×	×	×	×											
			Rough gear tooth	FFD-21	Improper gear contact	FFD-15	Tooth surfaces worn	FFD-21	Incorrect backlash	FFD-15	Companion flange excessive runout	FFD-15	Improper gear oil	MA-24, "Checking Final Drive Oil"	Propeller shaft	PR-3, "NVH Troubleshooting Chart"	Axle and suspension	FAX-4, "NVH Troubleshooting Chart" and FSU-4, "NVH Troubleshooting Chart"	Tires	WT-3, "NVH Troubleshooting Chart"	Road wheel	WT-3, "NVH Troubleshooting Chart"	Drive shaft	FAX-4, "NVH Troubleshooting Chart"	Brakes	BR-5, "NVH Troubleshooting Chart"	Steering	PS-5, "NVH Troubleshooting Chart"

×: Applicable

FRONT OIL SEAL

PF3:38189

UDS000BJ

FRONT OIL SEAL

Removal and Installation

REMOVAL

1. Remove front propeller shaft. Refer to [PR-4, "Removal and Installation"](#).
2. Separate the RH and LH drive shafts from the front final drive. Refer to [FAX-7, "Removal and Installation"](#).
3. Measure the drive pinion bearing preload with front oil seal resistance using Tool.

Tool number : ST3127S000 (J25765-A)

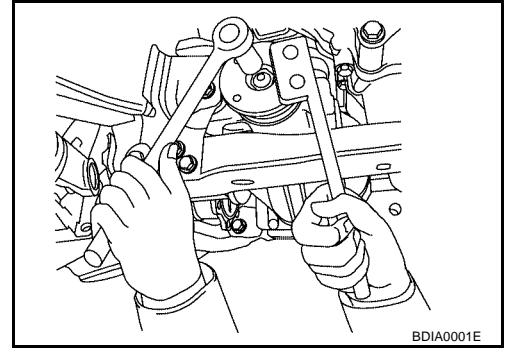
NOTE:

Record the preload measurement.

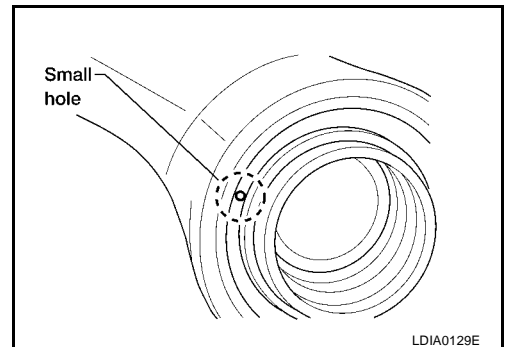
4. Loosen drive pinion nut while holding the companion flange using Tool.

Tool number : KV38108300 (J44195)

5. Remove companion flange using a suitable puller.

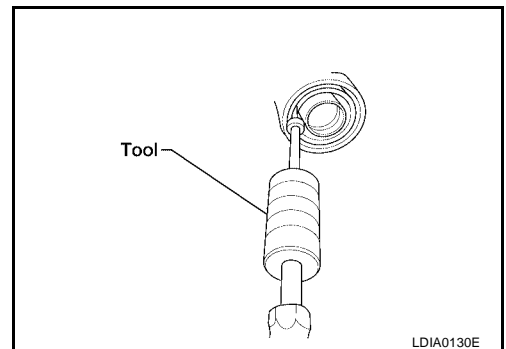


6. Using a punch or drill, place a small hole in case.



7. Assemble Tool as shown and remove seal.

Tool number : SP8P

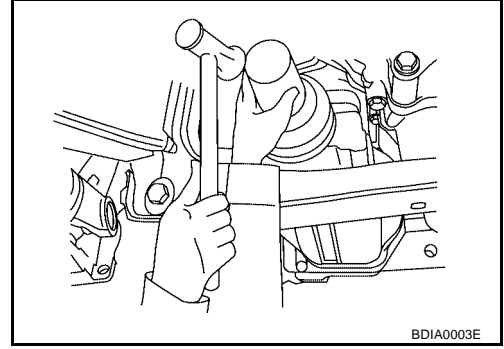


A
B
C
FFD
E
F
G
H
I
J
K
L
M

FRONT OIL SEAL

INSTALLATION

1. Apply multi-purpose grease to cavity at sealing lips of front oil seal. Press front oil seal into gear carrier using suitable tool.

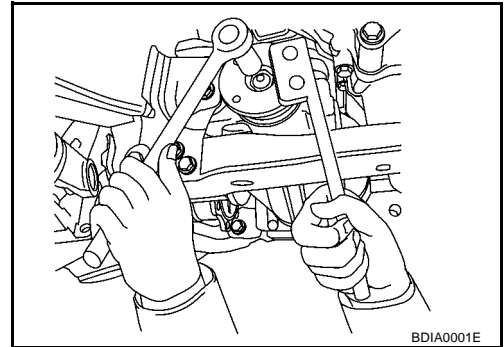


2. Install companion flange and a new drive pinion nut. Tighten drive pinion nut while holding the companion flange using Tool until there is no end play.

Tool number : KV 38108300 (J44195)

3. Measure the drive pinion bearing preload with front oil seal resistance using Tool.

Tool number : ST 3127S000 (J25765-A)



NOTE:

- Drive pinion bearing preload should equal the measurement taken during removal plus an additional 0.56 N·m (0.06 Kg·m, 5 in-lb).
- If drive pinion bearing preload is low, tighten drive pinion nut in 6.8 N·m (0.69 Kg·m, 5ft-lb) increments until drive pinion preload is met.

CAUTION:

Never loosen the drive pinion nut to decrease drive pinion bearing preload. Do not exceed specified preload. If preload torque is exceeded a new collapsible spacer must be installed. If maximum torque is reached prior to reaching the required preload, the collapsible spacer may have been damaged. Replace the collapsible spacer.

Drive pinion nut : 298 - 678 N·m (31 - 69 kg·m, 220 - 500 ft-lb)

4. Attach the RH and LH drive shafts. Refer to [FAX-7, "Removal and Installation"](#) .
5. Install the front propeller shaft. Refer to [PR-4, "Removal and Installation"](#) .

SIDE OIL SEALS

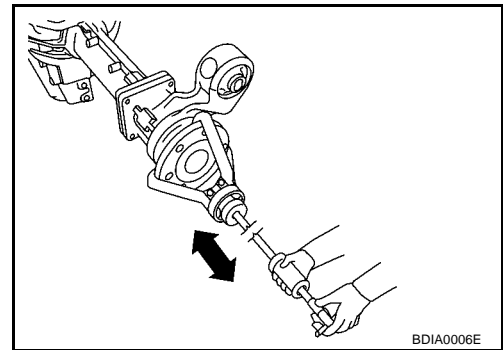
SIDE OIL SEALS

PF3:33142

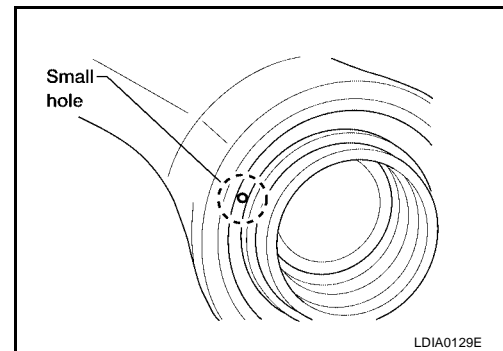
Removal and Installation

UDS000BK

1. Remove front final drive. Refer to [FFD-11, "Removal and Installation"](#).
2. Remove differential side shaft and side flange using suitable tool.



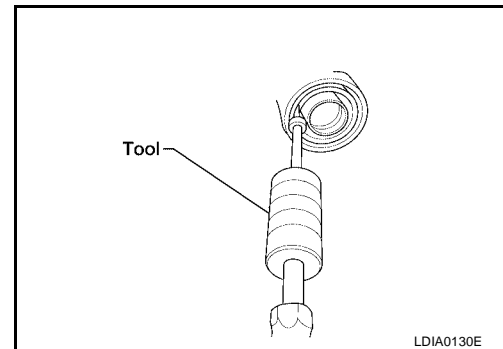
3. Using a punch or drill, place a small hole in case.



4. Assemble Tool as shown and remove seal.

Tool number : SP8P

5. Installation is in the reverse order of removal.



A
B
C
FFD
E
F
G
H
I
J
K
L
M

REAR COVER GASKET

PFM:38320

REAR COVER GASKET

UDS000BL

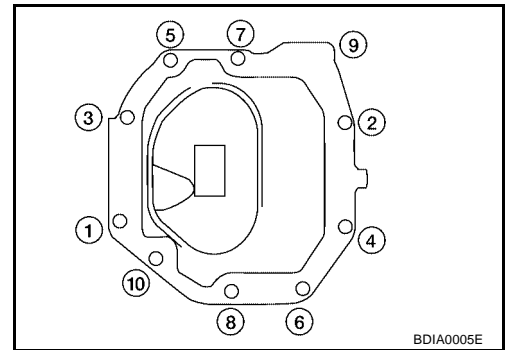
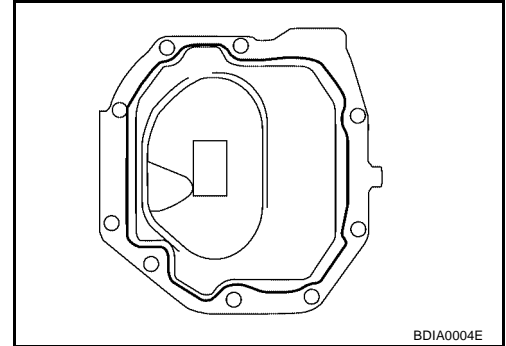
Removal and Installation

REMOVAL

1. Remove front final drive. Refer to [FFD-11, "Removal and Installation"](#) .
2. Drain gear oil.
3. Remove rear cover.

INSTALLATION

1. Apply 3.2 mm (0.126 in) bead of sealant to the rear cover.
 - Use Genuine Silicone RTV sealant or equivalent. Refer to [GI-45, "Recommended Chemical Products and Sealants"](#) .
2. Install rear cover and tighten rear cover bolts in the order shown. Refer to [FFD-13, "Components"](#) .
3. Fill final drive with recommended gear oil. Refer to [MA-25, "Changing Final Drive Oil"](#) .
4. Install front final drive. Refer to [FFD-11, "Removal and Installation"](#) .



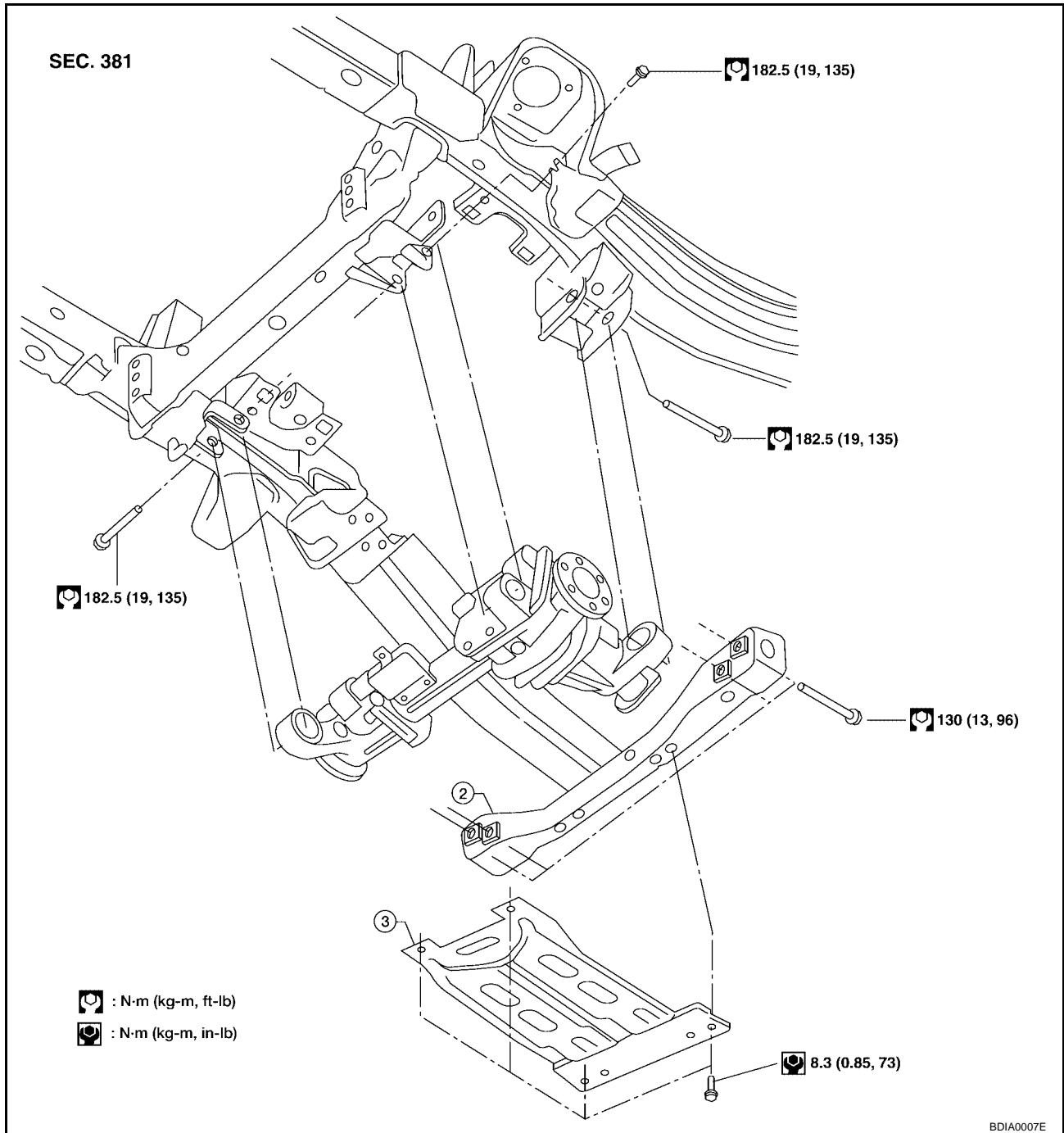
FRONT FINAL DRIVE ASSEMBLY

PF3:38500

UDS000BM

FRONT FINAL DRIVE ASSEMBLY

Removal and Installation



1. Gear carrier assembly

2. Front crossmember

3. Skid plate (FF equipped)

REMOVAL

1. Remove front propeller shaft. Refer to [PR-4, "Removal and Installation"](#).

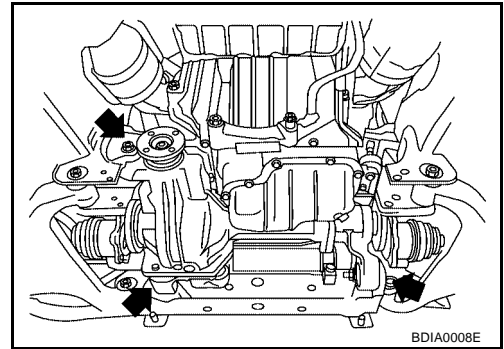
CAUTION:

Be careful not to damage spline, sleeve yoke and front oil seal when removing propeller shaft.

2. Separate LH and RH drive shafts from front final drive. Refer to [FAX-7, "Removal and Installation"](#).
3. Remove front cross member.
4. Disconnect the vent hose.

FRONT FINAL DRIVE ASSEMBLY

5. Support the front final drive with suitable jack and remove the front final drive bolts. Carefully remove front final drive.

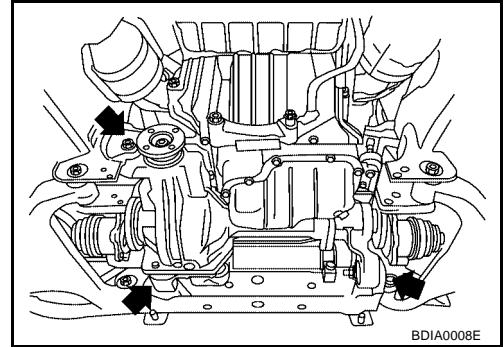


INSTALLATION

1. Install front final drive assembly.

Front final drive bolts : 182.5 N-m (19 kg-m, 135 ft-lb)

2. Connect the vent hose.
3. Install the front cross member.
4. Install LH and RH drive shaft. Refer to [FAX-7, "Removal and Installation"](#) .
5. Install front propeller shaft. Refer to [PR-4, "Removal and Installation"](#) .

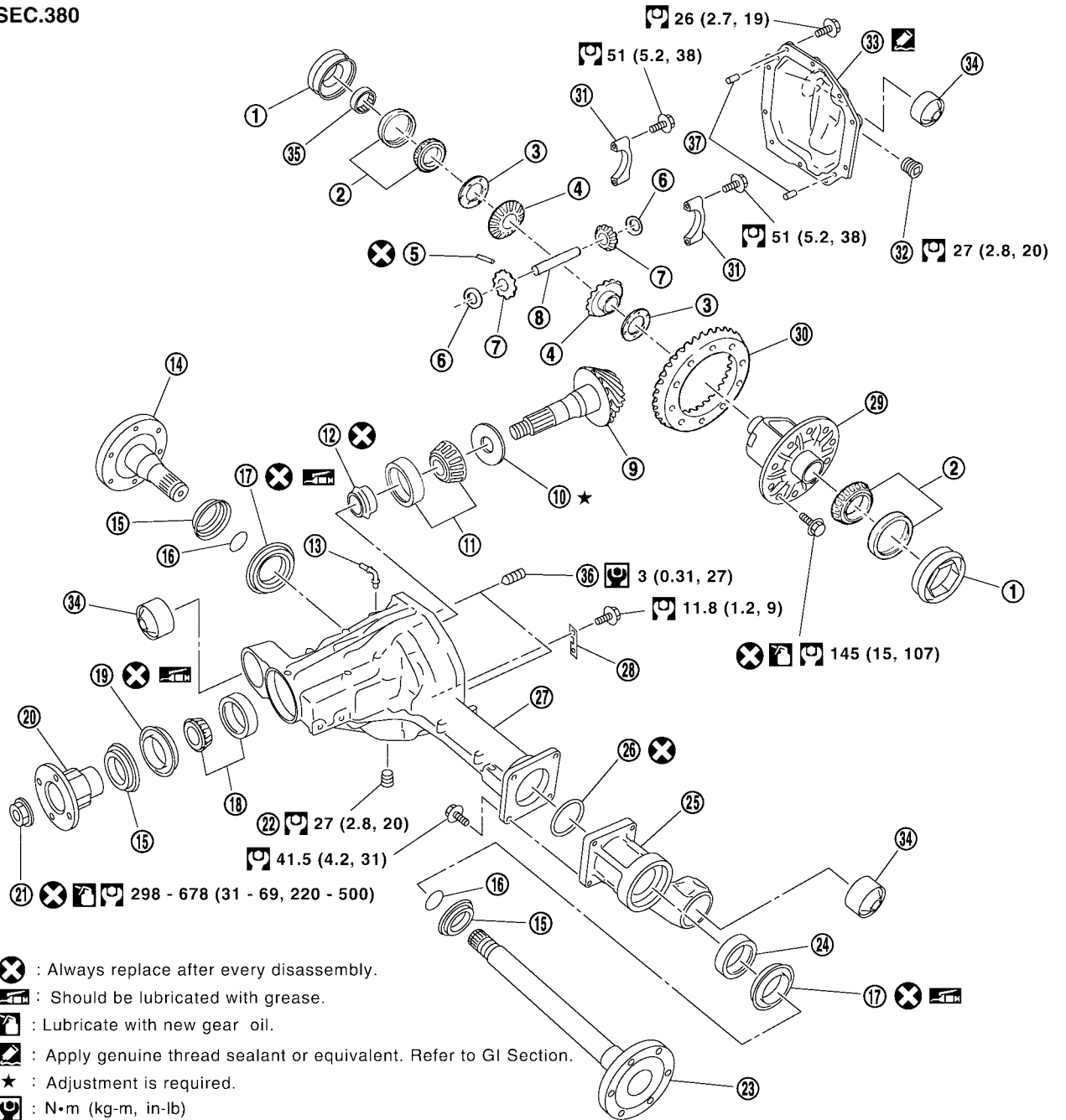


FRONT FINAL DRIVE ASSEMBLY

UDS000BN

Components M205 2-PINION

SEC.380



- | | | |
|--|-------------------------------|--------------------------------|
| 1. Side bearing adjust nut | 2. Side bearing | 3. Side gear thrust washer |
| 4. Side gear | 5. Lock pin | 6. Pinion mate thrust washer |
| 7. Pinion mate gear | 8. Pinion mate shaft | 9. Drive pinion |
| 10. Drive pinion height adjusting washer | 11. Drive pinion rear bearing | 12. Collapsible spacer |
| 13. Breather tube | 14. Differential side flange | 15. Dust shield |
| 16. Circular clip | 17. Side oil seal | 18. Drive pinion front bearing |
| 19. Front oil seal | 20. Companion flange | 21. Drive pinion nut |
| 22. Drain plug | 23. Differential side shaft | 24. Axle shaft bearing |
| 25. Extension tube | 26. O-ring | 27. Gear carrier |
| 28. Plate | 29. Differential case | 30. Drive gear |
| 31. Side bearing cap | 32. Filler plug | 33. Rear cover |

WDIA0109E

FRONT FINAL DRIVE ASSEMBLY

34. Bushing

35. Bearing

36. Screw

37. Dowel pin

FRONT FINAL DRIVE ASSEMBLY

UDS000BO

Pre-Inspection

Before disassembling the front final drive, drain off oil from final drive assembly and remove the rear cover. Then perform the following inspection.

TOTAL PRELOAD

1. Turn drive pinion in both directions several times to set bearing rollers.
2. Check total preload using Tool.

Tool number : **ST3127S000 (J25765-A)**

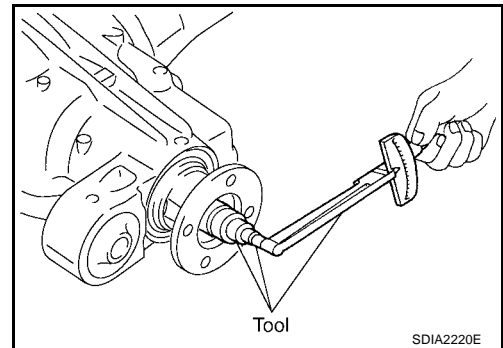
Total preload (with oil seal)

Gear ratio 2.937 Type :

3.09 - 4.87 N·m (0.32 - 0.49 kg·m, 28- 43 in·lb)

Gear ratio 3.357 Type :

2.98 - 4.76 N·m (0.31 - 0.48 kg·m, 27 - 42 in·lb)

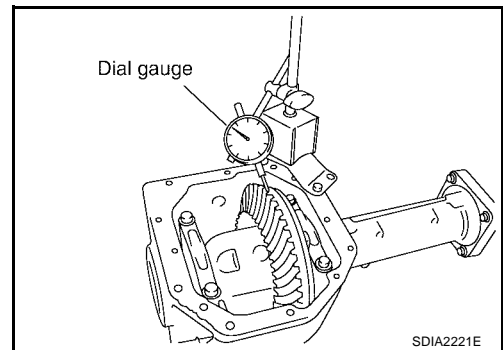


DRIVE GEAR TO DRIVE PINION BACKLASH

Check drive gear to drive pinion backlash using a dial gauge at several points.

Drive gear to drive pinion backlash:

0.13 - 0.18 mm (0.0051 - 0.0071 in)



COMPANION FLANGE RUNOUT

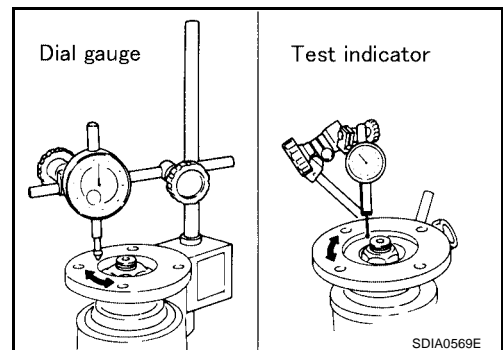
1. Fit a dial gauge onto the companion flange face (inner side of the propeller shaft mounting bolt holes).
2. Rotate the companion flange to check for runout.

Runout limit : **0.10 mm (0.0039 in)**

3. Fit a test indicator to the inner side of the companion flange (socket diameter).
4. Rotate the companion flange to check for runout.

Runout limit : **0.13 mm (0.0051 in)**

5. If the runout value is outside the repair limit, follow the procedure below to adjust.
 - a. Check for runout while changing the phase between companion flange and drive pinion gear by 90° step, and search for the point where the runout is the minimum.
 - b. If the runout value is still outside of the limit after the phase has been changed, replace the companion flange.
 - c. If the runout value still outside of the limit after the companion flange has been replaced, check pinion bearing and drive pinion assembly.



TOOTH CONTACT

Check tooth contact. Refer to [FFD-26, "TOOTH CONTACT"](#).

A
B
C
FFD
E
F
G
H
I
J
K
L
M

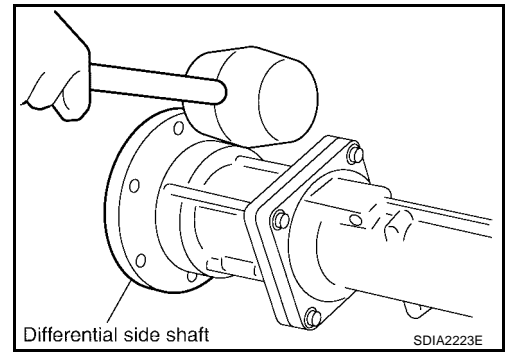
FRONT FINAL DRIVE ASSEMBLY

UDS000BP

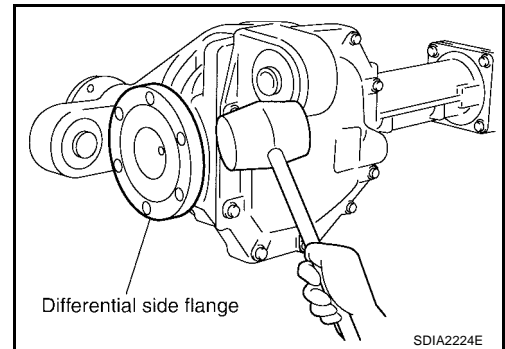
Disassembly and Assembly

REMOVAL OF DRIVE GEAR AND DIFFERENTIAL CASE ASSEMBLY

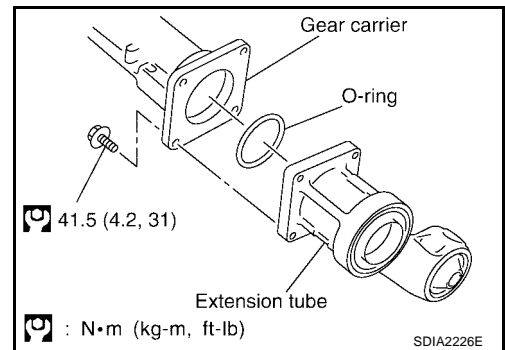
1. Remove differential side shaft with a soft hammer.



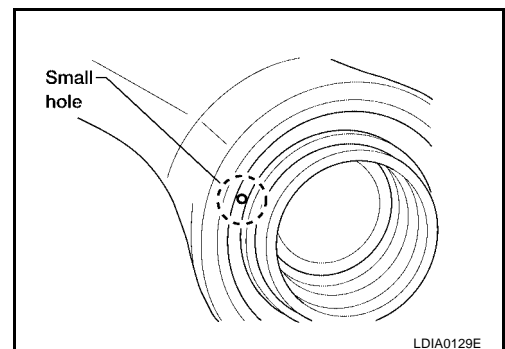
2. Remove differential side flange with a soft hammer.



3. Remove extension tube and O-ring.



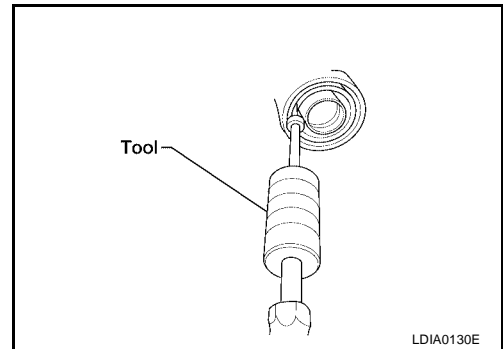
4. Using a punch or drill, place a small hole in case.



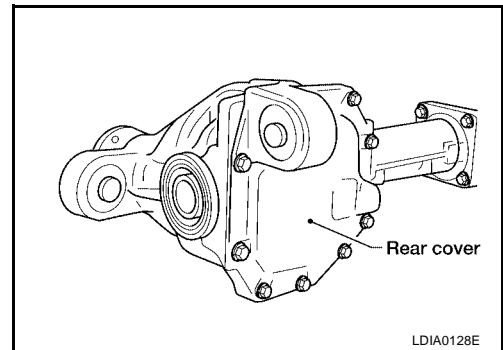
FRONT FINAL DRIVE ASSEMBLY

5. Assemble Tool as shown and remove seal.

Tool number : SP8P



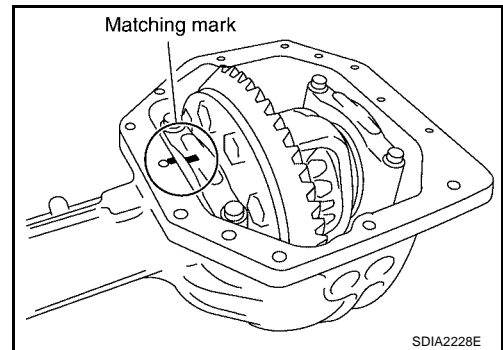
6. Remove rear cover from gear carrier.



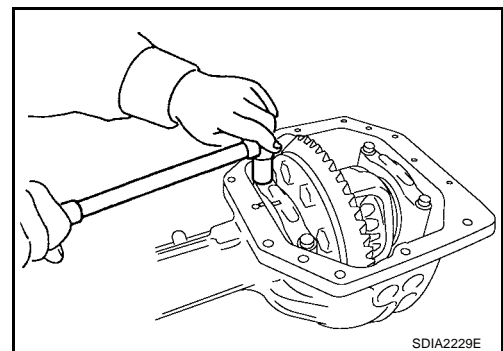
7. For proper reinstallation, paint matching mark on one side bearing cap.

NOTE:

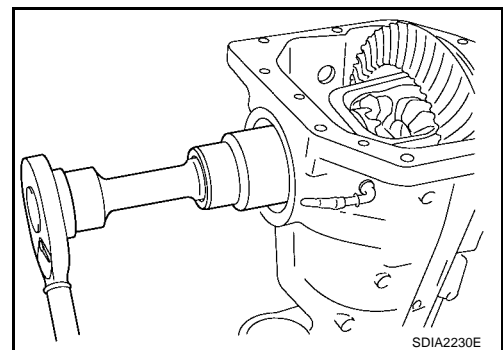
Bearing caps are line-board for initial assembly. The matching marks are used to replace them in their original positions.



8. Remove side bearing caps.



9. Remove side bearing adjust nuts.



A
B
C

FFD

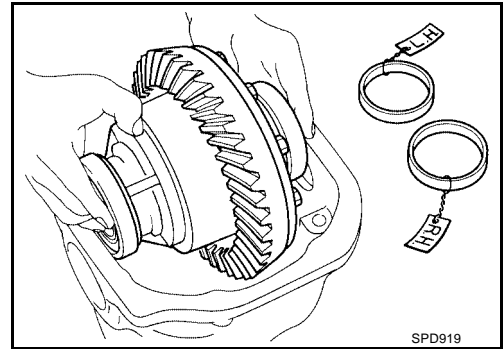
E
F
G

H
I
J

K
L
M

FRONT FINAL DRIVE ASSEMBLY

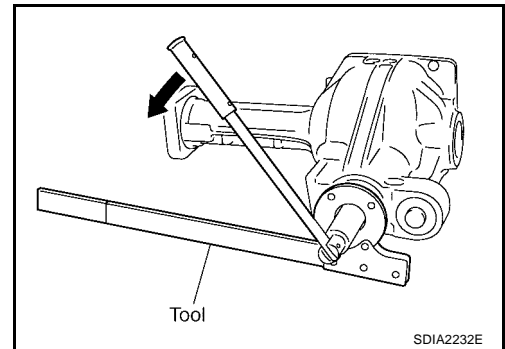
10. Keep the side bearing outer races together with inner race. Do not mix them up.



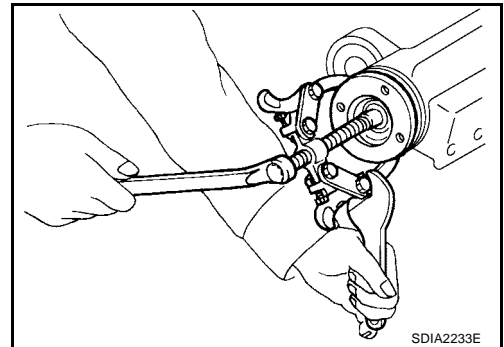
REMOVAL OF DRIVE PINION ASSEMBLY

1. Put matching marks on companion flange and drive pinion with paint.
2. Loosen drive pinion nut using Tool.

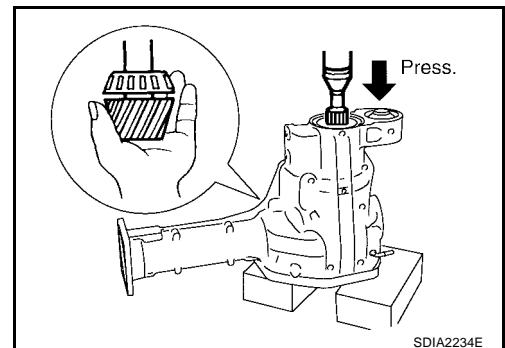
Tool number : KV38108300 (J44195)



3. Remove companion flange using a suitable puller.

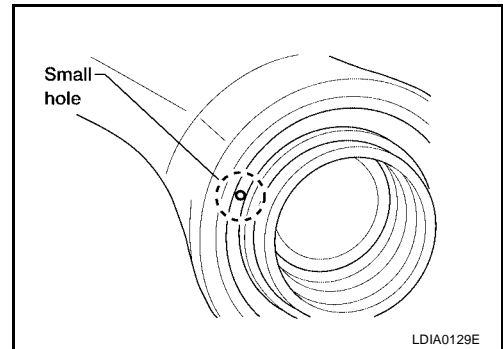


4. Remove drive pinion (together with rear bearing inner race, collapsible spacer.)
5. Remove pinion front bearing inner race.



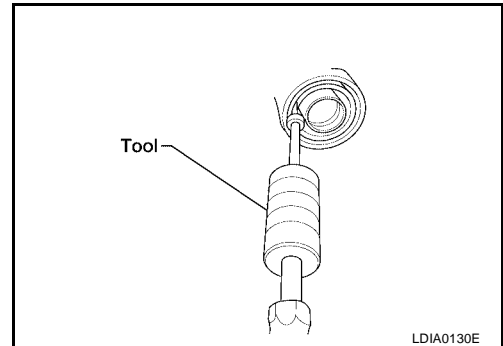
FRONT FINAL DRIVE ASSEMBLY

6. Using a punch or drill, place a small hole in case.



7. Assemble Tool as shown and remove seal.

Tool number : SP8P



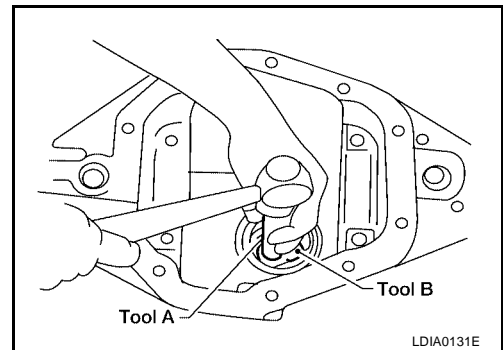
8. Turn nose of gear carrier down. Remove drive pinion front bearing outer race using Tool. Locate driver on back edge of outer race, then drive outer race out.

CAUTION:

Do not nick gear carrier.

Tool number A: C-4171

B: D-103



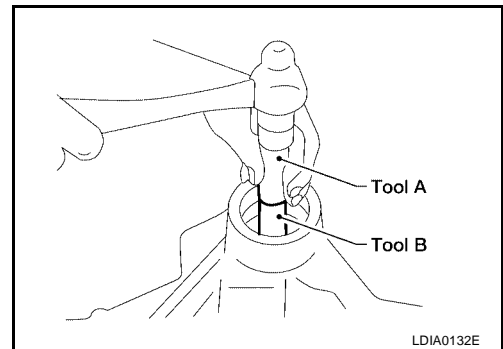
9. Turn nose of gear carrier up. Remove drive pinion rear bearing outer race using Tool. Locate driver on back edge of outer race, then drive outer race out.

CAUTION:

Do not nick gear carrier.

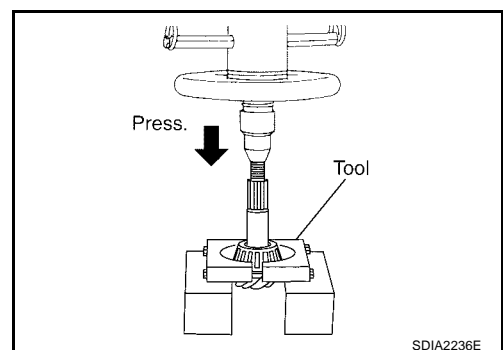
Tool number A: C-4171

B: C-4307



10. Remove drive pinion rear bearing inner race and drive pinion height adjusting washer using Tool.

Tool number : ST30021000 (—)



A
B
C
FFD

E
F
G
H
I
J
K
L
M

FRONT FINAL DRIVE ASSEMBLY

DIFFERENTIAL CASE DISASSEMBLY

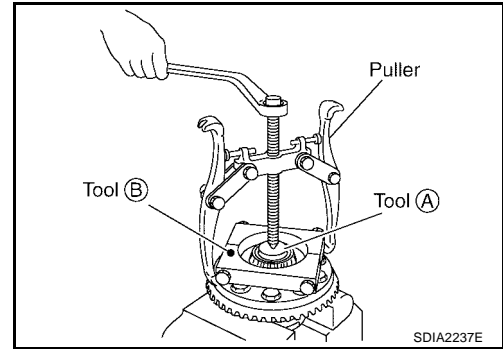
1. Remove side bearing inner race.
To prevent damage to bearing, engage puller jaws in groove.

Tool number A : ST33081000 (—)

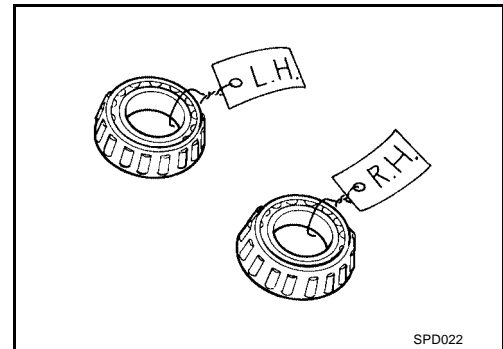
Tool number B : ST30021000 (—)

CAUTION:

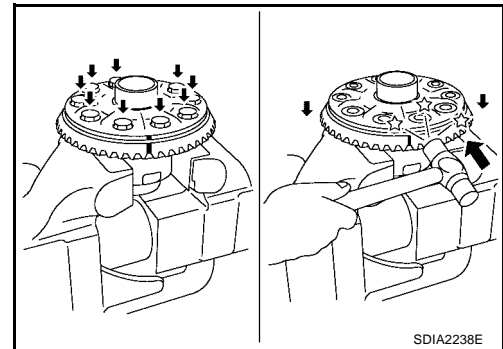
- To prevent damage to the side bearing and drive gear, place copper plates between these parts and vise.
- It is not necessary to remove side bearing except it is replaced.



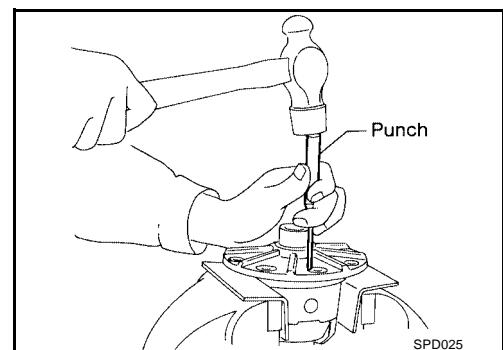
- Be careful not to confuse left-hand and right-hand parts. Keep bearing and bearing race for each side together.



2. Loosen drive gear mounting bolts in a crisscross fashion.
3. Tap drive gear off the differential case with a soft hammer.
 - Tap evenly all around to keep the drive gear from bending.

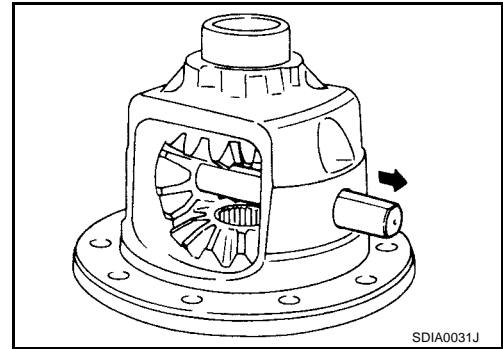


4. Drive out pinion mate shaft lock pin with punch from drive gear side.

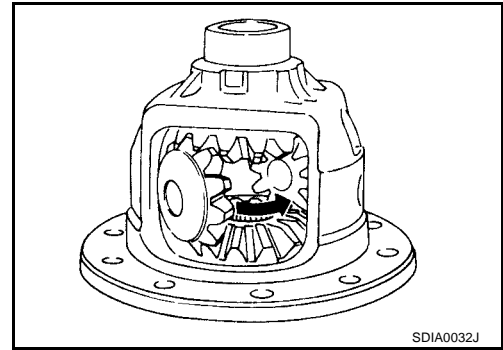


FRONT FINAL DRIVE ASSEMBLY

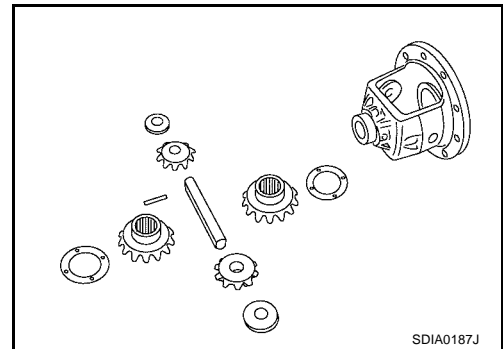
5. Remove the pinion mate shaft.



6. Turn the pinion mate gear, then remove the pinion mate gear, pinion mate thrust washer, side gear and side gear thrust washer from the differential case.



7. Check mating surfaces of differential case, side gears, pinion mate gears, pinion mate shaft and thrust washers.



INSPECTION

- Clean up the disassemble parts. Then, inspect if the parts are wear or damaged. If so, follow the measures below.

Content	Measures
Drive gear and drive pinion	<ul style="list-style-type: none"> ● If the gear teeth do not mesh or line-up correctly, determine the cause and adjust, repair, or replace as necessary. ● If the gears are worn, cracked, damaged, pitted or chipped (by friction) noticeably, replace with new gears.
Bearing	<ul style="list-style-type: none"> ● If found any chipped (by friction), pitted, worn, rusted, scratched mark, or unusual noise from the bearing, replace with new bearing assembly (as a new set).
Side gear thrust washer and pinion mate thrust washer	<ul style="list-style-type: none"> ● Replace with a new one if found any cracks or damage on the surface of the tooth. ● Replace with a new one if found any worn or chipped mark on the contact sides of the thrust washer.
Side gear and pinion mate thrust washer	<ul style="list-style-type: none"> ● Replace with a new one if found that it is chipped (by friction), damaged, or unusual worn.
Oil seal	<ul style="list-style-type: none"> ● Oil seals must be replaced with a new one whenever disassembled.

A
B
C
FFD
E
F
G
H
I
J
K
L
M

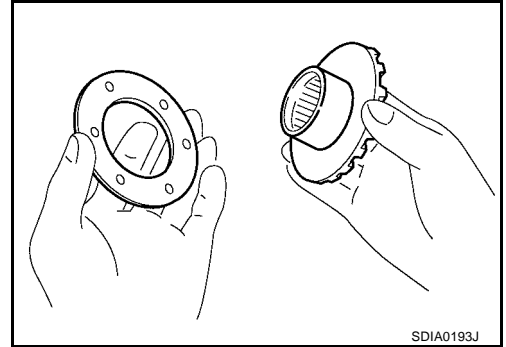
FRONT FINAL DRIVE ASSEMBLY

Content	Measures
Differential case	● Replace with a new one if found any wear or cracks on the contact sides of the differential case.
Companion flange	● Replace with a new one if found any chipped marks (about 0.10 mm, 0.0039 in) or other damage on the contact sides of the lips of the companion flange.

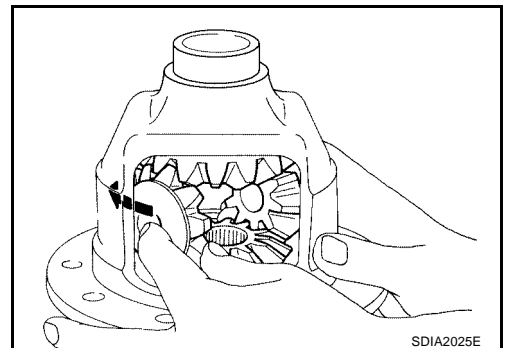
ADJUSTMENT OF DIFFERENTIAL CASE

Thrust Washer Selection

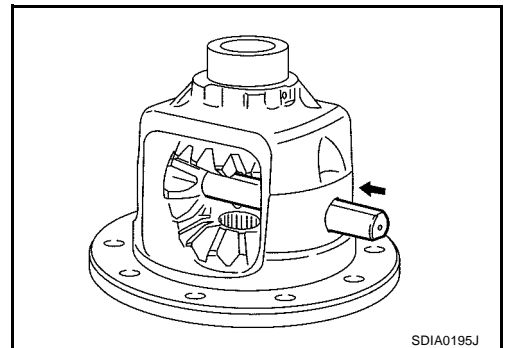
1. Apply gear oil to contact surfaces of each gear, thrust washers and differential case.
2. Install the removed thrust washer or same thickness washer to side gear.



3. Install the side gears, thrust washers, pinion mate gears and thrust washers into differential case.



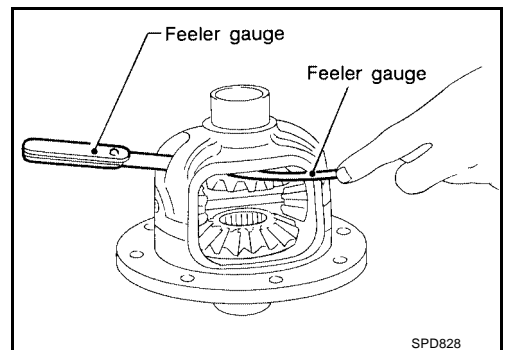
4. Install pinion mate shaft to differential case so that it meets lock pin holes.



5. Adjust clearance between rear face of side gear and thrust washer by selecting side gear thrust washer. Refer to [FFD-32, "Side Gear Adjustment"](#). Use two feeler gauges to prevent leaning of side gear as showing figure.

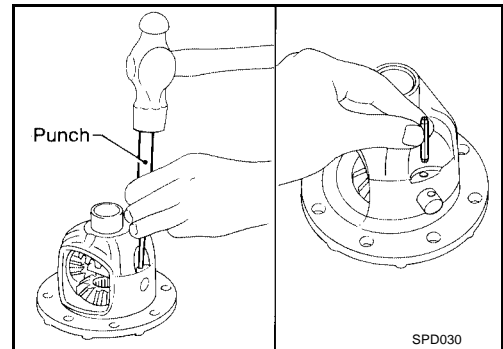
Clearance between side gear thrust washer and differential case

: 0.20 mm (0.0079 in) or less



FRONT FINAL DRIVE ASSEMBLY

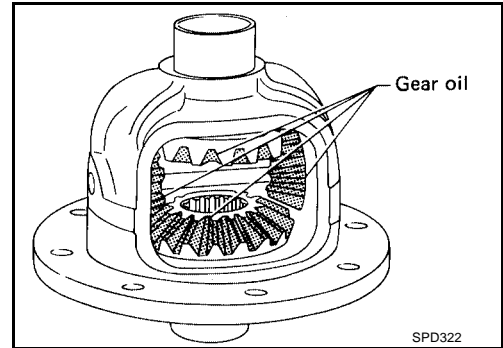
6. Make sure lock pin is flush with case.



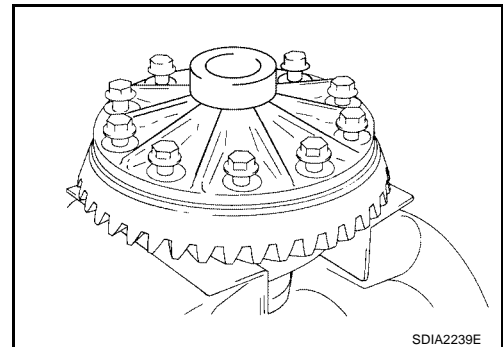
7. Apply gear oil to gear tooth surfaces and thrust surfaces and check to see they turn properly.

8. Install differential case assembly on drive gear.

- Tighten bolts in a crisscross pattern, lightly tapping bolt head with a hammer.



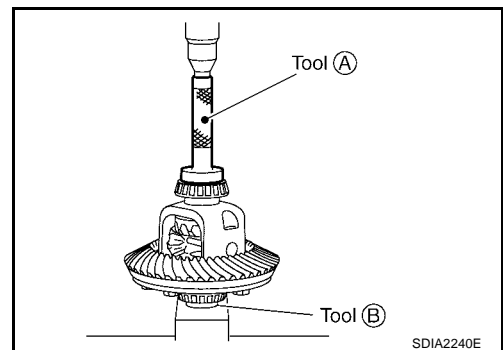
9. Place differential case on drive gear. Tighten bolts in a crisscross fashion.



10. Press-fit side bearing inner race on differential case using Tools.

Tool number A : KV38100300 (J25523)

Tool number B : ST33081000 (—)



A
B
C
FFD

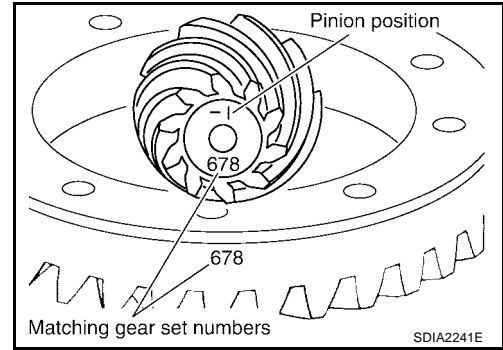
E
F
G
H
I
J
K
L
M

FRONT FINAL DRIVE ASSEMBLY

UDS000BQ

Adjustment of Drive Gear and Drive Pinion Assembly DRIVE PINION HEIGHT ADJUSTING WASHER SELECTION

- Drive gear and pinions are supplied in matched sets only. Matching numbers on both pinion and drive gear are etched for verification. If a new gear set is being used, verify the numbers of each pinion gear and drive gear before proceeding with assembly.



- The mounting distance from the centerline of the drive gear to the back face of the pinion gear for the Model 205 axle assembly is 103.5 mm (4.0748 inches). On the button end of each pinion, there is etched a plus (+) number, a minus (-) number, or a zero (0), which indicates the best running position for each particular gear set. This dimension is controlled by a selective shim between the inner pinion bearing race and pinion gear. For example: If a pinion is etched m+8 (+3), it would require 0.08 mm (0.003 inch) less shim than a pinion etched "0". This means decreasing shim thickness; increases the mounting distance of the pinion to 103.6 mm (4.0778 inches). If a pinion is etched m+8 (-3), it would require adding 0.08mm (0.003 inch) more to the shim than would be required if the pinion were etched "0". By adding 0.08 mm (0.003 inch), the mounting distance of the pinion was decreased to 103.4 mm (4.0718 inches) which is just what m-8 (a-3) etching indicated.
- To change the pinion adjustment, use different shims which come in different thickness.
- Use the following tables as a guide for selecting the correct shim thickness to add or subtract from the old shim.

OLD PINION MARKING	NEW PINION MARKING (ENGLISH 0.000)								
	-4	-3	-2	-1	0	+1	+2	+3	+4
+4	+0.008	+0.007	+0.006	+0.005	+0.004	+0.003	+0.002	+0.001	0
+3	+0.007	+0.006	+0.005	+0.004	+0.003	+0.002	+0.001	0	-0.001
+2	+0.006	+0.005	+0.004	+0.003	+0.002	+0.001	0	-0.001	-0.002
+1	+0.005	+0.004	+0.003	+0.002	+0.001	0	-0.001	-0.002	-0.003
0	+0.004	+0.003	+0.002	+0.001	0	-0.001	-0.002	-0.003	-0.004
-1	+0.003	+0.002	+0.001	0	-0.001	-0.002	-0.003	-0.004	-0.005
-2	+0.002	+0.001	0	-0.001	-0.002	-0.003	-0.004	-0.005	-0.006
-3	+0.001	0	-0.001	-0.002	-0.003	-0.004	-0.005	-0.006	-0.007
-4	0	-0.001	-0.002	-0.003	-0.004	-0.005	-0.006	-0.007	-0.008

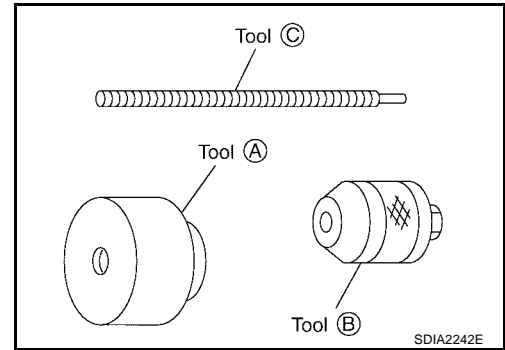
OLD PINION MARKING	NEW PINION MARKING (METRIC 0.00)								
	-10	-8	-5	-3	0	+3	+5	+8	+10
+10	+0.20	+0.18	+0.15	+0.13	+0.10	+0.08	+0.05	+0.02	0
+8	+0.18	+0.15	+0.13	+0.10	+0.08	+0.05	+0.02	0	-0.02
+5	+0.15	+0.13	+0.10	+0.08	+0.05	+0.02	0	-0.02	-0.05
+3	+0.13	+0.10	+0.08	+0.05	+0.02	0	-0.02	-0.05	-0.08
0	+0.10	+0.08	+0.05	+0.02	0	-0.02	-0.05	-0.08	-0.10
-3	+0.08	+0.05	+0.02	0	-0.02	-0.05	-0.08	-0.10	-0.13
-5	+0.05	+0.02	0	-0.02	-0.05	-0.08	-0.10	-0.13	-0.15
-8	+0.02	0	-0.02	-0.05	-0.08	-0.10	-0.13	-0.15	-0.18
-10	0	-0.02	-0.05	-0.08	-0.10	-0.13	-0.15	-0.18	-0.20

FRONT FINAL DRIVE ASSEMBLY

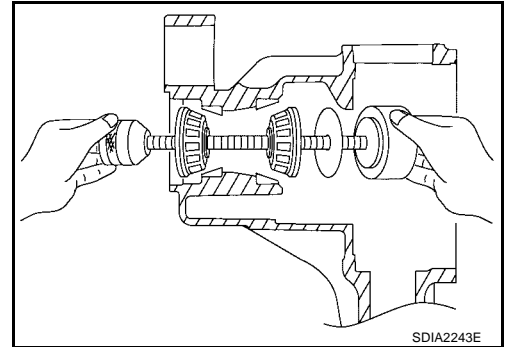
PINION GEAR HEIGHT

1. Make sure all parts are clean and that the bearings are well lubricated.
2. Assemble the pinion gear bearings into the differential shim selector tool.

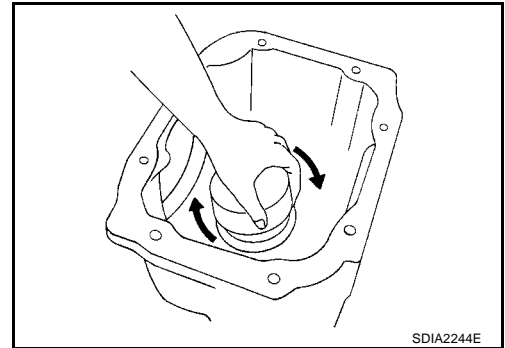
Tool number A : TBD (pinion block)
Tool number B : 6740 (cone)
Tool number C : 6741 (screw)



3. Install pinion bearing inner race and pinion height adjusting washer to gear carrier using Tool as shown in the figure.



4. Turn the assembly several times to seat the bearings.



5. Measure the turning torque.

Tool number : ST3127S000 (J25765-A)

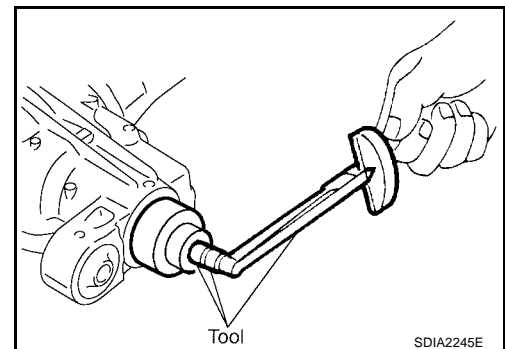
Turning torque specification

Gear ratio 2.937 Type

: 3.09 - 4.87 N·m (0.32 - 0.49 kg·m, 28 - 43 in·lb)

Gear ratio 3.357 Type:

: 2.98 - 4.76 N·m (0.31 - 0.48 kg·m, 27 - 42 in·lb)



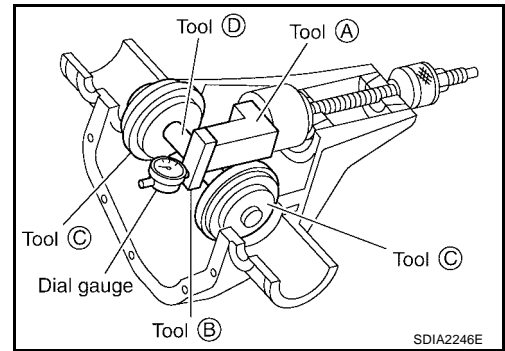
A
B
C
FFD

E
F
G
H
I
J
K
L
M

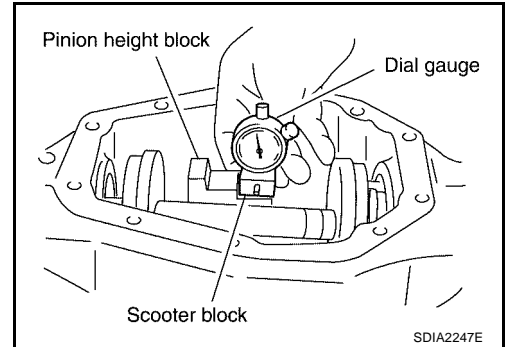
FRONT FINAL DRIVE ASSEMBLY

6. Tighten side-bearing cap to the specified torque installing Tools as shown in the figure.

- Tool number A : 6739 (Pinion Height Block)**
- Tool number B : D-115-2 (Scooter Block)**
- Tool number C : TBD (Arbor Disc)**
- Tool number D : D-115-3 (Arbor)**



7. Put scooter block on pinion height block. Make sure that dial gauge is level adjusting pressure with a hand. Dial gauge indicates "0".



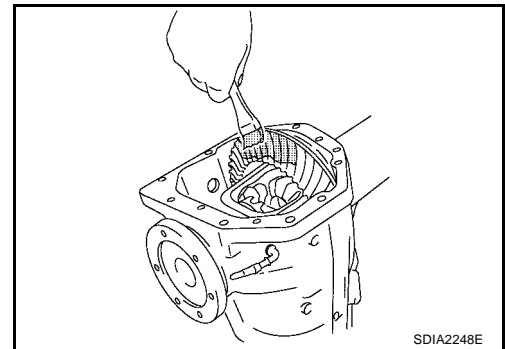
8. Slide dial gauge along arbor. Record the maximum.
9. Adjust pinion height adjusting washer so that the maximum will be "0".

TOOTH CONTACT

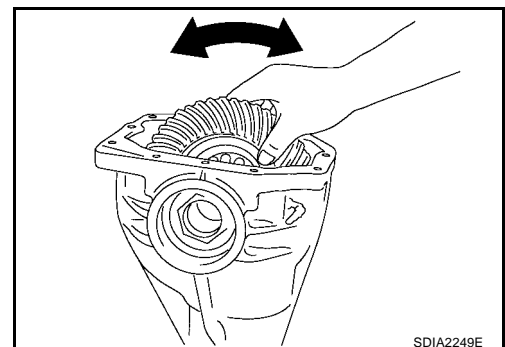
Checking gear tooth contact pattern is necessary to verify correct relationship between drive gear and drive pinion.

Hypoid gears which are not positioned in proper arrangement may be noisy and/or have a short life. Check gear tooth contact pattern to obtain the best contact for low noise and long life.

1. Thoroughly clean drive gear and drive pinion teeth.
2. Lightly apply a mixture of powdered ferric oxide and oil or the equivalent. Apply it to 3 or 4 teeth of drive gear drive side.

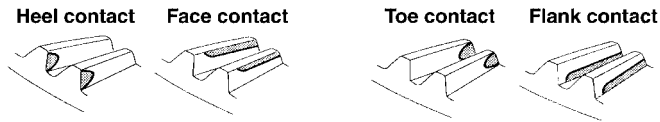


3. Hold companion flange steady by hand and rotate the drive gear in both directions.



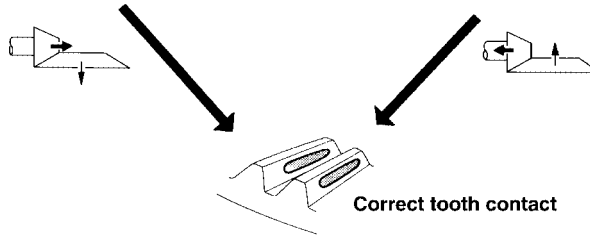
FRONT FINAL DRIVE ASSEMBLY

Usually the pattern will be correct if washers are correctly calculated and the backlash is correct. However, in rare cases, trial and error processes may be employed to obtain a correct pattern. The tooth pattern is the best indication of how well a differential has been set up.



To correct, increase thickness of pinion height adjusting washer in order to bring drive pinion close to drive gear.

To correct, reduce thickness of pinion height adjusting washer in order to make drive pinion go away from drive gear.



When adjustment is completed, be sure to wipe off completely the ferric oxide and oil or their equivalent.

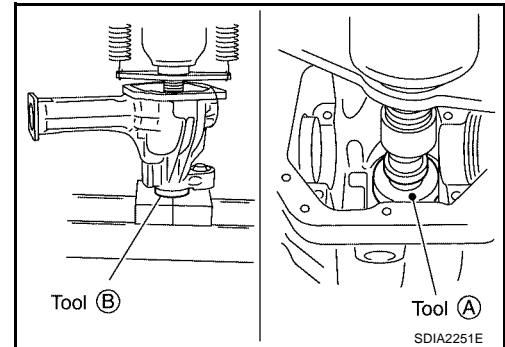
SDIA1796E

INSTALLATION OF DRIVE PINION ASSEMBLY

1. Press-fit rear bearing outer race with Tools.

Tool number A : ST30901000 (—)

Tool number B : KV40105230 (—)

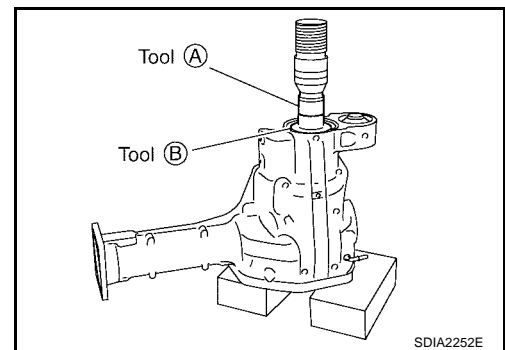


SDIA2251E

2. Press-fit front bearing outer race with Tools.

Tool number A : ST35271000 (—)

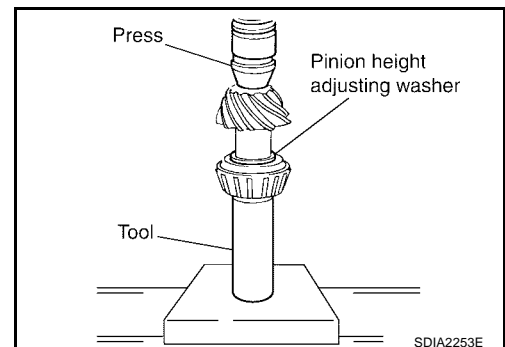
Tool number B : KV40104810 (—)



SDIA2252E

3. Select drive pinion height adjusting washer. Refer to [FFD-33, "Drive Pinion Height Adjustment"](#).
4. Install drive pinion adjusting washer in drive pinion, and press-fit pinion rear bearing inner race in it, using a press and Tool.

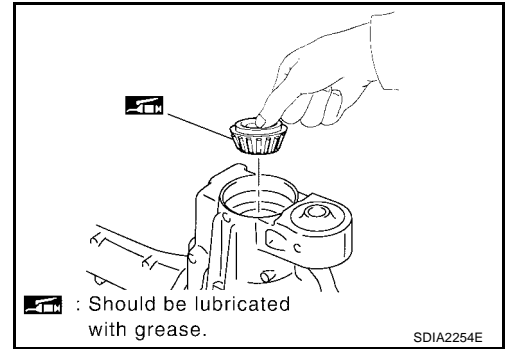
Tool number : C - 4040 (Installer)



SDIA2253E

FRONT FINAL DRIVE ASSEMBLY

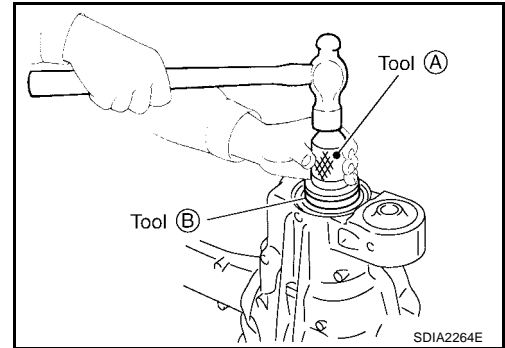
5. Place pinion front bearing inner race in gear carrier.



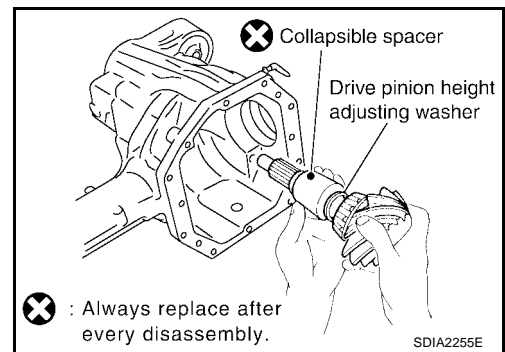
6. Apply multi-purpose grease to cavity at sealing lips of oil seal. Install front oil seal.

Tool number A : KV38100500 (J25273)

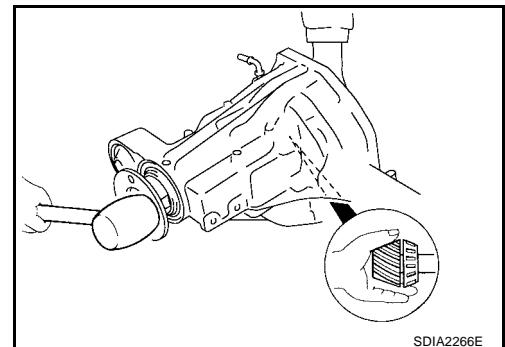
Tool number B : KV38102200 (—)



7. Place collapsible spacer, drive pinion height adjusting washer and drive pinion in gear carrier.



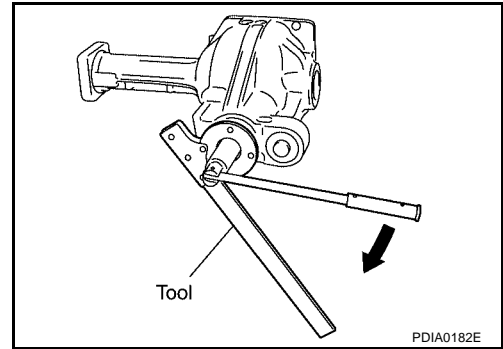
8. Insert companion flange onto drive pinion. Tap the companion flange with a soft hammer until fully seated.



FRONT FINAL DRIVE ASSEMBLY

9. Tighten pinion nut until total preload is within specification.
- The threaded portion of drive pinion and pinion nut should be free from oil or grease.

Tool number : KV38108300 (J44195)



10. Tighten the pinion nut by very small degrees until the specified preload is achieved. When checking the preload, turn the drive pinion in both directions several times to set the bearing rollers.

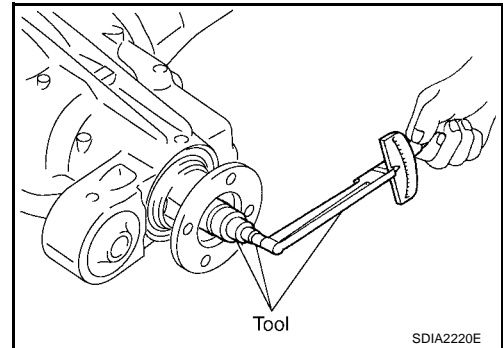
Tool number : ST3127S000 (J25765-A)

Pinion bearing preload:

2.3 - 3.4 N·m (24 - 34 kg·cm, 21 - 30 in·lb)

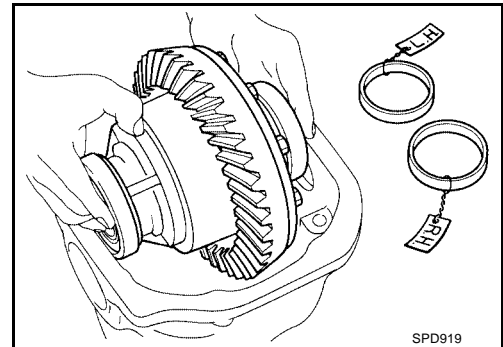
This procedure will have to be repeated if:

- Maximum preload is achieved before the minimum pinion nut torque is reached.
- Minimum preload is not achieved before maximum pinion nut torque is reached.

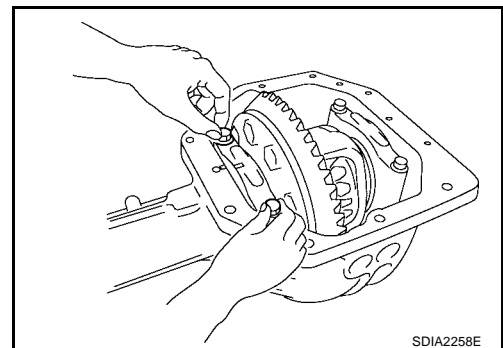


INSTALLATION OF DIFFERENTIAL CASE ASSEMBLY

1. Install side bearing adjust nut into gear carrier.
2. Install differential case assembly with side bearing outer races into gear carrier.



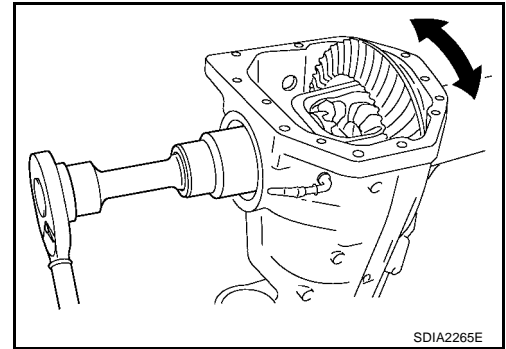
3. Align mark on bearing cap with that on gear carrier and install bearing cap on gear carrier.
 - Do not tighten at this point. This allows further tightening of side bearing adjusters.



A
B
C
FFD
E
F
G
H
I
J
K
L
M

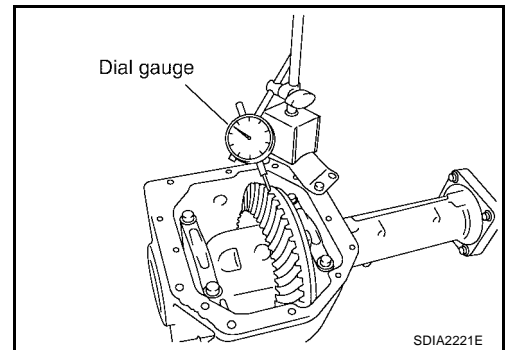
FRONT FINAL DRIVE ASSEMBLY

4. Tighten each side bearing adjust nuts alternately turning drive gear.

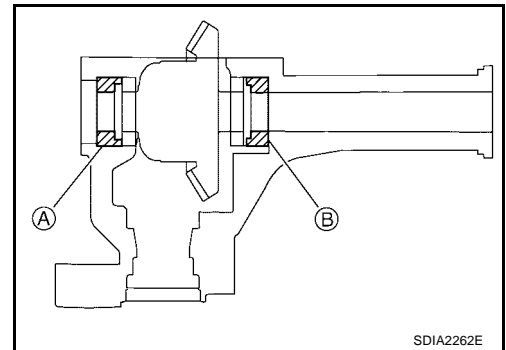


5. Measure backlash of drive gear and drive pinion using a dial gauge.

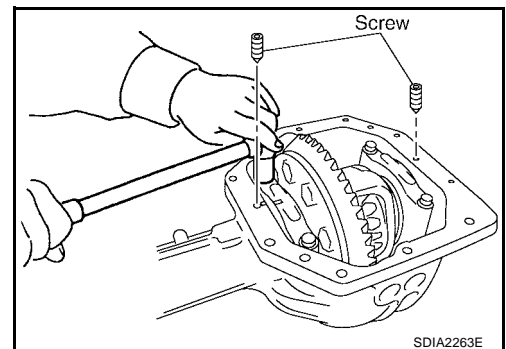
Drive gear to drive pinion backlash
: 0.13 - 0.18 mm (0.0051 - 0.0071 in)



6. Use each adjust nut to adjust backlash.
7. In case of lots of backlash, loosen adjust nut A and tighten adjust nut B. In case of less backlash, loosen adjust nut B and tighten adjust nut A.



8. After adjusting backlash, fix adjuster with screws and tighten cap bolt to the specified torque. Refer to [FFD-13, "Components"](#)



FRONT FINAL DRIVE ASSEMBLY

9. Check total preload with tool.

Tool number : ST3127S000 (J25765-A)

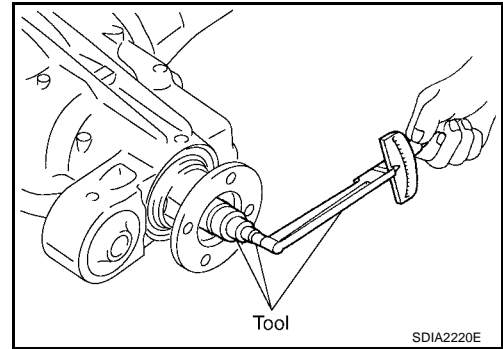
Total preload (With oil seal)

Gear ratio 2.937 Type

: 3.09 - 4.87 N·m (0.32 - 0.49 Kg-m, 28 - 43 in-lb)

Gear ratio 3.357 Type

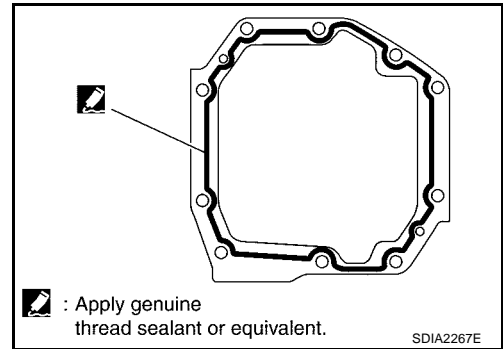
: 2.98 - 4.76 N·m (0.31 - 0.48 Kg-m, 27 - 42 in-lb)



10. Check tooth contact. Refer to [FFD-26, "TOOTH CONTACT"](#).

11. Install rear cover. Apply liquid sealant to rear cover side and install gear carrier.

12. Apply multi-purpose grease to cavity at sealing lips of oil seal. Install side oil seal.

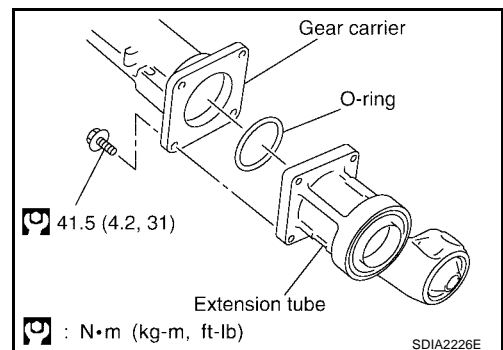


13. Install new O-ring and extension tube.

NOTE:

If the extension tube is being replaced, install a new axle shaft bearing.

14. Install sideshaft and side flange.



A
B
C
FFD
E
F
G
H
I
J
K
L
M

SERVICE DATA AND SPECIFICATIONS (SDS)

SERVICE DATA AND SPECIFICATIONS (SDS)

PF0:00030

General Specifications

UDS000BR

Engine	VK56E	
Vehicle grade	All	
Front final drive	M205	
	2-pinion	
Gear ratio	2.937	3.357
Number of teeth (Drive gear/drive pinion)	47/16	47/14
Oil capacity (Approx.) ℓ (US pt, Imp pt)	1.6 (3-3/8 , 2-7/8)	

Side Gear Adjustment

UDS000BS

Side gear to pinion mate gear backlash (Clearance between side gear thrust washer and differential case) mm (in)		less than 0.20 (0.0079) or less
Available side gear thrust washers	Thickness mm (in)	
	Package part number*	
	0.76 (0.030)	38424 8S111
	0.79 (0.031)	
	0.81 (0.032)	
	0.84 (0.033)	
	0.87 (0.034)	
	0.89 (0.035)	38424 8S112
	0.91 (0.036)	
	0.94 (0.037)	
0.97 (0.038)		
0.99 (0.039)		

Total Preload Adjustment

UDS000BT

Total preload N·m (Kg-m, in-lb)	Gear ratio 2.937 Type	Gear ratio 3.357 type
	3.09 - 4.87 (0.32 - 0.49, 28 - 43)	2.98 - 4.76 (0.31 - 0.48, 27 - 42)
Drive gear to drive pinion backlash mm (in)	0.13 - 0.18 (0.0051 - 0.0071)	

SERVICE DATA AND SPECIFICATIONS (SDS)

Drive Pinion Height Adjustment

UDS000BU

	Thickness mm (in)	Package part number*	
	Available drive pinion height adjust- ing washers	1.22 (0.048)	38154 8S111
1.24 (0.049)		B	
1.27 (0.050)		C	
1.30 (0.051)			
1.32 (0.052)			
1.35 (0.053)		38154 8S112	FFD
1.37 (0.054)			
1.40 (0.055)			
1.42 (0.056)			
1.45 (0.057)			
1.47 (0.058)		38154 8S113	E
1.50 (0.059)			
1.52 (0.060)			
1.55 (0.061)			
1.57 (0.062)			
1.60 (0.063)		38154 8S114	F
1.63 (0.064)			
1.65 (0.065)			
1.68 (0.066)			
1.70 (0.067)			
1.73 (0.068)	38154 8S115	G	
1.75 (0.069)			
1.78 (0.070)			
1.80 (0.071)			
1.83 (0.072)			

*Always check with the Parts Department for the latest parts information.

SERVICE DATA AND SPECIFICATIONS (SDS)
