

SECTION **FSU**  
FRONT SUSPENSION

A  
B  
C  
D

FSU

CONTENTS

<b>PRECAUTIONS</b> .....	<b>2</b>	<b>UPPER LINK</b> .....	<b>12</b>	F
Precautions .....	2	Removal and Installation .....	12	
<b>PREPARATION</b> .....	<b>3</b>	REMOVAL .....	12	G
Special Service Tools .....	3	INSPECTION AFTER REMOVAL .....	12	
Commercial Service Tools .....	3	INSTALLATION .....	12	
<b>NOISE, VIBRATION, AND HARSHNESS (NVH)</b>		<b>LOWER LINK</b> .....	<b>13</b>	H
<b>TROUBLESHOOTING</b> .....	<b>4</b>	Removal and Installation .....	13	
NVH Troubleshooting Chart .....	4	REMOVAL .....	13	
<b>FRONT SUSPENSION ASSEMBLY</b> .....	<b>5</b>	INSPECTION AFTER REMOVAL .....	13	I
Components .....	5	INSTALLATION .....	13	
<b>ON-VEHICLE SERVICE</b> .....	<b>6</b>	<b>UPPER BALL JOINT AND LOWER BALL JOINT...</b>	<b>14</b>	J
Front Suspension Parts .....	6	Removal and Installation .....	14	
Front Wheel Alignment .....	6	Inspection .....	14	
PRELIMINARY INSPECTION .....	6	SWINGING FORCE .....	14	
CAMBER AND CASTER .....	7	TURNING FORCE .....	14	
TOE-IN .....	7	VERTICAL END PLAY .....	15	
FRONT WHEEL TURNING ANGLE .....	8	<b>KNUCKLE</b> .....	<b>16</b>	K
<b>COIL SPRING AND SHOCK ABSORBER</b> .....	<b>9</b>	On-Vehicle Inspection and Service .....	16	
Removal and Installation .....	9	Removal and Installation .....	16	
REMOVAL .....	9	REMOVAL .....	16	L
INSTALLATION .....	9	INSPECTION AFTER REMOVAL .....	17	
Disassembly and Assembly .....	9	INSTALLATION .....	18	
DISASSEMBLY .....	9	<b>SERVICE DATA AND SPECIFICATIONS (SDS)</b> .....	<b>19</b>	M
INSPECTION AFTER DISASSEMBLY .....	9	General Specifications (Front) .....	19	
ASSEMBLY .....	10	Wheel Alignment (Unladen*1) .....	19	
<b>STABILIZER BAR</b> .....	<b>11</b>	Ball Joint .....	20	
Removal and Installation .....	11	Wheelarch Height (Unladen*1) .....	20	
REMOVAL .....	11			
INSPECTION AFTER REMOVAL .....	11			
INSTALLATION .....	11			

# PRECAUTIONS

---

## PRECAUTIONS

PPF:00001

### Precautions

EES001C9

- When installing the rubber bushings, the final tightening must be done under unladen condition and with the tires on level ground. Oil will shorten the life of the rubber bushings, so wipe off any spilled oil immediately.
- Unladen condition means the fuel tank, engine coolant and lubricants are at the full specification. The spare tire, jack, hand tools, and mats are in their designated positions.
- After installing suspension components, check the wheel alignment.
- Lock nuts are not reusable. Always use new lock nuts for installation. New lock nuts are pre-oiled, do not apply any additional lubrication.

# PREPARATION

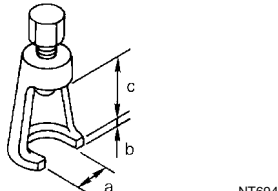
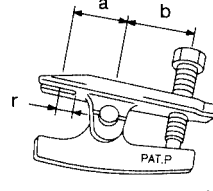
## PREPARATION

PFP:00002

### Special Service Tools

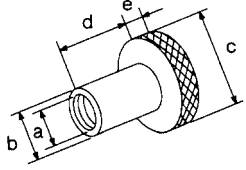
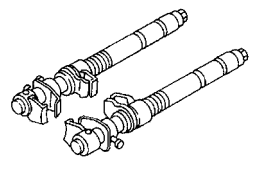
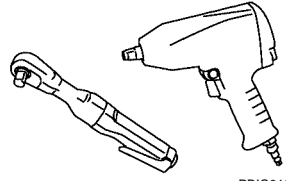
EES001CA

The actual shapes of Kent-Moore tools may differ from those of special service tools illustrated here.

Tool number (Kent-Moore No.) Tool name	Description
ST29020001 (J-24319-01) Gear arm puller	 Removing ball joint for steering knuckle <b>a: 34 mm (1.34 in)</b> <b>b: 6.5 mm (0.256 in)</b> <b>c: 61.5 mm (2.421 in)</b>
HT72520000 (J-25730-A) Ball joint remover	 Removing tie-rod outer end <b>a: 33 mm (1.30 in)</b> <b>b: 50 mm (1.97 in)</b> <b>r: 11.5 mm (0.453 in)</b>

### Commercial Service Tools

EES001CB

Tool name	Description
Attachment wheel alignment	 Measure wheel alignment <b>a: Screw M24 x 1.5 pitch</b> <b>b: 35 mm (1.38 in) dia.</b> <b>c: 65 mm (2.56 in) dia.</b> <b>d: 56 mm (2.20 in)</b> <b>e: 12 mm (0.47 in)</b>
Spring compressor	 Removing and installing coil spring
Power tool	 Loosening bolts and nuts

# NOISE, VIBRATION, AND HARSHNESS (NVH) TROUBLESHOOTING

## NOISE, VIBRATION, AND HARSHNESS (NVH) TROUBLESHOOTING

PFP:00003

### NVH Troubleshooting Chart

EES001CC

Use the chart below to help you find the cause of the symptom. Repair or replace parts as necessary.

Symptom		Possible Cause and SUSPECTED PARTS											Reference page					
		Improper installation, looseness	Shock absorber deformation, damage or deflection	Bushing or mounting deterioration	Parts interference	Spring fatigue	Suspension looseness	Incorrect wheel alignment	Stabilizer bar fatigue	PROPELLER SHAFT	DIFFERENTIAL	DRIVE SHAFT	AXLE	TIRES	ROAD WHEEL	BRAKES	STEERING	
Symptom	Noise	x	x	x	x	x	x			x	x	x	x	x	x	x	x	<a href="#">FSU-5</a>
	Shake	x	x	x	x		x			x		x	x	x	x	x	x	<a href="#">FSU-9</a>
	Vibration	x	x	x	x	x				x		x	x	x				<a href="#">FSU-5</a>
	Shimmy	x	x	x	x			x				x	x	x	x	x	x	<a href="#">FSU-5</a>
	Shudder	x	x	x								x	x	x	x	x	x	<a href="#">FSU-5</a>
	Poor quality ride or handling	x	x	x	x	x		x	x			x	x	x	x			<a href="#">FSU-9</a>
																	<a href="#">FSU-5</a>	
																	<a href="#">FSU-6</a>	
																	<a href="#">FSU-11</a>	
																	<a href="#">PR-3, "NVH Troubleshooting Chart"</a>	
																	<a href="#">FFD-7, "NVH Troubleshooting Chart"</a>	
																	<a href="#">FAX-4, "NVH Troubleshooting Chart"</a>	
																	<a href="#">FAX-4, "NVH Troubleshooting Chart"</a>	
																	<a href="#">WT-3, "NVH Troubleshooting Chart"</a>	
																	<a href="#">WT-3, "NVH Troubleshooting Chart"</a>	
																	<a href="#">BR-5, "NVH Troubleshooting Chart"</a>	
																	<a href="#">PS-5, "NVH Troubleshooting Chart"</a>	

x: Applicable

# FRONT SUSPENSION ASSEMBLY

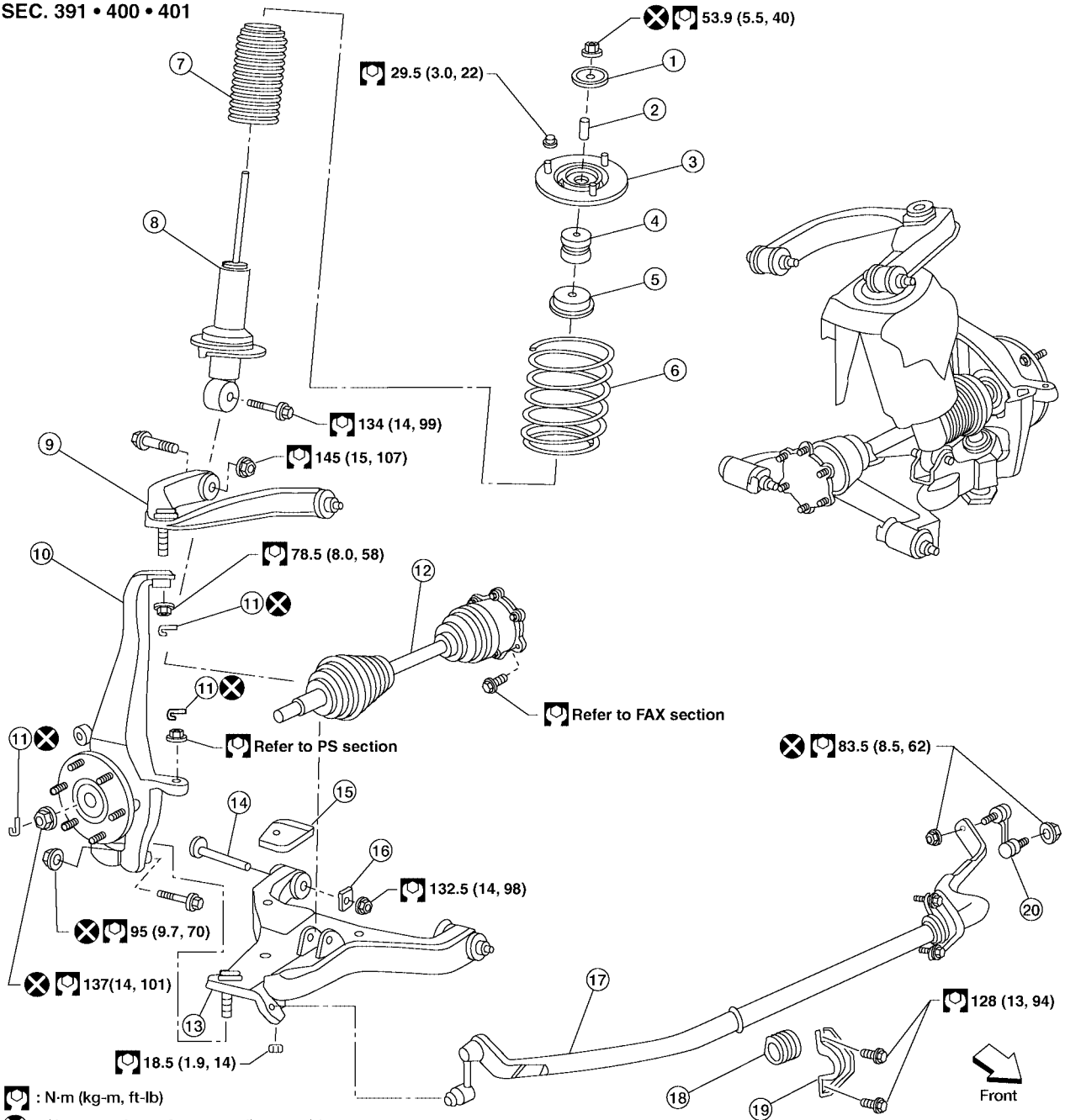
## FRONT SUSPENSION ASSEMBLY

PF0:54010

### Components

EES001CD

SEC. 391 • 400 • 401



: N·m (kg·m, ft·lb)

: Always replace after every disassembly.

- |                                     |                    |                                      |
|-------------------------------------|--------------------|--------------------------------------|
| 1. Washer                           | 2. Spacer          | 3. Shock absorber mounting insulator |
| 4. Shock absorber bushing           | 5. Upper seat      | 6. Coil spring                       |
| 7. Dust cover                       | 8. Shock absorber  | 9. Upper link                        |
| 10. Steering knuckle                | 11. Cotter pin     | 12. Drive shaft                      |
| 13. Lower link                      | 14. Cam bolt       | 15. Jounce bumper                    |
| 16. Cam washer                      | 17. Stabilizer bar | 18. Stabilizer bar bushing           |
| 19. Stabilizer bar mounting bracket | 20. Connecting rod |                                      |

WEIA0083E

A  
B  
C  
D  
FSU  
F  
G  
H  
I  
J  
K  
L  
M

## ON-VEHICLE SERVICE

PPF:00000

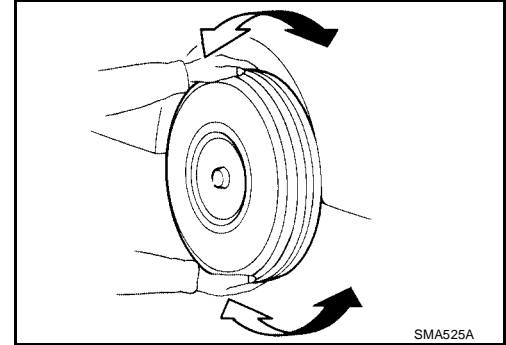
### Front Suspension Parts

EES001CE

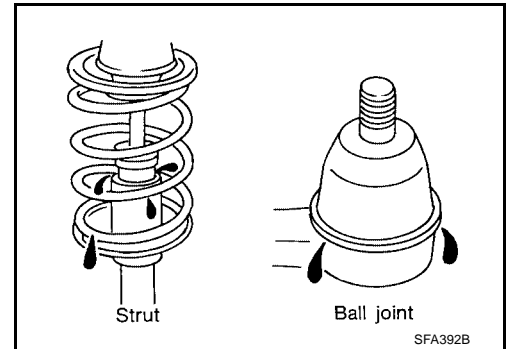
Check front suspension parts for excessive play, cracks, wear and other damage.

- Shake each front wheel to check for excessive play. If looseness is noted, inspect wheel bearing end play, then check ball joint end play. Refer to [FSU-14, "Inspection"](#).
- Make sure that the cotter pin is inserted (4x4).
- Retighten all nuts and bolts to the specified torque.

**Suspension component torque** : Refer to [FSU-5, "Components"](#).



- Check shock absorber for oil leakage and other damage.
- Check suspension ball joint for grease leakage and ball joint dust cover for cracks and other damage.



### Front Wheel Alignment PRELIMINARY INSPECTION

EES001CF

#### **WARNING:**

**Always adjust the alignment with the vehicle on a flat surface.**

#### **NOTE:**

If alignment is out of specification, inspect and replace any damaged or worn rear suspension parts before making any adjustments.

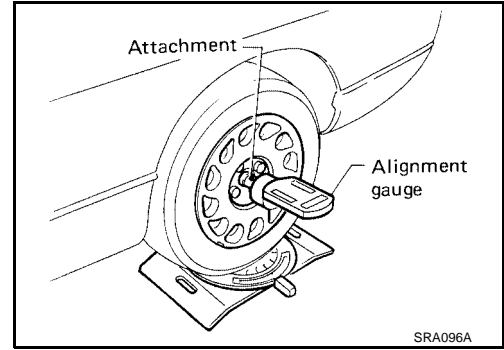
1. Check and adjust the wheel alignment with the vehicle under unladen conditions. "Unladen conditions" means that the fuel, coolant, and lubricant are full; and that the spare tire, jack, hand tools and mats are in their designated positions.
2. Check the tires for incorrect air pressure and excessive wear.
3. Check the wheels for run out and damage. Refer to [WT-4, "Inspection"](#).
4. Check the wheel bearing axial end play. Refer to [FAX-5, "WHEEL BEARING INSPECTION"](#).
5. Check the shock absorbers for leaks or damage.
6. Check each mounting point of the suspension components for any excessive looseness or damage.
7. Check each link, arm, and the rear suspension member for any damage.
8. Check the vehicle height. Refer to [FSU-20, "Wheelarch Height \(Unladen\\*1\)"](#).
  - For air leveling vehicles, verify the level using Consult-II memory register 1103 and set to  $0 \pm 10$  mm ( $0 \pm 0.39$  in) as necessary.

# ON-VEHICLE SERVICE

## CAMBER AND CASTER

1. Measure camber and caster of both the right and left wheels with a suitable alignment gauge and adjust as necessary to specification.

**Camber** : Refer to [FSU-6, "Front Wheel Alignment"](#)



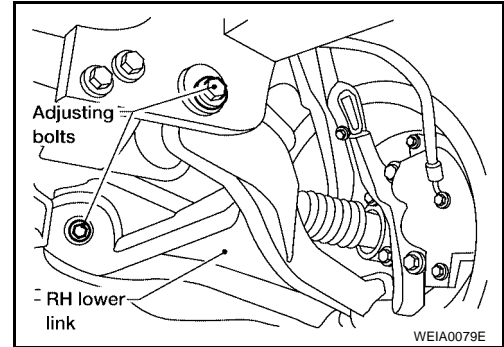
2. If outside of the specified value, adjust camber and caster using the adjusting bolts in the lower links.

**CAUTION:**

**After adjusting the camber then check the toe-in.**

**NOTE:**

Camber changes about 3' (0.11°) minutes with each graduation of one adjusting bolt. Refer to table below for examples of lower link adjusting bolt effect on camber and caster.



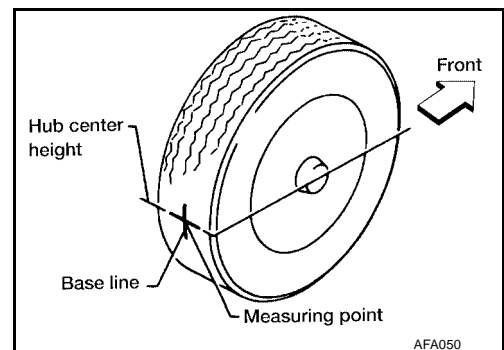
Rear adjusting bolt	1 In	1 Out	1 In	1 Out	0	0	1 In	1 Out
Front adjusting bolt	1 Out	1 In	1 In	1 Out	1 In	1 Out	0	0
Camber Degree minute (Decimal degree)	0 (0)	0 (0)	7' (0.11°)	-7' (-0.11°)	3' (0.11°)	-3' (-0.11°)	3' (0.11°)	-3' (-0.11°)
Caster Degree minute (Decimal degree)	-14' (-0.11°)	14' (0.11°)	0 (0)	0 (0)	7' (0.11°)	-7' (-0.11°)	-7' (-0.11°)	7' (0.11°)

3. Tighten the adjusting bolt nuts to specification. Refer to [FSU-5, "Components"](#).

## TOE-IN

**WARNING:**

- Always perform the following procedure on a flat surface.
  - Make sure that no person is in front of the vehicle before pushing it.
1. Bounce the front of vehicle up and down to stabilize the vehicle height (posture).
  2. Push the vehicle straight ahead about 5 m (16 ft).
  3. Put a mark on base line of the tread (rear side) of both front tires at the same height as hub center as shown. These marks are measuring points.



## ON-VEHICLE SERVICE

4. Measure the distance "A" on the rear side of the front tires as shown.
5. Push the vehicle slowly ahead to rotate the wheels 180° degrees (1/2 a turn).

**CAUTION:**

If the wheels have rotated more than 180° degrees (1/2 turn), start this procedure again from the beginning. Never push the vehicle backward.

6. Measure the distance "B" on the front side of the front tires at the same marks as shown. Total toe-in is calculated as "A" – "B".

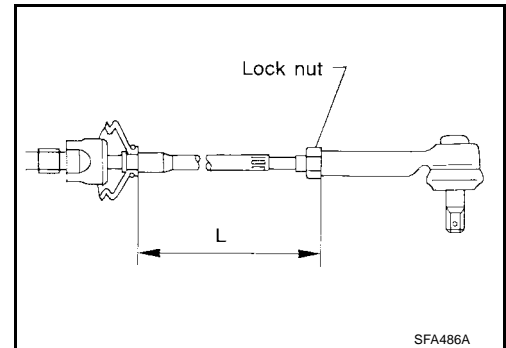
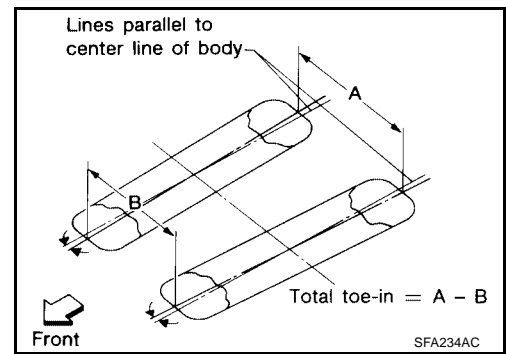
**Total toe-in** : Refer to [FSU-19, "Wheel Alignment \(Unladen\\*1\)"](#) .

7. Adjust the toe-in by varying the length of the steering outer tie-rods.
  - a. Loosen the outer tie-rod lock nuts.
  - b. Adjust the toe-in by screwing the outer tie-rods in or out.

**Standard length "L"** : Refer to [PS-35, "Steering Outer Socket and Inner Socket"](#) .

- c. Tighten the outer tie-rod lock nuts to specification.

**Lock nut** : Refer to [PS-18, "Disassembly and Assembly"](#) .



### FRONT WHEEL TURNING ANGLE

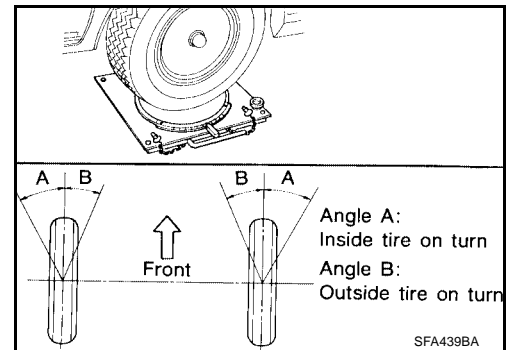
**NOTE:**

Check front wheel turning angle after the toe-in inspection.

1. Place front wheels on turning radius gauges in straight ahead position and rear wheels on stands so that vehicle can be level. Check the maximum inner and outer wheel turning angles for LH and RH road wheels.
2. Start engine and run at idle, turn steering wheel all the way right and left, measure the turning angle.

**Wheel turning angle (full turn)** : Refer to [FSU-19, "Wheel Alignment \(Unladen\\*1\)"](#) .

- Any turning angles are not adjustable. If any of steering angles are out of the specification, check if the following parts are worn or damaged.
  - Steering gear
  - Steering column
  - Front suspension componentsIf found that they are worn or damaged, replace them with new ones.





# COIL SPRING AND SHOCK ABSORBER

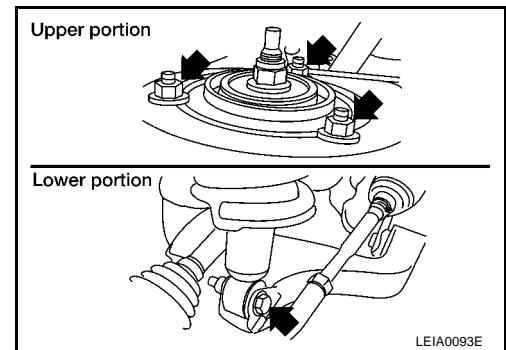
PF5:56210

## COIL SPRING AND SHOCK ABSORBER

### Removal and Installation

#### REMOVAL

1. Remove the wheel and tire using power tool.
2. Remove the shock absorber lower bolt using power tool.
3. Remove the three shock absorber upper mounting nuts using power tool.
4. Remove the coil spring and shock absorber assembly.
  - Turn steering knuckle out to gain enough clearance for removal.



#### INSTALLATION

Installation is in the reverse order of removal.

- The step in the shock absorber assembly lower seat faces outside of vehicle.
- Tighten all nuts and bolts to specification. Refer to [FSU-5, "Components"](#) .
- When installing wheel and tire, refer to [WT-6, "Rotation"](#) .

### Disassembly and Assembly

#### DISASSEMBLY

1. Set the shock absorber in a vise, then loosen (without removing) the piston rod lock nut as shown.

#### CAUTION:

**Do not remove piston rod lock nut at this time.**

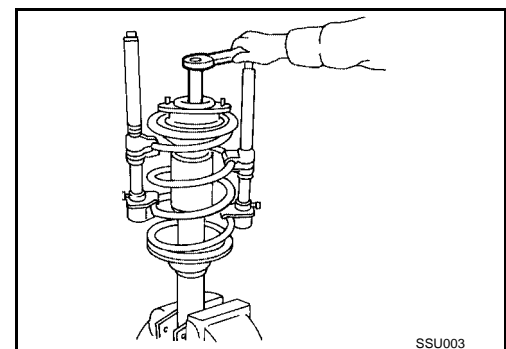
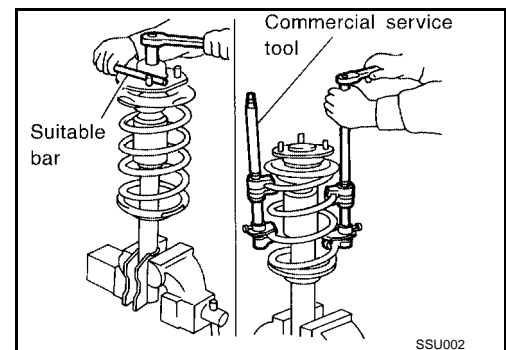
2. Compress the spring using commercial service tool until the shock absorber mounting insulator can be turned by hand.

#### WARNING:

**Make sure that the pawls of the two spring compressors are firmly hooked on the spring. The spring compressors must be tightened alternately and evenly so as not to tilt the spring.**

3. Remove the piston rod lock nut.

- Discard the piston rod lock nut, use a new nut for assembly.



#### INSPECTION AFTER DISASSEMBLY

##### Shock Absorber Assembly

- Check for smooth operation through a full stroke, both compression and extension.
- Check for oil leakage on welded or gland packing portions.
- Check shock absorber for cracks, deformation or other damage and replace if necessary.

##### Mounting Insulator and Rubber Parts

Check cemented rubber-to-metal portion for separation or cracks. Check rubber parts for deterioration and replace if necessary.

# COIL SPRING AND SHOCK ABSORBER

## Coil Spring

- Check for cracks, deformation or other damage and replace if necessary.
- Check the free spring height.

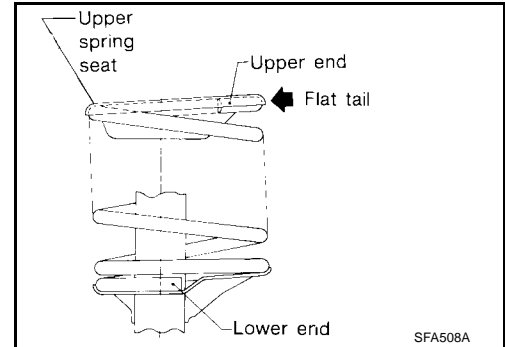
### Front spring free height

4x2 :  $334.5 \pm 3$  mm ( $13.2 \pm 0.1$  in)

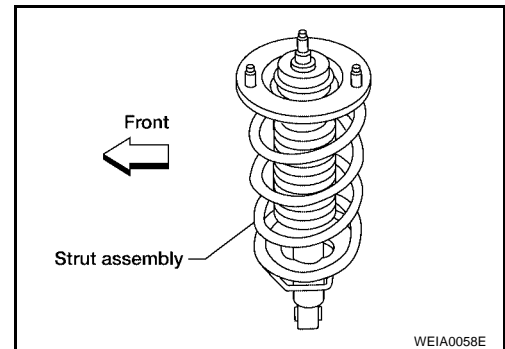
4x4 :  $355.5 \pm 3$  mm ( $14.0 \pm 0.1$  in)

## ASSEMBLY

1. When installing coil spring on shock absorber, it must be positioned as shown.



2. Install upper spring seat as shown in line with lower absorber shock mount and step in lower seat.
  - The step in the shock absorber assembly lower seat faces outside of vehicle.
3. Tighten the shock absorber rod lock nut to specification. Refer to [FSU-5, "Components"](#).
  - Use a new shock absorber rod lock nut for assembly.



# STABILIZER BAR

## STABILIZER BAR

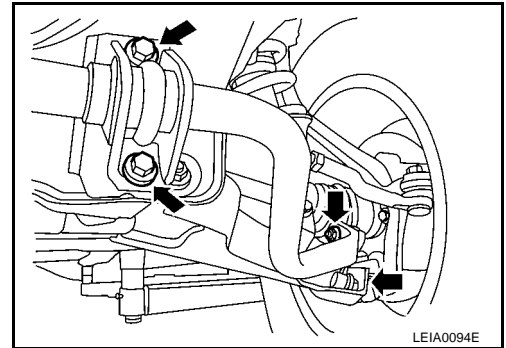
PFP:54611

EES001C1

### Removal and Installation

#### REMOVAL

1. Remove engine under cover using power tool.
2. Remove stabilizer bar mounting bracket bolts and connecting rod nuts using power tool, as shown.
3. Remove bushings from stabilizer bar.



#### INSPECTION AFTER REMOVAL

- Check stabilizer bar for twist and deformation. Replace if necessary.
- Check rubber bushing for cracks, wear and deterioration. Replace if necessary.

#### INSTALLATION

Installation is in the reverse order of removal.

- Tighten all nuts and bolts to specification. Refer to [FSU-5, "Components"](#) .

A

B

C

D

FSU

F

G

H

I

J

K

L

M

# UPPER LINK

PPF:54524

EES001CJ

## UPPER LINK

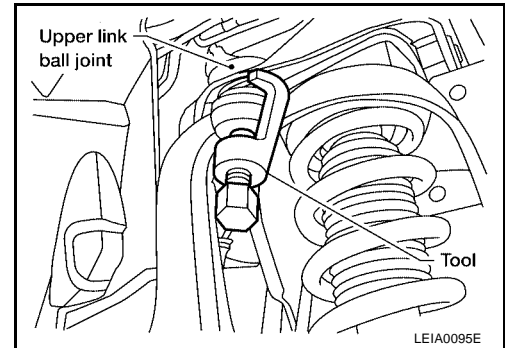
### Removal and Installation

#### REMOVAL

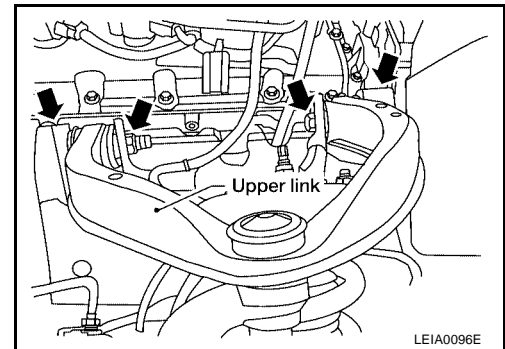
1. Remove the wheel and tire using power tool.
2. Remove cotter pin and nut from upper link ball joint.
3. Separate upper link ball joint stud from steering knuckle using Tool.
  - Support lower link with jack.

**Tool number : ST29020001 (J-24319-01)**

4. Remove fender protector.



5. Remove upper link mounting bolts and nuts.



#### INSPECTION AFTER REMOVAL

##### Upper Link

Check for deformation and cracks. Replace if necessary.

##### Upper Link Ball Joint

Check for distortion and damage. Replace if necessary.

#### INSTALLATION

Installation is in the reverse order of removal.

- Tighten all nuts and bolts to specification. Refer to [FSU-5, "Components"](#) .
- When installing wheel and tire, refer to [WT-6, "Rotation"](#) .
- After installation, check that the front wheel alignment is within specification. Refer to [FSU-6, "Front Wheel Alignment"](#) .

# LOWER LINK

PFP:55020

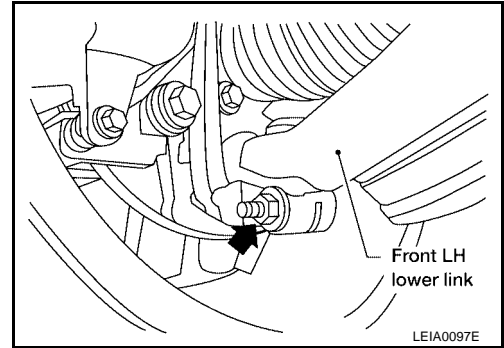
EES001CK

## LOWER LINK

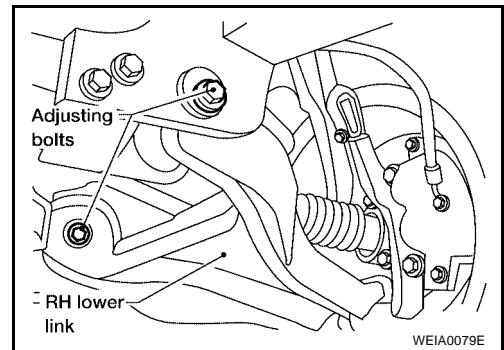
### Removal and Installation

#### REMOVAL

1. Remove the wheel and tire using power tool.
2. Remove lower shock absorber bolt.
3. Remove stabilizer bar connecting rod lower nut using power tool, then separate connecting rod from lower link. Refer to [FSU-11, "Removal and Installation"](#) .
4. Remove drive shaft, if equipped. Refer to [FAX-7, "Removal and Installation"](#) .
5. Remove pinch bolt from steering knuckle using power tool, then separate lower link ball joint from steering knuckle.



6. Remove lower link adjusting bolts and nuts, then the lower link.



#### INSPECTION AFTER REMOVAL

##### Lower Link

Check for deformation and cracks. Replace if necessary.

##### Lower Link Bushing

Check for distortion and damage. Replace if necessary.

#### INSTALLATION

Installation is in the reverse order of removal.

- Tighten all nuts and bolts to specification. Refer to [FSU-5, "Components"](#) .
- When installing wheel and tire, refer to [WT-6, "Rotation"](#) .
- After installation, check that the front wheel alignment is within specification. Refer to [FSU-6, "Front Wheel Alignment"](#) .

A  
B  
C  
D  
FSU  
F  
G  
H  
I  
J  
K  
L  
M

# UPPER BALL JOINT AND LOWER BALL JOINT

## UPPER BALL JOINT AND LOWER BALL JOINT

PPF:40110

### Removal and Installation

EES001CL

The ball joints are part of the upper and lower links. Refer to [FSU-12, "Removal and Installation"](#) (upper link), [FSU-13, "Removal and Installation"](#) (lower link).

### Inspection

EES001CM

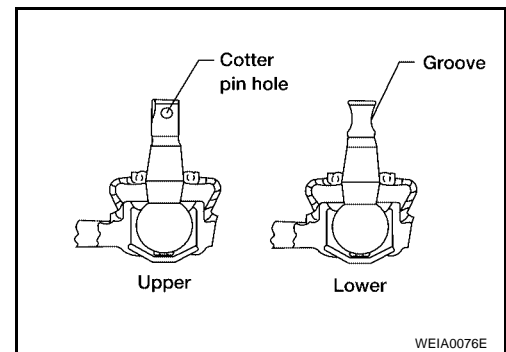
- Check the ball joint for excessive play. Replace the upper or lower link assembly if any of the following exists:
- Ball joint stud is worn.
- Ball joint is hard to swing.
- Ball joint play in axial directions or end play is excessive.

### SWINGING FORCE

#### NOTE:

Before checking the axial forces and end play, turn the lower ball joint at least 10 revolutions so that the ball joint is properly broken in.

1. Measure the ball joint swinging force using a suitable tool.
  - Measure at the cotter pin hole for upper ball joint as shown.
  - Measure at the groove for lower ball joint as shown.

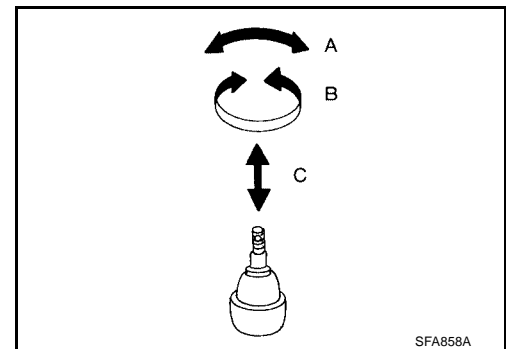


2. Verify the ball joint swinging force is within specification.

#### Swinging force "A"

**Upper ball joint** : 8.1–103.2 N (0.8–10.5 kg-f, 1.8–23.2 lb-f)

**Lower ball joint** : 11.4–145.5 N (1.1–14.8 kg-f, 2.5–32.7 lb-f)

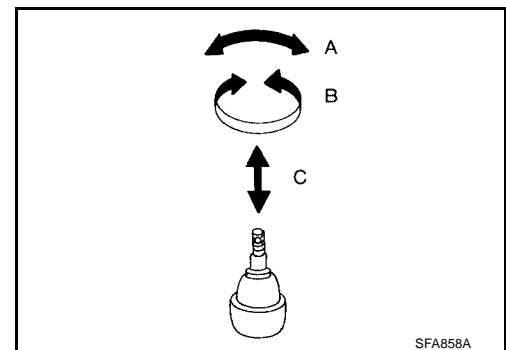


### TURNING FORCE

#### NOTE:

Before checking the axial forces and end play, turn the lower ball joint at least 10 revolutions so that the ball joint is properly broken in.

**Turning torque "B"** : 0.5 - 6.4 N·m (0.05 - 0.65 kg-m, 4 - 57 in-lb)



# UPPER BALL JOINT AND LOWER BALL JOINT

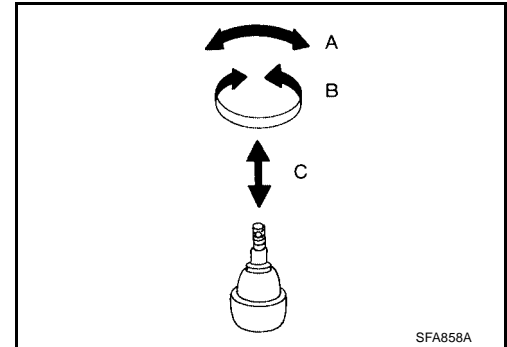
## VERTICAL END PLAY

Check dust cover for damage. Replace it and the cover clamp if necessary.

### NOTE:

Before checking the axial forces and end play, turn the lower ball joint at least 10 revolutions so that the ball joint is properly broken in.

**Vertical end play "C" : 0 mm (0 in)**



A  
B  
C  
D

FSU

F  
G  
H  
I  
J  
K  
L  
M

## KNUCKLE

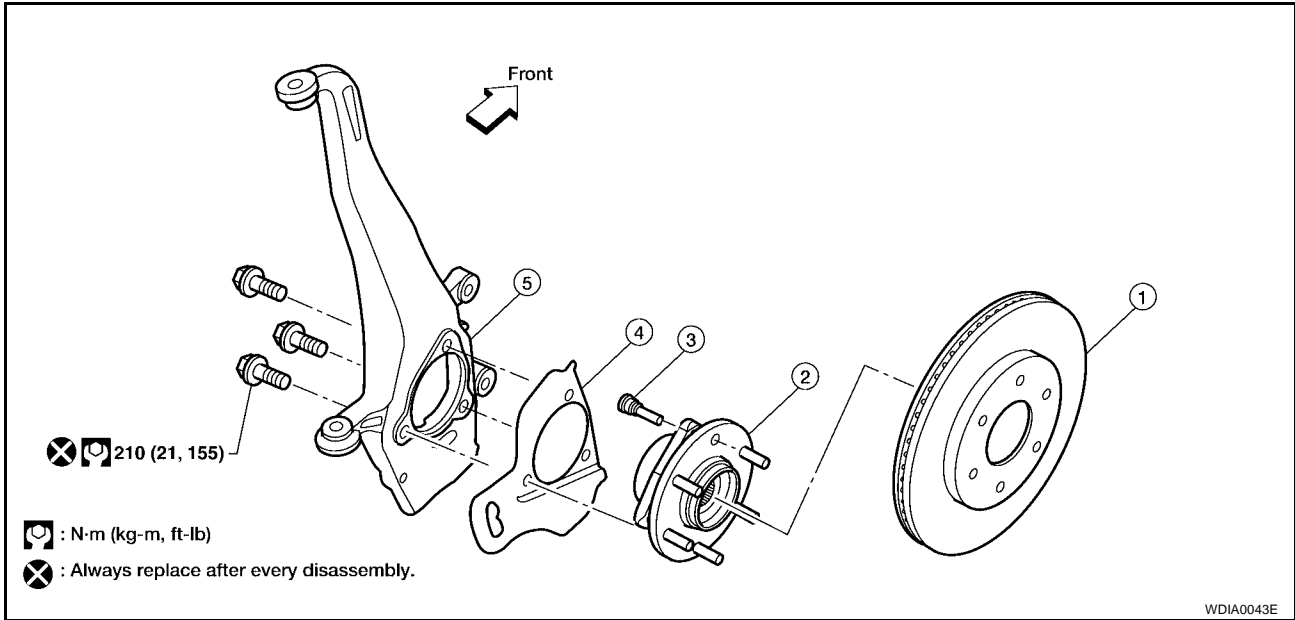
### On-Vehicle Inspection and Service

EES001CN

Make sure the mounting conditions (looseness, backlash) of each component and component status (wear, damage) are within specifications. Refer to [FSU-20, "Ball Joint"](#) .

### Removal and Installation

EES001CO



- |                 |                                   |               |
|-----------------|-----------------------------------|---------------|
| 1. Disc rotor   | 2. Wheel hub and bearing assembly | 3. Wheel stud |
| 4. Splash guard | 5. Steering knuckle               |               |

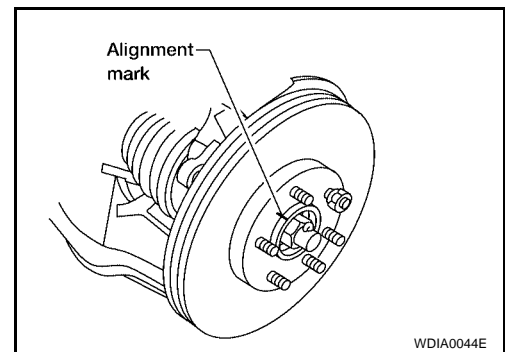
### REMOVAL

1. Remove wheel and tire from vehicle using power tool.
2. Without disassembling the hydraulic lines, remove brake caliper using power tool. Reposition it aside with wire. Refer to [BR-24, "Removal and Installation of Brake Caliper and Disc Rotor"](#) .

#### NOTE:

Avoid depressing brake pedal while brake caliper is removed.

3. Put alignment marks on disc rotor and wheel hub and bearing assembly, then remove disc rotor.



4. Remove ABS sensor from steering knuckle. Refer to [BRC-39, "Removal and Installation"](#) .

#### CAUTION:

**Do not pull on ABS sensor harness.**

5. On 4X4 models remove cotter pin, then remove lock nut from drive shaft using power tool.
6. Remove steering outer socket cotter pin at steering knuckle, then loosen mounting nut using power tool.

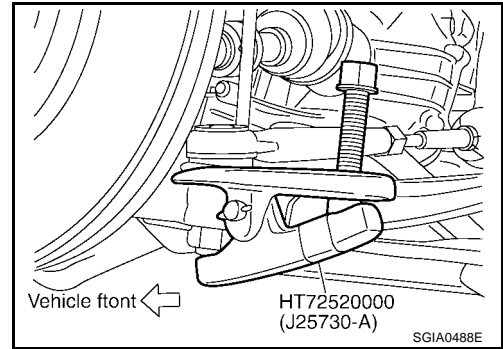


# KNUCKLE

7. Disconnect steering outer socket from steering knuckle using Tool. Be careful not to damage ball joint boot.

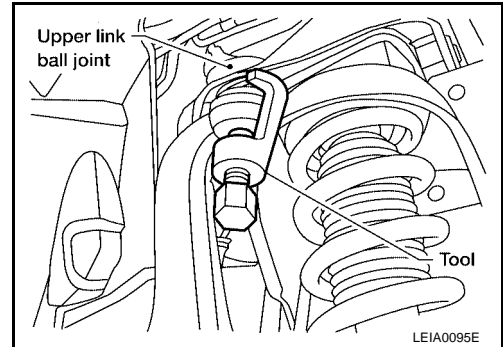
**CAUTION:**

To prevent damage to threads and to prevent Tool from coming off suddenly, temporarily tighten mounting nut.

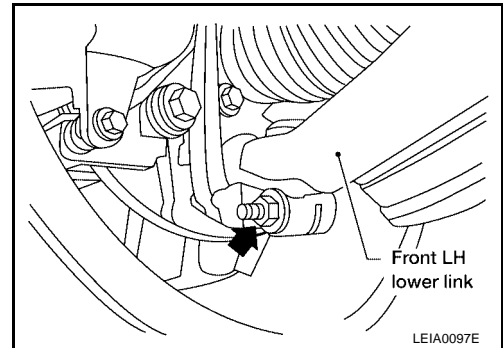


8. On 4X4 models, remove drive shaft. Refer to [FAX-7, "Removal and Installation"](#).
9. Remove wheel hub and bearing assembly bolts using power tool.
10. Remove splash guard and wheel hub and bearing assembly from steering knuckle.
11. Support lower link using a suitable jack.
12. Remove cotter pin and nut from upper link ball joint.
13. Separate upper link ball joint from steering knuckle using Tool.

**Tool number : ST29020001 (J-24319-01)**



14. Remove pinch bolt from steering knuckle using power tool. Then remove steering knuckle from lower link ball joint.



## INSPECTION AFTER REMOVAL

Check for deformity, cracks and damage on each part, replace if necessary.

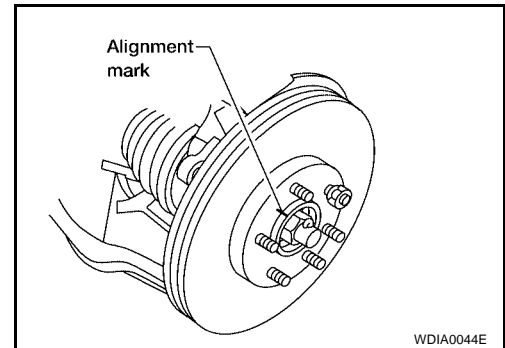
- Perform ball joint inspection. Refer to [FSU-14, "Inspection"](#).

# KNUCKLE

## INSTALLATION

Installation is in the reverse order of removal.

- Refer to [FSU-5, "Components"](#) for tightening torques.
- When installing disc rotor on wheel hub and bearing assembly, align the marks.  
(When not using the alignment mark, refer to [BR-27, "DISC ROTOR INSPECTION"](#) .)
- When installing wheel and tire, refer to [WT-6, "Rotation"](#) .



# SERVICE DATA AND SPECIFICATIONS (SDS)

## SERVICE DATA AND SPECIFICATIONS (SDS)

PFP:00030

### General Specifications (Front)

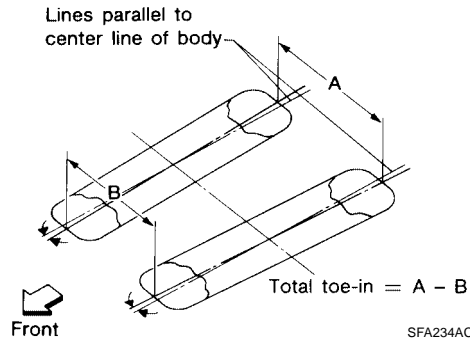
EES001CP

Suspension type	Independent double wishbone coil over shock
Shock absorber type	Double-acting hydraulic
Stabilizer	Standard equipment

### Wheel Alignment (Unladen\*1)

EES001CQ

Drive type		4x2	4x4
Camber Degree minute (Decimal degree)	Minimum	-0° 52' (-0.87°)	-0° 19' (-0.32°)
	Nominal	-0° 7' (-0.12°)	0° 26' (0.43°)
	Maximum	0° 38' (0.63°)	1° 11' (1.18°)
	Cross camber	0° 45' (0.75°) or less	0° 45' (0.75°) or less
Caster Degree minute (Decimal degree)	Minimum	2° 31' (2.52°)	1° 37' (1.62°)
	Nominal	3° 16' (3.27°)	2° 22' (2.37°)
	Maximum	4° 1' (4.02°)	3° 7' (3.12°)
	Cross caster	0° 45' (0.75°) or less	0° 45' (0.75°) or less
Kingpin inclination (Reference only) Degree minute (Decimal degree)		13° 33' (13.55°)	13° 0' (13.00°)



Total toe-in	Distance (A - B)	Minimum	1.8 mm (0.07 in)	1.8 mm (0.07 in)
		Nominal	2.8 mm (0.11 in)	2.8 mm (0.11 in)
		Maximum	3.8 mm (0.15 in)	3.8 mm (0.15 in)
	Angle (left plus right) Degree minute (Decimal degree)	Minimum	0° 3' (0.05°)	0° 3' (0.05°)
		Nominal	0° 5' (0.08°)	0° 5' (0.08°)
		Maximum	0° 7' (0.12°)	0° 7' (0.12°)
Wheel turning angle (full turn)	Inside Degree minute (Decimal degree)	34° 30' - 38° 30' *2 (34.50° - 38.50°)	34° 56' - 38° 56' *4 (34.93° - 38.93°)	
	Outside Degree minute (Decimal degree)	30° 58' - 34° 58' *3 (30.97° - 34.97°)	31° 01' - 35° 01' *5 (31.02° - 35.02°)	

\*1: Fuel, radiator coolant and engine oil full. Spare tire, jack, hand tools and mats in designated positions.

\*2: Target value 37° 30' (37.50°)

\*3: Target value 33° 58' (33.97°)

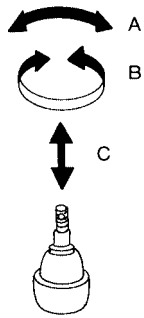
\*4: Target value 37° 56' (37.93°)

\*5: Target value 34° 01' (34.02°)

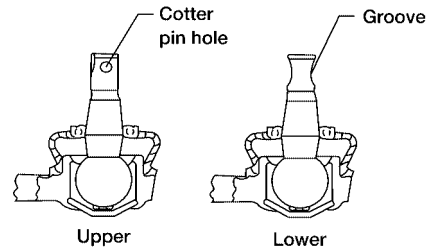
# SERVICE DATA AND SPECIFICATIONS (SDS)

## Ball Joint

EES001CR



SFA858A



WEIA0076E

Swinging force "A"	Upper ball joint	8.1 – 103.2 N (0.8 – 10.5 kg-f, 1.8 – 23.2 lb-f) *1
	Lower ball joint	11.4 – 145.5 N (1.1 – 14.8 kg-f, 2.5 – 32.7 lb-f) *2
Turning torque "B"		0.5 - 6.4 N·m (0.05 - 0.65 kg-m, 4 - 57 in-lb)
Vertical end play "C"		0 mm (0 in)

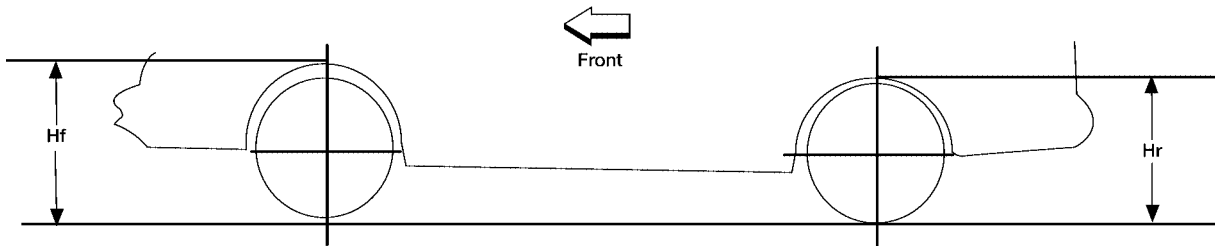
\*1 Measure at cotter pin hole

\*2 Measure at groove

## Wheelarch Height (Unladen\*1)

EES001CS

Unit: mm (in)



LEIA0085E

Drive type		4X2		4X4	
		King Cab	Crew Cab	King Cab	Crew Cab
Front wheelarch height (Hf)	265/70R18	913 (35.9)	916 (36.1)	952 (37.5) *2	955 (37.6) *2
	285/70R17	914 (36.0)	917 (36.1)	953 (37.5) *2	956 (37.6) *2
	245/75R17	904 (35.6)	907 (35.7)	941 (37.0)	944 (37.2)
Rear wheelarch height (Hr)	265/70R18	955 (37.6)	956 (37.6)	995 (39.2) *2	996 (39.2) *2
	285/70R17	956 (37.6)	957 (37.7)	996 (39.2) *2	997 (39.3) *2
	245/75R17	946 (37.2)	947 (37.3)	984 (38.7)	985 (38.8)

\*1: Fuel, radiator coolant and engine oil full. Spare tire, jack, hand tools and mats in designated positions.

\*2: Includes when equipped with tow package.