

SECTION **ADP**

AUTOMATIC DRIVE POSITIONER

A
B
C
D
E
F
G
H
I
ADP
K
L
M
N
O
P

CONTENTS

<p>BASIC INSPECTION 4</p> <p>DIAGNOSIS AND REPAIR WORKFLOW 4</p> <p style="padding-left: 20px;">Work Flow4</p> <p>INSPECTION AND ADJUSTMENT 7</p> <p style="padding-left: 20px;">Preliminary Check7</p> <p style="padding-left: 20px;">Special Repair Requirement7</p> <p>PRE-INSPECTION FOR DIAGNOSTIC 8</p> <p style="padding-left: 20px;">Basic Inspection8</p> <p>FUNCTION DIAGNOSIS10</p> <p>AUTOMATIC DRIVE POSITIONER SYSTEM....10</p> <p>AUTOMATIC DRIVE POSITIONER SYSTEM10</p> <p style="padding-left: 20px;">AUTOMATIC DRIVE POSITIONER SYSTEM : System Diagram 10</p> <p style="padding-left: 20px;">AUTOMATIC DRIVE POSITIONER SYSTEM : Component Parts Location 11</p> <p style="padding-left: 20px;">AUTOMATIC DRIVE POSITIONER SYSTEM : System Description 11</p> <p style="padding-left: 20px;">AUTOMATIC DRIVE POSITIONER SYSTEM : Component Description 12</p> <p>MANUAL FUNCTION 13</p> <p style="padding-left: 20px;">MANUAL FUNCTION : System Diagram 13</p> <p style="padding-left: 20px;">MANUAL FUNCTION : System Description 13</p> <p style="padding-left: 20px;">MANUAL FUNCTION : Component Parts Location 15</p> <p style="padding-left: 20px;">MANUAL FUNCTION : Component Description 15</p> <p>MEMORY FUNCTION 16</p> <p style="padding-left: 20px;">MEMORY FUNCTION : System Diagram 17</p> <p style="padding-left: 20px;">MEMORY FUNCTION : System Description 17</p> <p style="padding-left: 20px;">MEMORY FUNCTION : Component Parts Location 18</p> <p style="padding-left: 20px;">MEMORY FUNCTION : Component Description.... 19</p> <p>EXIT ASSIST FUNCTION 20</p> <p style="padding-left: 20px;">EXIT ASSIST FUNCTION : System Diagram20</p> <p style="padding-left: 20px;">EXIT ASSIST FUNCTION : System Description20</p>	<p>EXIT ASSIST FUNCTION : Component Parts Location21</p> <p>EXIT ASSIST FUNCTION : Component Description21</p> <p>ENTRY ASSIST FUNCTION22</p> <p style="padding-left: 20px;">ENTRY ASSIST FUNCTION : System Diagram22</p> <p style="padding-left: 20px;">ENTRY ASSIST FUNCTION : System Description22</p> <p style="padding-left: 20px;">ENTRY ASSIST FUNCTION : Component Parts Location24</p> <p style="padding-left: 20px;">ENTRY ASSIST FUNCTION : Component Description24</p> <p>DIAGNOSIS SYSTEM (DRIVER SEAT C/U)26</p> <p style="padding-left: 20px;">Diagnosis Description26</p> <p style="padding-left: 20px;">CONSULT-III Function26</p> <p>COMPONENT DIAGNOSIS29</p> <p>U1000 CAN COMM CIRCUIT29</p> <p style="padding-left: 20px;">Description29</p> <p style="padding-left: 20px;">DTC Logic29</p> <p style="padding-left: 20px;">Special Repair Requirement29</p> <p>B2112 SLIDING MOTOR30</p> <p style="padding-left: 20px;">Description30</p> <p style="padding-left: 20px;">DTC Logic30</p> <p style="padding-left: 20px;">Diagnosis Procedure30</p> <p>B2113 RECLINING MOTOR31</p> <p style="padding-left: 20px;">Description31</p> <p style="padding-left: 20px;">DTC Logic31</p> <p style="padding-left: 20px;">Diagnosis Procedure31</p> <p>B2114 SEAT LIFTER FR32</p> <p style="padding-left: 20px;">Description32</p> <p style="padding-left: 20px;">DTC Logic32</p> <p style="padding-left: 20px;">Diagnosis Procedure32</p> <p>B2115 SEAT LIFTER RR33</p> <p style="padding-left: 20px;">Description33</p>
--	--

DTC Logic	33	Diagnosis Procedure	51
Diagnosis Procedure	33	Component Inspection	52
B2117 ADJ PEDAL MOTOR	34	PEDAL ADJUSTING SWITCH	53
Description	34	Description	53
DTC Logic	34	Component Function Check	53
Diagnosis Procedure	34	Diagnosis Procedure	53
		Component Inspection	55
B2120 ADJ PEDAL SENSOR	36	SEAT MEMORY SWITCH	56
Description	36	Description	56
DTC Logic	36	Component Function Check	56
Diagnosis Procedure	36	Diagnosis Procedure	56
		Component Inspection	57
B2126 DETENT SW	38	DOOR MIRROR REMOTE CONTROL SWITCH	58
Description	38		
DTC Logic	38	CHANGEOVER SWITCH	58
Diagnosis Procedure	38	CHANGEOVER SWITCH : Description	58
		CHANGEOVER SWITCH : Component Function Check	58
B2128 UART COMMUNICATION LINE	40	CHANGEOVER SWITCH : Diagnosis Procedure ...	58
Description	40	CHANGEOVER SWITCH : Component Inspection	59
DTC Logic	40	MIRROR SWITCH	60
Diagnosis Procedure	40	MIRROR SWITCH : Description	60
POWER SUPPLY AND GROUND CIRCUIT	42	MIRROR SWITCH : Component Function Check...	60
		MIRROR SWITCH : Diagnosis Procedure	60
BCM	42	MIRROR SWITCH : Component Inspection	62
BCM : Diagnosis Procedure	42	POWER SEAT SWITCH GROUND CIRCUIT ...	63
DRIVER SEAT CONTROL UNIT	42	Diagnosis Procedure	63
DRIVER SEAT CONTROL UNIT :		DETENTION SWITCH	64
Diagnosis Procedure	43	Description	64
DRIVER SEAT CONTROL UNIT : Special Repair Requirement	43	Component Function Check	64
		Diagnosis Procedure	64
AUTOMATIC DRIVE POSITIONER CONTROL UNIT	43	FRONT DOOR SWITCH (DRIVER SIDE)	66
AUTOMATIC DRIVE POSITIONER CONTROL UNIT : Diagnosis Procedure	43	Description	66
AUTOMATIC DRIVE POSITIONER CONTROL UNIT : Special Repair Requirement	44	Component Function Check	66
		Diagnosis Procedure	66
		Component Inspection	66
SLIDING SWITCH	45	SLIDING SENSOR	68
Description	45	Description	68
Component Function Check	45	Component Function Check	68
Diagnosis Procedure	45	Diagnosis Procedure	68
Component Inspection	46	RECLINING SENSOR	70
RECLINING SWITCH	47	Description	70
Description	47	Component Function Check	70
Component Function Check	47	Diagnosis Procedure	70
Diagnosis Procedure	47	LIFTING SWITCH (FRONT)	49
Component Inspection	48	Description	49
		Component Function Check	49
LIFTING SWITCH (FRONT)	49	Diagnosis Procedure	49
Description	49	Component Inspection	50
Component Function Check	49	LIFTING SWITCH (REAR)	51
Diagnosis Procedure	49	Description	51
Component Inspection	50	Component Function Check	51
LIFTING SWITCH (REAR)	51	LIFTING SENSOR (REAR)	74
Description	51		
Component Function Check	51		

Description	74	ECU DIAGNOSIS	97	A
Component Function Check	74	DRIVER SEAT CONTROL UNIT	97	B
Diagnosis Procedure	74	Reference Value	97	
PEDAL ADJUSTING SENSOR	76	Wiring Diagram	102	
Description	76	Fail Safe	115	
Component Function Check	76	DTC Index	116	
Diagnosis Procedure	76	AUTOMATIC DRIVE POSITIONER CON-		C
MIRROR SENSOR	78	TROL UNIT	117	
DRIVER SIDE	78	Reference Value	117	
DRIVER SIDE : Description	78	Wiring Diagram	120	D
DRIVER SIDE : Component Function Check	78	BCM (BODY CONTROL MODULE)	134	
DRIVER SIDE : Diagnosis Procedure	78	Reference Value	134	
PASSENGER SIDE	80	Terminal Layout	136	E
PASSENGER SIDE : Description	80	Physical Values	136	
PASSENGER SIDE :		Wiring Diagram	142	
Component Function Check	80	SYMPTOM DIAGNOSIS	147	F
PASSENGER SIDE : Diagnosis Procedure	80	ADP SYSTEM SYMPTOMS	147	
SLIDING MOTOR	82	Symptom Table	147	G
Description	82	NORMAL OPERATING CONDITION	149	
Component Function Check	82	Description	149	H
Diagnosis Procedure	82	PRECAUTION	150	
RECLINING MOTOR	84	PRECAUTIONS	150	I
Description	84	Precaution for Supplemental Restraint System		
Component Function Check	84	(SRS) "AIR BAG" and "SEAT BELT PRE-TEN-		
Diagnosis Procedure	84	SIONER"	150	
LIFTING MOTOR (FRONT)	86	Precaution for Work	150	ADP
Description	86	PREPARATION	151	
Component Function Check	86	PREPARATION	151	K
Diagnosis Procedure	86	Special Service Tool	151	
LIFTING MOTOR (REAR)	88	Commercial Service Tool	151	L
Description	88	REMOVAL AND INSTALLATION	152	
Component Function Check	88	DRIVER SEAT CONTROL UNIT	152	M
Diagnosis Procedure	88	Removal and Installation	152	
PEDAL ADJUSTING MOTOR	90	AUTOMATIC DRIVE POSITIONER CON-		N
Description	90	TROL UNIT	153	
Component Function Check	90	Removal and Installation	153	
Diagnosis Procedure	90	SEAT MEMORY SWITCH	154	O
DOOR MIRROR MOTOR	92	Removal and Installation	154	
Description	92	DOOR MIRROR REMOTE CONTROL		
Component Function Check	92	SWITCH	155	P
Diagnosis Procedure	92	Removal and Installation	155	
Component Inspection	94	PEDAL ADJUSTING MOTOR	156	
SEAT MEMORY INDICATOR LAMP	95	Removal and Installation	156	
Description	95			
Component Function Check	95			
Diagnosis Procedure	95			
Component Inspection	96			

DIAGNOSIS AND REPAIR WORKFLOW

< BASIC INSPECTION >

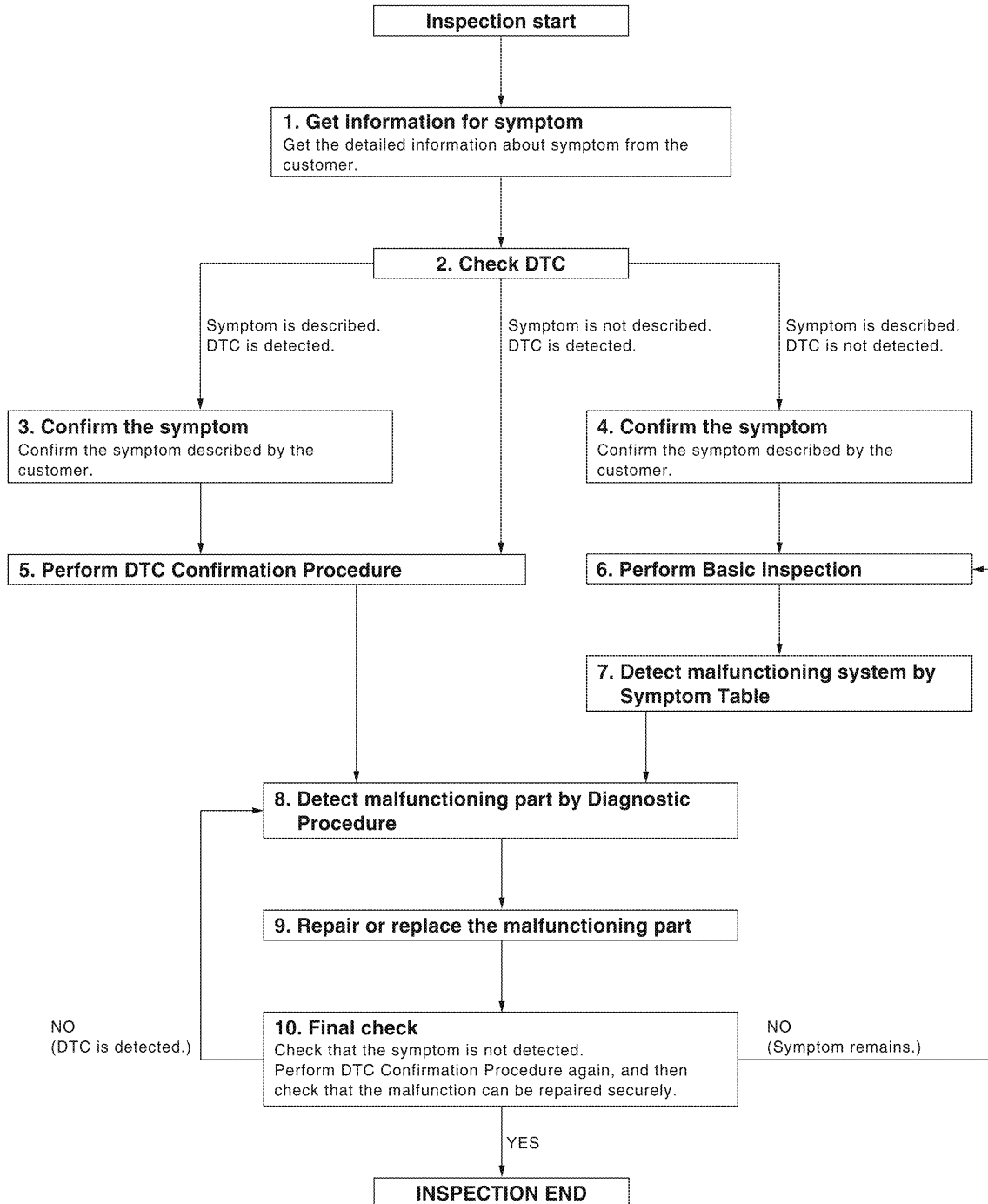
BASIC INSPECTION

DIAGNOSIS AND REPAIR WORKFLOW

Work Flow

INFOID:000000004115485

WORK FLOW



DETAILED FLOW

ALKIA0538GB

DIAGNOSIS AND REPAIR WORKFLOW

< BASIC INSPECTION >

1. GET INFORMATION FOR SYMPTOM

Get the detailed information from the customer about the symptom (the condition and the environment when the incident/malfunction occurred).

>> GO TO 2

2. CHECK DTC WITH AUTOMATIC DRIVE POSITIONER SYSTEM

Check "Self Diagnostic Result" with CONSULT-III.

Refer to [ADP-116, "DTC Index"](#).

Is any symptom described and any DTC is displayed?

Symptom is described, DTC is displayed.>>GO TO 3

Symptom is not described, DTC is displayed.>>GO TO 7

Symptom is described, DTC is not displayed.>>GO TO 4

3. CONFIRM THE SYMPTOM

Try to confirm the symptom described by the customer.

>> GO TO 7

4. CONFIRM THE SYMPTOM

Try to confirm the symptom described by the customer.

>> GO TO 5

5. CHECK NORMAL OPERATING CONDITION

Check normal operating condition. Refer to [ADP-149, "Description"](#).

Is the incident normal operation?

YES >> Inspection End.

NO >> GO TO 6

6. PERFORM BASIC INSPECTION

Isolate the malfunctioning point with the basic inspection. Refer to [ADP-7, "Preliminary Check"](#).

>> GO TO 8

7. PERFORM DTC CONFIRMATION PROCEDURE

Perform the confirmation procedure for the detected DTC.

Is the DTC displayed?

YES >> GO TO 9

NO >> Check intermittent incident. Refer to [GI-38, "Intermittent Incident"](#).

8. PERFORM COMPONENT FUNCTION CHECK

Perform the component function check for the isolated malfunctioning point.

>> GO TO 9

9. DETECT MALFUNCTIONING PART BY DIAGNOSTIC PROCEDURE

Isolate the malfunctioning point by performing the diagnosis procedure relevant to the symptom during the component diagnosis.

>> GO TO 10

10. REPAIR OR REPLACE

Repair or replace the malfunctioning part.

A
B
C
D
E
F
G
H
I
K
L
M
N
O
P

ADP

DIAGNOSIS AND REPAIR WORKFLOW

< BASIC INSPECTION >

>> GO TO 11

11. FINAL CHECK

Perform the DTC confirmation procedure (if DTC is detected) or component function check (if no DTC is detected) again, and then check that the malfunction can be repaired securely.

Are all malfunctions corrected?

YES >> Inspection End.

Symptom is detected.>> GO TO 4

DTC is detected.>> GO TO 7

INSPECTION AND ADJUSTMENT

< BASIC INSPECTION >

INSPECTION AND ADJUSTMENT

Preliminary Check

INFOID:000000004115486

1. FOREIGN OBJECTS

Check the following:

- objects on or behind the seats that could cause binding
- objects under the seats that may be interfering with the seat's moving parts
- objects under pedals that may interfere with movement

Are there any foreign objects that could be causing interference?

- YES >> Remove objects.
NO >> GO TO 2

2. WIRING CONNECTIONS

1. Disconnect harness connectors.
2. Check terminals for damage or loose connections.
3. Reconnect harness connectors.

Are any connectors damaged or loose?

- YES >> Repair or replace damaged parts.
NO >> GO TO 3

3. POWER AND GROUND

Check power supply and ground circuits for control unit. Refer to [ADP-43. "DRIVER SEAT CONTROL UNIT : Diagnosis Procedure"](#).

Is the inspection result normal?

- YES >> Refer to [ADP-116. "DTC Index"](#).
NO >> Repair or replace as necessary.

Special Repair Requirement

INFOID:000000004115487

Refer to Owner's Manual for Automatic Drive Positioner system operating instructions.

A
B
C
D
E
F
G
H
I
K
L
M
N
O
P

ADP

PRE-INSPECTION FOR DIAGNOSTIC

< BASIC INSPECTION >

PRE-INSPECTION FOR DIAGNOSTIC

Basic Inspection

INFOID:000000004115488

1. CHECK POWER SUPPLY AND GROUND CIRCUIT

Check the power supply and ground circuit as shown below.

- Driver seat control unit: Refer to [ADP-43, "DRIVER SEAT CONTROL UNIT : Diagnosis Procedure"](#).
- Automatic drive positioner control unit: Refer to [ADP-43, "AUTOMATIC DRIVE POSITIONER CONTROL UNIT : Diagnosis Procedure"](#).

Is the inspection result normal?

- YES >> GO TO 2
NO >> Repair or replace the malfunctioning part.

2. CHECK MANUAL FUNCTION

Check the manual function operations by operating the relevant switches as shown below.

- Seat (slide, reclining, lifting front, lifting rear)
- Pedal assembly (forward, backward)
- Door mirror

Do all manual functions operate normally?

- YES >> GO TO 3
NO (Seat, pedal, door mirror)>>Go to SYMPTOM 1, refer to [ADP-147, "Symptom Table"](#). And, GO TO 4 if the result of SYMPTOM 1 is OK.

3. CHECK MEMORY FUNCTION 1

Register the seat positions (refer to Owner's Manual) and check that all parts of the seat, pedals, steering wheel and door mirrors move to their memory positions correctly.

Are the operations normal?

- YES >> Check each malfunction according to the instruction of the SYMPTOM 4, refer to [ADP-147, "Symptom Table"](#).
No (memory indicator operates normally)>> Go to SYMPTOM 2, refer to [ADP-147, "Symptom Table"](#).
No (memory indicator does not operate normally either)>> GO TO 5

4. CHECK MEMORY FUNCTION 2

Register the seat positions (refer to Owner's Manual) and check that all parts of the seat, pedals and door mirrors move to their memory positions correctly.

Are the operations normal?

- YES >> Check intermittent incident. Refer to [GI-38, "Intermittent Incident"](#).
NO >> GO TO 7

5. CHECK SEAT MEMORY SWITCH/MEMORY INDICATOR

Check the seat memory switch/memory switch indicator of the SYMPTOM 5, refer to [ADP-147, "Symptom Table"](#).

Is the inspection result normal?

- YES >> GO TO 6
NO >> Repair or replace the malfunctioning part.

6. CHECK OPERATION CONDITION

Check the memory operation conditions (refer to [ADP-11, "AUTOMATIC DRIVE POSITIONER SYSTEM : System Description"](#)).

Are all operation conditions fulfilled?

- YES >> Go to SYMPTOM 6, refer to [ADP-147, "Symptom Table"](#).
NO >> Fulfill the operation conditions. Refer to [ADP-11, "AUTOMATIC DRIVE POSITIONER SYSTEM : System Description"](#).

7. CHECK MECHANISM

Check for the following.

- Mechanism deformation or pinched foreign materials.

PRE-INSPECTION FOR DIAGNOSTIC

< BASIC INSPECTION >

- Interference with other parts because of poor installation.

Is any malfunction present in the relevant parts?

- YES >> Go to SYMPTOM 3, refer to [ADP-147. "Symptom Table"](#).
NO >> Repair or replace the malfunctioning part.

A

B

C

D

E

F

G

H

I

ADP

K

L

M

N

O

P

AUTOMATIC DRIVE POSITIONER SYSTEM

< FUNCTION DIAGNOSIS >

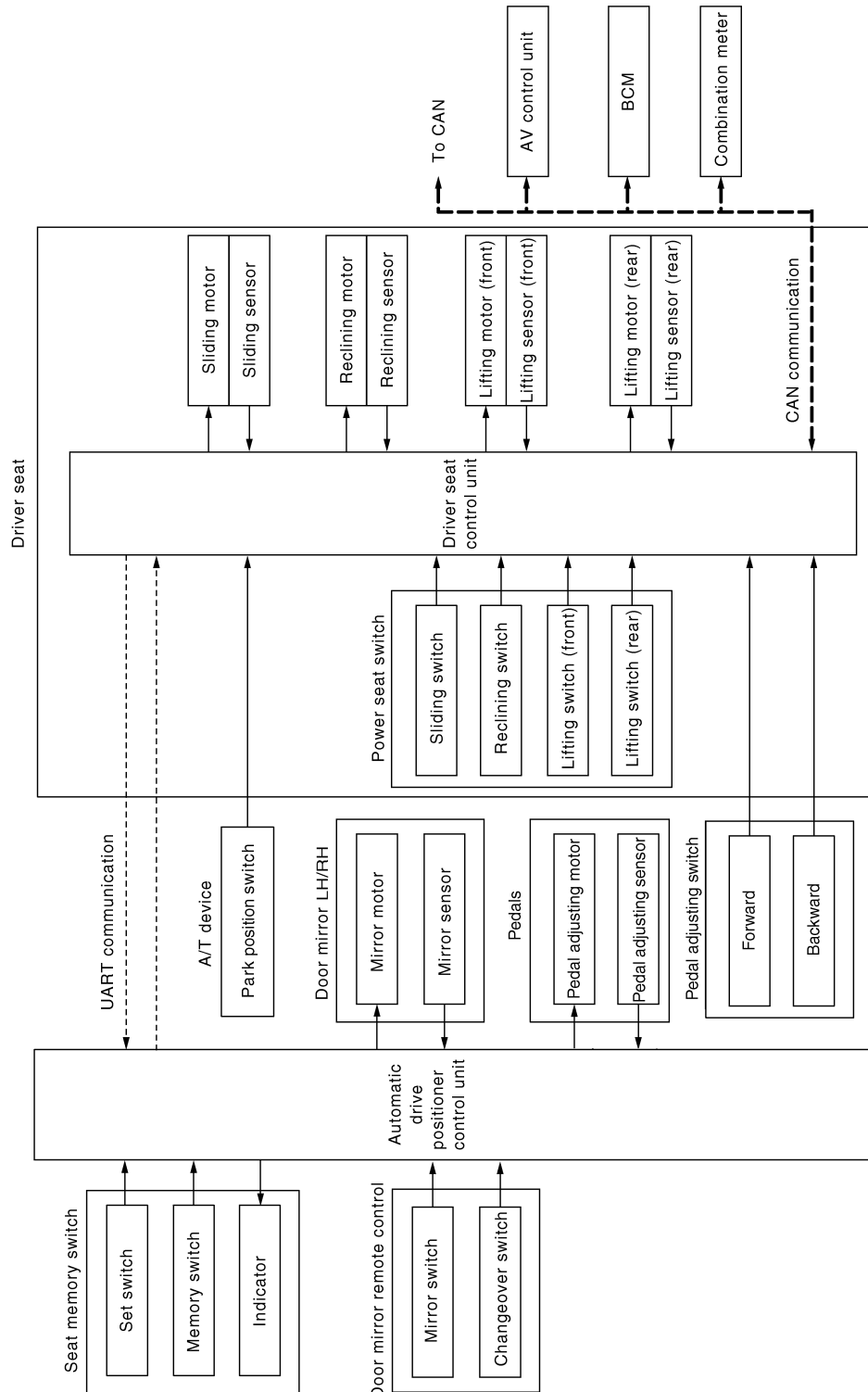
FUNCTION DIAGNOSIS

AUTOMATIC DRIVE POSITIONER SYSTEM

AUTOMATIC DRIVE POSITIONER SYSTEM

AUTOMATIC DRIVE POSITIONER SYSTEM : System Diagram

INFOID:000000004115489

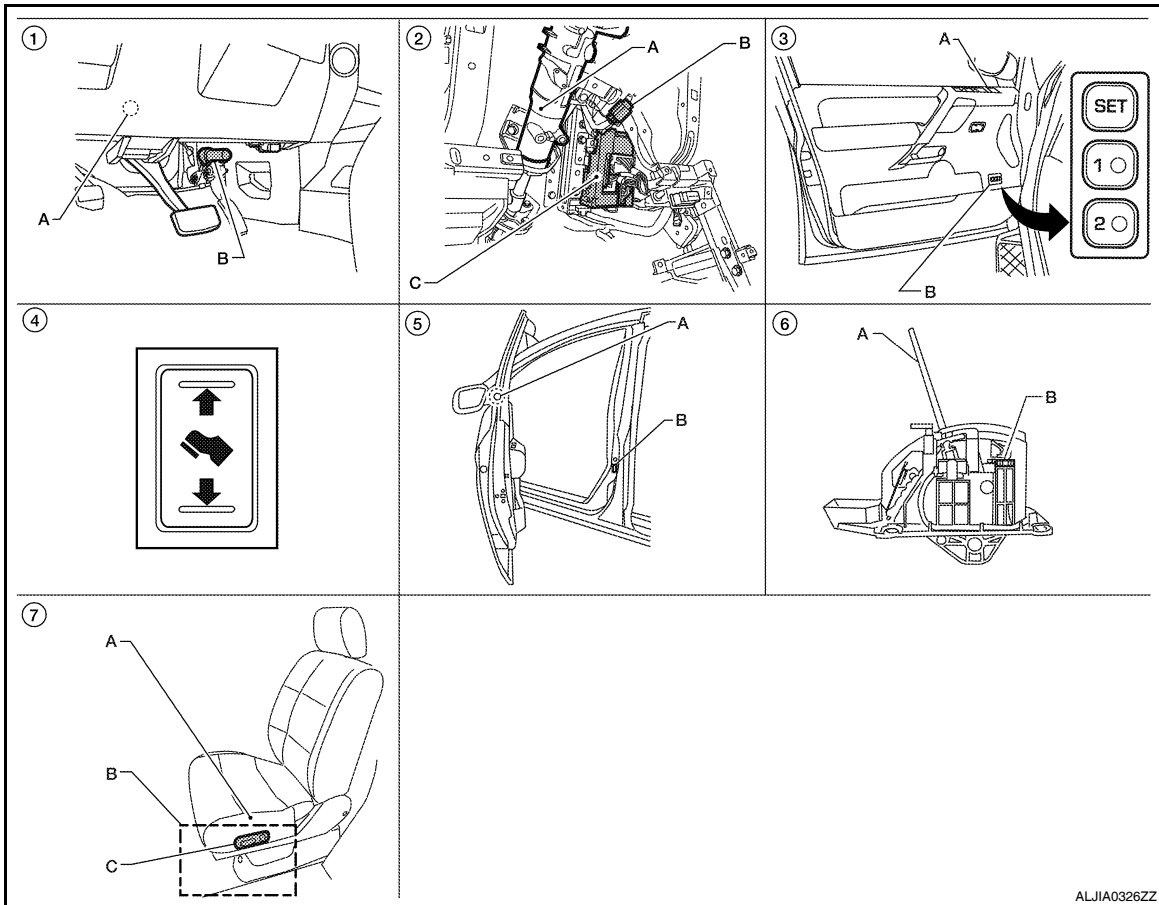


ALJIA0294GB

AUTOMATIC DRIVE POSITIONER SYSTEM

< FUNCTION DIAGNOSIS >

AUTOMATIC DRIVE POSITIONER SYSTEM : Component Parts Location INFOID:000000004115490



- | | | |
|---|---|---|
| <p>1. A. Automatic drive positioner control unit M33, M34
B. Pedal adjusting motor assembly E109, E110</p> <p>4. Pedal adjusting switch M96</p> <p>7. A. Sliding motor LH B204 (driver seat view), reclining motor LH B205, lifting motor (front) B206, lifting motor (rear) B207
B. Driver seat control unit B202, B203
C. Power seat switch LH B208</p> | <p>2. A. Steering column
B. Key switch and key lock solenoid M27
C. BCM M18, M19, M20 (view with instrument panel removed)</p> <p>5. A. Door mirror LH D4, RH D107
B. Front door switch LH B8</p> | <p>3. A. Door mirror remote control switch D10
B. Seat memory switch D5</p> <p>6. A. A/T selector lever
B. A/T device (park position switch) M203</p> |
|---|---|---|

AUTOMATIC DRIVE POSITIONER SYSTEM : System Description INFOID:000000004115491

OUTLINE

The system automatically moves the driver seat, pedal assembly and door mirror position by the driver seat control unit and the automatic drive positioner control unit. The driver seat control unit corresponds with the automatic drive positioner control unit by UART communication.

Function	Description
Manual function	The driving position (seat, pedal assembly and door mirror position) can be adjusted by using the power seat switch, pedal adjusting switch or door mirror remote control switch.
Memory function	The seat, pedal assembly and outside mirror move to the stored driving position by pressing seat memory switch (1 or 2).

AUTOMATIC DRIVE POSITIONER SYSTEM

< FUNCTION DIAGNOSIS >

Function		Description
Entry/Exit assist function	Exit	On exit, the seat moves backward.
	Entry	On entry, the seat returns from exiting position to the previous driving position.

AUTOMATIC DRIVE POSITIONER SYSTEM : Component Description

INFOID:000000004115492

CONTROL UNITS

Item	Function
Driver seat control unit	<ul style="list-style-type: none"> • Main unit of automatic drive positioner system • It is connected to the CAN. • It communicates with the automatic drive positioner control unit via UART communication.
Automatic drive positioner control unit	<ul style="list-style-type: none"> • It communicates with the driver seat control unit via UART communication. • Perform various controls with the instructions of driver seat control unit. • Perform the controls of the pedal adjusting, door mirror and the seat memory switch.
BCM	Transmit the following status to the driver seat control unit via CAN communication. <ul style="list-style-type: none"> • Front door LH: OPEN/CLOSE • Ignition switch position: ACC/ON • Door lock: UNLOCK (remote keyless entry request switch operation) • Key ID • Key switch: Insert/Pull out ignition key • Starter: CRANKING/OTHER
Combination meter	Transmit the vehicle speed signal to the driver seat control unit via CAN communication.
AV control unit	The setting change of auto drive positioner system can be performed on the display.
A/T device (park position switch)	Transmit the shift position signal (P range) to the driver seat control unit.

INPUT PARTS

Switches

Item	Function
Key switch and key lock solenoid	The key switch is installed to detect the key inserted/removed status.
Front door switch LH	Detect front door (driver side) open/close status.
A/T device (park position switch)	Detect the P range position of A/T selector lever.
Set switch	The registration and system setting can be performed with its operation.
Seat memory switch 1/2	The registration and operation can be performed with its operation.
Power seat switch	The following switch is installed. <ul style="list-style-type: none"> • Reclining switch • Lifting switch (front) • Lifting switch (rear) • Sliding switch The specific parts can be operated with the operation of each switch.
Pedal adjusting switch	The following switch is installed. <ul style="list-style-type: none"> • Pedal forward • Pedal backward The specific parts can be operated with the operation of each switch.
Door mirror remote control switch	The following switch is installed. <ul style="list-style-type: none"> • Mirror switch • Changeover switch The specific parts can be operated with the operation of each switch.

Sensors

AUTOMATIC DRIVE POSITIONER SYSTEM

< FUNCTION DIAGNOSIS >

Item	Function
Door mirror sensor (LH/RH)	Detect the up/down and left/right position of outside mirror face.
Pedal adjusting sensor	Detect the forward/backward position of pedal assembly.
Lifting sensor (front)	Detect the up/down position of seat lifting (front).
Lifting sensor (rear)	Detect the up/down position of seat lifting (rear).
Reclining sensor	Detect the tilt of seatback.
Sliding sensor	Detect the front/rear position of seat.

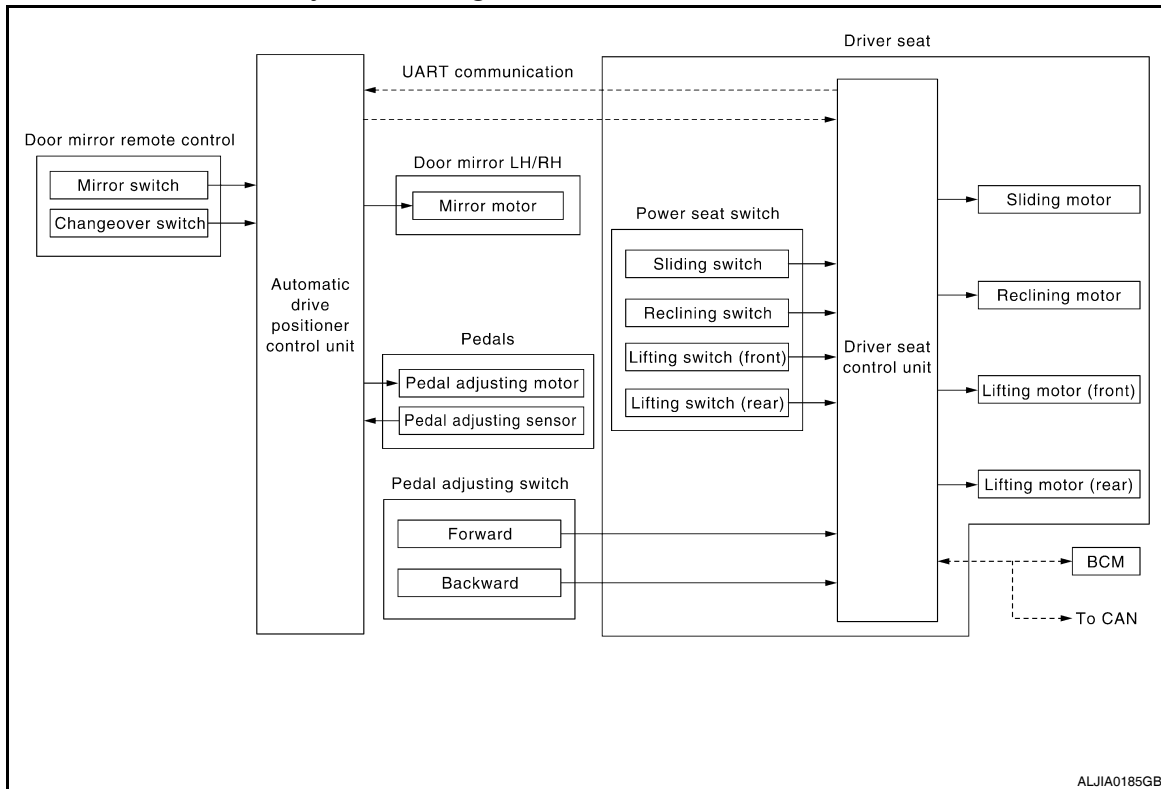
OUTPUT PARTS

Item	Function
Door mirror motor (LH/RH)	Move the outside mirror face upward/downward and left/right.
Pedal adjusting motor	Move the pedal assembly forward/backward.
Lifting motor (front)	Move the seat lifting (front) upward/downward.
Lifting motor (rear)	Move the seat lifting (rear) upward/downward.
Reclining motor	Tilt and raise up the seatback.
Sliding motor	Slide the seat forward/backward.
Seat memory indicator	Illuminates or flashes according to the registration/operation status.

MANUAL FUNCTION

MANUAL FUNCTION : System Diagram

INFOID:000000004115493



MANUAL FUNCTION : System Description

INFOID:000000004115494

OUTLINE

The driving position (seat, pedal assembly and door mirror position) can be adjusted manually with power seat switch, pedal adjusting switch and door mirror remote control switch.

OPERATION PROCEDURE

AUTOMATIC DRIVE POSITIONER SYSTEM

< FUNCTION DIAGNOSIS >

1. Turn ignition switch ON.
2. Operate power seat switch, pedal adjusting switch or door mirror remote control switch.
3. The driver seat, pedal assembly or door mirror operates according to the operation of each switch.

DETAIL FLOW

Seat

Order	Input	Output	Control unit condition
1	Power seat switch (sliding, lifting, reclining)	—	The power seat switch signal is inputted to the driver seat control unit when the power seat switch is operated.
2	—	Motors (sliding, lifting, reclining)	The driver seat control unit outputs signals to each motor according to the power seat switch input signal.

Adjustable pedals

Order	Input	Output	Control unit condition
1	Pedal adjusting switch	—	The pedal adjusting switch signal is input to the automatic drive positioner control unit when the pedal adjusting switch is operated.
2	—	Motor	The automatic drive positioner control unit actuates the motor according to the operation of the pedal adjusting switch signal from the driver seat control unit.
3	Sensors (forward, backward)	—	The automatic drive positioner control unit recognizes any operation limit of each actuator via each sensor and will not operate the actuator anymore at that time.

Door Mirror

Order	Input	Output	Control unit condition
1	Door mirror remote control switch	—	The door mirror remote control switch signal is inputted to the automatic drive positioner control unit when the door mirror remote control switch is operated.
2	—	Motors (Door mirror motor)	The automatic drive positioner control unit actuates each motor according to the operation of the door mirror remote control switch.

NOTE:

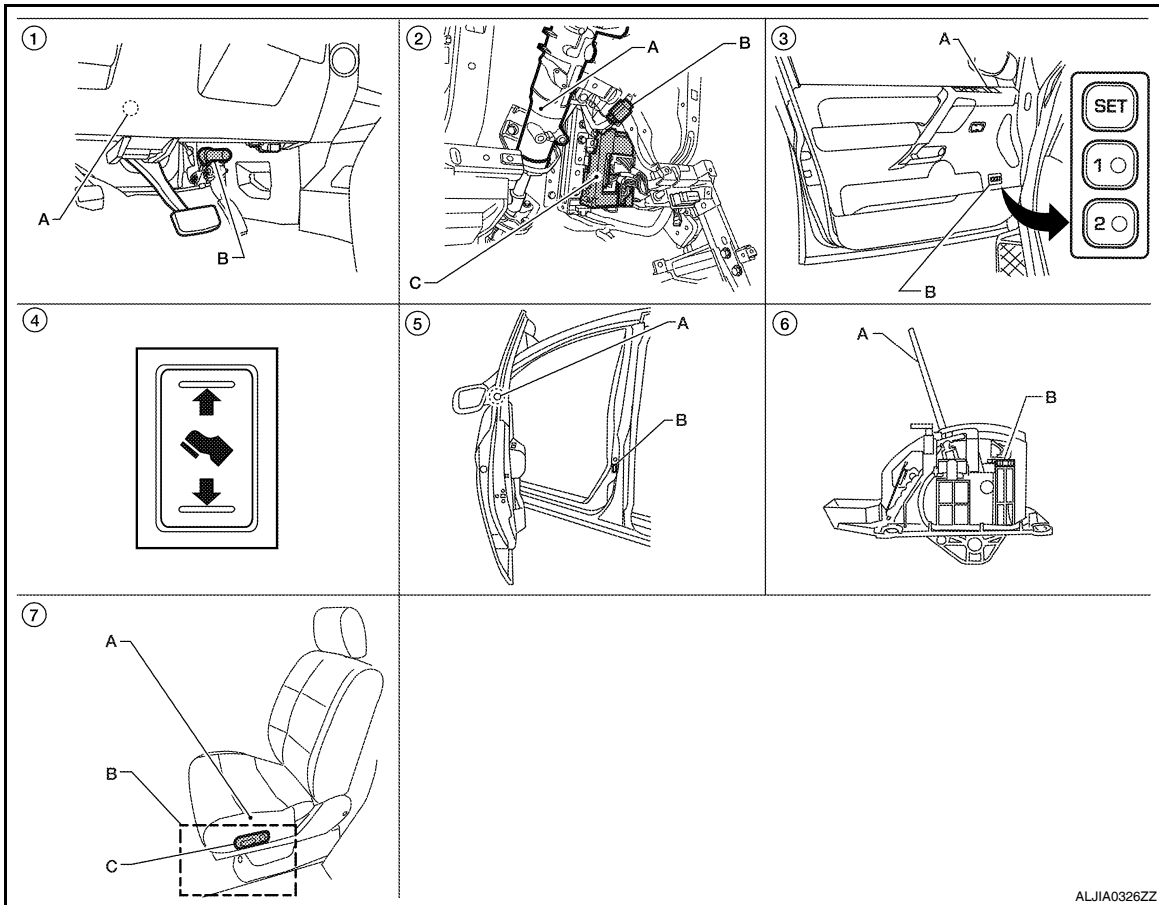
The door mirrors can be operated manually when ignition switch is in either ACC or ON position. The ignition switch signal (ACC/ON) is transmitted from BCM to the driver seat control unit via CAN communication and from the driver seat control unit to the automatic drive positioner control unit via UART communication.

AUTOMATIC DRIVE POSITIONER SYSTEM

< FUNCTION DIAGNOSIS >

MANUAL FUNCTION : Component Parts Location

INFOID:000000004115495



- | | | |
|---|---|---|
| <p>1. A. Automatic drive positioner control unit M33, M34
B. Pedal adjusting motor assembly E109, E110</p> <p>4. Pedal adjusting switch M96</p> <p>7. A. Sliding motor LH B204 (driver seat view), reclining motor LH B205, lifting motor (front) B206, lifting motor (rear) B207
B. Driver seat control unit B202, B203
C. Power seat switch LH B208</p> | <p>2. A. Steering column
B. Key switch and key lock solenoid M27
C. BCM M18, M19, M20 (view with instrument panel removed)</p> <p>5. A. Door mirror LH D4, RH D107
B. Front door switch LH B8</p> | <p>3. A. Door mirror remote control switch D10
B. Seat memory switch D5</p> <p>6. A. A/T selector lever
B. A/T device (park position switch) M203</p> |
|---|---|---|

MANUAL FUNCTION : Component Description

INFOID:000000004115496

CONTROL UNITS

Item	Function
Driver seat control unit	<ul style="list-style-type: none"> Operates the specific seat motor with the signal from the power seat switch. Transmits the ignition switch signal (ACC/ON) via UART communication to the automatic drive positioner control unit. Transmits the pedal adjusting switch signal via UART communication to the automatic drive positioner control unit.

AUTOMATIC DRIVE POSITIONER SYSTEM

< FUNCTION DIAGNOSIS >

Item	Function
Automatic drive positioner control unit	Operates the specific motor with the signal from driver seat control unit or door mirror remote control switch.
BCM	Recognizes the following status and transmits it to the driver seat control unit via CAN communication. <ul style="list-style-type: none">• Ignition position: ACC/ON

INPUT PARTS

Switches

Item	Function
Power seat switch	The following switch is installed. <ul style="list-style-type: none">• Reclining switch• Lifting switch (front)• Lifting switch (rear)• Sliding switch The specific parts can be operated with the operation of each switch.
Pedal adjusting switch	The following switch is installed. <ul style="list-style-type: none">• Pedal forward• Pedal backward The specific parts can be operated with the operation of each switch.
Door mirror remote control switch	The following switch is installed. <ul style="list-style-type: none">• Mirror switch• Changeover switch The specific parts can be operated with the operation of each switch.

Sensors

Item	Function
Pedal adjusting sensor	Detect the forward/backward position of pedal assembly.

OUTPUT PARTS

Item	Function
Door mirror motor (LH/RH)	Move the outside mirror face upward/downward and left/right.
Pedal adjusting motor	Move the pedal assembly forward/backward.
Lifting motor (front)	Move the seat lifter (front) upward/downward.
Lifting motor (rear)	Move the seat lifter (rear) upward/downward.
Reclining motor	Tilt and raise up the seatback.
Sliding motor	Slide the seat forward/backward.

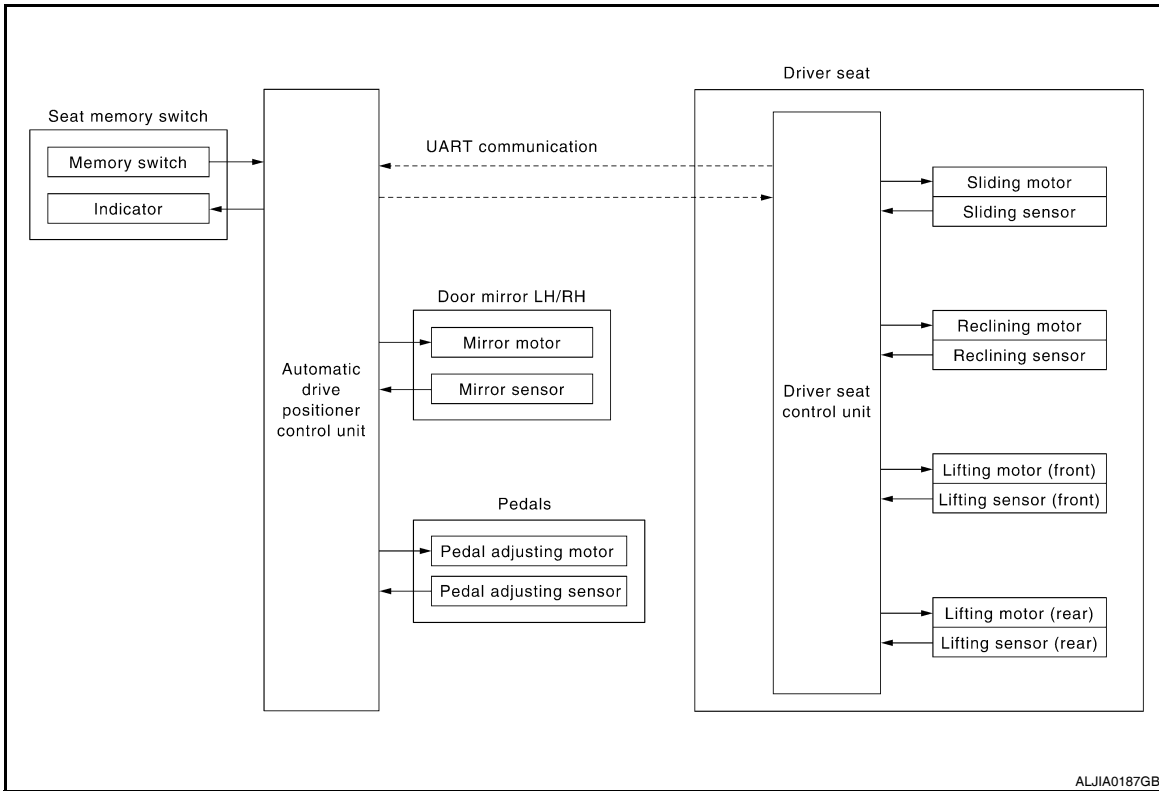
MEMORY FUNCTION

AUTOMATIC DRIVE POSITIONER SYSTEM

< FUNCTION DIAGNOSIS >

MEMORY FUNCTION : System Diagram

INFOID:000000004115497



A
B
C
D
E
F
G
H

MEMORY FUNCTION : System Description

INFOID:000000004115498

OUTLINE

The driver seat control unit can store the optimum driving positions (seat, pedal assembly and door mirror position) for 2 people. If the front seat position is changed, one-touch (pressing desired memory switch for more than 0.5 second) operation allows changing to the other driving position.

NOTE:

Further information for the memory storage procedure. Refer to Owner's Manual.

OPERATION PROCEDURE

1. Turn ignition switch ON.
2. Press desired memory switch for more than 0.5 second.
3. Front seat LH, pedal assembly and door mirror will move to the memorized position.

OPERATION CONDITION

Satisfy all of the following items. The memory function is not performed if these items are not satisfied.

Item	Request status
Ignition position	ON
Switch inputs <ul style="list-style-type: none"> • Power seat switch • Pedal adjusting switch • Door mirror control switch • Set switch • Seat memory switch 	OFF (Not operated)
A/T selector lever	P position

ADP

K

L

M

N

O

P

DETAIL FLOW

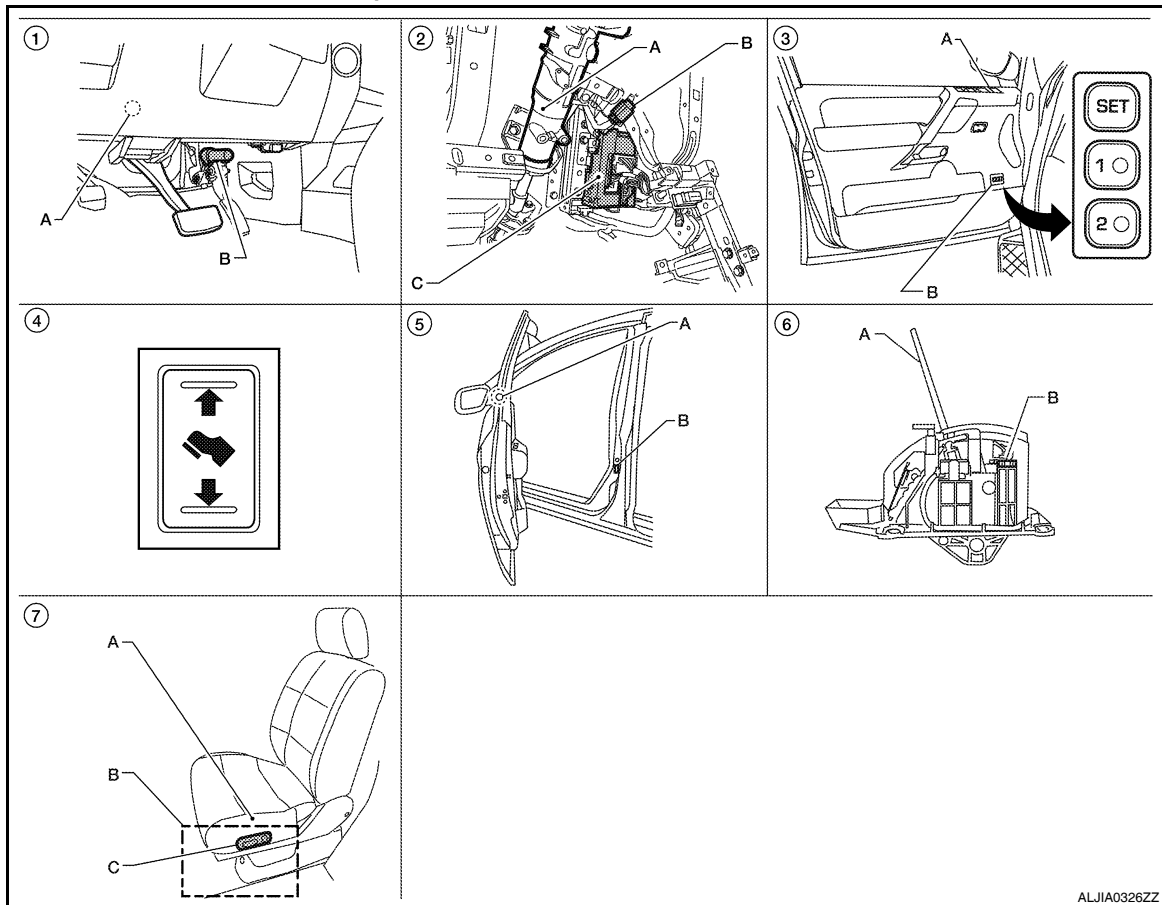
AUTOMATIC DRIVE POSITIONER SYSTEM

< FUNCTION DIAGNOSIS >

Order	Input	Output	Control unit condition
1	Memory switch	—	The memory switch signal is inputted to the automatic drive positioner control unit when memory switch 1 or 2 is operated. Memory switch signal is input to driver seat control unit via UART communication.
2	—	Motors (seat, pedal adjusting, door mirror)	Driver seat control unit operates each motor of seat when it recognizes the memory switch pressed for 0.5 second or more and requests each motor operation to automatic drive positioner control unit via UART communication. The automatic drive positioner control unit operates each motor.
		Memory switch Indicator	Driver seat control unit requests the flashing of memory indicator to automatic drive positioner control unit via UART communication while either of the motors is operating. The automatic drive positioner control unit illuminates the memory indicator.
3	Sensors (seat, pedal adjusting, door mirror)	—	Driver seat control unit judges the operating seat position with each seat sensor input. The positions of the adjustable pedals and outside mirror are monitored with each sensor signal that is input from auto drive positioner control unit via UART communication. Driver seat control unit stops the operation of each motor when each part reaches the recorded address.
4	—	Memory switch Indicator	Driver seat control unit requests the illumination of memory indicator to auto drive positioner control unit via UART communication after all motors stop. The auto driving positioner control unit illuminates the memory indicator for 5 seconds.

MEMORY FUNCTION : Component Parts Location

INFOID:000000004115499



ALJIA0326ZZ

AUTOMATIC DRIVE POSITIONER SYSTEM

< FUNCTION DIAGNOSIS >

- | | | |
|--|---|---|
| 1. A. Automatic drive positioner control unit M33, M34
B. Pedal adjusting motor assembly E109, E110 | 2. A. Steering column
B. Key switch and key lock solenoid M27
C. BCM M18, M19, M20 (view with instrument panel removed) | 3. A. Door mirror remote control switch D10
B. Seat memory switch D5 |
| 4. Pedal adjusting switch M96 | 5. A. Door mirror LH D4, RH D107
B. Front door switch LH B8 | 6. A. A/T selector lever
B. A/T device (park position switch) M203 |
| 7. A. Sliding motor LH B204 (driver seat view), reclining motor LH B205, lifting motor (front) B206, lifting motor (rear) B207
B. Driver seat control unit B202, B203
C. Power seat switch LH B208 | | |

A
B
C
D
E

MEMORY FUNCTION : Component Description

INFOID:000000004115500

CONTROL UNITS

Item	Function
Driver seat control unit	<ul style="list-style-type: none"> The address of each part is recorded. Operates each motor of seat to the registered position. Requests the operations of pedal assembly and door mirror to automatic drive positioner control unit.
Automatic drive positioner control unit	Operates the pedal adjusting motor and door mirror with the instructions from the driver seat control.

F
G
H
I

INPUT PARTS

Switches

Item	Function
Memory switch 1/2	The registration and memory function can be performed with its operation.

ADP

Sensors

Item	Function
Door mirror sensor (LH/RH)	Detect the up/down and left/right position of outside mirror face.
Pedal adjusting sensor	Detect the forward/backward position of pedal assembly.
Lifting sensor (front)	Detect the up/down position of seat lifting (front).
Lifting sensor (rear)	Detect the up/down position of seat lifting (rear).
Reclining sensor	Detect the tilt of seatback.
Sliding sensor	Detect the front/rear position of seat.

K
L
M
N

OUTPUT PARTS

Item	Function
Door mirror motor (LH/RH)	Move the outside mirror face upward/downward and left/right.
Pedal adjusting motor	Move the pedal assembly forward/backward.
Lifting motor (front)	Move the seat lifter (front) upward/downward.
Lifting motor (rear)	Move the seat lifter (rear) upward/downward.
Reclining motor	Tilt and raise up the seatback.
Sliding motor	Slide the seat forward/backward.
Memory indicator	Illuminates or blinks according to the registration/operation status.

O
P

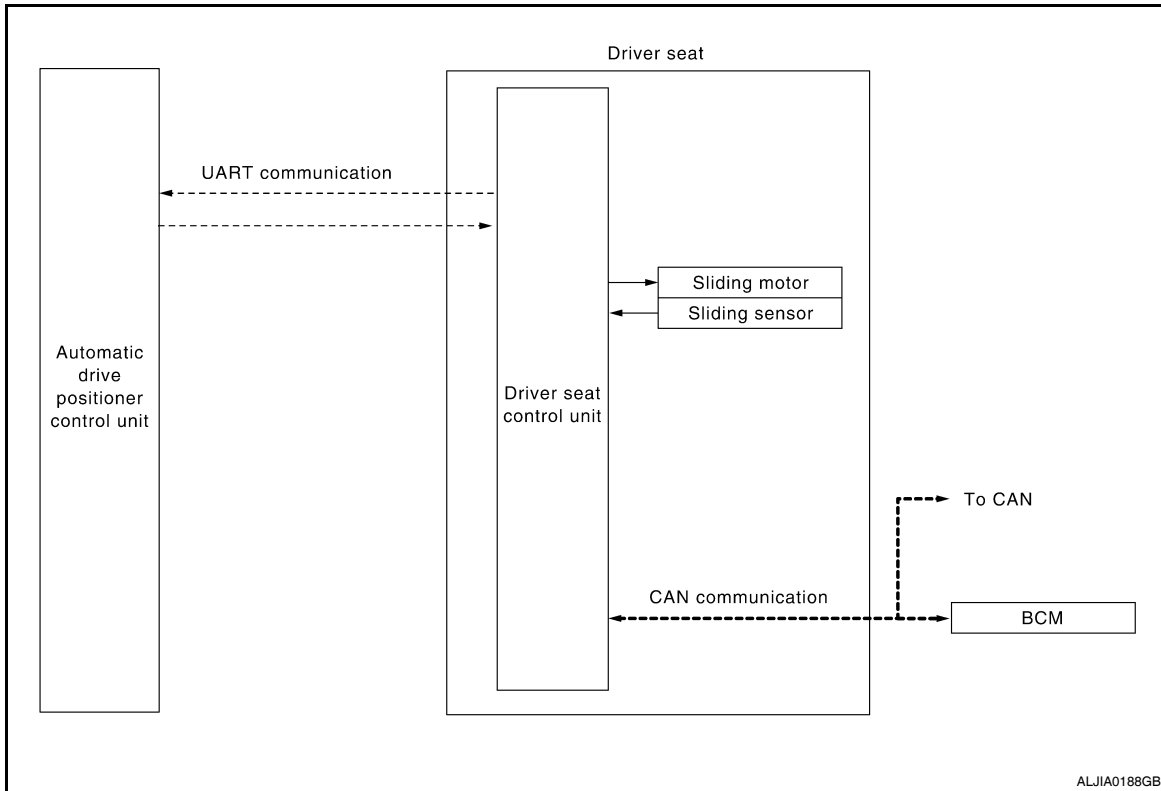
AUTOMATIC DRIVE POSITIONER SYSTEM

< FUNCTION DIAGNOSIS >

EXIT ASSIST FUNCTION

EXIT ASSIST FUNCTION : System Diagram

INFOID:000000004115501



EXIT ASSIST FUNCTION : System Description

INFOID:000000004115502

OUTLINE

When exiting, if the conditions are satisfied, the seat is moved backward from normal sitting position. The seat slide amount at entry/exit operation can be changed.

NOTE:

- This function is set to OFF before delivery (initial setting).
- Further information for the system setting procedure. Refer to Owner's Manual.

OPERATION PROCEDURE

1. Open the driver door with ignition switch in OFF position.
2. Front seat LH will move to the exiting position.

OPERATION CONDITION

Satisfy all of the following items. The exit assist function is not performed if these items are not satisfied.

Item	Request status
Ignition switch	OFF
System setting [Entry/exit assist function]	ON
Initialization	Done
Switch inputs <ul style="list-style-type: none"> • Power seat switch • Pedal adjusting switch • Door mirror remote control switch • Set switch • Seat memory switch 	OFF (Not operated)
A/T selector lever	P position

DETAIL FLOW

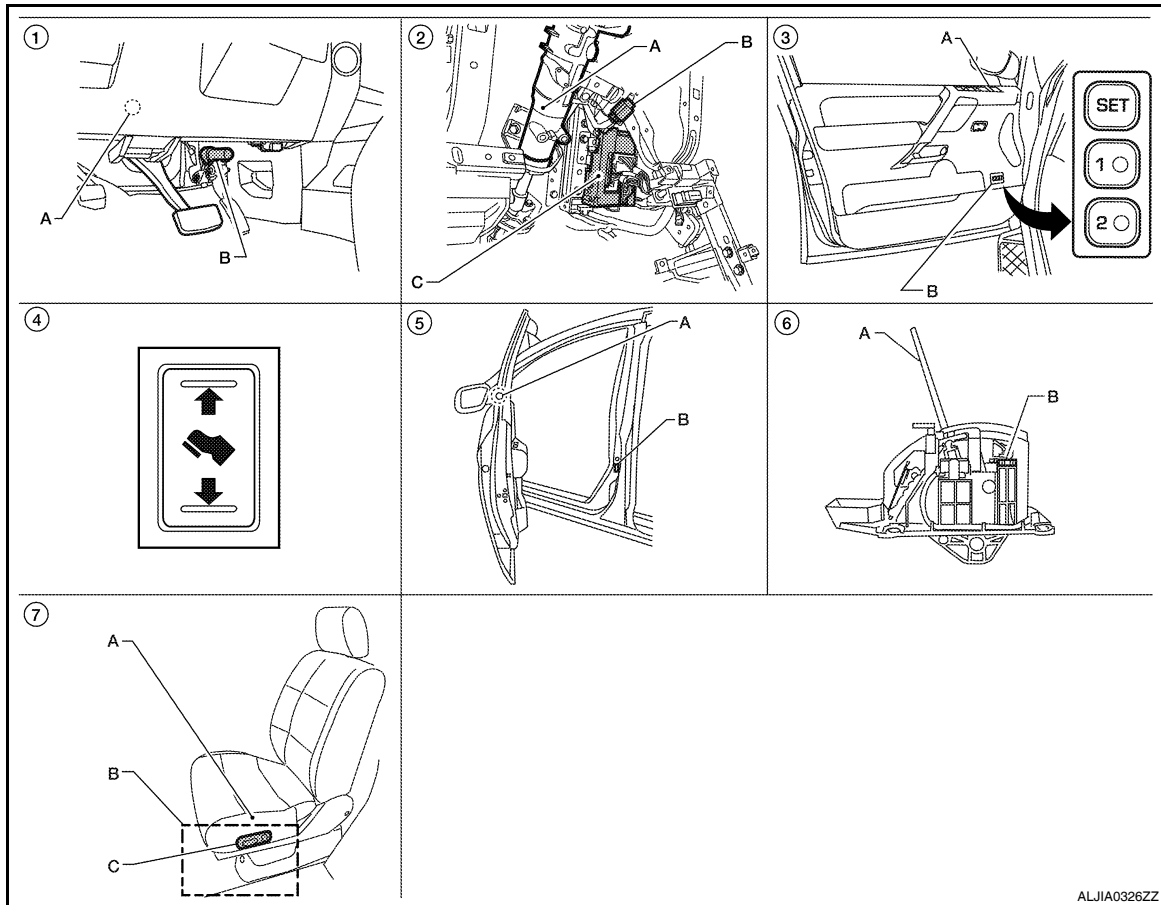
AUTOMATIC DRIVE POSITIONER SYSTEM

< FUNCTION DIAGNOSIS >

Order	Input	Output	Control unit condition
1	Front door switch LH	—	Driver seat control unit receives front door switch LH signal (open) from BCM via CAN communication.
2	—	Motor (seat sliding)	Driver seat control unit operates the seat sliding motor, which recognizes that the front door LH is opened with ignition switch OFF.

EXIT ASSIST FUNCTION : Component Parts Location

INFOID:000000004115503



- | | | |
|--|---|---|
| 1. A. Automatic drive positioner control unit M33, M34
B. Pedal adjusting motor assembly E109, E110 | 2. A. Steering column
B. Key switch and key lock solenoid M27
C. BCM M18, M19, M20 (view with instrument panel removed) | 3. A. Door mirror remote control switch D10
B. Seat memory switch D5 |
| 4. Pedal adjusting switch M96 | 5. A. Door mirror LH D4, RH D107
B. Front door switch LH B8 | 6. A. A/T selector lever
B. A/T device (park position switch) M203 |
| 7. A. Sliding motor LH B204 (driver seat view), reclining motor LH B205, lifting motor (front) B206, lifting motor (rear) B207
B. Driver seat control unit B202, B203
C. Power seat switch LH B208 | | |

EXIT ASSIST FUNCTION : Component Description

INFOID:000000004115504

CONTROL UNITS

AUTOMATIC DRIVE POSITIONER SYSTEM

< FUNCTION DIAGNOSIS >

Item	Function
Driver seat control unit	Operates the seat sliding motor for a constant amount.
BCM	Recognizes the following status and transmits it to the driver seat control unit via CAN communication. • Front door LH: OPEN/CLOSE

INPUT PARTS

Switches

Item	Function
Front door switch LH	Detect front door LH open/close status.

Sensors

Item	Function
Sliding sensor	Detect the front/rear position of seat.

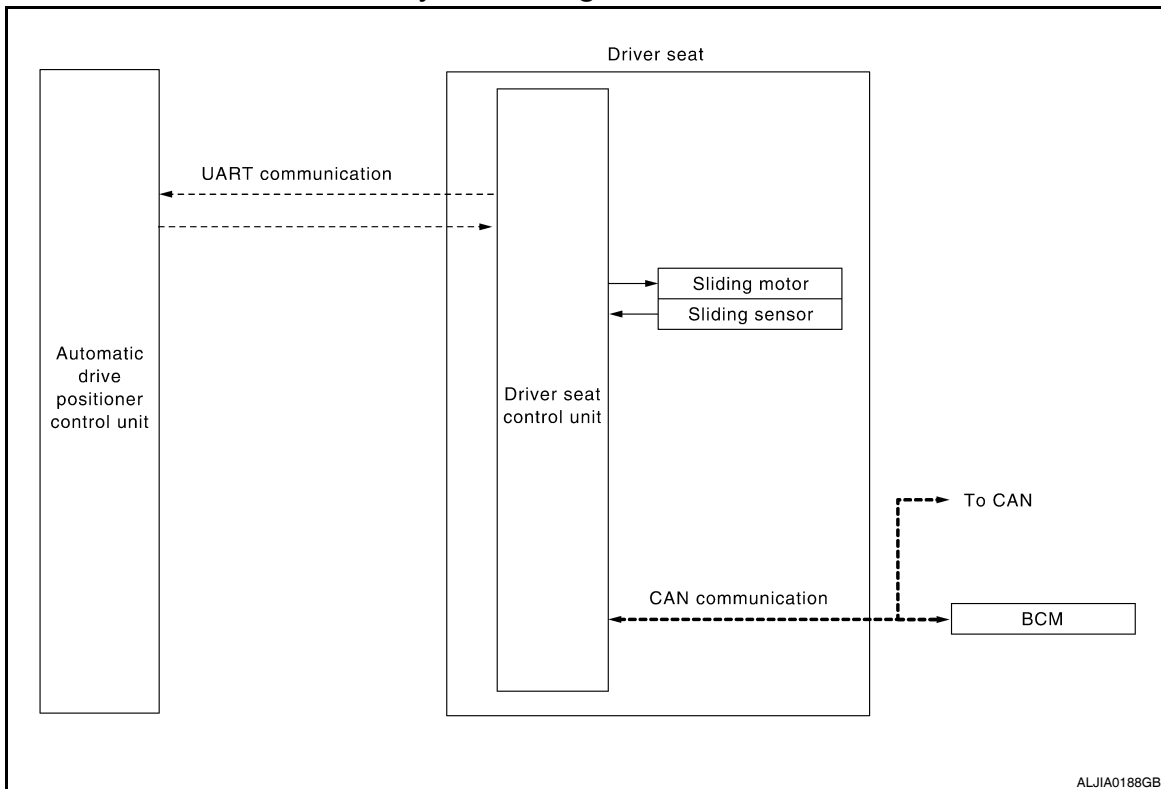
OUTPUT PARTS

Item	Function
Sliding motor	Slide the seat forward/backward.

ENTRY ASSIST FUNCTION

ENTRY ASSIST FUNCTION : System Diagram

INFOID:000000004115505



ENTRY ASSIST FUNCTION : System Description

INFOID:000000004115506

OUTLINE

The seat is in the exiting position when either following condition (A or B) is satisfied, the seat returns from exiting position to the previous driving position.

NOTE:

AUTOMATIC DRIVE POSITIONER SYSTEM

< FUNCTION DIAGNOSIS >

- This function is set to OFF before delivery (initial setting).
- Further information for the system setting procedure. Refer to Owner's Manual.

OPERATION PROCEDURE

1. A: Turn the ignition switch ON.
 B: Turn the ignition switch from OFF to ACC after closing the driver door.
2. Front seat LH will return from the exiting position to entry position.

OPERATION CONDITION

Satisfy all of the following items. The entry assist function is not performed if these items are not satisfied.

Item	Request status
Seat	The vehicle is not moved after performing the exit assist function.
Switch inputs <ul style="list-style-type: none"> • Power seat switch • Pedal adjusting switch • Door mirror control switch • Set switch • Memory switch 	OFF (Not operated)
A/T selector lever	P position

DETAIL FLOW

Order	Input	Output	Control unit condition
1	Door switch/Ignition switch	—	Driver seat control unit receives the signals of ignition switch signal and front door switch from BCM via CAN communication.
2	—	Motor (sliding)	Driver seat control unit operates the sliding motor when the operating conditions are satisfied.
	Sensor (sliding)	—	Sensor monitors the operating positions of seat and then stops the operation of motor when seat reaches the recorded address.

A
B
C
D
E
F
G
H
I
K
L
M
N
O
P

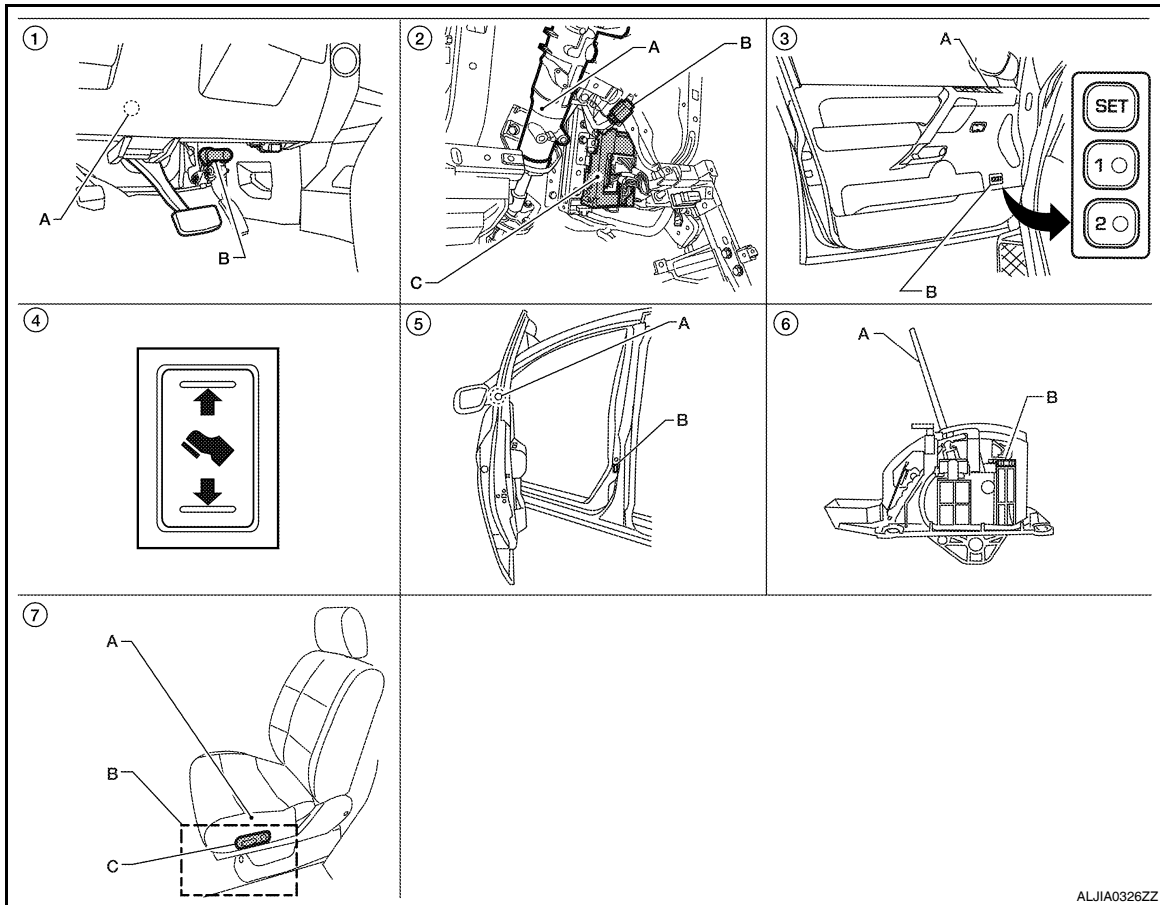
ADP

AUTOMATIC DRIVE POSITIONER SYSTEM

< FUNCTION DIAGNOSIS >

ENTRY ASSIST FUNCTION : Component Parts Location

INFOID:000000004115507



ALJIA0326ZZ

- | | | |
|---|---|---|
| <p>1. A. Automatic drive positioner control unit M33, M34
B. Pedal adjusting motor assembly E109, E110</p> <p>4. Pedal adjusting switch M96</p> <p>7. A. Sliding motor LH B204 (driver seat view), reclining motor LH B205, lifting motor (front) B206, lifting motor (rear) B207
B. Driver seat control unit B202, B203
C. Power seat switch LH B208</p> | <p>2. A. Steering column
B. Key switch and key lock solenoid M27
C. BCM M18, M19, M20 (view with instrument panel removed)</p> <p>5. A. Door mirror LH D4, RH D107
B. Front door switch LH B8</p> | <p>3. A. Door mirror remote control switch D10
B. Seat memory switch D5</p> <p>6. A. A/T selector lever
B. A/T device (park position switch) M203</p> |
|---|---|---|

ENTRY ASSIST FUNCTION : Component Description

INFOID:000000004115508

CONTROL UNITS

Item	Function
Driver seat control unit	According to the ignition signal and front door switch LH signal from BCM, <ul style="list-style-type: none"> Operates the seat sliding motor for a constant amount.
BCM	Recognizes the following status and transmits it to the driver seat control unit via CAN communication. <ul style="list-style-type: none"> Front door LH: OPEN/CLOSE Ignition switch position: ACC/ON

INPUT PARTS

AUTOMATIC DRIVE POSITIONER SYSTEM

< FUNCTION DIAGNOSIS >

Switches

Item	Function
Front door switch LH	Detect front door LH open/close status.

Sensors

Item	Function
Sliding sensor	Detect the front/rear position of seat.

OUTPUT PARTS

Item	Function
Sliding motor	Slide the seat forward/backward.

A

B

C

D

E

F

G

H

I

ADP

K

L

M

N

O

P

DIAGNOSIS SYSTEM (DRIVER SEAT C/U)

< FUNCTION DIAGNOSIS >

DIAGNOSIS SYSTEM (DRIVER SEAT C/U)

Diagnosis Description

INFOID:000000004115509

The auto drive positioner system can be checked and diagnosed for component operation with CONSULT-III.

DIAGNOSTIC MODE

Diagnostic mode [AUTO DRIVE POS.]	Description
WORK SUPPORT	Changes the setting of each function.
SELF-DIAG RESULTS	Performs self-diagnosis for the auto drive positioner system and displays the results.
DATA MONITOR	Displays input signals transmitted from various switches and sensors to driver seat control unit in real time.
CAN DIAG SUPPORT MNTR	The result of transmit/receive diagnosis of CAN communication can be read.
ACTIVE TEST	Drive each output device.
ECU PART NUMBER	Displays part numbers of driver seat control unit parts.

CONSULT-III Function

INFOID:000000004115510

SELF-DIAGNOSIS RESULTS

Refer to [ADP-116, "DTC Index"](#).

DATA MONITOR

Monitor Item	Unit	Main Signals	Selection From Menu	Contents
SET SW	"ON/OFF"	×	×	ON/OFF status judged from the setting switch signal.
MEMORY SW1	"ON/OFF"	×	×	ON/OFF status judged from the seat memory switch 1 signal.
MEMORY SW2	"ON/OFF"	×	×	ON/OFF status judged from the seat memory switch 2 signal.
SLIDE SW-FR	"ON/OFF"	×	×	ON/OFF status judged from the sliding switch (forward) signal.
SLIDE SW-RR	"ON/OFF"	×	×	ON/OFF status judged from the sliding switch (backward) signal.
RECLN SW-FR	"ON/OFF"	×	×	ON/OFF status judged from the reclining switch (forward) signal.
RECLN SW-RR	"ON/OFF"	×	×	ON/OFF status judged from the reclining switch (backward) signal.
LIFT FR SW-UP	"ON/OFF"	×	×	ON/OFF status judged from the lifting switch front (up) signal.
LIFT FR SW-DN	"ON/OFF"	×	×	ON/OFF status judged from the lifting switch front (down) signal.
LIFT RR SW-UP	"ON/OFF"	×	×	ON/OFF status judged from the lifting switch rear (up) signal.
LIFT RR SW-DN	"ON/OFF"	×	×	ON/OFF status judged from the lifting switch rear (down) signal.
MIR CON SW-UP	"ON/OFF"	×	×	ON/OFF status judged from the mirror switch (up) signal.
MIR CON SW-DN	"ON/OFF"	×	×	ON/OFF status judged from the mirror switch (down) signal.
MIR CON SW-RH	"ON/OFF"	×	×	ON/OFF status judged from the door mirror remote control switch (passenger side) signal.
MIR CON SW-LH	"ON/OFF"	×	×	ON/OFF status judged from the door mirror remote control switch (driver side) signal.

DIAGNOSIS SYSTEM (DRIVER SEAT C/U)

< FUNCTION DIAGNOSIS >

Monitor Item	Unit	Main Signals	Selection From Menu	Contents
MIR CHNG SW-R	"ON/OFF"	×	×	ON/OFF status judged from the door mirror remote control switch (switching to right) signal.
MIR CHNG SW-L	"ON/OFF"	×	×	ON/OFF status judged from the door mirror remote control switch (switching to left) signal.
PEDAL SW-FR	"ON/OFF"	×	×	ON/OFF status judged from the pedal adjusting switch (forward) signal.
PEDAL SW-RR	"ON/OFF"	×	×	ON/OFF status judged from the pedal adjusting switch (backward) signal.
DETENT SW	"ON/OFF"	×	×	The selector lever position "OFF (P position) / ON (other than P position)" judged from the detention switch signal.
STARTER SW	"ON/OFF"	×	×	Ignition key switch ON (START, ON) / OFF (ACC, OFF) status judged from the ignition switch signal.
SLIDE PULSE	—	—	×	Value (32768) when battery connections are standard. If it moves backward, the value increases. If it moves forward, the value decreases.
RECLN PULSE	—	—	×	Value (32768) when battery connections are standard. If it moves backward, the value increases. If it moves forward, the value decreases.
LIFT FR PULSE	—	—	×	Value (32768) when battery connections are standard. If it moves DOWN, the value increases. If it moves UP, the value decreases.
LIFT RR PULSE	—	—	×	Value (32768) when battery connections are standard. If it moves DOWN, the value increases. If it moves UP, the value decreases.
MIR/SEN RH U-D	"V"	—	×	Voltage input from door mirror sensor (passenger side) up/down is displayed.
MIR/SEN RH R-L	"V"	—	×	Voltage input from door mirror sensor (passenger side) left/right is displayed.
MIR/SEN LH U-D	"V"	—	×	Voltage input from door mirror sensor (driver side) up/down is displayed.
MIR/SEN LH R-L	"V"	—	×	Voltage input from door mirror sensor (driver side) left/right is displayed.
PEDAL SEN	"V"	—	×	Pedal position (voltage) judged from the pedal adjusting sensor signal is displayed.

ACTIVE TEST

CAUTION:

When driving vehicle, do not perform active test.

Test item	Description
SEAT SLIDE	Activates/deactivates the sliding motor.
SEAT RECLINING	Activates/deactivates the reclining motor.
SEAT LIFTER FR	Activates/deactivates the lifting motor (front).
SEAT LIFTER RR	Activates/deactivates the lifting motor (rear).
ADJ PEDAL MOTOR	Activates/deactivates the pedal adjusting motor.
MIRROR MOTOR RH	Activates/deactivates the mirror motor (passenger side).
MIRROR MOTOR LH	Activates/deactivates the mirror motor (driver side).
MEMORY SW INDCTR	Turns ON/OFF the memory indicator.

WORK SUPPORT

DIAGNOSIS SYSTEM (DRIVER SEAT C/U)

< FUNCTION DIAGNOSIS >

Work item	Content	Item
SEAT SLIDE VOLUME SET	The amount of seat sliding for entry/exit assist can be selected from 3 items.	40 mm
		80 mm
		150 mm
EXIT SEAT SLIDE SETTING	Entry/exit assist (seat) can be selected: ON (operated) – OFF (not operated)	ON
		OFF

U1000 CAN COMM CIRCUIT

< COMPONENT DIAGNOSIS >

COMPONENT DIAGNOSIS

U1000 CAN COMM CIRCUIT

Description

INFOID:000000004115511

Refer to [LAN-4, "System Description"](#).

DTC Logic

INFOID:000000004115512

DTC DETECTION LOGIC

DTC	Trouble diagnosis name	DTC detecting condition	Possible cause
U1000	CAN COMM CIRCUIT	<ul style="list-style-type: none">• Driver seat control unit cannot communicate to other control units.• Driver seat control unit cannot communicate for more than the specified time.	<ul style="list-style-type: none">• Harness or connectors (CAN communication line is open or shorted)

DTC CONFIRMATION PROCEDURE

1. STEP 1

Turn ignition switch ON and wait at least 3 seconds.

>> GO TO 2

2. STEP 2

Check "Self diagnostic result" with CONSULT-III.

Is the DTC detected?

YES >> Perform diagnosis procedure. Refer to [LAN-10, "Self-Diagnosis"](#).

NO >> Inspection End.

Special Repair Requirement

INFOID:000000004115513

Refer to Owner's Manual.

A
B
C
D
E
F
G
H
I
K
L
M
N
O
P

ADP

B2112 SLIDING MOTOR

< COMPONENT DIAGNOSIS >

B2112 SLIDING MOTOR

Description

INFOID:000000004115514

- The seat sliding motor is installed to the power seat frame assembly.
- The seat sliding motor is installed with the driver seat control unit.
- Slides the seat frontward/rearward by changing the rotation direction of sliding motor.

DTC Logic

INFOID:000000004115515

DTC DETECTION LOGIC

DTC No.	Trouble diagnosis name	DTC detecting condition	Possible cause
B2112	SEAT SLIDE	The driver seat control unit detects the output of sliding motor output terminal for 0.1 second or more even if the sliding switch is not input.	• Driver seat control unit

DTC CONFIRMATION PROCEDURE

1. STEP 1

Turn ignition switch ON.

>> GO TO 2

2. STEP 2

Check "Self diagnostic result" with CONSULT-III.

Is the DTC detected?

YES >> Perform diagnosis procedure. Refer to [ADP-30, "Diagnosis Procedure"](#).

NO >> Inspection End.

NOTE:

First perform diagnosis for B2126 if B2126 is detected. Refer to [ADP-38, "Diagnosis Procedure"](#).

Diagnosis Procedure

INFOID:000000004115516

1. PERFORM DTC CONFIRMATION PROCEDURE

1. Turn ignition switch ON.
2. Check "Self diagnostic result" with CONSULT-III.
3. Erase the DTC.
4. Perform DTC confirmation procedure. Refer to [ADP-30, "DTC Logic"](#).

Is the DTC displayed again?

YES >> GO TO 2

NO >> Check intermittent incident. Refer to [GI-38, "Intermittent Incident"](#).

2. CHECK COMPONENTS

Refer to [ADP-68, "Component Function Check"](#) and [ADP-82, "Component Function Check"](#).

>> Inspection End.

B2113 RECLINING MOTOR

< COMPONENT DIAGNOSIS >

B2113 RECLINING MOTOR

Description

INFOID:000000004115517

- The seat reclining motor is installed to the seatback assembly.
- The seat reclining motor is activated with the driver seat control unit.
- Tilts the seatback frontward/rearward by changing the rotation direction of reclining motor.

DTC Logic

INFOID:000000004115518

DTC DETECTION LOGIC

DTC No.	Trouble diagnosis name	DTC detecting condition	Possible cause
B2113	SEAT RECLINING	The driver seat control unit detects the output of reclining motor output terminal for 0.1 second or more even if the reclining switch is not input.	• Driver seat control unit

DTC CONFIRMATION PROCEDURE

1. STEP 1

Turn ignition switch ON.

>> GO TO 2

2. STEP 2

Check "Self diagnostic result" with CONSULT-III.

Is the DTC detected?

YES >> Perform diagnosis procedure. Refer to [ADP-31, "Diagnosis Procedure"](#).

NO >> Inspection End.

NOTE:

First perform diagnosis for B2126 if B2126 is detected. Refer to [ADP-38, "Diagnosis Procedure"](#).

Diagnosis Procedure

INFOID:000000004115519

1. PERFORM DTC CONFIRMATION PROCEDURE

1. Turn ignition switch ON.
2. Check "Self diagnostic result" with CONSULT-III.
3. Erase the DTC.
4. Perform DTC confirmation procedure. Refer to [ADP-31, "DTC Logic"](#).

Is the DTC displayed again?

YES >> GO TO 2

NO >> Check intermittent incident. Refer to [GI-38, "Intermittent Incident"](#).

2. CHECK COMPONENTS

Refer to [ADP-70, "Component Function Check"](#) and [ADP-84, "Component Function Check"](#).

>> Inspection End.

B2114 SEAT LIFTER FR

< COMPONENT DIAGNOSIS >

B2114 SEAT LIFTER FR

Description

INFOID:000000004115520

- The lifting motor (front) is installed to the power seat frame assembly.
- The lifting motor (front) is activated with the driver seat control unit.
- Tilts the seat front up/down by changing the rotation direction of lifting motor (front).

DTC Logic

INFOID:000000004115521

DTC DETECTION LOGIC

DTC No.	Trouble diagnosis name	DTC detecting condition	Possible cause
B2114	SEAT LIFTER FR	The driver seat control unit detects the output of lifting motor (front) output terminal for 0.1 second or more even if the lifting switch is not input.	• Driver seat control unit

DTC CONFIRMATION PROCEDURE

1. STEP 1

Turn ignition switch ON.

>> GO TO 2

2. STEP 2

Check "Self diagnostic result" with CONSULT-III.

Is the DTC detected?

YES >> Perform diagnosis procedure. Refer to [ADP-32, "Diagnosis Procedure"](#).

NO >> Inspection End.

NOTE:

First perform diagnosis for B2126 if B2126 is detected. Refer to [ADP-38, "Diagnosis Procedure"](#).

Diagnosis Procedure

INFOID:000000004115522

1. PERFORM DTC CONFIRMATION PROCEDURE

1. Turn ignition switch ON.
2. Check "Self diagnostic result" with CONSULT-III.
3. Erase the DTC.
4. Perform DTC confirmation procedure. Refer to [ADP-32, "DTC Logic"](#).

Is the DTC displayed again?

YES >> GO TO 2

NO >> Check intermittent incident. Refer to [GI-38, "Intermittent Incident"](#).

2. CHECK COMPONENTS

Refer to [ADP-72, "Component Function Check"](#) and [ADP-86, "Component Function Check"](#).

>> Inspection End.

B2115 SEAT LIFTER RR

< COMPONENT DIAGNOSIS >

B2115 SEAT LIFTER RR

Description

INFOID:000000004115523

- The lifting motor (rear) is installed to the power seat frame assembly.
- The lifting motor (rear) is activated with the driver seat control unit.
- Tilts the seat rear up/down by changing the rotation direction of lifting motor (rear).

DTC Logic

INFOID:000000004115524

DTC DETECTION LOGIC

DTC No.	Trouble diagnosis name	DTC detecting condition	Possible cause
B2115	SEAT LIFTER RR	The driver seat control unit detects the output of lifting motor (rear) output terminal for 0.1 second or more even if the lifting switch is not input.	• Driver seat control unit

DTC CONFIRMATION PROCEDURE

1. STEP 1

Turn ignition switch ON.

>> GO TO 2

2. STEP 2

Check "Self diagnostic result" with CONSULT-III.

Is the DTC detected?

YES >> Perform diagnosis procedure. Refer to [ADP-33, "Diagnosis Procedure"](#).

NO >> Inspection End.

NOTE:

First perform diagnosis for B2126 if B2126 is detected. Refer to [ADP-38, "Diagnosis Procedure"](#).

Diagnosis Procedure

INFOID:000000004115525

1. PERFORM DTC CONFIRMATION PROCEDURE

1. Turn ignition switch ON.
2. Check "Self diagnostic result" with CONSULT-III.
3. Erase the DTC.
4. Perform DTC confirmation procedure. Refer to [ADP-33, "DTC Logic"](#).

Is the DTC displayed again?

YES >> GO TO 2

NO >> Check intermittent incident. Refer to [GI-38, "Intermittent Incident"](#).

2. CHECK COMPONENTS

Refer to [ADP-74, "Component Function Check"](#) and [ADP-88, "Component Function Check"](#).

>> Inspection End.

B2117 ADJ PEDAL MOTOR

< COMPONENT DIAGNOSIS >

B2117 ADJ PEDAL MOTOR

Description

INFOID:000000004115526

- The pedal adjusting sensor is installed to pedal adjusting motor assembly.
- The resistance of pedal adjusting sensor is changed according to the forward/backward position of pedal assembly.
- The terminal voltage of automatic drive positioner control unit will be changed according to a change of pedal adjusting sensor resistance. Automatic drive positioner control unit calculates the pedal position from the voltage.

DTC Logic

INFOID:000000004115527

DTC DETECTION LOGIC

DTC No.	Trouble diagnosis name	DTC detecting condition	Possible cause
B2117	ADJ PEDAL MOTOR	When any manual or automatic operations are not performed, if motor operation is detected for 0.1 second or more, status is judged "Output error".	<ul style="list-style-type: none">• Harness and connectors (pedal adjusting sensor circuit is opened/shorted, pedal adjusting sensor power supply circuit is opened/shorted.)• Pedal adjusting sensor

DTC CONFIRMATION PROCEDURE

1. STEP 1

Turn ignition switch ON.

>> GO TO 2

2. STEP 2

Check "Self diagnostic result" with CONSULT-III.

Is the DTC detected?

YES >> Perform diagnosis procedure. Refer to [ADP-34, "Diagnosis Procedure"](#).

NO >> Inspection End.

Diagnosis Procedure

INFOID:000000004115528

1. CHECK PEDAL ADJUSTING MECHANISM

Check the following.

- Operation malfunction caused by pedal adjusting mechanism deformation or pinched harness or other foreign materials
- Operation malfunction and interference with other parts by poor installation

Is the inspection result normal?

YES >> GO TO 2

NO >> Repair or replace the malfunctioning part and check again.

2. CHECK FUNCTION

1. Turn ignition switch ON.
2. Check "ADJ PEDAL MOTOR" in "Active test" mode with CONSULT-III.

Test item	Description
ADJ PEDAL MOTOR	The pedal adjusting motor is activated by receiving the drive signal.

Is the inspection result normal?

YES >> Pedal adjusting motor assembly circuit is OK.

NO >> GO TO 3

B2117 ADJ PEDAL MOTOR

< COMPONENT DIAGNOSIS >

3. CHECK PEDAL ADJUSTING MOTOR ASSEMBLY CIRCUIT HARNESS CONTINUITY

1. Turn ignition switch OFF.
2. Disconnect automatic drive positioner control unit and pedal adjusting motor assembly.
3. Check continuity between automatic drive positioner control unit connector M34 (A) terminals 37, 45 and pedal adjusting motor assembly connector E109 (B) terminals 1, 2.

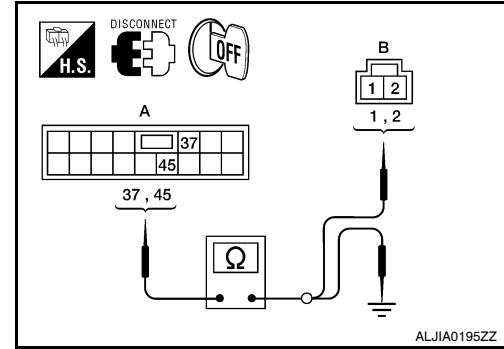
37 - 1 : Continuity should exist.

45 - 2 : Continuity should exist.

4. Check continuity between automatic drive positioner control unit connector M34 (A) terminals 37, 45 and ground.

37 - Ground : Continuity should not exist.

45 - Ground : Continuity should not exist.



Is the inspection result normal?

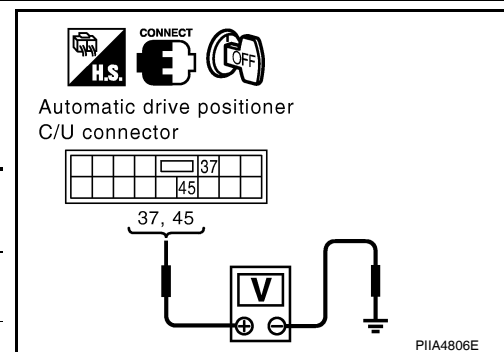
YES >> GO TO 4

NO >> Repair or replace harness.

4. CHECK AUTOMATIC DRIVE POSITIONER CONTROL UNIT OUTPUT SIGNAL

1. Connect the automatic drive positioner control unit and pedal adjusting motor assembly.
2. Check voltage between automatic drive positioner control unit connector and ground.

Connector	Terminals		Condition	Voltage (V) (Approx.)
	(+)	(-)		
M34	37	Ground	Pedal adjusting switch ON (FORWARD operation)	Battery voltage
			Other than above	0
	45		Pedal adjusting switch ON (BACKWARD operation)	Battery voltage
			Other than above	0



Is the inspection result normal?

YES >> Replace pedal adjusting motor assembly. Refer to [ADP-156. "Removal and Installation"](#).

NO >> GO TO 5

5. CHECK INTERMITTENT INCIDENT

Refer to [GI-38. "Intermittent Incident"](#).

Is the inspection result normal?

YES >> Replace automatic drive positioner control unit. Refer to [ADP-153. "Removal and Installation"](#).

NO >> Repair or replace the malfunctioning part.

B2120 ADJ PEDAL SENSOR

< COMPONENT DIAGNOSIS >

B2120 ADJ PEDAL SENSOR

Description

INFOID:000000004115529

- The pedal adjusting sensor is installed in the pedal adjusting motor assembly.
- The resistance of pedal adjusting sensor is changed according to the forward/backward position of pedal adjusting motor assembly.
- The terminal voltage of automatic drive positioner control unit will be changed according to a change of pedal adjusting sensor resistance. Automatic drive positioner control unit calculates the pedal assembly position from the voltage.

DTC Logic

INFOID:000000004115530

DTC DETECTION LOGIC

DTC No.	Trouble diagnosis name	DTC detecting condition	Possible cause
B2120	ADJ PEDAL SENSOR	The input voltage of pedal adjusting sensor is 0.5V or less or 4.5V or higher, for 0.5 seconds or more.	<ul style="list-style-type: none">• Harness and connectors (Pedal adjusting sensor circuit is opened/shorted, pedal adjusting sensor power supply circuit is opened/shorted.)• Pedal adjusting sensor

DTC CONFIRMATION PROCEDURE

1. STEP 1

Turn ignition switch ON.

>> GO TO 2

2. STEP 2

Check "Self diagnostic result" with CONSULT-III.

Is the DTC is detected?

YES >> Perform diagnosis procedure. Refer to [ADP-36, "Diagnosis Procedure"](#).

NO >> Inspection End.

Diagnosis Procedure

INFOID:000000004115531

1. CHECK PEDAL ADJUSTING SENSOR SIGNAL

1. Turn ignition switch ON.
2. Select "PEDAL SEN" in "Data monitor" mode with CONSULT-III.
3. Check the pedal adjusting sensor signal under the following condition.

Monitor item	Condition	Value
PEDAL SEN	Forward	0.5V
	Backward	4.5V

Is the value normal?

YES >> Pedal adjusting circuit is OK.

NO >> GO TO 2

2. CHECK PEDAL ADJUSTING MOTOR ASSEMBLY CIRCUIT HARNESS CONTINUITY

B2120 ADJ PEDAL SENSOR

< COMPONENT DIAGNOSIS >

1. Disconnect automatic drive positioner control unit and pedal adjusting motor assembly.
2. Check continuity between automatic drive positioner connector M33 (A) terminal 8, M34 (C) terminals 33 and 41 and pedal adjusting motor assembly connector E110 (B) terminals 3, 4, 5.

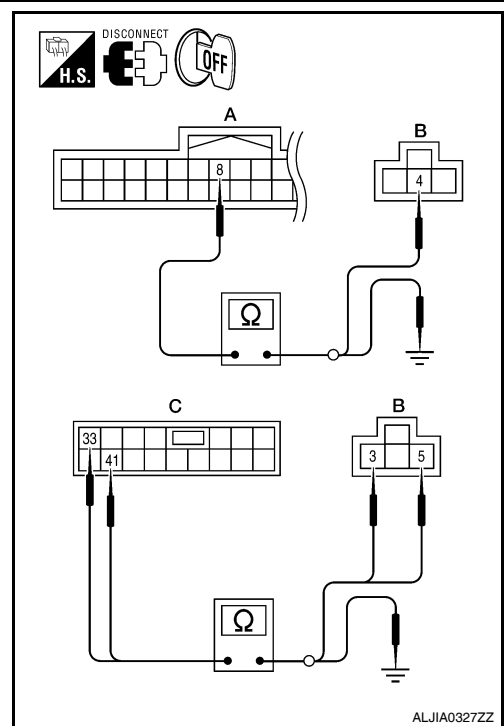
8 - 4 : Continuity should exist.
33 - 3 : Continuity should exist.
41 - 5 : Continuity should exist.

3. Check continuity between automatic drive positioner control unit connector M33 (A) terminal 8, M34 (C) terminals 33 and 41 and ground.

8 - Ground : Continuity should not exist.
33 - Ground : Continuity should not exist.
41 - Ground : Continuity should not exist.

Is the inspection result normal?

- YES >> Replace pedal adjusting motor assembly. Refer to [ADP-156, "Removal and Installation"](#).
NO >> Repair or replace harness.



A
B
C
D
E
F
G
H
I
K
L
M
N
O
P

ADP

B2126 DETENT SW

< COMPONENT DIAGNOSIS >

B2126 DETENT SW

Description

INFOID:000000004115532

- Park position switch is installed on A/T device. It is turned OFF when the A/T selector lever is in P position.
- The driver seat control unit judges that the A/T selector lever is in P position if continuity does not exist in this circuit.

DTC Logic

INFOID:000000004115533

DTC DETECTION LOGIC

DTC No.	Trouble diagnosis name	DTC detecting condition	Possible cause
B2126	DETENT SW	A/T selector lever is in P position and the vehicle speed of 7±4km/h is detected.	<ul style="list-style-type: none">• Harness and connectors (Park position switch circuit is opened/shorted.)• Park position switch• Combination meter (CAN communication)

DTC CONFIRMATION PROCEDURE

1. STEP 1

Drive the vehicle at 7±4km/h or more.

>> GO TO 2

2. STEP 2

Check "Self diagnostic result" with CONSULT-III.

Is the DTC detected?

- YES >> Perform diagnosis procedure. Refer to [ADP-38, "Diagnosis Procedure"](#).
NO >> Inspection End.

Diagnosis Procedure

INFOID:000000004115534

1. CHECK DTC

Check "Self diagnostic result" for BCM with CONSULT-III.

Are other DTCs detected?

- YES >> Check the DTC.
NO >> GO TO 2

2. CHECK DETENTION SWITCH SIGNAL

1. Turn ignition switch ON.
2. Select "DETENT SW" in "Data Monitor" mode with CONSULT-III.
3. Check detention switch signal under the following condition.

Monitor item	Condition		Status
DETENT SW	A/T selector lever	P position	OFF
		Other than above	ON

Is the status normal?

- YES >> A/T device (park position switch) circuit is OK.
NO >> GO TO 3

3. CHECK A/T DEVICE (PARK POSITION SWITCH) HARNESS

B2126 DETENT SW

< COMPONENT DIAGNOSIS >

1. Turn ignition switch OFF.
2. Disconnect A/T device and driver seat control unit.
3. Check continuity between A/T device connector M203 terminal 6 and driver seat control unit connector B202 terminal 21.

6 - 21 : Continuity should exist.

4. Check continuity between A/T device connector M203 terminal 6 and ground.

6 - Ground : Continuity should not exist.

Is the inspection result normal?

- YES >> GO TO 4
 NO >> Repair or replace harness.

4. CHECK PARK POSITION SWITCH

Check continuity between A/T device (park position switch) terminals as follows.

Terminals		Condition	Continuity
5	6	P position	Yes
		Other than P position	No

Is the inspection result normal?

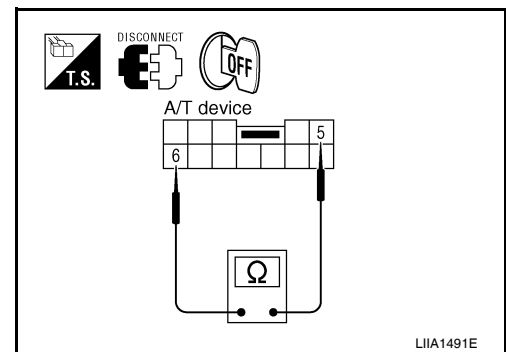
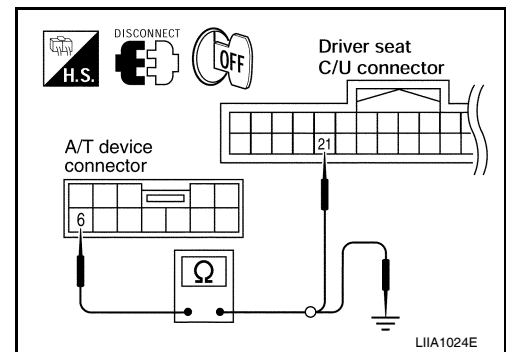
- YES >> GO TO 5
 NO >> Replace A/T device. Refer to [TM-217, "Control Device Removal and Installation"](#).

5. CHECK INTERMITTENT INCIDENT

Refer to [GI-38, "Intermittent Incident"](#).

Is the inspection result normal?

- YES >> Replace driver seat control unit. Refer to [ADP-152, "Removal and Installation"](#).
 NO >> Repair or replace the malfunctioning part.



A
B
C
D
E
F
G
H
I
K
L
M
N
O
P

ADP

B2128 UART COMMUNICATION LINE

< COMPONENT DIAGNOSIS >

B2128 UART COMMUNICATION LINE

Description

INFOID:000000004115535

Driver seat control unit performs UART communication with the automatic drive positioner control unit using 2 communication lines, TX and RX line. Driver seat control unit receives the operation signals of pedal adjusting switch, door mirror remote control switch, set switch and memory switch and the position signals of adjustable pedal sensor and door mirror sensor from the automatic drive positioner control unit and transmits the operation request signal.

DTC Logic

INFOID:000000004115536

DTC DETECTION LOGIC

DTC No.	Trouble diagnosis name	DTC detecting condition	Possible cause
B2128	UART COMM	The communication between driver seat control unit and automatic drive positioner control unit is interrupted for a period of time.	<ul style="list-style-type: none"> • UART communication line (UART communication line is open or shorted) • Driver seat control unit • Automatic drive positioner control unit

DTC CONFIRMATION PROCEDURE

1. STEP 1

Turn ignition switch ON.

>> GO TO 2

2. STEP 2

Operate pedal adjusting switch for more than 2 seconds.

>> GO TO 3

3. PROCEDURE 3

Check "Self diagnostic result" with CONSULT-III.

Is the DTC detected?

YES >> Perform diagnosis procedure. Refer to [ADP-40, "Diagnosis Procedure"](#).

NO >> Inspection End.

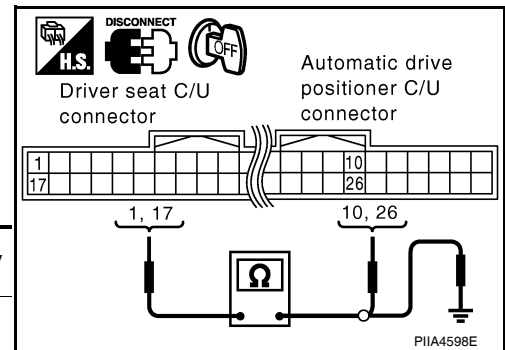
Diagnosis Procedure

INFOID:000000004115537

1. CHECK UART COMMUNICATION LINE CONTINUITY

1. Turn ignition switch OFF.
2. Disconnect driver seat control unit and automatic drive positioner control unit.
3. Check continuity between driver seat control unit harness connector and automatic drive positioner control unit harness connector.

Driver seat control unit connector	Terminal	Automatic drive positioner control unit connector	Terminal	Continuity
B202	1	M33	10	Yes
	17		26	



4. Check continuity between driver seat control unit harness connector and ground.

B2128 UART COMMUNICATION LINE

< COMPONENT DIAGNOSIS >

Driver seat control unit connector	Terminal	Ground	Continuity
B202	1		Ground
	17		

Is the inspection result normal?

- YES >> Check intermittent incident. Refer to [GI-38. "Intermittent Incident"](#).
- NO >> Repair or replace harness.

A
B
C
D
E
F
G
H
I
K
L
M
N
O
P

ADP

POWER SUPPLY AND GROUND CIRCUIT

< COMPONENT DIAGNOSIS >

POWER SUPPLY AND GROUND CIRCUIT

BCM

BCM : Diagnosis Procedure

INFOID:000000004115538

1. CHECK FUSES AND FUSIBLE LINK

Check that the following fuses and fusible link are not blown.

Terminal No.	Signal name	Fuses and fusible link No.
57	Battery power supply	22 (15A)
70		F (50A)
11	Ignition ACC or ON	4 (10A)
38	Ignition ON or START	59 (10A)

Is the fuse blown?

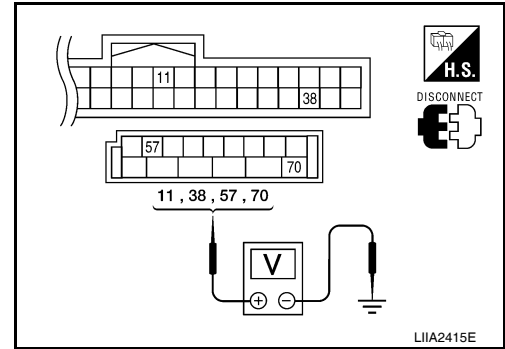
YES >> Replace the blown fuse or fusible link after repairing the affected circuit.

NO >> GO TO 2

2. CHECK POWER SUPPLY CIRCUIT

1. Turn ignition switch OFF.
2. Disconnect BCM.
3. Check voltage between BCM harness connector and ground.

Connector	Terminals		Power source	Condition	Voltage (V) (Approx.)
	(+)	(-)			
M18	11	Ground	ACC power supply	Ignition switch ACC or ON	Battery voltage
	38	Ground	Ignition power supply	Ignition switch ON or START	Battery voltage
M20	57	Ground	Battery power supply	Ignition switch OFF	Battery voltage
	70	Ground	Battery power supply	Ignition switch OFF	Battery voltage



Is the measurement value normal?

YES >> GO TO 3

NO >> Repair or replace harness.

3. CHECK GROUND CIRCUIT

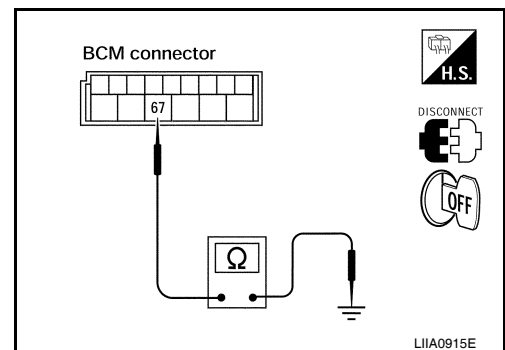
Check continuity between BCM harness connector and ground.

BCM		Ground	Continuity
Connector	Terminal		
M20	67		Yes

Does continuity exist?

YES >> Inspection End.

NO >> Repair or replace harness.



DRIVER SEAT CONTROL UNIT

POWER SUPPLY AND GROUND CIRCUIT

< COMPONENT DIAGNOSIS >

DRIVER SEAT CONTROL UNIT : Diagnosis Procedure

INFOID:000000004115539

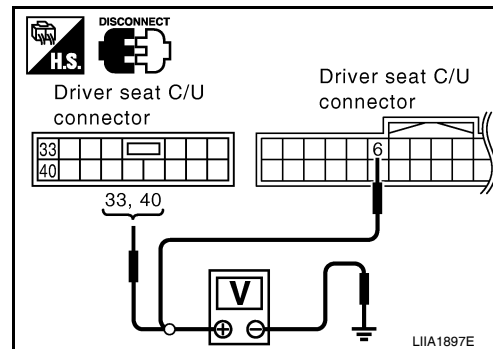
NOTE:

Do not disconnect the battery negative terminal and the driver seat control unit connector until DTC is confirmed with CONSULT-III.

1. CHECK POWER SUPPLY CIRCUIT

1. Turn ignition switch OFF.
2. Disconnect driver seat control unit.
3. Check voltage between driver seat control unit harness connector and ground.

Terminals		(-)	Power source	Condition	Voltage (V) (Approx.)
(+)	Terminal				
Driver seat control unit connector		Ground	START power supply	Ignition switch START	Battery voltage
B202	6		Battery power supply	Ignition switch OFF	
B203	33				
	40				



Is the inspection result normal?

YES >> GO TO 2

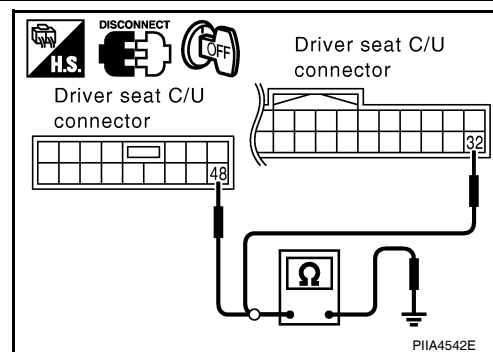
NO >> Check the following.

- Repair or replace harness.
- Circuit breaker.

2. CHECK GROUND CIRCUIT

Check continuity between the driver seat control unit harness connector and ground.

Driver seat control unit connector	Terminal	Ground	Continuity
B202	32		Ground
B203	48		



Is the inspection result normal?

YES >> Driver seat control unit power supply and ground circuit are OK.

NO >> Repair or replace harness.

DRIVER SEAT CONTROL UNIT : Special Repair Requirement

INFOID:000000004115540

1. PERFORM ADDITIONAL SERVICE

Perform additional service when removing battery negative terminal.

>> Refer to Owner's Manual.

AUTOMATIC DRIVE POSITIONER CONTROL UNIT

AUTOMATIC DRIVE POSITIONER CONTROL UNIT : Diagnosis Procedure

INFOID:000000004115541

NOTE:

Do not disconnect the battery negative terminal and the driver seat control unit connector until DTC is confirmed with CONSULT-III.

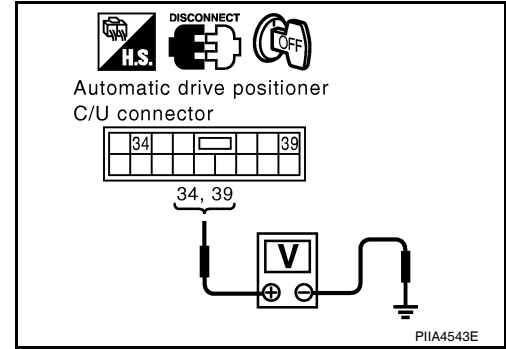
POWER SUPPLY AND GROUND CIRCUIT

< COMPONENT DIAGNOSIS >

1. CHECK POWER SUPPLY CIRCUIT

1. Turn ignition switch OFF.
2. Disconnect the automatic drive positioner control unit.
3. Check voltage between automatic drive positioner control unit harness connector and ground.

Terminals		(-)	Voltage (V) (Approx.)
(+)	Terminal		
Automatic drive positioner control unit connector		Ground	Battery voltage
M34	34 39		



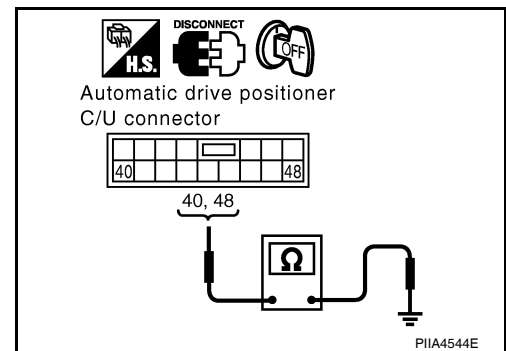
Is the inspection result normal?

- YES >> GO TO 2
 NO >> Repair or replace harness.

2. CHECK GROUND CIRCUIT

Check continuity between the automatic drive positioner control unit harness connector and ground.

Automatic drive positioner control unit connector	Terminal	Ground	Continuity
M34	40 48		Yes



Is the inspection result normal?

- YES >> Automatic drive positioner control unit power supply and ground circuit are OK.
 NO >> Repair or replace harness.

AUTOMATIC DRIVE POSITIONER CONTROL UNIT : Special Repair Requirement

INFOID:000000004115542

1. PERFORM ADDITIONAL SERVICE

Perform additional service when removing battery negative terminal.

- >> Refer to Owner's Manual.

SLIDING SWITCH

< COMPONENT DIAGNOSIS >

SLIDING SWITCH

Description

INFOID:000000004115543

Sliding switch is equipped to the power seat switch LH on the seat cushion trim cover. The operation signal is input to the driver seat control unit when the sliding switch is operated.

Component Function Check

INFOID:000000004115544

1. CHECK FUNCTION

1. Select "SLIDE SW-FR", "SLIDE SW-RR" in "Data monitor" mode with CONSULT-III.
2. Check sliding switch signal under the following conditions.

Monitor item	Condition	Status
SLIDE SW-FR	Sliding switch (forward)	Operate ON
		Release OFF
SLIDE SW-RR	Sliding switch (backward)	Operate ON
		Release OFF

Is the indication normal?

YES >> Inspection End.

NO >> Perform diagnosis procedure. Refer to [ADP-45, "Diagnosis Procedure"](#).

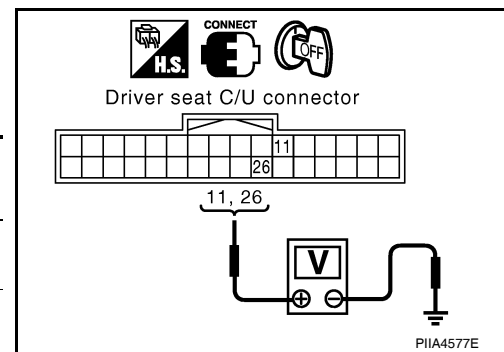
Diagnosis Procedure

INFOID:000000004115545

1. CHECK SLIDING SWITCH SIGNAL

1. Turn ignition switch OFF.
2. Check voltage between driver seat control unit harness connector and ground.

Driver seat control unit connector	Terminals		Condition	Voltage (V) (Approx.)
	(+)	(-)		
B202	11	Ground	Operate (backward)	0
			Release	Battery voltage
	26		Operate (forward)	0
			Release	Battery voltage



Is the inspection result normal?

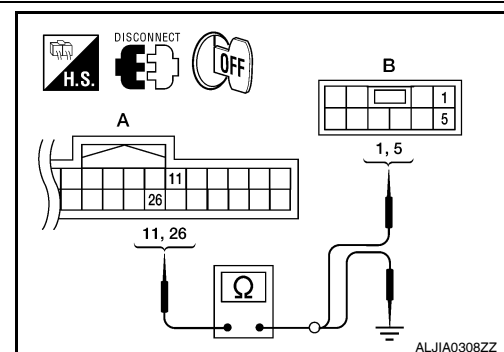
YES >> GO TO 5

NO >> GO TO 2

2. CHECK SLIDING SWITCH CIRCUIT

1. Disconnect driver seat control unit and power seat switch LH.
2. Check continuity between driver seat control unit harness connector and power seat switch LH harness connector.

Driver seat control unit connector	Terminal	Power seat switch LH connector	Terminal	Continuity
B202 (A)	11	B208 (B)	1	Yes
	26		5	



3. Check continuity between driver seat control unit harness connector and ground.

SLIDING SWITCH

< COMPONENT DIAGNOSIS >

Driver seat control unit connector	Terminal	Ground	Continuity
B202 (A)	11		Ground
	26		

Is the inspection result normal?

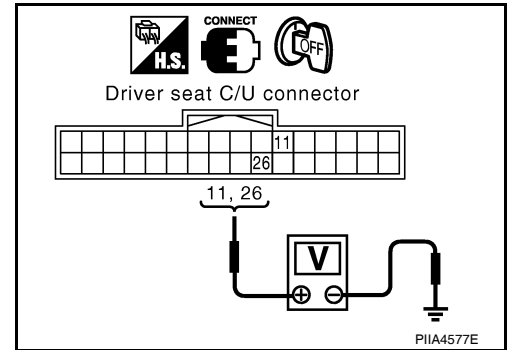
YES >> GO TO 3

NO >> Repair or replace harness.

3. CHECK DRIVER SEAT CONTROL UNIT OUTPUT

1. Connect the driver seat control unit.
2. Turn ignition switch ON.
3. Check voltage between driver seat control unit harness connector and ground.

Driver seat control unit connector	Terminals		Voltage (V) (Approx.)
	(+)	(-)	
B202	11	Ground	Battery voltage
	26		



Is the inspection result normal?

YES >> GO TO 4

NO >> Replace driver seat control unit. Refer to [ADP-152, "Removal and Installation"](#).

4. CHECK SLIDING SWITCH

Refer to [ADP-46, "Component Inspection"](#).

Is the inspection result normal?

YES >> GO TO 5

NO >> Replace power seat switch LH. Refer to [SE-43, "Disassembly and Assembly"](#).

5. CHECK INTERMITTENT INCIDENT

Refer to [GI-38, "Intermittent Incident"](#).

Is the inspection result normal?

YES >> Replace driver seat control unit. Refer to [ADP-152, "Removal and Installation"](#).

NO >> Repair or replace malfunctioning part.

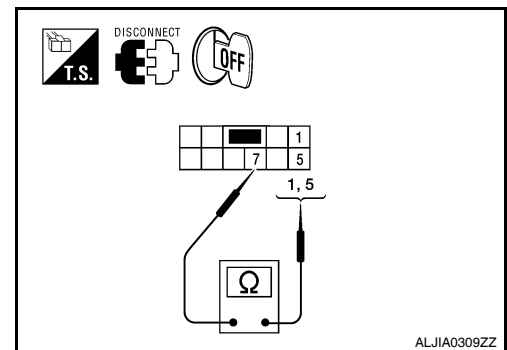
Component Inspection

INFOID:000000004115546

1. CHECK SLIDING SWITCH

1. Turn ignition switch OFF.
2. Disconnect power seat switch LH.
3. Check continuity between power seat switch LH terminals.

Terminal	Condition		Continuity
7	1	Sliding switch (backward)	Operate: Yes Release: No
		5	Sliding switch (forward)



Is the inspection result normal?

YES >> Inspection End.

NO >> Replace power seat switch LH. Refer to [SE-43, "Disassembly and Assembly"](#).

RECLINING SWITCH

< COMPONENT DIAGNOSIS >

RECLINING SWITCH

Description

INFOID:000000004115547

Reclining switch is equipped to the power seat switch LH on the seat cushion trim cover. The operation signal is input to the driver seat control unit when the reclining switch is operated.

Component Function Check

INFOID:000000004115548

1. CHECK FUNCTION

1. Select "RECLN SW-FR", "RECLN SW-RR" in "Data monitor" mode with CONSULT-III.
2. Check reclining switch signal under the following conditions.

Monitor item	Condition	Status	
RECLN SW-FR	Reclining switch (forward)	Operate	ON
		Release	OFF
RECLN SW-RR	Reclining switch (backward)	Operate	ON
		Release	OFF

Is the indication normal?

YES >> Inspection End.

NO >> Perform diagnosis procedure. Refer to [ADP-47, "Diagnosis Procedure"](#).

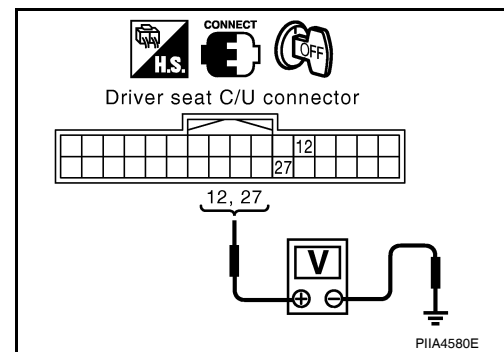
Diagnosis Procedure

INFOID:000000004115549

1. CHECK RECLINING SWITCH SIGNAL

1. Turn ignition switch OFF.
2. Check voltage between driver seat control unit harness connector and ground.

Driver seat control unit connector	Terminals		Condition	Voltage (V) (Approx.)
	(+)	(-)		
B202	12	Ground	Operate (backward)	0
			Release	Battery voltage
	27		Operate (forward)	0
			Release	Battery voltage



Is the inspection result normal?

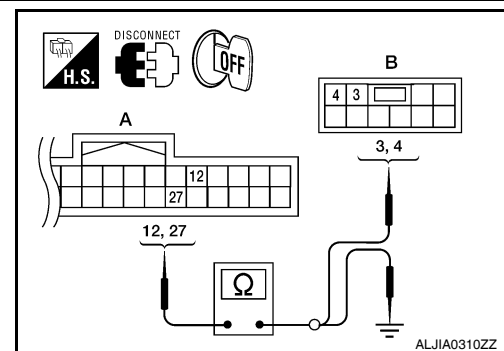
YES >> GO TO 5

NO >> GO TO 2

2. CHECK RECLINING SWITCH CIRCUIT

1. Disconnect driver seat control unit and power seat switch LH.
2. Check continuity between driver seat control unit harness connector and power seat switch LH harness connector.

Driver seat control unit connector	Terminal	Power seat switch LH connector	Terminal	Continuity
B202 (A)	12	B208 (B)	3	Yes
	27		4	



3. Check continuity between driver seat control unit harness connector and ground.

RECLINING SWITCH

< COMPONENT DIAGNOSIS >

Driver seat control unit connector	Terminal	Ground	Continuity
B202 (A)	12		
	27		

Is the inspection result normal?

YES >> GO TO 3

NO >> Repair or replace harness.

3. CHECK DRIVER SEAT CONTROL UNIT OUTPUT

1. Connect the driver seat control unit.
2. Turn ignition switch OFF.
3. Check voltage between driver seat control unit harness connector and ground.

Driver seat control unit connector	Terminals		Voltage (V) (Approx.)
	(+)	(-)	
B202	12	Ground	Battery voltage
	27		

Is the inspection result normal?

YES >> GO TO 4

NO >> Replace driver seat control unit. Refer to [ADP-152, "Removal and Installation"](#).

4. CHECK RECLINING SWITCH

Refer to [ADP-48, "Component Inspection"](#).

Is the inspection result normal?

YES >> GO TO 5

NO >> Replace power seat switch LH. Refer to [SE-43, "Disassembly and Assembly"](#).

5. CHECK INTERMITTENT INCIDENT

Refer to [GI-38, "Intermittent Incident"](#).

Is the inspection result normal?

YES >> Replace driver seat control unit. Refer to [ADP-152, "Removal and Installation"](#).

NO >> Repair or replace the malfunctioning part.

Component Inspection

INFOID:000000004115550

1. CHECK RECLINING SWITCH

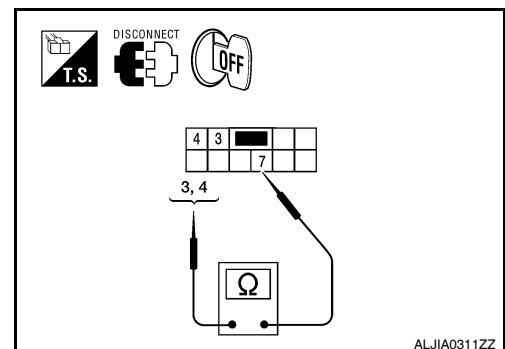
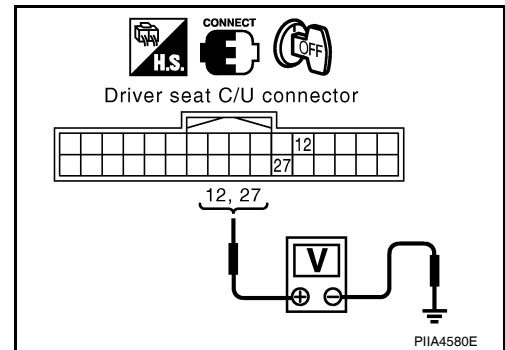
1. Turn ignition switch OFF.
2. Disconnect power seat switch LH.
3. Check continuity between power seat switch LH terminals.

Terminals		Condition		Continuity
Power seat switch LH				
7	3	Reclining switch (backward)	Operate	Yes
			Release	No
	4	Reclining switch (forward)	Operate	Yes
			Release	No

Is the inspection result normal?

YES >> Inspection End.

NO >> Replace power seat switch LH. Refer to [SE-43, "Disassembly and Assembly"](#).



LIFTING SWITCH (FRONT)

< COMPONENT DIAGNOSIS >

LIFTING SWITCH (FRONT)

Description

INFOID:000000004115551

Lifting switch (front) is equipped to the power seat switch LH on the seat cushion trim cover. The operation signal is input to the driver seat control unit when the lifting switch (front) is operated.

Component Function Check

INFOID:000000004115552

1. CHECK FUNCTION

1. Select "LIFT FR SW-UP", "LIFT FR SW-DN" in "DATA MONITOR" mode with CONSULT-III.
2. Check lifting switch (front) signal under the following conditions.

Monitor item	Condition	Status	
LIFT FR SW-UP	Lifting switch front (up)	Operate	ON
		Release	OFF
LIFT FR SW-DN	Lifting switch front (down)	Operate	ON
		Release	OFF

Is the indication normal?

YES >> Inspection End.

NO >> Perform diagnosis procedure. Refer to [ADP-49, "Diagnosis Procedure"](#).

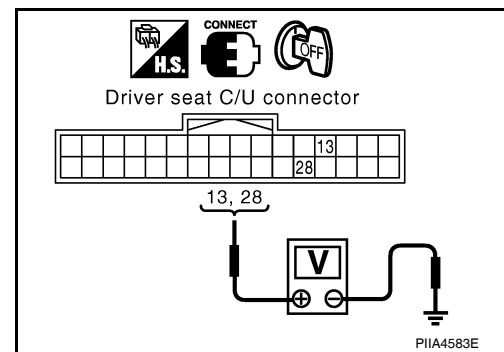
Diagnosis Procedure

INFOID:000000004115553

1. CHECK LIFTING SWITCH SIGNAL

1. Turn ignition switch OFF.
2. Check voltage between driver seat control unit harness connector and ground.

Driver seat control unit connector	Terminals		Condition	Voltage (V) (Approx.)
	(+)	(-)		
B202	13	Ground	Operate (down)	0V
			Release	Battery voltage
	28		Operate (up)	0V
			Release	Battery voltage



Is the inspection result normal?

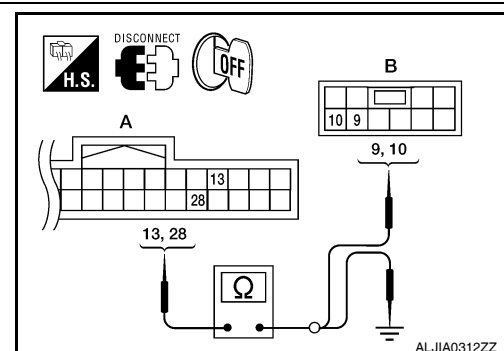
YES >> GO TO 5

NO >> GO TO 2

2. CHECK LIFTING SWITCH (FRONT) CIRCUIT

1. Disconnect driver seat control unit and power seat switch LH.
2. Check continuity between driver seat control unit harness connector and power seat switch LH harness connector.

Driver seat control unit connector	Terminal	Power seat switch LH connector	Terminal	Continuity
B202 (A)	13	B208 (B)	9	Yes
	28		10	



3. Check continuity between driver seat control unit harness connector and ground.

LIFTING SWITCH (FRONT)

< COMPONENT DIAGNOSIS >

Driver seat control unit connector	Terminal	Ground	Continuity
B202 (A)	13		Ground
	28		

Is the inspection result normal?

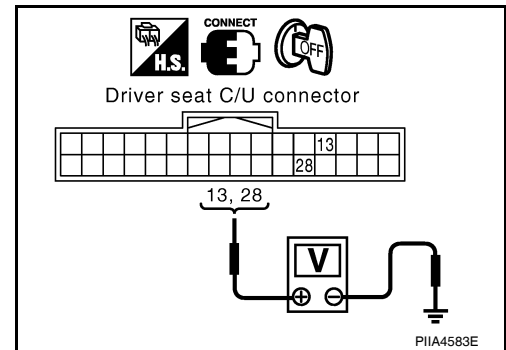
YES >> GO TO 3

NO >> Repair or replace harness.

3. CHECK DRIVER SEAT CONTROL UNIT OUTPUT

1. Connect the driver seat control unit.
2. Turn ignition switch OFF.
3. Check voltage between driver seat control unit harness connector and ground.

Driver seat control unit connector	Terminals		Voltage (V) (Approx.)
	(+)	(-)	
B202	13	Ground	Battery voltage
	28		



Is the inspection result normal?

YES >> GO TO 4

NO >> Replace driver seat control unit. Refer to [ADP-152, "Removal and Installation"](#).

4. CHECK LIFTING SWITCH (FRONT)

Refer to [ADP-50, "Component Inspection"](#).

Is the inspection result normal?

YES >> GO TO 5

NO >> Replace power seat switch LH. Refer to [SE-43, "Disassembly and Assembly"](#).

5. CHECK INTERMITTENT INCIDENT

Refer to [GI-38, "Intermittent Incident"](#).

Is the inspection result normal?

YES >> Replace driver seat control unit. Refer to [ADP-152, "Removal and Installation"](#).

NO >> Repair or replace the malfunctioning part.

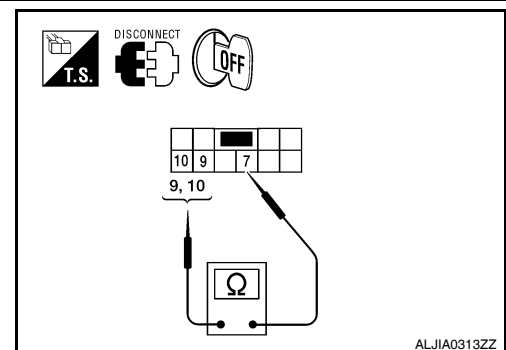
Component Inspection

INFOID:000000004115554

1. CHECK LIFTING SWITCH (FRONT)

1. Turn ignition switch OFF.
2. Disconnect power seat switch LH.
3. Check continuity between power seat switch LH terminals.

Terminal		Condition	Continuity
Power seat switch LH			
7	9	Lifting switch front (down)	Operate: Yes
		Release	No
	10	Lifting switch front (up)	Operate: Yes
		Release	No



Is the inspection result normal?

YES >> Inspection End.

NO >> Replace power seat switch LH. Refer to [SE-43, "Disassembly and Assembly"](#).

LIFTING SWITCH (REAR)

< COMPONENT DIAGNOSIS >

LIFTING SWITCH (REAR)

Description

INFOID:000000004115555

Lifting switch (rear) is equipped to the power seat switch LH on the seat cushion trim cover. The operation signal is inputted to the driver seat control unit when the lifting switch (rear) is operated.

Component Function Check

INFOID:000000004115556

1. CHECK FUNCTION

1. Select "LIFT RR SW-UP", "LIFT RR SW-DN" in "Data monitor" mode with CONSULT-III.
2. Check lifting switch (rear) signal under the following conditions.

Monitor item	Condition	Status	
LIFT RR SW-UP	Lifting switch rear (up)	Operate	ON
		Release	OFF
LIFT RR SW-DN	Lifting switch rear (down)	Operate	ON
		Release	OFF

Is the indication normal?

YES >> Inspection End.

NO >> Perform diagnosis procedure. Refer to [ADP-51, "Diagnosis Procedure"](#).

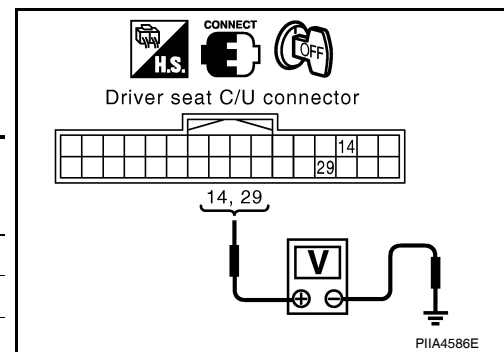
Diagnosis Procedure

INFOID:000000004115557

1. CHECK LIFTING SWITCH (REAR) SIGNAL

1. Turn ignition switch OFF.
2. Check voltage between driver seat control unit harness connector and ground.

Driver seat control unit connector	Terminals		Condition	Voltage (V) (Approx.)
	(+)	(-)		
B202	14	Ground	Operate (down)	0
			Release	Battery voltage
	29		Operate (up)	0
			Release	Battery voltage



Is the inspection result normal?

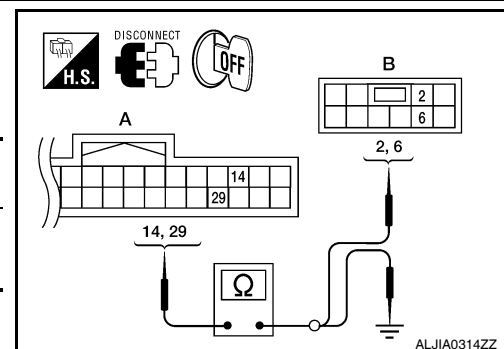
YES >> GO TO 5

NO >> GO TO 2

2. CHECK LIFTING SWITCH (REAR) CIRCUIT

1. Disconnect driver seat control unit and power seat switch LH.
2. Check continuity between driver seat control unit harness connector and power seat switch LH harness connector.

Driver seat control unit connector	Terminal	Power seat switch LH connector	Terminal	Continuity
B202 (A)	14	B208 (B)	2	Yes
	29		6	



3. Check continuity between driver seat control unit harness connector and ground.

LIFTING SWITCH (REAR)

< COMPONENT DIAGNOSIS >

Driver seat control unit connector	Terminal	Ground	Continuity
B202 (A)	14		Ground
	29		

Is the inspection result normal?

YES >> GO TO 3

NO >> Repair or replace harness.

3. CHECK DRIVER SEAT CONTROL UNIT OUTPUT

1. Connect the driver seat control unit.
2. Turn ignition switch OFF.
3. Check voltage between driver seat control unit harness connector and ground.

Driver seat control unit connector	Terminals		Voltage (V) (Approx.)
	(+)	(-)	
B202	14	Ground	Battery voltage
	29		

Is the inspection result normal?

YES >> GO TO 4

NO >> Replace driver seat control unit. Refer to [ADP-152, "Removal and Installation"](#).

4. CHECK LIFTING SWITCH (REAR)

Refer to [ADP-52, "Component Inspection"](#).

Is the inspection result normal?

YES >> GO TO 5

NO >> Replace power seat switch LH. Refer to [SE-43, "Disassembly and Assembly"](#).

5. CHECK INTERMITTENT INCIDENT

Refer to [GI-38, "Intermittent Incident"](#).

Is the inspection result normal?

YES >> Replace driver seat control unit. Refer to [ADP-152, "Removal and Installation"](#).

NO >> Repair or replace the malfunctioning part.

Component Inspection

INFOID:000000004115558

1. CHECK LIFTING SWITCH (REAR)

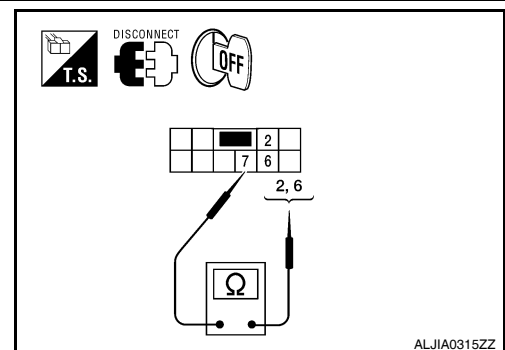
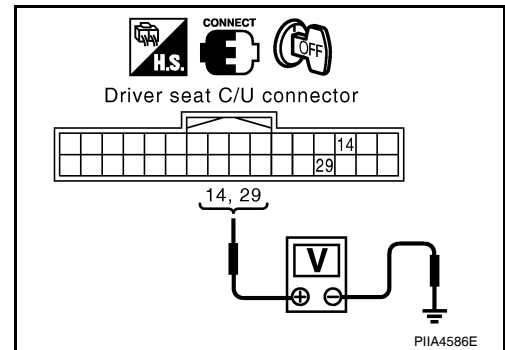
1. Turn ignition switch OFF.
2. Disconnect power seat switch LH.
3. Check continuity between power seat switch LH terminals.

Terminal		Condition	Continuity	
Power seat switch LH				
7	2	Lifting switch rear (down)	Operate	Yes
			Release	No
	6	Lifting switch rear (up)	Operate	Yes
			Release	No

Is the inspection result normal?

YES >> Inspection End.

NO >> Replace power seat switch LH. Refer to [SE-43, "Disassembly and Assembly"](#).



PEDAL ADJUSTING SWITCH

< COMPONENT DIAGNOSIS >

PEDAL ADJUSTING SWITCH

Description

INFOID:000000004115559

Pedal adjusting switch is on the instrument panel. The operation signal is input to the driver seat control unit when the pedal adjusting switch is operated. The pedal adjusting switch signal is sent to the automatic drive positioner control unit via UART communication.

Component Function Check

INFOID:000000004115560

1. CHECK FUNCTION

1. Select "PEDAL SW-FR", "PEDAL SW-RR" in "Data monitor" mode with CONSULT-III.
2. Check pedal adjusting switch signal under the following conditions.

Monitor item	Condition	Status	
PEDAL SW-FR	Pedal adjusting switch (forward)	Operate	ON
		Release	OFF
PEDAL SW-RR	Pedal adjusting switch (backward)	Operate	ON
		Release	OFF

Is the indication normal?

YES >> Inspection End.

NO >> Perform diagnosis procedure. Refer to [ADP-53. "Diagnosis Procedure"](#).

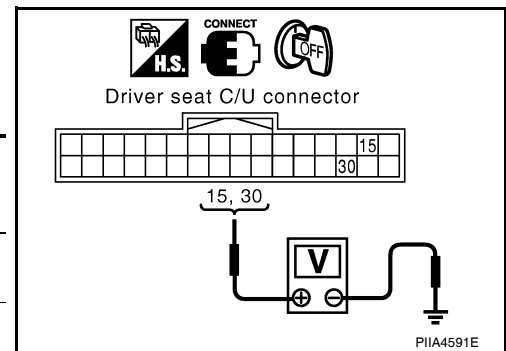
Diagnosis Procedure

INFOID:000000004115561

1. CHECK PEDAL ADJUSTING SWITCH SIGNAL

1. Turn ignition switch OFF.
2. Check voltage between driver seat control unit harness connector and ground.

Driver seat control unit connector	Terminals		Condition	Voltage (V) (Approx.)
	(+)	(-)		
B202	15	Ground	Operate (forward)	0
			Release	Battery voltage
	30		Operate (backward)	0
			Release	Battery voltage



Is the inspection result normal?

YES >> GO TO 5

NO >> GO TO 2

2. CHECK PEDAL ADJUSTING SWITCH CIRCUIT

PEDAL ADJUSTING SWITCH

< COMPONENT DIAGNOSIS >

1. Disconnect driver seat control unit and pedal adjusting switch.
2. Check continuity between driver seat control unit harness connector and pedal adjusting switch harness connector.

Driver seat control unit connector	Terminal	Pedal adjusting switch connector	Terminal	Continuity
B202	15	M96	2	Yes
	30		3	

3. Check continuity between driver seat control unit harness connector and ground.

Driver seat control unit connector	Terminal	Ground	Continuity
B202	15	Ground	No
	30		

Is the inspection result normal?

YES >> GO TO 3

NO >> Repair or replace harness.

3. CHECK DRIVER SEAT CONTROL UNIT OUTPUT

1. Connect the driver seat control unit.
2. Turn ignition switch OFF.
3. Check voltage between driver seat control unit harness connector and ground.

Driver seat control unit connector	Terminals		Voltage (V) (Approx.)
	(+)	(-)	
B202	15	Ground	Battery voltage
	30		

Is the inspection result normal?

YES >> GO TO 4

NO >> Replace driver seat control unit. Refer to [ADP-152, "Removal and Installation"](#).

4. CHECK PEDAL ADJUSTING SWITCH

Refer to [ADP-55, "Component Inspection"](#).

Is the inspection result normal?

YES >> GO TO 5

NO >> Replace pedal adjusting switch. Refer to [JP-10, "Exploded View"](#).

5. CHECK PEDAL ADJUSTING SWITCH GROUND CIRCUIT

Check continuity between pedal adjusting switch connector M96 terminal 1 and ground.

1 - Ground : Continuity should exist.

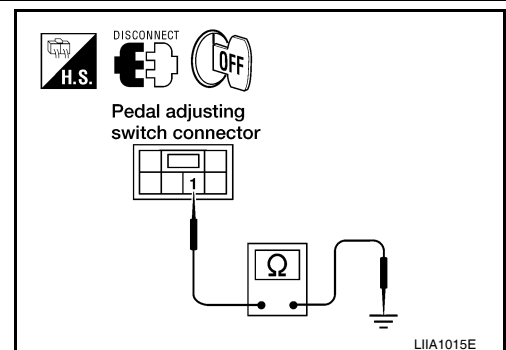
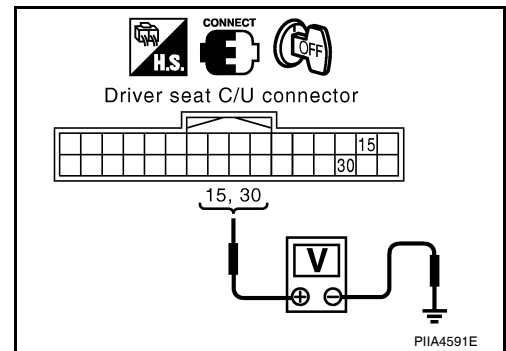
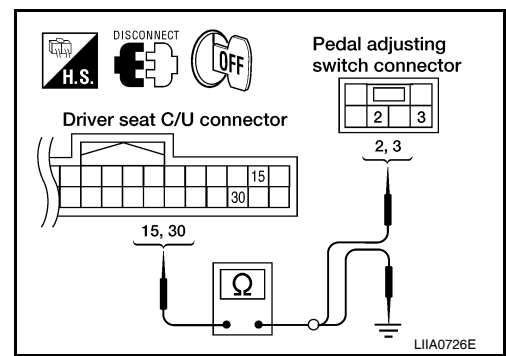
Is the inspection result normal?

YES >> GO TO 6

NO >> Repair or replace harness.

6. CHECK INTERMITTENT INCIDENT

Refer to [GI-38, "Intermittent Incident"](#).



PEDAL ADJUSTING SWITCH

< COMPONENT DIAGNOSIS >

Is the inspection result normal?

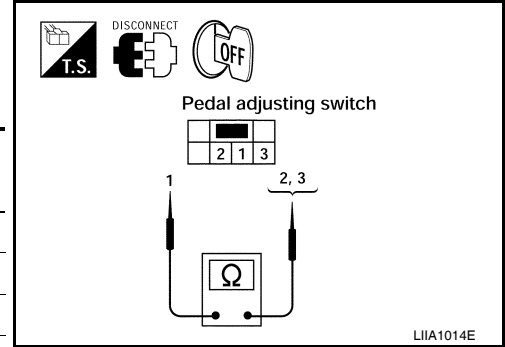
- YES >> Replace automatic drive positioner control unit. Refer to [ADP-153, "Removal and Installation"](#).
 NO >> Repair or replace the malfunctioning part.

Component Inspection

INFOID:000000004115562

1. CHECK PEDAL ADJUSTING SWITCH

1. Turn ignition switch OFF.
2. Disconnect pedal adjusting switch.
3. Check continuity between pedal adjusting switch terminals.



Terminal		Condition	Continuity	
Pedal adjusting switch				
1	2	Pedal adjusting switch (backward)	Operate	Yes
			Release	No
	3	Pedal adjusting switch (forward)	Operate	Yes
			Release	No

Is the inspection result normal?

- YES >> Inspection End.
 NO >> Replace pedal adjusting switch. Refer to [IP-10, "Exploded View"](#).

A
B
C
D
E
F
G
H
I
K
L
M
N
O
P

ADP

SEAT MEMORY SWITCH

< COMPONENT DIAGNOSIS >

SEAT MEMORY SWITCH

Description

INFOID:000000004115563

The seat memory switch is installed on the front door LH trim. The operation signal is input to the automatic drive positioner control unit when the memory switch is operated.

Component Function Check

INFOID:000000004115564

1. CHECK FUNCTION

1. Select "MEMORY SW 1", "MEMORY SW 2", "SET SW" in "Data monitor" mode with CONSULT-III.
2. Check seat memory switch signal under the following conditions.

Monitor item	Condition		Status
MEMORY SW1	Memory switch 1	Push	ON
		Release	OFF
MEMORY SW2	Memory switch 2	Push	ON
		Release	OFF
SET SW	Set switch	Push	ON
		Release	OFF

Is the indication normal?

YES >> Inspection End.

NO >> Perform diagnosis procedure. Refer to [ADP-56. "Diagnosis Procedure"](#).

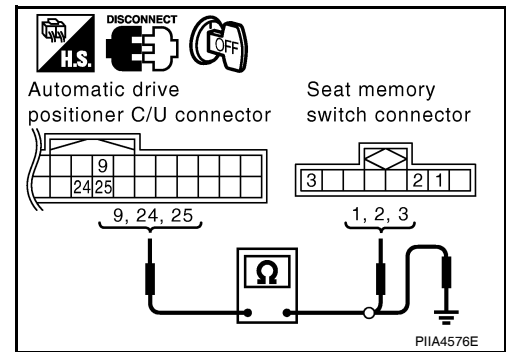
Diagnosis Procedure

INFOID:000000004115565

1. CHECK MEMORY SWITCH CIRCUIT

1. Turn ignition switch OFF.
2. Disconnect automatic drive positioner control unit and seat memory switch.
3. Check continuity between automatic drive positioner control unit harness connector and seat memory switch harness connector.

Automatic drive positioner control unit connector	Terminal	Seat memory switch connector	Terminal	Continuity
M33	9	D5	1	Yes
	24		3	
	25		2	



4. Check continuity between automatic drive positioner control unit harness connector and ground.

Automatic drive positioner control unit connector	Terminal	Ground	Continuity
M33	9	Ground	No
	24		
	25		

Is the inspection result normal?

YES >> GO TO 2

NO >> Repair or replace harness.

2. CHECK MEMORY SWITCH GROUND CIRCUIT

SEAT MEMORY SWITCH

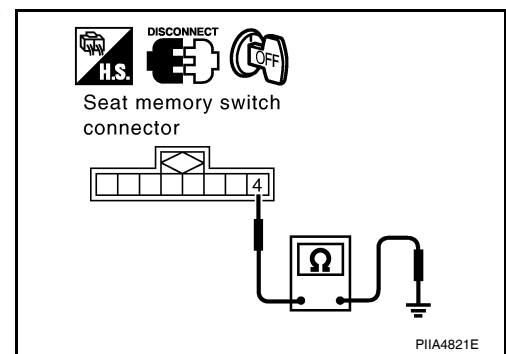
< COMPONENT DIAGNOSIS >

Check continuity between seat memory switch harness connector and ground.

Seat memory switch connector	Terminal	Ground	Continuity
D5	4		Yes

Is the inspection result normal?

- YES >> GO TO 3
- NO >> Repair or replace harness.



3. CHECK SEAT MEMORY SWITCH

Refer to [ADP-57, "Component Inspection"](#).

Is the inspection result normal?

- YES >> GO TO 4
- NO >> Replace seat memory switch. Refer to [ADP-154, "Removal and Installation"](#).

4. CHECK INTERMITTENT INCIDENT

Refer to [GI-38, "Intermittent Incident"](#).

Is the inspection result normal?

- YES >> Replace automatic drive positioner control unit. Refer to [ADP-153, "Removal and Installation"](#).
- NO >> Repair or replace the malfunctioning part.

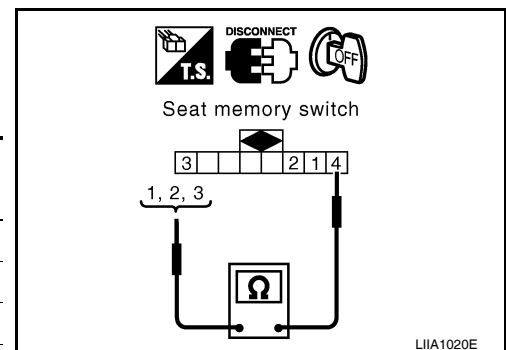
Component Inspection

INFOID:000000004115566

1. CHECK SEAT MEMORY SWITCH

1. Turn ignition switch OFF.
2. Disconnect seat memory switch.
3. Check continuity between seat memory switch terminals.

Terminal		Condition		Continuity
Seat memory switch				
4	1	Memory switch 1	Push	Yes
			Release	No
	2	Memory switch 2	Push	Yes
			Release	No
	3	Set switch	Push	Yes
			Release	No



Is the inspection result normal?

- YES >> Inspection End.
- NO >> Replace seat memory switch. Refer to [ADP-154, "Removal and Installation"](#).

DOOR MIRROR REMOTE CONTROL SWITCH

< COMPONENT DIAGNOSIS >

DOOR MIRROR REMOTE CONTROL SWITCH CHANGEOVER SWITCH

CHANGEOVER SWITCH : Description

INFOID:000000004115567

Changeover switch is integrated into door mirror remote control switch.
Changeover switch has three positions (L, N and R).
It changes door mirror motor operation by transmitting control signal to automatic drive positioner control unit.

CHANGEOVER SWITCH : Component Function Check

INFOID:000000004115568

1. CHECK CHANGEOVER SWITCH FUNCTION

Check the operation on "MIR CHNG SW-R" or "MIR CHNG SW-L" in "DATA MONITOR" mode with CONSULT-III.

Refer to [ADP-26, "CONSULT-III Function"](#).

Is the inspection result normal?

YES >> Changeover switch function is OK.

NO >> Refer to [ADP-58, "CHANGEOVER SWITCH : Diagnosis Procedure"](#).

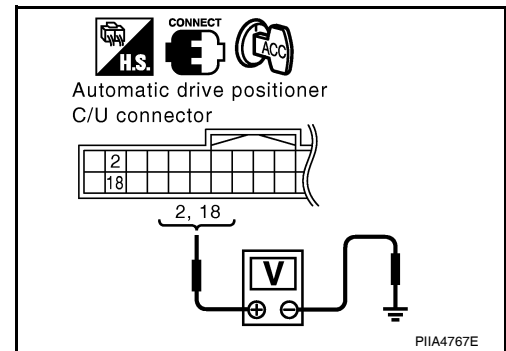
CHANGEOVER SWITCH : Diagnosis Procedure

INFOID:000000004115569

1. CHECK CHANGEOVER SWITCH SIGNAL

1. Turn ignition switch to ACC.
2. Check voltage between automatic drive positioner control unit connector and ground.

Terminals		(-)	Change over switch condition	Voltage (V) (Approx.)
(+)	Terminal			
Automatic drive positioner control unit connector				
M33	2	Ground	RIGHT	0
			Other than above	5
	18		LEFT	0
			Other than above	5



Is the inspection result normal?

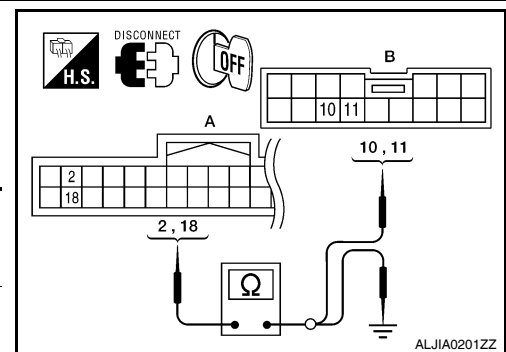
YES >> GO TO 6

NO >> GO TO 2

2. CHECK HARNESS CONTINUITY

1. Turn ignition switch OFF.
2. Disconnect automatic drive positioner control unit and door mirror remote control switch.
3. Check continuity between automatic drive positioner control unit connector and door mirror remote control switch connector.

Automatic drive positioner control unit connector	Terminal	Door mirror remote control switch connector	Terminal	Continuity
M33 (A)	2	D10 (B)	11	Yes
	18		10	



4. Check continuity between automatic drive positioner control unit connector and ground.

DOOR MIRROR REMOTE CONTROL SWITCH

< COMPONENT DIAGNOSIS >

Automatic drive positioner control unit connector	Terminal	Ground	Continuity
M33 (A)	2		Ground
	18		

Is the inspection result normal?

YES >> GO TO 3

NO >> Repair or replace harness.

3. CHECK DOOR MIRROR REMOTE CONTROL SWITCH GROUND CIRCUIT

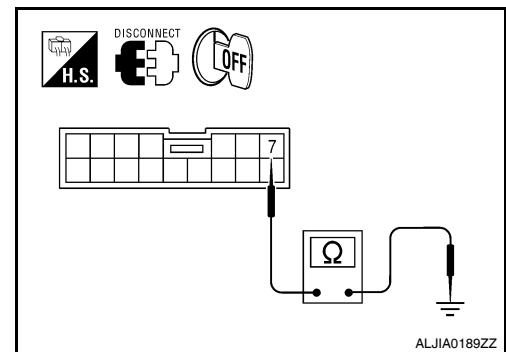
Check continuity between door mirror remote control switch connector and ground.

Door mirror remote control switch connector	Terminal	Ground	Continuity
D10	7		Ground

Is the inspection result normal?

YES >> GO TO 4

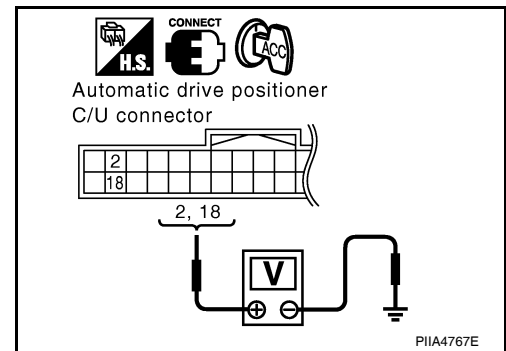
NO >> Repair or replace harness.



4. CHECK AUTOMATIC DRIVE POSITIONER CONTROL UNIT OUTPUT SIGNAL

1. Connect automatic drive positioner control unit.
2. Turn ignition switch to ACC.
3. Check voltage between automatic drive positioner control unit connector and ground.

Terminals		(-)	Voltage (V) (Approx.)
(+)	Terminal		
Automatic drive positioner control unit connector	2	Ground	5
	18		
M33			



Is the inspection result normal?

YES >> GO TO 5.

NO >> Replace automatic drive positioner control unit. Refer to [ADP-153, "Removal and Installation"](#).

5. CHECK CHANGEOVER SWITCH

Check changeover switch.

Refer to [ADP-59, "CHANGEOVER SWITCH : Component Inspection"](#).

Is the inspection result normal?

YES >> Refer to [GI-38, "Intermittent Incident"](#).

NO >> Replace door mirror remote control switch. Refer to [ADP-155, "Removal and Installation"](#).

6. CHECK INTERMITTENT INCIDENT

Check intermittent incident.

Refer to [GI-38, "Intermittent Incident"](#).

Is the inspection result normal?

YES >> Replace automatic drive positioner control unit. Refer to [ADP-153, "Removal and Installation"](#).

NO >> Repair or replace the malfunctioning parts.

CHANGEOVER SWITCH : Component Inspection

INFOID:000000004115570

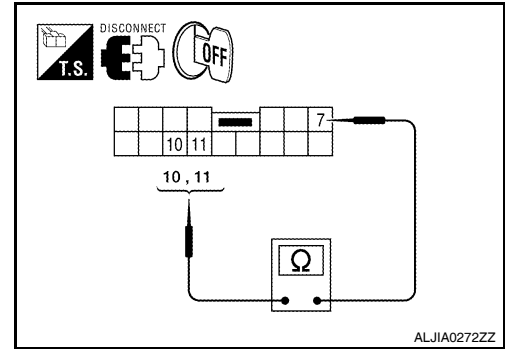
1. CHECK CHANGEOVER SWITCH

DOOR MIRROR REMOTE CONTROL SWITCH

< COMPONENT DIAGNOSIS >

Check door mirror remote control switch.

Terminal		Change over switch condition	Continuity
Door mirror remote control switch			
10	7	LEFT	Yes
		Other than above	No
11		RIGHT	Yes
		Other than above	No



Is the inspection result normal?

YES >> Inspection End.

NO >> Replace door mirror remote control switch. Refer to [ADP-155, "Removal and Installation"](#).

MIRROR SWITCH

MIRROR SWITCH : Description

INFOID:000000004115571

It operates angle of the door mirror face.

It transmits mirror face adjust operation to automatic drive positioner control unit.

MIRROR SWITCH : Component Function Check

INFOID:000000004115572

1. CHECK MIRROR SWITCH FUNCTION

Check the operation on "MIR CON SW-UP/DN" and "MIR CON SW-RH/LH" in "DATA MONITOR" mode with CONSULT-III.

Refer to [ADP-26, "CONSULT-III Function"](#).

Is the inspection result normal?

YES >> Mirror switch function is OK.

NO >> Refer to [ADP-60, "MIRROR SWITCH : Diagnosis Procedure"](#).

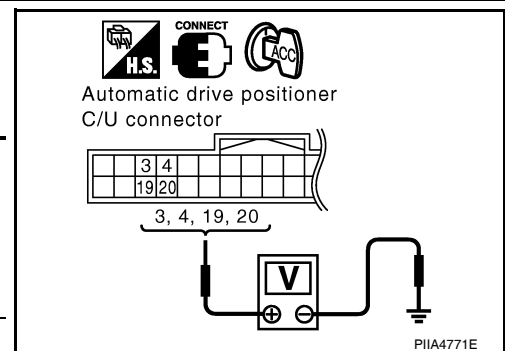
MIRROR SWITCH : Diagnosis Procedure

INFOID:000000004115573

1. CHECK MIRROR SWITCH FUNCTION

1. Turn ignition switch to ACC.
2. Check voltage between automatic drive positioner control unit connector and ground.

Terminals		Mirror switch Condition	Voltage (V) (Approx.)
(+)	(-)		
Automatic drive positioner control unit connector	Terminal		
M33	Ground	UP	0
		Other than above	5
		LEFT	0
		Other than above	5
	Ground	DOWN	0
		Other than above	5
		RIGHT	0
		Other than above	5



Is the inspection result normal?

YES >> GO TO 6

NO >> GO TO 2

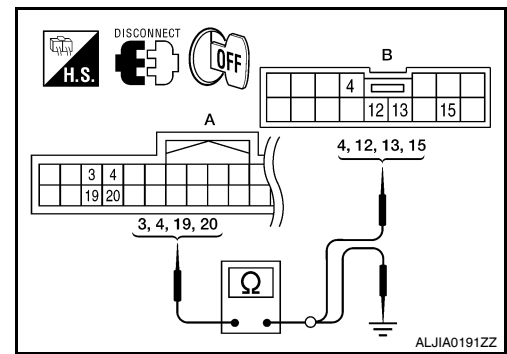
2. CHECK HARNESS CONTINUITY

DOOR MIRROR REMOTE CONTROL SWITCH

< COMPONENT DIAGNOSIS >

1. Turn ignition switch OFF.
2. Disconnect automatic drive positioner control unit and door mirror remote control switch.
3. Check continuity between automatic drive positioner control unit connector and door mirror remote control switch connector.

Automatic drive positioner control unit connector	Terminal	Door mirror remote control switch connector	Terminal	Continuity
M33 (A)	3	D10 (B)	15	Yes
	4		13	
	19		12	
	20		4	



4. Check continuity between automatic drive positioner control unit connector and ground.

Automatic drive positioner control unit connector	Terminal	Ground	Continuity
M33 (A)	3	Ground	No
	4		
	19		
	20		

Is the inspection result normal?

- YES >> GO TO 3
 NO >> Repair or replace harness.

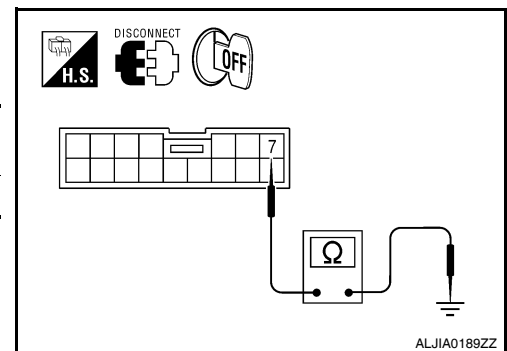
3. CHECK DOOR MIRROR REMOTE CONTROL SWITCH GROUND CIRCUIT

Check continuity between door mirror remote control switch connector and ground.

Door mirror remote control switch connector	Terminal	Ground	Continuity
D10	7	Ground	Yes

Is the inspection result normal?

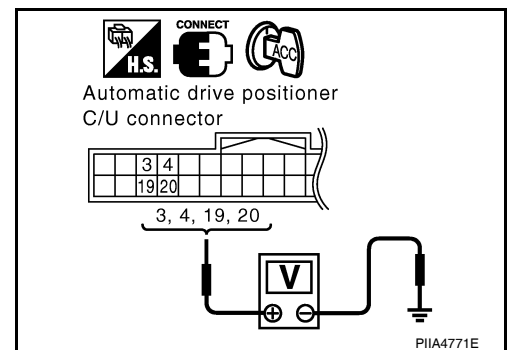
- YES >> GO TO 4
 NO >> Repair or replace harness.



4. CHECK AUTOMATIC DRIVE POSITIONER CONTROL UNIT OUTPUT SIGNAL

1. Connect automatic drive positioner control unit.
2. Turn ignition switch to ACC.
3. Check voltage between automatic drive positioner control unit and ground.

Terminals		(-)	Voltage (V) (Approx.)
(+)	Terminal		
Automatic drive positioner control unit connector	3	Ground	5
	4		
	19		
	20		



Is the inspection result normal?

DOOR MIRROR REMOTE CONTROL SWITCH

< COMPONENT DIAGNOSIS >

YES >> GO TO 5

NO >> Replace automatic drive positioner control unit. Refer to [ADP-153, "Removal and Installation"](#).

5. CHECK MIRROR SWITCH

Check mirror switch.

Refer to [ADP-62, "MIRROR SWITCH : Component Inspection"](#).

Is the inspection result normal?

YES >> Refer to [GI-38, "Intermittent Incident"](#).

NO >> Replace door mirror remote control switch. Refer to [ADP-155, "Removal and Installation"](#).

6. CHECK INTERMITTENT INCIDENT

Check intermittent incident.

Refer to [GI-38, "Intermittent Incident"](#).

Is the inspection result normal?

YES >> Replace automatic drive positioner control unit. Refer to [ADP-153, "Removal and Installation"](#).

NO >> Repair or replace the malfunctioning parts.

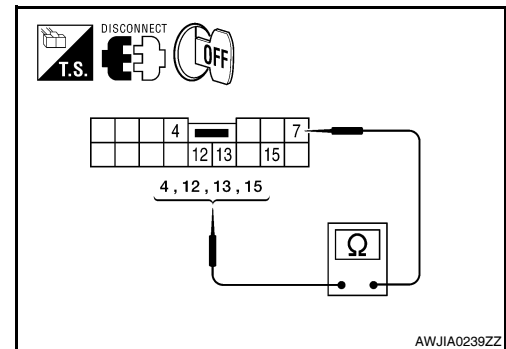
MIRROR SWITCH : Component Inspection

INFOID:000000004115574

1. CHECK MIRROR SWITCH

Check door mirror remote control switch.

Terminal		Mirror switch condition	Continuity
Door mirror remote control switch			
4	7	RIGHT	Yes
		Other than above	No
13		LEFT	Yes
		Other than above	No
15		UP	Yes
		Other than above	No
12	DOWN	Yes	
	Other than above	No	



Is the inspection result normal?

YES >> Inspection End.

NO >> Replace door mirror remote control switch. Refer to [ADP-155, "Removal and Installation"](#).

POWER SEAT SWITCH GROUND CIRCUIT

< COMPONENT DIAGNOSIS >

POWER SEAT SWITCH GROUND CIRCUIT

Diagnosis Procedure

INFOID:000000004115575

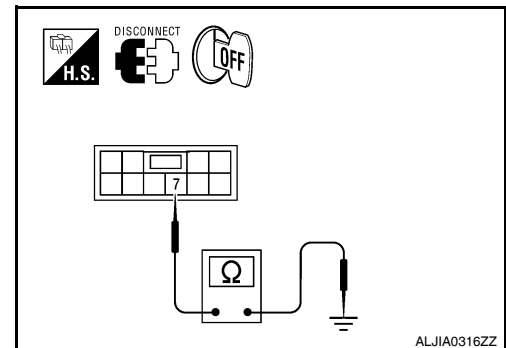
1. CHECK POWER SEAT SWITCH LH GROUND CIRCUIT

1. Turn ignition switch OFF.
2. Disconnect power seat switch LH.
3. Check continuity between power seat switch LH connector and ground.

Power seat switch LH connector	Terminal	Ground	Continuity
B208	7		Yes

Is the inspection result normal?

- YES >> Check intermittent incident. Refer to [GI-38. "Intermittent Incident"](#).
- NO >> Repair or replace harness.



A
B
C
D
E
F
G
H
I
K
L
M
N
O
P

ADP

DETENTION SWITCH

< COMPONENT DIAGNOSIS >

DETENTION SWITCH

Description

INFOID:000000004115576

Park position switch is installed on A/T device. It is turned OFF when the A/T selector lever is in P position. The driver seat control unit judges that the A/T selector lever is in P position if continuity does not exist in this circuit.

Component Function Check

INFOID:000000004115577

1. CHECK FUNCTION

1. Select "DETENT SW" signal in "Data monitor" mode with CONSULT-III.
2. Check park position switch signal under the following conditions.

Monitor item	Condition		Status
DETENT SW	A/T selector lever	P position	OFF
		Other than above	ON

Is the indication normal?

- YES >> Inspection End.
 NO >> Perform diagnosis procedure. Refer to [ADP-64, "Diagnosis Procedure"](#).

Diagnosis Procedure

INFOID:000000004115578

1. CHECK DTC WITH "BCM"

Check "Self Diagnostic Result" for BCM with CONSULT-III.

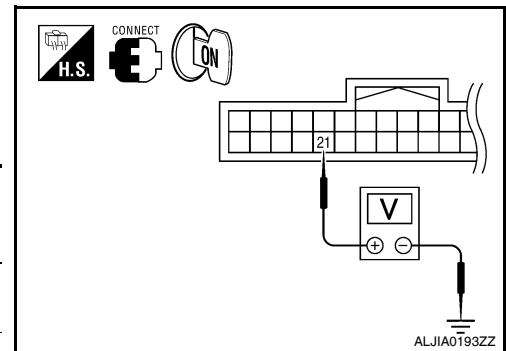
Is any other DTC detected?

- YES >> Check the DTC.
 NO >> GO TO 2

2. CHECK PARK POSITION SWITCH INPUT SIGNAL

1. Turn ignition switch ON.
2. Mechanical key must be removed from the key switch.
3. Check voltage between driver seat control unit harness connector and ground.

Driver seat control unit connector	Terminal		Condition	Voltage (V) (Approx.)
	(+)	(-)		
B202	21	Ground	P position	Battery voltage
			Other than above	0V



Is the inspection result normal?

- YES >> GO TO 4
 NO >> GO TO 3

3. CHECK PARK POSITION SWITCH CIRCUIT

DETENTION SWITCH

< COMPONENT DIAGNOSIS >

1. Turn ignition switch OFF.
2. Disconnect driver seat control unit and A/T device.
3. Check continuity between driver seat control unit harness connector (A) and A/T device harness connector (B).

A		B		Continuity
Connector	Terminal	Connector	Terminal	
B202	21	M203	6	Yes

4. Check continuity between driver seat control unit harness connector (A) and ground.

A		Ground	Continuity
Connector	Terminal		
B202	21		No

Is the inspection result normal?

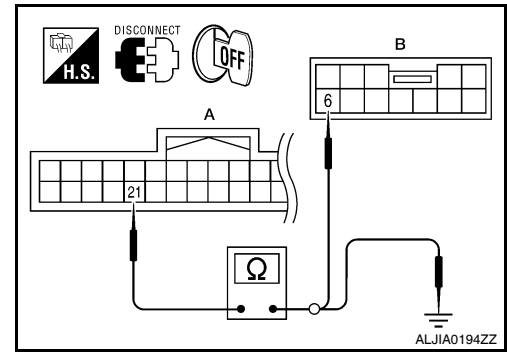
- YES >> GO TO 4
 NO >> Repair or replace harness.

4. CHECK INTERMITTENT INCIDENT

Refer to [GI-38. "Intermittent Incident"](#).

Is the inspection result normal?

- YES >> Replace driver seat control unit. Refer to [ADP-152. "Removal and Installation"](#).
 NO >> Repair or replace the malfunctioning part.



A
B
C
D
E
F
G
H
I
K
L
M
N
O
P

ADP

FRONT DOOR SWITCH (DRIVER SIDE)

< COMPONENT DIAGNOSIS >

FRONT DOOR SWITCH (DRIVER SIDE)

Description

INFOID:000000004115579

Detects front door LH open/close condition.

Component Function Check

INFOID:000000004115580

1. CHECK FUNCTION

1. Select "DOOR SW-DR" in "Data monitor" mode with CONSULT-III.
2. Check the front door switch LH signal under the following conditions.

Monitor item	Condition		Status
DOOR SW-DR	Front door switch LH	Open	ON
		Close	OFF

Is the inspection result normal?

YES >> Inspection End.

NO >> Perform diagnosis procedure. Refer to [ADP-66, "Diagnosis Procedure"](#).

Diagnosis Procedure

INFOID:000000004115581

1. CHECK FRONT DOOR SWITCH LH CIRCUIT

1. Disconnect BCM and front door switch LH.
2. Check continuity between BCM connector and front door switch LH connector.

BCM connector	Terminal	Front door switch LH connector	Terminal	Continuity
M19	47	B8	2	Yes

3. Check continuity between BCM connector and ground.

BCM connector	Terminal	Ground	Continuity
M19	47	Ground	No

Is the inspection result normal?

YES >> GO TO 2

NO >> Repair or replace harness.

2. CHECK FRONT DOOR SWITCH LH

Refer to [ADP-66, "Component Inspection"](#).

Is the inspection result normal?

YES >> GO TO 3

NO >> Replace front door switch LH.

3. CHECK INTERMITTENT INCIDENT

Refer to [GI-38, "Intermittent Incident"](#).

Is the inspection result normal?

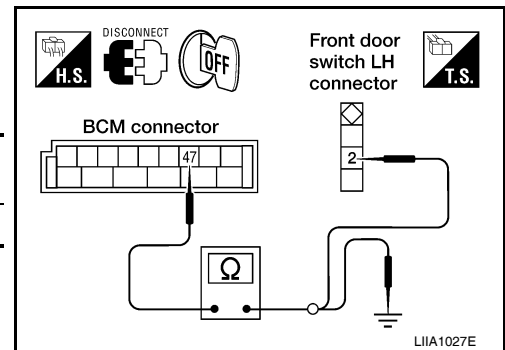
YES >> Replace BCM. Refer to [BCS-53, "Removal and Installation"](#).

NO >> Repair or replace the malfunctioning part.

Component Inspection

INFOID:000000004115582

1. CHECK FRONT DOOR SWITCH LH



FRONT DOOR SWITCH (DRIVER SIDE)

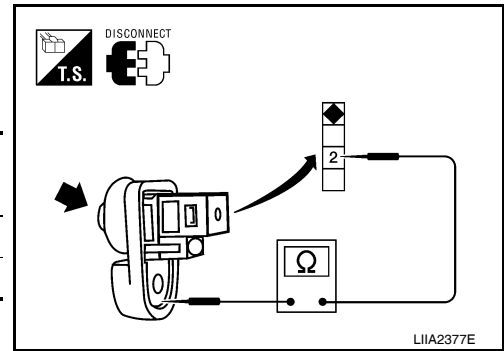
< COMPONENT DIAGNOSIS >

1. Turn ignition switch OFF.
2. Disconnect front door switch LH.
3. Check continuity between front door switch LH terminals.

Terminal		Condition		Continuity
Front door switch LH				
2	Ground part of door switch	Front door switch LH	Pushed	No
			Released	Yes

Is the inspection result normal?

- YES >> Inspection End.
 NO >> Replace front door switch LH.



A
B
C
D
E
F
G
H
I
K
L
M
N
O
P

ADP

SLIDING SENSOR

< COMPONENT DIAGNOSIS >

SLIDING SENSOR

Description

INFOID:000000004115583

- The sliding sensor is installed to the power seat frame assembly.
- The pulse signal is input to the driver seat control unit when sliding is performed.
- The driver seat control unit counts the pulse and calculates the sliding amount of the seat.

Component Function Check

INFOID:000000004115584

1. CHECK FUNCTION

1. Select "SLIDE PULSE" in "Data monitor" mode with CONSULT-III.
2. Check sliding sensor signal under the following conditions.

Monitor item	Condition		Valve
SLIDE PULSE	Seat sliding	Operate (forward)	Change (increase)
		Operate (backward)	Change (decrease)
		Release	No change

Is the indication normal?

YES >> Inspection End.

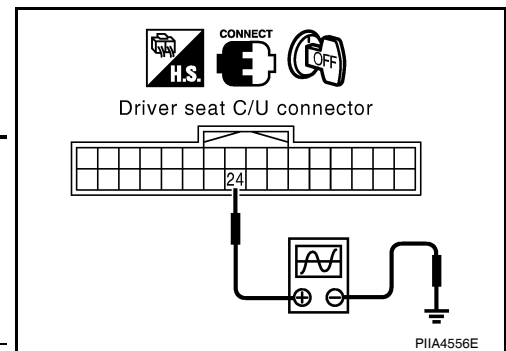
NO >> Perform diagnosis procedure. Refer to [ADP-68. "Diagnosis Procedure"](#).

Diagnosis Procedure

INFOID:000000004115585

1. CHECK SLIDING SENSOR SIGNAL

1. Turn ignition switch OFF.
2. Read voltage signal between driver seat control unit harness connector and ground with osilloscope.



Terminals		Condition	Voltage signal
(+)	(-)		
Driver's seat control unit	Terminal		
B202	24	Seat sliding	<p>PIIA3277E</p>
		Other than above	0 or 5

Is the inspection result normal?

YES >> GO TO 4

NO >> GO TO 2

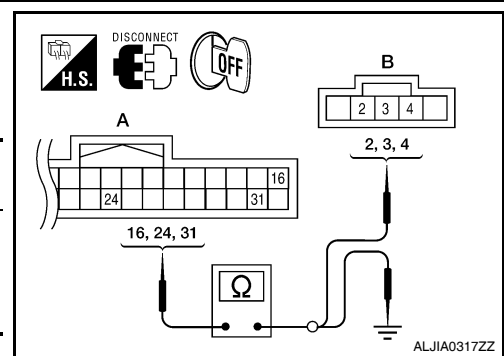
2. CHECK SLIDING SENSOR CIRCUITS

SLIDING SENSOR

< COMPONENT DIAGNOSIS >

1. Disconnect driver seat control unit and sliding motor LH.
2. Check continuity between driver seat control unit harness connector and sliding motor LH harness connector.

Driver seat control unit connector	Terminal	Sliding motor LH connector	Terminal	Continuity
B202 (A)	16	B204 (B)	3	Yes
	24		4	
	31		2	



3. Check continuity between driver seat control unit harness connector and ground.

Driver seat control unit connector	Terminal	Ground	Continuity
B202 (A)	16	Ground	No
	24		
	31		

Is the inspection result normal?

- YES >> GO TO 3
 NO >> Repair or replace harness.

3. CHECK SEAT OPERATION

1. Connect driver seat control unit and sliding motor LH.
2. Check seat operation (except sliding operation) with memory function.

Is the inspection result normal?

- YES >> Replace sliding motor LH. (Built in power seat frame assembly). Refer to [SE-43. "Disassembly and Assembly"](#).
 NO >> Replace driver seat control unit. Refer to [ADP-152. "Removal and Installation"](#).

4. CHECK INTERMITTENT INCIDENT

Refer to [GI-38. "Intermittent Incident"](#).

Is the inspection result normal?

- YES >> Replace driver seat control unit. Refer to [ADP-152. "Removal and Installation"](#).
 NO >> Repair or replace the malfunctioning part.

RECLINING SENSOR

< COMPONENT DIAGNOSIS >

RECLINING SENSOR

Description

INFOID:000000004115586

- The reclining motor is installed to the seatback assembly.
- The pulse signal is inputted to the driver seat control unit when the reclining is operated.
- The driver seat control unit counts the pulse and calculates the reclining amount of the seat.

Component Function Check

INFOID:000000004115587

1. CHECK FUNCTION

1. Select "RECLN PULSE" in "Data monitor" mode with CONSULT-III.
2. Check reclining sensor signal under the following conditions.

Monitor item	Condition		Value
RECLN PULSE	Seat reclining	Operate (forward)	Change (increase)
		Operate (backward)	Change (decrease)
		Release	No change

Is the indication normal?

YES >> Inspection End.

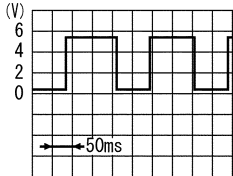
NO >> Perform diagnosis procedure. Refer to [ADP-70. "Diagnosis Procedure"](#).

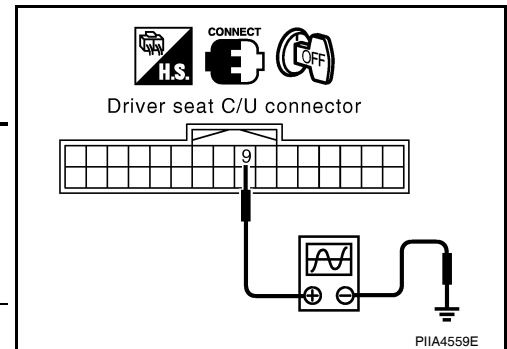
Diagnosis Procedure

INFOID:000000004115588

1. CHECK RECLINING SENSOR SIGNAL

1. Turn ignition switch OFF.
2. Read voltage signal between driver seat control unit harness connector and ground with oscilloscope.

Terminals			Condition	Voltage signal
(+)		(-)		
Driver seat control unit	Terminal			
B202	9	Ground	Seat reclining	 <p style="text-align: right;">S1IA0692J</p>
			Other than above	0 or 5



Is the inspection result normal?

YES >> GO TO 4

NO >> GO TO 2

2. CHECK RECLINING SENSOR CIRCUIT

RECLINING SENSOR

< COMPONENT DIAGNOSIS >

1. Disconnect driver seat control unit and reclining motor LH.
2. Check continuity between driver seat control unit harness connector and reclining motor LH harness connector.

Driver seat control unit connector	Terminal	Reclining motor connector	Terminal	Continuity
B202 (A)	9	B205 (B)	1	Yes
	31		4	

3. Check continuity between driver seat control unit harness connector and ground.

Driver seat control unit connector	Terminal	Ground	Continuity
B202 (A)	9	Ground	No
	31		

Is the inspection result normal?

- YES >> GO TO 3
 NO >> Repair or replace harness.

3. CHECK SEAT OPERATION

1. Connect driver seat control unit and reclining motor LH connector.
2. Check seat operation (except reclining operation) with memory function.

Is the operation normal?

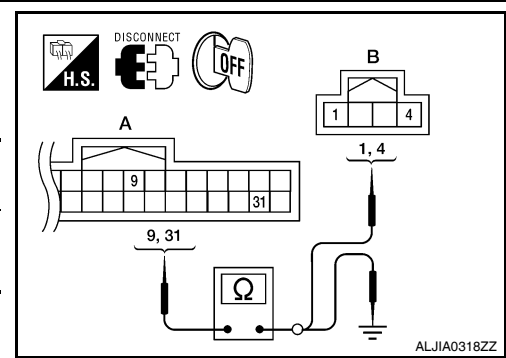
- YES >> Replace reclining motor LH. (Built in power seat frame assembly). Refer to [SE-43. "Disassembly and Assembly"](#).
 NO >> Replace driver seat control unit. Refer to [ADP-152. "Removal and Installation"](#).

4. CHECK INTERMITTENT INCIDENT

Refer to [GI-38. "Intermittent Incident"](#).

Is the inspection result normal?

- YES >> Replace driver seat control unit. Refer to [ADP-152. "Removal and Installation"](#).
 NO >> Repair or replace the malfunctioning part.



A
B
C
D
E
F
G
H
I
K
L
M
N
O
P

ADP

LIFTING SENSOR (FRONT)

< COMPONENT DIAGNOSIS >

LIFTING SENSOR (FRONT)

Description

INFOID:000000004115589

- The lifting sensor (front) is installed to the power seat frame assembly.
- The pulse signal is input to the driver seat control unit when the lifting (front) is operated.
- The driver seat control unit counts the pulse and calculates the lifting (front) amount of the seat.

Component Function Check

INFOID:000000004115590

1. CHECK FUNCTION

1. Select "LIFT FR PULSE" in "Data monitor" mode with CONSULT-III.
2. Check the lifting sensor (front) signal under the following conditions.

Monitor item	Condition		Value
LIFT FR PULSE	Seat lifting (front)	Operate (up)	Change (increase)
		Operate (down)	Change (decrease)
		Release	No change

Is the indication normal?

YES >> Inspection End.

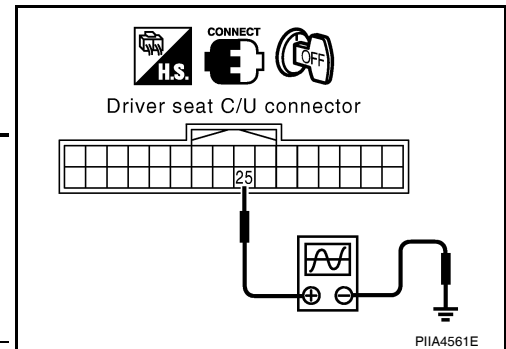
NO >> Perform diagnosis procedure. Refer to [ADP-72. "Diagnosis Procedure"](#).

Diagnosis Procedure

INFOID:000000004115591

1. CHECK LIFTING SENSOR (FRONT) SIGNAL

1. Turn ignition switch OFF.
2. Read the voltage signal between driver seat control unit harness connector and ground with an oscilloscope.



Terminals		(-)	Condition	Voltage signal
(+)	Terminal			
Driver seat control unit connector				
B202	25	Ground	Seat lifting (front)	<p>SIIA0691J</p>
			Other than above	0 or 5

Is the inspection result normal?

YES >> GO TO 4

NO >> GO TO 2

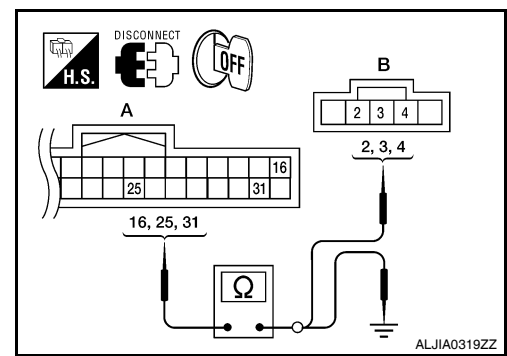
2. CHECK LIFTING SENSOR (FRONT) CIRCUIT

LIFTING SENSOR (FRONT)

< COMPONENT DIAGNOSIS >

1. Disconnect driver seat control unit and lifting motor (front).
2. Check continuity between driver seat control unit harness connector and lifting motor (front) harness connector.

Driver seat control unit connector	Terminal	Lifting motor (front) connector	Terminal	Continuity
B202 (A)	16	B206 (B)	3	Yes
	25		4	
	31		2	



3. Check continuity between driver seat control unit harness connector and ground.

Driver seat control unit connector	Terminal		Continuity
B202 (A)	16	Ground	No
	25		
	31		

Is the inspection result normal?

YES >> GO TO 3

NO >> Repair or replace harness.

3. CHECK SEAT OPERATION

1. Connect driver seat control unit and lifting motor (front) connector.
2. Check seat operation [except lifting (front) operation] with memory function.

Is the operation normal?

YES >> Replace lifting motor (front). (Built in power seat frame assembly). Refer to [SE-43. "Disassembly and Assembly"](#).

NO >> Replace driver seat control unit. Refer to [ADP-152. "Removal and Installation"](#).

4. CHECK INTERMITTENT INCIDENT

Refer to [GI-38. "Intermittent Incident"](#).

Is the inspection result normal?

YES >> Replace driver seat control unit. Refer to [ADP-152. "Removal and Installation"](#).

NO >> Repair or replace the malfunctioning part.

LIFTING SENSOR (REAR)

< COMPONENT DIAGNOSIS >

LIFTING SENSOR (REAR)

Description

INFOID:000000004115592

- The lifting sensor (rear) is installed to the power seat frame assembly.
- The pulse signal is input to the driver seat control unit when the lifting (rear) is operated.
- The driver seat control unit counts the pulse and calculates the lifting (rear) amount of the seat.

Component Function Check

INFOID:000000004115593

1. CHECK FUNCTION

1. Select "LIFT RR PULSE" in "Data monitor" mode with CONSULT-III.
2. Check lifting sensor (rear) signal under the following conditions.

Monitor item	Condition		Value
LIFT RR PULSE	Seat lifting (rear)	Operate (up)	Change (increase)
		Operate (down)	Change (decrease)
		Release	No change

Is the indication normal?

YES >> Inspection End.

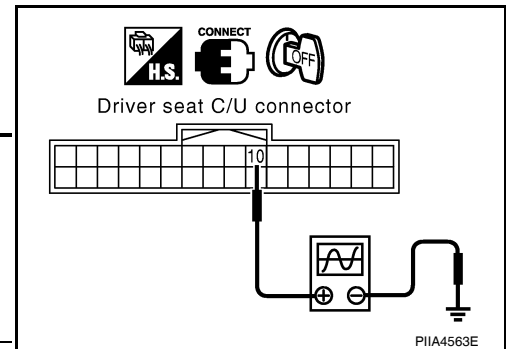
NO >> Perform diagnosis procedure. Refer to [ADP-74. "Diagnosis Procedure"](#).

Diagnosis Procedure

INFOID:000000004115594

1. CHECK LIFTING SENSOR (REAR) SIGNAL

1. Turn ignition switch OFF.
2. Read voltage signal between driver seat control unit harness connector and ground with oscilloscope.



Terminals		(-)	Condition	Voltage signal
(+)	Terminal			
Driver seat control unit connector				
B202	10	Ground	Seat lifting (rear)	<p>SIIA0693J</p>
			Other than above	0 or 5

Is the inspection result normal?

YES >> GO TO 4

NO >> GO TO 2

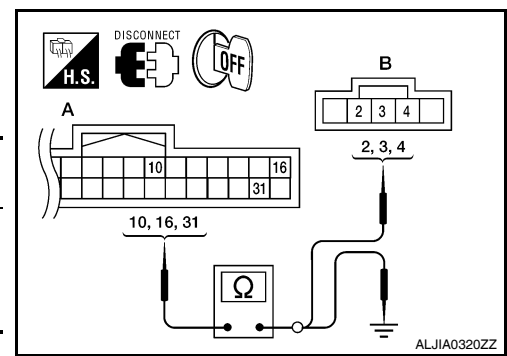
2. CHECK LIFTING SENSOR (REAR) CIRCUIT

LIFTING SENSOR (REAR)

< COMPONENT DIAGNOSIS >

1. Disconnect driver seat control unit and lifting motor (rear).
2. Check the continuity between driver seat control unit harness connector and lifting motor (rear) harness connector.

Driver seat control unit connector	Terminal	Lifting motor (rear) connector	Terminal	Continuity
B202 (A)	10	B207 (B)	4	Yes
	16		3	
	31		2	



3. Check the continuity between driver seat control unit harness connector and ground.

Driver seat control unit connector	Terminal	Ground	Continuity
B202 (A)	10	Ground	No
	16		
	31		

Is the inspection result normal?

- YES >> GO TO 3
 NO >> Repair or replace harness.

3. CHECK SEAT OPERATION

1. Connect driver seat control unit and lifting motor (rear) connector.
2. Check the seat operation [except lifting (rear) operation] with memory function.

Is the operation normal?

- YES >> Replace lifting motor (rear). (Built in power seat frame assembly). Refer to [SE-43. "Disassembly and Assembly"](#).
 NO >> Replace driver seat control unit. Refer to [ADP-152. "Removal and Installation"](#).

4. CHECK INTERMITTENT INCIDENT

Refer to [GI-38. "Intermittent Incident"](#).

Is the inspection result normal?

- YES >> Replace driver seat control unit. Refer to [ADP-152. "Removal and Installation"](#).
 NO >> Repair or replace the malfunctioning part.

PEDAL ADJUSTING SENSOR

< COMPONENT DIAGNOSIS >

PEDAL ADJUSTING SENSOR

Description

INFOID:000000004115595

- The pedal adjusting sensor is installed to the pedal adjusting motor assembly.
- The resistance of pedal adjusting sensor is changed according to the forward/backward position of pedal assembly.
- The terminal voltage of automatic drive positioner control unit will be changed according to a change of pedal adjusting sensor resistance. Automatic drive positioner control unit calculates the pedal assembly position from the voltage.

Component Function Check

INFOID:000000004115596

1. CHECK FUNCTION

1. Select "PEDAL SEN" in "Data monitor" mode with CONSULT-III.
2. Check the pedal sensor signal under the following condition.

Monitor item	Condition		Value
PEDAL SEN	Pedal position	Forward	0.5V
		Backward	4.5V

Is the indication normal?

YES >> Inspection End.

NO >> Perform diagnosis procedure. Refer to [ADP-76, "Diagnosis Procedure"](#).

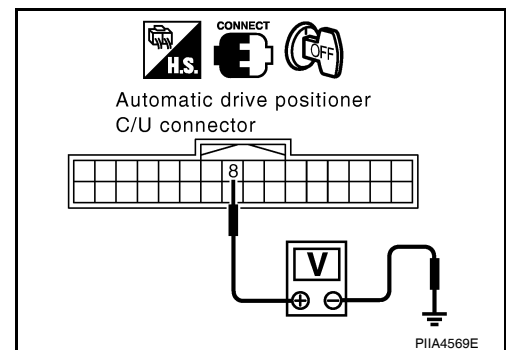
Diagnosis Procedure

INFOID:000000004115597

1. CHECK PEDAL ADJUSTING SENSOR SIGNAL

1. Turn ignition switch OFF.
2. Check voltage between automatic drive positioner control unit harness connector and ground.

Terminal (+)		Terminal (-)	Condition	Voltage (V) (Approx.)
Automatic drive positioner control unit	Terminal			
M33	8	Ground	Pedal assembly position	Forward 0.5 Backward 4.5



Is the inspection result normal?

YES >> GO TO 4

NO >> GO TO 2

2. CHECK PEDAL ADJUSTING SENSOR CIRCUIT

PEDAL ADJUSTING SENSOR

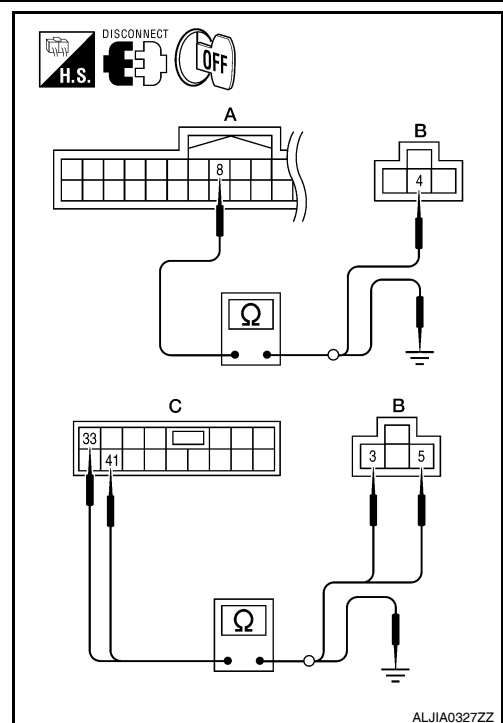
< COMPONENT DIAGNOSIS >

1. Disconnect automatic drive positioner control unit and pedal adjusting motor assembly.
2. Check continuity between automatic drive positioner control unit harness connector and pedal adjusting motor assembly harness connector.

Automatic drive positioner control unit connector	Terminal	Pedal adjusting motor assembly connector	Terminal	Continuity
M33 (A)	8	E110 (B)	4	Yes
M34 (C)	33		3	
	41		5	

3. Check continuity between automatic drive positioner control unit harness connector and ground.

Automatic drive positioner control unit connector	Terminal	Ground	Continuity
M33 (A)	8	Ground	No
M34 (C)	33		
	41		



Is the inspection result normal?

YES >> GO TO 3

NO >> Repair or replace harness.

3. CHECK DOOR MIRROR OPERATION

1. Connect automatic drive positioner control unit and pedal adjusting motor assembly.
2. Turn ignition switch ON.
3. Check door mirror operation with memory function.

Is the operation normal?

YES >> Replace pedal adjusting motor assembly. Refer to [ADP-156, "Removal and Installation"](#).

NO >> Replace automatic drive positioner control unit. Refer to [ADP-153, "Removal and Installation"](#).

4. CHECK INTERMITTENT INCIDENT

Refer to [GI-38, "Intermittent Incident"](#).

Is the inspection result normal?

YES >> Replace automatic drive positioner control unit. Refer to [ADP-153, "Removal and Installation"](#).

NO >> Repair or replace the malfunctioning part.

MIRROR SENSOR

< COMPONENT DIAGNOSIS >

MIRROR SENSOR DRIVER SIDE

DRIVER SIDE : Description

INFOID:000000004115598

- The mirror sensor LH is installed to the door mirror LH.
- The resistance of 2 sensors (horizontal and vertical) is changed when the door mirror LH is operated.
- Automatic drive positioner control unit calculates the door mirror position according to the change of the voltage of 2 sensor input terminals.

DRIVER SIDE : Component Function Check

INFOID:000000004115599

1. CHECK FUNCTION

1. Select "MIR/SEN LH U-D", "MIR/SEN LH R-L" in "Data monitor" with CONSULT-III.
2. Check mirror sensor (driver side) signal under the following condition.

Monitor item	Condition		Value
MIR/SEN LH U-D	Door mirror LH	Close to peak	3.4V
		Close to valley	0.6V
MIR/SEN LH R-L		Close to right edge	3.4V
		Close to left edge	0.6V

Is the indication normal?

YES >> Inspection End.

NO >> Perform diagnosis procedure. Refer to [ADP-78, "DRIVER SIDE : Diagnosis Procedure"](#).

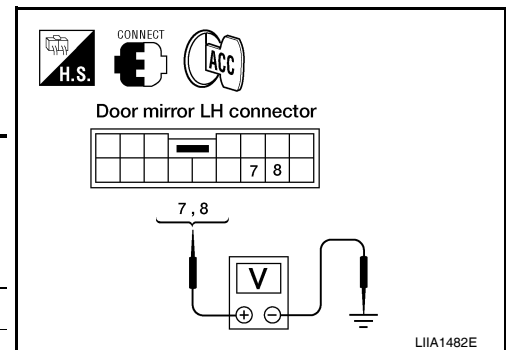
DRIVER SIDE : Diagnosis Procedure

INFOID:000000004115600

1. CHECK DOOR MIRROR LH SENSOR SIGNAL

1. Turn ignition switch to ACC.
2. Check voltage between door mirror LH harness connector and ground.

Terminals		(-)	Condition	Voltage (V) (Approx.)	
(+)	Terminal				
Door mirror LH connector	7	Ground	Door mirror LH	Close to peak	3.4
	D4			8	Close to valley
Close to right edge					3.4
				Close to left edge	0.6



Is the inspection result normal?

YES >> GO TO 5.

NO >> GO TO 2.

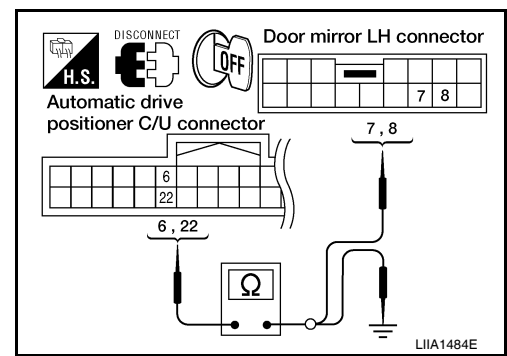
2. CHECK DOOR MIRROR LH SENSOR CIRCUIT 1

MIRROR SENSOR

< COMPONENT DIAGNOSIS >

1. Turn ignition switch OFF.
2. Disconnect automatic drive positioner control unit and door mirror LH connector.
3. Check continuity between automatic drive positioner control unit harness connector and door mirror LH harness connector.

Automatic drive positioner control unit connector	Terminal	Door mirror LH connector	Terminal	Continuity
M33	6	D4	7	Yes
	22		8	



4. Check continuity between automatic drive positioner control unit harness connector and ground.

Automatic drive positioner control unit connector	Terminal	Ground	Continuity
M33	6	Ground	No
	22		

Is the inspection result normal?

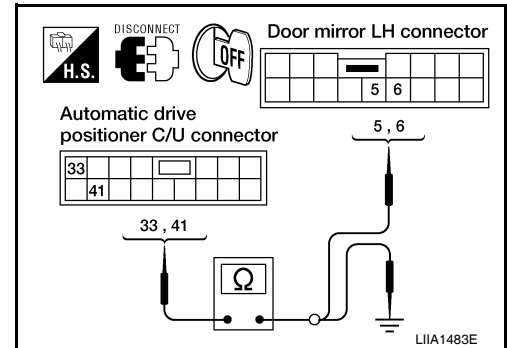
YES >> GO TO 3.

NO >> Repair or replace harness.

3. CHECK DOOR MIRROR LH SENSOR CIRCUIT 2

1. Check continuity between automatic drive positioner control unit harness connector and door mirror LH harness connector.

Automatic drive positioner control unit connector	Terminal	Door mirror LH connector	Terminal	Continuity
M34	33	D4	5	Yes
	41		6	



2. Check continuity between automatic drive positioner control unit harness connector and ground.

Automatic drive positioner control unit connector	Terminal	Ground	Continuity
M34	33	Ground	No
	41		

Is the inspection result normal?

YES >> GO TO 4.

NO >> Repair or replace harness.

4. CHECK PEDAL ADJUSTING OPERATION

1. Connect driver seat control unit connector and door mirror LH connector.
2. Turn ignition switch ON.
3. Check pedal adjusting operation with memory function.

Is the operation normal?

YES >> Replace door mirror actuator LH. Refer to [MIR-17. "Mirror Actuator"](#).

NO >> Replace automatic drive positioner control unit. Refer to [ADP-153. "Removal and Installation"](#).

5. CHECK INTERMITTENT INCIDENT

Refer to [GI-38. "Intermittent Incident"](#).

Is the inspection result normal?

YES >> Replace automatic drive positioner control unit. Refer to [ADP-153. "Removal and Installation"](#).

NO >> Repair or replace the malfunctioning part.

MIRROR SENSOR

< COMPONENT DIAGNOSIS >

PASSENGER SIDE

PASSENGER SIDE : Description

INFOID:000000004115601

- The mirror sensor RH is installed to the door mirror RH.
- The resistance of 2 sensors (horizontal and vertical) is changed when the door mirror RH is operated.
- Automatic drive positioner control unit calculates the door mirror position according to the change of the voltage of 2 sensor input terminals.

PASSENGER SIDE : Component Function Check

INFOID:000000004115602

1. CHECK FUNCTION

1. Select "MIR/SEN RH U-D", "MIR/SEN RH R-L" in "Data monitor" with CONSULT-III.
2. Check the mirror sensor RH signal under the following conditions.

Monitor item	Condition	Value
MIR/SEN RH U-D	Close to peak	3.4V
	Close to valley	0.6V
MIR/SEN RH R-L	Close to right edge	3.4V
	Close to left edge	0.6V

Is the indication normal?

YES >> Inspection End.

NO >> Perform diagnosis procedure. Refer to [ADP-80, "PASSENGER SIDE : Diagnosis Procedure"](#).

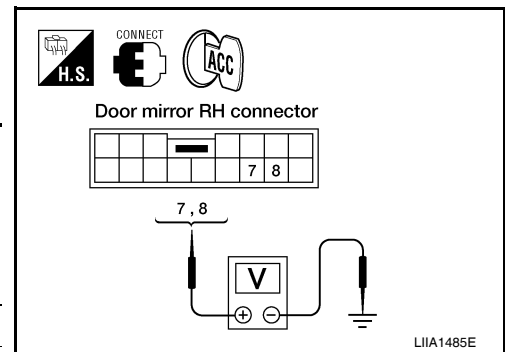
PASSENGER SIDE : Diagnosis Procedure

INFOID:000000004115603

1. CHECK DOOR MIRROR RH SENSOR SIGNAL

1. Turn ignition switch to ACC.
2. Check voltage between door mirror RH harness connector and ground.

Terminals		(-)	Condition	Voltage (V) (Approx.)	
(+)	Terminal				
Door mirror RH connector		Ground	Door mirror RH	Close to peak	3.4
	7		Close to valley	0.6	
	8		Close to right edge	3.4	
D107			Close to left edge	0.6	



Is the inspection result normal?

YES >> GO TO 5

NO >> GO TO 2

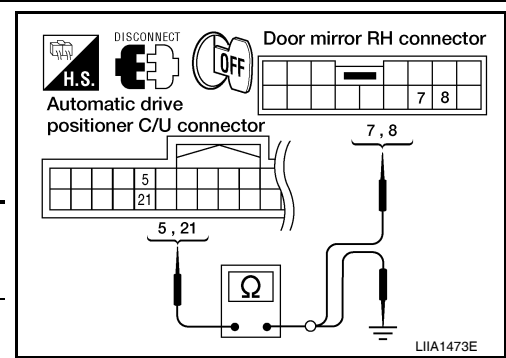
2. CHECK DOOR MIRROR RH SENSOR HARNESS CONTINUITY

MIRROR SENSOR

< COMPONENT DIAGNOSIS >

1. Turn ignition switch OFF.
2. Disconnect automatic drive positioner control unit and door mirror RH.
3. Check continuity between automatic drive positioner control unit harness connector and door mirror RH harness connector.

Automatic drive positioner control unit connector	Terminal	Door mirror RH connector	Terminal	Continuity
M33	5	D107	7	Yes
	21		8	



4. Check continuity between automatic drive positioner control unit harness connector and ground.

Automatic drive positioner control unit connector	Terminal	Ground	Continuity
M33	5	Ground	No
	21		

Is the inspection result normal?

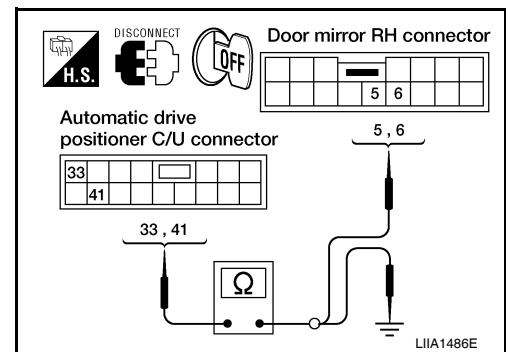
YES >> GO TO 3

NO >> Repair or replace harness.

3. CHECK DOOR MIRROR RH SENSOR POWER SUPPLY CIRCUIT

1. Check continuity between automatic drive positioner control unit harness connector and door mirror RH harness connector.

Automatic drive positioner control unit connector	Terminal	Door mirror RH connector	Terminal	Continuity
M34	33	D107	5	Yes
	41		6	



2. Check continuity between automatic drive positioner control unit harness connector and ground.

Automatic drive positioner control unit connector	Terminal	Ground	Continuity
M34	33	Ground	No
	41		

Is the inspection result normal?

YES >> GO TO 4

NO >> Repair or replace harness.

4. CHECK PEDAL ADJUSTING OPERATION

1. Connect driver seat control unit connector and door mirror RH connector.
2. Turn ignition switch ON.
3. Check pedal adjusting operation with memory function.

Is the operation normal?

YES >> Replace door mirror actuator. Refer to [MIR-17. "Mirror Actuator"](#).

NO >> Replace automatic drive positioner control unit. Refer to [ADP-153. "Removal and Installation"](#).

5. CHECK INTERMITTENT INCIDENT

Refer to [GI-38. "Intermittent Incident"](#).

Is the inspection result normal?

YES >> Replace automatic drive positioner control unit. Refer to [ADP-153. "Removal and Installation"](#).

NO >> Repair or replace the malfunctioning part.

SLIDING MOTOR

< COMPONENT DIAGNOSIS >

SLIDING MOTOR

Description

INFOID:000000004115604

- The sliding motor LH is installed to the power seat frame assembly.
- The sliding motor LH is installed with the driver seat control unit.
- The seat is slid forward/backward by changing the rotation direction of sliding motor LH.

Component Function Check

INFOID:000000004115605

1. CHECK FUNCTION

1. Select "SEAT SLIDE" in "Active test" mode with CONSULT-III.
2. Check the sliding motor LH operation.

Test Item		Description	
SEAT SLIDE	OFF	Seat sliding	Stop
	FR		Forward
	RR		Backward

Is the operation of relevant parts normal?

YES >> Inspection End.

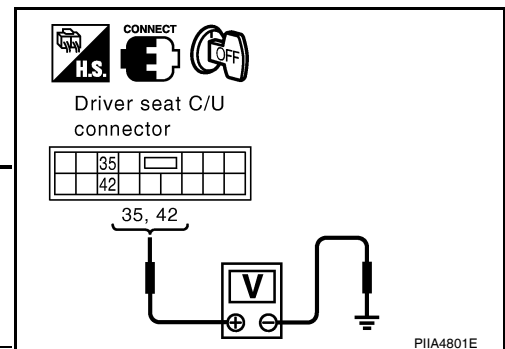
NO >> Perform diagnosis procedure. Refer to [ADP-82. "Diagnosis Procedure"](#).

Diagnosis Procedure

INFOID:000000004115606

1. CHECK SLIDING MOTOR LH POWER SUPPLY

1. Turn the ignition switch OFF.
2. Perform "Active test" ("SEAT SLIDE") with CONSULT-III
3. Check voltage between driver seat control unit harness connector and ground.



Terminal (+)		Terminal (-)	Test Item	Voltage (V) (Approx.)
Driver seat control unit connector	Terminal			
B203	35	Ground	SEAT SLIDE OFF	0
			SEAT SLIDE FR (forward)	Battery voltage
			SEAT SLIDE RR (backward)	0
	42		SEAT SLIDE OFF	0
			SEAT SLIDE FR (forward)	0
			SEAT SLIDE RR (backward)	Battery voltage

Is the inspection result normal?

YES >> Replace sliding motor LH. (Built in power seat frame assembly). Refer to [SE-43. "Disassembly and Assembly"](#).

NO >> GO TO 2

2. CHECK SLIDING MOTOR LH CIRCUIT

SLIDING MOTOR

< COMPONENT DIAGNOSIS >

1. Disconnect driver seat control unit and sliding motor LH.
2. Check continuity between driver seat control unit harness connector and sliding motor LH harness connector.

Driver seat control unit connector	Terminal	Sliding motor LH connector	Terminal	Continuity
B203 (A)	35	B204 (B)	5	Yes
	42		1	

3. Check continuity between driver seat control unit harness connector and ground.

Driver seat control unit connector	Terminal	Ground	Continuity
B203 (A)	35		No
	42		

Is the inspection result normal?

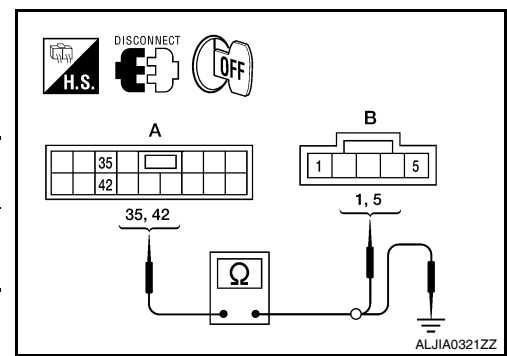
- YES >> GO TO 3
 NO >> Repair or replace harness.

3. CHECK INTERMITTENT INCIDENT

Refer to [GI-38. "Intermittent Incident"](#).

Is the inspection result normal?

- YES >> Replace driver seat control unit. Refer to [ADP-152. "Removal and Installation"](#).
 NO >> Repair or replace the malfunctioning part.



A
B
C
D
E
F
G
H
I
K
L
M
N
O
P

ADP

RECLINING MOTOR

< COMPONENT DIAGNOSIS >

RECLINING MOTOR

Description

INFOID:000000004115607

- The reclining motor LH is installed to the seatback assembly.
- The reclining motor LH is activated with the driver seat control unit.
- The seatback is reclined forward/backward by changing the rotation direction of reclining motor LH.

Component Function Check

INFOID:000000004115608

1. CHECK FUNCTION

1. Select "SEAT RECLINING" in "Active test" mode with CONSULT-III.
2. Check the reclining motor LH operation.

Test Item		Description	
SEAT RECLINING	OFF	Seat reclining	Stop
	FR		Forward
	RR		Backward

Is the operation of relevant parts normal?

YES >> Inspection End.

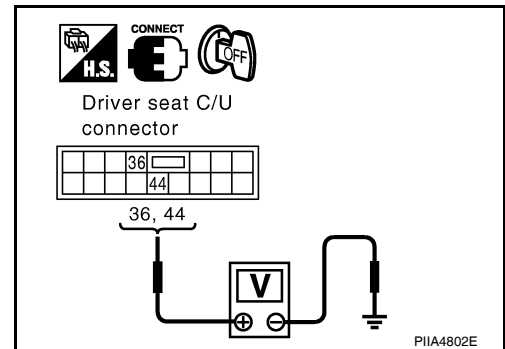
NO >> Perform diagnosis procedure. Refer to [ADP-84. "Diagnosis Procedure"](#).

Diagnosis Procedure

INFOID:000000004115609

1. CHECK RECLINING MOTOR LH POWER SUPPLY

1. Turn the ignition switch OFF.
2. Perform "Active test" ("SEAT RECLINING") with CONSULT-III
3. Check voltage between driver seat control unit harness connector and ground.



Terminal (+)		Terminal (-)	Test Item	Voltage (V) (Approx.)
Driver seat control unit connector	Terminal			
B203	36	Ground	SEAT RECLINING OFF	0
			SEAT RECLINING FR (forward)	Battery voltage
			SEAT RECLINING RR (backward)	0
	44		SEAT RECLINING OFF	0
			SEAT RECLINING FR (forward)	0
			SEAT RECLINING RR (backward)	Battery voltage

Is the inspection result normal?

YES >> Replace reclining motor LH. (Built in seatback assembly). Refer to [SE-43. "Disassembly and Assembly"](#).

NO >> GO TO 2

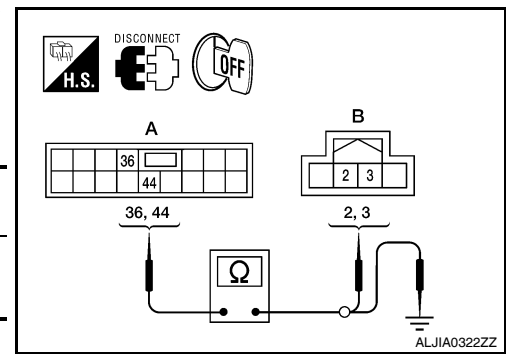
2. CHECK RECLINING MOTOR LH CIRCUIT

RECLINING MOTOR

< COMPONENT DIAGNOSIS >

1. Disconnect driver seat control unit connector and reclining motor LH.
2. Check continuity between driver seat control unit harness connector and reclining motor harness connector.

Driver seat control unit connector	Terminal	Reclining motor LH connector	Terminal	Continuity
B203 (A)	36	B205 (B)	2	Yes
	44		3	



3. Check continuity between driver seat control unit harness connector and ground.

Driver seat control unit connector	Terminal	Ground	Continuity
B203 (A)	36	Ground	No
	44		

Is the inspection result normal?

- YES >> GO TO 3
 NO >> Repair or replace harness.

3. CHECK INTERMITTENT INCIDENT

Refer to [GI-38, "Intermittent Incident"](#).

Is the inspection result normal?

- YES >> Replace driver seat control unit. Refer to [ADP-152, "Removal and Installation"](#).
 NO >> Repair or replace the malfunctioning part.

A
B
C
D
E
F
G
H
I

ADP

K
L
M
N
O
P

LIFTING MOTOR (FRONT)

< COMPONENT DIAGNOSIS >

LIFTING MOTOR (FRONT)

Description

INFOID:000000004115610

- The lifting motor (front) is installed to the power seat frame assembly.
- The lifting motor (front) is activated with the driver seat control unit.
- The lifter (front) is moved upward/downward by changing the rotation direction of lifting motor (front).

Component Function Check

INFOID:000000004115611

1. CHECK FUNCTION

1. Select "SEAT LIFTER FR" in "Active test" mode with CONSULT-III.
2. Check the lifting motor (front) operation.

Test Item		Description	
SEAT LIFTER FR	OFF	Seat lifting (front)	Stop
	UP		Upward
	DWN		Downward

Is the operation of relevant parts normal?

YES >> Inspection End.

NO >> Perform diagnosis procedure. Refer to [ADP-86. "Diagnosis Procedure"](#).

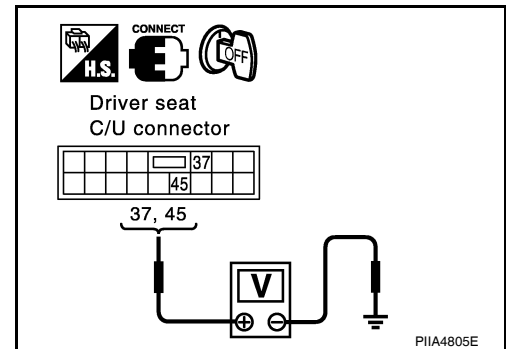
Diagnosis Procedure

INFOID:000000004115612

1. CHECK LIFTING MOTOR (FRONT) POWER SUPPLY

1. Turn the ignition switch OFF.
2. Perform "Active test" ("SEAT LIFTER FR") with CONSULT-III.
3. Check voltage between driver seat control unit harness connector and ground.

Terminal (+)		Terminal (-)	Test Item	Voltage (V) (Approx.)
Driver seat control unit connector	Terminal			
B203	37	Ground	SEAT LIFTER FR OFF	0
			SEAT LIFTER FR UP	0
			SEAT LIFTER FR DWN (down)	Battery voltage
	45		SEAT LIFTER FR OFF	0
			SEAT LIFTER FR UP	Battery voltage
			SEAT LIFTER FR DWN (down)	0



Is the inspection result normal?

YES >> Replace lifting motor (front). (Built in power seat frame assembly). Refer to [SE-43. "Disassembly and Assembly"](#).

NO >> GO TO 2

2. CHECK LIFTING MOTOR (FRONT) CIRCUIT

LIFTING MOTOR (FRONT)

< COMPONENT DIAGNOSIS >

1. Disconnect driver seat control unit and lifting motor (front) connectors.
2. Check continuity between driver seat control unit harness connector and lifting motor (front) harness connector.

Driver seat control unit connector	Terminal	Lifting motor (front) connector	Terminal	Continuity
B203 (A)	37	B206 (B)	1	Yes
	45		5	

3. Check continuity between driver seat control unit harness connector and ground.

Driver seat control unit connector	Terminal	Ground	Continuity
B203 (A)	37		No
	45		

Is the inspection result normal?

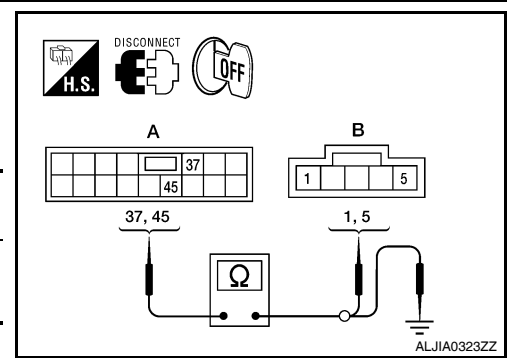
- YES >> GO TO 3
 NO >> Repair or replace harness.

3. CHECK INTERMITTENT INCIDENT

Refer to [GI-38, "Intermittent Incident"](#).

Is the inspection result normal?

- YES >> Replace driver seat control unit. Refer to [ADP-152, "Removal and Installation"](#).
 NO >> Repair or replace the malfunctioning part.



A
B
C
D
E
F
G
H
I
K
L
M
N
O
P

ADP

LIFTING MOTOR (REAR)

< COMPONENT DIAGNOSIS >

LIFTING MOTOR (REAR)

Description

INFOID:000000004115613

- The lifting motor (rear) is installed to the power seat frame assembly.
- The lifting motor (rear) is activated with the driver seat control unit.
- The seat lifter (rear) is moved upward/downward by changing the rotation direction of lifting motor (rear).

Component Function Check

INFOID:000000004115614

1. CHECK FUNCTION

1. Select "SEAT LIFTER RR" in "Active test" mode with CONSULT-III.
2. Check the lifting motor (rear) operation.

Test Item		Description	
SEAT LIFTER RR	OFF	Seat lifting (rear)	Stop
	UP		Upward
	DWN		Downward

Is the operation of relevant parts normal?

YES >> Inspection End.

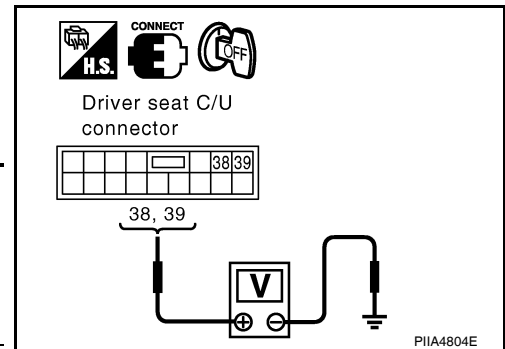
NO >> Perform diagnosis procedure. Refer to [ADP-88. "Diagnosis Procedure"](#).

Diagnosis Procedure

INFOID:000000004115615

1. CHECK LIFTING MOTOR (REAR) POWER SUPPLY

1. Turn the ignition switch OFF.
2. Perform "Active test" ("SEAT LIFTER RR") with CONSULT-III
3. Check voltage between driver seat control unit harness connector and ground.



Terminal (+)		Terminal (-)	Test Item	Voltage (V) (Approx.)
Driver seat control unit connector	Terminal			
B203	38	Ground	SEAT LIFTER RR OFF	0
			SEAT LIFTER RR UP	Battery voltage
			SEAT LIFTER RR DWN (down)	0
	39		SEAT LIFTER RR OFF	0
			SEAT LIFTER RR UP	0
			SEAT LIFTER RR DWN (down)	Battery voltage

Is the inspection result normal?

YES >> Replace lifting motor (rear). (Built in power seat frame assembly). Refer to [SE-43. "Disassembly and Assembly"](#).

NO >> GO TO 2

2. CHECK LIFTING MOTOR (REAR) CIRCUIT

LIFTING MOTOR (REAR)

< COMPONENT DIAGNOSIS >

1. Disconnect driver seat control unit and lifting motor (rear).
2. Check continuity between driver seat control unit harness connector and lifting motor (rear) harness connector.

Driver seat control unit connector	Terminal	Lifting motor (rear) connector	Terminal	Continuity
B203 (A)	38	B207 (B)	5	Yes
	39		1	

3. Check continuity between driver seat control unit harness connector and ground.

Driver seat control unit connector	Terminal	Ground	Continuity
B203 (A)	38	Ground	No
	39		

Is the inspection result normal?

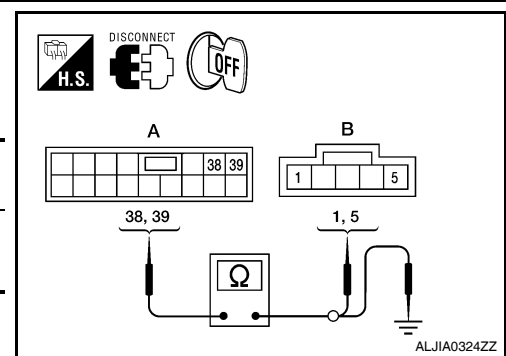
- YES >> GO TO 3
 NO >> Repair or replace harness.

3. CHECK INTERMITTENT INCIDENT

Refer to [GI-38. "Intermittent Incident"](#).

Is the inspection result normal?

- YES >> Replace driver seat control unit. Refer to [ADP-152. "Removal and Installation"](#).
 NO >> Repair or replace the malfunctioning part.



A
B
C
D
E
F
G
H
I
K
L
M
N
O
P

ADP

PEDAL ADJUSTING MOTOR

< COMPONENT DIAGNOSIS >

PEDAL ADJUSTING MOTOR

Description

INFOID:000000004115616

- The pedal adjusting motor is installed to the pedal adjusting motor assembly.
- The pedal adjusting motor is activated with the automatic drive positioner control unit.
- The pedal assembly is adjusted forward/backward by changing the rotation direction of pedal adjusting motor.

Component Function Check

INFOID:000000004115617

1. CHECK FUNCTION

1. Select "ADJ PEDAL MOTOR" in "Active test" mode with CONSULT-III.
2. Check the pedal adjusting motor operation.

Test item		Description	
ADJ PEDAL MOTOR	OFF	Pedal adjusting motor	Stop
	FR		Forward
	RR		Backward

Is the operation of relevant parts normal?

YES >> Inspection End.

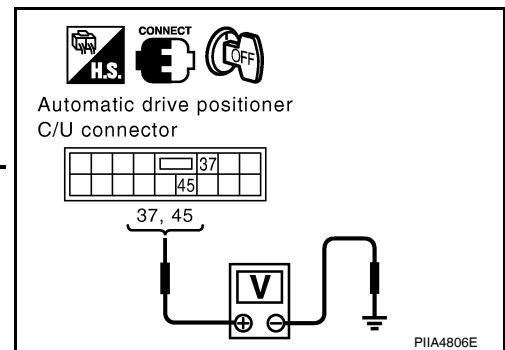
NO >> Perform diagnosis procedure. Refer to [ADP-90, "Diagnosis Procedure"](#).

Diagnosis Procedure

INFOID:000000004115618

1. CHECK PEDAL ADJUSTING MOTOR POWER SUPPLY

1. Turn the ignition switch OFF.
2. Perform "Active test" ("ADJ PEDAL MOTOR") with CONSULT-III.
3. Check voltage between automatic drive positioner control unit harness connector and ground.



Terminal (+)		Terminal (-)	Test Item	Voltage (V) (Approx.)
Automatic drive positioner control unit connector	Terminal			
M34	37	Ground	ADJ PEDAL MOTOR OFF	0
			RR (backward)	0
			FR (forward)	Battery voltage
	45		ADJ PEDAL MOTOR OFF	0
			RR (backward)	Battery voltage
			FR (forward)	0

Is the inspection result normal?

YES >> Replace pedal adjusting motor assembly. Refer to [ADP-156, "Removal and Installation"](#).

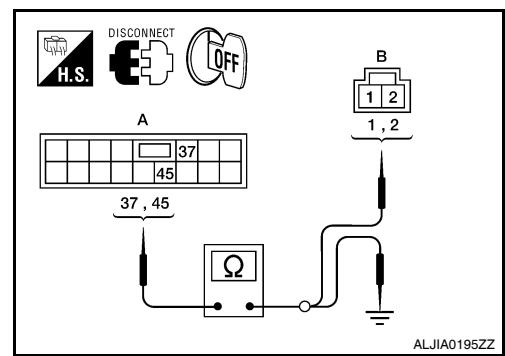
NO >> GO TO 2

2. CHECK PEDAL ADJUSTING MOTOR CIRCUIT

PEDAL ADJUSTING MOTOR

< COMPONENT DIAGNOSIS >

1. Disconnect automatic drive positioner control unit and pedal adjusting motor assembly.
2. Check continuity between automatic drive positioner control unit harness connector and pedal adjusting motor assembly harness connector.



Automatic drive positioner control unit connector	Terminal	Pedal adjusting motor assembly connector	Terminal	Continuity
M34 (A)	37	E109 (B)	1	Yes
	45		2	

3. Check continuity between automatic drive positioner control unit harness connector and ground.

Automatic drive positioner control unit connector	Terminal	Ground	Continuity
M34 (A)	37	Ground	No
	45		

Is the inspection result normal?

- YES >> GO TO 3
 NO >> Repair or replace harness.

3. CHECK INTERMITTENT INCIDENT

Refer to [GI-38, "Intermittent Incident"](#).

Is the inspection result normal?

- YES >> Replace automatic drive positioner control unit. Refer to [ADP-153, "Removal and Installation"](#).
 NO >> Repair or replace the malfunctioning part.

A
B
C
D
E
F
G
H
I

ADP

K
L
M
N
O
P

DOOR MIRROR MOTOR

< COMPONENT DIAGNOSIS >

DOOR MIRROR MOTOR

Description

INFOID:000000004115619

It makes mirror face operate from side to side and up and down with the electric power that automatic drive positioner control unit supplies.

Component Function Check

INFOID:000000004115620

1. CHECK DOOR MIRROR MOTOR FUNCTION

Check the operation with "MIRROR MOTOR RH" and "MIRROR MOTOR LH" in "ACTIVE TEST" mode with CONSULT-III

Refer to [ADP-26, "CONSULT-III Function"](#).

Is the inspection result normal?

- YES >> Door mirror motor function is OK.
- NO >> Refer to [ADP-92, "Diagnosis Procedure"](#).

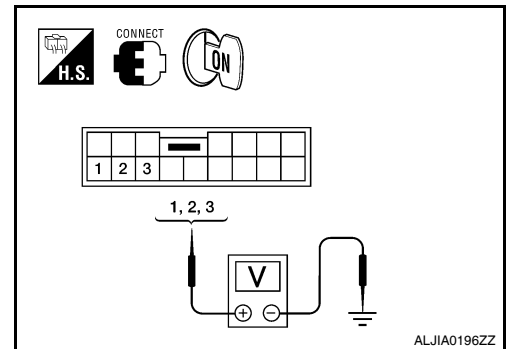
Diagnosis Procedure

INFOID:000000004115621

1. CHECK DOOR MIRROR MOTOR INPUT SIGNAL

1. Turn ignition switch ON.
2. Check voltage between door mirror connector and ground.

Terminals		(-)	Door mirror remote control switch condition	Voltage (V) (Approx.)
(+)	Terminal			
Door mirror connector D4 (LH) D107 (RH)	1	Ground	UP	Battery voltage
			Other than above	0
	2		LEFT	Battery voltage
			Other than above	0
	3		DOWN / RIGHT	Battery voltage
			Other than above	0



Is the inspection result normal?

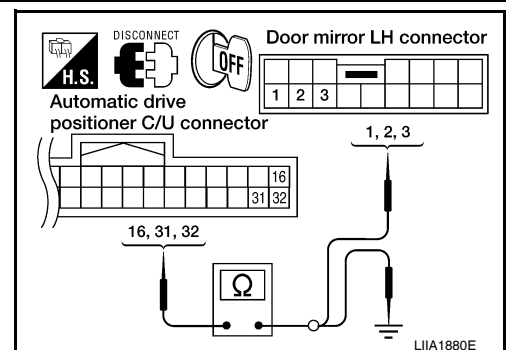
- YES >> Refer to [ADP-94, "Component Inspection"](#).
- NO >> GO TO 2

2. CHECK HARNESS CONTINUITY

1. Turn ignition switch OFF.
2. Disconnect automatic drive positioner control unit and door mirror.
3. Check continuity between automatic drive positioner control unit connector and door mirror connector.

Door mirror LH

Automatic drive positioner control unit connector	Terminal	Door mirror LH connector	Terminal	Continuity
M33	16	D4	3	Yes
	31		1	
	32		2	



DOOR MIRROR MOTOR

< COMPONENT DIAGNOSIS >

Door mirror RH

Automatic drive positioner control unit connector	Terminal	Door mirror RH connector	Terminal	Continuity
M33	14	D107	1	Yes
	15		2	
	30		3	

4. Check continuity between automatic drive positioner control unit connector and ground.

Door mirror LH

Automatic drive positioner control unit connector	Terminal	Ground	Continuity
M33	16		No
	31		
	32		

Door mirror RH

Automatic drive positioner control unit connector	Terminal	Ground	Continuity
M33	14		No
	15		
	30		

Is the inspection result normal?

YES >> GO TO 3

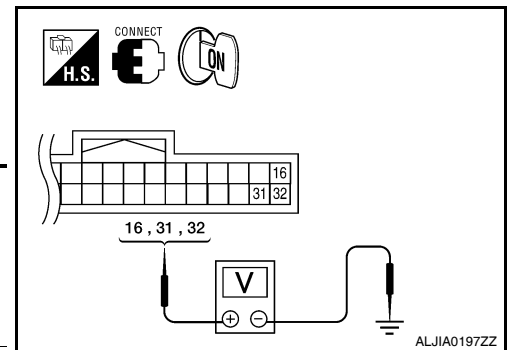
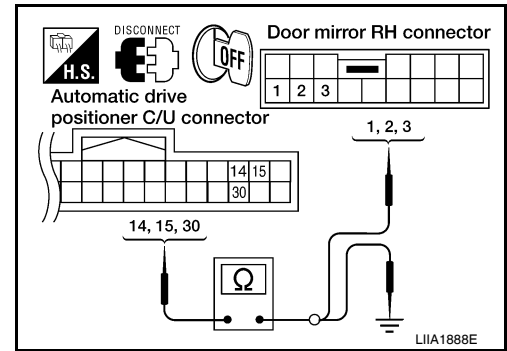
NO >> Repair or replace harness.

3. CHECK AUTOMATIC DRIVE POSITIONER CONTROL UNIT OUTPUT SIGNAL

1. Connect automatic drive positioner control unit.
2. Turn ignition switch ON.
3. Check voltage between automatic drive positioner control unit connector and ground.

Door mirror LH

Terminals		(-)	Mirror switch condition	Voltage (V) (Approx.)
(+)	Terminal			
Automatic drive positioner control unit connector	16	Ground	DOWN / RIGHT	Battery voltage
			Other than above	0
	31		UP	Battery voltage
			Other than above	0
	32		LEFT	Battery voltage
			Other than above	0



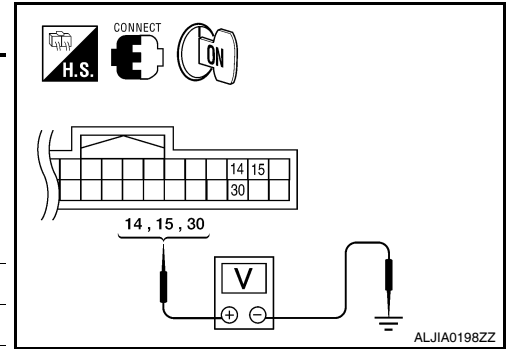
A
B
C
D
E
F
G
H
I
K
L
M
N
O
P

ADP

DOOR MIRROR MOTOR

< COMPONENT DIAGNOSIS >

Door mirror RH				
Terminals		(-)	Mirror switch condition	Voltage (V) (Approx.)
(+)	Terminal			
Automatic drive positioner control unit connector M33	14	Ground	UP	Battery voltage
			Other than above	0
	15		LEFT	Battery voltage
			Other than above	0
	30		DOWN / RIGHT	Battery voltage
			Other than above	0



Is the inspection result normal?

YES >> GO TO 4.

NO >> Replace automatic drive positioner control unit. Refer to [ADP-153, "Removal and Installation"](#).

4. CHECK DOOR MIRROR MOTOR

Check door mirror motor.

Refer to [ADP-94, "Component Inspection"](#).

Is the inspection result normal?

YES >> Refer to [GI-38, "Intermittent Incident"](#).

NO >> Replace door mirror actuator. Refer to [MIR-17, "Mirror Actuator"](#).

Component Inspection

INFOID:000000004115622

1. CHECK DOOR MIRROR MOTOR-I

Check that door mirror motor does not trap foreign objects and does not have any damage.

Refer to [MIR-14, "Door Mirror Assembly"](#).

Is the inspection result normal?

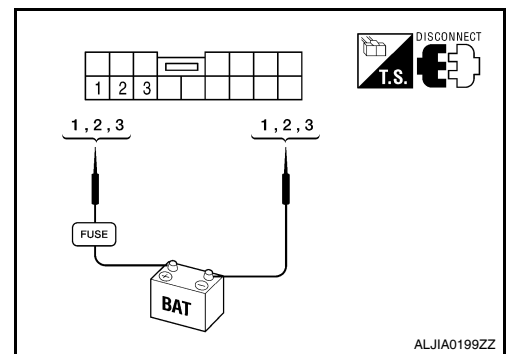
YES >> GO TO 2

NO >> Replace door mirror actuator. Refer to [MIR-17, "Mirror Actuator"](#).

2. CHECK DOOR MIRROR MOTOR-II

1. Turn ignition switch OFF.
2. Disconnect door mirror.
3. Apply 12V to each power supply terminal of door mirror motor.

Door mirror connector	Terminal		Operational direction
	(+)	(-)	
D4 (LH) D107 (RH)	3	2	RIGHT
	2	3	LEFT
	1	3	UP
	3	1	DOWN



Is the inspection result normal?

YES >> Inspection End.

NO >> Replace door mirror actuator. Refer to [MIR-17, "Mirror Actuator"](#).

SEAT MEMORY INDICATOR LAMP

< COMPONENT DIAGNOSIS >

SEAT MEMORY INDICATOR LAMP

Description

INFOID:000000004115623

- The seat memory switch is installed on the driver side door trim. The operation signal is inputted to the automatic drive positioner control unit when the memory switch is operated.
- The status of automatic drive positioner system can be checked according to the illuminating/flashing status.

Component Function Check

INFOID:000000004115624

1. CHECK FUNCTION

1. Select "MEMORY SW INDCTR" in "Active test" mode with CONSULT-III.
2. Check the memory indicator operation.

Test item		Description	
MEMORY SW INDCTR	OFF	Memory switch indicator	OFF
	ON-1		Indicator 1: ON
	ON-2		Indicator 2: ON

Is the operation of relevant parts normal?

YES >> Inspection End.

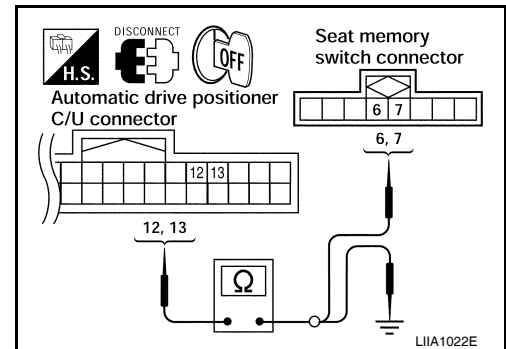
NO >> Perform diagnosis procedure. Refer to [ADP-95, "Diagnosis Procedure"](#).

Diagnosis Procedure

INFOID:000000004115625

1. CHECK SEAT MEMORY INDICATOR CIRCUIT

1. Turn ignition switch OFF.
2. Disconnect automatic drive positioner control unit and seat memory switch.
3. Check continuity between automatic drive positioner control unit harness connector and seat memory switch harness connector.



Automatic drive positioner control unit connector	Terminal	Seat memory switch connector	Terminal	Continuity
M33	12	D5	6	Yes
	13		7	

4. Check continuity between automatic drive positioner control unit harness connector and ground.

Automatic drive positioner connector	Terminal	Ground	Continuity
M33	12	Ground	No
	13		

Is the inspection result normal?

YES >> GO TO 2

NO >> Repair or replace harness.

2. CHECK MEMORY INDICATOR POWER SUPPLY

SEAT MEMORY INDICATOR LAMP

< COMPONENT DIAGNOSIS >

Check voltage between seat memory switch harness connector and ground.

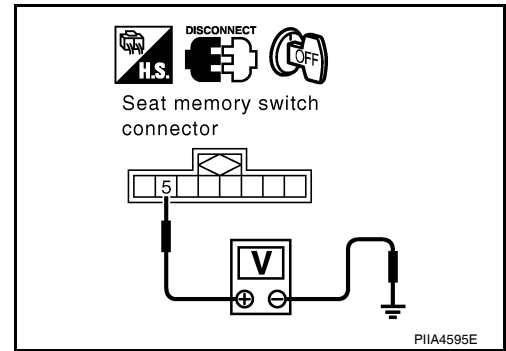
Seat memory switch connector	Terminals		Voltage (V) (Approx.)
	(+)	(-)	
D5	5	Ground	Battery voltage

Is the inspection result normal?

YES >> GO TO 3

NO >> Check the following.

- Fuse
- Harness for open or short between memory indicator and fuse.



3. CHECK MEMORY INDICATOR

Refer to [ADP-96, "Component Inspection"](#).

Is the inspection result normal?

YES >> GO TO 4

NO >> Replace seat memory switch. Refer to [ADP-154, "Removal and Installation"](#).

4. CHECK INTERMITTENT INCIDENT

Refer to [GI-38, "Intermittent Incident"](#).

Is the inspection result normal?

YES >> Replace automatic drive positioner control unit. Refer to [ADP-153, "Removal and Installation"](#).

NO >> Repair or replace the malfunctioning part.

Component Inspection

INFOID:000000004115626

1. CHECK SEAT MEMORY INDICATOR

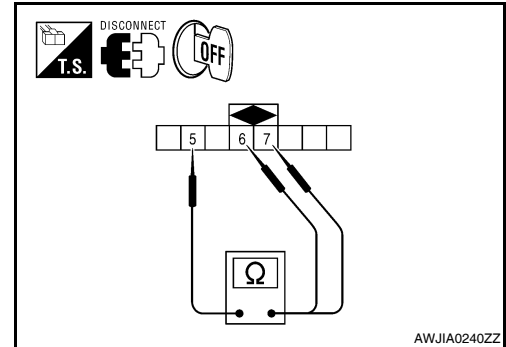
1. Disconnect seat memory switch.
2. Check continuity between seat memory switch terminals.

Terminal		Continuity
Seat memory switch		
(+)	(-)	
6	5	Yes
7		

Is the inspection result normal?

YES >> Inspection End.

NO >> Replace seat memory switch. Refer to [ADP-154, "Removal and Installation"](#).



DRIVER SEAT CONTROL UNIT

< ECU DIAGNOSIS >

ECU DIAGNOSIS

DRIVER SEAT CONTROL UNIT

Reference Value

INFOID:000000004110925

VALUES ON THE DIAGNOSIS TOOL

CONSULT-III MONITOR ITEM

Monitor Item	Condition	Value/Status
SET SW	Set switch	Push ON
		Release OFF
MEMORY SW1	Memory switch 1	Push ON
		Release OFF
MEMORY SW2	Memory switch 2	Push ON
		Release OFF
SLIDE SW-FR	Sliding switch (front)	Operate ON
		Release OFF
SLIDE SW-RR	Sliding switch (rear)	Operate ON
		Release OFF
RECLN SW-FR	Reclining switch (front)	Operate ON
		Release OFF
RECLN SW-RR	Reclining switch (rear)	Operate ON
		Release OFF
LIFT FR SW-UP	Lifting switch front (up)	Operate ON
		Release OFF
LIFT FR SW-DN	Lifting switch front (down)	Operate ON
		Release OFF
LIFT RR SW-UP	Lifting switch rear (up)	Operate ON
		Release OFF
LIFT RR SW-DN	Lifting switch rear (down)	Operate ON
		Release OFF
MIR CON SW-UP	Mirror switch	Up ON
		Other than above OFF
MIR CON SW-DN	Mirror switch	Down ON
		Other than above OFF
MIR CON SW-RH	Mirror switch	Right ON
		Other than above OFF
MIR CON SW-LH	Mirror switch	Left ON
		Other than above OFF
MIR CHNG SW-R	Changeover switch	Right ON
		Other than above OFF
MIR CHNG SW-L	Changeover switch	Left ON
		Other than above OFF
PEDAL SW-FR	Pedal adjusting switch	Forward ON
		Other than above OFF
PEDAL SW-RR	Pedal adjusting switch	Backward ON
		Other than above OFF

A
B
C
D
E
F
G
H
I
K
L
M
N
O
P

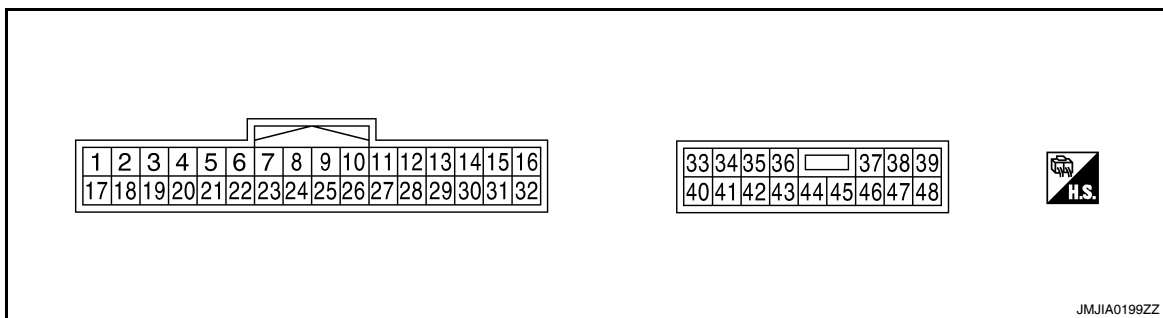
ADP

DRIVER SEAT CONTROL UNIT

< ECU DIAGNOSIS >

Monitor Item	Condition		Value/Status
DETENT SW	AT selector lever	P position	OFF
		Other than above	ON
STARTER SW	Ignition position	Cranking	ON
		Other than above	OFF
SLIDE PULSE	Seat sliding	Forward	The numeral value decreases
		Backward	The numeral value increases
		Other than above	No change to numeral value
RECLN PULSE	Seat reclining	Forward	The numeral value decreases
		Backward	The numeral value increases
		Other than above	No change to numeral value
LIFT FR PULSE	Seat lifter (front)	Up	The numeral value decreases
		Down	The numeral value increases
		Other than above	No change to numeral value
LIFT RR PULSE	Seat lifter (rear)	Up	The numeral value decreases
		Down	The numeral value increases
		Other than above	No change to numeral value
MIR/SEN RH U-D	Door mirror (passenger side)	Close to peak	3.4
		Close to valley	0.6
MIR/SEN RH R-L	Door mirror (passenger side)	Close to left edge	3.4
		Close to right edge	0.6
MIR/SEN LH U-D	Door mirror (driver side)	Close to peak	3.4
		Close to valley	0.6
MIR/SEN LH R-L	Door mirror (driver side)	Close to left edge	0.6
		Close to right edge	3.4
PEDAL SEN	pedal position	Forward	0.5
		Backward	4.5

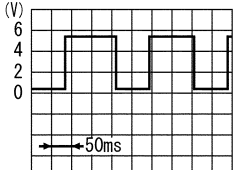
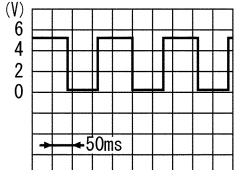
TERMINAL LAYOUT



PHYSICAL VALUES

DRIVER SEAT CONTROL UNIT

< ECU DIAGNOSIS >

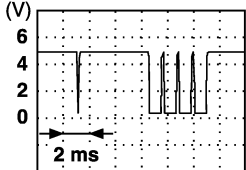
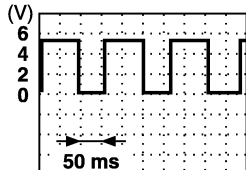
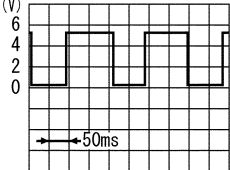
Terminal No.		Wire color	Description		Condition	Voltage (V) (Approx)
+	-		Signal name	Input/Output		
1	Ground	W	UART LINE (RX)	Input	Ignition switch ON	 PIIA4813E
3	—	L/B	CAN-H	—	—	—
6	Ground	R	Ignition switch (START)I	Input	Ignition switch	OFF 0
						START
9	Ground	R/B	Reclining sensor signal	Input	Seat reclining	Operate  SIIA0692J
						Stop
10	Ground	B/R	Lifting sensor (rear) signal	Input	Seat lifting (rear)	Operate  SIIA0693J
						Stop
11	Ground	Y/R	Sliding switch backward signal	Input	Sliding switch	Operate (backward) 0
						Release
12	Ground	L/W	Reclining switch backward signal	Input	Reclining switch	Operate (backward) 0
						Release
13	Ground	V	Lifting switch (front) down signal	Input	Lifting switch (front)	Operate (down) 0
						Release
14	Ground	P/L	Lifting switch (rear) down signal	Input	Lifting switch (rear)	Operate (down) 0
						Release
15	Ground	SB	Pedal switch backward signal	Input	Pedal switch	Operate (backward) 0
						Release
16	Ground	R/W	Sensor power supply	Output	—	5

A
B
C
D
E
F
G
H
I
K
L
M
N
O
P

ADP

DRIVER SEAT CONTROL UNIT

< ECU DIAGNOSIS >

Terminal No.		Wire color	Description		Condition	Voltage (V) (Approx)
+	-		Signal name	Input/Output		
17	Ground	Y/R	UART LINE (TX)	Output	Ignition switch ON	 PIIA4814E
19	—	G	CAN-L	—	—	—
21	Ground	L	A/T device (park position switch)	Input	A/T selector lever	P position 0
						Except P position Battery voltage
24	Ground	R/L	Sliding sensor signal	Input	Seat sliding	Operate  PIIA3277E
						Stop 0 or 5
25	Ground	Y/G	Lifting sensor (front) signal	Input	Seat lifting (front)	Operate  SIIA0691J
						Stop 0 or 5
26	Ground	L/R	Sliding switch forward signal	Input	Sliding switch	Operate (forward) 0
						Release Battery voltage
27	Ground	V/W	Reclining switch forward signal	Input	Reclining switch	Operate (forward) 0
						Release Battery voltage
28	Ground	BR/Y	Lifting switch (front) up signal	Input	Seat lifting switch (front)	Operate (up) 0
						Release Battery voltage
29	Ground	G/R	Lifting switch (rear) up signal	Input	Seat lifting switch (rear)	Operate (up) 0
						Release Battery voltage
30	Ground	L/Y	Pedal switch forward signal	Input	Pedal switch	Operate (forward) 0
						Release Battery voltage
31	Ground	GR/R	Sensor ground	—	—	0
32	Ground	G/W	Ground (signal)	—	—	0
33	Ground	W/B	Battery power source (C/B)	Input	—	Battery voltage

DRIVER SEAT CONTROL UNIT

< ECU DIAGNOSIS >

Terminal No.		Wire color	Description		Condition	Voltage (V) (Approx)
+	-		Signal name	Input/ Output		
35	Ground	R/G	Sliding motor forward output signal	Output	Seat sliding	Battery voltage
					Operate (forward)	0
36	Ground	L	Reclining motor forward output signal	Output	Seat reclining	Battery voltage
					Operate (forward)	0
37	Ground	B	Lifting motor (front) down output signal	Output	Seat lifting (front)	Battery voltage
					Operate (down)	0
38	Ground	GR	Lifting motor (rear) up output signal	Output	Seat lifting (rear)	Battery voltage
					Operate (up)	0
39	Ground	R	Lifting motor (rear) down output signal	Output	Seat lifting (rear)	Battery voltage
					Operate (down)	0
40	Ground	G	Power source (Fuse)	Input	—	Battery voltage
42	Ground	R/Y	Sliding motor backward output signal	Output	Seat sliding	Battery voltage
					Operate (backward)	0
44	Ground	G/B	Reclining motor backward output signal	Output	Seat reclining	Battery voltage
					Operate (backward)	0
45	Ground	G/Y	Lifting motor (front) up output signal	Output	Seat lifting (front)	Battery voltage
					Operate (up)	0
48	Ground	B	Ground (power)	—	—	0

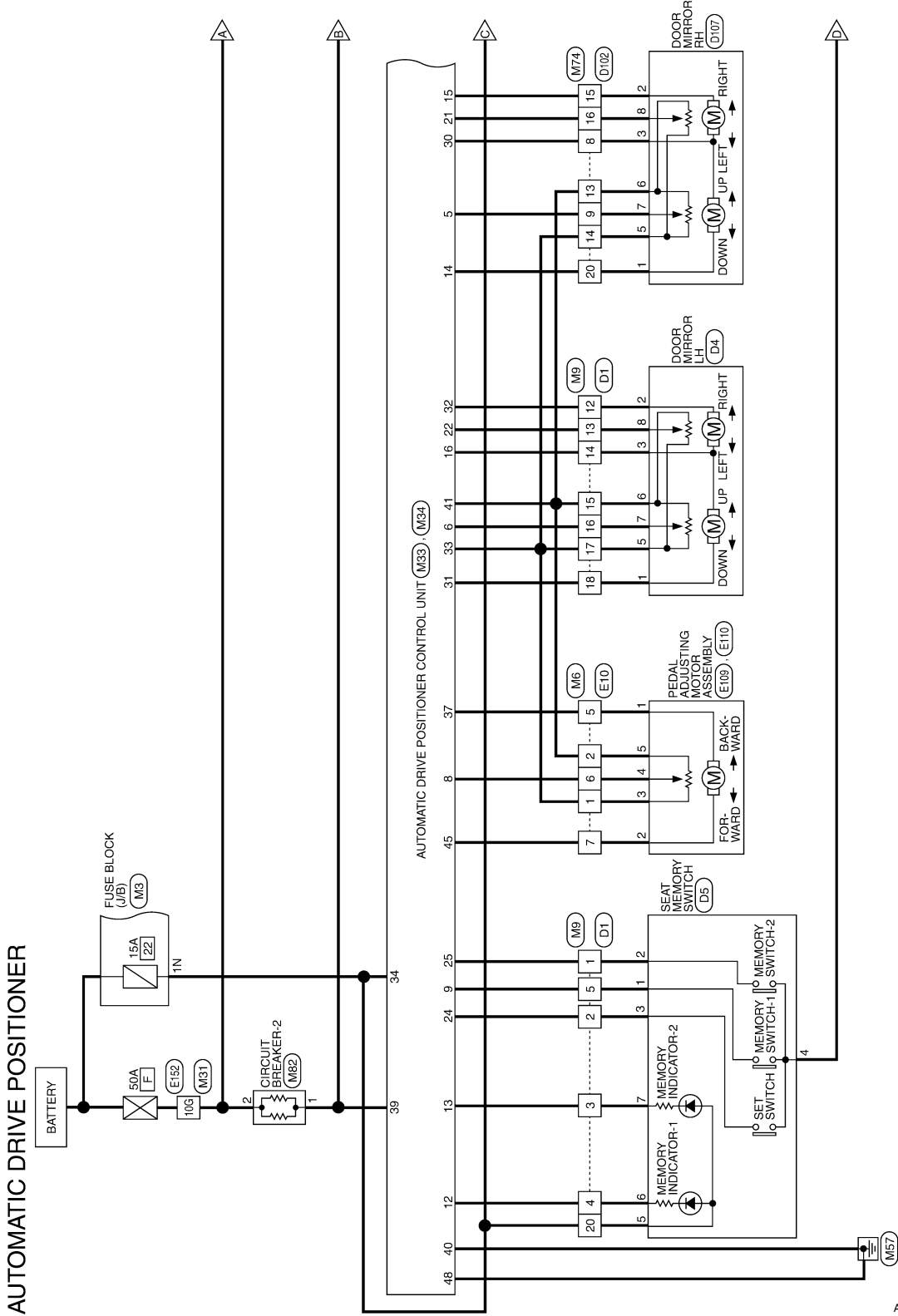
A
B
C
D
E
F
G
H
I
ADP
K
L
M
N
O
P

DRIVER SEAT CONTROL UNIT

< ECU DIAGNOSIS >

Wiring Diagram

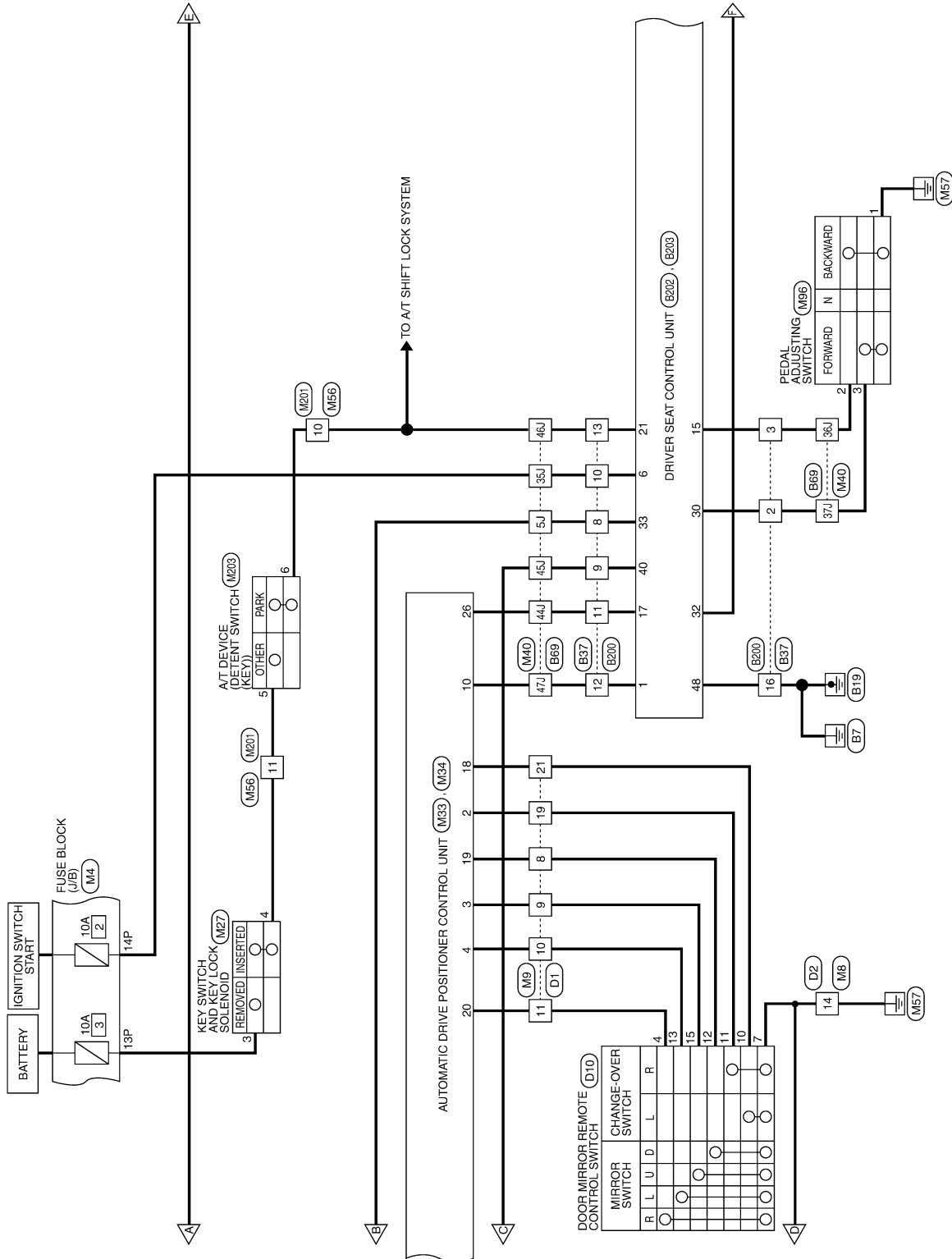
INFOID:000000004110926



ABJWA0021GE

DRIVER SEAT CONTROL UNIT

< ECU DIAGNOSIS >

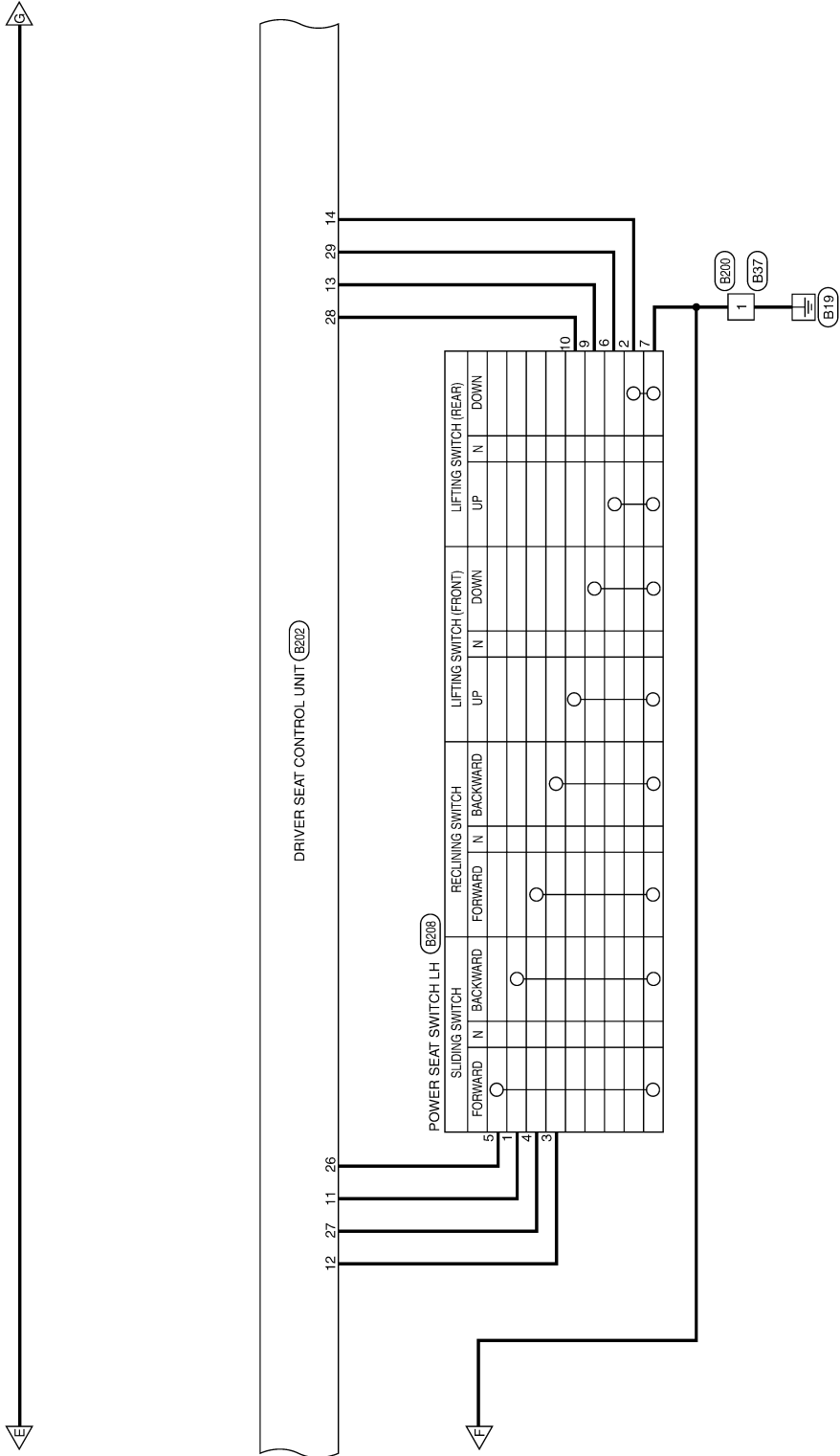


ABJWA0022GE

A
B
C
D
E
F
G
H
I
ADP
K
L
M
N
O
P

DRIVER SEAT CONTROL UNIT

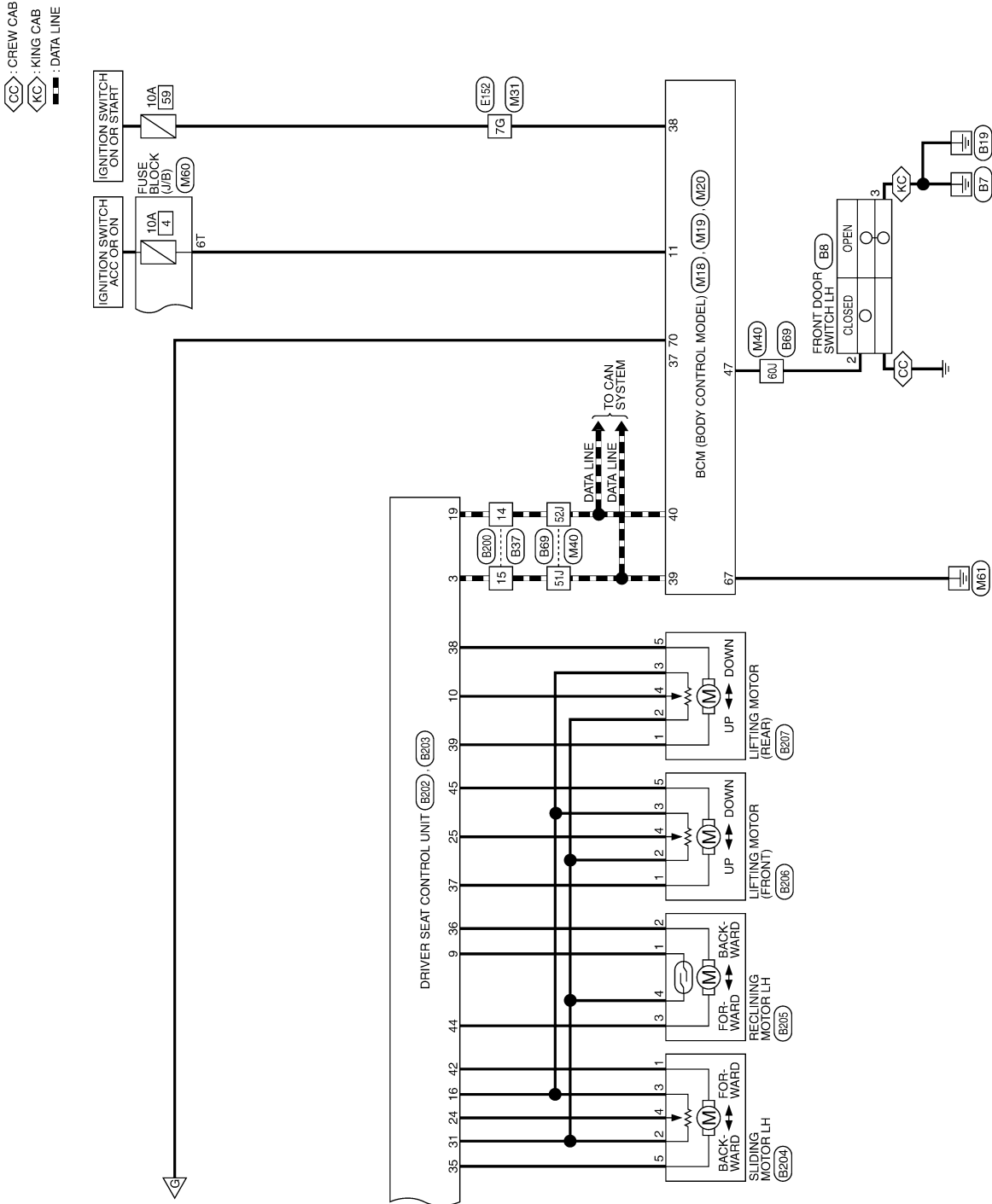
< ECU DIAGNOSIS >



ABJWA0023GE

DRIVER SEAT CONTROL UNIT

< ECU DIAGNOSIS >



ABJWA0024GE

A
B
C
D
E
F
G
H
I
K
L
M
N
O
P

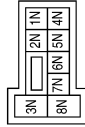
ADP

DRIVER SEAT CONTROL UNIT

< ECU DIAGNOSIS >

AUTOMATIC DRIVE POSITIONER CONNECTORS

Connector No.	M3
Connector Name	FUSE BLOCK (J/B)
Connector Color	WHITE



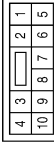
Terminal No.	Color of Wire	Signal Name
1N	Y/R	-

Connector No.	M4
Connector Name	FUSE BLOCK (J/B)
Connector Color	WHITE



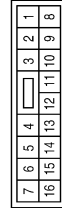
Terminal No.	Color of Wire	Signal Name
14P	O	-
13P	P	-

Connector No.	M6
Connector Name	WIRE TO WIRE
Connector Color	WHITE



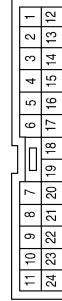
Terminal No.	Color of Wire	Signal Name
1	W/L	-
2	W/G	-
5	G	-
6	BR/Y	-
7	R	-

Connector No.	M8
Connector Name	WIRE TO WIRE
Connector Color	WHITE



Terminal No.	Color of Wire	Signal Name
14	B	-

Connector No.	M9
Connector Name	WIRE TO WIRE
Connector Color	BROWN



Terminal No.	Color of Wire	Signal Name
1	P/L	-
2	G/O	-
3	Y/G	-
4	P	-
5	LG/B	-

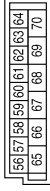
Terminal No.	Color of Wire	Signal Name
8	SB	-
9	Y/B	-
10	V/W	-
11	GR	-
12	BR	-
13	G	-
14	O	-
15	W/G	-
16	L/Y	-
17	W/L	-
18	R	-
19	LG	-
20	Y/R	-
21	BR/W	-

ABJIA0058GB

DRIVER SEAT CONTROL UNIT

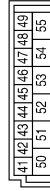
< ECU DIAGNOSIS >

Connector No.	M20
Connector Name	BCM (BODY CONTROL MODULE)
Connector Color	BLACK



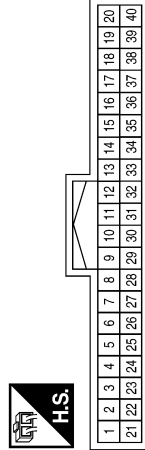
Terminal No.	Color of Wire	Signal Name
67	B	GND (POWER)
70	W/B	BATT (F/L)

Connector No.	M19
Connector Name	BCM (BODY CONTROL MODULE)
Connector Color	WHITE



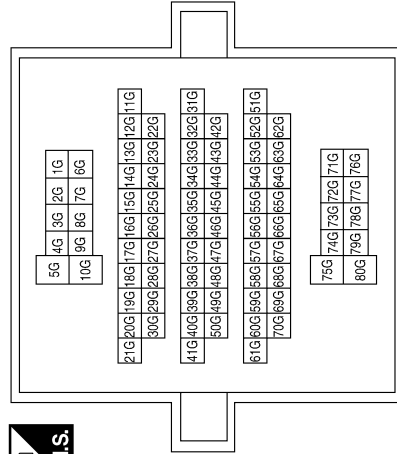
Terminal No.	Color of Wire	Signal Name
47	SB	DOOR SW (DR)

Connector No.	M18
Connector Name	BCM (BODY CONTROL MODULE)
Connector Color	WHITE



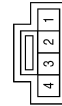
Terminal No.	Color of Wire	Signal Name
11	O	ACC SW
38	W/L	IGN SW
39	L	CAN-H
40	P	CAN-L

Connector No.	M31
Connector Name	WIRE TO WIRE
Connector Color	WHITE



Connector No.	M31
Connector Name	WIRE TO WIRE
Connector Color	WHITE

Connector No.	M27
Connector Name	KEY SWITCH AND KEY LOCK SOLENOID
Connector Color	WHITE



Terminal No.	Color of Wire	Signal Name
3	Y/R	— (TYPE A*)
3	P	— (TYPE B*)
4	B/R	—

ABJIA0059GB

* : REFER TO HARNESS LAYOUT OF PG SECTION FOR DEFINITION OF TYPE A AND TYPE B.

A B C D E F G H I K L M N O P

ADP

DRIVER SEAT CONTROL UNIT

< ECU DIAGNOSIS >

Connector No.	M33
Connector Name	AUTOMATIC DRIVE POSITIONER CONTROL UNIT
Connector Color	WHITE



1	2	3	4	5	6	7	8	9	10	11	12	13	14	15	16
17	18	19	20	21	22	23	24	25	26	27	28	29	30	31	32

Terminal No.	Color of Wire	Signal Name
1	-	-
2	LG	MIR_SELECT_SW_RH
3	Y/B	MIR_MANU_SW_UP
4	V/W	MIR_MANU_SW_LH
5	R/B	VERTICAL_SENS_RH
6	L/Y	VERTICAL_SENS_LH
7	-	-

Connector No.	M34
Connector Name	AUTOMATIC DRIVE POSITIONER CONTROL UNIT
Connector Color	WHITE



33	34	35	36	37	38	39		
40	41	42	43	44	45	46	47	48

Terminal No.	Color of Wire	Signal Name
33	W/L	MEMORY(POT_FEED)
34	Y/R	BAT_(FUSE)
35	-	-
36	-	-

Terminal No.	Color of Wire	Signal Name
23	-	-
24	G/O	SET_SW
25	P/L	MEMORY2_SW
26	W	RX
27	-	-
28	-	-
29	-	-
30	Y	RH_MTR_(COM)
31	R	LH_MTR_(UP-DWN)
32	BR	LH_MTR_(LT)

Terminal No.	Color of Wire	Signal Name
8	BR/Y	PEDAL POTENTIATION
9	LG/B	MEMORY1_SW
10	L	TX
11	-	-
12	P	MEMORY1_IND
13	Y/G	MEMORY2_IND
14	GR/R	RH_MTR_(UP-DN)
15	V/R	RH_MTR_(LT)
16	O	LH_MTR_(COM)
17	-	-
18	BR/W	MIR_SELECT_SW_LH
19	SB	MIR_MANU_SW_DN
20	GR	MIR_MANU_SW_RH
21	L/W	HORIZONTAL_SENS
22	G	HORIZONTAL_SENS

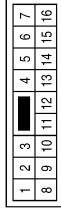
Terminal No.	Color of Wire	Signal Name
37	G	FORWARD
38	-	-
39	L/B	BAT(PTC)
40	B/W	GND(SIG)
41	W/G	MEMORY(POT-RET)
42	-	-
43	-	-
44	-	-
45	R	PEDAL_RR_OUT
46	-	-
47	-	-
48	B	GND(POWER)

ABJIA0060GB

DRIVER SEAT CONTROL UNIT

< ECU DIAGNOSIS >

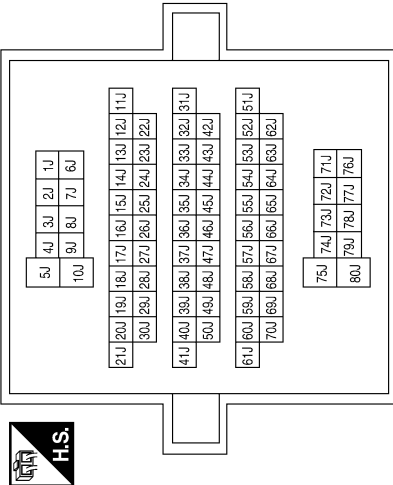
Connector No.	M56
Connector Name	WIRE TO WIRE
Connector Color	WHITE



Terminal No.	Color of Wire	Signal Name
10	L/R	-
11	B/R	-

Terminal No.	Color of Wire	Signal Name
5J	L/B	-
35J	O	-
36J	L/Y	-
37J	R	-
44J	W	-
45J	Y/R	-
46J	L/R	-
47J	L	-
51J	L	-
52J	P	-
60J	SB	-

Connector No.	M40
Connector Name	WIRE TO WIRE
Connector Color	WHITE

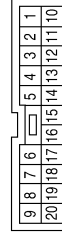


Connector No.	M82
Connector Name	CIRCUIT BREAKER-2 (WITH POWER SEATS)
Connector Color	WHITE



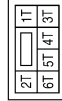
Terminal No.	Color of Wire	Signal Name
1	L/B	-
2	W/B	-

Connector No.	M74
Connector Name	WIRE TO WIRE
Connector Color	BROWN



Terminal No.	Color of Wire	Signal Name
8	Y	-
9	R/B	-
13	W/G	-
14	W/L	-
15	V/R	-
16	L/W	-
20	GR/R	-

Connector No.	M60
Connector Name	FUSE BLOCK (J/B)
Connector Color	WHITE



Terminal No.	Color of Wire	Signal Name
6T	O	-

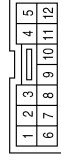
A
B
C
D
E
F
G
H
I
J
K
L
M
N
O
P

ADP

DRIVER SEAT CONTROL UNIT

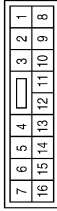
< ECU DIAGNOSIS >

Connector No.	M203
Connector Name	AT DEVICE (DETENT SWITCH (KEY))
Connector Color	WHITE



Terminal No.	Color of Wire	Signal Name
5	B/R	PETENT KEY SW
6	L/R	PETENT KEY SW

Connector No.	M201
Connector Name	WIRE TO WIRE
Connector Color	WHITE



Terminal No.	Color of Wire	Signal Name
10	L/R	-
11	B/R	-

Connector No.	M96
Connector Name	PEDAL ADJUSTING SWITCH (WITH AUTOMATIC DRIVE POSITIONER)
Connector Color	BROWN



Terminal No.	Color of Wire	Signal Name
1	B	-
2	L/Y	-
3	R	-

Connector No.	E110
Connector Name	PEDAL ADJUSTING MOTOR ASSEMBLY
Connector Color	GRAY



Terminal No.	Color of Wire	Signal Name
3	W/L	-
4	BR/Y	-
5	W/G	-

Connector No.	E109
Connector Name	PEDAL ADJUSTING MOTOR ASSEMBLY
Connector Color	GRAY



Terminal No.	Color of Wire	Signal Name
1	G	-
2	R	-

Connector No.	E10
Connector Name	WIRE TO WIRE
Connector Color	WHITE



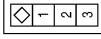
Terminal No.	Color of Wire	Signal Name
1	W/L	-
2	W/G	-
5	G	-
6	BR/Y	-
7	R	-

ABJIA0062GB

DRIVER SEAT CONTROL UNIT

< ECU DIAGNOSIS >

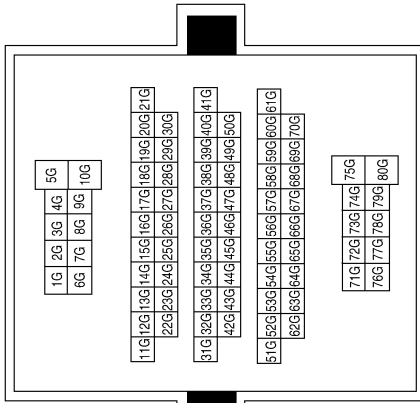
Connector No.	B8
Connector Name	FRONT DOOR SWITCH LH
Connector Color	WHITE



Terminal No.	Color of Wire	Signal Name
2	SB	-
3	B	(WITH KING CAB)

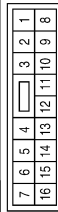
Terminal No.	Color of Wire	Signal Name
7G	L/W	-
10G	W/B	-

Connector No.	E152
Connector Name	WIRE TO WIRE
Connector Color	WHITE



Terminal No.	Color of Wire	Signal Name
12	L	-
13	L/R	-
14	P	-
15	L	-
16	B/W	-

Connector No.	B37
Connector Name	WIRE TO WIRE(WITH AUTOMATIC DRIVE POSITIONER)
Connector Color	WHITE



Terminal No.	Color of Wire	Signal Name
1	B	-
2	R	-
3	L/Y	-
8	L/B	-
9	Y/R	-
10	O	-
11	W	-

ABJIA0063GB

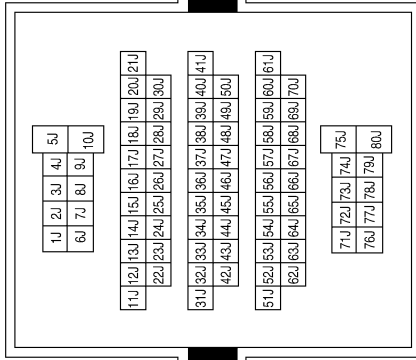
A B C D E F G H I K L M N O P

ADP

DRIVER SEAT CONTROL UNIT

< ECU DIAGNOSIS >

Connector No.	B69
Connector Name	WIRE TO WIRE
Connector Color	WHITE



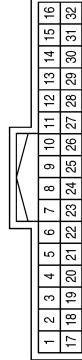
Terminal No.	Color of Wire	Signal Name
5J	L/B	-
35J	O	-
36J	L/Y	-
37J	R	-
44J	W	-
45J	Y/R	-
46J	L/R	-
47J	L	-
51J	L	-
52J	P	-
60J	SB	-

Connector No.	B200
Connector Name	WIRE TO WIRE (WITH AUTO MATIC DRIVE POSITIONER)
Connector Color	WHITE



Terminal No.	Color of Wire	Signal Name
1	G/W	-
2	L/Y	-
3	SB	-
8	W/B	-
9	G	-
10	R	-
11	Y/R	-
12	W	-
13	L	-
14	G	-
15	L/B	-
16	B	-

Connector No.	B202
Connector Name	DRIVER SEAT CONTROL UNIT
Connector Color	WHITE



Terminal No.	Color of Wire	Signal Name
1	W	RX
2	-	-
3	L/B	CAN-H
4	-	-
5	-	-
6	R	ST_SW

Terminal No.	Color of Wire	Signal Name
7	-	-
8	-	-
9	R/B	PULSE RECLING
10	B/R	PULSE RR LIFTER
11	Y/R	SLDIE BACK WD SW
12	L/W	RECLINE BACK WD SW
13	V	FRONT LIFT DN SW
14	P/L	FRONT LIFT DN SW
15	SB	PEDAL BACK
16	Y/R	PEDAL SUPPLY
17	Y/R	TX
18	L/W	-
19	G	CAN-L

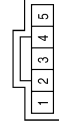
Terminal No.	Color of Wire	Signal Name
20	-	-
21	L	P RANGE SW
22	-	-
23	-	-
24	R/L	PULSE SLIDE
25	Y/G	PULSE FR LIFTER
26	L/R	SLIDE FWD SW
27	V/W	RECLINE FWD SW
28	BR/Y	RR LIFTER UP SW
29	G/R	RR LIFTER UP SW
30	L/Y	PEDAL FORWARD
31	GR/R	SENSOR GND
32	G/W	GND (SIGNAL)

ABJIA0064GB

DRIVER SEAT CONTROL UNIT

< ECU DIAGNOSIS >

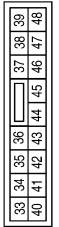
Connector No.	B204
Connector Name	SLIDING MOTOR LH (WITH AUTOMATIC DRIVE POSITIONER)
Connector Color	GRAY



Terminal No.	Color of Wire	Signal Name
1	R/Y	-
2	GR/R	-
3	R/W	-
4	R/L	-
5	R/G	-

Terminal No.	Color of Wire	Signal Name
38	GR	RR LIFTER UP MTR
39	R	RR LIFTER DN MTR
40	G	BATE (FUSE)
41	-	-
42	R/Y	SLIDE BACKWD MTR
43	-	-
44	G/B	RECLINE MTR BACKW
45	G/Y	FR LIFTER UP MTR
46	-	-
47	-	-
48	B	-

Connector No.	B203
Connector Name	DRIVER SEAT CONTROL UNIT
Connector Color	WHITE



Terminal No.	Color of Wire	Signal Name
33	W/B	BAT(PTC)
34	-	-
35	R/G	SLIDE FWD MTR
36	L	RECLINE FWD MTR
37	B	FR LIFTER DN MTR

Connector No.	B207
Connector Name	LIFTING MOTOR (REAR) (WITH AUTOMATIC DRIVE POSITIONER)
Connector Color	GRAY



Terminal No.	Color of Wire	Signal Name
1	B	-
2	GR/R	-
3	R/W	-
4	Y/G	-
5	G/Y	-

Connector No.	B206
Connector Name	LIFTING MOTOR (FRONT) (WITH AUTOMATIC DRIVE POSITIONER)
Connector Color	WHITE



Terminal No.	Color of Wire	Signal Name
1	R	-
2	GR/R	-
3	R/W	-
4	B	-
5	GR	-

Connector No.	B205
Connector Name	RECLINING MOTOR LH (WITH AUTOMATIC DRIVE POSITIONER)
Connector Color	WHITE



Terminal No.	Color of Wire	Signal Name
1	R/B	-
2	L	-
3	G/B	-
4	GR/R	-

ABJIA0065GB

A
B
C
D
E
F
G
H
I
K
L
M
N
O
P


ADP

DRIVER SEAT CONTROL UNIT

< ECU DIAGNOSIS >

Terminal No.	Color of Wire	Signal Name
5	L/R	-
6	G/R	-
7	B/W	-
8	-	-
9	V	-
10	BR/Y	-


Connector No.	B208
Connector Name	POWER SEAT SWITCH LH (WITH AUTOMATIC DRIVE POSITIONER)
Connector Color	WHITE



4	3	2	1
10	9	8	7
6	5		

Terminal No.	Color of Wire	Signal Name
1	Y/R	-
2	P/L	-
3	L/W	-
4	V/W	-

Connector No.	D2
Connector Name	WIRE TO WIRE
Connector Color	WHITE




1	2	3	4	5	6	7
8	9	10	11	12	13	14
15	16					

Terminal No.	Color of Wire	Signal Name
14	B	-

Terminal No.	Color of Wire	Signal Name
9	Y/B	-
10	V/W	-
11	GR	-
12	BR	-
13	G	-
14	O	-
15	W/G	-
16	L/Y	-
17	W/L	-
18	R	-
19	LG	-
20	Y/R	-
21	BR/W	-

Connector No.	D1
Connector Name	WIRE TO WIRE
Connector Color	BROWN



1	2	3	4	5	6	7	8	9	10	11
12	13	14	15	16	17	18	19	20	21	22
23	24									


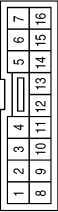
Terminal No.	Color of Wire	Signal Name
1	P/L	-
2	G/O	-
3	Y/G	-
4	P	-
5	LG/B	-
8	SB	-

ABJIA0066GB

DRIVER SEAT CONTROL UNIT


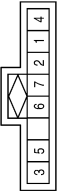
< ECU DIAGNOSIS >

Connector No.	D10
Connector Name	DOOR MIRROR REMOTE CONTROL SWITCH (WITH AUTOMATIC DRIVE POSITIONER)
Connector Color	BROWN


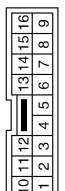
Terminal No.	Color of Wire	Signal Name
4	GR	-
7	B	-
10	BR/W	-
11	LG	-
12	SB	-
13	V/W	-
15	Y/B	-

Connector No.	D5
Connector Name	SEAT MEMORY SWITCH
Connector Color	WHITE


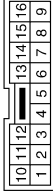
Terminal No.	Color of Wire	Signal Name
1	LG/B	SET 1
2	P/L	SET 2
3	G/O	SET SW
4	B	GND
5	Y/R	-
6	P	IND1
7	Y/G	IND2

Connector No.	D4
Connector Name	DOOR MIRROR LH (WITH AUTOMATIC DRIVE POSITIONER)
Connector Color	WHITE


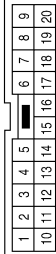
Terminal No.	Color of Wire	Signal Name
1	R	-
2	BR	-
3	O	-
5	W/L	-
6	W/G	-
7	L/Y	-
8	G	-

Connector No.	D107
Connector Name	DOOR MIRROR RH (WITH AUTOMATIC DRIVE POSITIONER)
Connector Color	WHITE

Terminal No.	Color of Wire	Signal Name
1	GR/R	-
2	V/R	-
3	Y	-
5	W/L	-
6	W/G	-
7	R/B	-
8	L/W	-

Connector No.	D102
Connector Name	WIRE TO WIRE
Connector Color	BROWN

Terminal No.	Color of Wire	Signal Name
8	Y	-
9	R/B	-
13	W/G	-
14	W/L	-
15	V/R	-
16	L/W	-
20	GR/R	-

ABJIA0067GB

INFOID:000000004110927

Fail Safe

The fail-safe mode may be activated if the following symptoms are observed.

FAIL-SAFE MODE

When any manual and automatic operations are not performed, if any motor operations of front seat LH or pedals are detected for T2 or more, status is judged "Output error".

A
B
C
D
E
F
G
H
I
ADP
K
L
M
N
O
P

DRIVER SEAT CONTROL UNIT

< ECU DIAGNOSIS >

OPERATED PORTION	T2
Seat sliding	Approx. 0.1 sec.
Seat reclining	Same as above
Seat lifting (Front)	Same as above
Seat lifting (Rear)	Same as above
Pedal adjust	Same as above

NOTE:

The front seat LH position and pedal adjustment functions (see the following table) operate simultaneously in the order of priority.

Priority	Function	Priority	Function
1	Seat sliding, (door mirror LH/RH)*	4	Seat lifter-FR
2	Pedal	5	Seat lifter-RR
3	Seat reclining		

*: In conjunction with sliding the seat, the door mirrors are positioned.

CANCEL OF FAIL-SAFE MODE

The mode is cancelled when the A/T selector lever is shifted to P position from any other position.

DTC Index

INFOID:000000004110928

CONSULT-III display	Timing*1		Item	Reference page
	Current mal-function	Previous mal-function		
CAN COMM CIRCUIT [U1000]	0	1-39	CAN communication	ADP-29
SEAT SLIDE [B2112]	0	1-39	Seat slide motor output	ADP-30
SEAT RECLINING [B2113]	0	1-39	Seat reclining motor output	ADP-31
SEAT LIFTER FRONT [B2114]	0	1-39	Seat lifting motor front output	ADP-32
SEAT LIFTER REAR [B2115]	0	1-39	Seat lifting motor rear output	ADP-33
ADJ PEDAL MOTOR [B2117]	0	1-39	Pedal adjusting motor output	ADP-34
ADJ PEDAL SENSOR [B2120]	0	1-39	Pedal adjusting sensor input	ADP-36
DETENT SW [B2126]	0	1-39	Park position switch condition	ADP-38
UART COMM [B2128]	0	1-39	UART communication	ADP-40

*1:

- 0: Current malfunction is present
- 1-39: Displayed if any previous malfunction is present when current condition is normal. The numeral value increases by one at each IGN ON to OFF cycle from 1 to 39. The counter remains at 39 even if the number of cycles exceeds it. However, the counter is reset to 1 if any malfunction is detected again, the normal operation is resumed and the ignition switch is turned from OFF to ON.

AUTOMATIC DRIVE POSITIONER CONTROL UNIT

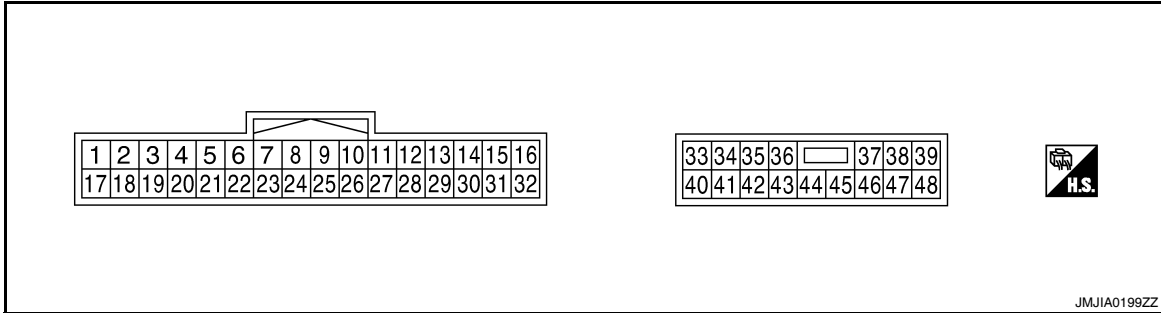
< ECU DIAGNOSIS >

AUTOMATIC DRIVE POSITIONER CONTROL UNIT

Reference Value

INFOID:000000004110929

TERMINAL LAYOUT



PHYSICAL VALUES

Terminal No.		Wire color	Description		Condition	Voltage (V) (Approx.)	
+	-		Signal name	Input/ Output			
2	Ground	LG	Changeover switch RH signal	Input	Changeover switch position	RH	0
						Neutral or LH	5
3	Ground	Y/B	Mirror switch up signal	Input	Mirror switch	Operated (up)	0
						Other than above	5
4	Ground	V/W	Mirror switch left signal	Input	Mirror switch	Operated (left)	0
						Other than above	5
5	Ground	R/B	Door mirror sensor (RH) up/down signal	Input	Door mirror RH position	Peak	3.4
						Valley	0.6
6	Ground	L/Y	Door mirror sensor (LH) up/down signal	Input	Door mirror LH position	Peak	3.4
						Valley	0.6
8	Ground	BR/Y	Pedal sensor input signal	Input	Pedal sensor	Forward	0.5
						Backward	4.5
9	Ground	LG/B	Memory switch 1 signal	Input	Memory switch 1	Push	0
						Other than above	5
10	Ground	L	UART LINE (TX)	Output	Ignition switch ON	<p style="text-align: right; font-size: x-small;">PIIA4813E</p>	
12	Ground	P	Memory indicator 1 signal	Output	Memory indicator 1	Illuminate	0
						Other than above	Battery voltage

AUTOMATIC DRIVE POSITIONER CONTROL UNIT

< ECU DIAGNOSIS >

Terminal No.		Wire color	Description		Condition	Voltage (V) (Approx.)
+	-		Signal name	Input/ Output		
13	Ground	Y/G	Memory indicator 2 signal	Output	Memory indicator 2	Illuminate 0
					Other than above	Battery voltage
14	Ground	GR/R	Door mirror motor (RH) up output signal	Output	Door mirror RH	Operate (up) 1.5 - Battery voltage
					Other than above	0
15	Ground	V/R	Door mirror motor (RH) left output signal	Output	Door mirror RH	Operate (left) 1.5 - Battery voltage
					Other than above	0
16	Ground	O	Door mirror motor (LH) down output signal	Output	Door mirror (LH)	Operate (down) 1.5 - Battery voltage
						Other than above
			Door mirror motor (LH) right output signal			Operate (right) 1.5 - Battery voltage
						Other than above
18	Ground	BR/W	Changeover switch LH signal	Input	Changeover switch position	LH 0
						Neutral or RH 5
19	Ground	SB	Mirror switch down signal	Input	Mirror switch	Operate (down) 0
						Other than above 5
20	Ground	GR	Mirror switch right signal	Input	Mirror switch	Operate (right) 0
						Other than above 5
21	Ground	L/W	Door mirror sensor (RH) left/right signal	Input	Door mirror RH position	Left edge 3.4
						Right edge 0.6
22	Ground	G	Door mirror sensor (LH) left/right signal	Input	Door mirror LH position	Left edge 0.6
						Right edge 3.4
24	Ground	G/O	Set switch signal	Input	Set switch	Push 0
						Other than above 5
25	Ground	P/L	Memory switch 2 signal	Input	Memory switch 2	Push 0
						Other than above 5
26	Ground	W	UART LINE (RX)	Input	Ignition switch ON	

PIIA4814E

AUTOMATIC DRIVE POSITIONER CONTROL UNIT

< ECU DIAGNOSIS >

Terminal No.		Wire color	Description		Condition	Voltage (V) (Approx.)	
+	-		Signal name	Input/ Output			
30	Ground	Y	Door mirror motor (RH) down output signal	Output	Door mirror (RH)	Operate (down)	1.5 - Battery voltage
						Other than above	0
			Door mirror motor (RH) right output signal			Operate (right)	1.5 - Battery voltage
						Other than above	0
31	Ground	R	Door mirror motor (LH) up output signal	Output	Door mirror (LH)	Operate (up)	1.5 - Battery voltage
						Other than above	0
32	Ground	BR	Door mirror motor (LH) left output signal	Output	Door mirror (LH)	Operate (left)	1.5 - Battery voltage
						Other than above	0
33	Ground	W/L	Sensor power supply	Input	—	5	
34	Ground	Y/R	Battery power source	Input	—	Battery voltage	
37	Ground	G	Pedal adjusting motor forward output signal	Output	Pedal adjusting motor	Operate (forward)	Battery voltage
						Other than above	0
39	Ground	L/B	Battery power source		—	Battery voltage	
40	Ground	B/W	Ground	—	—	0	
41	Ground	W/G	Sensor ground	—	—	0	
45	Ground	R	Pedal adjusting motor backward output signal	Output	Pedal adjusting motor	Operate (back-ward)	Battery voltage
						Other than above	0
48	Ground	B	Ground	—	—	0	

A
B
C
D
E
F
G
H
I
K
L
M
N
O
P

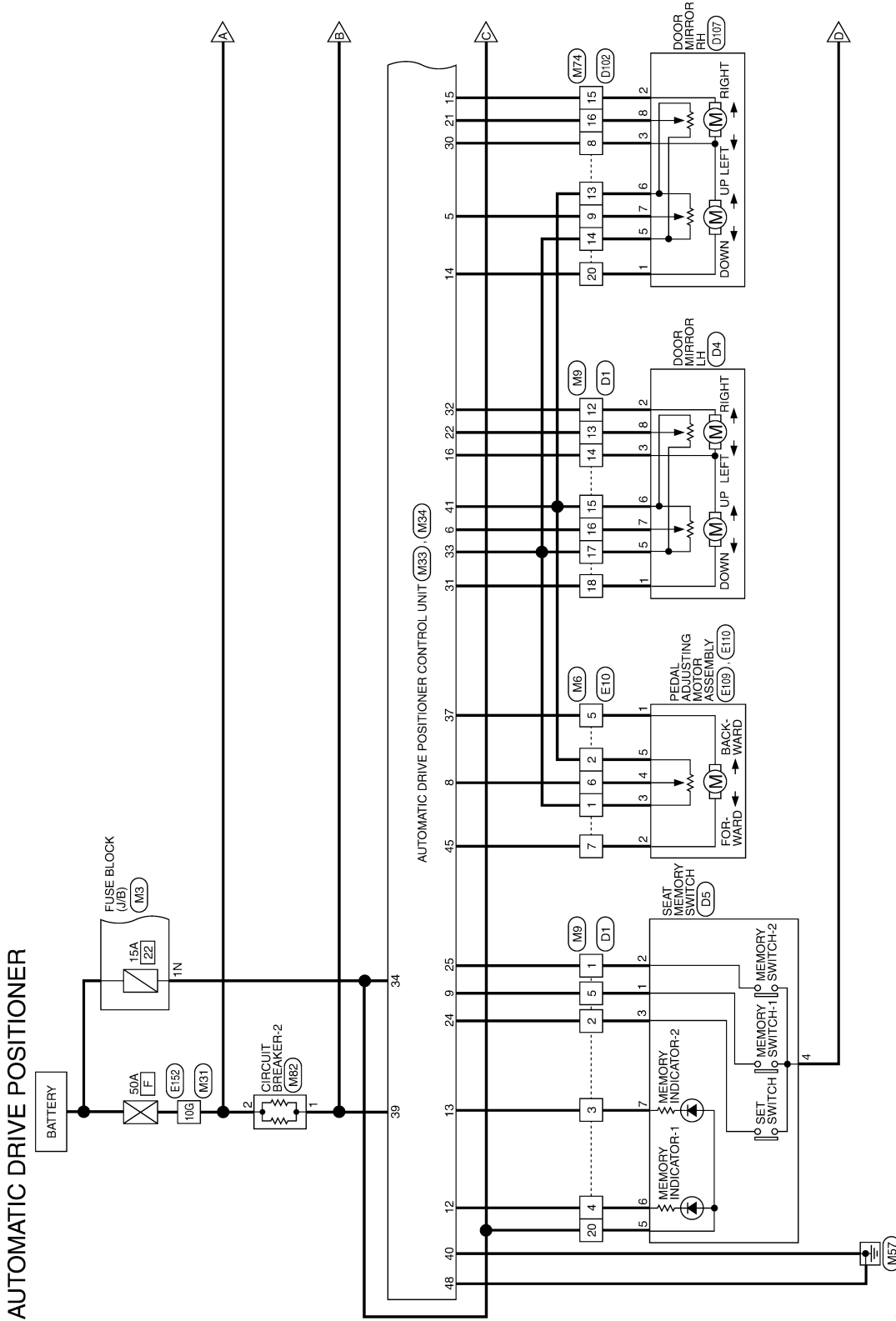
ADP

AUTOMATIC DRIVE POSITIONER CONTROL UNIT

< ECU DIAGNOSIS >

Wiring Diagram

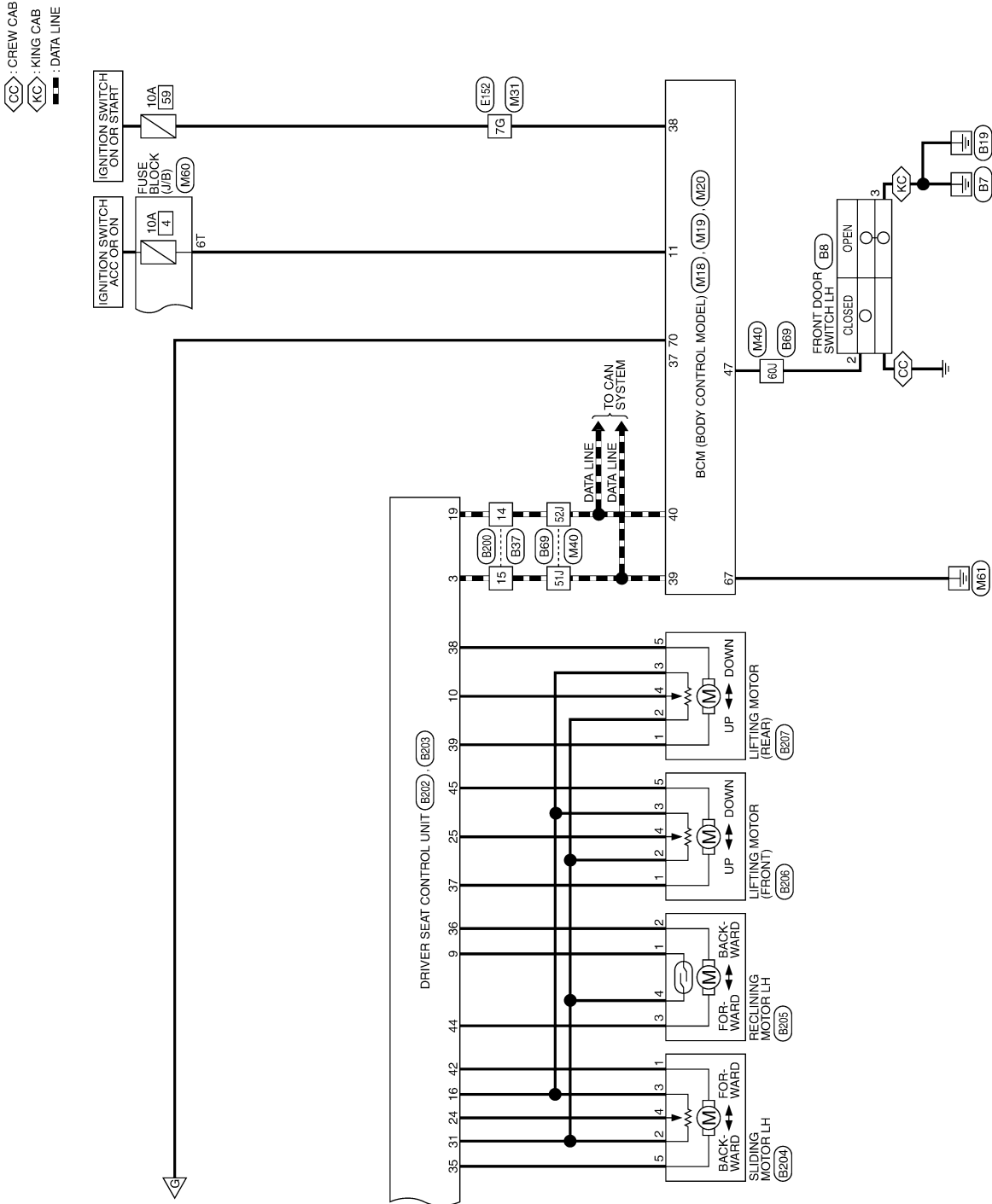
INFOID:000000004110951



ABJWA0021GE

AUTOMATIC DRIVE POSITIONER CONTROL UNIT

< ECU DIAGNOSIS >



ABJWA0024GE

A
B
C
D
E
F
G
H
I
K
L
M
N
O
P

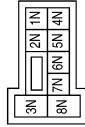
ADP

AUTOMATIC DRIVE POSITIONER CONTROL UNIT

< ECU DIAGNOSIS >

AUTOMATIC DRIVE POSITIONER CONNECTORS

Connector No.	M3
Connector Name	FUSE BLOCK (J/B)
Connector Color	WHITE



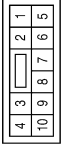
Terminal No.	Color of Wire	Signal Name
1N	Y/R	-

Connector No.	M4
Connector Name	FUSE BLOCK (J/B)
Connector Color	WHITE



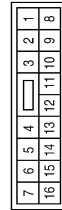
Terminal No.	Color of Wire	Signal Name
14P	O	-
13P	P	-

Connector No.	M6
Connector Name	WIRE TO WIRE
Connector Color	WHITE



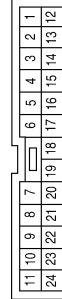
Terminal No.	Color of Wire	Signal Name
1	W/L	-
2	W/G	-
5	G	-
6	BR/Y	-
7	R	-

Connector No.	M8
Connector Name	WIRE TO WIRE
Connector Color	WHITE



Terminal No.	Color of Wire	Signal Name
14	B	-

Connector No.	M9
Connector Name	WIRE TO WIRE
Connector Color	BROWN



Terminal No.	Color of Wire	Signal Name
1	P/L	-
2	G/O	-
3	Y/G	-
4	P	-
5	LG/B	-

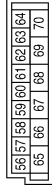
Terminal No.	Color of Wire	Signal Name
8	SB	-
9	Y/B	-
10	V/W	-
11	GR	-
12	BR	-
13	G	-
14	O	-
15	W/G	-
16	L/Y	-
17	W/L	-
18	R	-
19	LG	-
20	Y/R	-
21	BR/W	-

ABJIA0058GB

AUTOMATIC DRIVE POSITIONER CONTROL UNIT

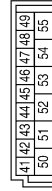
< ECU DIAGNOSIS >

Connector No.	M20
Connector Name	BCM (BODY CONTROL MODULE)
Connector Color	BLACK



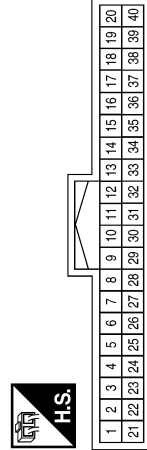
Terminal No.	Color of Wire	Signal Name
67	B	GND (POWER)
70	W/B	BATT (F/L)

Connector No.	M19
Connector Name	BCM (BODY CONTROL MODULE)
Connector Color	WHITE



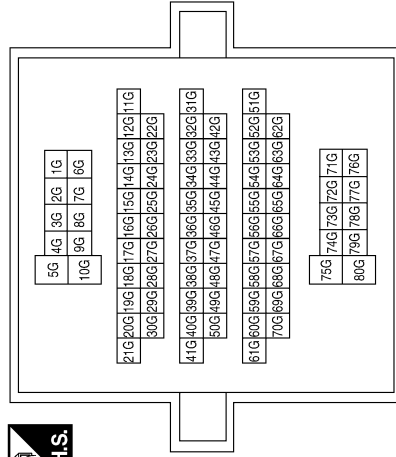
Terminal No.	Color of Wire	Signal Name
47	SB	DOOR SW (DR)

Connector No.	M18
Connector Name	BCM (BODY CONTROL MODULE)
Connector Color	WHITE



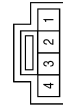
Terminal No.	Color of Wire	Signal Name
11	O	ACC SW
38	W/L	IGN SW
39	L	CAN-H
40	P	CAN-L

Connector No.	M31
Connector Name	WIRE TO WIRE
Connector Color	WHITE



Terminal No.	Color of Wire	Signal Name
7G	W/L	-
10G	W/B	-

Connector No.	M27
Connector Name	KEY SWITCH AND KEY LOCK SOLENOID
Connector Color	WHITE



Terminal No.	Color of Wire	Signal Name
3	Y/R	-(TYPE A*)
3	P	-(TYPE B*)
4	B/R	-

ABJIA0059GB

* : REFER TO HARNESS LAYOUT OF PG SECTION FOR DEFINITION OF TYPE A AND TYPE B.

A
B
C
D
E
F
G
H
I
K
L
M
N
O
P

ADP

AUTOMATIC DRIVE POSITIONER CONTROL UNIT

< ECU DIAGNOSIS >

Terminal No.	Color of Wire	Signal Name
23	-	-
24	G/O	SET_SW
25	P/L	MEMORY2_SW
26	W	RX
27	-	-
28	-	-
29	-	-
30	Y	RH_MTR_(COM)
31	R	LH_MTR_(UP-DWN)
32	BR	LH_MTR_(LT)

Terminal No.	Color of Wire	Signal Name
8	BR/Y	PEDAL POTENTIATION
9	LG/B	MEMORY1_SW
10	L	TX
11	-	-
12	P	MEMORY1_IND
13	Y/G	MEMORY2_IND
14	GR/R	RH_MTR_(UP-DN)
15	V/R	RH_MTR_(LT)
16	O	LH_MTR_(COM)
17	-	-
18	BR/W	MIR_SELECT_SW_LH
19	SB	MIR_MANU_SW_DN
20	GR	MIR_MANU_SW_RH
21	L/W	HORIZONTAL_SENS
22	G	HORIZONTAL_SENS

Connector No.	M33
Connector Name	AUTOMATIC DRIVE POSITIONER CONTROL UNIT
Connector Color	WHITE



1	2	3	4	5	6	7	8	9	10	11	12	13	14	15	16	17	18	19	20	21	22	23	24	25	26	27	28	29	30	31	32
---	---	---	---	---	---	---	---	---	----	----	----	----	----	----	----	----	----	----	----	----	----	----	----	----	----	----	----	----	----	----	----

Terminal No.	Color of Wire	Signal Name
1	-	-
2	LG	MIR_SELECT_SW_RH
3	Y/B	MIR_MANU_SW_UP
4	V/W	MIR_MANU_SW_LH
5	R/B	VERTICAL_SENS_RH
6	L/Y	VERTICAL_SENS_LH
7	-	-

Connector No.	M34
Connector Name	AUTOMATIC DRIVE POSITIONER CONTROL UNIT
Connector Color	WHITE



33	34	35	36	37	38	39		
40	41	42	43	44	45	46	47	48

Terminal No.	Color of Wire	Signal Name
33	W/L	MEMORY(POT_FEED)
34	Y/R	BAT_(FUSE)
35	-	-
36	-	-

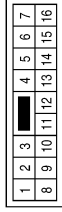
Terminal No.	Color of Wire	Signal Name
37	G	FORWARD
38	-	-
39	L/B	BAT(PTC)
40	B/W	GND(SIG)
41	W/G	MEMORY(POT-RET)
42	-	-
43	-	-
44	-	-
45	R	PEDAL_RR_OUT
46	-	-
47	-	-
48	B	GND(POWER)

ABJIA0060GB

AUTOMATIC DRIVE POSITIONER CONTROL UNIT

< ECU DIAGNOSIS >

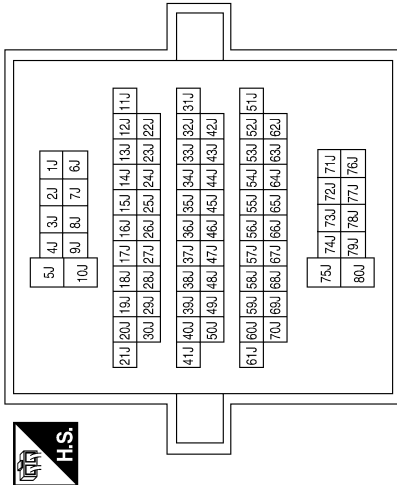
Connector No.	M56
Connector Name	WIRE TO WIRE
Connector Color	WHITE



Terminal No.	Color of Wire	Signal Name
10	L/R	-
11	B/R	-

Terminal No.	Color of Wire	Signal Name
5J	L/B	-
35J	O	-
36J	L/Y	-
37J	R	-
44J	W	-
45J	Y/R	-
46J	L/R	-
47J	L	-
51J	L	-
52J	P	-
60J	SB	-

Connector No.	M40
Connector Name	WIRE TO WIRE
Connector Color	WHITE

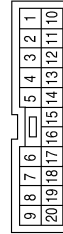


Connector No.	M82
Connector Name	CIRCUIT BREAKER-2 (WITH POWER SEATS)
Connector Color	WHITE



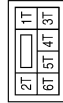
Terminal No.	Color of Wire	Signal Name
1	L/B	-
2	W/B	-

Connector No.	M74
Connector Name	WIRE TO WIRE
Connector Color	BROWN



Terminal No.	Color of Wire	Signal Name
8	Y	-
9	R/B	-
13	W/G	-
14	W/L	-
15	V/R	-
16	L/W	-
20	GR/R	-

Connector No.	M60
Connector Name	FUSE BLOCK (J/B)
Connector Color	WHITE



Terminal No.	Color of Wire	Signal Name
6T	O	-

ABJIA0061GB

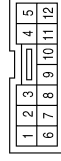
A
B
C
D
E
F
G
H
I
J
K
L
M
N
O
P

ADP

AUTOMATIC DRIVE POSITIONER CONTROL UNIT

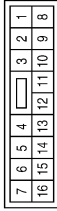
< ECU DIAGNOSIS >

Connector No.	M203
Connector Name	AT DEVICE (DETENT SWITCH (KEY))
Connector Color	WHITE



Terminal No.	Color of Wire	Signal Name
5	B/R	PETENT KEY SW
6	L/R	PETENT KEY SW

Connector No.	M201
Connector Name	WIRE TO WIRE
Connector Color	WHITE



Terminal No.	Color of Wire	Signal Name
10	L/R	-
11	B/R	-

Connector No.	M96
Connector Name	PEDAL ADJUSTING SWITCH (WITH AUTOMATIC DRIVE POSITIONER)
Connector Color	BROWN



Terminal No.	Color of Wire	Signal Name
1	B	-
2	L/Y	-
3	R	-

Connector No.	E110
Connector Name	PEDAL ADJUSTING MOTOR ASSEMBLY
Connector Color	GRAY



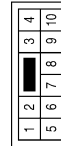
Terminal No.	Color of Wire	Signal Name
3	W/L	-
4	BR/Y	-
5	W/G	-

Connector No.	E109
Connector Name	PEDAL ADJUSTING MOTOR ASSEMBLY
Connector Color	GRAY



Terminal No.	Color of Wire	Signal Name
1	G	-
2	R	-

Connector No.	E10
Connector Name	WIRE TO WIRE
Connector Color	WHITE



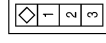
Terminal No.	Color of Wire	Signal Name
1	W/L	-
2	W/G	-
5	G	-
6	BR/Y	-
7	R	-

ABJIA0062GB

AUTOMATIC DRIVE POSITIONER CONTROL UNIT

< ECU DIAGNOSIS >

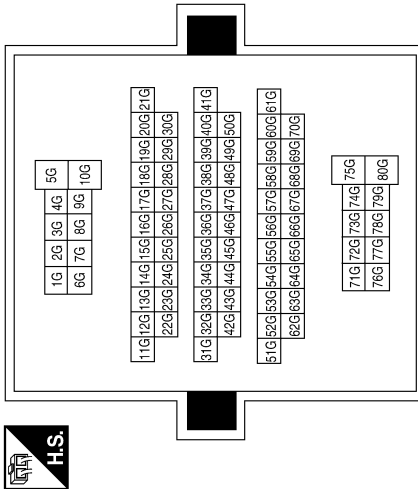
Connector No.	B8
Connector Name	FRONT DOOR SWITCH LH
Connector Color	WHITE



Terminal No.	Color of Wire	Signal Name
2	SB	-
3	B	(WITH KING CAB)

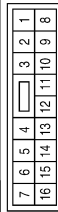
Terminal No.	Color of Wire	Signal Name
7G	L/W	-
10G	W/B	-

Connector No.	E152
Connector Name	WIRE TO WIRE
Connector Color	WHITE



Terminal No.	Color of Wire	Signal Name
12	L	-
13	L/R	-
14	P	-
15	L	-
16	B/W	-

Connector No.	B37
Connector Name	WIRE TO WIRE(WITH AUTOMATIC DRIVE POSITIONER)
Connector Color	WHITE



Terminal No.	Color of Wire	Signal Name
1	B	-
2	R	-
3	L/Y	-
8	L/B	-
9	Y/R	-
10	O	-
11	W	-

ABJIA0063GB

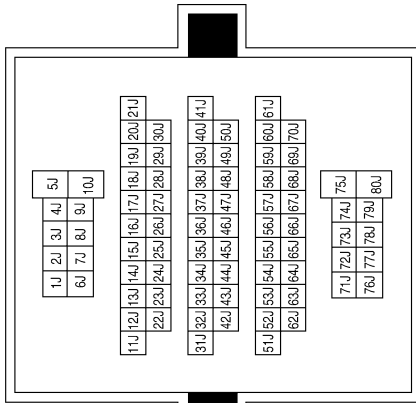
A
B
C
D
E
F
G
H
I
K
L
M
N
O
P

ADP

AUTOMATIC DRIVE POSITIONER CONTROL UNIT

< ECU DIAGNOSIS >

Connector No.	B69
Connector Name	WIRE TO WIRE
Connector Color	WHITE



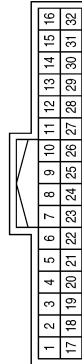
Terminal No.	Color of Wire	Signal Name
5J	L/B	-
35J	O	-
36J	L/Y	-
37J	R	-
44J	W	-
45J	Y/R	-
46J	L/R	-
47J	L	-
51J	L	-
52J	P	-
60J	SB	-

Connector No.	B200
Connector Name	WIRE TO WIRE (WITH AUTOMATIC DRIVE POSITIONER)
Connector Color	WHITE



Terminal No.	Color of Wire	Signal Name
1	G/W	-
2	L/Y	-
3	SB	-
8	W/B	-
9	G	-
10	R	-
11	Y/R	-
12	W	-
13	L	-
14	G	-
15	L/B	-
16	B	-

Connector No.	B202
Connector Name	DRIVER SEAT CONTROL UNIT
Connector Color	WHITE



Terminal No.	Color of Wire	Signal Name
1	W	RX
2	-	-
3	L/B	CAN-H
4	-	-
5	-	-
6	R	ST_SW

Terminal No.	Color of Wire	Signal Name
7	-	-
8	-	-
9	R/B	PULSE RECLING
10	B/R	PULSE RR LIFTER
11	Y/R	SLDIE BACK WD SW
12	L/W	RECLINE BACK WD SW
13	V	FRONT LIFT DN SW
14	P/L	FRONT LIFT DN SW
15	SB	PEDAL BACK
16	Y/R	PEDAL SUPPLY
17	Y/R	TX
18	L/W	-
19	G	CAN-L

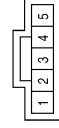
Terminal No.	Color of Wire	Signal Name
20	-	-
21	L	P RANGE SW
22	-	-
23	-	-
24	R/L	PULSE SLIDE
25	Y/G	PULSE FR LIFTER
26	L/R	SLIDE FWD SW
27	V/W	RECLINE FWD SW
28	BR/Y	RR LIFTER UP SW
29	G/R	RR LIFTER UP SW
30	L/Y	PEDAL FORWARD
31	GR/R	SENSOR GND
32	G/W	GND (SIGNAL)

ABJIA0064GB

AUTOMATIC DRIVE POSITIONER CONTROL UNIT

< ECU DIAGNOSIS >

Connector No.	B204
Connector Name	SLIDING MOTOR LH (WITH AUTOMATIC DRIVE POSITIONER)
Connector Color	GRAY



Terminal No.	Color of Wire	Signal Name
1	R/Y	-
2	GR/R	-
3	R/W	-
4	R/L	-
5	R/G	-

Terminal No.	Color of Wire	Signal Name
38	GR	RR LIFTER UP MTR
39	R	RR LIFTER DN MTR
40	G	BATE (FUSE)
41	-	-
42	R/Y	SLIDE BACKWD MTR
43	-	-
44	G/B	RECLINE MTR BACKW
45	G/Y	FR LIFTER UP MTR
46	-	-
47	-	-
48	B	-

Connector No.	B203
Connector Name	DRIVER SEAT CONTROL UNIT
Connector Color	WHITE



Terminal No.	Color of Wire	Signal Name
33	W/B	BAT(PTC)
34	-	-
35	R/G	SLIDE FWD MTR
36	L	RECLINE FWD MTR
37	B	FR LIFTER DN MTR

Connector No.	B207
Connector Name	LIFTING MOTOR (REAR) (WITH AUTOMATIC DRIVE POSITIONER)
Connector Color	GRAY



Terminal No.	Color of Wire	Signal Name
1	B	-
2	GR/R	-
3	R/W	-
4	Y/G	-
5	G/Y	-

Connector No.	B206
Connector Name	LIFTING MOTOR (FRONT) (WITH AUTOMATIC DRIVE POSITIONER)
Connector Color	WHITE



Terminal No.	Color of Wire	Signal Name
1	R	-
2	GR/R	-
3	R/W	-
4	B	-
5	GR	-

Connector No.	B205
Connector Name	RECLINING MOTOR LH (WITH AUTOMATIC DRIVE POSITIONER)
Connector Color	WHITE



Terminal No.	Color of Wire	Signal Name
1	R/B	-
2	L	-
3	G/B	-
4	GR/R	-

ABJIA0065GB

A
B
C
D
E
F
G
H
I
K
L
M
N
O
P


ADP

AUTOMATIC DRIVE POSITIONER CONTROL UNIT

< ECU DIAGNOSIS >

Terminal No.	Color of Wire	Signal Name
5	L/R	-
6	G/R	-
7	B/W	-
8	-	-
9	V	-
10	BR/Y	-


Connector No.	B208
Connector Name	POWER SEAT SWITCH LH (WITH AUTOMATIC DRIVE POSITIONER)
Connector Color	WHITE



4	3	2	1
10	9	8	7
6	5		

Terminal No.	Color of Wire	Signal Name
1	Y/R	-
2	P/L	-
3	L/W	-
4	V/W	-

Connector No.	D2
Connector Name	WIRE TO WIRE
Connector Color	WHITE




1	2	3	4	5	6	7
8	9	10	11	12	13	14
15	16					

Terminal No.	Color of Wire	Signal Name
14	B	-

Terminal No.	Color of Wire	Signal Name
9	Y/B	-
10	V/W	-
11	GR	-
12	BR	-
13	G	-
14	O	-
15	W/G	-
16	L/Y	-
17	W/L	-
18	R	-
19	LG	-
20	Y/R	-
21	BR/W	-

Connector No.	D1
Connector Name	WIRE TO WIRE
Connector Color	BROWN



1	2	3	4	5	6	7	8	9	10	11
12	13	14	15	16	17	18	19	20	21	22
23	24									


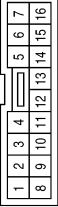
Terminal No.	Color of Wire	Signal Name
1	P/L	-
2	G/O	-
3	Y/G	-
4	P	-
5	LG/B	-
8	SB	-

ABJIA0066GB

AUTOMATIC DRIVE POSITIONER CONTROL UNIT


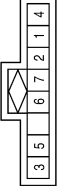
< ECU DIAGNOSIS >

Connector No.	D10
Connector Name	DOOR MIRROR REMOTE CONTROL SWITCH (WITH AUTOMATIC DRIVE POSITIONER)
Connector Color	BROWN


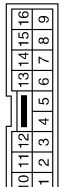
Terminal No.	Color of Wire	Signal Name
4	GR	-
7	B	-
10	BR/W	-
11	LG	-
12	SB	-
13	V/W	-
15	Y/B	-

Connector No.	D5
Connector Name	SEAT MEMORY SWITCH
Connector Color	WHITE


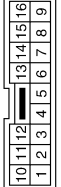
Terminal No.	Color of Wire	Signal Name
1	LG/B	SET 1
2	P/L	SET 2
3	G/O	SET SW
4	B	GND
5	Y/R	-
6	P	IND1
7	Y/G	IND2

Connector No.	D4
Connector Name	DOOR MIRROR LH (WITH AUTOMATIC DRIVE POSITIONER)
Connector Color	WHITE


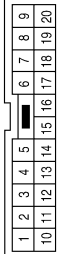
Terminal No.	Color of Wire	Signal Name
1	R	-
2	BR	-
3	O	-
5	W/L	-
6	W/G	-
7	L/Y	-
8	G	-

Connector No.	D107
Connector Name	DOOR MIRROR RH (WITH AUTOMATIC DRIVE POSITIONER)
Connector Color	WHITE

Terminal No.	Color of Wire	Signal Name
1	GR/R	-
2	V/R	-
3	Y	-
5	W/L	-
6	W/G	-
7	R/B	-
8	L/W	-

Connector No.	D102
Connector Name	WIRE TO WIRE
Connector Color	BROWN

Terminal No.	Color of Wire	Signal Name
8	Y	-
9	R/B	-
13	W/G	-
14	W/L	-
15	V/R	-
16	L/W	-
20	GR/R	-

ABJIA0067GB

A B C D E F G H I K L M N O P

ADP

BCM (BODY CONTROL MODULE)

< ECU DIAGNOSIS >

BCM (BODY CONTROL MODULE)

Reference Value

INFOID:000000004110952

VALUES ON THE DIAGNOSIS TOOL

Monitor Item	Condition	Value/Status
AIR COND SW	A/C switch OFF	OFF
	A/C switch ON	ON
AUT LIGHT SYS	Outside of the room is dark	OFF
	Outside of the room is bright	ON
AUTO LIGHT SW	Lighting switch OFF	OFF
	Lighting switch AUTO	ON
CDL LOCK SW	Door lock/unlock switch does not operate	OFF
	Press door lock/unlock switch to the LOCK side	ON
CDL UNLOCK SW	Door lock/unlock switch does not operate	OFF
	Press door lock/unlock switch to the UNLOCK side	ON
DOOR SW-AS	Front door RH closed	OFF
	Front door RH opened	ON
DOOR SW-DR	Front door LH closed	OFF
	Front door LH opened	ON
DOOR SW-RL	Rear door LH closed	OFF
	Rear door LH opened	ON
DOOR SW-RR	Rear door RH closed	OFF
	Rear door RH opened	ON
ENGINE RUN	Engine stopped	OFF
	Engine running	ON
FR FOG SW	Front fog lamp switch OFF	OFF
	Front fog lamp switch ON	ON
FR WASHER SW	Front washer switch OFF	OFF
	Front washer switch ON	ON
FR WIPER LOW	Front wiper switch OFF	OFF
	Front wiper switch LO	ON
FR WIPER HI	Front wiper switch OFF	OFF
	Front wiper switch HI	ON
FR WIPER INT	Front wiper switch OFF	OFF
	Front wiper switch INT	ON
FR WIPER STOP	Any position other than front wiper stop position	OFF
	Front wiper stop position	ON
HAZARD SW	When hazard switch is not pressed	OFF
	When hazard switch is pressed	ON
LIGHT SW 1ST	Lighting switch OFF	OFF
	Lighting switch 1st	ON
HEADLAMP SW1	Headlamp switch OFF	OFF
	Headlamp switch 1st	ON

BCM (BODY CONTROL MODULE)

< ECU DIAGNOSIS >

Monitor Item	Condition	Value/Status
HEADLAMP SW2	Headlamp switch OFF	OFF
	Headlamp switch 1st	ON
HI BEAM SW	High beam switch OFF	OFF
	High beam switch HI	ON
H/L WASH SW	NOTE: The item is indicated, but not monitored	OFF
IGN ON SW	Ignition switch OFF or ACC	OFF
	Ignition switch ON	ON
IGN SW CAN	Ignition switch OFF or ACC	OFF
	Ignition switch ON	ON
INT VOLUME	Wiper intermittent dial is in a dial position 1 - 7	1 - 7
KEY ON SW	Key is removed from key cylinder	OFF
	Key is inserted to key cylinder	ON
KEYLESS LOCK	LOCK button of key fob is not pressed	OFF
	LOCK button of key fob is pressed	ON
KEYLESS UNLOCK	UNLOCK button of key fob is not pressed	OFF
	UNLOCK button of key fob is pressed	ON
OIL PRESS SW	<ul style="list-style-type: none"> • Ignition switch OFF or ACC • Engine running 	OFF
	Ignition switch ON	ON
PASSING SW	Other than lighting switch PASS	OFF
	Lighting switch PASS	ON
REAR DEF SW	Rear window defogger switch OFF	OFF
	Rear window defogger switch ON	ON
RKE LOCK AND UN-LOCK	NOTE: The item is indicated, but not monitored	OFF
		ON
TAIL LAMP SW	Lighting switch OFF	OFF
	Lighting switch 1ST	ON
TURN SIGNAL L	Turn signal switch OFF	OFF
	Turn signal switch LH	ON
TURN SIGNAL R	Turn signal switch OFF	OFF
	Turn signal switch RH	ON
VEHICLE SPEED	While driving	Equivalent to speedometer reading

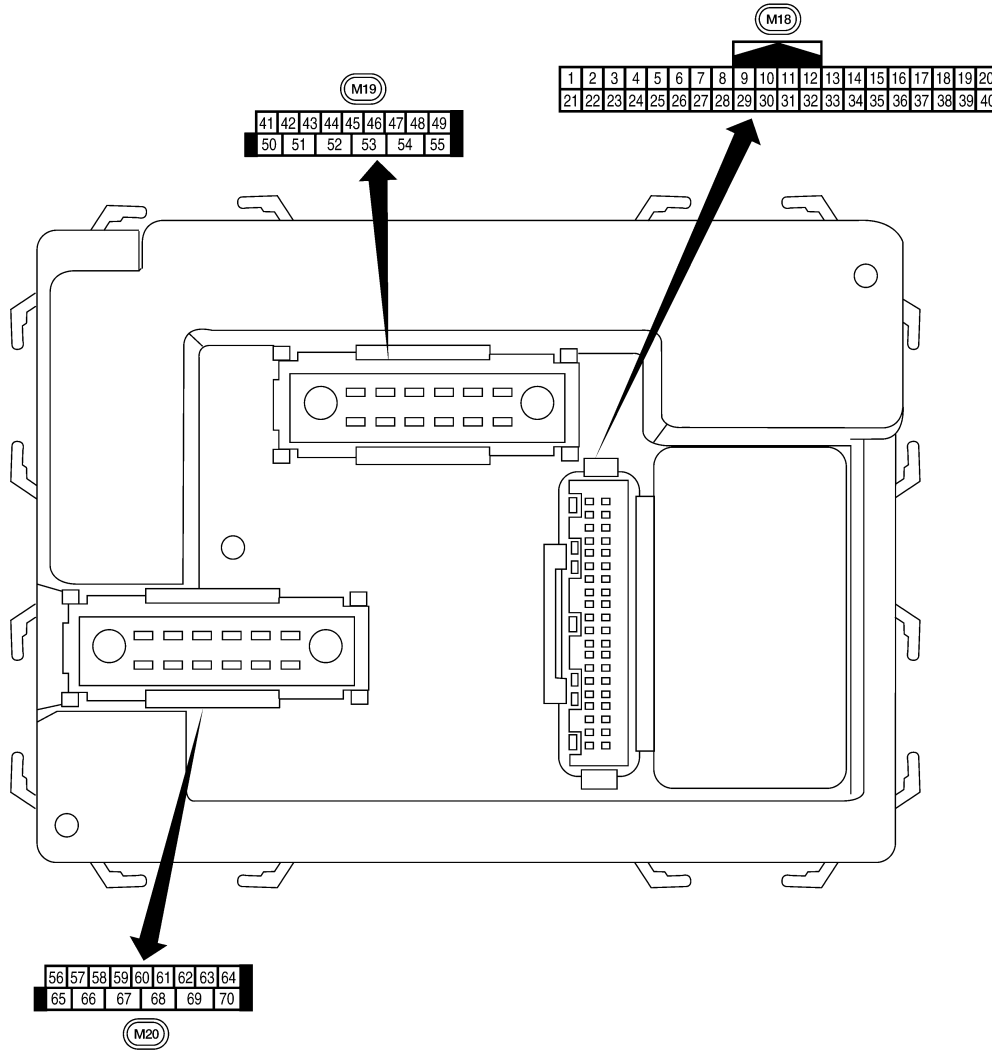
A
B
C
D
E
F
G
H
I
ADP
K
L
M
N
O
P

BCM (BODY CONTROL MODULE)

< ECU DIAGNOSIS >

Terminal Layout

INFOID:000000004110953




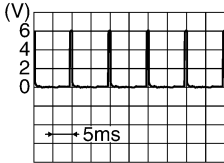

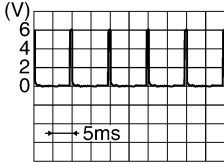
Physical Values

LIA2443E

INFOID:000000004110954

BCM (BODY CONTROL MODULE)

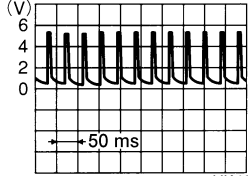
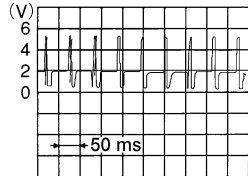
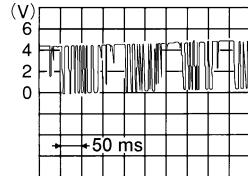
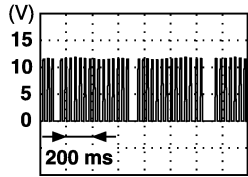
< ECU DIAGNOSIS >

Terminal	Wire color	Signal name	Signal input/output	Measuring condition		Reference value or waveform (Approx.)
				Ignition switch	Operation or condition	
1	BR/W	Ignition keyhole illumination	Output	OFF	Door is locked (SW OFF)	Battery voltage
					Door is unlocked (SW OFF)	0V
2	SB	Combination switch input 5	Input	ON	Lighting, turn, wiper OFF Wiper dial position 4	 <p style="text-align: right; font-size: small;">SKIA5291E</p>
3	G/Y	Combination switch input 4	Input	ON	Lighting, turn, wiper OFF Wiper dial position 4	 <p style="text-align: right; font-size: small;">SKIA5292E</p>
4	Y	Combination switch input 3	Input	ON	Lighting, turn, wiper OFF Wiper dial position 4	 <p style="text-align: right; font-size: small;">SKIA5291E</p>
5	G/B	Combination switch input 2	Input	ON	Lighting, turn, wiper OFF Wiper dial position 4	 <p style="text-align: right; font-size: small;">SKIA5292E</p>
6	V	Combination switch input 1				
9	Y/B	Rear window defogger switch (Crew Cab)	Input	ON	Rear window defogger switch ON	0V
					Rear window defogger switch OFF	5V
11	O	Ignition switch (ACC or ON)	Input	ACC or ON	Ignition switch ACC or ON	Battery voltage
12	R/L	Front door switch RH (All)	Input	OFF	ON (open)	0V
		Rear door switch lower RH (King Cab)			OFF (closed)	Battery voltage
		Rear door switch upper RH (King Cab)				
13	GR	Rear door switch RH (Crew Cab)	Input	OFF	ON (open)	0V
					OFF (closed)	Battery voltage
15	L/W	Tire pressure warning check connector	Input	OFF	—	5V

A
B
C
D
E
F
G
H
I
ADP
K
L
M
N
O
P

BCM (BODY CONTROL MODULE)

< ECU DIAGNOSIS >

Terminal	Wire color	Signal name	Signal input/output	Measuring condition		Reference value or waveform (Approx.)
				Ignition switch	Operation or condition	
18	P	Remote keyless entry receiver and optical sensor (ground)	Output	OFF	—	0V
19	V/W	Remote keyless entry receiver (power supply)	Output	OFF	Ignition switch OFF	 LIIA1893E
20	G/W	Remote keyless entry receiver (signal)	Input	OFF	Stand-by (keyfob buttons released)	 LIIA1894E
					When remote keyless entry receiver receives signal from keyfob (keyfob buttons pressed)	 LIIA1895E
21	G	NATS antenna amp.	Input	OFF → ON	Ignition switch (OFF → ON)	Just after turning ignition switch ON: Pointer of tester should move for approx. 1 second, then return to battery voltage.
22	G	BUS	—	—	Ignition switch ON or power window timer operates	 PIIA2344E
23	G/O	Security indicator lamp	Output	OFF	Goes OFF → illuminates (Every 2.4 seconds)	Battery voltage → 0V
25	BR	NATS antenna amp.	Input	OFF → ON	Ignition switch (OFF → ON)	Just after turning ignition switch ON: Pointer of tester should move for approx. 1 second, then return to battery voltage.
27	W/R	Compressor ON signal	Input	ON	A/C switch OFF	5V
					A/C switch ON	0V
28	L/R	Front blower monitor	Input	ON	Front blower motor OFF	Battery voltage
					Front blower motor ON	0V
29	W/B	Hazard switch	Input	OFF	ON	0V
					OFF	5V
31	P/L	Cargo lamp switch	Input	OFF	Cargo lamp switch ON	0
					Cargo lamp switch OFF	Battery voltage

BCM (BODY CONTROL MODULE)

< ECU DIAGNOSIS >

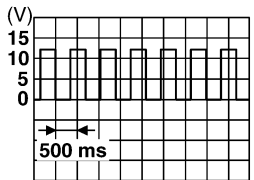
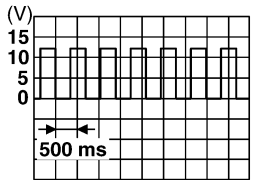
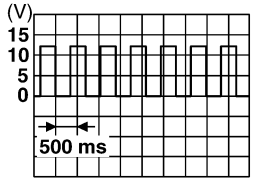
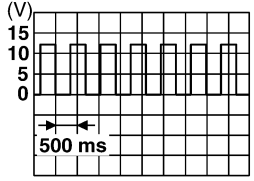
Terminal	Wire color	Signal name	Signal input/output	Measuring condition		Reference value or waveform (Approx.)
				Ignition switch	Operation or condition	
32	R/G	Combination switch output 5	Output	ON	Lighting, turn, wiper OFF Wiper dial position 4	<p style="text-align: right; font-size: small;">SKIA5291E</p>
33	R/Y	Combination switch output 4	Output	ON	Lighting, turn, wiper OFF Wiper dial position 4	<p style="text-align: right; font-size: small;">SKIA5292E</p>
34	L	Combination switch output 3	Output	ON	Lighting, turn, wiper OFF Wiper dial position 4	<p style="text-align: right; font-size: small;">SKIA5291E</p>
35	O/B	Combination switch output 2	Output	ON	Lighting, turn, wiper OFF Wiper dial position 4	<p style="text-align: right; font-size: small;">SKIA5292E</p>
36	R/W	Combination switch output 1				
37	B/R	Key switch and key lock solenoid	Input	OFF	Key inserted	Battery voltage
					Key inserted	0V
38	W/L	Ignition switch (ON)	Input	ON	—	Battery voltage
39	L	CAN-H	—	—	—	—
40	P	CAN-L	—	—	—	—
47	SB	Front door switch LH (All)	Input	OFF	ON (open)	0V
		Rear door switch lower LH (King Cab)			OFF (closed)	Battery voltage
48	R/Y	Rear door switch LH (Crew Cab)	Input	OFF	ON (open)	0V
					OFF (closed)	Battery voltage
50	R/Y	Cargo bed lamp control	Output	OFF	Cargo lamp switch (ON)	0V
					Cargo lamp switch (OFF)	Battery voltage

A
B
C
D
E
F
G
H
I
K
L
M
N
O
P

ADP

BCM (BODY CONTROL MODULE)

< ECU DIAGNOSIS >

Terminal	Wire color	Signal name	Signal input/output	Measuring condition		Reference value or waveform (Approx.)
				Ignition switch	Operation or condition	
51	G/Y	Trailer turn signal (right)	Output	ON	Turn right ON	 <small>SKIA3009J</small>
52	G/B	Trailer turn signal (left)	Output	ON	Turn left ON	 <small>SKIA3009J</small>
56	R/G	Battery saver output	Output	OFF	30 minutes after ignition switch is turned OFF	0V
				ON	—	Battery voltage
57	Y/R	Battery power supply	Input	OFF	—	Battery voltage
58	W/R	Optical sensor	Input	ON	When optical sensor is illuminated	3.1V or more
					When optical sensor is not illuminated	0.6V or less
59	G	Front door lock assembly LH actuator (unlock)	Output	OFF	OFF (neutral)	0V
					ON (unlock)	Battery voltage
60	G/B	Turn signal (left)	Output	ON	Turn left ON	 <small>SKIA3009J</small>
61	G/Y	Turn signal (right)	Output	ON	Turn right ON	 <small>SKIA3009J</small>
62	R/W	Step lamp LH and RH	Output	OFF	ON (any door open)	0V
					OFF (all doors closed)	Battery voltage
63	L	Interior room/map lamp	Output	OFF	Any door switch ON (open)	0V
					OFF (closed)	Battery voltage
65	V	All door lock actuators (lock)	Output	OFF	OFF (neutral)	0V
					ON (lock)	Battery voltage
66	G/Y	Front door lock actuator RH and rear door lock actuators LH/RH (unlock)	Output	OFF	OFF (neutral)	0V
					ON (unlock)	Battery voltage

BCM (BODY CONTROL MODULE)

< ECU DIAGNOSIS >

Terminal	Wire color	Signal name	Signal input/output	Measuring condition		Reference value or waveform (Approx.)
				Ignition switch	Operation or condition	
67	B	Ground	Input	ON	—	0V
68	W/L	Power window power supply (RAP)	Output	—	Ignition switch ON	Battery voltage
					Within 45 seconds after ignition switch OFF	Battery voltage
					More than 45 seconds after ignition switch OFF	0V
					When front door LH or RH is open or power window timer operates	0V
69	W/R	Power window power supply	Output	—	—	Battery voltage
70	W/B	Battery power supply	Input	OFF	—	Battery voltage

A
B
C
D
E
F
G
H
I
K
L
M
N
O
P

ADP

BCM (BODY CONTROL MODULE)

< ECU DIAGNOSIS >

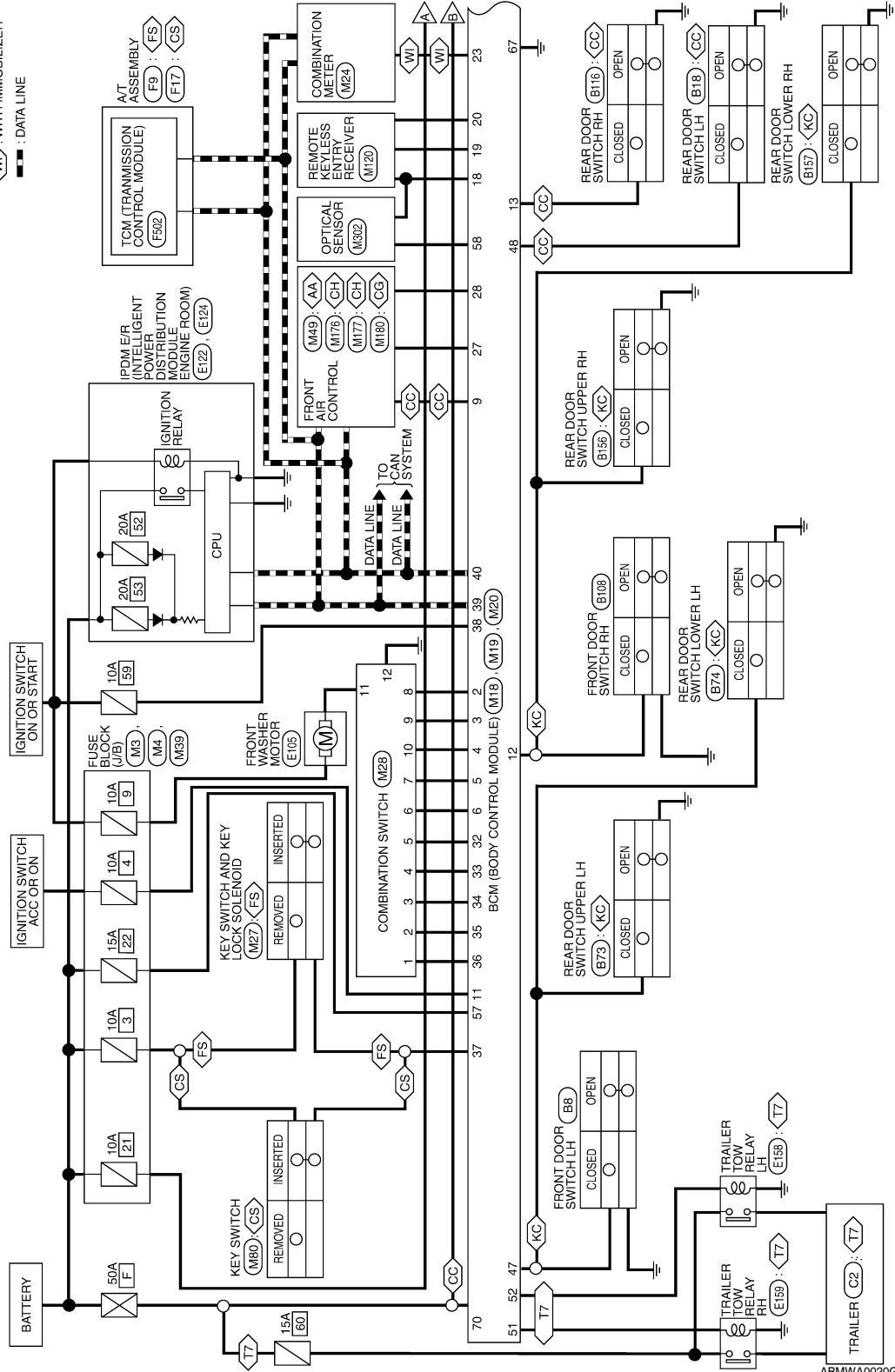
Wiring Diagram

INFOID:000000004110955

BCM (BODY CONTROL MODULE)

- : COLUMN SHIFT
- : FLOOR SHIFT
- : KING CAB
- : TRAILER TOW 7 PIN
- : WITH IMMOBILIZER
- : DATA LINE

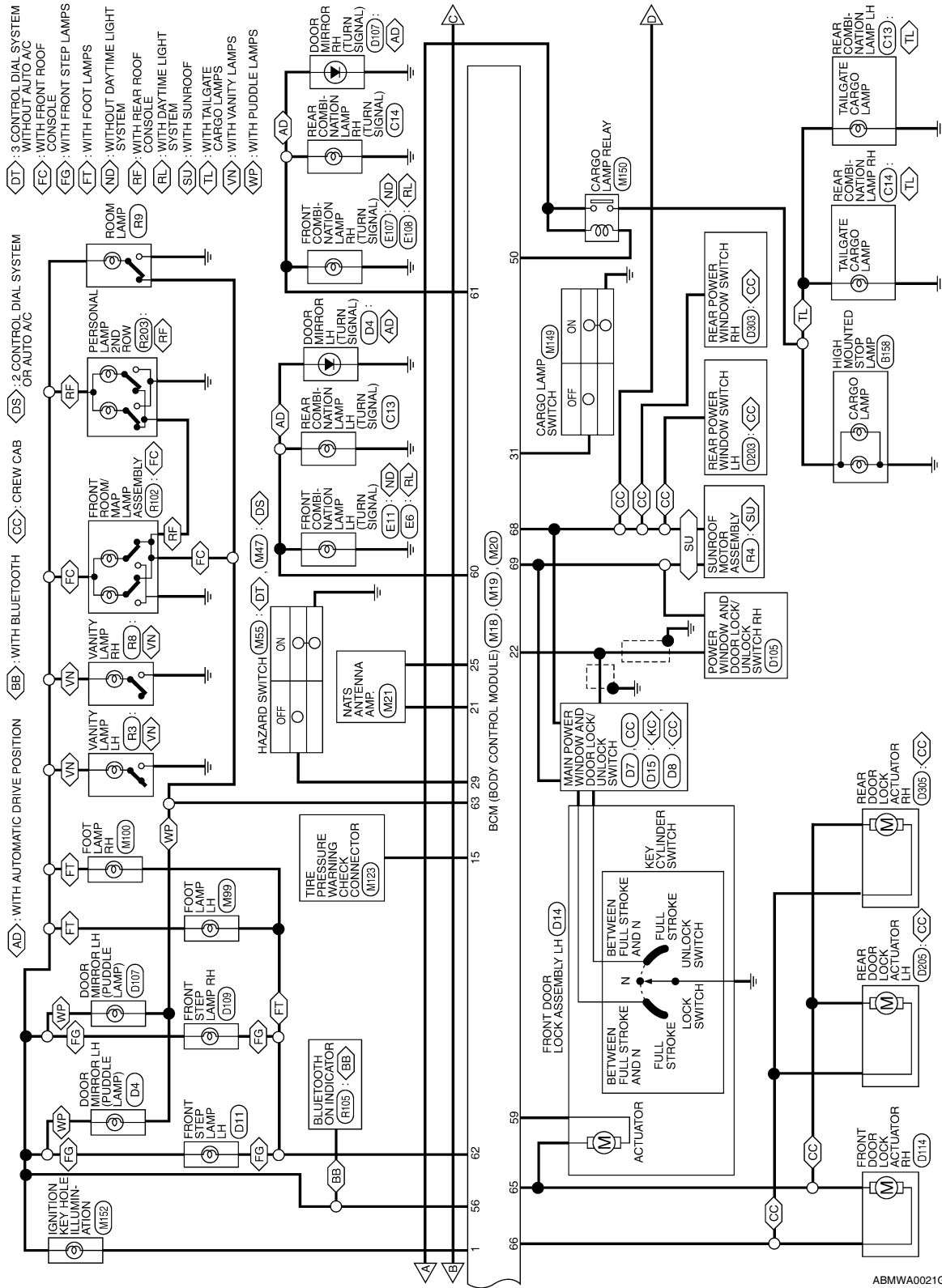
- : WITH AUTO A/C
- : CREW CAB
- : WITH MANUAL 2 CONTROL DIAL SYSTEM
- : WITH MANUAL 3 CONTROL DIAL SYSTEM



ABMWA0020G1

BCM (BODY CONTROL MODULE)

< ECU DIAGNOSIS >



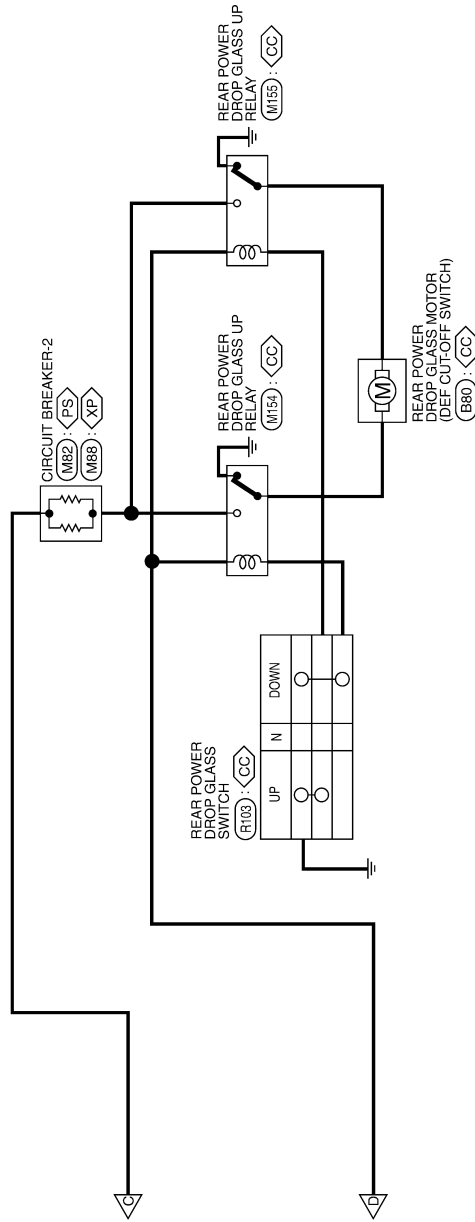
ABMWA0021GI

A
B
C
D
E
F
G
H
I
ADP
K
L
M
N
O
P

BCM (BODY CONTROL MODULE)

< ECU DIAGNOSIS >

◊ CC ◊ : CREW CAB
 ◊ PS ◊ : WITH POWER SEAT
 ◊ XP ◊ : WITHOUT POWER SEAT



ABMWA0022GI

BCM (BODY CONTROL MODULE)

< ECU DIAGNOSIS >

BCM (BODY CONTROL MODULE) CONNECTORS

Connector No.	M18
Connector Name	BCM (BODY CONTROL MODULE)
Connector Color	WHITE



1	2	3	4	5	6	7	8	9	10	11	12	13	14	15	16	17	18	19	20
21	22	23	24	25	26	27	28	29	30	31	32	33	34	35	36	37	38	39	40

Terminal No.	Color of Wire	Signal Name
1	BR/W	KEY RING OUTPUT
2	SB	INPUT 5
3	G/Y	INPUT 4
4	Y	INPUT 3
5	G/B	INPUT 2
6	V	INPUT 1
7	-	-
8	-	-
9	Y/B	REAR DEFOGGER SW
10	-	-
11	O	ACC SW
12	R/L	DOOR SW (AS)
13	GR	DOOR SW (RR)
14	-	-
15	L/W	TPMS MODE TRIGGER SW

Terminal No.	Color of Wire	Signal Name
16	-	-
17	-	-
18	P	KEYLESS AND AUTO LIGHT SENSOR GND
19	V/W	KEYLESS TUNER POWER SUPPLY OUTPUT
20	GW	KEYLESS TUNER SIGNAL
21	G	IMMOBILIZER ANTENNA SIGNAL (CLOCK)
22	G	ANTI-PINCH SERIAL LINK (RX, TX)
23	G/O	SECURITY INDICATOR OUTPUT
24	-	-
25	BR	IMMOBILIZER ANTENNA SIGNAL (RX, TX)
26	-	-
27	W/R	AIRCON SW
28	L/R	BLOWER FAN SW
29	W/B	HAZARD SW
30	-	-
31	P/L	CARGO LAMP SW
32	R/G	OUTPUT 5
33	R/Y	OUTPUT 4
34	L	OUTPUT 3
35	O/B	OUTPUT 2
36	R/W	OUTPUT 1
37	B/R	KEY SW
38	W/L	IGN SW
39	L	CAN-H
40	P	CAN-L

Connector No.	M19
Connector Name	BCM (BODY CONTROL MODULE)
Connector Color	WHITE



41	42	43	44	45	46	47	48	49
50	51	52	53	54	55			

Terminal No.	Color of Wire	Signal Name
41	-	-
42	-	-
43	-	-
44	-	-
45	-	-
46	-	-
47	SB	DOOR SW (DR)
48	R/Y	DOOR SW (RL)
49	-	-
50	R/Y	CARGO LAMP OUTPUT
51	G/Y	TRAILER FLASHER OUTPUT (RIGHT)
52	G/B	TRAILER FLASHER OUTPUT (LEFT)
53	-	-
54	-	-
55	-	-

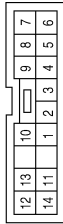
ABMIA0027GB

A
B
C
D
E
F
G
H
I
J
K
L
M
N
O
P

BCM (BODY CONTROL MODULE)

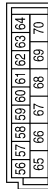
< ECU DIAGNOSIS >

Connector No.	M28
Connector Name	COMBINATION SWITCH
Connector Color	WHITE



Terminal No.	Color of Wire	Signal Name
1	R/W	INPUT 1
2	O/B	INPUT 2
3	L	INPUT 3
4	R/Y	INPUT 4
5	R/G	INPUT 5
6	V	OUTPUT 1
7	G/B	OUTPUT 2
8	SB	OUTPUT 5
9	G/Y	OUTPUT 4
10	Y	OUTPUT 3
11	V/W	WASHER MOTOR
12	B	GND
13	-	-
14	-	-

Connector No.	M20
Connector Name	BCM (BODY CONTROL MODULE)
Connector Color	BLACK



Terminal No.	Color of Wire	Signal Name
56	R/G	BATTERY SAVER OUTPUT
57	Y/R	BAT (FUSE)
58	W/R	AUTO LIGHT SENSOR INPUT 2
59	G	DOOR UNLOCK OUTPUT (DR)
60	G/B	FLASHER OUTPUT (LEFT)
61	G/Y	FLASHER OUTPUT (RIGHT)
62	R/W	STEP LAMP OUTPUT
63	L	ROOM LAMP
64	-	-
65	V	DOOR LOCK OUTPUT (ALL)
66	G/Y	DOOR UNLOCK OUTPUT (OTHER)
67	B	GND (POWER)
68	W/L	POWER WINDOW POWER SUPPLY (RAP)
69	W/R	POWER WINDOW POWER SUPPLY (BAT)
70	W/B	BAT (F/L)

ABMIA0028GB

ADP SYSTEM SYMPTOMS

< SYMPTOM DIAGNOSIS >

SYMPTOM DIAGNOSIS

ADP SYSTEM SYMPTOMS

Symptom Table

INFOID:000000004110937

NOTE:

Always perform the “Basic Inspection” before performing diagnosis in the following table. Refer to [ADP-4](#), “[Work Flow](#)”.

SYMPTOM 1

Symptom	Diagnosis procedure	Reference page
Manual functions (for specific part) do not operate	Sliding operation	Check sliding switch. ADP-45
	Reclining operation	Check reclining switch. ADP-47
	Lifting operation (front)	Check lifting switch (front). ADP-49
	Lifting operation (rear)	Check lifting switch (rear). ADP-51
	Pedal operation	1. Check pedal adjusting switch. ADP-53
		2. Check pedal adjusting sensor. ADP-76
	Door mirror operation	1. Changeover switch. ADP-58
2. Mirror switch ADP-60		
All parts of seat	Check power seat switch ground circuit. ADP-63	

SYMPTOM 2

Symptom	Diagnosis procedure	Reference page
Memory functions (for specific part) do not operate	Sliding operation	Check sliding sensor. ADP-68
	Reclining operation	Check reclining sensor. ADP-70
	Lifting operation (front)	Check lifting sensor (front). ADP-72
	Lifting operation (rear)	Check lifting sensor (rear). ADP-74
	Pedal operation	Check pedal adjusting sensor. ADP-76
	Door mirror operation	Check door mirror sensor. Driver side: ADP-78 Passenger side: ADP-80

SYMPTOM 3

Symptom	Diagnosis procedure	Reference page
Memory functions and manual functions (for specific part) do not operate	Sliding operation	Check sliding motor. ADP-82
	Reclining operation	Check reclining motor. ADP-84
	Lifting operation (front)	Check lifting motor (front). ADP-86
	Lifting operation (rear)	Check lifting motor (rear). ADP-88
	Pedal operation	Check pedal adjusting motor. ADP-90
	Door mirror operation	Check door mirror motor. ADP-92

SYMPTOM 4

ADP SYSTEM SYMPTOMS

< SYMPTOM DIAGNOSIS >

Symptom	Diagnosis procedure	Reference page
Entry/Exit assist function does not operate.	1. Check system setting.	ADP-11
	2. Perform initialization.	ADP-7
	3. Check front door switch (driver side).	ADP-66

SYMPTOM 5

Symptom	Diagnosis procedure	Reference page
Memory indicators 1 and/or 2 do not illuminate.	1. Check seat memory switch.	ADP-56
	2. Check seat memory indicator.	ADP-95

SYMPTOM 6

Symptom	Diagnosis procedure	Reference page
Memory operation does not operate.	Check A/T device (park position switch).	ADP-64

NORMAL OPERATING CONDITION

< SYMPTOM DIAGNOSIS >

NORMAL OPERATING CONDITION

Description

INFOID:000000004110938

The following symptoms are normal operations, and they do not indicate a malfunction.

Symptom	Cause	Action to take	Reference page
Entry/Exit assist function does not operate.	No initialization has been performed.	Perform initialization.	ADP-7
	Entry/exit assist function is disabled. NOTE: The entry/exit assist function is disabled before delivery (initial setting).	Change the settings.	ADP-22
Entry assist function does not operate.	Manual operation with power seat switch was performed after exit assist function execution.	Perform the memory function.	ADP-22
Memory function, entry/exit assist function does not operate.	The operating conditions are not fulfilled.	Fulfill the operation conditions.	Memory function: ADP-17
			Exit assist function: ADP-20
			Entry assist function: ADP-22

A
B
C
D
E
F
G
H
I
K
L
M
N
O
P

ADP

PRECAUTIONS

< PRECAUTION >

PRECAUTION

PRECAUTIONS

Precaution for Supplemental Restraint System (SRS) "AIR BAG" and "SEAT BELT PRE-TENSIONER"

INFOID:000000003788987

The Supplemental Restraint System such as "AIR BAG" and "SEAT BELT PRE-TENSIONER", used along with a front seat belt, helps to reduce the risk or severity of injury to the driver and front passenger for certain types of collision. This system includes seat belt switch inputs and dual stage front air bag modules. The SRS system uses the seat belt switches to determine the front air bag deployment, and may only deploy one front air bag, depending on the severity of a collision and whether the front occupants are belted or unbelted. Information necessary to service the system safely is included in the SR and SB section of this Service Manual.

WARNING:

- **To avoid rendering the SRS inoperative, which could increase the risk of personal injury or death in the event of a collision which would result in air bag inflation, all maintenance must be performed by an authorized NISSAN/INFINITI dealer.**
- **Improper maintenance, including incorrect removal and installation of the SRS, can lead to personal injury caused by unintentional activation of the system. For removal of Spiral Cable and Air Bag Module, see the SR section.**
- **Do not use electrical test equipment on any circuit related to the SRS unless instructed to in this Service Manual. SRS wiring harnesses can be identified by yellow and/or orange harnesses or harness connectors.**

Precaution for Work

INFOID:000000003788988

- When removing or disassembling each component, be careful not to damage or deform it. If a component may be subject to interference, be sure to protect it with a shop cloth.
- When removing (disengaging) components with a screwdriver or similar tool, be sure to wrap the component with a shop cloth or vinyl tape to protect it.
- Protect the removed parts with a shop cloth and keep them.
- Replace a deformed or damaged clip.
- If a part is specified as a non-reusable part, always replace it with new one.
- Be sure to tighten bolts and nuts securely to the specified torque.
- After re-installation is completed, be sure to check that each part works normally.
- Follow the steps below to clean components.
 - Water soluble foul: Dip a soft cloth into lukewarm water, and wring the water out of the cloth to wipe the fouled area.
Then rub with a soft and dry cloth.
 - Oily foul: Dip a soft cloth into lukewarm water with mild detergent (concentration: within 2 to 3%), and wipe the fouled area.
Then dip a cloth into fresh water, and wring the water out of the cloth to wipe the detergent off. Then rub with a soft and dry cloth.
- Do not use organic solvent such as thinner, benzene, alcohol, or gasoline.
- For genuine leather seats, use a genuine leather seat cleaner.

PREPARATION

< PREPARATION >

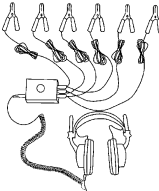

PREPARATION

PREPARATION

Special Service Tool

INFOID:000000003788989

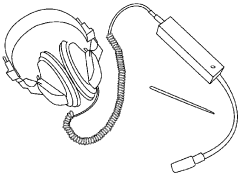
The actual shapes of Kent-Moore tools may differ from those of special service tools illustrated here.

Tool number (Kent-Moore No.) Tool name	Description
— (J-39570) Chassis ear <div data-bbox="630 535 868 735" style="text-align: center;">  <p>SIA0993E</p> </div>	Locating the noise
— (J-43980) NISSAN Squeak and Rattle Kit <div data-bbox="625 882 868 1081" style="text-align: center;">  <p>SIA0994E</p> </div>	Repairing the cause of noise

ADP

Commercial Service Tool

INFOID:000000003788990

(Kent-Moore No.) Tool name	Description
(J-39565) Engine ear <div data-bbox="592 1407 868 1606" style="text-align: center;">  <p>SIA0995E</p> </div>	Locating the noise

DRIVER SEAT CONTROL UNIT

< REMOVAL AND INSTALLATION >

REMOVAL AND INSTALLATION

DRIVER SEAT CONTROL UNIT

Removal and Installation

INFOID:000000003788991

The driver seat control unit is part of the driver seat. Remove the driver seat, then the driver seat control unit. Refer to [SE-31, "Removal and Installation"](#).

AUTOMATIC DRIVE POSITIONER CONTROL UNIT

< REMOVAL AND INSTALLATION >

AUTOMATIC DRIVE POSITIONER CONTROL UNIT

Removal and Installation

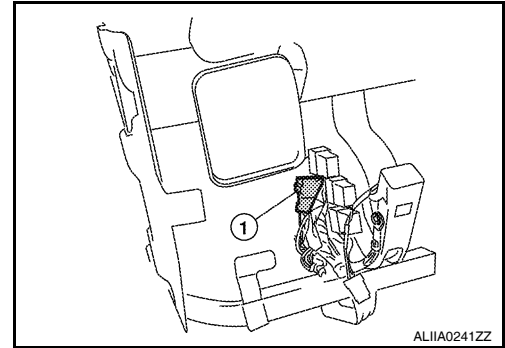
INFOID:000000003788992

CAUTION:

When removing and installing, use shop cloths to protect parts from damage.

REMOVAL

1. Disconnect the battery negative terminal.
2. Remove the instrument driver lower panel. Refer to [IP-16. "Removal and Installation"](#).
3. Remove the screw from the automatic drive positioner control unit (1).
4. Remove automatic drive positioner control unit (1) from bracket and disconnect electrical connectors.



INSTALLATION

Installation is in the reverse order of removal.

CAUTION:

Clamp the harness in position.

NOTE:

After installing the automatic drive positioner control unit, perform additional service when disconnecting battery negative terminal. Refer to [ADP-7. "Special Repair Requirement"](#).

A
B
C
D
E
F
G
H
I
K
L
M
N
O
P

ADP

SEAT MEMORY SWITCH

< REMOVAL AND INSTALLATION >

SEAT MEMORY SWITCH

Removal and Installation

INFOID:000000003788993

Refer to [INT-10. "Removal and Installation"](#) for removal and installation of seat memory switch.

DOOR MIRROR REMOTE CONTROL SWITCH

< REMOVAL AND INSTALLATION >

DOOR MIRROR REMOTE CONTROL SWITCH

Removal and Installation

INFOID:000000003788994

The door mirror remote control switch is part of the power window switch assembly. Refer to [MIR-14, "Door Mirror Assembly"](#) for removal and installation of door mirror remote control switch.

A

B

C

D

E

F

G

H

I

ADP

K

L

M

N

O

P

PEDAL ADJUSTING MOTOR

< REMOVAL AND INSTALLATION >

PEDAL ADJUSTING MOTOR

Removal and Installation

INFOID:000000003788995

Refer to [ACC-3. "Removal and Installation"](#) for accelerator pedal and [BR-20. "Removal and Installation"](#) for brake pedal when removing pedal adjusting motors.