

SECTION **MIR**
MIRRORS

A
B
C
D
E
F
G
H
I
J
K
M
N
O
P

CONTENTS

COMPONENT DIAGNOSIS	2	PREPARATION	12
DOOR MIRROR	2	PREPARATION	12
Wiring Diagram — Door Mirror — Adjustment System	2	Special Service Tool	12
Wiring Diagram — Door Mirror — Power Fold System	5	Commercial Service Tool	12
INSIDE MIRROR	8	REMOVAL AND INSTALLATION	13
Wiring Diagram	8	INSIDE MIRROR	13
PRECAUTION	11	Removal and Installation	13
PRECAUTIONS	11	DOOR MIRROR	14
Precaution for Supplemental Restraint System (SRS) "AIR BAG" and "SEAT BELT PRE-TENSIONER"	11	Door Mirror Assembly	14
Handling for Adhesive and Primer	11	Door Mirror Glass	15
		DISASSEMBLY AND ASSEMBLY	17
		DOOR MIRROR	17
		Mirror Actuator	17

MIR

DOOR MIRROR

< COMPONENT DIAGNOSIS >

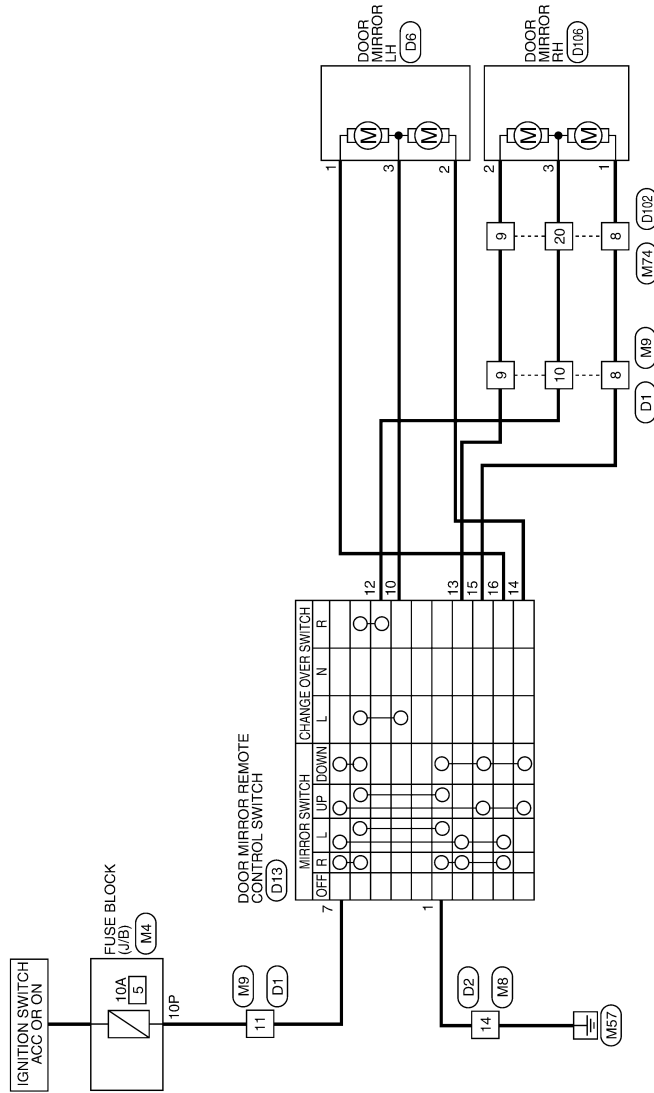
COMPONENT DIAGNOSIS

DOOR MIRROR

Wiring Diagram — Door Mirror — Adjustment System

INFOID:000000003787141

DOOR MIRROR - WITHOUT AUTOMATIC DRIVE POSITIONER



ABLWA0087GE

DOOR MIRROR

< COMPONENT DIAGNOSIS >

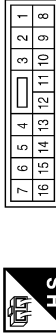
DOOR MIRROR CONNECTORS - WITHOUT AUTOMATIC DRIVE POSITIONER

Connector No.	M4
Connector Name	FUSE BLOCK (J/B)
Connector Color	WHITE



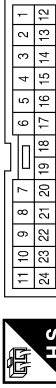
Terminal No.	Color of Wire	Signal Name
10P	GR	-

Connector No.	M8
Connector Name	WIRE TO WIRE
Connector Color	WHITE



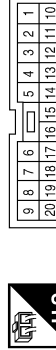
Terminal No.	Color of Wire	Signal Name
14	B	-

Connector No.	M9
Connector Name	WIRE TO WIRE
Connector Color	BROWN



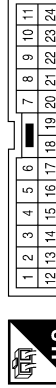
Terminal No.	Color of Wire	Signal Name
8	SB	-
9	Y/B	-
10	V/W	-
11	GR	-

Connector No.	M74
Connector Name	WIRE TO WIRE
Connector Color	BROWN



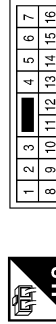
Terminal No.	Color of Wire	Signal Name
8	SB	-
9	Y/B	-
20	V/W	-

Connector No.	D1
Connector Name	WIRE TO WIRE
Connector Color	BROWN



Terminal No.	Color of Wire	Signal Name
8	SB	-
9	Y/B	-
10	V/W	-
11	G/R	-

Connector No.	D2
Connector Name	WIRE TO WIRE
Connector Color	WHITE



Terminal No.	Color of Wire	Signal Name
14	B	-

AALIA0088GB

DOOR MIRROR

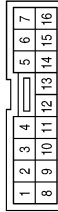
< COMPONENT DIAGNOSIS >

Connector No.	D6
Connector Name	DOOR MIRROR LH (WITHOUT AUTOMATIC DRIVE POSITIONER)
Connector Color	WHITE



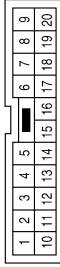
Terminal No.	Color of Wire	Signal Name
1	L/R	-
2	Y/R	-
3	P	-

Connector No.	D13
Connector Name	DOOR MIRROR REMOTE CONTROL SWITCH (WITHOUT AUTOMATIC DRIVE POSITIONER)
Connector Color	WHITE



Terminal No.	Color of Wire	Signal Name
1	B	-
7	G/R	-
10	P	-
12	V/W	-
13	Y/B	-
14	Y/R	-
15	SB	-
16	L/R	-

Connector No.	D102
Connector Name	WIRE TO WIRE
Connector Color	BROWN



Terminal No.	Color of Wire	Signal Name
8	SB	-
9	Y/B	-
20	V/W	-

Connector No.	D106
Connector Name	DOOR MIRROR RH (WITHOUT AUTOMATIC DRIVE POSITIONER)
Connector Color	WHITE



Terminal No.	Color of Wire	Signal Name
1	SB	-
2	Y/B	-
3	V/W	-

ABLIA0275GB

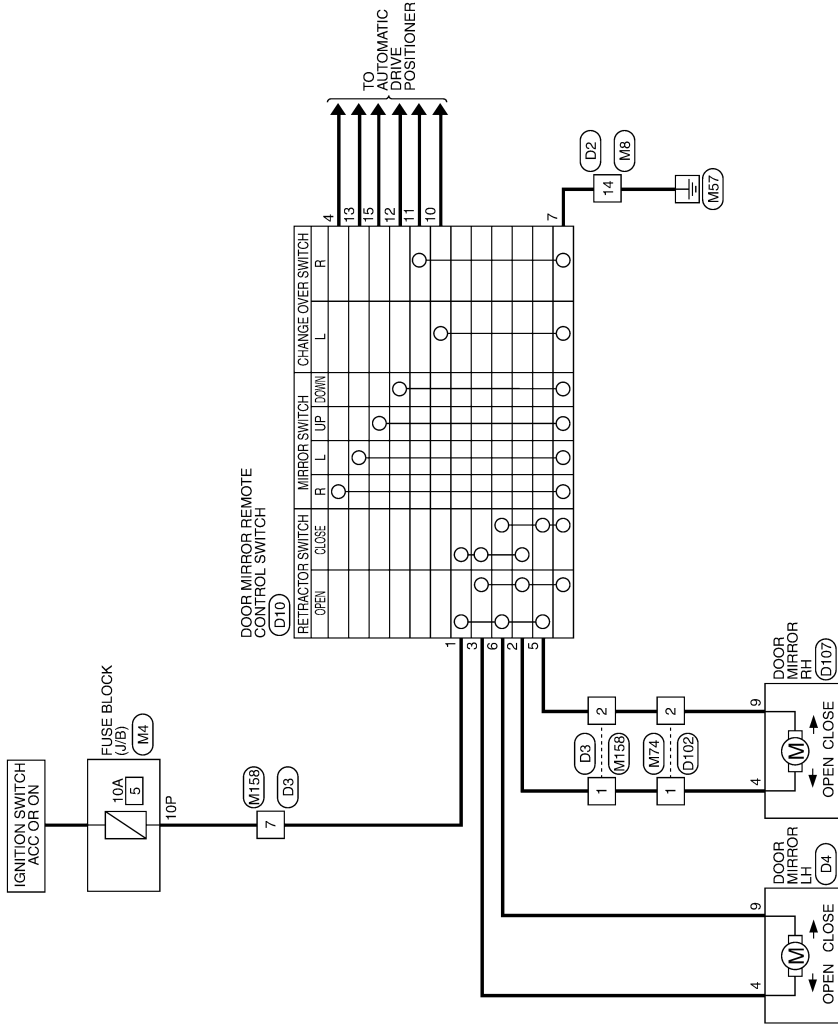
DOOR MIRROR

< COMPONENT DIAGNOSIS >

Wiring Diagram — Door Mirror — Power Fold System

INFOID:000000003787142

DOOR MIRROR - POWER FOLD SYSTEM



A
B
C
D
E
F
G
H
I
J
K
L
M
N
O
P

MIR

ALLWA0106GB

DOOR MIRROR

< COMPONENT DIAGNOSIS >

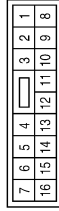
DOOR MIRROR CONNECTORS - POWER FOLD SYSTEM

Connector No.	M4
Connector Name	FUSE BLOCK (J/B)
Connector Color	WHITE



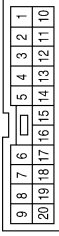
Terminal No.	Color of Wire	Signal Name
10P	O	-

Connector No.	M8
Connector Name	WIRE TO WIRE
Connector Color	WHITE



Terminal No.	Color of Wire	Signal Name
14	B	-

Connector No.	M74
Connector Name	WIRE TO WIRE
Connector Color	BROWN



Terminal No.	Color of Wire	Signal Name
1	Y/L	-
2	R	-

Connector No.	M158
Connector Name	WIRE TO WIRE
Connector Color	WHITE



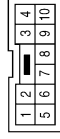
Terminal No.	Color of Wire	Signal Name
1	Y/L	-
2	R	-
7	O	-

Connector No.	D2
Connector Name	WIRE TO WIRE
Connector Color	WHITE



Terminal No.	Color of Wire	Signal Name
14	B	-

Connector No.	D3
Connector Name	WIRE TO WIRE
Connector Color	WHITE



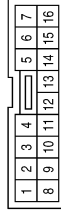
Terminal No.	Color of Wire	Signal Name
1	Y/L	-
2	R	-
7	O	-

DOOR MIRROR

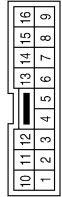
< COMPONENT DIAGNOSIS >

Terminal No.	Color of Wire	Signal Name
1	O	-
2	Y/L	-
3	L	-
4	GR	-
5	R	-
6	G	-
7	B	-
10	BR/W	-
11	LG	-
12	SB	-
13	V/W	-
15	Y/B	-

Connector No.	D10
Connector Name	DOOR MIRROR REMOTE CONTROL SWITCH (WITH AUTOMATIC DRIVE POSITIONER)
Connector Color	BROWN

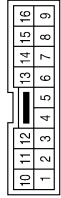


Connector No.	D4
Connector Name	DOOR MIRROR LH (WITH AUTOMATIC DRIVE POSITIONER)
Connector Color	WHITE

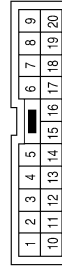


Terminal No.	Color of Wire	Signal Name
4	L	-
9	G	-

Connector No.	D107
Connector Name	DOOR MIRROR RH (WITH AUTOMATIC DRIVE POSITIONER)
Connector Color	WHITE



Connector No.	D102
Connector Name	WIRE TO WIRE
Connector Color	BROWN



Terminal No.	Color of Wire	Signal Name
1	Y/L	-
2	R	-

Terminal No.	Color of Wire	Signal Name
4	Y/L	-
9	R	-

AALIA0090GB

INSIDE MIRROR

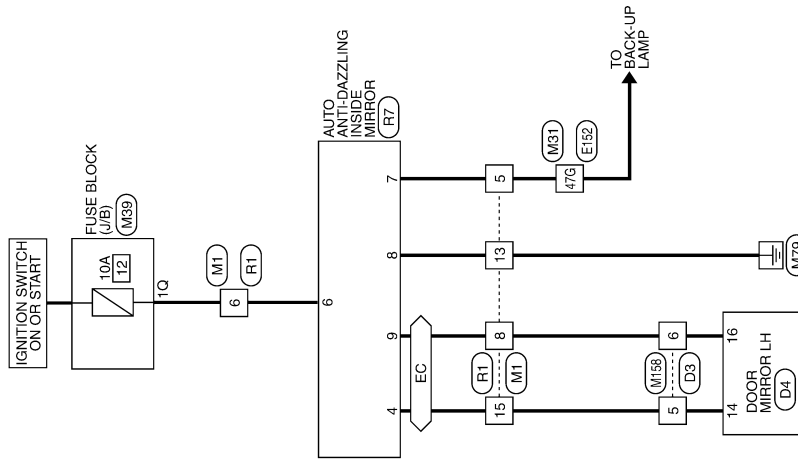
< COMPONENT DIAGNOSIS >

INSIDE MIRROR

Wiring Diagram

INFOID:000000003787143

EC: WITH AUTO DIMMING OUTSIDE MIRRORS



INSIDE MIRROR

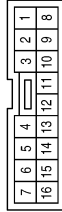
ABLWA0040GE

INSIDE MIRROR

< COMPONENT DIAGNOSIS >

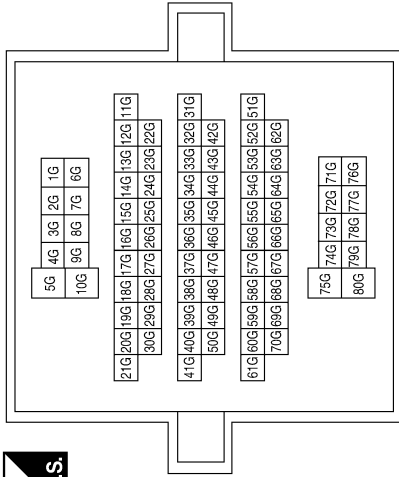
INSIDE MIRROR CONNECTORS - WITH HOMELINK UNIVERSAL TRANSCIEVER

Connector No.	M1
Connector Name	WIRE TO WIRE
Connector Color	WHITE



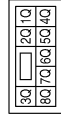
Terminal No.	Color of Wire	Signal Name
5	G/W	-
6	G/R	-
8	Y/V	-
13	B	-
15	LG/B	-

Connector No.	M31
Connector Name	WIRE TO WIRE
Connector Color	WHITE



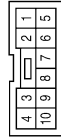
Terminal No.	47G	Color of Wire	GW	Signal Name	-
--------------	-----	---------------	----	-------------	---

Connector No.	M39
Connector Name	FUSE BLOCK (J/B)
Connector Color	WHITE



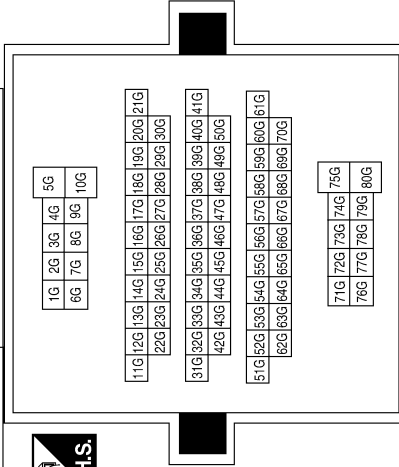
Terminal No.	1Q	Color of Wire	G/R	Signal Name	-
--------------	----	---------------	-----	-------------	---

Connector No.	M158
Connector Name	WIRE TO WIRE
Connector Color	WHITE



Terminal No.	5	Color of Wire	LG/B	Signal Name	-
6	Y/V	-	-	-	-

Connector No.	E152
Connector Name	WIRE TO WIRE
Connector Color	WHITE



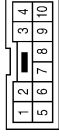
Terminal No.	47G	Color of Wire	GW	Signal Name	-
--------------	-----	---------------	----	-------------	---

ABLIA0130GB

INSIDE MIRROR

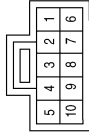
< COMPONENT DIAGNOSIS >

Connector No.	D3
Connector Name	WIRE TO WIRE
Connector Color	WHITE



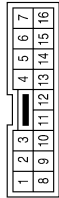
Terminal No.	Color of Wire	Signal Name
5	LG/B	-
6	Y/V	-

Connector No.	R7
Connector Name	AUTO ANTI-DAZZLING INSIDE MIRROR
Connector Color	GRAY



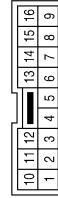
Terminal No.	Color of Wire	Signal Name
4	LG/B	-
6	G/R	IGN
7	G/W	REV
8	B	GND
9	Y/V	-

Connector No.	R1
Connector Name	WIRE TO WIRE
Connector Color	WHITE



Terminal No.	Color of Wire	Signal Name
5	G/W	-
6	G/R	-
8	Y/V	-
13	B	-
15	LG/B	-

Connector No.	D4
Connector Name	DOOR MIRROR LH (WITH AUTOMATIC DRIVE POSITIONER)
Connector Color	WHITE



Terminal No.	Color of Wire	Signal Name
14	LG/B	EC FEED
16	Y/V	EC RETURN

AALIA0055GB

PRECAUTIONS

< PRECAUTION >

PRECAUTION

PRECAUTIONS

Precaution for Supplemental Restraint System (SRS) "AIR BAG" and "SEAT BELT PRE-TENSIONER"

INFOID:000000003787145

The Supplemental Restraint System such as "AIR BAG" and "SEAT BELT PRE-TENSIONER", used along with a front seat belt, helps to reduce the risk or severity of injury to the driver and front passenger for certain types of collision. This system includes seat belt switch inputs and dual stage front air bag modules. The SRS system uses the seat belt switches to determine the front air bag deployment, and may only deploy one front air bag, depending on the severity of a collision and whether the front occupants are belted or unbelted. Information necessary to service the system safely is included in the SR and SB section of this Service Manual.

WARNING:

- To avoid rendering the SRS inoperative, which could increase the risk of personal injury or death in the event of a collision which would result in air bag inflation, all maintenance must be performed by an authorized NISSAN/INFINITI dealer.
- Improper maintenance, including incorrect removal and installation of the SRS, can lead to personal injury caused by unintentional activation of the system. For removal of Spiral Cable and Air Bag Module, see the SR section.
- Do not use electrical test equipment on any circuit related to the SRS unless instructed to in this Service Manual. SRS wiring harnesses can be identified by yellow and/or orange harnesses or harness connectors.

Handling for Adhesive and Primer

INFOID:000000003787146

- Do not use an adhesive which is past its usable date. Shelf life of this product is limited to six months after the date of manufacture. Carefully adhere to the expiration or manufacture date printed on the box.
- Keep primers and adhesive in a cool, dry place. Ideally, they should be stored in a refrigerator.
- Open the seal of the primer and adhesive just before application. Discard the remainder.
- Before application, be sure to shake the primer container to stir the contents. If any floating material is found, do not use it.
- If any primer or adhesive contacts the skin, wipe it off with gasoline or equivalent and wash the skin with soap.
- When using primer and adhesive, always observe the precautions in the instruction manual.

A
B
C
D
E
F
G
H
I
J
K
M
N
O
P

MIR

PREPARATION

< PREPARATION >

PREPARATION

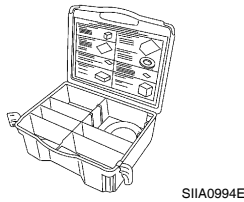
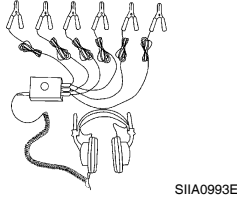
PREPARATION

Special Service Tool

INFOID:000000003787147

The actual shapes of Kent-Moore tools may differ from those of special service tools illustrated here.

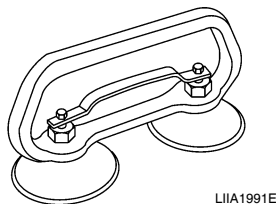
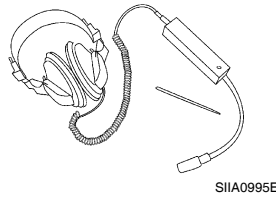
Tool number (Kent-Moore No.) Tool name	Description
— (J-39570) Chassis ear	Locating the noise
— (J-43980) NISSAN Squeak and Rattle Kit	Repairing the cause of noise



Commercial Service Tool

INFOID:000000003787148

(Kent-Moore No.) Tool name	Description
(J-39565) Engine ear	Locating the noise
(—) Suction Lifter	Holding door glass



INSIDE MIRROR

< REMOVAL AND INSTALLATION >

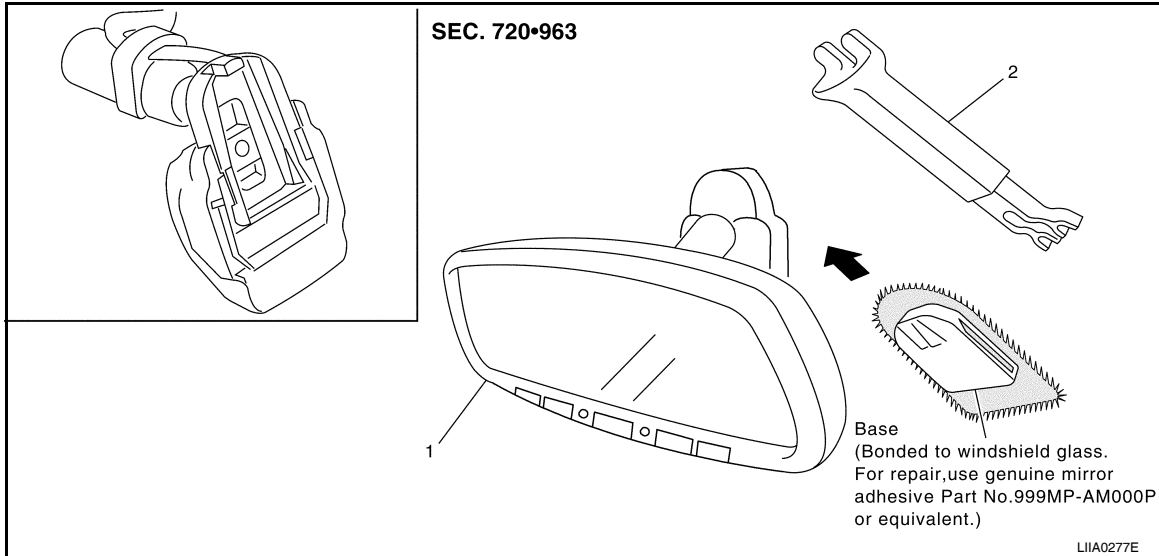
REMOVAL AND INSTALLATION

INSIDE MIRROR

Removal and Installation

INFOID:000000003787149

1. Remove inside mirror finisher.
2. Slide the mirror upward to remove.
3. Disconnect the connector.



1. Inside mirror
2. Inside mirror finisher

Installation is in the reverse order of removal.

A
B
C
D
E
F
G
H
I
J
K
M
N
O
P

MIR

DOOR MIRROR

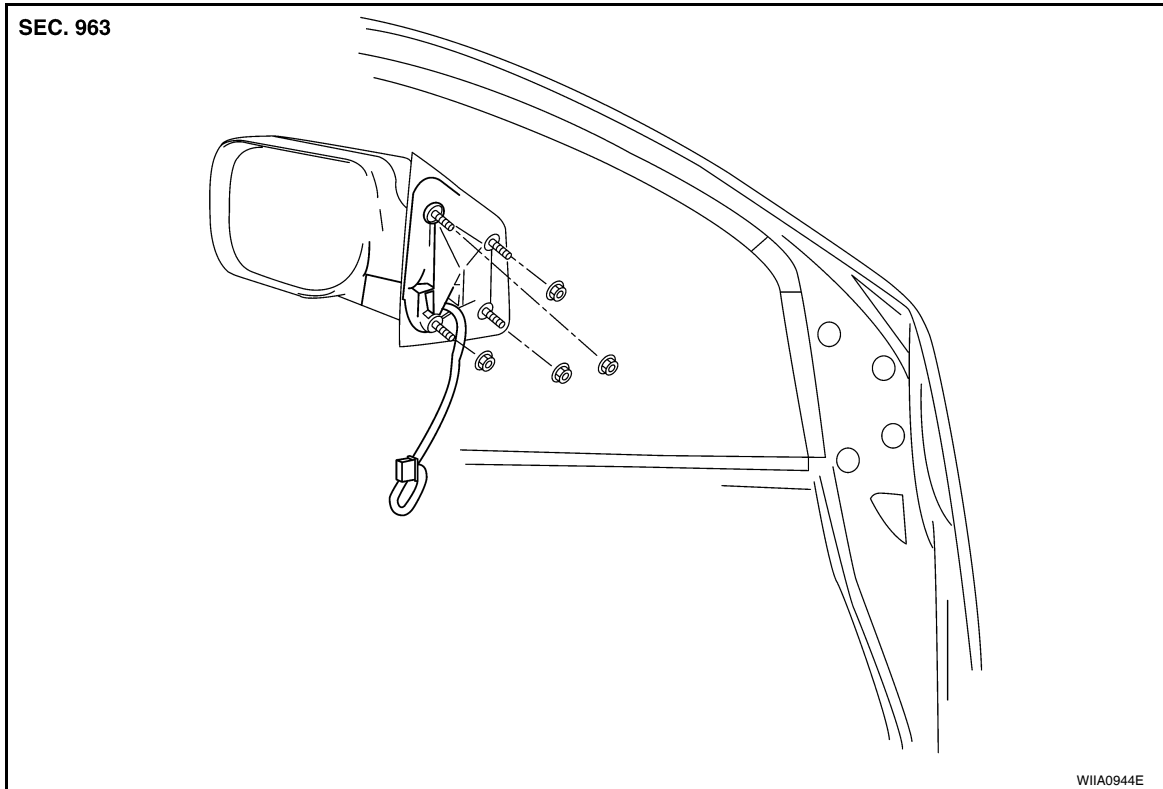
< REMOVAL AND INSTALLATION >

DOOR MIRROR

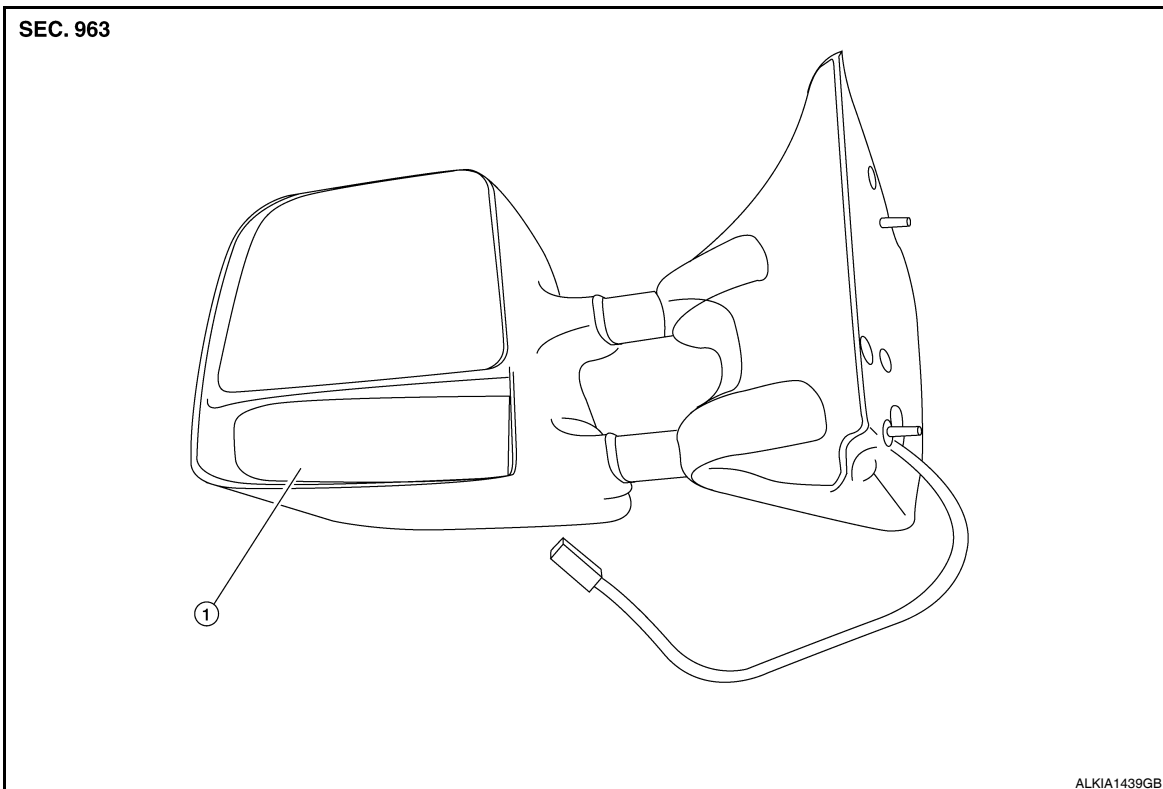
Door Mirror Assembly

INFOID:000000003787150

STANDARD MIRROR



Removal



MIR-14

DOOR MIRROR

< REMOVAL AND INSTALLATION >

1. Spotter mirror (permanently mounted)

CAUTION:

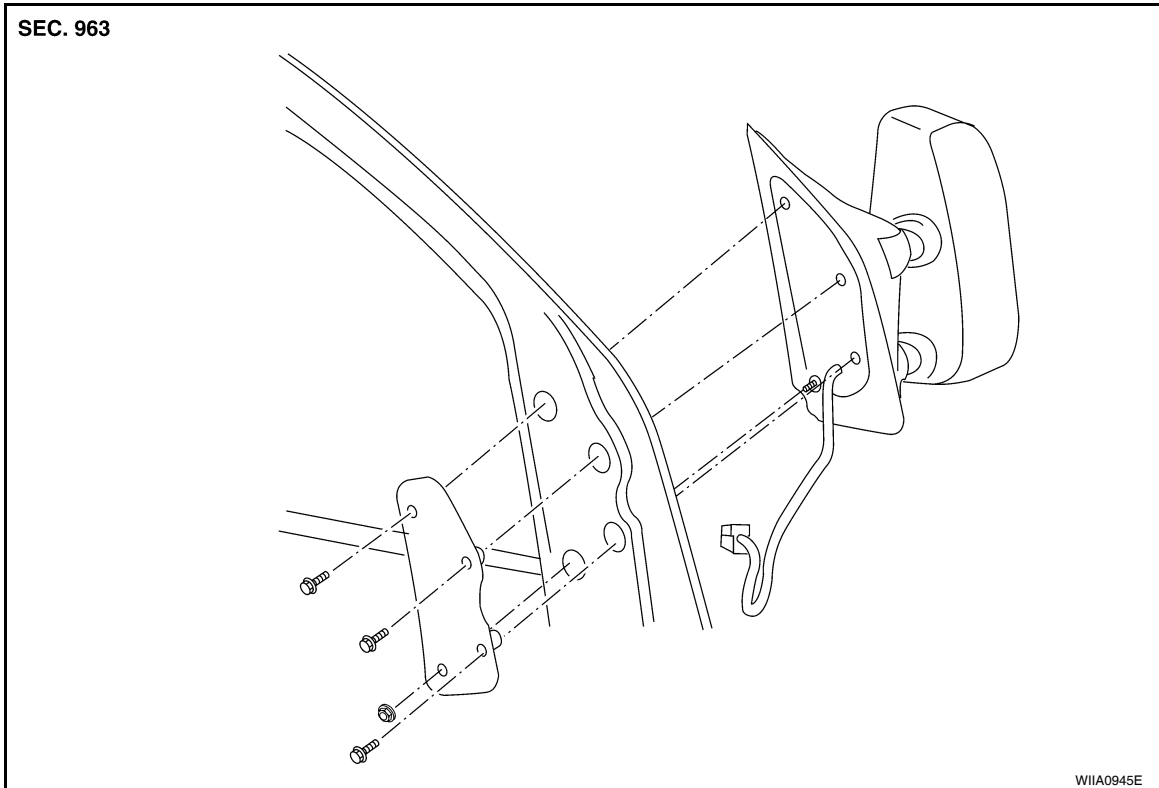
The spotter mirror is permanently mounted and non-serviceable. Any attempt at removal will cause damage to the assembly.

1. Remove the front door finisher. Refer to [INT-10, "Removal and Installation"](#).
2. Disconnect the mirror connector.
3. Remove the door mirror assembly.

Installation

Installation is in the reverse order of removal.

TRAILER TOW MIRROR



Removal

1. Remove the front door sash cover. Refer to [INT-10, "Removal and Installation"](#).
2. Remove the door mirror connector.
3. Remove the door mirror bolts and nut, and remove the door mirror assembly.

Installation

Installation is in the reverse order of removal.

Door Mirror Glass

INFOID:000000003787151

REMOVAL

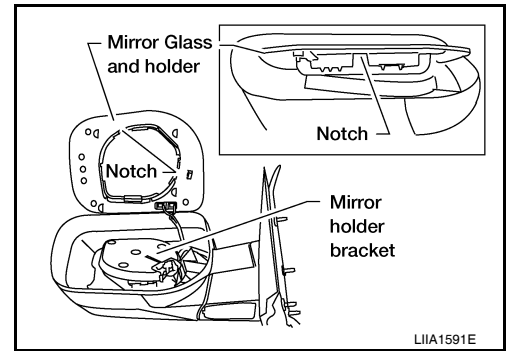
A
B
C
D
E
F
G
H
I
J
K
M
N
O
P

MIR

DOOR MIRROR

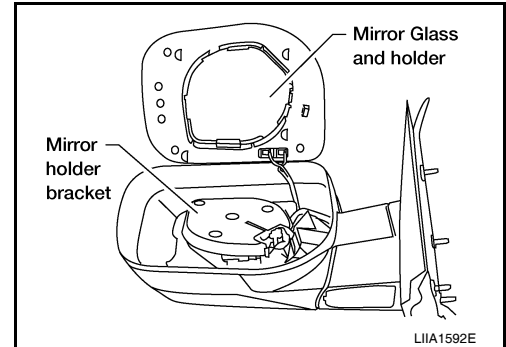
< REMOVAL AND INSTALLATION >

1. Set mirror assembly mirror glass upward.
2. Apply protective tape to mirror housing.
3. Insert a suitable tool at notch and gently pry mirror glass and holder from mirror holder bracket.
4. Disconnect two electrical connectors from mirror glass and holder.



INSTALLATION

1. Set mirror holder bracket and mirror glass and holder in the horizontal position.
2. Connect the two connectors to the back of the mirror holder.
3. Align mirror glass and holder with mirror holder bracket and push mirror glass and holder onto mirror holder bracket.
4. Rotate mirror to ensure proper installation.



DOOR MIRROR

< DISASSEMBLY AND ASSEMBLY >

DISASSEMBLY AND ASSEMBLY

DOOR MIRROR

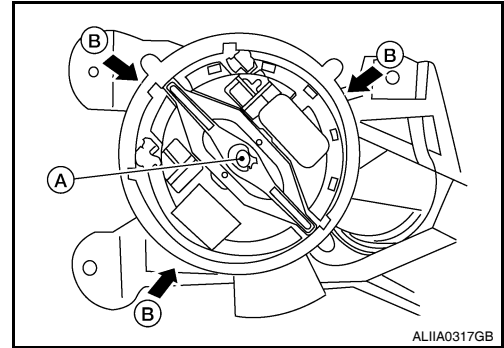
Mirror Actuator

INFOID:000000004055985

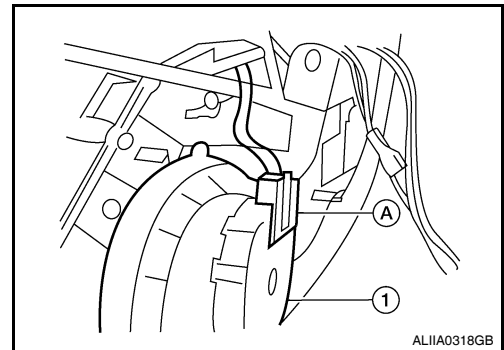
DISASSEMBLY AND ASSEMBLY

Disassembly

1. Remove the mirror glass. Refer to [MIR-15, "Door Mirror Glass"](#)
2. Remove the center screw (A) and release the actuator hooks from housing (B).



3. Disconnect the connector (A) and remove the actuator (1).



Assembly

Assembly is the reverse order of disassembly.

A
B
C
D
E
F
G
H
I
J
K
M
N
O
P

MIR