

SECTION PCS

POWER CONTROL SYSTEM

CONTENTS

	IPDM E/R	Description	15	F
		DTC Logic	15	
		Diagnosis Procedure	15	
BASIC INSPECTION	2	POWER SUPPLY AND GROUND CIRCUIT	16	G
		Diagnosis Procedure	16	
DIAGNOSIS AND REPAIR WORKFLOW	2	ECU DIAGNOSIS	17	H
Work Flow	2			
FUNCTION DIAGNOSIS	5	IPDM E/R (INTELLIGENT POWER DISTRI- BUTION MODULE ENGINE ROOM)	17	I
RELAY CONTROL SYSTEM	5	Reference Value	17	
System Diagram	5	Terminal Layout	19	
System Description	6	Physical Values	19	J
Component Parts Location	7	Wiring Diagram	23	
SIGNAL BUFFER SYSTEM	8	Fail Safe	26	
System Diagram	8	DTC Index	27	K
System Description	8	PRECAUTION	29	
POWER CONSUMPTION CONTROL SYS- TEM	9	PRECAUTIONS	29	L
System Diagram	9	Precaution for Supplemental Restraint System (SRS) "AIR BAG" and "SEAT BELT PRE-TEN- SIONER"	29	
System Description	9			
Component Parts Location	10	REMOVAL AND INSTALLATION	30	PCS
DIAGNOSIS SYSTEM (IPDM E/R)	11	IPDM E/R (INTELLIGENT POWER DISTRI- BUTION MODULE ENGINE ROOM)	30	N
Diagnosis Description	11	Removal and Installation of IPDM E/R	30	
CONSULT - III Function (IPDM E/R)	13			
COMPONENT DIAGNOSIS	15			O
U1000 CAN COMM CIRCUIT	15			P

DIAGNOSIS AND REPAIR WORKFLOW

< BASIC INSPECTION >

[IPDM E/R]

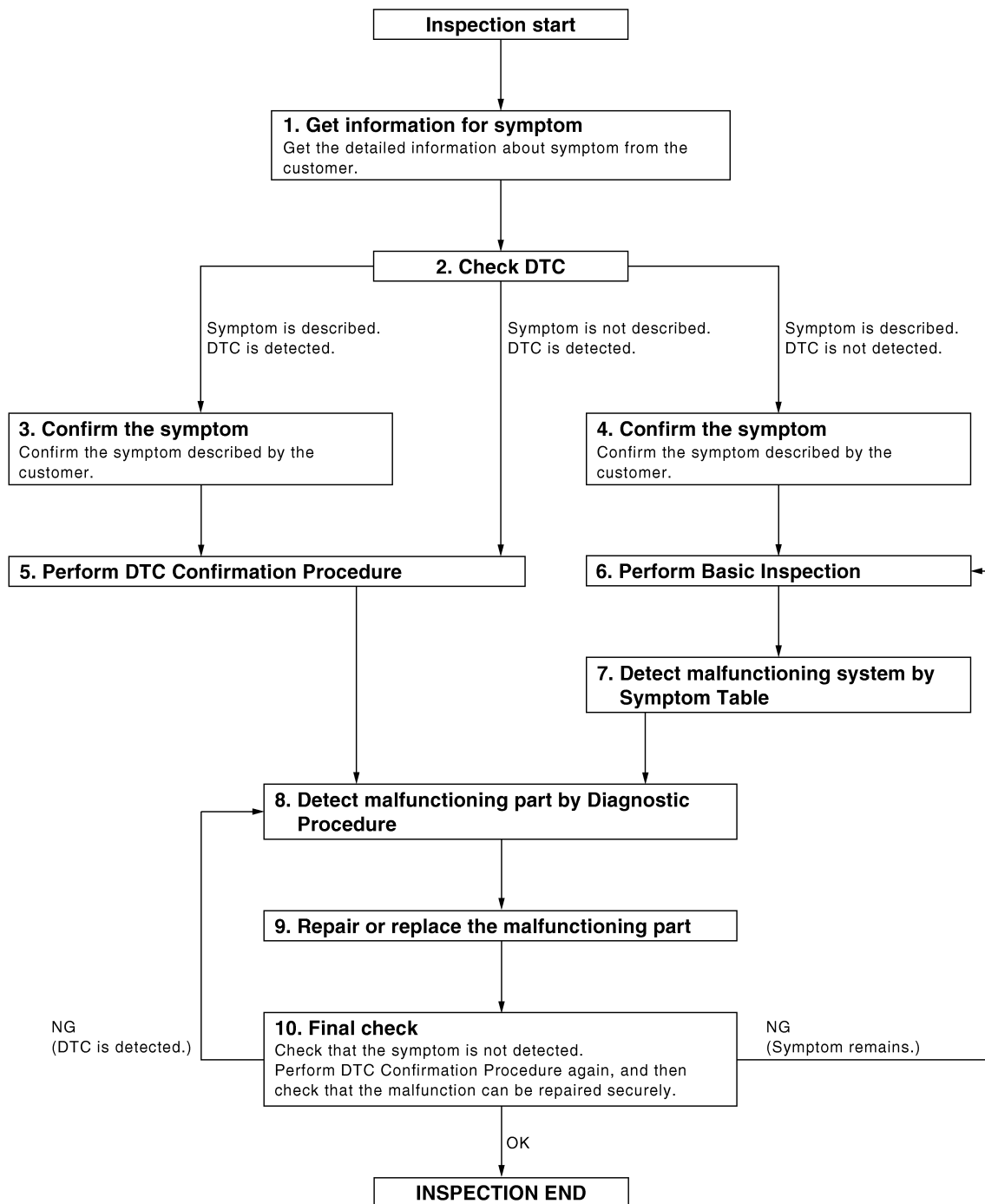
BASIC INSPECTION

DIAGNOSIS AND REPAIR WORKFLOW

Work Flow

INFOID:000000003790506

OVERALL SEQUENCE



DETAILED FLOW

JMKIA0101GB

DIAGNOSIS AND REPAIR WORKFLOW

< BASIC INSPECTION >

[IPDM E/R]

1. GET INFORMATION FOR SYMPTOM

Get the detailed information from the customer about the symptom (the condition and the environment when the incident/malfunction occurred).

>> GO TO 2

2. CHECK DTC

1. Check DTC.
2. Perform the following procedure if DTC is displayed.
 - Record DTC and freeze frame data.
 - Erase DTC.
 - Study the relationship between the cause detected by DTC and the symptom described by the customer.
3. Check related service bulletins for information.

Is any symptom described and any DTC detected?

Symptom is described, DTC is displayed>>GO TO 3

Symptom is described, DTC is not displayed>>GO TO 4

Symptom is not described, DTC is displayed>>GO TO 5

3. CONFIRM THE SYMPTOM

Confirm the symptom described by the customer.
Connect CONSULT-III to the vehicle in "DATA MONITOR" mode and check real time diagnosis results.
Verify relationship between the symptom and the condition when the symptom is detected.

>> GO TO 5

4. CONFIRM THE SYMPTOM

Confirm the symptom described by the customer.
Connect CONSULT-III to the vehicle in "DATA MONITOR" mode and check real time diagnosis results.
Verify relationship between the symptom and the condition when the symptom is detected.

>> GO TO 6

5. PERFORM DTC CONFIRMATION PROCEDURE

Perform DTC Confirmation Procedure for the displayed DTC, and then check that DTC is detected again.
At this time, always connect CONSULT-III to the vehicle, and check diagnostic results in real time.

NOTE:

- Freeze frame data is useful if the DTC is not detected.
- Perform Component Function Check if DTC Confirmation Procedure is not included in Service Manual. This simplified check procedure is an effective alternative though DTC cannot be detected during this check.
If the result of Component Function Check is NG, it is the same as the detection of DTC by DTC Confirmation Procedure.

Is DTC detected?

YES >> GO TO 8

NO >> Refer to [GI-38. "Intermittent Incident"](#).

6. PERFORM BASIC INSPECTION

Perform basic inspection of system.

Inspection End>>GO TO 7

7. DETECT MALFUNCTIONING SYSTEM BY SYMPTOM TABLE

Detect malfunctioning system based on the confirmed symptom in step 4, and determine the trouble diagnosis order based on possible causes and symptom.

>> GO TO 8

8. DETECT MALFUNCTIONING PART BY DIAGNOSTIC PROCEDURE

A
B
C
D
E
F
G
H
I
J
K
L
N
O
P

PCS

DIAGNOSIS AND REPAIR WORKFLOW

[IPDM E/R]

< BASIC INSPECTION >

Inspect according to Diagnostic Procedure of the system.

NOTE:

The Diagnostic Procedure described based on open circuit inspection. A short circuit inspection is also required for the circuit check in the Diagnostic Procedure.

Is malfunctioning part detected?

YES >> GO TO 9

NO >> Check voltage of related BCM terminals using CONSULT-III.

9. REPAIR OR REPLACE THE MALFUNCTIONING PART

1. Repair or replace the malfunctioning part.
2. Reconnect parts or connectors disconnected during Diagnostic Procedure again after repair and replacement.
3. Check DTC. If DTC is displayed, erase it.

>> GO TO 10

10. FINAL CHECK

When DTC was detected in step 2, perform DTC Confirmation Procedure or Component Function Check again, and then check that the malfunction have been fully repaired.

When symptom was described from the customer, refer to confirmed symptom in step 3 or 4 and check that the symptom is not detected.

Is the inspection result normal?

YES >> Inspection End.

NO (DTC is detected)>>GO TO 8

NO (Symptom remains)>>GO TO 6

RELAY CONTROL SYSTEM

< FUNCTION DIAGNOSIS >

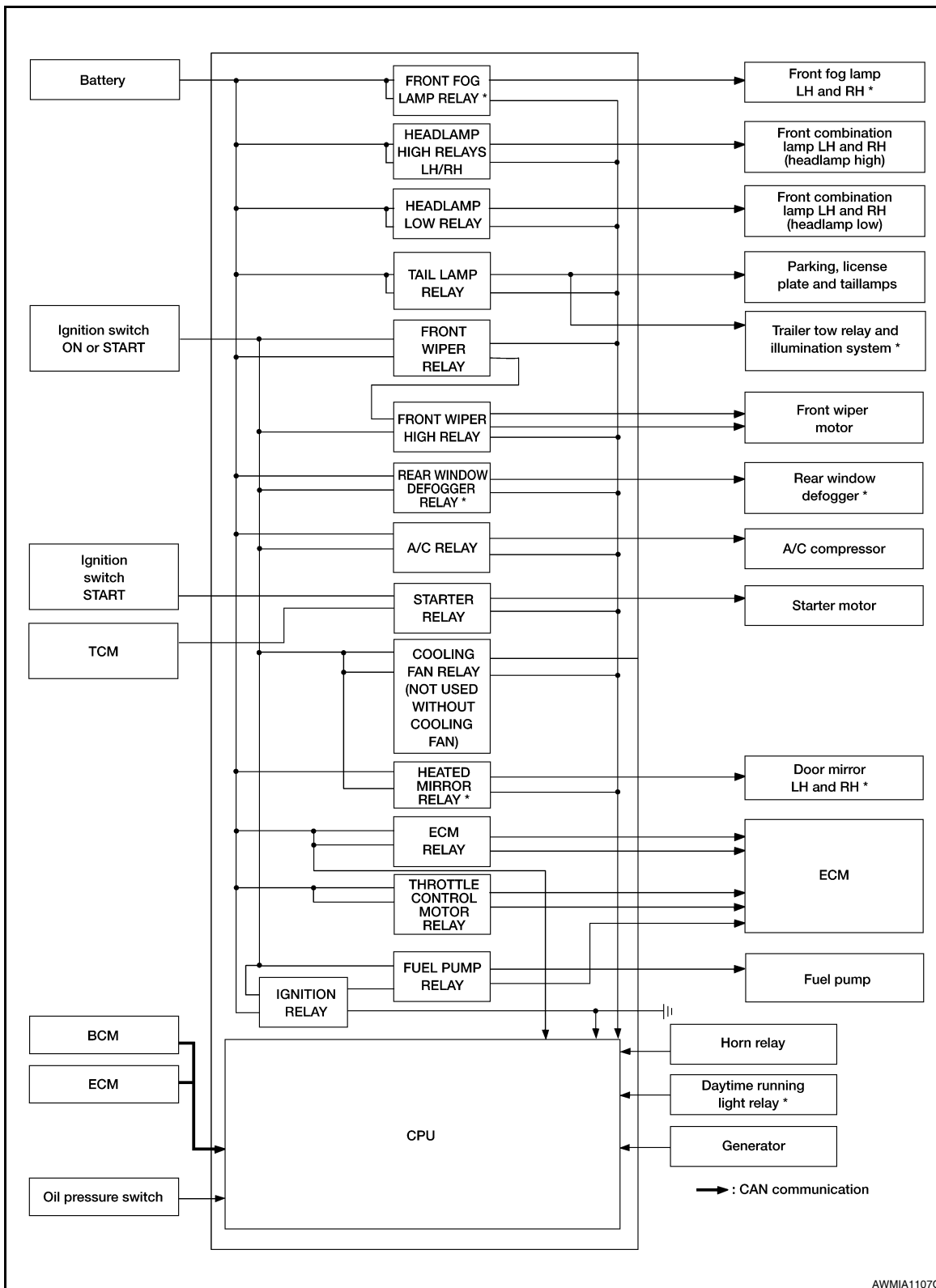
[IPDM E/R]

FUNCTION DIAGNOSIS

RELAY CONTROL SYSTEM

System Diagram

INFOID:000000003790507



A
B
C
D
E
F
G
H
I
J
K
L
PCS
N
O
P

*: If equipped

RELAY CONTROL SYSTEM

< FUNCTION DIAGNOSIS >

[IPDM E/R]

System Description

INFOID:000000003790508

IPDM E/R controls relays based on input signals from various sensors and from request signals received via CAN communication.

CAUTION:

IPDM E/R integrated relays cannot be removed.

Relay	Signal Type	Transmitting Unit	Control Part	Reference page
Front fog lamp relay*	Front fog lamp request signal	BCM (CAN)	Front fog lamps	EXL-13
<ul style="list-style-type: none"> • Headlamp LH high relay • Headlamp RH high relay • Headlamp low relay 	<ul style="list-style-type: none"> • High beam request signal LH • High beam request signal RH • Low beam request signal 	BCM (CAN)	<ul style="list-style-type: none"> • Headlamp high LH • Headlamp high RH • Headlamp low 	EXL-7 EXL-7
Tail lamp relay	Position light request signal	BCM (CAN)	<ul style="list-style-type: none"> • Parking lamps • License plate lamps • Tail lamps • Trailer tow relay* • Illumination system 	EXL-16
<ul style="list-style-type: none"> • Front wiper relay • Front wiper high relay 	Front wiper request signal	BCM (CAN)	Front wiper motor	WW-4
Rear window defogger relay*	Rear window defogger request signal	BCM (CAN)	Rear window defogger	DEF-5
A/C relay	A/C request signal	<ul style="list-style-type: none"> • BCM (CAN) • ECM (CAN) 	A/C compressor	HAC-13 HAC-108 HAC-192
Starter relay	Ignition switch START signal	TCM	Starter motor	STR-7
Heated mirror relay*	Heated mirror request signal	BCM (CAN)	Door mirrors	DEF-5
ECM relay	ECM relay control signal	ECM (CAN)	ECM relay	EC-33
Throttle control motor relay	Throttle control motor control signal	ECM (CAN)	Throttle control motor relay	EC-33
Fuel pump relay	Fuel pump request signal	ECM (CAN)	Fuel pump	EC-33
Ignition relay	Ignition switch ON signal	Ignition switch	Ignition relay	EC-36

*: If equipped

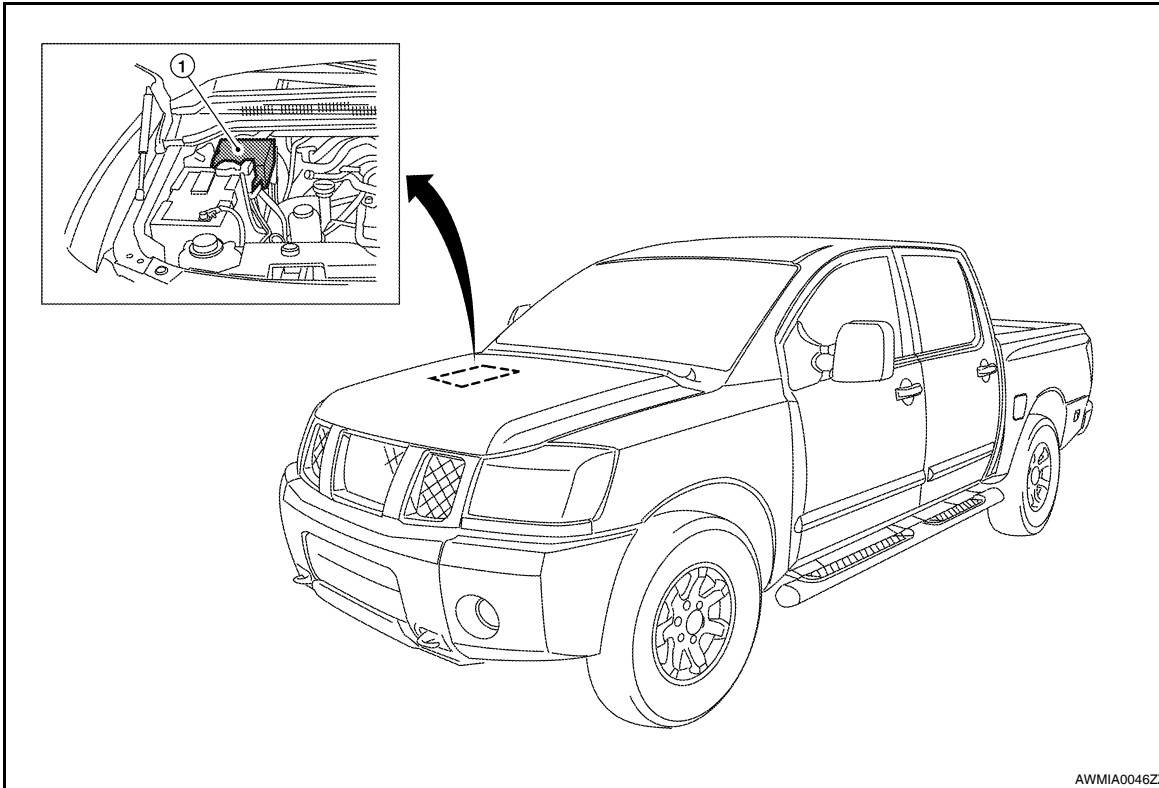
RELAY CONTROL SYSTEM

< FUNCTION DIAGNOSIS >

[IPDM E/R]

Component Parts Location

INFOID:000000003790509



1. IPDM E/R E118, E119, E120, E121, E122, E123, E124

A
B
C
D
E
F
G
H
I
J
K
L

PCS

N
O
P

SIGNAL BUFFER SYSTEM

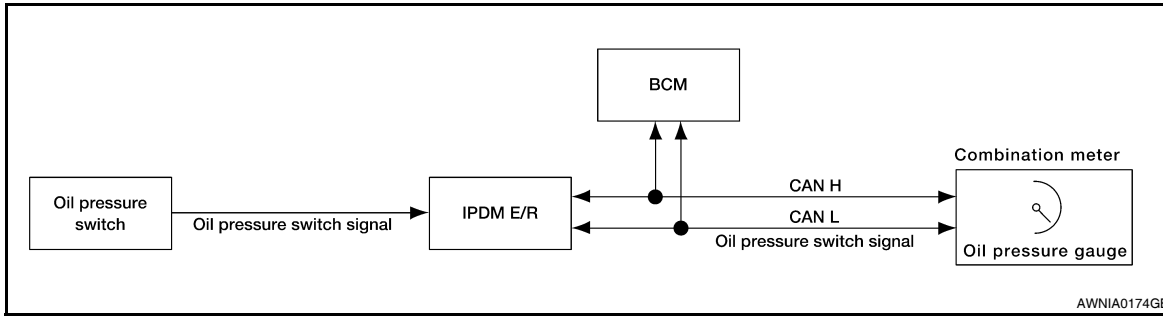
< FUNCTION DIAGNOSIS >

[IPDM E/R]

SIGNAL BUFFER SYSTEM

System Diagram

INFOID:000000003790512



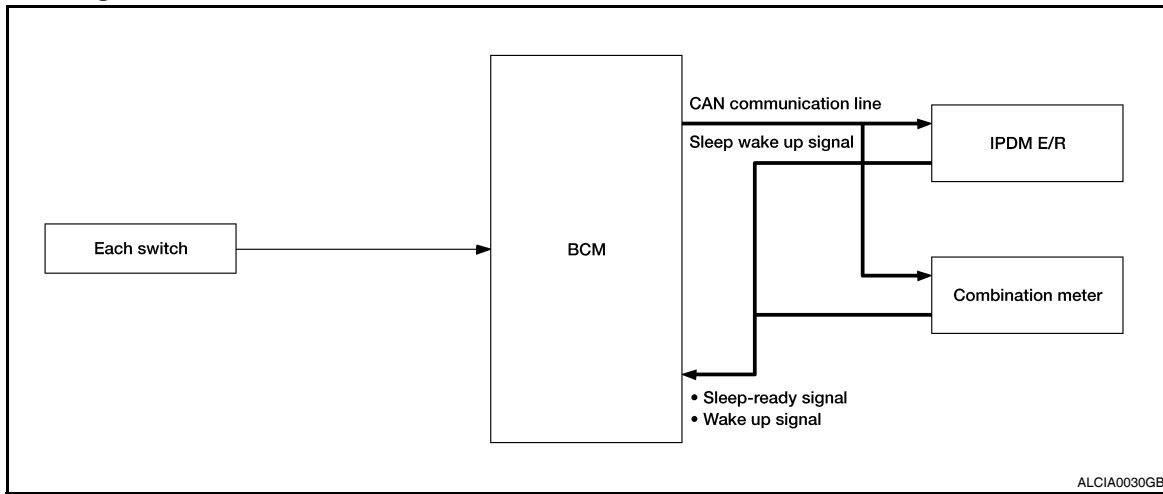
System Description

INFOID:000000003790513

IPDM E/R reads the status of the oil pressure switch and transmits the oil pressure switch signal to BCM via CAN communication. Refer to [LAN-4, "System Description"](#).

POWER CONSUMPTION CONTROL SYSTEM

System Diagram



System Description

INFOID:000000003790515

OUTLINE

- IPDM E/R incorporates a power consumption control function that reduces the power consumption according to the vehicle status.
- IPDM E/R changes its status (control mode) with the sleep wake up signal received from BCM via CAN communication.

Normal mode (wake-up)

- CAN communication is normally performed with other control units.
- Individual unit control by IPDM E/R is normally performed.

Low power consumption mode (sleep)

- Low power consumption control is active.
- CAN transmission is stopped.

SLEEP MODE ACTIVATION

- IPDM E/R judges that the sleep-ready conditions are fulfilled when the ignition switch is OFF and none of the conditions below are present. Then it transmits a sleep-ready signal (ready) to BCM via CAN communication.
 - Front wiper fail-safe operation
 - Outputting signals to actuators
 - Switches or relays operating
 - Auto active test is starting
 - Emergency OFF
 - Output requests are being received from control units via CAN communication.
- IPDM E/R stops CAN communication and enters the low power consumption mode when it receives a sleep wake up signal (sleep) from BCM and the sleep-ready conditions are fulfilled.

WAKE-UP OPERATION

- IPDM E/R changes from the low power consumption mode to the normal mode when it receives a sleep wake-up signal (wake up) from BCM or any of the following conditions is fulfilled. In addition, it transmits a sleep-ready signal (not-ready) to BCM via CAN communication to report the CAN communication start.
 - Ignition switch ON
 - An output request is received from a control unit via CAN communication.

A
B
C
D
E
F
G
H
I
J
K
L
N
O
P

PCS

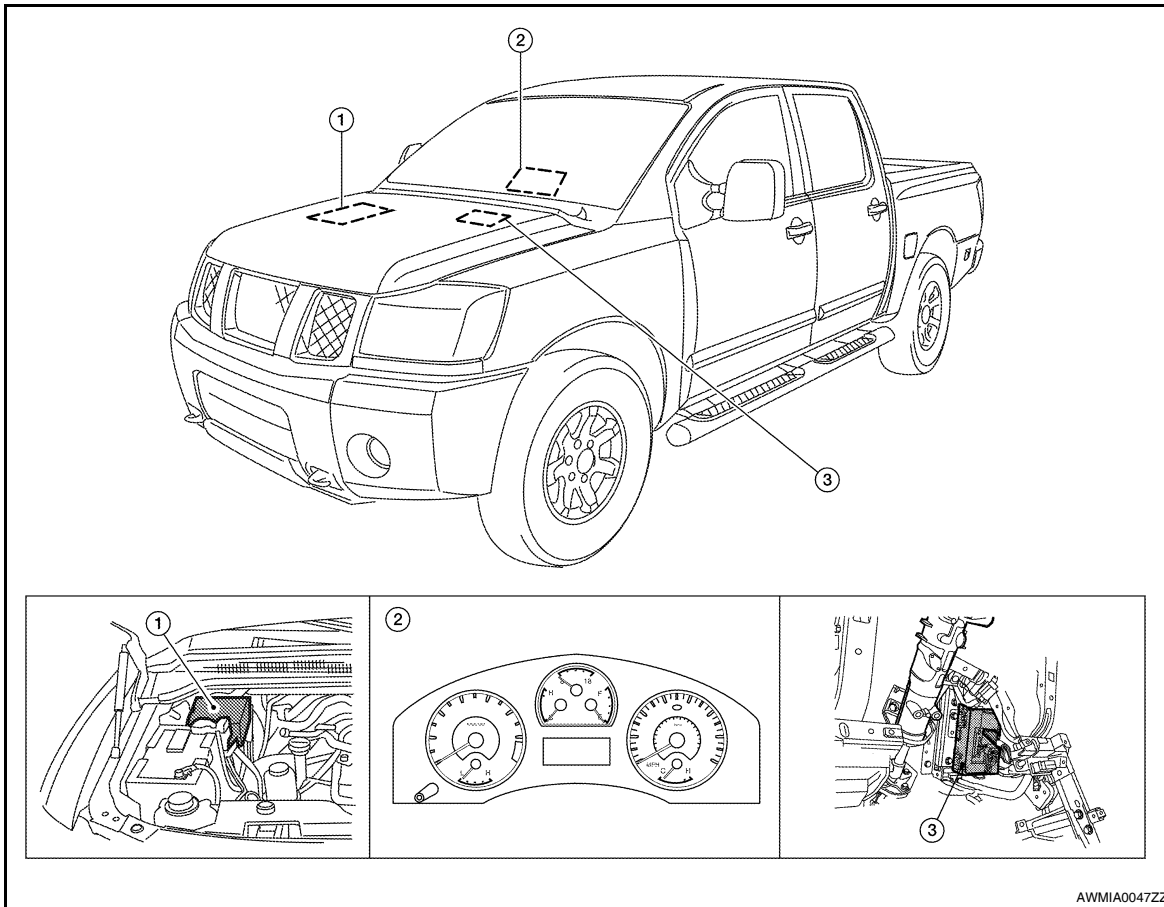
POWER CONSUMPTION CONTROL SYSTEM

< FUNCTION DIAGNOSIS >

[IPDM E/R]

Component Parts Location

INFOID:000000003790516



AWMIA0047ZZ

1. IPDM E/R

2. Combination meter

3. BCM (view with instrument panel removed)

DIAGNOSIS SYSTEM (IPDM E/R)

Diagnosis Description

INFOID:000000003790517

AUTO ACTIVE TEST

Description

In auto active test mode, the IPDM E/R sends a drive signal to the following systems to check their operation.

- Oil pressure low/coolant pressure high warning indicator
- Oil pressure gauge
- Rear window defogger
- Front wipers
- Tail, license and parking lamps
- Front fog lamps
- Headlamps (Hi, Lo)
- A/C compressor (magnetic clutch)
- Cooling fan

Operation Procedure

1. Close the hood and front door RH, and lift the wiper arms from the windshield (to prevent windshield damage due to wiper operation).
NOTE:
 When auto active test is performed with hood opened, sprinkle water on windshield before hand.
2. Turn ignition switch OFF.
3. Turn the ignition switch ON and, within 20 seconds, press the front door switch LH 10 times. Then turn the ignition switch OFF.
4. Turn the ignition switch ON within 10 seconds. After that the horn sounds once and the auto active test starts.
5. After a series of the following operations is repeated 3 times, auto active test is completed.

NOTE:

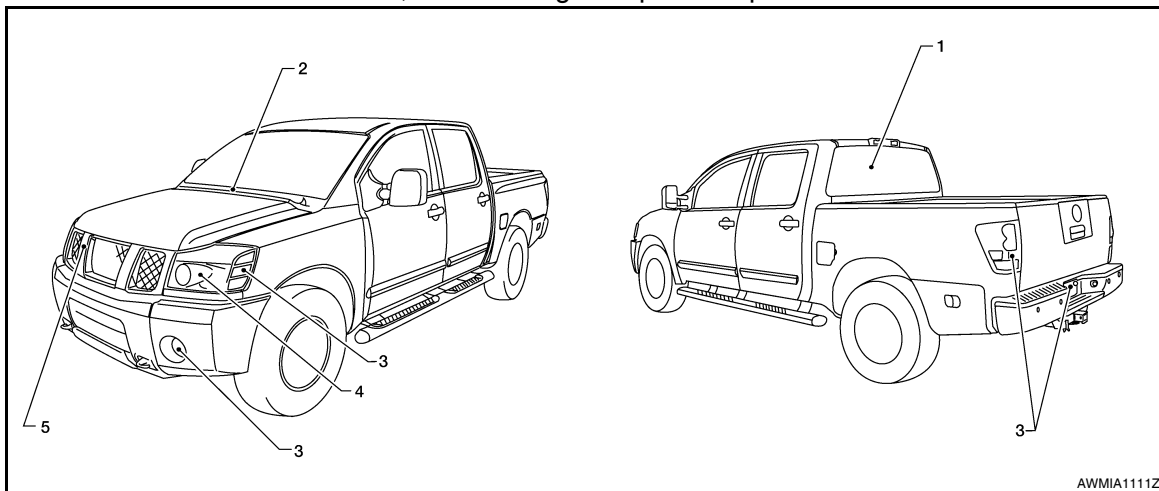
When auto active test mode has to be cancelled halfway through test, turn ignition switch OFF.

CAUTION:

- If auto active test mode cannot be actuated, check door switch system. Refer to [DLK-26. "KING CAB : Description"](#) (King Cab) or [DLK-27. "CREW CAB : Description"](#) (Crew Cab).
- Do not start the engine.

Inspection in Auto Active Test Mode

When auto active test mode is actuated, the following 6 steps are repeated 3 times.



Operation sequence	Inspection Location	Operation
1	Rear window defogger (Crew Cab only)	10 seconds
2	Front wipers	LO for 5 seconds → HI for 5 seconds

A
B
C
D
E
F
G
H
I
J
K
L
N
O
P

PCS

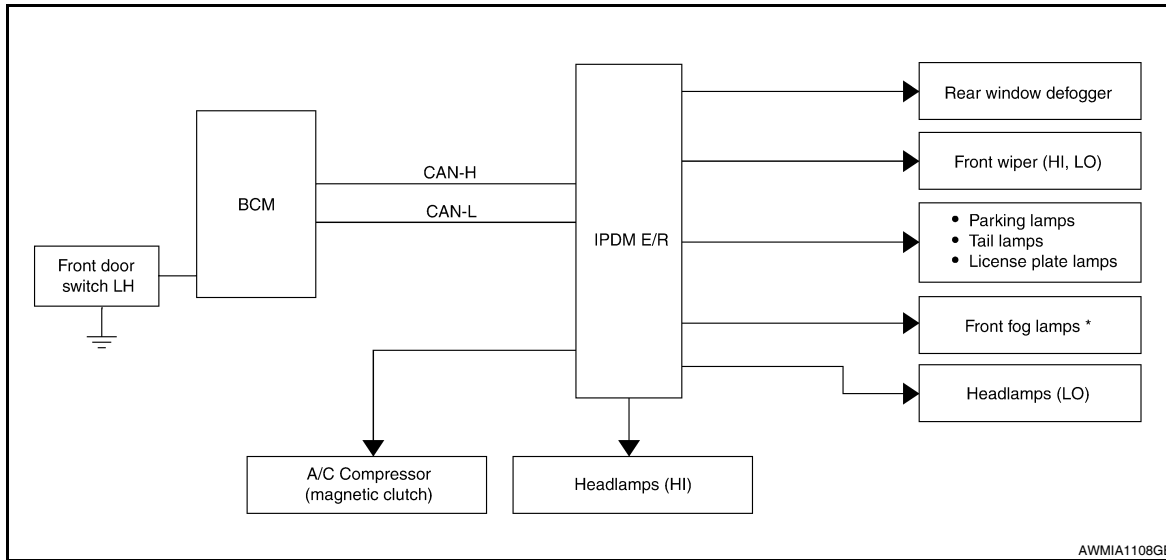
DIAGNOSIS SYSTEM (IPDM E/R)

< FUNCTION DIAGNOSIS >

[IPDM E/R]

Operation sequence	Inspection Location	Operation
3	Tail, license, parking lamps and front fog lamps (if equipped)	10 seconds
4	Headlamps	LO for 10 seconds → HI on-off for 5 seconds
5	A/C compressor (magnetic clutch)	ON ↔ OFF 5 times

Concept of auto active test



*: If equipped

- IPDM E/R starts the auto active test with the door switch signals transmitted by BCM via CAN communication. Therefore, the CAN communication line between IPDM E/R and BCM is considered normal if the auto active test starts successfully.
- The auto active test facilitates troubleshooting if any systems controlled by IPDM E/R cannot be operated.

Diagnosis chart in auto active test mode

Symptom	Inspection contents		Possible cause
Oil pressure low/coolant temperature high warning indicator does not operate	Perform auto active test. Does the oil pressure low/coolant temperature high warning indicator operate?	YES	<ul style="list-style-type: none"> • IPDM E/R signal input circuit • ECM signal input circuit • CAN communication signal between ECM and combination meter
		NO	CAN communication signal between IPDM E/R, BCM and combination meter
Oil pressure gauge does not operate	Perform auto active test. Does the oil pressure gauge operate?	YES	IPDM E/R signal input circuit
		NO	CAN communication signal between IPDM E/R, BCM and combination meter
Rear window defogger does not operate	Perform auto active test. Does the rear window defogger operate?	YES	BCM signal input circuit
		NO	CAN communication signal between BCM and IPDM E/R

DIAGNOSIS SYSTEM (IPDM E/R)

< FUNCTION DIAGNOSIS >

[IPDM E/R]

Symptom	Inspection contents	Possible cause
Any of the following components do not operate • Front wipers • Tail lamps • License plate lamps • Parking lamps • Front fog lamps • Headlamps (HI, LO)	Perform auto active test. Does the applicable system operate?	YES BCM signal input system
		NO • Lamp or front wiper motor malfunction • Lamp or front wiper motor ground circuit • Harness or connector between IPDM E/R and applicable system • IPDM E/R (integrated relay malfunction)
A/C compressor does not operate	Perform auto active test. Does the A/C compressor operate?	YES • BCM signal input circuit • CAN communication signal between BCM and ECM • CAN communication signal between ECM and IPDM E/R
		NO • Magnetic clutch malfunction • Harness or connector between IPDM E/R and magnetic clutch • IPDM E/R (integrated relay malfunction)

A
B
C
D
E
F
G

CONSULT - III Function (IPDM E/R)

INFOID:000000003790518

APPLICATION ITEM

CONSULT-III performs the following functions via CAN communication with IPDM E/R.

H

Diagnosis mode	Description
ECU Identification	Allows confirmation of IPDM E/R part number.
Self Diagnostic Result	Displays the diagnosis results judged by IPDM E/R.
Data Monitor	Displays the real-time input/output data from IPDM E/R input/output data.
Active Test	IPDM E/R can provide a drive signal to electronic components to check their operations.
CAN Diag Support Monitor	The results of transmit/receive diagnosis of CAN communication can be read.

I
J
K

SELF DIAGNOSTIC

Refer to [PCS-27, "DTC Index"](#).

DATA MONITOR

Monitor item

L

Monitor Item [Unit]	MAIN SIGNALS	Description
A/C COMP REQ [OFF/ON]	×	Displays the status of the A/C request signal.
TAIL&CLR REQ [OFF/ON]	×	Displays the status of the position light request signal received from BCM via CAN communication.
HL LO REQ [OFF/ON]	×	Displays the status of the low beam request signal received from BCM via CAN communication.
HL HI REQ [OFF/ON]	×	Displays the status of the high beam request signal received from BCM via CAN communication.
FR FOG REQ* [OFF/ON]	×	Displays the status of the front fog lamp request signal received from BCM via CAN communication.
HL WASHER REQ [OFF/ON]		NOTE: This item is displayed, but cannot be monitored.
FR WIP REQ [STOP/1LOW/LOW/HI]	×	Displays the status of the front wiper request signal received from BCM via CAN communication.

PCS

N
O
P

DIAGNOSIS SYSTEM (IPDM E/R)

< FUNCTION DIAGNOSIS >

[IPDM E/R]

Monitor Item [Unit]	MAIN SIG- NALS	Description
WIP AUTO STOP [STOP P/ACT P]	×	Displays the status of the front wiper auto stop signal judged by IPDM E/R.
WIP PROT [OFF/Block]	×	Displays the status of the front wiper fail-safe operation judged by IPDM E/R.
ST RLY REQ [OFF/ON]		Displays the status of the starter request signal received from ECM via CAN communication.
IGN RLY [OFF/ON]	×	Displays the status of the ignition relay judged by IPDM E/R.
RR DEF REQ* [OFF/ON]	×	Displays the status of the rear defogger request signal.
OIL P SW [OPEN/CLOSE]		Displays the status of the oil pressure switch judged by IPDM E/R.
DTRL REQ [OFF]		NOTE: This item is displayed, but cannot be monitored.
HOOD SW [OPEN/CLOSE]		NOTE: This item is displayed, but cannot be monitored.
THFT HRN REQ [OFF/ON]		Displays the status of the theft warning horn request signal received from BCM via CAN communication.
HORN CHIRP [OFF/ON]		Displays the status of the horn reminder signal received from BCM via CAN communication.

*: If equipped

ACTIVE TEST

Test item

Test item	Operation	Description
REAR DEFOGGER*	OFF	OFF
	ON	Operates rear window defogger relay.
FRONT WIPER	OFF	OFF
	LO	Operates the front wiper relay.
	HI	Operates the front wiper relay and front wiper high relay.
EXTERNAL LAMPS	OFF	OFF
	TAIL	Operates the tail lamp relay.
	LO	Operates the headlamp low relay.
	HI	Operates the headlamp low relay and the headlamp high LH/RH relays at 1 second intervals.
	FOG	Operates the front fog lamp relay*
HORN	ON	Operates horn relay for 20 ms.

*: If equipped

U1000 CAN COMM CIRCUIT

< COMPONENT DIAGNOSIS >

[IPDM E/R]

COMPONENT DIAGNOSIS

U1000 CAN COMM CIRCUIT

Description

INFOID:000000003790519

Refer to [LAN-4, "System Description"](#).

DTC Logic

INFOID:000000003790520

DTC DETECTION LOGIC

DTC	CONSULT-III display description	DTC Detection Condition	Possible cause
U1000	CAN COMM CIRCUIT	When IPDM E/R cannot communicate CAN communication signal continuously for 2 seconds or more	In CAN communication system, any item (or items) of the following listed below is malfunctioning. <ul style="list-style-type: none">• Receiving (TCM)• Receiving (ECM)• Receiving (BCM)• Receiving (Combination meter)

DTC CONFIRMATION PROCEDURE

Diagnosis Procedure

INFOID:000000003790521

1. PERFORM SELF DIAGNOSTIC

1. Turn ignition switch ON and wait for 2 seconds or more.
2. Check "SELF-DIAG RESULTS" of IPDM E/R.

Is "CAN COMM CIRCUIT" displayed?

- YES >> Refer to [LAN-5, "CAN Communication Control Circuit"](#).
NO >> Refer to [GI-38, "Intermittent Incident"](#).

A
B
C
D
E
F
G
H
I
J
K
L
N
O
P

PCS

POWER SUPPLY AND GROUND CIRCUIT

< COMPONENT DIAGNOSIS >

[IPDM E/R]

POWER SUPPLY AND GROUND CIRCUIT

Diagnosis Procedure

INFOID:000000003790522

1. CHECK FUSES AND FUSIBLE LINK

Check that the following IPDM E/R fuses or fusible link are not blown.

Terminal No.	Signal name	Fuses and fusible link No.
1	Battery	A (140A), D (80A)
2	Battery	C (80A)
12	Ignition switch ON or START	59 (10A)

Is the fuse blown?

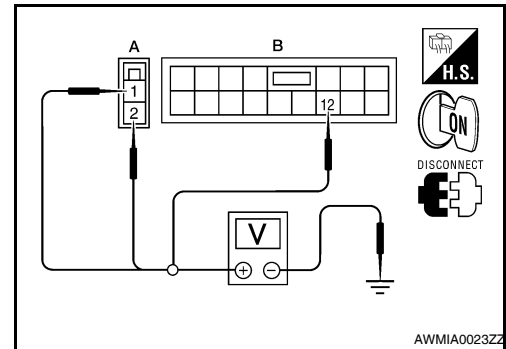
YES >> Replace the blown fuse or fusible link after repairing the affected circuit.

NO >> GO TO 2

2. CHECK BATTERY POWER SUPPLY CIRCUIT

- Turn ignition switch OFF.
- Disconnect IPDM E/R.
- Check voltage between IPDM E/R harness connectors and ground.

Terminals		Ignition switch position	Ignition switch position		
(+)	(-)		OFF	ON	START
Connector	Terminal				
E118 (A)	1	Ground	Battery voltage	Battery voltage	Battery voltage
	2		Battery voltage	Battery voltage	Battery voltage
E119 (B)	12		0V	Battery voltage	Battery voltage



Is the measurement value normal?

YES >> GO TO 3

NO >> Repair or replace harness.

3. CHECK GROUND CIRCUIT

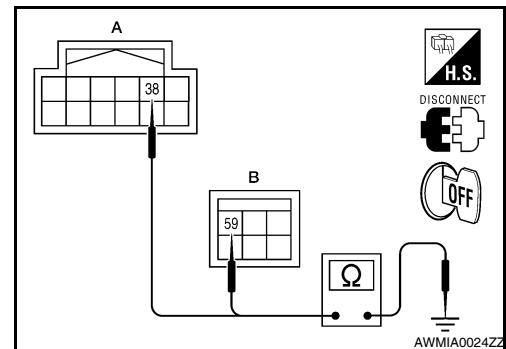
- Turn ignition switch OFF.
- Check continuity between IPDM E/R harness connectors and ground.

IPDM E/R		Ground	Continuity
Connector	Terminal		
E122 (A)	38	Ground	Yes
E124 (B)	59		

Does continuity exist?

YES >> Inspection End.

NO >> Repair or replace harness.



IPDM E/R (INTELLIGENT POWER DISTRIBUTION MODULE ENGINE ROOM)

< ECU DIAGNOSIS >

[IPDM E/R]

ECU DIAGNOSIS

IPDM E/R (INTELLIGENT POWER DISTRIBUTION MODULE ENGINE ROOM)

Reference Value

INFOID:000000003790523

VALUES ON THE DIAGNOSIS TOOL

Monitor Item	Condition		Value/Status
MOTOR FAN REQ	Engine idle speed	Changes depending on engine coolant temperature, air conditioner operation status, vehicle speed, etc.	0 - 100 %
A/C COMP REQ	A/C switch OFF		OFF
	A/C switch ON		ON
TAIL&CLR REQ	Lighting switch OFF		OFF
	Lighting switch 1ST, 2ND, HI or AUTO (Light is illuminated)		ON
HL LO REQ	Lighting switch OFF		OFF
	Lighting switch 2ND HI or AUTO (Light is illuminated)		ON
HL HI REQ	Lighting switch OFF		OFF
	Lighting switch HI		ON
FR FOG REQ*	Lighting switch 2ND or AUTO (Light is illuminated)	Front fog lamp switch OFF	OFF
		<ul style="list-style-type: none"> • Front fog lamp switch ON • Daytime light activated (Canada only) 	ON
HL WASHER REQ	NOTE: This item is displayed, but cannot be monitored.		OFF
FR WIP REQ	Ignition switch ON	Front wiper switch OFF	STOP
		Front wiper switch INT	1LOW
		Front wiper switch LO	LOW
		Front wiper switch HI	HI
WIP AUTO STOP	Ignition switch ON	Front wiper stop position	STOP P
		Any position other than front wiper stop position	ACT P
WIP PROT	Ignition switch ON	Front wiper operates normally	OFF
		Front wiper stops at fail-safe operation	BLOCK
ST RLY REQ	Ignition switch OFF or ACC		OFF
	Ignition switch START		ON
IGN RLY	Ignition switch OFF or ACC		OFF
	Ignition switch ON		ON
RR DEF REQ*	Rear defogger switch OFF		OFF
	Rear defogger switch ON		ON
OIL P SW	Ignition switch OFF, ACC or engine running		OPEN
	Ignition switch ON		CLOSE
DTRL REQ	NOTE: This item is displayed, but cannot be monitored.		OFF
HOOD SW	NOTE: This item is displayed, but cannot be monitored.		OFF

A
B
C
D
E
F
G
H
I
J
K
L

PCS

N
O
P

IPDM E/R (INTELLIGENT POWER DISTRIBUTION MODULE ENGINE ROOM)

< ECU DIAGNOSIS >

[IPDM E/R]

Monitor Item	Condition	Value/Status
THFT HRN REQ	Not operated	OFF
	<ul style="list-style-type: none">• Panic alarm is activated• Horn is activated with VEHICLE SECURITY (THEFT WARNING) SYSTEM	ON
HORN CHIRP	Not operated	OFF
	Door locking with keyfob (horn chirp mode)	ON

*: If equipped

IPDM E/R (INTELLIGENT POWER DISTRIBUTION MODULE ENGINE ROOM)

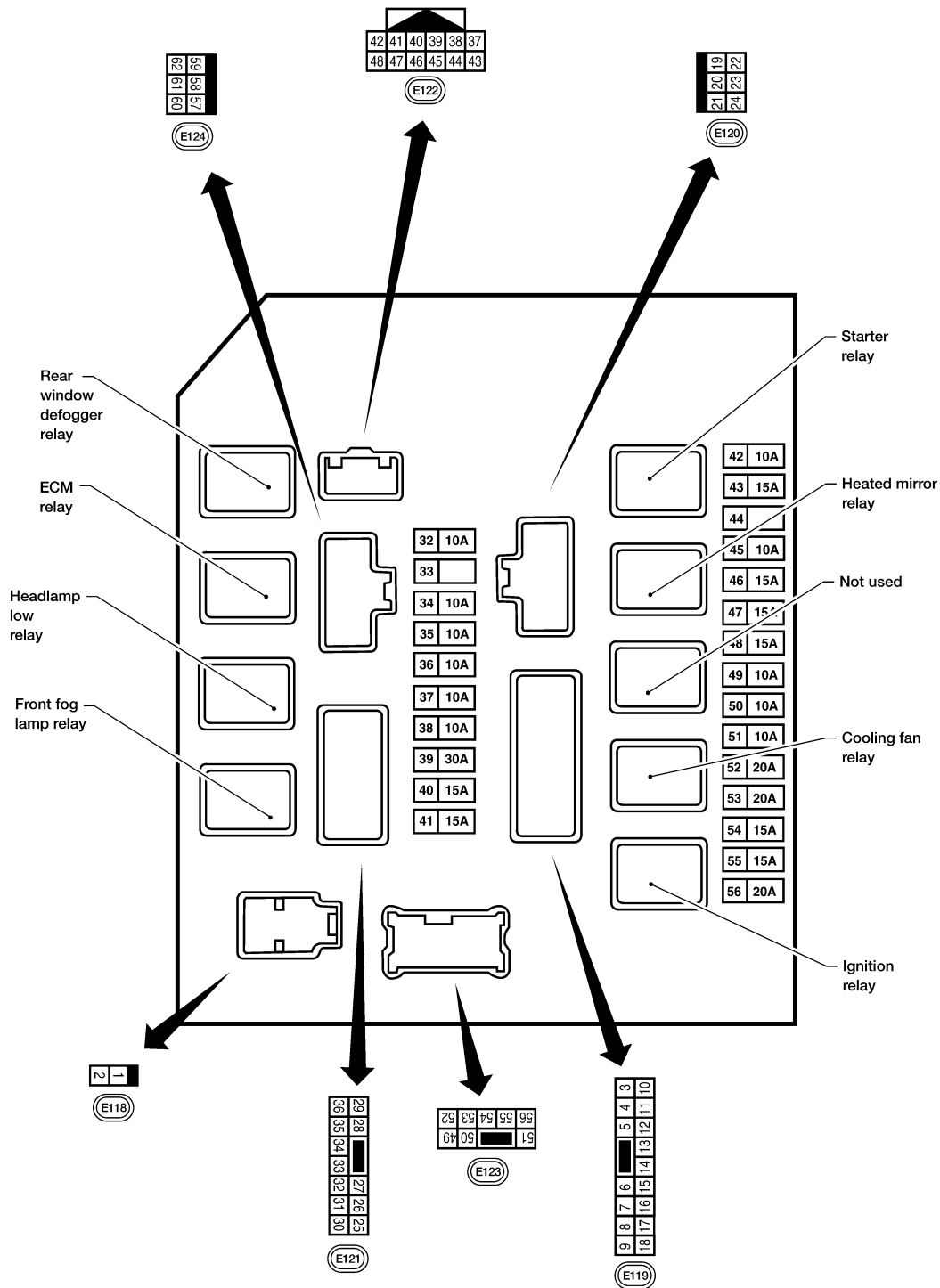
< ECU DIAGNOSIS >

[IPDM E/R]

Terminal Layout

INFOID:000000003790524

TERMINAL LAYOUT



A
B
C
D
E
F
G
H
I
J
K
L
N
O
P

PCS

Physical Values

PHYSICAL VALUES

WKIA5852E

INFOID:000000003790525

IPDM E/R (INTELLIGENT POWER DISTRIBUTION MODULE ENGINE ROOM)

< ECU DIAGNOSIS >

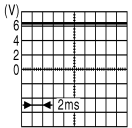
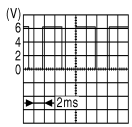
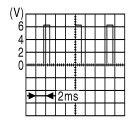
[IPDM E/R]

Terminal	Wire color	Signal name	Signal input/output	Measuring condition		Reference value (Approx.)	
				Ignition switch	Operation or condition		
1	B/Y	Battery power supply	Input	OFF	—	Battery voltage	
2	R	Battery power supply	Input	OFF	—	Battery voltage	
3	BR	ECM relay	Output	—	Ignition switch ON or START	Battery voltage	
					Ignition switch OFF or ACC	0V	
4	W/L	ECM relay	Output	—	Ignition switch ON or START	Battery voltage	
					Ignition switch OFF or ACC	0V	
6	L	Throttle control motor relay	Output	—	Ignition switch ON or START	Battery voltage	
					Ignition switch OFF or ACC	0V	
7	W/B	ECM relay control	Input	—	Ignition switch ON or START	0V	
					Ignition switch OFF or ACC	Battery voltage	
8	R/B	Fuse 54	Output	—	Ignition switch ON or START	Battery voltage	
					Ignition switch OFF or ACC	0V	
10	G	Fuse 45 (Canada only)	Output	ON	Daytime light system active	0V	
					Daytime light system inactive	Battery voltage	
11	Y/B	A/C compressor	Output	ON or START	A/C switch ON or defrost A/C switch	Battery voltage	
					A/C switch OFF or defrost A/C switch	0V	
12	L/W	Ignition switch supplied power	Input	—	OFF or ACC	0V	
					ON or START	Battery voltage	
13	B/Y	Fuel pump relay	Output	—	Ignition switch ON or START	Battery voltage	
					Ignition switch OFF or ACC	0V	
14	Y/R	Fuse 49	Output	—	Ignition switch ON or START	Battery voltage	
					Ignition switch OFF or ACC	0V	
15	LG/B (with VDC) GR (with ABS) G/R (with ABLs)	Fuse 50	Output	—	Ignition switch ON or START	Battery voltage	
					Ignition switch OFF or ACC	0V	
16	G	Fuse 51	Output	—	Ignition switch ON or START	Battery voltage	
					Ignition switch OFF or ACC	0V	
17	W	Fuse 55	Output	—	Ignition switch ON or START	Battery voltage	
					Ignition switch OFF or ACC	0V	
19	W/R	Starter motor	Output	START	—	Battery voltage	
21	BR	Ignition switch supplied power	Input	—	OFF or ACC	0V	
					START	Battery voltage	
22	G	Battery power supply	Output	OFF	—	Battery voltage	
23	GR/W	Door mirror defogger output signal (if equipped)	Output	—	When rear defogger switch is ON	Battery voltage	
					When raker defogger switch is OFF	0V	
27	W/B	Fuse 38 (With trailer tow)	Output	—	Ignition switch ON or START	Battery voltage	
					Ignition switch OFF or ACC	0V	
30	W	Fuse 53	Output	—	Ignition switch ON or START	Battery voltage	
					Ignition switch OFF or ACC	0V	
32	L	Wiper low speed signal	Output	ON or START	Wiper switch	OFF	Battery voltage
						LO or INT	0V

IPDM E/R (INTELLIGENT POWER DISTRIBUTION MODULE ENGINE ROOM)

< ECU DIAGNOSIS >

[IPDM E/R]

Terminal	Wire color	Signal name	Signal input/output	Measuring condition		Reference value (Approx.)				
				Ignition switch	Operation or condition					
35	L/B	Wiper high speed signal	Output	ON or START	Wiper switch	<table border="1" style="width: 100%; border-collapse: collapse;"> <tr> <td style="width: 50%;">OFF, LO, INT</td> <td>Battery voltage</td> </tr> <tr> <td style="width: 50%;">HI</td> <td>0V</td> </tr> </table>	OFF, LO, INT	Battery voltage	HI	0V
OFF, LO, INT	Battery voltage									
HI	0V									
37	Y	Power generation command signal	Output	—	Ignition switch ON	 <p style="text-align: right; font-size: small;">JPMIA0001GB</p> <p style="text-align: center;">6.3 V</p>				
					40% is set on "Active test," "ALTERNATOR DUTY" of "ENGINE"	 <p style="text-align: right; font-size: small;">JPMIA0002GB</p> <p style="text-align: center;">3.8 V</p>				
					40% is set on "Active test," "ALTERNATOR DUTY" of "ENGINE"	 <p style="text-align: right; font-size: small;">JPMIA0003GB</p> <p style="text-align: center;">1.4 V</p>				
38	B	Ground	Input	—	—	0V				
39	L	CAN-H	—	ON	—	—				
40	P	CAN-L	—	ON	—	—				
42	GR	Oil pressure switch	Input	—	<table border="1" style="width: 100%; border-collapse: collapse;"> <tr> <td style="width: 50%;">Engine running</td> <td>Battery voltage</td> </tr> <tr> <td style="width: 50%;">Engine stopped</td> <td>0V</td> </tr> </table>	Engine running	Battery voltage	Engine stopped	0V	
Engine running	Battery voltage									
Engine stopped	0V									
43	L/Y	Wiper auto stop signal	Input	ON or START	Wiper switch	OFF, LO, INT Battery voltage				
44	BR	Daytime light relay control (Canada ony)	Input	ON	Daytime light system active	0V				
					Daytime light system inactive	Battery voltage				
45	G/W	Horn relay control	Input	ON	When door locks are operated using keyfob (OFF → ON)*	Battery voltage → 0V				
46	GR	Fuel pump relay control	Input	—	Ignition switch ON or START	0V				
					Ignition switch OFF or ACC	Battery voltage				
47	O	Throttle control motor relay control	Input	—	Ignition switch ON or START	0V				
					Ignition switch OFF or ACC	Battery voltage				
48	B/R	Starter relay (inhibit switch)	Input	ON or START	Selector lever in "P" or "N"	0V				
					Selector lever any other position	Battery voltage				

A
B
C
D
E
F
G
H
I
J
K
L

PCS

N
O
P

IPDM E/R (INTELLIGENT POWER DISTRIBUTION MODULE ENGINE ROOM)

< ECU DIAGNOSIS >

[IPDM E/R]

Terminal	Wire color	Signal name	Signal input/output	Measuring condition		Reference value (Approx.)	
				Ignition switch	Operation or condition		
49	R/L	Trailer tow relay (With trailer tow) Illumination (Without trailer tow)	Output	ON	Lighting switch must be in the 1st position	OFF	0V
						ON	Battery voltage
50	W/R	Front fog lamp (LH) (if equipped)	Output	ON or START	Lighting switch must be in the 2nd position (LOW beam is ON) and the front fog lamp switch	OFF	0V
						ON	Battery voltage
51	W/R	Front fog lamp (RH) (if equipped)	Output	ON or START	Lighting switch must be in the 2nd position (LOW beam is ON) and the front fog lamp switch	OFF	0V
						ON	Battery voltage
52	L	LH low beam head-lamp	Output	—	Lighting switch in 2nd position	Battery voltage	
54	R/Y	RH low beam head-lamp	Output	—	Lighting switch in 2nd position	Battery voltage	
55	G	LH high beam head-lamp	Output	—	Lighting switch in 2nd position and placed in HIGH or PASS position	Battery voltage	
56	Y (With DTRL) L/W (Without DTRL)	RH high beam head-lamp	Output	—	Lighting switch in 2nd position and placed in HIGH or PASS position	Battery voltage	
57	R/L	Parking, license, tail lamp and rear audio remote control unit	Output	ON	Lighting switch 1st position	OFF	0V
						ON	Battery voltage
59	B	Ground	Input	—	—	0V	
60	B/W	Rear window defogger relay (if equipped)	Output	ON or START	Rear defogger switch ON	Battery voltage	
					Rear defogger switch OFF	0V	
61	BR	Fuse 32 (With trailer tow)	Output	OFF	—	Battery voltage	

*: When horn reminder is ON

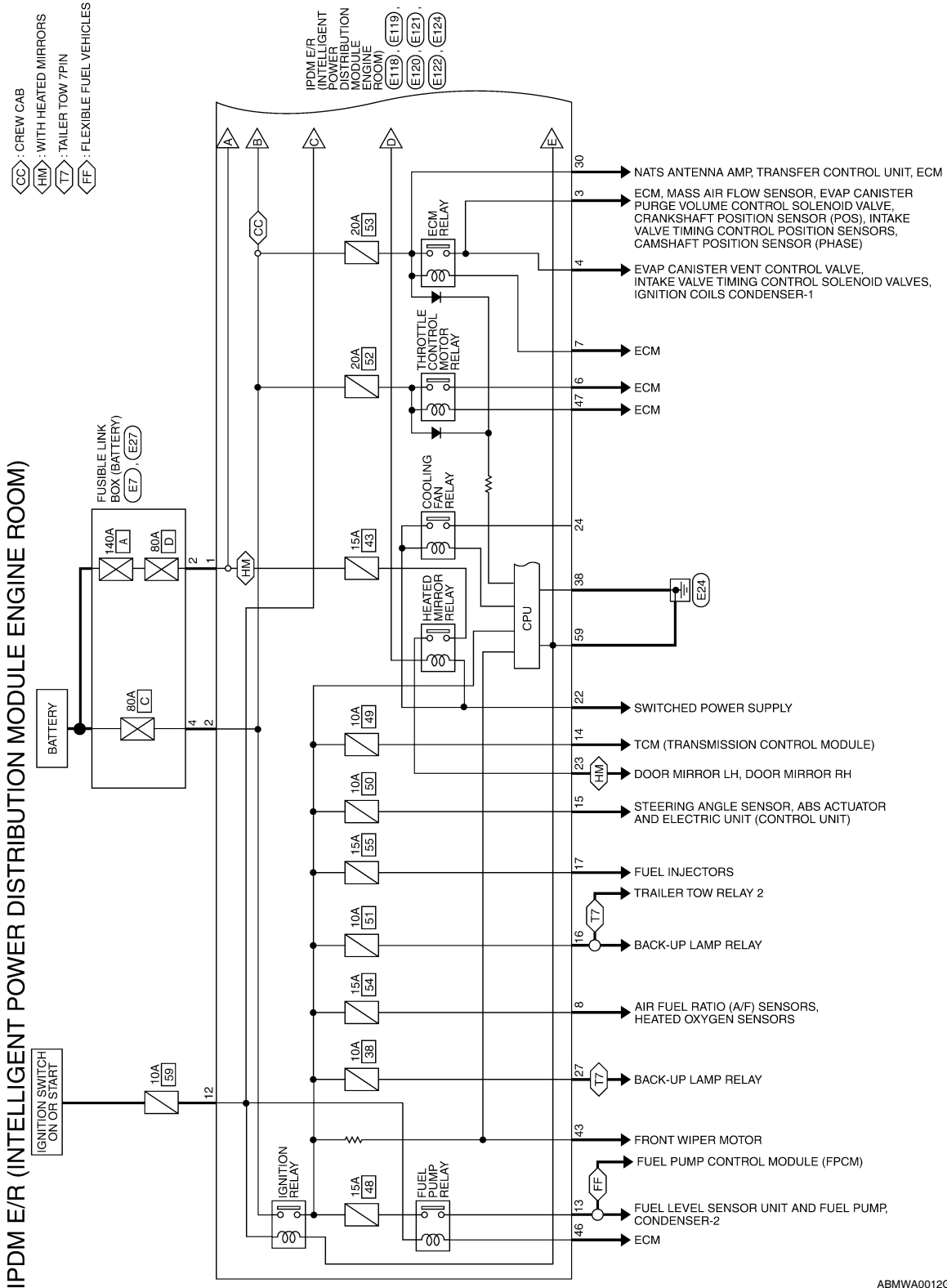
IPDM E/R (INTELLIGENT POWER DISTRIBUTION MODULE ENGINE ROOM)

< ECU DIAGNOSIS >

[IPDM E/R]

Wiring Diagram

INFOID:00000003790526



ABMWA0012GI

A
B
C
D
E
F
G
H
I
J
K
L
N
O
P

PCS

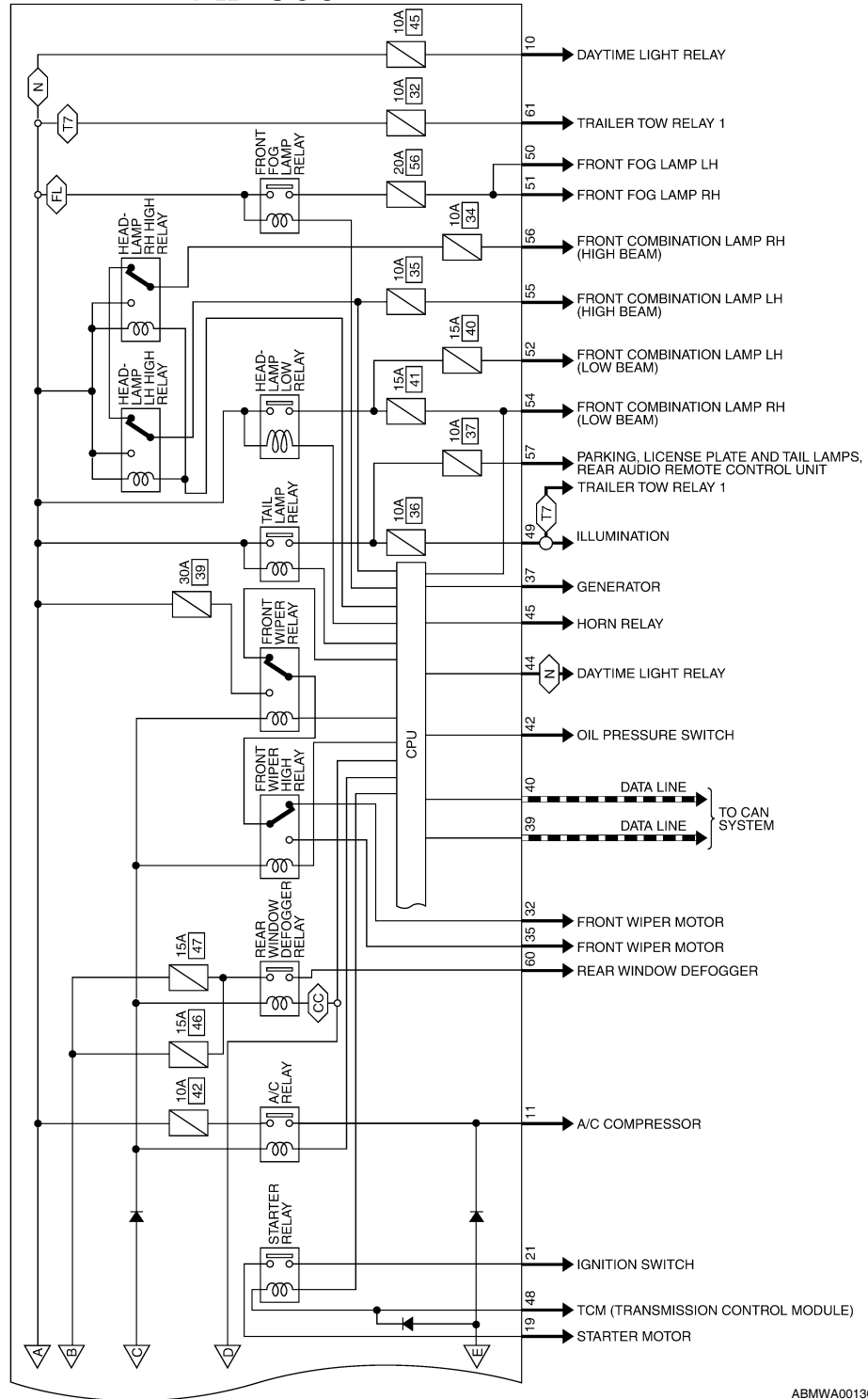
IPDM E/R (INTELLIGENT POWER DISTRIBUTION MODULE ENGINE ROOM)

< ECU DIAGNOSIS >

[IPDM E/R]

- : TRAILER TOW 7PIN
- : CREW CAB
- : WITH FRONT FOG LAMP
- : FOR CANADA
- : DATA LINE

IPDM E/R
(INTELLIGENT
POWER
DISTRIBUTION
MODULE
ENGINE
ROOM)
E119 E120
E121 E122
E123 E124



ABMWA0013GI

IPDM E/R (INTELLIGENT POWER DISTRIBUTION MODULE ENGINE ROOM) CONNECTORS

Connector No.	E7
Connector Name	FUSIBLE LINK BOX (BATTERY)
Connector Color	BLACK



Terminal No.	Color of Wire	Signal Name
4	R	-

Connector No.	E27
Connector Name	FUSIBLE LINK BOX (BATTERY)
Connector Color	BROWN



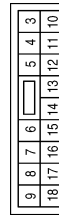
Terminal No.	Color of Wire	Signal Name
2	B/Y	-

Connector No.	E118
Connector Name	IPDM E/R (INTELLIGENT POWER DISTRIBUTION MODULE ENGINE ROOM)
Connector Color	BLACK



Terminal No.	Color of Wire	Signal Name
1	B/Y	F/L USM
2	R	F/L MAIN

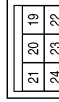
Connector No.	E119
Connector Name	IPDM E/R (INTELLIGENT POWER DISTRIBUTION MODULE ENGINE ROOM)
Connector Color	WHITE



Terminal No.	Color of Wire	Signal Name
3	BR	IGN COIL
4	W/L	ECM
5	-	-
6	L	ETC
7	W/B	ECM RLY CONT

Terminal No.	Color of Wire	Signal Name
8	R/B	02_SENSOR
9	-	-
10	G	DTRL RLY SUPPLY
11	Y/B	A/C COMPRESSOR
12	L/W	IGN SW (IG)
13	B/Y	FUEL PUMP
14	Y/R	A/T CU IGN SUPPLY
15	LG/B	ABS IGN SUPPLY (WITH VDC)
15	GR	ABS IGN SUPPLY (WITH ABS)
15	G/R	ABS IGN SUPPLY (WITH ABL)
16	G	REVERSE LAMP
17	W	INJECTOR
18	-	-

Connector No.	E120
Connector Name	IPDM E/R (INTELLIGENT POWER DISTRIBUTION MODULE ENGINE ROOM)
Connector Color	WHITE



Terminal No.	Color of Wire	Signal Name
19	W/R	STARTER MTR
20	-	-
21	BR	IGN SW(ST)
22	G	F/L MOTOR FAN
23	GR/W	HEATED MIRROR
24	-	-

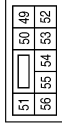
ABMIA0021GB

IPDM E/R (INTELLIGENT POWER DISTRIBUTION MODULE ENGINE ROOM)

< ECU DIAGNOSIS >

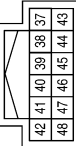
[IPDM E/R]

Connector No.	E123
Connector Name	IPDM E/R (INTELLIGENT POWER DISTRIBUTION MODULE ENGINE ROOM)
Connector Color	BROWN



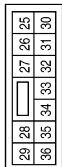
Terminal No.	Color of Wire	Signal Name
49	R/L	ILLUMINATION
50	W/R	FR FOG LAMP LH
51	W/R	FR FOG LAMP RH
52	L	H/LAMP LO LH
53	-	-
54	R/Y	H/LAMP LO RH
55	G	H/LAMP HI LH
56	L/W	H/LAMP HI RH (WITHOUT DAYTIME LIGHT)
56	Y	H/LAMP HI RH (WITH DAYTIME LIGHT)

Connector No.	E122
Connector Name	IPDM E/R (INTELLIGENT POWER DISTRIBUTION MODULE ENGINE ROOM)
Connector Color	WHITE



Terminal No.	Color of Wire	Signal Name
37	Y	ALT-C CONT
38	B	GND (SIGNAL)
39	L	CAN-H
40	P	CAN-L
41	-	-
42	GR	OIL PRESSURE SW
43	L/Y	AUTO STOP SW
44	BR	DTRL RLY CONT
45	G/W	ANT THEFT HORN
46	GR	FUEL PUMP RLY CONT
47	O	ETC RLY CONT
48	B/R	INHIBIT SW

Connector No.	E121
Connector Name	IPDM E/R (INTELLIGENT POWER DISTRIBUTION MODULE ENGINE ROOM)
Connector Color	BROWN



Terminal No.	Color of Wire	Signal Name
25	-	-
26	-	-
27	W/B	T TOW REV LAMP
28	-	-
29	-	-
30	W	ECM BAT
31	-	-
32	L	FR WIPER LO
33	-	-
34	-	-
35	L/B	FR WIPER HI
36	-	-

Terminal No.	Color of Wire	Signal Name
57	R/L	TAIL LAMP
58	-	-
59	B	GND (POWER)
60	B/W	FR DEF
61	BR	TRAIL RLY SUPPLY
62	-	-

Connector No.	E124
Connector Name	IPDM E/R (INTELLIGENT POWER DISTRIBUTION MODULE ENGINE ROOM)
Connector Color	BLACK



ABMIA0022GB

INFOID:000000003790527

Fail Safe

CAN COMMUNICATION CONTROL

When CAN communication with ECM and BCM is impossible, IPDM E/R performs fail-safe control. After CAN communication recovers normally, it also returns to normal control.

If No CAN Communication Is Available With BCM

IPDM E/R (INTELLIGENT POWER DISTRIBUTION MODULE ENGINE ROOM)

< ECU DIAGNOSIS >

[IPDM E/R]

Control part	Fail-safe in operation
Headlamp	<ul style="list-style-type: none"> • Turns ON the headlamp low relay when the ignition switch is turned ON • Turns OFF the headlamp low relay when the ignition switch is turned OFF • Headlamp high LH/RH relays OFF
<ul style="list-style-type: none"> • Parking lamps • License plate lamps • Tail lamps 	<ul style="list-style-type: none"> • Turns ON the tail lamp relay when the ignition switch is turned ON • Turns OFF the tail lamp relay when the ignition switch is turned OFF
Front wiper	<ul style="list-style-type: none"> • The status just before activation of fail-safe control is maintained until the ignition switch is turned OFF while the front wiper is operating at LO or HI speed. • The wiper is operated at LO speed until the ignition switch is turned OFF if the fail-safe control is activated while the front wiper is set in the INT mode and the front wiper motor is operating.
Rear window defogger (if equipped)	Rear window defogger relay OFF
A/C compressor	A/C relay OFF
Front fog lamps (if equipped)	Front fog lamp relay OFF

IGNITION RELAY MALFUNCTION DETECTION FUNCTION

- IPDM E/R monitors the voltage at the contact circuit and excitation coil circuit of the ignition relay inside it.
- IPDM E/R judges the ignition relay error if the voltage differs between the contact circuit and the excitation coil circuit.
- If the ignition relay cannot turn OFF due to contact seizure, it activates the tail lamp relay for 10 minutes to alert the user to the ignition relay malfunction when the ignition switch is turned OFF.

Ignition switch	Ignition relay	Tail lamp relay
ON	ON	—
OFF	OFF	—

NOTE:

The tail lamp turns OFF when the ignition switch is turned ON.

FRONT WIPER CONTROL

IPDM E/R detects front wiper stop position by a front wiper auto stop signal.

When a front wiper auto stop signal is in the conditions listed below, IPDM E/R stops power supply to wiper after repeating a front wiper 10 second activation and 20 second stop five times.

Ignition switch	Front wiper switch	Auto stop signal
ON	OFF	Front wiper stop position signal cannot be input 10 seconds.
	ON	The signal does not change for 10 seconds.

NOTE:

This operation status can be confirmed on the IPDM E/R “DATA MONITOR” that displays “Block” for the item “WIP PROT” while the wiper is stopped.

STARTER MOTOR PROTECTION FUNCTION

IPDM E/R turns OFF the starter control relay to protect the starter motor when the starter control relay remains active for 90 seconds.

DTC Index

INFOID:000000003790528

CONSULT-III display	Fail-safe	TIME ^{NOTE}		Refer to
No DTC is detected. further testing may be required.	—	—	—	—
U1000: CAN COMM CIRCUIT	×	CRNT	1 – 39	PCS-15

NOTE:

The details of TIME display are as follows.

A
B
C
D
E
F
G
H
I
J
K
L
N
O
P

IPDM E/R (INTELLIGENT POWER DISTRIBUTION MODULE ENGINE ROOM)

[IPDM E/R]

< ECU DIAGNOSIS >

- CRNT: The malfunctions that are detected now
- 1 - 39: The number is indicated when it is normal at present and a malfunction was detected in the past. It increases like 0 → 1 → 2 ... 38 → 39 after returning to the normal condition whenever IGN OFF → ON. It is fixed to 39 until the self-diagnosis results are erased if it is over 39. It returns to 0 when a malfunction is detected again in the process.

PRECAUTION

PRECAUTIONS

Precaution for Supplemental Restraint System (SRS) "AIR BAG" and "SEAT BELT PRE-TENSIONER"

INFOID:000000003790529

The Supplemental Restraint System such as "AIR BAG" and "SEAT BELT PRE-TENSIONER", used along with a front seat belt, helps to reduce the risk or severity of injury to the driver and front passenger for certain types of collision. This system includes seat belt switch inputs and dual stage front air bag modules. The SRS system uses the seat belt switches to determine the front air bag deployment, and may only deploy one front air bag, depending on the severity of a collision and whether the front occupants are belted or unbelted. Information necessary to service the system safely is included in the SR and SB section of this Service Manual.

WARNING:

- To avoid rendering the SRS inoperative, which could increase the risk of personal injury or death in the event of a collision which would result in air bag inflation, all maintenance must be performed by an authorized NISSAN/INFINITI dealer.
- Improper maintenance, including incorrect removal and installation of the SRS, can lead to personal injury caused by unintentional activation of the system. For removal of Spiral Cable and Air Bag Module, see the SR section.
- Do not use electrical test equipment on any circuit related to the SRS unless instructed to in this Service Manual. SRS wiring harnesses can be identified by yellow and/or orange harnesses or harness connectors.

A
B
C
D
E
F
G
H
I
J
K
L

PCS

N
O
P

REMOVAL AND INSTALLATION

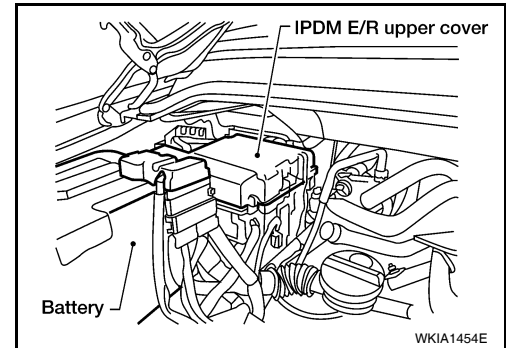
IPDM E/R (INTELLIGENT POWER DISTRIBUTION MODULE ENGINE ROOM)

Removal and Installation of IPDM E/R

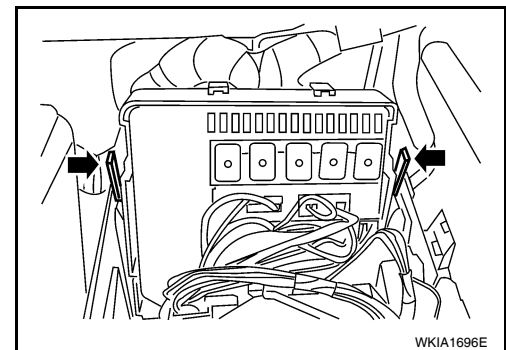
INFOID:000000003790530

REMOVAL

1. Disconnect negative battery terminal.
2. Remove IPDM E/R upper cover.



3. Release two clips and pull IPDM E/R up from case.
4. Disconnect IPDM E/R connectors and remove the IPDM E/R.



INSTALLATION

Installation is in the reverse order of removal.