

# ACCELERATOR CONTROL, FUEL & EXHAUST SYSTEMS

## SECTION **FE**

GI

MA

EM

LC

EF &  
EC

## CONTENTS

<b>ACCELERATOR CONTROL SYSTEM</b> .....	2	Fuel Pump and Gauge .....	4
Adjusting Accelerator Wire .....	2	<b>EXHAUST SYSTEM</b> .....	5
<b>FUEL SYSTEM</b> .....	3		

**FE**

CL

MT

AT

FA

RA

BR

ST

BF

HA

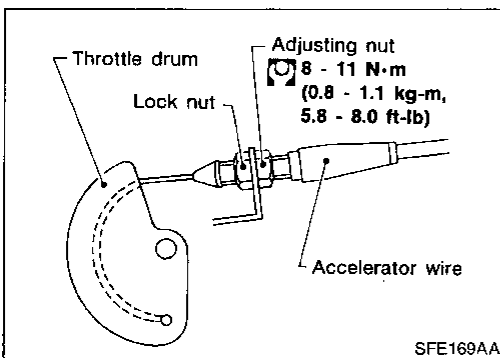
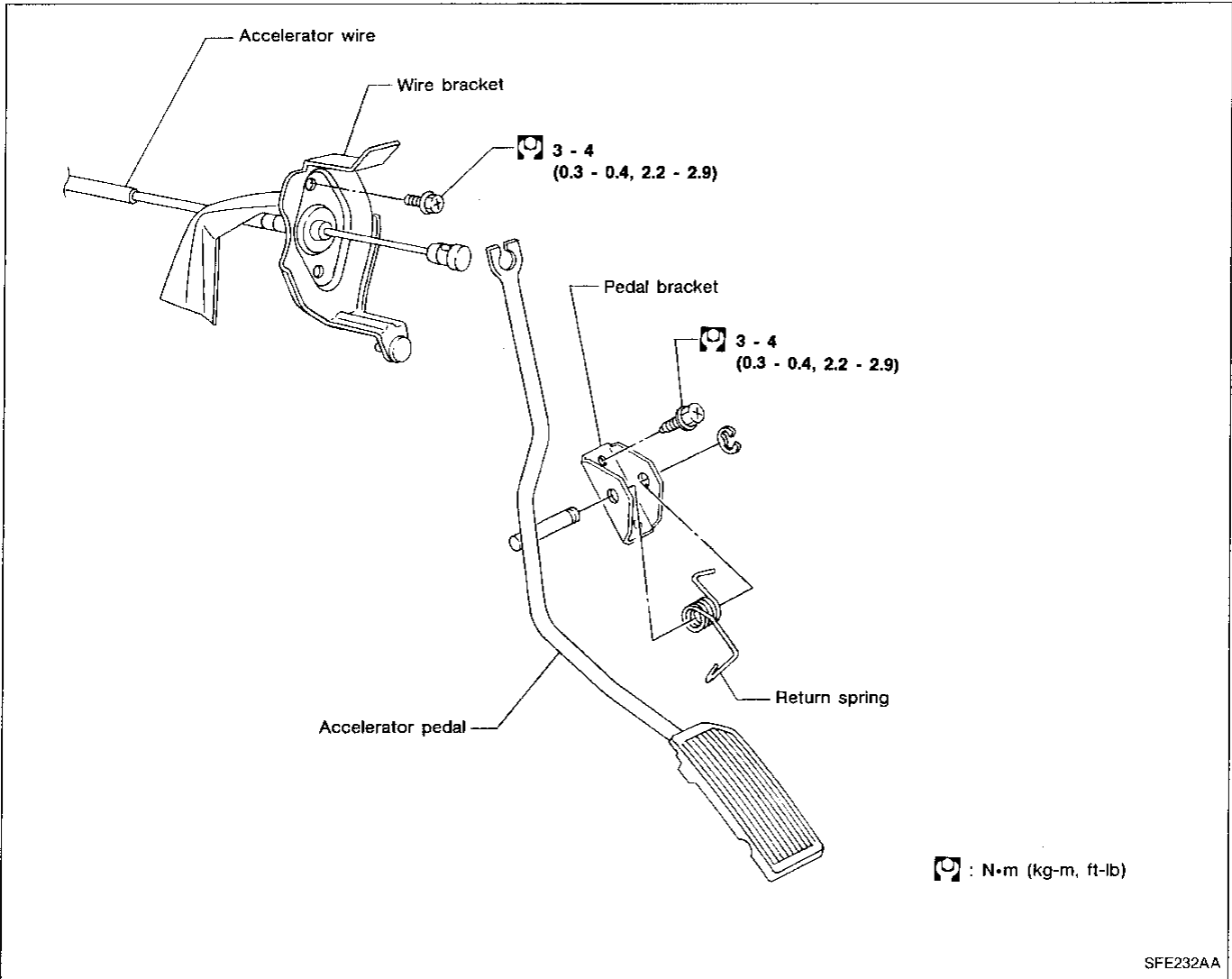
EL

IDX

# ACCELERATOR CONTROL SYSTEM

## CAUTION:

- When removing accelerator wire, make a mark to indicate lock nut's initial position.
- Check that throttle valve opens fully when accelerator pedal is fully depressed and that it returns to idle position when pedal is released.
- Check accelerator control parts for improper contact with any adjacent parts.
- When connecting accelerator wire, be careful not to twist or scratch its inner wire.
- Refer to "ASCD WIRE ADJUSTMENT" in EL section for ASCD wire adjustment.
- For adjustment of A/T throttle wire, refer to "ON-VEHICLE SERVICE" in AT section.



## Adjusting Accelerator Wire

1. Loosen lock nut, and tighten adjusting nut until throttle drum starts to move.
2. From that position turn back adjusting nut 1.5 to 2 turns, and secure lock nut.

# FUEL SYSTEM

## WARNING:

When replacing fuel line parts, be sure to observe the following:

- Put a "CAUTION: INFLAMMABLE" sign in workshop.
- Do not smoke while servicing fuel system. Keep open flames and sparks away from work area.
- Be sure to disconnect battery ground cable before conducting operations.
- Be sure to furnish workshop with a CO<sub>2</sub> fire extinguisher.
- Put drained fuel in an explosion-proof container and put lid on securely.

## CAUTION:

- Before disconnecting fuel hose, release fuel pressure from fuel line. Refer to "Changing Fuel Filter" in MA section.
- Do not disconnect any fuel line unless absolutely necessary.
- Plug hose and pipe openings to prevent entry of dust or dirt.
- Always replace O-ring and clamps with new ones.
- Do not kink or twist hose and tube when they are installed.
- Do not tighten hose clamps excessively to avoid damaging hoses.
- When installing fuel check valve, be careful of its designated direction. (Refer to "EVAPORATIVE EMISSION SYSTEM" in EF & EC section.)
- After installation, run engine and check for fuel leaks at connections.

GI

MA

EM

LC

EF &  
EC

FE

CL

MT

AT

FA

RA

BR

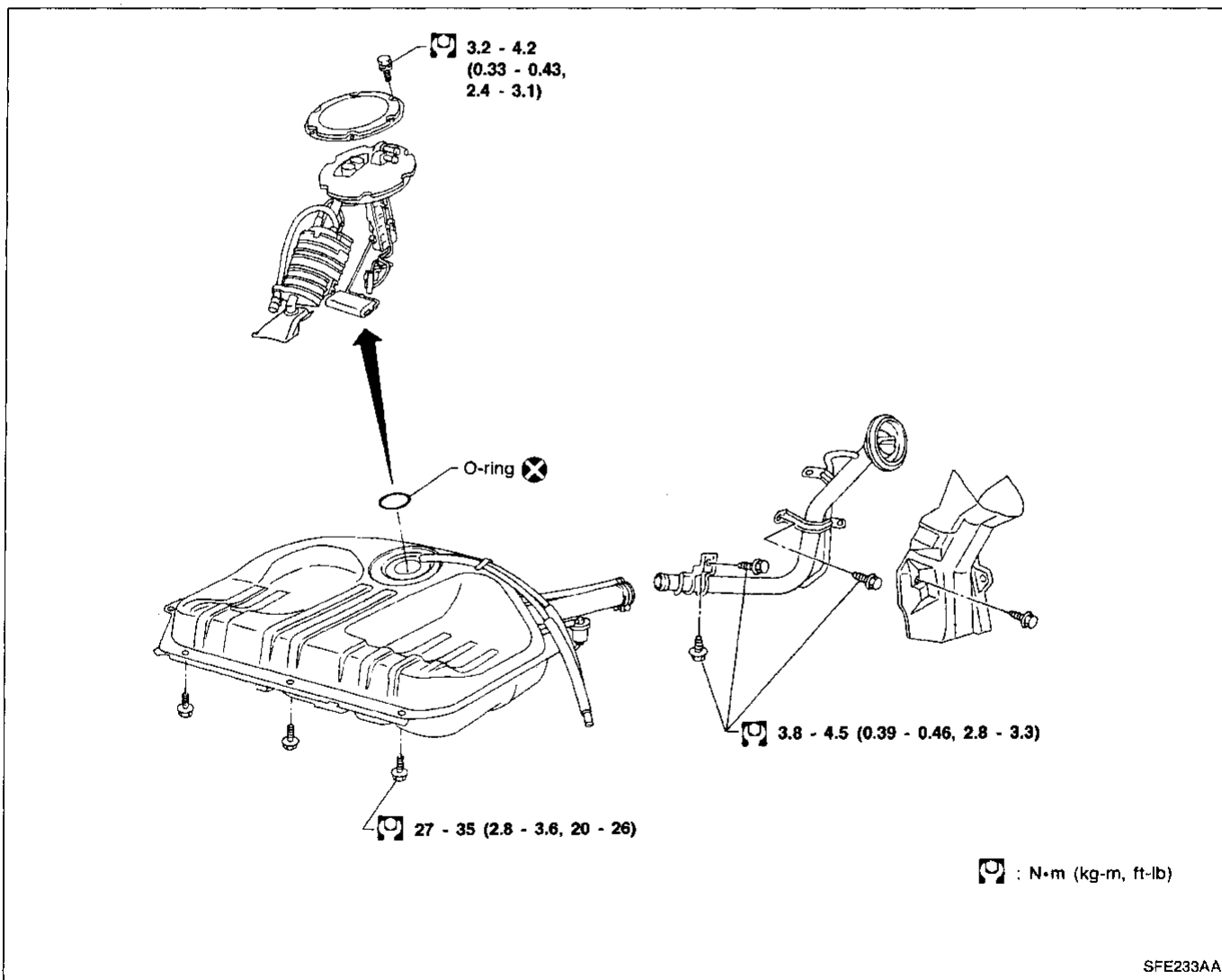
ST

BF

HA

EL

IDX

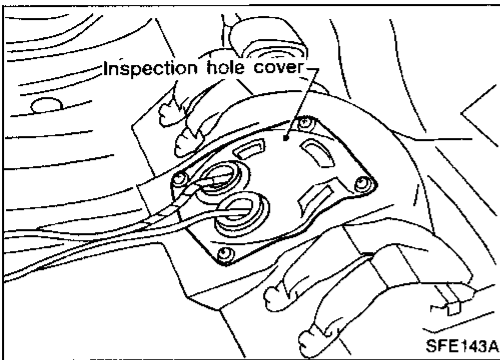


# FUEL SYSTEM

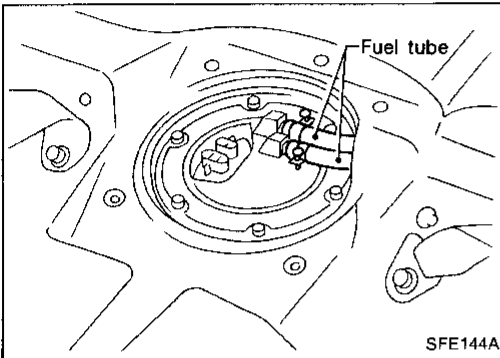
## Fuel Pump and Gauge

### REMOVAL

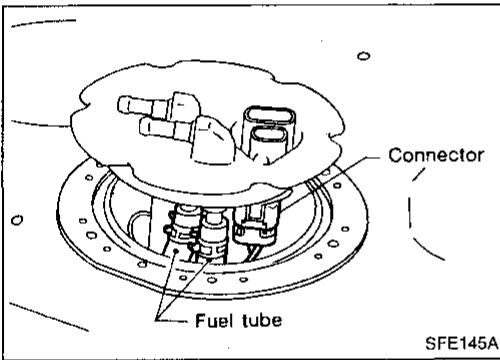
1. Remove inspection hole cover located under the rear seat.



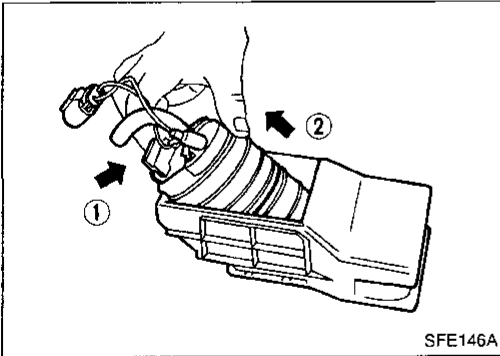
2. Disconnect fuel outlet, return tube and connectors.
3. Remove the six screws.



4. Remove fuel gauge assembly and disconnect tubes and connector.



5. Remove fuel pump as shown in the figure.



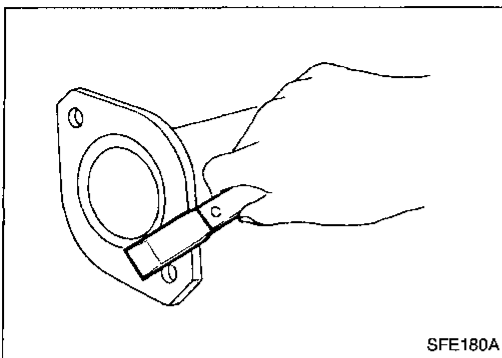
### INSTALLATION

Installation procedure is in reverse order of removal.

#### CAUTION:

Tighten to specified torque.

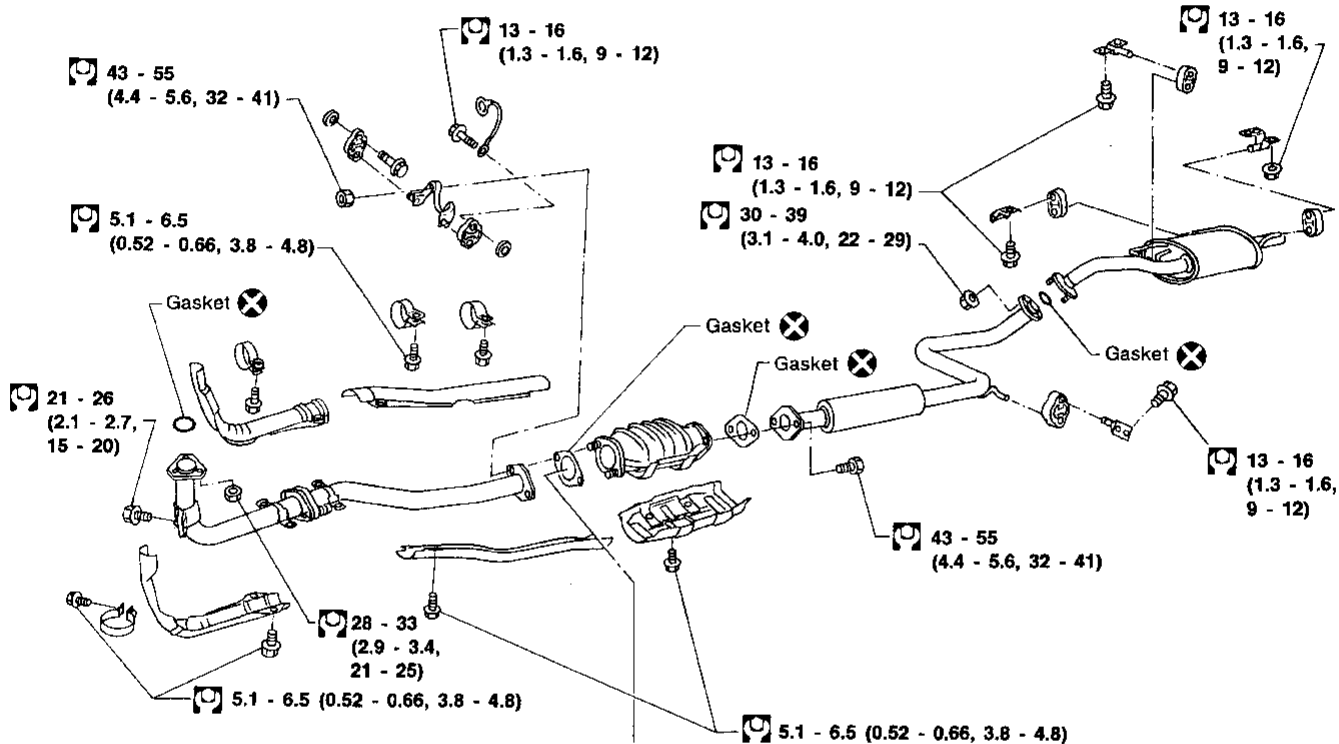
# EXHAUST SYSTEM



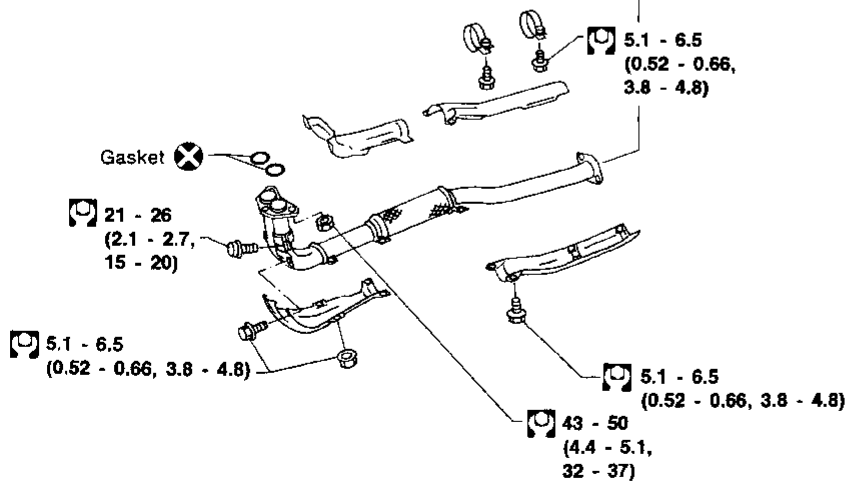
## CAUTION:

- Always replace exhaust gaskets with new ones when reassembling. If gasket is left on flange surface, scrape off completely as shown at left.
- With engine running, check all tube connections for exhaust gas leaks, and entire system for unusual noises.
- After installation, check to ensure that mounting brackets and mounting insulators are free from undue stress. If any of the above parts are not installed properly, excessive noise or vibration may be transmitted to the vehicle body.

### GA16DE engine models



### SR20DE engine models



: N·m (kg·m, ft·lb)

SFE349A