

ENGINE MECHANICAL

SECTION **EM**

CONTENTS

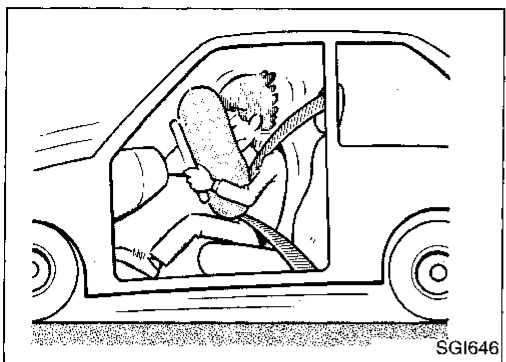
PRECAUTIONS	2	Valve Dimensions	40
Precautions for Supplemental Restraint System (SRS) "AIR BAG"	2	Valve Spring.....	40
Parts Requiring Angular Tightening.....	2	Hydraulic Lash Adjuster.....	40
Liquid Gasket Application Procedure.....	2	Rocker Arm, Shim And Rocker Arm Guide	41
PREPARATION	3	Assembly.....	41
Special Service Tools.....	3	Installation	44
Commercial Service Tools	6	ENGINE REMOVAL	45
<input type="checkbox"/> SR <input type="checkbox"/>		Removal	46
OUTER COMPONENT PARTS	7	Installation	48
COMPRESSION PRESSURE	10	CYLINDER BLOCK	49
Measurement of Compression Pressure.....	10	Disassembly.....	50
OIL PAN	11	Piston And Crankshaft.....	50
Removal	11	Inspection.....	50
Installation	14	Piston And Piston Pin Clearance	50
TIMING CHAIN	16	Piston Ring Side Clearance	51
Removal	17	Piston Ring End Gap.....	51
Inspection.....	21	Connecting Rod Bend And Torsion	51
Installation.....	21	Cylinder Block Distortion And Wear	52
OIL SEAL REPLACEMENT	30	Piston-To-Bore Clearance	52
Valve Oil Seal	30	Crankshaft	53
Front Oil Seal.....	30	Bearing Clearance.....	54
Rear Oil Seal	31	Method A (Using bore gauge & micrometer)	54
CYLINDER HEAD	32	Method B (Using Plastigage)	56
Removal	33	Connecting Rod Bushing (Small end).....	56
Disassembly.....	33	Replacement of Pilot Bushing (M/T) Or Pilot Converter (A/T).....	57
Inspection.....	36	Flywheel/Drive Plate Runout	57
Cylinder Head Distortion	36	Assembly.....	57
Camshaft Visual Check	36	Piston.....	57
Camshaft Runout.....	36	Crankshaft	58
Camshaft Cam Height.....	36	<input type="checkbox"/> GA <input type="checkbox"/>	
Camshaft Journal Clearance.....	37	OUTER COMPONENT PARTS	61
Camshaft End Play.....	37	COMPRESSION PRESSURE	65
Camshaft Sprocket Runout	37	Measurement of Compression Pressure.....	65
Valve Guide Clearance.....	37	OIL PAN	66
Valve Guide Replacement.....	38	Removal.....	66
Valve Seats.....	39		

CONTENTS (Cont'd.)

<p>Installation 67</p> <p>TIMING CHAIN 68</p> <p style="padding-left: 20px;">Removal 69</p> <p style="padding-left: 20px;">Inspection 72</p> <p style="padding-left: 20px;">Installation 72</p> <p>OIL SEAL REPLACEMENT 79</p> <p style="padding-left: 20px;">Valve Oil Seal 79</p> <p style="padding-left: 20px;">Front Oil Seal 79</p> <p style="padding-left: 20px;">Rear Oil Seal 80</p> <p>CYLINDER HEAD 81</p> <p style="padding-left: 20px;">Removal 82</p> <p style="padding-left: 20px;">Disassembly 82</p> <p style="padding-left: 20px;">Inspection 82</p> <p style="padding-left: 40px;">Cylinder Head Distortion 82</p> <p style="padding-left: 40px;">Camshaft Visual Check 82</p> <p style="padding-left: 40px;">Camshaft Runout 83</p> <p style="padding-left: 40px;">Camshaft Cam Height 83</p> <p style="padding-left: 40px;">Camshaft Journal Clearance 83</p> <p style="padding-left: 40px;">Camshaft End Play 83</p> <p style="padding-left: 40px;">Camshaft Sprocket Runout 84</p> <p style="padding-left: 40px;">Valve Guide Clearance 84</p> <p style="padding-left: 40px;">Valve Guide Replacement 84</p> <p style="padding-left: 40px;">Valve Seats 85</p> <p style="padding-left: 40px;">Valve Dimensions 86</p> <p style="padding-left: 40px;">Valve Spring 86</p> <p style="padding-left: 40px;">Valve Lifter 87</p> <p style="padding-left: 20px;">Assembly 87</p> <p style="padding-left: 20px;">Installation 88</p> <p>VALVE CLEARANCE 89</p> <p style="padding-left: 20px;">Checking 89</p> <p style="padding-left: 20px;">Adjusting 89</p> <p>ENGINE REMOVAL 92</p> <p style="padding-left: 20px;">Removal 93</p> <p style="padding-left: 20px;">Installation 95</p> <p>CYLINDER BLOCK 96</p> <p style="padding-left: 20px;">Disassembly 97</p> <p style="padding-left: 40px;">Piston And Crankshaft 97</p> <p style="padding-left: 20px;">Inspection 97</p> <p style="padding-left: 40px;">Piston And Piston Pin Clearance 97</p> <p style="padding-left: 40px;">Piston Ring Side Clearance 98</p> <p style="padding-left: 40px;">Piston Ring End Gap 98</p> <p style="padding-left: 40px;">Connecting Rod Bend And Torsion 98</p> <p style="padding-left: 40px;">Cylinder Block Distortion And Wear 99</p> <p style="padding-left: 40px;">Piston-To-Bore Clearance 99</p> <p style="padding-left: 40px;">Crankshaft 100</p> <p style="padding-left: 40px;">Bearing Clearance 101</p> <p style="padding-left: 80px;">Method A (Using bore gauge & micrometer) 101</p> <p style="padding-left: 80px;">Method B (Using Plastigage) 103</p> <p style="padding-left: 40px;">Connecting Rod Bushing (Small end) 103</p>	<p style="padding-left: 40px;">Flywheel Runout 103</p> <p style="padding-left: 20px;">Assembly 104</p> <p style="padding-left: 20px;">Piston 104</p> <p style="padding-left: 20px;">Crankshaft 104</p> <p style="text-align: center;"> SR </p> <p>SERVICE DATA AND SPECIFICATIONS (SDS) ... 107</p> <p style="padding-left: 20px;">General Specifications 107</p> <p style="padding-left: 20px;">Inspection and Adjustment 107</p> <p style="padding-left: 40px;">Compression Pressure 107</p> <p style="padding-left: 40px;">Cylinder Head 107</p> <p style="padding-left: 40px;">Valve 108</p> <p style="padding-left: 40px;">Camshaft And Camshaft Bearing 111</p> <p style="padding-left: 40px;">Cylinder Block 111</p> <p style="padding-left: 40px;">Piston, Piston Ring And Piston Pin 112</p> <p style="padding-left: 40px;">Connecting Rod 113</p> <p style="padding-left: 40px;">Crankshaft 113</p> <p style="padding-left: 40px;">Main Bearing 114</p> <p style="padding-left: 40px;">Connecting Rod Bearing 114</p> <p style="padding-left: 40px;">Miscellaneous Components 114</p> <p style="text-align: center;"> GA </p> <p>SERVICE DATA AND SPECIFICATIONS (SDS) ... 115</p> <p style="padding-left: 20px;">General Specifications 115</p> <p style="padding-left: 20px;">Inspection and Adjustment 115</p> <p style="padding-left: 40px;">Compression Pressure 115</p> <p style="padding-left: 40px;">Cylinder Head 115</p> <p style="padding-left: 40px;">Valve 115</p> <p style="padding-left: 40px;">Camshaft And Camshaft Bearing 118</p> <p style="padding-left: 40px;">Cylinder Block 118</p> <p style="padding-left: 40px;">Piston, Piston Ring And Piston Pin 119</p> <p style="padding-left: 40px;">Connecting Rod 119</p> <p style="padding-left: 40px;">Crankshaft 119</p> <p style="padding-left: 40px;">Main Bearing 120</p> <p style="padding-left: 40px;">Connecting Rod Bearing 120</p> <p style="padding-left: 40px;">Miscellaneous Components 120</p>
---	--

GI
 MA
EM
 LC
 EC
 FE
 CL
 MT
 AT
 FA
 RA
 BR
 ST
 RS
 BT
 HA
 EL
 IDX

PRECAUTIONS



Precautions for Supplemental Restraint System (SRS) "AIR BAG"

The Supplemental Restraint System "Air Bag", used along with a seat belt, helps to reduce the risk or severity of injury to the driver and front passenger in a frontal collision. The Supplemental Restraint System consists of air bag modules (located in the center of the steering wheel and on the instrument panel on the passenger side), a diagnosis sensor unit, warning lamp, wiring harness and spiral cable. Information necessary to service the system safely is included in the **RS section** of this Service Manual.

WARNING:

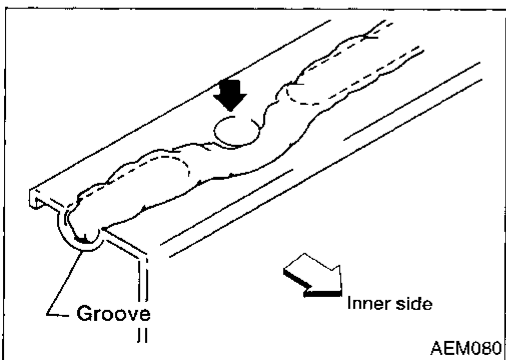
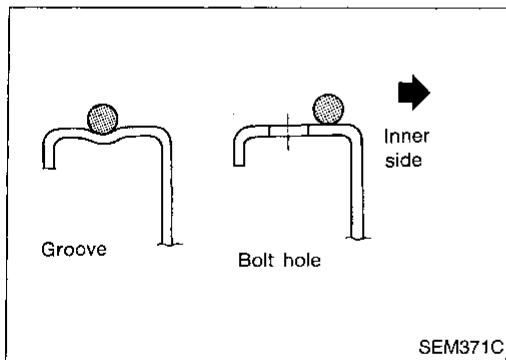
- To avoid rendering the SRS inoperative, which could increase the risk of personal injury or death in the event of a collision which would result in air bag inflation, all maintenance must be performed by an authorized NISSAN dealer.
- Improper maintenance, including incorrect removal and installation of the SRS, can lead to personal injury caused by unintentional activation of the system.
- All SRS electrical wiring harnesses and connectors are covered with yellow outer insulation. Do not use electrical test equipment on any circuit related to the SRS.

Parts Requiring Angular Tightening

- Use an angle wrench for the final tightening of the following engine parts:
 - (1) Cylinder head bolts
 - (2) Main bearing cap bolts (SR engine only)
 - (3) Connecting rod cap nuts
- Do not use a torque value for final tightening.
- The torque value for these parts are for a preliminary step.
- Ensure thread and seat surfaces are clean and coated with engine oil.

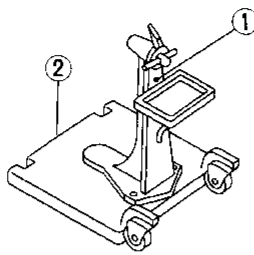
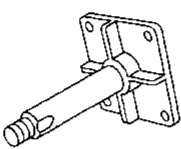
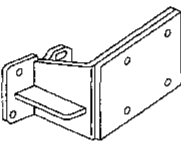
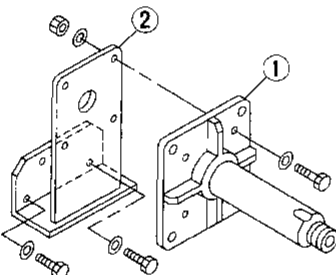
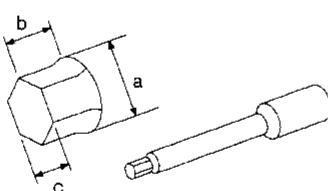
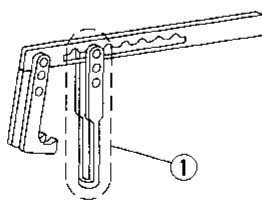
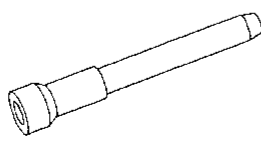
Liquid Gasket Application Procedure

- Use a scraper to remove all traces of old liquid gasket from mating surfaces and grooves. Also, completely clean any oil from these areas.
- Apply a continuous bead of liquid gasket to mating surfaces. (Use Genuine Liquid Gasket or equivalent.)
 - For oil pan, be sure liquid gasket diameter is 4.0 to 5.0 mm (0.157 to 0.197 in) for SR engine. Be sure liquid gasket diameter is 3.5 to 4.5 mm (0.138 to 0.177 in) for GA engine.
 - For areas except oil pan, be sure liquid gasket diameter is 2.0 to 3.0 mm (0.079 to 0.118 in).
- Apply liquid gasket around the inner side of bolt holes (unless otherwise specified).
- Assembly should be done within 5 minutes after coating.
- Wait at least 30 minutes before refilling engine oil and engine coolant.



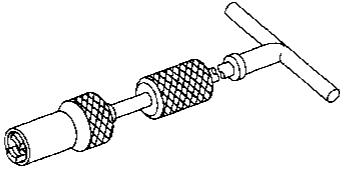
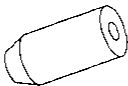
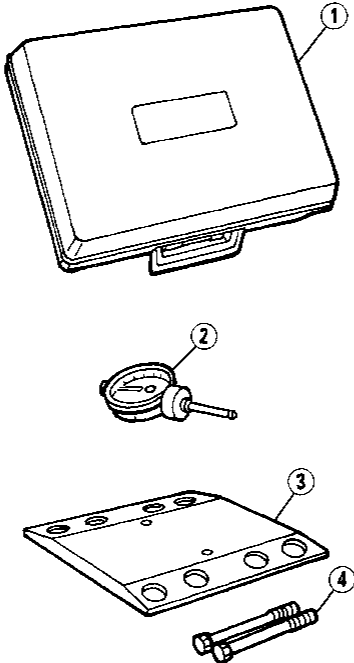
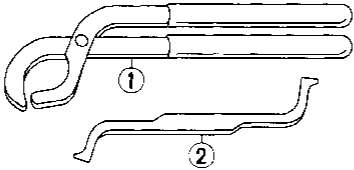
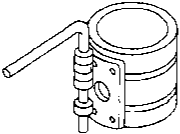
PREPARATION

Special Service Tools

Tool number (Kent-Moore No.) Tool name	Description	Engine application			
		SR	GA		
ST0501S000 (—) Engine stand assembly ① ST05011000 (—) Engine stand ② ST05012000 (—) Base	 NT042	Disassembling and assembling	X	X	GI MA EM LC EC FE CL MT AT FA RA BR ST RS BT HA EL LDX
KV10106500 (—) Engine stand shaft	 NT028		X	—	
KV10115300 (—) Engine sub-attachment	 NT008		X	—	
Engine attachment assembly ① KV10106500 (—) Engine attachment ② KV10113300 (—) Sub-attachment	 NT029	When overhauling engine	—	X	
ST10120000 (J24239-01) Cylinder head bolt wrench	 NT583	Loosening and tightening cylinder head bolt a: 13 (0.51) dia. b: 12 (0.47) c: 10 (0.39) Unit: mm (in)	X	X	
KV10116200 (J26336-A) Valve spring compressor ① KV10115900 (J26336-20) Attachment	 NT022	Disassembling valve mechanism	X	X	
KV10115600 (J38958) Valve oil seal drift	 NT024	Installing valve oil seal	X	X	

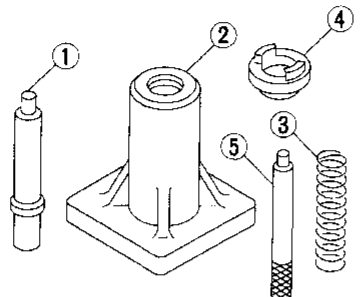
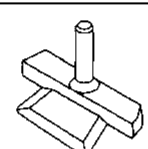
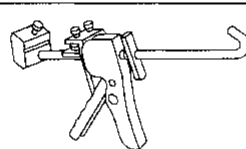
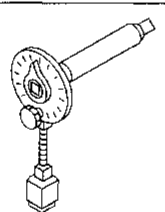
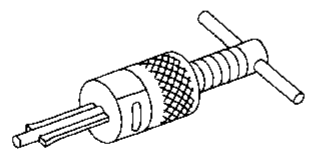
PREPARATION

Special Service Tools (Cont'd)

Tool number (Kent-Moore No.) Tool name	Description	Engine application	
		SR	GA
KV10107902 (J38959) Valve oil seal puller	 Displacement valve lip seal NT011	X	X
KV10115700 (J38957) Dial gauge stand	 Adjusting shims NT012	X	—
(J38957-N) Valve shim gauge plate kit ① — (J35772) Plastic case ② — (J38957-8) Dial indicator ③ — (J38957-1) Plate ④ — (—) Hex bolts	 Measuring valve shims AEM168	X	
KV101151S0 (J38972) Lifter stopper set ① KV10115110 (J38972-1) Camshaft pliers ② KV10115120 (J38972-2) Lifter stopper	 Changing shims NT041	—	X
EM03470000 (J8037) Piston ring compressor	 Installing piston assembly into cylinder bore NT044	X	X

PREPARATION

Special Service Tools (Cont'd)

Tool number (Kent-Moore No.) Tool name	Description	Engine application		
		SR	GA	
KV10107400 (J26365-12, J26365) Piston pin press stand ① KV10107310 (—) Center shaft ② ST13040020 (—) Stand ③ ST13040030 (—) Spring ④ KV10107320 (—) Cap ⑤ ST13040050 (—) Drift	 <p style="text-align: center;">NT013</p>	Disassembling and assembling piston pin	X	X
KV10111100 (J37228) Seal cutter	 <p style="text-align: center;">NT046</p>	Removing oil pan	X	X
WS39930000 (—) Tube presser	 <p style="text-align: center;">NT052</p>	Pressing the tube of liquid gasket	X	X
KV10112100 (BT-8653-A) Angle wrench	 <p style="text-align: center;">NT014</p>	Tightening bolts for bearing cap, cylinder head, etc.	X	X
ST16610001 (J23907) Pilot bushing puller	 <p style="text-align: center;">NT045</p>	Removing pilot bushing	X	X

GJ

MA

EM

LG

EC

FE

GL

MT

AT

FA

RA

BR

ST

RS

BT

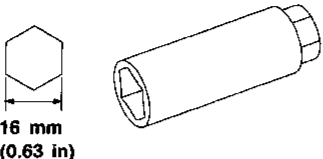

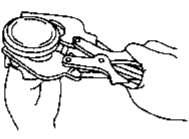
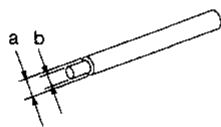
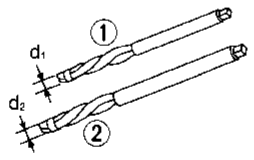
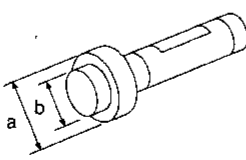
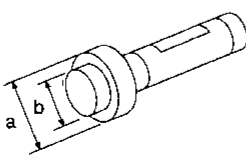
HA

EL

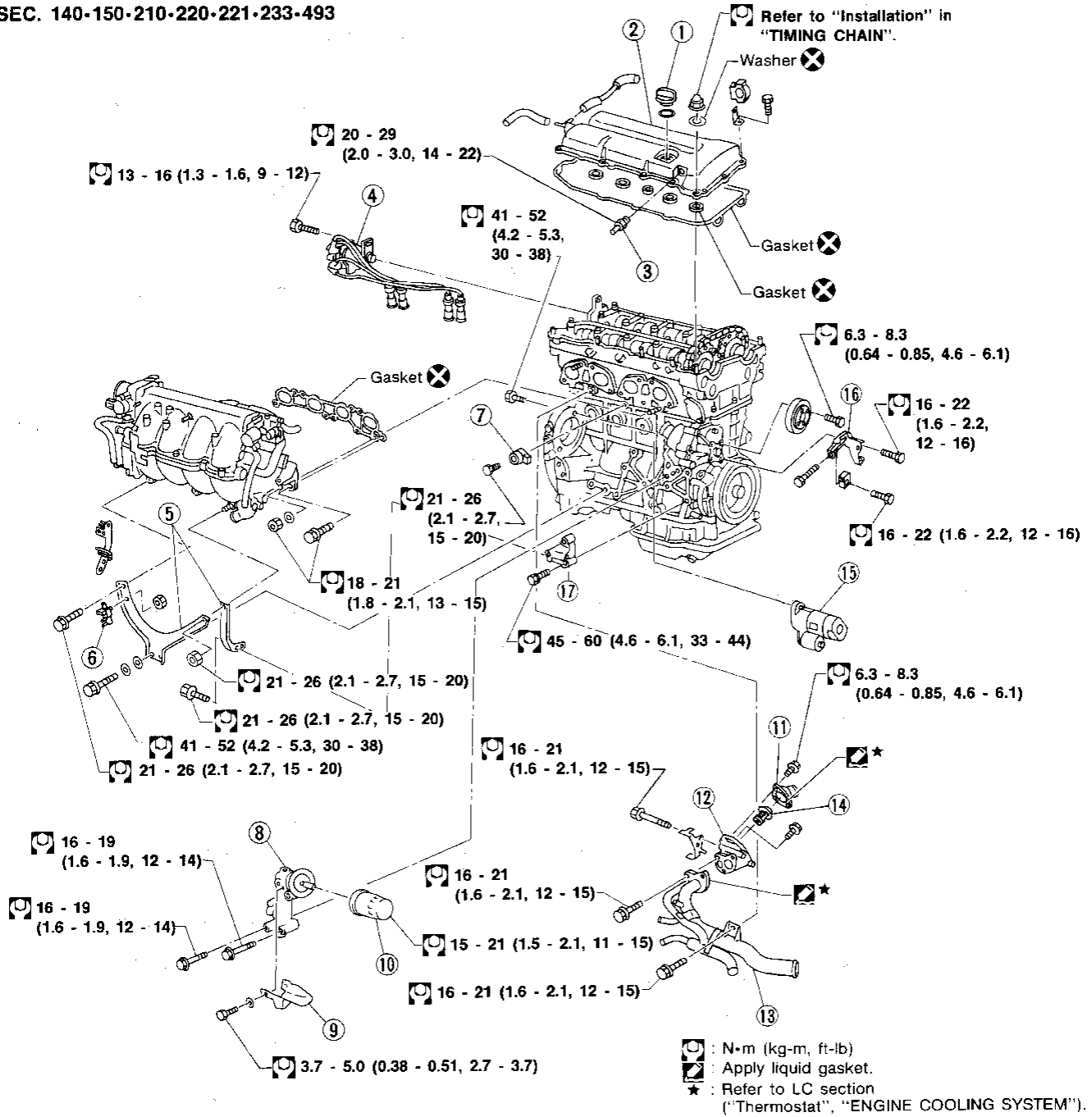
IDX

PREPARATION

Commercial Service Tools

Tool name	Description	Engine application													
		SR	GA												
Spark plug wrench	 <p style="text-align: center;">16 mm (0.63 in)</p> <p style="text-align: center;">NT047</p>	Removing and installing spark plug	X	X											
Valve seat cutter set	 <p style="text-align: center;">NT048</p>	Finishing valve seat dimensions	X	X											
Piston ring expander	 <p style="text-align: center;">NT030</p>	Removing and installing piston ring	X	X											
Valve guide drift	 <p style="text-align: center;">NT015</p>	Removing and installing valve guide	X	X											
		<p>Diameter: mm (in)</p> <table border="1" style="margin-left: auto; margin-right: auto;"> <thead> <tr> <th rowspan="2"></th> <th colspan="2" style="text-align: center;">Intake & Exhaust</th> </tr> <tr> <th style="text-align: center;">GA16DE</th> <th style="text-align: center;">SR20DE</th> </tr> </thead> <tbody> <tr> <td style="text-align: center;">a</td> <td style="text-align: center;">9.5 (0.374)</td> <td style="text-align: center;">9.5 (0.374)</td> </tr> <tr> <td style="text-align: center;">b</td> <td style="text-align: center;">5.5 (0.217)</td> <td style="text-align: center;">5.0 (0.197)</td> </tr> </tbody> </table>		Intake & Exhaust		GA16DE	SR20DE	a	9.5 (0.374)	9.5 (0.374)	b	5.5 (0.217)	5.0 (0.197)		
	Intake & Exhaust														
	GA16DE	SR20DE													
a	9.5 (0.374)	9.5 (0.374)													
b	5.5 (0.217)	5.0 (0.197)													
Valve guide reamer	 <p style="text-align: center;">NT016</p>	Reaming valve guide ① or hole for oversize valve guide ②	X	X											
		<p>Diameter: mm (in)</p> <table border="1" style="margin-left: auto; margin-right: auto;"> <thead> <tr> <th rowspan="2"></th> <th colspan="2" style="text-align: center;">Intake & Exhaust</th> </tr> <tr> <th style="text-align: center;">GA16DE</th> <th style="text-align: center;">SR20DE</th> </tr> </thead> <tbody> <tr> <td style="text-align: center;">d₁</td> <td style="text-align: center;">5.5 (0.217)</td> <td style="text-align: center;">6.0 (0.236)</td> </tr> <tr> <td style="text-align: center;">d₂</td> <td style="text-align: center;">9.685 (0.3813)</td> <td style="text-align: center;">10.175 (0.4006)</td> </tr> </tbody> </table>		Intake & Exhaust		GA16DE	SR20DE	d ₁	5.5 (0.217)	6.0 (0.236)	d ₂	9.685 (0.3813)	10.175 (0.4006)		
	Intake & Exhaust														
	GA16DE	SR20DE													
d ₁	5.5 (0.217)	6.0 (0.236)													
d ₂	9.685 (0.3813)	10.175 (0.4006)													
Front oil seal drift	 <p style="text-align: center;">NT049</p>	Installing front oil seal	X	X											
		<p>a: 75 mm (2.95 in) dia. b: 45 mm (1.77 in) dia.</p>													
Rear oil seal drift	 <p style="text-align: center;">NT049</p>	Installing rear oil seal	X	X											
		<p>a: 110 mm (4.33 in) dia. b: 80 mm (3.15 in) dia.</p>													

SEC. 140-150-210-220-221-233-493

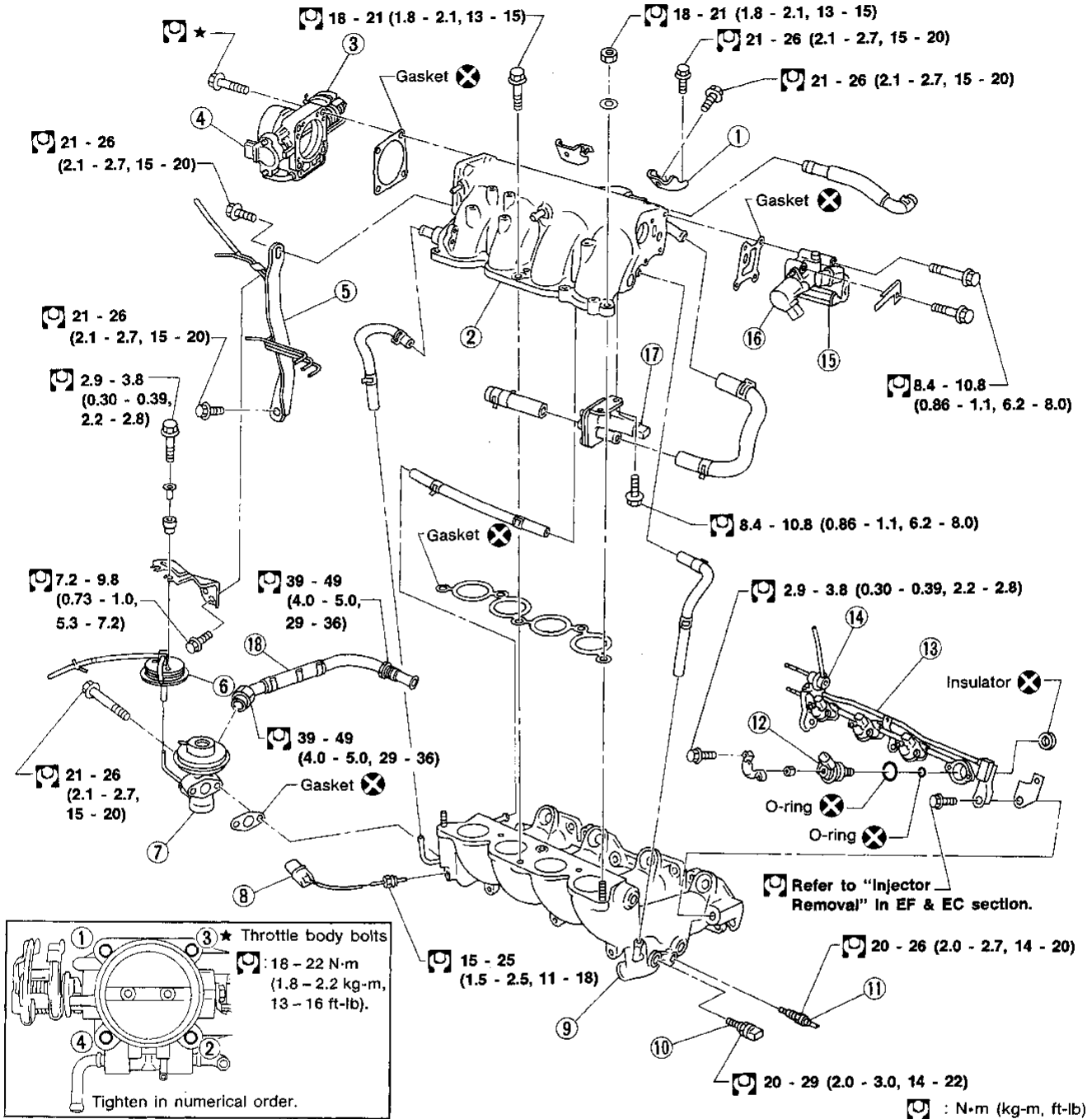


- | | | |
|--|---|---|
| <p>① Oil filler cap</p> <p>② Rocker cover</p> <p>③ PCV valve</p> <p>④ Distributor</p> <p>⑤ Intake manifold supports</p> <p>⑥ EGR valve & canister control solenoid valve</p> | <p>⑦ Knock sensor</p> <p>⑧ Oil filter bracket</p> <p>⑨ Oil catcher</p> <p>⑩ Oil filter</p> <p>⑪ Water inlet</p> <p>⑫ Thermostat housing</p> | <p>⑬ Water pipe assembly</p> <p>⑭ Thermostat</p> <p>⑮ Starter motor</p> <p>⑯ Power steering pump adjusting bar</p> <p>⑰ Power steering pump bracket</p> |
|--|---|---|

- GI
- MA
- EM**
- LC
- EC
- FE
- CL
- WT
- AT
- FA
- RA
- BR
- ST
- RS
- BT
- HA
- EL
- IDX

AEM136

SEC. 140-146-147-148-163-164-210-226



AEM137

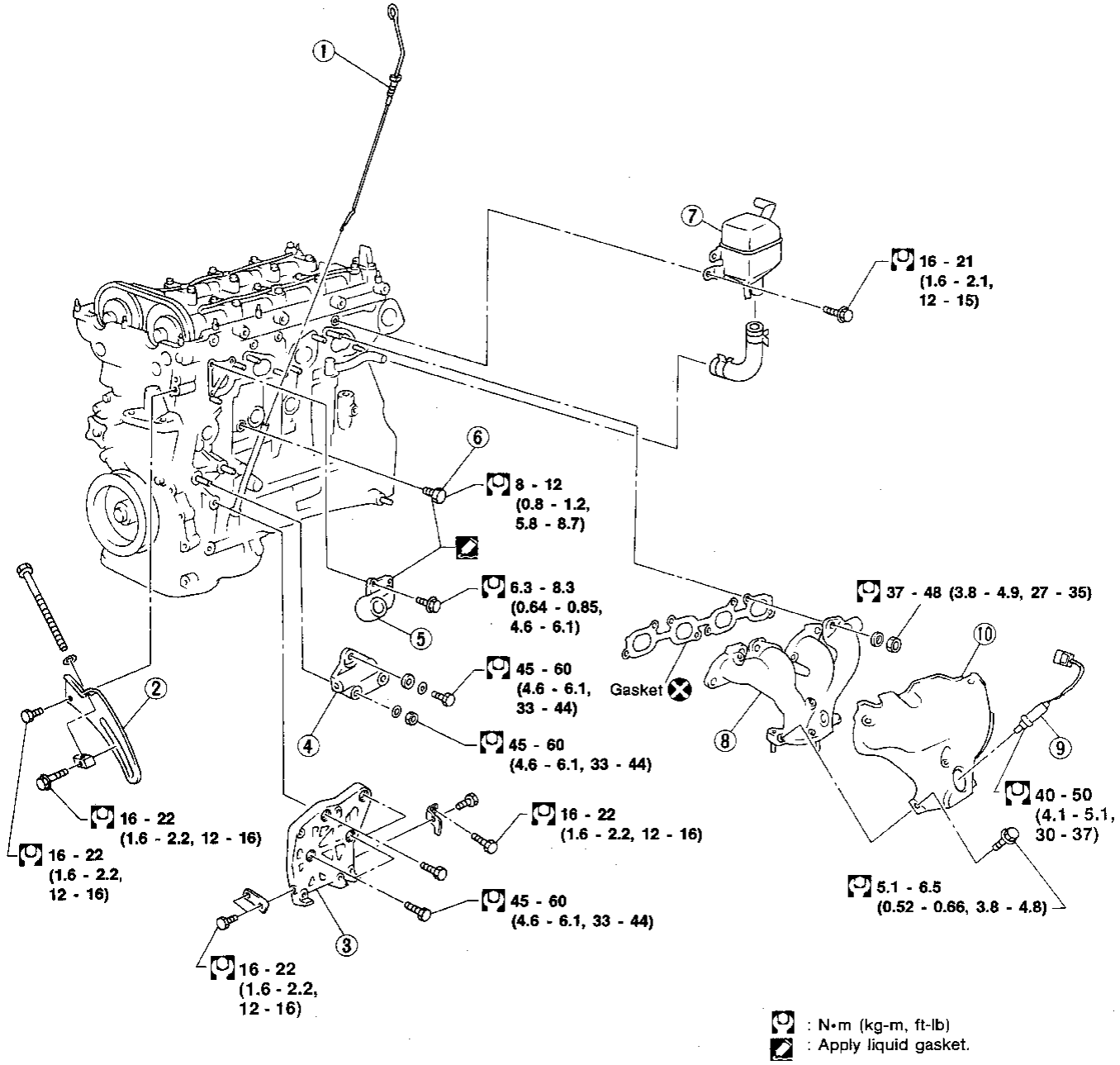
- | | | |
|---|---|---|
| <ul style="list-style-type: none"> ① Intake manifold collector support ② Intake manifold collector ③ Throttle body ④ Throttle position sensor ⑤ Intake manifold collector support ⑥ EGRC-BPT valve ⑦ EGR valve | <ul style="list-style-type: none"> ⑧ EGR temperature sensor ⑨ Intake manifold ⑩ Engine coolant temperature sensor ⑪ Thermal transmitter ⑫ Injector ⑬ Fuel tube assembly | <ul style="list-style-type: none"> ⑭ Pressure regulator ⑮ IACV-FICD valve ⑯ IACV-AAC valve ⑰ IACV-air regulator ⑱ EGR tube |
|---|---|---|

OUTER COMPONENT PARTS

SR

SEC. 118•140•210•226•230•275

GI
MA
EM
LC
EC
FE
CL
MT
AT
FA
RA
BR
ST
RS
BT
HA
EL
IDX



- ① Oil level gauge
- ② Generator adjusting bar
- ③ Compressor bracket
- ④ Generator bracket

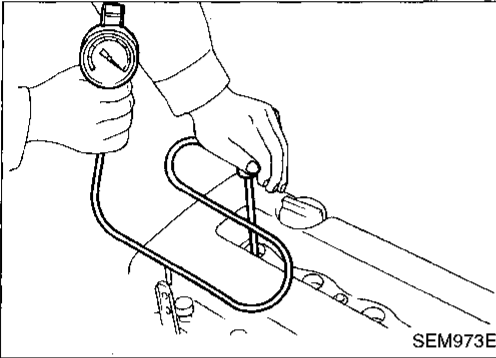
- ⑤ Water outlet
- ⑥ Drain plug
- ⑦ Crankcase ventilation oil separator

- ⑧ Exhaust manifold
- ⑨ Heated oxygen sensor
- ⑩ Exhaust manifold cover

AEM109

Measurement of Compression Pressure

1. Warm up engine.
2. Turn ignition switch off.
3. Release fuel pressure.
Refer to EC section ("Fuel Pressure Release", "BASIC SERVICE PROCEDURE").
4. Remove all spark plugs.
5. Disconnect distributor coil connector.



6. Attach a compression tester to No. 1 cylinder.
 7. Depress accelerator pedal fully to keep throttle valve wide open.
 8. Crank engine and record highest gauge indication.
 9. Repeat the measurement on each cylinder.
- **Always use a fully-charged battery to obtain specified engine speed.**

Compression pressure: kPa (kg/cm², psi)/rpm

Standard

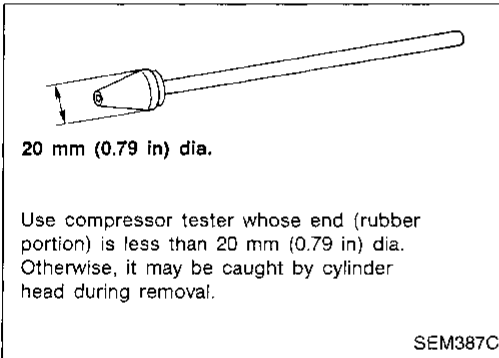
1,226 (12.5, 178)/300

Minimum

1,030 (10.5, 149)/300

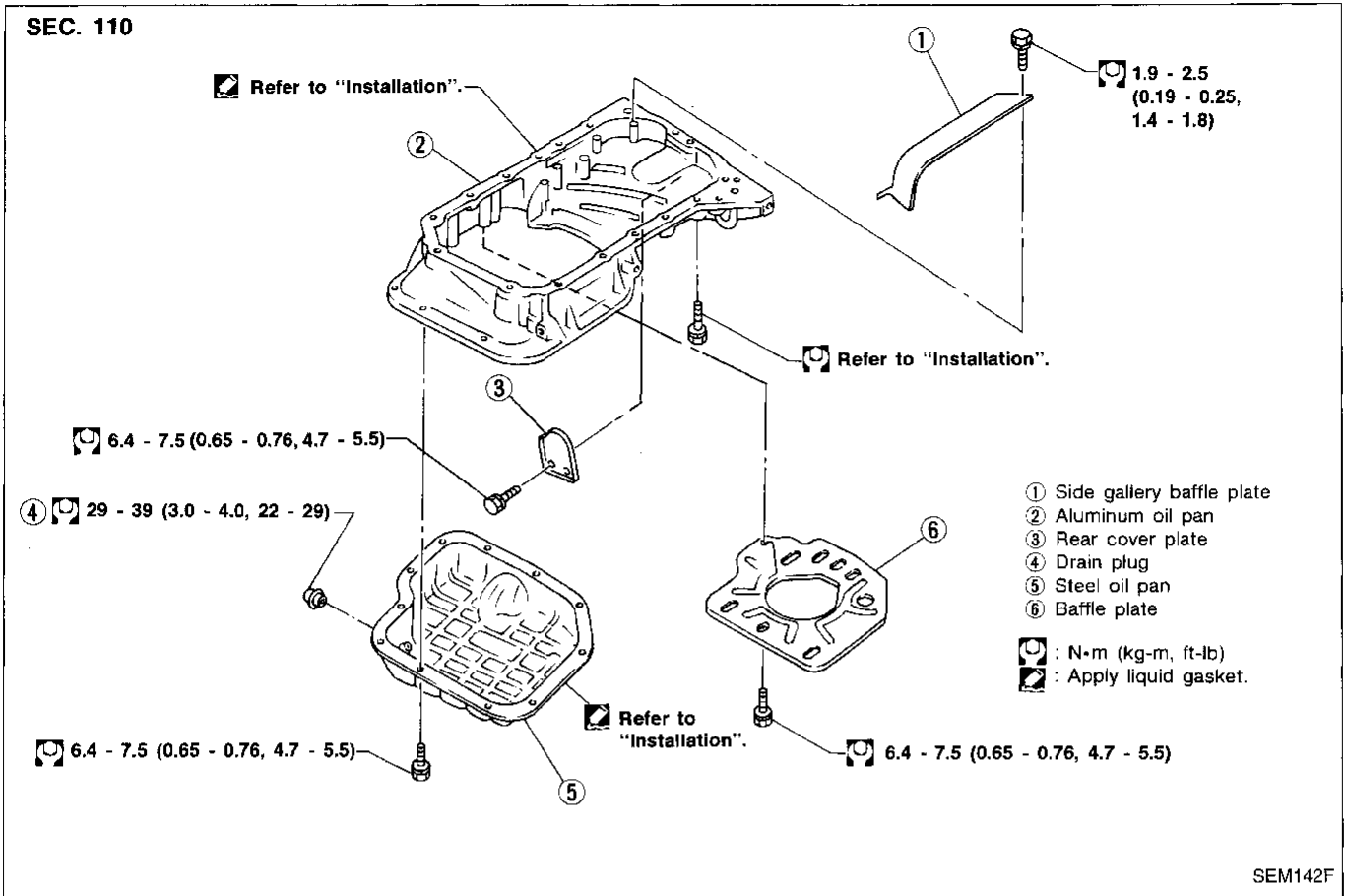
Difference limit between cylinders

98 (1.0, 14)/300



10. If compression in one or more cylinders is low:
 - a. Pour a small amount of engine oil into cylinders through spark plug holes.
 - b. Retest compression.
 - **If adding oil helps compression, piston rings may be worn or damaged. If so, replace piston rings after checking piston.**
 - **If pressure stays low, a valve may be sticking or seating improperly. Inspect and repair valve and valve seat. Refer to SDS, EM-109. If valve or valve seat is damaged excessively, replace them.**
 - **If compression stays low in two cylinders that are next to each other:**
 - a. The cylinder head gasket may be leaking, or
 - b. Both cylinders may have valve component damage. Inspect and repair as necessary.

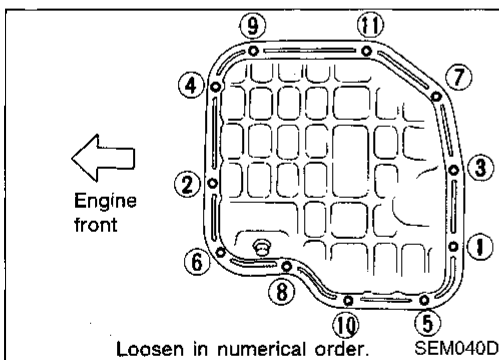
SEC. 110



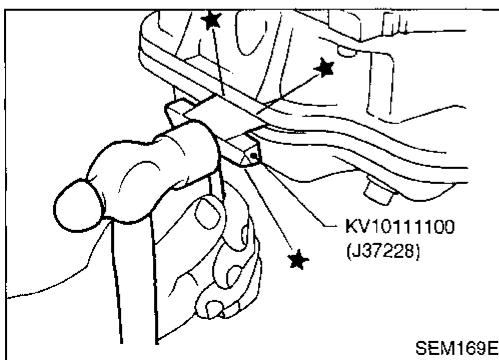
Removal

1. Remove engine side cover.
2. Drain engine oil.

3. Remove steel oil pan bolts in numerical order.



4. Remove steel oil pan.
 - a. Insert Tool between aluminum oil pan and steel oil pan.
 - **Be careful not to damage aluminum mating surface.**
 - **Do not insert screwdriver, or oil pan flange will be damaged.**



CI

MA

EM

LC

EC

FE

CL

MT

AT

FA

RA

BR

ST

RS

BT

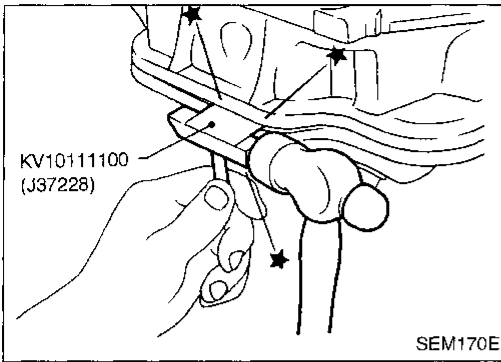
HA

EL

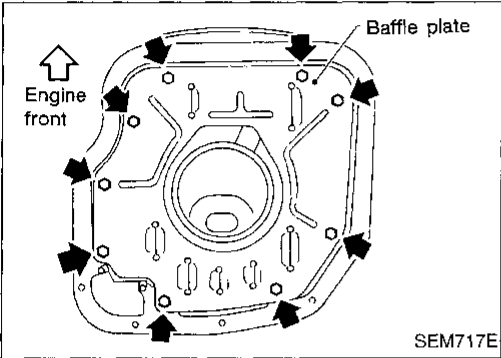
IDX

Removal (Cont'd)

b. Slide Tool by tapping on the side of the Tool with a hammer.



5. Remove baffle plate.

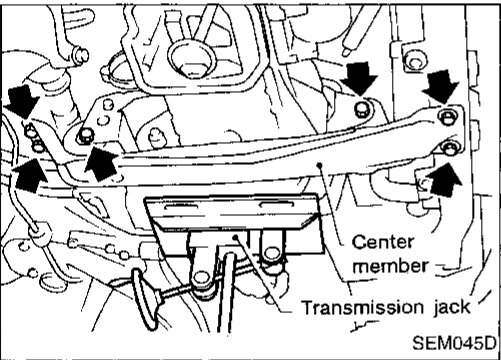


6. Remove front exhaust tube.

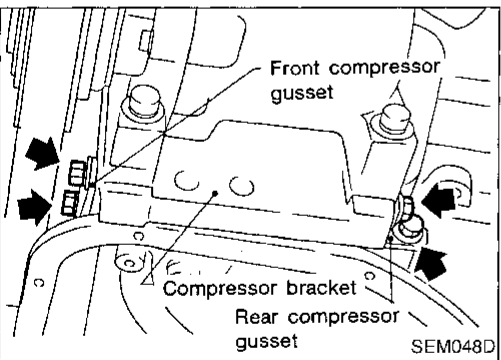
7. Set a suitable transmission jack under transaxle and hoist engine with engine slinger.

8. Remove center member.

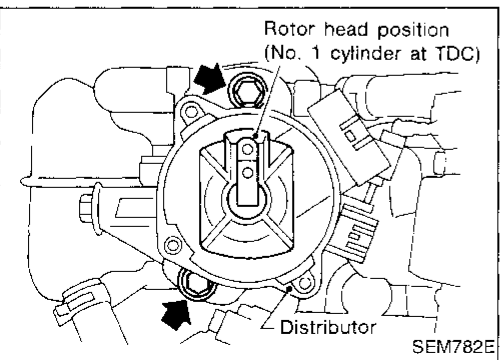
9. Remove A/T control cable.



10. Remove compressor gussets.

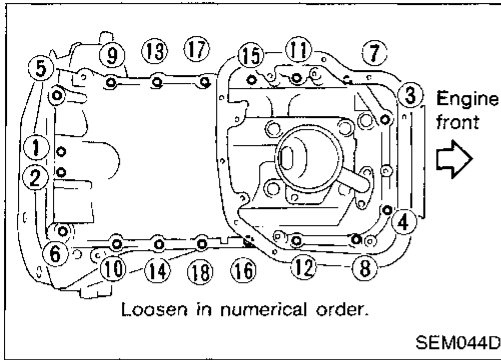


11. Remove rear cover plate.



Removal (Cont'd)

12. Remove aluminum oil pan bolts in numerical order.



GI

MA

EM

LC

EC

FE

CL

MT

AT

FA

RA

BR

ST

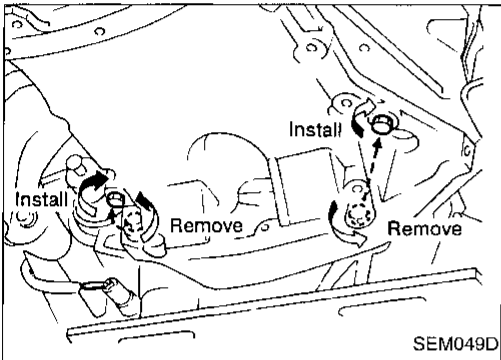
RS

BT

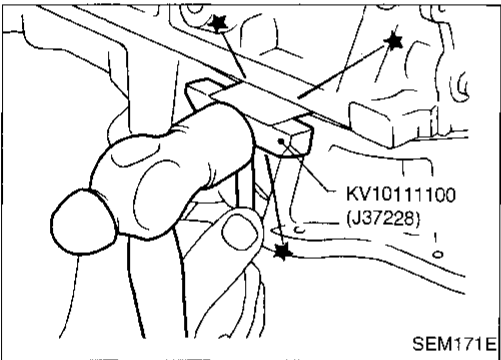
HA

EL

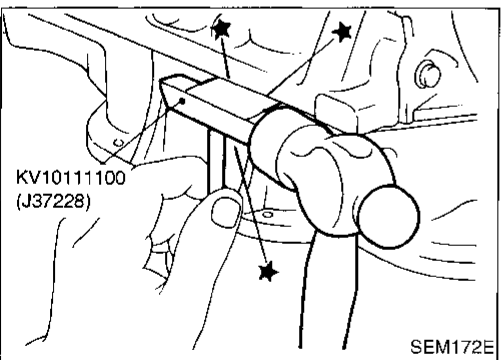
IDX



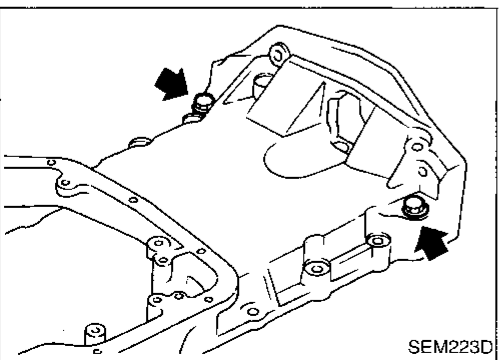
13. Remove two engine-to-transaxle bolts and install them into open bolt holes shown. Tighten the two bolts to release aluminum oil pan from cylinder block.



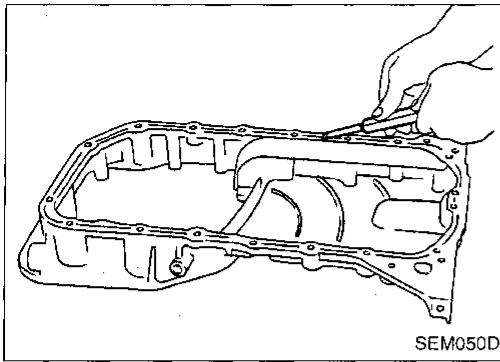
14. Remove aluminum oil pan.
 a. Insert Tool between cylinder block and aluminum oil pan.
 • **Be careful not to damage aluminum mating surface.**
 • **Do not insert screwdriver, or oil pan flange will be damaged.**



b. Slide Tool by tapping on the side of the Tool with a hammer.

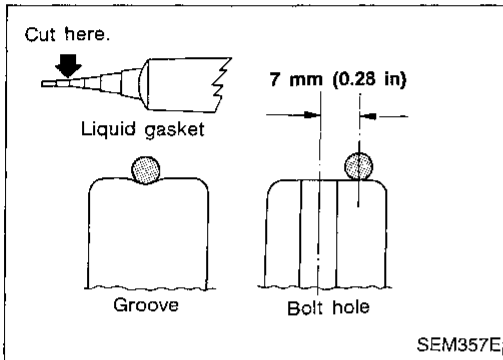


15. Remove the two engine-to-transaxle bolts previously installed in aluminum oil pan.

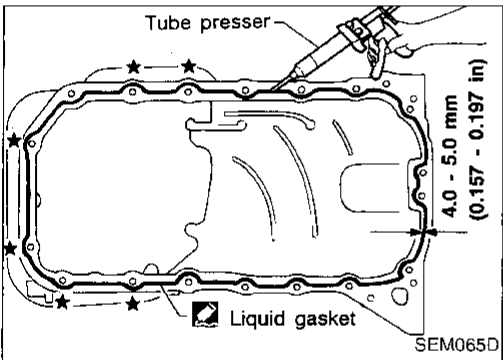


Installation

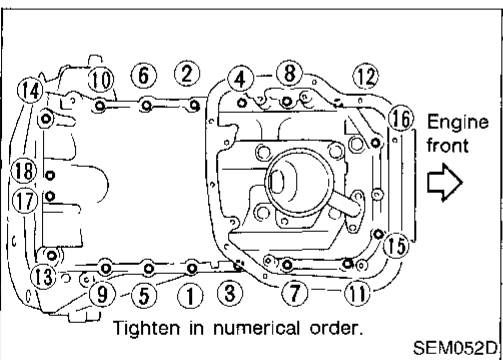
1. Install aluminum oil pan.
 - a. Use a scraper to remove all traces of liquid gasket from mating surfaces.
 - Also remove traces of liquid gasket from mating surfaces of cylinder block and front cover.



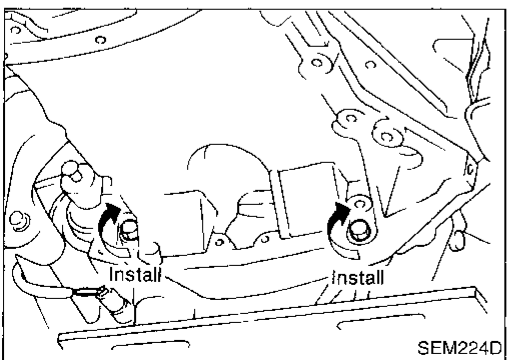
- b. Apply a continuous bead of liquid gasket to mating surface of aluminum oil pan.
 - **Use Genuine Liquid Gasket or equivalent.**
 - **Apply to groove on mating surface.**
 - **Allow 7 mm (0.28 in) clearance around bolt holes.**



- **For areas marked with "★", apply liquid gasket around the outer side of the bolt hole as shown.**
- **Be sure liquid gasket diameter is 4.0 to 5.0 mm (0.157 to 0.197 in).**
- **Attaching should be done within 5 minutes after coating.**

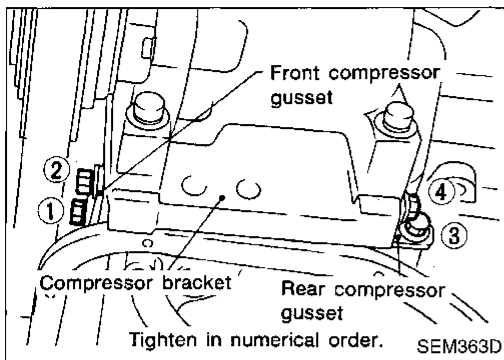


- c. Tighten nuts and bolts in numerical order.
 - Bolts ① - ⑯ :**
⌘ : 16 - 19 N·m (1.6 - 1.9 kg-m, 12 - 14 ft-lb)
 - Bolts ⑰ , ⑱ :**
⌘ : 6.4 - 7.5 N·m (0.65 - 0.76 kg-m, 4.7 - 5.5 ft-lb)

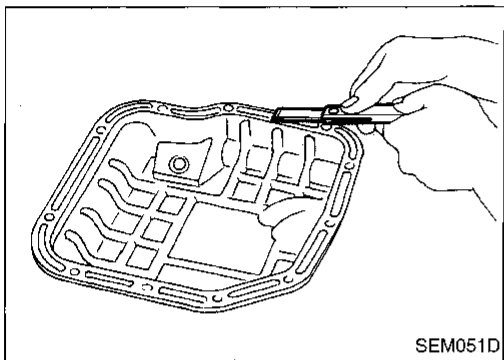


2. Install the two engine-to-transaxle bolts.
For tightening torque, refer to MT or AT section ("REMOVAL AND INSTALLATION").
 3. Install rear cover plate.

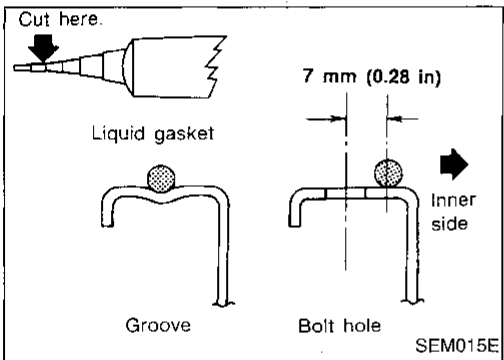
Installation (Cont'd)



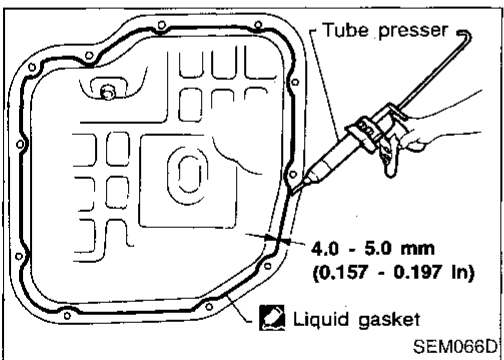
4. Install compressor gussets.
5. Install A/T control cable.
6. Install center member.
7. Install front exhaust tube.
8. Install baffle plate.



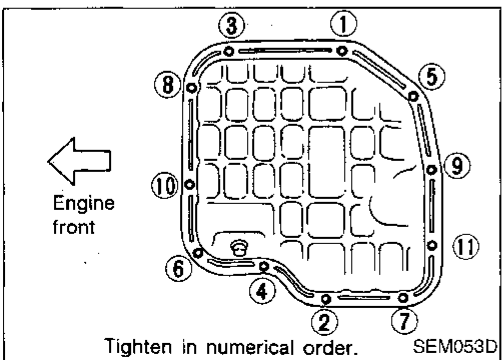
9. install steel oil pan.
 - a. Use a scraper to remove all traces of liquid gasket from mating surfaces.
 - Also remove traces of liquid gasket from mating surface of aluminum oil pan.



- b. Apply a continuous bead of liquid gasket to mating surface of steel oil pan.
 - Use Genuine Liquid Gasket or equivalent.
 - Apply to groove on mating surface.
 - Allow 7 mm (0.28 in) clearance around bolt hole.



- Be sure liquid gasket diameter is 4.0 to 5.0 mm (0.157 to 0.197 in).
- Attaching should be done within 5 minutes after coating.



- c. Tighten bolts in numerical order as shown.
 - Wait at least 30 minutes before refilling engine oil.

GI

MA

EM

LC

EC

FE

CL

MT

AT

FA

RA

BR

ST

RS

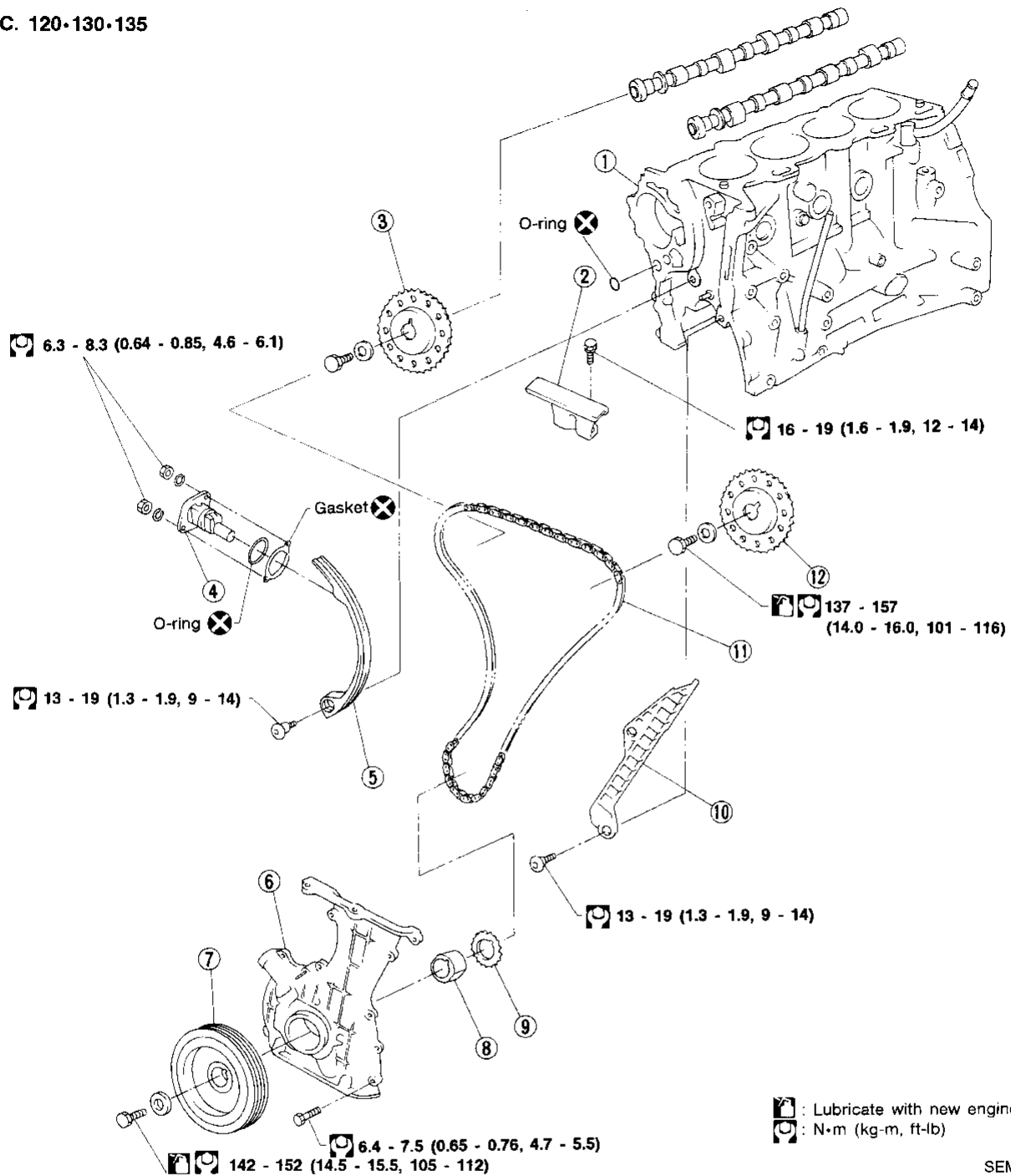
BT

HA

EL

IDX

SEC. 120-130-135



: Lubricate with new engine oil.
 : N·m (kg·m, ft·lb)

SEM718EA

- | | | |
|------------------------|-------------------------|------------------------|
| ① Cylinder block | ⑤ Chain guide | ⑨ Crankshaft sprocket |
| ② Chain guide | ⑥ Front cover | ⑩ Chain guide |
| ③ RH camshaft sprocket | ⑦ Crank pulley | ⑪ Timing chain |
| ④ Chain tensioner | ⑧ Oil pump drive spacer | ⑫ LH camshaft sprocket |

CAUTION:

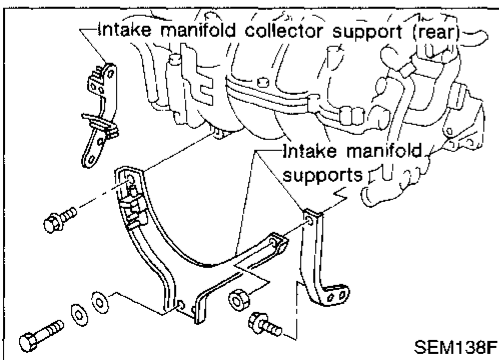
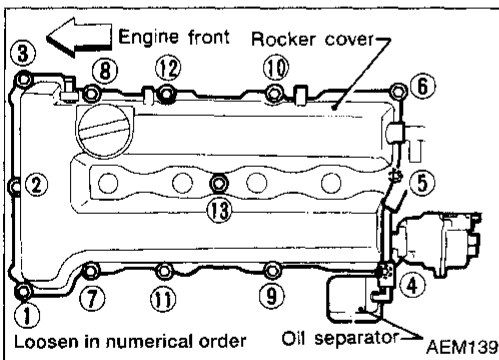
- After removing timing chain, do not turn crankshaft and camshaft separately, or valves will strike piston heads.
- When installing rocker arms, camshafts, chain tensioner, oil seals, or other sliding parts, lubricate contacting surfaces with new engine oil.
- Apply new engine oil to bolt threads and seat surfaces when installing cylinder head, camshaft sprockets, crankshaft pulley, and camshaft brackets.

CI
MA
EM

Removal

1. Release fuel pressure.
Refer to EC section ("Fuel Pressure Release", "BASIC SERVICE PROCEDURE").
2. Remove engine under covers.
3. Remove front RH wheel and engine side cover.
4. Drain coolant by removing cylinder block drain plug and radiator drain cock. Refer to MA section ("Changing Engine Coolant", "ENGINE MAINTENANCE").
5. Remove radiator.
6. Remove air duct to intake manifold.
7. Remove drive belts and water pump pulley.
8. Remove alternator and power steering pump.
9. Disconnect the following parts:
 - Vacuum hoses
 - Fuel hoses
 - Wires
 - Harness
 - Connectors
10. Remove all spark plugs.
11. Remove rocker cover bolts in numerical order.
12. Remove rocker cover and oil separator.

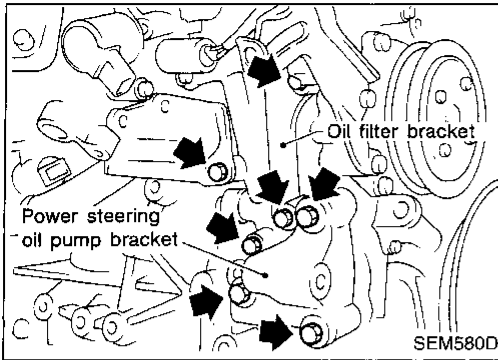
LC
EC
FE
CL
MT
AT
FA
RA
BR
ST
RS
BT
HA
EL
IDX



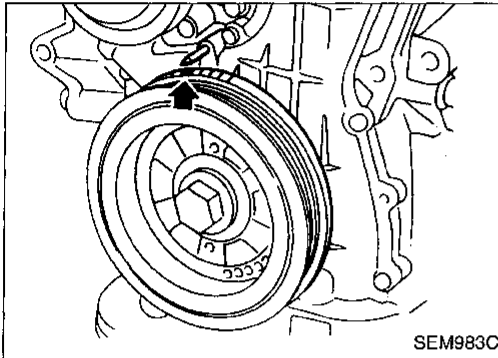
13. Remove intake manifold supports.

Removal (Cont'd)

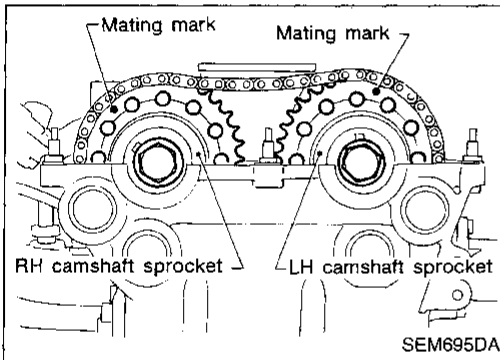
14. Remove oil filter bracket and power steering pump bracket.



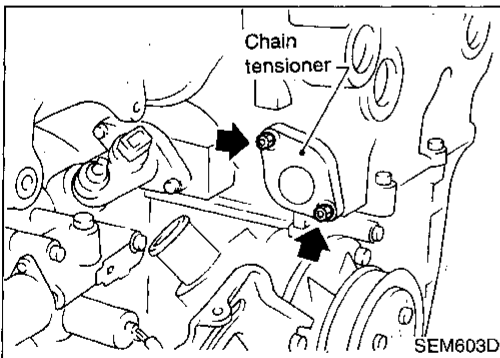
15. Set No. 1 piston at TDC on its compression stroke.



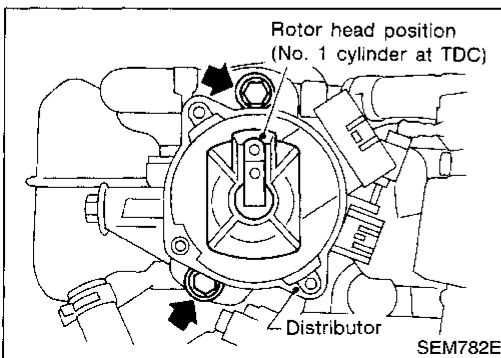
- Rotate crankshaft until mating mark on camshaft sprocket is set at position indicated in figure.



16. Remove chain tensioner.



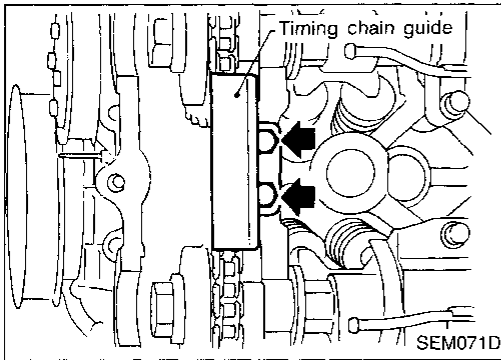
17. Remove distributor.
Do not turn rotor with distributor removed.



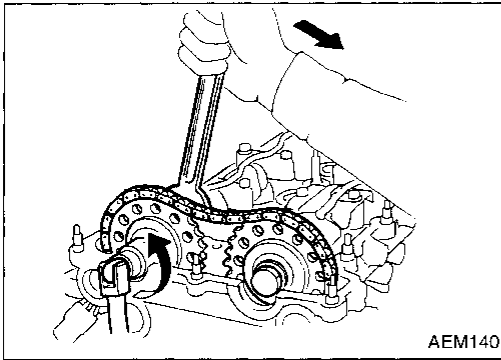
TIMING CHAIN

Removal (Cont'd)

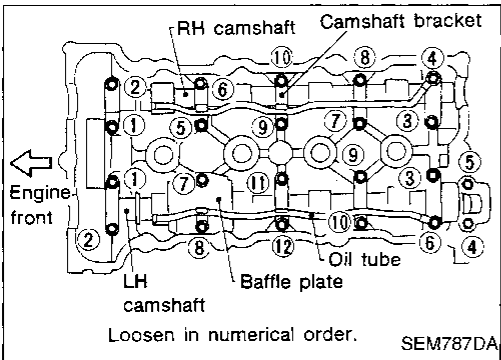
18. Remove timing chain guide.



19. Remove camshaft sprockets.



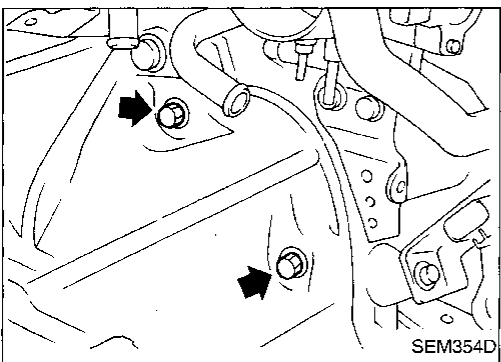
20. Remove oil tubes, baffle plate, camshaft brackets and camshafts.



21. Remove starter motor.

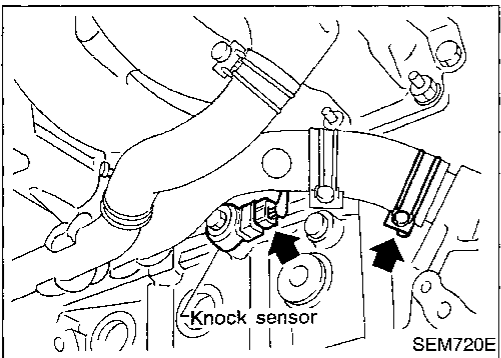
22. Remove the following water hoses:

- Water hose for cylinder block.
- Water hoses from heater.



23. Remove knock sensor harness connector.

24. Remove EGR tube.



GI

MA

EM

LC

EC

FE

CL

MT

AT

FA

RA

BR

ST

RS

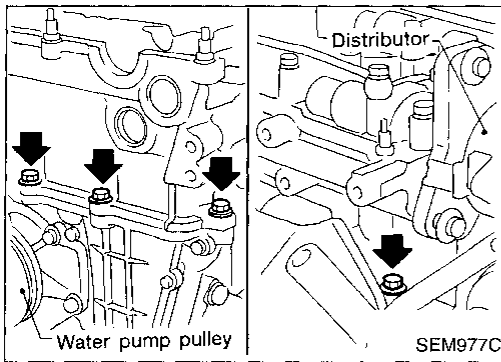
BT

HA

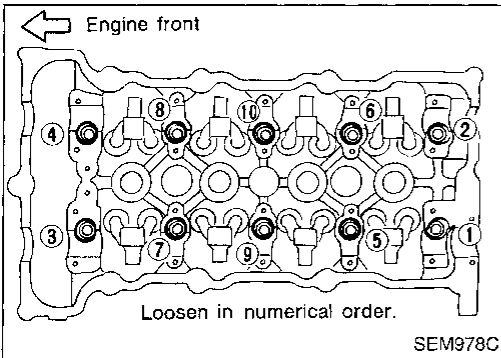
EL

IDX

Removal (Cont'd)



25. Remove cylinder head outside bolts.

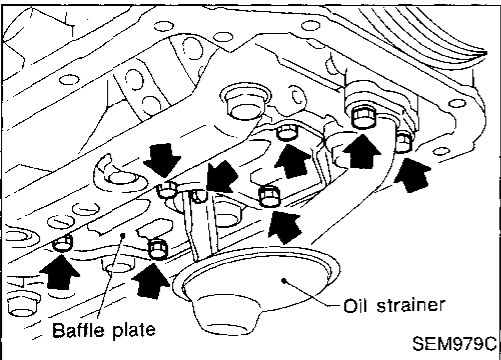


26. Remove cylinder head bolts.

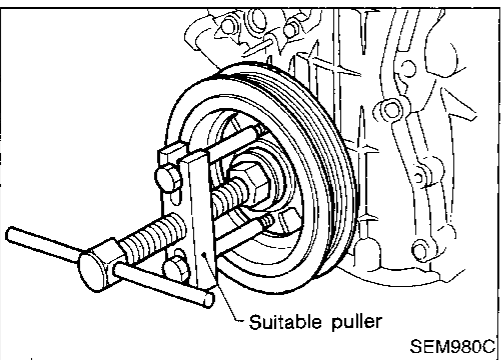
- **Loosen cylinder head bolts in two or three steps.**

27. Remove cylinder head completely with intake and exhaust manifolds.

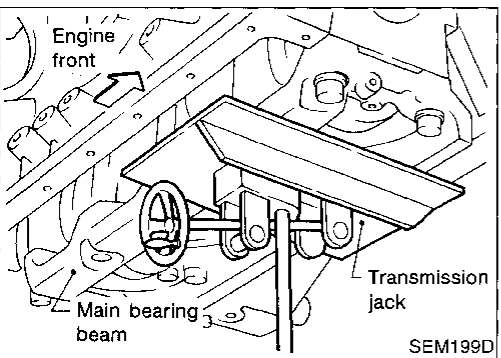
28. Remove oil pans.
Refer to EM-11.



29. Remove oil strainer and baffle plate.



30. Remove crankshaft pulley.

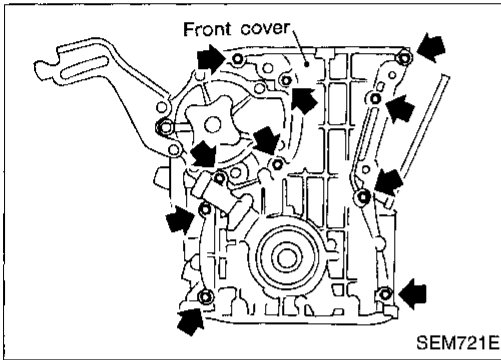
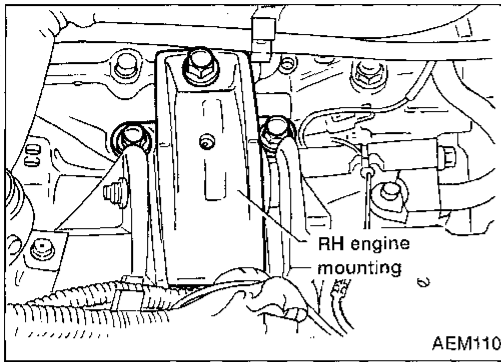


31. Set a suitable transmission jack under main bearing beam.

TIMING CHAIN

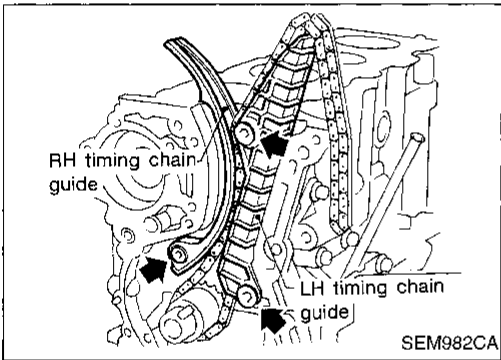
Removal (Cont'd)

32. Remove RH engine mounting.

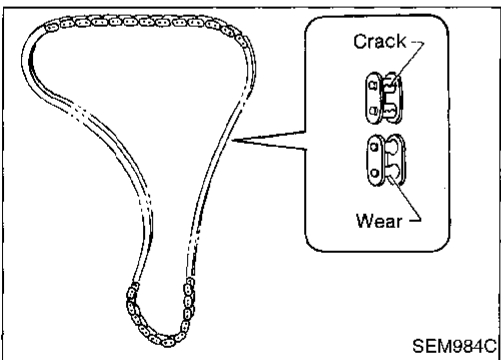


33. Remove front cover and oil pump drive spacer.

- Inspect for oil leakage at front oil seal. Replace seal if oil leak is present.

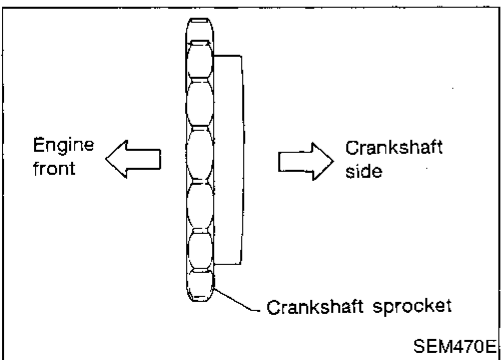


34. Remove timing chain guides and timing chain.



Inspection

Check for cracks and excessive wear at roller links. Replace chain if necessary.



Installation

1. Install crankshaft sprocket on crankshaft.

- Make sure that mating marks on crankshaft sprocket face front of engine.

CI

MA

EM

LC

EC

FE

CL

MT

AT

FA

RA

BR

ST

RS

BT

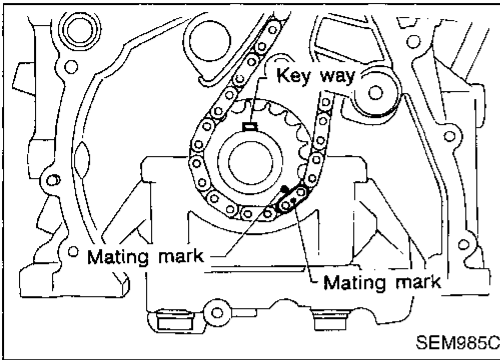
HA

EL

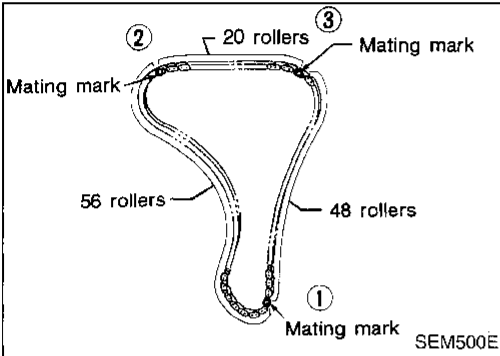
IDX

TIMING CHAIN

Installation (Cont'd)

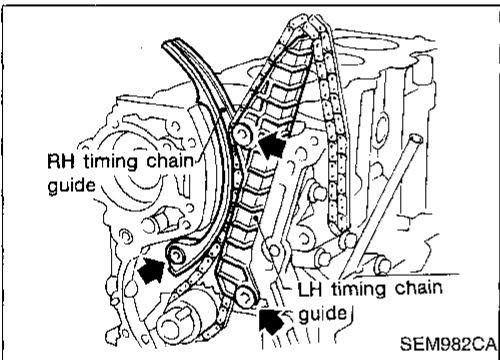


- Position crankshaft so that No. 1 piston is set at TDC and key way is at 12 o'clock. Fit timing chain on crankshaft sprocket, aligning the mating marks.

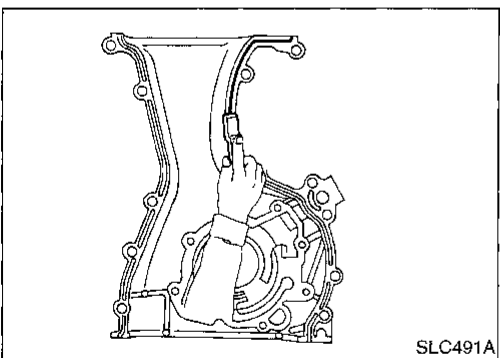


- Mating mark color on timing chain.

- ① : Gold
- ② , ③ : Silver

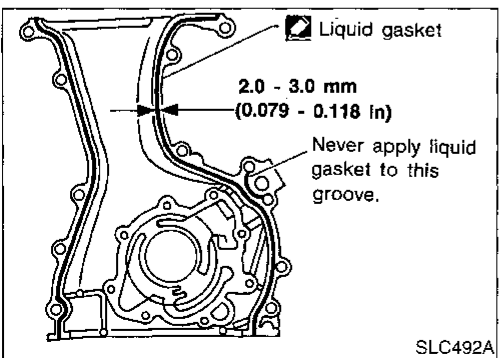


- Install timing chain and timing chain guides.



- Use a scraper to remove all traces of liquid gasket from mating surface.

- Also remove traces of liquid gasket from mating surface of cylinder block.



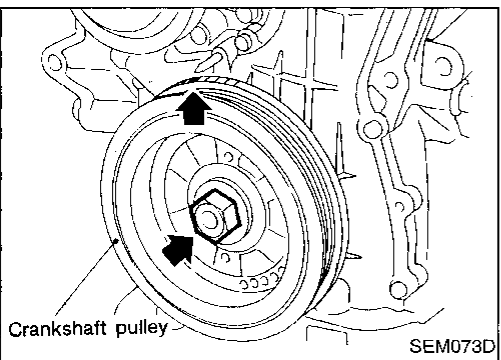
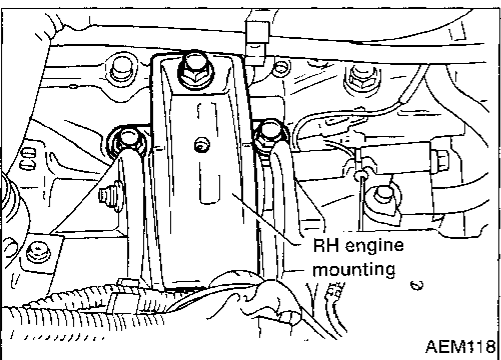
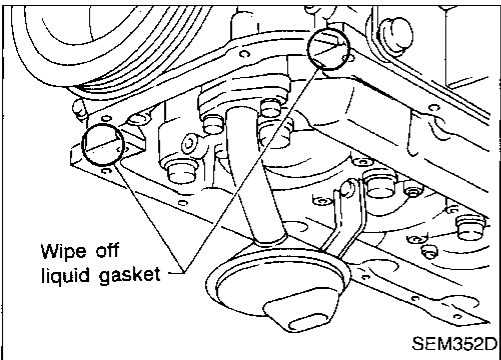
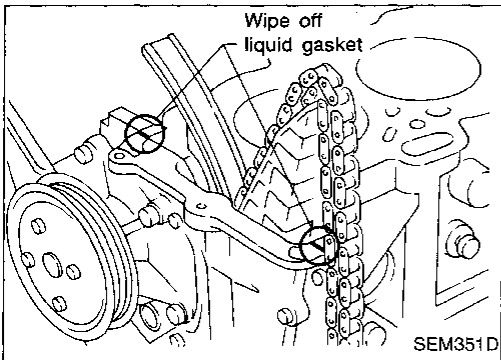
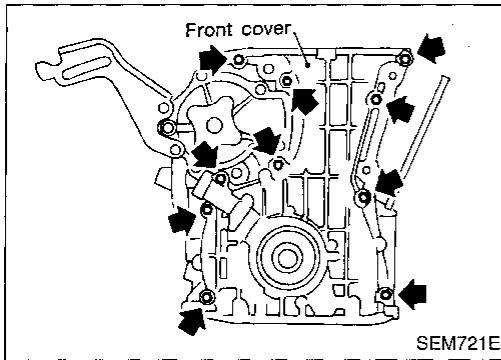
- Apply a continuous bead of liquid gasket to front cover.

- Use Genuine Liquid Gasket or equivalent.
- Be sure to install new front oil seal in the right direction. Refer to EM-30.

TIMING CHAIN

Installation (Cont'd)

6. Install oil pump drive spacer and front cover.



• Wipe off excessive liquid gasket.

7. Install RH engine mounting.

8. Install crankshaft pulley.

9. Set No. 1 piston at TDC on its compression stroke.

GI

MA

EM

LC

EC

FE

CL

MT

AT

FA

RA

BR

ST

RS

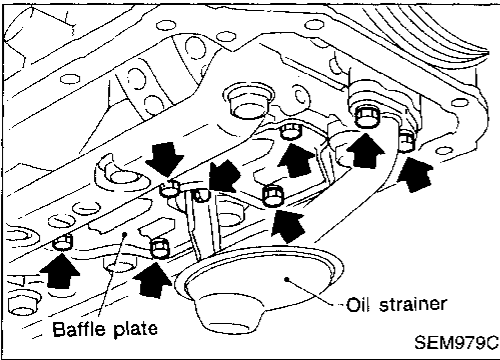
BT

HA

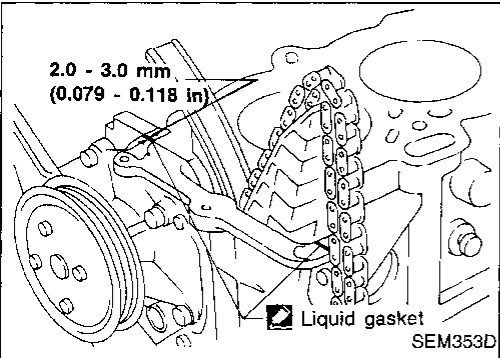
EL

IDX

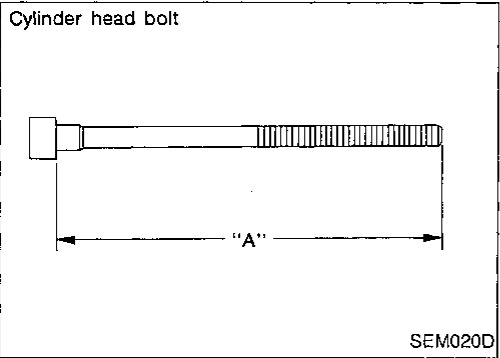
Installation (Cont'd)



10. Install oil strainer and baffle plate.
11. Install aluminum oil pan.
Refer to EM-14.



12. Before installing cylinder head gasket, apply liquid gasket as shown in the illustration.



13. Install cylinder head completely with intake and exhaust manifolds.

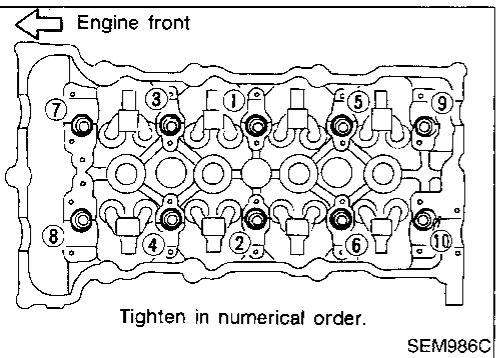
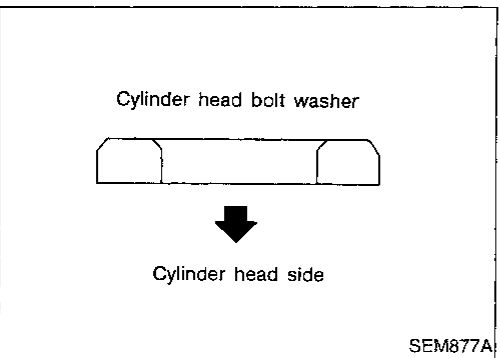
- **Apply engine oil to threads and seating surfaces of cylinder head bolts before installing them.**
- **Be sure to install washers between bolts and cylinder head.**

CAUTION:

If cylinder head bolt exceeds limit of dimension "A", replace it.

Dimension "A":

158.2 mm (6.228 in)

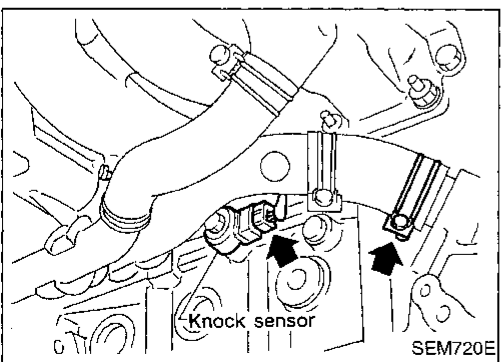
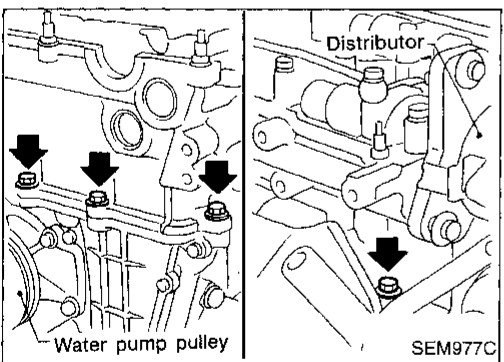
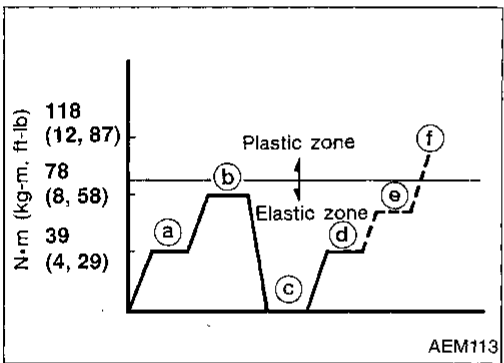
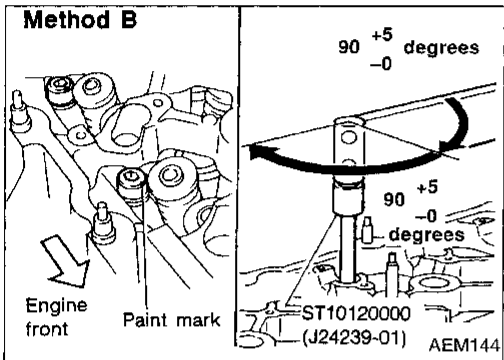
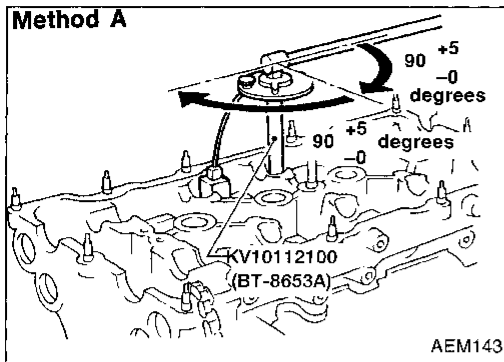


14. Tighten cylinder head bolts using the following procedure.

- a. **Tighten all bolts to 39 N·m (4.0 kg-m, 29 ft-lb).**
- b. **Tighten all bolts to 78 N·m (8.0 kg-m, 58 ft-lb).**
- c. **Loosen all bolts completely.**
- d. **Tighten all bolts to 34 to 44 N·m (3.5 to 4.5 kg-m, 25 to 33 ft-lb).**

TIMING CHAIN

Installation (Cont'd)



e. Method A: Turn all bolts 90 to 95 degrees clockwise with Tool or suitable angle wrench.

Method B: If an angle wrench is not available, mark all cylinder head bolts on the side facing engine front. Then, turn each cylinder head bolt 90 to 95 degrees clockwise.

f. Turn all bolts 90 to 95 degrees clockwise.

g. Ensure that paint mark on each bolt faces the rear of the engine. (Method B only)

Do not turn any bolt 180 to 190 degrees clockwise all at once.

	Tightening torque N-m (kg-m, ft-lb)
a.	39 (4.0, 29)
b.	78 (8.0, 58)
c.	0 (0, 0)
d.	34 - 44 (3.5 - 4.5, 25 - 33)
e.	90 - 95 degrees (90 degrees preferred)
f.	90 - 95 degrees (90 degrees preferred)

15. Install cylinder head outside bolts.

16. Install the following water hoses:

- Water hose for cylinder block.
- Water hoses for heater.

17. Install knock sensor harness connector.

GI

MA

EM

LC

EC

FE

CL

MT

AT

FA

RA

BR

ST

RS

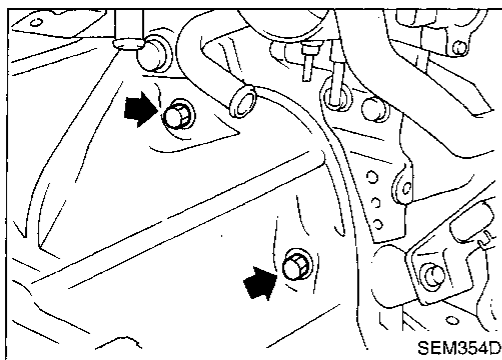
BT

HA

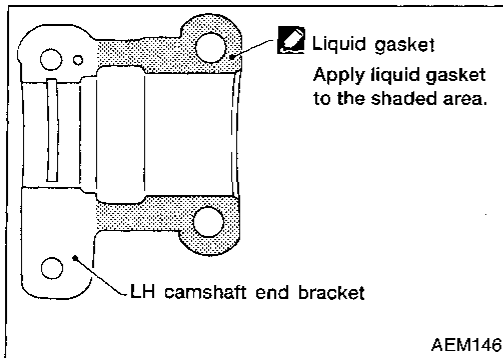
EL

IDX

Installation (Cont'd)



18. Install starter motor.

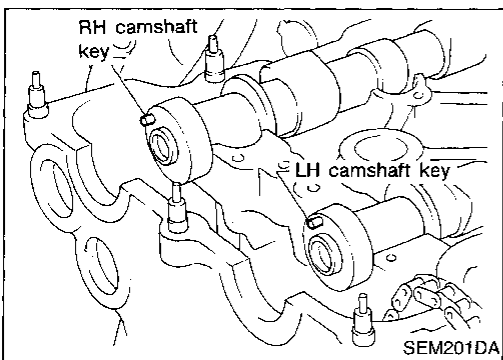


19. Remove all traces of liquid gasket from mating surface of LH camshaft end bracket.

- Also remove traces of liquid gasket from mating surface of cylinder head.

20. Apply liquid gasket to mating surface of LH camshaft end bracket as shown in illustration.

- Use Genuine Liquid Gasket or equivalent.



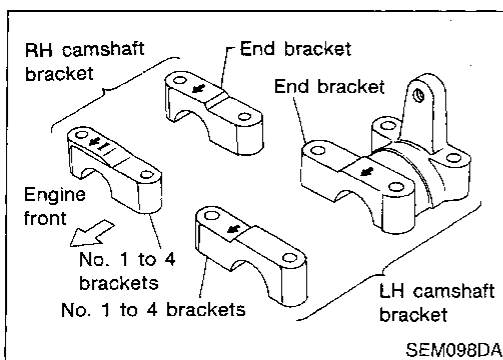
21. Install camshafts, camshaft brackets, oil tubes and baffle plate.

- Position camshaft.

- LH camshaft key at about 12 o'clock.

- RH camshaft key at about 12 o'clock.

Apply engine oil to bearings and cam surfaces of camshafts before installing them.

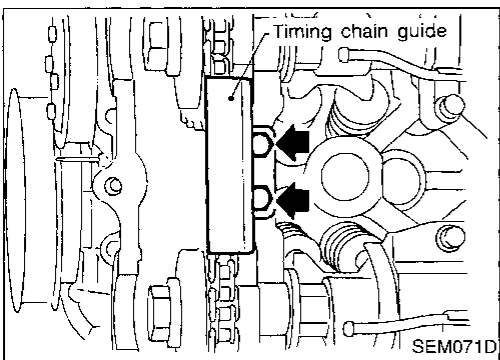
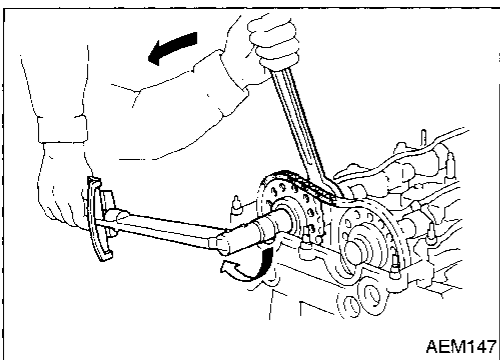
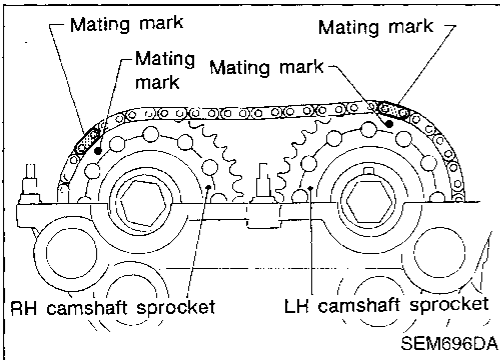
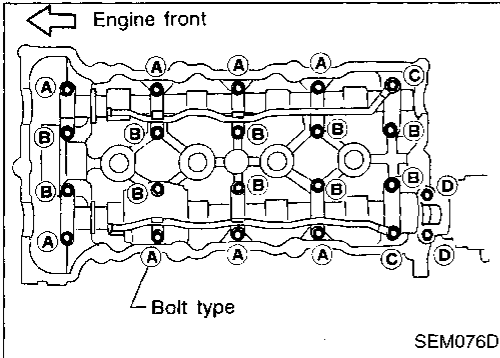
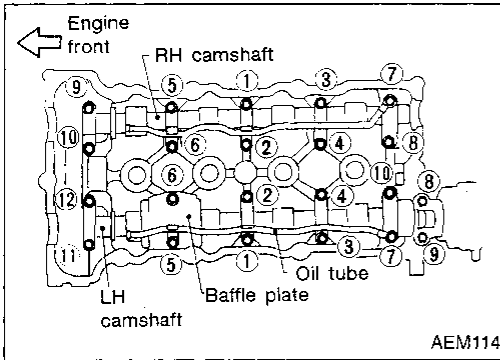


- Position camshaft brackets as shown in the illustration.

Apply engine oil to threads and seating surfaces of camshaft bracket bolts before installing them.

TIMING CHAIN

Installation (Cont'd)



Tightening procedure

STEP 1:

RH camshaft

Tighten bolts ⑨ - ⑩ in that order then tighten bolts ① - ⑧ in numerical order.

Ⓜ: 2 N·m (0.2 kg-m, 1.4 ft-lb)

LH camshaft

Tighten bolts ⑪ - ⑫ in that order then tighten bolts ① - ⑩ in numerical order.

Ⓜ: 2 N·m (0.2 kg-m, 1.4 ft-lb)

STEP 2:

Tighten bolts in the numerical order.

Ⓜ: 6 N·m (0.6 kg-m, 4.3 ft-lb)

STEP 3:

Tighten bolts in the numerical order.

Bolt type A B C

Ⓜ: 9.0 - 11.8 N·m
(0.92 - 1.2 kg-m, 6.7 - 8.7 ft-lb)

Bolt type D

Ⓜ: 18 - 25 N·m
(1.8 - 2.6 kg-m, 13 - 19 ft-lb)

22. Install camshaft sprockets.

Line up mating marks on timing chain with mating marks on camshaft sprockets.

• Lock camshafts as shown in figure and tighten to specified torque.

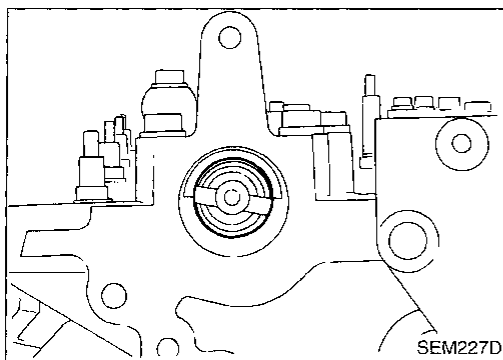
Ⓜ: 137 - 157 N·m
(14.0 - 16.0 kg-m, 101 - 116 ft-lb)

Apply engine oil to threads and seating surfaces of camshaft sprocket bolts before installing them.

23. Install timing chain guide.

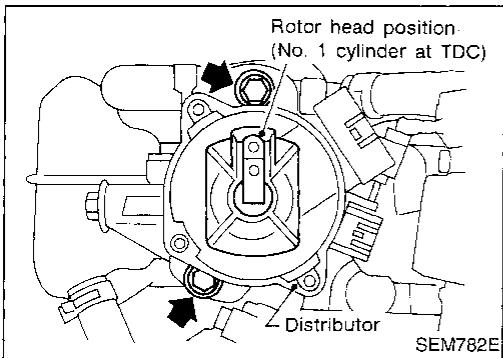
GI
MA
EM
LC
EC
FE
CL
MT
AT
FA
RA
BR
ST
RS
BT
HA
EL
IDX

Installation (Cont'd)

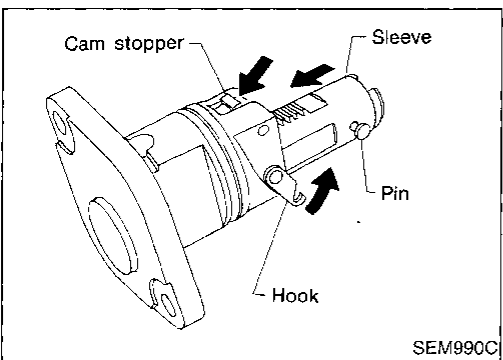


24. Install distributor.

- Make sure that position of camshaft is as shown in figure.



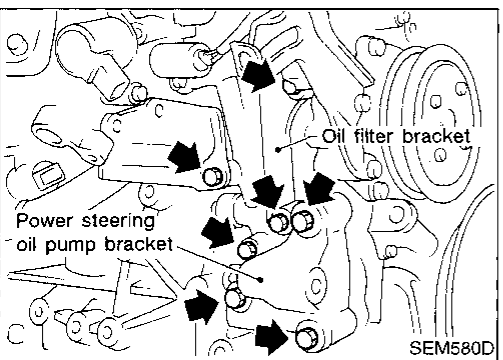
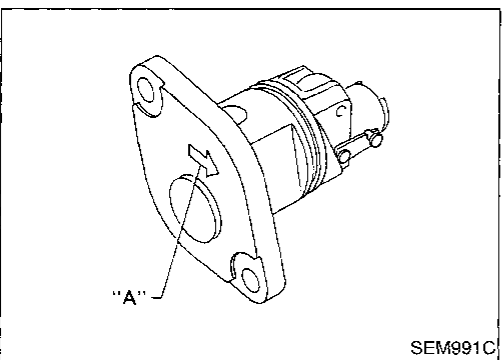
- Make sure that No. 1 piston is set at TDC and that distributor rotor is set at No. 1 cylinder spark position.



25. Install chain tensioner.

Make sure the camshaft sprockets are tightened completely.

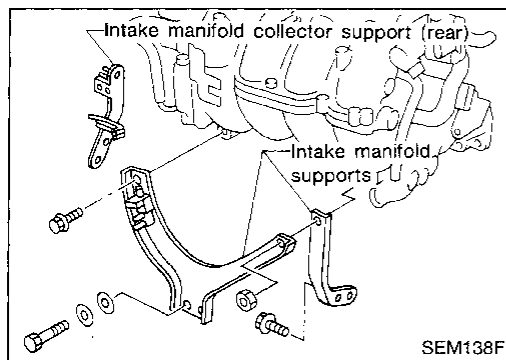
Press cam stopper down and "press-in" sleeve until hook can be engaged on pin. When tensioner is bolted in position the hook will release automatically. Make sure arrow "A" points toward engine front.



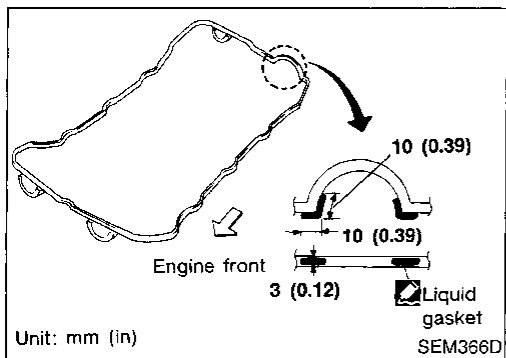
26. Install oil filter bracket and power steering oil pump bracket.

TIMING CHAIN

Installation (Cont'd)



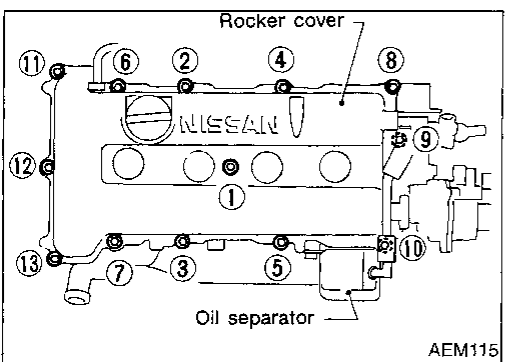
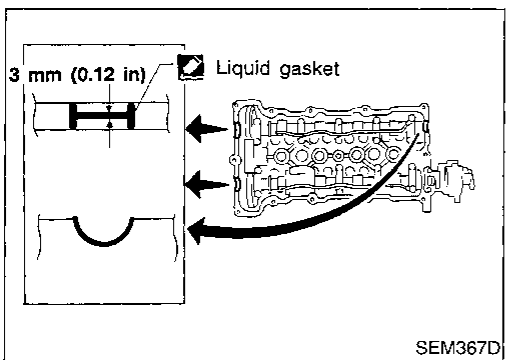
27. Install intake manifold supports.



28. Remove all old liquid gasket from mating surfaces of rocker cover and cylinder head.

29. Apply a continuous bead of liquid gasket to rocker cover gasket and cylinder head as shown in the illustrations.

- Use Genuine Liquid Gasket or equivalent.



30. Install rocker cover and oil separator.

a. Tighten nuts ①, ⑩, ⑪, ⑬, ⑧ in that order to 4 N·m (0.4 kg-m, 2.9 ft-lb).

b. Tighten nuts ① through ⑬ in numerical order to 8 to 10 N·m (0.8 to 1.0 kg-m, 5.8 to 7.2 ft-lb).

31. Install the following parts:

- Spark plugs and leads
- Power steering pump
- Alternator
- Water pump pulley and drive belts.

For adjusting drive belt deflection, refer to MA section ("Checking Drive Belts", "ENGINE MAINTENANCE").

- Radiator
Refit hoses and refill with coolant.
Refer to MA section ("REFILLING ENGINE COOLANT", "Changing Engine Coolant").

- Front RH wheel
 - Engine under covers
32. Connect the following:
- Vacuum hoses
 - Fuel hoses
 - Wire, Harnesses and connectors
 - Air duct to intake manifold

GI

MA

EM

LC

EC

FE

CL

MT

AT

FA

RA

BR

ST

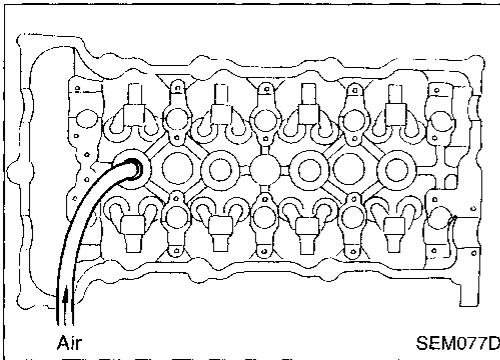
RS

BT

HA

EL

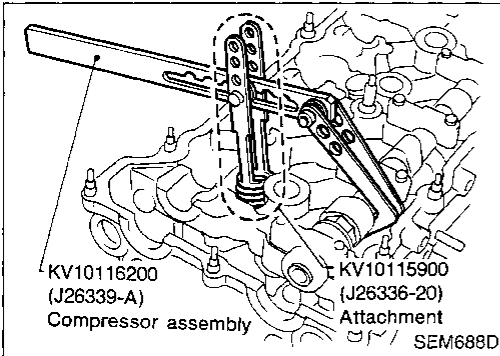
IDX



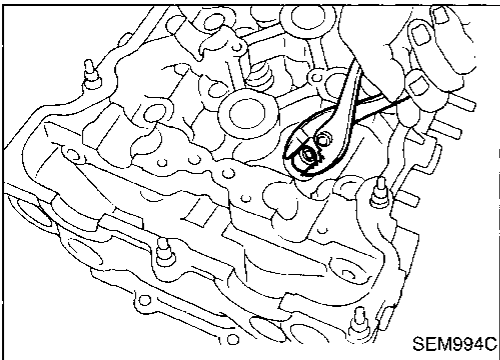
Valve Oil Seal

1. Remove accelerator cable.
2. Remove rocker cover and oil separator.
3. Remove camshafts and sprockets.
Refer to EM-16.
4. Remove spark plugs.
5. Install air hose adapter into spark plug hole and apply air pressure to hold valves in place. Apply a pressure of 490 kPa (5 kg/cm², 71 psi).
6. Remove rocker arm, rocker arm guide and shim.
7. Remove valve spring with Tool. Temporarily install camshaft as shown.

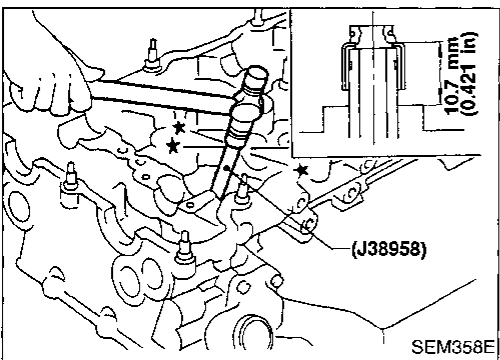
Piston concerned should be set at TDC to prevent valve from falling.



8. Remove valve oil seal.



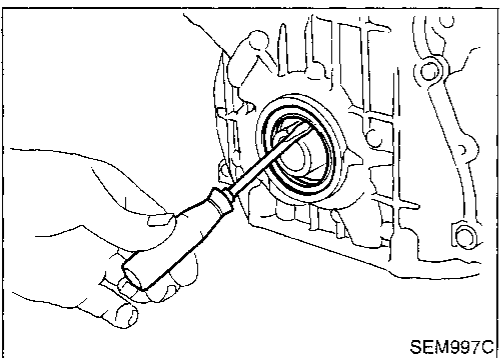
9. Apply engine oil to new valve oil seal and install it with Tool.



Front Oil Seal

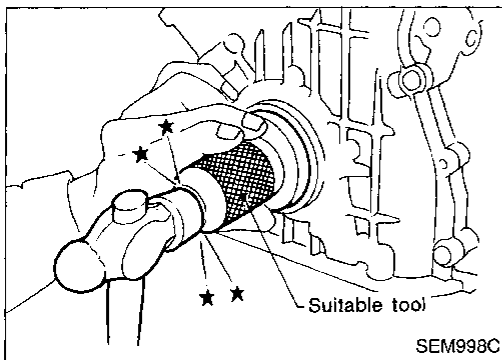
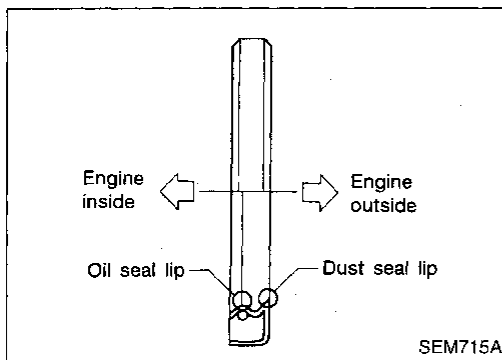
1. Remove the following parts:
 - Engine under cover
 - Front RH wheel and engine side cover
 - Drive belts
 - Crankshaft pulley
2. Remove front oil seal.

Be careful not to scratch front cover.

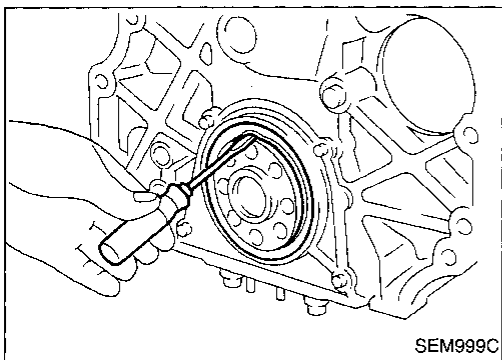


Front Oil Seal (Cont'd)

- Install new oil seal in the direction shown.



3. Apply engine oil to new oil seal and install it using a suitable tool.

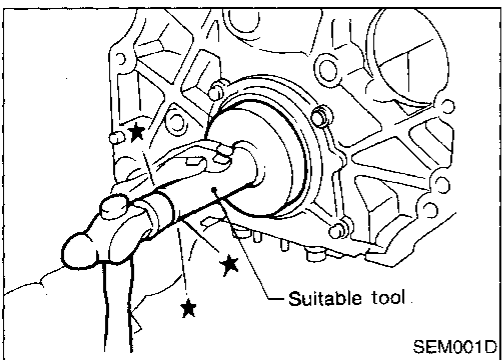
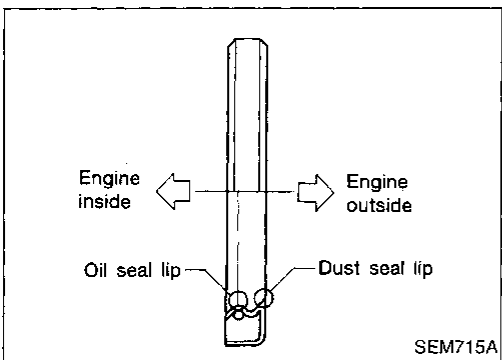


Rear Oil Seal

1. Remove transaxle. (Refer to MT or AT section.)
2. Remove flywheel or drive plate.
3. Remove rear oil seal.

Be careful not to scratch rear oil seal retainer.

- Install new oil seal in the direction shown.



4. Apply engine oil to new oil seal and install it using a suitable tool.

GI

MA

EM

LC

EC

FE

CL

MT

AT

FA

RA

BR

ST

RS

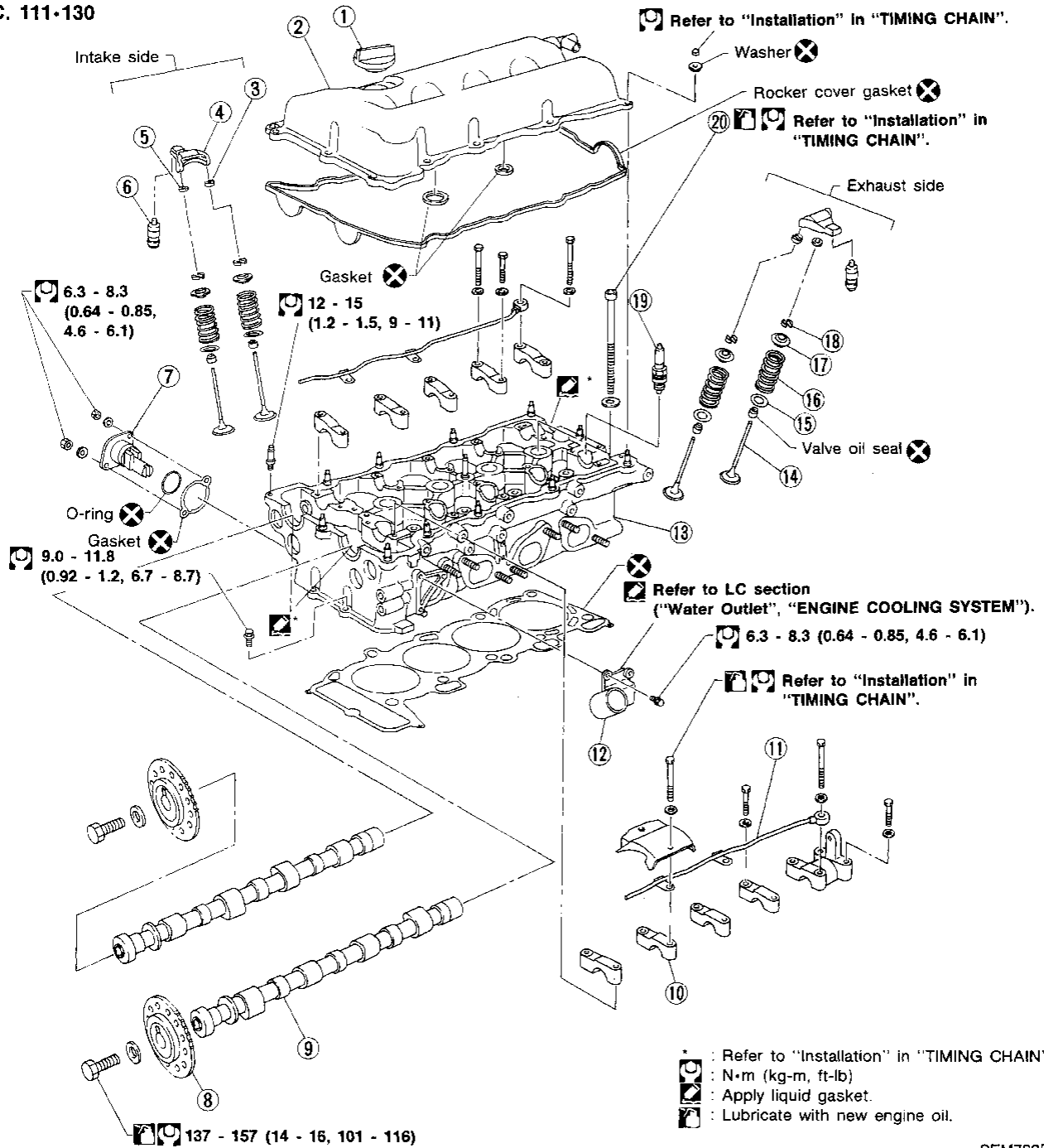
BT

HA

EL

IDX

SEC. 111-130



- ① Oil filler cap
- ② Rocker cover
- ③ Rocker arm guide
- ④ Rocker arm
- ⑤ Shim
- ⑥ Hydraulic lash adjuster
- ⑦ Chain tensioner

- ⑧ Camshaft sprocket
- ⑨ Camshaft
- ⑩ Camshaft bracket
- ⑪ Oil tube
- ⑫ Water outlet
- ⑬ Cylinder head
- ⑭ Valve

- ⑮ Valve spring seat
- ⑯ Valve spring
- ⑰ Valve spring retainer
- ⑱ Valve collet
- ⑲ Spark plug
- ⑳ Cylinder head bolt

SEM722EA

CAUTION:

- When installing rocker arms, camshaft and oil seal, lubricate contacting surfaces with new engine oil.
- When tightening cylinder head bolts, camshaft sprocket bolts and camshaft bracket bolts, lubricate bolt threads and seat surfaces with new engine oil.

GI
MA

EM

LC

EC

FE

CL

MT

AT

FA

RA

BR

ST

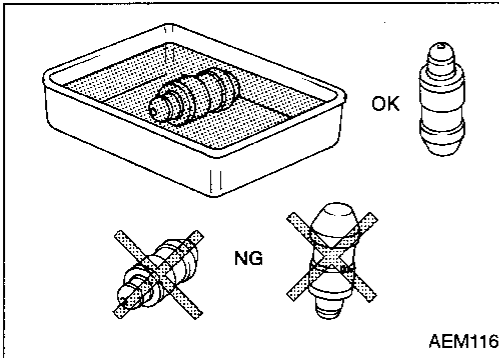
RS

BT

HA

EL

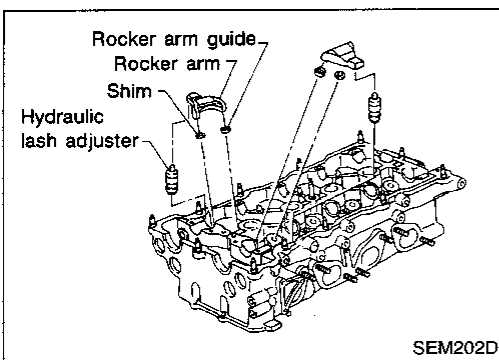
IDX



- If a hydraulic lash adjuster is kept on its side, there is a risk of air entering it. When hydraulic lash adjusters are removed, stand them straight up or soak them in new engine oil.
- Do not disassemble hydraulic lash adjusters.
- Attach tags to lash adjusters so as not to mix them up.

Removal

- The removal procedure is the same as for timing chain. Refer to EM-16.

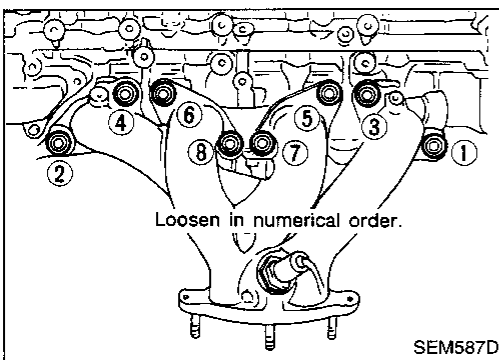


Disassembly

1. Remove rocker arms, shims, rocker arm guides and hydraulic lash adjusters from cylinder head.

CAUTION:

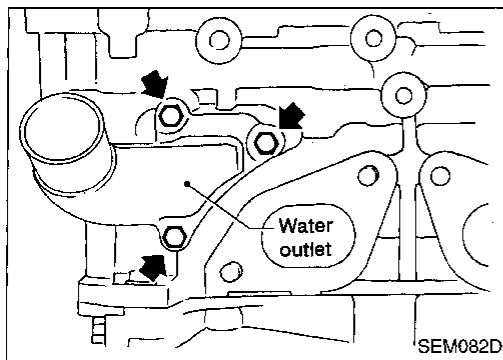
Keep parts in order so that they can be installed in their original positions during assembly.



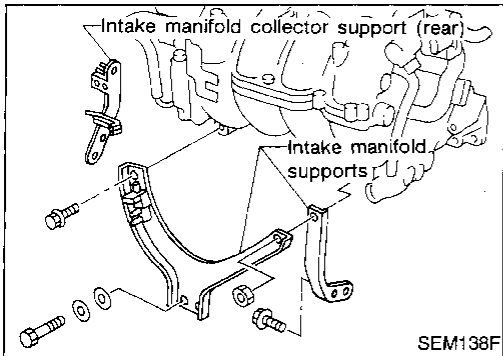
2. Remove exhaust manifold cover.
3. Remove exhaust manifold.

Disassembly (Cont'd)

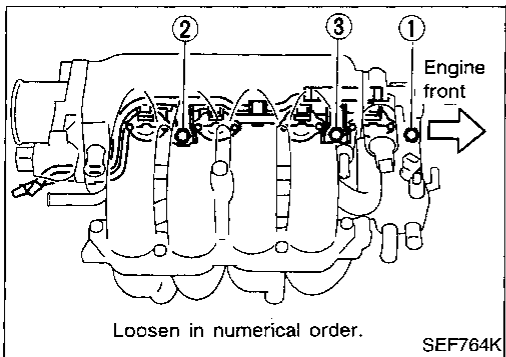
4. Remove water outlet.



5. Remove intake manifold supports and intake manifold collector supports (both on rear and upper sides).

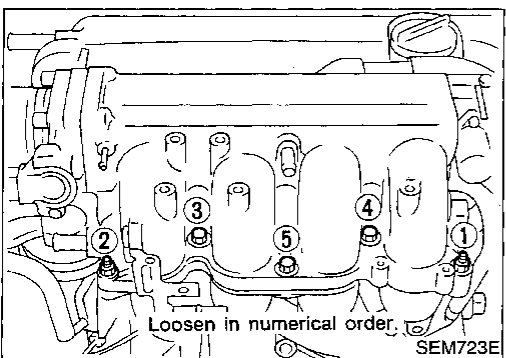


6. Remove fuel tube assembly. Refer to EC section ("Injector Removal and Installation", "BASIC SERVICE PROCEDURE").

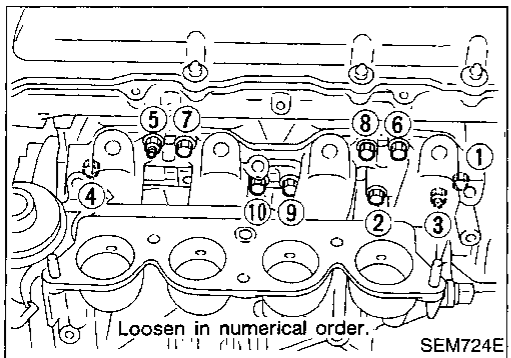


7. Remove intake manifold collector from intake manifold.

8. Remove power steering pump bracket and oil filter bracket.

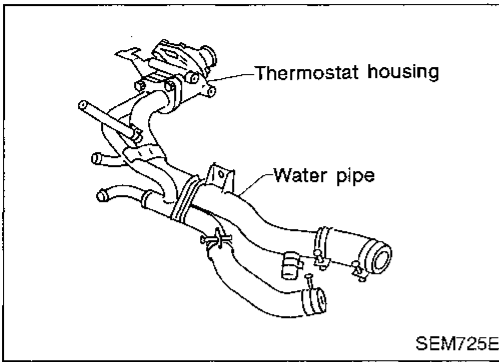


9. Remove intake manifold.

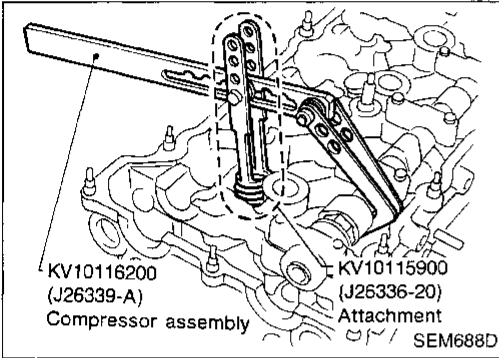


Disassembly (Cont'd)

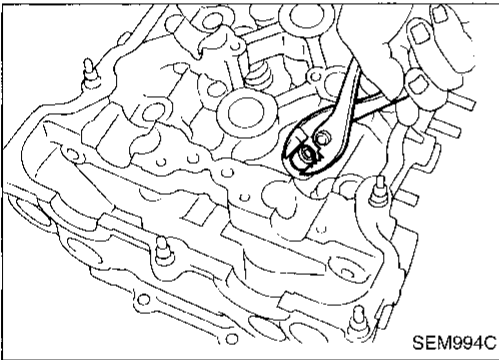
10. Remove thermostat housing with water pipe.



11. Remove valve components with Tool. Install camshaft temporarily as shown.



12. Remove valve oil seal with a suitable tool.



GI

MA

EM

LC

EC

FE

CL

MT

AT

FA

PA

BR

ST

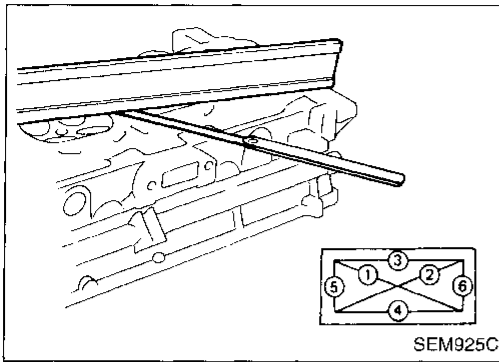
RS

BT

HA

EL

IDX



SEM925C

Inspection

CYLINDER HEAD DISTORTION

- Clean surface of cylinder head.
- Use a reliable straightedge and feeler gauge to check the flatness of cylinder head surface.
- Check along six positions shown in figure.

Head surface flatness:

Standard

Less than 0.03 mm (0.0012 in)

Limit

0.1 mm (0.004 in)

If beyond the specified limit, replace or resurface.

Resurfacing limit:

The limit for cylinder head resurfacing is determined by the cylinder block resurfacing.

Amount of cylinder head resurfacing is "A".

Amount of cylinder block resurfacing is "B".

The maximum limit is as follows:

$$A + B = 0.2 \text{ mm (0.008 in)}$$

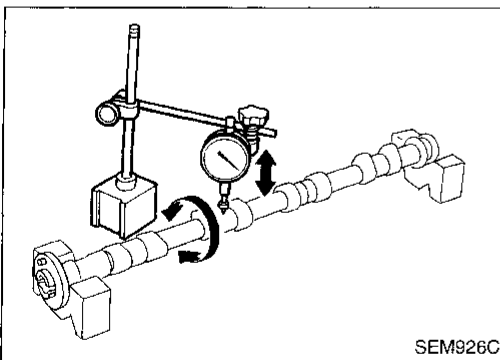
After resurfacing cylinder head, check that camshaft rotates freely by hand. If resistance is felt, cylinder head must be replaced.

Nominal cylinder head height:

136.9 - 137.1 mm (5.390 - 5.398 in)

CAMSHAFT VISUAL CHECK

Check camshaft for scratches, seizure and wear.



SEM926C

CAMSHAFT RUNOUT

1. Measure camshaft runout at the center journal.

Runout (Total indicator reading):

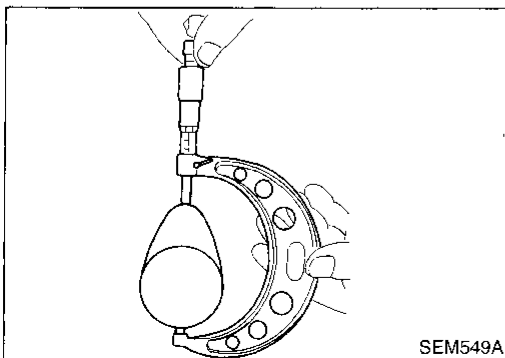
Standard

Less than 0.02 mm (0.0008 in)

Limit

0.1 mm (0.004 in)

2. If it exceeds the limit, replace camshaft.



SEM549A

CAMSHAFT CAM HEIGHT

1. Measure camshaft cam height.

Standard cam height:

Intake

37.550 - 37.740 mm (1.4783 - 1.4858 in)

Exhaust

37.920 - 38.110 mm (1.4929 - 1.5004 in)

Cam height wear limit:

Intake & Exhaust

0.2 mm (0.008 in)

2. If wear is beyond the limit, replace camshaft.

Inspection (Cont'd)

CAMSHAFT JOURNAL CLEARANCE

1. Install camshaft bracket and tighten bolts. Refer to EM-26.
2. Measure inner diameter of camshaft bearing.

Standard inner diameter:

28.000 - 28.021 mm (1.1024 - 1.1032 in)

GI

MA

EM

LC

EC

FE

CL

WT

AT

FA

RA

BR

ST

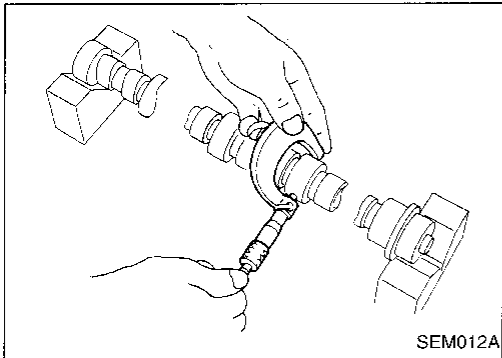
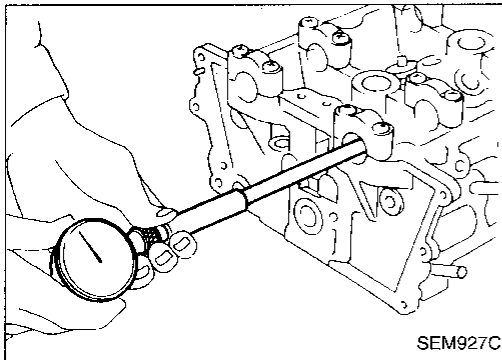
PS

BT

HA

EL

IDX



3. Measure outer diameter of camshaft journal.

Standard outer diameter:

27.935 - 27.955 mm (1.0998 - 1.1006 in)

4. If clearance exceeds the limit, replace camshaft and/or cylinder head.

Camshaft journal clearance:

Standard

0.045 - 0.090 mm (0.0018 - 0.0035 in)

Limit

0.15 mm (0.0059 in)

CAMSHAFT END PLAY

1. Install camshaft in cylinder head. Refer to EM-27.
2. Measure camshaft end play.

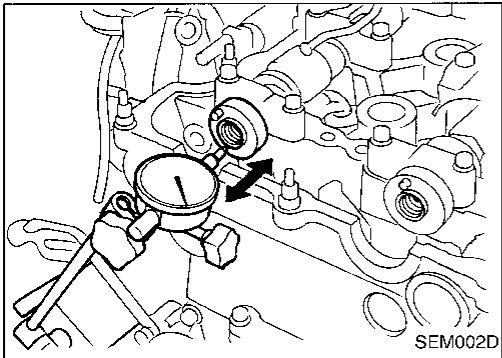
Camshaft end play:

Standard

0.055 - 0.139 mm (0.0022 - 0.0055 in)

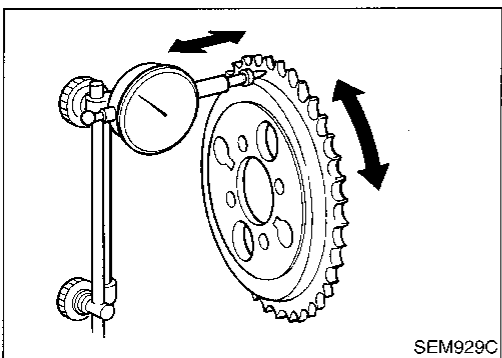
Limit

0.20 mm (0.0079 in)



CAMSHAFT SPROCKET RUNOUT

1. Install sprocket on camshaft.
2. Measure camshaft sprocket runout.
 - Runout (Total indicator reading):**
 - Limit 0.25 mm (0.0098 in)**
3. If it exceeds the limit, replace camshaft sprocket.



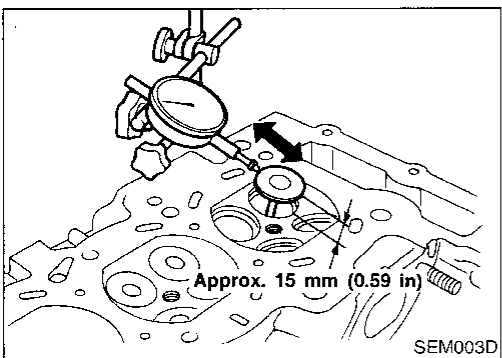
VALVE GUIDE CLEARANCE

1. Measure valve deflection as shown in illustration. (Valve and valve guide mostly wear in this direction.)

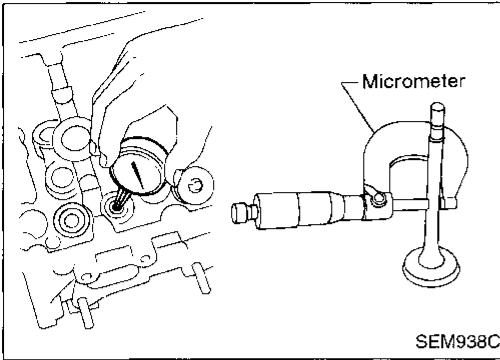
Valve deflection limit (Dial gauge reading):

Intake & Exhaust

0.2 mm (0.008 in)



Inspection (Cont'd)



2. If it exceeds the limit, check valve to valve guide clearance.
 - a. Measure valve stem diameter and valve guide inner diameter.
 - b. Check that clearance is within specification.

Valve to valve guide clearance:

Standard

Intake 0.020 - 0.053 mm (0.0008 - 0.0021 in)

Exhaust 0.040 - 0.073 mm (0.0016 - 0.0029 in)

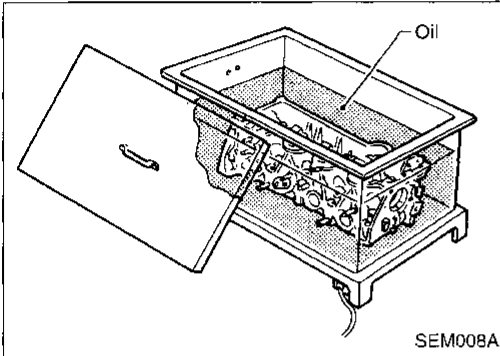
Limit

Intake 0.08 mm (0.0031 in)

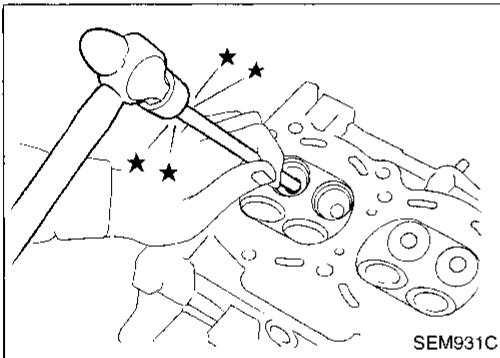
Exhaust 0.1 mm (0.004 in)

- c. If it exceeds the limit, replace valve or valve guide.

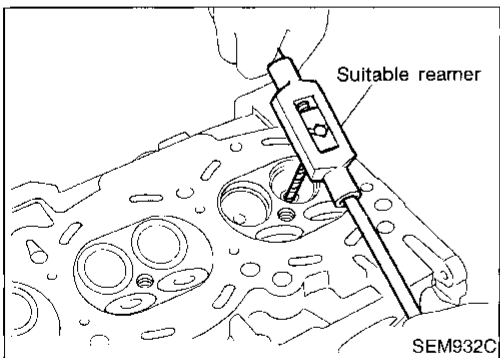
VALVE GUIDE REPLACEMENT



1. To remove valve guide, heat cylinder head to 110 to 130°C (230 to 266°F).



2. Press out valve guide or use a hammer and suitable tool.

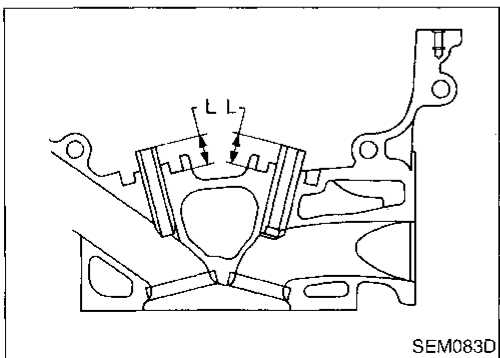


3. Ream cylinder head valve guide hole.

Valve guide hole diameter (for service parts):

Intake & Exhaust

10.175 - 10.196 mm (0.4006 - 0.4014 in)

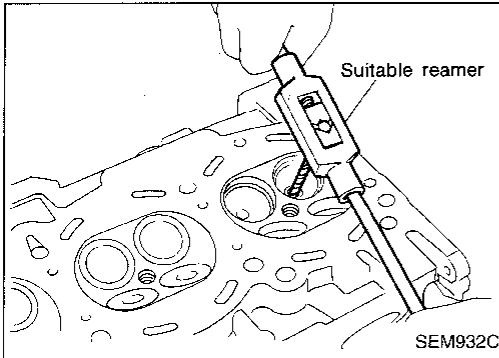


4. Heat cylinder head to 110 to 130°C (230 to 266°F) and press service valve guide onto cylinder head.

Projection "L":

14.0 - 14.2 mm (0.551 - 0.559 in)

Inspection (Cont'd)



5. Ream valve guide.

Finished size:**Intake & Exhaust****6.000 - 6.018 mm (0.2362 - 0.2369 in)**

GI

MA

EM

LC

EC

FE

CL

MT

AT

FA

RA

BR

ST

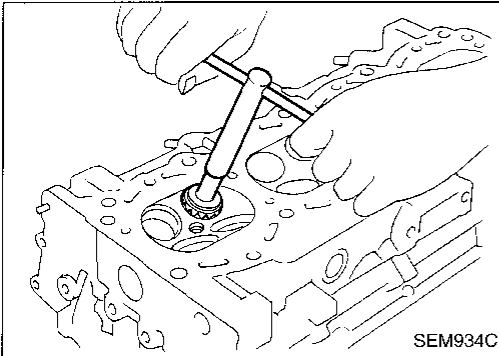
RS

BT

HA

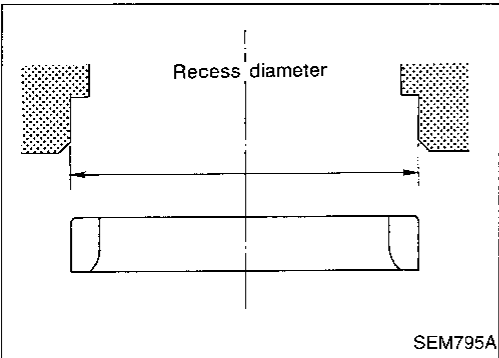
EL

IDX

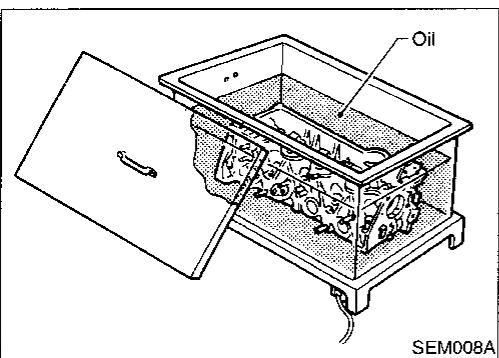
**VALVE SEATS**

Check valve seats for pitting at contact surface. Resurface or replace if excessively worn.

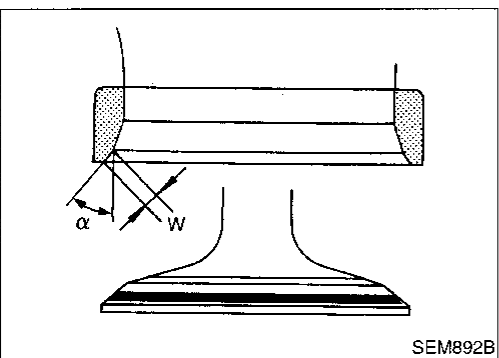
- Before repairing valve seats, check valve and valve guide for wear. If they have worn, replace them. Then correct valve seat.
- Use both hands to cut uniformly.

**REPLACING VALVE SEAT FOR SERVICE PARTS**

1. Bore out old seat until it collapses. Set machine depth stop so that boring cannot contact bottom face of seat recess in cylinder head.
2. Ream cylinder head recess.

Reaming bore for service valve seat**Oversize [0.5 mm (0.020 in)]:****Intake 35.500 - 35.516 mm (1.3976 - 1.3983 in)****Exhaust 31.500 - 31.516 mm (1.2402 - 1.2408 in)****Use the valve guide center for reaming to ensure valve seat will have the correct fit.**

3. Heat cylinder head to 110 to 130°C (230 to 266°F).
4. Press fit valve seat until it seats on the bottom.



5. Cut or grind valve seat using suitable tool to the specified dimensions. Refer to SDS, EM-109.
6. After cutting, lap valve seat with abrasive compound.
7. Check valve seating condition.

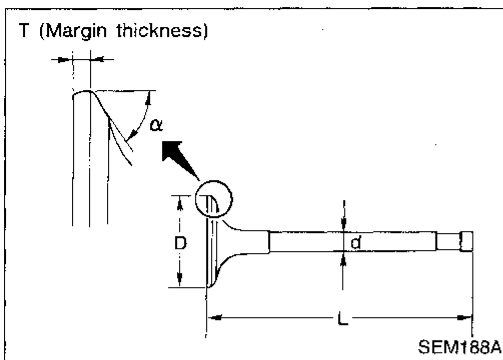
Seat face angle "α":**44°53' - 45°07'****Contacting width "W":****Intake****1.4 - 1.7 mm (0.055 - 0.067 in)****Exhaust****1.7 - 2.0 mm (0.067 - 0.079 in)**

Inspection (Cont'd)

VALVE DIMENSIONS

Check dimensions of each valve. Refer to SDS, EM-108. When valve head has been worn down to 0.5 mm (0.020 in) in margin thickness, replace valve.

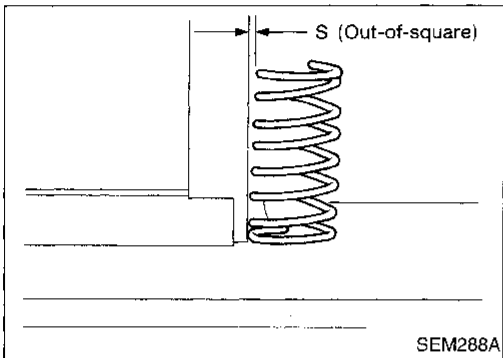
Grinding allowance for valve stem tip is 0.2 mm (0.008 in) or less.



VALVE SPRING

Squareness

1. Measure dimension "S".
Out-of-square "S":
Less than 2.2 mm (0.087 in)
2. If it exceeds the limit, replace spring.



Pressure

Check valve spring pressure at specified spring height.

Pressure:

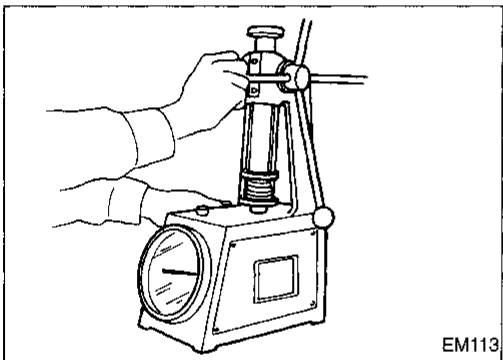
Standard

**578.02 - 641.57 N (58.94 - 65.42 kg,
129.96 - 144.25 lb) at 30.0 mm (1.181 in)**

Limit

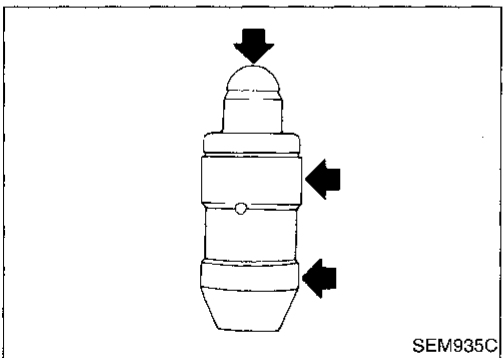
**More than 549.2 N (56.0 kg, 123.5 lb) at 30.0
mm (1.181 in)**

If it exceeds the limit, replace spring.



HYDRAULIC LASH ADJUSTER

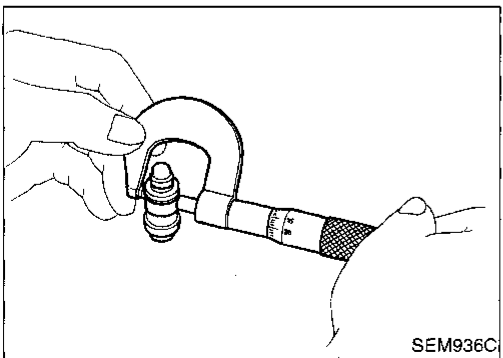
1. Check contact and sliding surfaces for wear or scratches.



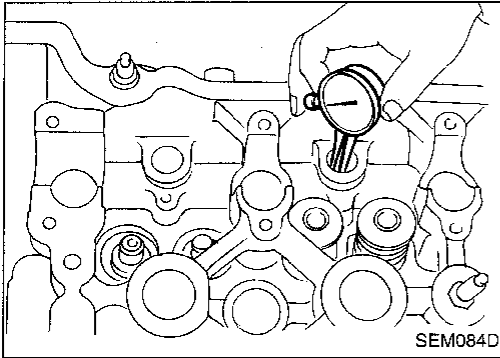
2. Check diameter of lash adjuster.

Outer diameter:

16.980 - 16.993 mm (0.6685 - 0.6690 in)



Inspection (Cont'd)



3. Check lash adjuster guide hole diameter.

Inner diameter:

17.000 - 17.020 mm (0.6693 - 0.6701 in)

Standard clearance between lash adjuster and adjuster guide hole:

0.007 - 0.040 mm (0.0003 - 0.0016 in)

GI

MA

EM

LC

EC

FE

CL

MT

AT

FA

RA

BR

ST

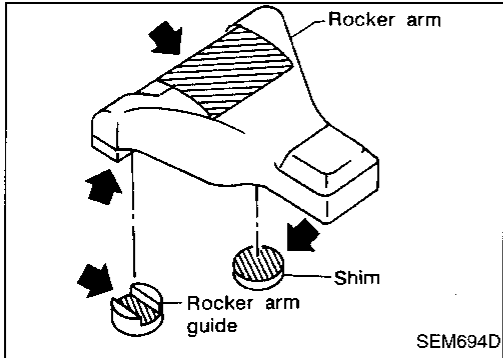
RS

BT

HA

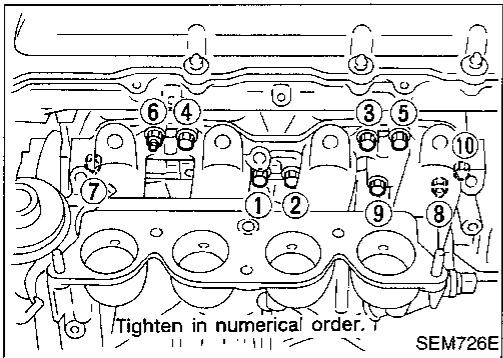
EL

IDX



ROCKER ARM, SHIM AND ROCKER ARM GUIDE

Check contact and sliding surfaces of rocker arms, shims and rocker arm guides for wear or scratches.

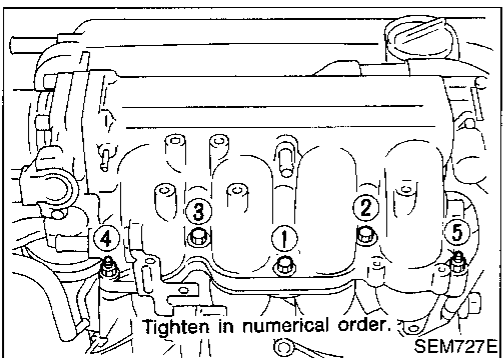


Assembly

1. Install intake manifold.

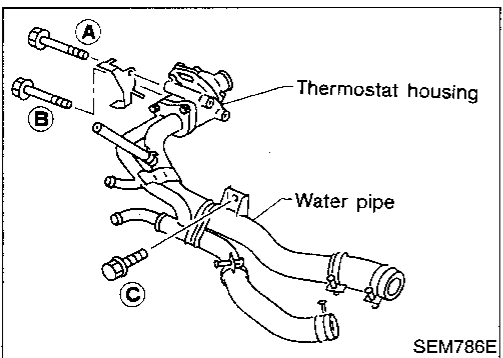
2. Install fuel tube assembly.

Refer to EC section ("Injector Removal and Installation", "BASIC SERVICE PROCEDURE").



3. Install intake manifold collector to intake manifold.

4. Install oil filter bracket and power steering pump bracket.



5. Install thermostat housing with water pipe using the following procedure.

a. Tighten bolt (A).

: 2 - 5 N·m (0.2 - 0.5 kg-m, 1.4 - 3.6 ft-lb)

b. Tighten bolt (C).

: 16 - 21 N·m (1.6 - 2.1 kg-m, 12 - 15 ft-lb)

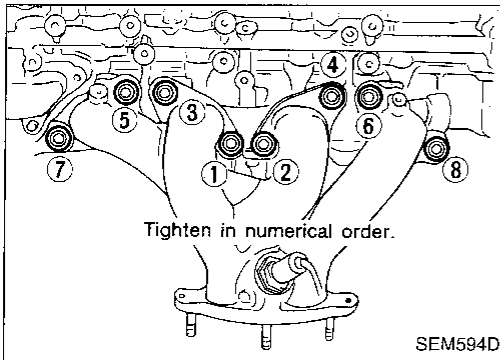
c. Tighten bolt (A).

: 16 - 21 N·m (1.6 - 2.1 kg-m, 12 - 15 ft-lb)

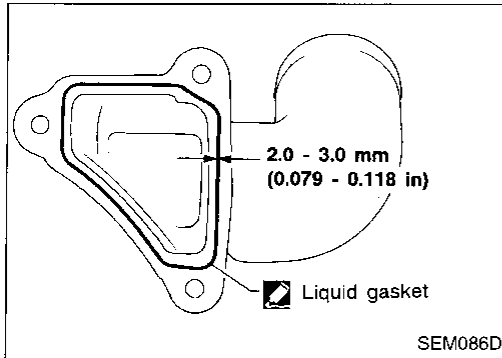
d. Tighten bolt (B).

: 16 - 21 N·m (1.6 - 2.1 kg-m, 12 - 15 ft-lb)

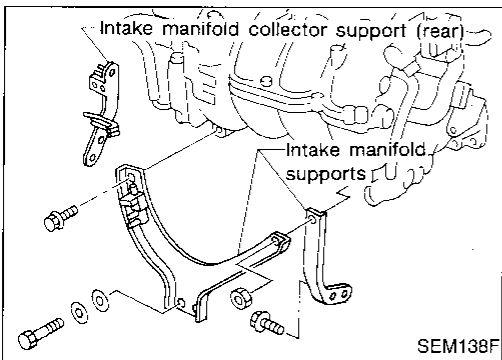
Assembly (Cont'd)



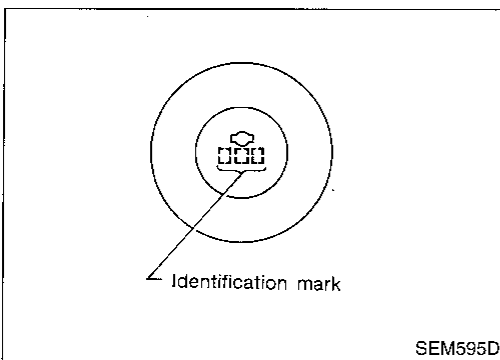
6. Install exhaust manifold.
 - Tighten exhaust manifold bolts in numerical order.
7. Install exhaust manifold cover.



8. Install water outlet.
 - a. Remove all traces of liquid gasket from mating surface using a scraper.
 - Also remove traces of liquid gasket from mating surface of cylinder head.
 - b. Apply a continuous bead of liquid gasket to mating surface of water outlet.
 - **Use Genuine Liquid Gasket or equivalent.**

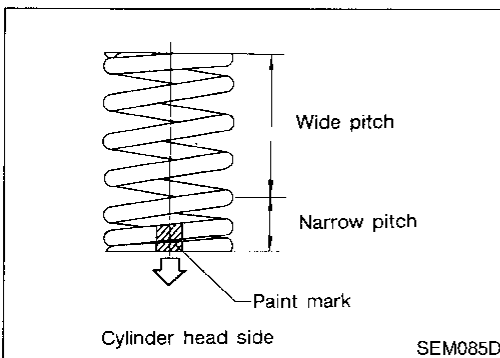


9. Install intake manifold supports and intake manifold collector supports.
10. Install EGR tube.
11. Install crankcase ventilation oil separator.



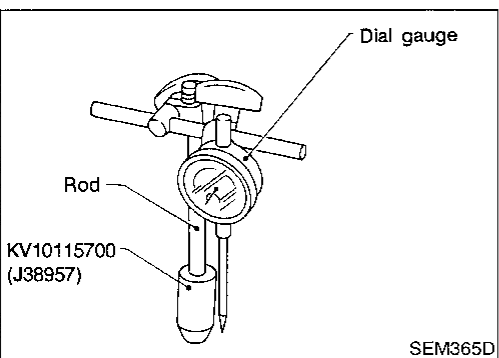
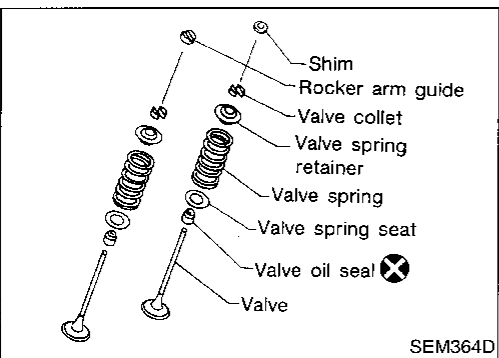
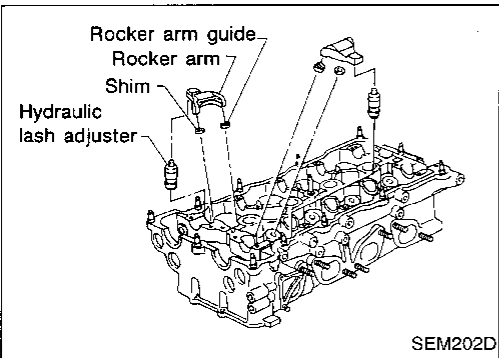
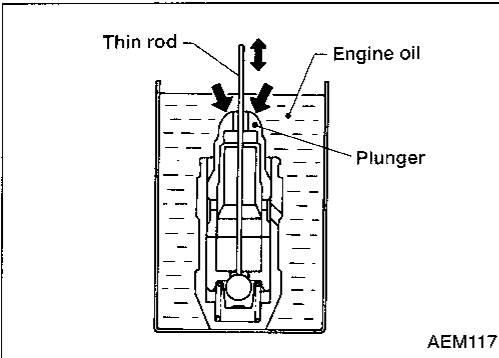
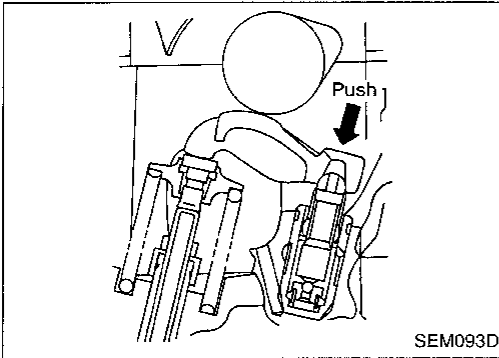
12. Install valve component parts.
 - **Install valves, noting their identification marks as indicated in the table below.**

	Identification mark
Intake valve	53J
Exhaust valve	64Y



- **Always use new valve oil seal. Refer to EM-30.**
- **Before installing valve oil seal, install valve spring seat.**
- **Install valve spring (uneven pitch type) with its narrow pitched side (paint mark) toward cylinder head side.**
- **After installing valve components, use plastic hammer to lightly tap valve stem tip to assure a proper fit.**

Assembly (Cont'd)



13. Check hydraulic lash adjusters.

- a. Push on the rocker arm above the hydraulic lash adjuster. If it moves 1 mm (0.04 in) or more, there is air in the high pressure chamber of hydraulic lash adjuster. Noise will be emitted from hydraulic lash adjuster if engine is started without bleeding air.

- b. Remove hydraulic lash adjuster and dip in a container filled with engine oil. While pushing plunger as shown in figure, lightly push check ball using a thin rod. Air is completely bled when plunger no longer moves.

Air cannot be bled from this type of lash adjuster by running engine.

14. Install rocker arms, shims, rocker arm guides and hydraulic lash adjusters.

CAUTION:
Install parts in their original positions.

15. Determine proper shim size when replacing valve, cylinder head, shim, rocker arm guide, or valve seat.

- a. Install valve component parts to cylinder head (except shim).

- **Always replace rocker arm guide with a new one.**

- b. Remove hydraulic lash adjuster.

- c. Install Tool* into hydraulic lash adjuster guide hole.

* Tool [KV10115700 (J38957)] is screwed into magnetic stand rod used with dial gauge.

GI

MA

EM

LC

EC

FE

CL

MT

AT

FA

RA

BR

ST

RS

BT

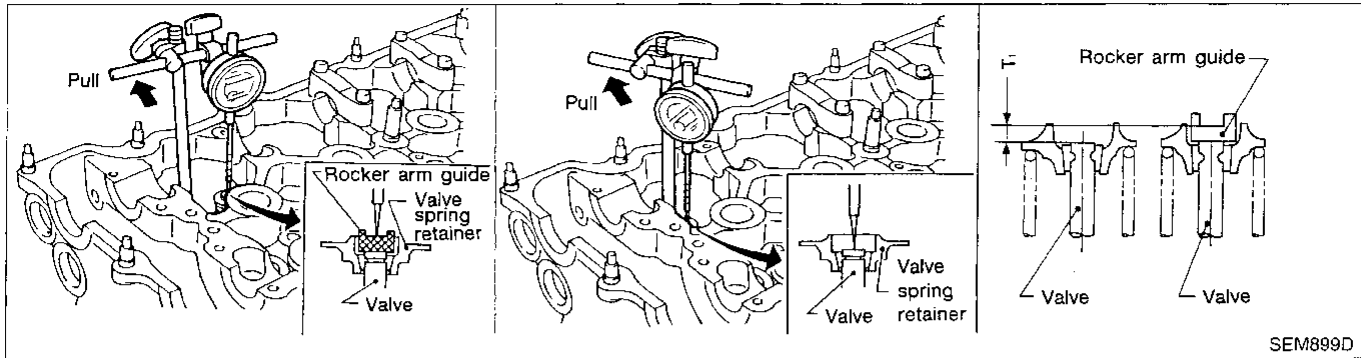
HA

EL

IDX

CYLINDER HEAD Assembly (Cont'd)

SR

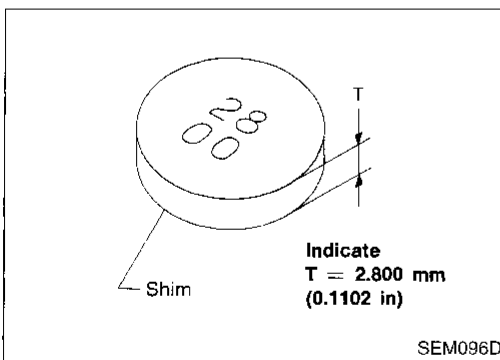


d. Before measuring, make sure the following parts are installed in the cylinder head:

- Valve
- Valve spring
- Collet
- Retainer
- Rocker arm guide (except shim)

On shim side, measure difference (T_1) between contact surfaces of rocker arm guide and valve stem end.

When measuring, lightly pull dial indicator rod toward you to eliminate play in Tool [KV10115700 (J38957)].



e. Select proper shim.

Shim thickness (T):

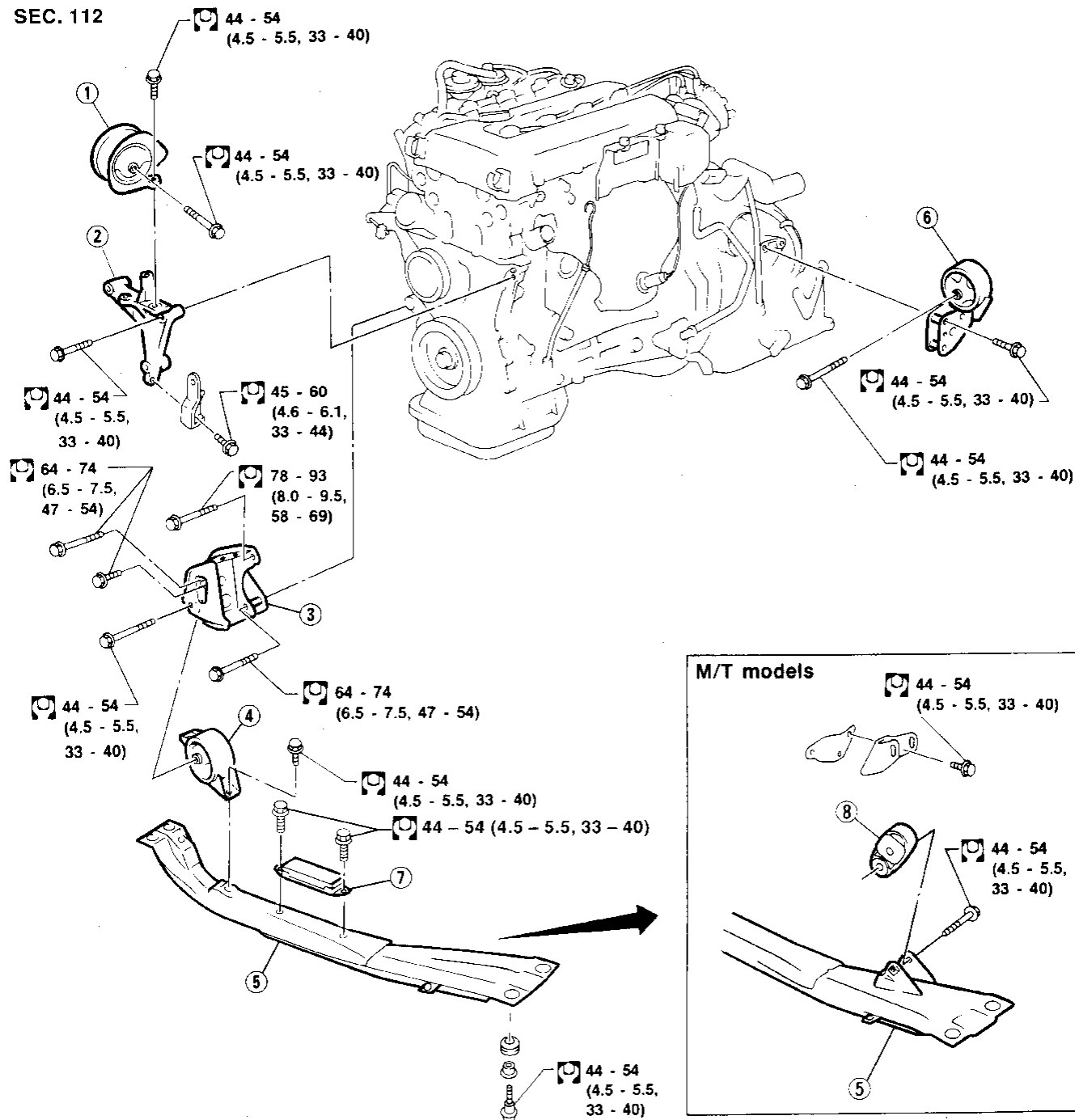
$$T_1 \pm 0.025 \text{ mm (0.0010 in)}$$

- Shims are available in thicknesses from 2.800 mm (0.1102 in) to 3.200 mm (0.1260 in) in steps of 0.025 mm (0.0010 in).

Installation

- The installation procedure is the same as for timing chain. Refer to EM-21.

SEC. 112



: N·m (kg-m, ft-lb)

① Engine front mounting

② Mounting bracket

③ Rear engine mounting bracket

④ Rear insulator

⑤ Center member

⑥ LH engine mounting

⑦ Dynamic damper (A/T models)

⑧ Buffer

AEM120

GI

MA

EM

LC

EC

FE

CL

MT

AT

FA

RA

BR

ST

RS

BT

HA

EL

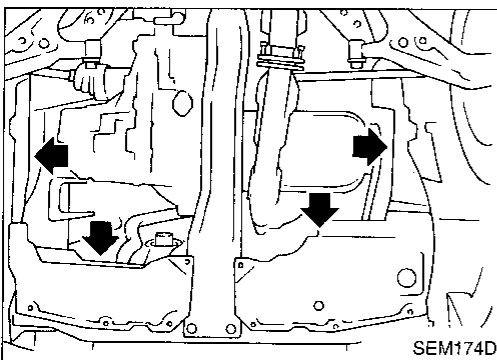
IDX

WARNING:

- Position vehicle on a flat and solid surface.
- Place chocks at front and back of rear wheels.
- Do not remove engine until exhaust system has completely cooled off.
Otherwise, you may burn yourself and/or fire may break out in fuel line.
- Before disconnecting fuel hose, release fuel pressure from fuel line. Refer to EC section (“Fuel Pressure Release”, “BASIC SERVICE PROCEDURE”).
- Before removing front axle from transaxle, place safety stands under designated front supporting points. Refer to GI section (“Garage Jack and Safety Stand”, “LIFTING POINTS AND TOW TRUCK TOWING”).
- Be sure to hoist engine and transaxle in a safe manner.
- For engines not equipped with engine slingers, attach proper slingers and bolts described in PARTS CATALOG.

CAUTION:

- When lifting engine, be sure to clear surrounding parts. Take special care near accelerator wire casing, brake lines and brake master cylinder.
- In hoisting the engine, always use engine slingers in a safe manner.
- In removing drive shaft, be careful not to damage grease seal of transaxle.
- Before separating engine and transaxle, remove the crankshaft position sensor (OBD) from the assembly.
- Always take extra care not to damage edge of crankshaft position sensor (OBD) or ring gear teeth.

**Removal**

1. Remove engine under covers and engine side cover.
2. Drain coolant from both cylinder block and radiator. Refer to MA section (“DRAINING ENGINE COOLANT”, “Changing Engine Coolant”).
3. Drain engine oil.
4. Remove air cleaner assembly and duct.
5. Remove the battery and battery tray.
6. Disconnect the following:
 - Vacuum hoses
 - Heater hoses
 - A/T cooler hoses
 - Power steering hoses
 - Fuel lines
 - Wires
 - Harnesses and harness connectors
 - Throttle cable
 - ASCD cable
 - A/T control cable
7. Remove the cooling fans, radiator and recovery tank.
8. Remove front LH and RH wheels and drive shafts. Refer to FA section (“Drive Shaft”, “FRONT AXLE”).

Removal (Cont'd)

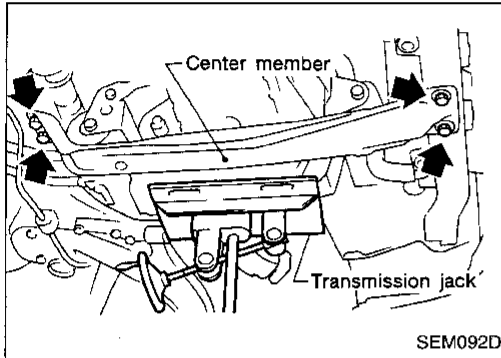
9. Remove front exhaust pipe.
10. Remove starter and intake manifold support.
11. Remove the drive belts.
12. Remove alternator and adjusting bracket.
13. Remove power steering pump and A/C compressor.
14. Set a suitable transmission jack under transaxle. Hoist engine with engine slinger.

GI
MA

EM

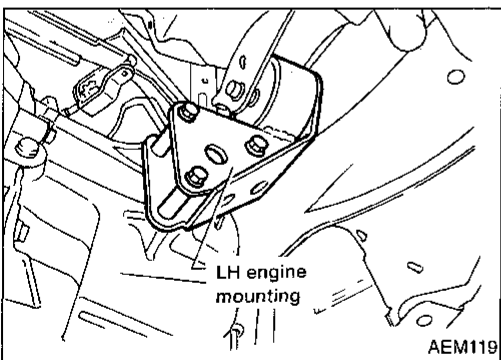
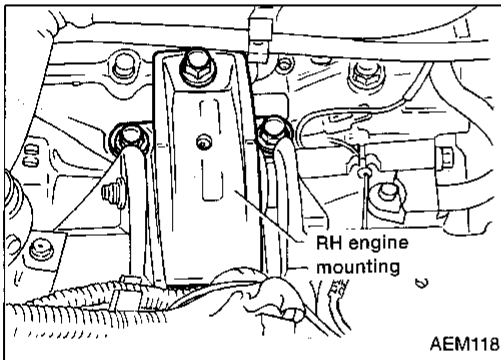
15. Remove center member.

LC
EC
FE
CL



16. Remove engine mounting bolts from both sides and then slowly lower transmission jack.

MT
AT
FA
RA

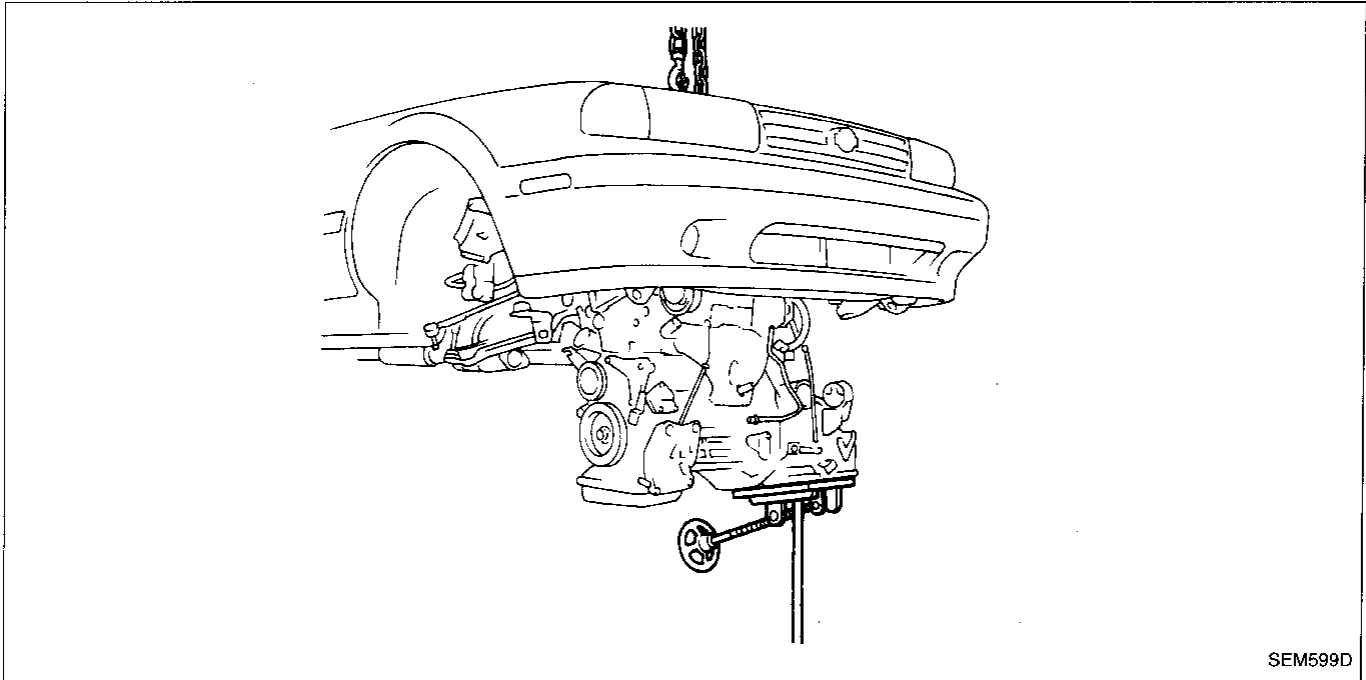


BR
ST
RS
BT
HA

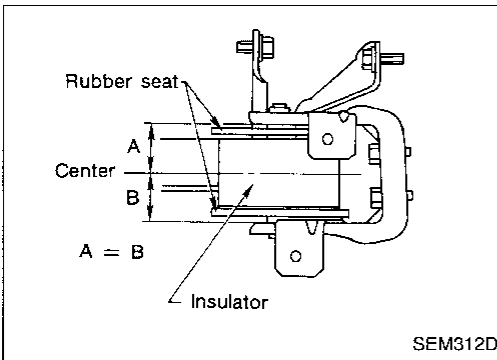
EL
IDX

Removal (Cont'd)

17. Remove engine with transaxle as shown.



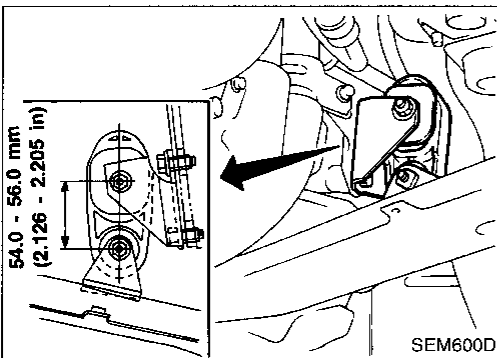
SEM599D



SEM312D

Installation

1. Install engine mounting bracket and fixing bolts.
Be sure that insulators are correctly positioned on the brackets.
2. Carefully lower the engine onto engine mounting insulators.



SEM600D

When installing the engine, adjust the height of the engine mounting as shown. (For M/T)

3. Install in the reverse order of removal.

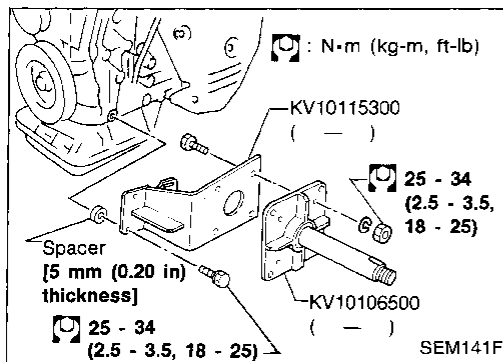
CAUTION:

- When installing sliding parts (bearings, pistons, etc.), lubricate contacting surfaces with new engine oil.
- Place removed parts such as bearings and bearing caps in their proper order and direction.
- When installing connecting rod nuts and main bearing cap bolts, apply new engine oil to threads and seating surfaces.
- Do not allow any magnetic materials to contact the ring gear teeth of flywheel or drive plate.

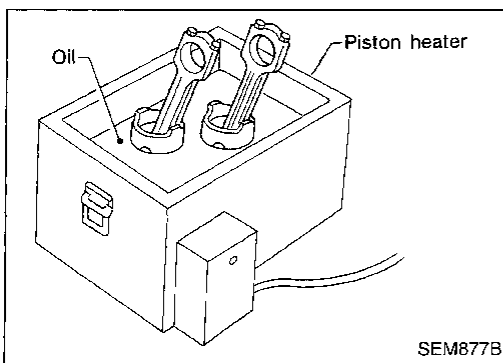
Disassembly

PISTON AND CRANKSHAFT

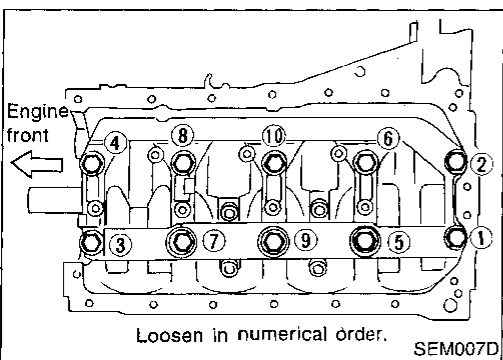
1. Place engine on engine stand (ST0501S000).
2. Remove cylinder head and timing chain. Refer to EM-16.
3. Remove oil pan. Refer to EM-11.
4. Remove pistons with connecting rods.
 - To disassemble piston and connecting rod, first remove snap rings. Heat piston to 60 to 70°C (140 to 158°F) then use piston pin press to remove pin.
 - When piston rings are not replaced, make sure that piston rings are mounted in their original positions.
 - When replacing piston rings, if there is no punchmark, install with either side up.
5. Remove rear oil seal retainer.
6. Remove bearing beam, bearing cap and crankshaft.
 - Before removing bearing cap, measure crankshaft end play. Refer to EM-59.
 - Bolts should be loosened in two or three steps.



SEM141F



SEM877B

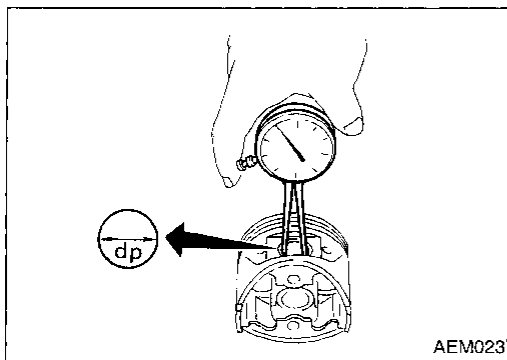


SEM007D

Inspection

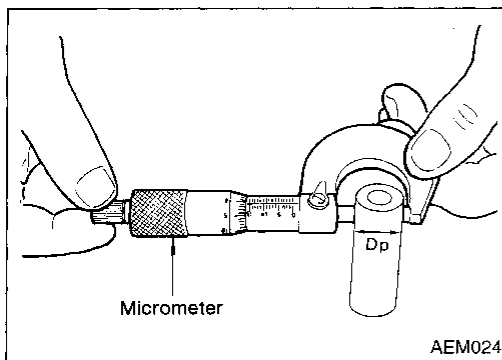
PISTON AND PISTON PIN CLEARANCE

1. Measure inner diameter of piston pin hole "dp".
Standard diameter "dp":
 21.987 - 21.999 mm (0.8656 - 0.8661 in)

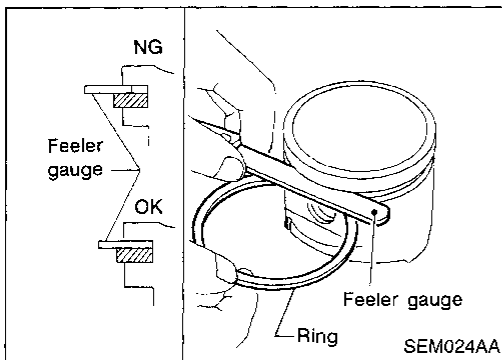


AEM023

Inspection (Cont'd)



2. Measure outer diameter of piston pin "Dp".
Standard diameter "Dp":
21.989 - 22.001 mm (0.8657 - 0.8662 in)
3. Calculate interference fit of piston pin to piston.
Dp - dp: 0 - 0.004 (0 - 0.0002 in)
 If it exceeds the above value, replace piston assembly with pin.

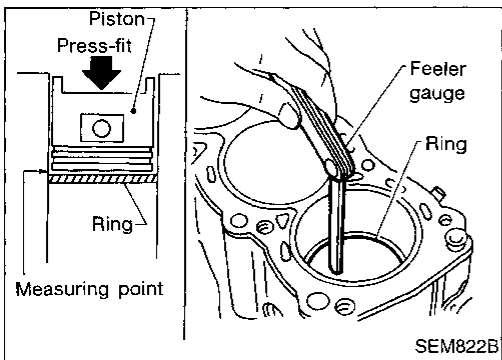


PISTON RING SIDE CLEARANCE

Side clearance:

- Top ring
0.045 - 0.080 mm (0.0018 - 0.0031 in)
- 2nd ring
0.030 - 0.065 mm (0.0012 - 0.0026 in)
- Max. limit of side clearance:
0.2 mm (0.008 in)

If out of specification, replace piston ring. If clearance exceeds maximum limit with new ring, replace piston.



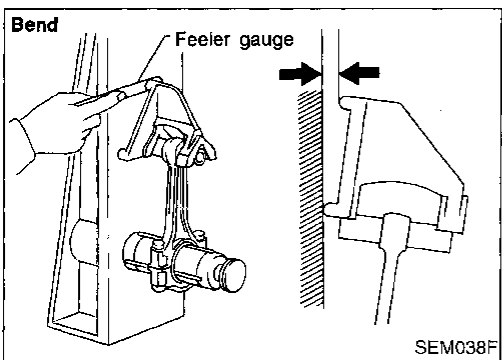
PISTON RING END GAP

End gap:

- Top ring **0.20 - 0.30 mm (0.0079 - 0.0118 in)**
- 2nd ring **0.35 - 0.50 mm (0.0138 - 0.0197 in)**
- Oil ring **0.20 - 0.60 mm (0.0079 - 0.0236 in)**
- Max. limit of ring gap:
1.0 mm (0.039 in)

If out of specification, replace piston ring. If gap exceeds maximum limit with a new ring, rebore cylinder and use oversized piston and piston rings. Refer to SDS, EM-112.

- When replacing the piston, check cylinder block surface for scratches or seizure. If scratches or seizure are found, hone or replace the cylinder block.



CONNECTING ROD BEND AND TORSION

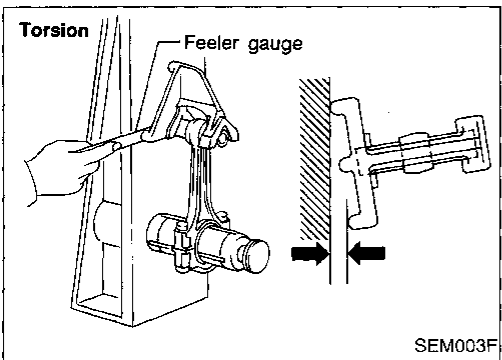
Bend:

- Limit **0.15 mm (0.0059 in)**
per 100 mm (3.94 in) length

Torsion:

- Limit **0.30 mm (0.0118 in)**
per 100 mm (3.94 in) length

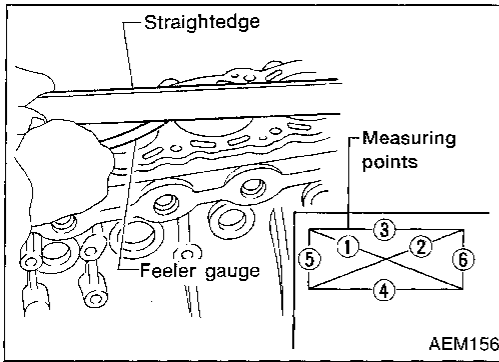
If it exceeds the limit, replace connecting rod assembly.



Inspection (Cont'd)

CYLINDER BLOCK DISTORTION AND WEAR

Clean upper surface of cylinder block.
Use a reliable straightedge and feeler gauge to check the flatness of cylinder block surface. Check along six positions shown in figure.



Block surface flatness:

Standard Less than 0.03 mm (0.0012 in)

Limit 0.10 mm (0.004 in)

If out of specification, resurface it.

The limit for cylinder block resurfacing is determined by cylinder head resurfacing.

Amount of cylinder head resurfacing is "A".

Amount of cylinder block resurfacing is "B".

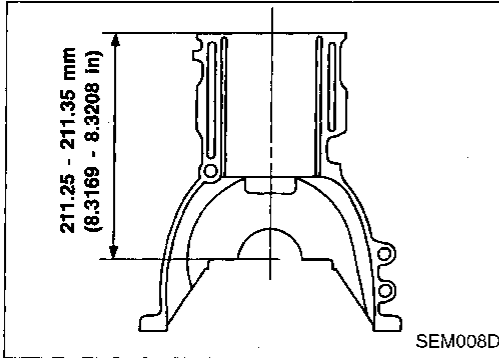
The maximum limit is as follows:

A + B = 0.2 mm (0.008 in)

Nominal cylinder block height from crankshaft center:

211.25 - 211.35 mm (8.3169 - 8.3208 in)

3. If necessary, replace cylinder block.



PISTON-TO-BORE CLEARANCE

1. Using a bore gauge, measure cylinder bore for wear, out-of-round and taper.

Standard inner diameter:

86.000 - 86.030 mm (3.3858 - 3.3870 in)

Wear limit: 0.20 mm (0.0079 in)

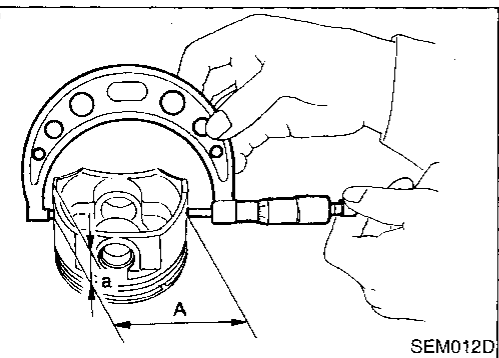
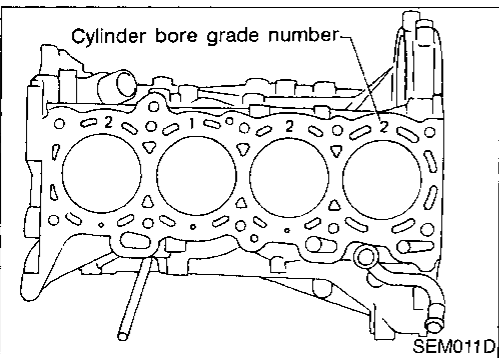
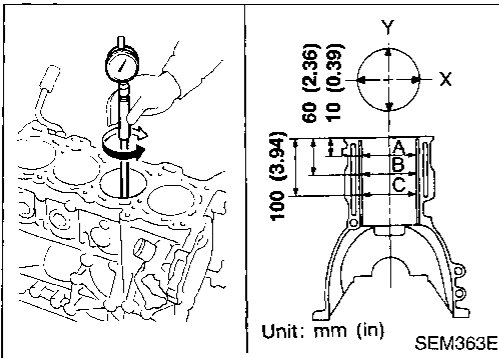
Out-of-round (X - Y) standard: 0.015 mm (0.0006 in)

Taper (A - B and A - C) standard: 0.010 mm (0.0004 in)

If it exceeds the limit, rebore all cylinders. Replace cylinder block if necessary.

2. Check for scratches and seizure. If seizure is found, hone it.

- If cylinder block and piston are replaced, match piston grade with grade number on cylinder block upper surface.



3. Measure piston skirt diameter.

Piston diameter "A": Refer to SDS, EM-112.

Measuring point "a" (Distance from the bottom):

14.0 mm (0.551 in)

4. Check that piston-to-bore clearance is within specification.

Piston-to-bore clearance:

0.010 - 0.030 mm (0.0004 - 0.0012 in)

5. Determine piston oversize according to amount of cylinder wear.

Oversize pistons are available for service. Refer to SDS, EM-112.

Inspection (Cont'd)

6. Cylinder bore size is determined by adding piston-to-bore clearance to piston diameter "A".

Rebored size calculation:

$$D = A + B - C$$

where,

D: Bored diameter

A: Piston diameter as measured

B: Piston-to-bore clearance

C: Honing allowance 0.02 mm (0.0008 in)

7. Install main bearing caps and tighten bolts to the specified torque. This will prevent distortion of cylinder bores.
- Otherwise, cylinder bores may be distorted in final assembly.
8. Cut cylinder bores.
- **When any cylinder needs boring, all other cylinders must also be bored.**
 - **Do not cut too much out of cylinder bore at a time. Cut only 0.05 mm (0.0020 in) or so at a time.**
- 9.hone cylinders to obtain specified piston-to-bore clearance.
10. Measure finished cylinder bore for out-of-round and taper.
- **Measurement should be done after cylinder bore cools down.**

GI

MA

EM

LC

EC

FE

CL

MT

AT

FA

RA

BR

ST

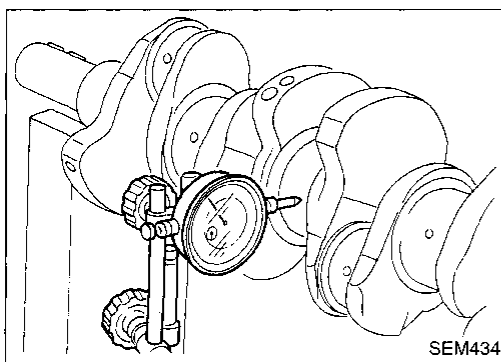
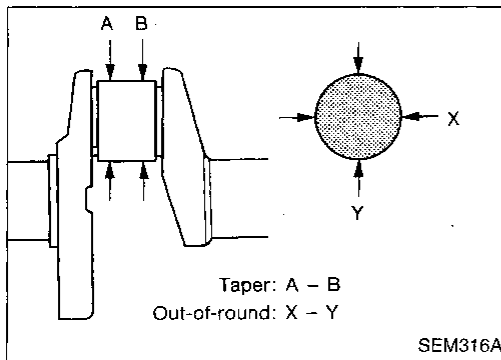
RS

BT

HA

EL

IDX



CRANKSHAFT

1. Check crankshaft main and pin journals for score, wear or cracks.
2. With a micrometer, measure journals for taper and out-of-round.

Out-of-round (X - Y):

Taper (A - B):

Main journal

Less than 0.005 mm (0.0002 in)

Pin journal

Less than 0.0025 mm (0.0001 in)

3. Measure crankshaft runout.

Runout (Total indicator reading):

Less than 0.05 mm (0.0020 in)

Inspection (Cont'd)

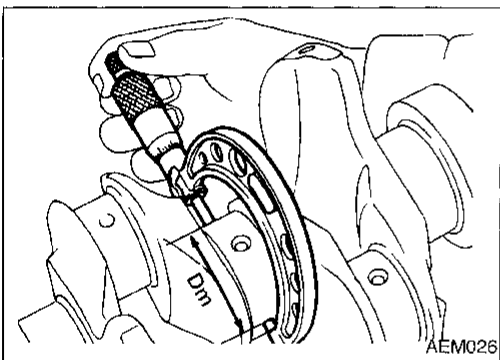
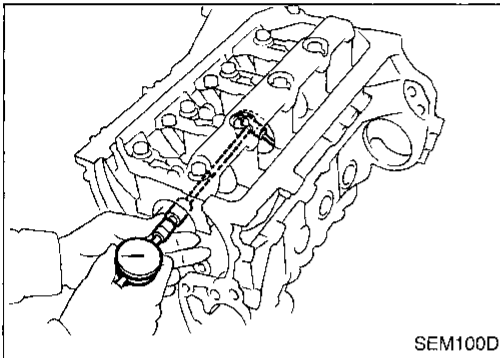
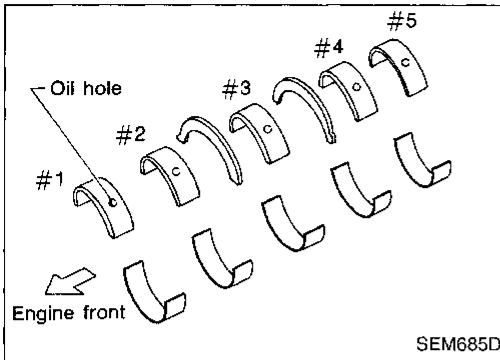
BEARING CLEARANCE

- Use Method A or Method B. Method A is preferred because it is more accurate.

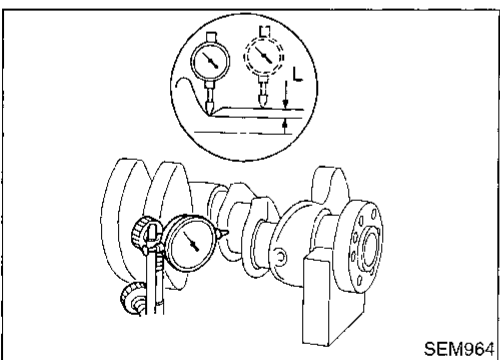
Method A (Using bore gauge & micrometer)

Main bearing

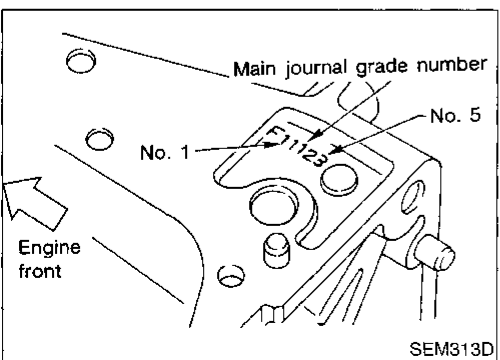
1. Set main bearings in their proper positions on cylinder block and main bearing cap.
 2. Install main bearing cap and main bearing beam to cylinder block.
- Tighten all bolts in correct order in two or three stages.**
3. Measure inner diameter "A" of each main bearing.



4. Measure outer diameter "Dm" of each crankshaft main journal.
 5. Calculate main bearing clearance.
Main bearing clearance = A - Dm
Standard: 0.004 - 0.022 mm (0.0002 - 0.0009 in)
Limit: 0.050 mm (0.0020 in)
If it exceeds the limit, replace bearing.
- If clearance cannot be adjusted within the standard of any bearing, grind crankshaft main journal and use undersized bearing.



- **When grinding crankshaft journal, confirm that "L" dimension in fillet roll is more than the specified limit.**
"L": 0.1 mm (0.004 in)
- **Refer to SDS, EM-113 for grinding crankshaft and available service parts.**



- If crankshaft is replaced, select thickness of main bearings as follows:
- a. Grade number of each cylinder block main journal is punched on the respective cylinder block. These numbers are punched in either Arabic or Roman numerals.

Inspection (Cont'd)

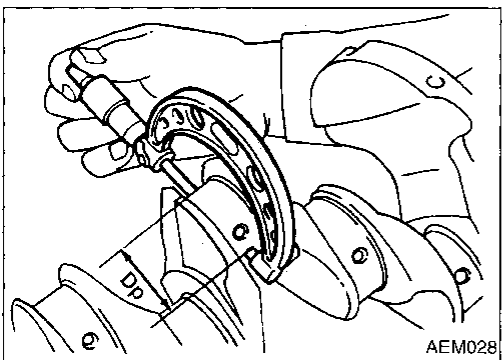
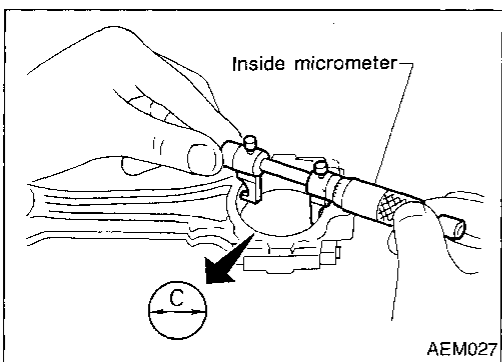
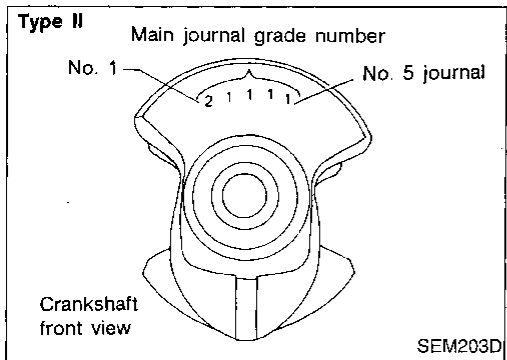
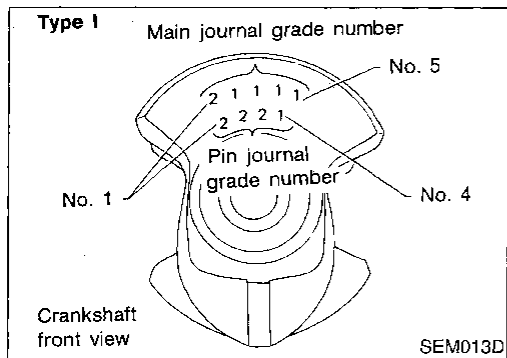
- b. Grade number of each crankshaft main journal is punched on the respective crankshaft. These numbers are punched in either Arabic or Roman numerals.
- c. Select main bearing with suitable thickness according to the following table.

How to select main bearings (Identification mark and color)

Crankshaft main journal grade number	Cylinder block main journal grade number			
	0	1	2	3
0	0 (A, Black)	1 (B, Brown)	2 (C, Green)	3 (D, Yellow)
1	1 (B, Brown)	2 (C, Green)	3 (D, Yellow)	4 (E, Blue)
2	2 (C, Green)	3 (D, Yellow)	4 (E, Blue)	5 (F, Pink)
3	3 (D, Yellow)	4 (E, Blue)	5 (F, Pink)	6 (G, No color)

For example:

Cylinder block main journal grade number: 1
 Crankshaft main journal grade number: 2
 Main bearing grade number = 1 + 2
 = 3 (D, Yellow)



Connecting rod bearing (Big end)

1. Install connecting rod bearing to connecting rod and cap.
2. Install connecting rod cap to connecting rod.
3. Measure inner diameter "C" of each bearing.

Tighten bolts to the specified torque.

4. Measure outer diameter "Dp" of each crankshaft pin journal.
5. Calculate connecting rod bearing clearance.

Connecting rod bearing clearance = C - Dp

Standard: 0.020 - 0.045 mm (0.0008 - 0.0018 in)

Limit: 0.065 mm (0.00256 in)

- If it exceeds the limit, replace bearing.
- If clearance cannot be adjusted using any standard bearing grade, grind crankshaft journal and use undersized bearing. Refer to EM-54 for fillet roll remarks, grinding crankshaft and available service parts.

GI

MA

EM

LC

EC

FE

CL

MT

AT

FA

RA

BR

ST

RS

BT

HA

EL

IDX

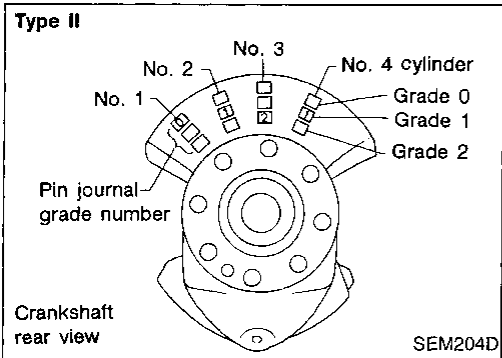
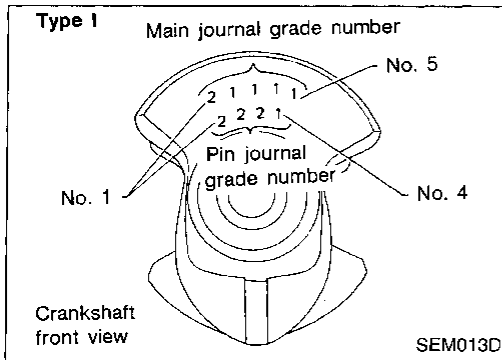
Inspection (Cont'd)

- If crankshaft is replaced with a new one, select connecting rod bearing according to the following table.

Connecting rod bearing grade number:

These numbers are punched in either Arabic or Roman numerals.

Crank pin grade number	Connecting rod bearing grade number
0	0
1	1
2	2

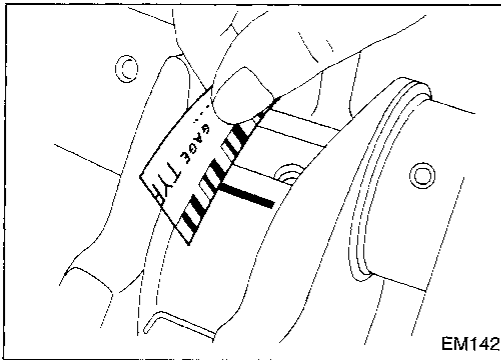


Identification color:
Grade 0; No color
Grade 1; Black
Grade 2; Brown

Method B (Using Plastigage)

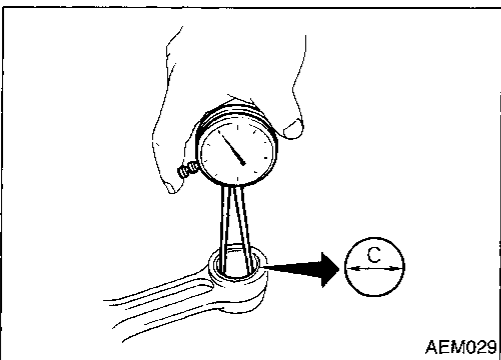
CAUTION:

- Do not turn crankshaft or connecting rod while Plastigage is being inserted.
- If incorrect bearing clearance exists, use a thicker or undersized main bearing to ensure specified clearance.



CONNECTING ROD BUSHING CLEARANCE (Small end)

1. Measure inner diameter "C" of bushing.



2. Measure outer diameter "Dp" of piston pin.
3. Calculate connecting rod bushing clearance.
Connecting rod bushing clearance = C - Dp

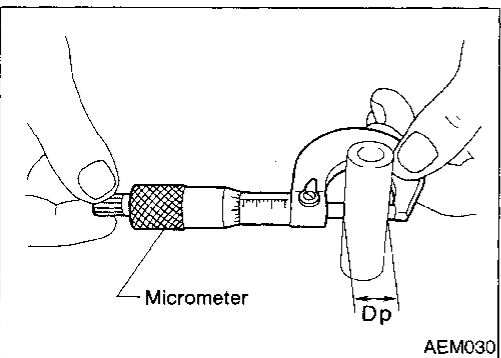
Standard:

0.005 - 0.017 mm (0.0002 - 0.0007 in)

Limit:

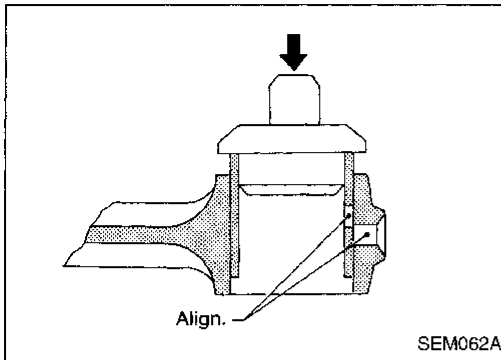
0.023 mm (0.0009 in)

If it exceeds the limit, replace connecting rod assembly or connecting rod bushing and/or piston set with pin.



Inspection (Cont'd)

REPLACEMENT OF CONNECTING ROD BUSHING (Small end)



1. Drive in small end bushing until it is flush with end surface of rod.

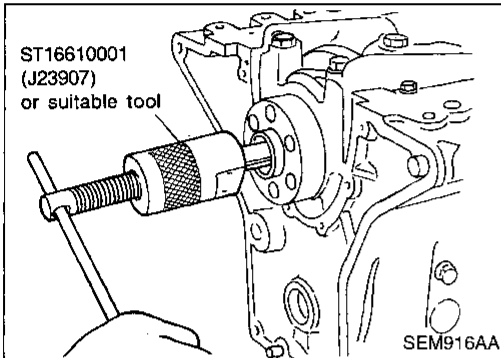
Be sure to align the oil holes.

2. Ream the bushing so that clearance with piston pin is within specification.

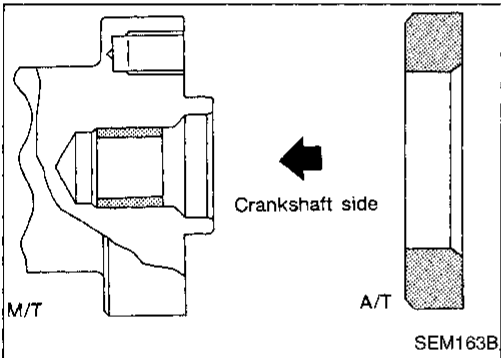
Clearance between connecting rod bushing and piston pin:

0.005 - 0.017 mm (0.0002 - 0.0007 in)

REPLACEMENT OF PILOT BUSHING (M/T) OR PILOT CONVERTER (A/T)



1. Remove pilot bushing or pilot converter using Tool or suitable tool.



2. Install pilot bushing or pilot converter as shown.

FLYWHEEL/DRIVE PLATE RUNOUT

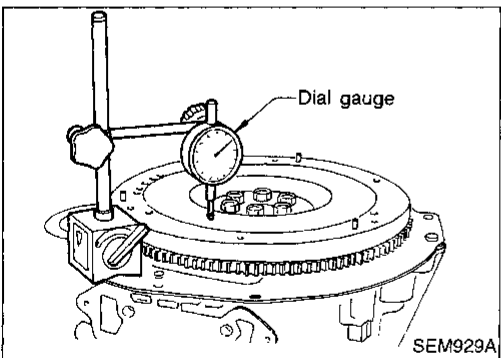
Runout (Total indicator reading):

Flywheel (M/T model)

Less than 0.15 mm (0.0059 in)

Drive plate (A/T model)

Less than 0.20 mm (0.0079 in)

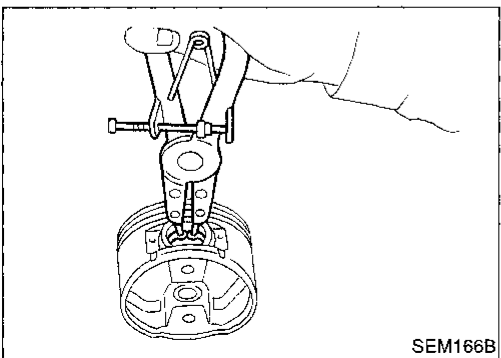


CAUTION:

Do not allow any magnetic materials to contact the ring gear teeth.

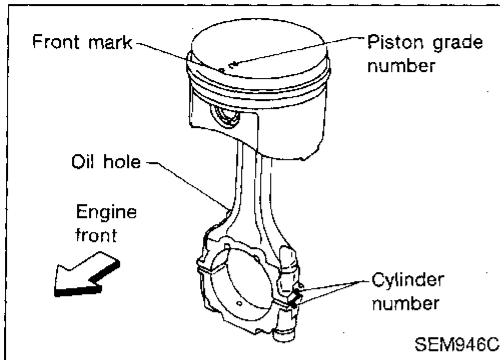
Assembly

PISTON

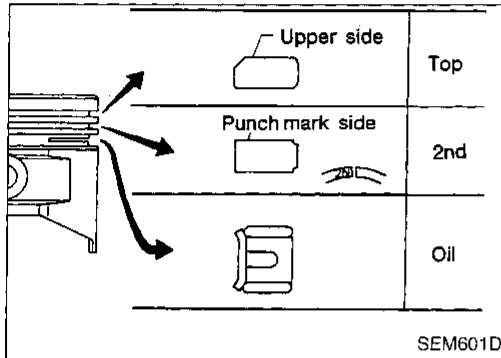


1. Install new snap ring on one side of piston pin hole.

Assembly (Cont'd)



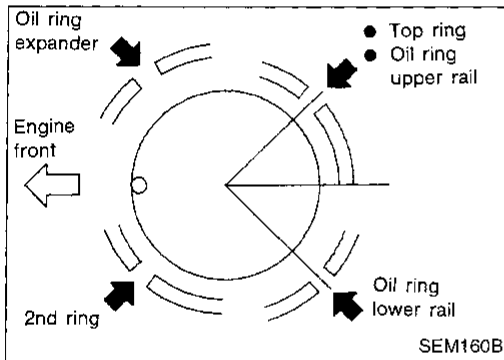
2. Heat piston to 60 to 70°C (140 to 158°F) and assemble piston, piston pin, connecting rod and new snap ring.
 - Align the direction of piston and connecting rod.
 - Numbers stamped on connecting rod and cap correspond to each cylinder.
 - After assembly, make sure connecting rod swings smoothly.



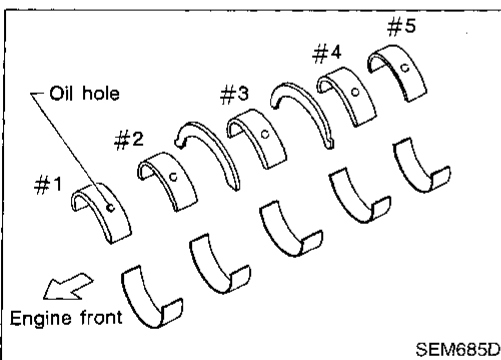
3. Set piston rings as shown.

CAUTION:

- When piston rings are not replaced, make sure that piston rings are mounted in their original positions.
- Install new piston rings either side up if there is no punch mark.

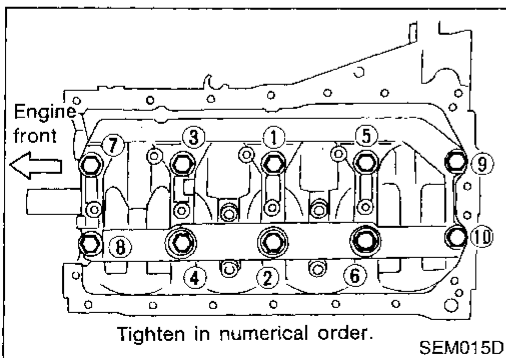


- Align piston rings so that end gaps are positioned as shown.



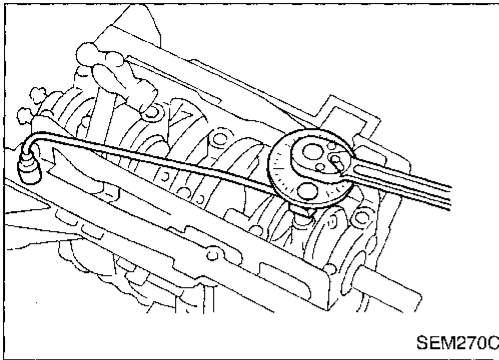
CRANKSHAFT

1. Set main bearings in their proper positions on cylinder block and main bearing cap.
 - Confirm that correct main bearings are selected by using Method A or Method B. Refer to EM-54.
 - Apply engine oil to bearing surfaces.



2. Install crankshaft, main bearing caps and beam and tighten bolts to the specified torque.
 - Prior to tightening bearing cap bolts, shift crankshaft back and forth to properly seat the bearing cap.
 - Apply engine oil to threads and seating surfaces of bearing cap bolts before installing them.
 - Tightening procedure:
 - a. Tighten all bolts to 26 to 32 N·m (2.7 to 3.3 kg-m, 20 to 24 ft-lb).

Assembly (Cont'd)



- b. Turn all bolts 75 to 80 degrees clockwise with Tool or suitable angle wrench.
- c. Loosen all bolts completely.
- d. Tighten all bolts to 32 to 38 N·m (3.3 to 3.9 kg·m, 24 to 28 ft·lb).

GI
MA

EM

LC

EC

FE

CL

MT

AT

FA

RA

BR

ST

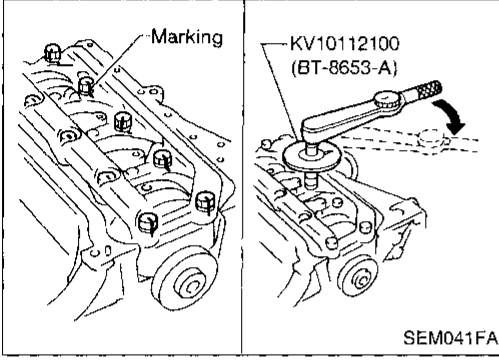
RS

BT

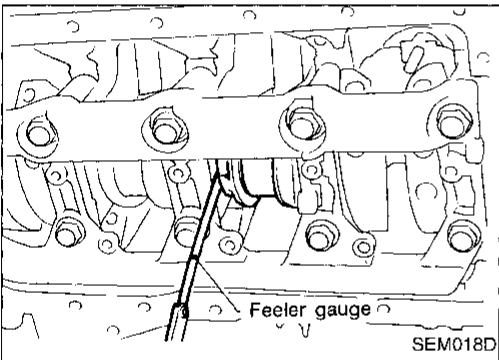
HA

EL

IDX



- e. Turn all bolts 45 to 50 degrees clockwise with Tool or suitable angle wrench.
 - If an angle wrench is not available, mark all bearing cap bolts on the side facing engine rear. Then, turn each bolt specified degrees clockwise. Confirm angle of degrees with a graduator, not by eye measurement.
 - After securing bearing cap bolts, make sure crankshaft turns smoothly by hand.



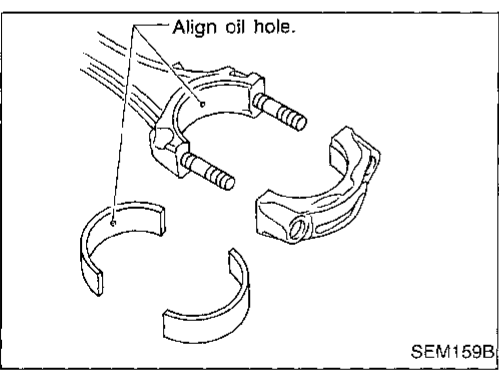
- 3. Measure crankshaft end play.

Crankshaft end play:

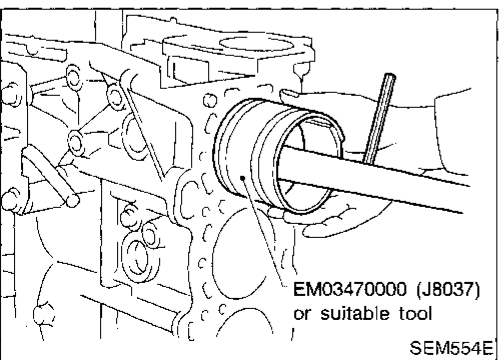
Standard
0.10 - 0.26 mm (0.0039 - 0.0102 in)

Limit
0.30 mm (0.0118 in)

If beyond the limit, replace thrust bearings with new ones.

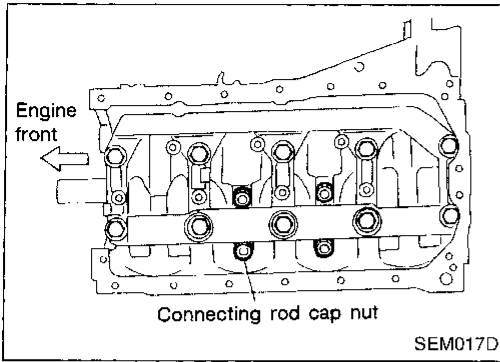


- 4. Install connecting rod bearings in connecting rods and connecting rod caps.
 - Confirm that correct bearings are used. Refer to EM-55.
 - Install bearings so that oil hole in connecting rod aligns with oil hole of bearing.
 - Apply engine oil to bolt threads and bearing surfaces.

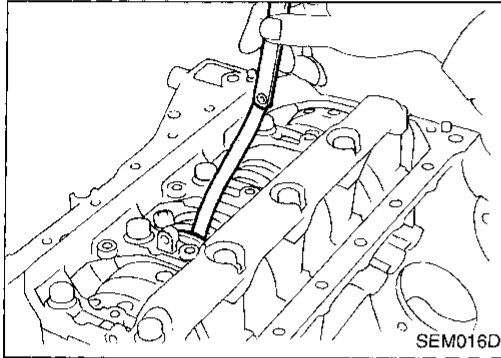


- 5. Install pistons with connecting rods.
 - a. Install them into corresponding cylinders with Tool.
 - Make sure connecting rod does not scratch cylinder wall.
 - Arrange so that front mark on piston head faces engine front.
 - Apply engine oil to piston rings and sliding surface of piston.

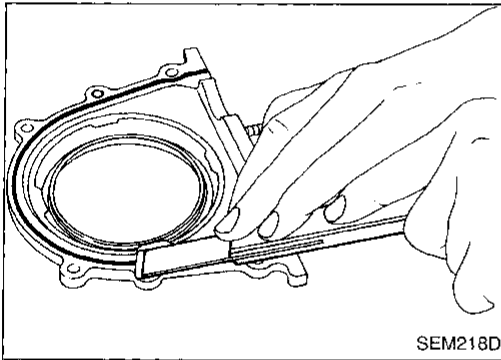
Assembly (Cont'd)



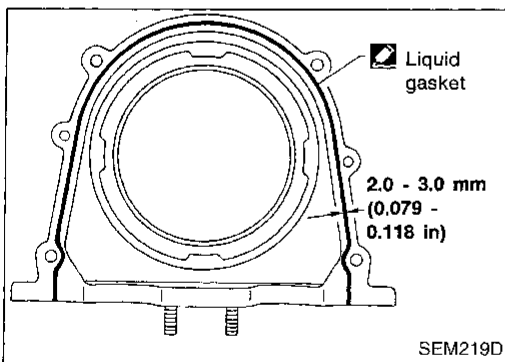
- b. Install connecting rod caps.
Tighten connecting rod cap nuts using the following procedure:
- 1) Tighten nuts to 14 to 16 N·m (1.4 to 1.6 kg-m, 10 to 12 ft-lb).
 - 2) Turn all nuts 60 to 65 degrees clockwise. If an angle wrench is not available, tighten nuts to 38 to 44 N·m (3.9 to 4.5 kg-m, 28 to 33 ft-lb).



6. Measure connecting rod side clearance.
Connecting rod side clearance:
- Standard**
0.20 - 0.35 mm (0.0079 - 0.0138 in)
- Limit**
0.50 mm (0.0197 in)
- If beyond the limit, replace connecting rod and/or crankshaft.

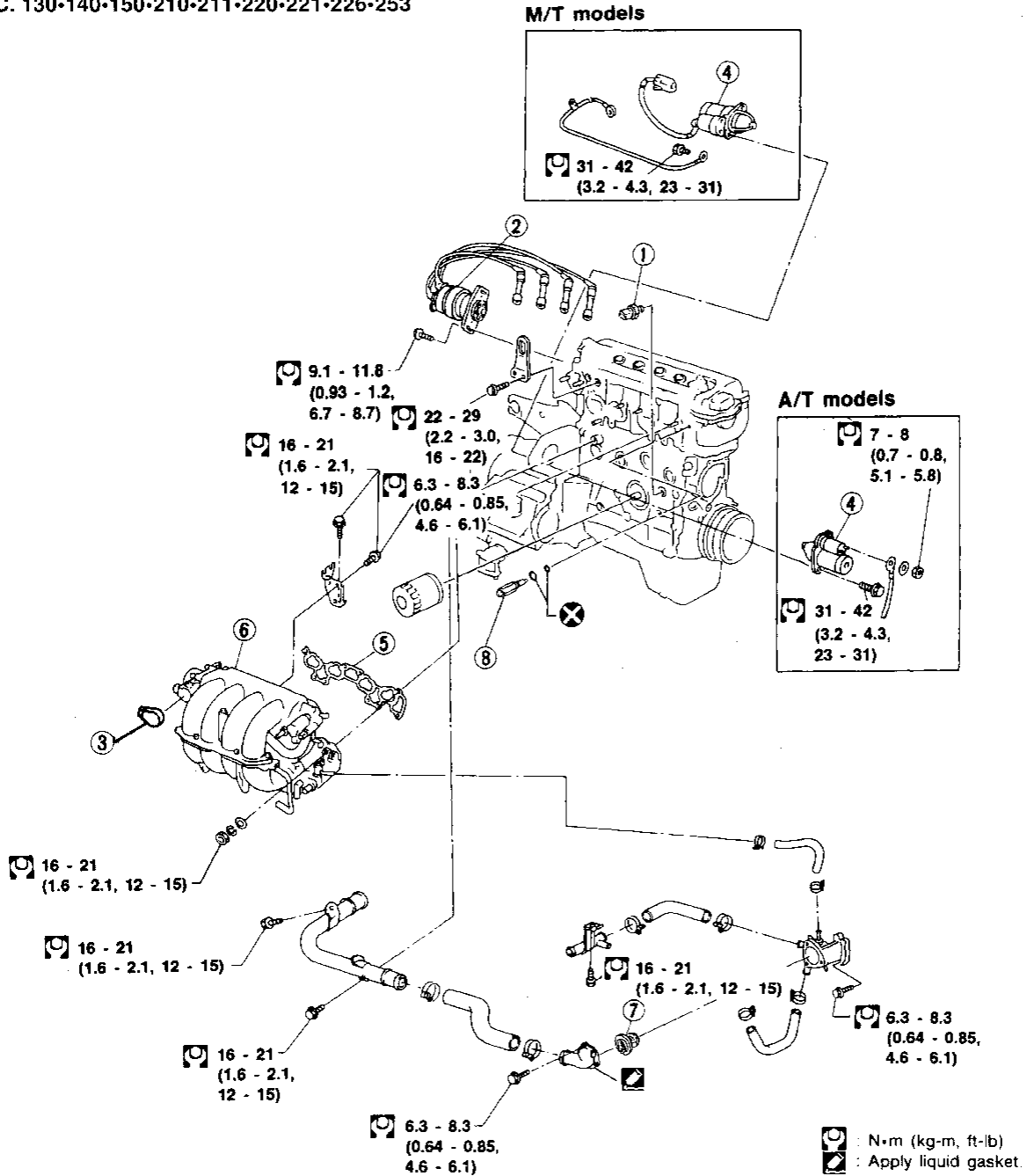


7. Install rear oil seal retainer.
- a. Before installing rear oil seal retainer, remove all traces of liquid gasket from mating surface using a scraper.
 - Also remove traces of liquid gasket from mating surface of cylinder block.



- b. Apply a continuous bead of liquid gasket to mating surface of rear oil seal retainer.
 - Use Genuine Liquid Gasket or equivalent.
 - Apply around inner side of bolt holes.

SEC. 130-140-150-210-211-220-221-226-253



- ① Oil pressure switch
- ② Camshaft position sensor built into distributor
- ③ Throttle position sensor

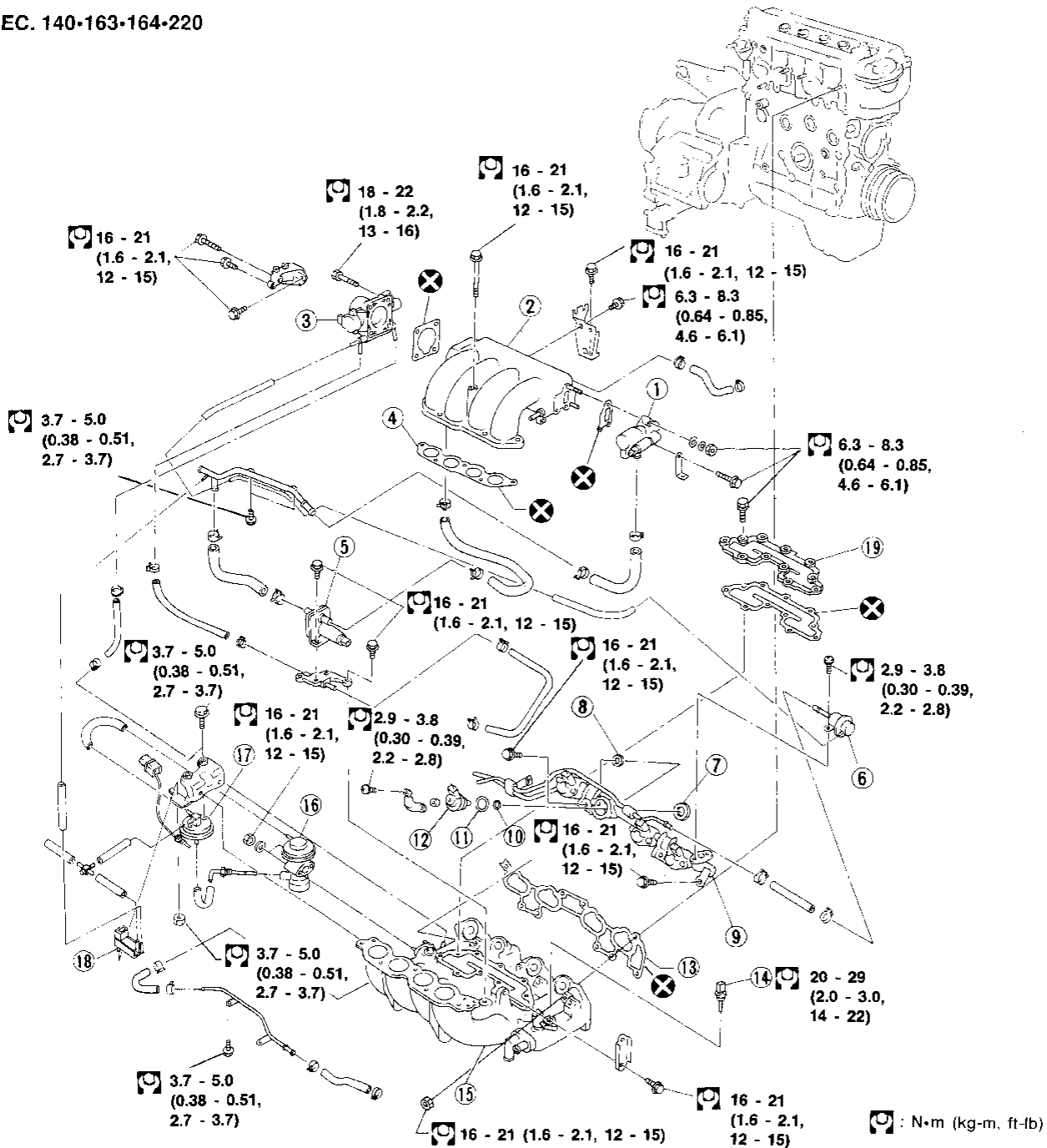
- ④ Starter motor
- ⑤ Intake manifold gasket
- ⑥ Intake manifold assembly

- ⑦ Thermostat
- ⑧ VTC solenoid valve

AEM157

GI
MA
EM
LC
EC
FE
CL
MT
AT
FA
RA
BR
ST
RS
BT
HA
EL
IDX

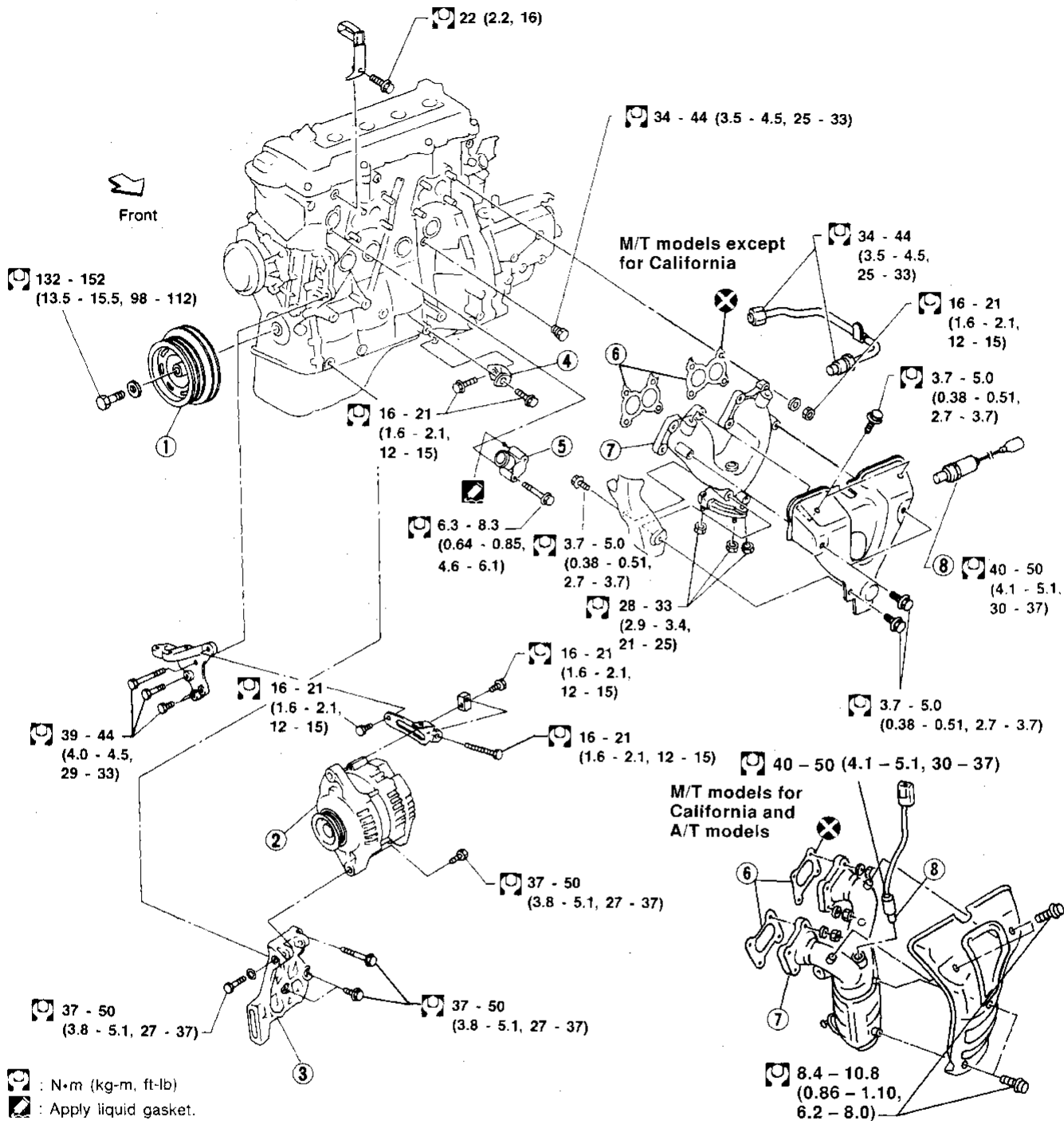
SEC. 140-163-164-220



AEM158

- | | | |
|-----------------------------|--------------------------|---|
| ① Idle air adjusting unit | ⑧ Insulator | ⑭ Engine coolant temperature sensor |
| ② Intake manifold collector | ⑨ Fuel gallery assembly | ⑮ Intake manifold |
| ③ Throttle body | ⑩ O-ring | ⑯ EGR valve |
| ④ Collector gasket | ⑪ O-ring | ⑰ EGRC-BPT valve |
| ⑤ IACV-air regulator | ⑫ Fuel injector | ⑱ EGR & canister control solenoid valve |
| ⑥ Fuel pressure regulator | ⑬ Intake manifold gasket | ⑲ EGR passage |
| ⑦ Insulator | | |

SEC. 110-120-140-208-210-220-226

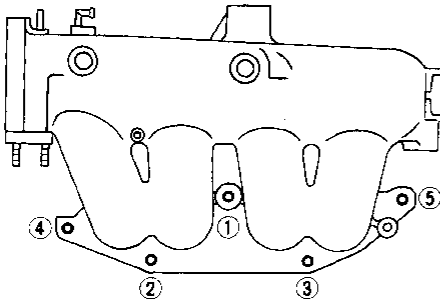


- | | | |
|--|---|---|
| <ul style="list-style-type: none"> ① Crankshaft pulley ② Generator ③ Compressor bracket | <ul style="list-style-type: none"> ④ Gusset ⑤ Water outlet ⑥ Exhaust manifold gasket | <ul style="list-style-type: none"> ⑦ Exhaust manifold ⑧ Front heated oxygen sensor (M/T models for California and A/T models) Front oxygen sensor (M/T models except for California) |
|--|---|---|

AEM159

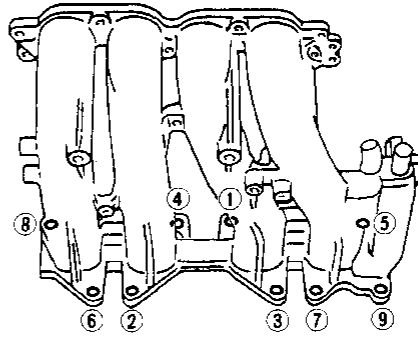
GI
 MA
EM
 LC
 EC
 FE
 CL
 MT
 AT
 FA
 RA
 BR
 ST
 RS
 BT
 HA
 EL
 IDX

***Intake manifold collector bolts tightening order**



Tighten in numerical order.

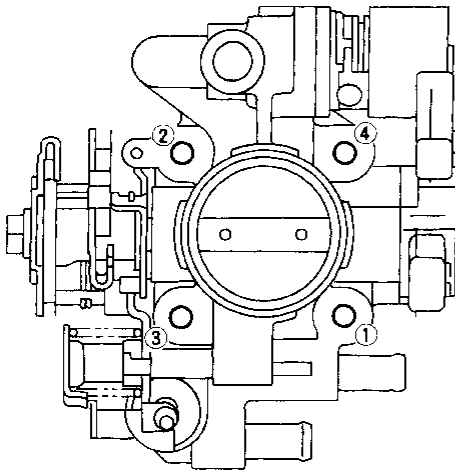
***Intake manifold bolts and nuts tightening order**



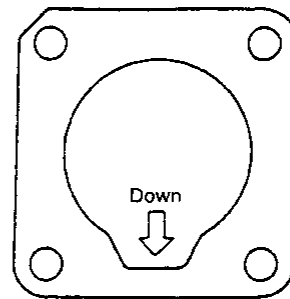
Tighten in numerical order.

***Throttle body bolts tightening procedure**

- 1) Tighten all bolts to 8.8 to 10.8 N·m (0.90 to 1.10 kg-m, 6.49 to 7.97 ft-lb)
 - 2) Tighten all bolts to 17.7 to 21.6 N·m (1.18 to 2.20 kg-m, 13.06 to 15.93 ft-lb)
- Make sure the direction of the gasket is as shown in figure.



Tighten in numerical order.

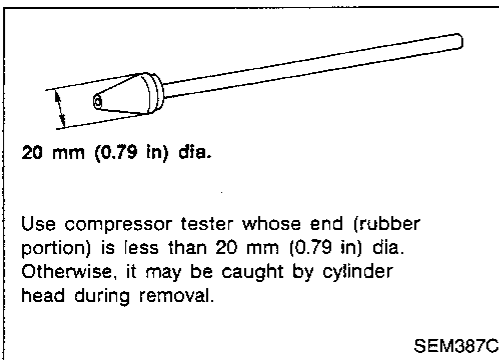
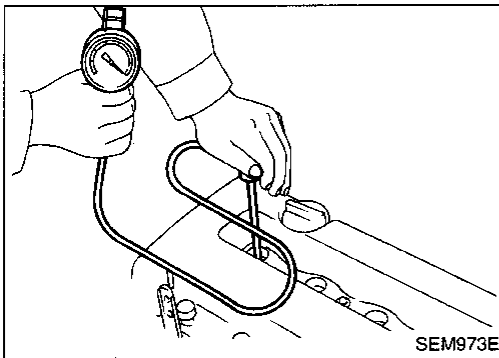


Gasket

SEM120F

Measurement of Compression Pressure

1. Warm up engine.
2. Turn ignition switch off.
3. Release fuel pressure.
Refer to EC section ("Fuel Pressure Release", "BASIC SERVICE PROCEDURE").
4. Remove all spark plugs.
5. Disconnect distributor coil connector.



6. Attach a compression tester to No. 1 cylinder.
7. Depress accelerator pedal fully to keep throttle valve wide open.
8. Crank engine and record highest gauge indication.
9. Repeat the measurement on each cylinder.
- **Always use a fully-charged battery to obtain specified engine speed.**

Compression pressure:

kPa (kg/cm², psi)/rpm

Standard

1,373 (14.0, 192)/350

Minimum

1,177 (12.0, 171)/350

Difference limit between cylinders

98 (1.0, 14)/350

10. If compression in one or more cylinders is low:
 - a. Pour a small amount of engine oil into cylinders through spark plug holes.
 - b. Re-test compression.
- **If adding oil helps compression, piston rings may be worn or damaged. If so, replace piston rings after checking piston.**
- **If pressure stays low, a valve may be sticking or seating improperly. Inspect and repair valve and valve seat. Refer to SDS, EM-117. If valve or valve seat is damaged excessively, replace them.**
- **If compression stays low in two cylinders that are next to each other:**
 - a. The cylinder head gasket may be leaking, or
 - b. Both cylinders may have valve component damage. Inspect and repair as necessary.

CI

MA

EM

LC

EC

FE

CL

MT

AT

FA

RA

BR

ST

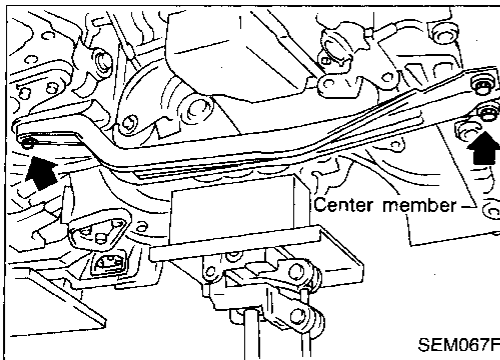
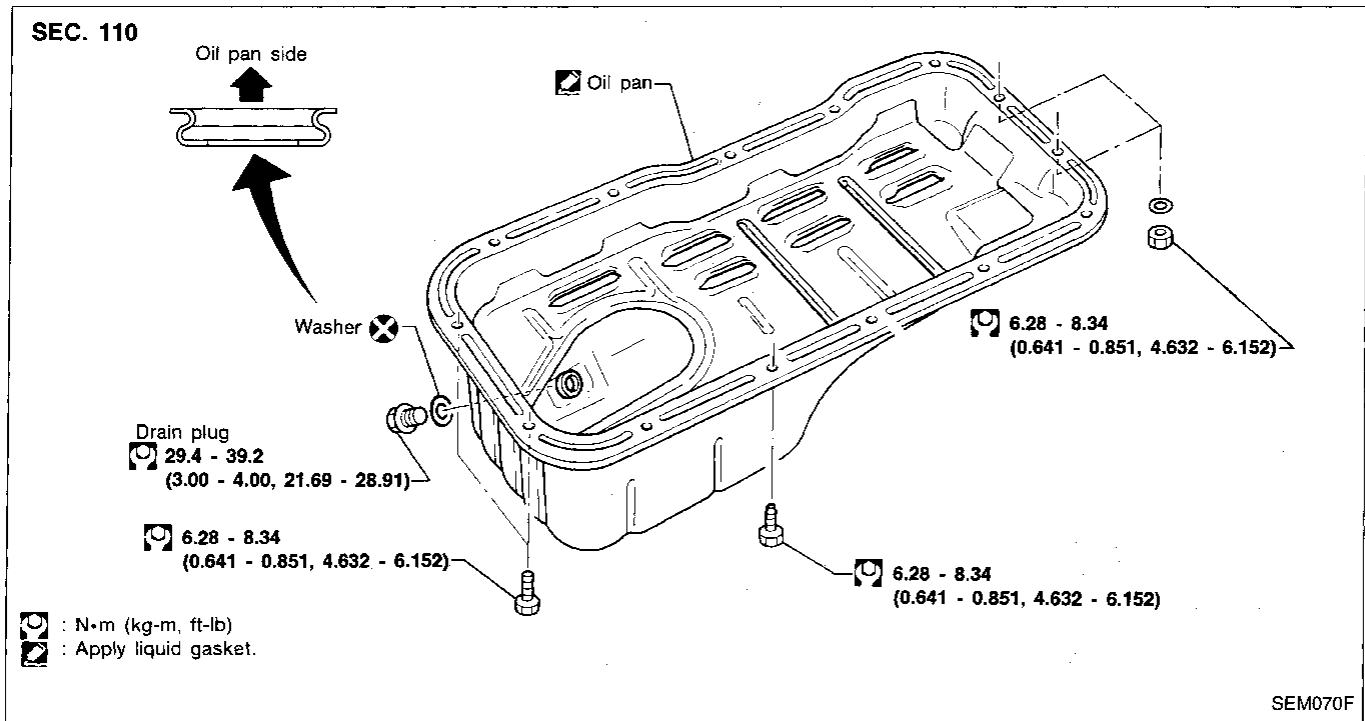
RS

BT

HA

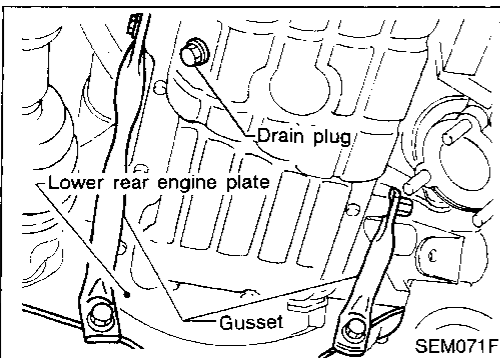
EL

IDX

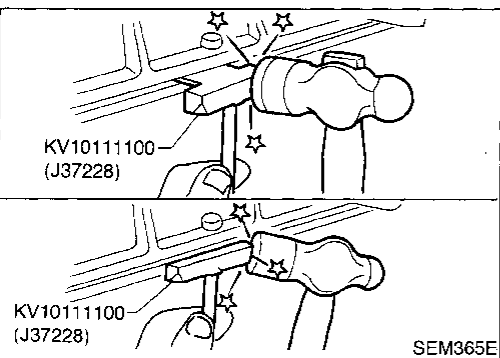


Removal

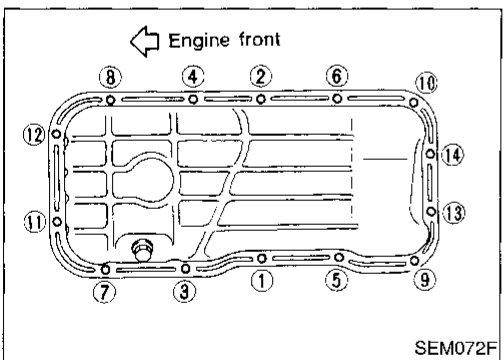
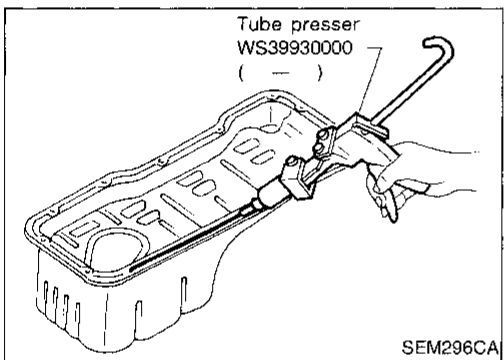
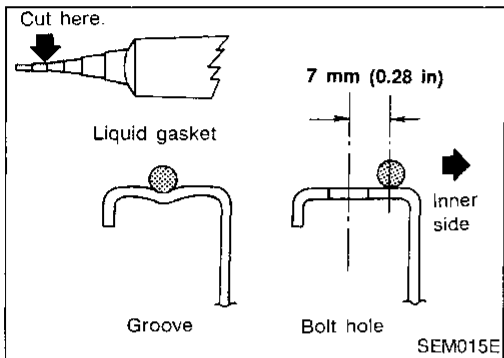
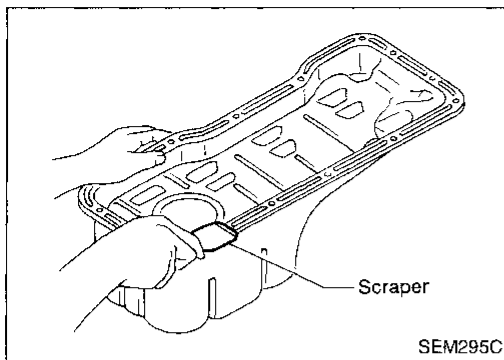
1. Remove engine RH side cover and under covers.
2. Drain engine oil.
3. Remove front exhaust tube.
Refer to FE section ("EXHAUST SYSTEM").
4. Remove center member.



5. Remove front and rear engine gussets.
6. Remove rear plate cover (A/T models).



7. Remove oil pan.
 - a. Insert Tool between cylinder block and oil pan.
 - **Be careful not to damage aluminum mating face.**
 - **Do not insert screwdriver, or oil pan flange will be damaged.**
 - b. Slide Tool by tapping on the side of the Tool with a hammer.



Installation

1. Use a scraper to remove all traces of liquid gasket from mating surfaces.
 - Also remove traces of liquid gasket from mating surface of cylinder block.

2. Apply a continuous bead of liquid gasket to mating surface of oil pan.
 - Use Genuine Liquid Gasket or equivalent.
 - Apply to groove on mating surface.
 - Allow 7 mm (0.28 in) clearance around bolt holes.

- Be sure liquid gasket diameter is 3.5 to 4.5 mm (0.138 to 0.177 in).
- Attaching should be done within 5 minutes after coating.

3. Install oil pan.
 - Tighten oil pan nuts and bolts in the numerical order.
 - Wait at least 30 minutes before refilling engine oil.
4. Install all other removed parts in the reverse order of removal.

GI

MA

EM

LC

EC

FE

CL

MT

AT

FA

PA

BR

ST

RS

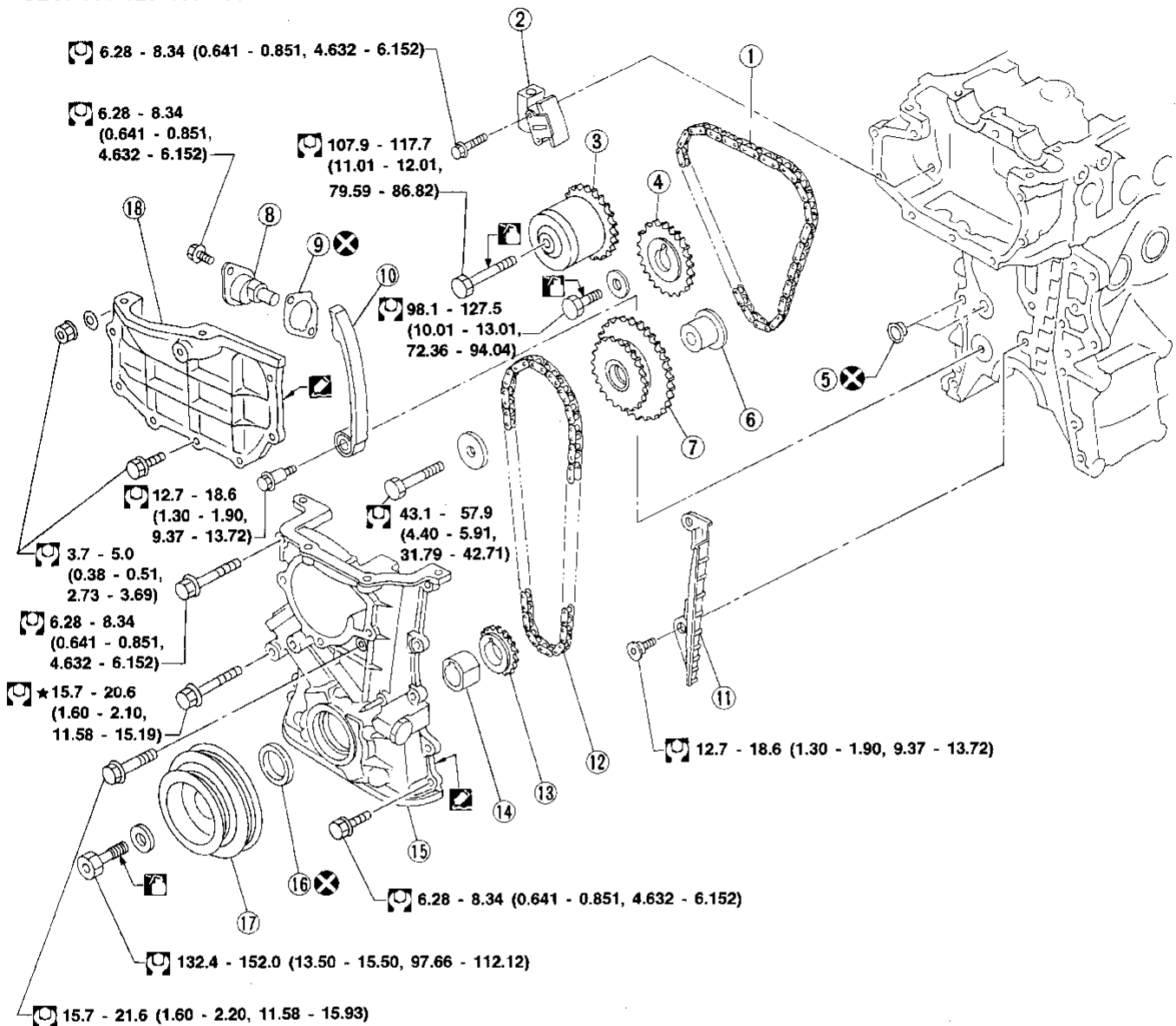
BT

HA

EL

IDX

SEC. 111-120-130-135



- : N·m (kg-m, ft-lb)
- : Apply liquid gasket.
- : Lubricate with new engine oil.
- ★ : Located on power steering pump adjusting bar

SEM121F

- | | | |
|----------------------------------|---------------------------------|-----------------------------|
| ① Upper timing chain | ⑦ Idler sprocket | ⑬ Crankshaft sprocket |
| ② Upper timing chain tensioner | ⑧ Lower chain tensioner | ⑭ Oil pump drive spacer |
| ③ VTC camshaft sprocket (Intake) | ⑨ Gasket | ⑮ Front cover |
| ④ Camshaft sprocket (Exhaust) | ⑩ Slack side timing chain guide | ⑯ Oil seal |
| ⑤ O-ring | ⑪ Timing chain tension guide | ⑰ Crankshaft pulley |
| ⑥ Idler shaft | ⑫ Lower timing chain | ⑱ Cylinder head front cover |

CAUTION:

- After removing timing chain, do not turn crankshaft and camshaft separately, or valves will strike piston heads.
- When installing camshafts, chain tensioner, oil seals, or other sliding parts, lubricate contacting surfaces with new engine oil.
- Apply new engine oil to bolt threads and seat surfaces when installing cylinder head, camshaft sprocket, crankshaft pulley, and camshaft brackets.

CI

MA

EM

LC

EC

FE

CL

MT

AT

FA

RA

BR

ST

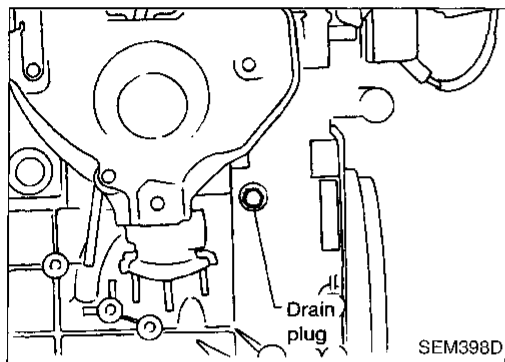
RS

BT

HA

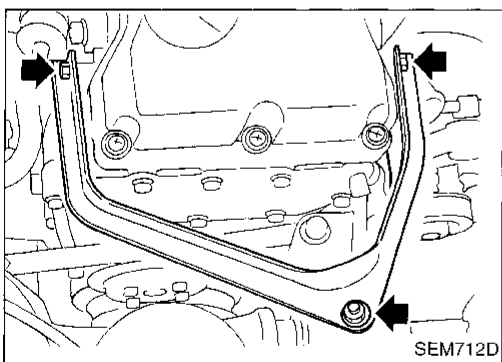
EL

IDX

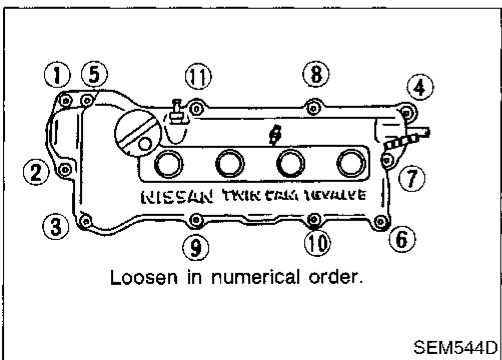


Removal

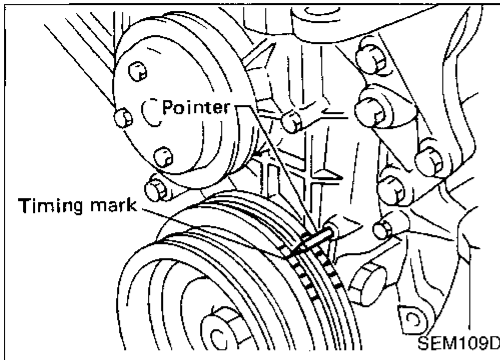
1. Drain engine coolant from radiator and cylinder block. Be careful not to spill coolant on drive belts.
2. Release fuel pressure. Refer to EC section ("Fuel Pressure Release", "BASIC SERVICE PROCEDURE").
3. Remove drive belts.
4. Remove power steering pulley and pump with bracket.
5. Remove air duct to intake manifold collector.
6. Remove front RH wheel.
7. Remove engine side cover.
8. Remove front under covers.
9. Remove front exhaust tube.



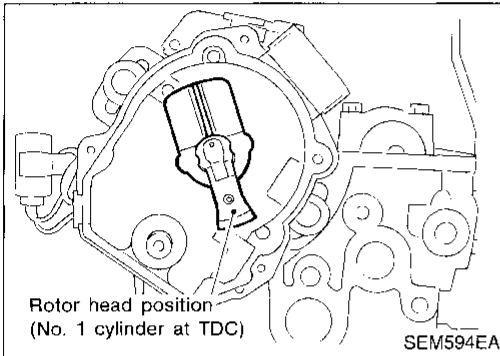
10. Remove cylinder head front mounting bracket.



11. Remove rocker cover.
 - Loosen bolts in numerical order.
12. Remove distributor cap.
13. Remove all spark plugs.
14. Remove intake manifold support.

TIMING CHAIN**Removal (Cont'd)**

15. Set No. 1 piston at TDC on its compression stroke.

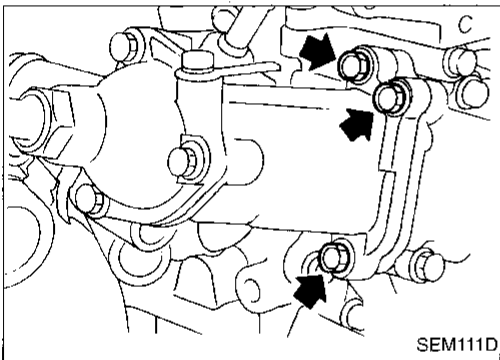


- Make sure No. 1 cylinder is at TDC by looking at distributor rotor position.

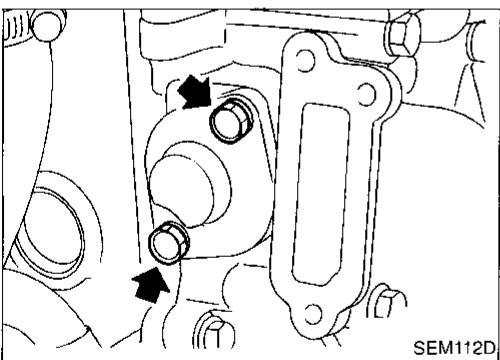
16. Remove distributor.

17. Remove cylinder head front cover.

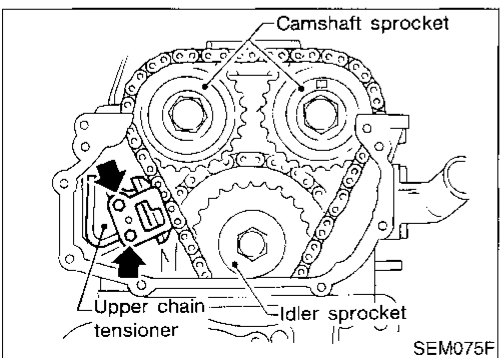
18. Remove water pump pulley.



19. Remove thermostat housing.



20. Remove lower chain tensioner.



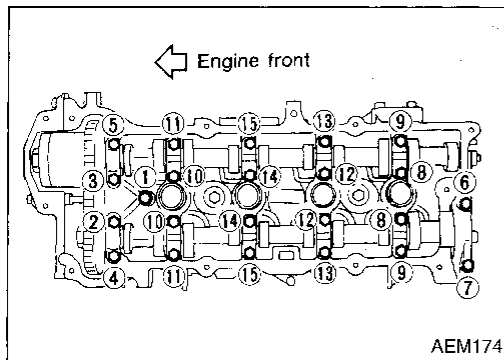
21. Remove upper chain tensioner and slack side timing chain guide.

22. Loosen idler sprocket bolt.

23. Remove camshaft sprocket bolts.

24. Remove camshaft sprockets.

Removal (Cont'd)



25. Remove camshaft brackets and camshafts.

- These parts should be reassembled in their original positions.
- Loosen cylinder head bolts in two or three steps.

26. Remove idler sprocket bolt.

27. Remove cylinder head with manifolds.

- Head warpage or cracking could result from removing in incorrect order.
- Loosen cylinder head bolts in two or three steps.

28. Remove idler sprocket shaft from rear side.

29. Remove upper timing chain.

30. Remove center member.

31. Remove oil pan. Refer to EM-66.

32. Remove oil strainer.

33. Remove crankshaft pulley.

34. Support engine with a suitable jack.

GI

MA

EM

LC

EC

FE

CL

WT

AT

FA

RA

BR

ST

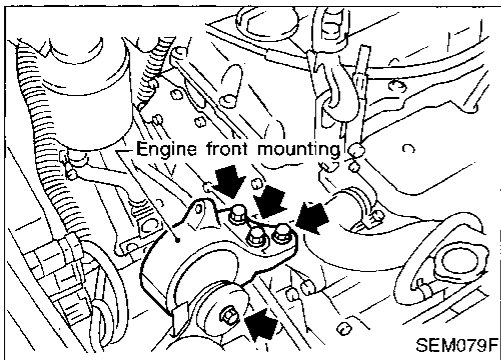
RS

BT

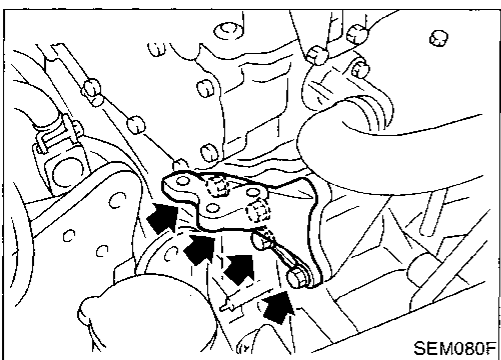
HA

EL

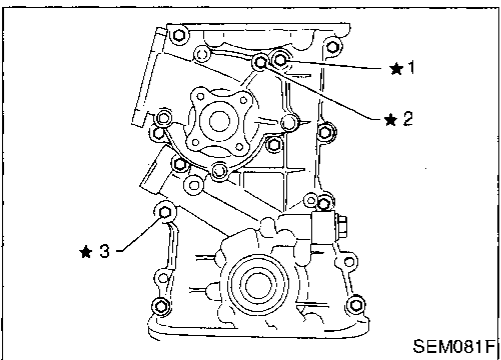
IDX



35. Remove engine front mounting bracket.



36. Remove engine front mounting bracket.



37. Remove front cover bolts and front cover as shown.

CAUTION:

One bolt is located on water pump.

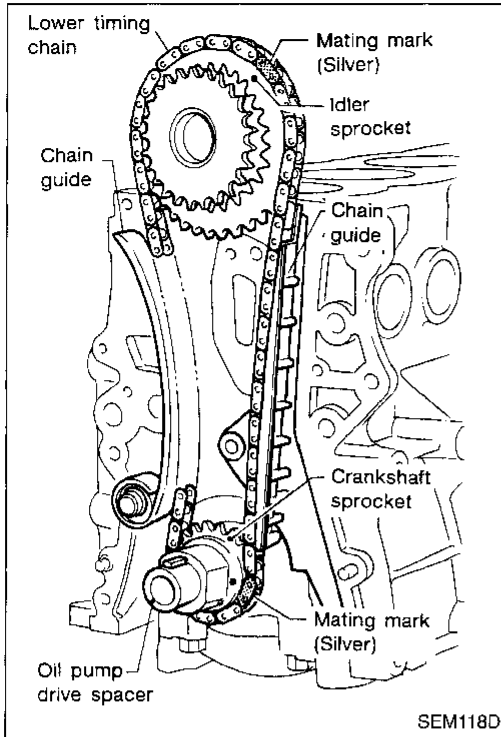
*1: Located on engine front mounting bracket

*2: Located on water pump

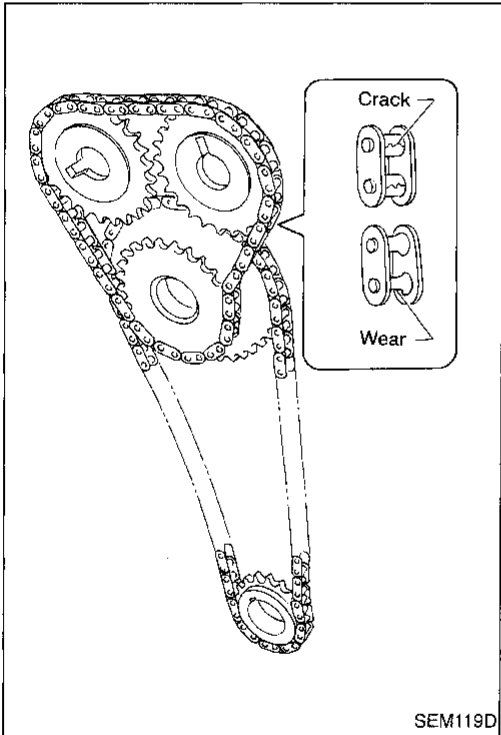
*3: Located on power steering pump adjusting bar

TIMING CHAIN

Removal (Cont'd)

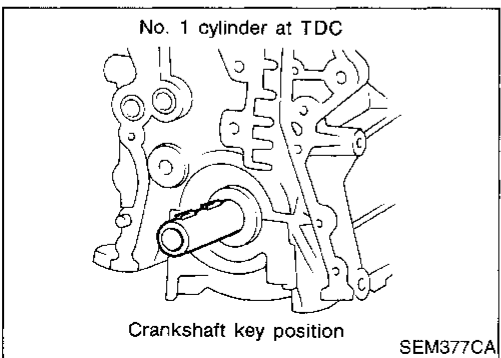


38. Remove idler sprocket.
39. Remove lower timing chain.
40. Remove oil pump drive spacer.
41. Remove chain guide.
42. Remove crankshaft sprocket.



Inspection

Check for cracks and excessive wear at roller links.
Replace if necessary.

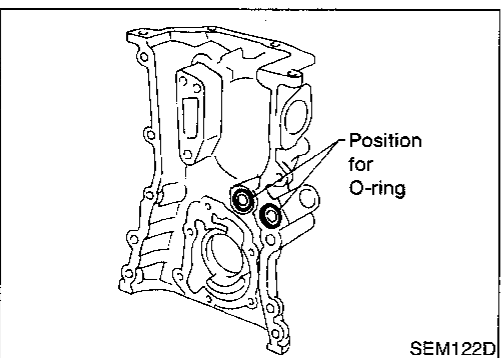
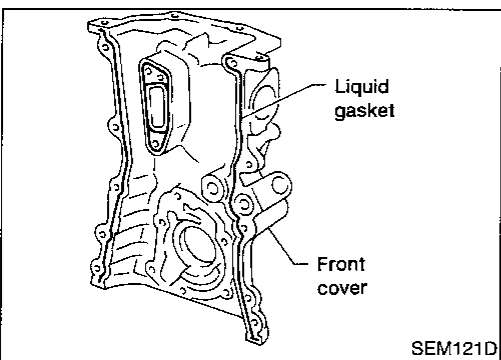
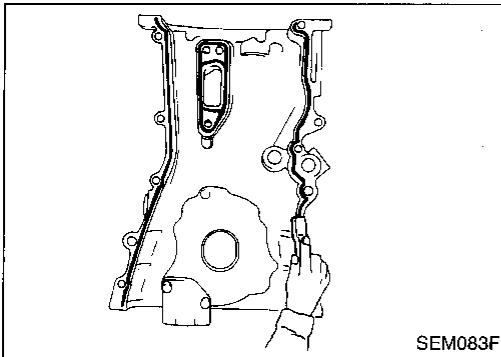
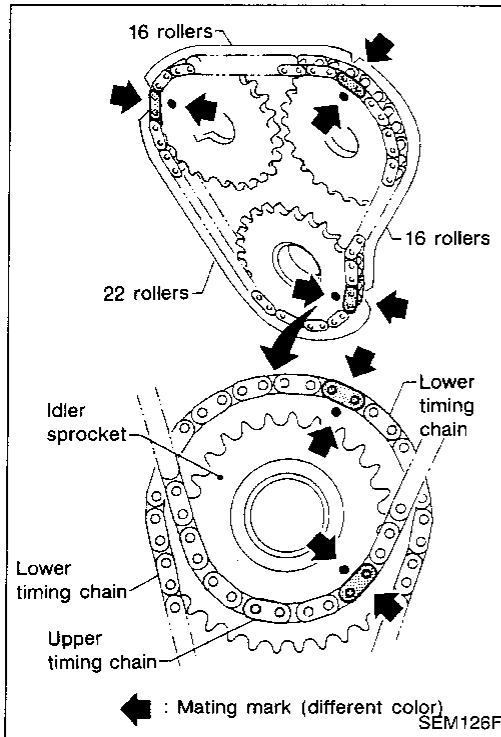


Installation

1. Position crankshaft so that No. 1 piston is at TDC and key way is at 12 o'clock.
 - a. Install crankshaft sprocket.
 - **Make sure mating marks on crankshaft sprocket face front of engine.**
 - b. Install oil pump drive spacer.

TIMING CHAIN

Installation (Cont'd)



2. Install chain guide.
3. Install crankshaft sprocket and lower timing chain.
 - **Set timing chain by aligning its mating mark with the one on crankshaft sprocket.**
 - **Make sure sprocket's mating mark faces engine front.**
 - **The number of links between the alignment marks are the same for the left and right sides, so either side can be used during alignment with the sprocket.**
4. Install front cover.
 - a. Use a scraper to remove all traces of old liquid gasket from mating surface of front cover.
 - b. Also remove traces of liquid gasket from mating surface of cylinder block.
 - c. Apply liquid gasket to front cover.
 - **Check alignment of mating marks on chain and crankshaft sprocket.**
 - **Align oil drive spacer with oil pump.**
 - **Put chain to the side of chain guide so that chain does not make contact with water seal area of front cover.**
 - **Make sure two O-rings are present.**
 - **Be careful not to damage oil seal when installing front cover.**
5. Install engine front mounting bracket and mounting.
6. Install oil strainer.
7. Install oil pan. Refer to EM-67.
8. Install crankshaft pulley.
9. Install center member.

GI

MA

EM

LG

EC

FE

CL

MT

AT

FA

RA

BR

ST

RS

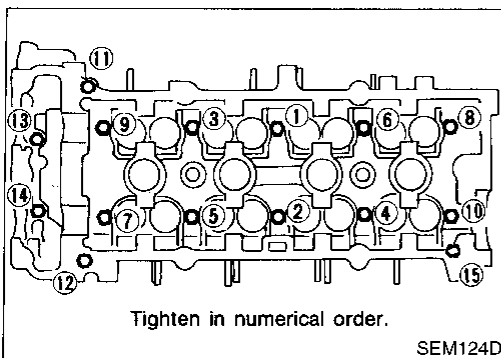
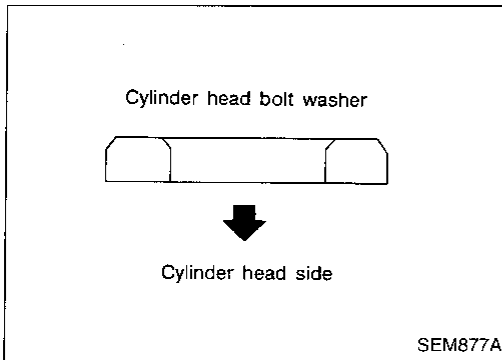
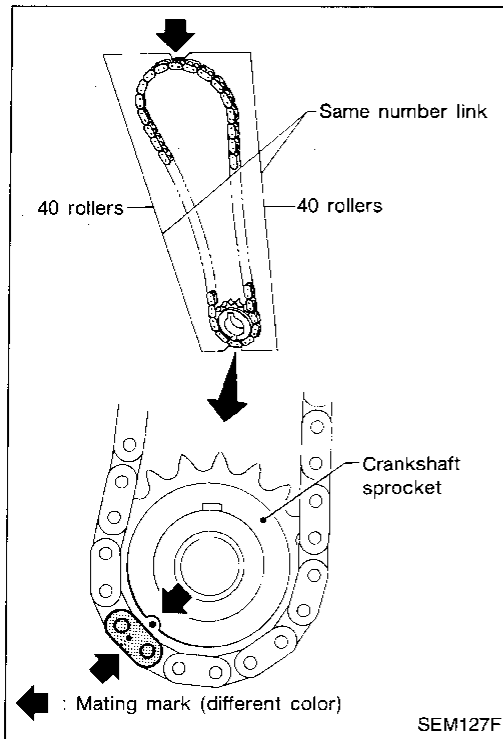
BT

HA

EL

IDX

Installation (Cont'd)



10. Set idler sprocket by aligning mating mark on larger sprocket with mating mark on lower timing chain.
11. Install upper timing chain and set it by aligning mating mark on the smaller sprocket with mating marks on upper timing chain.

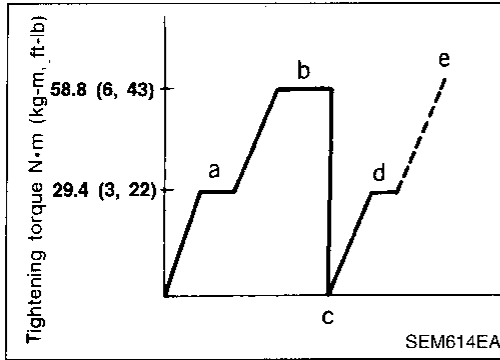
- **Make sure sprocket's mating mark faces engine front.**
- 12. Install idler sprocket shaft from the rear side.

13. Install cylinder head with new gasket.

- **Be sure to install washers between bolts and cylinder head.**
- **Do not rotate crankshaft and camshaft separately, or valves will strike piston heads.**
- **Apply new engine oil to cylinder head bolt threads and seat surfaces.**

- **Tighten bolts in numerical order using the following procedure:**
 - a. Tighten bolts to 29 N·m (3 kg·m, 22 ft·lb).
 - b. Tighten bolts to 59 N·m (6 kg·m, 43 ft·lb).
 - c. Loosen bolts completely.
 - d. Tighten bolts to 29 N·m (3 kg·m, 22 ft·lb).
 - e. Turn bolts 50 to 55 degrees clockwise. If angle wrench is not available, tighten bolts to 54 to 64 N·m (5.5 to 6.5 kg·m, 39.8 to 47 ft·lb).
 - f. Tighten bolts (⑪ - ⑮) to 6.3 to 8.3 N·m (0.64 to 0.85 kg·m, 4.6 to 6.1 ft·lb).

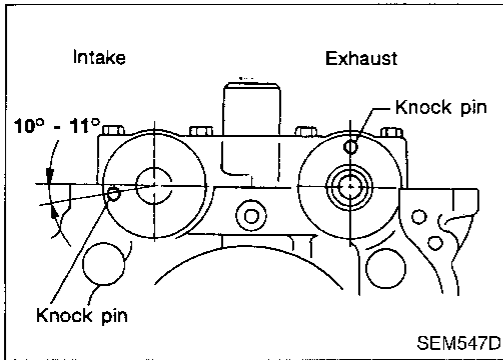
Installation (Cont'd)



	Tightening torque N·m (kg-m, ft-lb)				
	a	b	c	d	e, f
Bolts (1) - (10)	29 (3, 22)	59 (6, 43)	0 (0, 0)	29 (3, 22)	50 - 55 degrees or 54 - 64 (5.5 - 6.5, 39.8 - 47)
Bolts (11) - (15)	—	—	—	—	6.3 - 8.3 (0.64 - 0.85, 4.6 - 6.1)

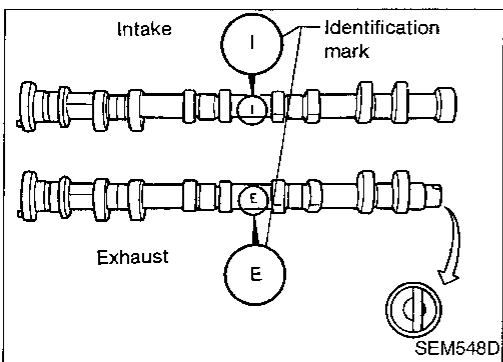
14. Install idler sprocket bolt.

- Apply new engine oil to bolt thread and seat surface.

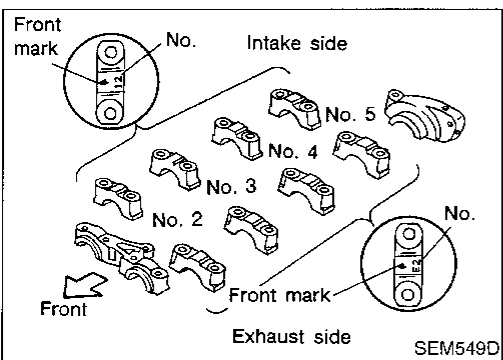


15. Install camshaft.

- Make sure camshafts are aligned as shown in figure.



- Identification marks are present on camshafts.



16. Install camshaft brackets and distributor bracket.

- Make sure camshaft brackets are aligned as shown in figure.

GI

MA

EM

LC

EC

FE

CL

MT

AT

FA

RA

BR

ST

RS

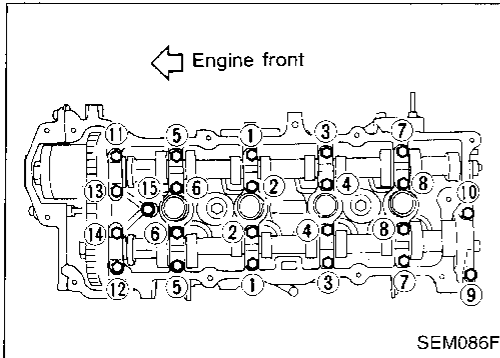
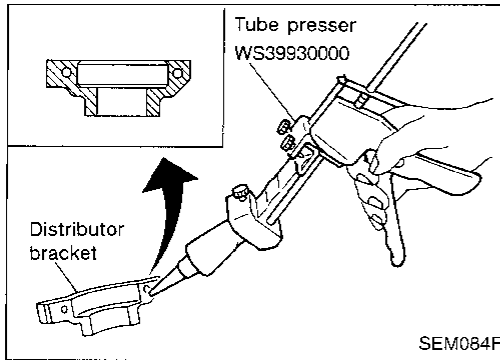
BT

HA

EL

IDX

Installation (Cont'd)



- Apply liquid gasket to distributor bracket as shown in the figure.

- Apply new engine oil to bolt threads and seat surfaces
- Tighten camshaft bracket bolts using the following procedure:
 - a. Set camshafts and camshaft brackets.
 - b. Tighten bolts ⑪ - ⑮, then ① - ⑩.
 Ⓜ: 2.0 N·m (0.204 kg-m, 1.48 ft-lb)
 - c. Tighten bolts ① - ⑮.
 Ⓜ: 5.9 N·m (0.60 kg-m, 4.35 ft-lb)
 - d. Tighten bolts ① - ⑭.
 Ⓜ: 9.8 - 11.8 N·m (1.00 - 1.20 kg-m, 7.23 - 8.70 ft-lb)
 Tighten bolt ⑮.
 Ⓜ: 6.3 - 8.3 N·m (0.64 - 0.85 kg-m, 4.65 - 6.12 ft-lb)
- If any part of valve assembly or camshaft is replaced, check valve clearance according to reference data. After completing assembly, check valve clearance. Refer to EM-89.

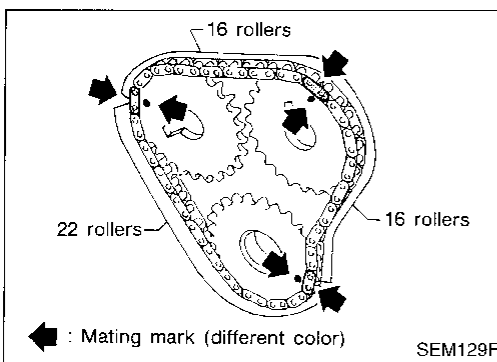
Reference data valve clearance (Cold):

Intake

0.25 - 0.33 mm (0.010 - 0.013 in)

Exhaust

0.32 - 0.40 mm (0.013 - 0.016 in)

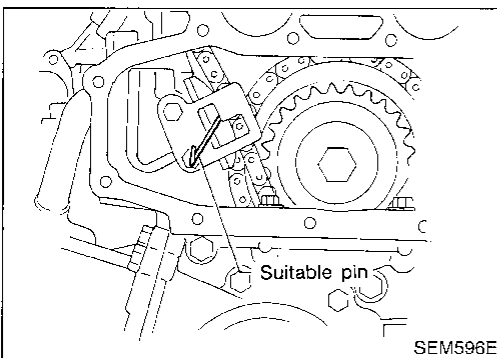


17. Assemble camshaft sprocket with chain.

- Set timing chain by aligning mating marks with those of camshaft sprockets.
- Make sure sprocket's mating marks face engine front.

18. Install camshaft sprocket bolts.

- Apply new engine oil to bolt threads and seat surfaces.



19. Install upper chain tensioner.

- Before installing chain tensioner, insert a suitable pin into pin hole of chain tensioner.
- After installing chain tensioner, remove the pin.

Installation (Cont'd)

20. Install lower chain tensioner.

CAUTION:

- Check no problems occur when engine is rotated.
- Make sure that No. 1 piston is set at TDC on its compression stroke.

GI

MA

EM

LC

EC

FE

CL

MT

AT

FA

RA

BR

ST

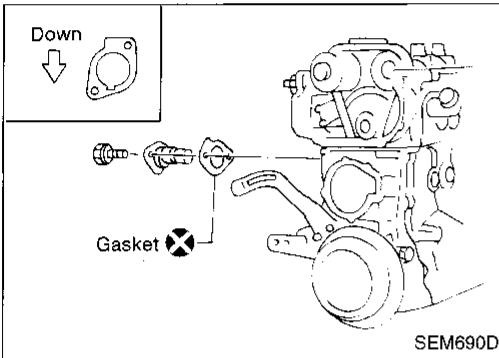
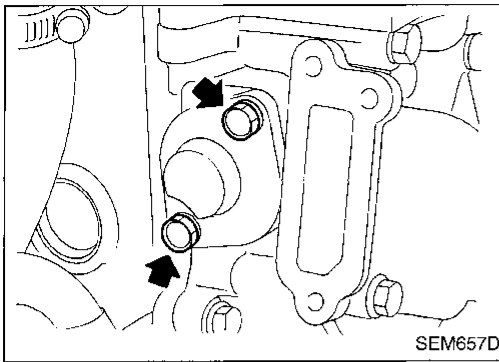
RS

BT

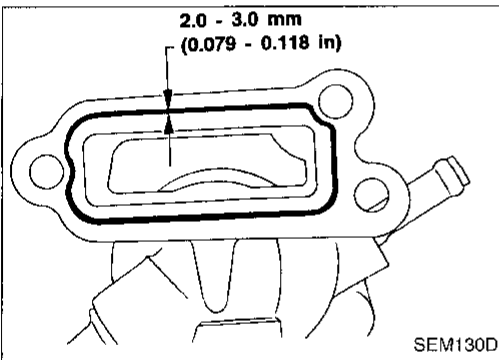
HA

EL

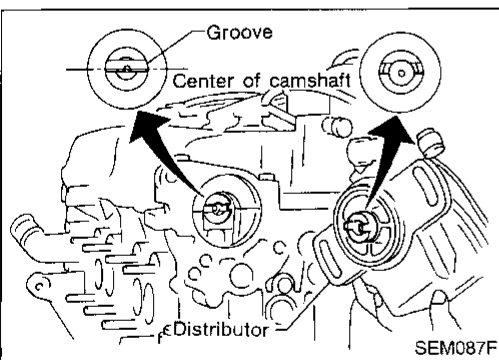
IDX



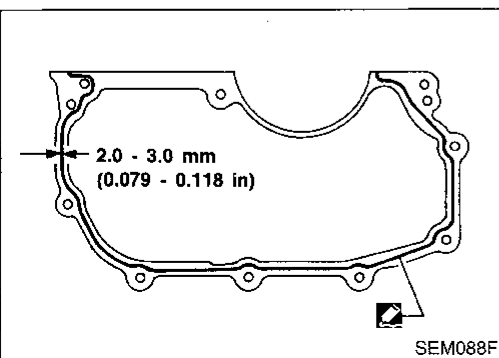
- Make sure of the direction of the gasket before installing lower chain tensioner.



21. Apply liquid gasket to thermostat housing.
- Use Genuine Liquid Gasket or equivalent.
22. Install thermostat housing.
23. Install water pump pulley.

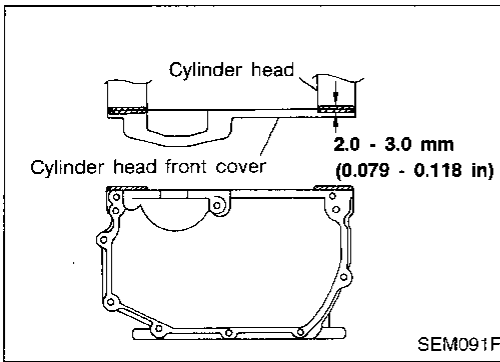


24. Install distributor.
- Make sure that position of camshaft is as shown in figure.
25. Install cylinder head front cover.

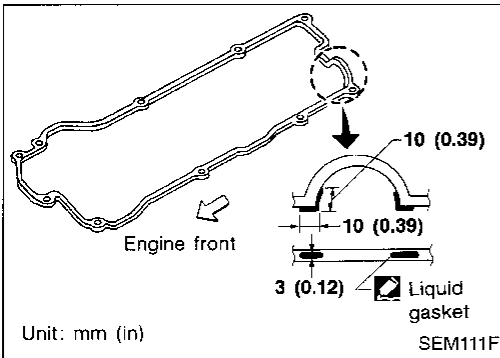


- Apply liquid gasket to cam sprocket cover gusset.
- Use Genuine Liquid Gasket or equivalent.

Installation (Cont'd)

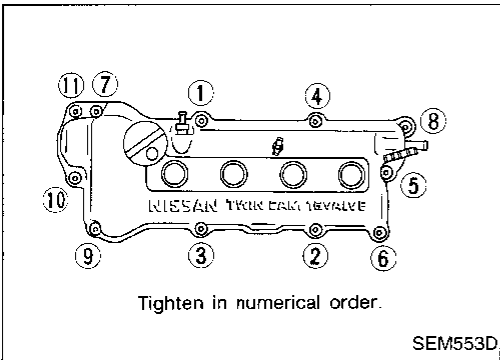


26. Apply liquid gasket to mating surfaces of cylinder head and cylinder head front covers shown in figure.



27. Apply liquid gasket to rocker cover gasket.

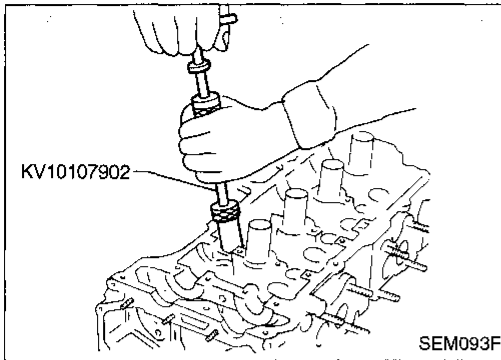
- Use Genuine Liquid Gasket or equivalent.



28. Install rocker cover and tighten in numerical order as shown.

29. Install the following parts:

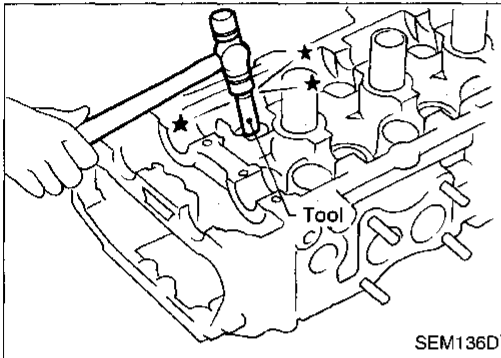
- Spark plugs and leads
 - Cylinder head front mounting bracket
 - Front exhaust tube
 - Engine under cover
 - Engine side cover and RH wheel
 - Power steering pump and pulley with bracket
To check power steering fluid, refer to MA section ("Checking Power Steering Fluid and Lines", "CHASSIS AND BODY MAINTENANCE").
 - Drive belts
For adjusting drive belt deflection, refer to MA section ("Checking Drive Belts", "ENGINE MAINTENANCE").
30. Connect the following:
- Vacuum hoses
 - Fuel hoses
 - Wires, harnesses and connectors
 - Air duct to intake manifold
 - Upper radiator hose and refill with coolant. Refer to MA section ("REFILLING ENGINE COOLANT", "Changing Engine Coolant").



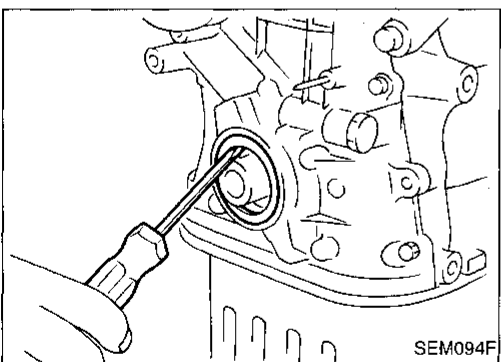
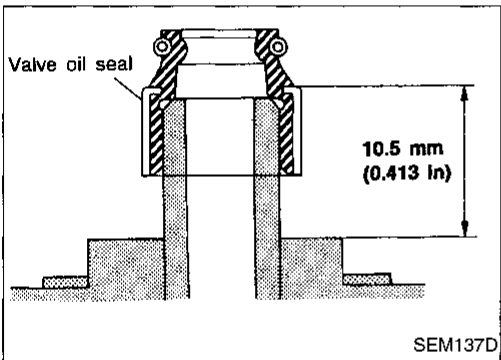
Valve Oil Seal

1. Remove rocker cover.
2. Remove camshaft.
3. Remove valve spring. Refer to EM-81.
4. Remove valve oil seal with Tool.

Piston concerned should be set at TDC to prevent valve from falling.



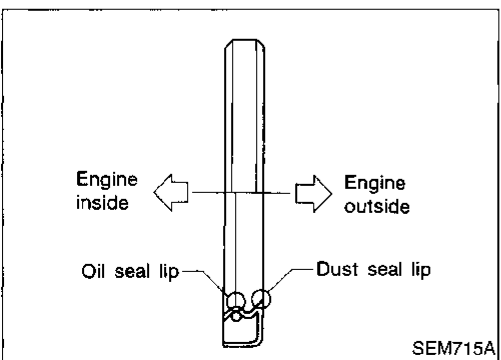
5. Apply engine oil to new valve oil seal and install it with Tool.



Front Oil Seal

1. Remove the following parts:
 - Engine under cover
 - RH engine side cover
 - Alternator and power steering drive belts
 - Crankshaft pulley
 2. Remove front oil seal from front cover.
- Be careful not to damage oil seal portion.**

- Install new oil seal in the direction shown.



GI

MA

EM

LC

EC

FE

CL

WT

AT

EA

RA

BR

ST

RS

BT

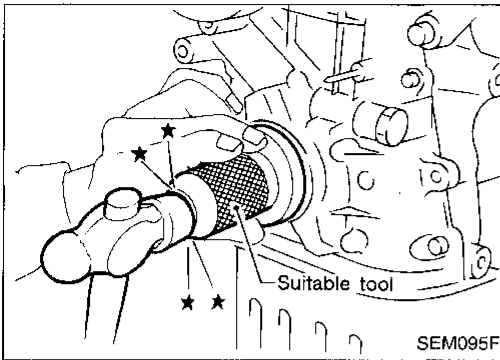
HA

EL

IDX

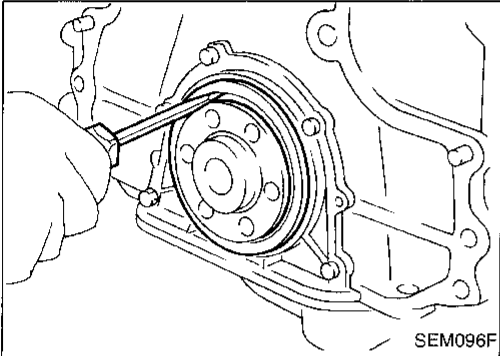
Front Oil Seal (Cont'd)

3. Apply engine oil to new oil seal and install it using a suitable tool.

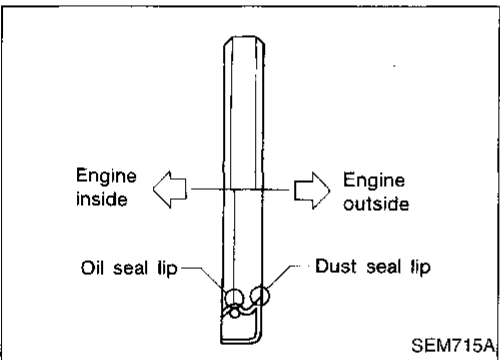


Rear Oil Seal

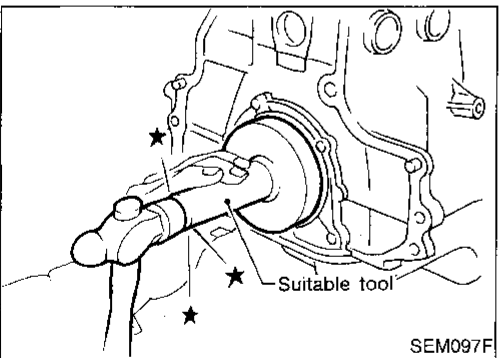
1. Remove flywheel or drive plate.
 2. Remove rear oil seal retainer.
 3. Remove traces of liquid gasket using scraper.
 4. Remove seal from rear oil seal retainer.
- **Be careful not to scratch rear oil seal retainer.**



- Install new oil seal in the direction shown.



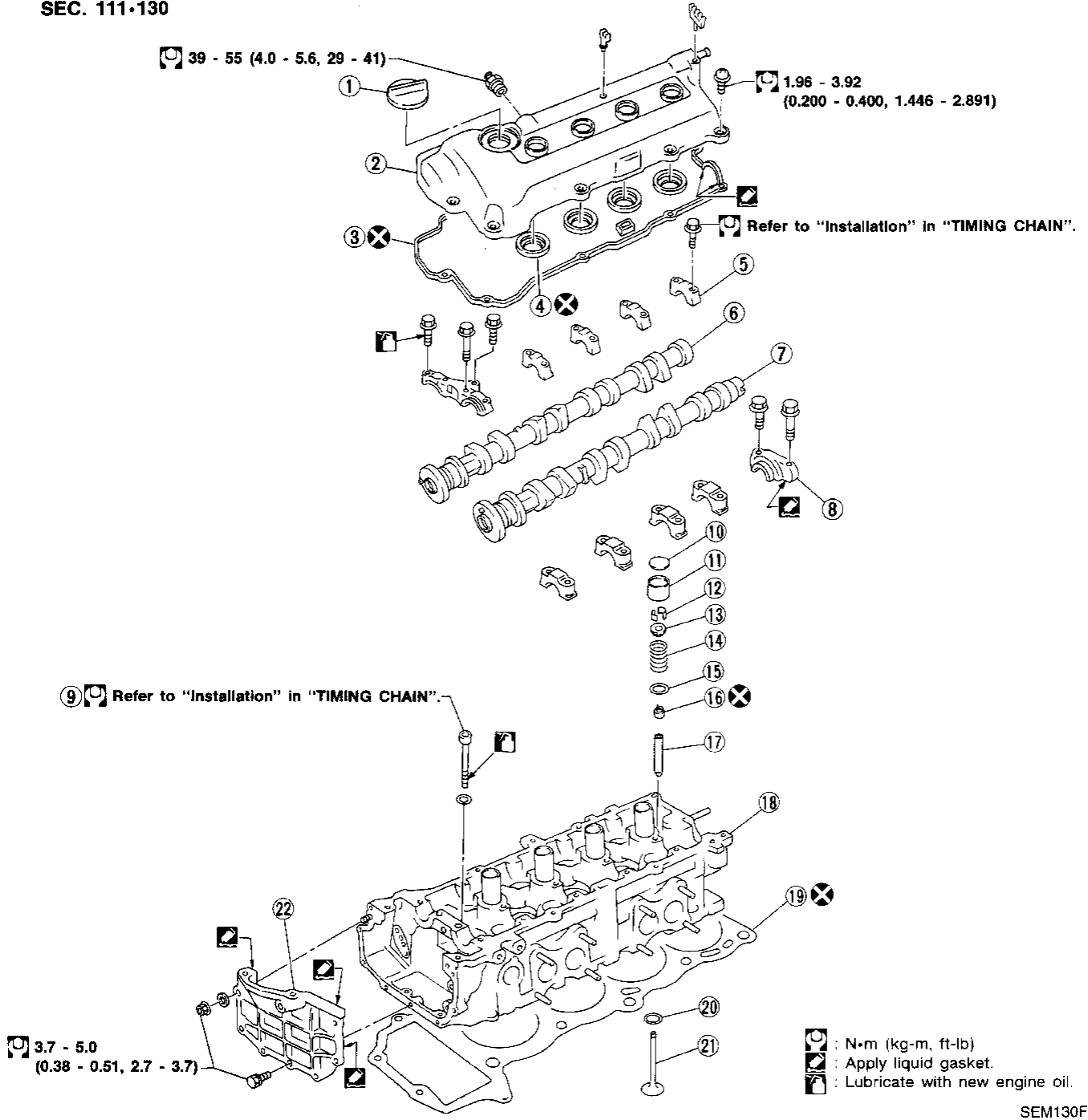
5. Apply engine oil to new oil seal and install it using a suitable tool.



CYLINDER HEAD

GA

SEC. 111-130



- ① Oil filler cap
- ② Rocker cover
- ③ Rocker cover gasket
- ④ Oil seal
- ⑤ Camshaft bracket
- ⑥ Intake camshaft
- ⑦ Exhaust camshaft
- ⑧ Distributor bracket

- ⑨ Cylinder head bolt
- ⑩ Shim
- ⑪ Valve lifter
- ⑫ Valve cotter
- ⑬ Valve spring retainer
- ⑭ Valve spring
- ⑮ Valve spring seat
- ⑯ Valve oil seal

- ⑰ Valve guide
- ⑱ Cylinder head gasket
- ⑲ Valve seat
- ⑳ Valve
- ㉑ Cylinder head front cover

⊙ : N·m (kg-m, ft-lb)
 ◻ : Apply liquid gasket.
 ◻ : Lubricate with new engine oil.

SEM130F

GI
 MA
EM
 LC
 EC
 FE
 CL
 MT
 AT
 FA
 RA
 BR
 ST
 RS
 BT
 HA
 EL
 IDX

CAUTION:

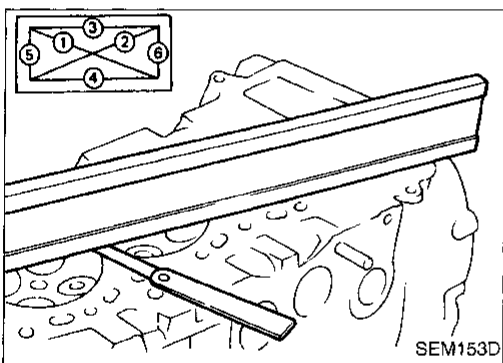
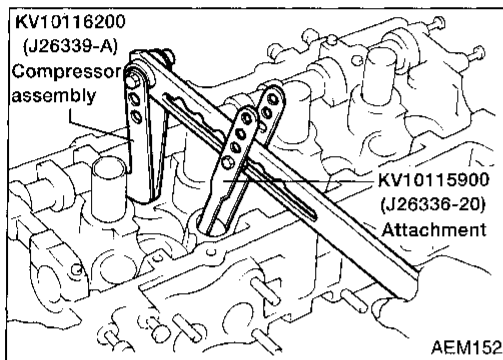
- When installing camshaft and oil seal, lubricate contacting surfaces with new engine oil.
- When tightening cylinder head bolts, camshaft sprocket bolts and camshaft bracket bolts, lubricate bolt threads and seat surfaces with new engine oil.
- Attach tags to valve lifters so as not to mix them up.

Removal

- The removal procedure is the same as for timing chain. Refer to EM-69.

Disassembly

1. Remove valve components with Tool.
2. Remove valve oil seal with a suitable tool.

**Inspection****CYLINDER HEAD DISTORTION**

Clean surface of cylinder head.

Use a reliable straightedge and feeler gauge to check the flatness of cylinder head surface.

Check along six positions shown in figure.

Head surface flatness:

Standard: Less than 0.03 mm (0.0012 in)

Limit: 0.1 mm (0.004 in)

If beyond the specified limit, replace it or resurface it.

Resurfacing limit:

The limit for cylinder head resurfacing is determined by the cylinder block resurfacing.

Amount of cylinder head resurfacing is "A".

Amount of cylinder block resurfacing is "B".

The maximum limit is as follows:

A + B = 0.2 mm (0.008 in)

After resurfacing cylinder head, check that camshaft rotates freely by hand. If resistance is felt, replace cylinder head.

Nominal cylinder head height:

117.8 - 118.0 mm (4.638 - 4.646 in)

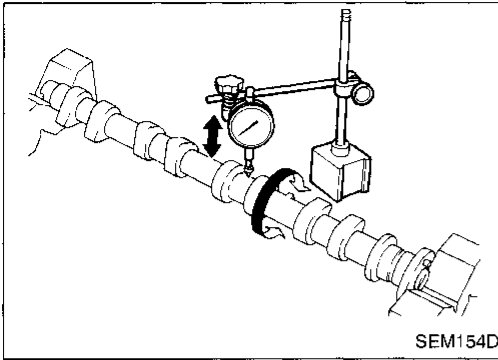
CAMSHAFT VISUAL CHECK

Check camshaft for scratches, seizure and wear.

CYLINDER HEAD

Inspection (Cont'd)

CAMSHAFT RUNOUT



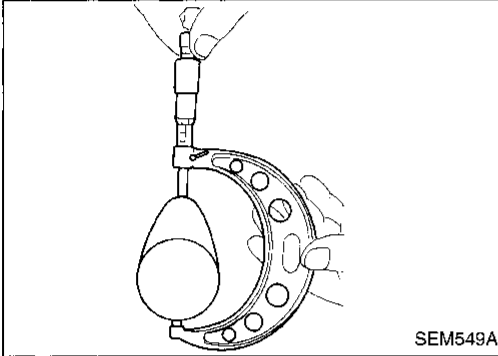
1. Measure camshaft runout at the center journal.
Runout (Total indicator reading):
Standard:
 Less than 0.02 mm (0.0008 in)
Limit:
 0.1 mm (0.004 in)
2. If it exceeds the limit, replace camshaft.

CI

MA

EM

CAMSHAFT CAM HEIGHT



1. Measure camshaft cam height.
Standard cam height:
Intake
 40.610 - 40.800 mm (1.5988 - 1.6063 in)
Exhaust
 39.910 - 40.100 mm (1.5713 - 1.5787 in)
Cam wear limit:
 0.20 mm (0.0079 in)
2. If wear is beyond the limit, replace camshaft.

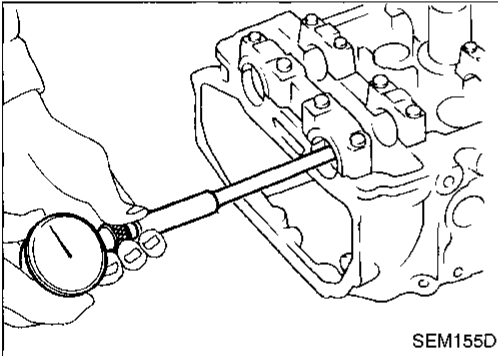
LC

EC

FE

CL

CAMSHAFT JOURNAL CLEARANCE



1. Install camshaft bracket and tighten bolts to the specified torque.
2. Measure inner diameter of camshaft bearing.
Standard inner diameter:
No. 1 bearing
 28.000 - 28.021 mm (1.1024 - 1.1032 in)
No. 2 to No. 5 bearings
 24.000 - 24.021 mm (0.9449 - 0.9457 in)

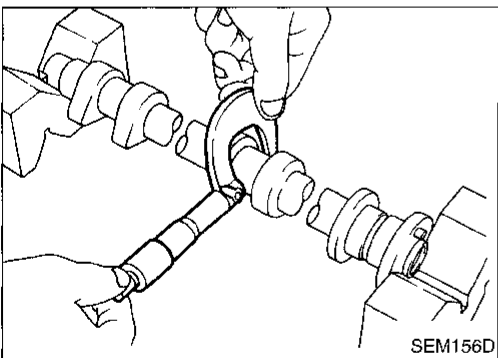
MT

AT

FA

RA

BR



3. Measure outer diameter of camshaft journal.
Standard outer diameter:
No. 1 journal
 27.935 - 27.955 mm (1.0998 - 1.1006 in)
No. 2 to No. 5 journals
 23.935 - 23.955 mm (0.9423 - 0.9431 in)
4. If clearance exceeds the limit, replace camshaft and/or cylinder head.
Camshaft journal clearance:
Standard 0.045 - 0.086 mm (0.0018 - 0.0034 in)
Limit 0.15 mm (0.0059 in)

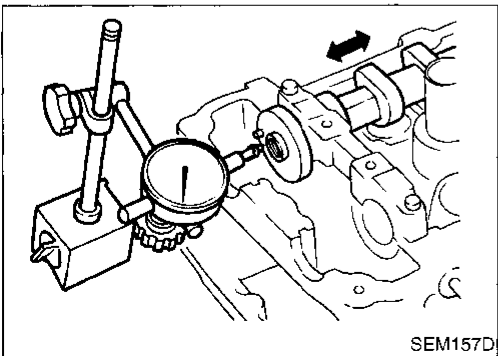
ST

RS

BT

HA

CAMSHAFT END PLAY



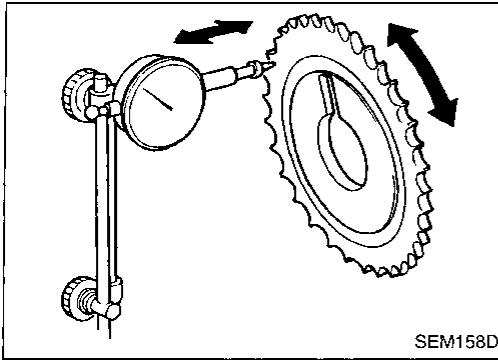
1. Install camshaft in cylinder head. Refer to EM-74.
2. Measure camshaft end play.
Camshaft end play:
Standard
 0.115 - 0.188 mm (0.0045 - 0.0074 in)
Limit
 0.20 mm (0.0079 in)

EL

IDX

Inspection (Cont'd)

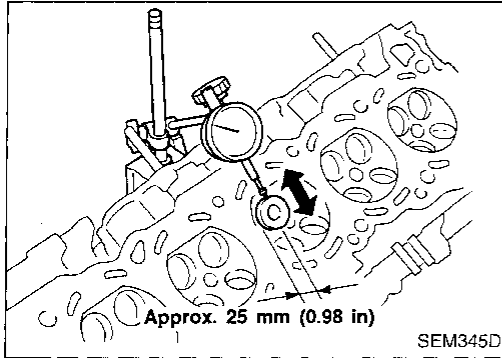
CAMSHAFT SPROCKET RUNOUT



SEM158D

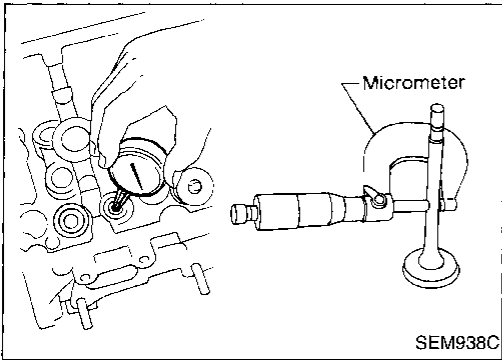
1. Install sprocket on camshaft.
2. Measure camshaft sprocket runout.
Runout (Total indicator reading):
Limit 0.15 mm (0.0071 in)
3. If it exceeds the limit, replace camshaft sprocket.

VALVE GUIDE CLEARANCE



SEM345D

1. Measure valve deflection as shown in figure. (Valve and valve guide mostly wear in this direction.)
Valve deflection limit (Dial gauge reading):
Intake & Exhaust
0.2 mm (0.008 in)



SEM938C

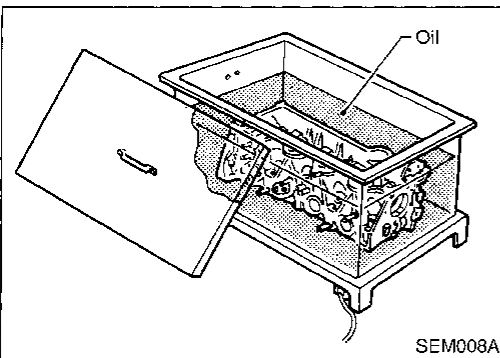
2. If it exceeds the limit, check valve to valve guide clearance.
 - a. Measure valve stem diameter and valve guide inner diameter.
 - b. Check that clearance is within specification.

Valve to valve guide clearance:

Unit: mm (in)		
	Standard	Limit
Intake	0.020 - 0.050 (0.0008 - 0.0020)	0.1 (0.004)
Exhaust	0.040 - 0.070 (0.0016 - 0.0028)	0.1 (0.004)

- c. If it exceeds the limit, replace valve or valve guide.

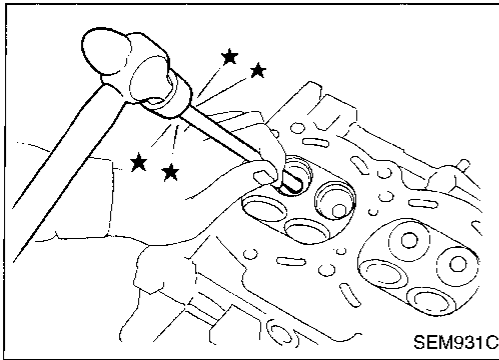
VALVE GUIDE REPLACEMENT



SEM008A

1. To remove valve guide, heat cylinder head to 110 to 120°C (230 to 248°F).

Inspection (Cont'd)



2. Drive out valve guide with a press [under a 20 kN (2 ton, 2.2 US ton, 2.0 Imp ton) pressure] or hammer and suitable tool.

GI

MA

EM

LG

EC

FE

GL

MT

AT

FA

RA

BR

ST

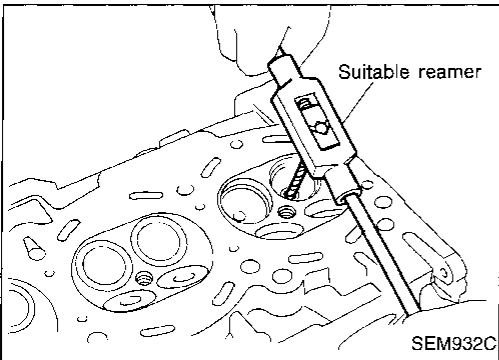
RS

BT

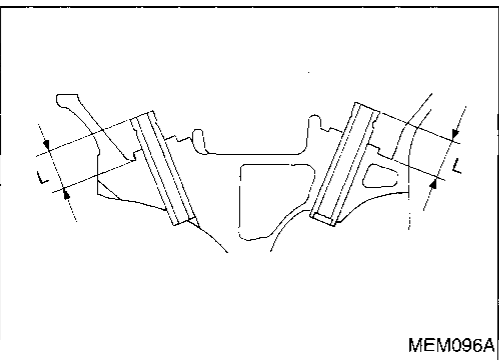
HA

EL

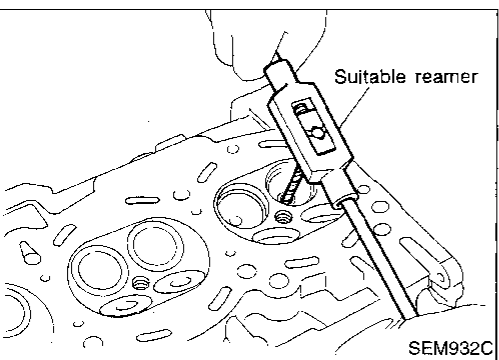
IDX



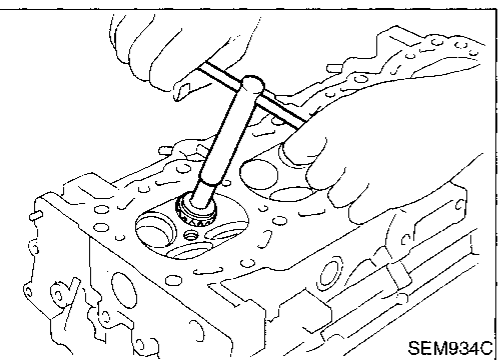
3. Ream cylinder head valve guide hole.
**Valve guide hole diameter
 (for service parts):**
Intake & Exhaust
9.685 - 9.696 mm (0.3813 - 0.3817 in)



4. Heat cylinder head to 110 to 120°C (230 to 248°F) and press service valve guide into cylinder head.
Projection "L":
11.5 - 11.7 mm (0.453 - 0.461 in)



5. Ream valve guide.
Finished size:
Intake & Exhaust
5.500 - 5.515 mm (0.2165 - 0.2171 in)



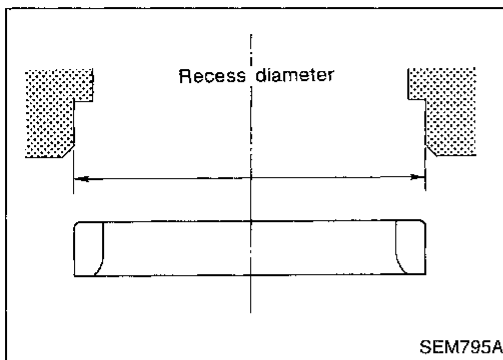
VALVE SEATS

Check valve seats for pitting at contact surface. Resurface or replace if excessively worn.

- Before repairing valve seats, check valve and valve guide for wear. If they have worn, replace them. Then correct valve seat.
- Use both hands to cut uniformly.

Inspection (Cont'd)

REPLACING VALVE SEAT FOR SERVICE PARTS



1. Bore out old seat until it collapses. Set machine depth stop so that boring cannot contact the bottom face of seat recess in cylinder head.
2. Ream cylinder head recess.

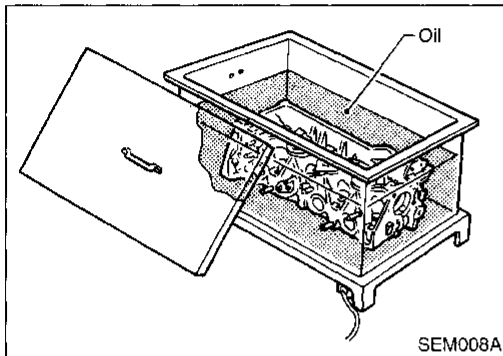
Reaming bore for service valve seat

Oversize [0.5 mm (0.020 in)]:

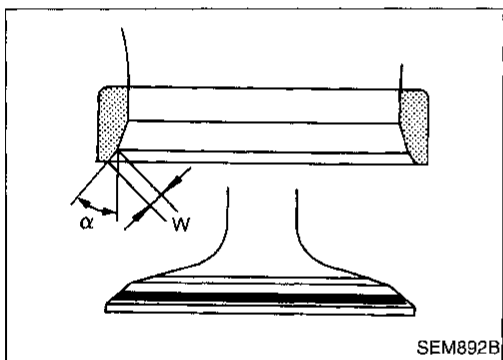
Intake 31.500 - 31.516 mm (1.2402 - 1.2408 in)

Exhaust 26.500 - 26.516 mm (1.0433 - 1.0439 in)

Use the valve guide center for reaming to ensure valve seat will have the correct fit.



3. Heat cylinder head to 110 to 120°C (230 to 248°F).
4. Press fit valve seat until it seats on the bottom.



5. Cut or grind valve seat using suitable tool to the specified dimensions as shown in SDS, EM-117.
6. After cutting, lap valve seat with abrasive compound.
7. Check valve seating condition.

Seat face angle " α ":

45°15' - 45°45' deg.

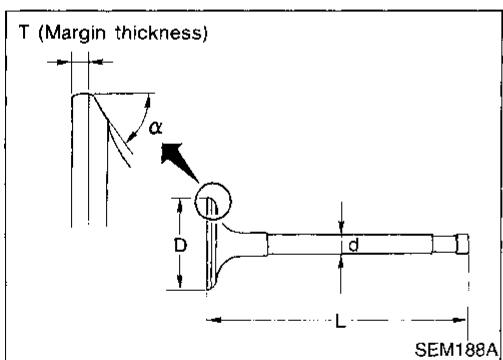
Contacting width "W":

Intake

1.06 - 1.34 mm (0.0417 - 0.0528 in)

Exhaust

1.20 - 1.68 mm (0.042 - 0.0661 in)

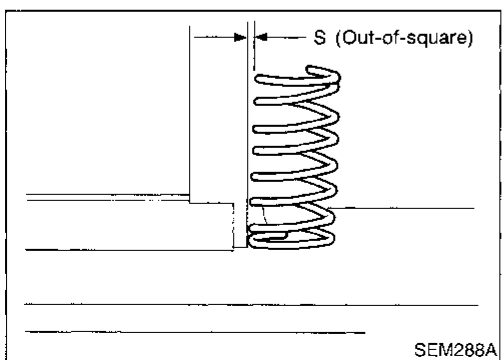


VALVE DIMENSIONS

Check dimensions of each valve. Refer to SDS, EM-115 for dimensions.

When valve head has been worn down to 0.5 mm (0.020 in) in margin thickness, replace valve.

Grinding allowance for valve stem tip is 0.2 mm (0.008 in) or less.



VALVE SPRING

Squareness

1. Measure dimension "S".

Out-of-square "S":

Less than 1.80 mm (0.0709 in)

2. If it exceeds the limit, replace spring.

Inspection (Cont'd)

Pressure

Check valve spring pressure at specified spring height.

Pressure:

Standard

344.42 N (35.12 kg, 77.44 lb) at 25.26 mm (0.9945 in)

Limit

More than 330.41 N (33.69 kg, 74.31 lb) at 23.64 mm (0.9307 in)

If it exceeds the limit, replace spring.

GI

MA

EM

LC

EC

FE

CL

MT

AT

FA

PA

BR

ST

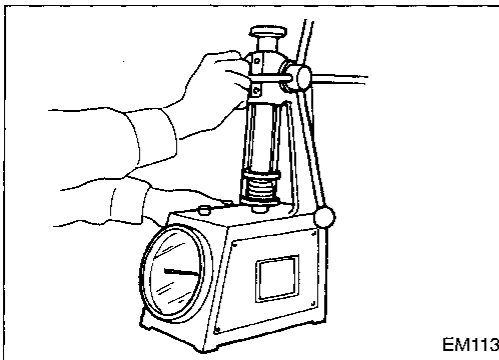
RS

BT

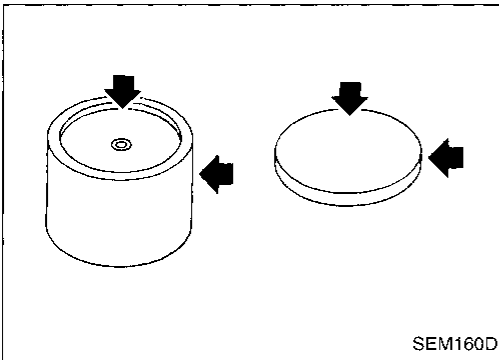
HA

EL

IDX



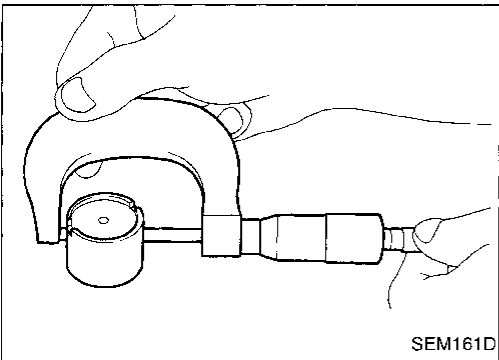
EM113



SEM160D

VALVE LIFTER

1. Check contact and sliding surfaces for wear or scratches.

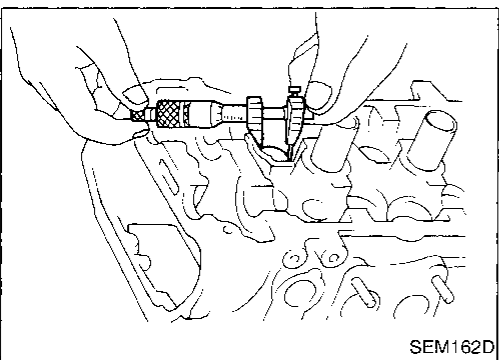


SEM161D

2. Check diameter of valve lifter and valve lifter guide bore.

Valve lifter diameter:

29.960 - 29.975 mm (1.1795 - 1.1801 in)



SEM162D

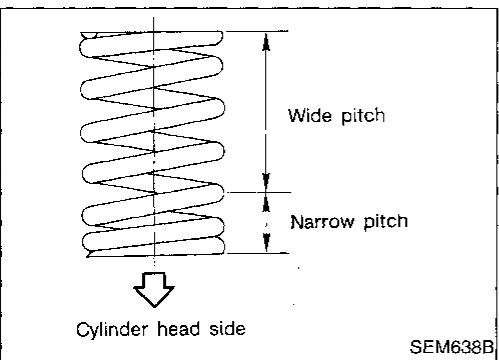
Lifter guide bore diameter:

30.000 - 30.021 mm (1.1811 - 1.1819 in)

Clearance between valve lifter and valve lifter guide:

0.025 - 0.061 mm (0.0010 - 0.0024 in)

If it exceeds the limit, replace valve lifter or cylinder head which exceeds the standard diameter tolerance.



SEM638B

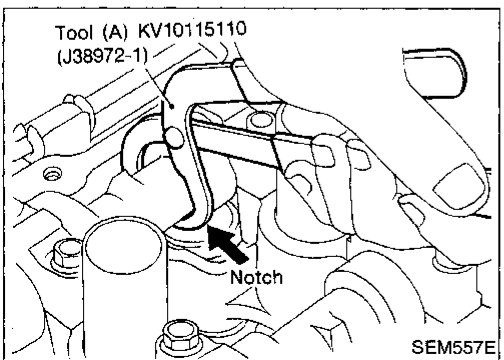
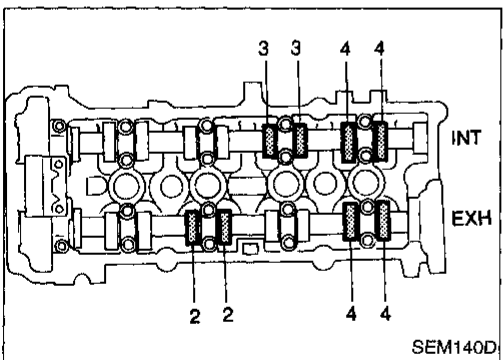
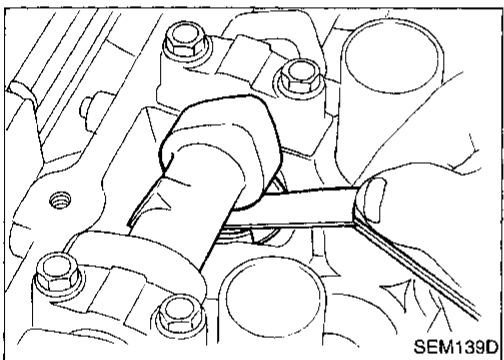
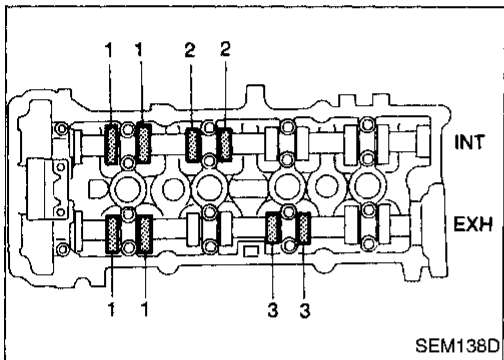
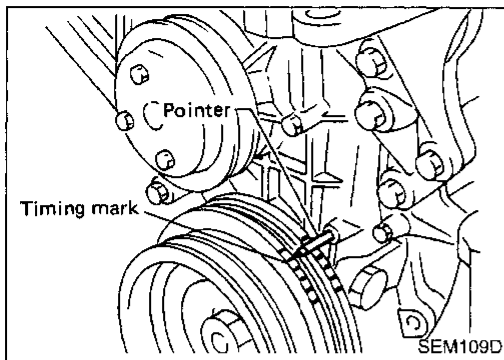
Assembly

1. Install valve component parts.

- Always use new valve oil seal. Refer to EM-79.
- Before installing valve oil seal, install valve spring seat.
- After installing valve components, tap valve stem tip with a plastic hammer to assure a proper fit.
- Install uneven pitch type spring with its narrow pitch end toward cylinder head. (Identification color side down, if present.)

Installation

- The installation procedure is the same as for timing chain. Refer to EM-72.



Checking

Check valve clearance while engine is warm and not running.

1. Remove rocker cover.
2. Remove all spark plugs.
3. Set No. 1 cylinder at TDC on its compression stroke.
 - Align pointer with TDC mark on crankshaft pulley.
 - Check that valve lifters on No. 1 cylinder are loose and valve lifters on No. 4 are tight.

If not, turn crankshaft one revolution (360°) and align as described above.

4. Check only those valves shown in the figure.

- Using a feeler gauge, measure clearance between valve lifter and camshaft.
- Record any valve clearance measurements which are out of specification. They will be used later to determine the required replacement adjusting shim.

Valve clearance for checking (Hot):

Intake

0.21 - 0.49 mm (0.008 - 0.019 in)

Exhaust

0.30 - 0.58 mm (0.012 - 0.023 in)

5. Turn crankshaft one revolution (360°) and align mark on crankshaft pulley with pointer.
6. Check only those valves shown in the figure.
 - Use the same procedure as mentioned in step 4.
7. If all valve clearances are within specification, install the following parts:
 - Rocker cover
 - All spark plugs

Adjusting

Adjust valve clearance while engine is cold.

1. Turn crankshaft, to position cam lobe on camshaft of valve that must be adjusted upward.
2. Place Tool (A) around camshaft as shown in figure.

Before placing Tool (A), rotate notch toward center of cylinder head. (See figure.) This will simplify shim removal later.

CAUTION:

Be careful not to damage cam surface with Tool (A).

GI

MA

EM

LC

EC

FE

CL

MT

AT

FA

RA

BR

ST

RS

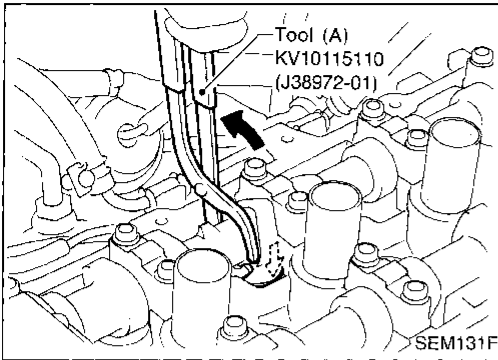
BT

HA

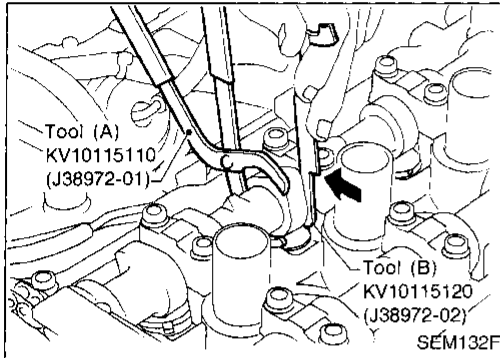
EL

IDX

Adjusting (Cont'd)



3. Rotate Tool (A) so that valve lifter is pushed down.

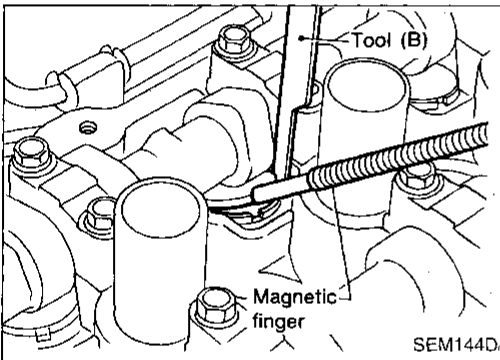


4. Place Tool (B) between camshaft and valve lifter to retain valve lifter.

CAUTION:

- Tool (B) must be placed as close to camshaft bracket as possible.
- Be careful not to damage cam surface with Tool (B).

5. Remove Tool (A).



6. Remove adjusting shim using a small screwdriver and a magnetic finger.

7. Determine replacement adjusting shim size following formula.

- Use a micrometer to determine thickness of removed shim.
- Calculate thickness of new adjusting shim so valve clearance comes within specified values.

- R = Thickness of removed shim
- N = Thickness of new shim
- M = Measured valve clearance

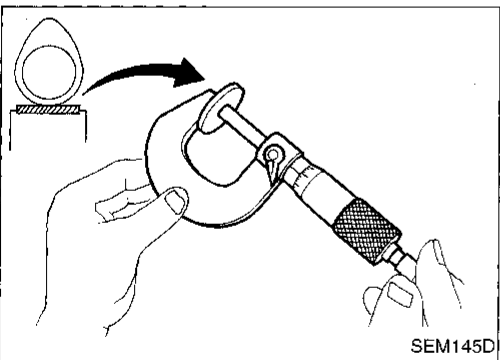
Intake:

$$N = R + [M - 0.37 \text{ mm (0.0146 in)}]$$

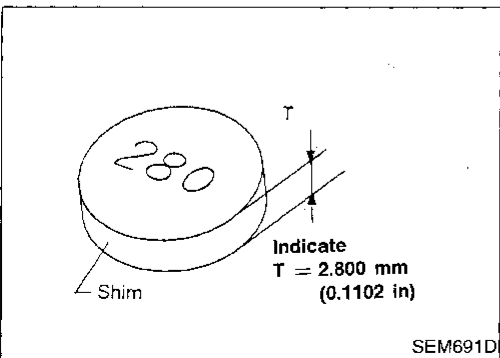
Exhaust:

$$N = R + [M - 0.40 \text{ mm (0.0157 in)}]$$

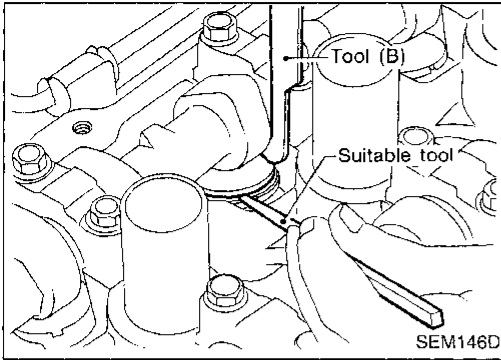
Shims are available in 50 sizes from 2.00 mm (0.0787 in) to 2.98 mm (0.1173 in), in steps of 0.02 mm (0.0008 in).



- Select new shim with thickness as close to calculated value as possible. Also refer to SDS, EM-116.

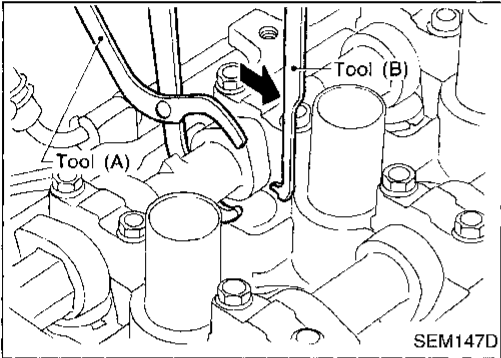


Adjusting (Cont'd)



8. Install new shim using a suitable tool.

- **Install with the surface on which the thickness is stamped facing down.**



9. Place Tool (A) as explained in steps 2 and 3.

10. Remove Tool (B).

11. Remove Tool (A).

12. Recheck valve clearance.

Valve clearance:

Unit: mm (in)

	For adjusting		For checking
	Hot	Cold*	Hot
Intake	0.32 - 0.40 (0.013 - 0.016)	0.25 - 0.33 (0.010 - 0.013)	0.21 - 0.49 (0.008 - 0.019)
Exhaust	0.37 - 0.45 (0.015 - 0.018)	0.32 - 0.40 (0.013 - 0.016)	0.30 - 0.58 (0.012 - 0.023)

*: At a temperature of approximately 20°C (68°F)

Whenever valve clearances are adjusted to cold specifications, check that the clearances satisfy hot specifications and adjust again if necessary.

GI

MA

EM

LC

EC

FE

CL

MT

AT

FA

RA

BR

ST

RS

BT

HA

EL

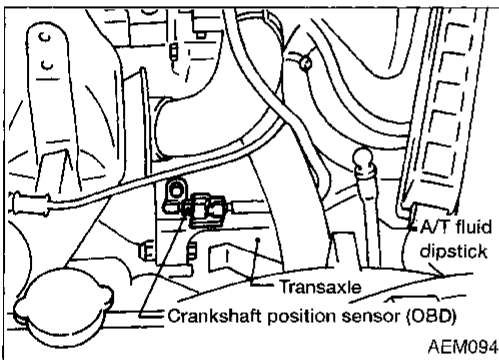
IDX

WARNING:

- Position vehicle on a flat and solid surface.
- Place chocks at front and back of rear wheels.
- Do not remove engine until exhaust system has completely cooled off.
Otherwise, you may burn yourself and/or fire may break out in fuel line.
- Before disconnecting fuel hose, release fuel pressure. Refer to EC section (“Fuel Pressure Release”, “BASIC SERVICE PROCEDURE”).
- Be sure to hoist engine and transaxle in a safe manner.
- For engines not equipped with engine slingers, attach proper slingers and bolts described in PARTS CATALOG.

CAUTION:

- When lifting engine, be sure to clear surrounding parts. Take special care near accelerator wire casing, brake lines and brake master cylinder.
- In hoisting the engine, always use engine slingers in a safe manner.
- In removing drive shaft, be careful not to damage grease seal of transaxle.
- Before separating engine and transaxle, remove crankshaft position sensor (OBD) from the assembly.
- Always take extra care not to damage edge of crankshaft position sensor (OBD), or ring gear teeth.



Engine cannot be removed separately from transaxle. Remove engine with transaxle as an assembly.

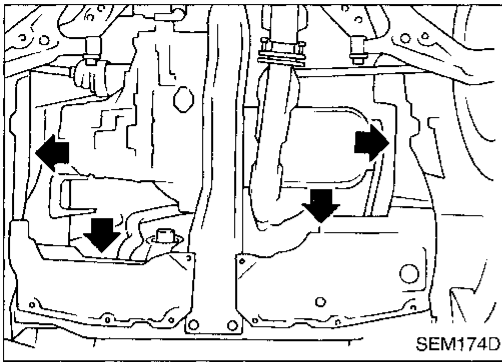
Removal

1. Drain coolant from radiator and block.
2. Drain oil.
3. Remove battery.
4. Remove coolant recovery tank and bracket.
5. Remove drive belts.
6. Remove alternator and compressor from engine.
7. Remove power steering pump from engine and position aside.

Power steering pump does not need to be disconnected from power steering tubes.

GI
MA
EM
LC
EC
FE
CL
MT
AT
FA
RA
BR
ST
RS
BT
HA
EL
DX

Removal (Cont'd)



8. Remove the following parts:

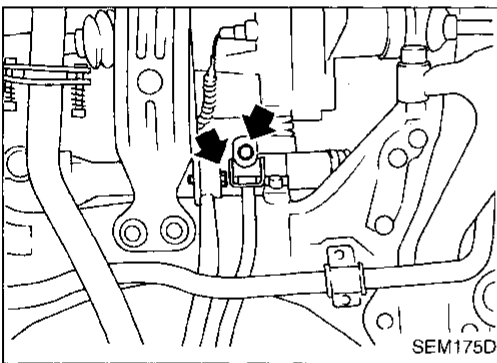
- RH and LH front tires
- Under covers
- Splash covers
- RH and LH brake caliper assemblies

⌚: 72 - 97 N·m (7.3 - 9.9 kg-m, 53 - 72 ft-lb)

Brake hose does not need to be disconnected from brake caliper assembly. Never depress brake pedal.

- RH & LH drive shaft. Refer to FA section ("Drive Shaft", "FRONT AXLE").

When removing drive shaft, be careful not to damage trans-axle side grease seal.



- Disconnect control rod and support rod from transaxle. (M/T models.)

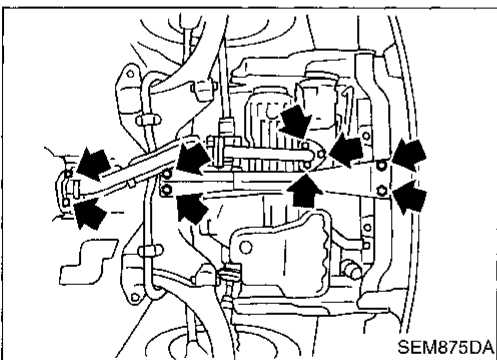
Control rod:

⌚: 14 - 18 N·m (1.4 - 1.8 kg-m, 10 - 13 ft-lb)

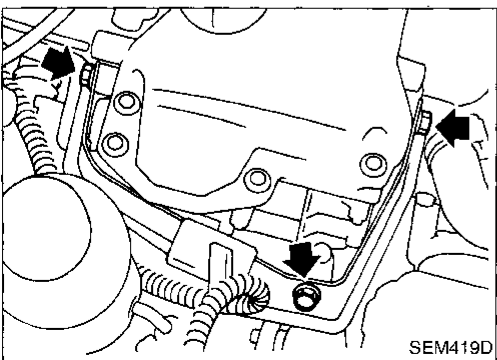
Support rod:

⌚: 35 - 47 N·m (3.6 - 4.8 kg-m, 26 - 35 ft-lb)

- Disconnect control cable from transaxle. (A/T models.)



- Center member
- Front exhaust tube
- Stabilizer bar
- Cooling fan
- Radiator

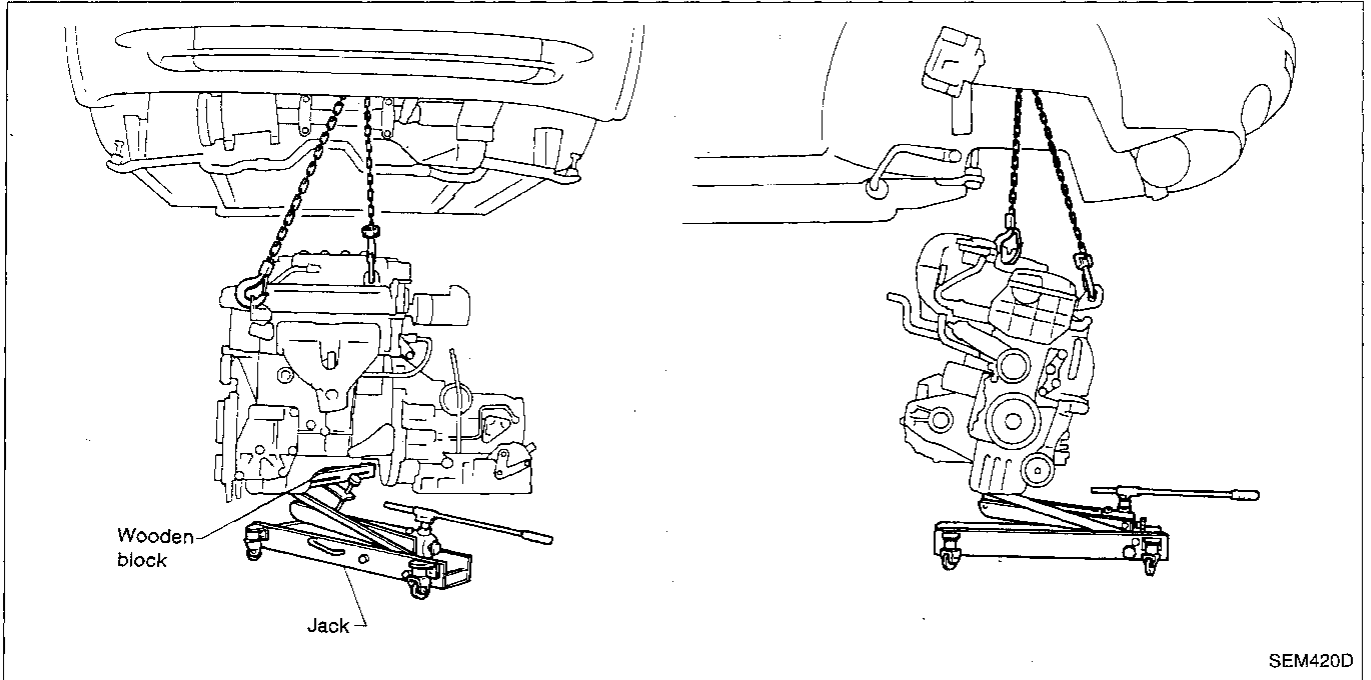


- Cylinder head front mounting bracket
 - Remove air duct and disconnect wires, harness, pipes, hoses and so on.
9. Lift up engine slightly and disconnect or remove all engine mountings.

When lifting engine, be sure to clear surrounding parts. Take special care near brake tubes and brake master cylinder.

Removal (Cont'd)

10. Remove engine with transaxle as shown.



GI

MA

EM

LC

EC

FE

CL

MT

AT

FA

RA

BR

ST

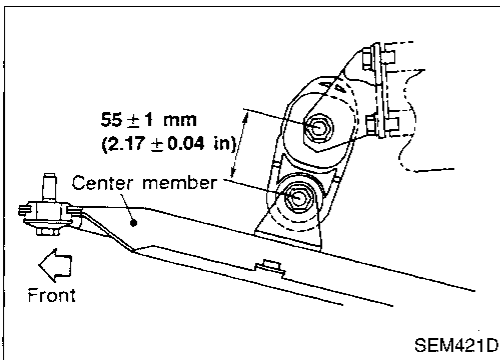
RS

BT

HA

EL

IDX

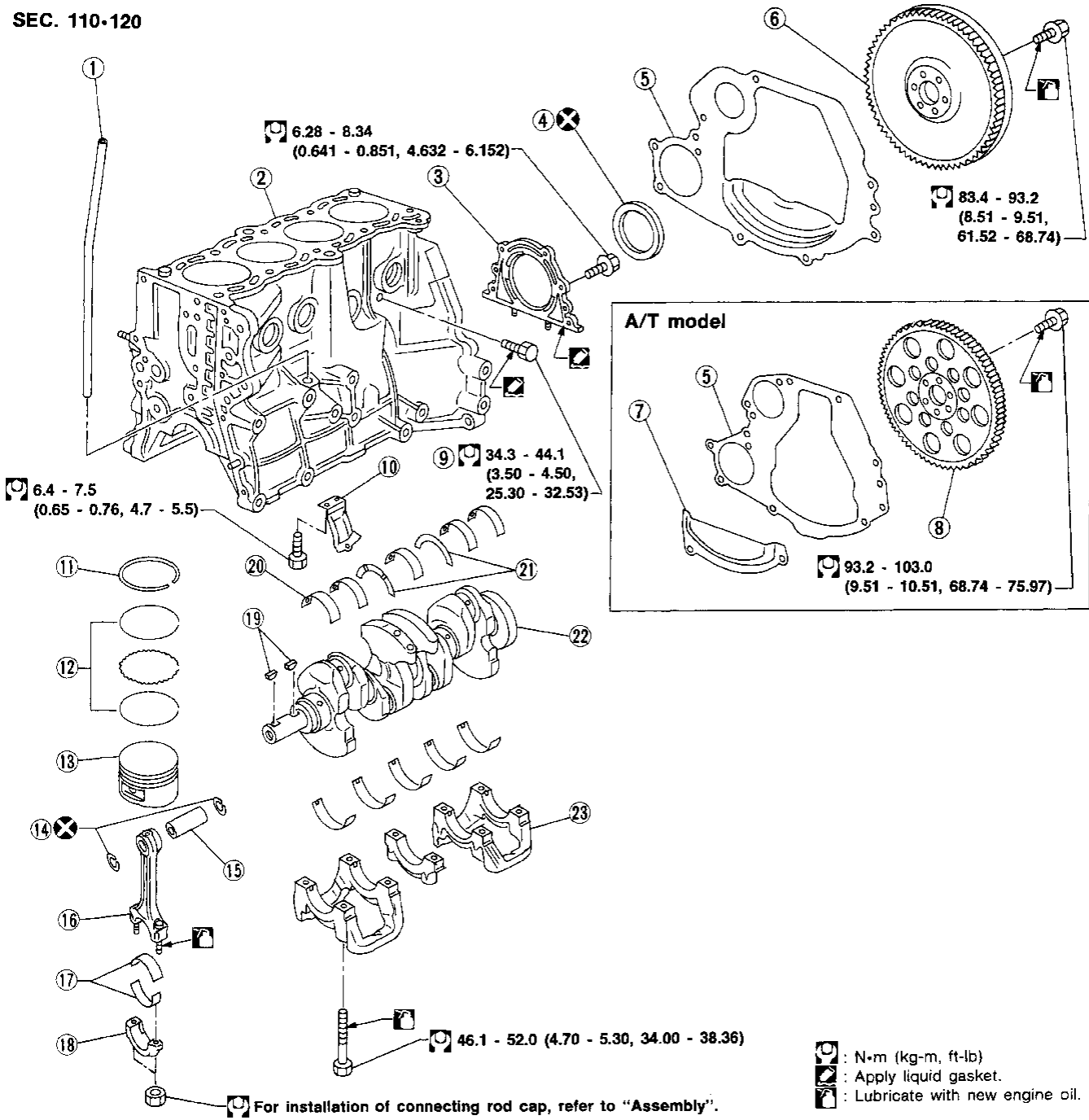


Installation

When installing the engine, adjust the height of buffer rod as shown. (For M/T.)

- Install in the reverse order of removal.

SEC. 110-120



SEM133F

- | | | |
|--------------------------|------------------|--------------------------|
| ① Oil level gauge guide | ⑨ Drain plug | ⑰ Connecting rod bearing |
| ② Cylinder block | ⑩ Buffer plate | ⑱ Connecting rod cap |
| ③ Rear oil seal retainer | ⑪ Top ring | ⑲ Key |
| ④ Rear oil seal | ⑫ Oil ring | ⑳ Main bearing |
| ⑤ Rear plate | ⑬ Piston | ㉑ Thrust bearing |
| ⑥ Flywheel | ⑭ Snap ring | ㉒ Crankshaft |
| ⑦ Rear plate cover | ⑮ Piston pin | ㉓ Main bearing cap |
| ⑧ Drive plate | ⑯ Connecting rod | |

CAUTION:

- When installing sliding parts such as bearings and pistons, apply engine oil on the sliding surfaces.
- Place removed parts, such as bearings and bearing caps, in their proper order and direction.
- When installing connecting rod nuts and main bearing cap bolts, apply new engine oil to threads and seating surface of nuts.
- Do not allow any magnetic materials to contact the ring gear teeth of flywheel or drive plate.

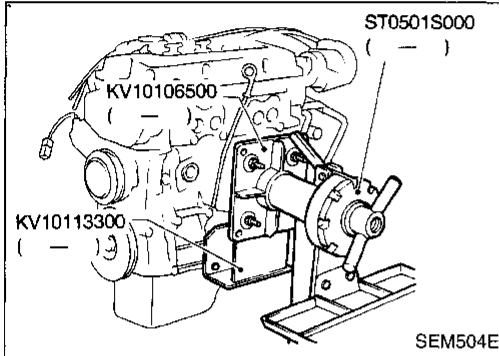
GI
MA
EM

Disassembly

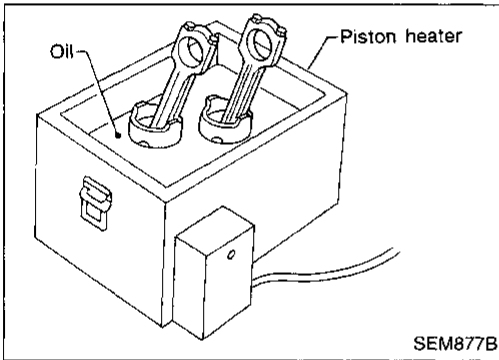
PISTON AND CRANKSHAFT

1. Place engine on a work stand.
2. Drain coolant and oil.
3. Remove timing chain.
Refer to EM-69.

LC
EC
FE
CL



SEM504E



SEM877B

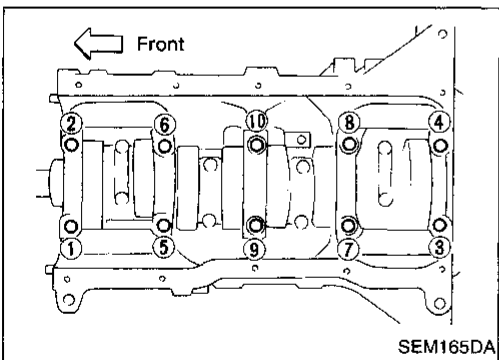
4. Remove pistons with connecting rod.
- When disassembling piston and connecting rod, remove snap ring first. Then heat piston to 60 to 70°C (140 to 158°F) or use piston pin press stand at room temperature.

MT
AT

CAUTION:

- When piston rings are not replaced, make sure that piston rings are mounted in their original positions.
- When replacing piston rings, if there is no punch mark, install with either side up.

FA
RA



SEM165DA

5. Loosen main bearing caps in numerical order as shown in figure.
6. Remove bearing caps, main bearings and crankshaft.
- Before removing bearing caps, measure crankshaft end play. Refer to EM-105.
- Bolts should be loosened in two or three steps.

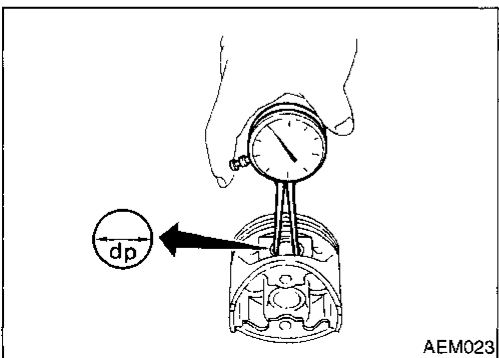
BR
ST
RS
BT

Inspection

PISTON AND PISTON PIN CLEARANCE

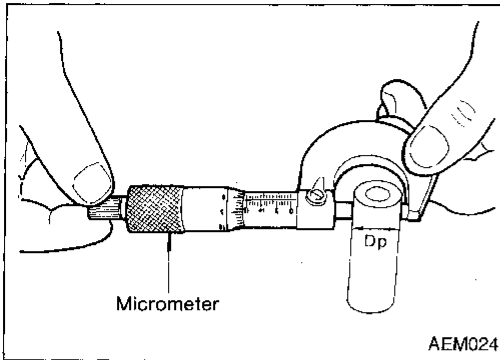
1. Measure inner diameter of piston pin hole "dp".
Standard diameter "dp":
 18.987 - 18.999 mm (0.7475 - 0.7480 in)

HA
EL
IDX



AEM023

Inspection (Cont'd)



2. Measure outer diameter of piston pin "Dp".

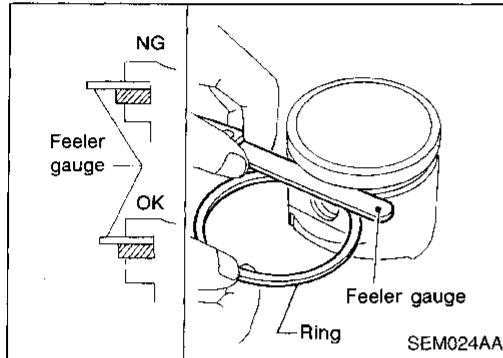
Standard diameter "Dp":

18.989 - 19.001 mm (0.7476 - 0.7481 in)

3. Calculate piston pin clearance.

Dp - dp = -0.004 to 0 mm (-0.0002 to 0 in)

If it exceeds the above value, replace piston assembly with pin.



PISTON RING SIDE CLEARANCE

Side clearance:

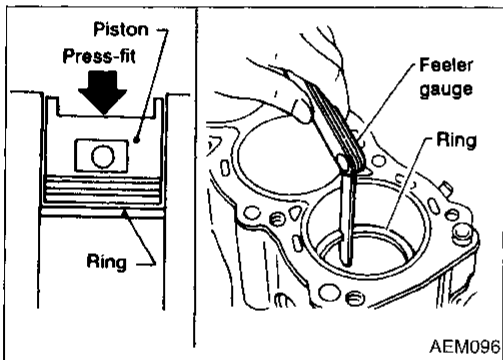
Top ring

0.040 - 0.080 mm (0.0016 - 0.0031 in)

Max. limit of side clearance:

0.1 mm (0.004 in)

If out of specification, replace piston and/or piston ring assembly.



PISTON RING END GAP

End gap:

Top ring 0.20 - 0.40 mm (0.0079 - 0.0157 in)

Oil ring 0.20 - 0.60 mm (0.0079 - 0.0236 in)

Max. limit of ring gap:

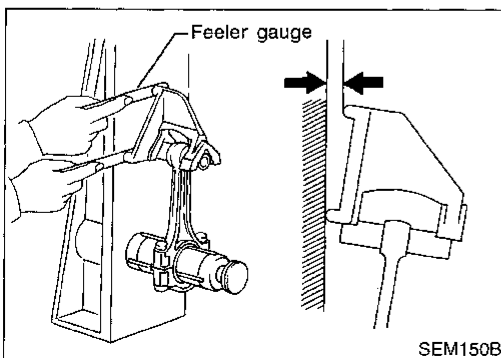
Top ring 0.49 mm (0.0193 in)

Oil ring 0.69 mm (0.0272 in)

If out of specification, replace piston ring. If gap exceeds maximum limit with a new ring, rebore cylinder and use oversized piston and piston rings.

Refer to SDS, EM-119.

- When replacing the piston, check the cylinder block surface for scratches or seizure. If scratches or seizure is found, hone or replace the cylinder block.



CONNECTING ROD BEND AND TORSION

Bend:

Limit 0.15 mm (0.0059 in)

per 100 mm (3.94 in) length

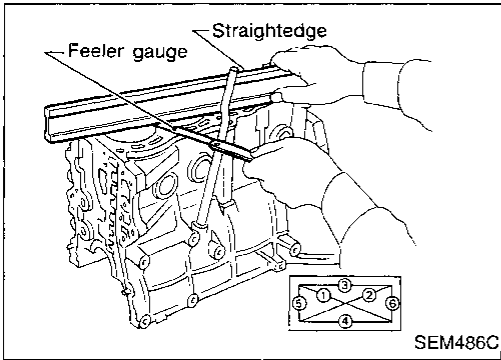
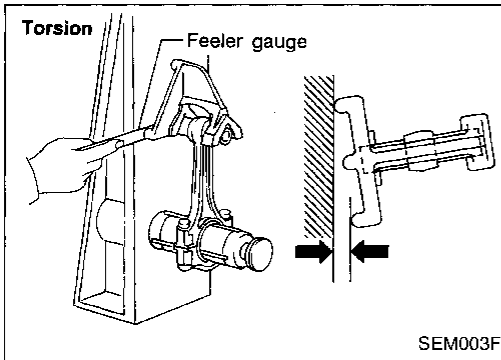
Torsion:

Limit 0.3 mm (0.012 in)

per 100 mm (3.94 in) length

If it exceeds the limit, replace connecting rod assembly.

Inspection (Cont'd)



CYLINDER BLOCK DISTORTION AND WEAR

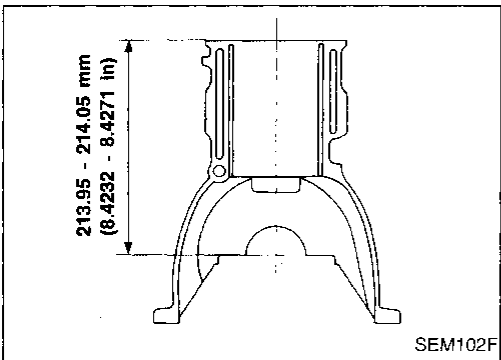
Clean upper surface of cylinder block. Use a reliable straightedge and feeler gauge to check the flatness of cylinder block surface. Check along six positions shown in figure.

Limit:

0.10 mm (0.0039 in)

If out of specification, resurface it.

The limit for cylinder block resurfacing is determined by cylinder head resurfacing.



Amount of cylinder head resurfacing is "A". Amount of cylinder block resurfacing is "B".

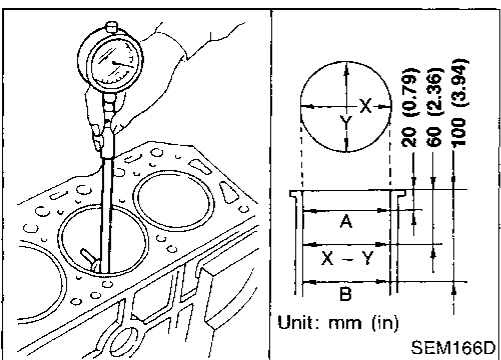
The maximum limit is as follows:

A + B = 0.2 mm (0.008 in)

Nominal cylinder block height from crankshaft center:

213.95 - 214.05 mm (8.4232 - 8.4271 in)

If necessary, replace cylinder block.



PISTON-TO-BORE CLEARANCE

1. Using a bore gauge, measure cylinder bore for wear, out-of-round and taper.

Standard inner diameter:

76.000 - 76.030 mm (2.9921 - 2.9933 in)

Wear limit: **0.2 mm (0.008 in)**

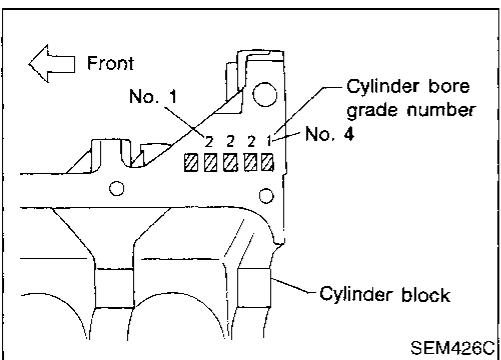
If it exceeds the limit, rebore all cylinders. Replace cylinder block if necessary.

Out-of-round (X - Y) standard: **0.015 mm (0.0006 in)**

Taper (A - B) standard: **0.01 mm (0.0004 in)**

2. Check for scratches and seizure. If seizure is found, hone it.

• If cylinder block or piston is replaced, match piston grade with grade number on cylinder block lower surface.



GI

MA

EM

LC

EC

FE

CL

MT

AT

FA

RA

BR

ST

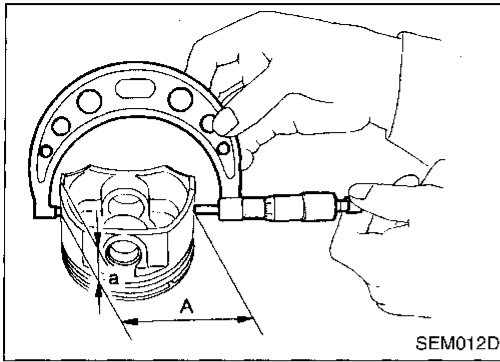
RS

BT

HA

EL

IDX



Inspection (Cont'd)

3. Measure piston skirt diameter.
Piston diameter "A":
 Refer to SDS, EM-119.
Measuring point "a" (Distance from the bottom):
 9.9 mm (0.390 in)
4. Check that piston-to-bore clearance is within specification.
Piston-to-bore clearance "B":
 0.015 - 0.035 mm (0.0006 - 0.0014 in)
5. Determine piston oversize according to amount of cylinder wear.

Oversize pistons are available for service. Refer to SDS EM-119.

6. Cylinder bore size is determined by adding piston-to-bore clearance to piston diameter "A".

Rebored size calculation:

$$D = A + B - C$$

where,

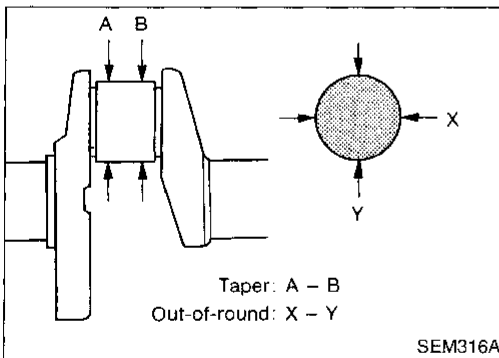
D: Bored diameter

A: Piston diameter as measured

B: Piston-to-bore clearance

C: Honing allowance 0.02 mm (0.0008 in)

7. Install main bearing caps and tighten bolts to the specified torque. This will prevent distortion of cylinder bores.
8. Cut cylinder bores.
 - **When any cylinder needs boring, all other cylinders must also be bored.**
 - **Do not cut too much out of cylinder bore at a time. Cut only 0.05 mm (0.0020 in) or so at a time.**
9. Hone cylinders to obtain specified piston-to-bore clearance.
10. Measure finished cylinder bore for out-of-round and taper.
 - **Measurement should be done after cylinder bore cools down.**



CRANKSHAFT

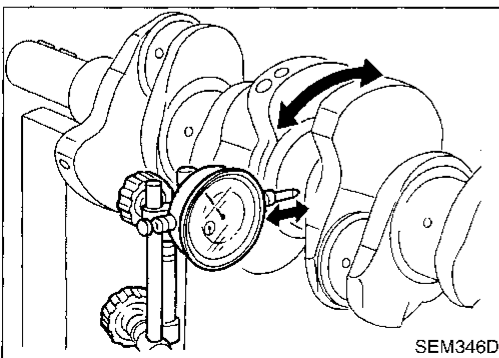
1. Check crankshaft main and pin journals for score, wear or cracks.
2. With a micrometer, measure journals for taper and out-of-round.

Out-of-round (X - Y):

Less than 0.005 mm (0.0002 in)

Taper (A - B):

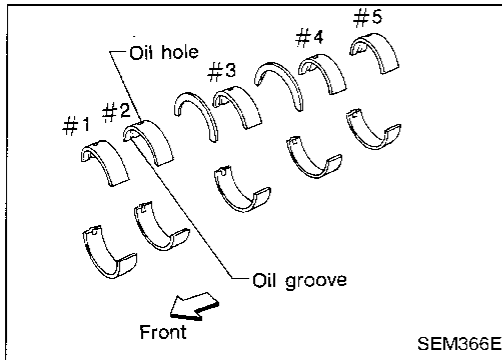
Less than 0.005 mm (0.0002 in)



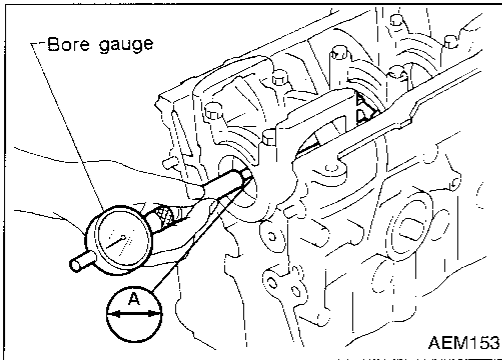
3. Measure crankshaft runout.

Runout (Total indicator reading):

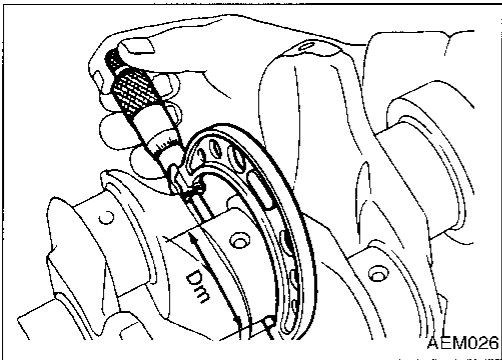
Less than 0.05 mm (0.0002 in)



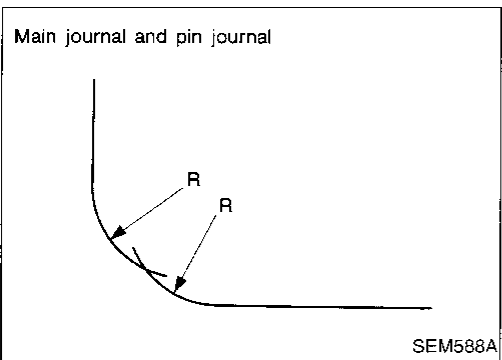
SEM366E



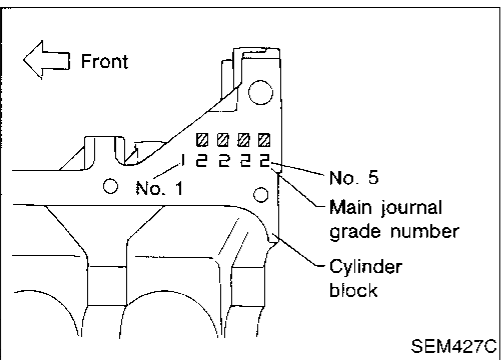
AEM153



AEM026



SEM588A



SEM427C

Inspection (Cont'd)

BEARING CLEARANCE

- Use Method A or Method B. Method A is preferred because it is more accurate.

Method A (Using bore gauge & micrometer)

Main bearing

1. Set main bearings in their proper positions on cylinder block and main bearing cap.

2. Install main bearing cap to cylinder block.

Tighten all bolts in correct order in two or three stages. Refer to EM-105.

3. Measure inner diameter "A" of each main bearing.

4. Measure outer diameter "Dm" of each main journal in crankshaft.

5. Calculate main bearing clearance.

$$\text{Main bearing clearance} = A - Dm$$

Standard: 0.018 - 0.042 mm (0.0007 - 0.0017 in)

Limit: 0.1 mm (0.004 in)

If it exceeds the limit, replace bearing.

If clearance cannot be adjusted within standard of any bearing, grind crankshaft journal and use undersized bearing.

When grinding crank pin and crank journal:

- Grind until clearance is within specified standard bearing clearance.
- Fillets should be finished as shown in the figure.
R: 2.3 - 2.5 mm (0.091 - 0.098 in)

Refer to SDS, EM-120 for standard bearing clearance and available spare parts.

6. If the crankshaft or cylinder block is replaced, select thickness of main bearings as follows:

- a. Grade number of each cylinder block main journal is punched on the respective cylinder block. These numbers are punched in either Arabic or Roman numerals.

GI

MA

EM

LC

EC

FE

CL

MT

AT

FA

RA

BR

ST

RS

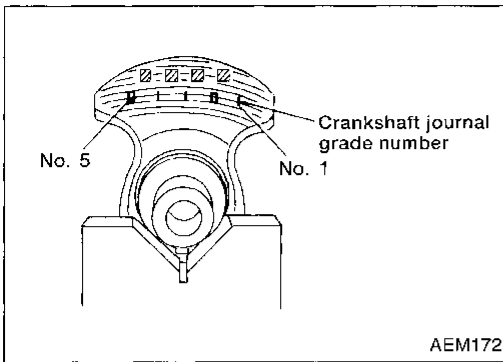
BT

HA

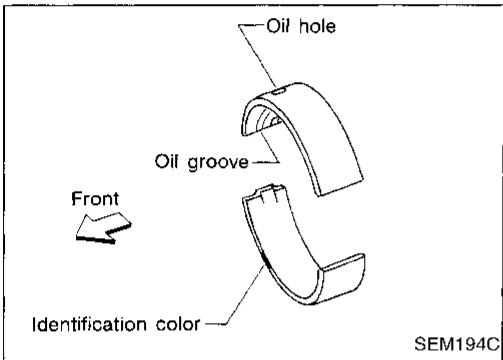
EL

DX

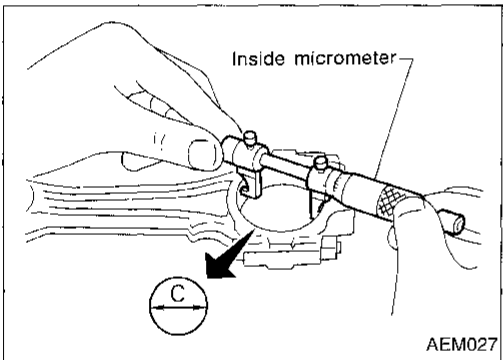
Inspection (Cont'd)



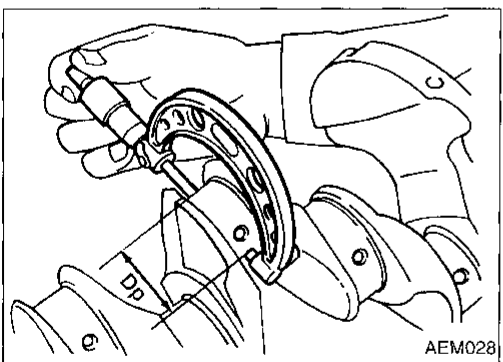
AEM172



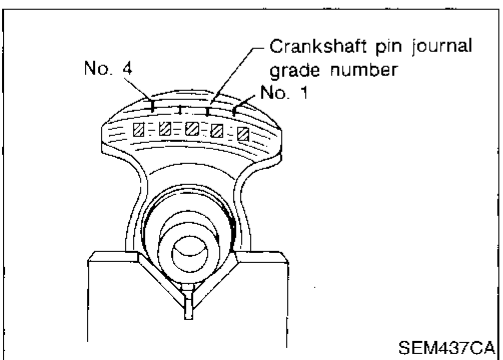
SEM194C



AEM027



AEM028



SEM437CA

- b. Grade number of each crankshaft main journal is punched on the respective crankshaft. These numbers are punched in either Arabic or Roman numerals.
- c. Select main bearing with suitable thickness according to the following table.

Main bearing grade color:

Crankshaft main journal grade number	Cylinder block main journal grade number		
	0	1	2
0	Black	Brown	Green
1	Brown	Green	Yellow
2	Green	Yellow	Blue

For example:

Cylinder block main journal grade number: 1
 Crankshaft main journal grade number: 2
 Main bearing grade number = 1 + 2 = Yellow

Connecting rod bearing (Big end)

- 1. Install connecting rod bearing to connecting rod and cap.
- 2. Install connecting rod cap to connecting rod.

Tighten bolts to the specified torque.

- 3. Measure inner diameter "C" of each bearing.

- 4. Measure outer diameter "Dp" of each crankshaft pin journal.
- 5. Calculate connecting rod bearing clearance.

Connecting rod bearing clearance = C - Dp
Standard: 0.010 - 0.035 mm (0.0004 - 0.0014 in)
Limit: 0.1 mm (0.004 in)

If it exceeds the limit, replace bearing.

If clearance cannot be adjusted using any standard bearing grade, grind crankshaft journal and use undersized bearing. Refer to step 5, EM-101.

- If a new bearing, crankshaft or connecting rod is replaced, select connecting rod bearing according to the following table.

Connecting rod bearing grade number:

These numbers are punched in either Arabic or Roman numerals.

Crankshaft pin journal grade number	Connecting rod bearing grade color
0	—
1	Brown
2	Green

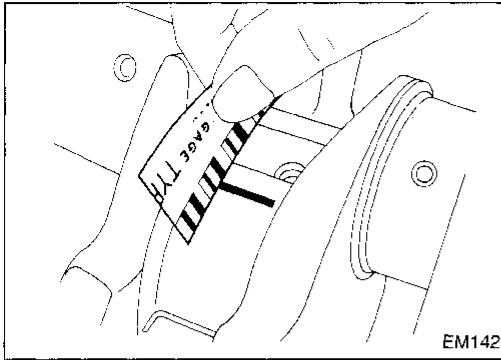
Inspection (Cont'd)

Method B (Using Plastigage)

CAUTION:

- Do not turn crankshaft or connecting rod while Plastigage is being inserted.
- When bearing clearance exceeds the specified limit, ensure that the proper bearing has been installed. Then if excessive bearing clearance exists, use a thicker main bearing or undersized bearing so that the specified bearing clearance is obtained.

GI
MA
EM

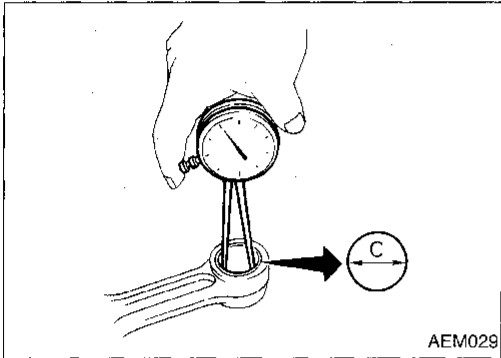


EM142

CONNECTING ROD BUSHING CLEARANCE (Small end)

1. Measure inner diameter "C" of bushing.

LC
EC



AEM029

2. Measure outer diameter "Dp" of piston pin.
3. Calculate connecting rod bushing clearance.

Connecting rod bushing clearance = C - Dp

Standard:

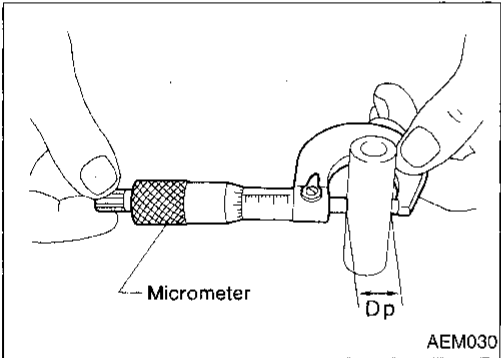
0.005 - 0.017 mm (0.0002 - 0.0007 in)

Limit:

0.023 mm (0.0009 in)

If it exceeds the limit, replace connecting rod assembly or connecting rod bushing and/or piston pin.

FE
CL
MT
AT
FA
PA



AEM030

REPLACEMENT OF CONNECTING ROD BUSHING (Small end)

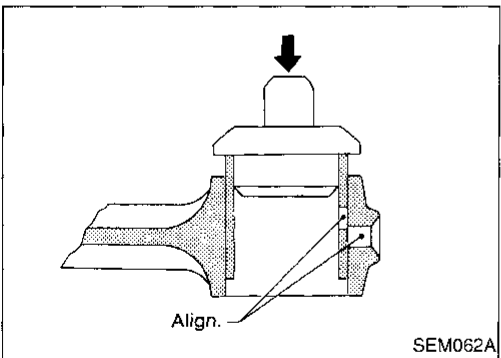
1. Drive in small end bushing until it is flush with end surface of rod.

Be sure to align the oil holes.

2. Ream the bushing so that clearance with piston pin is within specification.

Clearance between connecting rod bushing and piston pin: 0.005 - 0.017 mm (0.0002 - 0.0007 in)

BR
ST
RS
BT



SEM062A

FLYWHEEL RUNOUT

Runout (Total indicator reading):

Flywheel (M/T models)

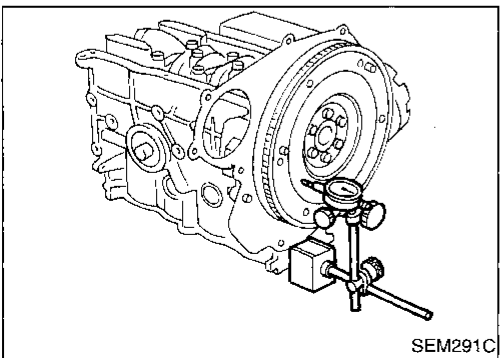
Less than 0.15 mm (0.0059 in)

Drive plate (A/T models)*

Less than 0.2 mm (0.008 in)

*Measuring points: Approximately 115 mm (4.53 in) from crankshaft center

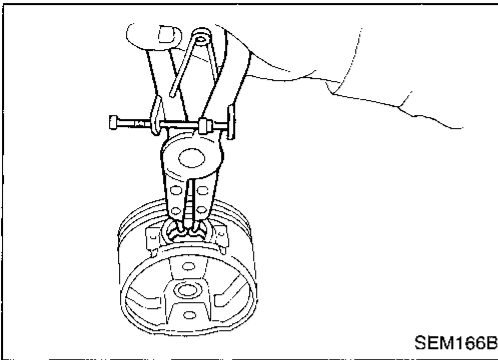
HA
EL
IDX



SEM291C

CAUTION:

Do not allow any magnetic materials to contact the ring gear teeth.

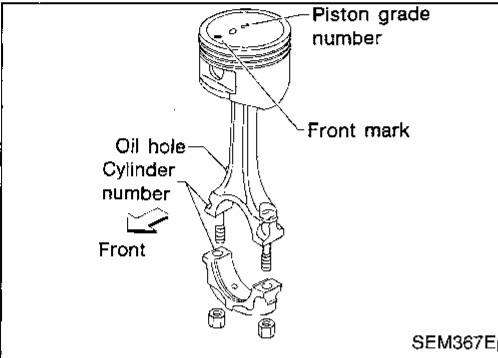


SEM166B

Assembly

PISTON

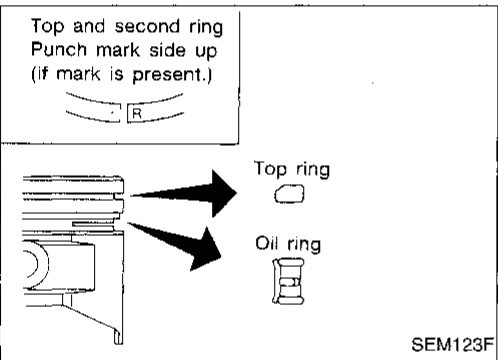
1. Install new snap ring on one side of piston pin hole.



SEM367E

2. Heat piston to 60 to 70°C (140 to 158°F) and assemble piston, piston pin, connecting rod and new snap ring.

- Align the direction of piston and connecting rod.
- Numbers stamped on connecting rod and cap correspond to each cylinder.
- After assembly, make sure connecting rod swings smoothly.

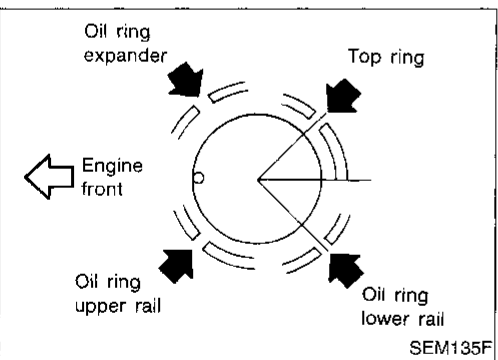


SEM123F

3. Set piston rings as shown.

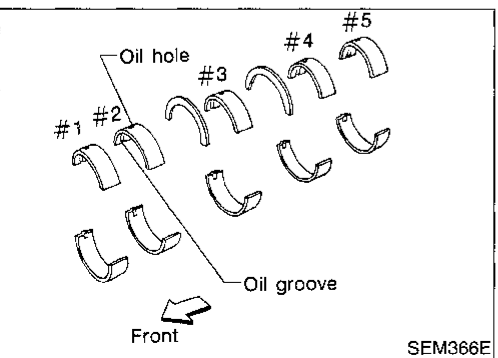
CAUTION:

- When piston rings are not replaced, make sure that piston rings are mounted in their original position.
- When piston rings are being replaced and no punch mark is present, piston rings can be mounted with either side up.



SEM135F

- Align piston rings so that end gaps are positioned as shown.



SEM366E

CRANKSHAFT

1. Set main bearings in their proper positions on cylinder block and main bearing cap.

- Confirm that correct main bearings are used. Refer to EM-100.

CYLINDER BLOCK Assembly (Cont'd)

GA

GI

MA

EM

LC

EC

FE

CL

MT

AT

FA

RA

BR

ST

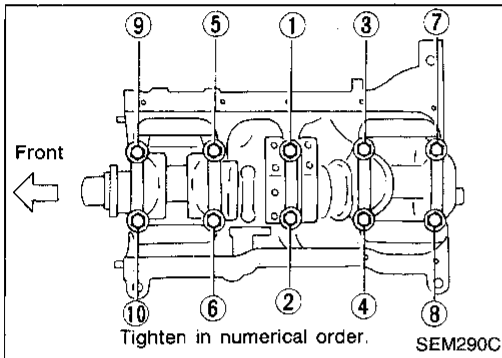
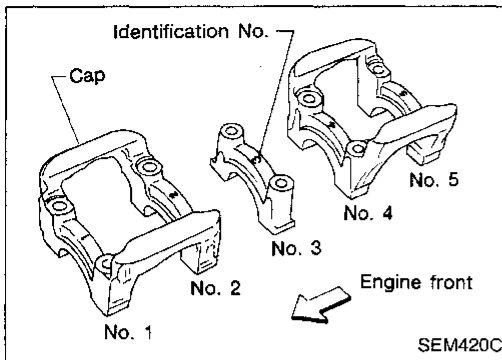
RS

BT

JA

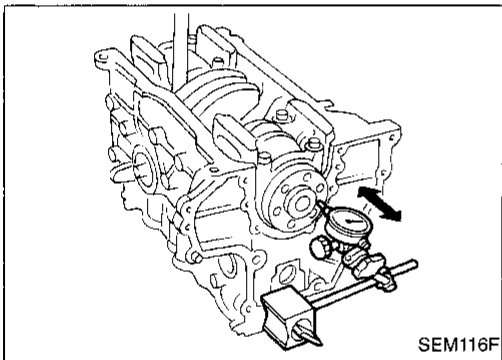
EL

IDX



2. Install crankshaft and main bearing caps and tighten bolts to the specified torque.

- Apply new engine oil to the bolt thread and seat surface.
- Prior to tightening bearing cap bolts, place bearing cap in its proper position by shifting crankshaft in the axial direction.
- Tighten bearing cap bolts gradually in two or three stages. Start with center bearing and move outward as shown in figure.
- After securing bearing cap bolts, make sure crankshaft turns smoothly by hand.



3. Measure crankshaft end play.

Crankshaft end play:

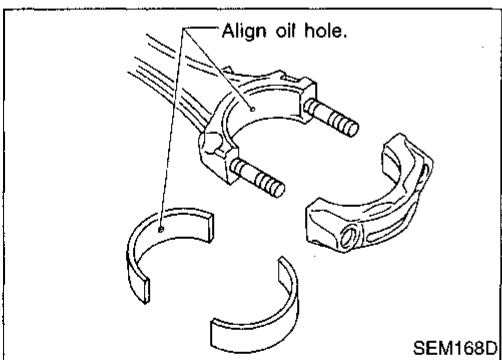
Standard

0.060 - 0.180 mm (0.0024 - 0.0071 in)

Limit

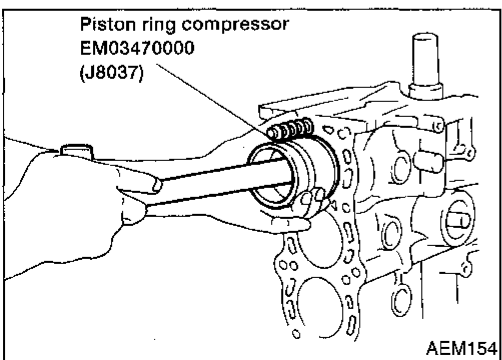
0.3 mm (0.012 in)

If beyond the limit, replace thrust bearing with a new one.



4. Install connecting rod bearings in connecting rods and connecting rod caps.

- Confirm that correct bearings are used. Refer to EM-102.
- Install bearings so that oil hole in connecting rod aligns with oil hole of bearing.

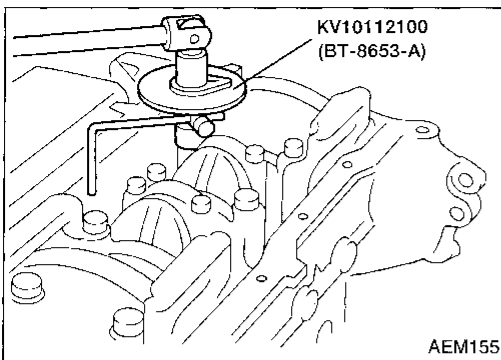


5. Install pistons with connecting rods.

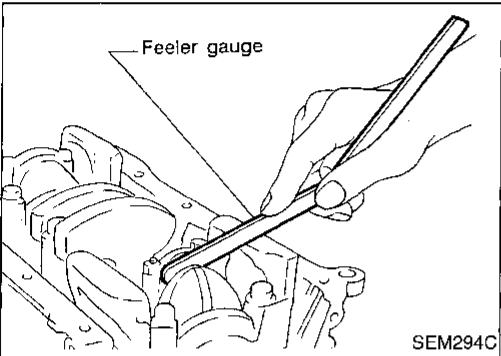
a. Install them into corresponding cylinders with Tool.

- Make sure connecting rod does not scratch cylinder wall.
- Arrange so that front mark on piston head faces engine front.

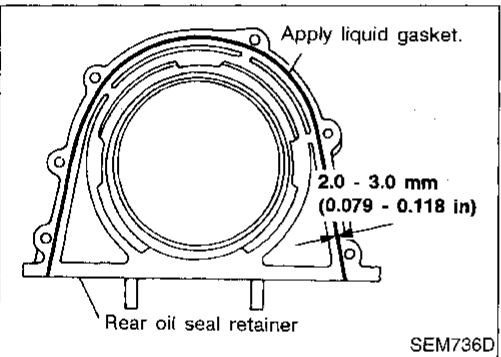
Assembly (Cont'd)



- b. Install connecting rod caps.
Apply new engine oil to bolt threads and nut seating surfaces.
Tighten connecting rod cap nuts in the following procedure:
 - 1) Tighten to 13.72 to 15.68 N-m (1.399 to 1.599 kg-m, 10.120 - 11.566 ft-lb).
 - 2) Turn nuts to 35° to 40° degrees clockwise with an angle wrench. If an angle wrench is not available, tighten nuts to 23 to 28 N-m (2.3 to 2.9 kg-m, 17 to 21 ft-lb).



- 6. Measure connecting rod side clearance.
Connecting rod side clearance:
 - Standard**
0.200 - 0.470 mm (0.0079 - 0.0185 in)
 - Limit**
0.50 mm (0.0197 in)**If beyond the limit, replace connecting rod and/or crankshaft.**

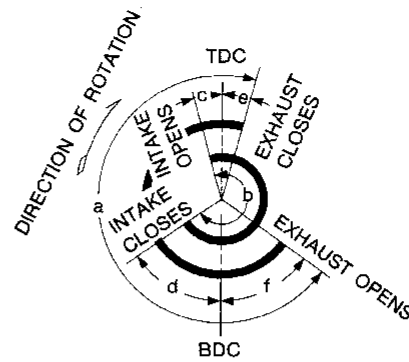


- 7. Install rear oil seal retainer.
 - a. Before installing rear oil seal retainer, remove all traces of liquid gasket from cylinder block and retainer with a scraper.
 - b. Apply a continuous bead of liquid gasket to rear oil seal retainer.
 - Apply around inner side of bolt holes.

General Specifications

Cylinder arrangement	In-line 4	
Displacement	cm ³ (cu in)	1,998 (121.92)
Bore and stroke	mm (in)	86 x 86 (3.39 x 3.39)
Valve arrangement	DOHC	
Firing order	1-3-4-2	
Number of piston rings		
Compression	2	
Oil	1	
Number of main bearings	5	
Compression ratio	9.5	

Valve timing



EM120
Unit: degree

a	b	c	d	e	f
240°	232°	5°	47°	3°	57°

COMPRESSION PRESSURE

Unit: kPa (kg/cm², psi)/300 rpm

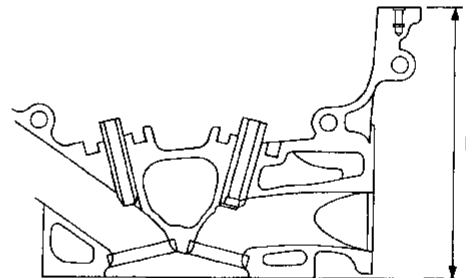
Compression pressure		
Standard	1,226 (12.5, 178)	
Minimum	1,030 (10.5, 149)	
Differential limit between cylinders	98 (1.0, 14)	

Inspection and Adjustment

CYLINDER HEAD

Unit: mm (in)

	Standard	Limit
Head surface distortion	Less than 0.03 (0.0012)	0.1 (0.004)



SEM043F

Nominal cylinder head height "H"	136.9 - 137.1 (5.390 - 5.398)
Resurfacing limit	0.2 (0.008)*

*Total amount of cylinder head resurfacing plus cylinder block resurfacing

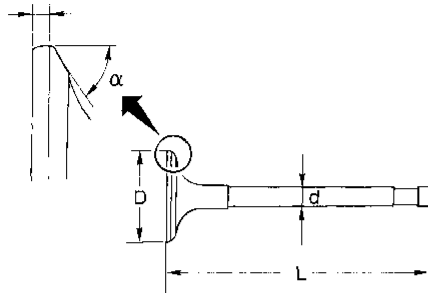
GI
MA
EM
LC
EC
FE
CL
MT
AT
FA
RA
BR
ST
RS
BT
HA
EL
IDX

Inspection and Adjustment (Cont'd)
Hydraulic lash adjuster (HLA)

VALVE

Unit: mm (in)

T (Margin thickness)



SEM188A

Valve head diameter "D"	
Intake	34.0 - 34.2 (1.339 - 1.346)
Exhaust	30.0 - 30.2 (1.181 - 1.189)
Valve length "L"	
Intake	101.19 - 101.61 (3.9839 - 4.0004)
Exhaust	102.11 - 102.53 (4.0201 - 4.0366)
Valve stem diameter "d"	
Intake	5.965 - 5.980 (0.2348 - 0.2354)
Exhaust	5.945 - 5.960 (0.2341 - 0.2346)
Valve seat angle "α"	
Intake	45°15' - 45°45'
Exhaust	
Valve margin "T"	
Intake	1.1 (0.043)
Exhaust	1.3 (0.051)
Valve margin "T" limit	More than 0.5 (0.020)
Valve stem end surface grinding limit	Less than 0.2 (0.008)

Valve spring

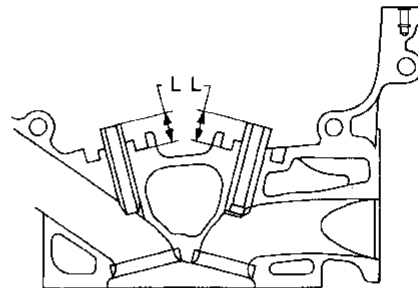
Free height	mm (in)	49.36 (1.9433)	
Pressure N (kg, lb) at height mm (in)	Standard	578.02 - 641.57 (58.94 - 65.42, 129.96 - 144.25) at 30.0 (1.181)	
		Limit	549.2 (56.0, 123.5) at 30.0 (1.181)
		Out-of-square	mm (in)

Unit: mm (in)

HLA outer diameter	16.980 - 16.993 (0.6685 - 0.6690)
HLA guide hole diameter	17.000 - 17.020 (0.6693 - 0.6701)
Clearance between HLA and HLA guide hole	0.007 - 0.040 (0.0003 - 0.0016)

Valve guide

Unit: mm (in)



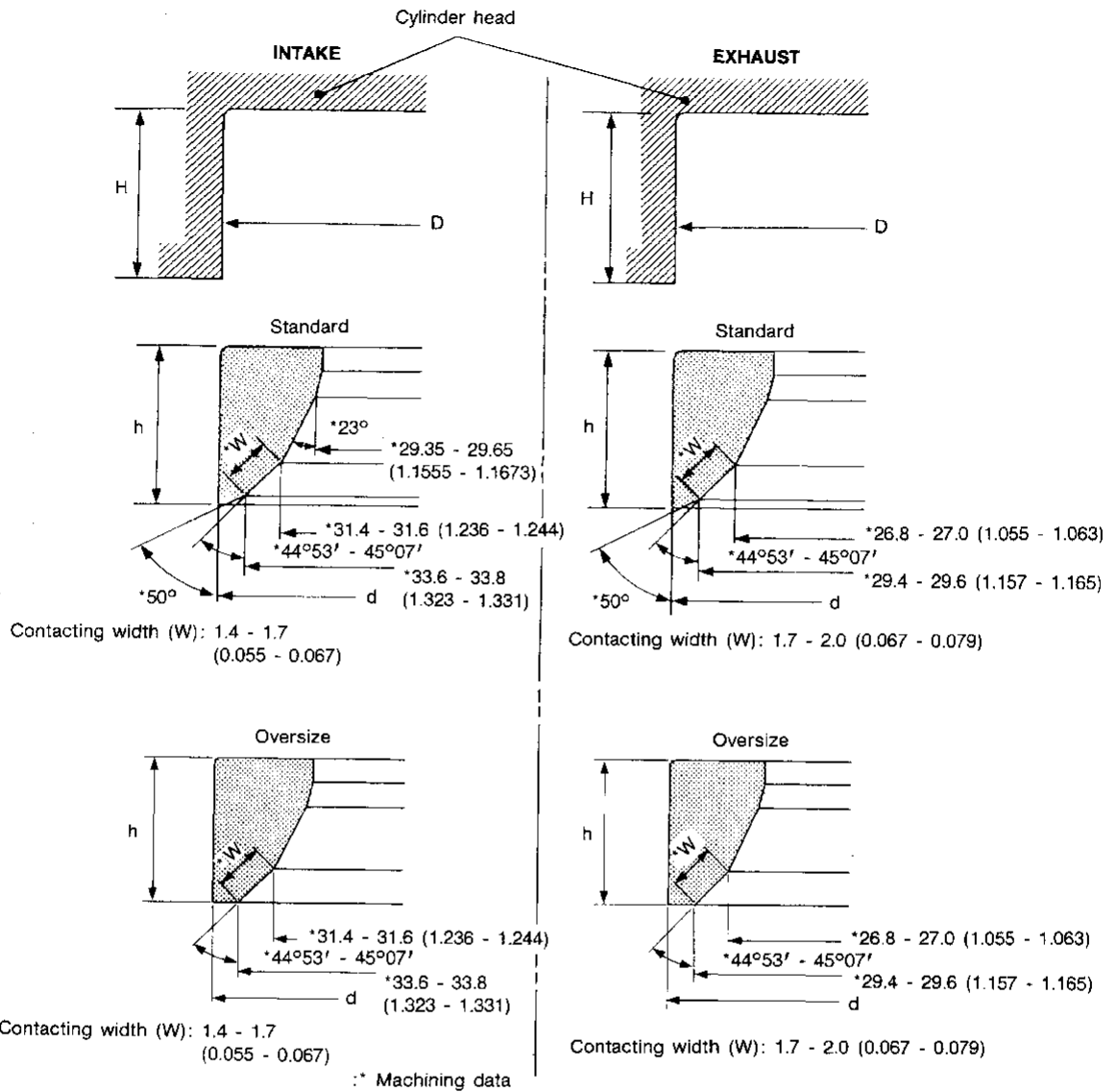
SEM083D

		Standard	Service
Valve guide	Outer diameter	Intake	10.023 - 10.034 (0.3946 - 0.3950)
		Exhaust	10.023 - 10.034 (0.3946 - 0.3950)
Valve guide	Inner diameter (Finished size)	Intake	6.000 - 6.018 (0.2362 - 0.2369)
		Exhaust	6.000 - 6.018 (0.2362 - 0.2369)
Cylinder head valve guide hole diameter	Intake	9.975 - 9.996 (0.3927 - 0.3935)	10.175 - 10.196 (0.4006 - 0.4014)
	Exhaust	9.975 - 9.996 (0.3927 - 0.3935)	10.175 - 10.196 (0.4006 - 0.4014)
Interference fit of valve guide		0.027 - 0.059 (0.0011 - 0.0023)	
		Standard	Limit
Stem to guide clearance	Intake	0.020 - 0.053 (0.0008 - 0.0021)	0.08 (0.0031)
	Exhaust	0.040 - 0.073 (0.0016 - 0.0029)	0.1 (0.004)
Valve deflection limit		0.2 (0.008)	
Projection length "L"		14.0 - 14.2 (0.551 - 0.559)	

Inspection and Adjustment (Cont'd)

Valve seat

Unit: mm (in)



SEM651D

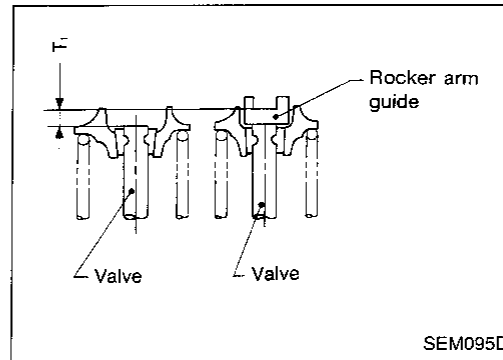
		Standard	Service
Cylinder head seat recess diameter (D)	In.	35.000 - 35.016 (1.3780 - 1.3786)	35.500 - 35.516 (1.3976 - 1.3983)
	Ex.	31.000 - 31.016 (1.2205 - 1.2211)	31.500 - 31.516 (1.2402 - 1.2408)
Valve seat interference fit	In.	0.064 - 0.096 (0.0025 - 0.0038)	
	Ex.	0.064 - 0.096 (0.0025 - 0.0038)	
Valve seat outer diameter (d)	In.	35.080 - 35.096 (1.3811 - 1.3817)	35.580 - 35.596 (1.4008 - 1.4014)
	Ex.	31.080 - 31.096 (1.2236 - 1.2242)	31.580 - 31.596 (1.2433 - 1.2439)
Depth (H)	In.	6.25 (0.2461)	
	Ex.	6.25 (0.2461)	
Height (h)		6.2 - 6.3 (0.244 - 0.248)	5.4 - 5.5 (0.213 - 0.217)

Inspection and Adjustment (Cont'd)

Valve shim clearance adjustment

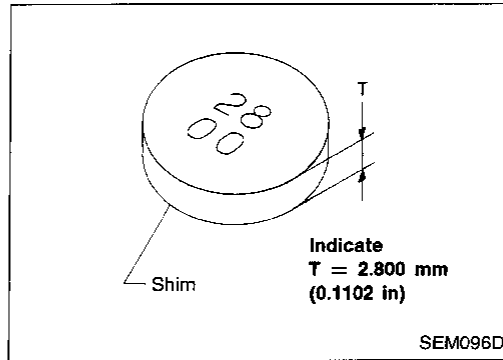
Unit: mm (in)

Valve shim clearance (cold)	
Intake & Exhaust	Less than 0.025 (0.001)
Shim thickness "T"	$T_1 \pm 0.025$ (0.001)



Available shim

Thickness mm (in)	Identification mark
2.800 (0.1102)	28 00
2.825 (0.1112)	28 25
2.850 (0.1122)	28 50
2.875 (0.1132)	28 75
2.900 (0.1142)	29 00
2.925 (0.1152)	29 25
2.950 (0.1161)	29 50
2.975 (0.1171)	29 75
3.000 (0.1181)	30 00
3.025 (0.1191)	30 25
3.050 (0.1201)	30 50
3.075 (0.1211)	30 75
3.100 (0.1220)	31 00
3.125 (0.1230)	31 25
3.150 (0.1240)	31 50
3.175 (0.1250)	31 75
3.200 (0.1260)	32 00



Inspection and Adjustment (Cont'd)

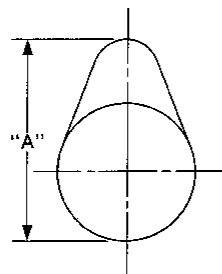
CAMSHAFT AND CAMSHAFT BEARING

CYLINDER BLOCK

Unit: mm (in)

Unit: mm (in)

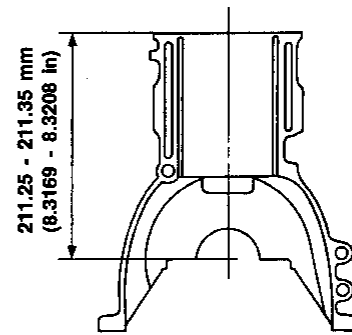
	Standard	Limit
Camshaft journal to bearing clearance	0.045 - 0.090 (0.0018 - 0.0035)	0.15 (0.0059)
Inner diameter of camshaft bearing	28.000 - 28.021 (1.1024 - 1.1032)	—
Outer diameter of camshaft journal	27.935 - 27.955 (1.0998 - 1.1006)	—
Camshaft runout [TIR*]	Less than 0.02 (0.0008)	0.1 (0.004)
Camshaft sprocket runout [TIR*]	Less than 0.25 (0.0098)	—
Camshaft end play	0.055 - 0.139 (0.0022 - 0.0055)	0.20 (0.0079)



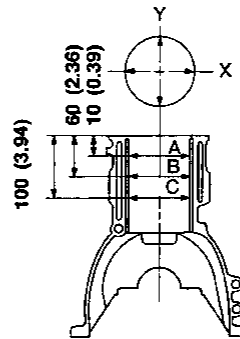
EM671

Cam height "A"	
Intake	37.550 - 37.740 (1.4783 - 1.4858)
Exhaust	37.920 - 38.110 (1.4929 - 1.5004)
Wear limit of cam height	0.2 (0.008)
Valve lift	
Intake	8.6 (0.339)
Exhaust	9.2 (0.362)

*Total indicator reading



SEM964E



SEM686D

Surface flatness	
Standard	Less than 0.03 (0.0012)
Limit	0.1 (0.004)
Cylinder bore	
Inner diameter	
Standard	
Grade No. 1	86.000 - 86.010 (3.3858 - 3.3862)
Grade No. 2	86.010 - 86.020 (3.3862 - 3.3866)
Grade No. 3	86.020 - 86.030 (3.3866 - 3.3870)
Wear limit	0.20 (0.0079)
Out-of-round (X - Y)	Less than 0.015 (0.0006)
Taper (A - B and A - C)	Less than 0.010 (0.0004)
Difference in inner diameter between cylinders	
Limit	Less than 0.05 (0.0020)
Main journal inner diameter	
Grade No. 0	58.944 - 58.950 (2.3206 - 2.3209)
Grade No. 1	58.950 - 58.956 (2.3209 - 2.3211)
Grade No. 2	58.956 - 58.962 (2.3211 - 2.3213)
Grade No. 3	58.962 - 58.968 (2.3213 - 2.3216)

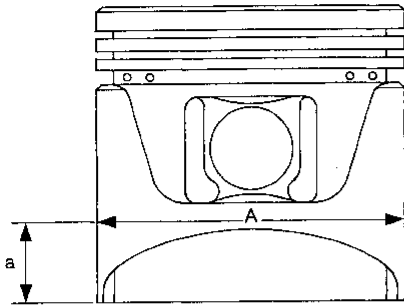
CI
MA
EM
LC
EC
FE
CL
MT
AT
FA
RA
BR
ST
RS
BT
HA
EL
IDX

Inspection and Adjustment (Cont'd)

PISTON, PISTON RING AND PISTON PIN

Piston

Unit: mm (in)



SEM750C

Piston skirt diameter "A"

Standard

Grade No. 1	85.980 - 85.990 (3.3850 - 3.3854)
Grade No. 2	85.990 - 86.000 (3.3854 - 3.3858)
Grade No. 3	86.000 - 86.010 (3.3858 - 3.3862)
0.20 (0.0079) oversize (Service)	86.180 - 86.210 (3.3929 - 3.3941)

"a" dimension 14.0 (0.551)

Piston clearance to cylinder block 0.010 - 0.030 (0.0004 - 0.0012)

Piston pin hole diameter 21.987 - 21.999 (0.8656 - 0.8661)

Piston ring

Unit: mm (in)

Side clearance	
Top	
Standard	0.045 - 0.080 (0.0018 - 0.0031)
Limit	0.2 (0.008)
2nd	
Standard	0.030 - 0.065 (0.0012 - 0.0026)
Limit	0.2 (0.008)
Ring gap	
Top	
Standard	0.20 - 0.30 (0.0079 - 0.0118)
Limit	1.0 (0.039)
2nd	
Standard	0.35 - 0.50 (0.0138 - 0.0197)
Limit	1.0 (0.039)
Oil	
Standard	0.20 - 0.60 (0.0079 - 0.0236)
Limit	1.0 (0.039)

Piston pin

Unit: mm (in)

Piston pin outer diameter	21.989 - 22.001 (0.8657 - 0.8662)
Interference fit of piston pin to piston	0 - 0.004 (0 - 0.0002)
Piston pin to connecting rod bushing clearance	
Standard	0.005 - 0.017 (0.0002 - 0.0007)
Limit	0.023 (0.0009)

* Values measured at ambient temperature of 20°C (68°F)

Inspection and Adjustment (Cont'd)

CONNECTING ROD

Unit: mm (in)

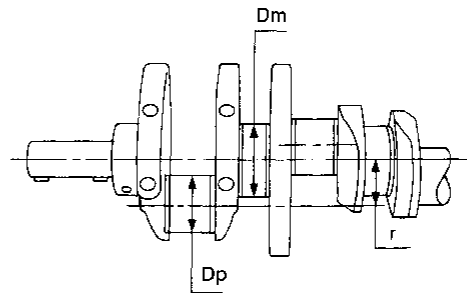
Center distance	136.30 (5.3661)
Bend [per 100 (3.94)]	
Limit	0.15 (0.0059)
Torsion [per 100 (3.94)]	
Limit	0.3 (0.012)
Connecting rod small end inner diameter	24.980 - 25.000 (0.9835 - 0.9843)
Piston pin bushing inner diameter*	22.000 - 22.012 (0.8661 - 0.8666)
Connecting rod big end inner diameter	51.000 - 51.013 (2.0079 - 2.0084)
Side clearance	
Standard	0.20 - 0.35 (0.0079 - 0.0138)
Limit	0.5 (0.020)

*After installing in connecting rod

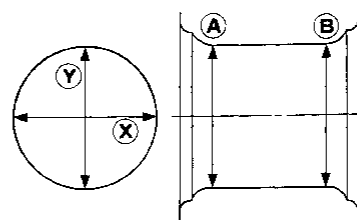
CRANKSHAFT

Unit: mm (in)

Main journal dia. "Dm"		
Grade No. 0	54.974 - 54.980	(2.1643 - 2.1646)
Grade No. 1	54.968 - 54.974	(2.1641 - 2.1643)
Grade No. 2	54.962 - 54.968	(2.1639 - 2.1641)
Grade No. 3	54.956 - 54.962	(2.1636 - 2.1639)
Pin journal dia. "Dp"		
Grade No. 0	47.968 - 47.974	(1.8885 - 1.8887)
Grade No. 1	47.962 - 47.968	(1.8883 - 1.8885)
Grade No. 2	47.956 - 47.962	(1.8880 - 1.8883)
Center distance "r"	42.96 - 43.04	(1.6913 - 1.6945)
Out-of-round (X - Y)		
Standard	Main journal	Less than 0.005 (0.0002)
	Pin journal	Less than 0.0025 (0.0001)
Taper (A - B)		
Standard	Main journal	Less than 0.005 (0.0002)
	Pin journal	Less than 0.0025 (0.0001)
Runout [TIR]		
Standard	Less than 0.025 (0.0010)	
Limit	Less than 0.05 (0.0020)	
Free end play		
Standard	0.10 - 0.26 (0.0039 - 0.0102)	
Limit	0.30 (0.0118)	



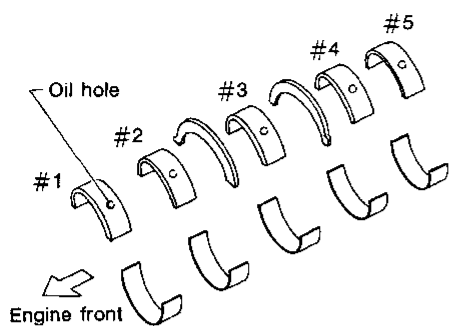
Out-of-round (X - Y)
Taper (A - B)



SEM954C

Inspection and Adjustment (Cont'd)

MAIN BEARING



SEM685D

CONNECTING ROD BEARING

Connecting rod bearing

Standard size

Unit: mm (in)

Grade number	Thickness "T"	Width "W"	Identification color (mark)
0	1.500 - 1.503 (0.0591 - 0.0592)	16.9 - 17.1 (0.665 - 0.673)	No color (A)
1	1.503 - 1.506 (0.0592 - 0.0593)		Black (B)
2	1.506 - 1.509 (0.0593 - 0.0594)		Brown (C)

Standard

Unit: mm (in)

Grade number	Thickness "T"	Width "W"	Identification color (mark)
0	1.977 - 1.980 (0.0778 - 0.0780)	18.9 - 19.1 (0.744 - 0.752)	Black (A)
1	1.980 - 1.983 (0.0780 - 0.0781)		Brown (B)
2	1.983 - 1.986 (0.0781 - 0.0782)		Green (C)
3	1.986 - 1.989 (0.0782 - 0.0783)		Yellow (D)
4	1.989 - 1.992 (0.0783 - 0.0784)		Blue (E)
5	1.992 - 1.995 (0.0784 - 0.0785)		Pink (F)
6	1.995 - 1.998 (0.0785 - 0.0787)		No color (G)

Undersize

Unit: mm (in)

Undersize	Thickness "T"	Crank pin journal diameter "Dp"
0.08 (0.0031)	1.541 - 1.549 (0.0607 - 0.0610)	Grind so that bearing clearance is the specified value.
0.12 (0.0047)	1.561 - 1.569 (0.0615 - 0.0618)	
0.25 (0.0098)	1.626 - 1.634 (0.065 - 0.0656)	

Bearing clearance

Unit: mm (in)

Main bearing clearance	
Standard	0.004 - 0.022 (0.0002 - 0.0009)
Limit	0.05 (0.0020)
Connecting rod bearing clearance	
Standard	0.020 - 0.045 (0.0008 - 0.0018)
Limit	0.065 (0.00256)

Undersize

Unit: mm (in)

Undersize	Thickness "T"	Main journal diameter "Dm"
0.25 (0.0098)	2.109 - 2.117 (0.0830 - 0.0833)	Grind so that bearing clearance is the specified value.

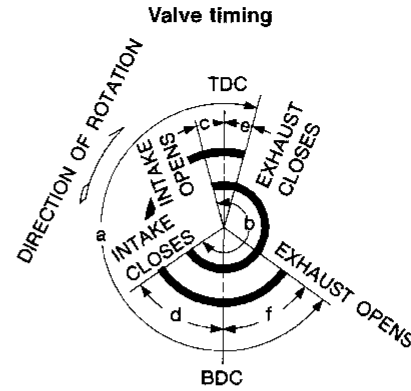
MISCELLANEOUS COMPONENTS

Unit: mm (in)

Camshaft sprocket runout limit [TIR]	0.25 (0.0098)
Flywheel runout limit [TIR]	0.15 (0.0059)
Drive plate runout limit [TIR]	0.2 (0.008)

General Specifications

Engine	GA16DE	
Classification	Gasoline	
Cylinder arrangement	4, in-line	
Displacement	cm ³ (cu in)	1,597 (97.45)
Bore x stroke	mm (in)	76.0 x 88.0 (2.992 x 3.465)
Valve arrangement	DOHC	
Firing order	1-3-4-2	
Number of piston rings		
Compression	1	
Oil	1	
Number of main bearings	5	
Compression ratio	9.9	



EM120
Unit: degree

a	b	c	d	e	f
222	236	-12	68	0	42

Inspection and Adjustment

COMPRESSION PRESSURE

Unit: kPa (kg/cm², psi)/350 rpm

Standard	1,373 (14.0, 199)
Minimum	1,177 (12.0, 171)
Difference limit between cylinders	98 (1.0, 14)

CYLINDER HEAD

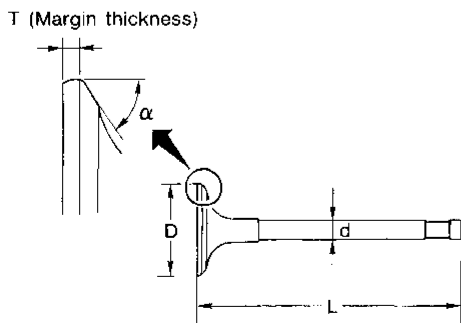
Unit: mm (in)

	Standard	Limit
Head surface flatness	Less than 0.03 (0.0012)	0.1 (0.004)
Height	117.8 - 118.0 (4.638 - 4.646)	—

Valve head diameter "D"	Intake	29.9 - 30.2 (1.177 - 1.189)
	Exhaust	24.9 - 25.1 (0.980 - 0.988)
Valve length "L"	Intake	92.00 - 92.5 (3.6220 - 3.6417)
	Exhaust	92.37 - 92.87 (3.6366 - 3.6563)
Valve stem diameter "d"	Intake	5.465 - 5.480 (0.2152 - 0.2157)
	Exhaust	5.445 - 5.460 (0.2144 - 0.2150)
Valve face angle "α"	45°15' - 45°45'	
Valve margin "T" limit	0.9 - 1.1 (0.035 - 0.043)	
Valve stem end surface grinding limit	0.2 (0.008)	

VALVE

Unit: mm (in)



SEM188A

Valve clearance

Unit: mm (in)

	For adjusting		For checking
	Hot	Cold* (reference data)	Hot
Intake	0.32 - 0.40 (0.013 - 0.016)	0.25 - 0.33 (0.010 - 0.013)	0.21 - 0.49 (0.008 - 0.019)
Exhaust	0.37 - 0.45 (0.015 - 0.018)	0.32 - 0.40 (0.013 - 0.016)	0.30 - 0.58 (0.012 - 0.023)

*: At a temperature of approximately 20°C (68°F)

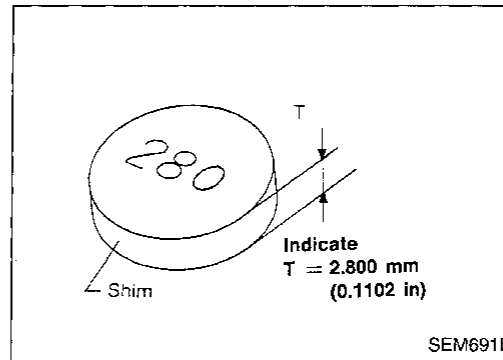
Whenever valve clearances are adjusted to cold specifications, check that the clearances satisfy hot specifications and adjust again if necessary.

Inspection and Adjustment (Cont'd)

Available shims

Thickness mm (in)	Identification mark
2.00 (0.0787)	200
2.02 (0.0795)	202
2.04 (0.0803)	204
2.06 (0.0811)	206
2.08 (0.0819)	208
2.10 (0.0827)	210
2.12 (0.0835)	212
2.14 (0.0843)	214
2.16 (0.0850)	216
2.18 (0.0858)	218
2.20 (0.0866)	220
2.22 (0.0874)	222
2.24 (0.0882)	224
2.26 (0.0890)	226
2.28 (0.0898)	228
2.30 (0.0906)	230
2.32 (0.0913)	232
2.34 (0.0921)	234
2.36 (0.0929)	236
2.38 (0.0937)	238
2.40 (0.0945)	240
2.42 (0.0953)	242
2.44 (0.0961)	244
2.46 (0.0969)	246
2.48 (0.0976)	248
2.50 (0.0984)	250
2.52 (0.0992)	252
2.54 (0.1000)	254
2.56 (0.1008)	256
2.58 (0.1016)	258
2.60 (0.1024)	260
2.62 (0.1031)	262
2.64 (0.1039)	264
2.66 (0.1047)	266
2.68 (0.1055)	268
2.70 (0.1063)	270
2.72 (0.1071)	272
2.74 (0.1079)	274
2.76 (0.1087)	276
2.78 (0.1094)	278
2.80 (0.1102)	280
2.82 (0.1110)	282
2.84 (0.1118)	284

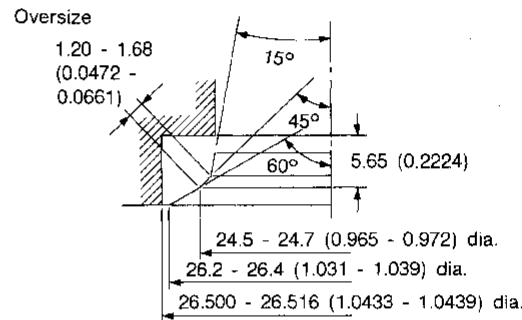
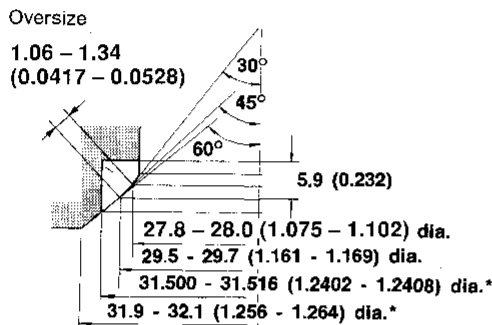
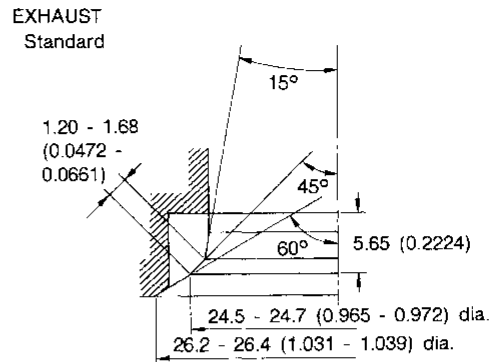
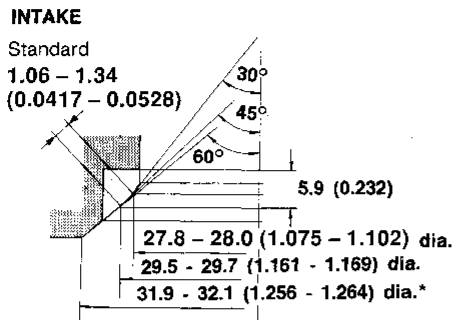
Thickness mm (in)	Identification mark
2.86 (0.1126)	286
2.88 (0.1134)	288
2.90 (0.1142)	290
2.92 (0.1150)	292
2.94 (0.1157)	294
2.96 (0.1165)	296
2.98 (0.1173)	298



Inspection and Adjustment (Cont'd)

Valve seat

Unit: mm (in)



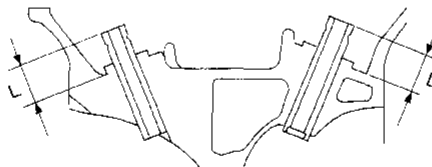
* Cylinder head machining data

AEM162

SEM124F

Valve guide

Unit: mm (in)



MEM096A

	Intake		Exhaust	
	Standard	Service	Standard	Service
Valve guide				
Outer diameter	9.523 - 9.534 (0.3749 - 0.3754)	9.723 - 9.734 (0.3828 - 0.3832)	9.523 - 9.534 (0.3749 - 0.3754)	9.723 - 9.734 (0.3828 - 0.3832)
Valve guide Inner diameter [Finished size]	5.500 - 5.515 (0.2165 - 0.2171)		5.500 - 5.515 (0.2165 - 0.2171)	
Cylinder head valve guide hole diameter	9.475 - 9.496 (0.3730 - 0.3739)	9.685 - 9.696 (0.3813 - 0.3817)	9.475 - 9.496 (0.3730 - 0.3739)	9.685 - 9.696 (0.3813 - 0.3817)
Interference fit of valve guide	0.027 - 0.059 (0.0011 - 0.0023)	0.027 - 0.049 (0.0011 - 0.0019)	0.027 - 0.059 (0.0011 - 0.0023)	0.027 - 0.049 (0.0011 - 0.0019)
Stem to guide clearance	0.020 - 0.050 (0.0008 - 0.0020)		0.040 - 0.070 (0.0016 - 0.0028)	
Valve deflection limit (Dial gauge reading)	0.2 (0.008)			
Projection length "L"	11.5 - 11.7 (0.453 - 0.461)			

Inspection and Adjustment (Cont'd)

Valve spring

Unit: mm (in)

Free height	mm (in)	41.19 (1.6217)
Pressure N (kg, lb) at height mm (in)	Standard	344.42 (35.12, 77.44) at 25.26 (0.9945)
	Limit	330.41 (33.69, 74.31) at 23.64 (0.9307)
Out-of-square	mm (in)	Less than 1.80 (0.0709)

Valve lifter

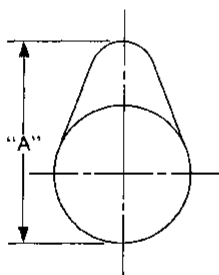
Unit: mm (in)

Valve lifter outside diameter	29.960 - 29.975 (1.1795 - 1.1801)
Lifter guide inside diameter	30.000 - 30.021 (1.1811 - 1.1819)
Clearance between lifter and lifter guide	0.025 - 0.061 (0.0010 - 0.0024)

CAMSHAFT AND CAMSHAFT BEARING

Unit: mm (in)

Cam height "A"	Intake	40.610 - 40.800 (1.5988 - 1.6063)
	Exhaust	39.910 - 40.100 (1.5713 - 1.5787)
Cam wear limit		0.20 (0.0079)



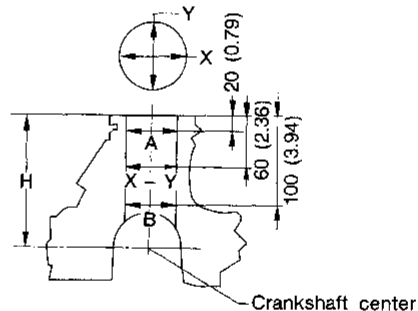
EM671

		Standard	Limit
Camshaft journal to bearing clearance		0.045 - 0.086 (0.0018 - 0.0034)	0.15 (0.0059)
Inner diameter of camshaft bearing	No. 1	28.000 - 28.021 (1.1024 - 1.1032)	—
	No. 2 to No. 5	24.000 - 24.021 (0.9449 - 0.9457)	
Outer diameter of camshaft journal	No. 1	27.935 - 27.955 (1.0998 - 1.1006)	—
	No. 2 to No. 5	23.935 - 23.955 (0.9423 - 0.9431)	
Camshaft runout [TIR*]		Less than 0.02 (0.0008)	0.1 (0.004)
Camshaft end play		0.115 - 0.188 (0.0045 - 0.0074)	0.20 (0.0079)

*: Total indicator reading

CYLINDER BLOCK

Unit: mm (in)



SEM171D

	Standard	Limit
Surface flatness	Less than 0.03 (0.0012)	0.1 (0.004)
Height "H" (nominal)	213.95 - 214.05 (8.4232 - 8.4271)	—
Standard		
Inner diameter		0.2 (0.008)
Grade No. 1	76.000 - 76.010 (2.9921 - 2.9925)	
Grade No. 2	76.010 - 76.020 (2.9925 - 2.9929)	
Grade No. 3	76.020 - 76.030 (2.9929 - 2.9933)	
Out-of-round (X - Y)	Less than 0.015 (0.0006)	—
Taper (A - B)	Less than 0.010 (0.0004)	—

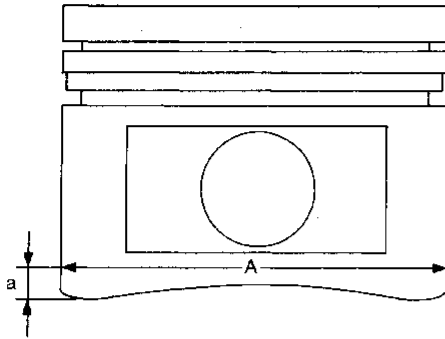
Inspection and Adjustment (Cont'd)

PISTON, PISTON RING AND PISTON PIN

Piston pin

Piston

Unit: mm (in)



SEM125F

Piston skirt diameter "A"			
Standard			
Grade No. 1	75.975 - 75.985 (2.9911 - 2.9915)		
Grade No. 2	75.985 - 75.995 (2.9915 - 2.9919)		
Grade No. 3	75.995 - 76.005 (2.9919 - 2.9923)		
0.5 (0.020) oversize (service)	76.475 - 76.505 (3.0108 - 3.0120)		
1.0 (0.039) oversize (service)	76.975 - 77.005 (3.0305 - 3.0317)		
"a" dimension	9.9 (0.390)		
Piston pin hole inner diameter	18.987 - 18.999 (0.7475 - 0.7480)		
Piston pin outer diameter	18.989 - 19.001 (0.7476 - 0.7481)		
Piston to bore clearance	0.015 - 0.035 (0.0006 - 0.0014)		

Piston ring

Unit: mm (in)

		Standard	Limit
Side clearance	Top	0.040 - 0.080 (0.0016 - 0.0031)	0.1 (0.004)
	Oil	0.20 - 0.60 (0.0079 - 0.0236)	0.69 (0.0272)
End gap	Top	0.20 - 0.40 (0.0079 - 0.0157)	0.49 (0.0193)
	Oil	0.20 - 0.60 (0.0079 - 0.0236)	0.69 (0.0272)

Unit: mm (in)

Piston pin outer diameter	18.989 - 19.001 (0.7476 - 0.7481)
Piston pin to piston clearance	- 0.004 to 0 (- 0.0002 to 0)
Piston pin to connecting rod, bushing clearance	0.005 - 0.017 (0.0002 - 0.0007)

CONNECTING ROD

Unit: mm (in)

Center distance	140.45 - 140.55 (5.5295 - 5.5335)	
Bend limit [per 100 (3.94)]	0.15 (0.0059)	
Torsion limit [per 100 (3.94)]	0.3 (0.012)	
Connecting rod bushing inner diameter* (small end)	19.000 - 19.012 (0.7480 - 0.7485)	
Connecting rod big end inner diameter	43.000 - 43.013 (1.6929 - 1.6934)	
Side clearance	Standard	0.20 - 0.47 (0.0079 - 0.0185)
	Limit	0.50 (0.0197)

*: After installing in connecting rod

CRANKSHAFT

Unit: mm (in)

Main journal dia. "Dm"	Grade No. 0	49.956 - 49.964 (1.9668 - 1.9671)
	Grade No. 1	49.948 - 49.956 (1.9665 - 1.9668)
	Grade No. 2	49.940 - 49.948 (1.9661 - 1.9665)
Pin journal dia. "Dp"	Grade No. 0	39.968 - 39.974 (1.5735 - 1.5738)
	Grade No. 1	39.962 - 39.968 (1.5733 - 1.5735)
	Grade No. 2	39.956 - 39.962 (1.5731 - 1.5733)
Center distance "r"	43.95 - 44.05 (1.7303 - 1.7342)	
Out-of-round (X - Y)	Standard	Less than 0.005 (0.0002)
	Taper (A - B)	Standard
Runout [TIR*]	Standard	Less than 0.05 (0.0020)
	Free end play	Standard
	Limit	0.3 (0.012)

*: Total indicator reading

Inspection and Adjustment (Cont'd)

MAIN BEARING

Undersize

Standard

Unit: mm (in)

Grade No.	Thickness "T" mm (in)	Identification color
0	1.827 - 1.831 (0.0719 - 0.0721)	Black
1	1.831 - 1.835 (0.0721 - 0.0722)	Brown
2	1.835 - 1.839 (0.0722 - 0.0724)	Green
3	1.839 - 1.843 (0.0724 - 0.0726)	Yellow
4	1.843 - 1.847 (0.0726 - 0.0727)	Blue

Thickness "T"	
0.25 (0.0098)	1.960 - 1.964 (0.0772 - 0.0773)
0.50 (0.0197)	2.085 - 2.089 (0.0821 - 0.0822)

CONNECTING ROD BEARING

Connecting rod bearing

Unit: mm (in)

	Grade No.	Thickness	Identification color or number
Standard	0	1.505 - 1.508 (0.0593 - 0.0594)	—
	1	1.508 - 1.511 (0.0594 - 0.0595)	Brown
	2	1.511 - 1.514 (0.0595 - 0.0596)	Green
Undersize	0.08 (0.0031)	1.542 - 1.546 (0.0607 - 0.0609)	8
	0.12 (0.0047)	1.562 - 1.566 (0.0615 - 0.0617)	12
	0.25 (0.0098)	1.627 - 1.631 (0.0641 - 0.0642)	25

Bearing clearance

Unit: mm (in)

Main bearing clearance		
Standard		0.018 - 0.042 (0.0007 - 0.0017)
Limit		0.1 (0.004)
Connecting rod bearing clearance		
Standard		0.010 - 0.035 (0.0004 - 0.0014)
Limit	All	0.1 (0.004)

MISCELLANEOUS COMPONENTS

Unit: mm (in)

Flywheel Runout [TIR*]	Less than 0.15 (0.0059)
Drive plate Runout [TIR*]	Less than 0.2 (0.008)
Camshaft sprocket Runout [TIR*]	Less than 0.15 (0.0059)

*: Total indicator reading