

ACCELERATOR CONTROL, FUEL & EXHAUST SYSTEMS

SECTION FE

CONTENTS

ACCELERATOR CONTROL SYSTEM	2	FUEL SYSTEM	5
Accelerator Control System	2	Fuel Pump and Gauge	5
Adjusting Accelerator Wire	2	Removal	5
FUEL SYSTEM	3	Installation	5
Fuel Tank	3	EXHAUST SYSTEM	6

GI
MA
EM
LC
EC
FE
CL
MT
AT
FA
RA
BR
ST
RS
BT
HA
EL
IDX

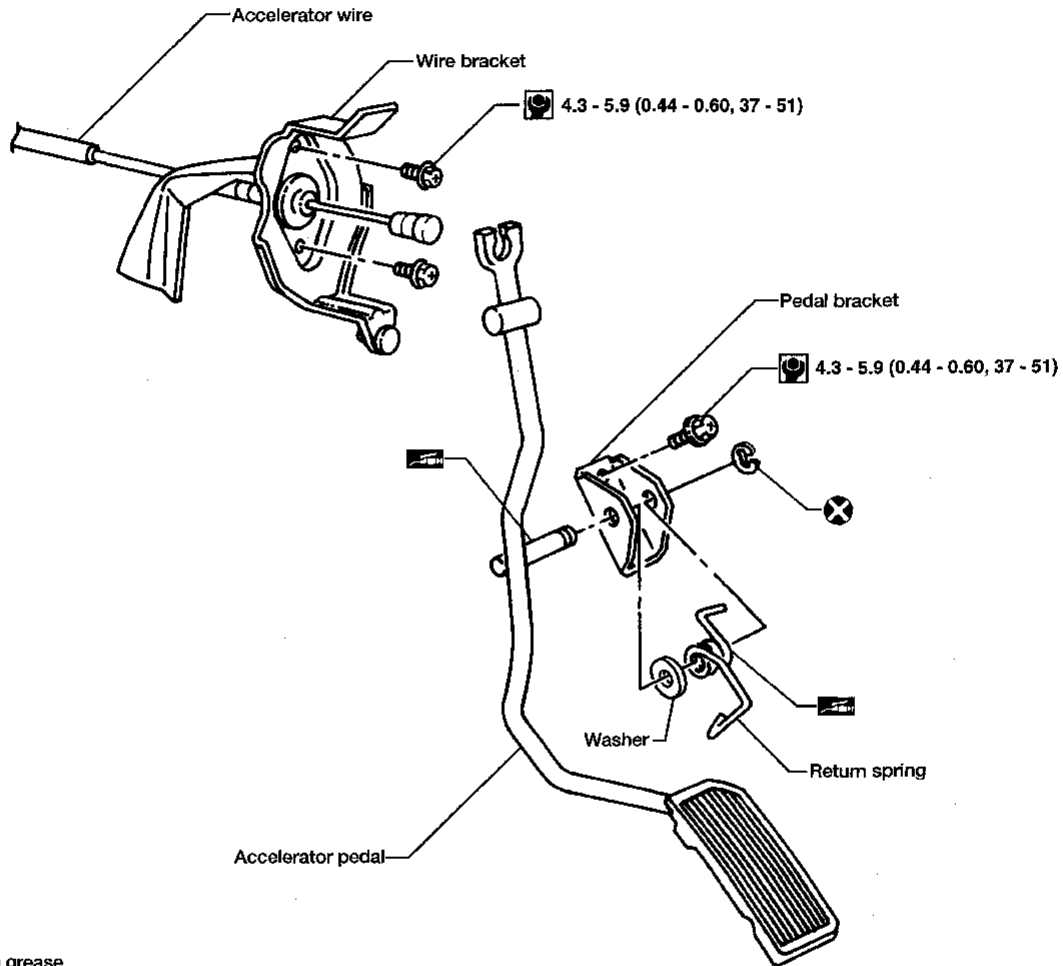
ACCELERATOR CONTROL SYSTEM

Accelerator Control System

CAUTION:

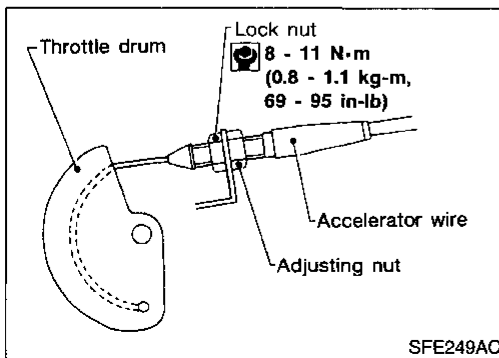
- When removing accelerator wire, mark lock nut's initial position.
- Check that throttle valve opens fully when accelerator pedal is fully depressed. Check that throttle valve returns to idle position when accelerator pedal is released.
- Check accelerator control parts for improper contact with any adjacent parts.
- When connecting accelerator wire, do not twist or scratch inner wire.
- For adjustment of A/T throttle wire, refer to AT section ("Throttle Wire Adjustment", "ON-VEHICLE SERVICE").

SEC. 180



: Lubricate with grease
 : N·m (kg-m, in-lb)

AFE061



Adjusting Accelerator Wire

CAUTION:

- Make sure the ASCD wire is not pulling the throttle drum.
 - For ASCD wire adjustment, refer to EL section ["AUTOMATIC SPEED CONTROL DEVICE (ASCD)"].
1. Loosen lock nut, then tighten adjusting nut until throttle drum starts to move.
 2. From that position, turn back adjusting nut 1.5 to 2 turns, then tighten lock nut.

FUEL SYSTEM

Fuel Tank

WARNING:

When replacing fuel line parts, be sure to observe the following:

- Put a "CAUTION: FLAMMABLE" sign in workshop.
- Do not smoke while servicing fuel system. Keep open flames and sparks away from work area.
- Be sure to furnish workshop with a CO₂ fire extinguisher.

CAUTION:

- Before removing fuel line parts, carry out the following procedures:
 - a. Put drained fuel in an explosion-proof container and put the lid on securely.
 - b. Release fuel pressure. Refer to EC section ("Fuel Pressure Release", "BASIC SERVICE PROCEDURE").
 - c. Disconnect battery ground cable.
- For inspection of On Board Refueling Vapor Recovery (ORVR) System, refer to EC section ("EVAPORATIVE EMISSION SYSTEM").
- Always replace O-ring and clamps with new ones.
- Do not kink or twist tubes when they are being installed.
- Do not overtighten hose clamps to avoid damaging hoses.
- After installing tubes, run engine and check for fuel leaks at connections.
- Use only a genuine fuel filler cap as a replacement. If an incorrect fuel filler cap is used, the MIL may come on.

GI

MA

EM

LC

EC

FE

CL

MT

AT

FA

RA

BR

ST

RS

BT

HA

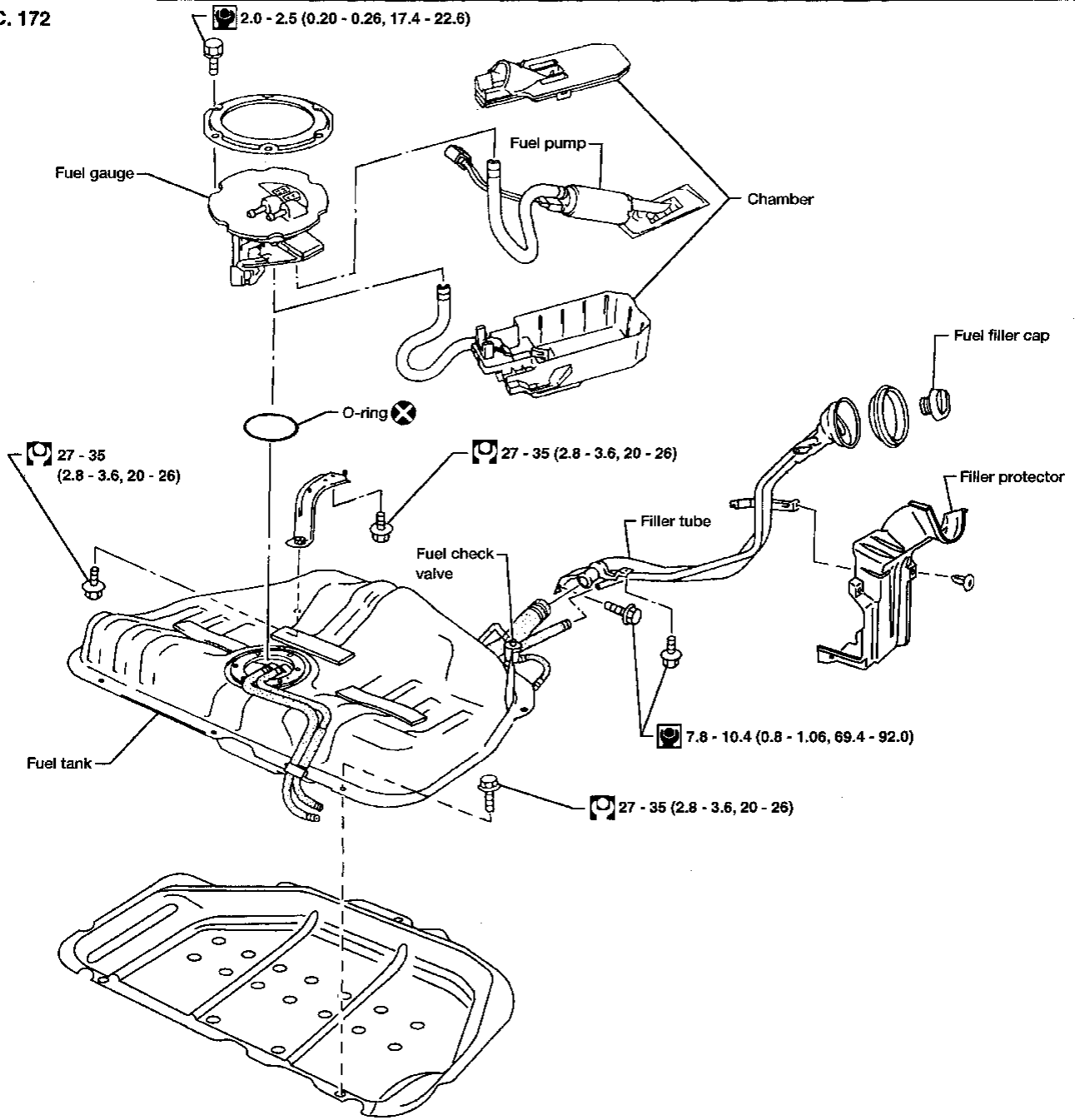
EL

IDX

FUEL SYSTEM

Fuel Tank (Cont'd)

SEC. 172

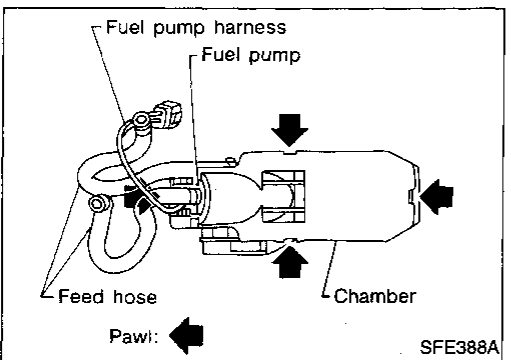
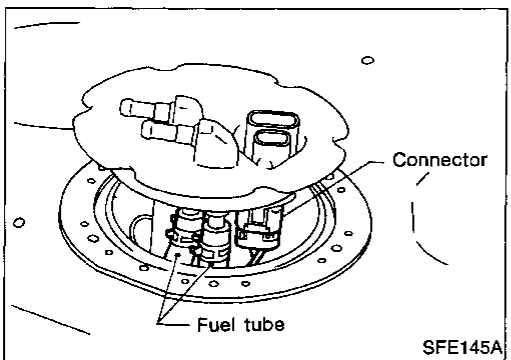
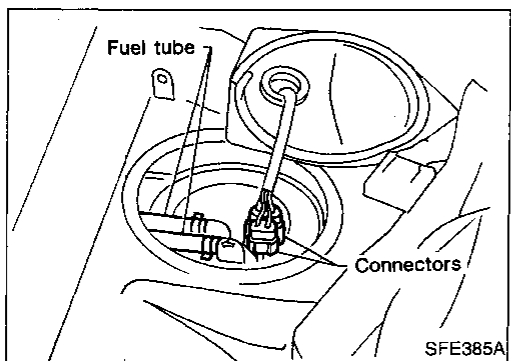
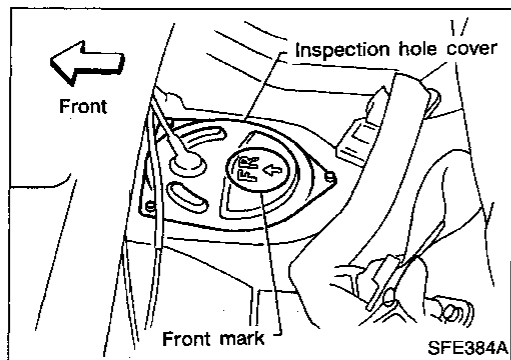


: N·m (kg-m, in-lb)

: N·m (kg-m, ft-lb)

AFE063

FUEL SYSTEM



Fuel Pump and Gauge

REMOVAL

1. Release fuel pressure.
Refer to EC section ("Fuel Pressure Release", "BASIC SERVICE PROCEDURE").
2. Remove rear seat back and bottom. Refer to BT section.
3. Remove inspection hole cover located under the rear seat.
4. Disconnect fuel tubes and electrical connectors.
5. Remove the six screws.
6. Disconnect fuel tubes and connector, then remove fuel gauge assembly.
7. Remove fuel pump with chamber.
 - a. Pull up the front of the chamber.
 - b. Slide chamber forward.
8. Remove fuel pump from chamber.

INSTALLATION

To install, reverse the removal procedure.

CAUTION:

- Tighten bolts to specified torque.
⚙️: 2.0 - 2.5 N·m (0.20 - 0.26 kg-m, 17.4 - 22.6 in-lb)
- Always replace O-ring with a new one.
- After installation, run engine and check for leaks at connections.

GI

MA

EM

LC

EC

FE

CL

MT

AT

FA

RA

BR

ST

RS

BT

HA

EL

IDX

