

A
B
C
D
E
F
G
H
I
J
L
M

PG

SECTION

POWER SUPPLY, GROUND & CIRCUIT ELEMENTS

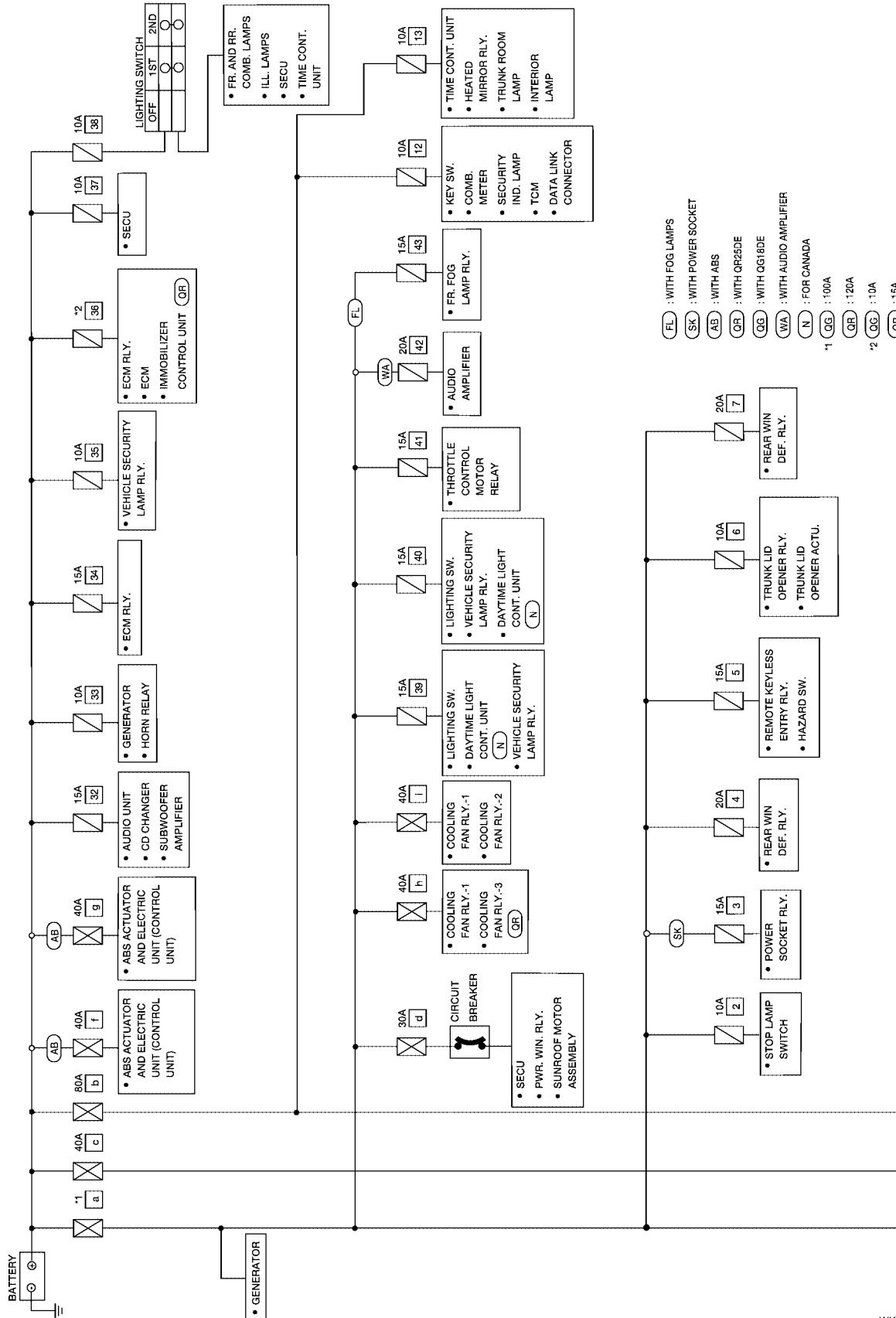
CONTENTS

<p>POWER SUPPLY ROUTING 2</p> <p style="padding-left: 20px;">Schematic 2</p> <p style="padding-left: 20px;">Wiring Diagram — POWER — 4</p> <p style="padding-left: 40px;">BATTERY POWER SUPPLY — IGNITION SW. IN ANY POSITION 4</p> <p style="padding-left: 40px;">ACCESSORY POWER SUPPLY — IGNITION SW. IN “ACC” OR “ON” 7</p> <p style="padding-left: 40px;">IGNITION POWER SUPPLY — IGNITION SW. IN “ON” 8</p> <p style="padding-left: 40px;">IGNITION POWER SUPPLY — IGNITION SW. IN “ON” AND/OR “START” 9</p> <p>GROUND 12</p> <p style="padding-left: 20px;">Ground Distribution 12</p> <p style="padding-left: 40px;">MAIN HARNESS 12</p> <p style="padding-left: 40px;">ENGINE ROOM HARNESS 14</p> <p style="padding-left: 40px;">ENGINE CONTROL HARNESS 16</p> <p style="padding-left: 40px;">BODY HARNESS 18</p> <p style="padding-left: 40px;">REAR WINDOW DEFOGGER GROUND HAR- NESS 19</p> <p style="padding-left: 40px;">ROOM HARNESS 20</p> <p>HARNESS 21</p> <p style="padding-left: 20px;">Harness Layout 21</p> <p style="padding-left: 40px;">HOW TO READ HARNESS LAYOUT 21</p> <p style="padding-left: 40px;">OUTLINE 22</p> <p style="padding-left: 40px;">MAIN HARNESS 23</p> <p style="padding-left: 40px;">ENGINE ROOM HARNESS 25</p> <p style="padding-left: 40px;">ENGINE CONTROL HARNESS 28</p> <p style="padding-left: 40px;">BODY HARNESS 34</p> <p style="padding-left: 40px;">ROOM LAMP HARNESS 36</p> <p style="padding-left: 40px;">FRONT DOOR HARNESS 37</p> <p style="padding-left: 40px;">REAR DOOR HARNESS 38</p> <p style="padding-left: 20px;">Wiring Diagram Codes (Cell Codes) 39</p>	<p>ELECTRICAL UNITS LOCATION 42</p> <p style="padding-left: 20px;">Electrical Units Location 42</p> <p style="padding-left: 40px;">ENGINE COMPARTMENT 42</p> <p style="padding-left: 40px;">PASSENGER COMPARTMENT 43</p> <p style="padding-left: 20px;">Fuse 45</p> <p style="padding-left: 20px;">Fusible Link 45</p> <p style="padding-left: 20px;">Circuit Breaker 45</p> <p>HARNESS CONNECTOR 46</p> <p style="padding-left: 20px;">Description 46</p> <p style="padding-left: 40px;">HARNESS CONNECTOR (TAB-LOCKING TYPE) 46</p> <p style="padding-left: 40px;">HARNESS CONNECTOR (SLIDE-LOCKING TYPE) 47</p> <p style="padding-left: 40px;">HARNESS CONNECTOR (DIRECT-CONNECT SRS COMPONENT TYPE) 48</p> <p>JOINT CONNECTOR 49</p> <p style="padding-left: 20px;">Terminal Arrangement 49</p> <p style="padding-left: 40px;">QG18DE 49</p> <p style="padding-left: 40px;">QR25DE 50</p> <p>ELECTRICAL UNITS 51</p> <p style="padding-left: 20px;">Terminal Arrangement 51</p> <p>STANDARDIZED RELAY 52</p> <p style="padding-left: 20px;">Description 52</p> <p style="padding-left: 40px;">NORMAL OPEN, NORMAL CLOSED AND MIXED TYPE RELAYS 52</p> <p style="padding-left: 40px;">TYPE OF STANDARDIZED RELAYS 52</p> <p>FUSE BLOCK — JUNCTION BOX (J/B) 54</p> <p style="padding-left: 20px;">Terminal Arrangement 54</p> <p>FUSE AND FUSIBLE LINK BOX 55</p> <p style="padding-left: 20px;">Terminal Arrangement 55</p>
--	--

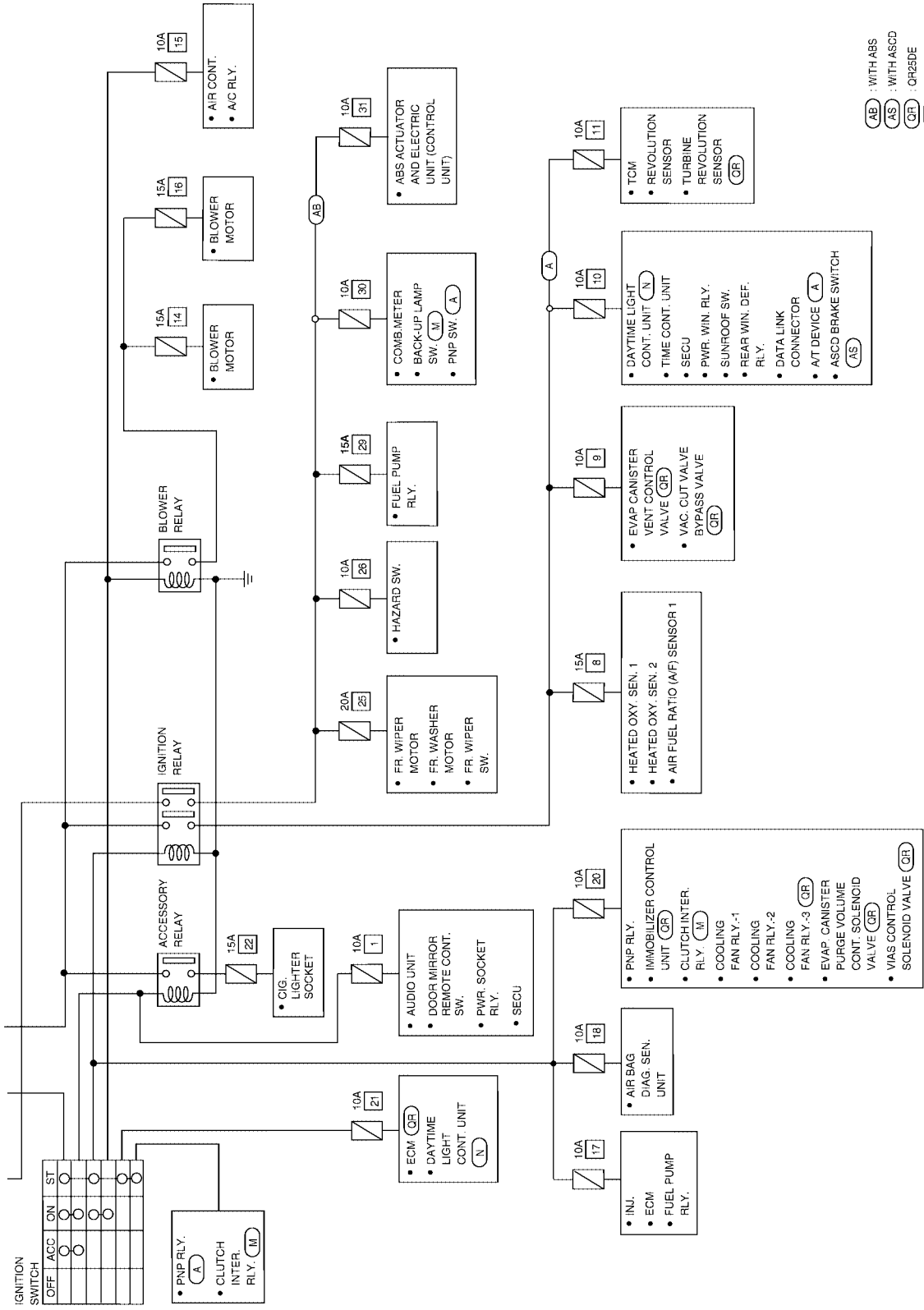
POWER SUPPLY ROUTING

Schematic

For detailed ground distribution information, refer to [PG-12, "Ground Distribution"](#).



POWER SUPPLY ROUTING



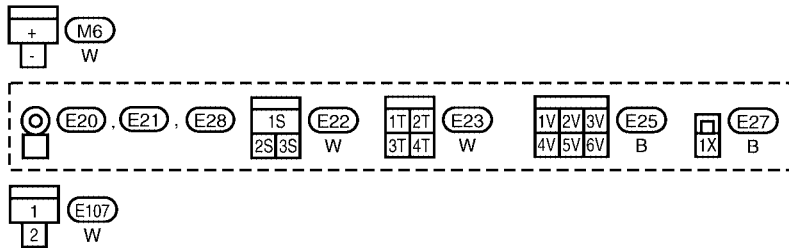
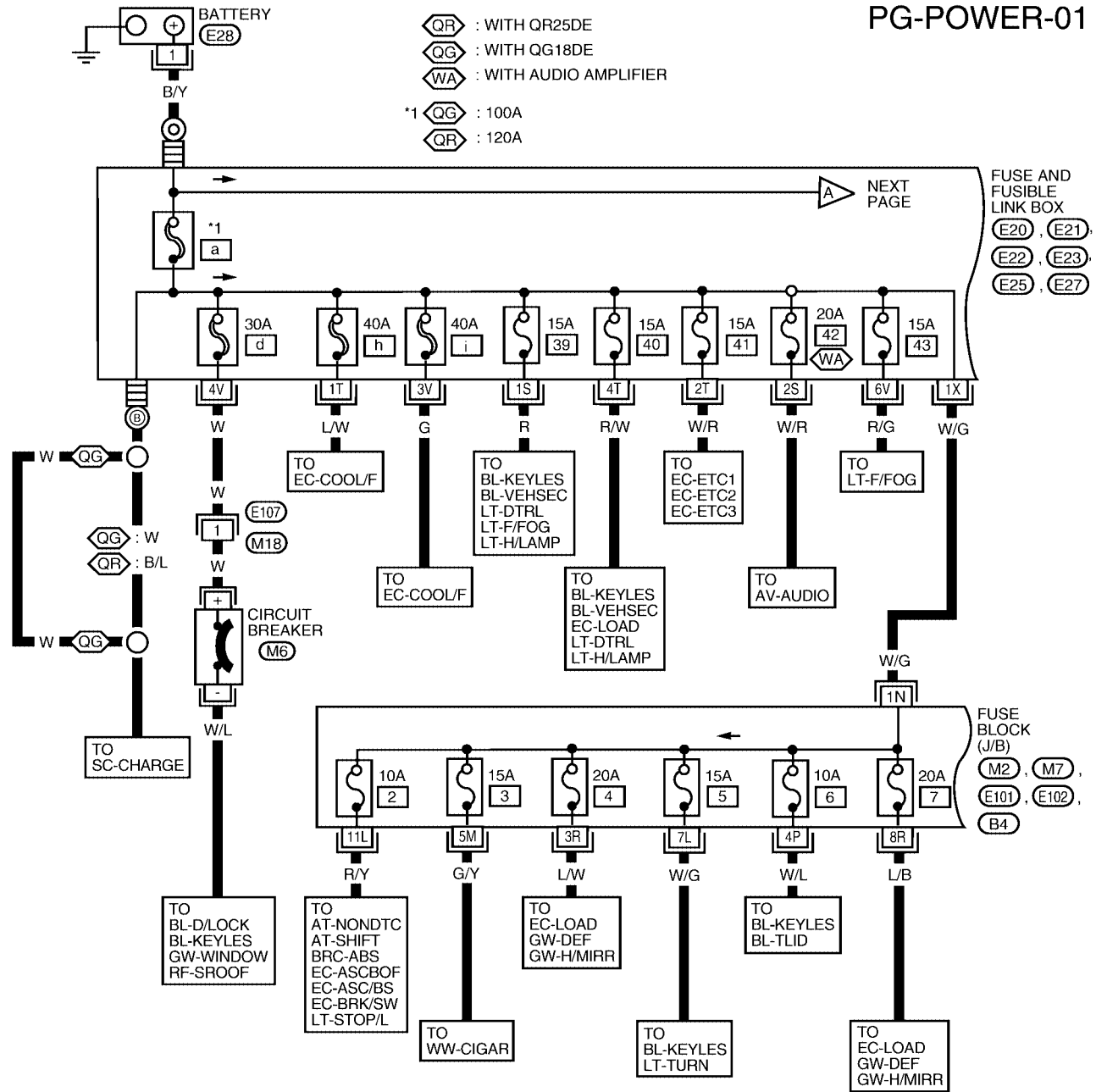
A
B
C
D
E
F
G
H
I
J
PG
L
M

POWER SUPPLY ROUTING

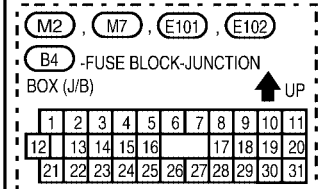
EKS003B0

Wiring Diagram — POWER — BATTERY POWER SUPPLY — IGNITION SW. IN ANY POSITION

PG-POWER-01



REFER TO THE FOLLOWING.



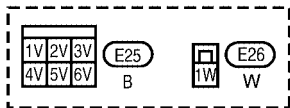
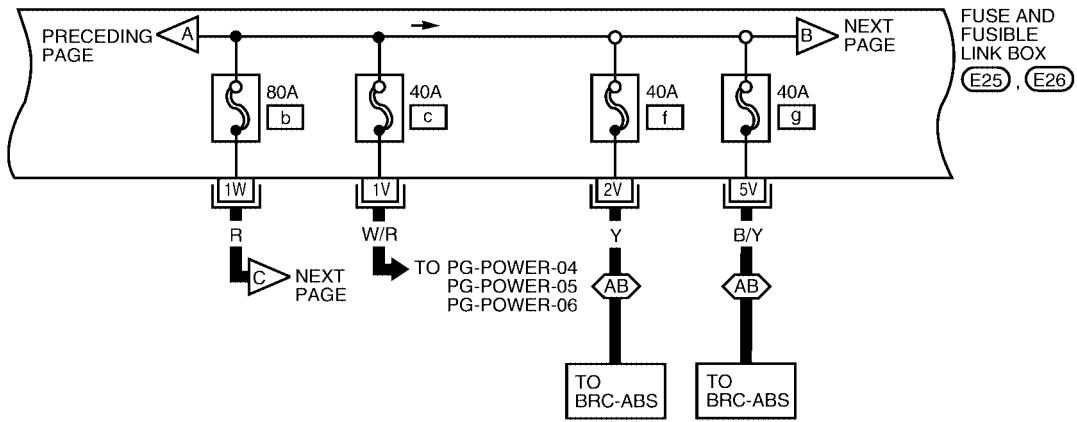
WKWA0503E

POWER SUPPLY ROUTING

PG-POWER-02

A
B
C
D
E
F
G
H
I
J
PG
L
M

⬡AB⬢ : WITH ABS

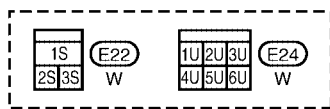
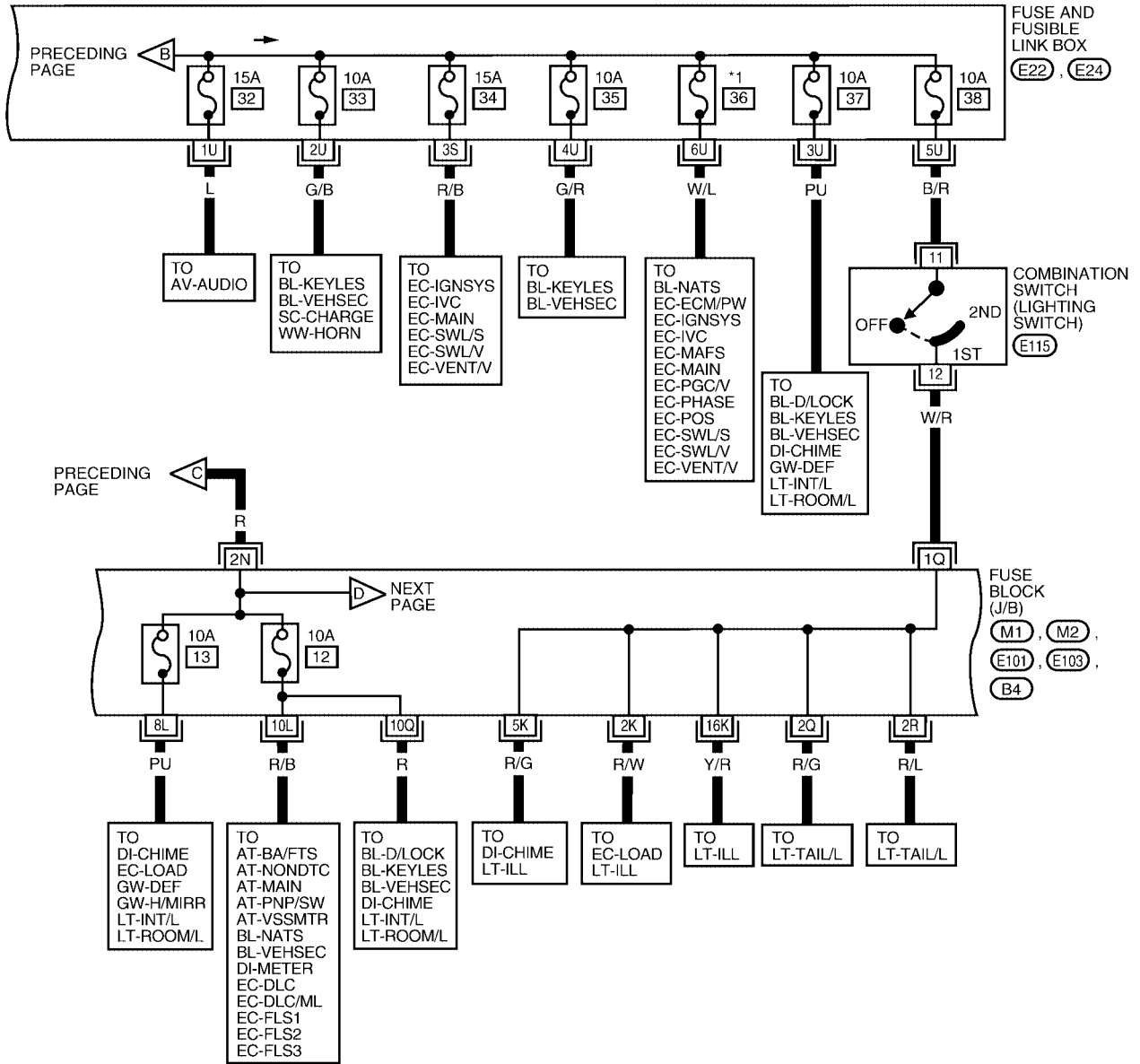


WKWA0057E

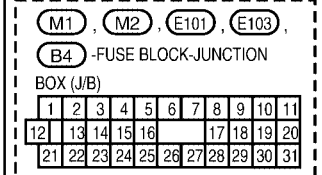
POWER SUPPLY ROUTING

PG-POWER-03

OG : WITH QG18DE *1 QG : 10A
QR : WITH QR25DE QR : 15A



REFER TO THE FOLLOWING.

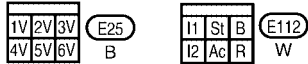
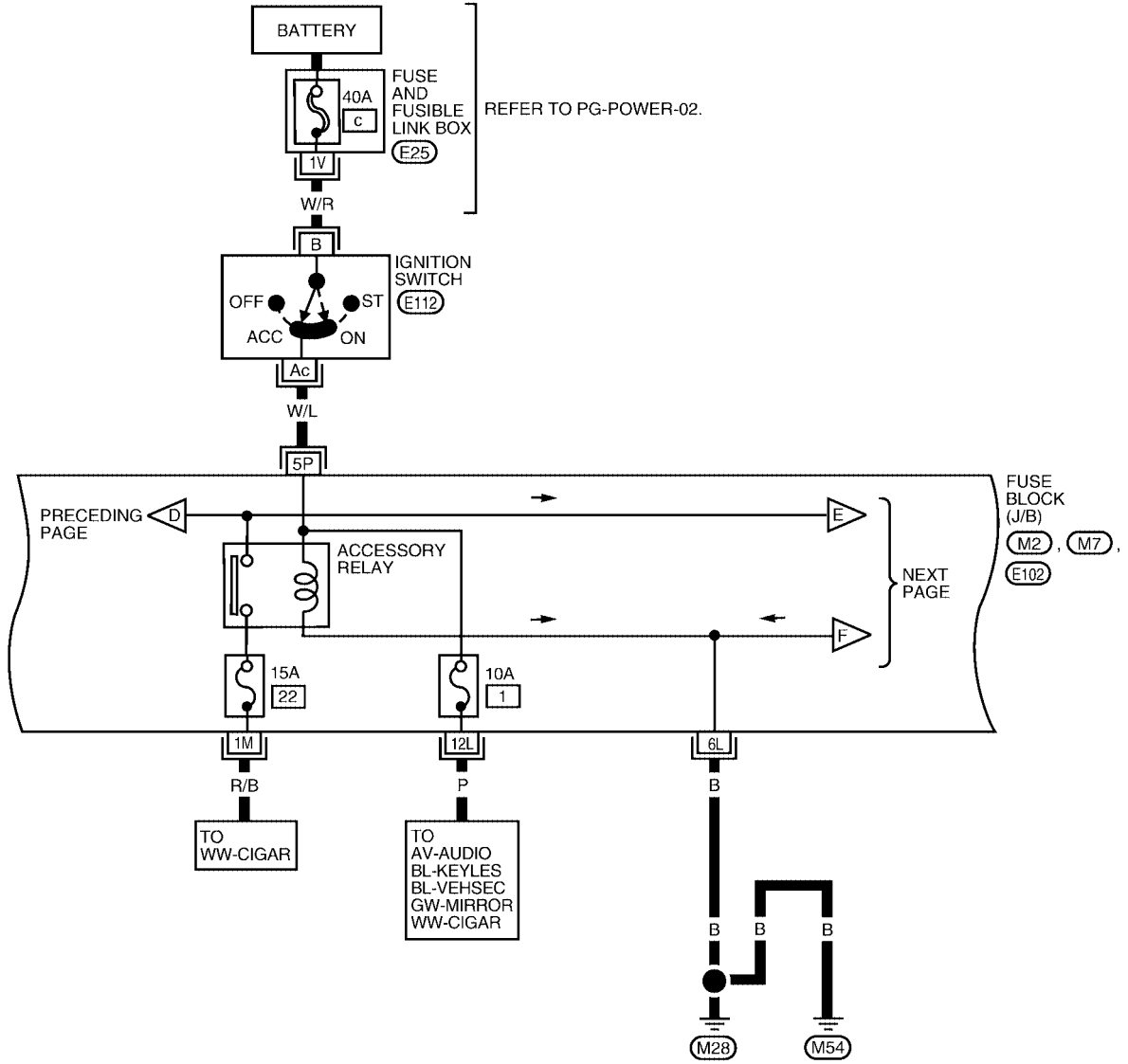


WKWA0504E

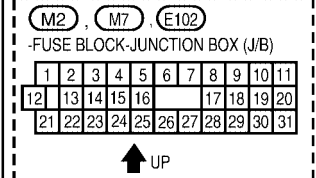
POWER SUPPLY ROUTING

ACCESSORY POWER SUPPLY — IGNITION SW. IN “ACC” OR “ON”

PG-POWER-04



REFER TO THE FOLLOWING.

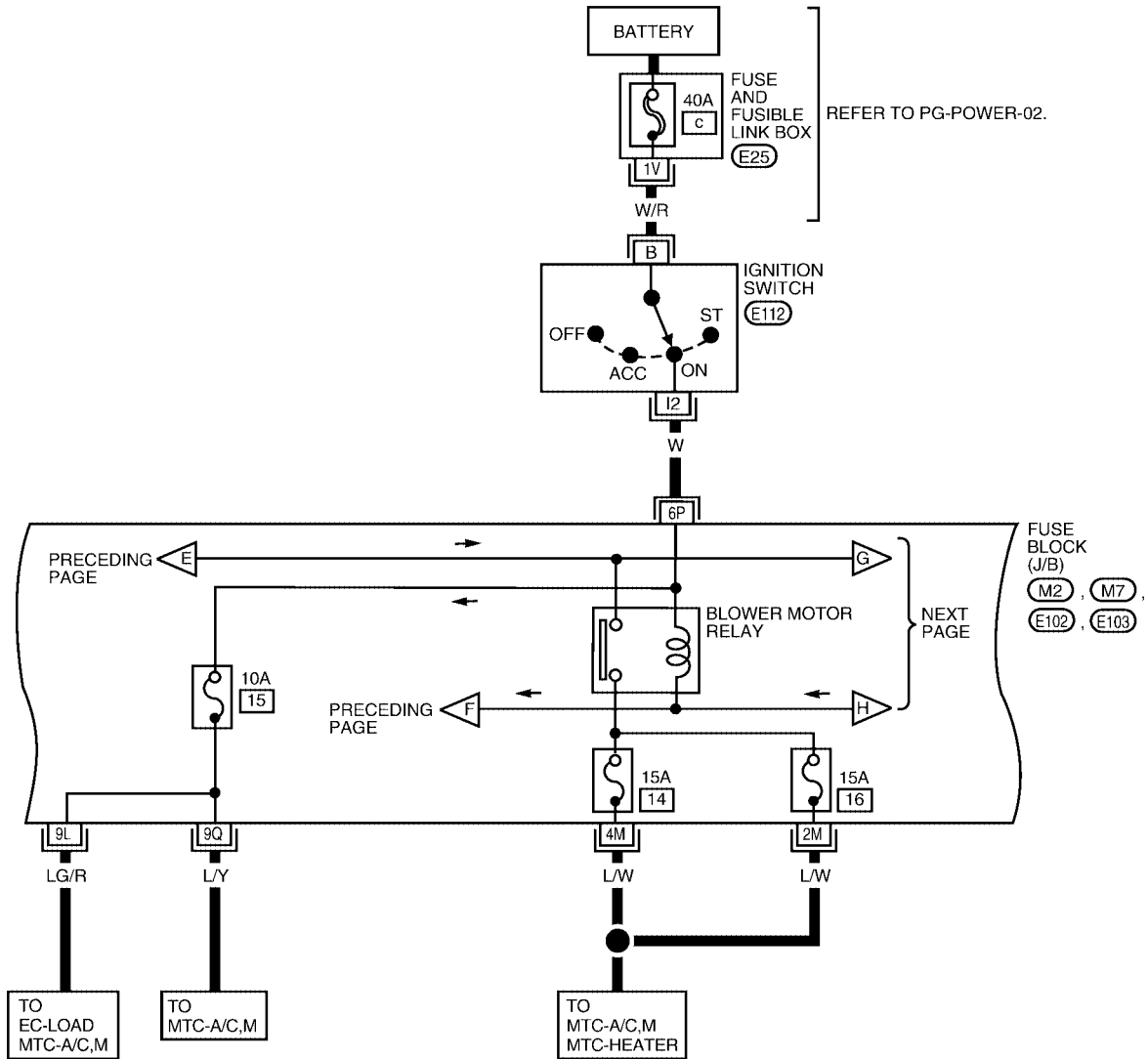


WKWA0250E

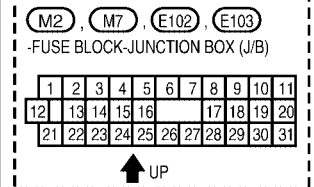
POWER SUPPLY ROUTING

IGNITION POWER SUPPLY — IGNITION SW. IN “ON”

PG-POWER-05



REFER TO THE FOLLOWING.



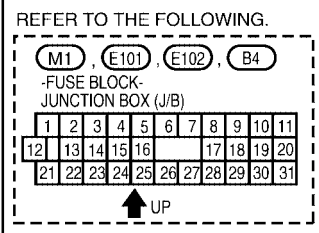
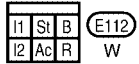
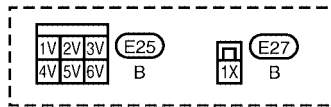
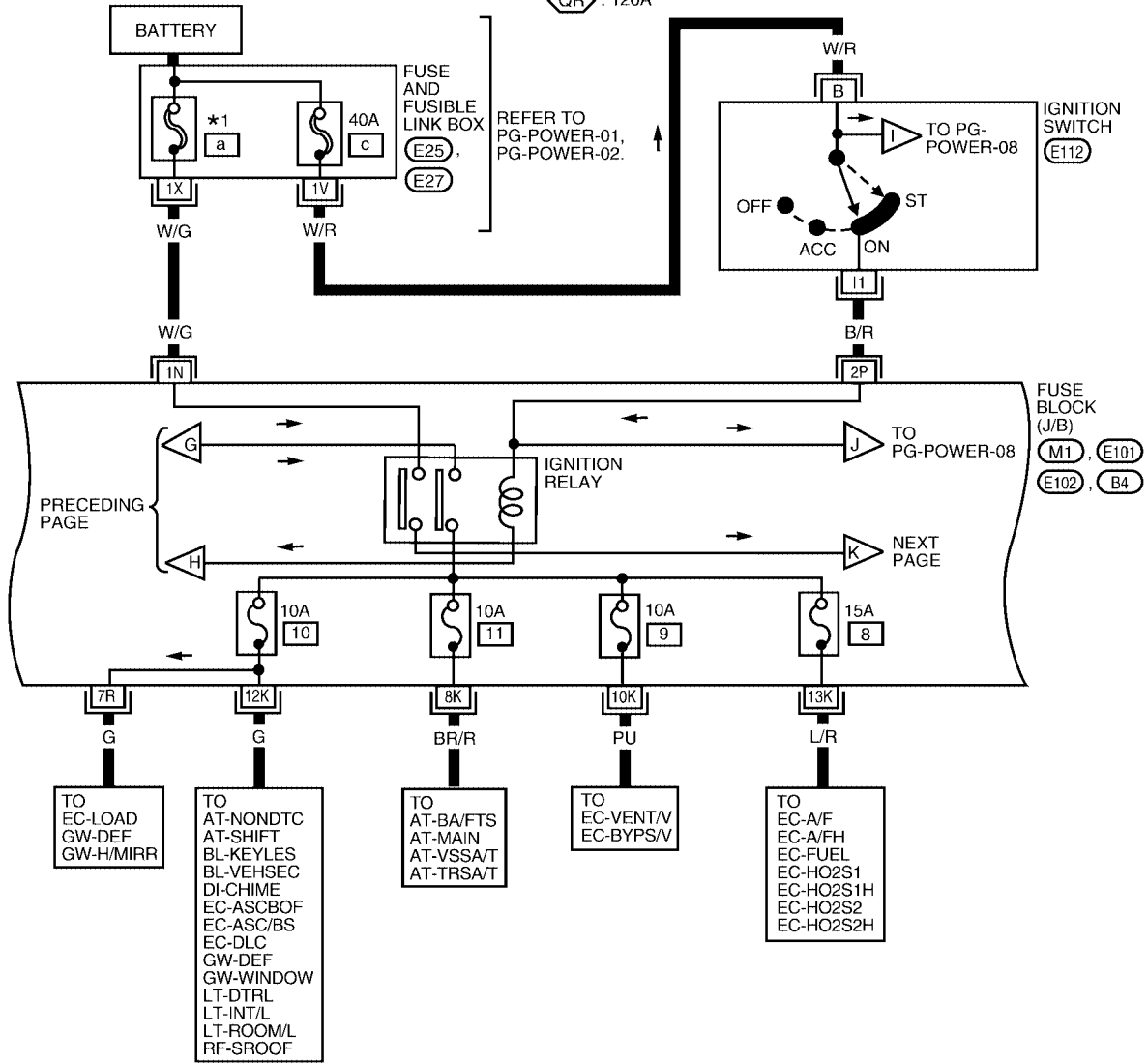
WKWA0493E

POWER SUPPLY ROUTING

IGNITION POWER SUPPLY — IGNITION SW. IN “ON” AND/OR “START”


PG-POWER-06

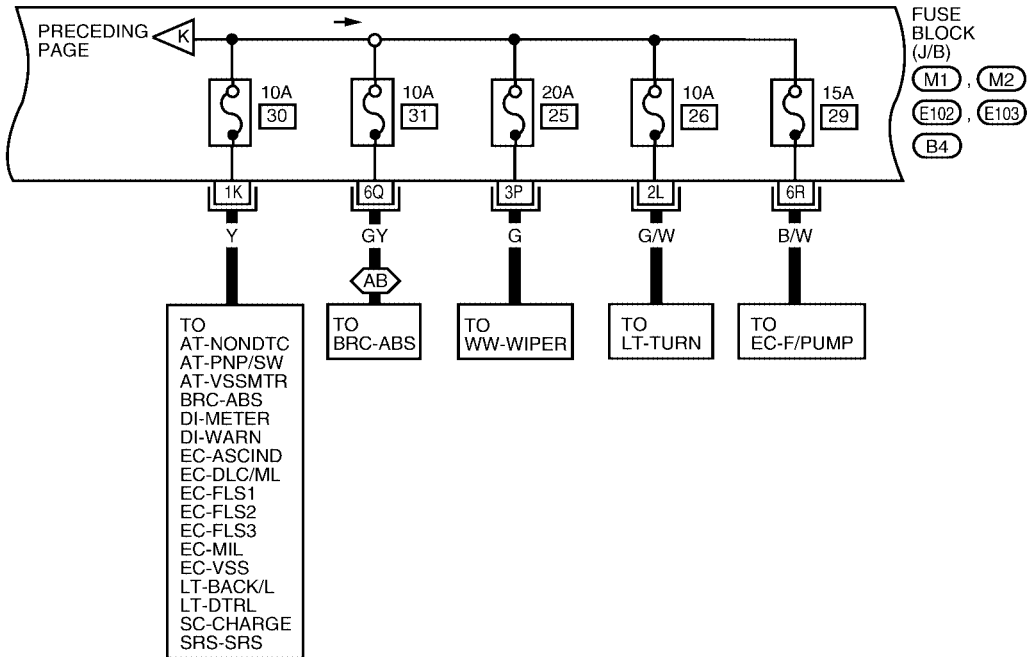
- QG : WITH QG18DE
- QR : WITH QR25DE
- *1 QG : 100A
- QR : 120A



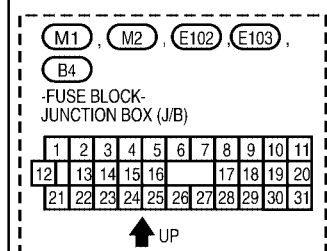
POWER SUPPLY ROUTING

PG-POWER-07

 : With ABS



REFER TO THE FOLLOWING.

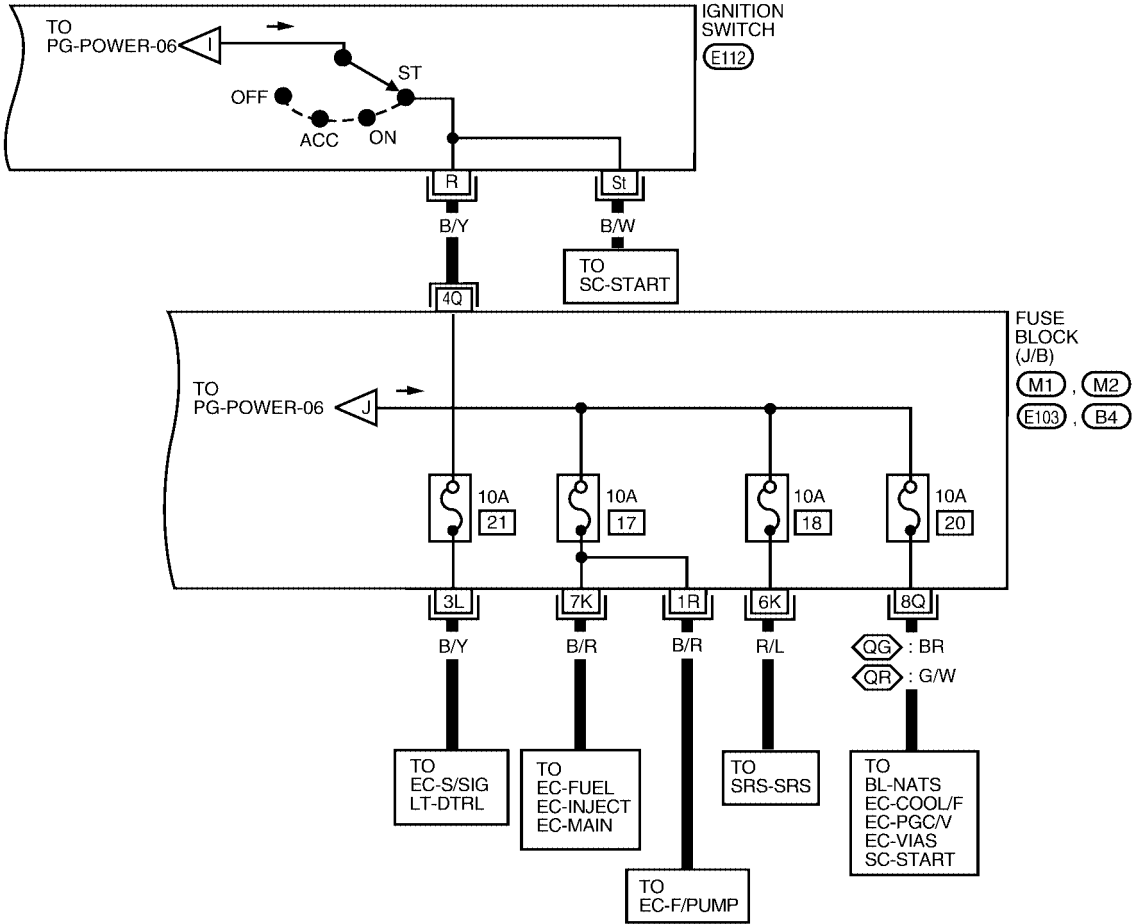


WKWA0253E

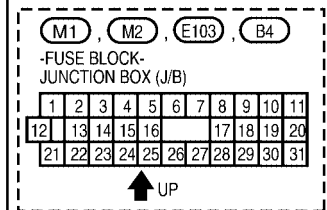
POWER SUPPLY ROUTING

PG-POWER-08

QG : WITH QG18DE
QR : WITH QR25DE



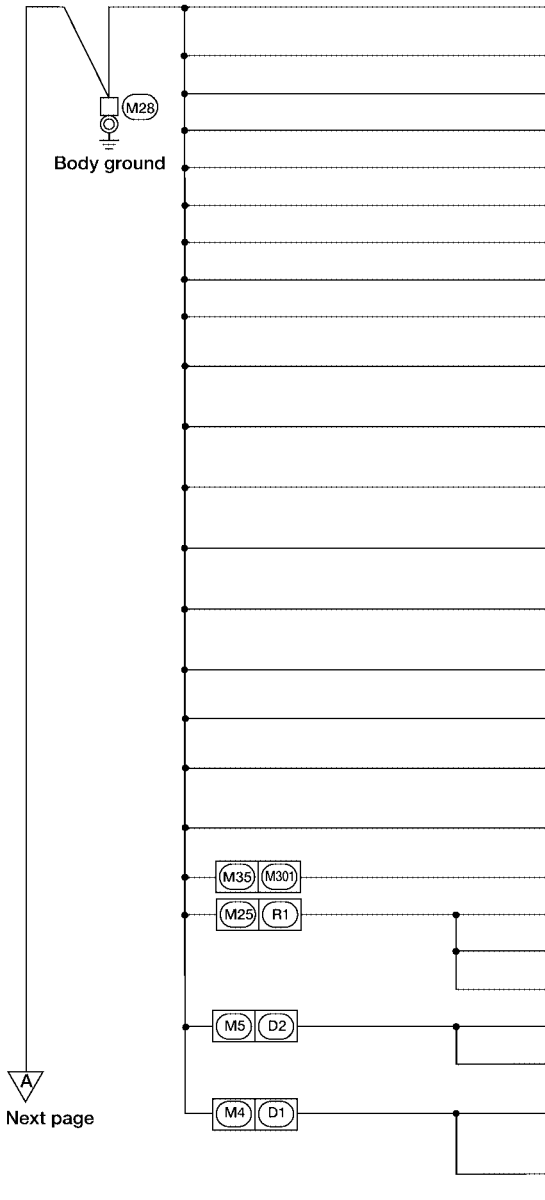
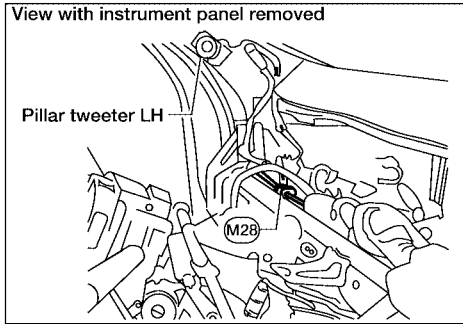
REFER TO THE FOLLOWING.



WKWA0254E

GROUND

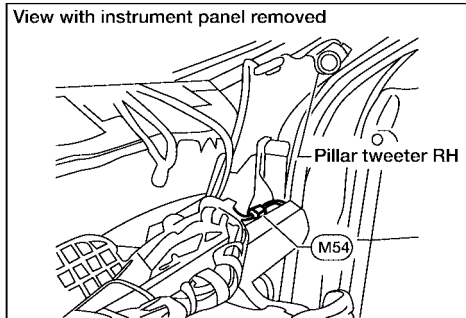
Ground Distribution MAIN HARNESS



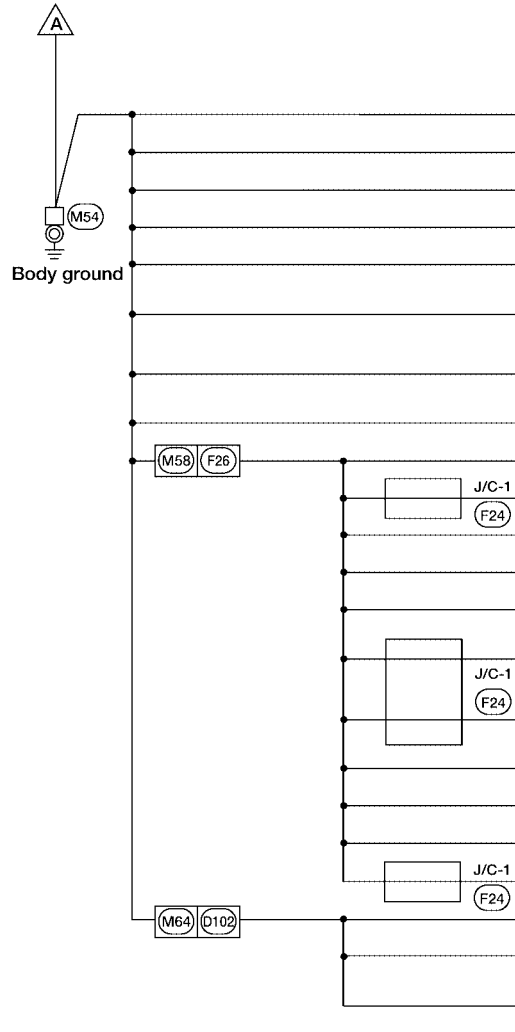
CONNECTOR NUMBER	CONNECT TO
M2	Fuse block (J/B) (Blower motor relay, ignition relay, accessory relay)
M3	Heated mirror relay
M8	Data link connector (Terminal No. 4)
M8	Data link connector (Terminal No. 5)
M9	Power window relay
M10	Trunk lid opener relay
M21	Trunk lid opener switch
M22	Illumination control switch
M23	Door mirror remote control switch
M29	Combination meter (Terminal No.3) (High beam indicator) (With tachometer)
M29	Combination meter (Terminal No.12) (Turn signal indicator lamps and ABS warning) (With tachometer)
M29	Combination meter (Terminal No.14) (High beam indicator) (Without tachometer)
M30	Combination meter (Terminal No. 27) (Speedometer) (Without tachometer)
M30	Combination meter (Terminal No. 39) (Turn signal indicator lamps) (Without tachometer)
M30	Combination meter (Terminal No. 48) (Speedometer) (With tachometer)
M31	Fan control switch
M38	Smart entrance control unit (with power door locks) (Terminal No. 16)
M40	Time control unit (Without power door locks) (Terminal No. 8)
M302	Power socket
R2	Vanity lamp LH
R3	Map lamp
R7	Vanity lamp RH
D4	Door mirror LH
D8	Front door key cylinder switch LH
D6	Main power window and door lock / unlock switch
D7	Front door lock actuator (door unlock sensor) LH

GROUND

A
B
C
D
E
F
G
H
I
J
L
M
PG



Preceding page

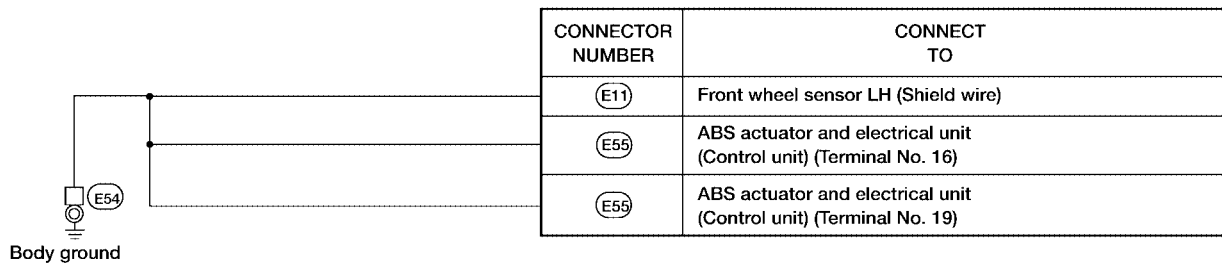
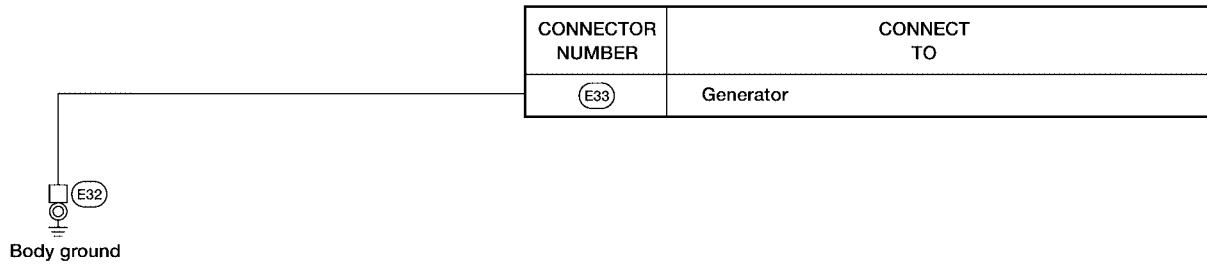
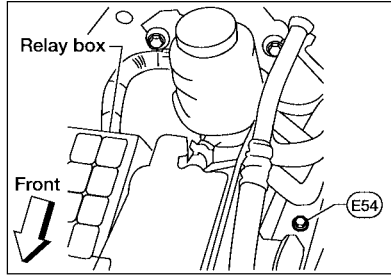
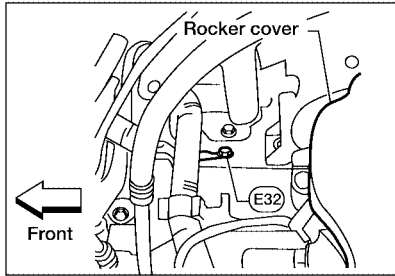


CONNECTOR NUMBER	CONNECT TO
M12	Power socket relay
M32	Air control (Rear window defogger switch)
M33	Cigarette lighter socket
M34	Air bag diagnosis sensor unit (Terminal No. 2)
M42	Combination flasher unit
M44	A/T device (Terminal No. 2) (Overdrive control switch)
M44	A/T device (Terminal No. 6) (Shift lock)
M49	Intake sensor
F16	Camshaft position sensor (PHASE) (QG18DE)
F31	Knock sensor (Shield wire) (QG18DE)
F52	Crankshaft position sensor (POS) (QG18DE)
F57	TCM (Terminal No. 25) (QG18DE)
F57	TCM (Terminal No. 48) (QG18DE)
F58	Electric throttle control actuator (Throttle control motor) (Shield wire) (QG18DE)
F58	Electric throttle control actuator (Throttle position sensor) (Shield wire) (QG18DE)
F59	ECM (Terminal No. 115) (QG18DE)
F59	ECM (Terminal No. 116) (QG18DE)
F60	ECM (Terminal No. 1) (QG18DE)
F63	Swirl control valve position sensor (Shield wire) (QG18DE SULEV)
D104	Door mirror RH
D107	Door lock / unlock switch RH
D109	Front door lock actuator RH (Door unlock sensor)

WKIA0989E

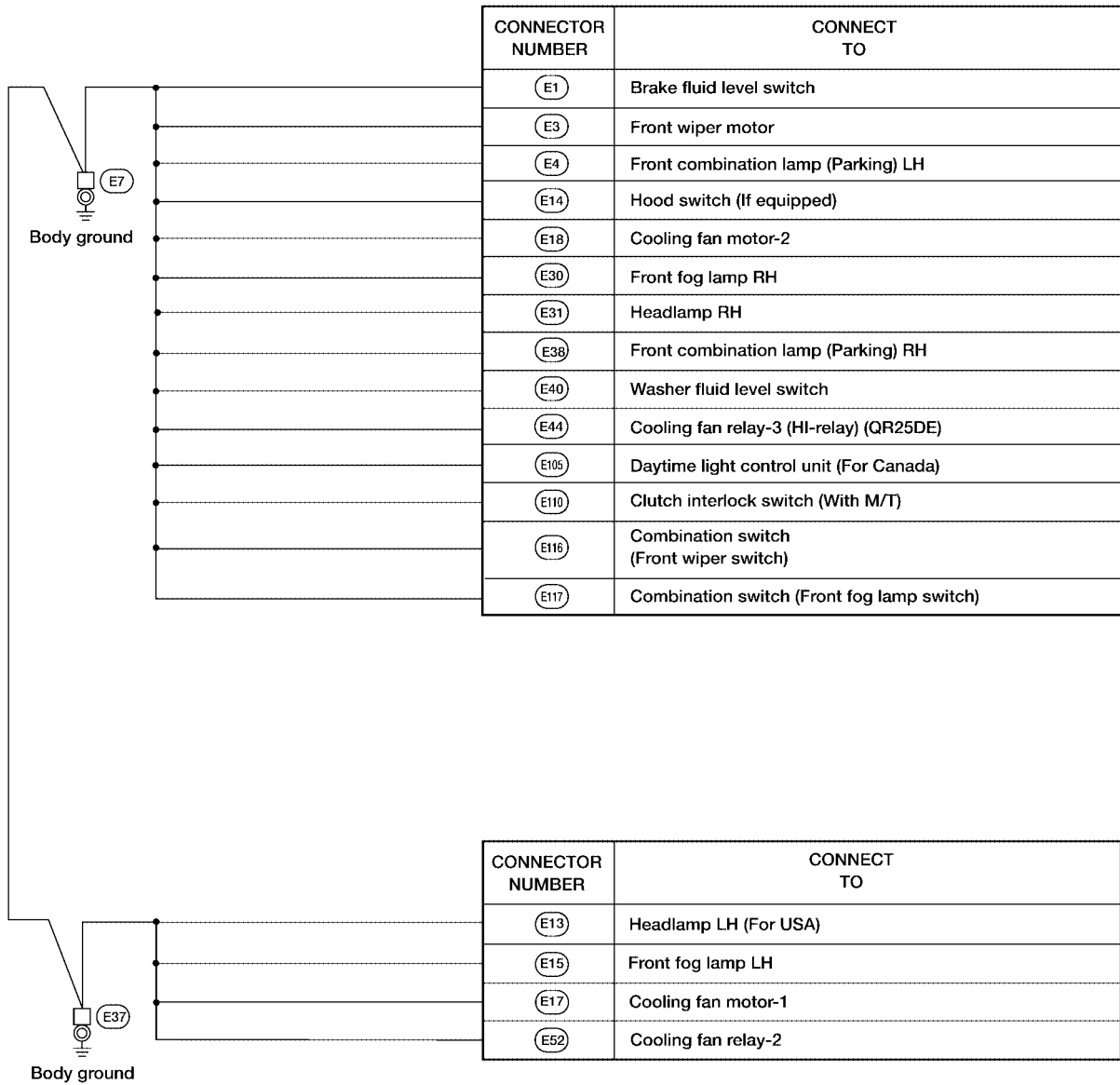
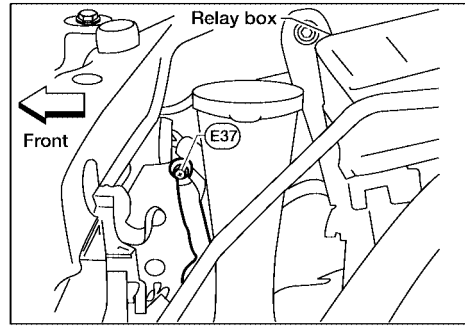
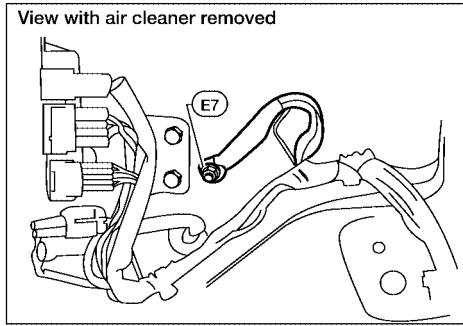
GROUND

ENGINE ROOM HARNESS



WKIA0215E

GROUND



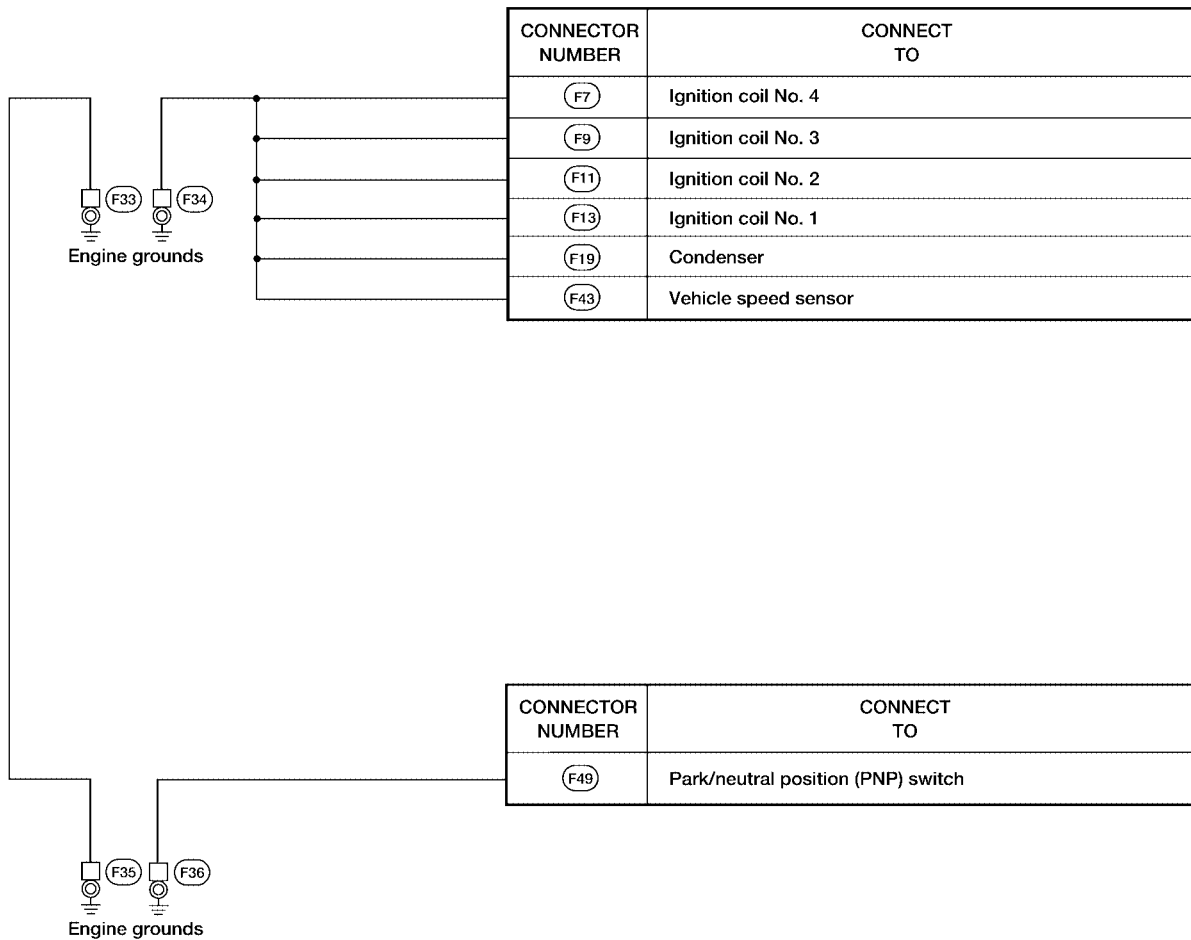
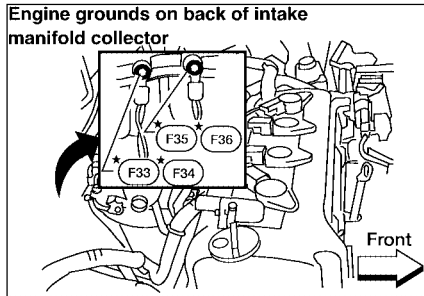
A
B
C
D
E
F
G
H
I
J
L
M

PG

WKIA0990E

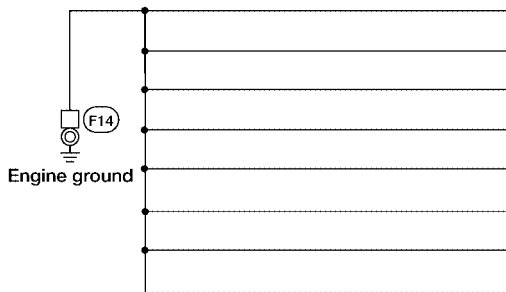
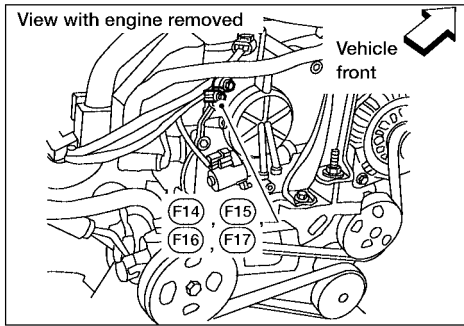
GROUND

ENGINE CONTROL HARNESS QG18DE

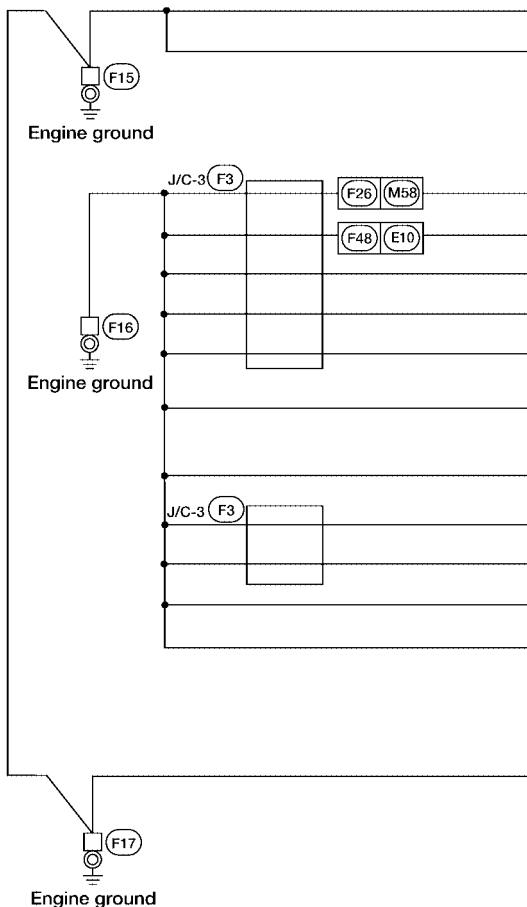


GROUND

QR25DE



CONNECTOR NUMBER	CONNECT TO
F5	Ignition coil No.1 (With power transistor)
F6	Ignition coil No. 2 (With power transistor)
F7	Ignition coil No. 4 (With power transistor)
F8	Ignition coil No. 3 (With power transistor)
F21	Condenser
F29	Park/neutral position (PNP) switch (Terminal No.2) (With A/T)
F54	ECM (Terminal No. 106)
F54	ECM (Terminal No. 108)



CONNECTOR NUMBER	CONNECT TO
F42	Park/neutral position (PNP) switch (Terminal No. 2) (With M/T)
F54	ECM (Terminal No. 115)

CONNECTOR NUMBER	CONNECT TO
M8	Data link connector (Terminal No. 5)
E111	Immobilizer control unit
F9	Camshaft position sensor (PHASE)
F11	Crankshaft position sensor (POS)
F23	Heated oxygen sensor 2
F50	Electric throttle control actuator (Throttle position sensor) (Shield wire)
F50	Electric throttle control actuator (Throttle control motor) (Shield wire)
F54	ECM (Terminal No. 59)
F54	ECM (Terminal No. 60)
F57	TCM (Terminal No. 25)
F57	TCM (Terminal No. 48)

CONNECTOR NUMBER	CONNECT TO
F22	Heated oxygen sensor 1

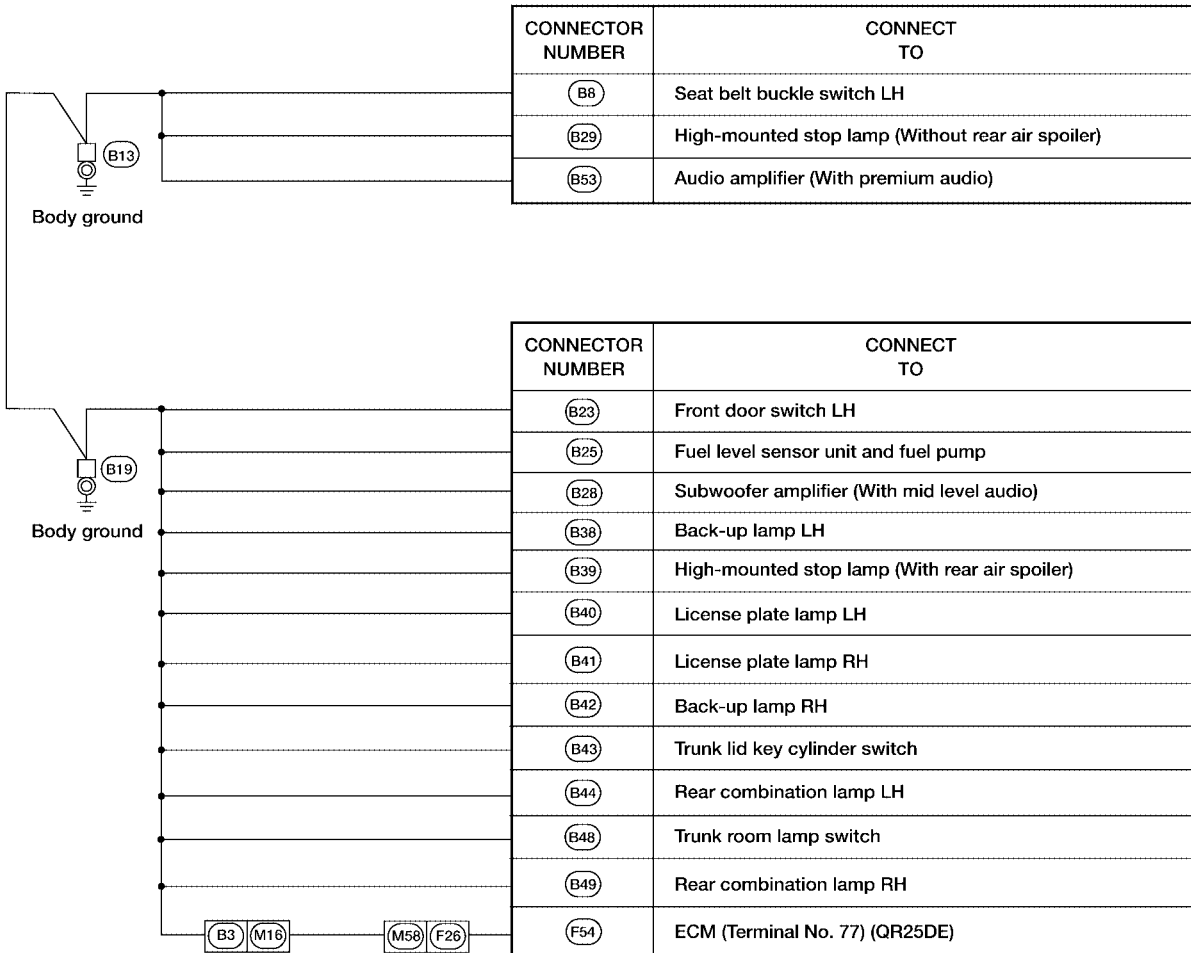
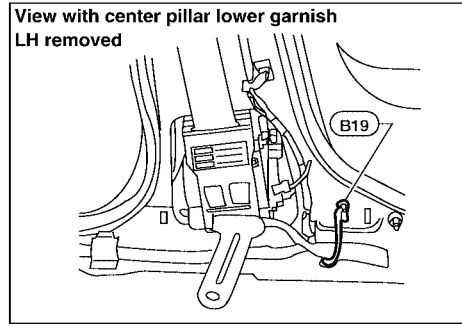
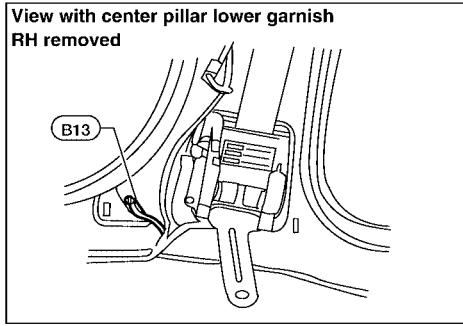
A
B
C
D
E
F
G
H
I
J
L
M

PG

WKIA0218E

GROUND

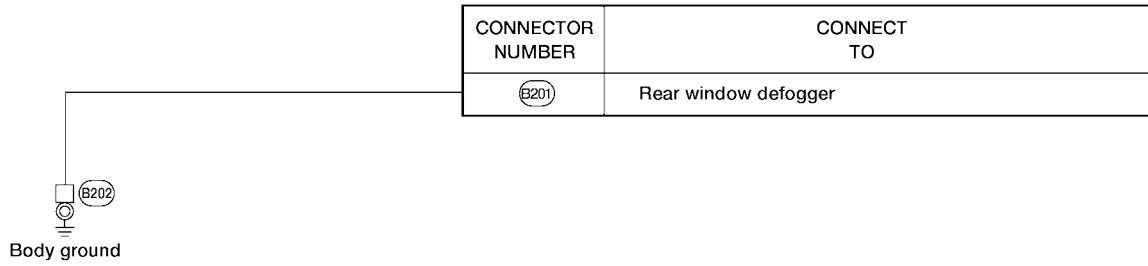
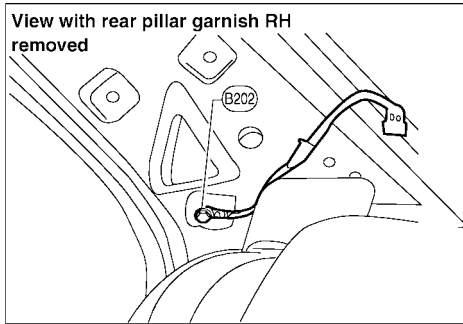
BODY HARNESS



WKIA0991E

GROUND

REAR WINDOW DEFOGGER GROUND HARNESS

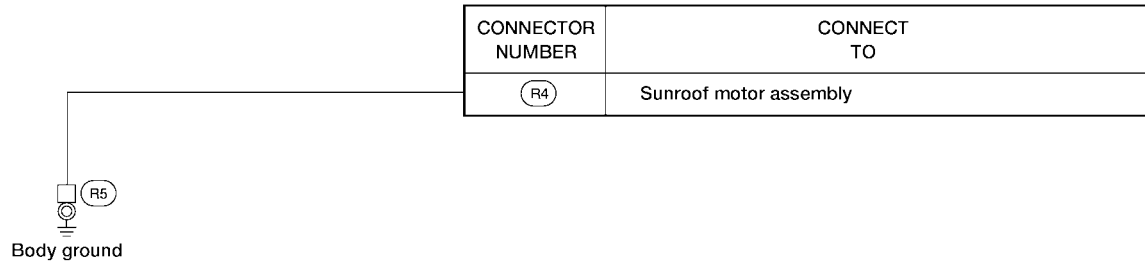
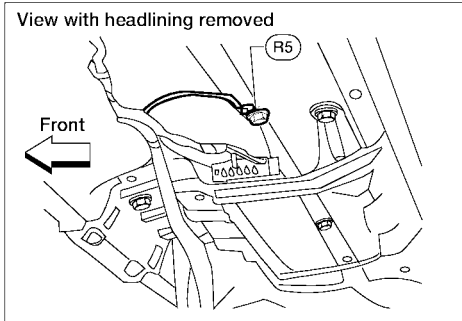


A
B
C
D
E
F
G
H
I
J
PG
L
M

LEL434

GROUND

ROOM HARNESS



LEL433

HARNESS

PFP:24010

HARNESS

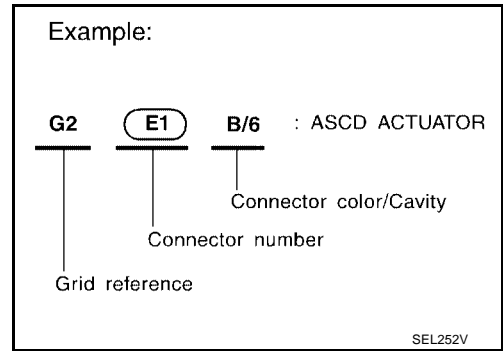
Harness Layout

EKS003B2

HOW TO READ HARNESS LAYOUT

The following Harness Layouts use a map style grid to help locate connectors on the drawings:

- Main Harness
- Engine Room Harness
- Engine Control Harness
- Body Harness



TO USE THE GRID REFERENCE

1. Find the desired connector number on the connector list.
2. Find the grid reference.
3. On the drawing, find the crossing of the grid reference letter column and number row.
4. Find the connector number in the crossing zone.
5. Follow the line (if used) to the connector.

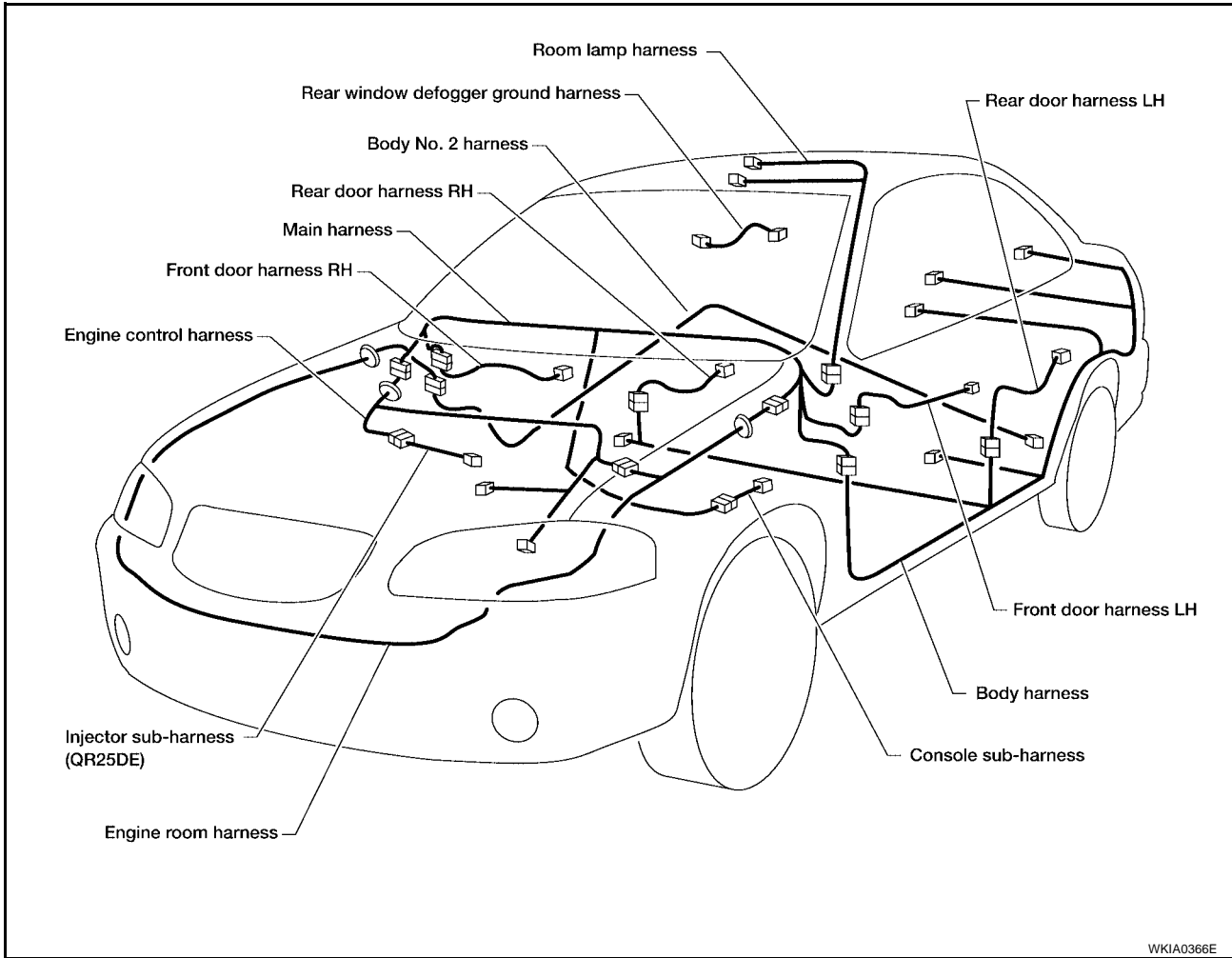
CONNECTOR SYMBOL

Main symbols of connector (in Harness Layout) are indicated in the below.

Connector type	Water proof type		Standard type	
	Male	Female	Male	Female
<ul style="list-style-type: none"> ● Cavity: Less than 4 ● Relay connector 				
<ul style="list-style-type: none"> ● Cavity: From 5 to 8 				
<ul style="list-style-type: none"> ● Cavity: More than 9 				
<ul style="list-style-type: none"> ● Ground terminal etc. 	—			

HARNESS

OUTLINE



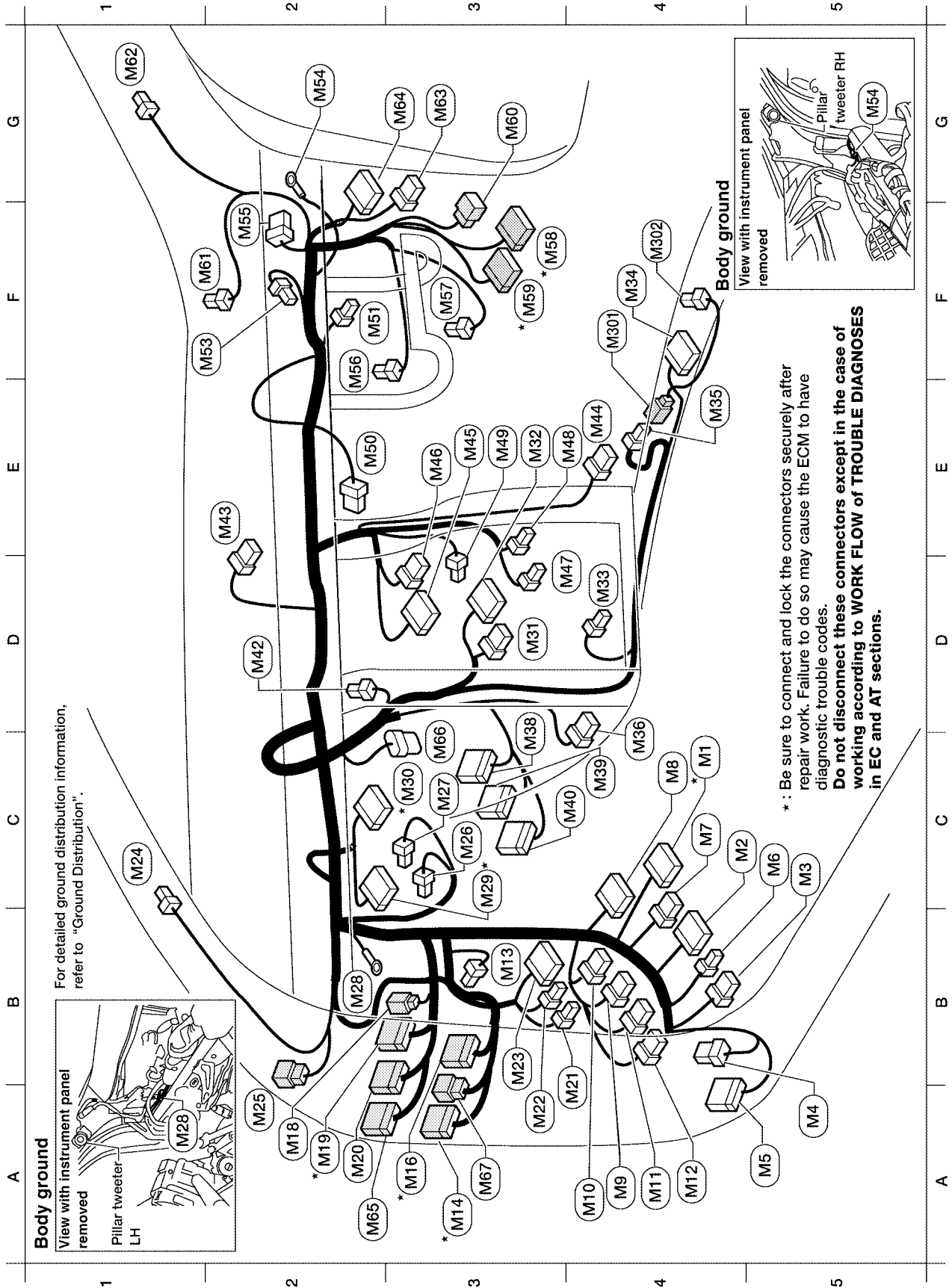
WKIA0366E

NOTE:

For detailed ground distribution information, refer to [PG-12, "Ground Distribution"](#) .

HARNESS

MAIN HARNESS



WKIA0992E

A B C D E F G A B C D E F G H I J K L M PG

HARNESS

Main harness

C4	* (M1) W/16 : Fuse block (J/B)
C4	(M2) W/12 : Fuse block (J/B)
C5	(M3) L/4 : Heated mirror relay
A5	(M4) W/8 : To (D1)
A5	(M5) W/16 : To (D2)
C5	(M6) W/2 : Circuit breaker
C4	(M7) W/6 : Fuse block (J/B)
C4	(M8) W/16 : Data link connector
A4	(M9) L/4 : Power window relay
A4	(M10) L/4 : Trunk lid opener relay
A4	(M11) BR/6 : Remote keyless entry relay
A4	(M12) L/4 : Power socket relay
B3	(M13) L/2 : ASCD clutch switch (M/T with ASCD)
A3	* (M14) BR/16: To (B1)
A3	* (M16) W/20 : To (B3)
A2	(M18) W/2 : To (E107)
A2	* (M19) W/16 : To (E108)
A2	(M20) W/10 : To (E109) (QG18DE)
A2	(M20) W/16 : To (E109) (QR25DE)
A4	(M21) B/2 : Trunk lid opener switch
A3	(M22) W/3 : Illumination control switch
B3	(M23) W/10 : Door mirror remote control switch
C1	(M24) BR/2 : Pillar tweeter LH
A2	(M25) W/6 : To (R1)
C3	(M26) B/2 : Stop lamp switch (With M/T)
C3	(M26) W/4 : Stop lamp switch (With A/T)
C3	(M27) BR/2 : ASCD brake switch
B2	* (M28) - : Body ground
C3	(M29) W/24 : Combination meter (Without tachometer)
C3	* (M29) BR/24 : Combination meter (With tachometer)
C3	* (M30) BR/20 : Combination meter (Without tachometer)
C3	* (M30) W/24 : Combination meter (With tachometer)
D3	(M31) W/6 : Fan control switch
E3	(M32) W/12 : Air control

A2	(M65) W/12 : To (B50)
C3	(M66) B/6 : Accelerator pedal position sensor
A3	(M67) W/2 : To (B51)

Console Sub-harness

F4	(M351) W/2 : To (M35)
F4	(M302) B/3 : Power socket

C4 (M39) B/24 : Smart entrance control unit (With power door locks)

C4 (M40) W/10 : Time control unit (Without power door locks)

D2 (M42) B/3 : Combination flasher unit

E2 (M43) W/8 : Hazard switch

E4 (M44) W/8 : A/T device

E3 (M45) W/10 : Audio unit

E3 (M46) W/6 : Audio unit

D3 (M47) W/4 : CD changer

E3 (M48) B/2 : CD changer

E3 (M49) W/2 : Intake sensor

E3 (M50) B/6 : Intake door motor

F3 (M51) Y/2 : Front passenger air bag module

F2 (M53) GY/2 : Diode-2

G2 (M54) - : Body ground

F2 (M55) L/3 : Diode-3

F2 (M56) BR/4 : Fan resistor

F3 (M57) W/2 : Blower motor

F3 * (M58) W/16 : To (F26)

F3 * (M59) BR/16: To (F27) (With QG18DE)

F3 * (M59) W/24 : To (F27) (With QR25DE)

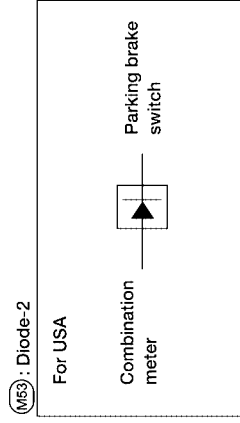
G3 (M60) W/6 : To (F28)

F2 (M61) BR/2 : Security indicator lamp

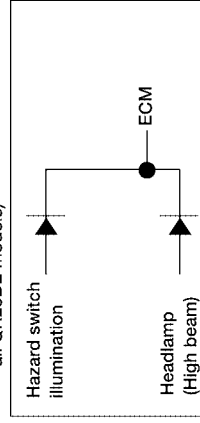
G1 (M62) BR/2 : Pillar tweeter RH

G3 (M63) W/8 : To (D10)

G3 (M64) W/16 : To (D102)



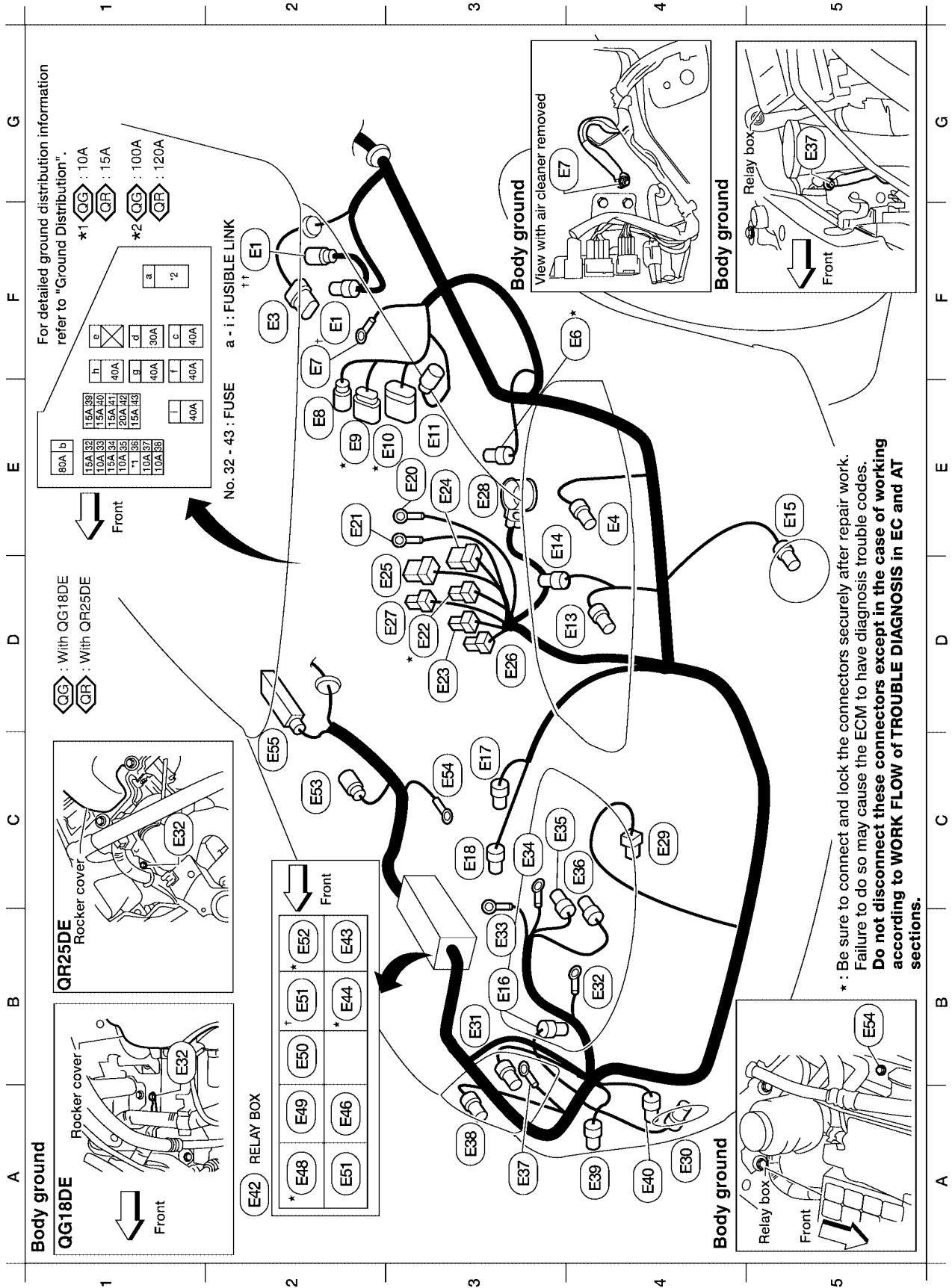
(M55) : Diode-3 (For Canada QG18DE models and all QR25DE models)



* : Be sure to connect and lock the connectors securely after repair work. Failure to do so may cause the ECM to have diagnostic trouble codes.

Do not disconnect these connectors except in the case of working according to WORK FLOW of TROUBLE DIAGNOSES in EC and AT sections.

ENGINE ROOM HARNESS



A B C D E F G H I J K L M N O P Q R S T U V W X Y Z

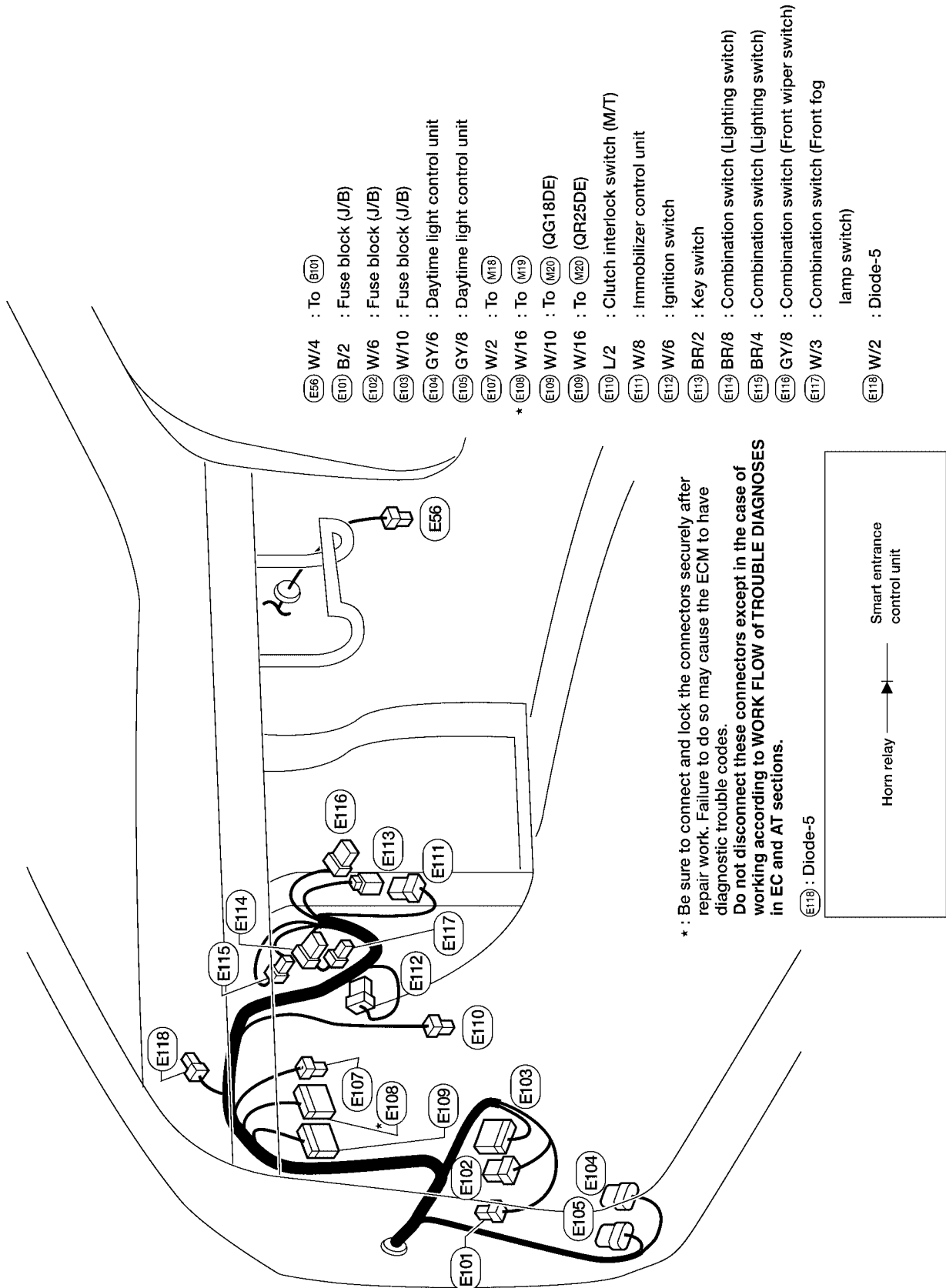
PG

F2	[†] E1	GY/2	: Brake fluid level switch (with QG18DE)	B3	E31	B/3	: Headlamp RH
F2	^{††} E1	GY/2	: Brake fluid level switch (with QR25DE)	B4	E32	-	: Body ground
F2	E3	GY/6	: Front wiper motor	B3	E33	-	: Generator
E4	E4	GY/3	: Front combination lamp LH	C3	E34	-	: Generator
F4	[*] E6	GY/2	: Dropping resistor	C3	E35	GY/2	: Generator
F3	E7	-	: Body ground	C4	E36	B/1	: A/C compressor
E3	E8	GY/1	: To F46	A3	E37	-	: Body ground
E3	[*] E9	GY/8	: To F47	A3	E38	GY/3	: Front combination lamp RH
E4	[*] E10	GY/10	: To F48	A4	E39	GY/2	: Front washer motor
E4	E11	BR/2	: Front wheel sensor LH	A4	E40	BR/2	: Washer fluid level switch
D4	E13	B/3	: Headlamp LH	A2	E42	-	: Relay box
E3	E14	GY/2	: Hood switch (if equipped)	B2	E43	BR/6	: Vehicle security lamp relay
D5	E15	GY/2	: Front fog lamp LH	B2	E44	BR/6	: Cooling fan relay-3 (with QR25DE)
B4	E16	B/3	: Refrigerant pressure sensor	A2	E46	L/4	: Front fog lamp relay
C3	E17	GY/4	: Cooling fan motor 1	A2	E48	BR/6	: Cooling fan relay-1
C3	E18	GY/2	: Cooling fan motor 2 (with QG18DE)	A2	E49	W/3	: Horn relay
C3	E18	GY/4	: Cooling fan motor 2 (with QR25DE)	A2	E50	L/4	: A/C relay
E3	E20	-	: Fuse and fusible link box	A2	E51	L/4	: Clutch interlock relay (M/T)
E3	E21	-	: Fuse and fusible link box	B2	[†] E51	L/4	: Park/neutral position (PNP) relay (A/T)
D3	[*] E22	W/3	: Fuse and fusible link box	B2	E52	BR/6	: Cooling fan relay-2
D3	E23	W/4	: Fuse and fusible link box	C2	E53	GY/2	: Front wheel sensor RH
E3	E24	W/6	: Fuse and fusible link box	C3	E54	-	: Body ground
D3	E25	B/6	: Fuse and fusible link box	C2	E55	B/31	: ABS actuator and electric unit (control unit)
D3	E26	W/1	: Fuse and fusible link box				
D3	E27	B/1	: Fuse and fusible link box				
E3	E28	-	: Battery (positive)				
C4	E29	B/1	: Horn				
A4	E30	GY/2	: Front fog lamp RH				

* : Be sure to connect and lock the connectors securely after repair work. Failure to do so may cause the ECM to have diagnostic trouble codes.

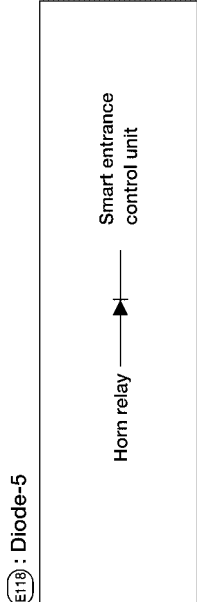
Do not disconnect these connectors except in the case of working according to WORK FLOW of TROUBLE DIAGNOSES in EC and AT sections.

HARNESS



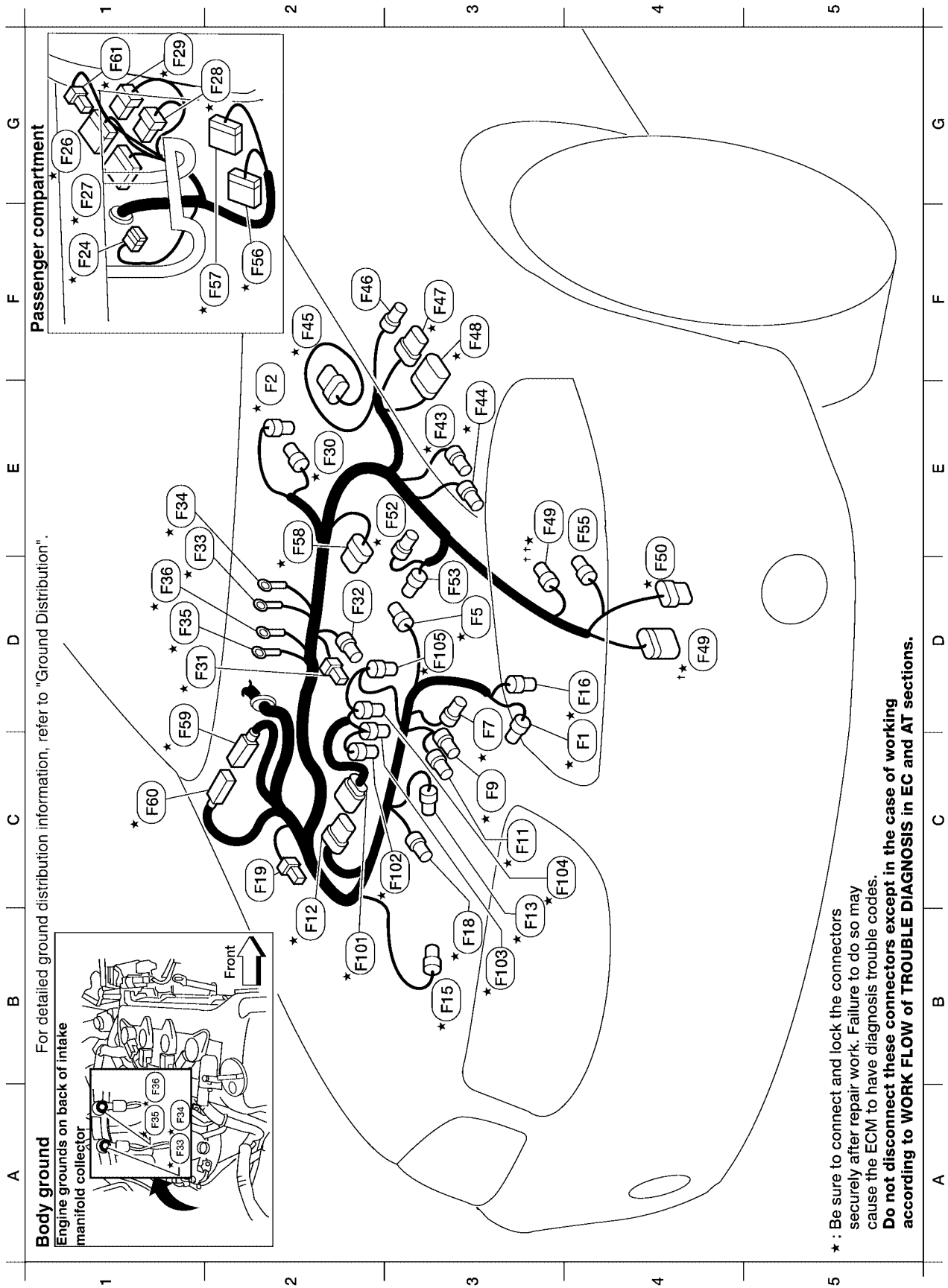
- E56 W/4 : To E101
- E101 B/2 : Fuse block (J/B)
- E102 W/6 : Fuse block (J/B)
- E103 W/10 : Fuse block (J/B)
- E104 GY/6 : Daytime light control unit
- E105 GY/8 : Daytime light control unit
- E107 W/2 : To M18
- E108 W/16 : To M18
- * E109 W/10 : To M20 (QG18DE)
- E109 W/16 : To W20 (QR25DE)
- E110 L/2 : Clutch interlock switch (M/T)
- E111 W/8 : Immobilizer control unit
- E112 W/6 : Ignition switch
- E113 BR/2 : Key switch
- E114 BR/8 : Combination switch (Lighting switch)
- E115 BR/4 : Combination switch (Lighting switch)
- E116 GY/8 : Combination switch (Front wiper switch)
- E117 W/3 : Combination switch (Front fog lamp switch)
- E118 W/2 : Diode-5

* : Be sure to connect and lock the connectors securely after repair work. Failure to do so may cause the ECM to have diagnostic trouble codes.
 Do not disconnect these connectors except in the case of working according to WORK FLOW of TROUBLE DIAGNOSES in EC and AT sections.



HARNESS

ENGINE CONTROL HARNESS QG18DE (ULEV)



WKIA0996E

Engine control harness

D3	* F1	G/4	: Heated oxygen sensor 1	F2	* F46	GY/5	: Mass air flow sensor
E2	* F2	G/4	: Heated oxygen sensor 2	F2	F46	GY/1	: To E8
D3	* F5	L/2	: EVAP canister purge volume control solenoid valve	F3	* F47	GY/8	: To E9
D3	* F7	GY/3	: Ignition coil No. 4	F3	* F48	GY/10	: To E10
C3	* F9	GY/3	: Ignition coil No. 3	E3	** F49	B/2	: Park/neutral position (PNP) switch (M/T)
C3	* F11	GY/3	: Ignition coil No. 2	D4	* F49	B/10	: Park/neutral position (PNP) switch (A/T)
B2	* F12	GY/6	: To F10*	D4	* F50	B/8	: Terminal cord assembly (A/T)
B3	* F13	GY/3	: Ignition coil No. 1	E3	* F52	B/3	: Crankshaft position sensor (POS)
B3	* F15	GY/2	: Engine coolant temperature sensor	D3	F53	GY/1	: Starter motor
D4	* F16	B/3	: Camshaft position sensor (PHASE)	E4	F56	B/2	: Back-up lamp switch (M/T)
B3	* F18	G/2	: Intake valve timing control solenoid valve	F2	* F56	W/24	: TCM (Transmission control module) (A/T)
C2	F19	GY/2	: Condenser	F2	* F57	GY/24	: TCM (Transmission control module) (A/T)
D1	* F24	BR/20	: Joint connector-1	E2	* F58	G/6	: Electric throttle control actuator
G1	* F26	W/16	: To M58	D1	* F59	SMJ	: ECM
F1	* F27	BR/16	: To M59	C1	* F60	SMJ	: ECM
G2	* F28	W/6	: To M60	G1	* F61	L/4	: Throttle control motor relay
G1	* F29	BR/6	: ECM Relay				
E2	* F30	B/3	: Power steering pressure sensor				
D1	* F31	B/2	: Knock sensor				
D2	F32	GY/1	: Oil pressure switch				
E1	* F33	-	: Engine ground				
E1	* F34	-	: Engine ground				
D1	* F35	-	: Engine ground				
D1	* F36	-	: Engine ground				
E3	* F43	GY/2	: Vehicle speed sensor				
E3	* F44	BR/3	: Revolution sensor (A/T)				

Engine control sub-harness

B2	* F101	GY/6	: To F12
C2	* F102	GY/2	: Injector No. 1
B3	* F103	GY/2	: Injector No. 2
C4	* F104	GY/2	: Injector No. 3
D3	* F105	GY/2	: Injector No. 4

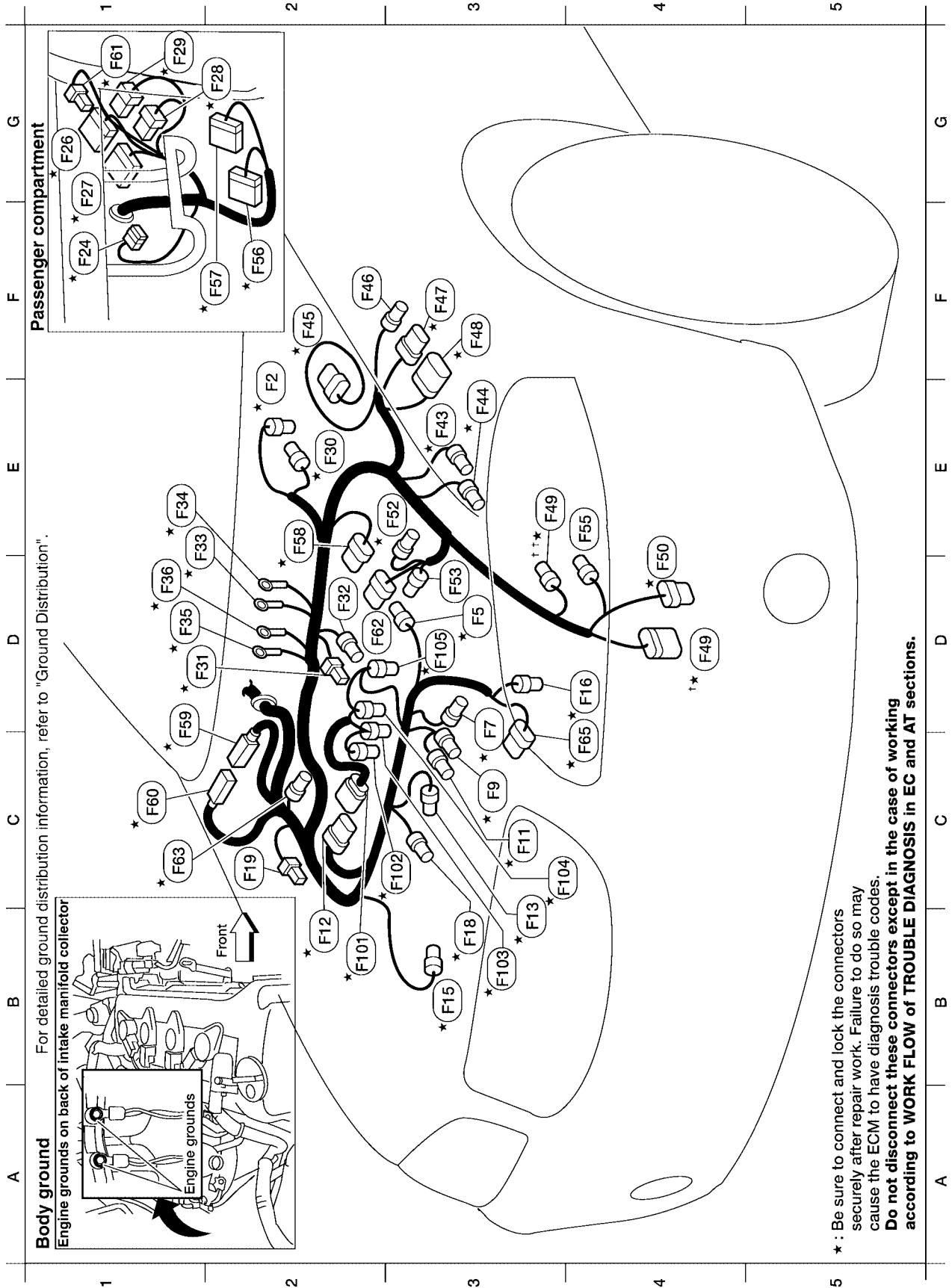
* : Be sure to connect and lock the connectors securely after repair work. Failure to do so may cause the ECM to have diagnostic trouble codes.

Do not disconnect these connectors except in the case of working according to WORK FLOW of TROUBLE DIAGNOSES in EC and AT sections.

WKIA0997E

HARNESS

QG18DE (SULEV)



* : Be sure to connect and lock the connectors securely after repair work. Failure to do so may cause the ECM to have diagnosis trouble codes. Do not disconnect these connectors except in the case of working according to **WORK FLOW of TROUBLE DIAGNOSIS** in EC and AT sections.

WKIA0998E

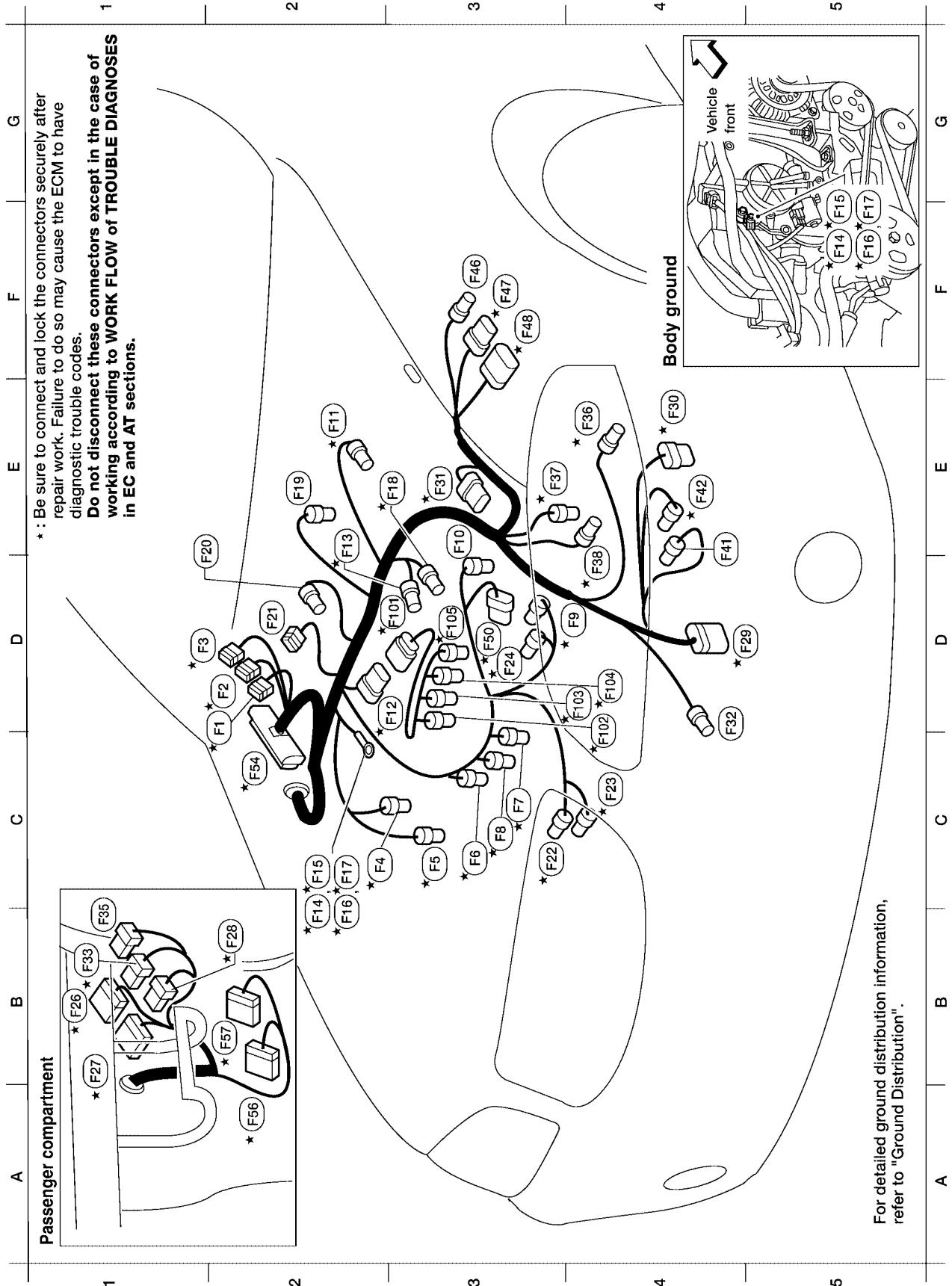
E2	* (F2) G/4	: Heated oxygen sensor 2	F2	* (F46) GY/5	: Mass air flow sensor
D3	* (F5) L/2	: EVAP canister purge volume control solenoid valve	F2	(F46) GY/1	: To (E6)
D3	* (F7) GY/3	: Ignition coil No. 4	F3	* (F47) GY/8	: To (E9)
C3	* (F9) GY/3	: Ignition coil No. 3	F3	* (F48) GY/10	: To (E10)
C3	* (F11) GY/3	: Ignition coil No. 2	E3	** (F49) B/2	: Park/neutral position (PNP) switch (M/T)
B2	* (F12) GY/6	: To (F10)	D4	* (F49) B/10	: Park/neutral position (PNP) switch (A/T)
B3	* (F13) GY/3	: Ignition coil No. 1	D4	* (F50) B/8	: Terminal cord assembly (A/T)
B3	* (F15) GY/2	: Engine coolant temperature sensor	E3	* (E92) B/3	: Crankshaft position sensor (POS)
D4	* (F16) B/3	: Camshaft position sensor (PHASE)	D3	(F63) GY/1	: Starter motor
B3	* (F18) G/2	: Intake valve timing control solenoid valve	E4	(F56) B/2	: Back-up lamp switch (M/T)
C2	(F19) GY/2	: Condenser	F2	* (F56) W/24	: TCM (Transmission control module) (A/T)
D1	* (F24) BR/20	: Joint connector-1	F2	* (F57) GY/24	: TCM (Transmission control module) (A/T)
G1	* (F26) W/16	: To (M68)	E2	* (F58) G/6	: Electric throttle control actuator
F1	* (F27) BR/16	: To (M69)	D1	* (F59) SMJ	: ECM
G2	* (F28) W/6	: To (M60)	C1	* (F60) SMJ	: ECM
G1	* (F29) BR/6	: ECM Relay	G1	* (F61) L/4	: Throttle control motor relay
E2	* (F30) B/3	: Power steering pressure sensor	D2	* (F62) GY/6	: Swirl control valve
D1	* (F31) B/2	: Knock sensor	C2	* (F63) BR/3	: Swirl control valve position sensor
D2	(F32) GY/1	: Oil pressure switch	D4	* (F66) B/6	: Air fuel ratio (A/F) sensor 1
E1	* (F33) -	: Engine ground	Engine control sub-harness		
E1	* (F34) -	: Engine ground	B2	* (F101) GY/6	: To (F12)
D1	* (F35) -	: Engine ground	C2	* (F102) GY/2	: Injector No. 1
D1	* (F36) -	: Engine ground	B3	* (F103) GY/2	: Injector No. 2
E3	* (F43) GY/2	: Vehicle speed sensor	C4	* (F104) GY/2	: Injector No. 3
E3	* (F44) BR/3	: Revolution sensor (A/T)	D3	* (F106) GY/2	: Injector No. 4

* : Be sure to connect and lock the connectors securely after repair work. Failure to do so may cause the ECM to have diagnostic trouble codes.
Do not disconnect these connectors except in the case of working according to WORK FLOW of TROUBLE DIAGNOSES in EC and AT sections.

WKIA0999E

HARNESS

QR25DE



* : Be sure to connect and lock the connectors securely after repair work. Failure to do so may cause the ECM to have diagnostic trouble codes.
Do not disconnect these connectors except in the case of working according to WORK FLOW of TROUBLE DIAGNOSES in EC and AT sections.

For detailed ground distribution information, refer to "Ground Distribution".

WKIA1000E

C2	*	(F1)	GY/6	:	Joint connector-1	E3	*	(F31)	GY/5	:	Mass air flow sensor
D2	*	(F2)	L/12	:	Joint connector-2	D4	*	(F32)	GY/1	:	Starter motor
D2	*	(F3)	GY/6	:	Joint connector-3	B1	*	(F33)	L/5	:	Throttle control motor relay
C2	*	(F4)	G/2	:	Intake valve timing control solenoid valve	B1	*	(F35)	BR/6	:	ECM relay
C3	*	(F5)	GY/3	:	Ignition coil No. 1	E4	*	(F36)	GY/2	:	Vehicle speed sensor
C3	*	(F6)	GY/3	:	Ignition coil No. 2	E4	*	(F37)	B/3	:	Turbine revolution sensor (with A/T)
C3	*	(F7)	GY/3	:	Ignition coil No. 4	D4	*	(F38)	B/3	:	Revolution sensor (with A/T)
C3	*	(F8)	GY/3	:	Ignition coil No. 3	E4	*	(F41)	B/2	:	Back-up lamp switch (with M/T)
D4	*	(F9)	B/3	:	Camshaft position sensor (PHASE)	E4	*	(F42)	B/2	:	Park/neutral position (PNP) switch (with M/T)
E3	*	(F10)	L/2	:	EVAP canister purge volume control solenoid valve	F3	*	(F46)	GY/1	:	To (E8)
E2	*	(F11)	B/3	:	Crankshaft position sensor	F3	*	(F47)	GY/8	:	To (E9)
D3	*	(F12)	B/6	:	To (F10 ¹)	F3	*	(F48)	GY/10	:	To (E10)
E2	*	(F13)	BR/2	:	VIAS control solenoid valve	D3	*	(F50)	G/6	:	Electric throttle control actuator
B2	*	(F14)	-	:	Engine ground	C2	*	(F54)	SMJ	:	ECM
C2	*	(F15)	-	:	Engine ground	A2	*	(F56)	W/24	:	TCM (transmission control module) (with A/T)
B2	*	(F16)	-	:	Engine ground	B2	*	(F57)	GY/24	:	TCM (transmission control module) (with A/T)
B2	*	(F17)	-	:	Engine ground						
C2	*	(F18)	GY/2	:	Knock sensor						
E2	(F19)	GY/1	:	Oil pressure switch							
E2	(F20)	B/1	:	Power steering oil pressure switch							
D2	(F21)	GY/2	:	Condenser							
C3	*	(F22)	G/4	:	Heated oxygen sensor 1	D3	*	(F101)	B/6	:	To (F12)
C4	*	(F23)	L/4	:	Heated oxygen sensor 2	D4	*	(F102)	GY/2	:	Injector No. 1
D3	*	(F24)	GY/2	:	Engine coolant temperature sensor	D4	*	(F103)	GY/2	:	Injector No. 2
B1	*	(F26)	W/16	:	To (M58)	D4	*	(F104)	GY/2	:	Injector No. 3
B1	*	(F27)	W/24	:	To (M59)	D3	*	(F105)	GY/2	:	Injector No. 4
B2	*	(F28)	W/6	:	To (M60)						
D4	*	(F29)	B/10	:	Park/neutral position (PNP) switch (with A/T)						
E4	*	(F30)	B/8	:	Terminal cord assembly (with A/T)						

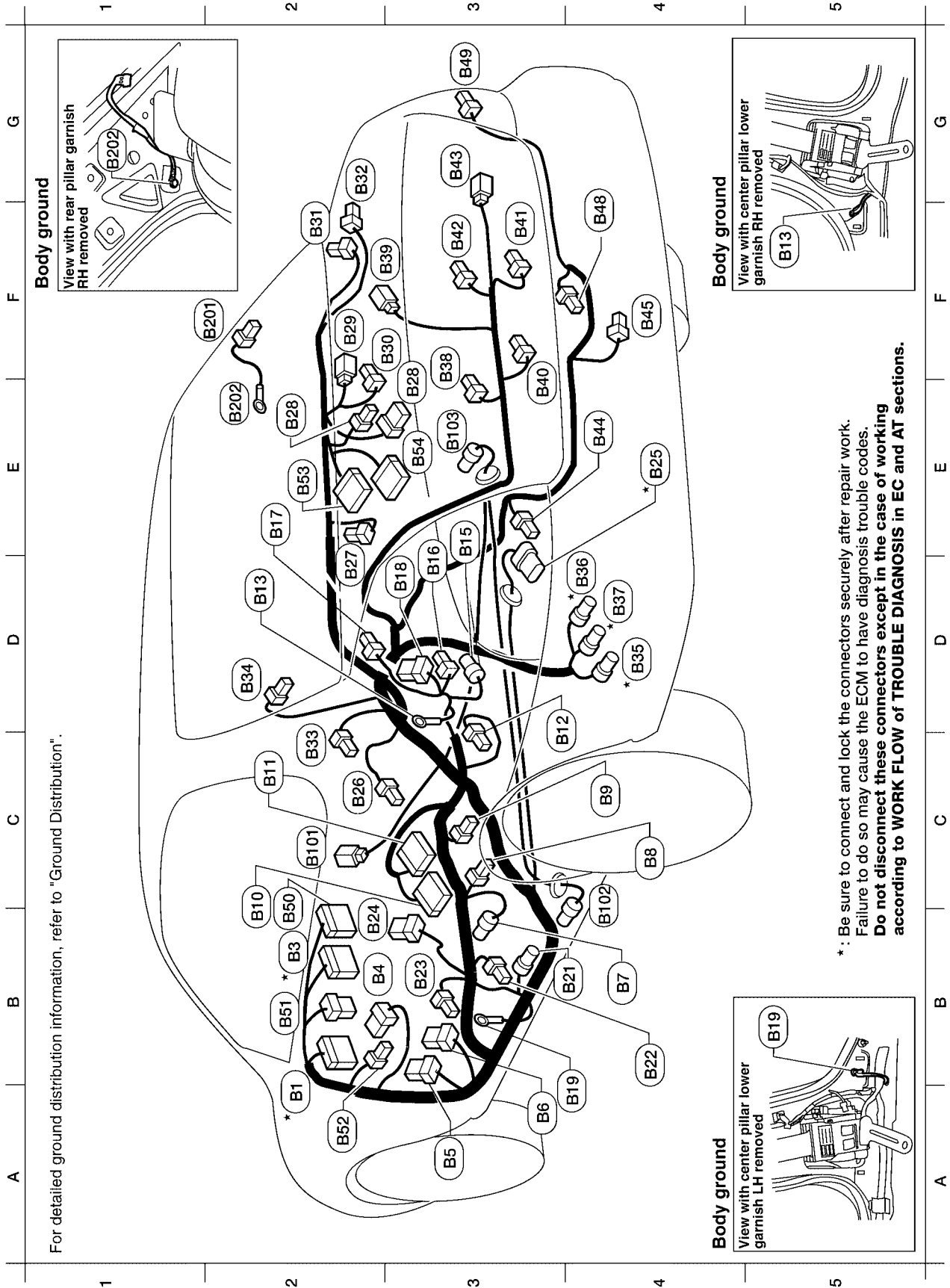
Engine Control Sub-harness

D3	*	(F101)	B/6	:	To (F12)
D4	*	(F102)	GY/2	:	Injector No. 1
D4	*	(F103)	GY/2	:	Injector No. 2
D4	*	(F104)	GY/2	:	Injector No. 3
D3	*	(F105)	GY/2	:	Injector No. 4

*: Be sure to connect and lock the connectors securely after repair work.
 Failure to do so may cause the ECM to have diagnostic trouble codes.
Do not disconnect these connectors except in the case of working according to WORK FLOW of TROUBLE DIAGNOSES in EC and AT sections.

HARNESS

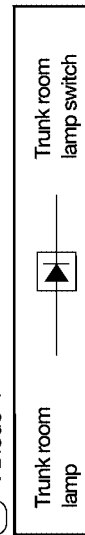
BODY HARNESS



WKIA0246E

A2 *	B1	BR/16	: To	(M14)	F2	B31	BR/2	: Rear speaker RH
B2 *	B3	W/20	: To	(M16)	F2	B32	W/1	: Rear door switch RH
B2	B4	W/8	: Fuse block (J/B)		C2	B33	W/2	: Diode-4
A3	B5	L/5	: Fuel pump relay		D2	B34	B/1	: Rear window defogger
A3	B6	BR/6	: Rear window defogger relay		D4	* B35	B/2	: EVAP canister vent control valve
B4	B7	Y/2	: Front LH side air bag module		D4	* B36	GY/3	: EVAP control system pressure sensor
C4	B8	W/3	: Seat belt buckle switch LH		D4	* B37	G/2	: Vacuum cut valve bypass valve (QR25DE)
C4	B9	B/1	: Parking brake switch		F3	B38	W/2	: Back-up lamp LH
C2	B10	Y/12	: Air bag diagnosis sensor unit		F2	B39	BR/2	: High-mounted stop lamp (With rear air spoiler)
C2	B11	Y/12	: Air bag diagnosis sensor unit		E3	B40	W/2	: License plate lamp LH
D4	B12	Y/2	: Front RH side air bag module		F3	B41	W/2	: License plate lamp RH
D2	B13	-	: Body ground		F3	B42	W/2	: Back-up lamp RH
E3	B15	Y/2	: RH side air bag (Satellite) sensor		G3	B43	W/2	: Trunk lid key cylinder switch (Unlock switch)
E3	B16	Y/2	: Front RH seat belt pre-tensioner					(With vehicle security system)
E2	B17	W/3	: Front door switch RH		E4	B44	W/4	: Rear combination lamp LH
D3	B18	W/8	: To	(D301)	F4	B45	W/4	: Trunk lid opener actuator
A4	B19	-	: Body ground		F3	B46	W/2	: Trunk room lamp switch
B3	B21	Y/2	: LH side air bag (Satellite) sensor		G3	B46	W/4	: Rear combination lamp RH
B4	B22	Y/2	: Front LH seat belt pre-tensioner		B2	B50	W/12	: To (M65)
B3	B23	W/3	: Front door switch LH		B2	B51	W/2	: To (M67)
B2	B24	W/8	: To	(D201)	A2	B52	W/4	: To (D8)
E4 *	B25	GY/5	: Fuel level sensor unit and fuel pump		E2	B53	W/12	: Audio amplifier (With premium audio system)
C2	B26	W/1	: Rear door switch LH		E3	B54	W/12	: Audio amplifier (With premium audio system)
E2	B27	BR/2	: Rear speaker LH					Body No. 2 harness
E3	B28	W/8	: Subwoofer (With mid level audio system)		C2	B101	W/4	: To (E56)
E2	B28	W/4	: Subwoofer (With premium audio system)		C4	B102	BR/2	: Rear wheel sensor LH
F2	B29	W/2	: High-mounted stop lamp (Without rear air spoiler)		E3	B103	GY/2	: Rear wheel sensor RH
F3	B30	W/2	: Trunk room lamp					Rear window defogger ground sub-harness
					F2	B201	B/1	: Rear window defogger
					F2	B202	-	: Body ground

(B33) : Diode-4



* : Be sure to connect and lock the connectors securely after repair work. Failure to do so may cause the ECM to have diagnostic trouble codes.
Do not disconnect these connectors except in the case of working according to WORK FLOW of TROUBLE DIAGNOSES in EC and AT sections.

WKIA1002E

HARNESS

ROOM LAMP HARNESS

(R1) W/6 : To (M25)

(R2) W/2 : Vanity lamp LH

(R3) W/3 : Map lamp

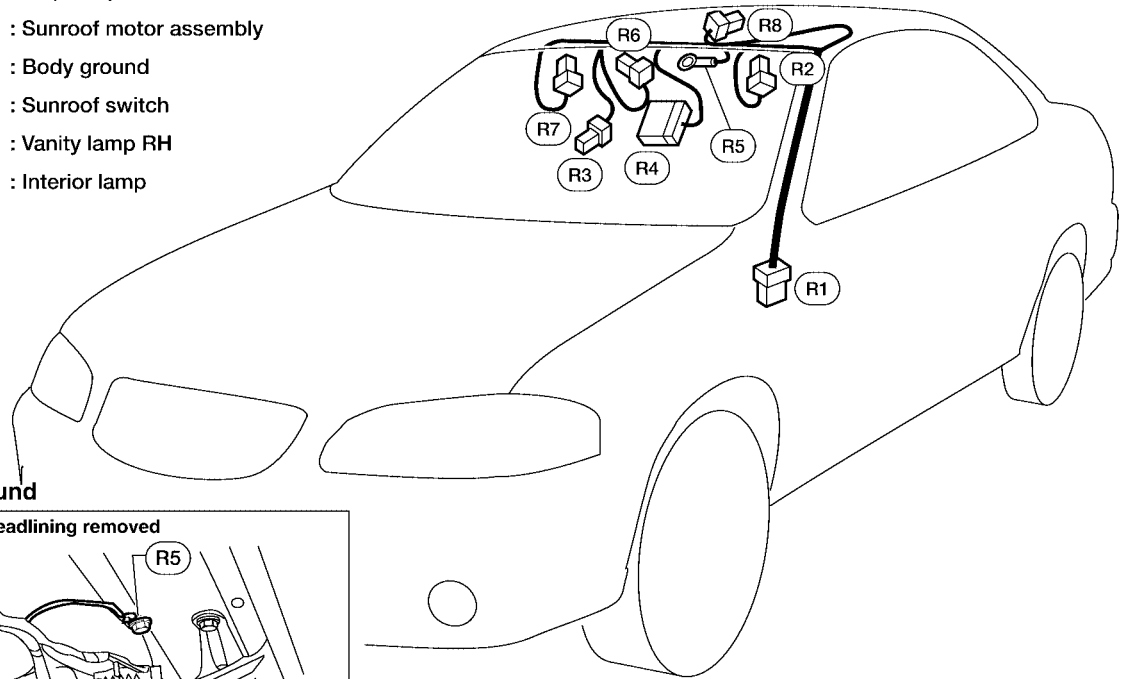
(R4) B/12 : Sunroof motor assembly

(R5) - : Body ground

(R6) W/4 : Sunroof switch

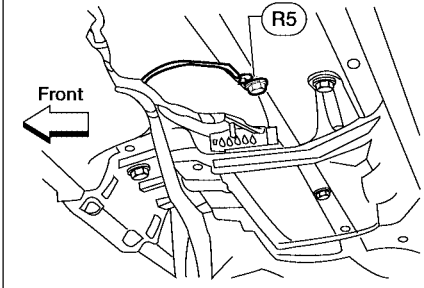
(R7) W/2 : Vanity lamp RH

(R8) W/2 : Interior lamp



Body ground

View with headlining removed



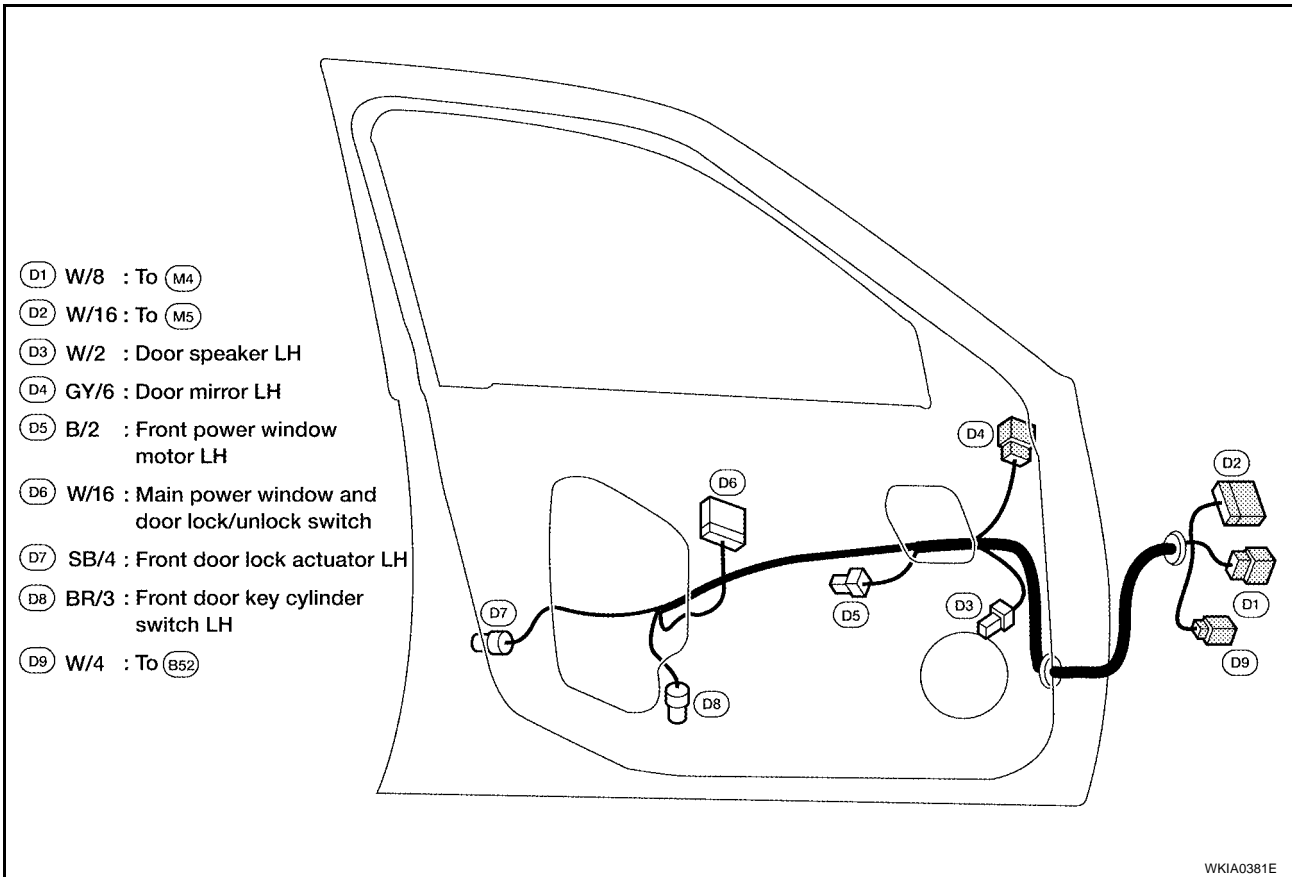
For detailed ground distribution information, refer to "Ground Distribution".

WKIA0380E

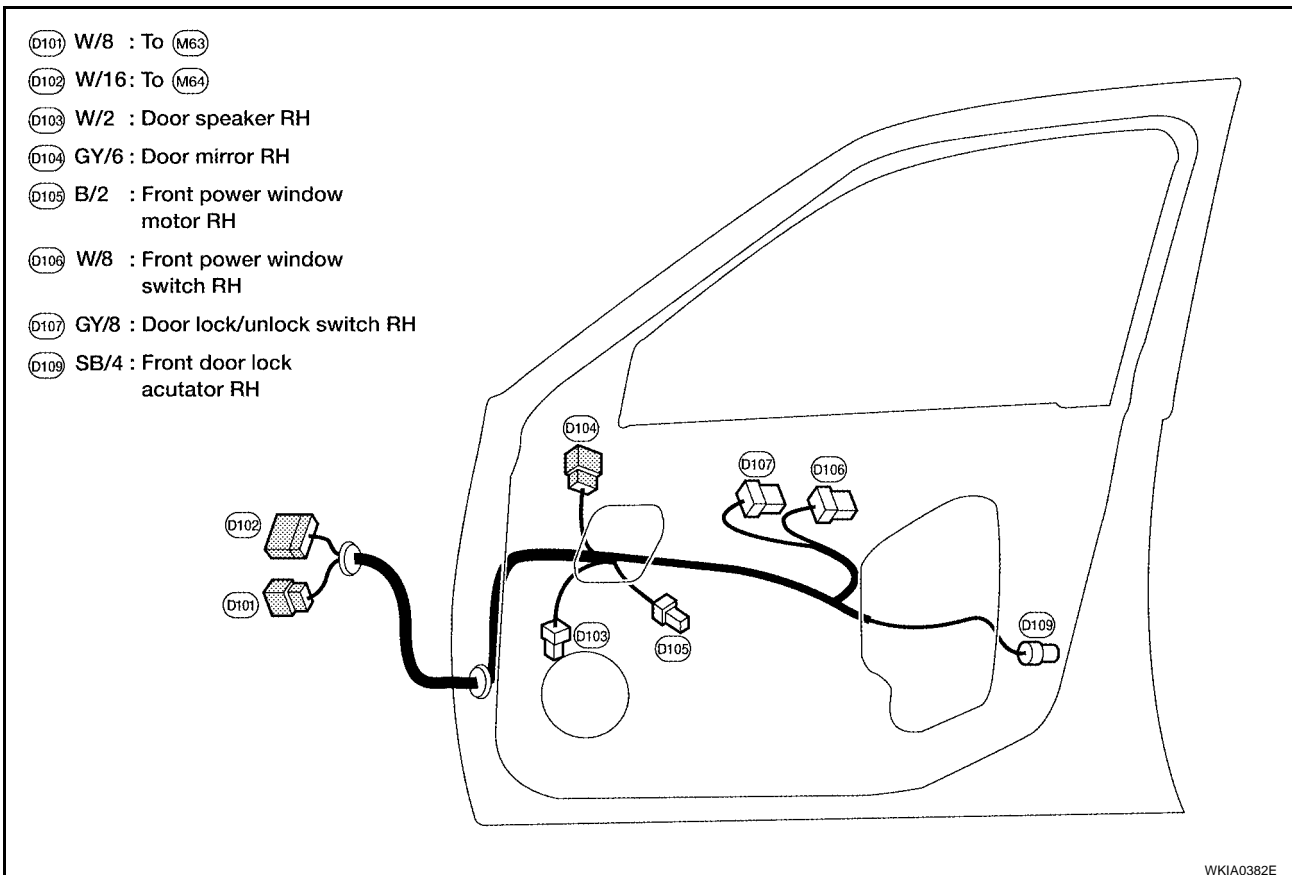
HARNESS

FRONT DOOR HARNESS

LH SIDE



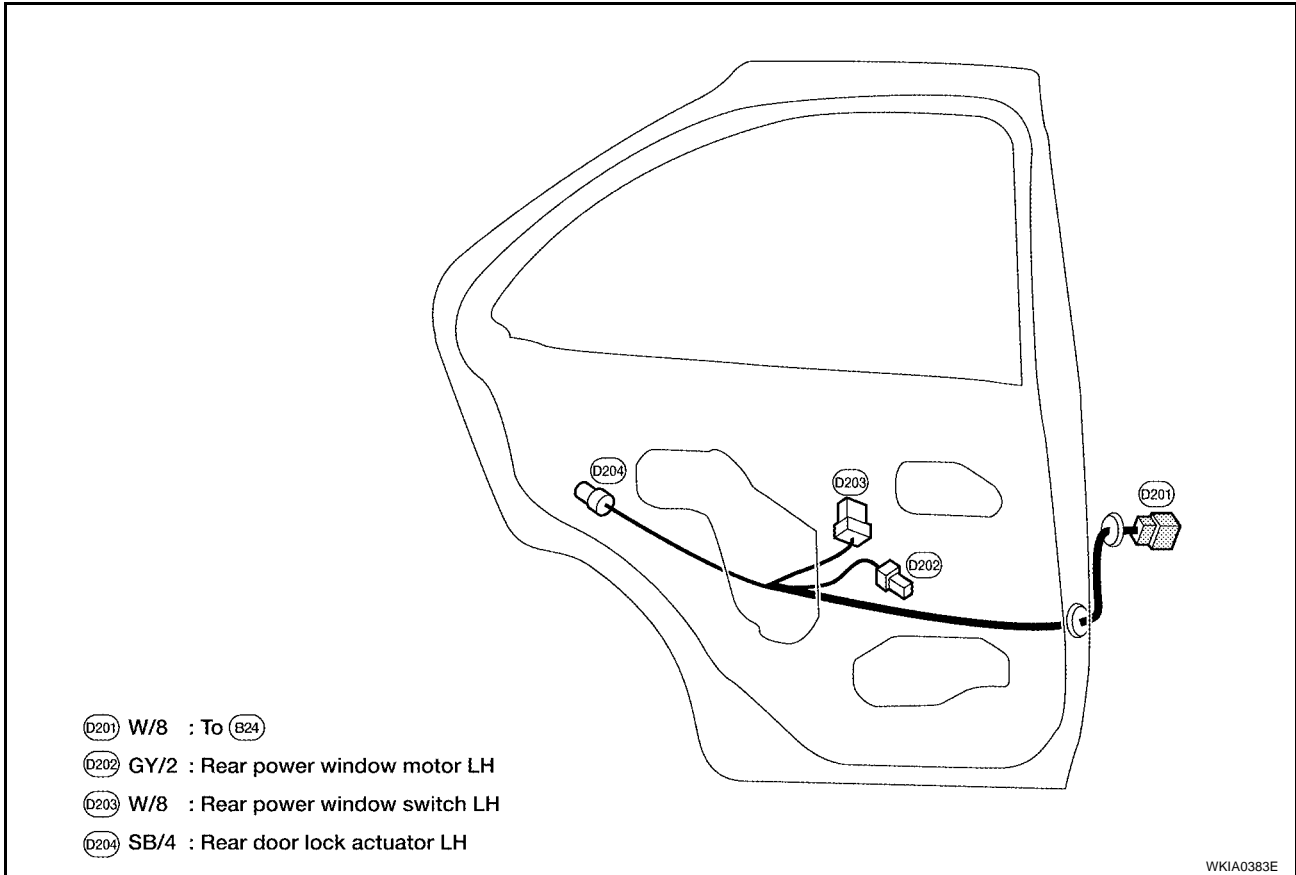
RH SIDE



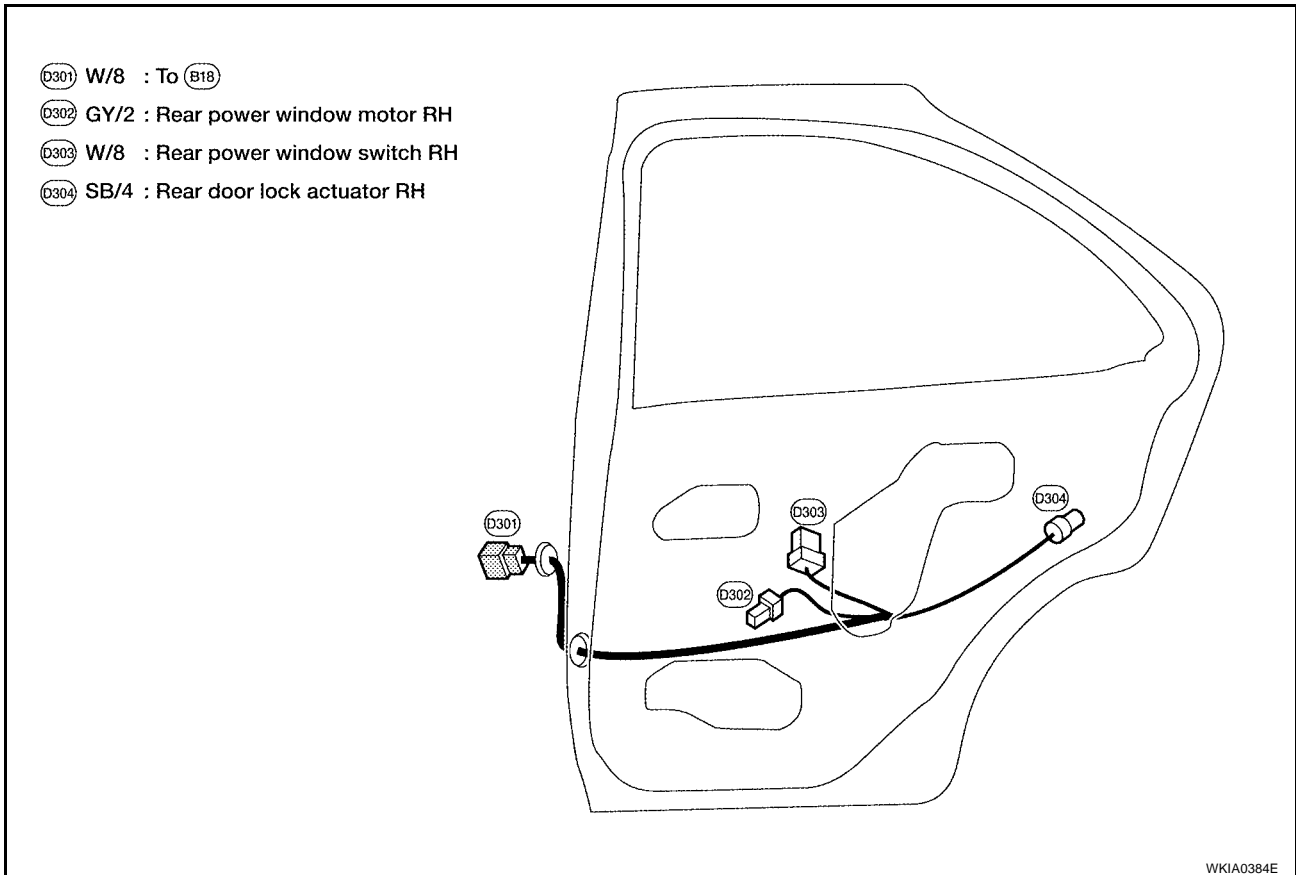
A
B
C
D
E
F
G
H
I
J
PG
L
M

HARNESS

REAR DOOR HARNESS LH SIDE



RH SIDE



HARNESSES

Wiring Diagram Codes (Cell Codes)

EKS003B3

Use the chart below to find out what each wiring diagram code stands for.

Refer to the wiring diagram code in the alphabetical index to find the location (page number) of each wiring diagram.

Code	Section	Wiring Diagram Name
1STSIG	AT	A/T 1ST Signal
2NDSIG	AT	A/T 2ND Signal
3RDSIG	AT	A/T 3RD Signal
4THSIG	AT	A/T 4TH Signal
ABS	BRC	Anti-lock Brake System
A/C,M	MTC	Air Conditioner
A/F	EC	Air Fuel Ratio (A/F) Sensor 1 [QG18DE (SULEV)]
A/FH	EC	Air Fuel Ratio (A/F) Sensor 1 Heater [QG18DE (SULEV)]
APPS1	EC	Accelerator Pedal Position Sensor
APPS2	EC	Accelerator Pedal Position Sensor
APPS3	EC	Accelerator Pedal Position Sensor
ASC/BS	EC	ASCD Brake Switch
ASCBOF	EC	ASCD Brake Switch
ASCIND	EC	ASCD Indicator
ASC/SW	EC	ASCD Steering Switch
AUDIO	AV	Audio
BACK/L	LT	Back-up Lamp
BA/FTS	AT	A/T Fluid Temperature Sensor and TCM Power Supply
BRK/SW	EC	Brake Switch
BYPS/V	EC	Vacuum Cut Valve Bypass Valve (QR25DE Models)
CAN	AT	CAN Communication Line
CAN	EC	CAN Communication Line
CAN	LAN	CAN Communication Line
CHARGE	SC	Charging System
CHIME	DI	Warning Chime
CIGAR	WW	Cigarette Lighter
COOL/F	EC	Cooling Fan Control
DEF	GW	Rear Window Defogger
DLC	EC	Data Link Connector
D/LOCK	BL	Power Door Lock
DTRL	LT	Headlamp - With Daytime Light System (For Canada)
ECM/PW	EC	ECM Power Supply
ECTS	EC	Engine Coolant Temperature Sensor
ENGSS	AT	Engine Speed Signal
ETC1	EC	Electric Throttle Control Function
ETC2	EC	Throttle Control Motor Relay
ETC3	EC	Throttle Control Motor
F/FOG	LT	Front Fog Lamp
FLS1	EC	Fuel Level Sensor Circuit (Slosh)
FLS2	EC	Fuel Level Sensor Circuit
FLS3	EC	Fuel Level Sensor Circuit (Ground Signal)

HARNESS

Code	Section	Wiring Diagram Name
F/PUMP	EC	Fuel Pump Control
FTS	AT	A/T Fluid Temperature Sensor
FTTS	EC	Fuel Tank Temperature Sensor
FUEL	EC	Fuel Injection System Function
HEATER	MTC	Heater System
H/LAMP	LT	Headlamp
H/MIRR	GW	Heated Mirror
HO2S1	EC	Heated Oxygen Sensor 1
HO2S1H	EC	Heated Oxygen Sensor 1 Heater
HO2S2	EC	Heated Oxygen Sensor 2
HO2S2H	EC	Heated Oxygen Sensor 2 Heater
HORN	WW	Horn
IATS	EC	Intake Air Temperature Sensor
IGNSYS	EC	Ignition Signal
ILL	LT	Illumination
INJECT	EC	Injector
INT/L	LT	Interior, Step, Spot, Vanity Mirror and Trunk Room Lamps
IVC	EC	Intake Valve Timing Control Solenoid Valve
IVCS	EC	Intake Valve Timing Control Position Sensor
KEYLES	BL	Remote Keyless Entry System
KS	EC	Knock Sensor
LOAD	EC	Load Signal
LPSV	AT	Line Pressure Solenoid Valve
MAFS	EC	Mass Air Flow Sensor
MAIN	AT	Main Power Supply and Ground Circuit
MAIN	EC	Main Power Supply and Ground Circuit
METER	DI	Speedometer, Tachometer, Temp., Oil, and Fuel Gauges
MIL	EC	Malfunction Indicator Lamp
MIRROR	GW	Power Door Mirror
NATS	BL	NVIS (Nissan Vehicle Immobilizer System — NATS)
NONDTC	AT	Non-detectable Items
OVRCSV	AT	Overrun Clutch Solenoid Valve
PGC/V	EC	EVAP Canister Purge Volume Control Solenoid Valve
PHASE	EC	Camshaft Position Sensor (PHASE)
PNP/SW	AT	Park/Neutral Position Switch
PNP/SW	EC	Park/Neutral Position Switch
POS	EC	Crankshaft Position Sensor (POS)
POWER	PG	Power Supply Routing
PRE/SE	EC	EVAP Control System Pressure Sensor
PS/SEN	EC	Power Steering Pressure Sensor (QG18DE Model)
PST/SW	EC	Power Steering Oil Pressure Switch (QR25DE Model)
ROOM/L	LT	Room Lamp
RP/SEN	EC	Refrigerant Pressure Sensor
SEN/PW	EC	Sensor Power Supply

HARNESSES

Code	Section	Wiring Diagram Name	
SHIFT	AT	A/T Shift Lock System	A
SROOF	RF	Sunroof	
SRS	SRS	Supplemental Restraint System	B
S/SIG	EC	Start Signal (QR25DE Model)	
SSV/A	AT	Shift Solenoid Valve A	
SSV/B	AT	Shift Solenoid Valve B	C
START	SC	Starting System	
STOP/L	LT	Stop Lamp	
SWL/S	EC	Swirl Control Valve Position Sensor [QG18DE (SULEV)]	D
SWL/V	EC	Swirl Control Valve [QG18DE (SULEV)]	
TAIL/L	LT	Parking, License and Tail Lamps	E
TCCSIG	AT	A/T TCC Signal (Lock Up)	
TCV	AT	Torque Converter Clutch Solenoid Valve	F
TLID	BL	Trunk Lid Opener	
TPS	AT	Throttle Position Sensor	
TPS1	EC	Throttle Position Sensor	G
TPS2	EC	Throttle Position Sensor	
TPS3	EC	Throttle Position Sensor	
TRSA/T	AT	Turbine Revolution Sensor (QR25DE Model)	H
TURN	LT	Turn Signal and Hazard Warning Lamps	
VIAS	EC	Variable Air Induction Control System (QR25DE Model)	I
VEHSEC	BL	Vehicle Security System	
VENT/V	EC	EVAP Canister Vent Control Valve	J
VIAS	EC	Variable Air Induction Control System	
VSS	EC	Vehicle Speed Sensor	
VSSA/T	AT	Vehicle Speed Sensor A/T (Revolution Sensor)	PG
VSSMTR	AT	Vehicle Speed Sensor MTR	
WARN	DI	Warning Lamps	
WINDOW	GW	Power Window	L
WIPER	WW	Front Wiper and Washer	

A
B
C
D
E
F
G
H
I
J
L
M

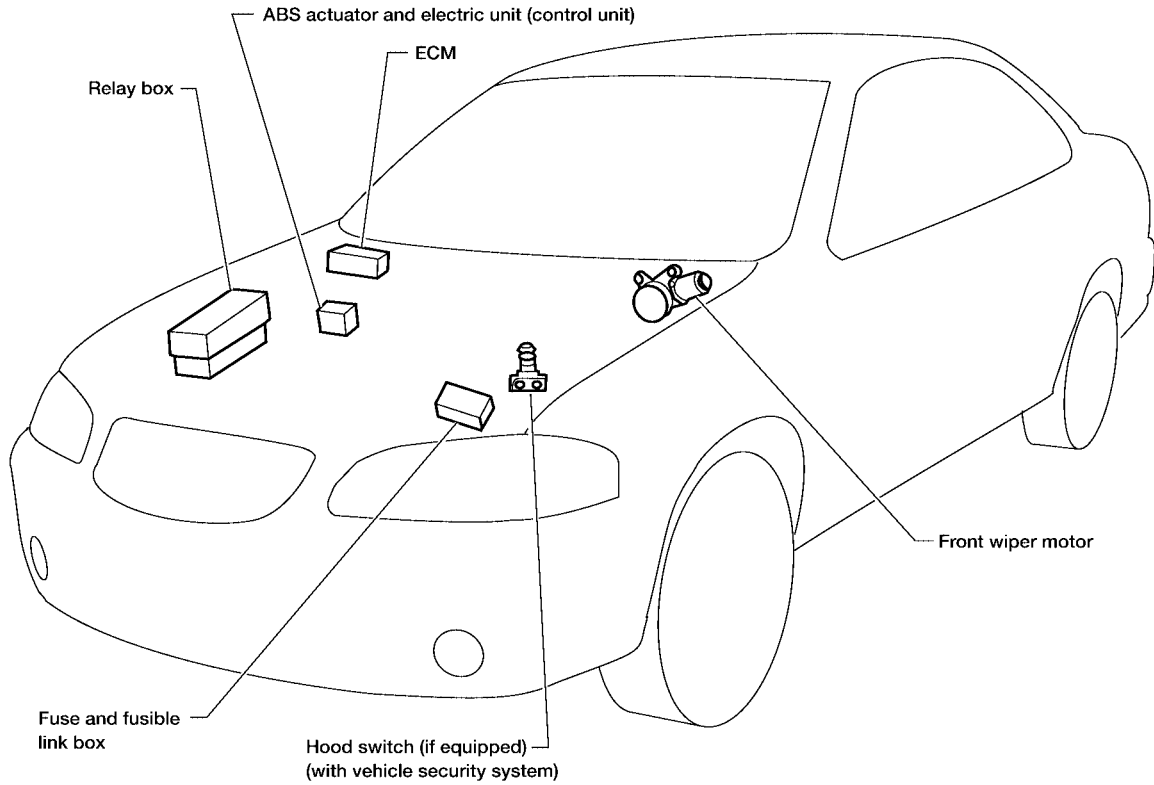
ELECTRICAL UNITS LOCATION

PF25230

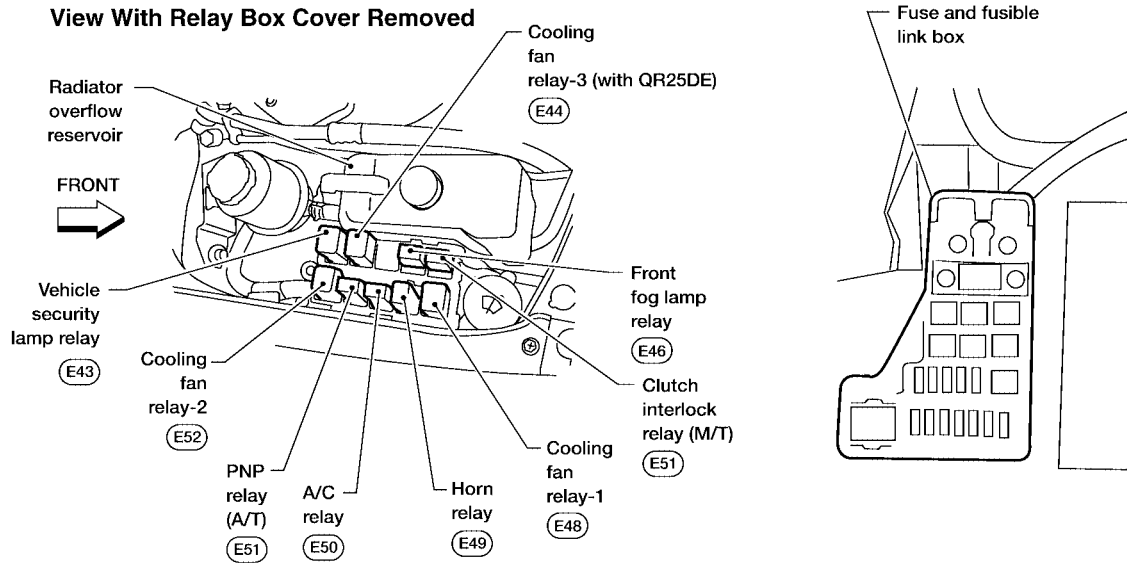
EKS003B4

ELECTRICAL UNITS LOCATION

Electrical Units Location ENGINE COMPARTMENT



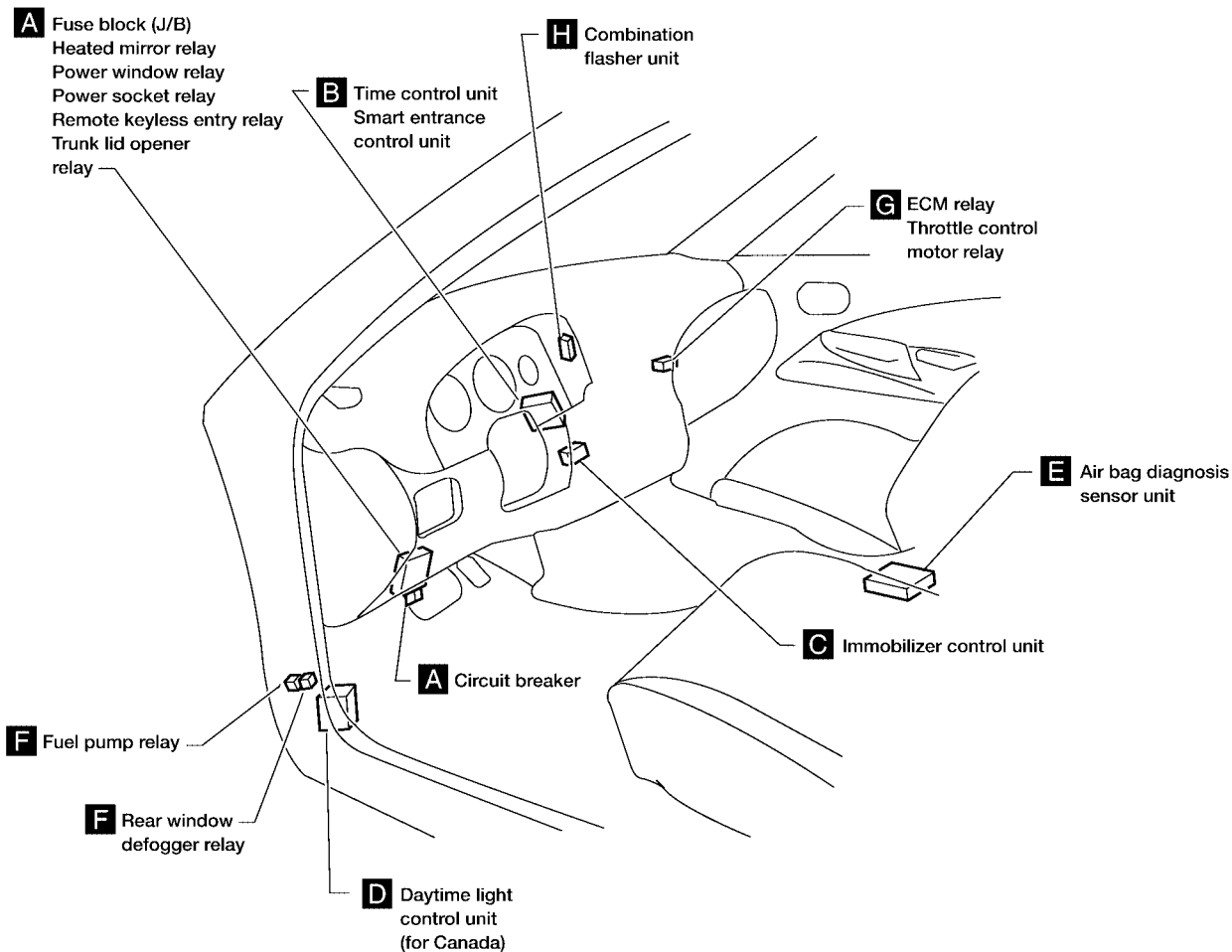
View With Relay Box Cover Removed



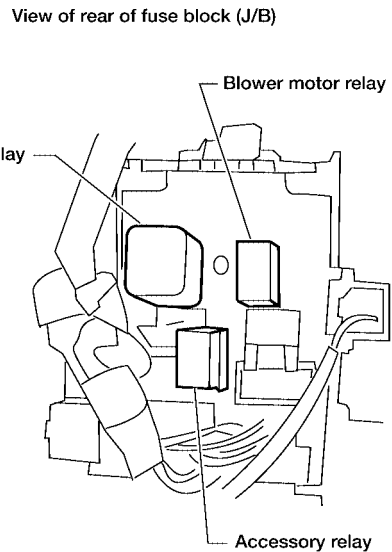
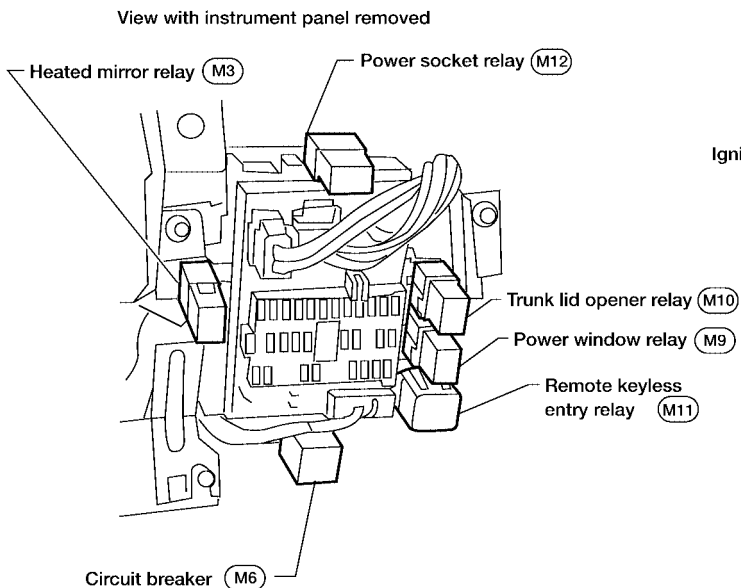
WKIA1003E

ELECTRICAL UNITS LOCATION

PASSENGER COMPARTMENT



A Instrument panel LH side

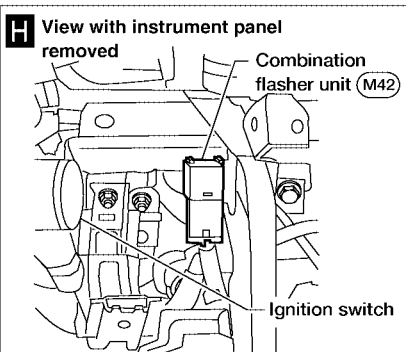
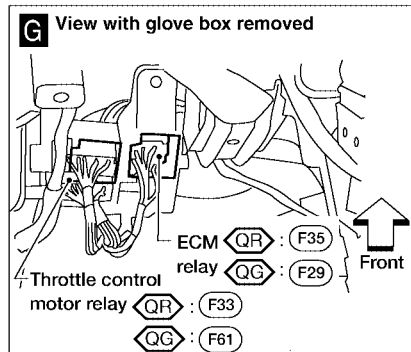
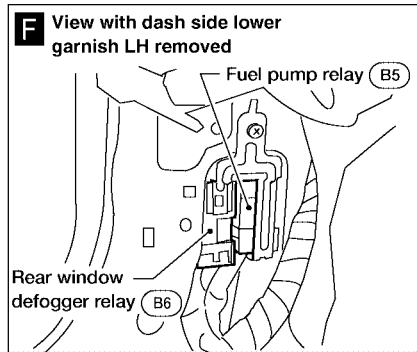
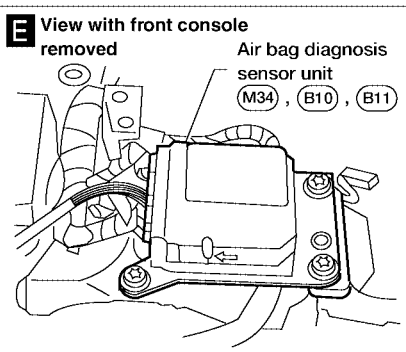
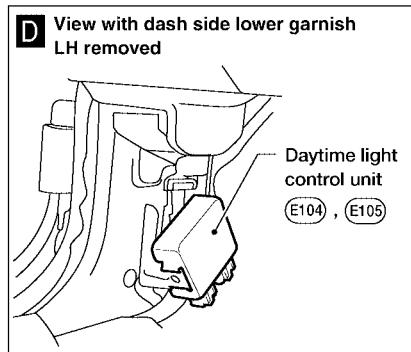
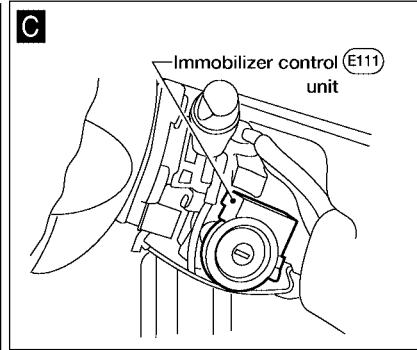
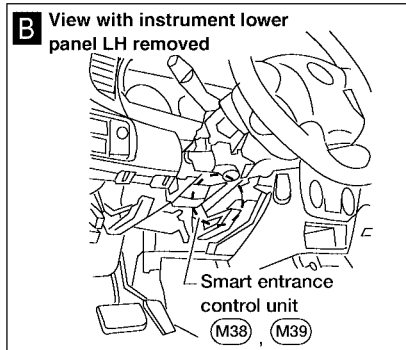
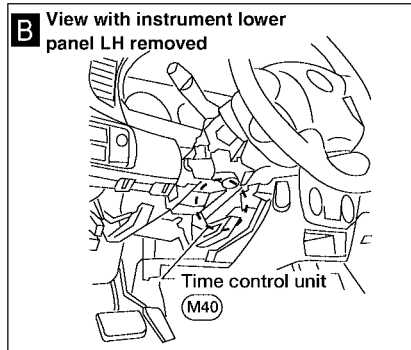


WKIA0249E

A
B
C
D
E
F
G
H
I
J
PG

L
M

ELECTRICAL UNITS LOCATION



QR : WITH QR25DE
QG : WITH QG18DE

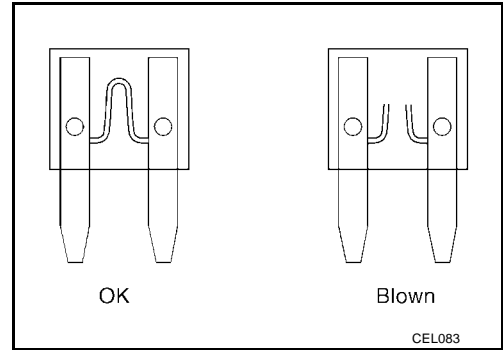
WKIA0981E

ELECTRICAL UNITS LOCATION

Fuse

EKS003B5

- If fuse is blown, be sure to eliminate cause of incident before installing new fuse.
- Use fuse of specified rating. Never use fuse of more than specified rating.
- Do not partially install fuse; always insert it into fuse holder properly.
- Remove fuse for "ELECTRICAL PARTS (BAT)" if vehicle is not used for a long period of time.



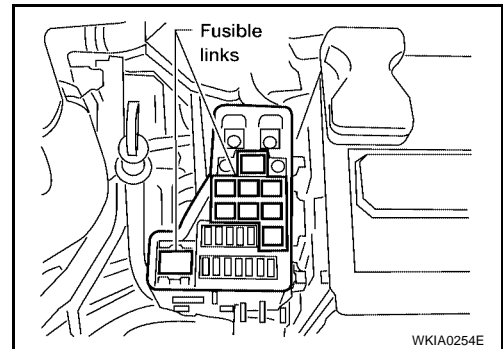
Fusible Link

EKS003B6

A melted fusible link can be detected either by visual inspection or by feeling with finger tip. If its condition is questionable, use circuit tester or test lamp.

CAUTION:

- If fusible link should melt, it is possible that critical circuit (power supply or large current carrying circuit) is shorted. In such a case, carefully check and eliminate cause of incident.
- Never wrap outside of fusible link with vinyl tape. Important: Never let fusible link touch any other wiring harness, vinyl or rubber parts.



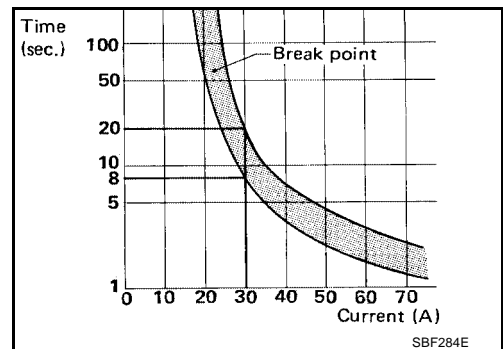
Circuit Breaker

EKS003B7

For example, when current is 30A, the circuit is broken within 8 to 20 seconds.

A circuit breaker is used for the following systems:

- Power door locks
- Power sunroof
- Power windows
- Remote keyless entry system



A
B
C
D
E
F
G
H
I
J
PG
L
M

HARNESS CONNECTOR

PFP:24010

EKS003B8

HARNESS CONNECTOR

Description

HARNESS CONNECTOR (TAB-LOCKING TYPE)

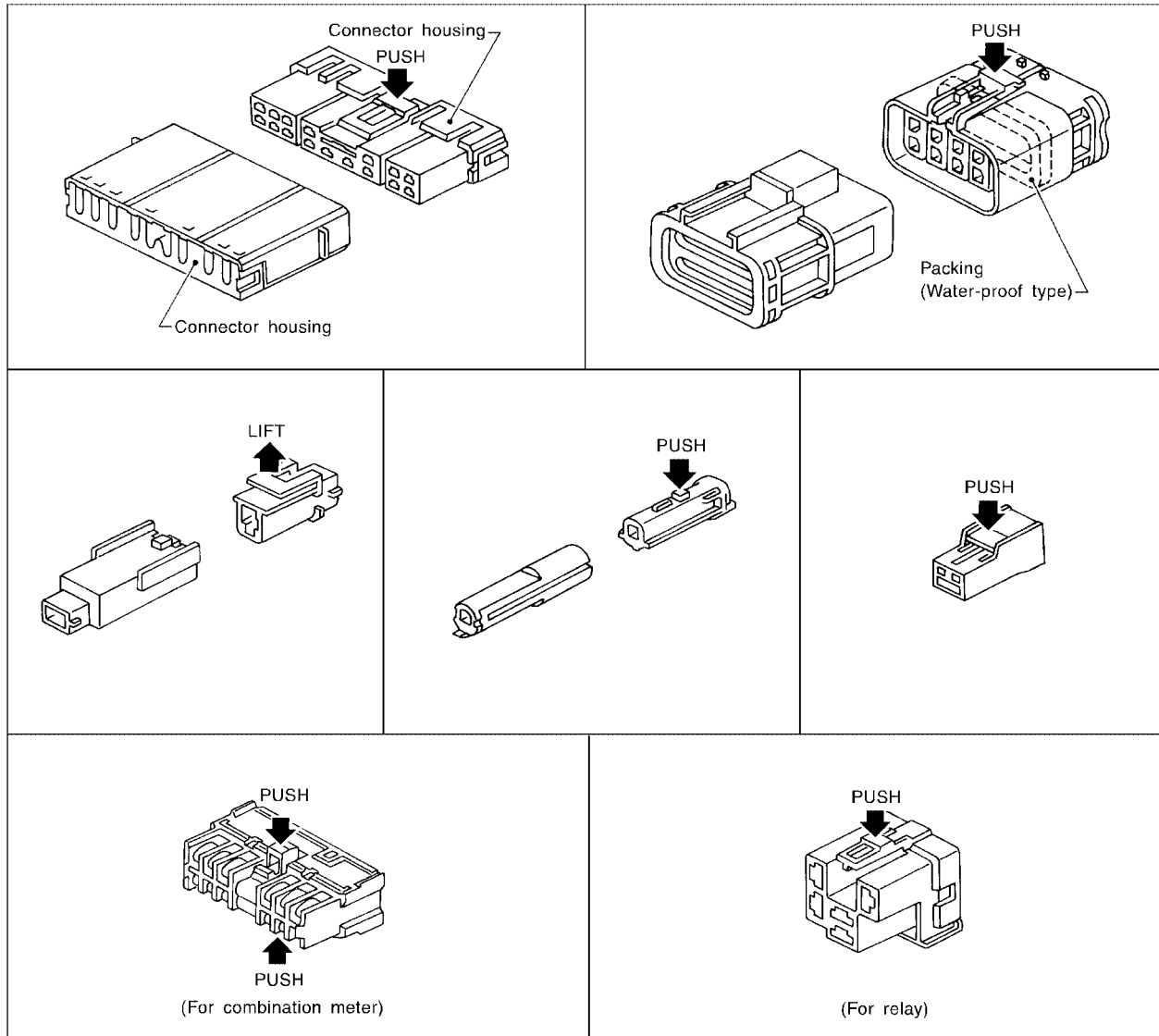
- The tab-locking type connectors help prevent accidental looseness or disconnection.
- The tab-locking type connectors are disconnected by pushing or lifting the locking tab(s). Refer to the illustration below.

Refer to the next page for description of the slide-locking type connector.

CAUTION:

Do not pull the harness or wires when disconnecting the connector.

[Example]



SEL769DA

HARNESS CONNECTOR

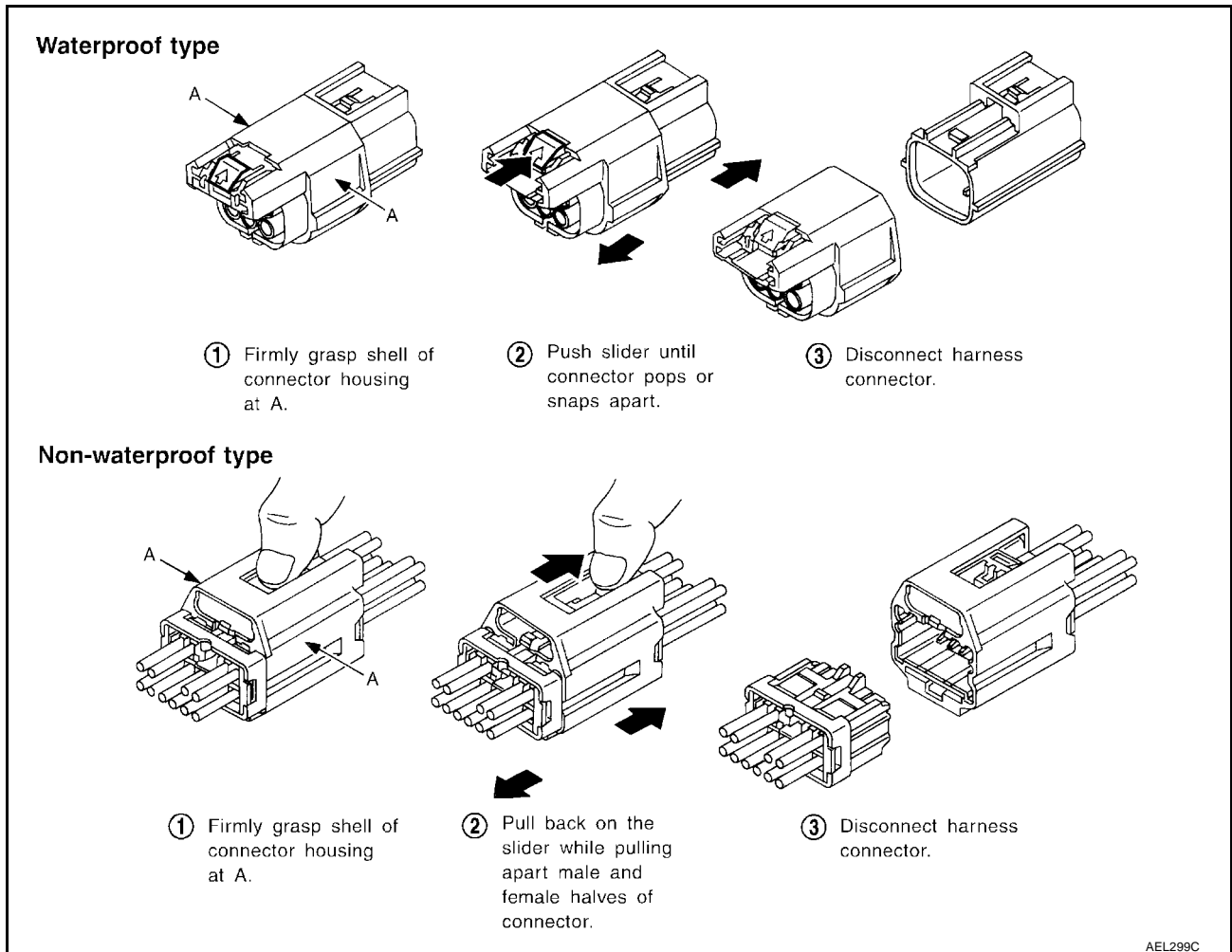
HARNESS CONNECTOR (SLIDE-LOCKING TYPE)

- A new style slide-locking type connector is used on certain systems and components, especially those related to OBD.
- The slide-locking type connectors help prevent incomplete locking and accidental looseness or disconnection.
- The slide-locking type connectors are disconnected by pushing or pulling the slider. Refer to the illustration below.

CAUTION:

- Do not pull the harness or wires when disconnecting the connector.
- Be careful not to damage the connector support bracket when disconnecting the connector.

[Example]



A
B
C
D
E
F
G
H
I
J
L
M

PG

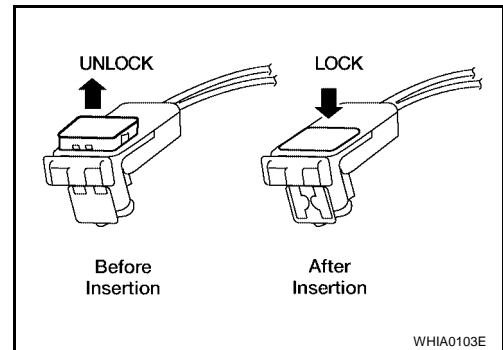
HARNESS CONNECTOR

HARNESS CONNECTOR (DIRECT-CONNECT SRS COMPONENT TYPE)

- SRS direct-connect type harness connectors are used on certain SRS components such as air bag modules and seat belt pre-tensioners.
- Always pull up to release black locking tab prior to removing connector from SRS component.
- Always push down to lock black locking tab after installing connector to SRS component. When locked, the black locking tab is level with the connector housing.

CAUTION:

- **Do not pull the harness or wires when removing connectors from SRS components.**



JOINT CONNECTOR

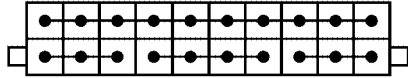
JOINT CONNECTOR

PFP:B4341

Terminal Arrangement QG18DE

EKS003B9

Joint connector-1 (F24)



(Brown)

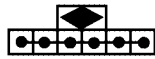
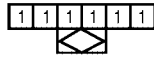
WKIA0251E

A
B
C
D
E
F
G
H
I
J
PG
L
M

JOINT CONNECTOR

QR25DE

JOINT CONNECTOR - 1 (F1)



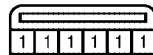
(GRAY)

JOINT CONNECTOR - 2 (F2)



(BLUE)

JOINT CONNECTOR - 3 (F3)



(GRAY)

WKIA0029E

ELECTRICAL UNITS

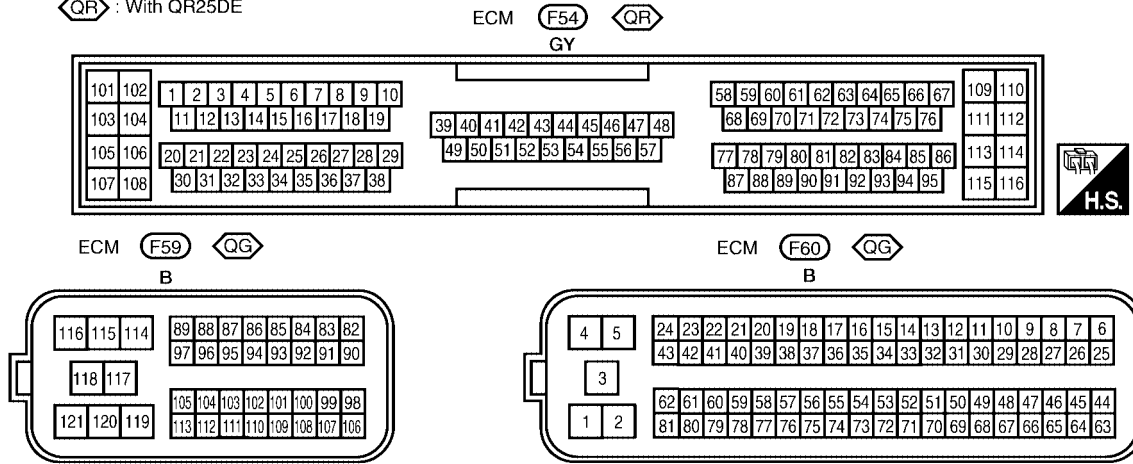
ELECTRICAL UNITS Terminal Arrangement

PF23710

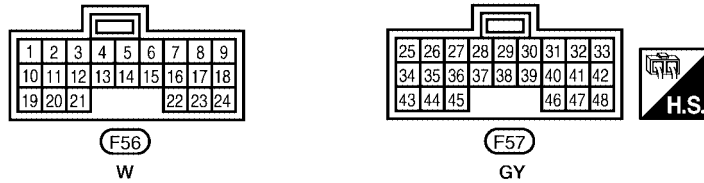
EKS003BA

QG : With QG18DE

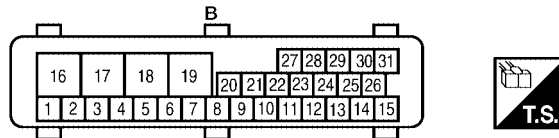
QR : With QR25DE



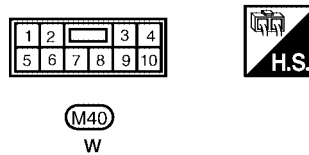
TCM (TRANSMISSION CONTROL MODULE)



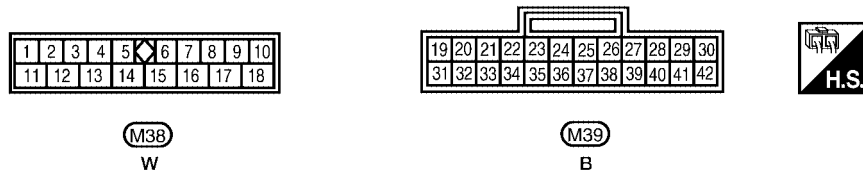
ABS ACTUATOR AND ELECTRIC UNIT
(CONTROL UNIT) (E55)



TIME CONTROL UNIT : (OD)



SMART ENTRANCE CONTROL UNIT : (DL)



(OD) : WITHOUT POWER DOOR LOCKS

(DL) : WITH POWER DOOR LOCKS

WKIA1004E

STANDARDIZED RELAY

PFP:25230

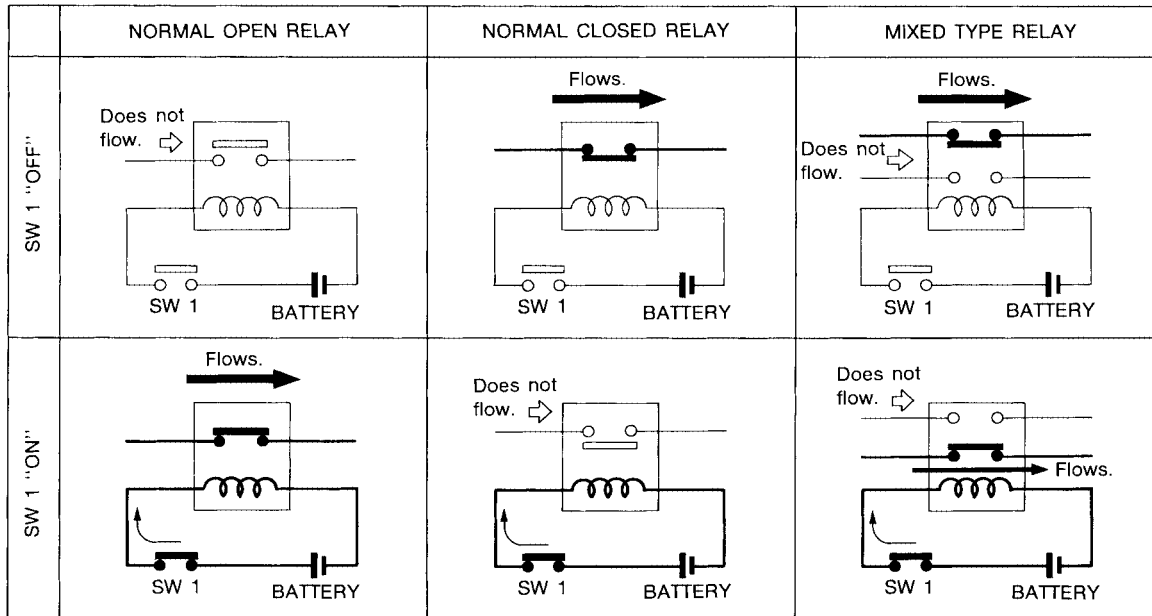
EKS003BB

STANDARDIZED RELAY

Description

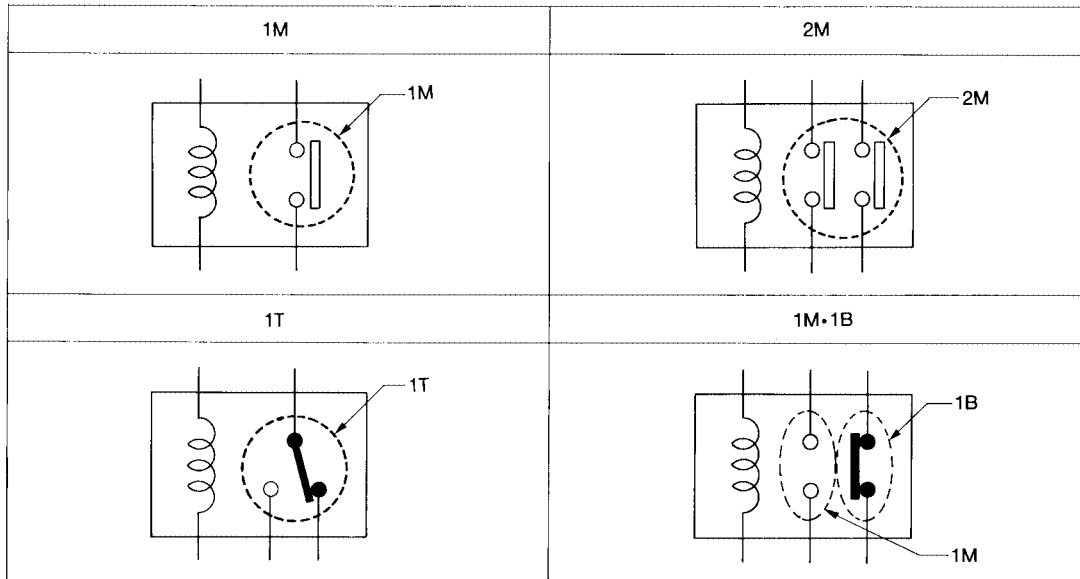
NORMAL OPEN, NORMAL CLOSED AND MIXED TYPE RELAYS

Relays can mainly be divided into three types: normal open, normal closed and mixed type relays.



SEL881H

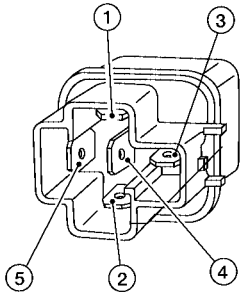
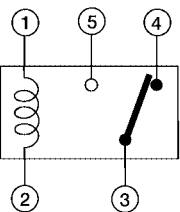
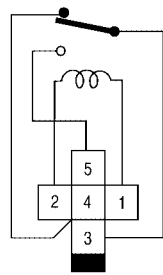
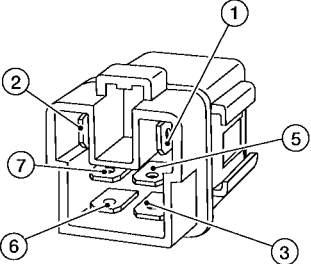
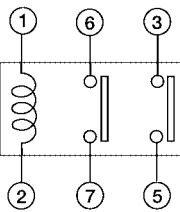
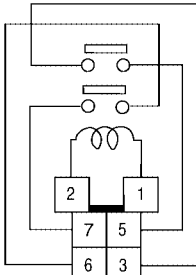
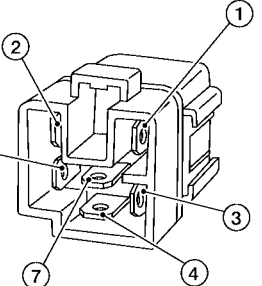
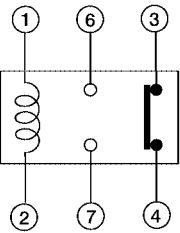
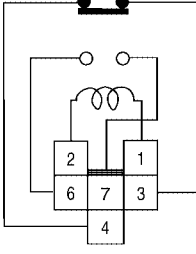
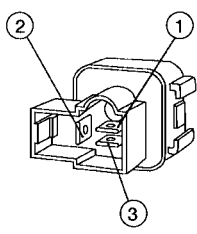
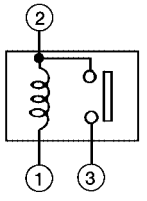
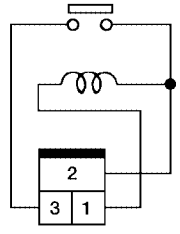
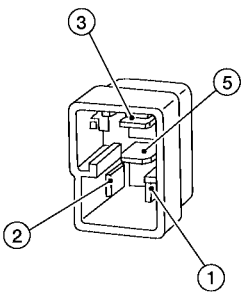
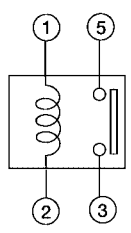
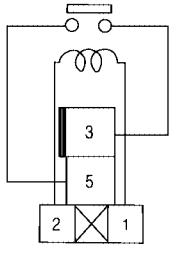
TYPE OF STANDARDIZED RELAYS



SEL882H

1M	1 Make	2M	2 Make
1T	1 Transfer	1M-1B	1 Make 1 Break

STANDARDIZED RELAY

Type	Outer view	Circuit	Connector Symbol and connection	Case color
1T				BLACK
2M				BROWN
1M-1B				GRAY
1M				BLACK
				BLUE

The arrangement of terminal numbers on the actual relays may differ from those shown above.

WKIA0253E

A
B
C
D
E
F
G
H
I
J
PG
L
M

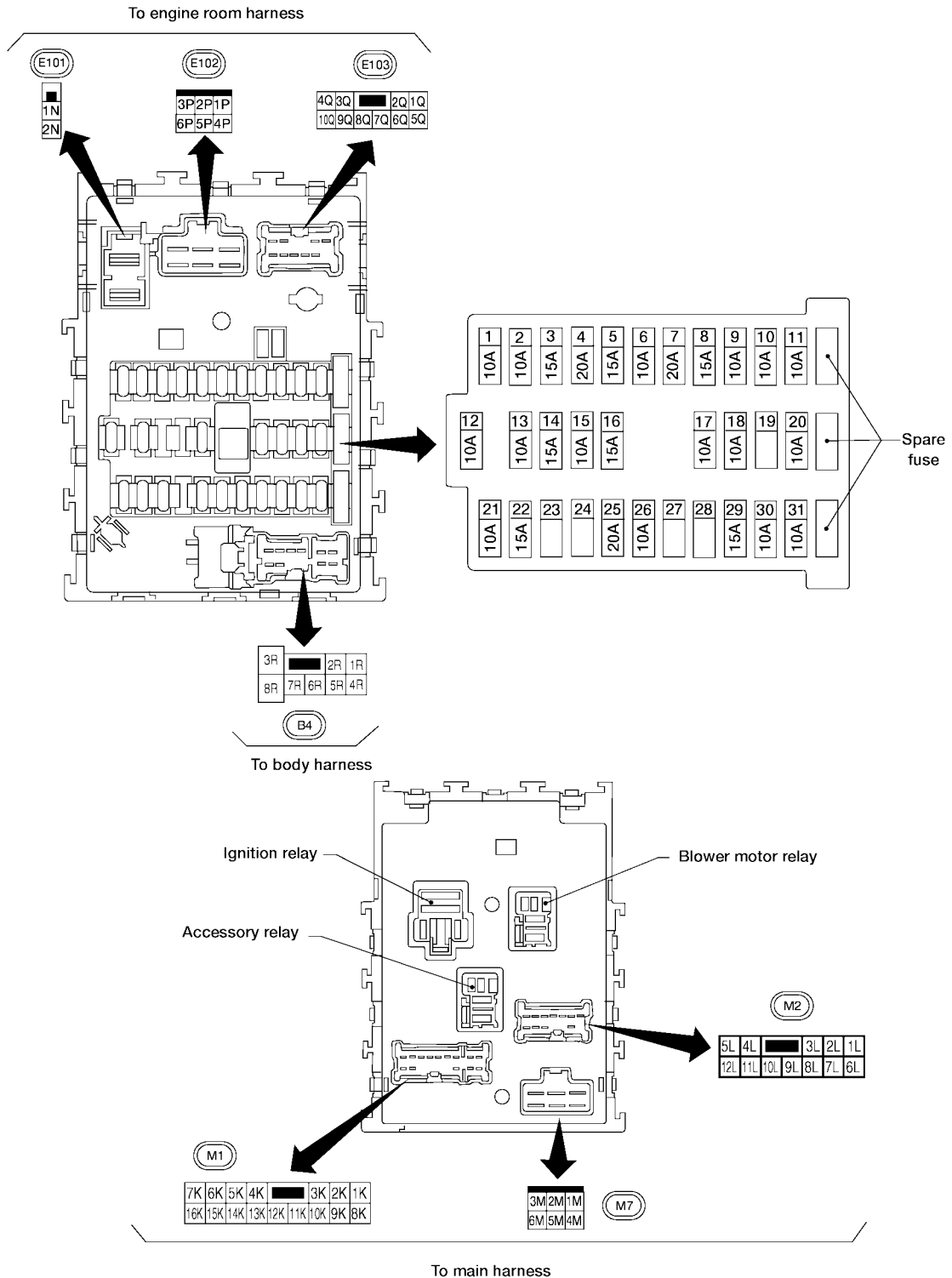
FUSE BLOCK — JUNCTION BOX (J/B)

FUSE BLOCK — JUNCTION BOX (J/B)

PF24350

Terminal Arrangement

EKS003BC



WEL473



FUSE AND FUSIBLE LINK BOX

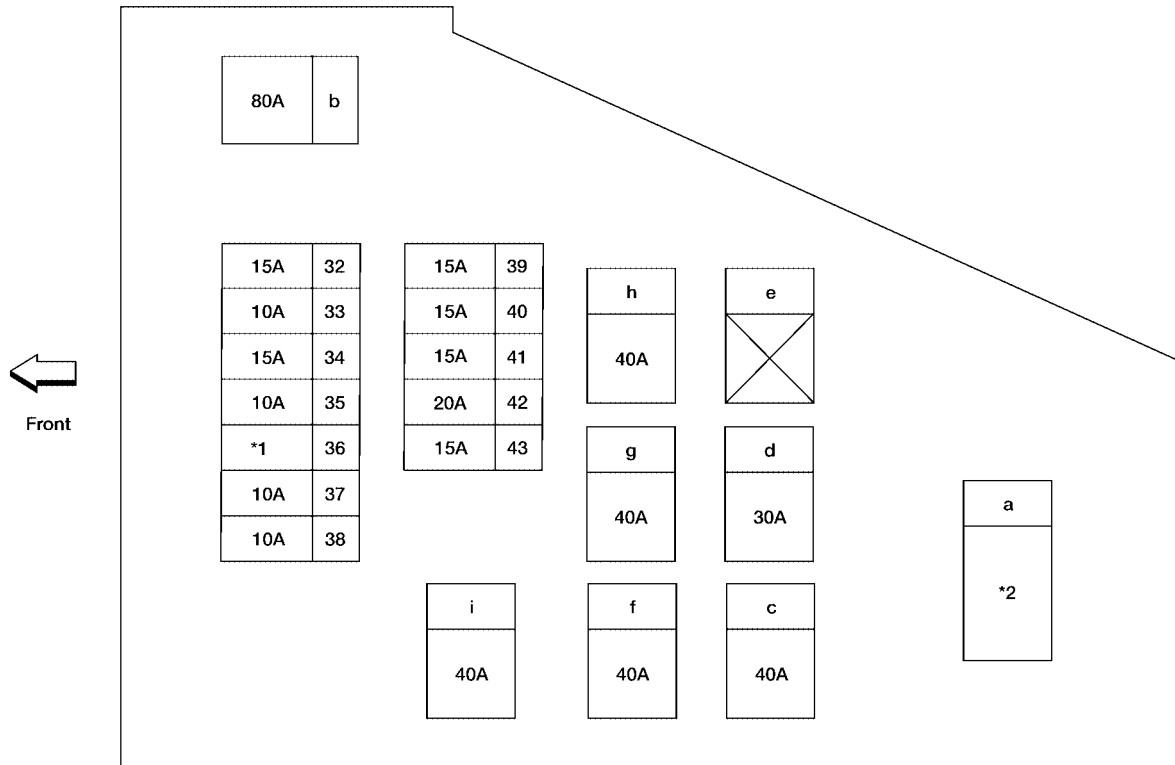
PF:24381

EKS003BD

FUSE AND FUSIBLE LINK BOX

Terminal Arrangement



 : With QG18DE
 : With QR25DE



No. 32 - 43 : FUSE

a - i : FUSIBLE LINK

*1  : 10A
 : 15A

*2  : 100A
 : 120A

WKIA0030E

FUSE AND FUSIBLE LINK BOX
