

A

ACC

# SECTION ACC

## ACCELERATOR CONTROL SYSTEM

C

### CONTENTS

D

E

<p><b>PRECAUTIONS</b> ..... 2</p> <p>Precautions for Supplemental Restraint System (SRS) "AIR BAG" and "SEAT BELT PRE-TENSIONER" ..... 2</p> <p><b>ACCELERATOR CONTROL SYSTEM</b> ..... 3</p> <p>Components ..... 3</p>	<p>Removal and Installation ..... 3</p> <p>REMOVAL ..... 3</p> <p>INSTALLATION ..... 3</p> <p><b>SERVICE DATA AND SPECIFICATIONS</b> ..... 4</p> <p>Accelerator Control ..... 4</p> <p>PEDAL TRAVEL ..... 4</p>	<p>F</p> <p>G</p> <p>H</p> <p>I</p> <p>J</p> <p>K</p> <p>L</p> <p>M</p>
---	---	---

# PRECAUTIONS

---

## PRECAUTIONS

PF0:00001

### Precautions for Supplemental Restraint System (SRS) “AIR BAG” and “SEAT BELT PRE-TENSIONER”

EBS00ZBN

The Supplemental Restraint System such as “AIR BAG” and “SEAT BELT PRE-TENSIONER”, used along with a front seat belt, helps to reduce the risk or severity of injury to the driver and front passenger for certain types of collision. Information necessary to service the system safely is included in the SRS and SB section of this Service Manual.

#### **WARNING:**

- To avoid rendering the SRS inoperative, which could increase the risk of personal injury or death in the event of a collision which would result in air bag inflation, all maintenance must be performed by an authorized NISSAN/INFINITI dealer.
- Improper maintenance, including incorrect removal and installation of the SRS, can lead to personal injury caused by unintentional activation of the system. For removal of Spiral Cable and Air Bag Module, see the SRS section.
- Do not use electrical test equipment on any circuit related to the SRS unless instructed to in this Service Manual. SRS wiring harnesses can be identified by yellow and/or orange harnesses or harness connectors.

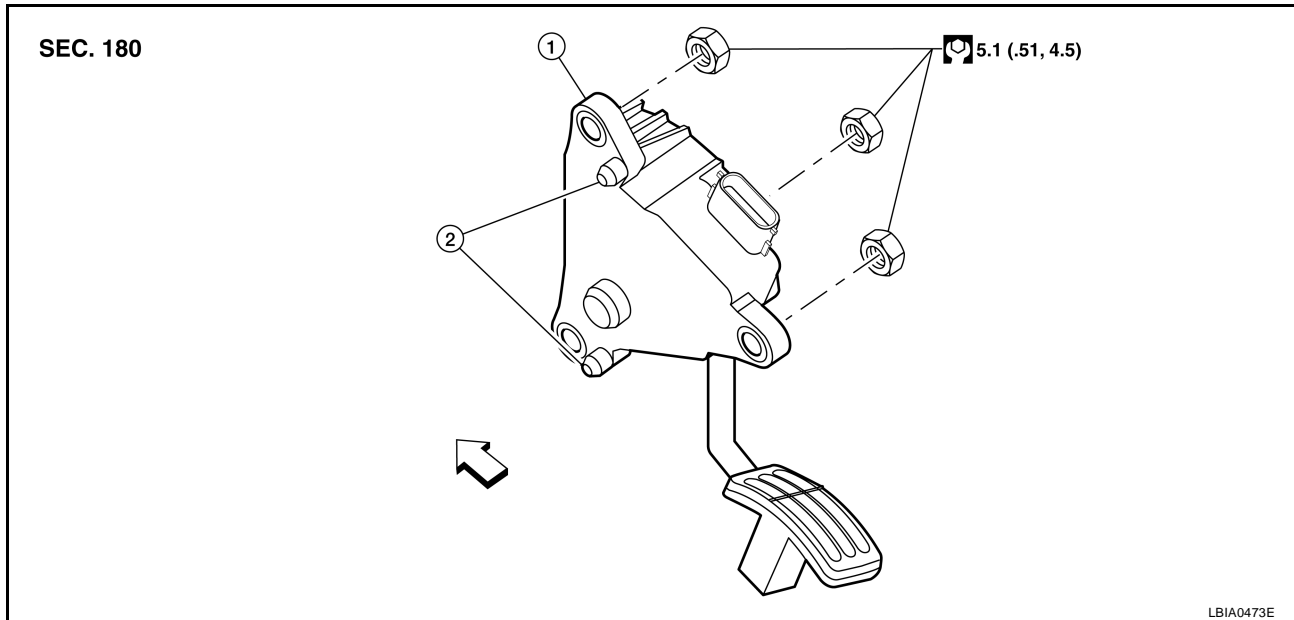
# ACCELERATOR CONTROL SYSTEM

## ACCELERATOR CONTROL SYSTEM

PFP:18005

### Components

EBS00YHA



1. Accelerator pedal assembly

2. Locating pins

← Vehicle front

### Removal and Installation

EBS00YHB

#### CAUTION:

- Do not disassemble accelerator pedal assembly. Do not remove accelerator pedal position sensor from accelerator pedal assembly.
- Avoid impact from dropping etc. during handling.
- Be careful to keep accelerator pedal assembly away from water.

#### REMOVAL

1. Disconnect the negative battery terminal.
2. Disconnect accelerator pedal position sensor harness connector.
3. Remove the accelerator pedal assembly nuts and remove accelerator pedal assembly.

#### INSTALLATION

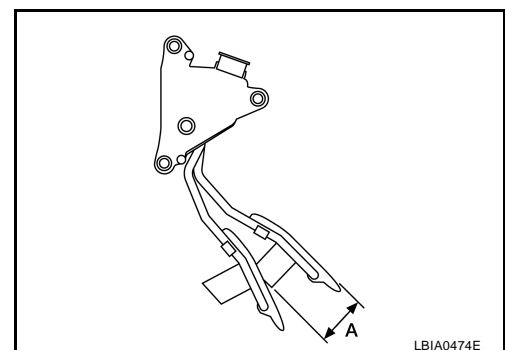
Installation is in the reverse order of removal.

- Check the accelerator pedal for smooth operation. There should be no binding or sticking when applying or releasing the accelerator pedal.
- Check that the accelerator pedal moves through the full specified distance of the specified pedal travel "A".

**Pedal Travel "A" : 50.5 mm (1.99 in)**

#### CAUTION:

When the accelerator pedal position sensor harness connector is disconnected, perform the "Accelerator Pedal Released Position Learning". Refer to [EC-77, "Accelerator Pedal Released Position Learning"](#).



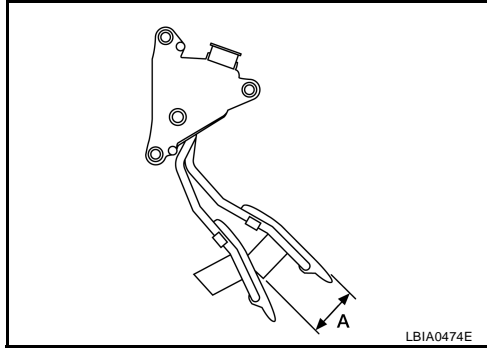
# ACCELERATOR CONTROL SYSTEM

## SERVICE DATA AND SPECIFICATIONS

EBS00YHC

### Accelerator Control PEDAL TRAVEL

EBS00YHD



Accelerator pedal - total travel "A"

50.5 mm (1.99 in)