

SECTION **EX**
EXHAUST SYSTEM

A
EX
C
D
E
F
G
H
I
J
K
L
M

CONTENTS

| MR20DE | QR25DE |
|---------------------------------------|---------------------------------------|
| EXHAUST SYSTEM 2 | EXHAUST SYSTEM 5 |
| Checking Exhaust System 2 | Checking Exhaust System 5 |
| Components 2 | Components 5 |
| Removal and Installation 2 | Removal and Installation 5 |
| REMOVAL 2 | REMOVAL 5 |
| INSTALLATION 3 | INSTALLATION 6 |
| INSPECTION AFTER INSTALLATION 3 | INSPECTION AFTER INSTALLATION 6 |

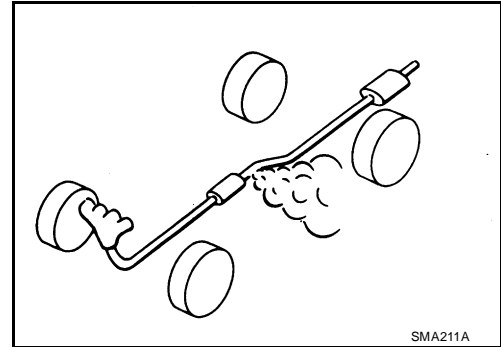
EXHAUST SYSTEM

Checking Exhaust System

EBS00ZAR

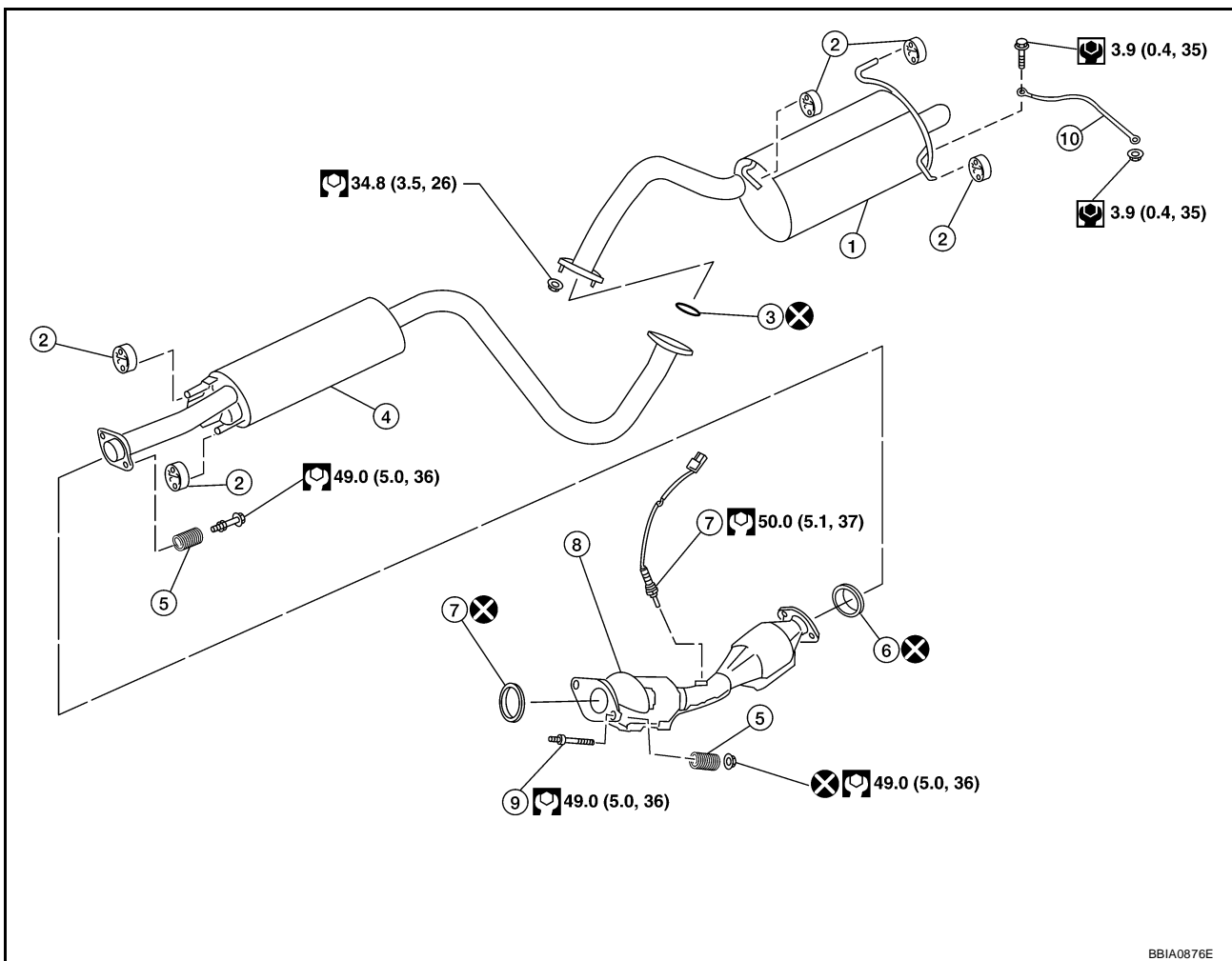
Check exhaust pipes, muffler and mounting for improper attachment, leaks, cracks, damage or deterioration.

- If necessary, repair or replace damaged parts.



Components

EBS00ZAS



- | | | |
|---------------------------|-----------------------|-----------------|
| 1. Main muffler | 2. Mounting rubber | 3. Ring gasket |
| 4. Center muffler | 5. Spring | 6. Seal bearing |
| 7. Heated oxygen sensor 2 | 8. Exhaust front tube | 9. Stud bolt |
| 10. Ground cable | | |

Removal and Installation

REMOVAL

EBS00ZAT

CAUTION:

- Be sure to use genuine NISSAN exhaust system parts or equivalents which are specially designed for heat resistance, corrosion resistance and shape.

- Perform the operation with the exhaust system fully cooled down because the system will be hot just after the engine stops.
 - Be careful not to cut your hand on heat insulator edge.
1. Disconnect harness connector of heated oxygen sensor 2.
 - Using Tool, remove heated oxygen sensor 2.

CAUTION:

Be careful not to damage heated oxygen sensor 2.

Tool number : KV10114400 (J-38365)

2. Disconnect each joint and mounting rubber.

INSTALLATION

Installation is in the reverse order of removal.

CAUTION:

- Always replace exhaust gaskets and seal bearings with new ones when installing.
- Discard any heated oxygen sensor 2 which has been dropped from a height of more than 0.5 m (19.7 in) onto a hard surface such as a concrete floor; use a new one.
- Before installing a new heated oxygen sensor 2, clean exhaust system threads using the heated oxygen sensor thread cleaner and apply anti-seize lubricant (commercial service tool).
- Do not over tighten heated oxygen sensor 2. Doing so may cause damage to the heated oxygen sensor 2, resulting in the “MIL” coming on.
- Remove deposits from the sealing surface of each connection. Connect them securely to avoid exhaust leakage.
- Temporarily tighten nuts on the exhaust manifold side and bolts on the vehicle side. Check each part for unusual interference, and then tighten them to the specified torque.
- When installing each mounting rubber, avoid twisting or unusual extension in up/down and right/left directions.

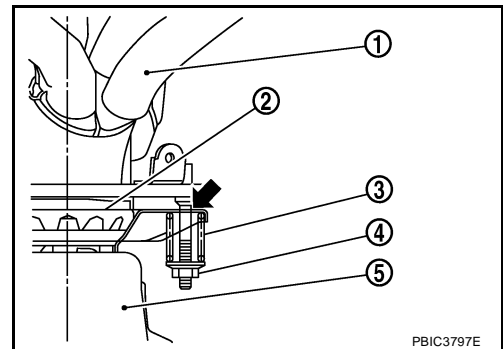
Exhaust Manifold to Exhaust Front Tube

1. Securely insert seal bearing (2) into exhaust manifold (1) side in the direction shown.
 - Exhaust front tube (5)

CAUTION:

Be careful not to damage seal bearing surface when installing.

2. Install spring (3), tighten nut (4).
 - Be careful that the stud bolt nut does not interfere with the flanged area (←).
 - Make sure the spring (3) sits properly on the flange surface by align it to the locator dimples.



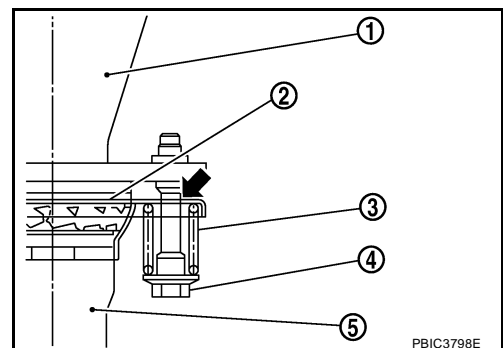
Exhaust Front Tube to Center Muffler

1. Securely insert seal bearing (2) into exhaust front tube (1) side in the direction shown.
 - Center muffler (5)

CAUTION:

Be careful not to damage seal bearing surface when installing.

2. With spring (3), tighten bolt (4).
 - Be careful that the stud bolt does not interfere with the flanged area (←).



INSPECTION AFTER INSTALLATION

- With the engine running, check exhaust tube joints for exhaust leakage and unusual noise.

EXHAUST SYSTEM

[MR20DE]

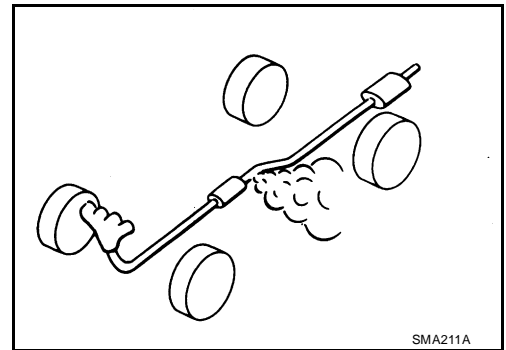
- Check to ensure that brackets and mounting rubbers are installed properly and free from undue stress. Improper installation could result in excessive noise and vibration.

EXHAUST SYSTEM

Checking Exhaust System

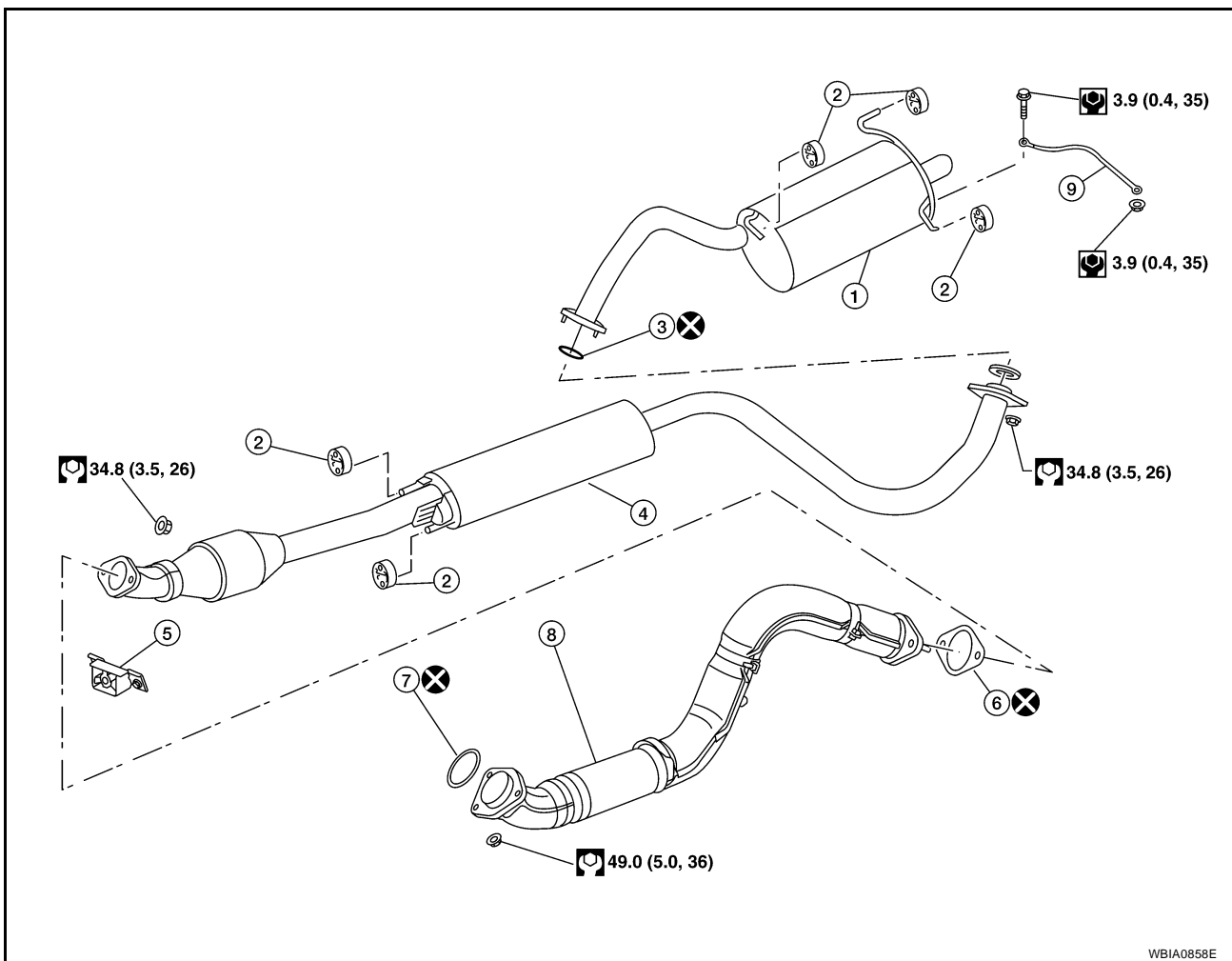
Check exhaust pipes, muffler and mounting for improper attachment, leaks, cracks, damage or deterioration.

- If necessary, repair or replace damaged parts.



SMA211A

Components



WBIA0858E

- | | | |
|-------------------|--|-----------------|
| 1. Main muffler | 2. Mounting rubber | 3. Ring gasket |
| 4. Center muffler | 5. Front exhaust tube mounting bracket | 6. Gasket |
| 7. Seal bearing | 8. Exhaust front tube | 9. Ground cable |

Removal and Installation

REMOVAL

CAUTION:

- Be sure to use genuine NISSAN exhaust system parts or equivalents which are specially designed for heat resistance, corrosion resistance and shape.

- Perform the operation with the exhaust system fully cooled down because the system will be hot just after the engine stops.
- Be careful not to cut your hand on heat insulator edge.
 1. Remove exhaust components using power tools.
 2. Disconnect each joint and mounting rubber.

INSTALLATION

Installation is in the reverse order of removal.

CAUTION:

- Always replace exhaust gaskets and seal bearings with new ones when installing.
- Temporarily tighten nuts on the exhaust manifold side and bolts on the vehicle side. Check each part for unusual interference, and then tighten them to the specified torque.
- When installing each mounting rubber, avoid twisting or unusual extension in up/down and right/left directions.

INSPECTION AFTER INSTALLATION

- With the engine running, check exhaust tube joints for exhaust leakage and unusual noise.
- Check to ensure that brackets and mounting rubbers are installed properly and free from undue stress. Improper installation could result in excessive noise and vibration.