

# WW

## SECTION

### WIPER, WASHER & HORN

A  
B  
C

D

E

## CONTENTS

<p><b>PRECAUTION</b> ..... 2</p> <p>    Precautions for Supplemental Restraint System (SRS) "AIR BAG" and "SEAT BELT PRE-TENSIONER" ..... 2</p> <p>    Precautions for Procedures without Cowl Top Cover... 2</p> <p><b>FRONT WIPER AND WASHER SYSTEM</b> ..... 3</p> <p>    Components Parts and Harness Connector Location ..... 3</p> <p>    System Description ..... 3</p> <p>        OUTLINE ..... 3</p> <p>        LO SPEED WIPER OPERATION ..... 4</p> <p>        HI SPEED WIPER OPERATION ..... 4</p> <p>        INT (INTERMITTENT) OPERATION ..... 4</p> <p>        AUTO STOP OPERATION ..... 5</p> <p>        WASHER OPERATION ..... 5</p> <p>        MIST OPERATION ..... 5</p> <p>        FAIL-SAFE FUNCTION ..... 5</p> <p>        COMBINATION SWITCH READING FUNCTION... 5</p> <p>    CAN Communication System Description ..... 6</p> <p>    Schematic ..... 7</p> <p>    Wiring Diagram — WIPER — ..... 8</p> <p>    Terminals and Reference Values for BCM ..... 11</p> <p>    Terminals and Reference Values for IPDM E/R ..... 11</p> <p>    Work Flow ..... 11</p> <p>    CONSULT-III Function (BCM) ..... 11</p> <p>        WORK SUPPORT ..... 11</p> <p>        DATA MONITOR ..... 11</p> <p>        ACTIVE TEST ..... 12</p> <p>    CONSULT-III Function (IPDM E/R) ..... 12</p> <p>        DATA MONITOR ..... 12</p> <p>        ACTIVE TEST ..... 12</p> <p>    BCM Power and Ground Circuit Check ..... 12</p> <p>    IPDM E/R Power/Ground Circuit Inspection ..... 12</p> <p>    Front Wiper Does Not Operate ..... 13</p> <p>    Front Wiper Does Not Return to Stop Position (After Front Wiper Operates for 10 Seconds, They Stop for 20 Seconds, and After Repeating the Operations Five Times, They Become Inoperative) ..... 15</p> <p>    Only Front Wiper LO Does Not Operate ..... 17</p> <p>    Only Front Wiper HI Does Not Operate ..... 18</p>	<p>    Only Front Wiper Intermittent Does Not Operate ... 20</p> <p>    Front Wiper Intermittent Operation Switch Position Cannot Be Adjusted ..... 20</p> <p>    Wiper Does Not Wipe When Front Washer Operates ... 20</p> <p>    Front Wiper Does Not Stop ..... 20</p> <p>    Removal and Installation of Front Wiper Arms ..... 21</p> <p>        REMOVAL ..... 21</p> <p>        INSTALLATION ..... 21</p> <p>    Adjustment of Wiper Arm Stop Location ..... 21</p> <p>        ADJUSTMENT ..... 21</p> <p>    Removal and Installation of Front Wiper Drive Assembly ..... 22</p> <p>        REMOVAL ..... 22</p> <p>        INSTALLATION ..... 22</p> <p>    Removal and Installation of Front Washer Nozzle.. 23</p> <p>        REMOVAL ..... 23</p> <p>        INSTALLATION ..... 23</p> <p>    Washer Tube Layout ..... 23</p> <p>    Removal and Installation of Front Wiper and Washer Switch ..... 23</p> <p>        REMOVAL ..... 23</p> <p>        INSTALLATION ..... 24</p> <p>    Inspection of Front Wiper and Washer Switch Circuit.. 24</p> <p>    Removal and Installation of Washer Fluid Reservoir.. 24</p> <p>        REMOVAL ..... 24</p> <p>        INSTALLATION ..... 24</p> <p>    Removal and Installation of Front Washer Motor ... 24</p> <p>        REMOVAL ..... 24</p> <p>        INSTALLATION ..... 25</p> <p>    <b>POWER SOCKET</b> ..... <b>26</b></p> <p>        Wiring Diagram — P/SCKT — ..... 26</p> <p>        Removal and Installation ..... 27</p> <p>            REMOVAL ..... 27</p> <p>            INSTALLATION ..... 27</p> <p>    <b>HORN</b> ..... <b>28</b></p> <p>        Wiring Diagram — HORN — ..... 28</p> <p>        Removal and Installation ..... 29</p> <p>            REMOVAL ..... 29</p> <p>            INSTALLATION ..... 29</p>
--	---

F

G

H

I

J

WW

L

M

# PRECAUTION

## PRECAUTION

PF0:00011

### Precautions for Supplemental Restraint System (SRS) “AIR BAG” and “SEAT BELT PRE-TENSIONER”

EKS00KD0

The Supplemental Restraint System such as “AIR BAG” and “SEAT BELT PRE-TENSIONER”, used along with a front seat belt, helps to reduce the risk or severity of injury to the driver and front passenger for certain types of collision. This system includes seat belt switch inputs and dual stage front air bag modules. The SRS system uses the seat belt switches to determine the front air bag deployment, and may only deploy one front air bag, depending on the severity of a collision and whether the front occupants are belted or unbelted. Information necessary to service the system safely is included in the SRS and SB section of this Service Manual.

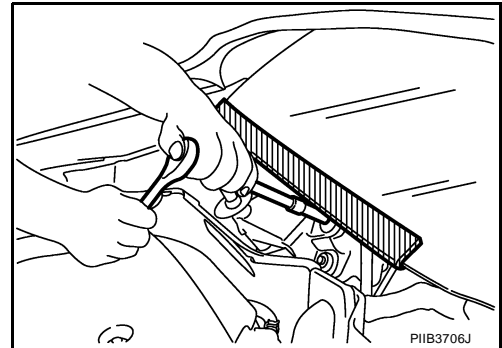
#### **WARNING:**

- To avoid rendering the SRS inoperative, which could increase the risk of personal injury or death in the event of a collision which would result in air bag inflation, all maintenance must be performed by an authorized NISSAN/INFINITI dealer.
- Improper maintenance, including incorrect removal and installation of the SRS, can lead to personal injury caused by unintentional activation of the system. For removal of Spiral Cable and Air Bag Module, see the SRS section.
- Do not use electrical test equipment on any circuit related to the SRS unless instructed to in this Service Manual. SRS wiring harnesses can be identified by yellow and/or orange harnesses or harness connectors.

### Precautions for Procedures without Cowl Top Cover

EKS00KD1

When performing the procedure after removing cowl top cover, cover the lower end of windshield with urethane, etc.



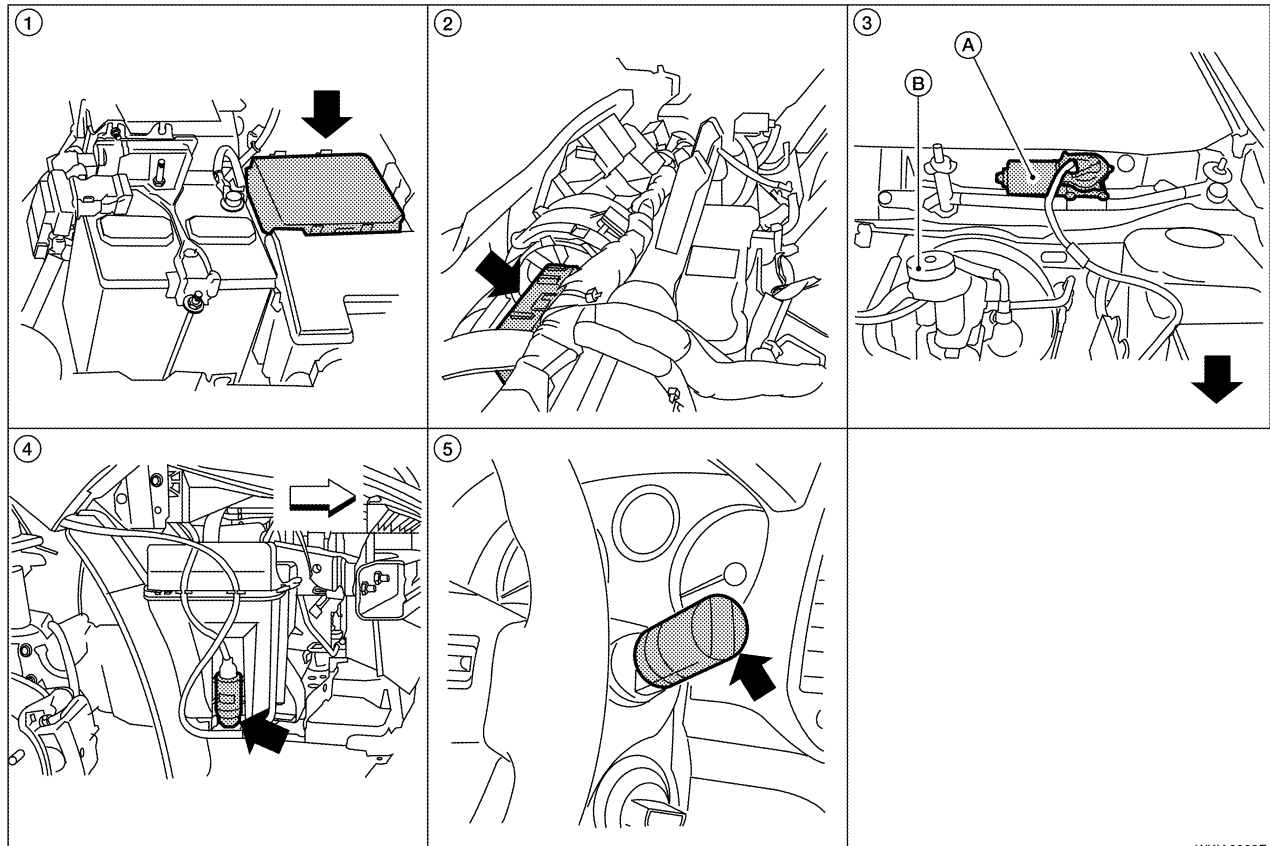
# FRONT WIPER AND WASHER SYSTEM

## FRONT WIPER AND WASHER SYSTEM

PF2:28810

### Components Parts and Harness Connector Location

EKS00KD2



1. IPDM E/R E45, E46 and E48

2. BCM M18 and M20 (view with instrument panel removed)

3. A. Front wiper motor E1 (view with engine cover and cowl top cover removed)  
B. Brake master cylinder

4. Front washer motor E2 (view with front fender protector LH removed)

5. Combination switch (wiper switch) M28

WKIA6022E

## System Description

EKS00KD3

- Front wiper relays (front wiper relay, front wiper high relay) are located in the IPDM E/R (intelligent power distribution module engine room).
- Wiper switch (combination switch) is composed of a combination of 5 output terminals and 5 input terminals. Terminal combination status is read by BCM (body control module) when switch is turned ON.
- BCM controls front wiper LO, HI, and INT (intermittent) operation.
- IPDM E/R operates wiper motor according to CAN communication signals from BCM.

## OUTLINE

Power is supplied at all times

- to ignition relay, located in IPDM E/R, from battery directly,
- through 50A fusible link (letter j, located in fuse and fusible link box)
- to BCM terminal 70
- through 30A fuse (No. 39, located in IPDM E/R)
- to front wiper relay located in IPDM E/R
- through 15A fuse (No. 52, located in IPDM E/R) and
- through 20A fuse (No. 53, located in IPDM E/R)
- to CPU located in IPDM E/R.

A  
B  
C  
D  
E  
F  
G  
H  
I  
J  
WW

# FRONT WIPER AND WASHER SYSTEM

---

When ignition switch is in ON or START position, power is supplied

- through ignition relay (located in IPDM E/R)
- to front wiper relay (located in IPDM E/R) and
- to front wiper high relay (located in IPDM E/R) and
- to CPU (located in IPDM E/R)
- through 10A fuse [No. 12, located in fuse block (J/B)]
- to BCM terminal 38
- through 10A fuse [No. 15, located in fuse block (J/B)]
- to combination switch terminal 14.

Ground is supplied

- to IPDM E/R terminals 39 and 59 and
- to front wiper motor terminal 2
- through grounds E9, E15 (all models) and E24 (with MR20DE)
- to BCM terminal 67
- through grounds M57 and M61.

## LO SPEED WIPER OPERATION

When the front wiper switch is in LO position, the BCM detects the low speed wiper ON signal by means of the BCM wiper switch reading function.

The BCM sends a front wiper request signal (LO) through the CAN communication lines

- from BCM terminals 39 and 40
- to IPDM E/R terminals 40 and 41.

When the IPDM E/R receives front wiper request signal (LO), it turns ON front wiper relay, located in IPDM E/R, power is supplied

- through IPDM E/R terminal 33 and front wiper high relay and front wiper relay
- to front wiper motor terminal 1.

Ground is supplied

- to front wiper motor terminal 2
- through grounds E9, E15 (all models) and E24 (with MR20DE).

With power and ground supplied, front wiper motor operates at low speed.

## HI SPEED WIPER OPERATION

When the front wiper switch is in HI position, the BCM detects a high speed wiper ON signal by means of the BCM wiper switch reading function.

The BCM sends a front wiper request signal (HI) through the CAN communication lines

- from BCM terminals 39 and 40
- to IPDM E/R terminals 40 and 41.

When the IPDM E/R receives front wiper request signal (HI), it turns ON front wiper relay and front wiper high relay, located in IPDM E/R, power is supplied

- through IPDM E/R terminal 32
- to front wiper motor terminal 4.

Ground is supplied

- to front wiper motor terminal 2
- through grounds E9, E15 (all models) and E24 (with MR20DE).

With power and ground supplied, front wiper motor operates at high speed.

## INT (INTERMITTENT) OPERATION

Wiper intermittent operation delay interval is determined from the intermittent wiper dial position inputs. During each intermittent operation delay interval, the BCM sends a front wiper request signal to the IPDM E/R to operate the wipers.

When the ignition switch is in the ON or START position, and the front wiper switch is turned to the intermittent position, the BCM detects a front wiper (intermittent) ON signal by means of the BCM wiper switch reading function.

# FRONT WIPER AND WASHER SYSTEM

BCM then sends front wiper (intermittent) request signal through the CAN communication lines

- from BCM terminals 39 and 40
- to IPDM E/R terminals 40 and 41.

When BCM determines that combination switch status is front wiper intermittent ON, it performs the following operations.

- BCM detects ON/OFF status of intermittent wiper dial position
- BCM calculates operation interval from wiper dial position.
- BCM sends a front wiper request signal (INT) to IPDM E/R at calculated operation interval.

When IPDM E/R receives the front wiper request signal (INT), it supplies ground to energize the front wiper relay. It then sends auto-stop signal to the BCM and conducts intermittent front wiper motor operation.

## AUTO STOP OPERATION

With wiper switch turned OFF, wiper motor will continue to operate until wiper arms reach windshield base. When the wiper arms are not located at base of windshield with wiper switch OFF, ground is supplied

- from IPDM E/R terminal 33
- to front wiper motor terminal 1, in order to continue wiper motor operation at low speed.

When the wiper arms reach base of windshield, front wiper motor terminals 5 and 2 are connected, and ground is supplied

- to IPDM E/R terminal 38
- through front wiper motor terminals 5 and 2
- through grounds E9, E15 (all models) and E24 (with MR20DE).

Then the IPDM E/R sends auto stop operation signal to BCM with CAN communication line.

When the BCM receives auto-stop operation signal, BCM sends wiper stop signal to IPDM E/R with CAN communication line.

IPDM E/R stops wiper motor. Wiper motor will then stop wiper arms at the STOP position.

## WASHER OPERATION

When the wiper switch is in front wiper washer position, BCM detect front wiper washer signal by BCM wiper switch reading function. Refer to [BCS-3, "COMBINATION SWITCH READING FUNCTION"](#) .

Combination switch power is supplied

- through combination switch terminal 14
- to washer motor terminal 1.

Ground is supplied

- to front washer motor terminal 2
- through grounds E9, E15 (all models) and E24 (with MR20DE).

With power and ground supplied, front washer motor is operated.

When the BCM detects that front washer motor has operated for 0.4 seconds or longer, BCM operates front wiper motor for low speed.

When the BCM detects washer switch is OFF, low speed operation cycles approximately 2 times and stops.

## MIST OPERATION

When the wiper switch is pushed up to the mist position, wiper LO speed operation cycles once and then stops.

For additional information about wiper operation under this condition, refer to [WW-4, "LO SPEED WIPER OPERATION"](#) .

If switch is held in mist position, low speed operation continues.

## FAIL-SAFE FUNCTION

If an abnormality occurs in CAN communications, IPDM E/R holds the condition just before fail-safe status is initiated until ignition switch is turned OFF. (If wipers were operating in LO just before the initiation of fail-safe status, they continue to operate in LO until ignition switch is turned OFF.)

## COMBINATION SWITCH READING FUNCTION

Refer to [BCS-3, "COMBINATION SWITCH READING FUNCTION"](#) .

A  
B  
C  
D  
E  
F  
G  
H  
I  
J  
L  
M

WW

# FRONT WIPER AND WASHER SYSTEM

---

## CAN Communication System Description

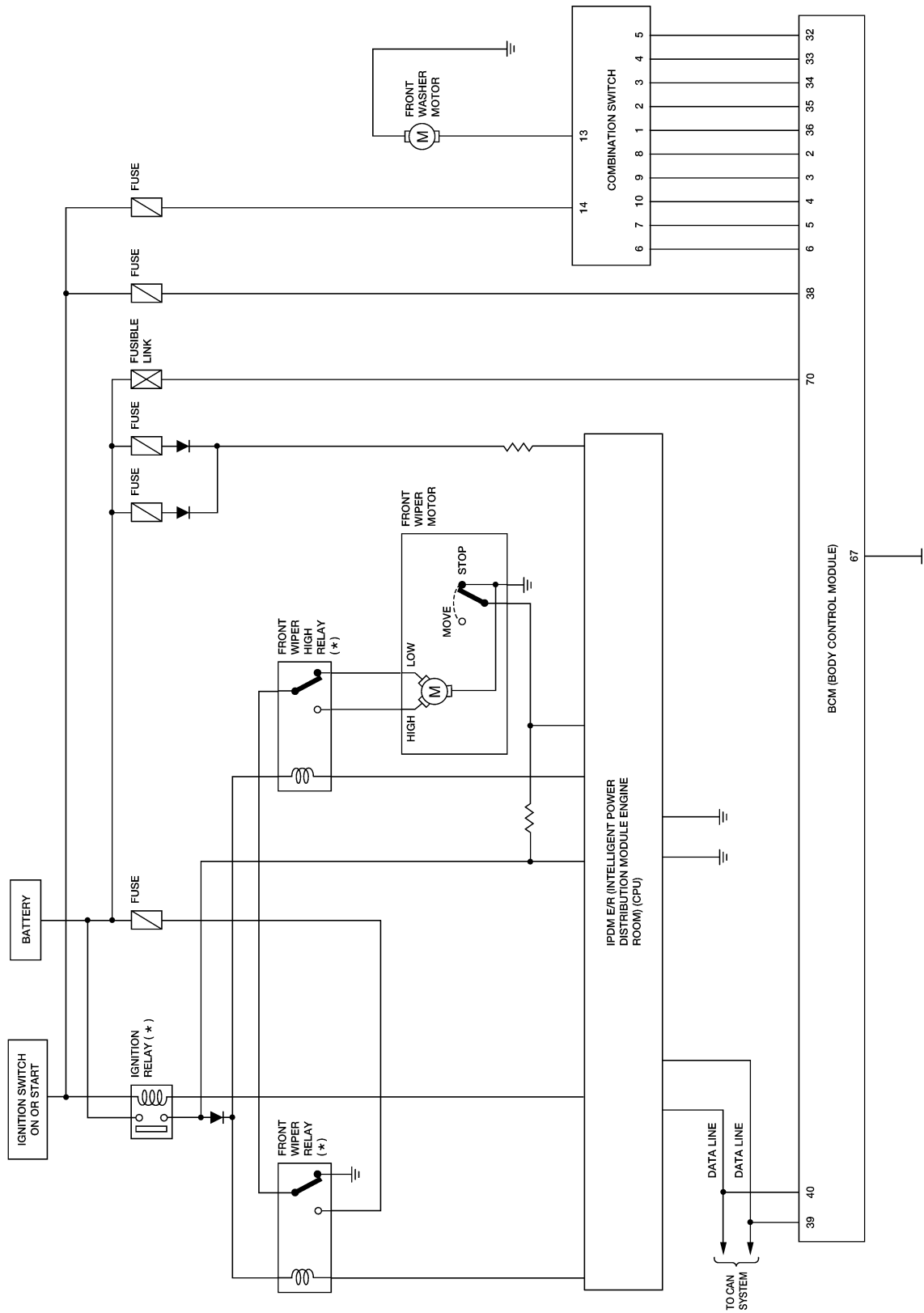
EKS00KD4

Refer to [LAN-4, "SYSTEM DESCRIPTION"](#) .

# FRONT WIPER AND WASHER SYSTEM

## Schematic

EKS00KD5



\*: THIS RELAY IS BUILT INTO THE IPDM E/R  
(INTELLIGENT POWER DISTRIBUTION MODULE ENGINE ROOM)

A  
B  
C  
D  
E  
F  
G  
H  
I  
J  
L  
M

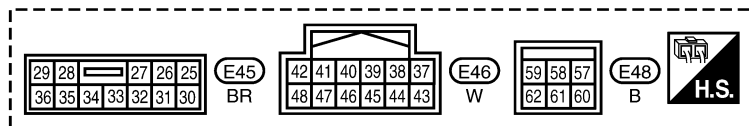
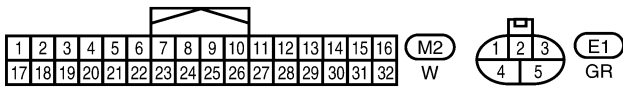
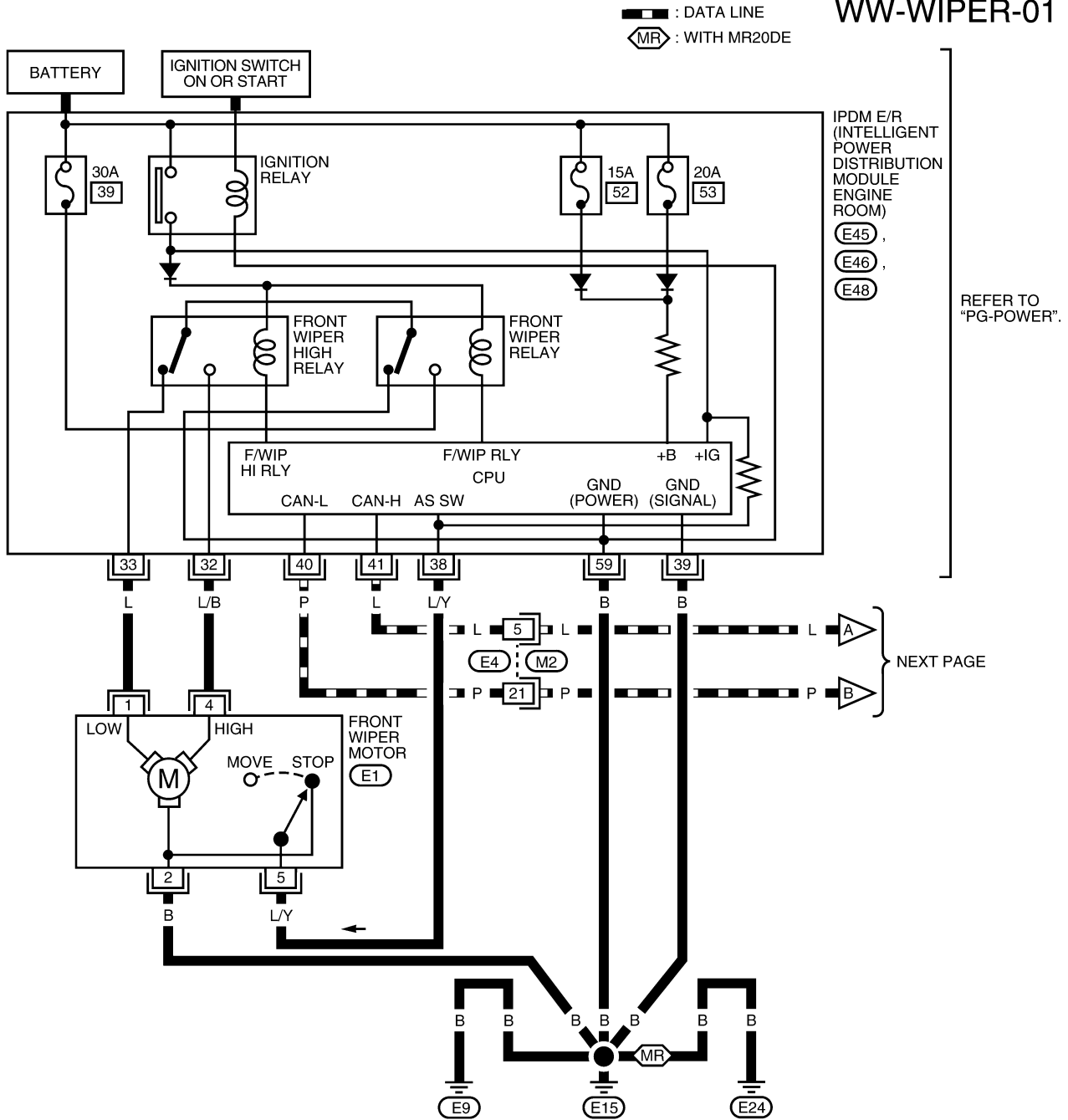


# FRONT WIPER AND WASHER SYSTEM

## Wiring Diagram — WIPER —

EKS00KD6

### WW-WIPER-01



WKWA5859E

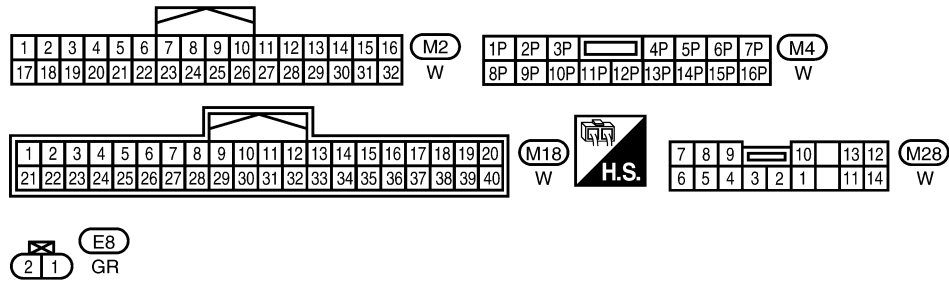
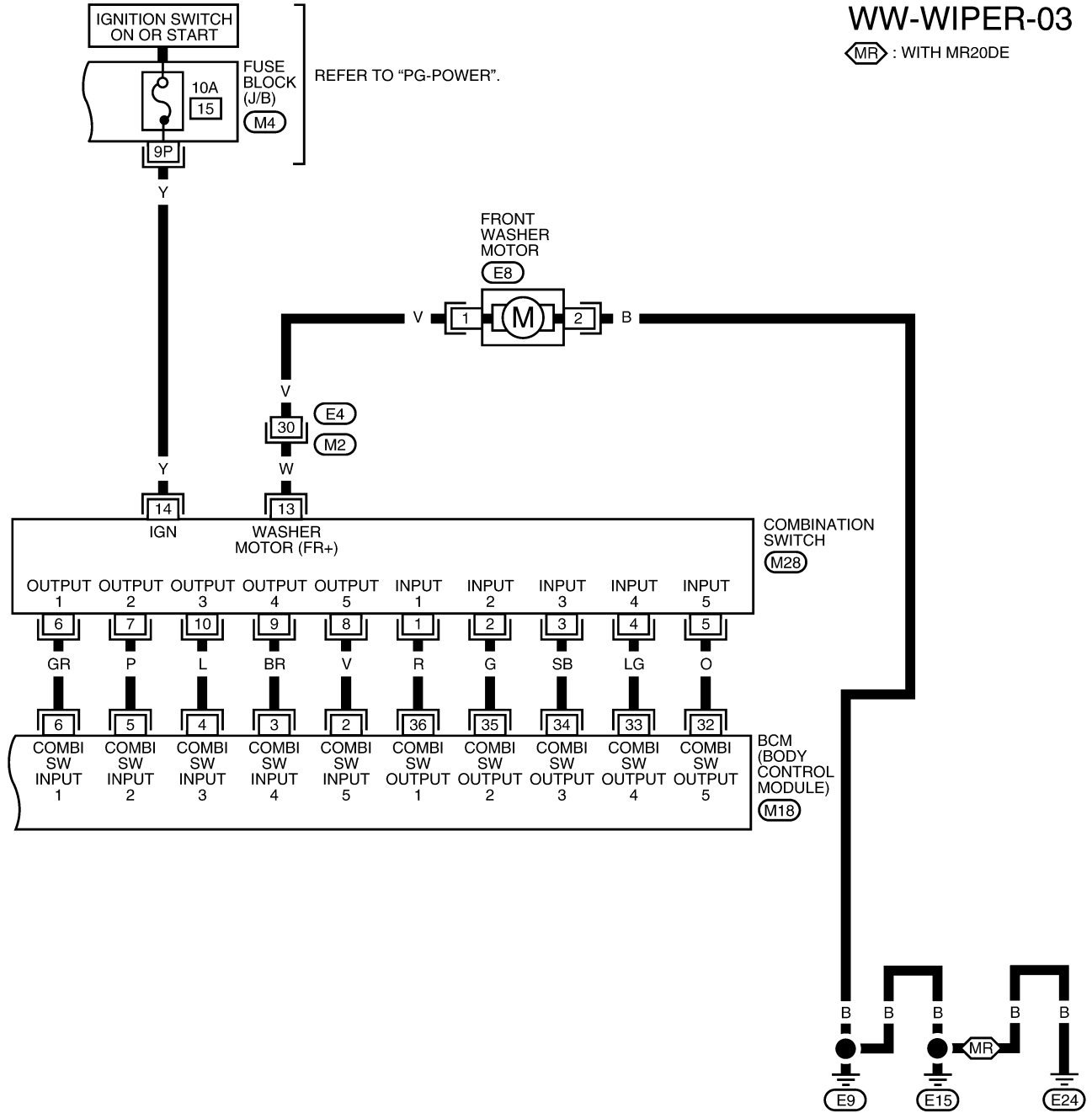




# FRONT WIPER AND WASHER SYSTEM

WW-WIPER-03

MR : WITH MR20DE



WKWA5860E

# FRONT WIPER AND WASHER SYSTEM

## Terminals and Reference Values for BCM

EKS00KD7

Refer to [BCS-13, "Terminals and Reference Values for BCM"](#) .

## Terminals and Reference Values for IPDM E/R

EKS00KD8

Refer to [PG-26, "Terminals and Reference Values for IPDM E/R"](#) .

## Work Flow

EKS00KD9

1. Confirm symptoms and customer complaint.
2. Understand operation description and function description. Refer to [WW-3, "System Description"](#) .
3. Check symptom and repair or replace malfunctioning parts.
4. Does front wiper and washer operate normally? If YES, GO TO 6. If NO, GO TO 4.
5. Inspection End.

## CONSULT-III Function (BCM)

EKS00KDB

CONSULT-III can display each diagnostic item using the diagnostic test modes shown following.

BCM diagnosis position	Diagnosis mode	Description
WIPER	WORK SUPPORT	Supports inspections and adjustments. Commands are transmitted to the BCM for setting the status suitable for required operation, input/output signals are received from the BCM and received data is displayed.
	DATA MONITOR	Displays BCM input data in real time.
	ACTIVE TEST	Device operation can be checked by applying a drive signal to device.
BCM	SELF-DIAG RESULTS	BCM performs self-diagnosis of CAN communication.
	CAN DIAG SUPPORT MNTR	The result of transmit/receive diagnosis of CAN communication can be read.

## WORK SUPPORT

### Display Item List

Item	Description	CONSULT-III
WIPER SPEED SETTING	Vehicle speed sensing type wiper control mode can be changed in this mode.	ON/OFF

## DATA MONITOR

ALL SIGNALS	Monitors all the signals.
SELECTION FROM MENU	Selects items and monitor them.

## Display Item List

Monitor item	Contents
IGN ON SW	"ON/OFF" Displays "ignition switch ON (ON)/Other OFF or ACC (OFF)" status as judged from ignition switch signal.
IGN SW CAN	"ON/OFF" Displays "ignition switch ON (ON)/Other OFF or ACC (OFF)" status as judged from CAN communication signal.
FR WIPER HI	"ON/OFF" Displays "FRONT WIPER HI (ON)/Other (OFF)" status as judged from wiper switch signal.
FR WIPER LOW	"ON/OFF" Displays "FRONT WIPER LOW (ON)/Other (OFF)" status as judged from wiper switch signal.
FR WIPER INT	"ON/OFF" Displays "FRONT WIPER INT (ON)/Other (OFF)" status as judged from wiper switch signal.
FR WASHER SW	"ON/OFF" Displays "FRONT WASHER Switch (ON)/Other (OFF)" status as judged from wiper switch signal.
INT VOLUME	"1-7" Displays intermittent operation dial position setting (1-7) as judged from wiper switch signal.
FR WIPER STOP	"ON/OFF" Displays "Stopped (ON)/Operating (OFF)" status as judged from auto-stop signal.
VEHICLE SPEED	"km/h" Displays vehicle speed status as judged from vehicle speed signal.

# FRONT WIPER AND WASHER SYSTEM

## ACTIVE TEST

### Display Item List

Test item	Description
Front wiper LO output	Front LO wiper can be operated by any ON-OFF operation.
Front wiper HI output	Front HI wiper can be operated by any ON-OFF operation.
Front wiper INT output	Front INT wiper can be operated by any ON-OFF operation.

## CONSULT-III Function (IPDM E/R)

EKS00KDC

CONSULT-III can display each diagnostic item using the diagnostic test modes shown following.

IPDM E/R diagnostic Mode	Description
SELF-DIAG RESULTS	Displays IPDM E/R self-diagnosis results.
DATA MONITOR	Displays IPDM E/R input/output data in real time.
CAN DIAG SUPPORT MNTR	The result of transmit/receive diagnosis of CAN communication can be read.
ACTIVE TEST	Operation of electrical loads can be checked by sending drive signal to them.

## DATA MONITOR

ALL SIGNALS	Monitors all items.
MAIN SIGNALS	Monitor the predetermined item.
SELECTION FROM MENU	Selects items and monitors them.

## All Signals, Main Signals, Selection From Menu

Item name	Display or unit	Monitor item selection			Description
		ALL SIGNALS	MAIN SIGNALS	SELECTION FROM MENU	
FR wiper request	STOP/1LOW/LOW/HI	×	×	×	Signal status input from BCM
Wiper auto stop	ACT P/STOP P	×	×	×	Output status of IPDM E/R
Wiper protection	OFF/BLOCK	×	×	×	Control status of IPDM E/R

### NOTE:

Perform monitoring of IPDM E/R data with ignition switch ON. When ignition switch is at ACC, the display may not be correct.

## ACTIVE TEST

Test item	Description
Front wiper (HI, LO) output	With a certain operation (OFF, HI ON, LO ON), front wiper relay (Lo, Hi) can be operated.

## BCM Power and Ground Circuit Check

EKS00KX0

Refer to [BCS-16, "BCM Power Supply and Ground Circuit Check"](#) .

## IPDM E/R Power/Ground Circuit Inspection

EKS00KX1

Refer to [PG-29, "IPDM E/R Power/Ground Circuit Inspection"](#) .

# FRONT WIPER AND WASHER SYSTEM

EKS00KDD

## Front Wiper Does Not Operate

### CAUTION:

- During IPDM E/R fail-safe control, front wipers may not operate. Refer to [PG-18, "CAN COMMUNICATION LINE CONTROL"](#) in "PG IPDM E/R" to make sure that it is not in fail-safe status.

### 1. ACTIVE TEST

#### Ⓜ With CONSULT-III

- Select "IPDM E/R" on CONSULT-III, and select "ACTIVE TEST".
- Select "FRONT WIPER" on "SELECT TEST ITEM" screen.
- Touch "LO" or "HI" screen.

#### ⓧ Without CONSULT-III

Start auto active test. Refer to [PG-22, "Auto Active Test"](#).

Does front wiper operate normally?

- YES >> GO TO 2.  
NO >> GO TO 4.

### 2. CHECK CIRCUIT BETWEEN COMBINATION SWITCH AND BCM

#### Ⓜ With CONSULT-III

- Select "BCM" on CONSULT-III, and select "WIPER" on "SELECT TEST ITEM" screen.
- Select "DATA MONITOR". Make sure that "FR WIPER INT", "FR WIPER LOW", and "FR WIPER HI" turn ON-OFF according to wiper switch operation.

#### ⓧ Without CONSULT-III

Refer to [LT-65, "Combination Switch Inspection"](#).

OK or NG

- OK >> GO TO 3.  
NG >> Check combination switch (wiper switch). Refer to [LT-65, "Combination Switch Inspection"](#).

### 3. CHECK CIRCUIT BETWEEN IPDM E/R AND BCM

Select "BCM" on CONSULT-III, and perform self-diagnosis for "BCM".

Displayed self-diagnosis results

- NO DTC>>Replace BCM. Refer to [BCS-21, "Removal and Installation of BCM"](#).  
CAN COMM CIRCUIT>>Check CAN communication line of BCM. Refer to [LAN-7, "TROUBLE DIAGNOSIS"](#)

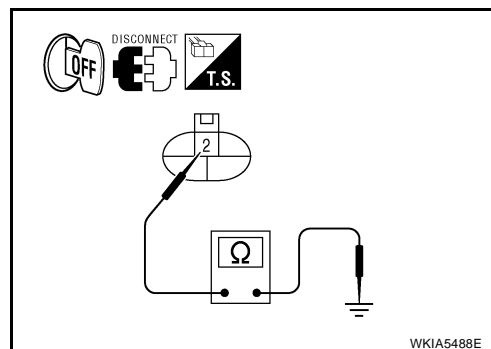
### 4. CHECK GROUND CIRCUIT

- Turn ignition switch OFF.
- Disconnect front wiper motor.
- Check continuity between front wiper motor connector and ground.

Connector	Terminal	Ground	Continuity
E1	2		Yes

OK or NG

- OK >> GO TO 5.  
NG >> Repair or replace harness.



# FRONT WIPER AND WASHER SYSTEM

## 5. CHECK FRONT WIPER CIRCUIT

1. Disconnect IPDM E/R.
2. Check continuity between IPDM E/R connector (A) and front wiper motor connector (B).

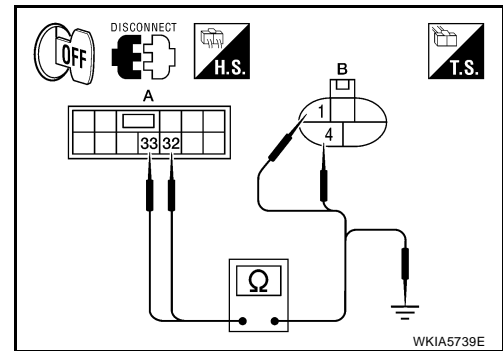
Connector	Terminal	Connector	Terminal	Continuity
A		B		
E45	32	E1	4	Yes
	33		1	

3. Check continuity between IPDM E/R connector (A) and ground.

Connector	Terminal	Ground	Continuity
A			
E45	32	Ground	No
	33		

### OK or NG

- OK >> GO TO 6.  
 NG >> Repair or replace harness.

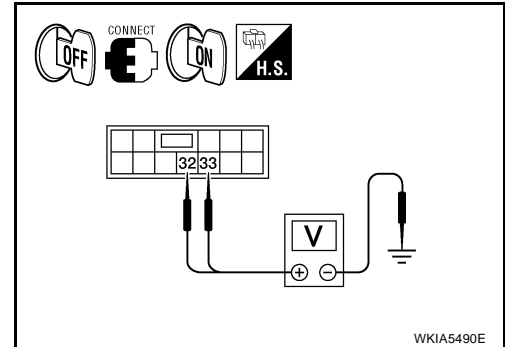


# FRONT WIPER AND WASHER SYSTEM

## 6. CHECK IPDM E/R

### With CONSULT-III

1. Connect IPDM E/R connector E45.
2. Turn ignition switch ON.
3. Select "IPDM E/R" by CONSULT-III, and select "ACTIVE TEST".
4. Select "FRONT WIPER" on "SELECT TEST ITEM" screen.
5. Touch "LO" or "HI" screen.
6. Check voltage between IPDM E/R connector and ground while front wiper (HI, LO) is operating.



Connector	Terminals		Condition	Voltage (V) Approx.
	(+)	(-)		
E45	32	Ground	Stopped	0V
			HI operation	Battery voltage
	33		Stopped	0V
			LO operation	Battery voltage

### Without CONSULT-III

1. Connect IPDM E/R connector E45.
2. Turn ignition switch ON.
3. Start auto active test. Refer to [PG-22, "Auto Active Test"](#).
4. Check voltage between IPDM E/R connector and ground while front wiper (HI, LO) is operating.

Connector	Terminals		Condition	Voltage (V) Approx.
	(+)	(-)		
E45	32	Ground	Stopped	0V
			HI operation	Battery voltage
	33		Stopped	0V
			LO operation	Battery voltage

### OK or NG

- OK >> Replace front wiper motor. Refer to [WW-22, "Removal and Installation of Front Wiper Drive Assembly"](#).
- NG >> Replace IPDM E/R. Refer to [PG-30, "Removal and Installation of IPDM E/R"](#).

## Front Wiper Does Not Return to Stop Position (After Front Wiper Operates for 10 Seconds, They Stop for 20 Seconds, and After Repeating the Operations Five Times, They Become Inoperative)

EKS00KDE

### CAUTION:

- When auto-stop signal has not varied for 10 seconds or longer while IPDM E/R is operating front wipers, IPDM E/R considers that front wipers are locked, and stops wiper output. That causes this symptom.
- This status can be checked by "DATA MONITOR" of "IPDM E/R" on which "WIPER PROT" item shows "BLOCK".

# FRONT WIPER AND WASHER SYSTEM

## 1. CHECK FRONT WIPER STOP SIGNAL

### With CONSULT-III

Select "IPDM E/R" on CONSULT-III. With "DATA MONITOR", make sure that "WIP AUTO STOP" turns "ACT P" - "STOP P" linked with wiper operation.

### Without CONSULT-III

GO TO 2.

OK or NG

OK >> Replace IPDM E/R. Refer to [PG-30, "Removal and Installation of IPDM E/R"](#) .

NG >> GO TO 2.

## 2. CHECK IPDM E/R

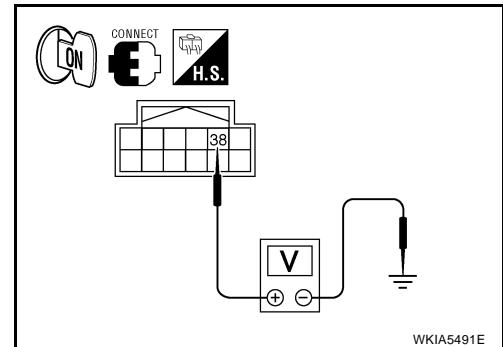
- Turn ignition switch ON.
- Check voltage between IPDM E/R connector and ground while front wiper motor is stopped and while it is operating.

Connector	Terminals		Condition	Voltage (V) Approx.
	(+)	(-)		
E46	38	Ground	Wiper stopped	0V
			Wiper operating	Battery voltage

OK or NG

OK >> Replace IPDM E/R. Refer to [PG-30, "Removal and Installation of IPDM E/R"](#) .

NG >> GO TO 3.



## 3. CHECK FRONT WIPER AUTO STOP CIRCUIT

- Turn ignition switch OFF.
- Disconnect IPDM E/R and wiper motor.
- Check continuity between IPDM E/R connector (A) and front wiper motor connector (B).

Connector	Terminal	Connector	Terminal	Continuity
A		B		
E46	38	E1	5	Yes

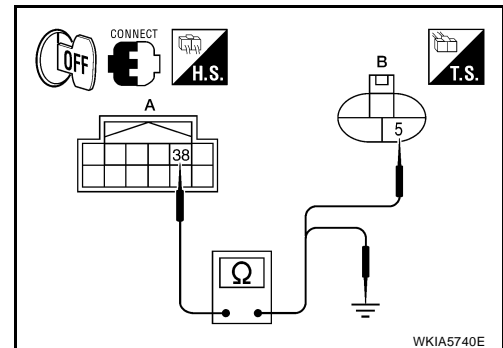
- Check continuity between IPDM E/R harness connector (A) and ground.

Connector	Terminal	Ground	Continuity
A			
E46	38		No

OK or NG

OK >> Replace front wiper motor. Refer to [WW-22, "Removal and Installation of Front Wiper Drive Assembly"](#) .

NG >> Repair or replace harness.





# FRONT WIPER AND WASHER SYSTEM

EKS00KDF

## Only Front Wiper LO Does Not Operate

### 1. ACTIVE TEST

#### With CONSULT-III

1. Select "IPDM E/R" on CONSULT-III, and select "ACTIVE TEST".
2. Select "FRONT WIPER" on "SELECT TEST ITEM" screen.
3. Touch "LO" screen.

#### Without CONSULT-III

Start auto active test. Refer to [PG-22, "Auto Active Test"](#).

Does front wiper operate normally?

- YES >> Refer to [LT-65, "Combination Switch Inspection"](#).  
 NO >> GO TO 2.

### 2. CHECK FRONT WIPER MOTOR CIRCUIT

1. Turn ignition switch OFF.
2. Disconnect IPDM E/R and front wiper motor.
3. Check continuity between IPDM E/R connector (A) and front wiper motor connector (B).

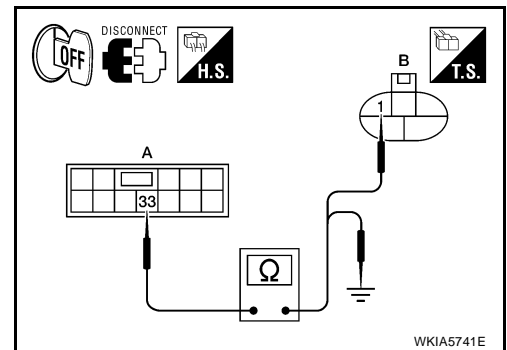
Connector	Terminal	Connector	Terminal	Continuity
A		B		
E45	33	E1	1	Yes

4. Check continuity between IPDM E/R harness connector (A) and ground.

Connector	Terminal	Ground	Continuity
A			
E45	33		No

OK or NG

- OK >> GO TO 3.  
 NG >> Repair or replace harness.



A  
B  
C  
D  
E  
F  
G  
H  
I  
J  
L  
M

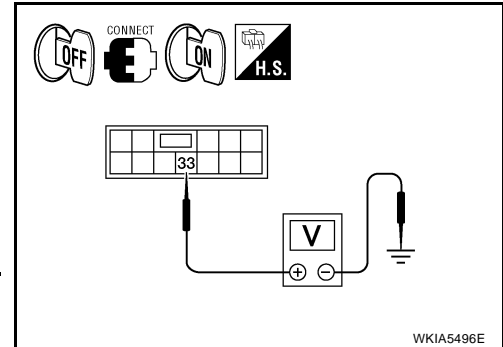
WW

# FRONT WIPER AND WASHER SYSTEM

## 3. CHECK IPDM E/R

### With CONSULT-III

1. Connect IPDM E/R.
2. Turn ignition ON.
3. Select "IPDM E/R" on CONSULT-III, and select "ACTIVE TEST".
4. Select "FRONT WIPER" on "SELECT TEST ITEM" screen.
5. Touch "LO" screen.
6. Check voltage between IPDM E/R connector and ground while front wiper LO is operating.



Connector	Terminals		Voltage (V) Approx.
	(+)	(-)	
E45	33	Ground	Battery voltage

### Without CONSULT-III

1. Connect IPDM E/R.
2. Turn ignition ON.
3. Start auto active test. Refer to [PG-22, "Auto Active Test"](#).
4. Check voltage between IPDM E/R connector and ground while front wiper LO is operating.

Connector	Terminals		Voltage (V) Approx.
	(+)	(-)	
E45	33	Ground	Battery voltage

### OK or NG

- OK >> Replace front wiper motor. Refer to [WW-22, "Removal and Installation of Front Wiper Drive Assembly"](#).
- NG >> Replace IPDM E/R. Refer to [PG-30, "Removal and Installation of IPDM E/R"](#).

## Only Front Wiper HI Does Not Operate

EKS00KDG

### 1. ACTIVE TEST

#### With CONSULT-III

1. Select "IPDM E/R" on CONSULT-III, and select "ACTIVE TEST".
2. Select "FRONT WIPER" on "SELECT TEST ITEM" screen.
3. Touch "HI" screen.

#### Without CONSULT-III

Start auto active test. Refer to [PG-22, "Auto Active Test"](#).

### Does front wiper operate normally?

- YES >> Refer to [LT-65, "Combination Switch Inspection"](#).
- NO >> GO TO 2.

# FRONT WIPER AND WASHER SYSTEM

## 2. CHECK FRONT WIPER MOTOR CIRCUIT

1. Turn ignition switch OFF.
2. Disconnect IPDM E/R and front wiper motor.
3. Check continuity between IPDM E/R connector (A) and front wiper motor connector (B).

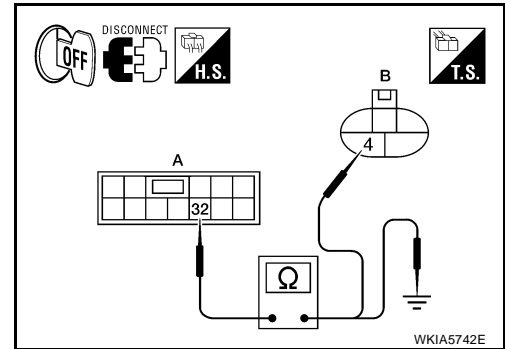
Connector	Terminal	Connctor	Terminal	Continuity
A		B		
E45	32	E1	4	Yes

4. Check continuity between IPDM E/R harness connector (A) and ground.

Connector	Terminal	Ground	Continuity
A			
E45	32		No

OK or NG

- OK >> GO TO 3.
- NG >> Repair or replace harness.

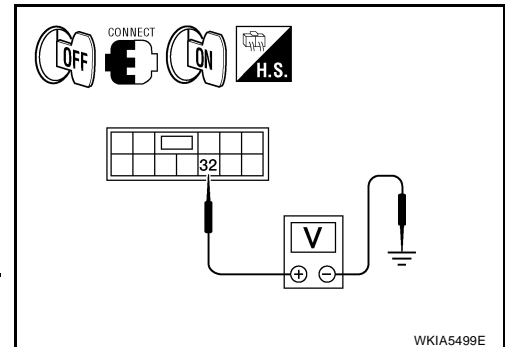


## 3. CHECK IPDM E/R

### With CONSULT-III

1. Connect IPDM E/R.
2. Turn ignition switch ON.
3. Select "IPDM E/R" on CONSULT-III, and select "ACTIVE TEST".
4. Select "FRONT WIPER" on "SELECT TEST ITEM" screen.
5. Touch "HI" screen.
6. Check voltage between IPDM E/R connector and ground while front wiper HI is operating.

Connector	Terminals		Voltage (V) Approx.
	(+)	(-)	
E45	32	Ground	Battery voltage



### Without CONSULT-III

1. Connect IPDM E/R.
2. Turn ignition switch ON.
3. Start auto active test. Refer to [PG-22, "Auto Active Test"](#).
4. Check voltage between IPDM E/R connector and ground while front wiper HI is operating.

Connector	Terminals		Voltage (V) Approx.
	(+)	(-)	
E45	32	Ground	Battery voltage

OK or NG

- OK >> Replace front wiper motor. Refer to [WW-22, "Removal and Installation of Front Wiper Drive Assembly"](#).
- NG >> Replace IPDM E/R. Refer to [PG-30, "Removal and Installation of IPDM E/R"](#).

# FRONT WIPER AND WASHER SYSTEM

## Only Front Wiper Intermittent Does Not Operate

EKS00KDH

### 1. CHECK COMBINATION SWITCH

#### ☑ With CONSULT-III

1. Select "BCM" on CONSULT-III, and select "WIPER" on "SELECT TEST ITEM" screen.
2. Select "DATA MONITOR". Make sure that "FR WIPER INT", turn ON-OFF according to wiper switch operation.

#### ☒ Without CONSULT-III

Refer to [LT-65, "Combination Switch Inspection"](#).

#### OK or NG

- OK >> Replace BCM. Refer to [BCS-21, "Removal and Installation of BCM"](#).
- NG >> Check combination switch (wiper switch). Refer to [LT-65, "Combination Switch Inspection"](#).

## Front Wiper Intermittent Operation Switch Position Cannot Be Adjusted

EKS00KDI

### 1. CHECK CIRCUIT BETWEEN COMBINATION SWITCH AND BCM

#### ☑ With CONSULT-III

1. Select "BCM" on CONSULT-III, and select "WIPER" on "SELECT TEST ITEM" screen.
2. Select "DATA MONITOR". Make sure that "INT VOLUME", changes in order from 1 to 7 according to wiper switch operation.

#### ☒ Without CONSULT-III

Refer to [LT-65, "Combination Switch Inspection"](#).

#### OK or NG

- OK >> Replace BCM. Refer to [BCS-21, "Removal and Installation of BCM"](#).
- NG >> Check combination switch (wiper switch). Refer to [LT-65, "Combination Switch Inspection"](#).

## Wiper Does Not Wipe When Front Washer Operates

EKS00KDJ

### 1. CHECK CIRCUIT BETWEEN COMBINATION SWITCH AND BCM

#### ☑ With CONSULT-III

1. Select "BCM" on CONSULT-III, and select "WIPER" on "SELECT TEST ITEM" screen.
2. Select "DATA MONITOR". Make sure that "FR WASHER SW" turn ON-OFF according to front wiper switch operation.

#### ☒ Without CONSULT-III

Refer to [LT-65, "Combination Switch Inspection"](#).

#### OK or NG

- OK >> Replace BCM. Refer to [BCS-21, "Removal and Installation of BCM"](#).
- NG >> Check combination switch (wiper switch). Refer to [LT-65, "Combination Switch Inspection"](#).

## Front Wiper Does Not Stop

EKS00KDK

### 1. CHECK CIRCUIT BETWEEN COMBINATION SWITCH AND BCM

#### ☑ With CONSULT-III

1. Select "BCM" on CONSULT-III, and select "WIPER" on "SELECT TEST ITEM" screen.
2. Select "DATA MONITOR". Make sure that "FR WIPER INT", "FR WIPER LOW", "FR WIPER HI", and "FR WASHER SW" turn ON-OFF according to front wiper switch operation.

#### ☒ Without CONSULT-III

Refer to [LT-65, "Combination Switch Inspection"](#).

#### OK or NG

- OK >> Replace IPDM E/R. Refer to [PG-30, "Removal and Installation of IPDM E/R"](#).
- NG >> Check combination switch (wiper switch). Refer to [LT-65, "Combination Switch Inspection"](#).

# FRONT WIPER AND WASHER SYSTEM

## Removal and Installation of Front Wiper Arms

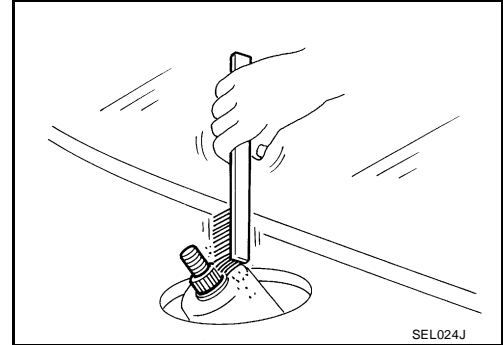
EKS00KDL

### REMOVAL

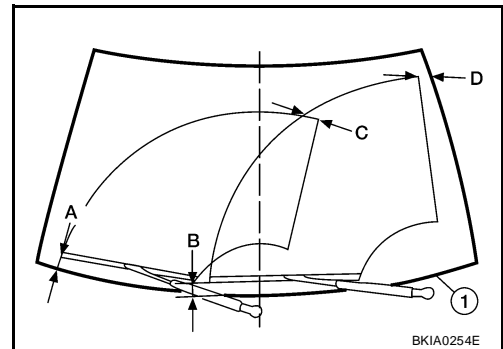
1. Turn wiper switch on to operate wiper motor, and then turn wiper switch off (auto stop).
2. Open hood, remove wiper arm caps, and remove wiper arm nuts.
3. Raise wiper arm, and remove wiper arm from the vehicle.

### INSTALLATION

1. Clean up the pivot area as shown. This will reduce possibility of wiper arm looseness.
2. Prior to wiper arm installation, turn on wiper switch to operate wiper motor and then turn it off (auto stop).
3. Push wiper arm onto pivot shaft, paying attention to blind spline.



4. Lift the blade up and then set it down onto glass surface to set the blade center to clearance "A", "B", "C" and "D" immediately before temporarily tightening the wiper arm nuts.
5. Spray washer fluid. Turn on wiper switch to operate wiper motor and then turn it off.
6. Make sure that wiper blades stop within clearance "A", "B", "C", and "D" and reposition as necessary.



- Cowl top cover edge (1)

**Clearance "A" : 30.5 mm (1.201 in)**  
**Clearance "B" : 27.5 ± 6.5 mm (1.083 in)**  
**Clearance "C" : 20.1 mm (1.791 in)**  
**Clearance "D" : 50 mm (1.969 in)**

7. Tighten wiper arm nuts to specification. Refer to [WW-22, "Removal and Installation of Front Wiper Drive Assembly"](#).
8. Attach wiper arm caps.

## Adjustment of Wiper Arm Stop Location

EKS00KDM

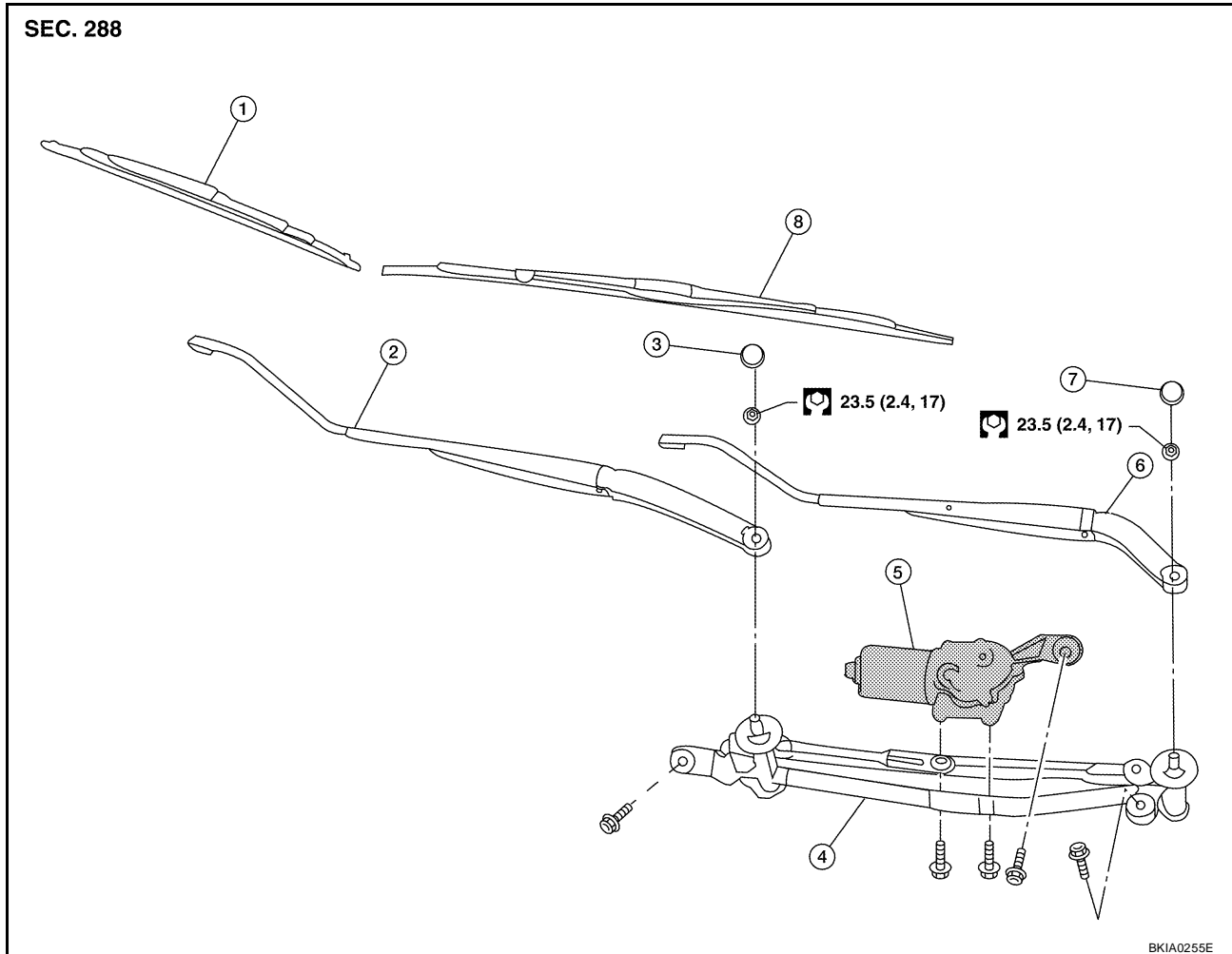
### ADJUSTMENT

To adjust the wiper arm stop location, the wiper arm must be removed and installed. Refer to [WW-21, "Adjustment of Wiper Arm Stop Location"](#).

# FRONT WIPER AND WASHER SYSTEM

## Removal and Installation of Front Wiper Drive Assembly

EKS00KDN



- |                               |                         |                       |
|-------------------------------|-------------------------|-----------------------|
| 1. Front RH wiper blade       | 2. Front RH wiper arm   | 3. Wiper arm cap      |
| 4. Front wiper drive assembly | 5. Wiper motor          | 6. Front LH wiper arm |
| 7. Wiper arm cap              | 8. Front LH wiper blade |                       |

### REMOVAL

1. Operate the front wiper motor, and stop at the auto stop position.
2. Remove wiper arms. Refer to [WW-21, "Removal and Installation of Front Wiper Arms"](#) .
3. Remove cowl top cover. Refer to [EI-19, "COWL TOP"](#) .
4. Remove cowl extension. Refer to [EI-19, "COWL TOP"](#) .
5. Disconnect wiper motor connector.
6. Remove front wiper drive assembly bolts, and remove front wiper drive assembly.
7. Remove the two wiper motor screws and remove the wiper motor.

### INSTALLATION

1. Install the wiper motor.
2. Install front wiper drive assembly.
3. Connect wiper motor connector. Turn wiper switch on to operate wiper motor, then turn wiper switch off (auto stop).
4. Install cowl extension. Refer to [EI-19, "COWL TOP"](#) .
5. Install cowl top cover. Refer to [EI-19, "COWL TOP"](#) .
6. Install the wiper arms. Refer to [WW-21, "Removal and Installation of Front Wiper Arms"](#) .

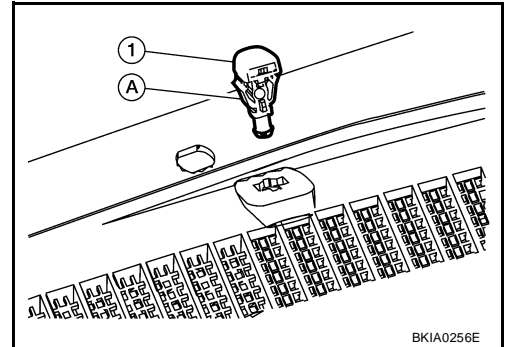
# FRONT WIPER AND WASHER SYSTEM

## Removal and Installation of Front Washer Nozzle

EKS00KDO

### REMOVAL

1. Remove cowl top cover. Refer to [EI-19, "Removal and Installation"](#).
2. Remove washer tube.
3. While pressing pawl (A) on the reverse side of front washer nozzle (1), remove front washer nozzle (1) from cowl top cover.

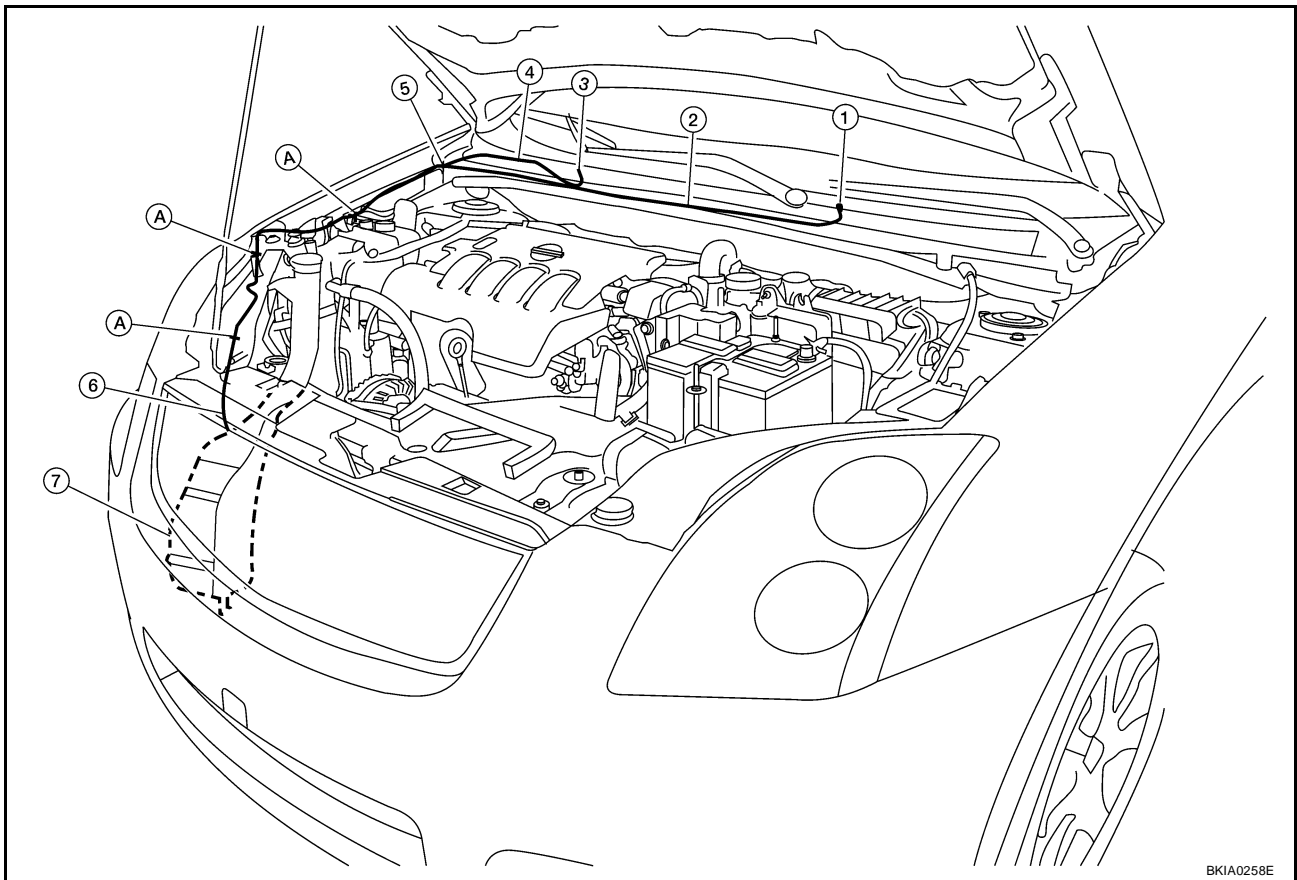


### INSTALLATION

Installation is in the reverse order of removal.

### Washer Tube Layout

EKS00KDO



- |                           |                          |                                |
|---------------------------|--------------------------|--------------------------------|
| 1. Washer nozzle LH       | 2. Washer nozzle hose LH | 3. Washer nozzle RH            |
| 4. Washer nozzle hose RH  | 5. Joint washer tube     | 6. Washer fluid reservoir hose |
| 7. Washer fluid reservoir | A. Clips                 |                                |

## Removal and Installation of Front Wiper and Washer Switch

EKS00KDR

### REMOVAL

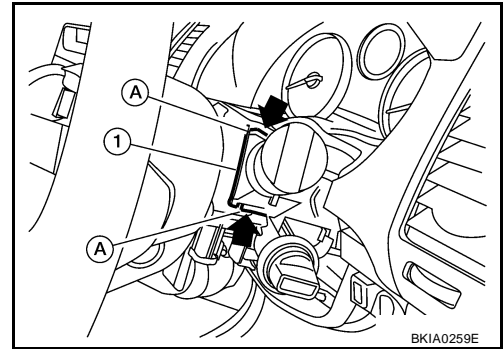
1. Remove the steering column cover. Refer to [IP-10, "INSTRUMENT PANEL ASSEMBLY"](#).
2. Disconnect the wiper and washer switch connector.

A  
B  
C  
D  
E  
F  
G  
H  
I  
J  
L  
M

WW

## FRONT WIPER AND WASHER SYSTEM

3. Pull wiper and washer switch (1) toward the passenger door while pressing pawls (A) in direction shown by the arrow, and remove it from the base.



### INSTALLATION

Installation is in the reverse order of removal.

### Inspection of Front Wiper and Washer Switch Circuit

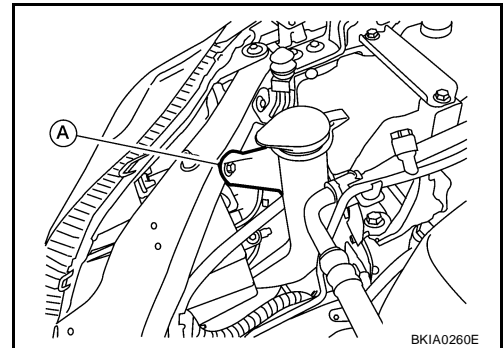
EKS00KDS

Refer to [LT-65, "Combination Switch Inspection"](#).

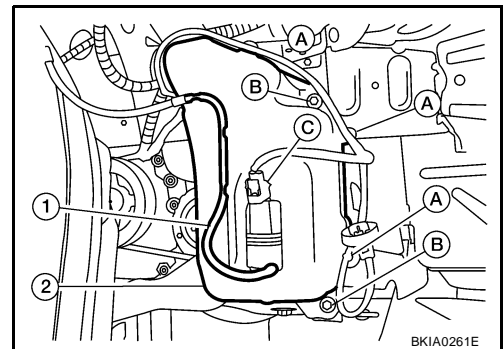
### Removal and Installation of Washer Fluid Reservoir REMOVAL

EKS00KDT

1. Remove the washer fluid reservoir screw (A).



2. Remove the front fender protector RH. Refer to [EI-21, "FENDER PROTECTOR"](#).
3. Detach the fog lamp harness clips (A) and remove the washer tube (1).
4. Disconnect the washer motor connector (C).
5. Remove the washer fluid reservoir screws (B), and remove washer reservoir (2).



### INSTALLATION

Installation is in the reverse order of removal.

#### CAUTION:

After installation, add water up to the upper level of washer fluid reservoir inlet, and check for water leaks.

### Removal and Installation of Front Washer Motor REMOVAL

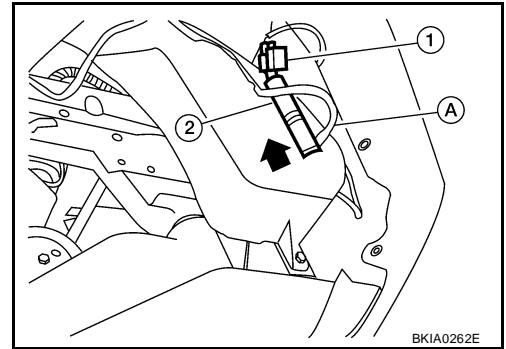
EKS00KDU

1. Remove the front fender protector RH. Refer to [EI-21, "FENDER PROTECTOR"](#).



## FRONT WIPER AND WASHER SYSTEM

2. Disconnect washer motor connector (1) and detach the washer tube (A).
3. Pull out washer motor (2) in the direction shown. Remove the washer motor (2) from washer fluid reservoir.



### INSTALLATION

Installation is in the reverse order of removal.

**CAUTION:**

When installing washer motor, there should be no hose twists.

A  
B  
C  
D  
E  
F  
G  
H  
I  
J  
L  
M

WW

# POWER SOCKET

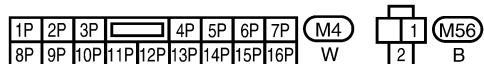
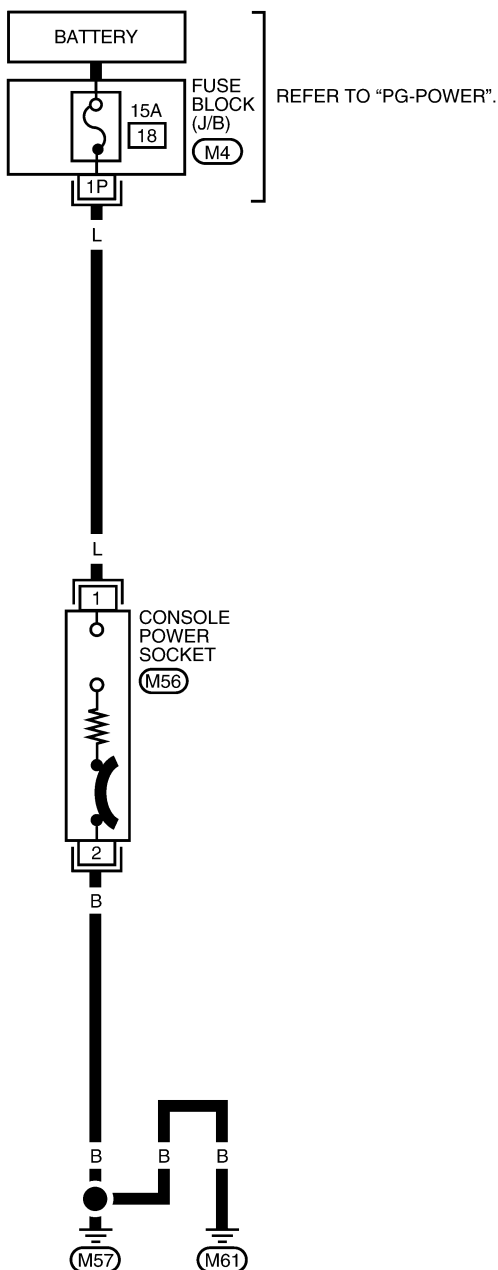
## POWER SOCKET

PF253A2

### Wiring Diagram — P/SCKT —

EKS00KDV

## WW-P/SCKT-01



WKWA5374E

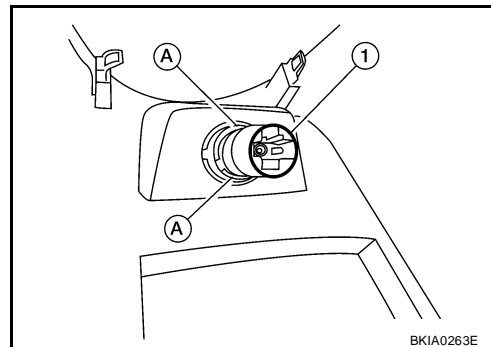
# POWER SOCKET

## Removal and Installation

EKS00KDW

### REMOVAL

1. Remove the center console. Refer to [IP-17, "CENTER CONSOLE ASSEMBLY"](#) .
2. Remove the instrument lower covers (LH) and (RH). Refer to [IP-11, "INSTRUMENT PANEL ASSEMBLY"](#) .
3. Remove the instrument lower cover (center). Refer to [IP-11, "INSTRUMENT PANEL ASSEMBLY"](#) .
4. Remove the power socket (1) while pressing the tabs (A) on the ring, disconnect the power socket connector.



### INSTALLATION

Installation is in the reverse order of removal.

A  
B  
C  
D  
E  
F  
G  
H  
I  
J  
L  
M

WW

# HORN

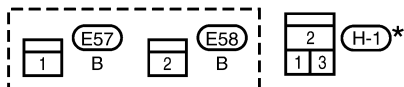
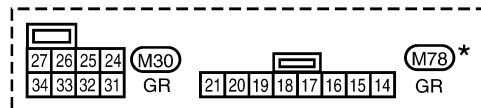
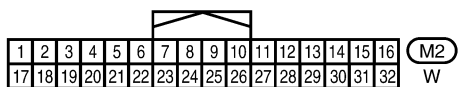
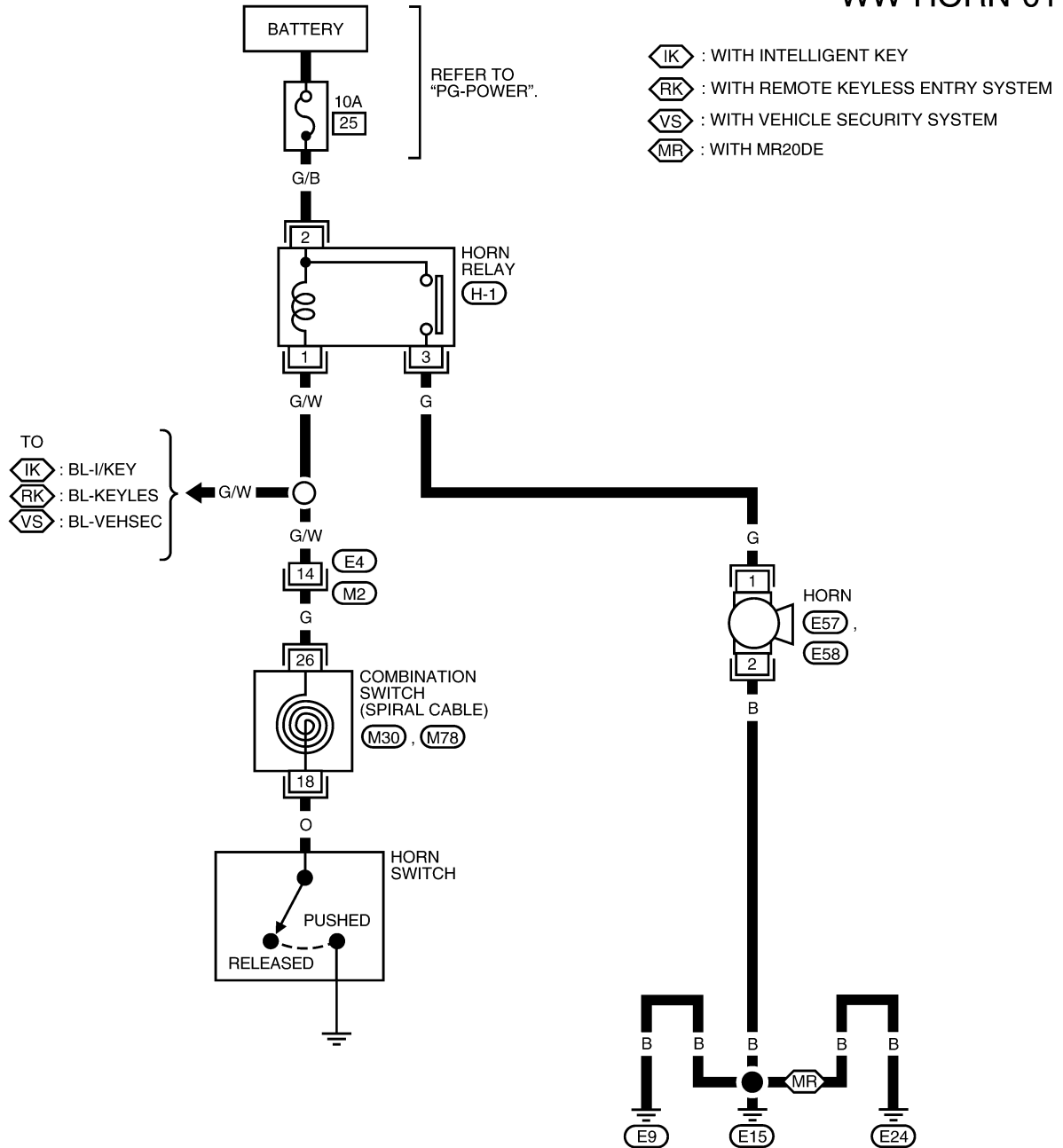
PFP:25610

## HORN

### Wiring Diagram — HORN —

EKS00KDX

#### WW-HORN-01



\*: THIS CONNECTOR IS NOT SHOWN IN "HARNESS LAYOUT" OF PG SECTION.

WKWA5861E

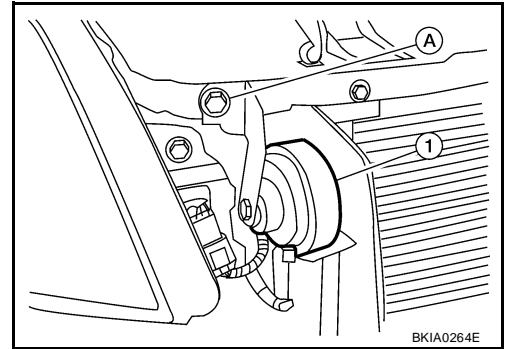
# HORN

## Removal and Installation

EKS00KDY

### REMOVAL

1. Remove the front bumper fascia. Refer to [EI-14, "FRONT BUMPER"](#) .
2. Disconnect the horn connectors.
3. Remove the horn bolt (A) and remove the horn (1).



### INSTALLATION

Installation is in the reverse order of removal.

A  
B  
C  
D  
E  
F  
G  
H  
I  
J  
L  
M

WW

# HORN

---