

SECTION BT

CONTENTS

PRECAUTIONS	2	Removal and Installation	20
Service Notice.....	2	SIDE AND FLOOR TRIM	24
Supplemental Restraint System (SRS) "AIR BAG" and "SEAT BELT PRE-TENSIONER".....	2	Removal and Installation	24
PREPARATION	3	BODY SIDE TRIM.....	24
Special Service Tools	3	DOOR TRIM	30
Commercial Service Tools	3	Removal and Installation	30
SQUEAK AND RATTLE TROUBLE DIAGNOSES	4	ROOF TRIM	32
Work Flow.....	4	Removal and Installation	32
CUSTOMER INTERVIEW	4	KING CAB.....	32
DUPLICATE THE NOISE AND TEST DRIVE	5	CREW CAB.....	34
CHECK RELATED SERVICE BULLETINS	5	EXTERIOR	35
LOCATE THE NOISE AND IDENTIFY THE ROOT CAUSE	5	Removal and Installation	35
REPAIR THE CAUSE.....	5	FRONT SEAT	41
CONFIRM THE REPAIR.....	6	Removal and Installation	41
Generic Squeak and Rattle Troubleshooting	6	REAR SEAT	42
INSTRUMENT PANEL.....	6	Removal and Installation	42
CENTER CONSOLE	6	SUNROOF	44
DOORS.....	6	Removal and Installation	44
TRUNK	7	WINDSHIELD AND WINDOWS	45
SUNROOF AND HEADLINER.....	7	Removal and Installation	45
SEATS.....	7	REMOVAL.....	45
UNDERHOOD	7	INSTALLATION.....	45
Diagnostic Worksheet.....	8	WINDSHIELD	46
CLIP AND FASTENER	10	SIDE WINDOW.....	46
Description	10	BACK WINDOW	47
BODY FRONT END	12	REAR VIEW MIRROR	48
Removal and Installation	12	Removal.....	48
FRONT BUMPER ASSEMBLY	12	Installation.....	48
BODY REAR END AND OPENER	15	DOOR MIRROR	49
Removal and Installation	15	Removal and Installation	49
REAR BUMPER ASSEMBLY	15	CAB AND REAR BODY	50
FRONT DOOR	18	Body Mounting.....	50
Overhaul	18	BODY (ALIGNMENT)	51
REAR DOOR	19	Alignment.....	51
Overhaul	19	ENGINE COMPARTMENT.....	52
INSTRUMENT PANEL ASSEMBLY	20	UNDERBODY.....	54

GI
MA
EM
LC
EC
FE
CL
MT
AT
TF
PD
AX
SU
BR
ST
RS
BT
HA
SC
EL
IDX

PRECAUTIONS

Service Notice

Service Notice

NEBT0001

- When removing or installing various parts, place a cloth or padding on the vehicle body to prevent scratches.
- Handle trim, molding, instruments, grille, etc. carefully during removing or installing. Be careful not to soil or damage them.
- Apply sealing compound where necessary when installing parts.
- When applying sealing compound, be careful that the sealing compound does not protrude from parts.
- When replacing any metal parts (for example body outer panel, members, etc.), be sure to take rust prevention measures.

Supplemental Restraint System (SRS) “AIR BAG” and “SEAT BELT PRE-TENSIONER”

NEBT0002

The Supplemental Restraint System such as “AIR BAG” and “SEAT BELT PRE-TENSIONER”, used along with a seat belt, helps to reduce the risk or severity of injury to the driver and front passenger in a frontal collision. The Supplemental Restraint System consists of air bag modules (located in the center of the steering wheel and in the instrument panel on the passenger side), seat belt pre-tensioners, a diagnosis sensor unit, warning lamp, wiring harness, and spiral cable.

The vehicle (except Crew Cab model) is equipped with a passenger air bag deactivation switch. Because no rear seat exists where a rear-facing child restraint can be placed, the switch is designed to turn off the passenger air bag so that a rear-facing child restraint can be used in the front passenger seat. The switch is located in the center of the instrument panel, near the ashtray. When the switch is turned to the ON position, the passenger air bag is enabled and could inflate in a frontal collision. When the switch is turned to the OFF position, the passenger air bag is disabled and will not inflate in a frontal collision. A passenger air bag OFF indicator on the instrument panel lights up when the passenger air bag is switched OFF. The driver air bag always remains enabled and is not affected by the passenger air bag deactivation switch.

Information necessary to service the system safely is included in the **RS section** of this Service Manual.

WARNING:

- **To avoid rendering the SRS inoperative, which could increase the risk of personal injury or death in the event of a collision which would result in air bag inflation, all maintenance should be performed by an authorized NISSAN dealer.**
- **Improper maintenance, including incorrect removal and installation of the SRS, can lead to personal injury caused by unintentional activation of the system. For removal of Spiral Cable and Air Bag Module, see the RS section.**
- **Do not use electrical test equipment on any circuit related to the SRS unless instructed to in this Service Manual. SRS wiring harnesses can be identified by yellow harness connectors.**
- **The vehicle (except Crew Cab model) is equipped with a passenger air bag deactivation switch which can be operated by the customer. When the passenger air bag is switched OFF, the passenger air bag is disabled and will not inflate in a frontal collision. When the passenger air bag is switched ON, the passenger air bag is enabled and could inflate in a frontal collision. After SRS maintenance or repair, make sure the passenger air bag deactivation switch is in the same position (ON or OFF) as when the vehicle arrived for service.**

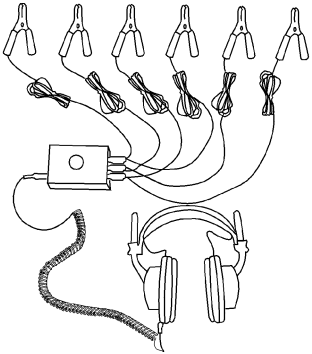
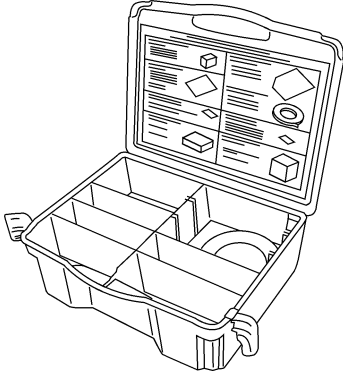
PREPARATION

Special Service Tools

Special Service Tools

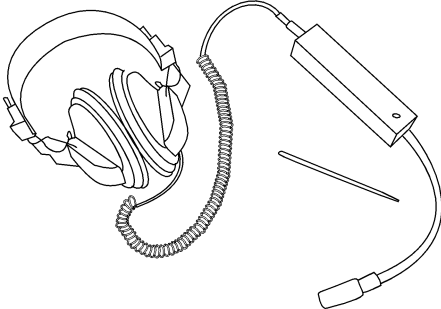
NEBT0027

The actual shapes of Kent-Moore tools may differ from those of special service tools illustrated here.

Tool number (Kent-Moore No.) Tool name	Description	GI
(J-39570) Chassis Ear	 <p data-bbox="993 352 1182 378">Locating the noise</p> <p data-bbox="440 720 509 741">ABT465</p>	<p>MA</p> <p>EM</p> <p>LC</p> <p>EC</p> <p>FE</p>
(J-43980) NISSAN Squeak and Rattle Kit	 <p data-bbox="993 756 1182 781">Locating the noise</p> <p data-bbox="440 1161 509 1182">ABT474</p>	<p>CL</p> <p>MT</p> <p>AT</p> <p>TF</p> <p>PD</p>

Commercial Service Tools

NEBT0028

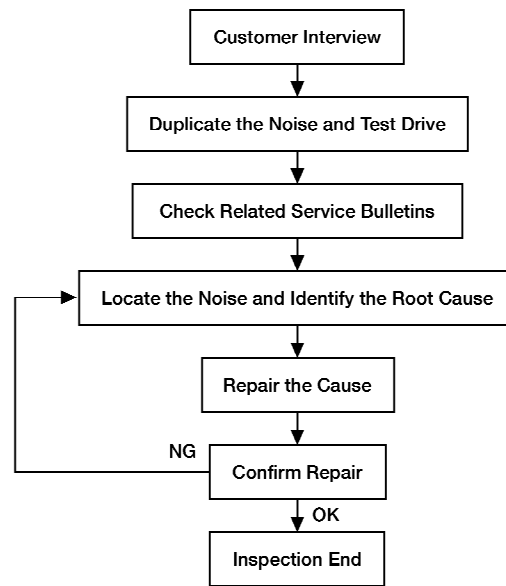
Tool name	Description	SU
Engine Ear	 <p data-bbox="993 1386 1182 1411">Locating the noise</p> <p data-bbox="440 1755 509 1776">ABT466</p>	<p>BR</p> <p>ST</p> <p>RS</p> <p>BT</p> <p>HA</p> <p>SC</p> <p>EL</p>

SQUEAK AND RATTLE TROUBLE DIAGNOSES

Work Flow

Work Flow

NEBT0026S01



ABT488

CUSTOMER INTERVIEW

NEBT0026S0101

Interview the customer, if possible, to determine the conditions that exist when the noise occurs. Use the Diagnostic Worksheet during the interview to document the facts and conditions when the noise occurs and any customer comments; refer to "Diagnostic Worksheet", BT-8. This information is necessary to duplicate the conditions that exist when the noise occurs

- The customer may not be able to provide a detail description or location of the noise. Attempt to obtain all the facts and conditions that exist when the noise occurs (or does not occur).
- If there is more than one noise in the vehicle, be sure to diagnose and repair the noise that the customer is concerned about. This can be accomplished by test driving the vehicle with the customer.
- After identifying the type of noise, isolate the noise in terms of its characteristics. The noise characteristics are provided so the customer, service adviser and technician are all speaking the same language when defining the noise.

- Squeak-(Like tennis shoes on a clean floor)

Squeak characteristics include the light contact / fast movement / brought on by road conditions / hard surfaces = higher pitch noise / softer surfaces = lower pitch noises / edge to surface = chirping.

- Creak-(Like walking on an old wooden floor)

Creak characteristics include firm contact / slow movement / twisting with a rotational movement / pitch dependent on materials / often brought on by activity.

- Rattle-(Like shaking a baby rattle)

Rattle characteristics include the fast repeated contact / vibration or similar movement / loose parts / missing clip or fastener / incorrect clearance.

- Knock-(Like a knock on a door)

Knock characteristics include hollow sound / something repeating / often brought on by driver action.

- Tick-(Like a clock second hand)

Tick characteristics include light contact of light material / loose components / can be caused by driver action on road conditions.

- Thump-(Heavy, muffled knock noise)

Thump characteristics include softer knock / dead sound often brought on by activity.

- Buzz-(Like a bumble bee)

Buzz characteristics include high frequency rattle / firm contact

- Often the degree of acceptable noise level will vary depending upon the person. A noise that you may judge as acceptable may be very irritating to the customer.
- Weather conditions, especially humidity and temperature, may have a great effect on noise level.

SQUEAK AND RATTLE TROUBLE DIAGNOSES

Work Flow (Cont'd)

DUPLICATE THE NOISE AND TEST DRIVE

NEBT0026S0102

If possible, drive the vehicle with the customer until the noise is duplicated. Note any additional information on the Diagnostic Worksheet regarding the conditions or locations of the noise. This information can be used to duplicate the same conditions when you confirm the repair.

If the noise can be duplicated easily during the test drive, to help identify the source of the noise, try to duplicate the noise with the vehicle stopped by doing one or all of the following:

- 1) Close a door.
 - 2) Tap or push / pull around the area where the noise appears to be coming from.
 - 3) Rev the engine.
 - 4) Use a floor jack to recreate vehicle "twist".
 - 5) At idle, apply engine load (electric load, half-clutch on M/T model, drive position on A/T model).
 - 6) Raise the vehicle on a hoist and hit a tire with rubber hammer.
- Drive the vehicle and attempt to duplicate the conditions the customer states exist when the noise occurs.
 - If it is difficult to duplicate the noise, drive the vehicle slowly on an undulating or rough road to stress the vehicle body.

CHECK RELATED SERVICE BULLETINS

NEBT0026S0103

After verifying the customer concern or symptom, check ASSIST for Technical Service Bulletins (TSBs) related to that concern or symptom.

If a TSB relates to the symptom, follow the procedure to repair the noise.

LOCATE THE NOISE AND IDENTIFY THE ROOT CAUSE

NEBT0026S0104

1. Narrow down the noise to a general area. To help pinpoint the source of the noise, use a listening tool (Chassis Ear: J-39570, Engine Ear and mechanics stethoscope).
2. Narrow down the noise to a more specific area and identify the cause of the noise by:
 - Removing the components in the area that you suspect the noise is coming from.

Do not use too much force when removing clips and fasteners, otherwise clips and fasteners can be broken or lost during the repair, resulting in the creation of new noise.

- Tapping or pushing/pulling the component that you suspect is causing the noise.

Do not tap or push/pull the component with excessive force, otherwise the noise will be eliminated only temporarily.

- Feeling for a vibration with your hand by touching the component(s) that you suspect is (are) causing the noise.
- Placing a piece of paper between components that you suspect are causing the noise.
- Looking for loose components and contact marks.

Refer to Generic Squeak and Rattle Troubleshooting.

REPAIR THE CAUSE

NEBT0026S0106

- If the cause is a loose component, tighten the component securely.
- If the cause is insufficient clearance between components:
 - Separate components by repositioning or loosening and retightening the component, if possible.
 - insulate components with a suitable insulator such as urethane pads, foam blocks, felt cloth tape or urethane tape. A NISSAN Squeak and Rattle Kit (J-43980) is available through your authorized NISSAN Parts Department.

CAUTION:

Do not use excessive force as many components are constructed of plastic and may be damaged. Always check with the Parts Department for the latest parts information.

The following material are contained in the NISSAN Squeak and Rattle Kit (J-43980) Each item can be ordered separately as needed.

URETHANE PADS (1.5 mm thick)

insulates connectors, harness, etc.

76268–9E005: 100 x 135 mm / 76884–71L01: 60 x 85 mm / 76884–71L02: 15 x 25 mm

INSULATOR (foam blocks)

Insulates components from contact. Can be used to fill space behind a panel.

73982–9E000: 45 mm thick, 50 x 50 mm / 73982–50Y00: 10 mm thick, 50 x 50 mm

SQUEAK AND RATTLE TROUBLE DIAGNOSES

Work Flow (Cont'd)

INSULATOR (Light foam block)

80845-71L00: 30 mm thick, 30 x 50 mm

FELT CLOTH TAPE

Used to insulate where movement does not occur. Ideal for instrument panel applications.

68370-4B000: 15 x 25 mm pad / 68239-13E00: 5 mm wide tape roll

The following materials, not found in the kit, can also be used to repair squeaks and rattles.

UHMW (TEFLON) TAPE

Insulates where slight movement is present. Ideal for instrument panel applications.

SILICONE GREASE

Used in place of UHMW tape that will be visible or not fit.

Note: Will only last a few months.

SILICONE SPRAY

Use when grease cannot be applied.

DUCT TAPE

Use to eliminate movement.

CONFIRM THE REPAIR

Confirm that the cause of a noise is repaired by test driving the vehicle. Operate the vehicle under the same conditions as when the noise originally occurred. Refer to the notes on the Diagnostic Worksheet.

NEBT0026S0107

Generic Squeak and Rattle Troubleshooting

NEBT0026S03

INSTRUMENT PANEL

NEBT0026S0301

Most incidents are caused by contact and movement between:

1. The lid A and instrument panel
2. Acrylic lens and combination meter housing
3. Instrument panel to front pillar garnish
4. Instrument panel to windshield
5. Instrument panel mounting pins
6. Wiring harness behind the combination meter
7. A/C defroster duct and duct joint

These incidents can usually be located by tapping or moving the components to duplicate the noise or by pressing on the components while driving to stop the noise. Most of these incidents can be repaired by applying felt cloth tape or silicone spray (in hard to reach areas). Urethane pads can be used to insulate wiring harness.

CAUTION:

Do not use silicone spray to isolate a squeak or rattle. If you saturate the area with silicone, you will not be able to recheck the repair.

CENTER CONSOLE

NEBT0026S0302

Components to pay attention to include:

1. Shifter assembly cover to finisher
2. A/C control unit and cluster lid C
3. Wiring harness behind audio and A/C control unit

The instrument panel repair and isolation procedures also apply to center console.

DOORS

NEBT0026S0303

Pay attention to the:

1. Finisher an inner panel making a slapping noise
2. Inside handle escutcheon to door finisher
3. Wiring harnesses tapping
4. Door striker out of alignment causing a popping noise on starts and stops

Tapping or moving the components or pressing on them while driving to duplicate the conditions can isolate many of these incidents. You can usually insulate the areas with felt cloth or insulator foam blocks from the NISSAN Squeak and Rattle Kit (J-43980) to repair the noise.

SQUEAK AND RATTLE TROUBLE DIAGNOSES

Generic Squeak and Rattle Troubleshooting (Cont'd)

TRUNK

NEBT0026S0304

Trunk noises are often caused by a loose jack or loose items put into the trunk by the owner.

In addition look for:

1. Trunk lid bumpers out of adjustment
2. Trunk lid striker out of adjustment
3. The trunk lid torsion bars knocking together
4. A loose license plate or bracket

Most of these incidents can be repaired by adjusting, securing, or insulating the items(s) or components(s) causing the noise.

SUNROOF AND HEADLINER

NEBT0026S0305

Noises in the sunroof and headliner area can often be traced to one of the following:

1. Sunroof lid, rail, linkage or seals making a rattle or light knocking noise
2. Sunvisor shaft shaking in the holder
3. Front or rear windshield touching headliner and squeaking

Again, pressing on the components to stop the noise while duplicating the conditions can isolate most of these incidents. Repairs usually consist of insulating with felt cloth tape.

SEATS

NEBT0026S0306

When isolating seat noises it's important to note the position the seat in and the load placed on the seat when the noise is present.

These conditions should be duplicated when verifying and isolating the cause of the noise.

Causes of seat noise include:

1. Headrest rods and holders
2. A squeak between the seat pad cushion and frame
3. The rear seat back lock and bracket

These noises can be isolated by moving or pressing on the suspected components while duplicating the conditions under which the noise occurs. Most of these incidents can be repaired by repositioning the component or applying urethane tape to the contact area.

UNDERHOOD

NEBT0026S0307

Some interior noises may be caused by components under the hood or on the engine wall. The noise is then transmitted into the passenger compartment.

Causes of transmitted underhood noises include:

1. Any components mounted to the engine wall
2. Components that pass thru the engine wall
3. Engine wall mounts and connectors
4. Loose radiator mounting pins
5. Hood bumpers out of adjustment
6. Hood striker out of adjustment

These noises can be difficult to isolate since they can not be reached from the interior of the vehicle. The best method is to secure, move or insulate one component at a time and test drive the vehicle. Also, engine RPM or load can be changed to isolate the noise.

Repair can usually be made by moving, adjusting, securing, or insulating the component causing the noise.

GI

MA

EM

LC

EC

FE

CL

MT

AT

TF

PD

AX

SU

BR

ST

RS

BT

HA

SC

EL

IDX

SQUEAK AND RATTLE TROUBLE DIAGNOSES

Diagnostic Worksheet



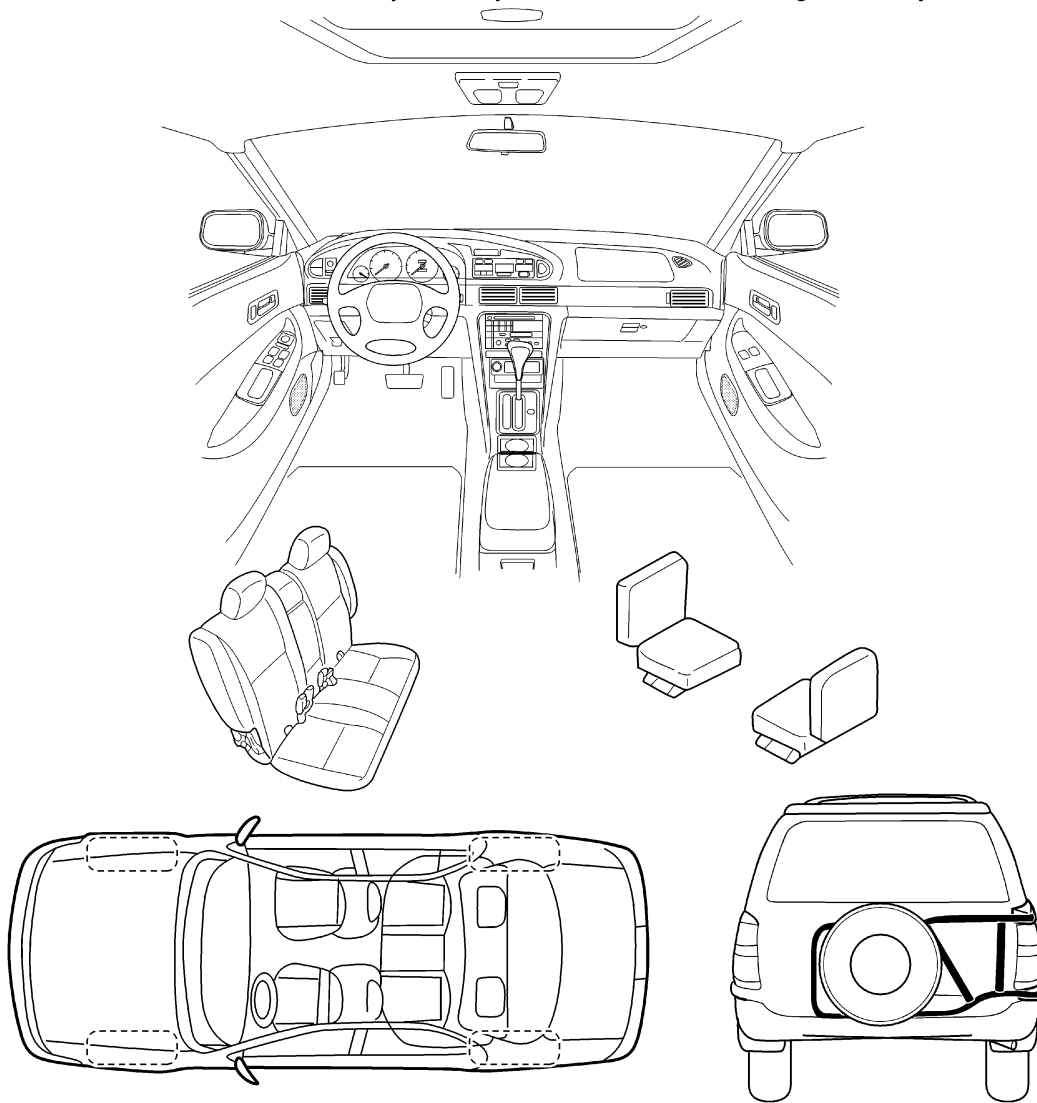
SQUEAK & RATTLE DIAGNOSTIC WORKSHEET

Dear Nissan Customer:

We are concerned about your satisfaction with your Nissan vehicle. Repairing a squeak or rattle sometimes can be very difficult. To help us fix your Nissan right the first time, please take a moment to note the area of the vehicle where the squeak or rattle occurs and under what conditions. You may be asked to take a test drive with a service advisor or technician to ensure we confirm the noise you are hearing.

I. WHERE DOES THE NOISE COME FROM? (circle the area of the vehicle)

The illustrations are for reference only, and may not reflect the actual configuration of your vehicle.



Continue to the back of the worksheet and briefly describe the location of the noise or rattle. In addition, please indicate the conditions which are present when the noise occurs.

SQUEAK AND RATTLE TROUBLE DIAGNOSES

Diagnostic Worksheet (Cont'd)

SQUEAK & RATTLE DIAGNOSTIC WORKSHEET- page 2

Briefly describe the location where the noise occurs:

II. WHEN DOES IT OCCUR? (check the boxes that apply)

- | | |
|--|---|
| <input type="checkbox"/> anytime | <input type="checkbox"/> after sitting out in the sun |
| <input type="checkbox"/> 1 st time in the morning | <input type="checkbox"/> when it is raining or wet |
| <input type="checkbox"/> only when it is cold outside | <input type="checkbox"/> dry or dusty conditions |
| <input type="checkbox"/> only when it is hot outside | <input type="checkbox"/> other: _____ |

III. WHEN DRIVING:

- through driveways
- over rough roads
- over speed bumps
- only at about ____ mph
- on acceleration
- coming to a stop
- on turns : left, right or either (circle)
- with passengers or cargo
- other: _____
- after driving ____ miles or ____ minutes

IV. WHAT TYPE OF NOISE?

- squeak (like tennis shoes on a clean floor)
- creak (like walking on an old wooden floor)
- rattle (like shaking a baby rattle)
- knock (like a knock on a door)
- tick (like a clock second hand)
- thump (heavy, muffled knock noise)
- buzz (like a bumble bee)

TO BE COMPLETED BY DEALERSHIP PERSONNEL

Test Drive Notes:

	<u>YES</u>	<u>NO</u>	Initials of person <u>performing</u>
Vehicle test driven with customer	<input type="checkbox"/>	<input type="checkbox"/>	_____
- Noise verified on test drive	<input type="checkbox"/>	<input type="checkbox"/>	_____
- Noise source located and repaired	<input type="checkbox"/>	<input type="checkbox"/>	_____
- Follow up test drive performed to confirm repair	<input type="checkbox"/>	<input type="checkbox"/>	_____

VIN: _____ Customer Name: _____

W.O. #: _____ Date: _____

This form must be attached to Work Order

ABT469

GI
MA
EM
LC
EC
FE
CL
MT
AT
TF
PD
AX
SU
BR
ST
RS
BT
HA
SC
EL
IDX


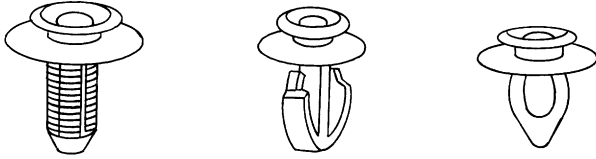
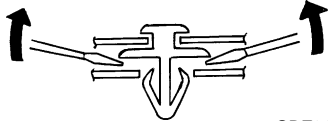

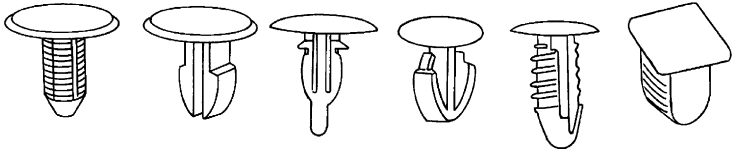
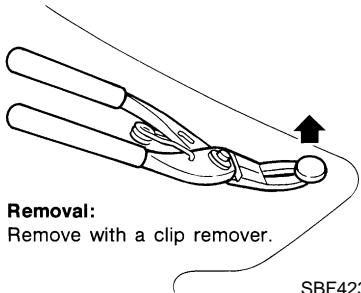

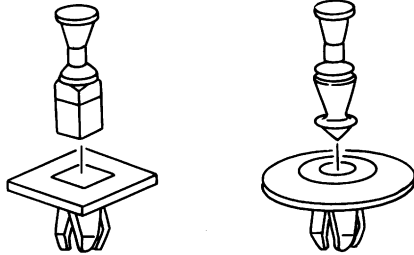
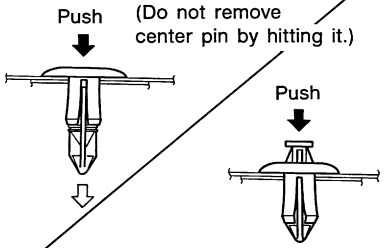

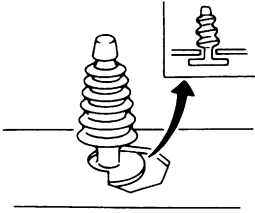
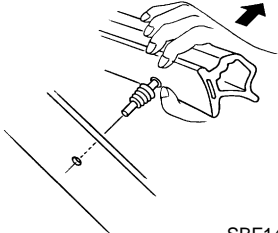
CLIP AND FASTENER

Description

Description

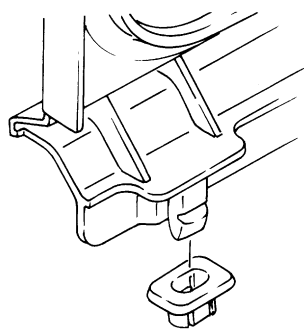
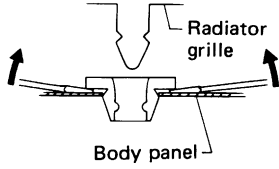
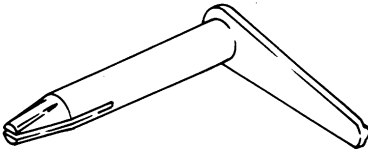
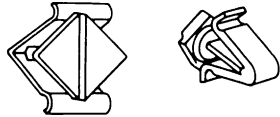

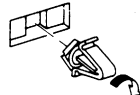

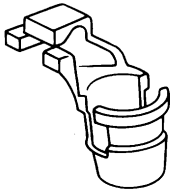
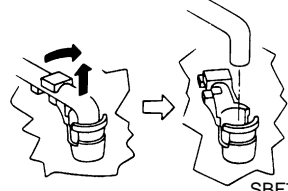
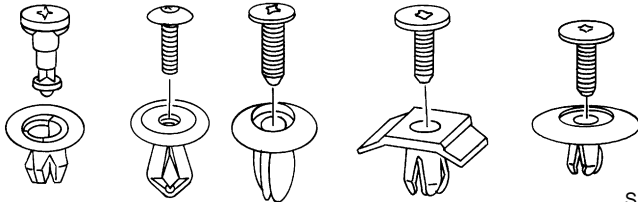
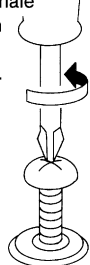
NEBT0003

- Clips and fasteners in BT section correspond to the following numbers and symbols.
- Replace any clips and/or fasteners which are damaged during removal or installation.

Symbol No.	Shapes	Removal & Installation
<p>C101</p> 	 <p>SBF302H</p>	<p>Removal: Remove by bending up with flat-bladed screwdrivers or clip remover.</p>  <p>SBF367BA</p>
<p>C103</p> 	 <p>SBT095</p>	 <p>Removal: Remove with a clip remover.</p> <p>SBF423H</p>
<p>C203</p> 	 <p>SBF258G</p>	<p>Push center pin to catching position. (Do not remove center pin by hitting it.)</p>  <p>Installation:</p> <p>SBF708E</p>
<p>CE103</p> 	 <p>SBF104B</p>	<p>Removal:</p>  <p>SBF147B</p>

CLIP AND FASTENER

Description (Cont'd)

Symbol No.	Shapes	Removal & Installation
CG104	 <p style="text-align: right;">SBF351C</p>	<p>Removal: Remove by bending up with flat-bladed screwdrivers.</p>  <p style="text-align: right;">SBF352C</p>
CE114	 <p style="text-align: right;">SBF353C</p>	<p style="text-align: center;">—</p>
CG101	 <p style="text-align: right;">SBF145B</p>	<p>Removal: Rotate 45° to remove.</p>  <p>Installation:</p>  <p>Removal:</p>  <p style="text-align: right;">SBF085B</p>
CR103	 <p style="text-align: right;">SBF768B</p>	<p>Removal: Holder portion of clip must be spread out to remove rod.</p>  <p style="text-align: right;">SBF770B</p>
CS101	 <p style="text-align: right;">SBF078B</p>	<p>Removal:</p> <ol style="list-style-type: none"> Screw out with a Phillips screwdriver. Remove female portion with flat-bladed screwdriver.  <p style="text-align: right;">SBF992G</p>

GI
MA
EM
LC
EC
FE
CL
MT
AT
TF
PD
AX
SU
BR
ST
RS
BT
HA
SC
EL
IDX

BODY FRONT END

Removal and Installation

Removal and Installation

NEBT0004

- When removing or installing hood, place a cloth or other padding on hood. This prevents vehicle body from being scratched.
- Bumper fascia is made of plastic. Do not use excessive force and be sure to keep oil away from it.
- Hood adjustment: Adjust at hinge portion.
- Hood lock adjustment: After adjusting, check hood lock control operation. Apply a coat of grease to hood lock engaging mechanism.
- Hood opener: Do not attempt to bend cable forcibly. Doing so increases effort required to unlock hood.

FRONT BUMPER ASSEMBLY

NEBT0004S01

1. Remove push pins securing the fascia to the reinforcement. **A**
2. Remove screws securing the fascia to the fender. **B**
3. Remove bolts securing left and right bumper stays. **C**
4. Remove the push pins securing the fascia to the frame.
5. Remove the fascia.
6. Remove the frame crossbar.
7. Remove the front bumper assembly.
8. Remove the fascia reinforcement.

BODY FRONT END

Removal and Installation (Cont'd)

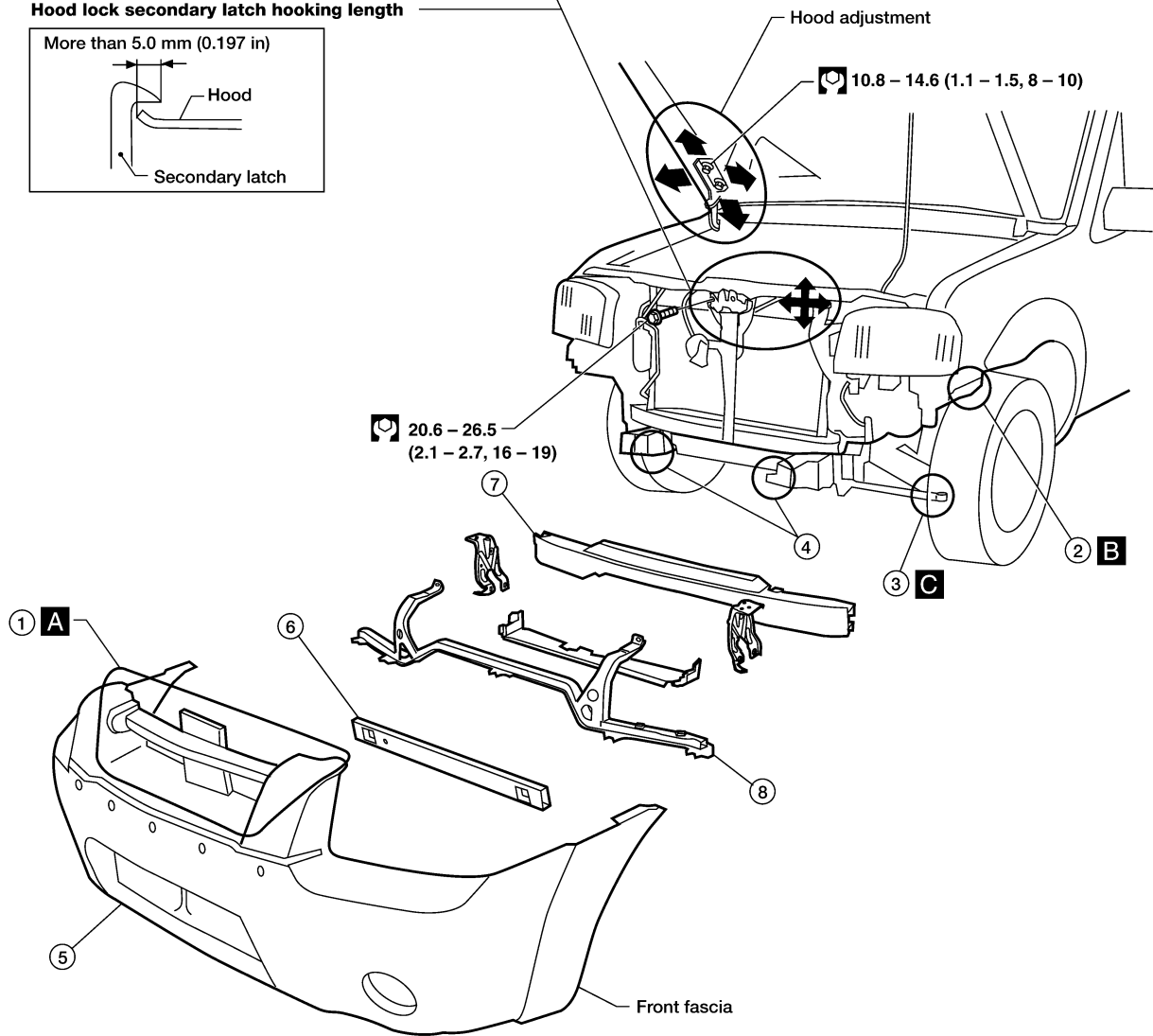
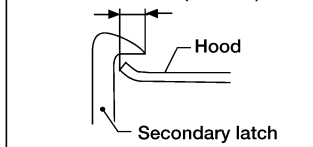
SEC. 261 • 620 • 650

Hood lock adjustment

- Adjust hood so that hood primary lock meshes at a position 1 to 1.5 mm (0.039 to 0.059 in) lower than fender.
- After hood lock adjustment, adjust bumper rubber.
- When securing hood lock, ensure it does not tilt. Striker must be positioned at the center of hood primary lock.
- After adjustment, ensure that hood primary and secondary lock operate properly.

Hood lock secondary latch hooking length

More than 5.0 mm (0.197 in)



: N-m (kg-m, ft-lb)

GI

MA

EM

LC

EC

FE

CL

MT

AT

TF

PD

AX

SU

BR

ST

RS

BT

HA

SC

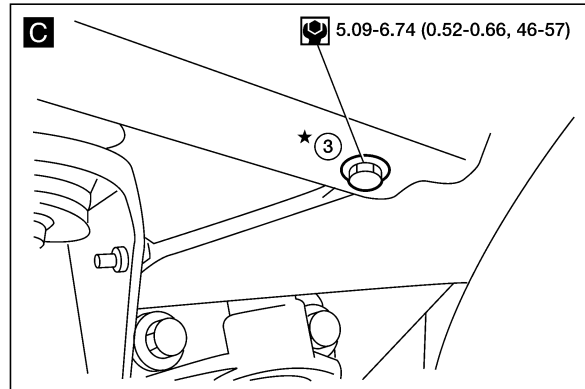
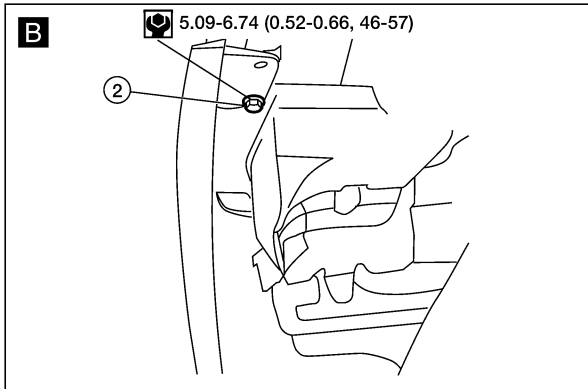
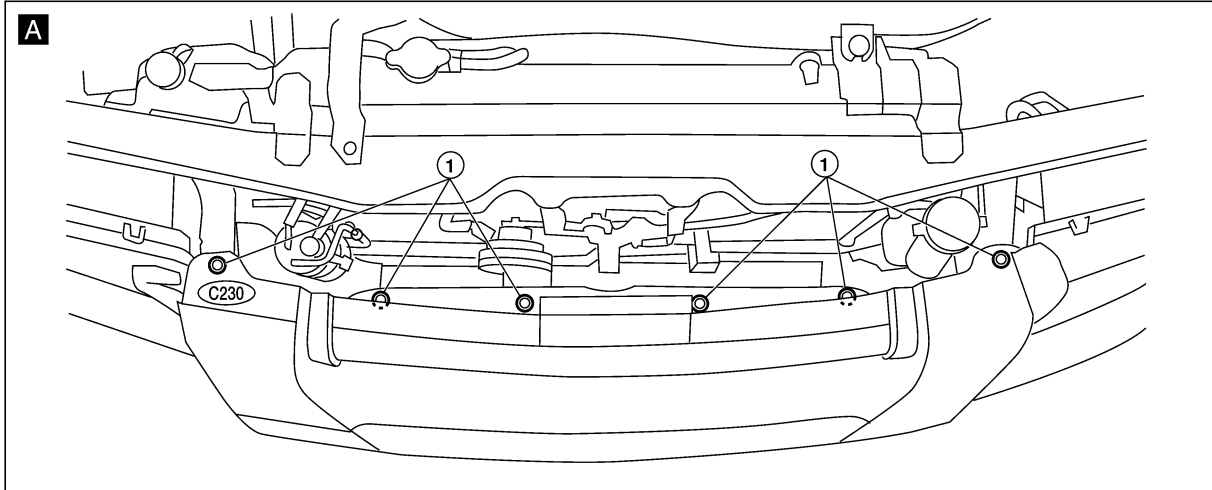
EL


IDX

WBT097

BODY FRONT END

Removal and Installation (Cont'd)



 N·m (kg·m, in·lb)

★ : Bumper assembly mounting bolts

WBT179

BODY REAR END AND OPENER

Removal and Installation

Removal and Installation

NEBT0005

- Adjustment: Adjust at hinge portion for proper fit.
- Lock system adjustment: Adjust striker so that it is in the center of the lock. After adjustment, check trunk lid lock operation.
- After installation, make sure that rear gate opens smoothly.

GI

MA

REAR BUMPER ASSEMBLY

NEBT0005S01

Remove connectors securing license plate lamps.

1. Remove nuts securing bumper side stay. **A** or **G**
2. Remove bumper assembly.

EM

LC

EC

FE

CL

MT

AT

TF

PD

AX

SU

BR

ST

RS

BT

HA

SC

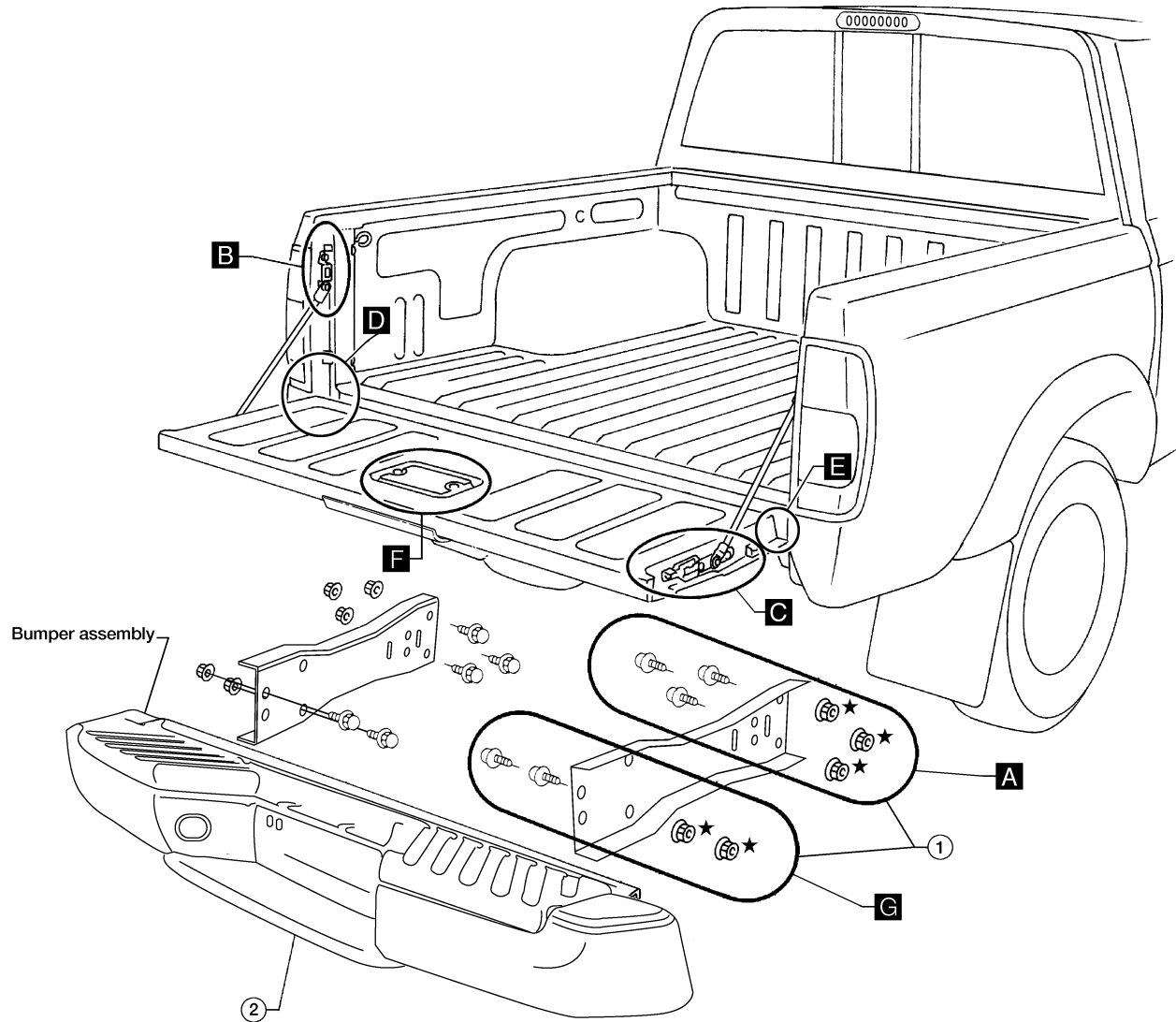
EL

IDX

BODY REAR END AND OPENER

Removal and Installation (Cont'd)

SEC. 930A • 940A



: N·m (kg·m, ft·lb)

A : 68 – 78 (6.9 – 8.0, 50 – 58)

B : 13 – 16 (1.3 – 1.6, 9 – 12)
21 – 26 (2.1 – 2.7, 15 – 20)

C : 13 – 16 (1.3 – 1.6, 9 – 12)

D : 21 – 26 (2.1 – 2.7, 15 – 20)

E : 21 – 26 (2.1 – 2.7, 15 – 20)

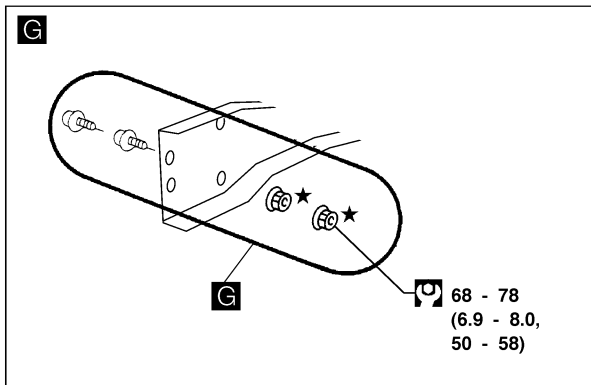
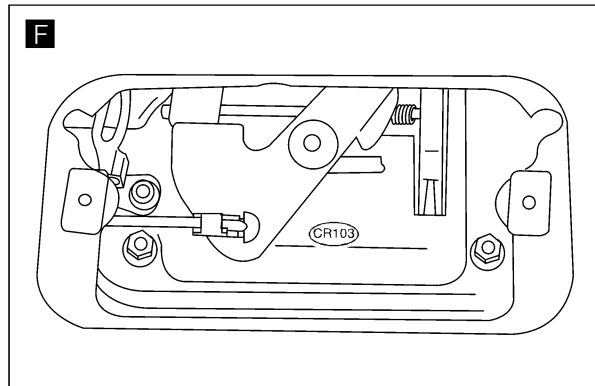
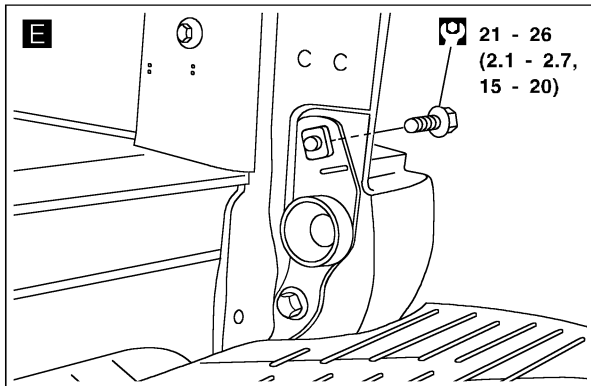
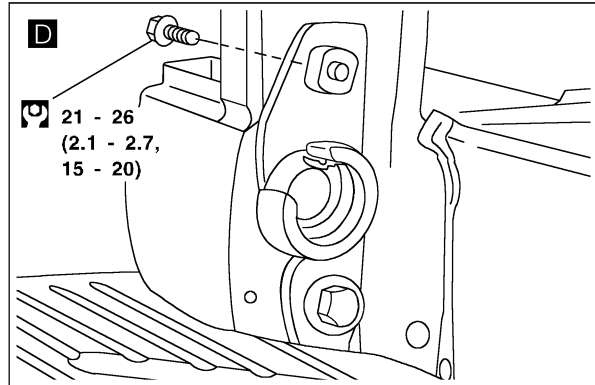
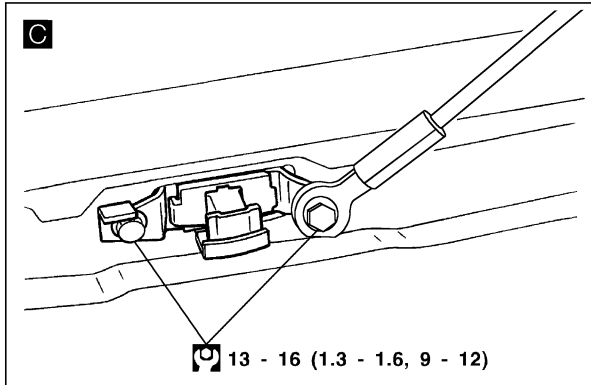
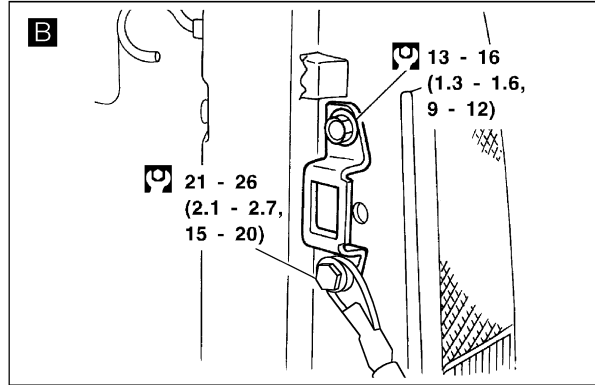
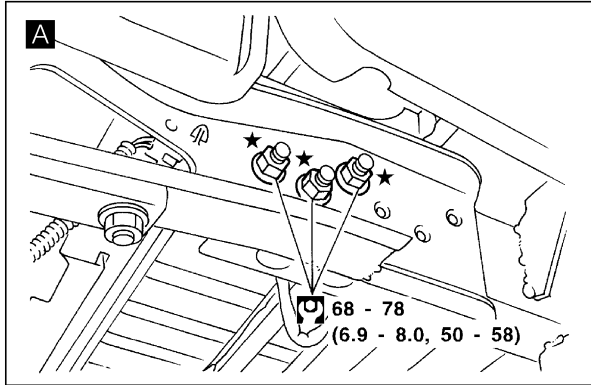
G : 68 – 78 (6.9 – 8.0, 50 – 58)

★ : Bumper assembly mounting nuts

WBT087

BODY REAR END AND OPENER

Removal and Installation (Cont'd)



: N·m (kg-m, ft-lb)

★ : Bumper assembly mounting bolts and nuts

GI

MA

EM

LC

EC

FE

CL

MT

AT

TF

PD

AX

SU

BR

ST

RS

BT

HA

SC

WBT088

EL

IDX

FRONT DOOR

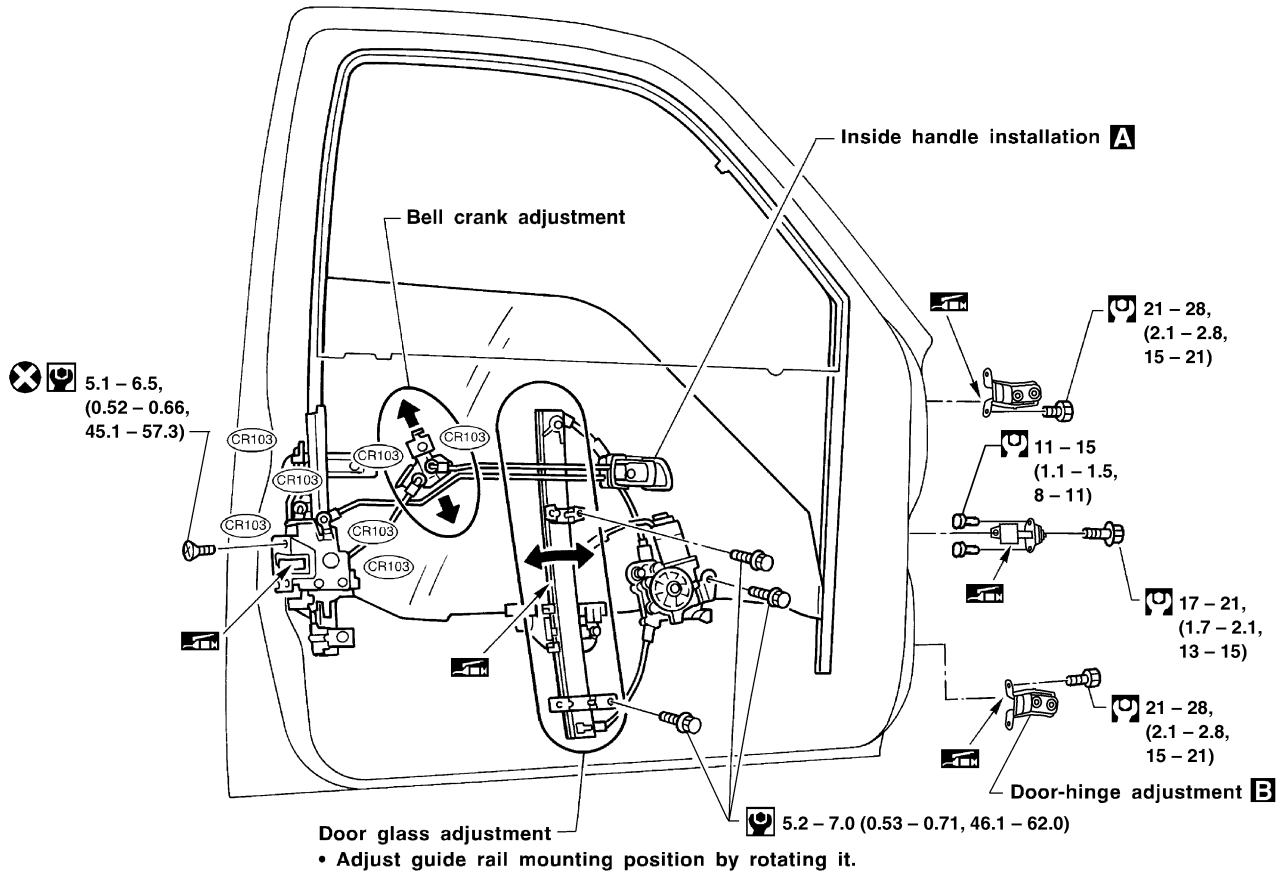
Overhaul

Overhaul

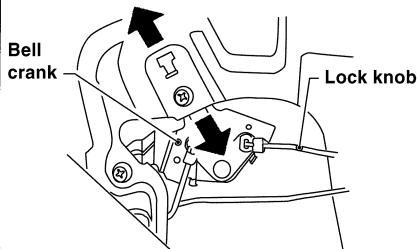
NEBT0006

- For removal of door trim, refer to "Removal and Installation", BT-30.
- After adjusting door or door lock, check door lock operation.

SEC. 800•803•805

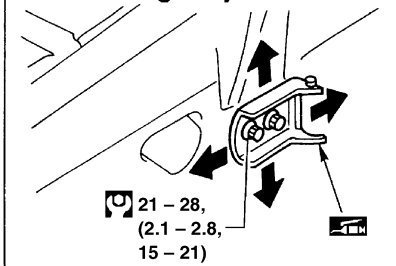


A Bell crank adjustment

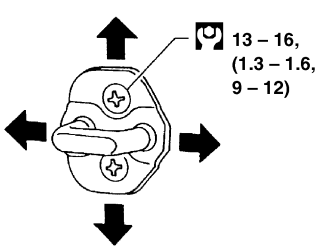


Lock door after setting door lock assembly and inside handle in position. Move bell crank in direction of arrow (shown in figure at left) to take up knob free play, and secure with bolts.

B Door-hinge adjustment



Striker adjustment



- : N-m (kg-m, in-lb)
- : N-m (kg-m, ft-lb)
- : Grease-up point (Do not apply too much grease as it will drip)

WBT109

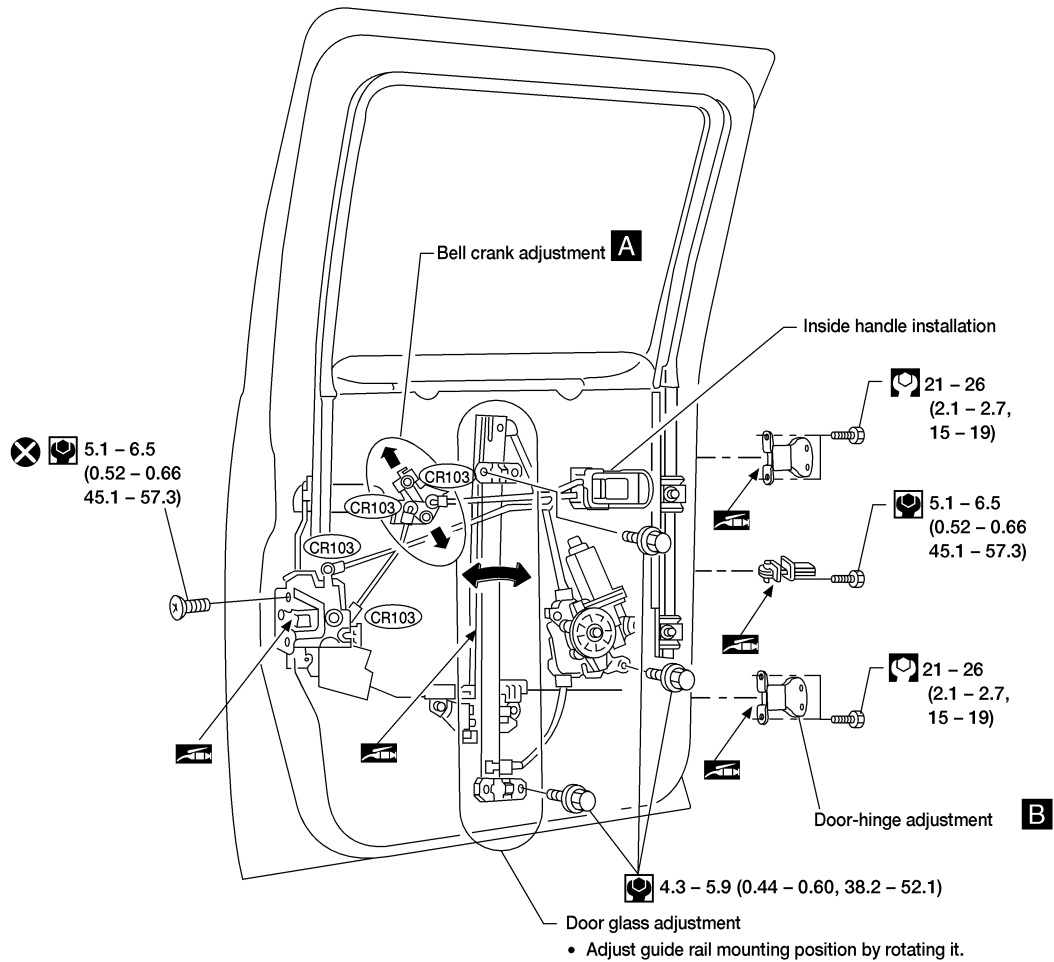
REAR DOOR

Overhaul

Overhaul

NEBT0023

SEC. 820 • 823 • 825



A Bell crank adjustment

Bell crank
Lock knob

Lock door after setting door lock assembly and inside handle in position. Move bell crank in direction of arrow (shown in figure at left) to take up knob free play, and secure with bolts.

B Door-hinge adjustment

18 – 24 (1.8 – 2.4, 13 – 18) N·m (kg-m, in-lb)

Striker adjustment

13 – 16 (1.3 – 1.6, 9 – 12) N·m (kg-m, in-lb)

- : N·m (kg-m, in-lb)
- : N·m (kg-m, ft-lb)
- : Grease-up point (Do not apply too much grease as it will drip)

WBT110

GI
MA
EM
LC
EC
FE
CL
MT
AT
TF
PD
AX
SU
BR
ST
RS
BT
HA
SC
EL
IDX

INSTRUMENT PANEL ASSEMBLY

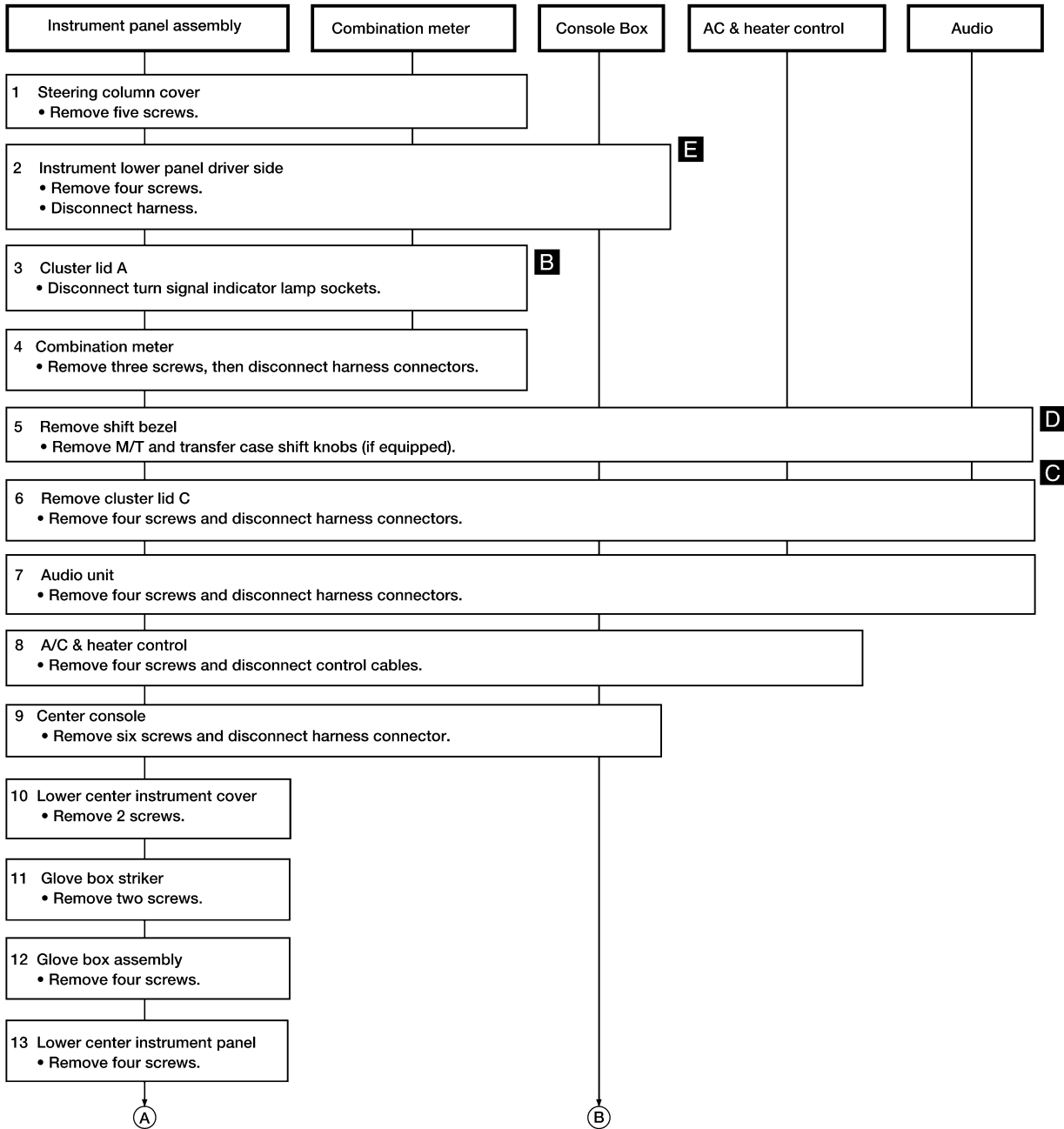
Removal and Installation

Removal and Installation

NEBT0008

CAUTION:

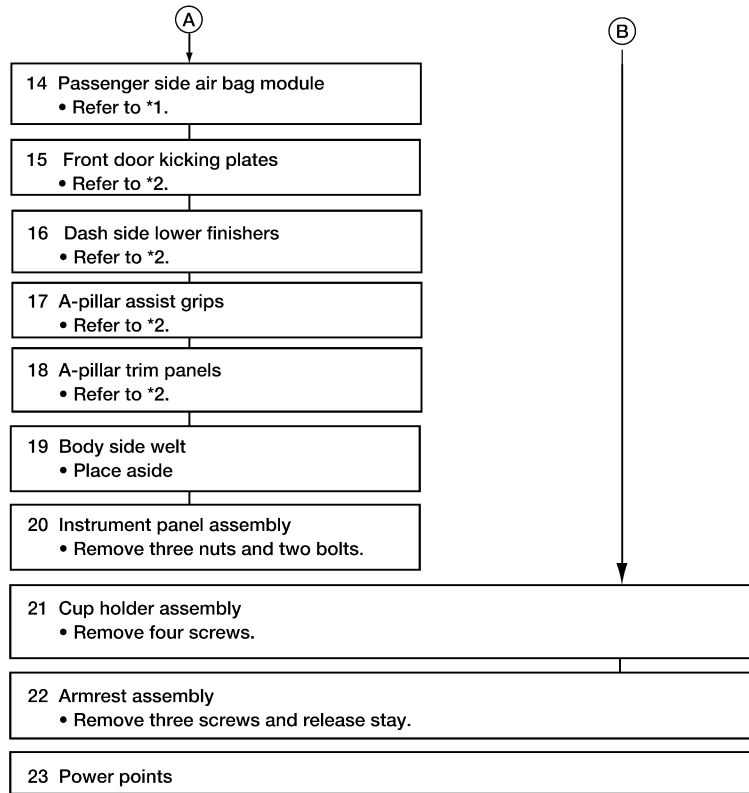
- Disconnect both terminals from battery in advance.
- Disconnect air bag module connectors in advance.
- Be careful not to scratch finishers and other parts.
- Never tamper with or force air bag lid open, as this may adversely affect air bag performance.



LBT187

INSTRUMENT PANEL ASSEMBLY

Removal and Installation (Cont'd)



*1 RS-22

*2 BT-24

LBT188

GI

MA

EM

LC

EC

FE

CL

MT

AT

TF

PD

AX

SU

BR

ST

RS

BT

HA

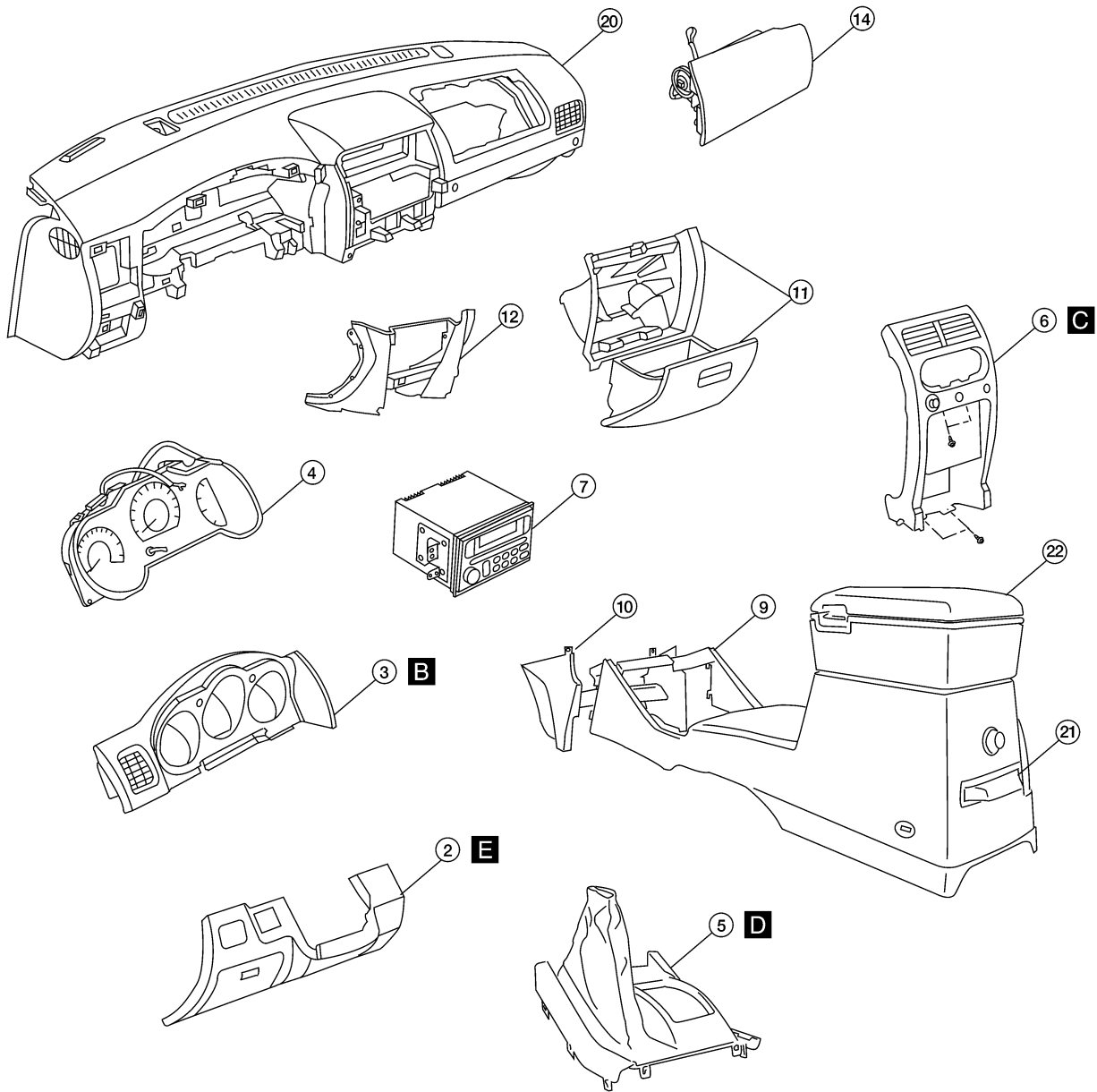
SC

EL

IDX

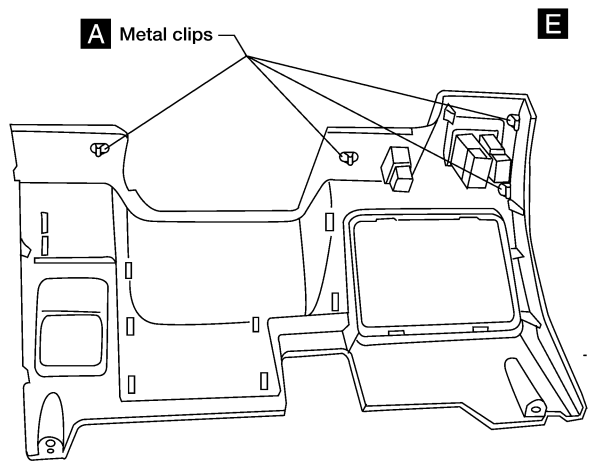
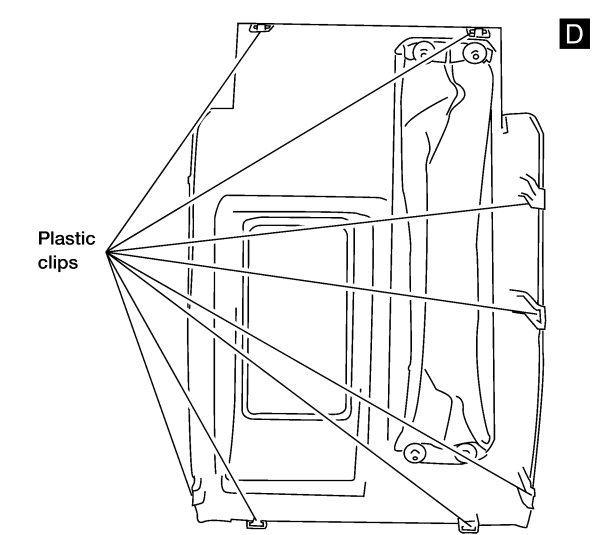
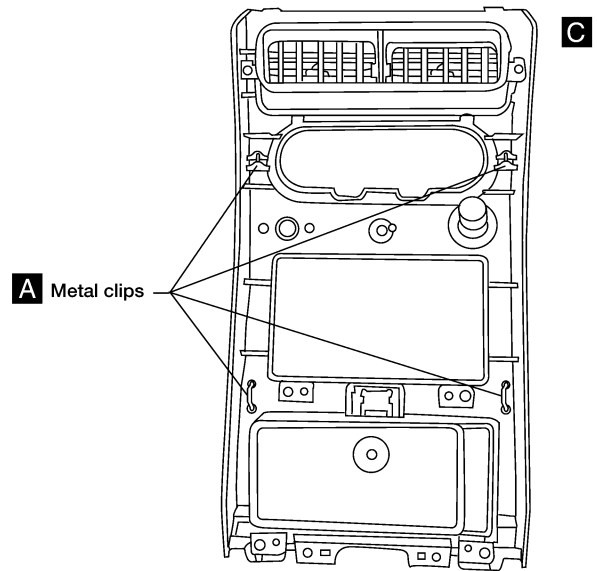
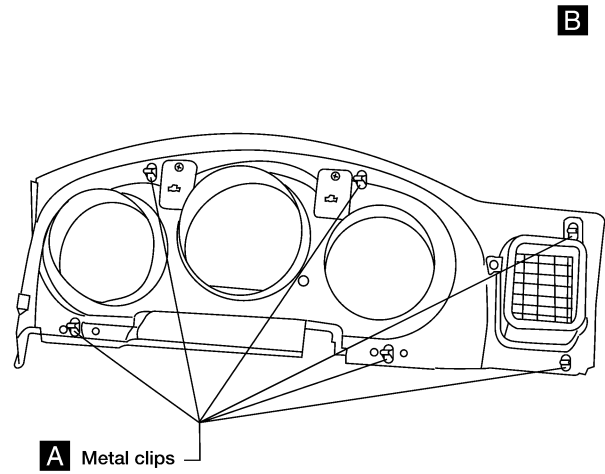
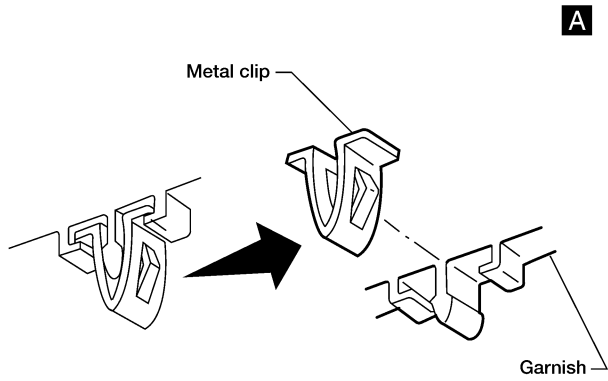
INSTRUMENT PANEL ASSEMBLY

Removal and Installation (Cont'd)



INSTRUMENT PANEL ASSEMBLY

Removal and Installation (Cont'd)



- GI
- MA
- EM
- LC
- EC
- FE
- CL
- MT
- AT
- TF
- PD
- AX
- SU
- BR
- ST
- RS
- BT**
- HA
- SC
- EL
- IDX

WBT199

SIDE AND FLOOR TRIM

Removal and Installation

Removal and Installation

NEBT0009

CAUTION:

Wrap the tip of flat-bladed screwdriver with a cloth when removing metal clips from garnishes.

BODY SIDE TRIM

NEBT0009S01

King Cab Model

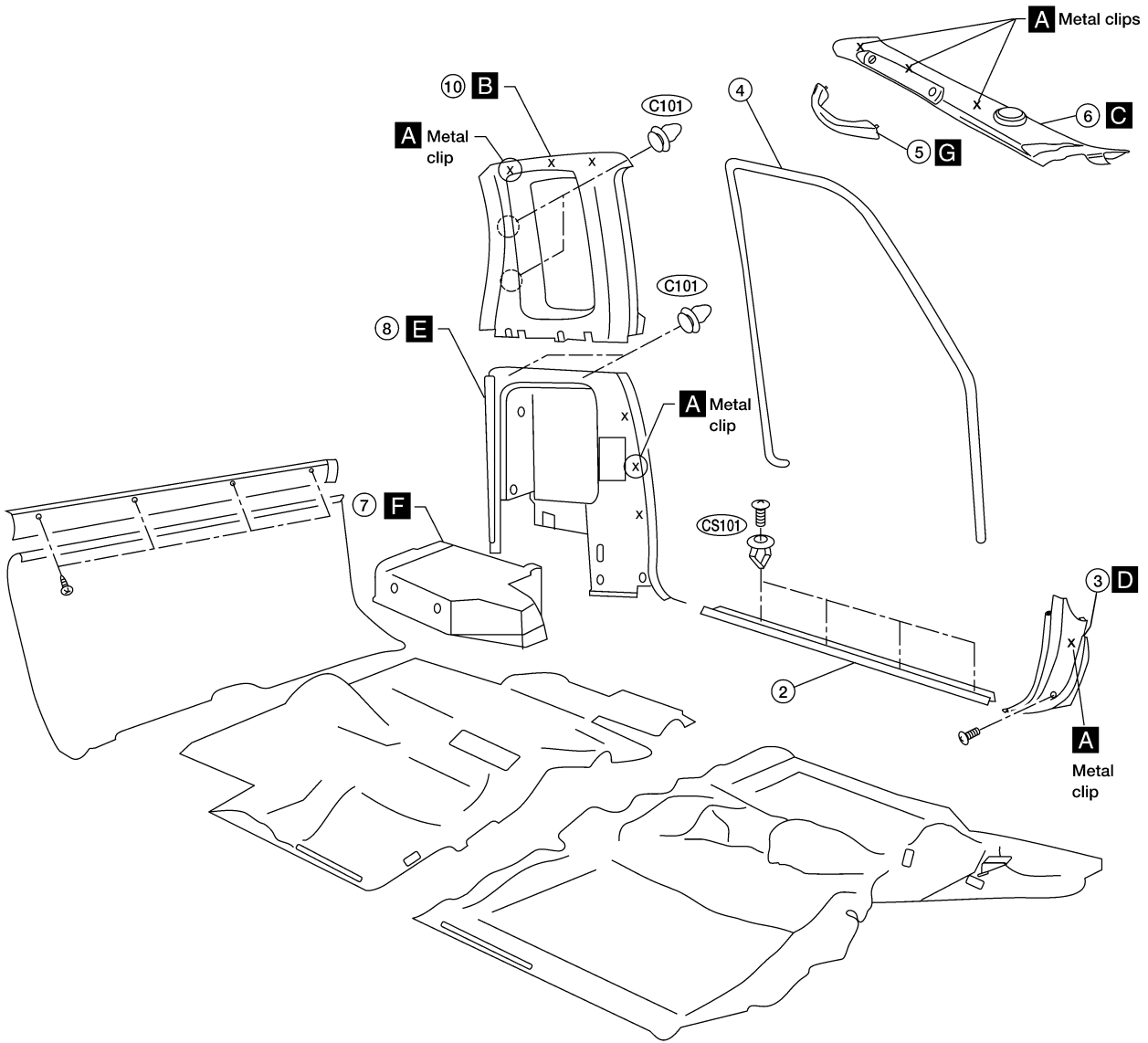
NEBT0009S0101

1. Remove front and jump seats. Refer to "Removal and Installation", BT-41 and 42.
2. Remove kicking plates.
3. Remove dash side lower finishers. **D**
4. Remove body side welts.
5. Remove front pillar assist grips. **G**
6. Remove front pillar garnishes. **C**
7. Remove jack cover. **F**
8. Remove lower rear pillar garnishes. **E**
9. Remove seat belt upper guide loop. Refer to **RS-5** "Front Seat Belt", and **RS-6** "Rear Seat Belt".
10. Remove upper rear pillar garnishes. **B**

SIDE AND FLOOR TRIM

Removal and Installation (Cont'd)

SEC. 745 • 769 • 799
King Cab



GI

MA

EM

LC

EC

FE

CL

MT

AT

TF

PD

AX

SU

BR

ST

RS

BT

HA

SC

EL

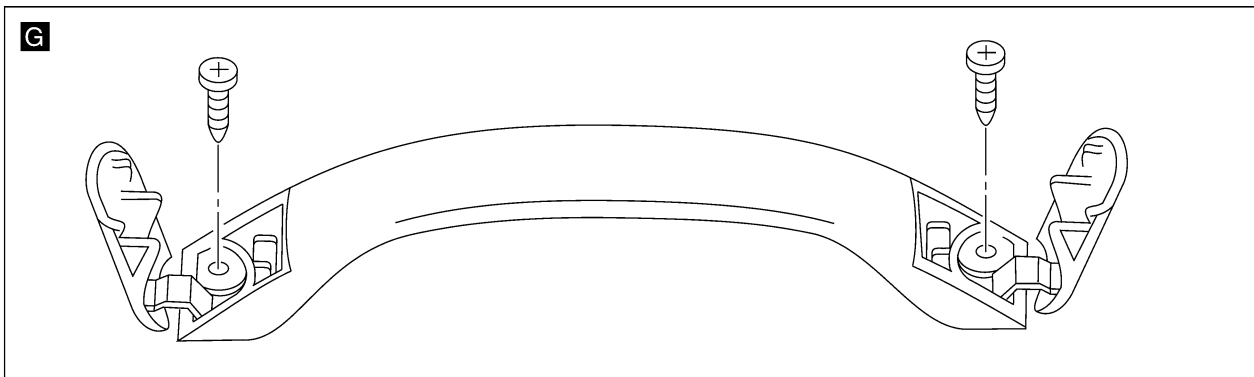
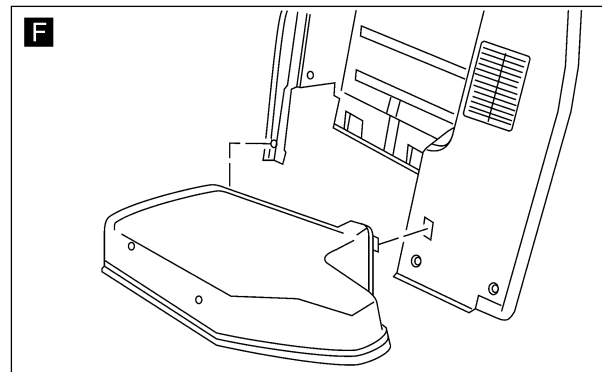
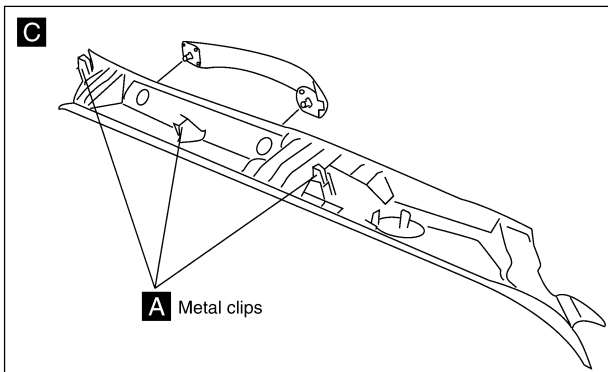
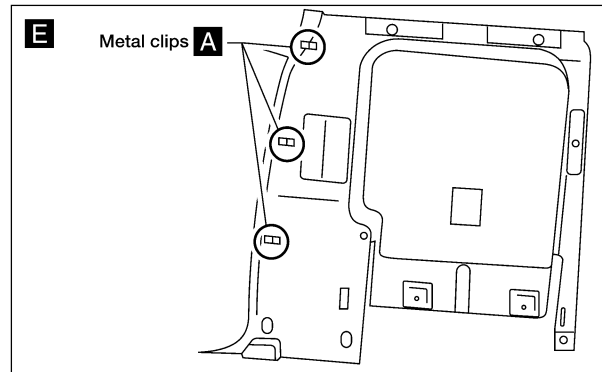
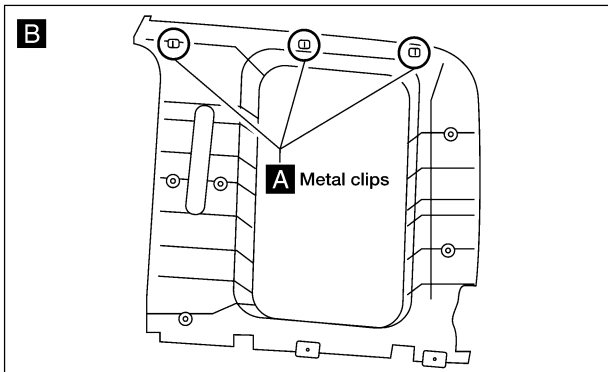
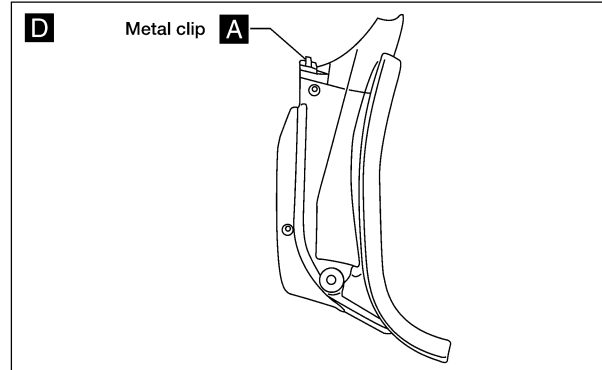
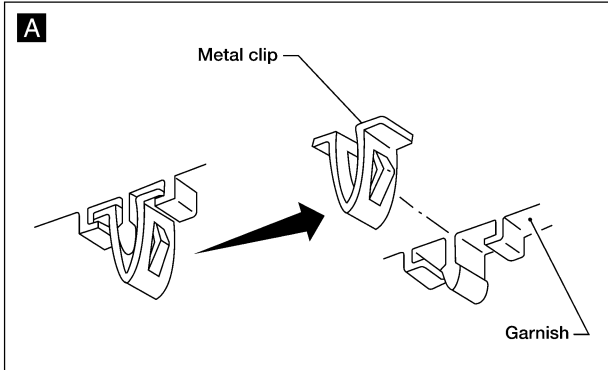
IDX

WBT204

SIDE AND FLOOR TRIM

Removal and Installation (Cont'd)

King Cab



WBT205

SIDE AND FLOOR TRIM

Removal and Installation (Cont'd)

Crew Cab

NEBT0009S0103

1. Remove front and rear seats. Refer to "Removal and Installation", BT-41 and 42.
2. Remove kicking plates.
3. Remove dash side lower finishers. **C**
4. Remove body side welts.
5. Remove front pillar assist grips. **H**
6. Remove front pillar garnishes. **B**
7. Remove seat belt upper guide loop on B pillar. Refer to **RS-5** "Front Seat Belt".
8. Remove lower and upper B pillar garnishes. **D E**
9. Remove seat belt upper guide loop on C pillar. Refer to **RS-6**, "Rear Seat Belt".
10. Remove lower and upper C pillar garnishes. **F G**

GI

MA

EM

LC

EC

FE

CL

MT

AT

TF

PD

AX

SU

BR

ST

RS

BT

HA

SC

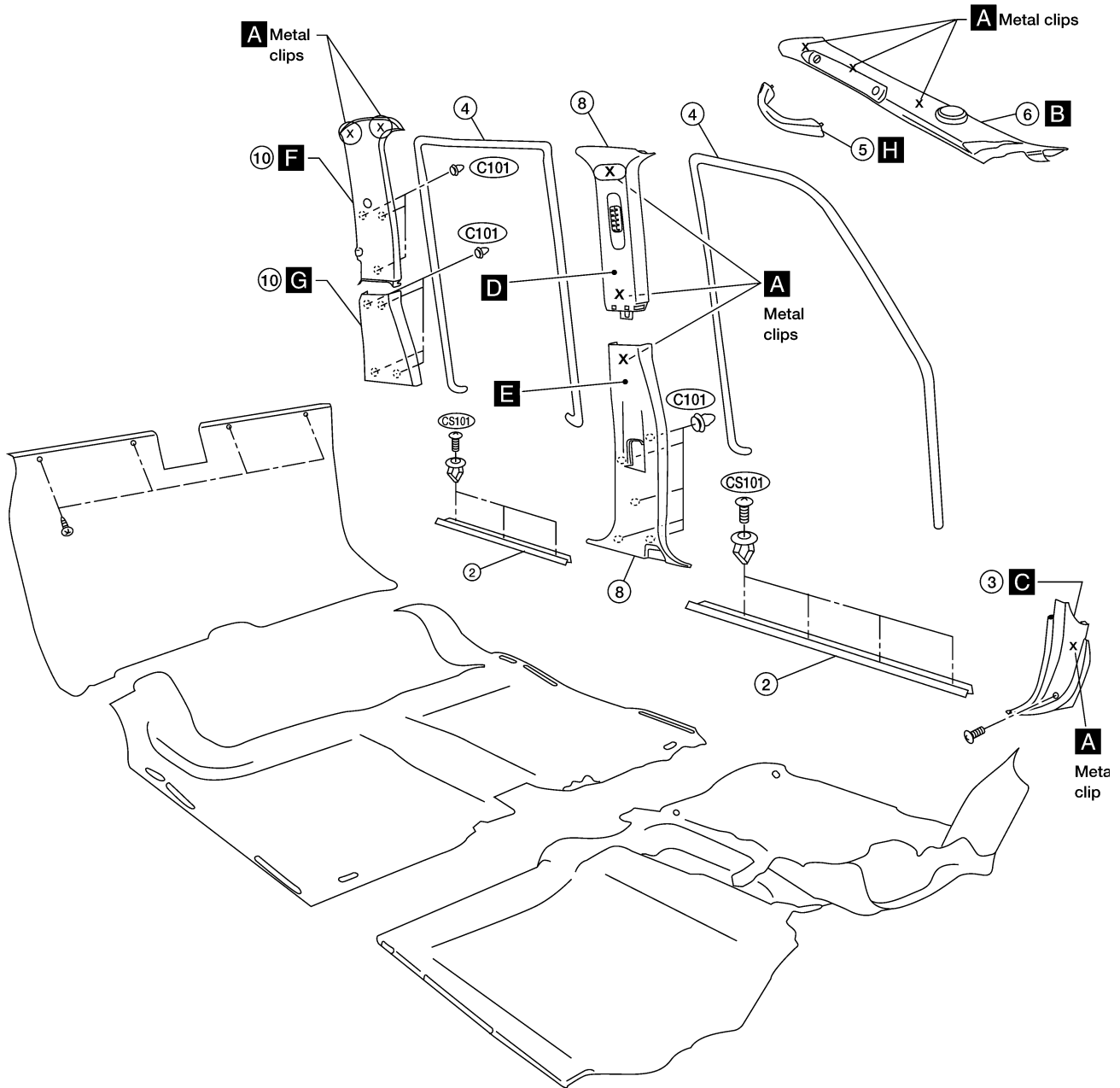
EL

IDX

SIDE AND FLOOR TRIM

Removal and Installation (Cont'd)

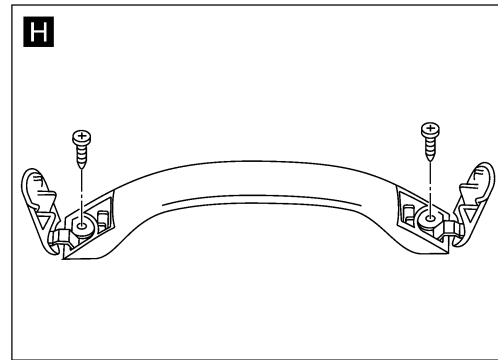
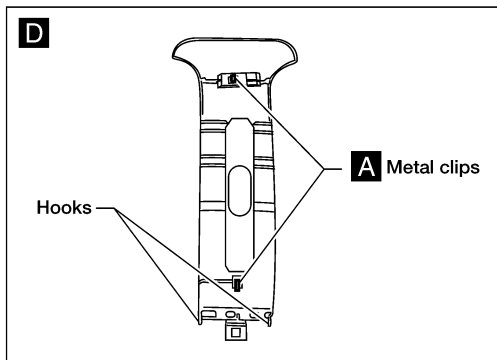
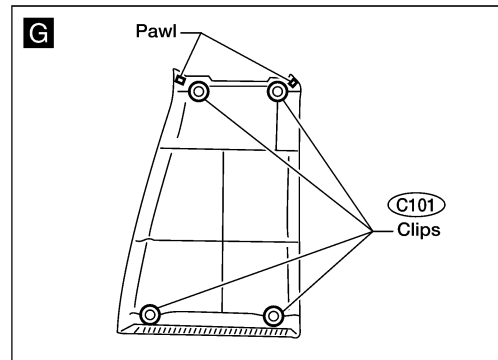
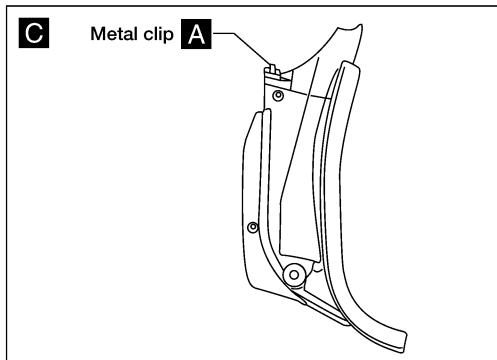
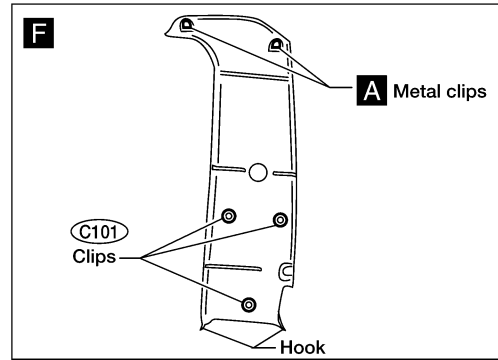
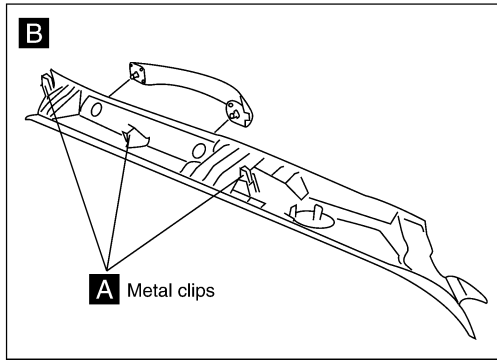
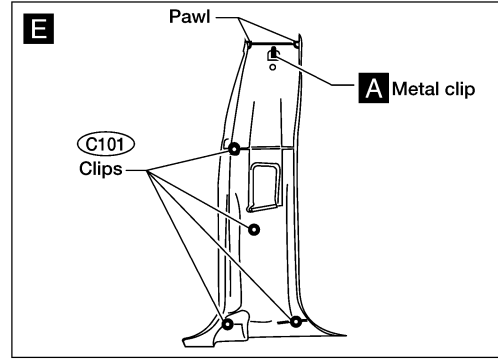
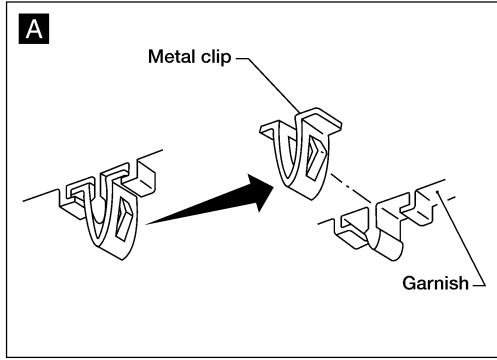
SEC. 745 • 769 • 799
Crew Cab



WBT206

SIDE AND FLOOR TRIM

Removal and Installation (Cont'd)



GI
MA
EM
LC
EC
FE
CL
MT
AT
TF
PD
AX
SU
BR
ST
RS
BT
HA
SC
EL
IDX

WBT207

DOOR TRIM

Removal and Installation

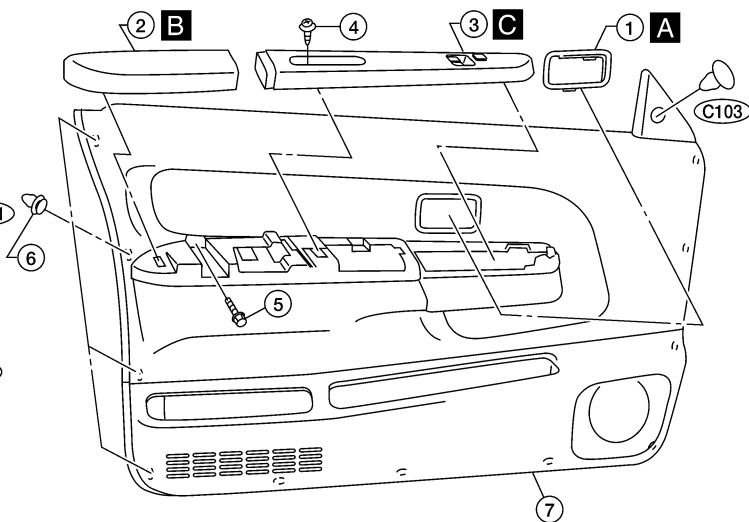
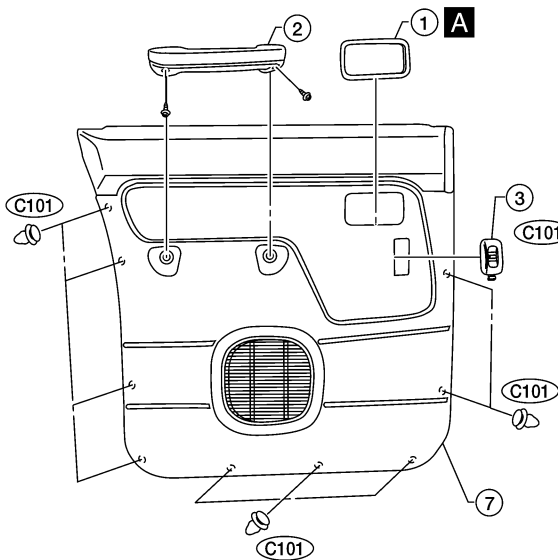
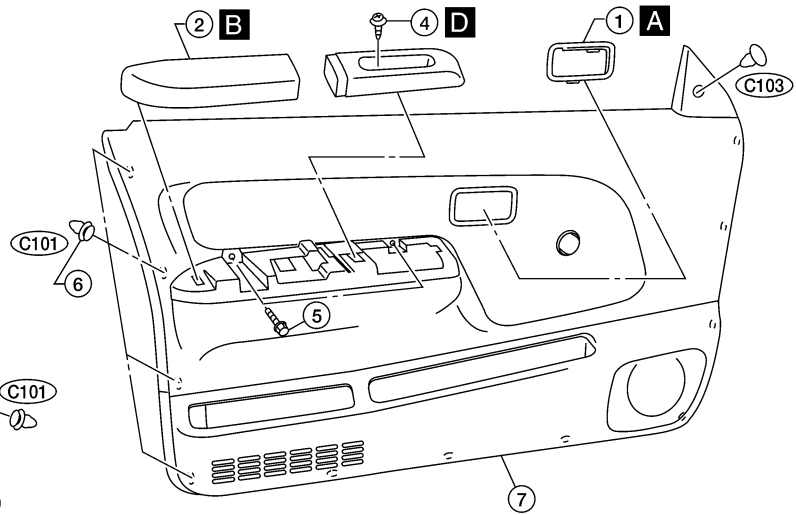
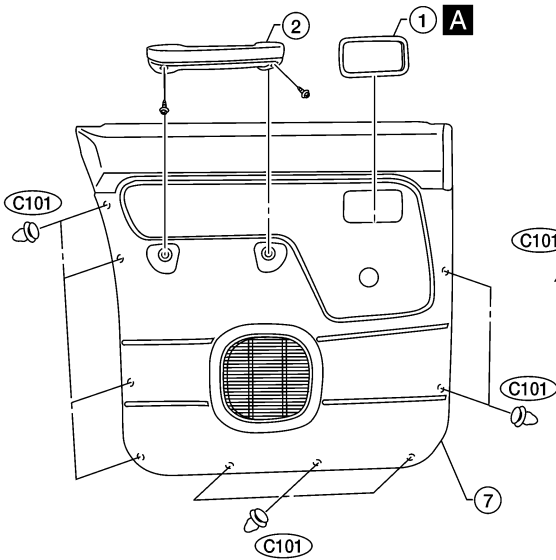
Removal and Installation

NEBT0010

Door trim (Formed type)

Remove manual window regulator handle, if equipped.

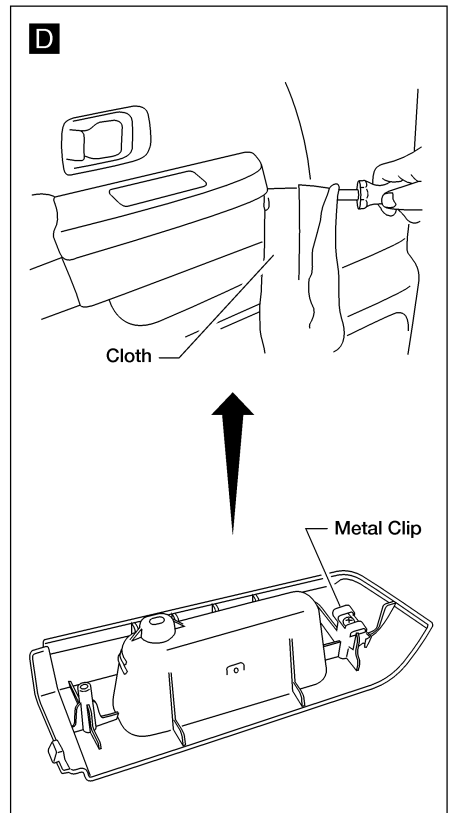
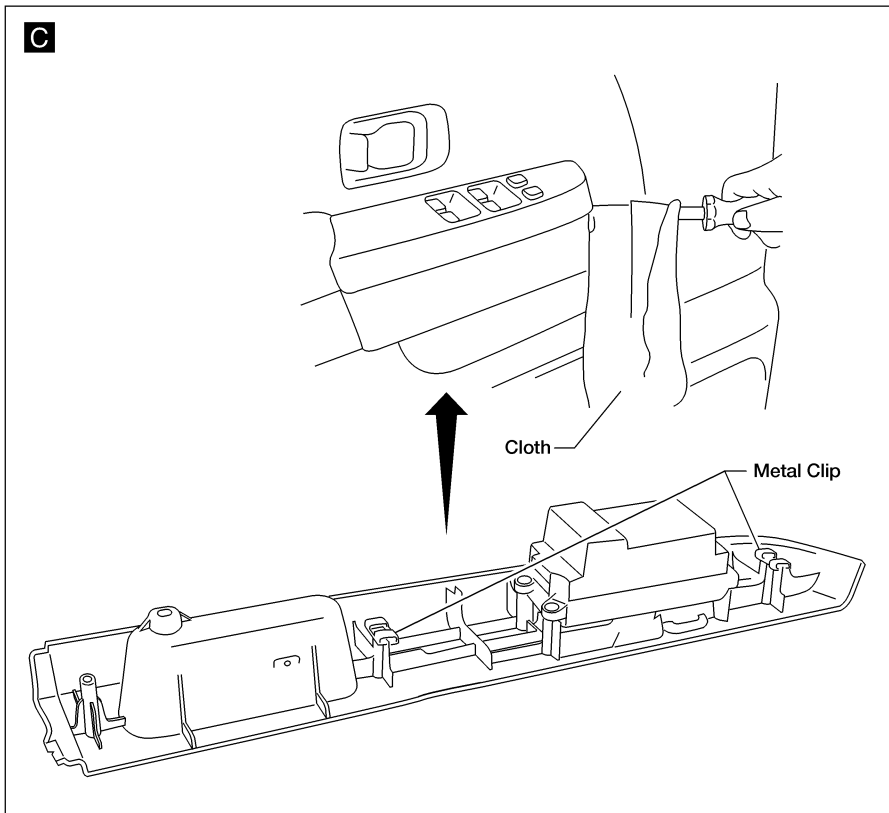
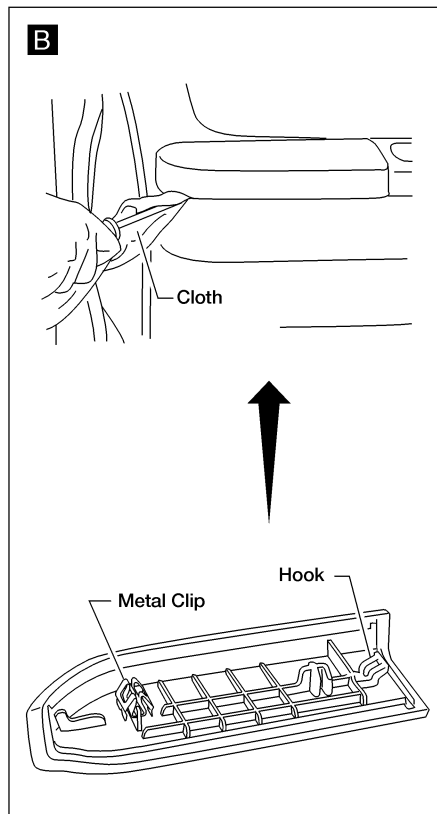
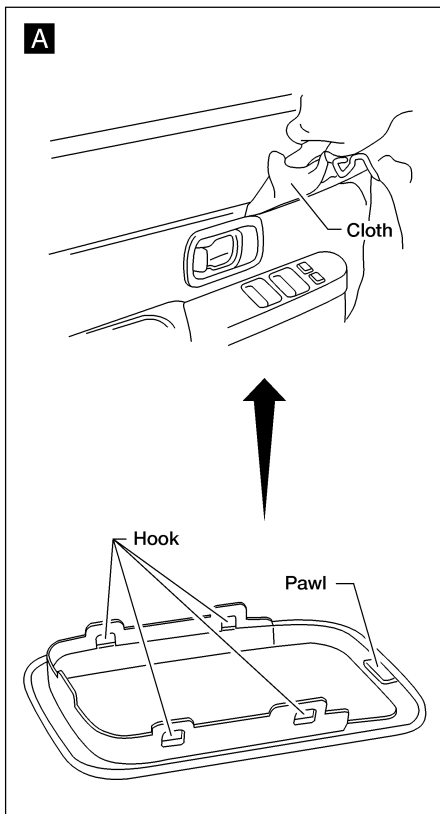
1. Remove inside handle escutcheon. **A**
2. Remove door armrest. **B**
3. Remove power window switch, then disconnect the connectors. **C**
4. Remove screw securing door pull handle. **D**
5. Remove two screws.
6. Remove clips securing door finisher.
7. Lift out door finisher.



WBT180

DOOR TRIM

Removal and Installation (Cont'd)



GI

MA

EM

LC

EC

FE

CL

MT

AT

TF

PD

AX

SU

BR

ST

RS

BT

HA

SC

ABT299

EL

IDX

ROOF TRIM

Removal and Installation

Removal and Installation

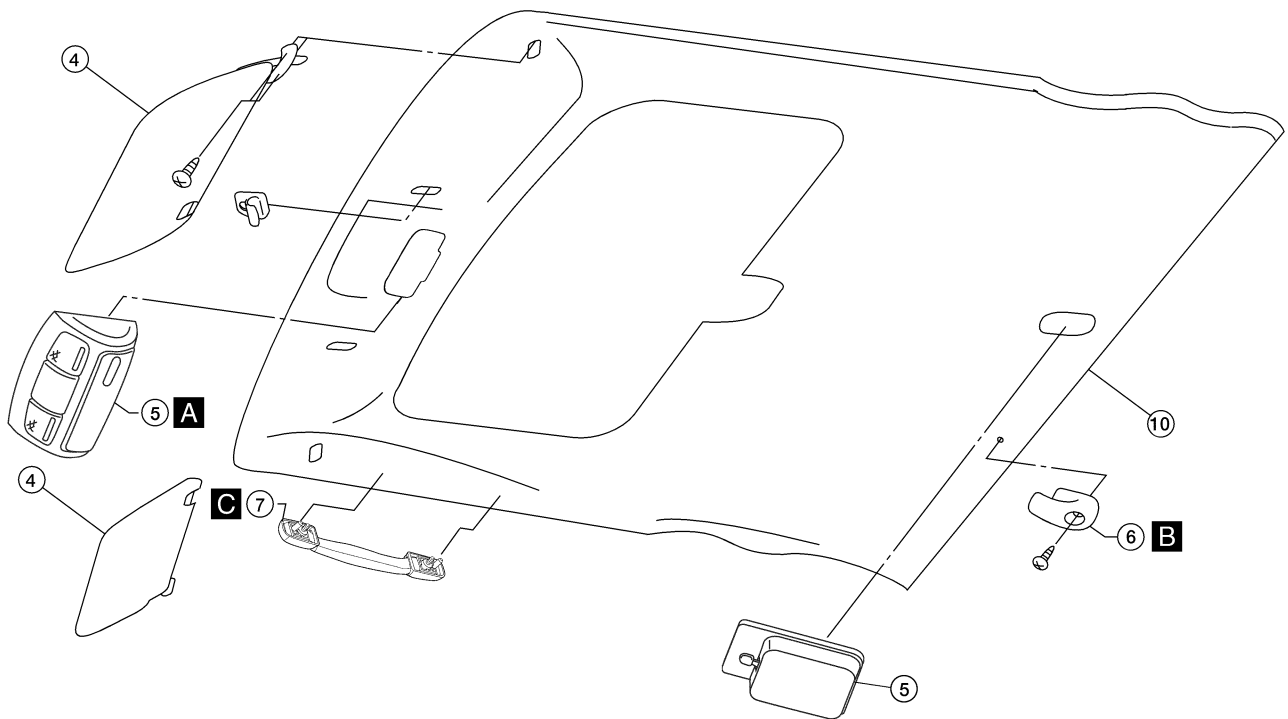
NEBT0011

NEBT0011S02

KING CAB

1. Remove front and jump seats if equipped. Refer to "Removal and Installation", BT-41 and 42.
2. Remove front seat belt. Refer to **RS-5**, "Front Seat Belt".
3. Remove body side trim. Refer to "Side and Floor Trim", BT-24.
4. Remove sun visors.
5. Remove interior lamp assembly. **A**
6. Remove coat hook. **B**
7. Remove assist grip if equipped. **C**
8. Remove sunroof if equipped, refer to "SUNROOF", BT-44.
9. Remove clips securing headlining.
10. Remove headlining.

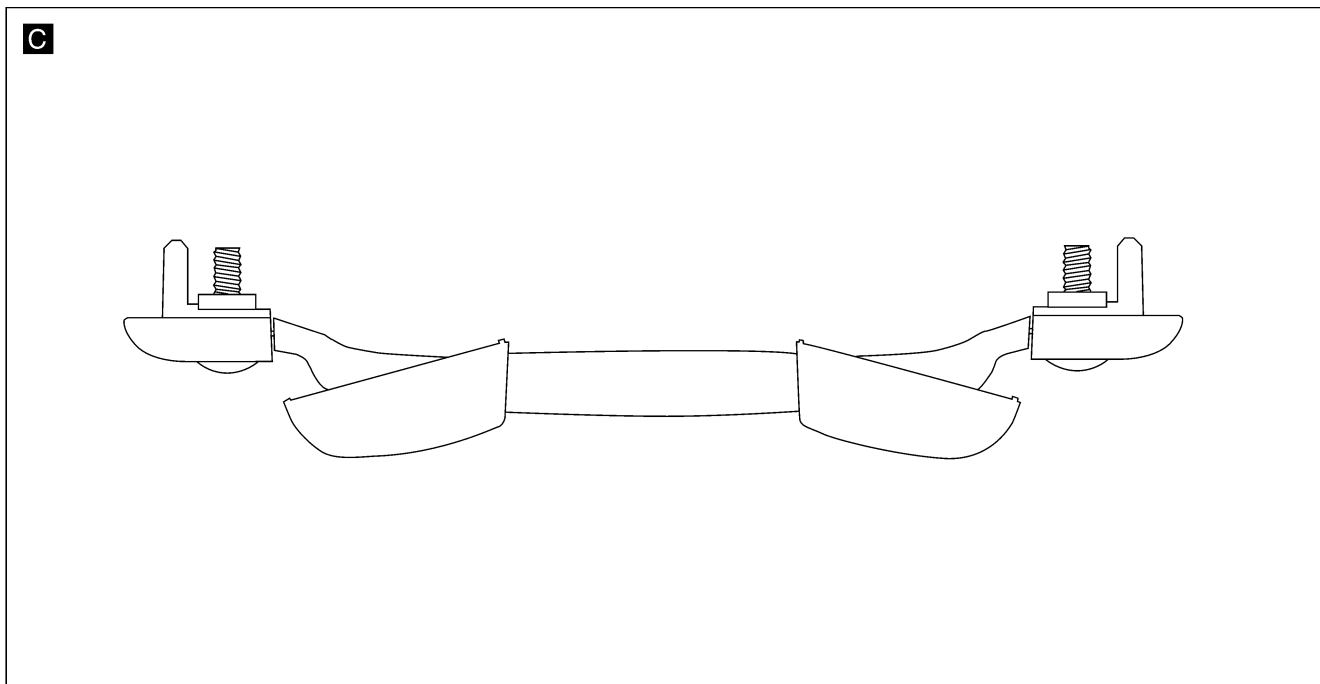
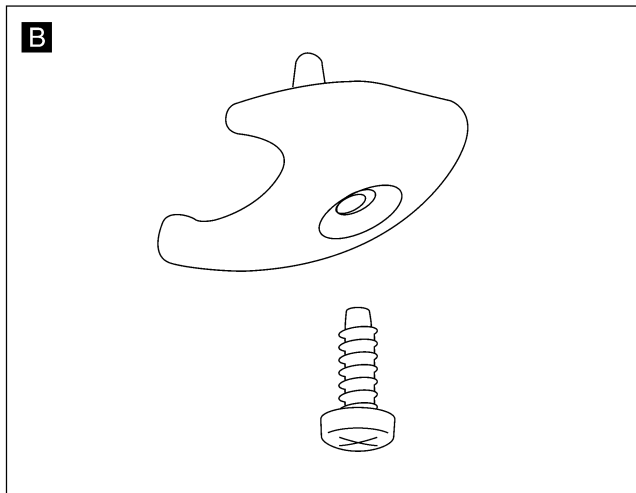
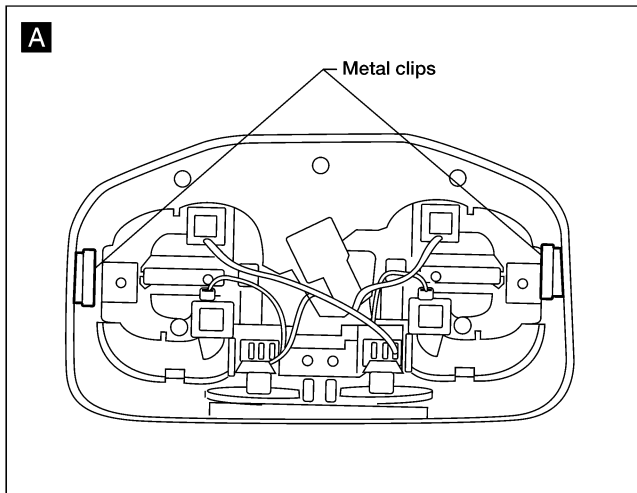
SEC. 264 • 738 • 964



WBT208

ROOF TRIM

Removal and Installation (Cont'd)



- GI
- MA
- EM
- LC
- EC
- FE
- CL
- MT
- AT
- TF
- PD
- AX
- SU
- BR
- ST
- RS
- BT**
- HA
- SC
- EL
- IDX

WBT158

ROOF TRIM

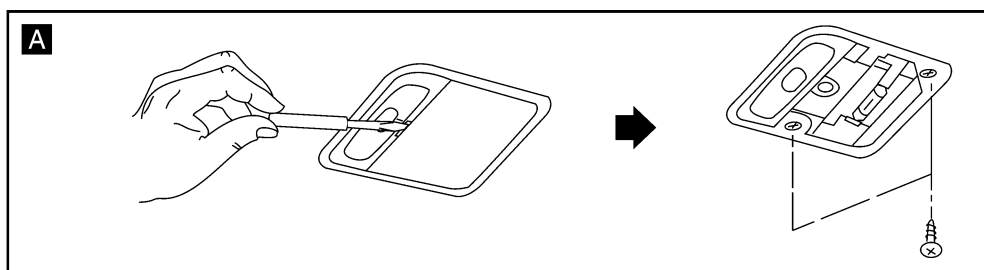
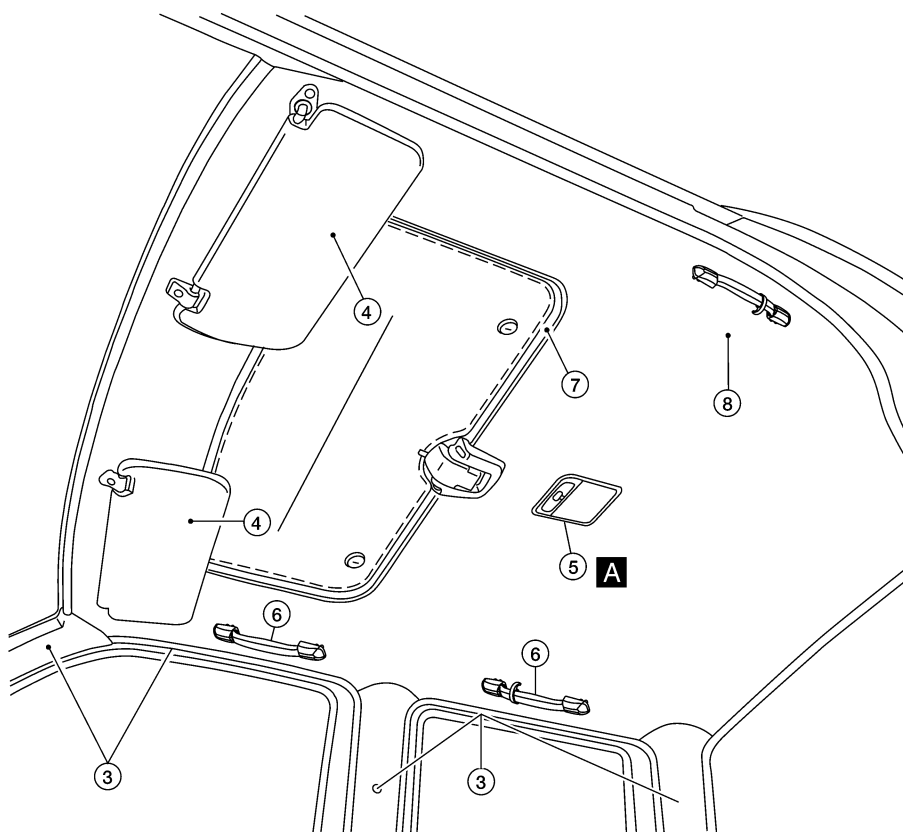
Removal and Installation (Cont'd)

=NEBT0011S03

CREW CAB

1. Remove front and rear seats. Refer to "Removal and Installation", BT-41 and 42.
2. Remove front seat belts. Refer to **RS-5**, "Front Seat Belt".
3. Remove body side trim. Refer to "Removal and Installation", BT-24.
4. Remove sun visors.
5. Remove interior lamp assembly. **A**
6. Remove assist grips.
7. Remove sunroof welt.
8. Remove headlining.

SEC. 738 • 963 • 964 • 970



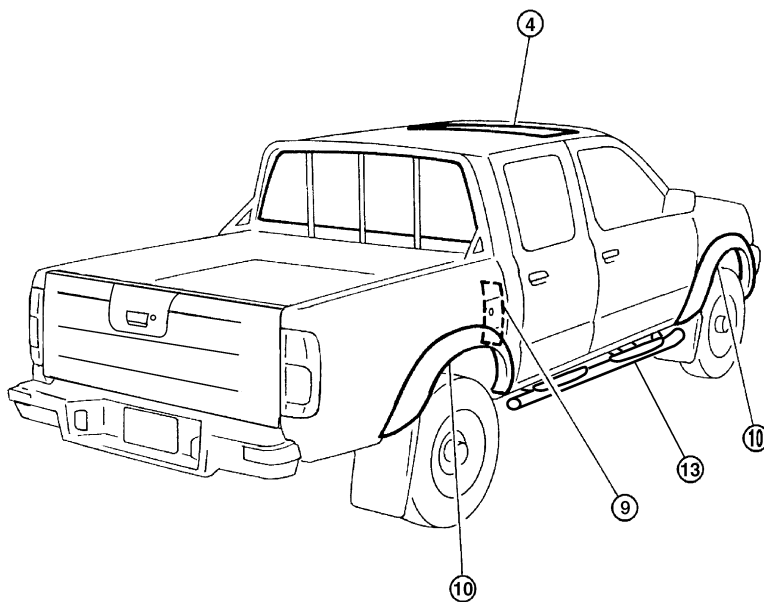
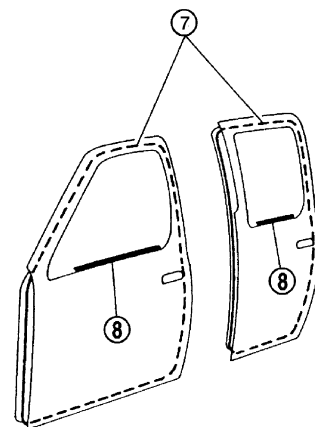
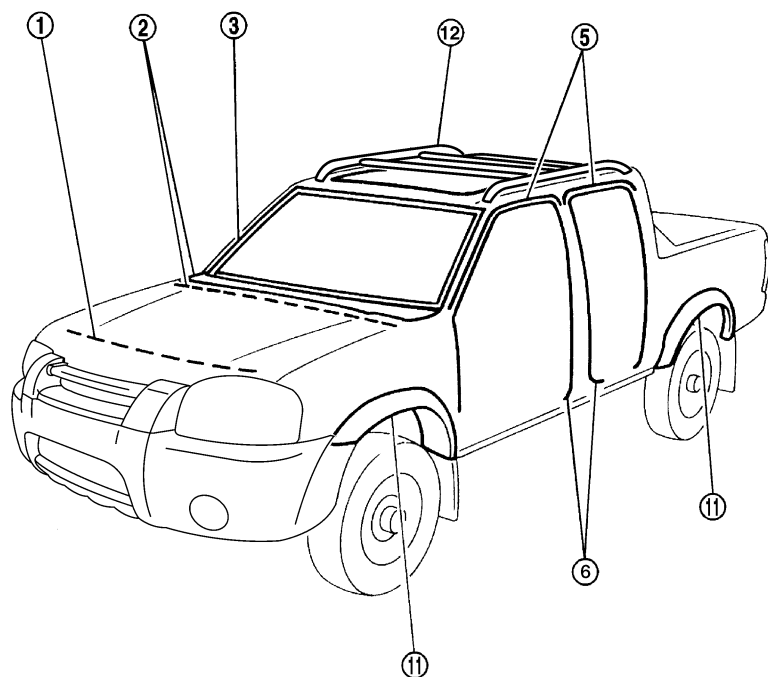
WBT209

EXTERIOR

Removal and Installation

Removal and Installation

NEBT0013



GI

MA

EM

LC

EC

FE

CL

MT

AT

TF

PD

AX

SU

BR

ST

RS

BT

HA

SC

EL

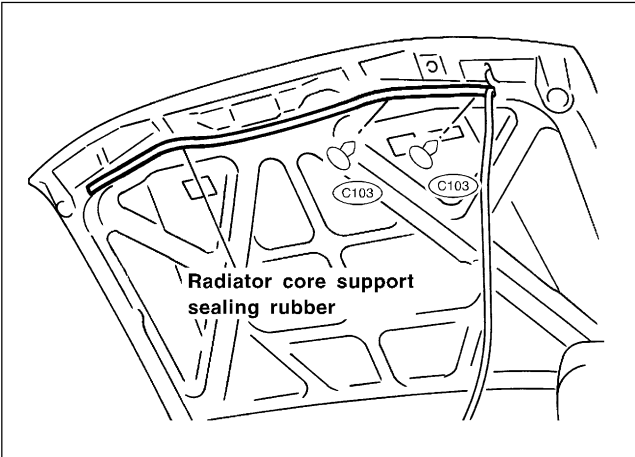
IDX

WBT138

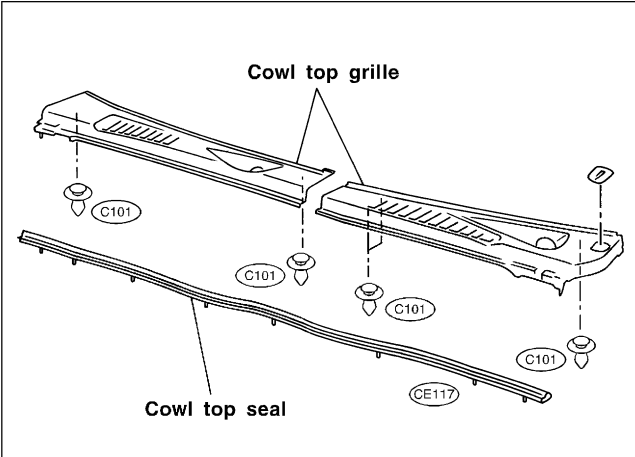
EXTERIOR

Removal and Installation (Cont'd)

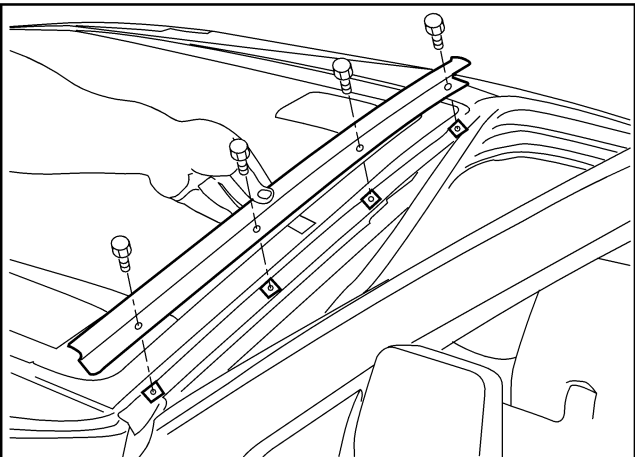
① Hood front sealing rubber



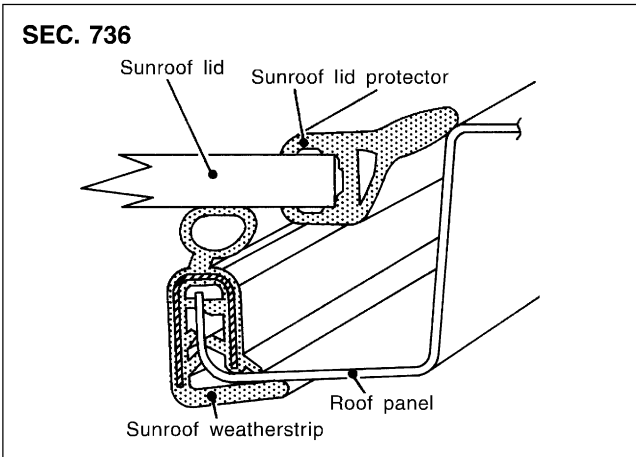
② Cowl top seal and cowl top grille



③ Windshield side molding

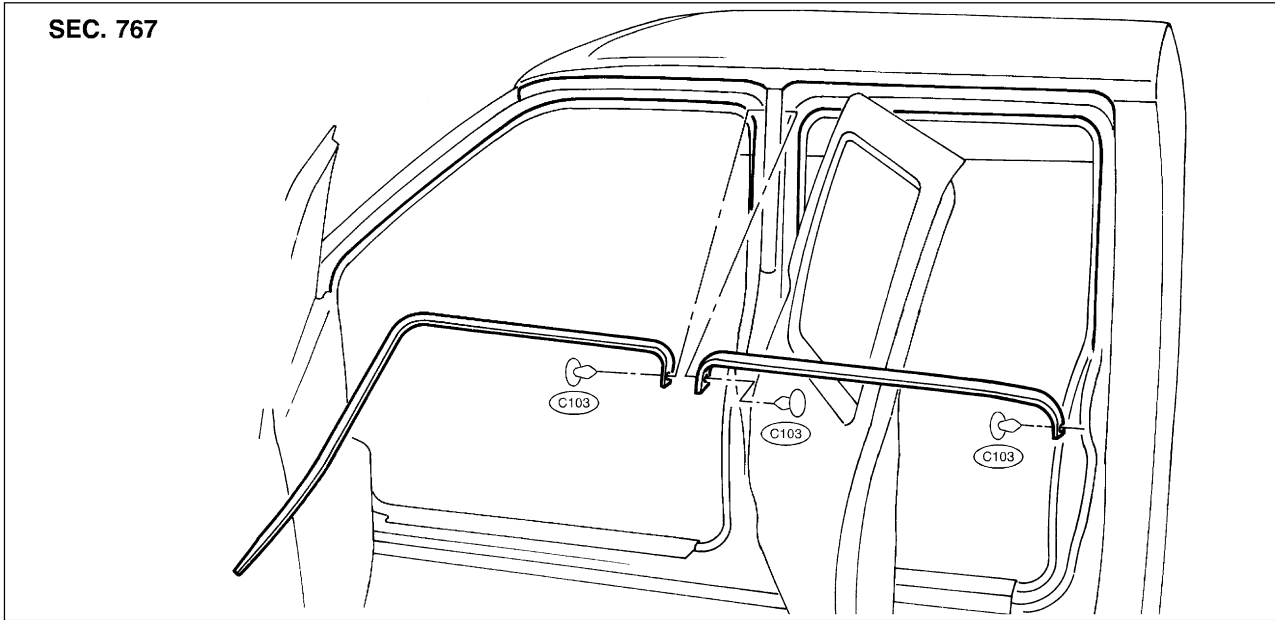


④ Sunroof weatherstrip and lid protector

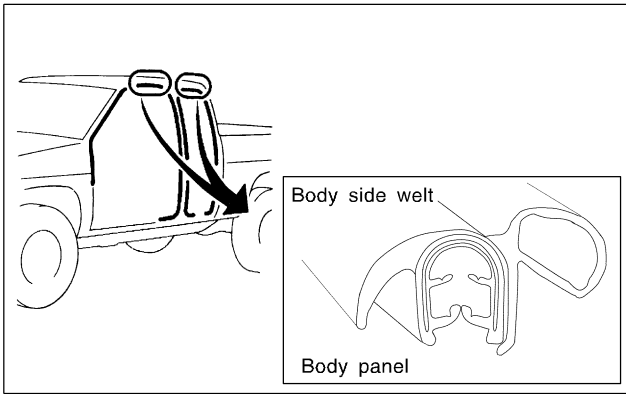


WBT092

⑤ Drip weatherstrip

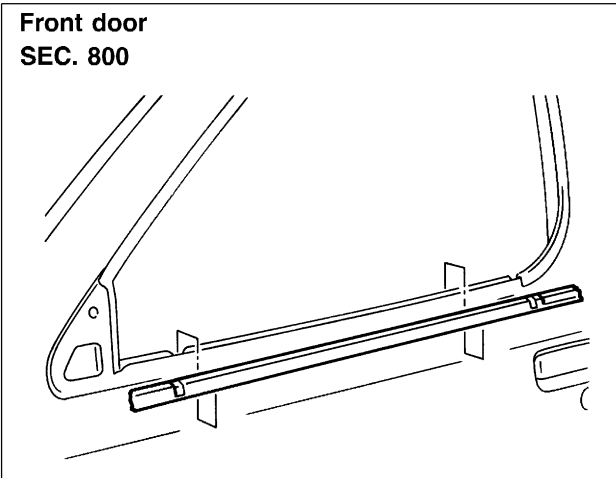


⑥ Body side welt

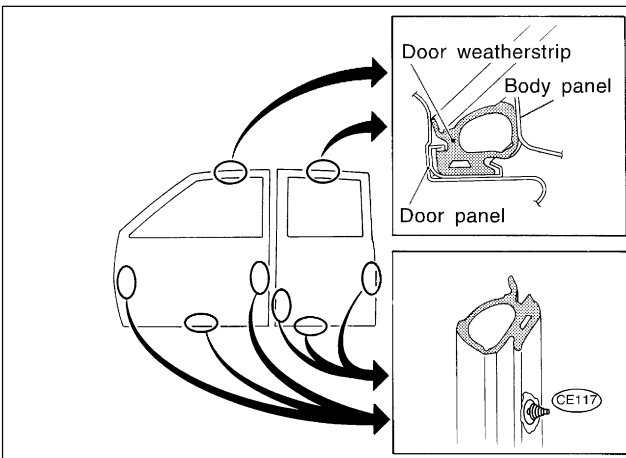


⑧ Door outside molding

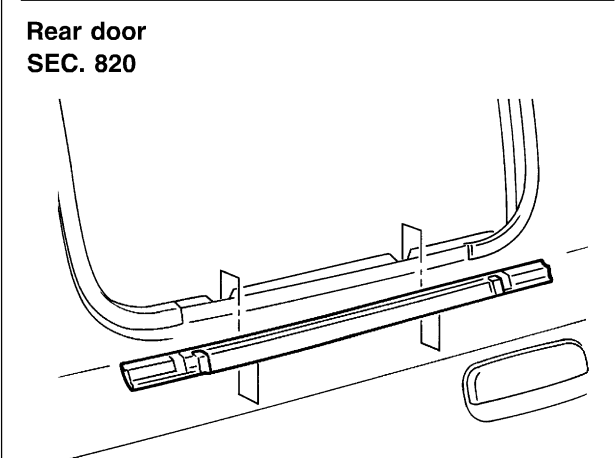
Front door SEC. 800



⑦ Door weatherstrip



Rear door SEC. 820



GI

MA

EM

LC

EC

FE

CL

MT

AT

TF

PD

AX

SU

BR

ST

RS

BT

HA

SC

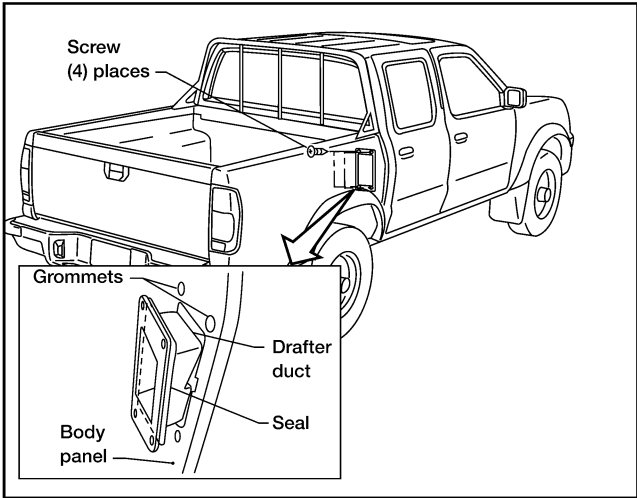
EL

IDX

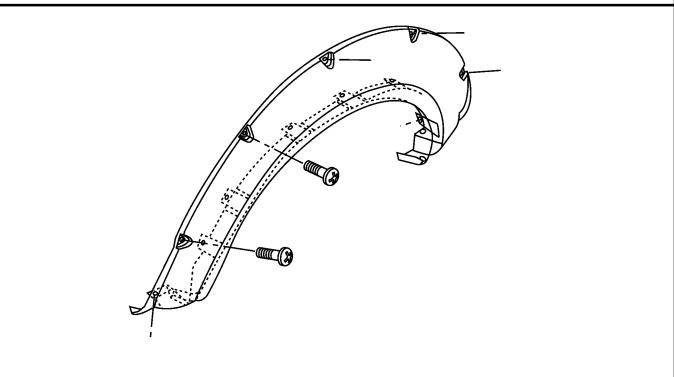
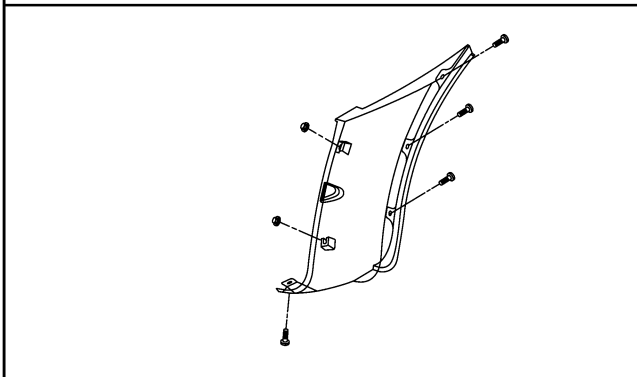
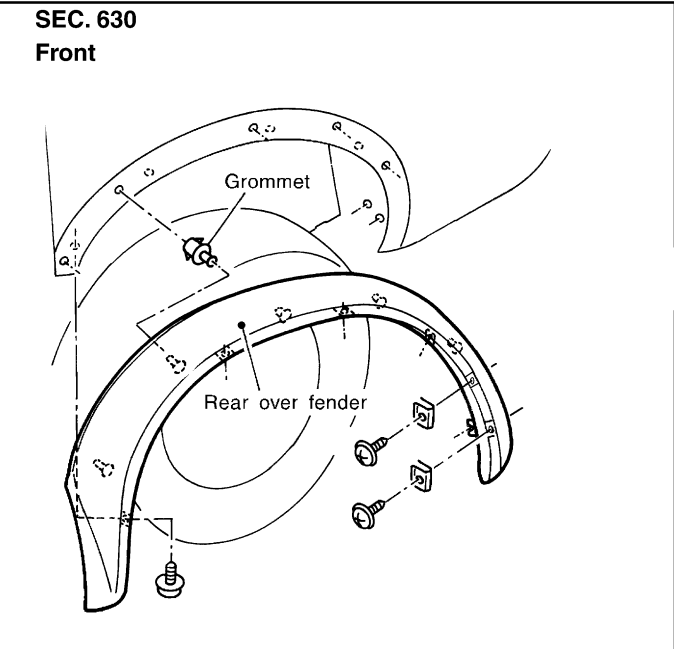
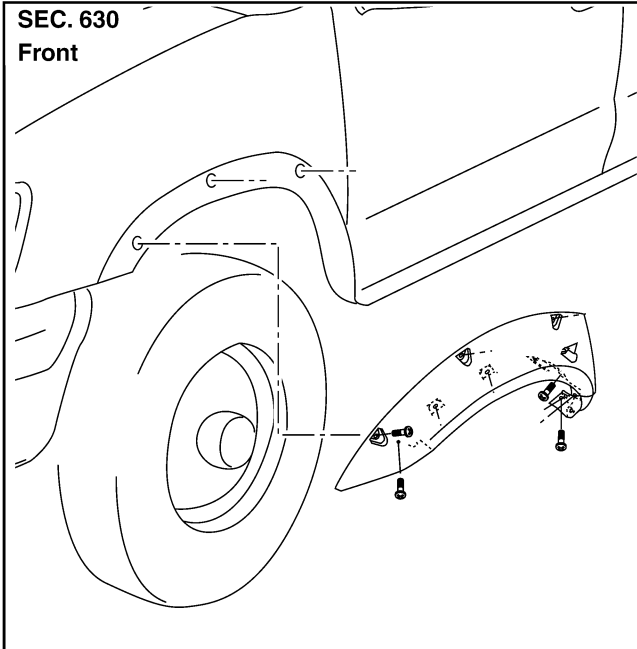
EXTERIOR

Removal and Installation (Cont'd)

9 Drafter duct



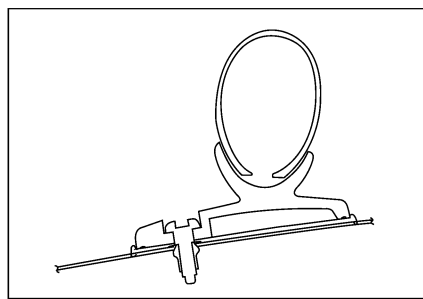
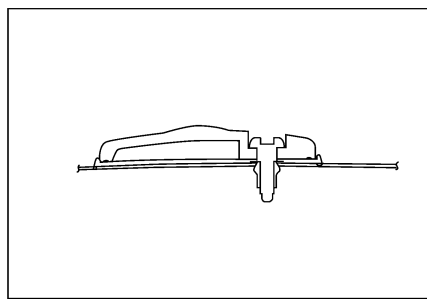
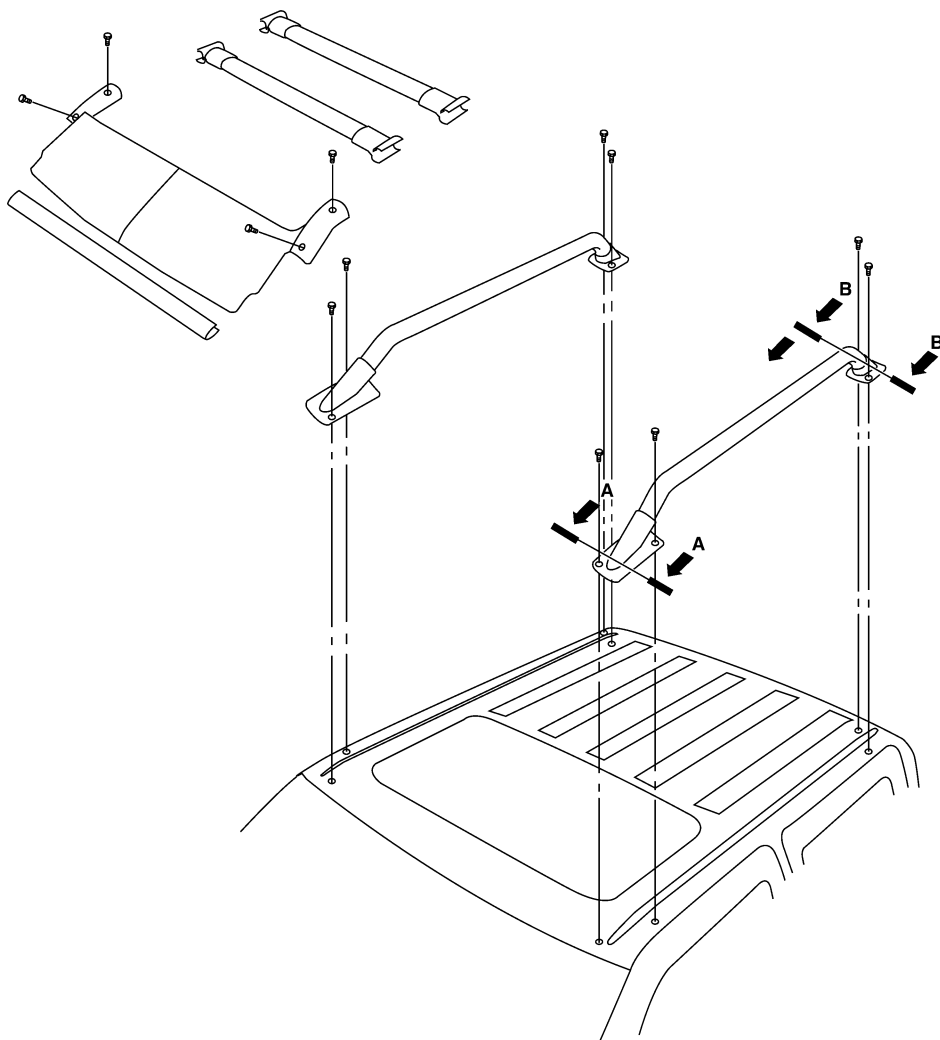
10 11 Over fender



EXTERIOR

Removal and Installation (Cont'd)

12 Roof rack



GI

MA

EM

LC

EC

FE

CL

MT

AT

TF

PD

AX

SU

BR

ST

RS

BT

HA

SC

EL

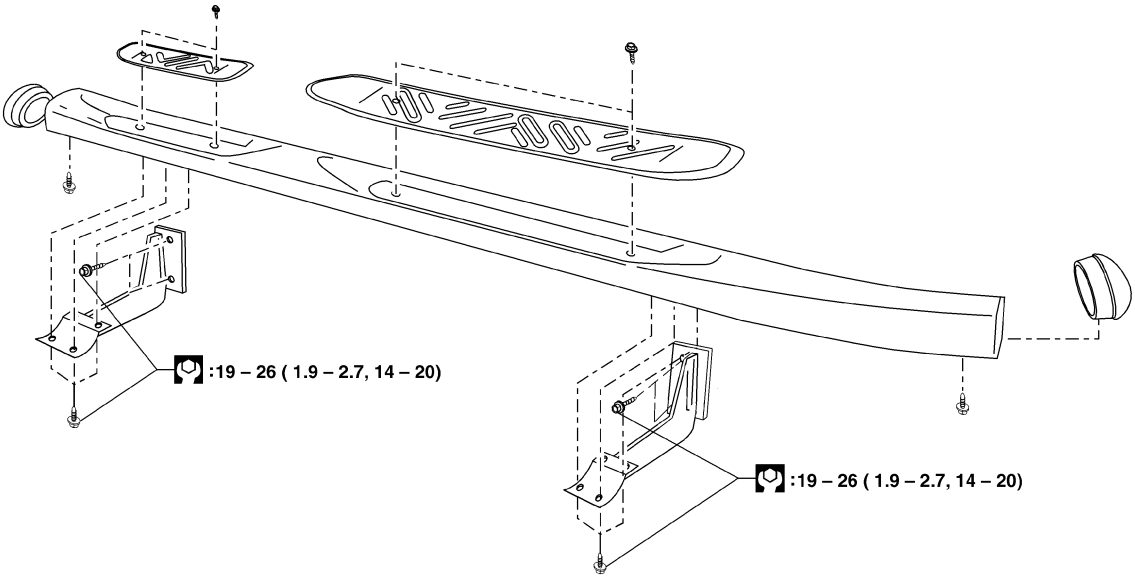
IDX

WBT136

EXTERIOR

Removal and Installation (Cont'd)

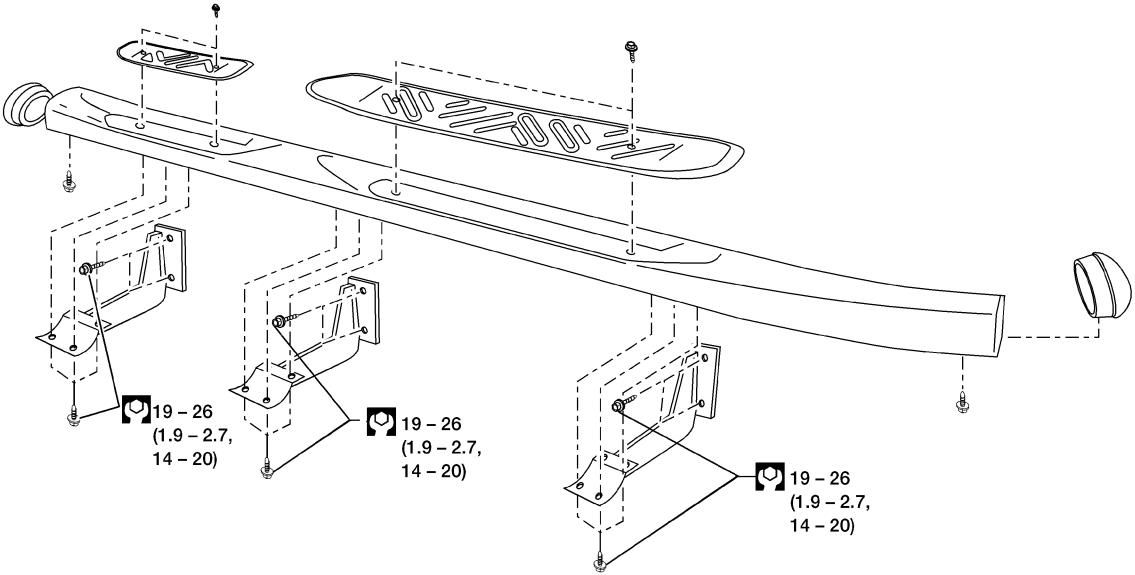
13 Side step King Cab



: N·m (kg·m, ft·lb)

WBT162

13 Side step Crew Cab



: N·m (kg·m, ft·lb)

LBT163

FRONT SEAT

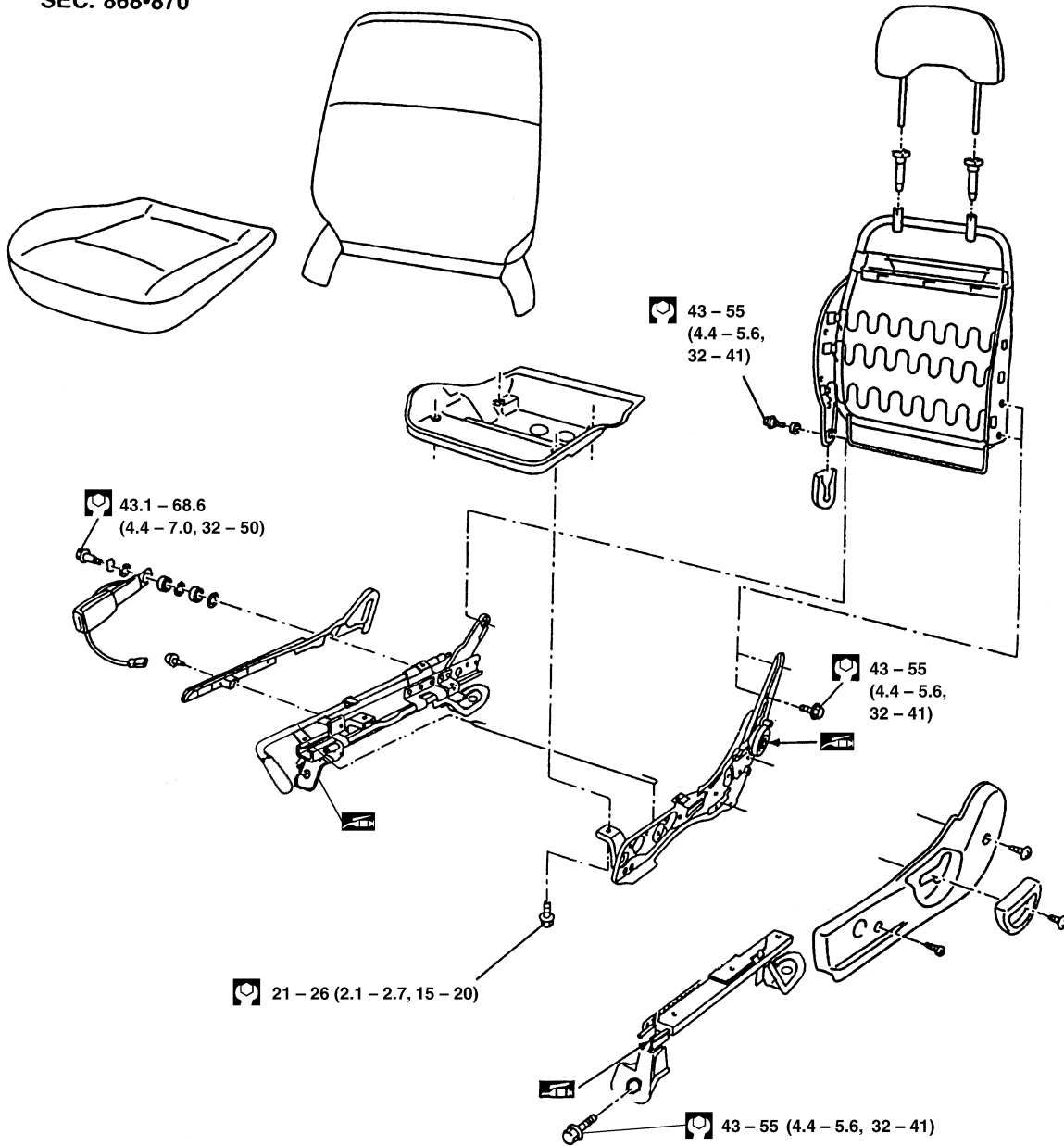
Removal and Installation

Removal and Installation

NEBT0014

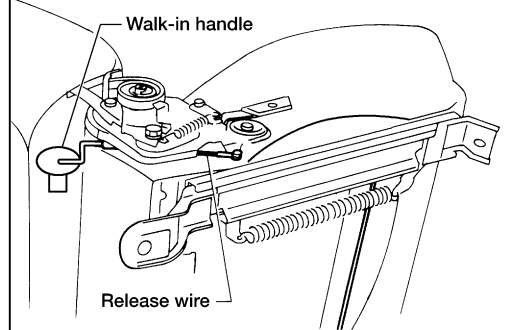
- When removing and installing the seat trim, carefully handle it to keep dirt out and avoid damage.

SEC. 868•870



Walk-in mechanism

- The walk-in system is non-adjustable.



: N·m (kg·m, ft·lb)

: Grease-up point
(Do not apply too much grease as it will drip)

GI

MA

EM

LC

EC

FE

CL

MT

AT

TF

PD

AX

SU

BR

ST

RS

BT

HA

SC

EL

IDX

WBT210

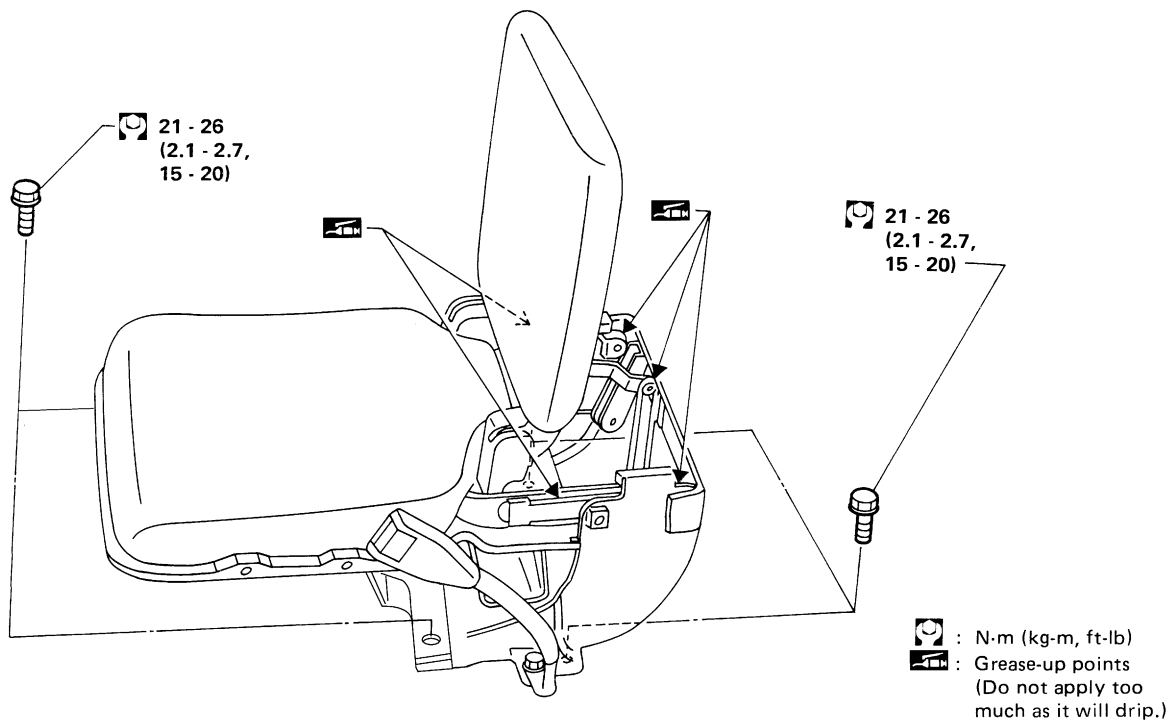
REAR SEAT

Removal and Installation

Removal and Installation

NEBT0015

SEC. 880

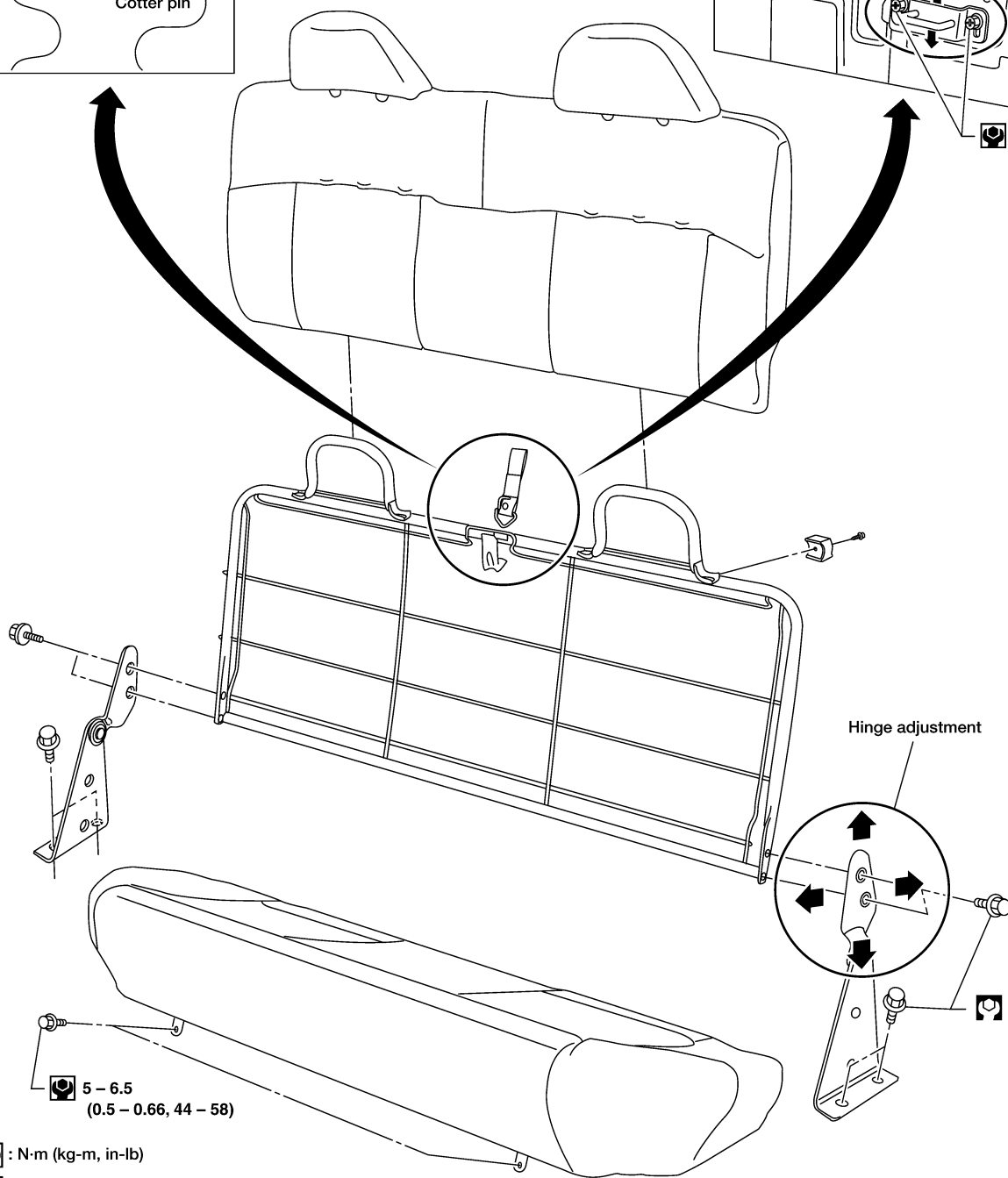
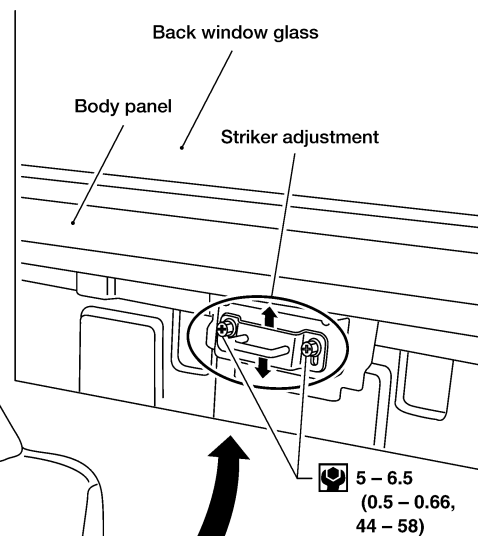
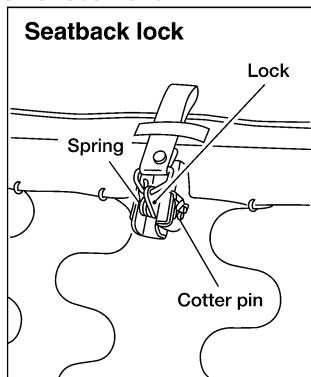


ABT322

REAR SEAT

Removal and Installation (Cont'd)

SEC. 868 • 870



: N·m (kg·m, in·lb)

: N·m (kg·m, ft·lb)

GI
MA
EM
LC
EC
FE
CL
MT
AT
TF
PD
AX
SU
BR
ST
RS
BT
HA
SC
EL
IDX

WBT139

SUNROOF

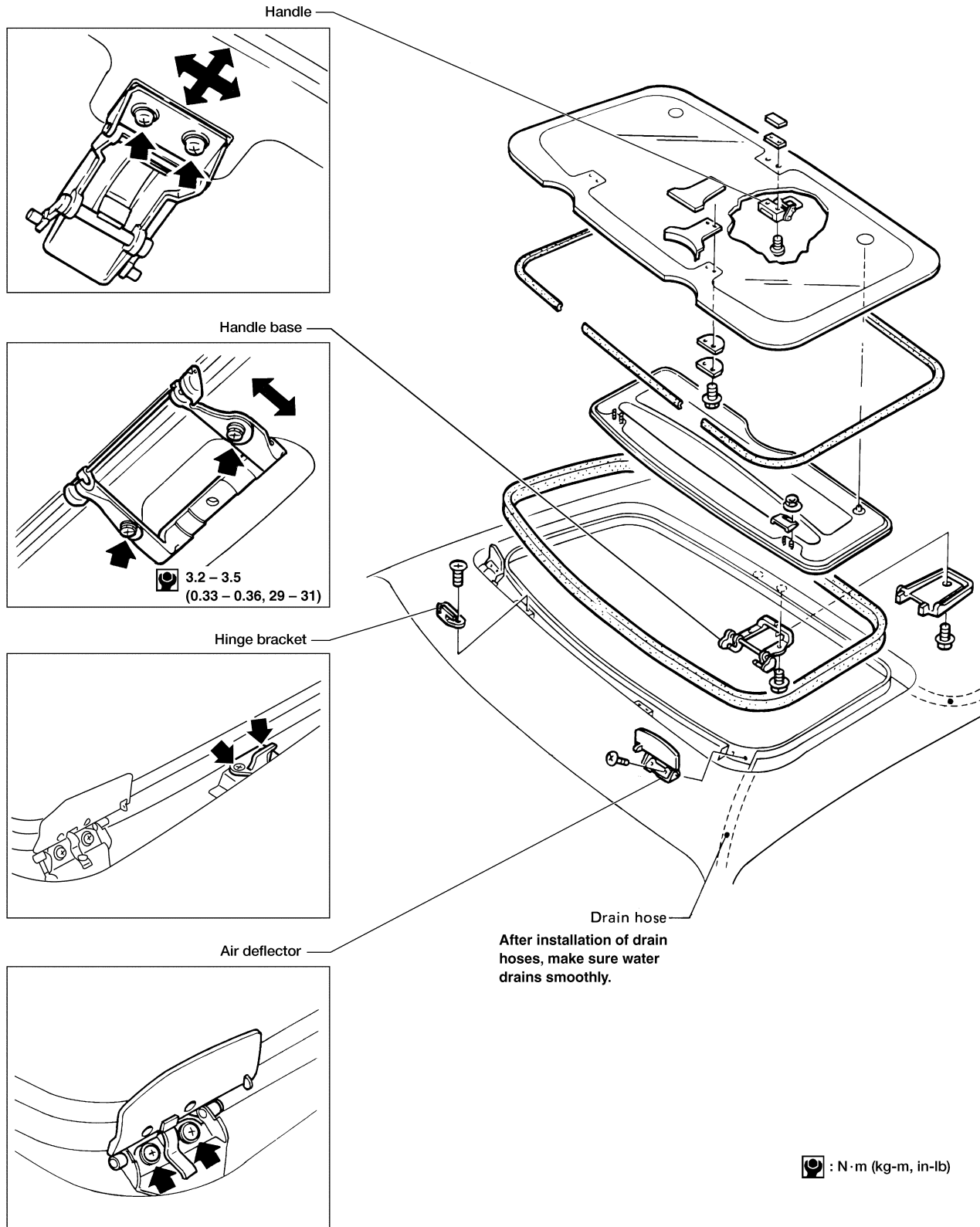
Removal and Installation

Removal and Installation

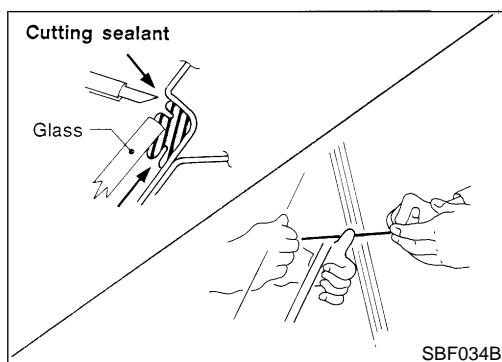
NEBT0016

Roof rack must be removed before sunroof removal.

SEC. 736



ABT326



Removal and Installation

REMOVAL

After removing moldings, remove glass using piano wire or power cutting tool and an inflatable pump bag.

WARNING:

When cutting the glass from the vehicle, always wear safety glasses and heavy gloves to help prevent glass splinters from entering your eyes or cutting your hands.

CAUTION:

- Be careful not to scratch the glass when removing.
- Do not set or stand the glass on its edge. Small chips may develop into cracks.

NEBT0017

NEBT0017S01

GI

MA

EM

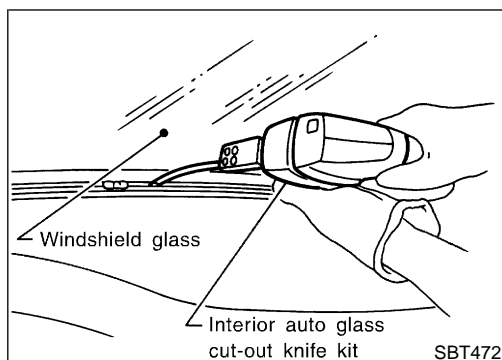
LC

EC

FE

CL

MT



INSTALLATION

- Use genuine NISSAN Urethane Adhesive Kit or equivalent and follow the instructions furnished with it.
- While the urethane adhesive is curing, open a door window. This will prevent the glass from being forced out by passenger compartment air pressure when a door is closed.
- The molding must be installed securely so that it is in position and leaves no gap.
- Inform the customer that the vehicle should remain stationary until the urethane adhesive has completely cured (preferably 24 hours). Curing time varies with temperature and humidity.

WARNING:

- Keep heat and open flames away as primers and adhesive are flammable.
- The materials contained in the kit are harmful if swallowed, and may irritate skin and eyes. Avoid contact with the skin and eyes.
- Use in an open, well ventilated location. Avoid breathing the vapors. They can be harmful if inhaled. If affected by vapor inhalation, immediately move to an area with fresh air.
- Driving the vehicle before the urethane adhesive has completely cured may affect the performance of the windshield in case of an accident.

CAUTION:

- Do not use an adhesive which is past its usable term. Shelf life of this product is limited to six months after the date of manufacture. Carefully adhere to the expiration or manufacture date printed on the box.
- Keep primers and adhesive in a cool, dry place. Ideally, they should be stored in a refrigerator.

NEBT0017S02

AT

TF

PD

AX

SU

BR

ST

RS

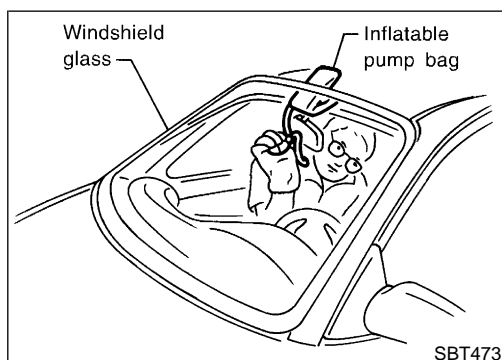
BT

HA

SC

EL

IDX



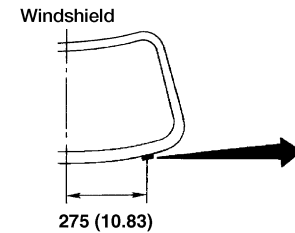
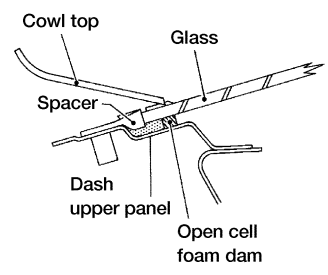
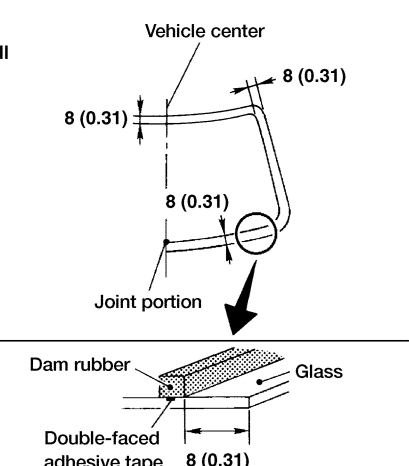
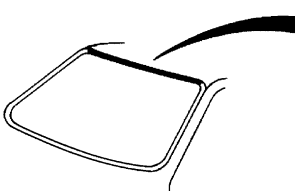
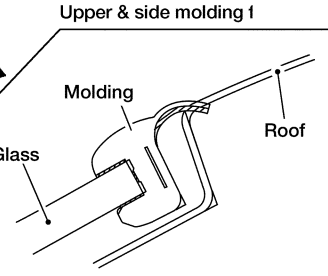
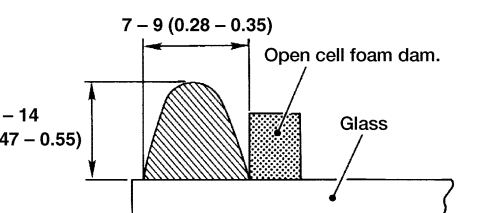
WINDSHIELD AND WINDOWS

Removal and Installation (Cont'd)

- Do not leave primers or adhesive cartridge unattended with their caps open or off.
- The vehicle should not be driven for at least 24 hours or until the urethane adhesive has completely cured. Curing time varies depending on temperature and humidities. The curing time will increase under higher temperatures and lower humidities.

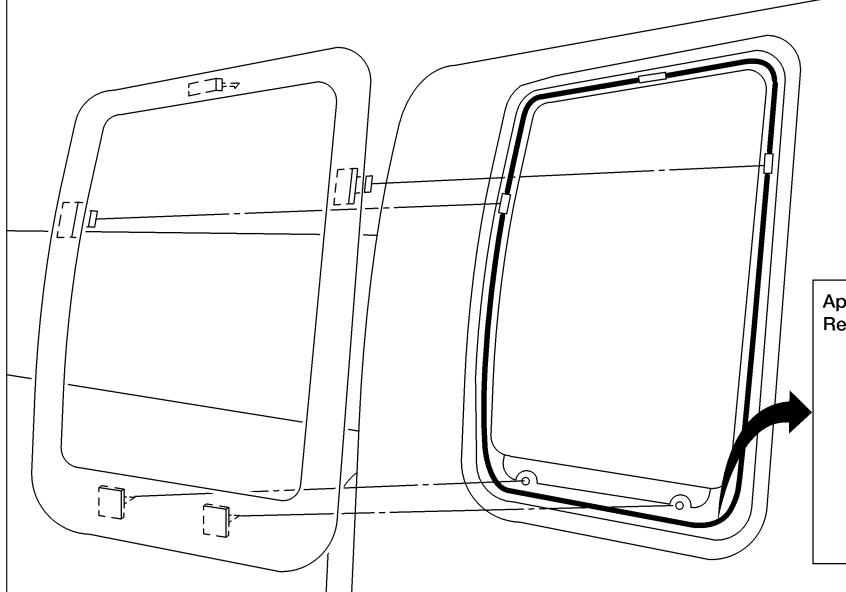
WINDSHIELD

NEBT0017S03

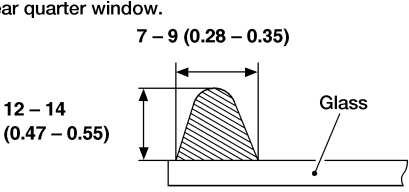
<p>Body side Install spacer to panel.</p>  <p>Windshield 275 (10.83)</p>	 <p>Cowl top Glass Spacer Dash upper panel Open cell foam dam</p>	<p>Glass side Install open cell foam dam. Windshield</p>  <p>Vehicle center 8 (0.31) 8 (0.31) Joint portion Dam rubber Glass Double-faced adhesive tape 8 (0.31)</p>
<p>Install molding fastener. When installing it, heat body panel and fastener to approx. 30 to 40°C (86 to 104°F).</p> 	<p>Upper & side molding 1</p>  <p>Molding Glass Roof</p>	<p>Apply urethane adhesive evenly. Windshield and rear window</p>  <p>7 - 9 (0.28 - 0.35) Open cell foam dam Glass 12 - 14 (0.47 - 0.55)</p> <p>Unit: mm (in)</p> <p>WBT095</p>

SIDE WINDOW

NEBT0017S04



Apply urethane adhesive.
Rear quarter window.



7 - 9 (0.28 - 0.35)
Glass
12 - 14 (0.47 - 0.55)

Unit: mm (in)

ABT345

WINDSHIELD AND WINDOWS

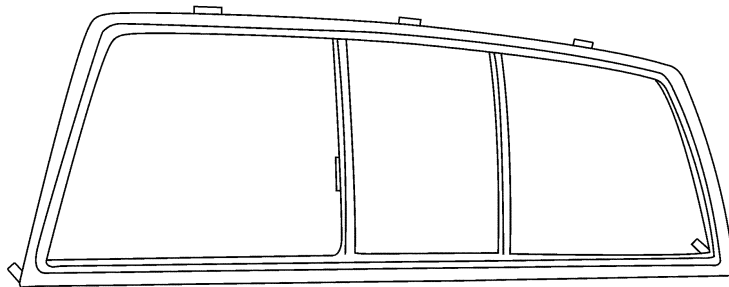
Removal and Installation (Cont'd)

BACK WINDOW

- Window glass is held in place by urethane adhesive.

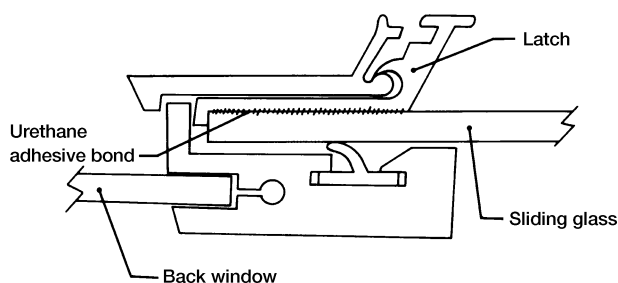
NEBT0017S05

SEC. 797

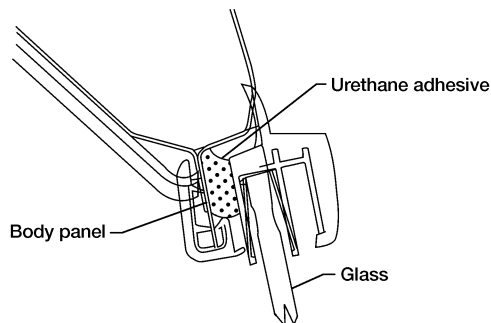


GI
MA
EM
LC
EC
FE
CL
MT
AT
TF
PD
AX
SU
BR
ST
RS

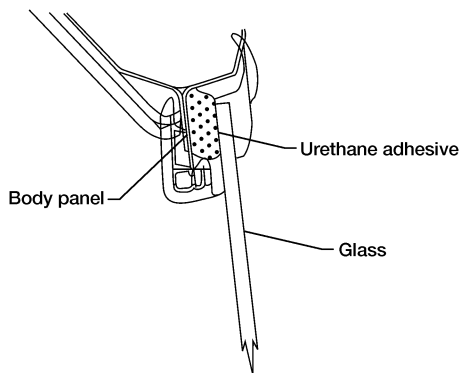
Latch



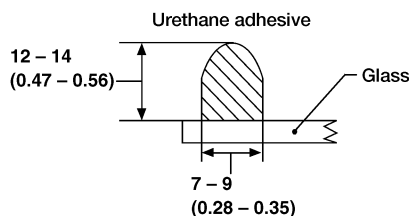
Sliding glass



Fixed glass



Apply urethane adhesive evenly.



Unit: mm (in)

ABT335

Repairing Water Leaks for Windshield, Side Window and Back Window

NEBT0017S0501

Leaks can be repaired without removing and reinstalling glass.

If water is leaking between urethane adhesive material and body or glass, determine the extent of leakage. This can be done by applying water to the windshield or side window area while pushing glass outward.

To stop the leak, apply primer (if necessary) and then urethane adhesive to the leak point.

BT
HA
SC
EL
IDX

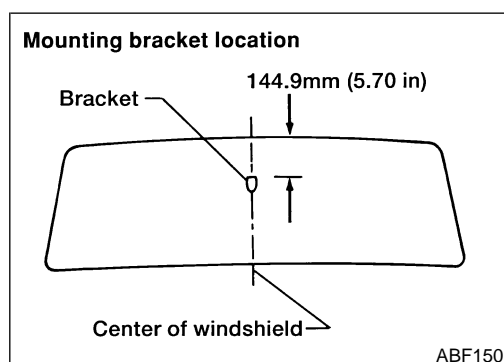
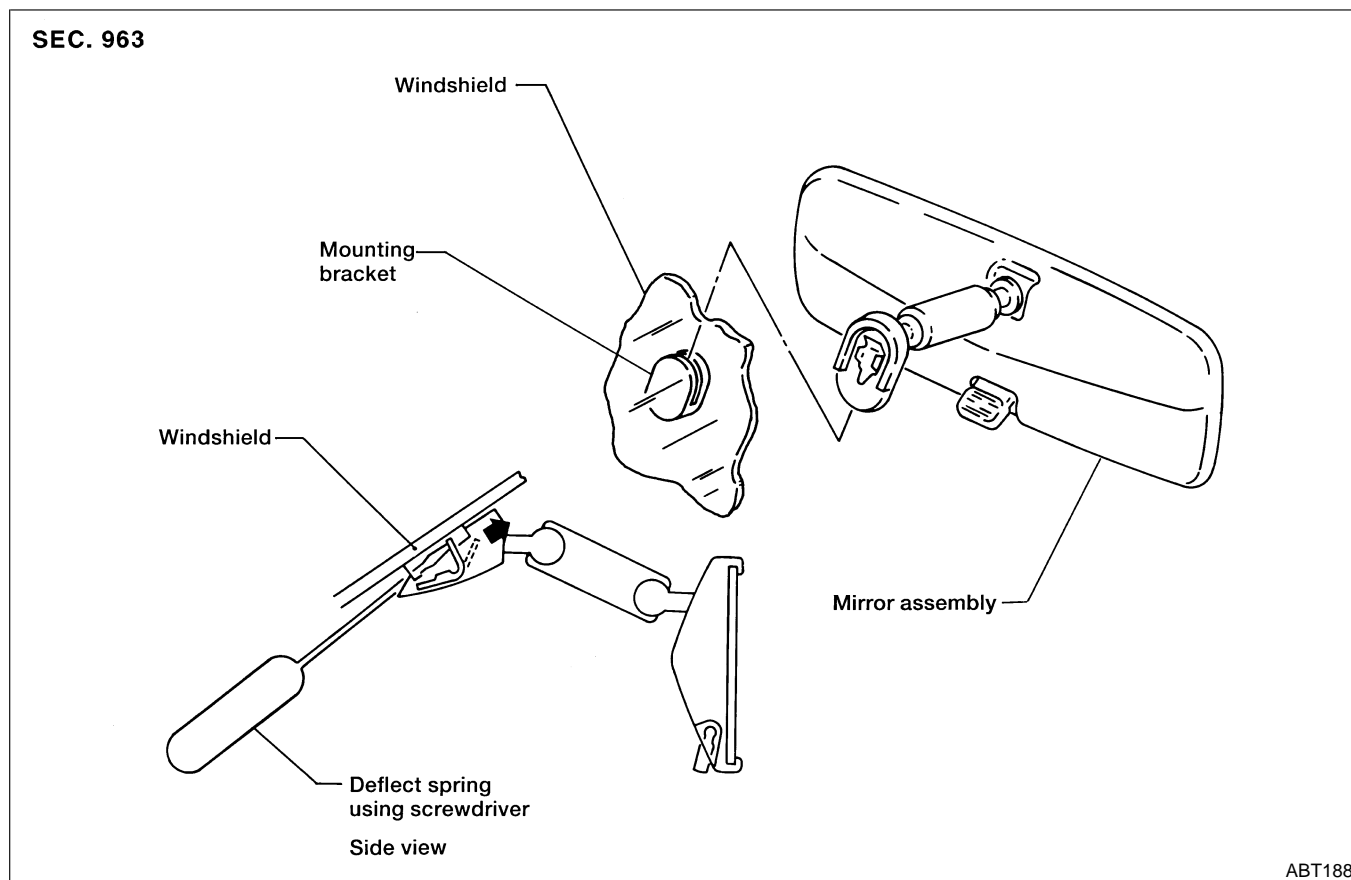
REAR VIEW MIRROR

Removal

Removal

NEBT0018

Remove rearview mirror by deflecting spring with screwdriver as shown in the figure.



Installation

NEBT0019

1. Install mounting bracket as follows:
 - a. Determine mounting bracket position on windshield by measuring from top of windshield to top of mounting bracket as shown in the figure.
 - b. Mark location on outside of windshield with wax pencil or equivalent.
 - c. Clean attaching point on inside of windshield with an alcohol-saturated paper towel.
 - d. Sand bonding surface of mounting bracket with sandpaper (No. 320 or No. 360).
 - e. Clean bonding surface of mounting bracket with an alcohol-saturated paper towel.
 - f. Apply Loctite Adhesive 11067-2 or equivalent to bonding surface of mounting bracket.
 - g. Install mounting bracket at premarked position and press mounting bracket against glass for 30 to 60 seconds.
 - h. After five minutes, wipe off excess adhesive with an alcohol-moistened paper towel.
2. Install rearview mirror.

DOOR MIRROR

Removal and Installation

Removal and Installation

NEBT0020

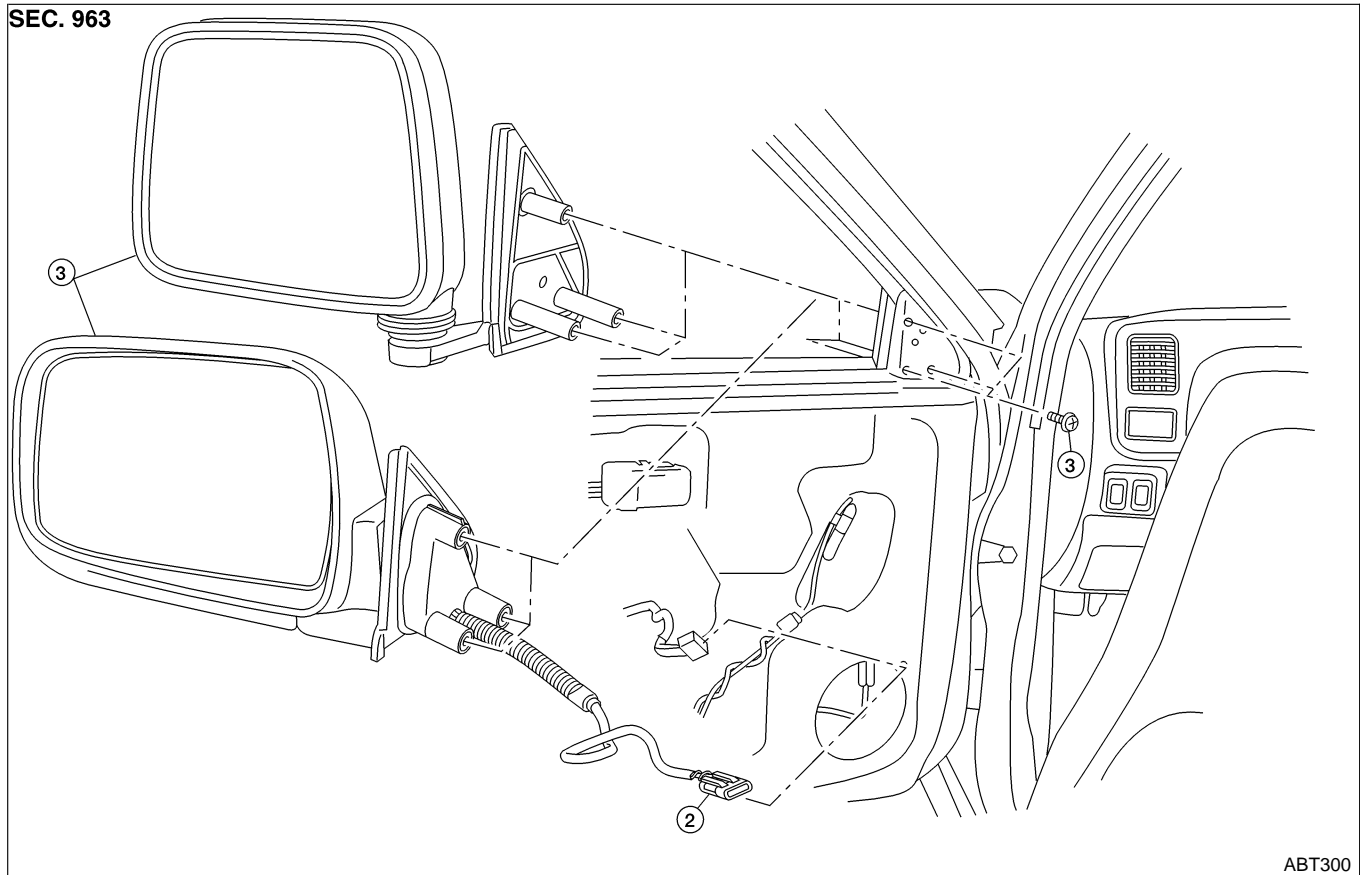
CAUTION:

Be careful not to scratch door rearview mirror body.

★ For Wiring Diagram, refer to *EL-154* "POWER DOOR MIRROR".

1. Remove door trim or inner cover from front corner of door. Refer to "Removal and Installation", BT-30.
2. Disconnect door mirror harness connector.
3. Remove bolts securing door mirror, then remove door mirror assembly.

SEC. 963



GI

MA

EM

LC

EC

FE

CL

MT

AT

TF

PD

AX

SU

BR

ST

RS

BT

HA

SC

EL

IDX

CAB AND REAR BODY

Body Mounting

Body Mounting

NEBT0021

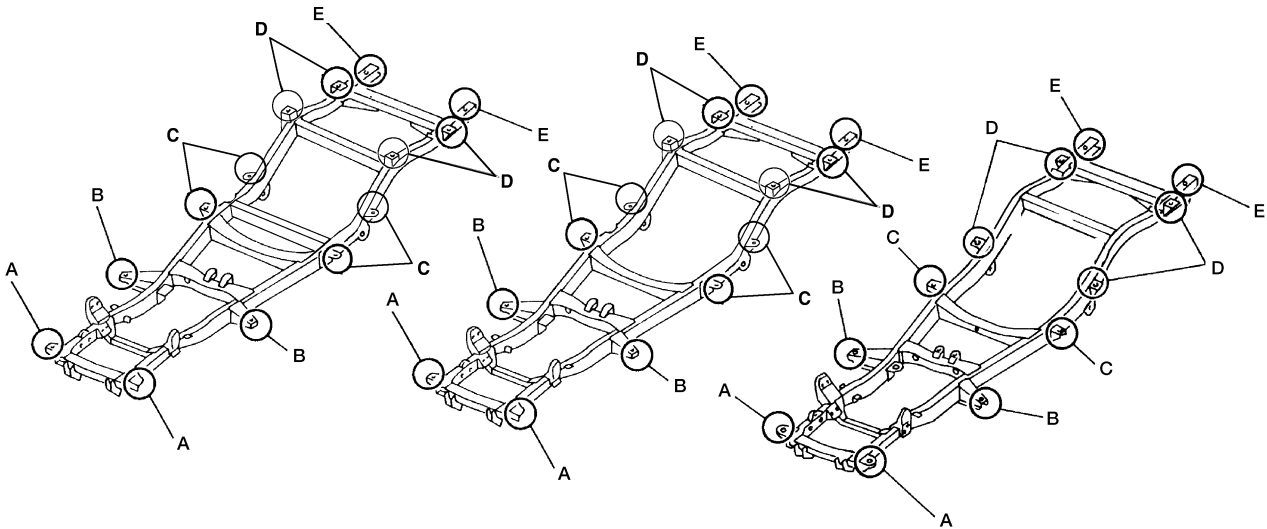
When removing, be sure to replace bolts and nuts (sealant applied bolts or self-lock nuts are used for all mounting).

SEC. 930

Crew Cab Long Bed

Crew Cab

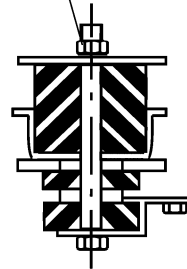
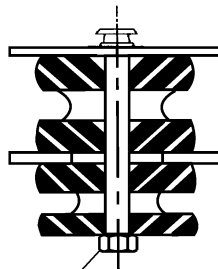
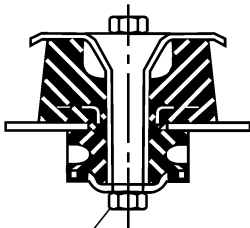
King Cab



A

B

27 - 37 (2.8 - 3.8, 20 - 27) C

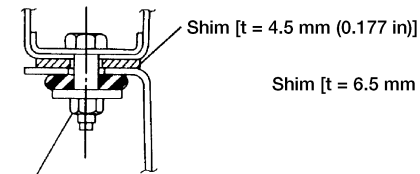


27 - 37 (2.8 - 3.8, 20 - 27)

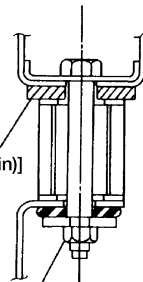
27 - 37 (2.8 - 3.8, 20 - 27)

D

E



Shim [t = 6.5 mm (0.256 in)]



27 - 37 (2.8 - 3.8, 20 - 27)

27 - 37 (2.8 - 3.8, 20 - 27)

: N·m (kg-m, ft-lb)

WBT211

BODY (ALIGNMENT)

Alignment

Alignment

NEBT0022

- All dimensions indicated in the figures are actual.
- When using a tracking gauge, adjust both pointers to equal length, then check pointers and the gauge to make sure there is no free play.
- When a measuring tape is used, check to be sure there is no elongation, twisting or bending.
- Measurements should be taken at the center of the mounting holes.
- An asterisk (*) following the value at the measuring point indicates that the measuring point on the other side is symmetrically the same value.
- The coordinates of the measurement points are the distances measured from the standard line of "X", "Y" and "Z".

GI

MA

EM

LC

EC

FE

CL

MT

AT

TF

PD

AX

SU

BR

ST

RS

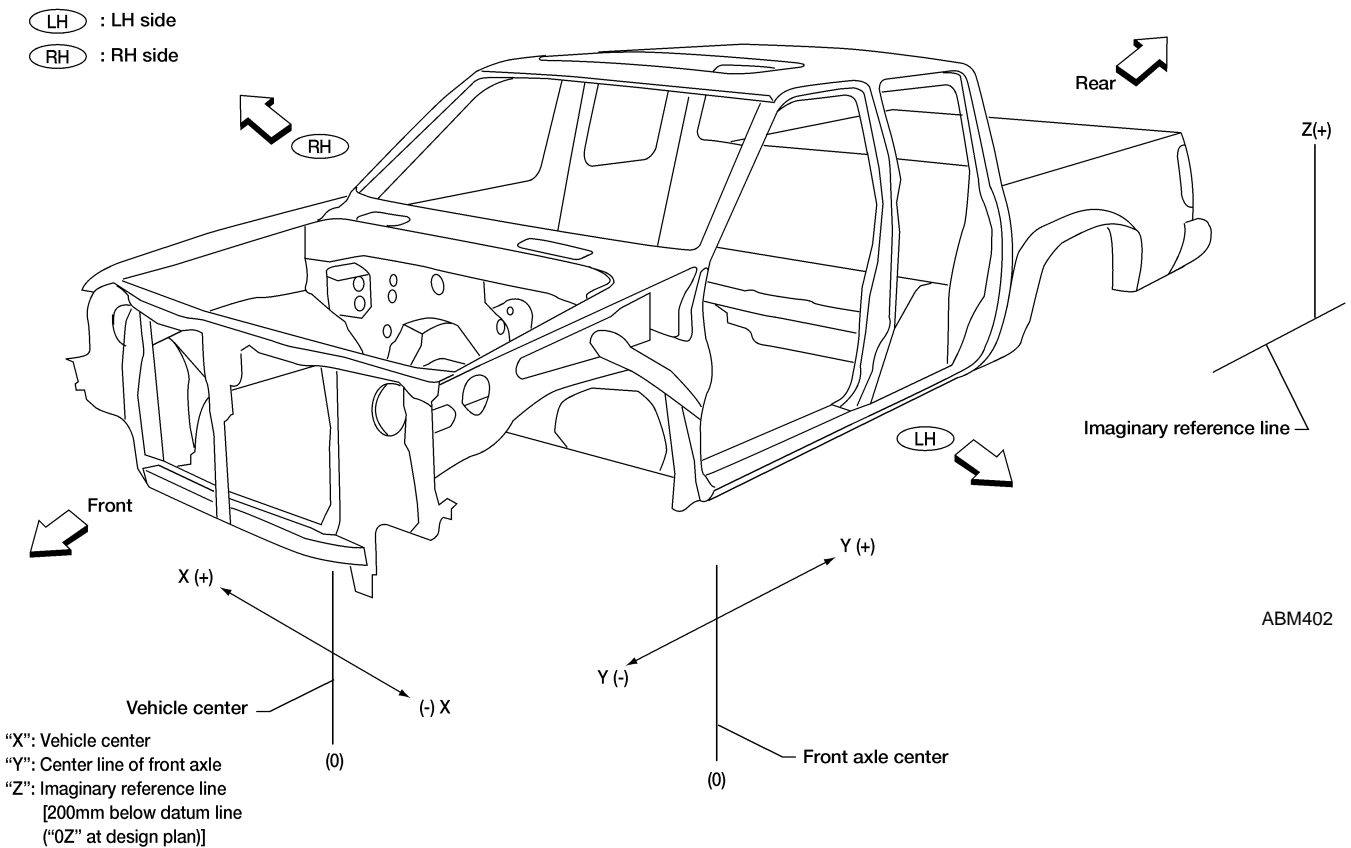
BT

HA

SC

EL

IDX



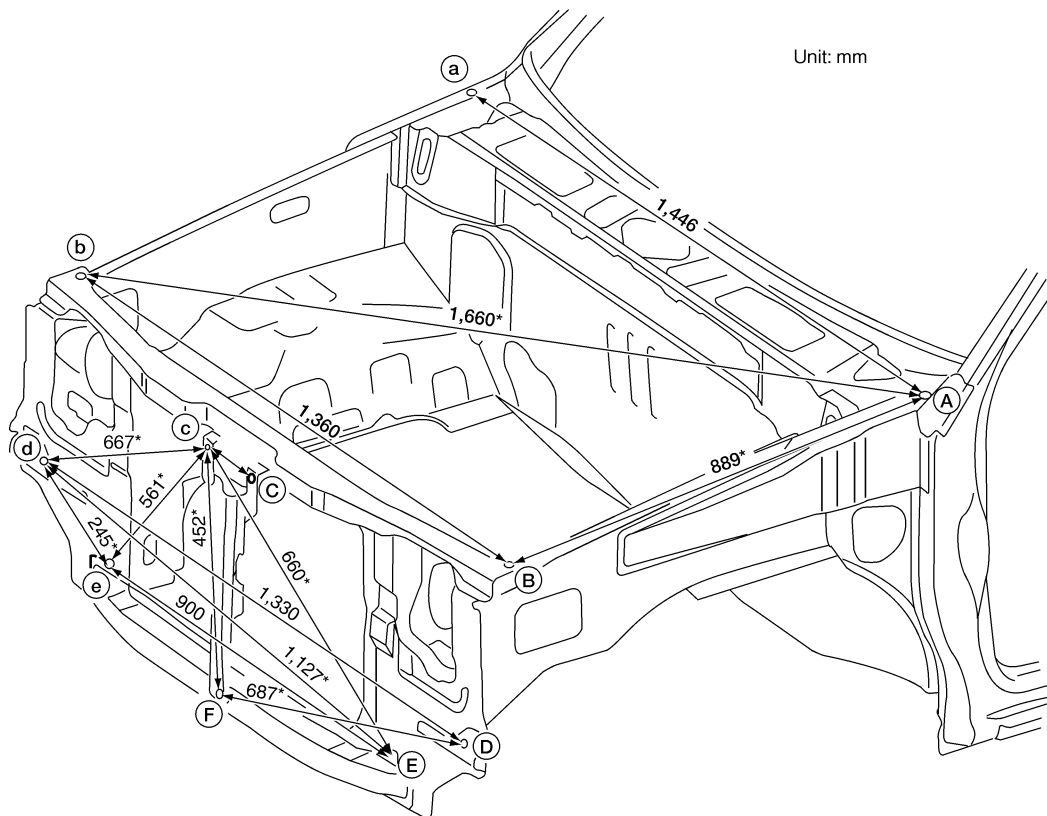
BODY (ALIGNMENT)

Alignment (Cont'd)

ENGINE COMPARTMENT Measurement

NEBT002S01

NEBT002S0103



ABM374

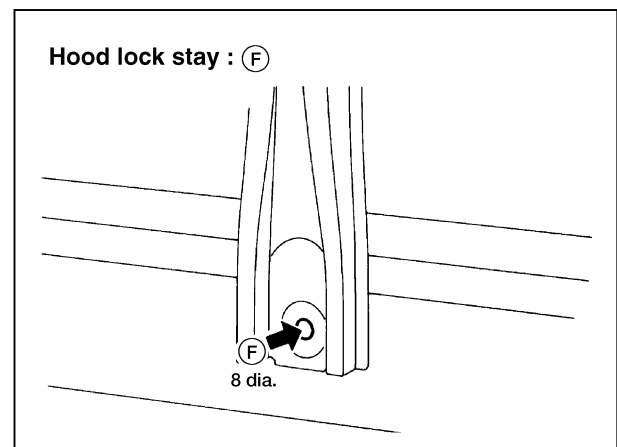
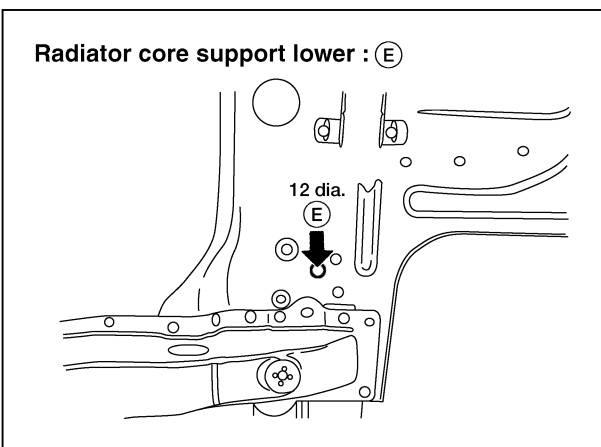
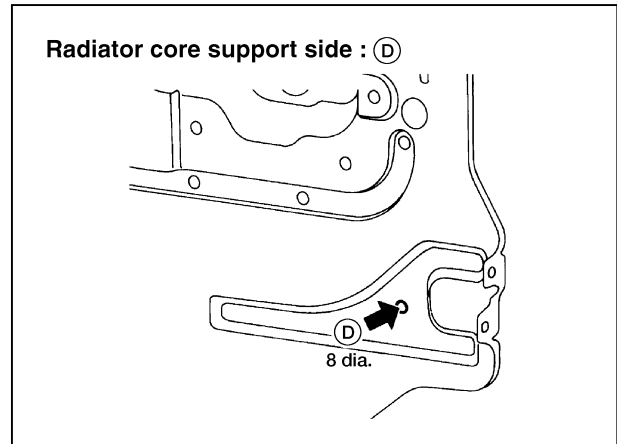
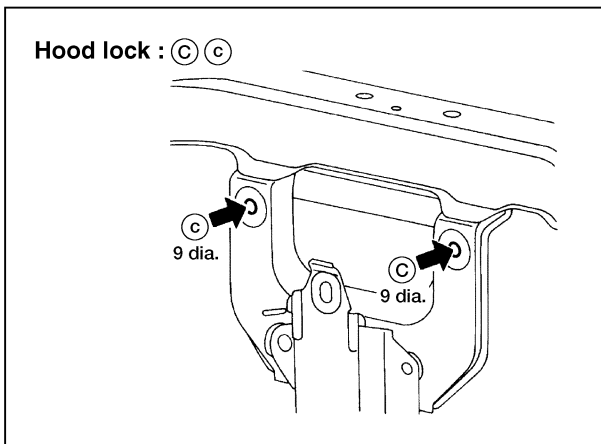
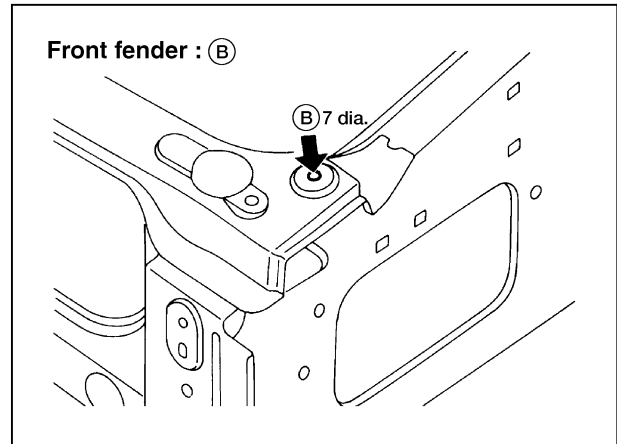
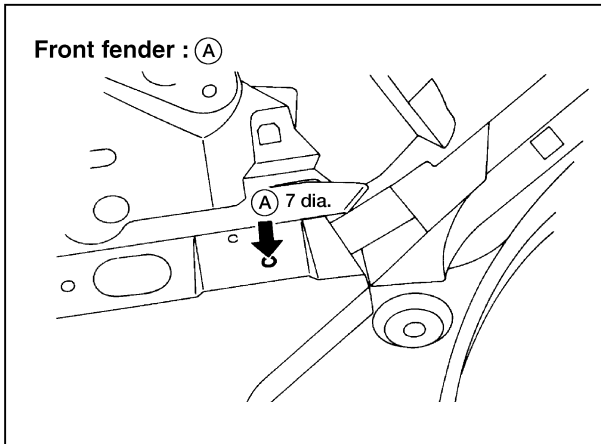
Figure marked with * indicate symmetrically identical dimensions on both right-hand and left-hand sides of the vehicle.

BODY (ALIGNMENT)

Alignment (Cont'd)

Measurement Points

NEBT0022S0104



Unit: mm

GI
MA
EM
LC
EC
FE
CL
MT
AT
TF
PD
AX
SU
BR
ST
RS
BT
HA
SC
EL
IDX

BODY (ALIGNMENT)

Alignment (Cont'd)

UNDERBODY Measurement — 2WD-4WD Models

NEBT0022S02

NEBT0022S0205

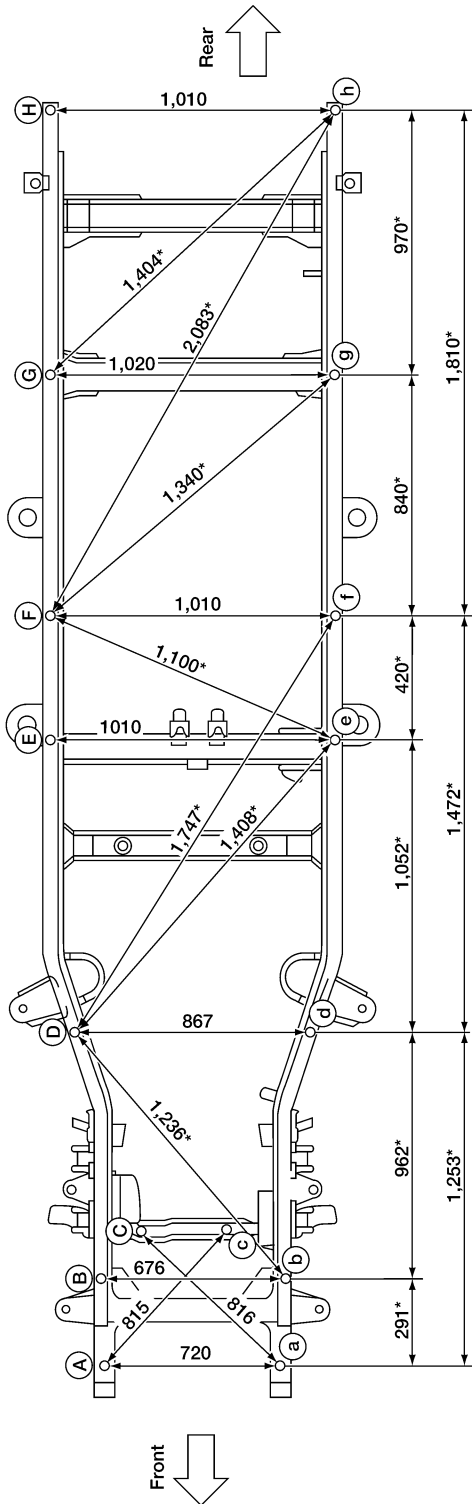
Unit:mm

Figures marked with a * indicate symmetrically identical dimensions on both right and left hand sides of the vehicle.

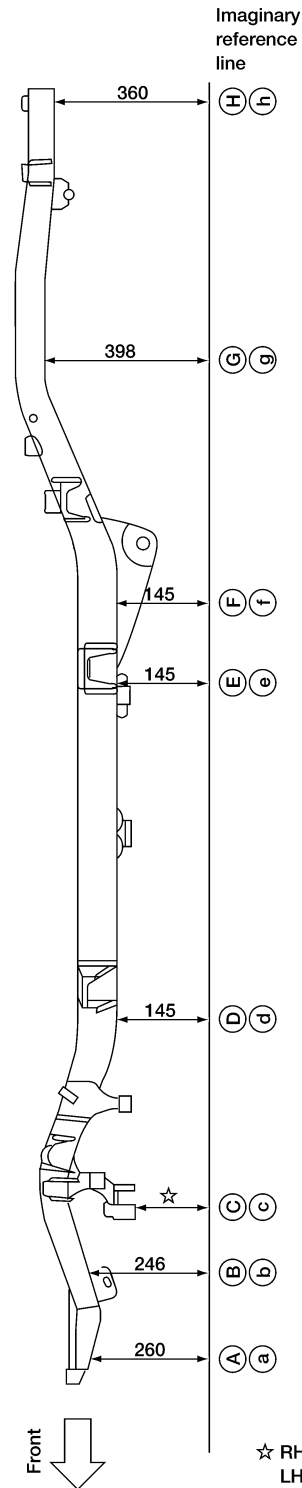
As viewed from underside.

All dimensions indicated in the figure are actual.

LH side



RH side



☆ RH: 105
LH: 97

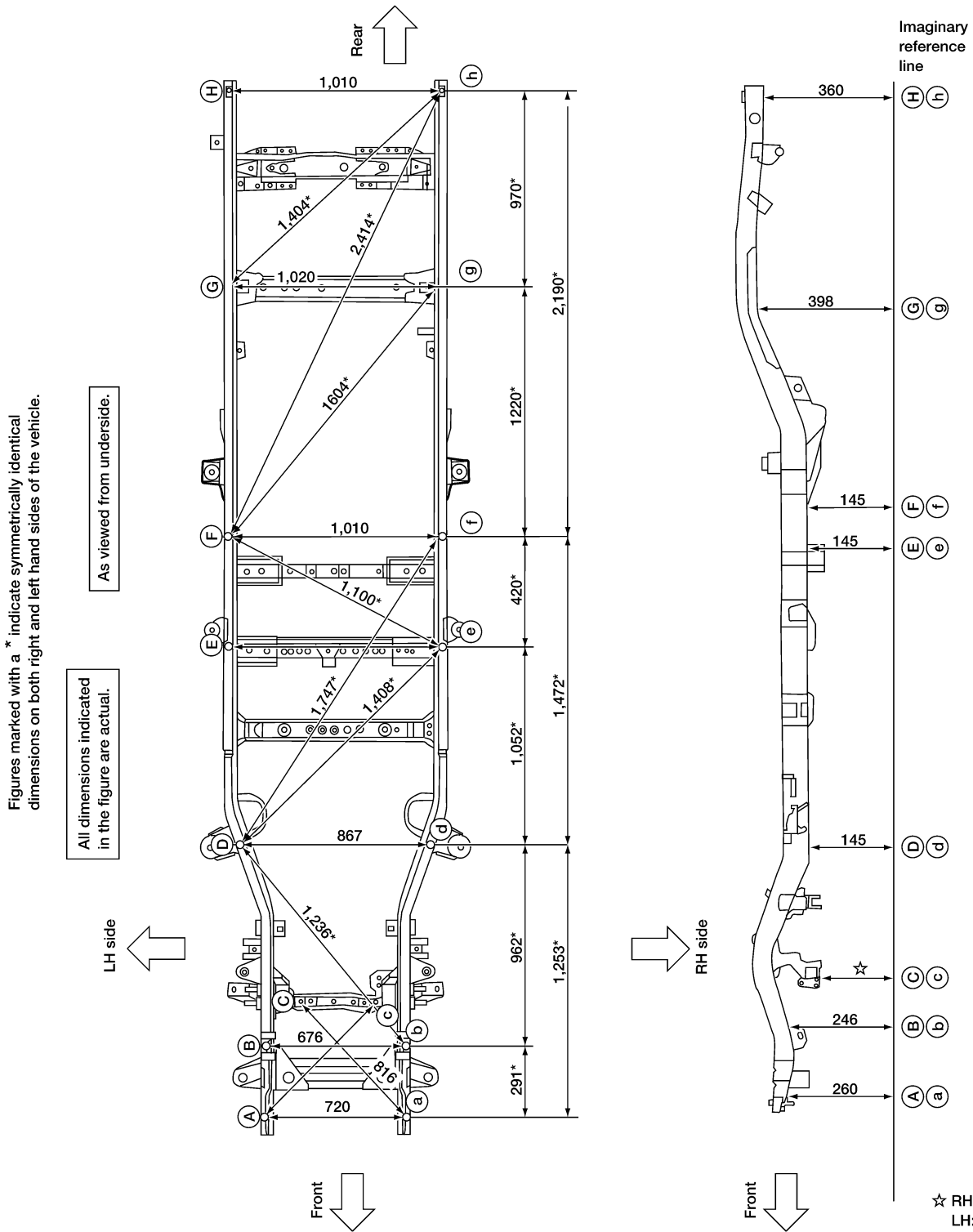
WBT181

BODY (ALIGNMENT)

Alignment (Cont'd)

Measurement — Crew Cab Long Bed

NEBT0022S0209



GI

MA

EM

LC

EC

FE

CL

MT

AT

TF

PD

AX

SU

BR

ST

RS

BT

HA

SC

EL

IDX

LBT189

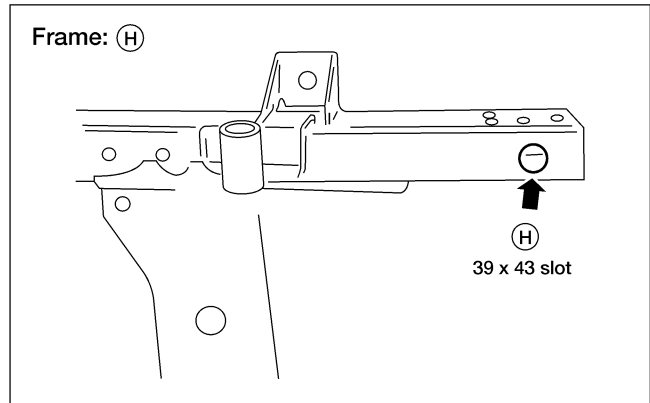
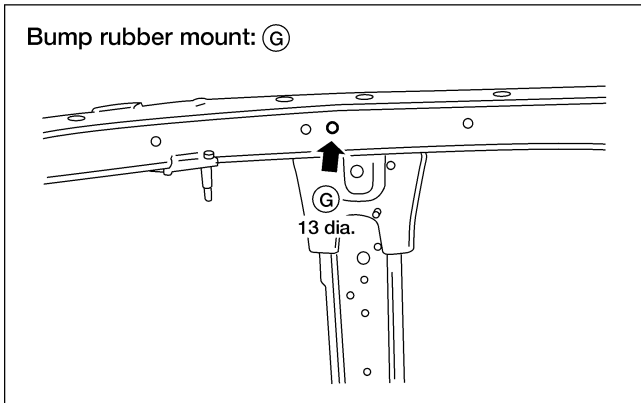
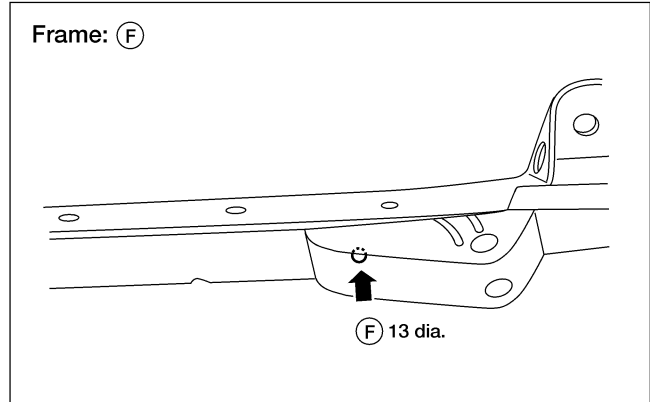
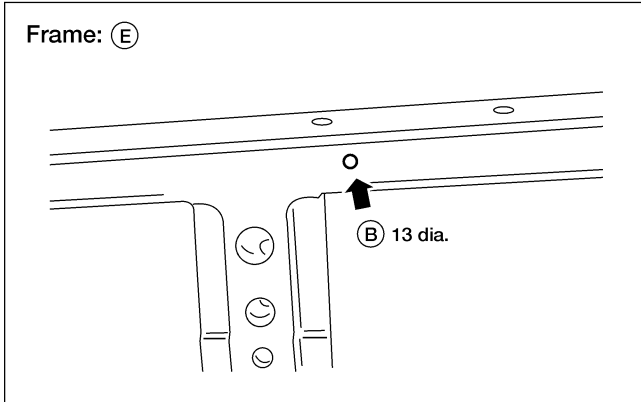
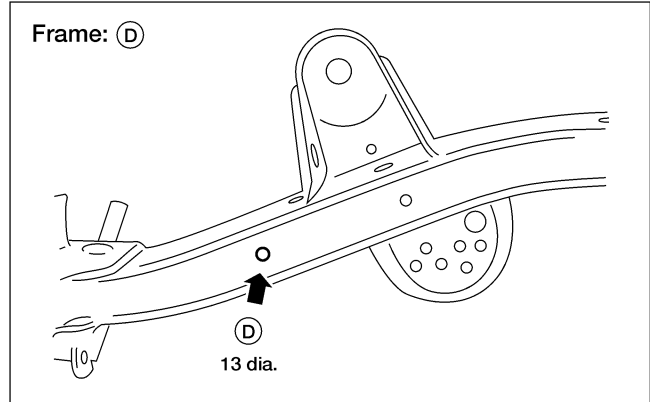
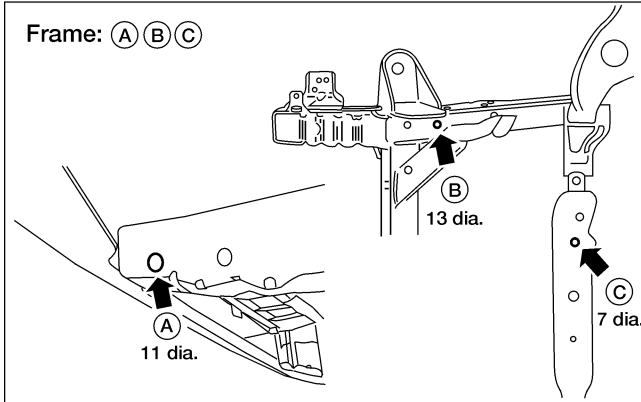
BODY (ALIGNMENT)

Alignment (Cont'd)

Measurement Points — 2WD-4WD Models

NEBT0022S0206

Unit: mm



Unit: mm

Coordinates:	(A), (a)	(B), (b)	(C), (c)	(D), (d)	(E), (e)	(F), (f)	(G), (g)	(H), (h)
X:	360	338	200	433.7	505	510	510	505
Y:	-700	-409	-129	550	1600	2020	2860	3830
Z:	260	-129	RH 105 LH 97	145.4	145	145	398	360

ABT476