

A

ACC

# SECTION ACC

## ACCELERATOR CONTROL SYSTEM

C

### CONTENTS

D

E

<b>ACCELERATOR CONTROL SYSTEM</b> .....	<b>2</b>	Components .....	2	F
		Removal and Installation .....	2	
		REMOVAL .....	2	
		INSTALLATION .....	2	G
		INSPECTION AFTER INSTALLATION .....	3	

H

I

J

K

L

M

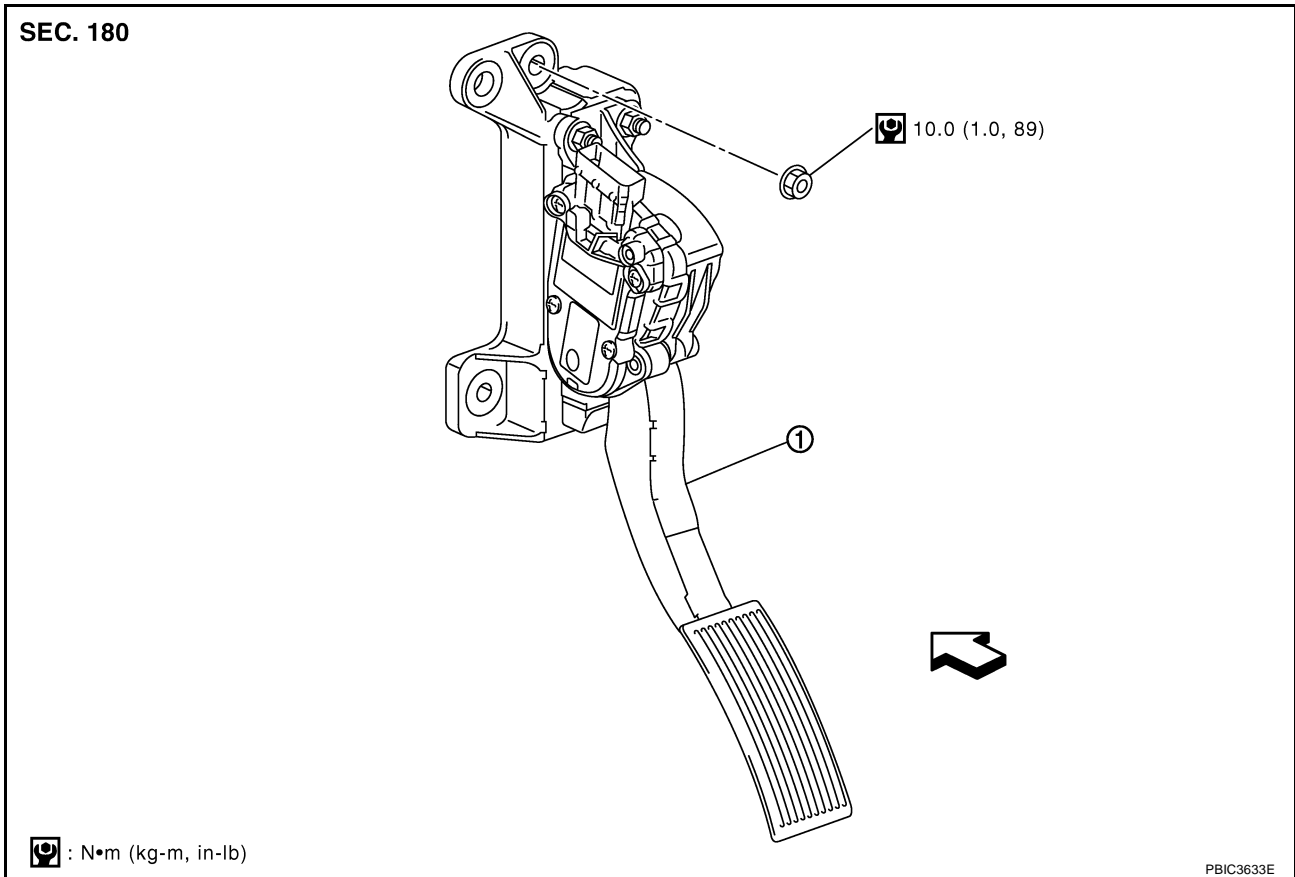
# ACCELERATOR CONTROL SYSTEM

## ACCELERATOR CONTROL SYSTEM

PFP:18005

### Components

GBS000EE



1. Accelerator pedal assembly

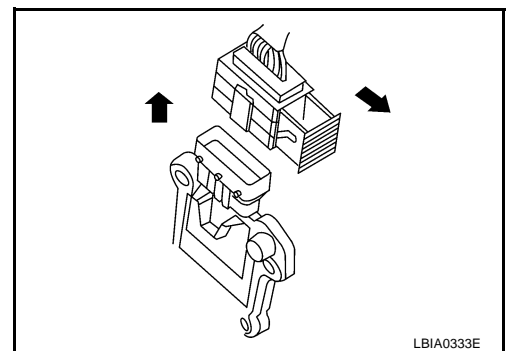
↶ Vehicle front

## Removal and Installation

### REMOVAL

GBS000EF

1. Disconnect accelerator pedal position sensor harness connector.
  - a. Pull the connector lock back to unlock the connector from the accelerator pedal position sensor as shown in the figure.
  - b. Pull up on the connector to disconnect it from the accelerator pedal position sensor as shown in the figure.



2. Loosen nuts, and remove accelerator pedal assembly.

### CAUTION:

- Do not disassemble accelerator pedal assembly. Do not remove accelerator pedal position sensor from accelerator pedal assembly.
- Avoid impact from dropping etc. during handling.
- Be careful to keep accelerator pedal assembly away from water.
- Do not adjust adjusting screw (painted white).

### INSTALLATION

Installation is the reverse order of removal.

# ACCELERATOR CONTROL SYSTEM

## INSPECTION AFTER INSTALLATION

- Make sure that accelerator pedal moves smoothly within the whole operation range.
- Make sure that accelerator pedal securely returns to the original position.
- For the electrical inspection of accelerator pedal position sensor, refer to [EC-478, "DTC P2122, P2123 APP SENSOR"](#) , [EC-484, "DTC P2127, P2128 APP SENSOR"](#) , [EC-499, "DTC P2138 APP SENSOR"](#) (VQ engine models for Australia), [EC-870, "DTC P2122, P2123 APP SENSOR"](#) , [EC-876, "DTC P2127, P2128 APP SENSOR"](#) , [EC-891, "DTC P2138 APP SENSOR"](#) (VQ engine models except for Australia) or [EC-1096, "DTC P0122, P0123 APP SENSOR"](#) , [EC-1130, "DTC P0222, P0223 APP SENSOR"](#) , [EC-1263, "DTC P2135 APP SENSOR"](#) (YD engine models).

A

ACC

C

D

E

F

G

H

I

J

K

L

M

# ACCELERATOR CONTROL SYSTEM

---