

SECTION MA
MAINTENANCE

A
B
C
D
E
F
G
H
I
J
K
L
M
N
O

CONTENTS

PRECAUTION	2	ENGINE MAINTENANCE (VQ40DE)	22
PRECAUTIONS	2	Checking Drive Belts	22
Precaution for Supplemental Restraint System (SRS) "AIR BAG" and "SEAT BELT PRE-TENSIONER"	2	Changing Engine Coolant	22
PREPARATION	3	Checking Fuel Line	25
PREPARATION	3	Changing Fuel Filter	25
Special Service Tool	3	Changing Engine Air Cleaner Filter	25
Commercial Service Tool	3	Changing Engine Oil	26
ON-VEHICLE MAINTENANCE	4	Changing Oil Filter	26
GENERAL MAINTENANCE	4	Changing Spark Plugs	27
General Maintenance	4	Checking EVAP Vapor Line	29
PERIODIC MAINTENANCE	6	CHASSIS AND BODY MAINTENANCE	30
Introduction of Periodic Maintenance	6	Changing the In-cabin Microfilter	30
Schedule 1	6	Checking the Exhaust System	31
Schedule 2	9	Checking the A/T Fluid (ATF)	31
RECOMMENDED FLUIDS AND LUBRICANTS	12	Changing the A/T Fluid (ATF)	33
Fluids and Lubricants	12	Checking the Manual Transmission Fluid (MTF)	34
Engine Oil Recommendation	13	Changing the Manual Transmission Fluid (MTF)	34
ENGINE MAINTENANCE (QR25DE ENGINE)...	15	Checking Transfer Fluid	34
Exploded View	15	Changing Transfer Fluid	35
Checking Drive Belt	15	Checking Propeller Shaft	35
Checking Drive Belt	15	Checking Front Final Drive Oil	35
Changing Engine Coolant	15	Changing Front Final Drive Oil	35
Checking Fuel Line	18	Checking Rear Final Drive Oil	36
Changing Air Cleaner Filter	18	Changing Rear Final Drive Oil	36
Changing Engine Oil	18	Balancing Wheels	37
Changing Oil Filter	19	Tire Rotation	39
Changing Spark Plugs (Platinum-Tipped Type)	20	Checking Brake Fluid Level and Leaks	39
Checking EVAP Vapor Line	21	Checking Brake Line and Cables	39
		Checking Disc Brake	39
		Checking Steering Gear and Linkage	40
		Checking Power Steering Fluid and Line	40
		Checking Axle and Suspension Parts	41
		Lubricating Locks, Hinges and Hood Latches	42
		Checking Seat Belts, Buckles, Retractors, Anchors and Adjusters	42

MA

PRECAUTIONS

< PRECAUTION >

PRECAUTION

PRECAUTIONS

Precaution for Supplemental Restraint System (SRS) "AIR BAG" and "SEAT BELT PRE-TENSIONER"

INFOID:00000000322259

The Supplemental Restraint System such as "AIR BAG" and "SEAT BELT PRE-TENSIONER", used along with a front seat belt, helps to reduce the risk or severity of injury to the driver and front passenger for certain types of collision. This system includes seat belt switch inputs and dual stage front air bag modules. The SRS system uses the seat belt switches to determine the front air bag deployment, and may only deploy one front air bag, depending on the severity of a collision and whether the front occupants are belted or unbelted. Information necessary to service the system safely is included in the SR and SB section of this Service Manual.

WARNING:

- To avoid rendering the SRS inoperative, which could increase the risk of personal injury or death in the event of a collision which would result in air bag inflation, all maintenance must be performed by an authorized NISSAN/INFINITI dealer.
- Improper maintenance, including incorrect removal and installation of the SRS, can lead to personal injury caused by unintentional activation of the system. For removal of Spiral Cable and Air Bag Module, see the SR section.
- Do not use electrical test equipment on any circuit related to the SRS unless instructed to in this Service Manual. SRS wiring harnesses can be identified by yellow and/or orange harnesses or harness connectors.

PREPARATION

< PREPARATION >

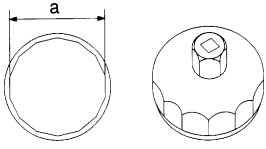
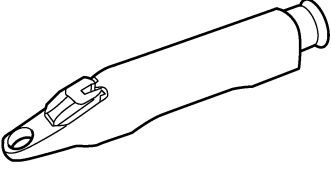
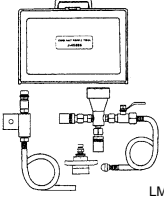
PREPARATION

PREPARATION

Special Service Tool

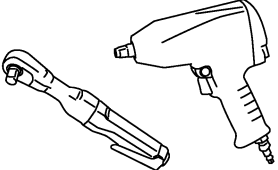
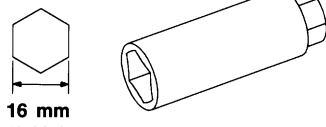
INFOID:00000000322260

The actual shapes of the Kent-Moore tools may differ from those of the special service tools illustrated here.

Tool number (Kent-Moore No.) Tool name	Description
KV10115801 (J-38956) Oil filter cap wrench <div style="text-align: center;">  <p>NT375</p> </div>	Removing and installing oil filter a: 64.3 mm (2.531 in)
KV991J0010 (J-23688) Engine coolant refractometer <div style="text-align: center;">  <p>WBIA0539E</p> </div>	Checking concentration of ethylene glycol in engine coolant
KV991J0070 (J-45695) Coolant refill tool <div style="text-align: center;">  <p>LMA053</p> </div>	Filling cooling system

Commercial Service Tool

INFOID:00000000322261

Tool name	Description
Power tool <div style="text-align: center;">  <p>PBIC0190E</p> </div>	Loosening bolts and nuts
Spark plug wrench <div style="text-align: center;">  <p>16 mm (0.63 in)</p> <p>S-NT047</p> </div>	Removing and installing spark plug

A
B
C
D
E
F
G
H
I
J
K
L
M
N
O

MA

GENERAL MAINTENANCE

< ON-VEHICLE MAINTENANCE >

ON-VEHICLE MAINTENANCE

GENERAL MAINTENANCE

General Maintenance

INFOID:000000003303353

General maintenance includes those items which should be checked during the normal day-to-day operation of the vehicle. They are essential if the vehicle is to continue operating properly. The owner can perform these checks and inspections or have their NISSAN dealers perform them.

OUTSIDE THE VEHICLE

The maintenance items listed here should be performed from time to time, unless otherwise specified.

Item		Reference page
Tires	Check the pressure with a gauge at least once a month and always prior to a long distance trip. Adjust to the specified pressure if necessary. Check carefully for damage, cuts or excessive wear.	—
Wheel lug nuts	When checking the tires, make sure no nuts are missing, and check for any loose nuts. Tighten if necessary.	MA-39, "Tire Rotation"
Windshield	Clean the windshield on a regular basis. Check the windshield at least every six months for cracks or other damage. Repair as necessary.	—
Tire rotation	Tires should be rotated every 12,000 km (7,500 miles).	MA-39, "Tire Rotation"
Tire Pressure Monitoring System (TPMS) transmitter components	Replace the TPMS transmitter grommet seal, valve core and cap when the tires are replaced due to wear or age.	WT-37, "Transmitter (Pressure Sensor)"
Wheel alignment and balance	If the vehicle pulls to either side while driving on a straight and level road, or if you detect uneven or abnormal tire wear, there may be a need for wheel alignment. If the steering wheel or seat vibrates at normal highway speeds, wheel balancing may be needed.	MA-37, "Balancing Wheels", FSU-5, "Front Wheel Alignment"
Windshield wiper blades	Check for cracks or wear if they do not wipe properly.	—
Doors and engine hood	Check that all doors and the engine hood operate smoothly as well as the back hatch. Also make sure that all latches lock securely. Lubricate if necessary. Make sure that the secondary latch keeps the hood from opening when the primary latch is released. When driving in areas using road salt or other corrosive materials, check lubrication frequently.	MA-42, "Lubricating Locks, Hinges and Hood Latches"
Lamps	Make sure that the head lamps, stop lamps, tail lamps, turn signal lamps, and other lamps are all operating properly and installed securely. Also check head lamp aim. Clean the head lamps on a regular basis.	EXL-135, "Aiming Adjustment"

INSIDE THE VEHICLE

The maintenance items listed here should be checked on a regular basis, such as when performing periodic maintenance, cleaning the vehicle, etc.

Item		Reference page
Warning lamps and buzzers/chimes	Make sure that all warning lamps and buzzers/chimes are operating properly.	WCS-4, "WARNING CHIME SYSTEM : System Description"
Windshield wiper and washer	Check that the wipers and washer operate properly and that the wipers do not streak.	—
Windshield defroster	Check that the air comes out of the defroster outlets properly and in sufficient quantity when operating the heater or air conditioner.	—
Steering wheel	Check that it has the specified play. Be sure to check for changes in the steering condition, such as excessive play, hard steering or strange noises.	ST-29, "Steering Wheel"
Seats	Check seat position controls such as seat adjusters, seat back recliner, etc. to make sure they operate smoothly and that all latches lock securely in every position. Check that the head restraints move up and down smoothly and that the locks (if equipped) hold securely in all latched positions. Check that the latches lock securely for folding-down rear seat backs.	—

GENERAL MAINTENANCE

< ON-VEHICLE MAINTENANCE >

Item		Reference page	
Seat belts	Check that all parts of the seat belt system (e.g. buckles, anchors, adjusters and retractors) operate properly and smoothly and are installed securely. Check the belt webbing for cuts, fraying, wear or damage.	SB-6, "Seat Belt Inspection" , SB-11, "Seat Belt Inspection"	A
Accelerator pedal	Check the pedal for smooth operation. Keep the floor mats away from the pedal.	—	B
Brakes	Check that the brake does not pull the vehicle to one side when applied.	—	
Brake pedal and booster	Check the pedal for smooth operation and make sure it has the proper distance under it when depressed fully. Check the brake booster function. Keep the floor mats away from the pedal.	BR-7, "Brake Booster Inspection" , BR-7, "Brake Pedal Inspection and Adjustment"	C
Parking brake	Check that the parking brake control has the proper travel and make sure that the vehicle is held securely on a fairly steep hill when only the parking brake is applied.	PB-3, "On-Vehicle Service"	D
Automatic transmission "Park" mechanism	On a fairly steep hill check that the vehicle is held securely with the selector lever in the P position without applying the brakes.	—	E

UNDER THE HOOD AND VEHICLE

The maintenance items listed here should be checked periodically (e.g. each time you check the engine oil or refuel).

Item		Reference page	
Windshield washer fluid	Check that there is adequate fluid in the tank.	—	G
Engine coolant level	Check the coolant level when the engine is cold.	MA-15 (QR) , MA-22 (VQ)	
Radiator and hoses	Check the front of the radiator and clean off any dirt, insects, leaves, etc., that may have accumulated. Make sure the hoses have no cracks, deformation, deterioration or loose connections.	—	H
Brake fluid level	Make sure that the brake fluid level is between the "MAX" and "MIN" lines on the reservoirs	MA-39	I
Battery	Check the fluid level in each cell. It should be between the "MAX" and "MIN" lines. Vehicles operated in high temperatures or under severe conditions require frequent checks of the battery fluid level.	—	J
Engine drive belt	Make sure that no belt is frayed, worn, cracked or oily.	MA-15 (QR) , MA-22 (VQ)	
Engine oil level	Check the level on the dipstick after parking the vehicle on a level spot and turning off the engine.	MA-18 (QR) , MA-26 (VQ)	K
Power steering fluid level and lines	Check the level on the reservoir with the engine off. Check the lines for improper attachment, leaks, cracks, etc.	MA-40	
Automatic transmission fluid level	Check the level on the dipstick after putting the selector lever in "P" with the engine idling.	MA-34	L
Exhaust system	Make sure there are no loose supports, cracks or holes. If the sound of the exhaust seems unusual or there is a smell of exhaust fumes, immediately locate the trouble and correct it.	MA-31	M
Underbody	The underbody is frequently exposed to corrosive substances such as those used on icy roads or to control dust. It is very important to remove these substances, otherwise rust will form on the floor pan, frame, fuel lines and around the exhaust system. At the end of winter, the underbody should be thoroughly flushed with plain water, being careful to clean those areas where mud and dirt can easily accumulate.	—	N
Fluid leaks	Check under the vehicle for fuel, oil, water or other fluid leaks after the vehicle has been parked for a while. Water dripping from the air conditioner after use is normal. If you should notice any leaks or gasoline fumes are evident, check for the cause and correct it immediately.	—	O

MA

PERIODIC MAINTENANCE

< ON-VEHICLE MAINTENANCE >

PERIODIC MAINTENANCE

Introduction of Periodic Maintenance

INFOID:000000003303354

Two different maintenance schedules are provided, and should be used, depending upon the conditions in which the vehicle is mainly operated. **After 60,000 miles (96,000 km) or 48 months, continue the periodic maintenance at the same mileage or time intervals, whichever comes first.**

Schedule 1	Follow Periodic Maintenance Schedule 1 if your driving habits frequently includes one or more of the following driving conditions: <ul style="list-style-type: none"> • Repeated short trips of less than 5 miles (8 km). • Repeated short trips of less than 10 miles (16 km) with outside temperatures remaining below freezing. • Operating in hot weather in stop-and-go "rush hour" traffic. • Extensive idling and/or low speed driving for long distances, such as police, taxi or door-to-door delivery use. • Driving in dusty conditions. • Driving on rough, muddy, or salt spread roads. • Towing a trailer or using a camper or a car-top carrier. 	Emission Control System Maintenance	MA-6
		Chassis and Body Maintenance	MA-6
Schedule 2	Follow Periodic Maintenance Schedule 2 if none of the driving conditions shown in Schedule 1 apply to the driving habits.	Emission Control System Maintenance	MA-9
		Chassis and Body Maintenance	MA-9

Maintenance for off-road driving (4WD only)

After driving the vehicle off-road through sand, mud, or water; more frequent maintenance may be required for the following items:

- ▲ Brake pads and rotors
- ▲ Brake lines and hoses
- ▲ Rear final drive oil, transmission fluid, and transfer fluid
- ▲ Steering linkage
- ▲ Drive shafts
- ▲ Engine air cleaner filter
- ▲ In-cabin microfilters

Schedule 1

INFOID:000000003303355

EMISSION CONTROL SYSTEM MAINTENANCE

Abbreviations: R = Replace. I = Inspect. Correct or replace if necessary. []: At the mileage intervals only

MAINTENANCE OPERATION		MAINTENANCE INTERVAL								Reference Section - Page or - Content Title
Perform at number of miles, kilometers or months, whichever comes first.	Miles x 1,000 (km x 1,000) Months	3.75 (6) 3	7.50 (12) 6	11.25 (18) 9	15 (24) 12	18.75 (30) 15	22.5 (36) 18	26.25 (42) 21	30 (48) 24	
Drive belts	NOTE (1)									EM-14 , "Checking Drive Belt" (QR), EM-123 , "Checking Drive Belts" (VQ)
Air cleaner filter	NOTE (2)								[R]	MA-18 (QR), EM-125 , "Exploded View" (VQ)
EVAP vapor lines									I*	MA-21 (QR), EC-930 , "How to Detect Fuel Vapor Leakage" (VQ)

PERIODIC MAINTENANCE

< ON-VEHICLE MAINTENANCE >

MAINTENANCE OPERATION		MAINTENANCE INTERVAL								Reference Section - Page or - Content Title	
Perform at number of miles, kilometers or months, whichever comes first.	Miles x 1,000 (km x 1,000) Months	3.75 (6) 3	7.50 (12) 6	11.25 (18) 9	15 (24) 12	18.75 (30) 15	22.5 (36) 18	26.25 (42) 21	30 (48) 24		
Fuel lines										I*	MA-18 (QR), FL-5, "Checking Fuel Line" (VQ)
Fuel filter	NOTE (3)										—
Engine coolant	NOTE (4)										CO-11, "System Inspection" (QR), CO-38, "System Inspection" (VQ)
Engine oil		R	R	R	R	R	R	R	R	R	MA-18 (QR), LU-21, "Inspection" (VQ)
Engine oil filter		R	R	R	R	R	R	R	R	R	MA-19 (QR), LU-24, "Removal and Installation" (VQ)
Spark plugs (Platinum-tipped type for QR and iridium-tipped type for VQ)		Replace every 105,000 miles (169,000 km).									MA-20 (QR), EM-126, "Exploded View" (VQ)
Intake and exhaust valve clearance*	NOTE (5)										EM-103, "Standard and Limit" (QR), EM-245, "Standard and Limit" (VQ)

MAINTENANCE OPERATION		MAINTENANCE INTERVAL								Reference Section - Page or - Content Title	
Perform at number of miles, kilometers or months, whichever comes first.	Miles x 1,000 (km x 1,000) Months	33.75 (54) 27	37.5 (60) 30	41.25 (66) 33	45 (72) 36	48.75 (78) 39	52.5 (84) 42	56.25 (90) 45	60 (96) 48		
Drive belts	NOTE (1)									I*	EM-14, "Checking Drive Belt" (QR), EM-123, "Checking Drive Belts" (VQ)
Air cleaner filter	NOTE (2)									[R]	MA-18 (QR), EM-125, "Exploded View" (VQ)
EVAP vapor lines										I*	MA-21 (QR), EC-930, "How to Detect Fuel Vapor Leakage" (VQ)

A
B
C
D
E
F
G
H
I
J
K
L
M
N
O

MA

PERIODIC MAINTENANCE

< ON-VEHICLE MAINTENANCE >

MAINTENANCE OPERATION		MAINTENANCE INTERVAL								Reference Section - Page or - Content Title	
Perform at number of miles, kilometers or months, whichever comes first.	Miles x 1,000 (km x 1,000) Months	33.75 (54) 27	37.5 (60) 30	41.25 (66) 33	45 (72) 36	48.75 (78) 39	52.5 (84) 42	56.25 (90) 45	60 (96) 48		
Fuel lines										I*	MA-18 (QR) , FL-5 , "Checking Fuel Line" (VQ)
Fuel filter	NOTE (3)										—
Engine coolant	NOTE (4)									R*	CO-11 , "System Inspection" (QR), CO-38 , "System Inspection" (VQ)
Engine oil		R	R	R	R	R	R	R	R	R	MA-18 (QR) , LU-21 , "Inspection" (VQ)
Engine oil filter		R	R	R	R	R	R	R	R	R	MA-19 (QR) , LU-24 , "Removal and Installation" (VQ)
Spark plugs (Platinum-tipped type for QR and iridium-tipped type for VQ)		Replace every 105,000 miles (169,000 km).									MA-20 (QR) , EM-126 , "Exploded View" (VQ)
Intake and exhaust valve clearance*	NOTE (5)										EM-103 , "Standard and Limit" (QR), EM-245 , "Standard and Limit" (VQ)

(1) After 60,000 miles (96,000 km) or 48 months, inspect every 15,000 miles (24,000 km) or 12 months. Replace the drive belts if found damaged or if the auto belt tensioner reaches the maximum limit.

(2) If operating mainly in dusty conditions, more frequent maintenance may be required.

(3) Maintenance-free item. For service procedures, go to the FL section.

(4) After 60,000 miles (96,000 km) or 48 months, replace every 30,000 miles (48,000 km) or 24 months.

(5) If valve noise increases, inspect valve clearance.

* Maintenance items and intervals with "*" are recommended by NISSAN for reliable vehicle operation. The owner need not perform such maintenance in order to maintain the emission warranty or manufacturer recall liability. Other maintenance items and intervals are required.

CHASSIS AND BODY MAINTENANCE

Abbreviations: R = Replace. I = Inspect. Correct or replace if necessary. L = Lubricate. []: At the mileage intervals only.

MAINTENANCE OPERATION		MAINTENANCE INTERVAL								Reference Section - Page or - Content Title
Perform at number of miles, kilometers or months, whichever comes first.	Miles x 1,000 (km x 1,000) Months	3.75 (6) 3	7.5 (12) 6	11.25 (18) 9	15 (24) 12	18.75 (30) 15	22.5 (36) 18	26.25 (42) 21	30 (48) 24	
Brake lines and cables					I				I	MA-39
Brake pads and rotors			I		I		I		I	MA-39

PERIODIC MAINTENANCE

< ON-VEHICLE MAINTENANCE >

MAINTENANCE OPERATION		MAINTENANCE INTERVAL								Reference Section - Page or - Content Title
	Miles x 1,000 (km x 1,000) Months	3.75 (6) 3	7.5 (12) 6	11.25 (18) 9	15 (24) 12	18.75 (30) 15	22.5 (36) 18	26.25 (42) 21	30 (48) 24	
Perform at number of miles, kilometers or months, whichever comes first.										
Automatic transmission fluid and Manual transmission fluid	NOTE (1)				I				I	TM-339, "Checking the A/T Fluid (ATF)", MA-34
Transfer fluid and front final drive oil	NOTE (1)				I				I	MA-35, MA-35
Rear final drive oil	NOTE (1)				I				I	MA-36
Steering gear, linkage, axle, and suspension parts			I		I		I		I	MA-40, MA-41
Tire rotation	NOTE (2)									MA-39
Drive shaft boots and propeller shaft (4WD)			I		I		I		I	MA-41
Exhaust system			I		I		I		I	MA-31
In-cabin microfilter					R				R	MA-30

MAINTENANCE OPERATION		MAINTENANCE INTERVAL								Reference Section - Page or - Content Title
	Miles x 1,000 (km x 1,000) Months	33.75 (54) 27	37.5 (60) 30	41.25 (66) 33	45 (72) 36	48.75 (78) 39	52.5 (84) 42	56.25 (90) 45	60 (96) 48	
Perform at number of miles, kilometers or months, whichever comes first.										
Brake lines and cables					I				I	MA-39
Brake pads and rotors			I		I		I		I	MA-39
Automatic transmission fluid and Manual transmission fluid	NOTE (1)				I				I	TM-339, "Checking the A/T Fluid (ATF)", MA-34
Transfer fluid and front final drive oil	NOTE (1)				I				I	MA-35, MA-35
Rear final drive oil	NOTE (1)				I				I	MA-36
Steering gear, linkage, axle, and suspension parts			I		I		I		I	MA-40, MA-41
Tire Rotation	NOTE (2)									MA-39
Drive shaft boots and propeller shaft (4WD)			I		I		I		I	MA-41
Exhaust system			I		I		I		I	MA-31
In-cabin microfilter					R				R	MA-30

(1) If towing a trailer, or using a camper or a car-top carrier, or driving on rough or muddy roads, change (not just inspect) oil at every 30,000 miles (48,000 km) or 24 months.

(2) Refer to "Tire rotation" under the "General maintenance" heading earlier in this section.

Schedule 2

INFOID:000000003303356

EMISSION CONTROL SYSTEM MAINTENANCE

PERIODIC MAINTENANCE

< ON-VEHICLE MAINTENANCE >

Abbreviations: R = Replace. I = Inspect. Correct or replace if necessary. []: At the mileage intervals only

MAINTENANCE OPERATION		MAINTENANCE INTERVAL								Reference Section - Page or - Content Title
Perform at number of miles, kilometers or months, whichever comes first.	Miles x 1,000 (km x 1,000) Months	7.5 (12) 6	15 (24) 12	22.5 (36) 18	30 (48) 24	37.5 (60) 30	45 (72) 36	52.5 (84) 42	60 (96) 48	
Drive belts	NOTE (1)								I*	EM-14, "Checking Drive Belt" (QR) , EM-123, "Checking Drive Belts" (VQ)
Air cleaner filter					[R]				[R]	MA-18 (QR) , EM-125, "Exploded View" (VQ)
EVAP vapor lines					I*				I*	MA-21 (QR) , EC-930, "How to Detect Fuel Vapor Leakage" (VQ)
Fuel lines					I*				I*	MA-18 (QR) , FL-5, "Checking Fuel Line" (VQ)
Fuel filter	NOTE (2)									—
Engine coolant	NOTE (3)								R*	CO-11, "System Inspection" (QR) , CO-38, "System Inspection" (VQ)
Engine oil		R	R	R	R	R	R	R	R	MA-18 (QR) , LU-21, "Inspection" (VQ)
Engine oil filter		R	R	R	R	R	R	R	R	MA-19 (QR) , LU-24, "Removal and Installation" (VQ)
Spark plugs (Platinum-tipped type for QR and iridium-tipped type for VQ)		Replace every 105,000 miles (169,000 km).								MA-20 (QR) , EM-126, "Exploded View" (VQ)
Intake and exhaust valve clearance*	NOTE (4)									EM-103, "Standard and Limit" (QR) , EM-245, "Standard and Limit" (VQ)

(1) After 60,000 miles (96,000 km) or 48 months, inspect every 15,000 miles (24,000 km) or 12 months. Replace the drive belts if found damaged or if the auto belt tensioner reaches the maximum limit.

(2) Maintenance-free item. For service procedures, go to FL section.

(3) After 60,000 miles (96,000 km) or 48 months, replace every 30,000 miles (48,000 km) or 24 months.

(4) If valve noise increases, inspect valve clearance.

* Maintenance items and intervals with "*" are recommended by NISSAN for reliable vehicle operation. The owner need not perform such maintenance in order to maintain the emission warranty or manufacturer recall liability. Other maintenance items and intervals are required.

CHASSIS AND BODY MAINTENANCE

PERIODIC MAINTENANCE

< ON-VEHICLE MAINTENANCE >

Abbreviations: R = Replace. I = Inspect. Correct or replace if necessary. L = Lubricate. []: At the mileage interval only.

MAINTENANCE OPERATION		MAINTENANCE INTERVAL								Reference Section - Page or - Content Title
		Miles x 1,000 (km x 1,000) Months	7.5 (12) 6	15 (24) 12	22.5 (36) 18	30 (48) 24	37.5 (60) 30	45 (72) 36	52.5 (84) 42	
Perform at number of miles, kilometers or months, whichever comes first.										
Brake lines and cables			I		I		I		I	MA-39
Brake pads and rotors			I		I		I		I	MA-39
Automatic transmission fluid and Manual transmission fluid			I		I		I		I	MA-31, MA-34
Transfer fluid and front final drive oil			I		I		I		I	MA-35, MA-35
Rear final drive oil			I		I		I		I	MA-36
Steering gear, linkage, axle, and suspension parts.					I				I	MA-40, MA-41
Tire rotation	NOTE (1)									MA-39
Drive shaft boots and propeller shaft (4WD)			I		I		I		I	MA-41
Exhaust system					I				I	MA-31
In-cabin microfilter			R		R		R		R	MA-30

(1) Refer to "Tire rotation" under the "General maintenance" heading earlier in this section.

A
B
C
D
E
F
G
H
I
J
K
L
M
N
O

MA

RECOMMENDED FLUIDS AND LUBRICANTS

< ON-VEHICLE MAINTENANCE >

RECOMMENDED FLUIDS AND LUBRICANTS

Fluids and Lubricants

INFOID:000000003303357

QR25DE

Description		Capacity (Approximate)			Recommended Fluids/Lubricants
		Metric	US measure	Imp measure	
Fuel		80 ℓ	21 1/8 gal	17 5/8 gal	Unleaded gasoline with an octane rating of at least 87 AKI (RON 91) *7
Engine oil Drain and refill	With oil filter change	4.9 ℓ	5 1/8 qt	4 3/8 qt	<ul style="list-style-type: none"> • Engine oil with API Certification Mark *1 • Viscosity SAE 5W-30
	Without oil filter change	4.6 ℓ	4 7/8 qt	4 qt	
Dry engine (engine overhaul)		5.0 ℓ	5 1/4 qt	4 3/8 qt	
Cooling system	With reservoir at MAX level	9.4 ℓ	2 1/2 gal	2 1/8 gal	Genuine NISSAN Long Life Anti-freeze / Coolant or equivalent
Automatic transmission fluid (ATF)		10.3 ℓ	10 7/8 qt	9 1/8 qt	Genuine NISSAN Matic J ATF *2
Manual transmission fluid (MTF) (5 M/T)		2.89 ℓ	6 1/8 pt	5 1/8 pt	Genuine NISSAN Manual Transmission Fluid (MTF) HQ Multi 75W-85 or API GL-4, Viscosity SAE 75W-85
Rear final drive oil	C200	1.6 ℓ	3 3/8 pt	2 7/8 pt	API GL-5 Synthetic 75W-90 Gear Oil (Part No. 999MP-DF200P) or equivalent *6
Power steering fluid (PSF)		1.0 ℓ	2 1/8 pt	1 3/4 pt	Genuine NISSAN PSF or equivalent *3
Brake and clutch fluids		—	—	—	Genuine NISSAN Super Heavy Duty Brake Fluid or equivalent, DOT 3 (US FMVSS No. 116) *4
Brake grease		—	—	—	PBC (poly butyl cuprysil)
Brake pad plate grease		—	—	—	Molykote AS880N grease
Multi-purpose grease		—	—	—	NLGI No. 2 (Lithium soap base)
Windshield washer fluid		4.5 ℓ	1 1/4 gal	1 gal	Genuine NISSAN Windshield Washer Concentrate Cleaner & Anti-freeze or equivalent
Air conditioning system refrigerant		0.70 ± 0.05 kg	1.54 ± 0.11 lb	1.54 ± 0.11 lb	HFC-134a (R-134a) *5
Air conditioning system oil		180 m ℓ	6.1 fl oz	6.3 fl oz	NISSAN A/C System Oil Type R or equivalent *5

*1: For further details, refer to [MA-13, "Engine Oil Recommendation"](#).

*2: DEXRON™ III / MERCON™ or equivalent may also be used. Outside the continental United States and Alaska contact a NISSAN dealership for more information regarding suitable fluids, including recommended brand(s) of DEXRON™ III / MERCON™ Automatic Transmission Fluid.

*3: For Canada, NISSAN Automatic Transmission Fluid (ATF), DEXRON™ VI type ATF may also be used.

*4: Available in mainland U.S.A. through your NISSAN dealer.

*5: For further details, see "Air conditioner specification label".

*6: See your NISSAN dealer for service for synthetic oil.

*7: For further details, refer to [GI-41, "Precaution for Fuel"](#).

VQ40DE

RECOMMENDED FLUIDS AND LUBRICANTS

< ON-VEHICLE MAINTENANCE >

Description		Capacity (Approximate)			Recommended Fluids/Lubricants
		Metric	US measure	Imp measure	
Fuel		80 ℓ	21 1/8 gal	17 5/8 gal	Unleaded gasoline with an octane rating of at least 87 AKI (RON 91) *8
Engine oil Drain and refill	With oil filter change	5.1 ℓ	5 3/8 qt	4 1/2 qt	<ul style="list-style-type: none"> • Engine oil with API Certification Mark *1 • Viscosity SAE 5W-30
	Without oil filter change	4.8 ℓ	5 1/8 qt	4 1/4 qt	
Dry engine (engine overhaul)		6.3 ℓ	6 5/8 qt	5 1/2 qt	
Cooling system	With reservoir at MAX level	10.2 ℓ	2 3/4 gal	2 1/4 gal	Genuine NISSAN Long Life Anti-freeze Coolant or equivalent
Automatic transmission fluid (ATF)		10.3 ℓ	10 7/8 qt	9 1/8 qt	Genuine NISSAN Matic J ATF *2
Manual transmission fluid (MTF) (6 M/T)	2WD	3.98 ℓ	8 3/8 pt	7 pt	Genuine NISSAN Manual Transmission Fluid (MTF) HQ Multi 75W-85 or API GL-4, Viscosity SAE 75W-85 or 75W-90
	4WD	4.18 ℓ	8 7/8 pt	7 3/8 pt	
Rear final drive oil	C200	1.6 ℓ	3 3/8 pt	2 7/8 pt	API GL-5 Synthetic 75W-90 Gear Oil (Part No. 999MP-DF200P) or equivalent *6
	M226	2.01 ℓ	4 1/4 pt	3 1/2 pt	API GL-5 Synthetic 75W-140 Gear Oil (Part No. 999MP-DF100P) or equivalent *6
Transfer fluid	TX15B	2.0 ℓ	2 1/8 qt	1 3/4 qt	Genuine NISSAN Matic D ATF (Continental U.S and Alaska) or Canada NISSAN Automatic Transmission Fluid or equivalent if available.
Front final drive oil		0.85 ℓ	1 3/4 pt	1 1/2 pt	API GL-5 Viscosity SAE 80W-90 *7
Power steering fluid (PSF)		1.0 ℓ	2 1/8 pt	1 3/4 pt	Genuine NISSAN PSF or equivalent *3
Brake and clutch fluid		—	—	—	Genuine NISSAN Super Heavy Duty Brake Fluid or equivalent, DOT 3 (US FMVSS No. 116) *4
Brake grease		—	—	—	PBC (poly butyl cuprysil)
Brake pad plate grease		—	—	—	Molykote AS880N grease
Multi-purpose grease		—	—	—	NLGI No. 2 (lithium soap base)
Windshield washer fluid		4.5 ℓ	1 1/4 gal	1 gal	Genuine NISSAN Windshield Washer Concentrate Cleaner & Anti-freeze or equivalent
A/C system refrigerant		0.70 ± 0.05 kg	1.54 ± 0.11 lb	1.54 ± 0.11 lb	HFC-134a (R134a) *5
A/C system oil		180 m ℓ	6.1 fl oz	6.3 fl oz	NISSAN A/C System Oil Type R or equivalent *5

*1: For further details, refer to [MA-13, "Engine Oil Recommendation"](#).

*2: Using automatic transmission fluid other than Genuine NISSAN Matic J ATF will cause deterioration in driveability and automatic transmission durability, and may damage the automatic transmission, which is not covered by the NISSAN new vehicle limited warranty.

*3: For Canada, NISSAN Automatic Transmission Fluid (ATF), DEXRON™ VI type ATF may also be used.

*4: Available in mainland U.S.A. through your NISSAN dealer.

*5: For further details, see "Air conditioner Specification Label".

*6: See your NISSAN dealer for service for synthetic oil. "SYNTHETIC OIL ONLY" is embossed on the M226 carrier cover.

*7: For hot climates, viscosity SAE 90 is suitable for ambient temperatures above 0° C (32° F).

*8: For further details, refer to [GI-41, "Precaution for Fuel"](#).

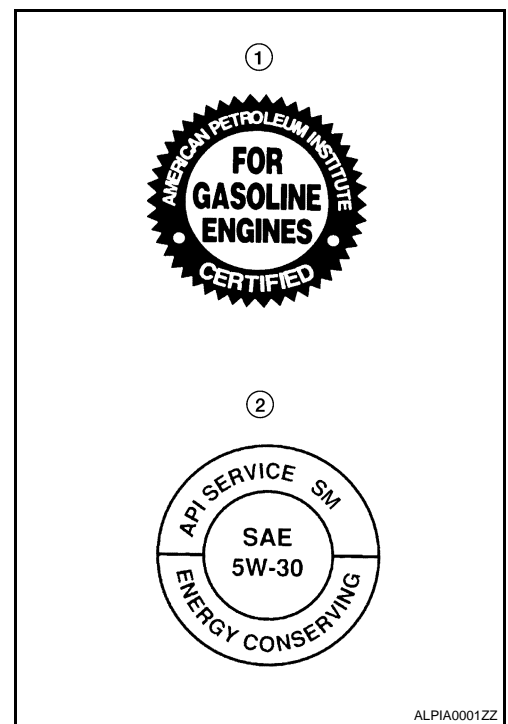
Engine Oil Recommendation

INFOID:000000003303367

RECOMMENDED FLUIDS AND LUBRICANTS

< ON-VEHICLE MAINTENANCE >

NISSAN recommends the use of an energy conserving oil in order to improve fuel economy. Select only engine oils that meet the American Petroleum Institute (API) certification and International Lubricant Standardization and Approval Committee (ILSAC) certification and SAE viscosity standard (2). These oils have the API certification mark (1) on the front of the container. Oils which do not have the specified quality label should not be used as they could cause engine damage.



ANTI-FREEZE COOLANT MIXTURE RATIO

The engine cooling system is filled at the factory with a high-quality, long life, year-round, anti-freeze coolant solution. The anti-freeze solution contains rust and corrosion inhibitors. Therefore, additional cooling system additives are not necessary.

For outside temperatures down to:		Anti-freeze coolant mixture ratio	
° C	° F	Genuine NISSAN Long Life Antifreeze coolant	Demineralized water or distilled water
- 35°	- 30°	50 %	50 %

CAUTION:

- When adding or replacing coolant, be sure to use only Genuine NISSAN Long Life Anti-freeze Coolant or equivalent with the proper mixture ratio of 50% anti-freeze and 50% demineralized water or distilled water.
- Other types of coolant solutions may damage your cooling system.

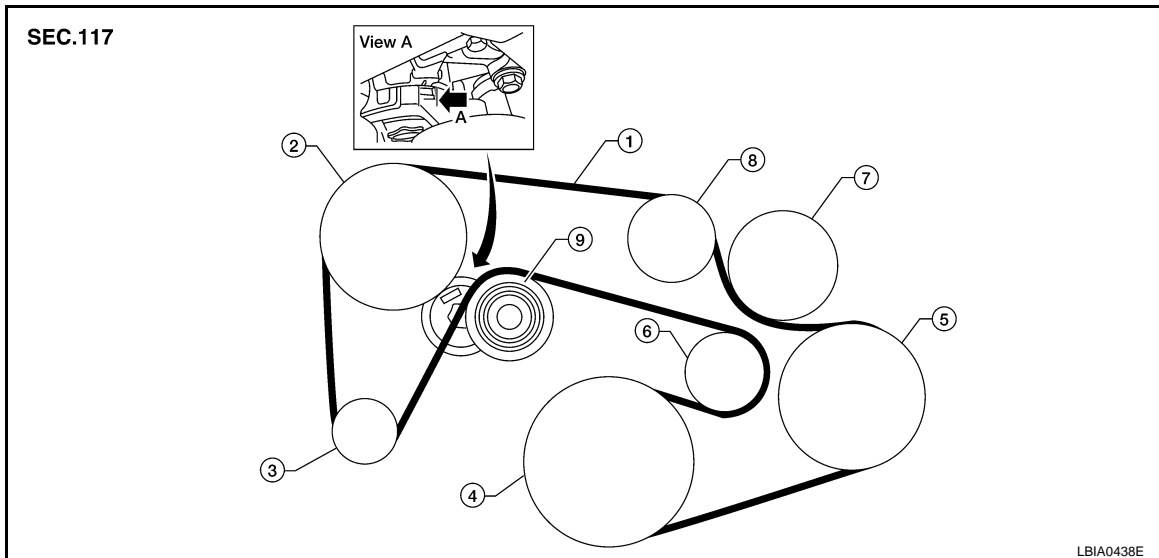
ENGINE MAINTENANCE (QR25DE ENGINE)

< ON-VEHICLE MAINTENANCE >

ENGINE MAINTENANCE (QR25DE ENGINE)

Exploded View

INFOID:000000003303898



- | | | |
|----------------------|---|------------------------------|
| 1. Drive belt | 2. Power steering oil pump pulley | 3. Generator pulley |
| 4. Crankshaft pulley | 5. A/C compressor (if equipped) or idler pulley | 6. Idler pulley |
| 7. Water pump | 8. Idler pulley | 9. Drive belt auto-tensioner |

Checking Drive Belt

INFOID:000000003303897

WARNING:

- Be sure to perform this step when the engine is stopped.
- Make sure that the indicator (fixed side) of the drive belt auto-tensioner is within the possible use range (moving side) as shown.

NOTE:

- On vehicles not equipped with A/C, there is an idler pulley in the A/C compressor position for the drive belt routing.
- Check the drive belt auto-tensioner indication when the engine is cold.
- Visually check entire drive belt for wear, damage or cracks.
- When new drive belt is installed, the indicator (fixed side) should be within the range "A". If the indicator (fixed side) is out of the possible use range or drive belt is damaged, replace drive belt.

Checking Drive Belt

INFOID:000000003303360

WARNING:

- Be sure to perform this step when the engine is stopped.
- Make sure that the indicator (fixed side) of the drive belt auto-tensioner is within the possible use range (moving side) as shown.

NOTE:

- On vehicles not equipped with A/C, there is an idler pulley in the A/C compressor position for the drive belt routing.
- Check the drive belt auto-tensioner indication when the engine is cold.
- Visually check entire drive belt for wear, damage or cracks.
- When new drive belt is installed, the indicator (fixed side) should be within the range "A". If the indicator (fixed side) is out of the possible use range or drive belt is damaged, replace drive belt.

Changing Engine Coolant

INFOID:000000003303368

WARNING:

- To avoid being scalded, never change the coolant when the engine is hot.

A
B
C
D
E
F
G
H
I
J
K
L
M
N
O

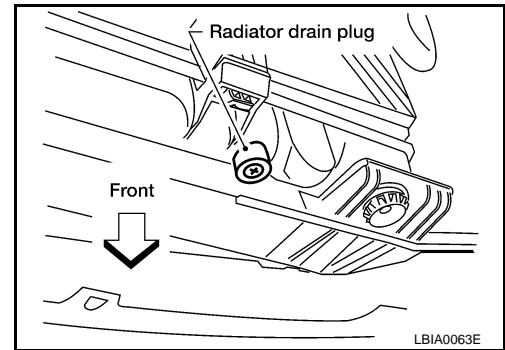
ENGINE MAINTENANCE (QR25DE ENGINE)

< ON-VEHICLE MAINTENANCE >

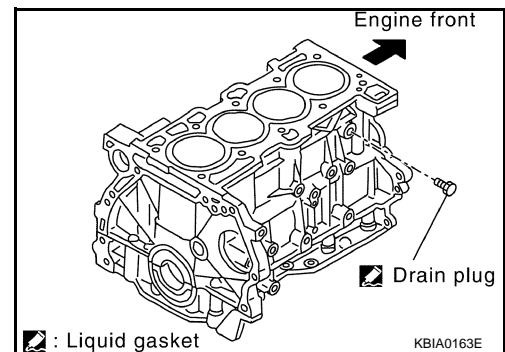
- **Wrap a thick cloth around cap and carefully remove the cap. First, turn the cap a quarter of a turn to release built-up pressure. Then push down and turn the cap all the way to remove.**

DRAINING ENGINE COOLANT

1. Remove the engine undercover using power tool.
2. Open the radiator drain plug at the bottom of the radiator, and remove the radiator filler cap. This is the only step required when partially draining the cooling system (radiator only).
 - Do not to allow the coolant to contact the drive belts.



3. Follow this step for heater core removal/replacement only. Disconnect the upper heater hose at the engine side and apply moderate air pressure [103.46 kPa (15 psi, 1.055 kg/cm²) maximum air pressure] into the hose for 30 seconds to blow the excess coolant out of the heater core.
4. When draining all of the coolant in the system, remove the reservoir tank and drain the coolant, then clean the reservoir tank before installation.
5. When draining all of the coolant in the system for engine removal or repair, open the drain plug on the cylinder block.



6. Check the drained coolant for contaminants such as rust, corrosion or discoloration. If the coolant is contaminated, flush the engine cooling system. Refer to [MA-15. "Changing Engine Coolant"](#).

REFILLING ENGINE COOLANT

1. Install the radiator drain plug. Install the reservoir tank and cylinder block drain plug, if removed for a total system drain or for engine removal or repair.
 - The radiator must be completely empty of coolant and water.
 - Apply sealant to the threads of the cylinder block drain plugs. Use Genuine High Performance Thread Sealant or equivalent. Refer to [GI-26. "Recommended Chemical Products and Sealants"](#).

Radiator drain plug : Refer to [CO-16](#).

Cylinder block drain plug : Refer to [EM-76](#).

2. If disconnected, reattach the upper radiator hose at the engine side.
3. Set the vehicle heater controls to the full HOT and heater ON position. Turn the vehicle ignition ON with the engine OFF as necessary to activate the heater mode.

ENGINE MAINTENANCE (QR25DE ENGINE)

< ON-VEHICLE MAINTENANCE >

4. Install the Tool by installing the radiator cap adapter onto the radiator neck opening. Then attach the gauge body assembly with the refill tube and the venturi assembly to the radiator cap adapter.

Tool number : KV991J0070 (J-45695)

5. Insert the refill hose into the coolant mixture container that is placed at floor level. Make sure the ball valve is in the closed position.
 - Use Genuine NISSAN Long Life Anti-freeze coolant or equivalent, mixed 50/50 with distilled water or demineralized water. Refer to [MA-12, "Fluids and Lubricants"](#).

Engine coolant capacity (with reservoir tank) : Refer to [MA-12, "Fluids and Lubricants"](#).

6. Install an air hose to the venturi assembly, the air pressure must be within specification.

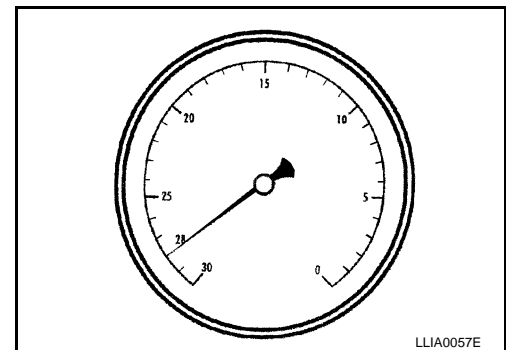
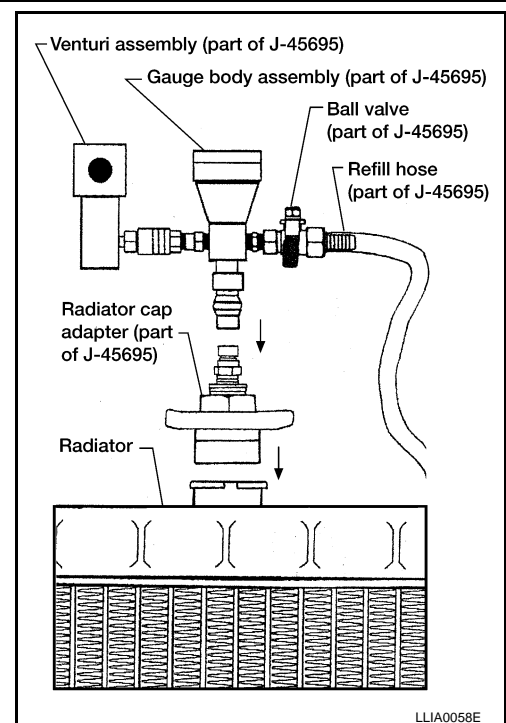
Compressed air supply pressure : 5.7 - 8.5 kPa (5.6 - 8.4 kg/cm², 80 - 120 psi)

CAUTION:

The compressed air supply must be equipped with an air dryer.

7. The vacuum gauge will begin to rise and there will be an audible hissing noise. During this process open the ball valve on the refill hose slightly. Coolant will be visible rising in the refill hose. Once the refill hose is full of coolant, close the ball valve. This will purge any air trapped in the refill hose.
8. Continue to draw the vacuum until the gauge reaches 28 inches of vacuum. The gauge may not reach 28 inches in high altitude locations, use the vacuum specifications below based on the altitude above sea level.

Altitude above sea level	Vacuum gauge reading
0 - 100 m (328 ft)	: 28 inches of vacuum
300 m (984 ft)	: 27 inches of vacuum
500 m (1,641 ft)	: 26 inches of vacuum
1,000 m (3,281 ft)	: 24 - 25 inches of vacuum



9. When the vacuum gauge has reached the specified amount, disconnect the air hose and wait 20 seconds to see if the system loses any vacuum. If the vacuum level drops, perform any necessary repairs to the system and repeat steps 6 - 8 to bring the vacuum to the specified amount. Recheck for any leaks.
10. Place the coolant container (with the refill hose inserted) at the same level as the top of the radiator. Then open the ball valve on the refill hose so the coolant will be drawn up to fill the cooling system. The cooling system is full when the vacuum gauge reads zero.

CAUTION:

Do not allow the coolant container to get too low when filling, to avoid air from being drawn into the cooling system.

11. Remove the Tool from the radiator neck opening.
12. Fill the cooling system reservoir tank to the specified level and install the radiator cap. Run the engine to warm up the cooling system and top up the system as necessary.

FLUSHING COOLING SYSTEM

1. Fill the radiator from the filler cap above the radiator upper hose and reservoir tank, with water and reinstall the filler cap above the radiator upper hose.
2. Run the engine until it reaches normal operating temperature.

ENGINE MAINTENANCE (QR25DE ENGINE)

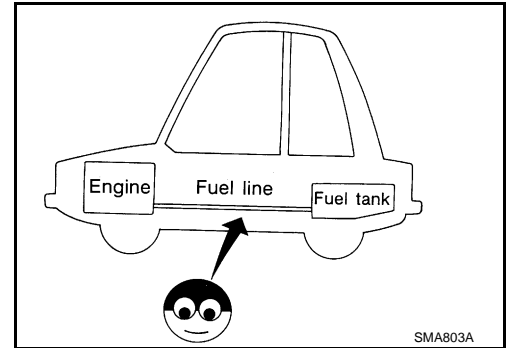
< ON-VEHICLE MAINTENANCE >

3. Press the engine accelerator two or three times under no-load.
4. Stop the engine and wait until it cools down.
5. Drain the water.
6. Repeat steps 1 through 5 until clear water begins to drain from the radiator.

Checking Fuel Line

INFOID:000000003303324

Inspect the fuel lines and fuel tank for improperly attached hoses, leaks, cracks, damage, loose connections, chafing, or deterioration. If necessary, repair or replace any damaged parts.



Changing Air Cleaner Filter

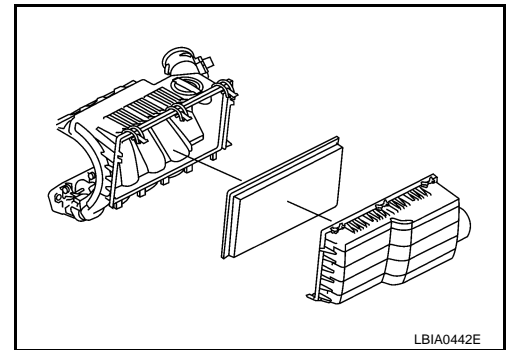
INFOID:000000003303325

VISCOUS PAPER TYPE

NOTE:

The viscous paper type filter does not need cleaning between specified replacement intervals. Refer to [MA-6](#).

1. Unfasten the clips and lift up the air cleaner case upper.
2. Remove the air cleaner filter.
3. Install the new the air cleaner filter.
4. Install the air cleaner case upper and fasten the clips.



Changing Engine Oil

INFOID:000000003303326

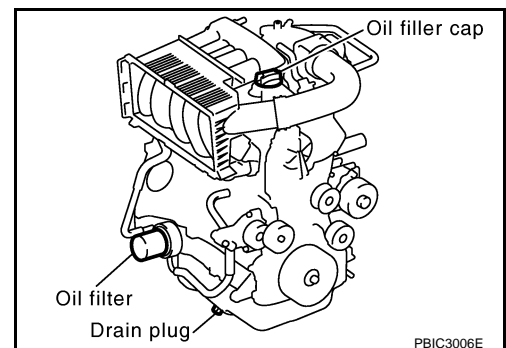
WARNING:

- Be careful not to burn yourself, as the engine oil is hot.
- Prolonged and repeated contact with used engine oil may cause skin cancer; try to avoid direct skin contact with used oil. If skin contact is made, wash thoroughly with soap or hand cleaner as soon as possible.

1. Warm up the engine, put the vehicle horizontally and check for oil leakage from the engine components. Refer to [LU-8, "Inspection"](#).
2. Stop the engine and wait for 10 minutes.
3. Loosen the oil filler cap and then remove the drain plug.
4. Drain the engine oil.
5. Install the drain plug with a new washer.

CAUTION:

Be sure to clean the drain plug and install it with a new washer.



6. Refill the engine with new engine oil.

ENGINE MAINTENANCE (QR25DE ENGINE)

< ON-VEHICLE MAINTENANCE >

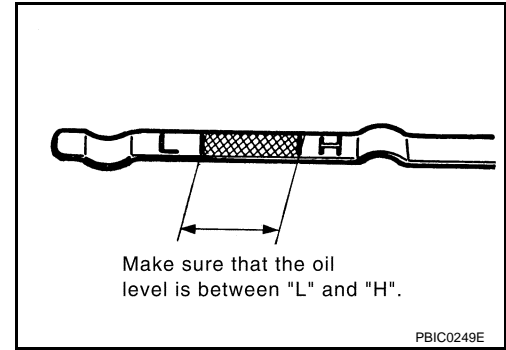
Oil specification and capacity : Refer to [MA-12, "Fluids and Lubricants"](#).

Oil pan drain plug : Refer to [EM-31](#).

CAUTION:

- The refill capacity depends on the oil temperature and drain time. Use the specifications for reference only.
- Always use the dipstick to determine when the proper amount of oil is in the engine.

7. Warm up the engine and check the area around the drain plug and oil filter for any oil leaks.
8. Stop the engine and wait for 10 minutes.
9. Check the oil level.



Changing Oil Filter

INFOID:000000003303327

1. Remove the oil filter using Tool as shown.

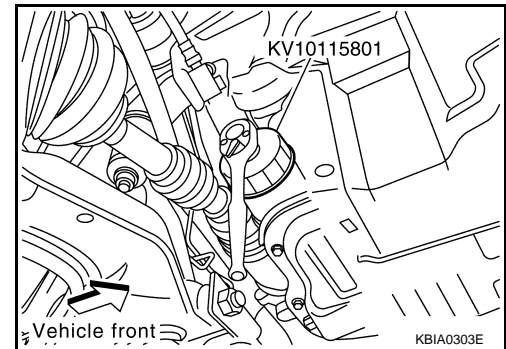
Tool number : [KV10115801 \(J-38956\)](#)

WARNING:

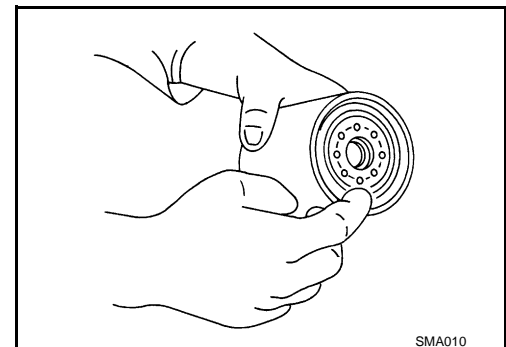
Be careful not to get burned as the engine and engine oil are hot.

CAUTION:

- The oil filter contains an internal relief valve. Use a Genuine NISSAN oil filter.
- When removing the oil filter, position a shop cloth to absorb any engine oil leakage or spillage.
- Do not allow the engine oil to spill on the drive belts.
- Completely wipe off any engine oil that spills on the engine or on the vehicle.



2. Remove any foreign materials adhering to the oil filter installation surface.
3. Apply new engine oil to the oil seal contact surface of new oil filter as shown.



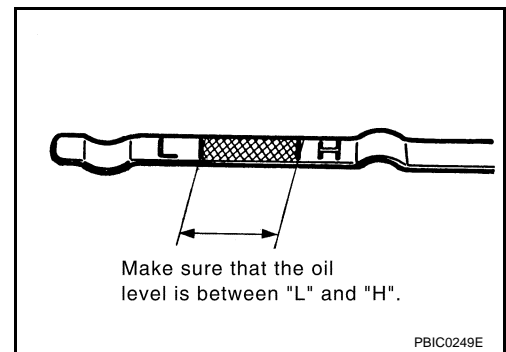
4. Screw on the oil filter manually until a slight resistance is felt, then tighten the oil filter an additional 2/3 turn as shown. Or tighten to specification.

Oil filter : Refer to [LU-11](#).

ENGINE MAINTENANCE (QR25DE ENGINE)

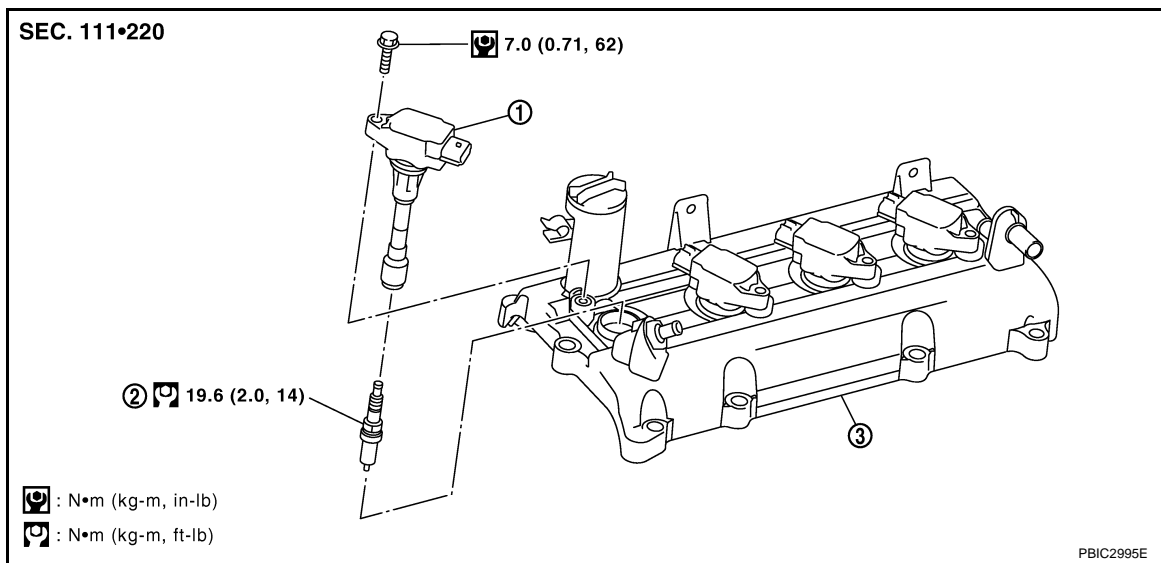
< ON-VEHICLE MAINTENANCE >

5. Check the engine oil level using the dipstick as shown, adjust the engine oil level as necessary.
6. Start the engine and check for engine oil leaks, correct as necessary.
7. Stop the engine and wait for 10 minutes.
8. Check the engine oil level using the dipstick and adjust the engine oil level as necessary.



Changing Spark Plugs (Platinum-Tipped Type)

INFOID:000000003303328



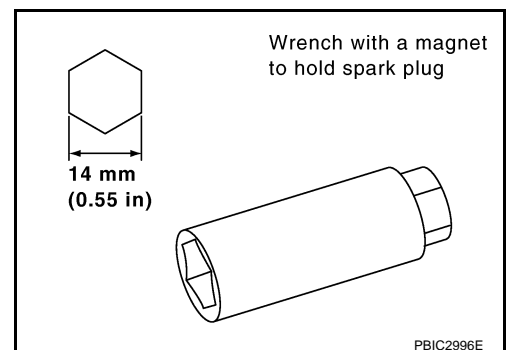
1. Ignition coil

2. Spark plug

3. Rocker cover

REMOVAL

1. Remove the intake manifold (except for spark plug No.1). Refer to [EM-25](#).
2. Remove the ignition coil. Refer to [EM-34](#).
3. Remove the spark plug using a suitable tool.

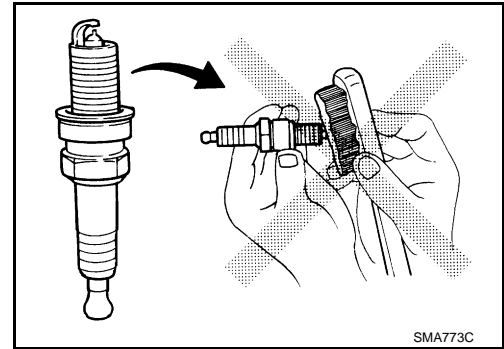


INSPECTION AFTER REMOVAL

ENGINE MAINTENANCE (QR25DE ENGINE)

< ON-VEHICLE MAINTENANCE >

- Do not use a wire brush to clean the spark plug.

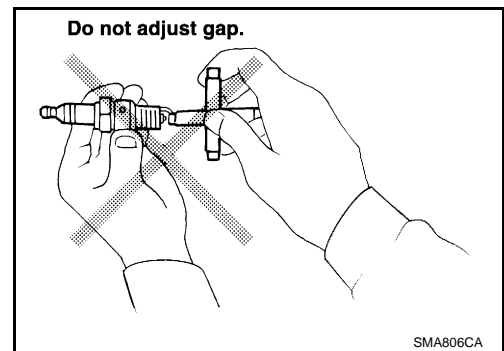


- If plug tip is covered with carbon, spark plug cleaner may be used.

Cleaner air pressure : Less than 588 kPa (5.9 bar, 6 kg/cm², 85 psi)

Cleaning time : Less than 20 seconds

- Checking and adjusting plug gap is not required between change intervals.



CAUTION:

Do not drop or shock the spark plug.

INSTALLATION

Installation is in the reverse order of removal.

- Use the standard type spark plug for normal driving conditions.
- The hot type spark plug is suitable (when fouling occurs with the standard type spark plug) under conditions such as:
 - frequent engine starts
 - low ambient temperatures
- The cold type spark plug is suitable (when engine spark knock occurs with the standard type spark plug) under conditions such as:
 - extended highway driving
 - frequent high engine revolution

Spark Plug Types

Make	NGK
Standard type	PLKAR6A-11
Hot type	PLKAR5A-11
Cold type	PLKAR7A-11
Gap (nominal)	1.1 mm (0.043 in)

CAUTION:

Do not drop or shock the spark plug.

Checking EVAP Vapor Line

INFOID:000000003303329

1. Visually inspect EVAP vapor lines for improper attachment and for cracks, damage, loose connections, chafing and deterioration.
2. Inspect fuel tank filler cap vacuum relief valve for clogging and sticking.

A
B
C
D
E
F
G
H
I
J
K
L
M
N
O

ENGINE MAINTENANCE (VQ40DE)

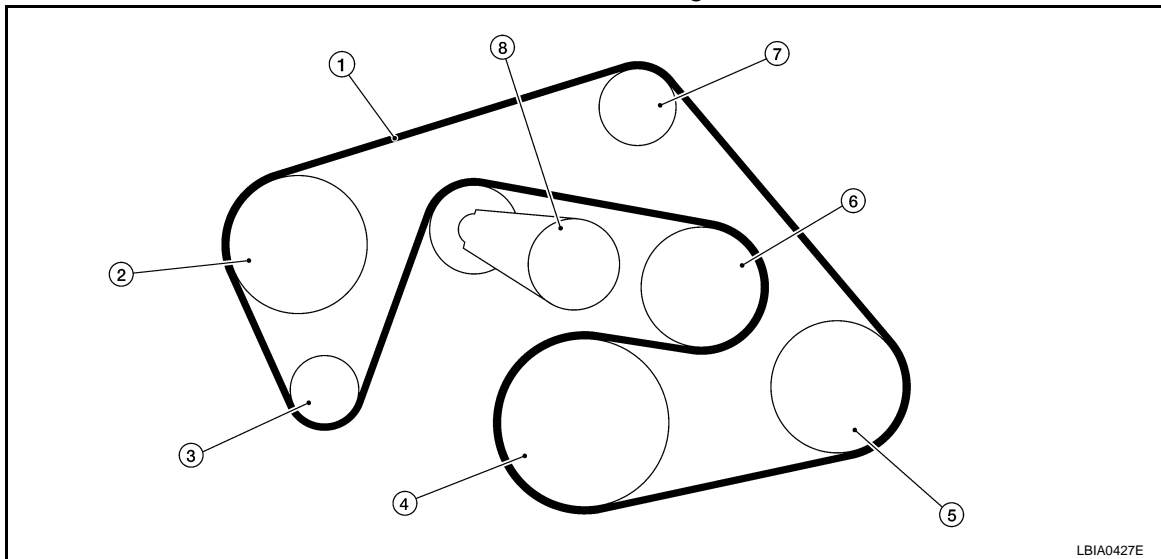
< ON-VEHICLE MAINTENANCE >

ENGINE MAINTENANCE (VQ40DE)

Checking Drive Belts

INFOID:00000000322268

Drive Belt Routing



- | | | |
|----------------------|-------------------------------|-----------------------|
| 1. Drive belt | 2. Power steering pump pulley | 3. Generator pulley |
| 4. Crankshaft pulley | 5. A/C compressor | 6. Cooling fan pulley |
| 7. Idler pulley | 8. Drive belt auto tensioner | |

WARNING:

Be sure to perform the inspection when the engine is stopped.

1. Remove air duct and resonator assembly (inlet) when inspecting the drive belt.
2. Visually check the entire drive belt for wear, damage or cracks.

DRIVE BELT TENSION

There is no manual drive belt tension adjustment. The drive belt tension is automatically adjusted by the drive belt auto tensioner.

Changing Engine Coolant

INFOID:000000003303371

WARNING:

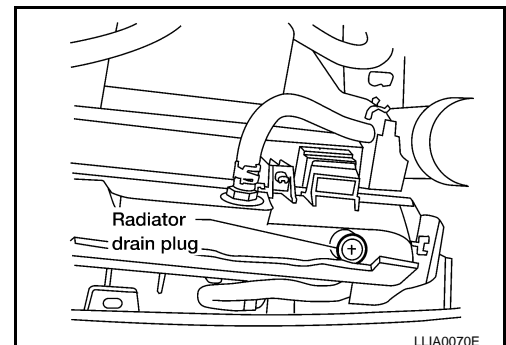
- To avoid being scalded, never change the coolant when the engine is hot.
- Wrap a thick cloth around the cap to carefully remove the cap. First, turn the cap a quarter of a turn to release any built-up pressure, then push down and turn the cap all the way to remove it.

DRAINING ENGINE COOLANT

1. Turn ignition switch ON and set temperature control lever all the way to HOT position or the highest temperature position. Wait 10 seconds and turn ignition switch OFF.
2. Remove the engine front undercover using power tool.
3. Open the radiator drain plug at the bottom of the radiator, and remove the reservoir cap. This is the only step required when partially draining the cooling system (radiator only).

CAUTION:

Do not to allow the coolant to contaminate the drive belts.



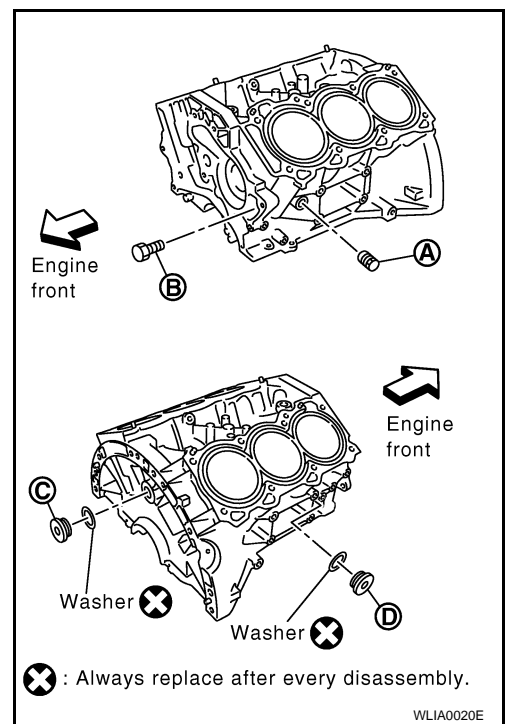
ENGINE MAINTENANCE (VQ40DE)

< ON-VEHICLE MAINTENANCE >

- When draining all of the coolant in the system for engine removal or repair, it is necessary to drain the cylinder block. Remove the cylinder block drain plugs (A), (B), (C), (D) and block heater if equipped, to drain the cylinder block as shown.

NOTE:

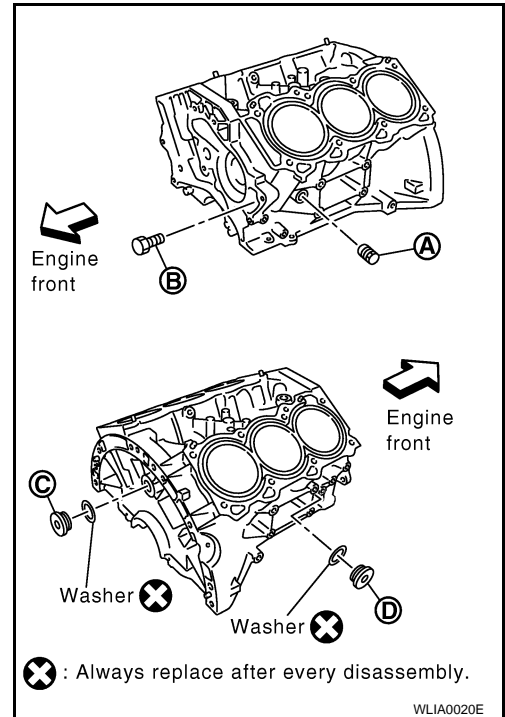
For Canada, the (D) cylinder block drain plug as shown, is not a cylinder block drain plug but a block heater.



- Remove the reservoir tank to drain the engine coolant, then clean the reservoir tank before installing it.
- Check the drained coolant for contaminants such as rust, corrosion or discoloration. If the coolant is contaminated, flush the engine cooling system. Refer to [CO-39, "Changing Engine Coolant"](#).

REFILLING ENGINE COOLANT

- Close the radiator drain plug. Install the reservoir tank, cylinder block drain plugs (A), (B), (C), (D) and block heater if equipped, if removed for a total system drain or for engine removal or repair.
 - The radiator must be completely empty of coolant and water.
 - Apply sealant to the threads of the cylinder block drain plugs (A), (B), (C), (D). Use Genuine High Performance Thread Sealant or equivalent. Refer to [GI-26, "Recommended Chemical Products and Sealants"](#).



Block Plug and Block Heater Installation

Part	Washer	Tightening Torque
A	No	Refer to EM-219, "Disassembly and Assembly" .
B	Reuse	Refer to EM-219, "Disassembly and Assembly" .
	New	Refer to EM-219, "Disassembly and Assembly" .

A
B
C
D
E
F
G
H
I
J
K
L
M
N
O
MA

ENGINE MAINTENANCE (VQ40DE)

< ON-VEHICLE MAINTENANCE >

Part	Washer	Tightening Torque
C	Yes	Refer to EM-219, "Disassembly and Assembly" .
D	Yes	Refer to EM-219, "Disassembly and Assembly" .
		Refer to EM-219, "Disassembly and Assembly" .

- Set the vehicle heater controls to the full HOT and heater ON position. Turn the vehicle ignition ON with the engine OFF as necessary to activate the heater mode.
- Remove the vented reservoir cap and replace it with a non-vented reservoir cap before filling the cooling system.
- Install the Tool by installing the radiator cap adapter onto the radiator neck opening. Then attach the gauge body assembly with the refill tube and the venturi assembly to the radiator cap adapter.

Tool number : KV991J0070 (J-45695)

- Insert the refill hose into the coolant mixture container that is placed at floor level. Make sure the ball valve is in the closed position.
 - Use recommended coolant or equivalent. Refer to [MA-12, "Fluids and Lubricants"](#).

Cooling system capacity (with reservoir) : Refer to [MA-12, "Fluids and Lubricants"](#).

- Install an air hose to the venturi assembly, the air pressure must be within specification.

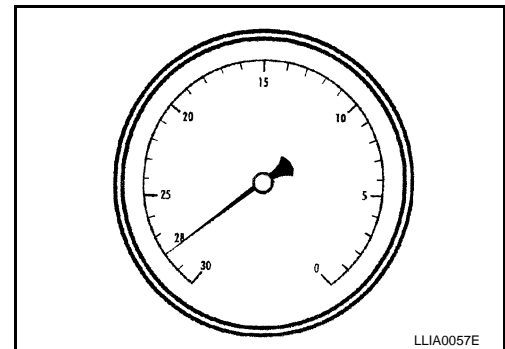
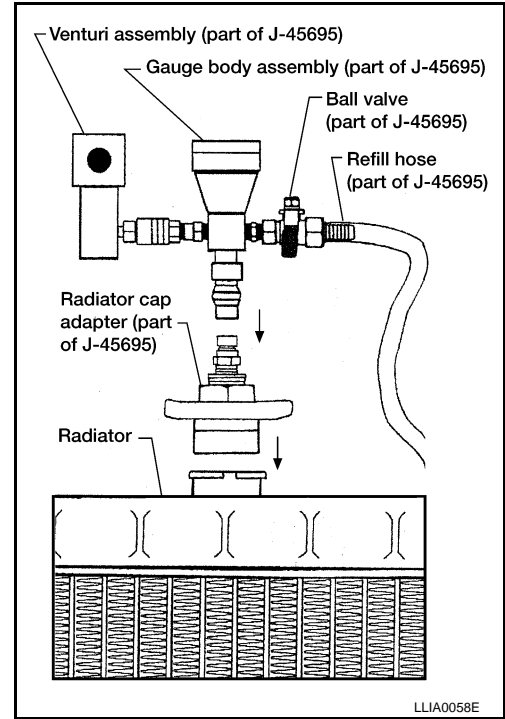
Compressed air supply pressure : 5.7 - 8.5 kPa (5.6 - 8.4 kg/cm², 80 - 120 psi)

CAUTION:

The compressed air supply must be equipped with an air dryer.

- The vacuum gauge will begin to rise and there will be an audible hissing noise. During this process open the ball valve on the refill hose slightly. Coolant will be visible rising in the refill hose. Once the refill hose is full of coolant, close the ball valve. This will purge any air trapped in the refill hose.
- Continue to draw the vacuum until the gauge reaches 28 inches of vacuum. The gauge may not reach 28 inches in high altitude locations, use the vacuum specifications based on the altitude above sea level.

Altitude above sea level	Vacuum gauge reading
0 - 100 m (328 ft)	: 28 inches of vacuum
300 m (984 ft)	: 27 inches of vacuum
500 m (1,641 ft)	: 26 inches of vacuum
1,000 m (3,281 ft)	: 24 - 25 inches of vacuum



- When the vacuum gauge has reached the specified amount, disconnect the air hose and wait 20 seconds to see if the system loses any vacuum. If the vacuum level drops, perform any necessary repairs to the system and repeat steps 6 - 8 to bring the vacuum to the specified amount. Recheck for any leaks.
- Place the coolant container (with the refill hose inserted) at the same level as the top of the radiator. Then open the ball valve on the refill hose so the coolant will be drawn up to fill the cooling system. The cooling system is full when the vacuum gauge reads zero.

CAUTION:

Do not allow the coolant container to get too low when filling, to avoid air from being drawn into the cooling system.

ENGINE MAINTENANCE (VQ40DE)

< ON-VEHICLE MAINTENANCE >

11. Remove the Tool from the radiator neck opening and install the radiator cap.
12. Remove the non-vented reservoir cap.
13. Fill the cooling system reservoir tank to the specified level. Run the engine to warm up the cooling system and top up the system as necessary before installing the vented reservoir cap.

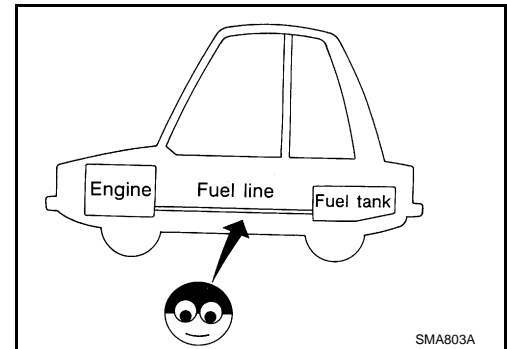
FLUSHING COOLING SYSTEM

1. Drain the water from the engine cooling system. Refer to [MA-22, "Changing Engine Coolant"](#).
2. Fill the radiator and the reservoir tank (to the "MAX" line), with water. Reinstall the radiator cap and leave the vented reservoir cap off.
3. Run the engine until it reaches normal operating temperature.
4. Press the engine accelerator two or three times under no-load.
5. Stop the engine and wait until it cools down.
6. Drain the water from the engine cooling system. Refer to [MA-22, "Changing Engine Coolant"](#).
7. Repeat steps 2 through 6 until clear water begins to drain from the radiator.

Checking Fuel Line

INFOID:00000000322270

Inspect the fuel lines and fuel tank for improper mounting, leaks, cracks, damage, loose connections, chafing, or deterioration. As necessary, repair or replace any faulty parts.



Changing Fuel Filter

INFOID:00000000322271

The fuel filter is part of the fuel level sensor unit, fuel filter and fuel pump assembly. Refer to [FL-10, "Removal and Installation"](#).

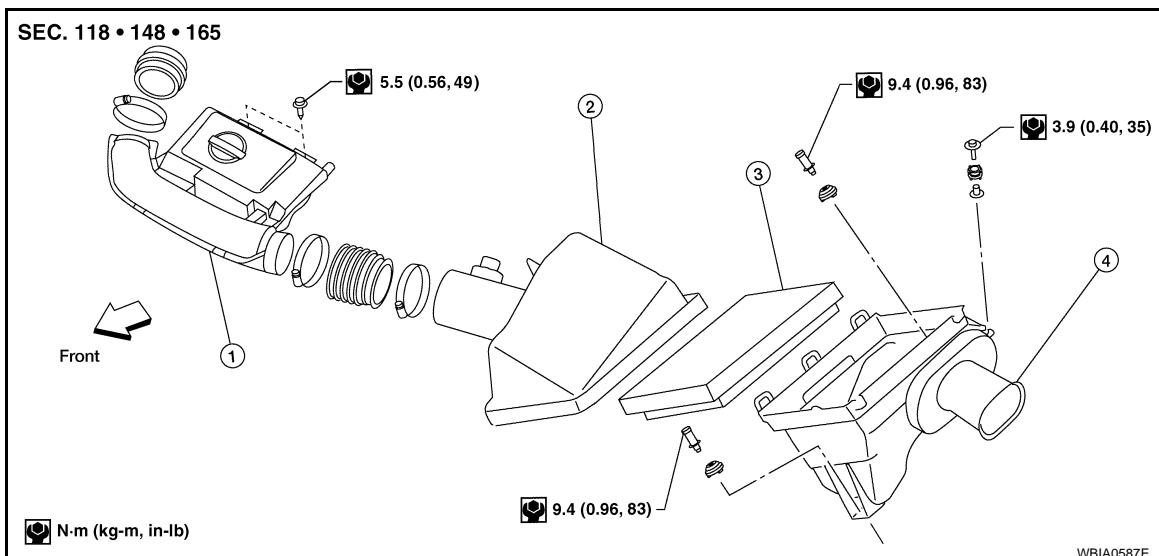
WARNING:

Before replacing the fuel filter, release the fuel pressure from the fuel system. Refer to [EC-928, "Fuel Pressure Check"](#).

Changing Engine Air Cleaner Filter

INFOID:00000000322272

VISCOUS PAPER TYPE



A
B
C
D
E
F
G
H
I
J
K
L
M
N
O

ENGINE MAINTENANCE (VQ40DE)

< ON-VEHICLE MAINTENANCE >

1. Air duct and resonator assembly
2. Air cleaner case (upper)
3. Air cleaner filter
4. Air cleaner case (lower)

NOTE:

- The viscous paper type filter does not need cleaning between replacement intervals.
 - Replace the air filter as necessary for required maintenance.
1. Unhook the clips and lift the air cleaner case (upper).
 2. Remove the air cleaner filter from the air cleaner case (lower).
 3. Install the new air cleaner filter in the air cleaner case (lower).
 4. Lower the air cleaner case (upper) and hook the clips securely.

Changing Engine Oil

INFOID:00000000322273

WARNING:

- Be careful not to burn yourself, as engine oil may be hot.
 - Prolonged and repeated contact with used engine oil may cause skin cancer; try to avoid direct skin contact with used engine oil. If skin contact is made, wash thoroughly with soap or hand cleaner as soon as possible.
1. Warm up engine, put vehicle on flat and level surface then check for engine oil leakage from engine components. Refer to [LU-21, "Inspection"](#).
 2. Stop engine and wait for 10 minutes.
 3. Loosen oil filler cap and then remove drain plug.
 4. Drain engine oil.
 5. Install drain plug with new washer. Refer to [LU-22, "Changing Engine Oil"](#).

CAUTION:

Be sure to clean drain plug and install with new washer.

Oil pan drain plug : 34.3 N·m (3.5 kg·m, 25ft·lb)

6. Refill with new engine oil.
Engine oil specification and capacity:
Refer to [LU-21, "Inspection"](#).
- CAUTION:**
- When filling engine oil, do not pull out oil level gauge.
 - The refill capacity depends on the engine oil temperature and drain time. Use these specifications for reference only.
 - Always use oil level gauge to determine the proper amount of engine oil in engine.
7. Warm up engine and check area around drain plug and oil filter for oil leakage.
 8. Stop engine and wait for 10 minutes.
 9. Check the engine oil level. Refer to [LU-21, "Inspection"](#).

Changing Oil Filter

INFOID:00000000322274

1. Remove the undercover using power tool.
2. Remove the oil filter using Tool.

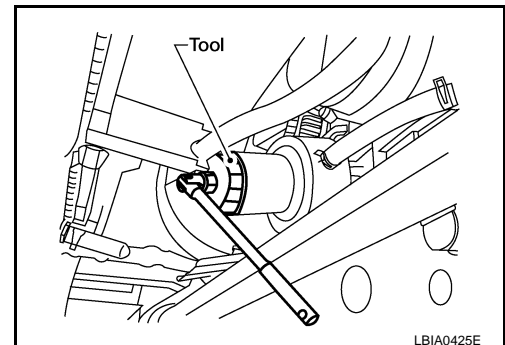
Tool number : KV10115801 (J-38956)

WARNING:

Be careful not to burn yourself, as the engine and engine oil are hot.

CAUTION:

- Oil filter is provided with relief valve. Use Genuine NISSAN Oil Filter or equivalent.
- When removing, prepare a shop cloth to absorb any engine oil leakage or spillage.
- Do not allow engine oil to adhere to drive belts.
- Completely wipe off any engine oil that adheres to engine and vehicle.

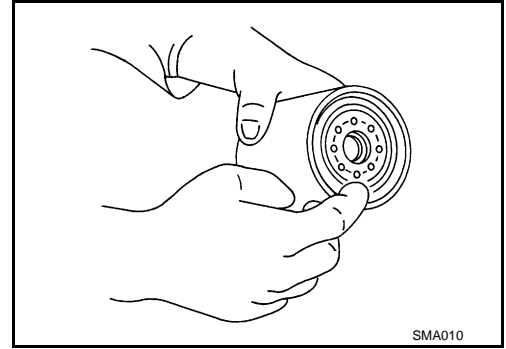


LBIA0425E

ENGINE MAINTENANCE (VQ40DE)

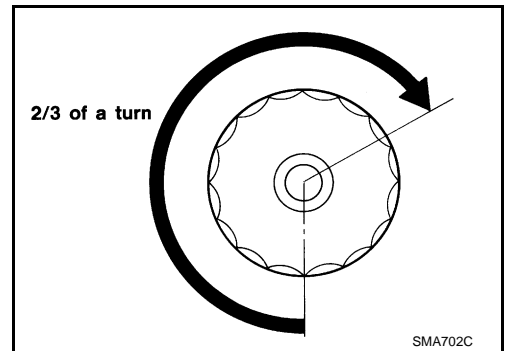
< ON-VEHICLE MAINTENANCE >

3. Remove any foreign materials adhering to the oil filter installation surface.
4. Apply new engine oil to the oil seal contact surface of new oil filter as shown.

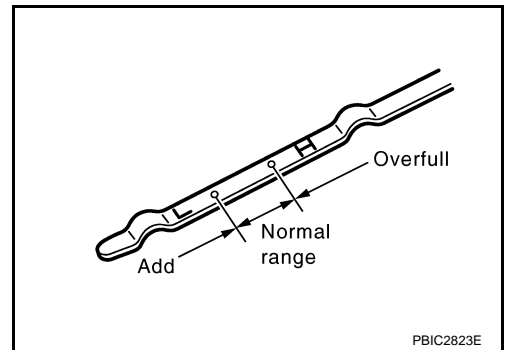


5. Screw on the oil filter manually until a slight resistance is felt, then tighten the oil filter an additional 2/3 turn as shown. Or tighten to specification.

Oil filter : 17.7 N·m (1.8 kg·m, 13ft-lb)

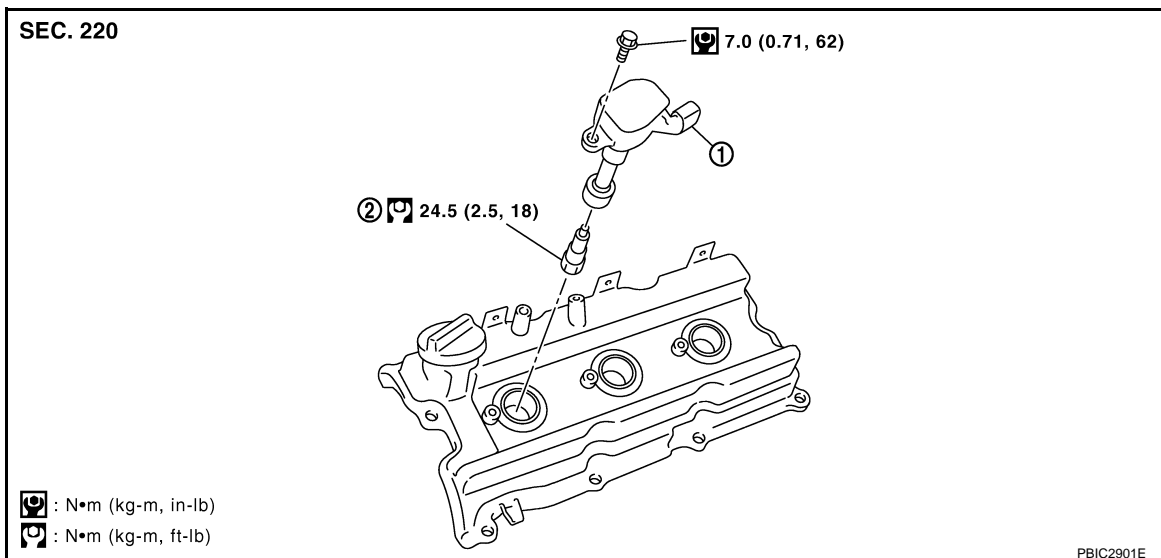


6. Install the undercover.
7. Check the engine oil level using the dipstick as shown, adjust the engine oil level as necessary.
8. Start the engine and check for engine oil leaks, correct as necessary.
9. Stop the engine and wait for 10 minutes.
10. Check the engine oil level using the dipstick and adjust the engine oil level as necessary.



Changing Spark Plugs

INFOID:00000000322275



ENGINE MAINTENANCE (VQ40DE)

< ON-VEHICLE MAINTENANCE >

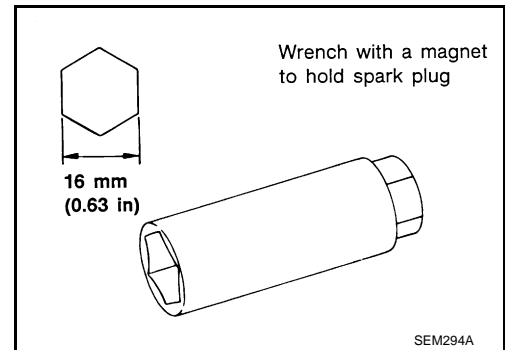
1. Ignition coil
2. Spark plug

REMOVAL

1. Remove the ignition coil. Refer to [EM-151, "Removal and Installation"](#).
2. Remove the spark plug using a suitable tool as shown.

CAUTION:

Do not drop or shock the spark plug if reusing it.



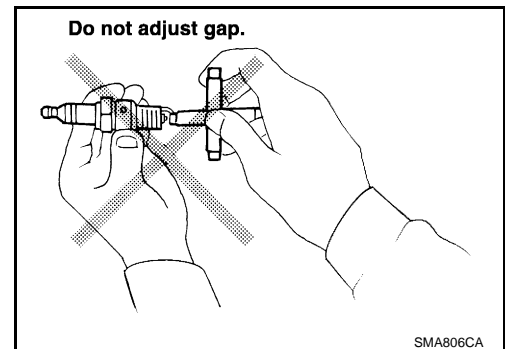
INSPECTION AFTER REMOVAL

- If plug tip is covered with carbon, spark plug cleaner may be used.

Cleaner air pressure : Less than 588 kPa (6 kg/cm², 85 psi)

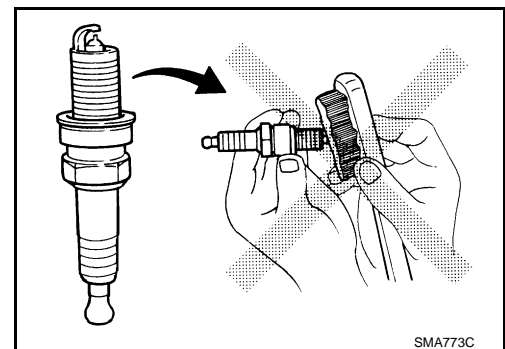
Cleaning time : Less than 20 seconds

- Checking and adjusting plug gap is not required between change intervals.



CAUTION:

- Do not use a wire brush to clean the spark plug.
- Do not drop or shock the spark plug.



INSTALLATION

Installation is in the reverse order of removal.

Make	NGK
Standard type	DILFR5A-11
Gap (nominal)	1.1 mm (0.043 in)

CAUTION:

Do not drop or shock spark plug.

ENGINE MAINTENANCE (VQ40DE)

< ON-VEHICLE MAINTENANCE >

Checking EVAP Vapor Line

INFOID:00000000322276

1. Visually inspect EVAP vapor lines for improper attachment, cracks, damage, loose connections, chafing or deterioration.
2. Inspect vacuum relief valve of fuel tank filler cap for clogging and sticking.
Refer to [EC-930, "How to Detect Fuel Vapor Leakage"](#).

A

B

C

D

E

F

G

H

I

J

K

L

M

N

O

MA

CHASSIS AND BODY MAINTENANCE

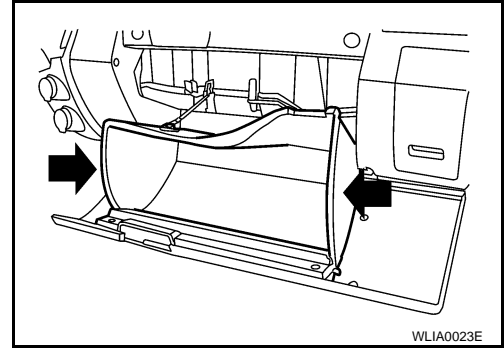
< ON-VEHICLE MAINTENANCE >

CHASSIS AND BODY MAINTENANCE

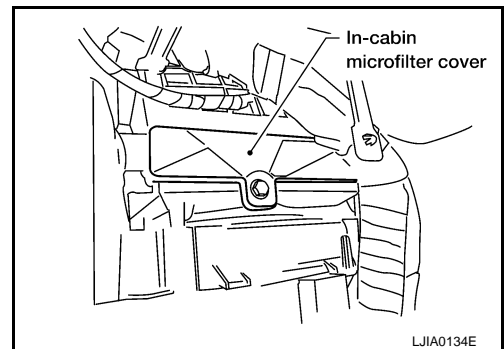
Changing the In-cabin Microfilter

INFOID:000000003303330

1. Open the lower glove box and press in on the sides so that it will open completely allowing it to hang by the cord.



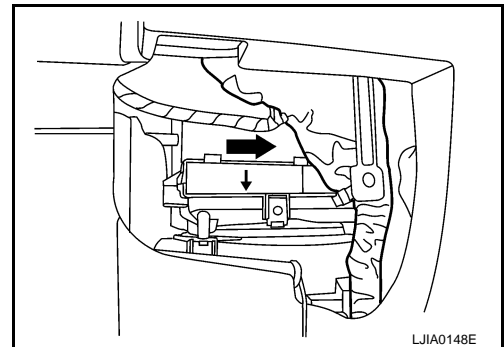
2. Remove the screw and remove the in-cabin microfilter cover.
3. Remove the in-cabin microfilters from the front heater and cooling unit housing.



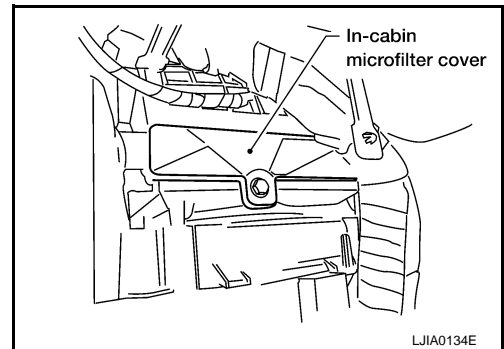
4. Insert the first new in-cabin microfilter into the front heater and cooling unit housing and slide it over to the right. Insert the second new in-cabin microfilter into the front heater and cooling unit housing.

NOTE:

The in-cabin microfilters are marked with air flow arrows. The end of the microfilter with the arrow should face the rear of the vehicle. The arrows should point downward.



5. Install the in-cabin microfilter cover.



6. Close the lower glove box completely.

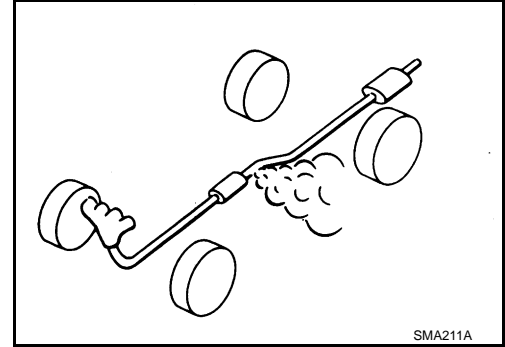
CHASSIS AND BODY MAINTENANCE

< ON-VEHICLE MAINTENANCE >

Checking the Exhaust System

INFOID:000000003303331

Check exhaust pipes, muffler and mounting for improper attachment, leaks, cracks, damage, loose connections, chafing or deterioration.



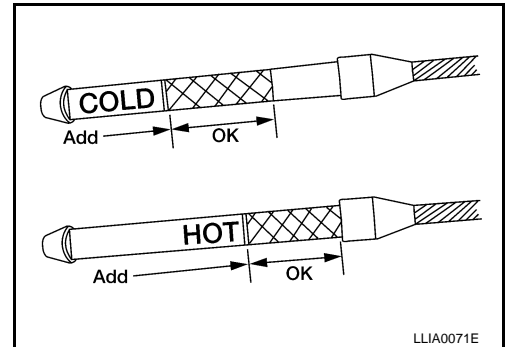
Checking the A/T Fluid (ATF)

INFOID:000000003303899

CAUTION:

If using the vehicle for towing, the A/T fluid must be replaced as specified. Refer to [MA-6, "Introduction of Periodic Maintenance"](#).

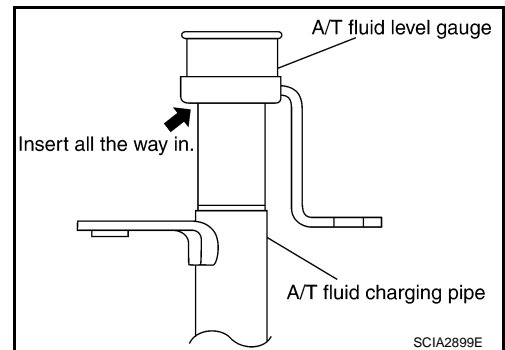
1. Before driving, the A/T fluid level can be checked at A/T fluid temperatures of 30° to 50° C (86° to 122° F) using the "COLD" range on the A/T fluid level gauge as follows:
 - a. Park the vehicle on a level surface and set the parking brake.
 - b. Start the engine and move the selector lever through each gear position. Shift the selector lever into the "P" position.
 - c. Check the A/T fluid level with the engine idling.
 - d. Remove the A/T fluid level gauge and wipe it clean with a lint-free paper.



CAUTION:

When wiping the A/T fluid from the A/T fluid level gauge, always use a lint-free paper, not a cloth.

- e. Re-insert the A/T fluid level gauge into the A/T fluid charging pipe until the cap contacts the top of the A/T fluid charging pipe as shown.
 - a. **CAUTION:**
To check A/T fluid level, insert the A/T fluid level gauge until the cap contacts the top of the A/T fluid charging pipe, with the gauge reversed from the normal inserted position.
- f. Remove the A/T fluid level gauge and note the A/T fluid level. If the A/T fluid level is at low side of range, add A/T fluid to the transmission through the A/T fluid charging pipe.



CAUTION:

Do not overfill the transmission with A/T fluid.

- g. Install the A/T fluid level gauge and the A/T fluid level gauge bolt.

A/T fluid level gauge bolt : Refer to [MA-31, "Checking the A/T Fluid \(ATF\)"](#).

2. Warm up the engine and transmission.
3. Check for any A/T fluid leaks.
4. Drive the vehicle to increase the A/T fluid temperature to 80° C (176° F).

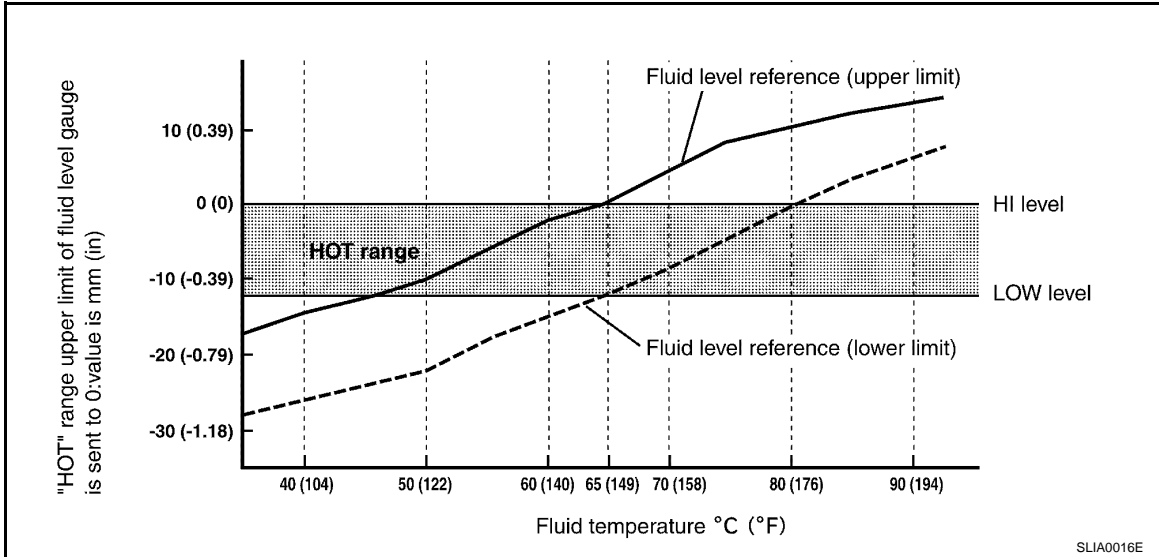
A
B
C
D
E
F
G
H
I
J
K
L
M
N
O

MA

CHASSIS AND BODY MAINTENANCE

< ON-VEHICLE MAINTENANCE >

- Allow the A/T fluid temperature to fall to approximately 65°C (149°F). Use the CONSULT-III to monitor the A/T fluid temperature as follows:



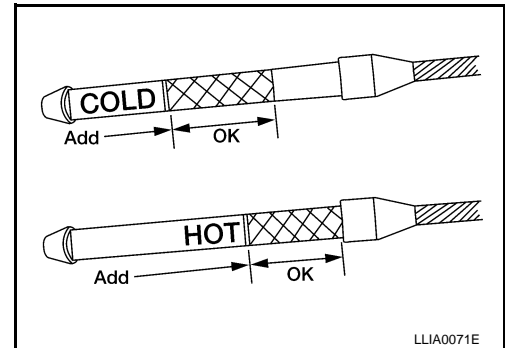
NOTE:

The A/T fluid level will be significantly affected by the A/T fluid temperature as shown. Therefore monitor the A/T fluid temperature data using the CONSULT-III.

- Connect CONSULT-III to data link connector.
 - Select "MAIN SIGNALS" in "DATA MONITOR" mode for "A/T" with CONSULT-III.
 - Read out the value of "ATF TEMP 1".
- Re-check the A/T fluid level at A/T fluid temperatures of approximately 65°C (149°F) using the "HOT" range on the A/T fluid level gauge as shown. The HOT range is between 50° - 80° C (122° - 176° F).

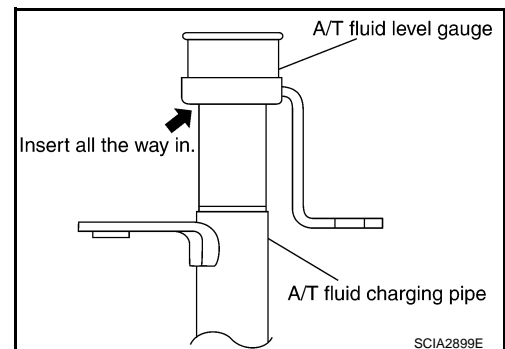
CAUTION:

- When wiping the A/T fluid from the A/T fluid level gauge, always use lint-free paper, not a cloth.



- To check the A/T fluid level, insert the A/T fluid level gauge until the cap contacts the top of the A/T fluid charging pipe, with the gauge reversed from the normal inserted position as shown.

- Check the A/T fluid condition.
 - If the A/T fluid is very dark or has some burned smell, there may be an internal problem with the transmission. Flush the transmission cooling system after repairing the transmission.
 - If the A/T fluid contains frictional material (clutches, bands, etc.), replace the radiator and flush the transmission cooler lines using cleaning solvent and compressed air after repairing the transmission.
- Install the A/T fluid level gauge in the A/T fluid charging pipe.
- Tighten the A/T fluid level gauge bolt to specification.



A/T fluid level gauge bolt : Refer to [MA-31, "Checking the A/T Fluid \(ATF\)".](#)

CHASSIS AND BODY MAINTENANCE

< ON-VEHICLE MAINTENANCE >

Changing the A/T Fluid (ATF)

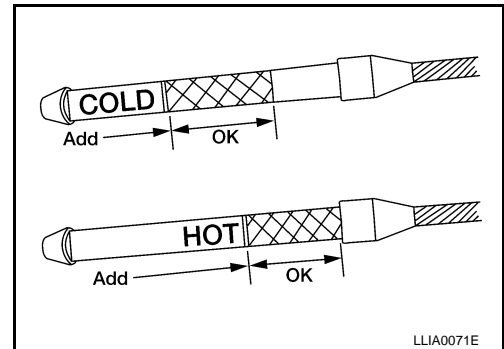
INFOID:000000003303900

CAUTION:

If using the vehicle for towing, the A/T fluid must be replaced as specified. Refer to [MA-6, "Introduction of Periodic Maintenance"](#).

1. Drive the vehicle to warm up the A/T fluid to approximately 80° C (176° F).
2. Stop the engine.
3. Remove the A/T fluid level gauge.
4. Drain the A/T fluid from the drain plug hole, then install the drain plug with a new gasket. Refill the transmission with new A/T fluid. Always refill with the same volume as the drained A/T fluid. Use the A/T fluid level gauge to check the A/T fluid level as shown. Add A/T fluid as necessary.

Drain plug : Refer to [TM-402, "Disassembly"](#).



- To flush out the old A/T fluid from the transmission oil coolers, pour new A/T fluid into the A/T fluid charging pipe with the engine idling and at the same time drain the old A/T fluid from the auxiliary transmission oil cooler hose return line.
- When the color of the A/T fluid coming out of the auxiliary transmission oil cooler hose return line is about the same as the color of the new A/T fluid, flushing out the old A/T fluid is complete. The amount of new A/T fluid used for flushing should be 30% to 50% of the specified capacity.

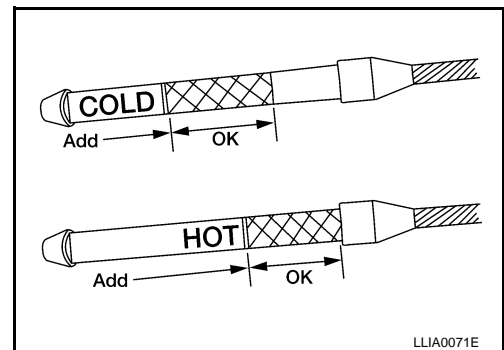
A/T fluid grade and capacity : Refer to [TM-461, "General Specification"](#).

CAUTION:

- Use only Genuine NISSAN Matic J ATF and do not mix with other fluids.
 - Using A/T fluid other than Genuine NISSAN Matic J ATF will cause deterioration in driveability and automatic transmission durability, and may damage the automatic transmission, which is not covered by the warranty.
 - When filling the transmission with A/T fluid, do not spill the A/T fluid on any heat generating parts such as the exhaust manifold.
 - Do not reuse the drain plug gasket.
5. Install the A/T fluid level gauge and tighten the A/T fluid level gauge bolt to specification.

A/T fluid level gauge bolt : Refer to [TM-402, "Disassembly"](#).

6. Drive the vehicle to warm up the A/T fluid to approximately 80° C (176° F).
7. Check the fluid level and condition. If the A/T fluid is still dirty, repeat steps 2 through 6.



8. Install the A/T fluid level gauge in the A/T fluid charging pipe and install the A/T fluid level gauge bolt.
9. Tighten the A/T fluid level gauge bolt to specification.

A/T fluid level gauge bolt : Refer to [TM-402, "Disassembly"](#).

CHASSIS AND BODY MAINTENANCE

< ON-VEHICLE MAINTENANCE >

Checking the Manual Transmission Fluid (MTF)

INFOID:000000003303334

OIL LEAKAGE AND OIL LEVEL

1. Make sure that oil is not leaking from the transmission or around it.
2. Check oil level from the filler plug hole as shown.

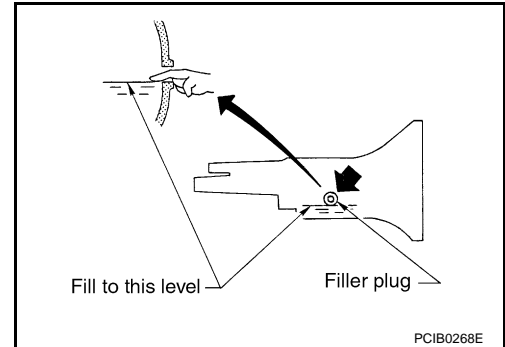
CAUTION:

Do not start engine while checking oil level.

3. Set a gasket on the filler plug and install it to the transmission. Tighten the filler plug to the specified torque. Refer to [TM-36, "Assembly"](#) (5 M/T), [TM-126, "Disassembly and Assembly"](#) (6 M/T).

CAUTION:

Do not reuse gasket.



Changing the Manual Transmission Fluid (MTF)

INFOID:000000003303335

DRAINING

1. Start the engine and let it run to warm up the transmission.
2. Stop the engine. Remove the transmission drain plug and drain the oil.
3. Set a gasket on the drain plug and install it to the transmission. Tighten the drain plug to the specified torque. Refer to [TM-402, "Disassembly"](#) (5 M/T), [TM-126, "Disassembly and Assembly"](#) (6 M/T).

CAUTION:

Do not reuse gasket.

FILLING

1. Remove the filler plug. Fill with new oil until oil level reaches the specified limit near the filler plug hole.

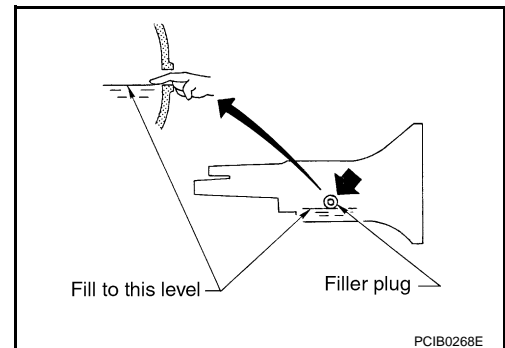
Oil grade and viscosity : Refer to [MA-12, "Fluids and Lubricants"](#).

Oil capacity : Refer to [MA-12, "Fluids and Lubricants"](#).

2. After refilling the oil, check oil level. Set a gasket to the filler plug, then install it to the transmission. Tighten the filler plug to the specified torque. Refer to [TM-402, "Disassembly"](#) (5 M/T), [TM-126, "Disassembly and Assembly"](#) (6 M/T).

CAUTION:

Do not reuse gasket.



Checking Transfer Fluid

INFOID:000000003303336

FLUID LEAKAGE AND FLUID LEVEL

1. Make sure that fluid is not leaking from the transfer assembly or around it.
2. Check fluid level from the filler plug hole as shown.

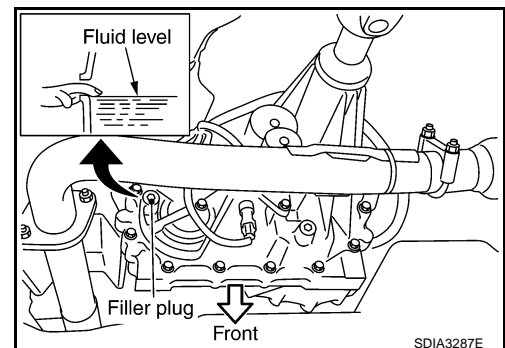
CAUTION:

Do not start engine while checking fluid level.

3. Install the filler plug with a new gasket to the transfer. Tighten to the specified torque. Refer to [DLN-110, "Disassembly and Assembly"](#).

CAUTION:

Do not reuse gasket.



CHASSIS AND BODY MAINTENANCE

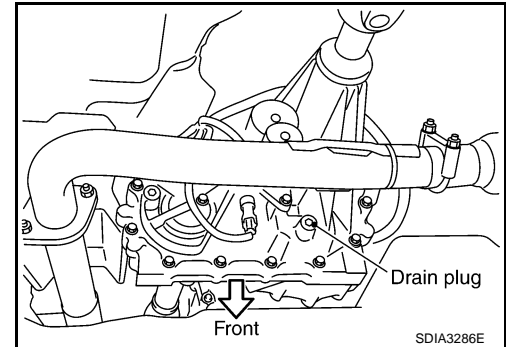
< ON-VEHICLE MAINTENANCE >

Changing Transfer Fluid

INFOID:000000003303337

DRAINING

1. Stop engine.
2. Remove the drain plug and gasket. Drain the fluid.
3. Install the drain plug with a new gasket to the transfer. Tighten to the specified torque. Refer to [DLN-110, "Disassembly and Assembly"](#).
CAUTION:
Do not reuse gasket.



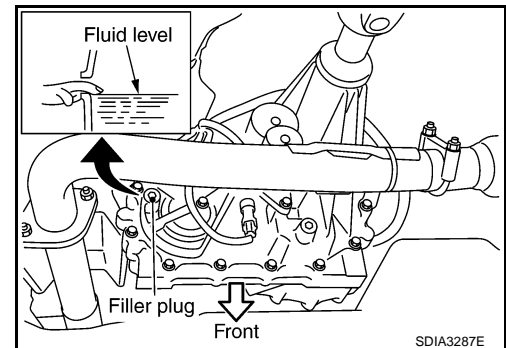
FILLING

1. Remove the filler plug and gasket.
2. Fill the transfer with new fluid until the fluid level reaches the specified limit near the filler plug hole.

Fluid grade and capacity : Refer to [MA-12, "Fluids and Lubricants"](#).

CAUTION:
Carefully fill fluid. (Fill up for approximately 3 minutes.)

3. Leave the vehicle for 3 minutes, and check fluid level again.
4. Install the filler plug with a new gasket to the transfer. Tighten to the specified torque. Refer to [DLN-110, "Disassembly and Assembly"](#).
CAUTION:
Do not reuse gasket.



Checking Propeller Shaft

INFOID:000000003303338

Check the front and rear propeller shafts for damage, dents, and cracks. Check the joints for looseness and any damage. Repair or replace as necessary. Refer to [FAX-4, "NVH Troubleshooting Chart"](#).

Checking Front Final Drive Oil

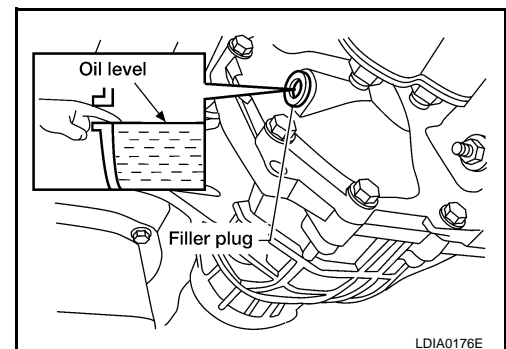
INFOID:000000003303339

OIL LEAKAGE AND OIL LEVEL

1. Make sure that oil is not leaking from the final drive assembly or around it.
2. Check oil level from the filler plug hole as shown.

CAUTION:
Do not start engine while checking oil level.

3. Install the filler plug with a new gasket on it to the final drive assembly. Tighten to the specified torque. Refer to [DLN-181, "Disassembly and Assembly"](#).
CAUTION:
Do not reuse gasket.



Changing Front Final Drive Oil

INFOID:000000003303340

DRAINING

1. Stop the engine.

A
B
C
D
E
F
G
H
I
J
K
L
M
N
O
MA

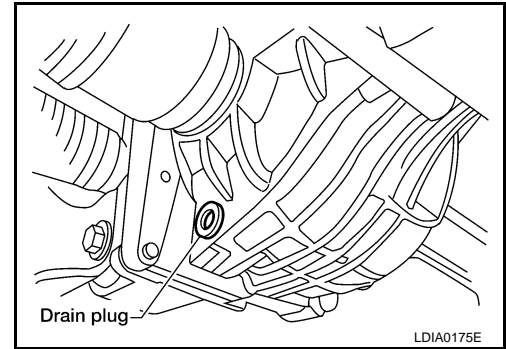
CHASSIS AND BODY MAINTENANCE

< ON-VEHICLE MAINTENANCE >

2. Remove the drain plug and gasket. Drain the gear oil.
3. Install the drain plug with a new gasket to the final drive assembly. Tighten to the specified torque. Refer to [DLN-181, "Disassembly and Assembly"](#).

CAUTION:

Do not reuse gasket.



FILLING

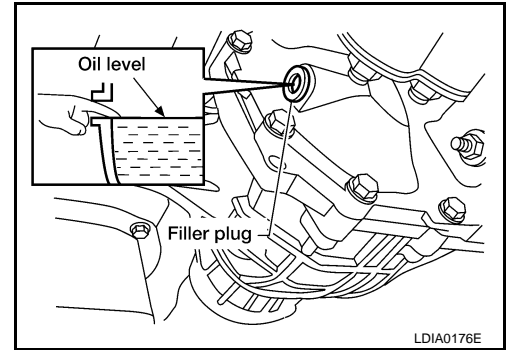
1. Remove the filler plug and gasket. Fill with new gear oil until the oil level reaches the specified level near the filler plug hole.

Oil grade and capacity : Refer to [MA-12, "Fluids and Lubricants"](#).

2. After refilling oil, check the oil level. Install the filler plug with a new gasket on it to the final drive assembly. Tighten to the specified torque. Refer to [DLN-181, "Disassembly and Assembly"](#).

CAUTION:

Do not reuse gasket.



Checking Rear Final Drive Oil

INFOID:000000003303341

CAUTION:

If using the vehicle for towing, the rear final drive oil must be replaced as specified. Refer to [DLN-241, "Changing Differential Gear Oil"](#).

NOTE:

The C220 is shown, the M226 with electronic locking differential, and the M226 without electronic locking differential are similar.

OIL LEAKAGE AND OIL LEVEL

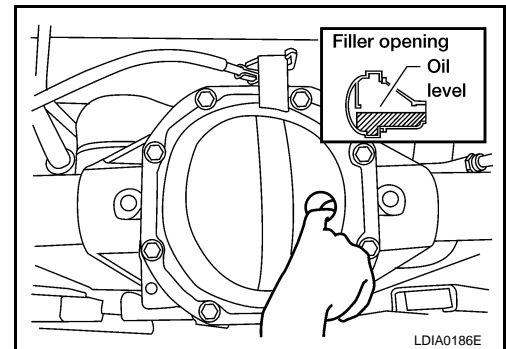
1. Make sure that gear oil is not leaking from final drive assembly or around it.
2. Check oil level from filler plug hole as shown.

CAUTION:

Do not start engine while checking oil level.

3. Apply sealant to filler plug. Install filler plug to final drive assembly and tighten to the specified torque. Refer to [DLN-246, "Disassembly and Assembly"](#) (C200), [DLN-319, "Disassembly and Assembly"](#) (M226 without electronic locking differential), [DLN-246, "Disassembly and Assembly"](#) (M226 with electronic locking differential).

- Use Genuine Silicone RTV or equivalent. Refer to [GI-26, "Recommended Chemical Products and Sealants"](#).



Changing Rear Final Drive Oil

INFOID:000000003303342

CAUTION:

If using the vehicle for towing, the rear final drive oil must be replaced as specified. Refer to [DLN-241, "Changing Differential Gear Oil"](#).

NOTE:

The C220 is shown, the M226 with electronic locking differential, and the M226 without electronic locking differential are similar.

DRAINING

1. Stop engine.

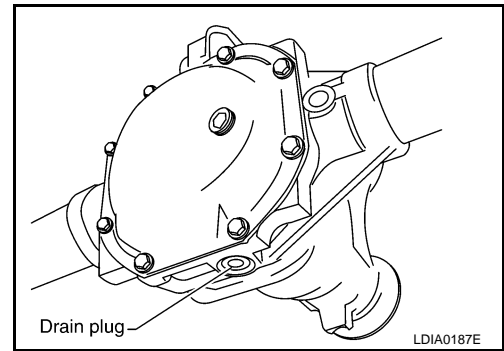
CHASSIS AND BODY MAINTENANCE

< ON-VEHICLE MAINTENANCE >

- Remove drain plug and drain gear oil.
- Set a gasket on drain plug and install it to final drive assembly and tighten to the specified torque. Refer to [DLN-213, "Disassembly and Assembly"](#) (C200), [DLN-246, "Disassembly and Assembly"](#) (M226 without electronic locking differential), [DLN-319, "Disassembly and Assembly"](#) (M226 with electronic locking differential).

CAUTION:

Do not reuse gasket.



FILLING

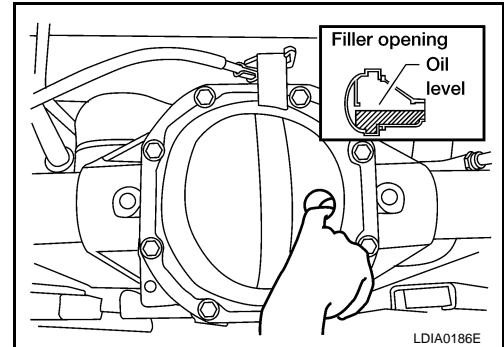
- Remove filler plug. Fill with new gear oil until oil level reaches the specified level near filler plug hole.

Oil grade and viscosity : Refer to [MA-12, "Fluids and Lubricants"](#).

Oil capacity : Refer to [MA-12, "Fluids and Lubricants"](#).

- After refilling oil, check oil level. Apply sealant to filler plug. Install filler plug to final drive assembly and tighten to the specified torque. Refer to [DLN-213, "Disassembly and Assembly"](#) (C200), [DLN-246, "Disassembly and Assembly"](#) (M226 without electronic locking differential), [DLN-319, "Disassembly and Assembly"](#) (M226 with electronic locking differential).

- Use Genuine Silicone RTV or equivalent. Refer to [GI-26, "Recommended Chemical Products and Sealants"](#).



Balancing Wheels

INFOID:000000003303343

Wheel Balance Adjustment

NOTE:

If a wheel balance machine has adhesion balance weight mode settings and drive-in weight mode setting, select and adjust a drive-in weight mode suitable for the wheels.

- Set the wheel on the wheel balance machine using the center hole as a guide. Start the wheel balance machine.
- When the inner and outer imbalance values are shown on the wheel balance machine indicator, multiply the outer imbalance value by 1.6 to determine the balance weight that should be used. Select the outer balance weight with a value closest to the calculated value and install it to the designated outer position of, or at the designated angle in relation to the road wheel.

CAUTION:

- Do not install the inner balance weight before installing the outer balance weight.
- Before installing the balance weight, be sure to clean the mating surface of the wheel.

Indicated imbalance value $\times 5/3$ = balance weight to be installed
Calculation example:

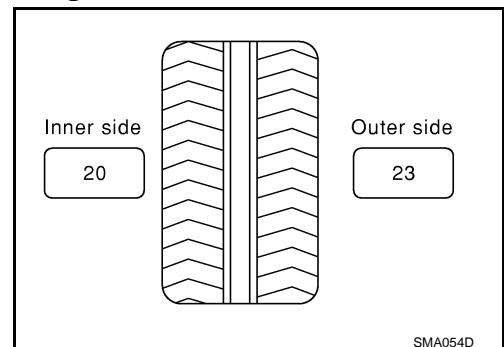
23 g (0.81 oz) $\times 5/3$ = 38.33 g (1.35 oz) = 40 g (1.41 oz) balance weight (closer to calculated balance weight value)

Note that balance weight value must be closer to the calculated balance weight value.

Example:

37.4 g = 35 g (1.23 oz)

37.5 g = 40 g (1.41 oz)



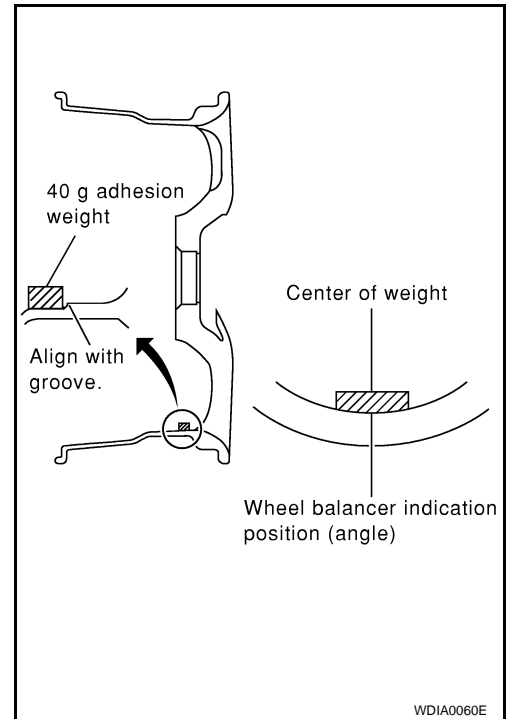
CHASSIS AND BODY MAINTENANCE

< ON-VEHICLE MAINTENANCE >

- a. Install balance weight in the position as shown.
- b. When installing the balance weight to the wheels, set it into the grooved area on the inner wall of the wheel as shown, so that the balance weight center is aligned with the wheel balance machine indication position (angle).

CAUTION:

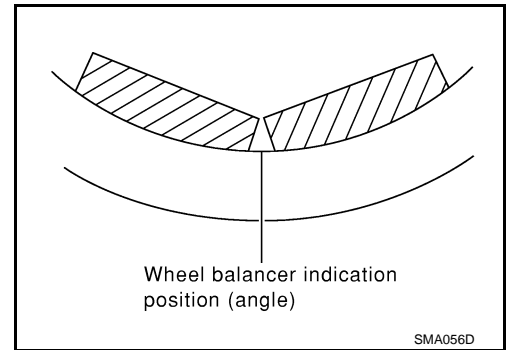
- Always use Genuine NISSAN adhesion balance weights.
- Balance weights are not reusable; always replace the old ones with new ones.
- Do not install more than three sheets of balance weights.



- c. If the calculated balance weight value exceeds 50 g (1.76 oz), install two balance weight sheets in line with each other as shown.

CAUTION:

Do not install one balance weight sheet on top of another.



3. Start the wheel balance machine again.
 4. Install the drive-in balance weight on the inner side of the road wheel in the wheel balance machine indication position (angle).
- CAUTION:**
- Do not install more than two balance weights.**
5. Start the wheel balance machine. Make sure that the inner and outer residual imbalance values are 5g (0.18 oz) each or below.
 - If either the inner or outer residual imbalance value exceeds 5 g (0.18 oz), repeat the tire installation procedure.

Wheel Balance (Maximum Allowable Imbalance)

Maximum allowable imbalance	Dynamic (At rim flange)	5 g (0.18 oz) (one side)
	Static	10 g (0.35 oz)

CHASSIS AND BODY MAINTENANCE

< ON-VEHICLE MAINTENANCE >

Tire Rotation

INFOID:000000003303344

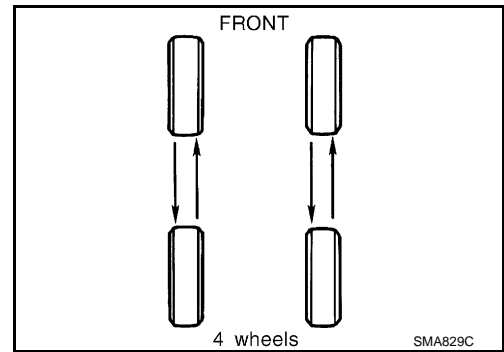
1. Rotate the tires on each side from front to back as shown, using power tool.

Wheel nuts : Refer to [WT-35, "Rotation"](#).

- Follow the maintenance schedule for tire rotation maintenance intervals. Refer to [WT-35, "Rotation"](#).
- Do not include the spare tire when rotating the tires.

CAUTION:

When installing the wheels, tighten the wheel nuts diagonally by repeating the tightening pattern two or three times in order to prevent the wheels from developing any distortion.

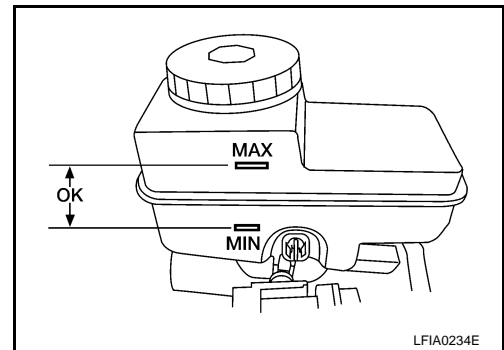


2. Adjust the tire pressure to specification.
3. After the tire rotation, retighten the wheel nuts after the vehicle has been driven for 1,000 km (600 miles), and also after a wheel and tire have been installed such as after repairing a flat tire.

Checking Brake Fluid Level and Leaks

INFOID:000000003303345

- Check the brake fluid level in the reservoir tank. It should be between the "MAX" and "MIN" lines on the reservoir tank.
- If the fluid level is extremely low, check the brake system.
- If the brake warning lamp comes on when the fluid is at the correct level, check the brake fluid level switch and the parking brake switch.



Checking Brake Line and Cables

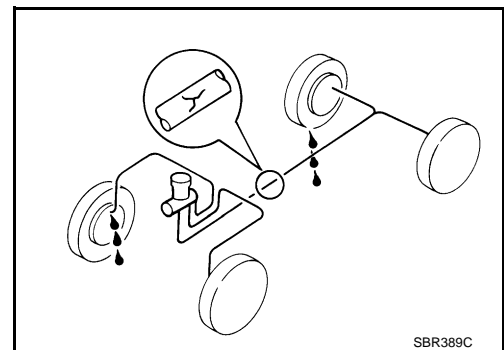
INFOID:000000003303346

1. Check the brake lines and hoses for cracks, deterioration, and other damage. Replace any damaged parts.

CAUTION:

If brake fluid leaks are visible around the brake line joints, retighten the joint, or replace damaged parts as necessary.

2. Check for brake fluid leaks by fully depressing brake pedal while engine is running.



Checking Disc Brake

INFOID:000000003303347

ROTOR

A
B
C
D
E
F
G
H
I
J
K
L
M
N
O

MA

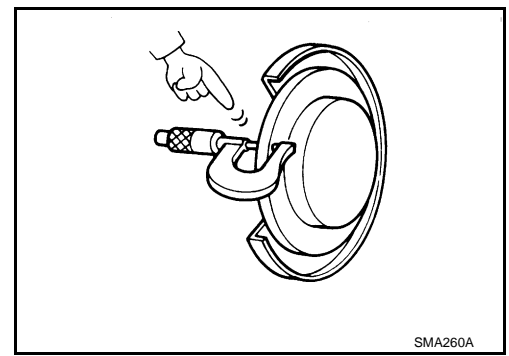
CHASSIS AND BODY MAINTENANCE

< ON-VEHICLE MAINTENANCE >

Check the condition of the rotor, and for any wear or damage. Repair or replace as necessary.

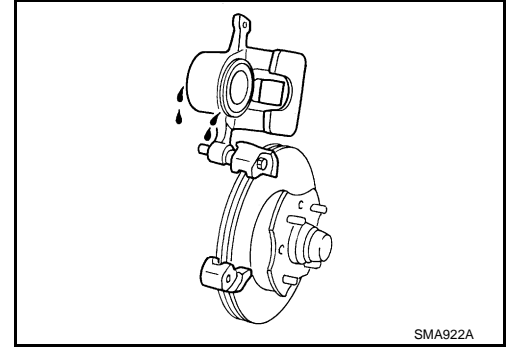
Standard thickness : Refer to [BR-41, "Front Disc Brake"](#), [BR-41, "Rear Disc Brake"](#).

Repair limit thickness : Refer to [BR-41, "Front Disc Brake"](#), [BR-41, "Rear Disc Brake"](#).



CALIPER

Check for any fluid leakage. Repair as necessary.

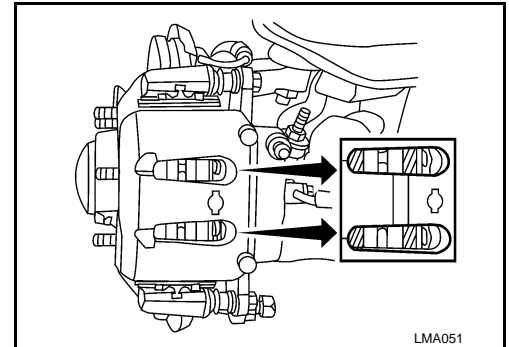


PAD

Check for any wear or damage. Repair or replace as necessary.

Standard thickness : Refer to [BR-41, "Front Disc Brake"](#), [BR-41, "Rear Disc Brake"](#).

Repair limit thickness : Refer to [BR-41, "Front Disc Brake"](#), [BR-41, "Rear Disc Brake"](#).

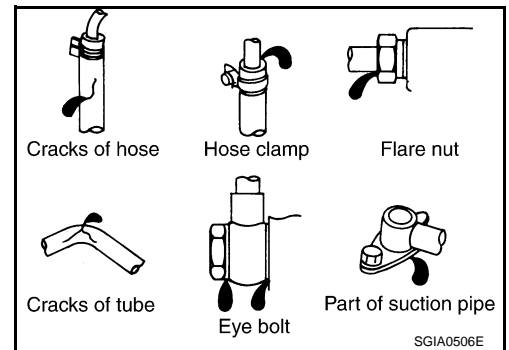


Checking Steering Gear and Linkage

INFOID:000000003303348

STEERING GEAR

- Check the steering gear housing for looseness, damage and oil leakage as shown.
- Check the steering column connections for looseness.



STEERING LINKAGE

- Check the ball joint, dust cover and other component parts for looseness, wear, damage and grease leakage.

Checking Power Steering Fluid and Line

INFOID:000000003303349

CHECKING FLUID LEVEL

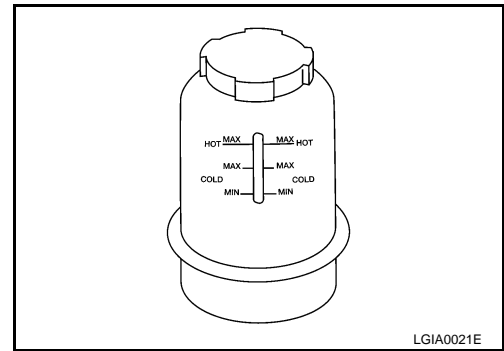
CHASSIS AND BODY MAINTENANCE

< ON-VEHICLE MAINTENANCE >

- Check the power steering fluid level with the engine off.
- Check fluid level on reservoir. Use "HOT" range at fluid temperatures of 50° to 80°C (122° to 176°F). Use "COLD" range at fluid temperatures of 0° to 30°C (32° to 86°F).

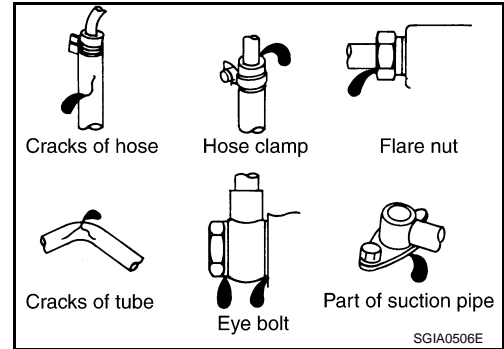
CAUTION:

- **Do not overfill.**
- **Fill with the recommended fluid or equivalent. Refer to [MA-12](#), "[Fluids and Lubricants](#)".**



CHECKING LINES

- Check lines for improper attachment, leaks, cracks, damage, loose connections, chafing and deterioration.



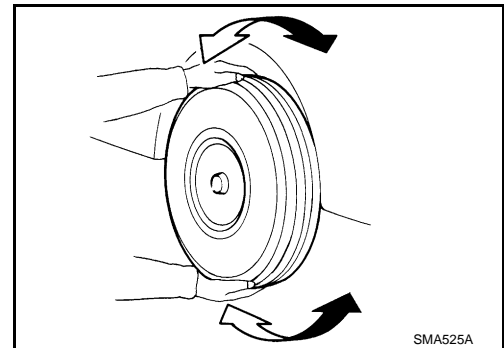
Checking Axle and Suspension Parts

INFOID:000000003303350

FRONT AND REAR AXLE AND SUSPENSION PARTS

Check front and rear axle and suspension parts for excessive play, cracks, wear or other damage.

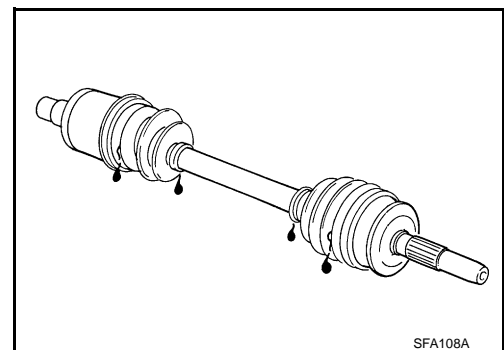
- Shake each wheel to check for excessive play.
- Rotate each wheel to check for abnormal noise.
- Check axle and suspension nuts and bolts for looseness.



- Check the strut and shock absorber for oil leakage or other damage.
- Check suspension ball joints for grease leakage and ball joint dust cover for cracks or other damage.

FRONT DRIVE SHAFT

Check the boots and drive shaft for cracks, wear, damage, and grease leakage.



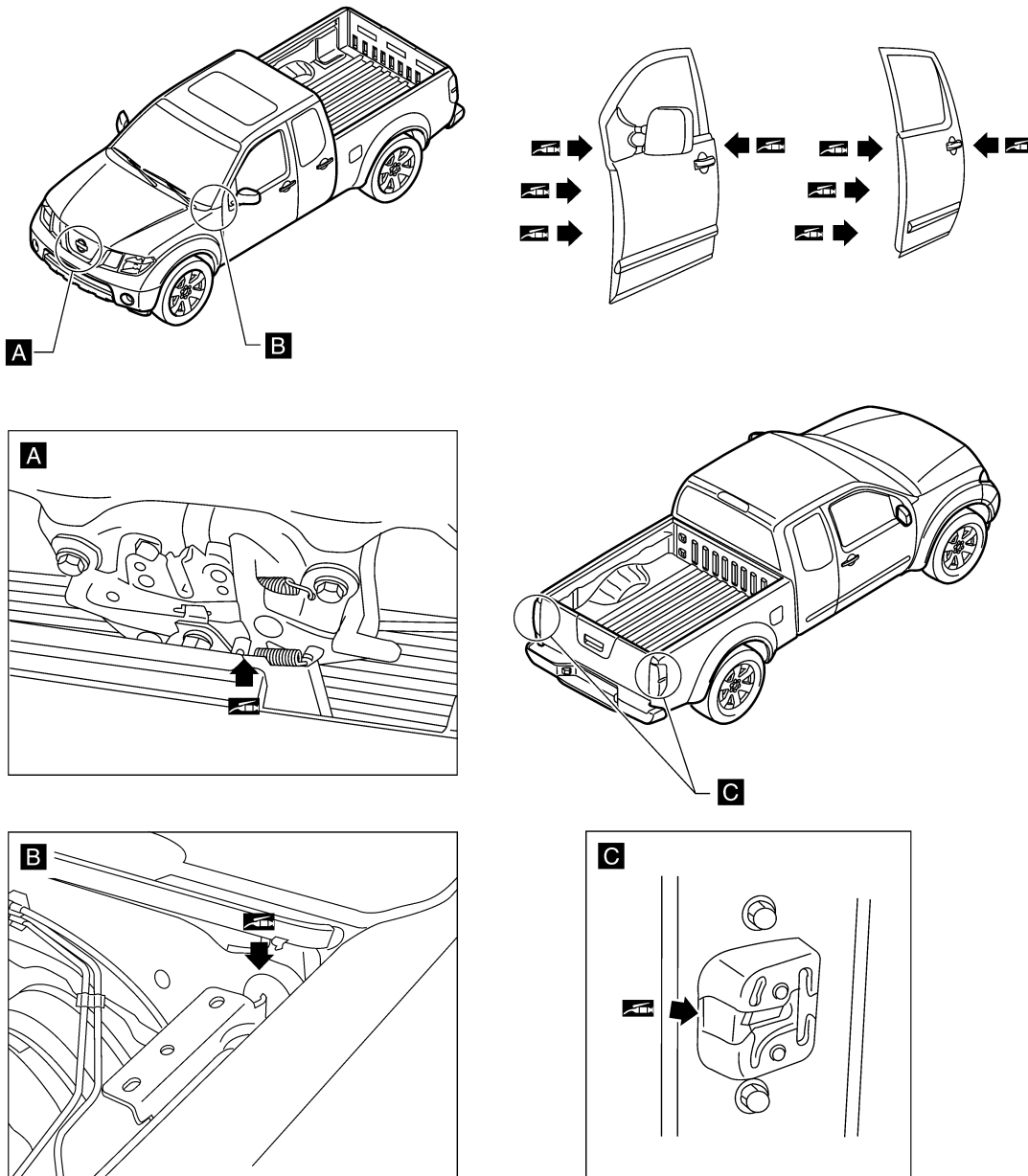
A
B
C
D
E
F
G
H
I
J
K
L
M
N
O


CHASSIS AND BODY MAINTENANCE

< ON-VEHICLE MAINTENANCE >

Lubricating Locks, Hinges and Hood Latches

INFOID:000000003303351



 : Multi-purpose grease

WLIA0025E

- Lubricate the locations shown. Refer to [MA-12. "Fluids and Lubricants"](#).

Checking Seat Belts, Buckles, Retractors, Anchors and Adjusters

INFOID:000000003303352

Check the seat belt buckles, webbing, retractors, anchors and adjusters. Replace any seat belt assembly as necessary. Refer to [SB-6. "Seat Belt Inspection"](#).

- Check the seat belt anchors for loose mounting bolts, damage, or excessive wear.
- Check the seat belt webbing for any damage, cuts, fraying, or excessive wear.
- Check the retractor for smooth operation.
- Check the function of the buckles by inserting the seat belt tongue and checking for proper engagement of the buckle and press the button on the buckle to check for proper release of the seat belt tongue.

CAUTION:

CHASSIS AND BODY MAINTENANCE

< ON-VEHICLE MAINTENANCE >

- After any collision, inspect all seat belt assemblies, including retractors and other attached components, such as the guide rail set. NISSAN recommends replacing all seat belt assemblies in use during a collision, unless they are not damaged and are inspected to confirm they are operating properly after a minor collision. A
- Also inspect all seat belt assemblies that are not in use during a collision, and replace any components if damaged or not operating properly. The seat belt pre-tensioner should be replaced even if the seat belts are not in use during a frontal collision where the driver and passenger air bags have been deployed. B
- If any component of the seat belt assembly is suspected of being damaged or not operating properly, do not repair the component. Replace the components as an assembly. C
- If the seat belt webbing is cut, frayed, or damaged then replace the seat belt assembly. D
- Never lubricate the seat belt buckle or tongue. D
- When replacing any seat belt assembly always use a Genuine NISSAN seat belt assembly. D

A
B
C
D
E
F
G
H
I
J
K
L
M
N
O

MA