

**SECTION MA**  
**MAINTENANCE**

A  
B  
C  
D  
E  
F  
G  
H  
I  
J  
K  
L  
M  
N  
O  
MA

**CONTENTS**

<b>PRECAUTION</b> .....	AIR CLEANER FILTER : Removal and Installation
	.....20
<b>PRECAUTIONS</b> .....	<b>ENGINE OIL</b> .....
Precaution for Supplemental Restraint System	<b>ENGINE OIL : Inspection</b> .....
(SRS) "AIR BAG" and "SEAT BELT PRE-TENSIONER"	<b>ENGINE OIL : Changing Engine Oil</b> .....
.....3	.....22
<b>PREPARATION</b> .....	<b>OIL FILTER</b> .....
	<b>OIL FILTER : Removal and Installation</b> .....
	.....22
<b>PREPARATION</b> .....	<b>SPARK PLUG</b> .....
Special Service Tool .....	<b>SPARK PLUG : Exploded View</b> .....
Commercial Service Tool .....	<b>SPARK PLUG : Removal and Installation</b> .....
.....4	.....24
<b>ON-VEHICLE MAINTENANCE</b> .....	<b>EVAP VAPOR LINES</b> .....
	<b>EVAP VAPOR LINES : Checking EVAP Vapor</b>
<b>GENERAL MAINTENANCE</b> .....	<b>Line</b> .....
General Maintenance .....	.....25
.....5	<b>ENGINE MAINTENANCE (VQ40DE)</b> .....
<b>PERIODIC MAINTENANCE</b> .....	.....26
Introduction of Periodic Maintenance .....	<b>DRIVE BELT</b> .....
Schedule 1 .....	<b>DRIVE BELT : Exploded View</b> .....
Schedule 2 .....	<b>DRIVE BELT : Checking Drive Belts</b> .....
.....9	<b>DRIVE BELT : Adjustment</b> .....
<b>RECOMMENDED FLUIDS AND LUBRICANTS</b> .....	.....26
Fluids and Lubricants .....	<b>ENGINE COOLANT</b> .....
Engine Oil Recommendation .....	<b>ENGINE COOLANT : System Inspection</b> .....
.....14	<b>ENGINE COOLANT : Changing Engine Coolant</b> .....
<b>ENGINE MAINTENANCE (QR25DE ENGINE)</b> .....	.....28
<b>DRIVE BELTS</b> .....	<b>FUEL LINES</b> .....
DRIVE BELTS : Exploded View .....	<b>FUEL LINES : Checking Fuel Line</b> .....
DRIVE BELTS : Checking Drive Belt .....	.....31
DRIVE BELTS : Tension Adjustment .....	<b>FUEL FILTER</b> .....
.....15	<b>FUEL FILTER : Changing Fuel Filter</b> .....
<b>ENGINE COOLANT</b> .....	.....32
ENGINE COOLANT : System Inspection .....	<b>AIR CLEANER FILTER</b> .....
ENGINE COOLANT : Changing Engine Coolant ....	<b>AIR CLEANER FILTER : Exploded View</b> .....
.....17	<b>AIR CLEANER FILTER : Removal and Installation</b>
<b>FUEL LINES</b> .....	.....32
FUEL LINES : Checking Fuel Line .....	.....32
.....20	<b>ENGINE OIL</b> .....
<b>AIR CLEANER FILTER</b> .....	<b>ENGINE OIL : Inspection</b> .....
.....20	<b>ENGINE OIL : Changing Engine Oil</b> .....
	.....34

<b>OIL FILTER</b> .....	<b>34</b>	DIFFERENTIAL GEAR OIL : Checking Differential Gear Oil .....	46
OIL FILTER : Removal and Installation .....	34	DIFFERENTIAL GEAR OIL : Rear Final Drive - M226 .....	46
<b>SPARK PLUG</b> .....	<b>35</b>	DIFFERENTIAL GEAR OIL : Changing Differential Gear Oil .....	46
SPARK PLUG : Exploded View .....	36	DIFFERENTIAL GEAR OIL : Checking Differential Gear Oil .....	47
SPARK PLUG : Removal and Installation .....	36	DIFFERENTIAL GEAR OIL : Rear Final Drive - M226 (ELD) .....	47
<b>EVAP VAPOR LINES</b> .....	<b>37</b>	DIFFERENTIAL GEAR OIL : Changing Differential Gear Oil .....	47
EVAP VAPOR LINES : Checking EVAP Vapor Line .....	37	DIFFERENTIAL GEAR OIL : Checking Differential Gear Oil .....	48
<b>CHASSIS AND BODY MAINTENANCE</b> .....	<b>38</b>	<b>WHEELS</b> .....	<b>48</b>
<b>IN-CABIN MICROFILTER</b> .....	<b>38</b>	WHEELS : Balancing Wheels .....	48
IN-CABIN MICROFILTER : Removal and Installation .....	38	WHEELS : Rotation .....	50
<b>EXHAUST SYSTEM</b> .....	<b>38</b>	<b>BRAKE FLUID LEVEL AND LEAKS</b> .....	<b>50</b>
EXHAUST SYSTEM : Checking Exhaust System..	39	BRAKE FLUID LEVEL AND LEAKS : On Board Inspection .....	50
<b>TRANSMISSION OIL</b> .....	<b>39</b>	<b>BRAKE LINES AND CABLES</b> .....	<b>50</b>
TRANSMISSION OIL : Checking the A/T Fluid (ATF) .....	39	BRAKE LINES AND CABLES : Checking Brake Line and Cables .....	50
TRANSMISSION OIL : Changing the A/T Fluid (ATF) .....	41	<b>DISC BRAKE</b> .....	<b>50</b>
<b>M/T OIL</b> .....	<b>42</b>	DISC BRAKE : Checking Disc Brake .....	50
M/T OIL : FS6R31A .....	42	<b>STEERING GEAR AND LINKAGE</b> .....	<b>51</b>
M/T OIL : Changing .....	42	STEERING GEAR AND LINKAGE : Checking Steering Gear and Linkage .....	51
M/T OIL : Checking .....	42	<b>POWER STEERING FLUID AND LINES</b> .....	<b>51</b>
M/T OIL : FS5R30A .....	42	POWER STEERING FLUID AND LINES : Checking Power Steering Fluid and Line .....	52
M/T OIL : Changing .....	42	<b>AXLE AND SUSPENSION PARTS</b> .....	<b>52</b>
M/T OIL : Checking .....	43	AXLE AND SUSPENSION PARTS : Checking Axle and Suspension Parts .....	52
<b>TRANSFER FLUID</b> .....	<b>43</b>	<b>LOCKS, HINGES AND HOOD LATCH</b> .....	<b>53</b>
TRANSFER FLUID : Replacement .....	43	LOCKS, HINGES AND HOOD LATCH : Lubricating Locks, Hinges and Hood Latches .....	54
TRANSFER FLUID : Inspection .....	44	<b>SEAT BELT, BUCKLES, RETRACTORS, ANCHORS AND ADJUSTERS</b> .....	<b>54</b>
<b>PROPELLER SHAFT</b> .....	<b>44</b>	SEAT BELT, BUCKLES, RETRACTORS, ANCHORS AND ADJUSTERS : Checking Seat Belts, Buckles, Retractors, Anchors and Adjusters .....	54
PROPELLER SHAFT : Checking Propeller Shaft...	44		
<b>DIFFERENTIAL GEAR OIL</b> .....	<b>44</b>		
DIFFERENTIAL GEAR OIL : Front Final Drive - R180A .....	44		
DIFFERENTIAL GEAR OIL : Changing Differential Gear Oil .....	44		
DIFFERENTIAL GEAR OIL : Checking Differential Gear Oil .....	45		
DIFFERENTIAL GEAR OIL : Rear Final Drive - C200 .....	45		
DIFFERENTIAL GEAR OIL : Changing Differential Gear Oil .....	45		

# PRECAUTIONS

< PRECAUTION >

## PRECAUTION

### PRECAUTIONS

#### Precaution for Supplemental Restraint System (SRS) "AIR BAG" and "SEAT BELT PRE-TENSIONER"

INFOID:000000004057151

The Supplemental Restraint System such as "AIR BAG" and "SEAT BELT PRE-TENSIONER", used along with a front seat belt, helps to reduce the risk or severity of injury to the driver and front passenger for certain types of collision. This system includes seat belt switch inputs and dual stage front air bag modules. The SRS system uses the seat belt switches to determine the front air bag deployment, and may only deploy one front air bag, depending on the severity of a collision and whether the front occupants are belted or unbelted. Information necessary to service the system safely is included in the SR and SB section of this Service Manual.

#### **WARNING:**

- To avoid rendering the SRS inoperative, which could increase the risk of personal injury or death in the event of a collision which would result in air bag inflation, all maintenance must be performed by an authorized NISSAN/INFINITI dealer.
- Improper maintenance, including incorrect removal and installation of the SRS, can lead to personal injury caused by unintentional activation of the system. For removal of Spiral Cable and Air Bag Module, see the SR section.
- Do not use electrical test equipment on any circuit related to the SRS unless instructed to in this Service Manual. SRS wiring harnesses can be identified by yellow and/or orange harnesses or harness connectors.

A  
B  
C  
D  
E  
F  
G  
H  
I  
J  
K  
L  
M  
N  
O

MA

# PREPARATION

< PREPARATION >

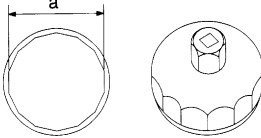
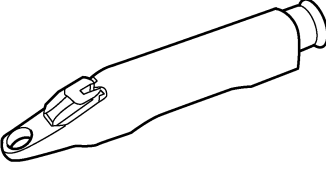
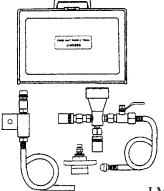
## PREPARATION

### PREPARATION

#### Special Service Tool

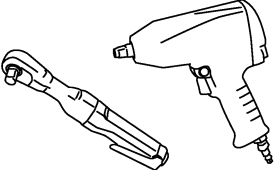
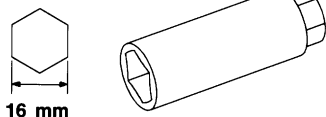
INFOID:000000004057152

The actual shapes of the Kent-Moore tools may differ from those of the special service tools illustrated here.

Tool number (Kent-Moore No.) Tool name	Description
KV10115801 (J-38956) Oil filter cap wrench <div style="text-align: center;">  <p>NT375</p> </div>	Removing and installing oil filter <b>a: 64.3 mm (2.531 in)</b>
KV991J0010 (J-23688) Engine coolant refractometer <div style="text-align: center;">  <p>WBIA0539E</p> </div>	Checking concentration of ethylene glycol in engine coolant
KV991J0070 (J-45695) Coolant refill tool <div style="text-align: center;">  <p>LMA053</p> </div>	Filling cooling system

#### Commercial Service Tool

INFOID:000000004057153

Tool name	Description
Power tool <div style="text-align: center;">  <p>PBIC0190E</p> </div>	Loosening bolts and nuts
Spark plug wrench <div style="text-align: center;">  <p><b>16 mm (0.63 in)</b></p> <p>S-NT047</p> </div>	Removing and installing spark plug

# GENERAL MAINTENANCE

< ON-VEHICLE MAINTENANCE >

## ON-VEHICLE MAINTENANCE

### GENERAL MAINTENANCE

#### General Maintenance

INFOID:000000004057154

General maintenance includes those items which should be checked during the normal day-to-day operation of the vehicle. They are essential if the vehicle is to continue operating properly. The owner can perform these checks and inspections or have their NISSAN dealers perform them.

#### OUTSIDE THE VEHICLE

The maintenance items listed here should be performed from time to time, unless otherwise specified.

Item		Reference page
<b>Tires</b>	Check the pressure with a gauge often and always prior to long distance trips. Adjust the pressure in all tires, including the spare, to the pressure specified. Check carefully for damage, cuts or excessive wear.	—
<b>Wheel lug nuts</b>	When checking the tires, make sure no nuts are missing, and check for any loose nuts. Tighten if necessary.	<a href="#">MA-50</a>
<b>Windshield</b>	Clean the windshield on a regular basis. Check the windshield at least every six months for cracks or other damage. Repair as necessary.	—
<b>Tire rotation</b>	Tires should be rotated every 12,000 km (7,500 miles).	<a href="#">MA-50</a>
Tire Pressure Monitoring System (TPMS) transmitter components	Replace the TPMS transmitter grommet seal, valve core and cap when the tires are replaced due to wear or age.	<a href="#">WT-48. "Transmitter (Pressure Sensor)"</a>
<b>Wheel alignment and balance</b>	If the vehicle pulls to either side while driving on a straight and level road, or if you detect uneven or abnormal tire wear, there may be a need for wheel alignment. If the steering wheel or seat vibrates at normal highway speeds, wheel balancing may be needed.	<a href="#">MA-48, FSU-5. "Front Wheel Alignment"</a>
<b>Windshield wiper blades</b>	Check for cracks or wear if they do not wipe properly.	—
<b>Doors and engine hood</b>	Check that all doors and the engine hood operate smoothly as well as the back hatch. Also make sure that all latches lock securely. Lubricate if necessary. Make sure that the secondary latch keeps the hood from opening when the primary latch is released. When driving in areas using road salt or other corrosive materials, check lubrication frequently.	<a href="#">MA-54</a>
<b>Lamps</b>	Make sure that the head lamps, stop lamps, tail lamps, turn signal lamps, and other lamps are all operating properly and installed securely. Also check head lamp aim. Clean the head lamps on a regular basis.	<a href="#">EXL-136. "Aiming Adjustment"</a>

#### INSIDE THE VEHICLE

The maintenance items listed here should be checked on a regular basis, such as when performing periodic maintenance, cleaning the vehicle, etc.

Item		Reference page
<b>Warning lamps and buzzers/chimes</b>	Make sure that all warning lamps and buzzers/chimes are operating properly.	<a href="#">WCS-4. "WARNING CHIME SYSTEM : System Description"</a>
<b>Windshield wiper and washer</b>	Check that the wipers and washer operate properly and that the wipers do not streak.	—
<b>Windshield defroster</b>	Check that the air comes out of the defroster outlets properly and in sufficient quantity when operating the heater or air conditioner.	—
<b>Steering wheel</b>	Check that it has the specified play. Be sure to check for changes in the steering condition, such as excessive play, hard steering or strange noises.	<a href="#">ST-29. "Steering Wheel"</a>
<b>Seats</b>	Check seat position controls such as seat adjusters, seat back recliner, etc. to make sure they operate smoothly and that all latches lock securely in every position. Check that the head restraints move up and down smoothly and that the locks (if equipped) hold securely in all latched positions. Check that the latches lock securely for folding-down rear seat backs.	—

## GENERAL MAINTENANCE

### < ON-VEHICLE MAINTENANCE >

Item		Reference page
<b>Seat belts</b>	Check that all parts of the seat belt system (e.g. buckles, anchors, adjusters and retractors) operate properly and smoothly and are installed securely. Check the belt webbing for cuts, fraying, wear or damage.	<a href="#">SB-6, "Seat Belt Inspection"</a> , <a href="#">SB-11, "Seat Belt Inspection"</a>
<b>Accelerator pedal</b>	Check the pedal for smooth operation. Keep the floor mats away from the pedal.	—
<b>Brakes</b>	Check that the brake does not pull the vehicle to one side when applied.	—
<b>Brake pedal and booster</b>	Check the pedal for smooth operation and make sure it has the proper distance under it when depressed fully. Check the brake booster function. Keep the floor mats away from the pedal.	<a href="#">BR-9, "Inspection"</a> , <a href="#">BR-18, "Inspection and Adjustment"</a>
<b>Parking brake</b>	Check that the parking brake control has the proper travel and make sure that the vehicle is held securely on a fairly steep hill when only the parking brake is applied.	<a href="#">PB-3, "On-Vehicle Service"</a>
<b>Automatic transmission "Park" mechanism</b>	On a fairly steep hill check that the vehicle is held securely with the selector lever in the P position without applying the brakes.	—

### UNDER THE HOOD AND VEHICLE

The maintenance items listed here should be checked periodically (e.g. each time you check the engine oil or refuel).

Item		Reference page
<b>Windshield washer fluid</b>	Check that there is adequate fluid in the tank.	—
<b>Engine coolant level</b>	Check the coolant level when the engine is cold.	<a href="#">MA-15 (QR)</a> , <a href="#">MA-26 (VQ)</a>
<b>Radiator and hoses</b>	Check the front of the radiator and clean off any dirt, insects, leaves, etc., that may have accumulated. Make sure the hoses have no cracks, deformation, deterioration or loose connections.	—
<b>Brake and clutch fluid levels</b>	Make sure that the brake and clutch fluid levels are between the "MAX" and "MIN" lines on the reservoirs	<a href="#">MA-50</a> <a href="#">CL-8, "Bleeding"</a>
<b>Battery</b>	Check the fluid level in each cell. It should be between the "MAX" and "MIN" lines. Vehicles operated in high temperatures or under severe conditions require frequent checks of the battery fluid level.	—
<b>Engine drive belt</b>	Make sure that no belt is frayed, worn, cracked or oily.	<a href="#">MA-15 (QR)</a> , <a href="#">MA-26 (VQ)</a>
<b>Engine oil level</b>	Check the level on the dipstick after parking the vehicle on a level spot and turning off the engine.	<a href="#">MA-20 (QR)</a> , <a href="#">MA-32 (VQ)</a>
<b>Power steering fluid level and lines</b>	Check the level on the reservoir with the engine off. Check the lines for improper attachment, leaks, cracks, etc.	<a href="#">MA-52</a>
<b>Exhaust system</b>	Make sure there are no loose supports, cracks or holes. If the sound of the exhaust seems unusual or there is a smell of exhaust fumes, immediately locate the trouble and correct it.	<a href="#">MA-39</a>
<b>Underbody</b>	The underbody is frequently exposed to corrosive substances such as those used on icy roads or to control dust. It is very important to remove these substances, otherwise rust will form on the floor pan, frame, fuel lines and around the exhaust system. At the end of winter, the underbody should be thoroughly flushed with plain water, being careful to clean those areas where mud and dirt can easily accumulate.	—
<b>Fluid leaks</b>	Check under the vehicle for fuel, oil, water or other fluid leaks after the vehicle has been parked for a while. Water dripping from the air conditioner after use is normal. If you should notice any leaks or gasoline fumes are evident, check for the cause and correct it immediately.	—

# PERIODIC MAINTENANCE

< ON-VEHICLE MAINTENANCE >

## PERIODIC MAINTENANCE

### Introduction of Periodic Maintenance

INFOID:000000004057155

Two different maintenance schedules are provided, and should be used, depending upon the conditions in which the vehicle is mainly operated. **After 60,000 miles (96,000 km) or 48 months, continue the periodic maintenance at the same mileage or time intervals, whichever comes first.**

Schedule 1	Follow Periodic Maintenance Schedule 1 if your driving habits frequently includes one or more of the following driving conditions: <ul style="list-style-type: none"> <li>• Repeated short trips of less than 5 miles (8 km).</li> <li>• Repeated short trips of less than 10 miles (16 km) with outside temperatures remaining below freezing.</li> <li>• Operating in hot weather in stop-and-go “rush hour” traffic.</li> <li>• Extensive idling and/or low speed driving for long distances, such as police, taxi or door-to-door delivery use.</li> <li>• Driving in dusty conditions.</li> <li>• Driving on rough, muddy, or salt spread roads.</li> <li>• Towing a trailer or using a camper or a car-top carrier.</li> </ul>	Emission Control System Maintenance	<a href="#">MA-7</a>
		Chassis and Body Maintenance	<a href="#">MA-7</a>
Schedule 2	Follow Periodic Maintenance Schedule 2 if none of the driving conditions shown in Schedule 1 apply to the driving habits.	Emission Control System Maintenance	<a href="#">MA-9</a>
		Chassis and Body Maintenance	<a href="#">MA-9</a>

### Maintenance for off-road driving (4WD only)

After driving the vehicle off-road through sand, mud, or water; more frequent maintenance may be required for the following items:

- ▲ Brake pads and rotors
- ▲ Brake lines and hoses
- ▲ Rear final drive oil, transmission fluid, and transfer fluid
- ▲ Steering linkage
- ▲ Drive shafts
- ▲ Engine air cleaner filter
- ▲ In-cabin microfilters

### Schedule 1

INFOID:000000004057156

## EMISSION CONTROL SYSTEM MAINTENANCE

Abbreviations: R = Replace. I = Inspect. Correct or replace if necessary. [ ]: At the mileage intervals only

MAINTENANCE OPERATION		MAINTENANCE INTERVAL								Reference Section - Page or - Content Title
Perform at number of miles, kilometers or months, whichever comes first.	Miles x 1,000 (km x 1,000) Months	3.75 (6)	7.50 (12)	11.25 (18)	15 (24)	18.75 (30)	22.5 (36)	26.25 (42)	30 (48)	
		3	6	9	12	15	18	21	24	
Drive belts	NOTE (1)									<a href="#">MA-15</a> (QR), <a href="#">MA-26</a> (VQ)
Air cleaner filter	NOTE (2)								[R]	<a href="#">MA-20</a> (QR), <a href="#">MA-32</a> (VQ)
EVAP vapor lines									I*	<a href="#">MA-25</a> (QR), <a href="#">MA-37</a> (VQ)
Fuel lines									I*	<a href="#">MA-20</a> (QR), <a href="#">MA-31</a> (VQ)
Fuel filter	NOTE (3)									—
Engine coolant	NOTE (4)									<a href="#">MA-15</a> (QR), <a href="#">MA-26</a> (VQ)
Engine oil		R	R	R	R	R	R	R	R	<a href="#">MA-20</a> (QR), <a href="#">MA-32</a> (VQ)
Engine oil filter		R	R	R	R	R	R	R	R	<a href="#">MA-22</a> (QR), <a href="#">MA-34</a> (VQ)

# PERIODIC MAINTENANCE

## < ON-VEHICLE MAINTENANCE >

MAINTENANCE OPERATION		MAINTENANCE INTERVAL								Reference Section - Page or - Content Title
Perform at number of miles, kilometers or months, whichever comes first.	Miles x 1,000 (km x 1,000) Months	3.75 (6) 3	7.50 (12) 6	11.25 (18) 9	15 (24) 12	18.75 (30) 15	22.5 (36) 18	26.25 (42) 21	30 (48) 24	
Spark plugs (Platinum-tipped type for QR and iridium-tipped type for VQ)		Replace every 105,000 miles (169,000 km).								<a href="#">MA-24</a> (QR), <a href="#">MA-36</a> (VQ)
Intake and exhaust valve clearance*	NOTE (5)									<a href="#">EM-106</a> , "Standard and Limit" (QR), <a href="#">EM-248</a> , "Standard and Limit" (VQ)

MAINTENANCE OPERATION		MAINTENANCE INTERVAL								Reference Section - Page or - Content Title
Perform at number of miles, kilometers or months, whichever comes first.	Miles x 1,000 (km x 1,000) Months	33.75 (54) 27	37.5 (60) 30	41.25 (66) 33	45 (72) 36	48.75 (78) 39	52.5 (84) 42	56.25 (90) 45	60 (96) 48	
Drive belts	NOTE (1)								I*	<a href="#">MA-15</a> (QR), <a href="#">MA-26</a> (VQ)
Air cleaner filter	NOTE (2)								[R]	<a href="#">MA-20</a> (QR), <a href="#">MA-32</a> (VQ)
EVAP vapor lines									I*	<a href="#">MA-25</a> (QR), <a href="#">MA-37</a> (VQ)
Fuel lines									I*	<a href="#">MA-20</a> (QR), <a href="#">MA-31</a> (VQ)
Fuel filter	NOTE (3)									—
Engine coolant	NOTE (4)								R*	<a href="#">MA-15</a> (QR), <a href="#">MA-26</a> (VQ)
Engine oil		R	R	R	R	R	R	R	R	<a href="#">MA-20</a> (QR), <a href="#">MA-32</a> (VQ)
Engine oil filter		R	R	R	R	R	R	R	R	<a href="#">MA-22</a> (QR), <a href="#">MA-34</a> (VQ)
Spark plugs (Platinum-tipped type for QR and iridium-tipped type for VQ)		Replace every 105,000 miles (169,000 km).								<a href="#">MA-24</a> (QR), <a href="#">MA-36</a> (VQ)
Intake and exhaust valve clearance*	NOTE (5)									<a href="#">EM-106</a> , "Standard and Limit" (QR), <a href="#">EM-248</a> , "Standard and Limit" (VQ)

(1) After 60,000 miles (96,000 km) or 48 months, inspect every 15,000 miles (24,000 km) or 12 months. Replace the drive belts if found damaged or if the auto belt tensioner reaches the maximum limit.

(2) If operating mainly in dusty conditions, more frequent maintenance may be required.

(3) Maintenance-free item. For service procedures, go to the FL section.

(4) After 60,000 miles (96,000 km) or 48 months, replace every 30,000 miles (48,000 km) or 24 months.

(5) Periodic maintenance is not required. However, if valve noise increases, inspect valve clearance.

\* Maintenance items and intervals with "\*" are recommended by NISSAN for reliable vehicle operation. The owner need not perform such maintenance in order to maintain the emission warranty or manufacturer recall liability. Other maintenance items and intervals are required.

## CHASSIS AND BODY MAINTENANCE



# PERIODIC MAINTENANCE

## < ON-VEHICLE MAINTENANCE >

Abbreviations: R = Replace. I = Inspect. Correct or replace if necessary. L = Lubricate. [ ]: At the mileage intervals only.

MAINTENANCE OPERATION		MAINTENANCE INTERVAL								Reference Section - Page or - Content Title
Perform at number of miles, kilometers or months, whichever comes first.	Miles x 1,000 (km x 1,000) Months	3.75 (6) 3	7.5 (12) 6	11.25 (18) 9	15 (24) 12	18.75 (30) 15	22.5 (36) 18	26.25 (42) 21	30 (48) 24	
Brake lines and cables					I				I	<a href="#">MA-50</a>
Brake pads and rotors			I		I		I		I	<a href="#">MA-50</a>
Automatic transmission fluid and manual transmission fluid	NOTE (1)				I				I	<a href="#">MA-39</a> <a href="#">MA-42</a> <a href="#">MA-43</a>
Transfer fluid and front final drive oil	NOTE (1)				I				I	<a href="#">MA-43</a> , <a href="#">MA-45</a>
Rear final drive oil	NOTE (1)				I				I	<a href="#">MA-46</a> <a href="#">MA-47</a> <a href="#">MA-48</a>
Steering gear, linkage, axle, and suspension parts			I		I		I		I	<a href="#">MA-51</a> , <a href="#">MA-52</a>
Tire rotation	NOTE (2)									<a href="#">MA-50</a>
Drive shaft boots and propeller shaft (4WD)			I		I		I		I	<a href="#">MA-52</a>
Exhaust system			I		I		I		I	<a href="#">MA-39</a>
In-cabin microfilter					R				R	<a href="#">MA-38</a>

MAINTENANCE OPERATION		MAINTENANCE INTERVAL								Reference Section - Page or - Content Title
Perform at number of miles, kilometers or months, whichever comes first.	Miles x 1,000 (km x 1,000) Months	33.75 (54) 27	37.5 (60) 30	41.25 (66) 33	45 (72) 36	48.75 (78) 39	52.5 (84) 42	56.25 (90) 45	60 (96) 48	
Brake lines and cables					I				I	<a href="#">MA-50</a>
Brake pads and rotors			I		I		I		I	<a href="#">MA-50</a>
Automatic transmission fluid and Manual transmission fluid	NOTE (1)				I				I	<a href="#">MA-39</a> <a href="#">MA-42</a> <a href="#">MA-43</a>
Transfer fluid and front final drive oil	NOTE (1)				I				I	<a href="#">MA-43</a> , <a href="#">MA-45</a>
Rear final drive oil	NOTE (1)				I				I	<a href="#">MA-46</a> <a href="#">MA-47</a> <a href="#">MA-48</a>
Steering gear, linkage, axle, and suspension parts			I		I		I		I	<a href="#">MA-51</a> , <a href="#">MA-52</a>
Tire Rotation	NOTE (2)									<a href="#">MA-50</a>
Drive shaft boots and propeller shaft (4WD)			I		I		I		I	<a href="#">MA-52</a>
Exhaust system			I		I		I		I	<a href="#">MA-39</a>
In-cabin microfilter					R				R	<a href="#">MA-38</a>

(1) If towing a trailer, or using a camper or a car-top carrier, or driving on rough or muddy roads, change (not just inspect) oil at every 30,000 miles (48,000 km) or 24 months.

(2) Refer to "Tire rotation" under the "General maintenance" heading earlier in this section.

## Schedule 2

INFOID:000000004057157

## EMISSION CONTROL SYSTEM MAINTENANCE

A  
B  
C  
D  
E  
F  
G  
H  
I  
J  
K  
L  
M  
N  
O

# PERIODIC MAINTENANCE

## < ON-VEHICLE MAINTENANCE >

Abbreviations: R = Replace. I = Inspect. Correct or replace if necessary. [ ]: At the mileage intervals only

MAINTENANCE OPERATION		MAINTENANCE INTERVAL								Reference Section - Page or - Content Title
Perform at number of miles, kilometers or months, whichever comes first.	Miles x 1,000 (km x 1,000)	7.5 (12)	15 (24)	22.5 (36)	30 (48)	37.5 (60)	45 (72)	52.5 (84)	60 (96)	
	Months	6	12	18	24	30	36	42	48	
Drive belts	NOTE (1)								I*	<a href="#">MA-15</a> (QR), <a href="#">MA-26</a> (VQ)
Air cleaner filter					[R]				[R]	<a href="#">MA-20</a> (QR), <a href="#">MA-32</a> (VQ)
EVAP vapor lines					I*				I*	<a href="#">MA-25</a> (QR), <a href="#">MA-37</a> (VQ)
Fuel lines					I*				I*	<a href="#">MA-20</a> (QR), <a href="#">MA-31</a> (VQ)
Fuel filter	NOTE (2)									—
Engine coolant	NOTE (3)								R*	<a href="#">MA-15</a> (QR), <a href="#">MA-26</a> (VQ)
Engine oil		R	R	R	R	R	R	R	R	<a href="#">MA-20</a> (QR), <a href="#">MA-32</a> (VQ)
Engine oil filter		R	R	R	R	R	R	R	R	<a href="#">MA-22</a> (QR), <a href="#">MA-34</a> (VQ)
Spark plugs (Platinum-tipped type for QR and iridium-tipped type for VQ)		Replace every 105,000 miles (169,000 km).								<a href="#">MA-24</a> (QR), <a href="#">MA-36</a> (VQ)
Intake and exhaust valve clearance*	NOTE (4)									<a href="#">EM-106</a> , "Standard and Limit" (QR), <a href="#">EM-248</a> , "Standard and Limit" (VQ)

(1) After 60,000 miles (96,000 km) or 48 months, inspect every 15,000 miles (24,000 km) or 12 months. Replace the drive belts if found damaged or if the auto belt tensioner reaches the maximum limit.

(2) Maintenance-free item. For service procedures, go to FL section.

(3) After 60,000 miles (96,000 km) or 48 months, replace every 30,000 miles (48,000 km) or 24 months.

(4) Periodic maintenance is not required. However, if valve noise increases, inspect valve clearance.

\* Maintenance items and intervals with "\*" are recommended by NISSAN for reliable vehicle operation. The owner need not perform such maintenance in order to maintain the emission warranty or manufacturer recall liability. Other maintenance items and intervals are required.

## CHASSIS AND BODY MAINTENANCE

Abbreviations: R = Replace. I = Inspect. Correct or replace if necessary. L = Lubricate. [ ]: At the mileage interval only.

MAINTENANCE OPERATION		MAINTENANCE INTERVAL								Reference Section - Page or - Content Title
Perform at number of miles, kilometers or months, whichever comes first.	Miles x 1,000 (km x 1,000)	7.5 (12)	15 (24)	22.5 (36)	30 (48)	37.5 (60)	45 (72)	52.5 (84)	60 (96)	
	Months	6	12	18	24	30	36	42	48	
Brake lines and cables			I		I		I		I	<a href="#">MA-50</a>
Brake pads and rotors			I		I		I		I	<a href="#">MA-50</a>
Automatic transmission fluid and Manual transmission fluid			I		I		I		I	<a href="#">MA-39</a> <a href="#">MA-42</a> <a href="#">MA-43</a>
Transfer fluid and front final drive oil			I		I		I		I	<a href="#">MA-43</a> , <a href="#">MA-45</a>
Rear final drive oil			I		I		I		I	<a href="#">MA-46</a> <a href="#">MA-47</a> <a href="#">MA-48</a>
Steering gear, linkage, axle, and suspension parts.					I				I	<a href="#">MA-51</a> , <a href="#">MA-52</a>

# PERIODIC MAINTENANCE

## < ON-VEHICLE MAINTENANCE >

MAINTENANCE OPERATION		MAINTENANCE INTERVAL								Reference Section - Page or - Content Title
		Miles x 1,000 (km x 1,000)	7.5 (12)	15 (24)	22.5 (36)	30 (48)	37.5 (60)	45 (72)	52.5 (84)	
Perform at number of miles, kilometers or months, whichever comes first.	Months	6	12	18	24	30	36	42	48	
Tire rotation	NOTE (1)									<a href="#">MA-50</a>
Drive shaft boots and propeller shaft (4WD)			I		I		I		I	<a href="#">MA-52</a>
Exhaust system					I				I	<a href="#">MA-39</a>
In-cabin microfilter			R		R		R		R	<a href="#">MA-38</a>

(1) Refer to "Tire rotation" under the "General maintenance" heading earlier in this section.

A  
B  
C  
D  
E  
F  
G  
H  
I  
J  
K  
L  
M  
N  
O

MA

# RECOMMENDED FLUIDS AND LUBRICANTS

< ON-VEHICLE MAINTENANCE >

## RECOMMENDED FLUIDS AND LUBRICANTS

### Fluids and Lubricants

INFOID:000000004057158

#### QR25DE

Description		Capacity (Approximate)			Recommended Fluids/Lubricants
		Metric	US measure	Imp measure	
Fuel		80 ℓ	21-1/8 gal	17-5/8 gal	Unleaded gasoline with an octane rating of at least 87 AKI (RON 91) *7
Engine oil Drain and refill	With oil filter change	4.6 ℓ	4 7/8 qt	4 qt	<ul style="list-style-type: none"> <li>• Engine oil with API Certification Mark *1</li> <li>• Viscosity SAE 5W-30</li> </ul>
	Without oil filter change	4.3 ℓ	4-1/2 qt	3-3/4 qt	
Dry engine (engine overhaul)		5.0 ℓ	5-1/4 qt	4-3/8 qt	
Cooling system	With reservoir at MAX level	9.4 ℓ	10 qt	8-1/4 qt	Genuine NISSAN Long Life Anti-freeze / Coolant or equivalent
Automatic transmission fluid (ATF)		10.3 ℓ	10-7/8 qt	9-1/8 qt	Genuine NISSAN Matic S ATF *2
Manual transmission fluid (MTF) (5 M/T)		2.89 ℓ	6-1/8 pt	5-1/8 pt	Genuine NISSAN Manual Transmission Fluid (MTF) HQ Multi 75W-85 or API GL-4, Viscosity SAE 75W-85
Rear final drive oil	C200	1.6 ℓ	3-3/8 pt	2-7/8 pt	Genuine NISSAN differential oil synthetic 75W-90 or API GL-5 synthetic gear oil, Viscosity SAE 75W-90 *6
Power steering fluid (PSF)		1.0 ℓ	2-1/8 pt	1-3/4 pt	Genuine NISSAN PSF or equivalent *3
Brake and clutch fluids		—	—	—	Genuine NISSAN Super Heavy Duty Brake Fluid or equivalent, DOT 3 (US FMVSS No. 116) *4
Brake grease		—	—	—	PBC (poly butyl cuprysil)
Brake pad plate grease		—	—	—	Molykote AS880N grease
Multi-purpose grease		—	—	—	NLGI No. 2 (Lithium soap base)
Windshield washer fluid		4.5 ℓ	1-1/4 gal	1 gal	Genuine NISSAN Windshield Washer Concentrate Cleaner & Anti-freeze or equivalent
Air conditioning system refrigerant		0.70 ± 0.05 kg	1.54 ± 0.11 lb	1.54 ± 0.11 lb	HFC-134a (R-134a) *5
Air conditioning system oil		180 m ℓ	6.1 fl oz	6.3 fl oz	NISSAN A/C System Oil Type R or equivalent *5

\*1: For further details, refer to [MA-14, "Engine Oil Recommendation"](#).

\*2: If Genuine NISSAN Matic S ATF is not available, Genuine NISSAN Matic J ATF may also be used. Using automatic transmission fluid other than NISSAN Matic S ATF or Genuine NISSAN Matic J ATF will cause deterioration in driveability and automatic transmission durability, and may damage the automatic transmission, which is not covered by the NISSAN new vehicle limited warranty.

\*3: DEXRON™ VI type ATF or Canada NISSAN Automatic Transmission Fluid may also be used.

\*4: Available in mainland U.S.A. through your NISSAN dealer.

\*5: For further details, see "Air conditioner specification label".

\*6: See a NISSAN dealer for service for synthetic oil.

\*7: For further details, refer to [GI-38, "Fuel \(Regular Unleaded Gasoline Recommended\) QR25DE"](#).

#### VQ40DE

# RECOMMENDED FLUIDS AND LUBRICANTS

## < ON-VEHICLE MAINTENANCE >

Description		Capacity (Approximate)			Recommended Fluids/Lubricants
		Metric	US measure	Imp measure	
Fuel		80 ℓ	21-1/8 gal	17-5/8 gal	Unleaded gasoline with an octane rating of at least 87 AKI (RON 91) *8
Engine oil Drain and refill	With oil filter change	5.1 ℓ	5-3/8 qt	4-1/2 qt	<ul style="list-style-type: none"> <li>• Engine oil with API Certification Mark *1</li> <li>• Viscosity SAE 5W-30</li> </ul>
	Without oil filter change	4.8 ℓ	5-1/8 qt	4-1/4 qt	
Dry engine (engine overhaul)		6.3 ℓ	6-5/8 qt	5-1/2 qt	
Cooling system	With reservoir at MAX level	10.2 ℓ	10-3/4 qt	9 qt	Genuine NISSAN Long Life Anti-freeze Coolant or equivalent
Automatic transmission fluid (ATF)		10.3 ℓ	10-7/8 qt	9-1/8 qt	Genuine NISSAN Matic S ATF *2
Manual transmission fluid (MTF) (6 M/T)	2WD	3.98 ℓ	8-3/8 pt	7 pt	Genuine NISSAN Manual Transmission Fluid (MTF) HQ Multi 75W-85 or API GL-4, Viscosity SAE 75W-85 or 75W-90
	4WD	4.18 ℓ	8-7/8 pt	7-3/8 pt	
Rear final drive oil	C200	1.6 ℓ	3-3/8 pt	2-7/8 pt	Genuine NISSAN differential oil synthetic 75W-90 or API GL-5 synthetic gear oil, Viscosity SAE 75W-90 *6
	M226	2.01 ℓ	4-1/4 pt	3 1/2 pt	Genuine NISSAN differential oil synthetic 75W-140 or API GL-5 synthetic gear oil, Viscosity SAE 75W-140 *6
Transfer fluid	TX15B	2.0 ℓ	2 1/8 qt	1-3/4 qt	Genuine NISSAN Matic D ATF (Continental U.S and Alaska) or Canada NISSAN Automatic Transmission Fluid or equivalent if available.
Front final drive oil		0.85 ℓ	1-3/4 pt	1-1/2 pt	Genuine NISSAN Differential Oil Hypoid Super GL-5 80W-90 or API GL-5 Viscosity SAE 80W-90 *7
Power steering fluid (PSF)		1.0 ℓ	2-1/8 pt	1-3/4 pt	Genuine NISSAN PSF or equivalent *3
Brake and clutch fluid		—	—	—	Genuine NISSAN Super Heavy Duty Brake Fluid or equivalent, DOT 3 (US FMVSS No. 116) *4
Brake grease		—	—	—	PBC (poly butyl cuprysil)
Brake pad plate grease		—	—	—	Molykote AS880N grease
Multi-purpose grease		—	—	—	NLGI No. 2 (lithium soap base)
Windshield washer fluid		4.5 ℓ	1-1/4 gal	1 gal	Genuine NISSAN Windshield Washer Concentrate Cleaner & Anti-freeze or equivalent
A/C system refrigerant		0.70 ± 0.05 kg	1.54 ± 0.11 lb	1.54 ± 0.11 lb	HFC-134a (R134a) *5
A/C system oil		180 m ℓ	6.1 fl oz	6.3 fl oz	NISSAN A/C System Oil Type R or equivalent *5

\*1: For further details, refer to [MA-14, "Engine Oil Recommendation"](#).

\*2: If Genuine NISSAN Matic S ATF is not available, Genuine NISSAN Matic J ATF may also be used. Using automatic transmission fluid other than NISSAN Matic S ATF or Genuine NISSAN Matic J ATF will cause deterioration in driveability and automatic transmission durability, and may damage the automatic transmission, which is not covered by the NISSAN new vehicle limited warranty.

\*3: DEXRON™ VI type ATF or Canada NISSAN Automatic Transmission Fluid may also be used.

\*4: Available in mainland U.S.A. through your NISSAN dealer.

\*5: For further details, see "Air conditioner Specification Label".

\*6: See a NISSAN dealer for service for synthetic oil. "SYNTHETIC OIL ONLY" is embossed on the M226 carrier cover.

\*7: For hot climates, viscosity SAE 90 is suitable for ambient temperatures above 0° C (32° F).

\*8: For further details, refer to [GI-38, "Fuel \(Regular Unleaded Gasoline Recommended\) QR25DE"](#).

A  
B  
C  
D  
E  
F  
G  
H  
I  
J  
K  
L  
M  
N  
O

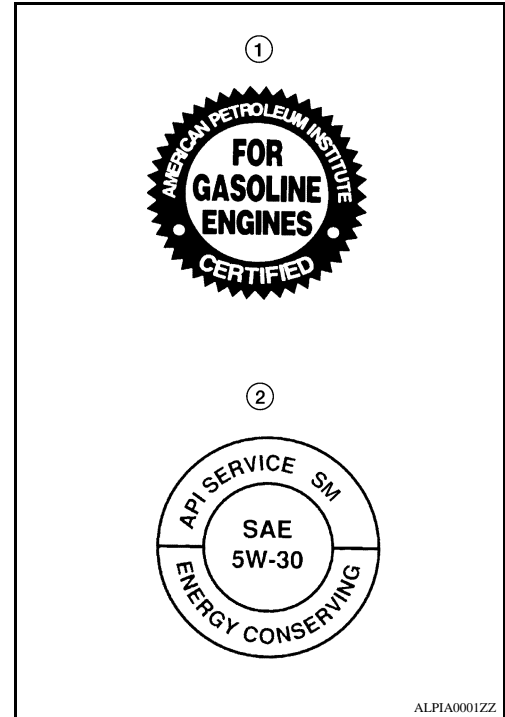
# RECOMMENDED FLUIDS AND LUBRICANTS

< ON-VEHICLE MAINTENANCE >

## Engine Oil Recommendation

INFOID:000000004057159

NISSAN recommends the use of an energy conserving oil in order to improve fuel economy. Select only engine oils that meet the American Petroleum Institute (API) certification and International Lubricant Standardization and Approval Committee (ILSAC) certification and SAE viscosity standard (2). These oils have the API certification mark (1) on the front of the container. Oils which do not have the specified quality label should not be used as they could cause engine damage.



### ANTI-FREEZE COOLANT MIXTURE RATIO

The engine cooling system is filled at the factory with a high-quality, long life, year-round, anti-freeze coolant solution. The anti-freeze solution contains rust and corrosion inhibitors. Therefore, additional cooling system additives are not necessary.

For outside temperatures down to:		Anti-freeze coolant mixture ratio	
° C	° F	Genuine NISSAN Long Life Antifreeze coolant	Demineralized water or distilled water
- 35°	- 30°	50 %	50 %

### CAUTION:

- When adding or replacing coolant, be sure to use only Genuine NISSAN Long Life Anti-freeze Coolant or equivalent with the proper mixture ratio of 50% anti-freeze and 50% demineralized water or distilled water.
- Other types of coolant solutions may damage your cooling system.

# ENGINE MAINTENANCE (QR25DE ENGINE)

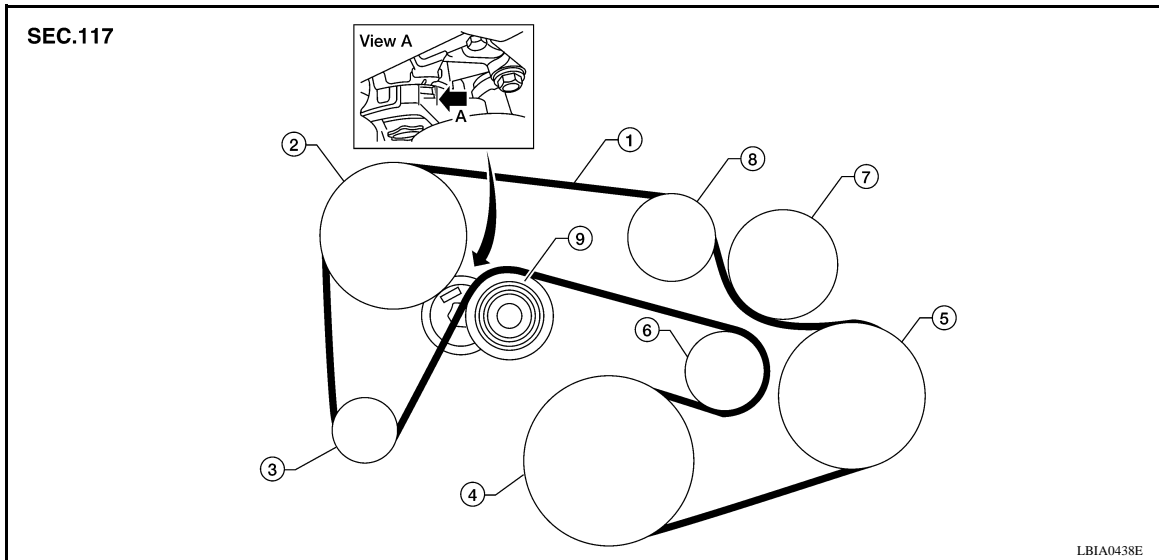
< ON-VEHICLE MAINTENANCE >

## ENGINE MAINTENANCE (QR25DE ENGINE)

### DRIVE BELTS

#### DRIVE BELTS : Exploded View

INFOID:000000004414764



- |                            |   |                              |
|----------------------------|---|------------------------------|
| 1. Drive belt              | 2. Power steering oil pump pulley               | 3. Generator pulley          |
| 4. Crankshaft pulley       | 5. A/C compressor (if equipped) or idler pulley | 6. Idler pulley              |
| 7. Water pump              | 8. Idler pulley                                 | 9. Drive belt auto-tensioner |
| A. Allowable working range |   |                              |

#### DRIVE BELTS : Checking Drive Belt

INFOID:000000004414765

##### **WARNING:**

- Be sure to perform this step when the engine is stopped.
- Make sure that the indicator (fixed side) of the drive belt auto-tensioner is within the possible use range (moving side) as shown.

##### **NOTE:**

- On vehicles not equipped with A/C, there is an idler pulley in the A/C compressor position for the drive belt routing.
- Check the drive belt auto-tensioner indication when the engine is cold.
- Visually check entire drive belt for wear, damage or cracks.
- When new drive belt is installed, the indicator (fixed side) should be within the range "A". If the indicator (fixed side) is out of the possible use range or drive belt is damaged, replace drive belt.

#### DRIVE BELTS : Tension Adjustment

INFOID:000000004414766

Belt tensioning is not necessary, as it is automatically adjusted by drive belt auto-tensioner.

### ENGINE COOLANT

#### ENGINE COOLANT : System Inspection

INFOID:000000004414773

##### **WARNING:**

- Never remove the radiator cap or reservoir tank cap when the engine is hot. Serious burns could occur from high pressure fluid escaping from the radiator or reservoir.
- Wrap a thick cloth around the cap. Slowly push down and turn it a quarter turn to allow built-up pressure to escape. Carefully remove the cap by pushing down and turning it all the way.

#### CHECKING COOLING SYSTEM HOSES

Check hoses for the following:

A  
B  
C  
D  
E  
F  
G  
H  
I  
J  
K  
L  
M  
N  
O

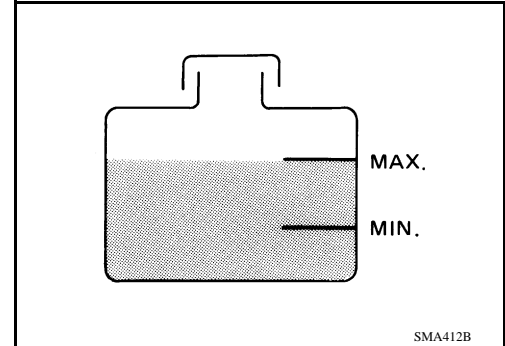
# ENGINE MAINTENANCE (QR25DE ENGINE)

## < ON-VEHICLE MAINTENANCE >

- Improper attachment
- Leaks
- Cracks
- Damage
- Loose connections
- Chafing
- Deterioration

### CHECKING RESERVOIR LEVEL

- Check if the engine coolant reservoir tank level is within MIN to MAX when the engine is cool.
- Adjust engine coolant level as necessary.



### CHECKING COOLING SYSTEM FOR LEAKS

#### **WARNING:**

**Never remove the radiator cap or reservoir cap when the engine is hot. Serious burns could occur from high pressure coolant escaping from the radiator or reservoir.**

To check for leakage, apply pressure to the cooling system using Tool.

**Tool number : EG17650301 (J-33984-A)**

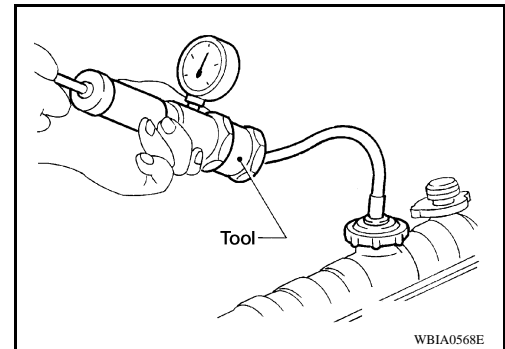
**Testing pressure : 137 kPa (1.4 kg/cm<sup>2</sup>, 20 psi)**

#### **CAUTION:**

**Higher pressure than specified may cause radiator damage.**

#### **NOTE:**

- In case that engine coolant decreases, replenish cooling system with engine coolant.
- If any concerns are found, repair or replace damaged parts.



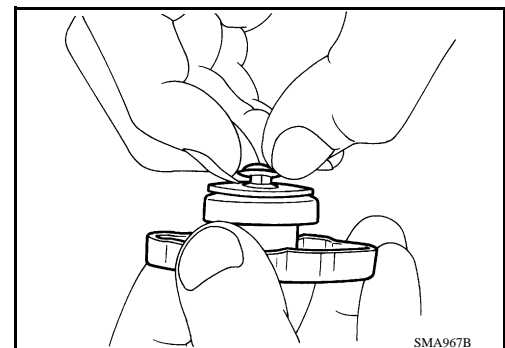
### CHECKING RESERVOIR CAP

1. Inspect the reservoir cap.
  - Replace the cap if the metal plunger cannot be seen around the edge of the black rubber gasket.
  - Replace the cap if deposits of waxy residue or other foreign material are on the black rubber gasket or the metal retainer.

#### **NOTE:**

Thoroughly wipe out the reservoir filler neck to remove any waxy residue or foreign material.

2. Pull the negative-pressure valve to open it and check that it closes completely when released.
  - Check that there is no dirt or damage on the valve seat of the reservoir cap negative-pressure valve.
  - Check that there are no abnormalities in the opening and closing conditions of the negative-pressure valve.





# ENGINE MAINTENANCE (QR25DE ENGINE)

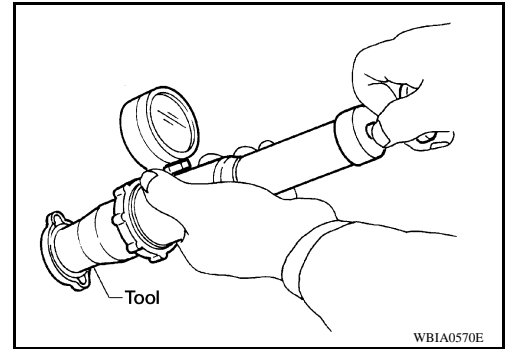
## < ON-VEHICLE MAINTENANCE >

3. Check reservoir cap relief pressure using Tool.

**Tool number : EG17650301 (J-33984-A)**

**Standard: 98 – 118 kPa (0.99 – 1.20 kg/cm<sup>2</sup>, 14 – 17 psi)**

- Apply engine coolant to the cap seal surface.
- Replace the reservoir cap if there is any damage in the negative-pressure valve, or if the open-valve pressure is outside of the limit.



## CHECKING RADIATOR CAP

Inspect the radiator cap.

### NOTE:

Thoroughly wipe out the radiator filler neck to remove any waxy residue or foreign material.

- Replace the cap if the metal plunger cannot be seen around the edge of the black rubber gasket.
- Replace the cap if deposits of waxy residue or other foreign material are on the black rubber gasket or the metal retainer.

## CHECKING RADIATOR

Check radiator for mud or clogging. If necessary, clean radiator as follows.

### CAUTION:

- **Be careful not to bend or damage the radiator fins.**
  - **When radiator is cleaned without removal, remove all surrounding parts such as cooling fan shroud and horns. Then tape the harness and electrical connectors to prevent water from entering.**
1. Apply water by hose to the back side of the radiator core, with the hose pointed vertically downward.
  2. Apply water again to all radiator core surfaces once per minute.
  3. Stop washing if any stains no longer flow out from the radiator.
  4. Blow air into the back side of radiator core, with the air hose pointed vertically downward.
    - Use compressed air lower than 490 kPa (5 kg/cm<sup>2</sup>, 71 psi) and keep distance more than 30 cm (11.8 in).
  5. Blow air again into all the radiator core surfaces once per minute until no water sprays out.
  6. Check for leaks.

## ENGINE COOLANT : Changing Engine Coolant

INFOID:000000004414774

### WARNING:

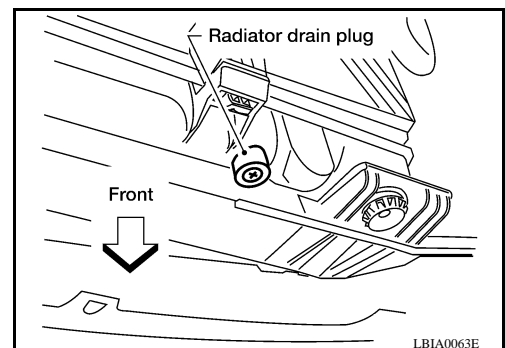
- **To avoid being scalded, never change the coolant when the engine is hot.**
- **Wrap a thick cloth around the cap to carefully remove the cap. First, turn the cap a quarter of a turn to release any built-up pressure, then push down and turn the cap all the way to remove it.**

## DRAINING ENGINE COOLANT

1. Turn ignition switch ON and set temperature control lever all the way to HOT position or the highest temperature position. Wait 10 seconds and turn ignition switch OFF.
2. Remove the engine front undercover using power tool.
3. Open the radiator drain plug at the bottom of the radiator, and remove the reservoir cap. This is the only step required when partially draining the cooling system (radiator only).

### CAUTION:

**Do not allow the coolant to contact the drive belts.**

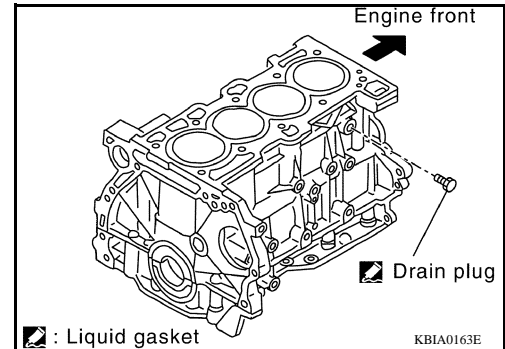


A  
B  
C  
D  
E  
F  
G  
H  
I  
J  
K  
L  
M  
N  
O

## ENGINE MAINTENANCE (QR25DE ENGINE)

### < ON-VEHICLE MAINTENANCE >

- Follow this step for heater core removal/replacement only. Disconnect the upper heater hose at the engine side and apply moderate air pressure [103.46 kPa (15 psi, 1.055 kg/cm<sup>2</sup>) maximum air pressure] into the hose for 30 seconds to blow the excess coolant out of the heater core.
- When draining all of the coolant in the system for engine removal or repair, it is necessary to drain the cylinder block. Remove the cylinder block drain plug to drain the cylinder block as shown.



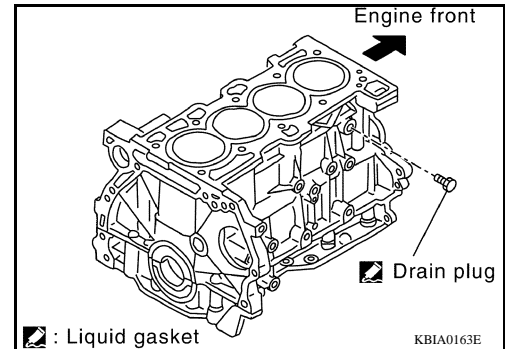
- Remove the reservoir tank to drain the engine coolant, then clean the reservoir tank before installing it.
- Check the drained coolant for contaminants such as rust, corrosion or discoloration. If the coolant is contaminated, flush the engine cooling system. Follow the "Flushing Cooling System" procedure.

### REFILLING ENGINE COOLANT

- Close the radiator drain plug. Install the reservoir tank and cylinder block drain plug, if removed for a total system drain or for engine removal or repair.
  - The radiator must be completely empty of coolant and water.
  - Apply sealant to the threads of the cylinder block drain plugs. Use Genuine High Performance Thread Sealant or equivalent. Refer to [GI-25, "Recommended Chemical Products and Sealants"](#).

**Radiator drain plug** : Refer to [CO-16](#).

**Cylinder block drain plug** : Refer to [EM-78](#).



- Set the vehicle heater controls to the full HOT and heater ON position. Turn the vehicle ignition ON with the engine OFF as necessary to activate the heater mode.
- Remove the vented reservoir cap and replace it with a non-vented reservoir cap before filling the cooling system.

# ENGINE MAINTENANCE (QR25DE ENGINE)

## < ON-VEHICLE MAINTENANCE >

4. Install the Tool by installing the radiator cap adapter onto the radiator neck opening. Then attach the gauge body assembly with the refill tube and the venturi assembly to the radiator cap adapter.

**Tool number** : KV991J0070 (J-45695)

5. Insert the refill hose into the coolant mixture container that is placed at floor level. Make sure the ball valve is in the closed position.
  - Use **Genuine NISSAN Long Life Anti-freeze coolant or equivalent, mixed 50/50 with distilled water or demineralized water. Refer to MA-12, "Fluids and Lubricants".**

**Engine coolant capacity (with reservoir tank)** : Refer to [MA-12, "Fluids and Lubricants"](#).

6. Install an air hose to the venturi assembly, the air pressure must be within specification.

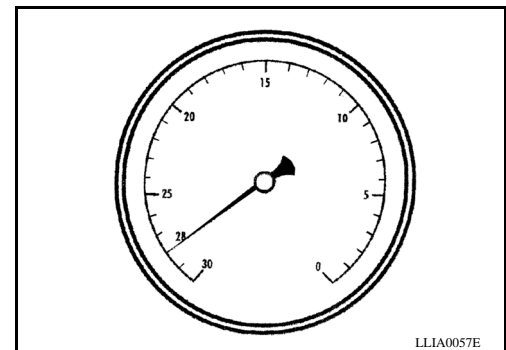
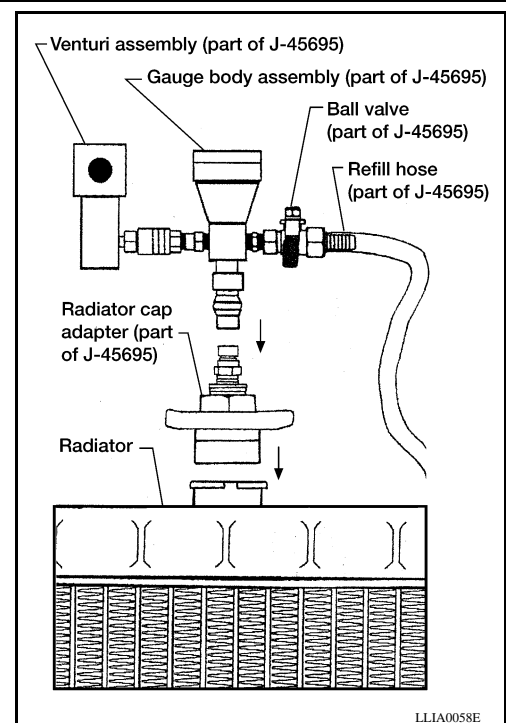
**Compressed air supply pressure** : 5.7 - 8.5 kPa (5.6 - 8.4 kg/cm<sup>2</sup>, 80 - 120 psi)

### CAUTION:

**The compressed air supply must be equipped with an air dryer.**

7. The vacuum gauge will begin to rise and there will be an audible hissing noise. During this process open the ball valve on the refill hose slightly. Coolant will be visible rising in the refill hose. Once the refill hose is full of coolant, close the ball valve. This will purge any air trapped in the refill hose.
8. Continue to draw the vacuum until the gauge reaches 28 inches of vacuum. The gauge may not reach 28 inches in high altitude locations, use the vacuum specifications below based on the altitude above sea level.

Altitude above sea level	Vacuum gauge reading
0 - 100 m (328 ft)	: 28 inches of vacuum
300 m (984 ft)	: 27 inches of vacuum
500 m (1,641 ft)	: 26 inches of vacuum
1,000 m (3,281 ft)	: 24 - 25 inches of vacuum



9. When the vacuum gauge has reached the specified amount, disconnect the air hose and wait 20 seconds to see if the system loses any vacuum. If the vacuum level drops, perform any necessary repairs to the system and repeat steps 6 - 8 to bring the vacuum to the specified amount. Recheck for any leaks.
10. Place the coolant container (with the refill hose inserted) at the same level as the top of the radiator. Then open the ball valve on the refill hose so the coolant will be drawn up to fill the cooling system. The cooling system is full when the vacuum gauge reads zero.

### CAUTION:

**Do not allow the coolant container to get too low when filling, to avoid air from being drawn into the cooling system.**

11. Remove the Tool from the radiator neck opening and install the radiator cap.
12. Remove the non-vented reservoir cap.
13. Fill the cooling system reservoir tank to the specified level. Run the engine to warm up the cooling system and top up the system as necessary before installing the vented reservoir cap.

## FLUSHING COOLING SYSTEM

1. Drain the engine coolant from the engine cooling system. Refer to [CO-12, "Changing Engine Coolant"](#).

A  
B  
C  
D  
E  
F  
G  
H  
I  
J  
K  
L  
M  
N  
O

# ENGINE MAINTENANCE (QR25DE ENGINE)

## < ON-VEHICLE MAINTENANCE >

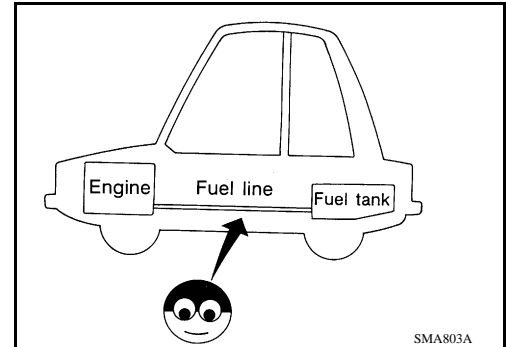
2. Fill the radiator and the reservoir tank (to the "MAX" line) with water. Reinstall the radiator cap and leave the vented reservoir cap off.
3. Run the engine until it reaches normal operating temperature.
4. Press the engine accelerator two or three times under no-load.
5. Stop the engine and wait until it cools down.
6. Drain the water from the engine cooling system. Refer to [CO-12, "Changing Engine Coolant"](#).
7. Repeat steps 2 through 6 until clear water begins to drain from the radiator.

## FUEL LINES

### FUEL LINES : Checking Fuel Line

INFOID:000000004057164

Inspect the fuel lines and fuel tank for improperly attached hoses, leaks, cracks, damage, loose connections, chafing, or deterioration. If necessary, repair or replace any damaged parts.



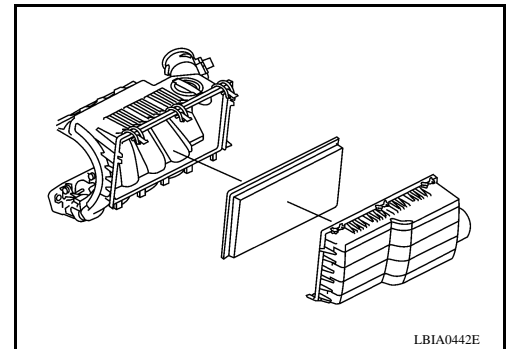
## AIR CLEANER FILTER

### AIR CLEANER FILTER : Removal and Installation

INFOID:000000004414767

#### REMOVAL

1. Unfasten clips and lift up air cleaner case (upper).
2. Remove air cleaner filter.



#### INSTALLATION

Installation is in the reverse order of removal.

## ENGINE OIL

### ENGINE OIL : Inspection

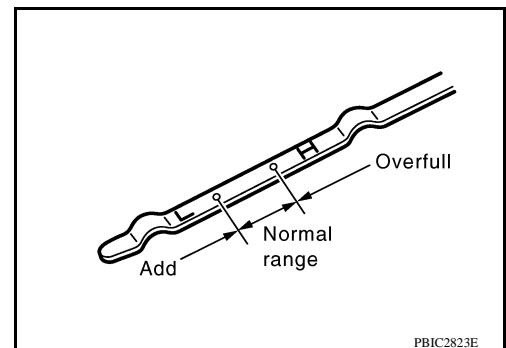
INFOID:000000004414771

#### OIL LEVEL

- Before starting the engine make sure the vehicle is parked on a flat and level surface, then check the oil level. If the engine is already running, turn it off and allow 10 minutes before checking.
- Pull out oil level gauge and wipe clean.
- Insert oil level gauge.
- Check that the oil level is within the low (L) and high (H) range as indicated on the dipstick.
- If the engine oil level is out of range, add oil as necessary. Refer to [MA-12, "Fluids and Lubricants"](#).

#### **CAUTION:**

**Do not overfill the engine with oil.**



# ENGINE MAINTENANCE (QR25DE ENGINE)

## < ON-VEHICLE MAINTENANCE >

### ENGINE OIL APPEARANCE

- Check the engine oil for a white milky appearance or excessive contamination.
- If the engine oil is milky, it is highly probable that it is contaminated with engine coolant. Repair or replace damaged parts.

### ENGINE OIL LEAKAGE

Check for engine oil leakage around the following area.

- Oil pan
- Oil pan drain plug
- Oil pressure sensor
- Oil filter
- Oil cooler
- Intake valve timing control cover and intake valve timing control solenoid valve
- Front cover
- Mating surface between cylinder block and lower cylinder block
- Mating surface between cylinder block and cylinder head
- Mating surface between cylinder head and rocker cover
- Crankshaft oil seals (front and rear)

### OIL PRESSURE CHECK

#### **WARNING:**

- **Be careful not to burn yourself, as the engine and engine oil may be hot.**
- **Put the selector lever in the Park (P) position (A/T models) or Neutral position (M/T models), and apply parking brake securely.**

1. Check engine oil level. Refer to [MA-20, "ENGINE OIL : Inspection"](#).
2. Remove engine undercover using power tool.
3. Disconnect the oil pressure switch harness connector.
4. Remove oil pressure switch using a suitable tool. Refer to [EM-78, "Exploded View"](#).

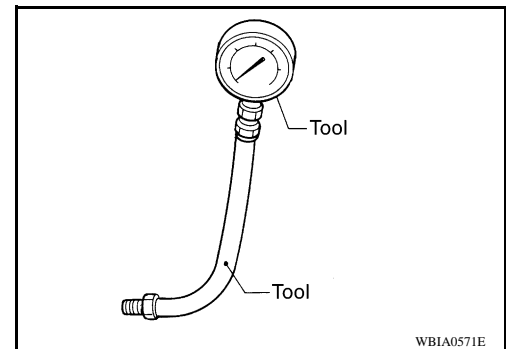
#### **CAUTION:**

**Do not drop or shock oil pressure switch.**

5. Install Tools.

**Tool numbers** : ST25051001 (J-25695-1)

: ST25052000 (J-25695-2)



6. Start the engine and warm it up to normal operating temperature.
7. Check the engine oil pressure with engine running under no-load. Refer to [LU-15, "Standard and Limit"](#).  
**CAUTION:**
  - **If the difference is extreme, check the oil passages and oil pump for leaks and blockages.**
  - **It is impossible to replace or adjust oil pump because oil pump is manufactured with balancer unit. If any malfunction is found on oil pump, replace balancer unit as an assembly.**

8. After the inspections, install oil pressure switch as follows:

- a. Remove old liquid gasket adhering to oil pressure switch and the engine.
- b. Apply liquid gasket and tighten oil pressure switch to the specification.

**Use Genuine RTV Silicone Sealant or equivalent. Refer to [GI-25, "Recommended Chemical Products and Sealants"](#).**

**Oil pressure switch torque** : 14.7 N·m (1.5 kg·m, 11 ft·lb)

- c. After warming up engine, make sure there is no leakage of engine oil with running engine.

# ENGINE MAINTENANCE (QR25DE ENGINE)

< ON-VEHICLE MAINTENANCE >

## ENGINE OIL : Changing Engine Oil

INFOID:000000004414770

### WARNING:

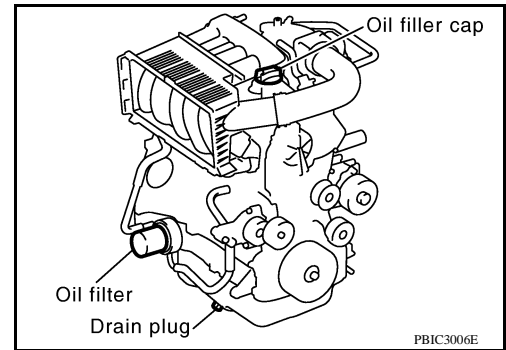
- Be careful not to burn yourself, as the engine and engine oil may be hot.
- Prolonged and repeated contact with used engine oil may cause skin cancer; try to avoid direct skin contact with used oil. If skin contact is made, wash thoroughly with soap or hand cleaner as soon as possible.

1. Warm up the engine and check for any oil leaks
2. Stop the engine and wait for at least 10 minutes.
3. Remove the oil drain plug and oil filler cap to drain the old oil.
4. Install a new washer on the oil drain plug, then install the oil drain plug in the oil pan.

### CAUTION:

Be sure to clean drain plug and install with new washer.

Oil pan drain plug: : Refer to [EM-32, "Exploded View"](#).



5. Refill the engine with new specified engine oil.

Oil grade and viscosity : Refer to [MA-14, "Engine Oil Recommendation"](#).

Oil capacity : Refer to [LU-15, "Standard and Limit"](#).

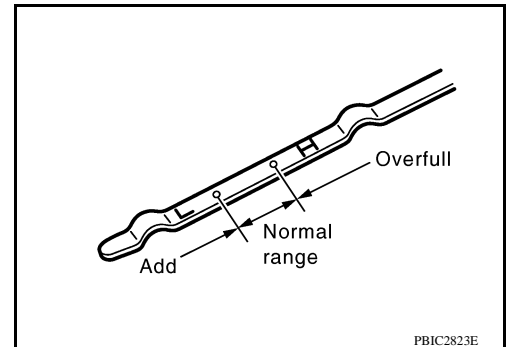
### CAUTION:

The refill capacity depends on the oil temperature and drain time. Use the "Refill oil capacity" values as a reference and check the oil level using the dipstick when filling the engine with oil.

6. Warm up the engine and check the area around the drain plug and oil filter for any oil leaks.
7. Stop the engine and wait for more than 10 minutes.
8. Check the oil level using the dipstick as shown. Add oil as necessary and install the oil filler cap. Refer to [MA-20, "ENGINE OIL : Inspection"](#).

### CAUTION:

Do not overfill the engine with oil.



## OIL FILTER

### OIL FILTER : Removal and Installation

INFOID:000000004414772

#### REMOVAL

1. Remove the engine front undercover using power tool.

# ENGINE MAINTENANCE (QR25DE ENGINE)

## < ON-VEHICLE MAINTENANCE >

- Remove the oil filter using Tool as shown.

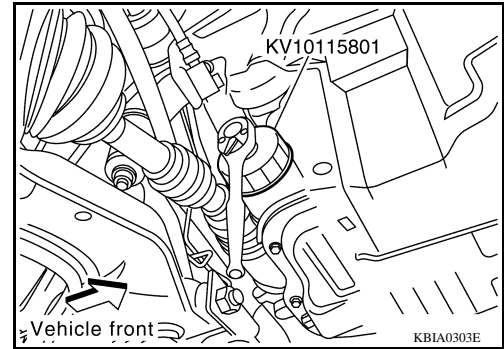
**Tool number** : KV10115801 (J-38956)

**WARNING:**

Be careful not to burn yourself, as the engine and engine oil may be hot.

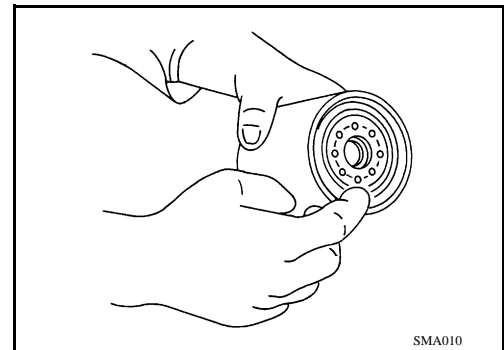
**CAUTION:**

- Oil filter is equipped with a pressure relief valve.
- Use Genuine NISSAN Oil Filter or equivalent.
- When removing, position a shop cloth to absorb any engine oil leaks or spills.
- Do not allow engine oil to adhere to drive belts.
- Completely wipe off any engine oil that adheres to the engine and the vehicle.



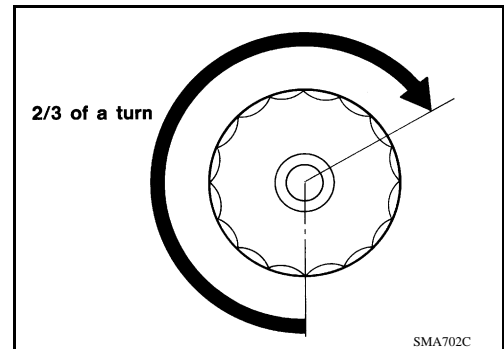
## INSTALLATION

- Remove foreign materials adhering to the oil filter seal mating surface.
- Apply clean engine oil to the oil filter seal circumference of the new oil filter as shown.



- Screw on the oil filter manually until it touches the installation surface, then tighten it by 2/3 turn as shown. Or tighten to specification.

**Oil filter** : 17.7 N·m (1.8 kg·m, 13 ft·lb)



- Inspect the engine for oil leaks. Refer to [LU-9, "Inspection"](#).
- Install the engine front cover using power tool.

## INSPECTION AFTER INSTALLATION

- Check the engine oil level. Refer to [LU-9, "Inspection"](#).
- Start the engine and check for engine oil leaks.
- Stop the engine and wait for 10 minutes.
- Check the engine oil level and add engine oil as required.

## SPARK PLUG

A  
B  
C  
D  
E  
F  
G  
H  
I  
J  
K  
L  
M  
N  
O

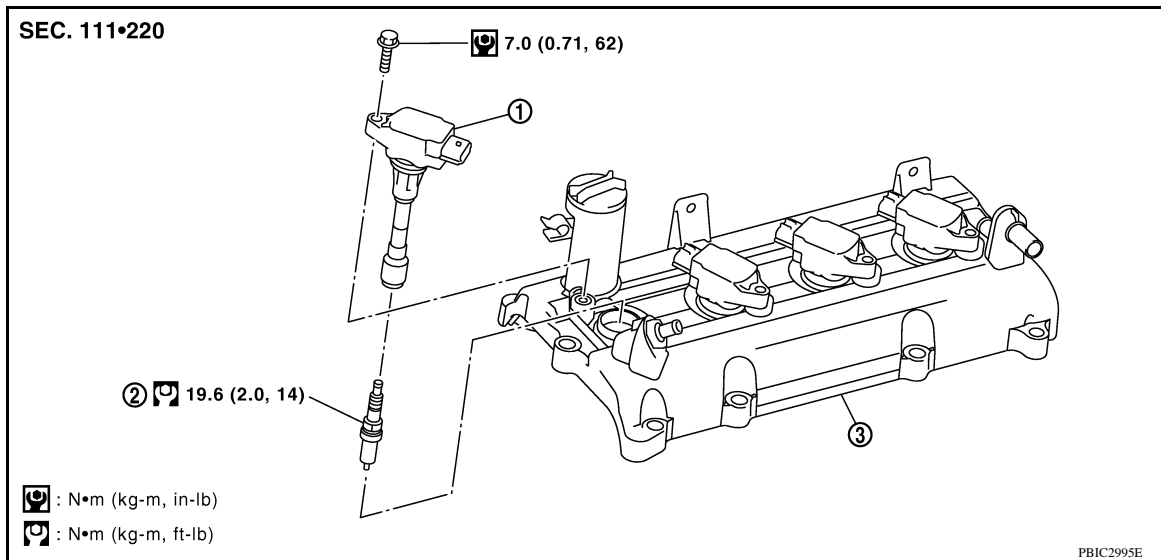
MA

# ENGINE MAINTENANCE (QR25DE ENGINE)

< ON-VEHICLE MAINTENANCE >

## SPARK PLUG : Exploded View

INFOID:000000004414768



1. Ignition coil

2. Spark plug

3. Rocker cover

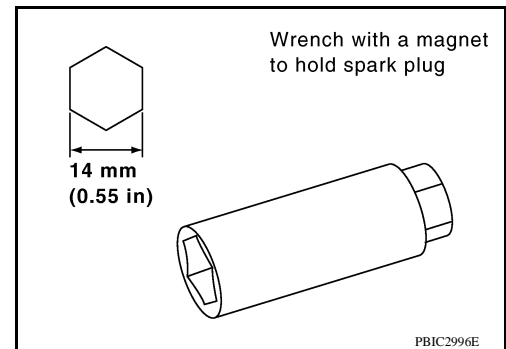
## SPARK PLUG : Removal and Installation

INFOID:000000004414769

### REMOVAL

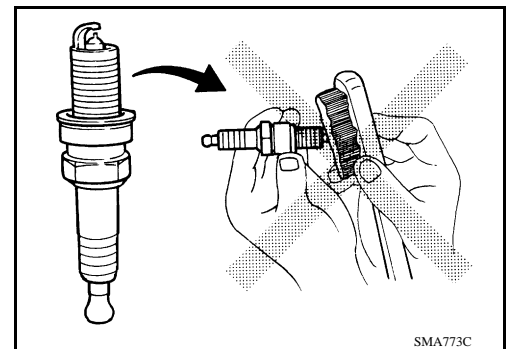
1. Remove the intake manifold (except for spark plug No.1). Refer to [EM-26](#).
2. Remove the ignition coil. Refer to [EM-35](#).
3. Remove the spark plug using a suitable tool.

**CAUTION:**  
Do not drop or shock it.



### INSPECTION AFTER REMOVAL

- Do not use a wire brush for cleaning.



- If the spark plug tip is covered with carbon, spark plug cleaner may be used.



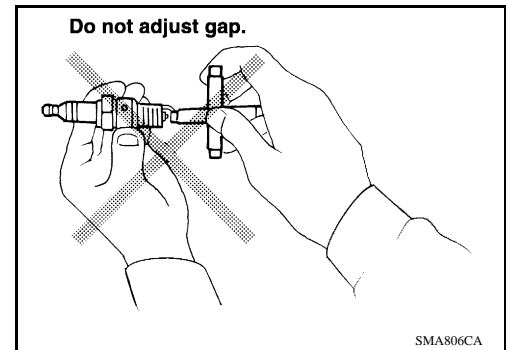
# ENGINE MAINTENANCE (QR25DE ENGINE)

## < ON-VEHICLE MAINTENANCE >

**Cleaner air pressure** : Less than 588 kPa (5.9 bar, 6 kg/cm<sup>2</sup>, 85 psi)

**Cleaning time** : Less than 20 seconds

- Checking and adjusting spark plug gap is not required between change intervals.



## INSTALLATION

Installation is in the reverse order of removal.

### **CAUTION:**

**Do not drop or shock the spark plug.**

Make	NGK
Standard type	PLZKAR6A-11
Gap (nominal)	1.1 mm (0.043 in)

## EVAP VAPOR LINES

### EVAP VAPOR LINES : Checking EVAP Vapor Line

INFOID:000000004057169

1. Visually inspect EVAP vapor lines for improper attachment and for cracks, damage, loose connections, chafing and deterioration.
2. Inspect fuel tank filler cap vacuum relief valve for clogging and sticking.

# ENGINE MAINTENANCE (VQ40DE)

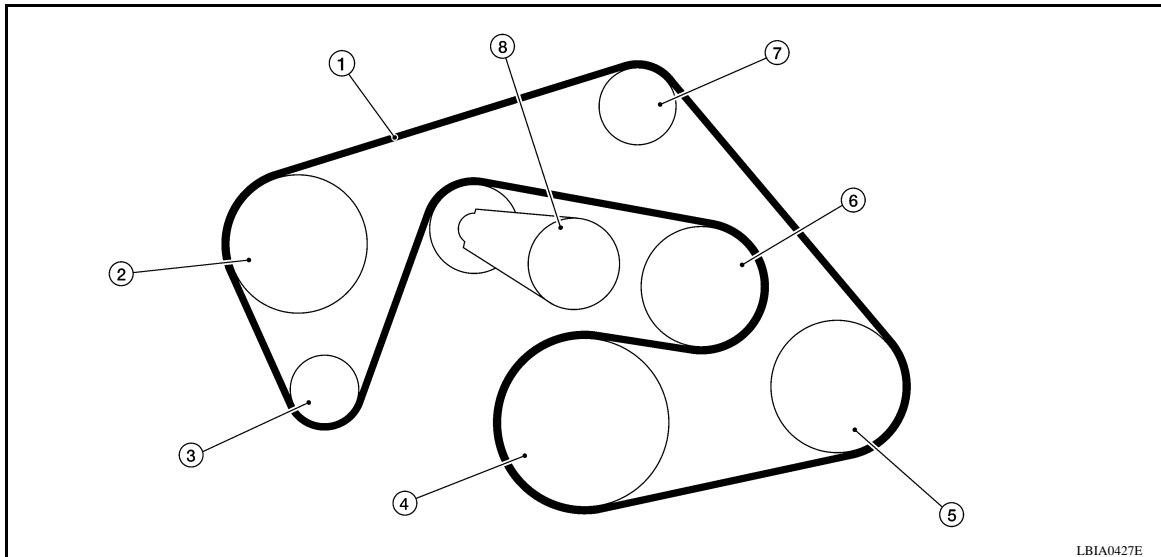
< ON-VEHICLE MAINTENANCE >

## ENGINE MAINTENANCE (VQ40DE)

### DRIVE BELT

#### DRIVE BELT : Exploded View

INFOID:000000004414777



LBIA0427E

- |                      |                                   |                       |
|----------------------|-----------------------------------|-----------------------|
| 1. Drive belt        | 2. Power steering oil pump pulley | 3. Generator pulley   |
| 4. Crankshaft pulley | 5. A/C compressor                 | 6. Cooling fan pulley |
| 7. Idler pulley      | 8. Drive belt tensioner           |                       |

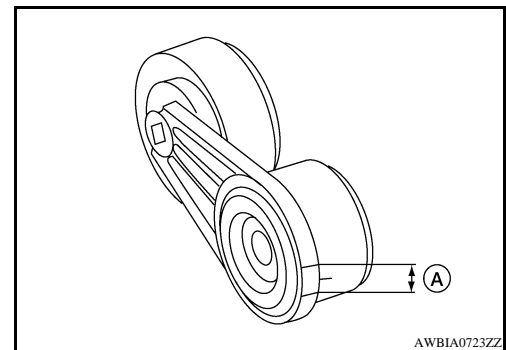
#### DRIVE BELT : Checking Drive Belts

INFOID:000000004414778

#### **WARNING:**

**Be sure to perform when the engine is stopped.**

1. Remove air duct and resonator assembly when inspecting drive belt. Refer to [EM-138. "Removal and Installation"](#).
2. Make sure that the auto tensioner indicator is within the allowable working range (A) as shown.
3. Visually check entire belt for wear, damage or cracks.
4. If the indicator is out of allowable working range or drive belt is damaged, replace the drive belt. Refer to [EM-126. "Removal and Installation"](#).



AWBIA0723ZZ

#### DRIVE BELT : Adjustment

INFOID:000000004414779

There is no manual drive belt tension adjustment. The drive belt tension is automatically adjusted by the drive belt auto tensioner.

### ENGINE COOLANT

#### ENGINE COOLANT : System Inspection

INFOID:000000004414787

#### **WARNING:**

- **Never remove the radiator/reservoir cap when the engine is hot. Serious burns could occur from high pressure fluid escaping from the radiator or reservoir.**
- **Wrap a thick cloth around the cap. Slowly push down and turn it a quarter turn to allow built-up pressure to escape. Carefully remove the cap by pushing down and turning it all the way.**

# ENGINE MAINTENANCE (VQ40DE)

## < ON-VEHICLE MAINTENANCE >

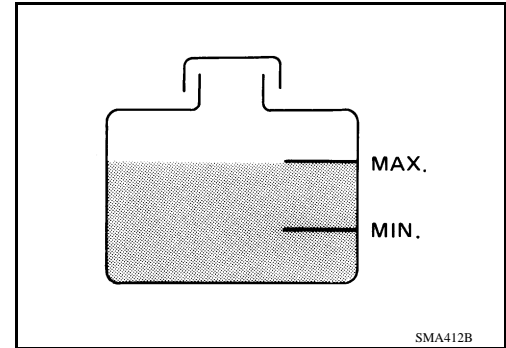
### CHECKING COOLING SYSTEM HOSES

Check hoses for the following:

- Improper attachment
- Leaks
- Cracks
- Damage
- Loose connections
- Chafing
- Deterioration

### CHECKING RESERVOIR LEVEL

- Check if the engine coolant reservoir tank level is within MIN to MAX when the engine is cool.
- Adjust engine coolant level as necessary.



### CHECKING COOLING SYSTEM FOR LEAKS

#### **WARNING:**

**Never remove the radiator/reservoir cap when the engine is hot. Serious burns could occur from high pressure coolant escaping from the radiator or reservoir.**

To check for leakage, apply pressure to the cooling system using Tool.

**Tool number** : EG17650301 (J-33984-A)

**Testing pressure** : 137 kPa (1.4 kg/cm<sup>2</sup>, 20 psi)

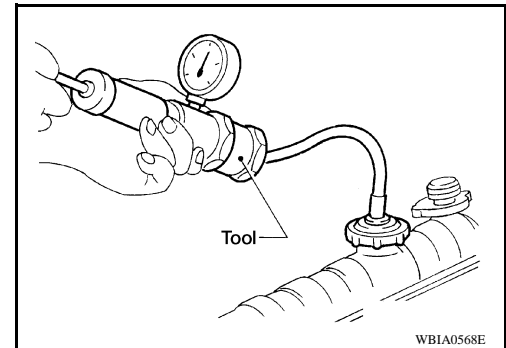
#### **CAUTION:**

**Higher pressure than specified may cause radiator damage.**

#### **NOTE:**

In case that engine coolant decreases, replenish cooling system with engine coolant.

If any concerns are found, repair or replace damaged parts.



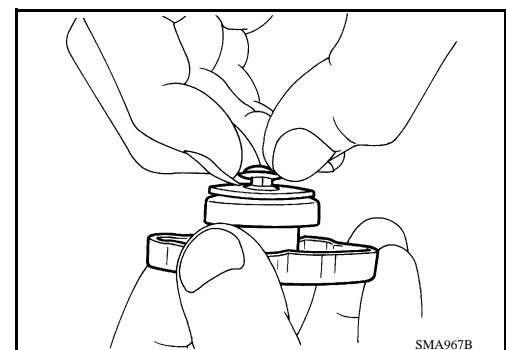
### CHECKING RESERVOIR CAP

1. Inspect the reservoir cap.
  - Replace the cap if the metal plunger cannot be seen around the edge of the black rubber gasket.
  - Replace the cap if deposits of waxy residue or other foreign material are on the black rubber gasket or the metal retainer.

#### **NOTE:**

Thoroughly wipe out the reservoir filler neck to remove any waxy residue or foreign material.

2. Pull the negative-pressure valve to open it and check that it closes completely when released.
  - Check that there is no dirt or damage on the valve seat of the reservoir cap negative-pressure valve.
  - Check that there are no abnormalities in the opening and closing conditions of the negative-pressure valve.



A  
B  
C  
D  
E  
F  
G  
H  
I  
J  
K  
L  
M  
N  
O

## ENGINE MAINTENANCE (VQ40DE)

### < ON-VEHICLE MAINTENANCE >

3. Check reservoir cap relief pressure using suitable tool and Tool.

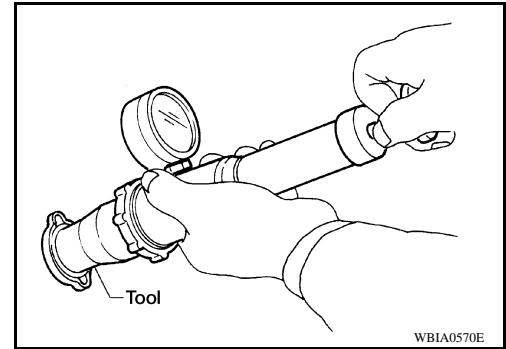
**Tool number : EG17650301 (J-33984-A)**

**Standard: 78 – 98 kPa (0.8 – 1.0 kg/cm<sup>2</sup>, 11 – 14 psi)**

**Limit: 59 kPa (0.6 kg/cm<sup>2</sup>, 9 psi)**

**NOTE:**

- Apply engine coolant to the cap seal surface.
- Replace the reservoir cap if there is any damage in the negative-pressure valve, or if the open-valve pressure is outside of the limit.



### CHECKING RADIATOR CAP

Inspect the radiator cap.

**NOTE:**

Thoroughly wipe out the radiator filler neck to remove any waxy residue or foreign material.

- Replace the cap if the metal plunger cannot be seen around the edge of the black rubber gasket.
- Replace the cap if deposits of waxy residue or other foreign material are on the black rubber gasket or the metal retainer.

### CHECKING RADIATOR

Check radiator for mud or clogging. If necessary, clean radiator as follows.

**CAUTION:**

- **Be careful not to bend or damage the radiator fins.**
- **When radiator is cleaned without removal, remove all surrounding parts such as cooling fan shroud and horns. Then tape the harness and electrical connectors to prevent water from entering.**

1. Apply water by hose to the back side of the radiator core, with the hose pointed vertically downward.
2. Apply water again to all radiator core surfaces once per minute.
3. Stop washing if any stains no longer flow out from the radiator.
4. Blow air into the back side of radiator core, with the air hose pointed vertically downward.
  - Use compressed air lower than 490 kPa (5 kg/cm<sup>2</sup>, 71 psi) and keep distance more than 30 cm (11.8 in).
5. Blow air again into all the radiator core surfaces once per minute until no water sprays out.
6. Check for leaks.

## ENGINE COOLANT : Changing Engine Coolant

INFOID:000000004414788

**WARNING:**

- **To avoid being scalded, never change the coolant when the engine is hot.**
- **Wrap a thick cloth around the cap to carefully remove the cap. First, turn the cap a quarter of a turn to release any built-up pressure, then push down and turn the cap all the way to remove it.**

### DRAINING ENGINE COOLANT

1. Turn ignition switch ON and set temperature control lever all the way to HOT position or the highest temperature position. Wait 10 seconds and turn ignition switch OFF.
2. Remove the engine front undercover using power tool.

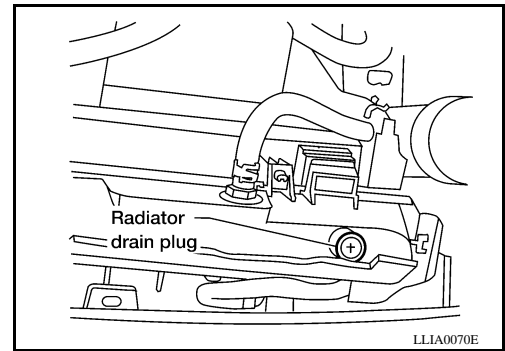
# ENGINE MAINTENANCE (VQ40DE)

## < ON-VEHICLE MAINTENANCE >

3. Open the radiator drain plug at the bottom of the radiator, and remove the reservoir cap. This is the only step required when partially draining the cooling system (radiator only).

**CAUTION:**

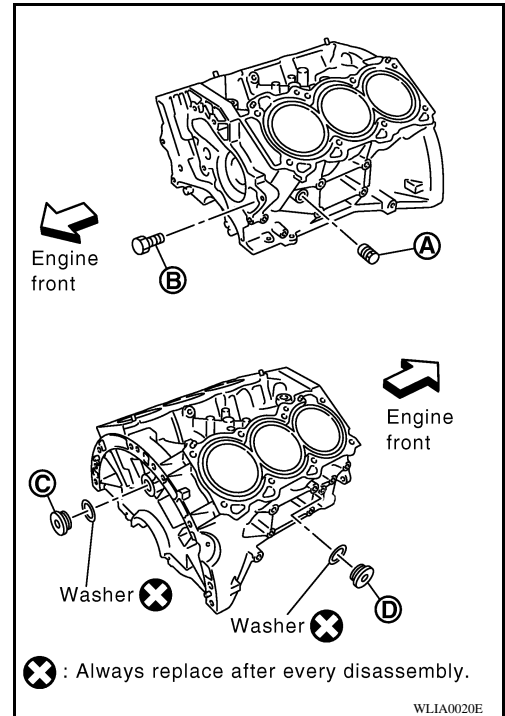
**Do not allow the coolant to contact the drive belts.**



4. When draining all of the coolant in the system for engine removal or repair, it is necessary to drain the cylinder block. Remove the cylinder block drain plugs (A), (B), (C), (D) and block heater if equipped, to drain the cylinder block as shown.

**NOTE:**

For Canada, the (D) cylinder block drain plug as shown, is not a cylinder block drain plug but a block heater.



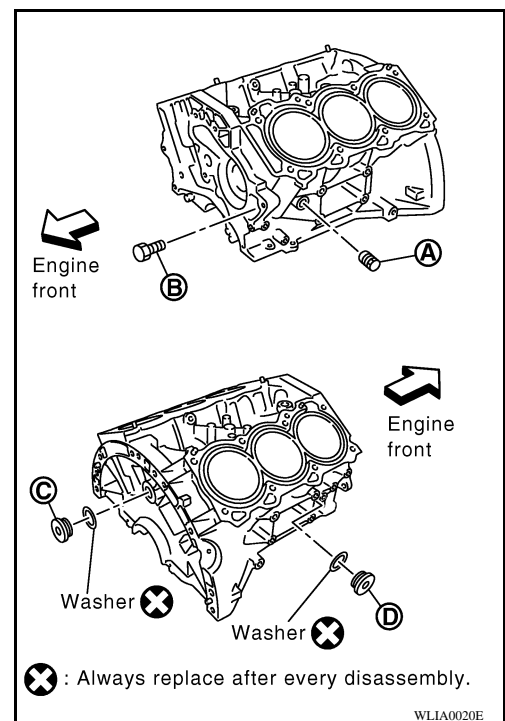
5. Remove the reservoir tank to drain the engine coolant, then clean the reservoir tank before installing it.
6. Check the drained coolant for contaminants such as rust, corrosion or discoloration. If the coolant is contaminated, flush the engine cooling system. Follow the "Flushing Cooling System" procedure.

## REFILLING ENGINE COOLANT

## ENGINE MAINTENANCE (VQ40DE)

### < ON-VEHICLE MAINTENANCE >

1. Close the radiator drain plug. Install the reservoir tank, cylinder block drain plugs (A), (B), (C), (D) and block heater if equipped, if removed for a total system drain or for engine removal or repair.
  - The radiator must be completely empty of coolant and water.
  - Apply sealant to the threads of the cylinder block drain plugs (A), (B), (C), (D). Use Genuine High Performance Thread Sealant or equivalent. Refer to [GI-25, "Recommended Chemical Products and Sealants"](#).
  - Tighten each plug to the specified torque. Refer to [EM-221, "Disassembly and Assembly"](#).



2. Set the vehicle heater controls to the full HOT and heater ON position. Turn the vehicle ignition ON with the engine OFF as necessary to activate the heater mode.
3. Remove the vented reservoir cap and replace it with a non-vented reservoir cap before filling the cooling system.
4. Install the Tool by installing the radiator cap adapter onto the radiator neck opening. Then attach the gauge body assembly with the refill tube and the venturi assembly to the radiator cap adapter.

**Tool number** : KV991J0070 (J-45695)

5. Insert the refill hose into the coolant mixture container that is placed at floor level. Make sure the ball valve is in the closed position.
  - Use recommended coolant or equivalent. Refer to [MA-12, "Fluids and Lubricants"](#).

**Cooling system capacity (with reservoir)** : Refer to [MA-12, "Fluids and Lubricants"](#).

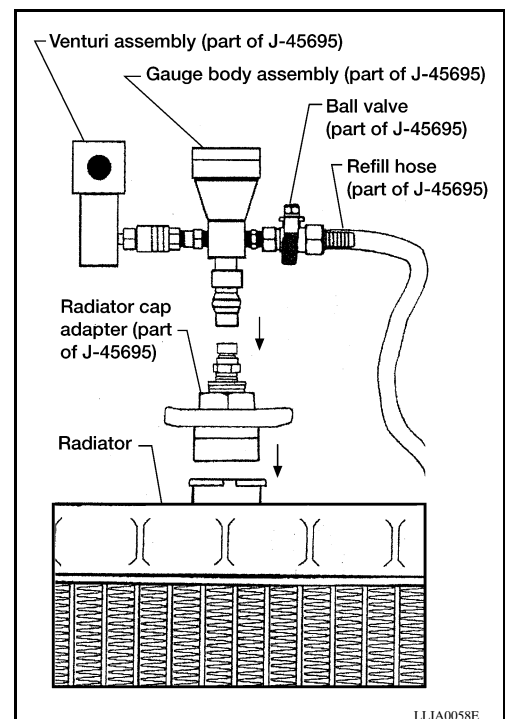
6. Install an air hose to the venturi assembly, the air pressure must be within specification.

**Compressed air supply pressure** : 5.7 - 8.5 kPa (5.6 - 8.4 kg/cm<sup>2</sup>, 80 - 120 psi)

#### CAUTION:

The compressed air supply must be equipped with an air dryer.

7. The vacuum gauge will begin to rise and there will be an audible hissing noise. During this process open the ball valve on the refill hose slightly. Coolant will be visible rising in the refill hose. Once the refill hose is full of coolant, close the ball valve. This will purge any air trapped in the refill hose.

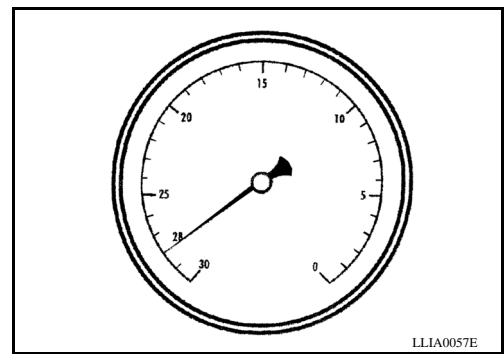


# ENGINE MAINTENANCE (VQ40DE)

## < ON-VEHICLE MAINTENANCE >

8. Continue to draw the vacuum until the gauge reaches 28 inches of vacuum. The gauge may not reach 28 inches in high altitude locations, use the vacuum specifications based on the altitude above sea level.

Altitude above sea level	Vacuum gauge reading
0 - 100 m (328 ft)	: 28 inches of vacuum
300 m (984 ft)	: 27 inches of vacuum
500 m (1,641 ft)	: 26 inches of vacuum
1,000 m (3,281 ft)	: 24 - 25 inches of vacuum



9. When the vacuum gauge has reached the specified amount, disconnect the air hose and wait 20 seconds to see if the system loses any vacuum. If the vacuum level drops, perform any necessary repairs to the system and repeat steps 6 - 8 to bring the vacuum to the specified amount. Recheck for any leaks.
10. Place the coolant container (with the refill hose inserted) at the same level as the top of the radiator. Then open the ball valve on the refill hose so the coolant will be drawn up to fill the cooling system. The cooling system is full when the vacuum gauge reads zero.

**CAUTION:**

**Do not allow the coolant container to get too low when filling, to avoid air from being drawn into the cooling system.**

11. Remove the Tool from the radiator neck opening and install the radiator cap.
12. Remove the non-vented reservoir cap.
13. Fill the cooling system reservoir tank to the specified level. Run the engine to warm up the cooling system and top up the system as necessary before installing the vented reservoir cap.

## FLUSHING COOLING SYSTEM

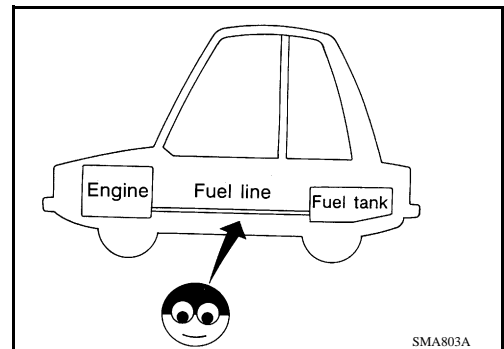
1. Drain the water from the engine cooling system. Refer to [MA-28, "ENGINE COOLANT : Changing Engine Coolant"](#).
2. Fill the radiator and the reservoir tank (to the "MAX" line), with water. Reinstall the radiator cap and leave the vented reservoir cap off.
3. Run the engine until it reaches normal operating temperature.
4. Press the engine accelerator two or three times under no-load.
5. Stop the engine and wait until it cools down.
6. Drain the water from the engine cooling system. Refer to [MA-28, "ENGINE COOLANT : Changing Engine Coolant"](#).
7. Repeat steps 2 through 6 until clear water begins to drain from the radiator.

## FUEL LINES

### FUEL LINES : Checking Fuel Line

INFOID:000000004057172

Inspect the fuel lines and fuel tank for improper mounting, leaks, cracks, damage, loose connections, chafing, or deterioration. As necessary, repair or replace any faulty parts.



## FUEL FILTER

A  
B  
C  
D  
E  
F  
G  
H  
I  
J  
K  
L  
M  
N  
O

# ENGINE MAINTENANCE (VQ40DE)

< ON-VEHICLE MAINTENANCE >

## FUEL FILTER : Changing Fuel Filter

INFOID:000000004057173

The fuel filter is part of the fuel level sensor unit, fuel filter and fuel pump assembly. Refer to [FL-10. "Removal and Installation"](#).

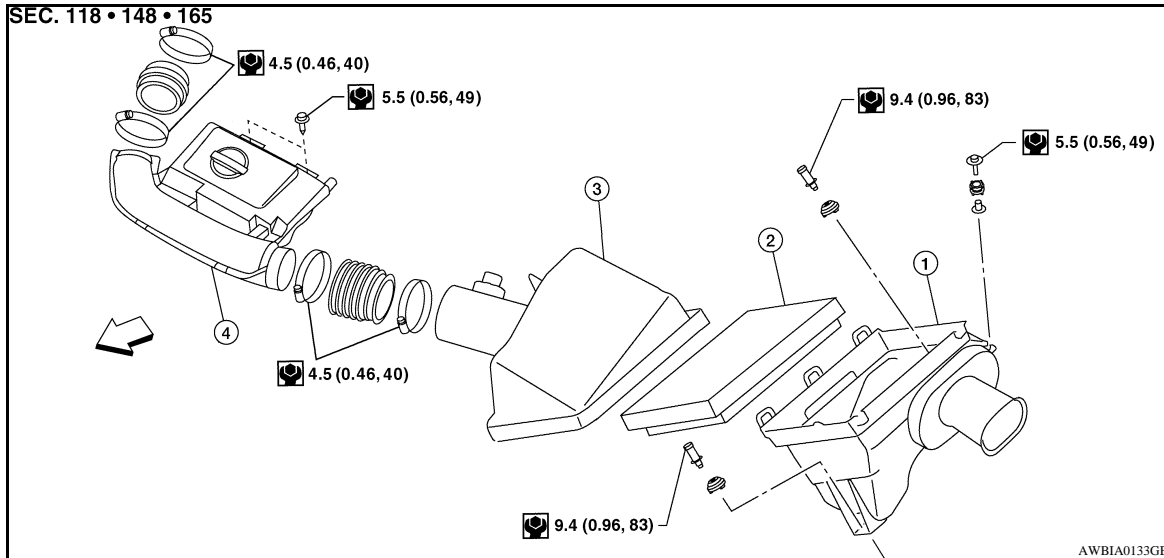
### WARNING:

**Before replacing the fuel filter, release the fuel pressure from the fuel system. Refer to [EC-943. "Fuel Pressure Check"](#).**

## AIR CLEANER FILTER

### AIR CLEANER FILTER : Exploded View

INFOID:000000004414780



- |                             |                       |                             |
|-----------------------------|-----------------------|-----------------------------|
| 1. Air cleaner case (lower) | 2. Air cleaner filter | 3. Air cleaner case (upper) |
| 4. Air duct and resonator   | ⇐ Front               |                             |

### AIR CLEANER FILTER : Removal and Installation

INFOID:000000004414781

#### REMOVAL

1. Unhook clips, and lift air cleaner case (upper).
2. Remove air cleaner filter.

#### INSTALLATION

Installation is in the reverse order of removal.

## ENGINE OIL

### ENGINE OIL : Inspection

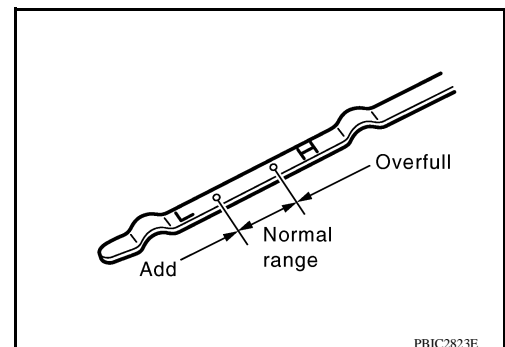
INFOID:000000004414784

#### OIL LEVEL

- Before starting the engine make sure the vehicle is parked on a flat and level surface, then check the oil level. If the engine is already running, turn it off and allow 10 minutes before checking.
- Pull out oil level gauge and wipe clean.
- Insert oil level gauge.
- Check that the oil level is within the low (L) and high (H) range as indicated on the dipstick.
- If the engine oil level is out of range, add oil as necessary. Refer to [MA-12. "Fluids and Lubricants"](#).

### CAUTION:

**Do not overfill the engine with oil.**





# ENGINE MAINTENANCE (VQ40DE)

## < ON-VEHICLE MAINTENANCE >

### OIL APPEARANCE

- Check the engine oil for a white milky appearance or excessive contamination.
- If the engine oil is milky, it is highly probable that it is contaminated with engine coolant. Repair or replace damaged parts.

### OIL LEAKAGE

Check for oil leakage around the following areas:

- Oil pans (lower and upper)
- Oil pan drain plug
- Oil pressure switch
- Oil filter
- Oil cooler
- Water pump cover
- Chain tensioner cover
- Intake valve timing control cover and intake valve timing control solenoid valve
- Mating surface between cylinder block and cylinder head
- Mating surface between lower cylinder block and cylinder block
- Mating surface between cylinder head and rocker cover
- Mating surface between front timing chain case and rear timing chain case
- Mating surface between rear timing chain case and cylinder head
- Mating surface between rear timing chain case and cylinder block
- Mating surface between rear timing chain case and lower cylinder block
- Mating surface between rear timing chain case and oil pan (upper)
- Crankshaft oil seals (front and rear)
- Oil level gauge guide
- Camshaft position sensor (PHASE)

### OIL PRESSURE CHECK

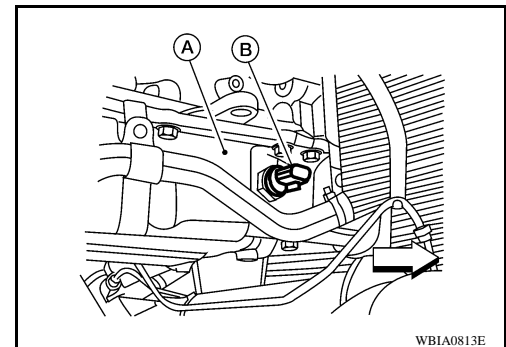
#### **WARNING:**

- **Be careful not to burn yourself, as the engine and engine oil may be hot.**
- **Put the selector lever in the Park (P) position (A/T models) or Neutral position (M/T models), and apply parking brake securely.**

1. Check engine oil level. Refer to [MA-32, "ENGINE OIL : Inspection"](#).
2. Remove engine undercover using power tool.
3. Disconnect the oil pressure switch (B) harness connector.
  - A: Oil pan (upper)
  - ⇒: Front
4. Remove the oil pressure switch (B).

#### **CAUTION:**

**Do not drop or shock oil pressure switch.**

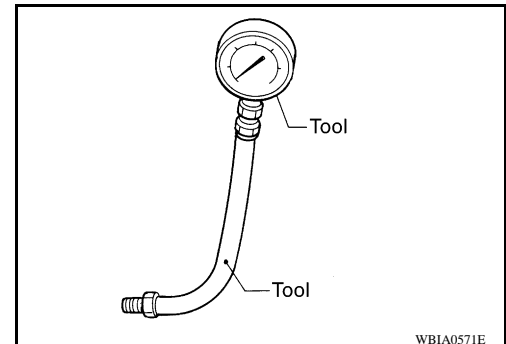


5. Install Tools.

**Tool numbers** : ST25051001 (J-25695-1)

**bers**

: ST25052000 (J-25695-2)



6. Start the engine and warm it up to normal operating temperature.
7. Check the engine oil pressure with engine running under no-load. Refer to [LU-30, "Standard and Limit"](#).

A  
B  
C  
D  
E  
F  
G  
H  
I  
J  
K  
L  
M  
N  
O  
MA

# ENGINE MAINTENANCE (VQ40DE)

## < ON-VEHICLE MAINTENANCE >

### CAUTION:

If the difference is extreme, check the oil passages and oil pump for leaks and blockages.

8. After the inspections, install oil pressure switch as follows:
  - a. Remove old liquid gasket adhering to oil pressure switch and engine.
  - b. Apply liquid gasket and tighten oil pressure switch to the specification.  
Use Genuine RTV Silicone Sealant or equivalent. Refer to [GI-25, "Recommended Chemical Products and Sealants"](#).

Oil pressure switch torque : 14.7 N·m (1.5 kg·m, 11 ft·lb)

- c. After warming up engine, make sure there is no leakage of engine oil with running engine.

## ENGINE OIL : Changing Engine Oil

INFOID:000000004414785

### WARNING:

- Be careful not to burn yourself, as the engine and engine oil may be hot.
  - Prolonged and repeated contact with used engine oil may cause skin cancer; try to avoid direct skin contact with used oil. If skin contact is made, wash thoroughly with soap or hand cleaner as soon as possible.
1. Warm up the engine, and check for any oil leaks.
  2. Stop the engine and wait for at least 10 minutes.
  3. Remove the oil drain plug and oil filler cap to drain the old oil.
  4. Install a new washer on the oil drain plug, then install the oil drain plug in the oil pan.

### CAUTION:

Clean the drain plug and install with a new washer.

Oil drain plug : Refer to [EM-148, "Removal and Installation"](#).

5. Refill the engine with new specified engine oil.

Oil grade and viscosity : Refer to [MA-12, "Fluids and Lubricants"](#).

Oil capacity : Refer to [MA-12, "Fluids and Lubricants"](#).

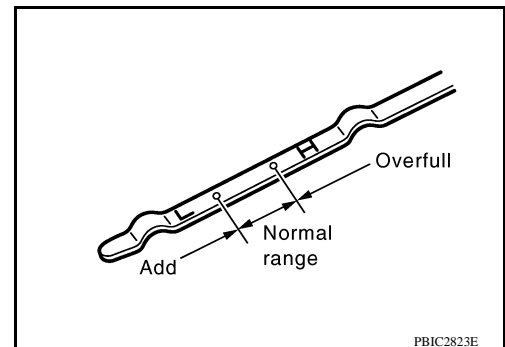
### CAUTION:

The refill capacity depends on the oil temperature and drain time. Use the "Refill oil capacity" values as a reference and check the oil level using the dipstick when filling the engine with oil.

6. Warm up the engine and check the area around the drain plug and oil filter for any oil leaks.
7. Stop the engine and wait for more than 10 minutes.
8. Check the oil level using the dipstick as shown. Add oil as necessary and install the oil filler cap. Refer to [MA-32, "ENGINE OIL : Inspection"](#).

### CAUTION:

Do not overfill the engine with oil.



## OIL FILTER

### OIL FILTER : Removal and Installation

INFOID:000000004414786

#### REMOVAL

1. Remove the engine front undercover using power tool.

# ENGINE MAINTENANCE (VQ40DE)

## < ON-VEHICLE MAINTENANCE >

- Remove the oil filter using Tool as shown.

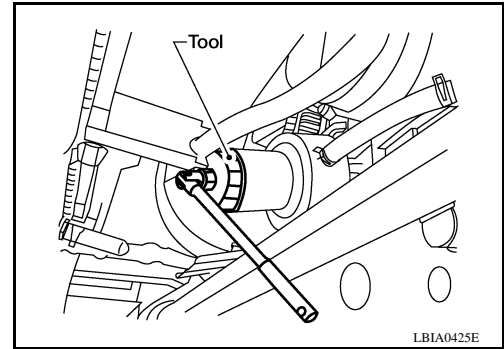
**Tool number** : KV10115801 (J-38956)

**WARNING:**

Be careful not to burn yourself, as the engine and engine oil may be hot.

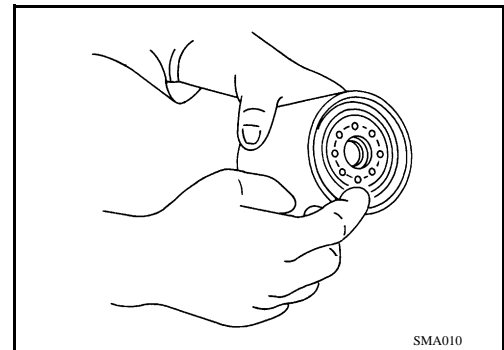
**CAUTION:**

- Oil filter is equipped with a pressure relief valve.
- Use Genuine NISSAN Oil Filter or equivalent.
- When removing, prepare a shop cloth to absorb any engine oil leaks or spills.
- Do not allow engine oil to adhere to drive belts.
- Completely wipe off any engine oil that adheres to the engine and the vehicle.



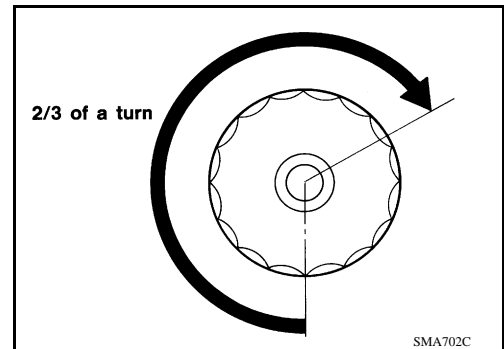
## INSTALLATION

- Remove foreign materials adhering to the oil filter seal mating surface.
- Apply clean engine oil to the oil filter seal circumference of the new oil filter as shown.



- Screw on the oil filter manually until it touches the installation surface, then tighten it by 2/3 turn as shown. Or tighten to specification.

**Oil filter** : 17.7 N·m (1.8 kg·m, 13 ft·lb)



- Inspect the engine for oil leaks. Refer to [MA-34. "OIL FILTER : Removal and Installation"](#).
- Install the engine front undercover using power tool.

## INSPECTION AFTER INSTALLATION

- Check the engine oil level. Refer to [MA-32. "ENGINE OIL : Inspection"](#).
- Start the engine and check for engine oil leaks.
- Stop the engine and wait for 10 minutes.
- Check the engine oil level and add engine oil as required.

## SPARK PLUG

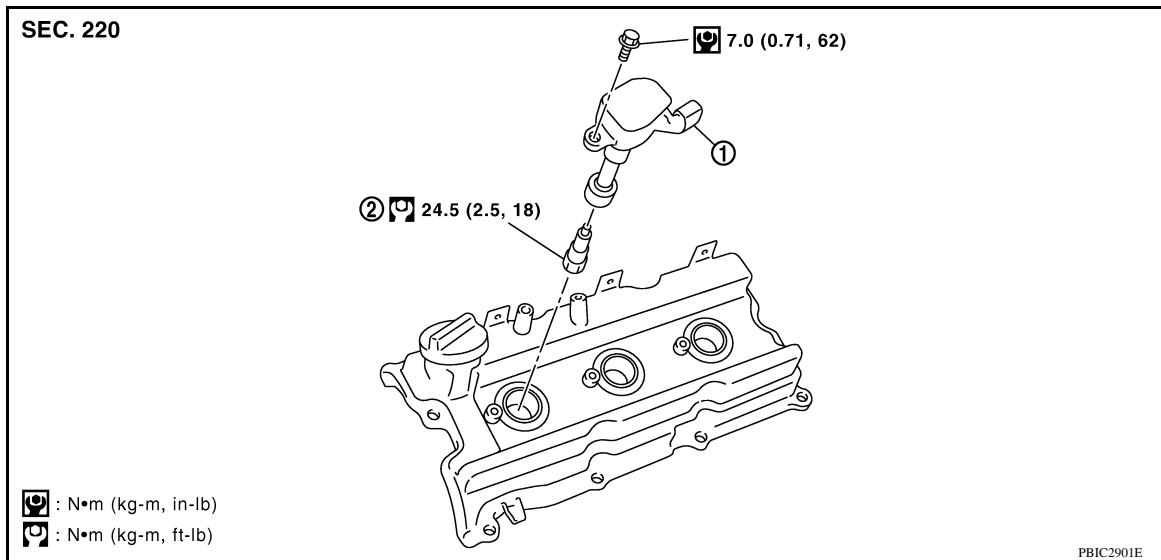
A  
B  
C  
D  
E  
F  
G  
H  
I  
J  
K  
L  
M  
N  
O  
MA

# ENGINE MAINTENANCE (VQ40DE)

< ON-VEHICLE MAINTENANCE >

## SPARK PLUG : Exploded View

INFOID:000000004414782



1. Ignition coil

2. Spark plug

## SPARK PLUG : Removal and Installation

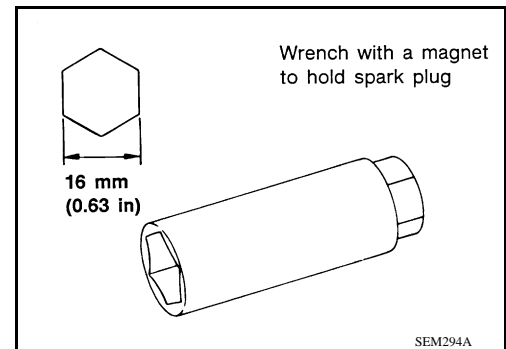
INFOID:000000004414783

### REMOVAL

1. Remove the engine room cover using power tool. Refer to [EM-137, "Removal and Installation"](#).
2. Remove the ignition coil. Refer to [EM-153, "Removal and Installation"](#).
3. Remove the spark plug using a suitable tool.

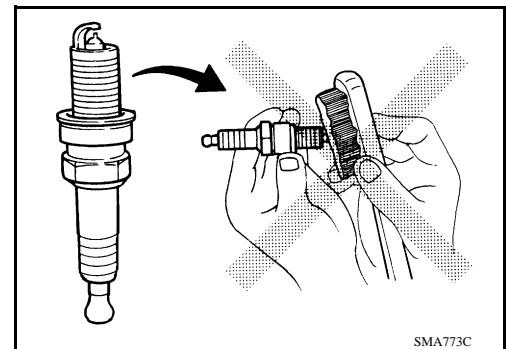
#### **CAUTION:**

**Do not drop or shock it.**



### INSPECTION AFTER REMOVAL

- Do not use a wire brush for cleaning.



- If the spark plug tip is covered with carbon, spark plug cleaner may be used.

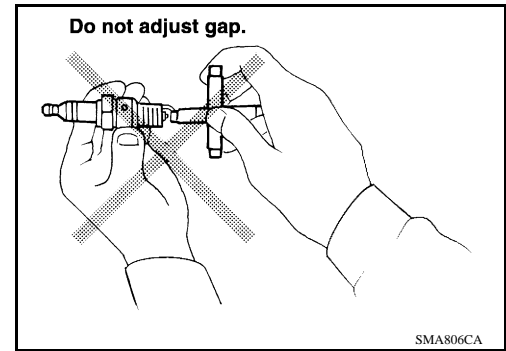
**Cleaner air pressure** : Less than 588 kPa (5.9 bar, 6 kg/cm<sup>2</sup>, 85 psi)

**Cleaning time** : Less than 20 seconds

# ENGINE MAINTENANCE (VQ40DE)

## < ON-VEHICLE MAINTENANCE >

- Checking and adjusting spark plug gap is not required between change intervals.



## INSTALLATION

Installation is in the reverse order of removal.

### **CAUTION:**

**Do not drop or shock the spark plug.**

Application	United States and Canada	Mexico
Make	NGK	
Standard type	DILFR5A-11	PLFR5A-11
Gap (nominal)	1.1 mm (0.043 in)	

## EVAP VAPOR LINES

### EVAP VAPOR LINES : Checking EVAP Vapor Line

INFOID:000000004057178

1. Visually inspect EVAP vapor lines for improper attachment, cracks, damage, loose connections, chafing or deterioration.
2. Inspect vacuum relief valve of fuel tank filler cap for clogging and sticking.  
Refer to [EC-945. "How to Detect Fuel Vapor Leakage"](#).

A  
B  
C  
D  
E  
F  
G  
H  
I  
J  
K  
L  
M  
N  
O

MA

# CHASSIS AND BODY MAINTENANCE

< ON-VEHICLE MAINTENANCE >

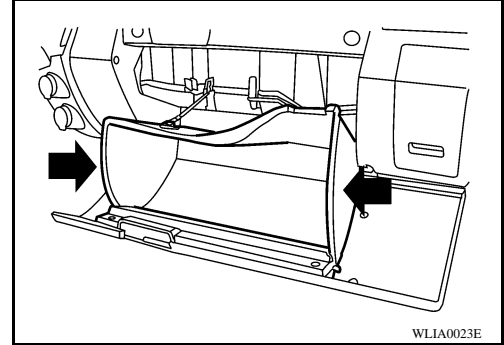
## CHASSIS AND BODY MAINTENANCE IN-CABIN MICROFILTER

### IN-CABIN MICROFILTER : Removal and Installation

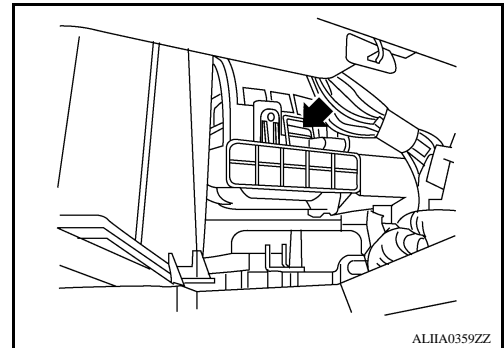
INFOID:000000004414792

#### REPLACEMENT PROCEDURE

1. Open the lower glove box and press in on the sides so that it will open completely allowing it to hang by the cord.



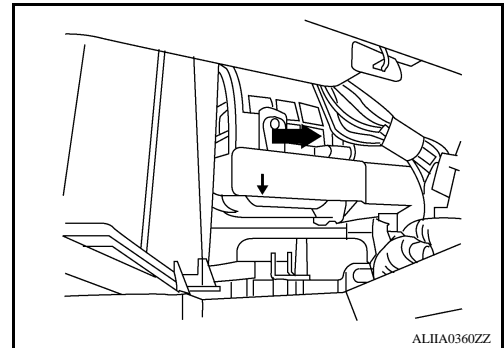
2. Depress the tab and remove the in-cabin microfilter cover as shown.



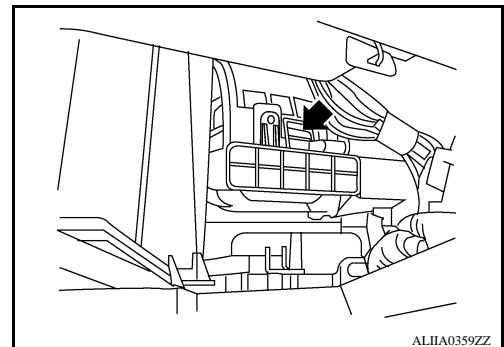
3. Remove the in-cabin microfilters from the heater and cooling unit housing.
4. Insert the first new in-cabin microfilter into the heater and cooling unit housing and slide it over to the right. Insert the second new in-cabin microfilter into the heater and cooling unit housing as shown.

**NOTE:**

The in-cabin microfilters are marked with air flow arrows. The end of the microfilter with the arrow should face the rear of the vehicle. The arrows should point downward.



5. Install the in-cabin microfilter cover, make sure the tab is locked in place as shown.



6. Close the lower glove box completely.

## EXHAUST SYSTEM

# CHASSIS AND BODY MAINTENANCE

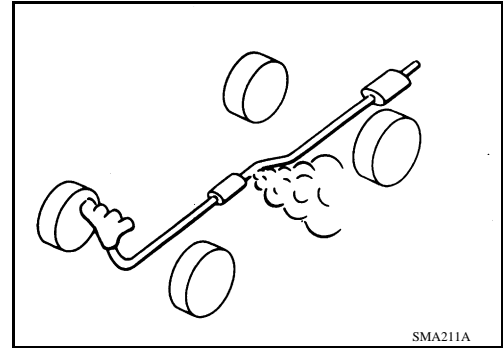
< ON-VEHICLE MAINTENANCE >

## EXHAUST SYSTEM : Checking Exhaust System

INFOID:000000004414794

Check exhaust pipes, muffler and mounting for improper attachment, leaks, cracks, damage or deterioration.

- If anything is found, repair or replace damaged parts.



## TRANSMISSION OIL

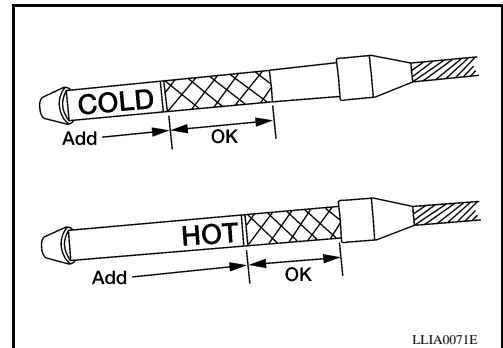
### TRANSMISSION OIL : Checking the A/T Fluid (ATF)

INFOID:000000004414794

#### CAUTION:

If using the vehicle for towing, the A/T fluid must be replaced as specified. Refer to [MA-7, "Introduction of Periodic Maintenance"](#).

1. Before driving, the A/T fluid level can be checked at A/T fluid temperatures of 30° to 50° C (86° to 122° F) using the "COLD" range on the A/T fluid level gauge as follows:
  - a. Park the vehicle on a level surface and set the parking brake.
  - b. Start the engine and move the selector lever through each gear position. Shift the selector lever into the "P" position.
  - c. Check the A/T fluid level with the engine idling.
  - d. Remove the A/T fluid level gauge and wipe it clean with a lint-free paper.



#### CAUTION:

When wiping the A/T fluid from the A/T fluid level gauge, always use a lint-free paper, not a cloth.

- e. Re-insert the A/T fluid level gauge into the A/T fluid charging pipe until the cap contacts the top of the A/T fluid charging pipe as shown.

#### CAUTION:

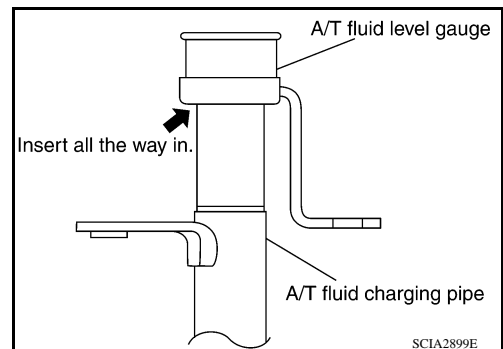
To check A/T fluid level, insert the A/T fluid level gauge until the cap contacts the top of the A/T fluid charging pipe, with the gauge reversed from the normal inserted position.

- f. Remove the A/T fluid level gauge and note the A/T fluid level. If the A/T fluid level is at low side of range, add A/T fluid to the transmission through the A/T fluid charging pipe.

#### CAUTION:

Do not overfill the transmission with A/T fluid.

- g. Install the A/T fluid level gauge and the A/T fluid level gauge bolt.



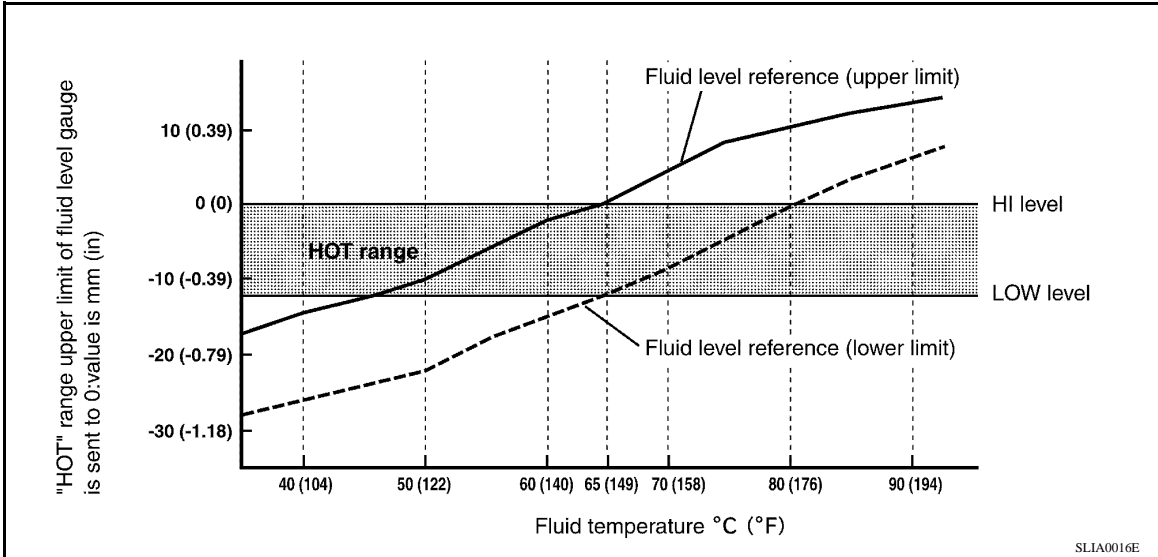
**A/T fluid level gauge bolt** : Refer to [TM-316, "Component"](#).

2. Warm up the engine and transmission.
3. Check for any A/T fluid leaks.
4. Drive the vehicle to increase the A/T fluid temperature to 80° C (176° F).

# CHASSIS AND BODY MAINTENANCE

## < ON-VEHICLE MAINTENANCE >

- Allow the A/T fluid temperature to fall to approximately 65°C (149°F). Use the CONSULT-III to monitor the A/T fluid temperature as follows:



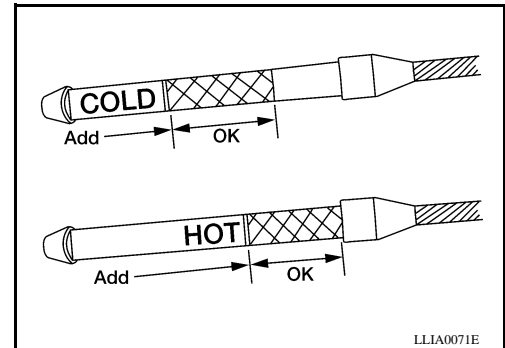
### NOTE:

The A/T fluid level will be significantly affected by the A/T fluid temperature as shown. Therefore monitor the A/T fluid temperature data using the CONSULT-III.

- Connect CONSULT-III to data link connector.
  - Select "MAIN SIGNALS" in "DATA MONITOR" mode for "A/T" with CONSULT-III.
  - Read out the value of "ATF TEMP 1".
- Re-check the A/T fluid level at A/T fluid temperatures of approximately 65°C (149°F) using the "HOT" range on the A/T fluid level gauge as shown. The HOT range is between 50° - 80° C (122° - 176° F).

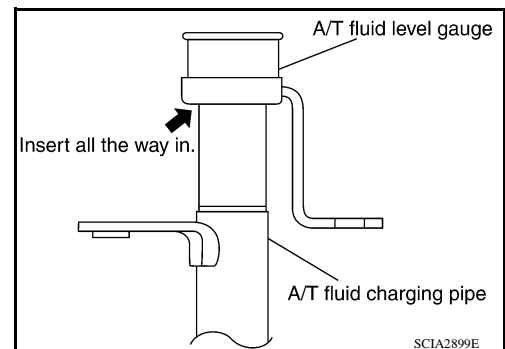
### CAUTION:

- When wiping the A/T fluid from the A/T fluid level gauge, always use lint-free paper, not a cloth.



- To check the A/T fluid level, insert the A/T fluid level gauge until the cap contacts the top of the A/T fluid charging pipe, with the gauge reversed from the normal inserted position as shown.

- Check the A/T fluid condition.
  - If the A/T fluid is very dark or has some burned smell, there may be an internal problem with the transmission. Flush the transmission cooling system after repairing the transmission.
  - If the A/T fluid contains frictional material (clutches, bands, etc.), replace the radiator and flush the transmission cooler lines using cleaning solvent and compressed air after repairing the transmission.
- Install the A/T fluid level gauge in the A/T fluid charging pipe.
- Tighten the A/T fluid level gauge bolt to specification.



A/T fluid level gauge bolt : Refer to [TM-316, "Component"](#).



# CHASSIS AND BODY MAINTENANCE

< ON-VEHICLE MAINTENANCE >

## TRANSMISSION OIL : Changing the A/T Fluid (ATF)

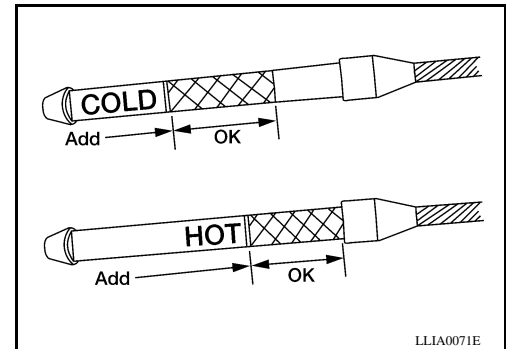
INFOID:000000004414795

### CAUTION:

If using the vehicle for towing, the A/T fluid must be replaced as specified. Refer to [MA-7, "Introduction of Periodic Maintenance"](#).

1. Drive the vehicle to warm up the A/T fluid to approximately 80° C (176° F).
2. Stop the engine.
3. Remove the A/T fluid level gauge.
4. Drain the A/T fluid from the drain plug hole, then install the drain plug with a new gasket. Refill the transmission with new A/T fluid. Always refill with the same volume as the drained A/T fluid. Use the A/T fluid level gauge to check the A/T fluid level as shown. Add A/T fluid as necessary.

**Drain plug** : Refer to [TM-316, "Component"](#).



- To flush out the old A/T fluid from the transmission oil coolers, pour new A/T fluid into the A/T fluid charging pipe with the engine idling and at the same time drain the old A/T fluid from the auxiliary transmission oil cooler hose return line.
- When the color of the A/T fluid coming out of the auxiliary transmission oil cooler hose return line is about the same as the color of the new A/T fluid, flushing out the old A/T fluid is complete. The amount of new A/T fluid used for flushing should be 30% to 50% increase of the specified capacity.

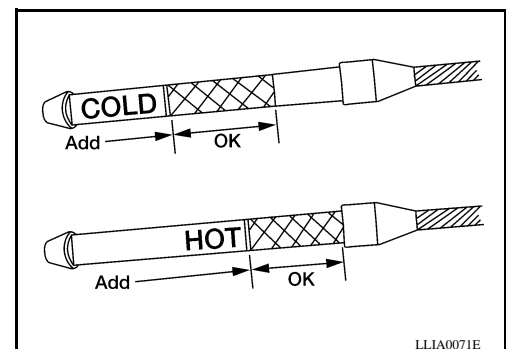
**A/T fluid grade and capacity** : Refer to [MA-12, "Fluids and Lubricants"](#).

### CAUTION:

- If genuine NISSAN Matic S ATF is not available, Genuine NISSAN Matic J ATF may also be used. Using automatic transmission fluid other than Genuine NISSAN Matic S ATF or Matic J ATF will cause deterioration in driveability and automatic transmission durability, and may damage the automatic transmission, which is not covered by the NISSAN new vehicle limited warranty
  - When filling the transmission with A/T fluid, do not spill the A/T fluid on any heat generating parts such as the exhaust manifold.
  - Do not reuse the drain plug gasket.
5. Install the A/T fluid level gauge and tighten the A/T fluid level gauge bolt to specification.

**A/T fluid level gauge bolt** : Refer to [TM-316, "Component"](#).

6. Drive the vehicle to warm up the A/T fluid to approximately 80° C (176° F).
7. Check the fluid level and condition. If the A/T fluid is still dirty, repeat steps 2 through 6.



8. Install the A/T fluid level gauge in the A/T fluid charging pipe and install the A/T fluid level gauge bolt.
9. Tighten the A/T fluid level gauge bolt to specification.

**A/T fluid level gauge bolt** : Refer to [TM-316, "Component"](#).

# CHASSIS AND BODY MAINTENANCE

## < ON-VEHICLE MAINTENANCE >

### M/T OIL

M/T OIL : FS6R31A

INFOID:000000004414798

M/T OIL : Changing

INFOID:000000004414796

### DRAINING

1. Start the engine and let it run to warm up the transmission.
2. Stop the engine. Remove the transmission drain plug and drain the oil.
3. Set a gasket on the drain plug and install it to the transmission. Tighten the drain plug to the specified torque. Refer to [TM-73, "Disassembly and Assembly"](#).

**CAUTION:**

**Do not reuse gasket.**

### FILLING

1. Remove the filler plug. Fill with new oil until oil level reaches the specified limit near the filler plug hole as shown.

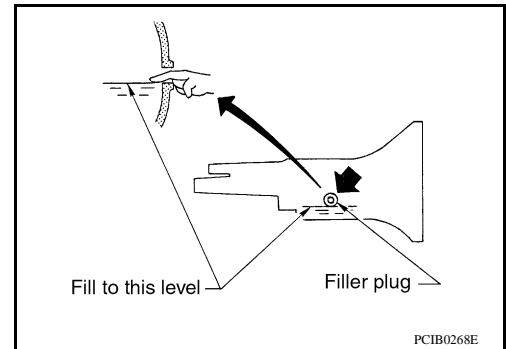
**Oil grade and viscosity** : Refer to [MA-12, "Fluids and Lubricants"](#).

**Oil capacity** : Refer to [MA-12, "Fluids and Lubricants"](#).

2. After refilling the oil, check oil level. Set a gasket to the filler plug, then install it to the transmission. Tighten the filler plug to the specified torque. Refer to [TM-73, "Disassembly and Assembly"](#).

**CAUTION:**

**Do not reuse gasket.**



M/T OIL : Checking

INFOID:000000004414797

### OIL LEAKAGE AND OIL LEVEL

1. Make sure that oil is not leaking from the transmission or around it.
2. Check oil level from the filler plug hole as shown.

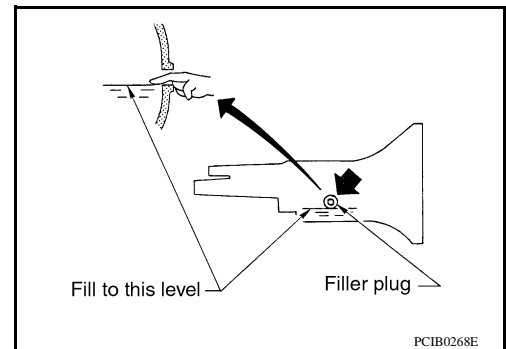
**CAUTION:**

**Do not start engine while checking oil level.**

3. Set a gasket on the filler plug and install it to the transmission. Tighten the filler plug to the specified torque. Refer to [TM-73, "Disassembly and Assembly"](#).

**CAUTION:**

**Do not reuse gasket.**



M/T OIL : FS5R30A

INFOID:000000004414799

M/T OIL : Changing

INFOID:000000004414800

### DRAINING

1. Start the engine and let it run to warm up the transmission.
2. Stop the engine. Remove the transmission drain plug and drain the oil.
3. Set a gasket on the drain plug and install it to the transmission. Tighten the drain plug to the specified torque. Refer to [TM-21, "Overhaul"](#).

**CAUTION:**

**Do not reuse gasket.**

# CHASSIS AND BODY MAINTENANCE

## < ON-VEHICLE MAINTENANCE >

### FILLING

1. Remove the filler plug. Fill with new oil until oil level reaches the specified limit near the filler plug hole.

#### Oil grade and Viscosity:

Refer to [MA-12. "Fluids and Lubricants"](#).

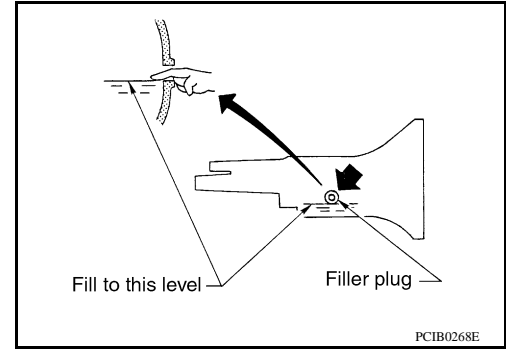
#### Oil capacity:

Refer to [MA-12. "Fluids and Lubricants"](#).

2. After refilling the oil, check oil level. Set a gasket to the filler plug, then install it to the transmission. Tighten the filler plug to the specified torque. Refer to [TM-21. "Overhaul"](#).

#### CAUTION:

Do not reuse gasket.



### M/T OIL : Checking

INFOID:000000004414801

### OIL LEAKAGE AND OIL LEVEL

1. Make sure that oil is not leaking from the transmission or around it.
2. Check oil level from the filler plug hole as shown.

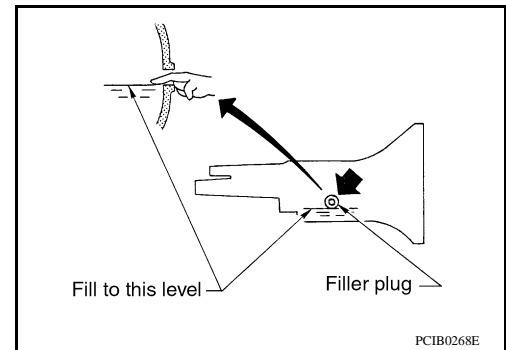
#### CAUTION:

Do not start engine while checking oil level.

3. Set a gasket on the filler plug and install it to the transmission. Tighten the filler plug to the specified torque. Refer to [TM-21. "Overhaul"](#).

#### CAUTION:

Do not reuse gasket.



### TRANSFER FLUID

### TRANSFER FLUID : Replacement

INFOID:000000004414802

#### CAUTION:

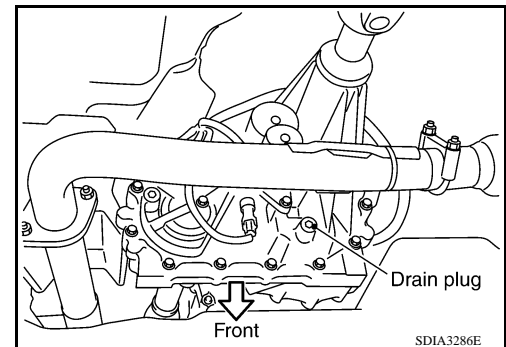
If using the vehicle for towing, the transfer fluid must be replaced as specified. Refer to [MA-7. "Introduction of Periodic Maintenance"](#).

### DRAINING

1. Stop engine.
2. Remove the drain plug and gasket and drain the fluid.
3. Install the drain plug with a new gasket to the transfer. Tighten to the specified torque. Refer to [DLN-110. "Disassembly and Assembly"](#).

#### CAUTION:

Do not reuse gasket.



### FILLING

1. Remove the filler plug and gasket.

A  
B  
C  
D  
E  
F  
G  
H  
I  
J  
K  
L  
M  
N  
O  
MA

# CHASSIS AND BODY MAINTENANCE

## < ON-VEHICLE MAINTENANCE >

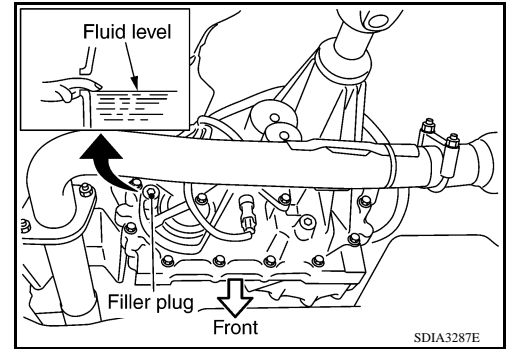
2. Fill the transfer with new fluid until the fluid level reaches the specified limit near the filler plug hole.

**Fluid grade and capacity** : Refer to [MA-12, "Fluids and Lubricants"](#).

**CAUTION:**  
**Carefully fill fluid. (Fill up for approx. 3 minutes.)**

3. Leave the vehicle for 3 minutes, and check fluid level again.
4. Install the filler plug with a new gasket to the transfer. Tighten to the specified torque. Refer to [DLN-110, "Disassembly and Assembly"](#).

**CAUTION:**  
**Do not reuse gasket.**



## TRANSFER FLUID : Inspection

INFOID:000000004414803

**CAUTION:**  
**If using the vehicle for towing, the transfer fluid must be replaced as specified. Refer to [MA-7, "Introduction of Periodic Maintenance"](#).**

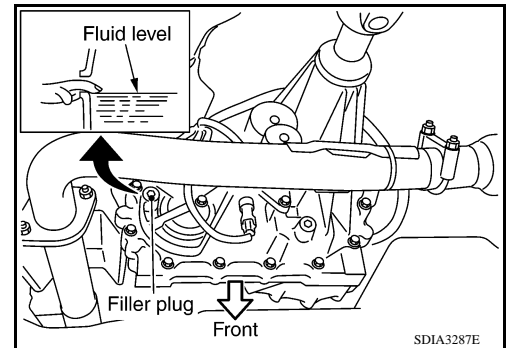
## FLUID LEAKAGE AND FLUID LEVEL

1. Make sure that fluid is not leaking from the transfer assembly or around it.
2. Check fluid level from the filler plug hole as shown.

**CAUTION:**  
**Do not start engine while checking fluid level.**

3. Install the filler plug with a new gasket to the transfer. Tighten to the specified torque. Refer to [DLN-110, "Disassembly and Assembly"](#).

**CAUTION:**  
**Do not reuse gasket.**



## PROPELLER SHAFT

### PROPELLER SHAFT : Checking Propeller Shaft

INFOID:000000004057187

Check the front and rear propeller shafts for damage, dents, and cracks. Check the joints for looseness and any damage. Repair or replace as necessary. Refer to [FAX-4, "NVH Troubleshooting Chart"](#).

## DIFFERENTIAL GEAR OIL

### DIFFERENTIAL GEAR OIL : Front Final Drive - R180A

INFOID:000000004414806

### DIFFERENTIAL GEAR OIL : Changing Differential Gear Oil

INFOID:000000004414804

## DRAINING

1. Stop the engine.

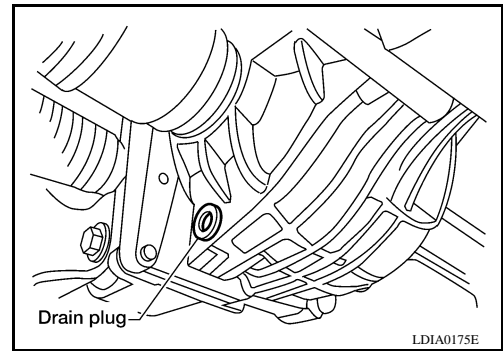
# CHASSIS AND BODY MAINTENANCE

## < ON-VEHICLE MAINTENANCE >

2. Remove the drain plug and gasket from the front final drive assembly to drain the differential gear oil.
3. Install the drain plug with a new gasket to the front final drive assembly. Tighten to the specified torque. Refer to [DLN-189, "Disassembly and Assembly"](#).

**CAUTION:**

**Do not reuse gasket.**



## FILLING

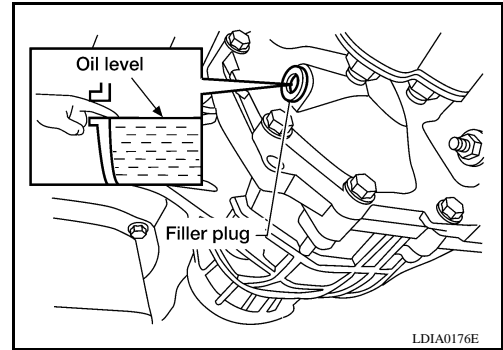
1. Remove the filler plug and gasket from the front final drive assembly.
2. Fill the front final drive assembly with new differential gear oil until the level reaches the specified level near the filler plug hole.

**Differential gear oil grade and capacity** : Refer to [MA-12, "Fluids and Lubricants"](#).

3. Install the filler plug with a new gasket on it to the front final drive assembly. Tighten to the specified torque. Refer to [DLN-189, "Disassembly and Assembly"](#).

**CAUTION:**

**Do not reuse gasket.**



## DIFFERENTIAL GEAR OIL : Checking Differential Gear Oil

INFOID:000000004414805

## DIFFERENTIAL GEAR OIL LEAKAGE AND LEVEL

1. Make sure that differential gear oil is not leaking from the front final drive assembly or around it.
2. Check the differential gear oil level from the filler plug hole as shown.

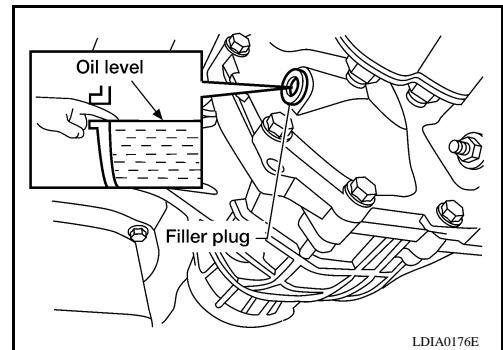
**CAUTION:**

**Do not start engine while checking differential gear oil level.**

3. Install the filler plug with a new gasket on it to the front final drive assembly. Tighten to the specified torque. Refer to [DLN-189, "Disassembly and Assembly"](#).

**CAUTION:**

**Do not reuse gasket.**



## DIFFERENTIAL GEAR OIL : Rear Final Drive - C200

INFOID:000000004414808

## DIFFERENTIAL GEAR OIL : Changing Differential Gear Oil

INFOID:000000004414809

## DRAINING

1. Stop engine.

A  
B  
C  
D  
E  
F  
G  
H  
I  
J  
K  
L  
M  
N  
O

MA

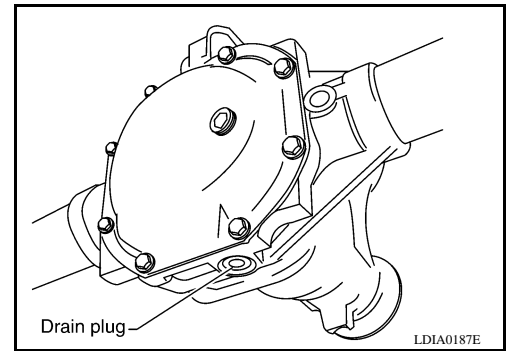
# CHASSIS AND BODY MAINTENANCE

## < ON-VEHICLE MAINTENANCE >

2. Remove the drain plug from the rear final drive assembly to drain the differential gear oil.
3. Install the drain plug with a new gasket to the rear final drive assembly. Tighten to the specified torque. Refer to [DLN-221, "Disassembly and Assembly"](#).

**CAUTION:**

**Do not reuse gasket.**

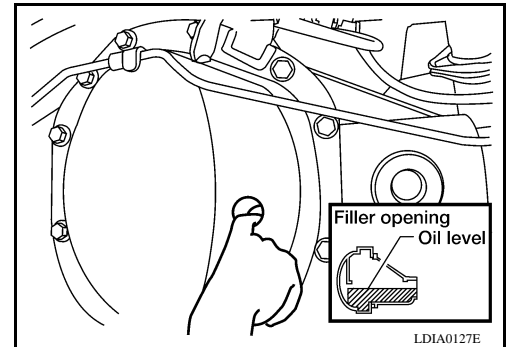


## FILLING

1. Remove the filler plug from the rear final drive assembly.
2. Fill the rear final drive assembly with new differential gear oil until the level reaches the specified level near the filler plug hole.

**Differential gear oil grade and capacity** : Refer to [MA-12, "Fluids and Lubricants"](#).

3. Install the filler plug with sealant applied on the threads to the rear final drive assembly. Tighten to the specified torque. Refer to [DLN-221, "Disassembly and Assembly"](#).
  - Use High Performance Thread Sealant or equivalent. Refer to [GI-25, "Recommended Chemical Products and Sealants"](#).



## DIFFERENTIAL GEAR OIL : Checking Differential Gear Oil

INFOID:000000004414810

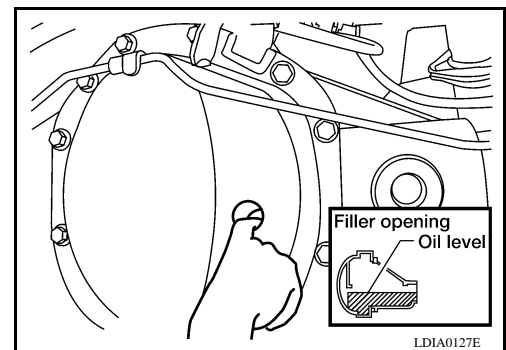
## DIFFERENTIAL GEAR OIL LEAKAGE AND LEVEL

1. Make sure that differential gear oil is not leaking from the rear final drive assembly or around it.
2. Check the differential gear oil level from the filler plug hole as shown.

**CAUTION:**

**Do not start engine while checking differential gear oil level.**

3. Install the filler plug with sealant applied on the threads to the rear final drive assembly. Tighten to the specified torque. Refer to [DLN-221, "Disassembly and Assembly"](#).
  - Use High Performance Thread Sealant or equivalent. Refer to [GI-25, "Recommended Chemical Products and Sealants"](#).



## DIFFERENTIAL GEAR OIL : Rear Final Drive - M226

INFOID:000000004414811

## DIFFERENTIAL GEAR OIL : Changing Differential Gear Oil

INFOID:000000004414812

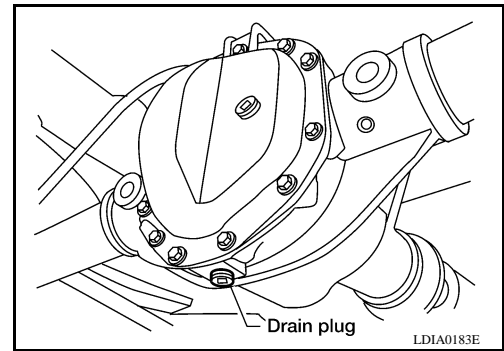
## DRAINING

1. Stop engine.

# CHASSIS AND BODY MAINTENANCE

## < ON-VEHICLE MAINTENANCE >

2. Remove the drain plug from the rear final drive assembly to drain the differential gear oil.
3. Install the drain plug with sealant applied on the threads to the rear final drive assembly. Tighten to the specified torque. Refer to [DLN-254, "Disassembly and Assembly"](#).
  - Use High Performance Thread Sealant or equivalent. Refer to [GI-25, "Recommended Chemical Products and Sealants"](#).

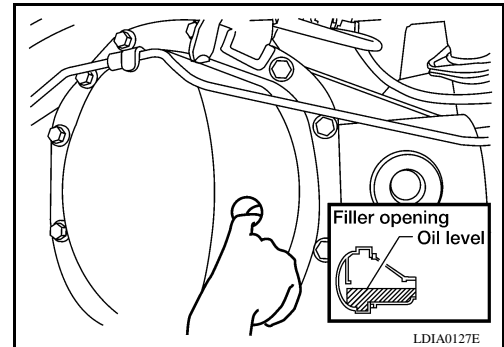


## FILLING

1. Remove the filler plug from the rear final drive assembly.
2. Fill the rear final drive assembly with new differential gear oil until the level reaches the specified level near the filler plug hole.

**Differential gear oil grade and capacity** : Refer to [MA-12, "Fluids and Lubricants"](#).

3. Install the filler plug with sealant applied on the threads to the rear final drive assembly. Tighten to the specified torque. Refer to [DLN-254, "Disassembly and Assembly"](#).
  - Use High Performance Thread Sealant or equivalent. Refer to [GI-25, "Recommended Chemical Products and Sealants"](#).



## DIFFERENTIAL GEAR OIL : Checking Differential Gear Oil

INFOID:000000004414813

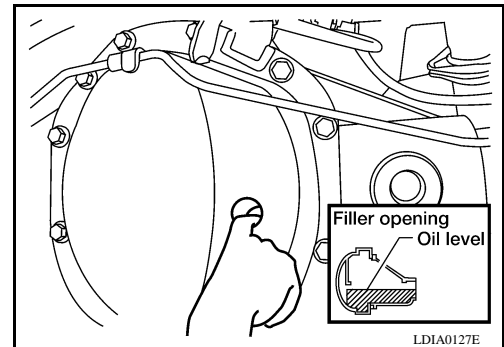
## DIFFERENTIAL GEAR OIL LEAKAGE AND LEVEL

1. Make sure that differential gear oil is not leaking from the rear final drive assembly or around it.
2. Check the differential gear oil level from the filler plug hole as shown.

### **CAUTION:**

**Do not start engine while checking differential gear oil level.**

3. Install the filler plug with sealant applied on the threads to the rear final drive assembly. Tighten to the specified torque. Refer to [DLN-254, "Disassembly and Assembly"](#).
  - Use High Performance Thread Sealant or equivalent. Refer to [GI-25, "Recommended Chemical Products and Sealants"](#).



## DIFFERENTIAL GEAR OIL : Rear Final Drive - M226 (ELD)

INFOID:000000004414816

## DIFFERENTIAL GEAR OIL : Changing Differential Gear Oil

INFOID:000000004414817

## DRAINING

1. Stop engine.

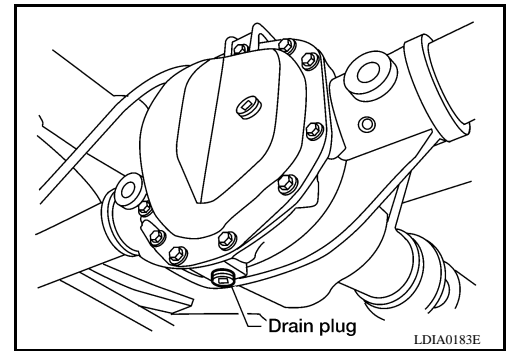
A  
B  
C  
D  
E  
F  
G  
H  
I  
J  
K  
L  
M  
N  
O

MA

# CHASSIS AND BODY MAINTENANCE

## < ON-VEHICLE MAINTENANCE >

2. Remove the drain plug from the rear final drive assembly to drain the differential gear oil.
3. Install the drain plug with sealant applied on the threads to the rear final drive assembly. Tighten to the specified torque. Refer to [DLN-328, "Disassembly and Assembly"](#).
  - Use High Performance Thread Sealant or equivalent. Refer to [GI-25, "Recommended Chemical Products and Sealants"](#)

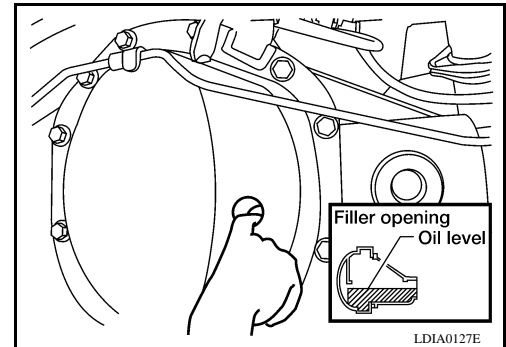


## FILLING

1. Remove the filler plug from the rear final drive assembly.
2. Fill the rear final drive assembly with new differential gear oil until the level reaches the specified level near the filler plug hole.

**Differential gear oil grade and capacity** : Refer to [MA-12, "Fluids and Lubricants"](#).

3. Install the filler plug with sealant applied on the threads to the rear final drive assembly. Tighten to the specified torque. Refer to [DLN-328, "Disassembly and Assembly"](#).
  - Use High Performance Thread Sealant or equivalent. Refer to [GI-25, "Recommended Chemical Products and Sealants"](#).



## DIFFERENTIAL GEAR OIL : Checking Differential Gear Oil

INFOID:000000004414818

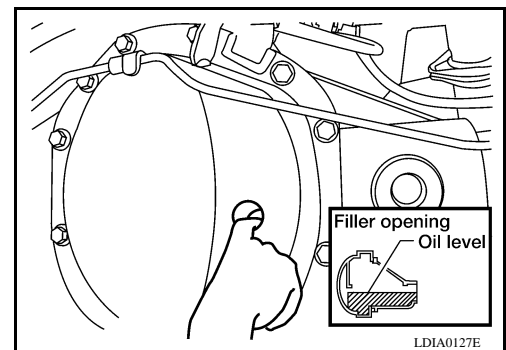
### DIFFERENTIAL GEAR OIL LEAKAGE AND LEVEL

1. Make sure that differential gear oil is not leaking from the rear final drive assembly or around it.
2. Check the differential gear oil level from the filler plug hole as shown.

#### **CAUTION:**

**Do not start engine while checking differential gear oil level.**

3. Install the filler plug with sealant applied on the threads to the rear final drive assembly. Tighten to the specified torque. Refer to [DLN-328, "Disassembly and Assembly"](#).
  - Use High Performance Thread Sealant or equivalent. Refer to [GI-25, "Recommended Chemical Products and Sealants"](#).



## WHEELS

### WHEELS : Balancing Wheels

INFOID:000000004414819

#### WHEEL BALANCE REMOVAL

1. Remove wheel and tire using power tool.
2. Using releasing agent, remove double-faced adhesive tape from the wheel.

#### **CAUTION:**

- **Be careful not to scratch the wheel during removal.**
- **After removing double-faced adhesive tape, wipe clean traces of releasing agent from the wheel.**

#### WHEEL BALANCE INSTALLATION AND ADJUSTMENT

- If a tire balance machine has adhesion balance weight mode settings and drive-in weight mode setting, select and adjust a drive-in weight mode suitable for wheels.

1. Set wheel on wheel balancer using the center hole as a guide. Start the tire balance machine.
2. When inner and outer imbalance values are shown on the wheel balancer indicator, multiply outer imbalance value by 1.6 to determine balance weight that should be used. Select the outer balance weight with



# CHASSIS AND BODY MAINTENANCE

## < ON-VEHICLE MAINTENANCE >

a value closest to the calculated value and install it to the designated outer position of, or at the designated angle in relation to the road wheel.

**CAUTION:**

- Do not install the inner balance weight before installing the outer balance weight.
- Before installing the balance weight, be sure to clean the mating surface of the wheel.

Indicated imbalance value  $\times 5/3 =$  balance weight to be installed

Calculation example:

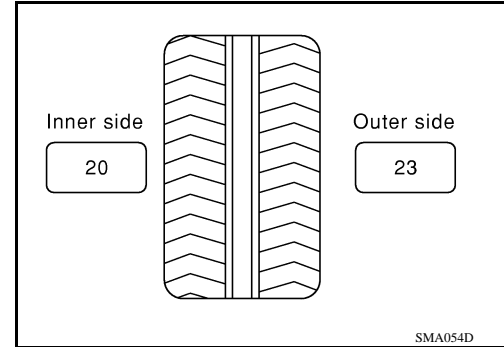
$23 \text{ g (0.81 oz)} \times 5/3 = 38.33 \text{ g (1.35 oz)} = 40 \text{ g (1.41 oz)}$  balance weight (closer to calculated balance weight value)

Note that balance weight value must be closer to the calculated balance weight value.

Example:

$37.4 \text{ g} = 35 \text{ g (1.23 oz)}$

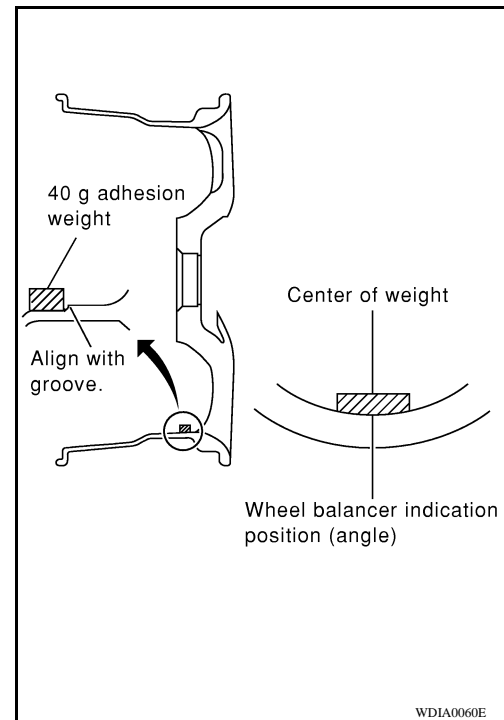
$37.5 \text{ g} = 40 \text{ g (1.41 oz)}$



- Install balance weight in the position shown.
- When installing balance weight to wheels, set it into the grooved area on the inner wall of the wheel as shown so that the balance weight center is aligned with the wheel balancer indication position (angle).

**CAUTION:**

- Always use Genuine NISSAN adhesion balance weights.
- Balance weights are not reusable; always replace with new ones.
- Do not install more than three sheets of balance weights.



- If calculated balance weight value exceeds 50 g (1.76 oz), install two balance weight sheets in line with each other as shown.

**CAUTION:**

Do not install one balance weight sheet on top of another.

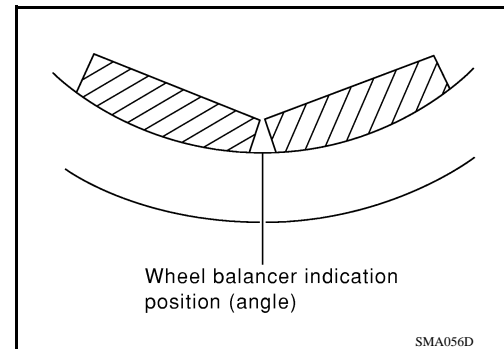
- Start wheel balancer again.
- Install drive-in balance weight on inner side of road wheel in the wheel balancer indication position (angle).

**CAUTION:**

Do not install more than two balance weights.

- Start wheel balancer. Make sure that inner and outer residual imbalance values are 5 g (0.18 oz) each or below.
  - If either residual imbalance value exceeds 5 g (0.18 oz), repeat installation procedures.

**Wheel balance (Maximum allowable imbalance):**



Maximum allowable imbalance	Dynamic (At rim flange)	5 g (0.18 oz) (one side)
	Static	10 g (0.35 oz)

A  
B  
C  
D  
E  
F  
G  
H  
I  
J  
K  
L  
M  
N  
O

MA

# CHASSIS AND BODY MAINTENANCE

< ON-VEHICLE MAINTENANCE >

## WHEELS : Rotation

INFOID:000000004414820

### NOTE:

Follow the maintenance schedule for tire rotation service intervals. Refer to [MA-5. "General Maintenance"](#).

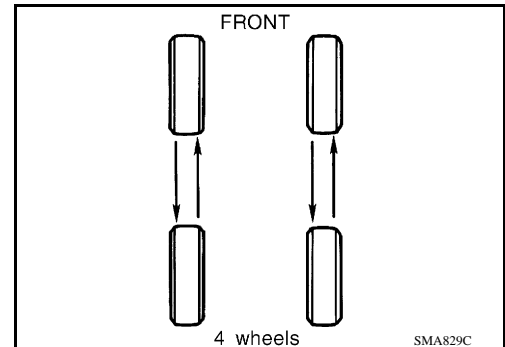
1. Remove wheels and tires.
2. Rotate wheels and tires on each side from front to back as shown. Do not include the spare wheel and tire when rotating the wheels and tires.

**Wheel nut : 133 N-m (14 kg-m, 98 ft-lb)**

### CAUTION:

**When installing wheels and tires, tighten them diagonally by dividing the work two to three times in order to prevent the wheels from developing any distortion.**

3. Adjust the tire pressure to specification. Refer to [WT-50. "Tire"](#).
4. After the wheel and tire rotation, retighten the wheel nuts after the vehicle has been driven for 1,000 km (600 miles), and also after any wheel and tire has been installed, such as after repairing a flat tire.



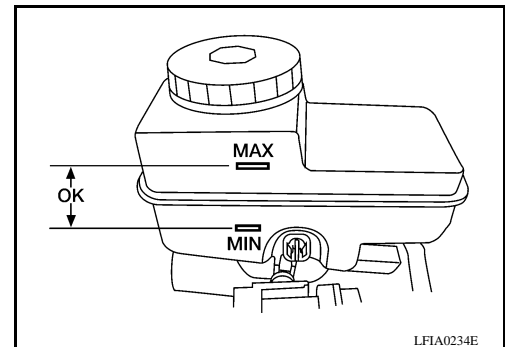
## BRAKE FLUID LEVEL AND LEAKS

### BRAKE FLUID LEVEL AND LEAKS : On Board Inspection

INFOID:000000004414821

#### LEVEL CHECK

- Check that the brake fluid level in the reservoir tank is within specification, between the MAX and MIN lines as shown.
- Visually check around reservoir tank for fluid leaks.
- If fluid level is excessively low, check brake system for leaks.
- If brake warning lamp remains illuminated after the parking brake pedal is released, check the brake system for any brake fluid leaks.



## BRAKE LINES AND CABLES

### BRAKE LINES AND CABLES : Checking Brake Line and Cables

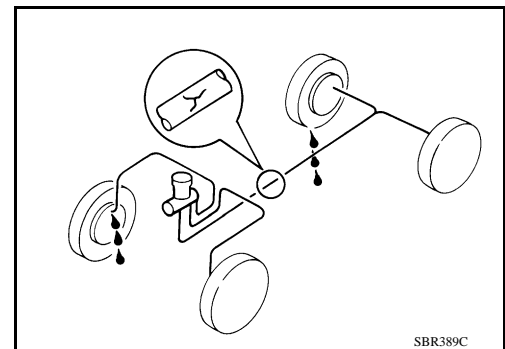
INFOID:000000004057195

1. Check the brake lines and hoses for cracks, deterioration, and other damage. Replace any damaged parts.

### CAUTION:

**If brake fluid leaks are visible around the brake line joints, retighten the joint, or replace damaged parts as necessary.**

2. Check for brake fluid leaks by fully depressing brake pedal while engine is running.



## DISC BRAKE

### DISC BRAKE : Checking Disc Brake

INFOID:000000004057196

#### ROTOR

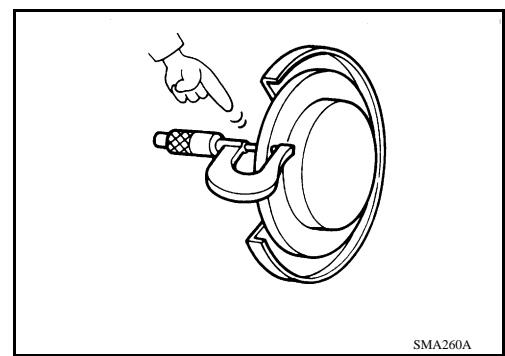
# CHASSIS AND BODY MAINTENANCE

## < ON-VEHICLE MAINTENANCE >

Check the condition of the rotor, and for any wear or damage. Repair or replace as necessary.

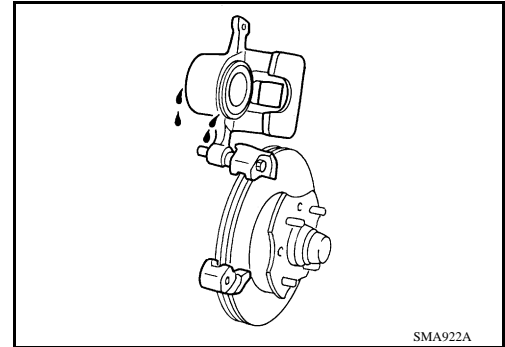
**Standard thickness** : Refer to [BR-56, "Front Disc Brake"](#), [BR-56, "Rear Disc Brake"](#).

**Repair limit thickness** : Refer to [BR-56, "Front Disc Brake"](#), [BR-56, "Rear Disc Brake"](#).



## CALIPER

Check for any fluid leakage. Repair as necessary.

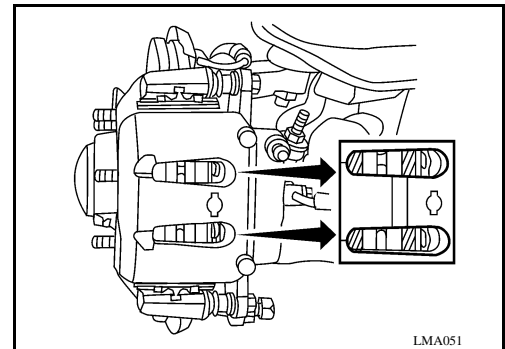


## PAD

Check for any wear or damage. Repair or replace as necessary.

**Standard thickness** : Refer to [BR-56, "Front Disc Brake"](#), [BR-56, "Rear Disc Brake"](#).

**Repair limit thickness** : Refer to [BR-56, "Front Disc Brake"](#), [BR-56, "Rear Disc Brake"](#).

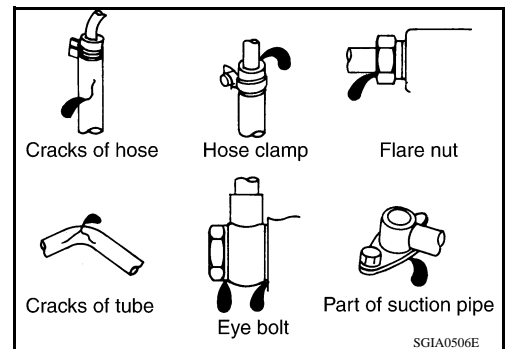


## STEERING GEAR AND LINKAGE

### STEERING GEAR AND LINKAGE : Checking Steering Gear and Linkage INFOID:000000004057197

#### STEERING GEAR

- Check the steering gear housing for looseness, damage and oil leakage as shown.
- Check the steering column connections for looseness.



#### STEERING LINKAGE

- Check the ball joint, dust cover and other component parts for looseness, wear, damage and grease leakage.

#### POWER STEERING FLUID AND LINES

A  
B  
C  
D  
E  
F  
G  
H  
I  
J  
K  
L  
M  
N  
O  
MA

# CHASSIS AND BODY MAINTENANCE

< ON-VEHICLE MAINTENANCE >

## POWER STEERING FLUID AND LINES : Checking Power Steering Fluid and Line

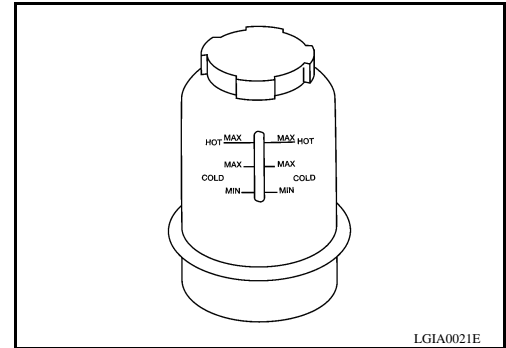
INFOID:000000004057198

### CHECKING FLUID LEVEL

- Check the power steering fluid level with the engine off.
- Check fluid level on reservoir. Use "HOT" range at fluid temperatures of 50° to 80°C (122° to 176°F). Use "COLD" range at fluid temperatures of 0° to 30°C (32° to 86°F).

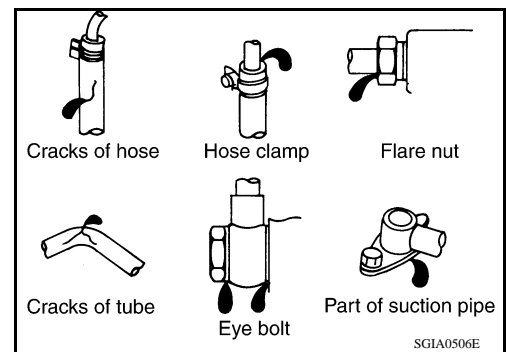
#### CAUTION:

- Do not overfill.
- Fill with the recommended fluid or equivalent. Refer to [MA-12](#), "[Fluids and Lubricants](#)".



### CHECKING LINES

- Check lines for improper attachment, leaks, cracks, damage, loose connections, chafing and deterioration.



## AXLE AND SUSPENSION PARTS

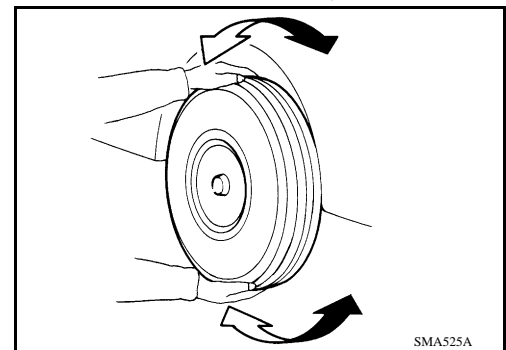
### AXLE AND SUSPENSION PARTS : Checking Axle and Suspension Parts

INFOID:000000004057199

#### FRONT AND REAR AXLE AND SUSPENSION PARTS

Check front and rear axle and suspension parts for excessive play, cracks, wear or other damage.

- Shake each wheel to check for excessive play.
- Rotate each wheel to check for abnormal noise.
- Check axle and suspension nuts and bolts for looseness.



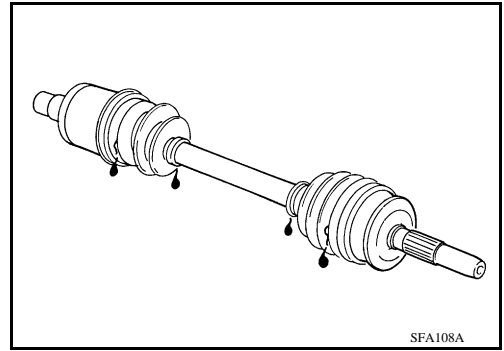
- Check the strut and shock absorber for oil leakage or other damage.
- Check suspension ball joints for grease leakage and ball joint dust cover for cracks or other damage.

### FRONT DRIVE SHAFT

# CHASSIS AND BODY MAINTENANCE

## < ON-VEHICLE MAINTENANCE >

Check the boots and drive shaft for cracks, wear, damage, and grease leakage.



## LOCKS, HINGES AND HOOD LATCH

A  
B  
C  
D  
E  
F  
G  
H  
I  
J  
K  
L  
M  
N  
O

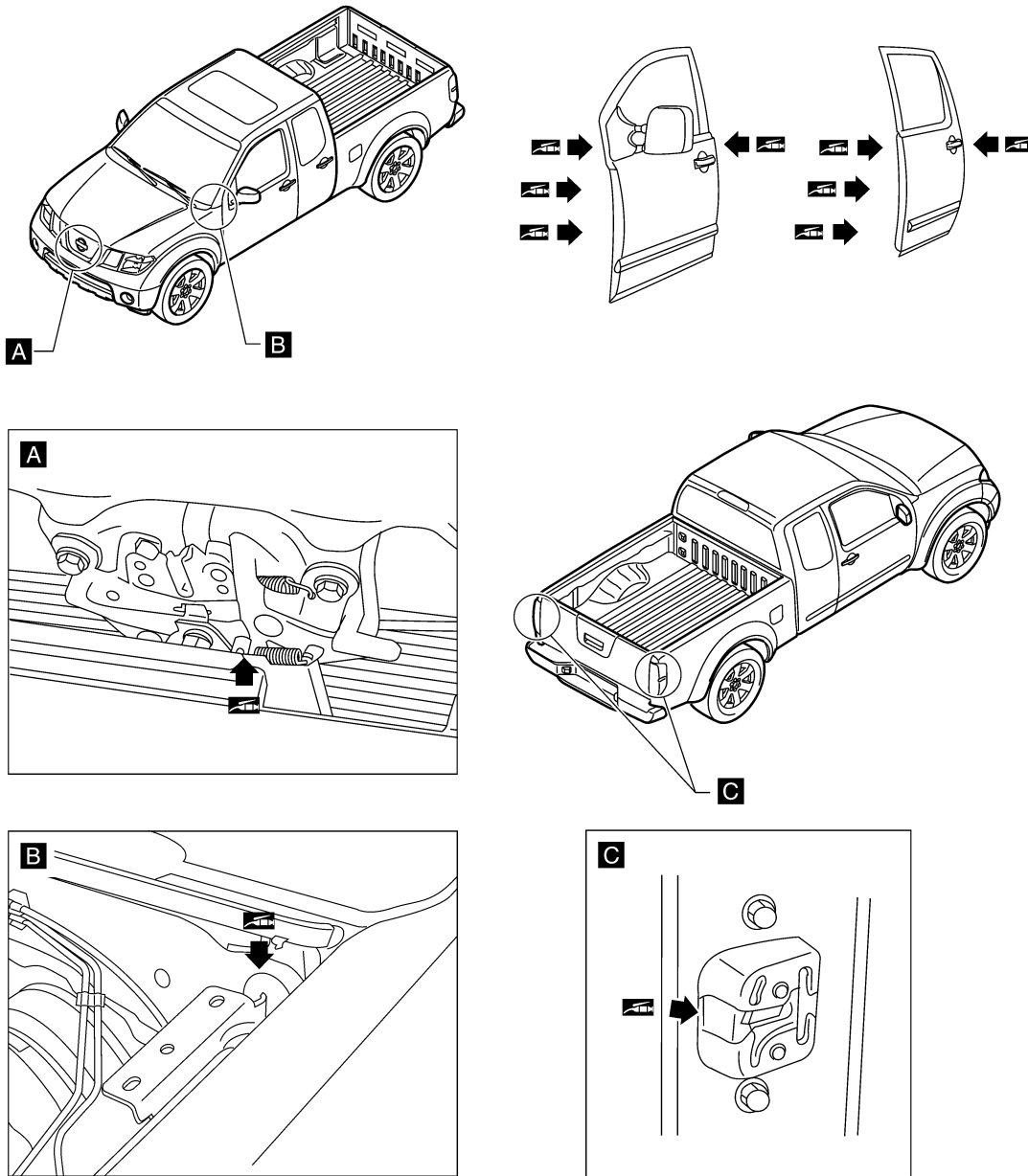
MA


# CHASSIS AND BODY MAINTENANCE

< ON-VEHICLE MAINTENANCE >

## LOCKS, HINGES AND HOOD LATCH : Lubricating Locks, Hinges and Hood Latches

INFOID:000000004057200



 : Multi-purpose grease

WLIA0025E

- Lubricate the locations shown. Refer to [MA-12, "Fluids and Lubricants"](#).

## SEAT BELT, BUCKLES, RETRACTORS, ANCHORS AND ADJUSTERS

### SEAT BELT, BUCKLES, RETRACTORS, ANCHORS AND ADJUSTERS : Checking Seat Belts, Buckles, Retractors, Anchors and Adjusters

INFOID:000000004057201

Check the seat belt buckles, webbing, retractors, anchors and adjusters. Replace any seat belt assembly as necessary. Refer to [SB-6, "Seat Belt Inspection"](#).

- Check the seat belt anchors for loose mounting bolts, damage, or excessive wear.
- Check the seat belt webbing for any damage, cuts, fraying, or excessive wear.
- Check the retractor for smooth operation.

## CHASSIS AND BODY MAINTENANCE

### < ON-VEHICLE MAINTENANCE >

- Check the function of the buckles by inserting the seat belt tongue and checking for proper engagement of the buckle and press the button on the buckle to check for proper release of the seat belt tongue.

**CAUTION:**

- After any collision, inspect all seat belt assemblies, including retractors and other attached components, such as the guide rail set. NISSAN recommends replacing all seat belt assemblies in use during a collision, unless they are not damaged and are inspected to confirm they are operating properly after a minor collision.

Also inspect all seat belt assemblies that are not in use during a collision, and replace any components if damaged or not operating properly. The seat belt pre-tensioner should be replaced even if the seat belts are not in use during a frontal collision where the driver and passenger air bags have been deployed.

- If any component of the seat belt assembly is suspected of being damaged or not operating properly, do not repair the component. Replace the components as an assembly.
- If the seat belt webbing is cut, frayed, or damaged then replace the seat belt assembly.
- Never lubricate the seat belt buckle or tongue.
- When replacing any seat belt assembly always use a Genuine NISSAN seat belt assembly.

A  
B  
C  
D  
E  
F  
G  
H  
I  
J  
K  
L  
M  
N  
O

MA