

SECTION **DLN**
DRIVELINE

A
B
C

DLN

CONTENTS

E

TRANSFER: TY21B

PRECAUTION	5	DIAGNOSIS SYSTEM (AWD CONTROL MODULE)	21
PRECAUTIONS	5	CONSULT Function	21
Precaution for Supplemental Restraint System (SRS) "AIR BAG" and "SEAT BELT PRE-TENSIONER"	5	ECU DIAGNOSIS INFORMATION	25
Precautions for Removing of Battery Terminal	5	AWD CONTROL MODULE	25
Service Notice or Precautions for Transfer	5	Reference Value	25
PREPARATION	7	Fail-safe	28
PREPARATION	7	Protection Function	30
Special Service Tools	7	DTC Inspection Priority Chart	31
Commercial Service Tools	8	DTC Index	31
SYSTEM DESCRIPTION	10	WIRING DIAGRAM	33
COMPONENT PARTS	10	AWD SYSTEM	33
Component Parts Location	10	Wiring Diagram	33
Component Description	11	BASIC INSPECTION	37
AWD Control Module	11	DIAGNOSIS AND REPAIR WORK FLOW	37
AWD Solenoid	11	Work Flow	37
Electric Controlled Coupling	11	Diagnostic Work Sheet	38
AWD Mode Switch	11	ADDITIONAL SERVICE WHEN REPLACING AWD CONTROL MODULE	40
AWD Warning Lamp	12	Description	40
AWD Mode Indicator Lamp	12	Work Procedure	40
Torque Distribution Indicator	12	UNIT CHARACTERISTICS WRITING	41
STRUCTURE AND OPERATION	14	Description	41
Sectional View	14	Work Procedure	41
Operation Principle	14	DTC/CIRCUIT DIAGNOSIS	42
SYSTEM	16	P1804, P1809 AWD CONTROL MODULE	42
AWD SYSTEM	16	DTC Logic	42
AWD SYSTEM : System Diagram	16	Diagnosis Procedure	42
AWD SYSTEM : System Description	17	P1808 WHEEL SPEED SENSOR	43
AWD SYSTEM : Torque Split Control	17	DTC Logic	43
AWD SYSTEM : Fail-safe	18	Diagnosis Procedure	43
AWD SYSTEM : Protection Function	20		

F

G

H

I

J

K

L

M

N

O

P

P1811 POWER SUPPLY CIRCUIT FOR AWD CONTROL MODULE	44	DTC Logic	44	DTC Logic	67
DTC Logic	44	Diagnosis Procedure	44	Diagnosis Procedure	67
Diagnosis Procedure	44	P183D SIDE G SENSOR	68	DTC Logic	68
P1813 AWD MODE SWITCH	46	DTC Logic	68	Diagnosis Procedure	68
DTC Logic	46	P183E YAW RATE SENSOR	69	DTC Logic	69
Diagnosis Procedure	46	DTC Logic	69	Diagnosis Procedure	69
Component Inspection	47	P183F GEAR POSITION SIGNAL	70	DTC Logic	70
P181B INCOMPLETE SELFSHUT	49	DTC Logic	70	Diagnosis Procedure	70
DTC Logic	49	P1840 OUTPUT SPEED SIGNAL	71	DTC Logic	71
Diagnosis Procedure	49	DTC Logic	71	Diagnosis Procedure	71
P181D ENGINE TORQUE SIGNAL	51	Diagnosis Procedure	71	P1864 INPUT SPEED SIGNAL	72
DTC Logic	51	DTC Logic	72	DTC Logic	72
Diagnosis Procedure	51	Diagnosis Procedure	72	Diagnosis Procedure	72
P181E STEERING ANGLE SENSOR	52	P1865 GEAR RATIO SIGNAL	73	DTC Logic	73
DTC Logic	52	DTC Logic	73	Diagnosis Procedure	73
Diagnosis Procedure	52	U1000 CAN COMM CIRCUIT	74	Description	74
P181F INCOMPLETE CALIBRATION	53	DTC Logic	74	DTC Logic	74
DTC Logic	53	Diagnosis Procedure	74	Diagnosis Procedure	74
Diagnosis Procedure	53	U1010 CONTROL UNIT (CAN)	75	Description	75
P1820 ENGINE SPEED SIGNAL	54	DTC Logic	75	DTC Logic	75
DTC Logic	54	Diagnosis Procedure	75	Diagnosis Procedure	75
Diagnosis Procedure	54	POWER SUPPLY AND GROUND CIRCUIT	76	Diagnosis Procedure	76
P1829 ACCELERATOR PEDAL POSITION SENSOR	55	DTC Logic	76	AWD WARNING LAMP	78
DTC Logic	55	Diagnosis Procedure	76	Component Function Check	78
Diagnosis Procedure	55	P182D AWD SOLENOID (LEFT)	56	Diagnosis Procedure	78
DTC Logic	56	DTC Logic	56	AWD MODE INDICATOR LAMP (AWD-V)	79
Diagnosis Procedure	56	Diagnosis Procedure	56	Component Function Check	79
Component Inspection	58	P182E AWD SOLENOID (RIGHT)	59	Diagnosis Procedure	79
DTC Logic	59	DTC Logic	59	AWD MODE INDICATOR LAMP (AWD)	80
Diagnosis Procedure	59	Diagnosis Procedure	59	Component Function Check	80
Component Inspection	61	P1830 ABS OPERATION SIGNAL	62	Diagnosis Procedure	80
DTC Logic	62	DTC Logic	62	SYMPTOM DIAGNOSIS	81
Diagnosis Procedure	62	P1831 VDC OPERATION SIGNAL	63	AWD WARNING LAMP DOES NOT TURN ON	81
DTC Logic	63	DTC Logic	63	... 81	
Diagnosis Procedure	63	P1832 TCS OPERATION SIGNAL	64	Description	81
DTC Logic	64	DTC Logic	64	Diagnosis Procedure	81
Diagnosis Procedure	64	P183B SOLENOID POWER SUPPLY	65	AWD WARNING LAMP DOES NOT TURN OFF	82
DTC Logic	65	DTC Logic	65	Description	82
Diagnosis Procedure	65	P183C DECEL G SENSOR	67		

Diagnosis Procedure	82	Adjustment	114	
HEAVY TIGHT-CORNER BRAKING SYMPTOM OCCURS	83	Inspection	114	A
Description	83	TRANSFER CASE	115	
Diagnosis Procedure	83	Exploded View	115	B
VEHICLE DOES NOT ENTER AWD MODE	84	Disassembly	116	
Description	84	Assembly	116	C
Diagnosis Procedure	84	Inspection	118	
AWD WARNING LAMP BLINKS QUICKLY	85	SERVICE DATA AND SPECIFICATIONS (SDS)	119	DLN
Description	85	SERVICE DATA AND SPECIFICATIONS (SDS)	119	
AWD WARNING LAMP BLINKS SLOWLY	86	General Specifications	119	E
Description	86	Preload Torque	119	
Diagnosis Procedure	86	Backlash	119	F
DECREASE IN TURNING PERFORMANCE	87	Companion Flange Runout	119	
Description	87	REAR PROPELLER SHAFT: 3F 16-ETJ75		
Diagnosis Procedure	87	PRECAUTION	120	G
NOISE, VIBRATION AND HARSHNESS (NVH) TROUBLESHOOTING	88	PRECAUTIONS	120	
NVH Troubleshooting Chart	88	Precautions for Removing of Battery Terminal	120	H
PERIODIC MAINTENANCE	89	Service Notice or Precautions for Rear Propeller Shaft	120	
TRANSFER OIL	89	SYMPTOM DIAGNOSIS	121	I
Inspection	89	NOISE, VIBRATION AND HARSHNESS (NVH) TROUBLESHOOTING	121	
Draining	89	NVH Troubleshooting Chart	121	J
Refilling	89	PERIODIC MAINTENANCE	122	
REMOVAL AND INSTALLATION	90	REAR PROPELLER SHAFT	122	K
AWD CONTROL MODULE	90	Inspection	122	
Exploded View	90	REMOVAL AND INSTALLATION	123	L
Removal and Installation	90	REAR PROPELLER SHAFT	123	
AWD MODE SWITCH	92	Exploded View	123	M
Removal and Installation	92	Removal and Installation	123	
UNIT REMOVAL AND INSTALLATION	93	Inspection	125	N
TRANSFER ASSEMBLY	93	SERVICE DATA AND SPECIFICATIONS (SDS)	127	
Exploded View	93	SERVICE DATA AND SPECIFICATIONS (SDS)	127	O
Removal and Installation	93	General Specifications	127	
Inspection	94	Propeller Shaft Runout	127	P
UNIT DISASSEMBLY AND ASSEMBLY	95	Journal Axial Play	127	
RING GEAR SHAFT	95	REAR FINAL DRIVE: RTVS		
Exploded View	95	PRECAUTION	128	
Disassembly	96	PRECAUTIONS	128	
Assembly	97	Precautions for Removing of Battery Terminal	128	
Adjustment	98	Service Notice or Precautions for Rear Final Drive	128	
Inspection	108			
DRIVE PINION	110			
Exploded View	110			
Disassembly	111			
Assembly	112			

PREPARATION	129	Exploded View	147
PREPARATION	129	Removal and Installation	147
Special Service Tools	129	UNIT REMOVAL AND INSTALLATION ...	149
Commercial Service Tools	131	REAR FINAL DRIVE ASSEMBLY	149
SYSTEM DESCRIPTION	133	Exploded View	149
STRUCTURE AND OPERATION	133	Removal and Installation	149
Sectional View	133	UNIT DISASSEMBLY AND ASSEMBLY ..	152
Electric controlled coupling	133	ELECTRIC CONTROLLED COUPLING	152
SYMPTOM DIAGNOSIS	134	Exploded View	152
NOISE, VIBRATION AND HARSHNESS		Disassembly	153
(NVH) TROUBLESHOOTING	134	Assembly	154
NVH Troubleshooting Chart	134	CENTER STEM ASSEMBLY	156
PERIODIC MAINTENANCE	135	Exploded View	156
REAR DIFFERENTIAL GEAR OIL	135	Disassembly	157
Inspection	135	Assembly	158
Draining	135	Adjustment	160
Refilling	135	Inspection	164
REMOVAL AND INSTALLATION	136	DRIVE PINION	166
FRONT OIL SEAL	136	Exploded View	166
Exploded View	136	Disassembly	167
Removal and Installation	136	Assembly	168
SIDE OIL SEAL	141	Adjustment	170
Exploded View	141	Inspection	171
Removal and Installation	141	SERVICE DATA AND SPECIFICATIONS	
ELECTRIC CONTROLLED COUPLING	143	(SDS)	173
Exploded View	143	SERVICE DATA AND SPECIFICATIONS	
Removal and Installation	143	(SDS)	173
ELECTRIC CONTROLLED COUPLING OIL		General Specification	173
SEAL	147	Drive Gear Runout	173
		Preload Torque	173
		Backlash	173
		Companion Flange Runout	173

PRECAUTION

PRECAUTIONS

Precaution for Supplemental Restraint System (SRS) "AIR BAG" and "SEAT BELT PRE-TENSIONER"

INFOID:000000009751038

The Supplemental Restraint System such as "AIR BAG" and "SEAT BELT PRE-TENSIONER", used along with a front seat belt, helps to reduce the risk or severity of injury to the driver and front passenger for certain types of collision. This system includes seat belt switch inputs and dual stage front air bag modules. The SRS system uses the seat belt switches to determine the front air bag deployment, and may only deploy one front air bag, depending on the severity of a collision and whether the front occupants are belted or unbelted. Information necessary to service the system safely is included in the "SRS AIR BAG" and "SEAT BELT" of this Service Manual.

WARNING:

Always observe the following items for preventing accidental activation.

- To avoid rendering the SRS inoperative, which could increase the risk of personal injury or death in the event of a collision that would result in air bag inflation, all maintenance must be performed by an authorized NISSAN/INFINITI dealer.
- Improper maintenance, including incorrect removal and installation of the SRS, can lead to personal injury caused by unintentional activation of the system. For removal of Spiral Cable and Air Bag Module, see "SRS AIR BAG".
- Never use electrical test equipment on any circuit related to the SRS unless instructed to in this Service Manual. SRS wiring harnesses can be identified by yellow and/or orange harnesses or harness connectors.

PRECAUTIONS WHEN USING POWER TOOLS (AIR OR ELECTRIC) AND HAMMERS

WARNING:

Always observe the following items for preventing accidental activation.

- When working near the Air Bag Diagnosis Sensor Unit or other Air Bag System sensors with the ignition ON or engine running, never use air or electric power tools or strike near the sensor(s) with a hammer. Heavy vibration could activate the sensor(s) and deploy the air bag(s), possibly causing serious injury.
- When using air or electric power tools or hammers, always switch the ignition OFF, disconnect the battery, and wait at least 3 minutes before performing any service.

Precautions for Removing of Battery Terminal

INFOID:0000000010288772

- When removing the 12V battery terminal, turn OFF the ignition switch and wait at least 30 seconds.

NOTE:

ECU may be active for several tens of seconds after the ignition switch is turned OFF. If the battery terminal is removed before ECU stops, then a DTC detection error or ECU data corruption may occur.

- For vehicles with the 2-batteries, be sure to connect the main battery and the sub battery before turning ON the ignition switch.

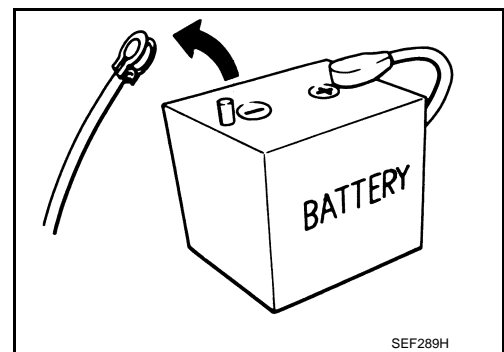
NOTE:

If the ignition switch is turned ON with any one of the terminals of main battery and sub battery disconnected, then DTC may be detected.

- After installing the 12V battery, always check "Self Diagnosis Result" of all ECUs and erase DTC.

NOTE:

The removal of 12V battery may cause a DTC detection error.



Service Notice or Precautions for Transfer

INFOID:000000009751039

- After overhaul refill the transfer with new transfer oil.
- Check the oil level or replace the oil only with the vehicle parked on level surface.
- During removal or installation, keep inside of transfer clear of dust or dirt.

A
B
C
DLN
E
F
G
H
I
J
K
L
M
N
O
P

PRECAUTIONS

[TRANSFER: TY21B]

< PRECAUTION >

- Replace all tires at the same time. Always use tires of the proper size and the same brand and pattern. Fitting improper size and unusual wear tires applies excessive force to vehicle mechanism and can cause longitudinal vibration.
- Disassembly should be done in a clean work area.
- Before proceeding with disassembly, thoroughly clean the transfer. It is important to prevent the internal parts from becoming contaminated by dirt or other foreign matter.
- Check for the correct installation status prior to removal or disassembly. If matching marks are required, be certain they do not interfere with the function of the parts when applied.
- All parts should be carefully cleaned with a general purpose, non-flammable solvent before inspection or reassembly.
- Check appearance of the disassembled parts for damage, deformation, and unusual wear. Replace them with a new one if necessary.
- Gaskets, seals and lock nuts should be replaced any time when the transfer is disassembled.
- When replacing the parts, use the genuine parts.
- In principle, tighten bolts or nuts gradually in several steps working diagonally from inside to outside. If tightening sequence is specified, use it.
- Observe the specified torque when assembling.
- Clean and flush the parts sufficiently and blow-dry them.
- Never damage sliding surfaces and mating surfaces.
- Use lint-free cloth or towels for wiping parts clean. Common shop rags can leave fibers that could interfere with the operation of the transfer.
- When loosening pinion lock nut, replace collapsible spacer.
- Dispose of the waste oil using the methods prescribed law, ordinance, etc., after replacing transfer oil.
- After removing transfer assembly from the vehicle, when replace transfer case oil seals (right and left).

NOTE:

Transfer case oil seals (right and left) cannot be replaced on vehicle, because there is not enough room.

PREPARATION

< PREPARATION >

[TRANSFER: TY21B]

PREPARATION

PREPARATION

Special Service Tools

INFOID:000000009751040

The actual shapes of Kent-Moore tools may differ from those of special service tools illustrated here.

Tool number (Kent-Moore No.) Tool name	Description
ST33200000 (J-26082) Drift a: 60 mm (2.36 in) dia. b: 44.5 mm (1.752 in) dia.	Removing inner race of ring gear bearing (right).
KV381054S0 (J-34286) Puller	<ul style="list-style-type: none"> Removing drive shaft oil seal. Removing drive pinion oil seal.
ST33230000 (J-25805-01) Drift a: 51 mm (2.01 in) dia. b: 41 mm (1.61 in) dia. c: 28.5 mm (1.122 in) dia.	<ul style="list-style-type: none"> Installing drive shaft oil seal. Installing outer race of pinion bearing (rear).
ST3127S000 (J-25765-A) Preload gauge	Measuring pinion bearing preload and total preload.
ST35272000 (J-26092) Drift a: 80 mm (3.15 in) dia. b: 38 mm (1.50 in) dia. c: 31 mm (1.22 in) dia.	Installing inner race of pinion bearing (front).
ST37830000 (—) Drift a: 39 mm (1.54 in) dia. b: 62 mm (2.44 in) dia.	Installing outer race of pinion bearing (front).

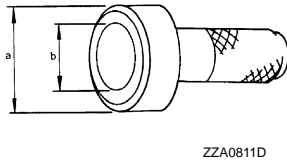
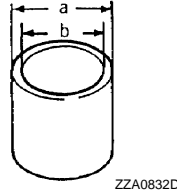
A
B
C
DLN
E
F
G
H
I
J
K
L
M
N
O
P

PREPARATION

< PREPARATION >

[TRANSFER: TY21B]

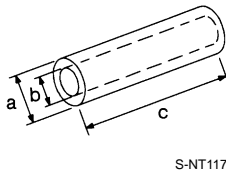
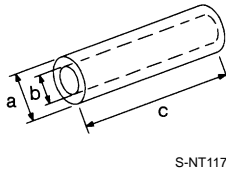
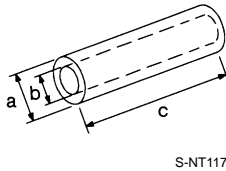
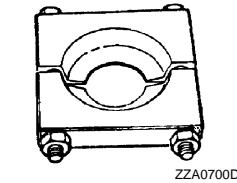
Tool number (Kent-Moore No.) Tool name	Description
ST27863000 (—) Drift a: 62 mm (2.44 in) dia. b: 52 mm (2.05 in) dia.	Installing transfer case oil seal (left).
ST35271000 (J-26091) Drift a: 72 mm (2.83 in) dia. b: 63 mm (2.48 in) dia.	Installing transfer case oil seal (right).



Commercial Service Tools

INFOID:000000009751041

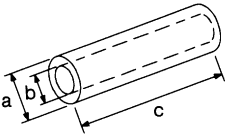
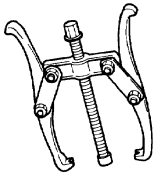
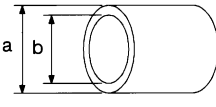
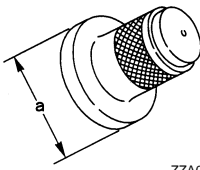
Tool name	Description
Replacer	<ul style="list-style-type: none"> Remove inner race of ring gear bearing (left). Remove inner race of ring gear bearing (right). Remove inner race of pinion bearing (front).
Drift a: 54 – 55 mm (2.13 – 2.17 in) dia. b: 51 – 52 mm (2.01 – 2.05 in) dia. c: 85 mm (3.35 in) or more	Install inner race of ring gear bearing (left).
Drift a: 64 – 66 mm (2.52 – 2.60 in) dia. b: 60 – 62 mm (2.36 – 2.44 in) dia. c: 50 mm (1.97 in) or more	Install inner race of ring gear bearing (right).
Drift a: 60 – 61 mm (2.36 – 2.40 in) dia. b: 57 – 58 mm (2.24 – 2.28 in) dia. c: 85 mm (3.35 in) or more	Compressing ring gear assembly with ring gear bearing.



PREPARATION

< PREPARATION >

[TRANSFER: TY21B]

Tool name	Description
<p>Drift a: 73 – 74 mm (2.87 – 2.91 in) dia. b: 70 – 71 mm (2.76 – 2.80 in) dia. c: 30 mm (1.18 in) or more</p>  <p style="text-align: center;">S-NT117</p>	<p>Compressing ring gear assembly with ring gear bearing.</p>
<p>Puller</p>  <p style="text-align: center;">ZZA0119D</p>	<p>Remove companion flange.</p>
<p>Drift a: 53 – 56 mm (2.09 – 2.13 in) dia. b: 48 – 51 mm (1.81 – 2.01 in) dia.</p>  <p style="text-align: center;">S-NT474</p>	<p>Installing drive pinion oil seal.</p>
<p>Drift a: 55 mm (2.17 in) dia. or more</p>  <p style="text-align: center;">ZZA0882D</p>	<p>Installing transfer case oil seal (left).</p>

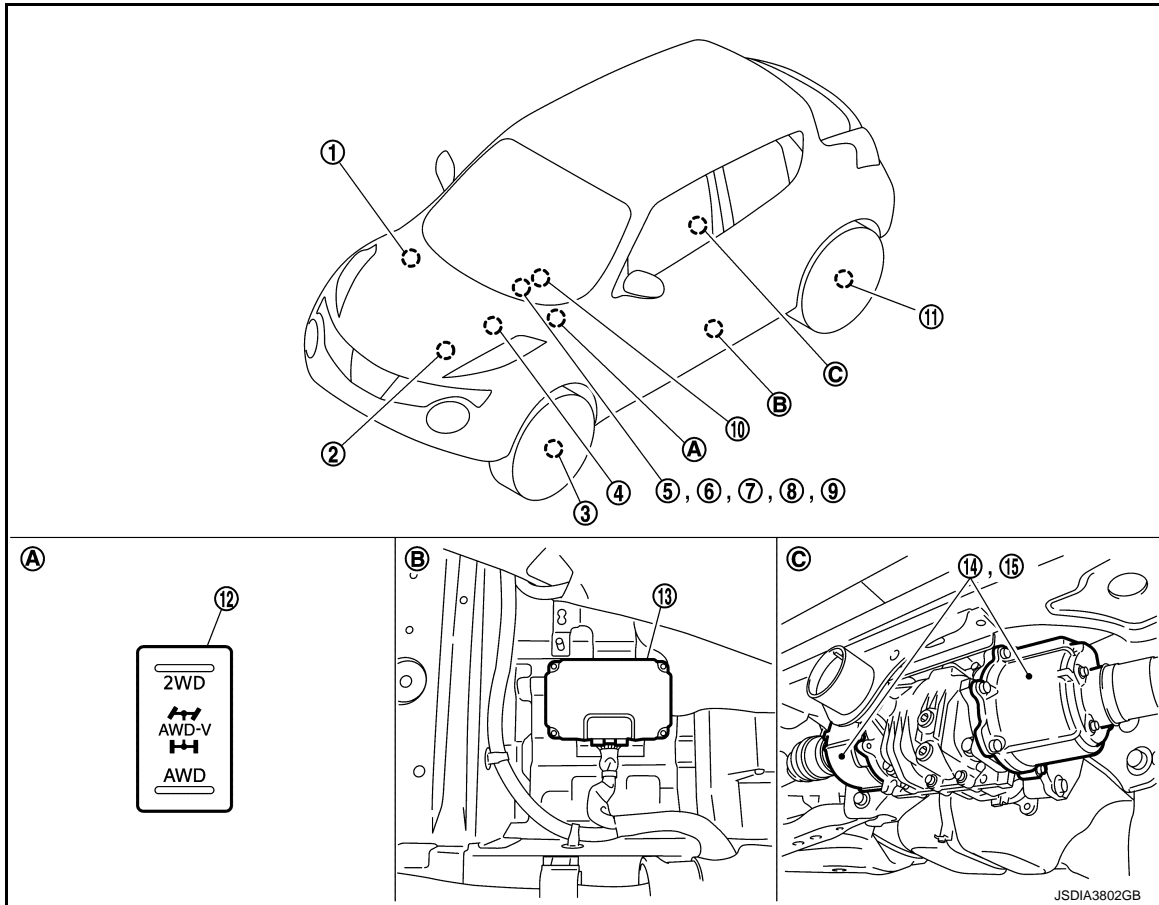
A
B
C
DLN
E
F
G
H
I
J
K
L
M
N
O
P

SYSTEM DESCRIPTION

COMPONENT PARTS

Component Parts Location

INFOID:000000009751042



- | | | |
|--|---|---|
| 1. ABS actuator and electric unit (control unit)
Refer to BRC-9, "Component Parts Location" . | 2. ECM
Refer to EC-14, "ENGINE CONTROL SYSTEM : Component Parts Location" . | 3. Front wheel sensor
Refer to BRC-9, "Component Parts Location" . |
| 4. TCM
Refer to TM-150, "CVT CONTROL SYSTEM : Component Parts Location" . | 5. Combination meter
Refer to MWI-5, "METER SYSTEM : Component Parts Location" . | 6. AWD warning lamp
(In combination meter) |
| 7. AWD mode indicator lamp (AWD-V)
(In combination meter) | 8. AWD mode indicator lamp (AWD)
(In combination meter) | 9. Torque distribution indicator
(In combination meter) |
| 10. Steering angle sensor
Refer to BRC-9, "Component Parts Location" . | 11. Rear wheel sensor
Refer to BRC-9, "Component Parts Location" . | 12. AWD mode switch |
| 13. AWD control module | 14. AWD solenoid
(Inside rear final drive) | 15. Electric controlled coupling
(Inside rear final drive) |
| A. Instrument driver lower panel | B. Under front (left side) seat | C. Rear final drive |

COMPONENT PARTS

< SYSTEM DESCRIPTION >

[TRANSFER: TY21B]

Component Description

INFOID:000000009751043

Component parts	Reference/Function
AWD control module	DLN-11, "AWD Control Module"
AWD solenoid	DLN-11, "AWD Solenoid"
Electric controlled coupling	DLN-11, "Electric Controlled Coupling"
AWD mode switch	DLN-11, "AWD Mode Switch"
AWD warning lamp	DLN-12, "AWD Warning Lamp"
AWD mode indicator lamp (AWD-V, AWD)	DLN-12, "AWD Mode Indicator Lamp"
Torque distribution indicator	DLN-12, "Torque Distribution Indicator"
ABS actuator and electric unit (control unit)	Transmits/receives the signals for control of AWD system via CAN communication line to/from AWD control module. For transmitting/receiving mainly signals, refer to DLN-16, "AWD SYSTEM : System Diagram" .
Wheel sensor	BRC-11, "Wheel Sensor and Sensor Rotor"
Yaw rate/side/decel G sensor	BRC-13, "Yaw Rate/Side/Decel G Sensor"
ECM	Transmits/receives the signals for control of AWD system via CAN communication line to/from AWD control module. For transmitting/receiving mainly signals, refer to DLN-16, "AWD SYSTEM : System Diagram" .
Accelerator pedal position sensor	EC-20, "Accelerator Pedal Position Sensor"
TCM	Transmits/receives the signals for control of AWD system via CAN communication line to/from AWD control module. For transmitting/receiving mainly signals, refer to DLN-16, "AWD SYSTEM : System Diagram" .
Combination meter	Transmits/receives the signals for control of AWD system via CAN communication line to/from AWD control module. For transmitting/receiving mainly signals, refer to DLN-16, "AWD SYSTEM : System Diagram" .
Steering angle sensor	Transmits/receives the signals for control of AWD system via CAN communication line to/from AWD control module. For transmitting/receiving mainly signals, refer to DLN-16, "AWD SYSTEM : System Diagram" .

AWD Control Module

INFOID:000000009751044

- AWD control module controls driving force distribution by signals from each sensor from front wheel driving mode (100:0) to 4-wheel driving mode (50:50).
- Driving torque between both rear wheels is automatically controlled between 100:0 and 0:100 during acceleration and cornering.
- Make the vehicle fail-safe condition if malfunction is detected in AWD system. For fail-safe function, refer to [DLN-28, "Fail-safe"](#).
- AWD actuator relay is integrated with AWD control module, and supplies AWD solenoid with voltage.
- Self-diagnosis can be done with CONSULT.

AWD Solenoid

INFOID:000000009751045

AWD solenoid is integrated with each electric controlled coupling, and controls electric controlled couplings by command current from AWD control module.

Electric Controlled Coupling

INFOID:000000009751046

Electric controlled couplings are integrated with rear final drive and transmits driving force to rear drive shaft. For operation, refer to [DLN-14, "Operation Principle"](#).

AWD Mode Switch

INFOID:000000009751047

- AWD mode is selectable among 2WD, AWD-V, and AWD by operating the AWD mode switch while the ignition switch is ON or the engine is running.
- Tilting the switch to the 2WD/AWD side allows mode selection between 2WD and AWD. To switch mode to AWD-V, simply position the switch in AWD-V (neutral position).

COMPONENT PARTS

< SYSTEM DESCRIPTION >

[TRANSFER: TY21B]

AWD Warning Lamp

INFOID:000000009751048

- After the AWD system is activated, the AWD warning lamp turns OFF during front and rear wheels driving torque distribution.
- After the AWD system is deactivated by fail-safe function and torque distribution of front and rear wheels is stopped, the AWD warning lamp turns ON to indicate that the state is in 2WD.

NOTE:

The AWD warning lamp does not turn ON when only torque distribution of both rear wheels is stopped by the fail-safe function.

- The AWD warning lamp blinks to indicate that the state is in 2WD when the AWD system is temporarily stopped by the protection function.
- Also turns ON when ignition switch is turned ON, for the purpose of lamp check. Turns OFF after the engine starts if system is normal.

Condition	AWD warning lamp
Lamp check	Turns ON when ignition switch is turned ON. (Turns OFF approx. 1 second after the engine start.)
AWD system is malfunction	ON*
Protection function is activated due to heavy load to electric controlled coupling. (AWD system is not malfunctioning and AWD system changes to front wheel drive.)	Quick blinking: 2 times/second (Blinking in approx. 1 minute and then turning OFF)
Large difference in diameter of front/rear tires	Slow blinking: 1 time/2 seconds (Continuing to blink until turning ignition switch OFF)
Other than above (System is normal)	OFF

*: The AWD warning lamp does not turn ON when only torque distribution of both rear wheels is stopped.

NOTE:

AWD warning lamp also turns ON due to data reception error, CAN communication error etc.

AWD Mode Indicator Lamp

INFOID:000000009751049

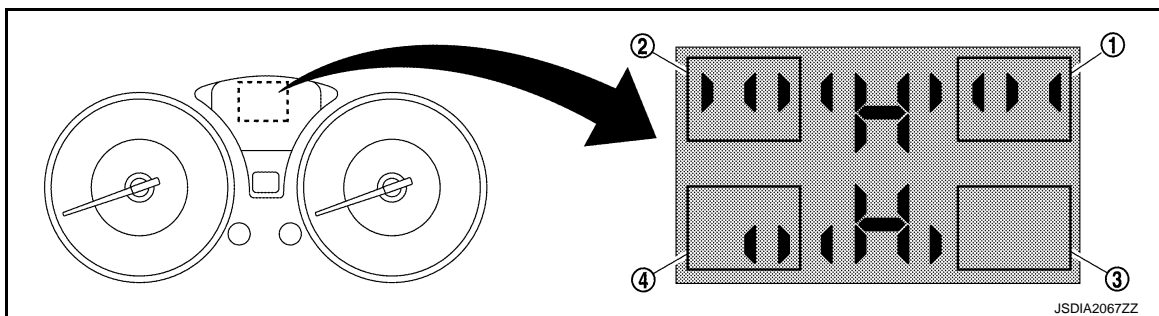
The following is the indications of AWD mode indicator lamp.

Condition	AWD mode indicator lamp	
	AWD-V	AWD
Lamp check	—	Turns ON when ignition switch is turned ON for approx. 1 second and then turns OFF.
2WD mode	OFF	OFF
AWD-V mode	ON	OFF
AWD mode	OFF	ON

Torque Distribution Indicator

INFOID:000000009751050

- Torque distribution indicator is displayed when the ODO/TRIP indication on the combination meter is switched.
- The number of bars shows driving force distributed to each tire. (Maximum bars: 3)



COMPONENT PARTS

< SYSTEM DESCRIPTION >

[TRANSFER: TY21B]

-
- | | | | |
|------------------------------------|-----------------------------------|-----------------------------------|---|
| 1. Front right side driving torque | 2. Front left side driving torque | 3. Rear right side driving torque | A |
| 4. Rear left side driving torque | | | |

NOTE:

The driving force distribution may not match actual one. This is not a system malfunction.

A
B
C
DLN
E
F
G
H
I
J
K
L
M
N
O
P

STRUCTURE AND OPERATION

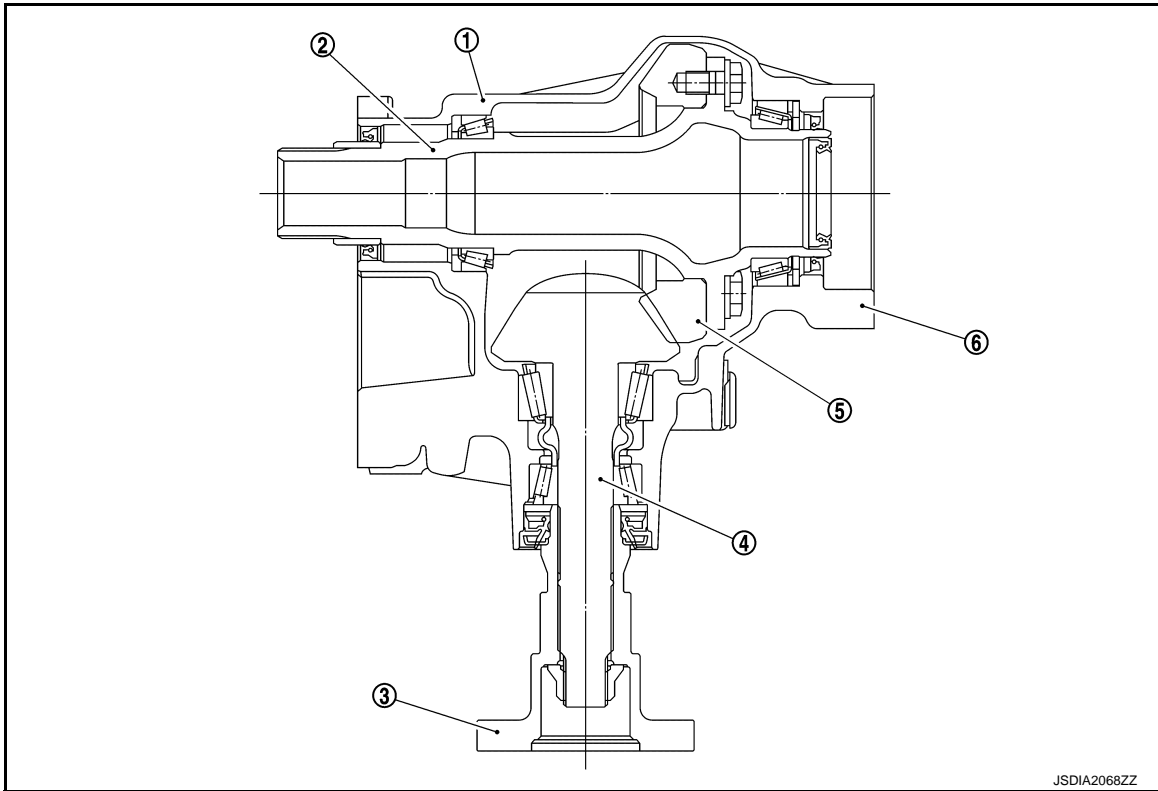
< SYSTEM DESCRIPTION >

[TRANSFER: TY21B]

STRUCTURE AND OPERATION

Sectional View

INFOID:000000009751051

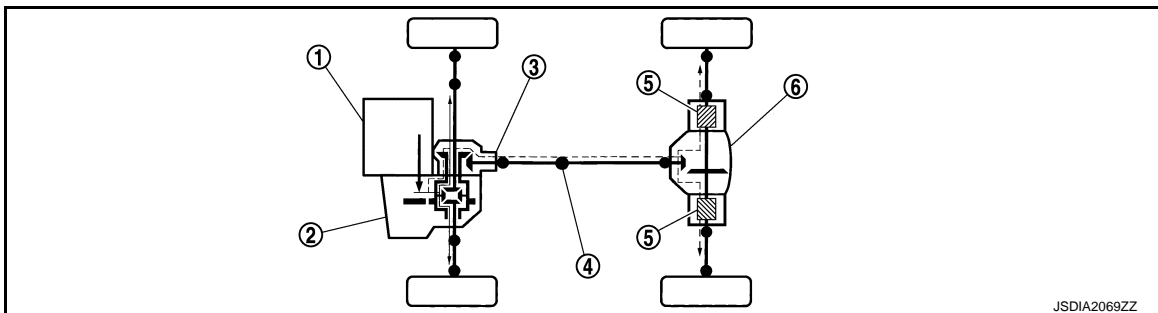


- | | | |
|-------------------|--------------------|---------------------|
| 1. Transfer cover | 2. Ring gear shaft | 3. Companion flange |
| 4. Drive pinion | 5. Ring gear | 6. Transfer case |

Operation Principle

INFOID:000000009751052

POWER TRANSFER DIAGRAM



- | | | |
|--------------------|---------------------------------|---------------------|
| 1. Engine | 2. Transaxle | 3. Transfer |
| 4. Propeller shaft | 5. Electric controlled coupling | 6. Rear final drive |

ELECTRIC CONTROLLED COUPLING

STRUCTURE AND OPERATION

< SYSTEM DESCRIPTION >

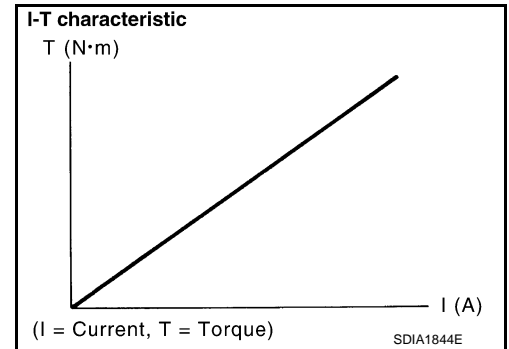
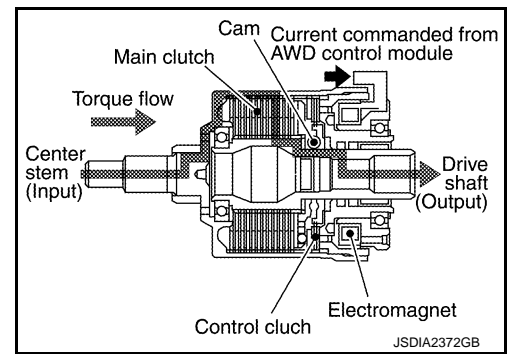
[TRANSFER: TY21B]

1. The AWD control module supplies command current to each electric controlled coupling (AWD solenoid).
2. Each of control clutch is engaged by electromagnet and torque is detected in control clutch.
3. The cam operates in response to control clutch torque and applies pressure to main clutch.
4. Each of main clutch transmits torque to right and left rear wheels according to pressing power.

NOTE:

Change each pressing power according to AWD mode status and cornering conditions.

- Transmission torque to the right and left rear wheels is determined according to command current.



A

B

C

DLN

E

F

G

H

I

J

K

L

M

N

O

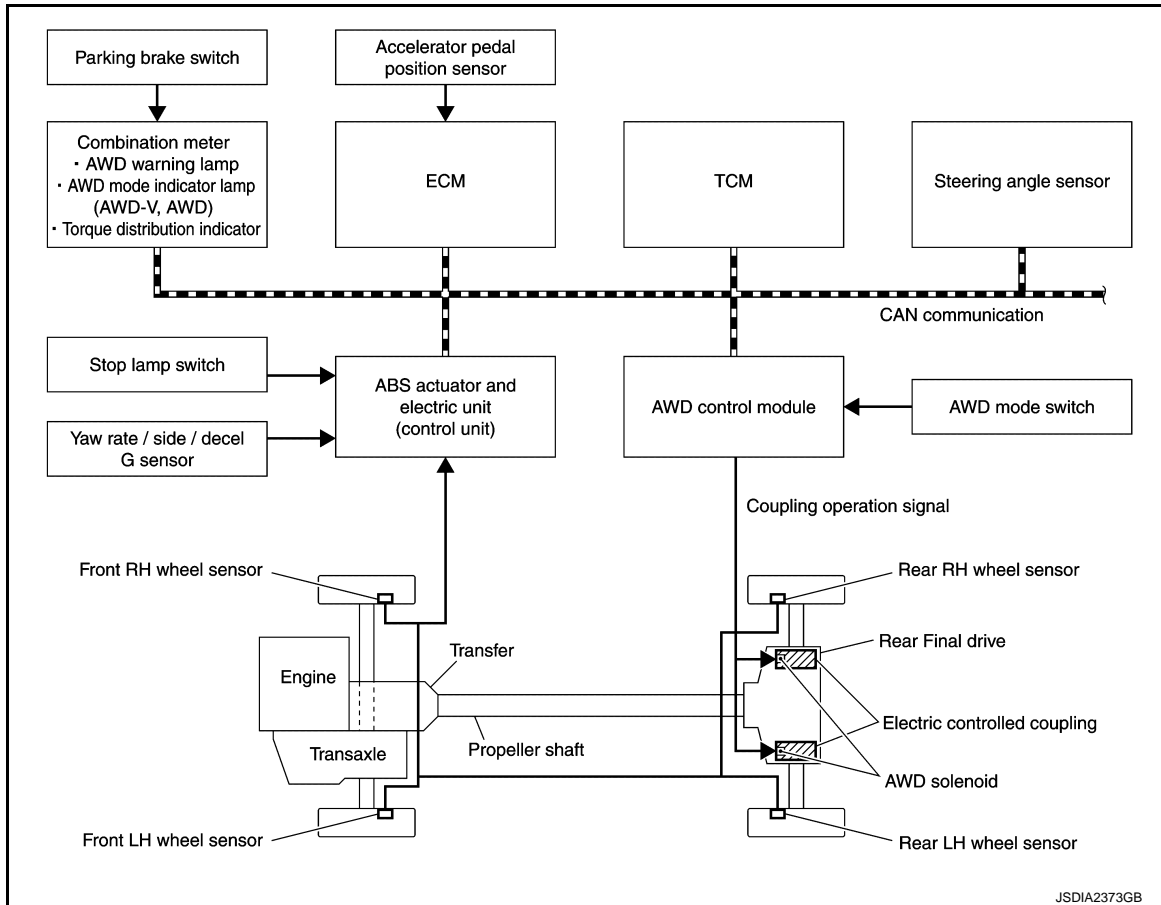
P

SYSTEM

AWD SYSTEM

AWD SYSTEM : System Diagram

INFOID:000000009751053



JSDIA2373GB

INPUT/OUTPUT SIGNAL

It transmits/receives each signal from the following AWD control module via CAN communication line.

Component parts	Signal item
ABS actuator and electric unit (control unit)-	Mainly transmits the following signals via CAN communication line to AWD control module. <ul style="list-style-type: none"> • Vehicle speed signal (ABS) • Stop lamp switch signal (brake signal) • Yaw rate signal • Side G sensor signal • Decel G sensor signal
ECM	Mainly transmits the following signals via CAN communication line to AWD control module. <ul style="list-style-type: none"> • Accelerator pedal position signal • Engine speed signal • Engine torque signal
TCM	Mainly transmits the following signals via CAN communication line to AWD control module. <ul style="list-style-type: none"> • Next gear position signal • Current gear position signal • Input shaft revolutionary signal • Output shaft revolutionary signal • CVT ratio signal

SYSTEM

< SYSTEM DESCRIPTION >

[TRANSFER: TY21B]

Component parts	Signal item
Combination meter	Mainly transmits the following signals via CAN communication line to AWD control module. <ul style="list-style-type: none"> • Parking brake switch signal
	Mainly receives the following signals via CAN communication line from AWD control module. <ul style="list-style-type: none"> • AWD warning lamp signal • AWD mode indicator lamp signal • Torque distribution indicator signal
Steering angle sensor	Mainly transmits the following signals via CAN communication line to AWD control module. <ul style="list-style-type: none"> • Steering angle sensor signal

A
B
C
DLN

AWD SYSTEM : System Description

INFOID:000000009751054

- AWD mode is selectable among 2WD, AWD-V, and AWD by operating the AWD mode switch.
- When judging driving conditions and road surface conditions based on signals transmitted from each sensor and switch, the AWD system automatically controls torque distribution of front and rear wheels and both front wheels, depending on the situation.
- In accordance with fail-safe function, when system is malfunctioning, AWD control stops, and the system becomes front wheel drive. Refer to [DLN-18, "AWD SYSTEM : Fail-safe"](#).
- When a high load status continues for electric controlled coupling, AWD control temporarily becomes front wheel drive, according to protection function. Refer to [DLN-20, "AWD SYSTEM : Protection Function"](#).

E
F
G

AWD SYSTEM : Torque Split Control

INFOID:000000009751055

2WD mode

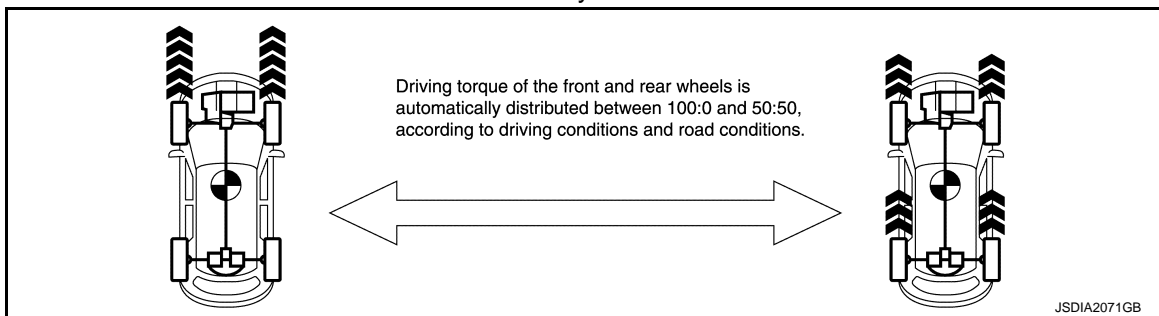
- Vehicle is in front-wheel drive.

AWD-V mode

Normal Control

- Pressing force of multiple disc clutch is controlled by electric control. Driving torque distribution of front and rear wheels changes automatically between approximately 100 : 0 (Front wheel drive) and 50 : 50 (AWD) to have an optimized torque distribution adapted to road condition change.
- When slip occurs on front wheel, distribute optimum torque to rear wheel and keep stable driving.
- On roads which do not require AWD, it contributes to improved fuel economy by driving in conditions close to front-wheel drive and it results in better fuel efficiency.

H
I
J
K



L
M
N

Cornering Control

- Torque between both rear wheels is automatically changed between 100 : 0 and 0 : 100 for distributing optimum torque that depends on the driving conditions and road surface conditions.
- Producing a difference between both rear wheels enables sporty and smooth handling.

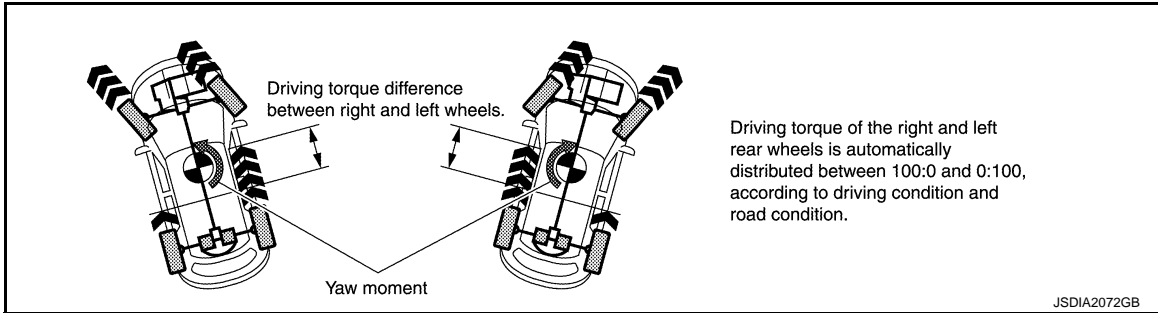
O
P

SYSTEM

< SYSTEM DESCRIPTION >

[TRANSFER: TY21B]

- The vehicle cornering status is judged according to information from each sensor, and the optimum torque is distributed to rear wheels for preventing tight cornering/braking symptom.



AWD mode

- The AWD mode controls torque for obtaining suitable torque for driving on slippery roads (e.g. snow-covered roads) and provides more stable driving, compared to AWD-V.

AWD SYSTEM : Fail-safe

INFOID:000000009751056

When a system malfunction occurs, the AWD warning lamp turns ON and the AWD control becomes 2WD state.

Detected DTC	Possible cause	AWD warning lamp status	Vehicle condition
P1804	Internal malfunction of AWD control module	OFF	Normal control continues.
P1808	<ul style="list-style-type: none"> ABS actuator and electric unit (control unit) - Malfunction of ABS actuator and electric unit (control unit) circuit error - Wheel speed sensor error AWD control module CAN communication line 	ON	Front and rear distribution control stops.
P1809	Internal malfunction of AWD control module		
P1811	<ul style="list-style-type: none"> Malfunction of AWD control module power supply circuit (open or short) Malfunction of AWD control module Battery 		
P1813	<ul style="list-style-type: none"> AWD mode switch - Internal malfunction of AWD mode switch - Malfunction of AWD mode switch circuit AWD control module 		
P181B	Self-shut of AWD control module is incomplete.	OFF	Normal control continues.
P181D	<ul style="list-style-type: none"> ECM AWD control module CAN communication line 	ON	Front and rear distribution control stops. NOTE: The state becomes AWD only when a turning difference occurs between front and rear wheels.
P181E	<ul style="list-style-type: none"> Steering angle sensor - Steering angle sensor error - Malfunction of steering angle sensor circuit Malfunction of AWD control module CAN communication line 	OFF	Right and left rear wheels difference control stops.
P181F	Writing unit characteristics is incomplete.	ON	Front and rear distribution control stops.
P1820	<ul style="list-style-type: none"> ECM AWD control module CAN communication line 	OFF	Normal control continues.

SYSTEM

< SYSTEM DESCRIPTION >

[TRANSFER: TY21B]

Detected DTC	Possible cause	AWD warning lamp status	Vehicle condition	A
P1829	<ul style="list-style-type: none"> • ECM • AWD control module • CAN communication line 	ON	Front and rear distribution control stops.	B
P182D	<ul style="list-style-type: none"> • Internal malfunction of electric controlled coupling (left) • Malfunction of AWD solenoid (left) power supply circuit (open or short) • Malfunction of AWD control module 			C
P182E	<ul style="list-style-type: none"> • Internal malfunction of electric controlled coupling (right) • Malfunction of AWD solenoid (right) power supply circuit (open or short) • Malfunction of AWD control module 			DLN
P1830	<ul style="list-style-type: none"> • ABS actuator and electric unit (control unit) • AWD control module • CAN communication line 	OFF	Normal control continues.	E
P1831	<ul style="list-style-type: none"> • ABS actuator and electric unit (control unit) • AWD control module • CAN communication line 			F
P1832	<ul style="list-style-type: none"> • ABS actuator and electric unit (control unit) • AWD control module • CAN communication line 			G
P183B	<ul style="list-style-type: none"> • Malfunction of AWD solenoid power supply circuit • Malfunction of AWD control module • Malfunction of AWD control module power supply circuit (open or short) • Battery 	ON	Front and rear distribution control stops.	H
P183C	<ul style="list-style-type: none"> • ABS actuator and electric unit (control unit) • Yaw rate/side/decel G sensor (Decel G sensor signal) • AWD control module • CAN communication line 	OFF	Right and left rear wheels difference control stops.	I
P183D	<ul style="list-style-type: none"> • ABS actuator and electric unit (control unit) • Yaw rate/side/decel G sensor (Side G sensor signal) • AWD control module • CAN communication line 			J
P183E	<ul style="list-style-type: none"> • ABS actuator and electric unit (control unit) • Yaw rate/side/decel G sensor (Yaw rate signal) • AWD control module • CAN communication line 			K
P183F	<ul style="list-style-type: none"> • Sensor related to CVT • TCM • AWD control module • CAN communication line 			L
P1840	<ul style="list-style-type: none"> • Sensor related to CVT • TCM • AWD control module • CAN communication line 	OFF	Right and left rear wheels difference control stops.	M
P1864	<ul style="list-style-type: none"> • Sensor related to CVT • TCM • AWD control module • CAN communication line 			N
P1865	<ul style="list-style-type: none"> • Sensor related to CVT • TCM • AWD control module • CAN communication line 			O
U1000	CAN communication error	ON	Front and rear distribution control stops.	P
U1010	Internal malfunction of AWD control module			

SYSTEM

< SYSTEM DESCRIPTION >

[TRANSFER: TY21B]

AWD SYSTEM : Protection Function

INFOID:00000009751057

AWD system activates its protection function (shuts down AWD system temporarily) if AWD system detects high load continuously, the front wheel tire size differs from the rear tire size or the rear right wheel tire size differs from the rear left tire size. (AWD system is automatically restored if AWD system no longer detects any overload or the tire size difference is eliminated.)

Detected DTC	Warning lamp	Possible cause	Vehicle condition
—	Quick blinking ^{*1}	Turning difference remains between front and rear wheels or between right and left rear wheels, resulting in an oil temperature rise in drive train related parts. NOTE: It is not malfunction.	Shuts down AWD system temporarily
—	Slow blinking ^{*2}	Malfunction in each tire or different tire diameter	

*1: 2 times/second (blinking for approximately 1 minute and then turned OFF)

*2: 1 time/2 seconds (continuing to blink until ignition switch is turned OFF)

NOTE:

- If the warning lamp blinks slowly during driving but remains OFF after the engine is restarted, the system is normal. If it again blinks slowly after driving for some time, vehicle must be inspected.
- When there is a difference of revolution speed between the front and rear wheel the shift occasionally changes to direct 4-wheel driving conditions automatically. This is not a malfunction.

DIAGNOSIS SYSTEM (AWD CONTROL MODULE)

< SYSTEM DESCRIPTION >

[TRANSFER: TY21B]

DIAGNOSIS SYSTEM (AWD CONTROL MODULE)

CONSULT Function

INFOID:000000009751058

APPLICATION ITEMS

CONSULT can display each diagnostic item using the diagnostic test modes as follows.

Diagnostic test mode	Function
ECU Identification	AWD control module part number can be read.
Self Diagnostic Result	Self-diagnostic results and freeze frame data can be read and erased quickly.*
Data Monitor	Input/Output data in the AWD control module can be read.
Active Test	Diagnostic Test Mode in which CONSULT drives some actuators apart from the AWD control module and also shifts some parameters in a specified range.
Work support	This mode enable a technician to adjust some devices faster and more accurately by following the indication on the CONSULT.

*: The following diagnosis information is erased by erasing.

- DTC
- Freeze frame data (FFD)

ECU IDENTIFICATION

AWD control module part number can be read.

SELF DIAGNOSTIC RESULT

Refer to [DLN-31, "DTC Index"](#).

When "PRSNT" is displayed on self-diagnosis result.

- The system is presently malfunctioning.

When "PAST" is displayed on self-diagnosis result.

- System malfunction in the past is detected, but the system is presently normal.

FREEZE FRAME DATA (FFD)

The following vehicle status is recorded when DTC is detected and is displayed.

Freeze Frame Data Item	Description
SOLENOID VOLT	Power supply voltage of AWD solenoid is displayed.
TRGT SOL CRNT LH	AWD solenoid (left) target current is displayed.
SOLENOID CRNT LH	AWD solenoid (left) control current is displayed.
TRGT SOL CRNT RH	AWD solenoid (right) target current is displayed.
SOLENOID CRNT RH	AWD solenoid (right) control current is displayed.
COMPR VHCL SPEED	Vehicle speed calculated by AWD control module is displayed.
VHCL/S SEN-FR	Vehicle speed (front) average calculated by AWD control module is displayed.
VHCL/S SEN-RR	Vehicle speed (rear) average calculated by AWD control module is displayed.
WHEEL SPD SEN FR	Wheel speed (front right) calculated by AWD control module is displayed.
WHEEL SPD SEN FL	Wheel speed (front left) calculated by AWD control module is displayed.
WHEEL SPD SEN RR	Wheel speed (rear right) calculated by AWD control module is displayed.
WHEEL SPD SEN RL	Wheel speed (rear left) calculated by AWD control module is displayed.
ABS OPERATION SIG	ABS operation status via CAN communication line is displayed.
VDC OPERATION SIG	VDC operation status via CAN communication line is displayed.
TCS OPERATION SIG	TCS operation status via CAN communication line is displayed.
HIGH M FLG 1 [0/1]	Measured friction of load is displayed when vehicle starts. <ul style="list-style-type: none">• When "0" is displayed: It indicates that friction of load is not high.• When "1" is displayed: It indicates that friction of load is high.

DIAGNOSIS SYSTEM (AWD CONTROL MODULE)

< SYSTEM DESCRIPTION >

[TRANSFER: TY21B]

Freeze Frame Data Item	Description
HIGH M FLG 2 [0/1]	Measured friction of load is displayed when vehicle throttles down. <ul style="list-style-type: none"> • When "0" is displayed: It indicates that friction of load is not high. • When "1" is displayed: It indicates that friction of load is high.
SLCT LVR POSI	Current transmission gear via CAN communication line is displayed.
OPERATION MODE	Control status of AWD mode is displayed.
IGN COUNTER [0 - 39]	The number of times that ignition switch is turned ON after the DTC is detected is displayed. <ul style="list-style-type: none"> • When "0" is displayed: It indicates that the system is presently malfunctioning. • When except "0" is displayed: It indicates that system malfunction in the past is detected, but the system is presently normal. <p>NOTE: Each time when ignition switch is turned OFF to ON, numerical number increases in 1→2→3...38→39. When the operation number of times exceeds 39, the number do not increase and "39" is displayed until self-diagnosis is erased.</p>

DATA MONITOR

NOTE:

The following table includes information (items) inapplicable to this vehicle. For information (items) applicable to this vehicle, refer to CONSULT display items.

X: Applicable

Monitor item [Unit]	SELECT MONITOR ITEM		Remarks
	ECU INPUT SIGNALS	MAIN SIGNALS	
SWITCH 1 [On/Off]	X		AWD mode switch status (2WD) is displayed.
SWITCH 2 [On/Off]	X		AWD mode switch status (AWD-V or AWD) is displayed.
SWITCH 3 [On/Off]	X		AWD mode switch status (AWD) is displayed.
IGN SW [On/Off]	X		Ignition switch status is displayed.
WARNING LAMP [On/Off]		X	Control status of AWD warning lamp is displayed.
R POSITION SW [On/Off]	X	X	CVT shift selector is displayed.
ABS OPERATION SIG [On/Off]			ABS operation status via CAN communication line is displayed.
VDC OPERATION SIG [On/Off]			VDC operation status via CAN communication line is displayed.
TCS OPERATION SIG [On/Off]			TCS operation status via CAN communication line is displayed.
PKB SW [On/Off]		X	Parking brake switch signal status via CAN communication line is displayed.
STOP LAMP SW [On/Off]		X	Stop lamp switch signal status via CAN communication line is displayed.
4WD MODE SW [2WD/4WD-A]		X	AWD mode switch status is displayed.
ACTUATOR RELAY [On/Off]			AWD actuator relay (integrated in AWD control module) operation status is displayed.
OPERATION MODE [2WD/4WD-V/4WD-A]		X	Control status of AWD mode is displayed.
INDICATOR [2WD/4WD-V/4WD-A]		X	Control status of AWD mode indicator lamp is displayed.
DRIVE MODE [1/2]		X	AWD mode status is displayed.
TORQU DISTR RR LH [1/1-2/1-3/1-4/OFF]			Control status of torque distribution indicator (rear left) is displayed.
TORQU DISTR RR RH [1/1-2/1-3/1-4/OFF]			Control status of torque distribution indicator (rear right) is displayed.
TORQU IND FRONT [1/1-2/1-3/1-4/OFF]			Control status of torque distribution indicator (front) is displayed.
TEMP SEN LEFT [V]	X		Temperature sensor is not equipped, but displayed.

DIAGNOSIS SYSTEM (AWD CONTROL MODULE)

< SYSTEM DESCRIPTION >

[TRANSFER: TY21B]

Monitor item [Unit]	SELECT MONITOR ITEM		Remarks
	ECU INPUT SIGNALS	MAIN SIGNALS	
TEMP SEN RIGHT [V]	X		Temperature sensor is not equipped, but displayed.
CONT MODUL VOLT [V]	X		Power supply voltage of AWD control module is displayed.
SOLENOID VOLT [V]	X		Power supply voltage of AWD solenoid is displayed.
TRGT SOL CRNT LH [A]	X		AWD solenoid (left) target current is displayed.
SOLENOID CRNT LH [A]	X		AWD solenoid (left) control current is displayed.
TRGT SOL CRNT RH [A]	X		AWD solenoid (right) target current is displayed.
SOLENOID CRNT RH [A]	X		AWD solenoid (right) control current is displayed.
COMPR VHCL SPEED [km/h] or [MPH]		X	Vehicle speed calculated by AWD control module is displayed.
VHCL/S SEN-FR [km/h] or [MPH]			Vehicle speed (front) average calculated by AWD control module is displayed.
VHCL/S SEN-RR [km/h] or [MPH]			Vehicle speed (rear) average calculated by AWD control module is displayed.
THRTL POS SEN [%]			Accelerator pedal status via CAN communication line is displayed.
SLCT LVR POSI [2ND / 3RD / 4TH / 5TH / 6TH / 7TH / 8TH / R / N/P / D]		X	Current transmission gear via CAN communication line is displayed.
TRGT DRIVE TORQU [Nm]			Request drive torque from AWD control module to ECM is displayed.
RQST DRIVE TORQU [Nm]			Request drive torque from ABS actuator and electric unit (control unit) to AWD control module is displayed.
WHEEL SPD SEN FR [km/h] or [MPH]			Wheel speed (front right) calculated by AWD control module is displayed.
WHEEL SPD SEN FL [km/h] or [MPH]			Wheel speed (front left) calculated by AWD control module is displayed.
WHEEL SPD SEN RR [km/h] or [MPH]			Wheel speed (rear right) calculated by AWD control module is displayed.
WHEEL SPD SEN RL [km/h] or [MPH]			Wheel speed (rear left) calculated by AWD control module is displayed.

ACTIVE TEST

Use this mode to determine and identify the details of a malfunction based on self-diagnostic results or data monitor. AWD control module gives drive signal to actuator with receiving command from CONSULT to check operation of actuator.

Test item	Condition	Description
SOLENOID LEFT	<ul style="list-style-type: none"> • Vehicle stopped • Engine running • No DTC detected 	Change command current value to AWD solenoid (left), and then change driving mode. (Monitor value is normal if it is within approx. ±10% of command value.) <ul style="list-style-type: none"> • Qu: Increase current value in increments of 0.2 A • Qd: Decrease current value in increments of 0.2 A • UP: Increase current value in increments of 0.02 A • DOWN: Decrease current value in increments of 0.02 A
SOLENOID RIGHT	<ul style="list-style-type: none"> • Vehicle stopped • Engine running • No DTC detected 	Change command current value to AWD solenoid (right), and then change driving mode. (Monitor value is normal if it is within approx. ±10% of command value.) <ul style="list-style-type: none"> • Qu: Increase current value in increments of 0.2 A • Qd: Decrease current value in increments of 0.2 A • UP: Increase current value in increments of 0.02 A • DOWN: Decrease current value in increments of 0.02 A

CAUTION:

DIAGNOSIS SYSTEM (AWD CONTROL MODULE)

< SYSTEM DESCRIPTION >

[TRANSFER: TY21B]

Never energize continuously for a long time.

WORK SUPPORT

Item	Usage
UNIT CHARACTERISTICS DATA	Display the unit characteristics of electric controlled coupling written to AWD control module.
UNIT CHARACTERISTICS WRITE	Writes the unit characteristics of electric controlled coupling to AWD control module.

AWD CONTROL MODULE

< ECU DIAGNOSIS INFORMATION >

[TRANSFER: TY21B]

ECU DIAGNOSIS INFORMATION

AWD CONTROL MODULE

Reference Value

INFOID:000000009751059

VALUES ON THE DIAGNOSIS TOOL

NOTE:

The following table includes information (items) inapplicable to this vehicle. For information (items) applicable to this vehicle, refer to CONSULT display items.

Monitor item	Condition	Value/Status
SWITCH 1	AWD mode switch: 2WD	On
	AWD mode switch: AWD-V or AWD	Off
SWITCH 2	AWD mode switch: AWD-V or AWD	On
	AWD mode switch: 2WD	Off
SWITCH 3	AWD mode switch: AWD	On
	AWD mode switch: 2WD or AWD-V	Off
IGN SW	Ignition switch: ON	On
	Ignition switch: OFF	Off
WARNING LAMP	AWD warning lamp: ON	On
	AWD warning lamp: OFF	Off
R POSITION SW	CVT shift selector: R	On
	CVT shift selector: Except R	Off
ABS OPERATION SIG	ABS is operating	On
	ABS is not operating	Off
VDC OPERATION SIG	VDC is operating	On
	VDC is not operating	Off
TCS OPERATION SIG	TCS is operating	On
	TCS is not operating	Off
PKB SW	Parking brake is operated	On
	Parking brake is not operated	Off
STOP LAMP SW	Brake pedal is depressed	On
	Brake pedal is released	Off
4WD MODE SW	AWD mode switch: 2WD	2WD
	AWD mode switch: AWD-V or AWD	4WD-A
ACTUATOR RELAY	Engine stopped (Ignition switch: ON)	Off
	Engine running	On
OPERATION MODE	2WD mode	2WD
	AWD-V mode	4WD-V
	AWD mode	4WD-A
INDICATOR	AWD mode indicator (AWD-V): OFF AWD mode indicator (AWD): OFF	2WD
	AWD mode indicator (AWD-V): ON AWD mode indicator (AWD): OFF	4WD-V
	AWD mode indicator (AWD-V): ON AWD mode indicator (AWD): ON	4WD-A
DRIVE MODE	Except AWD mode	1
	AWD mode	2

A
B
C
DLN
E
F
G
H
I
J
K
L
M
N
O
P

AWD CONTROL MODULE

< ECU DIAGNOSIS INFORMATION >

[TRANSFER: TY21B]

Monitor item	Condition	Value/Status
TORQU DISTR RR LH	The number of bars of torque distribution indicator (rear LH): 0	OFF
	The number of bars of torque distribution indicator (rear LH): 1	1
	The number of bars of torque distribution indicator (rear LH): 2	1-2
	The number of bars of torque distribution indicator (rear LH): 3	1-3
	The number of bars of torque distribution indicator (rear LH): 4	1-4
TORQU DISTR RR RH	The number of bars of torque distribution indicator (rear RH): 0	OFF
	The number of bars of torque distribution indicator (rear RH): 1	1
	The number of bars of torque distribution indicator (rear RH): 2	1-2
	The number of bars of torque distribution indicator (rear RH): 3	1-3
	The number of bars of torque distribution indicator (rear RH): 4	1-4
TORQU IND FRONT	The number of bars of torque distribution indicator (front): 0	OFF
	The number of bars of torque distribution indicator (front): 1	1
	The number of bars of torque distribution indicator (front): 2	1-2
	The number of bars of torque distribution indicator (front): 3	1-3
	The number of bars of torque distribution indicator (front): 4	1-4
TEMP SEN LEFT	Always	0 V
TEMP SEN RIGHT	Always	0 V
CONT MODUL VOLT	Always	11 – 13 V
SOLENOID VOLT	Always	11 – 13 V
TRGT SOL CRNT LH	Vehicle stopped	0.00 A
	Vehicle starting (Straight-ahead start on a dry road with accelerator angle 25%) NOTE: Confirm accelerator angle in monitor item "THRTL POS SEN".	Approx. 1.00 A
SOLENOID CRNT LH	Vehicle stopped	0.00 A
	Vehicle starting (Straight-ahead start on a dry road with accelerator angle 25%) NOTE: Confirm accelerator angle in monitor item "THRTL POS SEN".	Approx. 1.00 A
TRGT SOL CRNT RH	Vehicle stopped	0.00 A
	Vehicle starting (Straight-ahead start on a dry road with accelerator angle 25%) NOTE: Confirm accelerator angle in monitor item "THRTL POS SEN".	Approx. 1.00 A
SOLENOID CRNT RH	Vehicle stopped	0.00 A
	Vehicle starting (Straight-ahead start on a dry road with accelerator angle 25%) NOTE: Confirm accelerator angle in monitor item "THRTL POS SEN".	Approx. 1.00 A
COMPR VHCL SPEED	Vehicle stopped	0.00 km/h (0.00 mph)
	Vehicle driving CAUTION: Check air pressure of tire under standard condition.	Approx. equal to the indication on speedometer (inside of ±10%)
VHCL/S SEN-FR	Vehicle stopped	0.00 km/h (0.00 mph)
	Vehicle driving CAUTION: Check air pressure of tire under standard condition.	Approx. equal to the indication on speedometer (inside of ±10%)

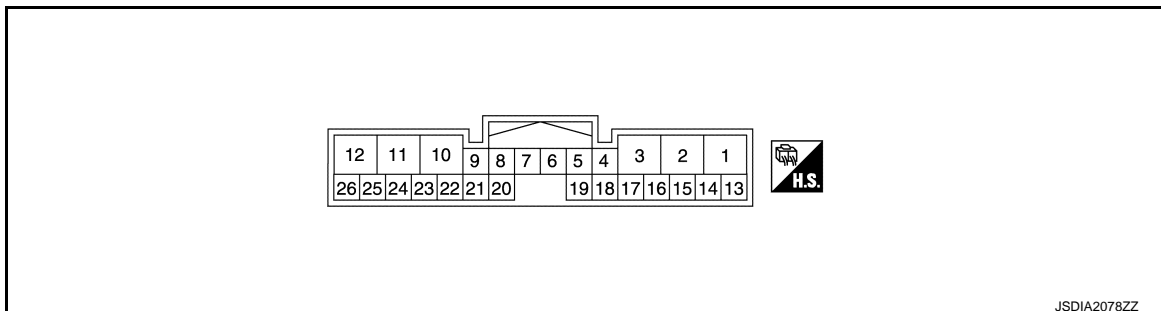
AWD CONTROL MODULE

< ECU DIAGNOSIS INFORMATION >

[TRANSFER: TY21B]

Monitor item	Condition	Value/Status
VHCL/S SEN-RR	Vehicle stopped	0.00 km/h (0.00 mph)
	Vehicle driving CAUTION: Check air pressure of tire under standard condition.	Approx. equal to the indication on speedometer (inside of ±10%)
THRTL POS SEN	When depressing accelerator pedal (Value rises gradually in response to accelerator pedal position)	0 - 100%
SLCT LVR POSI	Engine running	1ST
		2ND
		3RD
		4TH
		5TH
	CVT shift selector: Manual mode	6TH
		7TH
		8TH
	CVT shift selector: R	REVERSE
	CVT shift selector: N or P	N/P
	CVT shift selector: D	D
TRGT DRIVE TORQU	Request from AWD control module to ECM.	0 - 507 Nm
	No request from AWD control module to ECM.	508 Nm
RQST DRIVE TORQU	Request from ABS actuator and electric unit (control unit) to AWD control module.	0 - 1274 Nm
	No request from ABS actuator and electric unit (control unit) to AWD control module.	1275 Nm
WHEEL SPD SEN FR	Vehicle stopped	0.00 km/h (0.00 mph)
	Vehicle driving CAUTION: Check air pressure of tire under standard condition.	Approx. equal to the indication on speedometer (inside of ±10%)
WHEEL SPD SEN FL	Vehicle stopped	0.00 km/h (0.00 mph)
	Vehicle driving CAUTION: Check air pressure of tire under standard condition.	Approx. equal to the indication on speedometer (inside of ±10%)
WHEEL SPD SEN RR	Vehicle stopped	0.00 km/h (0.00 mph)
	Vehicle driving CAUTION: Check air pressure of tire under standard condition.	Approx. equal to the indication on speedometer (inside of ±10%)
WHEEL SPD SEN RL	Vehicle stopped	0.00 km/h (0.00 mph)
	Vehicle driving CAUTION: Check air pressure of tire under standard condition.	Approx. equal to the indication on speedometer (inside of ±10%)

TERMINAL LAYOUT



PHYSICAL VALUES

AWD CONTROL MODULE

< ECU DIAGNOSIS INFORMATION >

[TRANSFER: TY21B]

Terminal No. (Wire color)		Description		Condition	Value (Approx.)	
+	-	Signal name	Input/ Output			
1 (GR)	Ground	Battery power supply (AWD control module)	Input	Always	11 - 13 V	
3 (LG)	Ground	Ignition power supply	Input	Ignition switch: ON	11 - 13 V	
				Ignition switch: OFF	0 V	
4 (L)	—	CAN-H	Input/ Output	—	—	
5 (P)	—	CAN-L	Input/ Output	—	—	
9 (W)	Ground	AWD mode switch (Except 2WD)	Input	Ignition switch: ON	AWD mode switch: 2WD	4.5 - 5 V
					AWD mode switch: AWD-V or AWD	0 V
10 (B)	Ground	Ground	—	Always	0 V	
11 (B)	Ground	Ground	—	Always	0 V	
12 (Y)	Ground	Battery power supply (AWD solenoid)	Input	Always	11 - 13 V	
13 (G)	Ground	AWD mode switch (2WD)	Input	Ignition switch: ON	AWD mode switch: 2WD	0 V
					AWD mode switch: AWD-V or AWD	4.5 - 5 V
21 (Y)	Ground	AWD mode switch (AWD)	Input	Ignition switch: ON	AWD mode switch: 2WD or AWD-V	4.5 - 5 V
					AWD mode switch: AWD	0 V
23 (R)	Ground	AWD solenoid (left) power supply	Output	Engine speed: At idle	0 V	
				Engine speed: 3,000 or more constant	2.5 V*	
24 (V)	Ground	AWD solenoid (left) ground	Input	Always	1.5 V or less	
25 (W)	Ground	AWD solenoid (right) pow- er supply	Output	Engine speed: At idle	0 V	
				Engine speed: 3,000 or more constant	2.5 V*	
26 (Y)	Ground	AWD solenoid (right) ground	Input	Always	1.5 V or less	

*: The values are changed by throttle opening and engine speed.

CAUTION:

When using circuit tester to measure voltage for inspection, be sure not to extend forcibly any connector terminals.

Fail-safe

INFOID:000000009751060

When a system malfunction occurs, the AWD warning lamp turns ON and the AWD control becomes 2WD state.

AWD CONTROL MODULE

< ECU DIAGNOSIS INFORMATION >

[TRANSFER: TY21B]

Detected DTC	Possible cause	AWD warning lamp status	Vehicle condition	
P1804	Internal malfunction of AWD control module	OFF	Normal control continues.	A
P1808	<ul style="list-style-type: none"> • ABS actuator and electric unit (control unit) - Malfunction of ABS actuator and electric unit (control unit) circuit error - Wheel speed sensor error • AWD control module • CAN communication line 	ON	Front and rear distribution control stops.	B
P1809	Internal malfunction of AWD control module			C
P1811	<ul style="list-style-type: none"> • Malfunction of AWD control module power supply circuit (open or short) • Malfunction of AWD control module • Battery 			DLN
P1813	<ul style="list-style-type: none"> • AWD mode switch - Internal malfunction of AWD mode switch - Malfunction of AWD mode switch circuit • AWD control module 			E
P181B	Self-shut of AWD control module is incomplete.	OFF	Normal control continues.	F
P181D	<ul style="list-style-type: none"> • ECM • AWD control module • CAN communication line 	ON	Front and rear distribution control stops. NOTE: The state becomes AWD only when a turning difference occurs between front and rear wheels.	G
P181E	<ul style="list-style-type: none"> • Steering angle sensor - Steering angle sensor error - Malfunction of steering angle sensor circuit • Malfunction of AWD control module • CAN communication line 	OFF	Right and left rear wheels difference control stops.	H
P181F	Writing unit characteristics is incomplete.	ON	Front and rear distribution control stops.	I
P1820	<ul style="list-style-type: none"> • ECM • AWD control module • CAN communication line 	OFF	Normal control continues.	J
P1829	<ul style="list-style-type: none"> • ECM • AWD control module • CAN communication line 	ON	Front and rear distribution control stops.	K
P182D	<ul style="list-style-type: none"> • Internal malfunction of electric controlled coupling (left) • Malfunction of AWD solenoid (left) power supply circuit (open or short) • Malfunction of AWD control module 			L
P182E	<ul style="list-style-type: none"> • Internal malfunction of electric controlled coupling (right) • Malfunction of AWD solenoid (right) power supply circuit (open or short) • Malfunction of AWD control module 			M
P1830	<ul style="list-style-type: none"> • ABS actuator and electric unit (control unit) • AWD control module • CAN communication line 	OFF	Normal control continues.	N
P1831	<ul style="list-style-type: none"> • ABS actuator and electric unit (control unit) • AWD control module • CAN communication line 			O
P1832	<ul style="list-style-type: none"> • ABS actuator and electric unit (control unit) • AWD control module • CAN communication line 			P

AWD CONTROL MODULE

< ECU DIAGNOSIS INFORMATION >

[TRANSFER: TY21B]

Detected DTC	Possible cause	AWD warning lamp status	Vehicle condition
P183B	<ul style="list-style-type: none"> Malfunction of AWD solenoid power supply circuit Malfunction of AWD control module Malfunction of AWD control module power supply circuit (open or short) Battery 	ON	Front and rear distribution control stops.
P183C	<ul style="list-style-type: none"> ABS actuator and electric unit (control unit) Yaw rate/side/decel G sensor (Decel G sensor signal) AWD control module CAN communication line 	OFF	Right and left rear wheels difference control stops.
P183D	<ul style="list-style-type: none"> ABS actuator and electric unit (control unit) Yaw rate/side/decel G sensor (Side G sensor signal) AWD control module CAN communication line 		
P183E	<ul style="list-style-type: none"> ABS actuator and electric unit (control unit) Yaw rate/side/decel G sensor (Yaw rate signal) AWD control module CAN communication line 		
P183F	<ul style="list-style-type: none"> Sensor related to CVT TCM AWD control module CAN communication line 		
P1840	<ul style="list-style-type: none"> Sensor related to CVT TCM AWD control module CAN communication line 		
P1864	<ul style="list-style-type: none"> Sensor related to CVT TCM AWD control module CAN communication line 		
P1865	<ul style="list-style-type: none"> Sensor related to CVT TCM AWD control module CAN communication line 		
U1000	CAN communication error	ON	Front and rear distribution control stops.
U1010	Internal malfunction of AWD control module		

Protection Function

INFOID:000000009751061

AWD system activates its protection function (shuts down AWD system temporarily) if AWD system detects high load continuously, the front wheel tire size differs from the rear tire size or the rear right wheel tire size differs from the rear left tire size. (AWD system is automatically restored if AWD system no longer detects any overload or the tire size difference is eliminated.)

Detected DTC	Warning lamp	Possible cause	Vehicle condition
—	Quick blinking ^{*1}	Turning difference remains between front and rear wheels or between right and left rear wheels, resulting in an oil temperature rise in drive train related parts. NOTE: It is not malfunction.	Shuts down AWD system temporarily
—	Slow blinking ^{*2}	Malfunction in each tire or different tire diameter	

*1: 2 times/second (blinking for approximately 1 minute and then turned OFF)

*2: 1 time/2 seconds (continuing to blink until ignition switch is turned OFF)

NOTE:

- If the warning lamp blinks slowly during driving but remains OFF after the engine is restarted, the system is normal. If it again blinks slowly after driving for some time, vehicle must be inspected.

AWD CONTROL MODULE

< ECU DIAGNOSIS INFORMATION >

[TRANSFER: TY21B]

- When there is a difference of revolution speed between the front and rear wheel the shift occasionally changes to direct 4-wheel driving conditions automatically. This is not a malfunction.

DTC Inspection Priority Chart

INFOID:000000009751062

If some DTCs are displayed at the same time, perform inspections one by one based on the following priority chart.

Priority	Detected items (DTC)
1	P182D SOLENOID LEFT
2	P182E SOLENOID RIGHT
3	P1813 4WD MODE SW
4	P183B SOL POWER SUPPLY
5	P1811 BATTERY VOLTAGE
6	P1808 VHCL SPEED SEN-ABS
7	P1829 THROTTLE POSI SEN
8	U1010 CONTROL UNIT (CAN)
9	U1000 CAN COMM CIRCUIT
10	P1809 CONTROL UNIT 4
11	P1830 ABS OP SIG
12	P1831 VDC OP SIG
13	P1832 TCS OP SIG
14	P183C DECEL G SENSOR
15	P183D SIDE G SENSOR
16	P183E YAWRATE SENSOR
17	P1865 GEAR RATIO
18	P1840 OUTPUT SPEED SIGNAL
19	P1864 INPUT SPEED SIGNAL
20	P181E STR ANGLE SEN
21	P1820 ENGINE SPEED SIG
22	P181D ENGINE SYSTEM
23	P183F GEAR POSI SIGNAL
24	P181B INCOMP SELF SHUT
25	P1804 CONTROL UNIT 3
26	P181F INCOMP CALIBRATION

DTC Index

INFOID:000000009751063

DTC	Items (CONSULT screen items)	Reference
P1804	CONTROL UNIT 3	DLN-42, "DTC Logic"
P1808	VHCL SPEED SEN-ABS	DLN-43, "DTC Logic"
P1809	CONTROL UNIT 4	DLN-42, "DTC Logic"
P1811	BATTERY VOLTAGE	DLN-44, "DTC Logic"
P1813	4WD MODE SW	DLN-46, "DTC Logic"
P181B	INCOMP SELF SHUT	DLN-49, "DTC Logic"
P181D	ENGINE SYSTEM	DLN-51, "DTC Logic"
P181E	STR ANGLE SEN	DLN-52, "DTC Logic"
P181F	INCOMP CALIBRATION	DLN-53, "DTC Logic"

AWD CONTROL MODULE

< ECU DIAGNOSIS INFORMATION >

[TRANSFER: TY21B]

DTC	Items (CONSULT screen items)	Reference
P1820	ENGINE SPEED SIG	DLN-54, "DTC Logic"
P1829	THROTTLE POSI SEN	DLN-55, "DTC Logic"
P182D	SOLENOID LEFT	DLN-56, "DTC Logic"
P182E	SOLENOID RIGHT	DLN-59, "DTC Logic"
P1830	ABS OP SIG	DLN-62, "DTC Logic"
P1831	VDC OP SIG	DLN-63, "DTC Logic"
P1832	TCS OP SIG	DLN-64, "DTC Logic"
P183B	SOL POWER SUPPLY	DLN-65, "DTC Logic"
P183C	DECEL G SENSOR	DLN-67, "DTC Logic"
P183D	SIDE G SENSOR	DLN-68, "DTC Logic"
P183E	YAWRATE SENSOR	DLN-69, "DTC Logic"
P183F	GEAR POSI SIGNAL	DLN-70, "DTC Logic"
P1840	OUTPUT SPEED SIGNAL	DLN-71, "DTC Logic"
P1864	INPUT SPEED SIGNAL	DLN-72, "DTC Logic"
P1865	GEAR RATIO	DLN-73, "DTC Logic"
U1000	CAN COMM CIRCUIT	DLN-74, "DTC Logic"
U1010	CONTROL UNIT (CAN)	DLN-75, "DTC Logic"

NOTE:

If some DTCs are displayed at the same time, refer to [DLN-31, "DTC Inspection Priority Chart"](#).

AWD SYSTEM

< WIRING DIAGRAM >

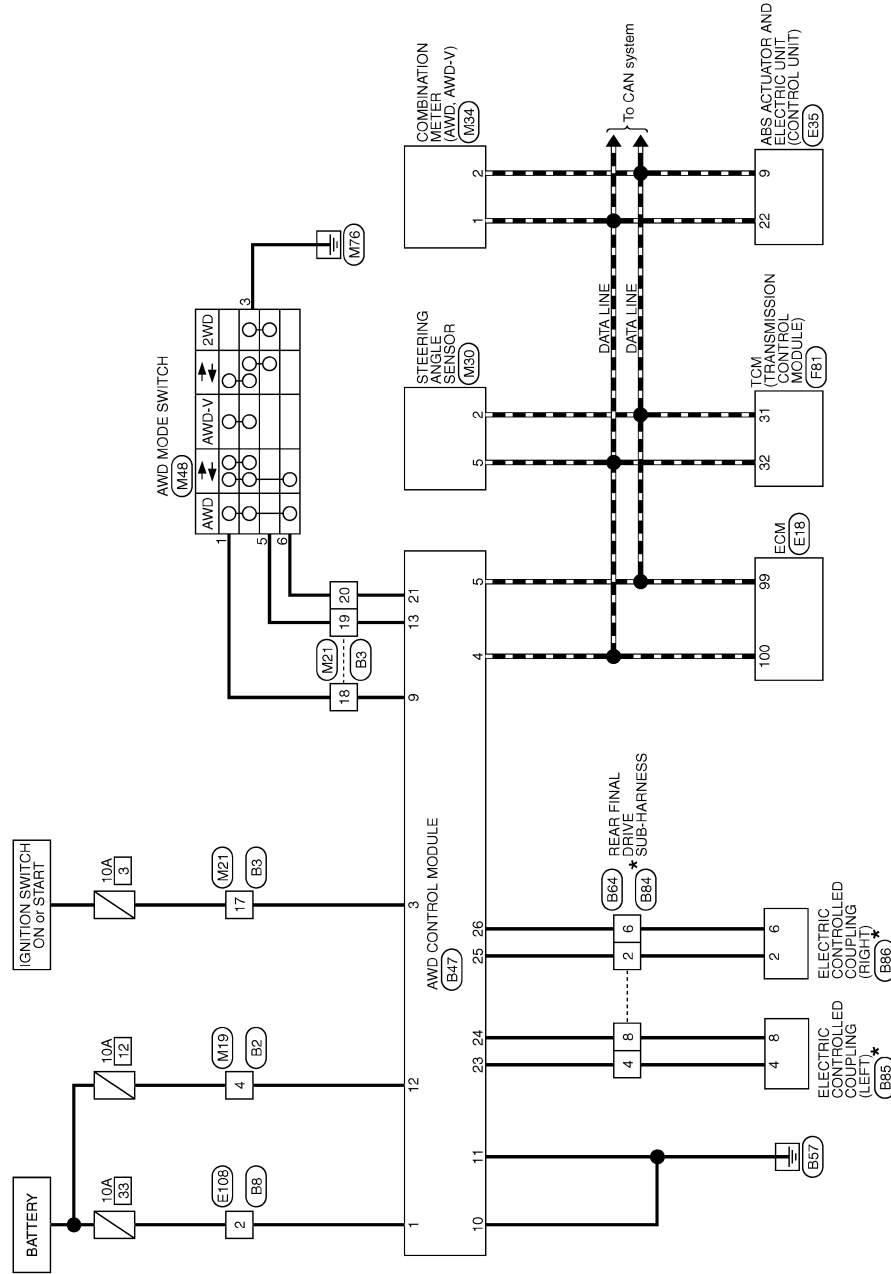
[TRANSFER: TY21B]

WIRING DIAGRAM

AWD SYSTEM

Wiring Diagram

INFOID:000000009751064



*: This connector is not shown in "Harness Layout".

AWD SYSTEM

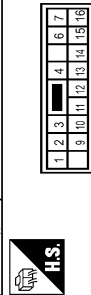
2012/07/20

JRDWC0446GB

A
B
C
DLN
E
F
G
H
I
J
K
L
M
N
O
P

AWD SYSTEM

Connector No.	B2
Connector Name	WIRE TO WIRE
Connector Type	NS18MW-GS



Terminal No.	Color Of Wire	Signal Name [Specification]
1	LG	—
2	—	—
3	BR	—
4	Y	—
6	G	—
7	V	—
9	SB	—
10	V	—
11	W	—
12	R	—
13	R	—
14	P	—
15	L	—
16	G	—

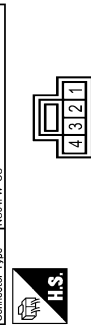
Connector No.	B3
Connector Name	WIRE TO WIRE
Connector Type	TH32MW-NH



Terminal No.	Color Of Wire	Signal Name [Specification]
1	SHIELD	—
2	—	—
3	W	—
4	R	—
5	B	—
6	Y	—

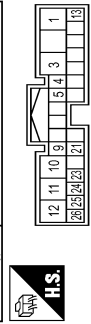
7	W	—
8	P	—
9	V	—
10	SHIELD	—
11	R	—
12	G	—
13	W	—
14	B	—
15	L	—
16	BR	—
17	LG	—
18	W	—
19	G	—
20	SHIELD	—
21	—	—
22	—	—
23	W	—
24	R	—
25	G	—
26	Y	—
27	SHIELD	—
28	W	—
29	R	—
30	B	—
32	R	—

Connector No.	B8
Connector Name	WIRE TO WIRE
Connector Type	NS14FW-GS



Terminal No.	Color Of Wire	Signal Name [Specification]
1	G	—
2	GR	—
3	L	—
4	R	—

Connector No.	B47
Connector Name	AWD CONTROL MODULE
Connector Type	TH32FW-T6B



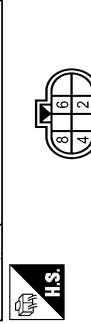
Terminal No.	Color Of Wire	Signal Name [Specification]
1	—	—
2	—	—
3	—	BATTERY
4	—	GND SW
5	—	CAN-H
6	—	CAN-L
9	W	AWD-V SW
10	B	GND
11	B	GND
12	Y	SOL.BAT
13	G	ZWD SW
21	Y	AWD SW
23	R	AWD SOL-L*
24	V	AWD SOL-L*
25	W	AWD SOL-R*
26	Y	AWD SOL-R*

Connector No.	B64
Connector Name	REAR FINAL DRIVE ASSEMBLY
Connector Type	RS28FBF-PR



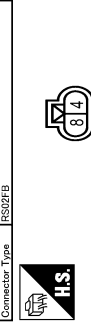
Terminal No.	Color Of Wire	Signal Name [Specification]
2	W	AWD SOL-R*
4	R	AWD SOL-L*
6	Y	AWD SOL-R*
8	V	AWD SOL-L*

Connector No.	B84
Connector Name	REAR FINAL DRIVE SUB-HARNESS
Connector Type	RS28MBE-PR



Terminal No.	Color Of Wire	Signal Name [Specification]
2	—	—
4	—	—
6	—	—
8	—	—

Connector No.	B85
Connector Name	ELECTRIC CONTROLLED COUPLING (LEFT)
Connector Type	RS28PFB



Terminal No.	Color Of Wire	Signal Name [Specification]
4	—	—
8	—	—

A
B
C
DLN
E
F
G
H
I
J
K
L
M
N
O
P

AWD SYSTEM

Connector No.	E88
Connector Name	ELECTRIC CONTROLLED COUPLING (RIGHT)
Connector Type	HSRECEV



Terminal No.	Color Of Wire	Signal Name [Specification]
1	-	-
2	-	-
3	-	-
4	-	-
5	-	-
6	-	-

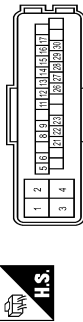
Connector No.	E18
Connector Name	ECM
Connector Type	HRZ4FDY-RZ8-R-RH



Terminal No.	Color Of Wire	Signal Name [Specification]
89	P	CAN COMMUNICATION LINE (CAN-L)
100	L	CAN COMMUNICATION LINE (CAN-H)
101	V	SENSOR POWER SUPPLY
102	R	ACCELERATOR PEDAL POSITION SENSOR 1
103	BR	PNP SIGNAL
104	R	DATA LINK CONNECTOR
105	GR	SENSOR GROUND
106	Y	POWER SUPPLY FOR ECM (BACKUP)
108	GR	CLUTCH PEDAL POSITION SWITCH
109	O	IGNITION SWITCH
110	P	ASCD STEERING SWITCH
111	B	STOP LAMP SWITCH
112	BP	ECM RELAY (SELF-ON)
115	SB	STOP LAMP SWITCH
116	G	BRAKE PEDAL POSITION SWITCH
117	Y	FUEL PUMP RELAY
118	O	SENSOR POWER SUPPLY
119	BR	ACCELERATOR PEDAL POSITION SENSOR 2

120	Y	SENSOR GROUND
121	G	PCM GROUND
122	GR	THROTTLE CONTROL NO. LOG-POWER SUPPLY
123	B/Y	ECM GROUND
124	B/Y	ECM GROUND
125	L	A/F SENSOR 1 HEATER
126	W	HEATED OXYGEN SENSOR 2 HEATER
127	B/Y	ECM GROUND

Connector No.	E85
Connector Name	AIR ACTUATOR AND ELECTRIC UNIT (CONTROL UNIT)
Connector Type	HRZ8FB-RNF-UH



Terminal No.	Color Of Wire	Signal Name [Specification]
1	W	BAT (MTR)
2	L	BAT (SOL)
3	B	GND (SOL)
4	B	GND (MTR)
5	GR	DC-DCPS SW
6	GR	BRAKE PEDAL POSITION SW
7	SB	STOP LAMP SW
8	P	CAN-H
11	BR	DP FR
12	W	DS FR
13	G	VCC
14	R	SERIAL+
15	Y	DS RR
16	V	IGN
17	W	REVERSE SIGNAL
21	Y	DP FR
22	L	CAN-H
23	LG	DP FL
24	SB	DP RL
25	BR	DP RL
26	B	GND
28	W	SERIAL-
30	O	DS RL

Connector No.	E108
Connector Name	WIRE TO WIRE
Connector Type	NSAMW-CS



Terminal No.	Color Of Wire	Signal Name [Specification]
1	P	-
2	BR	-
3	BR	-
4	R	-

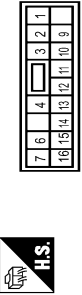
Connector No.	F81
Connector Name	TCM (TRANSMISSION CONTROL MODULE)
Connector Type	RH40FB-RZ8-L-RH



Terminal No.	Color Of Wire	Signal Name [Specification]
1	G	R RANGE SW
2	Y	N RANGE SW
3	W	D RANGE SW
4	V	-
5	B	GROUND
8	BR	CLOCK (SEL 2)
9	G	CHIP SELECT (SEL 1)
10	W	DATE I/O (SEL 3)
11	W	DATE I/O (SEL 3)
12	W	DATE I/O (SEL 3)
13	W	DATE I/O (SEL 3)
14	W	DATE I/O (SEL 3)
15	Y	CVT FLUID P RANGE SW
16	Y	CVT FLUID P RANGE SW
17	Y	CVT FLUID P RANGE SW
18	Y	CVT FLUID P RANGE SW
19	Y	CVT FLUID P RANGE SW
20	Y	CVT FLUID P RANGE SW
21	Y	CVT FLUID P RANGE SW
22	Y	CVT FLUID P RANGE SW
23	Y	CVT FLUID P RANGE SW
24	Y	CVT FLUID P RANGE SW
25	Y	CVT FLUID P RANGE SW
26	LG	SENSOR GROUND
27	GR	SENSOR POWER SUPPLY
28	V	STEP MOTOR D
29	BG	STEP MOTOR C
30	BG	STEP MOTOR B

30	R	STEP MOTOR A
31	P	STEP MOTOR A
32	P	STEP MOTOR A
33	EG	CAN-H
34	R	PRIMARY SPEED SENSOR
35	EG	SECONDARY SPEED SENSOR
36	L	LOCK-UP SELECT SOLENOID VALVE
37	G	TORQUE CONVERTER CLUTCH SOLENOID VALVE
38	G	TORQUE CONVERTER CLUTCH SOLENOID VALVE
39	W	SECONDARY PRESSURE SOLENOID VALVE
40	Y	LINE PRESSURE SOLENOID VALVE
42	B	GROUND
46	LG	IGNITION POWER SUPPLY
47	BG	BATTERY POWER SUPPLY (MEMORY BACK-UP)
48	Y	IGNITION POWER SUPPLY

Connector No.	M19
Connector Name	WIRE TO WIRE
Connector Type	NIS18FW-CS



Terminal No.	Color Of Wire	Signal Name [Specification]
1	Y	-
2	Y	-
3	BR	-
4	W	-
6	SB	-
7	V	-
8	BR	-
9	BR	-
10	V	-
11	LG	-
12	W	-
13	R	-
14	G	-
15	L	-
16	G	-

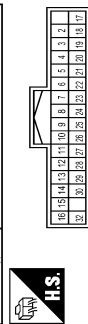
AWD SYSTEM

< WIRING DIAGRAM >

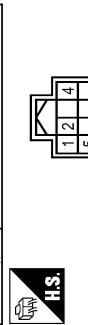
[TRANSFER: TY21B]

AWD SYSTEM

Connector No.	M21
Connector Name	WIRE TO WIRE
Connector Type	TH32FW-NH



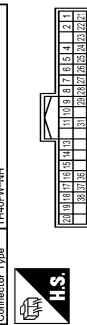
Connector No.	M30
Connector Name	STEERING ANGLE SENSOR
Connector Type	TH38FW-NH



Terminal No.	Color Of Wire	Signal Name [Specification]
1	SHIELD	—
2	SHIELD	—
3	W	—
4	W	—
5	R	—
6	Y	—
7	BR	—
8	P	—
9	L	—
10	SHIELD	—
11	B	—
12	W	—
13	W	—
14	LG	—
15	L	—
16	P	—
17	LG	—
18	W	—
19	G	—
20	R	—
21	SHIELD	—
22	L	—
23	W	—
24	R	—
25	G	—
26	R	—
27	SHIELD	—
28	V	—
29	L	—
30	LG	—
31	W	—
32	W	—

Terminal No.	Color Of Wire	Signal Name [Specification]
1	B	GNP
2	B	CAN-L
3	LG	IGN
4	LG	IGN
5	L	CAN-H

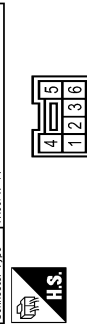
Connector No.	M34
Connector Name	COMBINATION METER
Connector Type	TH40FW-NH



Terminal No.	Color Of Wire	Signal Name [Specification]
1	L	CAN-H
2	P	CAN-L
4	V	VEHICLE SPEED SIGNAL (P-PULSED) [Without front fog lamp]
4	Y	VEHICLE SPEED SIGNAL (P-PULSED) [With front fog lamp]
5	G	PADDLE SHIFTER UP SWITCH SIGNAL
6	BR	FUEL LEVEL SENSOR SIGNAL
7	R	AIR BAG SIGNAL
8	Y	— [Without front fog lamp]
8	Y	— [With front fog lamp]
9	O	SEAT BELT SPOKE SWITCH SIGNAL [Without front fog lamp]
9	O	SEAT BELT SPOKE SWITCH SIGNAL [With front fog lamp]
10	SB	PARKING BRAKE SWITCH SIGNAL
11	G	BRAKE FLUID LEVEL SWITCH SIGNAL
13	B	ILLUMINATION CONTROL SIGNAL [With front fog lamp]
13	GR	ILLUMINATION CONTROL SIGNAL [Without front fog lamp]
14	R	MANUAL MODE SHIFT UP SIGNAL [Without front fog lamp]

14	Y	MANUAL MODE SHIFT UP SIGNAL [With front fog lamp]
15	L	ECC POWER SUPPLY
16	O	MANUAL MODE SHIFT DOWN SIGNAL [Without front fog lamp]
16	W	MANUAL MODE SHIFT DOWN SIGNAL [With front fog lamp]
17	G	WASHER LEVEL SWITCH SIGNAL [Without front fog lamp]
17	W	WASHER LEVEL SWITCH SIGNAL [With front fog lamp]
18	R	SECURITY SIGNAL
19	GR	AMBIENT SENSOR SIGNAL
20	LG	AMBIENT SENSOR GROUND [With front fog lamp]
20	R	AMBIENT SENSOR GROUND [Without front fog lamp]
21	B	GROUND
22	B	GROUND
23	B	GROUND
24	L	FUEL LEVEL SENSOR GROUND
25	W	IGNITION SIGNAL
26	V	PADDLE SHIFTER POWER SUPPLY
27	LG	BATTERY POWER SUPPLY
28	GR	IGNITION SIGNAL
29	LG	PASSENGER SEAT BELT WARNING SIGNAL [With front fog lamp]
29	V	PASSENGER SEAT BELT WARNING SIGNAL [Without front fog lamp]
31	P	A/C AUTO AMP CONNECTION RECOGNITION SIGNAL
35	LG	MANUAL MODE SIGNAL [With front fog lamp]
35	Y	MANUAL MODE SIGNAL [Without front fog lamp]
37	G	NON-MANUAL MODE SIGNAL [Without front fog lamp]
37	Y	NON-MANUAL MODE SIGNAL [With front fog lamp]
38	P	ALTERNATOR SIGNAL

Connector No.	IMB
Connector Name	AWD MODE SWITCH
Connector Type	TK08FW-TV



Terminal No.	Color Of Wire	Signal Name [Specification]
1	W	—
2	GR	—
3	B	—
4	V	—
5	G	—
6	R	—

JRDWC1958GB

DIAGNOSIS AND REPAIR WORK FLOW

< BASIC INSPECTION >

[TRANSFER: TY21B]

BASIC INSPECTION

DIAGNOSIS AND REPAIR WORK FLOW

Work Flow

INFOID:000000009751065

DETAILED FLOW

1. INTERVIEW FROM THE CUSTOMER

Clarify customer complaints before inspection. First of all, perform an interview utilizing [DLN-38, "Diagnostic Work Sheet"](#) and reproduce symptoms as well as fully understand it. Ask customer about his/her complaints carefully. Check symptoms by driving vehicle with customer, if necessary.

CAUTION:

Customers are not professional. Never guess easily like "maybe the customer means that..." or "maybe the customer mentions this symptom".

>> GO TO 2.

2. CHECK SYMPTOM

Reproduce the symptom that is indicated by the customer, based on the information from the customer obtained by interview. Also check that the symptom is not caused by protection function. Refer to [DLN-30, "Protection Function"](#).

CAUTION:

When the symptom is caused by normal operation, fully inspect each portion and obtain the understanding of customer that the symptom is not caused by a malfunction.

>> GO TO 3.

3. PERFORM SELF-DIAGNOSIS

 **With CONSULT**

Perform self-diagnosis for "ALL MODE AWD/4WD".

Is any DTC detected?

YES >> Record or print self-diagnosis results. GO TO 4.

NO >> GO TO 6.

4. RECHECK SYMPTOM

 **With CONSULT**

1. Erase self-diagnostic results for "ALL MODE AWD/4WD".

2. Perform DTC confirmation procedures for the error detected system.

NOTE:

If some DTCs are detected at the same time, determine the order for performing the diagnosis based on [DLN-31, "DTC Inspection Priority Chart"](#).

Is any DTC detected?

YES >> GO TO 5.

NO >> Check harness and connectors based on the information obtained by interview. Refer to [GI-46, "Intermittent Incident"](#).

5. REPAIR OR REPLACE ERROR-DETECTED PARTS

- Repair or replace error-detected parts.
- Reconnect part or connector after repairing or replacing.
- When DTC is detected, erase self-diagnostic results for "ALL MODE AWD/4WD".

>> GO TO 7.

6. IDENTIFY ERROR-DETECTED SYSTEM BY SYMPTOM DIAGNOSIS

Estimate error-detected system based on symptom diagnosis and perform inspection.

Can the error-detected system be identified?

A

B

C

DLN

E

F

G

H

I

J

K

L

M

N

O

P

DIAGNOSIS AND REPAIR WORK FLOW

< BASIC INSPECTION >

[TRANSFER: TY21B]

YES >> GO TO 7.

NO >> Check harness and connectors based on the information obtained by interview. Refer to [GI-46](#), "[Intermittent Incident](#)".

7. FINAL CHECK

With CONSULT

1. Check the reference value for AWD control module.
2. Recheck the symptom and check that symptom is not reproduced on the same conditions.

Is the symptom reproduced?

YES >> GO TO 3.

NO >> INSPECTION END

Diagnostic Work Sheet

INFOID:000000009751066

Description

- In general, customers have their own criteria for a problem. Therefore, it is important to understand the symptom and status well enough by asking the customer about his/her concerns carefully. To systemize all the information for the diagnosis, prepare the interview sheet referring to the interview points.
- In some cases, multiple conditions that appear simultaneously may cause a DTC to be detected.

Interview sheet sample

Interview sheet					
Customer name	MR/MS	Registration number		Initial year registration	
		Vehicle type		VIN	
Storage date		Engine		Mileage	km (Mile)
Symptom		<input type="checkbox"/> Vehicle does not enter AWD mode.			
		<input type="checkbox"/> AWD warning lamp turns on.			
		<input type="checkbox"/> Heavy tight-corner braking symptom occurs			
		<input type="checkbox"/> Noise <input type="checkbox"/> Vibration			
		<input type="checkbox"/> Decrease in turning performance.			
		<input type="checkbox"/> Others (_____)			
First occurrence		<input type="checkbox"/> Recently <input type="checkbox"/> Others (_____)			
Frequency of occurrence		<input type="checkbox"/> Always <input type="checkbox"/> Under a certain conditions of _____ <input type="checkbox"/> Sometimes (time(s)/day)			
Climate conditions			<input type="checkbox"/> Irrelevant		
	Weather	<input type="checkbox"/> Fine <input type="checkbox"/> Cloud <input type="checkbox"/> Rain <input type="checkbox"/> Snow <input type="checkbox"/> Others (_____)			
	Temperature	<input type="checkbox"/> Hot <input type="checkbox"/> Warm <input type="checkbox"/> Cool <input type="checkbox"/> Cold <input type="checkbox"/> Temperature (Approx. _____ °C)			
Relative humidity		<input type="checkbox"/> High <input type="checkbox"/> Moderate <input type="checkbox"/> Low			
Road conditions		<input type="checkbox"/> Urban area <input type="checkbox"/> Suburb area <input type="checkbox"/> High way <input type="checkbox"/> Mounting road (uphill or down hill) <input type="checkbox"/> Rough road			
Operation conditions, etc.		<input type="checkbox"/> Irrelevant <input type="checkbox"/> When engine starts <input type="checkbox"/> During idling <input type="checkbox"/> During driving <input type="checkbox"/> During acceleration <input type="checkbox"/> At constant speed driving <input type="checkbox"/> During deceleration <input type="checkbox"/> During cornering (right curve or left curve)			

DIAGNOSIS AND REPAIR WORK FLOW

< BASIC INSPECTION >

[TRANSFER: TY21B]

Interview sheet

Customer name	MR/MS	Registration number		Initial year registration	
		Vehicle type		VIN	
Storage date		Engine		Mileage	km (Mile)
Other conditions					

Memo

A
B
C
DLN
E
F
G
H
I
J
K
L
M
N
O
P

DLN

ADDITIONAL SERVICE WHEN REPLACING AWD CONTROL MODULE

< BASIC INSPECTION >

[TRANSFER: TY21B]

ADDITIONAL SERVICE WHEN REPLACING AWD CONTROL MODULE

Description

INFOID:000000009751067

When replacing AWD control module, unit characteristics writing is required.

Work Procedure

INFOID:000000009751068

1. PERFORM WRITING UNIT CHARACTERISTICS

Perform writing unit characteristics of electric controlled coupling.

>> Refer to [DLN-41. "Work Procedure"](#).

UNIT CHARACTERISTICS WRITING

Description

INFOID:000000009751069

When replacing AWD control module, rear final drive assembly and/or electric controlled coupling, unit characteristics of electric controlled coupling writing is required.

Work Procedure

INFOID:000000009751070

1. UNIT CHARACTERISTICS WRITING

With CONSULT

1. Confirm the unit characteristics (A and B) of electric controlled coupling (left and right).

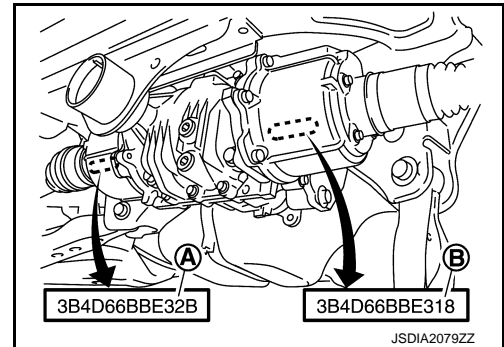
NOTE:

- This illustration is sample.
- For the illustration, the unit characteristics are following.

Left side: 3B4D66BBE32B

Right side: 3B4D66BBE318

2. Turn the ignition switch OFF to ON.
3. Select "UNIT CHARACTERISTICS WRITE" in "WORK SUPPORT" for "ALL MODE AWD/4WD".
4. Input unit characteristics.
5. Select "Start".
6. Check that "UNIT CHARACTERISTICS WRITE COMPLETED" is displayed.



>> WORK END

A
B
C
DLN
E
F
G
H
I
J
K
L
M
N
O
P

DTC/CIRCUIT DIAGNOSIS

P1804, P1809 AWD CONTROL MODULE

DTC Logic

INFOID:000000009751071

DTC DETECTION LOGIC

DTC	Display item	Malfunction detected condition	Possible cause
P1804	CONTROL UNIT 3	Malfunction is detected in the memory (EEPROM) system of AWD control module.	Internal malfunction of AWD control module.
P1809	CONTROL UNIT 4	AD converter system of AWD control module is malfunctioning.	

DTC CONFIRMATION PROCEDURE

1. PRECONDITIONING

If "DTC CONFIRMATION PROCEDURE" has been previously conducted, always turn ignition switch OFF and wait at least 10 seconds before conducting the next test.

>> GO TO 2.

2. PERFORM DTC CONFIRMATION

With CONSULT

1. Turn the ignition switch OFF to ON.
2. Perform self-diagnosis for "ALL MODE AWD/4WD".

Is DTC "P1804 or P1809" detected?

- YES >> Proceed to [DLN-42. "Diagnosis Procedure"](#).
 NO >> INSPECTION END

Diagnosis Procedure

INFOID:000000009751072

1. PERFORM SELF-DIAGNOSIS AGAIN

With CONSULT

Perform "DTC CONFIRMATION PROCEDURE" (self-diagnosis) again. Refer to [DLN-42. "DTC Logic"](#).

Is DTC "P1804 or 1809" detected?

- YES >> Replace AWD control module. Refer to [DLN-90. "Removal and Installation"](#).
 NO >> Check AWD control module pin terminals for damage or loose connection with harness connector.
 If any items are damaged, repair or replace error-detected parts.

P1808 WHEEL SPEED SENSOR

< DTC/CIRCUIT DIAGNOSIS >

[TRANSFER: TY21B]

P1808 WHEEL SPEED SENSOR

DTC Logic

INFOID:000000009751073

DTC DETECTION LOGIC

DTC	Display item	Malfunction detected condition	Possible cause
P1808	VHCL SPEED SEN-ABS	<ul style="list-style-type: none">Malfunction is detected in vehicle speed signal that is output from ABS actuator and electric unit (control unit) through CAN communication.Improper signal is input while driving.	<ul style="list-style-type: none">ABS actuator and electric unit (control unit)- Malfunction of ABS actuator and electric unit (control unit) circuit error- Wheel speed sensor error• AWD control module• CAN communication line

DTC CONFIRMATION PROCEDURE

1. PRECONDITIONING

If "DTC CONFIRMATION PROCEDURE" has been previously conducted, always turn ignition switch OFF and wait at least 10 seconds before conducting the next test.

>> GO TO 2.

2. PERFORM DTC CONFIRMATION

With CONSULT

- Start the engine and drive at 30 km/h (19 MPH) or more for approximately 1 minute.
- Stop the vehicle.
- Perform self-diagnosis for "ALL MODE AWD/4WD".

Is DTC "P1808" detected?

- YES >> Proceed to [DLN-43, "Diagnosis Procedure"](#).
NO >> INSPECTION END

Diagnosis Procedure

INFOID:000000009751074

1. PERFORM ABS ACTUATOR AND ELECTRIC UNIT (CONTROL UNIT) SELF-DIAGNOSIS

With CONSULT

Perform self-diagnosis for "ABS".

Is any DTC detected?

- YES >> Perform trouble diagnosis for detected DTC. Refer to [BRC-50, "DTC Index"](#).
NO >> GO TO 2.

2. ERASE SELF-DIAGNOSTIC RESULT

With CONSULT

- Erase self-diagnostic results for "ALL MODE AWD/4WD".
- Start the engine and drive at 30 km/h (19 MPH) or more for approximately 1 minute.
- Stop the vehicle.
- Check that ABS warning lamp turns OFF.

Does ABS warning lamp turn OFF?

- YES >> GO TO 3.
NO >> Refer to [BRC-121, "Component Function Check"](#).

3. CHECK TERMINALS AND HARNESS CONNECTORS

Check AWD control module pin terminals for damage or loose connection with harness connector.

Is inspection result normal?

- YES >> After turning the ignition switch OFF, perform DTC confirmation procedure again. If DTC "P1808" is detected, Replace AWD control module. Refer to [DLN-90, "Removal and Installation"](#).
NO >> Repair or replace error-detected parts.

P1811 POWER SUPPLY CIRCUIT FOR AWD CONTROL MODULE

< DTC/CIRCUIT DIAGNOSIS >

[TRANSFER: TY21B]

P1811 POWER SUPPLY CIRCUIT FOR AWD CONTROL MODULE

DTC Logic

INFOID:000000009751075

DTC DETECTION LOGIC

DTC	Display item	Malfunction detected condition	Possible cause
P1811	BATTERY VOLTAGE	When AWD control module power supply is lower or higher than normal	<ul style="list-style-type: none">Malfunction of AWD control module power supply circuit (open or short)Malfunction of AWD control moduleBattery

DTC CONFIRMATION PROCEDURE

1. PRECONDITIONING

If "DTC CONFIRMATION PROCEDURE" has been previously conducted, always turn ignition switch OFF and wait at least 10 seconds before conducting the next test.

>> GO TO 2.

2. PERFORM DTC CONFIRMATION

With CONSULT

- Turn the ignition switch OFF to ON.
- Perform self-diagnosis for "ALL MODE AWD/4WD".

Is DTC "P1811" detected?

- YES >> Proceed to [DLN-44, "Diagnosis Procedure"](#).
NO >> INSPECTION END

Diagnosis Procedure

INFOID:000000009751076

1. CHECK AWD CONTROL MODULE POWER SUPPLY (1)

- Turn the ignition switch OFF.
- Disconnect AWD control module harness connector.
- Check the voltage between AWD control module harness connector and ground.

AWD control module		—	Voltage
Connector	Terminal		
B47	1	Ground	11 – 13 V

- Turn the ignition switch ON.
CAUTION:
Never start the engine.
- Check the voltage between AWD control module harness connector and ground.

AWD control module		—	Voltage
Connector	Terminal		
B47	1	Ground	11 – 13 V

Is the inspection result normal?

- YES >> GO TO 3.
NO >> GO TO 2.

2. CHECK AWD CONTROL MODULE POWER SUPPLY (2)

- Turn the ignition switch OFF.
- Check the 10A fuse (#33).
- Check the harness for open or short between AWD control module harness connector No.1 terminal and 10A (#33).

P1811 POWER SUPPLY CIRCUIT FOR AWD CONTROL MODULE

< DTC/CIRCUIT DIAGNOSIS >

[TRANSFER: TY21B]

Is the inspection result normal?

- YES >> Perform the trouble diagnosis for power supply circuit. Refer to [PG-11, "Wiring Diagram - BATTERY POWER SUPPLY -"](#).
NO >> Repair or replace error-detected parts.

3. CHECK AWD CONTROL MODULE POWER SUPPLY (3)

1. Turn the ignition switch OFF.
2. Check the voltage between AWD control module harness connector and ground.

AWD control module		—	Voltage
Connector	Terminal		
B47	3	Ground	0 V

3. Turn the ignition switch ON.
CAUTION:
Never start the engine.
4. Check the voltage between AWD control module harness connector and ground.

AWD control module		—	Voltage
Connector	Terminal		
B47	3	Ground	11 – 13 V

Is the inspection result normal?

- YES >> GO TO 5.
NO >> GO TO 4.

4. CHECK AWD CONTROL MODULE POWER SUPPLY (4)

1. Turn the ignition switch OFF.
2. Check the 10A fuse (#3).
3. Check the harness for open or short between AWD control module harness connector No.3 terminal and 10A (#3).

Is the inspection result normal?

- YES >> Perform the trouble diagnosis for ignition power supply circuit. Refer to [PG-41, "Wiring Diagram - IGNITION POWER SUPPLY -"](#).
NO >> Repair or replace error-detected parts.

5. CHECK AWD CONTROL MODULE GROUND

1. Turn the ignition switch OFF.
2. Check the continuity between AWD control module harness connector and ground.

AWD control module		—	Continuity
Connector	Terminal		
B47	10	Ground	Existed
	11		

Is the inspection result normal?

- YES >> GO TO 6.
NO >> Repair or replace error-detected parts.

6. CHECK TERMINALS AND HARNESS CONNECTORS

Check the AWD control module pin terminals for damage or loose connection with harness connector.

Is the inspection result normal?

- YES >> Replace AWD control module. Refer to [DLN-90, "Removal and Installation"](#).
NO >> Repair or replace error-detected parts.

P1813 AWD MODE SWITCH

< DTC/CIRCUIT DIAGNOSIS >

[TRANSFER: TY21B]

P1813 AWD MODE SWITCH

DTC Logic

INFOID:000000009751077

DTC DETECTION LOGIC

DTC	Display item	Malfunction detected condition	Possible cause
P1813	4WD MODE SW	Multiple signals received from AWD mode switch are detected.	<ul style="list-style-type: none">• AWD mode switch- Internal malfunction of AWD mode switch- Malfunction of AWD mode switch circuit• AWD control module

DTC CONFIRMATION PROCEDURE

1. PRECONDITIONING

If "DTC CONFIRMATION PROCEDURE" has been previously conducted, always turn ignition switch OFF and wait at least 10 seconds before conducting the next test.

>> GO TO 2.

2. PERFORM DTC CONFIRMATION

With CONSULT

1. Turn the ignition switch OFF to ON.
2. Change AWD mode switch following order.

Changing order : 2WD→AWD-V→AWD→AWD-V→2WD

3. Perform self-diagnosis for "ALL MODE AWD/4WD".

Is DTC "P1813" detected?

- YES >> Proceed to [DLN-46, "Diagnosis Procedure"](#).
NO >> INSPECTION END

Diagnosis Procedure

INFOID:000000009751078

1. CHECK AWD MODE SWITCH

Check AWD mode switch. Refer to [DLN-47, "Component Inspection"](#).

Is the inspection result normal?

- YES >> GO TO 2.
NO >> Replace AWD mode switch. Refer to [DLN-92, "Removal and Installation"](#).

2. CHECK AWD MODE SWITCH CIRCUIT (1)

1. Disconnect AWD control module harness connector.
2. Check the continuity between AWD control module harness connector and AWD mode switch harness connector.

P1813 AWD MODE SWITCH

< DTC/CIRCUIT DIAGNOSIS >

[TRANSFER: TY21B]

AWD control module		AWD mode switch		Continuity
Connector	Terminal	Connector	Terminal	
B47	9	M48	1	Existed
			5	Not existed
			6	Not existed
	13		1	Not existed
			5	Existed
			6	Not existed
	21		1	Not existed
			5	Not existed
			6	Existed

Is the inspection result normal?

YES >> GO TO 3.

NO >> Repair or replace error-detected parts.

3.CHECK AWD MODE SWITCH CIRCUIT (2)

Check the continuity between AWD mode switch harness connector and ground.

AWD mode switch		—	Continuity
Connector	Terminal		
M48	3	Ground	Not existed

Is the inspection result normal?

YES >> GO TO 4.

NO >> Repair or replace error-detected parts.

4.CHECK TERMINALS AND HARNESS CONNECTORS

- Check AWD control module pin terminals for damage or loose connection with harness connector.
- Check AWD mode switch pin terminals for damage or loose connection with harness connector.

Is the inspection result normal?

YES >> Replace AWD control module. Refer to [DLN-90, "Removal and Installation"](#).

NO >> Repair or replace error-detected parts.

Component Inspection

INFOID:000000009751079

1.CHECK AWD MODE SWITCH

1. Turn the ignition switch OFF.
2. Remove AWD mode switch. Refer to [DLN-92, "Removal and Installation"](#).
3. Check the continuity between AWD mode switch harness connector terminals.

AWD switch assembly		Condition	Continuity
Terminal			
1	3	AWD mode switch: 2WD	Not existed
		AWD mode switch: AWD-V or AWD	Existed
5	3	AWD mode switch: 2WD	Existed
		AWD mode switch: AWD-V or AWD	Not existed
6	3	AWD mode switch: 2WD or AWD-V	Not existed
		AWD mode switch: AWD	Existed

Is the inspection result normal?

YES >> INSPECTION END

P1813 AWD MODE SWITCH

< DTC/CIRCUIT DIAGNOSIS >

[TRANSFER: TY21B]

NO >> Replace AWD mode switch. Refer to [DLN-92. "Removal and Installation"](#).

P181B INCOMPLETE SELF SHUT

< DTC/CIRCUIT DIAGNOSIS >

[TRANSFER: TY21B]

P181B INCOMPLETE SELF SHUT

DTC Logic

INFOID:000000009751080

DTC DETECTION LOGIC

DTC	Display item	Malfunction detected condition	Possible cause
P181B	INCOMP SELF SHUT	When ignition switch is OFF and AWD control module power supply is lower or higher than normal	Self-shut of AWD control module is incomplete.

DTC CONFIRMATION PROCEDURE

1. PRECONDITIONING

If "DTC CONFIRMATION PROCEDURE" has been previously conducted, always turn ignition switch OFF and wait at least 10 seconds before conducting the next test.

>> GO TO 2.

2. PERFORM DTC CONFIRMATION

With CONSULT

1. Turn the ignition switch OFF, and wait for several seconds.
2. Perform self-diagnosis for "ALL MODE AWD/4WD".

Is DTC "P181B" detected?

- YES >> Proceed to [DLN-49, "Diagnosis Procedure"](#).
 NO >> INSPECTION END

Diagnosis Procedure

INFOID:000000009751081

1. CHECK AWD CONTROL MODULE POWER SUPPLY (1)

1. Turn the ignition switch OFF.
2. Disconnect AWD control module harness connector.
3. Check the voltage between AWD control module harness connector and ground.

AWD control module		—	Voltage
Connector	Terminal		
B47	1	Ground	11 – 13 V

4. Turn the ignition switch ON.
CAUTION:
Never start the engine.
5. Check the voltage between AWD control module harness connector and ground.

AWD control module		—	Voltage
Connector	Terminal		
B47	1	Ground	11 – 13 V

Is the inspection result normal?

- YES >> GO TO 3.
 NO >> GO TO 2.

2. CHECK AWD CONTROL MODULE POWER SUPPLY (2)

1. Turn the ignition switch OFF.
2. Check the 10A fuse (#33).
3. Check the harness for open or short between AWD control module harness connector No.1 terminal and 10A (#33).

Is the inspection result normal?

P181B INCOMPLETE SELF SHUT

[TRANSFER: TY21B]

< DTC/CIRCUIT DIAGNOSIS >

- YES >> Perform the trouble diagnosis for power supply circuit. Refer to [PG-11, "Wiring Diagram - BATTERY POWER SUPPLY -"](#).
- NO >> Repair or replace error-detected parts.

3. CHECK AWD CONTROL MODULE GROUND

1. Turn the ignition switch OFF.
2. Check the continuity between AWD control module harness connector and ground.

AWD control module		—	Continuity
Connector	Terminal		
B47	10	Ground	Existed
	11		

Is the inspection result normal?

- YES >> GO TO 4.
- NO >> Repair or replace error-detected parts.

4. CHECK TERMINALS AND HARNESS CONNECTORS

Check AWD control module pin terminals for damage or loose connection with harness connector.

Is inspection result normal?

- YES >> After turning the ignition switch OFF, perform DTC confirmation procedure again. If DTC "P181B" is detected, Replace AWD control module. Refer to [DLN-90, "Removal and Installation"](#).
- NO >> Repair or replace error-detected parts.

P181D ENGINE TORQUE SIGNAL

< DTC/CIRCUIT DIAGNOSIS >

[TRANSFER: TY21B]

P181D ENGINE TORQUE SIGNAL

DTC Logic

INFOID:000000009751082

DTC DETECTION LOGIC

DTC	Display item	Malfunction detected condition	Possible cause
P181D	ENGINE SYSTEM	Malfunction is detected in engine torque signal that is output from ECM through CAN communication.	<ul style="list-style-type: none">• ECM• AWD control module• CAN communication line

DTC CONFIRMATION PROCEDURE

1. PRECONDITIONING

If "DTC CONFIRMATION PROCEDURE" has been previously conducted, always turn ignition switch OFF and wait at least 10 seconds before conducting the next test.

>> GO TO 2.

2. PERFORM DTC CONFIRMATION

With CONSULT

1. Start the engine and drive at 30 km/h (19 MPH) or more for approximately 1 minute.
2. Stop the vehicle.
3. Perform self-diagnosis for "ALL MODE AWD/4WD".

Is DTC "P181D" detected?

- YES >> Proceed to [DLN-51, "Diagnosis Procedure"](#).
NO >> INSPECTION END

Diagnosis Procedure

INFOID:000000009751083

1. PERFORM ECM SELF-DIAGNOSIS

With CONSULT

Perform self-diagnosis for "ENGINE".

Is any DTC detected?

- YES >> Perform trouble diagnosis for detected DTC. Refer to [EC-101, "DTC Index"](#).
NO >> GO TO 2.

2. CHECK TERMINALS AND HARNESS CONNECTORS

Check AWD control module pin terminals for damage or loose connection with harness connector.

Is inspection result normal?

- YES >> After turning the ignition switch OFF, perform DTC confirmation procedure again. If DTC "P181D" is detected, Replace AWD control module. Refer to [DLN-90, "Removal and Installation"](#).
NO >> Repair or replace error-detected parts.

P181E STEERING ANGLE SENSOR

< DTC/CIRCUIT DIAGNOSIS >

[TRANSFER: TY21B]

P181E STEERING ANGLE SENSOR

DTC Logic

INFOID:000000009751084

DTC DETECTION LOGIC

DTC	Display item	Malfunction detected condition	Possible cause
P181E	STR ANGLE SEN	Malfunction is detected in steering angle sensor signal through CAN communication.	<ul style="list-style-type: none">• Steering angle sensor- Steering angle sensor error- Malfunction of steering angle sensor circuit• Malfunction of AWD control module• CAN communication line

DTC CONFIRMATION PROCEDURE

1. PRECONDITIONING

If "DTC CONFIRMATION PROCEDURE" has been previously conducted, always turn ignition switch OFF and wait at least 10 seconds before conducting the next test.

>> GO TO 2.

2. PERFORM DTC CONFIRMATION

With CONSULT

1. Turn the ignition switch OFF to ON.
2. Perform self-diagnosis for "ALL MODE AWD/4WD".

Is DTC "P181E" detected?

- YES >> Proceed to [DLN-52, "Diagnosis Procedure"](#).
NO >> INSPECTION END

Diagnosis Procedure

INFOID:000000009751085

1. PERFORM ABS ACTUATOR AND ELECTRIC UNIT (CONTROL UNIT) SELF-DIAGNOSIS

With CONSULT

Perform self-diagnosis for "ABS".

Is DTC "C1143" detected?

- YES >> Proceed to [BRC-98, "Diagnosis Procedure"](#).
NO >> GO TO 2.

2. CHECK TERMINALS AND HARNESS CONNECTORS

Check AWD control module pin terminals for damage or loose connection with harness connector.

Is inspection result normal?

- YES >> After turning the ignition switch OFF, perform DTC confirmation procedure again. If DTC "P181E" is detected, Replace AWD control module. Refer to [DLN-90, "Removal and Installation"](#).
NO >> Repair or replace error-detected parts.

P181F INCOMPLETE CALIBRATION

< DTC/CIRCUIT DIAGNOSIS >

[TRANSFER: TY21B]

P181F INCOMPLETE CALIBRATION

DTC Logic

INFOID:000000009751086

DTC DETECTION LOGIC

DTC	Display item	Malfunction detected condition	Possible cause
P181F	INCOMP CALIBRATION	When incomplete writing unit characteristics of rear final drive is detected.	Writing unit characteristics is incomplete.

DTC CONFIRMATION PROCEDURE

1. PRECONDITIONING

If "DTC CONFIRMATION PROCEDURE" has been previously conducted, always turn ignition switch OFF and wait at least 10 seconds before conducting the next test.

>> GO TO 2.

2. PERFORM DTC CONFIRMATION

With CONSULT

1. Turn the ignition switch OFF to ON.
2. Perform self-diagnosis for "ALL MODE AWD/4WD".

Is DTC "P181F" detected?

- YES >> Proceed to [DLN-53, "Diagnosis Procedure"](#).
NO >> INSPECTION END

Diagnosis Procedure

INFOID:000000009751087

1. PERFORM WRITING UNIT CHARACTERISTICS

1. Erase self-diagnostic result for "ALL MODE AWD/4WD".
2. Perform writing unit characteristics. Refer to [DLN-41, "Work Procedure"](#).
3. Perform self-diagnosis for "ALL MODE AWD/4WD".

Is any DTC except "P181F" detected?

- YES >> Perform trouble diagnosis for detected DTC. Refer to [DLN-31, "DTC Index"](#).
NO >> GO TO 2.

2. PERFORM SELF-DIAGNOSIS AGAIN

With CONSULT

Perform "DTC CONFIRMATION PROCEDURE" (self-diagnosis) again. Refer to [DLN-53, "DTC Logic"](#).

Is DTC "P181F" detected?

- YES >> Replace AWD control module. Refer to [DLN-90, "Removal and Installation"](#).
NO >> Check AWD control module pin terminals for damage or loose connection with harness connector. If any items are damaged, repair or replace error-detected parts.

P1820 ENGINE SPEED SIGNAL

< DTC/CIRCUIT DIAGNOSIS >

[TRANSFER: TY21B]

P1820 ENGINE SPEED SIGNAL

DTC Logic

INFOID:000000009751088

DTC DETECTION LOGIC

DTC	Display item	Malfunction detected condition	Possible cause
P1820	ENGINE SPEED SIG	Malfunction is detected in engine speed signal that is output from ECM through CAN communication.	<ul style="list-style-type: none">• ECM• AWD control module• CAN communication line

DTC CONFIRMATION PROCEDURE

1. PRECONDITIONING

If "DTC CONFIRMATION PROCEDURE" has been previously conducted, always turn ignition switch OFF and wait at least 10 seconds before conducting the next test.

>> GO TO 2.

2. PERFORM DTC CONFIRMATION

With CONSULT

1. Start the engine and drive at 30 km/h (19 MPH) or more for approximately 1 minute.
2. Stop the vehicle.
3. Perform self-diagnosis for "ALL MODE AWD/4WD".

Is DTC "P1820" detected?

- YES >> Proceed to [DLN-54, "Diagnosis Procedure"](#).
NO >> INSPECTION END

Diagnosis Procedure

INFOID:000000009751089

1. PERFORM ECM SELF-DIAGNOSIS

With CONSULT

Perform self-diagnosis for "ENGINE".

Is any DTC detected?

- YES >> Perform trouble diagnosis for detected DTC. Refer to [EC-101, "DTC Index"](#).
NO >> GO TO 2.

2. CHECK TERMINALS AND HARNESS CONNECTORS

Check AWD control module pin terminals for damage or loose connection with harness connector.

Is inspection result normal?

- YES >> After turning the ignition switch OFF, perform DTC confirmation procedure again. If DTC "P1820" is detected, Replace AWD control module. Refer to [DLN-90, "Removal and Installation"](#).
NO >> Repair or replace error-detected parts.

P1829 ACCELERATOR PEDAL POSITION SENSOR

< DTC/CIRCUIT DIAGNOSIS >

[TRANSFER: TY21B]

P1829 ACCELERATOR PEDAL POSITION SENSOR

DTC Logic

INFOID:000000009751090

DTC DETECTION LOGIC

DTC	Display item	Malfunction detected condition	Possible cause
P1829	THROTTLE POSI SEN	Malfunction is detected in accelerator pedal position signal that is output from ECM through CAN communication.	<ul style="list-style-type: none">• ECM• AWD control module• CAN communication line

DTC CONFIRMATION PROCEDURE

1. PRECONDITIONING

If "DTC CONFIRMATION PROCEDURE" has been previously conducted, always turn ignition switch OFF and wait at least 10 seconds before conducting the next test.

>> GO TO 2.

2. PERFORM DTC CONFIRMATION

With CONSULT

1. Start the engine and drive at 30 km/h (19 MPH) or more for approximately 1 minute.
2. Stop the vehicle.
3. Perform self-diagnosis for "ALL MODE AWD/4WD".

Is DTC "P1829" detected?

- YES >> Proceed to [DLN-55, "Diagnosis Procedure"](#).
NO >> INSPECTION END

Diagnosis Procedure

INFOID:000000009751091

1. PERFORM ECM SELF-DIAGNOSIS

With CONSULT

Perform self-diagnosis for "ENGINE".

Is any DTC detected?

- YES >> Perform trouble diagnosis for detected DTC. Refer to [EC-101, "DTC Index"](#).
NO >> GO TO 2.

2. CHECK TERMINALS AND HARNESS CONNECTORS

Check AWD control module pin terminals for damage or loose connection with harness connector.

Is inspection result normal?

- YES >> After turning the ignition switch OFF, perform DTC confirmation procedure again. If DTC "P1829" is detected, Replace AWD control module. Refer to [DLN-90, "Removal and Installation"](#).
NO >> Repair or replace error-detected parts.

P182D AWD SOLENOID (LEFT)

< DTC/CIRCUIT DIAGNOSIS >

[TRANSFER: TY21B]

P182D AWD SOLENOID (LEFT)

DTC Logic

INFOID:000000009751092

DTC DETECTION LOGIC

DTC	Display item	Malfunction detected condition	Possible cause
P182D	SOLENOID LEFT	Malfunction related to AWD solenoid (left) has been detected.	<ul style="list-style-type: none">Internal malfunction of electric controlled coupling (left)Malfunction of AWD solenoid (left) power supply circuit (open or short)Malfunction of AWD control module

DTC CONFIRMATION PROCEDURE

1. PRECONDITIONING

If "DTC CONFIRMATION PROCEDURE" has been previously conducted, always turn ignition switch OFF and wait at least 10 seconds before conducting the next test.

>> GO TO 2.

2. PERFORM DTC CONFIRMATION (1)

With CONSULT

- Turn the ignition switch OFF to ON, and then wait for 5 seconds or more.
- Turn the ignition switch OFF.
- Turn the ignition switch ON, and then wait for 5 seconds or more.
- Perform self-diagnosis for "ALL MODE AWD/4WD".

Is DTC "P182D" detected?

- YES >> Proceed to [DLN-56, "Diagnosis Procedure"](#).
NO >> GO TO 3.

3. PERFORM DTC CONFIRMATION (2)

With CONSULT

- Lift up the vehicle.
- Start the engine, and run at idle for 1 second.
- Stop the engine.
- Perform self-diagnosis for "ALL MODE AWD/4WD".

Is DTC "P182D" detected?

- YES >> Proceed to [DLN-56, "Diagnosis Procedure"](#).
NO >> GO TO 4.

4. PERFORM DTC CONFIRMATION (3)

With CONSULT

- Drive the vehicle at 30 km/h (19 MPH) or less for approximately 1 minute.
- Stop the vehicle.
- Drive the vehicle at 30 km/h (19 MPH) or less for approximately 1 minute again.
- Stop the vehicle.
- Perform self-diagnosis for "ALL MODE AWD/4WD".

Is DTC "P182D" detected?

- YES >> Proceed to [DLN-56, "Diagnosis Procedure"](#).
NO >> INSPECTION END

Diagnosis Procedure

INFOID:000000009751093

1. CHECK AWD SOLENOID CIRCUIT (1)

- Turn the ignition switch OFF.
- Disconnect AWD control module harness connector.
- Check the resistance between AWD control module harness connector.

P182D AWD SOLENOID (LEFT)

< DTC/CIRCUIT DIAGNOSIS >

[TRANSFER: TY21B]

AWD control module			Condition	Resistance (Approx.)
Connector	Terminal			
B47	23	24	10°C (50°F)	2.55 Ω
			20°C (68°F)	2.65 Ω
			30°C (86°F)	2.76 Ω

Is the inspection result normal?

- YES >> GO TO 5.
- NO >> GO TO 2.

2.CHECK AWD SOLENOID CIRCUIT (2)

1. Disconnect rear final drive sub-harness connector.
2. Check the continuity between AWD control module harness connector and rear final drive sub-harness connector.

AWD control module		Rear final drive sub-harness		Continuity
Connector	Terminal	Connector	Terminal	
B47	23	B64	4	Existed
	24		8	

3. Check the continuity between AWD control module harness connector and the ground.

AWD control module		—	Continuity
Connector	Terminal		
B47	23	Ground	Not existed
	24		

Is the inspection result normal?

- YES >> GO TO 3.
- NO >> Repair or replace the error-detected parts.

3.CHECK REAR FINAL DRIVE SUB-HARNESS

1. Disconnect electric controlled coupling (left) harness connector.
2. Check the continuity between rear final drive sub-harness connector and electric controlled coupling (left) harness connector.

Rear final drive sub-harness		Electric controlled coupling (left)		Continuity
Connector	Terminal	Connector	Terminal	
B84	4	B85	4	Existed
	8		8	

Is the inspection result normal?

- YES >> GO TO 4.
- NO >> Replace rear final drive sub-harness. Refer to [DLN-143, "Exploded View"](#).

4.CHECK AWD SOLENOID

Check AWD solenoid. Refer to [DLN-58, "Component Inspection"](#).

Is the inspection result normal?

- YES >> GO TO 5.
- NO >> AWD solenoid (left) is malfunctioning. Replace electric controlled coupling (left). Refer to [DLN-143, "Removal and Installation"](#).

5.CHECK TERMINALS AND HARNESS CONNECTORS

1. Check AWD control module pin terminals for damage or loose connection with harness connector.
2. Check rear final drive sub-harness pin terminals for damage or loose connection with harness connector.

P182D AWD SOLENOID (LEFT)

[TRANSFER: TY21B]

< DTC/CIRCUIT DIAGNOSIS >

3. Check electric controlled coupling (left) pin terminals for damage or loose connection with harness connector.

Is the inspection result normal?

- YES >> Replace AWD control module. Refer to [DLN-90, "Removal and Installation"](#).
NO >> Repair or replace the error-detected parts.

Component Inspection

INFOID:000000009751094

1. CHECK AWD SOLENOID

1. Turn the ignition switch OFF.
2. Disconnect electric controlled coupling (left) harness connector.
3. Check the resistance between electric controlled coupling (left) connector terminals.

Electric controlled coupling (left)		Condition	Resistance (Approx.)
Terminal			
4	8	10°C (50°F)	2.55 Ω
		20°C (68°F)	2.65 Ω
		30°C (86°F)	2.76 Ω

Is the inspection result normal?

- YES >> INSPECTION END
NO >> AWD solenoid (left) is malfunctioning. Replace electric controlled coupling (left). Refer to [DLN-143, "Removal and Installation"](#).

P182E AWD SOLENOID (RIGHT)

< DTC/CIRCUIT DIAGNOSIS >

[TRANSFER: TY21B]

P182E AWD SOLENOID (RIGHT)

DTC Logic

INFOID:000000009751095

DTC DETECTION LOGIC

DTC	Display item	Malfunction detected condition	Possible cause
P182E	SOLENOID RIGHT	Malfunction related to AWD solenoid (right) has been detected.	<ul style="list-style-type: none">Internal malfunction of electric controlled coupling (right)Malfunction of AWD solenoid (right) power supply circuit (open or short)Malfunction of AWD control module

DTC CONFIRMATION PROCEDURE

1. PRECONDITIONING

If "DTC CONFIRMATION PROCEDURE" has been previously conducted, always turn ignition switch OFF and wait at least 10 seconds before conducting the next test.

>> GO TO 2.

2. PERFORM DTC CONFIRMATION (1)

With CONSULT

- Turn the ignition switch OFF to ON, and then wait for 5 seconds or more.
- Turn the ignition switch OFF.
- Turn the ignition switch ON, and then wait for 5 seconds or more.
- Perform self-diagnosis for "ALL MODE AWD/4WD".

Is DTC "P182E" detected?

YES >> Proceed to [DLN-59, "Diagnosis Procedure"](#).

NO >> GO TO 3.

3. PERFORM DTC CONFIRMATION (2)

With CONSULT

- Lift up the vehicle.
- Start the engine, and run at idle for 1 second.
- Stop the engine.
- Perform self-diagnosis for "ALL MODE AWD/4WD".

Is DTC "P182E" detected?

YES >> Proceed to [DLN-59, "Diagnosis Procedure"](#).

NO >> GO TO 4.

4. PERFORM DTC CONFIRMATION (3)

With CONSULT

- Drive the vehicle at 30 km/h (19 MPH) or less for approximately 1 minute.
- Stop the vehicle.
- Drive the vehicle at 30 km/h (19 MPH) or less for approximately 1 minute again.
- Stop the vehicle.
- Perform self-diagnosis for "ALL MODE AWD/4WD".

Is DTC "P182E" detected?

YES >> Proceed to [DLN-59, "Diagnosis Procedure"](#).

NO >> INSPECTION END

Diagnosis Procedure

INFOID:000000009751096

1. CHECK AWD SOLENOID CIRCUIT (1)

- Turn the ignition switch OFF.
- Disconnect AWD control module harness connector.
- Check the resistance between AWD control module harness connector.

P182E AWD SOLENOID (RIGHT)

< DTC/CIRCUIT DIAGNOSIS >

[TRANSFER: TY21B]

AWD control module			Condition	Resistance (Approx.)
Connector	Terminal			
B47	25	26	10°C (50°F)	2.55 Ω
			20°C (68°F)	2.65 Ω
			30°C (86°F)	2.76 Ω

Is the inspection result normal?

YES >> GO TO 5.

NO >> GO TO 2.

2. CHECK AWD SOLENOID CIRCUIT (2)

1. Disconnect rear final drive sub-harness connector.
2. Check the continuity between AWD control module harness connector and rear final drive sub-harness connector.

AWD control module		Rear final drive sub-harness		Continuity
Connector	Terminal	Connector	Terminal	
B47	25	B64	2	Existed
	26		6	

3. Check the continuity between AWD control module harness connector and the ground.

AWD control module		—	Continuity
Connector	Terminal		
B47	25	Ground	Not existed
	26		

Is the inspection result normal?

YES >> GO TO 3.

NO >> Repair or replace the error-detected parts.

3. CHECK REAR FINAL DRIVE SUB-HARNESS

1. Disconnect electric controlled coupling (right) harness connector.
2. Check the continuity between rear final drive sub-harness connector and electric controlled coupling (right) harness connector.

Rear final drive sub-harness		Electric controlled coupling (right)		Continuity
Connector	Terminal	Connector	Terminal	
B84	2	B86	2	Existed
	6		6	

Is the inspection result normal?

YES >> GO TO 4.

NO >> Replace rear final drive sub-harness. Refer to [DLN-143, "Exploded View"](#).

4. CHECK AWD SOLENOID

Check AWD solenoid. Refer to [DLN-61, "Component Inspection"](#).

Is the inspection result normal?

YES >> GO TO 5.

NO >> AWD solenoid (right) is malfunctioning. Replace electric controlled coupling (right). Refer to [DLN-143, "Removal and Installation"](#).

5. CHECK TERMINALS AND HARNESS CONNECTORS

1. Check AWD control module pin terminals for damage or loose connection with harness connector.
2. Check rear final drive sub-harness pin terminals for damage or loose connection with harness connector.

P182E AWD SOLENOID (RIGHT)

[TRANSFER: TY21B]

< DTC/CIRCUIT DIAGNOSIS >

3. Check electric controlled coupling (right) pin terminals for damage or loose connection with harness connector.

Is the inspection result normal?

YES >> Replace AWD control module. Refer to [DLN-90, "Removal and Installation"](#).

NO >> Repair or replace the error-detected parts.

Component Inspection

INFOID:000000009751097

1. CHECK AWD SOLENOID

1. Turn the ignition switch OFF.
2. Disconnect electric controlled coupling (right) harness connector.
3. Check the resistance between electric controlled coupling (right) connector terminals.

Electric controlled coupling (right)		Condition	Resistance (Approx.)
Terminal			
2	6	10°C (50°F)	2.55 Ω
		20°C (68°F)	2.65 Ω
		30°C (86°F)	2.75 Ω

Is the inspection result normal?

YES >> INSPECTION END

NO >> AWD solenoid (right) is malfunctioning. Replace electric controlled coupling (right). Refer to [DLN-143, "Removal and Installation"](#).

P1830 ABS OPERATION SIGNAL

< DTC/CIRCUIT DIAGNOSIS >

[TRANSFER: TY21B]

P1830 ABS OPERATION SIGNAL

DTC Logic

INFOID:000000009751098

DTC DETECTION LOGIC

DTC	Display item	Malfunction detected condition	Possible cause
P1830	ABS OP SIG	Malfunction is detected in ABS operation signal that is output from ABS actuator and electric unit (control unit) through CAN communication.	<ul style="list-style-type: none">• ABS actuator and electric unit (control unit)• AWD control module• CAN communication line

DTC CONFIRMATION PROCEDURE

1. PRECONDITIONING

If "DTC CONFIRMATION PROCEDURE" has been previously conducted, always turn ignition switch OFF and wait at least 10 seconds before conducting the next test.

>> GO TO 2.

2. PERFORM DTC CONFIRMATION

With CONSULT

1. Start the engine and drive at 30 km/h (19 MPH) or more for approximately 3 minute.
2. Stop the vehicle.
3. Perform self-diagnosis for "ALL MODE AWD/4WD".

Is DTC "P1830" detected?

- YES >> Proceed to [DLN-62, "Diagnosis Procedure"](#).
NO >> INSPECTION END

Diagnosis Procedure

INFOID:000000009751099

1. PERFORM ABS ACTUATOR AND ELECTRIC UNIT (CONTROL UNIT) SELF-DIAGNOSIS

With CONSULT

Perform self-diagnosis for "ABS".

Is any DTC detected?

- YES >> Perform trouble diagnosis for detected DTC. Refer to [BRC-50, "DTC Index"](#).
NO >> GO TO 2.

2. ERASE SELF-DIAGNOSTIC RESULT

With CONSULT

1. Erase self-diagnostic results for "ALL MODE AWD/4WD".
2. Start the engine and drive at 30 km/h (19 MPH) or more for approximately 3 minute.
3. Stop the vehicle.
4. Check that ABS warning lamp turns OFF.

Does ABS warning lamp turn OFF?

- YES >> GO TO 3.
NO >> Refer to [BRC-121, "Component Function Check"](#).

3. CHECK TERMINALS AND HARNESS CONNECTORS

Check AWD control module pin terminals for damage or loose connection with harness connector.

Is inspection result normal?

- YES >> After turning the ignition switch OFF, perform DTC confirmation procedure again. If DTC "P1830" is detected, Replace AWD control module. Refer to [DLN-90, "Removal and Installation"](#).
NO >> Repair or replace error-detected parts.

P1831 VDC OPERATION SIGNAL

< DTC/CIRCUIT DIAGNOSIS >

[TRANSFER: TY21B]

P1831 VDC OPERATION SIGNAL

DTC Logic

INFOID:000000009751100

DTC DETECTION LOGIC

DTC	Display item	Malfunction detected condition	Possible cause
P1831	VDC OP SIG	Malfunction is detected in VDC operation signal that is output from ABS actuator and electric unit (control unit) through CAN communication.	<ul style="list-style-type: none">• ABS actuator and electric unit (control unit)• AWD control module• CAN communication line

DTC CONFIRMATION PROCEDURE

1. PRECONDITIONING

If "DTC CONFIRMATION PROCEDURE" has been previously conducted, always turn ignition switch OFF and wait at least 10 seconds before conducting the next test.

>> GO TO 2.

2. PERFORM DTC CONFIRMATION

With CONSULT

1. Start the engine and drive at 30 km/h (19 MPH) or more for approximately 3 minute.
2. Stop the vehicle.
3. Perform self-diagnosis for "ALL MODE AWD/4WD".

Is DTC "P1831" detected?

- YES >> Proceed to [DLN-63, "Diagnosis Procedure"](#).
NO >> INSPECTION END

Diagnosis Procedure

INFOID:000000009751101

1. PERFORM ABS ACTUATOR AND ELECTRIC UNIT (CONTROL UNIT) SELF-DIAGNOSIS

With CONSULT

Perform self-diagnosis for "ABS".

Is any DTC detected?

- YES >> Perform trouble diagnosis for detected DTC. Refer to [BRC-50, "DTC Index"](#).
NO >> GO TO 2.

2. ERASE SELF-DIAGNOSTIC RESULT

With CONSULT

1. Erase self-diagnostic results for "ALL MODE AWD/4WD".
2. Start the engine and drive at 30 km/h (19 MPH) or more for approximately 3 minute.
3. Stop the vehicle.
4. Check that ABS warning lamp turns OFF.

Does ABS warning lamp turn OFF?

- YES >> GO TO 3.
NO >> Refer to [BRC-121, "Component Function Check"](#).

3. CHECK TERMINALS AND HARNESS CONNECTORS

Check AWD control module pin terminals for damage or loose connection with harness connector.

Is inspection result normal?

- YES >> After turning the ignition switch OFF, perform DTC confirmation procedure again. If DTC "P1831" is detected, Replace AWD control module. Refer to [DLN-90, "Removal and Installation"](#).
NO >> Repair or replace error-detected parts.

P1832 TCS OPERATION SIGNAL

< DTC/CIRCUIT DIAGNOSIS >

[TRANSFER: TY21B]

P1832 TCS OPERATION SIGNAL

DTC Logic

INFOID:000000009751102

DTC DETECTION LOGIC

DTC	Display item	Malfunction detected condition	Possible cause
P1832	TCS OP SIG	Malfunction is detected in TCS operation signal that is output from ABS actuator and electric unit (control unit) through CAN communication.	<ul style="list-style-type: none">• ABS actuator and electric unit (control unit)• AWD control module• CAN communication line

DTC CONFIRMATION PROCEDURE

1. PRECONDITIONING

If "DTC CONFIRMATION PROCEDURE" has been previously conducted, always turn ignition switch OFF and wait at least 10 seconds before conducting the next test.

>> GO TO 2.

2. PERFORM DTC CONFIRMATION

With CONSULT

1. Start the engine and drive at 30 km/h (19 MPH) or more for approximately 3 minute.
2. Stop the vehicle.
3. Perform self-diagnosis for "ALL MODE AWD/4WD".

Is DTC "P1832" detected?

- YES >> Proceed to [DLN-64, "Diagnosis Procedure"](#).
NO >> INSPECTION END

Diagnosis Procedure

INFOID:000000009751103

1. PERFORM ABS ACTUATOR AND ELECTRIC UNIT (CONTROL UNIT) SELF-DIAGNOSIS

With CONSULT

Perform self-diagnosis for "ABS".

Is any DTC detected?

- YES >> Perform trouble diagnosis for detected DTC. Refer to [BRC-50, "DTC Index"](#).
NO >> GO TO 2.

2. ERASE SELF-DIAGNOSTIC RESULT

With CONSULT

1. Erase self-diagnostic results for "ALL MODE AWD/4WD".
2. Start the engine and drive at 30 km/h (19 MPH) or more for approximately 3 minute.
3. Stop the vehicle.
4. Check that ABS warning lamp turns OFF.

Does ABS warning lamp turn OFF?

- YES >> GO TO 3.
NO >> Refer to [BRC-121, "Component Function Check"](#).

3. CHECK TERMINALS AND HARNESS CONNECTORS

Check AWD control module pin terminals for damage or loose connection with harness connector.

Is inspection result normal?

- YES >> After turning the ignition switch OFF, perform DTC confirmation procedure again. If DTC "P1832" is detected, Replace AWD control module. Refer to [DLN-90, "Removal and Installation"](#).
NO >> Repair or replace error-detected parts.

P183B SOLENOID POWER SUPPLY

< DTC/CIRCUIT DIAGNOSIS >

[TRANSFER: TY21B]

P183B SOLENOID POWER SUPPLY

DTC Logic

INFOID:000000009751104

DTC DETECTION LOGIC

DTC	Display item	Malfunction detected condition	Possible cause
P183B	SOL POWER SUPPLY	When AWD solenoid power supply voltage is lower or higher than normal.	<ul style="list-style-type: none"> Malfunction of AWD solenoid power supply circuit Malfunction of AWD control module Malfunction of AWD control module power supply circuit (open or short) Battery

DTC CONFIRMATION PROCEDURE

1. PRECONDITIONING

If "DTC CONFIRMATION PROCEDURE" has been previously conducted, always turn ignition switch OFF and wait at least 10 seconds before conducting the next test.

>> GO TO 2.

2. PERFORM DTC CONFIRMATION

Ⓜ With CONSULT

- Turn the ignition switch OFF to ON.
- Perform self-diagnosis for "ALL MODE AWD/4WD".

Is DTC "P183B" detected?

- YES >> Proceed to [DLN-65, "Diagnosis Procedure"](#).
 NO >> INSPECTION END

Diagnosis Procedure

INFOID:000000009751105

1. CHECK AWD SOLENOID POWER SUPPLY (1)

- Turn the ignition switch OFF.
- Disconnect AWD control module harness connector.
- Check the voltage between AWD control module harness connector and ground.

AWD control module		—	Voltage
Connector	Terminal		
B47	12	Ground	11 – 13 V

- Turn the ignition switch OFF to ON.
CAUTION:
Never start the engine.
- Check the voltage between AWD control module harness connector and ground.

AWD control module		—	Voltage
Connector	Terminal		
B47	12	Ground	11 – 13 V

Is the inspection result normal?

- YES >> GO TO 3.
 NO >> GO TO 2.

2. CHECK AWD SOLENOID POWER SUPPLY (2)

- Turn the ignition switch OFF.
- Check the 10A fuse (#12).

P183B SOLENOID POWER SUPPLY

[TRANSFER: TY21B]

< DTC/CIRCUIT DIAGNOSIS >

3. Check the harness for open or short between AWD control module harness connector No.12 and the 10A fuse (#12).

Is the inspection result normal?

YES >> Perform the trouble the diagnosis for power supply circuit. Refer to [PG-11, "Wiring Diagram - BATTERY POWER SUPPLY -"](#).

NO >> Repair or replace error-detected parts.

3.CHECK AWD CONTROL MODULE POWER SUPPLY (1)

1. Turn the ignition switch OFF.
2. Check the voltage between AWD control module harness connector and ground.

AWD control module		—	Voltage
Connector	Terminal		
B47	3	Ground	0 V

3. Turn the ignition switch ON.

CAUTION:

Never start the engine.

4. Check the voltage between AWD control module harness connector and ground.

AWD control module		—	Voltage
Connector	Terminal		
B47	3	Ground	11 – 13 V

Is the inspection result normal?

YES >> GO TO 5.

NO >> GO TO 4.

4.CHECK AWD CONTROL MODULE POWER SUPPLY (2)

1. Turn the ignition switch OFF.
2. Check the 10A fuse (#3).
3. Check the harness for open or short between AWD control module harness connector No.3 terminal and 10A (#3).

Is the inspection result normal?

YES >> Perform the trouble diagnosis for ignition power supply circuit. Refer to [PG-41, "Wiring Diagram - IGNITION POWER SUPPLY -"](#).

NO >> Repair or replace error-detected parts.

5.CHECK AWD SOLENOID GROUND

Check the continuity between AWD control module harness connector and ground.

AWD control module		—	Continuity
Connector	Terminal		
B47	10	Ground	Existed
	11		

Is the inspection result normal?

YES >> GO TO 6.

NO >> Repair or replace the error-detected parts.

6.CHECK TERMINALS AND HARNESS CONNECTORS

1. Check AWD control module pin terminals for damage or loose connection with harness connector.
2. Check AWD solenoid pin terminals for damage or loose connection with harness connector.

Is the inspection result normal?

YES >> Replace AWD control module. Refer to [DLN-90, "Removal and Installation"](#).

NO >> Repair or replace the error-detected parts.

P183C DECEL G SENSOR

< DTC/CIRCUIT DIAGNOSIS >

[TRANSFER: TY21B]

P183C DECEL G SENSOR

DTC Logic

INFOID:000000009751106

DTC DETECTION LOGIC

DTC	Display item	Malfunction detected condition	Possible cause
P183C	DECEL G SENSOR	Malfunction is detected in decel G sensor signal that is output from ABS actuator and electric unit (control unit) through CAN communication.	<ul style="list-style-type: none">• ABS actuator and electric unit (control unit)• Yaw rate/side/decel G sensor (Decel G sensor signal)• AWD control module• CAN communication line

DTC CONFIRMATION PROCEDURE

1. PRECONDITIONING

If "DTC CONFIRMATION PROCEDURE" has been previously conducted, always turn ignition switch OFF and wait at least 10 seconds before conducting the next test.

>> GO TO 2.

2. PERFORM DTC CONFIRMATION

With CONSULT

1. Start the engine and drive at 30 km/h (19 MPH) or more for approximately 1 minute.
2. Stop the vehicle.
3. Perform self-diagnosis for "ALL MODE AWD/4WD".

Is DTC "P183C" detected?

- YES >> Proceed to [DLN-67, "Diagnosis Procedure"](#).
NO >> INSPECTION END

Diagnosis Procedure

INFOID:000000009751107

1. PERFORM ABS ACTUATOR AND ELECTRIC UNIT (CONTROL UNIT) SELF-DIAGNOSIS

With CONSULT

Perform self-diagnosis for "ABS".

Is any DTC detected?

- YES >> Perform trouble diagnosis for detected DTC. Refer to [BRC-50, "DTC Index"](#).
NO >> GO TO 2.

2. ERASE SELF-DIAGNOSTIC RESULT

With CONSULT

1. Erase self-diagnostic results for "ALL MODE AWD/4WD".
2. Start the engine and drive at 30 km/h (19 MPH) or more for approximately 1 minute.
3. Stop the vehicle.
4. Check that ABS warning lamp turns OFF.

Does ABS warning lamp turn OFF?

- YES >> GO TO 3.
NO >> Refer to [BRC-121, "Component Function Check"](#).

3. CHECK TERMINALS AND HARNESS CONNECTORS

Check AWD control module pin terminals for damage or loose connection with harness connector.

Is inspection result normal?

- YES >> After turning the ignition switch OFF, perform DTC confirmation procedure again. If DTC "P183C" is detected, Replace AWD control module. Refer to [DLN-90, "Removal and Installation"](#).
NO >> Repair or replace error-detected parts.

P183D SIDE G SENSOR

< DTC/CIRCUIT DIAGNOSIS >

[TRANSFER: TY21B]

P183D SIDE G SENSOR

DTC Logic

INFOID:000000009751108

DTC DETECTION LOGIC

DTC	Display item	Malfunction detected condition	Possible cause
P183D	SIDE G SENSOR	Malfunction is detected in side G sensor signal that is output from ABS actuator and electric unit (control unit) through CAN communication.	<ul style="list-style-type: none">• ABS actuator and electric unit (control unit)• Yaw rate/side/decel G sensor (Side G sensor signal)• AWD control module• CAN communication line

DTC CONFIRMATION PROCEDURE

1. PRECONDITIONING

If "DTC CONFIRMATION PROCEDURE" has been previously conducted, always turn ignition switch OFF and wait at least 10 seconds before conducting the next test.

>> GO TO 2.

2. PERFORM DTC CONFIRMATION

With CONSULT

1. Start the engine and drive at 30 km/h (19 MPH) or more for approximately 1 minute.
2. Stop the vehicle.
3. Perform self-diagnosis for "ALL MODE AWD/4WD".

Is DTC "P183D" detected?

- YES >> Proceed to [DLN-68. "Diagnosis Procedure"](#).
NO >> INSPECTION END

Diagnosis Procedure

INFOID:000000009751109

1. PERFORM ABS ACTUATOR AND ELECTRIC UNIT (CONTROL UNIT) SELF-DIAGNOSIS

With CONSULT

Perform self-diagnosis for "ABS".

Is any DTC detected?

- YES >> Perform trouble diagnosis for detected DTC. Refer to [BRC-50. "DTC Index"](#).
NO >> GO TO 2.

2. ERASE SELF-DIAGNOSTIC RESULT

With CONSULT

1. Erase self-diagnostic results for "ALL MODE AWD/4WD".
2. Start the engine and drive at 30 km/h (19 MPH) or more for approximately 1 minute.
3. Stop the vehicle.
4. Check that ABS warning lamp turns OFF.

Does ABS warning lamp turn OFF?

- YES >> GO TO 3.
NO >> Refer to [BRC-121. "Component Function Check"](#).

3. CHECK TERMINALS AND HARNESS CONNECTORS

Check AWD control module pin terminals for damage or loose connection with harness connector.

Is inspection result normal?

- YES >> After turning the ignition switch OFF, perform DTC confirmation procedure again. If DTC "P183D" is detected, Replace AWD control module. Refer to [DLN-90. "Removal and Installation"](#).
NO >> Repair or replace error-detected parts.

P183E YAW RATE SENSOR

< DTC/CIRCUIT DIAGNOSIS >

[TRANSFER: TY21B]

P183E YAW RATE SENSOR

DTC Logic

INFOID:000000009751110

DTC DETECTION LOGIC

DTC	Display item	Malfunction detected condition	Possible cause
P183E	YAWRATE SENSOR	Malfunction is detected in yaw rate sensor signal that is output from ABS actuator and electric unit (control unit) through CAN communication.	<ul style="list-style-type: none">• ABS actuator and electric unit (control unit)• Yaw rate/side/decel G sensor (Yaw rate signal)• AWD control module• CAN communication line

DTC CONFIRMATION PROCEDURE

1. PRECONDITIONING

If "DTC CONFIRMATION PROCEDURE" has been previously conducted, always turn ignition switch OFF and wait at least 10 seconds before conducting the next test.

>> GO TO 2.

2. PERFORM DTC CONFIRMATION

With CONSULT

1. Start the engine and drive at 30 km/h (19 MPH) or more for approximately 1 minute.
2. Stop the vehicle.
3. Perform self-diagnosis for "ALL MODE AWD/4WD".

Is DTC "P183E" detected?

- YES >> Proceed to [DLN-69. "Diagnosis Procedure"](#).
NO >> INSPECTION END

Diagnosis Procedure

INFOID:000000009751111

1. PERFORM ABS ACTUATOR AND ELECTRIC UNIT (CONTROL UNIT) SELF-DIAGNOSIS

With CONSULT

Perform self-diagnosis for "ABS".

Is any DTC detected?

- YES >> Perform trouble diagnosis for detected DTC. Refer to [BRC-50. "DTC Index"](#).
NO >> GO TO 2.

2. ERASE SELF-DIAGNOSTIC RESULT

With CONSULT

1. Erase self-diagnostic results for "ALL MODE AWD/4WD".
2. Start the engine and drive at 30 km/h (19 MPH) or more for approximately 1 minute.
3. Stop the vehicle.
4. Check that ABS warning lamp turns OFF.

Does ABS warning lamp turn OFF?

- YES >> GO TO 3.
NO >> Refer to [BRC-121. "Component Function Check"](#).

3. CHECK TERMINALS AND HARNESS CONNECTORS

Check AWD control module pin terminals for damage or loose connection with harness connector.

Is inspection result normal?

- YES >> After turning the ignition switch OFF, perform DTC confirmation procedure again. If DTC "P183E" is detected, Replace AWD control module. Refer to [DLN-90. "Removal and Installation"](#).
NO >> Repair or replace error-detected parts.

P183F GEAR POSITION SIGNAL

< DTC/CIRCUIT DIAGNOSIS >

[TRANSFER: TY21B]

P183F GEAR POSITION SIGNAL

DTC Logic

INFOID:000000009751112

DTC DETECTION LOGIC

DTC	Display item	Malfunction detected condition	Possible cause
P183F	GEAR POSI SIGNAL	Malfunction is detected in current gear position signal that is output from TCM through CAN communication.	<ul style="list-style-type: none">• Sensor related to CVT• TCM• AWD control module• CAN communication line

DTC CONFIRMATION PROCEDURE

1. PRECONDITIONING

If "DTC CONFIRMATION PROCEDURE" has been previously conducted, always turn ignition switch OFF and wait at least 10 seconds before conducting the next test.

>> GO TO 2.

2. PERFORM DTC CONFIRMATION

With CONSULT

1. Start the engine.

CAUTION:

Never drive the vehicle.

2. Perform self-diagnosis for "ALL MODE AWD/4WD".

Is DTC "P183F" detected?

YES >> Proceed to [DLN-70, "Diagnosis Procedure"](#).

NO >> INSPECTION END

Diagnosis Procedure

INFOID:000000009751113

1. PERFORM TCM SELF-DIAGNOSIS

With CONSULT

Perform self-diagnosis for "TRANSMISSION".

Is any DTC detected?

YES >> Perform trouble diagnosis for detected DTC. Refer to [TM-198, "DTC Index"](#).

NO >> GO TO 2.

2. CHECK TERMINALS AND HARNESS CONNECTORS

Check AWD control module pin terminals for damage or loose connection with harness connector.

Is inspection result normal?

YES >> After turning the ignition switch OFF, perform DTC confirmation procedure again. If DTC "P183F" is detected, Replace AWD control module. Refer to [DLN-90, "Removal and Installation"](#).

NO >> Repair or replace error-detected parts.

P1840 OUTPUT SPEED SIGNAL

< DTC/CIRCUIT DIAGNOSIS >

[TRANSFER: TY21B]

P1840 OUTPUT SPEED SIGNAL

DTC Logic

INFOID:000000009751114

DTC DETECTION LOGIC

DTC	Display item	Malfunction detected condition	Possible cause
P1840	OUTPUT SPEED SIGNAL	Malfunction is detected in output shaft revolution signal that is output from TCM through CAN communication.	<ul style="list-style-type: none">• Sensor related to CVT• TCM• AWD control module• CAN communication line

A

B

C

DLN

DTC CONFIRMATION PROCEDURE

1. PRECONDITIONING

If "DTC CONFIRMATION PROCEDURE" has been previously conducted, always turn ignition switch OFF and wait at least 10 seconds before conducting the next test.

>> GO TO 2.

2. PERFORM DTC CONFIRMATION

With CONSULT

1. Start the engine and drive at 30 km/h (19 MPH) or more for approximately 1 minute.
2. Stop the vehicle.
3. Perform self-diagnosis for "ALL MODE AWD/4WD".

Is DTC "P1840" detected?

- YES >> Proceed to [DLN-71, "Diagnosis Procedure"](#).
NO >> INSPECTION END

Diagnosis Procedure

INFOID:000000009751115

1. PERFORM TCM SELF-DIAGNOSIS

With CONSULT

Perform self-diagnosis for "TRANSMISSION".

Is any DTC detected?

- YES >> Perform trouble diagnosis for detected DTC. Refer to [TM-198, "DTC Index"](#).
NO >> GO TO 2.

2. CHECK TERMINALS AND HARNESS CONNECTORS

Check AWD control module pin terminals for damage or loose connection with harness connector.

Is inspection result normal?

- YES >> After turning the ignition switch OFF, perform DTC confirmation procedure again. If DTC "P1840" is detected, Replace AWD control module. Refer to [DLN-90, "Removal and Installation"](#).
NO >> Repair or replace error-detected parts.

E

F

G

H

I

J

K

L

M

N

O

P

P1864 INPUT SPEED SIGNAL

< DTC/CIRCUIT DIAGNOSIS >

[TRANSFER: TY21B]

P1864 INPUT SPEED SIGNAL

DTC Logic

INFOID:000000009751116

DTC DETECTION LOGIC

DTC	Display item	Malfunction detected condition	Possible cause
P1864	INPUT SPEED SIGNAL	Malfunction is detected in input shaft revolution signal that is output from TCM through CAN communication.	<ul style="list-style-type: none">• Sensor related to CVT• TCM• AWD control module• CAN communication line

DTC CONFIRMATION PROCEDURE

1. PRECONDITIONING

If "DTC CONFIRMATION PROCEDURE" has been previously conducted, always turn ignition switch OFF and wait at least 10 seconds before conducting the next test.

>> GO TO 2.

2. PERFORM DTC CONFIRMATION

With CONSULT

1. Start the engine and drive at 30 km/h (19 MPH) or more for approximately 1 minute.
2. Stop the vehicle.
3. Perform self-diagnosis for "ALL MODE AWD/4WD".

Is DTC "P1864" detected?

- YES >> Proceed to [DLN-72, "Diagnosis Procedure"](#).
NO >> INSPECTION END

Diagnosis Procedure

INFOID:000000009751117

1. PERFORM TCM SELF-DIAGNOSIS

With CONSULT

Perform self-diagnosis for "TRANSMISSION".

Is any DTC detected?

- YES >> Perform trouble diagnosis for detected DTC. Refer to [TM-198, "DTC Index"](#).
NO >> GO TO 2.

2. CHECK TERMINALS AND HARNESS CONNECTORS

Check AWD control module pin terminals for damage or loose connection with harness connector.

Is inspection result normal?

- YES >> After turning the ignition switch OFF, perform DTC confirmation procedure again. If DTC "P1864" is detected, Replace AWD control module. Refer to [DLN-90, "Removal and Installation"](#).
NO >> Repair or replace error-detected parts.

P1865 GEAR RATIO SIGNAL

< DTC/CIRCUIT DIAGNOSIS >

[TRANSFER: TY21B]

P1865 GEAR RATIO SIGNAL

DTC Logic

INFOID:000000009751118

DTC DETECTION LOGIC

DTC	Display item	Malfunction detected condition	Possible cause
P1865	GEAR RATIO	Malfunction is detected in CVT ratio signal that is output from TCM through CAN communication.	<ul style="list-style-type: none">• Sensor related to CVT• TCM• AWD control module• CAN communication line

A

B

C

DLN

DTC CONFIRMATION PROCEDURE

1. PRECONDITIONING

If "DTC CONFIRMATION PROCEDURE" has been previously conducted, always turn ignition switch OFF and wait at least 10 seconds before conducting the next test.

>> GO TO 2.

2. PERFORM DTC CONFIRMATION

With CONSULT

1. Start the engine and drive at 30 km/h (19 MPH) or more for approximately 1 minute.
2. Stop the vehicle.
3. Perform self-diagnosis for "ALL MODE AWD/4WD".

Is DTC "P1865" detected?

- YES >> Proceed to [DLN-73, "Diagnosis Procedure"](#).
NO >> INSPECTION END

Diagnosis Procedure

INFOID:000000009751119

1. PERFORM TCM SELF-DIAGNOSIS

With CONSULT

Perform self-diagnosis for "TRANSMISSION".

Is any DTC detected?

- YES >> Perform trouble diagnosis for detected DTC. Refer to [TM-198, "DTC Index"](#).
NO >> GO TO 2.

2. CHECK TERMINALS AND HARNESS CONNECTORS

Check AWD control module pin terminals for damage or loose connection with harness connector.

Is inspection result normal?

- YES >> After turning the ignition switch OFF, perform DTC confirmation procedure again. If DTC "P1865" is detected, Replace AWD control module. Refer to [DLN-90, "Removal and Installation"](#).
NO >> Repair or replace error-detected parts.

E

F

G

H

I

J

K

L

M

N

O

P

U1000 CAN COMM CIRCUIT

< DTC/CIRCUIT DIAGNOSIS >

[TRANSFER: TY21B]

U1000 CAN COMM CIRCUIT

Description

INFOID:000000009751120

CAN (Controller Area Network) is a serial communication line for real time application. It is an on-vehicle multiplex communication line with high data communication speed and excellent error detection ability. Many electronic control units are equipped onto a vehicle, and each control unit shares information and links with other control units during operation (not independent). In CAN communication, control units are connected with 2 communication lines (CAN-H line, CAN-L line) allowing a high rate of information transmission with less wiring. Each control unit communicate data but selectively reads required data only.

DTC Logic

INFOID:000000009751121

DTC DETECTION LOGIC

DTC	Display item	Malfunction detected condition	Possible cause
U1000	CAN COMM CIRCUIT	AWD control module is not transmitting/receiving CAN communication signal for 2 seconds or more.	<ul style="list-style-type: none">• CAN communication error• Malfunction of AWD control module

DTC CONFIRMATION PROCEDURE

1. PRECONDITIONING

If "DTC CONFIRMATION PROCEDURE" has been previously conducted, always turn ignition switch OFF and wait at least 10 seconds before conducting the next test.

>> GO TO 2.

2. PERFORM DTC CONFIRMATION

With CONSULT

1. Turn the ignition switch OFF to ON.
2. Perform self-diagnosis for "ALL MODE AWD/4WD".

Is DTC "U1000" detected?

- YES >> Proceed to [DLN-74, "Diagnosis Procedure"](#).
- NO >> INSPECTION END

Diagnosis Procedure

INFOID:000000009751122

Proceed to [LAN-15, "Trouble Diagnosis Flow Chart"](#).

U1010 CONTROL UNIT (CAN)

< DTC/CIRCUIT DIAGNOSIS >

[TRANSFER: TY21B]

U1010 CONTROL UNIT (CAN)

Description

INFOID:000000009751123

CAN (Controller Area Network) is a serial communication line for real time application. It is an on-vehicle multiplex communication line with high data communication speed and excellent error detection ability. Many electronic control units are equipped onto a vehicle, and each control unit shares information and links with other control units during operation (not independent). In CAN communication, control units are connected with 2 communication lines (CAN-H line, CAN-L line) allowing a high rate of information transmission with less wiring. Each control unit communicate data but selectively reads required data only.

DTC Logic

INFOID:000000009751124

DTC DETECTION LOGIC

DTC	Display item	Malfunction detected condition	Possible cause
U1010	CONTROL UNIT (CAN)	Detecting error during the initial diagnosis of CAN controller of AWD control module.	Internal malfunction of AWD control module

DTC CONFIRMATION PROCEDURE

1. PRECONDITIONING

If "DTC CONFIRMATION PROCEDURE" has been previously conducted, always turn ignition switch OFF and wait at least 10 seconds before conducting the next test.

>> GO TO 2.

2. PERFORM DTC CONFIRMATION

With CONSULT

- Turn the ignition switch OFF to ON.
- Perform self-diagnosis for "ALL MODE AWD/4WD".

Is DTC "U1010" detected?

YES >> Proceed to [DLN-75, "Diagnosis Procedure"](#).

NO >> INSPECTION END

Diagnosis Procedure

INFOID:000000009751125

1. CHECK AWD CONTROL MODULE

Check AWD control module harness connector for disconnection and deformation.

Is the inspection result normal?

YES >> Replace AWD control module. Refer to [DLN-90, "Removal and Installation"](#).

NO >> Repair or replace error-detected parts.

POWER SUPPLY AND GROUND CIRCUIT

< DTC/CIRCUIT DIAGNOSIS >

[TRANSFER: TY21B]

POWER SUPPLY AND GROUND CIRCUIT

Diagnosis Procedure

INFOID:000000009751126

1. CHECK AWD CONTROL MODULE POWER SUPPLY (1)

1. Turn the ignition switch OFF.
2. Disconnect AWD control module harness connector.
3. Check the voltage between AWD control module harness connector and ground.

AWD control module		—	Voltage
Connector	Terminal		
B47	1	Ground	11 – 13 V

4. Turn the ignition switch ON.
CAUTION:
Never start the engine.
5. Check the voltage between AWD control module harness connector and ground.

AWD control module		—	Voltage
Connector	Terminal		
B47	1	Ground	11 – 13 V

Is the inspection result normal?

- YES >> GO TO 3.
NO >> GO TO 2.

2. CHECK AWD CONTROL MODULE POWER SUPPLY (2)

1. Turn the ignition switch OFF.
2. Check the 10A fuse (#33).
3. Check the harness for open or short between AWD control module harness connector No.1 terminal and 10A (#33).

Is the inspection result normal?

- YES >> Perform the trouble diagnosis for power supply circuit. Refer to [PG-11, "Wiring Diagram - BATTERY POWER SUPPLY -"](#).
- NO >> Repair or replace error-detected parts.

3. CHECK AWD CONTROL MODULE POWER SUPPLY (3)

1. Turn the ignition switch OFF.
2. Check the voltage between AWD control module harness connector and ground.

AWD control module		—	Voltage
Connector	Terminal		
B47	3	Ground	0 V

3. Turn the ignition switch ON.
CAUTION:
Never start the engine.
4. Check the voltage between AWD control module harness connector and ground.

AWD control module		—	Voltage
Connector	Terminal		
B47	3	Ground	11 – 13 V

Is the inspection result normal?

- YES >> GO TO 5.
NO >> GO TO 4.

POWER SUPPLY AND GROUND CIRCUIT

< DTC/CIRCUIT DIAGNOSIS >

[TRANSFER: TY21B]

4.CHECK AWD CONTROL MODULE POWER SUPPLY (4)

1. Turn the ignition switch OFF.
2. Check the 10A fuse (#3).
3. Check the harness for open or short between AWD control module harness connector No.3 terminal and 10A (#3).

Is the inspection result normal?

YES >> Perform the trouble diagnosis for ignition power supply circuit. Refer to [PG-41, "Wiring Diagram - IGNITION POWER SUPPLY -"](#).

NO >> Repair or replace error-detected parts.

5.CHECK AWD SOLENOID POWER SUPPLY (1)

1. Turn the ignition switch OFF.
2. Disconnect AWD control module harness connector.
3. Check the voltage between AWD control module harness connector and ground.

AWD control module		—	Voltage
Connector	Terminal		
B47	12	Ground	11 – 13 V

4. Turn the ignition switch OFF to ON.

CAUTION:

Never start the engine.

5. Check the voltage between AWD control module harness connector and ground.

AWD control module		—	Voltage
Connector	Terminal		
B47	12	Ground	11 – 13 V

Is the inspection result normal?

YES >> GO TO 7.

NO >> GO TO 6.

6.CHECK AWD SOLENOID POWER SUPPLY (2)

1. Turn the ignition switch OFF.
2. Check the 10A fuse (#12).
3. Check the harness for open or short between AWD control module harness connector No.12 and the 10A fuse (#12).

Is the inspection result normal?

YES >> Perform the trouble the diagnosis for power supply circuit. Refer to [PG-11, "Wiring Diagram - BATTERY POWER SUPPLY -"](#).

NO >> Repair or replace error-detected parts.

7.CHECK AWD CONTROL MODULE GROUND

1. Turn the ignition switch OFF.
2. Check the continuity between AWD control module harness connector and ground.

AWD control module		—	Continuity
Connector	Terminal		
B47	10	Ground	Existed
	11		

Is the inspection result normal?

YES >> INSPECTION END

NO >> Repair or replace error-detected parts.

AWD WARNING LAMP

Component Function Check

INFOID:000000009751127

1. CHECK AWD WARNING LAMP FUNCTION

Check that AWD warning lamp turns ON when turn the ignition switch ON. Then, AWD warning lamp turns OFF approx. 1 second after the engine start.

Is the inspection result normal?

- YES >> INSPECTION END
- NO >> Proceed to [DLN-78, "Diagnosis Procedure"](#).

Diagnosis Procedure

INFOID:000000009751128

1. CHECK POWER SUPPLY AND GROUND CIRCUIT

Perform the trouble diagnosis for power supply and ground circuit. Refer to [DLN-76, "Diagnosis Procedure"](#).

Is the inspection result normal?

- YES >> GO TO 2.
- NO >> Repair or replace the error-detected parts.

2. PERFORM SELF-DIAGNOSIS

With CONSULT

Perform self-diagnosis for "ALL MODE AWD/4WD".

Is any DTC detected?

- YES >> Perform trouble diagnosis for detected DTC. Refer to [DLN-31, "DTC Index"](#).
- NO >> GO TO 3.

3. CHECK AWD WARNING LAMP SIGNAL

With CONSULT

1. Turn the ignition switch ON.

CAUTION:

Never start the engine.

2. Check "WARNING LAMP" in "DATA MONITOR" for "ALL MODE AWD/4WD".

Does the item on "DATA MONITOR" indicate "On"?

- YES >> Perform the trouble diagnosis for combination meter power supply circuit. Refer to [MWI-50, "COMBINATION METER : Diagnosis Procedure"](#).
- NO >> Replace AWD control module. Refer to [DLN-90, "Removal and Installation"](#).

AWD MODE INDICATOR LAMP (AWD-V)

< DTC/CIRCUIT DIAGNOSIS >

[TRANSFER: TY21B]

AWD MODE INDICATOR LAMP (AWD-V)

Component Function Check

INFOID:000000009751129

1. AWD MODE INDICATOR LAMP OPERATION CHECK

1. Turn the ignition switch ON.
2. Set AWD mode switch to "AWD-V".
3. Check that AWD mode indicator lamp (AWD-V) turns on.

Is the inspection result normal?

- YES >> INSPECTION END
NO >> Proceed to [DLN-79, "Diagnosis Procedure"](#).

Diagnosis Procedure

INFOID:000000009751130

1. CHECK AWD WARNING LAMP

1. Start the engine and drive at 30 km/h (19 MPH) or more for approximately 1 minute.
2. Stop the vehicle.

Does AWD warning lamp turn ON?

- YES >> Proceed to [DLN-78, "Diagnosis Procedure"](#).
NO >> GO TO 2.

2. CHECK AWD MODE SWITCH

Perform the trouble diagnosis for AWD mode switch. Refer to [DLN-46, "Diagnosis Procedure"](#).

Is the inspection result normal?

- YES >> GO TO 3.
NO >> Repair or replace the error-detected parts.

3. CHECK AWD MODE INDICATOR LAMP SIGNAL

With CONSULT

1. Start the engine.
CAUTION:
Never drive the vehicle.
2. Change AWD mode switch to "AWD-V" from "2WD".
3. Check "INDICATOR" in "DATA MONITOR" for "ALL MODE AWD/4WD".

Does the item on "DATA MONITOR" indicate "AWD-V"?

- YES >> GO TO 4.
NO >> Replace AWD control module. Refer to [DLN-90, "Removal and Installation"](#).

4. CHECK COMBINATION METER POWER SUPPLY CIRCUIT

Perform the trouble diagnosis for combination meter power supply circuit. Refer to [MWI-50, "COMBINATION METER : Diagnosis Procedure"](#).

Is the inspection result normal?

- YES >> INSPECTION END
NO >> Repair or replace the error-detected parts.

A
B
C
DLN
E
F
G
H
I
J
K
L
M
N
O
P

AWD MODE INDICATOR LAMP (AWD)

< DTC/CIRCUIT DIAGNOSIS >

[TRANSFER: TY21B]

AWD MODE INDICATOR LAMP (AWD)

Component Function Check

INFOID:000000009751131

1. AWD MODE INDICATOR LAMP OPERATION CHECK

Check that AWD mode indicator lamp (AWD) turns on for approximately 1 second after the ignition switch is turned ON.

Is the inspection result normal?

- YES >> INSPECTION END
- NO >> Proceed to [DLN-80, "Diagnosis Procedure"](#).

Diagnosis Procedure

INFOID:000000009751132

1. CHECK AWD WARNING LAMP

1. Start the engine and drive at 30 km/h (19 MPH) or more for approximately 1 minute.
2. Stop the vehicle.

Does AWD warning lamp turn ON?

- YES >> Proceed to [DLN-78, "Diagnosis Procedure"](#).
- NO >> GO TO 2.

2. CHECK AWD MODE SWITCH

Perform the trouble diagnosis for AWD mode switch. Refer to [DLN-46, "Diagnosis Procedure"](#).

Is the inspection result normal?

- YES >> GO TO 3.
- NO >> Repair or replace the error-detected parts.

3. CHECK AWD MODE INDICATOR LAMP SIGNAL

 **With CONSULT**

1. Start the engine.
CAUTION:
Stop the vehicle.
2. Change AWD mode switch to "AWD" from "AWD-V".
3. Check "INDICATOR" in "DATA MONITOR" for "ALL MODE AWD/4WD".

Does the item on "DATA MONITOR" indicate "AWD"?

- YES >> GO TO 4.
- NO >> Replace AWD control module. Refer to [DLN-90, "Removal and Installation"](#).

4. CHECK COMBINATION METER POWER SUPPLY CIRCUIT

Perform the trouble diagnosis for combination meter power supply circuit. Refer to [MWI-50, "COMBINATION METER : Diagnosis Procedure"](#).

Is the inspection result normal?

- YES >> INSPECTION END
- NO >> Repair or replace the error-detected parts.

AWD WARNING LAMP DOES NOT TURN ON

< SYMPTOM DIAGNOSIS >

[TRANSFER: TY21B]

SYMPTOM DIAGNOSIS

AWD WARNING LAMP DOES NOT TURN ON

Description

INFOID:000000009751133

AWD warning lamp does not turn ON when the ignition switch is turned to ON.

Diagnosis Procedure

INFOID:000000009751134

1. CHECK AWD WARNING LAMP

Perform the trouble diagnosis for AWD warning lamp. Refer to [DLN-78. "Diagnosis Procedure"](#).

Is the inspection result normal?

- YES >> Check each harness connector pin terminal for malfunction or disconnection.
- NO >> Repair or replace the error-detected parts.

A
B
C
DLN
E
F
G
H
I
J
K
L
M
N
O
P

AWD WARNING LAMP DOES NOT TURN OFF

< SYMPTOM DIAGNOSIS >

[TRANSFER: TY21B]

AWD WARNING LAMP DOES NOT TURN OFF

Description

INFOID:000000009751135

AWD warning lamp does not turn OFF approx. 1 second after the engine started.

Diagnosis Procedure

INFOID:000000009751136

1.PERFORM SELF-DIAGNOSIS

With CONSULT

Perform self-diagnosis for "ALL MODE AWD/4WD".

Is any DTC detected?

YES >> Perform trouble diagnosis for detected DTC. Refer to [DLN-31, "DTC Index"](#).

NO >> GO TO 2.

2.CHECK AWD WARNING LAMP

Perform the trouble diagnosis of the AWD warning lamp. Refer to [DLN-78, "Diagnosis Procedure"](#).

Is the inspection result normal?

YES >> GO TO 3.

NO >> Repair or replace the error-detected parts.

3.CHECK AWD CONTROL MODULE POWER SUPPLY AND GRAND CIRCUIT

Perform the trouble diagnosis of power supply and ground circuit. Refer to [DLN-76, "Diagnosis Procedure"](#).

Is the inspection result normal?

YES >> Check each harness connector pin terminal for malfunction or disconnection.

NO >> Repair or replace the error-detected parts.

HEAVY TIGHT-CORNER BRAKING SYMPTOM OCCURS

< SYMPTOM DIAGNOSIS >

[TRANSFER: TY21B]

HEAVY TIGHT-CORNER BRAKING SYMPTOM OCCURS

Description

INFOID:000000009751137

Heavy tight-corner braking symptom occurs when the vehicle is driven and the steering wheel is turned fully to either side after the engine is started.

NOTE:

Light tight-corner braking symptom may occur depending on driving conditions. This is not malfunction.

Diagnosis Procedure

INFOID:000000009751138

1. PERFORM ECM SELF-DIAGNOSIS

With CONSULT

Perform self-diagnosis for "ENGINE".

Is any DTC detected?

- YES >> Perform trouble diagnosis for detected DTC. Refer to [EC-101, "DTC Index"](#).
- NO >> GO TO 2.

2. PERFORM SELF-DIAGNOSIS

With CONSULT

Perform self-diagnosis for "ALL MODE AWD/4WD".

Is any DTC detected?

- YES >> Perform trouble diagnosis for detected DTC. Refer to [DLN-31, "DTC Index"](#).
- NO >> GO TO 3.

3. CHECK AWD SOLENOID

Perform the trouble diagnosis of the AWD solenoid. Refer to [DLN-56, "Diagnosis Procedure"](#) (Left side), [DLN-59, "Diagnosis Procedure"](#) (Right side).

Is the inspection result normal?

- YES >> GO TO 4.
- NO >> Repair or replace the error-detected parts.

4. CHECK ELECTRIC CONTROLLED COUPLING

1. Turn the ignition switch OFF.
2. Set the transaxle to neutral. Release the parking brake.
3. Lift up the vehicle.
4. Rotate the propeller shaft by hand.
5. Hold rear wheel of right and left lightly.

Does rear wheel rotate?

- YES >> Replace electric controlled coupling for mechanical malfunction (clutch sticking etc.). Refer to [DLN-143, "Removal and Installation"](#).
- NO >> Check each harness connector pin terminal for disconnection.

A
B
C
DLN
E
F
G
H
I
J
K
L
M
N
O
P

VEHICLE DOES NOT ENTER AWD MODE

< SYMPTOM DIAGNOSIS >

[TRANSFER: TY21B]

VEHICLE DOES NOT ENTER AWD MODE

Description

INFOID:000000009751139

Vehicle does not enter 4-wheel drive mode even though AWD warning lamp turned to OFF.

Diagnosis Procedure

INFOID:000000009751140

1. CHECK AWD WARNING LAMP

Turn the ignition switch ON.

CAUTION:

Never start the engine.

Does AWD warning lamp turn ON?

YES >> GO TO 2.

NO >> Proceed to [DLN-78. "Diagnosis Procedure"](#).

2. CHECK PARKING BRAKE SWITCH SIGNAL

With CONSULT

Check "PKB SW" in "DATA MONITOR" for "ALL MODE AWD/4WD".

Monitor Item	Condition	Status
PKB SW	When the parking brake switch is operation.	On
	When the parking brake switch is not operation.	Off

Is the inspection result normal?

YES >> GO TO 3.

NO >> Proceed to [BRC-114. "Diagnosis Procedure"](#).

3. CRUISE TEST

Drive the vehicle for a period of time.

Does any symptom occur?

YES >> Replace electric controlled coupling for mechanical malfunction (mechanical engagement of clutch is not possible). Refer to [DLN-143. "Removal and Installation"](#).

NO >> Check each harness connector pin terminal for disconnection.

AWD WARNING LAMP BLINKS QUICKLY

< SYMPTOM DIAGNOSIS >

[TRANSFER: TY21B]

AWD WARNING LAMP BLINKS QUICKLY

Description

INFOID:000000009751141

While driving, AWD warning lamp blinks 2 times in 1 second and it turns OFF after 1 minute.

NOTE:

- This symptom protects drivetrain parts when a heavy load is applied to the electric controlled coupling and multiple disc clutch temperature increases. Also, optional distribution of torque sometimes becomes rigid before lamp blinks quickly. Both cases are not malfunction. Refer to [DLN-30. "Protection Function"](#).
- When this symptom occurs, stop vehicle and allow it to idle for some times. Blinking will stop and system will be restored.

A
B
C
DLN
E
F
G
H
I
J
K
L
M
N
O
P

AWD WARNING LAMP BLINKS SLOWLY

< SYMPTOM DIAGNOSIS >

[TRANSFER: TY21B]

AWD WARNING LAMP BLINKS SLOWLY

Description

INFOID:000000009751142

AWD warning lamp blinks at approximately 2 seconds intervals while driving.

Diagnosis Procedure

INFOID:000000009751143

1.CHECK VEHICLE SPEED SIGNAL

With CONSULT

1. Turn the ignition switch ON.
2. Check that each value of "WHEEL SPD SEN FR", "WHEEL SPD SEN FL", "WHEEL SPD SEN RR", and "WHEEL SPD SEN RL" in "DATA MONITOR" for "ALL MODE AWD/4WD" is almost equal.

Is the inspection result normal?

- YES >> GO TO 2.
NO >> Proceed to [DLN-43, "Diagnosis Procedure"](#).

2.CHECK TIRE

Check the following.

- Tire pressure
- Tire wear condition
- Front and rear tire size (There is no difference between front and rear tires.)

Is the inspection result normal?

- YES >> GO TO 3.
NO >> Repair or replace error-detected parts.

3.TERMINAL INSPECTION

Check AWD control module harness connector for disconnection.

Is the inspection result normal?

- YES >> Replace AWD control module. Refer to [DLN-90, "Removal and Installation"](#).
NO >> Repair or replace the error-detected parts.

DECREASE IN TURNING PERFORMANCE

< SYMPTOM DIAGNOSIS >

[TRANSFER: TY21B]

DECREASE IN TURNING PERFORMANCE

Description

INFOID:000000009751144

Turning performance decreases when driving in AWD-V mode or AWD mode.

Diagnosis Procedure

INFOID:000000009751145

1.PERFORM EPS CONTROL UNIT SELF-DIAGNOSIS

With CONSULT

Perform self-diagnosis for "EPS".

Is any DTC detected?

YES >> Perform trouble diagnosis for detected DTC. Refer to [STC-13, "DTC Index"](#).

NO >> GO TO 2.

2.PERFORM SELF-DIAGNOSIS

With CONSULT

Perform self-diagnosis for "ALL MODE AWD/4WD".

Is any DTC detected?

YES >> Perform trouble diagnosis for detected DTC. Refer to [DLN-31, "DTC Index"](#).

NO >> GO TO 3.

3.CHECK AWD SOLENOID

Perform the trouble diagnosis of the AWD solenoid. Refer to [DLN-56, "Diagnosis Procedure"](#) (Left side), [DLN-59, "Diagnosis Procedure"](#) (Right side).

Is the inspection result normal?

YES >> GO TO 4.

NO >> Repair or replace the error-detected parts.

4.CHECK ELECTRIC CONTROLLED COUPLING

1. Turn the ignition switch OFF.
2. Set the transaxle to neutral. Release the parking brake.
3. Lift up the vehicle.
4. Rotate the propeller shaft.
5. Hold the rear wheel of right and left lightly.

Does the rear wheel rotate?

YES >> Replace electric controlled coupling for mechanical malfunction (clutch sticking etc.). Refer to [DLN-143, "Removal and Installation"](#).

NO >> Check each harness connector pin terminal for disconnection.

A
B
C
DLN
E
F
G
H
I
J
K
L
M
N
O
P

NOISE, VIBRATION AND HARSHNESS (NVH) TROUBLESHOOTING

< SYMPTOM DIAGNOSIS >

[TRANSFER: TY21B]

NOISE, VIBRATION AND HARSHNESS (NVH) TROUBLESHOOTING

NVH Troubleshooting Chart

INFOID:000000009751146

Use the chart below to find the cause of the symptom. The numbers indicate the order of the inspection. If necessary, repair or replace these parts.

Reference		DLN-89, "Inspection"			DLN-95, "Exploded View"	DLN-95, "Exploded View"	DLN-108, "Inspection"	DLN-114, "Inspection"
SUSPECTED PARTS (Possible cause)		TRANSFER OIL (Level low)	TRANSFER OIL (Wrong)	TRANSFER OIL (Level too high)	LIQUID GASKET (Damaged)	OIL SEAL (Worn or damaged)	GEAR (Worn or damaged)	BEARING (Worn or damaged)
Symptom	Noise	1	2			3	3	3
	Transfer oil leakage		3	1	2	2		

PERIODIC MAINTENANCE

TRANSFER OIL

Inspection

INFOID:000000009751147

OIL LEAKAGE

Check transfer surrounding area (oil seal, drain plug, filler plug, and transfer case etc.) for oil leakage.

OIL LEVEL

1. Remove filler plug (1) and gasket. Then check that oil is filled up from mounting hole for the filler plug.

←: Vehicle front

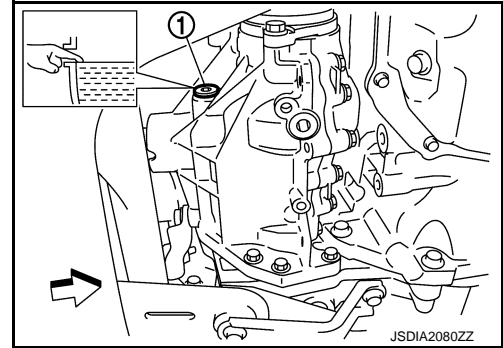
CAUTION:

Never start engine while checking oil level.

2. Before installing filler plug, set a new gasket. Install filler plug on transfer and tighten to the specified torque. Refer to [DLN-115, "Exploded View"](#).

CAUTION:

Never reuse gasket.



Draining

INFOID:000000009751148

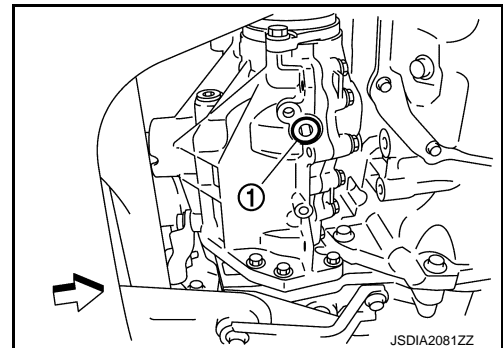
1. Run the vehicle to warm up the transfer unit sufficiently.
2. Stop the engine and remove the drain plug (1) and gasket to drain the transfer oil.

←: Vehicle front

3. Before installing drain plug, set a new gasket. Install drain plug on the transfer and tighten to the specified torque. Refer to [DLN-115, "Exploded View"](#).

CAUTION:

Never reuse gasket.



Refilling

INFOID:000000009751149

1. Remove filler plug (1) and gasket. Then fill oil up to mounting hole for the filler plug.

←: Vehicle front

Oil and viscosity

: Refer to [MA-10, "Fluids and Lubricants"](#).

Oil capacity

: Refer to [DLN-119, "General Specifications"](#).

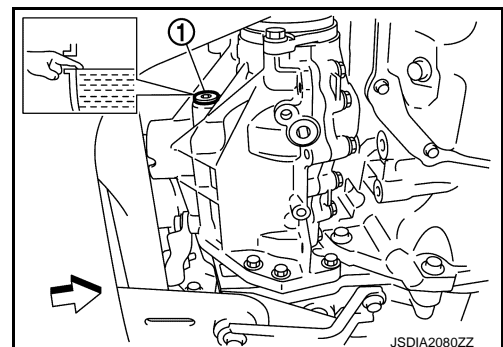
CAUTION:

Carefully fill the oil. (Fill up for approximately 3 minutes.)

2. Leave the vehicle for 3 minutes, and check the oil level again.
3. Before installing filler plug, set a new gasket. Install filler plug on transfer and tighten to the specified torque. Refer to [DLN-115, "Exploded View"](#).

CAUTION:

Never reuse gasket.

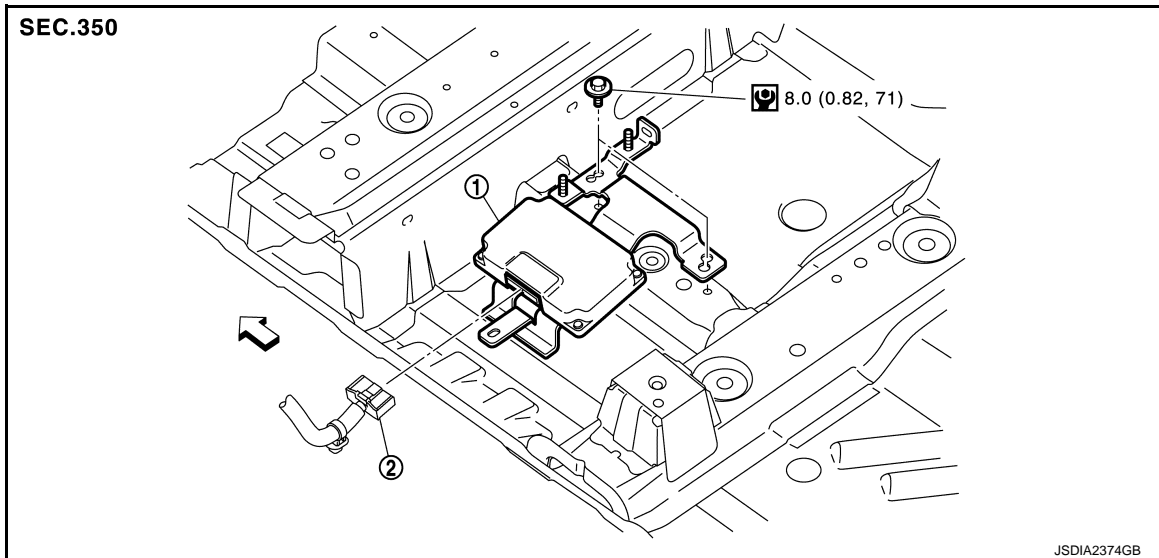


REMOVAL AND INSTALLATION

AWD CONTROL MODULE

Exploded View

INFOID:000000009751150



- | | |
|-----------------------|---|
| 1. AWD control module | 2. AWD control module harness connector |
|-----------------------|---|

↔: Vehicle front

⊙: N-m (kg-m, in-lb)

Removal and Installation

INFOID:000000009751151

REMOVAL

1. Turn the ignition switch OFF.
2. Remove front seat (left side). Refer to [SE-20, "Removal and Installation"](#).
3. Remove dash side finisher (left side). Refer to [INT-21, "DASH SIDE FINISHER : Removal and Installation"](#).
4. Remove front and rear kicking plate inner. Refer to [INT-19, "KICKING PLATE INNER : Removal and Installation"](#).
5. Remove rear seat cushion. Refer to [SE-28, "SEAT CUSHION : Removal and Installation"](#).
6. Remove outer anchor of front seat belt (passenger side). Refer to [SB-4, "Exploded View"](#).
7. Remove harness clip.
8. Turn floor carpet. Refer to [INT-24, "Removal and Installation"](#).
9. Disconnect AWD control module harness connector.
10. Remove AWD control module mounting nuts.
11. Remove AWD control module.

INSTALLATION

Note the following, and install in the reverse order of removal.

- When installing AWD control module, install it following procedure.

AWD CONTROL MODULE

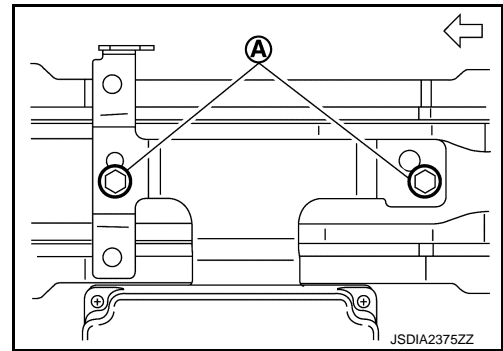
< REMOVAL AND INSTALLATION >

[TRANSFER: TY21B]

1. Align the securing holes (A) of bracket as shown in the figure and temporarily tighten mounting bolts.

←: Vehicle front

2. When replace AWD control module, hold AWD control module and remove protector paper on the adhesion area of bracket to bond to the front floor (LH).
 3. Tighten mounting bolts to the specified torque.
- When replacing AWD control module, perform writing unit parameter. Refer to [DLN-41, "Work Procedure"](#).



A

B

C

DLN

E

F

G

H

I

J

K

L

M

N

O

P

AWD MODE SWITCH

< REMOVAL AND INSTALLATION >

[TRANSFER: TY21B]

AWD MODE SWITCH

Removal and Installation

INFOID:000000009751152

REMOVAL

1. Remove instrument lower panel. Refer to [IP-12, "Exploded View"](#).
2. Remove AWD mode switch.

INSTALLATION

Install in the reverse order of removal.

TRANSFER ASSEMBLY

< UNIT REMOVAL AND INSTALLATION >

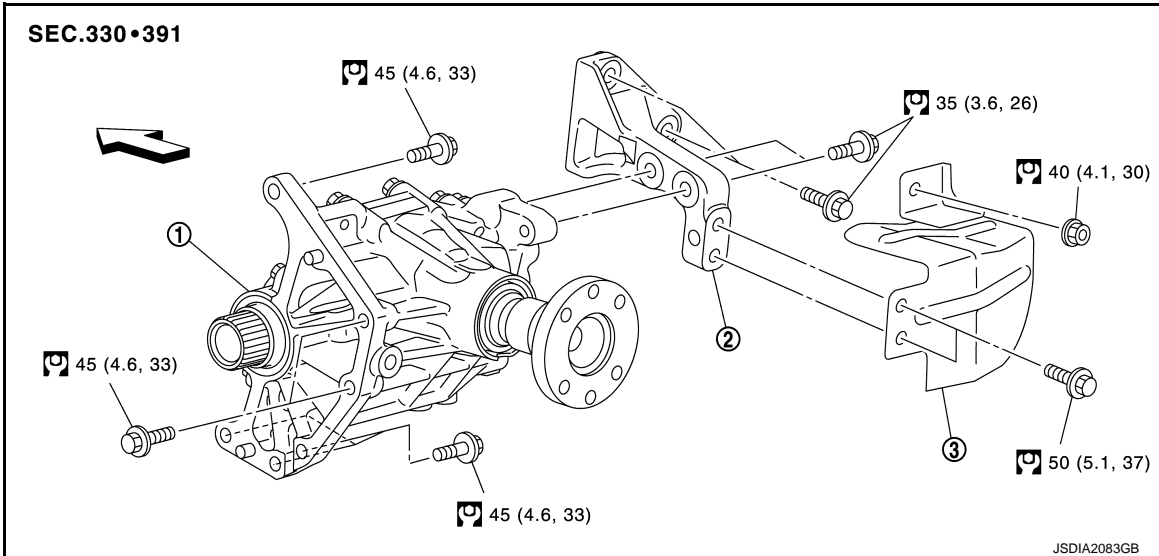
[TRANSFER: TY21B]

UNIT REMOVAL AND INSTALLATION

TRANSFER ASSEMBLY

Exploded View

INFOID:000000009751153



1. Transfer assembly

2. Transfer gusset

3. Heat insulator

←: Vehicle front

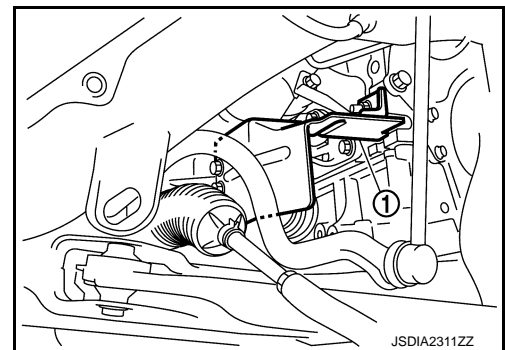
: N·m (kg·m, ft·lb)

Removal and Installation

INFOID:000000009751154

REMOVAL

1. Separate the propeller shaft from transfer. Then suspend it by wire, etc. Refer to [DLN-123, "Removal and Installation"](#).
CAUTION:
Constant velocity joint must be handled with care.
2. Remove right side drive shaft. Refer to [FAX-20, "LEFT SIDE : Removal and Installation"](#).
3. Remove catalyst convertor support bracket (RH). [EM-34, "AWD : Removal and Installation"](#).
4. Remove heat insulator (1).

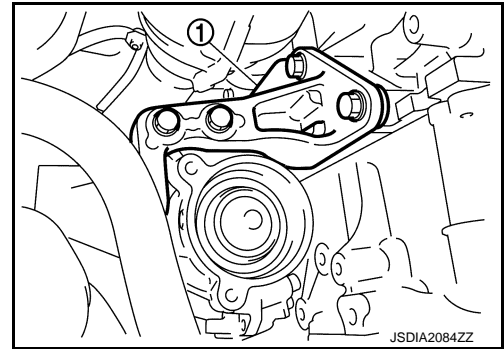


TRANSFER ASSEMBLY

< UNIT REMOVAL AND INSTALLATION >

[TRANSFER: TY21B]

5. Remove transfer gusset (1).
6. Remove catalyst convertor support bracket rear. [EM-65, "AWD : Removal and Installation"](#).
7. Remove rear torque rod and rear torque rod bracket. Refer to [EM-65, "AWD : Removal and Installation"](#).
8. Remove bolts fixing transaxle assembly and transfer assembly.

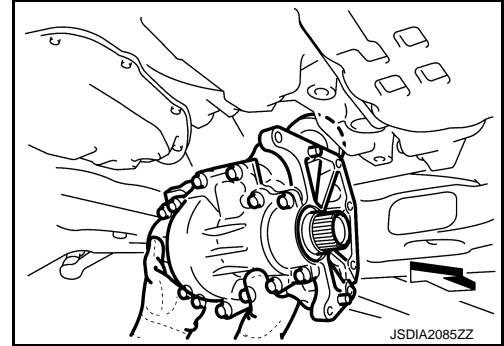


9. Remove transfer assembly from the vehicle.

← Vehicle front

CAUTION:

- Never damage ring gear shaft.
- Be careful when removing transfer assembly from the vehicle because it is heavy.



INSTALLATION

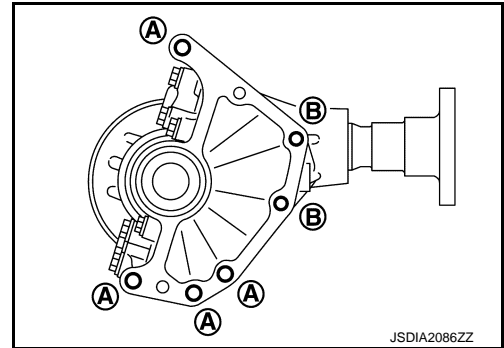
Note the following, and install in the reverse order of removal.

- When installing the transfer assembly to the transaxle assembly, install the mounting bolts following the standard below.

Bolt symbol	A	B
Installation direction	Transfer ⇒ Transaxle	Transaxle ⇒ Transfer

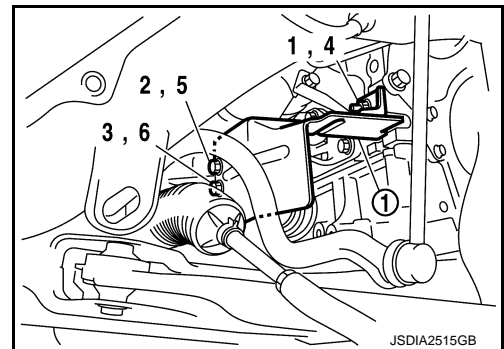
CAUTION:

- When installing transfer assembly to transaxle assembly, replace differential side oil seal (Converter housing side) of transaxle. Refer to [TM-334, "AWD : Removal and Installation"](#).
 - Never damage differential side oil seal (Converter housing side) of transaxle.
- When installing heat insulator (1), tighten the mounting bolts and nut in numerical order.



Temporary tightening : 1 → 2 → 3
 Final tightening (Specified torque) : 4 → 5 → 6

- Perform inspection after installation. Refer to [DLN-94, "Inspection"](#).



Inspection

INFOID:000000009751155

INSPECTION AFTER INSTALLATION

Check oil level and check for oil leakage. Refer to [DLN-89, "Inspection"](#).

RING GEAR SHAFT

< UNIT DISASSEMBLY AND ASSEMBLY >

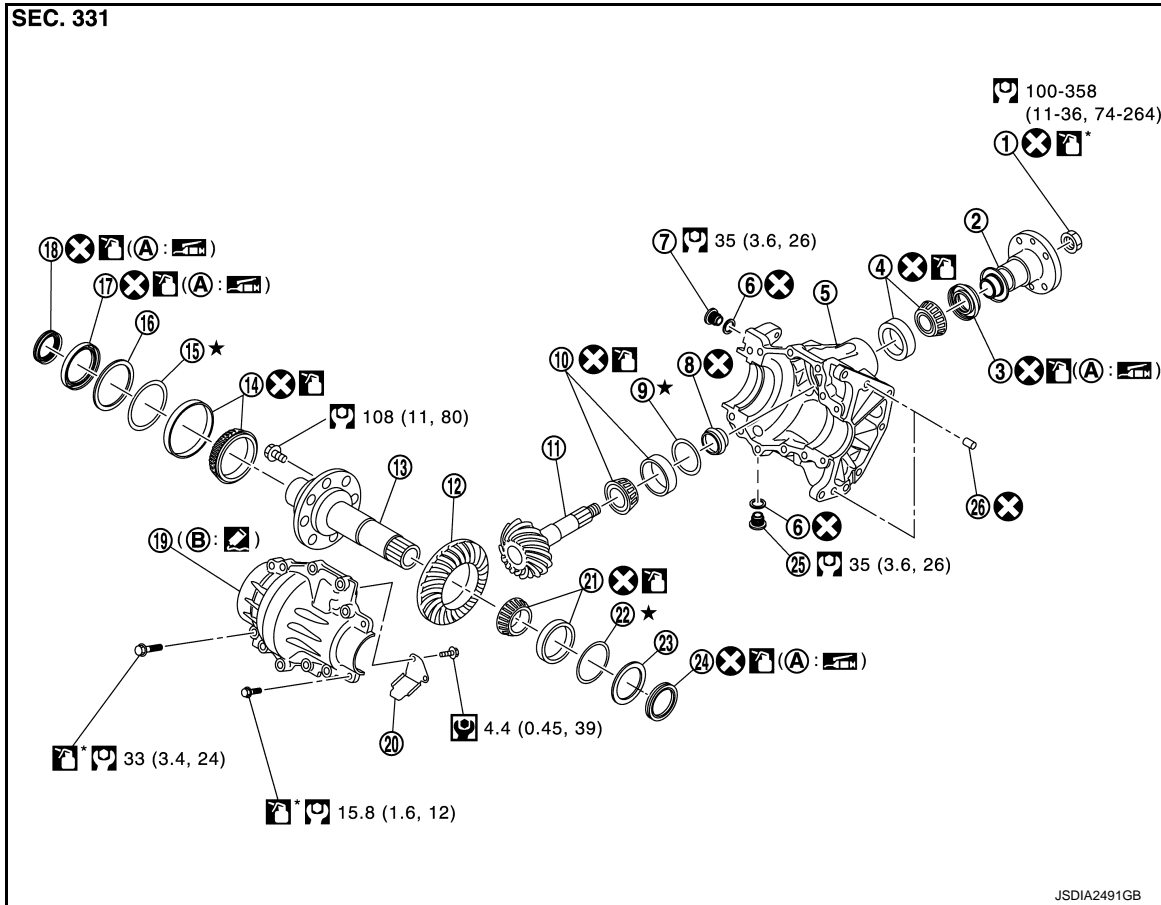
[TRANSFER: TY21B]

UNIT DISASSEMBLY AND ASSEMBLY

RING GEAR SHAFT

Exploded View

INFOID:000000009751156



- | | | |
|---|------------------------------------|--|
| 1. Pinion lock nut | 2. Companion flange | 3. Drive pinion oil seal |
| 4. Pinion bearing (rear) | 5. Transfer case | 6. Gasket |
| 7. Filler plug | 8. Collapsible spacer | 9. Drive pinion adjusting shim |
| 10. Pinion bearing (front) | 11. Drive pinion | 12. Ring gear |
| 13. Ring gear shaft | 14. Ring gear bearing (right) | 15. Ring gear bearing adjusting shim (right) |
| 16. Spacer (right) | 17. Transfer case oil seal (right) | 18. Drive shaft oil seal |
| 19. Transfer cover | 20. Oil defense | 21. Ring gear bearing (left) |
| 22. Ring gear bearing adjusting shim (left) | 23. Spacer (left) | 24. Transfer case oil seal (left) |
| 25. Drain plug | 26. Dowel pin | |
| A. Oil seal lip | B. Transfer case mounting face | |

⊗: Always replace after every disassembly.

★: Select with proper thickness.

: N·m (kg·m, in·lb)

: N·m (kg·m, ft·lb)


: Apply gear oil.

: Apply multi purpose grease

RING GEAR SHAFT

< UNIT DISASSEMBLY AND ASSEMBLY >

[TRANSFER: TY21B]

*: Apply anti-corrosive oil.

: Apply Genuine Silicone RTV or equivalent. Refer to [GI-24, "Recommended Chemical Products and Sealants"](#).

Disassembly

INFOID:000000009751157

1. Remove transfer cover. Refer to [DLN-116, "Disassembly"](#).
2. Remove transfer case oil seal (right and left).
3. Remove ring gear shaft assembly from transfer case. If ring gear shaft cannot be removed, remove as follows.

CAUTION:

Never damage transfer case.

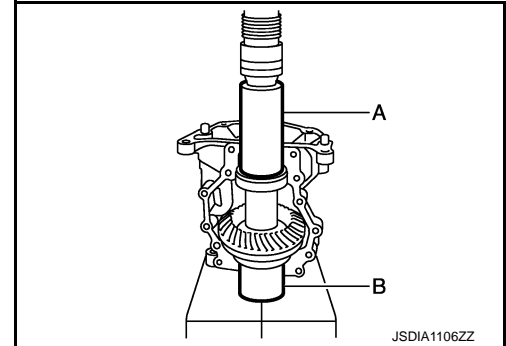
- Set the drifts (A and B) to right and left spacers individually. Compress ring gear shaft assembly with ring gear bearing to remove ring gear shaft assembly from transfer case.

A : Drift (Commercial service tool)

B : Drift (Commercial service tool)

CAUTION:

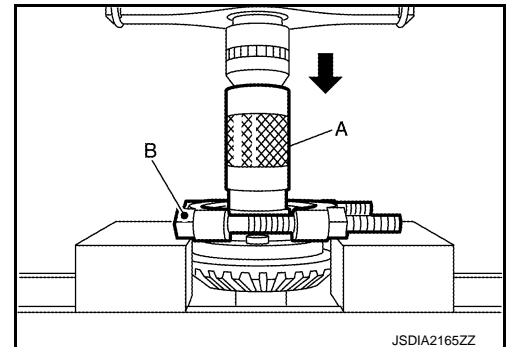
- The drift shall be placed on the center of the spacers.
- The pressure shall be as low as to remove ring gear shaft assembly from transfer case. The maximum pressure shall be 10 kN (1 ton, 1.0 Imp ton).
- If the adjusting shims and spacers are installed by tapping, the transfer case may be damaged. Avoid tapping.



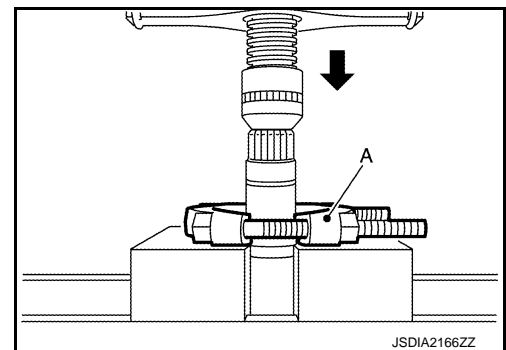
4. Remove spacer (right and left) from ring gear shaft assembly.
5. Remove ring gear bearing adjusting shim (right and left) from ring gear shaft assembly.
6. Remove outer races of ring gear bearing (right and left) from ring gear shaft assembly.
7. Remove inner race of ring gear bearing (right) from ring gear shaft with the drift (A) and the replacer (B).

A : Drift [SST: ST33200000 (J-26082)]

B : Replacer (Commercial service tool)



8. Remove inner race of ring gear bearing (left) from ring gear shaft with the replacer (A) (Commercial service tool).
9. Remove the ring gear mounting bolts.

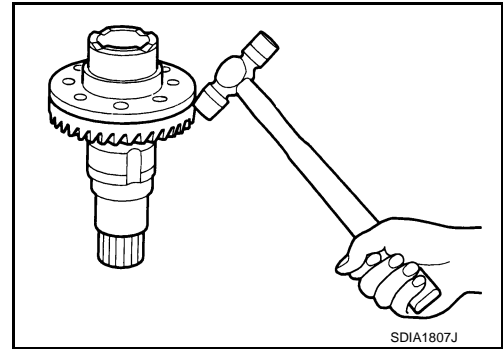


RING GEAR SHAFT

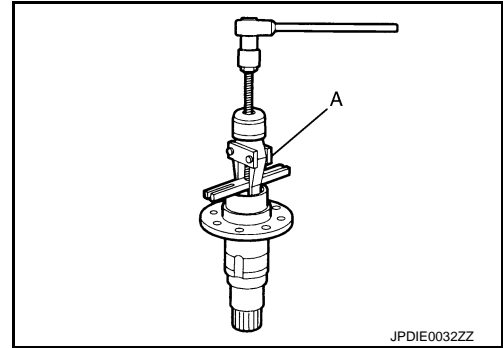
< UNIT DISASSEMBLY AND ASSEMBLY >

[TRANSFER: TY21B]

10. Lightly tap ring gear with a plastic hammer to remove ring gear from ring gear shaft.



11. Remove drive shaft oil seal from the ring gear shaft with the puller (A) [SST: KV381054S0 (J-34286)].
12. Perform inspection after disassembly. Refer to [DLN-108, "Inspection"](#).



Assembly

INFOID:000000009751158

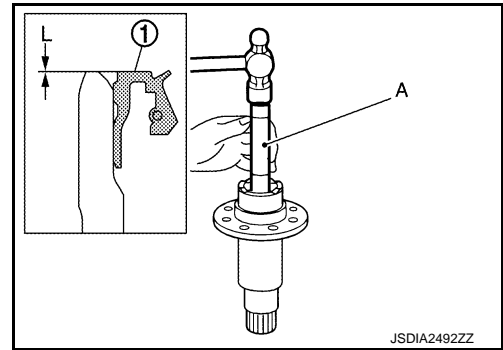
1. Select ring gear bearing adjusting shim (right and left). Refer to [DLN-98, "Adjustment"](#).
2. Using the drift (A) [SST: ST33230000 (J-25805-01)], install drive shaft oil seal (1) within the dimension (L) shown as follows.

L : 0 – 0.6 mm (0 – 0.024 in)

CAUTION:

- Never reuse the oil seal.
- When installing, never incline oil seal.
- Apply multi-purpose grease to oil seal lip, and gear oil onto the circumference.

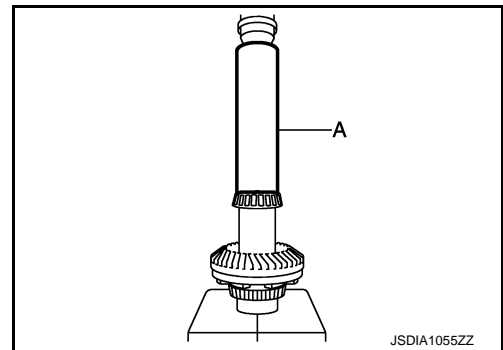
3. Install the ring gear to ring gear shaft.



4. Install the inner race of ring gear bearing (left) to ring gear shaft with the drift (A) (Commercial service tool).

CAUTION:

- Never reuse the ring gear bearing.
- Apply gear oil to ring gear bearing.



RING GEAR SHAFT

< UNIT DISASSEMBLY AND ASSEMBLY >

[TRANSFER: TY21B]

5. Install the inner race of ring gear bearing (right) to ring gear shaft with the drift (A) (Commercial service tool).

CAUTION:

- Never reuse the ring gear bearing.
- Apply gear oil to ring gear bearing.

6. Install outer races of ring gear bearing (right and left) to ring gear shaft assembly.

CAUTION:

- Never reuse the ring gear bearing.
- Apply gear oil to ring gear bearing.

7. Install selected ring gear bearing adjusting shim (right and left) to ring gear shaft assembly.

8. Install spacer (right and left) to ring gear shaft assembly.

9. Set the drifts (A and B) to right and left spacers individually. Compress ring gear shaft assembly with ring gear bearing to install ring gear shaft assembly to transfer case.

A : Drift (Commercial service tool)

B : Drift (Commercial service tool)

CAUTION:

- The drift shall be placed on the center of the spacers.
- The pressure shall be as low as to install ring gear shaft assembly into transfer case. The maximum pressure shall be 10 kN (1 ton, 1.0 Imp ton).
- If the adjusting shims and spacers are installed by tapping, the transfer case may be damaged. Avoid tapping.

10. Install transfer cover to check and adjust each part. Refer to [DLN-116. "Assembly"](#).

CAUTION:

Never apply liquid gasket.

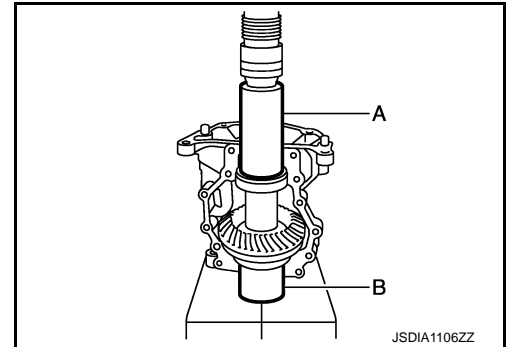
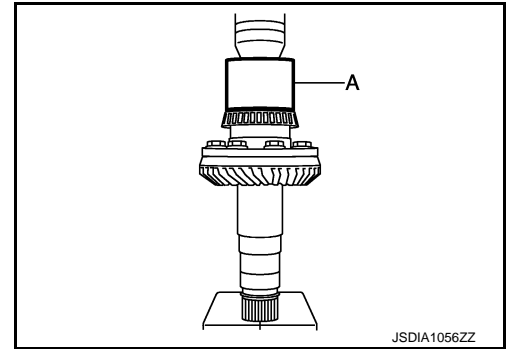
11. Check backlash, tooth contact, and total preload. Refer to [DLN-98. "Adjustment"](#).

CAUTION:

Measure the total preload without the transfer case oil seal.

12. Reinstall transfer cover for applying liquid gasket. Refer to [DLN-116. "Assembly"](#).

13. Install the transfer case oil seal (left and right). Refer to [DLN-116. "Assembly"](#).



Adjustment

INFOID:000000009751159

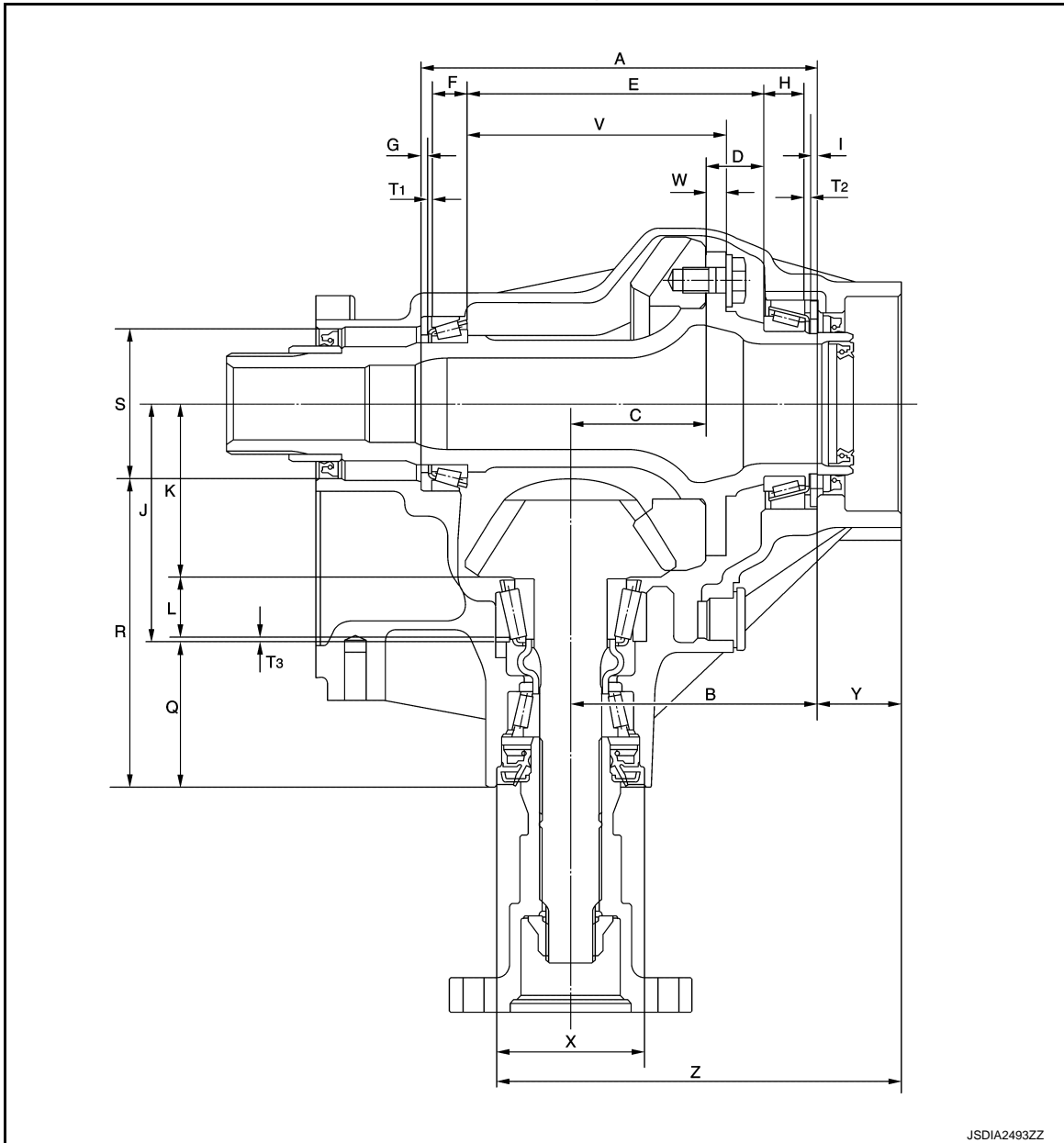
Adjusting shim selection

RING GEAR SHAFT

< UNIT DISASSEMBLY AND ASSEMBLY >

[TRANSFER: TY21B]

Measurement point



Ring gear bearing adjusting shim (left)

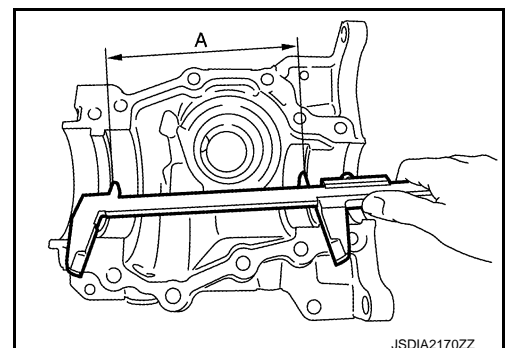
1. Measure the dimensions of each measuring point with the following procedure:

Dimension "A" measurement

- Measure dimension (A) of transfer case with a pair of vernier calipers. Refer to "Measuring point".

CAUTION:

Never damage transfer case.



Dimension "X" measurement

A
B
C
DLN
E
F
G
H
I
J
K
L
M
N
O
P

RING GEAR SHAFT

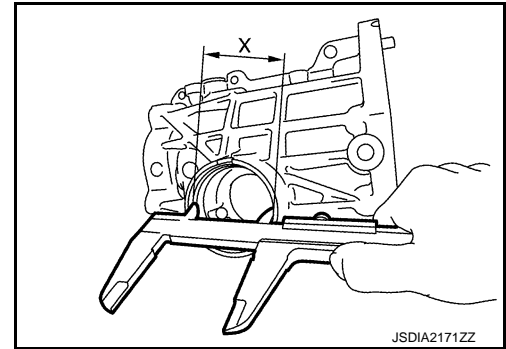
< UNIT DISASSEMBLY AND ASSEMBLY >

[TRANSFER: TY21B]

- Measure the diameter (X) of transfer case with a pair of vernier calipers. Refer to “Measuring point”.

CAUTION:

Never damage transfer case.

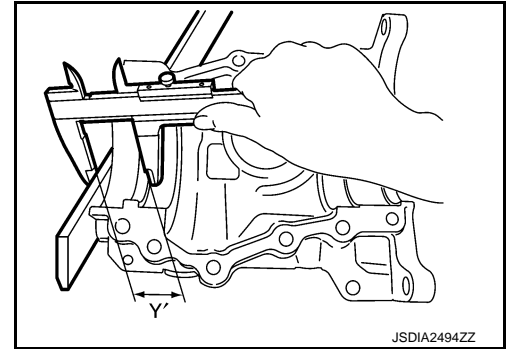


Dimension “Y” measurement

- Measure dimension (Y') of transfer case (including the thickness of straightedge) with a pair of vernier calipers and straightedge. Refer to “Measuring point”.

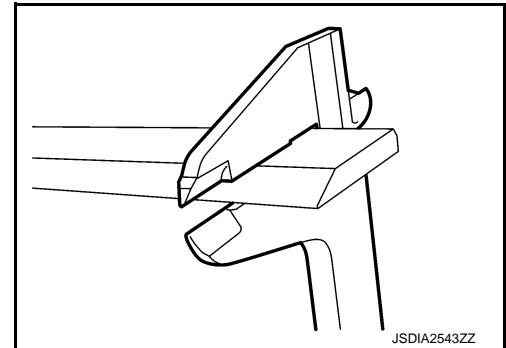
CAUTION:

Never damage transfer case.



- Measure the thickness of straightedge.
- Calculate the dimension “Y” by formula below.

$$Y = Y' - \text{“Thickness of straightedge”}$$

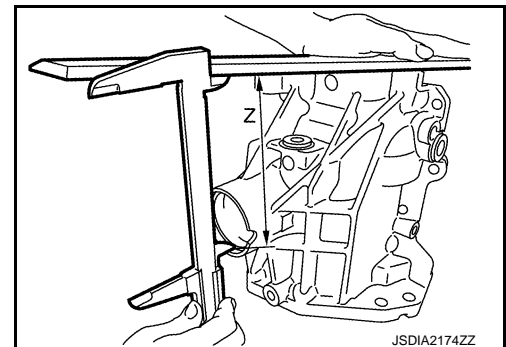


Dimension “Z” measurement

- Measure dimension (Z) of transfer case with a pair of vernier calipers and straightedge. Refer to “Measuring point”.

CAUTION:

Never damage transfer case.



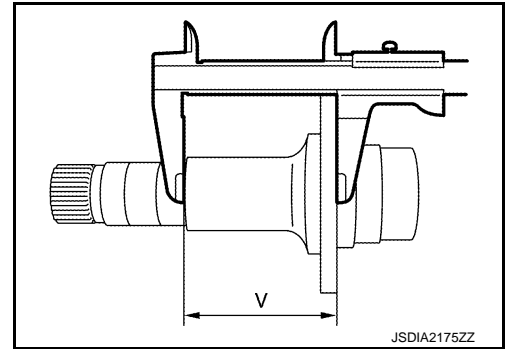
Dimension “V” measurement

RING GEAR SHAFT

< UNIT DISASSEMBLY AND ASSEMBLY >

[TRANSFER: TY21B]

- Measure dimension (V) of ring gear shaft with a pair of vernier calipers. Refer to “Measuring point”.

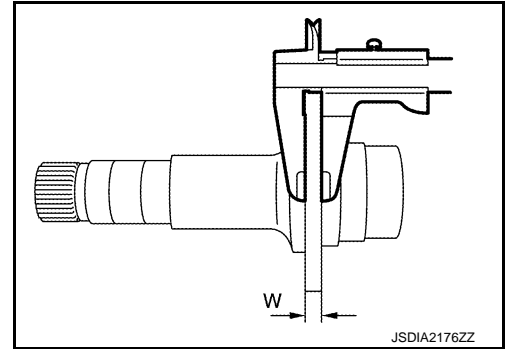


A
B
C

DLN

Dimension “W” measurement

- Measure dimension (W) of ring gear shaft with a pair of vernier calipers. Refer to “Measuring point”.

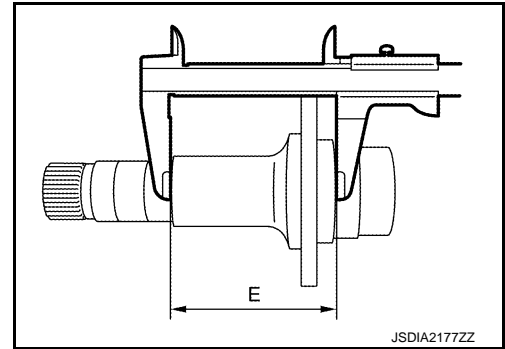


E
F
G

H

Dimension “E” measurement

- Measure dimension (E) of ring gear shaft with a pair of vernier calipers. Refer to “Measuring point”.

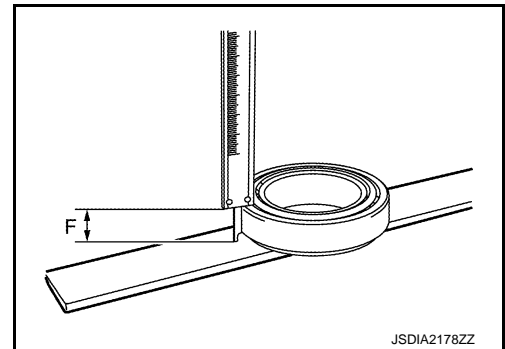


I
J
K

L

Dimension “F” measurement

- Measure dimension (F) from outer race edge surface of ring gear bearing (left) to inner race edge surface with depth gauge. Refer to “Measuring point”.



M
N
O

P

Dimension “G” measurement

RING GEAR SHAFT

< UNIT DISASSEMBLY AND ASSEMBLY >

[TRANSFER: TY21B]

- Measure thickness (G) of spacer (left) with a pair of vernier calipers. Refer to "Measuring point".
2. Calculate dimension "B" by the formula below.

$$B = Z - Y - (X \times 0.5)$$

3. Calculate dimension "D" by the formula below.

$$D = E - V + W$$

4. Check dimension (M) on the ring gear side face.

NOTE:

Dimension "M" indicates the difference between the optimum engagement and standard dimensions in increments of 0.01 mm (0.0004 in) written on the ring gear side face.

5. Calculate the thickness of the ring gear bearing adjusting shim (left) "T1" by the formula below.

$$T_1 = A - B + C + D - E - F - G - (M / 100) + 0.045 \text{ mm} \\ (0.0018 \text{ in})$$

NOTE:

Calculate dimension "C" as 56.0 mm (2.20 in)

6. Select ring gear bearing adjusting shim (left).
For selection adjusting shim, refer to the latest parts information.

CAUTION:

- Only one adjusting shim can be selected.
- Select the closest one, favoring thicker over thinner when necessary if no adjusting shim with the calculated value is available.

Ring gear bearing adjusting shim (right)

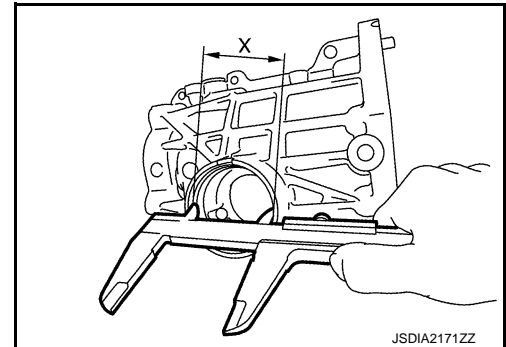
1. Measure the dimensions of each measuring point with the following procedure:

Dimension "X" measurement

- Measure the diameter (X) of transfer case with a pair of vernier calipers. Refer to "Measuring point".

CAUTION:

Never damage transfer case.

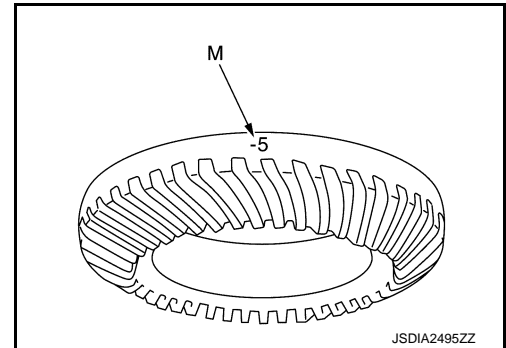
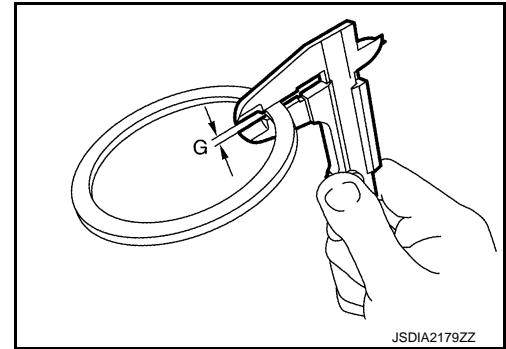
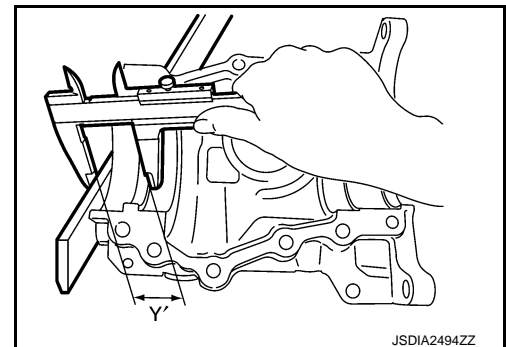


Dimension "Y" measurement

- Measure dimension (Y) of transfer case (including the thickness of straightedge) with a pair of vernier calipers and straightedge. Refer to "Measuring point".

CAUTION:

Never damage transfer case.



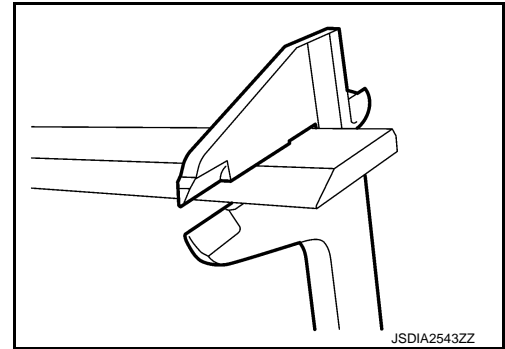
RING GEAR SHAFT

< UNIT DISASSEMBLY AND ASSEMBLY >

[TRANSFER: TY21B]

- Measure the thickness of straightedge.
- Calculate the dimension “Y” by formula below.

$$Y = Y' - \text{“Thickness of straightedge”}$$



A

B

C

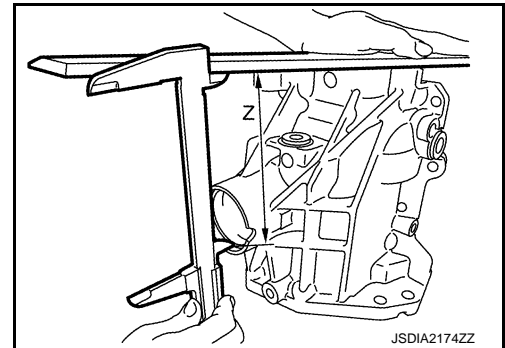
DLN

Dimension “Z” measurement

- Measure dimension (Z) of transfer case with a pair of vernier calipers and straightedge. Refer to “Measuring point”.

CAUTION:

Never damage transfer case.



E

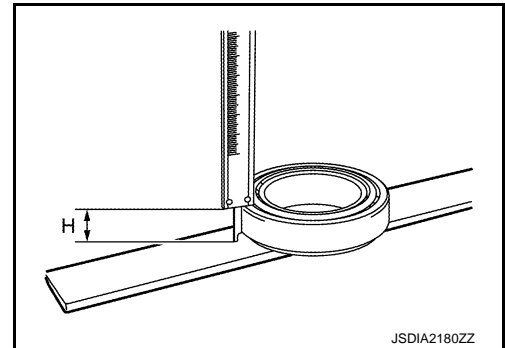
F

G

H

Dimension “H” measurement

- Measure dimension (H) from outer race edge surface of ring gear bearing (right) to inner race edge surface with depth gauge. Refer to “Measuring point”.



I

J

K

L

Dimension “I” measurement

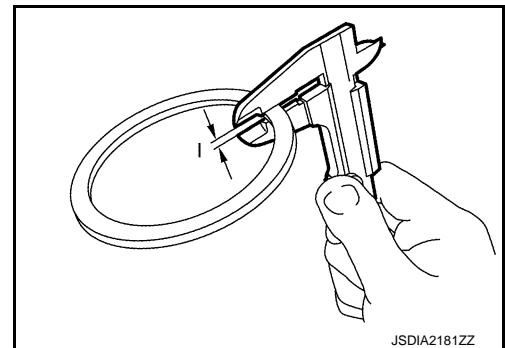
- Measure thickness (I) of spacer (right) with a pair of vernier calipers. Refer to “Measuring point”.

2. Calculate dimension “B” by the formula below.

$$B = Z - Y - (X \times 0.5)$$

3. Calculate dimension “D” by the formula below.

$$D = E - V + W$$



M

N

O

P

RING GEAR SHAFT

< UNIT DISASSEMBLY AND ASSEMBLY >

[TRANSFER: TY21B]

4. Check dimension (M) on the ring gear side face.

NOTE:

Dimension "M" indicates the difference between the optimum engagement and standard dimensions in increments of 0.01 mm (0.0004 in) written on the ring gear side face.

5. Calculate the thickness of the ring gear bearing adjusting shim (right) "T2" by the formula below.

$$T_2 = B - C - D - H - I + (M / 100) + 0.045 \text{ mm (0.0018 in)}$$

NOTE:

Calculate dimension "C" as 56.0 mm (2.20 in)

6. Select ring gear bearing adjusting shim (right).
For selection adjusting shim, refer to the latest parts information.

CAUTION:

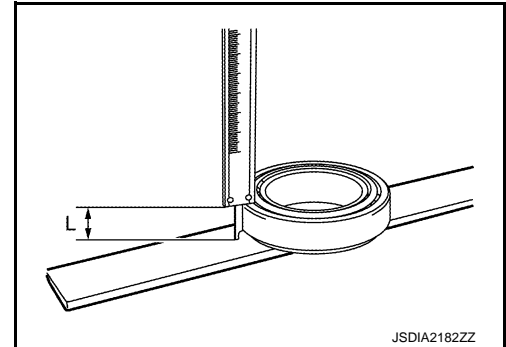
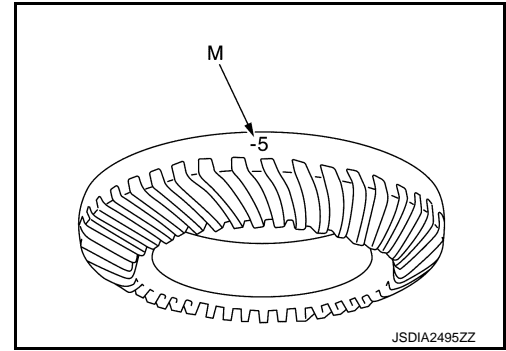
- Only one adjusting shim can be selected.
- Select the closest one, favoring thicker over thinner when necessary if no adjusting shim with the calculated value is available.

Drive pinion adjusting shim

1. Measure the dimensions of each measuring point with the following procedure:

Dimension "L" measurement

- Measure dimension (L) from outer race edge surface of pinion bearing (front) to inner race edge surface with depth gauge. Refer to "Measuring point".

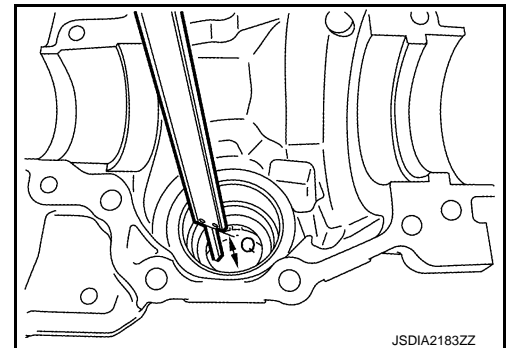


Dimension "Q" measurement

- Measure dimension (Q) of transfer case with depth gauge and straightedge. Refer to "Measuring point".

CAUTION:

Never damage transfer case.



Dimension "R" measurement

RING GEAR SHAFT

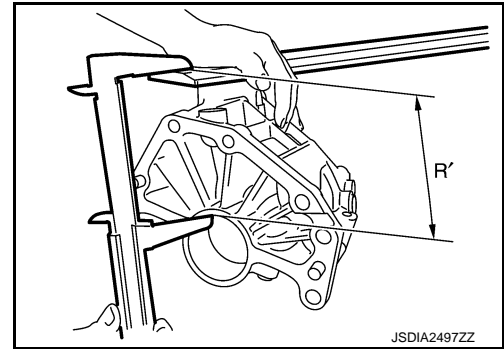
< UNIT DISASSEMBLY AND ASSEMBLY >

[TRANSFER: TY21B]

- Measure dimension (R') of transfer case (including the thickness of straightedge) with a pair of vernier calipers and straightedge. Refer to "Measuring point".

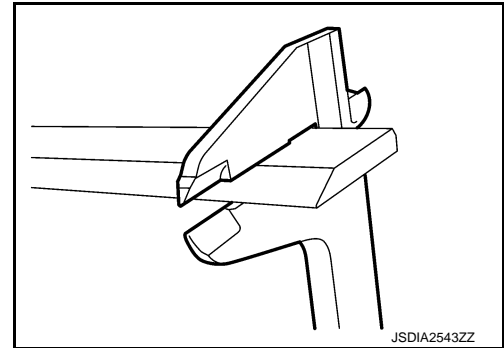
CAUTION:

Never damage transfer case.



- Measure the thickness of straightedge.
- Calculate the dimension "R" by formula below.

$$R = R' - \text{"Thickness of straightedge"}$$



Dimension "S" measurement

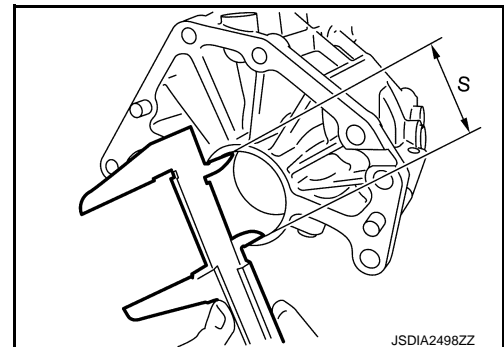
- Measure the diameter (S) of transfer case with a pair of vernier calipers. Refer to "Measuring point".

CAUTION:

Never damage transfer case.

2. Calculate dimension "J" by the formula below.

$$J = R - Q + (S \times 0.5)$$



3. Check dimension (O) on the gear end of drive pinion.

NOTE:

Dimension "O" indicates the difference between the optimum engagement and the standard dimensions in increments of 0.01 mm (0.0004 in) written on the gear end of drive pinion.

4. Calculate the thickness of the drive pinion adjusting shim "T3" by the formula below.

$$T_3 = J - K - L + (O / 100)$$

NOTE:

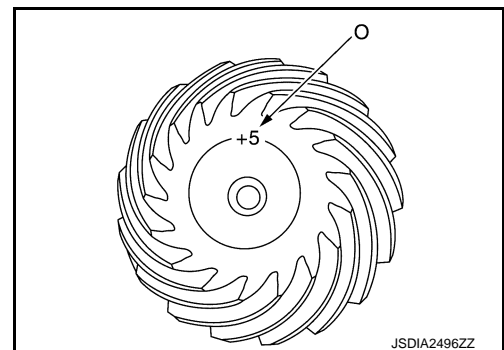
Calculate dimension "K" as 70.85 mm (2.7894 in)

5. Select drive pinion adjusting shim.

For selection adjusting shim, refer to the latest parts information.

CAUTION:

- Only one adjusting shim can be selected.
- Select the closest one, favoring thicker over thinner when necessary if no adjusting shim with the calculated value is available.



DRIVE PINION BEARING PRELOAD

1. Remove ring gear shaft assembly from the transfer case. Refer to [DLN-96, "Disassembly"](#).

RING GEAR SHAFT

< UNIT DISASSEMBLY AND ASSEMBLY >

[TRANSFER: TY21B]

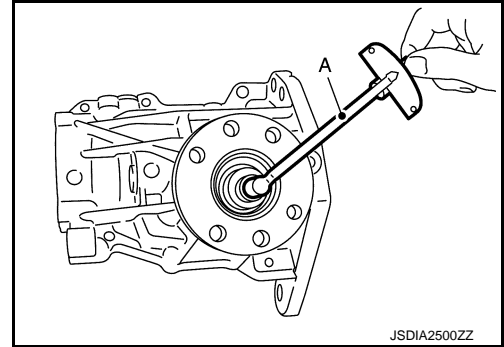
2. Rotate the companion flange back and forth from 2 to 3 times to check for unusual noise, binding, sticking, and so on.
3. Rotate the companion flange at least 20 times to check for smooth operation of the bearing.
4. Measure the drive pinion bearing preload with the preload gauge (A) [SST: ST3127S000 (J-25765-A)].

Drive pinion bearing preload : Refer to [DLN-119, "Preload Torque"](#).

CAUTION:

Each rotational part should rotate smoothly with the specified gear oil.

- If outside the standard, disassemble the drive pinion assembly to check and adjust each part.



TOTAL PRELOAD

1. Measure drive pinion bearing preload.
CAUTION:
Check that the drive pinion bearing preload is within the standard.
2. Assemble the ring gear shaft assembly to the transfer case. Refer to [DLN-97, "Assembly"](#)
3. Install transfer cover to check and adjust each part. Refer to [DLN-116, "Assembly"](#).
CAUTION:
Never apply liquid gasket.
4. Rotate the companion flange at least 20 times to check for smooth operation of the bearing.
5. Measure the total preload with the preload gauge (A) [SST: ST3127S000 (J-25765-A)].

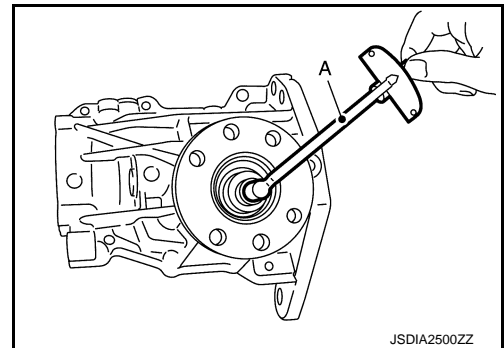
Total preload : Refer to [DLN-119, "Preload Torque"](#).

CAUTION:

Each rotational part should rotate smoothly with the specified gear oil.

- If outside the standard, disassemble the transfer assembly to check and adjust each part. Measure it with the transfer case oil seals removed when measuring total preload after disassembly. Then install transfer case oil seals.

6. Reinstall transfer cover for applying liquid gasket. Refer to [DLN-116, "Assembly"](#).

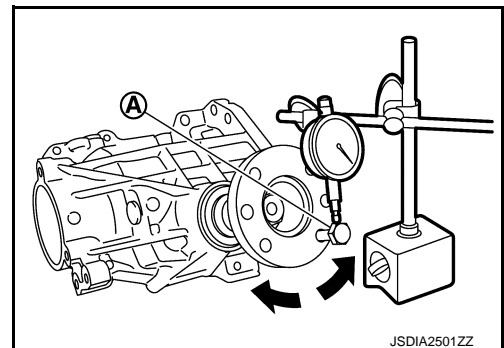


BACKLASH

1. Install the bolt to the companion flange.
2. Fit a dial indicator onto the bolt (A).
3. Measure the circumference backlash of the companion flange.

Backlash : Refer to [DLN-119, "Backlash"](#).

- If outside the standard, disassemble the transfer assembly to check and adjust each part.



TOOTH CONTACT

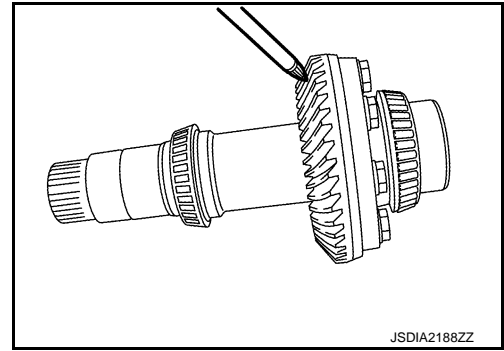
1. Remove transfer cover. Refer to [DLN-116, "Disassembly"](#).
2. Remove ring gear shaft assembly from transfer case. Refer to [DLN-96, "Disassembly"](#).

RING GEAR SHAFT

< UNIT DISASSEMBLY AND ASSEMBLY >

[TRANSFER: TY21B]

3. Apply red lead onto the ring gear.
CAUTION:
Apply red lead to both faces of 3 to 4 gears at 4 locations evenly spaced on the ring gear.
4. Assemble the ring gear shaft assembly to the transfer case. Refer to [DLN-97, "Assembly"](#).
5. Install transfer cover to check and adjust each part. Refer to [DLN-116, "Assembly"](#).
CAUTION:
Never apply liquid gasket.
6. Rotate the companion flange back and forth several times.
7. Remove ring gear shaft assembly from transfer case. Then check drive pinion to ring gear tooth contact



A
B
C
DLN

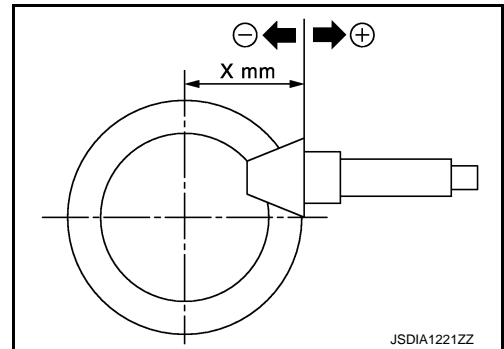
Tooth Contact Judgment Guide

Drive pinion adjusting shim selection value mm(in)		Tooth contact condition				Need for adjustment
		Drive side		Back side		
		Heel side	Toe side	Toe side	Heel side	
↑ Thinner	-0.09 (-0.0035)					Yes
	-0.06 (-0.0024)					
	-0.03 (-0.0012)					No
0						
↓ Thicker	+0.03 (+0.0012)					
	+0.06 (+0.0024)					
	+0.09 (+0.0036)					

JSDIA2502GB

8. Follow the procedure below to adjust pinion height (dimension X) if tooth contact is improper. For selecting adjusting shim, refer to the latest parts information.

CAUTION:
If no adjusting shim with the calculated value is available, select the thicker and closest one.



JSDIA1221ZZ

E
F
G
H
I
J
K
L
M
N
O
P

RING GEAR SHAFT

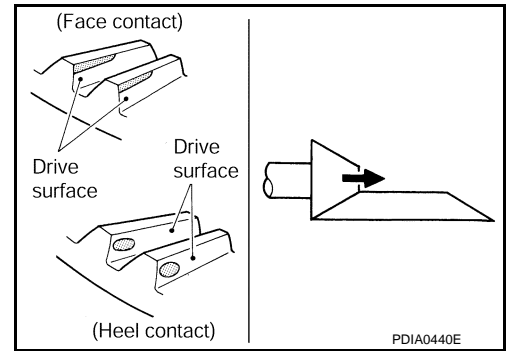
< UNIT DISASSEMBLY AND ASSEMBLY >

[TRANSFER: TY21B]

- Thicken the drive pinion adjusting shim to move the drive pinion closer to the ring gear in case of face contact or heel contact.

CAUTION:

Only one adjusting shim can be selected.

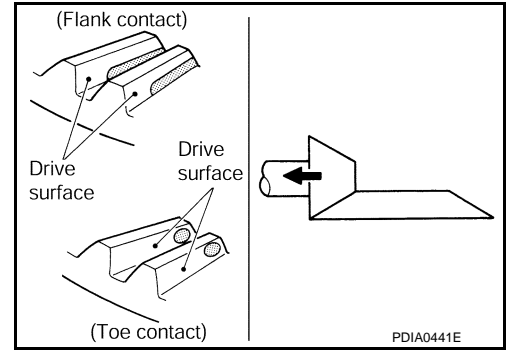


- Thin the drive pinion adjusting shim to move the drive pinion farther from the ring gear in case of flank contact or toe contact.

CAUTION:

Only one adjusting shim can be selected.

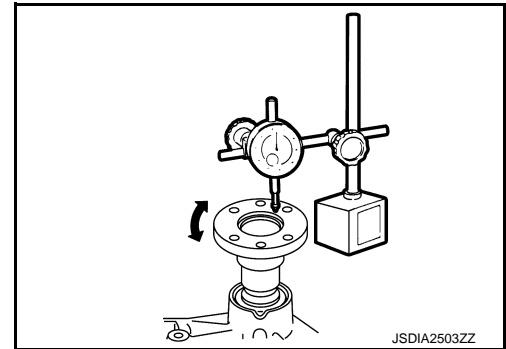
- Reinstall transfer cover for applying liquid gasket. Refer to [DLN-116](#), "Assembly".



COMPANION FLANGE RUNOUT

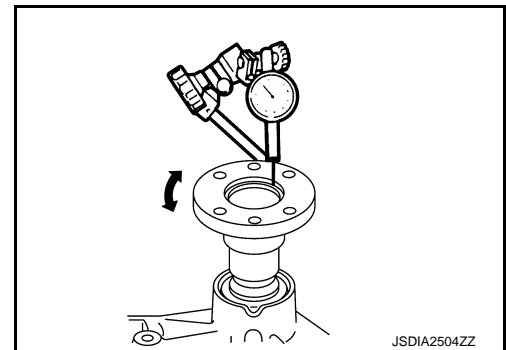
- Fit a dial indicator onto the companion flange face (inner side of the propeller shaft bolt holes).
- Rotate the companion flange to check for runout.

Companion flange runout : Refer to [DLN-119](#), "[Companion Flange Runout](#)".



- Fit a test indicator to the inner side of the companion flange (socket diameter).
- Rotate the companion flange to check for runout.

Companion flange runout : Refer to [DLN-119](#), "[Companion Flange Runout](#)".



- Follow the procedure below to adjust if runout value is outside the repair limit.

CAUTION:

Replace collapsible spacer to check and adjust each part when companion flange is adjusted or replaced.

- Check for runout while changing the phase between companion flange and drive pinion in 90° steps. Then search for the minimum point.
- Replace companion flange if runout value is still outside the limit after the phase has been changed.
- Adjust assembly status of the pinion bearings and drive pinion, or replace drive pinion bearings if runout is outside the standard after the companion flange is replaced.

Inspection

INFOID:000000009751160

INSPECTION AFTER DISASSEMBLY

Check items below. If necessary, replace them with new ones.

RING GEAR SHAFT

< UNIT DISASSEMBLY AND ASSEMBLY >

[TRANSFER: TY21B]

Gear and Shaft

Check gear face and shaft for wear, cracks, damage, and seizure.

CAUTION:

Replace ring gear and drive pinion as a set (hypoid gear set) if any malfunction is detected on the ring gear or drive pinion.

Bearing

Check for seizure, peeling, wear, corrosion, sticking, unusual noise, roughness in hand turning, and other damage.

CAUTION:

Always replace inner race and outer race as a pair when replacing the bearing.

Shim

Check for seizure, damage, and unusual wear.

A

B

C

DLN

E

F

G

H

I

J

K

L

M

N

O

P

DRIVE PINION

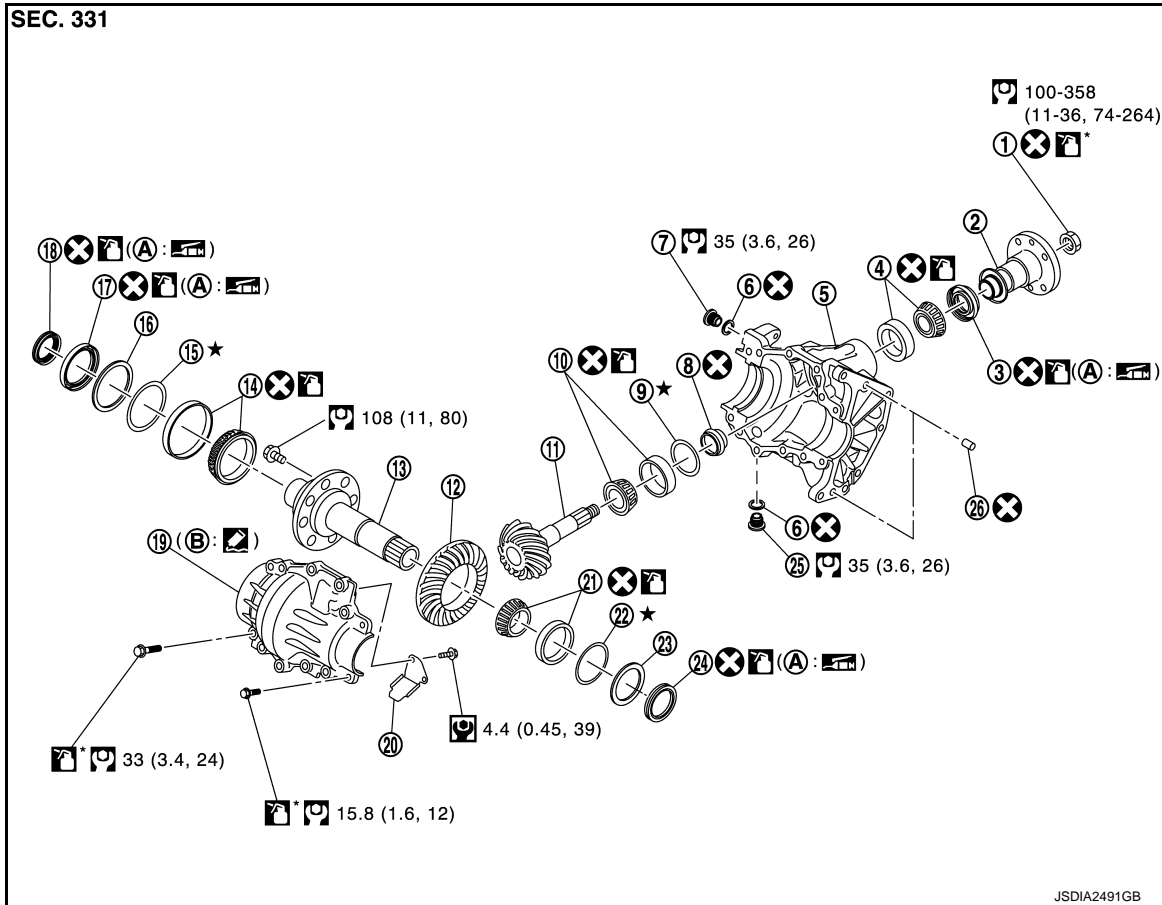
< UNIT DISASSEMBLY AND ASSEMBLY >

[TRANSFER: TY21B]

DRIVE PINION

Exploded View

INFOID:000000009751161



- | | | |
|---|------------------------------------|--|
| 1. Pinion lock nut | 2. Companion flange | 3. Drive pinion oil seal |
| 4. Pinion bearing (rear) | 5. Transfer case | 6. Gasket |
| 7. Filler plug | 8. Collapsible spacer | 9. Drive pinion adjusting shim |
| 10. Pinion bearing (front) | 11. Drive pinion | 12. Ring gear |
| 13. Ring gear shaft | 14. Ring gear bearing (right) | 15. Ring gear bearing adjusting shim (right) |
| 16. Spacer (right) | 17. Transfer case oil seal (right) | 18. Drive shaft oil seal |
| 19. Transfer cover | 20. Oil defense | 21. Ring gear bearing (left) |
| 22. Ring gear bearing adjusting shim (left) | 23. Spacer (left) | 24. Transfer case oil seal (left) |
| 25. Drain plug | 26. Dowel pin | |
| A. Oil seal lip | B. Transfer case mounting face | |

⊗: Always replace after every disassembly.

★: Select with proper thickness.

🔧: N·m (kg·m, in·lb)

🔧: N·m (kg·m, ft·lb)


🛢️: Apply gear oil.

🛢️: Apply multi purpose grease

DRIVE PINION

< UNIT DISASSEMBLY AND ASSEMBLY >

[TRANSFER: TY21B]

*: Apply anti-corrosive oil.

: Apply Genuine Silicone RTV or equivalent. Refer to [GI-24, "Recommended Chemical Products and Sealants"](#).

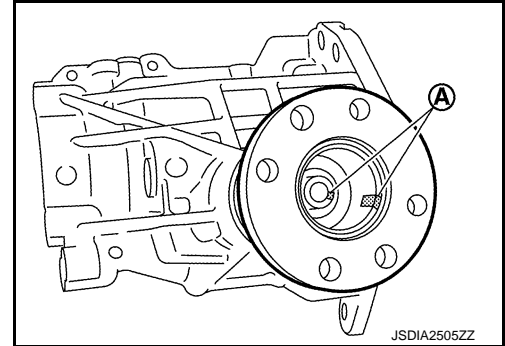
Disassembly

INFOID:000000009751162

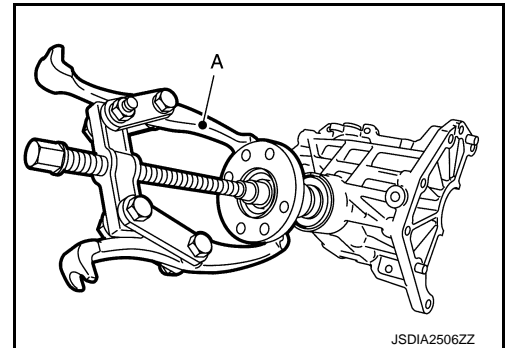
1. Remove transfer cover. Refer to [DLN-116, "Disassembly"](#).
2. Remove ring gear shaft assembly. Refer to [DLN-96, "Disassembly"](#).
3. Remove pinion lock nut from the drive pinion.
4. Put matching marks (A) on screw ends of drive pinion and companion flange.

CAUTION:

Use paint to avoid scratching the surface.



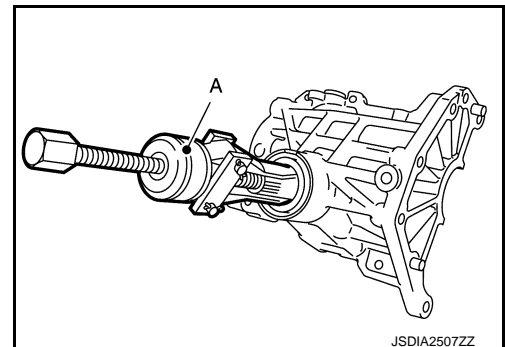
5. Remove companion flange from drive pinion with the puller (A) (Commercial service tool).



6. Remove drive pinion oil seal from the transfer case with the puller (A) [SST: KV381054S0 (J-34286)].

CAUTION:

Never damage transfer case.

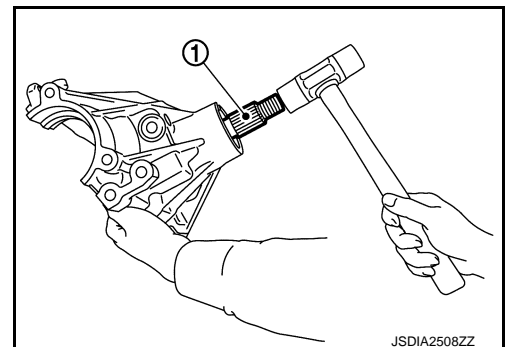


7. Remove drive pinion assembly (1) from transfer case while tapping the drive pinion lightly with a plastic hammer.

CAUTION:

Never drop the drive pinion assembly.

8. Remove collapsible spacer from the drive pinion.
9. Remove inner race of pinion bearing (rear) from transfer case.



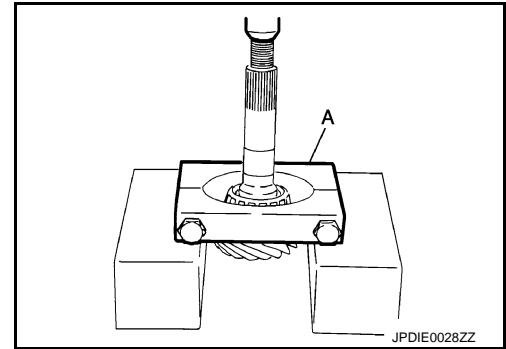
A
B
C
DLN
E
F
G
H
I
J
K
L
M
N
O
P

DRIVE PINION

< UNIT DISASSEMBLY AND ASSEMBLY >

[TRANSFER: TY21B]

10. Remove inner race of pinion bearing (front) from drive pinion with the replacer (A) (Commercial service tool).

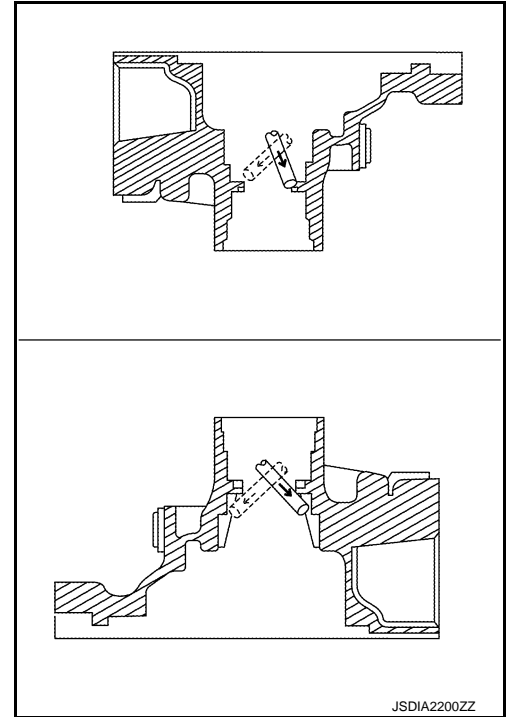


11. Tap the outer race of pinion bearing (rear) from transfer case with a brass rod to remove outer race of pinion bearing (rear).

CAUTION:

Never damage transfer case.

12. Remove drive pinion adjusting shim.
13. Perform inspection after disassembly. Refer to [DLN-114](#), "[Inspection](#)".



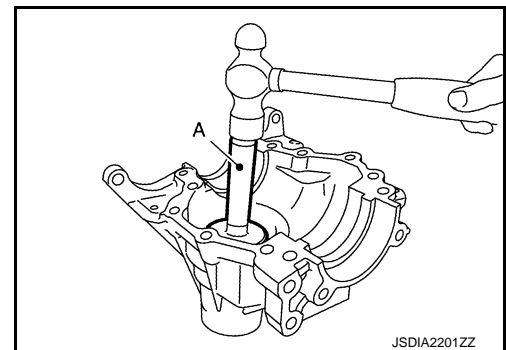
Assembly

INFOID:000000009751163

1. Select drive pinion adjusting shim. Refer to [DLN-98](#), "[Adjustment](#)".
2. Install selected drive pinion adjusting shim to transfer case.
3. Install outer race of pinion bearing (rear) to the transfer case with the drift (A) [SST: ST37830000 (—)].

CAUTION:

- Never reuse pinion bearing.
- Apply gear oil to the pinion bearing.



DRIVE PINION

< UNIT DISASSEMBLY AND ASSEMBLY >

[TRANSFER: TY21B]

4. Install inner race of pinion bearing (front) to drive pinion with the drift (A) [SST: ST35272000 (J-26092)].

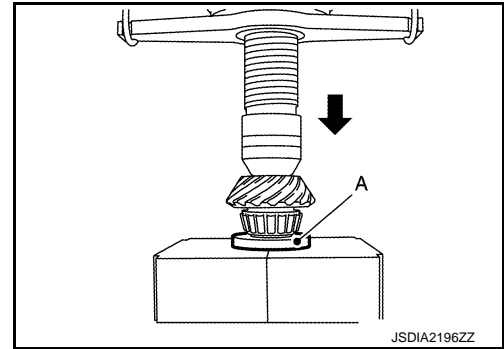
CAUTION:

- Never reuse pinion bearing.
- Apply gear oil to the pinion bearing.

5. Assemble inner race of pinion bearing (rear) into the transfer case.

CAUTION:

- Never reuse pinion bearing.
- Apply gear oil to the pinion bearing.

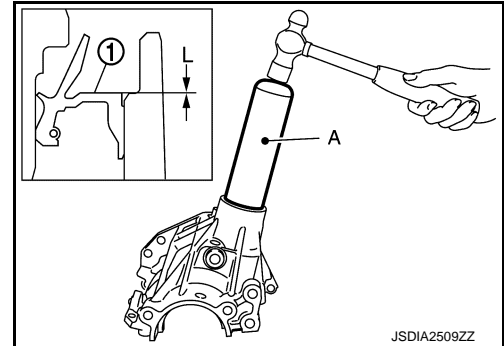


6. Using the drifts (A) (Commercial service tool), install drive pinion oil seal (1) to transfer case within the dimension (L) shown as follows.

L : 0 – 0.6 mm (0 – 0.024 in)

CAUTION:

- Never reuse oil seal.
- When installing, never incline oil seal.
- Apply multi-purpose grease onto oil seal lips, and gear oil onto the circumference.



7. Assemble a collapsible spacer onto the drive pinion.

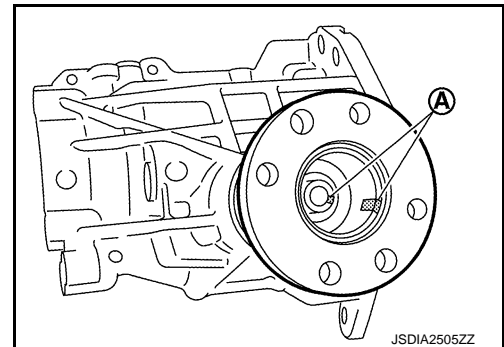
CAUTION:

Never reuse the collapsible spacer.

8. Assemble drive pinion assembly into the transfer case, and then install companion flange to drive pinion.

NOTE:

Align matching marks (A) on the thread edge of drive pinion and companion flange, and install companion flange if drive pinion is reused.



9. Tap the companion flange (1) with a plastic hammer as far as the pinion lock nut can be tightened.

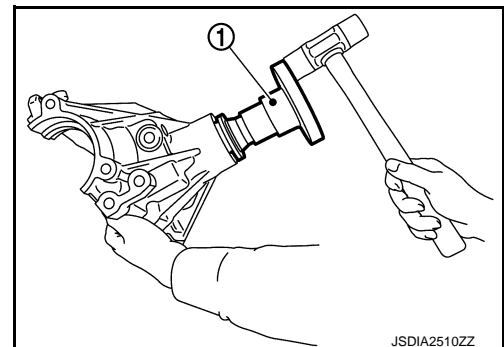
CAUTION:

Never damage drive pinion oil seal.

10. Apply anti-corrosive oil to the thread and seat of the pinion lock nut, and temporarily tighten pinion lock nut to the drive pinion.

CAUTION:

Never reuse pinion lock nut.



A
B
C
DLN
E
F
G
H
I
J
K
L
M
N
O
P

DRIVE PINION

< UNIT DISASSEMBLY AND ASSEMBLY >

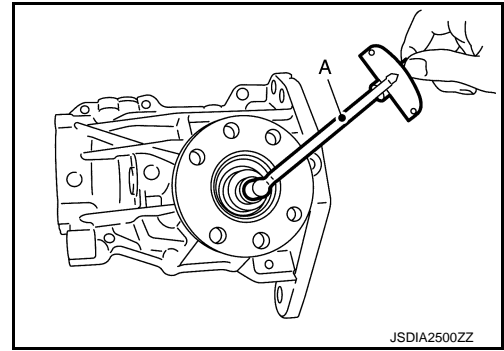
[TRANSFER: TY21B]

11. Tighten pinion lock nut within the specified torque range with the preload gauge (A) [SST: ST3127S000 (J-25765-A)] so that the drive pinion bearing preload is within standard.

Drive pinion bearing preload : Refer to [DLN-119, "Pre-load Torque"](#).

CAUTION:

- Start the tightening of pinion lock nut from lower limit of the specified torque. Check the preload every 5° to 10° while tightening the pinion lock nut.
- Replace the collapsible spacer and tighten it again to adjust if preload exceeds the specified value. Never loosen pinion lock nut to adjust preload.
- After adjustment, rotate the drive pinion back and forth from 2 to 3 times to check for unusual noise, sticking, binding, and so on.



12. Install ring gear shaft assembly. Refer to [DLN-97, "Assembly"](#).
13. Install transfer cover to check and adjust each part. Refer to [DLN-116, "Assembly"](#).

CAUTION:

Never apply liquid gasket.

14. Check backlash, tooth contact, total preload and companion flange runout. Refer to [DLN-98, "Adjustment"](#).

CAUTION:

Measure the total preload without the transfer case oil seal.

15. Reinstall transfer cover for applying liquid gasket. Refer to [DLN-116, "Assembly"](#).
16. Install the transfer case oil seal (left and right). Refer to [DLN-116, "Assembly"](#).

Adjustment

INFOID:000000009751164

Selecting drive pinion adjusting shim, and checking backlash, tooth contact, total preload and companion flange runout, refer to [DLN-98, "Adjustment"](#).

Inspection

INFOID:000000009751165

INSPECTION AFTER DISASSEMBLY

Check items below. If necessary, replace them with new ones.

Gear and Shaft

Check gear face and shaft for wear, cracks, damage, and seizure.

CAUTION:

Replace ring gear and drive pinion as a set (hypoid gear set) if any malfunction is detected on the ring gear or drive pinion.

Bearing

Check for seizure, peeling, wear, corrosion, sticking, unusual noise, roughness in hand turning, and other damage.

CAUTION:

Always replace inner race and outer race as a pair when replacing the bearing.

Shim

Check for seizure, damage, and unusual wear.

TRANSFER CASE

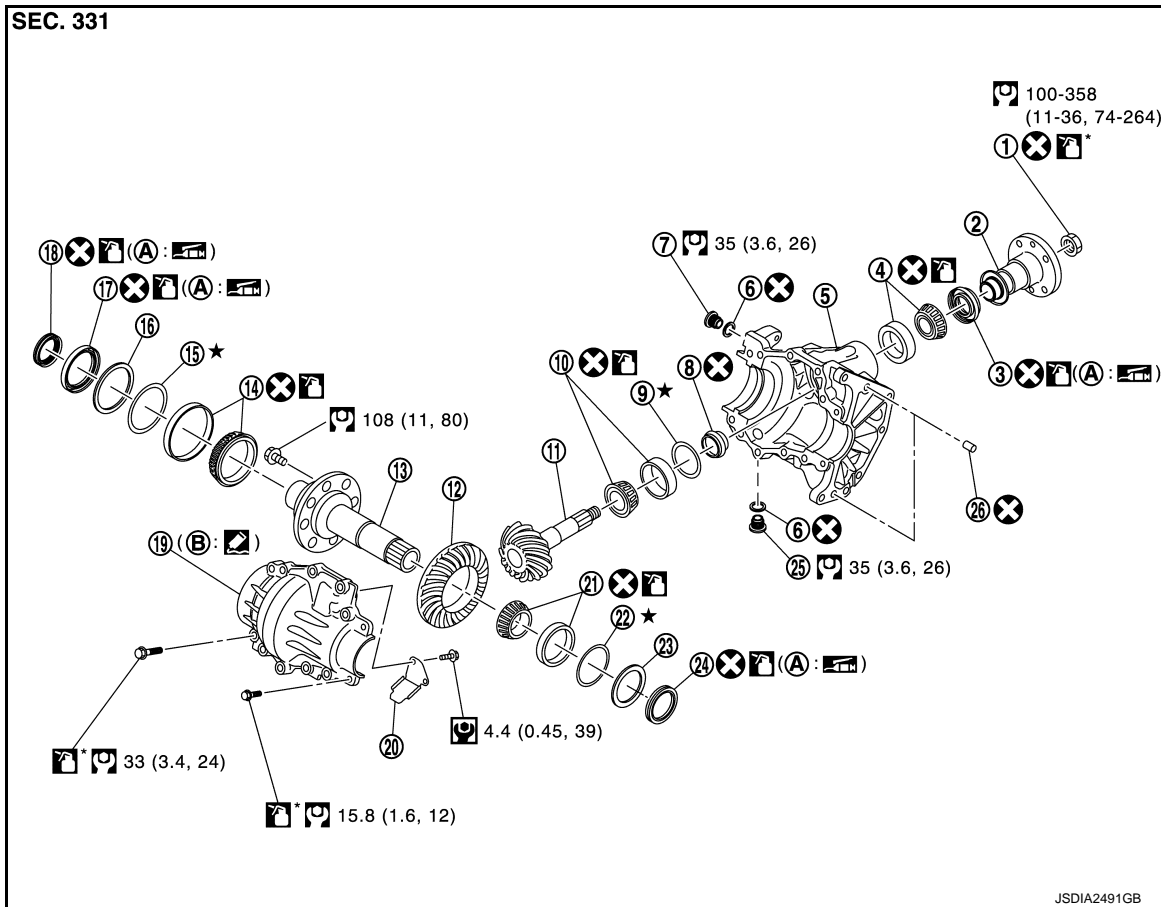
< UNIT DISASSEMBLY AND ASSEMBLY >

[TRANSFER: TY21B]

TRANSFER CASE

Exploded View

INFOID:000000009751166



- | | | |
|---|------------------------------------|--|
| 1. Pinion lock nut | 2. Companion flange | 3. Drive pinion oil seal |
| 4. Pinion bearing (rear) | 5. Transfer case | 6. Gasket |
| 7. Filler plug | 8. Collapsible spacer | 9. Drive pinion adjusting shim |
| 10. Pinion bearing (front) | 11. Drive pinion | 12. Ring gear |
| 13. Ring gear shaft | 14. Ring gear bearing (right) | 15. Ring gear bearing adjusting shim (right) |
| 16. Spacer (right) | 17. Transfer case oil seal (right) | 18. Drive shaft oil seal |
| 19. Transfer cover | 20. Oil defense | 21. Ring gear bearing (left) |
| 22. Ring gear bearing adjusting shim (left) | 23. Spacer (left) | 24. Transfer case oil seal (left) |
| 25. Drain plug | 26. Dowel pin | |
| A. Oil seal lip | B. Transfer case mounting face | |

⊗: Always replace after every disassembly.

★: Select with proper thickness.

: N·m (kg-m, in-lb)

: N·m (kg-m, ft-lb)


: Apply gear oil.

: Apply multi purpose grease

TRANSFER CASE

< UNIT DISASSEMBLY AND ASSEMBLY >

[TRANSFER: TY21B]

*: Apply anti-corrosive oil.

: Apply Genuine Silicone RTV or equivalent. Refer to [GI-24, "Recommended Chemical Products and Sealants"](#).

Disassembly

INFOID:000000009751167

1. Remove transfer cover mounting bolts.
2. Lightly tap position (A) of transfer cover with a plastic hammer to remove transfer cover.

CAUTION:

When tapping of transfer cover, be sure to tap the back of cover.

3. Remove transfer case oil seal (right and left).
4. Remove ring gear shaft assembly. Refer to [DLN-96, "Disassembly"](#).

NOTE:

When the ring gear shaft removed, the following parts are simultaneously removed:

- Spacer (right and left)
- Ring gear bearing adjusting shim (right and left)
- Outer race of ring gear bearing (right and left)

5. Remove drive pinion assembly from transfer case. Refer to [DLN-111, "Disassembly"](#).

6. Tap the outer races of pinion bearing (front and rear) from transfer case with a brass rod to remove outer races of pinion bearing (front and rear).

CAUTION:

Never damage transfer case.

7. Remove drive pinion adjusting shim.

8. Remove dowel pin.

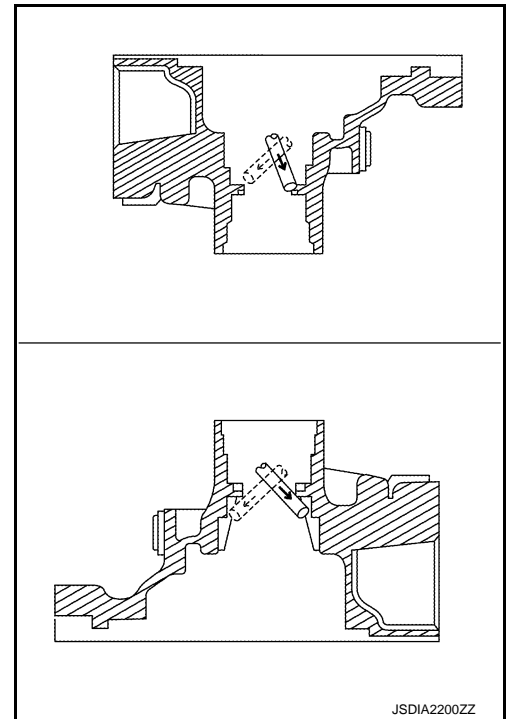
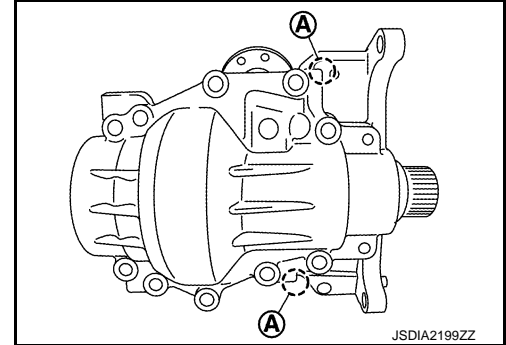
CAUTION:

Never remove dowel pin, if it is not necessary to replace.

9. Remove the filler plug and drain plug from the transfer case, and then remove each gasket.

10. Remove oil defense from transfer cover.

11. Perform inspection after disassembly. Refer to [DLN-118, "Inspection"](#).



Assembly

INFOID:000000009751168

1. Install the oil defense to transfer cover.
2. Install gaskets onto filler plug and drain plug and install them into transfer case.

CAUTION:

- **Never reuse gasket.**
- **Install filler plug after oil is filled.**

3. Install the dowel pin to transfer case.

CAUTION:

Never reuse the dowel pin.

4. Select drive pinion adjusting shim, and install it to transfer case. Refer to [DLN-98, "Adjustment"](#).

TRANSFER CASE

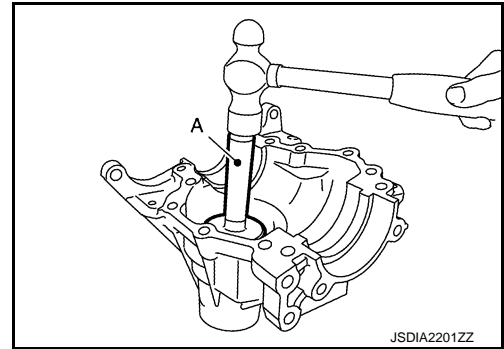
< UNIT DISASSEMBLY AND ASSEMBLY >

[TRANSFER: TY21B]

5. Install outer race of pinion bearing (front) to the transfer case with the drift (A) [SST: ST37830000 (—)].

CAUTION:

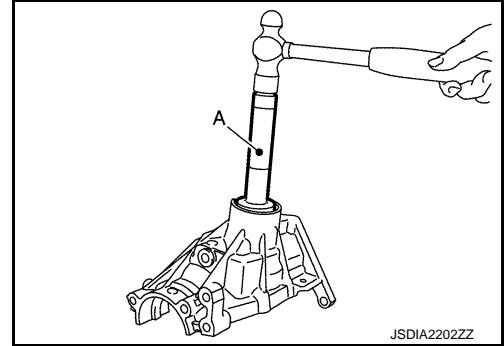
- Never reuse pinion bearing.
- Apply gear oil to the pinion bearing.



6. Install outer race of pinion bearing (rear) to transfer case with the drift (A) [SST: ST33230000 (J-25805-01)].

CAUTION:

- Never reuse pinion bearing.
- Apply gear oil to the pinion bearing.



7. Install drive pinion assembly to transfer case. Refer to [DLN-112, "Assembly"](#).

8. Install ring gear shaft assembly to transfer case. Refer to [DLN-97, "Assembly"](#).

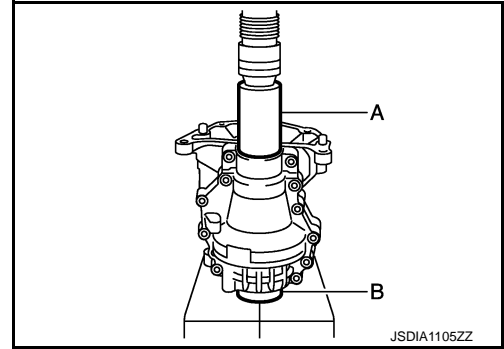
9. Set the drifts (A and B) to right and left side spacers individually. Compress ring gear shaft assembly with ring gear bearing to install transfer cover to transfer case.

A : Drift (Commercial service tool)

B : Drift (Commercial service tool)

CAUTION:

- Never apply gasket fluid on the mounting surface.
- Clean the mounting surface of transfer case and transfer cover to degrease sufficiently.
- The drift shall be placed on the center of the spacers.
- The pressure shall be as low as to install ring gear shaft assembly into transfer case. The maximum pressure shall be 10 kN (1 ton, 1.0 Imp ton).
- If the adjusting shims and spacers are installed by tapping, the transfer cover may be damaged. Avoid tapping.



10. Check backlash, tooth contact, and total preload. Refer to [DLN-98, "Adjustment"](#).

CAUTION:

Measure the total preload without the transfer case oil seals.

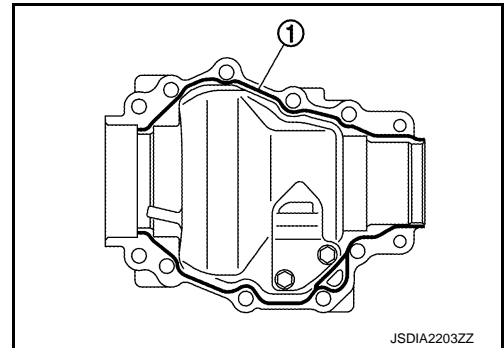
11. Remove transfer cover. Refer to [DLN-116, "Disassembly"](#).

12. Apply liquid gasket (1) to mating surface of transfer cover.

- Use Genuine Silicone RTV or equivalent. Refer to [GI-24, "Recommended Chemical Products and Sealants"](#).

CAUTION:

- Remove old gasket adhering to the mounting surfaces. Also remove any moisture, oil, or foreign material adhering to the mounting surfaces.
- The width of sealant bead is 2 – 3 mm (0.08 – 0.012 in).
- Overlap both ends of the bead for at least 3 mm (0.012 in).
- Immediately install transfer cover after installing applying gasket.



A
B
C
DLN
E
F
G
H
I
J
K
L
M
N
O
P

TRANSFER CASE

< UNIT DISASSEMBLY AND ASSEMBLY >

[TRANSFER: TY21B]

13. Set the drifts (A and B) to right and left side spacers individually. Compress ring gear shaft assembly with ring gear bearing to install transfer cover to transfer case.

A : Drift (Commercial service tool)

B : Drift (Commercial service tool)

CAUTION:

- Immediately install after applying gasket.
- The drift shall be placed on the center of the spacers.
- The pressure shall be as low as to install ring gear shaft assembly into transfer case. The maximum pressure shall be 10 kN (1 ton, 1.0 Imp ton).
- If the adjusting shims and spacers are installed by tapping, the transfer cover may be damaged. Avoid tapping.

14. Tighten transfer cover mounting bolts to the specified torque.

15. Using the drifts (A and B), install transfer case oil seal (left) (1) within the dimension (L) shown as follows.

A : Drift (Commercial service tool)

B : Drift [SST: ST27863000 (—)]

L : 1.0 – 1.6 mm (0.040 – 0.063 in)

CAUTION:

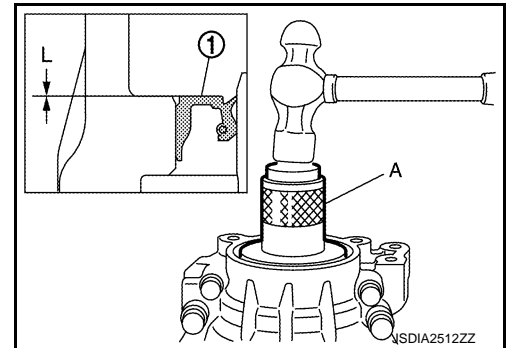
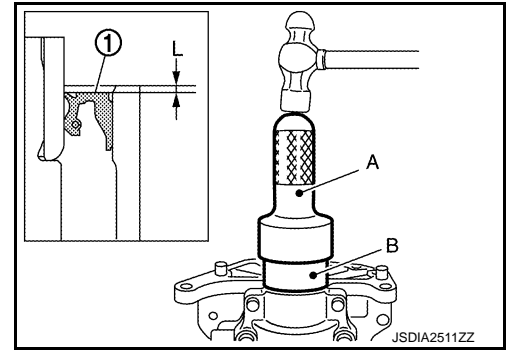
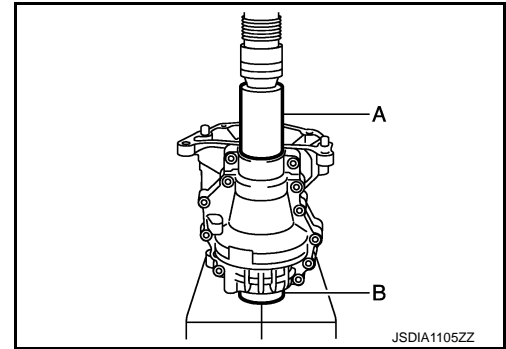
- Never reuse oil seals.
- When installing, never incline oil seals.
- Apply multi-purpose grease onto oil seal lips, and gear oil onto the circumference of oil seal.
- Immediately install after installing transfer cover.
- After installing oil seal, immediately wipe out gasket squeezed out inward of transfer case.

16. Using the drifts (A) [SST: ST35271000 (J-26091)], install transfer case oil seal (right) (1) within the dimension (L) shown as follows.

L : 0 – 0.6 mm (0 – 0.024 in)

CAUTION:

- Never reuse oil seals.
- When installing, never incline oil seals.
- Apply multi-purpose grease onto oil seal lips, and gear oil onto the circumference of oil seal.
- Immediately install after installing transfer cover.
- After installing oil seal, immediately wipe out gasket squeezed out inward of transfer case.



Inspection

INFOID:000000009751169

INSPECTION AFTER DISASSEMBLY

Check items below. If necessary, replace them with new ones.

Case and Cover

Check the cracks, damages, and bearing mounting surface for wear.

CAUTION:

Replace transfer case and transfer cover as a set if any malfunction is detected on transfer case or transfer cover.

SERVICE DATA AND SPECIFICATIONS (SDS)

< SERVICE DATA AND SPECIFICATIONS (SDS)

[TRANSFER: TY21B]

SERVICE DATA AND SPECIFICATIONS (SDS)

SERVICE DATA AND SPECIFICATIONS (SDS)

General Specifications

INFOID:000000009751170

Applied model	MR16DDT
Transfer model	TY21B
Oil capacity (Approx.)	ℓ (US pt, Imp pt) 0.37 (3/4, 5/8)
Gear ratio	0.404
Number of teeth	Ring gear 42
	Drive pinion 17

Preload Torque

INFOID:000000009751171

Unit: N·m (kg·m, in·lb)

Item	Standard
Drive pinion bearing preload	0.30 – 0.80 (0.03 – 0.08, 3.0 – 7.0)
Total preload	With all oil seals P1 + 0.55 – 0.80 (0.06 – 0.08, 5.0 – 7.0)
	Without transfer case oil seal P1 + 0.35 – 0.60 (0.04 – 0.06, 3.0 – 5.0)

Backlash

INFOID:000000009751172

Unit: mm (in)

Item	Standard
Ring gear to drive pinion	0.13 – 0.18 (0.0051 – 0.0071)

Companion Flange Runout

INFOID:000000009751173

Unit: mm (in)

Item	Limit
Companion flange face (inner side of the propeller shaft bolt holes)	0.15 (0.0059)
Inside of companion flange (socket diameter)	0.2 (0.008)

PRECAUTIONS

[REAR PROPELLER SHAFT: 3Fφ16-ETJ75]

< PRECAUTION >

PRECAUTION

PRECAUTIONS

Precautions for Removing of Battery Terminal

INFOID:000000010288773

- When removing the 12V battery terminal, turn OFF the ignition switch and wait at least 30 seconds.

NOTE:

ECU may be active for several tens of seconds after the ignition switch is turned OFF. If the battery terminal is removed before ECU stops, then a DTC detection error or ECU data corruption may occur.

- For vehicles with the 2-batteries, be sure to connect the main battery and the sub battery before turning ON the ignition switch.

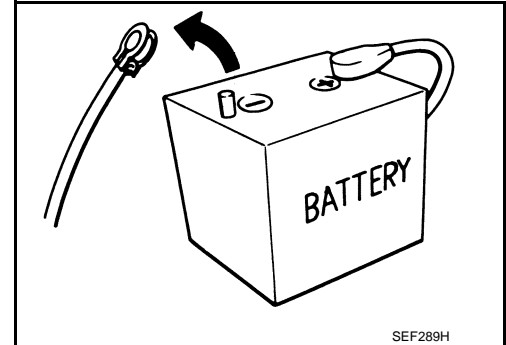
NOTE:

If the ignition switch is turned ON with any one of the terminals of main battery and sub battery disconnected, then DTC may be detected.

- After installing the 12V battery, always check "Self Diagnosis Result" of all ECUs and erase DTC.

NOTE:

The removal of 12V battery may cause a DTC detection error.



Service Notice or Precautions for Rear Propeller Shaft

INFOID:000000009751174

- Replace the propeller shaft assembly if there is a breakage or deflection on tube.
- Never hit the tube or apply an impact on it during repair service. Never damage the tube as well.
- The joint cannot be disassembled. Never disassemble it.
- If constant velocity joint was bent during propeller shaft assembly removal, installation, or transportation, its boot may be damaged. Wrap boot interference area to metal part with shop cloth or rubber to protect boot from breakage.

NOISE, VIBRATION AND HARSHNESS (NVH) TROUBLESHOOTING

< SYMPTOM DIAGNOSIS >

[REAR PROPELLER SHAFT: 3Fφ16-ETJ75]

SYMPTOM DIAGNOSIS

NOISE, VIBRATION AND HARSHNESS (NVH) TROUBLESHOOTING

NVH Troubleshooting Chart

INFOID:000000009751175

Use the chart below to find the cause of the symptom. If necessary, repair or replace these parts.

Symptom	Possible cause and SUSPECTED PARTS														
	Reference	DLN-122, "Inspection"	DLN-125, "Inspection"	—	DLN-125, "Inspection"	—	DLN-125, "Inspection"	DLN-122, "Inspection"	NVH of REAR FINAL DRIVE in this section	NVH in FAX, RAX, FSU and RSU section	NVH in WT section	NVH in WT section	NVH in FAX and RAX section	NVH in BR section	NVH in ST section
	Uneven rotating torque	Center bearing improper installation	Excessive center bearing axial end play	Center bearing mounting (insulator) cracks, damage or deterioration	Excessive joint angle	Rotation imbalance	Excessive runout	DIFFERENTIAL	AXLE AND SUSPENSION	TIRE	ROAD WHEEL	DRIVE SHAFT	BRAKE	STEERING	
	Noise	Shake	Vibration	Noise	Shake	Vibration	Noise	Shake	Vibration	Noise	Shake	Vibration	Noise	Shake	Vibration
	x	x	x	x	x	x	x	x	x	x	x	x	x	x	x
		x			x				x	x	x	x	x	x	x
	x	x	x	x	x	x	x		x	x		x		x	x

x: Applicable

A
B
C
DLN
E
F
G
H
I
J
K
L
M
N
O
P

REAR PROPELLER SHAFT

< PERIODIC MAINTENANCE >

[REAR PROPELLER SHAFT: 3Fφ16-ETJ75]

PERIODIC MAINTENANCE

REAR PROPELLER SHAFT

Inspection

INFOID:000000009751176

APPEARANCE AND NOISE

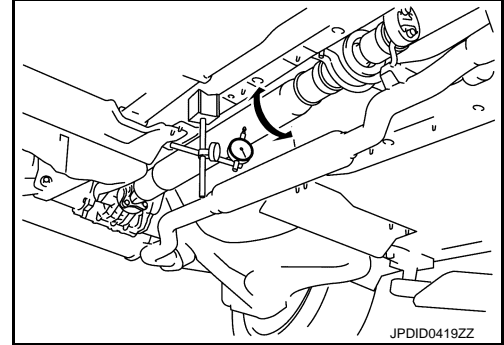
- Check the propeller shaft tube surface for dents or cracks. If damaged, replace propeller shaft assembly.
- If center bearing is noisy or damaged, replace propeller shaft assembly.

VIBRATION

If vibration is present at high speed, inspect propeller shaft runout first.

1. With a dial indicator, measure propeller shaft runout at runout measuring points by rotating final drive companion flange with hands.

Propeller shaft runout : Refer to [DLN-127, "Propeller Shaft Runout"](#).

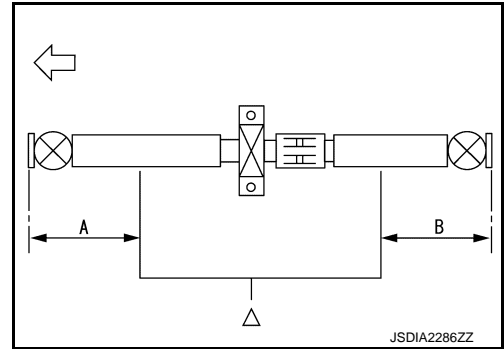


- Propeller shaft runout measuring point (Point "△")

↔ : Front

Dimension **A: 542 mm (21.34 in)**
 B: 516.5 mm (20.33 in)

2. If runout still exceeds specifications, separate propeller shaft at final drive companion flange or transfer companion flange; then change the phase between companion flange and propeller shaft by the one bolt hole at a time and install propeller shaft.
3. Check runout again. If runout still exceeds specifications, replace propeller shaft assembly.
4. Check the vibration by driving vehicle.



REAR PROPELLER SHAFT

< REMOVAL AND INSTALLATION >

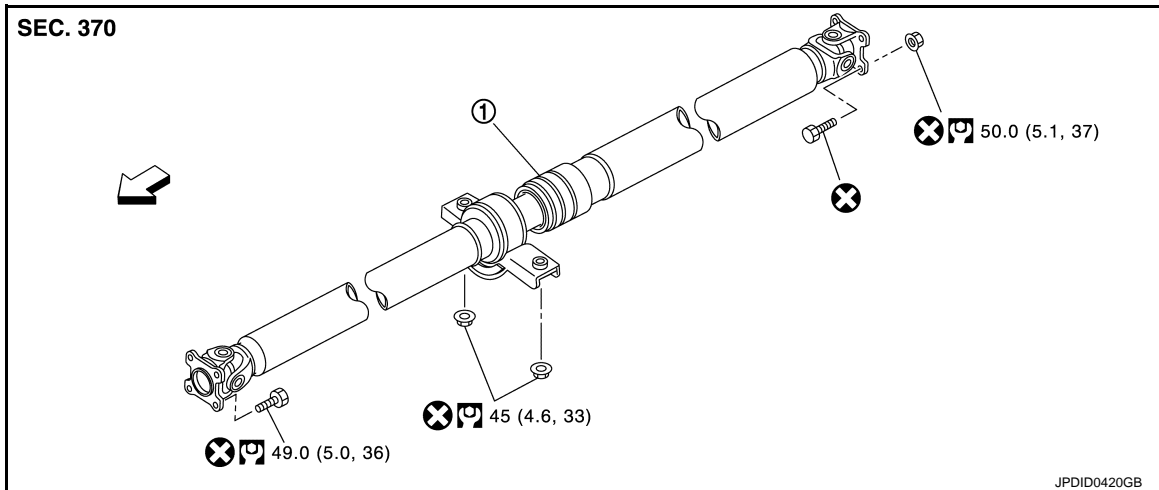
[REAR PROPELLER SHAFT: 3Fφ16-ETJ75]

REMOVAL AND INSTALLATION

REAR PROPELLER SHAFT

Exploded View

INFOID:000000009751177



1. Propeller shaft assembly

←: Vehicle front

⊗: N·m (kg-m, ft-lb)

⊗: Always replace after every disassembly.

Removal and Installation

INFOID:000000009751178

REMOVAL

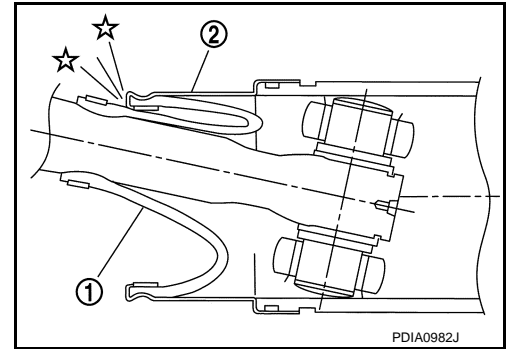
1. Shift the transaxle to the neutral position, and then release the parking brake.
2. Put matching marks on propeller shaft flange yoke and final drive companion flanges.
CAUTION:
For matching marks, use paint. Never damage propeller shaft flange yoke and final drive companion flange.
3. Put matching marks on propeller shaft flange yoke and transfer companion flanges.
CAUTION:
For matching marks, use paint. Never damage propeller shaft flange yoke and transfer companion flange.
4. Loosen mounting nuts of center bearing mounting bracket.
NOTE:
Tighten mounting nuts temporarily.
5. Remove propeller shaft assembly fixing bolts and nuts.
6. Remove center bearing mounting bracket fixing nuts.
7. Remove propeller shaft assembly.
CAUTION:
• This procedure requires 2 workers. Constant velocity joint must be handled with care.

REAR PROPELLER SHAFT

< REMOVAL AND INSTALLATION >

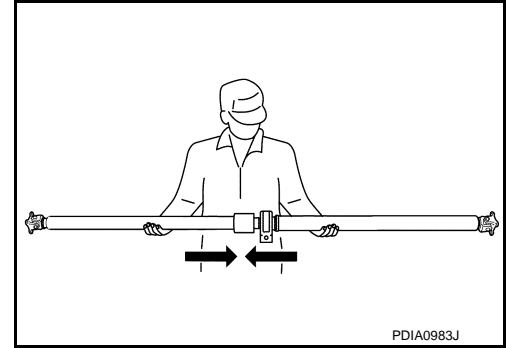
[REAR PROPELLER SHAFT: 3Fφ16-ETJ75]

- If constant velocity joint was bent during propeller shaft assembly removal, installation, or transportation, its boot (1) may be damaged. Wrap boot interference area to metal part (2) with shop cloth or rubber to protect boot from breakage.



- Since no retaining pin is included in sliding direction, the boot may be damaged or dropped if the constant velocity joint is slid out 25 mm (0.98 in) or more from the original length. Therefore, handle constant velocity joint by sliding it inward.

8. Perform inspection after removal. Refer to [DLN-125, "Inspection"](#).

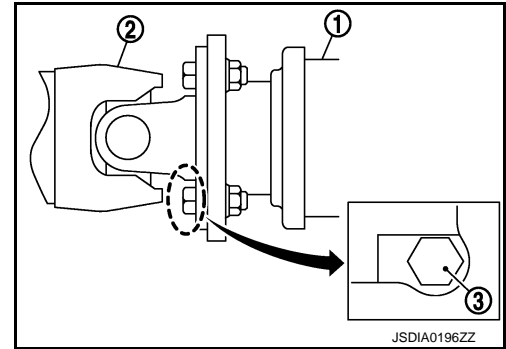


INSTALLATION

Note the following, and install in the reverse order of removal.

- Align matching marks to install propeller shaft assembly to final drive and transfer companion flanges.
- To install, adjust front and rear position of mount bracket to avoid deflection (front-rear direction of the vehicle) to the center bearing insulator.
- Perform inspection after installation. Refer to [DLN-125, "Inspection"](#).
- After tightening the bolts and nuts to the specification torque, check that the bolts (3) on the flange side is tightened as shown in the figure.

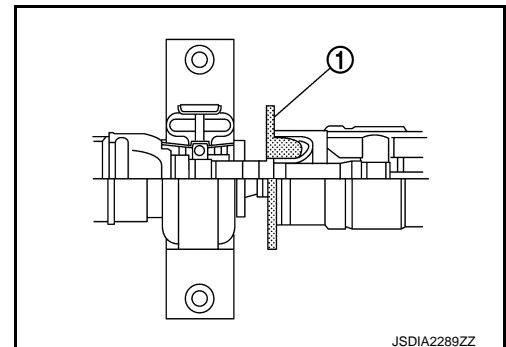
1. Final drive assembly
2. Propeller shaft assembly



- If propeller shaft assembly or final drive assembly has been replaced, connect them as follows:

CAUTION:

Constant velocity joint of a new propeller shaft has a pre-installed protector (1). Protector must be removed after installing propeller shaft.

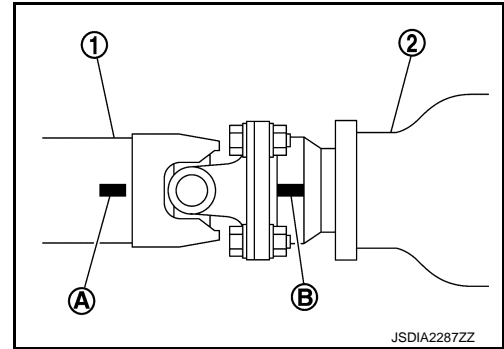


REAR PROPELLER SHAFT

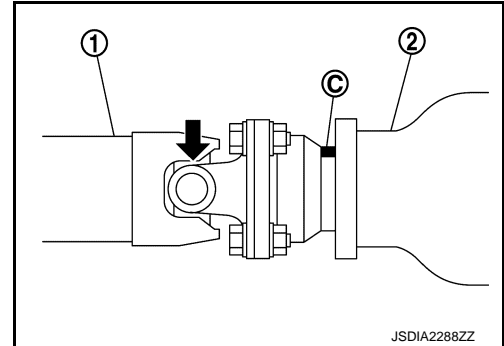
< REMOVAL AND INSTALLATION >

[REAR PROPELLER SHAFT: 3Fφ16-ETJ75]

1. Install propeller shaft (1) while aligning its matching mark (A) of propeller shaft with the matching mark (B) of final drive (2) on the joint as close as possible.
2. Temporary tighten bolts and nuts.



3. Press down propeller shaft (1) with matching mark (C) of final drive (2) facing upward. Then tighten fixing bolts and nuts to the specified torque.



Inspection

INFOID:000000009751179

INSPECTION AFTER REMOVAL

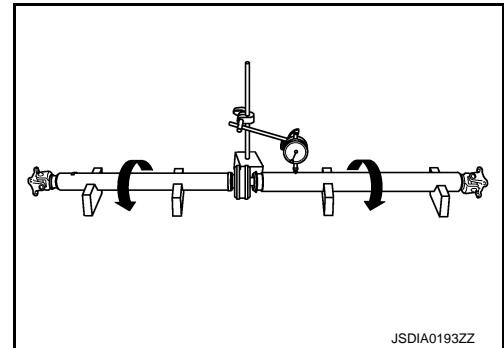
Appearance

Check the propeller shaft for bend and damage. If damage is detected, replace propeller shaft assembly.

Propeller Shaft Runout

Check propeller shaft runout at measuring points with a dial indicator. If runout exceeds specifications, replace propeller shaft assembly.

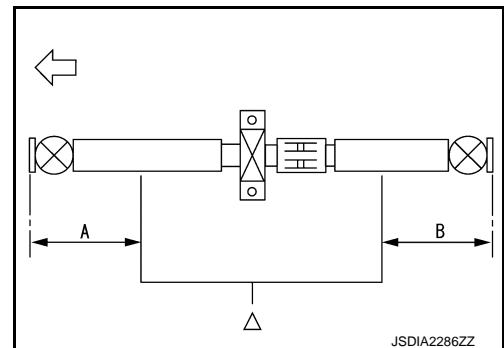
Propeller shaft runout : Refer to [DLN-127, "Propeller Shaft Runout"](#).



- Propeller shaft runout measuring point (Point "△")

← : Front

Dimension **A: 542 mm (21.34 in)**
 B: 516.5 mm (20.33 in)



Journal Axial Play

REAR PROPELLER SHAFT

< REMOVAL AND INSTALLATION >

[REAR PROPELLER SHAFT: 3Fφ16-ETJ75]

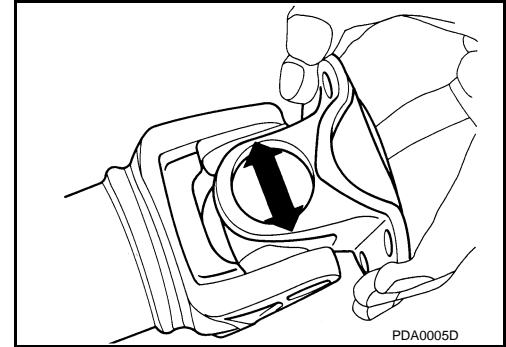
As shown in the figure, while fixing yoke on one side, check axial play of joint. If it is outside the standard, replace propeller shaft assembly.

Journal axial play

: Refer to [DLN-127, "Journal Axial Play"](#).

CAUTION:

Never disassemble joints.



Center Bearing

Check center bearing for noise and damage. If noise or damage is detected, replace propeller shaft assembly.

CAUTION:

Never disassemble center bearing.

INSPECTION AFTER INSTALLATION

After assembly, perform a driving test to check propeller shaft vibration. If vibration occurred, separate propeller shaft from final drive or transfer. Reinstall companion flange by changing the phase between companion flange and propeller shaft by the one bolt hole at a time. Then perform driving test and check propeller shaft vibration again at each point.

SERVICE DATA AND SPECIFICATIONS (SDS)

< SERVICE DATA AND SPECIFICATIONS (SDS)

[REAR PROPELLER SHAFT: 3Fφ16-ETJ75]

SERVICE DATA AND SPECIFICATIONS (SDS)

SERVICE DATA AND SPECIFICATIONS (SDS)

General Specifications

INFOID:000000009751180

Applied model		MR16DDT
Propeller shaft model		3Fφ16-ETJ75
Number of joints		3
Shaft length	1st (Spider to CVJ joint center)	1051 mm (41.38 in)
	2nd (CVJ joint center to spider)	1000 mm (39.37 in)
Shaft outer diameter	1st	57 mm (2.500 in)
	2nd	75 mm (2.95 in)
Type of journal bearings (Non-disassembly type)	1st joint	Sell type
	2nd joint	CVJ type
	3rd joint	Shell type
Coupling method	Transfer side	Flange type
	Rear final drive side	Flange type

Propeller Shaft Runout

INFOID:000000009751181

Unit: mm (in)

Item	Limit
Propeller shaft runout	1.0 (0.031)

Journal Axial Play

INFOID:000000009751182

Unit: mm (in)

Item	Standard
Journal axial play	0 (0)

< PRECAUTION >

PRECAUTION

PRECAUTIONS

Precautions for Removing of Battery Terminal

INFOID:000000010288774

- When removing the 12V battery terminal, turn OFF the ignition switch and wait at least 30 seconds.

NOTE:

ECU may be active for several tens of seconds after the ignition switch is turned OFF. If the battery terminal is removed before ECU stops, then a DTC detection error or ECU data corruption may occur.

- For vehicles with the 2-batteries, be sure to connect the main battery and the sub battery before turning ON the ignition switch.

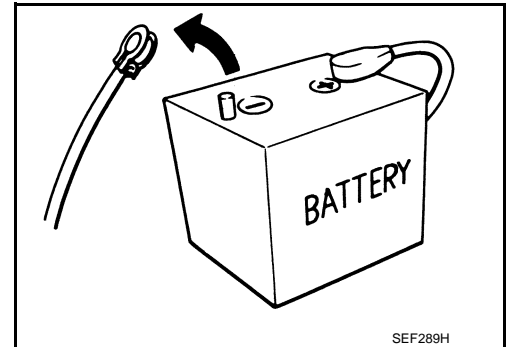
NOTE:

If the ignition switch is turned ON with any one of the terminals of main battery and sub battery disconnected, then DTC may be detected.

- After installing the 12V battery, always check "Self Diagnosis Result" of all ECUs and erase DTC.

NOTE:

The removal of 12V battery may cause a DTC detection error.



Service Notice or Precautions for Rear Final Drive

INFOID:000000009751183

- Check for the correct installation status prior to removal or disassembly. If matching marks are required, be certain they do not interfere with the function of the parts when applied.
- Overhaul should be done in a clean work area, it is preferable to work in dustproof area.
- Before disassembly, using steam or white gasoline, completely remove sand and mud from the exterior of the unit, preventing them from entering into the unit during disassembly or assembly.
- Check appearance of the disassembled parts for damage, deformation, and unusual wear. Replace them with a new one if necessary.
- Gaskets and seals should be replaced any time when the unit is disassembled.
- In principle, tighten bolts or nuts gradually in several steps working diagonally from inside to outside. If tightening sequence is specified, observe it.
- Clean and flush the parts sufficiently and blow-dry them.
- Never damage sliding surfaces and mating surfaces.
- When applying sealant, remove the old sealant from the mounting surface; then remove any moisture, oil, and foreign materials from the application and mounting surfaces.
- Always use shop paper for cleaning the inside of components.
- Avoid using cotton gloves or shop rags to prevent entering of lint.
- During assembly, observe the specified tightening torque, and apply new gear oil, petroleum jelly, or multi-purpose grease as specified for each vehicle, if necessary.
- Dispose of the waste oil using the methods prescribed law, ordinance, etc., after replacing gear oil.

PREPARATION

[REAR FINAL DRIVE: RTVS]

< PREPARATION >

PREPARATION

PREPARATION

Special Service Tools

INFOID:000000009751184

The actual shapes of Kent-More tools may differ from those of special service tools illustrated here.

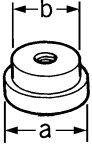
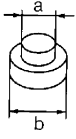
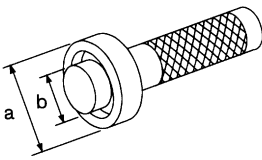
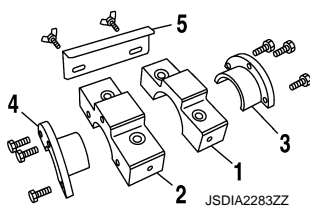
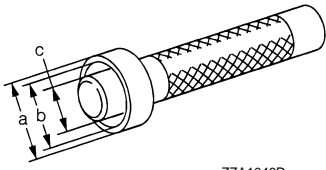
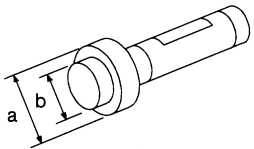
Tool number (Kent-More No.) Tool name	Description
ST3127S000 (J-25765-A) Preload gauge	Measuring pinion bearing preload and total preload.
ST33400001 (J-26082) Drift a: 60 mm (2.36 in) dia. b: 47 mm (1.85 in) dia.	Installing side oil seal (right).
KV38100500 (—) Drift a: 85 mm (3.35 in) dia. b: 60 mm (2.36 in) dia.	Installing side oil seal (left).
KV38109700 (—) Drift	Installing electric controlled coupling oil seal.
KV38109820 (—) Drift a: 54.6 mm (2.150 in) dia. b: 34 mm (1.34 in) dia.	Compressing center stem assembly with side bearing.
KV38109810 (—) Drift a: 79.9 mm (3.146 in) dia. b: 60 mm (2.36 in) dia.	Compressing center stem assembly with side bearing.

A
B
C
DLN
E
F
G
H
I
J
K
L
M
N
O
P

PREPARATION

< PREPARATION >

[REAR FINAL DRIVE: RTVS]

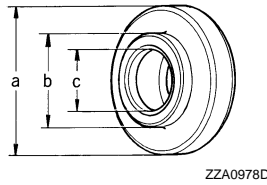
Tool number (Kent-More No.) Tool name	Description
<p>ST33052000 (—) Drift a: 28 mm (1.10 in) dia. b: 22 mm (0.87 in) dia.</p> <div style="text-align: center;">  <p style="font-size: small;">ZZA1000D</p> </div>	<ul style="list-style-type: none"> Removing inner race of side bearing (right). Installing center stem.
<p>ST02371000 (—) Drift a: 40 mm (1.57 in) dia. b: 50 mm (1.97 in) dia.</p> <div style="text-align: center;">  <p style="font-size: small;">ZZA0969D</p> </div>	<p>Removing inner race of side bearing (left).</p>
<p>ST33220000 (J-25804-01) Drift a: 37 mm (1.46 in) dia. b: 22 mm (0.87 in) dia.</p> <div style="text-align: center;">  <p style="font-size: small;">NT084</p> </div>	<p>Removing center stem.</p>
<p>KV381096S0 (—) Dummy cover set</p> <ol style="list-style-type: none"> 1. KV38109610 (—) Bearing guide 90 2. KV38109620 (—) Bearing guide 68 3. KV38109630 (—) Dummy cap spacer 90 4. KV38109640 (—) Dummy cap spacer 68 5. KV38109650 (—) Angle <div style="text-align: center;">  <p style="font-size: x-small;">JSD1A2283ZZ</p> </div>	<ul style="list-style-type: none"> Checking drive gear runout. Checking tooth contact. Checking backlash.
<p>ST33190000 (—) Drift a: 52 mm (2.05 in) dia. b: 45.5 mm (1.791 in) dia. c: 34 mm (1.34 in) dia.</p> <div style="text-align: center;">  <p style="font-size: small;">ZZA1046D</p> </div>	<p>Installing outer race of pinion bearing (front).</p>
<p>ST37830000 (—) Drift a: 62 mm (2.44 in) dia. b: 39 mm (1.54 in) dia.</p> <div style="text-align: center;">  <p style="font-size: small;">NT049</p> </div>	<p>Installing outer race of pinion bearing (rear).</p>

PREPARATION

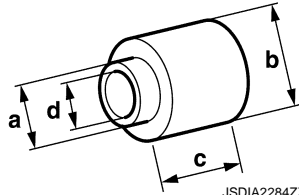
< PREPARATION >

[REAR FINAL DRIVE: RTVS]

Tool number (Kent-More No.) Tool name	Description
ST33032000 (—) Drift a: 80 mm (3.15 in) dia. b: 38 mm (1.50 in) dia. c: 31 mm (1.22 in) dia.	Installing inner race of pinion bearing (rear).
KV37710000 (—) Drift a: 38 mm (1.50 in) dia. b: 60 mm (2.36 in) dia. c: 77 mm (3.03 in) d: 30 mm (1.18 in) dia.	Installing inner race of pinion bearing (front).



ZZA0978D

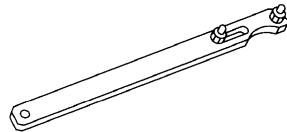


JS DIA2284ZZ

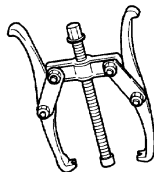
Commercial Service Tools

INFOID:000000009751185

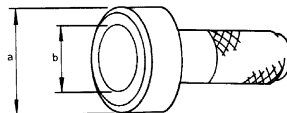
Tool name	Description
Flange wrench	Removing and installing drive pinion lock nut.
Puller	<ul style="list-style-type: none"> • Removing companion flange. • Removing inner race of side bearing (right). • Removing inner race of side bearing (left).
Drift a: 63 – 76 mm (2.48 – 2.99 in) dia. b: 55 – 60 mm (2.17 – 2.36 in) dia.	Installing front oil seal.
Drift a: 45 – 47 mm (1.77 – 1.85 in) dia. b: 41 – 43 mm (1.57 – 1.69 in) dia. c: 25 mm (0.98 in) or more	Installing inner race of side bearing (right).



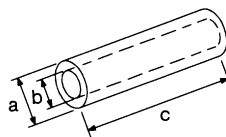
NT035



ZZA0119D



ZZA0811D

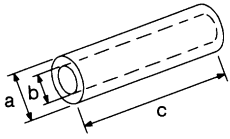
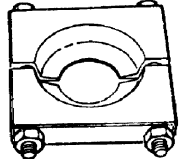
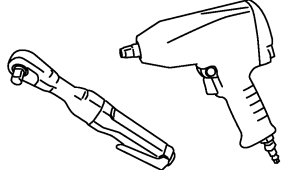


S-NT117

PREPARATION

< PREPARATION >

[REAR FINAL DRIVE: RTVS]

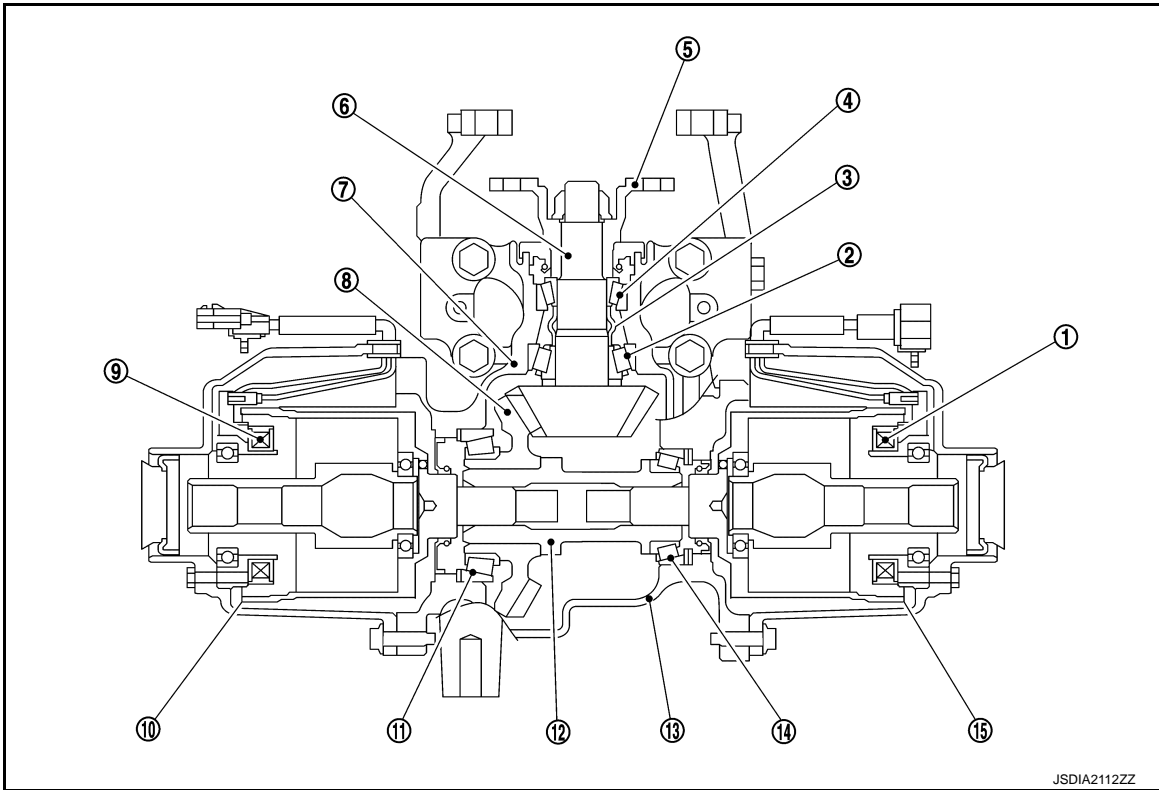
Tool name	Description
<p>Drift</p> <p>a: 60 – 62 mm (2.36 – 2.44 in) dia.</p> <p>b: 56 – 58 mm (2.20 – 2.28 in) dia.</p> <p>c: 25 mm (0.98 in) or more</p>  <p>S-NT117</p>	<p>Installing inner race of side bearing (left).</p>
<p>Replacer</p>  <p>ZZA0700D</p>	<ul style="list-style-type: none">• Removing inner race of pinion bearing (rear).• Removing inner race of side bearing (right).• Removing inner race of side bearing (left).
<p>Power tool</p>  <p>PBIC0190E</p>	<p>Loosening bolts and nuts</p>

SYSTEM DESCRIPTION

STRUCTURE AND OPERATION

Sectional View

INFOID:000000009751186



- | | | |
|---|--------------------------|--|
| 1. AWD solenoid (right) | 2. Pinion bearing (rear) | 3. Collapsible spacer |
| 4. Pinion bearing (front) | 5. Companion flange | 6. Drive pinion |
| 7. Gear carrier | 8. Drive gear | 9. AWD solenoid (left) |
| 10. Electric controlled coupling (left) | 11. Side bearing (left) | 12. Center stem |
| 13. Rear cover | 14. Side bearing (right) | 15. Electric controlled coupling (right) |

Electric controlled coupling

INFOID:000000009751187

The electric controlled coupling operates as the AWD system. For the operation, refer to [DLN-14. "Operation Principle"](#).

A
B
C
DLN
E
F
G
H
I
J
K
L
M
N
O
P

NOISE, VIBRATION AND HARSHNESS (NVH) TROUBLESHOOTING

< SYMPTOM DIAGNOSIS >

[REAR FINAL DRIVE: RTVS]

SYMPTOM DIAGNOSIS

NOISE, VIBRATION AND HARSHNESS (NVH) TROUBLESHOOTING

NVH Troubleshooting Chart

INFOID:000000009751188

Use the chart below to find the cause of the symptom. If necessary, repair or replace these parts.

Symptom	Noise														
Reference			DLN-164, "Inspection"	DLN-160, "Adjustment"	DLN-164, "Inspection"	DLN-160, "Adjustment"	DLN-160, "Adjustment"	DLN-135, "Inspection"	NVH of PROPELLER SHAFT in this section	NVH in FAX, RAX, FSU and RSU sections	NVH in WT section	NVH in WT section	NVH in FAX and RAX section	NVH in BR section	NVH in ST section
Possible cause and SUSPECTED PARTS		Gear tooth rough	Gear contact improper	Tooth surfaces worn	Backlash incorrect	Companion flange excessive runout	Gear oil improper	PROPELLER SHAFT	AXLE AND SUSPENSION	TIRE	ROAD WHEEL	DRIVE SHAFT	BRAKE	STEERING	
		x	x	x	x	x	x	x	x	x	x	x	x	x	

x: Applicable

PERIODIC MAINTENANCE

REAR DIFFERENTIAL GEAR OIL

Inspection

INFOID:000000009751189

OIL LEAKAGE

Check rear final drive surrounding area (oil seal, drain plug, filler plug, and gear carrier, etc.) for oil leakage.

OIL LEVEL

1. Remove filler plug (1) and check oil level from filler plug mounting hole as shown in the figure.

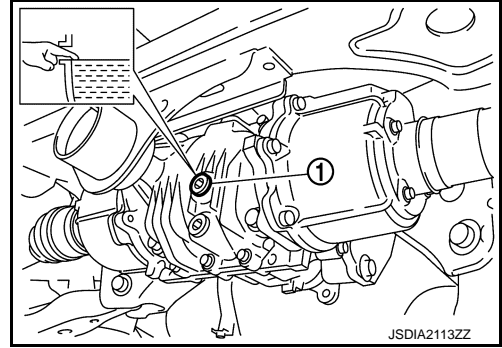
CAUTION:

Never start engine while checking oil level.

2. Set a new gasket on filler plug and install it on final drive assembly. Refer to [DLN-156. "Exploded View"](#).

CAUTION:

Never reuse gasket.



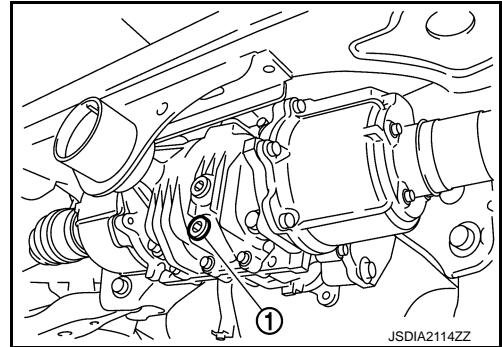
Draining

INFOID:000000009751190

1. Stop engine.
2. Remove drain plug (1) and drain gear oil.
3. Set a new gasket on drain plug and install it to final drive assembly and tighten to the specified torque. Refer to [DLN-156. "Exploded View"](#).

CAUTION:

Never reuse gasket.



Refilling

INFOID:000000009751191

1. Remove filler plug (1). Fill with new gear oil until oil level reaches the specified level near filler plug mounting hole.

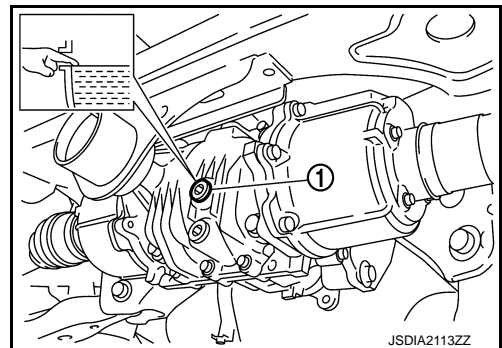
Oil grade and viscosity : Refer to [MA-10. "Fluids and Lubricants"](#).

Oil capacity : Refer to [DLN-173. "General Specification"](#).

2. After refilling oil, check oil level. Set a new gasket to filler plug, then install it to final drive assembly. Refer to [DLN-156. "Exploded View"](#).

CAUTION:

Never reuse gasket.



A
B
C
DLN
E
F
G
H
I
J
K
L
M
N
O
P

FRONT OIL SEAL

< REMOVAL AND INSTALLATION >

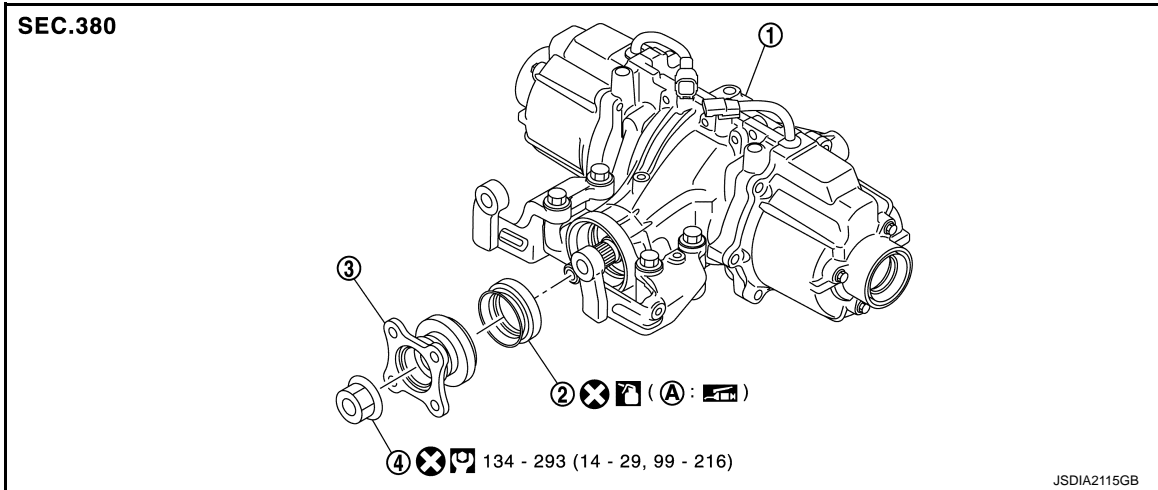
[REAR FINAL DRIVE: RTVS]

REMOVAL AND INSTALLATION

FRONT OIL SEAL

Exploded View

INFOID:000000009751192



- 1. Rear final drive assembly
- 2. Front oil seal
- 3. Companion flange
- 4. Companion flange lock nut
- A. Oil seal lip

- : Always replace after every disassembly
- : N-m (kg-m, ft-lb)
- : Apply multi purpose grease
- : Apply gear oil.

Removal and Installation

INFOID:000000009751193

REMOVAL

CAUTION:

Verify identification stamp of replacement frequency put in the lower part of gear carrier to determine replacement for collapsible spacer when replacing front oil seal. Refer to "Identification stamp of replacement frequency of front oil seal". If collapsible spacer replacement is necessary, remove final drive assembly and disassemble it to replace front oil seal and collapsible spacer. Refer to [DLN-149, "Removal and Installation"](#) and [DLN-167, "Disassembly"](#).

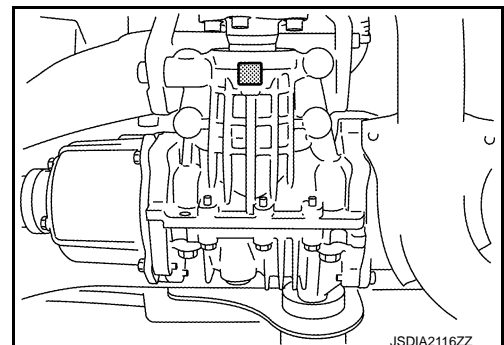
NOTE:

The reuse of collapsible spacer is prohibited in principle. However, it is reusable on a one-time basis only in cases when replacing front oil seal.

Identification stamp of replacement frequency of front oil seal

- The diagonally shaded area in the figure shows stamping point for replacement frequency of front oil seal.
- The following table shows if collapsible spacer replacement is needed before replacing front oil seal. When collapsible spacer replacement is required, disassemble final drive assembly to replace collapsible spacer and front oil seal. Refer to [DLN-167, "Disassembly"](#).

Stamp	Collapsible spacer replacement
No stamp	Not required



FRONT OIL SEAL

< REMOVAL AND INSTALLATION >

[REAR FINAL DRIVE: RTVS]

Stamp	Collapsible spacer replacement
"0" or "0" on the far right of stamp	Required
"01" or "1" on the far right of stamp	Not required

A
B
C

CAUTION:

Make a stamping after replacing front oil seal.

- After replacing front oil seal, make a stamping on the stamping point in accordance with the table below in order to identify replacement frequency.

CAUTION:

Make a stamping from left to right.

Stamp before stamping	Stamping on the far right	Stamping
No stamp	0	0
"0" (Front oil seal was replaced once.)	1	01
"01" (Collapsible spacer and front oil seal were replaced last time.)	0	010
"0" is on the far right. (Only front oil seal was replaced last time.)	1	...01
"1" is on the far right. (Collapsible spacer and front oil seal were replaced last time.)	0	...010

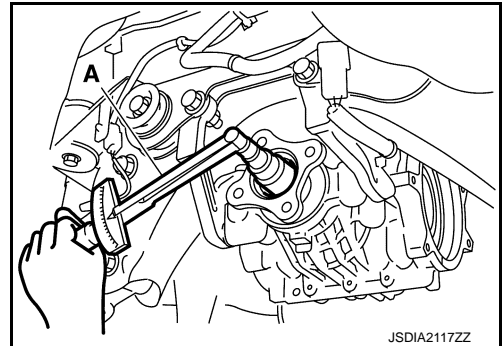
DLN

E
F
G

1. Drain gear oil. Refer to [DLN-135, "Draining"](#).
2. Make a judgment if a collapsible spacer replacement is required.
3. Remove propeller shaft. Refer to [DLN-123, "Removal and Installation"](#).
4. Remove rear drive shaft. Refer to [RAX-19, "Removal and Installation"](#).
5. Remove electric controlled couplings. Refer to [DLN-143, "Removal and Installation"](#).
6. Measure the total preload with the preload gauge (A) [SST: ST3127S000 (J-25765-A)].

NOTE:

Record the preload measurement.

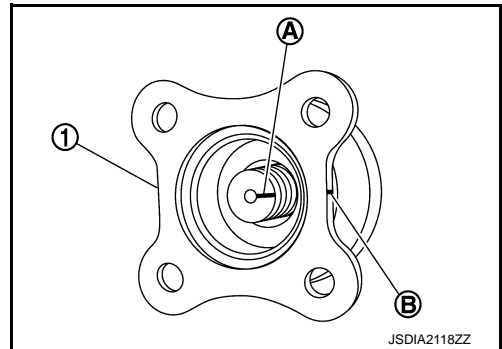


H
I
J

7. Put matching mark (A) on the end of the drive pinion. The matching mark should be in line with the matching mark (B) on companion flange (1).

CAUTION:

For matching mark, use paint. Never damage companion flange and drive pinion.



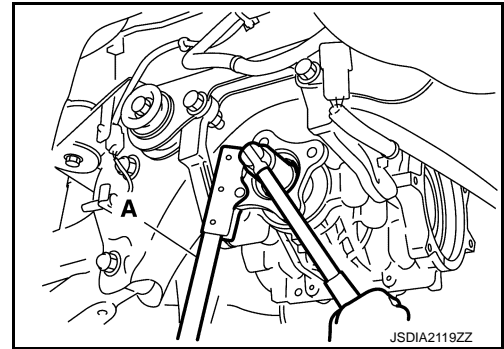
K
L
M
N
O
P

FRONT OIL SEAL

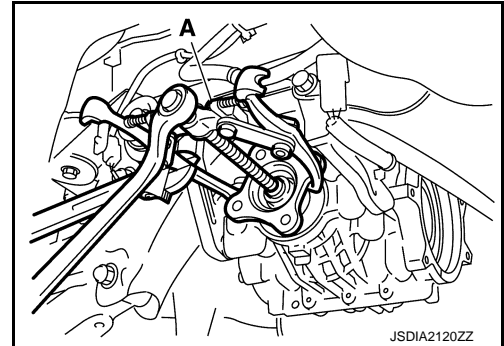
< REMOVAL AND INSTALLATION >

[REAR FINAL DRIVE: RTVS]

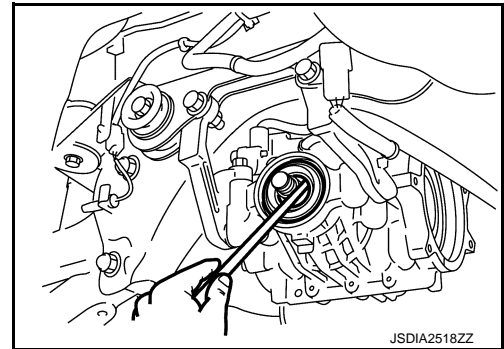
8. Remove companion flange lock nut using the flange wrench (A) (Commercial service tool).



9. Remove companion flange using the puller (A) (Commercial service tool).



10. Remove front oil seal using the suitable oil seal remover.
CAUTION:
Never damage gear carrier and drive pinion.

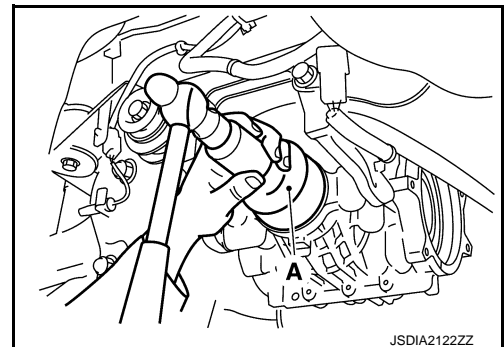


INSTALLATION

1. Apply multi-purpose grease to front oil seal lips.
2. Using the drift (A) (Commercial service tool), drive front oil seal until it becomes flush with the gear carrier end.

CAUTION:

- Never reuse oil seal.
- Never incline oil seal when installing.

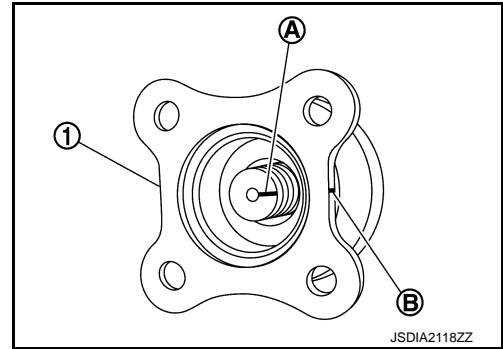


FRONT OIL SEAL

< REMOVAL AND INSTALLATION >

[REAR FINAL DRIVE: RTVS]

3. Align the matching mark (A) of drive pinion with the matching mark (B) of companion flange (1), and then install the companion flange.

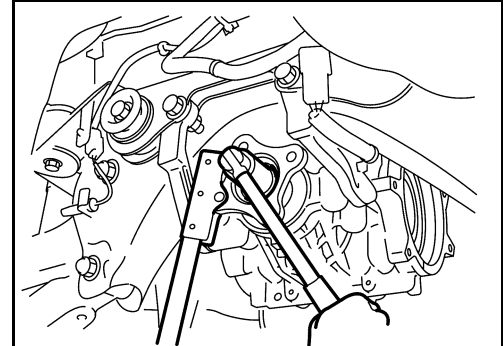


4. Temporarily tighten drive pinion lock nut to drive pinion, using the flange wrench (Commercial service tool).

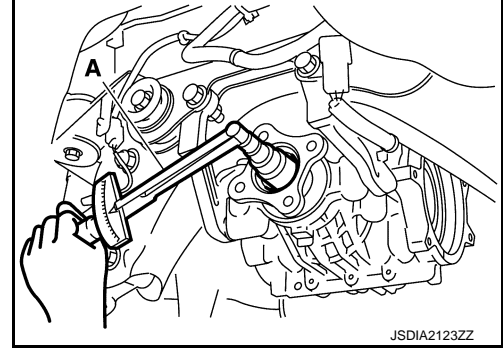
CAUTION:

- Never reuse drive pinion lock nut.
- Apply anti-corrosion oil to the thread and seat of new drive pinion lock nut.

5. Tighten drive pinion lock nut within the limits of specified torque so as to keep the pinion bearing preload within a standard values, using the preload gauge (A) [SST: ST3127S000 (J-25765-A)].



Total preload torque : A value that add 0.1 – 0.4 N·m (0.01 – 0.04 kg·m, 1.0 – 3.0 in·lb) to the measured value before removing.



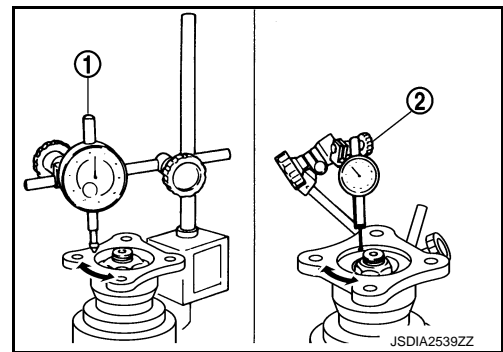
CAUTION:

- Adjust to the lower limit of the drive pinion lock nut tightening torque first.
- If the preload torque exceeds the specified value, replace collapsible spacer and tighten it again to adjust. Never loosen drive pinion lock nut to adjust the preload torque.

6. Check for companion flange runout as follows:

- For companion flange face, fit a dial indicator (1) onto the companion flange face (inner side of the propeller shaft mounting bolt holes). For inner side of the companion flange, fit a test indicator (2) to the inner side of companion flange (socket diameter).
- Rotate companion flange to check for runout.

Companion flange runout : Refer to [DLN-173, "Companion Flange Runout"](#).



- If the runout value is outside the runout limit, follow the procedure below to adjust.
 - Check for runout while changing the phase between companion flange and drive pinion by 90° step, and search for the position where the runout is the minimum.
 - If the runout value is still outside of the limit after the phase has been changed, replace companion flange.
 - If the runout value is still outside of the limit after companion flange has been replaced, possible cause will be an assembly malfunction of drive pinion.

7. Make a stamping for identification of front oil seal replacement frequency. Refer to "Identification stamp of replacement frequency of front oil seal".

CAUTION:

Make a stamping after replacing front oil seal.

8. Install electric controlled couplings. Refer to [DLN-143, "Removal and Installation"](#).

FRONT OIL SEAL

< REMOVAL AND INSTALLATION >

[REAR FINAL DRIVE: RTVS]

9. Install rear drive shaft. Refer to [RAX-19, "Removal and Installation"](#).
10. Install propeller shaft. Refer to [DLN-123, "Removal and Installation"](#).
11. Refill gear oil to the final drive and check level. Refer to [DLN-135, "Refilling"](#).
12. Check the final drive for oil leakage. Refer to [DLN-135, "Inspection"](#).

SIDE OIL SEAL

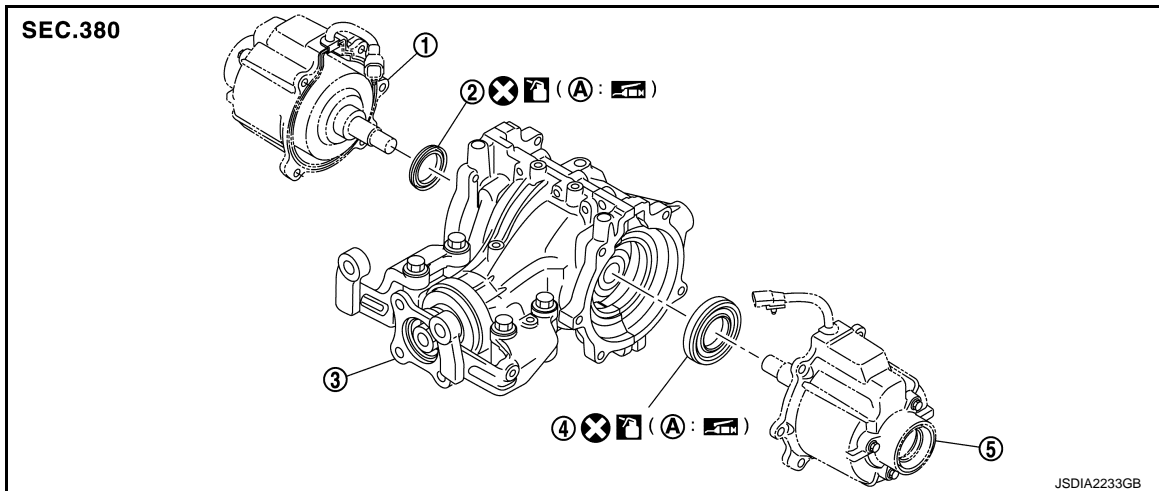
< REMOVAL AND INSTALLATION >

[REAR FINAL DRIVE: RTVS]

SIDE OIL SEAL

Exploded View

INFOID:000000009751194



1. Electric controlled coupling (right)
 2. Side oil seal (right)
 3. Rear final drive assembly
 4. Side oil seal (left)
 5. Electric controlled coupling (left)
- A. Oil seal lip

⊗: Always replace after every disassembly.

☑: Apply multi purpose grease

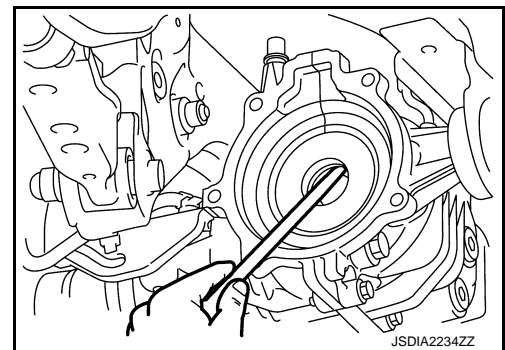
☑: Apply gear oil.

Removal and Installation

INFOID:000000009751195

REMOVAL

1. Drain gear oil. Refer to [DLN-135, "Draining"](#).
2. Remove electric controlled couplings. Refer to [DLN-143, "Removal and Installation"](#).
3. Remove side oil seal with the suitable oil seal remover.
CAUTION:
Never damage gear carrier and rear cover.



INSTALLATION

SIDE OIL SEAL

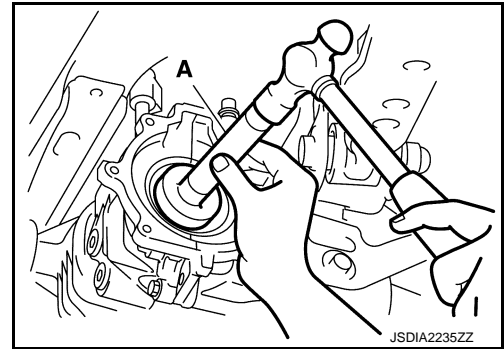
< REMOVAL AND INSTALLATION >

[REAR FINAL DRIVE: RTVS]

1. Install side oil seal (right) until it becomes flush with the gear carrier end, using the drift (A) [SST: ST33400001 (J-26082)].

CAUTION:

- Never reuse oil seal.
- When installing, never incline oil seal.
- Apply multi-purpose grease onto oil seal lip, and gear oil onto the circumference of oil seal.

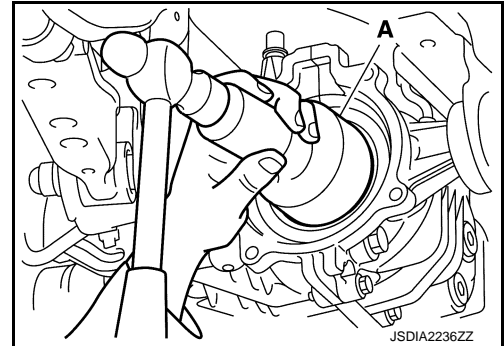


2. Install side oil seal (left) until it becomes flush with the gear carrier end, using the drift (A) [SST: KV38100500 (—)].

CAUTION:

- Never reuse oil seal.
- When installing, never incline oil seal.
- Apply multi-purpose grease onto oil seal lip, and gear oil onto the circumference of oil seal.

3. Install electric controlled couplings. Refer to [DLN-143, "Removal and Installation"](#).
4. Refill gear oil to the final drive and check level. Refer to [DLN-135, "Refilling"](#).
5. When oil leaks while removing, check oil level after the installation. Refer to [DLN-135, "Inspection"](#).



ELECTRIC CONTROLLED COUPLING

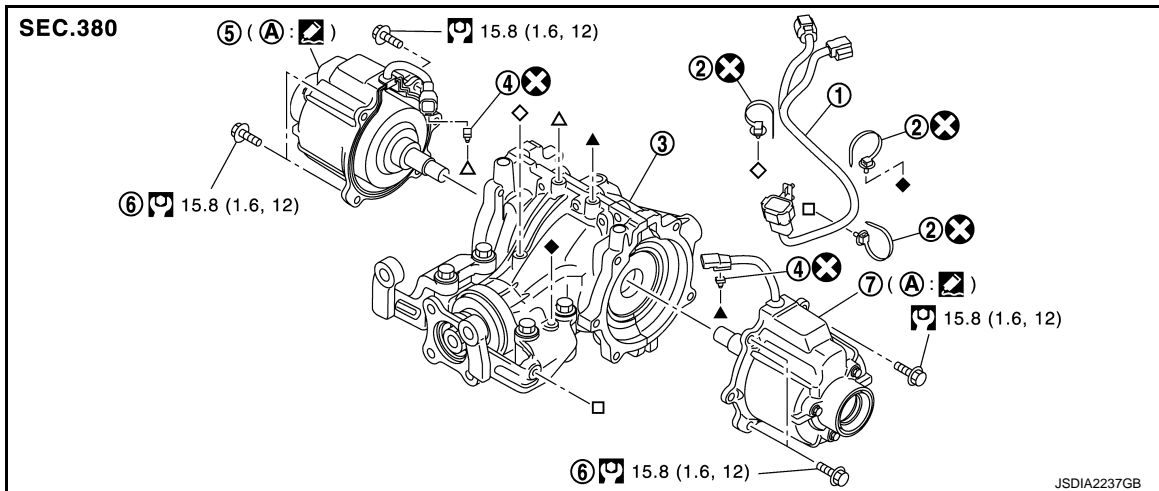
< REMOVAL AND INSTALLATION >

[REAR FINAL DRIVE: RTVS]

ELECTRIC CONTROLLED COUPLING

Exploded View

INFOID:000000009751196



- | | | |
|--|---|------------------------------|
| 1. Sub-harness | 2. Band clip | 3. Rear final drive assembly |
| 4. Connector clip | 5. Electric controlled coupling (right) | 6. Reamer bolt |
| 7. Electric controlled coupling (left) | | |
| A. Gear carrier mounting face | | |

⊗: Always replace after every disassembly.

Ⓜ: N-m (kg-m, ft-lb)

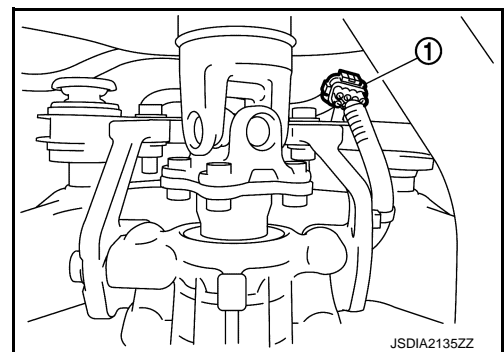
◻: Apply Genuine Liquid Gasket, Three Bond 1217 or equivalent.

Removal and Installation

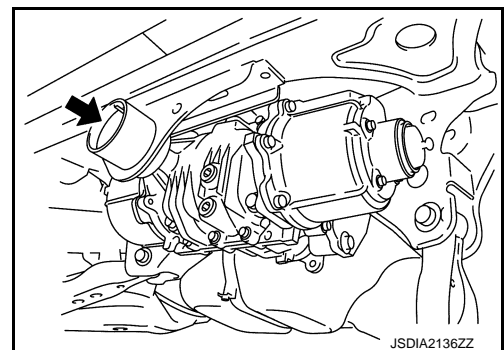
INFOID:000000009751197

REMOVAL

1. Remove rear drive shaft. Refer to [RAX-19, "Removal and Installation"](#).
2. Disconnect sub-harness connector (1).
3. Remove propeller shaft assembly. Refer to [DLN-123, "Removal and Installation"](#).
4. Support rear final drive assembly with a suitable jack.



5. Remove rear final drive mounting bolt (←) at rear suspension member.



ELECTRIC CONTROLLED COUPLING

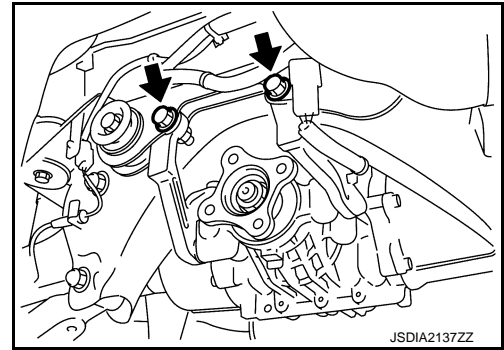
< REMOVAL AND INSTALLATION >

[REAR FINAL DRIVE: RTVS]

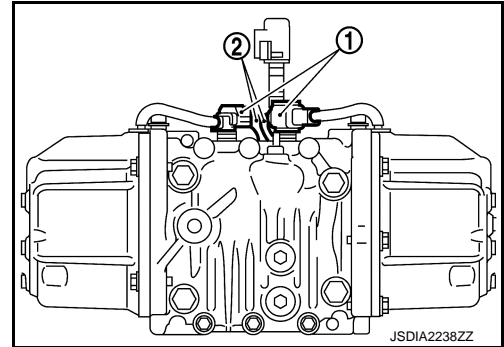
6. Remove final drive mounting bolts and nuts (←) with power tool.
7. Lower rear final drive assembly to the position where electric controlled coupling connector can be disconnect.

CAUTION:

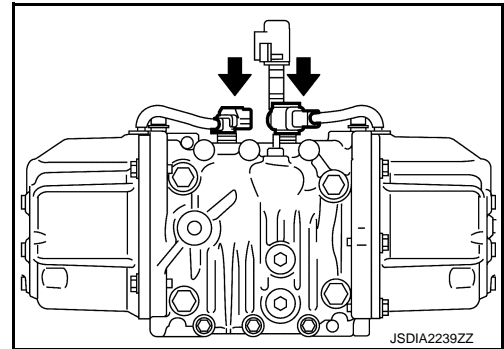
Secure final drive assembly to a suitable jack while removing it.



8. Disconnect electric controlled coupling connector (1) from sub-harness (2).



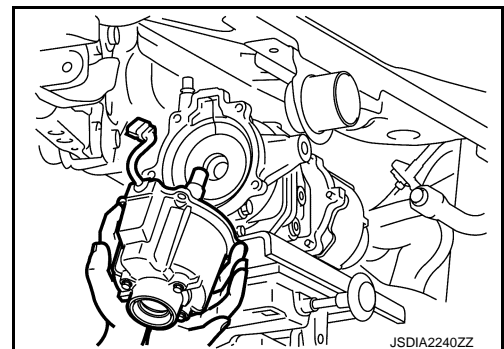
9. Remove electric controlled coupling connector from final drive assembly.



10. Remove electric controlled coupling from final drive assembly.
11. Remove sub-harness from final drive assembly.

CAUTION:

- Remove sub-harness only when necessary.
- Never damage side oil seal.



INSTALLATION

1. If remove sub-harness, replace band clip to sub-harness, and then install sub-harness to rear final drive assembly.

CAUTION:

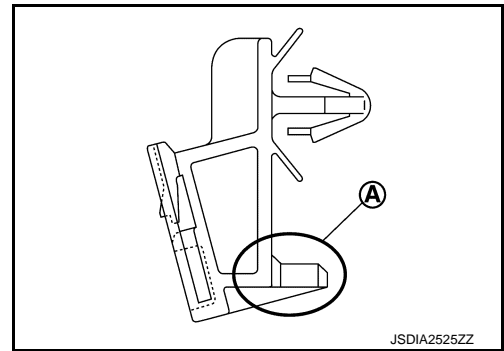
- Never reuse band clip.
- Check original mounting dimensions to install clip to the original position.

ELECTRIC CONTROLLED COUPLING

< REMOVAL AND INSTALLATION >

[REAR FINAL DRIVE: RTVS]

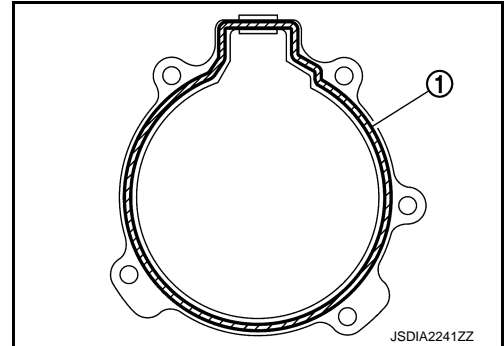
- Pin (A) of sub-harness connector clip must be functioning certainly as baffle pin.
- Check the area around the rotating object to see that there is no interference.



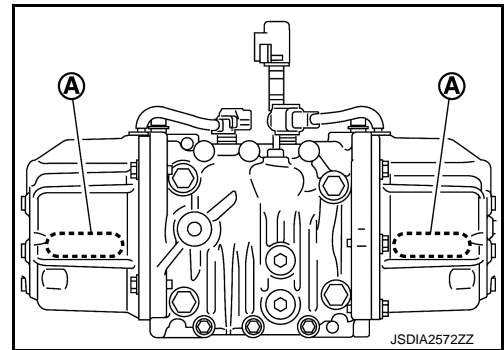
- Apply liquid gasket (1) to mating surface of coupling cover.
 - Use Genuine Silicone RTV or equivalent. Refer to [GI-24, "Recommended Chemical Products and Sealants"](#).

CAUTION:

- Remove old gasket adhering to the mounting surfaces. Also remove any moisture, oil, or foreign material adhering to the mounting surfaces.
- Overlap both ends of the bead for at least 3 mm (0.12 in).
- Apply liquid gasket to grommet as well.
- The width of sealant bead is approximately 3 mm (0.012 in).



- Never allow liquid gasket to contact the unit characteristics (A) of the coupling cover.



- Install electric controlled coupling (1) to spline of center stem with grommet of harness facing upward, temporarily tighten reamer bolts (2) to the positions shown in the figure.

A: Left side
B: Right side

←: Vehicle front

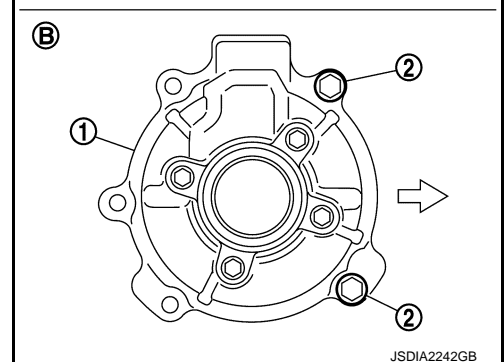
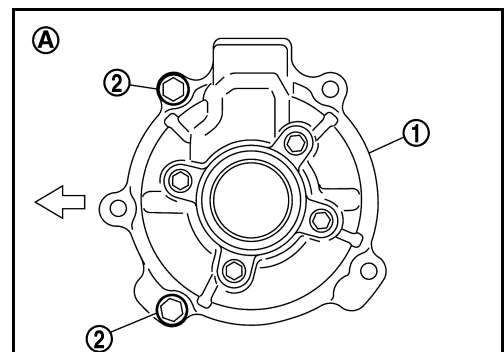
CAUTION:

Never damage side oil seal.

- Tighten reamer bolts and coupling cover mounting bolts to the specified torque.

CAUTION:

Never allow harness to get caught in the bolt.



A
B
C
DLN
E
F
G
H
I
J
K
L
M
N
O
P

ELECTRIC CONTROLLED COUPLING

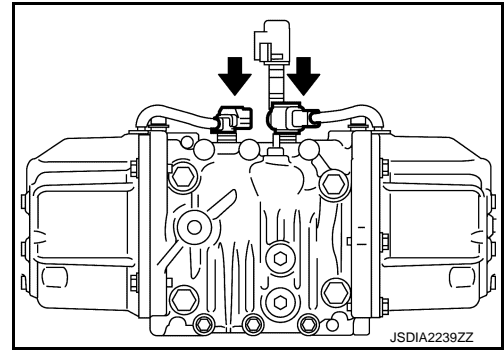
< REMOVAL AND INSTALLATION >

[REAR FINAL DRIVE: RTVS]

5. Replace connector clip from electric controlled coupling connector, and then insert it to final drive assembly.

CAUTION:

- Never reuse connector clip.
- When inserting connector clip to final drive assembly, never tug harness.



6. Connect electric controlled coupling connector (1) to sub-harness (2).

7. Install rear drive shaft. Refer to [RAX-19. "Removal and Installation"](#).

CAUTION:

Never damage electric controlled coupling oil seal.

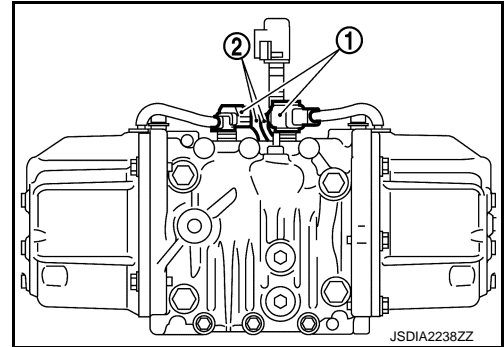
8. Install propeller shaft assembly. Refer to [DLN-123. "Removal and Installation"](#).

9. When oil leaks while removing, check oil level after the installation. Refer to [DLN-135. "Inspection"](#).

10. When replacing electric controlled coupling, perform writing unit characteristics after installing rear final drive assembly to the vehicle. Refer to [DLN-41. "Work Procedure"](#).

CAUTION:

Always writing unit characteristics of both side electric controlled couplings.



ELECTRIC CONTROLLED COUPLING OIL SEAL

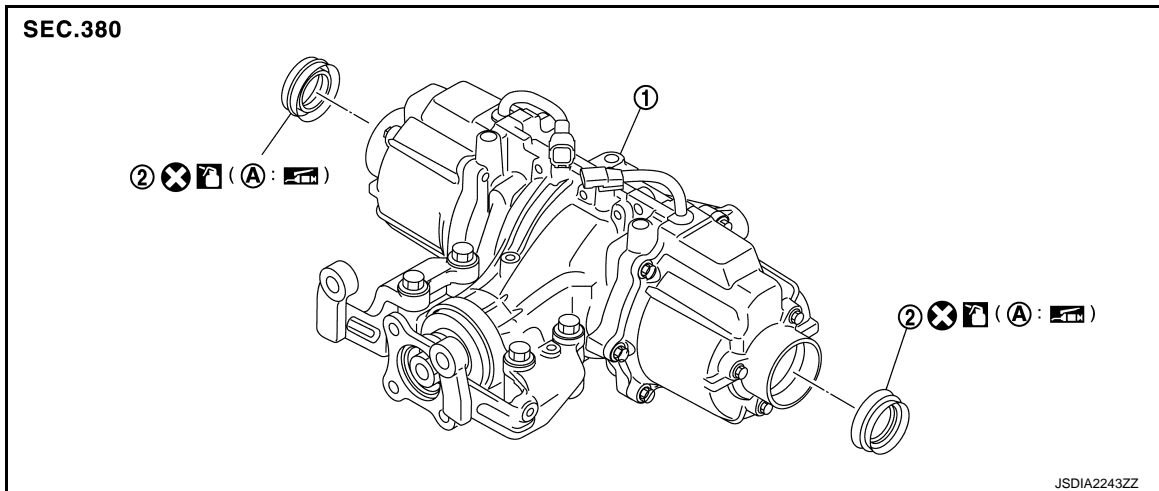
< REMOVAL AND INSTALLATION >

[REAR FINAL DRIVE: RTVS]

ELECTRIC CONTROLLED COUPLING OIL SEAL


Exploded View


INFOID:000000009751198



1. Rear final drive assembly
 2. Electric controlled coupling oil seal
- A. Oil seal lip

: Always replace after every disassembly.

: Apply multi purpose grease

: Apply gear oil.

Removal and Installation

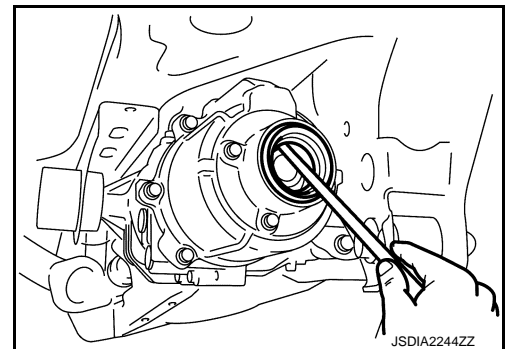
INFOID:000000009751199

REMOVAL

1. Remove rear drive shafts. Refer to [RAX-19, "Removal and Installation"](#).
2. Remove electric controlled coupling oil seal from electric controlled coupling, using the suitable oil seal remover.

CAUTION:

Never damage electric controlled coupling.



INSTALLATION

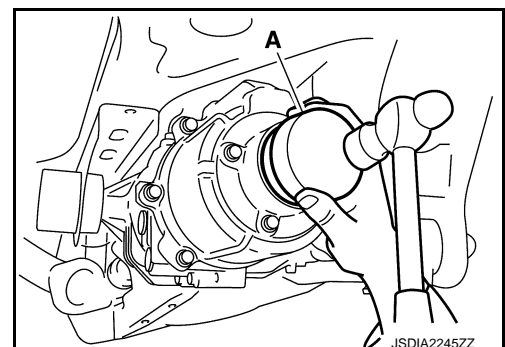
1. Using the drift (A) [SST: KV38109700 (—)], install electric controlled coupling oil seal to electric controlled coupling all the way until SST contact the end.

NOTE:

The use of SST satisfies the mounting dimensions.

CAUTION:

- Always use SST [KV38109700 (—)].
- Never reuse oil seal.
- When installing, never incline oil seal.
- Apply multi-purpose grease onto oil seal lips, and gear oil onto the circumference of oil seal.



ELECTRIC CONTROLLED COUPLING OIL SEAL

< REMOVAL AND INSTALLATION >

[REAR FINAL DRIVE: RTVS]

2. Install rear drive shafts. Refer to [RAX-19, "Removal and Installation"](#).

CAUTION:

Never damage electric controlled coupling oil seal.

REAR FINAL DRIVE ASSEMBLY

< UNIT REMOVAL AND INSTALLATION >

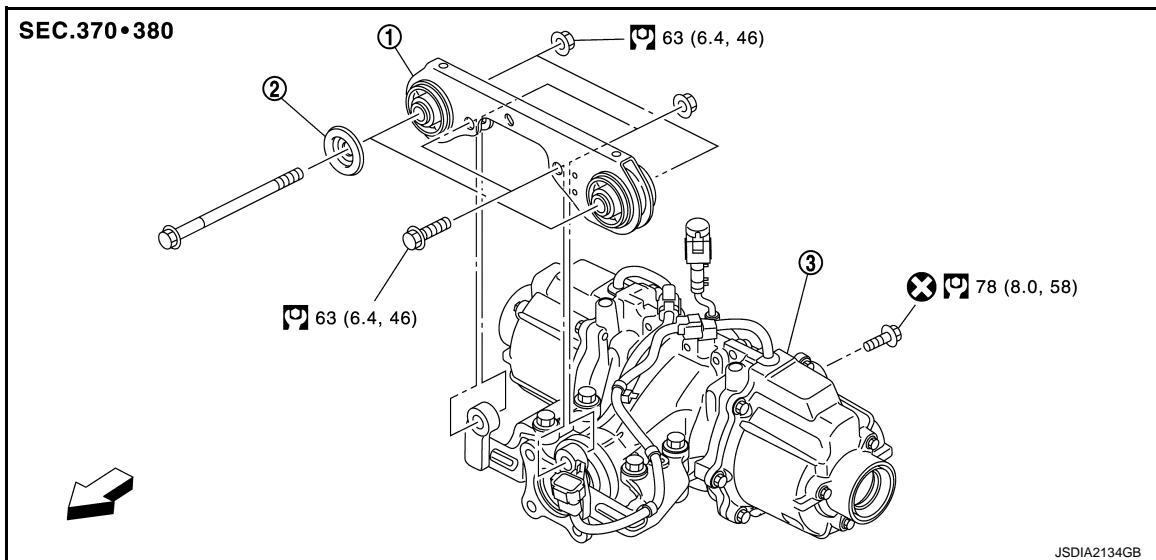
[REAR FINAL DRIVE: RTVS]

UNIT REMOVAL AND INSTALLATION

REAR FINAL DRIVE ASSEMBLY

Exploded View

INFOID:000000009751200



1. Final drive mounting bracket 2. Washer 3. Rear final drive assembly

←: Vehicle front

⊗: Always replace after every disassembly

Ⓜ: N·m (kg-m, ft-lb)

🧴: Apply multi purpose grease

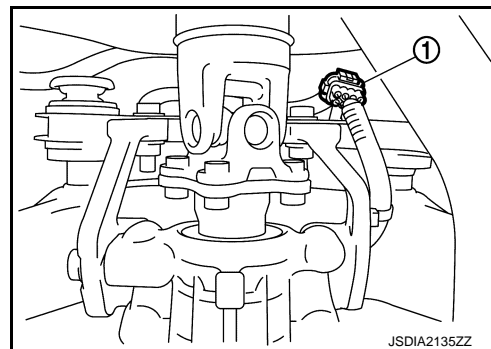
🛢: Apply gear oil.

Removal and Installation

INFOID:000000009751201

REMOVAL

1. Remove rear drive shaft. Refer to [RAX-19, "Removal and Installation"](#).
2. Disconnect sub-harness connector (1).
3. Remove propeller shaft assembly. Refer to [DLN-123, "Removal and Installation"](#).
4. Support rear final drive assembly with a suitable jack.

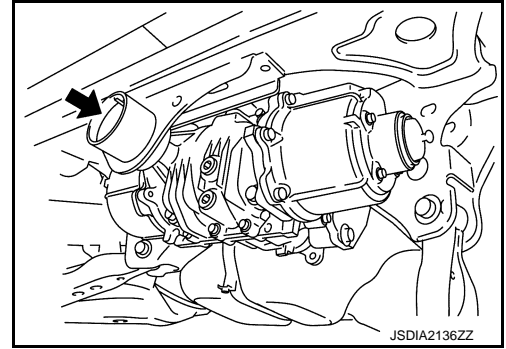


REAR FINAL DRIVE ASSEMBLY

< UNIT REMOVAL AND INSTALLATION >

[REAR FINAL DRIVE: RTVS]

5. Remove rear final drive mounting bolt (←) at rear suspension member.

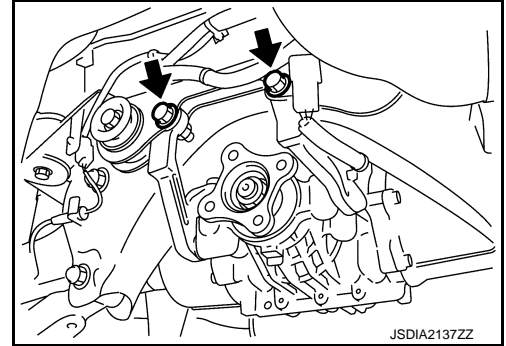


6. Remove final drive mounting bolts and nuts (←) with power tool, and then remove rear final drive assembly from final drive mounting bracket.

CAUTION:

Secure final drive assembly to a suitable jack while removing it.

7. Remove rear final drive breather hose.
8. Remove fuel tank. Refer to [FL-22. "AWD : Removal and Installation"](#).
9. Remove final drive mounting bracket.



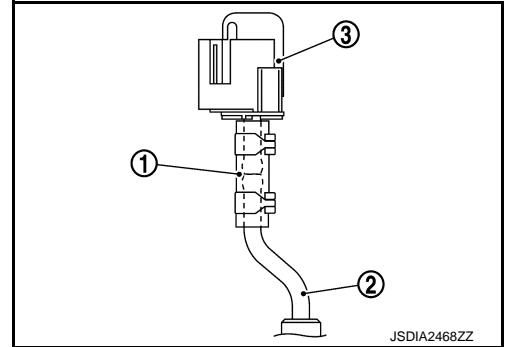
INSTALLATION

Note the following, and install in the reverse order of removal.

- If remove breather hose, install breather hose as following.
 - Insert breather hose (1) of final drive side to breather tube (2) until hose end reaches the tube bent R portion.

(3): Breather

- Install the breather to breather hose until hose end reaches the breather.

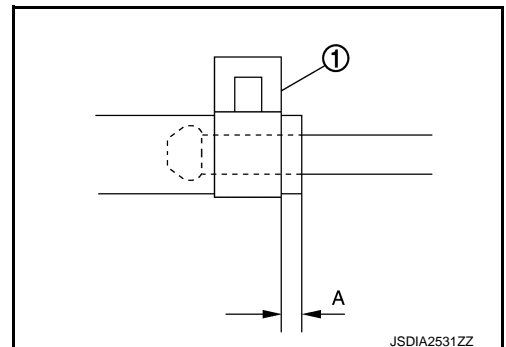


- Install hose clamp (1) until dimension (A) shown as follows.

Dimension A : 5 mm (0.20 in)

CAUTION:

- Never reuse hose clamps.
- Install the hose clamps, with the tab facing vehicle rear.



REAR FINAL DRIVE ASSEMBLY

< UNIT REMOVAL AND INSTALLATION >

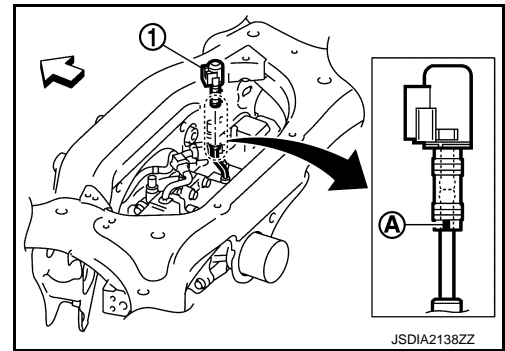
[REAR FINAL DRIVE: RTVS]

- Install breather assembly (1) to final drive as shown in the figure.

(A): Paint mark

←: Vehicle front

- Install breather hose with paint mark (A) facing vehicle rear.
- When installing rear drive shaft, never damage electric controlled coupling oil seal.
- When oil leaks while removing final drive assembly, check oil level after the installation. Refer to [DLN-135. "Inspection"](#).
- When replacing rear final drive assembly or electric controlled coupling, perform writing unit characteristics after installing rear final drive assembly to the vehicle. Refer to [DLN-41. "Work Procedure"](#).



A
B
C

DLN

E
F
G
H
I
J
K
L
M
N
O
P

CAUTION:

Always writing unit characteristics of both side electric controlled couplings.

ELECTRIC CONTROLLED COUPLING

< UNIT DISASSEMBLY AND ASSEMBLY >

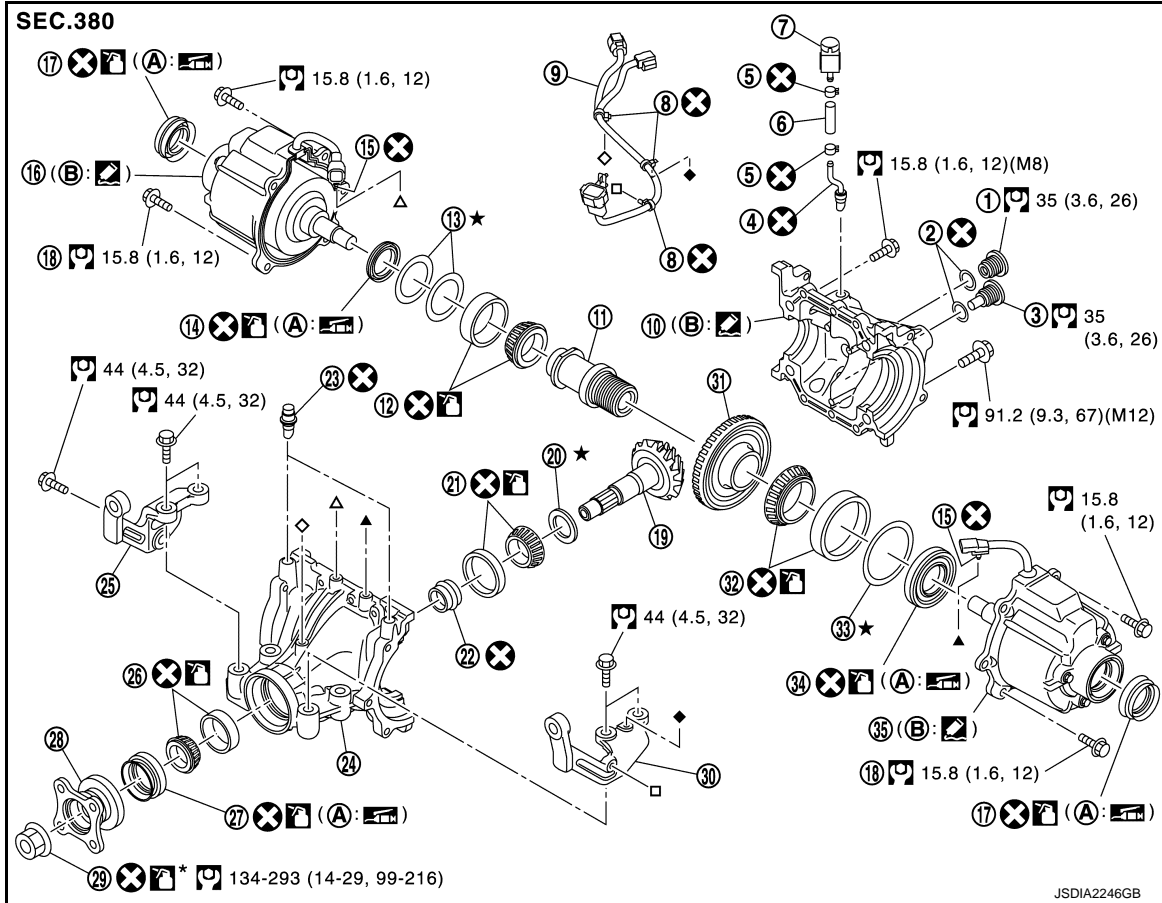
[REAR FINAL DRIVE: RTVS]

UNIT DISASSEMBLY AND ASSEMBLY

ELECTRIC CONTROLLED COUPLING

Exploded View

INFOID:000000009751202



- | | | |
|--|---|--|
| 1. Filler plug | 2. Gasket | 3. Drain plug |
| 4. Breather tube | 5. Hose clamp | 6. Breather hose |
| 7. Breather | 8. Band clip | 9. Sub-harness |
| 10. Rear cover | 11. Center stem | 12. Side bearing (right) |
| 13. Side bearing adjusting shim (right) | 14. Side oil seal (right) | 15. Connector clip |
| 16. Electric controlled coupling (right) | 17. Electric controlled coupling oil seal | 18. Reamer bolt |
| 19. Drive pinion | 20. Drive pinion adjusting shim | 21. Pinion bearing (rear) |
| 22. Collapsible spacer | 23. Breather | 24. Gear carrier |
| 25. Carrier bracket (right) | 26. Pinion bearing (front) | 27. Front oil seal |
| 28. Companion flange | 29. Drive pinion lock nut | 30. Carrier bracket (left) |
| 31. Drive gear | 32. Side bearing (left) | 33. Side bearing adjusting shim (left) |
| 34. Side oil seal (left) | 35. Electric controlled coupling (left) | |
| A. Oil seal lip | B. Gear carrier mounting face | |

⊗: Always replace after every disassembly.

★: Select with proper thickness.

Ⓜ: N-m (kg-m, ft-lb)


🛢️: Apply multi purpose grease

🛢️: Apply gear oil.

ELECTRIC CONTROLLED COUPLING

< UNIT DISASSEMBLY AND ASSEMBLY >

[REAR FINAL DRIVE: RTVS]

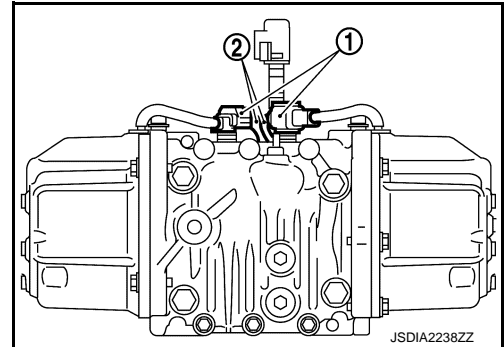
*: Apply anti-corrosive oil.

: Apply Genuine Silicone RTV or equivalent. Refer to [GI-24, "Recommended Chemical Products and Sealants"](#).

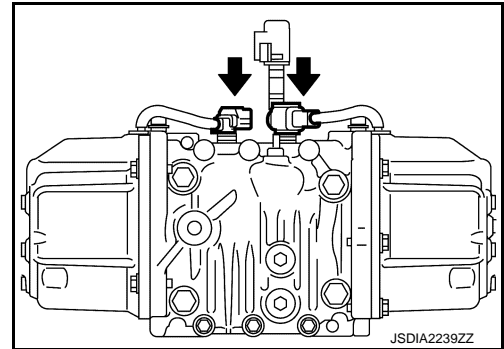
Disassembly

INFOID:000000009751203

1. Disconnect electric controlled coupling connector (1) from sub-harness (2).



2. Remove electric controlled coupling connector from final drive assembly.

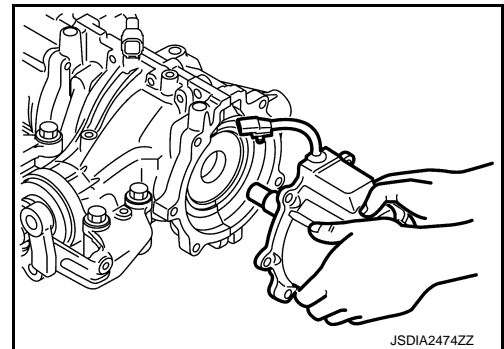


3. Remove electric controlled coupling from final drive assembly.

CAUTION:
Never damage side oil seal.

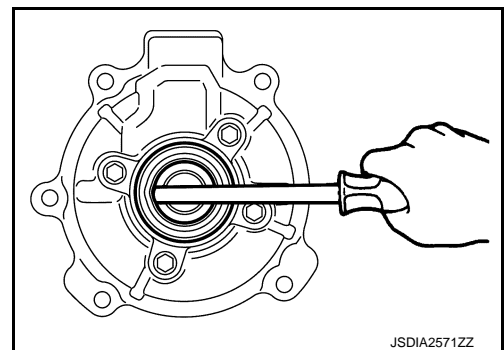
4. Remove sub-harness from final drive assembly.

CAUTION:
Remove sub-harness only when necessary.



5. Remove electric controlled coupling oil seal from electric controlled coupling, using the suitable oil seal remover.

CAUTION:
Never damage electric controlled coupling.



A
B
C
DLN
E
F
G
H
I
J
K
L
M
N
O
P

ELECTRIC CONTROLLED COUPLING

< UNIT DISASSEMBLY AND ASSEMBLY >

[REAR FINAL DRIVE: RTVS]

Assembly

INFOID:00000009751204

1. Using the drift (A) [SST: KV38109700 (—)], install electric controlled coupling oil seal to electric controlled coupling all the way until SST contact the end.

NOTE:

The use of SST satisfies the mounting dimensions.

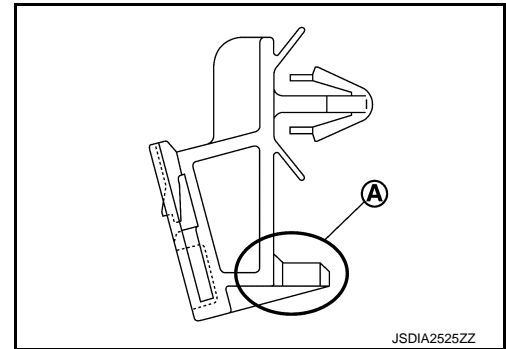
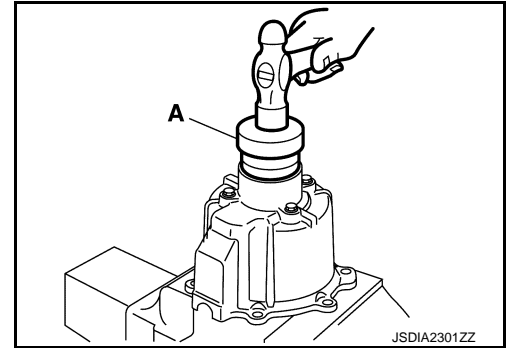
CAUTION:

- Always use SST [KV38109700 (—)].
- Never reuse oil seal.
- When installing, never incline oil seal.
- Apply multi-purpose grease onto oil seal lips, and gear oil onto the circumference of oil seal.

2. If remove sub-harness, replace band clip to sub-harness, and then install sub-harness to rear final drive assembly.

CAUTION:

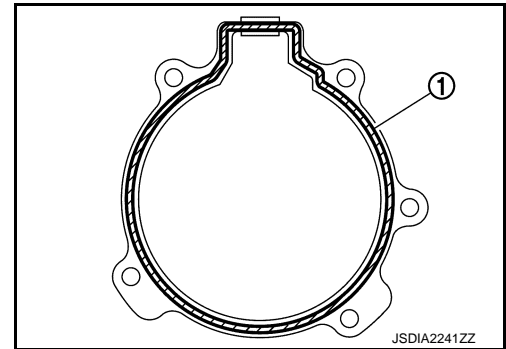
- Never reuse band clip.
- Check original mounting dimensions to install clip to the original position.
- Pin (A) of sub-harness connector clip must be functioning certainly as baffle pin.
- Check the area around the rotating object to see that there is no interference.



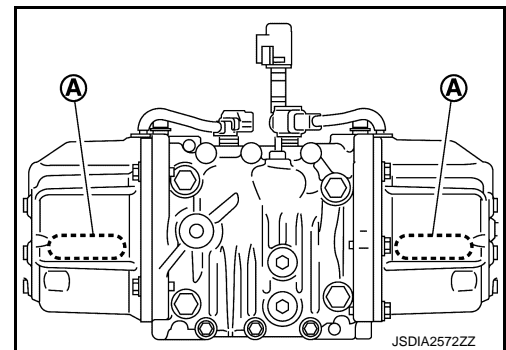
3. Apply liquid gasket (1) to mating surface of coupling cover.
 - Use Genuine Silicone RTV or equivalent. Refer to [GI-24, "Recommended Chemical Products and Sealants"](#).

CAUTION:

- Remove old gasket adhering to the mounting surfaces. Also remove any moisture, oil, or foreign material adhering to the mounting surfaces.
- Overlap both ends of the bead for at least 3 mm (0.12 in).
- Apply liquid gasket to grommet as well.
- The width of sealant bead is approximately 3 mm (0.012 in).



- Never allow liquid gasket to contact the unit characteristics (A or B) of the coupling cover.



ELECTRIC CONTROLLED COUPLING

< UNIT DISASSEMBLY AND ASSEMBLY >

[REAR FINAL DRIVE: RTVS]

4. Install electric controlled coupling (1) to spline of center stem with grommet of harness facing upward, temporarily tighten reamer bolts (2) to the positions shown in the figure.

A: Left side

B: Right side

←: Vehicle front

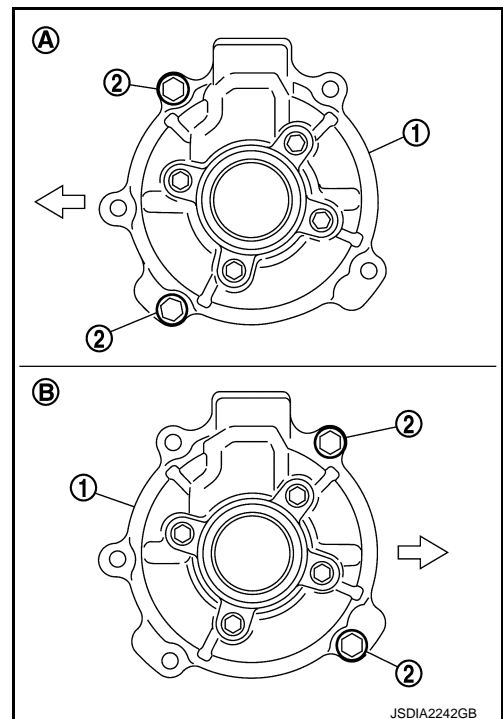
CAUTION:

Never damage side oil seal.

5. Tighten reamer bolts and coupling cover mounting bolts to the specified torque.

CAUTION:

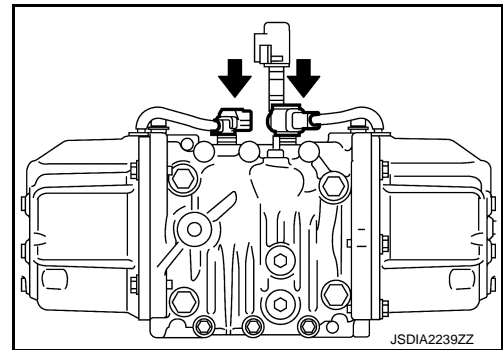
Never allow harness to get caught in the bolt.



6. Replace connector clip from electric controlled coupling connector, and then insert it to final drive assembly.

CAUTION:

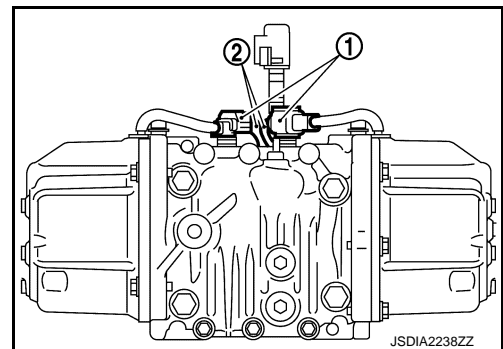
- Never reuse connector clip.
- When inserting connector clip to final drive assembly, never tug harness.



7. Connect electric controlled coupling connector (1) to sub-harness (2).
8. When oil leaks while removing, check oil level after the installation. Refer to [DLN-135, "Inspection"](#).
9. When replacing electric controlled coupling, perform writing unit characteristics after installing rear final drive assembly to the vehicle. Refer to [DLN-41, "Work Procedure"](#).

CAUTION:

Always perform writing unit characteristics of both side electric controlled couplings.



A
B
C
DLN
E
F
G
H
I
J
K
L
M
N
O
P

CENTER STEM ASSEMBLY

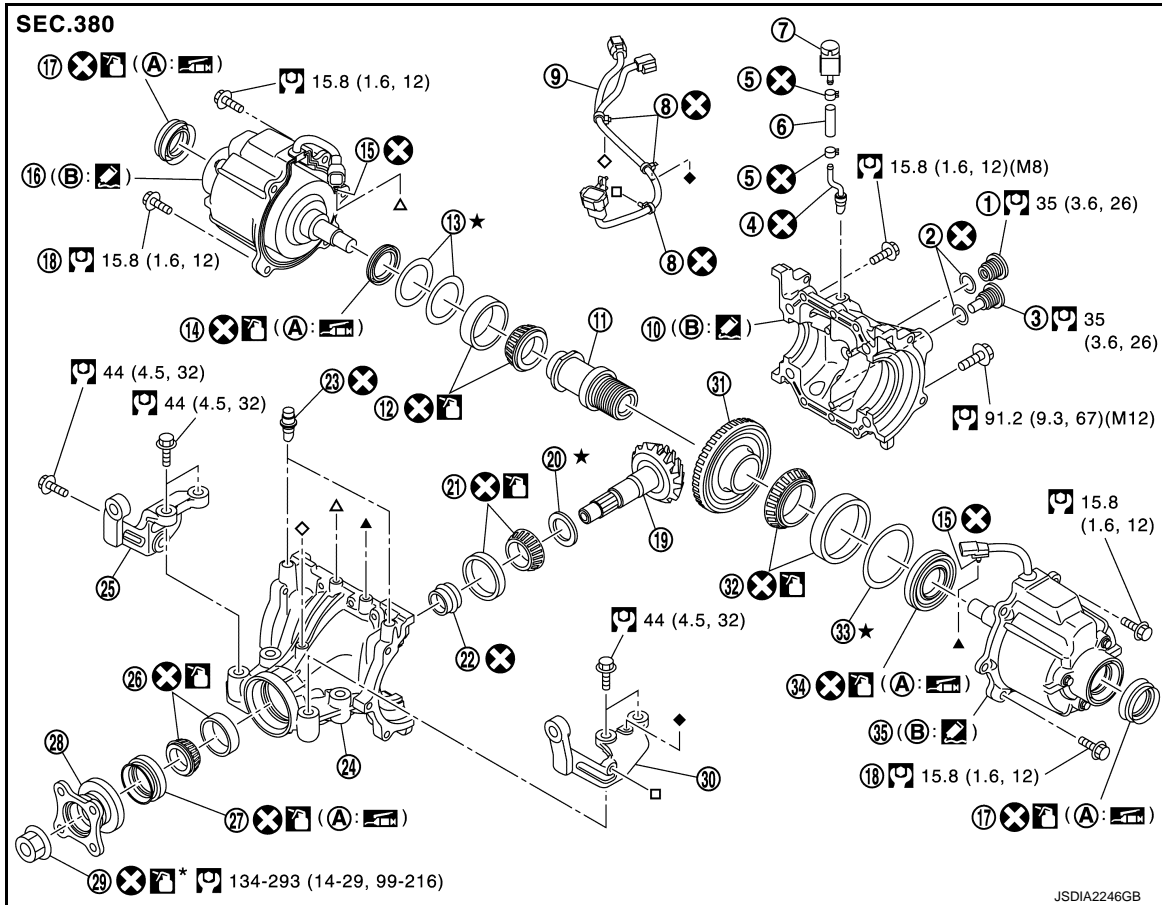
< UNIT DISASSEMBLY AND ASSEMBLY >

[REAR FINAL DRIVE: RTVS]

CENTER STEM ASSEMBLY

Exploded View

INFOID:000000009751205



- | | | |
|--|---|--|
| 1. Filler plug | 2. Gasket | 3. Drain plug |
| 4. Breather tube | 5. Hose clamp | 6. Breather hose |
| 7. Breather | 8. Band clip | 9. Sub-harness |
| 10. Rear cover | 11. Center stem | 12. Side bearing (right) |
| 13. Side bearing adjusting shim (right) | 14. Side oil seal (right) | 15. Connector clip |
| 16. Electric controlled coupling (right) | 17. Electric controlled coupling oil seal | 18. Reamer bolt |
| 19. Drive pinion | 20. Drive pinion adjusting shim | 21. Pinion bearing (rear) |
| 22. Collapsible spacer | 23. Breather | 24. Gear carrier |
| 25. Carrier bracket (right) | 26. Pinion bearing (front) | 27. Front oil seal |
| 28. Companion flange | 29. Drive pinion lock nut | 30. Carrier bracket (left) |
| 31. Drive gear | 32. Side bearing (left) | 33. Side bearing adjusting shim (left) |
| 34. Side oil seal (left) | 35. Electric controlled coupling (left) | |
| A. Oil seal lip | B. Gear carrier mounting face | |

⊗: Always replace after every disassembly.

★: Select with proper thickness.

🔧: N-m (kg-m, ft-lb)


🛢️: Apply multi purpose grease

🛢️: Apply gear oil.

CENTER STEM ASSEMBLY

< UNIT DISASSEMBLY AND ASSEMBLY >

[REAR FINAL DRIVE: RTVS]

*: Apply anti-corrosive oil.

: Apply Genuine Silicone RTV or equivalent. Refer to [GI-24, "Recommended Chemical Products and Sealants"](#).

Disassembly

INFOID:000000009751206

1. Remove carrier brackets.
2. Remove electric controlled couplings. Refer to [DLN-153, "Disassembly"](#).
3. Remove breather tube and breathers.

CAUTION:

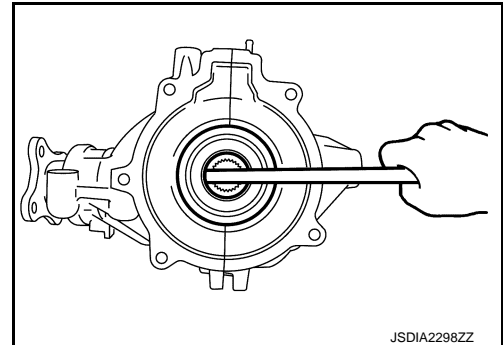
Remove breather tube and breathers only when necessary.

4. Remove side oil seal with the suitable oil seal remover.

CAUTION:

Never damage gear carrier and rear cover.

5. Remove rear cover mounting bolts.



6. Set the drifts (A and B) to the right and left side bearing adjusting shims individually. Press center stem assembly with side bearing to remove gear carrier assembly and rear cover assembly.

A : Drift [SST: KV38109820 (—)]

B : Drift [SST: KV38109810 (—)]

CAUTION:

The pressure shall be as low as possible to remove gear carrier assembly and rear cover assembly. The maximum pressure shall be 10 kN (1 ton, 1.0 Imp ton).

NOTE:

Center stem assembly, side bearings, and adjusting shims are compressed and integrated in gear carrier and rear cover.

7. Remove drain plug and filler plug, if necessary.
8. Remove side bearing adjusting shims and outer races of side bearing .

CAUTION:

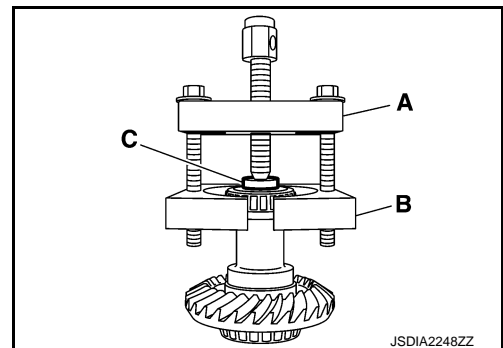
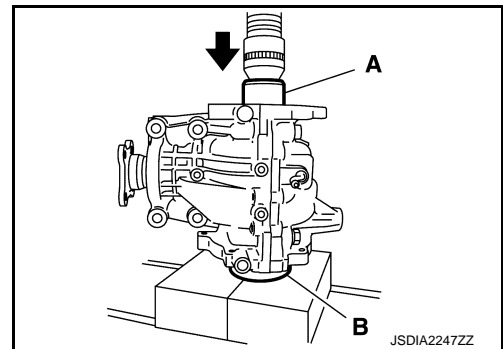
Mark the side bearing adjusting shims so that the original mounting positions (right/left) can be identified later.

9. Remove inner race of side bearing (right), using the puller (A), the replacer (B) and the drift (C).

A : Puller (Commercial service tool)

B : Replacer (Commercial service tool)

C : Drift [SST: ST33052000 (—)]



A

B

C

DLN

E

F

G

H

I

J

K

L

M

N

O

P

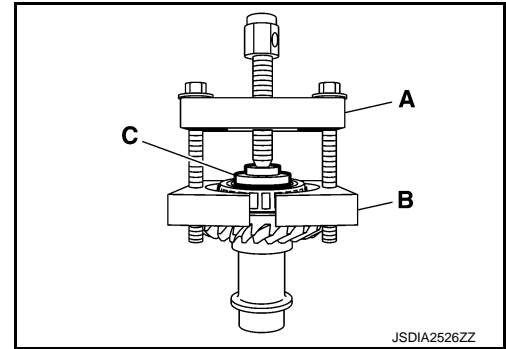
CENTER STEM ASSEMBLY

< UNIT DISASSEMBLY AND ASSEMBLY >

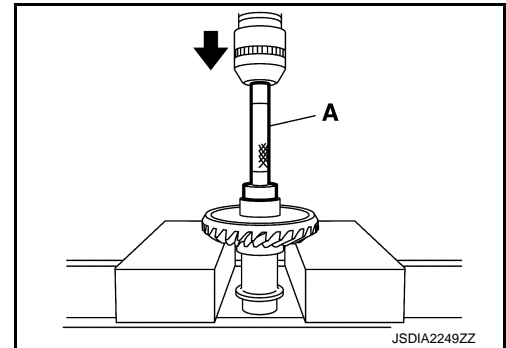
[REAR FINAL DRIVE: RTVS]

10. Remove inner race of side bearing (left), using the puller (A), the replacer (B) and the drift (C).

- A : Puller (Commercial service tool)
B : Replacer (Commercial service tool)
C : Drift [SST: ST02371000 (—)]



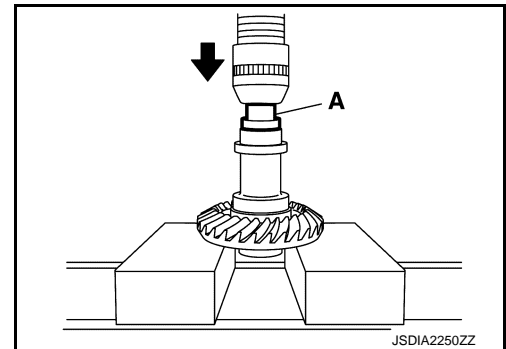
11. Remove center stem from drive gear, using the drift (A) [SST: ST33220000 (J-25804-01)].
12. Perform inspection after disassembly. Refer to [DLN-164](#), "[Inspection](#)".



INFOID:000000009751207

Assembly

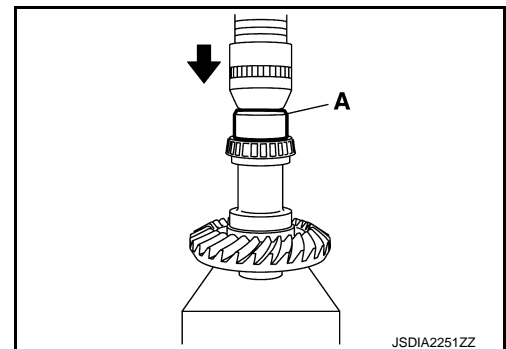
1. Press center stem to drive gear, using the drift (A) [SST: ST33052000 (—)].



2. Press inner race of side bearing (right) to center stem assembly, using the drift (A) (Commercial service tool).

CAUTION:

- Never reuse side bearing.
- Apply gear oil to side bearing.



CENTER STEM ASSEMBLY

< UNIT DISASSEMBLY AND ASSEMBLY >

[REAR FINAL DRIVE: RTVS]

3. Press inner race of side bearing (left) to center stem assembly, using the drift (A) (Commercial service tool).

CAUTION:

- Never reuse side bearing.
- Apply gear oil to side bearing.

4. Install side bearing adjusting shims (2 pieces for right side) with the same thickness as the ones installed prior to disassembly or re-install the old ones, with outer race of side bearing to center stem assembly.

If side bearing adjusting shims have been already selected, use them.

CAUTION:

- Never reuse side bearing.
- Apply gear oil to side bearing.

5. Set the drifts (A and B) to the right and left side bearing adjusting shims individually. Press center stem assembly with side bearing to install gear carrier assembly to center stem assembly.

A : Drift [SST: KV38109820 (—)]

B : Drift [SST: KV38109810 (—)]

CAUTION:

- The drift shall be placed on the center of the adjusting shims.
- The pressure shall be as low as possible to install differential assembly into gear carrier assembly. The maximum pressure shall be 10 kN (1 ton, 1.0 Imp ton).
- If the adjusting shims are installed by tapping, the gear carrier may be damaged. Avoid tapping.

6. Install dummy cover set, check and adjust drive gear runout, tooth contact, backlash, and total preload torque. Refer to [DLN-160. "Adjustment"](#).

7. Remove dummy cover set.

8. Apply liquid gasket (1) to mating surface of rear cover.

- Use Genuine Silicone RTV or equivalent. Refer to [GI-24. "Recommended Chemical Products and Sealants"](#).

CAUTION:

- Remove old gasket adhering to the mounting surfaces. Also remove any moisture, oil, or foreign material adhering to the mounting surfaces.
- The width of sealant bend is approximately 3 mm (0.012 in). Apply sealant evenly.

9. Set the drifts (A and B) to the right and left side bearing adjusting shims individually. Compress center stem assembly with side bearing to install rear cover.

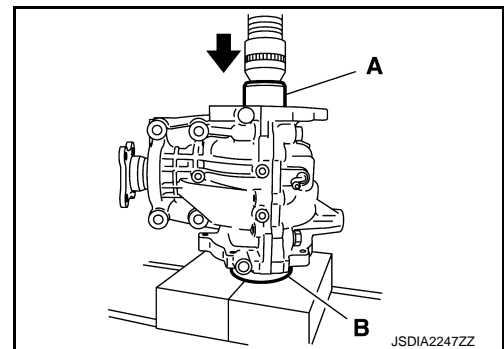
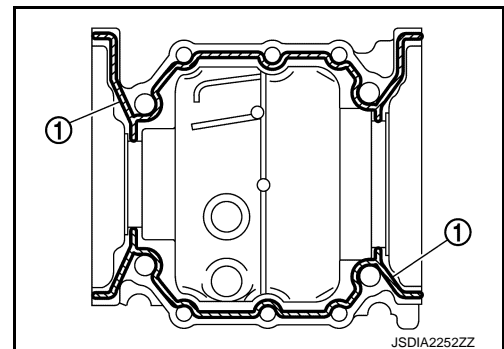
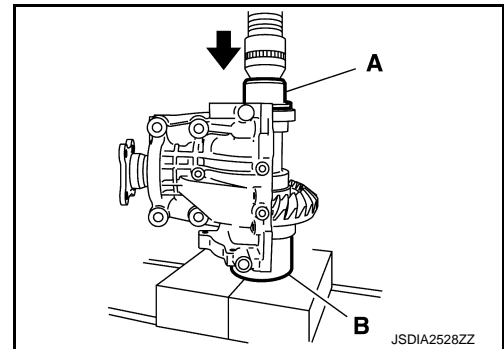
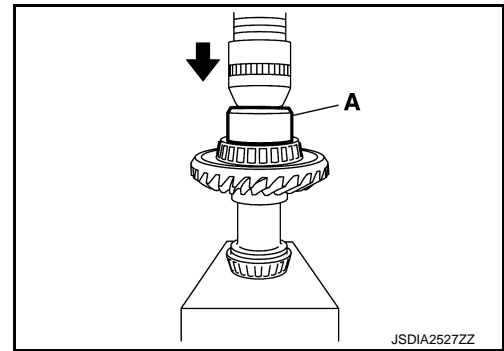
A : Drift [SST: KV38109820 (—)]

B : Drift [SST: KV38109810 (—)]

CAUTION:

- The drift shall be placed on the center of the adjusting shims.
- The pressure shall be as low as possible to install the rear cover. The maximum pressure shall be 10 kN (1 ton, 1.0 Imp ton).
- If rear cover is forced in by tapping, rear cover may be damaged by adjusting shims. Avoid tapping.

10. Tighten rear cover mounting bolts to the specified torque.



A
B
C
DLN

E
F
G
H
I
J
K
L
M
N
O
P

CENTER STEM ASSEMBLY

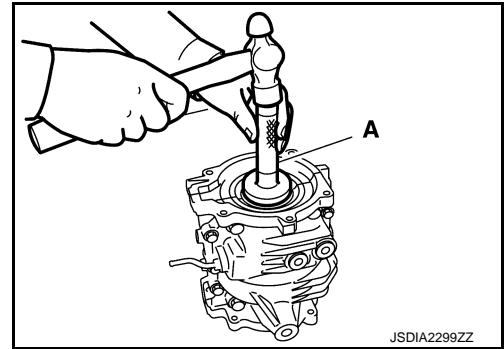
< UNIT DISASSEMBLY AND ASSEMBLY >

[REAR FINAL DRIVE: RTVS]

11. Install side oil seal (right) until it becomes flush with the gear carrier end, using the drift (A) [SST: ST33400001 (J-26082)].

CAUTION:

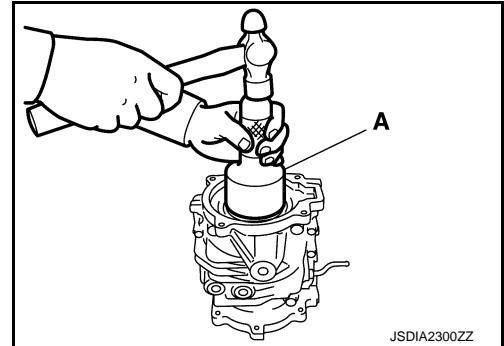
- Never reuse oil seal.
- When installing, never incline oil seal.
- Apply multi-purpose grease onto oil seal lips, and gear oil onto the circumference of oil seal.



12. Install side oil seal (left) until it becomes flush with the gear carrier end, using the drift (A) [SST: KV38100500 (—)].

CAUTION:

- Never reuse oil seal.
- When installing, never incline oil seal.
- Apply multi-purpose grease onto oil seal lips, and gear oil onto the circumference of oil seal.



13. Set gasket to drain plug. Install it to gear carrier.

CAUTION:

Never reuse oil gasket.

14. Set gasket to filler plug. Install it to gear carrier.

CAUTION:

- Never reuse oil gasket.
- After oil is refilled, tighten filler plug to specified torque.

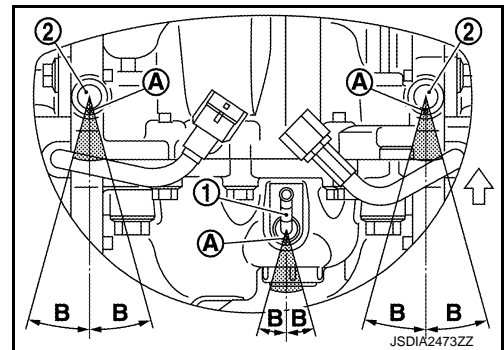
15. Install carrier brackets.

16. Install electric controlled coupling. Refer to [DLN-154, "Assembly"](#).

17. Check total preload torque. Refer to [DLN-160, "Adjustment"](#).

18. Install breather tube (1) and breathers (2) with the paint mark (A) facing vehicle rear within the angle (B) shown as follows.

Angle (B) : 0 – 15°



INFOID:000000009751208

Adjustment

TOTAL PRELOAD TORQUE

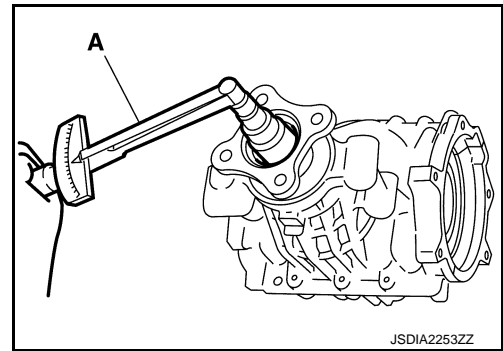
1. Before inspection and adjustment, drain gear oil.
2. Remove electric controlled couplings. Refer to [DLN-153, "Disassembly"](#).
3. Rotate drive pinion back and forth 2 to 3 times to check for unusual noise and rotation malfunction.

CENTER STEM ASSEMBLY

< UNIT DISASSEMBLY AND ASSEMBLY >

[REAR FINAL DRIVE: RTVS]

4. Rotate drive pinion at least 20 times to check for smooth operation of the bearing.
5. Measure the total preload, using the preload gauge (A) [SST: ST3127S000 (J-25765-A)].



Total preload torque : Refer to [DLN-173, "Pre-load Torque"](#).

NOTE:

Total preload torque = Pinion bearing torque + Side bearing torque

- If measured value is out of the specification, disassemble it to check and adjust each part. Adjust the pinion bearing preload and side bearing preload. Adjust the pinion bearing preload first, then adjust the side bearing preload.

When the preload torque is large

On pinion bearings: Replace the collapsible spacer.

On side bearings: Use thinner side bearing adjusting shims. For selecting adjusting shim, refer to the latest parts information.

When the preload is small

On pinion bearings: Tighten the drive pinion nut.

On side bearings: Use thicker side bearing adjusting shims. For selecting adjusting shim, refer to the latest parts information.

DRIVE GEAR RUNOUT

1. Remove rear cover. Refer to [DLN-157, "Disassembly"](#).
2. Following the procedure below, install the dummy cover set [SST: KV381096S0 (—)] to gear carrier.
 - a. Temporarily install the bearing guides [SST: KV38109610 (—), KV38109620 (—)] to gear carrier.
 - b. Position the dummy cap spacers [SST: KV38109630 (—), KV38109640 (—)] and the angle [SST: KV38109650 (—)] to bearing guide.
 - c. Use rear cover mounting bolts, tighten bolts to the specified torque. Refer to [DLN-156, "Exploded View"](#).
 - d. Tighten dummy cap spacer mounting bolts evenly to the specified torque.

Tightening torque : 5.9 N·m (0.6 kg·m, 52 in·lb)

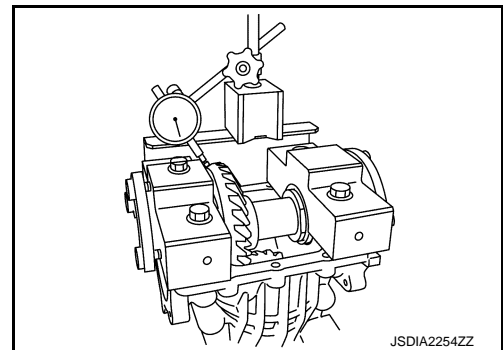
3. Fit a dial indicator to the drive gear back face.
4. Rotate the drive gear to measure runout.

Drive gear back face runout : Refer to [DLN-173, "Drive Gear Runout"](#).

- If the runout is outside of the repair limit, check drive gear assembly condition; foreign material may be caught between drive gear and center stem, or center stem or drive gear may be deformed, etc.

CAUTION:

Replace drive gear and drive pinion as a set.



TOOTH CONTACT

1. Remove rear cover. Refer to [DLN-157, "Disassembly"](#).
2. Following the procedure below, install the dummy cover set [SST: KV381096S0 (—)] to gear carrier.
 - a. Temporarily install the bearing guides [SST: KV38109610 (—), KV38109620 (—)] to gear carrier.

CENTER STEM ASSEMBLY

< UNIT DISASSEMBLY AND ASSEMBLY >

[REAR FINAL DRIVE: RTVS]

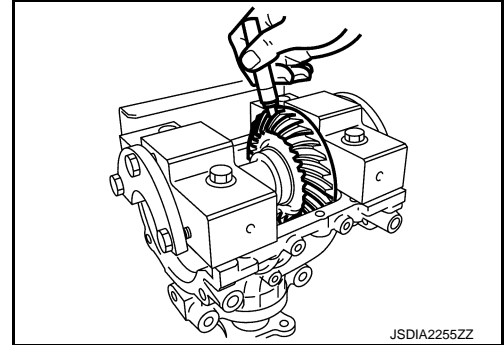
- b. Position the dummy cap spacers [SST: KV38109630 (—), KV38109640 (—)] and the angle [SST: KV38109650 (—)] to bearing guide.
- c. Use rear cover mounting bolts, tighten bolts to the specified torque. Refer to [DLN-156, "Exploded View"](#).
- d. Tighten dummy cap spacer mounting bolts evenly to the specified torque.

Tightening torque : 5.9 N·m (0.6 kg·m, 52 in·lb)

3. Apply red lead to drive gear.

CAUTION:

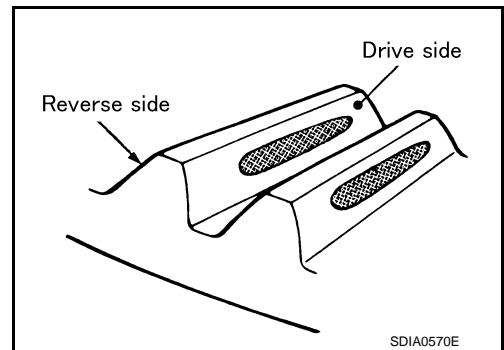
Apply red lead to both the faces of 3 to 4 gears at 4 locations evenly spaced on drive gear.



4. Rotate drive gear back and forth several times, check drive pinion gear to drive gear tooth contact.

CAUTION:

Check tooth contact on drive side and reverse side.

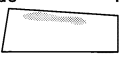













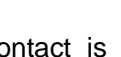

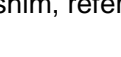
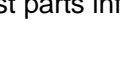


CENTER STEM ASSEMBLY

< UNIT DISASSEMBLY AND ASSEMBLY >

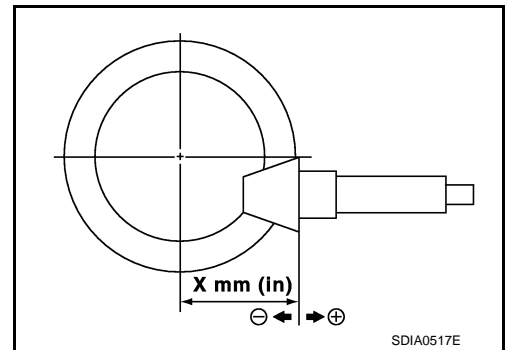
[REAR FINAL DRIVE: RTVS]

Tooth Contact Judgment Guide

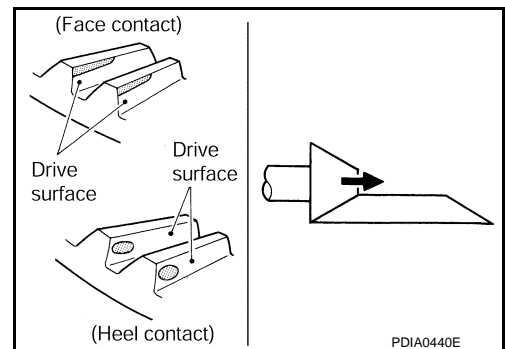
Tooth contact condition		Drive pinion adjusting shim selection value [mm (in)]	Adjustment (Yes/No)	Possible cause
Drive side	Back side			
Heel side 	Toe side 	↑ Thicker	Yes	Occurrence of noise and scoring sound in all speed ranges.
				+0.09 (+0.0035)
		↓ Thinner	No	-
				
		+0.03 (+0.0012)	Yes	Occurrence of noise at constant speed and decreasing speed.
		0		
		-0.03 (-0.0012)	Yes	Occurrence of noise and scoring sound in all speed ranges.
		-0.06 (-0.0024)		
		-0.09 (-0.0035)		

SDIA2549E

5. If tooth contact is improperly adjusted, follow the procedure below to adjust the pinion height (dimension X). For selecting adjusting shim, refer to the latest parts information.



- If the tooth contact is near the face (face contact), or near the heel (heel contact), thicken drive pinion gear adjusting shim to move drive pinion closer to drive gear.



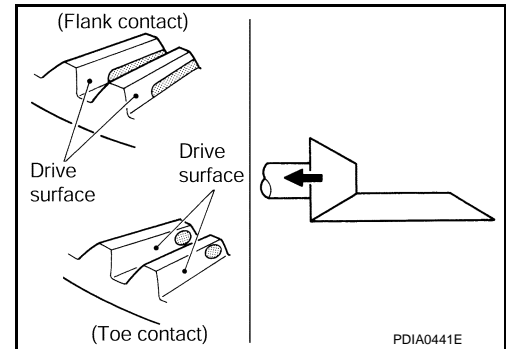
A
B
C
DLN
E
F
G
H
I
J
K
L
M
N
O
P

CENTER STEM ASSEMBLY

< UNIT DISASSEMBLY AND ASSEMBLY >

[REAR FINAL DRIVE: RTVS]

- If the tooth contact is near the flank (flank contact), or near the toe (toe contact), thin drive pinion gear adjusting shim to move drive pinion farther from drive gear.



BACKLASH

1. Remove rear cover. Refer to [DLN-157, "Disassembly"](#).
2. Following the procedure below, install the dummy cover set [SST: KV381096S0 (—)] to gear carrier.
 - a. Temporarily install the bearing guides [SST: KV38109610 (—), KV38109620 (—)] to gear carrier.
 - b. Position the dummy cap spacers [SST: KV38109630 (—), KV38109640 (—)] and the angle [SST: KV38109650 (—)] to bearing guide.
 - c. Use rear cover mounting bolts, and tighten bolts to the specified torque. Refer to [DLN-156, "Exploded View"](#).
 - d. Tighten dummy cap spacer mounting bolts evenly to the specified torque.

Tightening torque : 5.9 N-m (0.6 kg-m, 52 in-lb)

3. Fit a dial indicator to the drive gear face to measure the backlash.

Backlash : Refer to [DLN-173, "Backlash"](#).

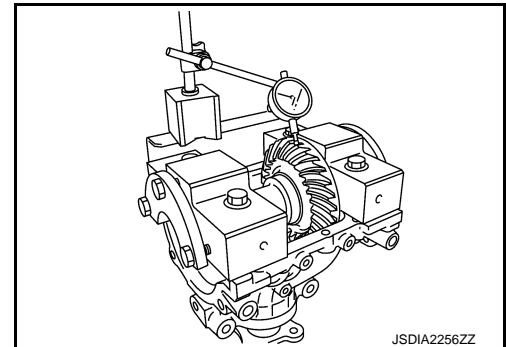
- If the backlash is outside of the specified value, change the thickness of side bearing adjusting shims.

When the backlash is large:

Make drive gear back adjusting shims thicker, and drive gear front adjusting shims thinner. For selecting adjusting shim, refer to the latest parts information.

When the backlash is small:

Make drive gear back adjusting shims thinner, and drive gear front adjusting shims thicker. For selecting adjusting shim, refer to the latest parts information.



Inspection

INFOID:000000009751209

INSPECTION AFTER DISASSEMBLY

Drive Gear and Drive Pinion

- Clean up the disassembled parts.
- If the gear teeth never mesh or line-up correctly, determine the cause and adjust or replace as necessary.
- If the gears are worn, cracked, damaged, pitted or chipped (by friction) noticeably, replace with new drive gear and drive pinion as a set.

Bearing

- Whenever disassembled, replace.
- Clean up the disassembled parts.
- If any chipped (by friction), pitted, worn, rusted or scratched marks, or unusual noise from the bearing is observed, replace as a bearing assembly (as a new set).

CENTER STEM ASSEMBLY

< UNIT DISASSEMBLY AND ASSEMBLY >

[REAR FINAL DRIVE: RTVS]

Oil Seal

- Whenever disassembled, replace.
- If wear, deterioration of adherence (sealing force lips), or damage is detected on the lips, replace them.

A

Gear Carrier and Rear Cover

- Check damage and cracks of gear carrier and rear cover.

B

C

DLN

E

F

G

H

I

J

K

L

M

N

O

P

DRIVE PINION

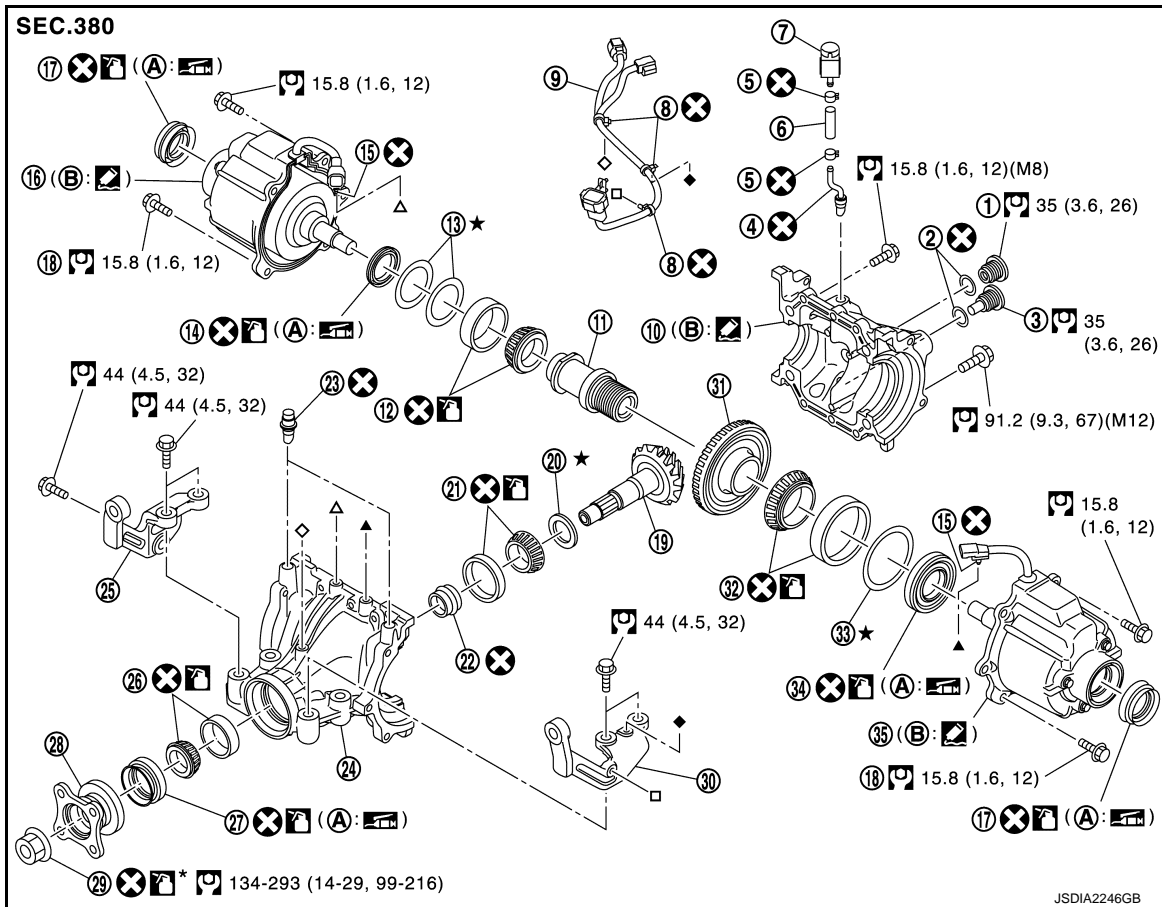
< UNIT DISASSEMBLY AND ASSEMBLY >

[REAR FINAL DRIVE: RTVS]

DRIVE PINION

Exploded View

INFOID:000000009751210



- | | | |
|--|---|--|
| 1. Filler plug | 2. Gasket | 3. Drain plug |
| 4. Breather tube | 5. Hose clamp | 6. Breather hose |
| 7. Breather | 8. Band clip | 9. Sub-harness |
| 10. Rear cover | 11. Center stem | 12. Side bearing (right) |
| 13. Side bearing adjusting shim (right) | 14. Side oil seal (right) | 15. Connector clip |
| 16. Electric controlled coupling (right) | 17. Electric controlled coupling oil seal | 18. Reamer bolt |
| 19. Drive pinion | 20. Drive pinion adjusting shim | 21. Pinion bearing (rear) |
| 22. Collapsible spacer | 23. Breather | 24. Gear carrier |
| 25. Carrier bracket (right) | 26. Pinion bearing (front) | 27. Front oil seal |
| 28. Companion flange | 29. Drive pinion lock nut | 30. Carrier bracket (left) |
| 31. Drive gear | 32. Side bearing (left) | 33. Side bearing adjusting shim (left) |
| 34. Side oil seal (left) | 35. Electric controlled coupling (left) | |
| A. Oil seal lip | B. Gear carrier mounting face | |

⊗: Always replace after every disassembly.

★: Select with proper thickness.

🔧: N-m (kg-m, ft-lb)


🛢️: Apply multi purpose grease

🛢️: Apply gear oil.

DRIVE PINION

< UNIT DISASSEMBLY AND ASSEMBLY >

[REAR FINAL DRIVE: RTVS]

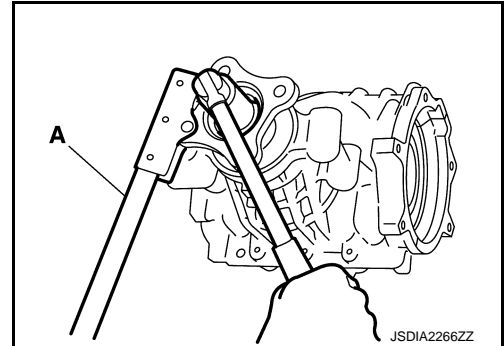
*: Apply anti-corrosive oil.

: Apply Genuine Silicone RTV or equivalent. Refer to [GI-24, "Recommended Chemical Products and Sealants"](#).

Disassembly

INFOID:000000009751211

1. Remove electric controlled couplings. Refer to [DLN-153, "Disassembly"](#).
2. Remove center stem assembly. Refer to [DLN-157, "Disassembly"](#).
3. Remove drive pinion lock nut with the flange wrench (A) (Commercial service tool).



4. Put matching mark (A) on the end of drive pinion. The matching mark should be in line with the matching mark (B) on companion flange (1).

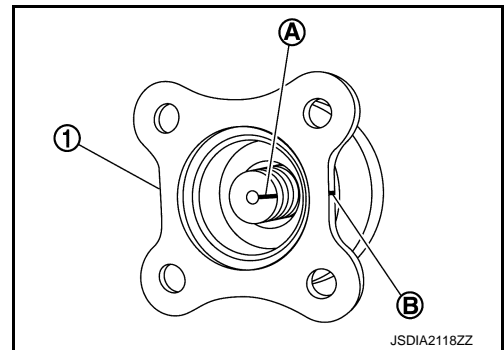
CAUTION:

For matching mark, use paint. Never damage companion flange and drive pinion.

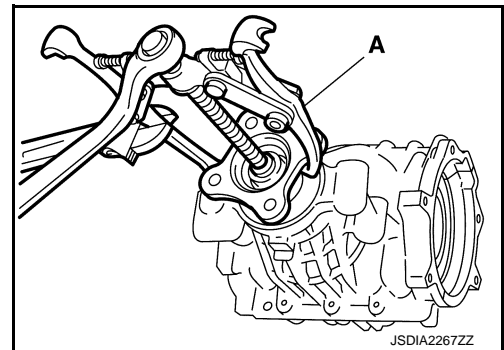
NOTE:

The matching mark on the final drive companion flange indicates the maximum vertical runout position.

When replacing companion flange, matching mark is not necessary.



5. Remove companion flange using the puller (A) (Commercial service tool).

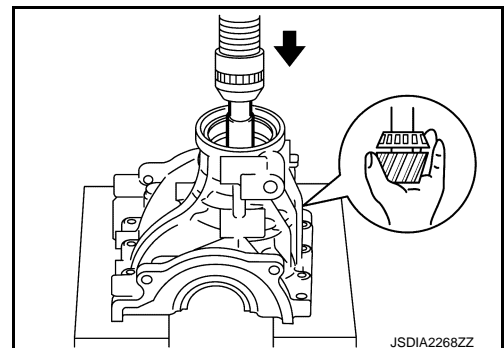


6. Press drive pinion assembly out of gear carrier.

CAUTION:

Never drop drive pinion assembly.

7. Remove front oil seal.
8. Remove inner race of pinion bearing (front).
9. Remove collapsible spacer.



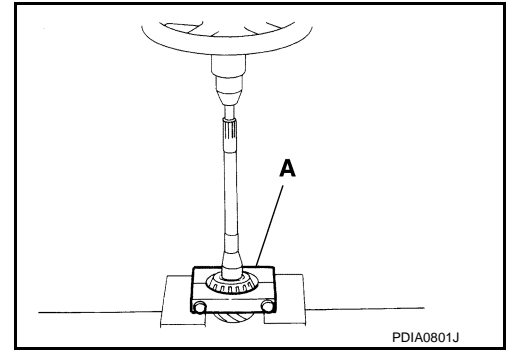
A
B
C
DLN
E
F
G
H
I
J
K
L
M
N
O
P

DRIVE PINION

< UNIT DISASSEMBLY AND ASSEMBLY >

[REAR FINAL DRIVE: RTVS]

10. Remove inner race of pinion bearing (rear) and drive pinion adjusting shim with the replacer (A) (Commercial service tool).
11. Remove drive pinion adjusting shim.

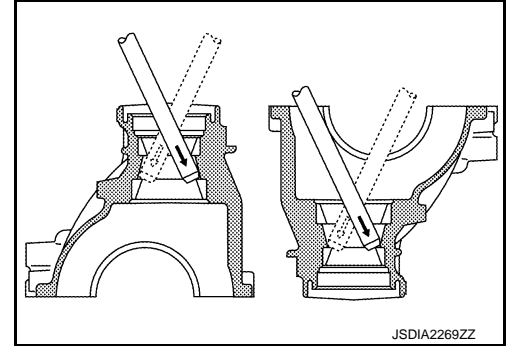


12. Tap the outer races of pinion bearing (front and rear) uniformly using the brass rod or equivalent to remove them.

CAUTION:

Never damage gear carrier.

13. Perform inspection after disassembly. Refer to [DLN-171](#), "[Inspection](#)".



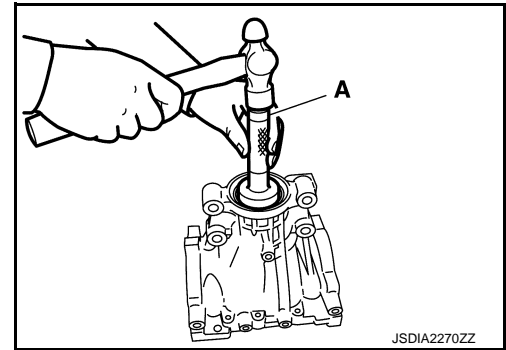
INFOID:000000009751212

Assembly

1. Install outer race of pinion bearing (front) to the gear carrier with the drift (A) [SST: ST33190000 (—)].

CAUTION:

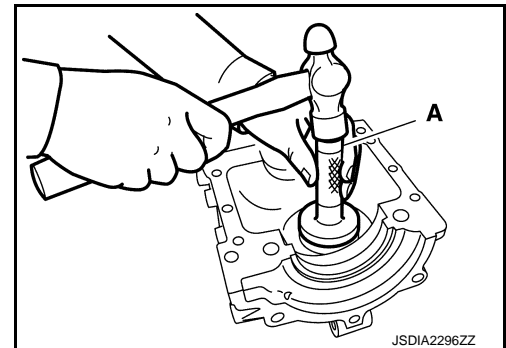
- At first, using the hammer, tap outer race of bearing until it becomes flat to gear carrier.
- Never reuse pinion bearing.



2. Install outer race of pinion bearing (rear) to the gear carrier with the drift (A) [SST: ST37830000 (—)].

CAUTION:

- At first, using the hammer, tap outer race of bearing until it becomes flat to gear carrier.
- Never reuse pinion bearing.



DRIVE PINION

< UNIT DISASSEMBLY AND ASSEMBLY >

[REAR FINAL DRIVE: RTVS]

3. Temporarily install drive pinion adjusting shim (1).

When hypoid gear set has been replaced

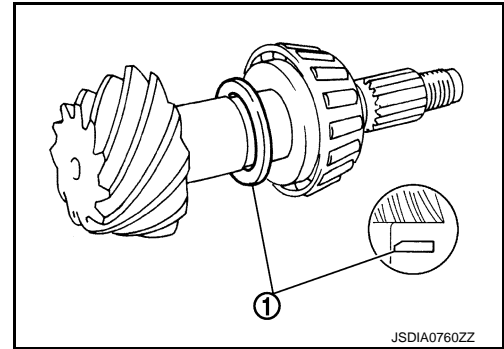
- Select drive pinion adjusting shim. Refer to [DLN-170, "Adjustment"](#).

When hypoid gear set has been reused

- Temporarily install the removed drive pinion adjusting shim or same thickness shim to drive pinion.

CAUTION:

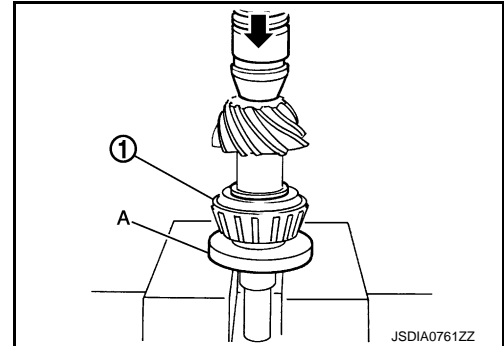
Pay attention to the direction of drive pinion adjusting shim. (Assemble as shown in the figure.)



4. Install inner race of pinion bearing (rear) (1) to drive pinion with the drift (A) [SST: ST33032000 (—)].

CAUTION:

Never reuse pinion bearing.



5. Assemble collapsible spacer (1) to drive pinion (2).

CAUTION:

- Be careful of the mounting direction of collapsible spacer.
- Never reuse collapsible spacer.

6. Assemble drive pinion into gear carrier.

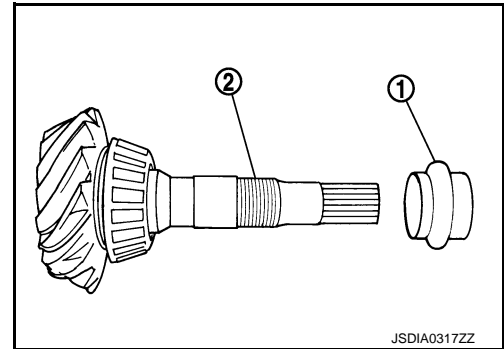
CAUTION:

Apply gear oil to pinion bearing.

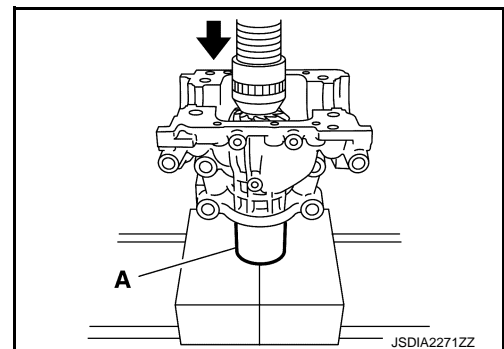
7. Assemble inner race of pinion bearing (front) to drive pinion assembly.

CAUTION:

- Never reuse pinion bearing.
- Apply gear oil to pinion bearing.



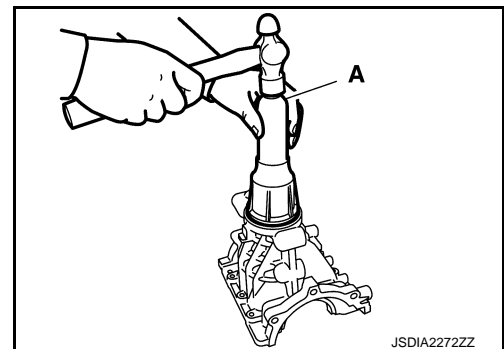
8. Using the drift (A) [SST: KV37710000 (—)], press the inner race of pinion bearing (front) to drive pinion as far as drive pinion nut can be tightened.



9. Using the drift (A) (Commercial service tool), drive front oil seal until it becomes flush with the gear carrier end.

CAUTION:

- Never reuse oil seal.
- When installing, never incline oil seal.
- Apply multi-purpose grease onto oil seal lips, and gear oil onto the circumference of oil seal.



A
B
C
DLN
E
F
G
H
I
J
K
L
M
N
O
P

DRIVE PINION

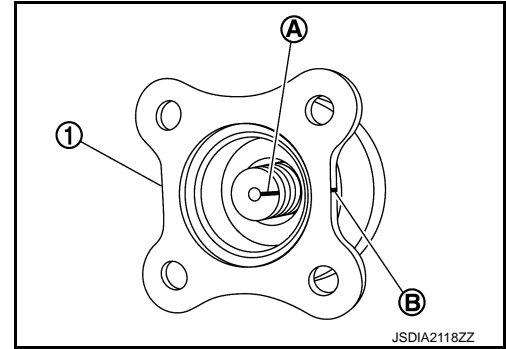
< UNIT DISASSEMBLY AND ASSEMBLY >

[REAR FINAL DRIVE: RTVS]

10. Install companion flange.

NOTE:

When reusing drive pinion, align the matching mark (A) of drive pinion with the matching mark (B) of companion flange (1), and then install companion flange.



11. Apply anti-corrosion oil to the thread and seat of drive pinion lock nut, and temporarily tighten drive pinion lock nut to drive pinion, using the flange wrench (Commercial service tool).

CAUTION:

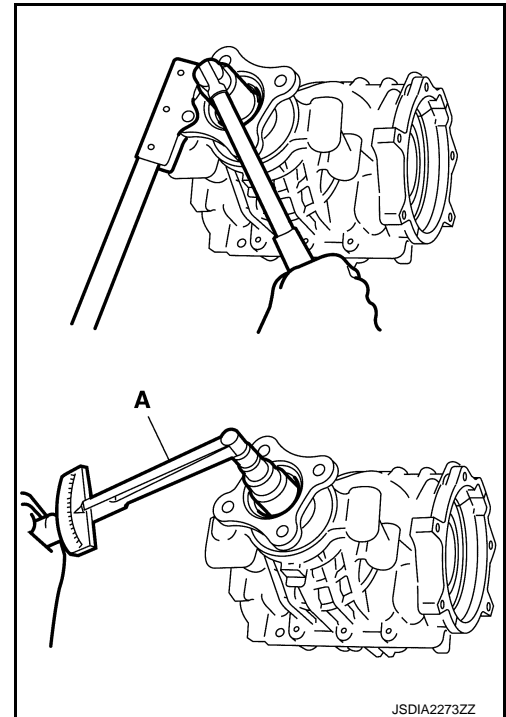
Never reuse drive pinion lock nut.

12. Adjust to the drive pinion lock nut tightening torque and pinion bearing preload torque, using the preload gauge (A) [SST: ST3127S000 (J-25765-A)].

Pinion bearing preload : Refer to [DLN-173, "Pre-load Torque"](#).

CAUTION:

- Adjust to the lower limit of the drive pinion lock nut tightening torque first.
- If the preload torque exceeds the specified value, replace collapsible spacer and tighten it again to adjust. Never loosen drive pinion lock nut to adjust the preload torque.
- After adjustment, rotate drive pinion back and forth 2 to 3 times to check for unusual noise, rotation malfunction, and other malfunctions.



13. Install center stem assembly. Refer to [DLN-158, "Assembly"](#).

CAUTION:

Never install rear cover at this timing.

14. Check and adjust drive gear runout, tooth contact, drive gear to drive pinion backlash, and companion flange runout. Refer to [DLN-160, "Adjustment"](#) and [DLN-170, "Adjustment"](#).
15. Check total preload torque. Refer to [DLN-160, "Adjustment"](#).
16. Install rear cover. Refer to [DLN-158, "Assembly"](#).
17. Install electric controlled couplings. Refer to [DLN-154, "Assembly"](#).

Adjustment

INFOID:000000009751213

PINION GEAR HEIGHT

If the hypoid gear set has been replaced, select the drive pinion adjusting shim.

DRIVE PINION

< UNIT DISASSEMBLY AND ASSEMBLY >

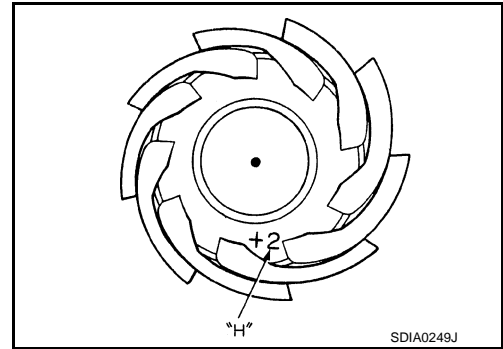
[REAR FINAL DRIVE: RTVS]

1. Use the formula below to calculate drive pinion adjusting shim thickness.

Shim selection equation:

$$T = T_0 + (t_1 - t_2)$$

- T:** Correct shim thickness
- T₀:** Removed shim thickness
- t₁:** Old drive pinion head letter "H × 0.01"
("H": machined tolerance 1/100 mm × 100)
- t₂:** New drive pinion head letter "H × 0.01"
("H": machined tolerance 1/100 mm × 100)



Example:

$$T = 3.21 + [(2 \times 0.01) - (-1 \times 0.01)] = 3.24$$

- T₀:** 3.21
- t₁:** +2
- t₂:** -1

2. Select the proper drive pinion adjusting shim. For selecting adjusting shim, refer to the latest parts information.

CAUTION:

If unable to find a shim of desired thickness, use a shim with thickness closest to the calculated value.

Example:

Calculated value... T = 3.22 mm

Used shim... T = 3.21 mm

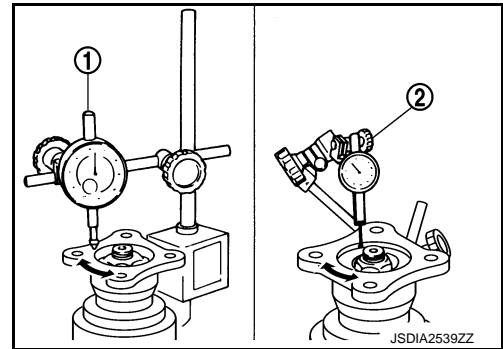
COMPANION FLANGE RUNOUT

Check for companion flange runout as follows:

- For companion flange face, fit a dial indicator (1) onto the companion flange face (inner side of the propeller shaft mounting bolt holes). For inner side of the companion flange, fit a test indicator (2) to the inner side of companion flange (socket diameter).
- Rotate companion flange to check for runout.

Companion flange runout : Refer to [DLN-173, "Companion Flange Runout"](#).

- If the runout value is outside the runout limit, follow the procedure below to adjust.
 - Check for runout while changing the phase between companion flange and drive pinion by 90° step, and search for the position where the runout is the minimum.
 - If the runout value is still outside of the limit after the phase has been changed, replace companion flange.
 - If the runout value is still outside of the limit after companion flange has been replaced, possible cause will be an assembly malfunction of drive pinion.



Inspection

INFOID:000000009751214

INSPECTION AFTER DISASSEMBLY

Drive Gear and Drive Pinion

- Clean up the disassembled parts.
- If the gear teeth never mesh or line-up correctly, determine the cause and adjust or replace as necessary.
- If the gears are worn, cracked, damaged, pitted or chipped (by friction) noticeably, replace with new drive gear and drive pinion as a set.

Bearing

DRIVE PINION

< UNIT DISASSEMBLY AND ASSEMBLY >

[REAR FINAL DRIVE: RTVS]

- Whenever disassembled, replace.
- Clean up the disassembled parts.
- If any chipped (by friction), pitted, worn, rusted or scratched marks, or unusual noise from the bearing is observed, replace as a bearing assembly (as a new set).

Oil Seal

- Whenever disassembled, replace.
- If wear, deterioration of adherence (sealing force lips), or damage is detected on the lips, replace them.

Companion Flange

- Clean up the disassembled parts.
- If any chipped mark [about 0.1 mm, (0.004 in)] or other damage on the contact sides of the lips of the companion flange is found, replace.

SERVICE DATA AND SPECIFICATIONS (SDS)

< SERVICE DATA AND SPECIFICATIONS (SDS)

[REAR FINAL DRIVE: RTVS]

SERVICE DATA AND SPECIFICATIONS (SDS)

SERVICE DATA AND SPECIFICATIONS (SDS)

General Specification

INFOID:000000009751215

Applied model	MR16DDT
Final drive model	RTVS
Gear ratio	2.416
Number of teeth (Drive gear/Drive pinion)	29/12
Oil capacity (Approx.) ℓ (US pt, Imp pt)	0.40 (7/8, 3/4)
Drive pinion adjustment spacer type	Collapsible

Drive Gear Runout

INFOID:000000009751216

Unit: mm (in)

Item	Limit
Drive gear back face runout	0.05 (0.0020)

Preload Torque

INFOID:000000009751217

Unit: N·m (kg·m, in·lb)

Item	Standard
Pinion bearing (P1)	1.06 – 1.76 N·m (0.11 – 0.18 kg·m)
Side bearing (P2)	0.33 – 0.70 N·m (0.03 – 0.07 kg·m)
Side bearing to pinion bearing (Total preload) (Total preload = P1 + P2)	1.39 – 2.46 N·m (0.14 – 0.25 kg·m)

Backlash

INFOID:000000009751218

Unit: mm (in)

Item	Standard
Drive gear to drive pinion gear	0.13 – 0.18 (0.0051 – 0.0071)

Companion Flange Runout

INFOID:000000009751219

Unit: mm (in)

Item	Limit
Companion flange face	0.13 (0.0051)
Inner side of the companion flange	0.19 (0.0075)