

SECTION **AV**

AUDIO VISUAL, NAVIGATION & TELEPHONE SYSTEM

CONTENTS

PRECAUTIONS	4	Rear Control Switch Does Not Operate	34
Precautions for Supplemental Restraint System (SRS) "AIR BAG" and "SEAT BELT PRE-TENSIONER"	4	AUDIOPILOT™ Does Not Work	38
Wiring Diagrams and Trouble Diagnosis	4	Removal and Installation of Audio Unit	40
AUDIO	5	REMOVAL	40
System Description	5	INSTALLATION	40
AUDIO SYSTEM	5	Removal and Installation of CD Auto Changer	40
AV COMMUNICATION LINE	6	REMOVAL	40
AUDIOPILOT™ SYSTEM	6	INSTALLATION	40
Component Parts and Harness Connector Location	7	Removal and Installation of Door Speaker	40
Schematic	8	REMOVAL	40
Wiring Diagram — AUDIO —	9	INSTALLATION	40
Wiring Diagram — REMOTE —	15	Removal and Installation of Instrument Panel Speaker	41
Wiring Diagram — CD AUTO CHANGER —	17	REMOVAL	41
Terminals and Reference Value for Audio Unit	19	INSTALLATION	41
Terminals and Reference Value for BOSE Speaker Amp.	21	Removal and Installation of Woofer	41
Terminals and Reference Value for CD Auto Changer	23	REMOVAL	41
Terminals and Reference Value for Rear Control Switch	25	INSTALLATION	41
Terminals and Reference Value for Rear Control Cancel Switch	25	Removal and Installation of BOSE Speaker Amp... ..	41
Self-Diagnosis Function	26	REMOVAL	41
DESCRIPTION	26	INSTALLATION	41
DIAGNOSIS ITEM	26	Removal and Installation of AUDIOPILOT™ Microphone	42
Self-Diagnosis Mode	26	REMOVAL	42
OPERATION PROCEDURE	26	INSTALLATION	42
Confirmation/Adjustment Mode	26	Removal and Installation of Steering Wheel Switch.. ..	42
OPERATION PROCEDURE	26	Removal and Installation of Rear Control Switch	42
Trouble Diagnosis	27	REMOVAL	42
MALFUNCTION WITH RADIO, TAPE AND CD.. ..	27	INSTALLATION	42
FOR RADIO ONLY	28	AUDIO ANTENNA	43
FOR CASSETTE PLAYER ONLY	29	Wiring Diagram — W/ANT —	43
FOR CD ONLY	29	Location of Antenna	44
Noise Inspection	30	Window Antenna Repair	44
TYPE OF NOISE AND POSSIBLE CAUSE	30	CHECK ELEMENT	44
Power Supply Circuit Inspection	31	TELEPHONE (PRE WIRE)	46
Steering Switch Does Not Operate	32	Wiring Diagram — PHONE —	46

NAVIGATION SYSTEM	47	Reverse Signal Check	99
System Description	47	RGB Screen Is Not Shown	100
TRAVEL DISTANCE	47	Color of RGB Image Is Not Proper	102
TRAVEL DIRECTION	47	RGB Screen Is Rolling	104
MAP-MATCHING	47	Guide Sound Is Not Heard	105
GPS (GLOBAL POSITIONING SYSTEM)	48	A/C Is Inoperative (The Display For A/C Is Not Shown)	106
COMPONENT DESCRIPTION	49	A/C Is Inoperative (The Display For A/C Is Shown)	107
BIRDVIEW™	49	No Fuel Information Is Displayed/No Warning Message Is Displayed (But Other Settings For Vehicle Are Possible)	108
MAP DISPLAY	50	Vehicle Condition Setting Is Not Possible (Excepting Vehicle Warning)	109
FUNCTION OF MULTIFUNCTION SWITCH	51	The Position of The Current-Location Mark Is Not Correct	109
“VIEW” MODE	54	Radio Wave From The GPS Satellite Is Not Received	110
“GPS INFORMATION” MODE	55	Driving Test	111
“SAVE CURRENT LOCATION” MODE	55	Example of Symptoms Judged No malfunction ...	112
“QUICK STOP CUSTOMER SETTINGS” MODE	55	BASIC OPERATION	112
“AUTO RE-ROUTE” MODE	55	VEHICLE MARK	112
“AVOID AREA SETTINGS” MODE	56	DESTINATION, PASSING POINTS, AND MENU ITEMS CANNOT BE SELECTED/SET	112
“TRACKING” MODE	56	VOICE GUIDE	113
“EDIT ADDRESS BOOK” MODE	56	ROUTE SEARCHING	113
“HEADING” MODE	56	EXAMPLES OF CURRENT-LOCATION MARK DISPLACEMENT	115
“NEARBY DISPLAY ICONS” MODE	57	THE CURRENT POSITION MARK SHOWS A POSITION WHICH IS COMPLETELY WRONG	118
“ADJUST CURRENT LOCATION” MODE	57	THE CURRENT POSITION MARK JUMPS	118
“SET AVERAGE SPEED” MODE	57	THE CURRENT LOCATION MARK IS IN A RIVER OR THE SEA	119
“CLEAR MEMORY” MODE	58	WHEN DRIVING ON THE SAME ROAD, SOMETIMES THE CURRENT-LOCATION MARK IS IN THE RIGHT PLACE AND SOMETIMES IT IS THE WRONG PLACE	119
GUIDANCE VOLUME	58	LOCATION CORRECTION BY MAP MATCHING IS SLOW	119
Precautions for AV and NAVI Control Unit Replacement	58	ALTHOUGH THE GPS RECEIVING DISPLAY IS GREEN, THE VEHICLE MARK DOES NOT RETURN TO THE CORRECT LOCATION	119
Component Parts Location	59	THE NAME OF THE CURRENT PLACE IS NOT DISPLAYED	119
Location of Antenna	60	CONTENTS OF THE DISPLAY DIFFER FOR THE BIRDVIEW™ AND THE (FLAT) MAP SCREEN	119
Schematic — NAVI —	61	Program Loading	120
Wiring Diagram — NAVI —	62	Removal and Installation of AV and NAVI Control Unit	121
Schematic — COMM —	71	REMOVAL	121
Wiring Diagram — COMM —	72	INSTALLATION	121
Terminals and Reference Value for AV and NAVI Control Unit	78	Removal and Installation of GPS Antenna	121
On Board Self-Diagnosis Function (without CONSULT-II)	82	REMOVAL	121
DESCRIPTION	82	INSTALLATION	121
DIAGNOSIS ITEM	82	Removal and Installation of Steering Wheel Switch	121
Self-Diagnosis Mode	83	Removal and Installation of Rear Control Switch	121
OPERATION PROCEDURE	83	REMOVAL	121
SELF-DIAGNOSIS RESULT	85	INSTALLATION	121
Confirmation/Adjustment Mode	87	Removal and Installation of Rear Control Cancel	121
OPERATION PROCEDURE	87		
DISPLAY DIAGNOSIS	88		
VEHICLE SIGNALS	89		
AUTO CLIMATE CONTROL	89		
NAVIGATION	89		
HISTORY OF ERRORS	90		
DIAGNOSIS BY HISTORY OF ERRORS	91		
REAR VIEW CAMERA	92		
CONSULT-II Function	93		
OPERATION PROCEDURE	93		
SELF-DIAG RESULTS	94		
DATA MONITOR (SIGNAL MONITOR)	95		
VERSION	96		
Power Supply and Ground Circuit Check	97		
Vehicle Speed Signal Check	98		
Illumination Control Signal Check	99		
Ignition Signal Check	99		

Switch	122
REMOVAL	122
INSTALLATION	122

A

B

C

D

E

F

G

H

I

J

AV

L

M

PRECAUTIONS

PRECAUTIONS

PFP:00001

Precautions for Supplemental Restraint System (SRS) “AIR BAG” and “SEAT BELT PRE-TENSIONER”

EKS006SH

The Supplemental Restraint System such as “AIR BAG” and “SEAT BELT PRE-TENSIONER”, used along with a front seat belt, helps to reduce the risk or severity of injury to the driver and front passenger for certain types of collision. This system includes seat belt switch inputs and dual stage front air bag modules. The SRS system uses the seat belt switches to determine the front air bag deployment, and may only deploy one front air bag, depending on the severity of a collision and whether the front occupants are belted or unbelted. Information necessary to service the system safely is included in the SRS and SB section of this Service Manual.

WARNING:

- To avoid rendering the SRS inoperative, which could increase the risk of personal injury or death in the event of a collision which would result in air bag inflation, all maintenance must be performed by an authorized NISSAN/INFINITI dealer.
- Improper maintenance, including incorrect removal and installation of the SRS, can lead to personal injury caused by unintentional activation of the system. For removal of Spiral Cable and Air Bag Module, see the SRS section.
- Do not use electrical test equipment on any circuit related to the SRS unless instructed to in this Service Manual. SRS wiring harnesses can be identified by yellow and/or orange harnesses or harness connectors.

Wiring Diagrams and Trouble Diagnosis

EKS001RC

When reading wiring diagrams, refer to the following:

- Refer to [GI-14, "How to Read Wiring Diagrams"](#)
- Refer to [PG-2, "POWER SUPPLY ROUTING"](#)

When performing trouble diagnosis, refer to the following:

- Refer to [GI-10, "HOW TO FOLLOW TEST GROUPS IN TROUBLE DIAGNOSES"](#)
- Refer to [GI-26, "How to Perform Efficient Diagnosis for an Electrical Incident"](#)

AUDIO

System Description AUDIO SYSTEM

EKS00190

Refer to Owner's Manual for audio system operating instructions.

Power is supplied at all times

- through 15A fuse [No. 52, located in the fuse, fusible link and relay block (J/B)]
- to audio unit terminal 73
- to jumping connector (For satellite radio receiver) terminal 33 and
- to CD auto changer terminal 12,
- through 15A fuse [No. 56, located in the fuse, fusible link and relay block (J/B)]
- to combination switch (spiral cable) terminal 24,
- through combination switch (spiral cable) terminal 20
- to steering switch terminal 1,
- through 30A fuse [No. J, located in the fuse, fusible link and relay box]
- to BOSE speaker amp. terminal 11.

With the ignition switch in the ACC or ON position, power is supplied

- through 10A fuse [No. 21, located in the fuse block (J/B) No. 1]
- to audio unit terminal 72
- to jumping connector (For satellite radio receiver) terminal 34
- to BOSE speaker amp. terminal 34
- to rear control cancel relay terminal 3 and
- to CD auto changer terminal 16,
- through 10A fuse [No. 4, located in the fuse block (J/B)No. 1]
- to rear control cancel switch terminal 4.

When rear control cancel switch is rear control position, power is supplied

- through rear control cancel switch terminal 3
- to rear control cancel relay terminal 2.

Then rear control cancel relay is energized and power is supplied

- through rear control cancel relay terminal 5
- to rear control switch terminal 1.

When steering switch pushed ON, signal is sent

- from steering switch terminal 2
- through combination switch (spiral cable) terminals 19 and 25
- to multifunction switch terminal 7.

Ground is supplied through the case of the audio unit.

Ground is also supplied

- to BOSE speaker amp. terminal 27
- through body grounds B217 and B256,
- to jumping connector (For satellite radio receiver) terminal 35
- through body grounds B17 and B57,
- to CD auto changer terminal 15
- through body grounds M24 and M114,
- to steering switch terminal 3
- through body ground,
- to rear control switch terminal 12
- through body grounds M25 and M115,
- to rear control cancel relay terminal 1
- through body grounds B217 and B256.

Audio unit is connected to BOSE speaker amp. as DATA LINE.

AUDIO

When the audio unit is turned to the ON position, audio signals are supplied

- through audio unit terminals 12 and 11
- to BOSE speaker amp. terminals 5 and 6.

When the audio unit is turned to the ON position, audio sound signals are supplied

- through terminals 79, 80, 81 and 82 of audio unit
- to terminals 38, 39, 40 and 41 of BOSE speaker amp.
- through terminals 12, 13, 14, 16, 17, 18, 19, 20, 21, 22, 23, 24, 25, 28, 29 and 30 of BOSE speaker amp.
- to every terminals 1 and 2 of instrument panel speakers, front and rear door speakers and woofer.

AV COMMUNICATION LINE

Audio system components (Audio unit, BOSE speaker amplifier, etc.) are connected by AV communication line and controlled by signals from the multi-function switch.

AUDIPILOT™ SYSTEM

AUDIPILOT™ is the sound improving system that picks up any noises or the sound of music coming into the vehicle by a microphone under the clock, and that the BOSE speaker amp. revises the frequency feature of music at real time in response to the frequency feature of the noise while driving and listening to music.

- If low frequency area noise from vehicle is loud, it adjusts low frequency element of music to be bigger than vehicle noise.
- If high frequency area noise from vehicle is loud, it adjusts high frequency element of music to be bigger than vehicle noise.
- If vehicle noise is smaller than the setting volume, correction is not performed.

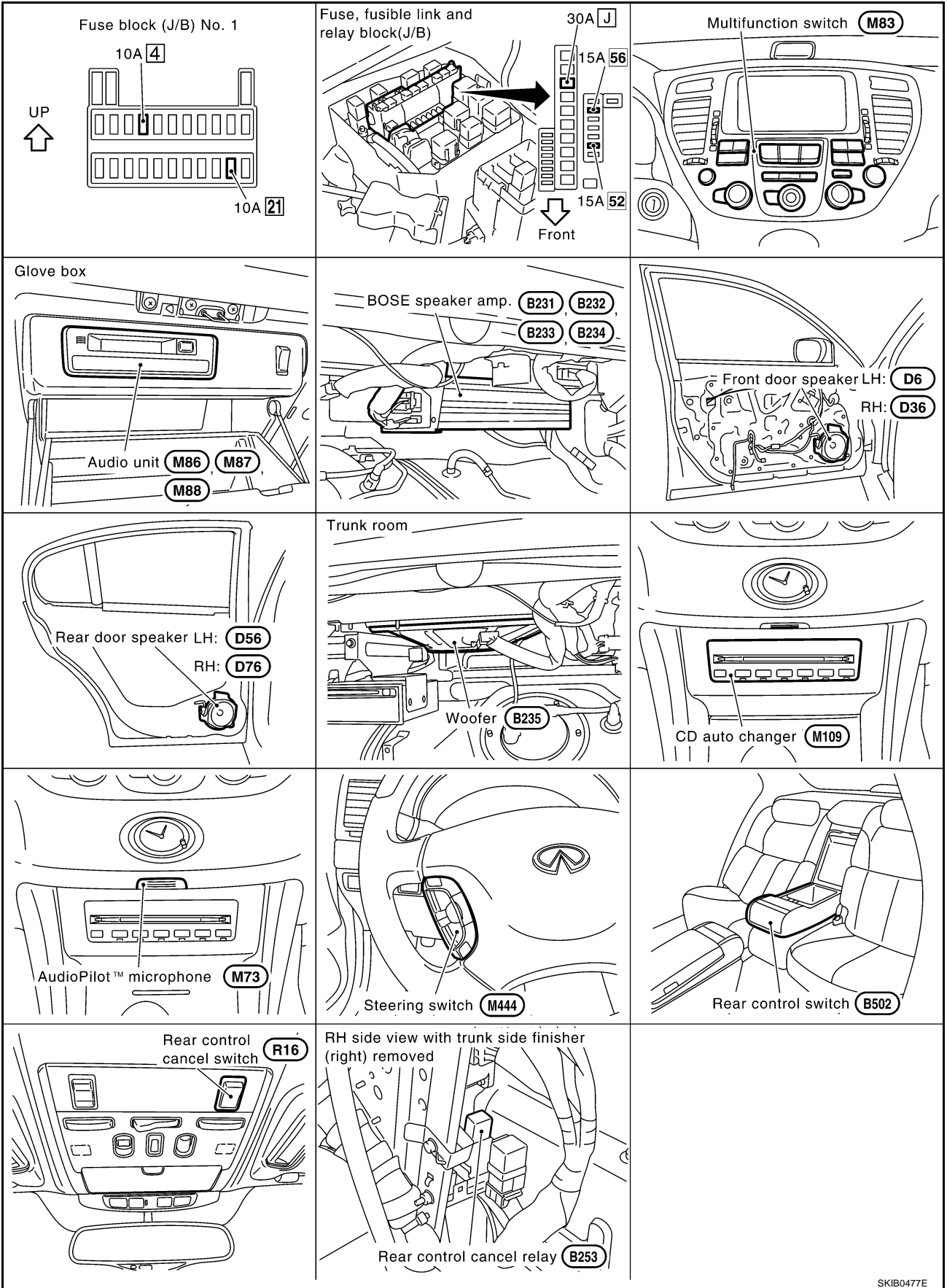
This compensate vehicle noise when listening to music.

AUDIO

Component Parts and Harness Connector Location

EKS006H4

A
B
C
D
E
F
G
H
I
J
AV
L
M



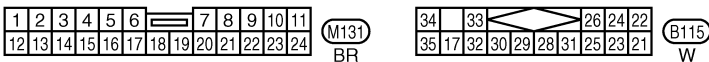
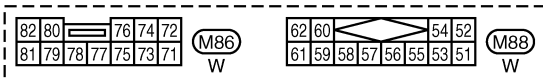
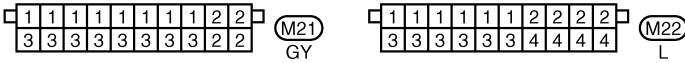
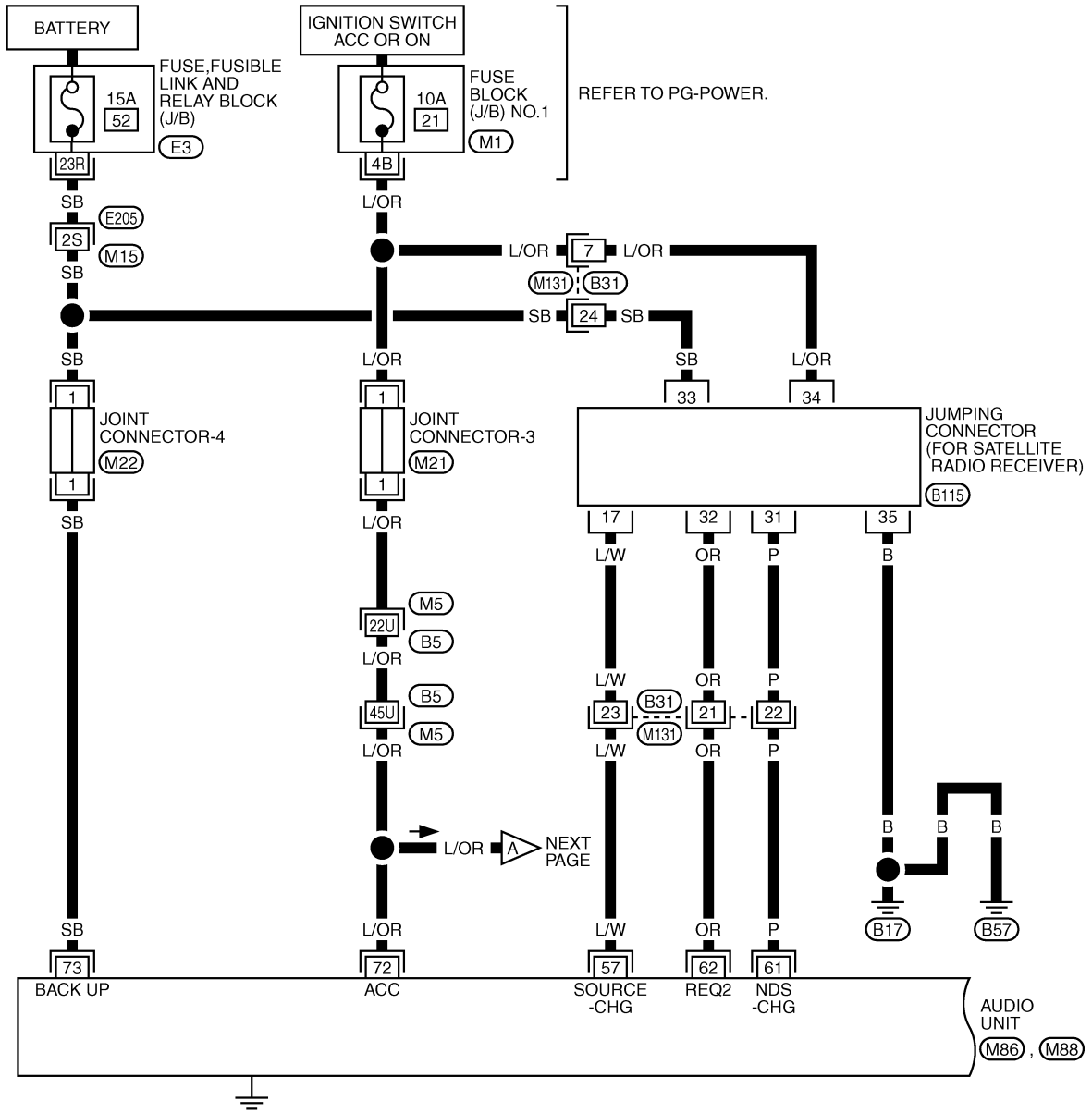
SKIB0477E

AUDIO

Wiring Diagram — AUDIO —

EKS0019N

AV-AUDIO-01



REFER TO THE FOLLOWING.

(M5), (E205) -SUPER MULTIPLE JUNCTION (SMJ)

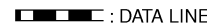
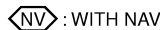

(M1) -FUSE BLOCK-JUNCTION BOX (J/B) NO.1

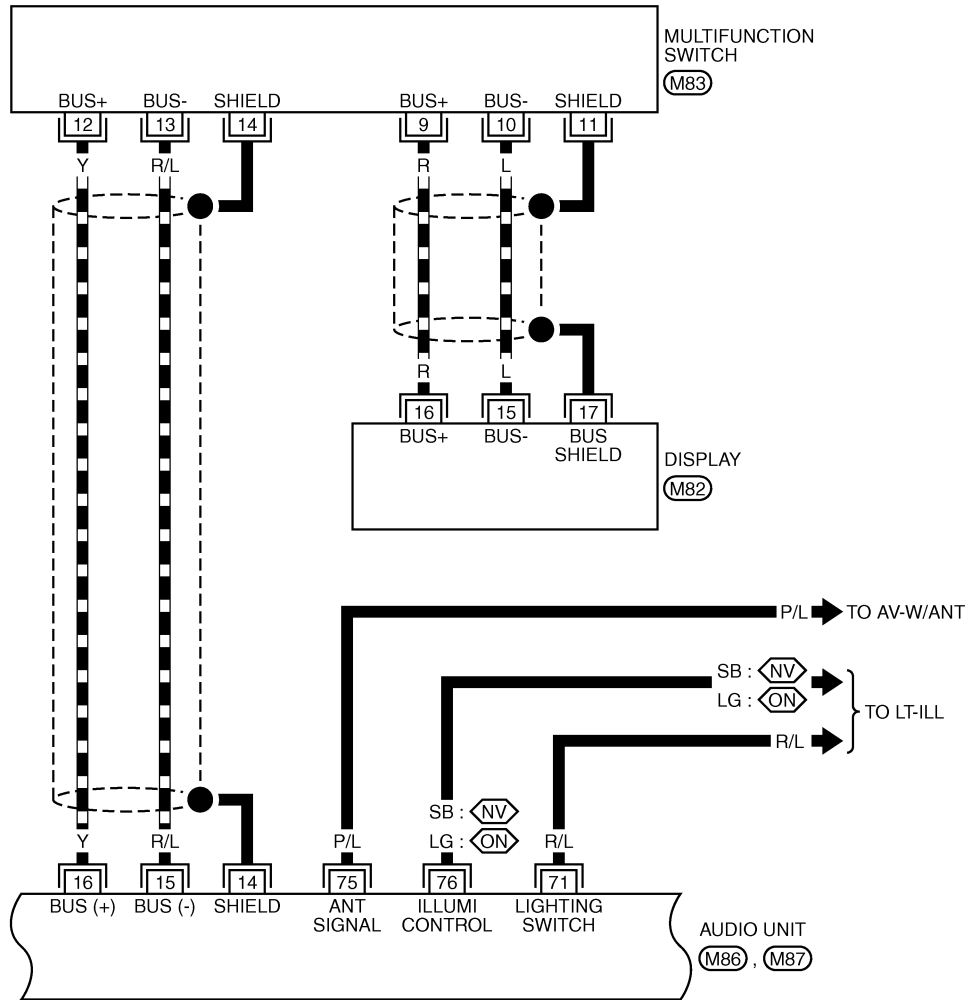
(E3) -FUSE, FUSIBLE LINK AND RELAY BLOCK (J/B)

A
B
C
D
E
F
G
H
I
J
AV
L
M

AUDIO

AV-AUDIO-03

-  : DATA LINE
-  : WITH NAVI
-  : WITHOUT NAVI



24	22	20	18	16	14	10	8	6	4	2		
23	21	19	17	15	13	12	11	9	7	5	3	1

(M82)
GY

20	18	16	14	12	8	6	4	2		
19	17	15	13	11	10	9	7	5	3	1

(M83)
W

82	80	76	74	72	16	14	12	8	6	4	2				
81	79	78	77	75	73	71	15	13	11	10	9	7	5	3	1

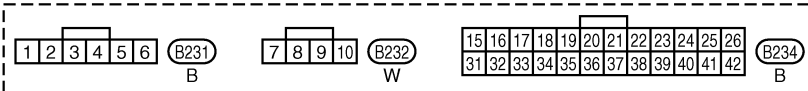
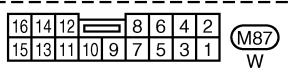
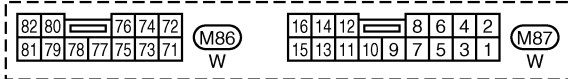
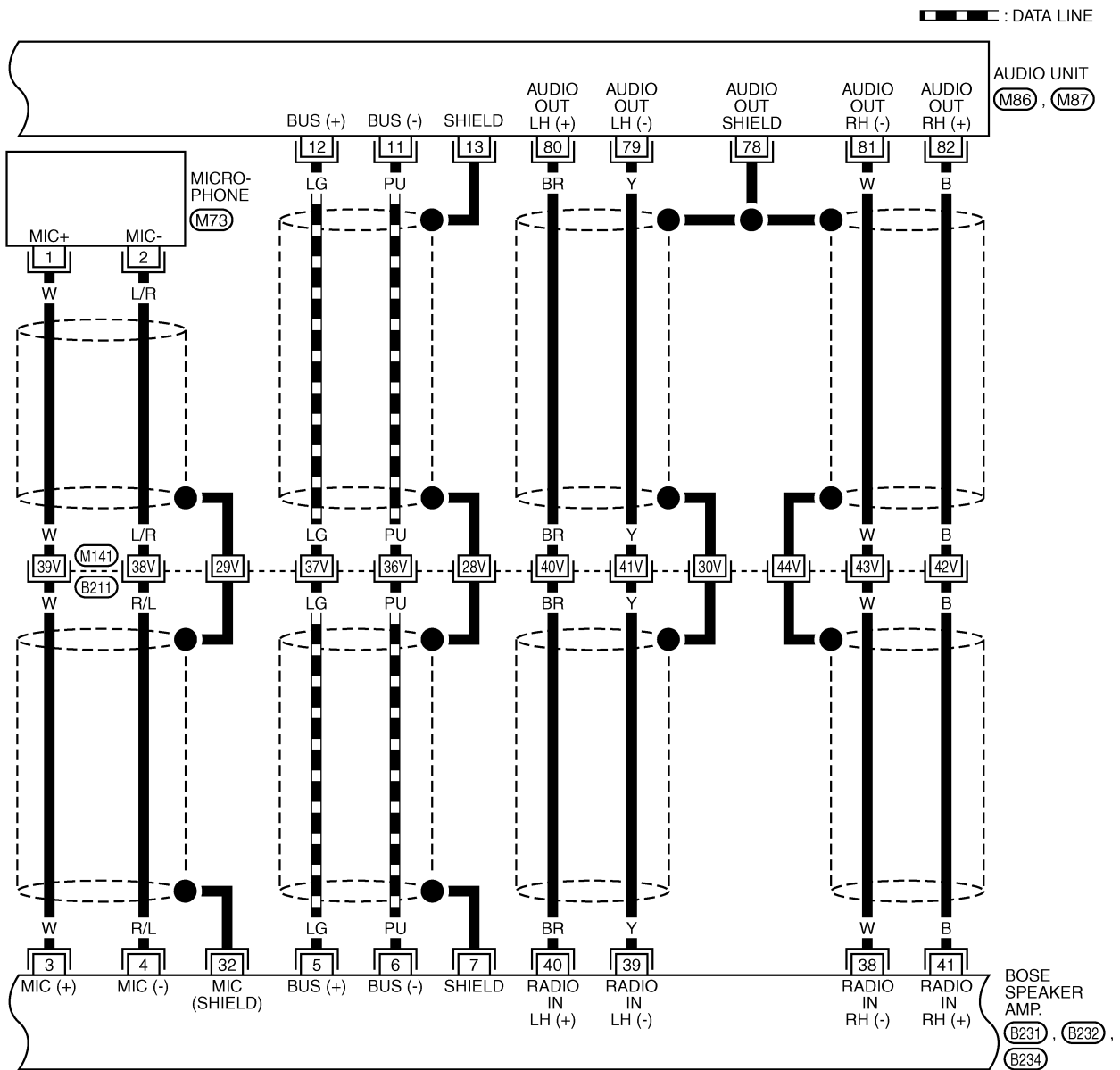
(M86)
W

16	14	12	8	6	4	2		
15	13	11	10	9	7	5	3	1

(M87)
W

AUDIO

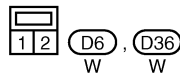
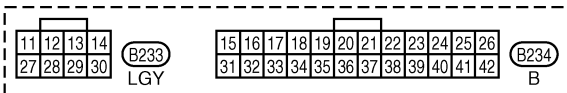
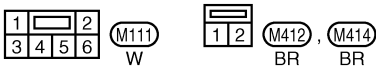
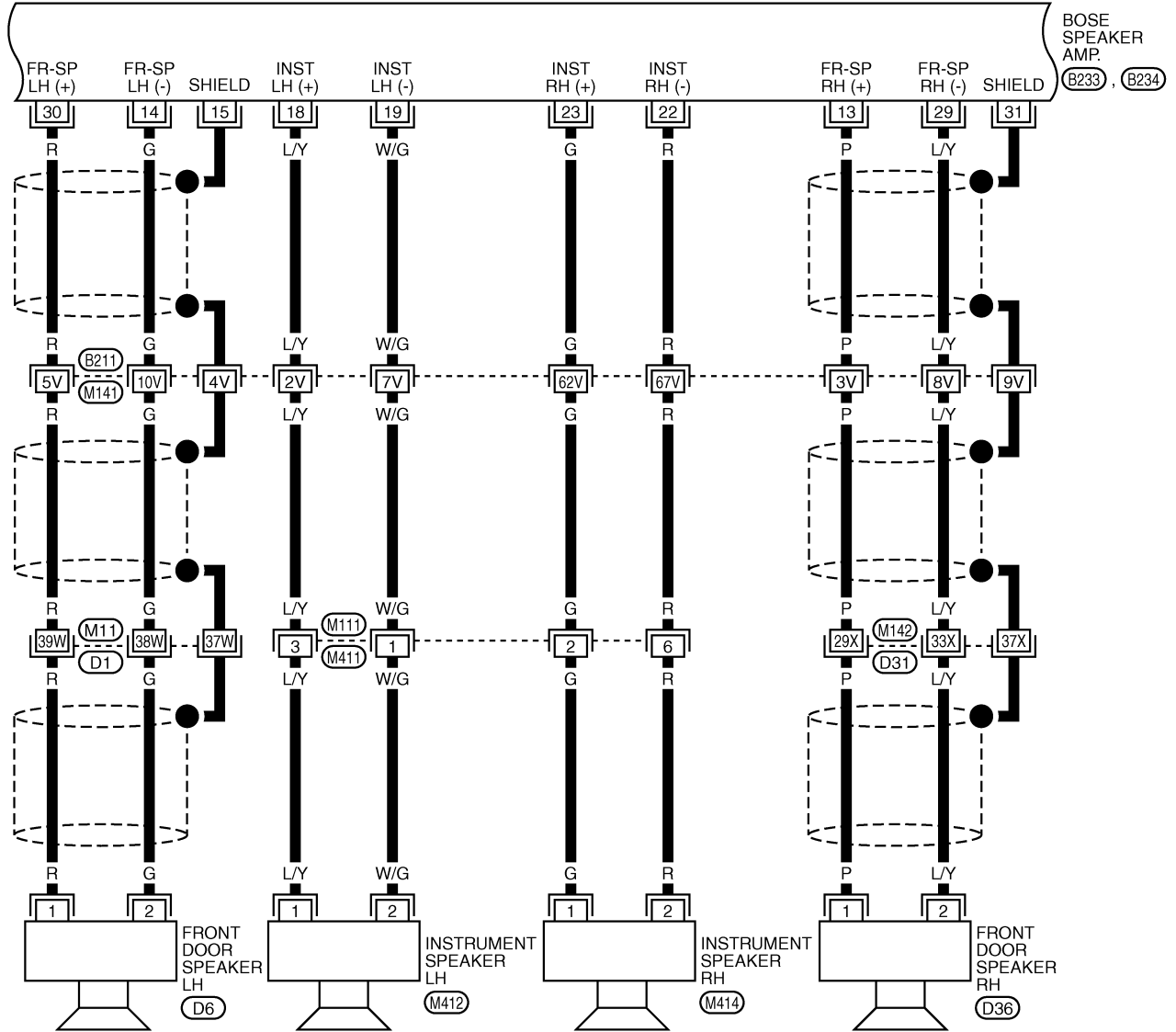
AV-AUDIO-04



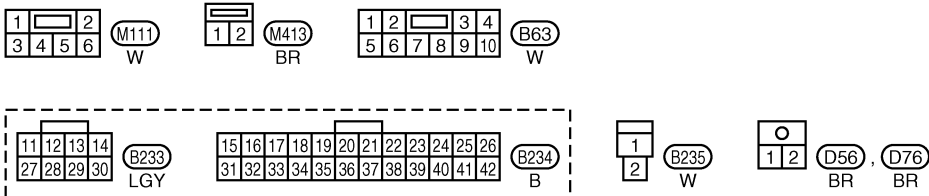
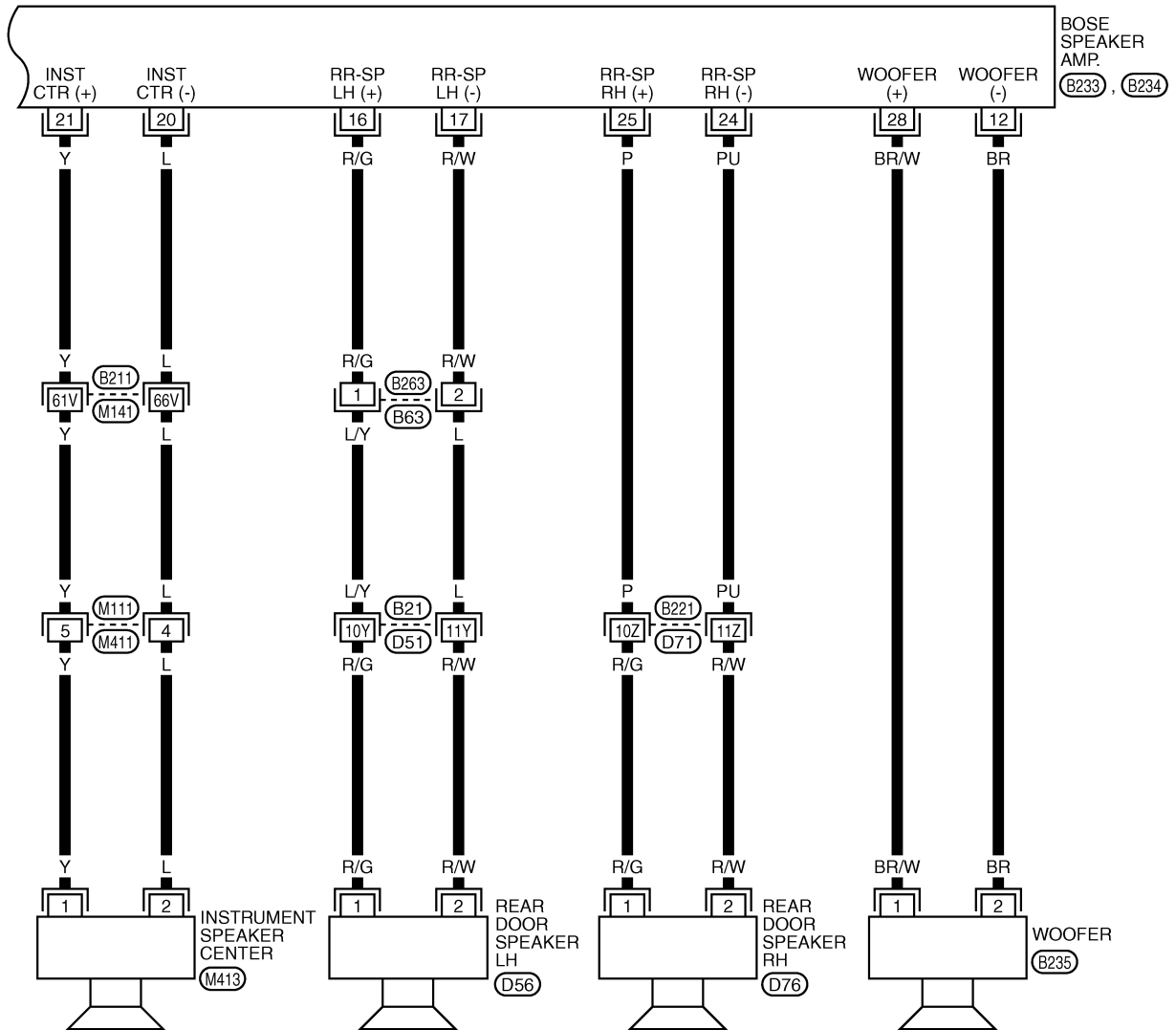
REFER TO THE FOLLOWING.

B211 -SUPER MULTIPLE JUNCTION (SMJ)

A
B
C
D
E
F
G
H
I
J
AV
L
M



REFER TO THE FOLLOWING.
(B211), (D1), (D31) -SUPER
MULTIPLE JUNCTION (SMJ)



REFER TO THE FOLLOWING.
(B21), (B211), (B221) -SUPER
MULTIPLE JUNCTION (SMJ)

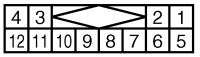
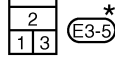
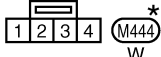
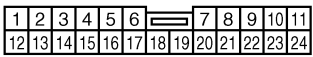
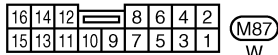
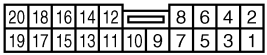
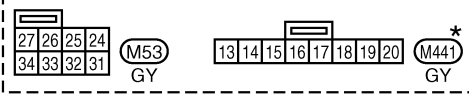
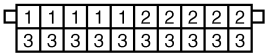
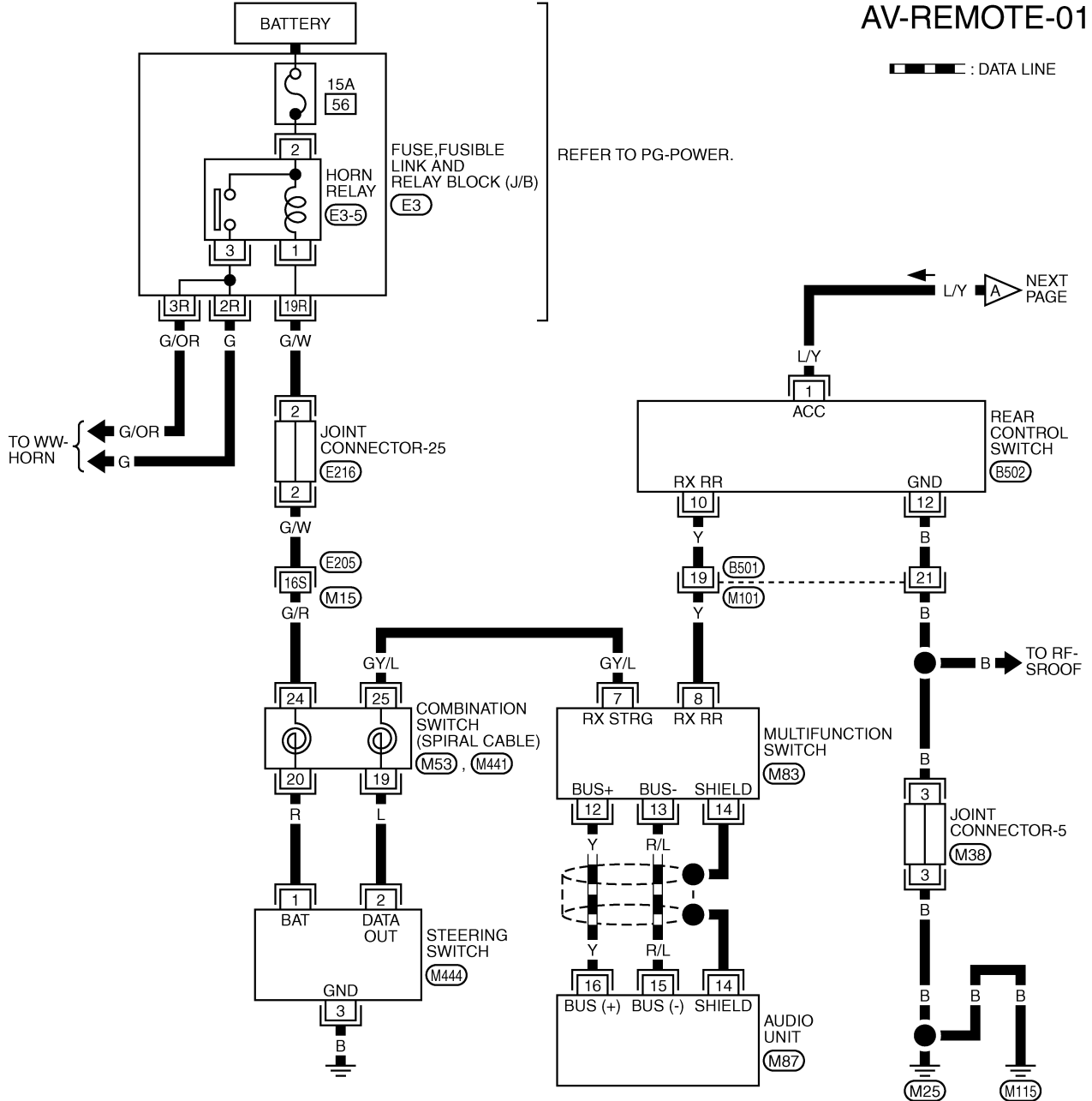
AUDIO

Wiring Diagram — REMOTE —

EKS001RD

AV-REMOTE-01

▬ : DATA LINE



*: THIS CONNECTOR IS NOT SHOWN IN "HARNESS LAYOUT", PG SECTION.

REFER TO THE FOLLOWING.

(E205) -SUPER MULTIPLE JUNCTION (SMJ)

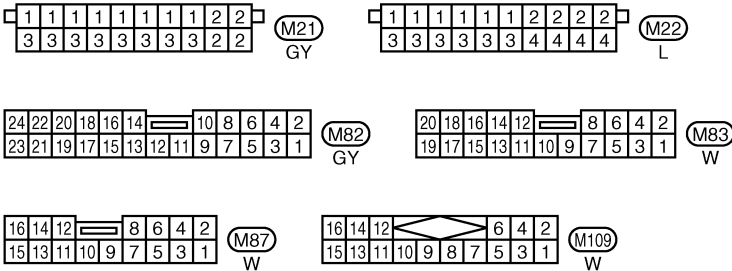
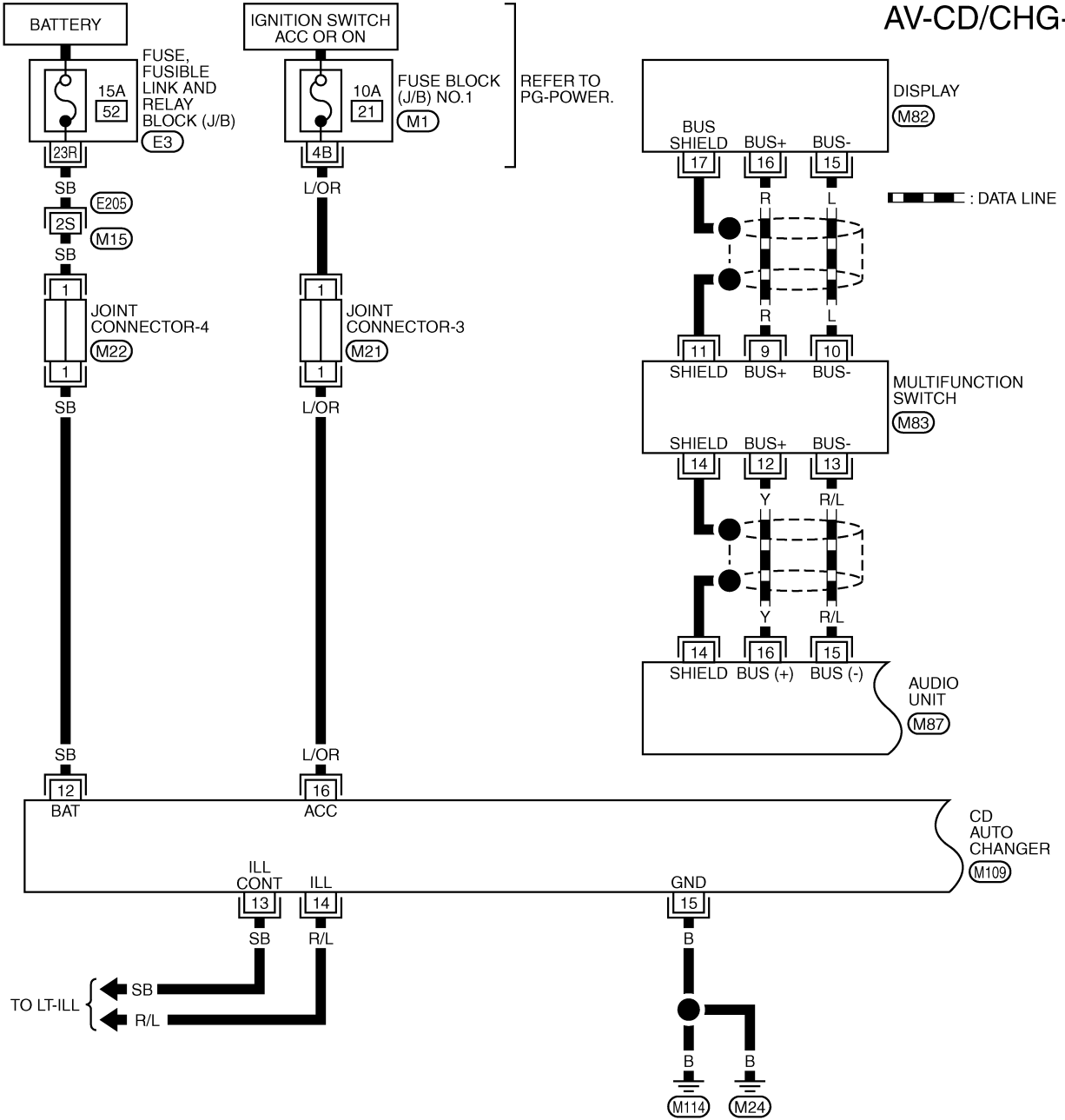
(E3) -FUSE, FUSIBLE LINK AND RELAY BLOCK (J/B)

AUDIO

Wiring Diagram — CD AUTO CHANGER —

EKS001RE

AV-CD/CHG-01



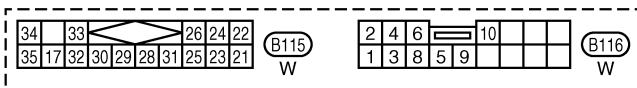
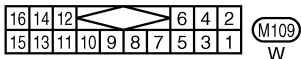
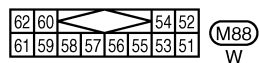
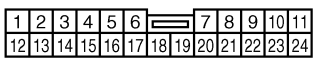
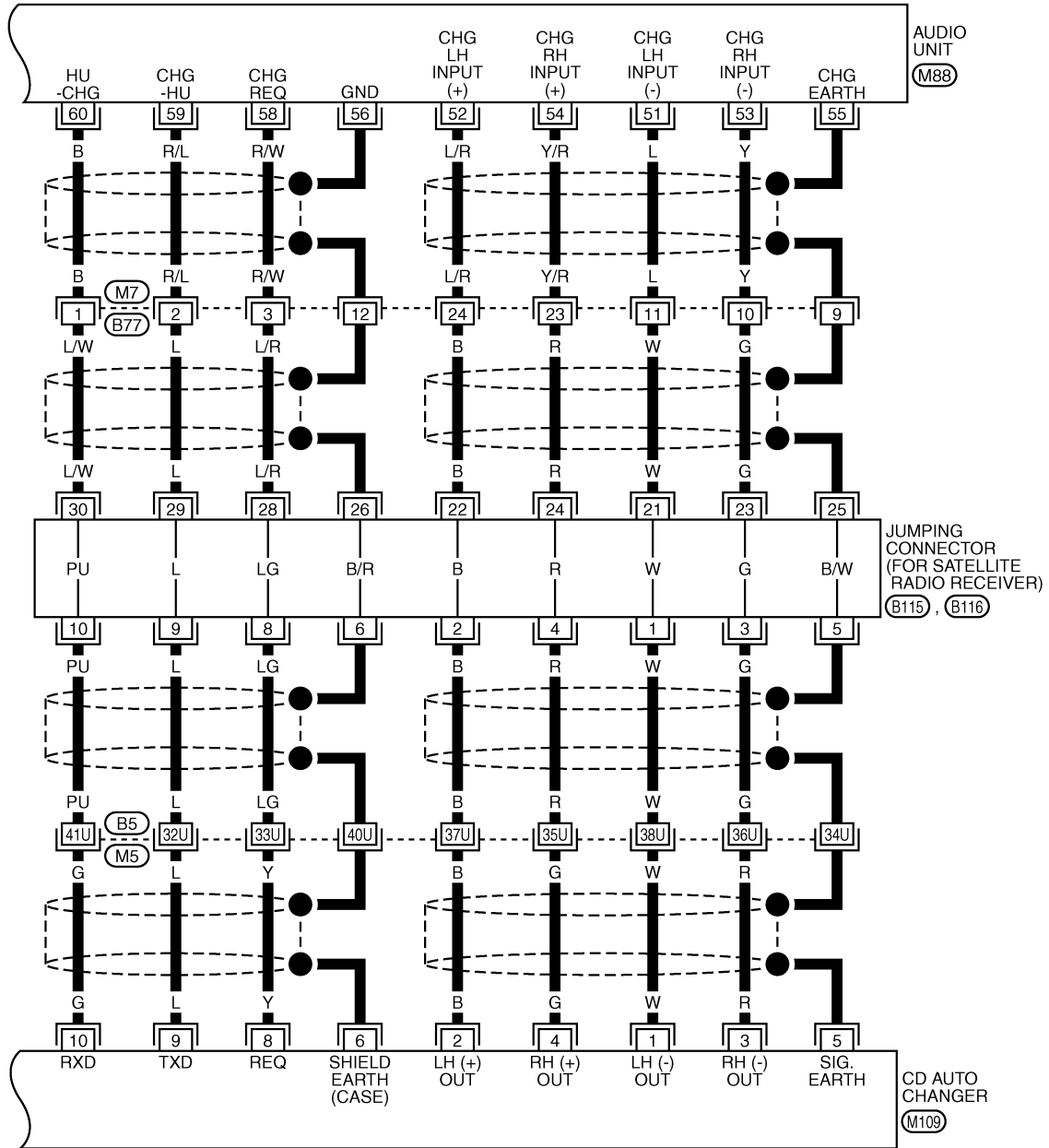
REFER TO THE FOLLOWING.

- (E205) -SUPER MULTIPLE JUNCTION (SMJ)
- (M1) -FUSE BLOCK-JUNCTION BOX (J/B) NO.1
- (E3) -FUSE, FUSIBLE LINK AND RELAY BLOCK (J/B)

TKWM0790E

AUDIO

AV-CD/CHG-02



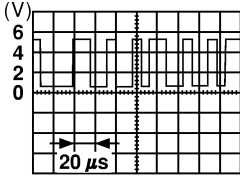
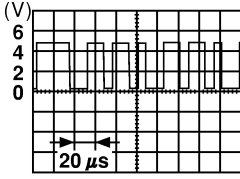
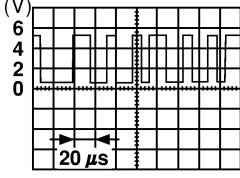
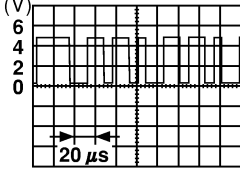
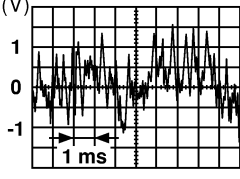
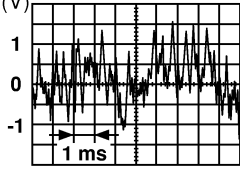
REFER TO THE FOLLOWING.

(M5) -SUPER MULTIPLE JUNCTION (SMJ)

AUDIO

Terminals and Reference Value for Audio Unit

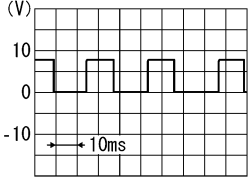
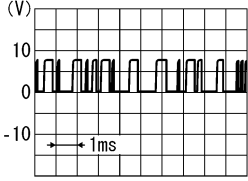
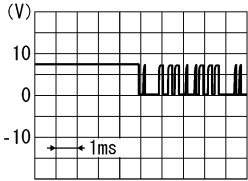
EKS000XU

Terminal		Item	Signal input/output	Condition		Reference value	Example of symptom
+	-			Ignition switch	Operation		
11 (PU)	Ground	Communication signal (-)	Input/output	ON	-	 <p style="text-align: right; font-size: small;">SKIA0176E</p>	System does not work properly.
12 (LG)	Ground	Communication signal (+)	Input/output	ON	-	 <p style="text-align: right; font-size: small;">SKIA0175E</p>	System does not work properly.
13	Ground	Shield	-	ON	-	Approx. 0V	-
14	Ground	Shield	-	ON	-	Approx. 0V	-
15 (R/L)	Ground	Communication signal (-)	Input/output	ON	-	 <p style="text-align: right; font-size: small;">SKIA0176E</p>	System does not work properly.
16 (Y)	Ground	Communication signal (+)	Input/output	ON	-	 <p style="text-align: right; font-size: small;">SKIA0175E</p>	System does not work properly.
52 (L/R)	51 (L)	CD sound signal LH	Input	ON	Play CD	 <p style="text-align: right; font-size: small;">SKIA0177E</p>	Only the sound from CD auto changer cannot play from all speakers LH.
54 (Y/R)	53 (Y)	CD sound signal RH	Input	ON	Play CD	 <p style="text-align: right; font-size: small;">SKIA0177E</p>	Only the sound from CD auto changer cannot play from all speakers RH.
55	Ground	Shield	-	ON	-	Approx. 0V	-
56	Ground	Shield	-	ON	-	Approx. 0V	-

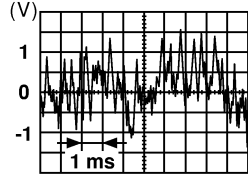
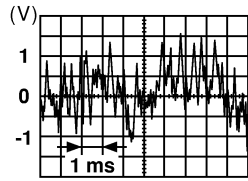
A
B
C
D
E
F
G
H
I
J
L
M

AV

AUDIO

Terminal		Item	Signal input/output	Condition		Reference value	Example of symptom
+	-			Ignition switch	Operation		
58 (R/W)	Ground	Communication signal (CHG REQ)	Input	ON	Insert/eject CD	 SKIA9299J	CD auto changer does not operate properly.
59 (R/L)	Ground	Communication signal (CHG-HU)	Input	ON	Insert/eject CD	 SKIA9300J	CD auto changer does not operate properly.
60 (B)	Ground	Communication signal (HU-CHG)	Output	ON	Push the CD switch	 SKIA9301J	CD auto changer does not operate properly.
71 (R/L)	Ground	Illumination signal	Input	ON	Lighting switch is ON	Approx. 12V	Audio unit illumination does not come on when lighting switch is ON.
					Lighting switch is OFF	Approx. 0V	
72 (L/OR)	Ground	ACC power supply	Input	ACC	-	Battery voltage	Audio unit does not operate properly.
73 (SB)	Ground	Battery power supply	Input	OFF	-	Battery voltage	System does not work properly.
75 (P/L)	Ground	Radio antenna amp. ON signal	Output	ON	-	Approx. 12V	Receiving status of radio broadcast becomes bad.
76 (SB) ^{*1} (LG) ^{*2}	Ground	Illumination control signal	Input	ON	Illumination control switch is operated by lighting switch in ON position	Changes between approx. 0 and approx. 12V	Audio unit illumination cannot be controlled.
78	Ground	Shield	-	ON	-	Approx. 0V	-

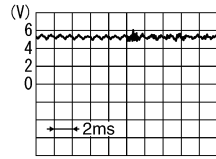
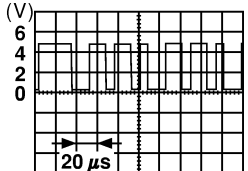
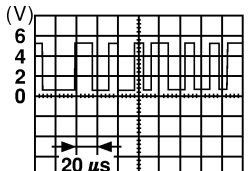
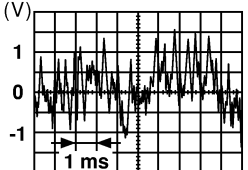
AUDIO

Terminal		Item	Signal input/output	Condition		Reference value	Example of symptom
+	-			Ignition switch	Operation		
80 (BR)	79 (Y)	Audio sound signal LH	Output	ON	Receive audio signal	 <p style="text-align: right; font-size: small;">SKIA0177E</p>	No sound from all speakers LH.
82 (B)	81 (W)	Audio sound signal RH	Output	ON	Receive audio signal	 <p style="text-align: right; font-size: small;">SKIA0177E</p>	No sound from all speakers RH.

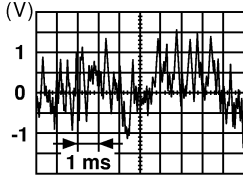
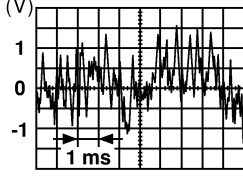
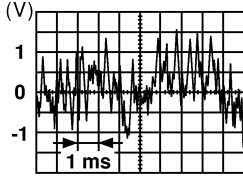
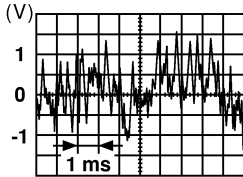
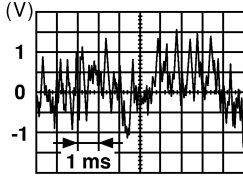
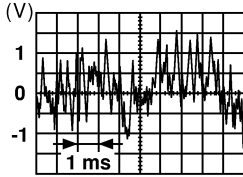
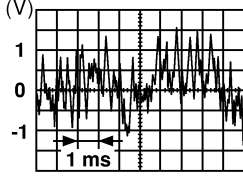
*1 : With navigation system

*2 : Without navigation system

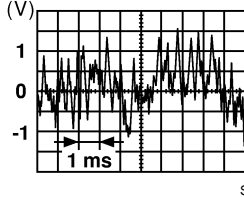
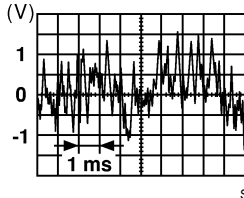
Terminals and Reference Value for BOSE Speaker Amp. EKS000XT

Terminal		Item	Signal input/output	Condition		Reference value	Example of symptom
+	-			Ignition switch	Operation		
3 (W)	4 (R/L)	Microphone signal	Input	ON	Microphone test operate	 <p style="text-align: center; font-size: small;">(reference value)</p> <p style="text-align: right; font-size: small;">PKIA2104E</p>	AUDIOPILOT™ dose not operate properly.
5 (LG)	Ground	Communication signal (+)	Input/output	ON	-	 <p style="text-align: right; font-size: small;">SKIA0175E</p>	System does not work properly.
6 (PU)	Ground	Communication signal (-)	Input/output	ON	-	 <p style="text-align: right; font-size: small;">SKIA0176E</p>	System does not work properly.
7	Ground	Shield	-	ON	-	Approx. 0V	-
11 (L)	Ground	Battery power supply	Input	OFF	-	Battery voltage	System does not work properly.
13 (P)	29 (L/Y)	Audio sound signal front door speaker RH	Output	ON	Receive audio signal	 <p style="text-align: right; font-size: small;">SKIA0177E</p>	No sound from front door speaker RH.

AUDIO

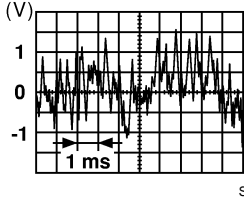
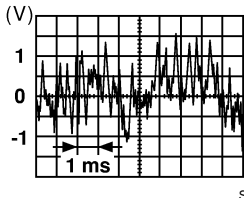
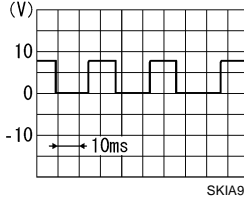
Terminal		Item	Signal input/output	Condition		Reference value	Example of symptom
+	-			Ignition switch	Operation		
15	Ground	Shield	-	ON	-	Approx. 0V	-
16 (R/G)	17 (R/W)	Audio sound signal rear door speaker LH	Output	ON	Receive audio signal	 SKIA0177E	No sound from rear door speaker LH.
18 (L/Y)	19 (W/G)	Audio sound signal instrument speaker LH	Output	ON	Receive audio signal	 SKIA0177E	No sound from instrument speaker LH.
21 (Y)	20 (L)	Audio sound signal instrument speaker center	Output	ON	Receive audio signal	 SKIA0177E	No sound from instrument speaker center.
23 (G)	22 (R)	Audio sound signal instrument speaker RH	Output	ON	Receive audio signal	 SKIA0177E	No sound from instrument speaker RH.
25 (P)	24 (PU)	Audio sound signal rear door speaker RH	Output	ON	Receive audio signal	 SKIA0177E	No sound from rear door speaker RH.
27 (B)	Ground	Ground	-	ON	-	Approx. 0V	-
28 (BR/W)	12 (BR)	Audio sound signal woofer	Output	ON	Receive audio signal	 SKIA0177E	No sound from woofer.
30 (R)	14 (G)	Audio sound signal front door speaker LH	Output	ON	Receive audio signal	 SKIA0177E	No sound from front door speaker LH.
31	Ground	Shield	-	ON	-	Approx. 0V	-

AUDIO

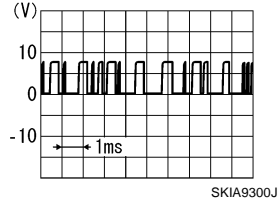
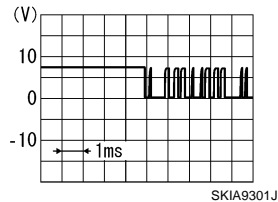
Terminal		Item	Signal input/output	Condition		Reference value	Example of symptom
+	-			Ignition switch	Operation		
32	Ground	Shield	-	ON	-	Approx. 0V	-
34 (OR/L)	Ground	ACC power supply	Input	ACC	-	Battery voltage	System does not work properly.
40 (BR)	39 (Y)	Audio sound signal LH	Input	ON	Receive audio signal		No sound from all speakers LH.
41 (B)	38 (W)	Audio sound signal RH	Input	ON	Receive audio signal		No sound from all speakers RH.

Terminals and Reference Value for CD Auto Changer

EKS0012U

Terminal		Signal name	Signal input/output	Condition		Reference value	Example of symptom
+	-			Ignition switch	Operation		
2 (B)	1 (W)	CD sound signal LH	Output	ON	Play CD		Only the sound from CD auto changer cannot play from all speakers LH.
4 (G)	3 (R)	CD sound signal RH	Output	ON	Play CD		Only the sound from CD auto changer cannot play from all speakers RH.
5	Ground	Shield	-	ON	-	Approx. 0V	-
6	Ground	Shield	-	ON	-	Approx. 0V	-
8 (Y)	Ground	Communication signal (REQ)	Output	ON	Insert/eject CD		CD auto changer does not operate properly.

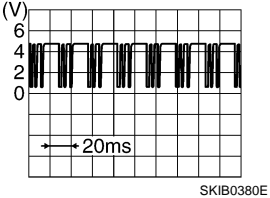
AUDIO

Terminal		Signal name	Signal input/output	Condition		Reference value	Example of symptom
+	-			Ignition switch	Operation		
9 (L)	Ground	Communication signal (TXD)	Output	ON	Insert/eject CD		CD auto changer does not operate properly.
10 (G)	Ground	Communication signal (RXD)	Input	ON	Push the CD switch		CD auto changer does not operate properly.
12 (SB)	Ground	Battery power supply	Input	OFF	-	Battery voltage	CD auto changer does not work properly.
13 (SB)	Ground	Illumination control signal	Input	ON	illumination control switch is operated by lighting switch in ON position	Changes between approx. 0 and approx. 12V	CD auto changer illumination cannot be controlled.
14 (R/L)	Ground	Illumination signal	Input	ON	Lighting switch is ON	Approx. 12V	CD auto changer illumination does not come on when lighting switch is ON.
					Lighting switch is OFF	Approx. 0V	
15 (B)	Ground	Ground	-	ON	-	Approx. 0V	-
16 (L/OR)	Ground	ACC power supply	Input	ACC	-	Battery voltage	CD auto changer does not operate properly.

AUDIO

Terminals and Reference Value for Rear Control Switch

EKS001JO

Terminal		Signal name	Signal input/output	Condition		Reference value	Example of symptom
+	-			Ignition switch	Operation		
1 (L/Y)	Ground	ACC power supply	Input	ACC	Rear control cancel switch is ON (position ON)	Battery voltage	Rear control switch does not operate properly.
10 (Y)	Ground	Communication signal (RX)	Output	ON	Operate the rear control switch		Rear control switch does not operate properly.
12 (B)	Ground	Ground	-	ON	-	Approx. 0V	-

Terminals and Reference Value for Rear Control Cancel Switch

EKS006H5

Terminal		Signal name	Signal input/output	Condition		Reference value	Example of symptom
+	-			Ignition switch	Operation		
3 (G)	Ground	Rear control cancel switch signal	Output	ACC	Rear control cancel switch is ON (position ON)	Battery voltage	Rear control switch does not operate properly.
					Rear control cancel switch is OFF (position CANCEL)	Approx. 0V	
4 (P/B)	Ground	Acc power supply	Input	ACC	-	Battery voltage	Rear control switch does not operate properly.

A
B
C
D
E
F
G
H
I
J
L
M

AV

AUDIO

EKS006RK

Self-Diagnosis Function DESCRIPTION

- Diagnosis function consists of the self-diagnosis mode, and the “CONFIRMATION/ADJUSTMENT” mode.
- Self-diagnosis mode checks for connection among audio unit, and CD auto changer and analyzes each unit, then displays the results.
- “CONFIRMATION/ADJUSTMENT” function analyzes each speaker.(without navigation system)

DIAGNOSIS ITEM

Mode	Description
Self-diagnosis	<ul style="list-style-type: none"> ● Check connection among AV and NAVI control unit or AV control unit and audio unit and CD Auto changer and BOSE speaker amp. ● Perform the unit diagnosis of audio unit, CD auto changer and BOSE speaker amp.
Confirmation/Adjustment (without navigation system)	<ul style="list-style-type: none"> ● Check the connection of each speaker using a test tone.

Self-Diagnosis Mode OPERATION PROCEDURE

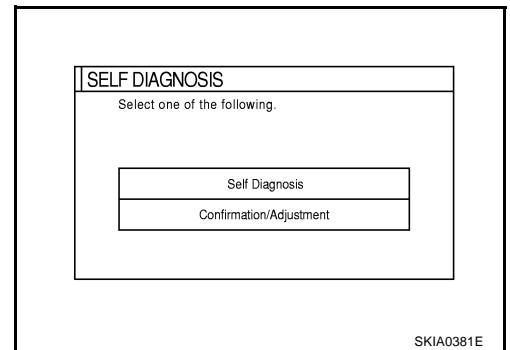
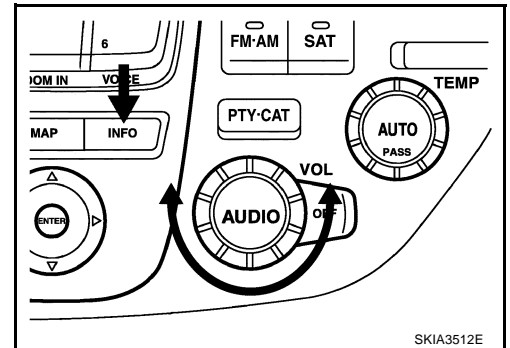
EKS001FA

- To start the self-diagnosis mode and to check the diagnosis result, refer to [AV-83. "Self-Diagnosis Mode"](#) for models with navigation system, and [DI-98. "Self-Diagnosis Mode"](#) for models without navigation system.

Confirmation/Adjustment Mode OPERATION PROCEDURE

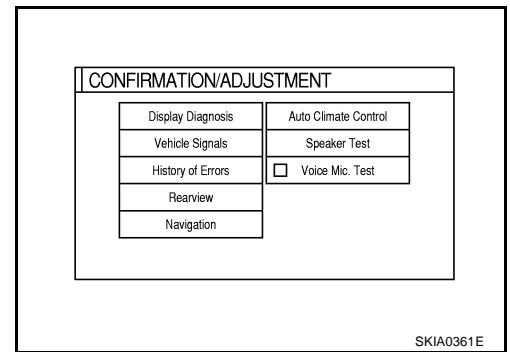
EKS006RL

1. Start the engine.
2. Turn the audio system OFF.
3. While pushing the “INFO” switch, turn the volume control dial clockwise or counterclockwise for 30 clicks or more. (When self-diagnosis mode is aggravated, a short beep will be heard.)
 - To return to the previous screen, push “PREV” switch.
4. The initial trouble diagnosis screen will be shown, and items “Self-Diagnosis” and “Confirmation/Adjustment” will become selective.



AUDIO

5. When "Confirmation/Adjustment" is selected on the trouble diagnosis screen, the operation will enter the Confirmation/Adjustment mode. In this mode, check and adjustment of each item will become possible.

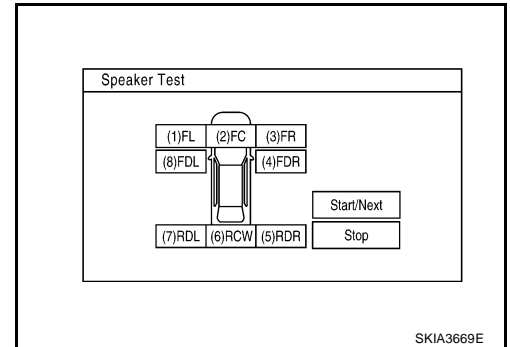


6. When "Speaker Test" is selected, the speaker diagnosis screen will be shown. Then push "Start/Next" and the test tone will be emitted from one speaker. Push "Start/Next" again and the test tone will be emitted from another speaker. Push "Stop" and the test tone will be stopped.

NOTE:

Test tones emitted from each speaker are as follows.

- Instrument speaker** :1 kHz
- Door speaker** :1 kHz
- Woofer** :100 Hz



Trouble Diagnosis

EKS000XY

The majority of the audio malfunctions are the result of outside causes (bad CD/cassette, electromagnetic interference, etc.). Check the symptoms below to diagnose the malfunction.

MALFUNCTION WITH RADIO, TAPE AND CD

Make sure that operation excepting audio system can be done with multifunction switch. If not, refer [DI-115, "Multifunction Switch Does Not Operate"](#) (Without navigation system), [DI-142, "Multifunction Switch Does Not Operate"](#) (With navigation system) to repair malfunctioning parts.

Symptom	Check item	Possible cause
Inoperative	<ul style="list-style-type: none"> ● Make sure that the ignition switch is in the ACC or ON position. 	<ul style="list-style-type: none"> ● Audio unit power supply circuit. Refer to AV-31, "Power Supply Circuit Inspection". ● BOSE speaker amp. power supply and ground circuit. Refer to AV-31, "Power Supply Circuit Inspection". ● Open or short in communication line between audio unit and BOSE speaker amp. Refer to AV-26, "Self-Diagnosis Mode". ● Audio unit ● BOSE speaker amp.
No sound	<ul style="list-style-type: none"> ● Make sure that the volume is not turned down. ● Make sure that the balance and fader control knobs are centered. 	<ul style="list-style-type: none"> ● Open or short in sound signal circuit between audio unit and BOSE speaker amp. ● Open or short in sound signal circuit between BOSE speaker amp. and speaker ● Audio unit ● BOSE speaker amp. ● Speaker

AUDIO

Symptom	Check item	Possible cause
Poor sound	<ul style="list-style-type: none"> ● Make sure that the bass and treble adjustment knobs are centered. 	<ul style="list-style-type: none"> ● Audio unit ● BOSE speaker amp. ● Speaker
Noisy	–	<ul style="list-style-type: none"> ● Audio unit ● BOSE speaker amp. ● Each electrical equipment

FOR RADIO ONLY

Symptom	Check items	Possible cause
No sound	<ul style="list-style-type: none"> ● Make sure that the radio is tuned to a station's frequency. 	<ul style="list-style-type: none"> ● Audio unit ● Antenna feeder ● Antenna amp. ON signal ● Antenna amp. ● Glass antenna
Noisy	<ul style="list-style-type: none"> ● Make sure that the radio is tuned to a station's frequency. ● Make sure that the signal of the received station is not weak. ● Make sure that no mirror-type window film nor any metal object (after-market antenna, etc.) is attached on the rear window glass (Note 1). ● Check whether or not the malfunction occurs only in a particular area. (Note 2) 	<ul style="list-style-type: none"> ● Audio unit ● Antenna feeder ● Antenna amp. ON signal ● Antenna amp. ● Glass antenna ● Noise prevention parts ● Each electrical equipment ● Wire harness of each piece of electrical equipment
Selected radio stations stored in memory are deleted	–	<ul style="list-style-type: none"> ● Audio unit

NOTE:

1. The cause is a reduction in the receiving sensitivity of the window antenna.
2. This is noise resulting from variations in field strength, such as fading noise and multi-path noise, or external noise from trains and other sources. It is not a malfunction.
 - Fading noise: This noise occurs because of variations in the field strength in a narrow range due to mountains or buildings blocking the signal.
 - Multi-path noise: This noise results from the waves sent directly from the broadcast station arriving at the antenna at a different time from the waves which reflect off of mountains or buildings.

AUDIO

FOR CASSETTE PLAYER ONLY

Symptom	Check items	Possible cause
Cassette tape cannot be inserted	<ul style="list-style-type: none"> ● Make sure that a cassette tape is not already inserted. ● Make sure that the cassette has no deformation or other malfunction. 	● Audio unit
Cassette tape cannot be ejected	<ul style="list-style-type: none"> ● Make sure that the cassette has no deformation or other malfunction. ● Make sure that the cassette tape does not sag. 	
Auto reverse does not work, or the tape direction changes in the middle of play	<ul style="list-style-type: none"> ● There is a malfunction with tape winding. Make sure there is no slack or other malfunction. ● Make sure that an old cassette tape is not being used. 	
There is much noise	<ul style="list-style-type: none"> ● Make sure that the cassette tape itself does not have a lot of noise, or that the tape does not have a low recording level. 	
The sound is not clear	<ul style="list-style-type: none"> ● Make sure that the tune is recorded on tape with Dolby B NR OFF and played with Dolby B NR ON. ● Make sure that the sound quality of the cassette tape itself is not poor. 	
Sound fluctuates/tape speed not correct	<ul style="list-style-type: none"> ● Make sure that there is no tape winding malfunction, sagging, stretching, or other malfunction. ● Make sure that there is no malfunction with the recording speed of the cassette tape. 	
No sound	<ul style="list-style-type: none"> ● Make sure that the cassette tape has been recorded on. 	

FOR CD ONLY

Symptom	Check items	Possible cause
CD cannot be inserted	Make sure that a CD is not already inserted.	<ul style="list-style-type: none"> ● CD auto changer battery power supply and ground circuit. Refer to AV-31, "Power Supply Circuit Inspection". ● CD auto changer
CD cannot be ejected	—	
CD cannot be played	<ul style="list-style-type: none"> ● Make sure that the CD is not upside down. ● Make sure that there is no dirt, damage, or water on the disc. 	<ul style="list-style-type: none"> ● CD auto changer ACC power supply power supply circuit. Refer to AV-31, "Power Supply Circuit Inspection". ● Open or short in communication line between audio unit and CD auto changer. Refer to AV-26, "Self-Diagnosis Mode". ● CD auto changer ● Audio unit

AUDIO

Symptom	Check items	Possible cause
No sound	<ul style="list-style-type: none"> ● Make sure that the CD is not upside down. ● Make sure that there is no dirt, damage, or water on the disc. 	<ul style="list-style-type: none"> ● Open or short in sound signal circuit between audio unit and CD auto changer ● CD auto changer ● Audio unit
The sound skips, stops suddenly, or is distorted	<ul style="list-style-type: none"> ● Make sure that there is no dirt, damage, or water on the disc. ● Make sure that the trouble is not due to strong vibration. 	<ul style="list-style-type: none"> ● CD auto changer

Noise Inspection

EKS000XZ

The vehicle itself can be a source of noise if noise prevention parts or electrical equipment is malfunction. Check if noise is caused and/or changed by engine rotation, ignition switch turned to each position, and operation of each piece of electrical equipment, and determine the cause.

NOTE:

The source of the noise can be found easily by listening to the noise while removing the fuses of electrical components, one by one.

TYPE OF NOISE AND POSSIBLE CAUSE

Occurrence condition	Possible cause	
Occurs only when engine is ON	A continuous growling noise occurs. The speed of the noise varies with changes in the engine speed.	<ul style="list-style-type: none"> ● Malfunction with the ignition condenser
	A whistling noise occurs while the engine speed is high. A booming noise occurs while the engine is running and the lighting switch is ON.	<ul style="list-style-type: none"> ● Malfunction with the alternator
The occurrence of the noise is linked with the operation of the fuel pump	<ul style="list-style-type: none"> ● Malfunction with the fuel pump condenser 	
Noise only occurs when various electrical components are operating	A cracking or snapping sound occurs with the operation of various switches.	<ul style="list-style-type: none"> ● Relay malfunction, radio malfunction
	The noise occurs when various motors are operating.	<ul style="list-style-type: none"> ● Malfunction with the motor case ground ● Malfunction with the motor
The noise occurs constantly, not just under certain conditions	<ul style="list-style-type: none"> ● Rear window defogger coil malfunction ● Open circuit in printed heater ● Poor ground of antenna amplifier or antenna feeder line ● Mirror type film is attached on the rear window glass ● After-market TV antenna and/or electrical accessories such as radio are attached on the rear window glass 	
A cracking or snapping sound occurs while the vehicle is being driven, especially when it is vibrating excessively	<ul style="list-style-type: none"> ● Malfunction with the ground wire of body parts ● Malfunction with ground due to part installation malfunction ● Malfunction with wiring connections or a short circuit 	

AUDIO

EKS000Y0

Power Supply Circuit Inspection

1. CHECK FUSE

Make sure that the following fuses and fusible link of the audio unit, BOSE speaker amp. and CD auto changer are not blown.

Unit	Signal name	Fuse No.
Audio unit	Battery power supply	#52
	ACC power supply	#21
BOSE speaker amp.	Battery power supply	#J
	ACC power supply	#21
CD auto changer	Battery power supply	#52
	ACC power supply	#21

OK or NG

OK >> GO TO 2.

NG >> If fuse or fusible link is blown, be sure to eliminate cause of malfunction before installing new fuse or fusible link. Refer to [PG-2, "POWER SUPPLY ROUTING"](#).

2. CHECK POWER SUPPLY CIRCUIT

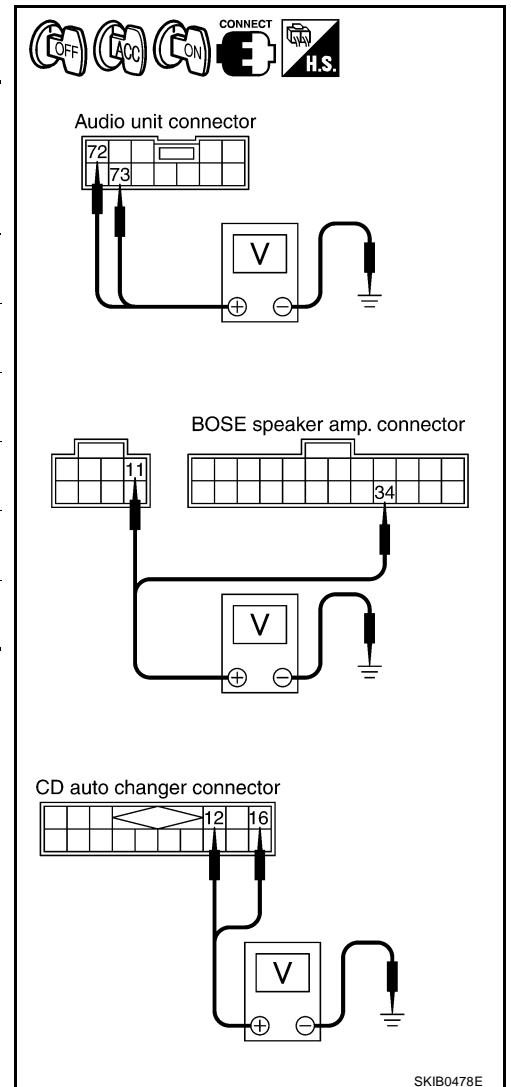
Check voltage between the following harness connector terminal (+) and ground (-).

Unit	Terminals		OFF	ACC	ON	
	(+)					(-)
	Connector	Terminal (Wire color)				
Audio unit	M86	73 (SB)	Ground	Battery voltage	Battery voltage	Battery voltage
		72 (L/OR)		0V	Battery voltage	Battery voltage
BOSE speaker amp.	B233	11 (L)		Battery voltage	Battery voltage	Battery voltage
	B234	34 (OR/L)		0V	Battery voltage	Battery voltage
CD auto changer	M109	12 (SB)		Battery voltage	Battery voltage	Battery voltage
		16 (L/OR)		0V	Battery voltage	Battery voltage

OK or NG

OK >> GO TO 3.

NG >> Repair harness or connector.



AUDIO

3. CHECK GROUND CIRCUIT

1. Turn ignition switch OFF.
2. Disconnect BOSE speaker amp. connector and CD auto changer connector.
3. Check continuity between BOSE speaker amp. harness connector B233 terminal 27 (B) and ground.

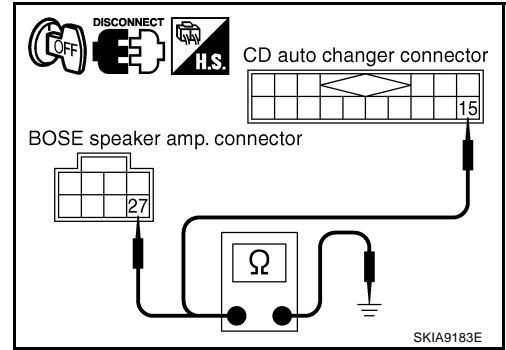
27 – Ground : Continuity should exist.

4. Check continuity between CD auto changer harness connector M109 terminal 15 (B) and ground.

15 – Ground : Continuity should exist.

OK or NG

- OK >> INSPECTION END
NG >> Repair harness or connector.



Steering Switch Does Not Operate

EKS001JP

1. SELF-DIAGNOSIS MODE OF MULTIFUNCTION SWITCH

1. Perform the self-diagnosis mode in the self-diagnosis function. Refer to [DI-104, "Multifunction Switch Self-Diagnosis Function"](#) (Without navigation system), [DI-137, "Multifunction Switch Self-Diagnosis Function"](#) (With navigation system).
2. Push steering switch.

Beep sound should operate.

OK or NG

- OK >> GO TO 8.
NG >> GO TO 2.

2. CHECK HORN OPERATION

Check horn operation.

Horn should operate.

OK or NG

- OK >> GO TO 5.
NG >> GO TO 3.

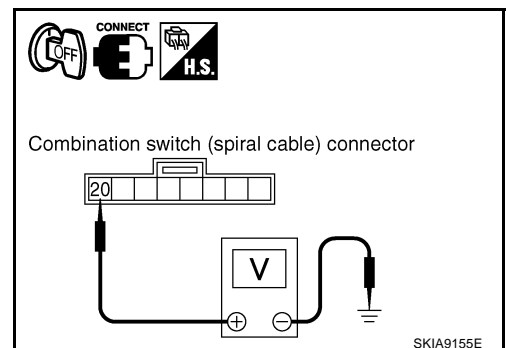
3. CHECK POWER SUPPLY CIRCUIT

1. Turn ignition switch OFF.
2. Check voltage between combination switch (spiral cable) harness connector M441 terminal 20 (R) and ground.

20 – Ground : Battery voltage

OK or NG

- OK >> GO TO 5.
NG >> GO TO 4.



AUDIO

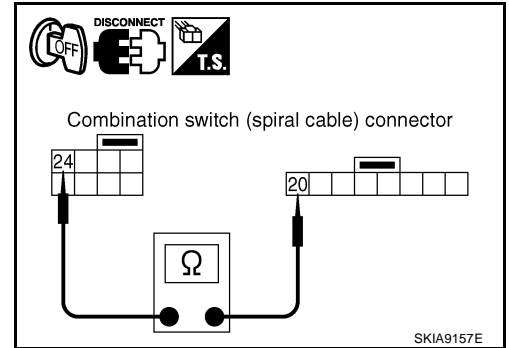
4. CHECK COMBINATION SWITCH (SPIRAL CABLE)

1. Disconnect combination switch (spiral cable) connector.
2. Check continuity between combination switch (spiral cable) connector M53 terminal 24 and connector M441 terminal 20.

24 – 20 : Continuity should exist.

OK or NG

- OK >> Repair power supply circuit of horn system.
NG >> Replace combination switch (spiral cable).



5. CHECK HARNESS

1. Turn ignition switch OFF.
2. Disconnect steering switch connector and combination switch (spiral cable) connector.
3. Check continuity between steering switch harness connector M444 terminals 1 (R), 2 (L) and combination switch (spiral cable) harness connector M441 terminals 20 (R), 19 (L).

1 – 20 : Continuity should exist.

2 – 19 : Continuity should exist.

4. Check continuity between steering switch harness connector M444 terminals 1 (R), 2 (L) and ground.

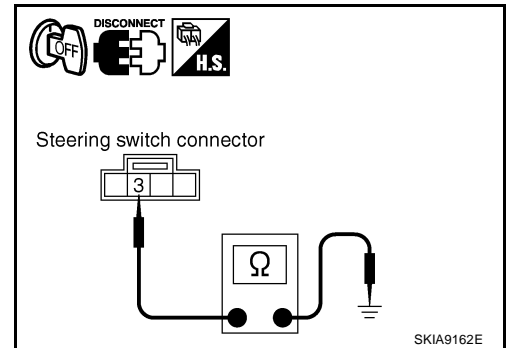
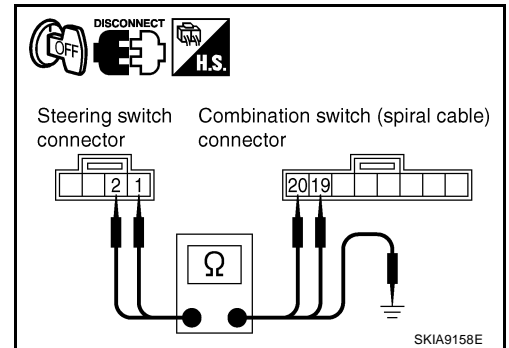
1, 2 – Ground : Continuity should not exist.

5. Check continuity between steering switch harness connector M444 terminal 3 (B) and ground.

3 – Ground : Continuity should exist.

OK or NG

- OK >> GO TO 6.
NG >> Repair harness or connector.



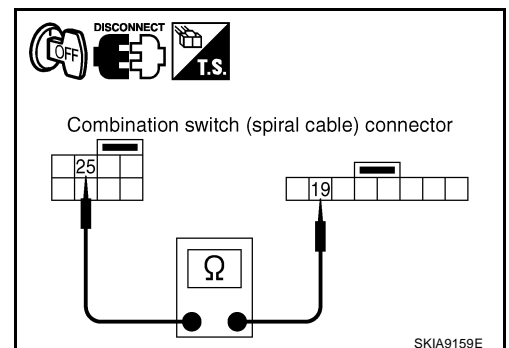
6. CHECK COMBINATION SWITCH (SPIRAL CABLE)

1. Disconnect combination switch (spiral cable) connector.
2. Check continuity between combination switch (spiral cable) connector M53 terminal 25 and connector M441 terminal 19.

25 – 19 : Continuity should exist.

OK or NG

- OK >> GO TO 7.
NG >> Replace combination switch (spiral cable).



AUDIO

7. CHECK HARNESS

1. Disconnect multifunction switch connector.
2. Check continuity between combination switch (spiral cable) harness connector M53 terminal 25 (GY/L) and multifunction switch harness connector M83 terminal 7 (GY/L).

25 – 7 : Continuity should exist.

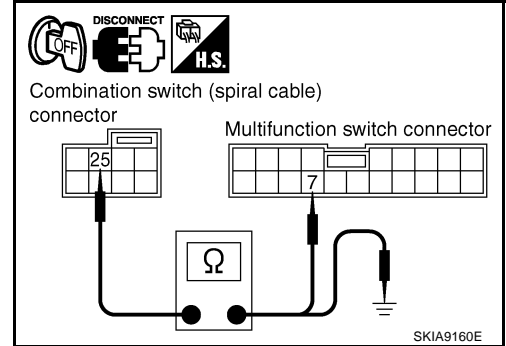
3. Check continuity between combination switch (spiral cable) harness connector M53 terminal 25 (GY/L) and ground.

25 – Ground : Continuity should not exist.

OK or NG

OK >> GO TO 8.

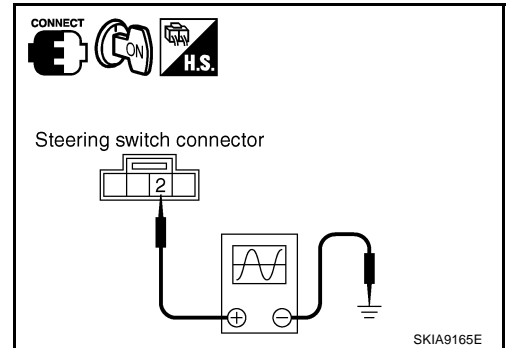
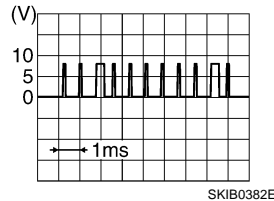
NG >> Repair harness or connector.



8. CHECK STEERING SWITCH CIRCUIT

1. Connect steering switch connector, combination switch (spiral cable) connector and multifunction switch connector.
2. Turn ignition switch ON.
3. Check signal between steering switch harness connector M444 terminal 2 (L) and ground with CONSULT-II or oscilloscope, when operating the steering switch.

2 – Ground:



OK or NG

OK >> Replace multifunction switch.

NG >> Replace steering switch.

Rear Control Switch Does Not Operate

EKS006FL

1. CONFIRM STATUS OF REAR CONTROL CANCEL SWITCH

Is rear control cancel switch in the status of cancel?

YES or NO

YES >> After turning on the switch reconfirm the status.

NO >> GO TO 2.

2. SELF-DIAGNOSIS MODE OF MULTIFUNCTION SWITCH

1. Perform the self-diagnosis mode in the self-diagnosis function. Refer to [DI-104, "Multifunction Switch Self-Diagnosis Function"](#) (Without navigation system), [DI-137, "Multifunction Switch Self-Diagnosis Function"](#) (With navigation system).
2. Push rear control switch.

Beep sound should operate.

OK or NG

OK >> GO TO 12.

NG >> GO TO 3.

AUDIO

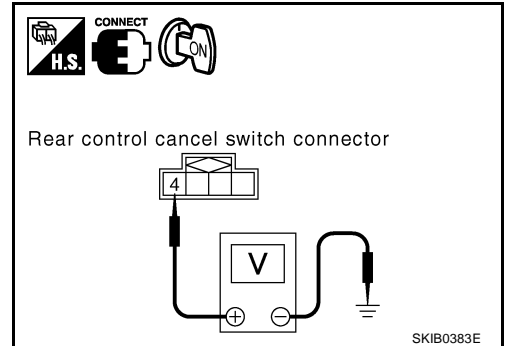
3. CHECK POWER SUPPLY CIRCUIT

1. Turn ignition switch ON.
2. Check voltage between rear control cancel switch harness connector R16 terminal 4 (P/B) and ground.

4 – Ground : Battery voltage

OK or NG

- OK >> GO TO 4.
NG >> Repair harness or connector.



4. CHECK REAR CONTROL CANCEL SWITCH

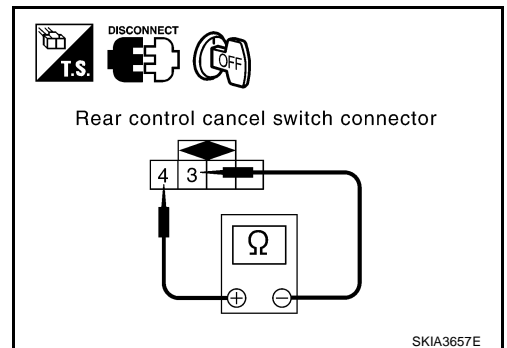
1. Turn ignition switch OFF.
2. Disconnect rear control cancel switch connector.
3. Check continuity between rear control cancel switch terminals 3 and 4.

When push “ON” : Continuity should exist.

When push “CANCEL” : Continuity should not exist.

OK or NG

- OK >> GO TO 5.
NG >> Replace rear control cancel switch.



5. CHECK HARNESS

1. Disconnect rear control cancel relay connector.
2. Check continuity between rear control cancel switch harness connector R16 terminal 3 (G) and rear control cancel relay harness connector B253 terminal 2 (G).

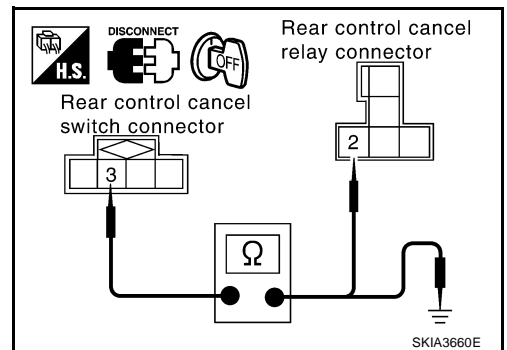
3 – 2 : Continuity should exist.

3. Check continuity between rear control cancel switch harness connector R16 terminal 3 (G) and ground.

3 – Ground : Continuity should not exist.

OK or NG

- OK >> GO TO 6.
NG >> Repair harness or connector.



AUDIO

6. CHECK REAR CONTROL CANCEL RELAY GROUND CIRCUIT

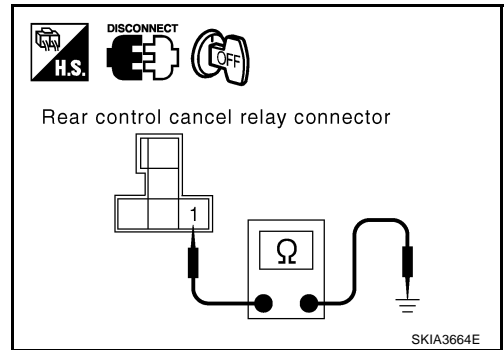
Check continuity rear control cancel relay harness connector B253 terminal 1 (B) and ground.

1 – Ground : Continuity should exist.

OK or NG

OK >> GO TO 7.

NG >> Repair harness or connector.



7. CHECK REAR CONTROL CANCEL RELAY

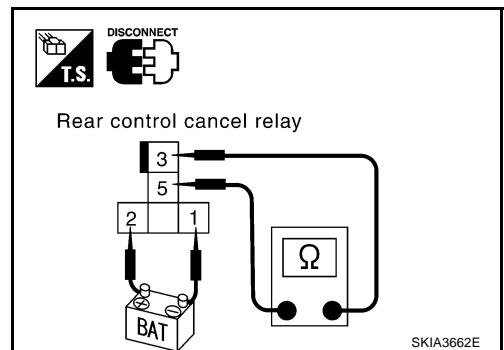
1. Supply 12V current between rear control cancel relay terminals 1 and 2.
2. Check continuity between rear control cancel relay terminals 3 and 5.

3 – 5 : Continuity should exist.

OK or NG

OK >> GO TO 8.

NG >> Replace rear control cancel relay.



8. CHECK POWER SUPPLY CIRCUIT

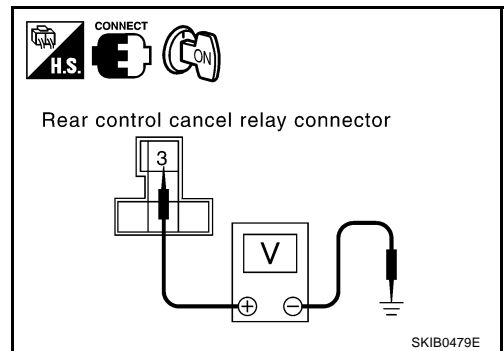
1. Connect rear control cancel switch connector and rear control cancel relay connector.
2. Turn ignition switch ON.
3. Check voltage between rear control cancel relay harness connector B253 terminal 3 (L/OR) and ground.

3 – Ground : Battery voltage

OK or NG

OK >> GO TO 9.

NG >> Repair harness or connector.



AUDIO

9. CHECK HARNESS

1. Turn ignition switch OFF.
2. Disconnect rear control switch connector and rear control cancel relay connector.
3. Check continuity between rear control switch harness connector B502 terminal 1 (L/Y) and rear control cancel relay harness connector B253 terminal 5 (L/Y).

1 – 5 : Continuity should exist.

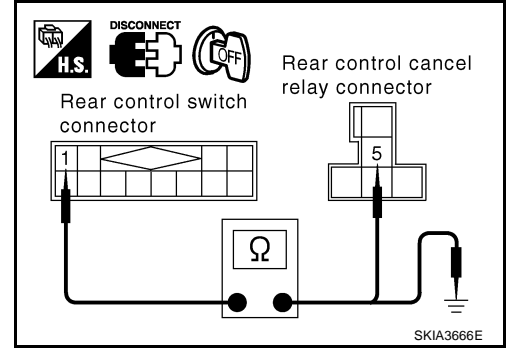
4. Check continuity between rear control switch harness connector B502 terminal 1 (L/Y) and ground.

1 – Ground : Continuity should not exist.

OK or NG

OK >> GO TO 10.

NG >> Repair harness or connector.



10. CHECK HARNESS

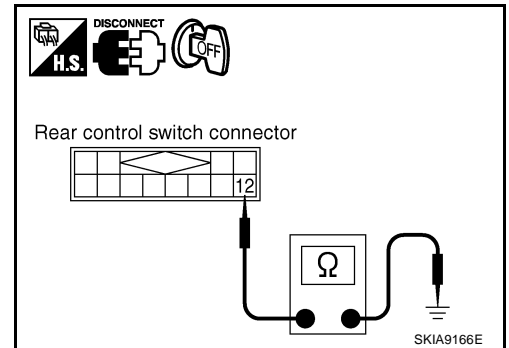
Check continuity between rear control switch harness connector B502 terminal 12 (B) and ground.

12 – Ground : Continuity should exist.

OK or NG

OK >> GO TO 11.

NG >> Repair harness or connector.



11. CHECK HARNESS

1. Disconnect multifunction switch connector.
2. Check continuity between rear control switch harness connector B502 terminal 10 (Y) and multifunction switch harness connector M83 terminal 8 (Y).

10 – 8 : Continuity should exist.

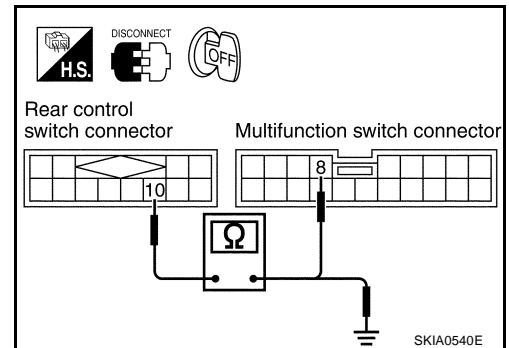
3. Check continuity between rear control switch harness connector B502 terminal 10 (Y) and ground.

10 – Ground : Continuity should not exist.

OK or NG

OK >> GO TO 12.

NG >> Repair harness or connector.



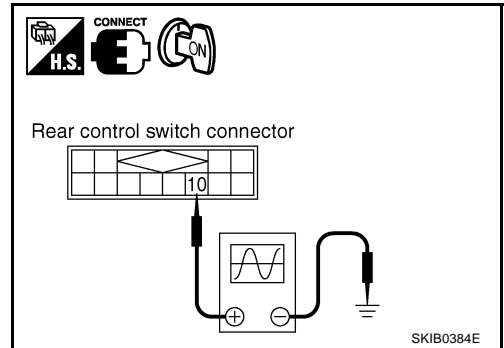
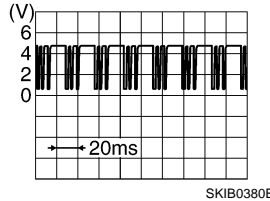
A
B
C
D
E
F
G
H
I
J
AV
L
M

AUDIO

12. CHECK REAR CONTROL SWITCH SIGNAL

1. Connect multifunction switch connector, rear control switch connector, rear control cancel relay connector and rear control cancel switch connector.
2. Turn ignition switch ON.
3. Check signal between rear control switch harness connector B502 terminal 10 (Y) and ground with CONSULT-II or oscilloscope, when operating the rear control switch.

10 – Ground:



OK or NG

- OK >> Replace multifunction switch.
- NG >> Replace rear control switch.

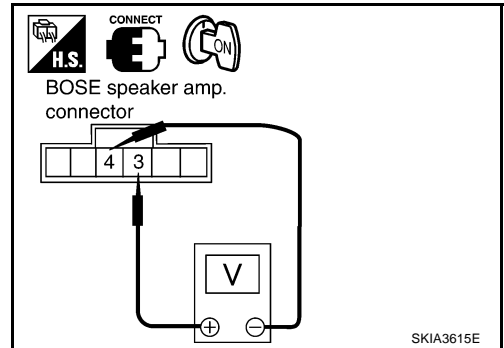
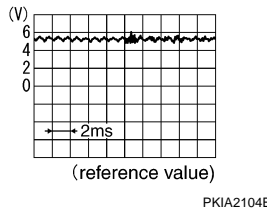
AUDIOPILOT™ Does Not Work

EKS006DH

1. CHECK MICROPHONE SIGNAL

1. Turn ignition switch ON.
2. Check signal between BOSE speaker amp. harness connector B231 terminals 3 (W) and 4 (R/L) with CONSULT-II or oscilloscope, when inputting some sounds (voice, etc.) toward the microphone.

3 – 4:



Does the voltage signal change with sounds?

- YES >> Replace BOSE speaker amp.
- NO >> GO TO 2.

2. CHECK MICROPHONE CIRCUIT

1. Turn ignition switch OFF.
2. Disconnect BOSE speaker amp. and microphone connector.
3. Check continuity between BOSE speaker amp. harness connector B231 terminal 3 (W) and microphone harness connector M73 terminal 1 (W).

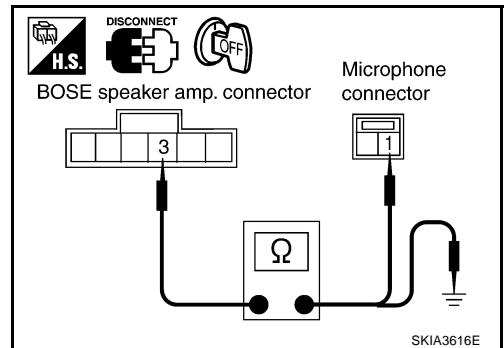
3 – 1 : Continuity should exist.

4. Check continuity between BOSE speaker amp. harness connector B231 terminal 3 (W) and ground.

3 – Ground : Continuity should not exist.

OK or NG

- OK >> GO TO 3.
- NG >> Repair harness or connector.



AUDIO

3. CHECK MICROPHONE CIRCUIT

1. Check continuity between BOSE speaker amp. harness connector B231 terminal 4 (R/L) and microphone harness connector M73 terminal 2 (L/R).

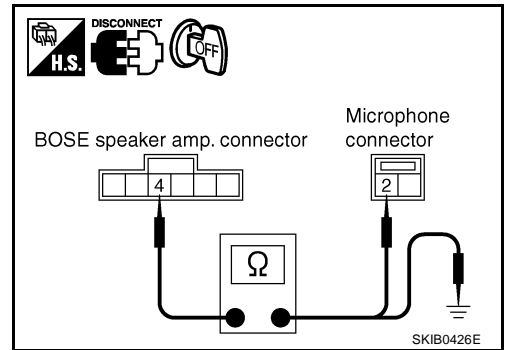
4 – 2 : Continuity should exist.

2. Check continuity between BOSE speaker amp. harness connector B231 terminal 4 (R/L) and ground.

4 – Ground : Continuity should not exist.

OK or NG

- OK >> Replace microphone.
- NG >> Repair or replace harness.



A
B
C
D
E
F
G
H
I
J
L
M

AV

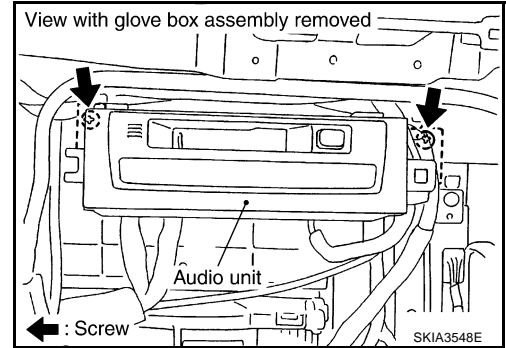
AUDIO

Removal and Installation of Audio Unit

EKS000Y3

REMOVAL

1. Remove glove box assembly. Refer to [IP-10, "INSTRUMENT PANEL ASSEMBLY"](#) .
2. Remove screws (2) and remove audio unit.



INSTALLATION

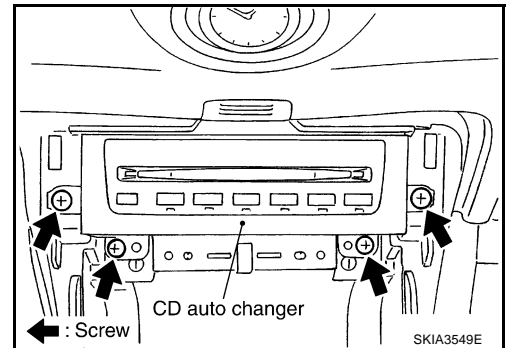
Install in the reverse order of removal.

Removal and Installation of CD Auto Changer

EKS0012V

REMOVAL

1. Remove cluster lid center lower. Refer to [IP-10, "INSTRUMENT PANEL ASSEMBLY"](#) .
2. Remove console box assembly. Refer to [IP-10, "INSTRUMENT PANEL ASSEMBLY"](#) .
3. Remove screws (4) and remove CD Auto changer.



INSTALLATION

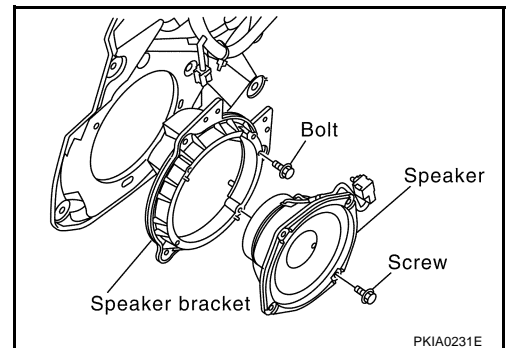
Install in the reverse order of removal.

Removal and Installation of Door Speaker

EKS000Y4

REMOVAL

1. Remove door finisher. Refer to [EI-31, "DOOR FINISHER"](#) .
2. Remove screws (3) and remove speaker.



INSTALLATION

Install in the reverse order of removal.

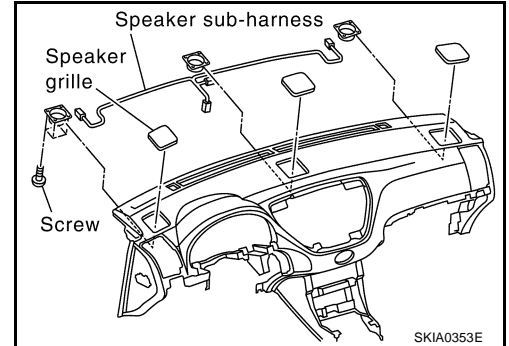
AUDIO

Removal and Installation of Instrument Panel Speaker

EKS0012T

REMOVAL

1. Remove instrument panel. Refer to [IP-10, "INSTRUMENT PANEL ASSEMBLY"](#) .
2. Remove screws (4) and remove instrument panel speaker.



INSTALLATION

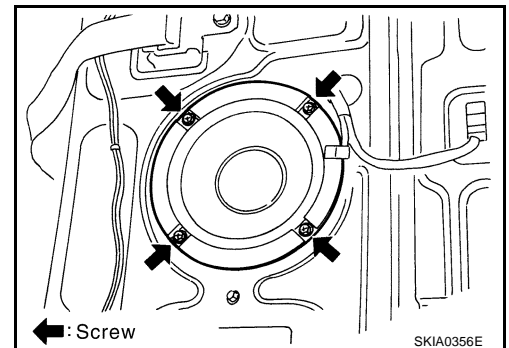
Install in the reverse order of removal.

Removal and Installation of Woofer

REMOVAL

1. Remove rear parcel shelf finisher. Refer to [EI-44, "REAR PARCEL SHELF FINISHER"](#) .
2. Remove screws (4) and remove woofer.

EKS000Y7



INSTALLATION

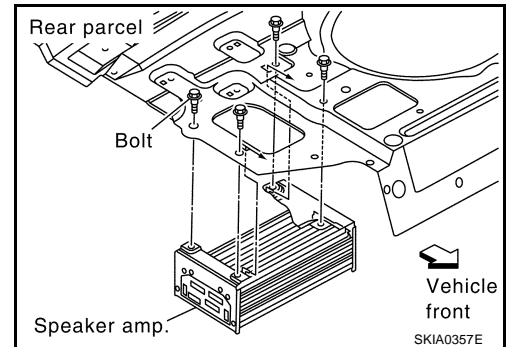
Install in the reverse order of removal.

Removal and Installation of BOSE Speaker Amp.

REMOVAL

1. Remove trunk trim. Refer to [EI-59, "TRUNK ROOM TRIM & TRUNK LID FINISHER"](#) .
2. Remove rear parcel shelf finisher. Refer to [EI-44, "REAR PARCEL SHELF FINISHER"](#) .
3. Remove screws (4) and remove BOSE speaker amp. from the trunk room side.

EKS000Y8



INSTALLATION

Install in the reverse order of removal.

A
B
C
D
E
F
G
H
I
J
K
L
M

AV

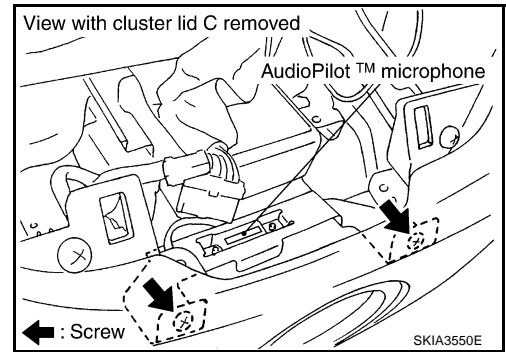
AUDIO

Removal and Installation of AUDIOMPILOT™ Microphone

EKS006CH

REMOVAL

1. Remove cluster lid C. Refer to [IP-13, "\(F\) Cluster Lid C"](#) .
2. Remove clock. Refer to [IP-13, "\(H\) Clock"](#) .
3. Disconnect AUDIOMPILOT™ microphone connector.
4. Remove screws (2) and remove AUDIOMPILOT™ microphone.



INSTALLATION

Install in the reverse order of removal.

Removal and Installation of Steering Wheel Switch

EKS001HQ

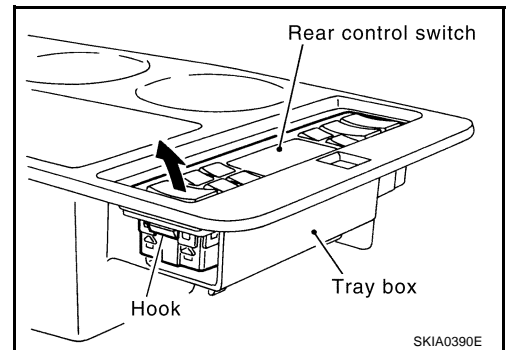
Refer to [SRS-39, "DRIVER AIR BAG MODULE"](#) .

Removal and Installation of Rear Control Switch

EKS001HR

REMOVAL

1. Remove the tray box from the center armrest. Refer to [SE-196, "REAR SEAT"](#) .
2. Remove the rear control switch from the tray box.



INSTALLATION

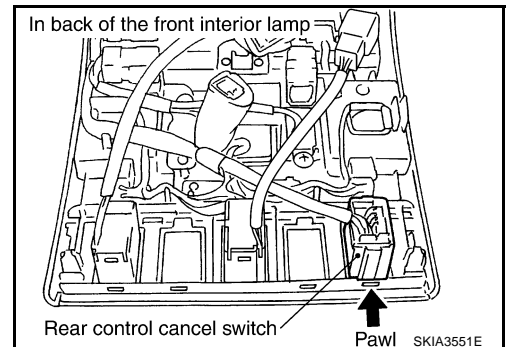
Install in the reverse order of removal.

Removal and Installation of Rear Control Cancel Switch

EKS006CI

REMOVAL

1. Remove front interior lamp. Refer to [LT-108, "Removal and Installation"](#) .
2. Remove rear control cancel switch from front interior lamp.



INSTALLATION

Install in the reverse order of removal.

AUDIO ANTENNA

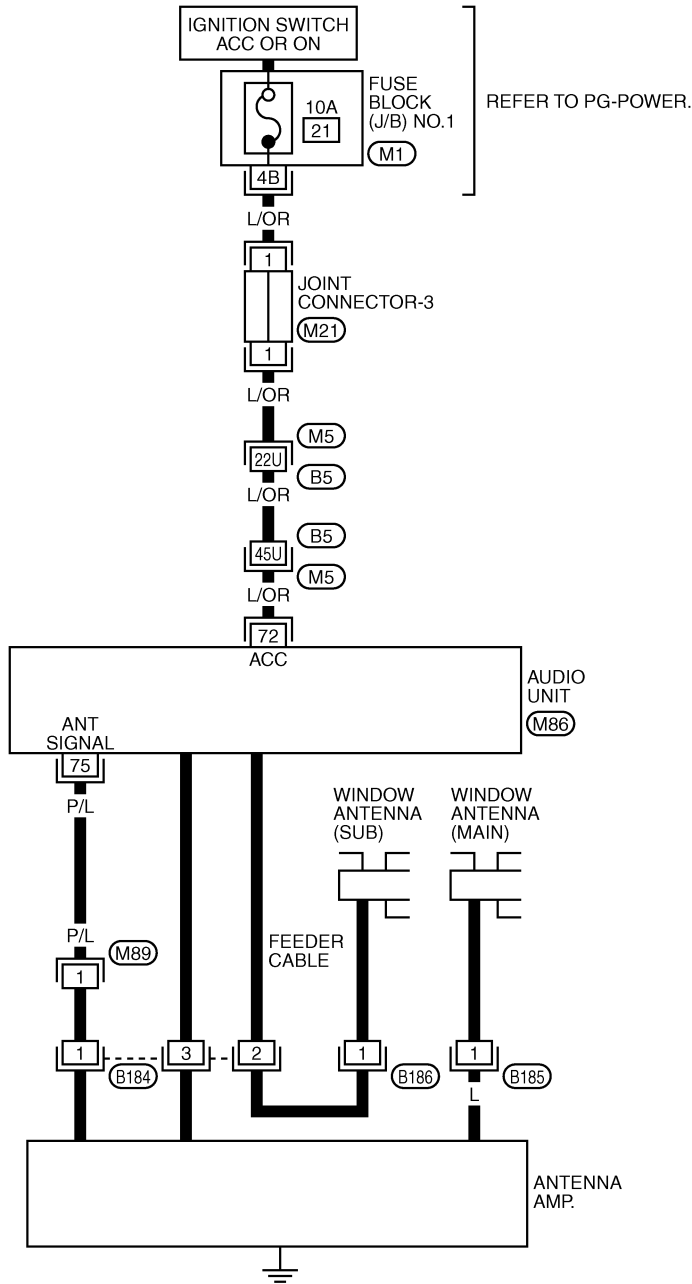
PFP:28200

AUDIO ANTENNA

Wiring Diagram — W/ANT —

EKS001FC

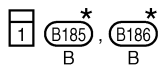
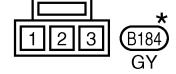
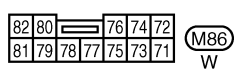
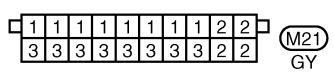
AV-W/ANT-01



REFER TO PG-POWER.

AUDIO UNIT (M86)

ANTENNA AMP.



REFER TO THE FOLLOWING.
 (M5) -SUPER MULTIPLE JUNCTION (SMJ)
 (M1) -FUSE BLOCK-JUNCTION BOX (J/B) NO.1

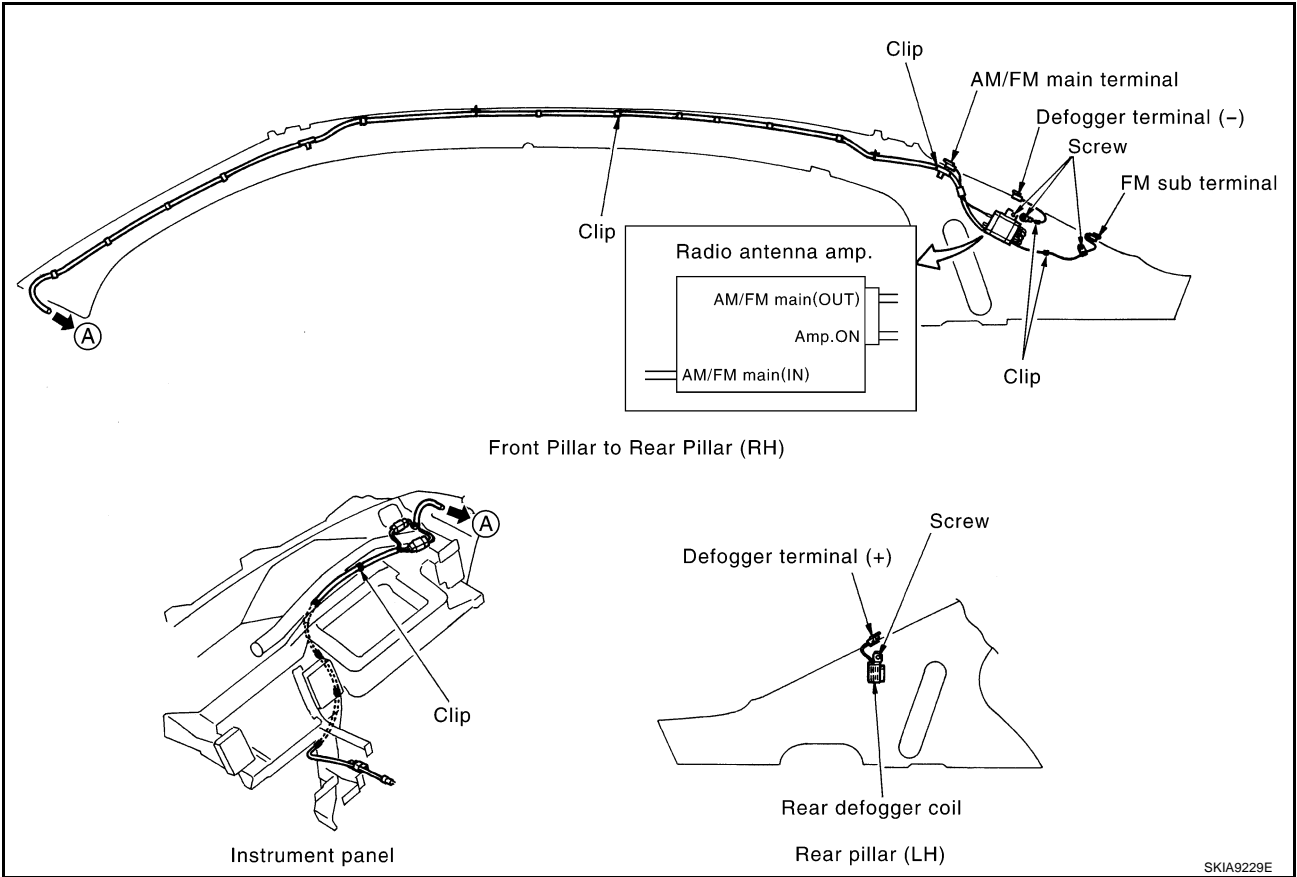
*: THIS CONNECTOR IS NOT SHOWN IN "HARNESS LAYOUT", PG SECTION.

A
B
C
D
E
F
G
H
I
J
AV
L
M

AUDIO ANTENNA

Location of Antenna

EKS000YO

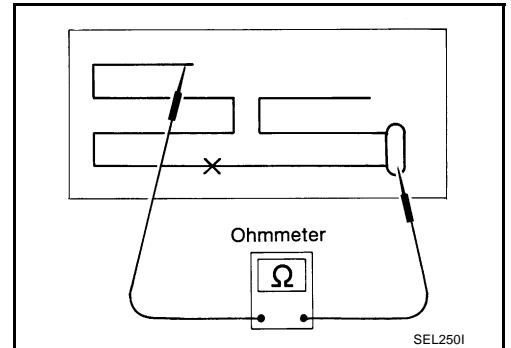


Window Antenna Repair

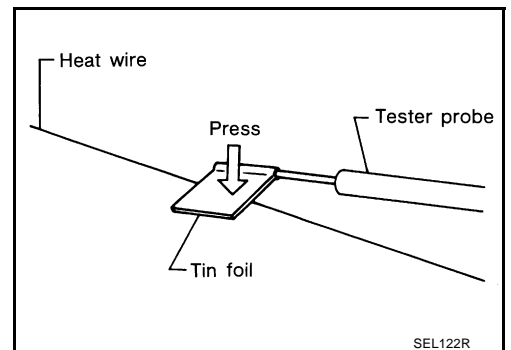
CHECK ELEMENT

EKS00GC9

1. Attach probe circuit tester (ohm setting) to antenna terminal on each side.

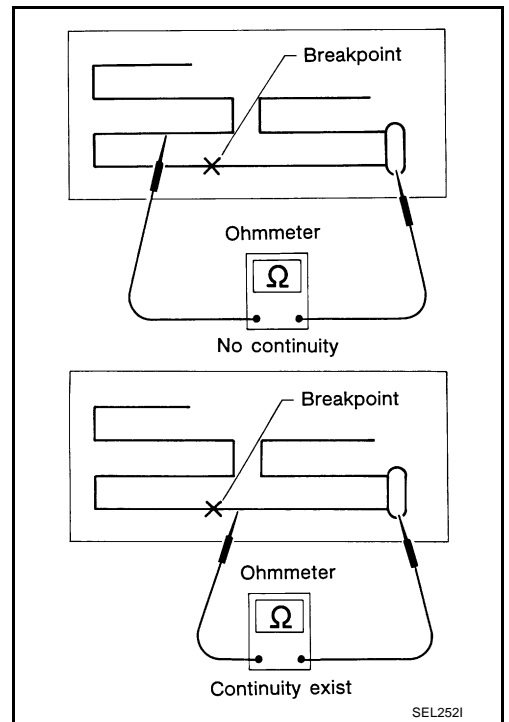


- When measuring continuity, wrap tin foil around the top of probe. Then, press the foil against the wire with your finger.

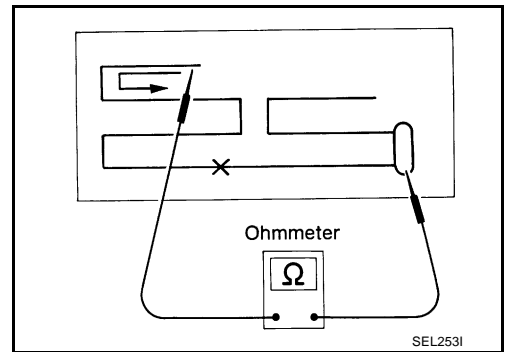


AUDIO ANTENNA

2. If an element is broken, no continuity will exist.



3. To locate a break, move probe along element. Tester needle will swing abruptly when probe passes the broken point.



A
B
C
D
E
F
G
H
I
J
AV
L
M

TELEPHONE (PRE WIRE)

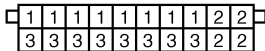
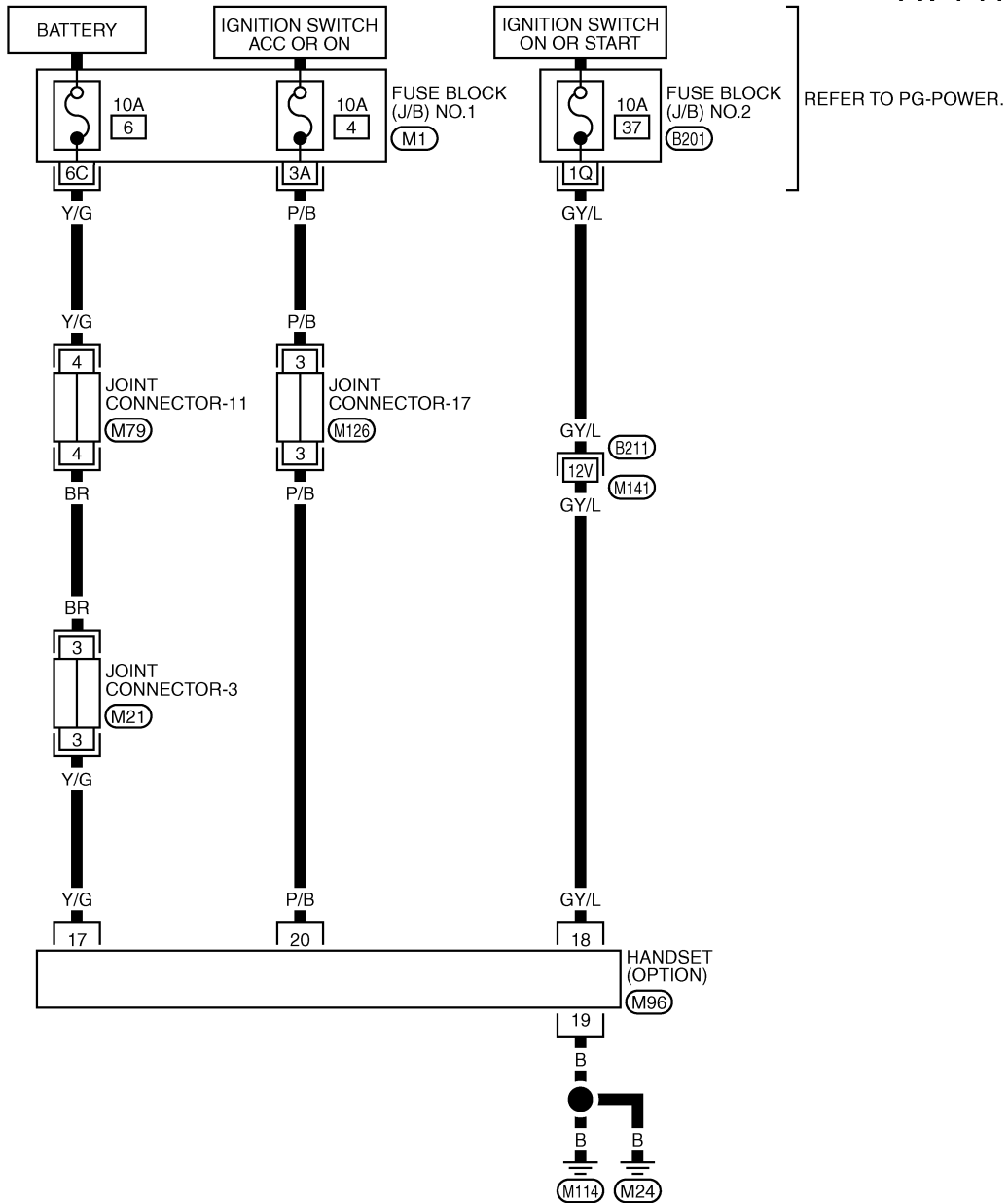
PFP:28342

EKS006SO

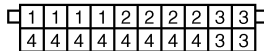
AV-PHONE-01

TELEPHONE (PRE WIRE)

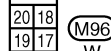
Wiring Diagram — PHONE —



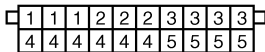
(M21)
GY



(M79)
G



(M96)
W



(M126)
B

REFER TO THE FOLLOWING.

(B21) -SUPER MULTIPLE JUNCTION (SMJ)

(M1) -FUSE BLOCK-JUNCTION BOX (J/B) NO.1

(B201) -FUSE BLOCK-JUNCTION BOX (J/B) NO.2

NAVIGATION SYSTEM

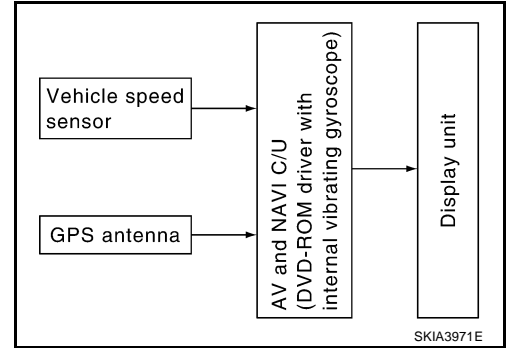
PFP:25915

System Description

EKS001LN

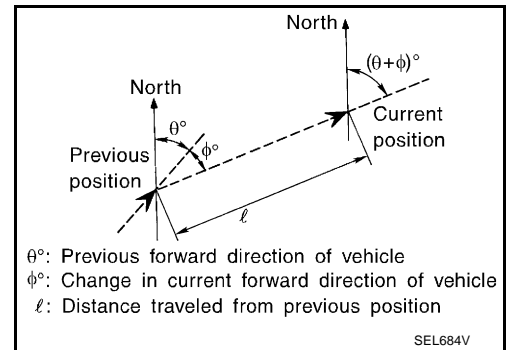
The navigation system periodically calculates the vehicle's current position according to the following three signals: Travel distance of the vehicle as determined by the vehicle speed sensor, turning angle of the vehicle as determined by the gyroscope (angular velocity sensor), and the direction of vehicle travel as determined by the GPS antenna (GPS information).

The current position of the vehicle is then identified by comparing the calculated vehicle position with map data read from the map DVD-ROM, which is stored in the DVD-ROM drive (map-matching), and indicated on the screen with a current-location mark.



By comparing the vehicle position detection results found by the GPS and by map-matching, more accurate vehicle position data can be used.

The current vehicle position will be calculated by detecting the distance the vehicle moved from the previous calculation point and its direction.



TRAVEL DISTANCE

Travel distance calculations are based on the vehicle speed sensor input signal. Therefore, the calculation may become incorrect as the tires wear down. To prevent this, an automatic distance fine adjustment function has been adopted.

TRAVEL DIRECTION

Change in the travel direction of the vehicle is calculated by a gyroscope (angular velocity sensor) and a GPS antenna (GPS information). As the gyroscope and GPS antenna have both merit and demerit, input signals from them are prioritized in each situation. However, this order of priority may change in accordance with more detailed travel conditions so that the travel direction is detected more accurately.

Type	Advantage	Disadvantage
Gyroscope (angular velocity sensor)	<ul style="list-style-type: none"> Can detect the vehicle's turning angle quite accurately. 	<ul style="list-style-type: none"> Direction errors may accumulate when the vehicle is driven for long distances without stopping.
GPS antenna (GPS information)	<ul style="list-style-type: none"> Can detect the vehicle's travel direction (North/South/East/West). 	<ul style="list-style-type: none"> Correct direction cannot be detected when the vehicle speed is low.

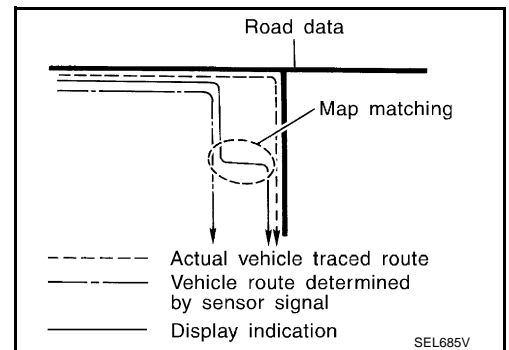
MAP-MATCHING

Map-matching is a function that repositions the vehicle on the road map when a new location is judged to be the most accurate. This is done by comparing the current vehicle position, calculated by the method described in the position detection principle, with the road map data around the vehicle, read from the map DVD-ROM stored in the DVD-ROM drive.

Therefore, the vehicle position may not be corrected after the vehicle is driven over a certain distance or time in which GPS information is hard to receive. In this case, the current-location mark on the display must be corrected manually.

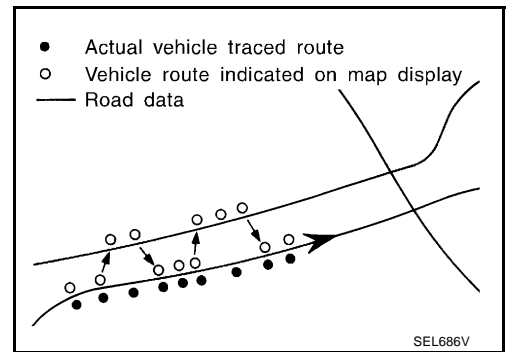
CAUTION:

The road map data is based on data stored in the map DVD-ROM.

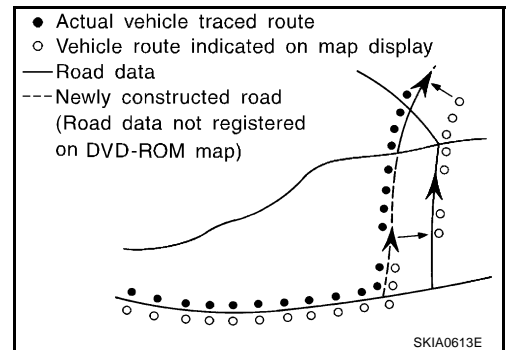


NAVIGATION SYSTEM

- In map-matching, alternative routes to reach the destination will be shown and prioritized, after the road on which the vehicle is currently driven has been judged and the current-location mark has been repositioned.
If there is an error in distance and/or direction, the alternative routes will be shown in different order of priority, and the wrong road can be avoided.
If two roads are running in parallel, they are of the same priority. Therefore, the current-location mark may appear on either of them alternately, depending on maneuvering of the steering wheel and configuration of the road.



- Map-matching does not function correctly when the road on which the vehicle is driving is new and not recorded in the map DVD-ROM, or when the road pattern stored in the map data and the actual road pattern are different due to repair.
When driving on a road not present in the map, the map-matching function may find another road and position the current-location mark on it. Then, when the correct road is detected, the current-location mark may leap to it.
- Effective range for comparing the vehicle position and travel direction calculated by the distance and direction with the road data read from the map DVD-ROM is limited. Therefore, when there is an excessive gap between the current vehicle position and the position on the map, correction by map-matching is not possible.

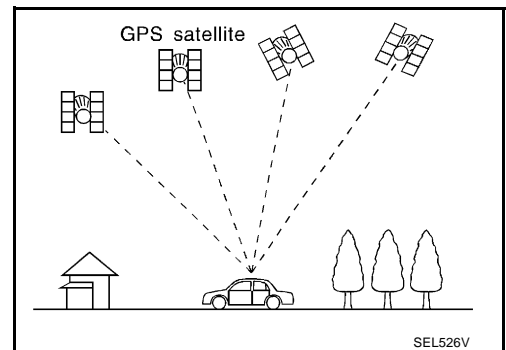


GPS (GLOBAL POSITIONING SYSTEM)

GPS (Global Positioning System) has been developed and controlled by the US Department of Defense. The system utilizes GPS satellite (NAVSTAR), sending out radio waves while flying on an orbit around the earth at the height of approx. 21,000 km (13,000 miles). The GPS receiver calculates the vehicle's position in three dimensions (latitude/longitude/altitude) according to the time lag of the radio waves received from four or more GPS satellites (three-dimensional positioning). If radio waves were received only from three GPS satellites, the GPS receiver calculates the vehicle's position in two dimensions (latitude/longitude), utilizing the altitude data calculated previously by using radio waves from four or more GPS satellites (two-dimensional positioning).

Accuracy of the GPS will deteriorate under the following conditions.

- In two-dimensional positioning, the GPS accuracy will deteriorate when the altitude of the vehicle position changes.
- There may be an error of approximately 10 m (30 ft) in position detected by three-dimensional positioning, which is more accurate than two-dimensional positioning. The accuracy can be even lower depending on the arrangement of the GPS satellites utilized for the positioning.
- Position detection is not possible when the vehicle is in an area where radio waves from the GPS satellite do not reach, such as in a tunnel, parking lot in a building, and under an elevated highway. Radio waves from the GPS satellites may not be received when some object is located over the GPS antenna.
- Position correction by GPS is not available while the vehicle is stopped.

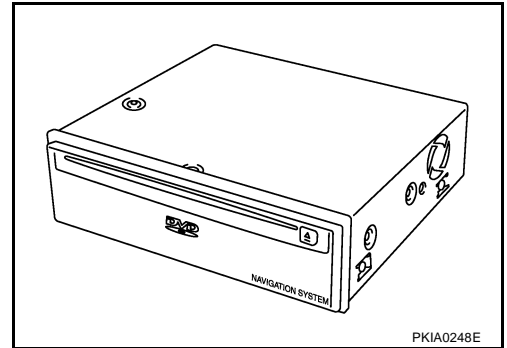


NAVIGATION SYSTEM

COMPONENT DESCRIPTION

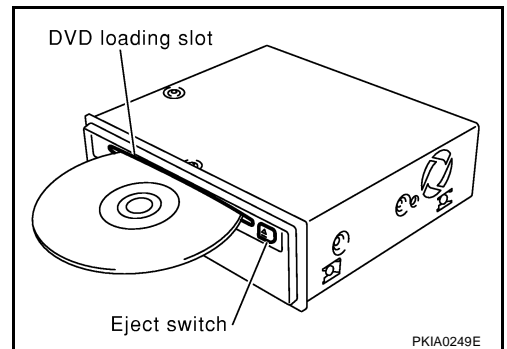
AV and NAVI Control Unit

- The gyro (angular speed sensor) and the DVD-ROM drive are built-in units that control the navigation functions.
- Signals are received from the gyro, the vehicle speed sensor, and the GPS antenna. Vehicle location is determined by combining this data with the data contained in the DVD-ROM map. Locational information is shown on liquid crystal display panel.



DVD-ROM Drive

Maps, traffic control regulations, and other pertinent information can be easily read from the DVD-ROM disc.



Map DVD-ROM

- The map DVD-ROM has maps, traffic control regulations, and other pertinent information.
- To improve DVD-ROM map matching and route determination functions, the DVD-ROM uses an exclusive Nissan format. Therefore, the use of a DVD-ROM provided by other manufacturers cannot be used.

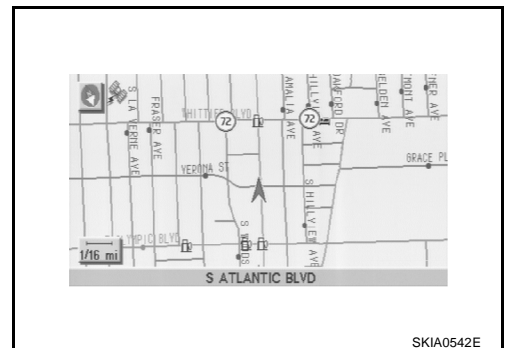
Gyro (Angular Speed Sensor)

- The oscillator gyro sensor is used to detect changes in vehicle steering angle.
- The gyro is built into the navigation (NAVI) control unit.

BIRDVIEW™

The BIRDVIEW™ provides a detailed and easily seen display of road conditions covering the vehicle's immediate to distant area.

- MAP DISPLAY



NAVIGATION SYSTEM

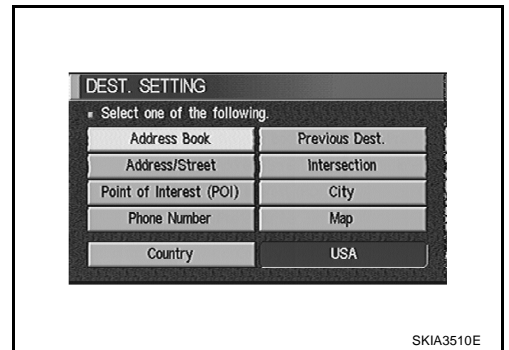
FUNCTION OF MULTIFUNCTION SWITCH

Display with Pushed "DEST" Switch

- Easy Mode



- Expert Mode



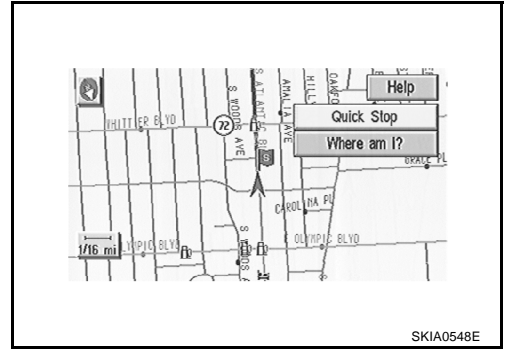
The function of each icon is as follows:

Icon	MODE		Description
	Easy	Expert	
Address Book		×	Favorite place can be saved to memory.
Address/Street	×	×	The destination can be searched from the address.
Point of Interest (POI)	×	×	The destination of favorite facility can be searched.
Previous Dest.		×	The previous ten destinations stored in memory are displayed.
Intersection		×	The destination can be searched from the intersection.
City		×	The destination can be searched from city name.
Map		×	The destination can be searched from the map.
Phone Number		×	When two or more countries are included in one DVD-ROM, the destination can be searched for under the country name.
Home	×		Sets the home as a destination.
Help	×		Explanation of navigational functions appear on the display.
Country	×	×	Select country (USA, CANADA)

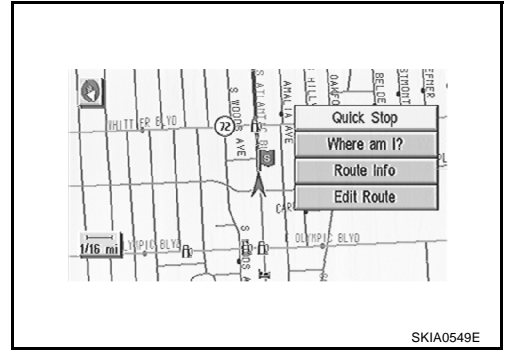
NAVIGATION SYSTEM

Display with Pushed “ROUTE” Switch

- Easy Mode



- Expert Mode



The function of each icon is as follows:

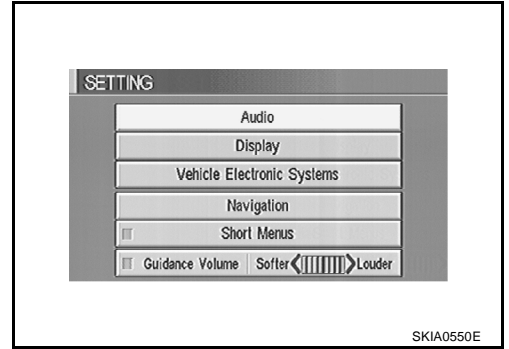
Icon	MODE		Description
	Easy	Expert	
Quick Stop	×	×	The selected facility is set as the destination or waypoint. (Route guidance has been turned OFF or the destination has been reached)
Where am I?	×	×	Next, current and previous street names can be displayed.
Route Info.*		×	The following items can be set. <ul style="list-style-type: none"> ● Complete Route ● Turn List ● Route Simulation (Displayed only when the destination area has been set.)
Edit Route*		×	Change the destination or add the transit points of the route set in the route guide. (Displayed only when the automatic reroute function has been turned OFF and the recommended route is not followed.)
Help	×		Explanation of navigational functions appear on the display.

*: When destinations have been entered, route guidance has been turned OFF or destination has been reached, “Route Info.” and “Edit Route” are not displayed.

NAVIGATION SYSTEM

Display with Pushed “SETTING” Switch

The function of each icon is as follows:



Icon	Description
Audio	Sound quality can be adjusted, and also ON/OFF setting of switch beep sound can be performed. Noise compensation ON/OFF setting can be performed.
Display	Settings of display can be performed.
Vehicle Electronic Systems	Settings of vehicle electrical equipment can be performed.
Navigation	Settings and adjusting of navigation can be performed.
Short Menus	Easy Mode and Expert Mode can be switched.
Guidance Volume	The volume and/or on/off of voice prompt can be controlled by the joystick.
Help (only easy mode)	Explanation of navigational functions appear on the display.

A
B
C
D
E
F
G
H
I
J
L
M

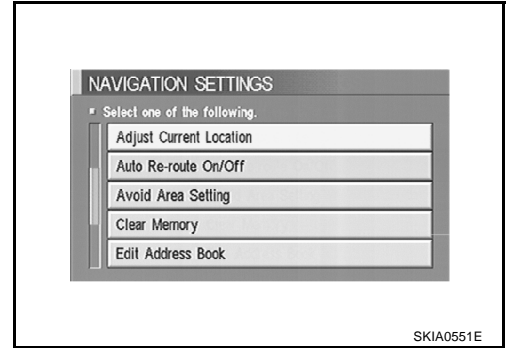
AV

NAVIGATION SYSTEM

Navigation Setting

How To Perform Navigation Setting

1. Start the engine.
2. Push "SETTING" switch.
3. Select "NAVIGATION".

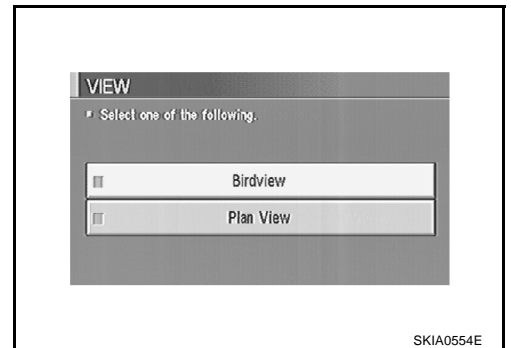


Application Items

Icon	Description	Reference page
View	Map display mode can be switched.	AV-54
Heading	Heading of the map display can be customized for either north heading or the actual driving direction of the vehicle.	AV-56
Nearby Display Icons	Icons of facilities can be displayed. Facilities to be displayed can be selected from the variety selections.	AV-57
Save Current Location	Current vehicle location can be registered in Address Book.	AV-55
Adjust Current Location	Current location of position marker can be adjusted. Direction of position marker also can be calibrated when heading direction of the vehicle on the display is not matched with the actual direction.	AV-57
Auto Re-route ON/OFF	ON/OFF of Auto Re-route can be switched.	AV-55
Avoid Area Setting	A particular area can be avoided when routing.	AV-56
Clear Memory	Address book, previous destination or avoid area can be deleted.	AV-58
Edit Address Book	Address book can be edited.	AV-56
GPS Information	The GPS data includes longitude, latitude and altitude (distance above sea level) of the present vehicle position, and current date and time for the area in which the vehicle is being driven. Also indicated are the GPS reception conditions and the GPS satellite position.	AV-55
Quick Stop Customer Setting	One facility of your selection can be added to your Quick Stop.	AV-55
Set Average Speed for Estimated Journey Time	Average vehicle speed can be set to calibrate estimated journey time for the destination.	AV-57
Tracking	Tracking to the present vehicle position can be displayed.	AV-56

"VIEW" MODE

1. Select "BIRDVIEW™" or "Plan View" icon.
 - To open the map screen display with BIRDVIEW™, select "BIRDVIEW™".
 - To open the map screen display with Plan View, select "Plan View".



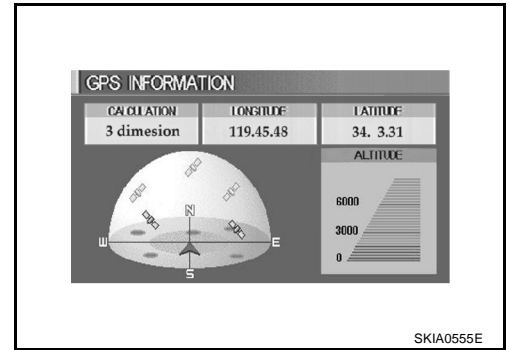
NAVIGATION SYSTEM

“GPS INFORMATION” MODE

- Latitude, longitude, altitude, astrometric state, and satellite location are displayed as GPS information.

NOTE:

Altitude is displayed only in three-dimensional status.

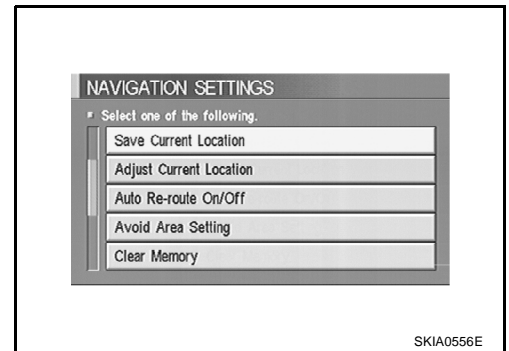


“SAVE CURRENT LOCATION” MODE

- The current vehicle location can be registered in “Address Book”.

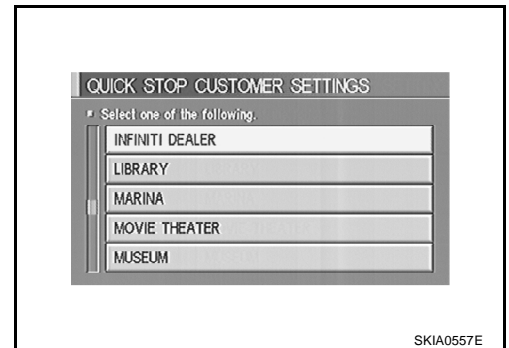
NOTE:

“Address Book” can store 50 items max.



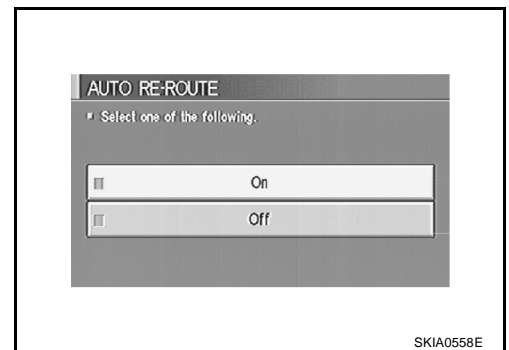
“QUICK STOP CUSTOMER SETTINGS” MODE

- Select a category for the “Quick Stop” menu.



“AUTO RE-ROUTE” MODE

- To activate “AUTO RE-ROUTE” mode, select “On”.
- To deactivate “AUTO RE-ROUTE” mode, select “Off”.

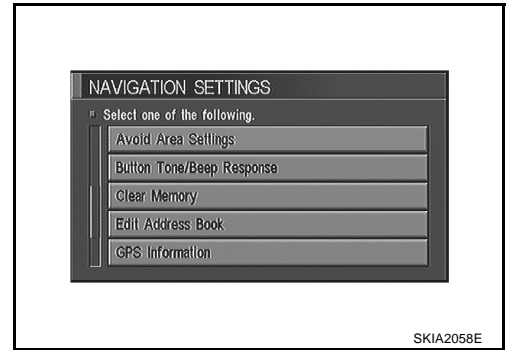


A
B
C
D
E
F
G
H
I
J
AV
L
M

NAVIGATION SYSTEM

“AVOID AREA SETTINGS” MODE

- Areas to avoid can be registered.

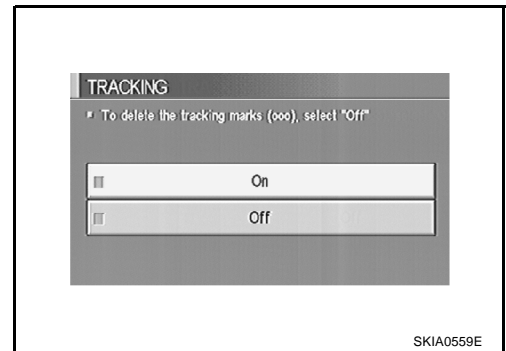


“TRACKING” MODE

- To delete the tracking marks on, select “Off”.
- To leave the tracking marks on map, select “On”.

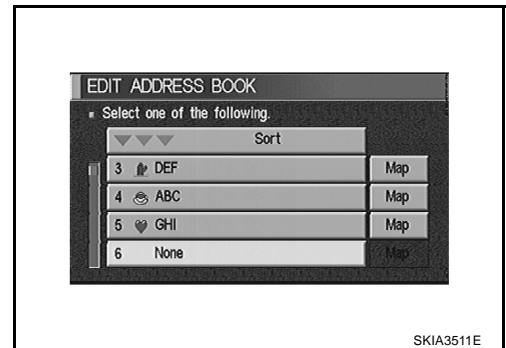
NOTE:

When a trail display is turned OFF, trail data is erased from the memory.



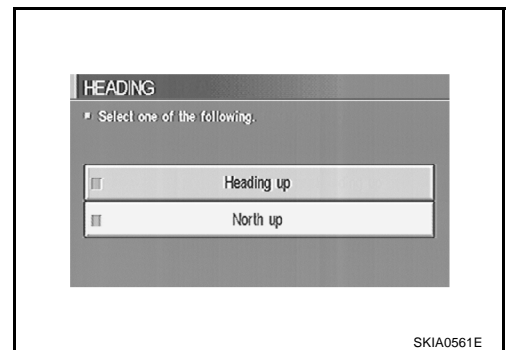
“EDIT ADDRESS BOOK” MODE

- Edit the items registered in Address Book.



“HEADING” MODE

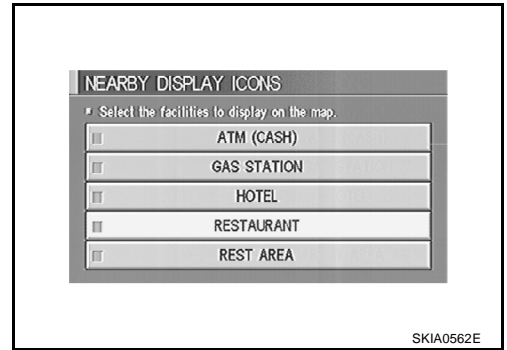
- To display North up, select “North up”.
- To display the car heading up, select “Heading up”.



NAVIGATION SYSTEM

“NEARBY DISPLAY ICONS” MODE

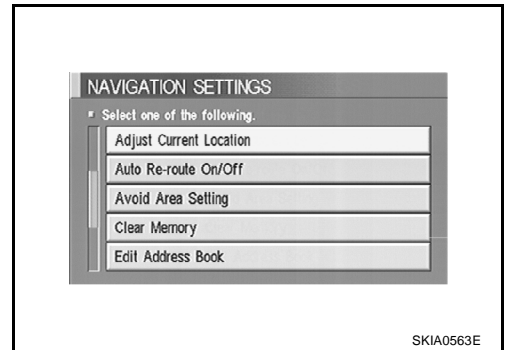
- Select an icon to display on the map screen.



A
B
C
D

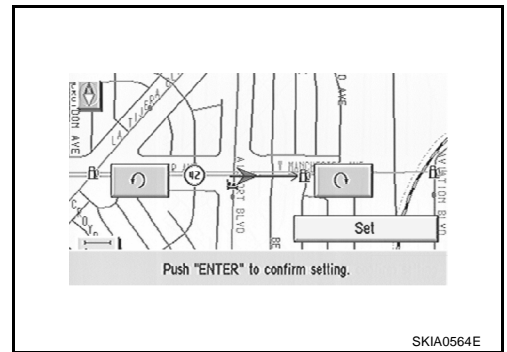
“ADJUST CURRENT LOCATION” MODE

1. Select an icon “right” or “left” to calibrate the heading direction. (Arrow marks will rotate corresponding to the calibration key.)



E
F
G
H

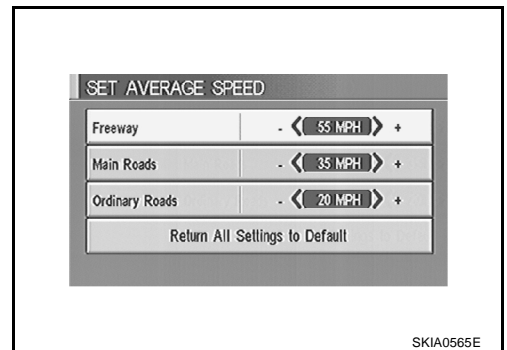
2. Select “Set”. Then the vehicle mark will be matched to the arrow mark.



I
J
AV

“SET AVERAGE SPEED” MODE

- Set the average vehicle speed to calibrate the estimated journey time for the destination.
- Set three items; “Freeway”, “Main Roads”, and “Ordinary Roads”.

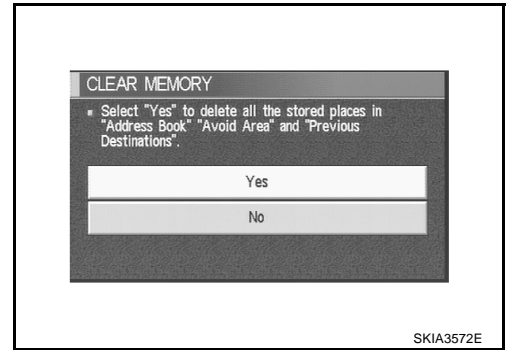


L
M

NAVIGATION SYSTEM

“CLEAR MEMORY” MODE

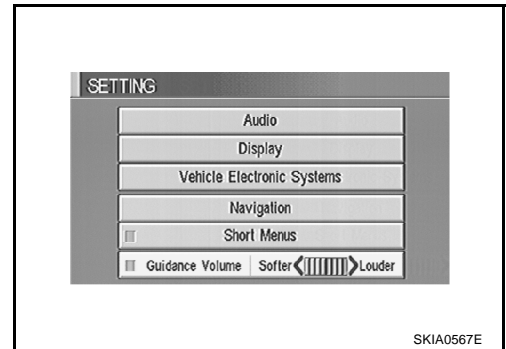
- To delete all the stored places in “Address Book”, “Avoid Area” and “Previous Dest”, select “Yes”.



GUIDANCE VOLUME

Description

Following guidance volume setting can be changed.



Activation/Deactivation Setting

- The voice prompt can be turned on/off by pressing the “Guidance Volume” button.

Voice Volume Setting

- Volume of the voice can be controlled by bending the joystick to left/right.

Precautions for AV and NAVI Control Unit Replacement

EKS001L0

- When replacing the AV and NAVI control unit, eject the map DVD-ROM before disconnecting the battery.
- The AV and NAVI control unit has the following information stored in its memory. Record the memory contents before replacing the control unit, and input them in the new unit as necessary.

<FM-AM>

- Preset frequency
- Area for indicating station, selection of overlapped stations

<CD>

- Program status

<Sound quality>

- Volume balance memory set values
- Equalizer memory set values

<Image quality>

- Brightness of light when ON/OFF
- Dimming switching
- Display color switching

<Navigation mode>

- Latest status (map screen/BIRDVIEW™, reduced scale, rotation angle of map screen, route guide ON/OFF, track ON/OFF, etc.)
- Current position
- Destination, passing point 1 - 5
- Registered places, their names, etc.

NOTE:

Only removing the battery does not erase the memory.

NAVIGATION SYSTEM

Component Parts Location

EKS001LP

A
B
C
D
E
F
G
H
I
J
AV
L
M

<p>Fuse block (J/B) No. 1</p> <p>10A 1, 10A 6, 10A 9, 10A 21</p> <p>UP</p>	<p>15A 54, 15A 52</p> <p>Front</p>	<p>Dash side LH</p> <p>BCM M4, R4</p>
<p>Behind lower instrument panel on passenger side</p> <p>A/C auto amp. M119, TCM (Transmission control module) F103</p>	<p>Data link connector M31</p>	<p>Multi-function switch M83</p> <p>Display M82</p>
<p>Combination meter M41, M43</p>	<p>Glove box</p> <p>Audio unit M86, M87, M88</p>	<p>Trunk room</p> <p>AV and NAVI control unit B29, B30, B188</p>
<p>Front door speaker D6</p>	<p>BOSE speaker amp. B231, B232, B233, B234</p>	<p>GPS antenna</p>

SKIA9215E

Location of Antenna

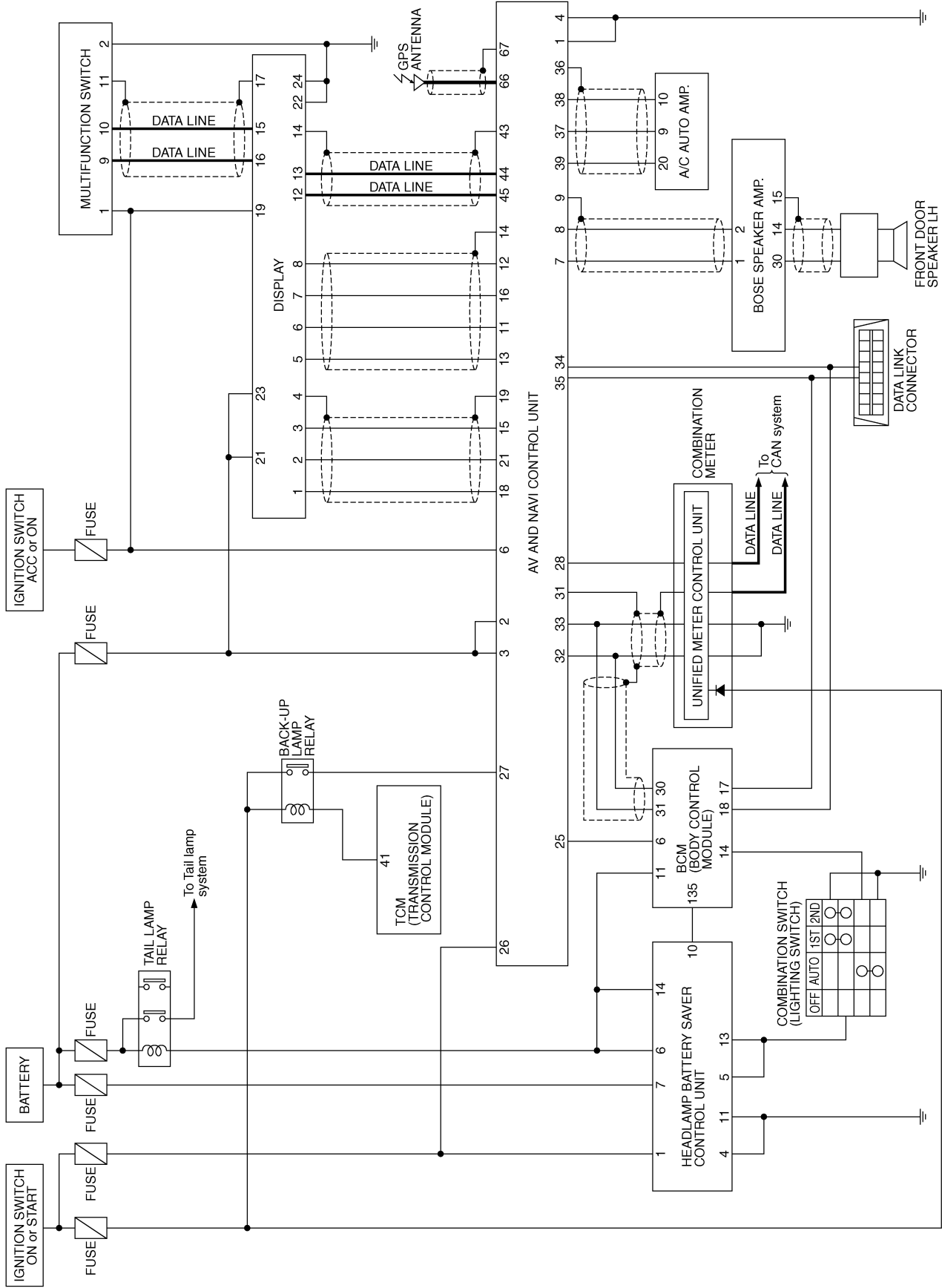
EKS001LQ

Refer to [AV-44, "Location of Antenna"](#) .

NAVIGATION SYSTEM

Schematic — NAVI —

EKS001LR



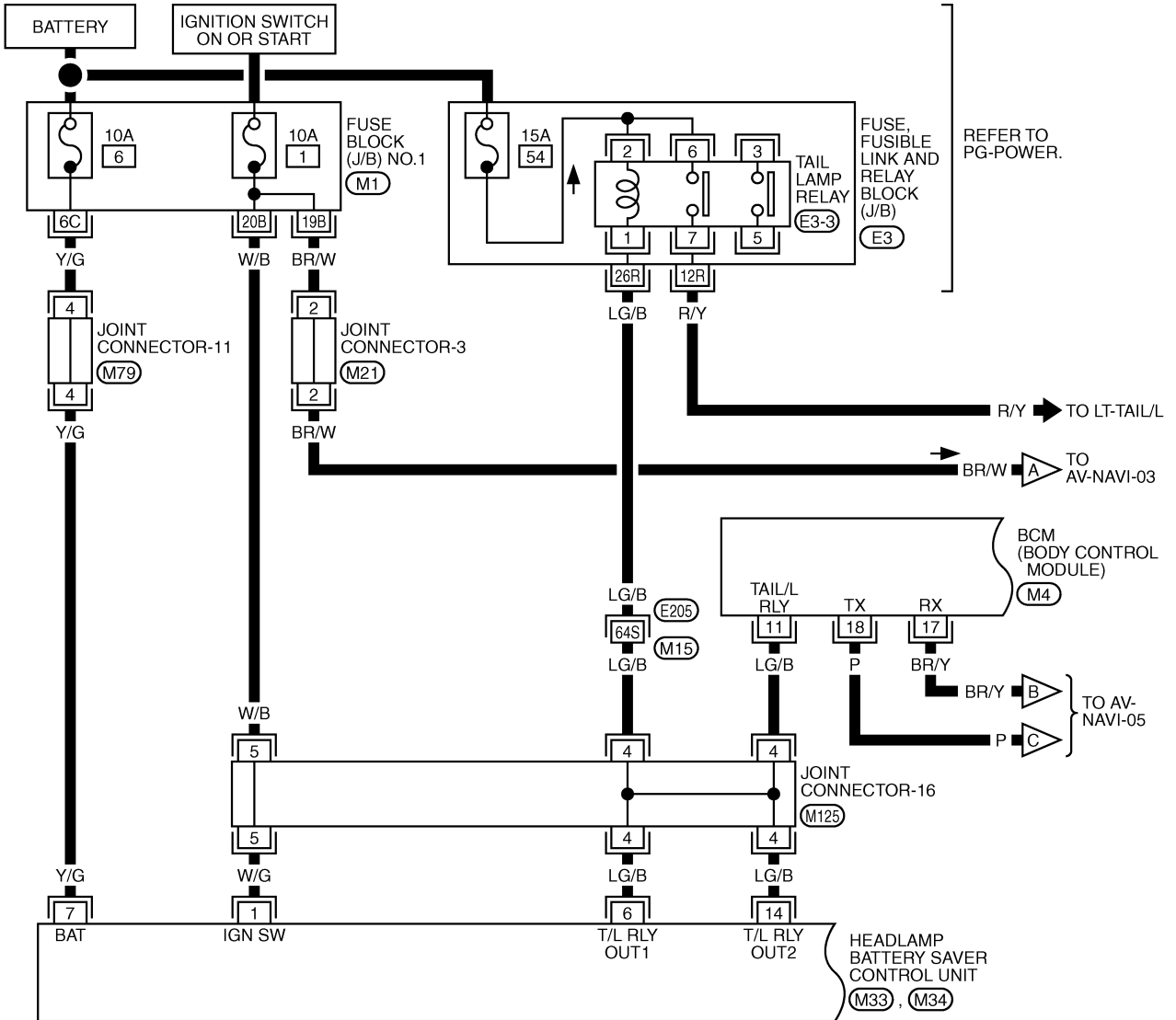
A
B
C
D
E
F
G
H
I
J
AV
L
M

NAVIGATION SYSTEM

Wiring Diagram — NAVI —

EKS001LS

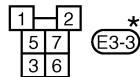
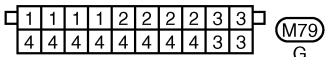
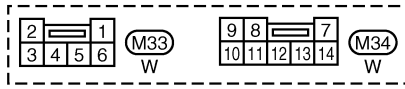
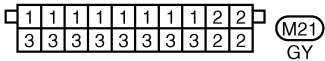
AV-NAVI-01



REFER TO PG-POWER.

TO AV-NAVI-03

TO AV-NAVI-05



*: THIS CONNECTOR IS NOT SHOWN IN "HARNESS LAYOUT", PG SECTION.

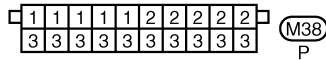
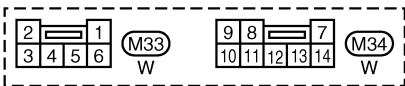
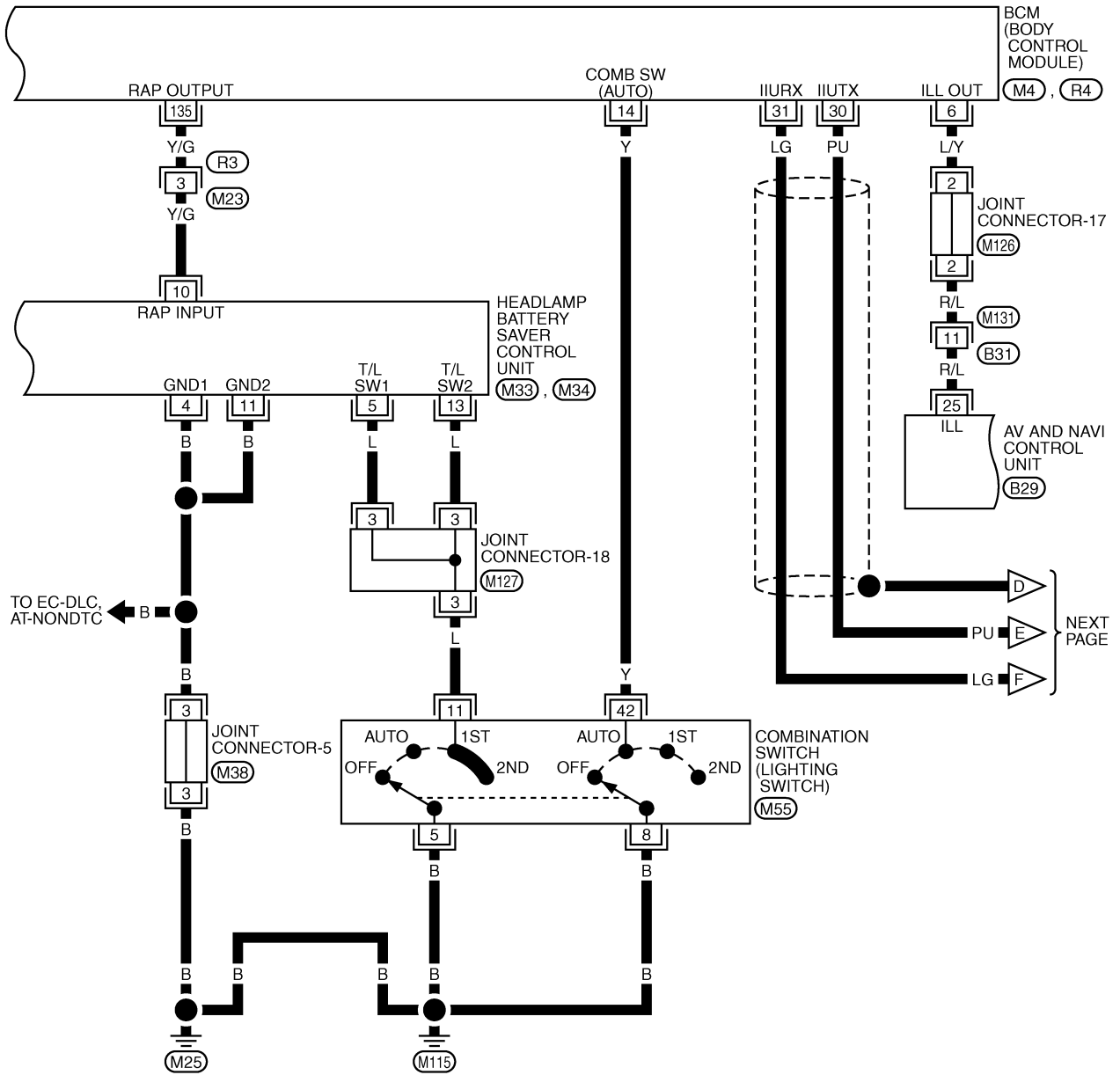
REFER TO THE FOLLOWING.

- (E205) -SUPER MULTIPLE JUNCTION (SMJ)
- (M1) -FUSE BLOCK-JUNCTION BOX (J/B) NO.1
- (E3) -FUSE,FUSIBLE LINK AND RELAY BLOCK (J/B)
- (M4) -ELECTRICAL UNITS

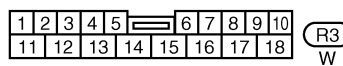
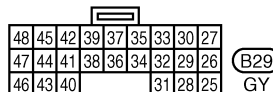
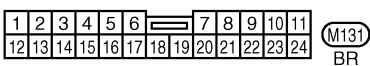
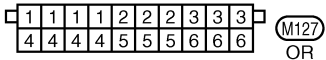
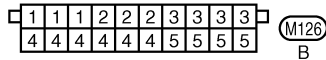
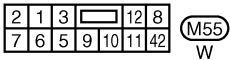
TKWM0372E

NAVIGATION SYSTEM

AV-NAVI-02



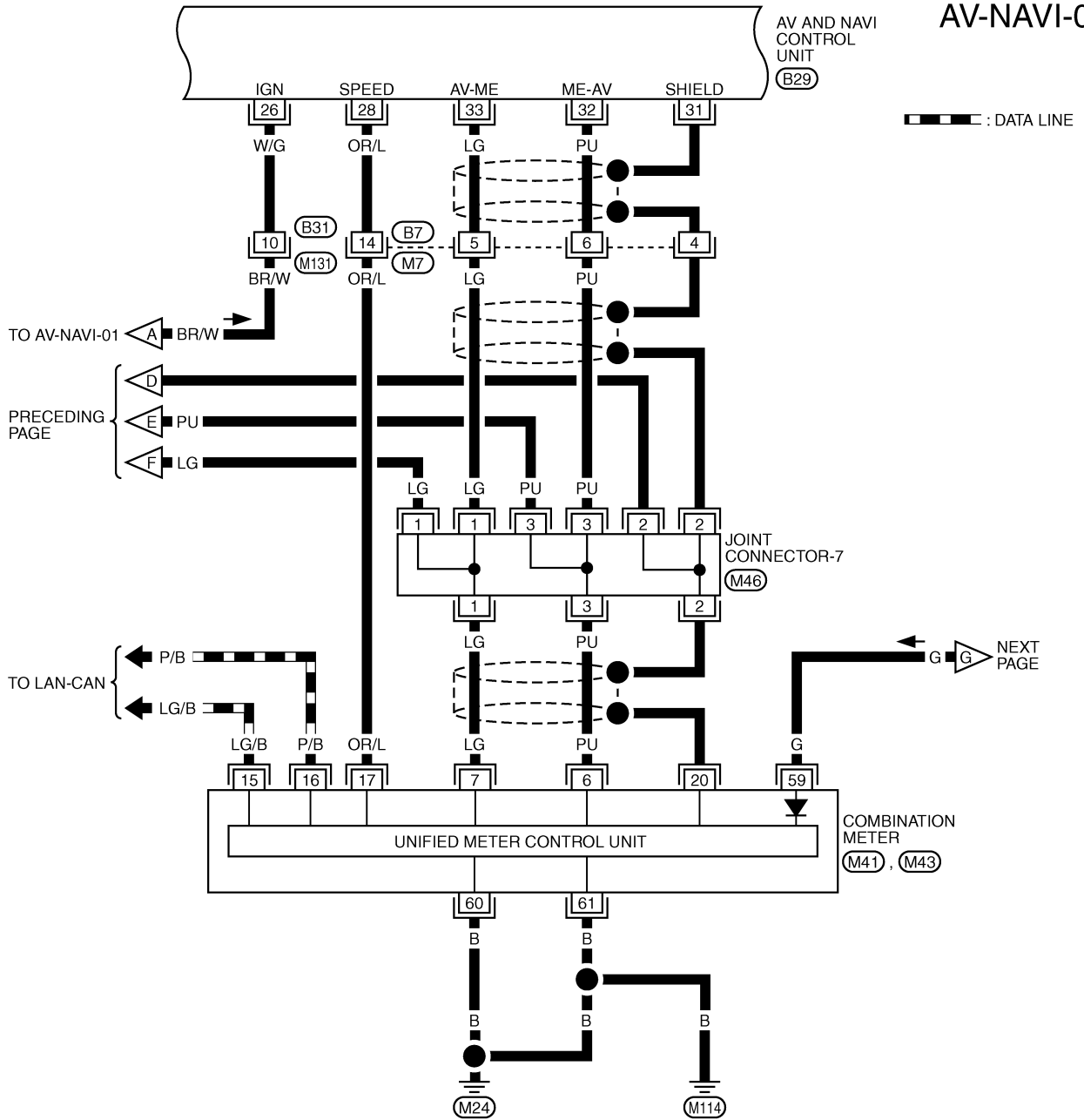
REFER TO THE FOLLOWING.
 (M4), (R4) -ELECTRICAL UNITS



AV

NAVIGATION SYSTEM

AV-NAVI-03



1	2	3	4	5	6	7	8	9	10	11		
12	13	14	15	16	17	18	19	20	21	22	23	24

(M7) W (M131) BR

1	2	3	4	5	6	7	8	9	10
11	12	13	14	15	16	17	18	19	20

(M41) BR

45	46	47	48	49	50	51	52	53	54	55		
56	57	58	59	60	61	62	63	64	65	66	67	68

(M43) W

1	1	1	2	2	3	3	3	3
4	4	4	4	4	5	5	5	5

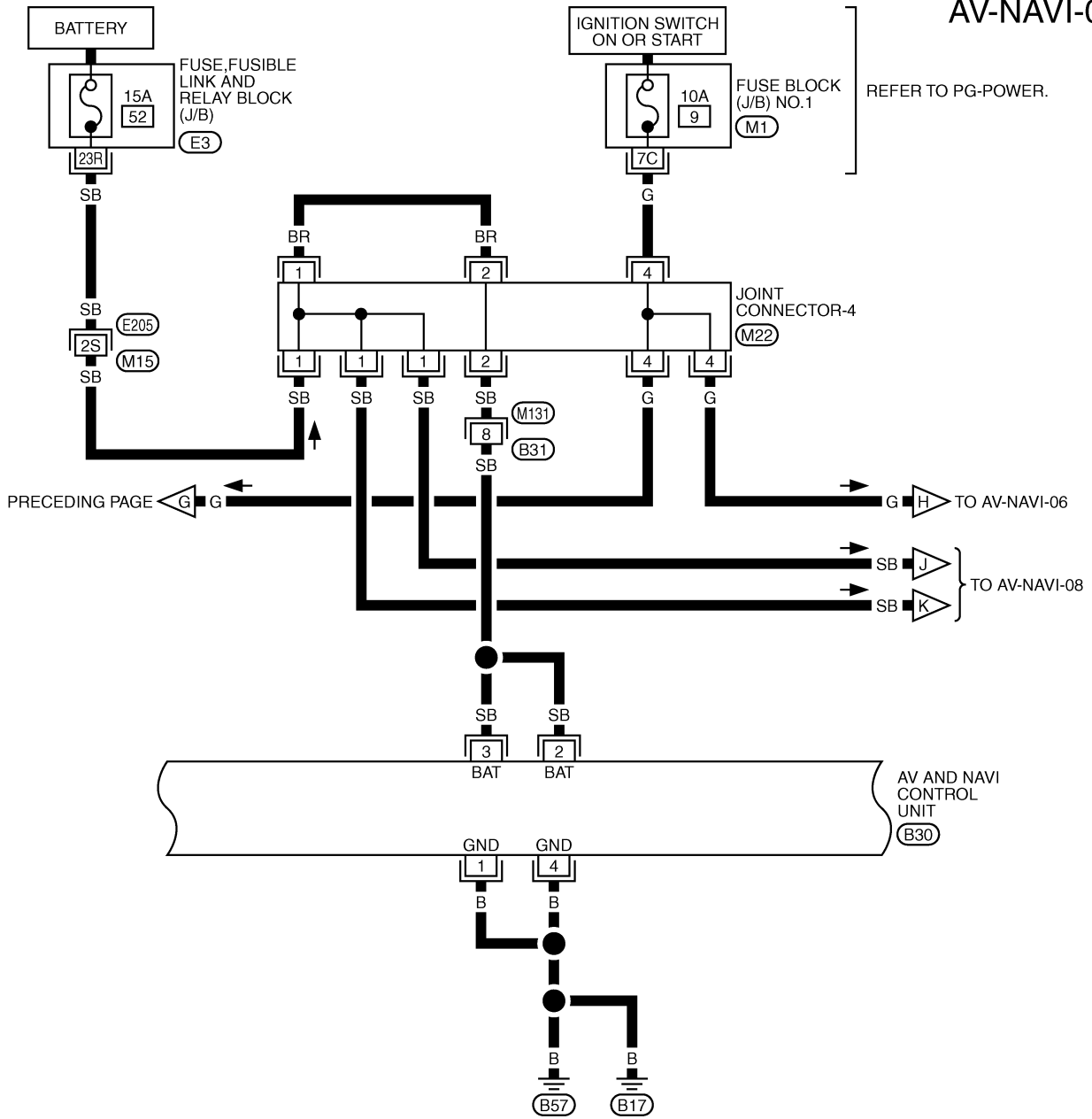
(M46) B

48	45	42	39	37	35	33	30	27
47	44	41	38	36	34	32	29	26
46	43	40				31	28	25

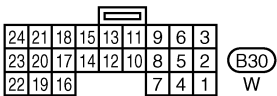
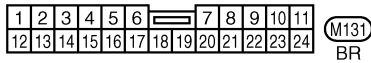
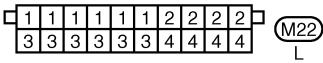
(B29) GY

NAVIGATION SYSTEM

AV-NAVI-04



A
B
C
D
E
F
G
H
I
J
AV
L
M



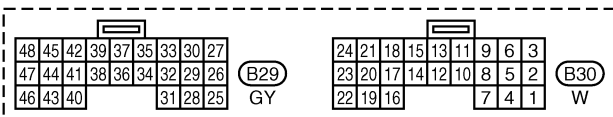
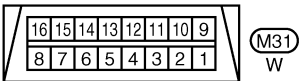
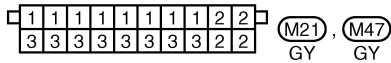
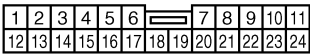
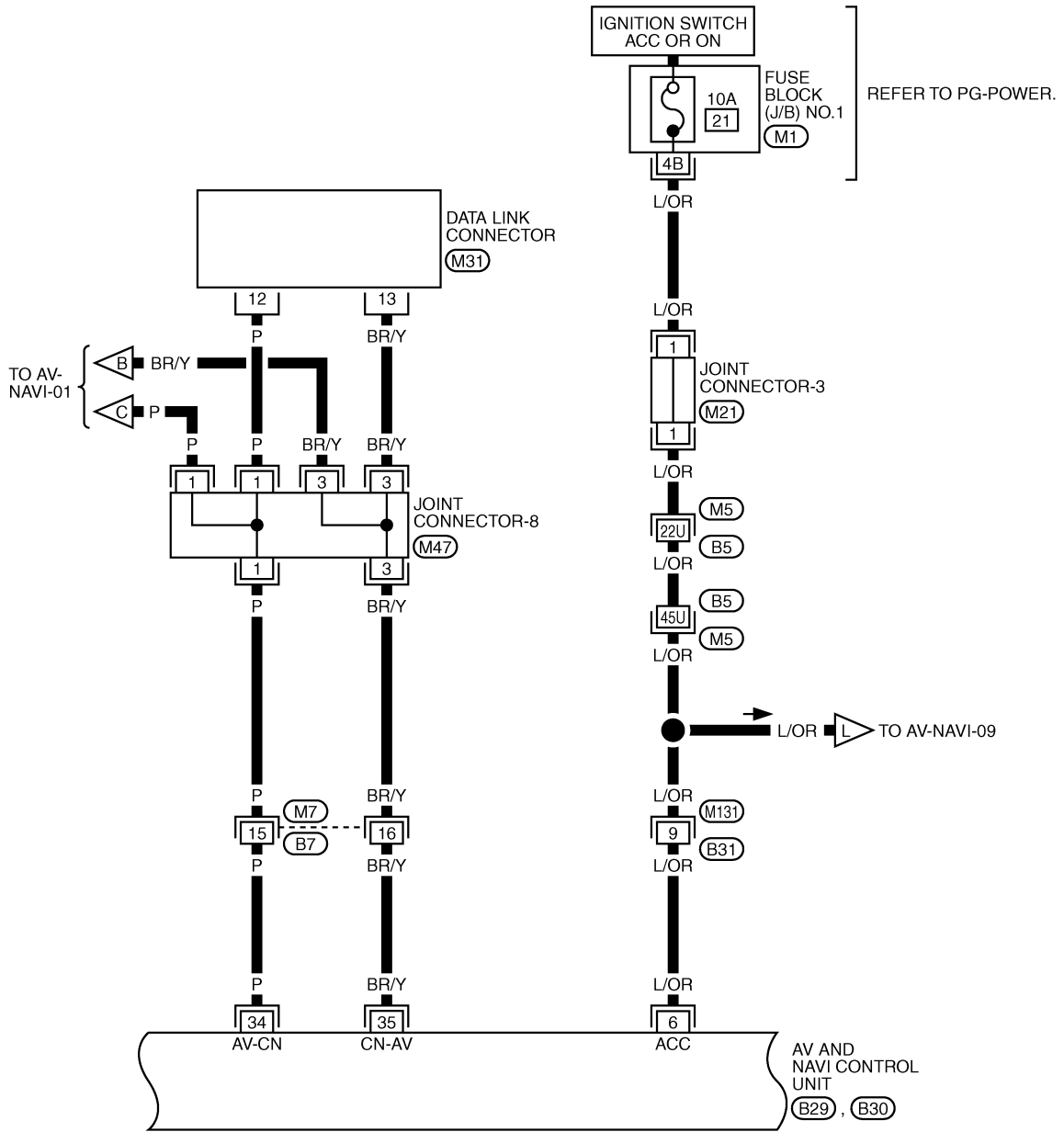
REFER TO THE FOLLOWING.

- (E205) -SUPER MULTIPLE JUNCTION (SMJ)
- (M1) -FUSE BLOCK-JUNCTION BOX (J/B) NO.1
- (E3) -FUSE, FUSIBLE LINK AND RELAY BLOCK (J/B)

TKWM0794E

NAVIGATION SYSTEM

AV-NAVI-05



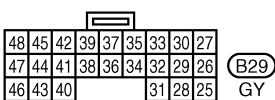
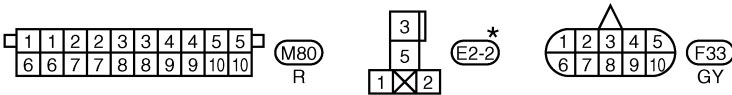
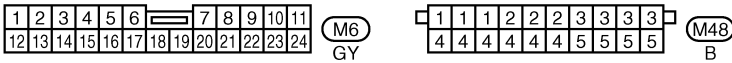
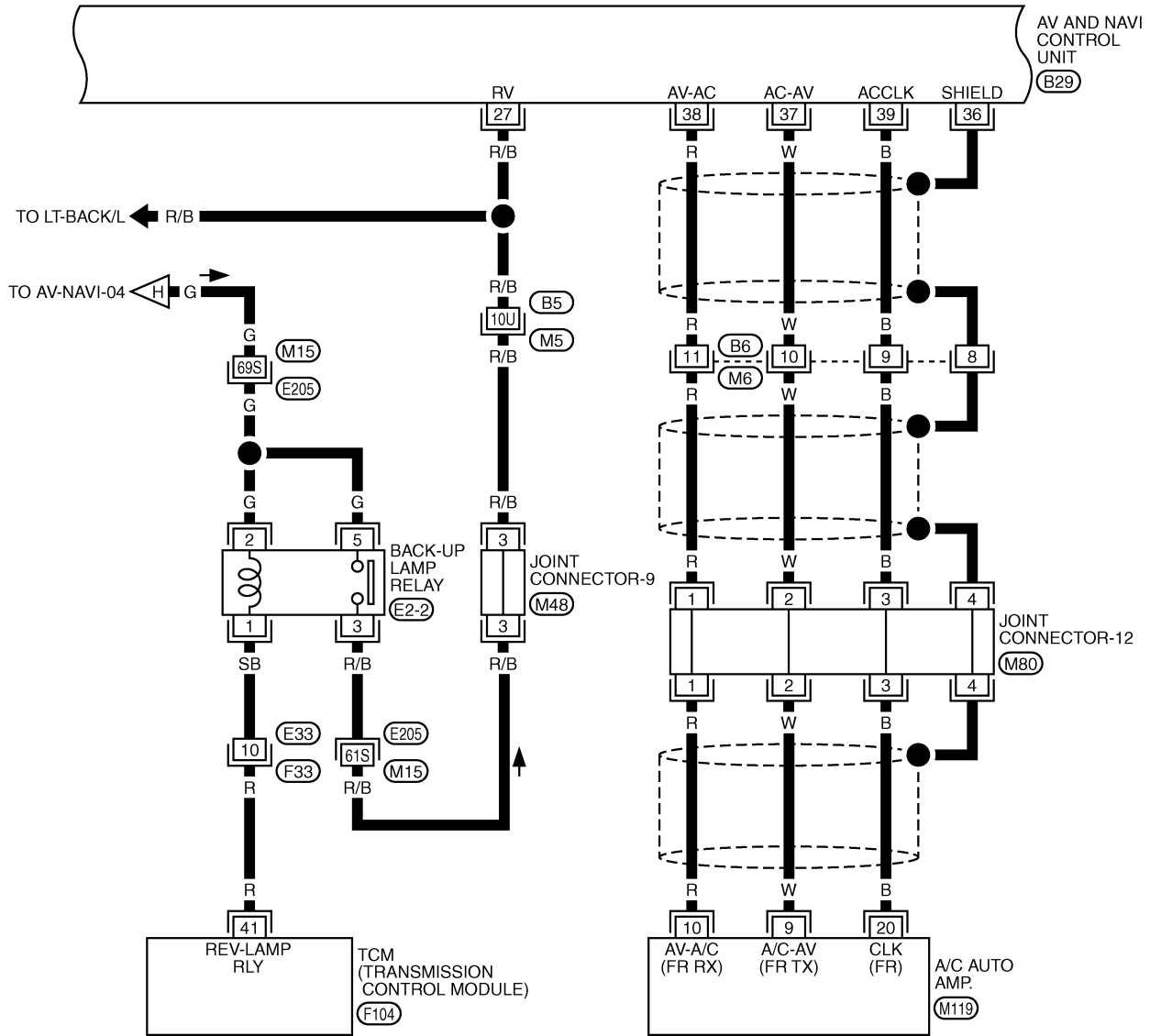
REFER TO THE FOLLOWING.

- (M5) -SUPER MULTIPLE JUNCTION (SMJ)
- (M1) -FUSE BLOCK-JUNCTION BOX (J/B) NO.1

NAVIGATION SYSTEM

AV-NAVI-06

A
B
C
D
E
F
G
H
I
J
K
L
M



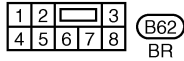
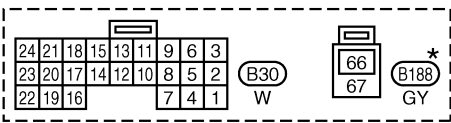
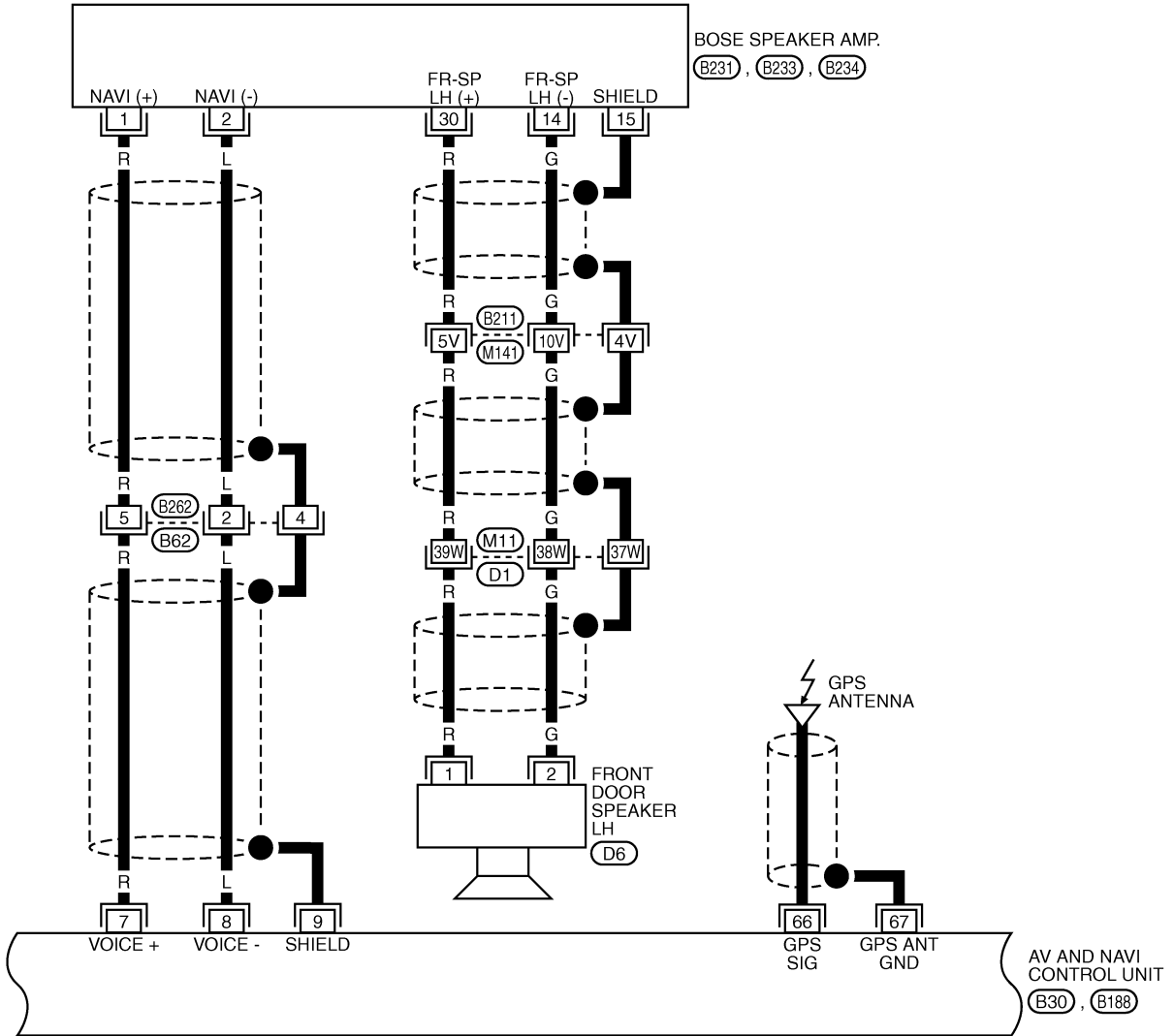
*: THIS CONNECTOR IS NOT SHOWN IN "HARNESS LAYOUT", PG SECTION.

REFER TO THE FOLLOWING.
 (M5), (E205) -SUPER MULTIPLE JUNCTION (SMJ)
 (M119), (F104) -ELECTRICAL UNITS

TKWM0796E

NAVIGATION SYSTEM

AV-NAVI-07



*: THIS CONNECTOR IS NOT SHOWN IN "HARNESS LAYOUT", PG SECTION.

REFER TO THE FOLLOWING.

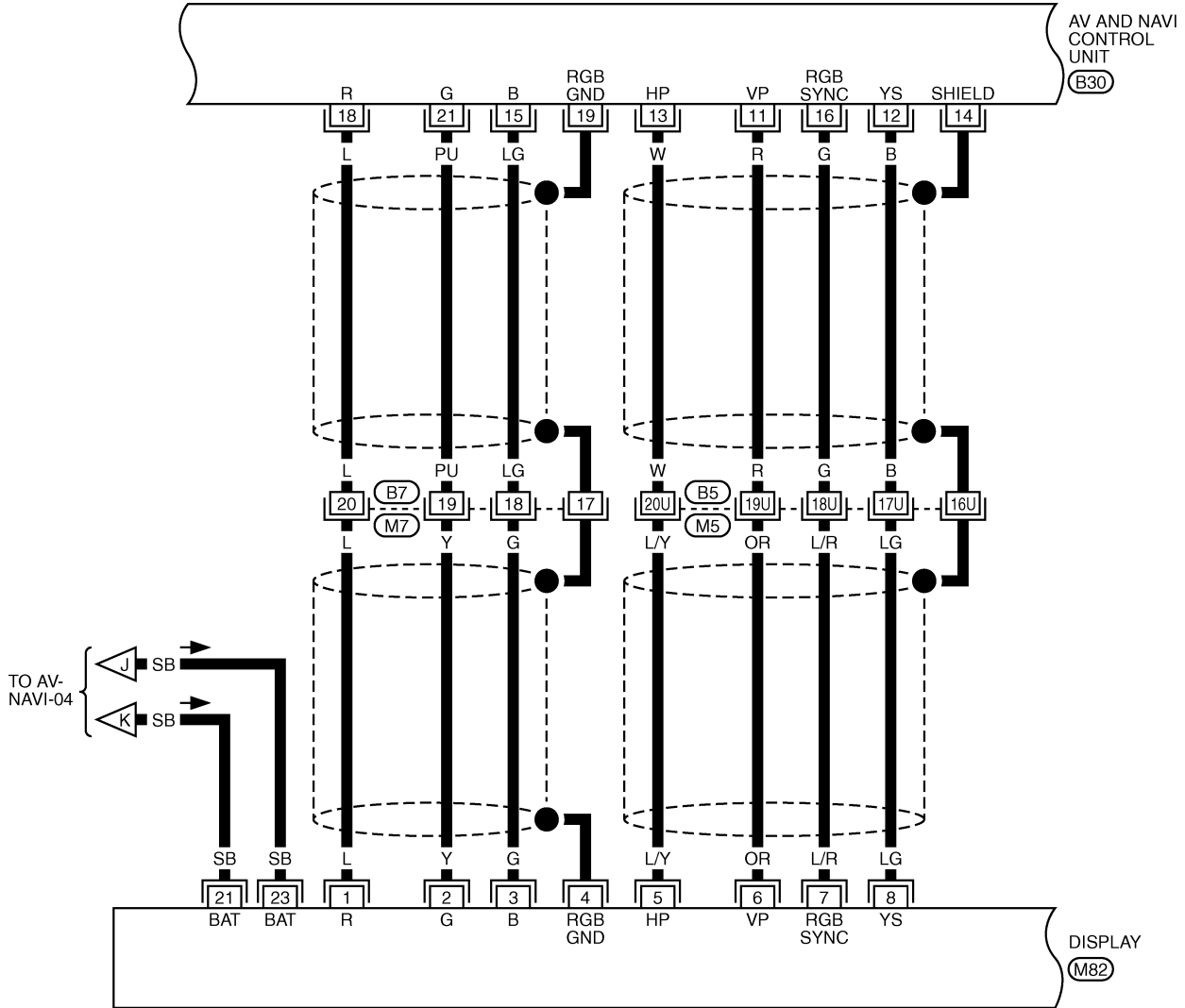
(B211), (D1) -SUPER MULTIPLE JUNCTION (SMJ)

TKWM0327E

NAVIGATION SYSTEM

AV-NAVI-08

A
B
C
D
E
F
G
H
I
J
K
L
M



1	2	3	4	5	6	7	8	9	10	11		
12	13	14	15	16	17	18	19	20	21	22	23	24

(M7) W

24	22	20	18	16	14	10	8	6	4	2		
23	21	19	17	15	13	12	11	9	7	5	3	1

(M82) GY

24	21	18	15	13	11	9	6	3
23	20	17	14	12	10	8	5	2
22	19	16			7	4	1	

(B30) W

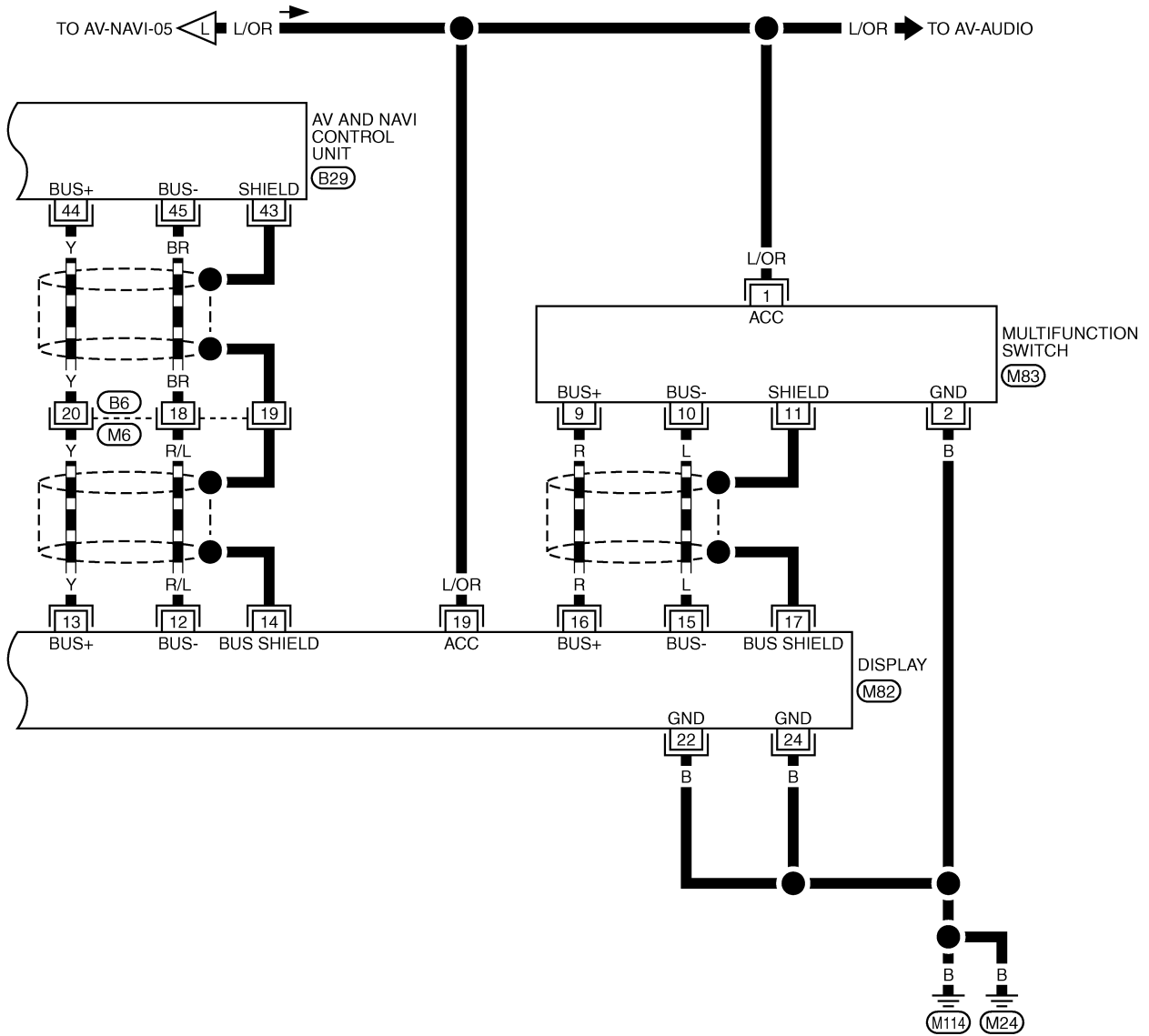
REFER TO THE FOLLOWING.

(M5) -SUPER MULTIPLE JUNCTION (SMJ)

NAVIGATION SYSTEM

AV-NAVI-09

▬ : DATA LINE



1	2	3	4	5	6	7	8	9	10	11		
12	13	14	15	16	17	18	19	20	21	22	23	24

(M6)
GY

24	22	20	18	16	14	10	8	6	4	2		
23	21	19	17	15	13	12	11	9	7	5	3	1

(M82)
GY

20	18	16	14	12	8	6	4	2		
19	17	15	13	11	10	9	7	5	3	1

(M83)
W

48	45	42	39	37	35	33	30	27
47	44	41	38	36	34	32	29	26
46	43	40				31	28	25

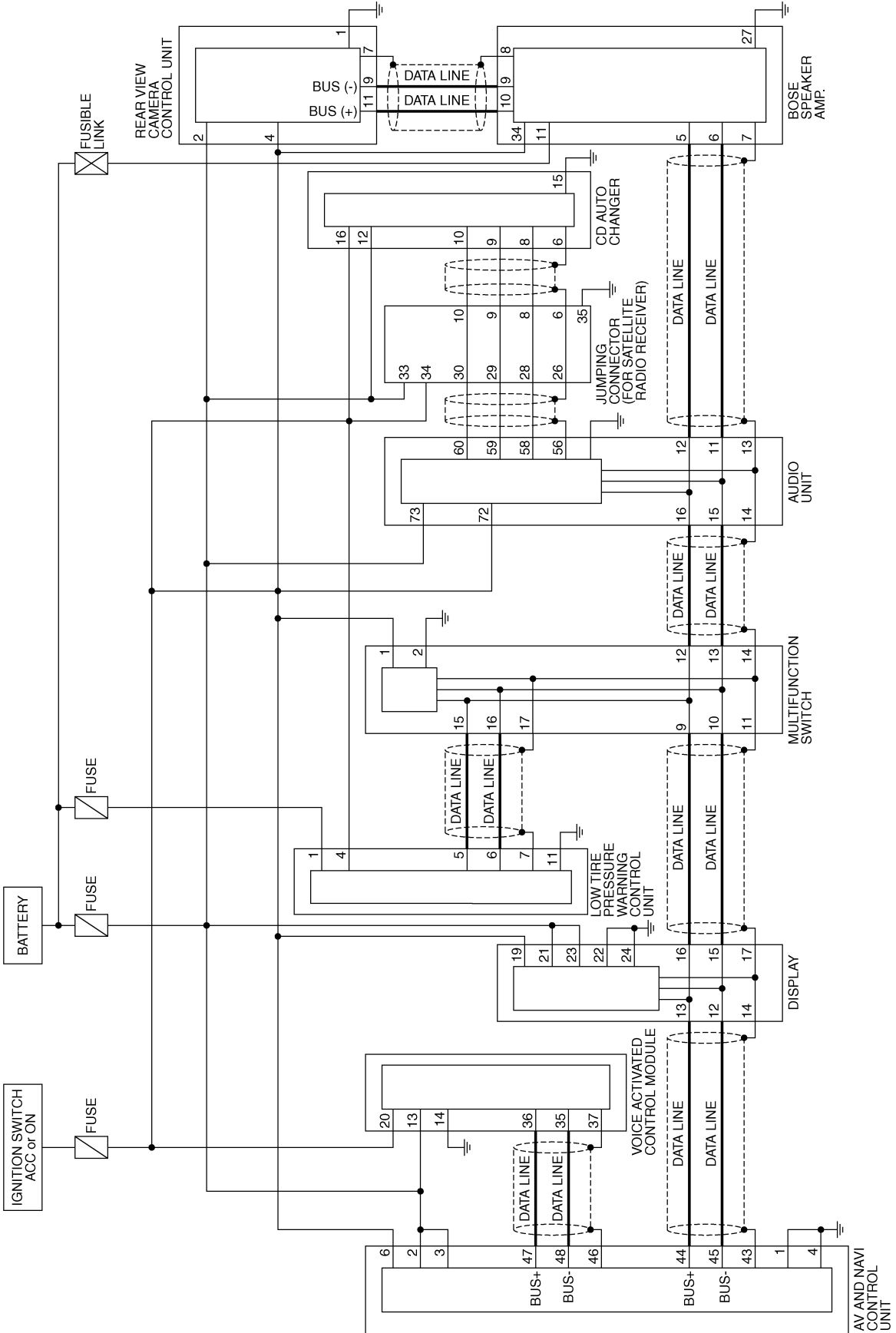
(B29)
GY

NAVIGATION SYSTEM

Schematic — COMM —

EKS006CD

A
B
C
D
E
F
G
H
I
J
AV
L
M

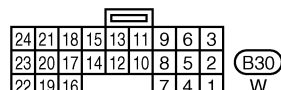
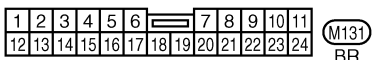
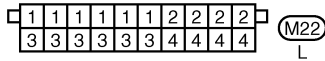
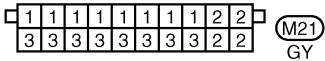
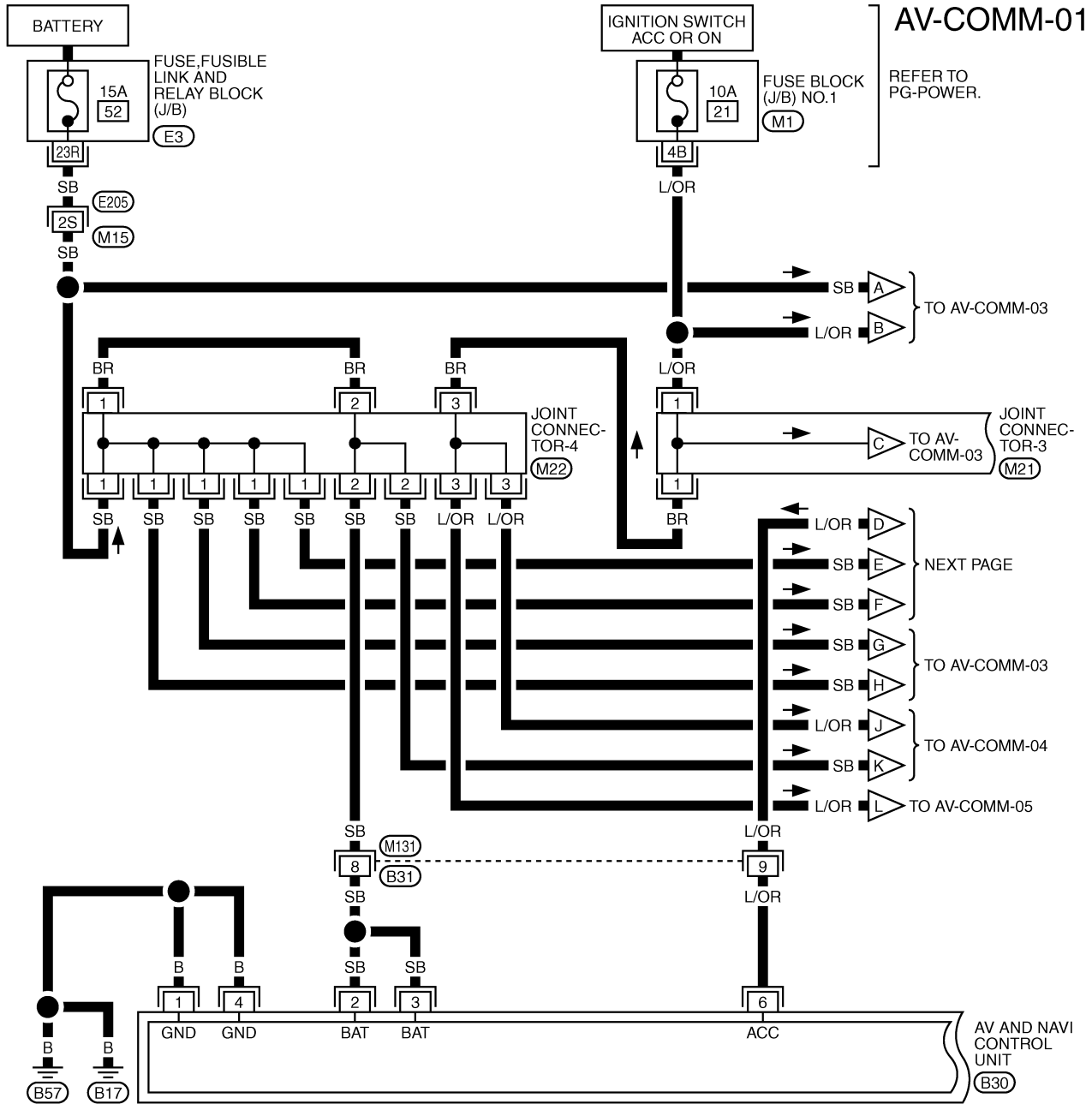


TKWM0797E

NAVIGATION SYSTEM

Wiring Diagram — COMM —

EKS006CE



REFER TO THE FOLLOWING.

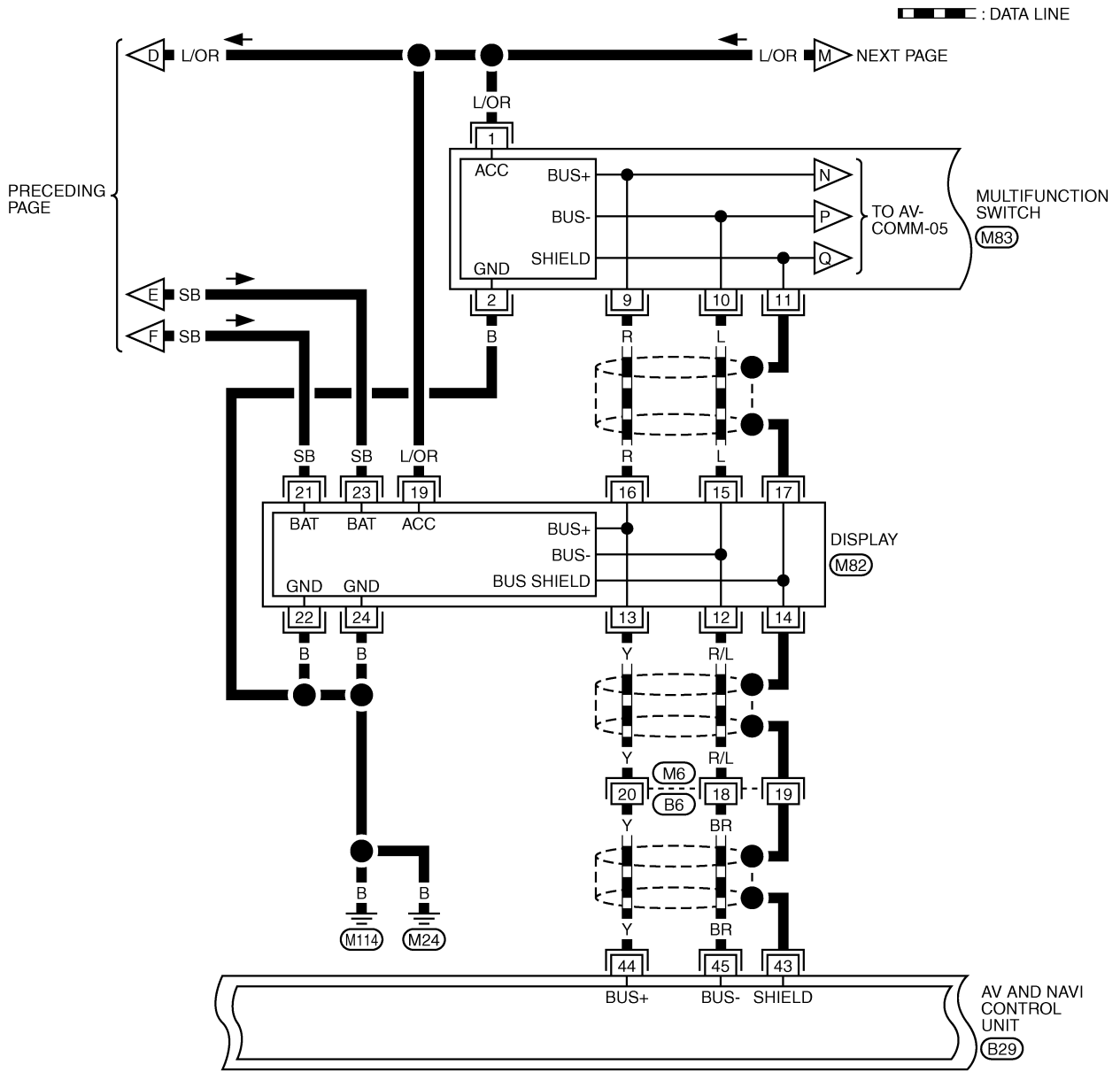
- (E205) -SUPER MULTIPLE JUNCTION (SMJ)
- (M1) -FUSE BLOCK-JUNCTION BOX (J/B) NO.1
- (E3) -FUSE, FUSIBLE LINK AND RELAY BLOCK (J/B)

TKWM0798E

NAVIGATION SYSTEM

AV-COMM-02

A
B
C
D
E
F
G
H
I
J
K
L
M



1	2	3	4	5	6	7	8	9	10	11		
12	13	14	15	16	17	18	19	20	21	22	23	24

(M6) GY

24	22	20	18	16	14	10	8	6	4	2		
23	21	19	17	15	13	12	11	9	7	5	3	1

(M82) GY

20	18	16	14	12	8	6	4	2		
19	17	15	13	11	10	9	7	5	3	1

(M83) W

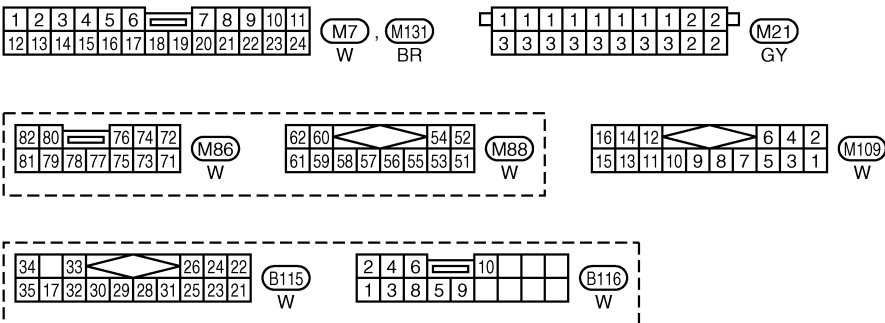
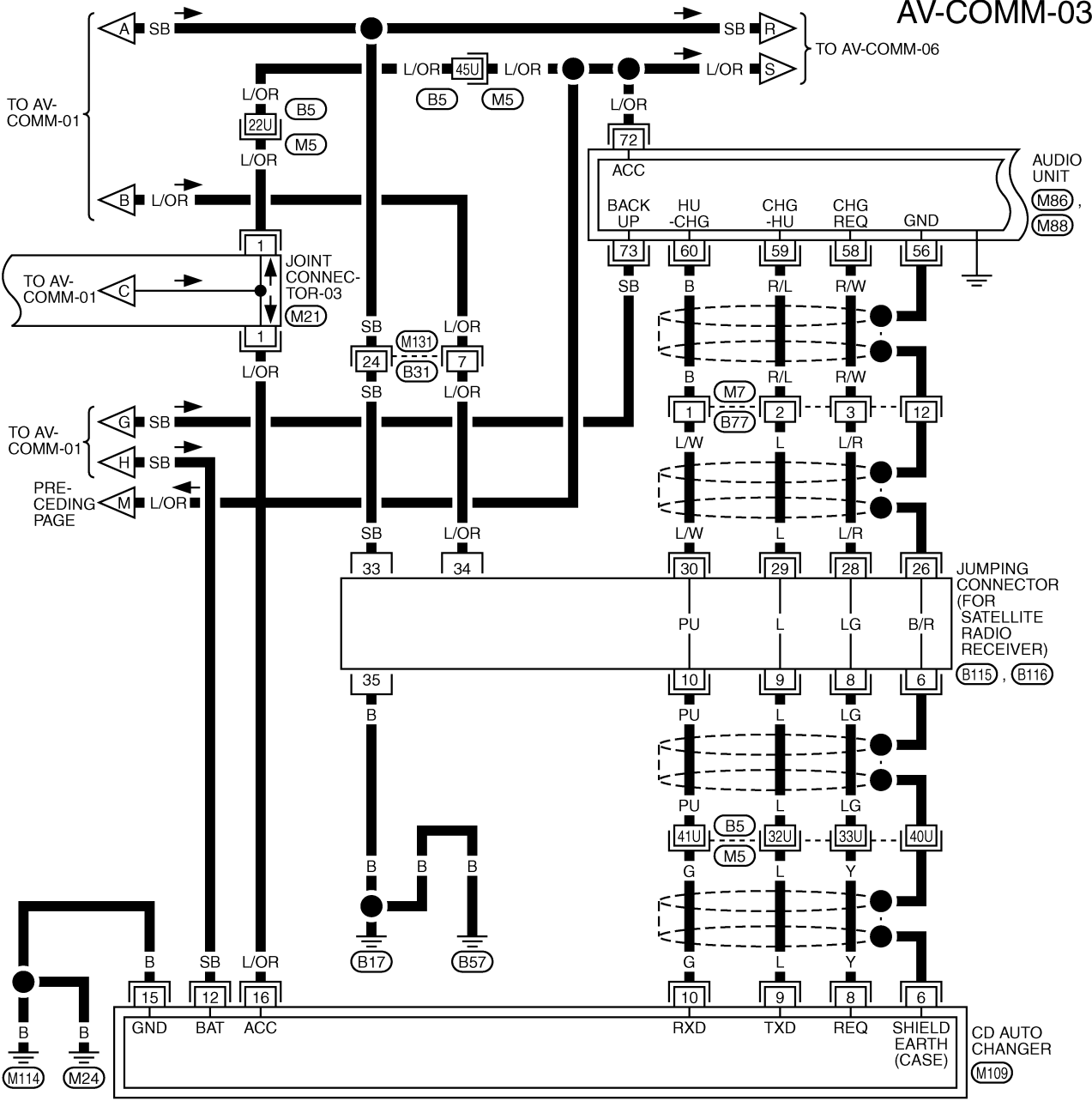
48	45	42	39	37	35	33	30	27
47	44	41	38	36	34	32	29	26
46	43	40			31	28	25	

(B29) GY

AV

NAVIGATION SYSTEM

AV-COMM-03



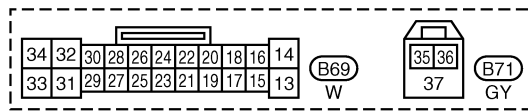
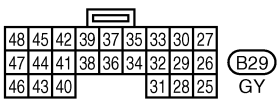
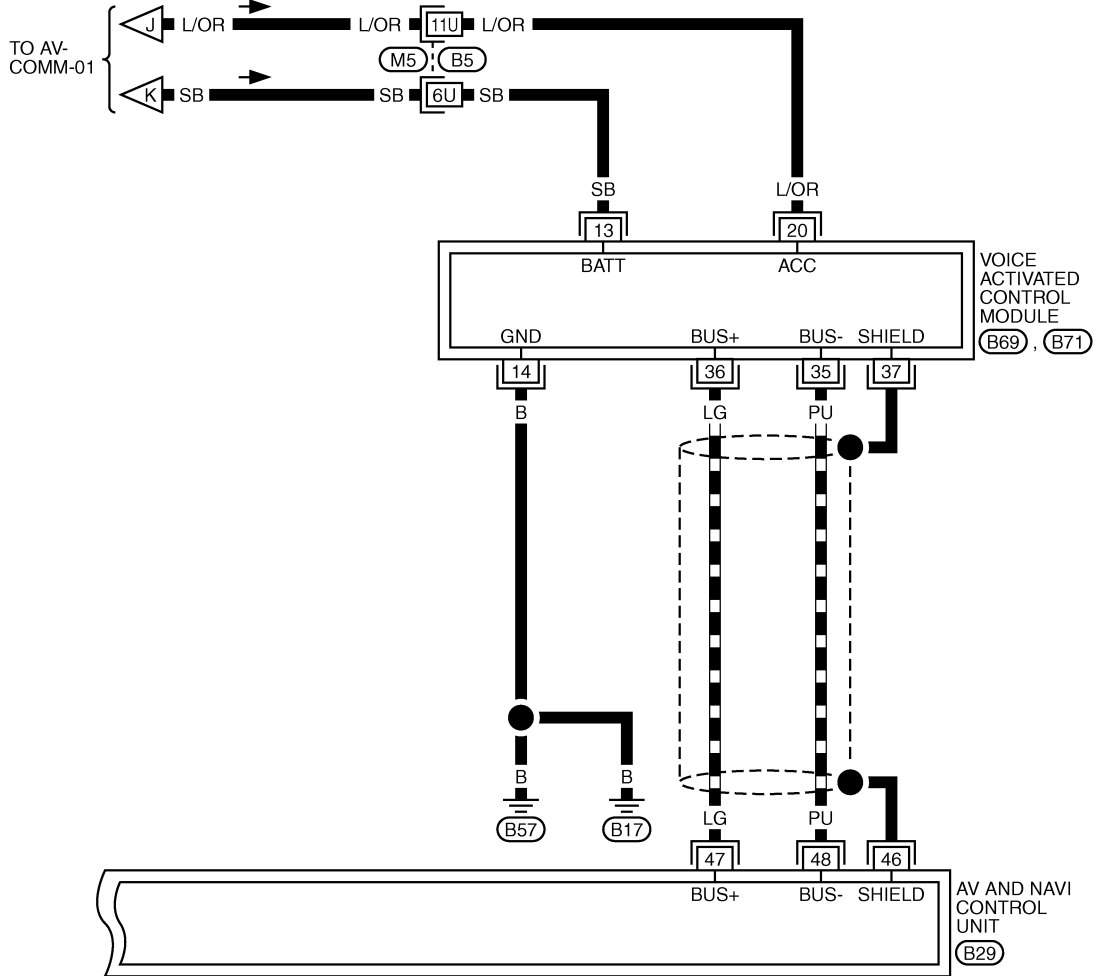
REFER TO THE FOLLOWING.
(M5) -SUPER MULTIPLE JUNCTION (SMJ)

NAVIGATION SYSTEM

AV-COMM-04

A
B
C
D
E
F
G
H
I
J
AV
L
M

▬ : DATA LINE

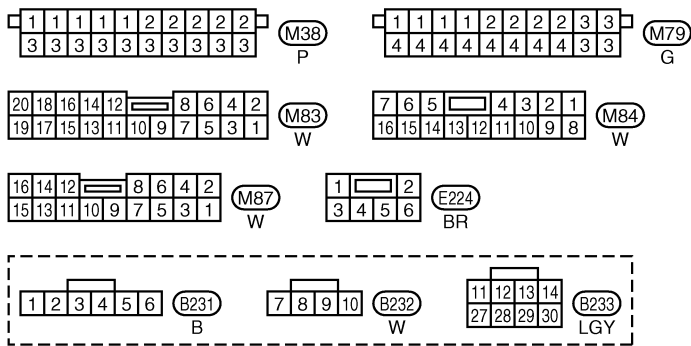
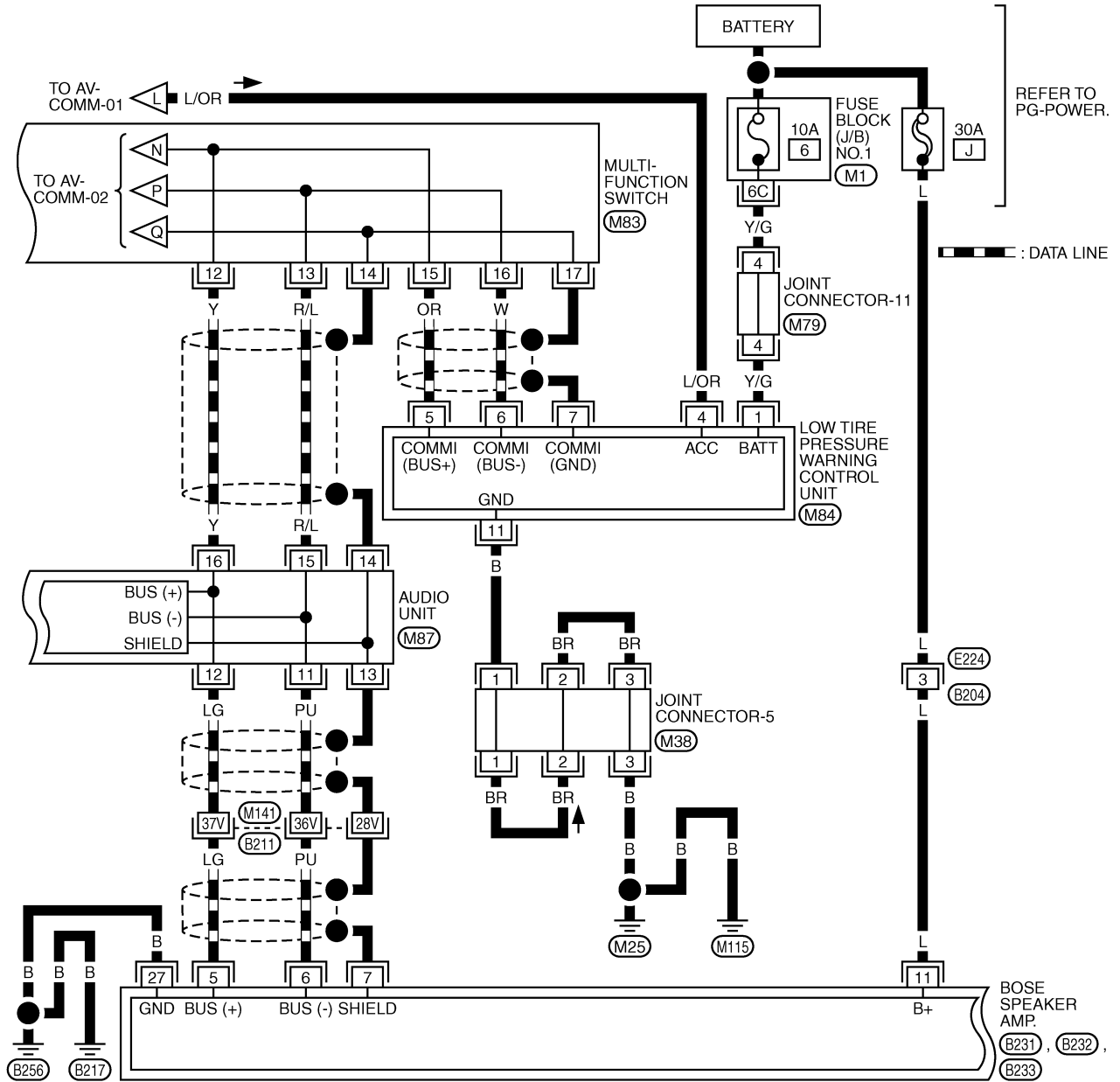


REFER TO THE FOLLOWING.

(M5) -SUPER MULTIPLE JUNCTION (SMJ)

NAVIGATION SYSTEM

AV-COMM-05



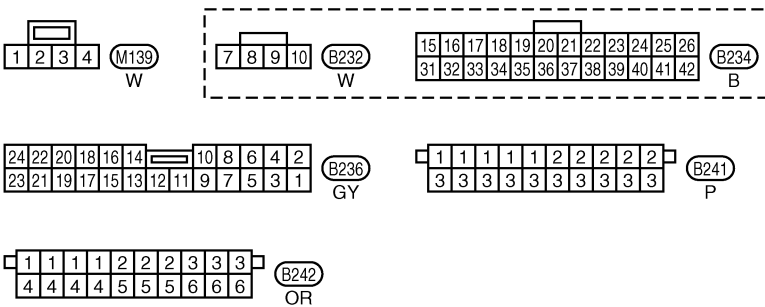
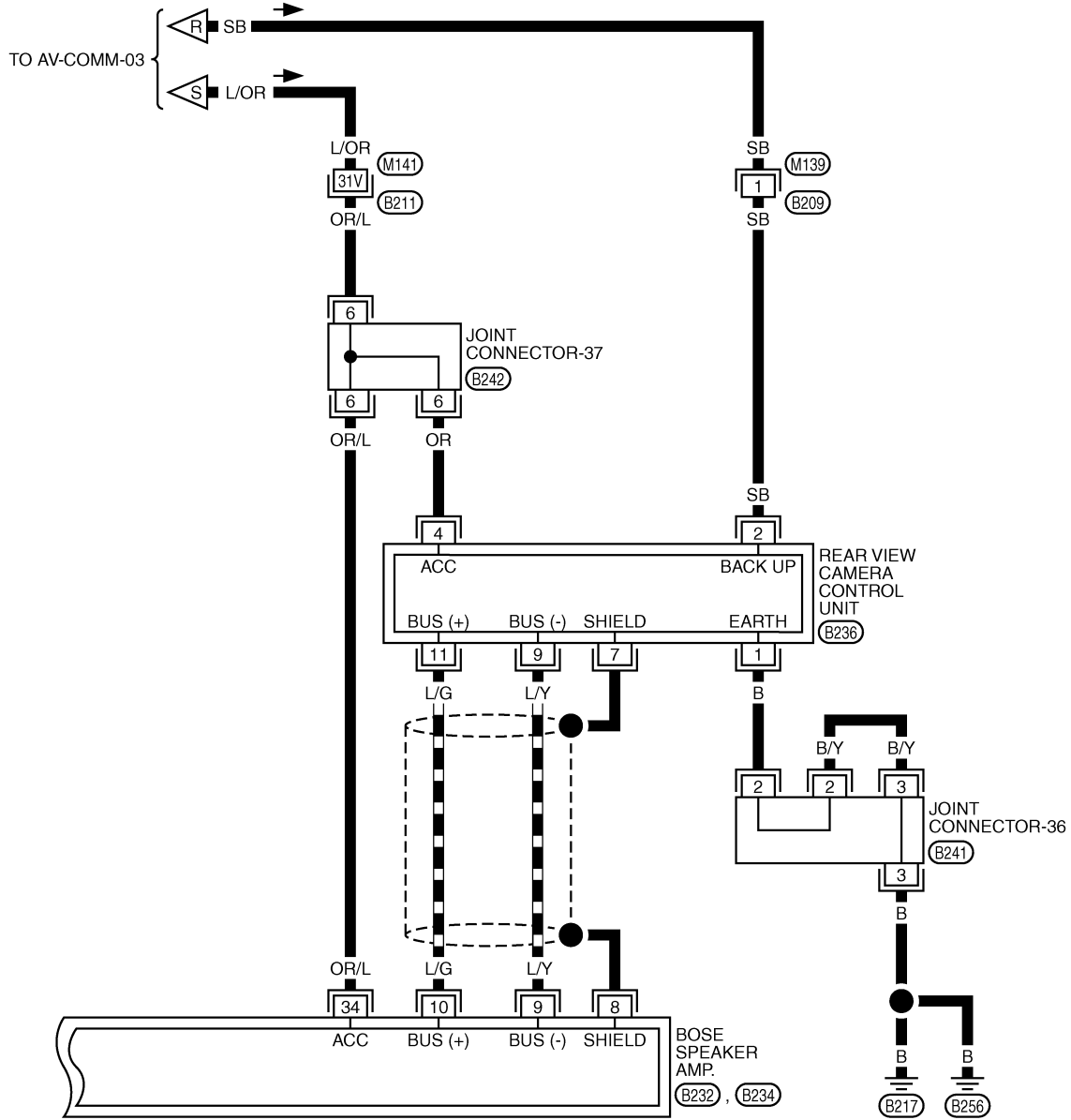
REFER TO THE FOLLOWING.

- (B211) -SUPER MULTIPLE JUNCTION (SMJ)
- (M1) -FUSE BLOCK-JUNCTION BOX (J/B) NO.1

NAVIGATION SYSTEM

AV-COMM-06

▬ : DATA LINE



REFER TO THE FOLLOWING.

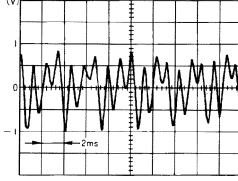
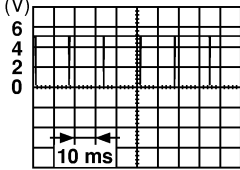
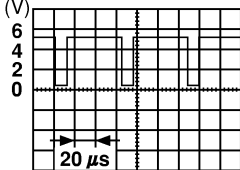
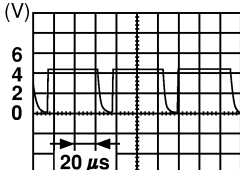
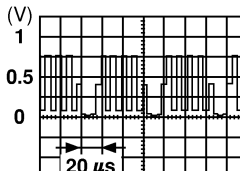
(B211) -SUPER MULTIPLE JUNCTION (SMJ)

A
B
C
D
E
F
G
H
I
J
AV
L
M

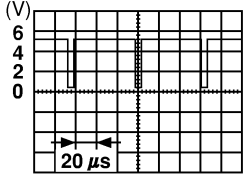
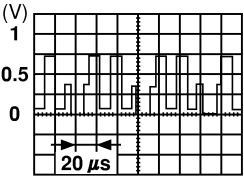
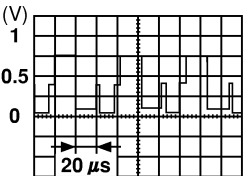
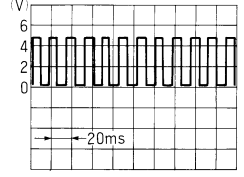
NAVIGATION SYSTEM

Terminals and Reference Value for AV and NAVI Control Unit

EKS001LT

Terminal (Wire color)		Item	Signal input/ output	Condition		Reference value	Example of symptom
+	-			Ignition switch	Operation		
1 (B)	Ground	Ground	-	ON	-	Approx. 0V	-
2 (SB)	Ground	Battery power supply	Input	OFF	-	Battery voltage	System does not work properly.
3 (SB)							
4 (B)	Ground	Ground	-	ON	-	Approx. 0V	-
6 (L/OR)	Ground	ACC power supply	Input	ACC	-	Battery voltage	System does not work properly.
7 (R)	8 (L)	voice guide signal	Output	ON	Press the "voice" switch	 <p style="text-align: right; font-size: small;">SKIA0171E</p>	Only route guide and operation guide are not heard.
9	Ground	Shield	-	ON	-	Approx. 0V	-
11 (R)	14	Vertical syn- chronizing (VP) signal	Input	ON	-	 <p style="text-align: right; font-size: small;">SKIA0161E</p>	Superimposed screen is rolling.
12 (B)	14	RGB area (YS) signal	Output	ON	Press the "info" switch	 <p style="text-align: right; font-size: small;">SKIA0162E</p>	RGB screen is not shown.
13 (W)	14	Horizontal synchroniz- ing (HP) sig- nal	Input	ON	Select "Rearview" in "Confirmation/ Adjustment Mode" mode and display the rearview picture on the screen	 <p style="text-align: right; font-size: small;">SKIA0163E</p>	RGB screen is not shown.
14	Ground	Shield	-	ON	-	Approx. 0V	-
15 (LG)	19	RGB signal (B: blue)	Output	ON	Select "SCREEN ADJUSTMENT" of Confirmation/Adjust- ment Mode function	 <p style="text-align: right; font-size: small;">SKIA0167E</p>	RGB screen looks yellowish.

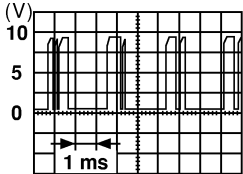
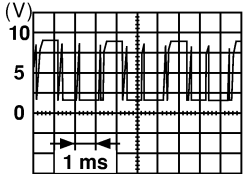
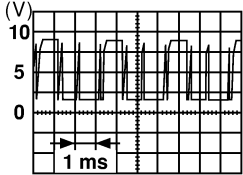
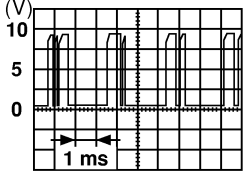
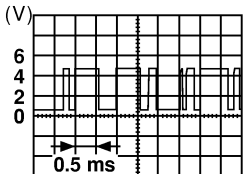
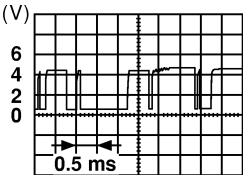
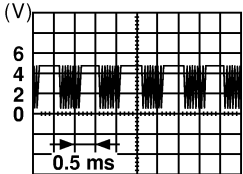
NAVIGATION SYSTEM

Terminal (Wire color)		Item	Signal input/ output	Condition		Reference value	Example of symptom
+	-			Ignition switch	Operation		
16 (G)	14	RGB syn- chronizing signal	Output	ON	Press the "MAP" switch	 <small>SKIA0164E</small>	RGB screen is rolling.
18 (L)	19	RGB signal (R: red)	Output	ON	Select "SCREEN ADJUSTMENT" of Confirmation/Adjust- ment Mode function	 <small>SKIA0165E</small>	RGB screen looks bluish.
19	Ground	Shield	-	ON	-	Approx. 0V	-
21 (PU)	19	RGB signal (G: green)	Output	ON	Select "SCREEN ADJUSTMENT" of Confirmation/Adjust- ment Mode function	 <small>SKIA0166E</small>	RGB screen looks reddish.
25 (R/L)	Ground	Illumination control signal	Input	ON	Light- ing switch ON (posi- tion 1)	Approx. 0V	Screen does not switch between daytime mode and nighttime mode.
					Optical sensor is exposed to light	Approx. 12V	
26 (W/G)	Ground	Ignition signal	Input	ON	-	Battery voltage	A/C operation is not possible. Vehicle informa- tion setting is not possible.
27 (R/B)	Ground	Reverse sig- nal	Input	ON	AT selector lever in R-position	Approx. 12V	The navigation current-location mark moves strangely when the vehicle is moving back- wards.
					AT selector lever not in R-position	Approx. 0V	
28 (OR/L)	Ground	Vehicle speed signal (8-pulse)	Input	ON	When vehicle speed is approx. 40 km/h (25 MPH)	 <small>ELF1084D</small>	Navigation cur- rent-location mark does not indicate the cor- rect position.
31	Ground	Shield	-	ON	-	Approx. 0V	-

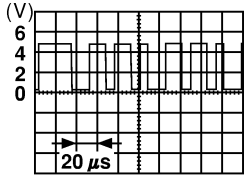
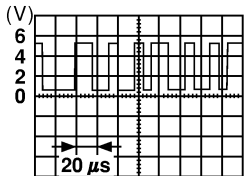
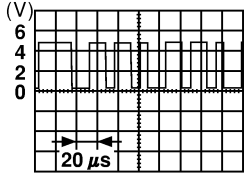
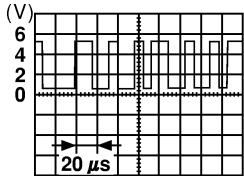
A
B
C
D
E
F
G
H
I
J
K
L
M

AV

NAVIGATION SYSTEM

Terminal (Wire color)		Item	Signal input/ output	Condition		Reference value	Example of symptom
+	-			Ignition switch	Operation		
32 (PU)	31	Communica- tion signal (ME-AV)	Input	ON	Perform various set- tings on the vehicle information screen	 <p style="text-align: right; font-size: small;">SKIA0170E</p>	Clock cannot be adjusted. Vehicle informa- tion screen is not shown.
33 (LG)	31	Communica- tion signal (AV-ME)	Output	ON	Display the vehicle information screen	 <p style="text-align: right; font-size: small;">SKIA0169E</p>	Clock cannot be adjusted. Vehicle informa- tion screen is not shown.
34 (P)	Ground	CONSULT-II communica- tion signal (AV-CN)	Output	ON	Perform CONSULT- II	 <p style="text-align: right; font-size: small;">SKIA0169E</p>	Diagnosis with CONSULT-II is not possible.
35 (BR/Y)	Ground	CONSULT-II communica- tion signal (CN-AV)	Input	ON	Perform CONSULT- II	 <p style="text-align: right; font-size: small;">SKIA0170E</p>	Diagnosis with CONSULT-II is not possible.
36	Ground	Shield	-	ON	-	Approx. 0V	-
37 (W)	Ground	A/C commu- nication sig- nal (AC-AV)	Input	ON	-	 <p style="text-align: right; font-size: small;">SKIA0173E</p>	A/C status is not indicated cor- rectly.
38 (R)	Ground	A/C commu- nication sig- nal (AV-AC)	Output	ON	-	 <p style="text-align: right; font-size: small;">SKIA0172E</p>	A/C operation is not possible.
39 (B)	Ground	A/C clock sig- nal	Input	ON	-	 <p style="text-align: right; font-size: small;">SKIA0174E</p>	A/C status is not indicated cor- rectly.
43	Ground	Shield	-	ON	-	Approx. 0V	-

NAVIGATION SYSTEM

Terminal (Wire color)		Item	Signal input/ output	Condition		Reference value	Example of symptom
+	-			Ignition switch	Operation		
44 (Y)	43	Communica- tion signal (+)	Input/ output	ON	-	 <p style="text-align: right; font-size: small;">SKIA0175E</p>	System does not work properly.
45 (BR)	43	Communica- tion signal (-)	Input/ output	ON	-	 <p style="text-align: right; font-size: small;">SKIA0176E</p>	System does not work properly.
46	Ground	Shield	-	ON	-	Approx. 0V	-
47 (LG)	46	Communica- tion signal (+)	Input/ output	ON	-	 <p style="text-align: right; font-size: small;">SKIA0175E</p>	System does not work properly.
48 (PU)	46	Communica- tion signal (-)	Input/ output	ON	-	 <p style="text-align: right; font-size: small;">SKIA0176E</p>	System does not work properly.
66	67	GPS signal	Input	ON	Connector is not connected	Approx. 5 V	Navigation sys- tem GPS correc- tion is not possible.

A
B
C
D
E
F
G
H
I
J
L
M

AV

NAVIGATION SYSTEM

On Board Self-Diagnosis Function (without CONSULT-II)

EKS001LU

DESCRIPTION

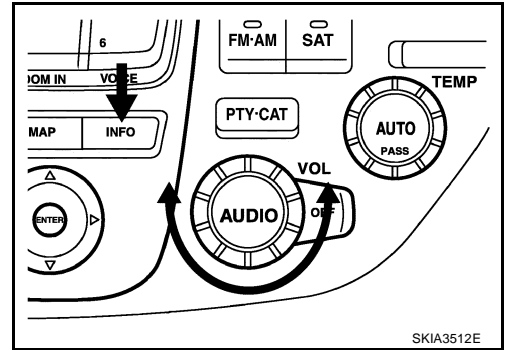
- Diagnosis function consists of the self-diagnosis mode performed automatically and the Confirmation/Adjustment Mode mode operated manually.
- Self-diagnosis mode checks for connections between the units constituting this system, analyzes each individual unit at the same time, and displays the results on the LCD screen.
- Confirmation/Adjustment Mode mode is used to perform trouble diagnosis that require operation and judgment by an operator (malfunction that cannot be automatically judged by the system), to check/change the set value, and to display the History of Errors of the navigation system.

DIAGNOSIS ITEM

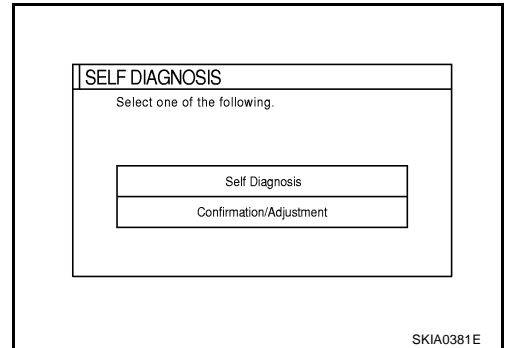
Mode		Description	
Self-diagnosis		<ul style="list-style-type: none"> ● AV and NAVI control unit diagnosis (DVD-ROM drive will not be diagnosed when no map DVD-ROM is in it.). ● Analyzes connection between the AV and NAVI control unit and the GPS antenna connection between the AV and NAVI control unit and each unit, and operation of each unit. 	
Confirmation/ Adjustment Mode	Display diagnosis	Color tone and shading of the screen can be checked by the display of a color bar and a gray scale.	
	Vehicle signals	Analyzes the following vehicle signals: Vehicle speed signal, parking brake signal, light signal, ignition switch signal, and reverse signal.	
	Auto Climate Control	Turns all A/C screens on display and A/C switch indicator lamp on.	
	Navigation	Display Longitude & Latitude	Display the map. Use the joystick to adjust position. Longitude and latitude will be displayed.
		Speed Calibration	Under ordinary conditions, the navigation system distance measuring function will automatically compensate for minute decreases in wheel and tire diameter caused by tire wear or low pressure. Speed calibration immediately restores system accuracy in cases such as when distance calibration is needed because of the use of tire chains in inclement weather.
		Angle adjustment	Corrects difference between actual turning angle of a vehicle and turning angle of the car mark on the display.
		Initialize Location	This mode is for initializing the current location. Use when the vehicle is transported a long distance on a trailer, etc.
	History of Errors	Diagnosis results previously stored in the memory (before turning ignition switch ON) are displayed in this mode. Time and location when/where the errors occurred are also displayed.	
Rear view camera	Changes position of the aiming line overlapped on the rear view image.		

Self-Diagnosis Mode OPERATION PROCEDURE

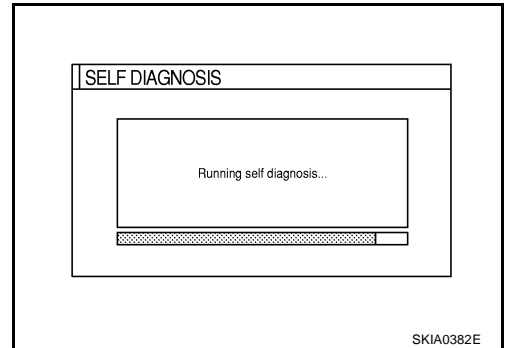
1. Start the engine.
2. Turn the audio system off.
3. While pressing the "INFO" switch, turn the volume control dial clockwise or counterclockwise for 30 clicks or more. (When the self-diagnosis mode is started, a short beep will be heard.)
 - Shifting from current screen to previous screen is performed by pressing "PREV" switch.



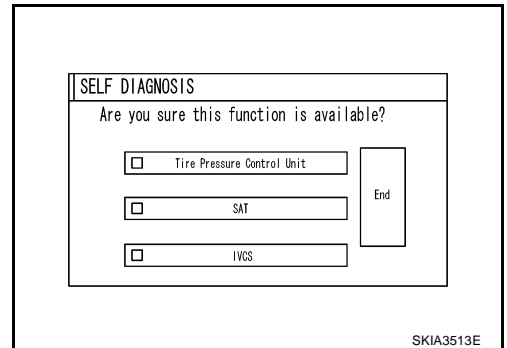
4. The initial trouble diagnosis screen will be shown, and items "Self Diagnosis" and "Confirmation/Adjustment" will become selective.



5. Perform self-diagnosis by selecting the "Self Diagnosis".
 - Self-diagnosis subdivision screen will be shown and the operation enters the self-diagnosis mode.
 - A bar graph shown below the self-diagnosis subdivision screen indicates progress of the diagnosis.



6. When the self-diagnosis completes, optional part confirmation screen will be shown.
 - When connection of an optional part is judged error, a screen to check if the optional part is actually fitted on the vehicle or not will be shown. When fitted, select the switch of the part on the screen and press "END". Then the "SELF DIAGNOSIS" screen will be shown.
 - When the optional part is connected normally, the switch for the part will not appear on the screen.



A
B
C
D
E
F
G
H
I
J
AV
L
M

NAVIGATION SYSTEM

7. On the “SELF DIAGNOSIS” screen, each unit name will be colored according to the diagnosis result, as follows.

Green : No malfunctioning.

Yellow : Cannot be judged by self-diagnosis results.

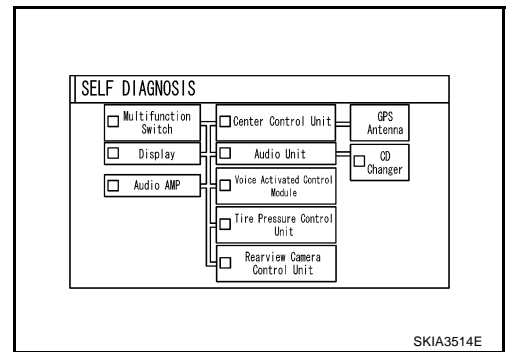
Red : Unit is malfunctioning.

Gray : Diagnosis has not been done.

- If several malfunctions are present in a unit, color of its switch on the screen will be either red, yellow, or gray, determined by the malfunction of the highest priority.

CAUTION:

“Tire Pressure Control Unit” on the screen will be illuminated in yellow when performing self-diagnosis with ignition switch in ACC position.



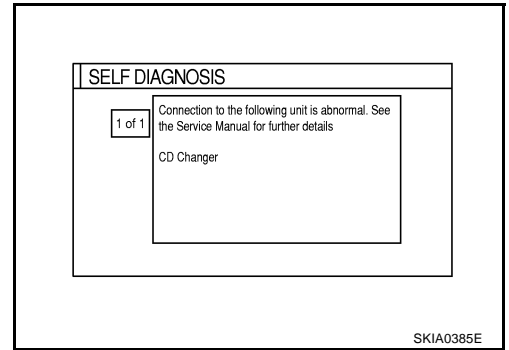
8. Select a switch on the “SELF DIAGNOSIS” screen and comments for the diagnosis results will be shown.

- When the switch is green, the following comment will be shown. “Self-diagnosis was successful. Further diagnosis and adjustments are recommended. Follow the “confirmation and adjustments” menu or refer to the service manual.”.

- When the switch is yellow, the following comment will be shown. “Connection to the following unit is abnormal. See the service manual for further details”.

- When the switch is red, the following comment will be shown. “Center Control Unit is abnormal”.

- When the switch is gray, the following comment will be shown. “Self-diagnosis for DVD-ROM DRIVER of NAVI was not conducted because no DVD-ROM was available.”.



NAVIGATION SYSTEM

SELF-DIAGNOSIS RESULT

Quick Reference Table

1. Select an applicable diagnosis No. in the diagnosis result quick reference table.
2. Find estimated malfunctioning system in the diagnosis No. table and perform check by referring to [AV-72. "Wiring Diagram — COMM —"](#).
3. Turn ignition switch OFF and perform self-diagnosis again.

Screen switch										Diagnosis No.
Switch color	Center control unit*	Display	Tire pressure control unit	Audio unit	CD auto changer	Audio amp.	Rearview camera control unit	Voice activated control module	GPS antenna	
Red	×									1
Gray	×									2
Yellow	×	×								3
	×		×							4
	×			×	×					5
						×				6
	×					×				7
	×						×			8
	×							×		9
	×								×	10
	×							×		11
	×						×	×		12
×				×	×	×	×		13	

*: Center Control unit = AV and NAVI control unit

CAUTION:

- When multifunction switch has an incident, you can not start.
- Check the following when the self-diagnosis mode can not be used.
 - AV communication line between AV and NAVI control unit and Display, AV communication line between Display and multifunction switch.
 - multifunction switch power supply and ground circuit
- When an error is in the AV communication line, it cannot be detected on the screen because self-diagnosis is inoperative. However, the error can be detected with CONSULT-II.

NAVIGATION SYSTEM

Self-diagnosis Codes

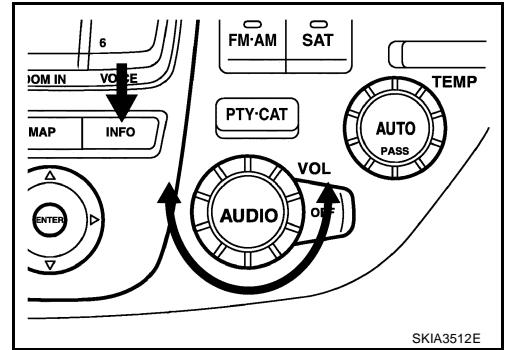
Diagnosis No.	Possible cause
1	AV and NAVI control unit malfunction
2	No map DVD-ROM is inserted in the AV and NAVI control unit.
3	Display power supply and ground circuit
4	Low tire pressure warning control unit power supply and ground circuit, AV communication line between low tire pressure warning control unit and multifunction switch.
5	Audio unit power supply and ground circuit
6	CD auto changer power supply and ground circuit, AV communication line between CD auto changer and audio unit.
7	Audio amplifier power supply and ground circuit.
8	Rearview camera control unit power supply and ground circuit.
9	Voice activated control module power supply and ground circuit.
10	GPS antenna system 1. Visually check for a broken wire in the GPS antenna coaxial cable. 2. Disconnect the GPS antenna connector, and make sure that approximately 5V is supplied from the AV and NAVI control unit. If not, the AV and NAVI control unit is malfunctioning. If 5V is supplied, replace the GPS antenna. If the connection is still malfunction after the replacement of the GPS antenna, the AV and NAVI control unit is malfunctioning.
11	AV communication line between voice activated control unit and the AV and NAVI control unit.
12	AV communication line between audio amplifier and audio unit. Audio amplifier internal communication circuit.
13	AV communication line between audio unit and multifunction switch. Audio control unit communication circuit.

NAVIGATION SYSTEM

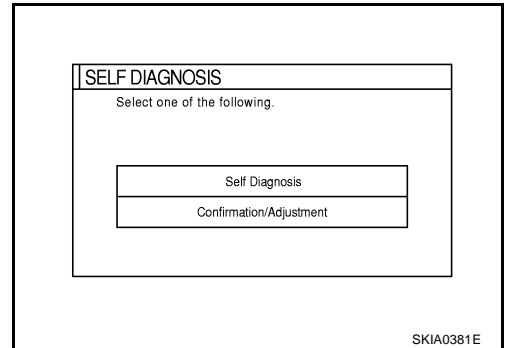
Confirmation/Adjustment Mode OPERATION PROCEDURE

EKS001LW

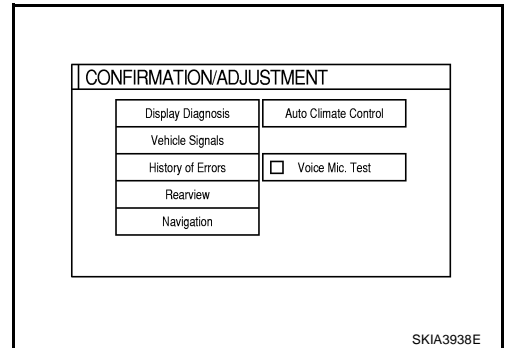
1. Start the engine.
2. Turn the audio system off.
3. While pressing the "INFO" switch, turn the volume control dial clockwise or counterclockwise for 30 clicks or more. (When the self-diagnosis mode is started, a short beep will be heard.)
 - Shifting from current screen to previous screen is performed by pressing "PREV" switch.



4. The initial trouble diagnosis screen will be shown, and items "Self Diagnosis" and "Confirmation/Adjustment" will become selective.



5. When "Confirmation/Adjustment" is selected on the initial trouble diagnosis screen, the operation will enter the Confirmation/Adjustment Mode mode. In this mode, check and adjustment of each item will become possible.
6. Select each switch on "CONFIRMATION/ADJUSTMENT" screen to display the relevant diagnosis screen.

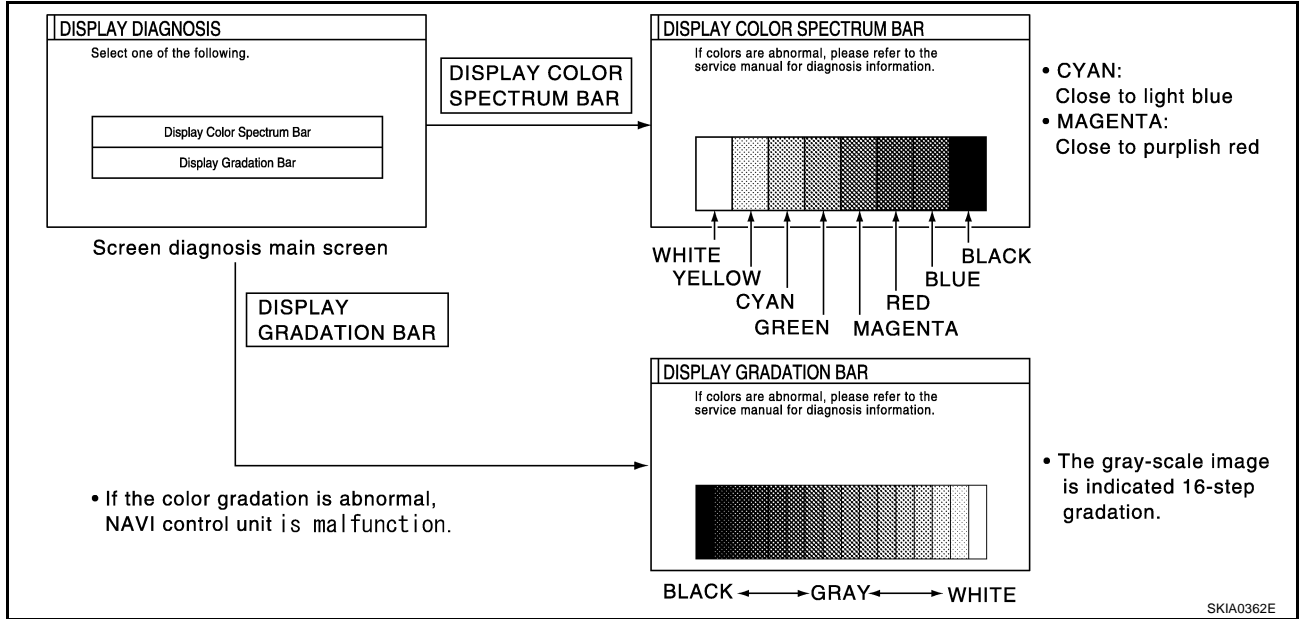


A
B
C
D
E
F
G
H
I
J
L
M

AV

NAVIGATION SYSTEM

DISPLAY DIAGNOSIS

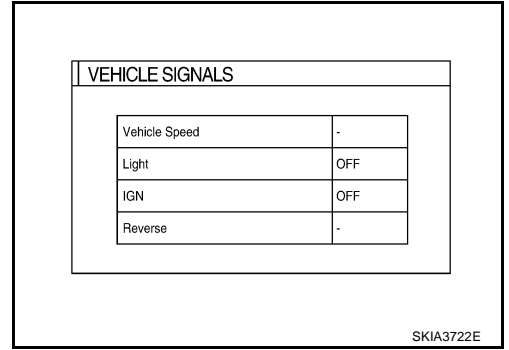


- When RGB signal error occurred in the RGB system, tone of the color bar will change as follows.
 - R (red) signal error** : Screen looks bluish
 - G (green) signal error** : Screen looks yellowish
 - B (blue) signal error** : Screen looks reddish
- When the color of the screen looks unusual, refer to [AV-102, "Color of RGB Image Is Not Proper"](#) .

NAVIGATION SYSTEM

VEHICLE SIGNALS

- A comparison check can be made of each actual vehicle signal and the signals recognized by the system.



Diagnosis item	Display	Condition	Remarks
Vehicle speed	ON	Vehicle speed > 0 km/h (0 MPH)	Changes in indication may be delayed by approx. 1.5 seconds. This is normal.
	OFF	Vehicle speed = 0 km/h (0 MPH)	
	-	Ignition switch in ACC position	
Light	ON	Lighting switch ON	-
	OFF	Lighting switch OFF	
IGN	ON	Ignition switch ON	-
	OFF	Ignition switch ACC	
Reverse	ON	Selector lever in R-position	Changes in indication may be delayed by approx. 1.5 seconds. This is normal.
	OFF	Selector lever in other than R-position	
	-	Ignition switch in ACC position	

- If vehicle speed is NG, refer to [AV-98, "Vehicle Speed Signal Check"](#) .
- If light is NG, refer to [AV-99, "Illumination Control Signal Check"](#) .
- If IGN is NG, refer to [AV-99, "Ignition Signal Check"](#) .
- If reverse is NG, refer to [AV-99, "Reverse Signal Check"](#) .

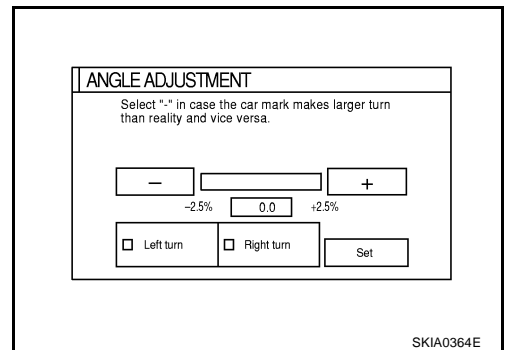
AUTO CLIMATE CONTROL

- Refer to ATC Automatic Air Conditioner [ATC-55, "Self-diagnosis Function"](#) for details.

NAVIGATION

Angle Adjustment

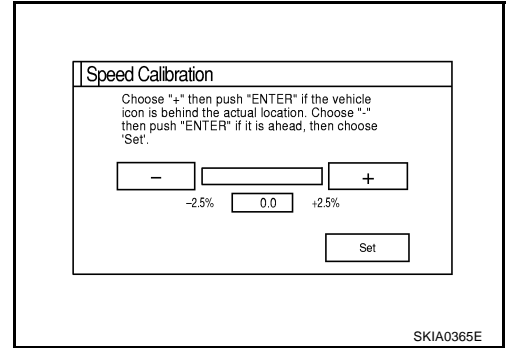
- Adjusts turning angle output detected by the gyroscope.



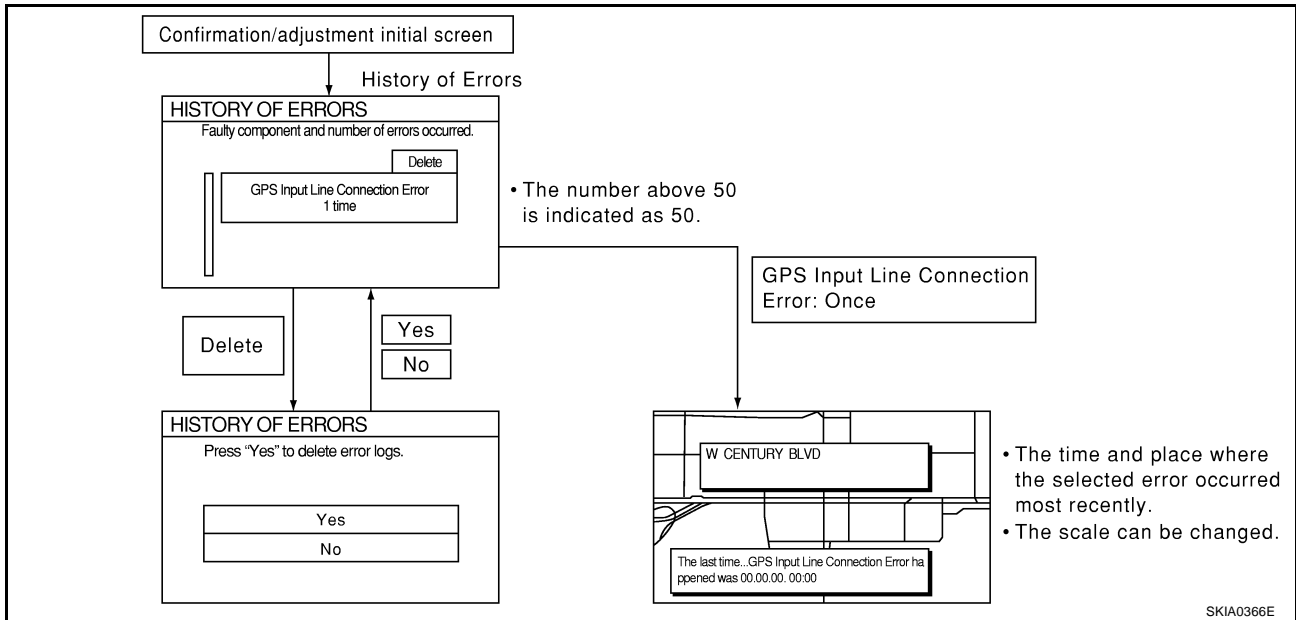
NAVIGATION SYSTEM

Speed Calibration

- During normal driving, distance error caused by tire wear and tire pressure change is automatically adjusted for by the automatic distance correction function. This function, on the other hand, is for immediate adjustment, in cases such as driving with tire chain fitted on tires.



HISTORY OF ERRORS



NAVIGATION SYSTEM

DIAGNOSIS BY HISTORY OF ERRORS

The “Self-diagnosis” results indicate whether an error occurred during the period from when the ignition switch is turned to ON until “Self-diagnosis” is completed.

If an error occurred before the ignition switch was turned to ON and does not occur again until the “Self-diagnosis” is completed, the diagnosis result will be judged normal. Therefore, those errors in the past, which cannot be found by the “Self-diagnosis,” must be found by diagnosing the “History of Errors”.

The History of Errors displays the time and place of the most recent occurrence of that error. However, take note of the following points.

- Correct time of the error occurrence may not be displayed when the GPS antenna substrate within the AV and NAVI control unit has malfunctioned.
- Place of the error occurrence is represented by the position of the current-location mark at the time when the error occurred. If the current-location mark has deviated from the correct position, then the place of the error occurrence may be located correctly.
- The maximum number of occurrences which can be stored is 50. For the 51st and later occurrences, the displayed number remains 50.

When a reproducible malfunction occurred but its cause cannot be identified because several errors are present, record the item, number and place (longitude/latitude) of error occurrence (or delete the History of Errors), then turn ignition switch from OFF to ON to reproduce the malfunction. Check the History of Errors to find the items which show an increased number of occurrences, and diagnose the item.

Error item	Possible causes	Example of symptom
	Action/symptom	
Gyro sensor disconnected	Communications malfunction between NAVI control unit and internal gyro	<ul style="list-style-type: none"> ● Navigation location detection performance has deteriorated. (Angular velocity cannot be detected.)
	<ul style="list-style-type: none"> ● Perform self-diagnosis. ● When the AV and NAVI control unit is judged normal by self-diagnosis, the symptom may be intermittent, caused by strong radio interference. 	
GPS disconnected	Communication error between AV and NAVI control unit and internal GPS substrate	<ul style="list-style-type: none"> ● Navigation location detection performance has deteriorated. (Location correction using GPS is not performed.) ● GPS receiving status remains gray.
	<ul style="list-style-type: none"> ● Perform self-diagnosis. ● When the AV and NAVI control unit is judged normal by self-diagnosis, the symptom may be intermittent, caused by strong radio interference. 	
GPS transmission cable malfunction	Malfunctioning transmission wires to AV and NAVI control unit and internal GPS substrate	<ul style="list-style-type: none"> ● During self-diagnosis, GPS diagnosis is not performed.
	<ul style="list-style-type: none"> ● Perform self-diagnosis. ● When the AV and NAVI control unit is judged normal by self-diagnosis, the symptom may be intermittent, caused by strong radio interference. 	
GPS input line connection error	Malfunctioning receiving wires to AV and NAVI control unit and internal GPS substrate	<ul style="list-style-type: none"> ● Navigation location detection performance has deteriorated. (Location correction using GPS is not performed.) ● GPS receiving status remains gray.
	<ul style="list-style-type: none"> ● Perform self-diagnosis. ● When the AV and NAVI control unit is judged normal by self-diagnosis, the symptom may be intermittent, caused by strong radio interference. 	
GPS TCX0 over GPS TCX0 under	Oscillating frequency of the GPS substrate frequency synchronizing oscillation circuit exceeded (or below) the specification	<ul style="list-style-type: none"> ● Navigation location detection performance has deteriorated. (Location correction using GPS is not performed.) ● GPS receiving status remains gray.
	<ul style="list-style-type: none"> ● Perform self-diagnosis. ● When the AV and NAVI control unit is judged normal by self-diagnosis, the symptom may be intermittent, caused by strong radio interference, or the control unit may have been subjected to excessively high or low temperatures. 	

NAVIGATION SYSTEM

Error item	Possible causes	Example of symptom
	Action/symptom	
GPS ROM malfunction GPS RAM malfunction	Contents of ROM (or RAM) in GPS substrate are malfunctioning.	<ul style="list-style-type: none"> ● Location detection accuracy of the navigation system will deteriorate, depending on the error area in the memory, because GPS cannot make correct positioning. (Location correction using GPS is not performed.)
	<ul style="list-style-type: none"> ● Perform self-diagnosis. ● When the AV and NAVI control unit is judged normal by self-diagnosis, the symptom may be intermittent, caused by strong radio interference. 	
GPS RTC malfunction	Clock IC in GPS substrate is malfunctioning.	<ul style="list-style-type: none"> ● Correct time may not be displayed. ● After the power is turned on, the system always takes some time until GPS positioning becomes possible. (The GPS receiver starts positioning without re-collecting the whole satellite information when it judged the data stored in the receiver is correct.) ● Correct time of error occurrence may not be stored in the "History of Errors".
	<ul style="list-style-type: none"> ● Perform self-diagnosis. ● When the AV and NAVI control unit is judged normal by self-diagnosis, the symptom may be intermittent, caused by strong radio interference. 	
GPS antenna disconnected	Malfunctioning connection between GPS substrate in AV and NAVI control unit and GPS antenna.	<ul style="list-style-type: none"> ● Navigation location detection performance has deteriorated. (Location correction using GPS is not performed.) ● GPS receiving status remains gray.
	<ul style="list-style-type: none"> ● Perform self-diagnosis. ● When connection between AV and NAVI control unit and GPS antenna is judged normal by self-diagnosis, the symptom may be intermittent, caused by impact or vibration. 	
Low voltage of GPS	The power voltage supplied to the GPS circuit board has decreased.	<ul style="list-style-type: none"> ● Navigation location detection performance has deteriorated. (Location correction using GPS is not performed.) ● GPS receiving status remains gray.
	<ul style="list-style-type: none"> ● Perform self-diagnosis. ● When connection between AV and NAVI control unit and GPS antenna is judged normal by self-diagnosis, the symptom may be intermittent, caused by impact or vibration. 	
DVD-ROM Malfunction DVD-ROM Read error DVD-ROM Response Error	Malfunctioning AV and NAVI control unit	-
	Dedicated map DVD-ROM is in the system, but the data cannot be read. <ul style="list-style-type: none"> ● Is map DVD-ROM damaged, warped, or dirty? <ul style="list-style-type: none"> - If damaged or warped, the map DVD-ROM is malfunctioning. - If dirty, wipe the DVD-ROM clean with a soft cloth. ● Perform self-diagnosis. ● When AV and NAVI control unit is judged normal by self-diagnosis, the symptom is judged intermittent, caused by vibration. 	<ul style="list-style-type: none"> ● The map of a particular location cannot be displayed. ● Specific guidance information cannot be displayed. ● Map display is slow. ● Guidance information display is slow. ● System has been affected by vibration.

REAR VIEW CAMERA

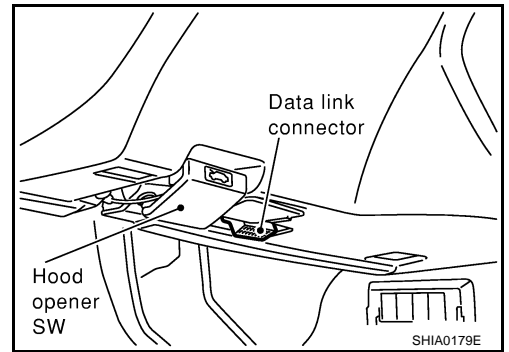
- Refer to [DI-156. "Confirmation/Adjustment Mode"](#) for details.

NAVIGATION SYSTEM

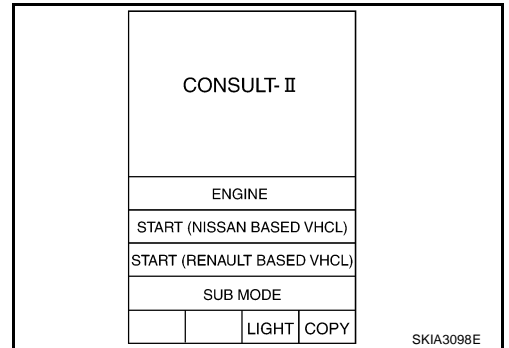
CONSULT-II Function OPERATION PROCEDURE

EKS001LX

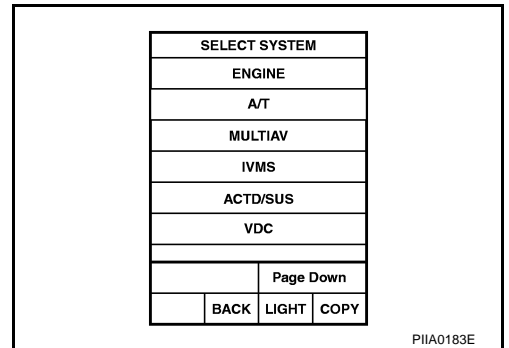
1. With the ignition switch OFF, connect "CONSULT-II" and "CONSULT-II CONVERTER" to the data link connector, and turn ignition switch ON.



2. Touch "START (NISSAN BASED VHCL)".



3. Touch "MULTIAV".
If "MULTIAV" is not indicated, go to [GI-38, "CONSULT-II Data Link Connector \(DLC\) Circuit"](#).



4. Select "VERSION", "SELF-DIAG RESULTS" or "SIGNAL MONITOR".

A
B
C
D
E
F
G
H
I
J
AV
L
M

NAVIGATION SYSTEM

SELF-DIAG RESULTS

- Checks for connection between each unit and analyzes each individual unit, then displays the results on the screen.

Items Shown

Items shown	Malfunctioning part/reference page
NO DTC IS DETECTED. FURTHER TESTING MAY BE REQUIRED.	—
HEAD UNIT ABNORMAL	AV and NAVI control unit malfunction
MAP DISC NO INSERT	Refer to AV-85, "Quick Reference Table" .
MAP DISC ABNORMAL	MAP DVD-ROM malfunction
MAP DISC DRIVER ABNORMAL 1	—
MAP DISC OR DRIVER ABNORMAL	Refer to AV-85, "Quick Reference Table" .
GPS ANTENNA NO CONNECTION	Refer to AV-85, "Quick Reference Table" .
PANEL SW ABNORMAL CONNECTION	Refer to AV-85, "Quick Reference Table" .
AUDIO HEAD UNIT ABNORMAL CONNECTION	Refer to AV-85, "Quick Reference Table" .
AIR COMP RECEIVER ABNORMAL CONNECTION	Refer to AV-85, "Quick Reference Table" .
BOSE AMP ABNORMAL CONNECTION	Refer to AV-85, "Quick Reference Table" .
BOSE AMP ABNORMAL	BOSE amp malfunction
VOICE UNIT ABNORMAL CONNECTION	Refer to AV-85, "Quick Reference Table" .
VOICE UNIT ABNORMAL	Voice activated control module malfunction
REAR VIEW CAMERA ABNORMAL CONNECTION	Refer to AV-85, "Quick Reference Table" .
PANEL SW ABNORMAL CONNECTION (MULTIFUNCTION SW)	Refer to AV-85, "Quick Reference Table" .

CAUTION:

When "IVCS ABNORMAL CONNECTION" is indicated, this is not malfunction.

NAVIGATION SYSTEM

DATA MONITOR (SIGNAL MONITOR)

- Displays status of the vehicle signal input to the AV and NAVI control unit. (Refer to [AV-87, "Confirmation/Adjustment Mode"](#) for operation conditions for the connections to be indicated.)

DATA MONITOR			
MONITOR		NO DTC	
VHCL SPD SIG		OFF	
FOOT BRAKE		ON	
PARKING BRAKE		OFF	
MTR ILL DIM		OFF	
IGN SW		ON	
PNP SW		ON	
		RECORD	
MODE	BACK	LIGHT	COPY

SKIA3674E

- For each signal, a comparison of actual operating status and the status recognized by the system can be checked.

DATA MONITOR item	Display	Condition	Remarks
VHCL SPD SIG	ON	Vehicle speed > km/h (0 MPH)	Changes in indication may be delayed by approx. 1.5 seconds. This is normal.
	OFF	Vehicle speed = km/h (0 MPH)	
	-	Ignition switch in ACC position	
FOOT BREAK	ON	-	This item cannot be monitored. (No change of display)
PARKING BRAKE	OFF	-	This item cannot be monitored. (No change of display)
MTR ILL DIM	ON	Lighting switch ON	-
	OFF	Lighting switch OFF	
IGN SW	ON	Ignition switch ON	-
	OFF	Ignition switch ACC or OFF	
PNP SW	ON	-	This item cannot be monitored. (No change of display)

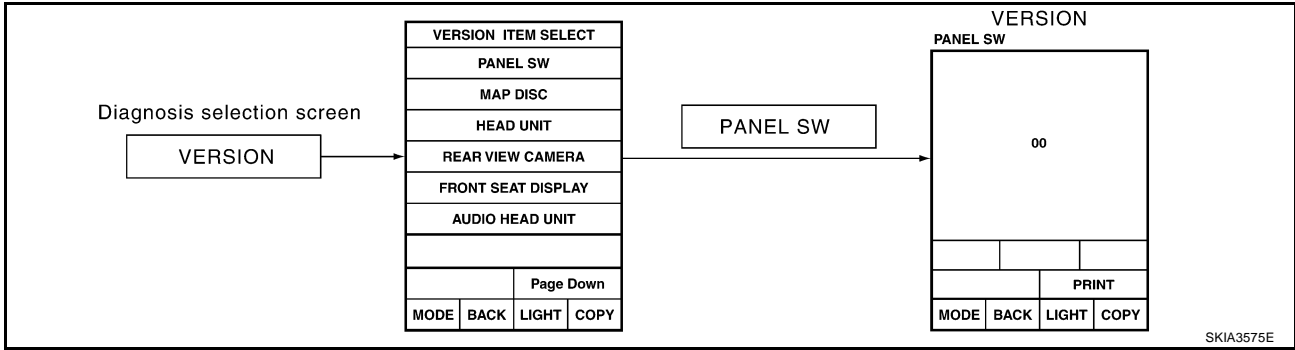
A
B
C
D
E
F
G
H
I
J
L
M

AV

NAVIGATION SYSTEM

VERSION

Displays version of each unit connected to the AV and NAVI control unit.



Version display	Remarks
"PANEL SW"	Multifunction switch
"MAP DISK"	Map disc
"HEAD UNIT"	AV and NAVI control unit
"REAR VIEW CAMERA"	-
"FRONT SEAT DISPLAY"	Display
"AUDIO HEAD UNIT"	-
"AIR COMP RECEIVER"	Low tire pressure warning control unit
"BOSE AMP"	-
"IVCS"	-
"VOICE UNIT"	Voice activated control module

NAVIGATION SYSTEM

Power Supply and Ground Circuit Check

EKS001LY

1. CHECK FUSE

Make sure that the following fuses of the AV and NAVI control unit are not blown.

Unit	Signal	Fuse No.
AV and NAVI control unit	Battery power supply	52
	ACC power supply	21

OK or NG

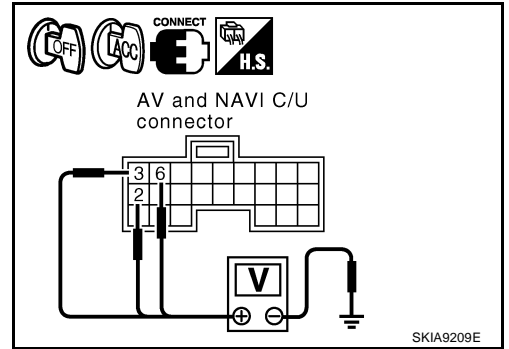
OK >> GO TO 2.

NG >> If fuse is blown, be sure to eliminate case of malfunction before installing new fuse. Refer to [PG-2](#), "[POWER SUPPLY ROUTING](#)".

2. CHECK POWER SUPPLY CIRCUIT

Check voltage between AV and NAVI control unit harness connector terminals and ground.

Terminals		(-)	OFF	ACC	ON
(+)	Connector				
		Ground	Battery voltage	Battery voltage	Battery voltage
			0V	Battery voltage	Battery voltage



OK or NG

OK >> GO TO 3.

NG >> Repair harness or connector.

3. CHECK GROUND CIRCUIT

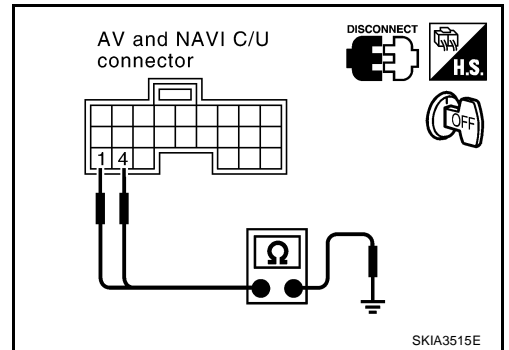
- Turn ignition switch OFF.
- Disconnect AV and NAVI control unit connector.
- Check continuity between AV and NAVI control unit harness connector B30 terminals 1 (B), 4 (B) and ground.

1, 4 – Ground : Continuity should exist.

OK or NG

OK >> INSPECTION END

NG >> Repair harness or connector.



NAVIGATION SYSTEM

EKS001LZ

Vehicle Speed Signal Check

1. CHECK HARNESS

1. Turn ignition switch OFF.
2. Disconnect AV and NAVI control unit connector and combination meter connector.
3. Check continuity between AV and NAVI control unit harness connector B29 terminal 28 (OR/L) and combination meter harness connector M41 terminal 17 (OR/L).

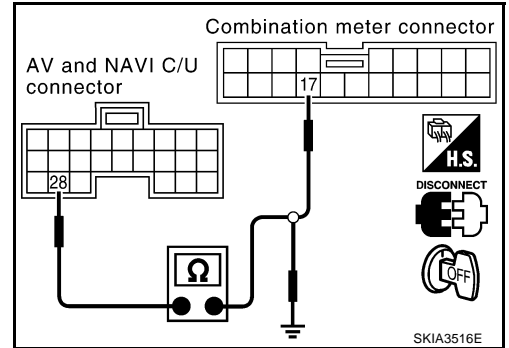
28 – 17 : **Continuity should exist.**

4. Check continuity between AV and NAVI control unit harness connector B29 terminal 28 (OR/L) and ground.

28 – Ground : **Continuity should not exist.**

OK or NG

- OK >> GO TO 2.
NG >> Repair harness or connector.



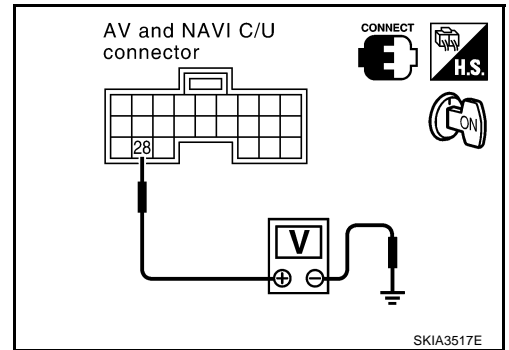
2. CHECK AV AND NAVI CONTROL UNIT

1. Connect AV and NAVI control unit connector.
2. Turn ignition switch ON.
3. Check voltage between AV and NAVI control unit harness connector B29 terminal 28 (OR/L) and ground.

28 – Ground : **Approx. 5V**

OK or NG

- OK >> GO TO 3.
NG >> Replace AV and NAVI control unit



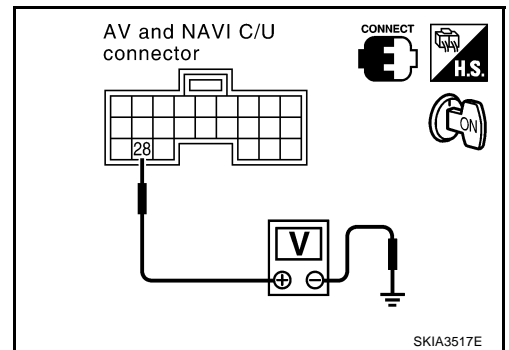
3. CHECK VEHICLE SPEED SIGNAL

1. Connect combination meter connector.
2. Drive vehicle at a constant speed.
3. Check signal between AV and NAVI control unit harness connector B29 terminal 28 (OR/L) and ground with CONSULT-II or oscilloscope.

28 – Ground : **Refer to [AV-78, "Terminals and Reference Value for AV and NAVI Control Unit"](#) .**

OK or NG

- OK >> INSPECTION END
NG >> Check combination meter system, refer to [DI-18, "Inspection/Vehicle Speed Signal"](#) .



Illumination Control Signal Check

EKS001M1

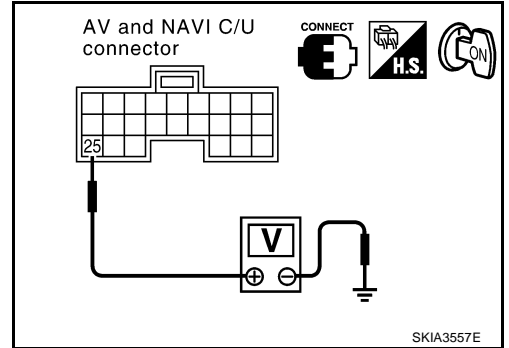
1. CHECK ILLUMINATION CONTROL SIGNAL

1. Turn ignition switch ON.
2. Check voltage between AV and NAVI control unit harness connector terminal and ground.

Terminals			Lighting switch position	
(+)		(-)	ON	OFF
Connector	Terminal (Wire color)			
B29	25 (R/L)	Ground	Approx. 12V	Approx. 0V

OK or NG

- OK >> INSPECTION END
 NG >> Repair harness or connector.



Ignition Signal Check

EKS001M2

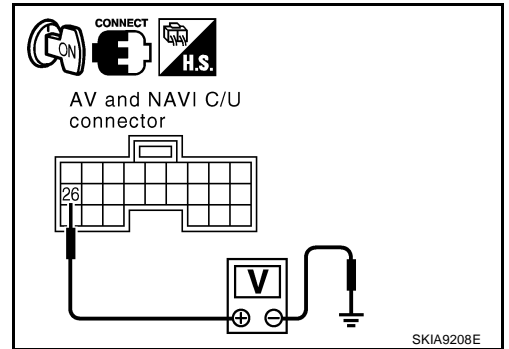
1. CHECK IGNITION SIGNAL

1. Turn ignition switch ON.
2. Check voltage between AV and NAVI control unit harness connector B29 terminal 26 (W/G) and ground.

26 – Ground : Battery voltage

OK or NG

- OK >> INSPECTION END
 NG >> Repair harness or connector.



Reverse Signal Check

EKS001M3

1. CHECK REVERSE LAMP

1. Turn ignition switch ON.
2. A/T shift selector lever into R-position. Does "R" in the shift position indicator come on?

YES or NO

- YES >> GO TO 2.
 NO >> Check back-up lamp system. Refer to [LT-70, "BACK-UP LAMP"](#) .

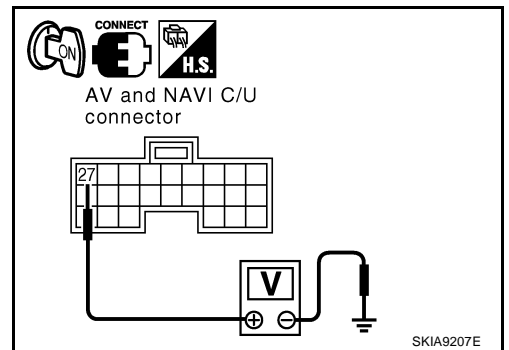
2. CHECK REVERSE SIGNAL

With the selector lever in R-position, Check voltage between AV and NAVI control unit harness connector terminals and ground.

Terminals			A/T selector lever position	
(+)		(-)	R-position	other than R-position
Connector	Terminal (Wire color)			
B29	27 (R/B)	Ground	Approx. 12V	Approx. 0V

OK or NG

- OK >> INSPECTION END
 NG >> Repair harness or connector.



NAVIGATION SYSTEM

EKS001M4

RGB Screen Is Not Shown

1. CHECK POWER SUPPLY AND GROUND CIRCUIT FOR DISPLAY

Check power supply and ground circuit for display. Refer to [DI-138, "Power Supply and Ground Circuit Inspection for Display"](#).

OK or NG

- OK >> GO TO 2.
- NG >> Repair malfunctioning parts.

2. HARNESS CHECK

1. Turn ignition switch OFF.
2. Disconnect AV and NAVI control unit connector and Display connector.
3. Check continuity between AV and NAVI control unit harness connector B30 terminal 12 (B) and Display harness connector M82 terminal 8 (LG).

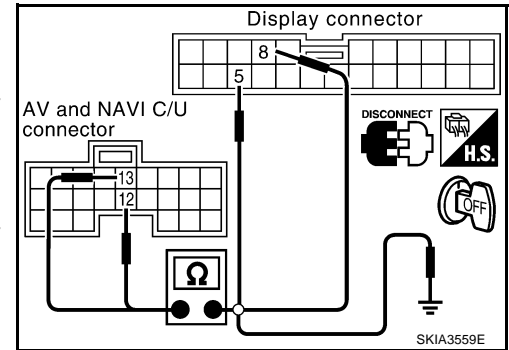
12 – 8 : Continuity should exist.

4. Check continuity between AV and NAVI control unit harness connector B30 terminal 13 (W) and Display harness connector M82 terminal 5 (L/Y).

13 – 5 : Continuity should exist.

5. Check continuity between NAVI control unit harness connector B30 terminal 12 (B), 13 (W) and ground.

12, 13 – Ground : Continuity should not exist.



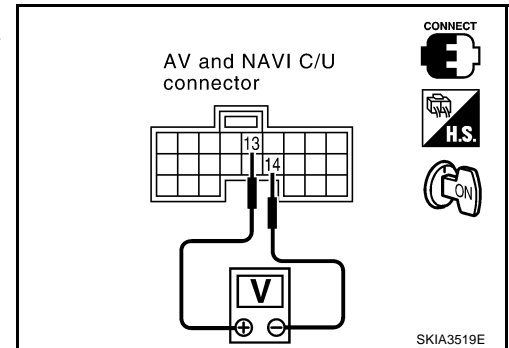
OK or NG

- OK >> GO TO 2.
- NG >> Repair harness or connector.

3. HORIZONTAL SYNCHRONIZATION SIGNAL CHECK

1. Connect AV and NAVI control unit connector and Display connector.
2. Turn ignition switch ON.
3. Check the signal between AV and NAVI control unit harness connector B30 terminals 13 (W) and 14 with CONSULT-II or oscilloscope.

13 – 14 : Refer to [AV-78, "Terminals and Reference Value for AV and NAVI Control Unit"](#).



OK or NG

- OK >> GO TO 3.
- NG >> Replace Display.

NAVIGATION SYSTEM

4. RGB AREA SIGNAL CHECK

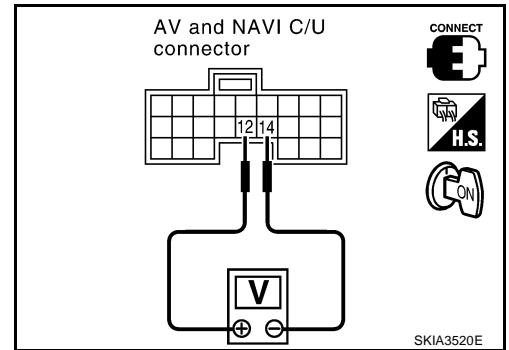
1. Press "INFO" switch.
2. Check the signal between AV and NAVI control unit harness connector B30 terminals 12 (B) and 14 with CONSULT-II or oscilloscope.

12 - 14

: Refer to [AV-78, "Terminals and Reference Value for AV and NAVI Control Unit"](#) .

OK or NG

- OK >> Replace Display.
NG >> Replace AV and NAVI control unit.



A
B
C
D
E
F
G
H
I
J
L
M

AV

NAVIGATION SYSTEM

EKS001M5

Color of RGB Image Is Not Proper

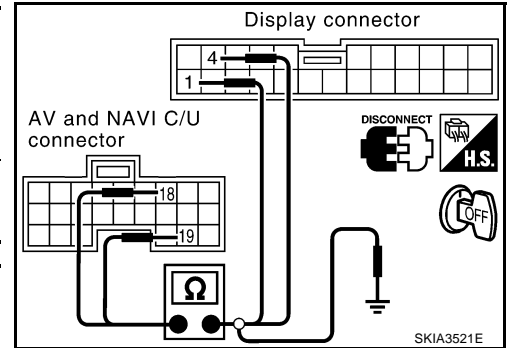
1. HARNESS CHECK

1. Turn ignition switch OFF.
2. Disconnect AV and NAVI control unit connector and Display connector.
3. Check continuity between AV and NAVI control unit and Display.
4. Check continuity between AV and NAVI control unit and ground.

● When the screen looks bluish

Terminals				Continuity
AV and NAVI control unit		Display		
Connector	Terminal (Wire color)	Connector	Terminal (Wire color)	
B30	18 (L)	M82	1 (L)	Yes
B30	19	M82	4	

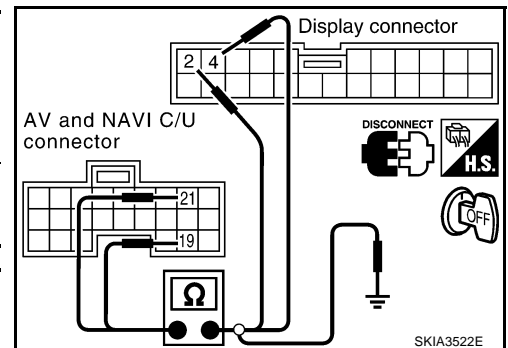
Terminals				Continuity
AV and NAVI control unit			—	
Connector	Terminal (Wire color)			
B30	18 (L), 19		Ground	No



● When the screen looks reddish

Terminals				Continuity
AV and NAVI control unit		Display		
Connector	Terminal (Wire color)	Connector	Terminal (Wire color)	
B30	21 (PU)	M82	2 (Y)	Yes
B30	19	M82	4	

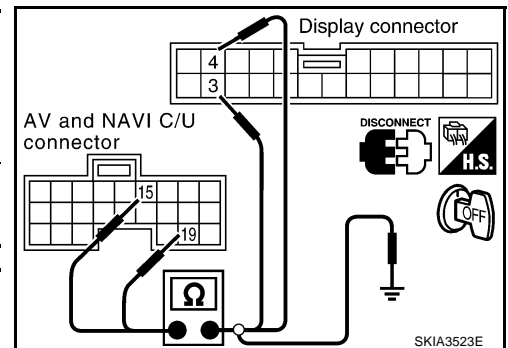
Terminals				Continuity
AV and NAVI control unit			—	
Connector	Terminal (Wire color)			
B30	19, 21 (PU)		Ground	No



● When the screen looks yellowish

Terminals				Continuity
AV and NAVI control unit		Display		
Connector	Terminal (Wire color)	Connector	Terminal (Wire color)	
B30	15 (LG)	M82	3 (G)	Yes
B30	19	M82	4	

Terminals				Continuity
AV and NAVI control unit			—	
Connector	Terminal (Wire color)			
B30	19, 15 (LG)		Ground	No



OK or NG

- OK >> GO TO 2.
 NG >> Repair harness or connector.

NAVIGATION SYSTEM

2. RGB SIGNAL CHECK

1. Connect AV and NAVI control unit connector and Display connector.
2. Turn ignition switch ON.
3. Display "Color bar" by "Confirmation/Adjustment Mode" mode.
4. Check the following with CONSULT-II or oscilloscope.

- **When the screen looks bluish.**

Voltage signal between AV and NAVI control unit connector B30 terminal 18 (L) and 19.

18 – 19

: Refer to [AV-78, "Terminals and Reference Value for AV and NAVI Control Unit"](#) .

- **When the screen looks reddish.**

Voltage signal between AV and NAVI control unit connector B30 terminal 21 (PU) and 19.

21 – 19

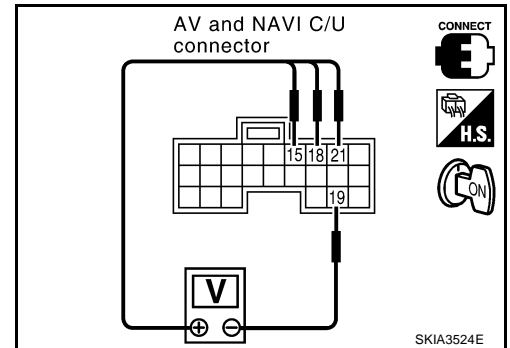
: Refer to [AV-78, "Terminals and Reference Value for AV and NAVI Control Unit"](#) .

- **When the screen looks yellowish.**

Voltage signal between AV and NAVI control unit connector B30 terminal 15 (LG) and 19.

15 – 19

: Refer to [AV-78, "Terminals and Reference Value for AV and NAVI Control Unit"](#) .



OK or NG

- OK >> Replace Display.
- NG >> Replace AV and NAVI control unit.

A
B
C
D
E
F
G
H
I
J
L
M

AV

NAVIGATION SYSTEM

EKS001M6

RGB Screen Is Rolling

1. HARNESS CHECK

1. Turn ignition switch OFF.
2. Disconnect AV and NAVI control unit connector and Display connector.
3. Check continuity between AV and NAVI control unit and Display.

Terminals				Continuity
AV and NAVI control unit		Display		
Connector	Terminal (Wire color)	Connector	Terminal (Wire color)	
B30	16 (G)	M82	7 (L/R)	Yes

4. Check continuity between AV and NAVI control unit and ground.

Terminals			Continuity
AV and NAVI control unit			
Connector	Terminal (Wire color)	—	
B30	16 (G)	Ground	No

OK or NG

- OK >> GO TO 2.
 NG >> Repair harness or connector.

2. RGB SYNCHRONIZING SIGNAL CHECK

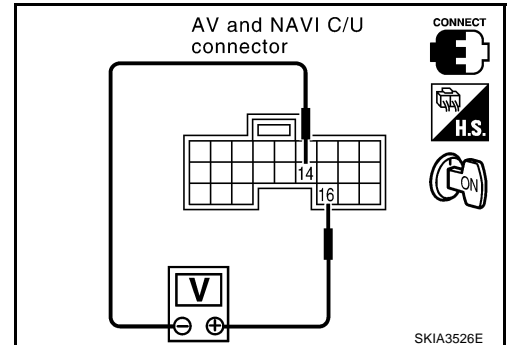
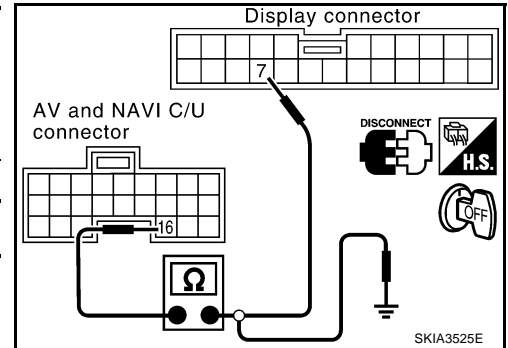
1. Connect AV and NAVI control unit connector and Display connector.
2. Turn ignition switch ON.
3. Check the signal between AV and NAVI control unit harness connector B30 terminals 16 (G) and 14 with CONSULT-II or oscilloscope.

16 – 14

: Refer to [AV-78, "Terminals and Reference Value for AV and NAVI Control Unit"](#) .

OK or NG

- OK >> Replace Display.
 NG >> Replace AV and NAVI control unit.



Guide Sound Is Not Heard

1. CHECK VOICE GUIDE SETTING

- While driving in the dark pink route, voice guide does not operate. (note)
- Is volume setting not switched ON?

NOTE:

Voice guide is only available at intersections that satisfy certain conditions (indicated by ● on the map). Therefore, guidance may not be given even when the route on the map changes direction.

YES or NO

- YES >> GO TO 2.
 NO >> Switch the setting ON and turn the volume up.

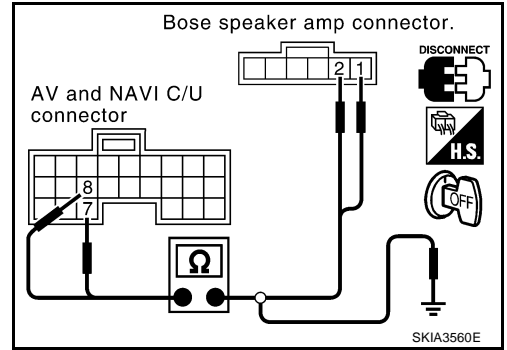
2. HARNESS CHECK

1. Turn ignition switch OFF.
2. Disconnect AV and NAVI control unit connector and BOSE speaker amp. connector.
3. Check continuity between AV and NAVI control unit and BOSE speaker amp.

Terminals				Continuity
AV and NAVI control unit		BOSE speaker amp.		
Connector	Terminal (Wire color)	Connector	Terminal (Wire color)	Yes
B30	7 (R)	B231	1 (R)	
B30	8 (L)	B231	2 (L)	

4. Check continuity between AV and NAVI control unit and ground.

Terminals				Continuity
AV and NAVI control unit		—		
Connector	Terminal (Wire color)			No
B30	7 (R),8 (L)	Ground		



OK or NG

- OK >> GO TO 3.
 NG >> Repair harness or connector.

3. VOICE GUIDE CHECK

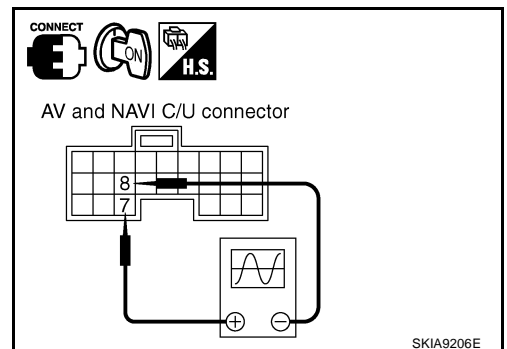
1. Connect AV and NAVI control unit connector and BOSE speaker amp. connector.
2. Turn ignition switch ON.
3. Check the signal between AV and NAVI control unit harness connector B30 terminal 7 (R) and 8 (L) with CONSULT-II or oscilloscope.

7 – 8

: Refer to [AV-78, "Terminals and Reference Value for AV and NAVI Control Unit"](#) .

OK or NG

- OK >> Replace BOSE speaker amp.
 NG >> Replace AV and NAVI control unit



NAVIGATION SYSTEM

EKS001M8

A/C Is Inoperative (The Display For A/C Is Not Shown)

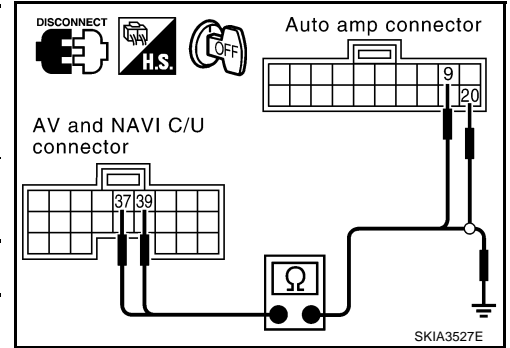
1. HARNESS CHECK

1. Turn ignition switch OFF.
2. Disconnect A/C auto amp. connector and AV and NAVI control unit connector.
3. Check continuity between A/C auto amp. and AV and NAVI control unit.

Terminals				Continuity
AV and NAVI control unit		A/C auto amp.		
Connector	Terminal (Wire color)	Connector	Terminal (Wire color)	
B29	37 (W)	M119	9 (W)	Yes
B29	39 (B)	M119	20 (B)	

4. Check continuity between AV and NAVI control unit and ground.

Terminals				Continuity
AV and NAVI control unit		—		
Connector	Terminal (Wire color)			
B30	37 (W)	Ground		No
	39 (B)			



OK or NG

- OK >> GO TO 2.
 NG >> Repair harness or connector.

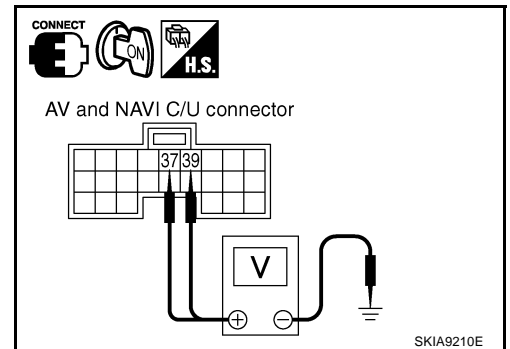
2. A/C-AV, AC-CLK COMMUNICATION SIGNAL CHECK

1. Connect AV and NAVI control unit connector.
2. Turn ignition switch ON.
3. Check voltage between AV and NAVI control unit harness connector B29 terminal 37 (W), 39 (B) and ground.

37, 39 – Ground : Approx. 5V

OK or NG

- OK >> GO TO 3.
 NG >> Replace AV and NAVI control unit.



NAVIGATION SYSTEM

3. A/C-AV, AC-CLK COMMUNICATION SIGNAL CHECK

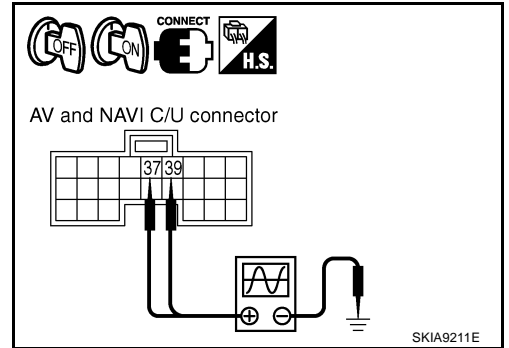
1. Turn ignition switch OFF.
2. Connect A/C auto amp. connector.
3. Turn ignition switch ON.
4. Check the signal between AV and NAVI control unit harness connector B29 terminal 37 (W), 39 (B) and ground with CONSULT-II or oscilloscope.

37, 39 – Ground

: Refer to [AV-78, "Terminals and Reference Value for AV and NAVI Control Unit"](#) .

OK or NG

- OK >> Replace AV and NAVI control unit.
 NG >> Replace A/C auto amp.



A/C Is Inoperative (The Display For A/C Is Shown)

1. HARNESS CHECK

1. Turn ignition switch OFF.
2. Disconnect A/C auto amp. connector and AV and NAVI control unit connector.
3. Check continuity between A/C auto amp. and AV and NAVI control unit.

Terminals				Continuity
AV and NAVI control unit		A/C auto amp.		
Connector	Terminal (Wire color)	Connector	Terminal (Wire color)	
B29	38 (R)	M119	10 (R)	Yes

4. Check continuity between AV and NAVI control unit and ground.

Terminals			Continuity
AV and NAVI control unit		—	
Connector	Terminal (Wire color)		
B29	38 (R)	Ground	No

OK or NG

- OK >> GO TO 2.
 NG >> Repair harness or connector.

2. AV-A/C COMMUNICATION SIGNAL CHECK

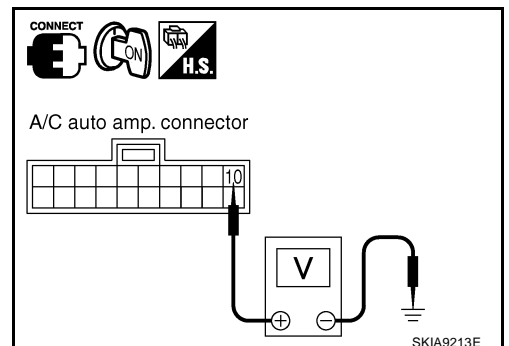
1. Connect A/C auto amp. connector.
2. Turn ignition switch ON.
3. Check voltage between A/C auto amp. harness connector M119 terminal 10 (R) and ground.

10 – Ground

: Approx. 5V

OK or NG

- OK >> GO TO 3.
 NG >> Replace A/C auto amp.



NAVIGATION SYSTEM

3. AV-A/C COMMUNICATION SIGNAL CHECK

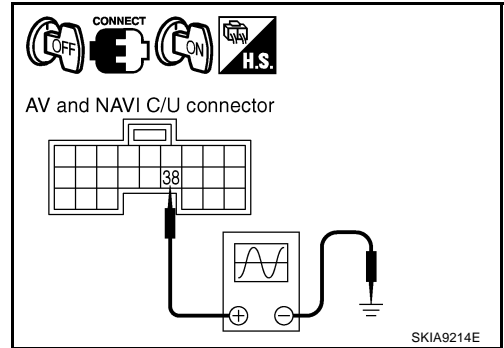
1. Turn ignition switch OFF.
2. Connect AV and NAVI control unit connector.
3. Turn ignition switch ON.
4. Check the signal between AV and NAVI control unit harness connector B29 terminal 38 (R) and ground with CONSULT-II or oscilloscope.

38 – Ground

: Refer to [AV-78, "Terminals and Reference Value for AV and NAVI Control Unit"](#) .

OK or NG

- OK >> Replace A/C auto amp.
 NG >> Replace AV and NAVI control unit.



No Fuel Information Is Displayed/No Warning Message Is Displayed (But Other Settings For Vehicle Are Possible)

EKS001MA

1. HARNESS CHECK

1. Turn ignition switch OFF.
2. Disconnect connectors of combination meter, BCM, and AV and NAVI control unit.
3. Check continuity between AV and NAVI control unit and combination meter.

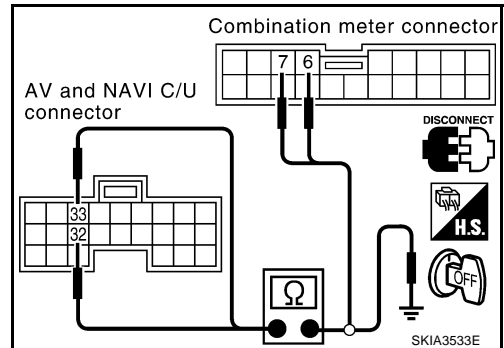
Terminals				Continuity
AV and NAVI control unit		combination meter		
Connector	Terminal (Wire color)	Connector	Terminal (Wire color)	Yes
B29	33 (LG)	M41	7 (LG)	
B29	32 (PU)	M41	6 (PU)	

4. Check continuity between AV and NAVI control unit and ground.

Terminals			Continuity
AV and NAVI control unit		—	
Connector	Terminal (Wire color)		No
B29	33 (LG)	Ground	
	32 (PU)		

OK or NG

- OK >> Replace combination meter.
 NG >> Repair harness or connector.



NAVIGATION SYSTEM

Vehicle Condition Setting Is Not Possible (Excepting Vehicle Warning)

EKS001MB

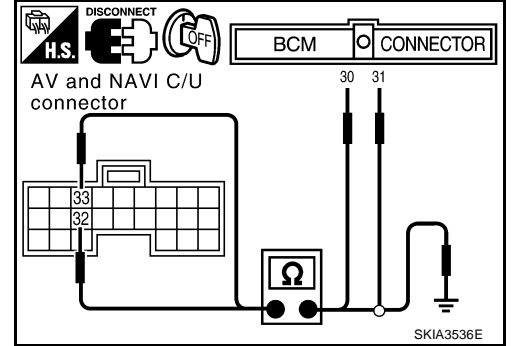
1. HARNESS CHECK

1. Turn ignition switch OFF.
2. Disconnect connectors of combination meter, BCM, and AV and NAVI control unit.
3. Check continuity AV and NAVI control unit and BCM.

Terminals				Continuity
AV and NAVI control unit		BCM		
Connector	Terminal (Wire color)	Connector	Terminal (Wire color)	
B29	33 (LG)	M4	31 (LG)	Yes
B29	32 (PU)	M4	30 (PU)	

4. Check continuity between AV and NAVI control unit and ground.

Terminals			Continuity
AV and NAVI control unit		—	
Connector	Terminal (Wire color)		
B29	33 (LG)	Ground	No
	32 (PU)		



OK or NG

- OK >> Replace BCM.
 NG >> Repair harness or connector.

The Position of The Current-Location Mark Is Not Correct

EKS001MD

1. SELF-DIAGNOSIS

"Self-diagnosis mode" of the self-diagnosis function [AV-83, "Self-Diagnosis Mode"](#).

OK or NG

- OK >> GO TO 2.
 NG >> Check the applicable parts.

2. HISTORY OF ERRORS DIAGNOSIS

Was any error stored in [AV-90, "HISTORY OF ERRORS"](#) of the Confirmation/Adjustment Mode mode?

YES or NO

- YES >> [AV-91, "DIAGNOSIS BY HISTORY OF ERRORS"](#).
 NO >> [AV-111, "Driving Test"](#)

NAVIGATION SYSTEM

Radio Wave From The GPS Satellite Is Not Received

EKS001ME

1. ENVIRONMENT CHECK

Check if any metal object that intercepts radio waves or an object that emits radio waves (such as a portable phone) is located near the GPS antenna. Check if the vehicle is shielded by a building.

OK or NG

- OK >> ● System is not malfunction.
The GPS antenna may not be able to receive radio waves from the GPS satellite if it is shielded by metal object or an object emitting radio waves is placed near it.
- NG >> GO TO 2.

2. SELF-DIAGNOSIS

Refer to [AV-83, "Self-Diagnosis Mode"](#) .

OK or NG

- OK >> Replace GPS antenna.
- NG >> Check the applicable parts.

Driving Test

1. DRIVING TEST 1

1. Scroll the map screen to display the area to make correction. Press “ENTER” and select “CURRENT LOCATION CORRECTION”.
2. Correct direction of the vehicle mark.
3. Perform the distance correction of the Confirmation/Adjustment Mode mode.
Note: Normally, adjustment is not necessary because this system has automatic distance correction function. However, when a tire chain is fitted, adjustment in accordance with the tire diameter ratio must be made.
4. Are symptoms applicable to the [AV-112, "Example of Symptoms Judged No malfunction"](#) present after driving the vehicle?

YES or NO

- YES >> Limit of the location detection capacity of the navigation system.
NO >> GO TO 2.

2. DRIVING TEST 2

- Did any malfunction occur when the proper test in the following test patterns is performed?
- Test pattern
Driving test finds the difference between the symptoms monitored with and without each sensor.
- Test pattern 1: Test method with no GPS location correction
Disconnect the GPS antenna connector (GT5) connected to the AV and NAVI control unit. Accurately adjust the current position and the direction, then drive the vehicle.
- Test pattern 2: Test method with no map-matching
Accurately adjust the current position and the direction. Eject the map DVD-ROM from the AV and NAVI control unit with the ignition switch turned to OFF, then drive the vehicle. After driving, insert the map DVD-ROM back in the unit, display the track of the vehicle on the map screen and compare it with the actual road configuration.
- Sample tests
- <To determine if the current-location mark skips at the same position, if so, whether it is caused by map-matching or by GPS>
Perform test pattern 1.
- <To determine if the pattern of streets displayed is correct or not>
Perform test pattern 1 & 2.
Compare the track of the vehicle on the map screen and the actual road configuration. For fairly accurate tracking, plotting shall be made every several hundred meters.
- <When the distance is adjusted accurately>
Perform test pattern 1 & 2.
Drive on a road of which distance is accurately known (by utilizing distance posts on a highway). Calculate the rate of change (increased/decreased) of the distance by comparing with the actual distance.
Correction = A/B
A: Distance shown on the screen
B: Actual distance

YES or NO

- YES >> ● If adjustment is insufficient, perform adjustment again.
● If any error is found in the map, please let us know.
● Replace AV and NAVI control unit.
- NO >> Limit of the location detection capacity of the navigation system

A
B
C
D
E
F
G
H
I
J
L
M

AV

NAVIGATION SYSTEM

Example of Symptoms Judged No malfunction BASIC OPERATION

EKS001MG

Symptom	Cause	Remedy
No image is shown.	Display brightness adjustment is set fully to DARK side.	Adjust the display brightness.
No guide sound is heard. Audio guide volume is too low or too high.	Volume control is set to OFF, MIN or MAX.	Adjust the audio guide volume.
	Audio guidance is not available while the vehicle is driving on a dark pink route.	System is not malfunction.
Screen is too dark. Motion of the image is too slow.	Temperature inside the vehicle is low.	Wait until the temperature inside the vehicle reaches the proper temperature.
Small black or bright spots appear on the screen.	Symptom peculiar to a liquid crystal display.	System is not malfunction.

VEHICLE MARK

Symptom	Cause	Remedy
Map screen and BIRDVIEW™ name of the place vary with the screen.	Some thinning of the character data is done to prevent the display becoming to complex. In some cases and in some locations, the display contents may differ. The same place name, street name, etc. may not be displayed every time on account of the data processing.	System is not malfunction.
Vehicle mark is not positioned correctly.	Vehicle is transferred by ferry or by towing after its ignition switch is turned to OFF.	Drive the vehicle for a while in the GPS satellite signal receiving condition.
Screen will not switch to nighttime mode after the lighting switch is turned ON.	The daytime screen is selected by the "SWITCH SCREENS" when the last time the screen dimming setting is done. Switching between daytime/nighttime screen may be inhibited by the automatic illumination adjustment function.	Perform screen dimming and select the nighttime screen by "SWITCH SCREENS".
Map screen will not scroll in accordance with the vehicle travel.	Current location is not displayed.	Press "MAP" switch to display the current location.
Vehicle mark will not be shown.	Current location is not displayed.	Press "MAP" switch to display the current location.
Accuracy indicator (GPS satellite mark) on the map screen stays gray.	GPS satellite signal is intercepted because the vehicle is in or behind a building.	Move the vehicle out to an open space.
	GPS satellite signal cannot be received because an obstacle is placed on top of the display.	Do not place anything in the center on top of the display.
	GPS satellites are located badly.	Wait until the location becomes better.
Vehicle location accuracy is low.	Accuracy indicator (GPS satellite mark) on the map screen stays gray.	Current location is not determined.
	Vehicle speed setting by the vehicle speed pulse has been deviated (advanced or retarded) from the actual vehicle speed because tire chain is fitted or the system has been used on another vehicle.	Drive the vehicle for a while [for approx. 30 minutes at approx. 30 km/h (19MPH)] and the deviation will be automatically adjusted. If advancement or retard still occur, perform the distance adjustment by Confirmation/Adjustment Mode mode of diagnosis function.
	Map data has error or omission. (Vehicle mark is always deviated to the same position.)	As a rule, an updated map DVD-ROM will be released once a year.

DESTINATION, PASSING POINTS, AND MENU ITEMS CANNOT BE SELECTED/SET

Symptom	Cause	Remedy
Destination cannot be set.	Destination to be set is on an expressway.	Set the destination on an ordinary road.
Passing point is not searched when re-searching the route.	The vehicle has already passed the passing point, or the system judged so.	To include the passing points that have been passed into the route again, set the route again.

NAVIGATION SYSTEM

Symptom	Cause	Remedy
Route information will not be displayed.	Route searching has not been done.	Set the destination and perform route searching.
	Vehicle mark is not on the recommended route.	Drive on the recommended route.
	Route guide is turned OFF.	Turn the route guide ON.
	Route information is not available on the dark pink route.	System is not malfunction.
After the route searching, no guide sign will appear as the vehicle goes near the entrance/exit to the toll road.	Vehicle mark is not on the recommended route. (On the display, only guide signs related to the recommended route will be shown.)	Drive on the recommended route.
Automatic route searching is not possible.	Vehicle is driving on a highway (gray route), or no recommended route is available.	Drive on a road to be searched. Or re-search the route manually. In this case, however, the whole route will be searched.
Performed automatic detour search (or detour search). However, the result is the same as that of the previous search.	Performed search with every conditions considered. However, the result is the same as that of the previous search.	System is not malfunction.
Passing points cannot be set.	More than five passing points were set.	Passing points can be set up to five. To stop at more than five points, perform sharing in several steps.
When setting the route, the starting point cannot be selected.	The current vehicle location is always set as the starting point of a route.	System is not malfunction.
Some menu items cannot be selected.	The vehicle is being driven.	Stop the vehicle at a safe place and then operate the system.

VOICE GUIDE

Symptom	Cause	Remedy
Voice guide will not operate.	Note: Voice guide is only available at intersections that satisfy certain conditions (indicated by ● on the map). Therefore, guidance may not be given even when the route on the map changes direction.	System is not malfunction.
	The vehicle is not on the recommended route.	Return to the recommended route or re-search the route.
	Voice guide is turned OFF.	Turn the voice guide ON.
	Route guide is turned OFF.	Turn the route guide ON.
Voice guide does not match the actual road pattern.	Voice guide may vary with the direction to which the vehicle is turn and the connection of the road to other roads.	Drive in conformity to the actual traffic rules.

ROUTE SEARCHING

Symptom	Cause	Remedy
No route is shown.	No road to be searched is found around the destination.	Find wider road (orange road or wider) nearby and reset the destination and passing points onto it. Take care of the traveling direction when there are separate up and down roads.
	Starting point and the destination are too close.	Set the destination at more distant point.
	Conditional traffic regulation (day of the week/ time of the day) is set at the area around the current position or the destination.	Turn the time-regulating search conditions OFF. Turn "Avoid regulation time" in the search conditions OFF.
Indicated route is intermittent.	In some areas, highways (gray routes) are not used for the search ^(Note) Therefore, the route to the current position or the passing points may be intermittent.	System is not malfunction.

NAVIGATION SYSTEM

Symptom	Cause	Remedy
When the vehicle has passed the recommended route, it is deleted from the screen.	A recommended route is controlled by each section. When the vehicle has passed the passing point 1, then the map data from the starting point up to the passing point 1 will be deleted. (The data may remain undeleted in some area.)	System is not malfunction.
Detouring route is recommended.	In some areas, highways (gray routes) are not used for the search. (Note). Therefore, detour route may be recommended.	Set the route closer to the basic route (gray route).
	A detour route may be shown when some traffic regulation (one-way traffic, etc.) is set at the area around the starting point or the destination.	Slightly move the starting point or the destination, or set the passing point on the route of your choice.
	In the area where highways (gray routes) are used for the search, left turn has priority around the current position and the destination (passing points). For this reason, the recommended route may be detouring.	System is not malfunction.
Landmarks on the map do not match the actual ones.	This can be happen due to omission or error in the map data.	As a rule, an updated map DVD-ROM will be released once a year. Wait until the latest map has become available.
Recommended route is far from the starting point, passing points, and destination.	Starting point, passing points, and destination of the route guide were set far from the desired points because route searching data around these area were not stored.	Reset the destination onto the road nearby. If this road is one of the highways (gray routes), an ordinary road nearby may be displayed as the recommended route.

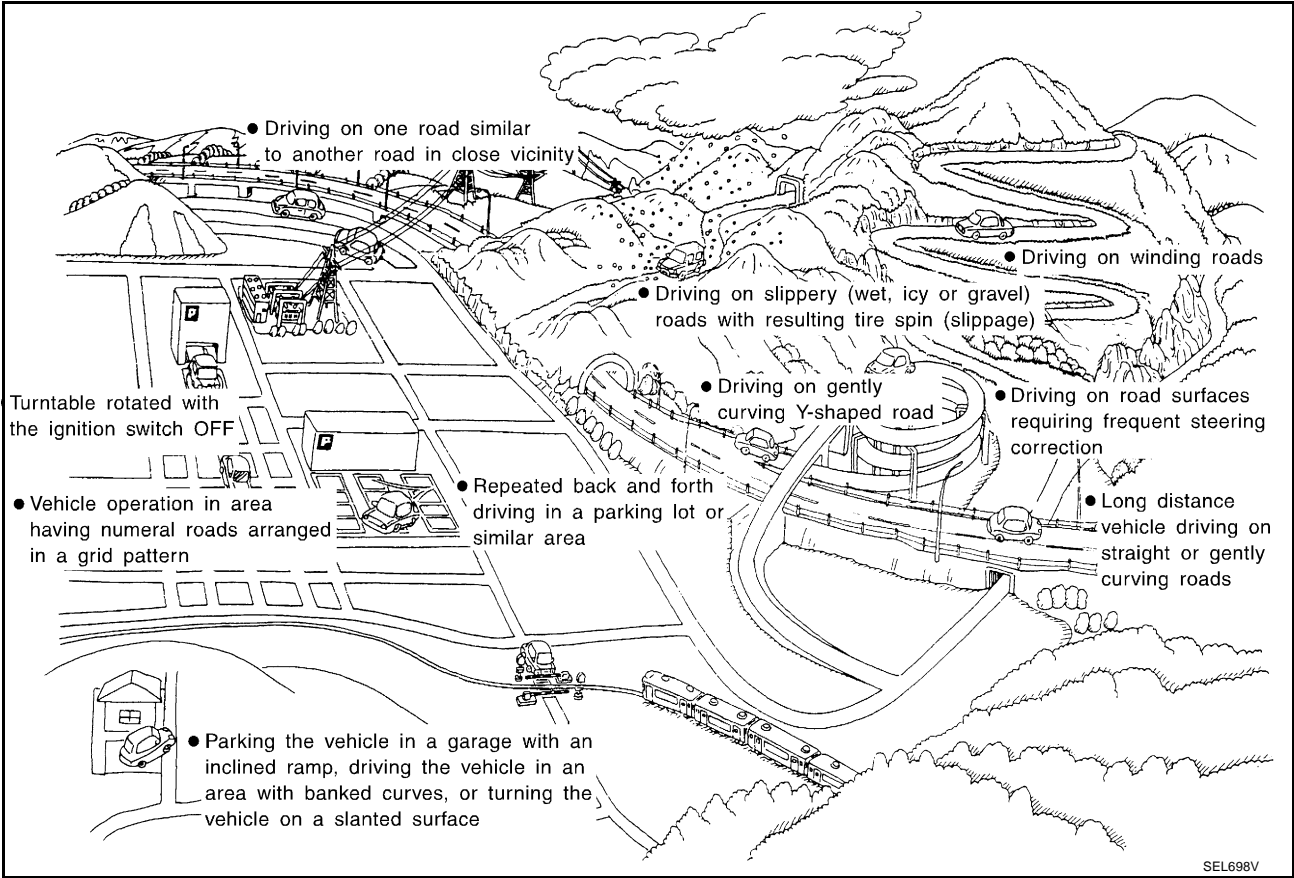
NOTE:

Except for the ordinance-designated cities and the prefectural capitals (Applicable areas may be changed in the updated map disc.)

NAVIGATION SYSTEM

EXAMPLES OF CURRENT-LOCATION MARK DISPLACEMENT

Vehicle's travel amount is calculated by reading its travel distance and turning angle. Therefore, if the vehicle is driven in the following manner, an error will occur in the vehicle's current location display. If correct location has not been restored after driving the vehicle for a while, perform location correction.

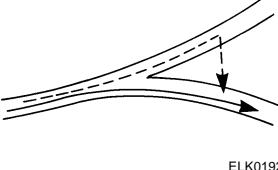
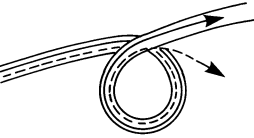
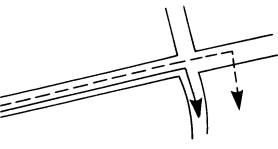
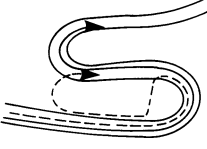
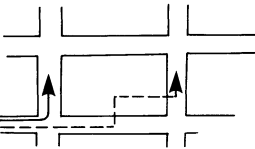
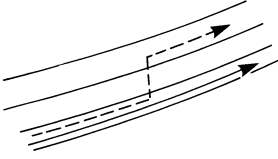


A
B
C
D
E
F
G
H
I
J

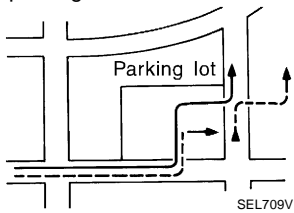
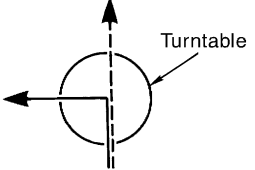
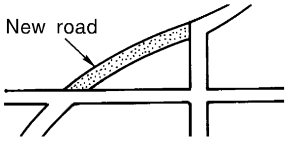
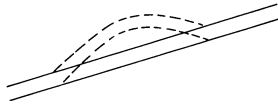
AV

L
M

NAVIGATION SYSTEM

	Cause (condition)	Driving condition	Remarks (correction, etc.)
Road configuration	<p>Y-intersections</p>  <p style="text-align: center;">ELK0192D</p>	<p>At a Y intersection or similar gradual division of roads, error the direction of travel deduced by the sensor may result in the current-location mark appearing on the wrong road.</p>	If after travelling about 10 km (6 miles) the correct location has not been restored, perform location correction and, if necessary, direction correction.
	<p>Spiral roads</p>  <p style="text-align: center;">ELK0193D</p>	<p>When driving on a large, continuous spiral road (such as loop bridge), turning angle error is accumulated and the vehicle mark may deviate from the correct location.</p>	
	<p>Straight roads</p>  <p style="text-align: center;">ELK0194D</p>	<p>When driving on a long, straight road and slow curve without stopping, map-matching does not work effectively enough and distance errors may accumulate. As a result, the vehicle mark may deviate from the correct location when the vehicle turned at a corner.</p>	
	<p>Zigzag roads</p>  <p style="text-align: center;">ELK0195D</p>	<p>When driving on a zigzag road, the map may be matched to other roads in the similar direction nearby at every turn, and the vehicle mark may deviate from the correct location.</p>	
	<p>Roads laid out in a grid pattern</p>  <p style="text-align: center;">ELK0196D</p>	<p>When driving at where roads are laid out in a grid pattern, where many roads are running in the similar direction nearby, the map may be matched to them by mistake and the vehicle mark may deviate from the correct location.</p>	
	<p>Parallel roads</p>  <p style="text-align: center;">ELK0197D</p>	<p>When two roads are running in parallel (such as highway and sideway), the map may be matched to the other road by mistake and the vehicle mark may deviate from the correct location.</p>	

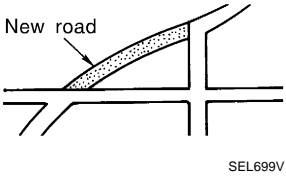
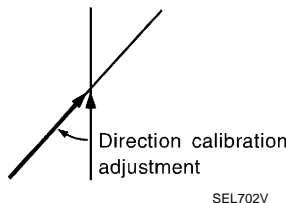
NAVIGATION SYSTEM

	Cause (condition)	Driving condition	Remarks (correction, etc.)
Place	In a parking lot  SEL709V	When driving in a parking lot, or other location where there are no roads on the map, matching may place the vehicle mark on a nearby road. When the vehicle returns to the road, the vehicle mark may have deviated from the correct location. When driving in circle or turning the steering wheel repeatedly, direction errors accumulate, and the vehicle mark may deviate from the correct location.	If after travelling about 10 km (6 miles) the correct location has not been restored, perform location correction and, if necessary, direction correction.
	Turn table  SEL710V	When the ignition switch is OFF, the navigation system cannot get the signal from the gyroscope (angular speed sensor). Therefore, the displayed direction may be wrong and the correct road may not be easily returned to after rotating the vehicle on a turn table with the ignition OFF.	
	Slippery roads	On snow, wet roads, gravel, or other roads where tires may slip easily, accumulated mileage errors may cause the vehicle mark to deviate from the correct road.	
	Slopes	When parking in sloped garages, when travelling on banked roads, or in other cases where the vehicle turns when tilted, an error in the turning angle will occur, and the vehicle mark may deviate from the road.	
Map data	Road not displayed on the map screen  SEL699V	When driving on new roads or other roads not displayed on the map screen, map matching does not function correctly and matches the location to a nearby road. When the vehicle returns to a road which is on the map, the vehicle mark may deviate from the correct road.	
	Different road pattern (Changed due to repair)  ELK0201D	If the road pattern stored in the map data and the actual road pattern are different, map matching does not function correctly and matches the location to a nearby road. The vehicle mark may deviate from the correct road.	
Vehicle	Use of tire chains	When tire chains are used, the mileage is not correctly detected, and the vehicle mark may deviate from the correct road.	Drive the vehicle for a while. If the distance is still deviated, adjust it by using the distance adjustment function. (If the tire chain is removed, recover the original value.)

A
B
C
D
E
F
G
H
I
J
L
M

AV

NAVIGATION SYSTEM

	Cause (condition)	Driving condition	Remarks (correction, etc.)
Precautions for driving	Just after the engine is started	If the vehicle is driven off just after the engine is started when the gyroscope (angular speed sensor) correction is not completed, the vehicle can lose its direction and may have deviated from the correct location.	Wait for a short while before driving after starting the engine.
	Continuous driving without stopping	When driving long distances without stopping, direction errors may accumulate, and the current-location mark may deviate from the correct road.	Stop and adjust the orientation.
	Abusive driving	Spinning the wheels or engaging in other kinds of abusive driving may result in the system being unable to perform correct detection, and may cause the vehicle mark to deviate from the correct road.	If after travelling about 10 km (6 miles) the correct location has not been restored, perform location correction and, if necessary, direction correction.
How to correct location	Position correction accuracy 	If the accuracy of location settings is poor, accuracy may be reduced when the correct road cannot be found, particularly in places where there are many roads.	Enter in the road displayed on the screen with an accuracy of approx. 1 mm (0.04 in). CAUTION: Whenever possible, use detailed map for the correction.
	Direction when location is corrected 	If the accuracy of location settings during correction is poor, accuracy may be reduced afterwards.	Perform direction correction.

THE CURRENT POSITION MARK SHOWS A POSITION WHICH IS COMPLETELY WRONG

In the following cases, the current-location mark may appear on a completely different position in the map depending on the GPS satellite signal receiving conditions. In this case, perform location correction and direction correction.

- When location correction has not been done
 - If the receiving conditions of the GPS satellite signal is poor, if the current-location mark becomes out of place, it may move to a completely different location and not come back if location correction is not done. The position will be corrected if the GPS signal can be received.
- When the vehicle has traveled by ferry, or when the vehicle has been being towed
 - Because calculation of the current location cannot be done when travelling with the ignition OFF, for example when traveling by ferry or when being towed, the location before travel is displayed. If the precise location can be detected with GPS, the location will be corrected.

THE CURRENT POSITION MARK JUMPS

In the following cases, the current-location mark may appear to jump as a result of automatic correction of the current location.

- When map matching has been done
 - If the current location and the current-location mark are different when map matching is done, the current-location mark may seem to jump. At this time, the location may be "corrected" to the wrong road or to a location which is not on a road.
- When GPS location correction has been done
 - If the current location and the current-location mark are different when the location is corrected using GPS measurements, the current-location mark may seem to jump. At this time, the location may be "corrected" to a location which is not on a road.

NAVIGATION SYSTEM

THE CURRENT LOCATION MARK IS IN A RIVER OR THE SEA

The navigation system moves the current location mark with no distinction between land and rivers or sea. If the location mark is somehow out of place, it may appear that the vehicle is driving in a river or the sea.

WHEN DRIVING ON THE SAME ROAD, SOMETIMES THE CURRENT-LOCATION MARK IS IN THE RIGHT PLACE AND SOMETIMES IT IS THE WRONG PLACE

The conditions of the GPS antenna (GPS data) and gyroscope (angular speed sensor) change gradually. Depending on the road traveled and the operation of the steering wheel, the location detection results will be different. Therefore, even on a road on which the location has never been wrong, conditions may cause the vehicle mark to deviate.

LOCATION CORRECTION BY MAP MATCHING IS SLOW

- The map matching function needs to refer to the data of the surrounding area. It is necessary to drive some distance for the function to work.
- Because map matching operates on this principle, when there are many roads running in similar directions in the surrounding area, no matching determination may be made. The location may not be corrected until some special feature is found.

ALTHOUGH THE GPS RECEIVING DISPLAY IS GREEN, THE VEHICLE MARK DOES NOT RETURN TO THE CORRECT LOCATION

- The GPS accuracy has an error of about 10 m (30 ft). In some cases the current-location mark may not be on the correct street, even when GPS location-correction is done.
- The navigation system compares the results of GPS location detection with the results from map-matching location detection. The one which is determined to have higher accuracy is used.
- GPS location correction may not be performed when the vehicle is stopped.

THE NAME OF THE CURRENT PLACE IS NOT DISPLAYED

The current place name may not be displayed if there are no place names displayed on the map screen.

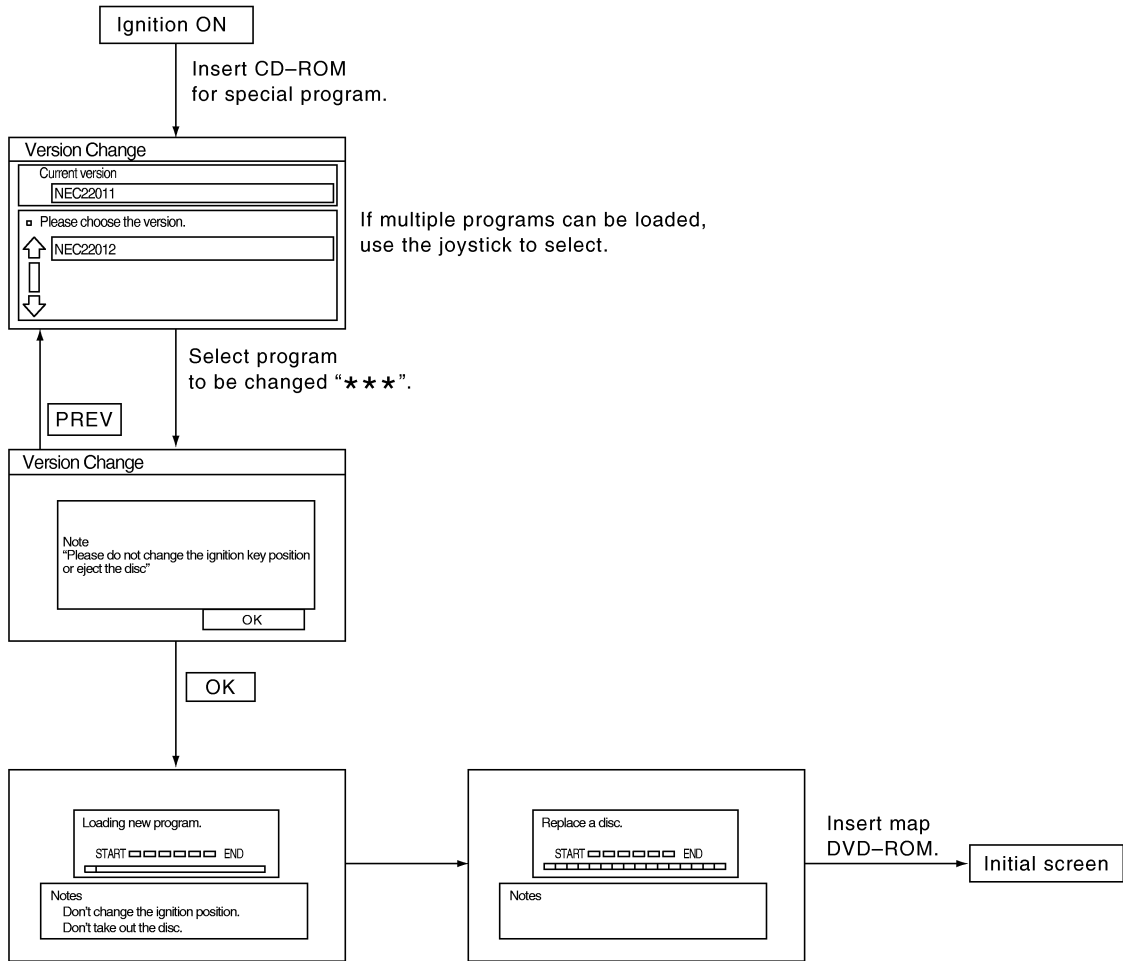
CONTENTS OF THE DISPLAY DIFFER FOR THE BIRDVIEW™ AND THE (FLAT) MAP SCREEN Difference of the BIRDVIEW™ Screen from the Flat Map Screen are as Follows.

- The current place name displays names which are primarily in the direction of vehicle travel.
- The amount of time before the vehicle travel or turn angle is updated on the screen is longer than for the (flat) map display.
- The conditions for display of place names, roads, and other data are different for nearby areas and for more distant areas.
- Some thinning of the character data is done to prevent the display becoming too complex. In some cases and in some locations, the display contents may differ.
- The same place name, street name, etc. may be displayed multiple times.

NAVIGATION SYSTEM

Program Loading

EKS001MH



NOTE: Always load a program with the engine running.

SKIA0389E

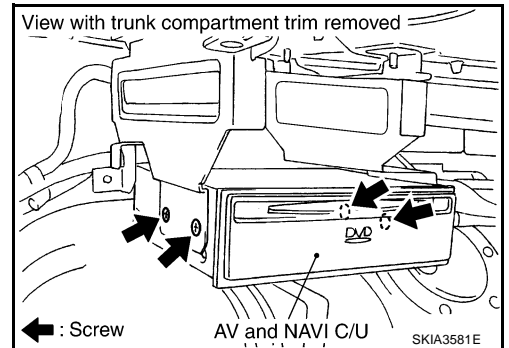
NAVIGATION SYSTEM

Removal and Installation of AV and NAVI Control Unit

EKS001MI

REMOVAL

1. Refer to [AV-58, "Precautions for AV and NAVI Control Unit Replacement"](#) . Take a note of necessary items.
2. Remove trunk room trim. Refer to [EI-59, "TRUNK ROOM TRIM & TRUNK LID FINISHER"](#) .
3. Remove screws and remove the AV and NAVI control unit.



INSTALLATION

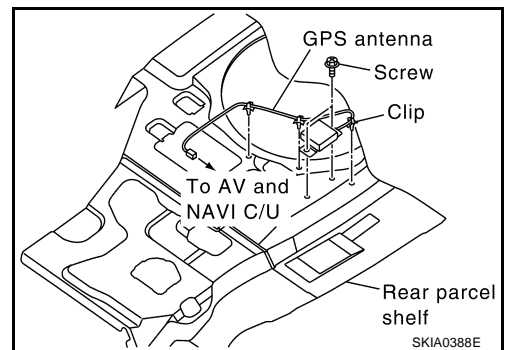
Install in the reverse order of removal.

Removal and Installation of GPS Antenna

REMOVAL

1. Remove rear parcel shelf finisher. Refer to [EI-44, "REAR PARCEL SHELF FINISHER"](#) .
2. Remove screws and remove the GPS antenna.

EKS001MJ



INSTALLATION

Install in the reverse order of removal.

Removal and Installation of Steering Wheel Switch

Refer to [SRS-39, "DRIVER AIR BAG MODULE"](#) .

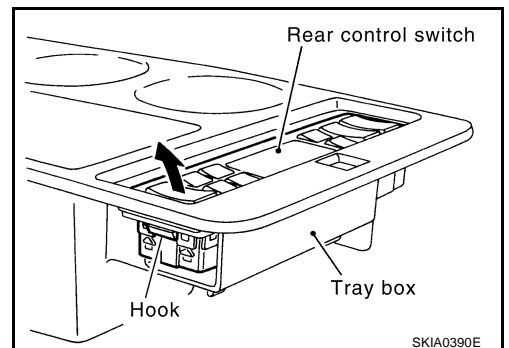
EKS001MK

Removal and Installation of Rear Control Switch

REMOVAL

1. Remove the tray box from the center armrest. Refer to [SE-201, "DISASSEMBLY OF CENTER SEATBACK ASSEMBLY"](#) .
2. Remove the rear control switch from the tray box.

EKS001ML



INSTALLATION

Install in the reverse order of removal.

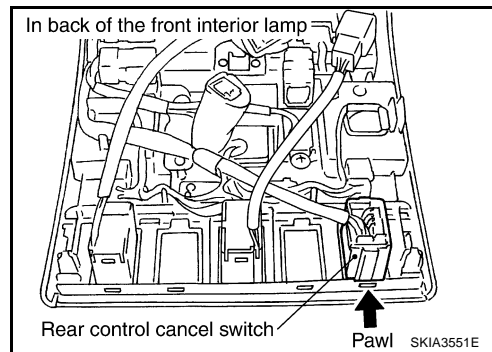
NAVIGATION SYSTEM

Removal and Installation of Rear Control Cancel Switch

EKS006FZ

REMOVAL

1. Remove front interior lamp. Refer to [LT-108, "Removal and Installation"](#) .
2. Remove rear control cancel switch from front interior lamp.



INSTALLATION

Install in the reverse order of removal.