

SECTION **AT**

AUTOMATIC TRANSMISSION

A
B
AT
D
E
F
G
H
I
J
K
L
M

CONTENTS

<p>INDEX FOR DTC 5</p> <p style="padding-left: 20px;">Alphabetical Index 5</p> <p style="padding-left: 20px;">DTC No. Index 6</p> <p>PRECAUTIONS 7</p> <p style="padding-left: 20px;">Precautions for Supplemental Restraint System (SRS) "AIR BAG" and "SEAT BELT PRE-TENSIONER" 7</p> <p style="padding-left: 20px;">Precautions for On Board Diagnostic (OBD) System of A/T and Engine 7</p> <p style="padding-left: 20px;">Precautions 8</p> <p style="padding-left: 20px;">Service Notice or Precautions 9</p> <p style="padding-left: 20px;">Wiring Diagrams and Trouble Diagnosis 9</p> <p>PREPARATION 10</p> <p style="padding-left: 20px;">Special Service Tools 10</p> <p style="padding-left: 20px;">Commercial Service Tools 11</p> <p>A/T FLUID 12</p> <p style="padding-left: 20px;">Changing A/T Fluid 12</p> <p style="padding-left: 20px;">Checking A/T Fluid 13</p> <p style="padding-left: 20px;">A/T Fluid Cooler Cleaning 15</p> <p>A/T CONTROL SYSTEM 18</p> <p style="padding-left: 20px;">Cross-Sectional View 18</p> <p style="padding-left: 20px;">Shift Mechanism 19</p> <p style="padding-left: 20px;">TCM Function 30</p> <p style="padding-left: 20px;">CAN Communication 31</p> <p style="padding-left: 20px;">Input/Output Signal of TCM 31</p> <p style="padding-left: 20px;">Line Pressure Control 32</p> <p style="padding-left: 20px;">Shift Control 33</p> <p style="padding-left: 20px;">Lock-up Control 34</p> <p style="padding-left: 20px;">Engine Brake Control 35</p> <p style="padding-left: 20px;">Control Valve 36</p> <p>ON BOARD DIAGNOSTIC (OBD) SYSTEM 38</p> <p style="padding-left: 20px;">Introduction 38</p> <p style="padding-left: 20px;">OBD-II Function for A/T System 38</p> <p style="padding-left: 20px;">One or Two Trip Detection Logic of OBD-II 38</p> <p style="padding-left: 20px;">OBD-II Diagnostic Trouble Code (DTC) 38</p> <p style="padding-left: 20px;">Malfunction Indicator Lamp (MIL) 41</p> <p>TROUBLE DIAGNOSIS 42</p> <p style="padding-left: 20px;">DTC Inspection Priority Chart 42</p> <p style="padding-left: 20px;">Fail-safe 42</p> <p style="padding-left: 20px;">How To Perform Trouble Diagnosis For Quick and</p>	<p style="padding-left: 20px;">Accurate Repair 44</p> <p style="padding-left: 20px;">A/T Electrical Parts Location 49</p> <p style="padding-left: 20px;">Circuit Diagram 50</p> <p style="padding-left: 20px;">Inspections Before Trouble Diagnosis 51</p> <p style="padding-left: 20px;">Check Before Engine is Started 55</p> <p style="padding-left: 20px;">Check at Idle 56</p> <p style="padding-left: 20px;">Cruise Test - Part 1 59</p> <p style="padding-left: 20px;">Cruise Test - Part 2 62</p> <p style="padding-left: 20px;">Cruise Test - Part 3 63</p> <p style="padding-left: 20px;">Vehicle Speed at Which Gear Shifting Occurs 64</p> <p style="padding-left: 20px;">Vehicle Speed at Which Lock-up Occurs/Releases.. 64</p> <p style="padding-left: 20px;">Vehicle Speed at Which Slip Lock-up Occurs/Releases 64</p> <p style="padding-left: 20px;">Symptom Chart 65</p> <p style="padding-left: 20px;">TCM Input/Output Signal Reference Values 90</p> <p style="padding-left: 20px;">CONSULT-II Function (A/T) 91</p> <p style="padding-left: 20px;">Diagnostic Procedure without CONSULT-II 104</p> <p>DTC U1000 CAN COMMUNICATION LINE 109</p> <p style="padding-left: 20px;">Description 109</p> <p style="padding-left: 20px;">On Board Diagnosis Logic 109</p> <p style="padding-left: 20px;">Possible Cause 109</p> <p style="padding-left: 20px;">DTC Confirmation Procedure 109</p> <p style="padding-left: 20px;">Wiring Diagram — AT — CAN 110</p> <p style="padding-left: 20px;">Diagnostic Procedure 111</p> <p>DTC P0615 START SIGNAL CIRCUIT 112</p> <p style="padding-left: 20px;">Description 112</p> <p style="padding-left: 20px;">CONSULT-II Reference Value 112</p> <p style="padding-left: 20px;">On Board Diagnosis Logic 112</p> <p style="padding-left: 20px;">Possible Cause 112</p> <p style="padding-left: 20px;">DTC Confirmation Procedure 112</p> <p style="padding-left: 20px;">Wiring Diagram — AT — STSIG 113</p> <p style="padding-left: 20px;">Diagnostic Procedure 114</p> <p>DTC P0700 TCM 116</p> <p style="padding-left: 20px;">Description 116</p> <p style="padding-left: 20px;">On Board Diagnosis Logic 116</p> <p style="padding-left: 20px;">Possible Cause 116</p> <p style="padding-left: 20px;">DTC Confirmation Procedure 116</p> <p style="padding-left: 20px;">Diagnostic Procedure 116</p> <p>DTC P0705 PARK/NEUTRAL POSITION SWITCH 117</p> <p style="padding-left: 20px;">Description 117</p>
--	--

CONSULT-II Reference Value	117	Description	136
On Board Diagnosis Logic	117	CONSULT-II Reference Value	136
Possible Cause	117	On Board Diagnosis Logic	136
DTC Confirmation Procedure	117	Possible Cause	136
Wiring Diagram — AT — PNP/SW	118	DTC Confirmation Procedure	136
Diagnostic Procedure	119	Diagnostic Procedure	137
DTC P0720 VEHICLE SPEED SENSOR A/T (REVOLUTION SENSOR)	121	DTC P1710 A/T FLUID TEMPERATURE SENSOR CIRCUIT	139
Description	121	Description	139
CONSULT-II Reference Value	121	CONSULT-II Reference Value	139
On Board Diagnosis Logic	121	On Board Diagnosis Logic	139
Possible Cause	121	Possible Cause	139
DTC Confirmation Procedure	121	DTC Confirmation Procedure	139
Wiring Diagram — AT — VSSA/T	123	Wiring Diagram — AT — FTS	140
Diagnostic Procedure	124	Diagnostic Procedure	141
DTC P0725 ENGINE SPEED SIGNAL	126	Component Inspection	143
Description	126	DTC P1716 TURBINE REVOLUTION SENSOR ...	144
CONSULT-II Reference Value	126	Description	144
On Board Diagnosis Logic	126	CONSULT-II Reference Value	144
Possible Cause	126	On Board Diagnosis Logic	144
DTC Confirmation Procedure	126	Possible Cause	144
Diagnostic Procedure	127	DTC Confirmation Procedure	144
DTC P0740 TORQUE CONVERTER CLUTCH SOLENOID VALVE	128	Diagnostic Procedure	145
Description	128	DTC P1721 VEHICLE SPEED SENSOR MTR	146
CONSULT-II Reference Value	128	Description	146
On Board Diagnosis Logic	128	CONSULT-II Reference Value	146
Possible Cause	128	On Board Diagnosis Logic	146
DTC Confirmation Procedure	128	Possible Cause	146
Diagnostic Procedure	129	DTC Confirmation Procedure	146
DTC P0744 A/T TCC S/V FUNCTION (LOCK-UP)	130	Diagnostic Procedure	147
Description	130	DTC P1730 A/T INTERLOCK	148
CONSULT-II Reference Value	130	Description	148
On Board Diagnosis Logic	130	On Board Diagnosis Logic	148
Possible Cause	130	Possible Cause	148
DTC Confirmation Procedure	130	DTC Confirmation Procedure	148
Diagnostic Procedure	131	Judgement of A/T Interlock	149
DTC P0745 LINE PRESSURE SOLENOID VALVE	132	Diagnostic Procedure	149
Description	132	DTC P1731 A/T 1ST ENGINE BRAKING	151
CONSULT-II Reference Value	132	Description	151
On Board Diagnosis Logic	132	CONSULT-II Reference Value	151
Possible Cause	132	On Board Diagnosis Logic	151
DTC Confirmation Procedure	132	Possible Cause	151
Diagnostic Procedure	133	DTC Confirmation Procedure	151
DTC P1702 TRANSMISSION CONTROL MODULE (RAM)	134	Diagnostic Procedure	152
Description	134	DTC P1752 INPUT CLUTCH SOLENOID VALVE	153
On Board Diagnosis Logic	134	Description	153
Possible Cause	134	CONSULT-II Reference Value	153
DTC Confirmation Procedure	134	On Board Diagnosis Logic	153
Diagnostic Procedure	134	Possible Cause	153
DTC P1703 TRANSMISSION CONTROL MODULE (ROM)	135	DTC Confirmation Procedure	153
Description	135	Diagnostic Procedure	154
On Board Diagnosis Logic	135	DTC P1754 INPUT CLUTCH SOLENOID VALVE FUNCTION	155
Possible Cause	135	Description	155
DTC Confirmation Procedure	135	CONSULT-II Reference Value	155
Diagnostic Procedure	135	On Board Diagnosis Logic	155
DTC P1705 THROTTLE POSITION SENSOR	136	Possible Cause	155
Description	136	DTC Confirmation Procedure	155
CONSULT-II Reference Value	136	Diagnostic Procedure	156
On Board Diagnosis Logic	136		
Possible Cause	136		
DTC Confirmation Procedure	136		
Diagnostic Procedure	137		

DTC P1757 FRONT BRAKE SOLENOID VALVE	157	Possible Cause	171	
Description	157	DTC Confirmation Procedure	171	A
CONSULT-II Reference Value	157	Diagnostic Procedure	172	B
On Board Diagnosis Logic	157	DTC P1815 MANUAL MODE SWITCH	173	
Possible Cause	157	Description	173	B
DTC Confirmation Procedure	157	CONSULT-II Reference Value	173	
Diagnostic Procedure	158	On Board Diagnosis Logic	173	
DTC P1759 FRONT BRAKE SOLENOID VALVE		Possible Cause	173	AT
FUNCTION	159	DTC Confirmation Procedure	173	
Description	159	Wiring Diagram — AT — MMSW	174	D
CONSULT-II Reference Value	159	Diagnostic Procedure	175	
On Board Diagnosis Logic	159	Component Inspection	176	D
Possible Cause	159	DTC P1841 ATF PRESSURE SWITCH 1	177	
DTC Confirmation Procedure	159	Description	177	E
Diagnostic Procedure	160	CONSULT-II Reference Value	177	
DTC P1762 DIRECT CLUTCH SOLENOID VALVE	161	On Board Diagnosis Logic	177	E
Description	161	Possible Cause	177	
CONSULT-II Reference Value	161	DTC Confirmation Procedure	177	F
On Board Diagnosis Logic	161	Diagnostic Procedure	178	
Possible Cause	161	DTC P1843 ATF PRESSURE SWITCH 3	179	
DTC Confirmation Procedure	161	Description	179	G
Diagnostic Procedure	162	CONSULT-II Reference Value	179	
DTC P1764 DIRECT CLUTCH SOLENOID VALVE		On Board Diagnosis Logic	179	
FUNCTION	163	Possible Cause	179	
Description	163	DTC Confirmation Procedure	179	H
CONSULT-II Reference Value	163	Diagnostic Procedure	180	
On Board Diagnosis Logic	163	DTC P1845 ATF PRESSURE SWITCH 5	181	
Possible Cause	163	Description	181	I
DTC Confirmation Procedure	163	CONSULT-II Reference Value	181	
Diagnostic Procedure	164	On Board Diagnosis Logic	181	
DTC P1767 HIGH AND LOW REVERSE CLUTCH		Possible Cause	181	J
SOLENOID VALVE	165	DTC Confirmation Procedure	181	
Description	165	Diagnostic Procedure	182	
CONSULT-II Reference Value	165	DTC P1846 ATF PRESSURE SWITCH 6	183	
On Board Diagnosis Logic	165	Description	183	K
Possible Cause	165	CONSULT-II Reference Value	183	
DTC Confirmation Procedure	165	On Board Diagnosis Logic	183	
Diagnostic Procedure	166	Possible Cause	183	L
DTC P1769 HIGH AND LOW REVERSE CLUTCH		DTC Confirmation Procedure	183	
SOLENOID VALVE FUNCTION	167	Diagnostic Procedure	184	
Description	167	MAIN POWER SUPPLY AND GROUND CIRCUIT.	185	M
CONSULT-II Reference Value	167	Wiring Diagram — AT — MAIN	185	
On Board Diagnosis Logic	167	Diagnostic Procedure	186	
Possible Cause	167	CLOSED THROTTLE POSITION AND WIDE OPEN		
DTC Confirmation Procedure	167	THROTTLE POSITION CIRCUIT	189	
Diagnostic Procedure	168	CONSULT-II Reference Value	189	
DTC P1772 LOW COAST BRAKE SOLENOID		Diagnostic Procedure	189	
VALVE	169	BRAKE SIGNAL CIRCUIT	190	
Description	169	CONSULT-II Reference Value	190	
CONSULT-II Reference Value	169	Diagnostic Procedure	190	
On Board Diagnosis Logic	169	A/T INDICATOR CIRCUIT	191	
Possible Cause	169	Description	191	
DTC Confirmation Procedure	169	CONSULT-II Reference Value	191	
Diagnostic Procedure	170	Diagnostic Procedure	191	
DTC P1774 LOW COAST BRAKE SOLENOID		TROUBLE DIAGNOSIS FOR SYMPTOMS	192	
VALVE FUNCTION	171	Wiring Diagram — AT — NONDTC	192	
Description	171	A/T CHECK Indicator Lamp Does Not Come On	195	
CONSULT-II Reference Value	171	Engine Cannot Be Started In "P" or "N" Position	196	
On Board Diagnosis Logic	171	In "P" Position, Vehicle Moves When Pushed	197	

In "N" Position, Vehicle Moves	198	AIR BREATHER HOSE	271
Large Shock ("N" to "D" Position)	199	Removal and Installation	271
Vehicle Does Not Creep Backward In "R" Position	202	TRANSMISSION ASSEMBLY	272
Vehicle Does Not Creep Forward In "D" Position	205	Removal and Installation	272
Vehicle Cannot Be Started From D1	208	OVERHAUL	276
A/T Does Not Shift: D1 → D2	210	Components	276
A/T Does Not Shift: D2 → D3	213	Oil Channel	282
A/T Does Not Shift: D3 → D4	215	Locations of Adjusting Shims, Needle Bearings, Thrust Washers and Snap Rings	283
A/T Does Not Shift: D4 → D5	218	DISASSEMBLY	284
A/T Does Not Lock-up	220	Disassembly	284
A/T Does Not Hold Lock-up Condition	223	REPAIR FOR COMPONENT PARTS	300
Lock-up Is Not Released	224	Oil Pump	300
Engine Speed Does Not Return To Idle	225	Front Sun Gear, 3rd One-Way Clutch	303
Cannot Be Changed to Manual Mode	226	Front Carrier, Input Clutch, Rear Internal Gear	305
A/T Does Not Shift: 5th gear → 4th gear	227	Mid Sun Gear, Rear Sun Gear, High and Low Reverse Clutch Hub	310
A/T Does Not Shift: 4th gear → 3rd gear	229	High and Low Reverse Clutch	315
A/T Does Not Shift: 3rd gear → 2nd gear	231	Direct Clutch	317
A/T Does Not Shift: 2nd gear → 1st gear	233	ASSEMBLY	319
Vehicle Does Not Decelerate By Engine Brake	235	Assembly (1)	319
SHIFT CONTROL SYSTEM	237	Adjustment	330
Control Device Removal and Installation	237	Assembly (2)	332
Control Rod Removal and Installation	239	SERVICE DATA AND SPECIFICATIONS (SDS) ...	340
Adjustment of A/T Position	240	General Specifications	340
Checking of A/T Position	240	Vehicle Speed at Which Gear Shifting Occurs	340
A/T SHIFT LOCK SYSTEM	241	Vehicle Speed at Which Lock-up Occurs/Releases	340
Description	241	Vehicle Speed at Which Slip Lock-up Occurs/ Releases	340
Shift Lock System Electrical Parts Location	241	Stall Speed	340
Wiring Diagram — AT — SHIFT	242	Line Pressure	341
Shift Lock Control Unit Reference Values	244	A/T Fluid Temperature Sensor	341
Component Inspection	245	Turbine Revolution Sensor	341
ON-VEHICLE SERVICE	247	Vehicle Speed Sensor A/T (Revolution Sensor)	341
Control Valve with TCM and A/T Fluid Temperature Sensor 2	247	Reverse Brake	341
Parking Components	260	Total End Play	342
Revolution Sensor	265		

INDEX FOR DTC

INDEX FOR DTC

PF0:00024

Alphabetical Index

ECS00DUX

NOTE:

If DTC "U1000" is displayed with other DTC, first perform the trouble diagnosis for "DTC U1000 CAN COMMUNICATION LINE". Refer to [AT-109](#).

Items (CONSULT-II screen terms)	DTC		Reference page
	OBD-II	Except OBD-II	
	CONSULT-II GST (*1)	CONSULT-II only "A/T"	
A/T 1ST E/BRAKING	—	P1731	AT-151
ATF PRES SW 1/CIRC	—	P1841	AT-177
ATF PRES SW 3/CIRC	—	P1843	AT-179
ATF PRES SW 5/CIRC	—	P1845	AT-181
ATF PRES SW 6/CIRC	—	P1846	AT-183
A/T INTERLOCK	P1730	P1730	AT-148
A/T TCC S/V FNCTN	P0744	P0744	AT-130
ATF TEMP SEN/CIRC	P0710	P1710	AT-139
CAN COMM CIRCUIT	U1000	U1000	AT-109
D/C SOLENOID/CIRC	P1762	P1762	AT-161
D/C SOLENOID FNCTN	P1764	P1764	AT-163
ENGINE SPEED SIG	—	P0725	AT-126
FR/B SOLENOID/CIRC	P1757	P1757	AT-157
FR/B SOLENOID FNCT	P1759	P1759	AT-159
HLR/C SOL/CIRC	P1767	P1767	AT-165
HLR/C SOL FNCTN	P1769	P1769	AT-167
I/C SOLENOID/CIRC	P1752	P1752	AT-153
I/C SOLENOID FNCTN	P1754	P1754	AT-155
L/PRESS SOL/CIRC	P0745	P0745	AT-132
LC/B SOLENOID/CIRC	P1772	P1772	AT-169
LC/B SOLENOID FNCT	P1774	P1774	AT-171
MANU MODE SW/CIR	—	P1815	AT-173
PNP SW/CIRC	P0705	P0705	AT-117
STARTER RELAY/CIRC	—	P0615	AT-112
TCC SOLENOID/CIRC	P0740	P0740	AT-128
TCM	P0700	P0700	AT-116
TCM-RAM	—	P1702	AT-134
TCM-ROM	—	P1703	AT-135
TP SEN/CIRC A/T	—	P1705	AT-136
TURBINE REV S/CIRC	P1716	P1716	AT-144
VEH SPD SE/CIR-MTR	—	P1721	AT-146
VEH SPD SEN/CIR AT	P0720	P0720	AT-121

*1: These numbers are prescribed by SAE J2012.

INDEX FOR DTC

DTC No. Index

ECS00DUY

NOTE:

If DTC “U1000” is displayed with other DTC, first perform the trouble diagnosis for “DTC U1000 CAN COMMUNICATION LINE”. Refer to [AT-109](#).

DTC		Items (CONSULT-II screen terms)	Reference page
OBD-II CONSULT-II GST (*1)	Except OBD-II CONSULT-II only “A/T”		
—	P0615	STARTER RELAY/CIRC	AT-112
P0700	P0700	TCM	AT-116
P0705	P0705	PNP SW/CIRC	AT-117
P0710	P1710	ATF TEMP SEN/CIRC	AT-139
P0720	P0720	VEH SPD SEN/CIR AT	AT-121
—	P0725	ENGINE SPEED SIG	AT-126
P0740	P0740	TCC SOLENOID/CIRC	AT-128
P0744	P0744	A/T TCC S/V FNCTN	AT-130
P0745	P0745	L/PRESS SOL/CIRC	AT-132
—	P1702	TCM-RAM	AT-134
—	P1703	TCM-ROM	AT-135
—	P1705	TP SEN/CIRC A/T	AT-136
P1716	P1716	TURBINE REV S/CIRC	AT-144
—	P1721	VEH SPD SE/CIR-MTR	AT-146
P1730	P1730	A/T INTERLOCK	AT-148
—	P1731	A/T 1ST E/BRAKING	AT-151
P1752	P1752	I/C SOLENOID/CIRC	AT-153
P1754	P1754	I/C SOLENOID FNCTN	AT-155
P1757	P1757	FR/B SOLENOID/CIRC	AT-157
P1759	P1759	FR/B SOLENOID FNCT	AT-159
P1762	P1762	D/C SOLENOID/CIRC	AT-161
P1764	P1764	D/C SOLENOID FNCTN	AT-163
P1767	P1767	HLR/C SOL/CIRC	AT-165
P1769	P1769	HLR/C SOL FNCTN	AT-167
P1772	P1772	LC/B SOLENOID/CIRC	AT-169
P1774	P1774	LC/B SOLENOID FNCT	AT-171
—	P1815	MANU MODE SW/CIRC	AT-173
—	P1841	ATF PRES SW 1/CIRC	AT-177
—	P1843	ATF PRES SW 3/CIRC	AT-179
—	P1845	ATF PRES SW 5/CIRC	AT-181
—	P1846	ATF PRES SW 6/CIRC	AT-183
U1000	U1000	CAN COMM CIRCUIT	AT-109

*1: These numbers are prescribed by SAE J2012.

PRECAUTIONS

PRECAUTIONS

PPF:00001

Precautions for Supplemental Restraint System (SRS) “AIR BAG” and “SEAT BELT PRE-TENSIONER”

ECS008AD

The Supplemental Restraint System such as “AIR BAG” and “SEAT BELT PRE-TENSIONER”, used along with a front seat belt, helps to reduce the risk or severity of injury to the driver and front passenger for certain types of collision. This system includes seat belt switch inputs and dual stage front air bag modules. The SRS system uses the seat belt switches to determine the front air bag deployment, and may only deploy one front air bag, depending on the severity of a collision and whether the front occupants are belted or unbelted. Information necessary to service the system safely is included in the SRS and SB section of this Service Manual.

WARNING:

- To avoid rendering the SRS inoperative, which could increase the risk of personal injury or death in the event of a collision which would result in air bag inflation, all maintenance must be performed by an authorized NISSAN/INFINITI dealer.
- Improper maintenance, including incorrect removal and installation of the SRS, can lead to personal injury caused by unintentional activation of the system. For removal of Spiral Cable and Air Bag Module, see the SRS section.
- Do not use electrical test equipment on any circuit related to the SRS unless instructed to in this Service Manual. SRS wiring harnesses can be identified by yellow and/or orange harnesses or harness connectors.

Precautions for On Board Diagnostic (OBD) System of A/T and Engine

ECS00DUZ

The ECM has an on board diagnostic system. It will light up the malfunction indicator lamp (MIL) to warn the driver of a malfunction causing emission deterioration.

CAUTION:

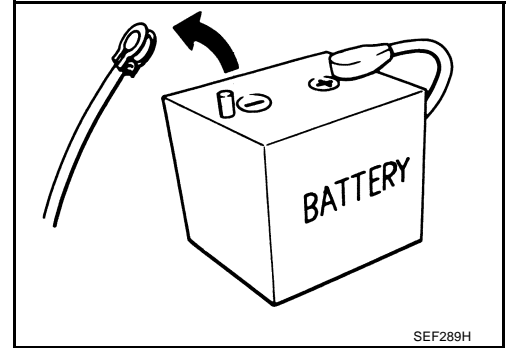
- Be sure to turn the ignition switch OFF and disconnect the battery cable from the negative terminal before any repair or inspection work. The open/short circuit of related switches, sensors, solenoid valves, etc. will cause the MIL to light up.
- Be sure to connect and lock the connectors securely after work. A loose (unlocked) connector will cause the MIL to light up due to an open circuit. (Be sure the connector is free from water, grease, dirt, bent terminals, etc.)
- Be sure to route and secure the harnesses properly after work. Interference of the harness with a bracket, etc. may cause the MIL to light up due to a short circuit.
- Be sure to connect rubber tubes properly after work. A misconnected or disconnected rubber tube may cause the MIL to light up due to a malfunction of the EGR system or fuel injection system, etc.
- Be sure to erase the unnecessary malfunction information (repairs completed) from the TCM and ECM before returning the vehicle to the customer.

PRECAUTIONS

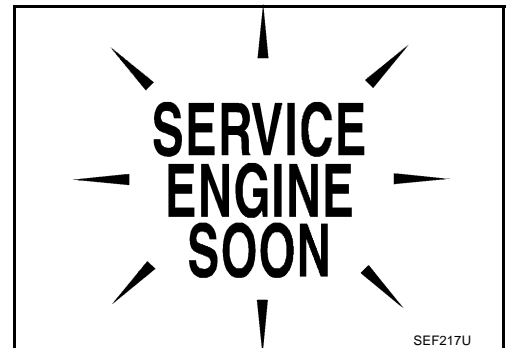
Precautions

ECS00DV0

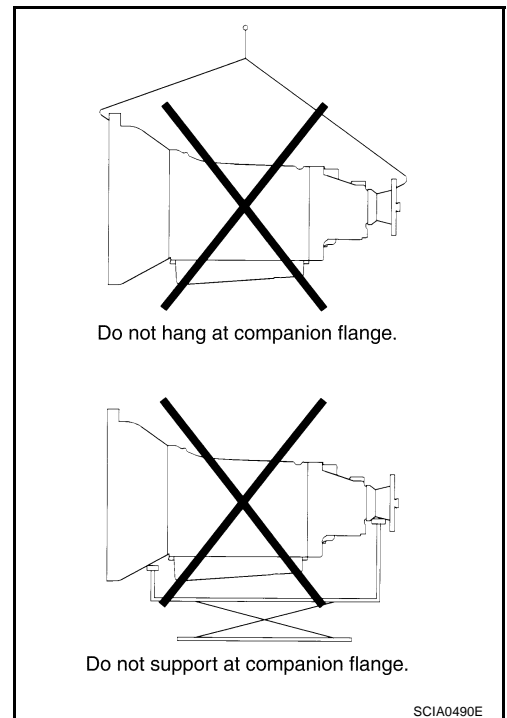
- Before connecting or disconnecting the A/T assembly harness connector, turn ignition switch OFF and disconnect the battery cable from the negative terminal. Because battery voltage is applied to TCM even if ignition switch is turned OFF.



- After performing each TROUBLE DIAGNOSIS, perform "DTC (Diagnostic Trouble Code) Confirmation Procedure". If the repair is completed the DTC should not be displayed in the "DTC Confirmation Procedure".



- When removing the RE5R05A model transmission from a vehicle, do not use the companion flange section at the rear end of the transmission as a support point.
- Always use the specified brand of ATF. Refer to [MA-10, "Fluids and Lubricants"](#).
- Use paper rags not cloth rags during work.
- After replacing the ATF, dispose of the waste oil using the methods prescribed by law, ordinance, etc.
- Before proceeding with disassembly, thoroughly clean the outside of the transmission. It is important to prevent the internal parts from becoming contaminated by dirt or other foreign matter.
- Disassembly should be done in a clean work area.
- Use lint-free cloth or towels for wiping parts clean. Common shop rags can leave fibers that could interfere with the operation of the transmission.
- Place disassembled parts in order for easier and proper assembly.
- All parts should be carefully cleaned with a general purpose, non-flammable solvent before inspection or reassembly.
- Gaskets, seals and O-rings should be replaced any time the transmission is disassembled.
- It is very important to perform functional tests whenever they are indicated.
- The valve body contains precision parts and requires extreme care when parts are removed and serviced. Place disassembled valve body parts in order for easier and proper assembly. Care will also prevent springs and small parts from becoming scattered or lost.
- Properly installed valves, sleeves, plugs, etc. will slide along bores in valve body under their own weight.
- Before assembly, apply a coat of recommended ATF to all parts. Apply petroleum jelly to protect O-rings and seals, or hold bearings and washers in place during assembly. Do not use grease.
- Extreme care should be taken to avoid damage to O-rings, seals and gaskets when assembling.



PRECAUTIONS

- Clean or replace ATF cooler if excessive foreign material is found in oil pan or clogging strainer. Refer to [AT-9, "ATF COOLER SERVICE"](#) .
- After overhaul, refill the transmission with new ATF.
- When the A/T drain plug is removed, only some of the fluid is drained. Old A/T fluid will remain in torque converter and ATF cooling system.
Always follow the procedures under "Changing A/T Fluid" in the AT section when changing A/T fluid. Refer to [AT-12, "Changing A/T Fluid"](#) , [AT-13, "Checking A/T Fluid"](#) .

Service Notice or Precautions ATF COOLER SERVICE

ECS00DV1

AT

If A/T fluid contains frictional material (clutches, bands, etc.), or if an A/T is repaired, overhauled, or replaced, inspect and clean the A/T fluid cooler mounted in the radiator or replace the radiator. Flush cooler lines using cleaning solvent and compressed air after repair. For A/T fluid cooler cleaning procedure, refer to [AT-15, "A/T Fluid Cooler Cleaning"](#) . For radiator replacement, refer to [CO-11, "RADIATOR"](#) .

OBD-II SELF-DIAGNOSIS

- A/T self-diagnosis is performed by the TCM in combination with the ECM. The results can be read through the blinking pattern of the A/T CHECK indicator or the malfunction indicator lamp (MIL). Refer to the table on [AT-94, "SELF-DIAGNOSTIC RESULT MODE"](#) for the indicator used to display each self-diagnostic result.
- The self-diagnostic results indicated by the MIL are automatically stored in both the ECM and TCM memories.
Always perform the procedure on [AT-39, "HOW TO ERASE DTC"](#) to complete the repair and avoid unnecessary blinking of the MIL.

For details of OBD-II, refer to [EC-47, "ON BOARD DIAGNOSTIC \(OBD\) SYSTEM"](#) .

- **Certain systems and components, especially those related to OBD, may use the new style slide-locking type harness connector. For description and how to disconnect, refer to [PG-58, "HARNESS CONNECTOR"](#) .**

Wiring Diagrams and Trouble Diagnosis

ECS00DV2

When you read wiring diagrams, refer to the following:

- [GI-14, "How to Read Wiring Diagrams"](#).
- [PG-2, "POWER SUPPLY ROUTING"](#) for power distribution circuit.

When you perform trouble diagnosis, refer to the following:

- [GI-10, "How to Follow Trouble Diagnoses"](#).
- [GI-26, "How to Perform Efficient Diagnosis for an Electrical Incident"](#).

A
B
E
D
F
G
H
I
J
K
L
M

PREPARATION

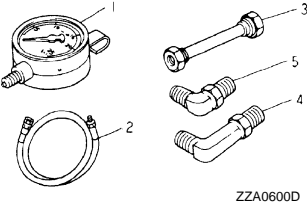
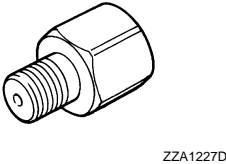
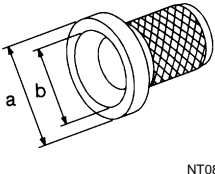
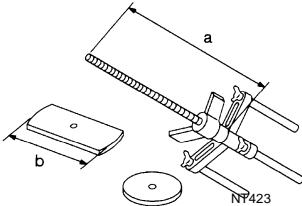
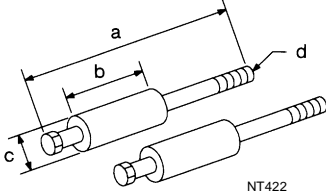
PREPARATION

PFP:00002

Special Service Tools

ECS00DV3

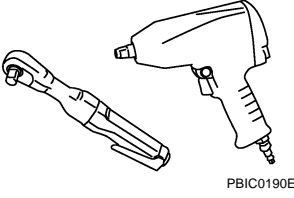
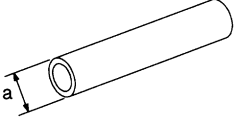
The actual shapes of Kent-Moore tools may differ from those of special service tools illustrated here.

Tool number (Kent-Moore No.) Tool name	Description
ST2505S001 (J-34301-C) Oil pressure gauge set 1 ST25051001 (—) Oil pressure gauge 2 ST25052000 (—) Hose 3 ST25053000 (—) Joint pipe 4 ST25054000 (—) Adapter 5 ST25055000 (—) Adapter	Measuring line pressure 
KV31103600 (J-45674) Joint pipe adapter (With ST25054000)	Measuring line pressure 
ST33400001 (J-26082) Drift a: 60 mm (2.36 in) dia. b: 47 mm (1.85 in) dia.	Installing oil pump housing oil seal 
KV31102400 (J-34285 and J-34285-87) Clutch spring compressor a: 320 mm (12.60 in) b: 174 mm (6.85 in)	Installing reverse brake return spring retainer 
ST25850000 (J-25721-A) Sliding hammer a: 179 mm (7.05 in) b: 70 mm (2.76 in) c: 40 mm (1.57 in) d: M12X1.75P	Remove oil pump assembly 

PREPARATION

Commercial Service Tools

ECS00DV4

Tool name	Description
<p>Power tool</p>  <p>PBIC0190E</p>	<p>Loosening bolts and nuts</p>
<p>Drift a: 22 mm (0.87 in) dia.</p>  <p>NT083</p>	<p>Installing manual shaft oil seals</p>

A
B
AT
D
E
F
G
H
I
J
K
L
M

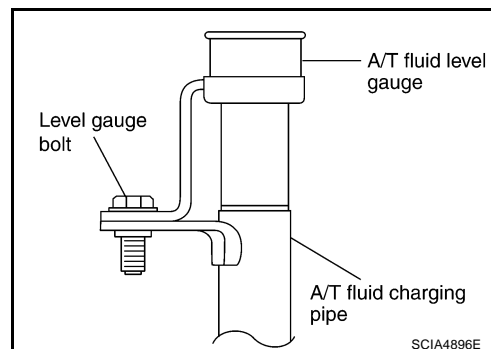
A/T FLUID

PFP:KLE40

Changing A/T Fluid

ECS00DV5

1. Warm up A/T fluid.
2. Stop engine.
3. Loosen the level gauge bolt.
4. Drain A/T fluid from drain plug and refill with new A/T fluid. Always refill same volume with drained fluid.
 - To replace the A/T fluid, pour in new fluid at the A/T fluid charging pipe with the engine idling and at the same time drain the old fluid from the radiator cooler hose return side.
 - When the color of the fluid coming out is about the same as the color of the new fluid, the replacement is complete. The amount of new A/T fluid to use should be 30 to 50% increase of the stipulated amount.



A/T fluid: Genuine Nissan Matic J ATF

Fluid capacity: 10.3 ℓ (10-7/8 US qt, 9-1/8 Imp qt)

CAUTION:

- Use only Genuine Nissan Matic J ATF. Do not mix with other fluid.
- Using A/T fluid other than Genuine Nissan Matic J ATF will cause deterioration in driveability and automatic transmission durability, and may damage the automatic transmission, which is not covered by the warranty.
- When filling A/T fluid, take care not to scatter heat generating parts such as exhaust.
- Do not reuse drain plug gasket.

Drain plug:

 : 34 N·m (3.5 kg·m, 25 ft·lb)

5. Run engine at idle speed for 5 minutes.
6. Check A/T fluid level and condition. Refer to [AT-13, "Checking A/T Fluid"](#) . If fluid is still dirty, repeat step 2. through 5.
7. Install the removed A/T fluid level gauge into A/T fluid charging pipe.
8. Tighten the level gauge bolt.

Level gauge bolt:

 : 5.1 N·m (0.52 kg·m, 45 in·lb)

Checking A/T Fluid

1. Warm up engine.
2. Check for fluid leakage.
3. Loosen the level gauge bolt.
4. Before driving, fluid level can be checked at fluid temperatures of 30 to 50°C (86 to 122°F) using “COLD” range on A/T fluid level gauge as follows.
 - a. Park vehicle on level surface and set parking brake.
 - b. Start engine and move selector lever through each gear position. Leave selector lever in “P” position.
 - c. Check fluid level with engine idling.
 - d. Remove A/T fluid level gauge and wipe clean with lint-free paper.

CAUTION:

When wiping away the A/T fluid level gauge, always use lint-free paper, not a cloth one.

- e. Re-insert A/T fluid level gauge into A/T fluid charging pipe as far as it will go.

CAUTION:

To check fluid level, insert the A/T fluid level gauge until the cap contacts the end of the A/T fluid charging pipe, with the A/T fluid level gauge reversed from the normal attachment conditions.

- f. Remove A/T fluid level gauge and note reading. If reading is at low side of range, add fluid to the A/T fluid charging pipe.

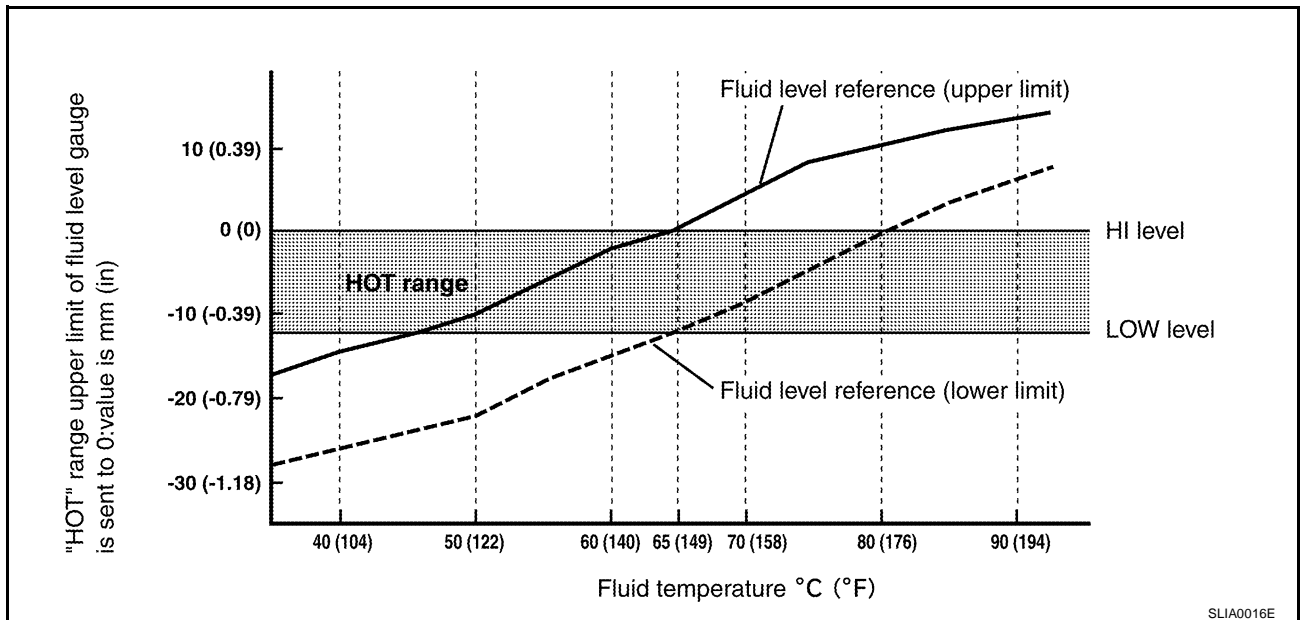
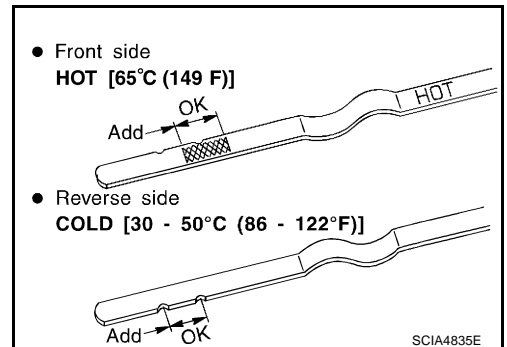
CAUTION:

Do not overfill.

5. Drive vehicle for approximately 5 minutes in urban areas.
6. Make the fluid temperature approximately 65°C (149°F).

NOTE:

Fluid level will be greatly affected by temperature as shown in figure. Therefore, be certain to perform operation while checking data with CONSULT-II.



- a. Connect CONSULT-II to data link connector. Refer to [AT-93. "CONSULT-II SETTING PROCEDURE"](#).
- b. Select “MAIN SIGNALS” in “DATA MONITOR” mode for “A/T” with CONSULT-II.
- c. Read out the value of “ATF TEMP 1”.
7. Re-check fluid level at fluid temperatures of approximately 65°C (149°F) using “HOT” range on A/T fluid level gauge.

A/T FLUID

CAUTION:

- When wiping away the A/T fluid level gauge, always use lint-free paper, not a cloth one.
- To check fluid level, insert the A/T fluid level gauge until the cap contacts the end of the A/T fluid charging pipe, with the A/T fluid level gauge reversed from the normal attachment conditions as shown.

8. Check fluid condition.

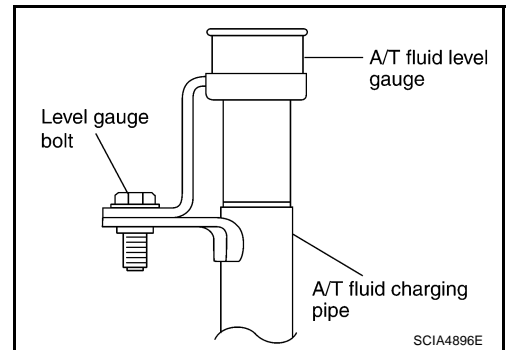
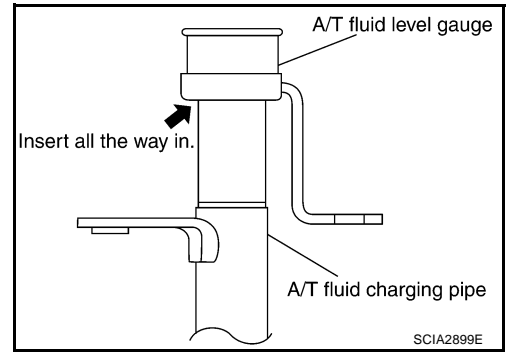
- If fluid is very dark or smells burned, check operation of A/T. Flush cooling system after repair of A/T.
- If A/T fluid contains frictional material (clutches, bands, etc.), replace radiator and flush cooler line using cleaning solvent and compressed air after repair of A/T. Refer to [CO-11, "RADIATOR"](#) and [AT-15, "A/T Fluid Cooler Cleaning"](#).

9. Install the removed A/T fluid level gauge in the A/T fluid charging pipe.

10. Tighten level gauge bolt.

Level gauge bolt:

 : 5.1 N-m (0.52 kg-m, 45 in-lb)



A/T Fluid Cooler Cleaning

Whenever an automatic transmission is replaced, the A/T fluid cooler mounted in the radiator must be inspected and cleaned.

Metal debris and friction material, if present, can become trapped in the A/T fluid cooler. This debris can contaminate the newly serviced A/T or, in severe cases, can block or restrict the flow of A/T fluid. In either case, malfunction of the newly serviced A/T may result.

Debris, if present, may build up as A/T fluid enters the cooler inlet. It will be necessary to back flush the cooler through the cooler outlet in order to flush out any built up debris.

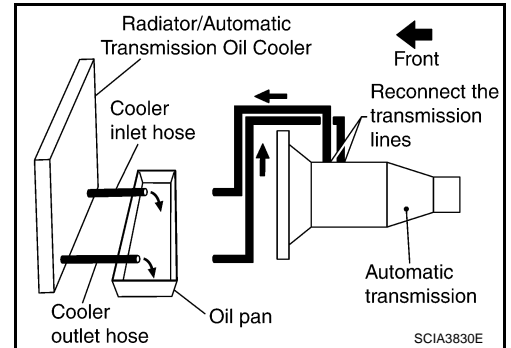
A/T FLUID COOLER CLEANING PROCEDURE

1. Position an oil pan under the automatic transmission's inlet and outlet cooler hoses.
2. Identify the inlet and outlet fluid cooler hoses.
3. Disconnect the fluid cooler inlet and outlet rubber hoses from the steel cooler tubes or bypass valve.

NOTE:

Replace the cooler hoses if rubber material from the hose remains on the tube fitting.

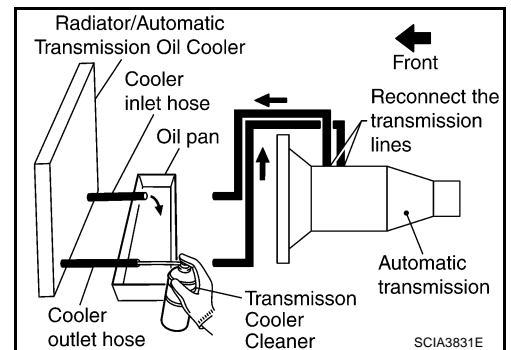
4. Allow any A/T fluid that remains in the cooler hoses to drain into the oil pan.



5. Insert the extension adapter hose of a can of Transmission Cooler Cleaner (Nissan P/N 999MP-AM006) into the cooler outlet hose.

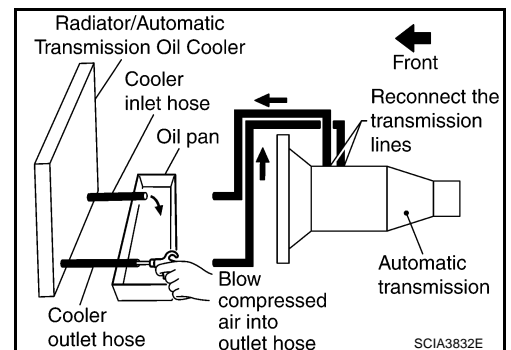
CAUTION:

- **Wear safety glasses and rubber gloves when spraying the Transmission Cooler Cleaner.**
- **Spray Transmission Cooler Cleaner only with adequate ventilation.**
- **Avoid contact with eyes and skin.**
- **Do not breath vapors or spray mist.**



6. Hold the hose and can as high as possible and spray Transmission Cooler Cleaner in a continuous stream into the cooler outlet hose until fluid flows out of the cooler inlet hose for 5 seconds.

7. Insert the tip of an air gun into the end of the cooler outlet hose.
8. Wrap a shop rag around the air gun tip and of the cooler outlet hose.



9. Blow compressed air regulated to 5 to 9 kg/cm² (70 to 130 psi) through the cooler outlet hose for 10 seconds to force out any remaining fluid.

10. Repeat steps 5 through 9 three additional times.
11. Position an oil pan under the banjo bolts that connect the fluid cooler steel lines to the transmission.
12. Remove the banjo bolts.

13. Flush each steel line from the cooler side back toward the transmission by spraying Transmission Cooler Cleaner in a continuous stream for 5 seconds.

14. Blow compressed air regulated to 5 to 9 kg/cm² (70 to 130 psi) through each steel line from the cooler side back toward the transmission for 10 seconds to force out any remaining fluid.

15. Ensure all debris is removed from the steel cooler lines.
16. Ensure all debris is removed from the banjo bolts and fittings.
17. Perform [AT-16, "A/T FLUID COOLER DIAGNOSIS PROCEDURE"](#) .

A/T FLUID

A/T FLUID COOLER DIAGNOSIS PROCEDURE

NOTE:

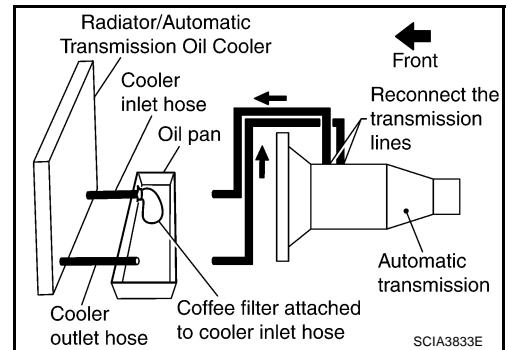
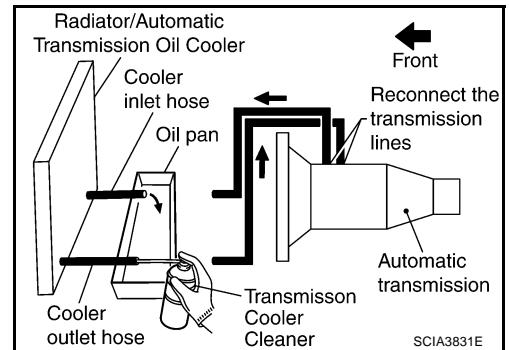
Insufficient cleaning of the cooler inlet hose exterior may lead to inaccurate debris identification.

1. Position an oil pan under the automatic transmission's inlet and outlet cooler hoses.
2. Clean the exterior and tip of the cooler inlet hose.

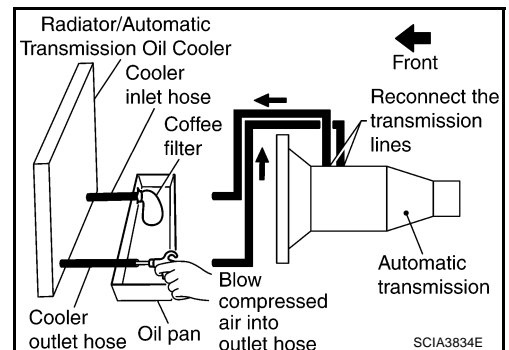
3. Insert the extension adapter hose of a can of Transmission Cooler Cleaner (Nissan P/N 999MP-AM006) into the cooler outlet hose.

CAUTION:

- Wear safety glasses and rubber gloves when spraying the Transmission Cooler Cleaner.
 - Spray Transmission Cooler Cleaner only with adequate ventilation.
 - Avoid contact with eyes and skin.
 - Do not breath vapors or spray mist.
4. Hold the hose and can as high as possible and spray Transmission Cooler Cleaner in a continuous stream into the cooler outlet hose until fluid flows out of the cooler inlet hose for 5 seconds.
 5. Tie a common white, basket-type coffee filter to the end of the cooler inlet hose.



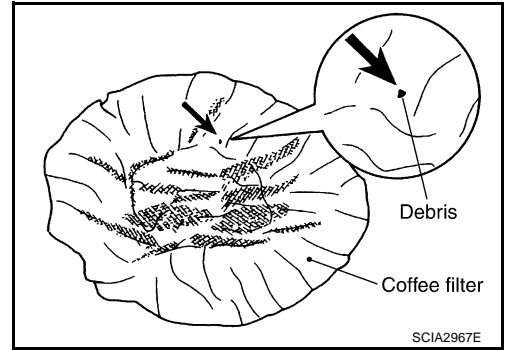
6. Insert the tip of an air gun into the end of the cooler outlet hose.
7. Wrap a shop rag around the air gun tip and end of cooler outlet hose.
8. Blow compressed air regulated to 5 - 9 kg/cm² (70 - 130 psi) through the cooler outlet hose to force any remaining A/T fluid into the coffee filter.
9. Remove the coffee filter from the end of the cooler inlet hose.
10. Perform [AT-17, "A/T FLUID COOLER INSPECTION PROCEDURE"](#).



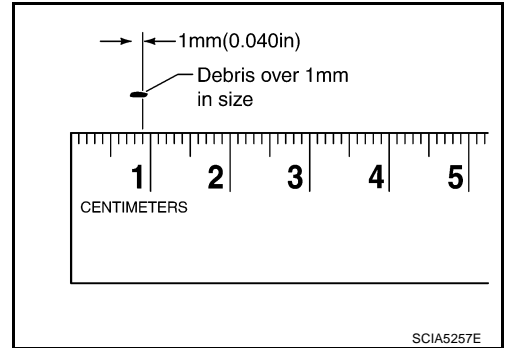
A/T FLUID

A/T FLUID COOLER INSPECTION PROCEDURE

1. Inspect the coffee filter for debris.
- a. If small metal debris less than 1mm (0.040 in) in size or metal powder is found in the coffee filter, this is normal. If normal debris is found, the A/T fluid cooler/radiator can be re-used and the procedure is ended.



-
- b. If one or more pieces of debris are found that are over 1 mm (0.040 in) in size and/or peeled clutch facing material is found in the coffee filter, the fluid cooler is not serviceable. The A/T fluid cooler/radiator must be replaced and the inspection procedure is ended. Refer to [CO-11, "RADIATOR"](#) and [CO-14, "RADIATOR \(ALUMINUM TYPE\)"](#).



A/T FLUID COOLER FINAL INSPECTION

After performing all procedures, ensure that all remaining oil is cleaned from all components.

A
B
AT
D
E
F
G
H
I
J
K
L
M

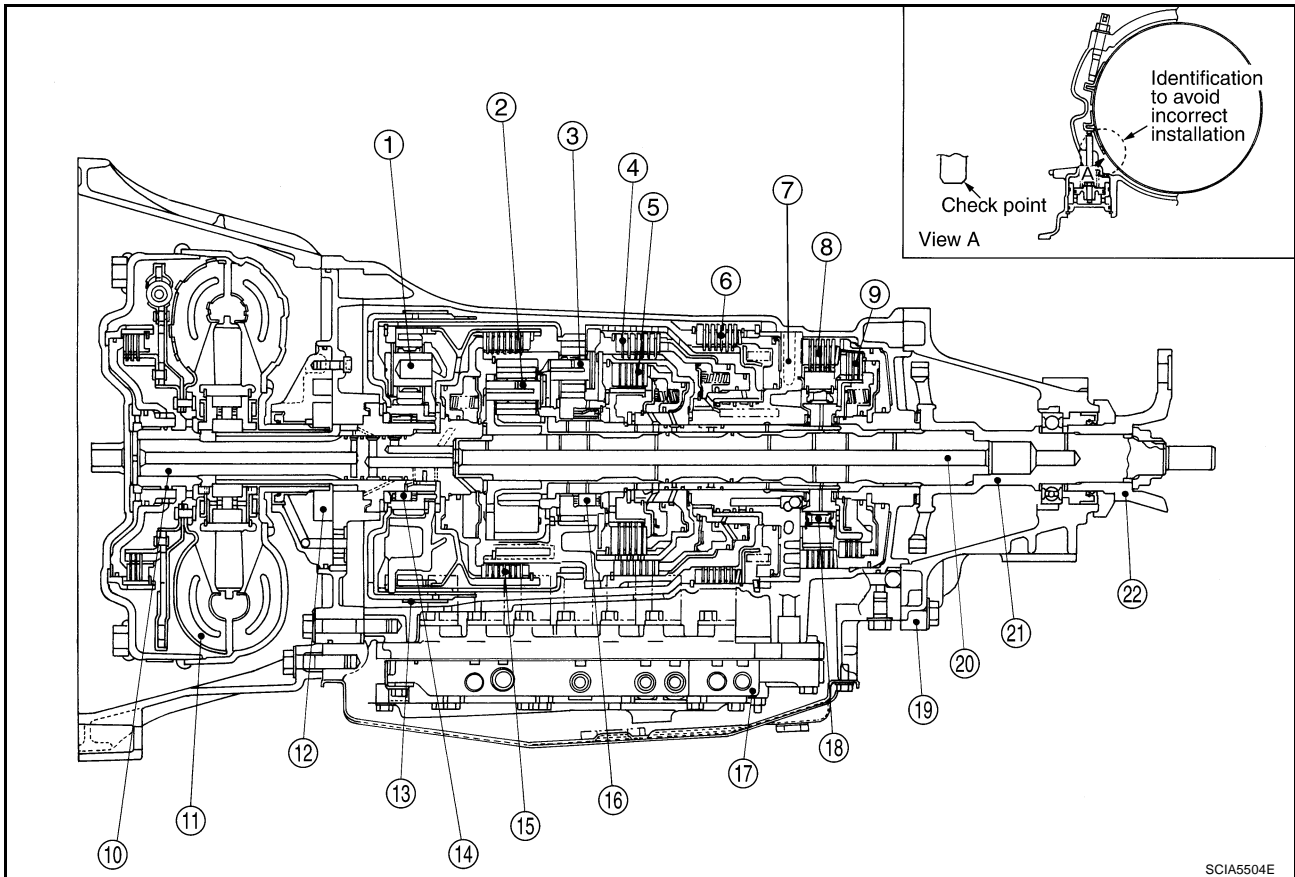
A/T CONTROL SYSTEM

A/T CONTROL SYSTEM

PFP:31036

Cross-Sectional View

ECS00EA4



SCIA5504E

- | | | |
|-------------------------|--------------------------------|----------------------------|
| 1. Front planetary gear | 2. Mid planetary gear | 3. Rear planetary gear |
| 4. Direct clutch | 5. High and low reverse clutch | 6. Reverse brake |
| 7. Drum support | 8. Forward brake | 9. Low coast brake |
| 10. Input shaft | 11. Torque converter | 12. Oil pump |
| 13. Front brake | 14. 3rd one-way clutch | 15. Input clutch |
| 16. 1st one-way clutch | 17. Control valve with TCM | 18. Forward one-way clutch |
| 19. Rear extension | 20. Intermediate shaft | 21. Output shaft |
| 22. Companion flange | | |

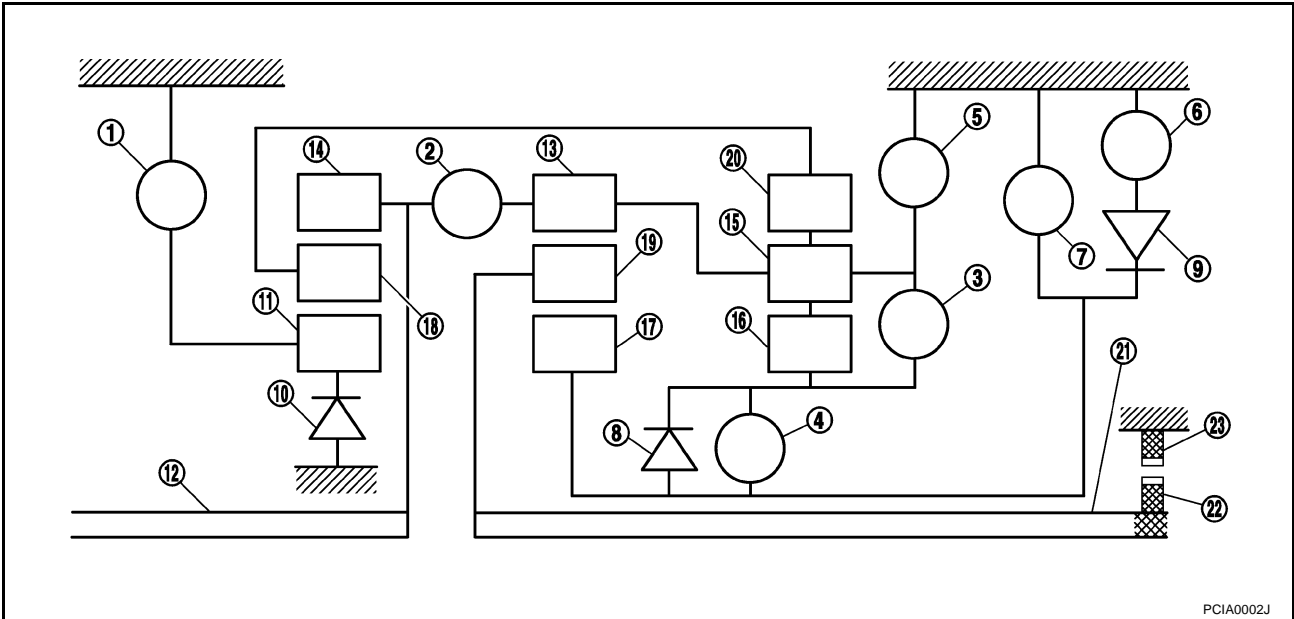
A/T CONTROL SYSTEM

ECS00EA5

Shift Mechanism

The automatic transmission uses compact dual planetary gear systems to improve power-transmission efficiency, simplify construction and reduce weight. It also employs an optimum shift control and super wide gear ratios. They improve starting performance and acceleration during medium and high-speed operation.

CONSTRUCTION



- | | | |
|--------------------------------|-------------------------|---------------------------|
| 1. Front brake | 2. Input clutch | 3. Direct clutch |
| 4. High and low reverse clutch | 5. Reverse brake | 6. Forward brake |
| 7. Low coast brake | 8. 1st one-way clutch | 9. Forward one-way clutch |
| 10. 3rd one-way clutch | 11. Front sun gear | 12. Input shaft |
| 13. Mid internal gear | 14. Front internal gear | 15. Rear carrier |
| 16. Rear sun gear | 17. Mid sun gear | 18. Front carrier |
| 19. Mid carrier | 20. Rear internal gear | 21. Output shaft |
| 22. Parking gear | 23. Parking pawl | |

FUNCTION OF CLUTCH AND BRAKE

Name of the Part	Abbreviation	Function
Front brake (1)	FR/B	Fastens the front sun gear (11).
Input clutch (2)	I/C	Connects the input shaft (12), the front internal gear (14) and the mid internal gear (13).
Direct clutch (3)	D/C	Connects the rear carrier (15) and the rear sun gear (16).
High and low reverse clutch (4)	HLR/C	Connects the mid sun gear (17) and the rear sun gear (16).
Reverse brake (5)	R/B	Fastens the rear carrier (15).
Forward brake (6)	Fwd/B	Fastens the mid sun gear (17).
Low coast brake (7)	LC/B	Fastens the mid sun gear (17).
1st one-way clutch (8)	1st/OWC	Allows the rear sun gear (16) to turn freely forward relative to the mid sun gear (17) but fastens it for reverse rotation.
Forward one-way clutch (9)	Fwd/OWC	Allows the mid sun gear (17) to turn freely in the forward direction but fastens it for reverse rotation.
3rd one-way clutch (10)	3rd/OWC	Allows the front sun gear (11) to turn freely in the forward direction but fastens it for reverse rotation.

A/T CONTROL SYSTEM

CLUTCH AND BAND CHART

Shift position		I/C	H LR/C	D/C	R/B	FR/B	LC/B	Fwd/B	1st OWC	Fwd OWC	3rd OWC	Remarks
P			△			△						PARK POSITION
R			○		○	○			◎		◎	REVERSE POSITION
N			△			△						NEUTRAL POSITION
D	1st		△ *			△	△ **	○	◎	◎	◎	Automatic shift 1→2→3→4→5
	2nd			○		△		○		◎	◎	
	3rd		○	○		○		△	◇		◎	
	4th	○	○	○				△	◇			
	5th	○	○			○		△	◇		◇	
M5	1st		△ *			△	△ **	○	◎	◎	◎	Automatic shift 1→2→3→4→5
	2nd			○		△		○		◎	◎	
	3rd		○	○		○		△	◇		◎	
	4th	○	○	○				△	◇			
	5th	○	○			○		△	◇		◇	
M4	1st		△ *			△	△ **	○	◎	◎	◎	Automatic shift 1→2→3→4
	2nd			○		△		○		◎	◎	
	3rd		○	○		○		△	◇		◎	
	4th	○	○	○				△	◇			
M3	1st		△ *			△	△ **	○	◎	◎	◎	Automatic shift 1→2→3
	2nd			○		△		○		◎	◎	
	3rd		○	○		○			◇		◎	
M2	1st		△ *			△	△ **	○	◎	◎	◎	Automatic shift 1→2
	2nd			○		○	○	○		◎	◎	
M1	1st		○			○	○	○	◎	◎	◎	Locks (held stationary) in 1st speed
	2nd			○		○	○	○		◎	◎	

○ — Operates

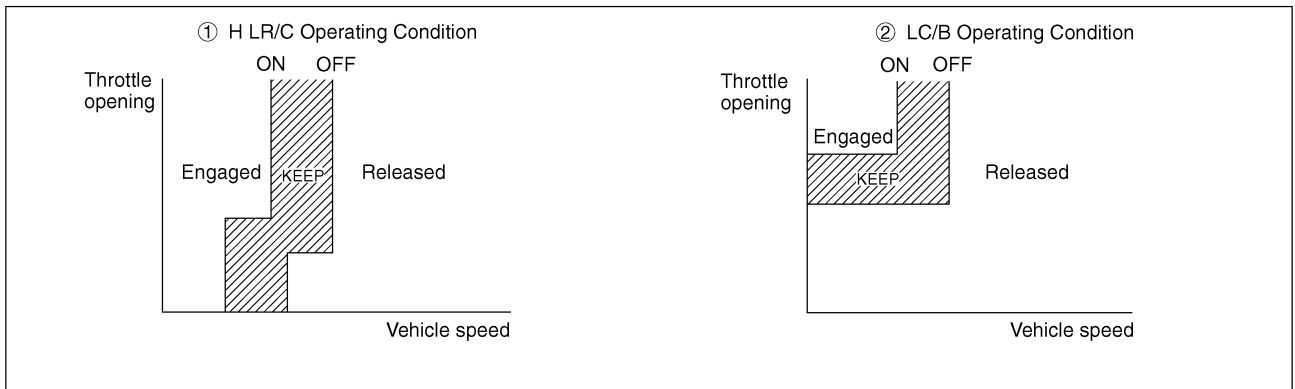
◎ — Operates during “progressive” acceleration.

◇ — Operates and affects power transmission while coasting.

△ — Line pressure is applied but does not affect power transmission.

△ * — Operates under conditions shown in illustration ①.

△ ** — Operates under conditions shown in illustration ②. Delay control is applied during D (4,3,2,1) → N shift.



SCIA5670E

A/T CONTROL SYSTEM

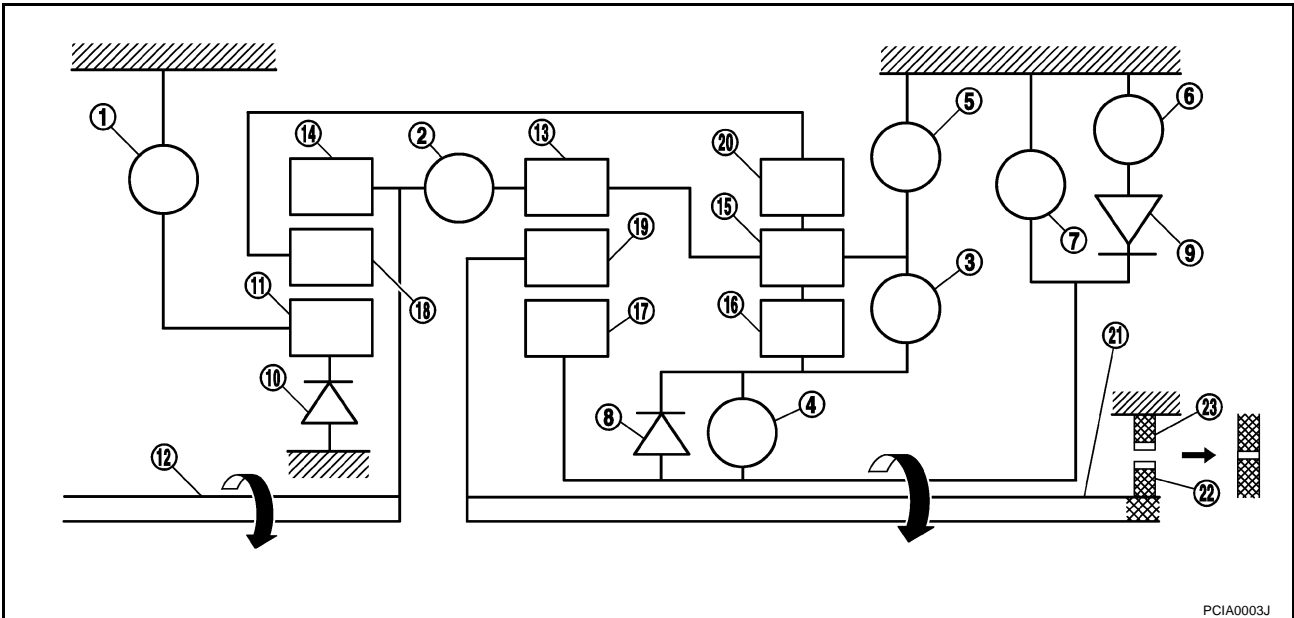
POWER TRANSMISSION

“N” Position

Since both the forward brake and the reverse brake are released, torque from the input shaft drive is not transmitted to the output shaft.

“P” Position

- The same as for the “N” position, both the forward brake and the reverse brake are released, so torque from the input shaft drive is not transmitted to the output shaft.
- The parking pawl linked with the selector lever meshes with the parking gear and fastens the output shaft mechanically.

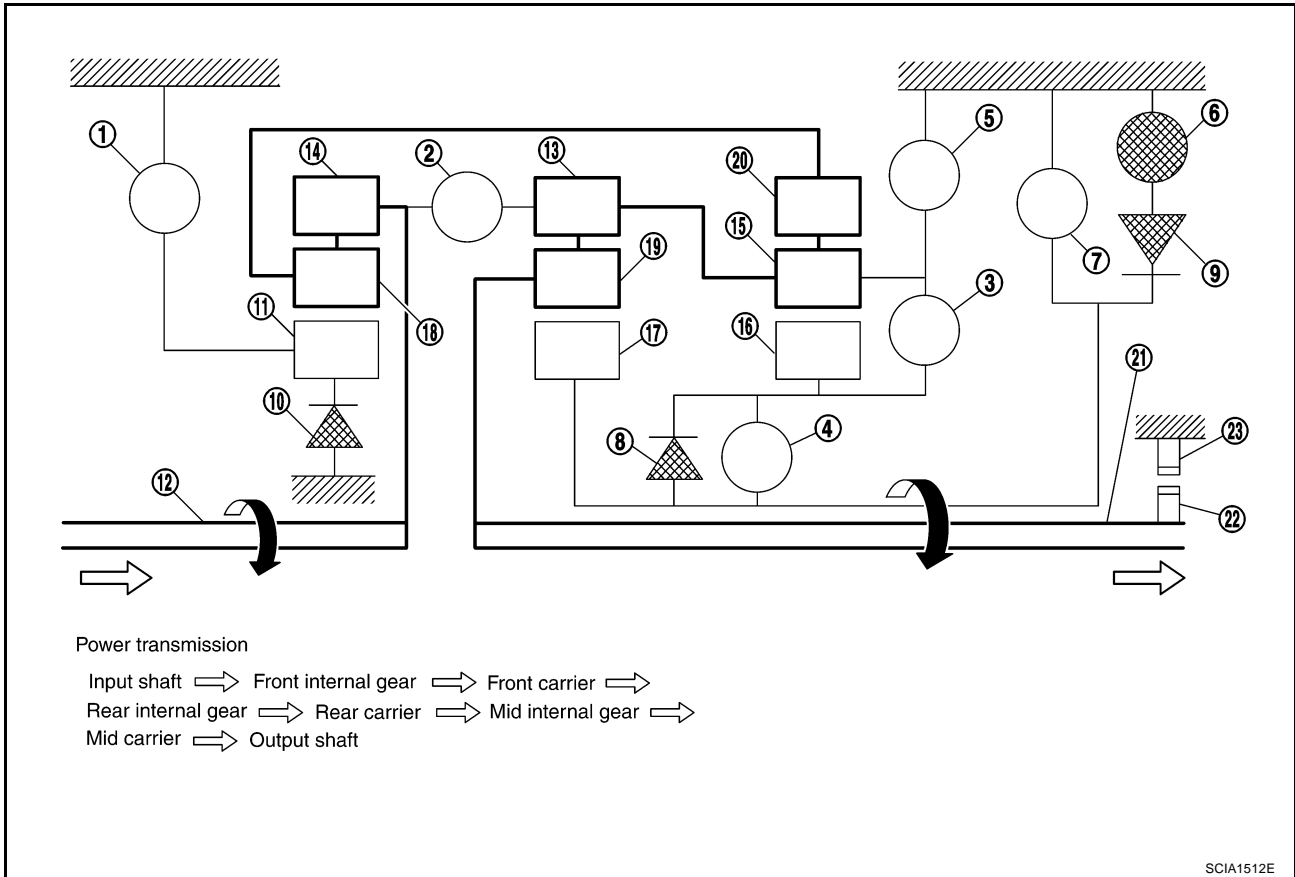


- | | | |
|--------------------------------|-------------------------|---------------------------|
| 1. Front brake | 2. Input clutch | 3. Direct clutch |
| 4. High and low reverse clutch | 5. Reverse brake | 6. Forward brake |
| 7. Low coast brake | 8. 1st one-way clutch | 9. Forward one-way clutch |
| 10. 3rd one-way clutch | 11. Front sun gear | 12. Input shaft |
| 13. Mid internal gear | 14. Front internal gear | 15. Rear carrier |
| 16. Rear sun gear | 17. Mid sun gear | 18. Front carrier |
| 19. Mid carrier | 20. Rear internal gear | 21. Output shaft |
| 22. Parking gear | 23. Parking pawl | |

A/T CONTROL SYSTEM

“D”, “M2”, “M3”, “M4” and “M5” Positions 1st Gear

- The forward brake and the forward one-way clutch regulate reverse rotation of the mid sun gear.
- The 1st one-way clutch regulates reverse rotation of the rear sun gear.
- The 3rd one-way clutch regulates reverse rotation of the front sun gear.
- During deceleration, the mid sun gear turns forward, so the forward one-way clutch idles and the engine brake is not activated.

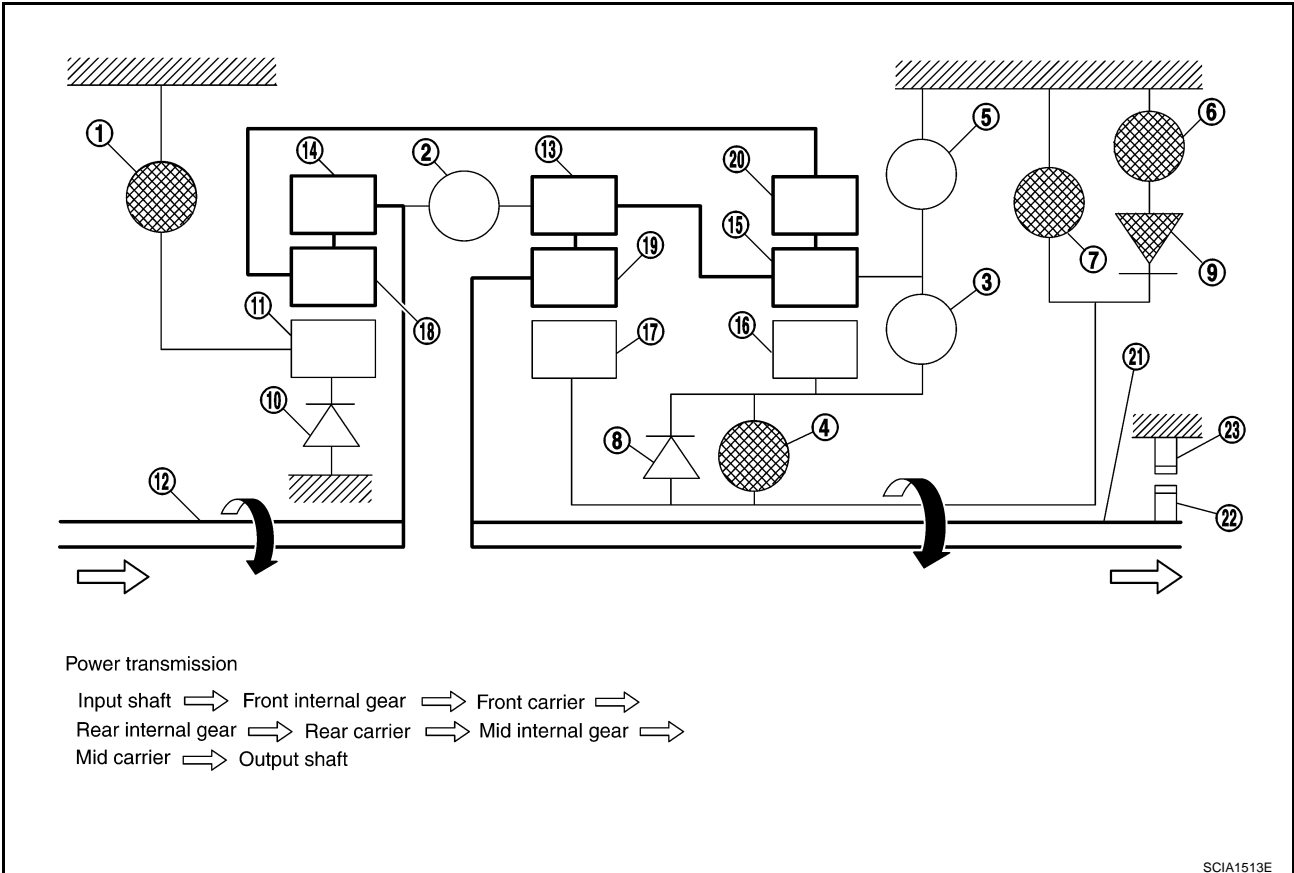


- | | | |
|--------------------------------|-------------------------|---------------------------|
| 1. Front brake | 2. Input clutch | 3. Direct clutch |
| 4. High and low reverse clutch | 5. Reverse brake | 6. Forward brake |
| 7. Low coast brake | 8. 1st one-way clutch | 9. Forward one-way clutch |
| 10. 3rd one-way clutch | 11. Front sun gear | 12. Input shaft |
| 13. Mid internal gear | 14. Front internal gear | 15. Rear carrier |
| 16. Rear sun gear | 17. Mid sun gear | 18. Front carrier |
| 19. Mid carrier | 20. Rear internal gear | 21. Output shaft |
| 22. Parking gear | 23. Parking pawl | |

A/T CONTROL SYSTEM

“M1” Position 1st Gear

- The front brake fastens the front sun gear.
- The forward brake and the forward one-way clutch regulate reverse rotation of the mid sun gear.
- High and low reverse clutch connects the rear sun gear and the mid sun gear.
- The low coast brake fastens the mid sun gear.
- During deceleration, the low coast brake regulates forward rotation of the mid sun gear and the engine brake functions.

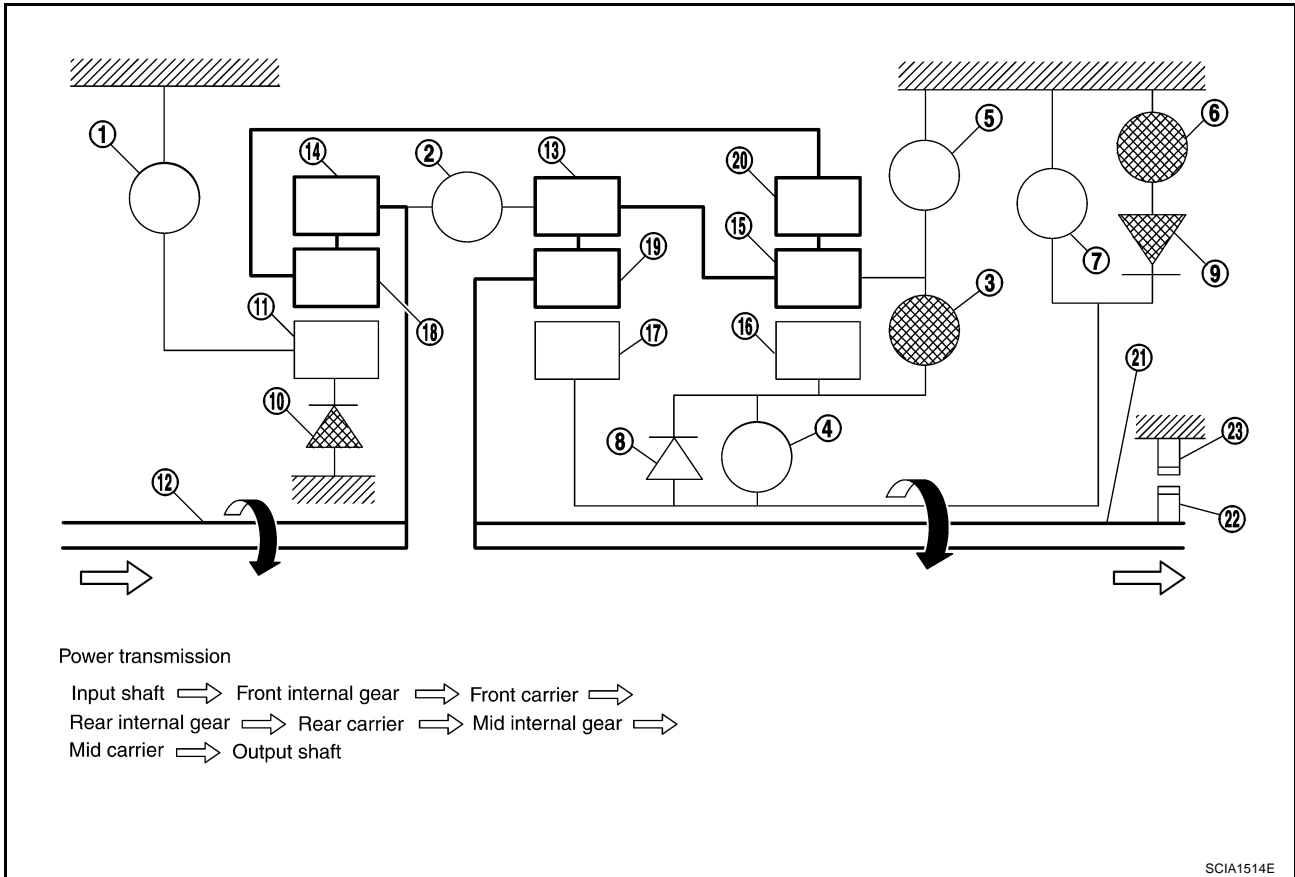


- | | | |
|--------------------------------|-------------------------|---------------------------|
| 1. Front brake | 2. Input clutch | 3. Direct clutch |
| 4. High and low reverse clutch | 5. Reverse brake | 6. Forward brake |
| 7. Low coast brake | 8. 1st one-way clutch | 9. Forward one-way clutch |
| 10. 3rd one-way clutch | 11. Front sun gear | 12. Input shaft |
| 13. Mid internal gear | 14. Front internal gear | 15. Rear carrier |
| 16. Rear sun gear | 17. Mid sun gear | 18. Front carrier |
| 19. Mid carrier | 20. Rear internal gear | 21. Output shaft |
| 22. Parking gear | 23. Parking pawl | |

A/T CONTROL SYSTEM

“D”, “M3”, “M4” and “M5” Positions 2nd Gear

- The forward brake and the forward one-way clutch regulate reverse rotation of the mid sun gear.
- The 3rd one-way clutch regulates reverse rotation of the front sun gear.
- The direct clutch is coupled and the rear carrier and rear sun gear are connected.
- During deceleration, the mid sun gear turns forward, so the forward one-way clutch idles and engine brake is not activated.

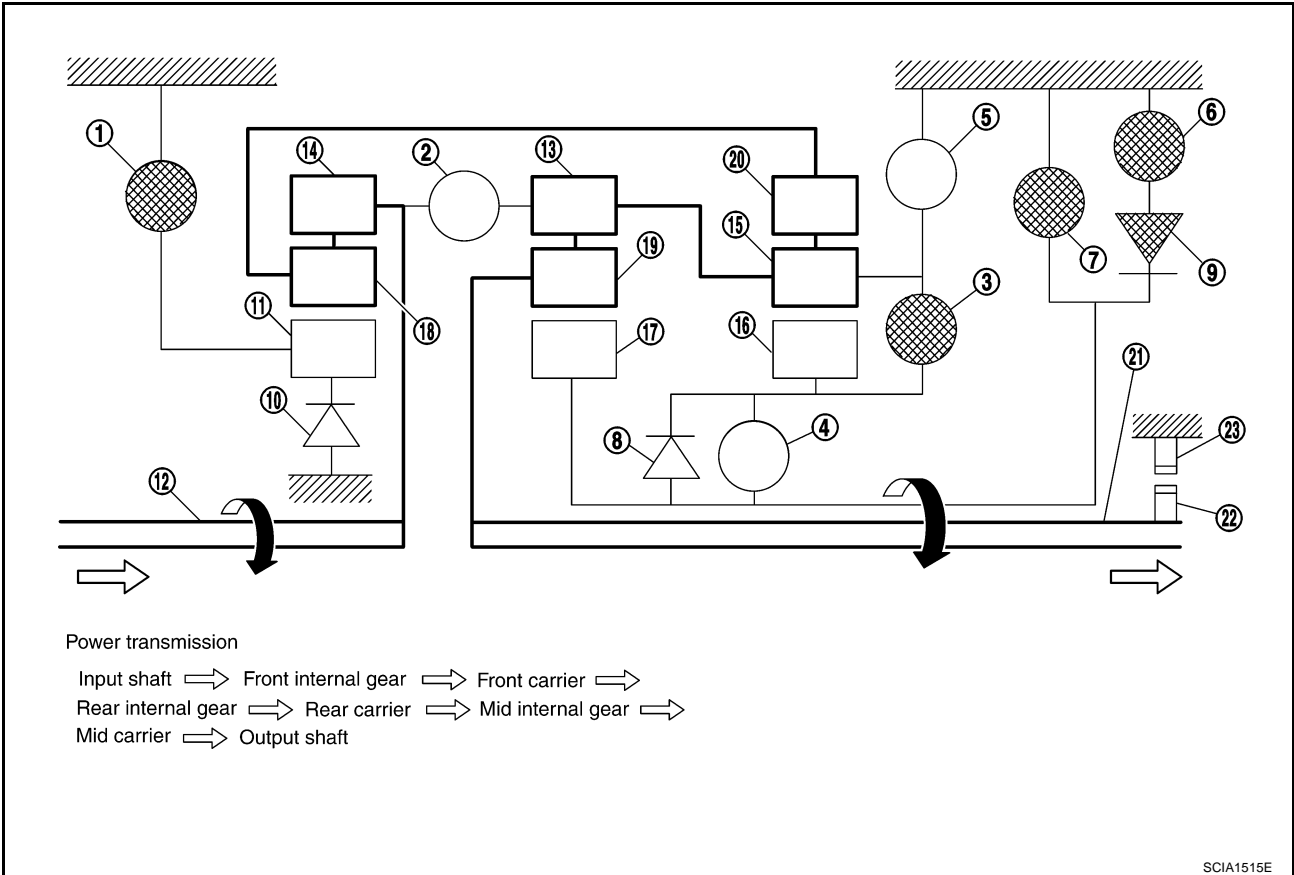


- | | | |
|--------------------------------|-------------------------|---------------------------|
| 1. Front brake | 2. Input clutch | 3. Direct clutch |
| 4. High and low reverse clutch | 5. Reverse brake | 6. Forward brake |
| 7. Low coast brake | 8. 1st one-way clutch | 9. Forward one-way clutch |
| 10. 3rd one-way clutch | 11. Front sun gear | 12. Input shaft |
| 13. Mid internal gear | 14. Front internal gear | 15. Rear carrier |
| 16. Rear sun gear | 17. Mid sun gear | 18. Front carrier |
| 19. Mid carrier | 20. Rear internal gear | 21. Output shaft |
| 22. Parking gear | 23. Parking pawl | |

A/T CONTROL SYSTEM

“M1” and “M2” Positions 2nd Gear

- The front brake fastens the front sun gear.
- The forward brake and the forward one-way clutch regulate reverse rotation of the mid sun gear.
- The direct clutch is coupled, and the rear carrier and rear sun gear are connected.
- The low coast brake fastens the mid sun gear.
- During deceleration, the low coast brake regulates forward rotation of the mid sun gear and the engine brake functions.



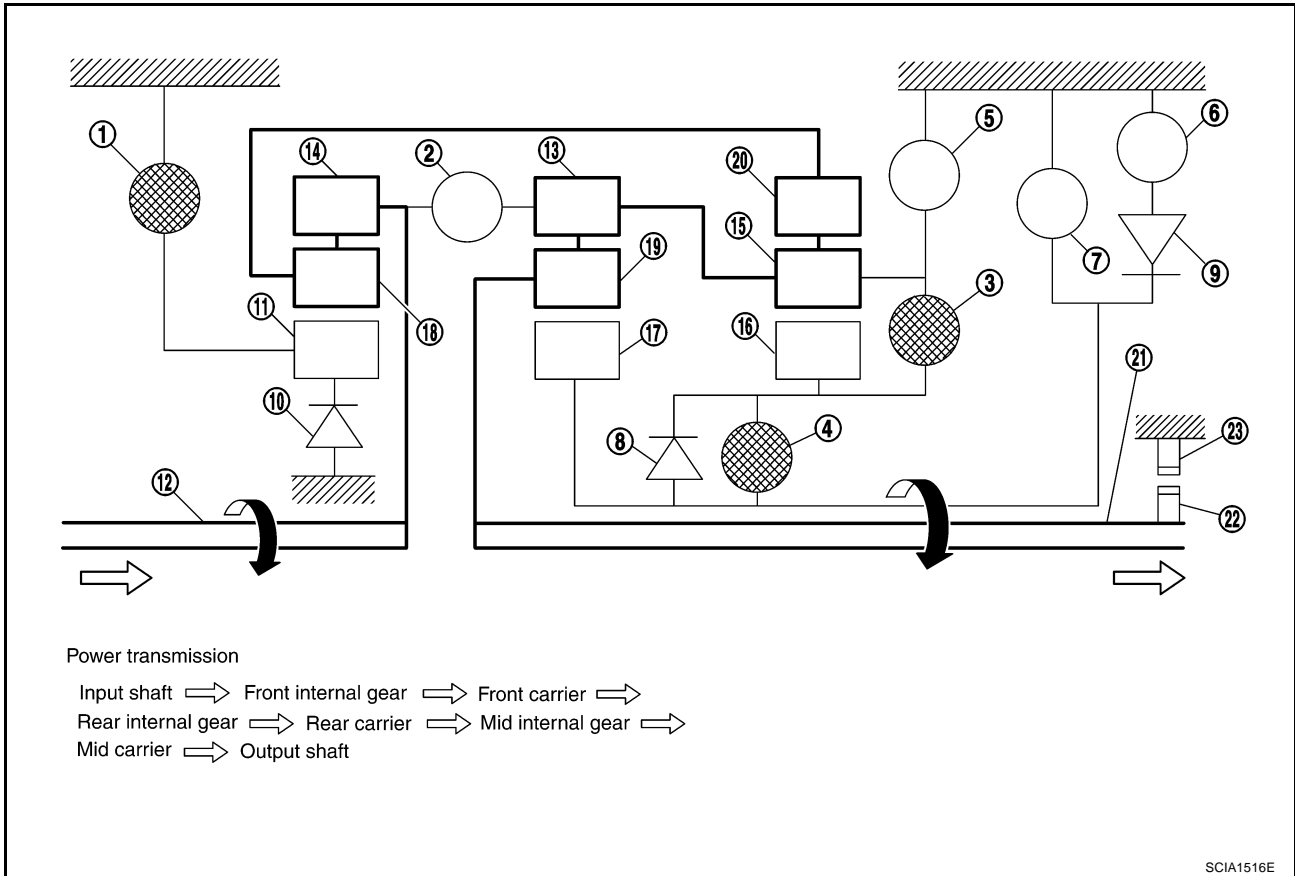
- | | | |
|--------------------------------|-------------------------|---------------------------|
| 1. Front brake | 2. Input clutch | 3. Direct clutch |
| 4. High and low reverse clutch | 5. Reverse brake | 6. Forward brake |
| 7. Low coast brake | 8. 1st one-way clutch | 9. Forward one-way clutch |
| 10. 3rd one-way clutch | 11. Front sun gear | 12. Input shaft |
| 13. Mid internal gear | 14. Front internal gear | 15. Rear carrier |
| 16. Rear sun gear | 17. Mid sun gear | 18. Front carrier |
| 19. Mid carrier | 20. Rear internal gear | 21. Output shaft |
| 22. Parking gear | 23. Parking pawl | |

A
B
AT
D
E
F
G
H
I
J
K
L
M

A/T CONTROL SYSTEM

“D”, “M3”, “M4” and “M5” Positions 3rd Gear

- The front brake fastens the front sun gear.
- The direct clutch is coupled, and the rear carrier and rear sun gear are connected.
- The high and low reverse clutch is coupled and the mid sun gear and rear sun gear are connected.

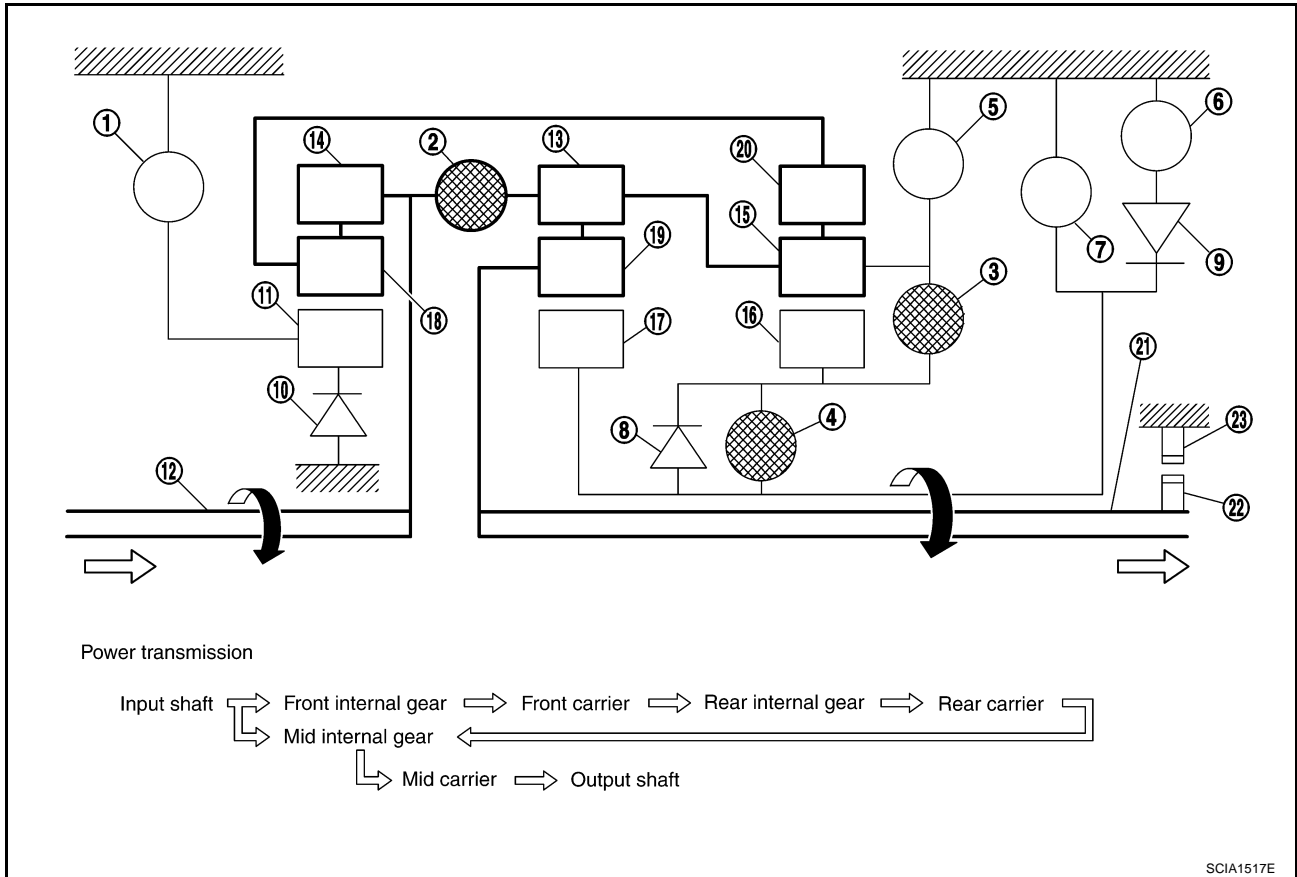


- | | | |
|--------------------------------|-------------------------|---------------------------|
| 1. Front brake | 2. Input clutch | 3. Direct clutch |
| 4. High and low reverse clutch | 5. Reverse brake | 6. Forward brake |
| 7. Low coast brake | 8. 1st one-way clutch | 9. Forward one-way clutch |
| 10. 3rd one-way clutch | 11. Front sun gear | 12. Input shaft |
| 13. Mid internal gear | 14. Front internal gear | 15. Rear carrier |
| 16. Rear sun gear | 17. Mid sun gear | 18. Front carrier |
| 19. Mid carrier | 20. Rear internal gear | 21. Output shaft |
| 22. Parking gear | 23. Parking pawl | |

A/T CONTROL SYSTEM

“D”, “M4” and “M5” Positions 4th Gear

- The direct clutch is coupled, and the rear carrier and rear sun gear are connected.
- The high and low reverse clutch is coupled and the mid sun gear and rear sun gear are connected.
- The input clutch is coupled and the front internal gear and mid internal gear are connected.
- The drive power is conveyed to the front internal gear, mid internal gear, and rear carrier and the three planetary gears rotate forward as one unit.

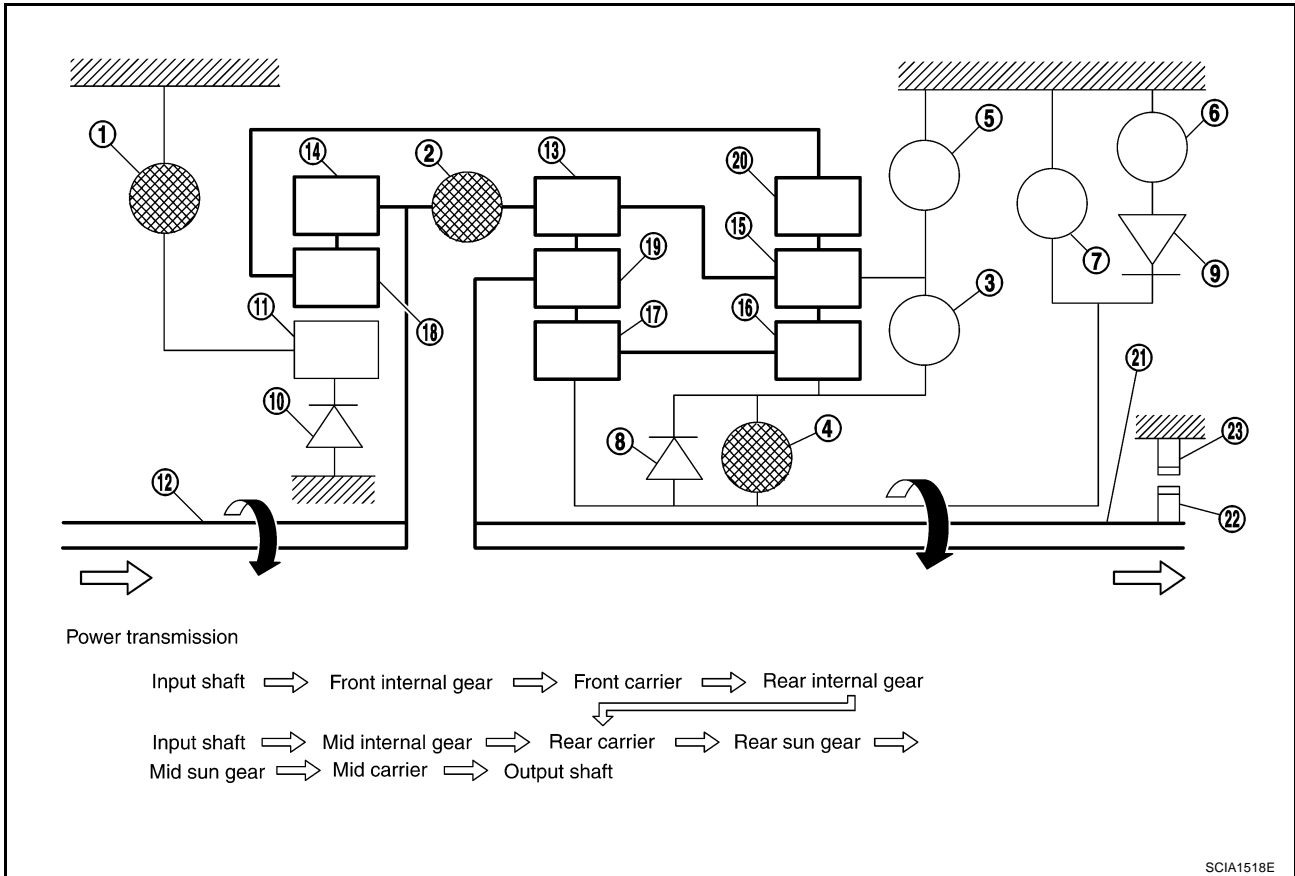


- | | | |
|--------------------------------|-------------------------|---------------------------|
| 1. Front brake | 2. Input clutch | 3. Direct clutch |
| 4. High and low reverse clutch | 5. Reverse brake | 6. Forward brake |
| 7. Low coast brake | 8. 1st one-way clutch | 9. Forward one-way clutch |
| 10. 3rd one-way clutch | 11. Front sun gear | 12. Input shaft |
| 13. Mid internal gear | 14. Front internal gear | 15. Rear carrier |
| 16. Rear sun gear | 17. Mid sun gear | 18. Front carrier |
| 19. Mid carrier | 20. Rear internal gear | 21. Output shaft |
| 22. Parking gear | 23. Parking pawl | |

A/T CONTROL SYSTEM

“D” and “M5” Positions 5th Gear

- The front brake fastens the front sun gear.
- The input clutch is coupled and the front internal gear and mid internal gear are connected.
- The high and low reverse clutch is coupled and the mid sun gear and rear sun gear are connected.

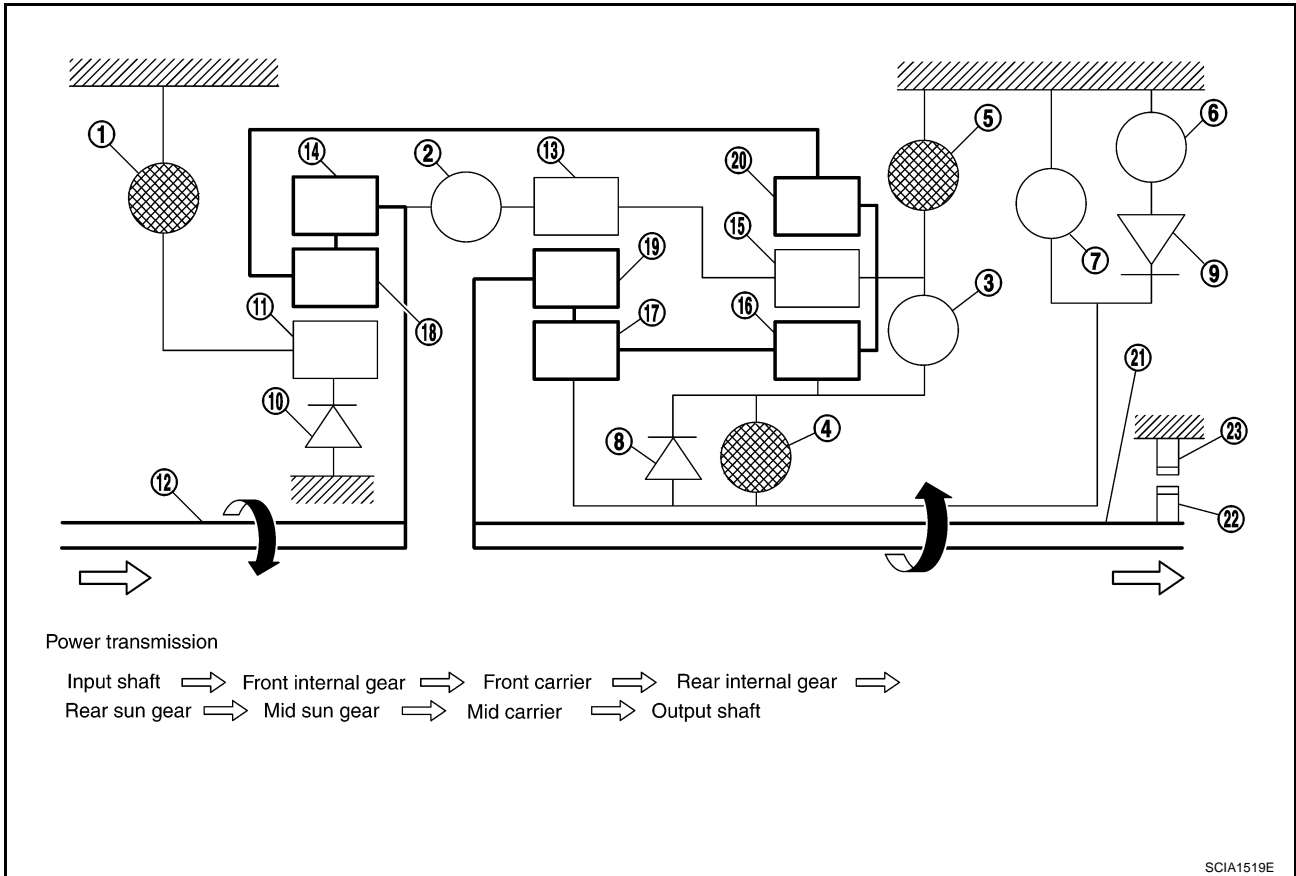


- | | | |
|--------------------------------|-------------------------|---------------------------|
| 1. Front brake | 2. Input clutch | 3. Direct clutch |
| 4. High and low reverse clutch | 5. Reverse brake | 6. Forward brake |
| 7. Low coast brake | 8. 1st one-way clutch | 9. Forward one-way clutch |
| 10. 3rd one-way clutch | 11. Front sun gear | 12. Input shaft |
| 13. Mid internal gear | 14. Front internal gear | 15. Rear carrier |
| 16. Rear sun gear | 17. Mid sun gear | 18. Front carrier |
| 19. Mid carrier | 20. Rear internal gear | 21. Output shaft |
| 22. Parking gear | 23. Parking pawl | |

A/T CONTROL SYSTEM

“R” Position

- The front brake fastens the front sun gear.
- The high and low reverse clutch is coupled and the mid sun gear and rear sun gear are connected.
- The reverse brake fastens the rear carrier.



- | | | |
|--------------------------------|-------------------------|---------------------------|
| 1. Front brake | 2. Input clutch | 3. Direct clutch |
| 4. High and low reverse clutch | 5. Reverse brake | 6. Forward brake |
| 7. Low coast brake | 8. 1st one-way clutch | 9. Forward one-way clutch |
| 10. 3rd one-way clutch | 11. Front sun gear | 12. Input shaft |
| 13. Mid internal gear | 14. Front internal gear | 15. Rear carrier |
| 16. Rear sun gear | 17. Mid sun gear | 18. Front carrier |
| 19. Mid carrier | 20. Rear internal gear | 21. Output shaft |
| 22. Parking gear | 23. Parking pawl | |

A
B
AT
D
E
F
G
H
I
J
K
L
M

A/T CONTROL SYSTEM

ECS00EA6

TCM Function

The function of the TCM is to:

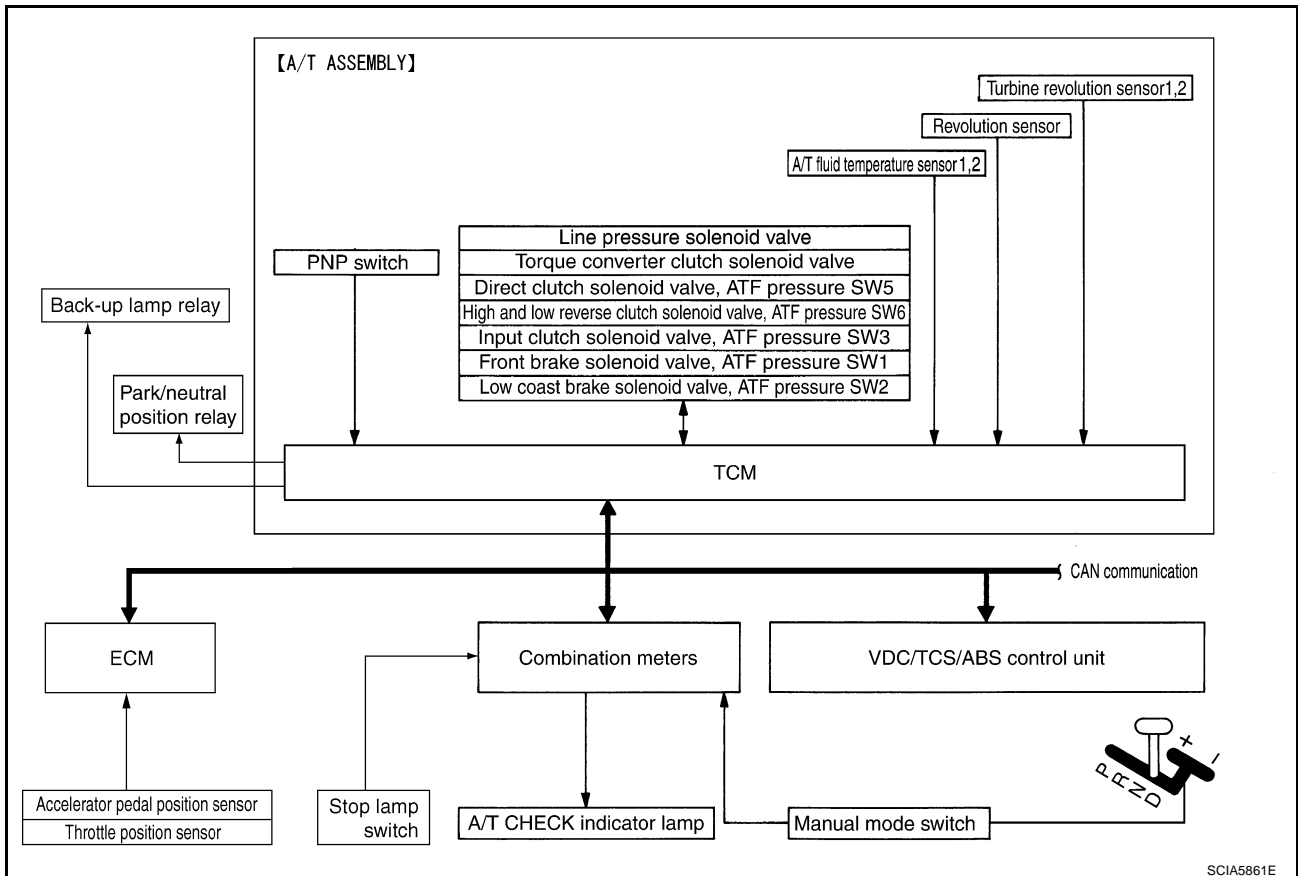
- Receive input signals sent from various switches and sensors.
- Determine required line pressure, shifting point, lock-up operation, and engine brake operation.
- Send required output signals to the respective solenoids.

CONTROL SYSTEM OUTLINE

The automatic transmission senses vehicle operating conditions through various sensors or signals. It always controls the optimum shift position and reduces shifting and lock-up shocks.

SENSORS (or SIGNAL)		TCM		ACTUATORS
PNP switch Throttle position sensor Accelerator pedal position sensor Closed throttle position signal Wide open throttle position signal Engine speed signal A/T fluid temperature sensor Revolution sensor Vehicle speed signal Manual mode switch signal Stop lamp switch signal Turbine revolution sensor ATF pressure switch	⇒	Shift control Line pressure control Lock-up control Engine brake control Timing control Fail-safe control Self-diagnosis CONSULT-II communication line Duet-EA control CAN system	⇒	Input clutch solenoid valve Direct clutch solenoid valve Front brake solenoid valve High and low reverse clutch solenoid valve Low coast brake solenoid valve Torque converter clutch solenoid valve Line pressure solenoid valve A/T CHECK indicator lamp Back-up lamp relay Park/neutral position relay

CONTROL SYSTEM DIAGRAM



SCIA5861E

A/T CONTROL SYSTEM

CAN Communication SYSTEM DESCRIPTION

ECS00EA7

CAN (Controller Area Network) is a serial communication line for real time application. It is an on-vehicle multiplex communication line with high data communication speed and excellent error detection ability. Many electronic control units are equipped onto a vehicle, and each control unit shares information and links with other control units during operation (not independent). In CAN communication, control units are connected with 2 communication lines (CAN H line, CAN L line) allowing a high rate of information transmission with less wiring. Each control unit transmits/receives data but selectively reads required data only. Refer to [LAN-36, "CAN Communication Unit"](#).

Input/Output Signal of TCM

ECS00EA8

Control item		Line pressure control	Vehicle speed control	Shift control	Lock-up control	Engine brake control	Fail-safe function (*3)	Self-diagnos- tics function	
Input	Accelerator pedal position signal (*5)	X	X	X	X	X	X	X	
	Vehicle speed sensor A/T (revolution sensor)	X	X	X	X		X	X	
	Vehicle speed sensor MTR(*1) (*5)	X	X	X	X			X	
	Closed throttle position signal(*5)	(*2) X	(*2) X		X	(*2) X		(*4) X	
	Wide open throttle position signal(*5)	(*2) X	(*2) X					(*4) X	
	Turbine revolution sensor 1	X	X				X	X	
	Turbine revolution sensor 2 (for 4th speed only)	X	X				X	X	
	Engine speed signals(*5)				X			X	
	PNP switch	X	X	X	X	X	X	(*4) X	
	Stop lamp switch signal(*5)		X			X		(*4) X	
	A/T fluid temperature sensors 1, 2	X	X		X	X	X	X	
	ASCD or ICC	Operation signal(*5)		X	X	X	X		
		Overdrive cancel signal(*5)		X		X	X		
	TCM power supply voltage signal		X	X	X	X	X	X	X
Out- put	Direct clutch solenoid (ATF pressure switch 5)		X	X			X	X	
	Input clutch solenoid (ATF pressure switch 3)		X	X			X	X	
	High and low reverse clutch solenoid (ATF pressure switch 6)		X	X			X	X	
	Front brake solenoid (ATF pressure switch 1)		X	X			X	X	
	Low coast brake solenoid (ATF pressure switch 2)		X	X		X	X	X	
	Line pressure solenoid	X	X	X	X	X	X	X	
	TCC solenoid				X		X	X	
	Self-diagnostics table(*6)								X

*1: Spare for vehicle speed sensor-A/T (revolution sensor)

*2: Spare for accelerator pedal position signal

*3: If these input and output signals are different, the TCM triggers the fail-safe function.

*4: Used as a condition for starting self-diagnostics; if self-diagnostics are not started, it is judged that there is some kind of error.

*5: Input by CAN communications.

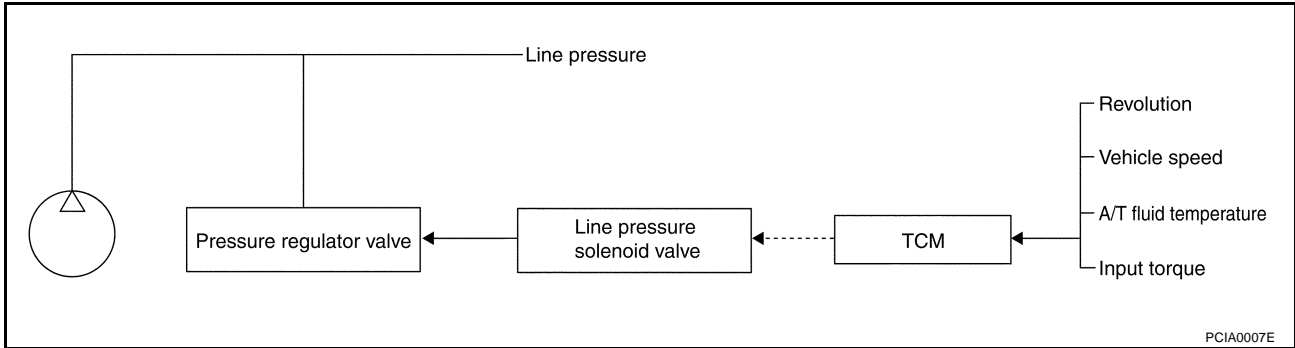
*6: Output by CAN communications.

A/T CONTROL SYSTEM

ECS00EA9

Line Pressure Control

- When an input torque signal equivalent to the engine drive force is sent from the ECM to the TCM, the TCM controls the line pressure solenoid.
- This line pressure solenoid controls the pressure regulator valve as the signal pressure and adjusts the pressure of the operating oil discharged from the oil pump to the line pressure most appropriate to the driving state.

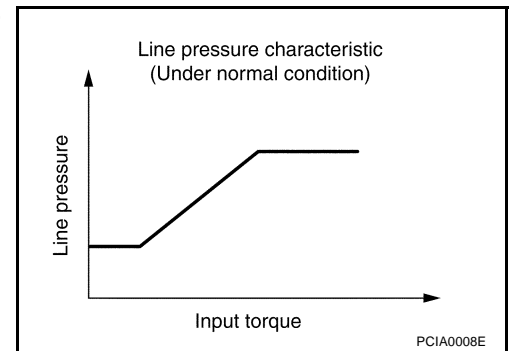


LINE PRESSURE CONTROL IS BASED ON THE TCM LINE PRESSURE CHARACTERISTIC PATTERN

- The TCM has stored in memory a number of patterns for the optimum line pressure characteristic for the driving state.
- In order to obtain the most appropriate line pressure characteristic to meet the current driving state, the TCM controls the line pressure solenoid current valve and thus controls the line pressure.

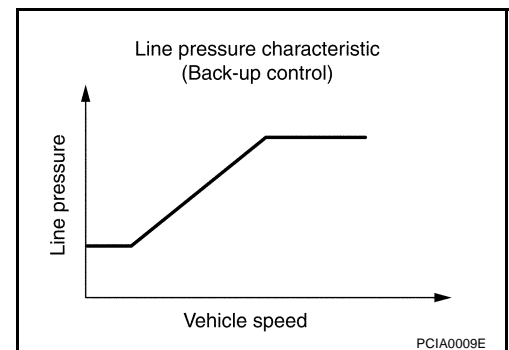
Normal Control

Each clutch is adjusted to the necessary pressure to match the engine drive force.



Back-up Control (Engine Brake)

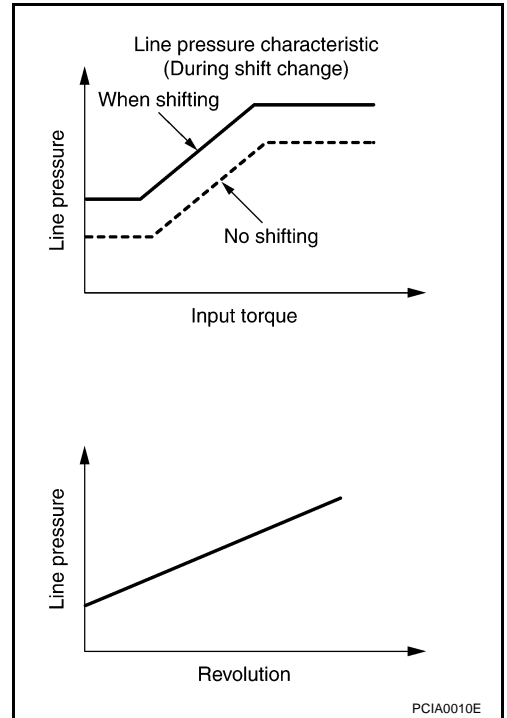
When the select operation is performed during driving and the transmission is shifted down, the line pressure is set according to the vehicle speed.



A/T CONTROL SYSTEM

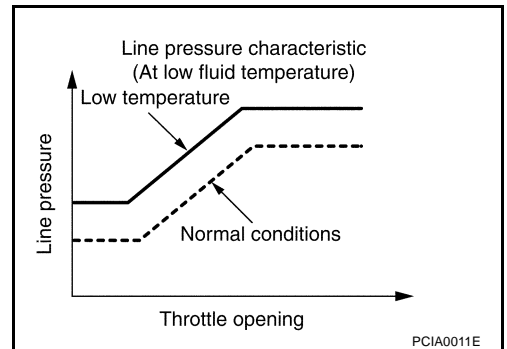
During Shift Change

The necessary and adequate line pressure for shift change is set. For this reason, line pressure pattern setting corresponds to input torque and gearshift selection. Also, line pressure characteristic is according to engine speed, during engine brake operation.



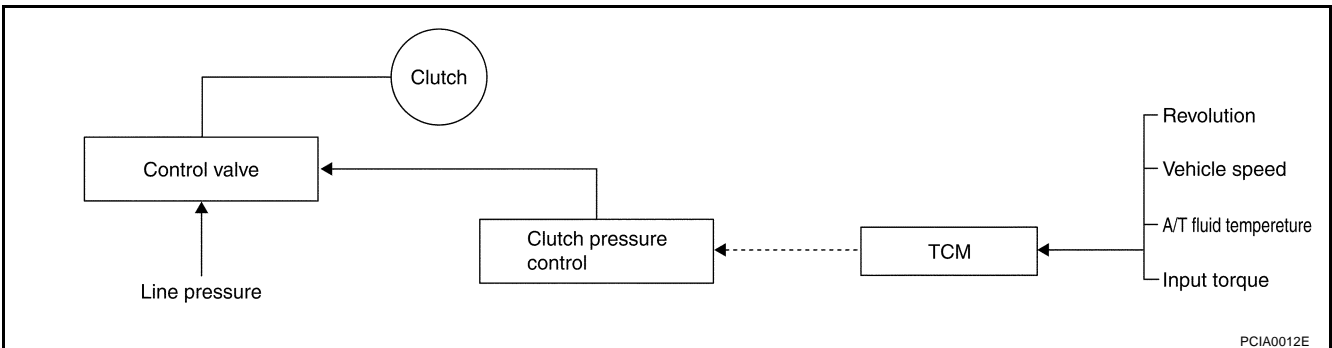
At Low Fluid Temperature

When the A/T fluid temperature drops below the prescribed temperature, in order to speed up the action of each friction element, the line pressure is set higher than the normal line pressure characteristic.



Shift Control

The clutch pressure control solenoid is controlled by the signals from the switches and sensors. Thus, the clutch pressure is adjusted to be appropriate to the engine load state and vehicle driving state. It becomes possible to finely control the clutch hydraulic pressure with high precision and a smoother shift change characteristic is attained.



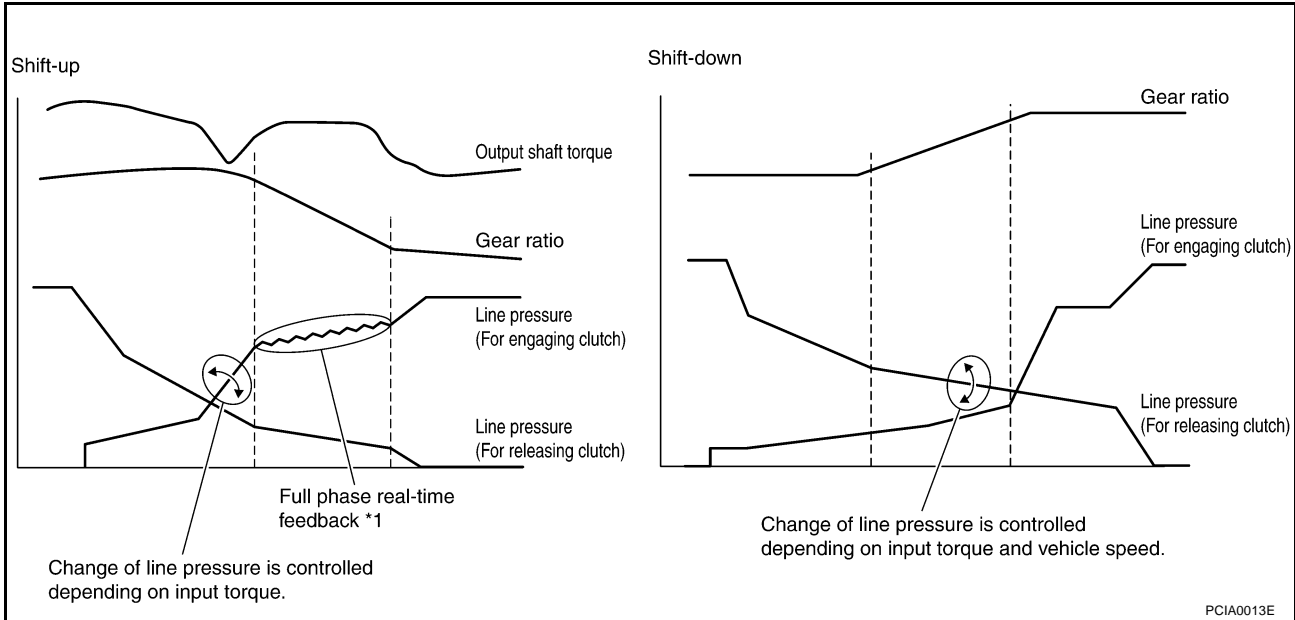
A
B
AT
D
E
F
G
H
I
J
K
L
M

A/T CONTROL SYSTEM

SHIFT CHANGE

The clutch is controlled with the optimum timing and oil pressure by the engine speed, engine torque information, etc.

Shift Change System Diagram



*1: Full phase real-time feedback control monitors movement of gear ratio at gear change, and controls oil pressure at real-time to achieve the best gear ratio.

Lock-up Control

ECS00EAB

The torque converter clutch piston in the torque converter is engaged to eliminate torque converter slip to increase power transmission efficiency.

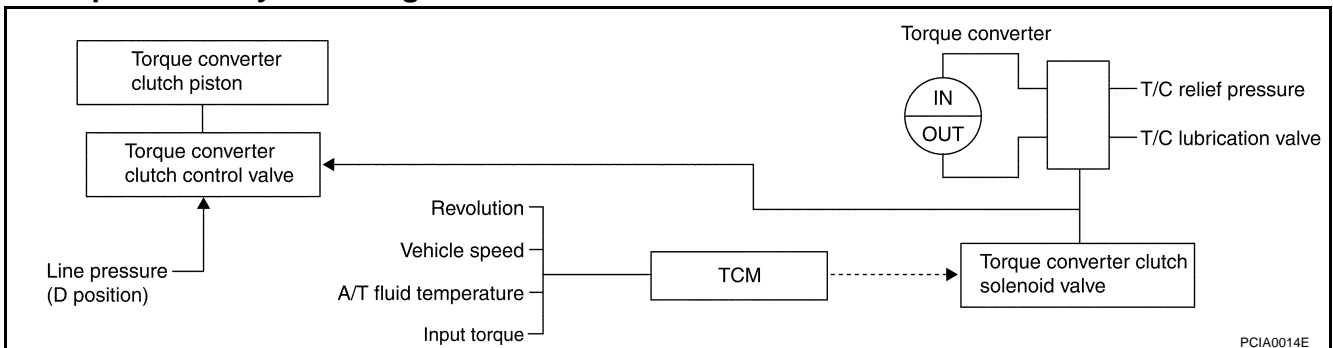
The torque converter clutch control valve operation is controlled by the torque converter clutch solenoid valve, which is controlled by a signal from TCM, and the torque converter clutch valve engages or releases the torque converter clutch piston.

Lock-up operation condition table

Selector lever	"D" position			"M" position	
Gear position	5	4	3	5	4
Lock-up	×	—	—	×	×
Slip lock-up	×	×	×	—	—

TORQUE CONVERTER CLUTCH CONTROL VALVE CONTROL

Lock-up Control System Diagram



A/T CONTROL SYSTEM

Lock-up Released

- In the lock-up released state, the torque converter clutch control valve is set into the unlocked state by the torque converter clutch solenoid and the lock-up apply pressure is drained. In this way, the torque converter clutch piston is not coupled.

Lock-up Applied

- In the lock-up applied state, the torque converter clutch control valve is set into the locked state by the torque converter clutch solenoid and lock-up apply pressure is generated. In this way, the torque converter clutch piston is pressed and coupled.

SMOOTH LOCK-UP CONTROL

When shifting from the lock-up released state to the lock-up applied state, the current output to the torque converter clutch solenoid is controlled with the TCM. In this way, when shifting to the lock-up applied state, the torque converter clutch is temporarily set to the half-clutched state to reduce the shock.

Half-clutched State

- The current output from the TCM to the torque converter clutch solenoid is varied to steadily increase the torque converter clutch solenoid pressure. In this way, the lock-up apply pressure gradually rises and while the torque converter clutch piston is put into half-clutched status, the torque converter clutch piston operating pressure is increased and the coupling is completed smoothly.

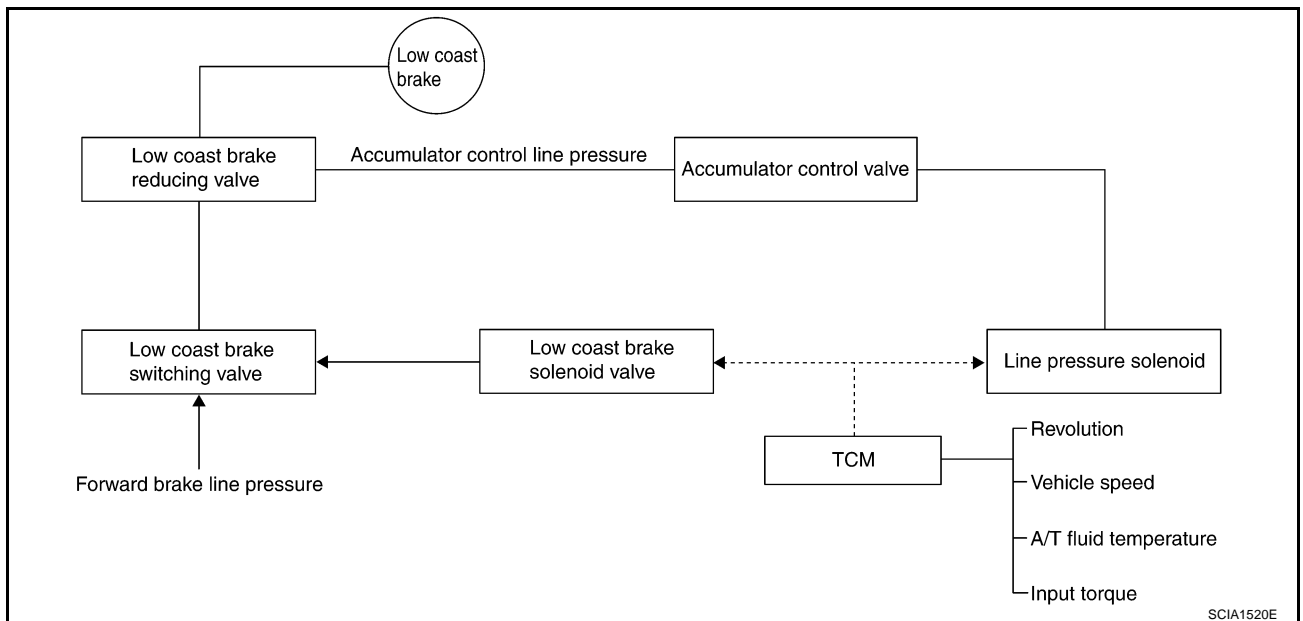
Slip Lock-up Control

- In the slip region, the torque converter clutch solenoid current is controlled with the TCM to put it into the half-clutched state. This absorbs the engine torque fluctuation and lock-up operates from low speed. This raises the fuel efficiency for 3rd, 4th and 5th gears at both low speed and when the accelerator has a low degree of opening.

Engine Brake Control

ECS00EAC

- The forward one-way clutch transmits the drive force from the engine to the rear wheels. But the reverse drive from the rear wheels is not transmitted to the engine because the one-way clutch is idling. Therefore, the low coast brake solenoid is operated to prevent the forward one-way clutch from idling and the engine brake is operated in the same manner as conventionally.



- The operation of the low coast brake solenoid switches the low coast brake switching valve and controls the coupling and releasing of the low coast brake. The low coast brake reducing valve controls the low coast brake coupling force.

A/T CONTROL SYSTEM

Control Valve FUNCTION OF CONTROL VALVE

ECS00EAD

Name	Function
Torque converter regulator valve	In order to prevent the pressure supplied to the torque converter from being excessive, the line pressure is adjusted to the optimum pressure (torque converter operating pressure).
Pressure regulator valve Pressure regulator plug Pressure regulator sleeve	Adjusts the oil discharged from the oil pump to the optimum pressure (line pressure) for the driving state.
Front brake control valve	When the front brake is coupled, adjusts the line pressure to the optimum pressure (front brake pressure) and supplies it to the front brake. (In 1st, 2nd, 3rd, and 5th gears, adjusts the clutch pressure.)
Accumulator control valve	Adjusts the pressure (accumulator control pressure) acting on the accumulator piston and low coast reducing valve to the pressure appropriate to the driving state.
Pilot valve A	Adjusts the line pressure and produces the constant pressure (pilot pressure) required for line pressure control, shift change control, and lock-up control.
Pilot valve B	Adjusts the line pressure and produces the constant pressure (pilot pressure) required for shift change control.
Low coast brake switching valve	During engine braking, supplies the line pressure to the low coast brake reducing valve.
Low coast brake reducing valve	When the low coast brake is coupled, adjusts the line pressure to the optimum pressure (low coast brake pressure) and supplies it to the low coast brake.
N-R accumulator	Produces the stabilizing pressure for when N-R is selected.
Direct clutch piston switching valve	Operates in 4th gear and switches the direct clutch coupling capacity.
High and low reverse clutch control valve	When the high and low reverse clutch is coupled, adjusts the line pressure to the optimum pressure (high and low reverse clutch pressure) and supplies it to the high and low reverse clutch. (In 1st, 3rd, 4th and 5th gears, adjusts the clutch pressure.)
Input clutch control valve	When the input clutch is coupled, adjusts the line pressure to the optimum pressure (input clutch pressure) and supplies it to the input clutch. (In 4th and 5th gears, adjusts the clutch pressure.)
Direct clutch control valve	When the direct clutch is coupled, adjusts the line pressure to the optimum pressure (direct clutch pressure) and supplies it to the direct clutch. (In 2nd, 3rd, and 4th gears, adjusts the clutch pressure.)
TCC control valve TCC control plug TCC control sleeve	Switches the lock-up to operating or released. Also, by performing the lock-up operation transiently, lock-up smoothly.
Torque converter lubrication valve	Operates during lock-up to switch the torque converter, cooling, and lubrication system oil passage.
Cool bypass valve	Allows excess oil to bypass cooler circuit without being fed into it.
Line pressure relief valve	Discharges excess oil from line pressure circuit.
N-D accumulator	Produces the stabilizing pressure for when N-D is selected.
Manual valve	Sends line pressure to each circuit according to the select position. The circuits to which the line pressure is not sent drain.

A/T CONTROL SYSTEM

FUNCTION OF PRESSURE SWITCH

Name	Function
ATF pressure switch 1 (FR/B)	Detects any malfunction in the front brake hydraulic pressure. When it detects any malfunction, it puts the system into fail-safe mode.
ATF pressure switch 2 (LC/B)	Detects any malfunction in the low coast brake hydraulic pressure. When it detects any malfunction, it puts the system into fail-safe mode.
ATF pressure switch 3 (I/C)	Detects any malfunction in the input clutch hydraulic pressure. When it detects any malfunction, it puts the system into fail-safe mode.
ATF pressure switch 5 (D/C)	Detects any malfunction in the direct clutch hydraulic pressure. When it detects any malfunction, it puts the system into fail-safe mode.
ATF pressure switch 6 (HLR/C)	Detects any malfunction in the high and low reverse clutch hydraulic pressure. When it detects any malfunction, it puts the system into fail-safe mode.

A

B

AT

D

E

F

G

H

I

J

K

L

M

ON BOARD DIAGNOSTIC (OBD) SYSTEM

PFP:00028

Introduction

ECS00DV8

The A/T system has two self-diagnostic systems.

The first is the emission-related on board diagnostic system (OBD-II) performed by the TCM in combination with the ECM. The malfunction is indicated by the MIL (malfunction indicator lamp) and is stored as a DTC in the ECM memory but not the TCM memory.

The second is the TCM original self-diagnosis indicated by the A/T CHECK indicator lamp. The malfunction is stored in the TCM memory. The detected items are overlapped with OBD-II self-diagnostic items. For detail, refer to [AT-94. "Display Items List"](#).

OBD-II Function for A/T System

ECS00DV9

The ECM provides emission-related on board diagnostic (OBD-II) functions for the A/T system. One function is to receive a signal from the TCM used with OBD-related parts of the A/T system. The signal is sent to the ECM when a malfunction occurs in the corresponding OBD-related part. The other function is to indicate a diagnostic result by means of the MIL (malfunction indicator lamp) on the instrument panel. Sensors, switches and solenoid valves are used as sensing elements.

The MIL automatically illuminates in One or Two Trip Detection Logic when a malfunction is sensed in relation to A/T system parts.

One or Two Trip Detection Logic of OBD-II ONE TRIP DETECTION LOGIC

ECS00DVA

If a malfunction is sensed during the first test drive, the MIL will illuminate and the malfunction will be stored in the ECM memory as a DTC. The TCM is not provided with such a memory function.

TWO TRIP DETECTION LOGIC

When a malfunction is sensed during the first test drive, it is stored in the ECM memory as a 1st trip DTC (diagnostic trouble code) or 1st trip freeze frame data. At this point, the MIL will not illuminate. — 1st trip

If the same malfunction as that experienced during the first test drive is sensed during the second test drive, the MIL will illuminate. — 2nd trip

The "Trip" in the "One or Two Trip Detection Logic" means a driving mode in which self-diagnosis is performed during vehicle operation.

OBD-II Diagnostic Trouble Code (DTC) HOW TO READ DTC AND 1ST TRIP DTC

ECS00DVB

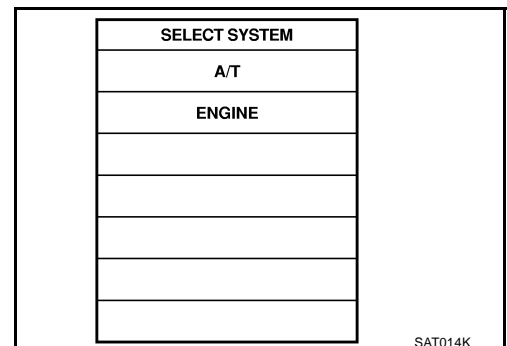
DTC and 1st trip DTC can be read by the following methods.

( with **CONSULT-II** or ( **GST**) CONSULT-II or GST (Generic Scan Tool) Examples: P0705, P0720 etc. These DTC are prescribed by SAE J2012.

(CONSULT-II also displays the malfunctioning component or system.)

- **1st trip DTC No. is the same as DTC No.**
- **Output of the diagnostic trouble code indicates that the indicated circuit has a malfunction. However, in case of the Mode II and GST, they do not indicate whether the malfunction is still occurring or occurred in the past and returned to normal. CONSULT-II can identify them as shown below, therefore, CONSULT-II (if available) is recommended.**

A sample of CONSULT-II display for DTC and 1st trip DTC is shown on the next page. DTC or 1st trip DTC of a malfunction is displayed in SELF-DIAGNOSTIC RESULTS mode for "ENGINE" with CONSULT-II. Time data indicates how many times the vehicle was driven after the last detection of a DTC.



ON BOARD DIAGNOSTIC (OBD) SYSTEM

If the DTC is being detected currently, the time data will be "0".

SELF-DIAG RESULTS	
DTC RESULTS	TIME
PNP SW/CIRC [P0705]	0

SAT015K

If a 1st trip DTC is stored in the ECM, the time data will be "1t".

SELF-DIAG RESULTS	
DTC RESULTS	TIME
PNP SW/CIRC [P0705]	1 t

SAT016K

Freeze Frame Data and 1st Trip Freeze Frame Data

The ECM has a memory function, which stores the driving condition such as fuel system status, calculated load value, engine coolant temperature, short term fuel trim, long term fuel trim, engine speed and vehicle speed at the moment the ECM detects a malfunction.

Data which are stored in the ECM memory, along with the 1st trip DTC, are called 1st trip freeze frame data, and the data, stored together with the DTC data, are called freeze frame data and displayed on CONSULT-II or GST. The 1st trip freeze frame data can only be displayed on the CONSULT-II screen, not on the GST. For detail, refer to [EC-126, "CONSULT-II Function \(ENGINE\)"](#).

Only one set of freeze frame data (either 1st trip freeze frame data or freeze frame data) can be stored in the ECM. 1st trip freeze frame data is stored in the ECM memory along with the 1st trip DTC. There is no priority for 1st trip freeze frame data and it is updated each time a different 1st trip DTC is detected. However, once freeze frame data (2nd trip detection/MIL on) is stored in the ECM memory, 1st trip freeze frame data is no longer stored. Remember, only one set of freeze frame data can be stored in the ECM. The ECM has the following priorities to update the data.

Priority	Items	
1	Freeze frame data	Misfire — DTC: P0300 - P0306 Fuel Injection System Function — DTC: P0171, P0172, P0174, P0175
2		Except the above items (Includes A/T related items)
3	1st trip freeze frame data	

Both 1st trip freeze frame data and freeze frame data (along with the DTC) are cleared when the ECM memory is erased.

HOW TO ERASE DTC

The diagnostic trouble code can be erased by CONSULT-II, GST or ECM DIAGNOSTIC TEST MODE as described following.

- If the battery cable is disconnected from the terminal, the diagnostic trouble code will be lost within 24 hours.
- When you erase the DTC, using CONSULT-II or GST is easier and quicker than switching the mode selector on the ECM.

The following emission-related diagnostic information is cleared from the ECM memory when erasing DTC related to OBD-II. For details, refer to [EC-48, "Emission-related Diagnostic Information"](#).

- Diagnostic trouble codes (DTC)
- 1st trip diagnostic trouble codes (1st trip DTC)

ON BOARD DIAGNOSTIC (OBD) SYSTEM

- Freeze frame data
- 1st trip freeze frame data
- System readiness test (SRT) codes
- Test values

Ⓟ HOW TO ERASE DTC (WITH CONSULT-II)

- If a DTC is displayed for both ECM and TCM, it is necessary to be erased for both ECM and TCM.
1. If the ignition switch stays ON after repair work, be sure to turn ignition switch OFF once. Wait at least 10 seconds and then turn it ON (engine stopped) again.
 2. Turn CONSULT-II ON and touch "A/T".
 3. Touch "SELF-DIAG RESULTS".
 4. Touch "ERASE". (The DTC in the TCM will be erased.) Then touch "BACK" twice.
 5. Touch "ENGINE".
 6. Touch "SELF-DIAG RESULTS".
 7. Touch "ERASE". (The DTC in the ECM will be erased.)

How to erase DTC (With CONSULT-II)

1. If the ignition switch stays "ON" after repair work, be sure to turn ignition switch "OFF" once. Wait at least 10 seconds and then turn it "ON" (engine stopped) again.

SELECT SYSTEM
A/T
ENGINE

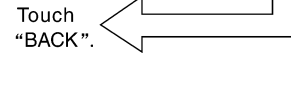
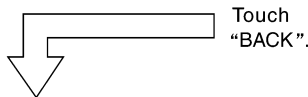
2. Turn CONSULT-II "ON", and touch "A/T".

SELECT DIAG MODE
SELF-DIAG RESULTS
DATA MONITOR
CAN DIAG SUPPORT MNTR
FUNCTION TEST
DTC WORK SUPPORT
ECU PART NUMBER

3. Touch "SELF-DIAG RESULTS".

SELF-DIAG RESULTS
DTC RESULTS
TCC SOLENOID/CIRC [P0740]

4. Touch "ERASE". (The DTC in the TCM will be erased.)



SELECT SYSTEM
A/T
ENGINE

5. Touch "ENGINE".

SELECT DIAG MODE
WORK SUPPORT
SELF-DIAG RESULTS
DATA MONITOR
DATA MONITOR(SPEC)
CAN DIAG SUPPORT MNTR
ACTIVE TEST

6. Touch "SELF-DIAG RESULTS".

SELF-DIAG RESULTS	
DTC RESULTS	TIME
TCC SOLENOID/CIRC [P0740]	0

7. Touch "ERASE". (The DTC in the TCM will be erased.)

SCIA5671E

ON BOARD DIAGNOSTIC (OBD) SYSTEM

HOW TO ERASE DTC (WITH GST)

1. If the ignition switch stays ON after repair work, be sure to turn ignition switch OFF once. Wait at least 10 seconds and then turn it ON (engine stopped) again.
2. Perform [AT-104, "OBD-II SELF-DIAGNOSTIC PROCEDURE \(WITH GST\)"](#) . (The engine warm-up step can be skipped when performing the diagnosis only to erase the DTC.)
3. Select Mode 4 with Generic Scan Tool (GST). For details, refer to [EC-139, "Generic Scan Tool \(GST\) Function"](#) .

HOW TO ERASE DTC (NO TOOLS)

The A/T CHECK indicator lamp is located on the instrument panel.

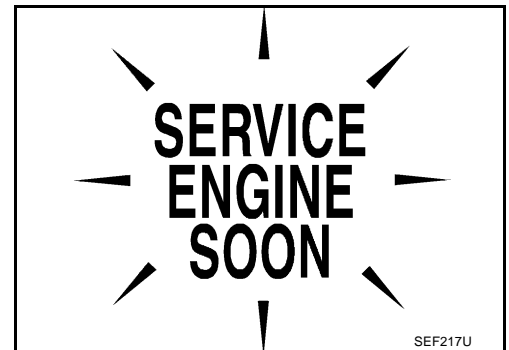
1. If the ignition switch stays ON after repair work, be sure to turn ignition switch OFF once. Wait at least 10 seconds and then turn it ON (engine stopped) again.
2. Perform [AT-104, "TCM SELF-DIAGNOSTIC PROCEDURE \(NO TOOLS\)"](#) . (The engine warm-up step can be skipped when performing the diagnosis only to erase the DTC.)
3. Perform "OBD-II SELF-DIAGNOSTIC PROCEDURE (No tools)". Refer to [EC-60, "How to Erase DTC"](#) .

Malfunction Indicator Lamp (MIL) DESCRIPTION

ECS00DVC

The MIL is located on the instrument panel.

1. The MIL will light up when the ignition switch is turned ON without the engine running. This is a bulb check.
 - If the MIL does not light up, refer to [DI-30, "WARNING LAMPS"](#) , or see [EC-768, "MIL AND DATA LINK CONNECTOR"](#) .
2. When the engine is started, the MIL should go off. If the MIL remains on, the on board diagnostic system has detected an engine system malfunction.



TROUBLE DIAGNOSIS

PFP:00004

DTC Inspection Priority Chart

ECS00DVD

If some DTCs are displayed at the same time, perform inspections one by one based on the following priority chart.

NOTE:

If DTC “U1000” is displayed with other DTC, first perform the trouble diagnosis for “DTC U1000 CAN COMMUNICATION LINE”. Refer to [AT-109](#) .

Priority	Detected items (DTC)
1	U1000 CAN communication line
2	Except above

Fail-safe

ECS00DVE

The TCM has an electrical fail-safe mode. This mode makes it possible to operate even if there is a an error in a main electronic control input/output signal circuit.

In fail-safe mode, even if the selector lever is “D” or “M” mode, the transmission is fixed in 2nd, 4th and 5th (depending on the breakdown position), so the customer should feel “slipping” or “poor acceleration”. When fail-safe mode is triggered, when the ignition switch is switched “ON”, the A/T CHECK indicator lamp flashes for about 8 seconds. (Refer to [AT-104, "TCM SELF-DIAGNOSTIC PROCEDURE \(NO TOOLS\)"](#)).

Even when the electronic circuits are normal, under special conditions (for example, when slamming on the brake with the wheels spinning drastically and stopping the tire rotation), the transmission can go into fail-safe mode. If this happens, switch OFF the ignition switch for 10 seconds, then switch it ON again to return to the normal shift pattern. Also, the A/T CHECK indicator lamp flashes for about 8 seconds once, then is cleared. Therefore, the customer's vehicle has returned to normal, so handle according to the “diagnostics flow” (Refer to [AT-45](#)).

FAIL-SAFE FUNCTION

If any malfunction occurs in a sensor or solenoid, this function controls the A/T to mark driving possible.

Vehicle Speed Sensor

- Signals are input from two systems - from vehicle speed sensor A/T (revolution sensor) installed on the transmission and from combination meter so normal driving is possible even if there is a malfunction in one of the systems. And if vehicle speed sensor A/T (revolution sensor) has unusual cases, 5th gear and manual mode are prohibited.

Accelerator Pedal Position Sensor

- If there is a malfunction in one of the systems, the accelerator opening angle is controlled by ECM according to a pre-determined accelerator angle to make driving possible. And if there are malfunctions in tow systems, the engine speed is fixed by ECM to a pre-determined engine speed to make driving possible.

Throttle Position Sensor

- If there is a malfunction in one of the systems, the accelerator opening angle is controlled by ECM according to a pre-determined accelerator angle to make driving possible. And if there are malfunctions in tow systems, the accelerator opening angle is controlled by the idle signal sent from the ECM which is based on input indicating either idle condition or off-idle condition (pre-determined accelerator opening) in order to make driving possible.

PNP Switch

- In the unlikely event that a malfunction signal enters the TCM, the position indicator is switched OFF, the park/neutral position relay is switched OFF (starter starting is disabled), the back-up lamp relay switched OFF (back-up lamp is OFF) and the position is fixed to the “D” range to make driving possible.

Park/neutral position Relay

- The park/neutral position relay is switched OFF. (Starter starting is disabled.)

TROUBLE DIAGNOSIS

A/T Interlock

- If there is an A/T interlock judgment malfunction, the transmission is fixed in 2nd gear to make driving possible.

NOTE:

When the vehicle is driven fixed in 2nd gear, a turbine revolution sensor malfunction is displayed, but this is not a turbine revolution sensor malfunction.

- When the coupling pattern below is detected, the fail-safe action corresponding to the pattern is performed.

A/T INTERLOCK COUPLING PATTERN TABLE

●: NG X: OK

Gear position		ATF pressure switch output					Fail-safe function	Clutch pressure output pattern after fail-safe function					
		SW3 (I/C)	SW6 (HLR/C)	SW5 (D/C)	SW1 (FR/B)	SW2 (LC/B)		I/C	HLR/C	D/C	FR/B	LC/B	L/U
A/T interlock coupling pattern	3rd	–	X	X	–	●	Held in 2nd gear	OFF	OFF	ON	OFF	OFF	OFF
	4th	–	X	X	–	●	Held in 2nd gear	OFF	OFF	ON	OFF	OFF	OFF
	5th	X	X	–	X	●	Held in 2nd gear	OFF	OFF	ON	OFF	OFF	OFF

A/T 1st Engine Braking

- When there is an A/T first gear engine brake judgment malfunction, the low coast brake solenoid is switched OFF to avoid the engine brake operation.

Line Pressure Solenoid

- The solenoid is switched OFF and the line pressure is set to the maximum hydraulic pressure to make driving possible.

Torque Converter Clutch Solenoid

- The solenoid is switched OFF to release the lock-up.

Low Coast Brake Solenoid

- When a malfunction (electrical or functional) occurs, in order to make driving possible. If the solenoid is ON, the transmission is held in 2nd gear. If the solenoid is OFF, the transmission is held in 4th gear. (Engine brake is not applied in 1st and 2nd gear.)

Input Clutch Solenoid

- If a malfunction (electrical or functional) occurs with the solenoid either ON or OFF, the transmission is held in 4th gear to make driving possible.

Direct Clutch Solenoid

- If a malfunction (electrical or functional) occurs with the solenoid either ON or OFF, the transmission is held in 4th gear to make driving possible.

Front Brake Solenoid

- If a malfunction (electrical or functional) occurs with the solenoid ON, in order to make driving possible. The transmission is held in 5th gear. If the solenoid is OFF, the transmission is 4th gear.

High and Low Reverse Clutch Solenoid

- If a (electrical or functional) malfunction occurs with the solenoid either ON or OFF, the transmission is held in 4th gear to make driving possible.

Turbine Revolution Sensor 1 or 2

- The control is the same as if there were no turbine revolution sensors, 5th gear and manual mode are prohibited.

TROUBLE DIAGNOSIS

How To Perform Trouble Diagnosis For Quick and Accurate Repair

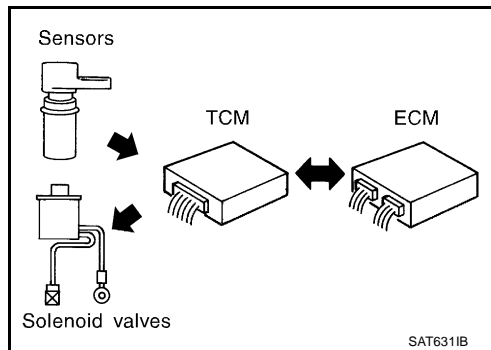
ECS00DVF

INTRODUCTION

The TCM receives a signal from the vehicle speed sensor, accelerator pedal position sensor (throttle position sensor) or PNP switch and provides shift control or lock-up control via A/T solenoid valves.

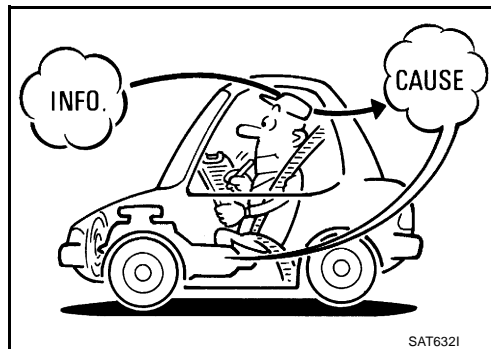
The TCM also communicates with the ECM by means of a signal sent from sensing elements used with the OBD-related parts of the A/T system for malfunction-diagnostic purposes. The TCM is capable of diagnosing malfunctioning parts while the ECM can store malfunctions in its memory.

Input and output signals must always be correct and stable in the operation of the A/T system. The A/T system must be in good operating condition and be free of valve seizure, solenoid valve malfunction, etc.



It is much more difficult to diagnose a error that occurs intermittently rather than continuously. Most intermittent errors are caused by poor electric connections or improper wiring. In this case, careful checking of suspected circuits may help prevent the replacement of good parts.

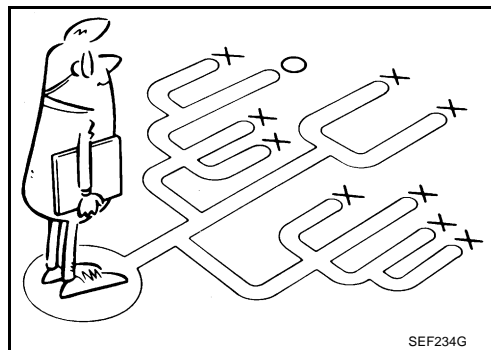
A visual check only may not find the cause of the errors. A road test with CONSULT-II (or GST) or a circuit tester connected should be performed. Follow the [AT-45, "WORK FLOW"](#) .



Before undertaking actual checks, take a few minutes to talk with a customer who approaches with a driveability complaint. The customer can supply good information about such errors, especially intermittent ones. Find out what symptoms are present and under what conditions they occur. A "DIAGNOSTIC WORKSHEET" as shown on the example (Refer to [AT-46](#)) should be used.

Start your diagnosis by looking for "conventional" errors first. This will help troubleshoot driveability errors on an electronically controlled engine vehicle.

Also check related Service bulletins.



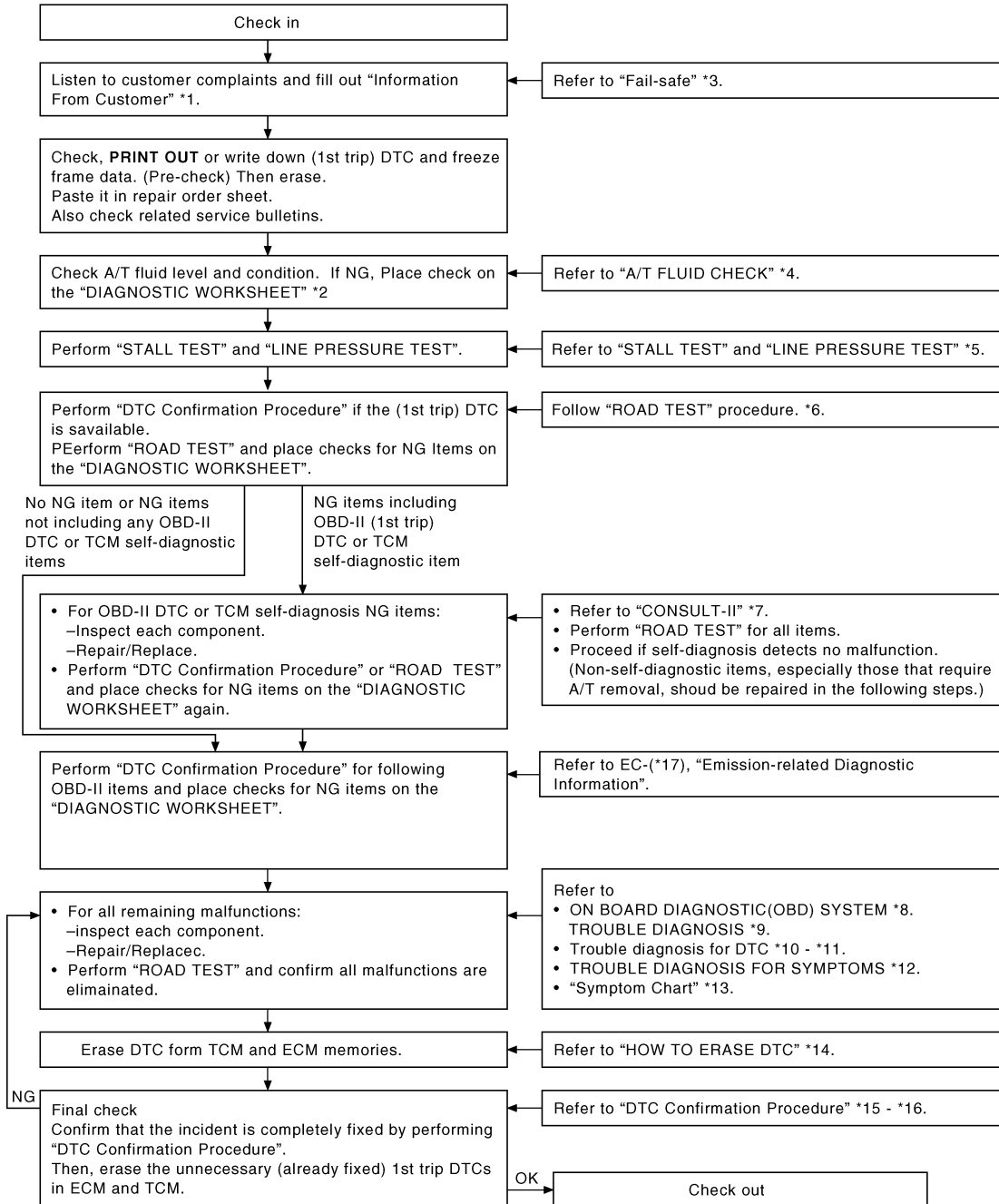
TROUBLE DIAGNOSIS

WORK FLOW

A good understanding of the malfunction conditions can make troubleshooting faster and more accurate. In general, each customer feels differently about a malfunction. It is important to fully understand the symptoms or conditions for a customer's complaint.

Make good use of the two sheets provided, "Information From Customer" (Refer to [AT-46](#)) and "DIAGNOSTIC WORKSHEET" (Refer to [AT-46](#)), to perform the best troubleshooting possible.

Work Flow Chart



- *1. [AT-46](#)
- *4. [AT-51](#)
- *7. [AT-91](#)
- *10. [AT-109](#)
- *13. [AT-65](#)
- *16. [AT-183](#)

- *2. [AT-46](#)
- *5. [AT-51, AT-53](#)
- *8. [AT-38](#)
- *11. [AT-190](#)
- *14. [AT-39](#)
- *17. [EC-48](#)

- *3. [AT-42](#)
- *6. [AT-55](#)
- *9. [AT-42](#)
- *12. [AT-192](#)
- *15. [AT-109](#)

SCIA5741E

TROUBLE DIAGNOSIS

	<input type="checkbox"/> Perform all road tests and enter checks in required inspection items.	AT-55	A
4	Check before engine is started		
	<input type="checkbox"/> AT-195 , "A/T CHECK Indicator Lamp Does Not Come On" . <input type="checkbox"/> Perform self-diagnostics. Enter checks for detected items. AT-94 , AT-104	AT-55	B
4-1.	<input type="checkbox"/> AT-109 , "DTC U1000 CAN COMMUNICATION LINE" . <input type="checkbox"/> AT-112 , "DTC P0615 START SIGNAL CIRCUIT" . <input type="checkbox"/> AT-116 , "DTC P0700 TCM" . <input type="checkbox"/> AT-117 , "DTC P0705 PARK/NEUTRAL POSITION SWITCH" . <input type="checkbox"/> AT-121 , "DTC P0720 VEHICLE SPEED SENSOR A/T (REVOLUTION SENSOR)" . <input type="checkbox"/> AT-126 , "DTC P0725 ENGINE SPEED SIGNAL" . <input type="checkbox"/> AT-128 , "DTC P0740 TORQUE CONVERTER CLUTCH SOLENOID VALVE" . <input type="checkbox"/> AT-130 , "DTC P0744 A/T TCC S/V FUNCTION (LOCK-UP)" . <input type="checkbox"/> AT-132 , "DTC P0745 LINE PRESSURE SOLENOID VALVE" . <input type="checkbox"/> AT-134 , "DTC P1702 TRANSMISSION CONTROL MODULE (RAM)" . <input type="checkbox"/> AT-135 , "DTC P1703 TRANSMISSION CONTROL MODULE (ROM)" . <input type="checkbox"/> AT-136 , "DTC P1705 THROTTLE POSITION SENSOR" . <input type="checkbox"/> AT-139 , "DTC P1710 A/T FLUID TEMPERATURE SENSOR CIRCUIT" . <input type="checkbox"/> AT-144 , "DTC P1716 TURBINE REVOLUTION SENSOR" . <input type="checkbox"/> AT-146 , "DTC P1721 VEHICLE SPEED SENSOR MTR" . <input type="checkbox"/> AT-148 , "DTC P1730 A/T INTERLOCK" . <input type="checkbox"/> AT-151 , "DTC P1731 A/T 1ST ENGINE BRAKING" . <input type="checkbox"/> AT-153 , "DTC P1752 INPUT CLUTCH SOLENOID VALVE" . <input type="checkbox"/> AT-155 , "DTC P1754 INPUT CLUTCH SOLENOID VALVE FUNCTION" . <input type="checkbox"/> AT-157 , "DTC P1757 FRONT BRAKE SOLENOID VALVE" . <input type="checkbox"/> AT-159 , "DTC P1759 FRONT BRAKE SOLENOID VALVE FUNCTION" . <input type="checkbox"/> AT-161 , "DTC P1762 DIRECT CLUTCH SOLENOID VALVE" . <input type="checkbox"/> AT-163 , "DTC P1764 DIRECT CLUTCH SOLENOID VALVE FUNCTION" . <input type="checkbox"/> AT-165 , "DTC P1767 HIGH AND LOW REVERSE CLUTCH SOLENOID VALVE" . <input type="checkbox"/> AT-167 , "DTC P1769 HIGH AND LOW REVERSE CLUTCH SOLENOID VALVE FUNCTION" . <input type="checkbox"/> AT-169 , "DTC P1772 LOW COAST BRAKE SOLENOID VALVE" . <input type="checkbox"/> AT-171 , "DTC P1774 LOW COAST BRAKE SOLENOID VALVE FUNCTION" . <input type="checkbox"/> AT-173 , "DTC P1815 MANUAL MODE SWITCH" . <input type="checkbox"/> AT-177 , "DTC P1841 ATF PRESSURE SWITCH 1" . <input type="checkbox"/> AT-179 , "DTC P1843 ATF PRESSURE SWITCH 3" . <input type="checkbox"/> AT-181 , "DTC P1845 ATF PRESSURE SWITCH 5" . <input type="checkbox"/> AT-183 , "DTC P1846 ATF PRESSURE SWITCH 6" .		AT D E F G H I J
4-2.	Check at Idle		K
	<input type="checkbox"/> AT-196 , "Engine Cannot Be Started In "P" or "N" Position" . <input type="checkbox"/> AT-197 , "In "P" Position, Vehicle Moves When Pushed" . <input type="checkbox"/> AT-198 , "In "N" Position, Vehicle Moves" . <input type="checkbox"/> AT-199 , "Large Shock ("N" to "D" Position)" . <input type="checkbox"/> AT-202 , "Vehicle Does Not Creep Backward In "R" Position" . <input type="checkbox"/> AT-205 , "Vehicle Does Not Creep Forward In "D" Position" .	AT-56	L
4-3.	Cruise Test		M
	Part 1		
	<input type="checkbox"/> AT-208 , "Vehicle Cannot Be Started From D1" . <input type="checkbox"/> AT-210 , "A/T Does Not Shift: D1 → D2" . <input type="checkbox"/> AT-213 , "A/T Does Not Shift: D2 → D3" . <input type="checkbox"/> AT-215 , "A/T Does Not Shift: D3 → D4" . <input type="checkbox"/> AT-218 , "A/T Does Not Shift: D4 → D5" . <input type="checkbox"/> AT-220 , "A/T Does Not Lock-up" . <input type="checkbox"/> AT-223 , "A/T Does Not Hold Lock-up Condition" . <input type="checkbox"/> AT-224 , "Lock-up Is Not Released" . <input type="checkbox"/> AT-225 , "Engine Speed Does Not Return To Idle" .	AT-59	

TROUBLE DIAGNOSIS

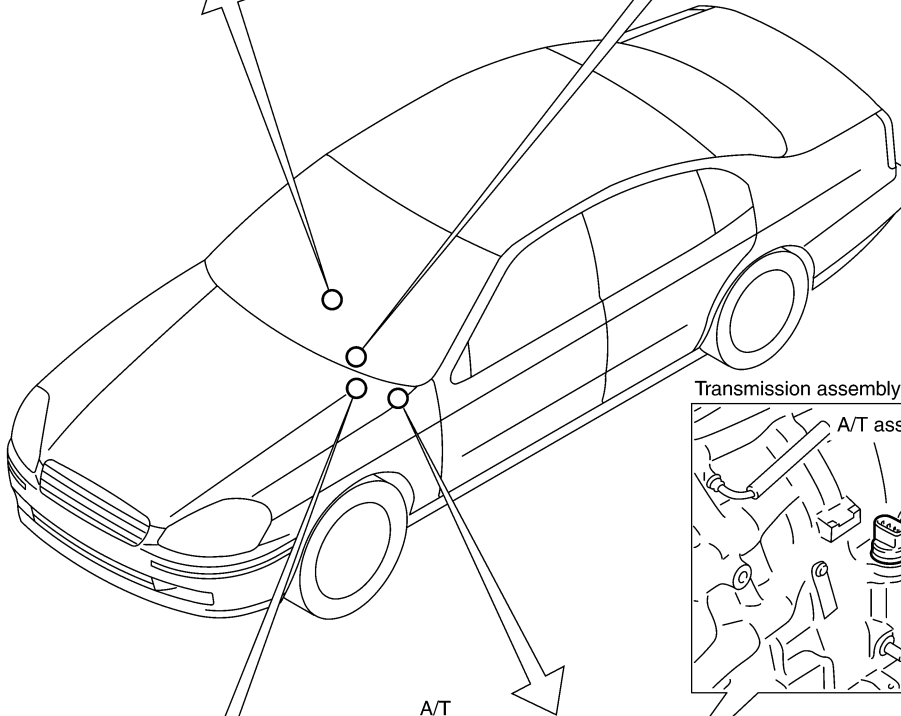
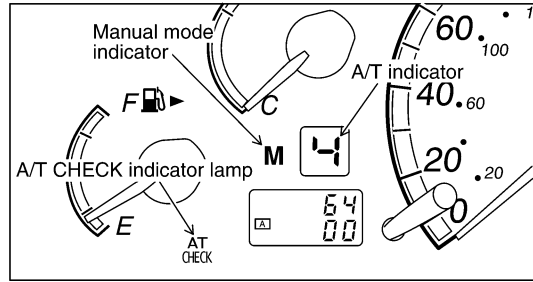
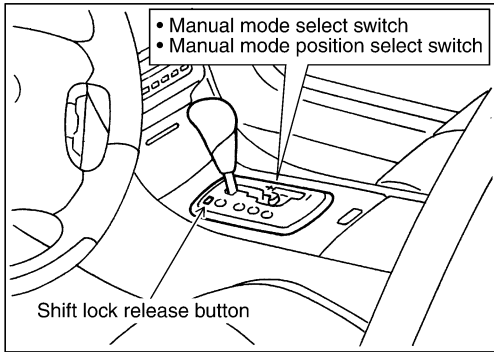
4	4-3	<p>Part 2</p> <ul style="list-style-type: none"> <input type="checkbox"/> AT-208, "Vehicle Cannot Be Started From D1" . <input type="checkbox"/> AT-210, "A/T Does Not Shift: D1 → D2" . <input type="checkbox"/> AT-213, "A/T Does Not Shift: D2 → D3" . <input type="checkbox"/> AT-215, "A/T Does Not Shift: D3 → D4" . 	AT-62
		<p>Part 3</p> <ul style="list-style-type: none"> <input type="checkbox"/> AT-226, "Cannot Be Changed to Manual Mode" . <input type="checkbox"/> AT-227, "A/T Does Not Shift: 5th gear → 4th gear" . <input type="checkbox"/> AT-229, "A/T Does Not Shift: 4th gear → 3rd gear" . <input type="checkbox"/> AT-231, "A/T Does Not Shift: 3rd gear → 2nd gear" . <input type="checkbox"/> AT-233, "A/T Does Not Shift: 2nd gear → 1st gear" . <input type="checkbox"/> AT-235, "Vehicle Does Not Decelerate By Engine Brake" . <input type="checkbox"/> Perform self-diagnostics. Enter checks for detected items. AT-94 ,AT-104 	AT-63
		<ul style="list-style-type: none"> <input type="checkbox"/> AT-109, "DTC U1000 CAN COMMUNICATION LINE" . <input type="checkbox"/> AT-112, "DTC P0615 START SIGNAL CIRCUIT" . <input type="checkbox"/> AT-116, "DTC P0700 TCM" <input type="checkbox"/> AT-117, "DTC P0705 PARK/NEUTRAL POSITION SWITCH" . <input type="checkbox"/> AT-121, "DTC P0720 VEHICLE SPEED SENSOR A/T (REVOLUTION SENSOR)" . <input type="checkbox"/> AT-126, "DTC P0725 ENGINE SPEED SIGNAL" . <input type="checkbox"/> AT-128, "DTC P0740 TORQUE CONVERTER CLUTCH SOLENOID VALVE" . <input type="checkbox"/> AT-130, "DTC P0744 A/T TCC S/V FUNCTION (LOCK-UP)" . <input type="checkbox"/> AT-132, "DTC P0745 LINE PRESSURE SOLENOID VALVE" . <input type="checkbox"/> AT-134, "DTC P1702 TRANSMISSION CONTROL MODULE (RAM)" . <input type="checkbox"/> AT-135, "DTC P1703 TRANSMISSION CONTROL MODULE (ROM)" . <input type="checkbox"/> AT-136, "DTC P1705 THROTTLE POSITION SENSOR" . <input type="checkbox"/> AT-139, "DTC P1710 A/T FLUID TEMPERATURE SENSOR CIRCUIT" . <input type="checkbox"/> AT-144, "DTC P1716 TURBINE REVOLUTION SENSOR" . <input type="checkbox"/> AT-146, "DTC P1721 VEHICLE SPEED SENSOR MTR" . <input type="checkbox"/> AT-148, "DTC P1730 A/T INTERLOCK" . <input type="checkbox"/> AT-151, "DTC P1731 A/T 1ST ENGINE BRAKING" . <input type="checkbox"/> AT-153, "DTC P1752 INPUT CLUTCH SOLENOID VALVE" . <input type="checkbox"/> AT-155, "DTC P1754 INPUT CLUTCH SOLENOID VALVE FUNCTION" . <input type="checkbox"/> AT-157, "DTC P1757 FRONT BRAKE SOLENOID VALVE" . <input type="checkbox"/> AT-159, "DTC P1759 FRONT BRAKE SOLENOID VALVE FUNCTION" . <input type="checkbox"/> AT-161, "DTC P1762 DIRECT CLUTCH SOLENOID VALVE" . <input type="checkbox"/> AT-163, "DTC P1764 DIRECT CLUTCH SOLENOID VALVE FUNCTION" . <input type="checkbox"/> AT-165, "DTC P1767 HIGH AND LOW REVERSE CLUTCH SOLENOID VALVE" . <input type="checkbox"/> AT-167, "DTC P1769 HIGH AND LOW REVERSE CLUTCH SOLENOID VALVE FUNCTION" . <input type="checkbox"/> AT-169, "DTC P1772 LOW COAST BRAKE SOLENOID VALVE" . <input type="checkbox"/> AT-171, "DTC P1774 LOW COAST BRAKE SOLENOID VALVE FUNCTION" . <input type="checkbox"/> AT-173, "DTC P1815 MANUAL MODE SWITCH" . <input type="checkbox"/> AT-177, "DTC P1841 ATF PRESSURE SWITCH 1" . <input type="checkbox"/> AT-179, "DTC P1843 ATF PRESSURE SWITCH 3" . <input type="checkbox"/> AT-181, "DTC P1845 ATF PRESSURE SWITCH 5" . <input type="checkbox"/> AT-183, "DTC P1846 ATF PRESSURE SWITCH 6" . 	
5	<input type="checkbox"/> Inspect each system for items found to be NG in the self-diagnostics and repair or replace the malfunctioning parts.		
6	<input type="checkbox"/> Perform all road tests and enter the checks again for the required items.	AT-55	
7	<input type="checkbox"/> For any remaining NG items, perform the "Diagnostics Procedure" and repair or replace the malfunctioning parts. See the chart for diagnostics by symptoms. (This chart also contains other symptoms and inspection procedures.)	AT-65	
8	<input type="checkbox"/> Erase the results of the self-diagnostics from the TCM.	AT-97 , AT-108	

TROUBLE DIAGNOSIS

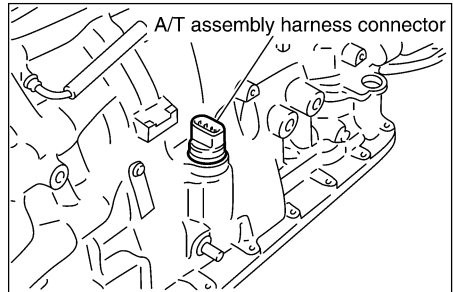
A/T Electrical Parts Location

ECS00DVG

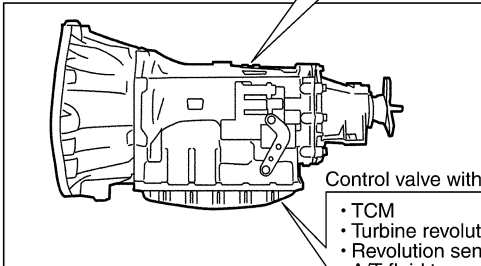
A
B
AT
D
E
F
G
H
I
J
K
L
M



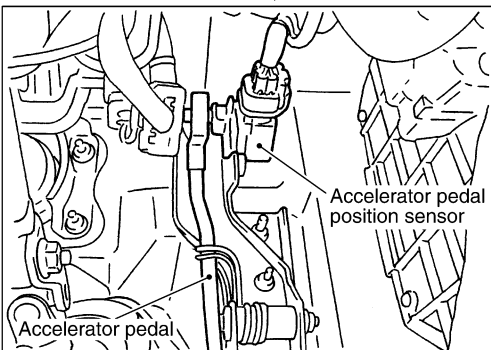
Transmission assembly right side



A/T



- TCM
- Turbine revolution sensor 1, 2
- Revolution sensor
- A/T fluid temperature sensor 1, 2
- PNP switch
- Line pressure solenoid valve
- Torque converter clutch solenoid valve
- Direct clutch solenoid valve, ATF pressure SW 5
- High and low reverse clutch solenoid valve, ATF pressure SW 6
- Input clutch solenoid valve, ATF pressure SW 3
- Front brake solenoid valve, ATF pressure SW 1
- Low coast brake solenoid valve, ATF pressure SW 2

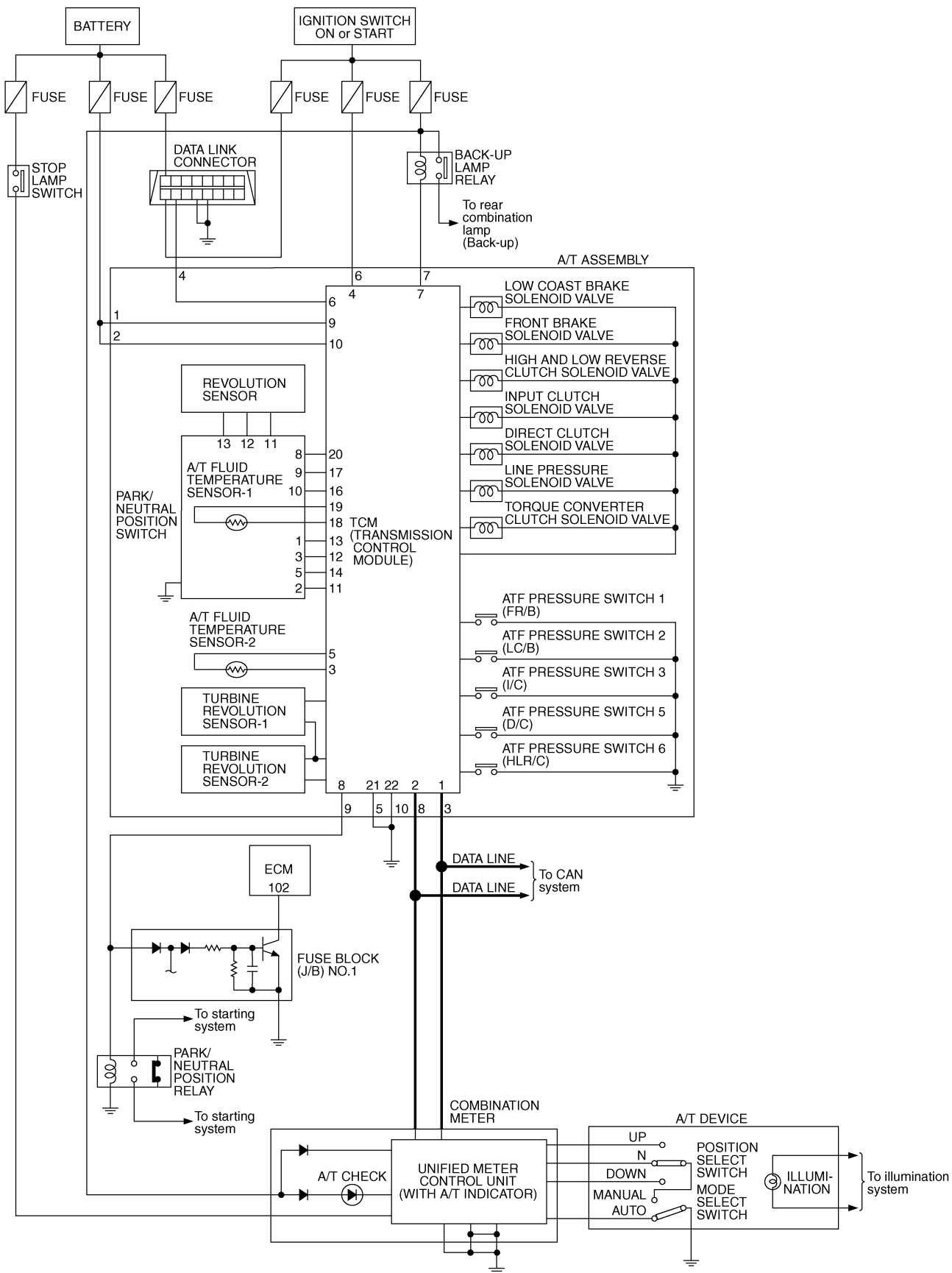


SCIA5730E

TROUBLE DIAGNOSIS

Circuit Diagram

ECS00DVH



TCWM0300E

TROUBLE DIAGNOSIS

ECS00DVI

A
B
AT
D
E
F
G
H
I
J
K
L
M

Inspections Before Trouble Diagnosis

A/T FLUID CHECK

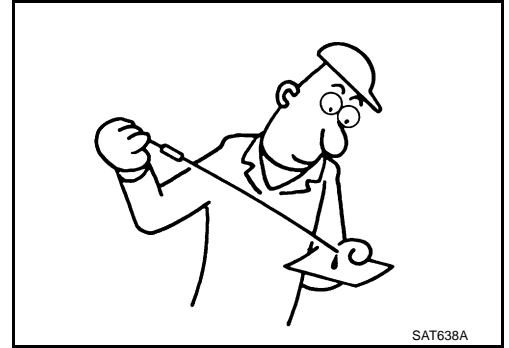
Fluid Leakage and Fluid Level Check

- Inspect for fluid leakage and check the fluid level. Refer to [AT-13, "Checking A/T Fluid"](#).

Fluid Condition Check

Inspect the fluid condition.

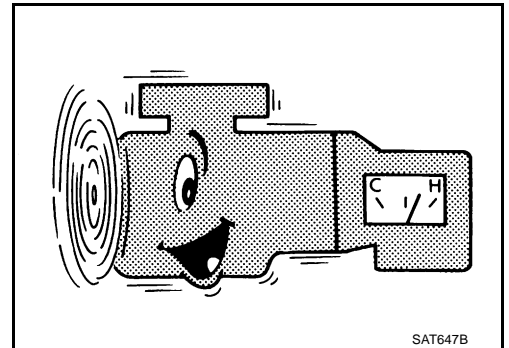
Fluid condition	Conceivable Cause	Required Operation
Varnished (viscous varnish state)	Clutch, brake scorched	Replace the A/T fluid and check the A/T main unit and the vehicle for malfunctions (wire harnesses, cooler pipes, etc.)
Milky white or cloudy	Water in the fluid	Replace the A/T fluid and check for places where water is getting in.
Large amount of metal powder mixed in	Unusual wear of sliding parts within A/T	Replace the A/T fluid and check for improper operation of the A/T.



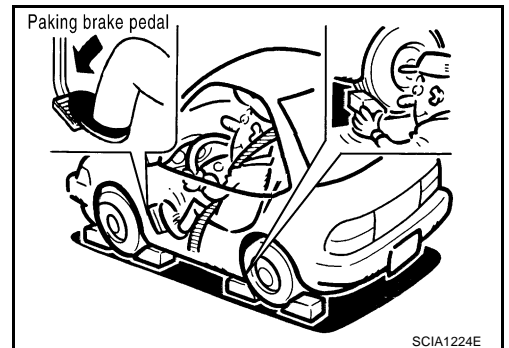
STALL TEST

Stall Test Procedure

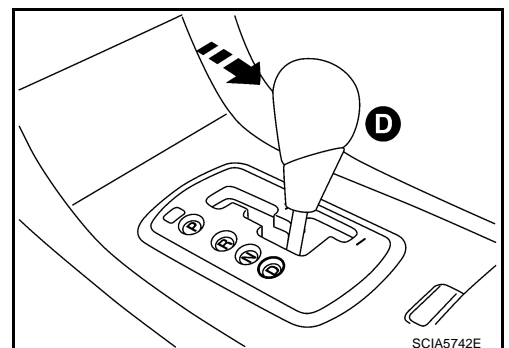
- Inspect the amount of engine oil. Replenish the engine oil if necessary.
- Drive for about 10 minutes to warm up the vehicle so that the A/T fluid temperature is 50 to 80°C (122 to 176°F). Inspect the amount of A/T fluid. Replenish if necessary.



- Securely engage the parking brake so that the tires do not turn.



- Engine start, apply foot brake, and place selector lever in "D" position.

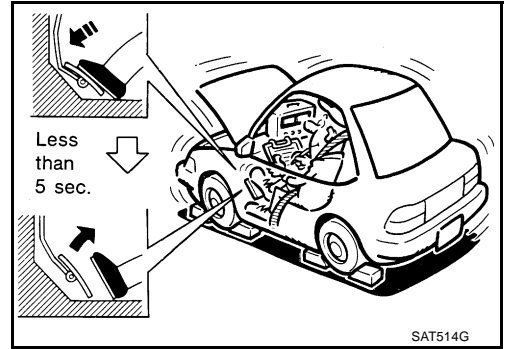


TROUBLE DIAGNOSIS

5. While holding down the foot brake, gradually press down the accelerator pedal.
6. Quickly read off the stall speed, then quickly remove your foot from the accelerator pedal.

CAUTION:

Do not hold down the accelerator pedal for more than 5 seconds during this test.

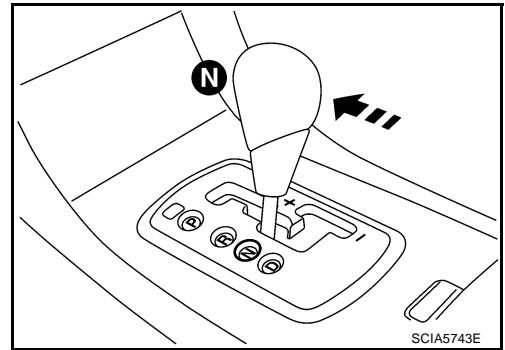


7. Move the selector lever to the "N" position.
8. Cool down the A/T fluid.

CAUTION:

Run the engine at idle for at least 1 minute.

Stall speed: 2,300 - 2,600 rpm



Judgement of Stall Test

	Selector lever position		Possible location of malfunction
	"D" and "M"	"R"	
Stall speed	H	O	<ul style="list-style-type: none"> ● Forward brake ● Forward one-way clutch ● 1st one-way clutch ● 3rd one-way clutch
	O	H	<ul style="list-style-type: none"> ● Reverse brake
	L	L	<ul style="list-style-type: none"> ● Engine and torque converter one-way clutch
	H	H	<ul style="list-style-type: none"> ● Line pressure low

O: Stall speed within standard value position

H: Stall speed higher than standard value

L: Stall speed lower than standard value

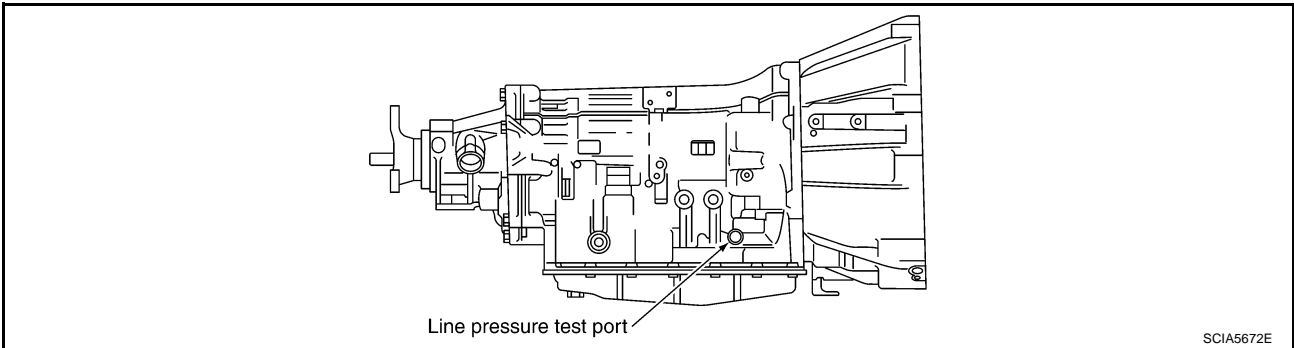
Stall test standard value position

Does not shift-up "D" or "M" position 1 → 2	Slipping in 2nd, 3rd or 4th gear	Direct clutch slippage
Does not shift-up "D" or "M" position 2 → 3	Slipping in 3rd, 4th or 5th gear	High and low reverse clutch slippage
Does not shift-up "D" or "M" position 3 → 4	Slipping in 4th or 5th gear	Input clutch slippage
Does not shift-up "D" or "M" position 4 → 5	Slipping in 5th gear	Front brake slippage

TROUBLE DIAGNOSIS

LINE PRESSURE TEST

Line Pressure Test Port



Line Pressure Test Procedure

1. Inspect the amount of engine oil and replenish if necessary.
2. Drive the car for about 10 minutes to warm it up so that the A/T fluid reaches in range of 50 to 80°C (122 to 176°F), then inspect the amount of A/T fluid and replenish if necessary.

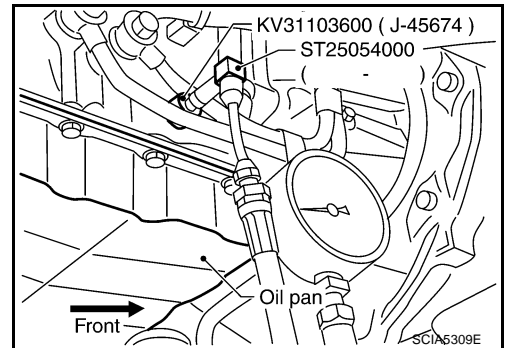
NOTE:

The A/T fluid temperature rises in range of 50 to 80°C (122 to 176°F) during 10 minutes of driving.

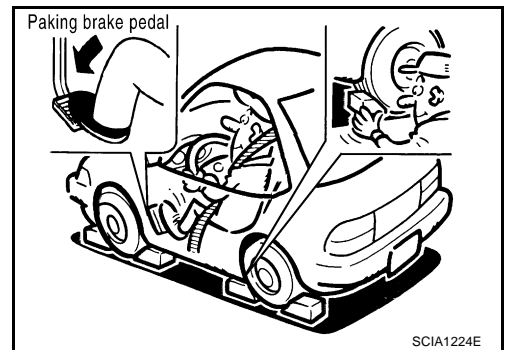
3. After warming up remove the oil pressure detection plug and install the oil pressure gauge [ST2505S001(J-34301-C)].

CAUTION:

When using the oil pressure gauge, be sure to use the O-ring attached to the oil pressure detection plug.



4. Securely engage the parking brake so that the tires do not turn.



5. Start the engine, then measure the line pressure at both idle and the stall speed.

CAUTION:

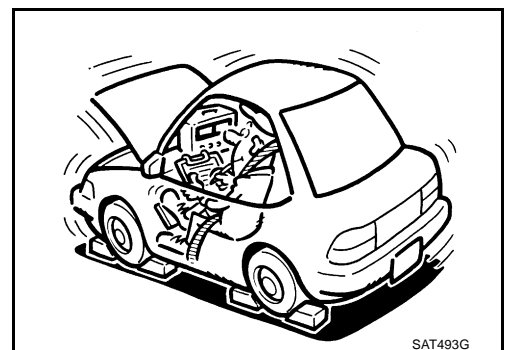
- Keep the brake pedal pressed all the way down during measurement.
- When measuring the line pressure at the stall speed, refer to [AT-51. "STALL TEST"](#).

6. After the measurements are complete, install the oil pressure detection plug and tighten to the specified torque.

 :7.3 N-m (0.74 kg-m, 65 in-lb)

CAUTION:

- Do not reuse O-ring.
- Apply ATF to O-ring.



TROUBLE DIAGNOSIS

Line Pressure

Engine speed	Line pressure [kPa (kg/cm ² , psi)]	
	"R" position	"D" and "M" positions
At idle speed	392 - 441 (4.0 - 4.5, 57 - 64)	373 - 422 (3.8 - 4.3, 54 - 61)
At stall speed	1,700 - 1,890 (17.3 - 19.3, 247 - 274)	1,310 - 1,500 (13.3 - 15.3, 190 - 218)

Judgement of Line Pressure Test

Judgement		Possible cause
Idle speed	Low for all positions ("P", "R", "N", "D", "M")	<p>Possible causes include malfunctions in the pressure supply system and low oil pump output. For example</p> <ul style="list-style-type: none"> ● Oil pump wear ● Pressure regulator valve or plug sticking or spring fatigue ● Oil strainer ⇒ oil pump ⇒ pressure regulator valve passage oil leak ● Engine idle speed too low
	Only low for a specific position	<p>Possible causes include an oil pressure leak in a passage or device related to the position after the pressure is distributed by the manual valve.</p>
	High	<p>Possible causes include a sensor malfunction or malfunction in the line pressure adjustment function. For example</p> <ul style="list-style-type: none"> ● Accelerator pedal position signal malfunction ● A/T fluid temperature sensor malfunction ● Line pressure solenoid malfunction (sticking in OFF state, filter clog, cut line) ● Pressure regulator valve or plug sticking
Stall speed	Oil pressure does not rise higher than the oil pressure for idle.	<p>Possible causes include a sensor malfunction or malfunction in the pressure adjustment function. For example</p> <ul style="list-style-type: none"> ● Accelerator pedal position signal malfunction ● TCM breakdown ● Line pressure solenoid malfunction (shorting, sticking in ON state) ● Pressure regulator valve or plug sticking ● Pilot valve sticking or pilot filter clogged
	The pressure rises, but does not enter the standard position.	<p>Possible causes include malfunctions in the pressure supply system and malfunction in the pressure adjustment function. For example</p> <ul style="list-style-type: none"> ● Accelerator pedal position signal malfunction ● Line pressure solenoid malfunction (sticking, filter clog) ● Pressure regulator valve or plug sticking ● Pilot valve sticking or pilot filter clogged
	Only low for a specific position	<p>Possible causes include an oil pressure leak in a passage or device related to the position after the pressure is distributed by the manual valve.</p>

TROUBLE DIAGNOSIS

ROAD TEST

Description

- The road test inspects overall performance of the A/T and analyzes possible malfunction causes.
- The road test is performed out in the following three stages.
 1. Check before engine is started. Refer to [AT-55](#) .
 2. Check at idle. Refer to [AT-56](#) .
 3. Cruise test
 - Inspect all the items from Part 1 to Part 3. Refer to [AT-59](#) , [AT-62](#) , [AT-63](#) .
 - Before beginning the road test, check the test procedure and inspection items.
 - Test all inspection items until the symptom is uncovered. Diagnose NG items when all road tests are complete.

Check Before Engine is Started

ECS00DVJ

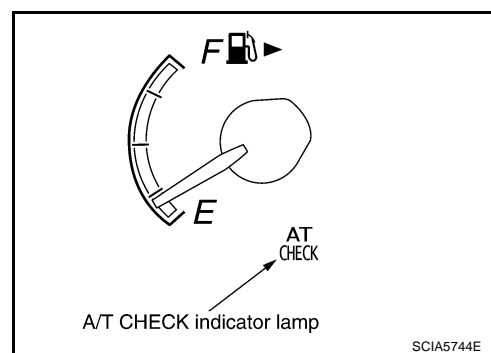
1. CHECK A/T CHECK INDICATOR LAMP

1. Park vehicle on level surface.
2. Move selector lever to "P" position.
3. Turn ignition switch OFF and wait at least 10 seconds.
4. Turn ignition switch ON.

Does A/T CHECK indicator lamp light up for about 2 seconds?

YES >> GO TO 2.

NO >> Stop the road test and go to [AT-195, "A/T CHECK Indicator Lamp Does Not Come On"](#) .



2. CHECK A/T CHECK INDICATOR LAMP

Does A/T CHECK indicator lamp flash for about 8 seconds?

YES >> For TCM fail-safe mode, perform self-diagnostics and record all NG items on the [AT-46, "DIAGNOSTIC WORKSHEET"](#) . Refer to [AT-94, "SELF-DIAGNOSTIC RESULT MODE"](#) , [AT-104, "Diagnostic Procedure without CONSULT-II"](#) .

NO >> 1. Turn ignition switch OFF.

2. Perform self-diagnostics and record all NG items on the [AT-46, "DIAGNOSTIC WORKSHEET"](#) . Refer to [AT-94, "SELF-DIAGNOSTIC RESULT MODE"](#) , [AT-104, "Diagnostic Procedure without CONSULT-II"](#) .

3. Go to [AT-56, "Check at Idle"](#) .

TROUBLE DIAGNOSIS

ECS00DVK

Check at Idle

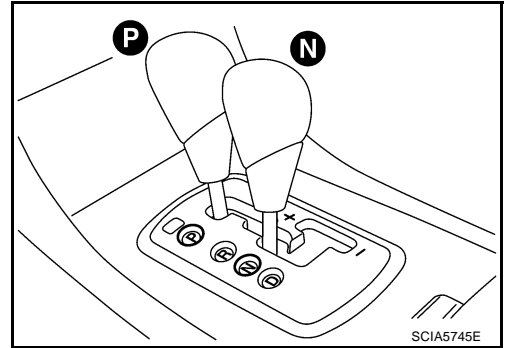
1. CHECK STARTING THE ENGINE

1. Park vehicle on level surface.
2. Move selector lever to "P" or "N" position.
3. Turn ignition switch OFF.
4. Start engine.

Does the engine start?

YES >> GO TO 2.

NO >> Stop the road test and go to [AT-196, "Engine Cannot Be Started In "P" or "N" Position"](#) .



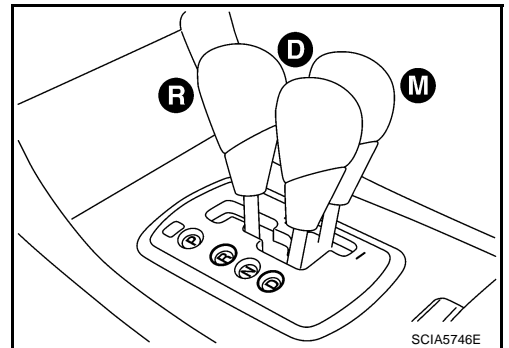
2. CHECK STARTING THE ENGINE

1. Turn ignition switch ON.
2. Move selector lever to "D", "M" or "R" position.
3. Start engine.

Does the engine start in both positions?

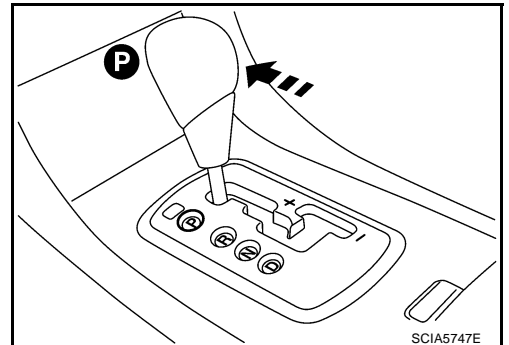
YES >> Stop the road test and go to [AT-196, "Engine Cannot Be Started In "P" or "N" Position"](#) .

NO >> GO TO 3.



3. CHECK "P" POSITION FUNCTIONS

1. Move selector lever to "P" position.
2. Turn ignition switch OFF.
3. Disengage the parking brake.

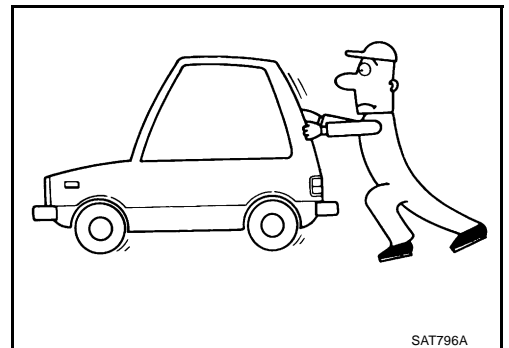


4. Push the vehicle forward or backward.
5. Engage the parking brake.

When you push the vehicle with disengaging the parking brake, does it move?

YES >> Enter a check mark at "In "P" Position Vehicle Moves When Pushed" on the [AT-46, "DIAGNOSTIC WORK-SHEET"](#) , then continue the road test.

NO >> GO TO 4.



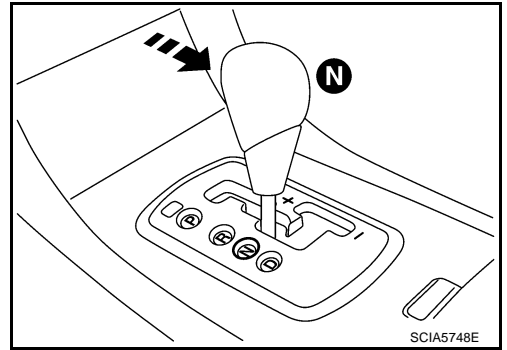
TROUBLE DIAGNOSIS

4. CHECK "N" POSITION FUNCTIONS

1. Start engine.
2. Move selector lever to "N" position.
3. Disengage the parking brake.

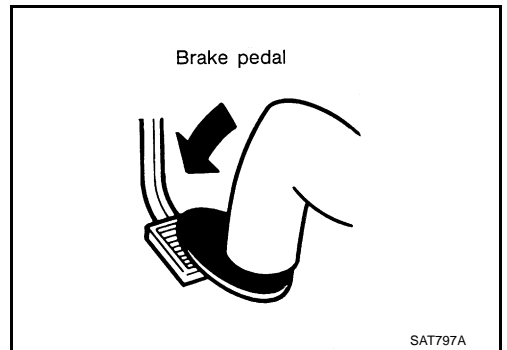
Does vehicle move forward or backward?

- YES >> Enter a check mark at "In "N" Position Vehicle Moves" on the [AT-46, "DIAGNOSTIC WORKSHEET"](#), then continue the road test.
- NO >> GO TO 5.



5. CHECK SHIFT SHOCK

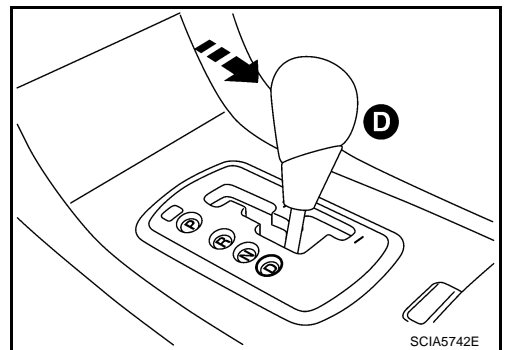
1. Engage the brake.



2. Move selector lever to "D" position.

When the transmission is shifted from "N" to "D", is there an excessive shock?

- YES >> Enter a check mark at "Large Shock ("N" to "D" Position)" on the [AT-46, "DIAGNOSTIC WORKSHEET"](#), then continue the road test.
- NO >> GO TO 6.

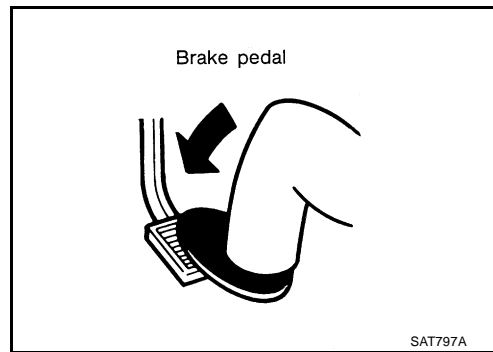


A
B
AT
D
E
F
G
H
I
J
K
L
M

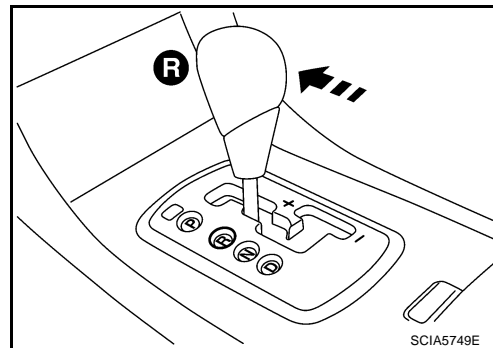
TROUBLE DIAGNOSIS

6. CHECK "R" POSITION FUNCTIONS

1. Engage the brake.



2. Move selector lever to "R" position.

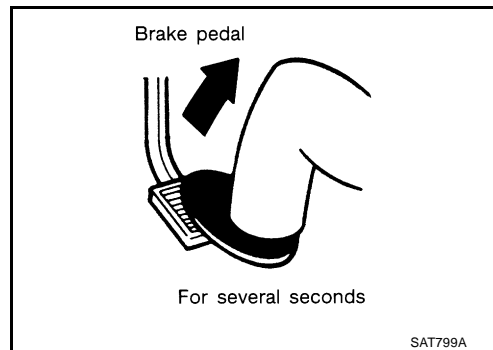


3. Disengage the brake for 4 to 5 seconds.

Does the vehicle creep backward?

YES >> GO TO 7.

NO >> Enter a check mark at "Vehicle Does Not Creep Backward In "R" Position" on the [AT-46, "DIAGNOSTIC WORKSHEET"](#) , then continue the road test.



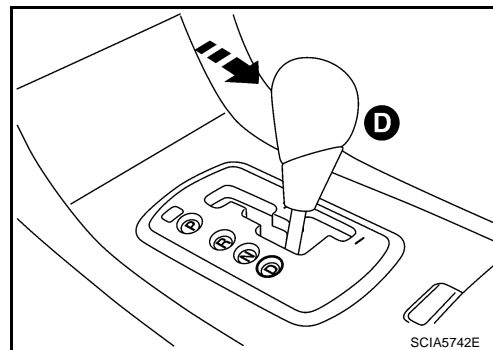
7. CHECK "D" POSITION FUNCTIONS

Inspect whether the vehicle creep forward when the transmission is put into the "D" position.

Does the vehicle creep forward in the "D" positions?

YES >> Go to [AT-59, "Cruise Test - Part 1"](#) , [AT-62, "Cruise Test - Part 2"](#) , and [AT-63, "Cruise Test - Part 3"](#) .

NO >> Enter a check mark at "Vehicle Does Not Creep Forward In "D" Position" on the [AT-46, "DIAGNOSTIC WORKSHEET"](#) , then continue the road test.



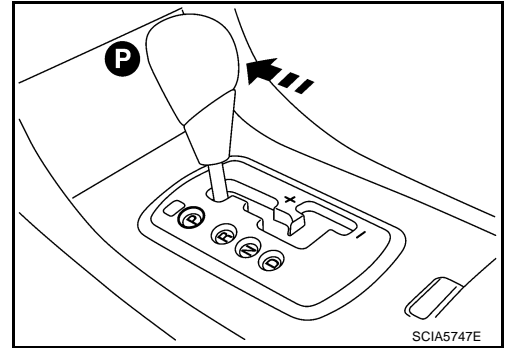
TROUBLE DIAGNOSIS

ECS00DVL

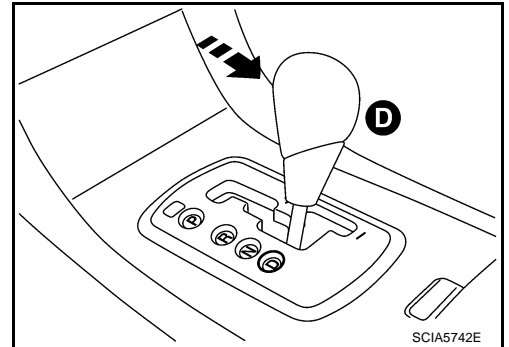
Cruise Test - Part 1

1. CHECK STARTING OUT FROM D1

1. Drive the vehicle for about 10 minutes to warm up the engine oil and A/T fluid.
Appropriate temperature for the A/T fluid: 50 to 80°C (122 to 176°F)
2. Park the vehicle on a level surface.
3. Move selector lever to "P" position.
4. Start the engine.



5. Move selector lever to "D" position.



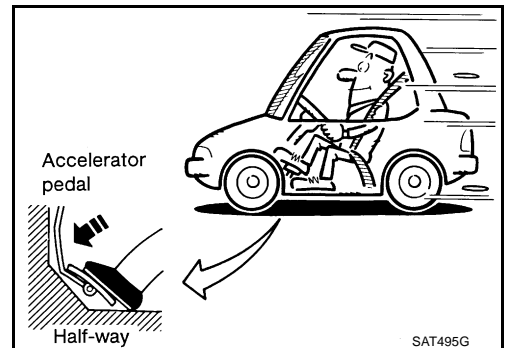
6. Press the accelerator pedal about half way down to accelerate the vehicle.

With CONSULT-II

Read the gear positions. Refer to [AT-97, "DATA MONITOR MODE"](#).
Starts from D1?

YES >> GO TO 2.

NO >> Enter a check mark at "Vehicle Cannot Be Started From D1" on the [AT-46, "DIAGNOSTIC WORKSHEET"](#), then continue the road test.



2. CHECK SHIFT-UP D1 → D2

Press down the accelerator pedal about half way and inspect if the vehicle shifts up (D1 → D2) at the appropriate speed.

- Refer to [AT-64, "Vehicle Speed at Which Gear Shifting Occurs"](#).

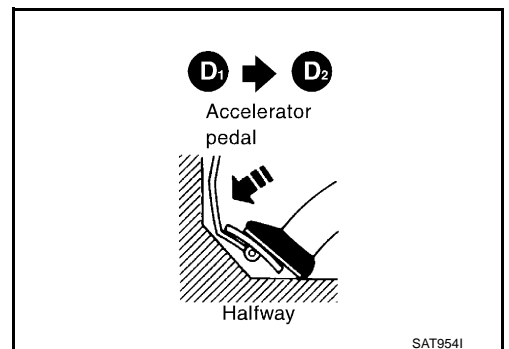
With CONSULT-II

Read the gear position, throttle degree of opening, and vehicle speed. Refer to [AT-97, "DATA MONITOR MODE"](#).

Does the A/T shift-up D1 → D2 at the correct speed?

YES >> GO TO 3.

NO >> Enter a check mark at "A/T Does Not Shift: D1 → D2" on the [AT-46, "DIAGNOSTIC WORKSHEET"](#), then continue the road test.



TROUBLE DIAGNOSIS

3. CHECK SHIFT-UP D2 → D3

Press down the accelerator pedal about half way and inspect if the vehicle shifts up (D2 → D3) at the appropriate speed.

- Refer to [AT-64, "Vehicle Speed at Which Gear Shifting Occurs"](#) .

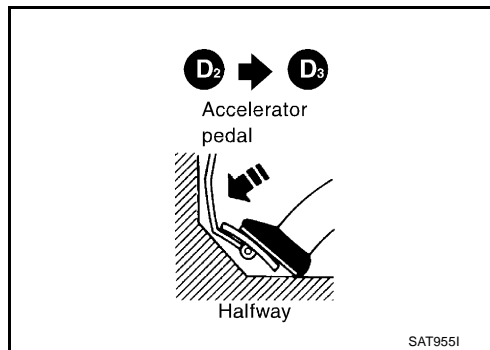
🔧 With CONSULT-II

Read the gear position, throttle degree of opening, and vehicle speed. Refer to [AT-97, "DATA MONITOR MODE"](#) .

Does the A/T shift-up D2 → D3 at the correct speed?

YES >> GO TO 4.

NO >> Enter a check mark at "A/T Does Not Shift: D2 → D3" on the [AT-46, "DIAGNOSTIC WORKSHEET"](#) , then continue the road test.



4. CHECK SHIFT-UP D3 → D4

Press down the accelerator pedal about half way and inspect if the vehicle shifts up (D3 → D4) at the appropriate speed.

- Refer to [AT-64, "Vehicle Speed at Which Gear Shifting Occurs"](#) .

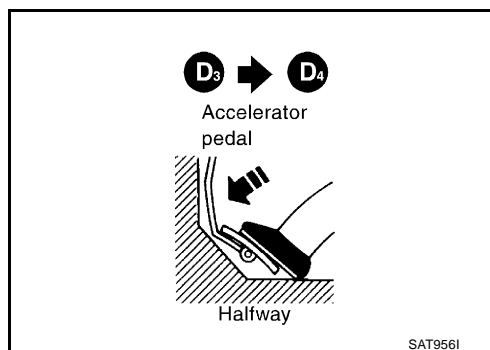
🔧 With CONSULT-II

Read the gear position, throttle degree of opening, and vehicle speed. Refer to [AT-97, "DATA MONITOR MODE"](#) .

Does the A/T shift-up D3 → D4 at the correct speed?

YES >> GO TO 5.

NO >> Enter a check mark at "A/T Does Not Shift: D3 → D4" on the [AT-46, "DIAGNOSTIC WORKSHEET"](#) , then continue the road test.



5. CHECK SHIFT-UP D4 → D5

Press down the accelerator pedal about half way and inspect if the vehicle shifts up (D4 → D5) at the appropriate speed.

- Refer to [AT-64, "Vehicle Speed at Which Gear Shifting Occurs"](#) .

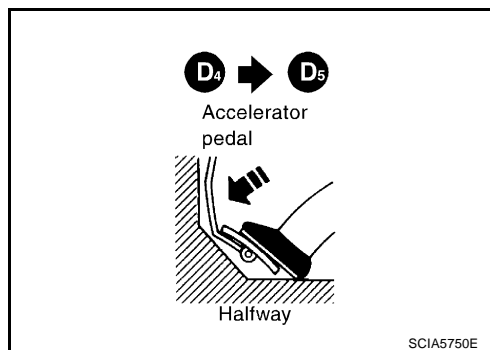
🔧 With CONSULT-II

Read the gear position, throttle degree of opening, and vehicle speed. Refer to [AT-97, "DATA MONITOR MODE"](#) .

Does the A/T shift-up D4 → D5 at the correct speed?

YES >> GO TO 6.

NO >> Enter a check mark at "A/T Does Not Shift: D4 → D5" on the [AT-46, "DIAGNOSTIC WORKSHEET"](#) , then continue the road test.



6. CHECK LOCK-UP

When releasing accelerator pedal from D5, check lock-up from D5 to L/U.

- Refer to [AT-64, "Vehicle Speed at Which Gear Shifting Occurs"](#) .

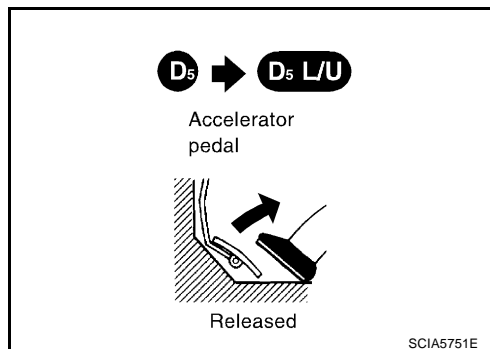
🔧 With CONSULT-II

Select "TCC SOLENOID" with the "MAIN SIGNAL" mode for "A/T". Refer to [AT-91, "CONSULT-II REFERENCE VALUE"](#) .

Does it lock-up?

YES >> GO TO 7.

NO >> Enter a check mark at "A/T Does Not Lock-up" on the [AT-46, "DIAGNOSTIC WORKSHEET"](#) , then continue the road test.



TROUBLE DIAGNOSIS

7. CHECK LOCK-UP HOLD

Check hold lock-up.

④ **With CONSULT-II**

Select "TCC SOLENOID" with the "MAIN SIGNAL" mode for "A/T". Refer to [AT-91, "CONSULT-II REFERENCE VALUE"](#).

Does it maintain lock-up status?

YES >> GO TO 8.

NO >> Enter a check mark at "A/T Does Not Hold Lock-up Condition" on the [AT-46, "DIAGNOSTIC WORKSHEET"](#), then continue the road test.

8. CHECK LOCK-UP RELEASE

Check lock-up cancellation by depressing brake pedal lightly to decelerate.

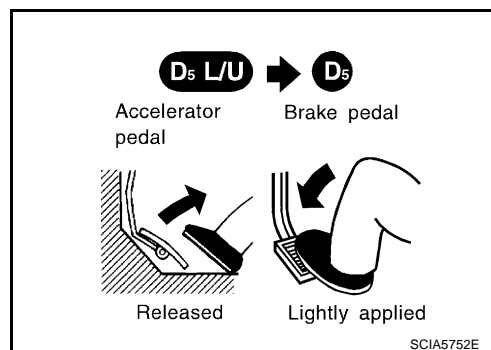
④ **With CONSULT-II**

Select "TCC SOLENOID" with the "MAIN SIGNAL" mode for A/T. Refer to [AT-91, "CONSULT-II REFERENCE VALUE"](#).

Does lock-up cancel?

YES >> GO TO 9.

NO >> Enter a check mark at "Lock-up Is Not Released" on the [AT-46, "DIAGNOSTIC WORKSHEET"](#), then continue the road test.



9. CHECK SHIFT-DOWN D5 → D4

Decelerate by pressing lightly on the brake pedal.

④ **With CONSULT-II**

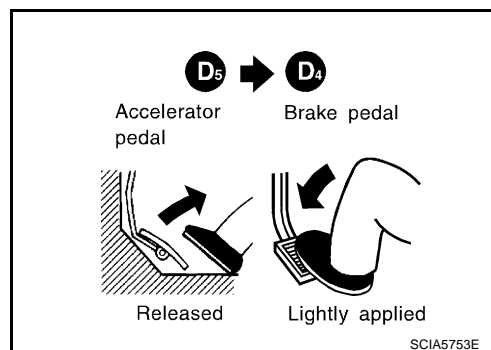
Read the gear position and engine speed. Refer to [AT-97, "DATA MONITOR MODE"](#).

When the A/T shift-down D5 → D4, does the engine speed drop smoothly back to idle?

YES >> 1. Stop the vehicle.

2. Go to [AT-62, "Cruise Test - Part 2"](#).

NO >> Enter a check mark at "Engine Speed Does Not Return To Idle" on the [AT-46, "DIAGNOSTIC WORKSHEET"](#), then continue the road test. Go to [AT-62, "Cruise Test - Part 2"](#).



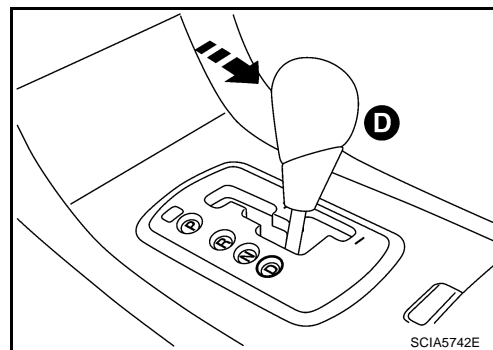
TROUBLE DIAGNOSIS

ECS00DVM

Cruise Test - Part 2

1. CHECK STARTING FROM D1

1. Move selector lever to "D" position.



2. Accelerate at half throttle.

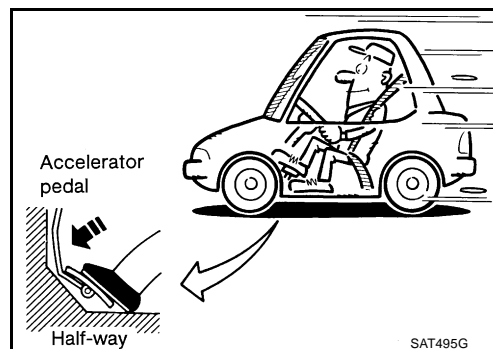
 **With CONSULT-II**

Read the gear position. Refer to [AT-97, "DATA MONITOR MODE"](#).

Does it start from D1?

YES >> GO TO 2.

NO >> Enter a check mark at "Vehicle Cannot Be Started From D1" on the [AT-46, "DIAGNOSTIC WORKSHEET"](#), then continue the road test.



2. CHECK SHIFT-UP D1 → D2

Press the accelerator pedal down all the way and inspect whether or not the transmission shifts up (D1 → D2) at the correct speed.

- Refer to [AT-64, "Vehicle Speed at Which Gear Shifting Occurs"](#).

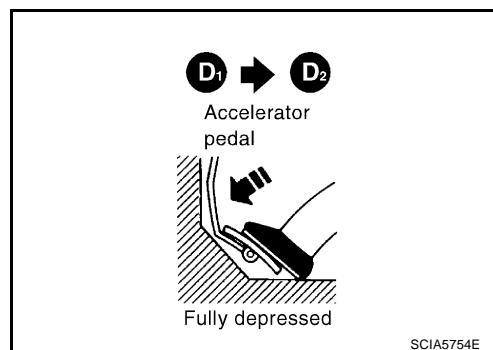
 **With CONSULT-II**

Read the gear position, throttle position and vehicle speed. Refer to [AT-97, "DATA MONITOR MODE"](#).

Does the A/T shift-up D1 → D2 at the correct speed?

YES >> GO TO 3.

NO >> Enter a check mark at "A/T Does Not Shift: D1 → D2" on the [AT-46, "DIAGNOSTIC WORKSHEET"](#), then continue the road test.



3. CHECK SHIFT-UP D2 → D3

Press the accelerator pedal down all the way and inspect whether or not the transmission shifts up (D2 → D3) at the correct speed.

- Refer to [AT-64, "Vehicle Speed at Which Gear Shifting Occurs"](#).

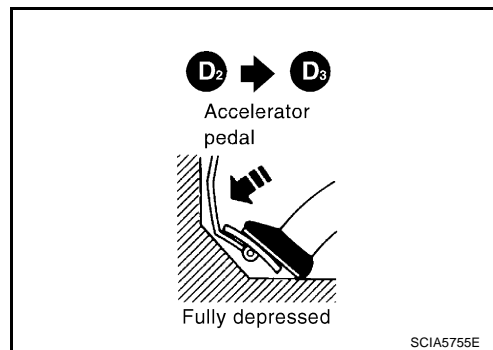
 **With CONSULT-II**

Read the gear position, throttle position and vehicle speed. Refer to [AT-97, "DATA MONITOR MODE"](#).

Does the A/T shift-up D2 → D3 at the correct speed?

YES >> GO TO 4.

NO >> Enter a check mark at "A/T Does Not Shift: D2 → D3" on the [AT-46, "DIAGNOSTIC WORKSHEET"](#), then continue the road test.



TROUBLE DIAGNOSIS

4. CHECK SHIFT-UP D3 → D4 AND ENGINE BRAKE

When the transmission changes speed D3 → D4, return the accelerator pedal.

④ With **CONSULT-II**

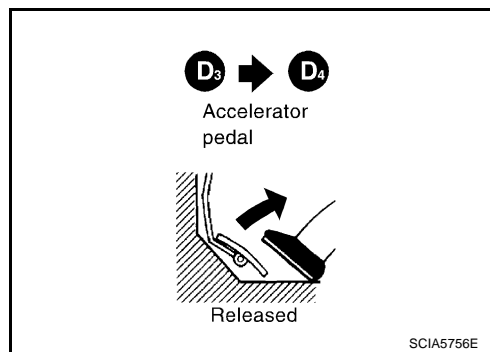
Read the gear position. Refer to [AT-97, "DATA MONITOR MODE"](#).

Does the A/T shift-up D3 → D4 and apply the engine brake?

YES >> 1. Stop the vehicle.

2. Go to [AT-63, "Cruise Test - Part 3"](#).

NO >> Enter a check mark at "A/T Does Not Shift: D3 → D4" on the [AT-46, "DIAGNOSTIC WORKSHEET"](#), then continue the road test. Go to [AT-63, "Cruise Test - Part 3"](#).



Cruise Test - Part 3

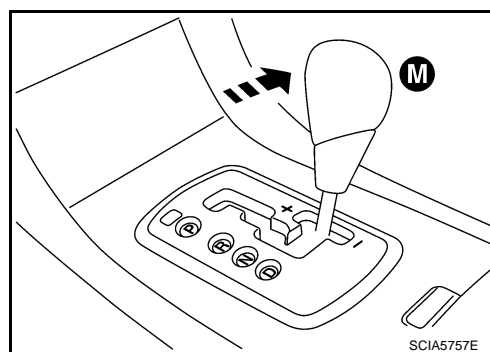
1. MANUAL MODE FUNCTION

Move to manual mode from "D" position.

Does it switch to manual mode?

YES >> GO TO 2.

NO >> Continue road test and add check mark to "Cannot Be Changed To Manual Mode" on [AT-46, "DIAGNOSTIC WORKSHEET"](#).



2. CHECK SHIFT-DOWN

During manual mode driving, is downshift from M5 → M4 → M3 → M2 → M1 performed?

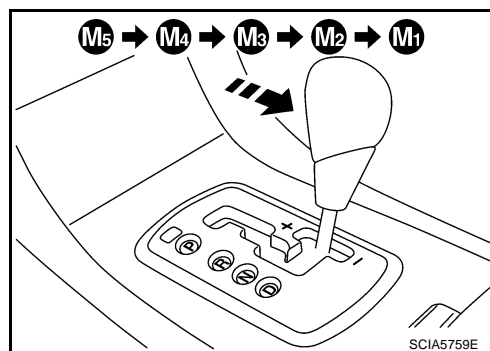
④ With **CONSULT-II**

Read the gear position. Refer to [AT-97, "DATA MONITOR MODE"](#).

Is downshifting correctly performed?

YES >> GO TO 2.

NO >> Enter a check mark at "A/T Does Not Shift" at the corresponding position (5th → 4th, 4th → 3rd, 3rd → 2nd, 2nd → 1st) on the [AT-46, "DIAGNOSTIC WORKSHEET"](#), then continue the road test.



3. CHECK ENGINE BRAKE

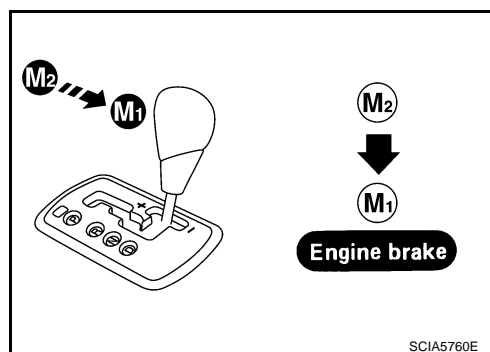
Check engine brake.

Does engine braking effectively reduce speed in M1 position?

YES >> 1. Stop the vehicle.

2. Perform self-diagnostics. Refer to [AT-94, "SELF-DIAGNOSTIC RESULT MODE"](#), [AT-104, "Diagnostic Procedure without CONSULT-II"](#).

NO >> Enter a check mark at "Vehicle Does Not Decelerate By Engine Brake" on the [AT-46, "DIAGNOSTIC WORKSHEET"](#), then continue trouble diagnosis.



TROUBLE DIAGNOSIS

Vehicle Speed at Which Gear Shifting Occurs

ECS00DVO

Throttle position	Vehicle speed km/h (MPH)							
	D1 →D2	D2 →D3	D3 →D4	D4 →D5	D5 →D4	D4 →D3	D3 →D2	D2 →D1
Full throttle	64 - 68 (40 - 42)	95 - 103 (59 - 64)	147 - 157 (91 - 98)	219 - 229 (136 - 142)	215 - 225 (134 - 140)	136 - 146 (85 - 91)	85 - 93 (53 - 58)	41 - 45 (25 - 28)
Half throttle	22 - 26 (14 - 16)	59 - 67 (37 - 42)	100 - 110 (62 - 68)	153 - 163 (95 - 101)	102 - 112 (63 - 70)	55 - 65 (34 - 40)	38 - 46 (24 - 29)	11 - 15 (7 - 9)

- At half throttle, the accelerator opening is 4/8 of the full opening.

Vehicle Speed at Which Lock-up Occurs/Releases

ECS00DVP

Throttle position	Vehicle speed km/h (MPH)	
	Lock-up "ON"	Lock-up "OFF"
Closed throttle	71 - 79 (44 - 49)	53 - 61 (33 - 38)
Half throttle	191 - 199 (119 - 124)	136 - 144 (85 - 89)

- At closed throttle, the accelerator opening is less than 1/8.
- At half throttle, the accelerator opening is 4/8 of the full opening.

Vehicle Speed at Which Slip Lock-up Occurs/Releases

ECS00DVQ

Throttle position	Gear position	Vehicle speed km/h (MPH)	
		Slip lock-up "ON"	Slip lock-up "OFF"
Closed throttle	3rd	27 - 35 (17 - 22)	24 - 32 (15 - 20)
	4th	39 - 47 (24 - 29)	36 - 44 (22 - 27)
	5th	48 - 56 (30 - 35)	45 - 53 (28 - 33)

- At closed throttle, the accelerator opening is less than 1/8.

TROUBLE DIAGNOSIS

Symptom Chart

ECS00DVR

- The diagnostics item numbers show the sequence for inspection. Inspect in order from Item 1.
- Overhaul and inspection inside the A/T only if A/T fluid condition is NG. Refer to [AT-51, "Fluid Condition Check"](#) .

No.	Items	Symptom	Condition	Diagnostic Item	Reference page
1	Shift Shock	Large shock. ("N" → "D" position) Refer to AT-199, "Large Shock ("N" to "D" Position)" .	ON vehicle	1. Engine idle speed	EC-76
				2. Engine speed signal	AT-126
				3. Accelerator pedal position sensor	AT-136
				4. Control linkage adjustment	AT-240
				5. A/T fluid temperature sensor	AT-139
				6. ATF pressure switch 1 and front brake solenoid valve	AT-177, AT-157
				7. CAN communication line	AT-109
				8. Fluid level and state	AT-51
				9. Line pressure test	AT-53
				10. Control valve with TCM	AT-247
			OFF vehicle	11. Forward brake (Parts behind drum support is impossible to perform inspection by disassembly. Refer to AT-18, "Cross-Sectional View")	AT-272
2		Shock is too large when changing D1 → D2 or M1 → M2 .	ON vehicle	1. Accelerator pedal position sensor	AT-136
				2. Control linkage adjustment	AT-240
				3. ATF pressure switch 5 and direct clutch solenoid valve	AT-181, AT-161
				4. CAN communication line	AT-109
				5. Engine speed signal	AT-126
				6. Turbine revolution sensor	AT-144
				7. Vehicle speed sensor-A/T and vehicle speed sensor-MTR	AT-121, AT-146
				8. Fluid level and state	AT-51
				9. Control valve with TCM	AT-247
			OFF vehicle	10. Direct clutch	AT-317

TROUBLE DIAGNOSIS

No.	Items	Symptom	Condition	Diagnostic Item	Reference page
3		Shock is too large when changing D2 → D3 or M2 → M3 .	ON vehicle	1. Accelerator pedal position sensor	AT-136
				2. Control linkage adjustment	AT-240
				3. ATF pressure switch 6, high and low reverse clutch solenoid valve	AT-183 , AT-165
				4. CAN communication line	AT-109
				5. Engine speed signal	AT-126
				6. Turbine revolution sensor	AT-144
				7. Vehicle speed sensor-A/T and vehicle speed sensor-MTR	AT-121 , AT-146
				8. Fluid level and state	AT-51
				9. Control valve with TCM	AT-247
			OFF vehicle	10. High and low reverse clutch	AT-315
4	Shift Shock	Shock is too large when changing D3 → D4 or M3 → M4 .	ON vehicle	1. Accelerator pedal position sensor	AT-136
				2. Control linkage adjustment	AT-240
				3. ATF pressure switch 3 and input clutch solenoid valve	AT-179 , AT-153
				4. CAN communication line	AT-109
				5. Engine speed signal	AT-126
				6. Turbine revolution sensor	AT-144
				7. Vehicle speed sensor-A/T and vehicle speed sensor-MTR	AT-121 , AT-146
				8. Fluid level and state	AT-51
				9. Control valve with TCM	AT-247
			OFF vehicle	10. Input clutch	AT-305
5		Shock is too large when changing D4 → D5 or M4 → M5 .	ON vehicle	1. Accelerator pedal position sensor	AT-136
				2. Control linkage adjustment	AT-240
				3. ATF pressure switch 1 and front brake solenoid valve	AT-177 , AT-157
				4. CAN communication line	AT-109
				5. Engine speed signal	AT-126
				6. Turbine revolution sensor	AT-144
				7. Vehicle speed sensor-A/T and vehicle speed sensor-MTR	AT-121 , AT-146
				8. Fluid level and state	AT-51
				9. Control valve with TCM	AT-247
			OFF vehicle	10. Front brake (brake band)	AT-276
				11. Input clutch	AT-305

TROUBLE DIAGNOSIS

No.	Items	Symptom	Condition	Diagnostic Item	Reference page
6		Shock is too large for downshift when accelerator pedal is pressed.	ON vehicle	1. Accelerator pedal position sensor	AT-136
				2. Control linkage adjustment	AT-240
				3. CAN communication line	AT-109
				4. Engine speed signal	AT-126
				5. Turbine revolution sensor	AT-144
				6. Vehicle speed sensor-A/T and vehicle speed sensor-MTR	AT-121, AT-146
				7. Fluid level and state	AT-51
				8. Control valve with TCM	AT-247
			OFF vehicle	9. Front brake (brake band)	AT-276
				10. Input clutch	AT-305
				11. High and low reverse clutch	AT-315
				12. Direct clutch	AT-317
7	Shift Shock	Shock is too large for upshift when accelerator pedal is released.	ON vehicle	1. Accelerator pedal position sensor	AT-136
				2. Control linkage adjustment	AT-240
				3. Engine speed signal	AT-126
				4. CAN communication line	AT-109
				5. Turbine revolution sensor	AT-144
				6. Vehicle speed sensor-A/T and vehicle speed sensor-MTR	AT-121, AT-146
				7. Fluid level and state	AT-51
				8. Control valve with TCM	AT-247
			OFF vehicle	9. Front brake (brake band)	AT-276
				10. Input clutch	AT-305
				11. High and low reverse clutch	AT-315
				12. Direct clutch	AT-317
8		Shock is too large for lock-up.	ON vehicle	1. Accelerator pedal position sensor	AT-136
				2. Control linkage adjustment	AT-240
				3. Engine speed signal	AT-126
				4. CAN communication line	AT-109
				5. Turbine revolution sensor	AT-144
				6. Vehicle speed sensor-A/T and vehicle speed sensor-MTR	AT-121, AT-146
				7. Torque converter clutch solenoid valve	AT-128
				8. Fluid level and state	AT-51
				9. Control valve with TCM	AT-247
			OFF vehicle	10. Torque converter	AT-284

A
B
AT
D
E
F
G
H
I
J
K
L
M

TROUBLE DIAGNOSIS

No.	Items	Symptom	Condition	Diagnostic Item	Reference page
9	Shift Shock	Shock is too large during engine brake.	ON vehicle	1. Accelerator pedal position sensor	AT-136
				2. Control linkage adjustment	AT-240
				3. CAN communication line	AT-109
				4. Fluid level and state	AT-51
				5. Control valve with TCM	AT-247
			OFF vehicle	6. Front brake (brake band)	AT-276
				7. Input clutch	AT-305
				8. High and low reverse clutch	AT-315
				9. Direct clutch	AT-317
10	No Up Shift	Gear does not change from D1 → D2 or from M1 → M2 . Refer to AT-210, "A/T Does Not Shift: D1 → D2" .	ON vehicle	1. Fluid level and state	AT-51
				2. Vehicle speed sensor-A/T and vehicle speed sensor-MTR	AT-121, AT-146
				3. ATF pressure switch 5 and direct clutch solenoid valve	AT-181, AT-161
				4. Line pressure test	AT-53
				5. CAN communication line	AT-109
				6. Control valve with TCM	AT-247
			OFF vehicle	7. Direct clutch	AT-317
11	No Up Shift	Gear does not change from D2 → D3 or from M2 → M3 . Refer to AT-213, "A/T Does Not Shift: D2 → D3" .	ON vehicle	1. Fluid level and state	AT-51
				2. Vehicle speed sensor-A/T and vehicle speed sensor-MTR	AT-121, AT-146
				3. ATF pressure switch 6, high and low reverse clutch solenoid valve	AT-183, AT-165
				4. Line pressure test	AT-53
				5. CAN communication line	AT-109
				6. Control valve with TCM	AT-247
			OFF vehicle	7. High and low reverse clutch	AT-315
12	No Up Shift	Gear does not change from D3 → D4 or from M3 → M4 . Refer to AT-215, "A/T Does Not Shift: D3 → D4" .	ON vehicle	1. Fluid level and state	AT-51
				2. Vehicle speed sensor-A/T and vehicle speed sensor-MTR	AT-121, AT-146
				3. ATF pressure switch 3 and input clutch solenoid valve	AT-179, AT-153
				4. ATF pressure switch 1 and front brake solenoid valve	AT-177, AT-157
				5. Line pressure test	AT-53
				6. CAN communication line	AT-109
				7. Control valve with TCM	AT-247
			OFF vehicle	8. Input clutch	AT-305

TROUBLE DIAGNOSIS

No.	Items	Symptom	Condition	Diagnostic Item	Reference page
13	No Up Shift	Gear does not change from D4 → D5 or from M4 → M5 . Refer to AT-218, "A/T Does Not Shift: D4 → D5" .	ON vehicle	1. Fluid level and state	AT-51
				2. Vehicle speed sensor-A/T and vehicle speed sensor-MTR	AT-121, AT-146
				3. ATF pressure switch 1 and front brake solenoid valve	AT-177, AT-157
				4. ATF pressure switch 5 and direct clutch solenoid valve	AT-181, AT-161
				5. Turbine revolution sensor	AT-144
				6. Line pressure test	AT-53
				7. CAN communication line	AT-109
				8. Control valve with TCM	AT-247
			OFF vehicle	9. Front brake (brake band)	AT-284
				10. Input clutch	AT-305
14	No Down Shift	In "D" or "M" range, does not downshift to 4th gear. Refer to AT-227, "A/T Does Not Shift: 5th gear → 4th gear" .	ON vehicle	1. Fluid level and state	AT-51
				2. Vehicle speed sensor-A/T and vehicle speed sensor-MTR	AT-121, AT-146
				3. ATF pressure switch 1 and front brake solenoid valve	AT-177, AT-157
				4. ATF pressure switch 5 and direct clutch solenoid valve	AT-181, AT-161
				5. CAN communication line	AT-109
				6. Line pressure test	AT-53
				7. Control valve with TCM	AT-247
			OFF vehicle	8. Front brake (brake band)	AT-284
				9. Input clutch	AT-305
				10. Input clutch	AT-305
15	No Down Shift	In "D" or "M" range, does not downshift to 3rd gear. Refer to AT-229, "A/T Does Not Shift: 4th gear → 3rd gear" .	ON vehicle	1. Fluid level and state	AT-51
				2. Vehicle speed sensor-A/T and vehicle speed sensor-MTR	AT-121, AT-146
				3. ATF pressure switch 3 and input clutch solenoid valve	AT-179, AT-153
				4. ATF pressure switch 1 and front brake solenoid valve	AT-177, AT-157
				5. CAN communication line	AT-109
				6. Line pressure test	AT-53
				7. Control valve with TCM	AT-247
			OFF vehicle	8. Input clutch	AT-305

A
B
AT
D
E
F
G
H
I
J
K
L
M

TROUBLE DIAGNOSIS

No.	Items	Symptom	Condition	Diagnostic Item	Reference page
16	No Down Shift	In "D" or "M" range, does not downshift to 2nd gear. Refer to AT-231, "A/T Does Not Shift: 3rd gear → 2nd gear" .	ON vehicle	1. Fluid level and state	AT-51
				2. Vehicle speed sensor-A/T and vehicle speed sensor-MTR	AT-121, AT-146
				3. ATF pressure switch 6, high and low reverse clutch solenoid valve	AT-183, AT-165
				4. CAN communication line	AT-109
				5. Line pressure test	AT-53
				6. Control valve with TCM	AT-247
			OFF vehicle	7. High and low reverse clutch	AT-315
17	No Down Shift	In "D" or "M" range, does not downshift to 1st gear. Refer to AT-233, "A/T Does Not Shift: 2nd gear → 1st gear" .	ON vehicle	1. Fluid level and state	AT-51
				2. Vehicle speed sensor-A/T and vehicle speed sensor-MTR	AT-121, AT-146
				3. ATF pressure switch 5 and direct clutch solenoid valve	AT-181, AT-161
				4. CAN communication line	AT-109
				5. Line pressure test	AT-53
				6. Control valve with TCM	AT-247
			OFF vehicle	7. Direct clutch	AT-317
18	Slips/Will Not engage	When "D" or "M" position, remains in 1st gear.	ON vehicle	1. Fluid level and state	AT-51
				2. Vehicle speed sensor-A/T and vehicle speed sensor-MTR	AT-121, AT-146
				3. Direct clutch solenoid valve	AT-161
				4. Line pressure test	AT-53
				5. CAN communication line	AT-109
				6. Control valve with TCM	AT-247
			OFF vehicle	7. 3rd one-way clutch	AT-303
				8. 1st one-way clutch	AT-310
				9. Gear system	AT-276
				10. Reverse brake	AT-284
				11. Forward one-way clutch (Parts behind drum support is impossible to perform inspection by disassembly. Refer to AT-18, "Cross-Sectional View" .	AT-272
				12. Forward brake (Parts behind drum support is impossible to perform inspection by disassembly. Refer to AT-18, "Cross-Sectional View" .	AT-272

TROUBLE DIAGNOSIS

No.	Items	Symptom	Condition	Diagnostic Item	Reference page
19		When "D" or "M" position, remains in 2nd gear.	ON vehicle	1. Fluid level and state	AT-51
				2. Vehicle speed sensor-A/T and vehicle speed sensor-MTR	AT-121, AT-146
				3. Low coast brake solenoid valve	AT-169
				4. Line pressure test	AT-53
				5. CAN communication line	AT-109
				6. Control valve with TCM	AT-247
			OFF vehicle	7. 3rd one-way clutch	AT-303
				8. Gear system	AT-276
				9. Direct clutch	AT-317
				10. Forward brake (Parts behind drum support is impossible to perform inspection by disassembly. Refer to AT-18, "Cross-Sectional View" .	AT-272
20	Slips/Will Not engage	When "D" or "M" position, remains in 3rd gear.	ON vehicle	1. Fluid level and state	AT-51
				2. Vehicle speed sensor-A/T and vehicle speed sensor-MTR	AT-121, AT-146
				3. Line pressure test	AT-53
				4. CAN communication line	AT-109
				5. Control valve with TCM	AT-247
			OFF vehicle	6. 3rd one-way clutch	AT-303
				7. Gear system	AT-276
				8. High and low reverse clutch	AT-315
				9. Forward one-way clutch (Parts behind drum support is impossible to perform inspection by disassembly. Refer to AT-18, "Cross-Sectional View" .	AT-272
				10. Forward brake (Parts behind drum support is impossible to perform inspection by disassembly. Refer to AT-18, "Cross-Sectional View" .	AT-272

A
B
AT
D
E
F
G
H
I
J
K
L
M

TROUBLE DIAGNOSIS

No.	Items	Symptom	Condition	Diagnostic Item	Reference page
21	Slips/Will Not engage	When "D" or "M" position, remains in 4th gear.	ON vehicle	1. Fluid level and state	AT-51
				2. Vehicle speed sensor-A/T and vehicle speed sensor-MTR	AT-121, AT-146
				3. ATF pressure switch 3 and input clutch solenoid valve	AT-179, AT-153
				4. ATF pressure switch 5 and direct clutch solenoid valve	AT-181, AT-161
				5. ATF pressure switch 6, high and low reverse clutch solenoid valve	AT-183, AT-165
				6. Low coast brake solenoid valve	AT-169
				7. Front brake solenoid valve	AT-157
				8. Line pressure test	AT-53
				9. CAN communication line	AT-109
				10. Control valve with TCM	AT-247
			OFF vehicle	11. Input clutch	AT-305
				12. Gear system	AT-276
				13. High and low reverse clutch	AT-315
				14. Direct clutch	AT-317
22		When "D" or "M" position, remains in 5th gear.	ON vehicle	1. Fluid level and state	AT-51
				2. Vehicle speed sensor-A/T and vehicle speed sensor-MTR	AT-121, AT-146
				3. ATF pressure switch 1 and front brake solenoid valve	AT-177, AT-157
				4. Line pressure test	AT-53
				5. CAN communication line	AT-109
				6. Control valve with TCM	AT-247
			OFF vehicle	7. Front brake (brake band)	AT-284
				8. Input clutch	AT-305
				9. Gear system	AT-276
				10. High and low reverse clutch	AT-315

TROUBLE DIAGNOSIS

No.	Items	Symptom	Condition	Diagnostic Item	Reference page			
23		Vehicle cannot be started from D1 . Refer to AT-208 , " Vehicle Cannot Be Started From D1 " .	ON vehicle	1. Fluid level and state	AT-51			
				2. Accelerator pedal position sensor	AT-136			
				3. Line pressure test	AT-53			
				4. CAN communication line	AT-109			
				5. Control valve with TCM	AT-247			
			OFF vehicle	6. Torque converter	AT-284			
				7. Oil pump assembly	AT-300			
				8. 3rd one-way clutch	AT-303			
				9. 1st one-way clutch	AT-310			
				10. Gear system	AT-276			
				11. Reverse brake	AT-284			
				12. Forward one-way clutch (Parts behind drum support is impossible to perform inspection by disassembly. Refer to AT-18 , " Cross-Sectional View " .	AT-272			
				13. Forward brake (Parts behind drum support is impossible to perform inspection by disassembly. Refer to AT-18 , " Cross-Sectional View " .	AT-272			
24	Slips/Will Not Engage	Does not lock-up. Refer to AT-220 , " A/T Does Not Lock-up " .	ON vehicle	1. Fluid level and state	AT-51			
				2. Line pressure test	AT-53			
				3. Engine speed signal	AT-126			
				4. Turbine revolution sensor	AT-144			
				5. Torque converter clutch solenoid valve	AT-128			
				6. CAN communication line	AT-109			
				7. Control valve with TCM	AT-247			
			OFF vehicle	8. Torque converter	AT-284			
				9. Oil pump assembly	AT-300			
			25		Does not hold lock-up condition. Refer to AT-223 , " A/T Does Not Hold Lock-up Condition " .	ON vehicle	1. Fluid level and state	AT-51
							2. Line pressure test	AT-53
							3. Engine speed signal	AT-126
							4. Turbine revolution sensor	AT-144
5. Torque converter clutch solenoid valve	AT-128							
6. CAN communication line	AT-109							
7. Control valve with TCM	AT-247							
OFF vehicle	8. Torque converter	AT-284						
	9. Oil pump assembly	AT-300						

A
B
AT
D
E
F
G
H
I
J
K
L
M

TROUBLE DIAGNOSIS

No.	Items	Symptom	Condition	Diagnostic Item	Reference page
26		Lock-up is not released. Refer to AT-224 , "Lock-up Is Not Released" .	ON vehicle	1. Fluid level and state	AT-51
				2. Line pressure test	AT-53
				3. Engine speed signal	AT-126
				4. Turbine revolution sensor	AT-144
				5. Torque converter clutch solenoid valve	AT-128
				6. CAN communication line	AT-109
				7. Control valve with TCM	AT-247
			OFF vehicle	8. Torque converter	AT-284
				9. Oil pump assembly	AT-300
27	Slips/Will Not engage	No shock at all or the clutch slips when vehicle changes speed D1 → D2 or M1 → M2 .	ON vehicle	1. Fluid level and state	AT-51
				2. Vehicle speed sensor-A/T and vehicle speed sensor-MTR	AT-121 , AT-146
				3. ATF pressure switch 5 and direct clutch solenoid valve	AT-181 , AT-161
				4. CAN communication line	AT-109
				5. Line pressure test	AT-53
				6. Control valve with TCM	AT-247
			OFF vehicle	7. Torque converter	AT-284
				8. Oil pump assembly	AT-300
				9. 3rd one-way clutch	AT-303
				10. Gear system	AT-276
				11. Direct clutch	AT-317
				12. Forward brake (Parts behind drum support is impossible to perform inspection by disassembly. Refer to AT-18 , "Cross-Sectional View" .	AT-272

TROUBLE DIAGNOSIS

No.	Items	Symptom	Condition	Diagnostic Item	Reference page
28	Slips/Will Not engage	No shock at all or the clutch slips when vehicle changes speed D2 → D3 or M2 → M3 .	ON vehicle	1. Fluid level and state	AT-51
				2. Vehicle speed sensor-A/T and vehicle speed sensor-MTR	AT-121, AT-146
				3. ATF pressure switch 6, high and low reverse clutch solenoid valve	AT-183, AT-165
				4. CAN communication line	AT-109
				5. Line pressure test	AT-53
				6. Control valve with TCM	AT-247
			OFF vehicle	7. Torque converter	AT-284
				8. Oil pump assembly	AT-300
				9. 3rd one-way clutch	AT-303
				10. Gear system	AT-276
				11. High and low reverse clutch	AT-315
				12. Forward one-way clutch (Parts behind drum support is impossible to perform inspection by disassembly. Refer to AT-18, "Cross-Sectional View" .	AT-272
				13. Forward brake (Parts behind drum support is impossible to perform inspection by disassembly. Refer to AT-18, "Cross-Sectional View" .	AT-272
29	Slips/Will Not engage	No shock at all or the clutch slips when vehicle changes speed D3 → D4 or M3 → M4 .	ON vehicle	1. Fluid level and state	AT-51
				2. Vehicle speed sensor-A/T and vehicle speed sensor-MTR	AT-121, AT-146
				3. ATF pressure switch 3 and input clutch solenoid valve	AT-179, AT-153
				4. ATF pressure switch 1 and front brake solenoid valve	AT-177, AT-157
				5. CAN communication line	AT-109
				6. Line pressure test	AT-53
				7. Control valve with TCM	AT-247
			OFF vehicle	8. Torque converter	AT-284
				9. Oil pump assembly	AT-300
				10. Input clutch	AT-305
				11. Gear system	AT-276
				12. High and low reverse clutch	AT-315
				13. Direct clutch	AT-317

A
B
AT
D
E
F
G
H
I
J
K
L
M

TROUBLE DIAGNOSIS

No.	Items	Symptom	Condition	Diagnostic Item	Reference page
30	Slips/Will Not engage	No shock at all or the clutch slips when vehicle changes speed D4 → D5 or M4 → M5 .	ON vehicle	1. Fluid level and state	AT-51
				2. Vehicle speed sensor-A/T and vehicle speed sensor-MTR	AT-121, AT-146
				3. ATF pressure switch 1 and front brake solenoid valve	AT-177, AT-157
				4. ATF pressure switch 5 and direct clutch solenoid valve	AT-181, AT-161
				5. CAN communication line	AT-109
				6. Line pressure test	AT-53
				7. Control valve with TCM	AT-247
			OFF vehicle	8. Torque converter	AT-284
				9. Oil pump assembly	AT-300
				10. Front brake (brake band)	AT-284
				11. Input clutch	AT-305
				12. Gear system	AT-276
				13. High and low reverse clutch	AT-315
31	Slips/Will Not engage	When you press the accelerator pedal and shift speed D5 → D4 or M5 → M4 the engine idles or the transmission slips.	ON vehicle	1. Fluid level and state	AT-51
				2. Vehicle speed sensor-A/T and vehicle speed sensor-MTR	AT-121, AT-146
				3. ATF pressure switch 1 and front brake solenoid valve	AT-177, AT-157
				4. ATF pressure switch 5 and direct clutch solenoid valve	AT-181, AT-161
				5. CAN communication line	AT-109
				6. Line pressure test	AT-53
				7. Control valve with TCM	AT-247
			OFF vehicle	8. Torque converter	AT-284
				9. Oil pump assembly	AT-300
				10. Input clutch	AT-305
				11. Gear system	AT-276
				12. High and low reverse clutch	AT-315
				13. Direct clutch	AT-317

TROUBLE DIAGNOSIS

No.	Items	Symptom	Condition	Diagnostic Item	Reference page
32	Slips/Will Not engage	When you press the accelerator pedal and shift speed D4 → D3 or M4 → M3 the engine idles or the transmission slips.	ON vehicle	1. Fluid level and state	AT-51
				2. Vehicle speed sensor-A/T and vehicle speed sensor-MTR	AT-121, AT-146
				3. ATF pressure switch 3 and input clutch solenoid valve	AT-179, AT-153
				4. ATF pressure switch 1 and front brake solenoid valve	AT-177, AT-157
				5. CAN communication line	AT-109
				6. Line pressure test	AT-53
				7. Control valve with TCM	AT-247
			OFF vehicle	8. Torque converter	AT-284
				9. Oil pump assembly	AT-300
				10. 3rd one-way clutch	AT-303
				11. Gear system	AT-276
				12. High and low reverse clutch	AT-315
				13. Forward one-way clutch (Parts behind drum support is impossible to perform inspection by disassembly. Refer to AT-18, " Cross-Sectional View ".	AT-272
				14. Forward brake (Parts behind drum support is impossible to perform inspection by disassembly. Refer to AT-18, " Cross-Sectional View ".	AT-272
33	Slips/Will Not engage	When you press the accelerator pedal and shift speed D3 → D2 or M3 → M2 the engine idles or the transmission slips.	ON vehicle	1. Fluid level and state	AT-51
				2. Vehicle speed sensor-A/T and vehicle speed sensor-MTR	AT-121, AT-146
				3. ATF pressure switch 6, high and low reverse clutch solenoid valve	AT-183, AT-165
				4. ATF pressure switch 5 and direct clutch solenoid valve	AT-181, AT-161
				5. CAN communication line	AT-109
				6. Line pressure test	AT-53
				7. Control valve with TCM	AT-247
			OFF vehicle	8. Torque converter	AT-284
				9. Oil pump assembly	AT-300
				10. 3rd one-way clutch	AT-303
				11. Gear system	AT-276
				12. Direct clutch	AT-317
				13. Forward brake (Parts behind drum support is impossible to perform inspection by disassembly. Refer to AT-18, " Cross-Sectional View ".	AT-272

TROUBLE DIAGNOSIS

No.	Items	Symptom	Condition	Diagnostic Item	Reference page
34	Slips/Will Not Engage	When you press the accelerator pedal and shift speed D2 → D1 or M2 → M1 the engine idles or the transmission slips.	ON vehicle	1. Fluid level and state	AT-51
				2. Vehicle speed sensor-A/T and vehicle speed sensor-MTR	AT-121 , AT-146
				3. ATF pressure switch 5 and direct clutch solenoid valve	AT-181 , AT-161
				4. CAN communication line	AT-109
				5. Line pressure test	AT-53
				6. Control valve with TCM	AT-247
			OFF vehicle	7. Torque converter	AT-284
				8. Oil pump assembly	AT-300
				9. 3rd one-way clutch	AT-303
				10. 1st one-way clutch	AT-310
				11. Gear system	AT-276
				12. Reverse brake	AT-284
				13. Forward one-way clutch (Parts behind drum support is impossible to perform inspection by disassembly. Refer to AT-18 , " Cross-Sectional View ".)	AT-272
				14. Forward brake (Parts behind drum support is impossible to perform inspection by disassembly. Refer to AT-18 , " Cross-Sectional View ".)	AT-272
35	With selector lever in "D" position, acceleration is extremely poor.		ON vehicle	1. Fluid level and state	AT-51
				2. Line pressure test	AT-53
				3. Accelerator pedal position sensor	AT-136
				4. CAN communication line	AT-109
				5. PNP switch	AT-117
				6. Control linkage adjustment	AT-240
				7. Control valve with TCM	AT-247
			OFF vehicle	8. Torque converter	AT-284
				9. Oil pump assembly	AT-300
				10. 1st one-way clutch	AT-310
				11. Gear system	AT-276
				12. Reverse brake	AT-284
				13. Forward one-way clutch (Parts behind drum support is impossible to perform inspection by disassembly. Refer to AT-18 , " Cross-Sectional View ".)	AT-272
				14. Forward brake (Parts behind drum support is impossible to perform inspection by disassembly. Refer to AT-18 , " Cross-Sectional View ".)	AT-272

TROUBLE DIAGNOSIS

No.	Items	Symptom	Condition	Diagnostic Item	Reference page
36		With selector lever in "R" position, acceleration is extremely poor.	ON vehicle	1. Fluid level and state	AT-51
				2. Line pressure test	AT-53
				3. Accelerator pedal position sensor	AT-136
				4. ATF pressure switch 6, high and low reverse clutch solenoid valve	AT-183 , AT-165
				5. CAN communication line	AT-109
				6. PNP switch	AT-117
				7. Control linkage adjustment	AT-240
				8. Control valve with TCM	AT-247
			OFF vehicle	9. Gear system	AT-276
				10. Output shaft	AT-284
				11. Reverse brake	AT-284
37	Slips/Will Not Engage	While starting off by accelerating in 1st, engine races or slippage occurs.	ON vehicle	1. Fluid level and state	AT-51
				2. Line pressure test	AT-53
				3. Accelerator pedal position sensor	AT-136
				4. CAN communication line	AT-109
				5. Control valve with TCM	AT-247
			OFF vehicle	6. Torque converter	AT-284
				7. Oil pump assembly	AT-300
				8. 3rd one-way clutch	AT-303
				9. 1st one-way clutch	AT-310
				10. Gear system	AT-276
				11. Reverse brake	AT-284
				12. Forward one-way clutch (Parts behind drum support is impossible to perform inspection by disassembly. Refer to AT-18 , " Cross-Sectional View ".	AT-272
				13. Forward brake (Parts behind drum support is impossible to perform inspection by disassembly. Refer to AT-18 , " Cross-Sectional View ".	AT-272

A
B
AT
D
E
F
G
H
I
J
K
L
M

TROUBLE DIAGNOSIS

No.	Items	Symptom	Condition	Diagnostic Item	Reference page
38		While accelerating in 2nd, engine races or slippage occurs.	ON vehicle	1. Fluid level and state	AT-51
				2. Line pressure test	AT-53
				3. Accelerator pedal position sensor	AT-136
				4. CAN communication line	AT-109
				5. ATF pressure switch 5 and direct clutch solenoid valve	AT-181, AT-161
				6. Control valve with TCM	AT-247
			OFF vehicle	7. Torque converter	AT-284
				8. Oil pump assembly	AT-300
				9. 3rd one-way clutch	AT-303
				10. Gear system	AT-276
				11. Direct clutch	AT-317
				12. Forward brake (Parts behind drum support is impossible to perform inspection by disassembly. Refer to AT-18, "Cross-Sectional View" .	AT-272
39	Slips/Will Not Engage	While accelerating in 3rd, engine races or slippage occurs.	ON vehicle	1. Fluid level and state	AT-51
				2. Line pressure test	AT-53
				3. Accelerator pedal position sensor	AT-136
				4. CAN communication line	AT-109
				5. ATF pressure switch 6, high and low reverse clutch solenoid valve	AT-183, AT-165
				6. Control valve with TCM	AT-247
			OFF vehicle	7. Torque converter	AT-284
				8. Oil pump assembly	AT-300
				9. 3rd one-way clutch	AT-303
				10. Gear system	AT-276
				11. High and low reverse clutch	AT-315
				12. Forward one-way clutch (Parts behind drum support is impossible to perform inspection by disassembly. Refer to AT-18, "Cross-Sectional View" .	AT-272
				13. Forward brake (Parts behind drum support is impossible to perform inspection by disassembly. Refer to AT-18, "Cross-Sectional View" .	AT-272

TROUBLE DIAGNOSIS

No.	Items	Symptom	Condition	Diagnostic Item	Reference page
40		While accelerating in 4th, engine races or slippage occurs.	ON vehicle	1. Fluid level and state	AT-51
				2. Line pressure test	AT-53
				3. Accelerator pedal position sensor	AT-136
				4. CAN communication line	AT-109
				5. ATF pressure switch 3 and input clutch solenoid valve	AT-179, AT-153
				6. Control valve with TCM	AT-247
			OFF vehicle	7. Torque converter	AT-284
				8. Oil pump assembly	AT-300
				9. Input clutch	AT-305
				10. Gear system	AT-276
				11. High and low reverse clutch	AT-315
				12. Direct clutch	AT-317
41	Slips/Will Not Engage	While accelerating in 5th, engine races or slippage occurs.	ON vehicle	1. Fluid level and state	AT-51
				2. Line pressure test	AT-53
				3. Accelerator pedal position sensor	AT-136
				4. CAN communication line	AT-109
				5. ATF pressure switch 1 and front brake solenoid valve	AT-177, AT-157
				6. Control valve with TCM	AT-247
			OFF vehicle	7. Torque converter	AT-284
				8. Oil pump assembly	AT-300
				9. Front brake (brake band)	AT-284
				10. Input clutch	AT-305
				11. Gear system	AT-276
				12. High and low reverse clutch	AT-315
42		Slips at lock-up.	ON vehicle	1. Fluid level and state	AT-51
				2. Line pressure test	AT-53
				3. Engine speed signal	AT-126
				4. Turbine revolution sensor	AT-144
				5. Torque converter clutch solenoid valve	AT-128
				6. CAN communication line	AT-109
				7. Control valve with TCM	AT-247
			OFF vehicle	8. Torque converter	AT-284
				9. Oil pump assembly	AT-300

A
B
AT
D
E
F
G
H
I
J
K
L
M

TROUBLE DIAGNOSIS

No.	Items	Symptom	Condition	Diagnostic Item	Reference page
43	Slips/Will Not Engage	No creep at all. Refer to AT-202 , " Vehicle Does Not Creep Backward In "R" Position ", AT-205 , " Vehicle Does Not Creep Forward In "D" Position "	ON vehicle	1. Fluid level and state	AT-51
				2. Line pressure test	AT-53
				3. Accelerator pedal position sensor	AT-136
				4. ATF pressure switch 5 and direct clutch solenoid valve	AT-181 , AT-161
				5. PNP switch	AT-117
				6. CAN communication line	AT-109
				7. Control linkage adjustment	AT-240
				8. Control valve with TCM	AT-247
			OFF vehicle	9. Torque converter	AT-284
				10. Oil pump assembly	AT-300
				11. 1st one-way clutch	AT-310
				12. Gear system	AT-276
				13. Reverse brake	AT-284
				14. Direct clutch	AT-317
				15. Forward one-way clutch (Parts behind drum support is impossible to perform inspection by disassembly. Refer to AT-18 , " Cross-Sectional View " .	AT-272
				16. Forward brake (Parts behind drum support is impossible to perform inspection by disassembly. Refer to AT-18 , " Cross-Sectional View " .	AT-272
44	Vehicle cannot run in all positions.		ON vehicle	1. Fluid level and state	AT-51
				2. Line pressure test	AT-53
				3. PNP switch	AT-117
				4. Control linkage adjustment	AT-240
				5. Control valve with TCM	AT-247
			OFF vehicle	6. Oil pump assembly	AT-300
				7. Gear system	AT-276
				8. Output shaft	AT-284

TROUBLE DIAGNOSIS

No.	Items	Symptom	Condition	Diagnostic Item	Reference page
45	Slips/Will Not Engage	With selector lever in "D" position, driving is not possible.	ON vehicle	1. Fluid level and state	AT-51
				2. Line pressure test	AT-53
				3. PNP switch	AT-117
				4. Control linkage adjustment	AT-240
				5. Control valve with TCM	AT-247
			OFF vehicle	6. Torque converter	AT-284
				7. Oil pump assembly	AT-300
				8. 1st one-way clutch	AT-310
				9. Gear system	AT-276
				10. Reverse brake	AT-284
				11. Forward one-way clutch (Parts behind drum support is impossible to perform inspection by disassembly. Refer to AT-18 . " Cross-Sectional View ".	AT-272
				12. Forward brake (Parts behind drum support is impossible to perform inspection by disassembly. Refer to AT-18 . " Cross-Sectional View ".	AT-272
46		With selector lever in "R" position, driving is not possible.	ON vehicle	1. Fluid level and state	AT-51
				2. Line pressure test	AT-53
				3. PNP switch	AT-117
				4. Control linkage adjustment	AT-240
				5. Control valve with TCM	AT-247
			OFF vehicle	6. Gear system	AT-276
				7. Output shaft	AT-284
				8. Reverse brake	AT-284
47	Does Not Change	Does not change M5 → M4.	ON vehicle	1. PNP switch	AT-117
				2. Fluid level and state	AT-51
				3. Control linkage adjustment	AT-240
				4. Manual mode switch	AT-173
				5. ATF pressure switch 1	AT-177
				6. CAN communication line	AT-109
				7. Control valve with TCM	AT-247
			OFF vehicle	8. Front brake (brake band)	AT-284

A
B
AT
D
E
F
G
H
I
J
K
L
M

TROUBLE DIAGNOSIS

No.	Items	Symptom	Condition	Diagnostic Item	Reference page	
48	Does Not Change	Does not change M4 → M3.	ON vehicle	1. PNP switch	AT-117	
				2. Fluid level and state	AT-51	
				3. Control linkage adjustment	AT-240	
				4. Manual mode switch	AT-173	
				5. ATF pressure switch 1 and ATF pressure switch 3	AT-177 , AT-179	
				6. CAN communication line	AT-109	
				7. Control valve with TCM	AT-247	
OFF vehicle		8. Front brake (brake band)	AT-284			
		9. Input clutch	AT-305			
49			Does not change M3 → M2.	ON vehicle	1. PNP switch	AT-117
					2. Fluid level and state	AT-51
					3. Control linkage adjustment	AT-240
					4. Manual mode switch	AT-173
					5. ATF pressure switch 6	AT-183
	6. CAN communication line				AT-109	
	7. Control valve with TCM				AT-247	
	OFF vehicle			8. Front brake (brake band)	AT-284	
				9. Input clutch	AT-305	
				10. High and low reverse clutch	AT-315	
50		Does not change M2 → M1.	ON vehicle	1. PNP switch	AT-117	
				2. Fluid level and state	AT-51	
				3. Control linkage adjustment	AT-240	
				4. Manual mode switch	AT-173	
				5. ATF pressure switch 5	AT-181	
				6. CAN communication line	AT-109	
				7. Control valve with TCM	AT-247	
			OFF vehicle	8. Input clutch	AT-305	
				9. High and low reverse clutch	AT-315	
				10. Direct clutch	AT-317	
51		Cannot be changed to manual mode. Refer to AT-226 , " Cannot Be Changed to Manual Mode ".	ON vehicle	1. Manual mode switch	AT-173	
				2. Turbine revolution sensor	AT-144	
				3. CAN communication line	AT-109	
52	Others	Shift point is high in "D" position.	ON vehicle	1. Vehicle speed sensor-A/T and vehicle speed sensor-MTR	AT-121 , AT-146	
				2. Accelerator pedal position sensor	AT-136	
				3. CAN communication line	AT-109	
				4. A/T fluid temperature sensor	AT-139	
				5. Control valve with TCM	AT-247	

TROUBLE DIAGNOSIS

No.	Items	Symptom	Condition	Diagnostic Item	Reference page	
53		Shift point is low in "D" position.	ON vehicle	1. Vehicle speed sensor-A/T and vehicle speed sensor-MTR	AT-121 , AT-146	
				2. Accelerator pedal position sensor	AT-136	
				3. CAN communication line	AT-109	
				4. Control valve with TCM	AT-247	
54		Judder occurs during lock-up.	ON vehicle	1. Fluid level and state	AT-51	
				2. Engine speed signal	AT-126	
				3. Turbine revolution sensor	AT-144	
				4. Vehicle speed sensor-A/T and vehicle speed sensor-MTR	AT-121 , AT-146	
			OFF vehicle	5. Accelerator pedal position sensor	AT-136	
				6. CAN communication line	AT-109	
				7. Torque converter clutch solenoid valve	AT-128	
				8. Control valve with TCM	AT-247	
55	Others	Strange noise in "R" position.	ON vehicle	9. Torque converter	AT-284	
				OFF vehicle	1. Fluid level and state	AT-51
					2. Engine speed signal	AT-126
					3. CAN communication line	AT-109
			4. Control valve with TCM		AT-247	
			5. Torque converter		AT-284	
			6. Oil pump assembly	AT-300		
			7. Gear system	AT-276		
			8. High and low reverse clutch	AT-315		
9. Reverse brake	AT-284					
56		Strange noise in "N" position.	ON vehicle	1. Fluid level and state	AT-51	
				2. Engine speed signal	AT-126	
				3. CAN communication line	AT-109	
				4. Control valve with TCM	AT-247	
			OFF vehicle	5. Torque converter	AT-284	
				6. Oil pump assembly	AT-300	
				7. Gear system	AT-276	

A
B
AT
D
E
F
G
H
I
J
K
L
M

TROUBLE DIAGNOSIS

No.	Items	Symptom	Condition	Diagnostic Item	Reference page
57		Strange noise in "D" position.	ON vehicle	1. Fluid level and state	AT-51
				2. Engine speed signal	AT-126
				3. CAN communication line	AT-109
				4. Control valve with TCM	AT-247
			OFF vehicle	5. Torque converter	AT-284
				6. Oil pump assembly	AT-300
				7. Gear system	AT-276
				8. Forward brake (Parts behind drum support is impossible to perform inspection by disassembly. Refer to AT-18 , " Cross-Sectional View ".	AT-272
58	Others	Vehicle dose not decelerate by engine brake. Refer to AT-235 , " Vehicle Does Not Decelerate By Engine Brake ".	ON vehicle	1. PNP switch	AT-117
				2. Fluid level and state	AT-51
				3. Control linkage adjustment	AT-240
				4. Manual mode switch	AT-173
				5. ATF pressure switch 5	AT-181
				6. CAN communication line	AT-109
				7. Control valve with TCM	AT-247
			OFF vehicle	8. Input clutch	AT-305
				9. High and low reverse clutch	AT-315
				10. Direct clutch	AT-317
59		Engine brake does not work M5 → M4.	ON vehicle	1. PNP switch	AT-117
				2. Fluid level and state	AT-51
				3. Control linkage adjustment	AT-240
				4. Manual mode switch	AT-173
				5. ATF pressure switch 1	AT-177
				6. CAN communication line	AT-109
				7. Control valve with TCM	AT-247
			OFF vehicle	8. Front brake (brake band)	AT-284
60		Engine brake does not work M4 → M3.	ON vehicle	1. PNP switch	AT-117
				2. Fluid level and state	AT-51
				3. Control linkage adjustment	AT-240
				4. Manual mode switch	AT-173
				5. ATF pressure switch 1 and ATF pressure switch 3	AT-177 , AT-179
				6. CAN communication line	AT-109
				7. Control valve with TCM	AT-247
			OFF vehicle	8. Front brake (brake band)	AT-284
				9. Input clutch	AT-305

TROUBLE DIAGNOSIS

No.	Items	Symptom	Condition	Diagnostic Item	Reference page
61		Engine brake does not work M3 → M2.	ON vehicle	1. PNP switch	AT-117
				2. Fluid level and state	AT-51
				3. Control linkage adjustment	AT-240
				4. Manual mode switch	AT-173
				5. ATF pressure switch 6	AT-183
				6. CAN communication line	AT-109
				7. Control valve with TCM	AT-247
			OFF vehicle	8. Front brake (brake band)	AT-284
				9. Input clutch	AT-305
				10. High and low reverse clutch	AT-315
62	Others	Engine brake does not work M2 → M1.	ON vehicle	1. PNP switch	AT-117
				2. Fluid level and state	AT-51
				3. Control linkage adjustment	AT-240
				4. Manual mode switch	AT-173
				5. ATF pressure switch 5	AT-181
				6. CAN communication line	AT-109
				7. Control valve with TCM	AT-247
			OFF vehicle	8. Input clutch	AT-305
				9. High and low reverse clutch	AT-315
				10. Direct clutch	AT-317
63		Maximum speed low.	ON vehicle	1. Fluid level and state	AT-51
				2. Line pressure test	AT-53
				3. Accelerator pedal position sensor	AT-136
				4. CAN communication line	AT-109
				5. Direct clutch solenoid valve	AT-161
				6. Control valve with TCM	AT-247
			OFF vehicle	7. Torque converter	AT-284
				8. Oil pump assembly	AT-300
				9. Input clutch	AT-305
				10. Gear system	AT-276
				11. High and low reverse clutch	AT-315
				12. Direct clutch	AT-317
				13. Forward one-way clutch (Parts behind drum support is impossible to perform inspection by disassembly. Refer to AT-18, "Cross-Sectional View" .	AT-272
				14. Forward brake (Parts behind drum support is impossible to perform inspection by disassembly. Refer to AT-18, "Cross-Sectional View" .	AT-272

A
B
AT
D
E
F
G
H
I
J
K
L
M

TROUBLE DIAGNOSIS

No.	Items	Symptom	Condition	Diagnostic Item	Reference page
64	Others	Extremely large creep.	ON vehicle	1. Engine idle speed	EC-76
				2. CAN communication line	AT-109
				3. ATF pressure switch 5	AT-181
OFF vehicle		4. Torque converter	AT-284		
65		With selector lever in "P" position, vehicle does not enter parking condition or, with selector lever in another position, parking condition is not cancelled. Refer to AT-197, "In "P" Position, Vehicle Moves When Pushed" .	ON vehicle	1. PNP switch	AT-117
				2. Control linkage adjustment	AT-240
	3. Parking components			AT-260	
66	Vehicle runs with transmission in "P" position.	ON vehicle	1. PNP switch	AT-117	
			2. Fluid level and state	AT-51	
			3. Control linkage adjustment	AT-240	
			4. Control valve with TCM	AT-247	
			5. Parking components	AT-260	
OFF vehicle	6. Gear system	AT-276			
67	Vehicle runs with transmission in "N" position. Refer to AT-198, "In "N" Position, Vehicle Moves" .	ON vehicle	1. PNP switch	AT-117	
			2. Fluid level and state	AT-51	
			3. Control linkage adjustment	AT-240	
			4. Control valve with TCM	AT-247	
		OFF vehicle	5. Input clutch	AT-305	
			6. Gear system	AT-276	
			7. Direct clutch	AT-317	
			8. Reverse brake	AT-284	
			9. Forward one-way clutch (Parts behind drum support is impossible to perform inspection by disassembly. Refer to AT-18, "Cross-Sectional View" .	AT-272	
			10. Low coast brake (Parts behind drum support is impossible to perform inspection by disassembly. Refer to AT-18, "Cross-Sectional View" .	AT-272	

TROUBLE DIAGNOSIS

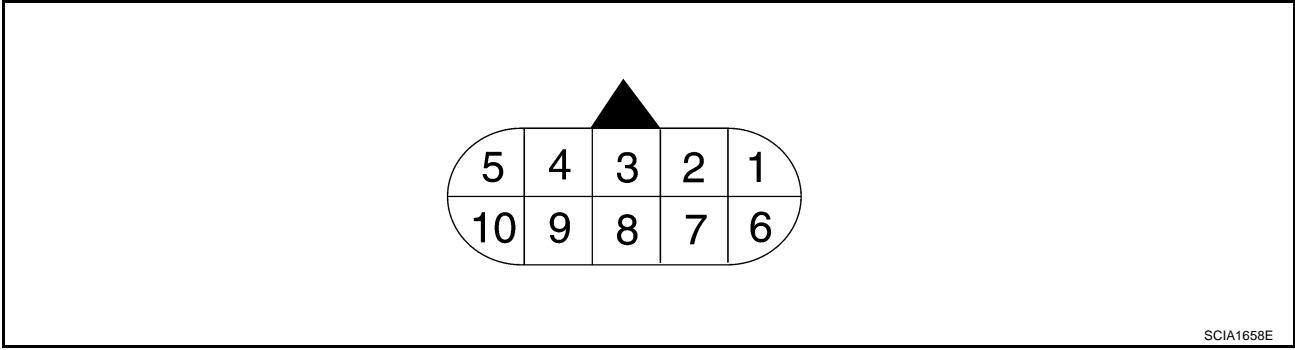
No.	Items	Symptom	Condition	Diagnostic Item	Reference page
68		Engine does not start in "N" or "P" position. Refer to AT-196 , " Engine Cannot Be Started In "P" or "N" Position ".	ON vehicle	1. Ignition switch and starter	PG-2, SC-9
				2. Control linkage adjustment	AT-240
				3. PNP switch	AT-117
69		Engine starts in positions other than "N" or "P".	ON vehicle	1. Ignition switch and starter	PG-2, SC-9
				2. Control linkage adjustment	AT-240
				3. PNP switch	AT-117
70		Engine stall.	ON vehicle	1. Fluid level and state	AT-51
				2. Engine speed signal	AT-126
				3. Turbine revolution sensor	AT-144
				4. Torque converter clutch solenoid valve	AT-128
				5. CAN communication line	AT-109
				6. Control valve with TCM	AT-247
			OFF vehicle	7. Torque converter	AT-284
71	Others	Engine stalls when selector lever shifted "N" → "D" or "R".	ON vehicle	1. Fluid level and state	AT-51
				2. Engine speed signal	AT-126
				3. Turbine revolution sensor	AT-144
				4. Torque converter clutch solenoid valve	AT-128
				5. CAN communication line	AT-109
				6. Control valve with TCM	AT-247
			OFF vehicle	7. Torque converter	AT-284
72		Engine speed does not return to idle. Refer to AT-225 , " Engine Speed Does Not Return To Idle ".	ON vehicle	1. Fluid level and state	AT-51
				2. ATF pressure switch 5 and direct clutch solenoid valve	AT-181, AT-161
				3. ATF pressure switch 1 and front brake solenoid valve	AT-177, AT-157
				4. Accelerator pedal position sensor	AT-136
				5. Vehicle speed sensor-A/T and vehicle speed sensor-MTR	AT-121, AT-146
				6. CAN communication line	AT-109
				7. Control valve with TCM	AT-247
			OFF vehicle	8. Front brake (brake band)	AT-284
				9. Direct clutch	AT-317

A
B
AT
D
E
F
G
H
I
J
K
L
M

TROUBLE DIAGNOSIS

TCM Input/Output Signal Reference Values A/T ASSEMBLY HARNESS CONNECTOR TERMINAL LAYOUT





ECS00DVS



SCIA1658E

TCM INSPECTION TABLE

Data are reference value and are measured between each terminal and ground.

Terminal	Wire color	Item	Condition	Data (Approx.)	
1	W/B	Power supply (Memory back-up)	Always	Battery voltage	
2	W/B	Power supply (Memory back-up)	Always	Battery voltage	
3	L	CAN-H	-	-	
4	PU	K-line (CONSULT-II signal)	The terminal is connected to the data link connector for CONSULT-II.	-	
5	B	Ground	Always	0V	
6	G/R	Power supply		-	Battery voltage
				-	0V
7	R	Back-up lamp relay		Selector lever in "R" position.	0V
				Selector lever in other positions.	Battery voltage
8	P	CAN-L	-	-	
9	B/W	Park/neutral position relay		Selector lever in "N" and "P" positions.	Battery voltage
				Selector lever in other positions.	0V
10	B	Ground	Always	0V	

TROUBLE DIAGNOSIS

CONSULT-II Function (A/T)

ECS00DVT

CONSULT-II can display each diagnostic item using the diagnostic test modes shown following.

FUNCTION

Diagnostic test mode	Function	Reference page
Self-diagnostic results	Self-diagnostic results can be read and erased quickly.	AT-94
Data monitor	Input/Output data in the ECU can be read.	AT-97
CAN diagnostic support monitor	The results of transmit/receive diagnosis of CAN communication can be read.	AT-101
Function test	Performed by CONSULT-II instead of a technician to determine whether each system is "OK" or "NG".	—
DTC work support	Select the operating condition to confirm Diagnostic Trouble Codes.	AT-101
ECU part number	ECU part number can be read.	—

CONSULT-II REFERENCE VALUE

NOTICE:

- The CONSULT-II electrically displays shift timing and lock-up timing (that is, operation timing of each solenoid).
Check for time difference between actual shift timing and the CONSULT-II display. If the difference is noticeable, mechanical parts (except solenoids, sensors, etc.) may be malfunctioning. Check mechanical parts using applicable diagnostic procedures.
- Shift schedule (which implies gear position) displayed on CONSULT-II and that indicated in Service Manual may differ slightly. This occurs because of the following reasons:
 - Actual shift schedule has more or less tolerance or allowance,
 - Shift schedule indicated in Service Manual refers to the point where shifts start, and
 - Gear position displayed on CONSULT-II indicates the point where shifts are completed.
- Display of solenoid valves on CONSULT-II changes at the start of shifting, while gear position is displayed upon completion of shifting (which is computed by TCM).

Item name	Condition	Display value (Approx.)
VHCL/S SE-A/T	During driving	Approximately matches the speedometer reading.
VHCL/S SE-MTR		
ACCELE POSI	Released accelerator pedal.	0.0/8
	Fully depressed accelerator pedal.	8/8
THROTTLE POSI	Released accelerator pedal.	0.0/8
	Fully depressed accelerator pedal.	8/8
CLSD THL POS	Released accelerator pedal.	ON
	Fully depressed accelerator pedal.	OFF
W/O THL POS	Fully depressed accelerator pedal.	ON
	Released accelerator pedal.	OFF
BRAKE SW	Depressed brake pedal.	ON
	Released brake pedal.	OFF
ENGINE SPEED	Engine running	Closely matches the tachometer reading.
TURBINE REV	During driving (lock-up ON)	Approximately matches the engine speed.
ATF TEMP SE 1	0°C (32° F) - 20°C (68°F) - 80°C (176°F)	2.2 - 1.8 - 0.6 V
ATF TEMP SE 2		2.2 - 1.7 - 0.45 V

TROUBLE DIAGNOSIS

Item name	Condition	Display value (Approx.)
TCC SOLENOID	Slip lock-up is active	0.2 - 0.4 A
	Lock-up is active	0.4 - 0.6 A
LINE PRES SOL	During driving	0.2 - 0.6 A
FR/B SOLENOID	Front brake engaged. Refer to AT-20 .	0.6 - 0.8 A
	Front brake disengaged. Refer to AT-20 .	0 - 0.05 A
I/C SOLENOID	Input clutch disengaged. Refer to AT-20 .	0.6 - 0.8 A
	Input clutch engaged. Refer to AT-20 .	0 - 0.05 A
D/C SOLENOID	Direct clutch disengaged. Refer to AT-20 .	0.6 - 0.8 A
	Direct clutch engaged. Refer to AT-20 .	0 - 0.05 A
HLR/C SOL	High and low reverse clutch disengaged. Refer to AT-20 .	0.6 - 0.8 A
	High and low reverse clutch engaged. Refer to AT-20 .	0 - 0.05 A
STARTER RELAY	Selector lever in "N", "P" position.	ON
	Selector lever in other position.	OFF
SLCT LVR POSI	Selector lever in "N", "P" position.	N/P
	Selector lever in "R" position.	R
	Selector lever in "D" position.	D
ON OFF SOL	Low coast brake engaged. Refer to AT-20 .	ON
	Low coast brake disengaged. Refer to AT-20 .	OFF
ATF PRES SW 1	Front brake engaged. Refer to AT-20 .	ON
	Front brake disengaged. Refer to AT-20 .	OFF
ATF PRES SW 2	Low coast brake engaged. Refer to AT-20 .	ON
	Low coast brake disengaged. Refer to AT-20 .	OFF
ATF PRES SW 3	Input clutch engaged. Refer to AT-20 .	ON
	Input clutch disengaged. Refer to AT-20 .	OFF
ATF PRES SW 5	Direct clutch engaged. Refer to AT-20 .	ON
	Direct clutch disengaged. Refer to AT-20 .	OFF
ATF PRES SW 6	High and low reverse clutch engaged. Refer to AT-20 .	ON
	High and low reverse clutch disengaged Refer to AT-20 .	OFF
MANU MODE SW	Manual shift gate position (neutral)	ON
	Other than the above	OFF
NON M-MODE SW	Manual shift gate position	OFF
	Other than the above	ON
UP SW LEVER	Selector lever: + side	ON
	Other than the above	OFF
DOWN SW LEVER	Selector lever: - side	ON
	Other than the above	OFF
GEAR	During driving	1, 2, 3, 4, 5

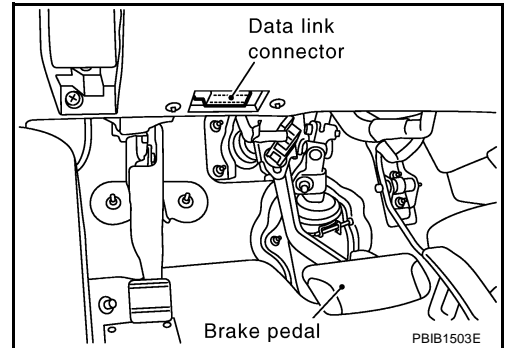
TROUBLE DIAGNOSIS

CONSULT-II SETTING PROCEDURE

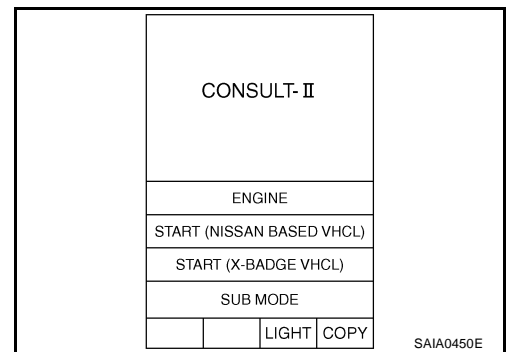
CAUTION:

If CONSULT-II is used with no connection of CONSULT-II CONVERTER, malfunctions might be detected in self-diagnosis depending on control unit which carry out CAN communication.

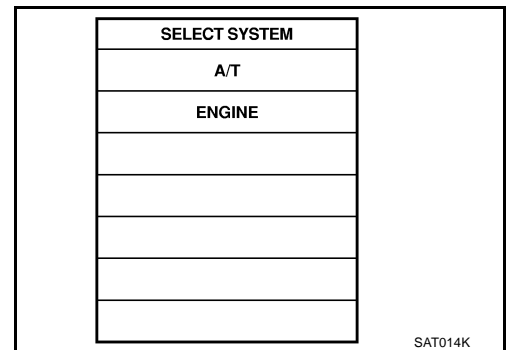
- For details, refer to the separate "CONSULT-II Operations Manual".
1. Turn ignition switch OFF.
 2. Connect CONSULT-II and CONSULT-II CONVERTER to data link connector, which is located in instrument lower driver panel.



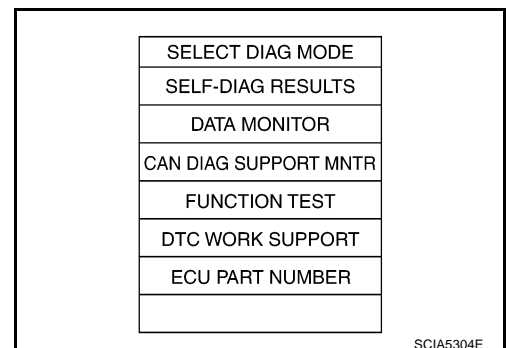
3. Turn ignition switch ON.
4. Touch "START (NISSAN BASED VHCL)".



5. Touch "A/T".
If "A/T" is not indicated, go to [GI-38, "CONSULT-II Data Link Connector \(DLC\) Circuit"](#).



6. Perform each diagnostic test mode according to each service procedure.



A
B
AT
D
E
F
G
H
I
J
K
L
M

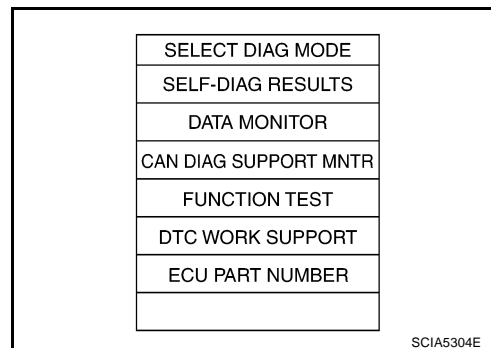
TROUBLE DIAGNOSIS

SELF-DIAGNOSTIC RESULT MODE

After performing self-diagnosis, place check marks for results on the [AT-46, "DIAGNOSTIC WORKSHEET"](#) . Reference pages are provided following the items.

Operation Procedure

1. Perform "CONSULT-II SETTING PROCEDURE". Refer to [AT-93, "CONSULT-II SETTING PROCEDURE"](#) .
2. Touch "SELF-DIAG RESULTS".
Display shows malfunction experienced since the last erasing operation.



Display Items List

X: Applicable, —: Not applicable

Items (CONSULT-II screen terms)	Malfunction is detected when...	TCM self-diagnosis	OBD-II (DTC)	Reference page
		"A/T" with CONSULT-II	MIL indicator lamp*1, "ENGINE" with CONSULT-II or GST	
CAN COMM CIR-CUIT	<ul style="list-style-type: none"> When a malfunction is detected in CAN communications 	U1000	U1000	AT-109
STARTER RELAY/CIRC	<ul style="list-style-type: none"> If this signal is ON other than in "P" or "N" position, this is judged to be a malfunction. (And if it is OFF in "P" or "N" position, this too is judged to be a malfunction.) 	P0615	—	AT-112
TCM	<ul style="list-style-type: none"> TCM is malfunctioning 	P0700	P0700	AT-116
PNP SW/CIRC	<ul style="list-style-type: none"> PNP switch 1-4 signals input with impossible pattern "P" position is detected from "N" position without any other position being detected in between. 	P0705	P0705	AT-117
VEH SPD SEN/CIR AT (Revolution sensor)	<ul style="list-style-type: none"> Signal from vehicle speed sensor A/T (Revolution sensor) not input due to cut line or the like Unexpected signal input during running After ignition switch is turned ON, unexpected signal input from vehicle speed sensor MTR before the vehicle starts moving 	P0720	P0720	AT-121
ENGINE SPEED SIG	<ul style="list-style-type: none"> TCM does not receive the CAN communication signal from the ECM. 	P0725	—	AT-126
TCC SOLENOID/CIRC	<ul style="list-style-type: none"> Normal voltage not applied to solenoid due to cut line, short, or the like 	P0740	P0740	AT-128
A/T TCC S/V FNCTN	<ul style="list-style-type: none"> A/T cannot perform lock-up even if electrical circuit is good. TCM detects as irregular by comparing difference value with slip rotation. 	P0744	P0744*2	AT-130
L/PRESS SOL/CIRC	<ul style="list-style-type: none"> Normal voltage not applied to solenoid due to cut line, short, or the like TCM detects as irregular by comparing target value with monitor value. 	P0745	P0745	AT-132
TCM-RAM	<ul style="list-style-type: none"> TCM memory (RAM) is malfunctioning. 	P1702	—	AT-134

TROUBLE DIAGNOSIS

Items (CONSULT-II screen terms)	Malfunction is detected when...	TCM self-diagnosis	OBD-II (DTC)	Reference page
		"A/T" with CONSULT-II	MIL indicator lamp*1, "ENGINE" with CONSULT-II or GST	
TCM-ROM	<ul style="list-style-type: none"> ● TCM memory (ROM) is malfunctioning. 	P1703	—	AT-135
TP SEN/CIRC A/T	<ul style="list-style-type: none"> ● TCM does not receive the proper accelerator pedal position signals (input by CAN communication) from ECM. 	P1705	—	AT-136
ATF TEMP SEN/CIRC	<ul style="list-style-type: none"> ● During running, the A/T fluid temperature sensor signal voltage is excessively high or low 	P1710	P0710	AT-139
TURBINE REV S/CIRC	<ul style="list-style-type: none"> ● TCM does not receive the proper voltage signal from the sensor. ● TCM detects an irregularity only at position of 4th gear for turbine revolution sensor 2. 	P1716	P1716	AT-144
VEH SPD SE/CIR-MTR	<ul style="list-style-type: none"> ● Signal (CAN communication) from vehicle speed sensor MTR not input due to cut line or the like ● Unexpected signal input during running 	P1721	—	AT-146
A/T INTERLOCK	<ul style="list-style-type: none"> ● Except during shift change, the gear position and ATF pressure switch states are monitored and comparative judgement made. 	P1730	P1730	AT-148
A/T 1ST E/BRAKING	<ul style="list-style-type: none"> ● Each ATF pressure switch and solenoid current is monitored and if a pattern is detected having engine braking 1st gear other than in the M1 position, a malfunction is detected. 	P1731	—	AT-151
I/C SOLENOID/CIRC	<ul style="list-style-type: none"> ● Normal voltage not applied to solenoid due to functional malfunction, cut line, short, or the like ● TCM detects as irregular by comparing target value with monitor value. 	P1752	P1752	AT-153
I/C SOLENOID FNCTN	<ul style="list-style-type: none"> ● TCM detects that actual gear ratio is irregular, and relation between gear position and condition of ATF pressure switch 3 is irregular during depressing accelerator pedal. (Other than during shift change) ● TCM detects that relation between gear position and condition of ATF pressure switch 3 is irregular during releasing accelerator pedal. (Other than during shift change) 	P1754	P1754*2	AT-155
FR/B SOLENOID/CIRC	<ul style="list-style-type: none"> ● Normal voltage not applied to solenoid due to functional malfunction, cut line, short, or the like ● TCM detects as irregular by comparing target value with monitor value. 	P1757	P1757	AT-157
FR/B SOLENOID FNCT	<ul style="list-style-type: none"> ● TCM detects that actual gear ratio is irregular, and relation between gear position and condition of ATF pressure switch 1 is irregular during depressing accelerator pedal. (Other than during shift change) ● TCM detects that relation between gear position and condition of ATF pressure switch 1 is irregular during releasing accelerator pedal. (Other than during shift change) 	P1759	P1759*2	AT-159
D/C SOLENOID/CIRC	<ul style="list-style-type: none"> ● Normal voltage not applied to solenoid due to cut line, short, or the like ● TCM detects as irregular by comparing target value with monitor value. 	P1762	P1762	AT-161

A
B
AT
D
E
F
G
H
I
J
K
L
M

TROUBLE DIAGNOSIS

Items (CONSULT-II screen terms)	Malfunction is detected when...	TCM self-diagnosis	OBD-II (DTC)	Reference page
		"A/T" with CONSULT-II	MIL indicator lamp*1, "ENGINE" with CONSULT-II or GST	
D/C SOLENOID FNCTN	<ul style="list-style-type: none"> ● TCM detects that actual gear ratio is irregular, and relation between gear position and condition of ATF pressure switch 5 is irregular during depressing accelerator pedal. (Other than during shift change) ● TCM detects that relation between gear position and condition of ATF pressure switch 5 is irregular during releasing accelerator pedal. (Other than during shift change) 	P1764	P1764*2	AT-163
HLR/C SOL/CIRC	<ul style="list-style-type: none"> ● Normal voltage not applied to solenoid due to functional malfunction, cut line, short, or the like ● TCM detects as irregular by comparing target value with monitor value. 	P1767	P1767	AT-165
HLR/C SOL FNCTN	<ul style="list-style-type: none"> ● TCM detects that actual gear ratio is irregular, and relation between gear position and condition of ATF pressure switch 6 is irregular during depressing accelerator pedal. (Other than during shift change) ● TCM detects that relation between gear position and condition of ATF pressure switch 6 is irregular during releasing accelerator pedal. (Other than during shift change) 	P1769	P1769*2	AT-167
LC/B SOLENOID/CIRC	<ul style="list-style-type: none"> ● Normal voltage not applied to solenoid due to functional malfunction, cut line, short, or the like 	P1772	P1772	AT-169
LC/B SOLENOID FNCT	<ul style="list-style-type: none"> ● TCM detects an improper voltage drop when it tries to operate the solenoid valve. ● Condition of ATF pressure switch 2 is different from monitor value, and relation between gear position and actual gear ratio is irregular. 	P1774	P1774*2	AT-171
MANU MODE SW/CIRC	<ul style="list-style-type: none"> ● When an impossible pattern of switch signals is detected, a malfunction is detected. 	P1815	—	AT-173
ATF PRES SW 1/CIRC	<ul style="list-style-type: none"> ● TCM detects that actual gear ratio is normal, and relation between gear position and condition of ATF pressure switch 1 is irregular during depressing accelerator pedal. (Other than during shift change) 	P1841	—	AT-177
ATF PRES SW 3/CIRC	<ul style="list-style-type: none"> ● TCM detects that actual gear ratio is normal, and relation between gear position and condition of ATF pressure switch 3 is irregular during depressing accelerator pedal. (Other than during shift change) 	P1843	—	AT-179
ATF PRES SW 5/CIRC	<ul style="list-style-type: none"> ● TCM detects that actual gear ratio is normal, and relation between gear position and condition of ATF pressure switch 5 is irregular during depressing accelerator pedal. (Other than during shift change) 	P1845	—	AT-181
ATF PRES SW 6/CIRC	<ul style="list-style-type: none"> ● TCM detects that actual gear ratio is normal, and relation between gear position and condition of ATF pressure switch 6 is irregular during depressing accelerator pedal. (Other than during shift change) 	P1846	—	AT-183
NO DTC IS DETECTED FURTHER TESTING MAY BE REQUIRED	<ul style="list-style-type: none"> ● No NG item has been detected. 	X	X	—

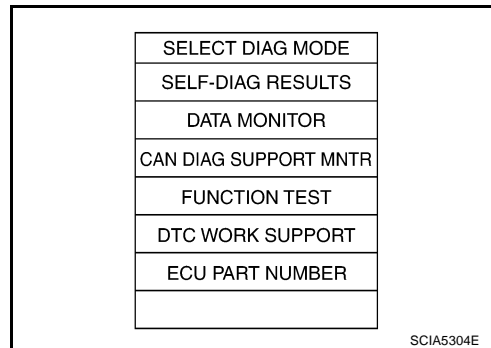
*1: Refer to [AT-41, "Malfunction Indicator Lamp \(MIL\)"](#).

*2: These malfunctions cannot be displayed MIL if another malfunction is assigned to MIL.

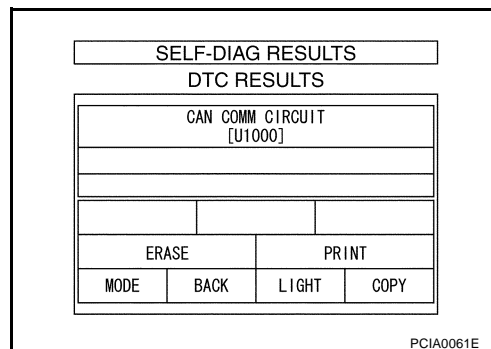
TROUBLE DIAGNOSIS

How to Erase Self-diagnostic Results

1. Perform "CONSULT-II SETTING PROCEDURE". Refer to [AT-93. "CONSULT-II SETTING PROCEDURE"](#)
2. Touch "SELF-DIAG RESULTS".



3. Touch "ERASE". (The self-diagnostic results will be erased.)



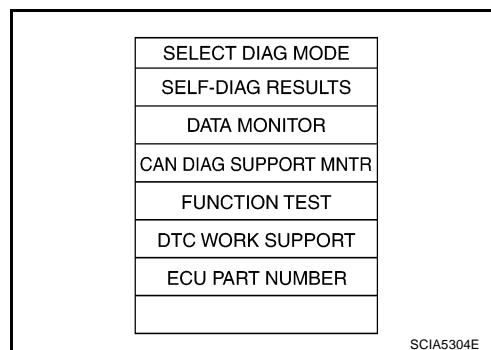
DATA MONITOR MODE

Operation Procedure

1. Perform "CONSULT-II SETTING PROCEDURE". Refer to [AT-93. "CONSULT-II SETTING PROCEDURE"](#)
2. Touch "DATA MONITOR".

NOTE:

When malfunctions detected, CONSULT-II performs "REAL-TIME DIAGNOSIS". Also, any malfunction detected while in this mode will be displayed at real time.



Display Items List

X: Standard, —: Not applicable, ▼: Option

Monitored item (Unit)	Monitor Item Selection			Remarks
	ECU INPUT SIGNALS	MAIN SIGNALS	SELECTION FROM MENU	
VHCL/S SE-A/T (km/h)	X	X	▼	Revolution sensor
VHCL/S SE-MTR (km/h)	X	—	▼	
ACCELE POSI (0.0/8)	X	—	▼	Accelerator pedal position signal
THROTTLE POSI (0.0/8)	X	X	▼	Degree of opening for accelerator recognized by the TCM For fail-safe operation, the specific value used for control is displayed.

TROUBLE DIAGNOSIS

Monitored item (Unit)	Monitor Item Selection			Remarks
	ECU INPUT SIGNALS	MAIN SIGNALS	SELECTION FROM MENU	
CLSD THL POS (ON/OFF)	X	—	▼	Signal input with CAN communications
W/O THL POS (ON/OFF)	X	—	▼	
BRAKE SW (ON/OFF)	X	—	▼	Stop lamp switch
GEAR	—	X	▼	Gear position recognized by the TCM updated after gear-shifting
ENGINE SPEED (rpm)	X	X	▼	
TURBINE REV (rpm)	X	X	▼	
OUTPUT REV (rpm)	X	X	▼	
GEAR RATIO	—	X	▼	
TC SLIP SPEED (rpm)	—	X	▼	Difference between engine speed and torque converter input shaft speed
F SUN GR REV (rpm)	—	—	▼	
F CARR GR REV (rpm)	—	—	▼	
ATF TEMP SE 1 (V)	X	—	▼	
ATF TEMP SE 2 (V)	X	—	▼	
ATF TEMP 1 (°C)	—	X	▼	
ATF TEMP 2 (°C)	—	X	▼	
BATTERY VOLT (V)	X	—	▼	
ATF PRES SW 1 (ON/OFF)	X	X	▼	(for FR/B solenoid)
ATF PRES SW 2 (ON/OFF)	X	X	▼	(for LC/B solenoid)
ATF PRES SW 3 (ON/OFF)	X	X	▼	(for I/C solenoid)
ATF PRES SW 5 (ON/OFF)	X	X	▼	(for D/C solenoid)
ATF PRES SW 6 (ON/OFF)	X	X	▼	(for HLR/C solenoid)
PNP SW 1 (ON/OFF)	X	—	▼	
PNP SW 2 (ON/OFF)	X	—	▼	
PNP SW 3 (ON/OFF)	X	—	▼	
PNP SW 4 (ON/OFF)	X	—	▼	
1 POSITION SW (ON/OFF)	X	—	▼	
SLCT LVR POSI	—	X	▼	Selector lever position is recognized by the TCM. For fail-safe operation, the specific value used for control is displayed.
OD CONT SW (ON/OFF)	X	—	▼	Not mounted but displayed.
POWERSHIFT SW (ON/OFF)	X	—	▼	
HOLD SW (ON/OFF)	X	—	▼	
MANU MODE SW (ON/OFF)	X	—	▼	
NON M-MODE SW (ON/OFF)	X	—	▼	

TROUBLE DIAGNOSIS

Monitored item (Unit)	Monitor Item Selection			Remarks
	ECU INPUT SIGNALS	MAIN SIGNALS	SELECTION FROM MENU	
UP SW LEVER (ON/OFF)	X	—	▼	
DOWN SW LEVER (ON/OFF)	X	—	▼	
SFT UP ST SW (ON/OFF)	—	—	▼	Not mounted but displayed.
SFT DWN ST SW (ON/OFF)	—	—	▼	
ASCD-OD CUT (ON/OFF)	—	—	▼	
ASCD-CRUISE (ON/OFF)	—	—	▼	
ABS SIGNAL (ON/OFF)	—	—	▼	
ACC OD CUT (ON/OFF)	—	—	▼	ICC (intelligent cruise control)
ACC SIGNAL (ON/OFF)	—	—	▼	
TCS GR/P KEEP (ON/OFF)	—	—	▼	
TCS SIGNAL 2 (ON/OFF)	—	—	▼	
TCS SIGNAL 1 (ON/OFF)	—	—	▼	
TCC SOLENOID (A)	—	X	▼	
LINE PRES SOL (A)	—	X	▼	
I/C SOLENOID (A)	—	X	▼	
FR/B SOLENOID (A)	—	X	▼	
D/C SOLENOID (A)	—	X	▼	
HLR/C SOL (A)	—	X	▼	
ON OFF SOL (ON/OFF)	—	—	▼	LC/B solenoid
TCC SOL MON (A)	—	—	▼	
L/P SOL MON (A)	—	—	▼	
I/C SL MON (A)	—	—	▼	
FR/B SOL MON (A)	—	—	▼	
D/C SOL MON (A)	—	—	▼	
HLR/C SOL MON (A)	—	—	▼	
ON OFF SOL MON (ON/OFF)	—	—	▼	LC/B solenoid
P POSI IND (ON/OFF)	—	—	▼	
R POSI IND (ON/OFF)	—	—	▼	
N POSI IND (ON/OFF)	—	—	▼	
D POSI IND (ON/OFF)	—	—	▼	
4TH POSI IND (ON/OFF)	—	—	▼	
3RD POSI IND (ON/OFF)	—	—	▼	
2ND POSI IND (ON/OFF)	—	—	▼	
1ST POSI IND (ON/OFF)	—	—	▼	
MANU MODE IND (ON/OFF)	—	—	▼	

A
 B
AT
 D
 E
 F
 G
 H
 I
 J
 K
 L
 M

TROUBLE DIAGNOSIS

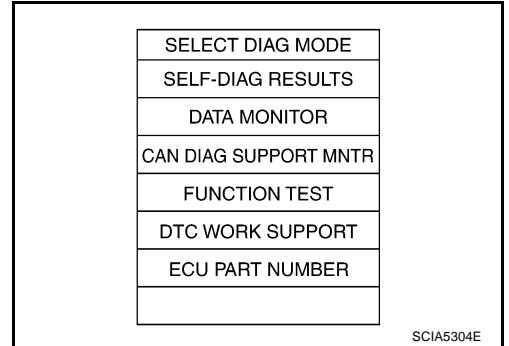
Monitored item (Unit)	Monitor Item Selection			Remarks
	ECU INPUT SIGNALS	MAIN SIGNALS	SELECTION FROM MENU	
POWER M LAMP (ON/OFF)	—	—	▼	
F-SAFE IND/L (ON/OFF)	—	—	▼	
ATF WARN LAMP (ON/OFF)	—	—	▼	Not mounted but displayed
BACK-UP LAMP (ON/OFF)	—	—	▼	
STARTER RELAY (ON/OFF)	—	—	▼	Park/neutral position relay
PNP SW3 MON (ON/OFF)	—	—	▼	
C/V CLB ID1	—	—	▼	
C/V CLB ID2	—	—	▼	
C/V CLB ID3	—	—	▼	
UNIT CLB ID1	—	—	▼	
UNIT CLB ID2	—	—	▼	
UNIT CLB ID3	—	—	▼	
TRGT GR RATIO	—	—	▼	
TRGT PRES TCC (kPa)	—	—	▼	
TRGT PRES L/P (kPa)	—	—	▼	
TRGT PRES I/C (kPa)	—	—	▼	
TRGT PRE FR/B (kPa)	—	—	▼	
TRGT PRES D/C (kPa)	—	—	▼	
TRG PRE HLR/C (kPa)	—	—	▼	
SHIFT PATTERN	—	—	▼	
DRV CST JUDGE	—	—	▼	
START RLY MON	—	—	▼	
NEXT GR POSI	—	—	▼	
SHIFT MODE	—	—	▼	
MANU GR POSI	—	—	▼	
VEHICLE SPEED (km/h)	—	X	▼	Vehicle speed recognized by the TCM.
Voltage (V)	—	—	▼	Displays the value measured by the voltage probe.
Frequency (Hz)	—	—	▼	The value measured by the pulse probe is displayed.
DUTY-HI (high) (%)	—	—	▼	
DUTY-LOW (low) (%)	—	—	▼	
PLS WIDTH-HI (ms)	—	—	▼	
PLS WIDTH-LOW (ms)	—	—	▼	

TROUBLE DIAGNOSIS

CAN DIAGNOSTIC SUPPORT MONITOR MODE

Operation Procedure

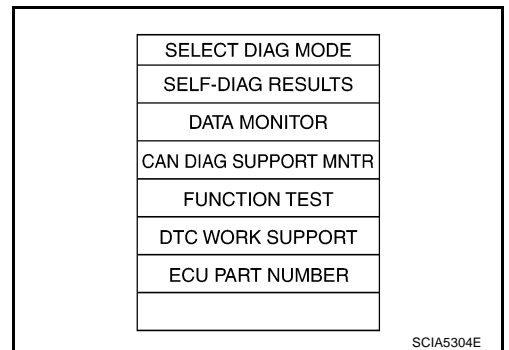
1. Perform "CONSULT-II SETTING PROCEDURE" Refer to [AT-93, "CONSULT-II SETTING PROCEDURE"](#) .
2. Touch "CAN DAIG SUPPORT MNTR". Refer to [LAN-20, "Pre-cautions When Using CONSULT-II"](#) .



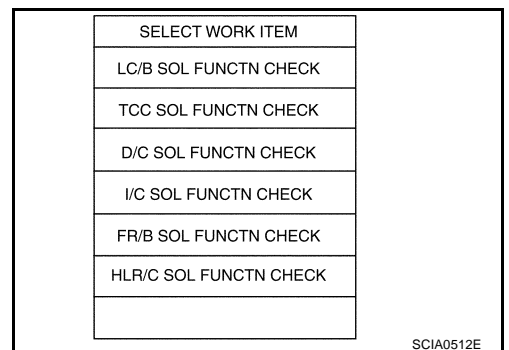
DTC WORK SUPPORT MODE

Operation Procedure

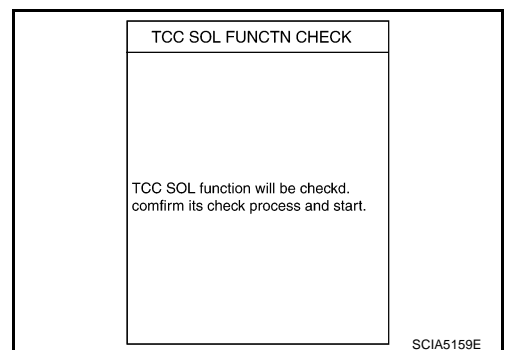
1. Perform "CONSULT-II SETTING PROCEDURE". Refer to [AT-93, "CONSULT-II SETTING PROCEDURE"](#) .
2. Touch "DTC WORK SUPPORT".



3. Touch select item menu.



4. Touch "START".



A
B
AT
D
E
F
G
H
I
J
K
L
M

TROUBLE DIAGNOSIS

5. Perform driving test according to "DTC Confirmation Procedure" in "TROUBLE DIAGNOSIS FOR DTC".

TCC SOL FUNCTN CHECK	
OUT OF CONDITON	
MONITOR	
ACCELE POSI	XXX
GEAR	XXX
TCC SOLENOID	XXXA
VEHICLE SPEED	XXXkm/h

SCIA5160E

- When testing conditions are satisfied, CONSULT-II screen changes from "OUT OF CONDITION" to "TESTING".

TCC SOL FUNCTN CHECK	
TESTING	
MONITOR	
ACCELE POSI	XXX
GEAR	XXX
TCC SOLENOID	XXXA
VEHICLE SPEED	XXXkm/h

SCIA5161E

6. Stop vehicle.

TCC SOL FUNCTN CHECK	
STOP VEHICLE	

SCIA5164E

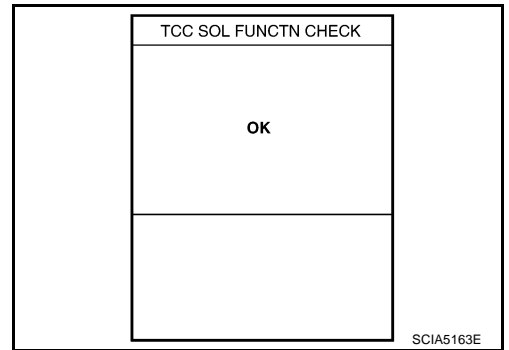
- If "NG" appears on the screen, malfunction may exit. Go to "Diagnostic Procedure"

TCC SOL FUNCTN CHECK	
NG	

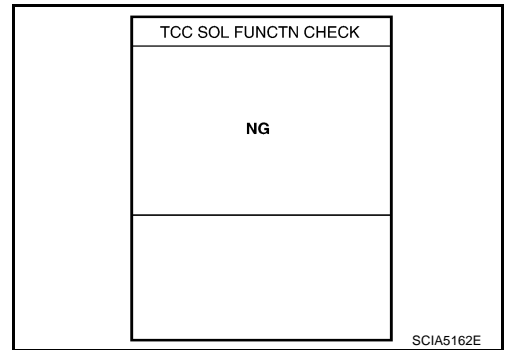
SCIA5162E

TROUBLE DIAGNOSIS

7. Perform test drive to check gear shift feeling in accordance with instructions displayed.
8. Touch "YES" or "NO".
9. CONSULT-II procedure is ended.



- If "NG" appears on the screen, a malfunction may exit. Go to "Diagnostic Procedure"



Display Items List

DTC work support item	Description	Check item
I/C SOL FUNCTN CHECK*	—	—
FR/B SOL FUNCTN CHECK*	—	—
D/C SOL FUNCTN CHECK*	—	—
HLR/C SOL FUNCTN CHECK*	—	—
LC/B SOL FUNCTN CHECK*	—	—
TCC SOL FUNCTN CHECK	Following items for "TCC solenoid function (lock-up) " can be confirmed. ● Self-diagnosis status (whether the diagnosis is being performed or not) ● Self-diagnostic results (OK or NG)	● TCC solenoid valve ● Hydraulic control circuit

*: Do not use, but displayed.

A
B
AT
D
E
F
G
H
I
J
K
L
M

TROUBLE DIAGNOSIS

ECS00DVU

Diagnostic Procedure without CONSULT-II

OBD-II SELF-DIAGNOSTIC PROCEDURE (WITH GST)

Refer to [EC-139, "Generic Scan Tool \(GST\) Function"](#) .

OBD-II SELF-DIAGNOSTIC PROCEDURE (NO TOOLS)

Refer to [EC-62, "Malfunction Indicator Lamp \(MIL\)"](#) .

TCM SELF-DIAGNOSTIC PROCEDURE (NO TOOLS)

Description

In the unlikely event of a malfunction in the electrical system, when the ignition switch is switched ON, the A/T CHECK indicator lamp lights up for 2 seconds, then flashes for 8 seconds. If there is no malfunction, when the ignition switch is turned ON, the indicator lamp lights up for 2 seconds. As a method for locating the suspect circuit, when the self-diagnostics start signal is input, the memory for the malfunction location is output and the A/T CHECK indicator lamp flashes to display the corresponding DTC.

Diagnostic Procedure

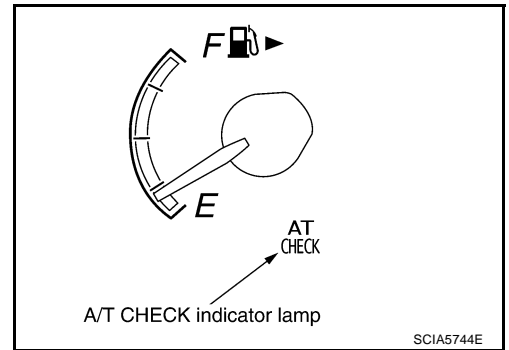
1. CHECK A/T CHECK INDICATOR LAMP

1. Start the engine with selector lever in "P" position. Warm engine to normal operating temperature.
2. Turn ignition switch ON and OFF at least twice, then leave it in the OFF position.
3. Wait 10 seconds.
4. Turn ignition switch ON. (Do not start engine.)

Does A/T CHECK indicator lamp come on for about 2 seconds?

YES >> GO TO 2.

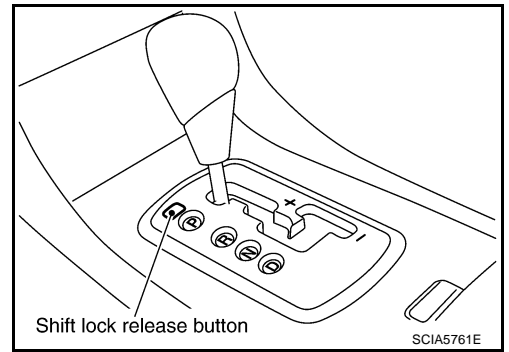
NO >> GO TO [AT-195, "A/T CHECK Indicator Lamp Does Not Come On"](#) .



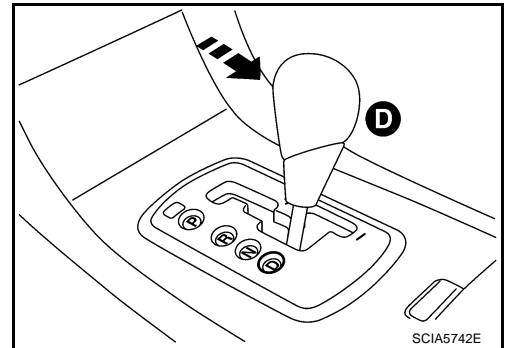
TROUBLE DIAGNOSIS

2. JUDGEMENT PROCEDURE STEP 1

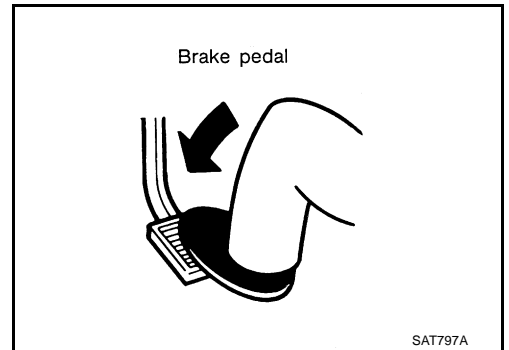
1. Turn ignition switch OFF.
2. Keep pressing shift lock release button.



3. Move selector lever from "P" to "D" position.
4. Release accelerator pedal. (Set the closed throttle position signal ON.)



5. Depress brake pedal. (Stop lamp switch signal ON.)
6. Turn ignition switch ON.
7. Wait 3 seconds.



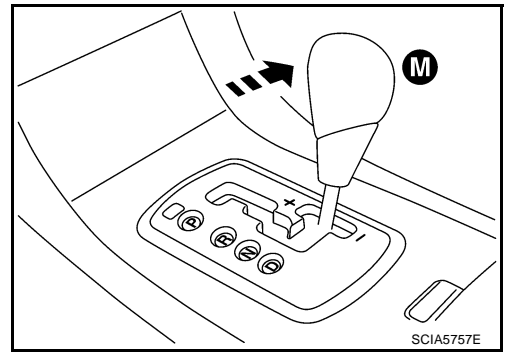
>> GO TO 3.

A
B
AT
D
E
F
G
H
I
J
K
L
M

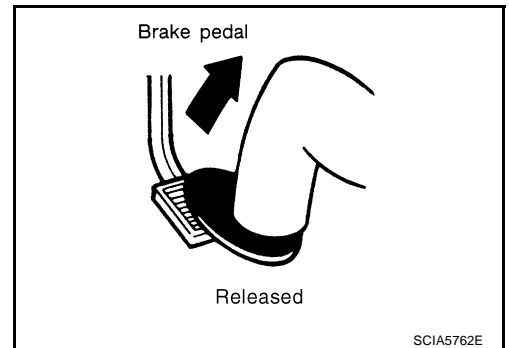
TROUBLE DIAGNOSIS

3. JUDGEMENT PROCEDURE STEP 2

1. Move the selector lever to the manual shift gate side. (Manual mode signal ON.)



2. Release brake pedal. (Stop lamp switch signal OFF.)

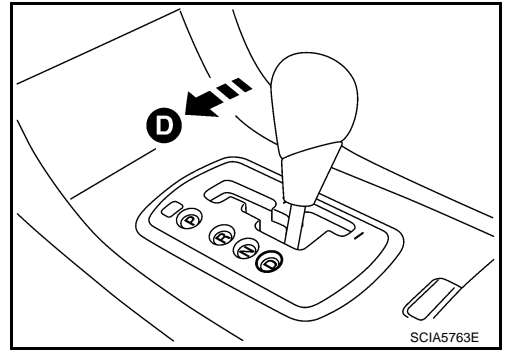


>> GO TO 4.

TROUBLE DIAGNOSIS

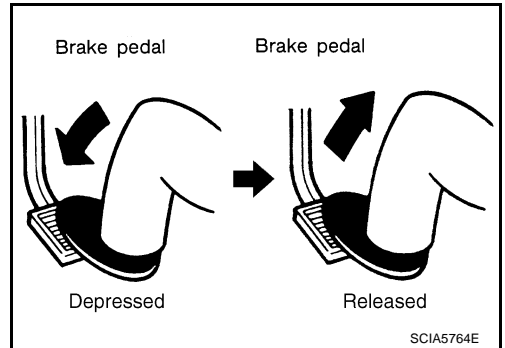
4. JUDGEMENT PROCEDURE STEP 3

1. Move the selector lever to "D" position. (Manual mode signal OFF.)



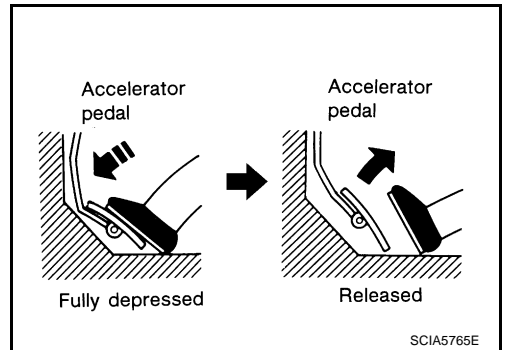
2. Depress brake pedal. (Stop lamp switch signal ON.)

3. Release brake pedal. (Stop lamp switch signal OFF.)



4. Depress accelerator pedal fully and release it.

>> GO TO 5.



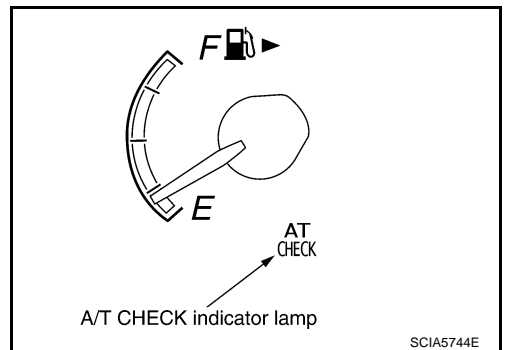
5. CHECK SELF-DIAGNOSIS CODE

Check A/T CHECK indicator lamp.

Refer to [AT-108, "Judgement Self-diagnosis Code"](#).

If the system does not go into self-diagnostics. Refer to [AT-117, "DTC P0705 PARK/NEUTRAL POSITION SWITCH"](#), [AT-189, "CLOSED THROTTLE POSITION AND WIDE OPEN THROTTLE POSITION CIRCUIT"](#), [AT-173, "DTC P1815 MANUAL MODE SWITCH"](#), [AT-190, "BRAKE SIGNAL CIRCUIT"](#).

>> DIAGNOSIS END



A
B
AT
D
E
F
G
H
I
J
K
L
M

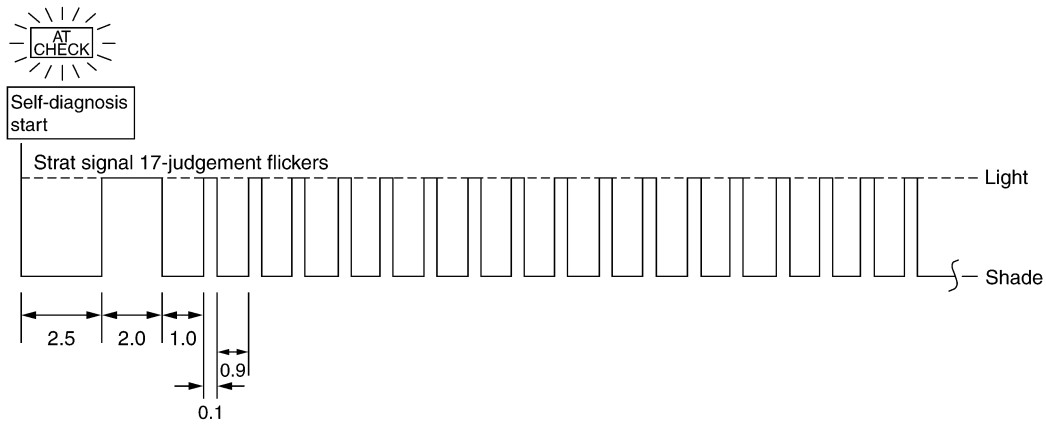
TROUBLE DIAGNOSIS

Judgement Self-diagnosis Code

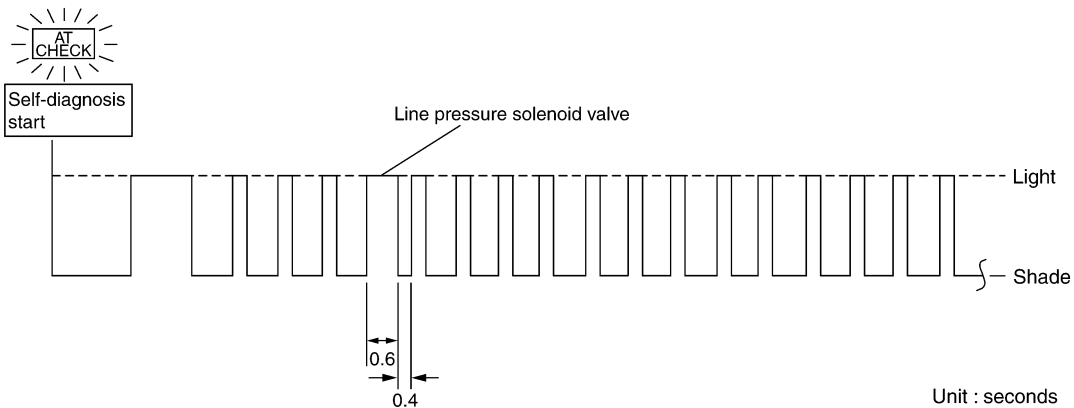
If there is a malfunction, the lamp lights up for the time corresponding to the suspect circuit.

No.	Malfunctioning item	No.	Malfunctioning item
1	Revolution sensor AT-121	10	A/T fluid temperature sensor AT-139
2	Direct clutch solenoid valve AT-161 , AT-163	11	Turbine revolution sensor AT-144
3	Torque converter clutch solenoid valve AT-128 , AT-130	12	A/T interlock AT-148
4	Line pressure solenoid valve AT-132	13	A/T 1st engine braking AT-151
5	Input clutch solenoid valve AT-153 , AT-155	14	Start signal AT-112
6	Front brake solenoid valve AT-157 , AT-159	15	Accelerator pedal position sensor AT-136
7	Low coast brake solenoid valve AT-169 , AT-171	16	Engine speed signal AT-126
8	High and low reverse clutch solenoid valve AT-165 , AT-167	17	CAN communication line AT-109
9	PNP switch AT-117		

All circuits that can be confirmed by self-diagnosis are OK.



Example: No.4 Line pressure solenoid valve



SCIA5767E

Erase Self-diagnosis

- In order to make it easier to find the cause of hard-to-duplicate malfunctions, malfunction information is stored into the control unit as necessary during use by the user. This memory is not erased no matter how many times the ignition switch is turned ON and OFF.
- However, this information is erased by turning ignition switch OFF after performing self-diagnostics or by erasing the memory using the CONSULT-II.

DTC U1000 CAN COMMUNICATION LINE

DTC U1000 CAN COMMUNICATION LINE

PFP:23710

Description

ECS00DVV

CAN (Controller Area Network) is a serial communication line for real time application. It is an on-vehicle multiplex communication line with high data communication speed and excellent malfunction detection ability. Many electronic control units are equipped onto a vehicle, and each control unit shares information and links with other control units during operation (not independent). In CAN communication, control units are connected with 2 communication lines (CAN H line, CAN L line) allowing a high rate of information transmission with less wiring. Each control unit transmits/receives data but selectively reads required data only.

On Board Diagnosis Logic

ECS00DVW

- This is an OBD-II self-diagnostic item.
- Diagnostic trouble code "U1000 CAN COMM CIRCUIT" with CONSULT-II or 17th judgement flicker without CONSULT-II is detected when TCM cannot communicate to other control units.

Possible Cause

ECS00DVX

- Harness or connectors
(CAN communication line is open or shorted.)

DTC Confirmation Procedure

ECS00DYY

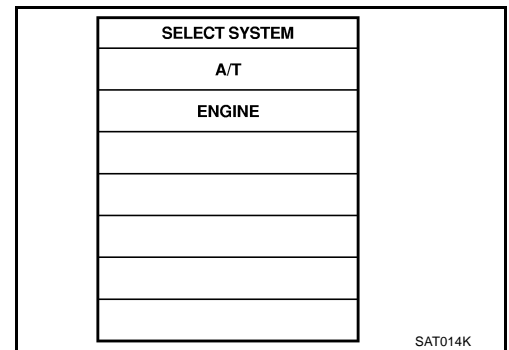
NOTE:

If "DTC Confirmation Procedure" has been previously performed, always turn ignition switch OFF and wait at least 10 seconds before performing the next test.

After the repair, perform the following procedure to confirm the malfunction is eliminated.

④ WITH CONSULT-II

1. Turn ignition switch ON.
2. Select "DATA MONITOR" mode for "A/T" with CONSULT-II.
3. Start engine and wait for at least 6 seconds.
4. If DTC is detected, go to [AT-111, "Diagnostic Procedure"](#).



④ WITH GST




Follow the procedure "WITH CONSULT-II".

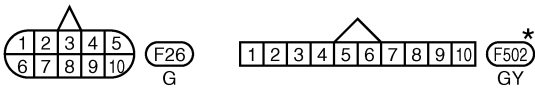
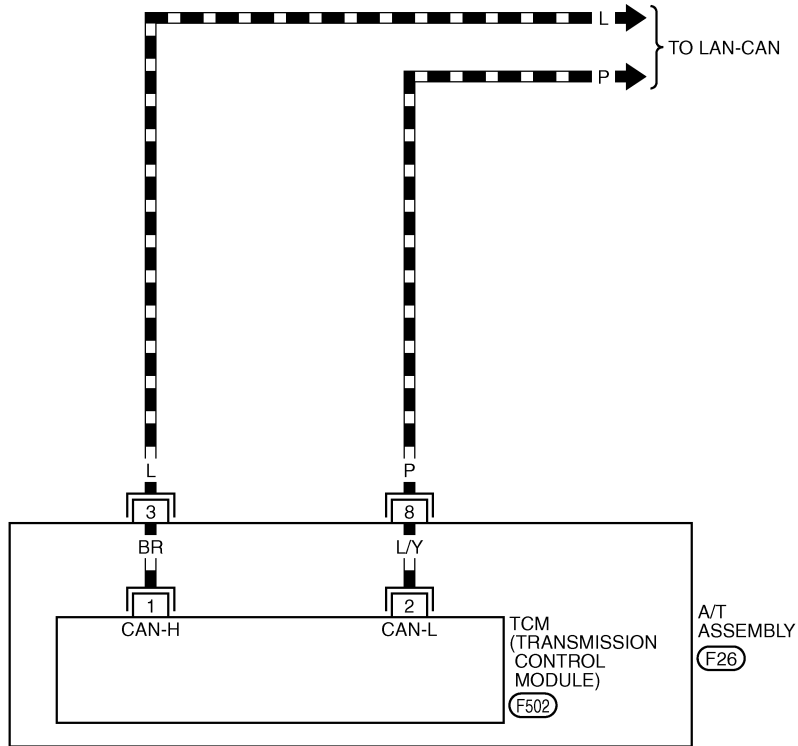
DTC U1000 CAN COMMUNICATION LINE

Wiring Diagram — AT — CAN

ECS00DVZ

AT-CAN-01

-  : DETECTABLE LINE FOR DTC
-  : NON-DETECTABLE LINE FOR DTC
-  : DATA LINE



*: THIS CONNECTOR IS NOT SHOWN IN "HARNESS LAYOUT", PG SECTION.

TCWM0301E

DTC U1000 CAN COMMUNICATION LINE

TCM terminals and data are reference value. Measured between each terminal and ground.

Terminal	Wire color	Item	Condition	Data (Approx.)
3	L	CAN-H	-	-
8	P	CAN-L	-	-

Diagnostic Procedure

ECS00DW0

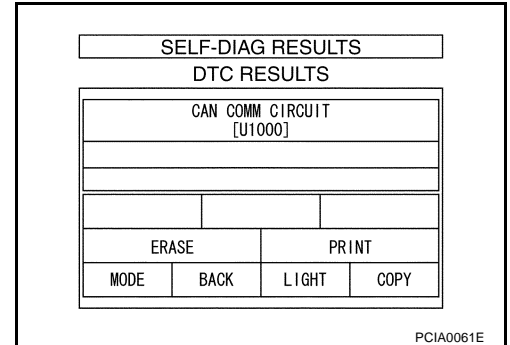
1. CHECK CAN COMMUNICATION CIRCUIT

With CONSULT-II

- Turn ignition switch ON and start engine.
- Select "SELF-DIAG RESULTS" mode for "AT" with CONSULT-II.

Is any malfunction of the "CAN COMM CIRCUIT" indicated?

- YES >> Print out CONSULT-II screen, GO TO LAN section. Refer to [LAN-20, "Precautions When Using CONSULT-II"](#).
- NO >> **INSPECTION END**



A
B
AT
D
E
F
G
H
I
J
K
L
M

DTC P0615 START SIGNAL CIRCUIT

DTC P0615 START SIGNAL CIRCUIT

PFP:25230

Description

ECS00DW1

- TCM prohibits cranking other than at “P” or “N” position.

CONSULT-II Reference Value

ECS00DW2

Item name	Condition	Display value
STARTER RELAY	Selector lever in “N” and “P” positions.	ON
	Selector lever in other positions.	OFF

On Board Diagnosis Logic

ECS00DW3

- This is not an OBD-II self-diagnostic item.
- Diagnostic trouble code “P0615 STARTER RELAY/CIRC” with CONSULT-II or 14th judgement flicker without CONSULT-II is detected when starter relay is switched ON other than at “P” or “N” position. (Or when switched OFF at “P” or “N” position).

Possible Cause

ECS00DW4

- Harness or connectors
[Park/neutral position relay and TCM circuit is open or shorted.]
- Park/neutral position relay circuit

DTC Confirmation Procedure

ECS00DW5

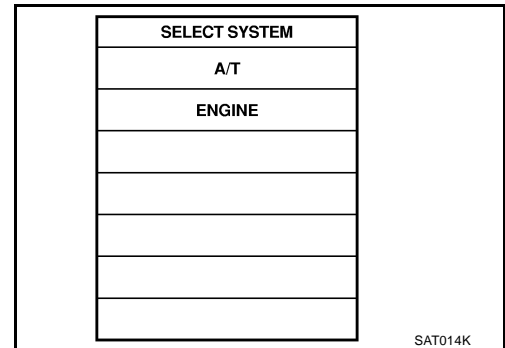
NOTE:

If “DTC Confirmation Procedure” has been previously performed, always turn ignition switch OFF and wait at least 10 seconds before performing the next test.

After the repair, perform the following procedure to confirm the malfunction is eliminated.

④ WITH CONSULT-II

1. Turn ignition switch ON.
2. Select “SELECTION FROM MENU” in “DATA MONITOR” mode for “A/T” with CONSULT-II and check monitor “STARTER RELAY” ON/OFF.
3. Start engine.
4. Drive vehicle for at least 2 consecutive seconds.
5. If DTC is detected, go to [AT-114, "Diagnostic Procedure"](#) .



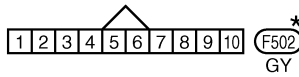
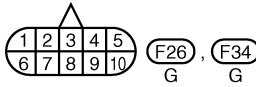
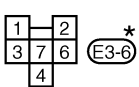
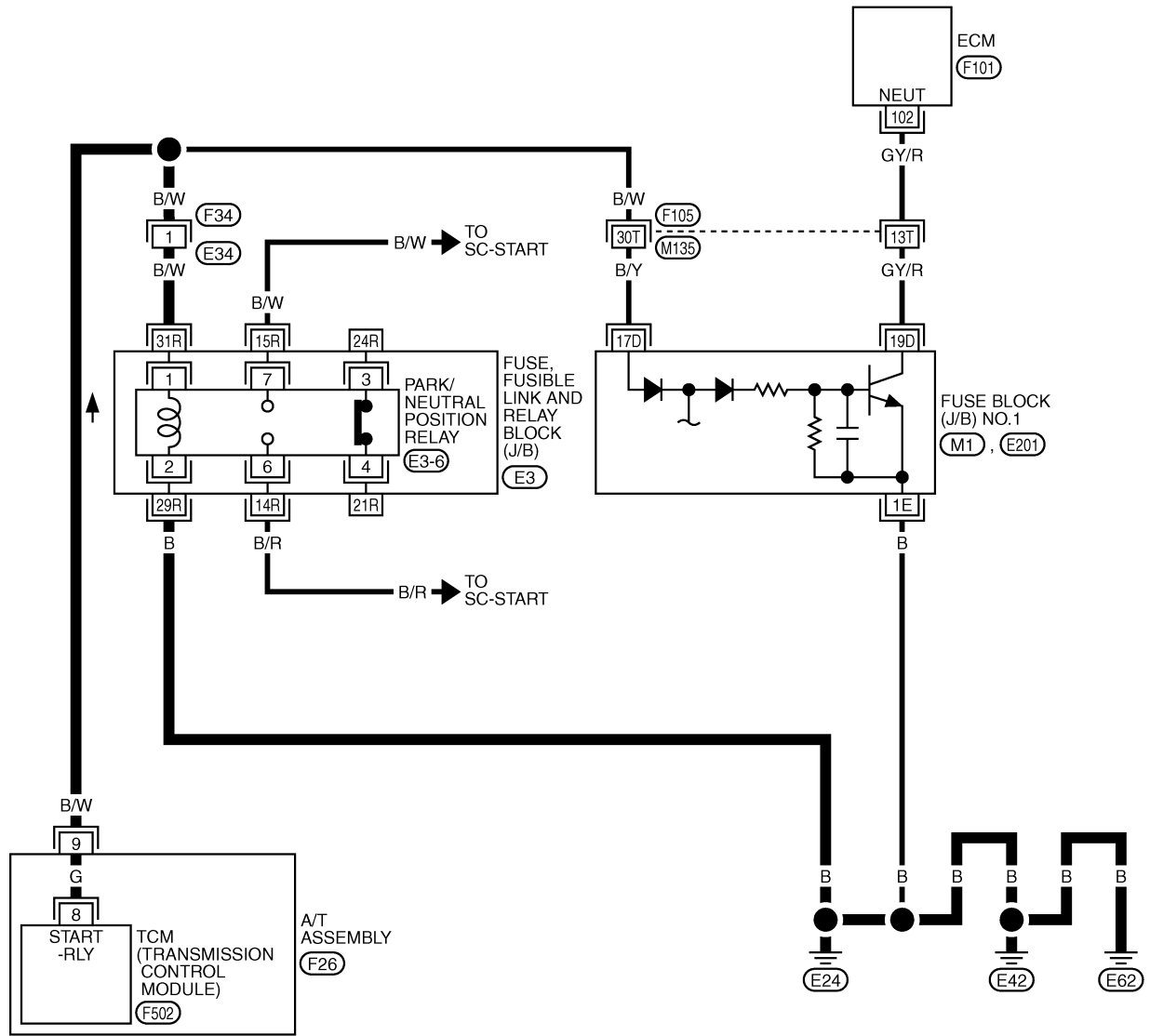
DTC P0615 START SIGNAL CIRCUIT

Wiring Diagram — AT — STSIG

ECS00DW6

AT-STSIG-01

— : DETECTABLE LINE FOR DTC
 — : NON-DETECTABLE LINE FOR DTC



*: THIS CONNECTOR IS NOT SHOWN IN "HARNESS LAYOUT", PG SECTION.


REFER TO THE FOLLOWING.

- (F105) -SUPER MULTIPLE JUNCTION (SMJ)
- (M1), (E201) -FUSE BLOCK-JUNCTION BOX (J/B) NO.1
- (E3) -FUSE, FUSIBLE LINK AND RELAY BLOCK (J/B)
- (F101) -ELECTRICAL UNITS

TCWM0302E

DTC P0615 START SIGNAL CIRCUIT

TCM terminals and data are reference value. Measured between each terminal and ground.

Terminal	Wire color	Item	Condition	Data (Approx.)
9	B/W	Park/neutral position relay 	Selector lever in "N" and "P" positions.	Battery voltage
			Selector lever in other positions.	0V

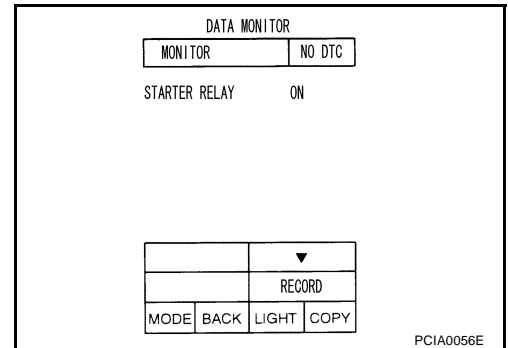
Diagnostic Procedure

ECS00DW7

1. CHECK STARTER RELAY

With CONSULT-II

- Turn ignition switch ON. (Do not start engine.)
- Select "SELECTION FROM MENU" in "DATA MONITOR" mode for "A/T" with CONSULT-II and check monitor "STARTER RELAY" ON/OFF.



Item name	Condition	Display value
STARTER RELAY	Selector lever in "N" and "P" positions.	ON
	Selector lever in other positions.	OFF

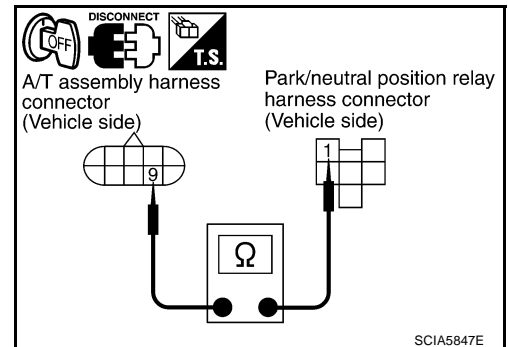
OK or NG

- OK >> GO TO 6.
 NG >> GO TO 2.

2. CHECK HARNESS BETWEEN A/T ASSEMBLY HARNESS CONNECTOR AND PARK/NEUTRAL POSITION RELAY HARNESS CONNECTOR

- Turn ignition switch OFF.
- Remove park/neutral position relay.
- Disconnect A/T assembly harness connector.
- Check continuity between A/T assembly harness connector terminal and park/neutral position relay harness connector terminal.

Item	Connector	Terminal (Wire color)	Continuity
A/T assembly harness connector	F26	9 (B/W)	Yes
Park/neutral position relay harness connector	E3-6	1 (B/W)	



- If OK, check harness for short to ground and short to power.

OK or NG

- OK >> GO TO 3.
 NG >> Repair open circuit or short to ground or short to power in harness or connectors.

3. CHECK PARK/NEUTRAL POSITION RELAY GROUND CIRCUIT

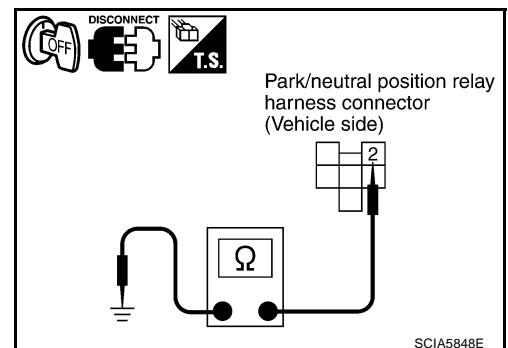
- Check continuity between park/neutral position relay harness connector terminal and ground.

Continuity should exist.

- If OK, check harness for short to ground and short to power.
- Reinstall any part removed.

OK or NG

- OK >> GO TO 4.
 NG >> Repair open circuit or short to ground or short to power in harness or connectors.

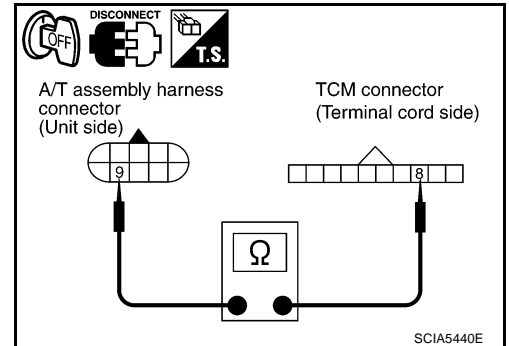


DTC P0615 START SIGNAL CIRCUIT

4. CHECK TERMINAL CORD ASSEMBLY

1. Remove control valve with TCM. Refer to [AT-247, "Control Valve with TCM and A/T Fluid Temperature Sensor 2"](#) .
2. Disconnect A/T assembly harness connector and TCM connector.
3. Check continuity between A/T assembly harness connector terminal and TCM connector terminal.

Item	Connector	Terminal (Wire color)	Continuity
A/T assembly harness connector	F26	9 (G)	Yes
TCM connector	F502	8 (G)	



4. If OK, check harness for short to ground and short to power.
5. Reinstall any part removed.

OK or NG

- OK >> GO TO 5.
- NG >> Replace open circuit or short to ground and short to power in harness or connectors.

5. DETECT MALFUNCTIONING ITEM

Check the following.

- Park/neutral position relay. Refer to [SC-9, "STARTING SYSTEM"](#) .

OK or NG

- OK >> Replace the control valve with TCM. Refer to [AT-247, "Control Valve with TCM and A/T Fluid Temperature Sensor 2"](#) .
- NG >> Repair or replace damaged parts.

6. CHECK DTC

Perform "DTC Confirmation Procedure".

- Refer to [AT-112, "DTC Confirmation Procedure"](#) .

OK or NG

- OK >> **INSPECTION END**
- NG >> GO TO 2.

DTC P0700 TCM

PFP:31036

Description

ECS00DW8

The TCM consists of a microcomputer and connectors for signal input and output and for power supply. The TCM controls the A/T.

On Board Diagnosis Logic

ECS00DW9

- This is an OBD-II self-diagnostic item.
- Diagnostic trouble code "P700 TCM" with CONSULT-II is detected when TCM is malfunctioning.

Possible Cause

ECS00DWA

TCM.

DTC Confirmation Procedure

ECS00DWB

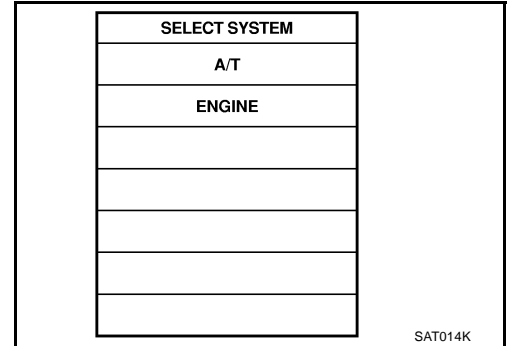
NOTE:

If "DTC Confirmation Procedure" has been previously performed, always turn ignition switch OFF and wait at least 10 seconds before performing the next test.

After the repair, perform the following procedure to confirm the malfunction is eliminated.

WITH CONSULT-II

1. Turn ignition switch ON. (Do not start engine.)
2. Select "ECU INPUT SIGNALS" or "MAIN SIGNALS" in "DATA MONITOR" mode for "A/T" with CONSULT-II.
3. Touch "START".
4. Start engine.
5. Run engine for at least 2 consecutive seconds at idle speed.
6. If DTC is detected, go to [AT-116, "Diagnostic Procedure"](#).



WITH GST

Follow the procedure "WITH CONSULT-II".

Diagnostic Procedure

ECS00DWC

1. CHECK DTC

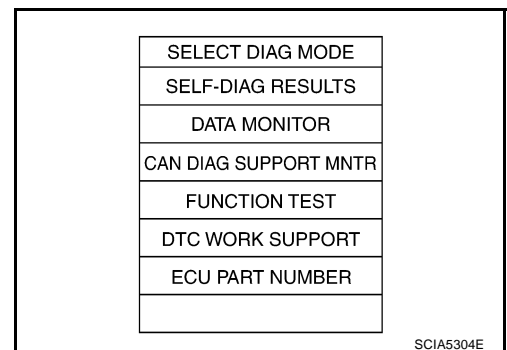
With CONSULT-II

1. Turn ignition switch ON. (Do not start engine.)
2. Select "SELF DIAG RESULTS" mode for "A/T" with CONSULT-II.
3. Touch "ERASE".
4. Turn ignition switch OFF and wait for at least 10 seconds.
5. Perform DTC confirmation procedure, [AT-116, "DTC Confirmation Procedure"](#).

Is the "TCM" displayed again?

YES >> Replace the control valve with TCM. Refer to [AT-247, "Control Valve with TCM and A/T Fluid Temperature Sensor 2"](#).

NO >> **INSPECTION END**



DTC P0705 PARK/NEUTRAL POSITION SWITCH

DTC P0705 PARK/NEUTRAL POSITION SWITCH

PFP:32006

Description

ECS00DWD

- The park/neutral position (PNP) switch includes a transmission position switch.
- The transmission range switch detects the selector lever position and sends a signal to the TCM.

CONSULT-II Reference Value

ECS00DWE

Item name	Condition	Display value
SLCT LVR POSI	Selector lever in "N" and "P" positions.	N/P
	Selector lever in "R" position.	R
	Selector lever in "D" position.	D

On Board Diagnosis Logic

ECS00DWF

- This is an OBD-II self-diagnostic item.
- Diagnostic trouble code "P0705 PNP SW/CIRC" with CONSULT-II or 9th judgement flicker without CONSULT-II is detected under the following conditions.
 - When TCM does not receive the correct voltage signal from the PNP switches 1, 2, 3 and 4 based on the gear position.
 - When no other position but "P" position is detected from "N" position.

Possible Cause

ECS00DWG

- Harness or connectors
[Park/neutral position (PNP) switches 1, 2, 3 and 4 and TCM circuit is open or shorted.]
- Park/neutral position (PNP) switches 1, 2, 3 and 4

DTC Confirmation Procedure

ECS00DWH

CAUTION:

Always drive vehicle at a safe speed.

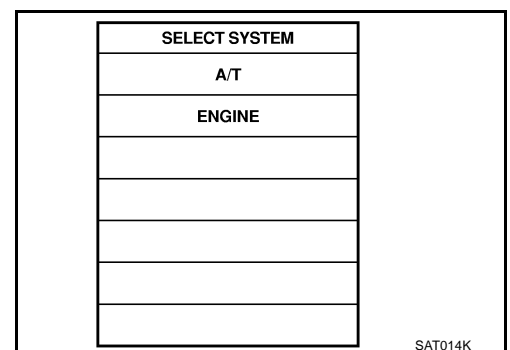
NOTE:

If "DTC Confirmation Procedure" has been previously performed, always turn ignition switch OFF and wait at least 10 seconds before performing the next test.

After the repair, perform the following procedure to confirm the malfunction is eliminated.

Ⓟ WITH CONSULT-II

1. Turn ignition switch ON.
2. Select "ECU INPUT SIGNALS" or "MAIN SIGNALS" in "DATA MONITOR" mode for "A/T" with CONSULT-II.
3. Touch "START".
4. Start engine.
5. Drive vehicle and maintain the following conditions for at least 2 consecutive seconds.
THROTTLE POSI: More than 1.0/8
THRTL POS SEN: More than 1.2V
6. If DTC is detected, go to [AT-119, "Diagnostic Procedure"](#).



Ⓢ WITH GST

Follow the procedure "WITH CONSULT-II".

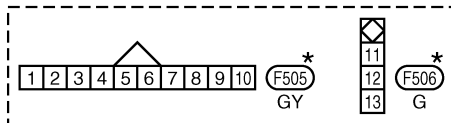
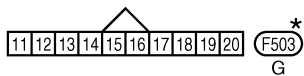
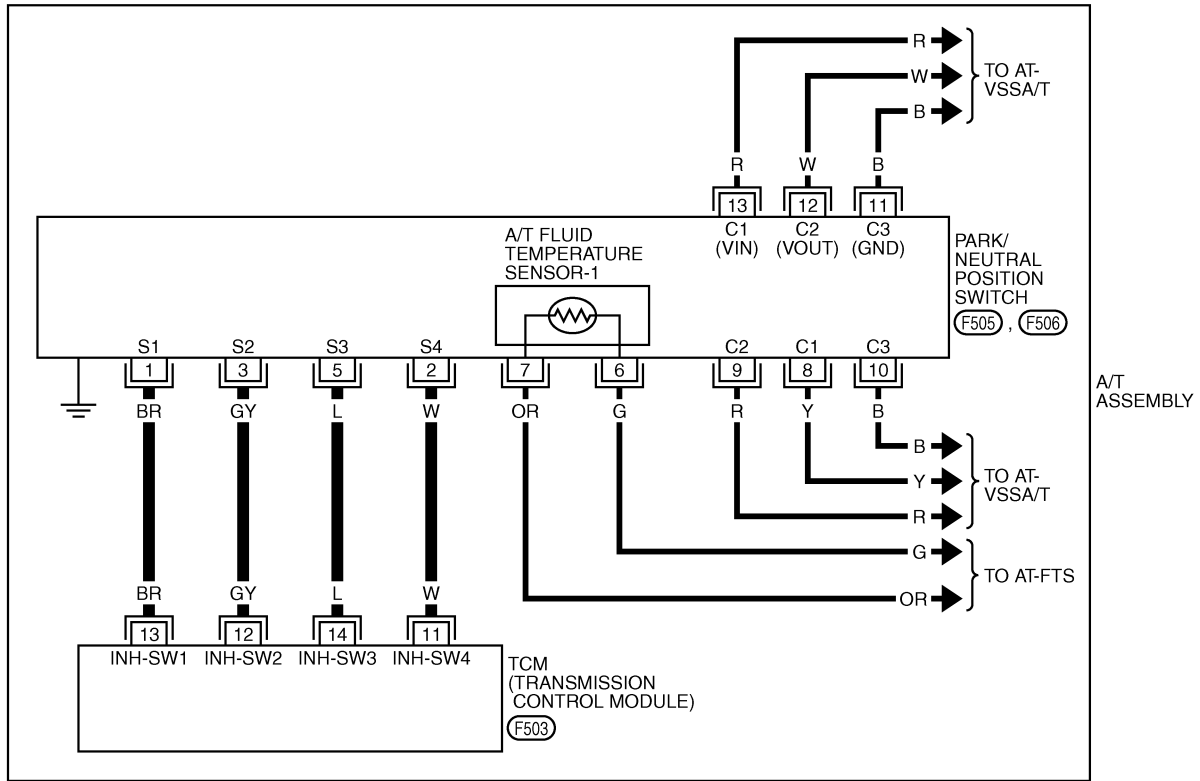
DTC P0705 PARK/NEUTRAL POSITION SWITCH

Wiring Diagram — AT — PNP/SW

ECS00DWI

AT-PNP/SW-01

— : DETECTABLE LINE FOR DTC
— : NON-DETECTABLE LINE FOR DTC



*: THIS CONNECTOR IS NOT SHOWN IN "HARNESS LAYOUT", PG SECTION.

TCWM0303E

DTC P0705 PARK/NEUTRAL POSITION SWITCH

ECS00DWJ

Diagnostic Procedure

1. CHECK PNP SW CIRCUIT

With CONSULT-II

1. Turn ignition switch ON. (Do not start engine.)
2. Select "SELECTION FROM MENU" in "DATA MONITOR" mode for "A/T" with CONSULT-II.
3. Check if correct selector lever position (N/P, R or D) is displayed as selector lever is moved into each position.

Item name	Condition	Display value
SLCT LVR POSI	Selector lever in "N" and "P" positions.	N/P
	Selector lever in "R" position.	R
	Selector lever in "D" position.	D

DATA MONITOR	
MONITOR	NO DTC
ATF PRES SW 2	OFF
ATF PRES SW 3	OFF
ATF PRES SW 5	OFF
ATF PRES SW 6	OFF
SLCT LVR POSI	N·P

△	▽		
RECORD			
MODE	BACK	LIGHT	COPY

PCIA0034E

OK or NG

- OK >> GO TO 5.
NG >> GO TO 2.

2. CHECK TCM POWER SUPPLY AND GROUND CIRCUIT

Check TCM power supply and ground circuit. Refer to [AT-185, "MAIN POWER SUPPLY AND GROUND CIRCUIT"](#).

OK or NG

- OK >> GO TO 3.
NG >> Repair or replace damaged parts.

3. DETECT MALFUNCTIONING ITEM

Check the following.

- A/T assembly harness connector pin terminals for damage or loose connection with harness connector.

OK or NG

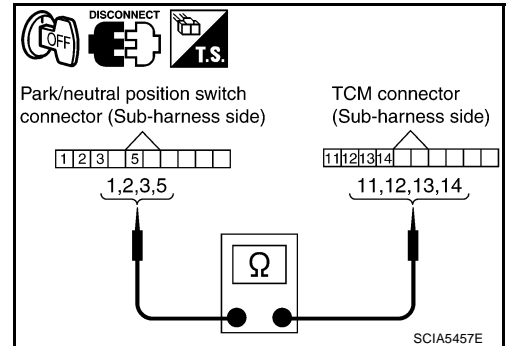
- OK >> GO TO 4.
NG >> Repair or replace damaged parts.

DTC P0705 PARK/NEUTRAL POSITION SWITCH

4. CHECK SUB-HARNESS

1. Remove control valve with TCM. Refer to [AT-247, "Control Valve with TCM and A/T Fluid Temperature Sensor 2"](#) .
2. Disconnect park/neutral position switch connector and TCM connector.
3. Check continuity between park/neutral position switch connector terminals and TCM connector terminals.

Item	Connector	Terminal (Wire color)	Continuity
Park/neutral position switch connector	F505	1 (BR)	Yes
TCM connector	F503	13 (BR)	
Park/neutral position switch connector	F505	2 (W)	Yes
TCM connector	F503	11 (W)	
Park/neutral position switch connector	F505	3 (GY)	Yes
TCM connector	F503	12 (GY)	
Park/neutral position switch connector	F505	5 (L)	Yes
TCM connector	F503	14 (L)	



4. If OK, check harness for short to ground and short to power.

5. Reinstall any part removed.

OK or NG

- OK >> Replace the control valve with TCM. Refer to [AT-247, "Control Valve with TCM and A/T Fluid Temperature Sensor 2"](#) .
- NG >> Replace open circuit or short to ground and short to power in harness or connectors.

5. CHECK DTC

Perform "DTC Confirmation Procedure".

- Refer to [AT-117, "DTC Confirmation Procedure"](#) .

OK or NG

- OK >> **INSPECTION END**
- NG >> GO TO 2.

DTC P0720 VEHICLE SPEED SENSOR A/T (REVOLUTION SENSOR)

DTC P0720 VEHICLE SPEED SENSOR A/T (REVOLUTION SENSOR)

PFP:32702

Description

ECS00DWK

The revolution sensor detects the revolution of the idler gear parking pawl lock gear and emits a pulse signal. The pulse signal is sent to the TCM which converts it into vehicle speed.

CONSULT-II Reference Value

ECS00DWL

Item name	Condition	Display value (km/h)
VHCL/S SE·A/T	During driving	Approximately matches the speedometer reading.

On Board Diagnosis Logic

ECS00DWM

- This is an OBD-II self-diagnostic item.
- Diagnostic trouble code "P0720 VEH SPD SEN/CIR AT" with CONSULT-II or 1st judgement flicker without CONSULT-II is detected under the following conditions.
 - When TCM does not receive the proper voltage signal from the sensor.
 - After ignition switch is turned ON, irregular signal input from vehicle speed sensor MTR before the vehicle starts moving.

Possible Cause

ECS00DWN

- Harness or connectors
(Sensor circuit is open or shorted.)
- Revolution sensor
- Vehicle speed sensor MTR

DTC Confirmation Procedure

ECS00DWO

CAUTION:

- Always drive vehicle at a safe speed.
- Be careful not to rev engine into the red zone on the tachometer.

NOTE:

If "DTC Confirmation Procedure" has been previously performed, always turn ignition switch OFF and wait at least 10 seconds before performing the next test.

After the repair, perform the following procedure to confirm the malfunction is eliminated.

WITH CONSULT-II

1. Turn ignition switch ON. (Do not start engine.)
2. Select "ECU INPUT SIGNALS" in "DATA MONITOR" mode for "A/T" with CONSULT-II.
3. Touch "START".
4. Drive vehicle and check for an increase of "VHCL/S SE·A/T" value in response to "VHCL/S SE·MTR" value.
If the check result is NG, go to [AT-124, "Diagnostic Procedure"](#) .
If the check result is OK, go to following step.
5. Select "DATA MONITOR" mode for "ENGINE" with CONSULT-II.
6. Start engine and maintain the following conditions for at least 5 consecutive seconds.

VHCL SPEED SE: 30 km/h (19 MPH) or more

THRTL POS SEN: More than 1.0/8

Selector lever: "D" position

Driving location: Driving the vehicle uphill (increased engine load) will help maintain the driving conditions required for this test.

If the check result is NG, go to [AT-124, "Diagnostic Procedure"](#) .

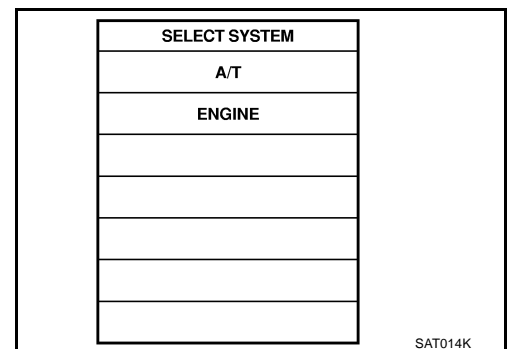
If the check result is OK, go to following step.

7. Maintain the following conditions for at least 5 consecutive seconds.

ENGINE SPEED: 3,500 rpm or more

THRTL POS SEN: More than 1.0/8

Selector lever: "D" position



DTC P0720 VEHICLE SPEED SENSOR A/T (REVOLUTION SENSOR)

Driving location: Driving the vehicle uphill (increased engine load) will help maintain the driving conditions required for this test.

8. If DTC is detected, go to [AT-124, "Diagnostic Procedure"](#) .

 **WITH GST**

Follow the procedure "WITH CONSULT-II".

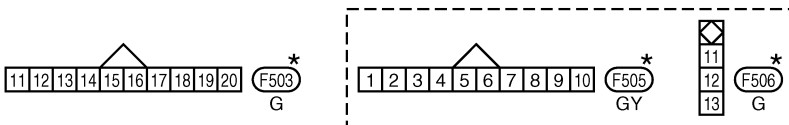
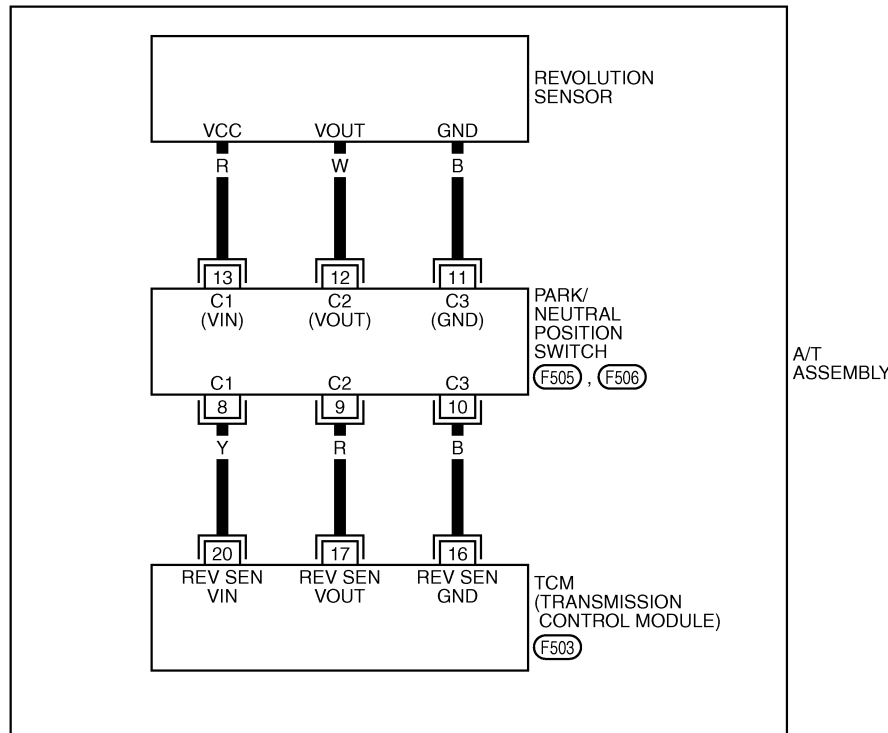
DTC P0720 VEHICLE SPEED SENSOR A/T (REVOLUTION SENSOR)

Wiring Diagram — AT — VSSA/T

ECS00DWP

AT-VSSA/T-01

— : DETECTABLE LINE FOR DTC
— : NON-DETECTABLE LINE FOR DTC



*: THIS CONNECTOR IS NOT SHOWN IN "HARNESS LAYOUT", PG SECTION.

TCWM0304E

DTC P0720 VEHICLE SPEED SENSOR A/T (REVOLUTION SENSOR)

ECS00DWQ

Diagnostic Procedure

1. CHECK INPUT SIGNAL

With CONSULT-II

1. Turn ignition switch ON.
2. Select "ECU INPUT SIGNALS" in "DATA MONITOR" mode for "A/T" with CONSULT-II.
3. Start engine.
4. Read out the value of "VHCL/S SE-A/T" during driving.
Check the value changes according to driving speed.

Item name	Condition	Display value (km/h)
VHCL/S SE-A/T	During driving	Approximately matches the speedometer reading.

DATA MONITOR			
MONITOR	NO DTC		
VHCL/S SE-A/T	0km/h		
VHCL/S SE-MTR	0km/h		
ACCELE POSI	0.0/8		
THROTTLE POS	0.0/8		
CLSD THL POS	ON		
W/O THL POS	OFF		
	▽		
RECORD			
MODE	BACK	LIGHT	COPY

SCIA2148E

OK or NG

- OK >> GO TO 6.
NG >> GO TO 2.

2. CHECK TCM POWER SUPPLY AND GROUND CIRCUIT

Check TCM power supply and ground circuit. Refer to [AT-185, "MAIN POWER SUPPLY AND GROUND CIRCUIT"](#).

OK or NG

- OK >> GO TO 3.
NG >> Repair or replace damaged parts.

3. DETECT MALFUNCTIONING ITEM

Check the following.

- The A/T assembly harness connector pin terminals for damage or loose connection with harness connector.

OK or NG

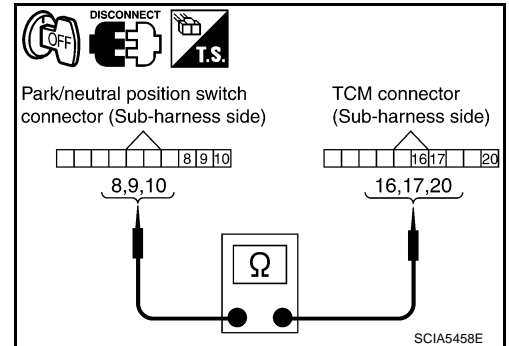
- OK >> GO TO 4.
NG >> Repair or replace damaged parts.

DTC P0720 VEHICLE SPEED SENSOR A/T (REVOLUTION SENSOR)

4. CHECK SUB-HARNESS

1. Remove control valve with TCM. Refer to [AT-247, "Control Valve with TCM and A/T Fluid Temperature Sensor 2"](#) .
2. Disconnect park/neutral position switch connector and TCM connector.
3. Check continuity between park/neutral position switch connector terminals and TCM connector terminals.

Item	Connector	Terminal (Wire color)	Continuity
Park/neutral position switch connector	F505	8 (Y)	Yes
TCM connector	F503	20 (Y)	
Park/neutral position switch connector	F505	9 (R)	Yes
TCM connector	F503	17 (R)	
Park/neutral position switch connector	F505	10 (B)	Yes
TCM connector	F503	16 (B)	



4. If OK, check harness for short to ground and short to power.
5. Reinstall any part removed.

OK or NG

- OK >> GO TO 5.
 NG >> Replace open circuit or short to ground and short to power in harness or connectors.

5. REPLACE THE REVOLUTION SENSOR AND CHECK DTC

1. Replace the revolution sensor. Refer to [AT-265, "Revolution Sensor"](#) .
2. Perform "DTC Confirmation Procedure". Refer to [AT-121, "DTC Confirmation Procedure"](#) .

OK or NG

- OK >> **INSPECTION END**
 NG >> Replace the control valve with TCM. Refer to [AT-247, "Control Valve with TCM and A/T Fluid Temperature Sensor 2"](#) .

6. CHECK DTC

Perform "DTC Confirmation Procedure".

- Refer to [AT-121, "DTC Confirmation Procedure"](#) .

OK or NG

- OK >> **INSPECTION END**
 NG >> GO TO 2.

DTC P0725 ENGINE SPEED SIGNAL

DTC P0725 ENGINE SPEED SIGNAL

PFP:24825

Description

ECS00DWR

The engine speed signal is sent from the ECM to the TCM.

CONSULT-II Reference Value

ECS00DWS

Item name	Condition	Display value (rpm)
ENGINE SPEED	Engine running	Closely matches the tachometer reading.

On Board Diagnosis Logic

ECS00DWT

- This is not an OBD-II self-diagnostic item.
- Diagnostic trouble code "P0725 ENGINE SPEED SIG" with CONSULT-II or 16th judgement flicker without CONSULT-II is detected when TCM does not receive the ignition signal from ECM during engine cranking or running.

Possible Cause

ECS00DWU

- Harness or connectors
(ECM to TCM circuit is open or shorted.)

DTC Confirmation Procedure

ECS00DWV

CAUTION:

Always drive vehicle at a safe speed.

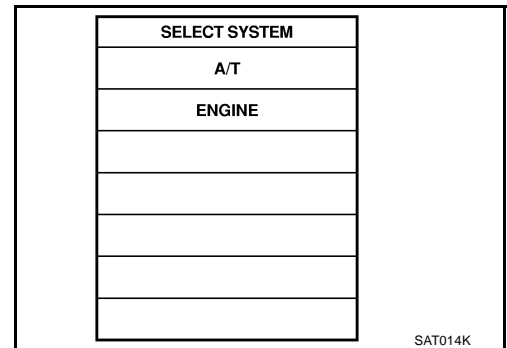
NOTE:

If "DTC Confirmation Procedure" has been previously performed, always turn ignition switch "OFF" and wait at least 10 seconds before performing the next test.

After the repair, perform the following procedure to confirm the malfunction is eliminated.

WITH CONSULT-II

1. Turn ignition switch ON. (Do not start engine.)
2. Select "MAIN SIGNALS" in "DATA MONITOR" mode for "A/T" with CONSULT-II.
3. Touch "START".
4. Start engine and maintain the following conditions for at least 10 consecutive seconds.
VHCL/S SE-A/T: 10 km/h (6 MPH) or more
THROTTLE POSI: More than 1/8
SLCTLVR POSI: "D" position
5. If DTC is detected, go to [AT-127, "Diagnostic Procedure"](#).



WITH GST

Follow the procedure "WITH CONSULT-II".

DTC P0725 ENGINE SPEED SIGNAL

ECS00DWW

Diagnostic Procedure

1. CHECK CAN COMMUNICATION LINE

Perform the self-diagnosis. Refer to [AT-94, "SELF-DIAGNOSTIC RESULT MODE"](#) , [AT-104, "Diagnostic Procedure without CONSULT-II"](#) .

Is a malfunction in the CAN communication indicated in the results?

YES >> Check CAN communication line. Refer to [AT-109, "DTC U1000 CAN COMMUNICATION LINE"](#) .

NO >> GO TO 2.

2. CHECK INPUT SIGNAL

With CONSULT-II

1. Start engine.
2. Select "ECU INPUT SIGNALS" in "DATA MONITOR" mode for "A/T" with CONSULT-II.
3. While monitoring engine speed, check for engine speed change corresponding to wide-open throttle position signal.

Item name	Condition	Display value (rpm)
ENGINE SPEED	Engine running	Closely matches the tachometer reading.

DATA MONITOR			
MONITOR	NO DTC		
W/O THL POS	OFF		
BRAKE SW	OFF		
ENGINE SPEED	0 rpm		
TURBINE REV	0 rpm		
OUTPUT REV	0 rpm		
▼			
RECORD			
MODE	BACK	LIGHT	COPY

PCIA0041E

With GST

Follow the procedure "WITH CONSULT-II".

OK or NG

OK >> GO TO 3.

NG >> Check the ignition signal circuit.

- Refer to [EC-706, "IGNITION SIGNAL"](#) .

3. CHECK DTC

Perform "DTC Confirmation Procedure".

- Refer to [AT-126, "DTC Confirmation Procedure"](#) .

OK or NG

OK >> **INSPECTION END**

NG >> GO TO 4.

4. CHECK TCM POWER SUPPLY AND GROUND CIRCUIT

Check TCM power supply and ground circuit. Refer to [AT-185, "MAIN POWER SUPPLY AND GROUND CIRCUIT"](#) .

OK or NG

OK >> GO TO 5.

NG >> Repair or replace damaged parts.

5. DETECT MALFUNCTIONING ITEM

Check the following.

- The A/T assembly harness connector pin terminals for damage or loose connection with harness connector.

OK or NG

OK >> Replace the control valve with TCM. Refer to [AT-247, "Control Valve with TCM and A/T Fluid Temperature Sensor 2"](#) .

NG >> Repair or replace damaged parts.

DTC P0740 TORQUE CONVERTER CLUTCH SOLENOID VALVE

DTC P0740 TORQUE CONVERTER CLUTCH SOLENOID VALVE

PFP:31940

Description

ECS00DWX

- The torque converter clutch solenoid valve is activated, with the gear in D3 , D4 , D5 , M4 and M5 by the TCM in response to signals sent from the vehicle speed sensor and accelerator pedal position sensor (throttle position sensor). Torque converter clutch piston operation will then be controlled.
- Lock-up operation, however, is prohibited when A/T fluid temperature is too low.
- When the accelerator pedal is depressed (less than 1/8) in lock-up condition, the engine speed should not change abruptly. If there is a big jump in engine speed, there is no lock-up.

CONSULT-II Reference Value

ECS00DWW

Item name	Condition	Display value (Approx.)
TCC SOLENOID	Slip lock-up is active	0.2 - 0.4 A
	Lock-up is active	0.4 - 0.6 A

On Board Diagnosis Logic

ECS00DWZ

- This is an OBD-II self-diagnostic item.
- Diagnostic trouble code "P0740 TCC SOLENOID/CIRC" with CONSULT-II or 3rd judgement flicker without CONSULT-II is detected under the following conditions.
 - When TCM detects an improper voltage drop when it tries to operate the solenoid valve.
 - When TCM detects as irregular by comparing target value with monitor value.

Possible Cause

ECS00DX0

- Torque converter clutch solenoid valve
- Harness or connectors
(Solenoid circuit is open or shorted.)

DTC Confirmation Procedure

ECS00DX1

CAUTION:

Always drive vehicle at a safe speed.

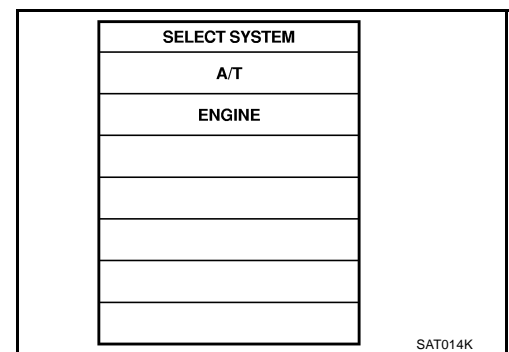
NOTE:

If "DTC Confirmation Procedure" has been previously performed, always turn ignition switch "OFF" and wait at least 10 seconds before performing the next test.

After the repair, perform the following procedure to confirm the malfunction is eliminated.

WITH CONSULT-II

1. Turn ignition switch ON. (Do not start engine.)
2. Select "MAIN SIGNALS" in "DATA MONITOR" mode for "A/T" with CONSULT-II.
3. Touch "START".
4. Start engine and maintain the following conditions for at least 5 consecutive seconds.
VHCL/S SE-A/T: 80 km/h (50 MPH) or more
THROTTLE POSI: 0.5/8 - 1.0/8
SLCTLVR POSI: "D" position
Driving location: Driving the vehicle uphill (increased engine load) will help maintain the driving conditions required for this test.
5. If DTC is detected go to [AT-129, "Diagnostic Procedure"](#).



WITH GST

Follow the procedure "WITH CONSULT-II".

DTC P0740 TORQUE CONVERTER CLUTCH SOLENOID VALVE

Diagnostic Procedure

ECS00DX2

1. CHECK INPUT SIGNAL

With CONSULT-II

1. Turn ignition switch ON.
2. Select "MAIN SIGNALS" in "DATA MONITOR" mode for "A/T" with CONSULT-II.
3. Start engine.
4. Read out the value of "TCC SOLENOID" while driving.

Item name	Condition	Display value (Approx.)
TCC SOLENOID	Slip lock-up is active	0.2 - 0.4 A
	Lock-up is active	0.4 - 0.6 A

DATA MONITOR	
MONITOR	NO DTC
TCC SOLENOID	XXXX
LINE PRES SOL	XXXX
I/C SOLENOID	XXXX
FR/B SOLENOID	XXXX
D/C SOLENOID	XXXX
HLR/C SOL	XXXX
	▽
	RECORD
MODE	BACK
LIGHT	COPY

SCIA4793E

OK or NG

- OK >> GO TO 4.
NG >> GO TO 2.

2. CHECK TCM POWER SUPPLY AND GROUND CIRCUIT

Check TCM power supply and ground circuit. Refer to [AT-185, "MAIN POWER SUPPLY AND GROUND CIRCUIT"](#).

OK or NG

- OK >> GO TO 3.
NG >> Repair or replace damaged parts.

3. DETECT MALFUNCTIONING ITEM

Check the following.

- The A/T assembly harness connector pin terminals for damage or loose connection with harness connector.

OK or NG

- OK >> Replace the control valve with TCM. Refer to [AT-247, "Control Valve with TCM and A/T Fluid Temperature Sensor 2"](#).
NG >> Repair or replace damaged parts.

4. CHECK DTC

Perform "DTC Confirmation Procedure".

- Refer to [AT-128, "DTC Confirmation Procedure"](#).

OK or NG

- OK >> **INSPECTION END**
NG >> GO TO 2.

DTC P0744 A/T TCC S/V FUNCTION (LOCK-UP)

DTC P0744 A/T TCC S/V FUNCTION (LOCK-UP)

PFP:31940

Description

ECS00DX3

This malfunction is detected when the A/T does not shift into 5th gear position or the torque converter clutch does not lock-up as instructed by the TCM. This is not only caused by electrical malfunction (circuits open or shorted) but also by mechanical malfunction such as control valve sticking, improper solenoid valve operation, etc.

CONSULT-II Reference Value

ECS00DX4

Item name	Condition	Display value (Approx.)
TCC SOLENOID	Slip lock-up is active	0.2 - 0.4 A
	Lock-up is active	0.4 - 0.6 A

On Board Diagnosis Logic

ECS00DX5

- This is an OBD-II self-diagnostic item.
- Diagnostic trouble code "P0744 A/T TCC S/V FNCTN" with CONSULT-II or 3rd judgement flicker without CONSULT-II is detected under the following conditions.
 - When A/T cannot perform lock-up even if electrical circuit is good.
 - When TCM detects as irregular by comparing difference value with slip rotation.

Possible Cause

ECS00DX6

- Harness or connectors
(Solenoid circuit is open or shorted.)
- Torque converter clutch solenoid valve
- Hydraulic control circuit

DTC Confirmation Procedure

ECS00DX7

CAUTION:

Always drive vehicle at a safe speed.

NOTE:

If "DTC Confirmation Procedure" has been previously performed, always turn ignition switch OFF and wait at least 10 seconds before performing the next test.

After the repair, perform the following procedure to confirm the malfunction is eliminated.

WITH CONSULT-II

1. Start engine and Select "TCC SOL FUNCTN CHECK" of "DTC WORK SUPPORT" mode for "A/T" with CONSULT-II and touch "START".
2. Accelerate vehicle to more than 80 km/h (50 MPH) and maintain the following condition continuously until "TESTING" has turned to "COMPLETE". (It will take approximately 30 seconds after "TESTING" shows.)

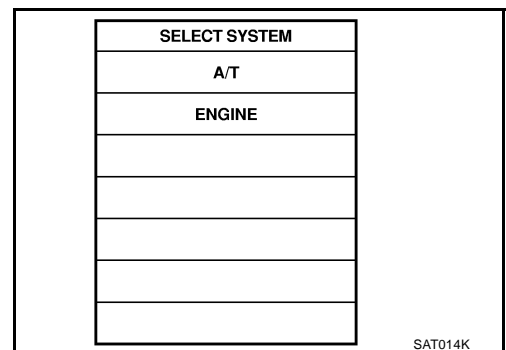
THROTTLE POSI: More than 1.0/8 (at all times during step 4)

TCC SOLENOID: 0.4 - 0.6 A

SLCTLVR POSI: "D" position

[Reference speed: Constant speed of more than 80 km/h (50 MPH)]

- Make sure "GEAR" shows "5".
 - For shift schedule, refer to [AT-64, "Vehicle Speed at Which Lock-up Occurs/Releases"](#).
 - If "TESTING" does not appear on CONSULT-II for a long time, select "SELF-DIAG RESULTS". In case a 1st trip DTC other than P0744 is shown, refer to applicable "TROUBLE DIAGNOSIS FOR DTC".
3. Make sure that "OK" is displayed. (If "NG" is displayed, refer to "DIAGNOSTIC PROCEDURE".)
Refer to [AT-131, "Diagnostic Procedure"](#).
Refer to shift schedule, [AT-64, "Vehicle Speed at Which Lock-up Occurs/Releases"](#).



DTC P0744 A/T TCC S/V FUNCTION (LOCK-UP)

WITH GST

Follow the procedure "WITH CONSULT-II".

Diagnostic Procedure

ECS00DX8

1. CHECK INPUT SIGNAL

With CONSULT-II

1. Turn ignition switch ON.
2. Select "MAIN SIGNALS" in "DATA MONITOR" mode for "A/T" with CONSULT-II.
3. Start engine.
4. Read out the value of "TCC SOLENOID" while driving.

DATA MONITOR	
MONITOR	NO DTC
TCC SOLENOID	XXXX
LINE PRES SOL	XXXX
I/C SOLENOID	XXXX
FR/B SOLENOID	XXXX
D/C SOLENOID	XXXX
HLR/C SOL	XXXX
	▽
	RECORD
MODE	BACK
LIGHT	COPY

SCIA4793E

Item name	Condition	Display value (Approx.)
TCC SOLENOID	Slip lock-up is active	0.2 - 0.4 A
	Lock-up is active	0.4 - 0.6 A

OK or NG

- OK >> GO TO 4.
NG >> GO TO 2.

2. CHECK TCM POWER SUPPLY AND GROUND CIRCUIT

Check TCM power supply and ground circuit. Refer to [AT-185, "MAIN POWER SUPPLY AND GROUND CIRCUIT"](#).

OK or NG

- OK >> GO TO 3.
NG >> Repair or replace damaged parts.

3. DETECT MALFUNCTIONING ITEM

Check the following.

- The A/T assembly harness connector pin terminals for damage or loose connection with harness connector.

OK or NG

- OK >> Replace the control valve with TCM. Refer to [AT-247, "Control Valve with TCM and A/T Fluid Temperature Sensor 2"](#).
NG >> Repair or replace damaged parts.

4. CHECK DTC

Perform "DTC Confirmation Procedure".

- Refer to [AT-130, "DTC Confirmation Procedure"](#).

OK or NG

- OK >> **INSPECTION END**
NG >> GO TO 2.

DTC P0745 LINE PRESSURE SOLENOID VALVE

DTC P0745 LINE PRESSURE SOLENOID VALVE

PFP:31940

Description

ECS00DX9

The line pressure solenoid valve regulates the oil pump discharge pressure to suit the driving condition in response to a signal sent from the TCM.

The line pressure duty cycle value is not consistent when the closed throttle position signal is ON. To confirm the line pressure duty cycle at low pressure, the accelerator (throttle) should be open until the closed throttle position signal is OFF.

CONSULT-II Reference Value

ECS00DXA

Item name	Condition	Display value (Approx.)
LINE PRES SOL	During driving	0.2 - 0.6 A

On Board Diagnosis Logic

ECS00DXB

- This is an OBD-II self-diagnostic item.
- Diagnostic trouble code "P0745 L/PRESS SOL/CIRC" with CONSULT-II or 4th judgement flicker without CONSULT-II is detected under the following conditions.
 - When TCM detects an improper voltage drop when it tries to operate the solenoid valve.
 - When TCM detects as irregular by comparing target value with monitor value.

Possible Cause

ECS00DXC

- Harness or connectors
(Solenoid circuit is open or shorted.)
- Line pressure solenoid valve

DTC Confirmation Procedure

ECS00DXD

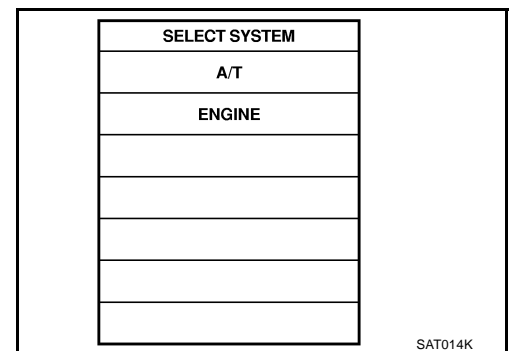
NOTE:

If "DTC Confirmation Procedure" has been previously performed, always turn ignition switch OFF and wait at least 10 seconds before performing the next test.

After the repair, perform the following procedure to confirm the malfunction is eliminated.

④ WITH CONSULT-II

1. Turn ignition switch ON. (Do not start engine.)
2. Select "MAIN SIGNALS" in "DATA MONITOR" mode for "A/T" with CONSULT-II.
3. Touch "START".
4. Engine start and wait for at least 5 seconds.
5. If DTC is detected, go to ["AT-133, "Diagnostic Procedure"](#) .



④ WITH GST

Follow the procedure "WITH CONSULT-II".

DTC P0745 LINE PRESSURE SOLENOID VALVE

Diagnostic Procedure

ECS00DXE

1. CHECK INPUT SIGNAL

With CONSULT-II

1. Turn ignition switch ON.
2. Select "MAIN SIGNALS" in "DATA MONITOR" mode for "A/T" with CONSULT-II.
3. Start engine.
4. Read out the value of "LINE PRES SOL" during driving.

Item name	Condition	Display value (Approx.)
LINE PRES SOL	During driving	0.2 - 0.6 A

OK or NG

- OK >> GO TO 4.
NG >> GO TO 2.

DATA MONITOR	
MONITOR	NO DTC
TCC SOLENOID	XXXX
LINE PRES SOL	XXXX
I/C SOLENOID	XXXX
FR/B SOLENOID	XXXX
D/C SOLENOID	XXXX
HLR/C SOL	XXXX
	▽
	RECORD
MODE	BACK
LIGHT	COPY

SCIA4793E

2. CHECK TCM POWER SUPPLY AND GROUND CIRCUIT

Check TCM power supply and ground circuit. Refer to [AT-185, "MAIN POWER SUPPLY AND GROUND CIRCUIT"](#).

OK or NG

- OK >> GO TO 3.
NG >> Repair or replace damaged parts.

3. DETECT MALFUNCTIONING ITEM

Check the following.

- The A/T assembly harness connector pin terminals for damage or loose connection with harness connector.

OK or NG

- OK >> Replace the control valve with TCM. Refer to [AT-247, "Control Valve with TCM and A/T Fluid Temperature Sensor 2"](#).
- NG >> Repair or replace damaged parts.

4. CHECK DTC

Perform "DTC Confirmation Procedure".

- Refer to [AT-132, "DTC Confirmation Procedure"](#).

OK or NG

- OK >> **INSPECTION END**
NG >> GO TO 2.

DTC P1702 TRANSMISSION CONTROL MODULE (RAM)

DTC P1702 TRANSMISSION CONTROL MODULE (RAM)

PFP:31036

Description

ECS00DXF

The TCM consists of a microcomputer and connectors for signal input and output and for power supply. The TCM controls the A/T.

On Board Diagnosis Logic

ECS00DXG

- This is not an OBD-II self-diagnostic item.
- Diagnostic trouble code "P1702 TCM-RAM" with CONSULT-II is detected when TCM memory RAM is malfunctioning.

Possible Cause

ECS00DXH

- TCM

DTC Confirmation Procedure

ECS00DXI

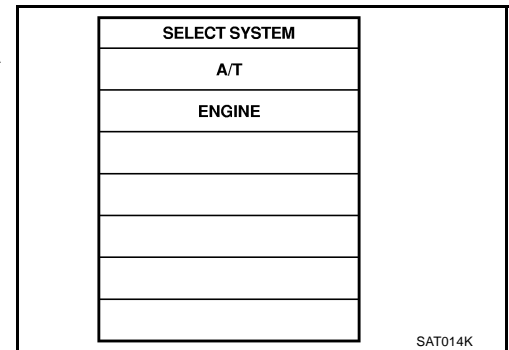
NOTE:

If "DTC Confirmation Procedure" has been previously performed, always turn ignition switch OFF and wait at least 10 seconds before performing the next test.

After the repair, perform the following procedure to confirm the malfunction is eliminated.

WITH CONSULT-II

1. Turn ignition switch ON. (Do not start engine.)
2. Select "ECU INPUT SIGNALS" or "MAIN SIGNALS" in "DATA MONITOR" mode for "A/T" with CONSULT-II.
3. Touch "START".
4. Start engine.
5. Run engine for at least 2 consecutive seconds at idle speed.
6. If DTC is detected, go to [AT-134, "Diagnostic Procedure"](#).



Diagnostic Procedure

ECS00DXJ

1. CHECK DTC

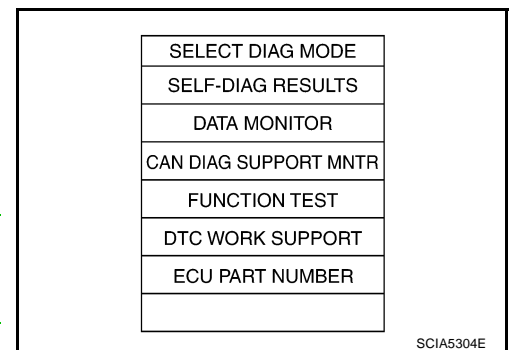
With CONSULT-II

1. Turn ignition switch ON. (Do not start engine.)
2. Select "SELF DIAG RESULTS" mode for "A/T" with CONSULT-II.
3. Touch "ERASE".
4. Turn ignition switch OFF and wait for at least 10 seconds.
5. Perform "DTC confirmation procedure". Refer to [AT-134, "DTC Confirmation Procedure"](#).

Is the "TCM-RAM" displayed again?

YES >> Replace the control valve with TCM. Refer to [AT-247, "Control Valve with TCM and A/T Fluid Temperature Sensor 2"](#).

NO >> **INSPECTION END**



DTC P1703 TRANSMISSION CONTROL MODULE (ROM)

DTC P1703 TRANSMISSION CONTROL MODULE (ROM)

PPF:31036

Description

ECS00DXK

The TCM consists of a microcomputer and connectors for signal input and output and for power supply. The TCM controls the A/T.

On Board Diagnosis Logic

ECS00DXL

- This is not an OBD-II self-diagnostic item.
- Diagnostic trouble code "P1703 TCM-ROM" with CONSULT-II is detected when TCM memory ROM is malfunctioning.

Possible Cause

ECS00DXM

- TCM

DTC Confirmation Procedure

ECS00DXN

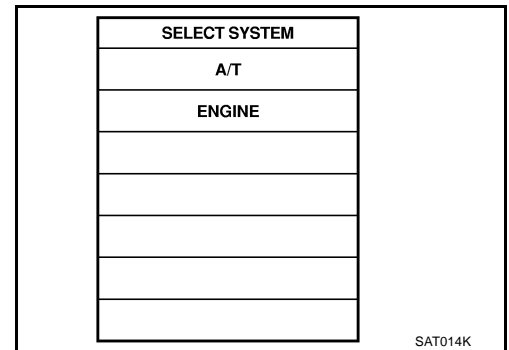
NOTE:

If "DTC Confirmation Procedure" has been previously performed, always turn ignition switch OFF and wait at least 10 seconds before performing the next test.

After the repair, perform the following procedure to confirm the malfunction is eliminated.

WITH CONSULT-II

1. Turn ignition switch ON. (Do not start engine.)
2. Select "ECU INPUT SIGNALS" or "MAIN SIGNALS" in "DATA MONITOR" mode for "A/T" with CONSULT-II.
3. Touch "START".
4. Start engine.
5. Run engine for at least 2 consecutive seconds at idle speed.
6. If DTC is detected, go to [AT-135, "Diagnostic Procedure"](#).



Diagnostic Procedure

ECS00DXO

1. CHECK DTC

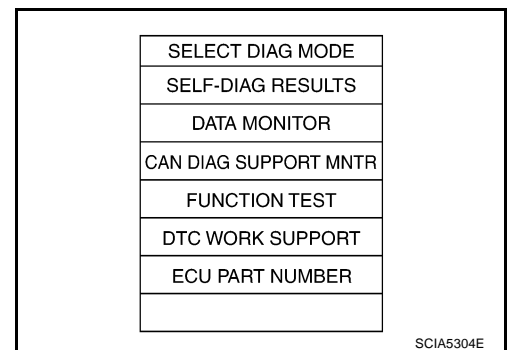
With CONSULT-II

1. Turn ignition switch ON. (Do not start engine.)
2. Select "SELF DIAG RESULTS" mode for "A/T" with CONSULT-II.
3. Touch "ERASE".
4. Turn ignition switch OFF and wait at least 10 seconds.
5. Perform "DTC confirmation procedure", [AT-135, "DTC Confirmation Procedure"](#).

Is the "TCM-ROM" displayed again?

YES >> Replace the control valve with TCM. Refer to [AT-247, "Control Valve with TCM and A/T Fluid Temperature Sensor 2"](#).

NO >> **INSPECTION END**



DTC P1705 THROTTLE POSITION SENSOR

DTC P1705 THROTTLE POSITION SENSOR

PFPP:22620

Description

ECS00DXP

Electric throttle control actuator consists of throttle control motor, accelerator pedal position sensor, throttle position sensor, etc. The actuator sends a signal to the ECM, and ECM sends signals to TCM with CAN communication.

CONSULT-II Reference Value

ECS00DXQ

Item name	Condition	Display value (Approx.)
ACCELE POSI	Released accelerator pedal.	0.0/8
	Fully depressed accelerator pedal.	8/8
THROTTLE POSI	Released accelerator pedal.	0.0/8
	Fully depressed accelerator pedal.	8/8

On Board Diagnosis Logic

ECS00DXR

- This is not an OBD-II self-diagnostic item.
- Diagnostic trouble code "P1705 TP SEN/CIRC A/T" with CONSULT-II or 15th judgement flicker without CONSULT-II is detected when TCM does not receive the proper accelerator pedal position signals (input by CAN communication) from ECM.

Possible Cause

ECS00DXS

- Harness or connectors
(Sensor circuit is open or shorted.)

DTC Confirmation Procedure

ECS00DXT

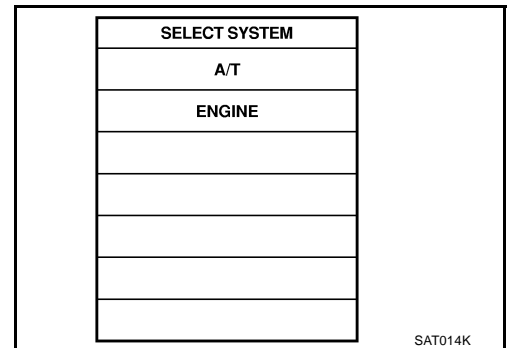
NOTE:

If "DTC Confirmation Procedure" has been previously performed, always turn ignition switch OFF and wait at least 10 seconds before performing the next test.

After the repair, perform the following procedure to confirm the malfunction is eliminated.

④ WITH CONSULT-II

1. Turn ignition switch ON. (Do not start engine.)
2. Select "ECU INPUT SIGNALS" in "DATA MONITOR" mode for "A/T" with CONSULT-II.
3. Touch "START".
4. Start engine and let it idle for 1 second.
5. If DTC is detected, go to ["AT-137, "Diagnostic Procedure"](#) .



④ WITH GST

Follow the procedure "WITH CONSULT-II".

DTC P1705 THROTTLE POSITION SENSOR

ECS00DXU

Diagnostic Procedure

1. CHECK CAN COMMUNICATION LINE

Perform the self-diagnosis. Refer to [AT-94, "SELF-DIAGNOSTIC RESULT MODE"](#) , [AT-104, "Diagnostic Procedure without CONSULT-II"](#) .

Is a malfunction in the CAN communication indicated in the results?

YES >> Check CAN communication line. Refer to [AT-109, "DTC U1000 CAN COMMUNICATION LINE"](#) .

NO >> GO TO 2.

2. CHECK DTC WITH TCM

With CONSULT-II

1. Turn ignition switch ON. (Do not start engine.)
2. Select "ECU INPUT SIGNALS" in "DATA MONITOR" mode for "A/T" with CONSULT-II.
3. Depress accelerator pedal and read out the value of "ACCELE POSI" and "THROTTLE POSI".

Item name	Condition	Display value (Approx.)
ACCELE POSI	Released accelerator pedal.	0.0/8
	Fully depressed accelerator pedal.	8/8
THROTTLE POSI	Released accelerator pedal.	0.0/8
	Fully depressed accelerator pedal.	8/8

DATA MONITOR	
MONITOR	NO DTC
ACCELE POSI	0.0/8
THROTTLE POSI	0.0/8
CLSD THL POS	ON
W/O THL POS	OFF
BRAKE SW	OFF
▼	
RECORD	
MODE	BACK
LIGHT	COPY

PCIA0070E

4. Select "SELF-DIAG RESULTS" mode for "A/T" with CONSULT-II. Refer to [AT-94, "SELF-DIAGNOSTIC RESULT MODE"](#)

With GST

Follow the procedure "With CONSULT-II".

OK or NG

OK >> GO TO 4.

NG >> GO TO 3.

3. CHECK DTC WITH ECM

With CONSULT-II

1. Turn ignition switch ON. (Do not start engine.)
2. Select "SELF-DIAG RESULTS" mode for "ENGINE" with CONSULT-II. Refer to [EC-126, "CONSULT-II Function \(ENGINE\)"](#) .

With GST

Follow the procedure "With CONSULT-II".

OK or NG

OK >> GO TO 4.

NG >> Check the DTC detected item. Refer to [EC-126, "CONSULT-II Function \(ENGINE\)"](#) .

- If CAN communication line is detected, go to [AT-109, "DTC U1000 CAN COMMUNICATION LINE"](#) .

SELECT SYSTEM
A/T
ENGINE

SAT014K

4. CHECK DTC

Perform "DTC Confirmation Procedure".

- Refer to [AT-136, "DTC Confirmation Procedure"](#) .

OK or NG

OK >> **INSPECTION END**

NG >> GO TO 5.

DTC P1705 THROTTLE POSITION SENSOR

5. CHECK TCM POWER SUPPLY AND GROUND CIRCUIT

Check TCM power supply and ground circuit. Refer to [AT-185, "MAIN POWER SUPPLY AND GROUND CIRCUIT"](#) .

OK or NG

- OK >> GO TO 6.
- NG >> Repair or replace damaged parts.

6. DETECT MALFUNCTIONING ITEM

Check the following.

- The A/T assembly harness connector pin terminals for damage or loose connection with harness connector.

OK or NG

- OK >> Replace the control valve with TCM. Refer to [AT-247, "Control Valve with TCM and A/T Fluid Temperature Sensor 2"](#) .
- NG >> Repair or replace damaged parts.

DTC P1710 A/T FLUID TEMPERATURE SENSOR CIRCUIT

DTC P1710 A/T FLUID TEMPERATURE SENSOR CIRCUIT

PFP:31940

Description

ECS00DXV

The A/T fluid temperature sensor detects the A/T fluid temperature and sends a signal to the TCM.

CONSULT-II Reference Value

ECS00DXW

Item name	Condition °C (°F)	Display value (Approx.)
ATF TEMP SE 1	0 (32) - 20 (68) - 80 (176)	2.2 - 1.8 - 0.6 V
ATF TEMP SE 2		2.2 - 1.7 - 0.45 V

On Board Diagnosis Logic

ECS00DXX

- This is an OBD-II self-diagnostic item.
- Diagnostic trouble code "P1710 (A/T), P0710 (ENGINE) ATF TEMP SEN/CIRC" with CONSULT-II or 10th judgement flicker without CONSULT-II is detected when TCM receives an excessively low or high voltage from the sensor.

Possible Cause

ECS00DXY

- Harness or connectors
(Sensor circuit is open or shorted.)
- A/T fluid temperature sensors 1 and/or 2

DTC Confirmation Procedure

ECS00DXZ

CAUTION:

Always drive vehicle at a safe speed.

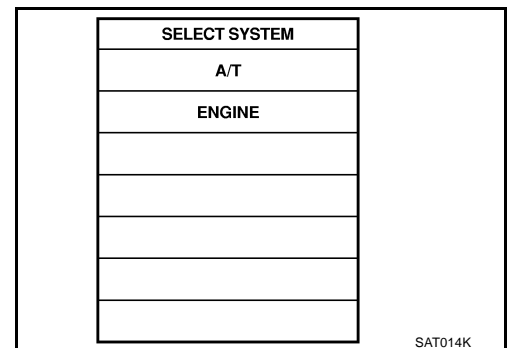
NOTE:

If "DTC Confirmation Procedure" has been previously performed, always turn ignition switch OFF and wait at least 10 seconds before performing the next test.

After the repair, perform the following procedure to confirm the malfunction is eliminated.

Ⓟ WITH CONSULT-II

1. Turn ignition switch ON. (Do not start engine.)
2. Select "MAIN SIGNALS" in "DATA MONITOR" mode for "A/T" with CONSULT-II.
3. Touch "START".
4. Start engine and maintain the following conditions for at least 10 minutes (Total). (It is not necessary to maintain continuously.)
VHCL/S SE-A/T: 10 km/h (6 MPH) or more
THROTTLE POSI: More than 1/8
SLCTLVR POSI: "D" position
5. If DTC is detected, go to [AT-141, "Diagnostic Procedure"](#).



Ⓢ WITH GST

Follow the procedure "WITH CONSULT-II".

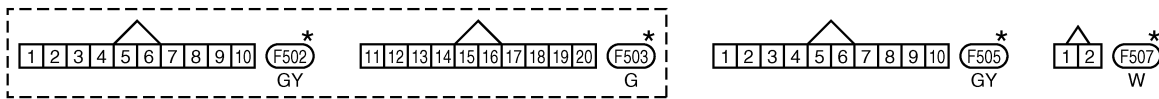
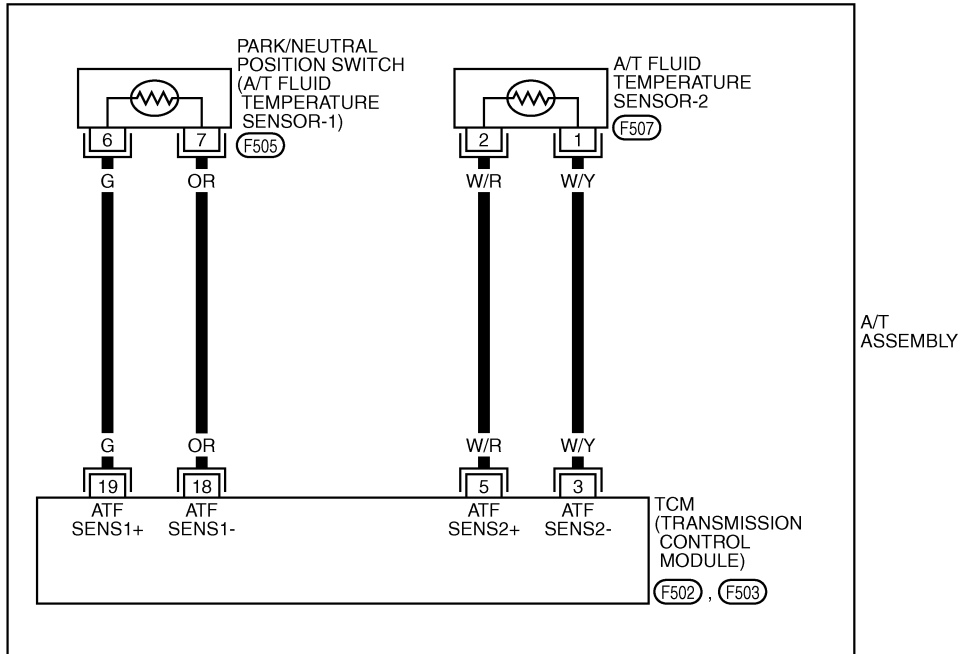
DTC P1710 A/T FLUID TEMPERATURE SENSOR CIRCUIT

Wiring Diagram — AT — FTS

ECS00DY0

AT-FTS-01

: DETECTABLE LINE FOR DTC
 : NON-DETECTABLE LINE FOR DTC



*: THIS CONNECTOR IS NOT SHOWN IN "HARNESS LAYOUT", PG SECTION.

TCWM0306E

DTC P1710 A/T FLUID TEMPERATURE SENSOR CIRCUIT

ECS00DY1

Diagnostic Procedure

1. CHECK A/T FLUID TEMPERATURE SENSOR 1 SIGNAL

With CONSULT-II

- Start engine.
- Select "ECU INPUT SIGNALS" in "DATA MONITOR" mode for "A/T" with CONSULT-II.
- Read out the value of "ATF TEMP SE 1".

Item name	Condition °C (°F)	Display value (Approx.)
ATF TEMP SE 1	0 (32) - 20 (68) - 80 (176)	2.2 - 1.8 - 0.6 V

OK or NG

- OK >> GO TO 2.
NG >> GO TO 3.

DATA MONITOR	
MONITOR	NO DTC
OUTPUT REV	0 rpm
ATF TEMP SE 1	1.84 v
ATF TEMP SE 2	1.72 v
BATTERY BOLT	11.5 v
ATF PRES SW 1	OFF

Δ	▽
RECORD	
MODE	BACK
LIGHT	COPY

PCIA0039E

2. CHECK A/T FLUID TEMPERATURE SENSOR 2 SIGNAL

With CONSULT-II

- Start engine.
- Select "ECU INPUT SIGNALS" in "DATA MONITOR" mode for "A/T" with CONSULT-II.
- Read out the value of "ATF TEMP SE 2".

Item name	Condition °C (°F)	Display value (Approx.)
ATF TEMP SE 2	0 (32) - 20 (68) - 80 (176)	2.2 - 1.7 - 0.45 V

OK or NG

- OK >> GO TO 8.
NG >> GO TO 5.

DATA MONITOR	
MONITOR	NO DTC
OUTPUT REV	0 rpm
ATF TEMP SE 1	1.84 v
ATF TEMP SE 2	1.72 v
BATTERY BOLT	11.5 v
ATF PRES SW 1	OFF

Δ	▽
RECORD	
MODE	BACK
LIGHT	COPY

PCIA0039E

3. CHECK A/T FLUID TEMPERATURE SENSOR 1

Check A/T fluid temperature sensor 1. Refer to [AT-143, "A/T FLUID TEMPERATURE SENSOR 1"](#).

OK or NG

- OK >> GO TO 4.
NG >> Replace the control valve with TCM. Refer to [AT-247, "Control Valve with TCM and A/T Fluid Temperature Sensor 2"](#).

4. CHECK SUB-HARNESS

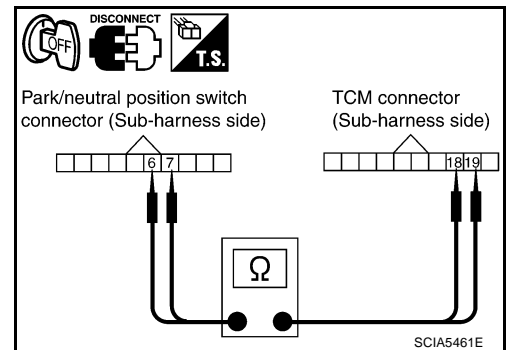
- Disconnect park/neutral position switch connector and TCM connector.
- Check continuity between park/neutral position switch connector terminals and TCM connector terminals.

Item	Connector	Terminal (Wire color)	Continuity
Park/neutral position switch connector	F505	6 (G)	Yes
TCM connector	F503	19 (G)	
Park/neutral position switch connector	F505	7 (OR)	Yes
TCM connector	F503	18 (OR)	

- If OK, check harness for short to ground and short to power.

OK or NG

- OK >> GO TO 7.
NG >> Replace open circuit or short to ground and short to power in harness or connectors.



DTC P1710 A/T FLUID TEMPERATURE SENSOR CIRCUIT

5. CHECK A/T FLUID TEMPERATURE SENSOR 2

Check A/T fluid temperature sensor 2. Refer to [AT-143, "A/T FLUID TEMPERATURE SENSOR 2"](#) .

OK or NG

OK >> GO TO 6.

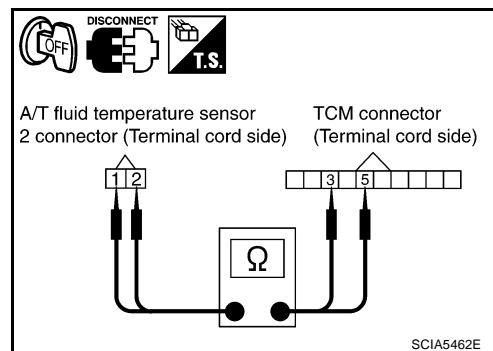
NG >> Replace the A/T fluid temperature sensor 2. Refer to [AT-256, "A/T FLUID TEMPERATURE SENSOR 2 REMOVAL AND INSTALLATION"](#) .

6. CHECK TERMINAL CORD ASSEMBLY

1. Disconnect A/T fluid temperature sensor 2 connector and TCM connector.

2. Check continuity between A/T fluid temperature sensor 2 connector terminals and TCM connector terminals.

Item	Connector	Terminal (Wire color)	Continuity
A/T fluid temperature sensor 2 connector	F507	1 (W/Y)	Yes
TCM connector	F502	3 (W/Y)	
A/T fluid temperature sensor 2 connector	F507	2 (W/R)	Yes
TCM connector	F502	5 (W/R)	



3. If OK, check harness for short to ground and short to power.

OK or NG

OK >> GO TO 7.

NG >> Replace open circuit or short to ground and short to power in harness or connectors.

7. CHECK TCM POWER SUPPLY AND GROUND CIRCUIT

1. Check TCM power supply and ground circuit. Refer to [AT-185, "MAIN POWER SUPPLY AND GROUND CIRCUIT"](#) .

2. Reinstall any part removed.

OK or NG

OK >> Replace the control valve with TCM. Refer to [AT-247, "Control Valve with TCM and A/T Fluid Temperature Sensor 2"](#) .

NG >> Repair or replace damaged parts.

8. CHECK DTC

Perform "DTC Confirmation Procedure".

- Refer to [AT-139, "DTC Confirmation Procedure"](#) .

OK or NG

OK >> **INSPECTION END**

NG >> GO TO 1.

DTC P1710 A/T FLUID TEMPERATURE SENSOR CIRCUIT

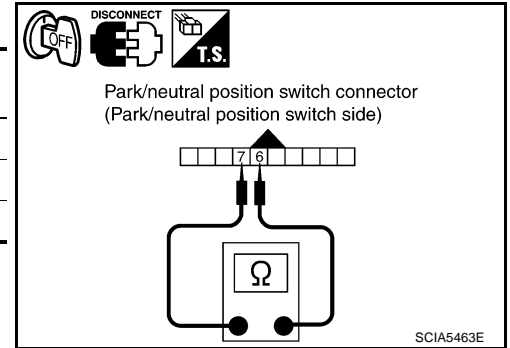
ECS00DY2

Component Inspection

A/T FLUID TEMPERATURE SENSOR 1

1. Remove control valve with TCM. Refer to [AT-247, "Control Valve with TCM and A/T Fluid Temperature Sensor 2"](#) .
2. Check resistance between terminals.

Name	Connector	Terminal	Temperature °C (°F)	Resistance (Approx.) (kΩ)
A/T fluid temperature sensor 1	F505	6 - 7	0 (32)	15
			20 (68)	6.5
			80 (176)	0.9

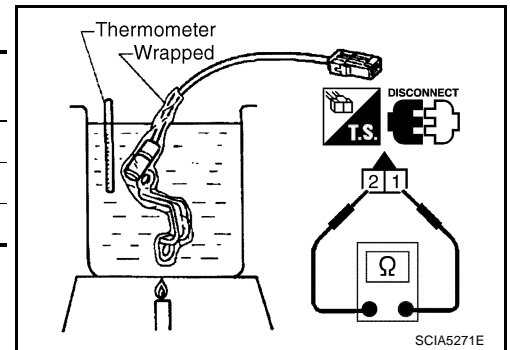


3. If NG, replace the control valve with TCM. Refer to [AT-247, "Control Valve with TCM and A/T Fluid Temperature Sensor 2"](#) .

A/T FLUID TEMPERATURE SENSOR 2

1. Remove A/T fluid temperature sensor 2. Refer to [AT-256, "A/T FLUID TEMPERATURE SENSOR 2 REMOVAL AND INSTALLATION"](#) .
2. Check resistance between terminals.

Name	Connector	Terminal	Temperature °C (°F)	Resistance (Approx.) (kΩ)
A/T fluid temperature sensor 2	F507	1 - 2	0 (32)	10
			20 (68)	4
			80 (176)	0.5



3. If NG, replace the A/T fluid temperature sensor 2. Refer to [AT-256, "A/T FLUID TEMPERATURE SENSOR 2 REMOVAL AND INSTALLATION"](#) .

DTC P1716 TURBINE REVOLUTION SENSOR

DTC P1716 TURBINE REVOLUTION SENSOR

PFP:31935

Description

ECS00DY3

The turbine revolution sensor detects input shaft rpm (revolutions per minute). It is located on the input side of the automatic transmission. Monitors revolution of sensor 1 and sensor 2 for non-standard conditions.

CONSULT-II Reference Value

ECS00DY4

Item name	Condition	Display value (rpm)
TURBINE REV	During driving (lock-up ON)	Approximately matches the engine speed.

On Board Diagnosis Logic

ECS00DY5

- This is an OBD-II self-diagnostic item.
- Diagnostic trouble code "P1716 TURBINE REV S/CIRC" with CONSULT-II or 11th judgement flicker without CONSULT-II is detected under the following conditions.
 - When TCM does not receive the proper voltage signal from the sensor.
 - When TCM detects an irregularity only at position of 4th gear for turbine revolution sensor 2.

Possible Cause

ECS00DY6

- Harness or connectors
(Sensor circuit is open or shorted.)
- Turbine revolution sensor 1 and/or 2

DTC Confirmation Procedure

ECS00DY7

CAUTION:

Always drive vehicle at a safe speed.

NOTE:

If "DTC Confirmation Procedure" has been previously performed, always turn ignition switch OFF and wait at least 10 seconds before performing the next test.

After the repair, perform the following procedure to confirm the malfunction is eliminated.

WITH CONSULT-II

1. Turn ignition switch ON. (Do not start engine.)
2. Select "MAIN SIGNALS" in "DATA MONITOR" mode for "A/T" with CONSULT-II.
3. Touch "START".
4. Start engine and maintain the following conditions for at least 5 consecutive seconds.

VHCL/S SE-A/T: 40 km/h (25 MPH) or more

ENGINE SPEED: 1,500 rpm or more

THROTTLE POSI: More than 0.5/8

SLCTLVR POSI: "D" position

GEAR (Turbine revolution sensor 1): "4" or "5" position

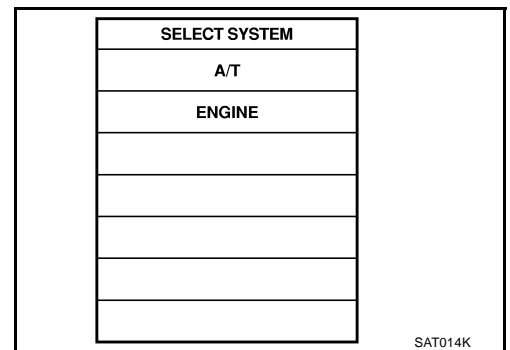
GEAR (Turbine revolution sensor 2): All position

Driving location: Driving the vehicle uphill (increased engine load) will help maintain the driving conditions required for this test.

5. If DTC is detected, go to [AT-145. "Diagnostic Procedure"](#) .

WITH GST

Follow the procedure "WITH CONSULT-II".



SAT014K

DTC P1716 TURBINE REVOLUTION SENSOR

Diagnostic Procedure

ECS00DY8

1. CHECK INPUT SIGNAL

With CONSULT-II

1. Start engine.
2. Select "ECU INPUT SIGNALS" in "DATA MONITOR" mode for "A/T" with CONSULT-II.
3. Vehicle start and read out the value of "TURBINE REV".

DATA MONITOR			
MONITOR	NO DTC		
W/O THL POS	OFF		
BRAKE SW	OFF		
ENGINE SPEED	0 rpm		
TURBINE REV	0 rpm		
OUTPUT REV	0 rpm		
▽			
RECORD			
MODE	BACK	LIGHT	COPY

PCIA0041E

Item name	Condition	Display value (rpm)
TURBINE REV	During driving (lock-up ON)	Approximately matches the engine speed.

OK or NG

- OK >> GO TO 4.
NG >> GO TO 2.

2. CHECK TCM POWER SUPPLY AND GROUND CIRCUIT

Check TCM power supply and ground circuit. Refer to [AT-185, "MAIN POWER SUPPLY AND GROUND CIRCUIT"](#).

OK or NG

- OK >> GO TO 3.
NG >> Repair or replace damaged parts.

3. DETECT MALFUNCTIONING ITEM

Check the following.

- The A/T assembly harness connector pin terminals for damage or loose connection with harness connector.

OK or NG

- OK >> Replace the control valve with TCM. Refer to [AT-247, "Control Valve with TCM and A/T Fluid Temperature Sensor 2"](#).
- NG >> Repair or replace damaged parts.

4. CHECK DTC

Perform "DTC Confirmation Procedure".

- Refer to [AT-144, "DTC Confirmation Procedure"](#).

OK or NG

- OK >> **INSPECTION END**
NG >> GO TO 2.

DTC P1721 VEHICLE SPEED SENSOR MTR

DTC P1721 VEHICLE SPEED SENSOR MTR

PFP:24814

Description

ECS00DY9

The vehicle speed sensor-MTR signal is transmitted from combination meter to TCM by CAN communication line. The signal functions as an auxiliary device to the revolution sensor when it is malfunctioning. The TCM will then use the vehicle speed sensor-MTR signal.

CONSULT-II Reference Value

ECS00DYA

Item name	Condition	Display value (Approx.) (km/h)
VHCL/S SE-MTR	During driving	Approximately matches the speedometer reading.

On Board Diagnosis Logic

ECS00DYB

- This is not an OBD-II self-diagnostic item.
- Diagnostic trouble code "P1721 VHE SPD SE/CIR-MTR" with CONSULT-II is detected when TCM does not receive the proper vehicle speed sensor MTR signal (input by CAN communication) from combination meter.

Possible Cause

ECS00DYC

- Harness or connectors
(Sensor circuit is open or shorted.)

DTC Confirmation Procedure

ECS00DYD

CAUTION:

Always drive vehicle at a safe speed.

NOTE:

If "DTC Confirmation Procedure" has been previously performed, always turn ignition switch OFF and wait at least 10 seconds before performing the next test.

After the repair, perform the following procedure to confirm the malfunction is eliminated.

Ⓟ WITH CONSULT-II

1. Turn ignition switch ON. (Do not start engine.)
2. Select "ECU INPUT SIGNALS" in "DATA MONITOR" mode for "A/T" with CONSULT-II.
3. Touch "START".
4. Start engine and maintain the following conditions for at least 5 consecutive seconds.
ACCELE POSI: 1/8 or less
VHCL/S SE-MTR: 30 km/h (17 MPH) or more
5. If DTC is detected, go to [AT-147, "Diagnostic Procedure"](#).

SELECT SYSTEM
A/T
ENGINE

SAT014K

DTC P1721 VEHICLE SPEED SENSOR MTR

ECS000DYE

Diagnostic Procedure

1. CHECK CAN COMMUNICATION LINE

Perform the self-diagnosis. Refer to [AT-94, "SELF-DIAGNOSTIC RESULT MODE"](#) , [AT-104, "Diagnostic Procedure without CONSULT-II"](#) .

Is malfunction in the CAN communication indicated in the result?

YES >> Check CAN communication line. Refer to [AT-109, "DTC U1000 CAN COMMUNICATION LINE"](#) .

NO >> GO TO 2.

2. CHECK INPUT SIGNAL

With CONSULT-II

1. Start engine.
2. Select "ECU INPUT SIGNALS" in "DATA MONITOR" mode for "A/T" with CONSULT-II.
3. Drive vehicle and read out the value of "VHCL/S SE-MTR".

Item name	Condition	Display value (Approx.) (km/h)
VHCL/S SE-MTR	During driving	Approximately matches the speedometer reading.

OK or NG

OK >> GO TO 4.

NG >> GO TO 3.

DATA MONITOR			
MONITOR	NO DTC		
VHCL/S SE-A/T	0km/h		
VHCL/S SE-MTR	0km/h		
ACCELE POSI	0.0/8		
THROTTLE POS	0.0/8		
CLSD THL POS	ON		
W/O THL POS	OFF		
▽			
RECORD			
MODE	BACK	LIGHT	COPY

SCIA2148E

3. CHECK COMBINATION METERS

Check combination meters. Refer to [DI-7, "COMBINATION METERS"](#) .

OK or NG

OK >> GO TO 4.

NG >> Repair or replace damaged parts.

4. CHECK DTC

Perform "DTC Confirmation Procedure".

- Refer to [AT-146, "DTC Confirmation Procedure"](#) .

OK or NG

OK >> **INSPECTION END**

NG >> GO TO 5.

5. CHECK TCM POWER SUPPLY AND GROUND CIRCUIT

Check TCM power supply and ground circuit. Refer to [AT-185, "MAIN POWER SUPPLY AND GROUND CIRCUIT"](#) .

OK or NG

OK >> GO TO 6.

NG >> Repair or replace damaged parts.

6. DETECT MALFUNCTIONING ITEM

Check the following.

- The A/T assembly harness connector pin terminals for damage or loose connection with harness connector.

OK or NG

OK >> Replace the control valve with TCM. Refer to [AT-247, "Control Valve with TCM and A/T Fluid Temperature Sensor 2"](#) .

NG >> Repair or replace damaged parts.

DTC P1730 A/T INTERLOCK

DTC P1730 A/T INTERLOCK

PFP:00000

Description

ECS00DYF

- Fail-safe function to detect interlock conditions.

On Board Diagnosis Logic

ECS00DYG

- This is an OBD-II self-diagnostic item.
- Diagnostic trouble code "P1730 A/T INTERLOCK" with CONSULT-II or 12th judgement flicker without CONSULT-II is detected when TCM does not receive the proper voltage signal from the sensor and switch.
- TCM monitors and compares gear position and conditions of each ATF pressure switch when gear is steady.

Possible Cause

ECS00DYH

- Harness or connectors
(Solenoid and switch circuit is open or shorted.)
- Low coast brake solenoid valve
- ATF pressure switch 2

DTC Confirmation Procedure

ECS00DYI

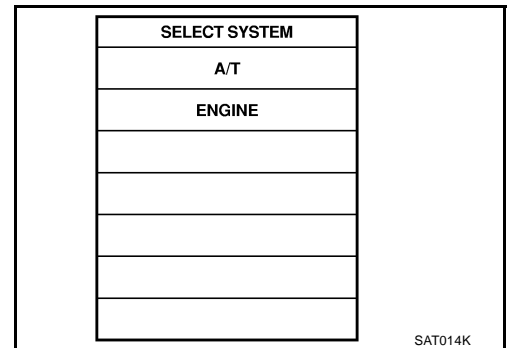
NOTE:

If "DTC Confirmation Procedure" has been previously performed, always turn ignition switch OFF and wait at least 10 seconds before performing the next test.

After the repair, perform the following procedure to confirm the malfunction is eliminated.

WITH CONSULT-II

1. Turn ignition switch ON. (Do not start engine.)
2. Select "MAIN SIGNALS" in "DATA MONITOR" mode for "A/T" with CONSULT-II.
3. Touch "START".
4. Start engine.
5. Drive vehicle and maintain the following conditions for at least 2 consecutive seconds.
SLCTLVR POSI: "D" position
6. If DTC is detected, go to [AT-149, "Diagnostic Procedure"](#).



SAT014K

WITH GST

Follow the procedure "WITH CONSULT-II".

DTC P1730 A/T INTERLOCK

ECS00DYJ

Judgement of A/T Interlock

When A/T Interlock is judged to be malfunctioning, the vehicle should be fixed in 2nd gear, and should be set in a condition in which it can travel.

When one of the following fastening patterns is detected, the fail-safe function in correspondence with the individual pattern should be performed.

A/T INTERLOCK COUPLING PATTERN TABLE

●: NG, X: OK

Gear position		ATF pressure switch output					Fail-safe function	Clutch pressure output pattern after fail-safe function					
		SW3 (I/C)	SW6 (HLR/C)	SW5 (D/C)	SW1 (FR/B)	SW2 (LC/B)		I/C	HLR/C	D/C	FR/B	LC/B	L/U
A/T interlock coupling pattern	3rd	-	X	X	-	●	Held in 2nd gear	OFF	OFF	ON	OFF	OFF	OFF
	4th	-	X	X	-	●	Held in 2nd gear	OFF	OFF	ON	OFF	OFF	OFF
	5th	X	X	-	X	●	Held in 2nd gear	OFF	OFF	ON	OFF	OFF	OFF

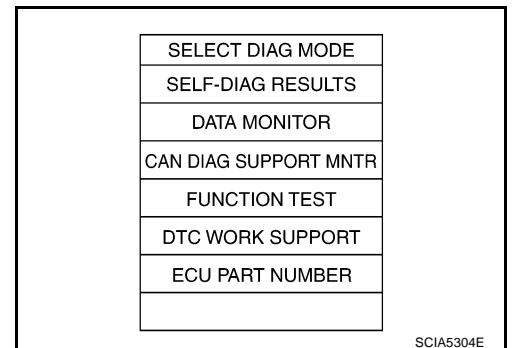
Diagnostic Procedure

ECS00DYK

1. CHECK SELF-DIAGNOSTIC RESULTS

Ⓟ With CONSULT-II

1. Drive vehicle.
2. Stop vehicle and turn ignition switch OFF.
3. Turn ignition switch ON.
4. Select "SELF-DIAG RESULTS" mode for "A/T" with CONSULT-II.



⊗ Without CONSULT-II

1. Drive vehicle.
2. Stop vehicle and turn ignition switch OFF.
3. Turn ignition switch ON. (Do not start engine.)
4. Perform self-diagnosis. Refer to [AT-104, "TCM SELF-DIAGNOSTIC PROCEDURE \(NO TOOLS\)"](#).

OK or NG

OK >> GO TO 2.

NG >> Check low coast brake solenoid valve circuit and function. Refer to [AT-169, "DTC P1772 LOW COAST BRAKE SOLENOID VALVE"](#), [AT-171, "DTC P1774 LOW COAST BRAKE SOLENOID VALVE FUNCTION"](#).

2. CHECK DTC

Perform "DTC Confirmation Procedure".

- Refer to [AT-148, "DTC Confirmation Procedure"](#).

OK or NG

OK >> **INSPECTION END**

NG >> GO TO 3.

DTC P1730 A/T INTERLOCK

3. CHECK TCM POWER SUPPLY AND GROUND CIRCUIT

Check TCM power supply and ground circuit. Refer to [AT-185, "MAIN POWER SUPPLY AND GROUND CIRCUIT"](#) .

OK or NG

- OK >> GO TO 4.
- NG >> Repair or replace damaged parts.

4. DETECT MALFUNCTIONING ITEM

Check the following.

- The A/T assembly harness connector pin terminals for damage or loose connection with harness connector.

OK or NG

- OK >> Replace the control valve with TCM. Refer to [AT-247, "Control Valve with TCM and A/T Fluid Temperature Sensor 2"](#) .
- NG >> Repair or replace damaged parts.

DTC P1731 A/T 1ST ENGINE BRAKING

DTC P1731 A/T 1ST ENGINE BRAKING

PFP:00000

Description

ECS00DYL

Fail-safe function to prevent sudden decrease in speed by engine brake other than at M1 position.

CONSULT-II Reference Value

ECS00DYM

Item name	Condition	Display value
ON OFF SOL	Low coast brake engaged. Refer to AT-20 .	ON
	Low coast brake disengaged. Refer to AT-20 .	OFF
ATF PRES SW 2	Low coast brake engaged. Refer to AT-20 .	ON
	Low coast brake disengaged. Refer to AT-20 .	OFF

On Board Diagnosis Logic

ECS00DYN

- This is not an OBD-II self-diagnostic item.
- Diagnostic trouble code "P1731 A/T 1ST E/BRAKING" with CONSULT-II or 13th judgement flicker without CONSULT-II is detected under the following conditions.
 - When TCM does not receive the proper voltage signal from the sensor.
 - When TCM monitors each ATF pressure switch and solenoid monitor value, and detects as irregular when engine brake of 1st gear acts other than at M1 position.

Possible Cause

ECS00DYO

- Harness or connectors
(Sensor circuit is open or shorted.)
- Low coast brake solenoid valve
- ATF pressure switch 2

DTC Confirmation Procedure

ECS00DYP

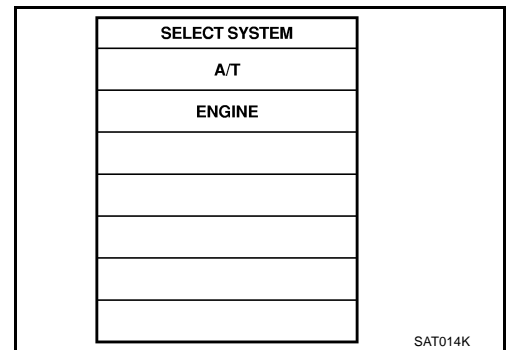
NOTE:

If "DTC Confirmation Procedure" has been previously preformed, always turn ignition switch OFF and wait at least 10 seconds before performing the next test.

After the repair, perform the following procedure to confirm the malfunction is eliminated.

WITH CONSULT-II

1. Turn ignition switch ON. (Do not start engine.)
2. Select "MAIN SIGNALS" in "DATA MONITOR" mode for "A/T" with CONSULT-II.
3. Touch "START".
4. Start engine.
5. Drive vehicle and maintain the following conditions for at least 2 consecutive seconds.
ENGINE SPEED: 1,200 rpm
SLCTLVR POSI: "M" position
GEAR: "1" position
6. If DTC is detected, go to [AT-152, "Diagnostic Procedure"](#) .



DTC P1731 A/T 1ST ENGINE BRAKING

ECS00DYQ

Diagnostic Procedure

1. CHECK INPUT SIGNALS

With CONSULT-II

1. Start the engine.
2. Select "SELECTION FROM MENU" in "DATA MONITOR" mode for "A/T" with CONSULT-II.
3. Drive vehicle in the "M" position (1st gear), and confirm the ON/OFF actuation of "ATF PRES SW 2" and "ON OFF SOL".

DATA MONITOR	
MONITOR	NO DTC
ATF PRES SW 2	xxx
ON OFF SOL	xxx
RECORD	
MODE	BACK
LIGHT	COPY

SCIA4670E

Item name	Condition	Display value
ON OFF SOL	Low coast brake engaged. Refer to AT-20 .	ON
	Low coast brake disengaged. Refer to AT-20 .	OFF
ATF PRES SW 2	Low coast brake engaged. Refer to AT-20 .	ON
	Low coast brake disengaged. Refer to AT-20 .	OFF

OK or NG

- OK >> GO TO 4.
NG >> GO TO 2.

2. CHECK TCM POWER SUPPLY AND GROUND CIRCUIT

Check TCM power supply and ground circuit. Refer to [AT-185, "MAIN POWER SUPPLY AND GROUND CIRCUIT"](#) .

OK or NG

- OK >> GO TO 3.
NG >> Repair or replace damaged parts.

3. DETECT MALFUNCTIONING ITEM

Check the following.

- The A/T assembly harness connector pin terminals for damage or loose connection with harness connector.

OK or NG

- OK >> Replace the control valve with TCM. Refer to [AT-247, "Control Valve with TCM and A/T Fluid Temperature Sensor 2"](#) .
NG >> Repair or replace damaged parts.

4. CHECK DTC

Perform "DTC Confirmation Procedure".

- Refer to [AT-151, "DTC Confirmation Procedure"](#) .

OK or NG

- OK >> **INSPECTION END**
NG >> GO TO 2.

DTC P1752 INPUT CLUTCH SOLENOID VALVE

DTC P1752 INPUT CLUTCH SOLENOID VALVE

PPF:31940

Description

ECS00DYR

Input clutch solenoid valve is controlled by the TCM in response to signals sent from the PNP switch, vehicle speed sensor and accelerator pedal position sensor (throttle position sensor). Gears will then be shifted to the optimum position.

CONSULT-II Reference Value

ECS00DYS

Item name	Condition	Display value (Approx.)
I/C SOLENOID	Input clutch disengaged. Refer to AT-20 .	0.6 - 0.8 A
	Input clutch engaged. Refer to AT-20 .	0 - 0.05 A

On Board Diagnosis Logic

ECS00DYT

- This is an OBD-II self-diagnostic item.
- Diagnostic trouble code "P1752 I/C SOLENOID/CIRC" with CONSULT-II or 5th judgement without CONSULT-II is detected under the following conditions.
 - When TCM detects an improper voltage drop when it tries to operate the solenoid valve.
 - When TCM detects as irregular by comparing target value with monitor value.

Possible Cause

ECS00DYU

- Harness or connectors
(Solenoid circuit is open or shorted.)
- Input clutch solenoid valve

DTC Confirmation Procedure

ECS00DYV

CAUTION:

Always drive vehicle at a safe speed.

NOTE:

If "DTC Confirmation Procedure" has been previously performed, always turn ignition switch OFF and wait at least 10 seconds before performing the next test.

After the repair, perform the following procedure to confirm the malfunction is eliminated.

Ⓟ WITH CONSULT-II

1. Turn ignition switch ON. (Do not start engine.)
2. Select "MAIN SIGNALS" in "DATA MONITOR" mode for "A/T" with CONSULT-II.
3. Touch "START".
4. Start engine.
5. Drive vehicle and maintain the following conditions for at least 5 consecutive seconds.

THROTTLE POSI: 1.5/8 - 2.0/8

SLCTLVR POSI: "D" position

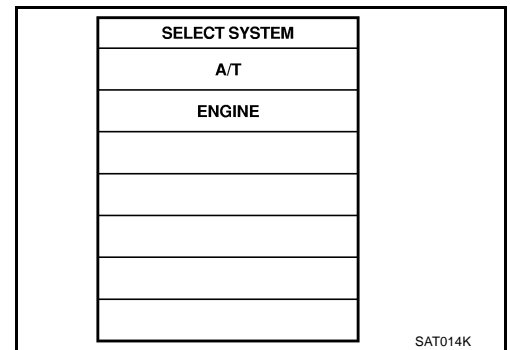
GEAR: "3" ⇒ "4" (I/C ON/OFF)

Driving location: Driving the vehicle uphill (increased engine load) will help maintain the driving conditions required for this test.

6. If DTC is detected go to "[AT-154, "Diagnostic Procedure"](#) .

Ⓢ WITH GST

Follow the procedure "WITH CONSULT-II".



DTC P1752 INPUT CLUTCH SOLENOID VALVE

ECS00DYW

Diagnostic Procedure

1. CHECK INPUT SIGNAL

With CONSULT-II

1. Turn ignition switch ON.
2. Select "MAIN SIGNALS" in "DATA MONITOR" mode for "A/T" with CONSULT-II.
3. Start engine.
4. Read out the value of "I/C SOLENOID" while driving.

Item name	Condition	Display value (Approx.)
I/C SOLENOID	Input clutch disengaged. Refer to AT-20 .	0.6 - 0.8 A
	Input clutch engaged. Refer to AT-20 .	0 - 0.05 A

DATA MONITOR	
MONITOR	NO DTC
TCC SOLENOID	XXXX
LINE PRES SOL	XXXX
I/C SOLENOID	XXXX
FR/B SOLENOID	XXXX
D/C SOLENOID	XXXX
HLR/C SOL	XXXX
	▽
	RECORD
MODE	BACK
LIGHT	COPY

SCIA4793E

OK or NG

- OK >> GO TO 4.
NG >> GO TO 2.

2. CHECK TCM POWER SUPPLY AND GROUND CIRCUIT

Check TCM power supply and ground circuit. Refer to [AT-185, "MAIN POWER SUPPLY AND GROUND CIRCUIT"](#) .

OK or NG

- OK >> GO TO 3.
NG >> Repair or replace damaged parts.

3. DETECT MALFUNCTIONING ITEM

Check the following.

- The A/T assembly harness connector pin terminals for damage or loose connection with harness connector.

OK or NG

- OK >> Replace the control valve with TCM. Refer to [AT-247, "Control Valve with TCM and A/T Fluid Temperature Sensor 2"](#) .
NG >> Repair or replace damaged parts.

4. CHECK DTC

Perform "DTC Confirmation Procedure".

- Refer to [AT-161, "DTC Confirmation Procedure"](#) .

OK or NG

- OK >> **INSPECTION END**
NG >> GO TO 2.

DTC P1754 INPUT CLUTCH SOLENOID VALVE FUNCTION

DTC P1754 INPUT CLUTCH SOLENOID VALVE FUNCTION

PFP:31940

Description

ECS00DYX

- Input clutch solenoid valve is controlled by the TCM in response to signals sent from the PNP switch, vehicle speed sensor and accelerator pedal position sensor (throttle position sensor). Gears will then be shifted to the optimum position.
- This is not only caused by electrical malfunction (circuits open or shorted) but also by mechanical malfunction such as control valve sticking, improper solenoid valve operation.

CONSULT-II Reference Value

ECS00DYY

Item name	Condition	Display value (Approx.)
I/C SOLENOID	Input clutch disengaged. Refer to AT-20 .	0.6 - 0.8 A
	Input clutch engaged. Refer to AT-20 .	0 - 0.05 A
ATF PRES SW 3	Input clutch engaged. Refer to AT-20 .	ON
	Input clutch disengaged. Refer to AT-20 .	OFF

On Board Diagnosis Logic

ECS00DYZ

- This is an OBD-II self-diagnostic item.
- Diagnostic trouble code "P1754 I/C SOLENOID FNCTN" with CONSULT-II or 5th judgement flicker without CONSULT-II is detected under the following conditions.
 - When TCM detects that actual gear ratio is irregular, and relation between gear position and condition of pressure switch 3 is irregular during depressing accelerator pedal. (Other than during shift change)
 - When TCM detects that relation between gear position and condition of ATF pressure switch 3 is irregular during releasing accelerator pedal. (Other than during shift change)

Possible Cause

ECS00DZ0

- Harness or connectors (Solenoid and switch circuits are open or shorted.)
- Input clutch solenoid valve
- ATF pressure switch 3

DTC Confirmation Procedure

ECS00DZ1

CAUTION:

Always drive vehicle at a safe speed.

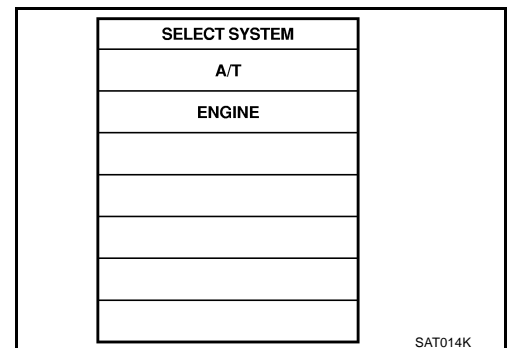
NOTE:

If "DTC Confirmation Procedure" has been previously performed, always turn ignition switch OFF and wait at least 10 seconds before performing the next test.

After the repair, perform the following procedure to confirm the malfunction is eliminated.

WITH CONSULT-II

1. Start engine.
2. Accelerate vehicle to maintain the following conditions.
THROTTLE POSI: 1.5/8 - 2.0/8
SLCTLVR POSI: "D" position
GEAR: "3" ⇒ "4" (I/C ON/OFF)
Driving location: Driving the vehicle uphill (increased engine load) will help maintain the driving conditions required for this test.
3. Perform step "2" again.
4. Turn ignition switch "OFF", then perform step "1" to "3" again.
5. Check "SELF-DIAG RESULTS" mode for "A/T" with CONSULT-II. If DTC (P1754) is detected, go to [AT-156, "Diagnostic Procedure"](#) .
If DTC (P1752) is detected, go to [AT-154, "Diagnostic Procedure"](#) .
If DTC (P1843) is detected, go to [AT-180, "Diagnostic Procedure"](#) .



DTC P1754 INPUT CLUTCH SOLENOID VALVE FUNCTION

WITH GST

Follow the procedure "WITH CONSULT-II".

Diagnostic Procedure

ECS00DZ2

1. CHECK INPUT SIGNALS

With CONSULT-II

1. Start engine.
2. Select "SELECTION FROM MENU" in "DATA MONITOR" mode for "A/T" with CONSULT-II.
3. Drive vehicle in "D" position (3rd ⇒ 4th gear), and confirm the ON/OFF actuation of "ATF PRES SW 3" and electrical current value of "I/C SOLENOID".

DATA MONITOR			
MONITOR		NO DTC	
I/C SOLENOID		XXX A	
ATF PRES SW 3		OFF	
		RECORD	
MODE	BACK	LIGHT	COPY

SCIA4795E

Item name	Condition	Display value (Approx.)
I/C SOLENOID	Input clutch disengaged. Refer to AT-20 .	0.6 - 0.8 A
	Input clutch engaged. Refer to AT-20 .	0 - 0.05 A
ATF PRES SW 3	Input clutch engaged. Refer to AT-20 .	ON
	Input clutch disengaged. Refer to AT-20 .	OFF

OK or NG

- OK >> GO TO 4.
NG >> GO TO 2.

2. CHECK TCM POWER SUPPLY AND GROUND CIRCUIT

Check TCM power supply and ground circuit. Refer to [AT-185, "MAIN POWER SUPPLY AND GROUND CIRCUIT"](#) .

OK or NG

- OK >> GO TO 3.
NG >> Repair or replace damaged parts.

3. DETECT MALFUNCTIONING ITEM

Check the following.

- The A/T assembly harness connector pin terminals for damage or loose connection with harness connector.

OK or NG

- OK >> Replace the control valve with TCM. Refer to [AT-247, "Control Valve with TCM and A/T Fluid Temperature Sensor 2"](#) .
NG >> Repair or replace damaged parts.

4. CHECK DTC

Perform DTC Confirmation Procedure.

- Refer to [AT-155, "DTC Confirmation Procedure"](#) .

OK or NG

- OK >> **INSPECTION END**
NG >> GO TO 2.

DTC P1757 FRONT BRAKE SOLENOID VALVE

DTC P1757 FRONT BRAKE SOLENOID VALVE

PPF:31940

Description

ECS00DZ3

Front brake solenoid valve is controlled by the TCM in response to signals sent from the PNP switch, vehicle speed sensor and accelerator pedal position sensor (throttle position sensor). Gears will then be shifted to the optimum position.

CONSULT-II Reference Value

ECS00DZ4

Item name	Condition	Display value (Approx.)
FR/B SOLENOID	Front brake engaged. Refer to AT-20 .	0.6 - 0.8 A
	Front brake disengaged. Refer to AT-20 .	0 - 0.05 A

On Board Diagnosis Logic

ECS00DZ5

- This is an OBD-II self-diagnostic item.
- Diagnostic trouble code "P1757 FR/B SOLENOID/CIRC" with CONSULT-II or 6th judgement flicker without CONSULT-II is detected under the following conditions.
 - When TCM detects an improper voltage drop when it tries to operate the solenoid valve.
 - When TCM detects as irregular by comparing target value with monitor value.

Possible Cause

ECS00DZ6

- Harness or connectors
(Solenoid circuit is open or shorted.)
- Front brake solenoid valve

DTC Confirmation Procedure

ECS00DZ7

CAUTION:

Always drive vehicle at a safe speed.

NOTE:

If "DTC Confirmation Procedure" has been previously performed, always turn ignition switch OFF and wait at least 10 seconds before performing the next test.

After the repair, perform the following procedure to confirm the malfunction is eliminated.

ⓑ WITH CONSULT-II

1. Turn ignition switch ON. (Do not start engine.)
2. Select "MAIN SIGNALS" in "DATA MONITOR" mode for "A/T" with CONSULT-II.
3. Touch "START".
4. Start engine.
5. Drive vehicle and maintain the following conditions for at least 5 consecutive seconds.

THROTTLE POSI: 1.5/8 - 2.0/8

SLCTLVR POSI: "D" position

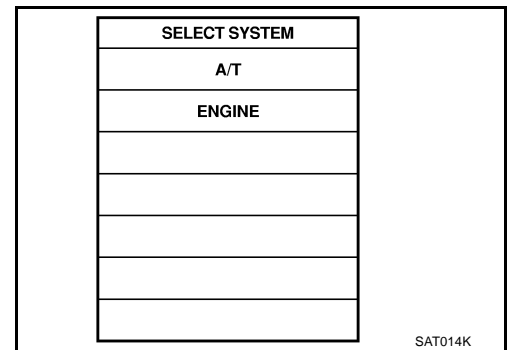
GEAR: "3" ⇒ "4" (FR/B ON/OFF)

Driving location: Driving the vehicle uphill (increased engine load) will help maintain the driving conditions required for this test.

6. If DTC is detected go to [AT-158, "Diagnostic Procedure"](#) .

ⓐ WITH GST

Follow the procedure "WITH CONSULT-II".



DTC P1757 FRONT BRAKE SOLENOID VALVE

ECS00DZ8

Diagnostic Procedure

1. CHECK INPUT SIGNAL

With CONSULT-II

1. Turn ignition switch ON.
2. Select "MAIN SIGNALS" in "DATA MONITOR" mode for "A/T" with CONSULT-II.
3. Start engine.
4. Read out the value of "FR/B SOLENOID" while driving.

Item name	Condition	Display value (Approx.)
FR/B SOLENOID	Front brake engaged. Refer to AT-20 .	0.6 - 0.8 A
	Front brake disengaged. Refer to AT-20 .	0 - 0.05 A

DATA MONITOR	
MONITOR	NO DTC
TCC SOLENOID	XXXX
LINE PRES SOL	XXXX
I/C SOLENOID	XXXX
FR/B SOLENOID	XXXX
D/C SOLENOID	XXXX
HLR/C SOL	XXXX
	▽
	RECORD
MODE	BACK
LIGHT	COPY

SCIA4793E

OK or NG

- OK >> GO TO 4.
NG >> GO TO 2.

2. CHECK TCM POWER SUPPLY AND GROUND CIRCUIT

Check TCM power supply and ground circuit. Refer to [AT-185, "MAIN POWER SUPPLY AND GROUND CIRCUIT"](#) .

OK or NG

- OK >> GO TO 3.
NG >> Repair or replace damaged parts.

3. DETECT MALFUNCTIONING ITEM

Check the following.

- The A/T assembly harness connector pin terminals for damage or loose connection with harness connector.

OK or NG

- OK >> Replace the control valve with TCM. Refer to [AT-247, "Control Valve with TCM and A/T Fluid Temperature Sensor 2"](#) .
NG >> Repair or replace damaged parts.

4. CHECK DTC

Perform "DTC Confirmation Procedure".

- Refer to [AT-144, "DTC Confirmation Procedure"](#) .

OK or NG

- OK >> **INSPECTION END**
NG >> GO TO 2.

DTC P1759 FRONT BRAKE SOLENOID VALVE FUNCTION

DTC P1759 FRONT BRAKE SOLENOID VALVE FUNCTION

PFP:31940

Description

ECS00DZ9

- Front brake solenoid valve is controlled by the TCM in response to signals sent from the PNP switch, vehicle speed sensor and accelerator pedal position sensor (throttle position sensor). Gears will then be shifted to the optimum position.
- This is not only caused by electrical malfunction (circuits open or shorted) but also by mechanical malfunction such as control valve sticking, improper solenoid valve operation.

CONSULT-II Reference Value

ECS00DZA

Item name	Condition	Display value (Approx.)
FR/B SOLENOID	Front brake engaged. Refer to AT-20 .	0.6 - 0.8 A
	Front brake disengaged. Refer to AT-20 .	0 - 0.05 A
ATF PRES SW 1	Front brake engaged. Refer to AT-20 .	ON
	Front brake disengaged. Refer to AT-20 .	OFF

On Board Diagnosis Logic

ECS00DZB

- This is an OBD-II self-diagnostic item.
- Diagnostic trouble code “P1759 FR/B SOLENOID FNCT” with CONSULT-II or 6th judgement flicker without CONSULT-II is detected under the following conditions.
 - When TCM detects that actual gear ratio is irregular, and relation between gear position and condition of ATF pressure switch 1 is irregular during depressing accelerator pedal. (Other than during shift change)
 - When TCM detects that relation between gear position and condition of ATF pressure switch 1 is irregular during releasing accelerator pedal. (Other than during shift change)

Possible Cause

ECS00DZC

- Harness or connectors
(Solenoid and switch circuits are open or shorted.)
- Front brake solenoid valve
- ATF pressure switch 1

DTC Confirmation Procedure

ECS00DZD

CAUTION:

Always drive vehicle at a safe speed.

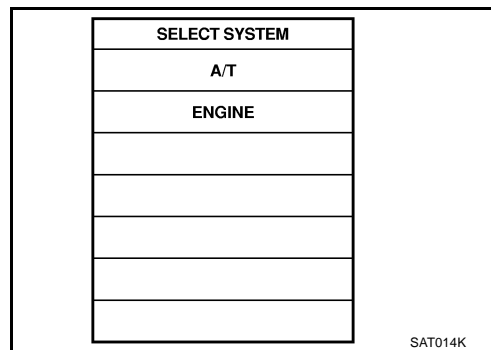
NOTE:

If “DTC Confirmation Procedure” has been previously performed, always turn ignition switch OFF and wait at least 10 seconds before performing the next test.

After the repair, perform the following procedure to confirm the malfunction is eliminated.

WITH CONSULT-II

1. Start engine.
2. Accelerate vehicle to maintain the following conditions.
THROTTLE POSI: 1.5/8 - 2.0/8
SLCTLVR POSI: “D” position
GEAR: “3” ⇒ “4” (FR/B ON/OFF)
Driving location: Driving the vehicle uphill (increased engine load) will help maintain the driving conditions required for this test.
3. Perform step “2” again.
4. Turn ignition switch “OFF”, then perform step “1” to “3” again.
5. Check “SELF-DIAG RESULTS” mode for “A/T” with CONSULT-II. If DTC (P1759) is detected, go to [AT-160, "Diagnostic Procedure"](#) .
If DTC (P1757) is detected, go to [AT-158, "Diagnostic Procedure"](#) .
If DTC (P1841) is detected, go to [AT-178, "Diagnostic Procedure"](#) .



DTC P1759 FRONT BRAKE SOLENOID VALVE FUNCTION

WITH GST

Follow the procedure "WITH CONSULT-II".

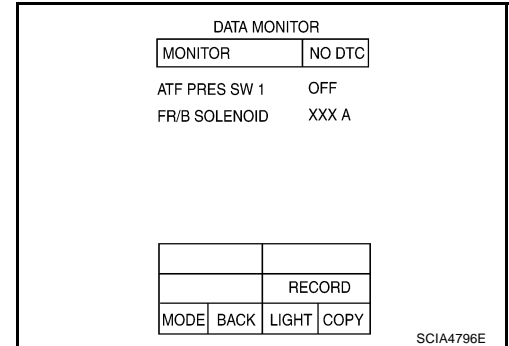
Diagnostic Procedure

ECS00DZE

1. CHECK INPUT SIGNALS

With CONSULT-II

1. Start engine.
2. Select "SELECTION FROM MENU" in "DATA MONITOR" mode for "A/T" with CONSULT-II.
3. Drive vehicle in the "D" position (3rd ⇒ 4th gear), and confirm the ON/OFF actuation of the "ATF PRES SW 1" and electrical current value of "FR/B SOLENOID".



Item name	Condition	Display value (Approx.)
FR/B SOLENOID	Front brake engaged. Refer to AT-20 .	0.6 - 0.8 A
	Front brake disengaged. Refer to AT-20 .	0 - 0.05 A
ATF PRES SW 1	Front brake engaged. Refer to AT-20 .	ON
	Front brake disengaged. Refer to AT-20 .	OFF

OK or NG

- OK >> GO TO 4.
NG >> GO TO 2.

2. CHECK TCM POWER SUPPLY AND GROUND CIRCUIT

Check TCM power supply and ground circuit. Refer to [AT-185, "MAIN POWER SUPPLY AND GROUND CIRCUIT"](#) .

OK or NG

- OK >> GO TO 3.
NG >> Repair or replace damaged parts.

3. DETECT MALFUNCTIONING ITEM

Check the following.

- The A/T assembly harness connector pin terminals for damage or loose connection with harness connector.

OK or NG

- OK >> Replace the control valve with TCM. Refer to [AT-247, "Control Valve with TCM and A/T Fluid Temperature Sensor 2"](#) .
NG >> Repair or replace damaged parts.

4. CHECK DTC

Perform "DTC Confirmation Procedure".

- Refer to [AT-159, "DTC Confirmation Procedure"](#) .

OK or NG

- OK >> **INSPECTION END**
NG >> GO TO 2.

DTC P1762 DIRECT CLUTCH SOLENOID VALVE

DTC P1762 DIRECT CLUTCH SOLENOID VALVE

PFP:31940

Description

ECS00DZF

Direct clutch solenoid valve is controlled by the TCM in response to signals sent from the PNP switch, vehicle speed sensor and accelerator pedal position sensor (throttle position sensor). Gears will then be shifted to the optimum position.

CONSULT-II Reference Value

ECS00DZG

Item name	Condition	Display value (Approx.)
D/C SOLENOID	Direct clutch disengaged. Refer to AT-20 .	0.6 - 0.8 A
	Direct clutch engaged. Refer to AT-20 .	0 - 0.05 A

On Board Diagnosis Logic

ECS00DZH

- This is an OBD-II self-diagnostic item.
- Diagnostic trouble code "P1762 D/C SOLENOID/CIRC" with CONSULT-II or 2nd judgement flicker without CONSULT-II is detected under the following conditions.
 - When TCM detects an improper voltage drop when it tries to operate the solenoid valve.
 - When TCM detects as irregular by comparing target value with monitor value.

Possible Cause

ECS00DZI

- Harness or connectors
(Solenoid circuit is open or shorted.)
- Direct clutch solenoid valve

DTC Confirmation Procedure

ECS00DZJ

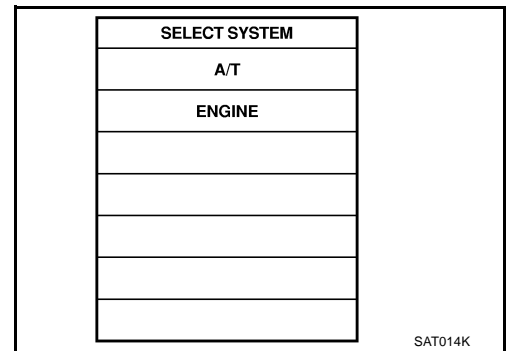
NOTE:

If "DTC Confirmation Procedure" has been previously performed, always turn ignition switch OFF and wait at least 10 seconds before performing the next test.

After the repair, perform the following procedure to confirm the malfunction is eliminated.

④ WITH CONSULT-II

1. Turn ignition switch ON. (Do not start engine.)
2. Select "MAIN SIGNALS" in "DATA MONITOR" mode for "A/T" with CONSULT-II.
3. Touch "START".
4. Start engine.
5. Drive vehicle and maintain the following conditions for at least 5 consecutive seconds.
THROTTLE POSI: 1.5/8 - 2.0/8
SLCTLVR POSI: "D" position
GEAR: "1" ⇒ "2" (D/C ON/OFF)
Driving location: Driving the vehicle uphill (increased engine load) will help maintain the driving conditions required for this test.
6. If DTC is detected, go to [AT-162, "Diagnostic Procedure"](#) .



④ WITH GST

Follow the procedure "WITH CONSULT-II".

DTC P1762 DIRECT CLUTCH SOLENOID VALVE

ECS00DZK

Diagnostic Procedure

1. CHECK INPUT SIGNAL

With CONSULT-II

1. Turn ignition switch ON.
2. Select "MAIN SIGNALS" in "DATA MONITOR" mode for "A/T" with CONSULT-II.
3. Start engine.
4. Read out the value of "D/C SOLENOID" while driving.

DATA MONITOR	
MONITOR	NO DTC
TCC SOLENOID	XXXX
LINE PRES SOL	XXXX
I/C SOLENOID	XXXX
FR/B SOLENOID	XXXX
D/C SOLENOID	XXXX
HLR/C SOL	XXXX
	▽
	RECORD
MODE	BACK
LIGHT	COPY

SCIA4793E

Item name	Condition	Display value (Approx.)
D/C SOLENOID	Direct clutch disengaged. Refer to AT-20 .	0.6 - 0.8 A
	Direct clutch engaged. Refer to AT-20 .	0 - 0.05 A

OK or NG

- OK >> GO TO 4.
NG >> GO TO 2.

2. CHECK TCM POWER SUPPLY AND GROUND CIRCUIT

Check TCM power supply and ground circuit. Refer to [AT-185, "MAIN POWER SUPPLY AND GROUND CIRCUIT"](#) .

OK or NG

- OK >> GO TO 3.
NG >> Repair or replace damaged parts.

3. DETECT MALFUNCTIONING ITEM

Check the following.

- The A/T assembly harness connector pin terminals for damage or loose connection with harness connector.

OK or NG

- OK >> Replace the control valve with TCM. Refer to [AT-247, "Control Valve with TCM and A/T Fluid Temperature Sensor 2"](#) .
NG >> Repair or replace damaged parts.

4. CHECK DTC

Perform "DTC Confirmation Procedure".

- Refer to [AT-161, "DTC Confirmation Procedure"](#) .

OK or NG

- OK >> **INSPECTION END**
NG >> GO TO 2.

DTC P1764 DIRECT CLUTCH SOLENOID VALVE FUNCTION

DTC P1764 DIRECT CLUTCH SOLENOID VALVE FUNCTION

PFP:31940

Description

ECS00DZL

- Direct clutch solenoid valve is controlled by the TCM in response to signals sent from the PNP switch, vehicle speed sensor and accelerator pedal position sensor (throttle position sensor). Gears will then be shifted to the optimum position.
- This is not only caused by electrical malfunction (circuits open or shorted) but also by mechanical malfunction such as control valve sticking, improper solenoid valve operation.

CONSULT-II Reference Value

ECS00DZM

Item name	Condition	Display value (Approx.)
D/C SOLENOID	Direct clutch disengaged. Refer to AT-20 .	0.6 - 0.8 A
	Direct clutch engaged. Refer to AT-20 .	0 - 0.05 A
ATF PRES SW 5	Direct clutch engaged. Refer to AT-20 .	ON
	Direct clutch disengaged. Refer to AT-20 .	OFF

On Board Diagnosis Logic

ECS00DZM

- This is an OBD-II self-diagnostic item.
- Diagnostic trouble code “P1764 D/C SOLENOID FNCTN” with CONSULT-II or 2nd judgement flicker without CONSULT-II is detected under the following conditions.
 - When TCM detects that actual gear ratio is irregular, and relation between gear position and condition of ATF pressure switch 5 is irregular during depressing accelerator pedal. (Other than during shift change)
 - When TCM detects that relation between gear position and condition of ATF pressure switch 5 is irregular during releasing accelerator pedal. (Other than during shift change)

Possible Cause

ECS00DZO

- Harness or connectors
(Solenoid and switch circuits are open or shorted.)
- Direct clutch solenoid valve
- ATF pressure switch 5

DTC Confirmation Procedure

ECS00DZP

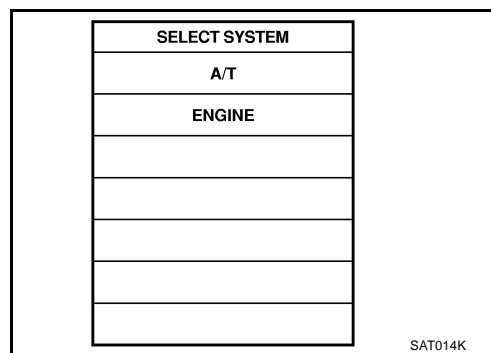
NOTE:

If “DTC Confirmation Procedure” has been previously performed, always turn ignition switch OFF and wait at least 10 seconds before performing the next test.

After the repair, perform the following procedure to confirm the malfunction is eliminated.

WITH CONSULT-II

1. Start engine.
2. Accelerate vehicle to maintain the following conditions.
THROTTLE POSI: 1.5/8 - 2.0/8
SLCTLVR POSI: “D” position
GEAR: “1” ⇒ “2” (D/C ON/OFF)
Driving location: Driving the vehicle uphill (increased engine load) will help maintain the driving conditions required for this test.
3. Perform step “2” again.
4. Turn ignition switch OFF, then perform step “1” to “3” again.
5. Check “SELF-DIAG RESULTS” mode for “A/T” with CONSULT-II. If DTC (P1764) is detected, go to [AT-164, "Diagnostic Procedure"](#) .
If DTC (P1762) is detected, go to [AT-162, "Diagnostic Procedure"](#) .
If DTC (P1845) is detected, go to [AT-182, "Diagnostic Procedure"](#) .



WITH GST

Follow the procedure “WITH CONSULT-II”.

DTC P1764 DIRECT CLUTCH SOLENOID VALVE FUNCTION

ECS00DZQ

Diagnostic Procedure

1. CHECK INPUT SIGNALS

With CONSULT-II

1. Start engine.
2. Select "SELECTION FROM MENU" in "DATA MONITOR" mode for "A/T" with CONSULT-II.
3. Drive vehicle in the "D" position (1st ⇒ 2nd gear), and confirm the display actuation of the "ATF PRES SW 5" and electrical current value of "D/C SOLENOID".

DATA MONITOR	
MONITOR	NO DTC
D/C SOLENOID	XXXX
ATF PRES SW 5	OFF

	RECORD		
MODE	BACK	LIGHT	COPY

SCIA4797E

Item name	Condition	Display value (Approx.)
D/C SOLENOID	Direct clutch disengaged. Refer to AT-20 .	0.6 - 0.8 A
	Direct clutch engaged. Refer to AT-20 .	0 - 0.05 A
ATF PRES SW 5	Direct clutch engaged. Refer to AT-20 .	ON
	Direct clutch disengaged. Refer to AT-20 .	OFF

OK or NG

- OK >> GO TO 4.
NG >> GO TO 2.

2. CHECK TCM POWER SUPPLY AND GROUND CIRCUIT

Check TCM power supply and ground circuit. Refer to [AT-185, "MAIN POWER SUPPLY AND GROUND CIRCUIT"](#) .

OK or NG

- OK >> GO TO 3.
NG >> Repair or replace damaged parts.

3. DETECT MALFUNCTIONING ITEM

Check the following.

- The A/T assembly harness connector pin terminals for damage or loose connection with harness connector.

OK or NG

- OK >> Replace the control valve with TCM. Refer to [AT-247, "Control Valve with TCM and A/T Fluid Temperature Sensor 2"](#) .
NG >> Repair or replace damaged parts.

4. CHECK DTC

Perform "DTC Confirmation Procedure".

- Refer to [AT-163, "DTC Confirmation Procedure"](#) .

OK or NG

- OK >> **INSPECTION END**
NG >> GO TO 2.

DTC P1767 HIGH AND LOW REVERSE CLUTCH SOLENOID VALVE

DTC P1767 HIGH AND LOW REVERSE CLUTCH SOLENOID VALVE

PPF:31940

Description

ECS00DZR

High and low reverse clutch solenoid valve is controlled by the TCM in response to signals sent from the PNP switch, vehicle speed sensor and accelerator pedal position sensor (throttle position sensor). Gears will then be shifted to the optimum position.

CONSULT-II Reference Value

ECS00DZS

Item name	Condition	Display value (Approx.)
HLR/C SOL	High and low reverse clutch disengaged. Refer to AT-20 .	0.6 - 0.8 A
	High and low reverse clutch engaged. Refer to AT-20 .	0 - 0.05 A

On Board Diagnosis Logic

ECS00DZT

- This is an OBD-II self-diagnostic item.
- Diagnostic trouble code "P1767 HLR/C SOL/CIRC" with CONSULT-II or 8th judgement flicker without CONSULT-II is detected under the following conditions.
 - When TCM detects an improper voltage drop when it tries to operate the solenoid valve.
 - When TCM detects as irregular by comparing target value with monitor value.

Possible Cause

ECS00DZU

- Harness or connectors
(Solenoid circuit is open or shorted.)
- High and low reverse clutch solenoid valve

DTC Confirmation Procedure

ECS00DZV

CAUTION:

Always drive vehicle at a safe speed.

NOTE:

If "DTC Confirmation Procedure" has been previously performed, always turn ignition switch OFF and wait at least 10 seconds before performing the next test.

After the repair, perform the following procedure to confirm the malfunction is eliminated.

Ⓟ WITH CONSULT-II

1. Turn ignition switch ON. (Do not start engine.)
2. Select "MAIN SIGNALS" in "DATA MONITOR" mode for "A/T" with CONSULT-II.
3. Touch "START".
4. Start engine.
5. Drive vehicle and maintain the following conditions for at least 5 consecutive seconds.

THROTTLE POSI: 1.5/8 - 2.0/8

SLCTLVR POSI: "D" position

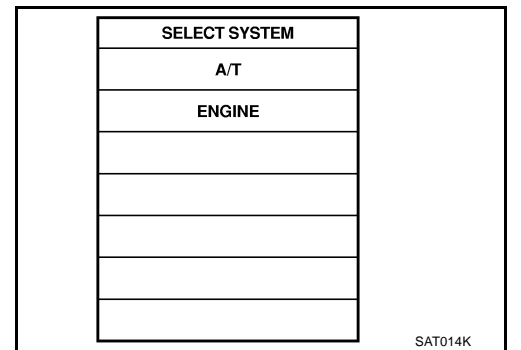
GEAR: "2" ⇒ "3" (HLR/C ON/OFF)

Driving location: Driving the vehicle uphill (increased engine load) will help maintain the driving conditions required for this test.

6. If DTC is detected, go to [AT-166, "Diagnostic Procedure"](#) .

Ⓟ WITH GST

Follow the procedure "WITH CONSULT-II".



DTC P1767 HIGH AND LOW REVERSE CLUTCH SOLENOID VALVE

ECS00DZW

Diagnostic Procedure

1. CHECK INPUT SIGNAL

With CONSULT-II

1. Turn ignition switch ON.
2. Select "MAIN SIGNALS" in "DATA MONITOR" mode for "A/T" with CONSULT-II.
3. Start engine.
4. Read out the value of "HLR/C SOLENOID" while driving.

Item name	Condition	Display value (Approx.)
HLR/C SOL	High and low reverse clutch disengaged. Refer to AT-20 .	0.6 - 0.8 A
	High and low reverse clutch engaged. Refer to AT-20 .	0 - 0.05 A

DATA MONITOR	
MONITOR	NO DTC
TCC SOLENOID	XXXX
LINE PRES SOL	XXXX
I/C SOLENOID	XXXX
FR/B SOLENOID	XXXX
D/C SOLENOID	XXXX
HLR/C SOL	XXXX
	▽
RECORD	
MODE	BACK
LIGHT	COPY

SCIA4793E

OK or NG

- OK >> GO TO 4.
NG >> GO TO 2.

2. CHECK TCM POWER SUPPLY AND GROUND CIRCUIT

Check TCM power supply and ground circuit. Refer to [AT-185, "MAIN POWER SUPPLY AND GROUND CIRCUIT"](#).

OK or NG

- OK >> GO TO 3.
NG >> Repair or replace damaged parts.

3. DETECT MALFUNCTIONING ITEM

Check the following.

- The A/T assembly harness connector pin terminals for damage or loose connection with harness connector.

OK or NG

- OK >> Replace the control valve with TCM. Refer to [AT-247, "Control Valve with TCM and A/T Fluid Temperature Sensor 2"](#).
- NG >> Repair or replace damaged parts.

4. CHECK DTC

Perform "DTC Confirmation Procedure".

- Refer to [AT-161, "DTC Confirmation Procedure"](#).

OK or NG

- OK >> **INSPECTION END**
NG >> GO TO 2.

DTC P1769 HIGH AND LOW REVERSE CLUTCH SOLENOID VALVE FUNCTION

DTC P1769 HIGH AND LOW REVERSE CLUTCH SOLENOID VALVE FUNCTION

PF3:31940

Description

ECS00DZX

- High and low reverse clutch solenoid valve is controlled by the TCM in response to signals sent from the PNP switch, vehicle speed sensor and accelerator pedal position sensor (throttle position sensor). Gears will then be shifted to the optimum position.
- This is not only caused by electrical malfunction (circuits open or shorted) but also by mechanical malfunction such as control valve sticking, improper solenoid valve operation.

CONSULT-II Reference Value

ECS00DZY

Item name	Condition	Display value (Approx.)
HLR/C SOL	High and low reverse clutch disengaged. Refer to AT-20 .	0.6 - 0.8 A
	High and low reverse clutch engaged. Refer to AT-20 .	0 - 0.05 A
ATF PRES SW 6	High and low reverse clutch engaged. Refer to AT-20 .	ON
	High and low reverse clutch disengaged. Refer to AT-20 .	OFF

On Board Diagnosis Logic

ECS00DZZ

- This is an OBD-II self-diagnostic item.
- Diagnostic trouble code "P1769 HLR/C SOL FNCTN" with CONSULT-II or 8th judgement flicker without CONSULT-II is detected under the following conditions.
 - When TCM detects that actual gear ratio is irregular, and relation between gear position and condition of ATF pressure switch 6 is irregular during depressing accelerator pedal. (Other than during shift change)
 - When TCM detects that relation between gear position and condition of ATF pressure switch 6 is irregular during releasing accelerator pedal. (Other than during shift change)

Possible Cause

ECS00E00

- Harness or connectors (Solenoid and switch circuits are open or shorted.)
- High and low reverse clutch solenoid valve
- ATF pressure switch 6

DTC Confirmation Procedure

ECS00E01

CAUTION:

Always drive vehicle at a safe speed.

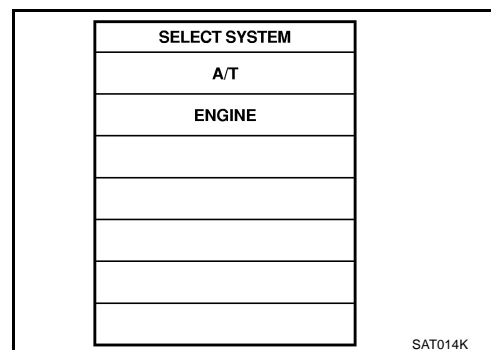
NOTE:

If "DTC Confirmation Procedure" has been previously performed, always turn ignition switch OFF and wait at least 10 seconds before performing the next test.

After the repair, perform the following procedure to confirm the malfunction is eliminated.

Ⓟ WITH CONSULT-II

1. Start engine.
2. Accelerate vehicle to maintain the following conditions.
THROTTLE POSI: 1.5/8 - 2.0/8
SLCTLVR POSI: "D" position
GEAR: "2" ⇒ "3" (HLR/C ON/OFF)
Driving location: Driving the vehicle uphill (increased engine load) will help maintain the driving conditions required for this test.
3. Perform step "2" again.
4. Turn ignition switch "OFF", then perform step "1" to "3" again.
5. Check "SELF-DIAG RESULTS" mode for "A/T" with CONSULT-II. If DTC (P1769) is detected, go to [AT-168, "Diagnostic Procedure"](#) .
If DTC (P1767) is detected, go to [AT-166, "Diagnostic Procedure"](#) .
If DTC (P1846) is detected, go to [AT-184, "Diagnostic Procedure"](#) .



DTC P1769 HIGH AND LOW REVERSE CLUTCH SOLENOID VALVE FUNCTION

WITH GST

Follow the procedure "WITH CONSULT-II".

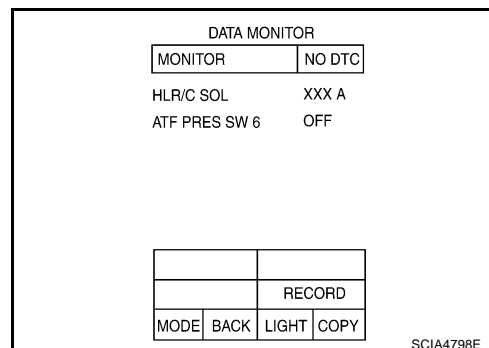
Diagnostic Procedure

ECS00E02

1. CHECK INPUT SIGNALS

With CONSULT-II

1. Start engine.
2. Select "SELECTION FROM MENU" in "DATA MONITOR" mode for "A/T" with CONSULT-II.
3. Drive vehicle in the "D" position (2nd ⇒ 3rd gear), and confirm the ON/OFF actuation of the "ATF PRES SW 6" and electrical current value of "HLR/C SOL".



Item name	Condition	Display value (Approx.)
HLR/C SOL	High and low reverse clutch disengaged. Refer to AT-20 .	0.6 - 0.8 A
	High and low reverse clutch engaged. Refer to AT-20 .	0 - 0.05 A
ATF PRES SW 6	High and low reverse clutch engaged. Refer to AT-20 .	ON
	High and low reverse clutch disengaged. Refer to AT-20 .	OFF

OK or NG

- OK >> GO TO 4.
NG >> GO TO 2.

2. CHECK TCM POWER SUPPLY AND GROUND CIRCUIT

Check TCM power supply and ground circuit. Refer to [AT-185, "MAIN POWER SUPPLY AND GROUND CIRCUIT"](#).

OK or NG

- OK >> GO TO 3.
NG >> Repair or replace damaged parts.

3. DETECT MALFUNCTIONING ITEM

Check the following.

- The A/T assembly harness connector pin terminals for damage or loose connection with harness connector.

OK or NG

- OK >> Replace the control valve with TCM. Refer to [AT-247, "Control Valve with TCM and A/T Fluid Temperature Sensor 2"](#).
- NG >> Repair or replace damaged parts.

4. CHECK DTC

Perform "DTC Confirmation Procedure".

- Refer to [AT-167, "DTC Confirmation Procedure"](#).

OK or NG

- OK >> **INSPECTION END**
NG >> GO TO 2.

DTC P1772 LOW COAST BRAKE SOLENOID VALVE

DTC P1772 LOW COAST BRAKE SOLENOID VALVE

PF3:31940

Description

ECS00E03

Low coast brake solenoid valve is turned ON or OFF by the TCM in response to signals sent from the PNP switch, vehicle speed sensor and accelerator pedal position sensor (throttle position sensor). Gears will then be shifted to the optimum position.

CONSULT-II Reference Value

ECS00E04

Item name	Condition	Display value
ON OFF SOL	Low coast brake engaged. Refer to AT-20 .	ON
	Low coast brake disengaged. Refer to AT-20 .	OFF

On Board Diagnosis Logic

ECS00E05

- This is an OBD-II self-diagnostic item.
- Diagnostic trouble code “P1772 LC/B SOLENOID/CIRC” with CONSULT-II or 7th judgement flicker without CONSULT-II is detected when TCM detects an improper voltage drop when it tries to operate the solenoid valve.

Possible Cause

ECS00E06

- Harness or connectors (Solenoid circuit is open or shorted.)
- Low coast brake solenoid valve

DTC Confirmation Procedure

ECS00E07

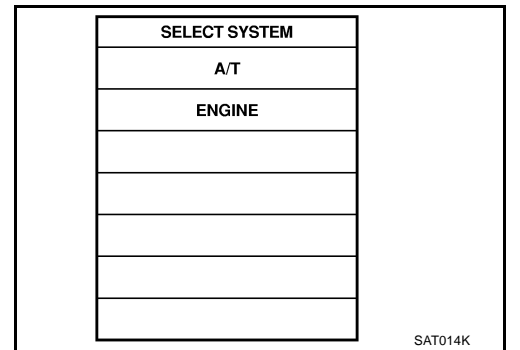
NOTE:

If “DTC Confirmation Procedure” has been previously performed, always turn ignition switch OFF and wait at least 10 seconds before performing the next test.

After the repair, perform the following procedure to confirm the malfunction is eliminated.

WITH CONSULT-II

1. Turn ignition switch ON. (Do not start engine.)
2. Select “MAIN SIGNALS” in “DATA MONITOR” mode for “A/T” with CONSULT-II.
3. Touch “START”.
4. Start engine.
5. Drive vehicle and maintain the following conditions for at least 5 consecutive seconds.
SLCTLVR POSI: “M” position
GEAR: “M1-1st” or “M2-2nd” gear (LC/B ON/OFF)
6. If DTC is detected, go to [AT-170](#), “Diagnostic Procedure” .



WITH GST

Follow the procedure “WITH CONSULT-II”.

DTC P1772 LOW COAST BRAKE SOLENOID VALVE

ECS00E08

Diagnostic Procedure

1. CHECK INPUT SIGNAL

With CONSULT-II

1. Turn ignition switch ON.
2. Select "SELECTION FROM MENU" in "DATA MONITOR" mode for "A/T" with CONSULT-II.
3. Start engine.
4. Read out the value of "ON OFF SOL" while driving.

DATA MONITOR			
MONITOR		NO DTC	
ON OFF SOL		OFF	
ATF PRES SW 2		OFF	
RECORD			
MODE	BACK	LIGHT	COPY

SCIA4794E

Item name	Condition	Display value
ON OFF SOL	Low coast brake engaged. Refer to AT-20 .	ON
	Low coast brake disengaged. Refer to AT-20 .	OFF

OK or NG

- OK >> GO TO 4.
NG >> GO TO 2.

2. CHECK TCM POWER SUPPLY AND GROUND CIRCUIT

Check TCM power supply and ground circuit. Refer to [AT-185, "MAIN POWER SUPPLY AND GROUND CIRCUIT"](#) .

OK or NG

- OK >> GO TO 3.
NG >> Repair or replace damaged parts.

3. DETECT MALFUNCTIONING ITEM

Check the following.

- The A/T assembly harness connector pin terminals for damage or loose connection with harness connector.

OK or NG

- OK >> Replace the control valve with TCM. Refer to [AT-247, "Control Valve with TCM and A/T Fluid Temperature Sensor 2"](#) .
NG >> Repair or replace damaged parts.

4. CHECK DTC

Perform "DTC Confirmation Procedure".

- Refer to [AT-169, "DTC Confirmation Procedure"](#) .

OK or NG

- OK >> **INSPECTION END**
NG >> GO TO 2.

DTC P1774 LOW COAST BRAKE SOLENOID VALVE FUNCTION

DTC P1774 LOW COAST BRAKE SOLENOID VALVE FUNCTION

PFP:31940

Description

ECS00E09

- Low coast brake solenoid valve is turned ON or OFF by the TCM in response to signals sent from the PNP switch, vehicle speed sensor and accelerator pedal position sensor (throttle position sensor). Gears will then be shifted to the optimum position.
- This is not only caused by electrical malfunction (circuits open or shorted) but also by mechanical malfunction such as control valve sticking, improper solenoid valve operation.

CONSULT-II Reference Value

ECS00E0A

Item name	Condition	Display value
ON OFF SOL	Low coast brake engaged. Refer to AT-20 .	ON
	Low coast brake disengaged. Refer to AT-20 .	OFF
ATF PRES SW 2	Low coast brake engaged. Refer to AT-20 .	ON
	Low coast brake disengaged. Refer to AT-20 .	OFF

On Board Diagnosis Logic

ECS00E0B

- This is an OBD-II self-diagnostic item.
- Diagnostic trouble code “P1774 LC/B SOLENOID FNCT” with CONSULT-II or 7th judgement flicker without CONSULT-II is detected under the following conditions.
 - When TCM detects that actual gear ratio is irregular, and relation between gear position and condition of ATF pressure switch 2 is irregular during depressing accelerator pedal. (Other than during shift change)
 - When TCM detects that relation between gear position and condition of ATF pressure switch 2 is irregular during releasing accelerator pedal. (Other than during shift change)

Possible Cause

ECS00E0C

- Harness or connectors
(Solenoid and switch circuits are open or shorted.)
- Low coast brake solenoid valve
- ATF pressure switch 2

DTC Confirmation Procedure

ECS00E0D

CAUTION:

Always drive vehicle at a safe speed.

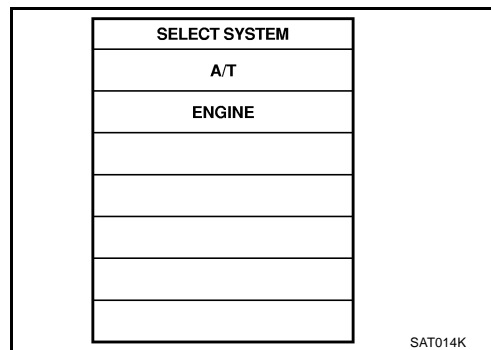
NOTE:

If “DTC Confirmation Procedure” has been previously performed, always turn ignition switch “OFF” and wait at least 10 seconds before performing the next test.

After the repair, perform the following procedure to confirm the malfunction is eliminated.

WITH CONSULT-II

1. Start engine.
2. Accelerate vehicle to maintain the following conditions.
SLCTLVR POSI: “M” position
GEAR: “M1-1st” or “M2-2nd” gear (LC/B ON/OFF)
3. Perform step “2” again.
4. Turn ignition switch OFF, then perform step “1” to “3” again.
5. Check “SELF-DIAG RESULTS” mode for “A/T” with CONSULT-II. If DTC (P1774) is detected, go to [AT-172, "Diagnostic Procedure"](#) .
If DTC (P1772) is detected, go to [AT-170, "Diagnostic Procedure"](#) .



WITH GST

Follow the procedure “WITH CONSULT-II”.

DTC P1774 LOW COAST BRAKE SOLENOID VALVE FUNCTION

ECS00E0E

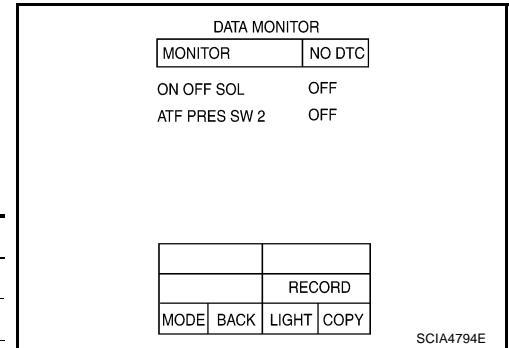
Diagnostic Procedure

1. CHECK INPUT SIGNALS

With CONSULT-II

1. Start engine.
2. Select "SELECTION FROM MENU" in "DATA MONITOR" mode for "A/T" with CONSULT-II.
3. Drive vehicle in the manual mode ("M1-1st" or "M2-2nd" gear), and confirm the ON/OFF actuation of the "ATF PRES SW 2" and "ON OFF SOL".

Item name	Condition	Display value
ON OFF SOL	Low coast brake engaged. Refer to AT-20 .	ON
	Low coast brake disengaged. Refer to AT-20 .	OFF
ATF PRES SW 2	Low coast brake engaged. Refer to AT-20 .	ON
	Low coast brake disengaged. Refer to AT-20 .	OFF



OK or NG

- OK >> GO TO 4.
NG >> GO TO 2.

2. CHECK TCM POWER SUPPLY AND GROUND CIRCUIT

Check TCM power supply and ground circuit. Refer to [AT-185, "MAIN POWER SUPPLY AND GROUND CIRCUIT"](#) .

OK or NG

- OK >> GO TO 3.
NG >> Repair or replace damaged parts.

3. DETECT MALFUNCTIONING ITEM

Check the following.

- The A/T assembly harness connector pin terminals for damage or loose connection with harness connector.

OK or NG

- OK >> Replace the control valve with TCM. Refer to [AT-247, "Control Valve with TCM and A/T Fluid Temperature Sensor 2"](#) .
NG >> Repair or replace damaged parts.

4. CHECK DTC

Perform "DTC Confirmation Procedure".

- Refer to [AT-171, "DTC Confirmation Procedure"](#) .

OK or NG

- OK >> **INSPECTION END**
NG >> GO TO 2.

DTC P1815 MANUAL MODE SWITCH

DTC P1815 MANUAL MODE SWITCH

PFP:34901

Description

ECS00E0F

Manual mode switch is installed in A/T device. It sends manual mode switch, shift up and shift down switch signals to TCM.

TCM sends the switch signals to combination meters. By CAN communication line. Then manual mode switch position is indicated on the A/T indicator. For inspection, refer to [AT-191, "A/T INDICATOR CIRCUIT"](#).

CONSULT-II Reference Value

ECS00E0G

Item name	Condition	Display Value
MANU MODE SW	Manual shift gate position (neutral)	ON
	Other than the above	OFF
NON M-MODE SW	Manual shift gate position	OFF
	Other than the above	ON
UP SW LEVER	Selector lever: + side	ON
	Other than the above	OFF
DOWN SW LEVER	Selector lever: - side	ON
	Other than the above	OFF

On Board Diagnosis Logic

ECS00E0H

- This is not an OBD-II self-diagnostic item.
- Diagnostic trouble code "P1815 MANU MODE SW/CIR" with CONSULT-II is detected when TCM monitors Manual mode, Non manual mode, Up or Down switch signal, and detects as irregular when impossible input pattern occurs 1 second or more.

Possible Cause

ECS00E0I

- Harness or connectors
(These switches circuit is open or shorted.)
- Manual mode select switch (Into control device)
- Manual mode position select switch (Into control device)

DTC Confirmation Procedure

ECS00E0J

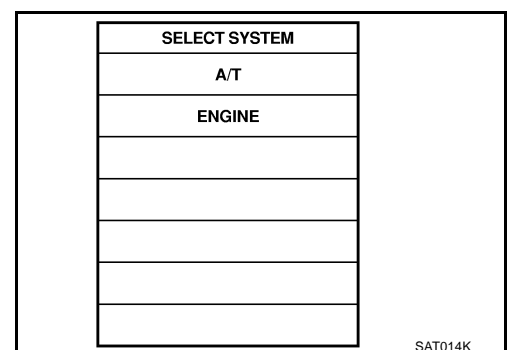
NOTE:

If "DTC Confirmation Procedure" has been previously performed, always turn ignition switch "OFF" and wait at least 10 seconds before performing the next test.

After the repair, perform the following procedure to confirm the malfunction is eliminated.

WITH CONSULT-II

1. Turn ignition switch ON. (Do not start engine.)
2. Select "MAIN SIGNALS" in "DATA MONITOR" mode for "A/T" with CONSULT-II.
3. Start engine.
4. Drive vehicle and maintain the following conditions for at least 2 consecutive seconds.
SLCTLVR POSI: "M" position
5. If DTC is detected, go to [AT-175, "Diagnostic Procedure"](#).



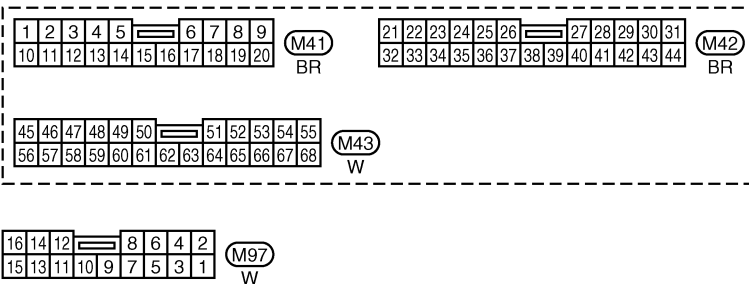
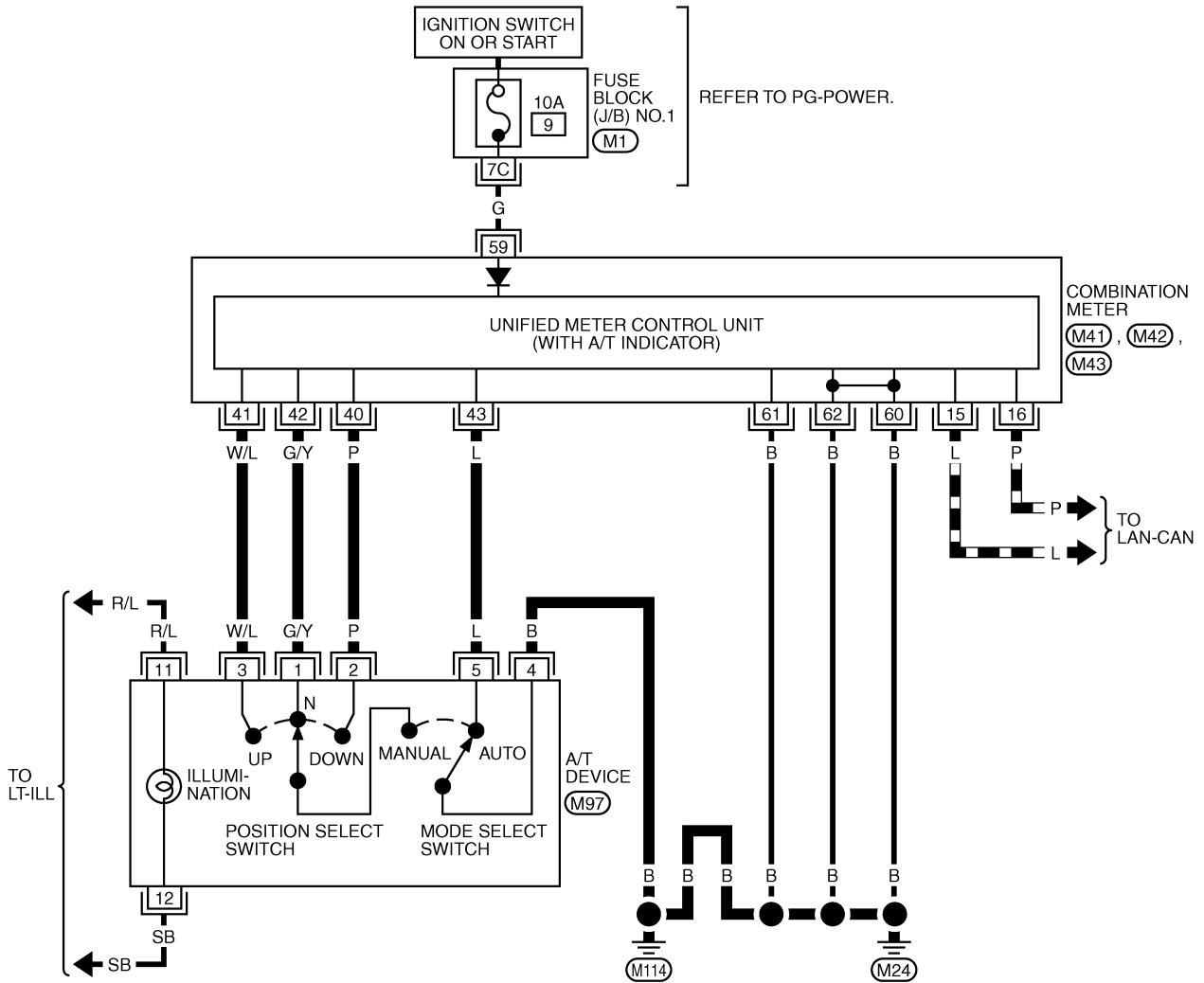
DTC P1815 MANUAL MODE SWITCH

Wiring Diagram — AT — MMSW

ECS00E0K

AT-MMSW-01

: DETECTABLE LINE FOR DTC
 : NON-DETECTABLE LINE FOR DTC
 : DATA LINE



REFER TO THE FOLLOWING.

(M1) - FUSE BLOCK-JUNCTION BOX (J/B) NO.1

TCWM0307E

DTC P1815 MANUAL MODE SWITCH

ECS00E0L

Diagnostic Procedure

1. CHECK CAN COMMUNICATION LINE

Perform the self-diagnosis. Refer to [AT-94, "SELF-DIAGNOSTIC RESULT MODE"](#) .

Is a malfunction in the CAN communication indicated in the results?

- YES >> Check CAN communication line. Refer to [AT-109, "DTC U1000 CAN COMMUNICATION LINE"](#) .
NO >> GO TO 2.

2. CHECK MANUAL MODE SWITCH CIRCUIT

① With CONSULT-II

1. Turn ignition switch ON. (Do not start engine.)
2. Select "ECU INPUT SIGNALS" in "DATA MONITOR" mode for "A/T" with CONSULT-II.
3. Read out ON/OFF switching action of "MANU MODE SW", "NON M-MODE SW", "UP SW LEVER", "DOWN SW LEVER".

DATA MONITOR			
MONITOR		NO DTC	
MANU MODE SW	OFF		
NON M-MODE SW	ON		
UP SW LEVER	OFF		
DOWN SW LEVER	OFF		
△			
		REDORD	
MODE	BACK	LIGHT	COPY

SCIA4988E

Item name	Condition	Display Value
MANU MODE SW	Manual shift gate position (neutral)	ON
	Other than the above	OFF
NON M-MODE SW	Manual shift gate position	OFF
	Other than the above	ON
UP SW LEVER	Selector lever: +side	ON
	Other than the above	OFF
DOWN SW LEVER	Selector lever: -side	ON
	Other than the above	OFF

⊗ Without CONSULT-II

Drive vehicle in the manual mode, and confirm that the actual gear position and the meter's indication of the position mutually coincide when the selector lever is shifted to the "+" (up)" or "-" (down)" side (1st ↔ 5th gear).

OK or NG

- OK >> GO TO 4.
NG >> GO TO 3.

3. DETECT MALFUNCTIONING ITEM

Check the following.

- Manual mode switch. Refer to [AT-176, "Component Inspection"](#) .
- Pin terminals for damage or loose connection with harness connector.
- Open circuit or short to ground or short to power in harness or connector for A/T device (manual mode switch).
- Combination meters. Refer to [DI-16, "Trouble Diagnosis"](#) .

OK or NG

- OK >> GO TO 4.
NG >> Repair or replace damaged parts.

4. CHECK DTC

Perform "DTC Confirmation Procedure".

- Refer to [AT-173, "DTC Confirmation Procedure"](#) .

OK or NG

- OK >> **INSPECTION END**
NG >> GO TO 5.

DTC P1815 MANUAL MODE SWITCH

5. CHECK TCM POWER SUPPLY AND GROUND CIRCUIT

Check TCM power supply and ground circuit. Refer to [AT-185, "MAIN POWER SUPPLY AND GROUND CIRCUIT"](#) .

OK or NG

- OK >> GO TO 6.
- NG >> Repair or replace damaged parts.

6. DETECT MALFUNCTIONING ITEM

Check the following.

- The A/T assembly harness connector pin terminals for damage or loose connection with harness connector.

OK or NG

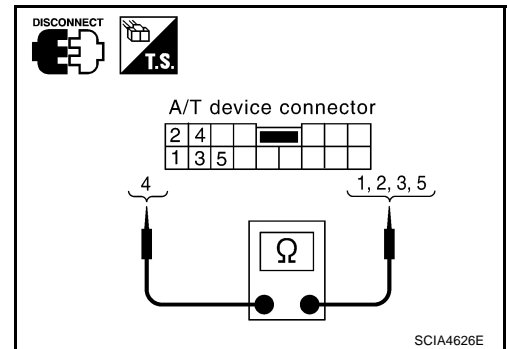
- OK >> Replace the control valve with TCM. Refer to [AT-247, "Control Valve with TCM and A/T Fluid Temperature Sensor 2"](#) .
- NG >> Repair or replace damaged parts.

Component Inspection MANUAL MODE SWITCH

ECS00E0M

Check continuity between terminals.

Item	Position	Connector No.	Terminal No. (Unit side)	Continuity
Manual mode select switch	Auto	M97	4 - 5	Yes
	Manual		1 - 4	
Manual mode position select switch	Neutral		1 - 4	
	Up		3 - 4	
	Down		2 - 4	



DTC P1841 ATF PRESSURE SWITCH 1

DTC P1841 ATF PRESSURE SWITCH 1

PFP:25240

Description

ECS00E00

Fail-safe function to detect front brake clutch solenoid valve condition.

CONSULT-II Reference Value

ECS00E0P

Item name	Condition	Display value
ATF PRES SW 1	Front brake engaged. Refer to AT-20 .	ON
	Front brake disengaged. Refer to AT-20 .	OFF

On Board Diagnosis Logic

ECS00E0Q

- This is not an OBD-II self-diagnostic item.
- Diagnostic trouble code "P1841 ATF PRES SW 1/CIRC" with CONSULT-II is detected when TCM detects that actual gear ratio is normal, and relation between gear position and condition of ATF pressure switch 1 is irregular during depressing accelerator pedal. (Other than during shift change)

Possible Cause

ECS00E0R

- ATF pressure switch 1
- Harness or connectors
(Switch circuit is open or shorted.)

DTC Confirmation Procedure

ECS00E0S

CAUTION:

Always drive vehicle at a safe speed.

NOTE:

If "DTC Confirmation Procedure" has been previously performed, always turn ignition switch OFF and wait at least 10 seconds before performing the next test.

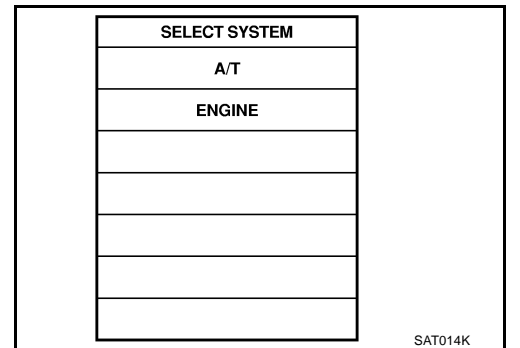
After the repair, perform the following procedure to confirm the malfunction is eliminated.

Ⓟ WITH CONSULT-II

1. Start engine.
2. Accelerate vehicle to maintain the following conditions.
THROTTLE POSI: 1.5/8 - 2.0/8
SLCTLVR POSI: "D" position
GEAR: "3" ⇒ "4" (FR/B ON/OFF)
Driving location: Driving the vehicle uphill (increased engine load) will help maintain the driving conditions required for this test.
3. Perform step "2" again.
4. Turn ignition switch OFF, then perform step "1" to "3" again.
5. Check "SELF-DIAG RESULTS" mode for "A/T" with CONSULT-II.

If DTC (P1841) is detected, go to [AT-178. "Diagnostic Procedure"](#) .

If DTC (P1757) is detected, go to [AT-158. "Diagnostic Procedure"](#) .



DTC P1841 ATF PRESSURE SWITCH 1

EC500E07

Diagnostic Procedure

1. CHECK INPUT SIGNAL

With CONSULT-II

1. Start engine.
2. Select "ECU INPUT SIGNALS" or "MAIN SIGNALS" in "DATA MONITOR" mode for "A/T" with CONSULT-II.
3. Drive vehicle in the "D" position (3rd ⇒ 4th gear), and confirm the ON/OFF actuation of the "ATF PRES SW 1".

DATA MONITOR	
MONITOR	NO. DTC
ATF PRES SW 1	OFF
ATF PRES SW 2	OFF
ATF PRES SW 3	OFF
ATF PRES SW 5	OFF
ATF PRES SW 6	OFF

△	▽		
RECORD			
MODE	BACK	LIGHT	COPY

PCIA0067E

Item name	Condition	Display value
ATF PRES SW 1	Front brake engaged. Refer to AT-20 .	ON
	Front brake disengaged. Refer to AT-20 .	OFF

OK or NG

- OK >> GO TO 4.
NG >> GO TO 2.

2. CHECK TCM POWER SUPPLY AND GROUND CIRCUIT

Check TCM power supply and ground circuit. Refer to [AT-185, "MAIN POWER SUPPLY AND GROUND CIRCUIT"](#) .

OK or NG

- OK >> GO TO 3.
NG >> Repair or replace damaged parts.

3. DETECT MALFUNCTIONING ITEM

Check the following.

- The A/T assembly harness connector pin terminals for damage or loose connection with harness connector.

OK or NG

- OK >> Replace the control valve with TCM. Refer to [AT-247, "Control Valve with TCM and A/T Fluid Temperature Sensor 2"](#) .
NG >> Repair or replace damaged parts.

4. CHECK DTC

Perform "DTC Confirmation Procedure".

- Refer to [AT-177, "DTC Confirmation Procedure"](#) .

OK or NG

- OK >> **INSPECTION END**
NG >> GO TO 2.

DTC P1843 ATF PRESSURE SWITCH 3

DTC P1843 ATF PRESSURE SWITCH 3

PFP:25240

Description

ECS00E0U

Fail-safe function to detect input clutch solenoid valve condition.

CONSULT-II Reference Value

ECS00E0V

Item name	Condition	Display value
ATF PRES SW 3	Input clutch engaged. Refer to AT-20 .	ON
	Input clutch disengaged. Refer to AT-20 .	OFF

On Board Diagnosis Logic

ECS00E0W

- This is not an OBD-II self-diagnostic item.
- Diagnostic trouble code “P1843 ATF PRES SW 3/CIRC” with CONSULT-II is detected when TCM detects that actual gear ratio is normal, and relation between gear position and condition of ATF pressure switch 3 is irregular during depressing accelerator pedal. (Other than during shift change)

Possible Cause

ECS00E0X

- ATF pressure switch 3
- Harness or connectors
(Switch circuit is open or shorted.)

DTC Confirmation Procedure

ECS00E0Y

CAUTION:

Always drive vehicle at a safe speed.

NOTE:

If “DTC Confirmation Procedure” has been previously performed, always turn ignition switch OFF and wait at least 10 seconds before performing the next test.

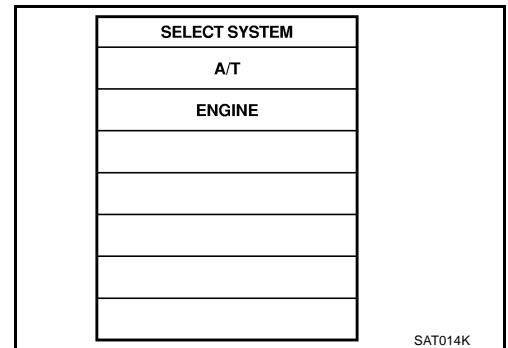
After the repair, perform the following procedure to confirm the malfunction is eliminated.

Ⓟ WITH CONSULT-II

1. Start engine.
2. Accelerate vehicle to maintain the following conditions.
THROTTLE POSI: 1.5/8 - 2.0/8
SLCTLVR POSI: “D” position
GEAR: “3” ⇒ “4” (I/C ON/OFF)
Driving location: Driving the vehicle uphill (increased engine load) will help maintain the driving conditions required for this test.
3. Perform step “2” again.
4. Turn ignition switch OFF, then perform step “1” to “3” again.
5. Check “SELF-DIAG RESULTS” mode for “A/T” with CONSULT-II.

If DTC (P1843) is detected, go to [AT-180. "Diagnostic Procedure"](#) .

If DTC (P1752) is detected, go to [AT-154. "Diagnostic Procedure"](#) .



DTC P1843 ATF PRESSURE SWITCH 3

EC500E0Z

Diagnostic Procedure

1. CHECK INPUT SIGNAL

With CONSULT-II

1. Start engine.
2. Select "ECU INPUT SIGNALS" or "MAIN SIGNALS" in "DATA MONITOR" mode for "A/T" with CONSULT-II.
3. Drive vehicle in the "D" position (3rd ⇒ 4th gear), and confirm the ON/OFF actuation of the "ATF PRES SW 3".

Item name	Condition	Display value
ATF PRES SW 3	Input clutch engaged. Refer to AT-20 .	ON
	Input clutch disengaged. Refer to AT-20 .	OFF

DATA MONITOR	
MONITOR	NO. DTC
ATF PRES SW 1	OFF
ATF PRES SW 2	OFF
ATF PRES SW 3	OFF
ATF PRES SW 5	OFF
ATF PRES SW 6	OFF

△	▽		
RECORD			
MODE	BACK	LIGHT	COPY

PCIA0067E

OK or NG

- OK >> GO TO 4.
NG >> GO TO 2.

2. CHECK TCM POWER SUPPLY AND GROUND CIRCUIT

Check TCM power supply and ground circuit. Refer to [AT-185, "MAIN POWER SUPPLY AND GROUND CIRCUIT"](#) .

OK or NG

- OK >> GO TO 3.
NG >> Repair or replace damaged parts.

3. DETECT MALFUNCTIONING ITEM

Check the following.

- The A/T assembly harness connector pin terminals for damage or loose connection with harness connector.

OK or NG

- OK >> Replace the control valve with TCM. Refer to [AT-247, "Control Valve with TCM and A/T Fluid Temperature Sensor 2"](#) .
NG >> Repair or replace damaged parts.

4. CHECK DTC

Perform "DTC Confirmation Procedure".

- Refer to [AT-179, "DTC Confirmation Procedure"](#) .

OK or NG

- OK >> **INSPECTION END**
NG >> GO TO 2.

DTC P1845 ATF PRESSURE SWITCH 5

DTC P1845 ATF PRESSURE SWITCH 5

PFP:25240

Description

ECS00E10

Fail-safe function to detect direct clutch solenoid valve condition.

CONSULT-II Reference Value

ECS00E11

Item name	Condition	Display value
ATF PRES SW 5	Direct clutch engaged. Refer to AT-20 .	ON
	Direct clutch disengaged. Refer to AT-20 .	OFF

On Board Diagnosis Logic

ECS00E12

- This is not an OBD-II self-diagnostic item.
- Diagnostic trouble code "P1845 ATF PRES SW 5/CIRC" with CONSULT-II is detected when TCM detects that actual gear ratio is normal, and relation between gear position and condition of ATF pressure switch 5 is irregular during depressing accelerator pedal. (Other than during shift change)

Possible Cause

ECS00E13

- ATF pressure switch 5
- Harness or connectors
(Switch circuit is open or shorted.)

DTC Confirmation Procedure

ECS00E14

CAUTION:

Always drive vehicle at a safe speed.

NOTE:

If "DTC Confirmation Procedure" has been previously performed, always turn ignition switch OFF and wait at least 10 seconds before performing the next test.

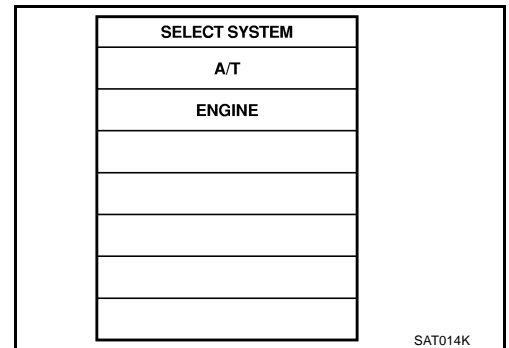
After the repair, perform the following procedure to confirm the malfunction is eliminated.

Ⓟ WITH CONSULT-II

1. Start engine.
2. Accelerate vehicle to maintain the following conditions.
THROTTLE POSI: 1.5/8 - 2.0/8
SLCTLVR POSI: "D" position
GEAR: "1" ⇒ "2" (D/C ON/OFF)
Driving location: Driving the vehicle uphill (increased engine load) will help maintain the driving conditions required for this test.
3. Perform step "2" again.
4. Turn ignition switch OFF, then perform step "1" to "3" again.
5. Check "SELF-DIAG RESULTS" mode for "A/T" with CONSULT-II.

If DTC (P1845) is detected, go to [AT-182. "Diagnostic Procedure"](#) .

If DTC (P1762) is detected, go to [AT-162. "Diagnostic Procedure"](#) .



DTC P1845 ATF PRESSURE SWITCH 5

ECS00E15

Diagnostic Procedure

1. CHECK INPUT SIGNAL

With CONSULT-II

1. Start engine.
2. Select "ECU INPUT SIGNALS" or "MAIN SIGNALS" in "DATA MONITOR" mode for "A/T" with CONSULT-II.
3. Drive vehicle in the "D" position (1st ⇒ 2nd gear), and confirm the ON/OFF actuation of the "ATF PRES SW 5".

Item name	Condition	Display value
ATF PRES SW 5	Direct clutch engaged. Refer to AT-20 .	ON
	Direct clutch disengaged. Refer to AT-20 .	OFF

DATA MONITOR	
MONITOR	NO. DTC
ATF PRES SW 1	OFF
ATF PRES SW 2	OFF
ATF PRES SW 3	OFF
ATF PRES SW 5	OFF
ATF PRES SW 6	OFF

△	▽		
RECORD			
MODE	BACK	LIGHT	COPY

PCIA0067E

OK or NG

- OK >> GO TO 4.
NG >> GO TO 2.

2. CHECK TCM POWER SUPPLY AND GROUND CIRCUIT

Check TCM power supply and ground circuit. Refer to [AT-185, "MAIN POWER SUPPLY AND GROUND CIRCUIT"](#) .

OK or NG

- OK >> GO TO 3.
NG >> Repair or replace damaged parts.

3. DETECT MALFUNCTIONING ITEM

Check the following.

- The A/T assembly harness connector pin terminals for damage or loose connection with harness connector.

OK or NG

- OK >> Replace the control valve with TCM. Refer to [AT-247, "Control Valve with TCM and A/T Fluid Temperature Sensor 2"](#) .
NG >> Repair or replace damaged parts.

4. CHECK DTC

Perform "DTC Confirmation Procedure".

- Refer to [AT-181, "DTC Confirmation Procedure"](#) .

OK or NG

- OK >> **INSPECTION END**
NG >> GO TO 2.

DTC P1846 ATF PRESSURE SWITCH 6

DTC P1846 ATF PRESSURE SWITCH 6

PFP:25240

Description

ECS00E16

Fail-safe function to detect high and low reverse clutch solenoid valve condition.

CONSULT-II Reference Value

ECS00E17

Item name	Condition	Display value
ATF PRES SW 6	High and low reverse clutch engaged. Refer to AT-20 .	ON
	High and low reverse clutch disengaged Refer to AT-20 .	OFF

On Board Diagnosis Logic

ECS00E18

- This is not an OBD-II self-diagnostic item.
- Diagnostic trouble code "P1846 ATF PRES SW 6/CIRC" with CONSULT-II is detected when TCM detects that actual gear ratio is normal, and relation between gear position and condition of ATF pressure switch 6 is irregular during depressing accelerator pedal. (Other than during shift change)

Possible Cause

ECS00E19

- ATF pressure switch 6
- Harness or connectors
(Switch circuit is open or shorted.)

DTC Confirmation Procedure

ECS00E1A

CAUTION:

Always drive vehicle at a safe speed.

NOTE:

If "DTC Confirmation Procedure" has been previously performed, always turn ignition switch OFF and wait at least 10 seconds before performing the next test.

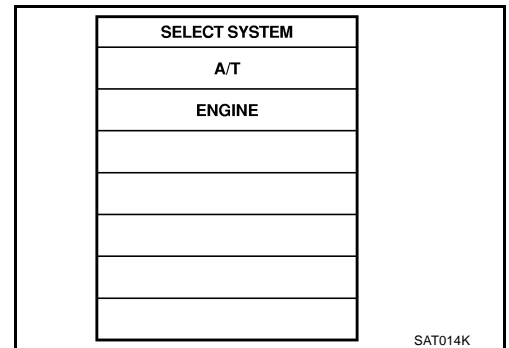
After the repair, perform the following procedure to confirm the malfunction is eliminated.

Ⓟ WITH CONSULT-II

1. Start engine.
2. Accelerate vehicle to maintain the following conditions.
THROTTLE POSI: 1.5/8 - 2.0/8
SLCTLVR POSI: "D" position
GEAR: "2" ⇒ "3" (HLR/C ON/OFF)
Driving location: Driving the vehicle uphill (increased engine load) will help maintain the driving conditions required for this test.
3. Perform step "2" again.
4. Turn ignition switch OFF, then perform step "1" to "3" again.
5. Check "SELF-DIAG RESULTS" mode for "A/T" with CONSULT-II.

If DTC (P1846) is detected, go to [AT-184. "Diagnostic Procedure"](#) .

If DTC (P1767) is detected, go to [AT-166. "Diagnostic Procedure"](#) .



DTC P1846 ATF PRESSURE SWITCH 6

ECS00E1B

Diagnostic Procedure

1. CHECK INPUT SIGNAL

With CONSULT-II

1. Start engine.
2. Select "ECU INPUT SIGNALS" or "MAIN SIGNALS" in "DATA MONITOR" mode for "A/T" with CONSULT-II.
3. Drive vehicle in the "D" position (2nd ⇒ 3rd gear), and confirm the ON/OFF actuation of the "ATF PRES SW 6".

Item name	Condition	Display value
ATF PRES SW 6	High and low reverse clutch engaged. Refer to AT-20 .	ON
	High and low reverse clutch disengaged Refer to AT-20 .	OFF

DATA MONITOR	
MONITOR	NO. DTC
ATF PRES SW 1	OFF
ATF PRES SW 2	OFF
ATF PRES SW 3	OFF
ATF PRES SW 5	OFF
ATF PRES SW 6	OFF

Δ	▽		
RECORD			
MODE	BACK	LIGHT	COPY

PCIA0067E

OK or NG

- OK >> GO TO 4.
NG >> GO TO 2.

2. CHECK TCM POWER SUPPLY AND GROUND CIRCUIT

Check TCM power supply and ground circuit. Refer to [AT-185, "MAIN POWER SUPPLY AND GROUND CIRCUIT"](#) .

OK or NG

- OK >> GO TO 3.
NG >> Repair or replace damaged parts.

3. DETECT MALFUNCTIONING ITEM

Check the following.

- The A/T assembly harness connector pin terminals for damage or loose connection with harness connector.

OK or NG

- OK >> Replace the control valve with TCM. Refer to [AT-247, "Control Valve with TCM and A/T Fluid Temperature Sensor 2"](#) .
NG >> Repair or replace damaged parts.

4. CHECK DTC

Perform "DTC Confirmation Procedure".

- Refer to [AT-183, "DTC Confirmation Procedure"](#) .

OK or NG

- OK >> **INSPECTION END**
NG >> GO TO 2.

MAIN POWER SUPPLY AND GROUND CIRCUIT

MAIN POWER SUPPLY AND GROUND CIRCUIT

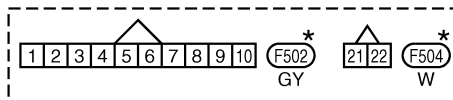
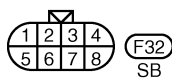
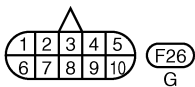
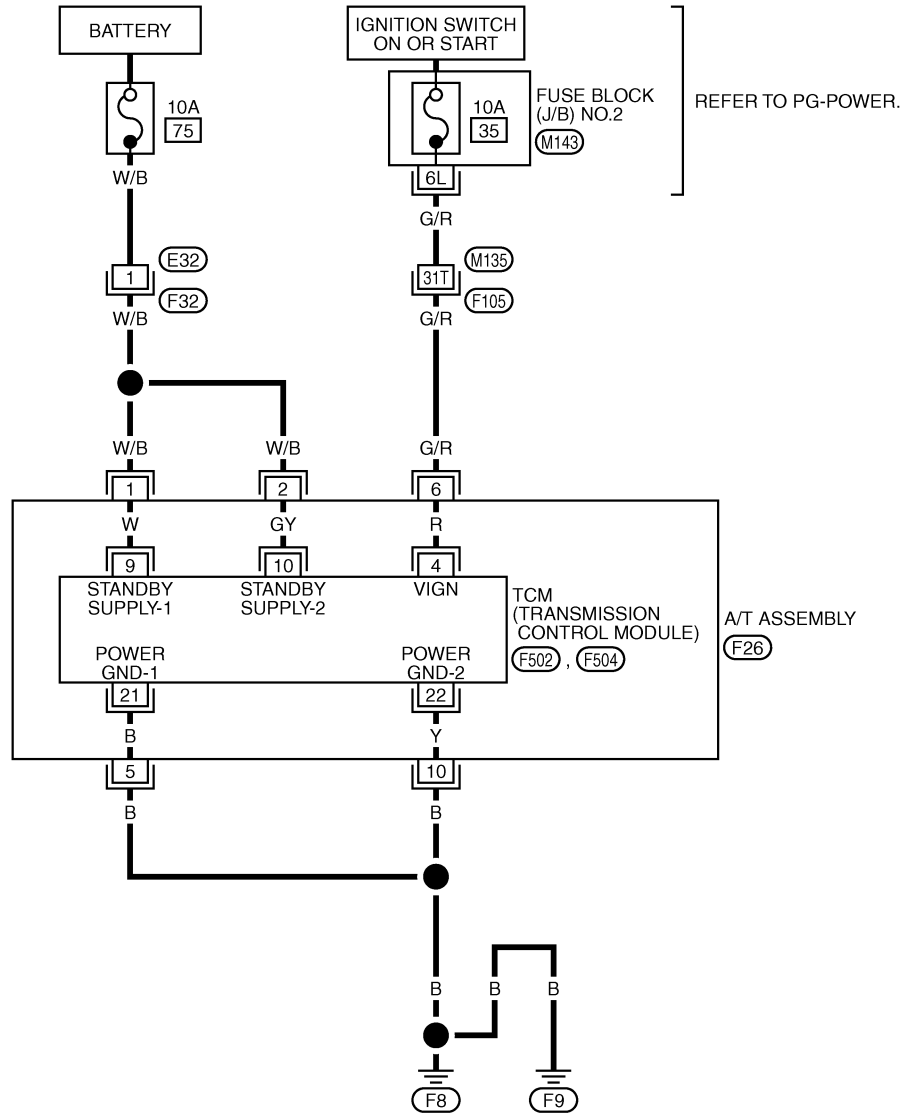
PFP:00100

Wiring Diagram — AT — MAIN

ECS00E1C

AT-MAIN-01

: DETECTABLE LINE FOR DTC
 : NON-DETECTABLE LINE FOR DTC



*: THIS CONNECTOR IS NOT SHOWN IN "HARNESS LAYOUT", PG SECTION.



REFER TO THE FOLLOWING.

- F105 -SUPER MULTIPLE JUNCTION (SMJ)
- M143 -FUSE BLOCK-JUNCTION BOX (J/B) NO.2

TCWM0305E

MAIN POWER SUPPLY AND GROUND CIRCUIT

TCM terminals and data are reference value. Measured between each terminal and ground.

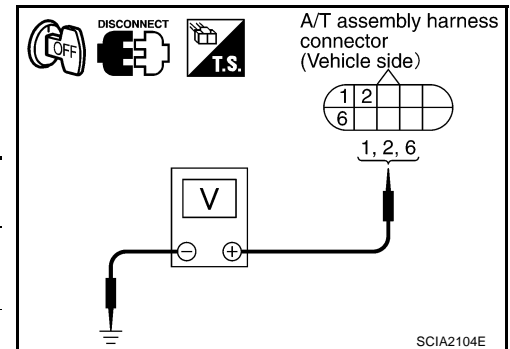
Terminal	Wire color	Item	Condition	Data (Approx.)
1	W/B	Power supply (Memory back-up)	Always	Battery voltage
2	W/B	Power supply (Memory back-up)	Always	Battery voltage
5	B	Ground	Always	0V
6	G/R	Power supply		-
				-
10	B	Ground	Always	0V

Diagnostic Procedure

ECS00E1D

1. CHECK TCM POWER SOURCE STEP 1

- Turn ignition switch OFF.
- Disconnect A/T assembly harness connector.
- Check voltage between A/T assembly harness connector terminals and ground.



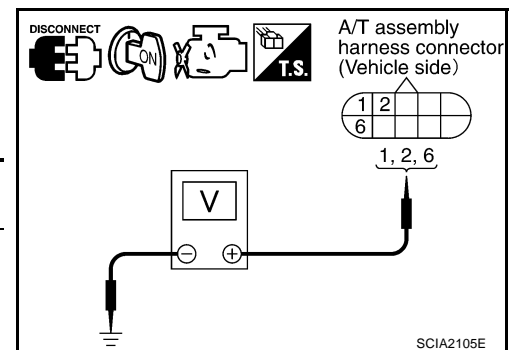
Item	Connector	Terminal (Wire color)	Voltage
TCM	F26	1 (W/B) - Ground	Battery voltage
		2 (W/B) - Ground	
		6 (G/R) - Ground	0V

OK or NG

- OK >> GO TO 2.
 NG >> GO TO 3.

2. CHECK TCM POWER SOURCE STEP 2

- Disconnect A/T assembly harness connector.
- Turn ignition switch ON. (Do not start engine.)
- Check voltage between A/T assembly harness connector terminals and ground.



Item	Connector	Terminal (Wire color)	Voltage
TCM	F26	1 (W/B) - Ground	Battery voltage
		2 (W/B) - Ground	
		6 (G/R) - Ground	0V

OK or NG

- OK >> GO TO 4.
 NG >> GO TO 3.

MAIN POWER SUPPLY AND GROUND CIRCUIT

3. DETECT MALFUNCTIONING ITEM

Check the following.

- Harness for short or open between battery and A/T assembly harness connector terminals 1, 2
- Harness for short or open between ignition switch and A/T assembly harness connector terminal 6
- 10A fuse (No. 75, located in the fuse, fusible link and relay block) and 10A fuse (No. 35, located in the fuse block NO.2). Refer to [PG-52, "Electrical Units Location"](#).
- Ignition switch. Refer to [PG-2, "POWER SUPPLY ROUTING"](#).

OK or NG

OK >> GO TO 4.

NG >> Repair or replace damaged parts.

4. CHECK TCM GROUND CIRCUIT

1. Turn ignition switch OFF.
2. Disconnect A/T assembly harness connector.
3. Check continuity between A/T assembly harness connector terminals and ground.

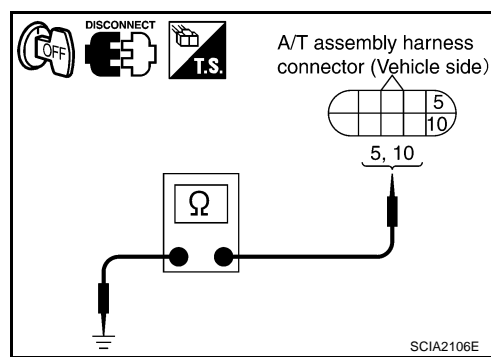
Continuity should exist.

If OK, check harness for short to ground and short to power.

OK or NG

OK >> GO TO 5.

NG >> Repair open circuit or short to ground or short to power in harness or connectors.



5. DETECT MALFUNCTIONING ITEM

Check the following.

- The A/T assembly harness connector terminals for damage or loose connection with harness connector.

OK or NG

OK >> GO TO 6.

NG >> Repair or replace damaged parts.

6. PERFORM SELF-DIAGNOSIS

Perform self-diagnosis. Refer to [AT-94, "SELF-DIAGNOSTIC RESULT MODE"](#).

OK or NG

OK >> **INSPECTION END**

NG-1 >> Self-diagnosis does not activate: GO TO 7.

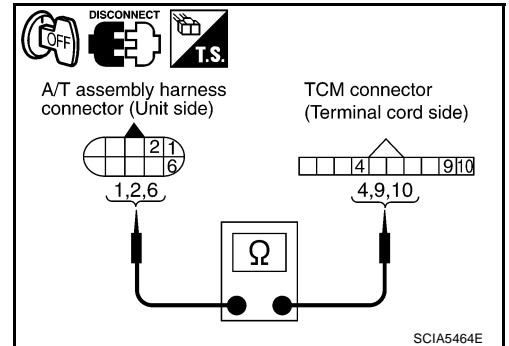
NG-2 >> DTC is displayed: Check the malfunctioning system. Refer to [AT-94, "SELF-DIAGNOSTIC RESULT MODE"](#).

MAIN POWER SUPPLY AND GROUND CIRCUIT

7. CHECK TERMINAL CORD ASSEMBLY

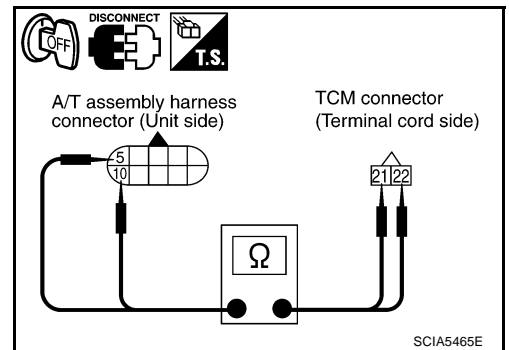
1. Remove control valve with TCM. Refer to [AT-247, "Control Valve with TCM and A/T Fluid Temperature Sensor 2"](#) .
2. Disconnect A/T assembly harness connector and TCM connector.
3. Check continuity between A/T assembly harness connector terminals and TCM connector terminals.

Item	Connector	Terminal (Wire color)	Continuity
A/T assembly harness connector	F26	1 (W)	Yes
TCM connector	F502	9 (W)	
A/T assembly harness connector	F26	2 (GY)	Yes
TCM connector	F502	10 (GY)	
A/T assembly harness connector	F26	6 (R)	Yes
TCM connector	F502	4 (R)	



4. Check continuity between A/T assembly harness connector terminals and TCM connector terminals.

Item	Connector	Terminal (Wire color)	Continuity
A/T assembly harness connector	F26	5 (B)	Yes
TCM connector	F504	21 (B)	
A/T assembly harness connector	F26	10 (Y)	Yes
TCM connector	F504	22 (Y)	



5. If OK, check harness for short to ground and short to power.

OK or NG

- OK >> Replace the control valve with TCM. Refer to [AT-247, "Control Valve with TCM and A/T Fluid Temperature Sensor 2"](#) .
- NG >> Replace open circuit or short to ground and short to power in harness or connectors.

CLOSED THROTTLE POSITION AND WIDE OPEN THROTTLE POSITION CIRCUIT

CLOSED THROTTLE POSITION AND WIDE OPEN THROTTLE POSITION CIRCUIT

PFP:18002

CONSULT-II Reference Value

ECS00E1E

Item name	Condition	Display value
CLSO THL POS	Released accelerator pedal.	ON
	Fully depressed accelerator pedal.	OFF
W/O THL POS	Fully depressed accelerator pedal.	ON
	Released accelerator pedal.	OFF

Diagnostic Procedure

ECS00E1F

1. CHECK CAN COMMUNICATION LINE

Perform the self-diagnosis. Refer to [AT-94, "SELF-DIAGNOSTIC RESULT MODE"](#) , [AT-104, "Diagnostic Procedure without CONSULT-II"](#) .

Is a malfunction in the CAN communication indicated in the results?

- YES >> Check CAN communication line. Refer to [AT-109, "DTC U1000 CAN COMMUNICATION LINE"](#) .
 NO >> GO TO 2.

2. CHECK THROTTLE POSITION SIGNAL CIRCUIT

With CONSULT-II

- Turn ignition switch ON. (Do not start engine.)
- Select "ECU INPUT SIGNALS" in "DATA MONITOR" mode for "A/T" with CONSULT-II.
- Depress accelerator pedal and read out the value of "CLSD THL POS" and "W/O THL POS".

Accelerator Pedal Operation	Monitor Item	
	CLSD THL POS	W/O THL POS
Released	ON	OFF
Fully depressed	OFF	ON

DATA MONITOR	
MONITOR	NO DTC
ACCELE POSI	0.0/8
THROTTLE POSI	0.0/8
CLSD THL POS	ON
W/O THL POS	OFF
BRAKE SW	OFF
▼	
RECORD	
MODE	BACK LIGHT COPY

PCIA0070E

OK or NG

- OK >> **INSPECTION END**
 NG >> Check the following. If NG, repair or replace damaged parts.
- Perform the self-diagnosis for "ENGINE" with CONSULT-II. Refer to [EC-130, "SELF-DIAG RESULTS MODE"](#) .
 - Open circuit or short to ground or short to power in harness or connectors.
 - Pin terminals for damage or loose connection with harness connector.

BRAKE SIGNAL CIRCUIT

BRAKE SIGNAL CIRCUIT

PFP:25320

CONSULT-II Reference Value

ECS00E1G

Item name	Condition	Display value
BRAKE SW	Depressed brake pedal.	ON
	Released brake pedal.	OFF

Diagnostic Procedure

ECS00E1H

1. CHECK CAN COMMUNICATION LINE

Perform the self-diagnosis. Refer to [AT-94, "SELF-DIAGNOSTIC RESULT MODE"](#) , [AT-104, "Diagnostic Procedure without CONSULT-II"](#) .

Is a malfunction in the CAN communication indicated in the results?

- YES >> Check CAN communication line. Refer to [AT-109, "DTC U1000 CAN COMMUNICATION LINE"](#) .
 NO >> GO TO 2.

2. CHECK STOP LAMP SWITCH CIRCUIT

With CONSULT-II

- Turn ignition switch ON. (Do not start engine.)
- Select "ECU INPUT SIGNALS" in "DATA MONITOR" mode for "A/T" with CONSULT-II.
- Read out ON/OFF switching action of the "BRAKE SW".

Item name	Condition	Display value
BRAKE SW	Depressed brake pedal.	ON
	Released brake pedal.	OFF

DATA MONITOR	
MONITOR	NO DTC
ACCELE POSI	0.0/8
THROTTLE POSI	0.0/8
CLSD THL POS	ON
W/O THL POS	OFF
BRAKE SW	OFF
▼	
RECORD	
MODE	BACK
LIGHT	COPY

PCIA0070E

OK or NG

- OK >> **INSPECTION END**
 NG >> GO TO 3.

3. CHECK STOP LAMP SWITCH

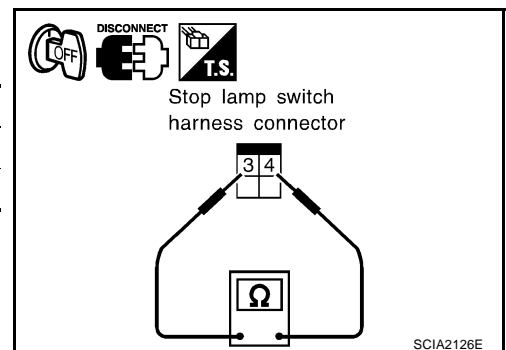
Check continuity between stop lamp switch harness connector terminals. Refer to [AT-192, "Wiring Diagram — AT — NONDTC"](#) .

Condition	Continuity
When brake pedal is depressed	Yes
When brake pedal is released	No

Check stop lamp switch after adjusting brake pedal — refer to [BR-6, "BRAKE PEDAL"](#) .

OK or NG

- OK >> **INSPECTION END**
 NG >> Check the following. If NG, repair or replace damaged parts.
- Harness for short or open between battery and stop lamp switch.
 - Harness for short or open between stop lamp switch and combination meters.



A/T INDICATOR CIRCUIT

A/T INDICATOR CIRCUIT

PPF:24810

Description

ECS00EAE

TCM sends the switch signals to combination meters. By CAN communication line. Then manual mode switch position is indicated on the A/T indicator.

CONSULT-II Reference Value

ECS00EAF

Item name	Condition	Display value
GEAR	During driving	1, 2, 3, 4, 5

Diagnostic Procedure

ECS00EAG

1. CHECK INPUT SIGNALS

④ With CONSULT-II

1. Start engine.
2. Select "MAIN SIGNALS" in "DATA MONITOR" mode for "A/T" with CONSULT-II and read out the value of "GEAR".
3. Drive vehicle in the manual mode, and confirm that the actual gear position and the meter's indication of the position mutually coincide when the selector lever is shifted to the "+ (up)" or "- (down)" side (1st ⇔ 5th gear).

OK or NG

- OK >> **INSPECTION END**
 NG >> Check the following.

DATA MONITOR	
MONITOR	NO DTC
VHCLS SE-A/T	0 km/h
THROTTLE POSI	0. 0/8
GEAR	1
ENGINE SPEED	0 rpm
TURBINE REV	0 rpm
▽	
RECORD	
MODE	BACK
LIGHT	COPY

PCIA0065E

A/T INDICATOR SYMPTOM CHART

Items	Possible location of malfunction
The actual gear position does not change, or shifting into the manual mode is not possible (no gear shifting in the manual mode possible). The A/T indicator is not indicated.	Manual mode switch Refer to AT-173, "DTC P1815 MANUAL MODE SWITCH" . A/T main system (Fail-safe function actuated) ● Refer to AT-94, "SELF-DIAGNOSTIC RESULT MODE" .
The actual gear position changes, but the A/T indicator is not indicated.	Perform the self-diagnosis function. ● Refer to AT-94, "SELF-DIAGNOSTIC RESULT MODE" .
The actual gear position and the indication on the A/T indicator do not coincide.	Perform the self-diagnosis function. ● Refer to AT-94, "SELF-DIAGNOSTIC RESULT MODE" .
Only a specific position or positions is/are not indicated on the A/T indicator.	Check the combination meters. Refer to DI-7, "COMBINATION METERS" .

TROUBLE DIAGNOSIS FOR SYMPTOMS

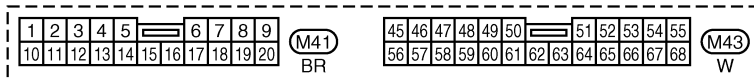
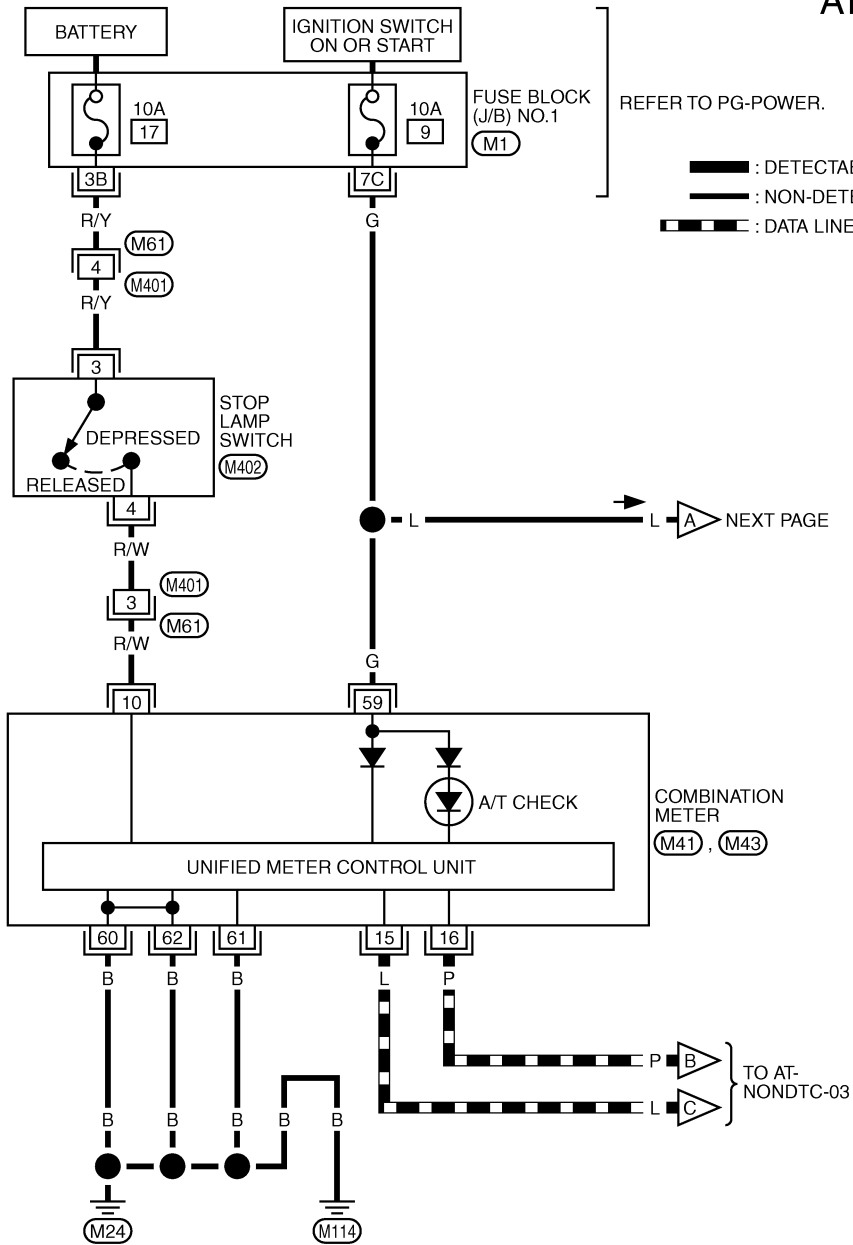
TROUBLE DIAGNOSIS FOR SYMPTOMS

PFP:00007

Wiring Diagram — AT — NONDTC

ECS00E11

AT-NONDTC-01



REFER TO THE FOLLOWING.

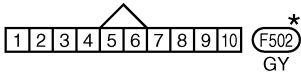
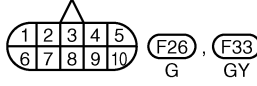
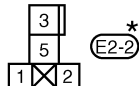
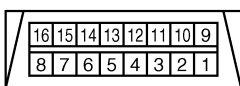
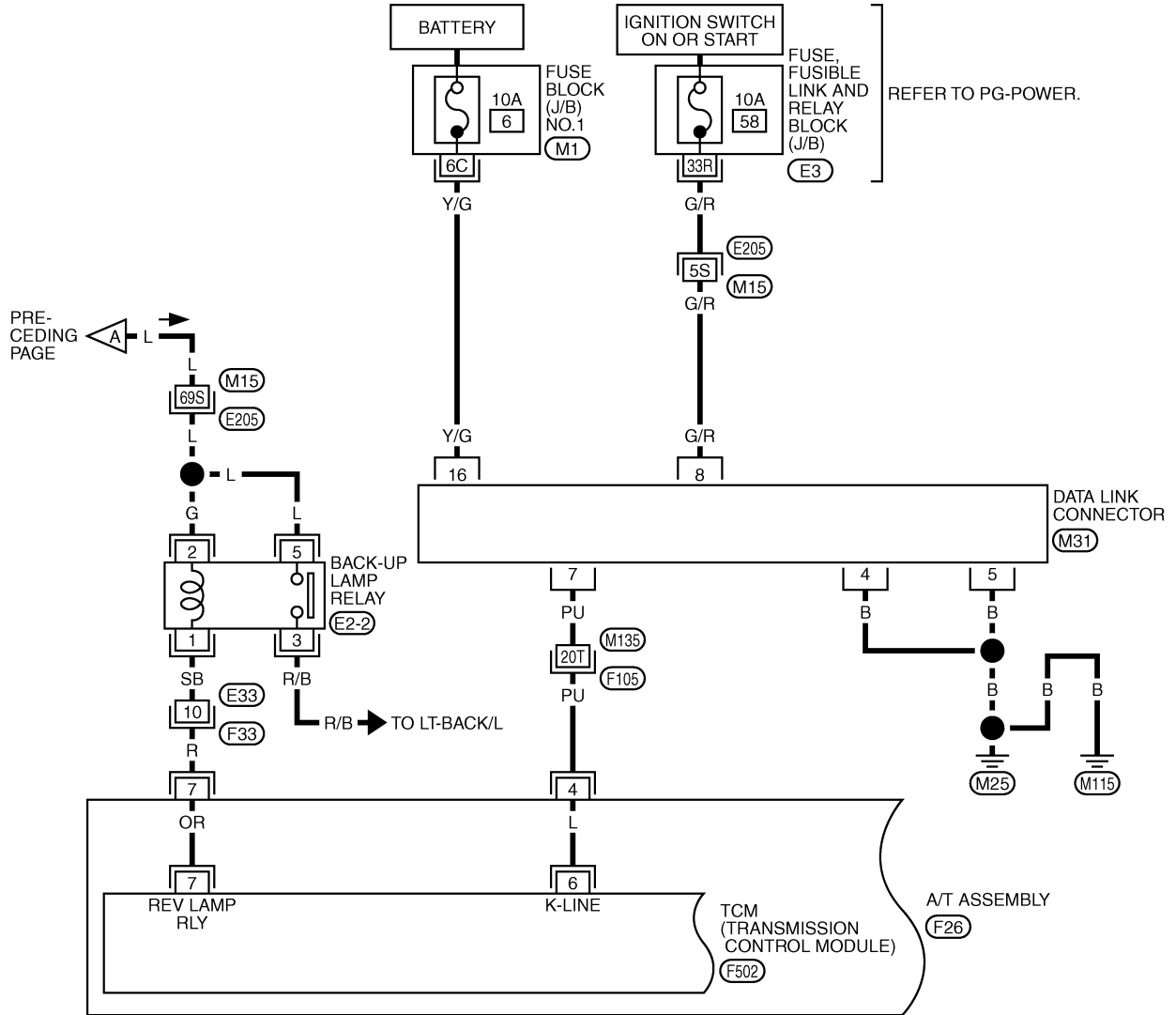
(M1) - FUSE BLOCK-JUNCTION BOX (J/B) NO.1

TCWM0308E

TROUBLE DIAGNOSIS FOR SYMPTOMS

AT-NONDTC-02

: DETECTABLE LINE FOR DTC
 : NON-DETECTABLE LINE FOR DTC



REFER TO THE FOLLOWING.

(E205), (F105) -SUPER MULTIPLE JUNCTION (SMJ)

(M1) -FUSE BLOCK-JUNCTION BOX (J/B) NO.1




(E3) -FUSE, FUSIBLE LINK AND RELAY BLOCK (J/B)

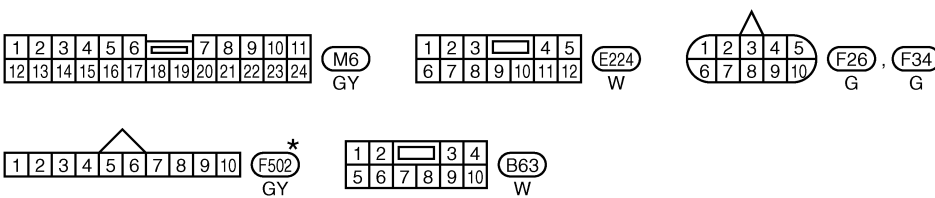
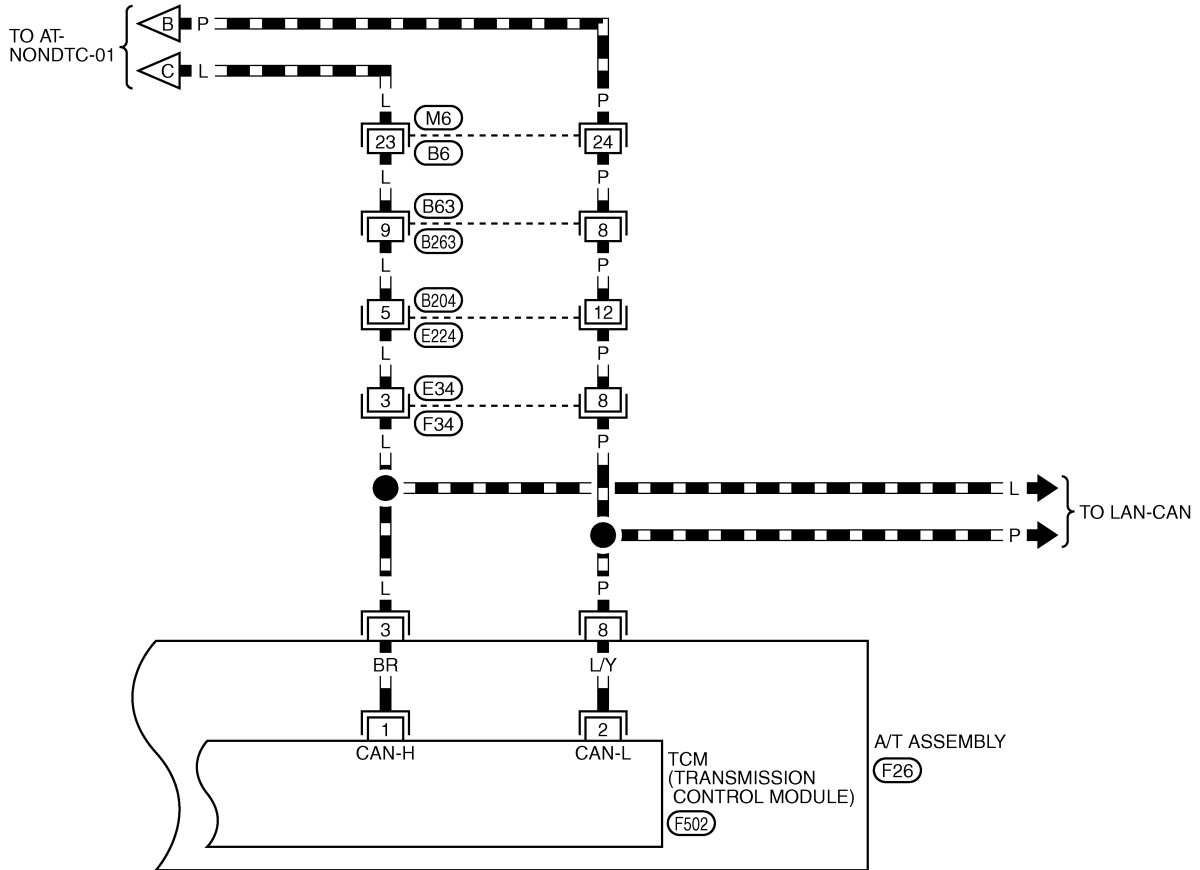
*: THIS CONNECTOR IS NOT SHOWN IN "HARNESS LAYOUT", PG SECTION.

TCWM0309E

TROUBLE DIAGNOSIS FOR SYMPTOMS

AT-NONDTC-03

 : DETECTABLE LINE FOR DTC
 : NON-DETECTABLE LINE FOR DTC
 : DATA LINE




*: THIS CONNECTOR IS NOT SHOWN IN "HARNESS LAYOUT", PG SECTION.

TCWM0310E

TROUBLE DIAGNOSIS FOR SYMPTOMS

TCM terminals and data are reference value. Measured between each terminal and ground.

Terminal	Wire color	Item	Condition	Data (Approx.)
3	L	CAN-H	-	-
4	PU	K-line (CONSULT-II signal)	The terminal is connected to the data link connector for CONSULT-II.	
7	R	Back-up lamp relay	 Selector lever in "R" position.	0V
			Selector lever in other positions.	Battery voltage
8	P	CAN-L	-	-

A/T CHECK Indicator Lamp Does Not Come On SYMPTOM:

ECS00E1J

A/T CHECK indicator lamp does not come on for about 2 seconds when turning ignition switch to "ON".

DIAGNOSTIC PROCEDURE

1. CHECK CAN COMMUNICATION LINE

Perform self-diagnosis. Refer to [AT-94, "SELF-DIAGNOSTIC RESULT MODE"](#) , [AT-104, "TCM SELF-DIAGNOSTIC PROCEDURE \(NO TOOLS\)"](#) .

Is a malfunction in the CAN communication indicated in the results?

- YES >> Check CAN communication line. Refer to [AT-109, "DTC U1000 CAN COMMUNICATION LINE"](#) .
- NO >> GO TO 2.

2. CHECK A/T CHECK INDICATOR LAMP CIRCUIT

Check the combination meters. Refer to [DI-7, "COMBINATION METERS"](#) .

OK or NG

- OK >> GO TO 3
- NG >> Repair or replace damaged parts.

3. CHECK TCM POWER SUPPLY AND GROUND CIRCUIT

Check TCM power supply and ground circuit. Refer to [AT-185, "MAIN POWER SUPPLY AND GROUND CIRCUIT"](#) .

OK or NG

- OK >> **INSPECTION END**
- NG >> Repair or replace damaged parts.

TROUBLE DIAGNOSIS FOR SYMPTOMS

ECS00E1K

Engine Cannot Be Started In "P" or "N" Position

SYMPTOM:

- Engine cannot be started with selector lever in "P" or "N" position.
- Engine can be started with selector lever in "D" or "R" position.

DIAGNOSTIC PROCEDURE

1. CHECK PNP SWITCH CIRCUIT

Perform self-diagnosis. Refer to [AT-94, "SELF-DIAGNOSTIC RESULT MODE"](#) , [AT-104, "TCM SELF-DIAGNOSTIC PROCEDURE \(NO TOOLS\)"](#) .

Do the self-diagnostic results indicate PNP switch?

- YES >> Check the malfunctioning system. Refer to [AT-117, "DTC P0705 PARK/NEUTRAL POSITION SWITCH"](#) .
- NO >> GO TO 2.

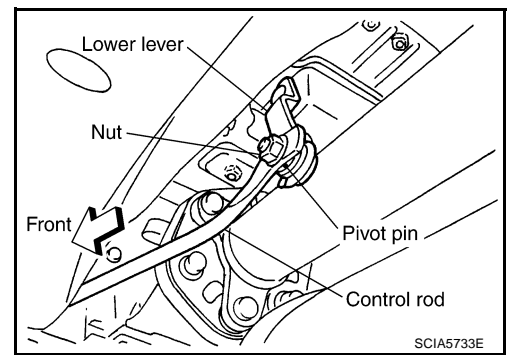
2. CHECK CONTROL LINKAGE

Check the control linkage.

- Refer to [AT-240, "Checking of A/T Position"](#) .

OK or NG

- OK >> GO TO 3.
- NG >> Adjust control linkage. Refer to [AT-240, "Adjustment of A/T Position"](#) .



3. CHECK STARTING SYSTEM

Check starting system. Refer to [SC-9, "STARTING SYSTEM"](#) .

OK or NG

- OK >> **INSPECTION END**
- NG >> Repair or replace damaged parts.

TROUBLE DIAGNOSIS FOR SYMPTOMS

ECS00E1L

In "P" Position, Vehicle Moves When Pushed SYMPTOM:

Even though the selector lever is set in "P" position, the parking mechanism is not actuated, allowing the vehicle to be moved when it is pushed.

DIAGNOSTIC PROCEDURE

1. CHECK PNP SWITCH CIRCUIT

Perform self-diagnosis. Refer to [AT-94, "SELF-DIAGNOSTIC RESULT MODE"](#) , [AT-104, "TCM SELF-DIAGNOSTIC PROCEDURE \(NO TOOLS\)"](#) .

Do the self-diagnostic results indicate PNP switch?

- YES >> Check the malfunctioning system. Refer to [AT-117, "DTC P0705 PARK/NEUTRAL POSITION SWITCH"](#) .
NO >> GO TO 2.

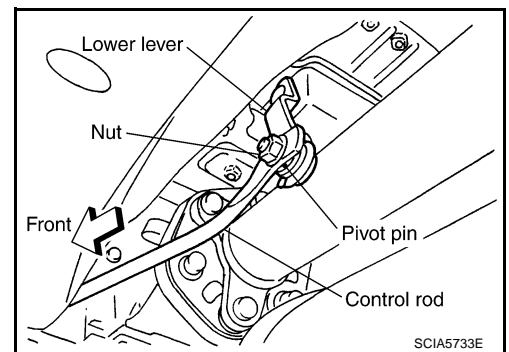
2. CHECK CONTROL LINKAGE

Check the control linkage.

- Refer to [AT-240, "Checking of A/T Position"](#) .

OK or NG

- OK >> GO TO 3.
NG >> Adjust control linkage. Refer to [AT-240, "Adjustment of A/T Position"](#) .



3. CHECK PARKING COMPONENTS

Check parking components. Refer to [AT-260, "Parking Components"](#) .

OK or NG

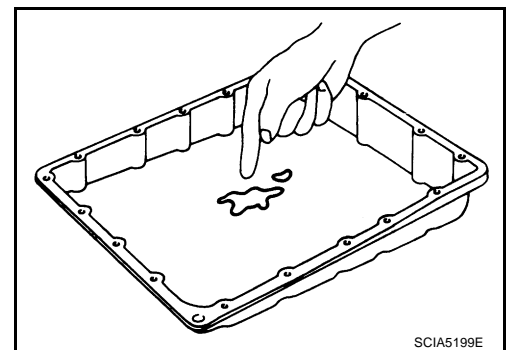
- OK >> GO TO 4.
NG >> Repair or replace damaged parts.

4. CHECK A/T FLUID CONDITION

- Remove oil pan. Refer to [AT-247, "Control Valve with TCM and A/T Fluid Temperature Sensor 2"](#) .
- Check A/T fluid condition. Refer to [AT-51, "Fluid Condition Check"](#) .

OK or NG

- OK >> **INSPECTION END**
NG >> Check the malfunction items. If any items are damaged, repair or replace damaged parts. Refer to [AT-65, "Symptom Chart"](#) (Symptom No.65).



TROUBLE DIAGNOSIS FOR SYMPTOMS

ECS00E1M

In "N" Position, Vehicle Moves

SYMPTOM:

Vehicle moves forward or backward when selecting "N" position.

DIAGNOSTIC PROCEDURE

1. CHECK PNP SWITCH CIRCUIT

Perform self-diagnosis. Refer to [AT-94, "SELF-DIAGNOSTIC RESULT MODE"](#) , [AT-104, "TCM SELF-DIAGNOSTIC PROCEDURE \(NO TOOLS\)"](#) .

Do the self-diagnostic results indicate PNP switch?

- YES >> Check the malfunctioning system. Refer to [AT-117, "DTC P0705 PARK/NEUTRAL POSITION SWITCH"](#) .
- NO >> GO TO 2.

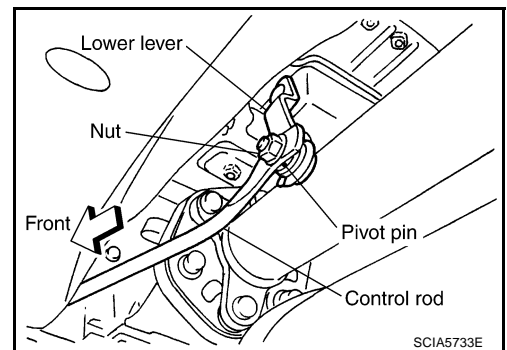
2. CHECK CONTROL LINKAGE

Check the control linkage.

- Refer to [AT-240, "Checking of A/T Position"](#) .

OK or NG

- OK >> GO TO 3.
- NG >> Adjust control linkage. Refer to [AT-240, "Adjustment of A/T Position"](#) .

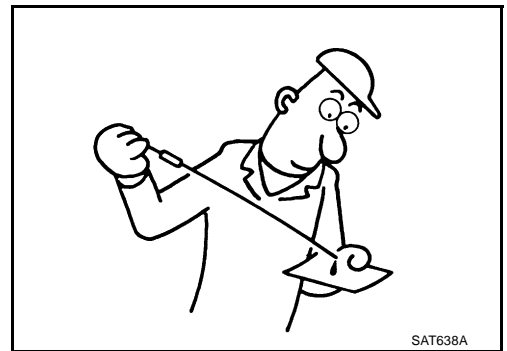


3. CHECK A/T FLUID LEVEL

Check A/T fluid level. Refer to [AT-13, "Checking A/T Fluid"](#) .

OK or NG

- OK >> GO TO 4.
- NG >> Refill ATF.

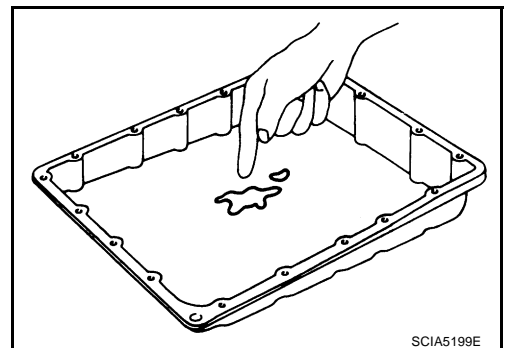


4. CHECK A/T FLUID CONDITION

- Remove oil pan. Refer to [AT-247, "Control Valve with TCM and A/T Fluid Temperature Sensor 2"](#) .
- Check A/T fluid condition. Refer to [AT-51, "Fluid Condition Check"](#) .

OK or NG

- OK >> GO TO 5.
- NG >> Check the malfunction items. If any items are damaged, repair or replace damaged parts. Refer to [AT-65, "Symptom Chart"](#) (Symptom No.67).



TROUBLE DIAGNOSIS FOR SYMPTOMS

5. CHECK SYMPTOM

Check again. Refer to [AT-56, "Check at Idle"](#) .

OK or NG

- OK >> **INSPECTION END**
- NG >> GO TO 6.

6. CHECK TCM

1. Check TCM input/output signals. Refer to [AT-90, "TCM Input/Output Signal Reference Values"](#) .
2. If NG, recheck A/T assembly harness connector terminals for damage or loose connection with harness connector.

OK or NG

- OK >> **INSPECTION END**
- NG >> Repair or replace damaged parts.

Large Shock ("N" to "D" Position) SYMPTOM:

ECS00E1N

A noticeable shock occurs when the selector lever is shifted from "N" to "D" position.

DIAGNOSTIC PROCEDURE

1. CHECK SELF-DIAGNOSTIC RESULTS

Perform self-diagnosis. Refer to [AT-94, "SELF-DIAGNOSTIC RESULT MODE"](#) , [AT-104, "Diagnostic Procedure without CONSULT-II"](#) .

Is any malfunction detected by self-diagnostic results?

- YES >> Check the malfunctioning system. Refer to [AT-94, "SELF-DIAGNOSTIC RESULT MODE"](#) , [AT-108, "Judgement Self-diagnosis Code"](#) .
- NO >> GO TO 2.

2. ENGINE IDLE SPEED

Check the engine idle speed. Refer to [EC-76, "Idle Speed and Ignition Timing Check"](#) .

OK or NG

- OK >> GO TO 3.
- NG >> Adjust engine idle speed. Refer to [EC-76, "Idle Speed and Ignition Timing Check"](#) .

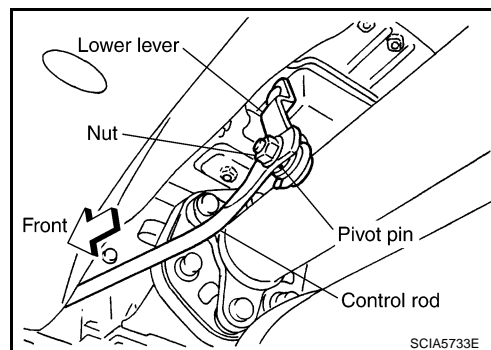
3. CHECK CONTROL LINKAGE

Check the control linkage.

- Refer to [AT-240, "Checking of A/T Position"](#) .

OK or NG

- OK >> GO TO 4.
- NG >> Adjust control linkage. Refer to [AT-240, "Adjustment of A/T Position"](#) .



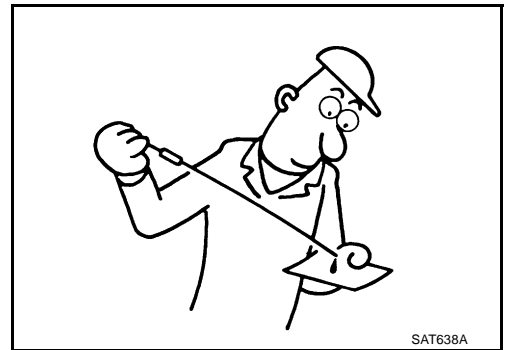
TROUBLE DIAGNOSIS FOR SYMPTOMS

4. CHECK A/T FLUID LEVEL

Check the A/T fluid level. Refer to [AT-13, "Checking A/T Fluid"](#) .

OK or NG

- OK >> GO TO 5.
- NG >> Refill ATF.

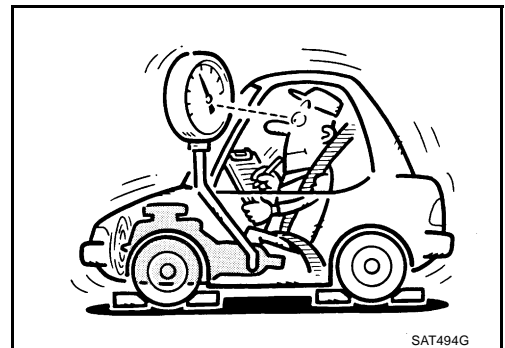


5. CHECK LINE PRESSURE

Check line pressure at idle with selector lever in "D" position. Refer to [AT-53, "LINE PRESSURE TEST"](#) .

OK or NG

- OK >> GO TO 8.
- NG - 1 >> Line pressure high: GO TO 6.
- NG - 2 >> Line pressure low: GO TO 7.



6. DETECT MALFUNCTIONING ITEM

1. Check control valve with TCM. Refer to [AT-247, "Control Valve with TCM and A/T Fluid Temperature Sensor 2"](#) .
2. Disassemble A/T. Refer to [AT-284, "DISASSEMBLY"](#) .
3. Check the following.
 - Oil pump assembly. Refer to [AT-300, "Oil Pump"](#) .

OK or NG

- OK >> GO TO 8.
- NG >> Repair or replace damaged parts.

7. DETECT MALFUNCTIONING ITEM

1. Check control valve with TCM. Refer to [AT-247, "Control Valve with TCM and A/T Fluid Temperature Sensor 2"](#) .
2. Disassemble A/T. Refer to [AT-284, "DISASSEMBLY"](#) .
3. Check the following.
 - Oil pump assembly. Refer to [AT-300, "Oil Pump"](#) .
 - Power train system. Refer to [AT-284, "DISASSEMBLY"](#) .
 - Transmission case. Refer to [AT-284, "DISASSEMBLY"](#) .

OK or NG

- OK >> GO TO 8.
- NG >> Repair or replace damaged parts.

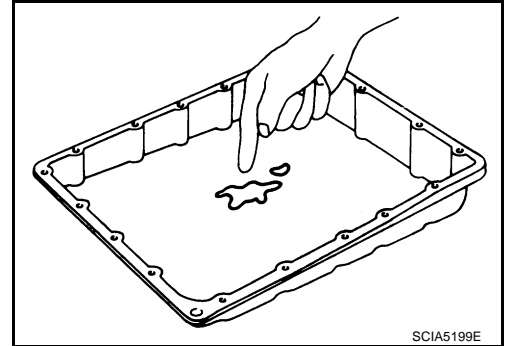
TROUBLE DIAGNOSIS FOR SYMPTOMS

8. CHECK A/T FLUID CONDITION

1. Remove oil pan. Refer to [AT-247, "Control Valve with TCM and A/T Fluid Temperature Sensor 2"](#) .
2. Check A/T fluid condition. Refer to [AT-51, "Fluid Condition Check"](#) .

OK or NG

- OK >> GO TO 10.
- NG >> GO TO 9.



9. DETECT MALFUNCTIONING ITEM

- Check the malfunction items. If any items are damaged, repair or replace damaged parts. Refer to [AT-65, "Symptom Chart"](#) (Symptom No.1).

OK or NG

- OK >> GO TO 10.
- NG >> Repair or replace damaged parts.

10. CHECK SYMPTOM

Check again. Refer to [AT-56, "Check at Idle"](#) .

OK or NG

- OK >> **INSPECTION END**
- NG >> GO TO 11.

11. CHECK TCM

1. Check TCM input/output signals. Refer to [AT-90, "TCM Input/Output Signal Reference Values"](#) .
2. If NG, recheck A/T assembly harness connector terminals for damage or loose connection with harness connector.

OK or NG

- OK >> **INSPECTION END**
- NG >> Repair or replace damaged parts.

A
B
AT
D
E
F
G
H
I
J
K
L
M

TROUBLE DIAGNOSIS FOR SYMPTOMS

ECS00E10

Vehicle Does Not Creep Backward In "R" Position

SYMPTOM:

The vehicle does not creep in "R" position. Or an extreme lack of acceleration is observed.

DIAGNOSTIC PROCEDURE

1. CHECK SELF-DIAGNOSTIC RESULTS

Perform self-diagnosis. Refer to [AT-94, "SELF-DIAGNOSTIC RESULT MODE"](#) , [AT-104, "Diagnostic Procedure without CONSULT-II"](#) .

Is any malfunction detected by self-diagnosis results?

- YES >> Check the malfunctioning system. Refer to [AT-94, "SELF-DIAGNOSTIC RESULT MODE"](#) , [AT-108, "Judgement Self-diagnosis Code"](#) .
- NO >> GO TO 2.

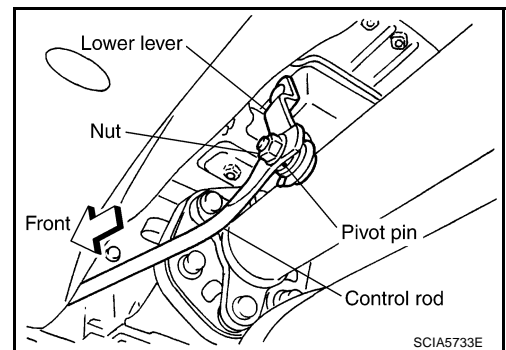
2. CHECK CONTROL LINKAGE

Check the control linkage.

- Refer to [AT-240, "Checking of A/T Position"](#) .

OK or NG

- OK >> GO TO 3.
- NG >> Adjust control linkage. Refer to [AT-240, "Adjustment of A/T Position"](#) .

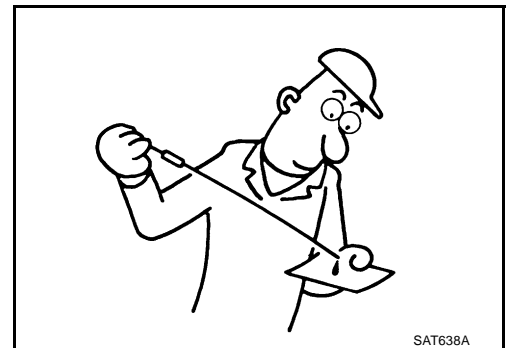


3. CHECK A/T FLUID LEVEL

Check A/T fluid level. Refer to [AT-13, "Checking A/T Fluid"](#) .

OK or NG

- OK >> GO TO 4.
- NG >> Refill ATF.

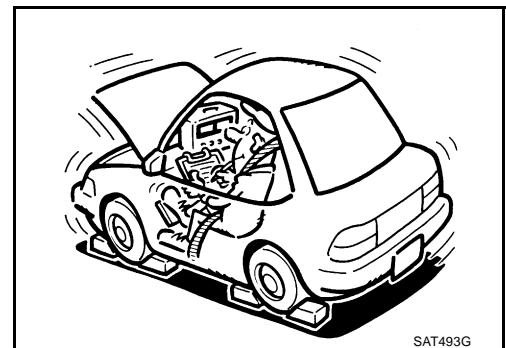


4. CHECK STALL TEST

Check stall revolution with selector lever in "M" and "R" positions. Refer to [AT-51, "STALL TEST"](#) .

OK or NG

- OK >> GO TO 6.
- OK in "M" position, NG in "R" position>>GO TO 5
- NG in both "M" and "R" positions>>GO TO 8.



TROUBLE DIAGNOSIS FOR SYMPTOMS

5. DETECT MALFUNCTIONING ITEM

1. Disassemble A/T. Refer to [AT-284, "DISASSEMBLY"](#) .
2. Check the following.
 - Reverse brake. Refer to [AT-284, "DISASSEMBLY"](#) .

OK or NG

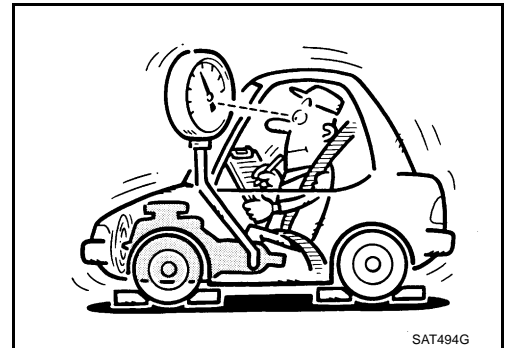
- OK >> GO TO 9.
- NG >> Repair or replace damaged parts.

6. CHECK LINE PRESSURE

Check the line pressure with the engine idling. Refer to [AT-53, "LINE PRESSURE TEST"](#) .

OK or NG

- OK >> GO TO 9.
- NG - 1 >> Line pressure high: GO TO 7.
- NG - 2 >> Line pressure low: GO TO 8.



7. DETECT MALFUNCTIONING ITEM

1. Check control valve with TCM. Refer to [AT-247, "Control Valve with TCM and A/T Fluid Temperature Sensor 2"](#) .
2. Disassemble A/T. Refer to [AT-284, "DISASSEMBLY"](#) .
3. Check the following.
 - Oil pump assembly. Refer to [AT-300, "Oil Pump"](#) .

OK or NG

- OK >> GO TO 9.
- NG >> Repair or replace damaged parts.

8. DETECT MALFUNCTIONING ITEM

1. Check control valve with TCM. Refer to [AT-247, "Control Valve with TCM and A/T Fluid Temperature Sensor 2"](#) .
2. Disassemble A/T. Refer to [AT-284, "DISASSEMBLY"](#) .
3. Check the following.
 - Oil pump assembly. Refer to [AT-300, "Oil Pump"](#) .
 - Power train system. Refer to [AT-284, "DISASSEMBLY"](#) .
 - Transmission case. Refer to [AT-284, "DISASSEMBLY"](#) .

OK or NG

- OK >> GO TO 9.
- NG >> Repair or replace damaged parts.

A
B
AT
D
E
F
G
H
I
J
K
L
M

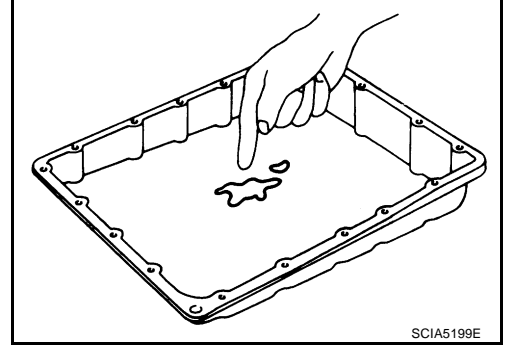
TROUBLE DIAGNOSIS FOR SYMPTOMS

9. CHECK A/T FLUID CONDITION

1. Remove oil pan. Refer to [AT-247, "Control Valve with TCM and A/T Fluid Temperature Sensor 2"](#) .
2. Check A/T fluid condition. Refer to [AT-51, "Fluid Condition Check"](#) .

OK or NG

- OK >> GO TO 10.
NG >> GO TO 13.



10. DETECT MALFUNCTIONING ITEM

- Check the malfunction items. If any items are damaged, repair or replace damaged parts. Refer to [AT-65, "Symptom Chart"](#) (Symptom No.43).

OK or NG

- OK >> GO TO 11.
NG >> Repair or replace damaged parts.

11. CHECK SYMPTOM

Check again. Refer to [AT-56, "Check at Idle"](#) .

OK or NG

- OK >> **INSPECTION END**
NG >> GO TO 12.

12. CHECK TCM

1. Check TCM input/output signals. Refer to [AT-90, "TCM Input/Output Signal Reference Values"](#) .
2. If NG, recheck A/T assembly harness connector terminals for damage or loose connection with harness connector.

OK or NG

- OK >> **INSPECTION END**
NG >> Repair or replace damaged parts.

13. DETECT MALFUNCTIONING ITEM

- Check the malfunction items. If any items are damaged, repair or replace damaged parts. Refer to [AT-65, "Symptom Chart"](#) (Symptom No.43).

OK or NG

- OK >> GO TO 11.
NG >> Repair or replace damaged parts.

TROUBLE DIAGNOSIS FOR SYMPTOMS

ECS00E1P

Vehicle Does Not Creep Forward In "D" Position

SYMPTOM:

Vehicle does not creep forward when selecting "D" position.

DIAGNOSTIC PROCEDURE

1. CHECK SELF-DIAGNOSTIC RESULTS

Perform self-diagnosis. Refer to [AT-94, "SELF-DIAGNOSTIC RESULT MODE"](#) , [AT-104, "Diagnostic Procedure without CONSULT-II"](#) .

Is any malfunction detected by self-diagnostic results?

- YES >> Check the malfunctioning system. Refer to [AT-94, "SELF-DIAGNOSTIC RESULT MODE"](#) , [AT-108, "Judgement Self-diagnosis Code"](#) .
- NO >> GO TO 2.

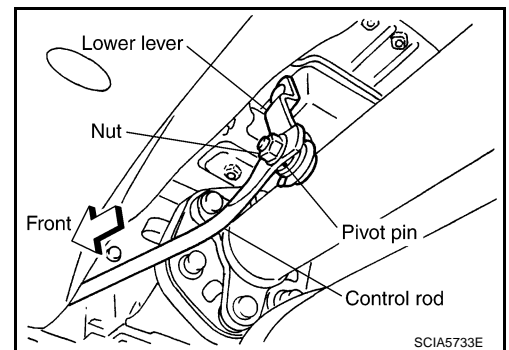
2. CHECK CONTROL LINKAGE

Check the control linkage.

- Refer to [AT-240, "Checking of A/T Position"](#) .

OK or NG

- OK >> GO TO 3.
- NG >> Adjust control linkage. Refer to [AT-240, "Adjustment of A/T Position"](#) .

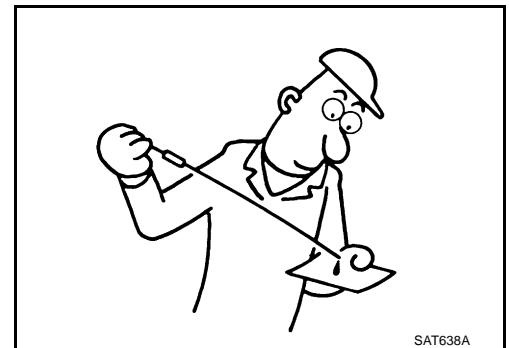


3. CHECK A/T FLUID LEVEL

Check A/T fluid level. Refer to [AT-13, "Checking A/T Fluid"](#) .

OK or NG

- OK >> GO TO 4.
- NG >> Refill ATF.

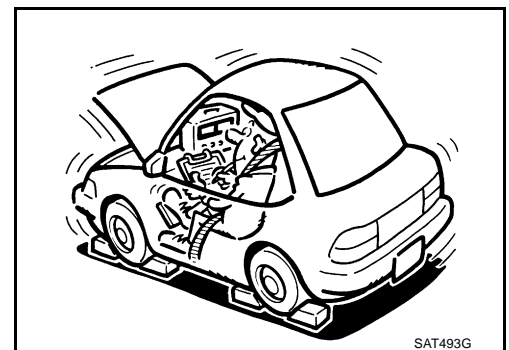


4. CHECK STALL TEST

Check stall revolution with selector lever in "D" position. Refer to [AT-51, "STALL TEST"](#) .

OK or NG

- OK >> GO TO 5.
- NG >> GO TO 7.



TROUBLE DIAGNOSIS FOR SYMPTOMS

5. CHECK LINE PRESSURE

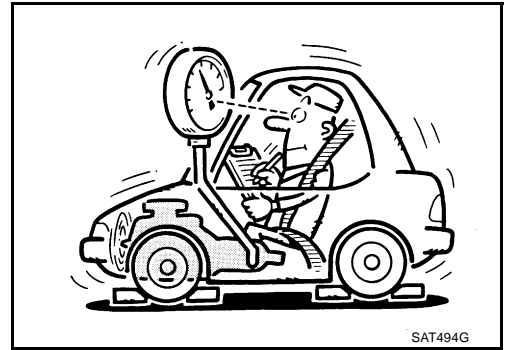
Check line pressure at idle with selector lever in "D" position. Refer to [AT-53, "LINE PRESSURE TEST"](#) .

OK or NG

OK >> GO TO 8.

NG - 1 >> Line pressure high: GO TO 6.

NG - 2 >> Line pressure low: GO TO 7.



6. DETECT MALFUNCTIONING ITEM

1. Check control valve with TCM. Refer to [AT-247, "Control Valve with TCM and A/T Fluid Temperature Sensor 2"](#) .
2. Disassemble A/T. Refer to [AT-284, "DISASSEMBLY"](#) .
3. Check the following.
 - Oil pump assembly. Refer to [AT-300, "Oil Pump"](#) .

OK or NG

OK >> GO TO 8.

NG >> Repair or replace damaged parts.

7. DETECT MALFUNCTIONING ITEM

1. Check control valve with TCM. Refer to [AT-247, "Control Valve with TCM and A/T Fluid Temperature Sensor 2"](#) .
2. Disassemble A/T. Refer to [AT-284, "DISASSEMBLY"](#) .
3. Check the following.
 - Oil pump assembly. Refer to [AT-300, "Oil Pump"](#) .
 - Power train system. Refer to [AT-284, "DISASSEMBLY"](#) .
 - Transmission case. Refer to [AT-284, "DISASSEMBLY"](#) .

OK or NG

OK >> GO TO 8.

NG >> Repair or replace damaged parts.

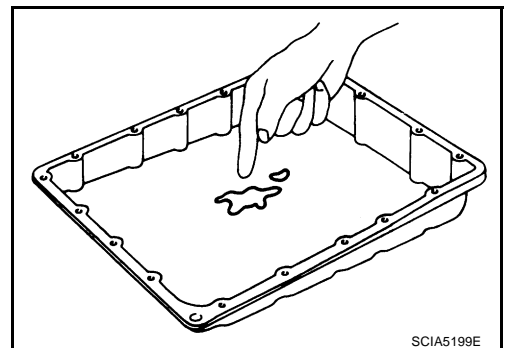
8. CHECK A/T FLUID CONDITION

1. Remove oil pan. Refer to [AT-247, "Control Valve with TCM and A/T Fluid Temperature Sensor 2"](#) .
2. Check A/T fluid condition. Refer to [AT-51, "Fluid Condition Check"](#) .

OK or NG

OK >> GO TO 9.

NG >> GO TO 12.



TROUBLE DIAGNOSIS FOR SYMPTOMS

9. DETECT MALFUNCTIONING ITEM

- Check the malfunction items. If any items are damaged, repair or replace damaged parts. Refer to [AT-65, "Symptom Chart"](#) (Symptom No.43).

OK or NG

- OK >> GO TO 10.
NG >> Repair or replace damaged parts.

10. CHECK SYMPTOM

Check again. Refer to [AT-56, "Check at Idle"](#) .

OK or NG

- OK >> **INSPECTION END**
NG >> GO TO 11.

11. CHECK TCM

1. Check TCM input/output signals. Refer to [AT-90, "TCM Input/Output Signal Reference Values"](#) .
2. If NG, recheck A/T assembly harness connector terminals for damage or loose connection with harness connector.

OK or NG

- OK >> **INSPECTION END**
NG >> Repair or replace damaged parts.

12. DETECT MALFUNCTIONING ITEM

- Check the malfunction items. If any items are damaged, repair or replace damaged parts. Refer to [AT-65, "Symptom Chart"](#) (Symptom No.43).

OK or NG

- OK >> GO TO 10.
NG >> Repair or replace damaged parts.

A
B
AT
D
E
F
G
H
I
J
K
L
M

TROUBLE DIAGNOSIS FOR SYMPTOMS

ECS00E1Q

Vehicle Cannot Be Started From D1

SYMPTOM:

Vehicle cannot be started from D1 on cruise test - Part 1.

DIAGNOSTIC PROCEDURE

1. CONFIRM THE SYMPTOM

Check if vehicle creeps in "R" position.

OK or NG

OK >> GO TO 2.

NG >> Refer to [AT-202, "Vehicle Does Not Creep Backward In "R" Position"](#).

2. CHECK SELF-DIAGNOSTIC RESULTS

Perform self-diagnosis. Refer to [AT-94, "SELF-DIAGNOSTIC RESULT MODE"](#), [AT-104, "TCM SELF-DIAGNOSTIC PROCEDURE \(NO TOOLS\)"](#)

Is any malfunction detected by self-diagnostic results?

YES >> Check the malfunctioning system. Refer to [AT-94, "SELF-DIAGNOSTIC RESULT MODE"](#), [AT-108, "Judgement Self-diagnosis Code"](#).

NO >> GO TO 3.

3. CHECK ACCELERATOR POSITION (APP) SENSOR

Check accelerator pedal position (APP) sensor. Refer to [AT-136, "DTC P1705 THROTTLE POSITION SENSOR"](#)

OK or NG

OK >> GO TO 4.

NG >> Repair or replace accelerator pedal position (APP) sensor.

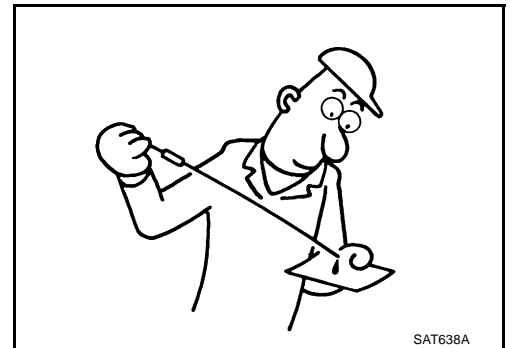
4. CHECK A/T FLUID LEVEL

Check A/T fluid level. Refer to [AT-13, "Checking A/T Fluid"](#).

OK or NG

OK >> GO TO 5.

NG >> Refill ATF.



5. CHECK LINE PRESSURE

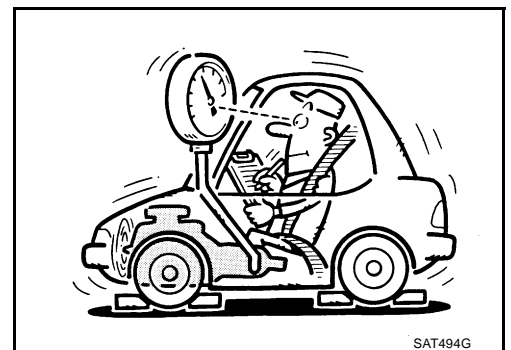
Check line pressure at the engine stall point. Refer to [AT-53, "LINE PRESSURE TEST"](#).

OK or NG

OK >> GO TO 8.

NG - 1 >> Line pressure high: GO TO 6.

NG - 2 >> Line pressure low: GO TO 7.



TROUBLE DIAGNOSIS FOR SYMPTOMS

6. DETECT MALFUNCTIONING ITEM

1. Check control valve with TCM. Refer to [AT-247, "Control Valve with TCM and A/T Fluid Temperature Sensor 2"](#) .
2. Disassemble A/T. Refer to [AT-284, "DISASSEMBLY"](#) .
3. Check the following.
 - Oil pump assembly. Refer to [AT-300, "Oil Pump"](#) .

OK or NG

- OK >> GO TO 8.
- NG >> Repair or replace damaged parts.

7. DETECT MALFUNCTIONING ITEM

1. Check control valve with TCM. Refer to [AT-247, "Control Valve with TCM and A/T Fluid Temperature Sensor 2"](#) .
2. Disassemble A/T. Refer to [AT-284, "DISASSEMBLY"](#) .
3. Check the following.
 - Oil pump assembly. Refer to [AT-300, "Oil Pump"](#) .
 - Power train system. Refer to [AT-284, "DISASSEMBLY"](#) .
 - Transmission case. Refer to [AT-284, "DISASSEMBLY"](#) .

OK or NG

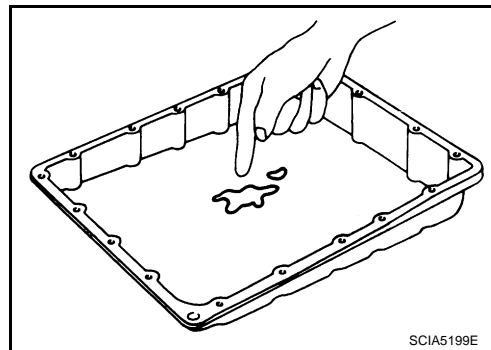
- OK >> GO TO 8.
- NG >> Repair or replace damaged parts.

8. CHECK A/T FLUID CONDITION

1. Remove oil pan. Refer to [AT-247, "Control Valve with TCM and A/T Fluid Temperature Sensor 2"](#) .
2. Check A/T fluid condition. Refer to [AT-51, "Fluid Condition Check"](#) .

OK or NG

- OK >> GO TO 9.
- NG >> GO TO 12.



9. DETECT MALFUNCTIONING ITEM

- Check the malfunction items. If any items are damaged, repair or replace damaged parts. Refer to [AT-65, "Symptom Chart"](#) (Symptom No.23).

OK or NG

- OK >> GO TO 10.
- NG >> Repair or replace damaged parts.

10. CHECK SYMPTOM

Check again. Refer to [AT-59, "Cruise Test - Part 1"](#) , [AT-62, "Cruise Test - Part 2"](#) .

OK or NG

- OK >> **INSPECTION END**
- NG >> GO TO 11.

TROUBLE DIAGNOSIS FOR SYMPTOMS

11. CHECK TCM

1. Check TCM input/output signals. Refer to [AT-90, "TCM Input/Output Signal Reference Values"](#) .
2. If NG, recheck A/T assembly harness connector terminals for damage or loose connection with harness connector.

OK or NG

- OK >> **INSPECTION END**
NG >> Repair or replace damaged parts.

12. DETECT MALFUNCTIONING ITEM

- Check the malfunction items. If any items are damaged, repair or replace damaged parts. Refer to [AT-65, "Symptom Chart"](#) (Symptom No.23).

OK or NG

- OK >> GO TO 10.
NG >> Repair or replace damaged parts.

A/T Does Not Shift: D1 → D2

ECS00E1R

SYMPTOM:

The vehicle does not shift-up from the D1 to D2 gear at the specified speed.

DIAGNOSTIC PROCEDURE

1. CONFIRM THE SYMPTOM

Check if vehicle creep forward in "D" position and vehicle can be started from D1.

OK or NG

- OK >> GO TO 2.
NG >> Refer to [AT-205, "Vehicle Does Not Creep Forward In "D" Position"](#) , [AT-208, "Vehicle Cannot Be Started From D1"](#) .

2. CHECK SELF-DIAGNOSTIC RESULTS

Perform self-diagnosis. Refer to [AT-94, "SELF-DIAGNOSTIC RESULT MODE"](#) , [AT-104, "TCM SELF-DIAGNOSTIC PROCEDURE \(NO TOOLS\)"](#)

Is any malfunction detected by self-diagnostic results?

- YES >> Check the malfunctioning system. Refer to [AT-94, "SELF-DIAGNOSTIC RESULT MODE"](#) , [AT-108, "Judgement Self-diagnosis Code"](#) .
NO >> GO TO 3.

3. CHECK A/T FLUID LEVEL

Check A/T fluid level. Refer to [AT-13, "Checking A/T Fluid"](#) .

OK or NG

- OK >> GO TO 4.
NG >> Refill ATF.



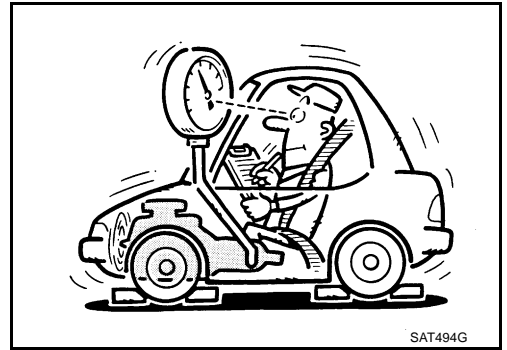
TROUBLE DIAGNOSIS FOR SYMPTOMS

4. CHECK LINE PRESSURE

Check line pressure at the engine stall point. Refer to [AT-53, "LINE PRESSURE TEST"](#) .

OK or NG

- OK >> GO TO 7.
- NG - 1 >> Line pressure high: GO TO 5.
- NG - 2 >> Line pressure low: GO TO 6.



5. DETECT MALFUNCTIONING ITEM

1. Check control valve with TCM. Refer to [AT-247, "Control Valve with TCM and A/T Fluid Temperature Sensor 2"](#) .
2. Disassemble A/T. Refer to [AT-284, "DISASSEMBLY"](#) .
3. Check the following.
 - Oil pump assembly. Refer to [AT-300, "Oil Pump"](#) .

OK or NG

- OK >> GO TO 7.
- NG >> Repair or replace damaged parts.

6. DETECT MALFUNCTIONING ITEM

1. Check control valve with TCM. Refer to [AT-247, "Control Valve with TCM and A/T Fluid Temperature Sensor 2"](#) .
2. Disassemble A/T. Refer to [AT-284, "DISASSEMBLY"](#) .
3. Check the following.
 - Oil pump assembly. Refer to [AT-300, "Oil Pump"](#) .
 - Power train system. Refer to [AT-284, "DISASSEMBLY"](#) .
 - Transmission case. Refer to [AT-284, "DISASSEMBLY"](#) .

OK or NG

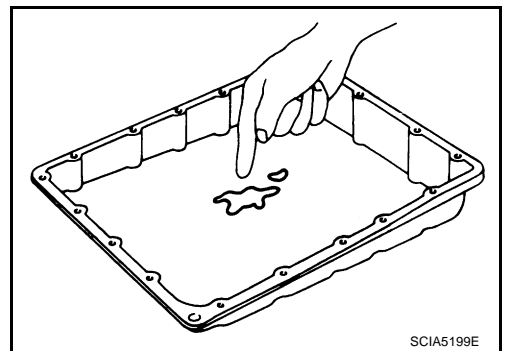
- OK >> GO TO 7.
- NG >> Repair or replace damaged parts.

7. CHECK A/T FLUID CONDITION

1. Remove oil pan. Refer to [AT-247, "Control Valve with TCM and A/T Fluid Temperature Sensor 2"](#) .
2. Check A/T fluid condition. Refer to [AT-51, "Fluid Condition Check"](#) .

OK or NG

- OK >> GO TO 8.
- NG >> GO TO 11.



TROUBLE DIAGNOSIS FOR SYMPTOMS

8. DETECT MALFUNCTIONING ITEM

- Check the malfunction items. If any items are damaged, repair or replace damaged parts. Refer to [AT-65. "Symptom Chart"](#) (Symptom No.10).

OK or NG

- OK >> GO TO 9.
NG >> Repair or replace damaged parts.

9. CHECK SYMPTOM

Check again. Refer to [AT-59. "Cruise Test - Part 1"](#) , [AT-62. "Cruise Test - Part 2"](#) .

OK or NG

- OK >> **INSPECTION END**
NG >> GO TO 10.

10. CHECK TCM

1. Check TCM input/output signals. Refer to [AT-90. "TCM Input/Output Signal Reference Values"](#) .
2. If NG, recheck A/T assembly harness connector terminals for damage or loose connection with harness connector.

OK or NG

- OK >> **INSPECTION END**
NG >> Repair or replace damaged parts.

11. DETECT MALFUNCTIONING ITEM

- Check the malfunction items. If any items are damaged, repair or replace damaged parts. Refer to [AT-65. "Symptom Chart"](#) (Symptom No.10).

OK or NG

- OK >> GO TO 9.
NG >> Repair or replace damaged parts.

TROUBLE DIAGNOSIS FOR SYMPTOMS

ECS00E1S

A/T Does Not Shift: D2 → D3

SYMPTOM:

The vehicle does not shift-up from D2 to D3 gear at the specified speed.

DIAGNOSTIC PROCEDURE

1. CONFIRM THE SYMPTOM

Check if vehicle creep forward in "D" position and vehicle can be started from D1.

OK or NG

OK >> GO TO 2.

NG >> Refer to [AT-205, "Vehicle Does Not Creep Forward In "D" Position"](#) , [AT-208, "Vehicle Cannot Be Started From D1"](#) .

2. CHECK SELF-DIAGNOSTIC RESULTS

Perform self-diagnosis. Refer to [AT-94, "SELF-DIAGNOSTIC RESULT MODE"](#) , [AT-104, "TCM SELF-DIAGNOSTIC PROCEDURE \(NO TOOLS\)"](#)

Is any malfunction detected by self-diagnostic results?

YES >> Check the malfunctioning system. Refer to [AT-94, "SELF-DIAGNOSTIC RESULT MODE"](#) , [AT-108, "Judgement Self-diagnosis Code"](#) .

NO >> GO TO 3.

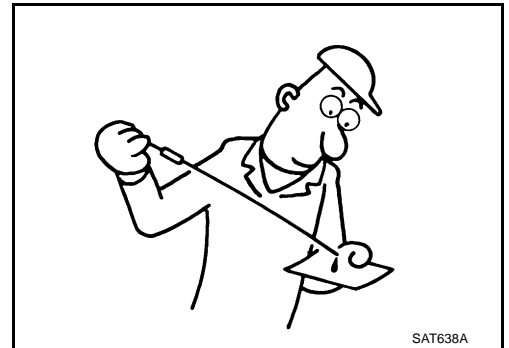
3. CHECK A/T FLUID LEVEL

Check A/T fluid level. Refer to [AT-13, "Checking A/T Fluid"](#) .

OK or NG

OK >> GO TO 4.

NG >> Refill ATF.



4. CHECK LINE PRESSURE

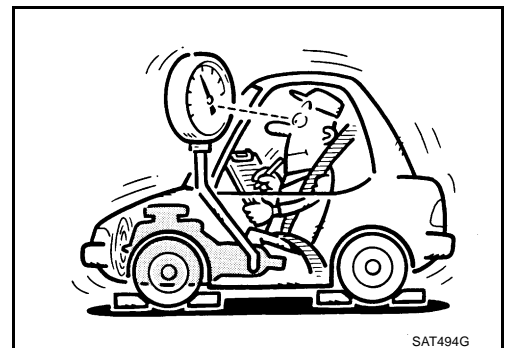
Check line pressure at the engine stall point. Refer to [AT-53, "LINE PRESSURE TEST"](#) .

OK or NG

OK >> GO TO 7.

NG - 1 >> Line pressure high: GO TO 5.

NG - 2 >> Line pressure low: GO TO 6.



A
B
AT
D
E
F
G
H
I
J
K
L
M

TROUBLE DIAGNOSIS FOR SYMPTOMS

5. DETECT MALFUNCTIONING ITEM

1. Check control valve with TCM. Refer to [AT-247, "Control Valve with TCM and A/T Fluid Temperature Sensor 2"](#) .
2. Disassemble A/T. Refer to [AT-284, "DISASSEMBLY"](#) .
3. Check the following.
 - Oil pump assembly. Refer to [AT-300, "Oil Pump"](#) .

OK or NG

- OK >> GO TO 7.
- NG >> Repair or replace damaged parts.

6. DETECT MALFUNCTIONING ITEM

1. Check control valve with TCM. Refer to [AT-247, "Control Valve with TCM and A/T Fluid Temperature Sensor 2"](#) .
2. Disassemble A/T. Refer to [AT-284, "DISASSEMBLY"](#) .
3. Check the following.
 - Oil pump assembly. Refer to [AT-300, "Oil Pump"](#) .
 - Power train system. Refer to [AT-284, "DISASSEMBLY"](#) .
 - Transmission case. Refer to [AT-284, "DISASSEMBLY"](#) .

OK or NG

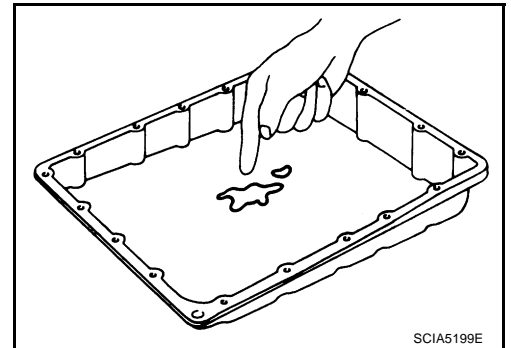
- OK >> GO TO 7.
- NG >> Repair or replace damaged parts.

7. CHECK A/T FLUID CONDITION

1. Remove oil pan. Refer to [AT-247, "Control Valve with TCM and A/T Fluid Temperature Sensor 2"](#) .
2. Check A/T fluid condition. Refer to [AT-51, "Fluid Condition Check"](#) .

OK or NG

- OK >> GO TO 8.
- NG >> GO TO 11.



8. DETECT MALFUNCTIONING ITEM

- Check the malfunction items. If any items are damaged, repair or replace damaged parts. Refer to [AT-65, "Symptom Chart"](#) (Symptom No.11).

OK or NG

- OK >> GO TO 9.
- NG >> Repair or replace damaged parts.

9. CHECK SYMPTOM

Check again. Refer to [AT-59, "Cruise Test - Part 1"](#) , [AT-62, "Cruise Test - Part 2"](#) .

OK or NG

- OK >> **INSPECTION END**
- NG >> GO TO 10.

TROUBLE DIAGNOSIS FOR SYMPTOMS

10. CHECK TCM

1. Check TCM input/output signals. Refer to [AT-90, "TCM Input/Output Signal Reference Values"](#) .
2. If NG, recheck A/T assembly harness connector terminals for damage or loose connection with harness connector.

OK or NG

- OK >> **INSPECTION END**
NG >> Repair or replace damaged parts.

11. DETECT MALFUNCTIONING ITEM

- Check the malfunction items. If any items are damaged, repair or replace damaged parts. Refer to [AT-65, "Symptom Chart"](#) (Symptom No.11).

OK or NG

- OK >> GO TO 9.
NG >> Repair or replace damaged parts.

A/T Does Not Shift: D3 → D4

ECS00E1T

SYMPTOM:

The vehicle does not shift-up from the D3 to D4 gear at the specified speed.

DIAGNOSTIC PROCEDURE

1. CONFIRM THE SYMPTOM

Check if vehicle creep forward in "D" position and vehicle can be started from D1.

OK or NG

- OK >> GO TO 2.
NG >> Refer to [AT-205, "Vehicle Does Not Creep Forward In "D" Position"](#) , [AT-208, "Vehicle Cannot Be Started From D1"](#) .

2. CHECK SELF-DIAGNOSTIC RESULTS

Perform self-diagnosis. Refer to [AT-94, "SELF-DIAGNOSTIC RESULT MODE"](#) , [AT-104, "TCM SELF-DIAGNOSTIC PROCEDURE \(NO TOOLS\)"](#)

Is any malfunction detected by self-diagnostic results?

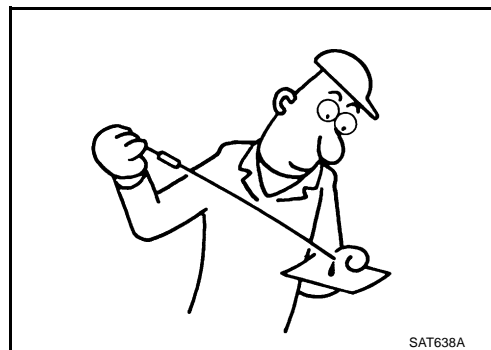
- YES >> Check the malfunctioning system. Refer to [AT-94, "SELF-DIAGNOSTIC RESULT MODE"](#) , [AT-108, "Judgement Self-diagnosis Code"](#) .
NO >> GO TO 3.

3. CHECK A/T FLUID LEVEL

Check A/T fluid level. Refer to [AT-13, "Checking A/T Fluid"](#) .

OK or NG

- OK >> GO TO 4.
NG >> Refill ATF.



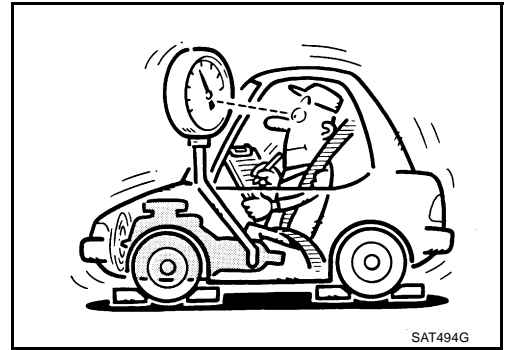
TROUBLE DIAGNOSIS FOR SYMPTOMS

4. CHECK LINE PRESSURE

Check line pressure at the engine stall point. Refer to [AT-53, "LINE PRESSURE TEST"](#) .

OK or NG

- OK >> GO TO 7.
- NG - 1 >> Line pressure high: GO TO 5.
- NG - 2 >> Line pressure low: GO TO 6.



5. DETECT MALFUNCTIONING ITEM

1. Check control valve with TCM. Refer to [AT-247, "Control Valve with TCM and A/T Fluid Temperature Sensor 2"](#) .
2. Disassemble A/T. Refer to [AT-284, "DISASSEMBLY"](#) .
3. Check the following.
 - Oil pump assembly. Refer to [AT-300, "Oil Pump"](#) .

OK or NG

- OK >> GO TO 7.
- NG >> Repair or replace damaged parts.

6. DETECT MALFUNCTIONING ITEM

1. Check control valve with TCM. Refer to [AT-247, "Control Valve with TCM and A/T Fluid Temperature Sensor 2"](#) .
2. Disassemble A/T. Refer to [AT-284, "DISASSEMBLY"](#) .
3. Check the following.
 - Oil pump assembly. Refer to [AT-300, "Oil Pump"](#) .
 - Power train system. Refer to [AT-284, "DISASSEMBLY"](#) .
 - Transmission case. Refer to [AT-284, "DISASSEMBLY"](#) .

OK or NG

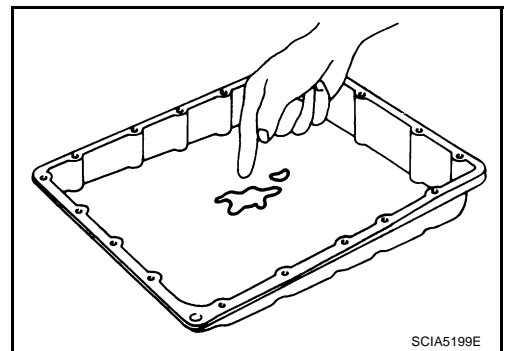
- OK >> GO TO 7.
- NG >> Repair or replace damaged parts.

7. CHECK A/T FLUID CONDITION

1. Remove oil pan. Refer to [AT-247, "Control Valve with TCM and A/T Fluid Temperature Sensor 2"](#) .
2. Check A/T fluid condition. Refer to [AT-51, "Fluid Condition Check"](#) .

OK or NG

- OK >> GO TO 8.
- NG >> GO TO 11.



TROUBLE DIAGNOSIS FOR SYMPTOMS

8. DETECT MALFUNCTIONING ITEM

- Check the malfunction items. If any items are damaged, repair or replace damaged parts. Refer to [AT-65, "Symptom Chart"](#) (Symptom No.12).

OK or NG

- OK >> GO TO 9.
NG >> Repair or replace damaged parts.

9. CHECK SYMPTOM

Check again. Refer to [AT-59, "Cruise Test - Part 1"](#) , [AT-62, "Cruise Test - Part 2"](#) .

OK or NG

- OK >> **INSPECTION END**
NG >> GO TO 10.

10. CHECK TCM

1. Check TCM input/output signals. Refer to [AT-90, "TCM Input/Output Signal Reference Values"](#) .
2. If NG, recheck A/T assembly harness connector terminals for damage or loose connection with harness connector.

OK or NG

- OK >> **INSPECTION END**
NG >> Repair or replace damaged parts.

11. DETECT MALFUNCTIONING ITEM

- Check the malfunction items. If any items are damaged, repair or replace damaged parts. Refer to [AT-65, "Symptom Chart"](#) (Symptom No.12).

OK or NG

- OK >> GO TO 9.
NG >> Repair or replace damaged parts.

A
B
AT
D
E
F
G
H
I
J
K
L
M

TROUBLE DIAGNOSIS FOR SYMPTOMS

ECS00E1U

A/T Does Not Shift: D4 → D5

SYMPTOM:

- The vehicle does not shift-up from the D4 to D5 gear at the specified speed.
- The vehicle does not shift-up from the D4 to D5 gear unless A/T is warmed up.

DIAGNOSTIC PROCEDURE

1. CONFIRM THE SYMPTOM

Check if vehicle creep forward in "D" position and vehicle can be started from D1.

OK or NG

OK >> GO TO 2.

NG >> Refer to [AT-205, "Vehicle Does Not Creep Forward In "D" Position"](#) , [AT-208, "Vehicle Cannot Be Started From D1"](#) .

2. CHECK SELF-DIAGNOSTIC RESULTS

Perform self-diagnosis. Refer to [AT-94, "SELF-DIAGNOSTIC RESULT MODE"](#) , [AT-104, "TCM SELF-DIAGNOSTIC PROCEDURE \(NO TOOLS\)"](#)

Is any malfunction detected by self-diagnostic results?

YES >> Check the malfunctioning system. Refer to [AT-94, "SELF-DIAGNOSTIC RESULT MODE"](#) , [AT-108, "Judgement Self-diagnosis Code"](#) .

NO >> GO TO 3.

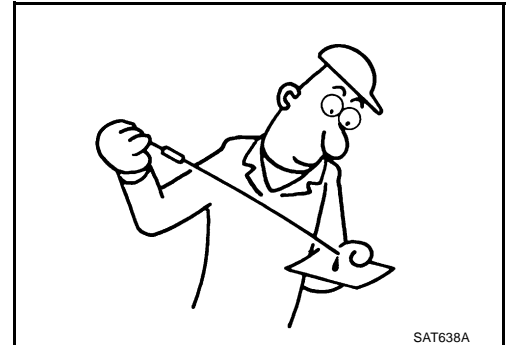
3. CHECK A/T FLUID LEVEL

Check A/T fluid level. Refer to [AT-13, "Checking A/T Fluid"](#) .

OK or NG

OK >> GO TO 4.

NG >> Refill ATF.



4. CHECK LINE PRESSURE

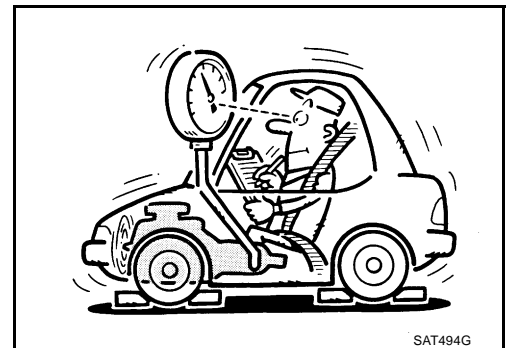
Check line pressure at the engine stall point. Refer to [AT-53, "LINE PRESSURE TEST"](#) .

OK or NG

OK >> GO TO 7.

NG - 1 >> Line pressure high: GO TO 5.

NG - 2 >> Line pressure low: GO TO 6.



TROUBLE DIAGNOSIS FOR SYMPTOMS

5. DETECT MALFUNCTIONING ITEM

1. Check control valve with TCM. Refer to [AT-247, "Control Valve with TCM and A/T Fluid Temperature Sensor 2"](#) .
2. Disassemble A/T. Refer to [AT-284, "DISASSEMBLY"](#) .
3. Check the following.
 - Oil pump assembly. Refer to [AT-300, "Oil Pump"](#) .

OK or NG

- OK >> GO TO 7.
- NG >> Repair or replace damaged parts.

6. DETECT MALFUNCTIONING ITEM

1. Check control valve with TCM. Refer to [AT-247, "Control Valve with TCM and A/T Fluid Temperature Sensor 2"](#) .
2. Disassemble A/T. Refer to [AT-284, "DISASSEMBLY"](#) .
3. Check the following.
 - Oil pump assembly. Refer to [AT-300, "Oil Pump"](#) .
 - Power train system. Refer to [AT-284, "DISASSEMBLY"](#) .
 - Transmission case. Refer to [AT-284, "DISASSEMBLY"](#) .

OK or NG

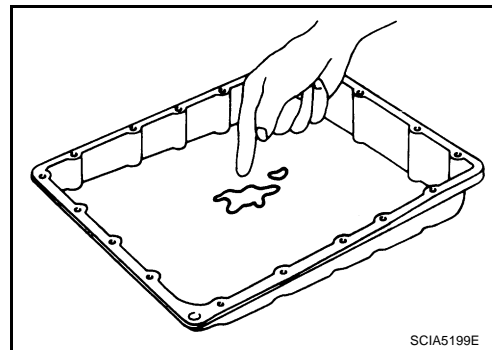
- OK >> GO TO 7.
- NG >> Repair or replace damaged parts.

7. CHECK A/T FLUID CONDITION

1. Remove oil pan. Refer to [AT-247, "Control Valve with TCM and A/T Fluid Temperature Sensor 2"](#) .
2. Check A/T fluid condition. Refer to [AT-51, "Fluid Condition Check"](#) .

OK or NG

- OK >> GO TO 8.
- NG >> GO TO 11.



8. DETECT MALFUNCTIONING ITEM

- Check the malfunction items. If any items are damaged, repair or replace damaged parts. Refer to [AT-65, "Symptom Chart"](#) (Symptom No.13).

OK or NG

- OK >> GO TO 9.
- NG >> Repair or replace damaged parts.

9. CHECK SYMPTOM

Check again. Refer to [AT-59, "Cruise Test - Part 1"](#) .

OK or NG

- OK >> **INSPECTION END**
- NG >> GO TO 10.

TROUBLE DIAGNOSIS FOR SYMPTOMS

10. CHECK TCM

1. Check TCM input/output signals. Refer to [AT-90, "TCM Input/Output Signal Reference Values"](#) .
2. If NG, recheck A/T assembly harness connector terminals for damage or loose connection with harness connector.

OK or NG

- OK >> **INSPECTION END**
NG >> Repair or replace damaged parts.

11. DETECT MALFUNCTIONING ITEM

- Check the malfunction items. If any items are damaged, repair or replace damaged parts. Refer to [AT-65, "Symptom Chart"](#) (Symptom No.13).

OK or NG

- OK >> GO TO 9.
NG >> Repair or replace damaged parts.

A/T Does Not Lock-up

SYMPTOM:

ECS00E1V

A/T does not lock-up at the specified speed.

DIAGNOSTIC PROCEDURE

1. CHECK SELF-DIAGNOSTIC RESULTS

Perform self-diagnosis. Refer to [AT-94, "SELF-DIAGNOSTIC RESULT MODE"](#) , [AT-104, "Diagnostic Procedure without CONSULT-II"](#) .

Is any malfunction detected by self-diagnostic results?

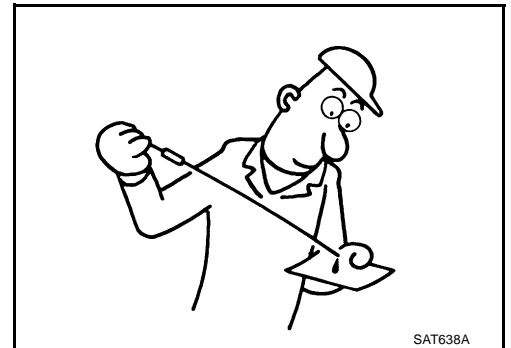
- YES >> Check the malfunctioning system. Refer to [AT-94, "SELF-DIAGNOSTIC RESULT MODE"](#) , [AT-108, "Judgement Self-diagnosis Code"](#) .
NO >> GO TO 2.

2. CHECK A/T FLUID LEVEL

Check A/T fluid level. Refer to [AT-13, "Checking A/T Fluid"](#) .

OK or NG

- OK >> GO TO 3.
NG >> Refill ATF.

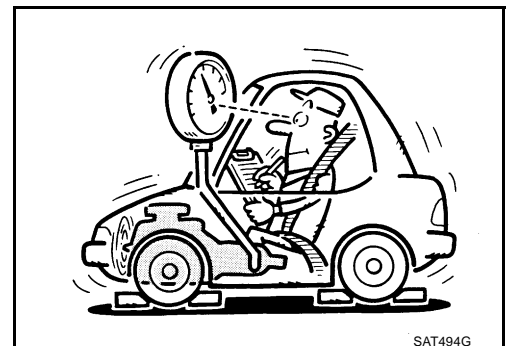


3. CHECK LINE PRESSURE

Check line pressure at the engine stall point. Refer to [AT-53, "LINE PRESSURE TEST"](#) .

OK or NG

- OK >> GO TO 6.
NG - 1 >> Line pressure high: GO TO 4.
NG - 2 >> Line pressure low: GO TO 5.



TROUBLE DIAGNOSIS FOR SYMPTOMS

4. DETECT MALFUNCTIONING ITEM

1. Check control valve with TCM. Refer to [AT-247, "Control Valve with TCM and A/T Fluid Temperature Sensor 2"](#) .
2. Disassemble A/T. Refer to [AT-284, "DISASSEMBLY"](#) .
3. Check the following.
 - Oil pump assembly. Refer to [AT-300, "Oil Pump"](#) .

OK or NG

- OK >> GO TO 6.
- NG >> Repair or replace damaged parts.

5. DETECT MALFUNCTIONING ITEM

1. Check control valve with TCM. Refer to [AT-247, "Control Valve with TCM and A/T Fluid Temperature Sensor 2"](#) .
2. Disassemble A/T. Refer to [AT-284, "DISASSEMBLY"](#) .
3. Check the following.
 - Oil pump assembly. Refer to [AT-300, "Oil Pump"](#) .
 - Power train system. Refer to [AT-284, "DISASSEMBLY"](#) .
 - Transmission case. Refer to [AT-284, "DISASSEMBLY"](#) .

OK or NG

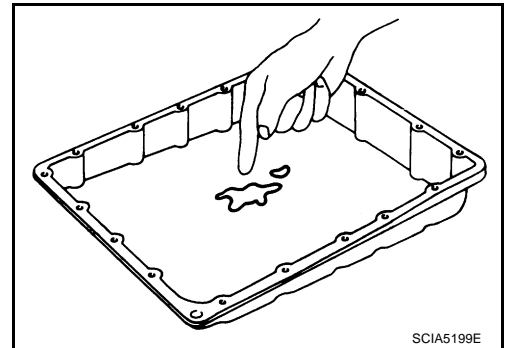
- OK >> GO TO 6.
- NG >> Repair or replace damaged parts.

6. CHECK A/T FLUID CONDITION

1. Remove oil pan. Refer to [AT-247, "Control Valve with TCM and A/T Fluid Temperature Sensor 2"](#) .
2. Check A/T fluid condition. Refer to [AT-51, "Fluid Condition Check"](#) .

OK or NG

- OK >> GO TO 7.
- NG >> GO TO 10.



7. DETECT MALFUNCTIONING ITEM

- Check the malfunction items. If any items are damaged, repair or replace damaged parts. Refer to [AT-65, "Symptom Chart"](#) (Symptom No.24).

OK or NG

- OK >> GO TO 8.
- NG >> Repair or replace damaged parts.

8. CHECK SYMPTOM

Check again. Refer to [AT-59, "Cruise Test - Part 1"](#) .

OK or NG

- OK >> **INSPECTION END**
- NG >> GO TO 9.

TROUBLE DIAGNOSIS FOR SYMPTOMS

9. CHECK TCM

1. Check TCM input/output signals. Refer to [AT-90, "TCM Input/Output Signal Reference Values"](#) .
2. If NG, recheck A/T assembly harness connector terminals for damage or loose connection with harness connector.

OK or NG

OK >> **INSPECTION END**

NG >> Repair or replace damaged parts.

10. DETECT MALFUNCTIONING ITEM

- Check the malfunction items. If any items are damaged, repair or replace damaged parts. Refer to [AT-65, "Symptom Chart"](#) (Symptom No.24).

OK or NG

OK >> GO TO 8.

NG >> Repair or replace damaged parts.

TROUBLE DIAGNOSIS FOR SYMPTOMS

ECS00E1W

A/T Does Not Hold Lock-up Condition

SYMPTOM:

The lock-up condition cannot be maintained for more than 30 seconds.

DIAGNOSTIC PROCEDURE

1. CHECK SELF-DIAGNOSTIC RESULTS

Perform self-diagnosis. Refer to [AT-94, "SELF-DIAGNOSTIC RESULT MODE"](#) , [AT-104, "Diagnostic Procedure without CONSULT-II"](#) .

Is any malfunction detected by self-diagnostic results?

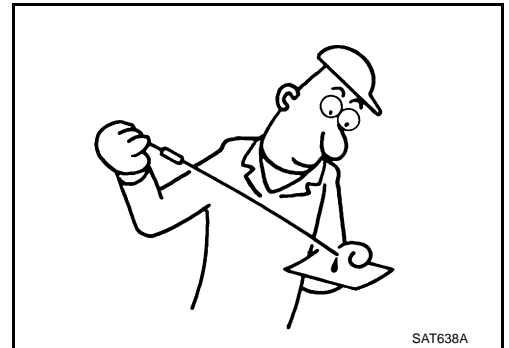
- YES >> Check the malfunctioning system. Refer to [AT-94, "SELF-DIAGNOSTIC RESULT MODE"](#) , [AT-108, "Judgement Self-diagnosis Code"](#) .
- NO >> GO TO 2.

2. CHECK A/T FLUID LEVEL

Check A/T fluid level. Refer to [AT-13, "Checking A/T Fluid"](#) .

OK or NG

- OK >> GO TO 3.
- NG >> Refill ATF.

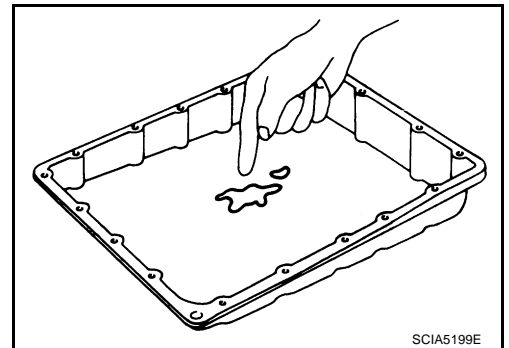


3. CHECK A/T FLUID CONDITION

1. Remove oil pan. Refer to [AT-247, "Control Valve with TCM and A/T Fluid Temperature Sensor 2"](#) .
2. Check A/T fluid condition. Refer to [AT-51, "Fluid Condition Check"](#) .

OK or NG

- OK >> GO TO 4.
- NG >> GO TO 7.



4. DETECT MALFUNCTIONING ITEM

- Check the malfunction items. If any items are damaged, repair or replace damaged parts. Refer to [AT-65, "Symptom Chart"](#) (Symptom No.25).

OK or NG

- OK >> GO TO 5.
- NG >> Repair or replace damaged parts.

5. CHECK SYMPTOM

Check again. Refer to [AT-59, "Cruise Test - Part 1"](#) .

OK or NG

- OK >> **INSPECTION END**
- NG >> GO TO 6.

TROUBLE DIAGNOSIS FOR SYMPTOMS

6. CHECK TCM

1. Check TCM input/output signals. Refer to [AT-90, "TCM Input/Output Signal Reference Values"](#) .
2. If NG, recheck A/T assembly harness connector terminals for damage or loose connection with harness connector.

OK or NG

- OK >> **INSPECTION END**
NG >> Repair or replace damaged parts.

7. DETECT MALFUNCTIONING ITEM

- Check the malfunction items. If any items are damaged, repair or replace damaged parts. Refer to [AT-65, "Symptom Chart"](#) (Symptom No.25).

OK or NG

- OK >> GO TO 5.
NG >> Repair or replace damaged parts.

Lock-up Is Not Released

ECS00E1X

SYMPTOM:

The lock-up condition cannot be cancelled even after releasing the accelerator pedal.

DIAGNOSTIC PROCEDURE

1. CHECK SELF-DIAGNOSTIC RESULTS

Perform self-diagnosis. Refer to [AT-94, "SELF-DIAGNOSTIC RESULT MODE"](#) , [AT-104, "Diagnostic Procedure without CONSULT-II"](#) .

Is any malfunction detected by self-diagnostic results?

- YES >> Check the malfunctioning system. Refer to [AT-94, "SELF-DIAGNOSTIC RESULT MODE"](#) , [AT-108, "Judgement Self-diagnosis Code"](#) .
NO >> GO TO 2.

2. CHECK SYMPTOM

Check again. Refer to [AT-59, "Cruise Test - Part 1"](#) .

OK or NG

- OK >> **INSPECTION END**
NG >> GO TO 3.

3. CHECK TCM

1. Check TCM input/output signals. Refer to [AT-90, "TCM Input/Output Signal Reference Values"](#) .
2. If NG, recheck A/T assembly harness connector terminals for damage or loose connection with harness connector.

OK or NG

- OK >> **INSPECTION END**
NG >> Repair or replace damaged parts.

TROUBLE DIAGNOSIS FOR SYMPTOMS

EC500E1Y

Engine Speed Does Not Return To Idle

SYMPTOM:

When a shift-down is performed, the engine speed does not smoothly return to the idling speed.

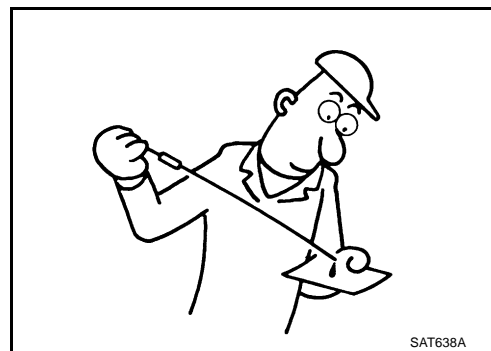
DIAGNOSTIC PROCEDURE

1. CHECK A/T FLUID LEVEL

Check A/T fluid level. Refer to [AT-13, "Checking A/T Fluid"](#) .

OK or NG

- OK >> GO TO 2.
- NG >> Refill ATF.



2. CHECK SELF-DIAGNOSTIC RESULTS

Perform self-diagnosis. Refer to [AT-94, "SELF-DIAGNOSTIC RESULT MODE"](#) , [AT-104, "TCM SELF-DIAGNOSTIC PROCEDURE \(NO TOOLS\)"](#)

Is any malfunction detected by self-diagnostic results?

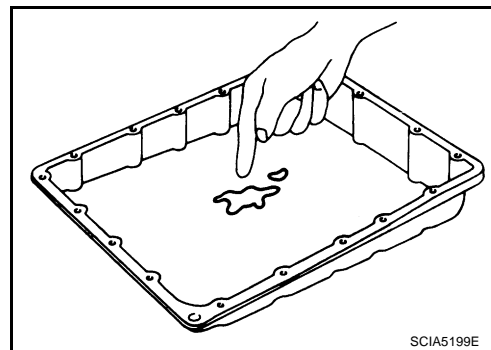
- YES >> Check the malfunctioning system. Refer to [AT-94, "SELF-DIAGNOSTIC RESULT MODE"](#) , [AT-108, "Judgement Self-diagnosis Code"](#) .
- NO >> GO TO 3.

3. CHECK A/T FLUID CONDITION

1. Remove oil pan. Refer to [AT-247, "Control Valve with TCM and A/T Fluid Temperature Sensor 2"](#) .
2. Check A/T fluid condition. Refer to [AT-51, "Fluid Condition Check"](#) .

OK or NG

- OK >> GO TO 4.
- NG >> GO TO 7.



4. DETECT MALFUNCTIONING ITEM

- Check the malfunction items. If any items are damaged, repair or replace damaged parts. Refer to [AT-65, "Symptom Chart"](#) (Symptom No.72).

OK or NG

- OK >> GO TO 5.
- NG >> Repair or replace damaged parts.

5. CHECK SYMPTOM

Check again. Refer to [AT-59, "Cruise Test - Part 1"](#) .

OK or NG

- OK >> **INSPECTION END**
- NG >> GO TO 6.

TROUBLE DIAGNOSIS FOR SYMPTOMS

6. CHECK TCM

1. Check TCM input/output signals. Refer to [AT-90, "TCM Input/Output Signal Reference Values"](#) .
2. If NG, recheck A/T assembly harness connector terminals for damage or loose connection with harness connector.

OK or NG

- OK >> **INSPECTION END**
NG >> Repair or replace damaged parts.

7. DETECT MALFUNCTIONING ITEM

- Check the malfunction items. If any items are damaged, repair or replace damaged parts. Refer to [AT-65, "Symptom Chart"](#) (Symptom No.72).

OK or NG

- OK >> GO TO 5.
NG >> Repair or replace damaged parts.

Cannot Be Changed to Manual Mode SYMPTOM:

ECS00E1Z

Does not change to manual mode when manual shift gate is used.

DIAGNOSTIC PROCEDURE

1. CHECK MANUAL MODE SWITCH

Check the manual mode switch. Refer to [AT-173, "DTC P1815 MANUAL MODE SWITCH"](#) .

OK or NG

- OK >> GO TO 2.
NG >> Repair or replace damaged parts.

2. CHECK SELF-DIAGNOSTIC RESULTS

Perform self-diagnosis. Refer to [AT-94, "SELF-DIAGNOSTIC RESULT MODE"](#) , [AT-104, "TCM SELF-DIAGNOSTIC PROCEDURE \(NO TOOLS\)"](#)

Is any malfunction detected by self-diagnostic results?

- YES >> Check the malfunctioning system. Refer to [AT-94, "SELF-DIAGNOSTIC RESULT MODE"](#) , [AT-108, "Judgement Self-diagnosis Code"](#) .
NO >> **INSPECTION END**

TROUBLE DIAGNOSIS FOR SYMPTOMS

ECS00E20

A/T Does Not Shift: 5th gear → 4th gear

SYMPTOM:

When shifted from M5 to M4 position in manual mode, does not downshift from 5th to 4th gear.

DIAGNOSTIC PROCEDURE

1. CHECK SELF-DIAGNOSTIC RESULTS

Perform self-diagnosis. Refer to [AT-94, "SELF-DIAGNOSTIC RESULT MODE"](#) , [AT-104, "Diagnostic Procedure without CONSULT-II"](#) .

Is any malfunction detected by self-diagnostic results?

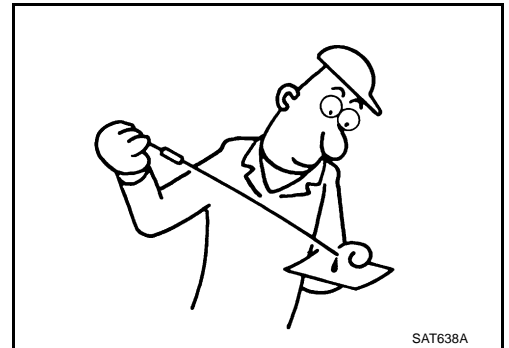
- YES >> Check the malfunctioning system. Refer to [AT-94, "SELF-DIAGNOSTIC RESULT MODE"](#) , [AT-108, "Judgement Self-diagnosis Code"](#) .
- NO >> GO TO 2.

2. CHECK A/T FLUID LEVEL

Check A/T fluid level. Refer to [AT-13, "Checking A/T Fluid"](#) .

OK or NG

- OK >> GO TO 3.
- NG >> Refill ATF.



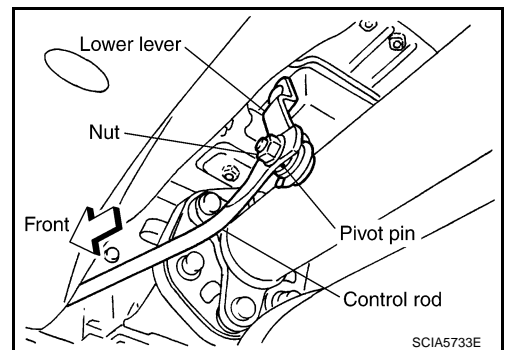
3. CHECK CONTROL LINKAGE

Check the control linkage.

- Refer to [AT-240, "Checking of A/T Position"](#) .

OK or NG

- OK >> GO TO 4.
- NG >> Adjust control linkage. Refer to [AT-240, "Adjustment of A/T Position"](#) .



4. CHECK MANUAL MODE SWITCH

Check the manual mode switch. Refer to [AT-173, "DTC P1815 MANUAL MODE SWITCH"](#) .

OK or NG

- OK >> GO TO 5.
- NG >> Repair or replace damaged parts.

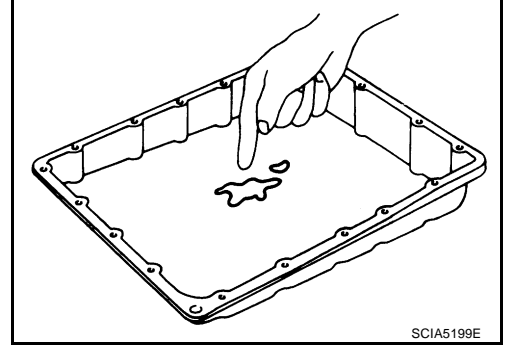
TROUBLE DIAGNOSIS FOR SYMPTOMS

5. CHECK A/T FLUID CONDITION

1. Remove oil pan. Refer to [AT-247, "Control Valve with TCM and A/T Fluid Temperature Sensor 2"](#) .
2. Check A/T fluid condition. Refer to [AT-51, "Fluid Condition Check"](#) .

OK or NG

- OK >> GO TO 6.
NG >> GO TO 9.



6. DETECT MALFUNCTIONING ITEM

- Check the malfunction items. If any items are damaged, repair or replace damaged parts. Refer to [AT-65, "Symptom Chart"](#) (Symptom No.14).

OK or NG

- OK >> GO TO 7.
NG >> Repair or replace damaged parts.

7. CHECK SYMPTOM

Check again. Refer to [AT-63, "Cruise Test - Part 3"](#) .

OK or NG

- OK >> **INSPECTION END**
NG >> GO TO 8.

8. CHECK TCM

1. Check TCM input/output signals. Refer to [AT-90, "TCM Input/Output Signal Reference Values"](#) .
2. If NG, recheck A/T assembly harness connector terminals for damage or loose connection with harness connector.

OK or NG

- OK >> **INSPECTION END**
NG >> Repair or replace damaged parts.

9. DETECT MALFUNCTIONING ITEM

- Check the malfunction items. If any items are damaged, repair or replace damaged parts. Refer to [AT-65, "Symptom Chart"](#) (Symptom No.14).

OK or NG

- OK >> GO TO 7.
NG >> Repair or replace damaged parts.

TROUBLE DIAGNOSIS FOR SYMPTOMS

ECS00E21

A/T Does Not Shift: 4th gear → 3rd gear

SYMPTOM:

When shifted from M4 to M3 position in manual mode, does not downshift from 4th to 3rd gear.

DIAGNOSTIC PROCEDURE

1. CHECK SELF-DIAGNOSTIC RESULTS

Perform self-diagnosis. Refer to [AT-94, "SELF-DIAGNOSTIC RESULT MODE"](#) , [AT-104, "Diagnostic Procedure without CONSULT-II"](#) .

Is any malfunction detected by self-diagnostic results?

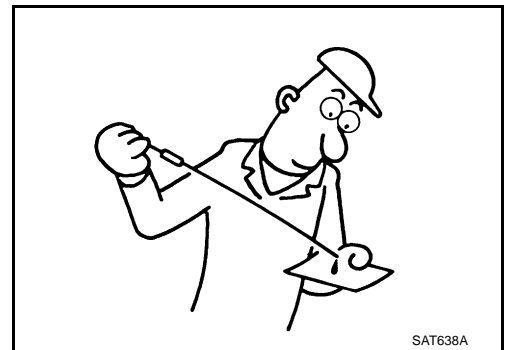
- YES >> Check the malfunctioning system. Refer to [AT-94, "SELF-DIAGNOSTIC RESULT MODE"](#) , [AT-108, "Judgement Self-diagnosis Code"](#) .
- NO >> GO TO 2.

2. CHECK A/T FLUID LEVEL

Check A/T fluid level. Refer to [AT-13, "Checking A/T Fluid"](#) .

OK or NG

- OK >> GO TO 3.
- NG >> Refill ATF.



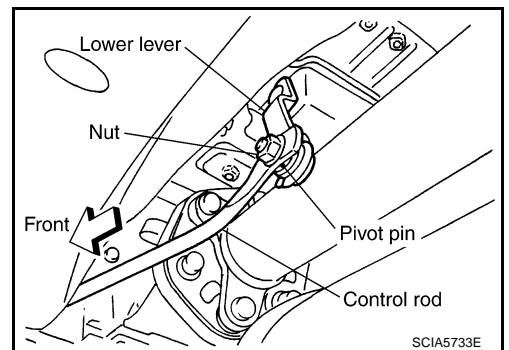
3. CHECK CONTROL LINKAGE

Check the control linkage.

- Refer to [AT-240, "Checking of A/T Position"](#) .

OK or NG

- OK >> GO TO 4.
- NG >> Adjust control linkage. Refer to [AT-240, "Adjustment of A/T Position"](#) .



4. CHECK MANUAL MODE SWITCH

Check the manual mode switch. Refer to [AT-173, "DTC P1815 MANUAL MODE SWITCH"](#) .

OK or NG

- OK >> GO TO 5.
- NG >> Repair or replace damaged parts.

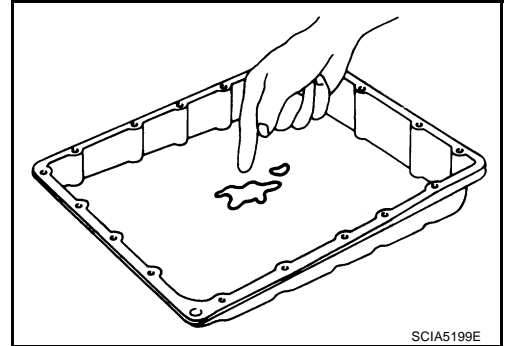
TROUBLE DIAGNOSIS FOR SYMPTOMS

5. CHECK A/T FLUID CONDITION

1. Remove oil pan. Refer to [AT-247, "Control Valve with TCM and A/T Fluid Temperature Sensor 2"](#) .
2. Check A/T fluid condition. Refer to [AT-51, "Fluid Condition Check"](#) .

OK or NG

- OK >> GO TO 6.
NG >> GO TO 9.



6. DETECT MALFUNCTIONING ITEM

- Check the malfunction items. If any items are damaged, repair or replace damaged parts. Refer to [AT-65, "Symptom Chart"](#) (Symptom No.15).

OK or NG

- OK >> GO TO 7.
NG >> Repair or replace damaged parts.

7. CHECK SYMPTOM

Check again. Refer to [AT-63, "Cruise Test - Part 3"](#) .

OK or NG

- OK >> **INSPECTION END**
NG >> GO TO 8.

8. CHECK TCM

1. Check TCM input/output signals. Refer to [AT-90, "TCM Input/Output Signal Reference Values"](#) .
2. If NG, recheck A/T assembly harness connector terminals for damage or loose connection with harness connector.

OK or NG

- OK >> **INSPECTION END**
NG >> Repair or replace damaged parts.

9. DETECT MALFUNCTIONING ITEM

- Check the malfunction items. If any items are damaged, repair or replace damaged parts. Refer to [AT-65, "Symptom Chart"](#) (Symptom No.15).

OK or NG

- OK >> GO TO 7.
NG >> Repair or replace damaged parts.

TROUBLE DIAGNOSIS FOR SYMPTOMS

ECS00E22

A/T Does Not Shift: 3rd gear → 2nd gear

SYMPTOM:

When shifted from M3 to M2 position in manual mode, does not downshift from 3rd to 2nd gear.

DIAGNOSTIC PROCEDURE

1. CHECK SELF-DIAGNOSTIC RESULTS

Perform self-diagnosis. Refer to [AT-94, "SELF-DIAGNOSTIC RESULT MODE"](#) , [AT-104, "Diagnostic Procedure without CONSULT-II"](#) .

Is any malfunction detected by self-diagnostic results?

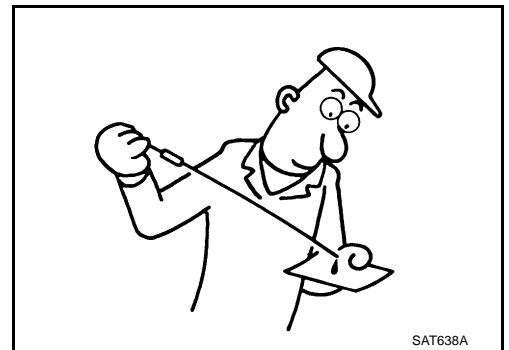
- YES >> Check the malfunctioning system. Refer to [AT-94, "SELF-DIAGNOSTIC RESULT MODE"](#) , [AT-108, "Judgement Self-diagnosis Code"](#) .
- NO >> GO TO 2.

2. CHECK A/T FLUID LEVEL

Check A/T fluid level. Refer to [AT-13, "Checking A/T Fluid"](#) .

OK or NG

- OK >> GO TO 3.
- NG >> Refill ATF.



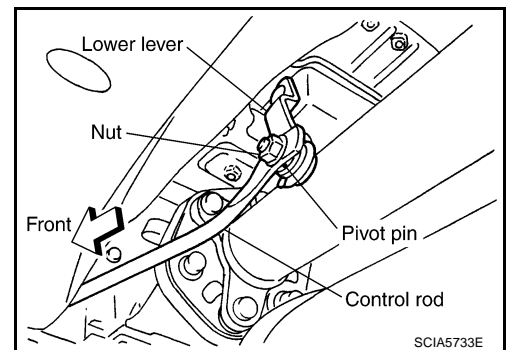
3. CHECK CONTROL LINKAGE

Check the control linkage.

- Refer to [AT-240, "Checking of A/T Position"](#) .

OK or NG

- OK >> GO TO 4.
- NG >> Adjust control linkage. Refer to [AT-240, "Adjustment of A/T Position"](#) .



4. CHECK MANUAL MODE SWITCH

Check the manual mode switch. Refer to [AT-173, "DTC P1815 MANUAL MODE SWITCH"](#) .

OK or NG

- OK >> GO TO 5.
- NG >> Repair or replace damaged parts.

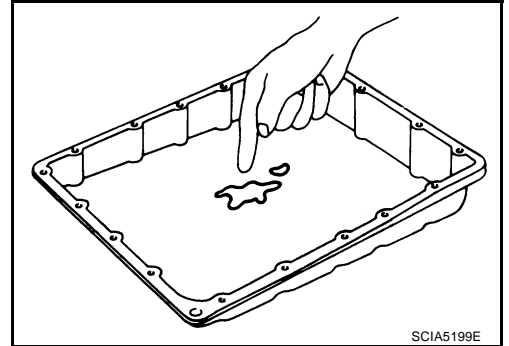
TROUBLE DIAGNOSIS FOR SYMPTOMS

5. CHECK A/T FLUID CONDITION

1. Remove oil pan. Refer to [AT-247, "Control Valve with TCM and A/T Fluid Temperature Sensor 2"](#) .
2. Check A/T fluid condition. Refer to [AT-51, "Fluid Condition Check"](#) .

OK or NG

- OK >> GO TO 6.
NG >> GO TO 9.



6. DETECT MALFUNCTIONING ITEM

- Check the malfunction items. If any items are damaged, repair or replace damaged parts. Refer to [AT-65, "Symptom Chart"](#) (Symptom No.16).

OK or NG

- OK >> GO TO 7.
NG >> Repair or replace damaged parts.

7. CHECK SYMPTOM

Check again. Refer to [AT-63, "Cruise Test - Part 3"](#) .

OK or NG

- OK >> **INSPECTION END**
NG >> GO TO 8.

8. CHECK TCM

1. Check TCM input/output signals. Refer to [AT-90, "TCM Input/Output Signal Reference Values"](#) .
2. If NG, recheck A/T assembly harness connector terminals for damage or loose connection with harness connector.

OK or NG

- OK >> **INSPECTION END**
NG >> Repair or replace damaged parts.

9. DETECT MALFUNCTIONING ITEM

- Check the malfunction items. If any items are damaged, repair or replace damaged parts. Refer to [AT-65, "Symptom Chart"](#) (Symptom No.16).

OK or NG

- OK >> GO TO 7.
NG >> Repair or replace damaged parts.

TROUBLE DIAGNOSIS FOR SYMPTOMS

ECS00E23

A/T Does Not Shift: 2nd gear → 1st gear

SYMPTOM:

When shifted from M2 to M1 position in manual mode, does not downshift from 2nd to 1st gear.

DIAGNOSTIC PROCEDURE

1. CHECK SELF-DIAGNOSTIC RESULTS

Perform self-diagnosis. Refer to [AT-94, "SELF-DIAGNOSTIC RESULT MODE"](#) , [AT-104, "Diagnostic Procedure without CONSULT-II"](#) .

Is any malfunction detected by self-diagnostic results?

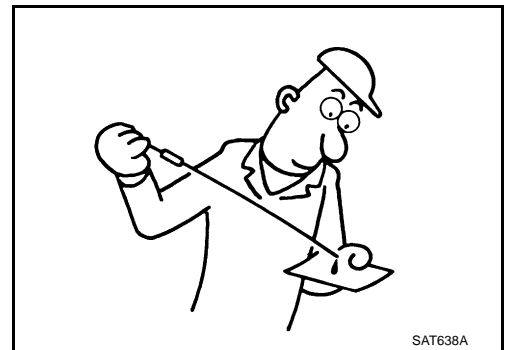
- YES >> Check the malfunctioning system. Refer to [AT-94, "SELF-DIAGNOSTIC RESULT MODE"](#) , [AT-108, "Judgement Self-diagnosis Code"](#) .
- NO >> GO TO 2.

2. CHECK A/T FLUID LEVEL

Check A/T fluid level. Refer to [AT-13, "Checking A/T Fluid"](#) .

OK or NG

- OK >> GO TO 3.
- NG >> Refill ATF.



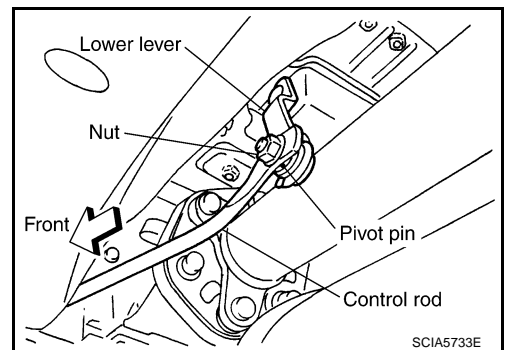
3. CHECK CONTROL LINKAGE

Check the control linkage.

- Refer to [AT-240, "Checking of A/T Position"](#) .

OK or NG

- OK >> GO TO 4.
- NG >> Adjust control linkage. Refer to [AT-240, "Adjustment of A/T Position"](#) .



4. CHECK MANUAL MODE SWITCH

Check the manual mode switch. Refer to [AT-173, "DTC P1815 MANUAL MODE SWITCH"](#) .

OK or NG

- OK >> GO TO 5.
- NG >> Repair or replace damaged parts.

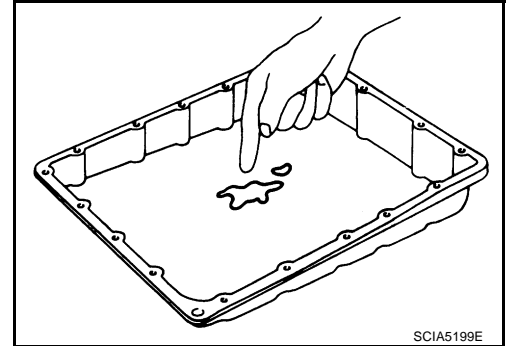
TROUBLE DIAGNOSIS FOR SYMPTOMS

5. CHECK A/T FLUID CONDITION

1. Remove oil pan. Refer to [AT-247, "Control Valve with TCM and A/T Fluid Temperature Sensor 2"](#) .
2. Check A/T fluid condition. Refer to [AT-51, "Fluid Condition Check"](#) .

OK or NG

- OK >> GO TO 6.
NG >> GO TO 9.



6. DETECT MALFUNCTIONING ITEM

- Check the malfunction items. If any items are damaged, repair or replace damaged parts. Refer to [AT-65, "Symptom Chart"](#) (Symptom No.17).

OK or NG

- OK >> GO TO 7.
NG >> Repair or replace damaged parts.

7. CHECK SYMPTOM

Check again. Refer to [AT-63, "Cruise Test - Part 3"](#) .

OK or NG

- OK >> **INSPECTION END**
NG >> GO TO 8.

8. CHECK TCM

1. Check TCM input/output signals. Refer to [AT-90, "TCM Input/Output Signal Reference Values"](#) .
2. If NG, recheck A/T assembly harness connector terminals for damage or loose connection with harness connector.

OK or NG

- OK >> **INSPECTION END**
NG >> Repair or replace damaged parts.

9. DETECT MALFUNCTIONING ITEM

- Check the malfunction items. If any items are damaged, repair or replace damaged parts. Refer to [AT-65, "Symptom Chart"](#) (Symptom No.17).

OK or NG

- OK >> GO TO 7.
NG >> Repair or replace damaged parts.

TROUBLE DIAGNOSIS FOR SYMPTOMS

ECS00E24

Vehicle Does Not Decelerate By Engine Brake

SYMPTOM:

No engine brake is applied when the gear is shifted from the 2nd to 1st gear.

DIAGNOSTIC PROCEDURE

1. CHECK SELF-DIAGNOSTIC RESULTS

Perform self-diagnosis. Refer to [AT-94, "SELF-DIAGNOSTIC RESULT MODE"](#) , [AT-104, "Diagnostic Procedure without CONSULT-II"](#) .

Is any malfunction detected by self-diagnostic results?

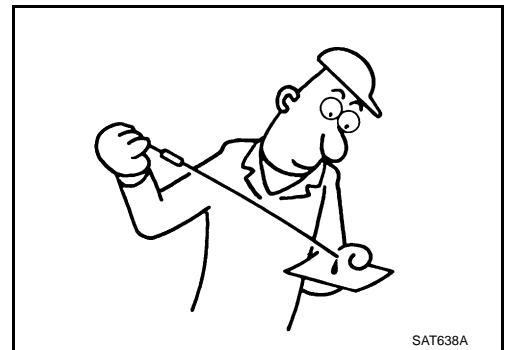
- YES >> Check the malfunctioning system. Refer to [AT-94, "SELF-DIAGNOSTIC RESULT MODE"](#) , [AT-108, "Judgement Self-diagnosis Code"](#) .
- NO >> GO TO 2.

2. CHECK A/T FLUID LEVEL

Check A/T fluid level. Refer to [AT-13, "Checking A/T Fluid"](#) .

OK or NG

- OK >> GO TO 3.
- NG >> Refill ATF.



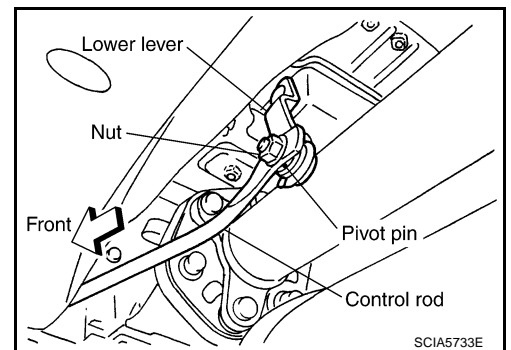
3. CHECK CONTROL LINKAGE

Check the control linkage.

- Refer to [AT-240, "Checking of A/T Position"](#) .

OK or NG

- OK >> GO TO 4.
- NG >> Adjust control linkage. Refer to [AT-240, "Adjustment of A/T Position"](#) .



4. CHECK MANUAL MODE SWITCH

Check the manual mode switch. Refer to [AT-173, "DTC P1815 MANUAL MODE SWITCH"](#) .

OK or NG

- OK >> GO TO 5.
- NG >> Repair or replace damaged parts.

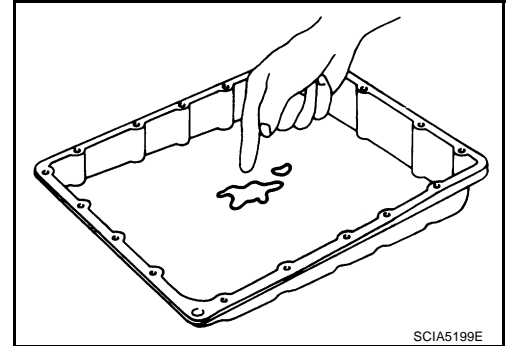
TROUBLE DIAGNOSIS FOR SYMPTOMS

5. CHECK A/T FLUID CONDITION

1. Remove oil pan. Refer to [AT-247, "Control Valve with TCM and A/T Fluid Temperature Sensor 2"](#) .
2. Check A/T fluid condition. Refer to [AT-51, "Fluid Condition Check"](#) .

OK or NG

- OK >> GO TO 6.
NG >> GO TO 9.



6. DETECT MALFUNCTIONING ITEM

- Check the malfunction items. If any items are damaged, repair or replace damaged parts. Refer to [AT-65, "Symptom Chart"](#) (Symptom No.58).

OK or NG

- OK >> GO TO 7.
NG >> Repair or replace damaged parts.

7. CHECK SYMPTOM

Check again. Refer to [AT-63, "Cruise Test - Part 3"](#) .

OK or NG

- OK >> **INSPECTION END**
NG >> GO TO 8.

8. CHECK TCM

1. Check TCM input/output signals. Refer to [AT-90, "TCM Input/Output Signal Reference Values"](#) .
2. If NG, recheck A/T assembly harness connector terminals for damage or loose connection with harness connector.

OK or NG

- OK >> **INSPECTION END**
NG >> Repair or replace damaged parts.

9. DETECT MALFUNCTIONING ITEM

- Check the malfunction items. If any items are damaged, repair or replace damaged parts. Refer to [AT-65, "Symptom Chart"](#) (Symptom No.58).

OK or NG

- OK >> GO TO 7.
NG >> Repair or replace damaged parts.

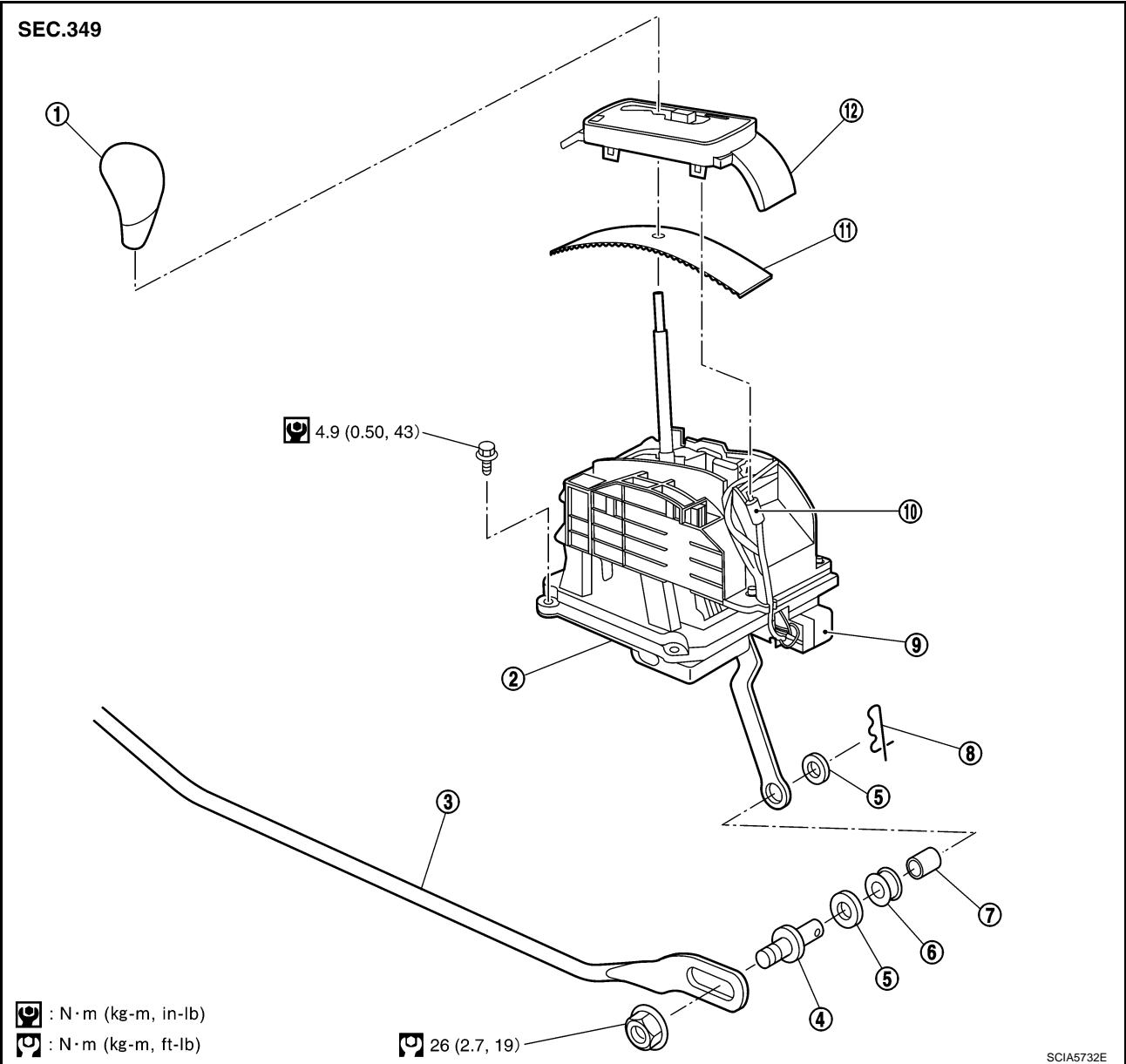
SHIFT CONTROL SYSTEM

SHIFT CONTROL SYSTEM

PF3:34901

Control Device Removal and Installation CONTROL DEVICE COMPONENTS

ECS0089T

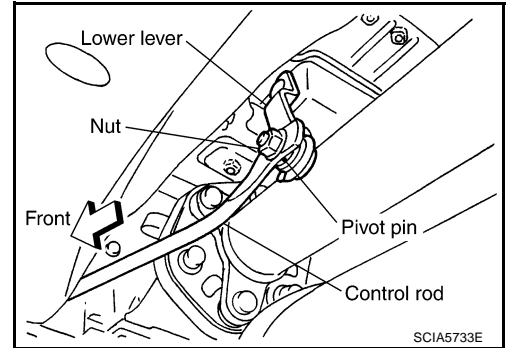


- | | | |
|------------------------|----------------------------|---------------------------------|
| 1. Selector lever knob | 2. Control device assembly | 3. Control rod |
| 4. Pivot pin | 5. Plain washer | 6. Rod insulator |
| 7. Cross tube | 8. Snap pin | 9. A/T device harness connector |
| 10. Position lamp | 11. Slide plate | 12. Position indicator plate |

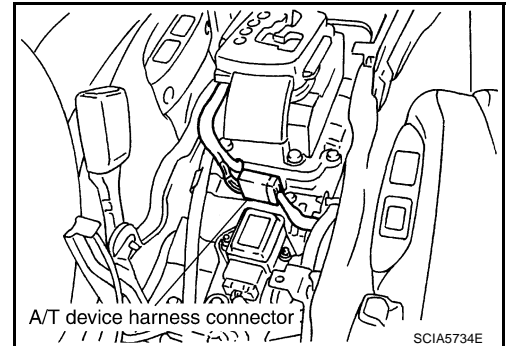
SHIFT CONTROL SYSTEM

REMOVAL

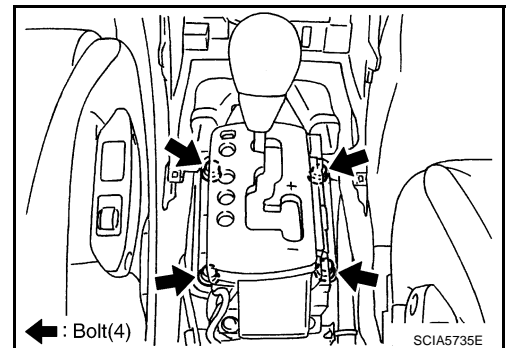
1. Disconnect lower lever of control device and control rod.
2. Remove console finisher. Refer to [IP-10, "INSTRUMENT PANEL ASSEMBLY"](#) .
3. Remove console box assembly. Refer to [IP-10, "INSTRUMENT PANEL ASSEMBLY"](#) .
4. Remove rear ventilator duct. Refer to [ATC-145, "Removal of Rear Ventilator Ducts"](#) .



5. Disconnect A/T device harness connector.



6. Remove control device assembly.



INSTALLATION

Note the following, and install in the reverse order of removal.

- After installation is completed, adjust and check A/T position. Refer to [AT-240, "Adjustment of A/T Position"](#) and [AT-240, "Checking of A/T Position"](#) .

SHIFT CONTROL SYSTEM

Control Rod Removal and Installation CONTROL ROD COMPONENTS

ECS00EAH

A

B

AT

D

E

F

G

H

I

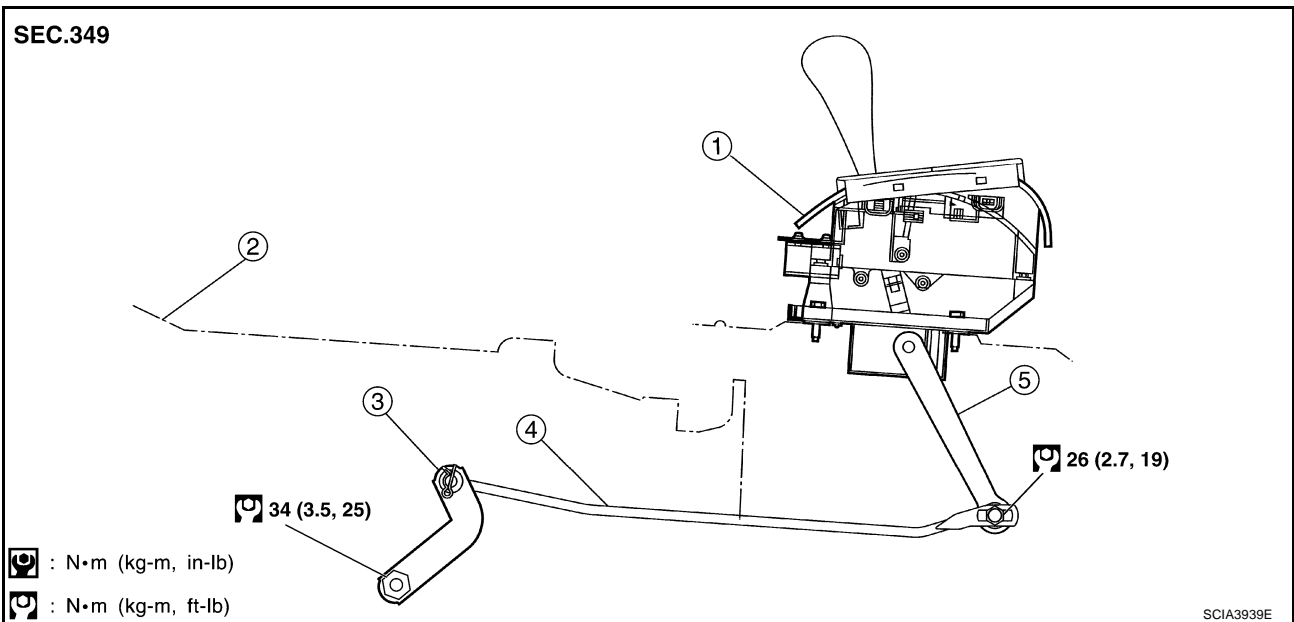
J

K

L

M

SEC.349

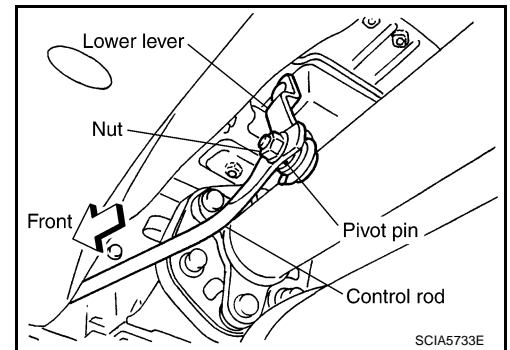


SCIA3939E

1. Control device assembly
2. Transmission
3. Manual lever
4. Control rod
5. Lower lever

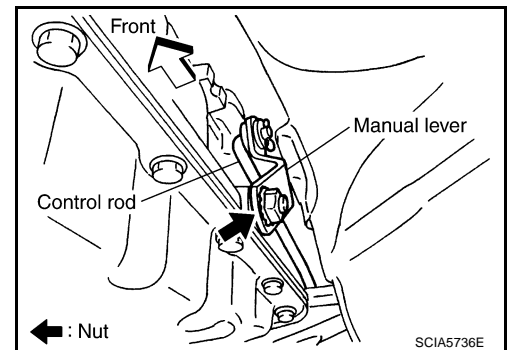
REMOVAL

1. Disconnect lower lever of control device and control rod.



SCIA5733E

2. Remove manual lever from transmission.
3. Remove control rod from vehicle.



SCIA5736E

INSTALLATION

Note the following, and install in the reverse order of removal.

- After installation is completed, adjust and check A/T position. Refer to [AT-240, "Adjustment of A/T Position"](#) and [AT-240, "Checking of A/T Position"](#).

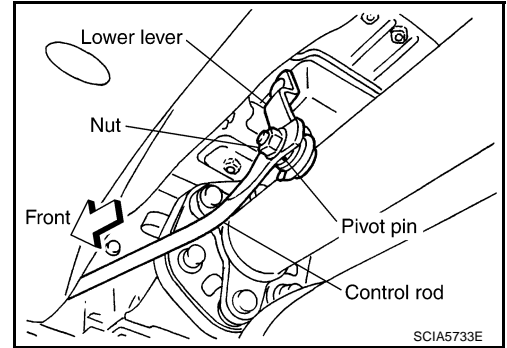
SHIFT CONTROL SYSTEM

Adjustment of A/T Position

ECS0089U

1. Loosen nut of pivot pin.
2. Place PNP switch and selector lever in "P" position.
3. While pressing lower lever toward rear of vehicle (in "P" position direction), tighten nut to specified torque.

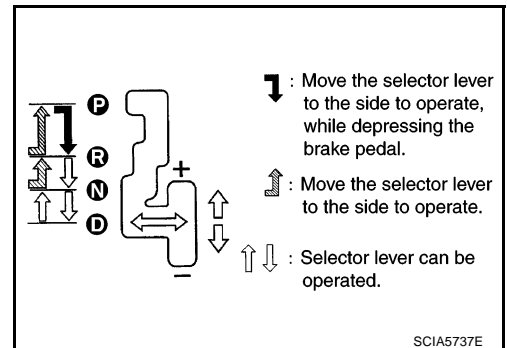
 : 26 N·m (2.7 kg-m, 19 ft-lb)



Checking of A/T Position

ECS0089V

1. Place selector lever in "P" position, and turn ignition switch ON (engine stop).
2. Make sure that selector lever can be shifted to other than "P" position when brake pedal is depressed. Also make sure that selector lever can be shifted from "P" position only when brake pedal is depressed.
3. Move the selector lever and check for excessive effort, sticking, noise or rattle.
4. Confirm the selector lever stops at each position with the feel of engagement when it is moved through all the positions. Check whether or not the actual position the selector lever is in matches the position shown by the shift position indicator and the transmission body.
5. The method of operating the lever to individual positions correctly should be as shown in the figure.
6. Confirm the back-up lamps illuminate only when lever is placed in the "R" position. Confirm the back-up lamps does not illuminate when selector lever is in "P" or "N" position with the lever pushed against "R" position.
7. Confirm the engine can only be started with the selector lever in "P" and "N" positions.
8. Make sure that transmission is locked completely in "P" position.
9. When selector lever is set to manual shift gate, make sure that manual mode is displayed on combination meter.
Shift selector lever to "+" and "-" sides, and make sure that set shift position changes.



A/T SHIFT LOCK SYSTEM

A/T SHIFT LOCK SYSTEM

PFP:34950

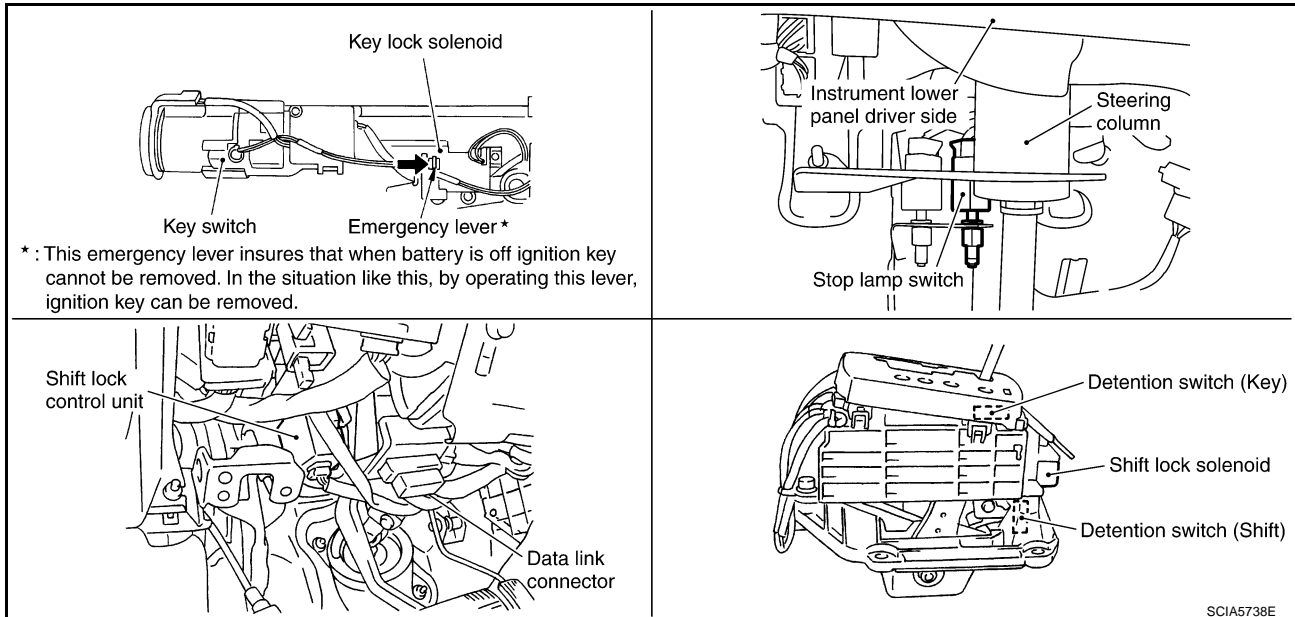
Description

ECS0089W

- The electrical key interlock mechanism also operates as a shift lock:
With the ignition switch turned to ON, the selector lever cannot be shifted from "P" (parking) to any other position unless the brake pedal is depressed.
With the key removed, the selector lever cannot be shifted from "P" to any other position.
The key cannot be removed unless the selector lever is placed in "P".
- The shift lock and key interlock mechanisms are controlled by the ON-OFF operation of the shift lock solenoid and by the operation of the rotator and slider located inside the key cylinder, respectively.

Shift Lock System Electrical Parts Location

ECS0089X

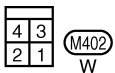
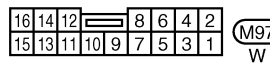
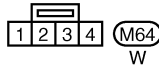
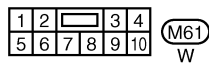
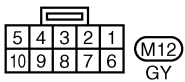
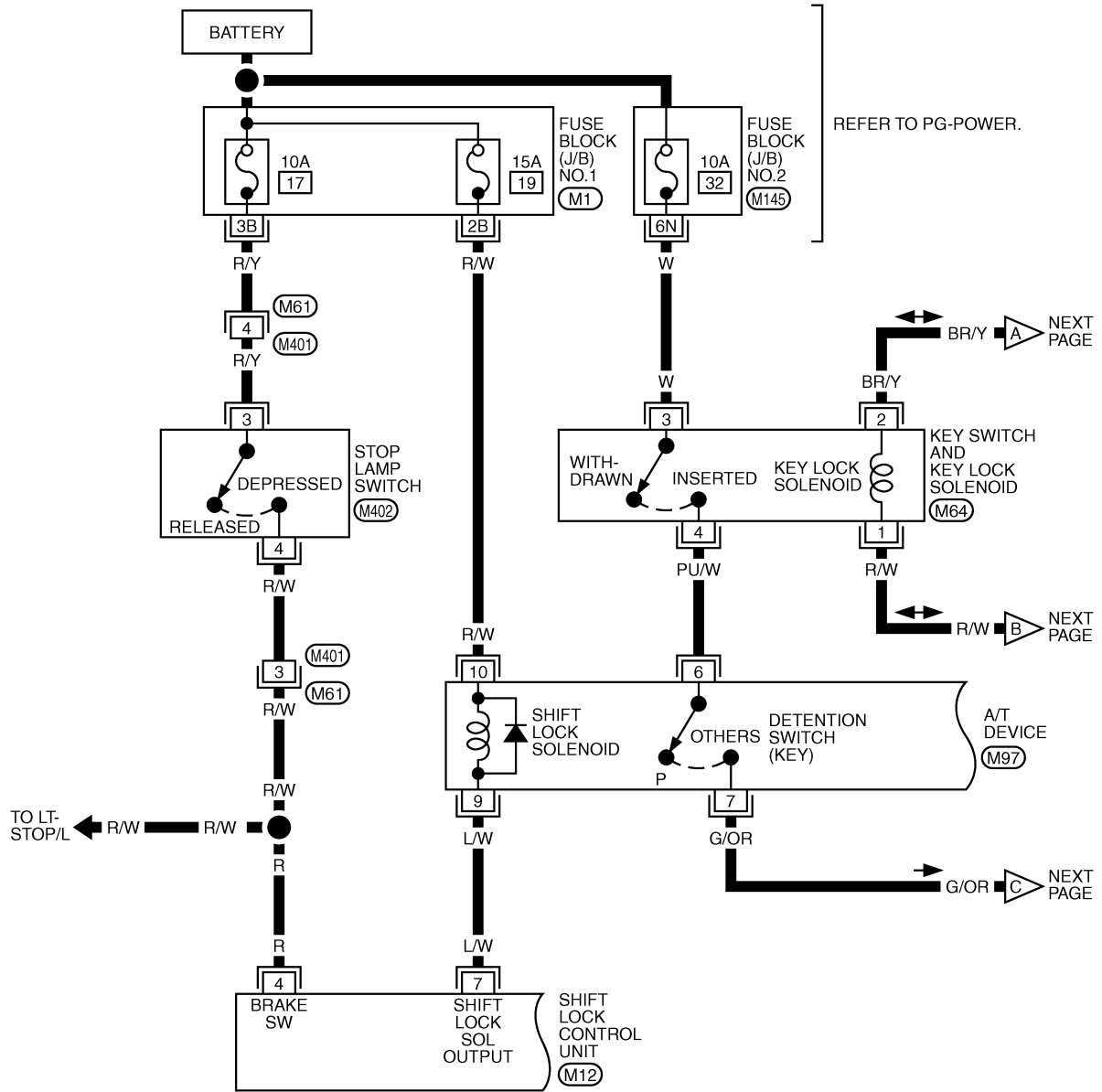


A/T SHIFT LOCK SYSTEM

Wiring Diagram — AT — SHIFT

ECS0089Y

AT-SHIFT-01



REFER TO THE FOLLOWING.

(M1) - FUSE BLOCK-JUNCTION BOX (J/B) NO.1

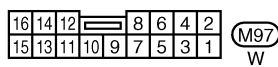
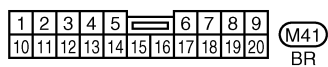
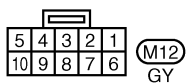
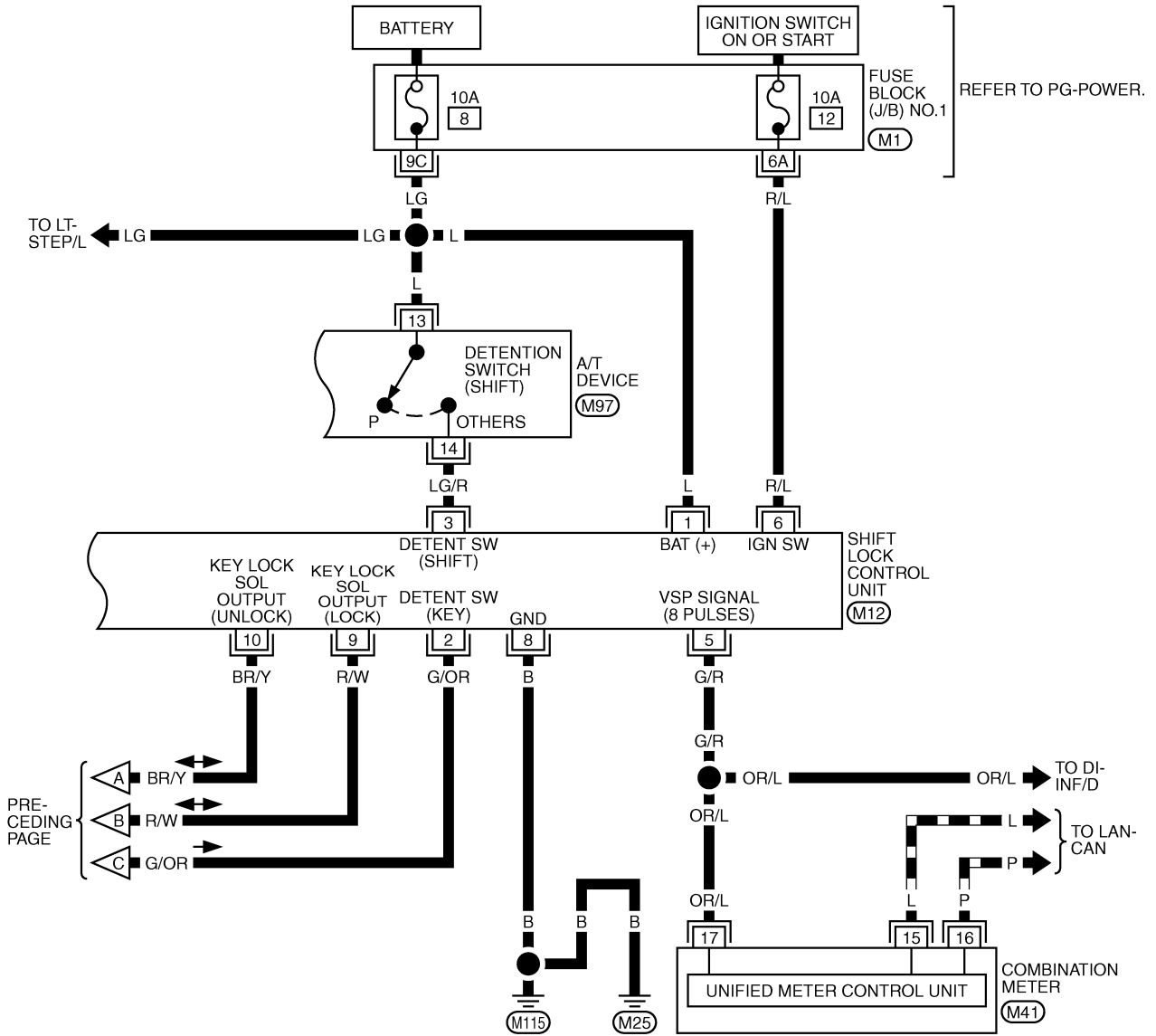
(M145) - FUSE BLOCK-JUNCTION BOX (J/B) NO.2

TCWM0311E

A/T SHIFT LOCK SYSTEM

AT-SHIFT-02

▬ : DATA LINE



REFER TO THE FOLLOWING.

(M1) - FUSE BLOCK-JUNCTION BOX (J/B) NO.1

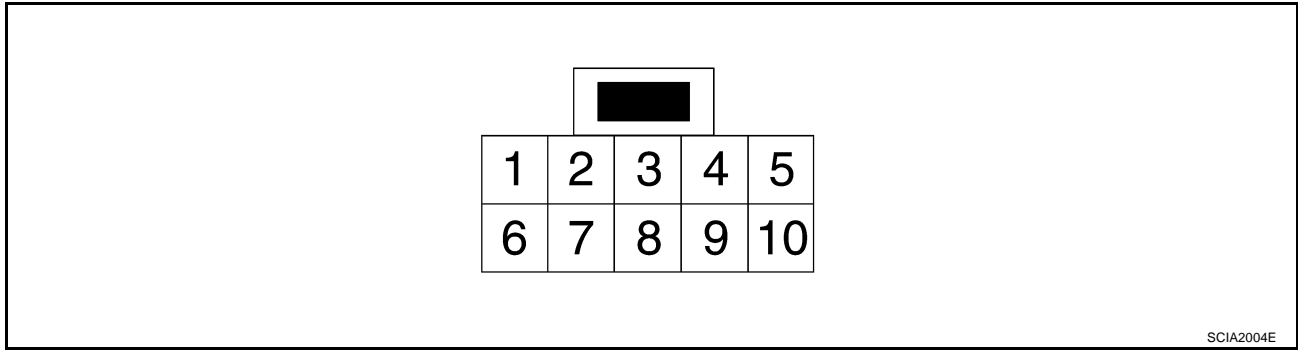
TCWM0312E

A/T SHIFT LOCK SYSTEM

Shift Lock Control Unit Reference Values

ECS0089Z

SHIFT LOCK CONTROL UNIT HARNESS CONNECTOR TERMINALS LAYOUT



SCIA2004E

SHIFT LOCK CONTROL UNIT INSPECTION TABLE

Data are reference values.

Terminal No. (Wire color)		Item	Condition	Judgement standard
1 (L)	8 (B)	Power source	Always	Battery voltage
2 (G/OR)	8 (B)	Detention switch (for key)	When selector lever is not in "P" position with key inserted.	Battery voltage
			When selector lever is in "P" position with key inserted.	Approx. 0V
3 (LG/R)	8 (B)	Detention switch (for shift)	When selector lever is not "P" position.	Battery voltage
			When selector lever is "P" position.	Approx. 0V
4 (R)	8 (B)	Stop lamp switch	When brake pedal is depressed	Battery voltage
			When brake pedal is released	Approx. 0V
5 (G/R)	8 (B)	Vehicle speed signal (8pulse signal)	Speed meter is operated	<p>ELF1084D</p>
6 (R/L)	8 (B)	Ignition signal	Ignition switch: OFF	Approx. 0V
			Ignition switch: ON	Battery voltage
7 (L/W)	8 (B)	Shift lock solenoid	<ul style="list-style-type: none"> When selector lever is in "P" position, brake pedal is depressed, and ignition switch is ON. When selector lever is not in "P" position, ignition switch is ON, and vehicle speed is 10 km/h (6 MPH) or less. For 3 minutes after selector lever is not in "P" position, vehicle speed is 10 km/h (6 MPH) or less, and ignition switch is ON → OFF. 	Approx. 0V
			Except the above	Battery voltage
8 (B)	—	Ground	Always	Approx. 0V
9 (R/W)	8 (B)	Key lock solenoid (for lock)	When selector lever is not "P" position.	Battery voltage for approx. 0.1 sec. (Note)
			When selector lever is "P" position.	Approx. 0V
10 (BR/Y)	8 (B)	Key unlock solenoid (for unlock)	When selector lever is "P" position with ignition switch is OFF.	Battery voltage for approx. 0.1 sec. (Note)
			When selector lever is not "P" position with ignition switch is OFF.	Approx. 0V

A/T SHIFT LOCK SYSTEM

NOTE:

Make sure that the pointer swings only momentarily because the output time is so short. If the inspection is done with an oscilloscope, it should be observed that the power source voltage lasts for 3.5 to 10 ms.

Component Inspection SHIFT LOCK SOLENOID

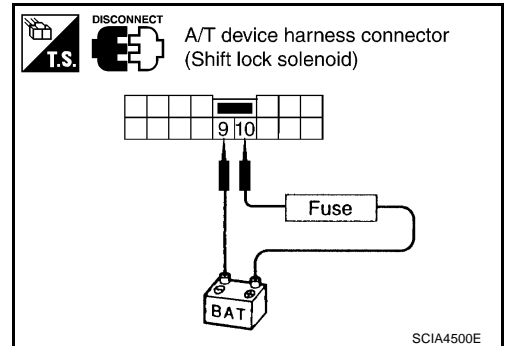
ECS008A0

- Check operation by applying battery voltage to the A/T device harness connector.

CAUTION:

Be sure to apply the voltage of the correct polarity to the respective terminals. Otherwise, the part may be damaged.

Connector No.	Terminal No.
M97	10 (Battery voltage) - 9 (Ground)

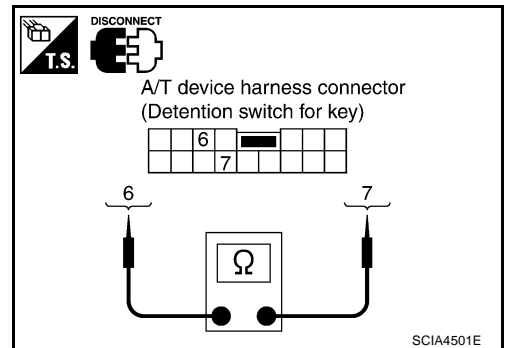


DETENTION SWITCH

For Key:

- Check continuity between terminals of the A/T device harness connector.

Condition	Connector No.	Terminal No.	Continuity
When selector lever is locked at the "P" position.	M97	6 - 7	No
When selector lever is not locked at the "P" position.			Yes

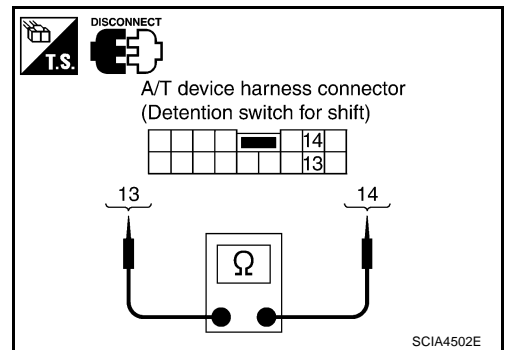


DETENTION SWITCH

For Shift:

- Check continuity between terminals of the A/T device harness connector terminals.

Condition	Connector No.	Terminal No.	Continuity
When selector lever is "P" position.	M97	13 - 14	No
When selector lever is not "P" position.			Yes



KEY LOCK SOLENOID

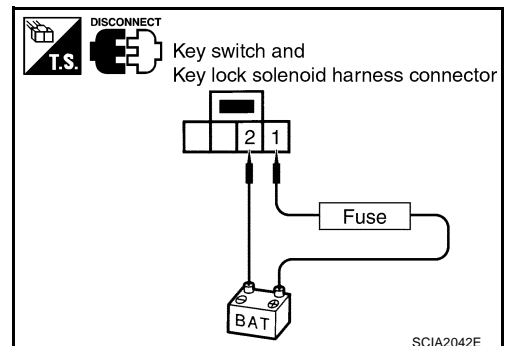
Key Lock

- Check operation by applying battery voltage to key switch and key lock solenoid harness connector.

CAUTION:

Be careful not to cause burnout of the harness.

Connector No.	Terminal No.
M64	1 (Battery voltage) - 2 (Ground)



A/T SHIFT LOCK SYSTEM

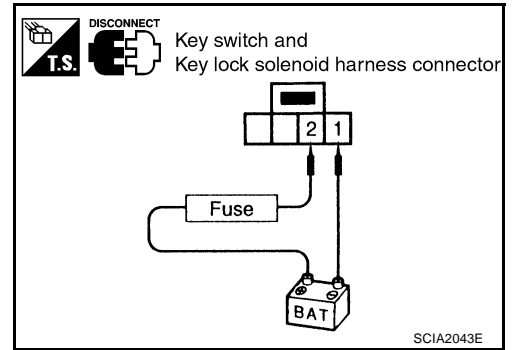
Key Unlock

- Check operation by applying battery voltage to key switch and key lock solenoid harness connector.

CAUTION:

Be careful not to cause burnout of the harness.

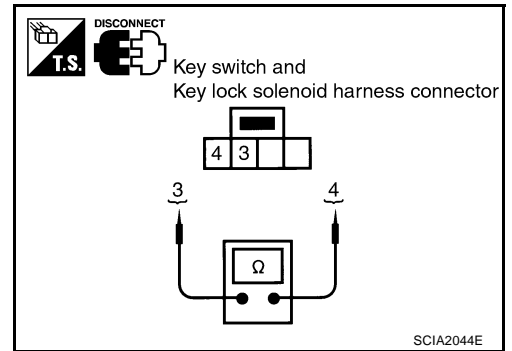
Connector No.	Terminal No.
M64	2 (Battery voltage) - 1 (Ground)



KEY SWITCH

- Check continuity between terminals of the key switch and key lock solenoid harness connector.

Condition	Connector No.	Terminal No.	Continuity
Key inserted	M64	3 - 4	Yes
Key withdrawn			No

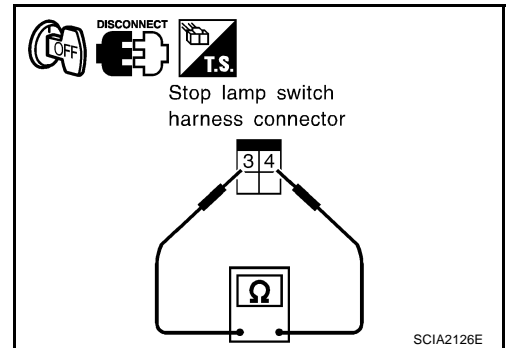


STOP LAMP SWITCH

- Check continuity between terminals of the stop lamp switch harness connector.

Condition	Connector No.	Terminal No.	Continuity
When brake pedal is depressed	M402	3 - 4	Yes
When brake pedal is released			No

Check stop lamp switch after adjusting brake pedal. Refer to [BR-6](#). "[BRAKE PEDAL](#)".



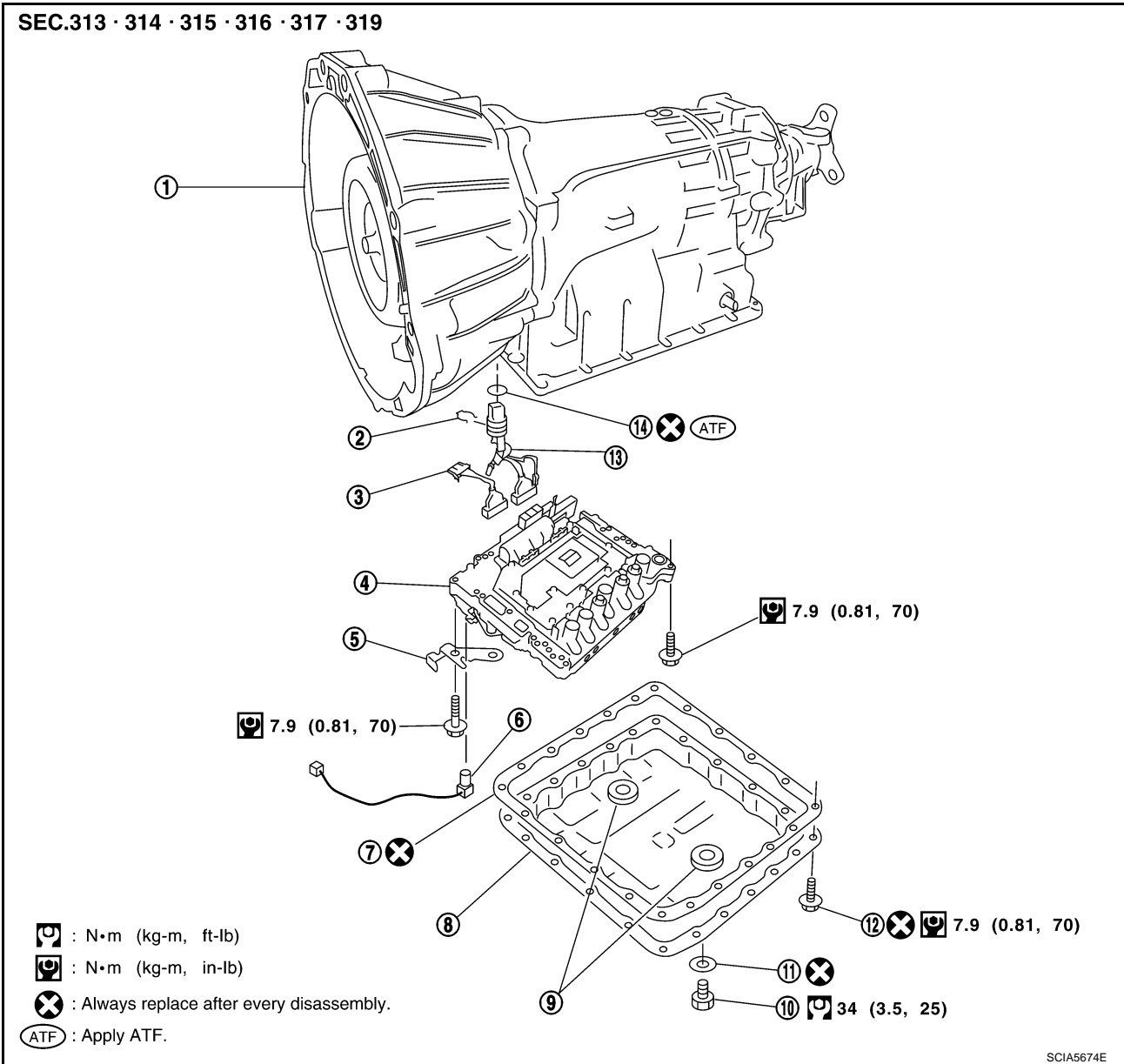
ON-VEHICLE SERVICE

PFP:00000

Control Valve with TCM and A/T Fluid Temperature Sensor 2 COMPONENTS

ECS00E25

A
B
AT
D
E
F
G
H
I
J
K
L
M



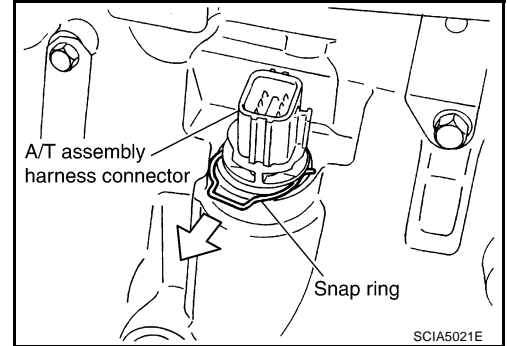
- | | | |
|----------------------------|-----------------------|-----------------------------------|
| 1. Transmission | 2. Snap ring | 3. Sub-harness |
| 4. Control valve with TCM | 5. Bracket | 6. A/T fluid temperature sensor 2 |
| 7. Oil pan gasket | 8. Oil pan | 9. Magnet |
| 10. Drain plug | 11. Drain plug gasket | 12. Oil pan mounting bolt |
| 13. Terminal cord assembly | 14. O-ring | |

ON-VEHICLE SERVICE

CONTROL VALVE WITH TCM ASSEMBLY REMOVAL AND INSTALLATION

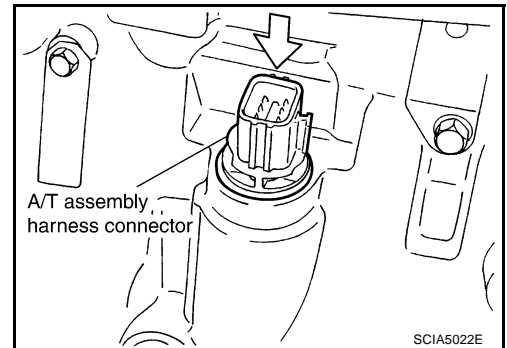
Removal

1. Disconnect the battery cable from the negative terminal.
2. Drain ATF through drain plug.
3. Disconnect heated oxygen sensor 2 harness connector.
4. Disconnect A/T assembly harness connector.
5. Remove snap ring from A/T assembly harness connector.

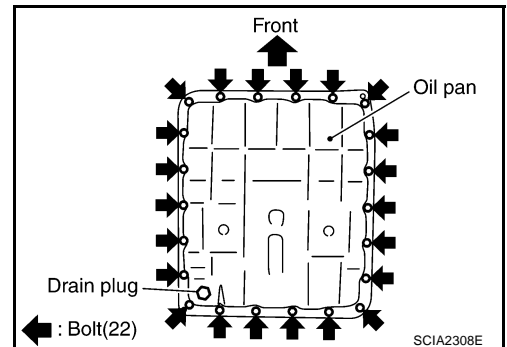


6. Push A/T assembly harness connector.

CAUTION:
Be careful not to damage connector.

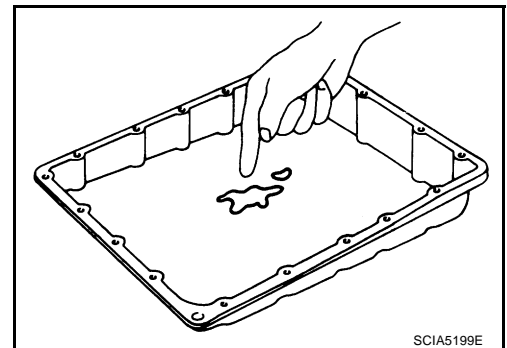


7. Remove oil pan and oil pan gasket.



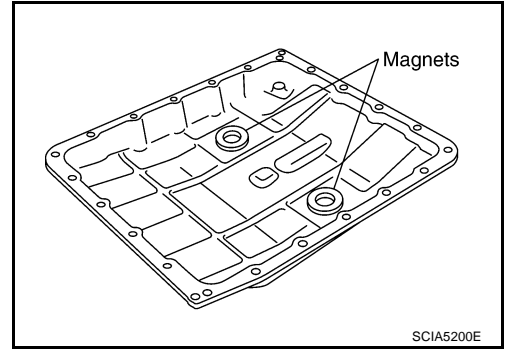
8. Check foreign materials in oil pan to help determine causes of malfunction. If the A/T fluid is very dark, smells burned, or contains foreign particles, the frictional material (clutches, band) may need replacement. A tacky film that will not wipe clean indicates varnish build up. Varnish can cause valves, servo, and clutches to stick and can inhibit pump pressure.

● If frictional material is detected, perform A/T fluid cooler cleaning. Refer to [AT-15, "A/T Fluid Cooler Cleaning"](#) .



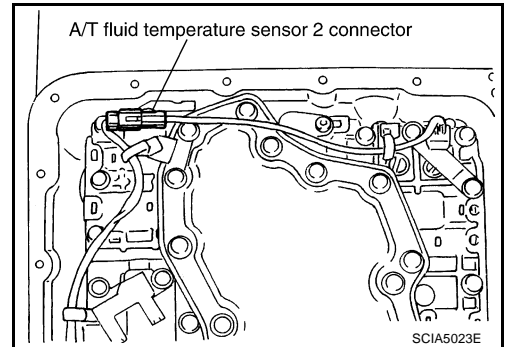
ON-VEHICLE SERVICE

9. Remove magnets from oil pan.

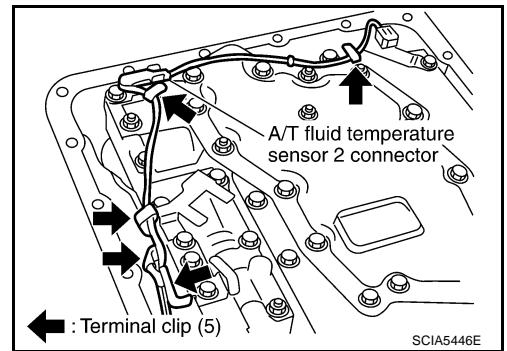


10. Disconnect A/T fluid temperature sensor 2 connector.

CAUTION:
Be careful not to damage connector.

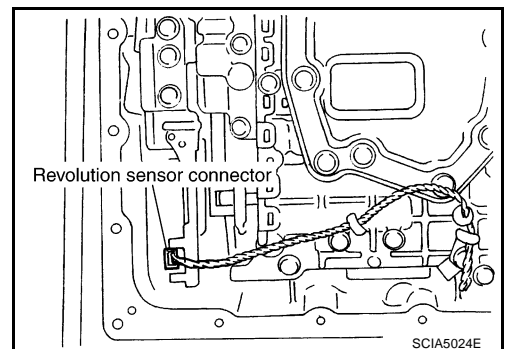


11. Straighten terminal clips to free terminal cord assembly and A/T fluid temperature sensor 2 harness.

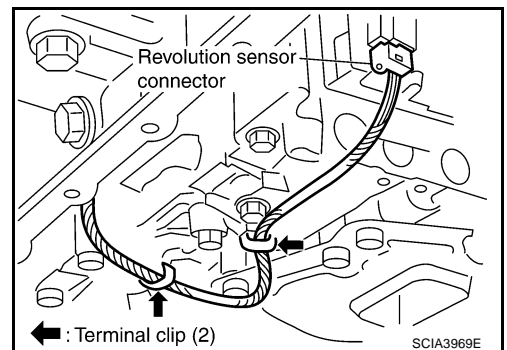


12. Disconnect revolution sensor connector.

CAUTION:
Be careful not to damage connector.



13. Straighten terminal clips to free revolution sensor harness.

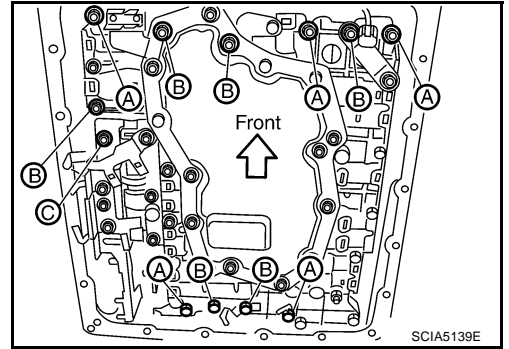


A
B
AT
D
E
F
G
H
I
J
K
L
M

ON-VEHICLE SERVICE

14. Remove bolts A, B and C from control valve with TCM.

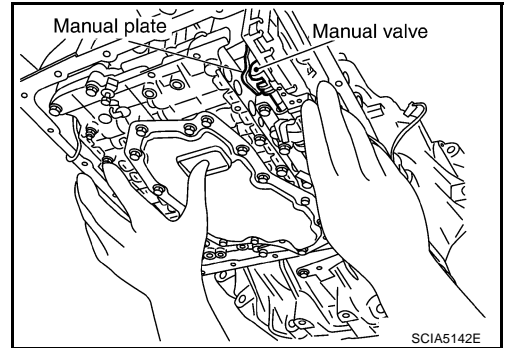
Bolt symbol	Length mm (in)	Number of bolts
A	42 (1.65)	5
B	55 (2.17)	6
C	40 (1.57)	1



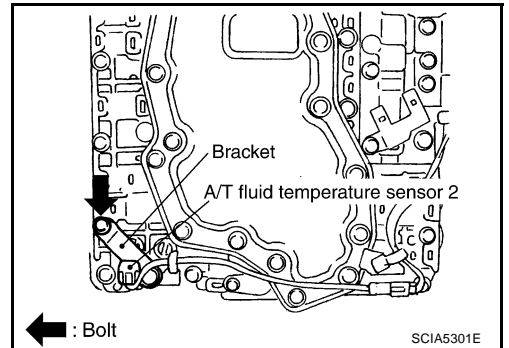
15. Remove control valve with TCM from transmission case.

CAUTION:

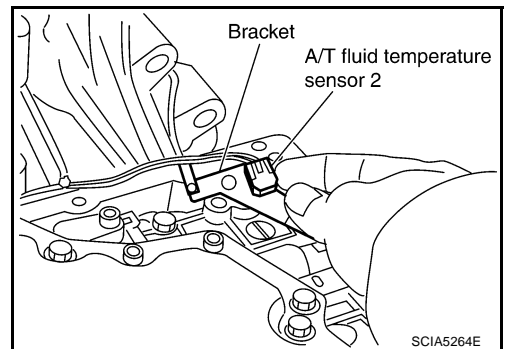
When removing, be careful with the manual valve notch and manual plate height. Remove it vertically.



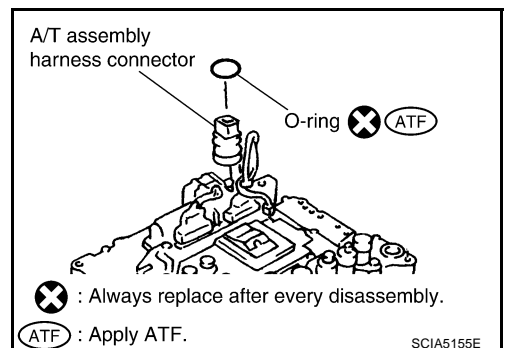
16. Remove A/T fluid temperature sensor 2 with bracket from control valve with TCM.



17. Remove bracket from A/T fluid temperature sensor 2.



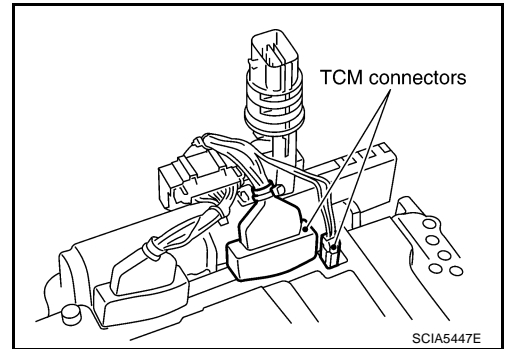
18. Remove O-ring from A/T assembly harness connector.



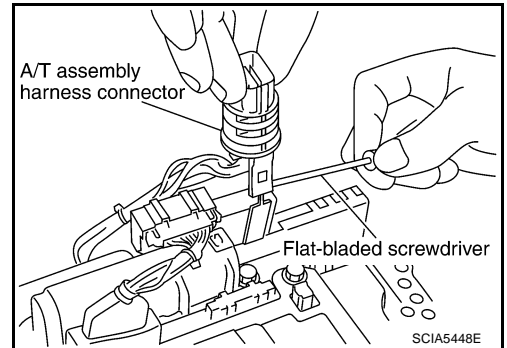
ON-VEHICLE SERVICE

19. Disconnect TCM connectors.

CAUTION:
Be careful not to damage connectors.

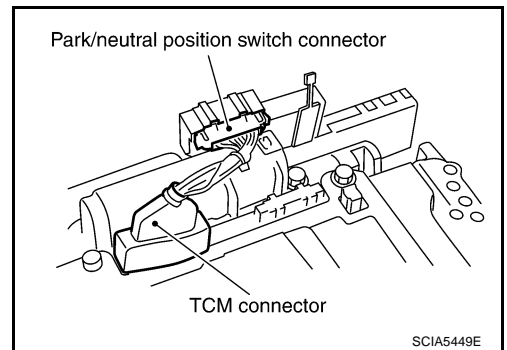


20. Remove A/T assembly harness connector from control valve with TCM using a flat-bladed screwdriver.



21. Disconnect TCM connector and park/neutral position switch connector.

CAUTION:
Be careful not to damage connectors.



A
B
AT
D
E
F
G
H
I
J
K
L
M

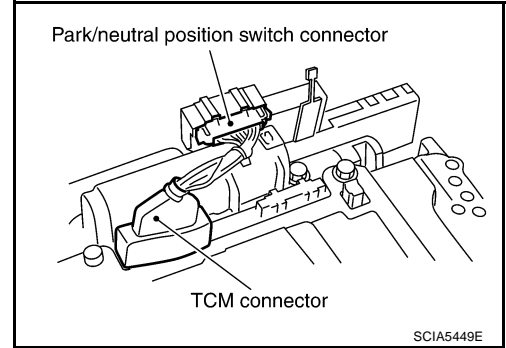
ON-VEHICLE SERVICE

Installation

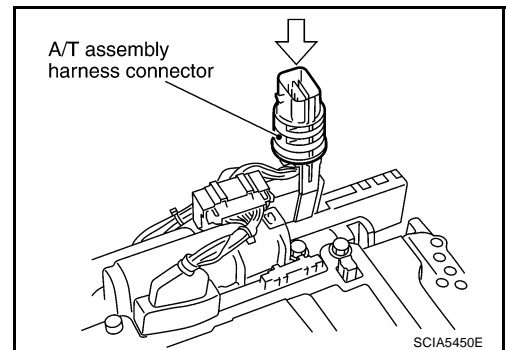
CAUTION:

After completing installation, check A/T fluid leakage and fluid level. Refer to [AT-12, "Changing A/T Fluid"](#) , [AT-13, "Checking A/T Fluid"](#) .

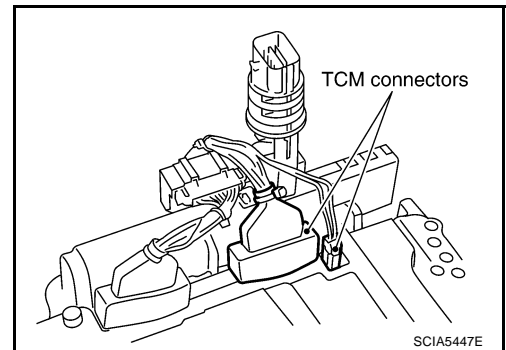
1. Connect TCM connector and park/neutral position switch connector.



2. Install A/T assembly harness connector from control valve with TCM.



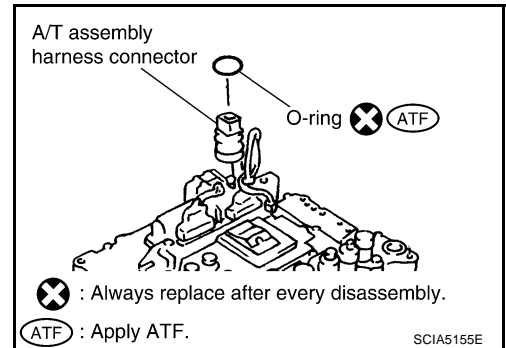
3. Connect TCM connectors.



4. Install O-ring in A/T assembly harness connector.

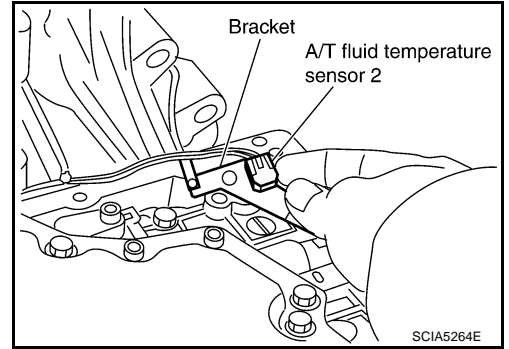
CAUTION:

- Do not reuse O-ring.
- Apply ATF to O-ring.



ON-VEHICLE SERVICE

5. Install A/T fluid temperature sensor 2 to bracket.

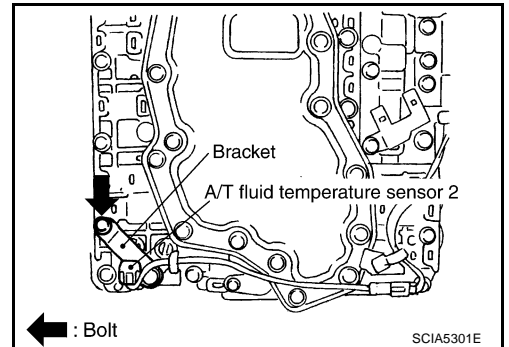


6. Install A/T fluid temperature sensor 2 (with bracket) in control valve with TCM.

CAUTION:

Adjust bolt hole of bracket to bolt hole of control valve with TCM.

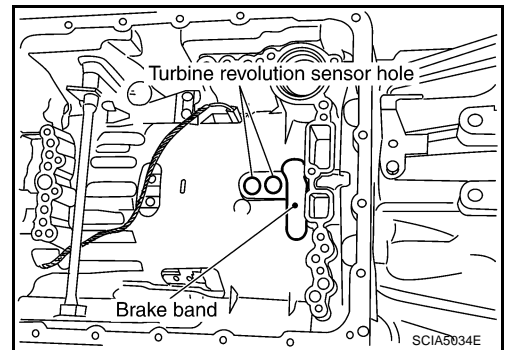
 : 7.9 N·m (0.81 kg·m, 70 in·lb)



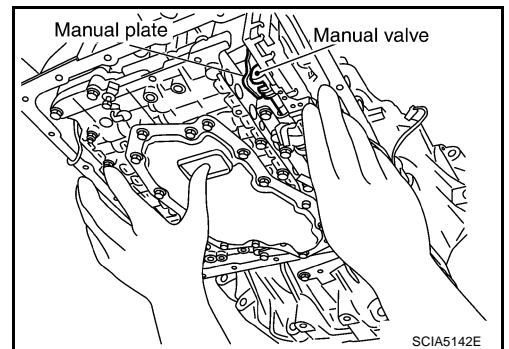
7. Install control valve with TCM in transmission case.

CAUTION:

- Make sure that turbine revolution sensor securely installs turbine revolution sensor hole.
- Hang down revolution sensor harness toward outside so as not to disturb installation of control valve with TCM.
- Adjust A/T assembly harness connector of control valve with TCM to terminal hole of transmission case.



- Assemble it so that manual valve cutout is engaged with manual plate projection.

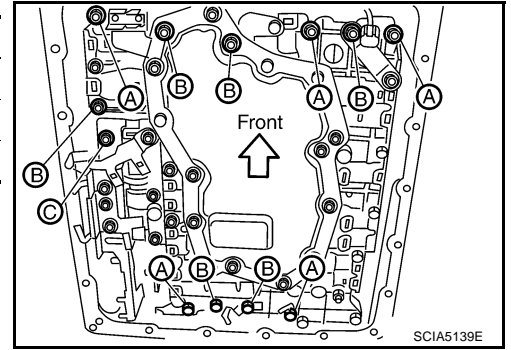


A
B
AT
D
E
F
G
H
I
J
K
L
M

ON-VEHICLE SERVICE

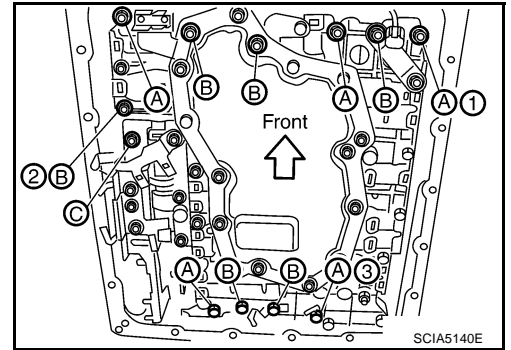
8. Install bolts A, B and C in control valve with TCM.

Bolt symbol	Length mm (in)	Number of bolts
A	42 (1.65)	5
B	55 (2.17)	6
C	40 (1.57)	1

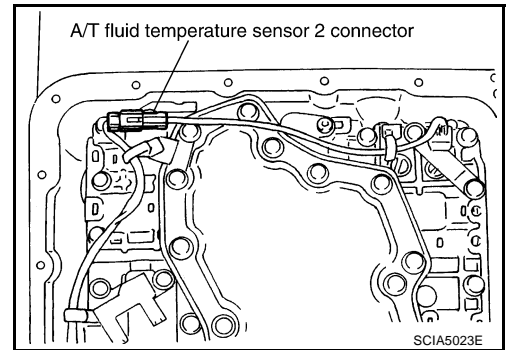


9. Tighten bolt 1, 2 and 3 temporarily to prevent dislocation. After that tighten them in order (1 → 2 → 3), and then tighten other bolts.

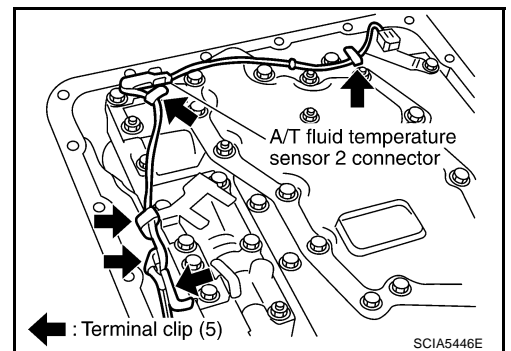
 : 7.9 N·m (0.81 kg·m, 70 in·lb)



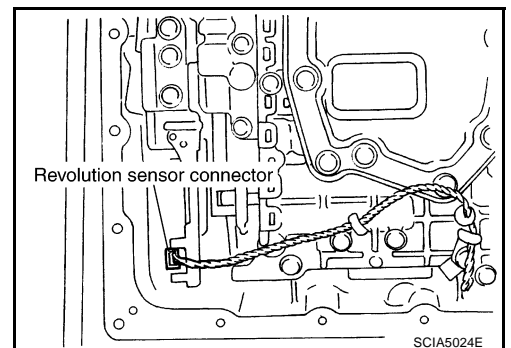
10. Connect A/T fluid temperature sensor 2 connector.



11. Securely fasten terminal cord assembly and A/T fluid temperature sensor 2 harness with terminal clips.

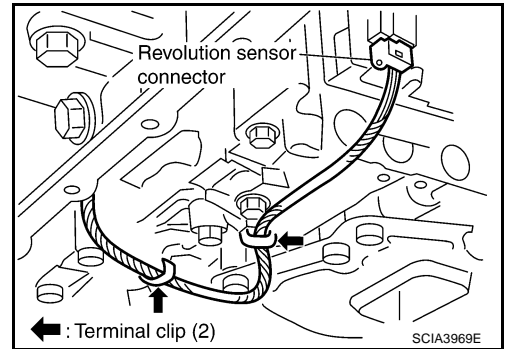


12. Connect revolution sensor connector.

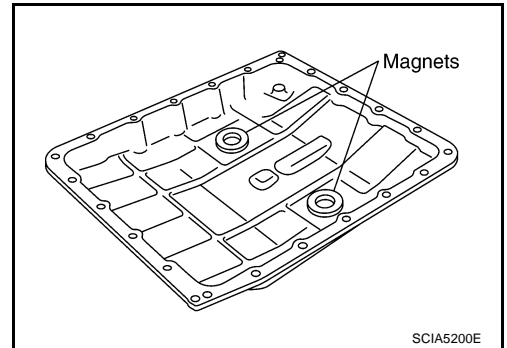


ON-VEHICLE SERVICE

13. Securely fasten revolution sensor harness with terminal clips.



14. Install magnets in oil pan.



15. Install oil pan to transmission case.

a. Install oil pan gasket to oil pan.

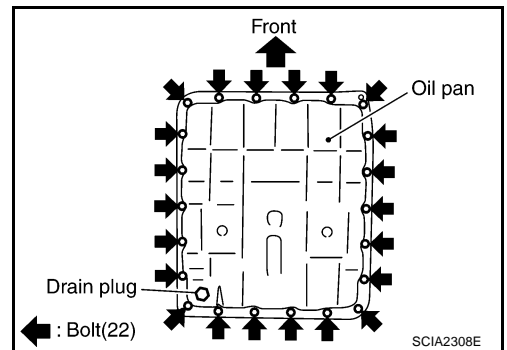
CAUTION:

- Do not reuse oil pan gasket.
- Install it in the direction to align hole positions.
- Complete remove all moisture, oil and old gasket, etc. from oil pan gasket mounting surface.

b. Install oil pan (with oil pan gasket) to transmission case.

CAUTION:

- Install it so that drain plug comes to the position as shown in the figure.
- Be careful not to pinch harnesses.
- Completely remove all moisture, oil and old gasket, etc. from oil pan mounting surface.



c. Tighten oil pan mounting bolts to the specified torque in numerical order shown in the figure after temporarily tightening them.

CAUTION:

Do not reuse oil pan mounting bolts.

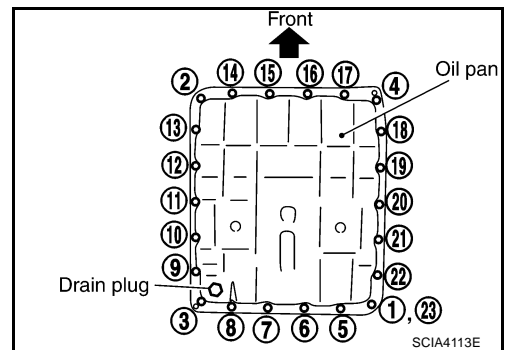
 : 7.9 N·m (0.81 kg·m, 70 in·lb)

16. Install drain plug to oil pan.

CAUTION:

Do not reuse drain plug gasket.

 : 34 N·m (3.5 kg·m, 25 ft·lb)



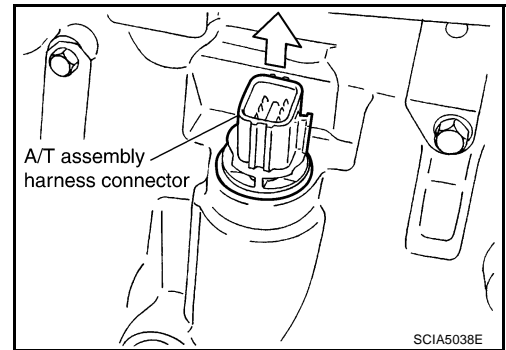
A
B
AT
D
E
F
G
H
I
J
K
L
M

ON-VEHICLE SERVICE

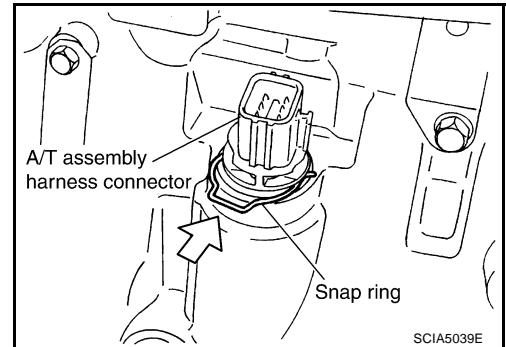
17. Pull up A/T assembly harness connector.

CAUTION:

Be careful not to damage connector.



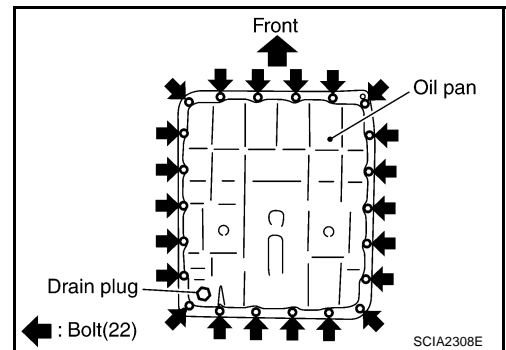
18. Install snap ring to A/T assembly harness connector.
19. Connect A/T assembly harness connector.
20. Connect heated oxygen sensor 2 harness connector.
21. Pour ATF into transmission assembly. Refer to [AT-12, "Changing A/T Fluid"](#).
22. Connect the battery cable to the negative terminal.



A/T FLUID TEMPERATURE SENSOR 2 REMOVAL AND INSTALLATION

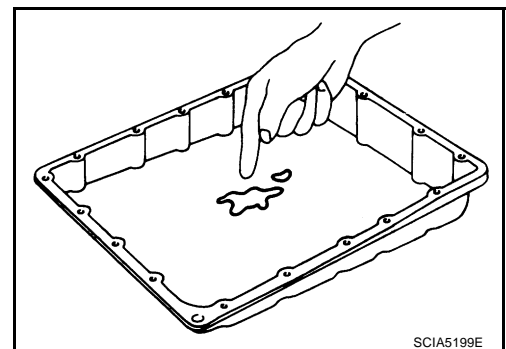
Removal

1. Disconnect the battery cable from the negative terminal.
2. Disconnect heated oxygen sensor 2 harness connector.
3. Drain ATF through drain plug.
4. Remove oil pan and oil pan gasket.



5. Check foreign materials in oil pan to help determine causes of malfunction. If the A/T fluid is very dark, smells burned, or contains foreign particles, the frictional material (clutches, band) may need replacement. A tacky film that will not wipe clean indicates varnish build up. Varnish can cause valves, servo, and clutches to stick and can inhibit pump pressure.

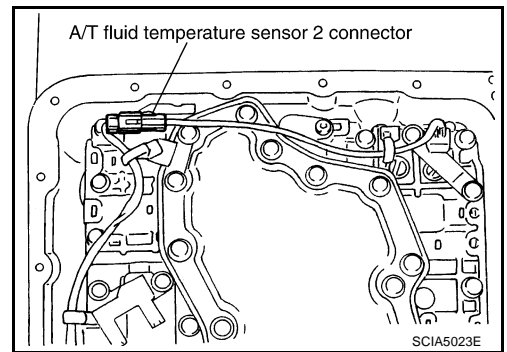
- **If frictional material is detected, perform A/T fluid cooler cleaning. Refer to [AT-15, "A/T Fluid Cooler Cleaning"](#).**



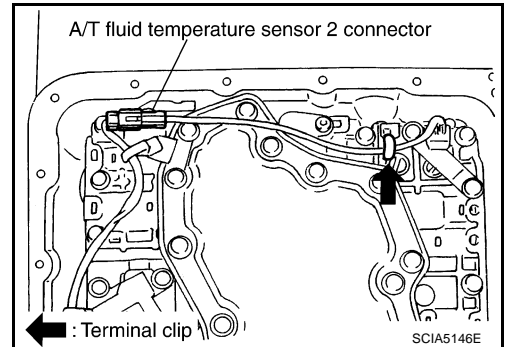
ON-VEHICLE SERVICE

6. Disconnect A/T fluid temperature sensor 2 connector.

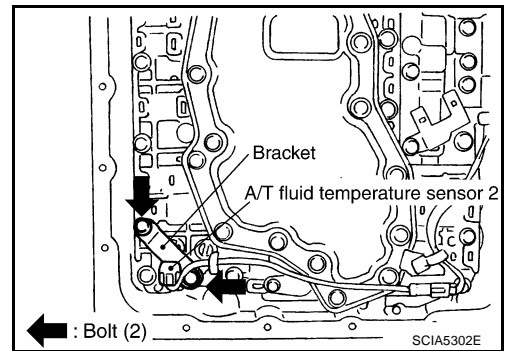
CAUTION:
Be careful not to damage connector.



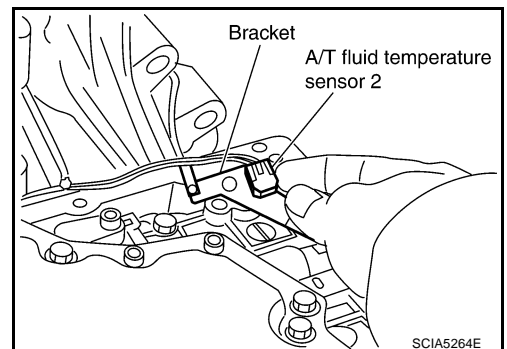
7. Straighten terminal clip to free A/T fluid temperature sensor 2 harness.



8. Remove A/T fluid temperature sensor 2 with bracket from control valve with TCM.



9. Remove bracket from A/T fluid temperature sensor 2.



A
B
AT
D
E
F
G
H
I
J
K
L
M

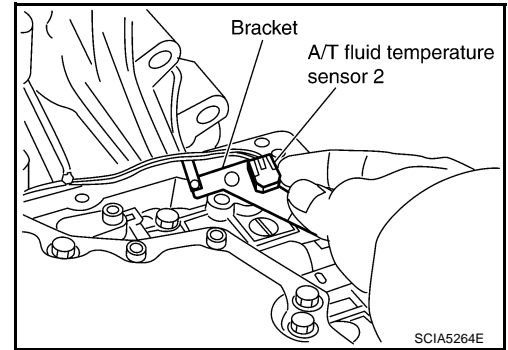
ON-VEHICLE SERVICE

Installation

CAUTION:

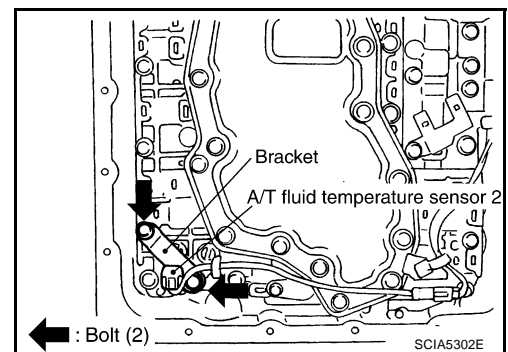
After completing installation, check A/T fluid leakage and fluid level. Refer to [AT-12, "Changing A/T Fluid"](#) , [AT-13, "Checking A/T Fluid"](#) .

1. Install A/T fluid temperature sensor 2 to bracket.

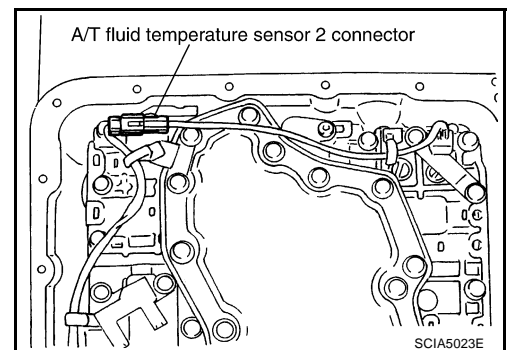


2. Install A/T fluid temperature sensor 2 (with bracket) in control valve with TCM.

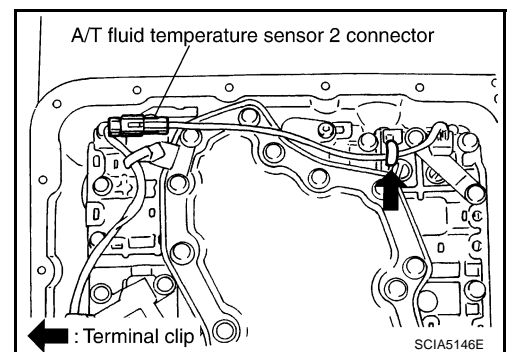
 : 7.9 N·m (0.81 kg·m, 70 in·lb)



3. Connect A/T fluid temperature sensor 2 connector.



4. Securely fasten A/T fluid temperature sensor 2 harness with terminal clip.



5. Install oil pan to transmission case.
 - a. Install oil pan gasket to oil pan.

CAUTION:

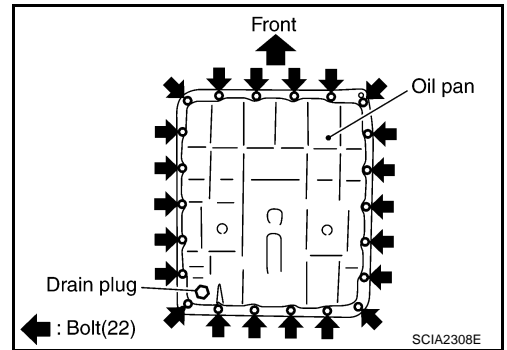
- Do not reuse oil pan gasket.
- Install it in the direction to align hole positions.
- Completely remove all moisture, oil and old gasket, etc. from oil pan mounting surface.

ON-VEHICLE SERVICE

- b. Install oil pan (with oil pan gasket) to transmission case.

CAUTION:

- Install it so that drain plug comes to the position as shown in the figure.
- Be careful not to pinch harnesses.
- Complete remove all moisture, oil and old gasket, etc. from oil pan mounting surface.



- c. Tighten oil pan mounting bolts to the specified torque in numerical order shown in the figure after temporarily tightening them.

CAUTION:

Do not reuse oil pan mounting bolts.

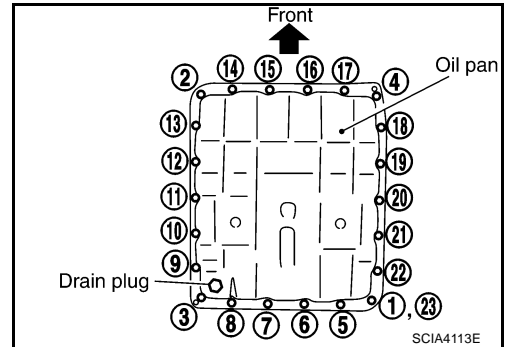
 : 7.9 N·m (0.81 kg-m, 70 in-lb)

6. Install drain plug to oil pan.

CAUTION:

Do not reuse drain plug gasket.

 : 34 N·m (3.5 kg-m, 25 ft-lb)



7. Connect heated oxygen sensor 2 harness connector.
8. Pour ATF into transmission assembly. Refer to [AT-12, "Changing A/T Fluid"](#).
9. Connect the battery cable to the negative terminal.

A

B

AT

D

E

F

G

H

I

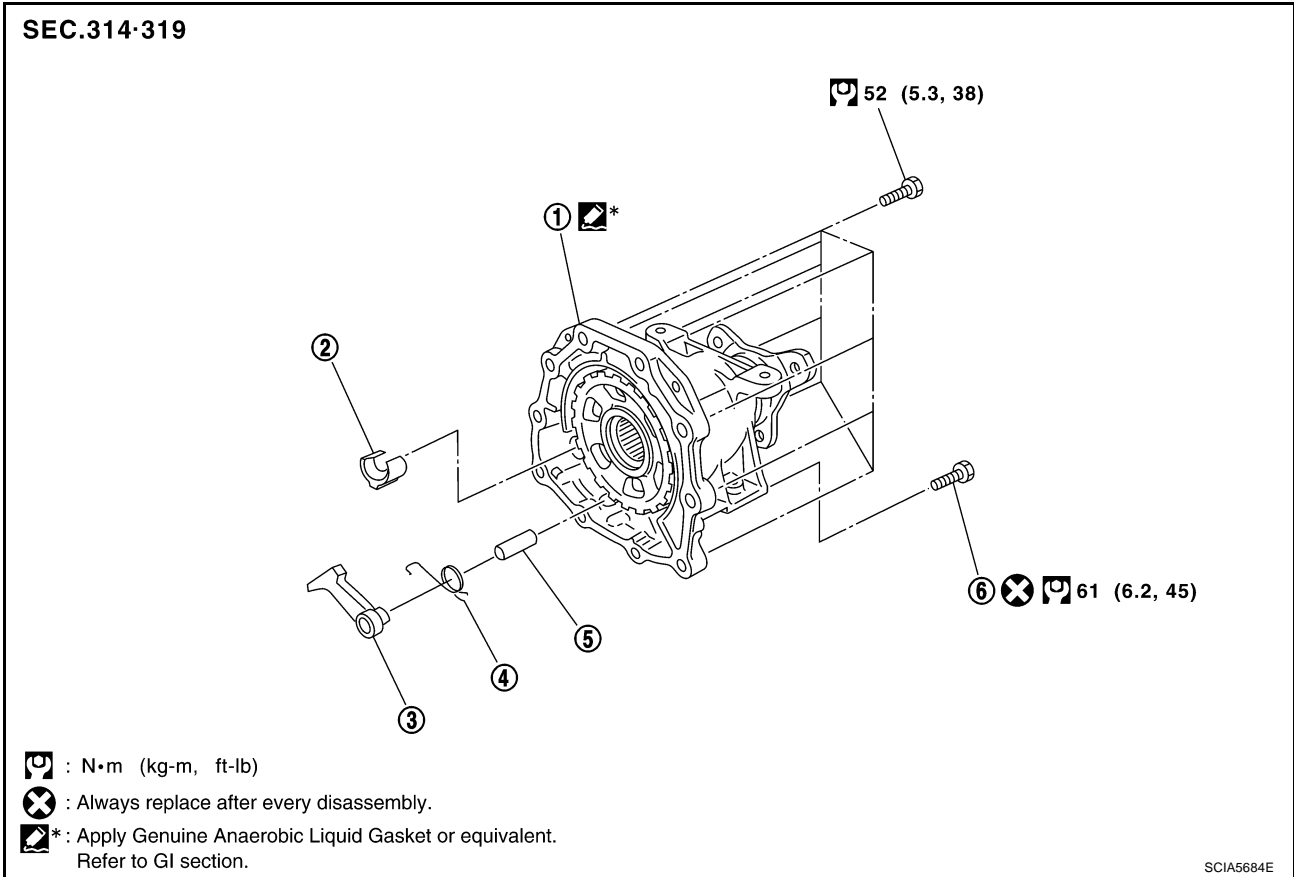
J

K

L

M

Parking Components COMPONENTS



SCIA5684E

- | | | |
|---|-----------------------------|----------------------|
| 1. Output shaft & companion flange complement | 2. Parking actuator support | 3. Parking pawl |
| 4. Return spring | 5. Pawl shaft | 6. Self-sealing bolt |

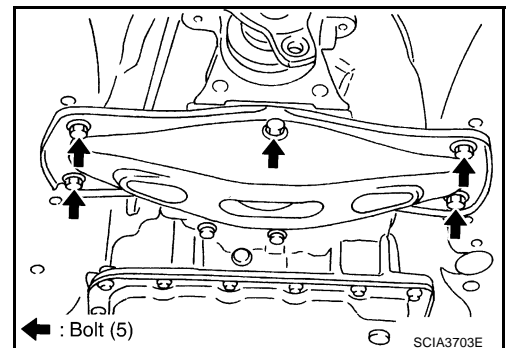
REMOVAL

1. Drain ATF through drain plug.
2. Remove exhaust front tube and center muffler with a power tool. Refer to [EX-3, "Removal and Installation"](#).
3. Remove rear propeller shaft. Refer to [PR-5, "Removal and Installation"](#).
4. Remove control rod. Refer to [AT-239, "Control Rod Removal and Installation"](#).
5. Support transmission assembly with a transmission jack.

CAUTION:

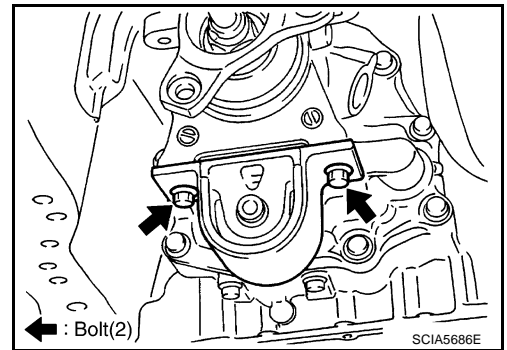
When setting transmission jack, be careful not to allow it to collide against the drain plug.

6. Remove engine rear member with a power tool. Refer to [AT-272, "Removal and Installation"](#).

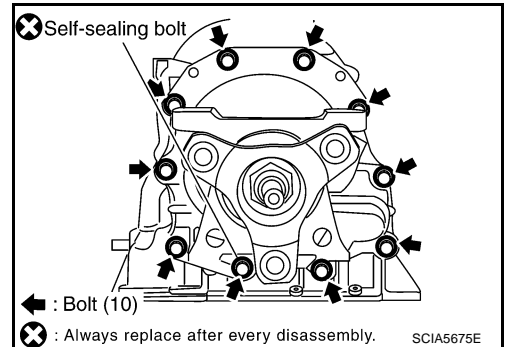


ON-VEHICLE SERVICE

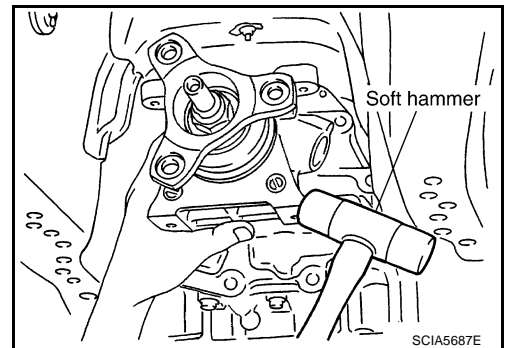
7. Remove rear engine mounting insulator. Refer to [AT-272](#).
["Removal and Installation"](#) .



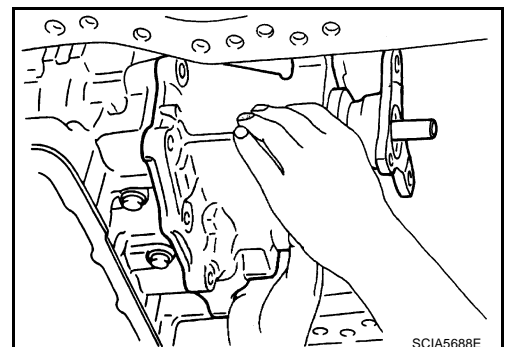
8. Remove tightening bolts for output shaft & companion flange complement and transmission case.



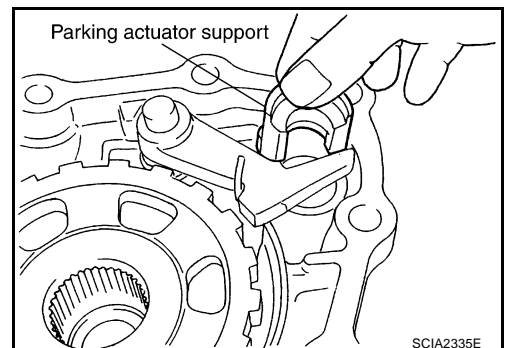
9. Tap output shaft & companion flange complement with a soft hammer.



10. Remove output shaft & companion flange complement from transmission assembly.



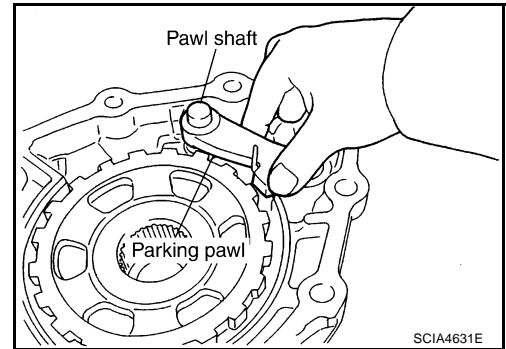
11. Remove parking actuator support from output shaft & companion flange complement.



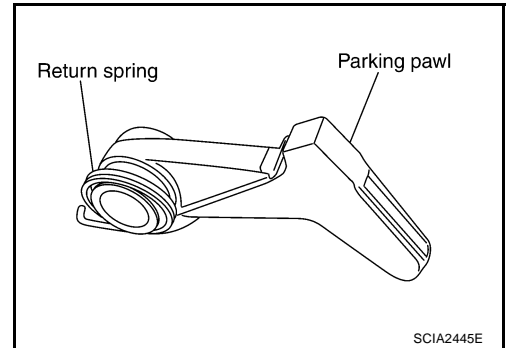
A
B
AT
D
E
F
G
H
I
J
K
L
M

ON-VEHICLE SERVICE

12. Remove parking pawl, parking pawl shaft and return spring from output shaft & companion flange complement.

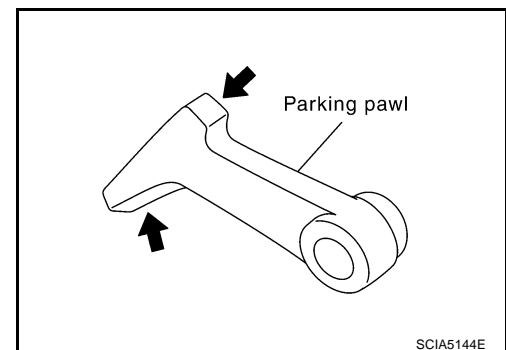
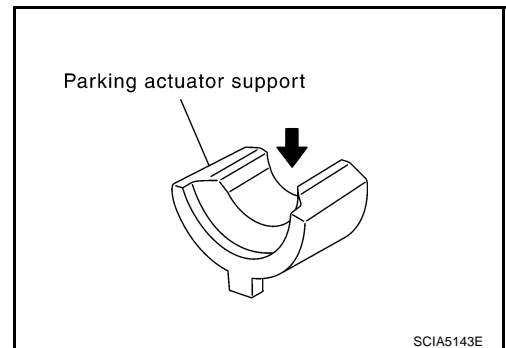


13. Remove return spring from parking pawl.



INSPECTION

- If the contact surface on parking actuator support, parking pawl, etc. has excessive wear, abrasion, bend, or any other damage, replace the components.



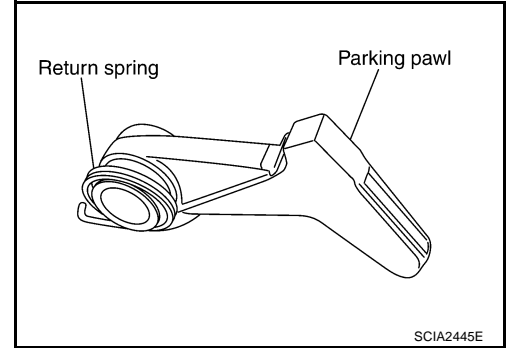
ON-VEHICLE SERVICE

INSTALLATION

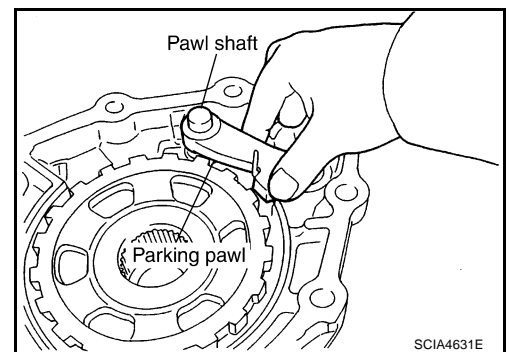
CAUTION:

After completing installation, check A/T fluid leakage, fluid level and A/T position. Refer to [AT-12, "Changing A/T Fluid"](#) , [AT-13, "Checking A/T Fluid"](#) , [AT-240, "Checking of A/T Position"](#) .

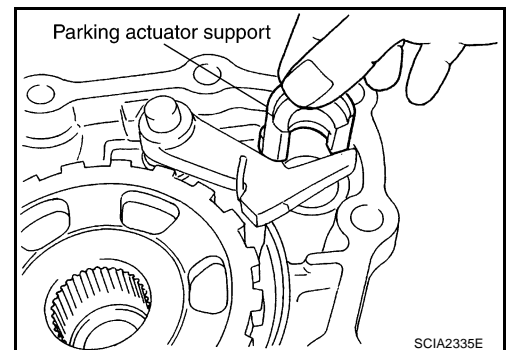
1. Install return spring to parking pawl.



2. Install parking pawl and pawl shaft in output shaft & companion flange complement.



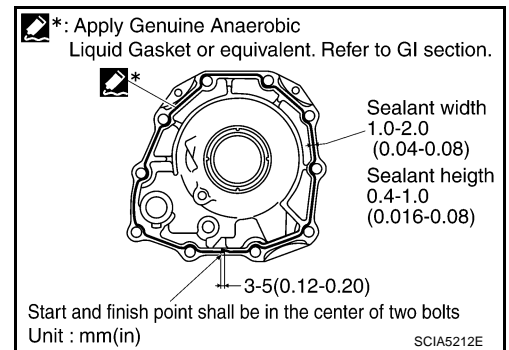
3. Install parking actuator support in output shaft & companion flange complement.



4. Apply recommended sealant (Genuine Anaerobic Liquid Gasket or equivalent. Refer to [GI-46, "Recommended Chemical Products and Sealants"](#) .) to output shaft & companion flange complement as shown in the figure.

CAUTION:

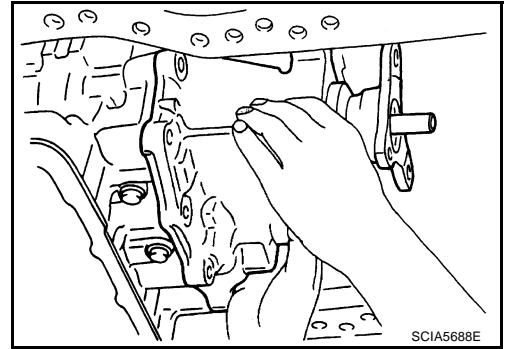
Completely remove all moisture, oil and old sealant, etc. from the transmission case and output shaft & companion flange complement mounting surfaces.



A
B
AT
D
E
F
G
H
I
J
K
L
M

ON-VEHICLE SERVICE

5. Install output shaft & companion flange complement in transmission assembly.



6. Tighten output shaft & companion flange complement mounting bolts to specified torque.

CAUTION:

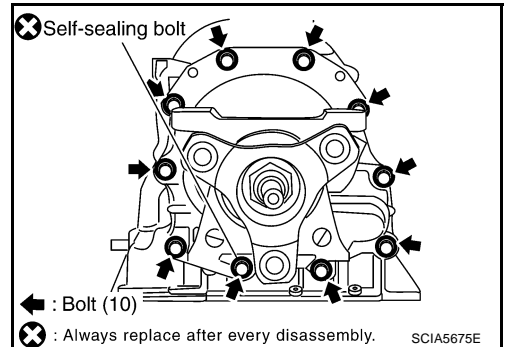
Do not reuse self-sealing bolt.

Rear extension assembly mounting bolt

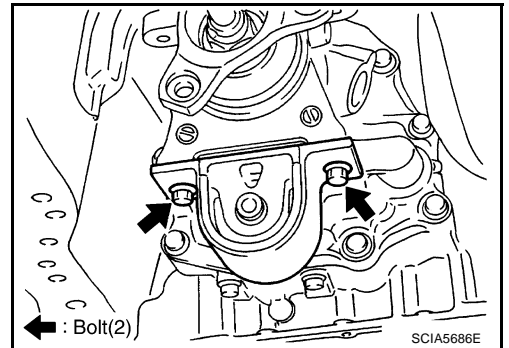
 : 52 N·m (5.3 Kg-m, 38 ft-lb)

Self-sealing bolt

 : 61 N·m (6.2 Kg-m, 45 ft-lb)



7. Install rear engine mounting insulator. Refer to [AT-272, "Removal and Installation"](#).



8. Install engine rear member. Refer to [AT-272, "Removal and Installation"](#).

9. Install control rod. Refer to [AT-239, "Control Rod Removal and Installation"](#).

10. Install rear propeller shaft. Refer to [PR-5, "Removal and Installation"](#).

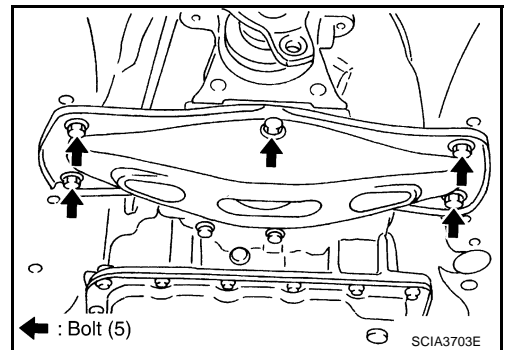
11. Install exhaust front tube and center muffler. Refer to [EX-3, "Removal and Installation"](#).

12. Install drain plug in oil pan.

CAUTION:

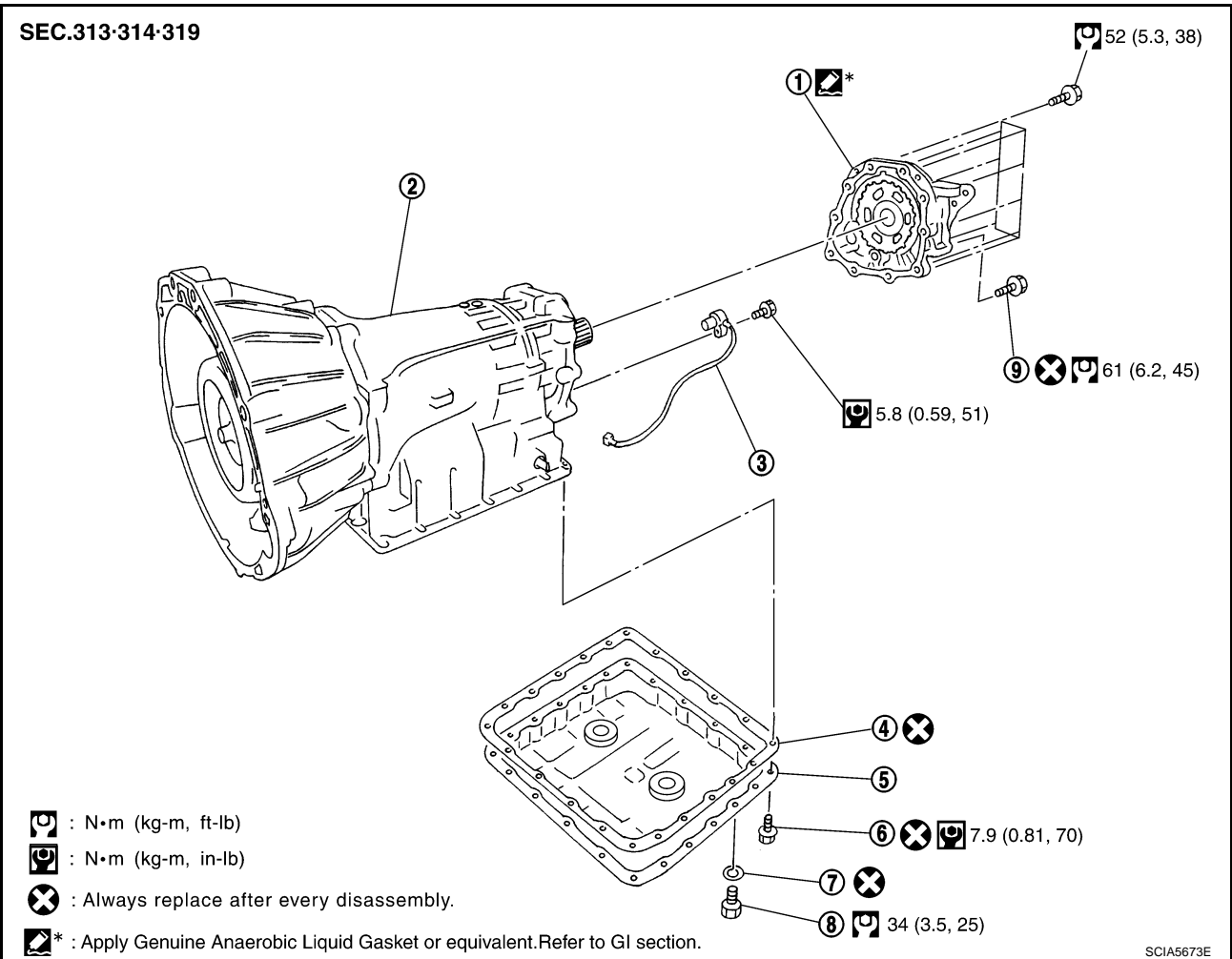
Do not reuse drain plug gasket.

 : 34 N·m (3.5 kg-m, 25 ft-lb)



13. Pour ATF into transmission assembly. Refer to [AT-12, "Changing A/T Fluid"](#).

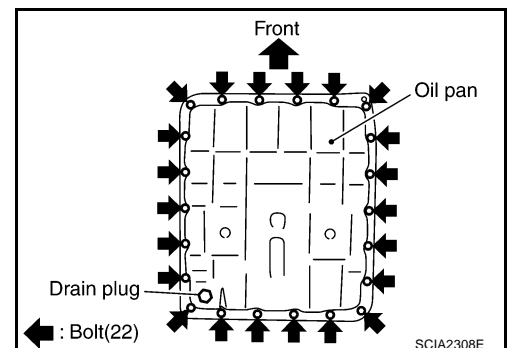
Revolution Sensor COMPONENTS



- | | | |
|---|-----------------|--------------------------|
| 1. Output shaft & companion flange complement | 2. Transmission | 3. Revolution sensor |
| 4. Oil pan gasket | 5. Oil pan | 6. Oil pan mounting bolt |
| 7. Drain plug gasket | 8. Drain plug | 9. Self-sealing bolt |

REMOVAL

1. Disconnect the battery cable from the negative terminal.
2. Drain ATF through drain plug.
3. Remove exhaust front tube and center muffler with a power tool. Refer to [EX-3, "Removal and Installation"](#).
4. Remove rear propeller shaft. Refer to [PR-5, "Removal and Installation"](#).
5. Remove control rod. Refer to [AT-239, "Control Rod Removal and Installation"](#).
6. Remove oil pan and oil pan gasket.



ON-VEHICLE SERVICE

7. Check foreign materials in oil pan to help determine causes of malfunction. If the A/T fluid is very dark, smells burned, or contains foreign particles, the frictional material (clutches, band) may need replacement. A tacky film that will not wipe clean indicates varnish build up. Varnish can cause valves, servo, and clutches to stick and can inhibit pump pressure.

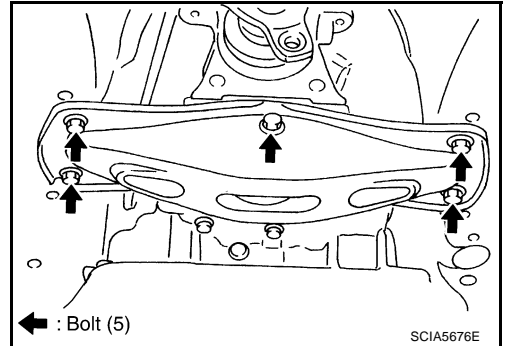
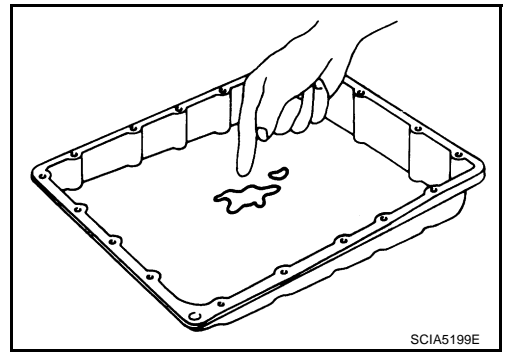
- If frictional material is detected, perform A/T fluid cooler cleaning. Refer to [AT-15, "A/T Fluid Cooler Cleaning"](#).

8. Support transmission assembly with a transmission jack.

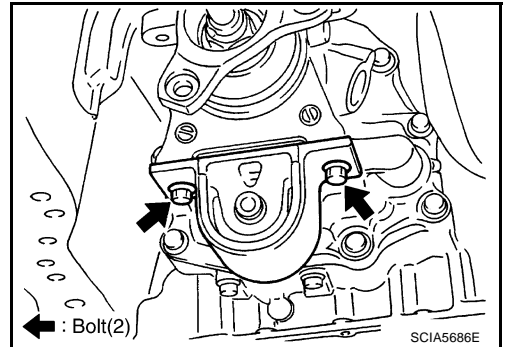
CAUTION:

When setting transmission jack, place wooden blocks to prevent from damaging control valve with TCM and transmission case.

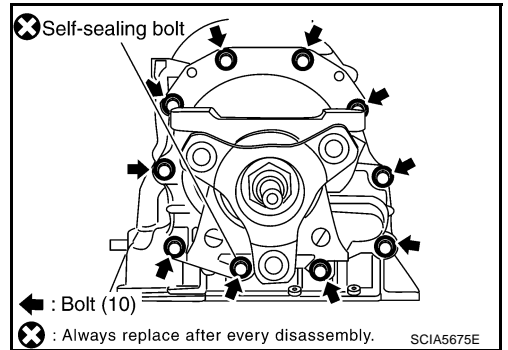
9. Remove engine rear member with a power tool. Refer to [AT-272, "Removal and Installation"](#).



10. Remove rear engine mounting insulator. Refer to [AT-272, "Removal and Installation"](#).

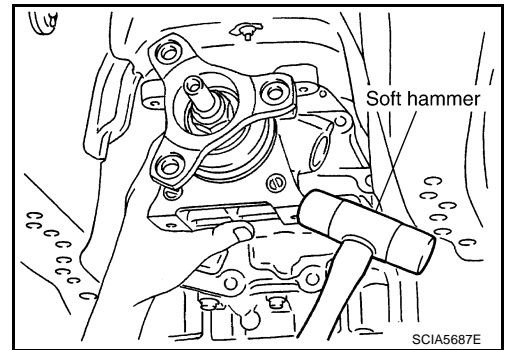


11. Remove tightening bolts for output shaft & companion flange complement and transmission case.

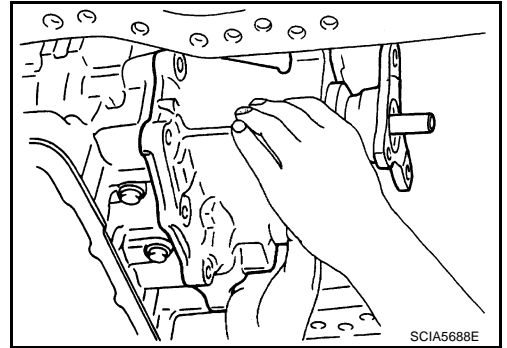


ON-VEHICLE SERVICE

12. Tap output shaft & companion flange complement with a soft hammer.



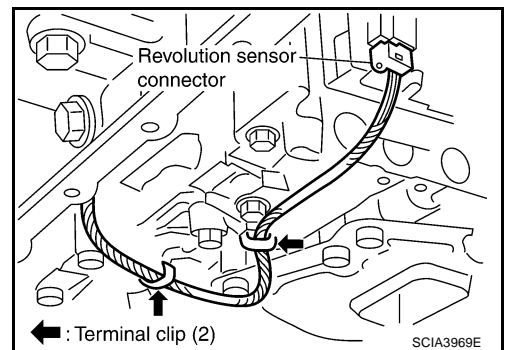
13. Remove output shaft & companion flange complement from transmission assembly.



14. Disconnect revolution sensor connector.

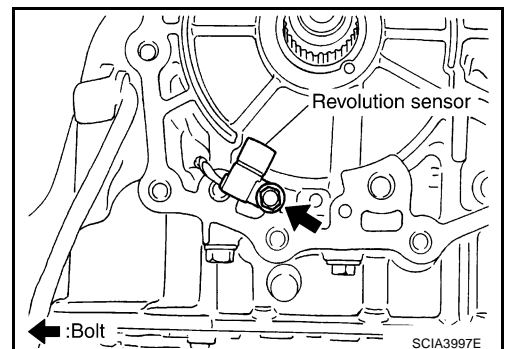
CAUTION:
Be careful not to damage connector

15. Straighten terminal clips to free revolution sensor harness.



16. Remove revolution sensor from transmission case.

- CAUTION:**
- Do not subject it to impact by dropping or hitting it.
 - Do not disassemble.
 - Do not allow metal filings, etc. to get on the sensor's front edge magnetic area.
 - Do not place in an area affected by magnetism.



A
B
AT
D
E
F
G
H
I
J
K
L
M

ON-VEHICLE SERVICE

INSTALLATION

CAUTION:

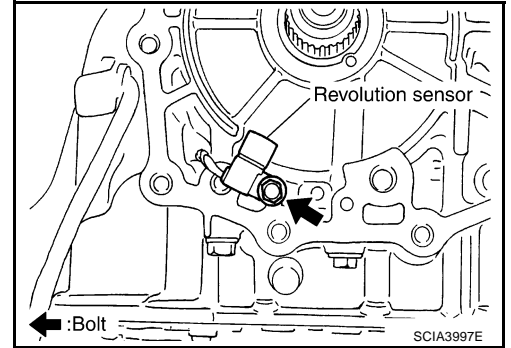
After completing installation, check A/T fluid leakage, fluid level and A/T position. Refer to [AT-12, "Changing A/T Fluid"](#) , [AT-13, "Checking A/T Fluid"](#) , [AT-240, "Checking of A/T Position"](#) .

1. Install revolution sensor in transmission case.

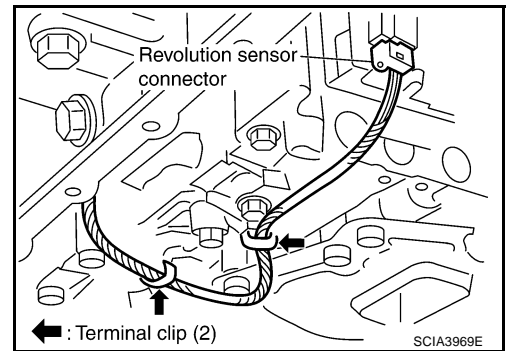
CAUTION:

- Do not subject it to impact by dropping or hitting it.
- Do not disassemble.
- Do not allow metal filings, etc. to get on the sensor's front edge magnetic area.
- Do not place in an area affected by magnetism.

 : 5.8 N·m (0.59 kg·m, 51 in·lb)



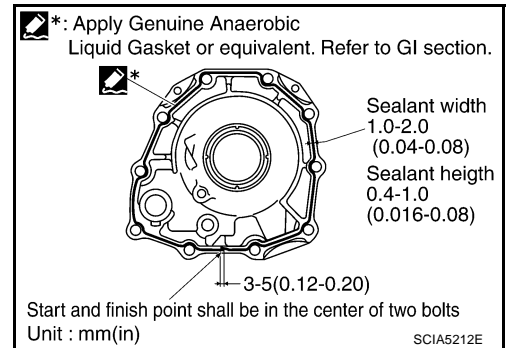
2. Connect revolution sensor connector.
3. Securely fasten revolution sensor harness with clips.



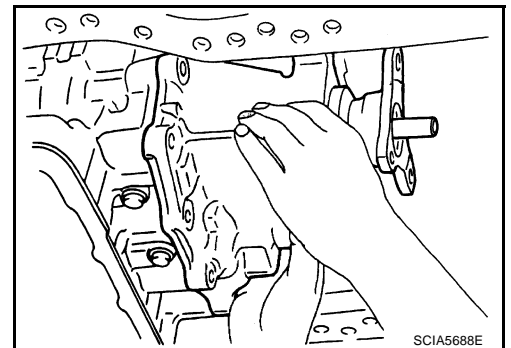
4. Apply recommended sealant (Genuine Anaerobic Liquid Gasket or equivalent. Refer to [GI-46, "Recommended Chemical Products and Sealants"](#) .) to output shaft & companion flange complement as shown in the figure.

CAUTION:

Completely remove all moisture, oil and old sealant, etc. from the transmission case and output shaft & companion flange complement mounting surfaces.



5. Install output shaft & companion flange complement in transmission assembly.



ON-VEHICLE SERVICE

6. Tighten output shaft & companion flange complement mounting bolts to specified torque.

CAUTION:

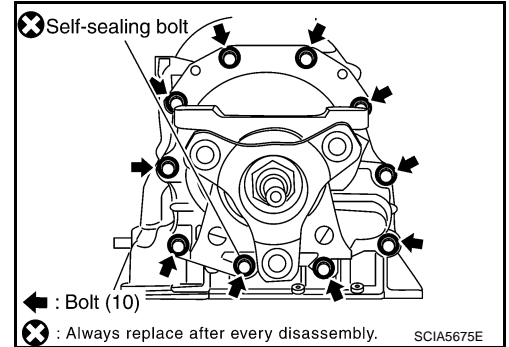
Do not reuse self-sealing bolt.

Rear extension assembly mounting bolt

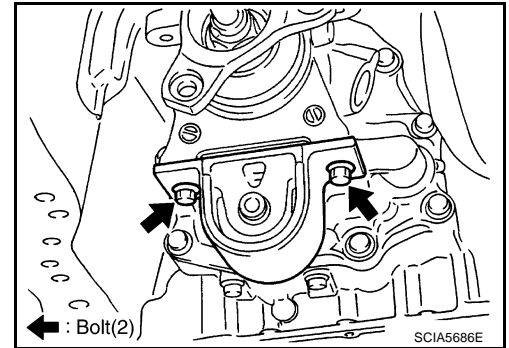
 : 52 N·m (5.3 Kg-m, 38 ft-lb)

Self-sealing bolt

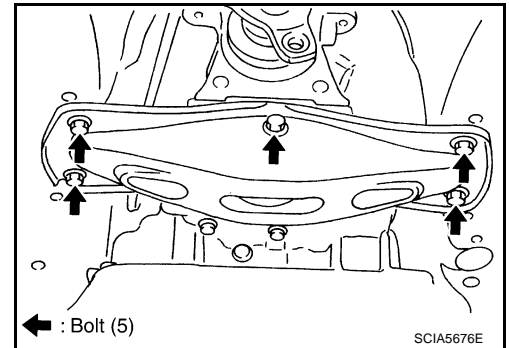
 : 61 N·m (6.2 Kg-m, 45 ft-lb)



7. Install rear engine mounting insulator. Refer to [EM-78, "Removal and Installation"](#).



8. Install engine rear member. Refer to [AT-272, "Removal and Installation"](#).



9. Install oil pan to transmission case.

- a. Install oil pan gasket to oil pan.

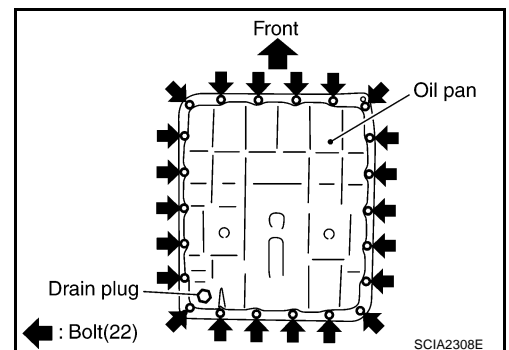
CAUTION:

- Do not reuse oil pan gasket.
- Install it in the direction to align hole positions.
- Complete remove all moisture, oil and old gasket, etc. from oil pan mounting surface.

- b. Install oil pan (with oil pan gasket) to transmission case.

CAUTION:

- Install it so that drain plug comes to the position as shown in the figure.
- Be careful not to pinch harnesses.
- Completely remove all moisture, oil and old gasket, etc. from oil pan mounting surface.



A
B
AT
D
E
F
G
H
I
J
K
L
M

ON-VEHICLE SERVICE

- c. Tighten oil pan mounting bolts to the specified torque in numerical order shown in the figure after temporarily tightening them.

CAUTION:

Do not reuse oil pan mounting bolts.

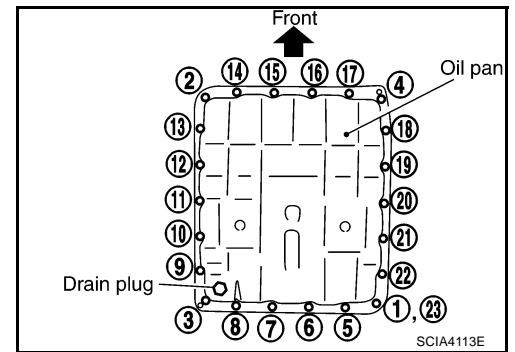
 : 7.9 N·m (0.81 kg-m, 70 in-lb)

10. Install drain plug to oil pan.

CAUTION:

Do not reuse drain plug gasket.

 : 34 N·m (3.5 kg-m, 25 ft-lb)



11. Install control rod. Refer to [AT-239, "Control Rod Removal and Installation"](#) .
12. Install rear propeller shaft. Refer to [PR-5, "Removal and Installation"](#) .
13. Install exhaust front tube and center muffler. Refer to [EX-3, "Removal and Installation"](#) .
14. Pour ATF into transmission assembly. Refer to [AT-12, "Changing A/T Fluid"](#) .
15. Connect the battery cable to the negative terminal.

AIR BREATHER HOSE

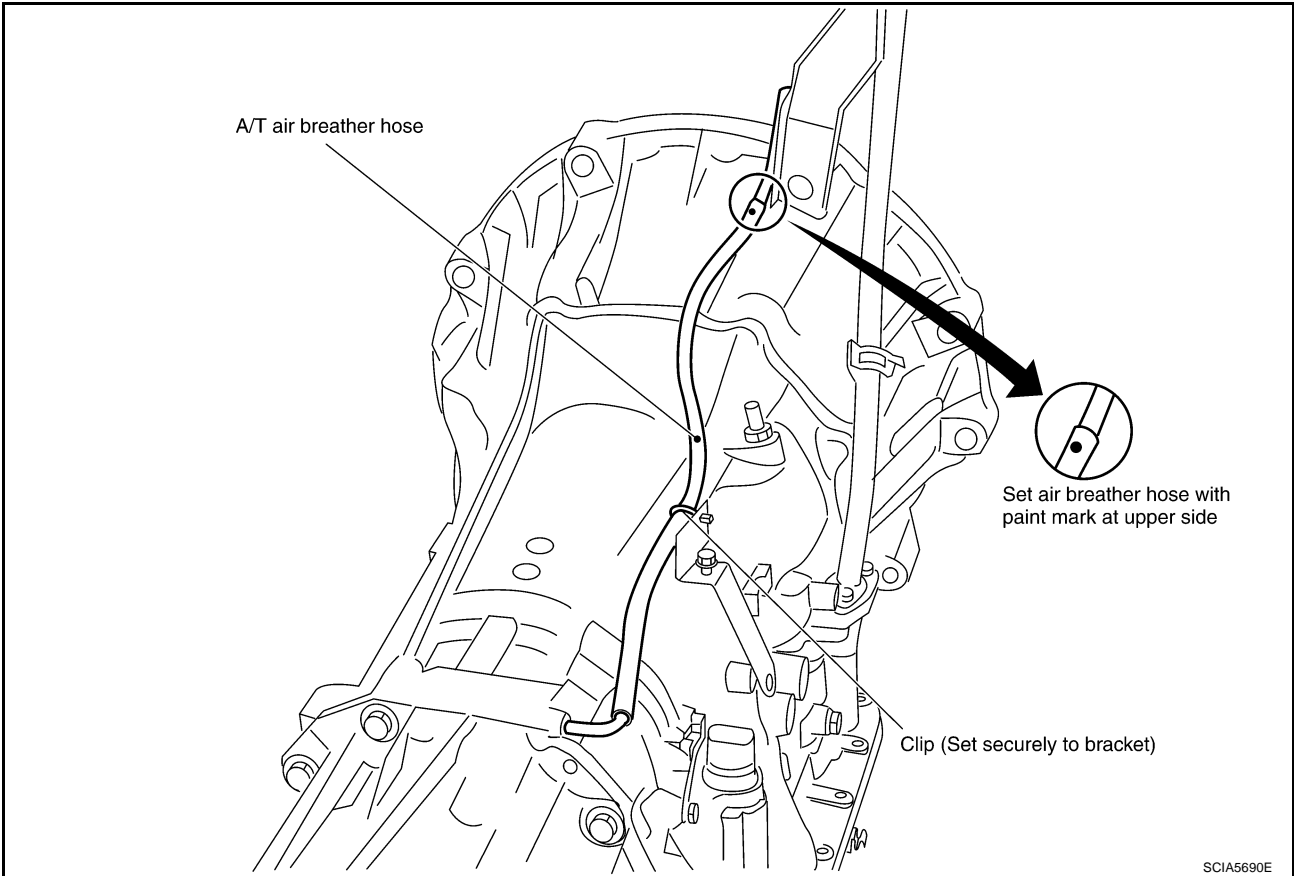
AIR BREATHER HOSE

PF3:31098

Removal and Installation

ECS00E29

Refer to the figure below for air breather hose removal and installation procedure.



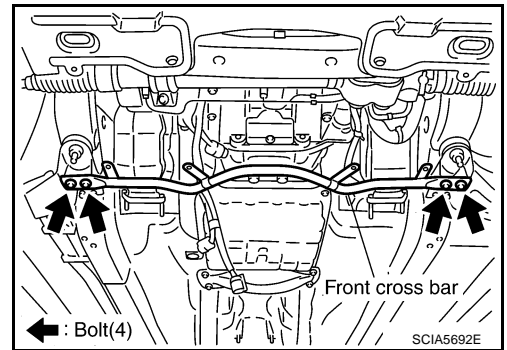
CAUTION:

- When installing an air breather hose, be careful not to be crushed or blocked by folding or bending the hose.
- When inserting a hose to the transmission tube, be sure to insert it fully until its end reaches the tube bend R portion.

A
B
AT
D
E
F
G
H
I
J
K
L
M

TRANSMISSION ASSEMBLY

4. Remove front cross bar. Refer to [FSU-7, "Components"](#) .
5. Remove exhaust front tube and center muffler with a power tool. Refer to [EX-3, "Removal and Installation"](#) .
6. Remove rear propeller shaft. Refer to [PR-5, "Removal and Installation"](#) .
7. Remove control rod. Refer to [AT-239, "Control Rod Removal and Installation"](#) .

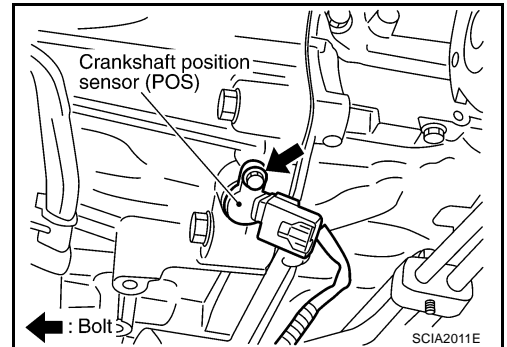


8. Remove crankshaft position sensor (POS) from transmission assembly.

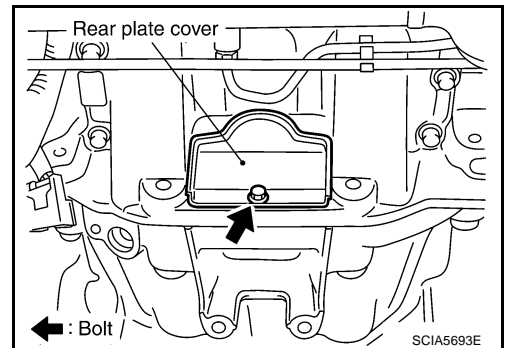
CAUTION:

- Do not subject it to impact by dropping or hitting it.
- Do not disassemble.
- Do not allow metal filings, etc. to get on the sensor's front edge magnetic area.
- Do not place in an area affected by magnetism.

9. Remove fluid cooler tube and bracket.



10. Remove rear plate cover. Refer to [EM-25, "Removal and Installation"](#) .



11. Turn crankshaft, and remove the four tightening bolts for drive plate and torque converter.

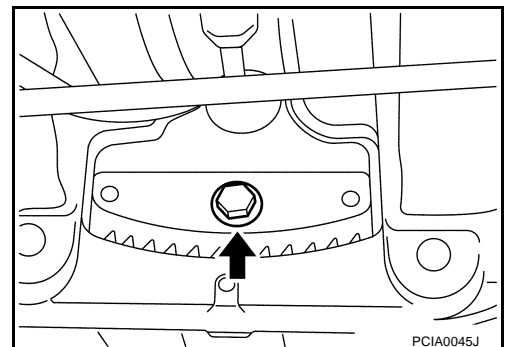
CAUTION:

When turning crankshaft, turn it clockwise as viewed from the front of the engine.

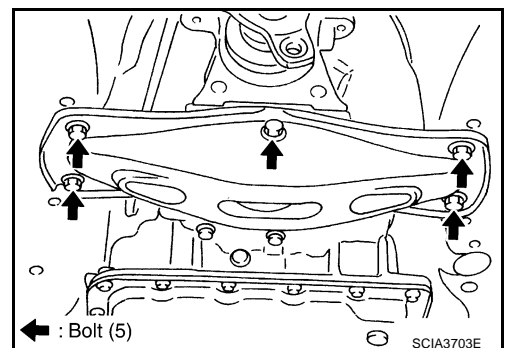
12. Support transmission assembly with a transmission jack.

CAUTION:

When setting the transmission jack, be careful not to allow it to collide against the drain plug.



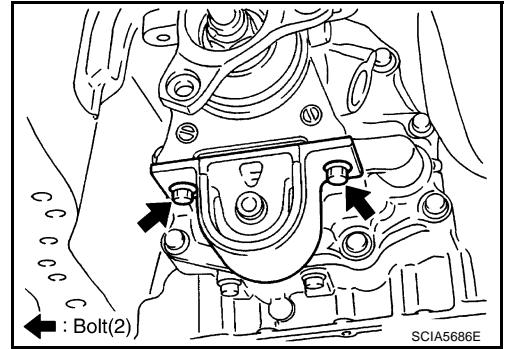
13. Remove engine rear member with a power tool.



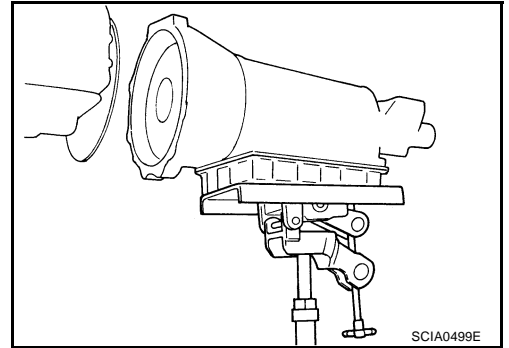
A
B
AT
D
E
F
G
H
I
J
K
L
M

TRANSMISSION ASSEMBLY

14. Remove rear engine mounting insulator.
15. Remove air breather hose. Refer to [AT-271, "Removal and Installation"](#).
16. Disconnect A/T assembly harness connector.
17. Remove A/T fluid charging pipe from transmission assembly.
18. Plug up openings such as the fluid charging pipe hole, etc.
19. Remove bolts fixing transmission assembly to engine assembly with a power tool.



20. Remove transmission assembly from vehicle with a transmission jack.
 - **Secure torque converter to prevent it from dropping.**
 - **Secure transmission assembly to a transmission jack.**

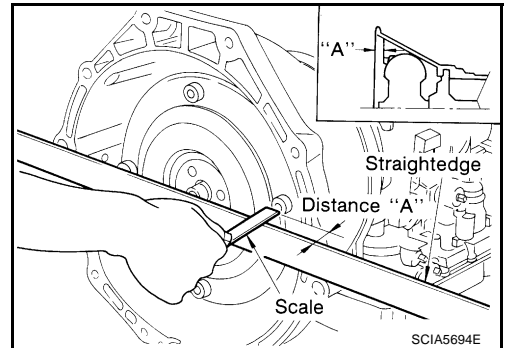


INSPECTION

Installation and Inspection of Torque Converter

- After inserting a torque converter to a transmission, be sure to check distance "A" to ensure it is within the reference value limit.

Distance "A": 22.0 mm (0.87 in) or more



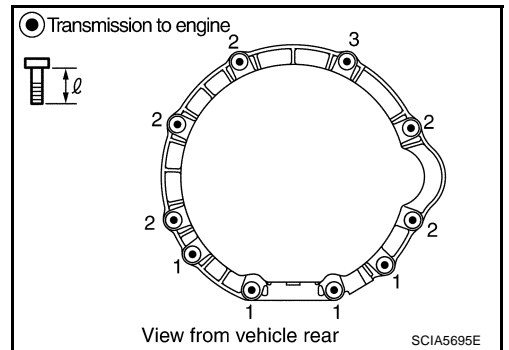
INSTALLATION

Install the removed parts in the reverse order of the removal, while paying attention to the following work.

- When installing transmission assembly to the engine assembly, attach the fixing bolts in accordance with the following standard.

Bolt No.	1	2	3*
Number of bolts	4	5	1
Bolt length "ℓ"mm (in)	65 (2.56)	70 (2.76)	70 (2.76)
Tightening torque N-m (kg-m, ft-lb)	74 (7.5, 55)	114 (12, 84)	

*: Tightening the bolt with A/T fluid charging pipe.

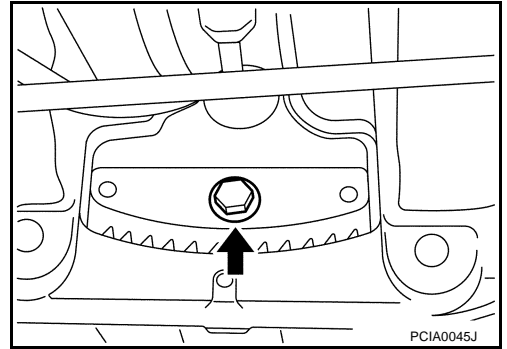


TRANSMISSION ASSEMBLY

- Align the positions of tightening bolts for drive plate with those of the torque converter, and temporarily tighten the bolts. Then, tighten the bolts with the specified torque. Refer to [AT-272, "COMPONENTS"](#).

CAUTION:

- When turning crankshaft, turn it clockwise as viewed from the front of the engine.
- When tightening the tightening bolts for the torque converter after fixing the crankshaft pulley bolts, be sure to confirm the tightening torque of the crankshaft pulley mounting bolts.
- After converter is installed to drive plate, rotate crankshaft several turns and check to be sure that transmission rotates freely without binding.
- Install crankshaft position sensor (POS). Refer to [EM-25, "Removal and Installation"](#).
- After completing installation, check A/T fluid leakage, fluid level, and the A/T positions. Refer to [AT-12, "Changing A/T Fluid"](#), [AT-240, "Adjustment of A/T Position"](#), [AT-240, "Checking of A/T Position"](#).



A

B

AT

D

E

F

G

H

I

J

K

L

M

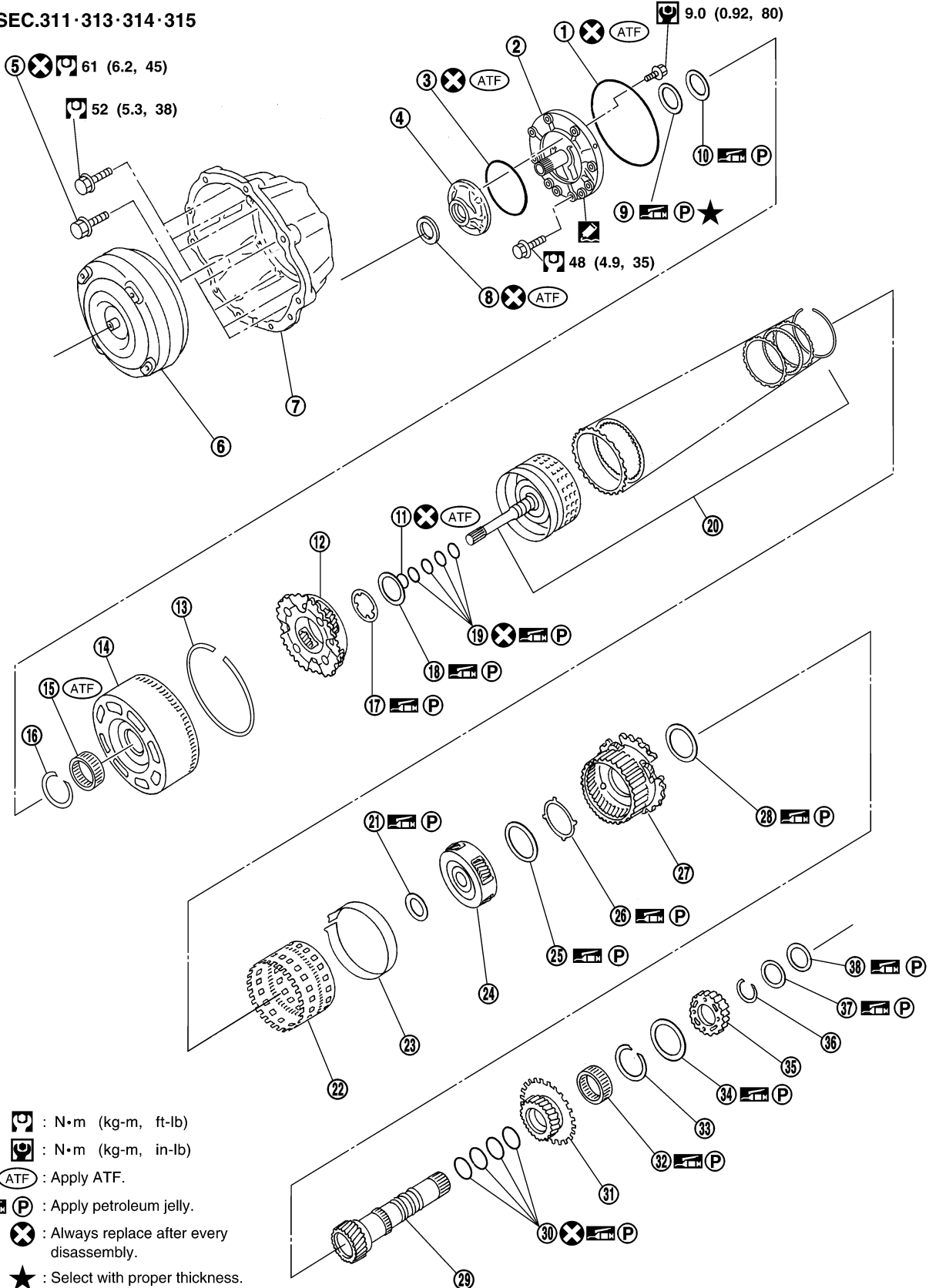
OVERHAUL

PFP:00000

ECS00E2C

OVERHAUL Components

SEC.311·313·314·315



- : N·m (kg-m, ft-lb)
- : N·m (kg-m, in-lb)
- ATF : Apply ATF.
- : Apply petroleum jelly.
- : Always replace after every disassembly.
- ★ : Select with proper thickness.
- : Apply Genuine RTV silicone sealant or equivalent. Refer to GI section.

SCIA5696E

OVERHAUL

-
- | | | |
|------------------------|-------------------------------------|----------------------------|
| 1. O-ring | 2. Oil pump cover | 3. O-ring |
| 4. Oil pump housing | 5. Self-sealing bolt | 6. Torque converter |
| 7. Converter housing | 8. Oil pump housing oil seal | 9. Bearing race |
| 10. Needle bearing | 11. O-ring | 12. Front carrier assembly |
| 13. Snap ring | 14. Front sun gear | 15. 3rd one-way clutch |
| 16. Snap ring | 17. Bearing race | 18. Needle bearing |
| 19. Seal ring | 20. Input clutch assembly | 21. Needle bearing |
| 22. Rear internal gear | 23. Brake band | 24. Mid carrier assembly |
| 25. Needle bearing | 26. Bearing race | 27. Rear carrier assembly |
| 28. Needle bearing | 29. Mid sun gear | 30. Seal ring |
| 31. Rear sun gear | 32. 1st one-way clutch | 33. Snap ring |
| 34. Needle bearing | 35. High and low reverse clutch hub | 36. Snap ring |
| 37. Bearing race | 38. Needle bearing | |

A

B

AT

D

E

F

G

H

I

J

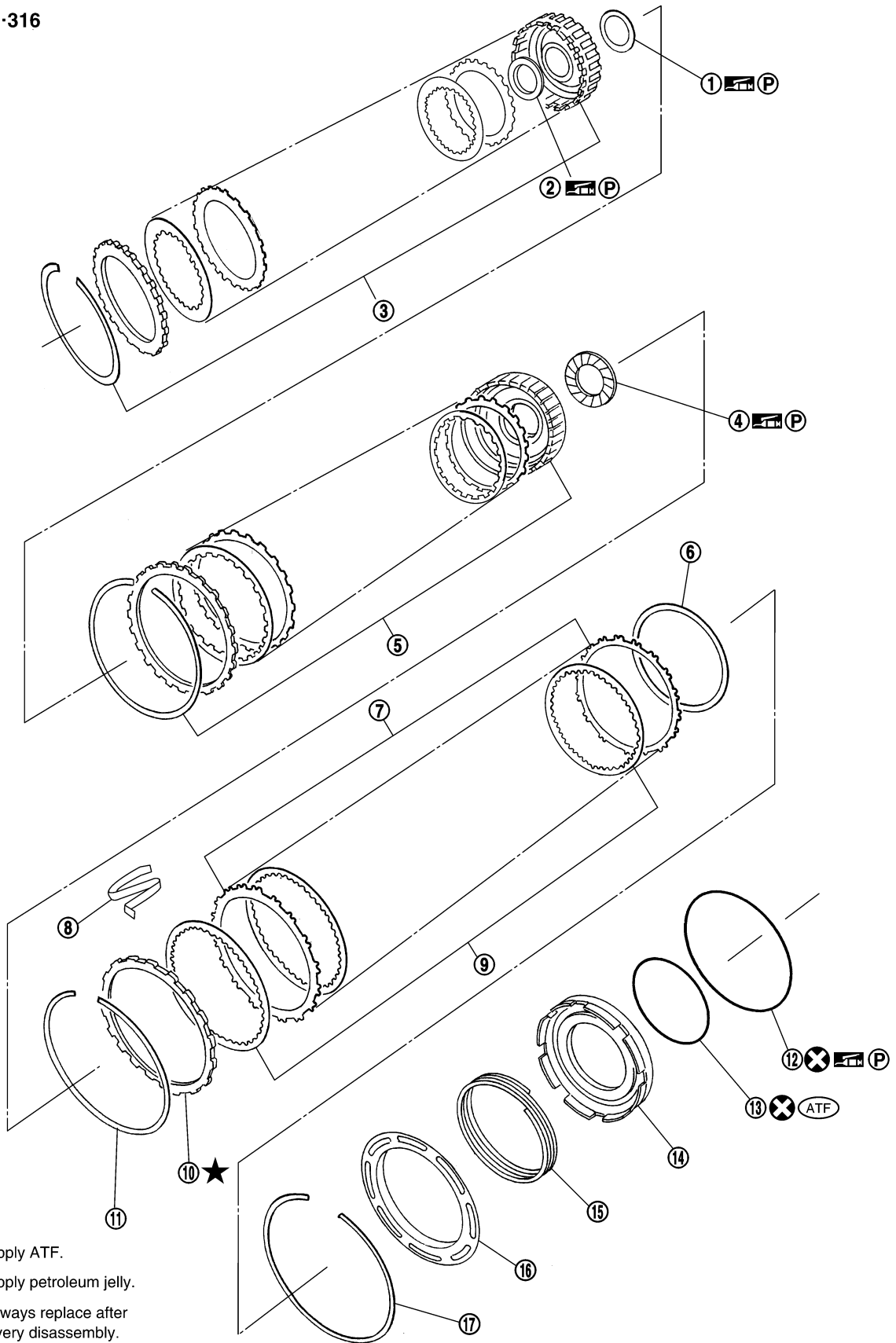
K

L

M

OVERHAUL

SEC.315-316



(ATF) : Apply ATF.

(P) : Apply petroleum jelly.

: Always replace after every disassembly.

: Select with proper thickness.

SCIA5043E

1. Needle bearing

2. Bearing race

3. High and low reverse clutch assembly

4. Needle bearing

5. Direct clutch assembly

6. Reverse brake dish plate

OVERHAUL

-
- | | | |
|-----------------------------------|--------------------------|------------------------------|
| 7. Reverse brake driven plate | 8. N-spring | 9. Reverse brake drive plate |
| 10. Reverse brake retaining plate | 11. Snap ring | 12. Lip seal |
| 13. D-ring | 14. Reverse brake piston | 15. Return spring |
| 16. Spring retainer | 17. Snap ring | |

A

B

AT

D

E

F

G

H

I

J

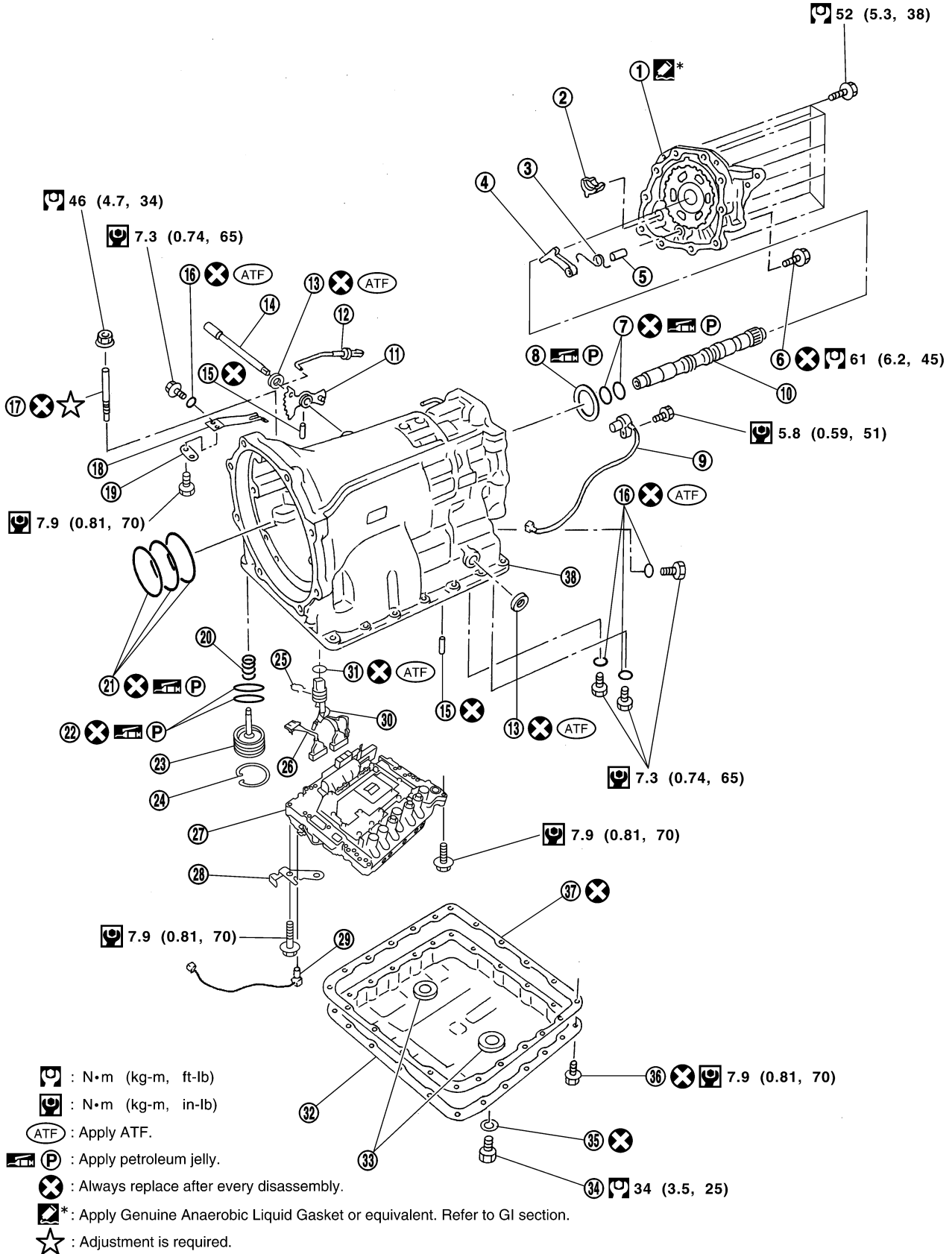
K

L

M

OVERHAUL

SEC.313·314·315·316·317·319



SCIA5677E

- | | | |
|---|-----------------------------|----------------------|
| 1. Output shaft & companion flange complement | 2. Parking actuator support | 3. Return spring |
| 4. Parking pawl | 5. Pawl shaft | 6. Self-sealing bolt |

OVERHAUL

-
- | | | |
|---------------------------|------------------------------------|----------------------------|
| 7. Seal ring | 8. Needle bearing | 9. Revolution sensor |
| 10. Intermediate shaft | 11. Manual plate | 12. Parking rod |
| 13. Manual shaft oil seal | 14. Manual shaft | 15. Retaining pin |
| 16. O-ring | 17. Band servo anchor end pin | 18. Detent spring |
| 19. Spacer | 20. Return spring | 21. Seal ring |
| 22. O-ring | 23. Servo assembly | 24. Snap ring |
| 25. Snap ring | 26. Sub-harness | 27. Control valve with TCM |
| 28. Bracket | 29. A/T fluid temperature sensor 2 | 30. Terminal cord assembly |
| 31. O-ring | 32. Oil pan | 33. Magnet |
| 34. Drain plug | 35. Drain plug gasket | 36. Oil pan mounting bolt |
| 37. Oil pan gasket | 38. Transmission case | |

A

B

AT

D

E

F

G

H

I

J

K

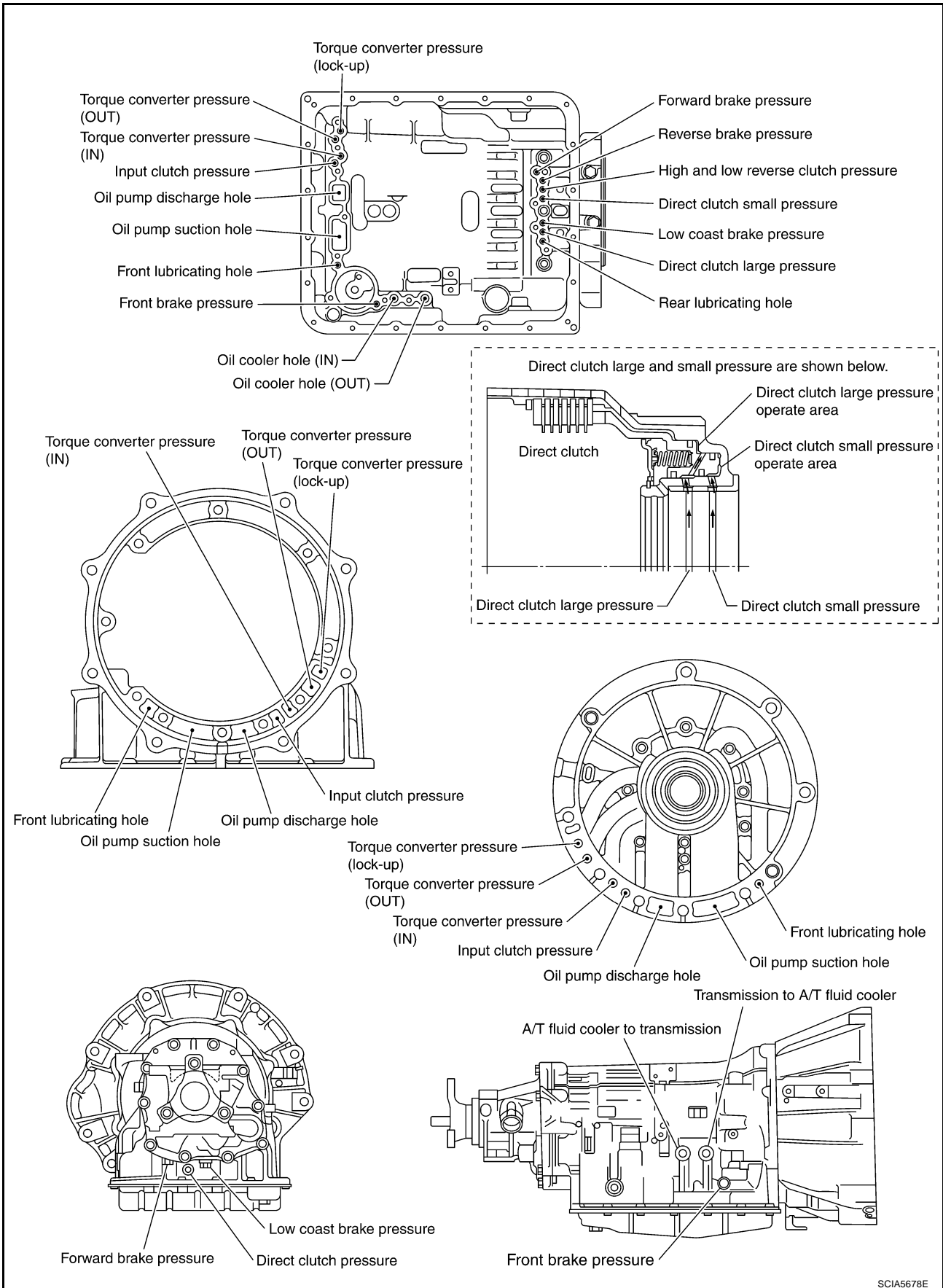
L

M

OVERHAUL

Oil Channel

ECS00E2D

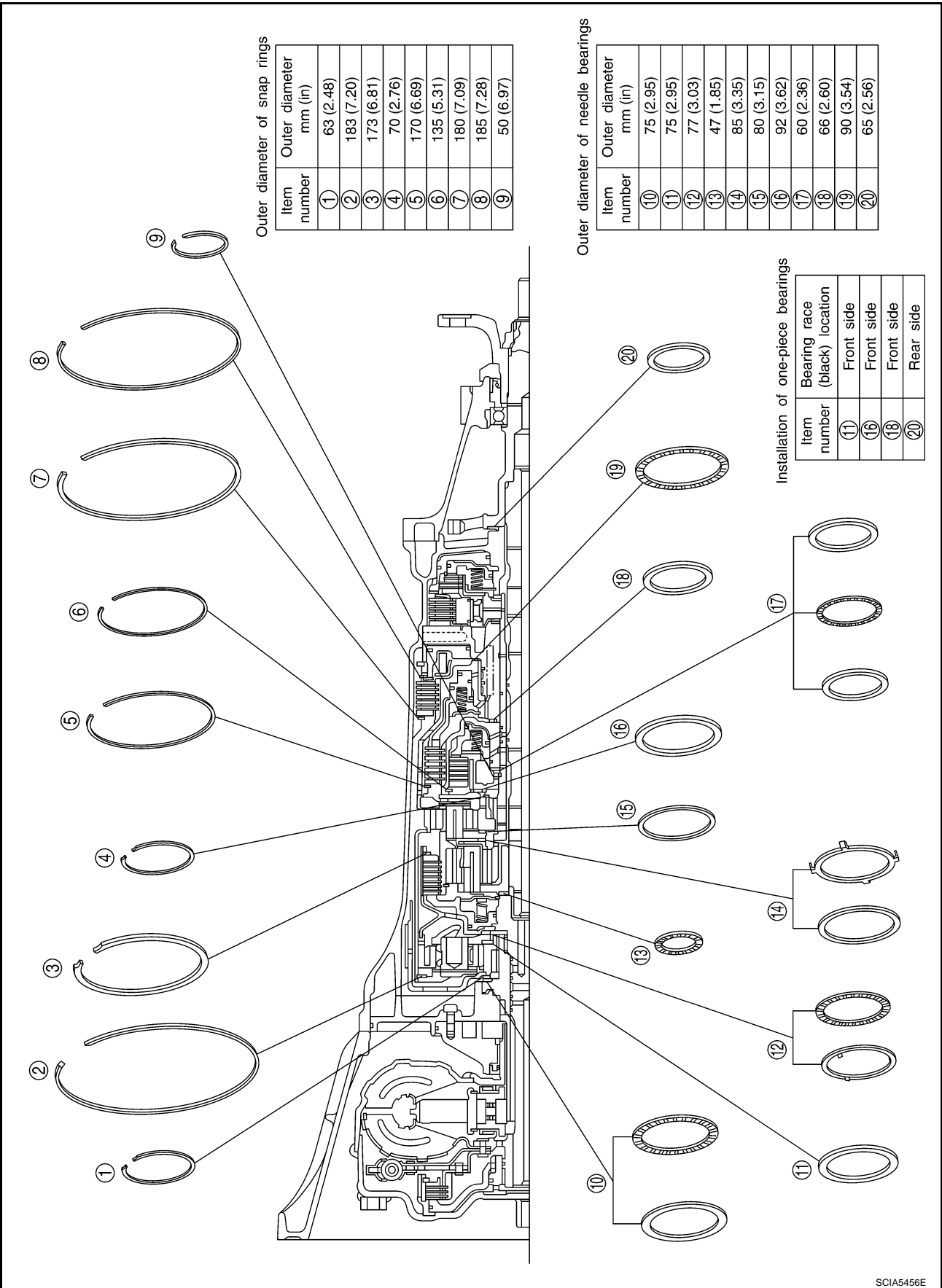


SCIA5678E

OVERHAUL

Locations of Adjusting Shims, Needle Bearings, Thrust Washers and Snap Rings

ECS00E2E



SCIA5456E

A
B
AT
D
E
F
G
H
I
J
K
L
M

DISASSEMBLY

PFP:31020

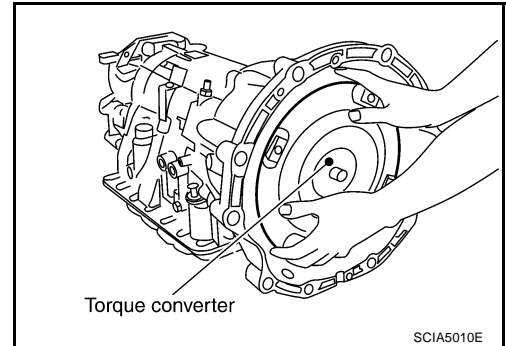
Disassembly

ECS00E2F

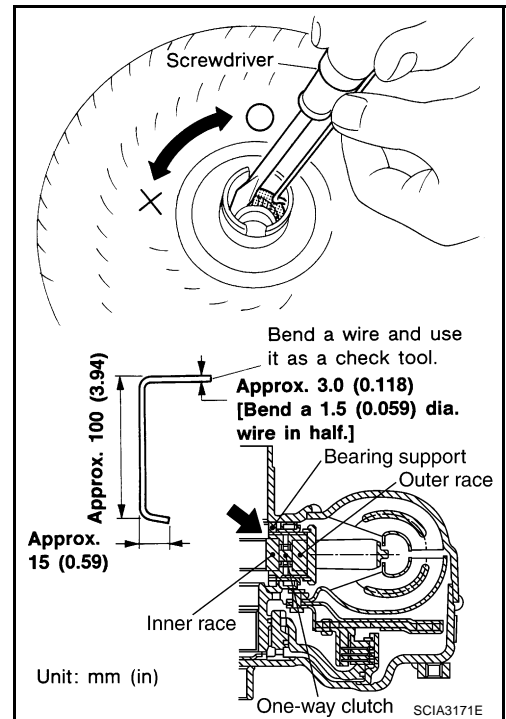
CAUTION:

Do not disassemble parts behind Drum Support. Refer to [AT-18, "Cross-Sectional View"](#) .

1. Drain ATF through drain plug.
2. Remove torque converter by holding it firmly and turing while pulling straight out.



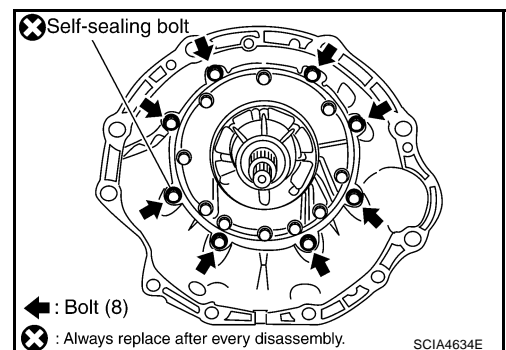
3. Check torque converter one-way clutch using a check tool as shown at figure.
 - a. Insert a check tool into the groove of bearing support built into one-way clutch outer race.
 - b. When fixing bearing support with a check tool, rotate one-way clutch spline using a screwdriver.
 - c. Make sure that inner race rotates clockwise only. If not, replace torque converter assembly.



4. Remove converter housing from transmission case.

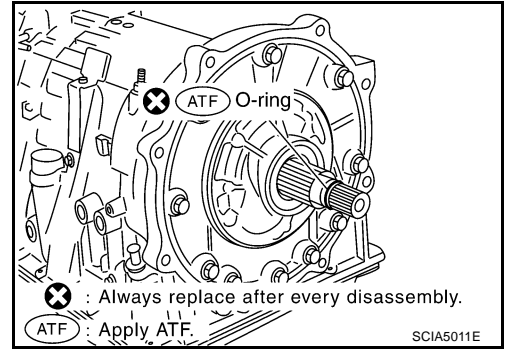
CAUTION:

Be careful not to scratch converter housing.

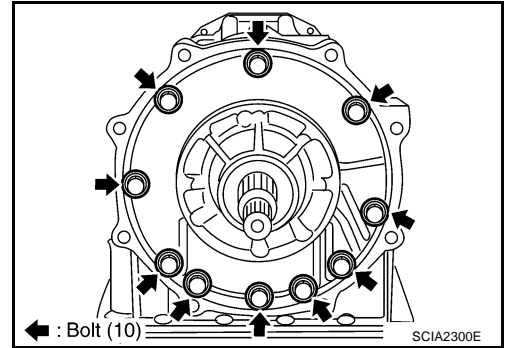


DISASSEMBLY

5. Remove O-ring from input clutch assembly.



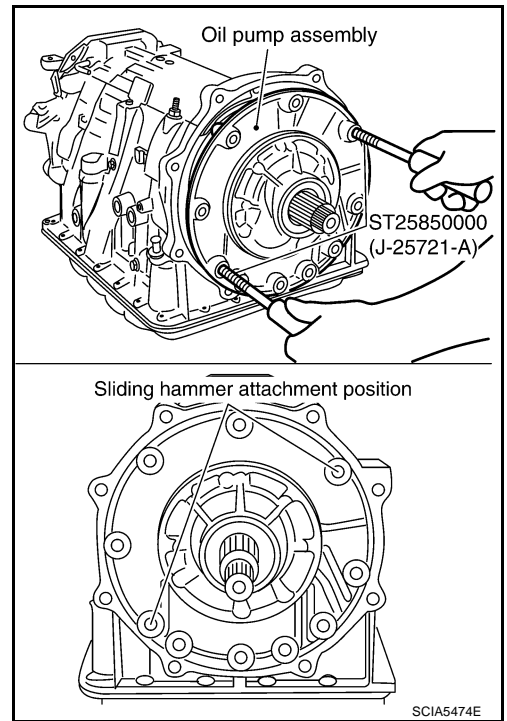
6. Remove tightening bolts for oil pump assembly and transmission case.



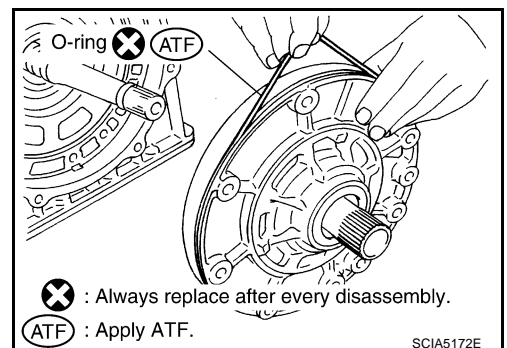
7. Attach the sliding hammers to oil pump assembly and extract it evenly from transmission case.

CAUTION:

- Fully tighten the sliding hammer screws.
- Make sure that bearing race is installed to the oil pump assembly edge surface.



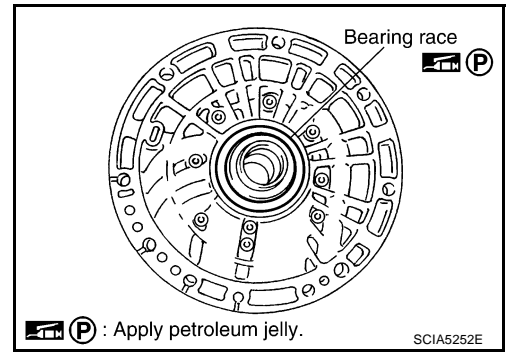
8. Remove O-ring from oil pump assembly.



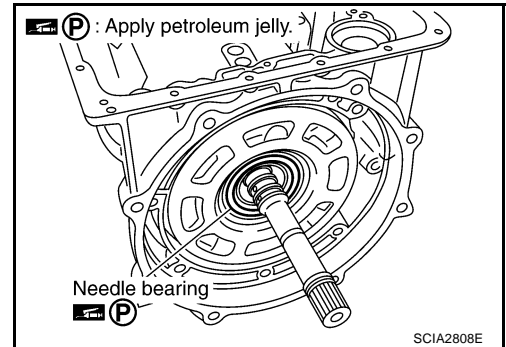
A
B
AT
D
E
F
G
H
I
J
K
L
M

DISASSEMBLY

9. Remove bearing race from oil pump assembly.



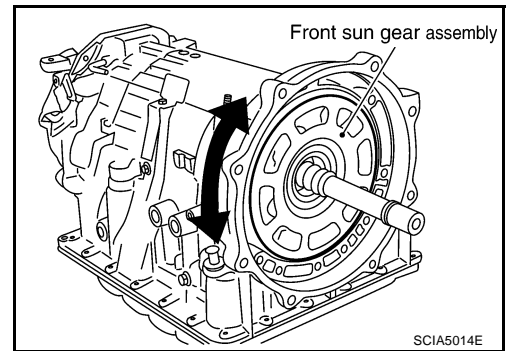
10. Remove needle bearing from front sun gear.



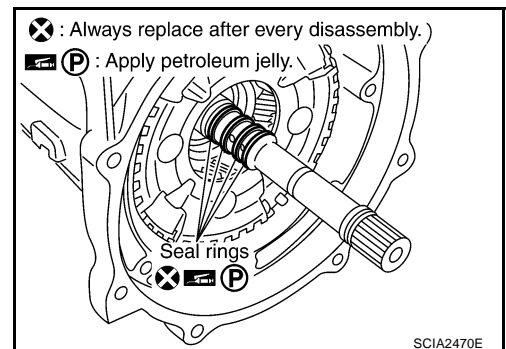
11. Remove front sun gear assembly from front carrier assembly.

NOTE:

Remove front sun gear by rotating left/right.



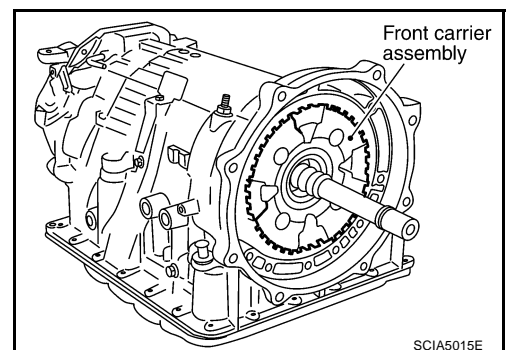
12. Remove seal rings from input clutch assembly.



13. Remove front carrier assembly from rear carrier assembly. (With input clutch assembly and rear internal gear.)

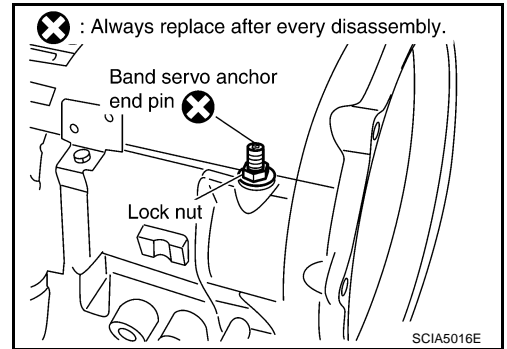
CAUTION:

Be careful to remove it with needle bearing.

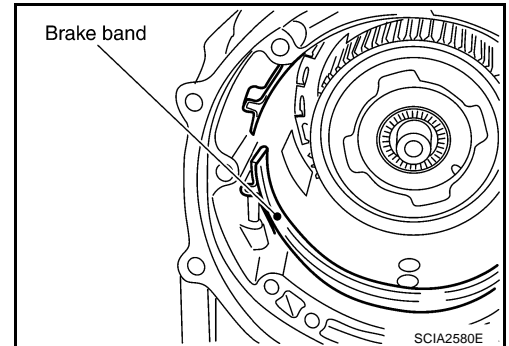


DISASSEMBLY

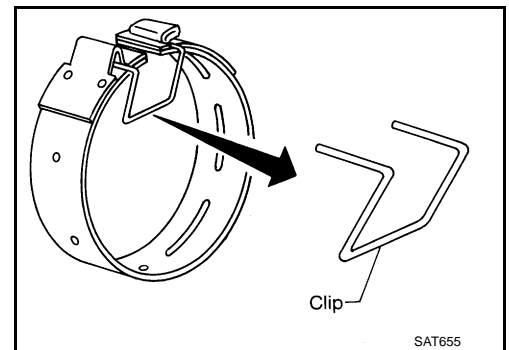
14. Loosen lock nut and remove band servo anchor end pin from transmission case.



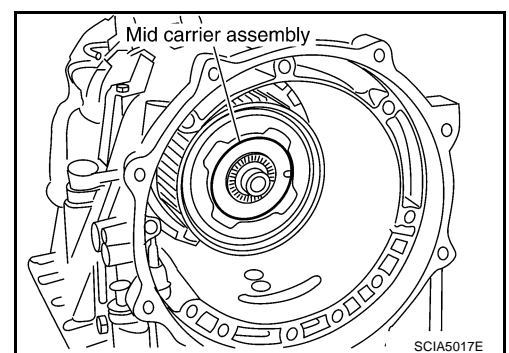
15. Remove brake band from transmission case.



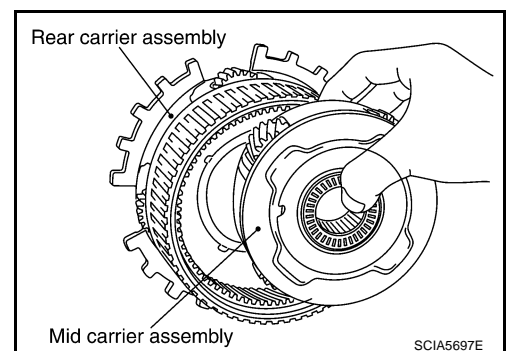
- To prevent brake linings from cracking or peeling, do not stretch the flexible band unnecessarily. When removing the brake band, always secure it with a clip as shown in the figure at right. Leave the clip in position after removing the brake band.
- Check brake band facing for damage, cracks, wear or burns.



16. Remove mid carrier assembly and rear carrier assembly as a unit.



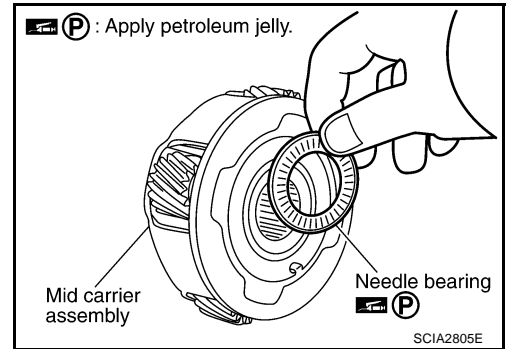
17. Remove mid carrier assembly from rear carrier assembly.



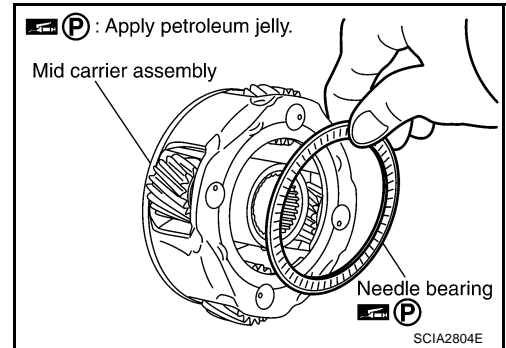
A
B
AT
D
E
F
G
H
I
J
K
L
M

DISASSEMBLY

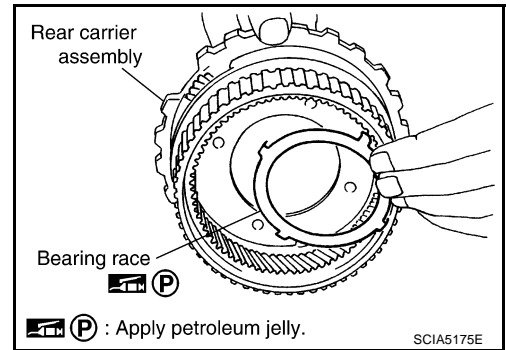
18. Remove needle bearing (front side) from mid carrier assembly.



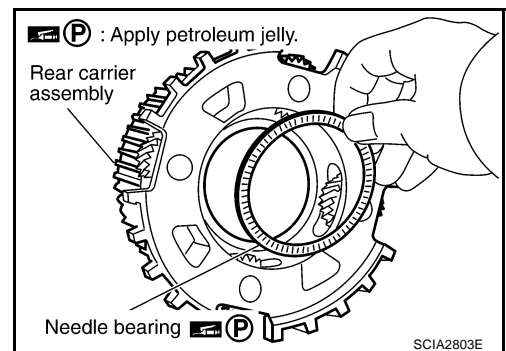
19. Remove needle bearing (rear side) from mid carrier assembly.



20. Remove bearing race from rear carrier assembly.



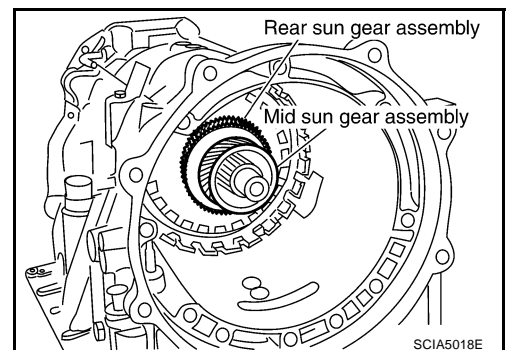
21. Remove needle bearing from rear carrier assembly.



22. Remove mid sun gear assembly, rear sun gear assembly and high and low reverse clutch hub as a unit.

CAUTION:

Be careful to remove them with bearing race and needle bearing.

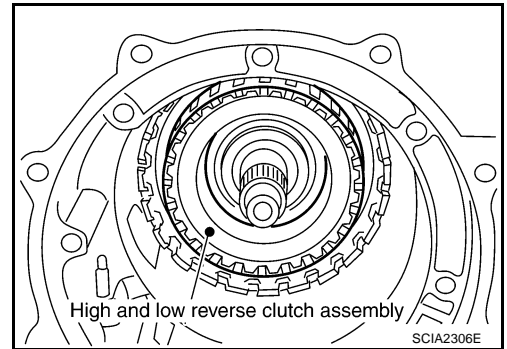


DISASSEMBLY

23. Remove high and low reverse clutch assembly from direct clutch assembly.

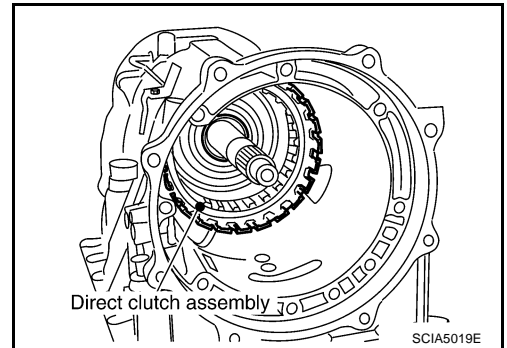
CAUTION:

Make sure that needle bearing is installed to the high and low reverse clutch assembly edge surface.



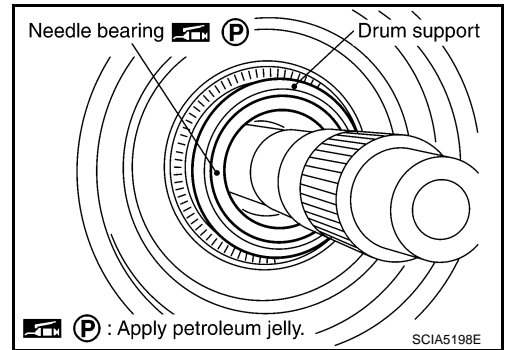
A
B
AT

24. Remove direct clutch assembly from reverse brake.



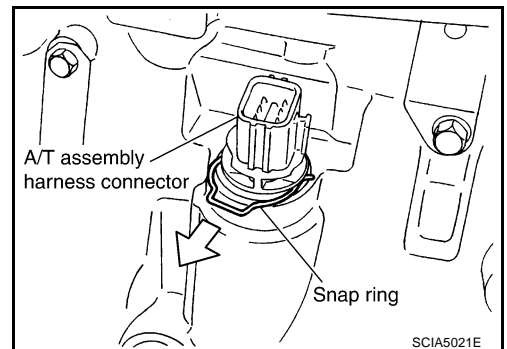
D
E
F
G

25. Remove needle bearing from drum support.



H
I
J
K

26. Remove snap ring from A/T assembly harness connector.

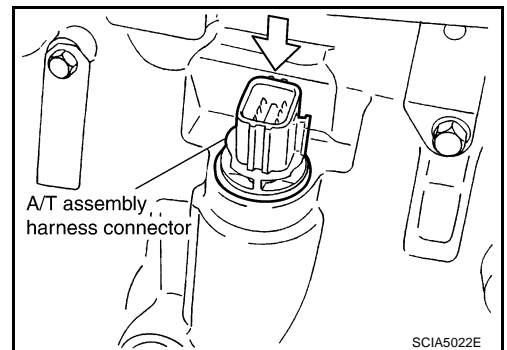


L
M

27. Push A/T assembly harness connector.

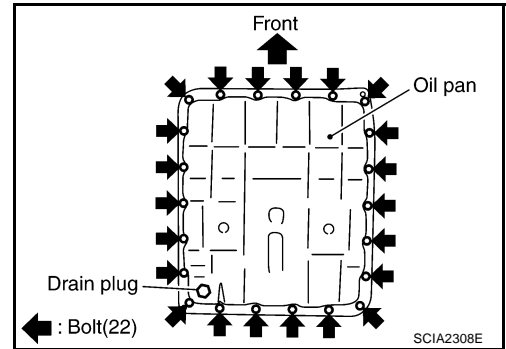
CAUTION:

Be careful not to damage connector.



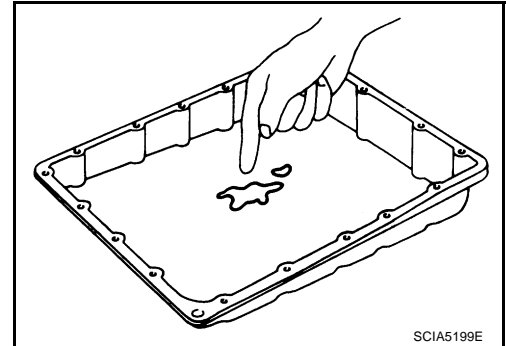
DISASSEMBLY

28. Remove oil pan and oil pan gasket.

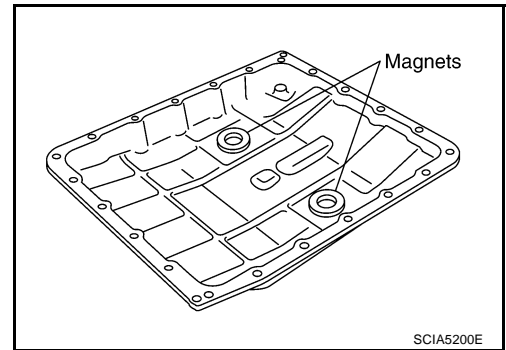


29. Check foreign materials in oil pan to help determine causes of malfunction. If the A/T fluid is very dark, smells burned, or contains foreign particles, the frictional material (clutches, band) may need replacement. A tacky film that will not wipe clean indicates varnish build up. Varnish can cause valves, servo, and clutches to stick and can inhibit pump pressure.

- If frictional material is detected, perform A/T fluid cooler cleaning. Refer to [AT-15, "A/T Fluid Cooler Cleaning"](#).

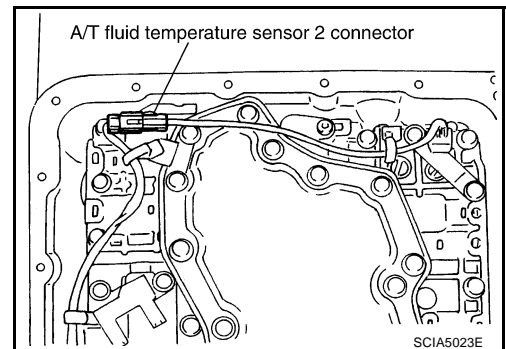


30. Remove magnets from oil pan.

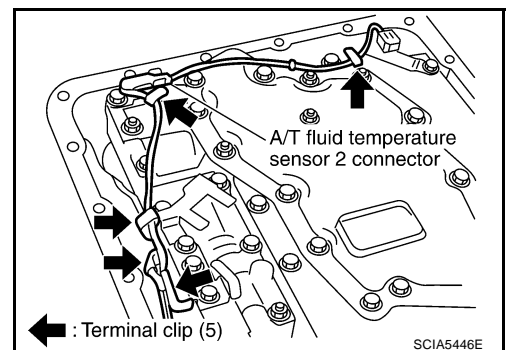


31. Disconnect A/T fluid temperature sensor 2 connector.

- CAUTION:**
Be careful not to damage connector.



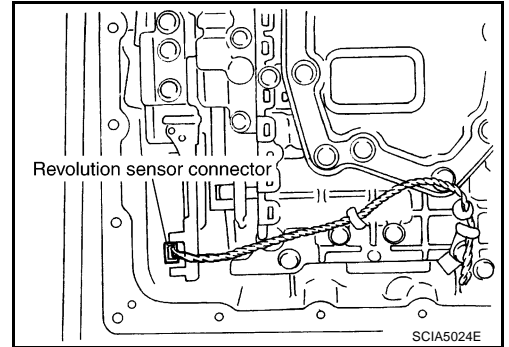
32. Straighten terminal clips to free terminal cord assembly and A/T fluid temperature sensor 2 harness.



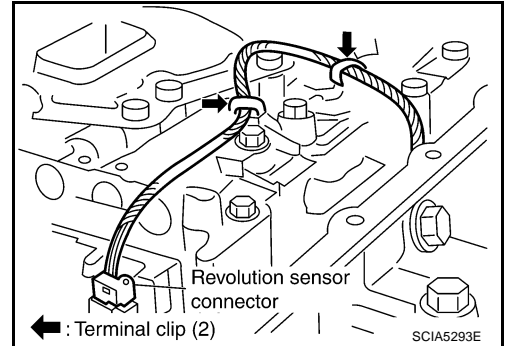
DISASSEMBLY

33. Disconnect revolution sensor connector.

CAUTION:
Be careful not to damage connector.

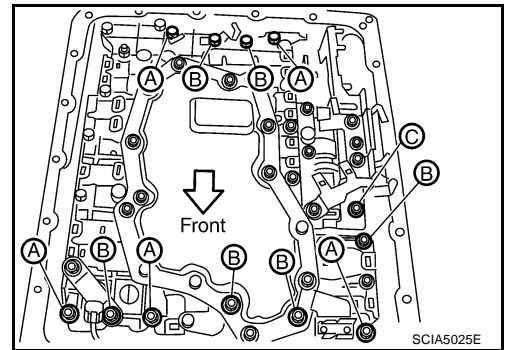


34. Straighten terminal clips to free revolution sensor harness.



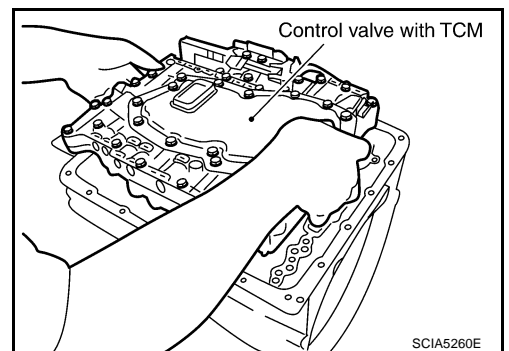
35. Remove bolts A, B and C from control valve with TCM.

Bolt symbol	Length mm (in)	Number of bolts
A	42 (1.65)	5
B	55 (2.17)	6
C	40 (1.57)	1

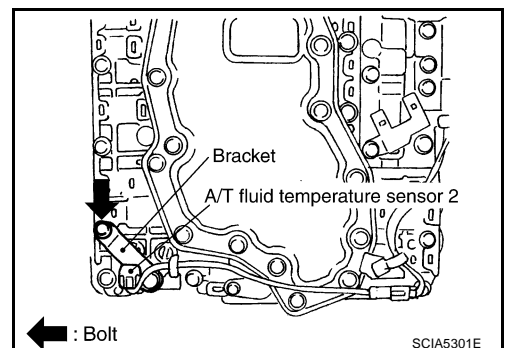


36. Remove control valve with TCM from transmission case.

CAUTION:
When removing, be careful with the manual valve notch and manual plate height. Remove it vertically.



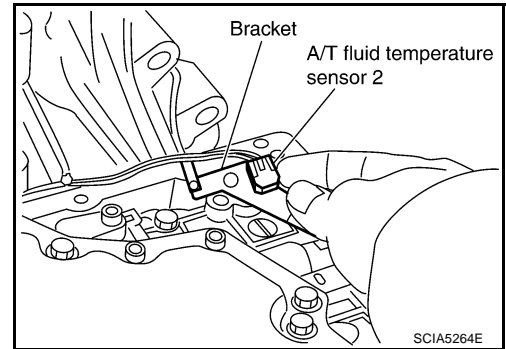
37. Remove A/T fluid temperature sensor 2 with bracket from control valve with TCM.



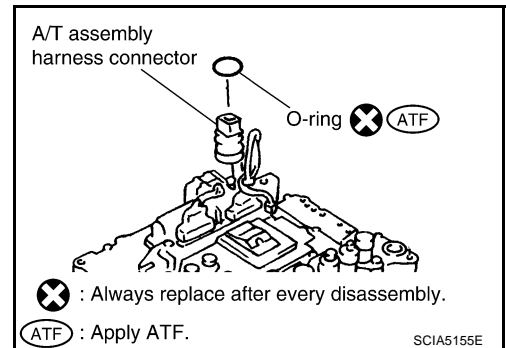
A
B
AT
D
E
F
G
H
I
J
K
L
M

DISASSEMBLY

38. Remove bracket from A/T fluid temperature sensor 2.

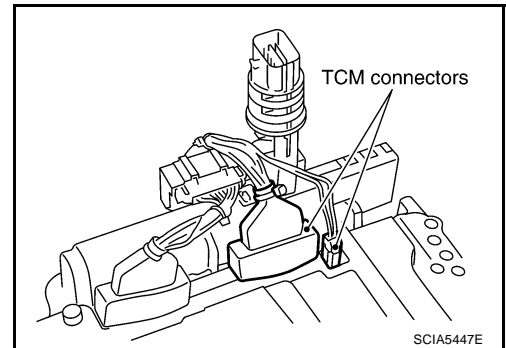


39. Remove O-ring from A/T assembly harness connector.

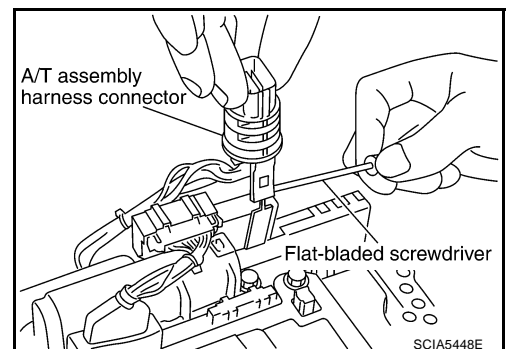


40. Disconnect TCM connectors.

CAUTION:
Be careful not to damage connectors.

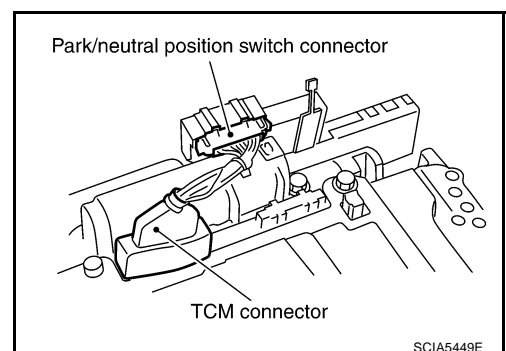


41. Remove A/T assembly harness connector from control valve with TCM using a flat-bladed screwdriver.



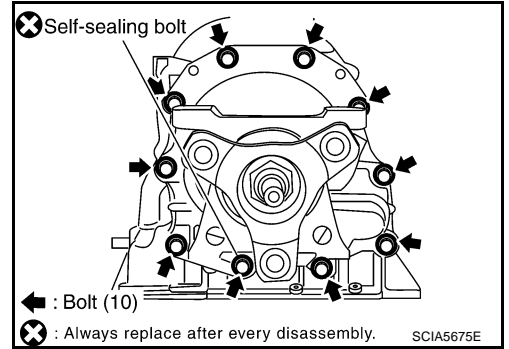
42. Disconnect TCM connector and park/neutral position switch connector.

CAUTION:
Be careful not to damage connectors.



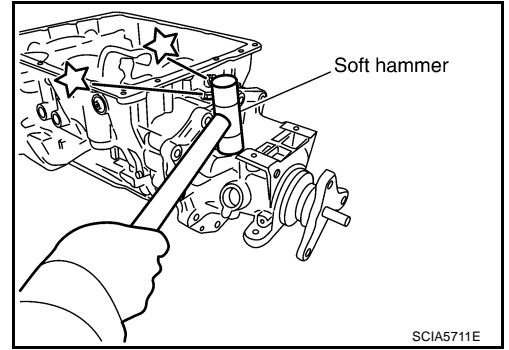
DISASSEMBLY

43. Remove tightening bolts for output shaft & companion flange complement and transmission case.



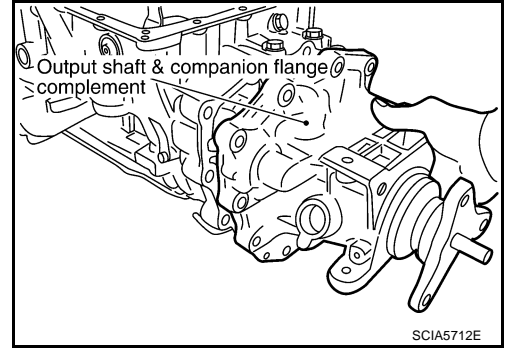
A
B
AT

44. Tap output shaft & companion flange complement with a soft hammer.



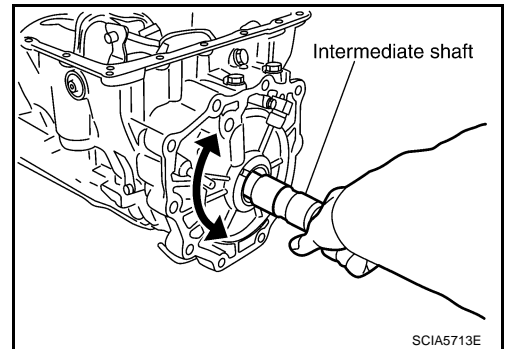
D
E
F
G

45. Remove output shaft & companion flange complement from transmission case.



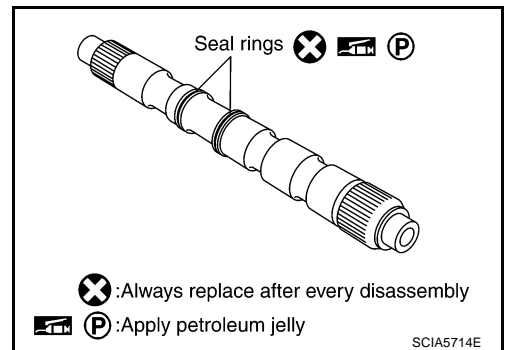
H
I
J
K

46. Remove intermediate shaft from transmission case by rotating left/right.



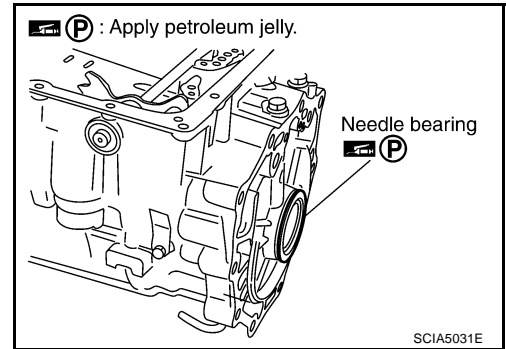
L
M

47. Remove seal rings from intermediate shaft.



DISASSEMBLY

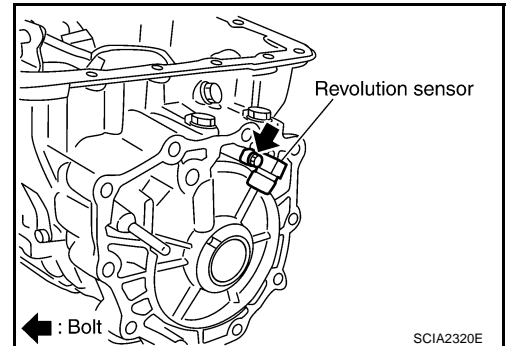
48. Remove needle bearing from transmission case.



49. Remove revolution sensor from transmission case.

CAUTION:

- Do not subject it to impact by dropping or hitting it.
- Do not disassemble.
- Do not allow metal filings, etc. to get on the sensor's front edge magnetic area.
- Do not place in an area affected by magnetism.

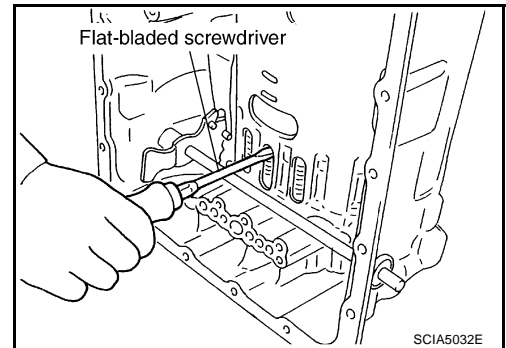


50. Remove reverse brake snap ring (fixing plate) using 2 flat-bladed screwdrivers.

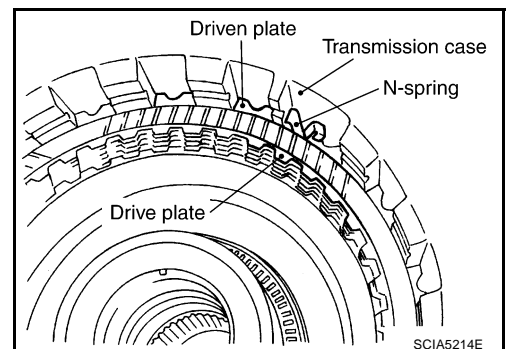
NOTE:

Press out snap ring from the transmission case oil pan side gap using a flat-bladed screwdriver, and remove it using a another screwdriver.

51. Remove reverse brake retaining plate from transmission case.

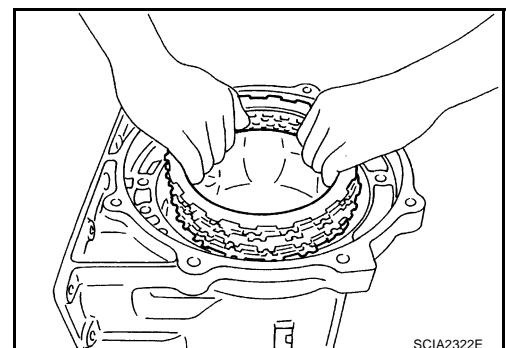


52. Remove N-spring from transmission case.



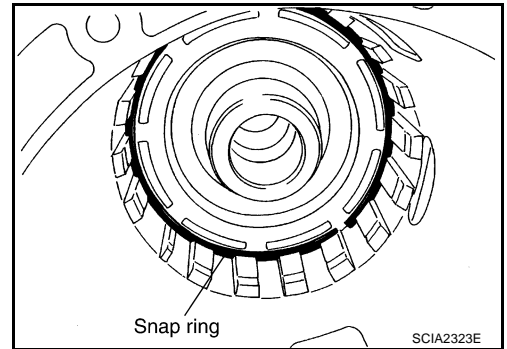
53. Remove reverse brake drive plates, driven plates and dish plate from transmission case.

- Check facing for burns, cracks or damage. If necessary, replace the plate.

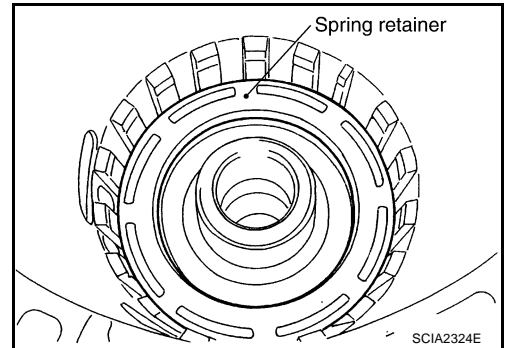


DISASSEMBLY

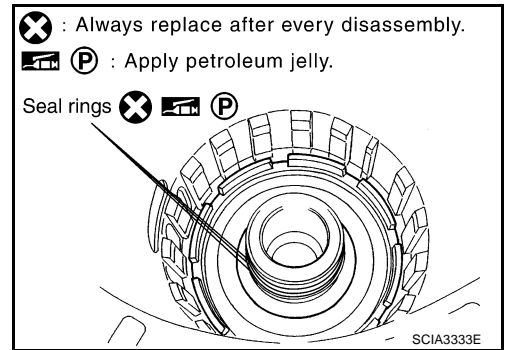
54. Remove snap ring (fixing spring retainer) using a flat-bladed screwdriver.



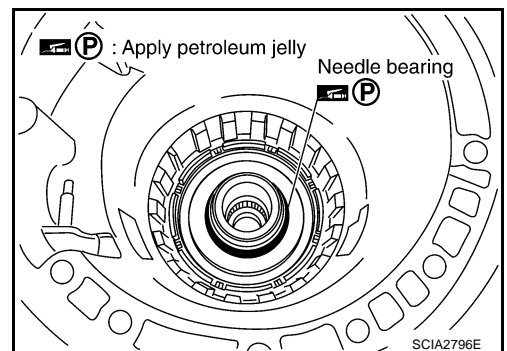
55. Remove spring retainer and return spring from transmission case.



56. Remove seal rings from drum support.



57. Remove needle bearing from drum support edge surface.



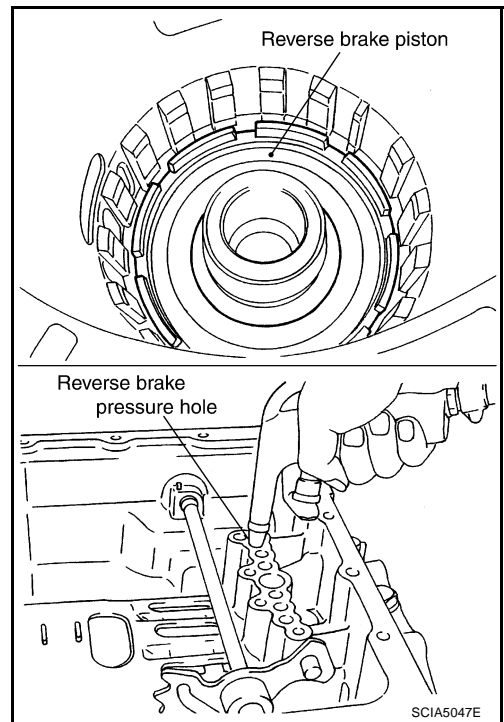
A
B
AT
D
E
F
G
H
I
J
K
L
M

DISASSEMBLY

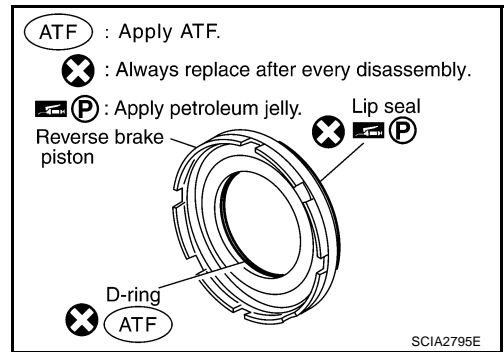
58. Remove reverse brake piston from transmission case with compressed air. Refer to [AT-282, "Oil Channel"](#).

CAUTION:

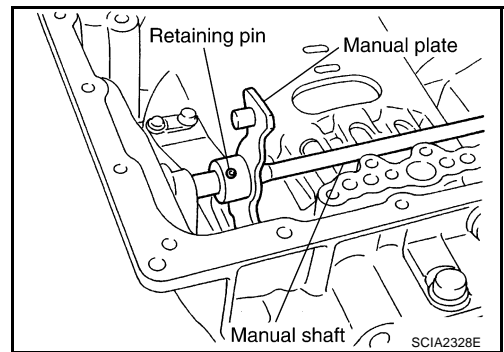
Care should be taken not to abruptly blow air. It makes pistons incline, as the result, it becomes hard to disassemble the pistons.



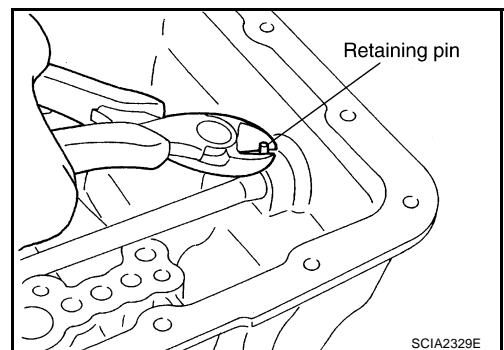
59. Remove lip seal and D-ring from reverse brake piston.



60. Use a pin punch (4mm dia. commercial service tool) to knock out retaining pin.

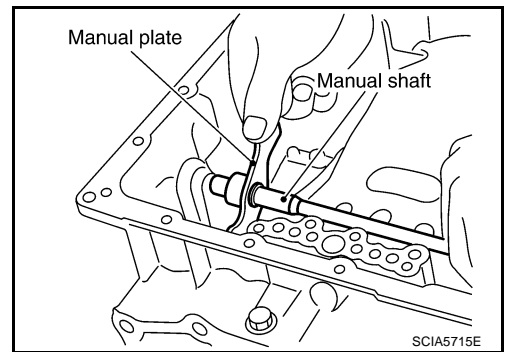


61. Remove manual shaft retaining pin with a pair of nippers.

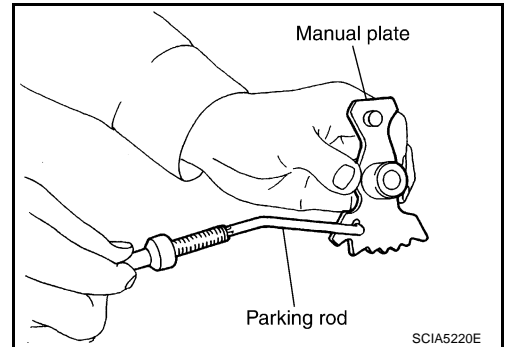


DISASSEMBLY

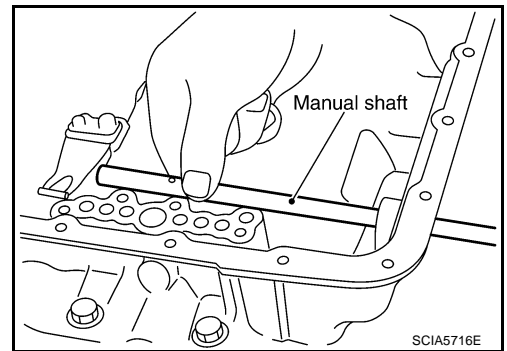
62. Remove manual plate (with parking rod) from manual shaft.



63. Remove parking rod from manual plate.

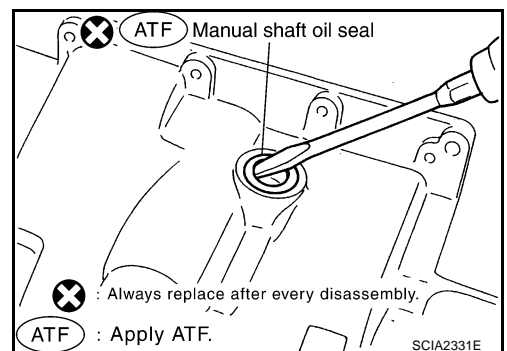


64. Remove manual shaft from transmission case.

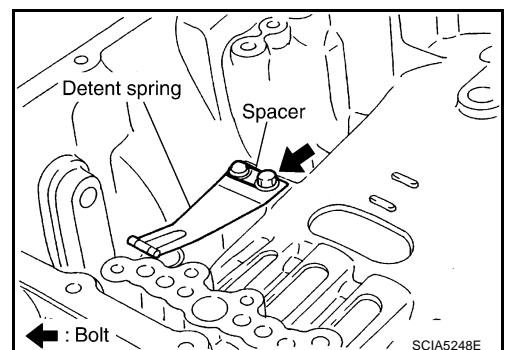


65. Remove manual shaft oil seals using a flat-bladed screwdriver.

CAUTION:
Be careful not to scratch transmission case.



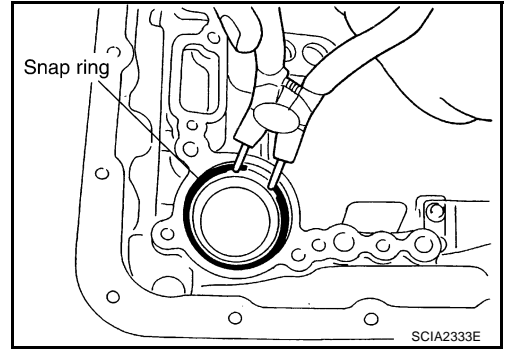
66. Remove detent spring and spacer from transmission case.



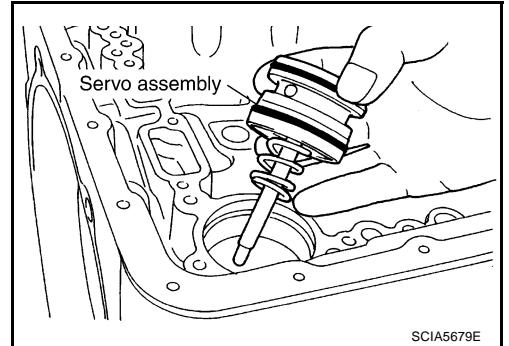
A
B
AT
D
E
F
G
H
I
J
K
L
M

DISASSEMBLY

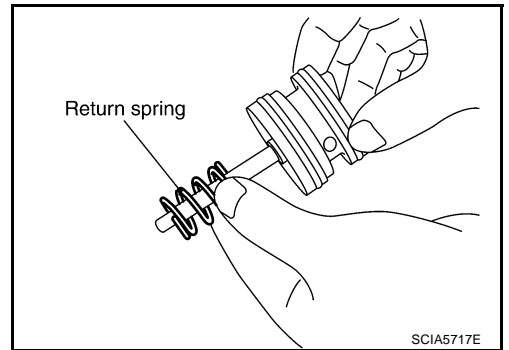
67. Using a pair of snap ring pliers, remove snap ring from transmission case.



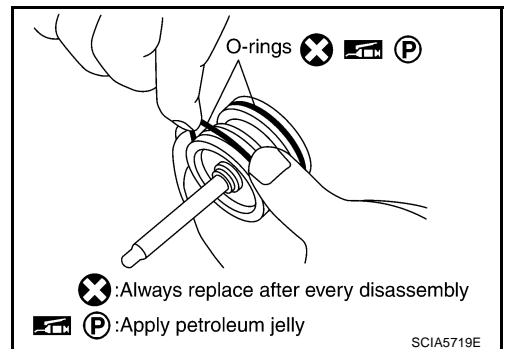
68. Remove servo assembly (with return spring) from transmission case.



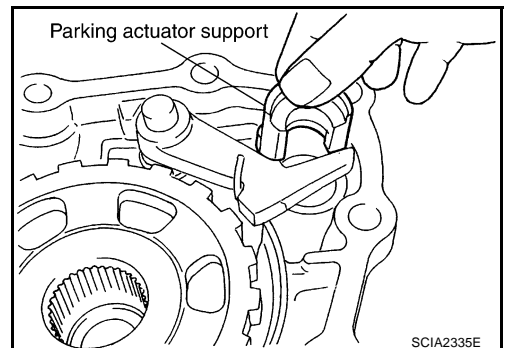
69. Remove return spring from servo assembly.



70. Remove O-rings from servo assembly.

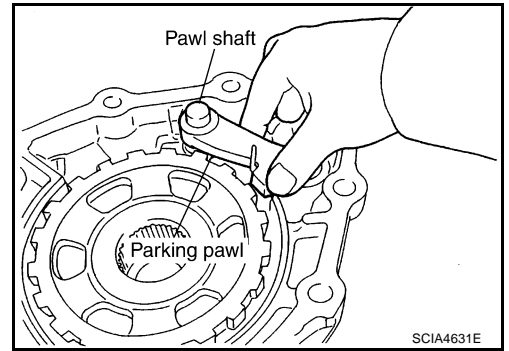


71. Remove parking actuator support from output shaft & companion flange complement.

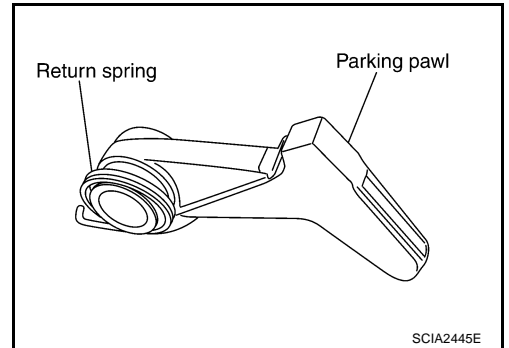


DISASSEMBLY

72. Remove parking pawl, parking pawl shaft and return spring from output shaft & companion flange complement.



73. Remove return spring from parking pawl.



A
B
AT
D
E
F
G
H
I
J
K
L
M

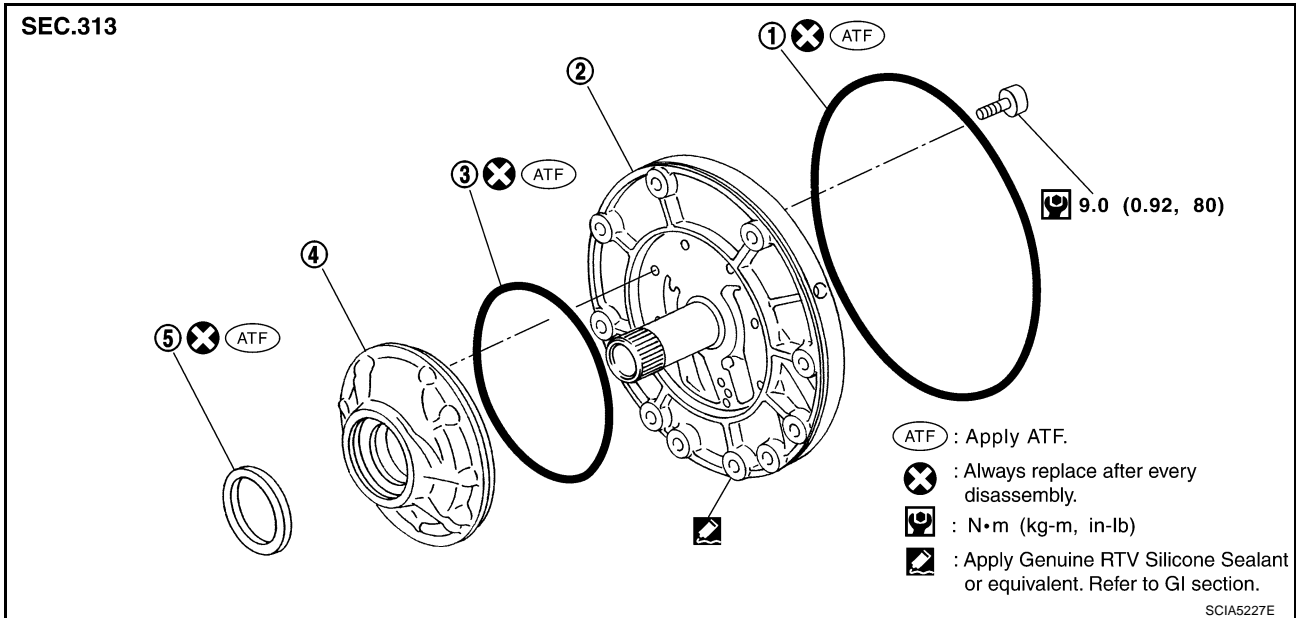
REPAIR FOR COMPONENT PARTS

PFP:00000

ECS00E2G

REPAIR FOR COMPONENT PARTS

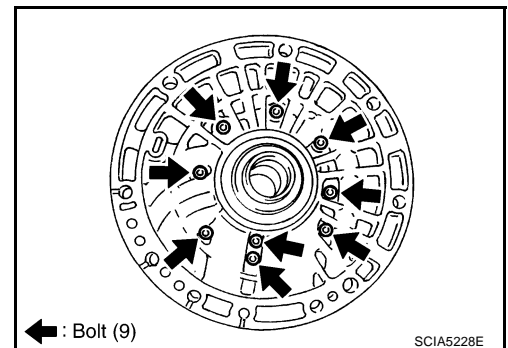
Oil Pump COMPONENTS



1. O-ring
2. Oil pump cover
3. O-ring
4. Oil pump housing
5. Oil pump housing oil seal

DISASSEMBLY

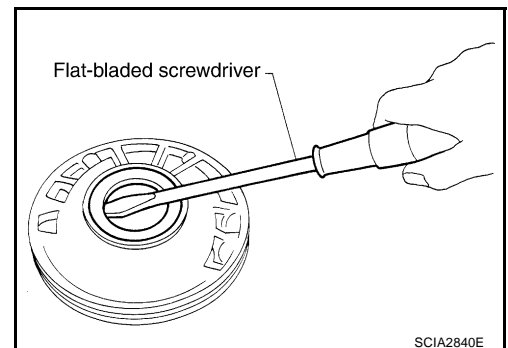
1. Remove oil pump housing from oil pump cover.



2. Remove oil pump housing oil seal using a flat-bladed screwdriver.

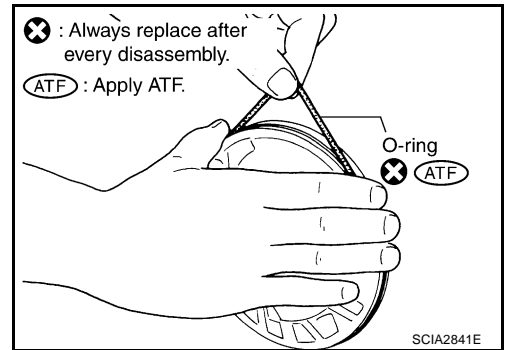
CAUTION:

Be careful not to scratch oil pump housing.

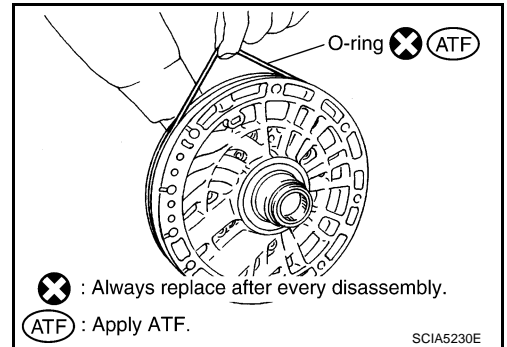


REPAIR FOR COMPONENT PARTS

3. Remove O-ring from oil pump housing.



4. Remove O-ring from oil pump cover.



ASSEMBLY

1. Install O-ring to oil pump cover.

CAUTION:

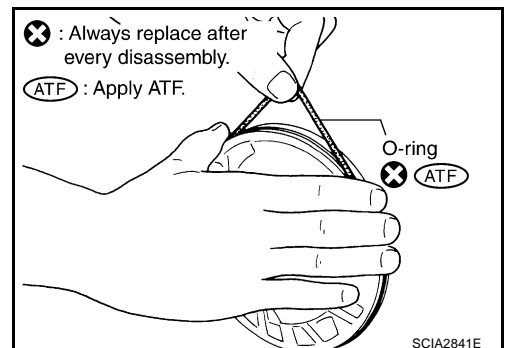
- Do not reuse O-ring.
- Apply ATF to O-ring.



2. Install O-ring to oil pump housing.

CAUTION:

- Do not reuse O-ring.
- Apply ATF to O-ring.



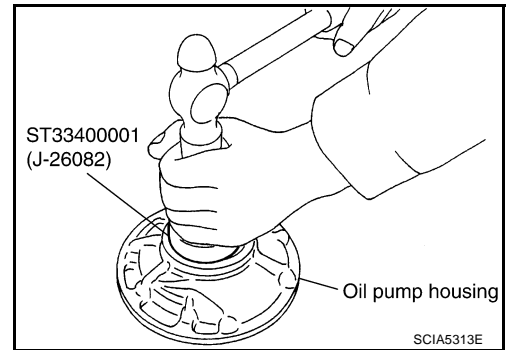
A
B
AT
D
E
F
G
H
I
J
K
L
M

REPAIR FOR COMPONENT PARTS

3. Using the drift, install oil pump housing oil seal to the oil pump housing until it is flush.

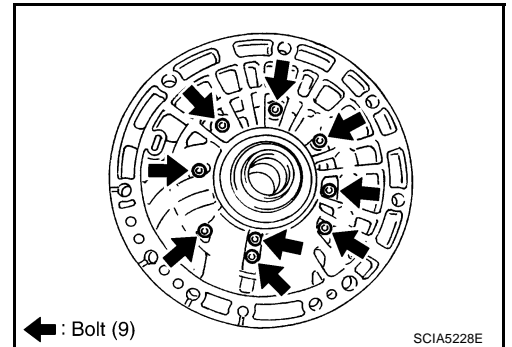
CAUTION:

- Do not reuse oil seal.
- Apply ATF to oil seal.



4. Install oil pump housing to oil pump cover.

 : 9.0 N·m (0.92 kg·m, 80 in·lb.)

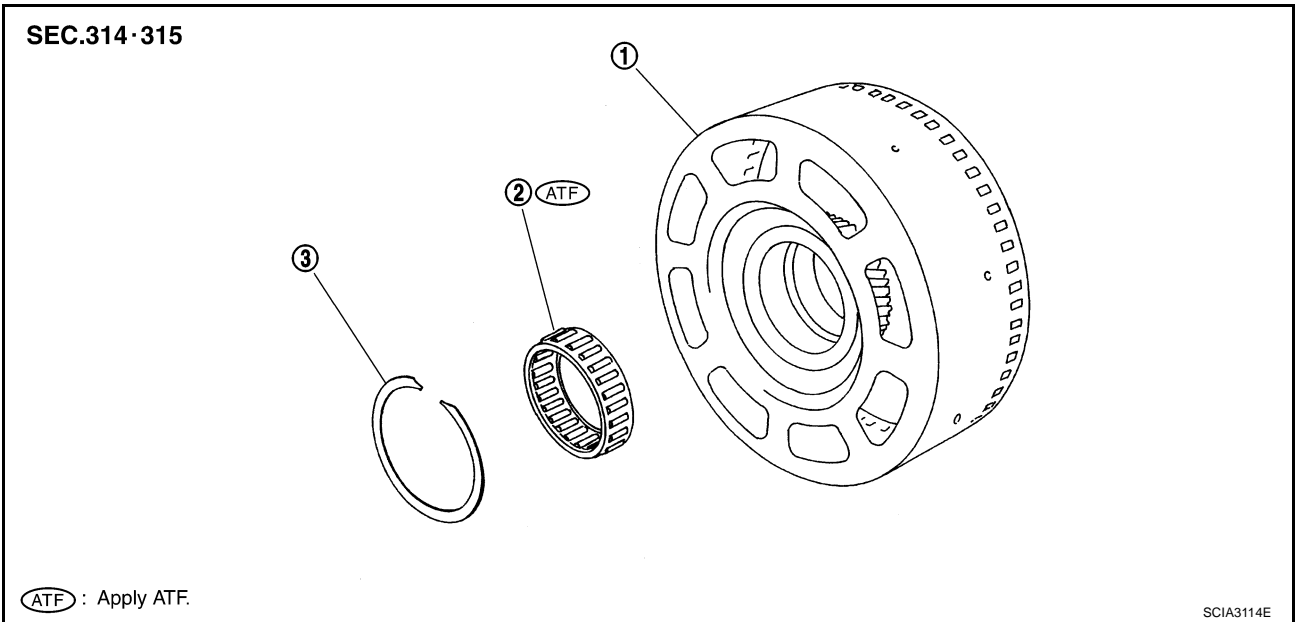


REPAIR FOR COMPONENT PARTS

Front Sun Gear, 3rd One-Way Clutch COMPONENTS

ECS00E2H

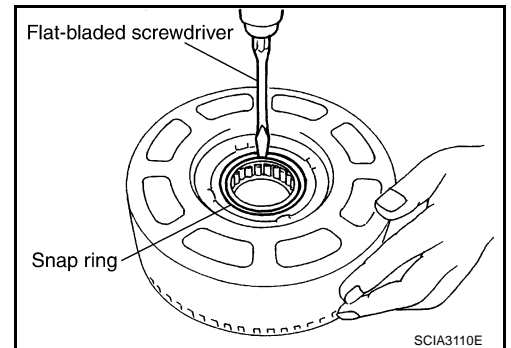
A
B
AT
D
E
F
G
H
I
J
K
L
M



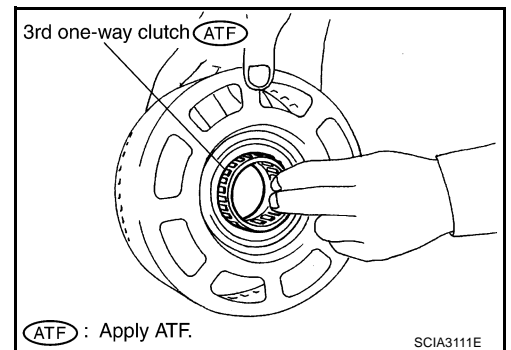
1. Front sun gear
2. 3rd one-way clutch
3. Snap ring

DISASSEMBLY

1. Using a flat-bladed screwdriver, remove snap ring from front sun gear.



2. Remove 3rd one-way clutch from front sun gear.



REPAIR FOR COMPONENT PARTS

INSPECTION

3rd One-way Clutch

- Check frictional surface for wear or damage.

CAUTION:

If necessary, replace the 3rd one-way clutch.

Front Sun Gear Snap Ring

- Check for deformation, fatigue or damage.

CAUTION:

If necessary, replace the snap ring.

Front Sun Gear

- Check for deformation, fatigue or damage.

CAUTION:

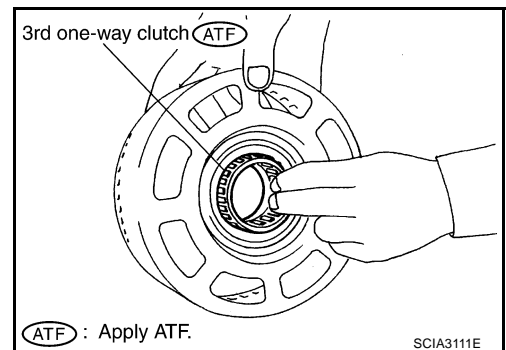
If necessary, replace the front sun gear.

ASSEMBLY

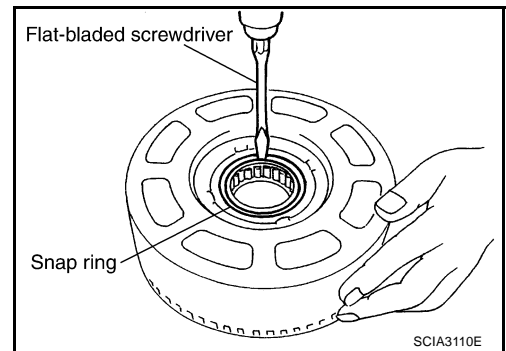
1. Install 3rd one-way clutch in front sun gear.

CAUTION:

Apply ATF to 3rd one-way clutch.



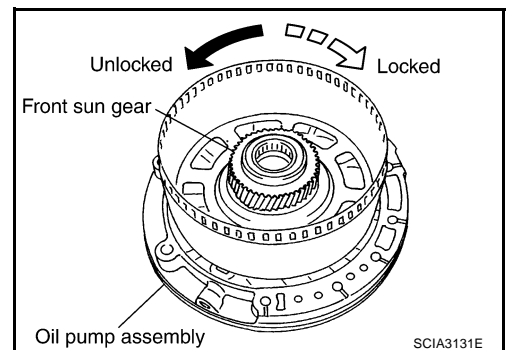
2. Using a flat-bladed screwdriver, install snap ring in front sun gear.



3. Check operation of 3rd one-way clutch.
 - a. Hold oil pump assembly and turn front sun gear.
 - b. Check 3rd one-way clutch for correct locking and unlocking directions.

CAUTION:

If not as shown in figure, check installation direction of 3rd one-way clutch.

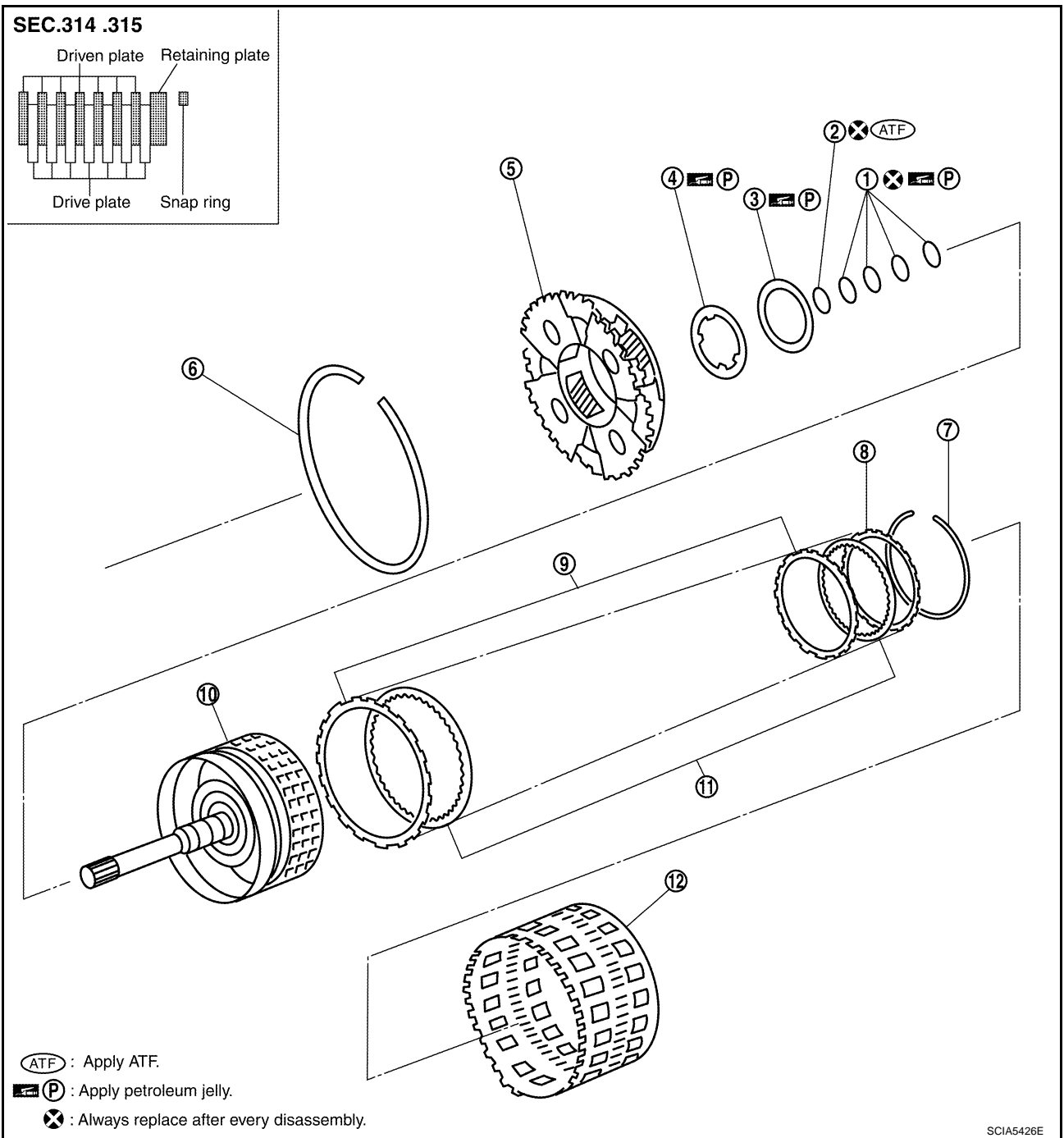
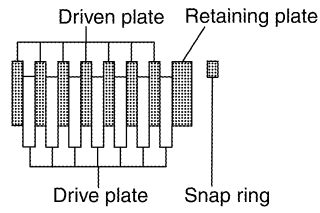


REPAIR FOR COMPONENT PARTS

ECS00E21

Front Carrier, Input Clutch, Rear Internal Gear COMPONENTS

SEC.314 .315



SCIA5426E

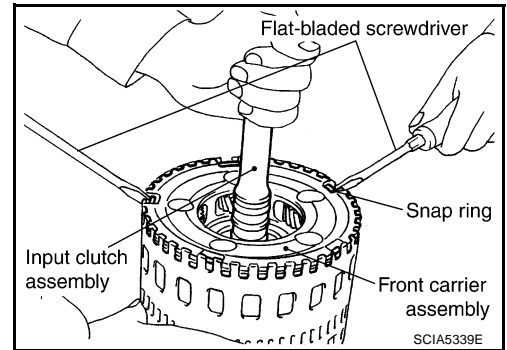
- | | | |
|-----------------------|---------------------------|------------------------|
| 1. Seal ring | 2. O-ring | 3. Needle bearing |
| 4. Bearing race | 5. Front carrier assembly | 6. Snap ring |
| 7. Snap ring | 8. Retaining plate | 9. Driven plate |
| 10. Input clutch drum | 11. Drive plate | 12. Rear internal gear |

A
B
AT
D
E
F
G
H
I
J
K
L
M

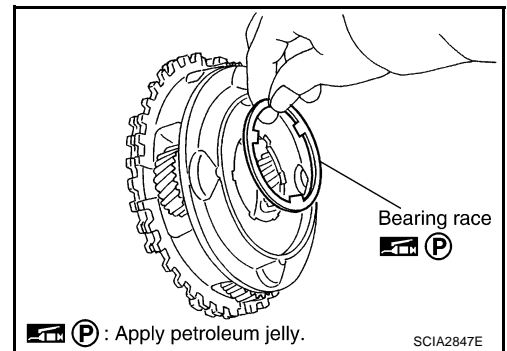
REPAIR FOR COMPONENT PARTS

DISASSEMBLY

1. Compress snap ring using 2 flat-bladed screwdrivers.
2. Remove front carrier assembly and input clutch assembly from rear internal gear.
3. Remove front carrier assembly from input clutch assembly.

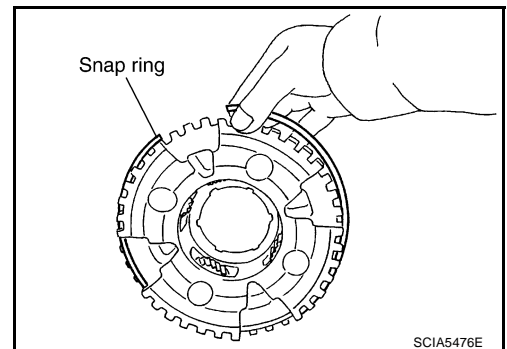


- a. Remove bearing race from front carrier assembly.



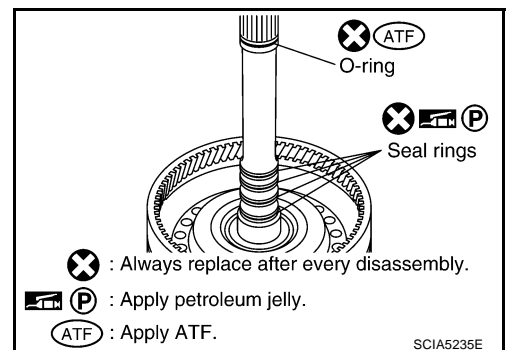
- b. Remove snap ring from front carrier assembly.

CAUTION:
Do not expand snap ring excessively.



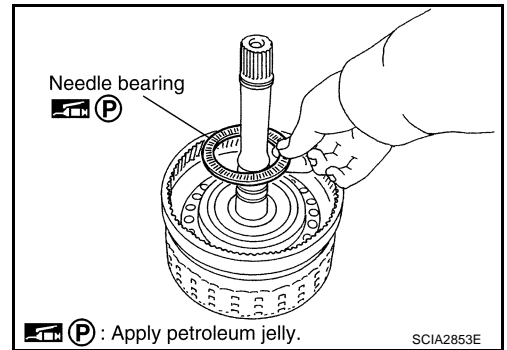
4. Disassemble input clutch assembly.

- a. Remove O-ring and seal rings from input clutch assembly.

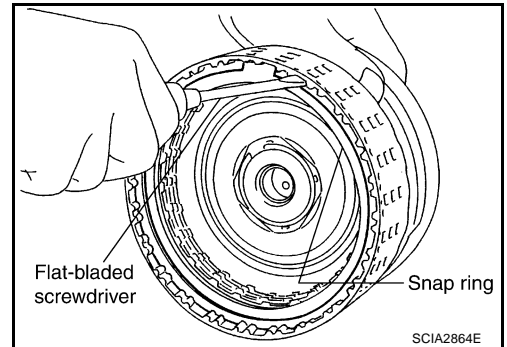


REPAIR FOR COMPONENT PARTS

- b. Remove needle bearing from input clutch assembly.



- c. Using a flat-bladed screwdriver, remove snap ring from input clutch drum.
- d. Remove drive plates, driven plates and retaining plate from input clutch drum.



INSPECTION

Front Carrier Snap Ring

- Check for deformation, fatigue or damage.

CAUTION:

If necessary, replace the snap ring.

Input Clutch Snap Ring

- Check for deformation, fatigue or damage.

CAUTION:

If necessary, replace the input clutch assembly.

Input Clutch Drum

- Check for deformation, fatigue or damage or burns.

CAUTION:

If necessary, replace the input clutch assembly.

Input Clutch Drive Plates

- Check facing for burns, cracks or damage.

CAUTION:

If necessary, replace the input clutch assembly.

Input Clutch Retaining Plates and Driven Plates

- Check facing for burns, cracks or damage.

CAUTION:

If necessary, replace the input clutch assembly.

Front Carrier

- Check for deformation, fatigue or damage.

CAUTION:

If necessary, replace the front carrier assembly.

Rear Internal Gear

- Check for deformation, fatigue or damage.

CAUTION:

If necessary, replace the rear internal gear assembly.

A
B
AT
D
E
F
G
H
I
J
K
L
M

REPAIR FOR COMPONENT PARTS

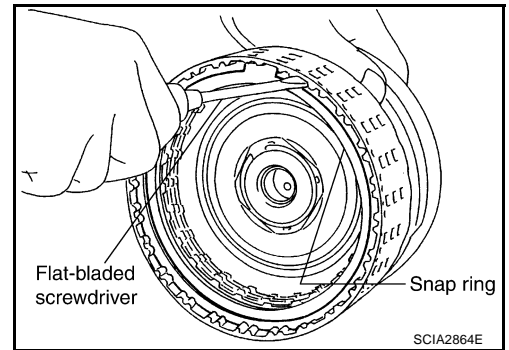
ASSEMBLY

1. Install input clutch.
 - a. Install drive plates, driven plates and retaining plate in input clutch drum.

CAUTION:

Take care with order of plates.

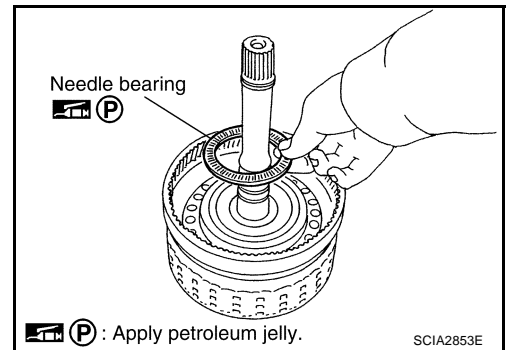
- b. Using a flat-bladed screwdriver, install snap ring in input clutch drum.



- c. Install needle bearing in input clutch assembly.

CAUTION:

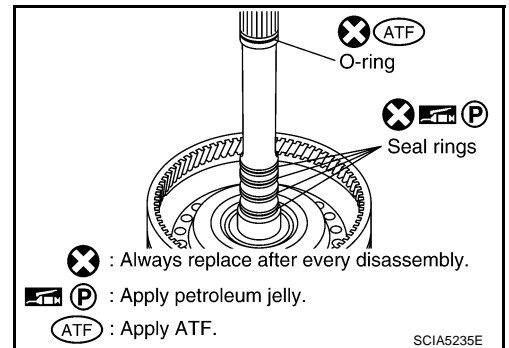
Apply petroleum jelly to needle bearing.



- d. Install O-ring and seal rings in input clutch assembly.

CAUTION:

- Do not reuse O-ring and seal rings.
- Apply ATF to O-ring.
- Apply petroleum jelly to seal rings.

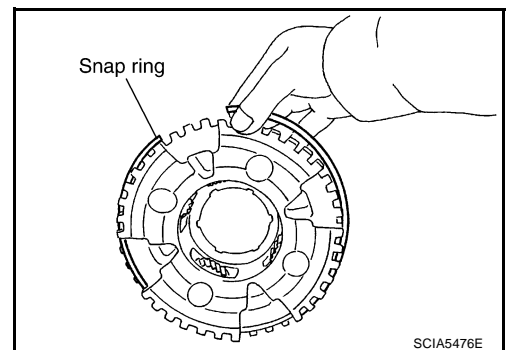


2. Install front carrier assembly.

- a. Install snap ring to front carrier assembly.

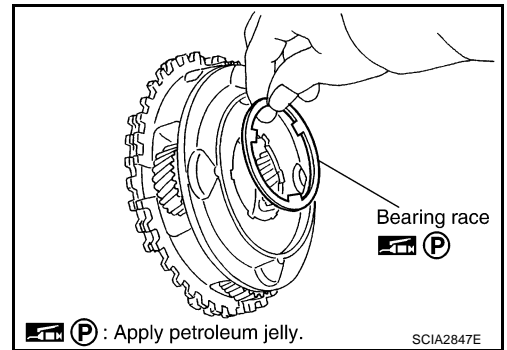
CAUTION:

Do not expand snap ring excessively.

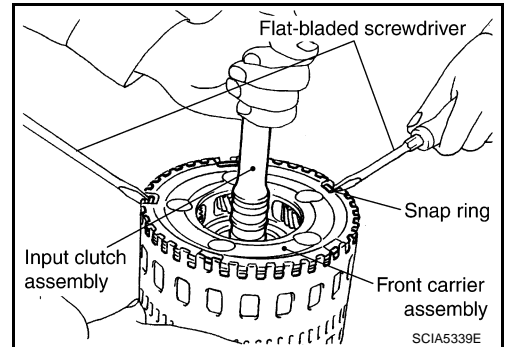


REPAIR FOR COMPONENT PARTS

- b. Install bearing race in front carrier assembly.
CAUTION:
Apply petroleum jelly to bearing race.
- c. Install front carrier assembly to input clutch assembly.



3. Compress snap ring using 2 flat-bladed screwdrivers.
4. Install front carrier assembly and input clutch assembly to rear internal gear.

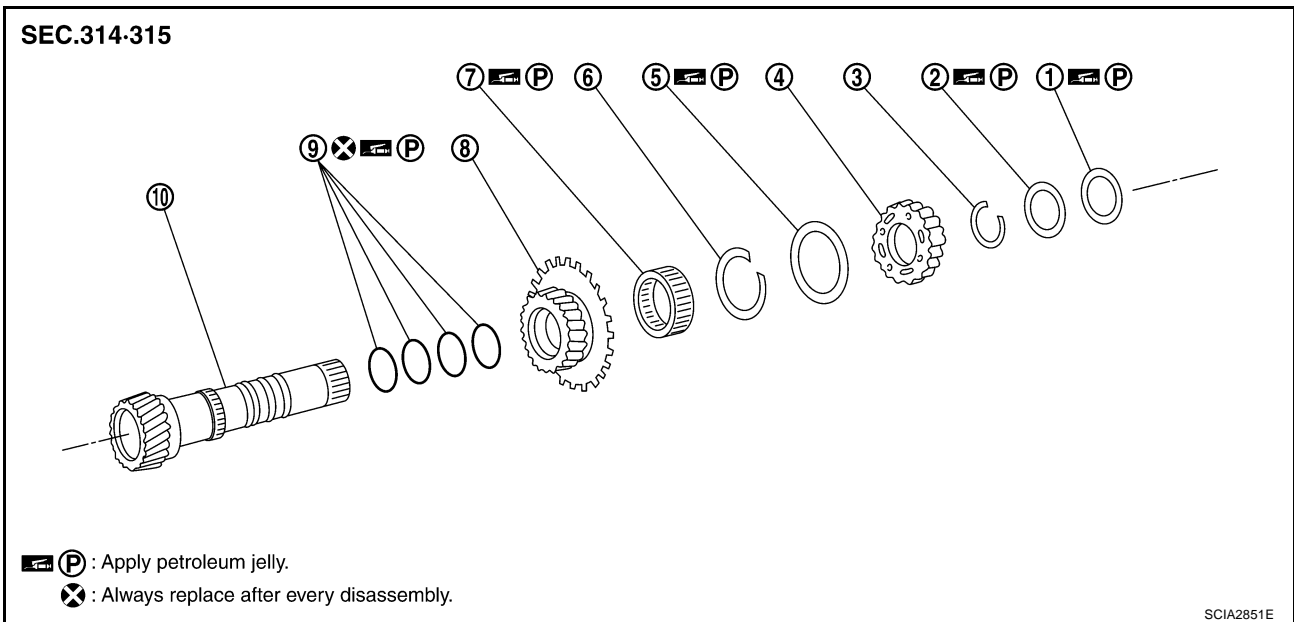


A
B
AT
D
E
F
G
H
I
J
K
L
M

REPAIR FOR COMPONENT PARTS

Mid Sun Gear, Rear Sun Gear, High and Low Reverse Clutch Hub COMPONENTS

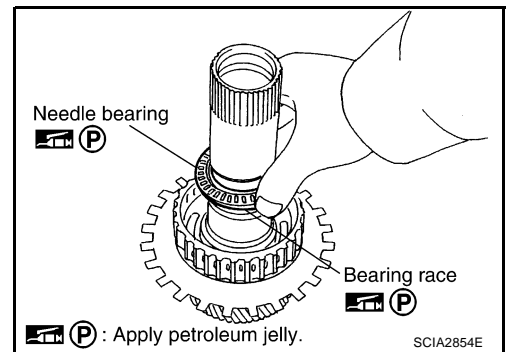
ECS00E2J



- | | | |
|------------------------------------|-------------------|--------------|
| 1. Needle bearing | 2. Bearing race | 3. Snap ring |
| 4. High and low reverse clutch hub | 5. Needle bearing | 6. Snap ring |
| 7. 1st one-way clutch | 8. Rear sun gear | 9. Seal ring |
| 10. Mid sun gear | | |

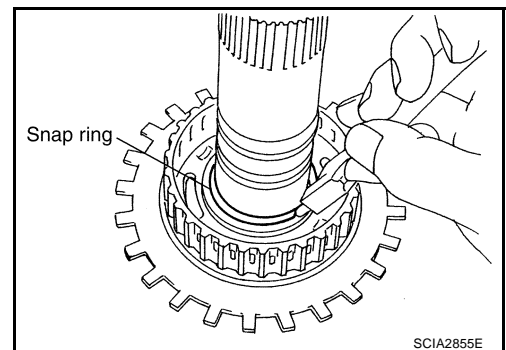
DISASSEMBLY

1. Remove needle bearing and bearing race from high and low reverse clutch hub.



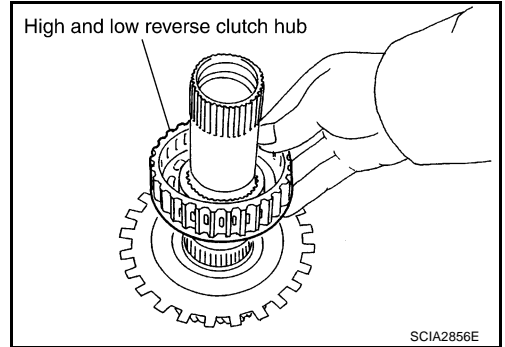
2. Using a pair of snap ring pliers, remove snap ring from mid sun gear assembly.

CAUTION:
Do not expand snap ring excessively.



REPAIR FOR COMPONENT PARTS

3. Remove high and low reverse clutch hub from mid sun gear assembly.



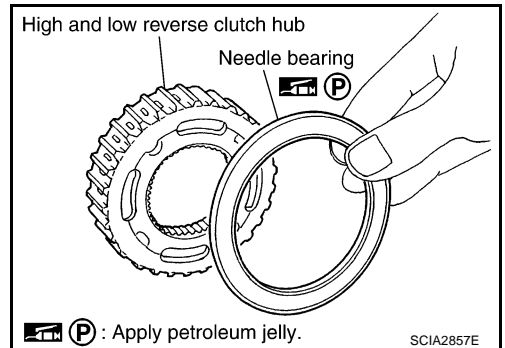
A

B

AT

D

- a. Remove needle bearing from high and low reverse clutch hub.

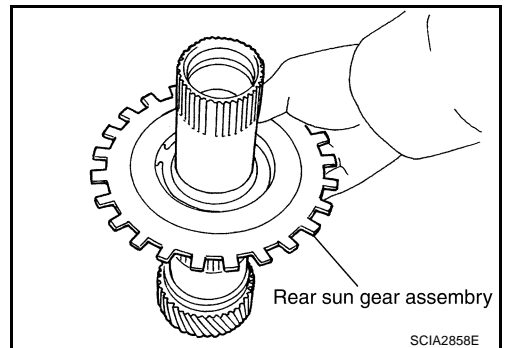


E

F

G

4. Remove rear sun gear assembly from mid sun gear assembly.



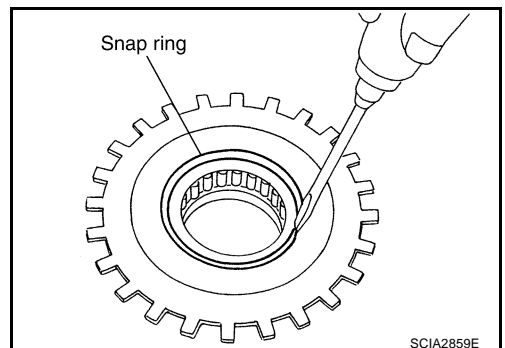
H

I

J

K

- a. Using a flat-bladed screwdriver, remove snap ring from rear sun gear.

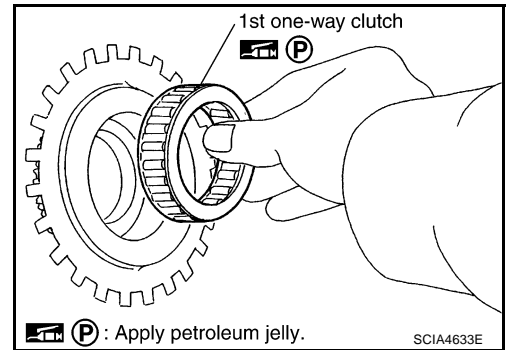


L

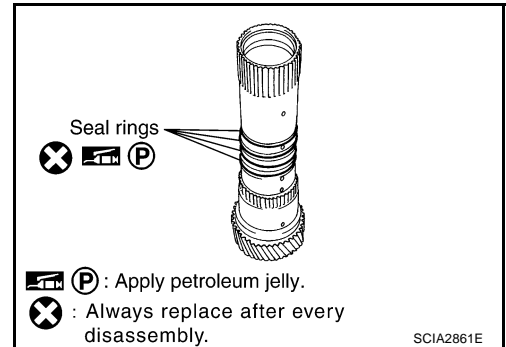
M

REPAIR FOR COMPONENT PARTS

- b. Remove 1st one-way clutch from rear sun gear.



5. Remove seal rings from mid sun gear.



INSPECTION

High and Low Reverse Clutch Hub Snap Ring, Rear Sun Gear Snap Ring

- Check for deformation, fatigue or damage.

CAUTION:

If necessary, replace the snap ring.

1st One-way Clutch

- Check frictional surface for wear or damage.

CAUTION:

If necessary, replace the 1st one-way clutch.

Mid Sun Gear

- Check for deformation, fatigue or damage.

CAUTION:

If necessary, replace the mid sun gear.

Rear Sun Gear

- Check for deformation, fatigue or damage.

CAUTION:

If necessary, replace the rear sun gear.

High and Low Reverse Clutch Hub

- Check for deformation, fatigue or damage.

CAUTION:

If necessary, replace the high and low reverse clutch hub.

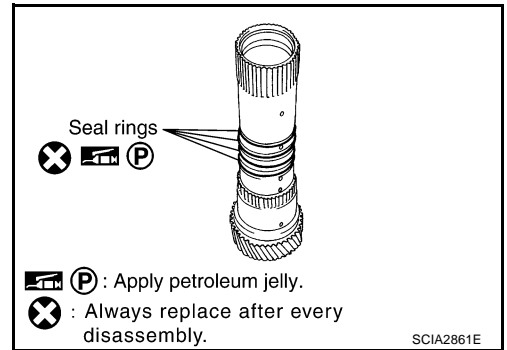
REPAIR FOR COMPONENT PARTS

ASSEMBLY

1. Install seal rings to mid sun gear.

CAUTION:

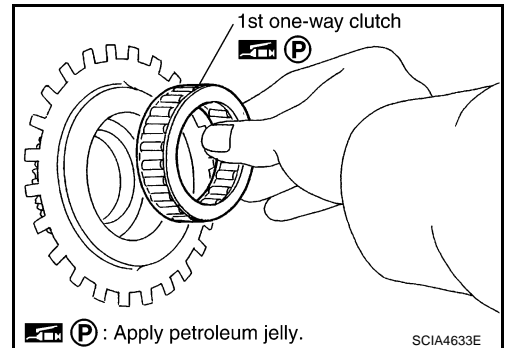
- Do not reuse seal rings.
- Apply petroleum jelly to seal rings.



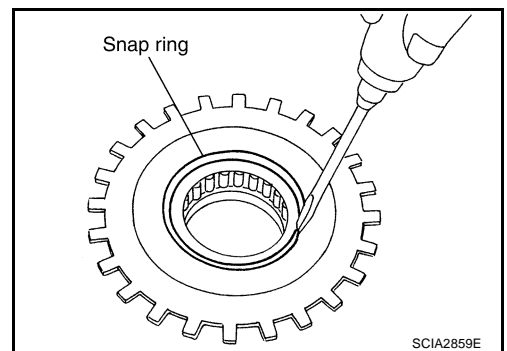
2. Install 1st one-way clutch to rear sun gear.

CAUTION:

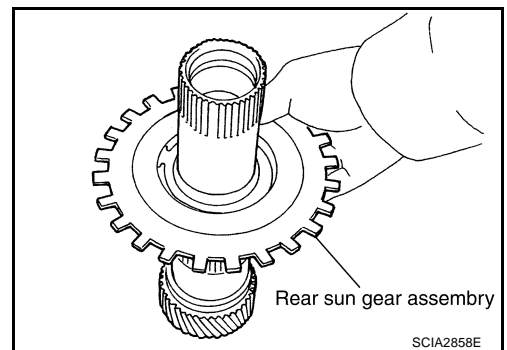
- Apply petroleum jelly to 1st one-way clutch.



3. Using a flat-bladed screwdriver, install snap ring to rear sun gear.



4. Install rear sun gear assembly to mid sun gear assembly.

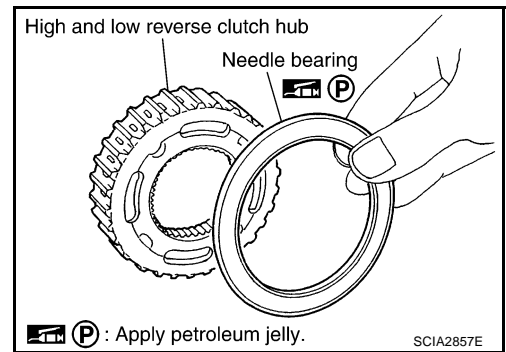


A
B
AT
D
E
F
G
H
I
J
K
L
M

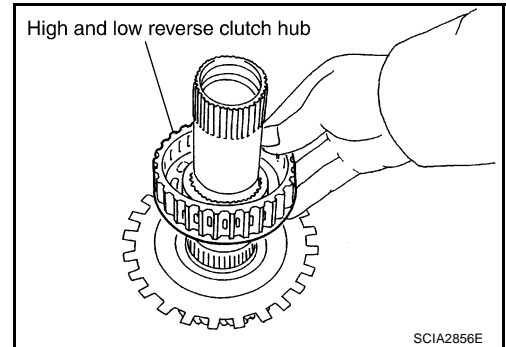
REPAIR FOR COMPONENT PARTS

5. Install needle bearing to high and low reverse clutch hub.

CAUTION:
Apply petroleum jelly to needle bearing.

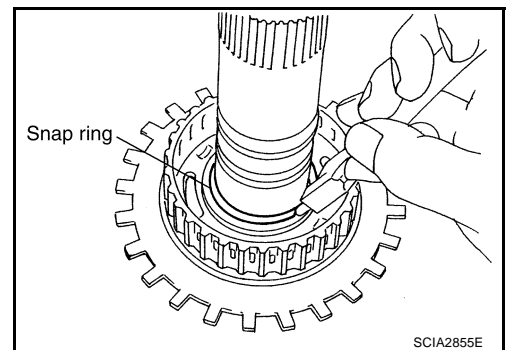


6. Install high and low reverse clutch hub to mid sun gear assembly.



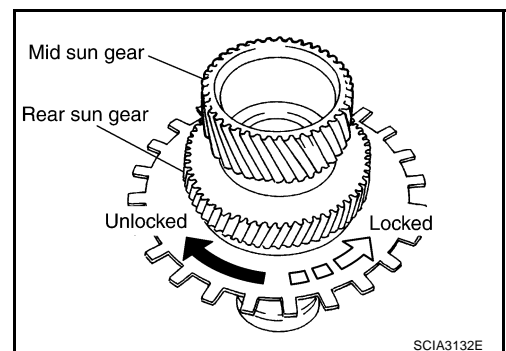
7. Using a pair of snap ring pliers, install snap ring to mid sun gear assembly.

CAUTION:
Do not expand snap ring excessively.



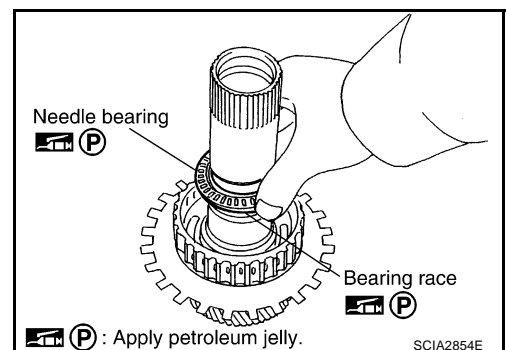
8. Check operation of 1st one-way clutch.
a. Hold mid sun gear and turn rear sun gear.
b. Check 1st one-way clutch for correct locking and unlocking directions.

CAUTION:
If not as shown in figure, check installation direction of 1st one-way clutch.



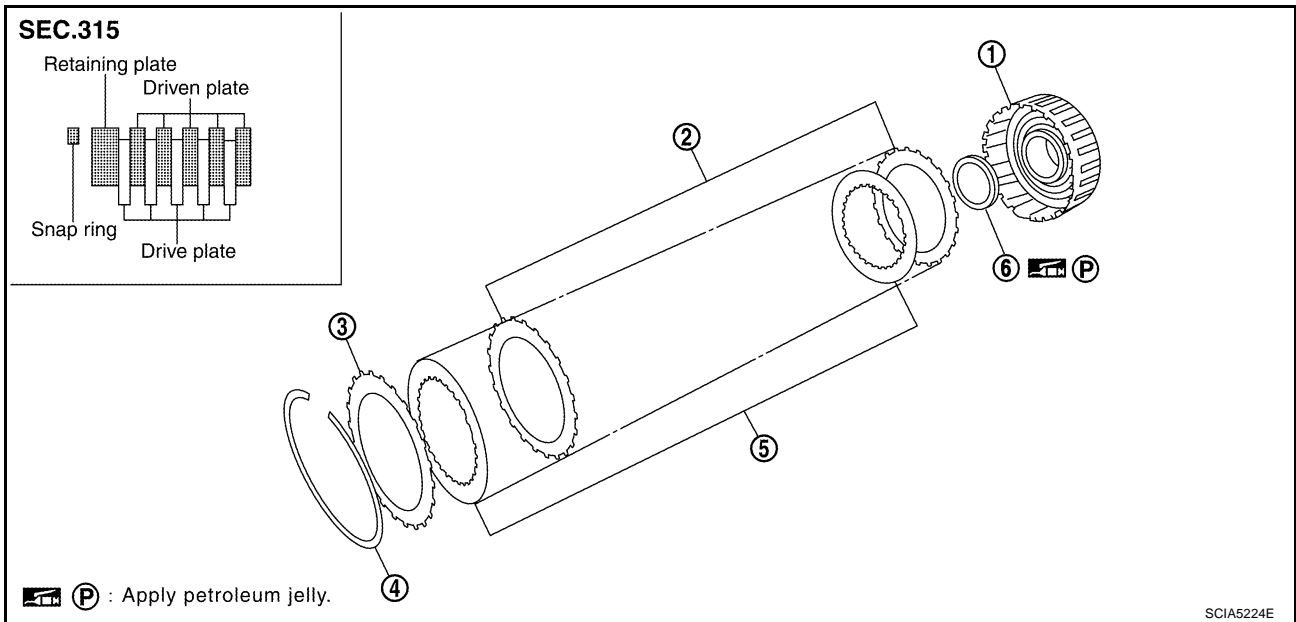
9. Install needle bearing and bearing race to high and low reverse clutch hub.

CAUTION:
Apply petroleum jelly to needle bearing and bearing race.



A
B
AT
D
E
F
G
H
I
J
K
L
M

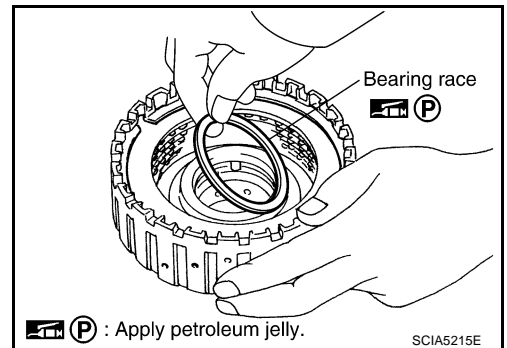
High and Low Reverse Clutch COMPONENTS



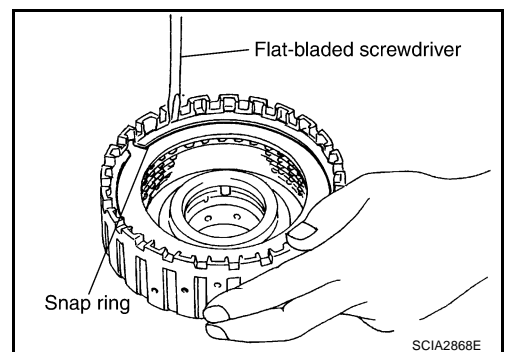
- | | | |
|-------------------------------------|-----------------|--------------------|
| 1. High and low reverse clutch drum | 2. Driven plate | 3. Retaining plate |
| 4. Snap ring | 5. Drive plate | 6. Bearing race |

DISASSEMBLY

1. Remove bearing race from high and low reverse clutch drum.



2. Using a flat-bladed screwdriver, remove snap ring from high and low reverse clutch drum.
3. Remove drive plates, driven plates and retaining plate from high and low reverse clutch drum.



REPAIR FOR COMPONENT PARTS

INSPECTION

- Check the following, and replace high and low reverse clutch assembly if necessary.

High and Low Reverse Clutch Snap Ring

- Check for deformation, fatigue or damage.

High and Low Reverse Clutch Drive Plates

- Check facing for burns, cracks or damage.

High and Low Reverse Clutch Retaining Plates and Driven Plates

- Check facing for burns, cracks or damage.

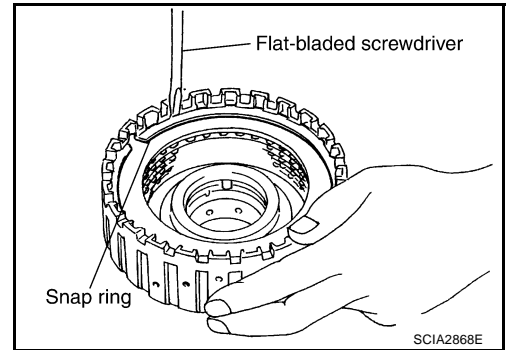
ASSEMBLY

1. Install drive plates, driven plates and retaining plate in high and low reverse clutch drum.

CAUTION:

Take care with order of plates.

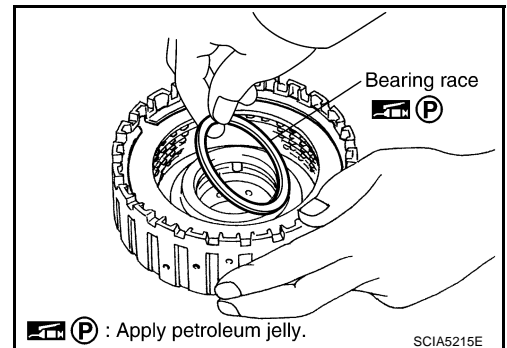
2. Using a flat-bladed screwdriver, install snap ring in high and low reverse clutch drum.



3. Install bearing race to high and low reverse clutch drum.

CAUTION:

Apply petroleum jelly to bearing race.



REPAIR FOR COMPONENT PARTS

Direct Clutch COMPONENTS

ECS00E2L

A

B

AT

D

E

F

G

H

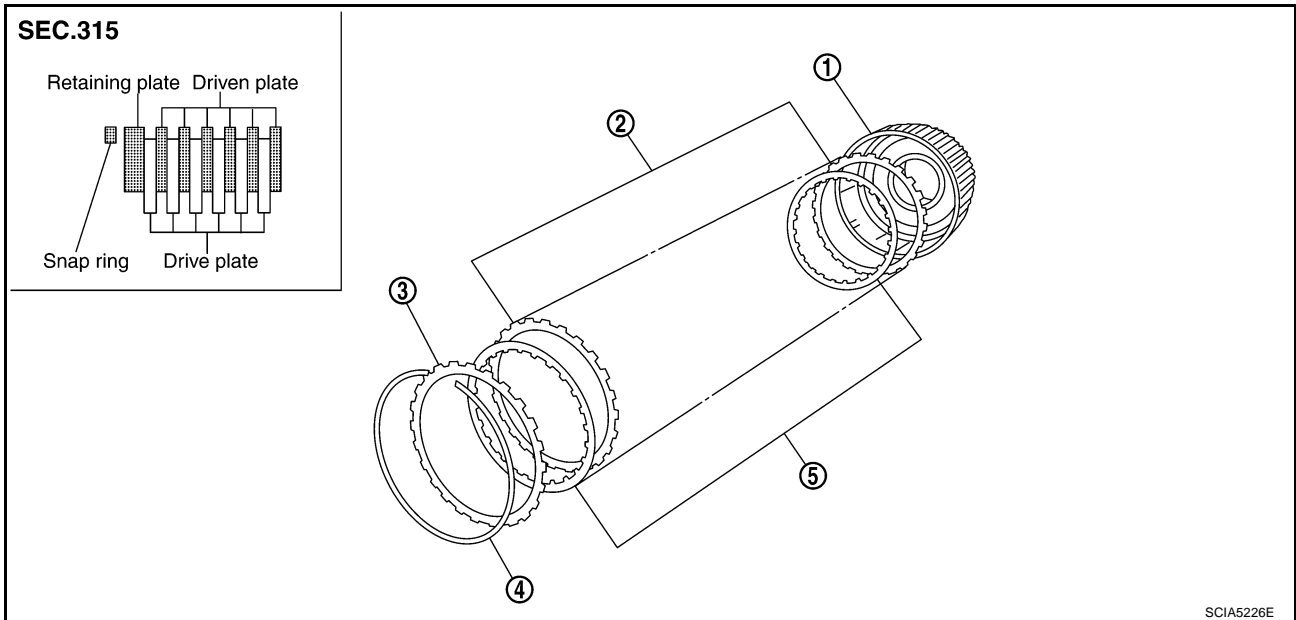
I

J

K

L

M



SCIA5226E

1. Direct clutch drum

2. Driven plate

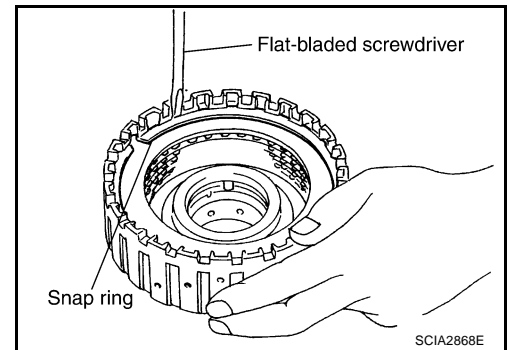
3. Retaining plate

4. Snap ring

5. Drive plate

DISASSEMBLY

1. Using a flat-bladed screwdriver, remove snap ring from direct clutch drum.
2. Remove drive plates, driven plates and retaining plate from direct clutch drum.



SCIA2868E

INSPECTION

- Check the following, and replace direct clutch assembly if necessary.

Direct Clutch Snap Ring

- Check for deformation, fatigue or damage.

Direct Clutch Drive Plates

- Check facing for burns, cracks or damage.

Direct Clutch Retaining Plates and Driven Plates

- Check facing for burns, cracks or damage.

REPAIR FOR COMPONENT PARTS

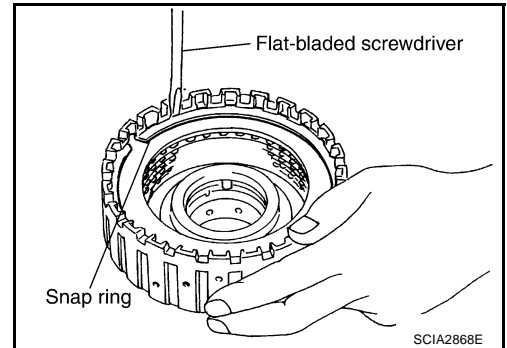
ASSEMBLY

1. Install drive plates, driven plates and retaining plate in direct clutch drum.

CAUTION:

Take care with order of plates.

2. Using a flat-bladed screwdriver, install snap ring in direct clutch drum.



ASSEMBLY

PFP:00000

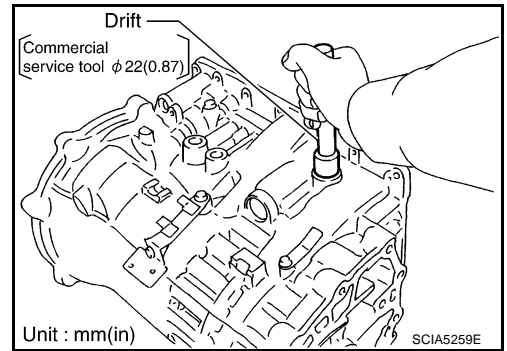
Assembly (1)

ECS00E2M

1. As shown in the right figure, use a drift [commercial service tool: 22 mm (0.87 in) dia.] to drive manual shaft oil seals into the transmission case until it is flush.

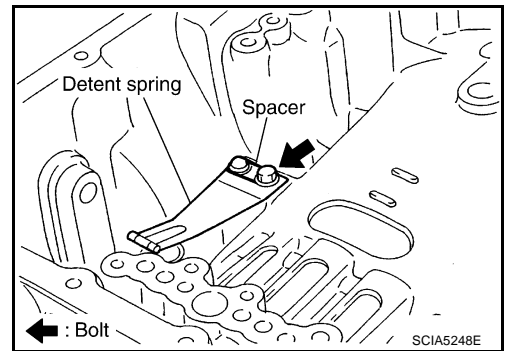
CAUTION:

- Apply ATF to manual shaft oil seals.
- Do not reuse manual shaft oil seals.

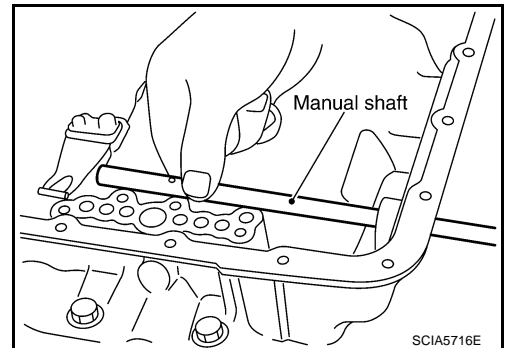


2. Install detent spring and spacer in transmission case.

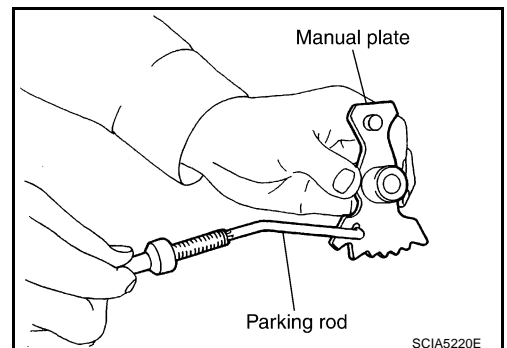
 : 7.9 N·m (0.81 kg·m, 70 in·lb)



3. Install manual shaft to transmission case.



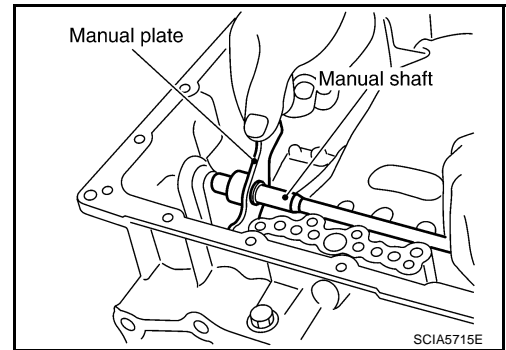
4. Install parking rod to manual plate.



A
B
AT
D
E
F
G
H
I
J
K
L
M

ASSEMBLY

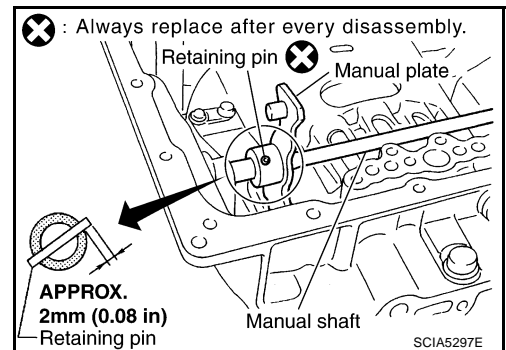
5. Install manual plate (with parking rod) to manual shaft.



6. Install retaining pin into the manual plate and manual shaft.
a. Fit pinhole of the manual plate to pinhole of the manual shaft with a pin punch.
b. Use a hammer to tap the retaining pin into the manual plate.

CAUTION:

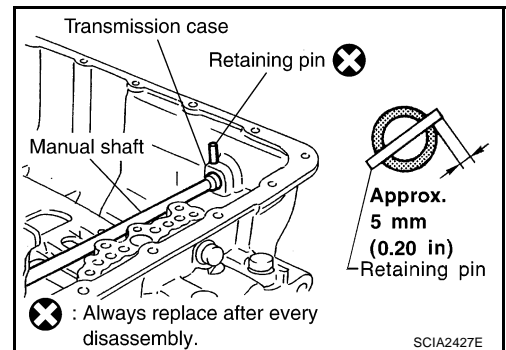
- Drive retaining pin to 2 ± 0.5 mm (0.08 ± 0.020 in) over the manual plate.
- Do not reuse retaining pin.



7. Install retaining pin into the transmission case and manual shaft.
a. Fit pinhole of the transmission case to pinhole of the manual shaft with a pin punch.
b. Use a hammer to tap the retaining pin into the transmission case.

CAUTION:

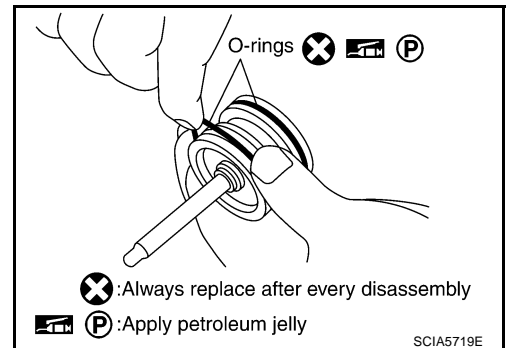
- Drive retaining pin to 5 ± 1 mm (0.20 ± 0.04 in) over the transmission case.
- Do not reuse retaining pin.



8. Install O-rings to servo assembly.

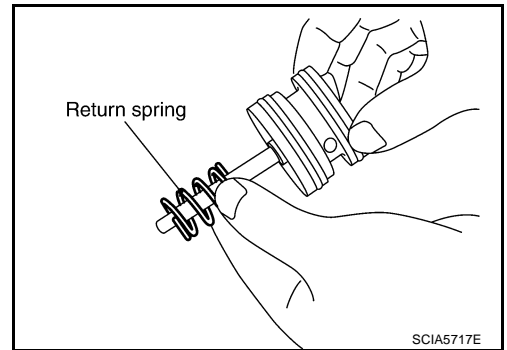
CAUTION:

- Do not reuse O-rings.
- Apply petroleum jelly to O-rings.

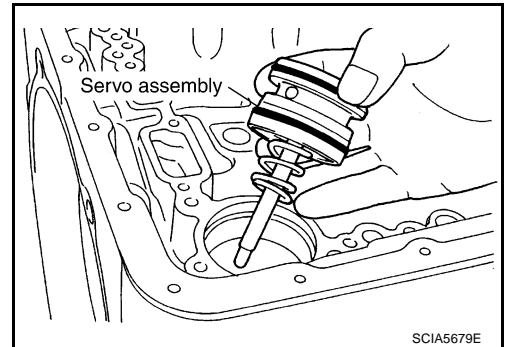


ASSEMBLY

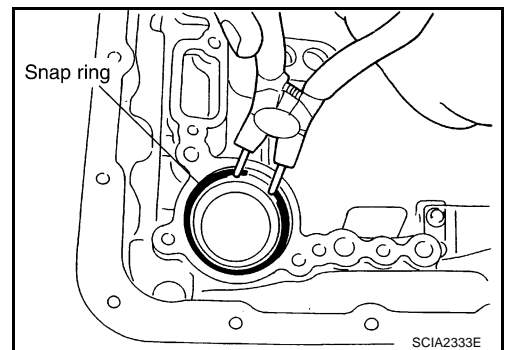
9. Install return spring to servo assembly.



10. Install servo assembly in transmission case.



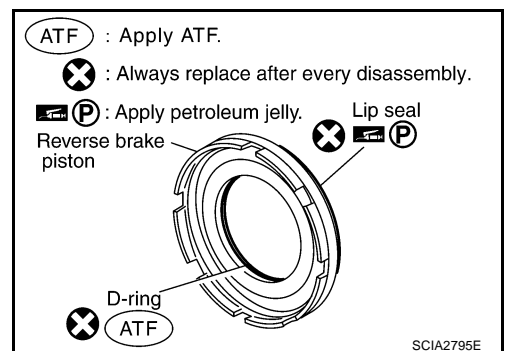
11. Using a pair of snap ring pliers, install snap ring to transmission case.



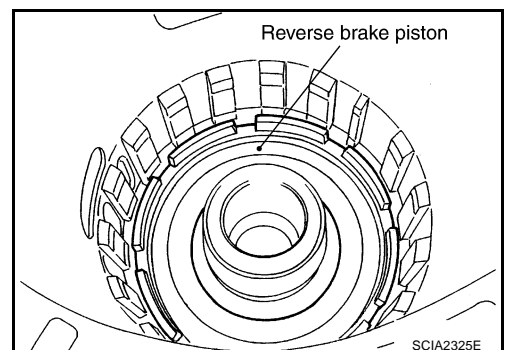
12. Install lip seal and D-ring in reverse brake piston.

CAUTION:

- Do not reuse lip seal and D-ring.
- Apply petroleum jelly to lip seal.
- Apply ATF to D-ring.



13. Install reverse brake piston in transmission case.



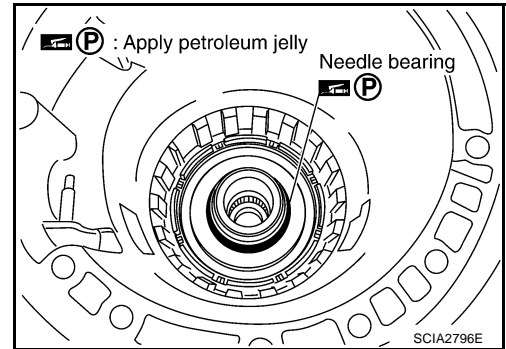
A
B
AT
D
E
F
G
H
I
J
K
L
M

ASSEMBLY

14. Install needle bearing to drum support edge surface.

CAUTION:

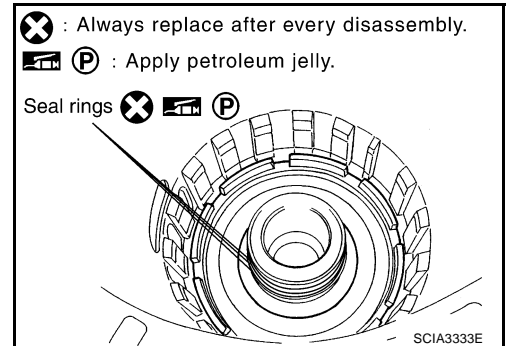
Apply petroleum jelly to needle bearing.



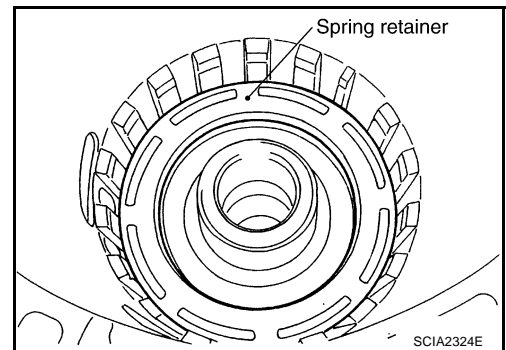
15. Install seal rings to drum support.

CAUTION:

- Do not reuse seal rings.
- Apply petroleum jelly to seal rings.



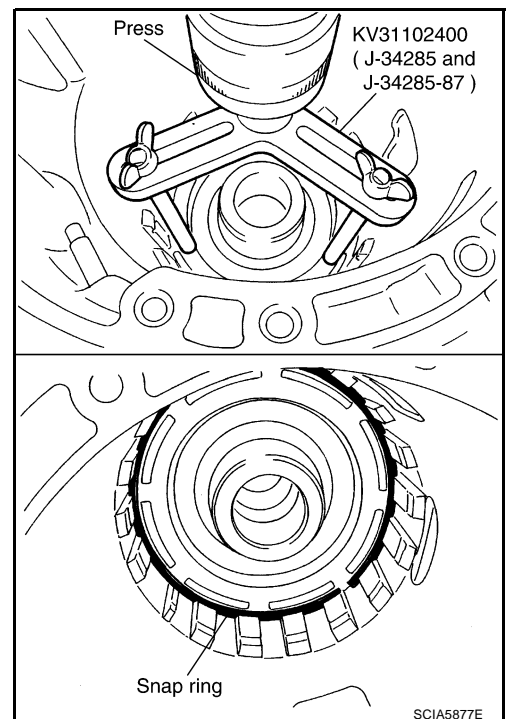
16. Install spring retainer and return spring in transmission case.



17. Set the SST on spring retainer and install snap ring (fixing spring retainer) in transmission case while compressing return spring.

CAUTION:

Securely assemble them using a flat-bladed screwdriver so that snap ring tension is slightly weak.

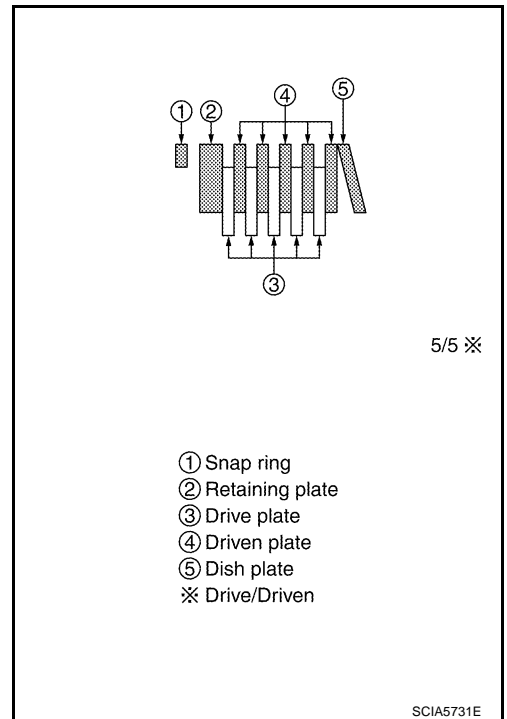


ASSEMBLY

18. Install reverse brake drive plates, driven plates and dish plate in transmission case.

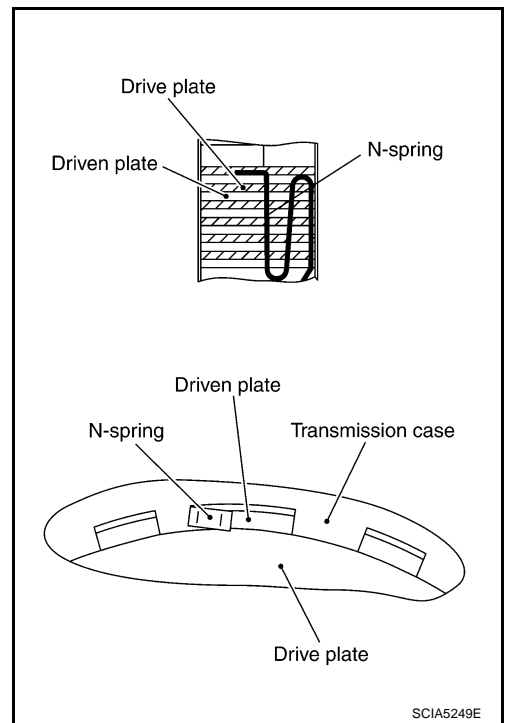
CAUTION:

Take care with order of plates.

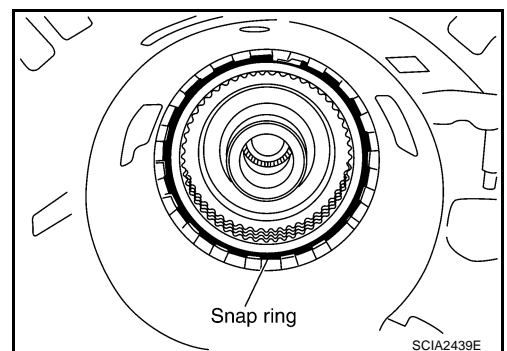


19. Assemble N-spring.

20. Install reverse brake retaining plate in transmission case.



21. Install snap ring in transmission case.



A
B
AT
D
E
F
G
H
I
J
K
L
M

ASSEMBLY

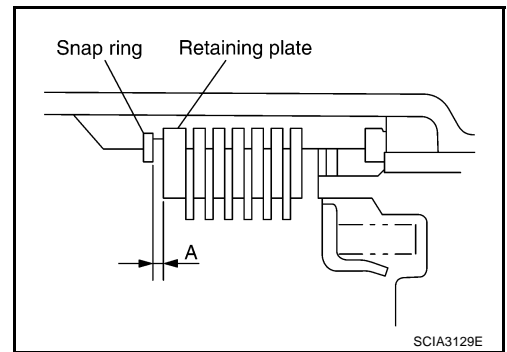
22. Measure clearance between retaining plate and snap ring. If not within specified clearance, select proper retaining plate.

Specified clearance "A":

Standard: 0.7 - 1.1mm (0.028 - 0.043 in)

Retaining plate:

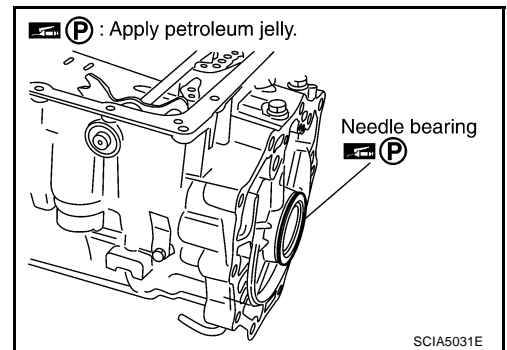
Refer to [AT-341, "Reverse Brake"](#) .



23. Install needle bearing to transmission case.

CAUTION:

Apply petroleum jelly to needle bearing.

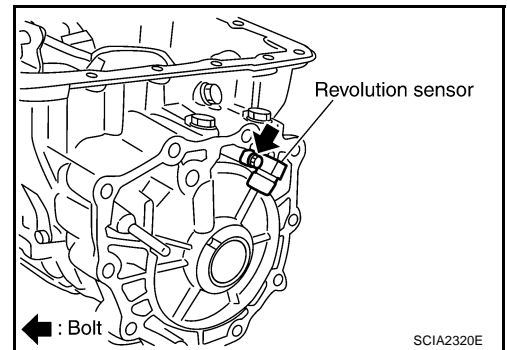


24. Install revolution sensor to transmission case.

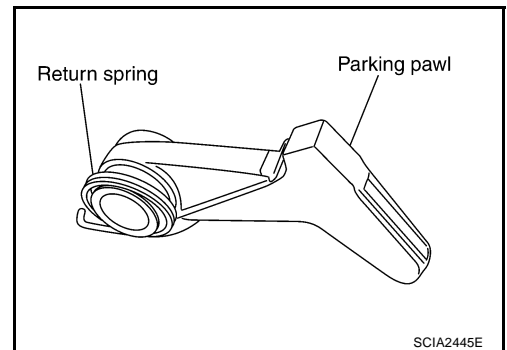
CAUTION:

- Do not subject it to impact by dropping or hitting it.
- Do not disassemble.
- Do not allow metal filings, etc. to get on the sensor's front edge magnetic area.
- Do not place in an area affected by magnetism.

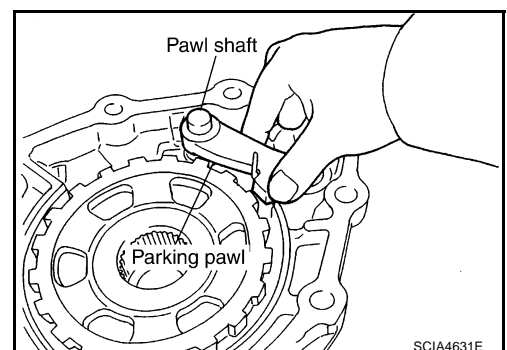
 : 5.8 N·m (0.59 kg-m, 51 in-lb)



25. Install return spring to parking pawl.

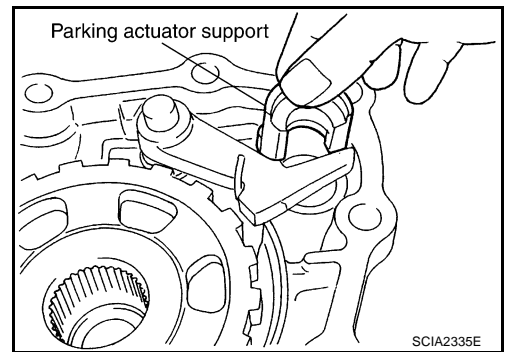


26. Install parking pawl and pawl shaft in output shaft & companion flange complement.



ASSEMBLY

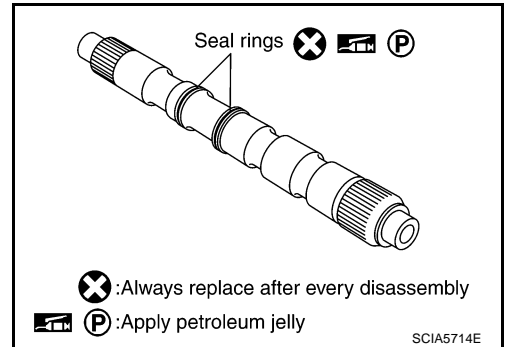
27. Install parking actuator support in output shaft & companion flange complement.



28. Install seal rings to intermediate shaft.

CAUTION:

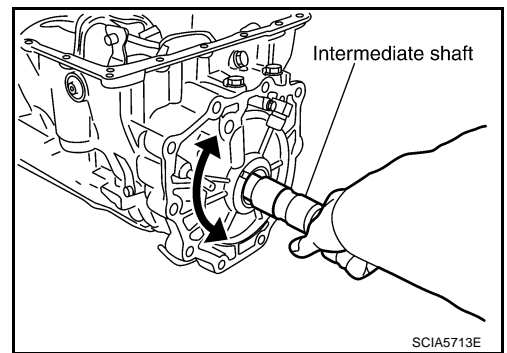
- Do not reuse seal rings.
- Apply petroleum jelly to seal rings.



29. Install intermediate shaft in transmission case.

CAUTION:

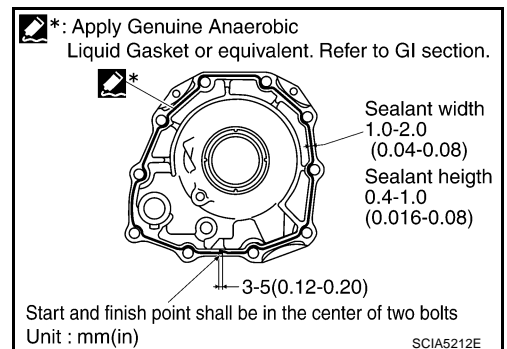
Be careful not to mistake front for rear because both sides looks similar. (Thinner end is front side.)



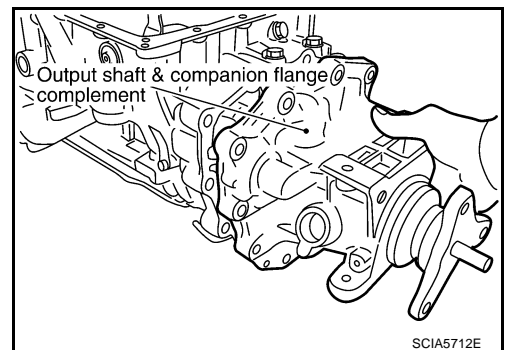
30. Apply recommended sealant (Genuine Anaerobic Liquid Gasket or equivalent. Refer to [GI-46. "Recommended Chemical Products and Sealants"](#) .) to output shaft & companion flange complement as shown in the figure.

CAUTION:

Completely remove all moisture, oil and old sealant, etc. from the transmission case and output shaft & companion flange complement mounting surfaces.



31. Install output shaft & companion flange complement in transmission case.



A
B
AT
D
E
F
G
H
I
J
K
L
M

ASSEMBLY

32. Tighten output shaft & companion flange complement mounting bolts to specified torque.

CAUTION:

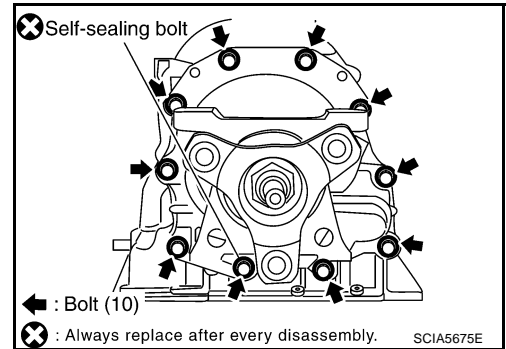
Do not reuse self-sealing bolt.

Output shaft & companion flange complement mounting bolt:

 : 52 N·m (5.3 kg·m, 38 ft·lb)

Self-sealing bolt:

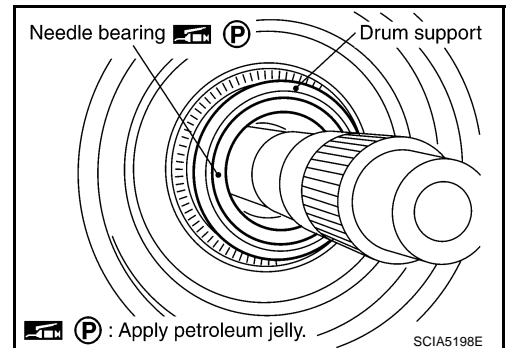
 : 61 N·m (6.2 kg·m, 45 ft·lb)



33. Install needle bearing in drum support.

CAUTION:

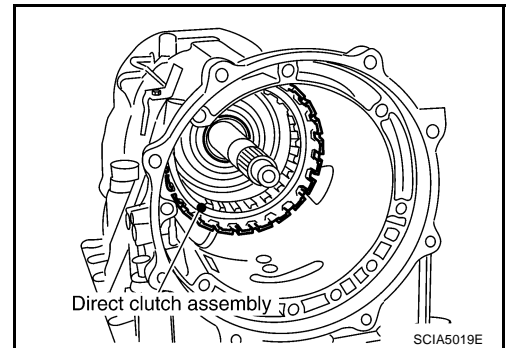
Apply petroleum jelly to needle bearing.



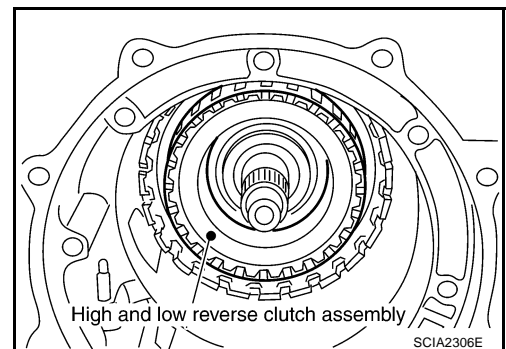
34. Install direct clutch assembly in reverse brake.

CAUTION:

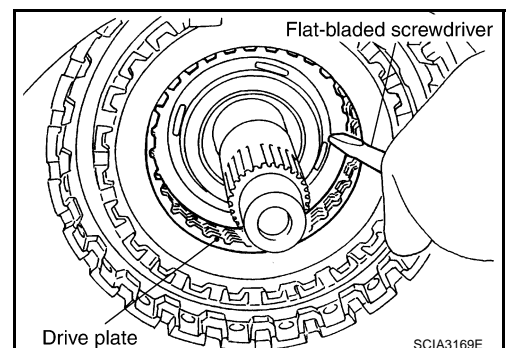
Make sure that drum support edge surface and direct clutch inner boss edge surface come to almost same place.



35. Install high and low reverse clutch assembly in direct clutch.

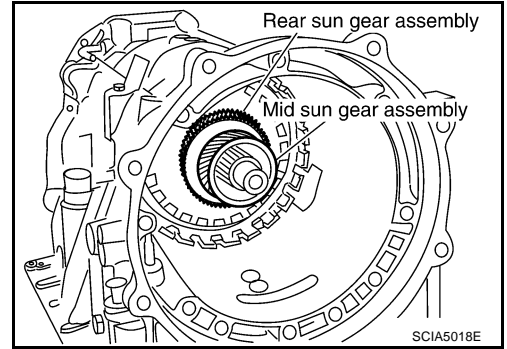


36. Using a flat-bladed screwdriver, align the drive plate.



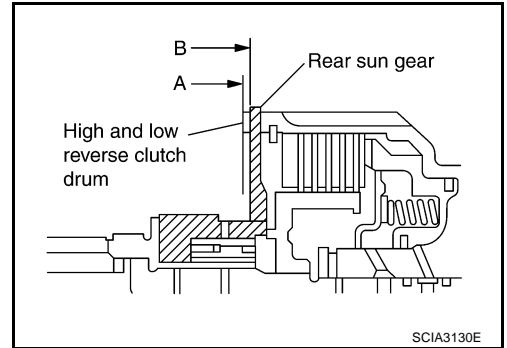
ASSEMBLY

37. Install high and low reverse clutch hub, mid sun gear assembly and rear sun gear assembly as a unit.



CAUTION:

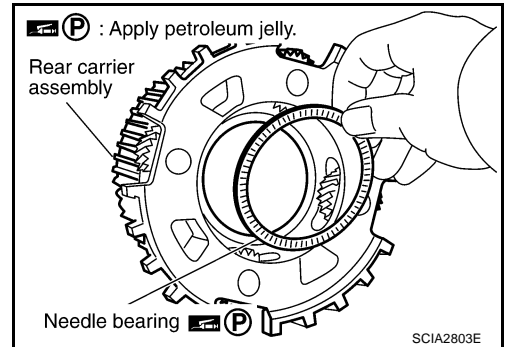
Make sure that portion "A" of high and low reverse clutch drum protrudes approximately 2 mm (0.08 in) beyond portion "B" of rear sun gear.



38. Install needle bearing in rear carrier assembly.

CAUTION:

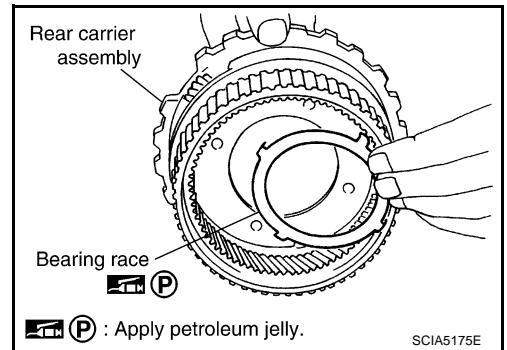
Apply petroleum jelly to needle bearing.



39. Install bearing race in rear carrier assembly.

CAUTION:

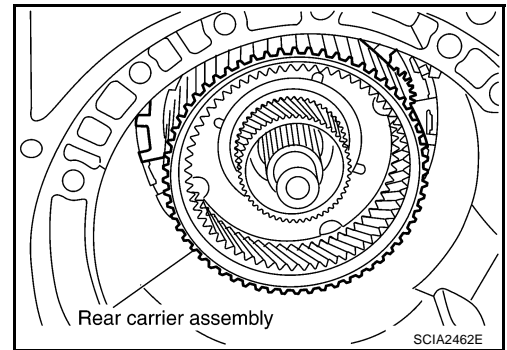
Apply petroleum jelly to bearing race.



A
B
AT
D
E
F
G
H
I
J
K
L
M

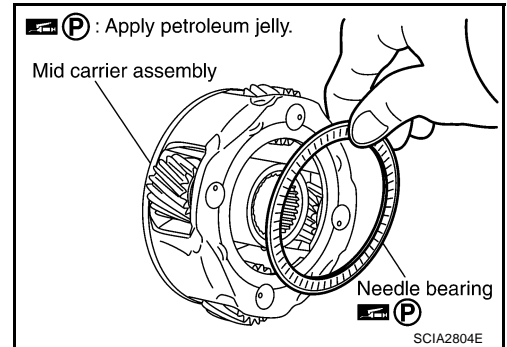
ASSEMBLY

40. Install rear carrier assembly in direct clutch drum.



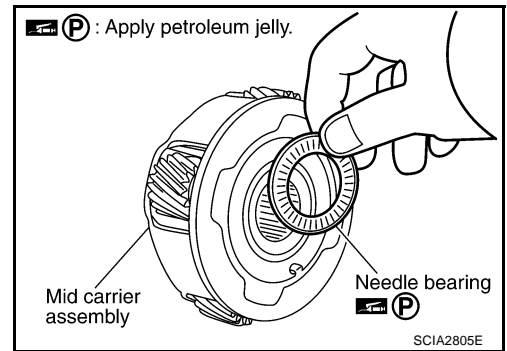
41. Install needle bearing (rear side) to mid carrier assembly.

CAUTION:
Apply petroleum jelly to needle bearing.

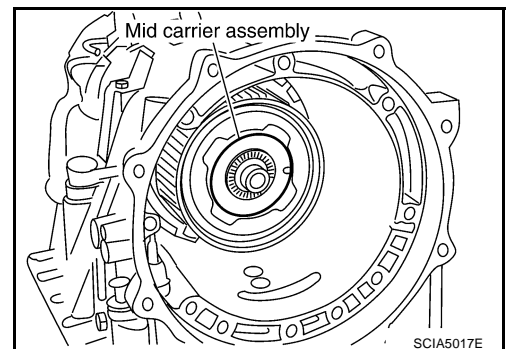


42. Install needle bearing (front side) to mid carrier assembly.

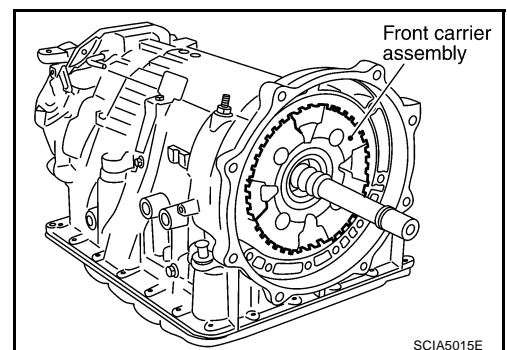
CAUTION:
Apply petroleum jelly to needle bearing.



43. Install mid carrier assembly in rear carrier assembly.



44. Install front carrier assembly, input clutch assembly and rear internal gear as a unit.

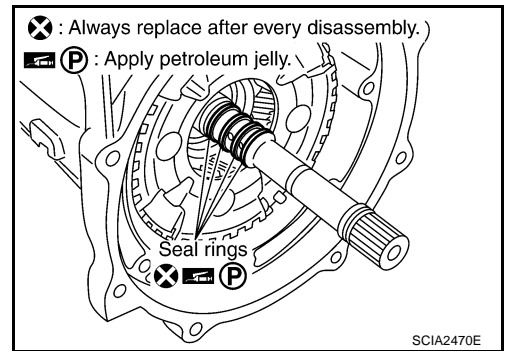


ASSEMBLY

45. Install seal rings in input clutch assembly.

CAUTION:

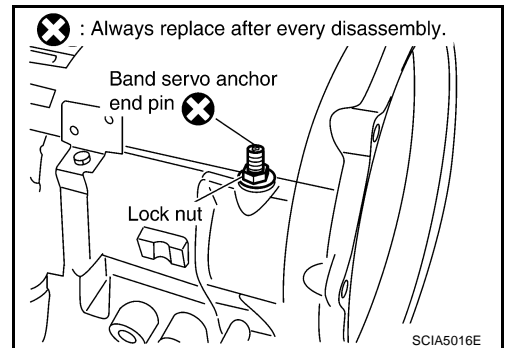
- Do not reuse seal rings.
- Apply petroleum jelly to seal rings.



46. Install band servo anchor end pin and lock nut in transmission case.

CAUTION:

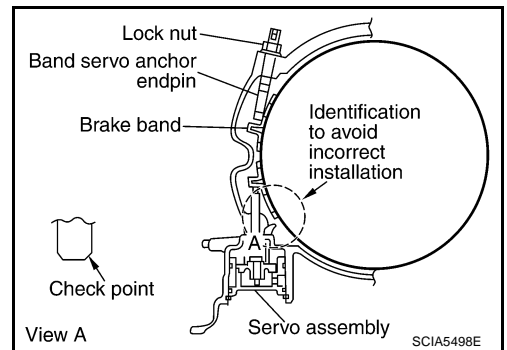
Do not reuse band servo anchor end pin.



47. Install brake band in transmission case.

CAUTION:

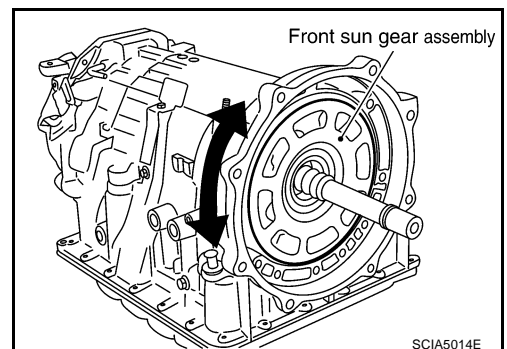
Assemble it so that identification to avoid incorrect installation faces servo side.



48. Install front sun gear to front carrier assembly.

CAUTION:

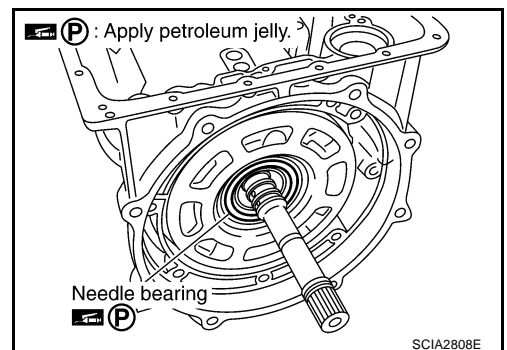
Apply ATF to front sun gear bearing and 3rd one-way clutch end bearing.



49. Install needle bearing to front sun gear.

CAUTION:

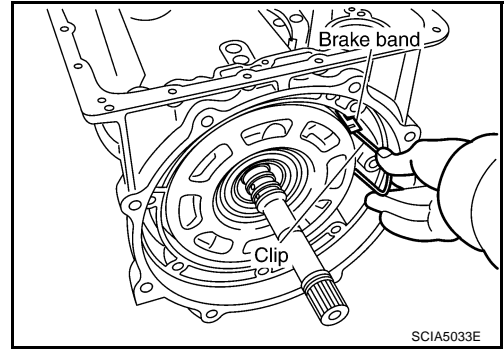
Apply petroleum jelly to needle bearing.



A
B
AT
D
E
F
G
H
I
J
K
L
M

ASSEMBLY

50. Adjust brake band tilting using a clips so that brake band contacts front sun gear drum evenly.



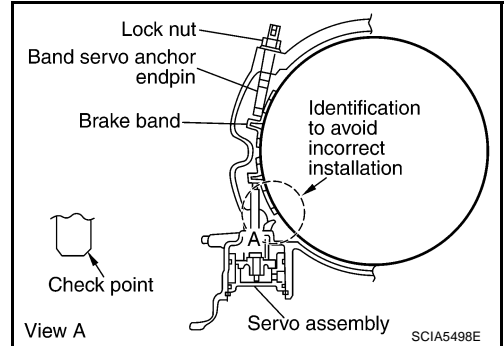
51. Adjust brake band.

- Loosen lock nut.
- Tighten band servo anchor end pin to specified torque.

 : 5.0 N·m (0.51 kg-m, 44 in-lb)

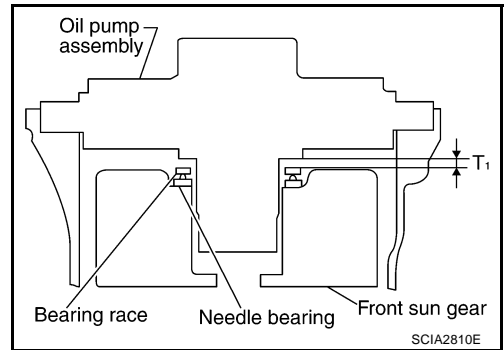
- Back of band servo anchor end pin three turns.
- Holding band servo anchor end pin, tighten lock nut to specified torque.

 : 46 N·m (4.7 kg-m, 34 ft-lb)

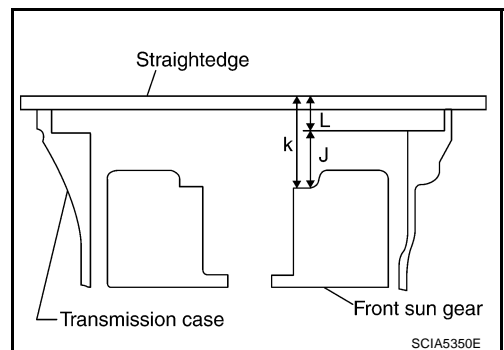


Adjustment TOTAL END PLAY

- Measure clearance between front sun gear and bearing race for oil pump cover.
- Select proper thickness of bearing race so that end play is within specifications.

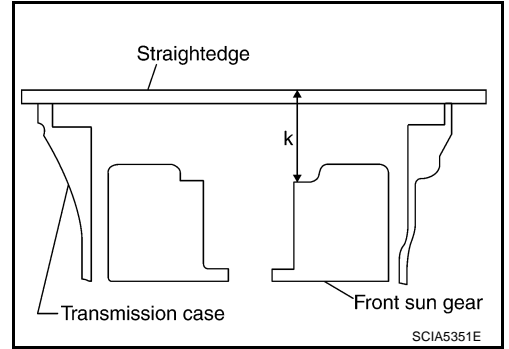


- Measure dimensions "K" and "L" and then calculate dimension "J".



ASSEMBLY

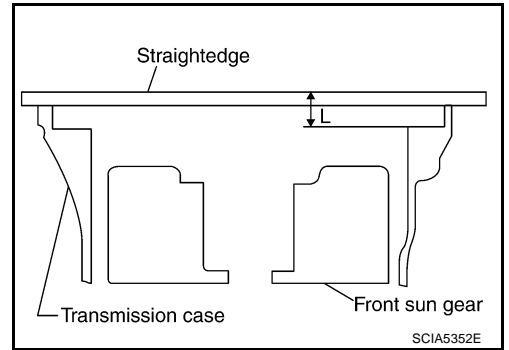
- a. Measure dimension "K".



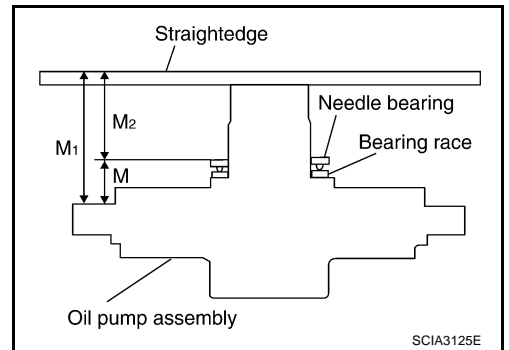
- b. Measure dimension "L".
c. Calculate dimension "J".

"J": Distance between oil pump fitting surface of transmission case and needle bearing mating surface of front sun gear.

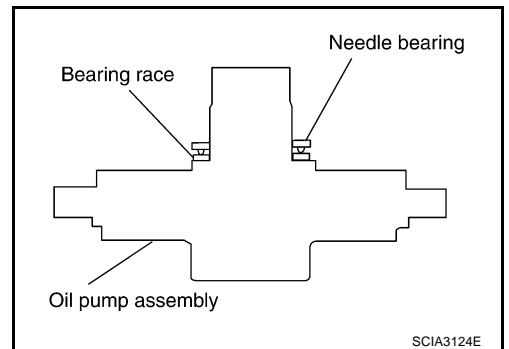
$$J = K - L$$



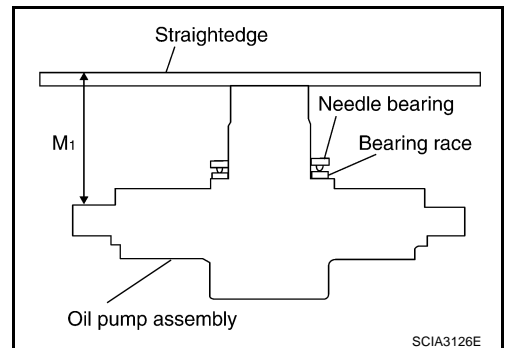
2. Measure dimensions "M1" and "M2" and then calculate dimension "M".



- a. Place bearing race and needle bearing on oil pump assembly.



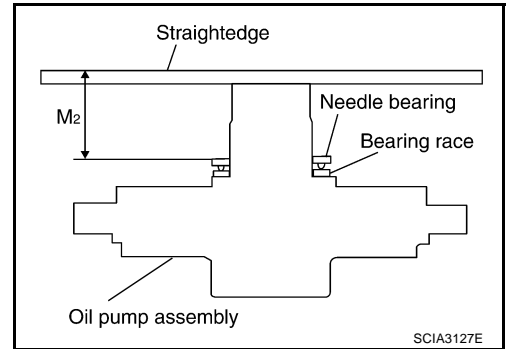
- b. Measure dimension "M1".



A
B
AT
D
E
F
G
H
I
J
K
L
M

ASSEMBLY

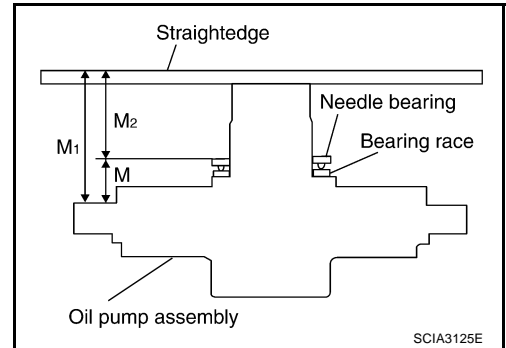
c. Measure dimension "M2".



d. Calculate dimension "M".

"M": Distance between transmission case fitting surface of oil pump and needle bearing on oil pump.

$$M = M1 - M2$$



3. Adjust total end play "T1".

$$T1 = J - M$$

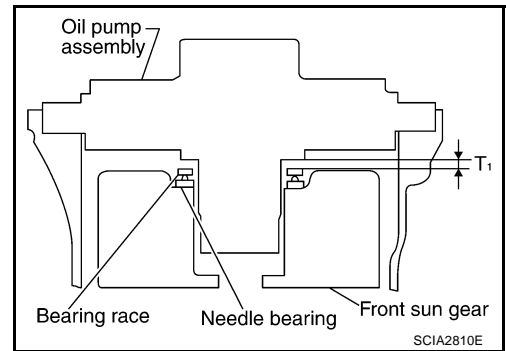
Total end play "T1":

0.25 - 0.55 mm (0.0098 - 0.0217 in)

- Select proper thickness of bearing race so that total end play is within specifications.

Bearing races:

Refer to [AT-342, "BEARING RACE FOR ADJUSTING TOTAL END PLAY"](#).

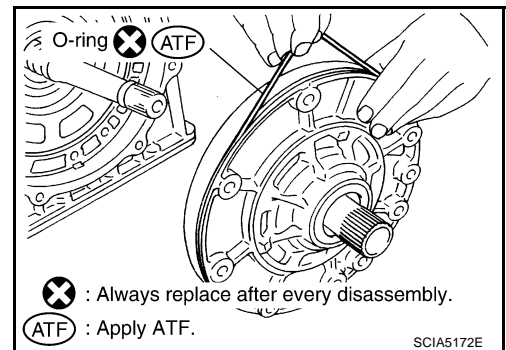


Assembly (2)

1. Install O-ring to oil pump assembly.

CAUTION:

- Do not reuse O-ring.
- Apply ATF to O-ring.



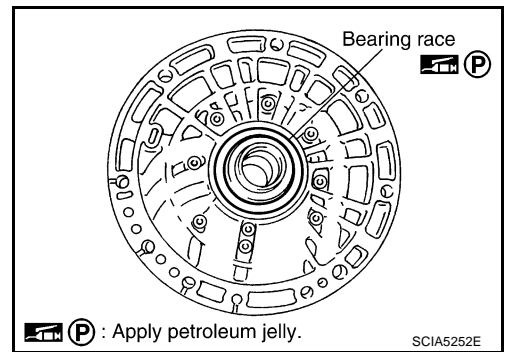
ECS00E20

ASSEMBLY

2. Install bearing race to oil pump assembly.

CAUTION:

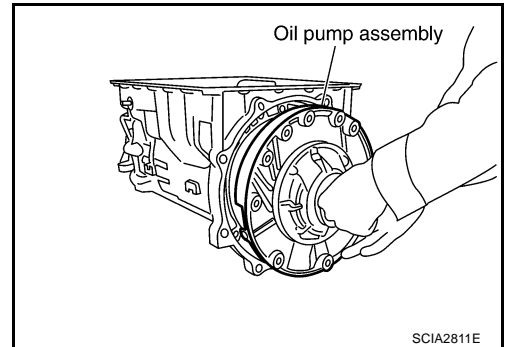
Apply petroleum jelly to bearing race.



3. Install oil pump assembly in transmission case.

CAUTION:

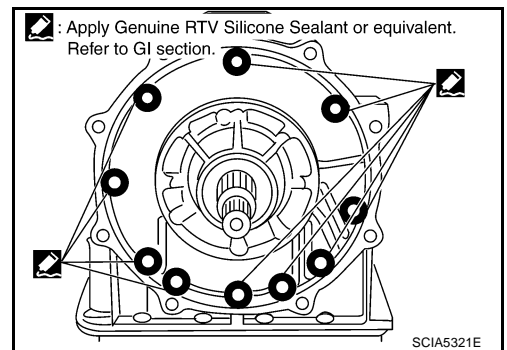
Apply ATF to oil pump bushing.



4. Apply recommended sealant (Genuine RTV Silicone Sealant or equivalent. Refer to [GI-46. "Recommended Chemical Products and Sealants"](#) .) to oil pump assembly as shown in the figure.

CAUTION:

Completely remove all moisture, oil and old sealant, etc. from the oil pump mounting bolts and oil pump mounting bolt mounting surfaces.

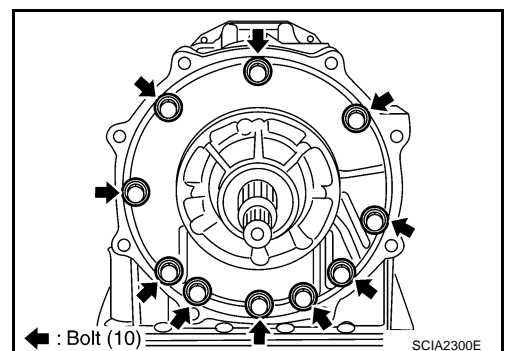


5. Tighten oil pump mounting bolts to specified torque.

CAUTION:

Apply ATF to oil pump bushing.

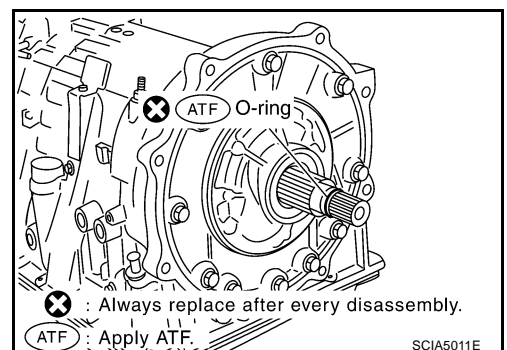
: 48 N·m (4.9 kg-m, 35 ft-lb)



6. Install O-ring to input clutch assembly.

CAUTION:

- Do not reuse O-ring.
- Apply ATF to O-ring.



A
B
AT
D
E
F
G
H
I
J
K
L
M

ASSEMBLY

7. Install converter housing to transmission case.

CAUTION:

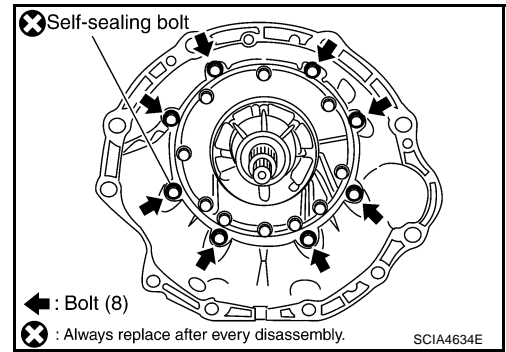
Do not reuse self-sealing bolt.

Converter housing mounting bolt:

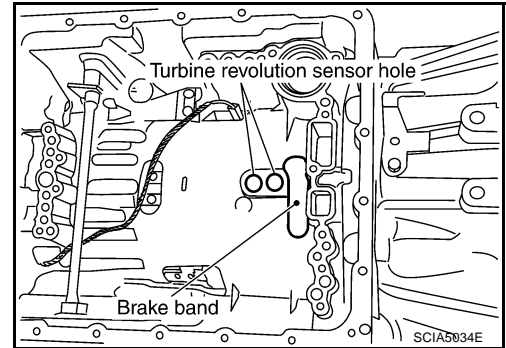
 : 52 N·m (5.3 kg·m, 38 ft·lb)

Self-sealing bolt:

 : 61 N·m (6.2 kg·m, 45 ft·lb)

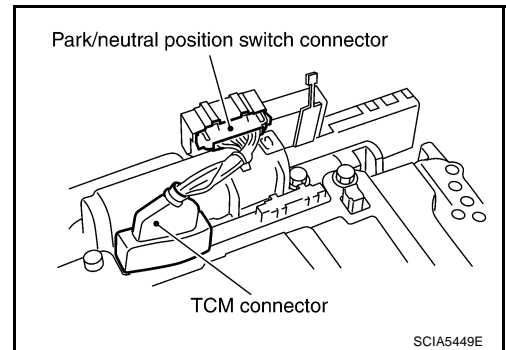


8. Make sure that brake band does not close turbine revolution sensor hole.

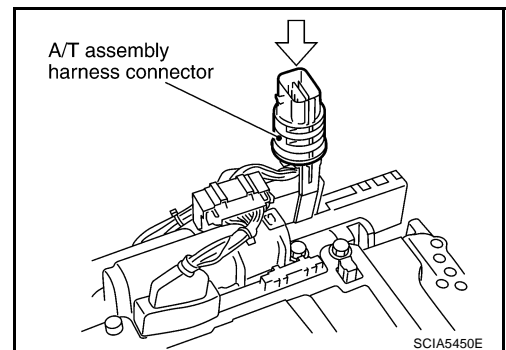


9. Install control valve with TCM.

- a. Connect TCM connector and park/neutral position switch connector.

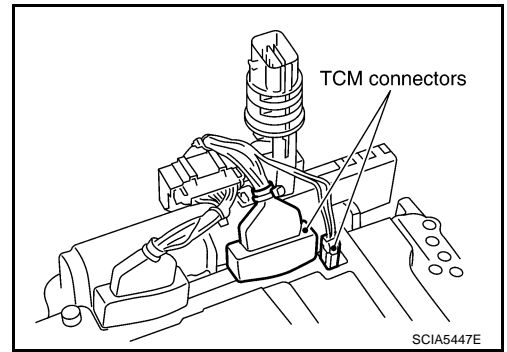


- b. Install A/T assembly harness connector to control valve with TCM.



ASSEMBLY

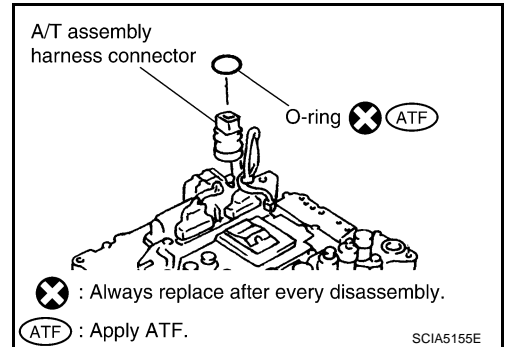
c. Connect TCM connectors.



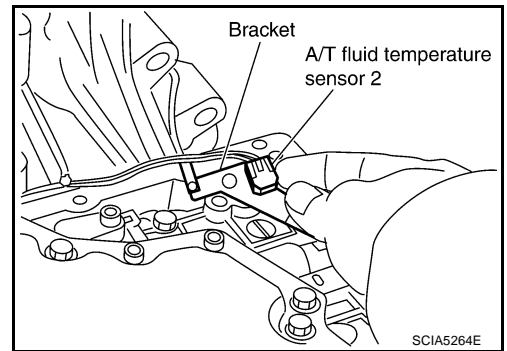
d. Install O-ring to A/T assembly harness connector.

CAUTION:

- Do not reuse O-ring.
- Apply ATF to O-ring.



e. Install A/T fluid temperature sensor 2 to bracket.

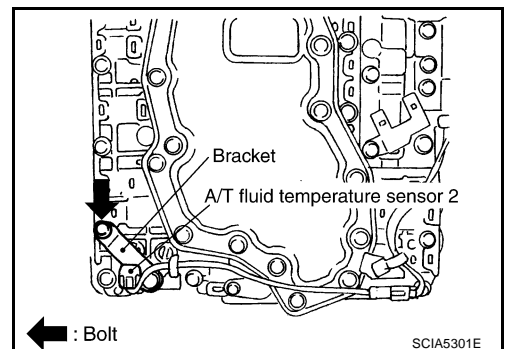


f. Install A/T fluid temperature sensor 2 (with bracket) in control valve with TCM.

CAUTION:

Adjust bolt hole of bracket to bolt hole of control valve.

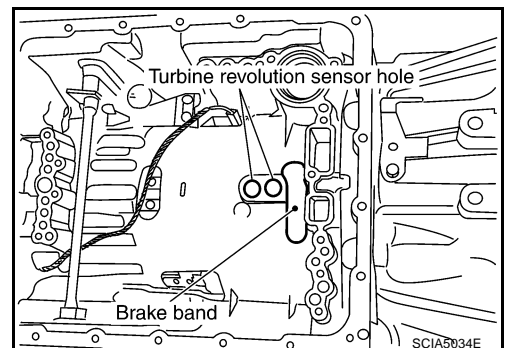
 : 7.9 N·m (0.81 kg·m, 70 in·lb)



g. Install control valve with TCM in transmission case.

CAUTION:

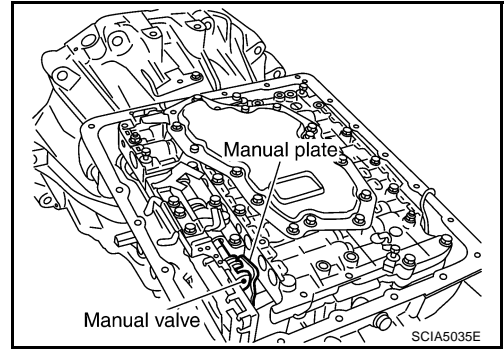
- Make sure that turbine revolution sensor securely installs turbine revolution sensor hole.
- Hang down revolution sensor harness toward outside so as not to disturb installation of control valve with TCM.
- Adjust A/T assembly harness connector of control valve with TCM to terminal hole of transmission case.



A
B
AT
D
E
F
G
H
I
J
K
L
M

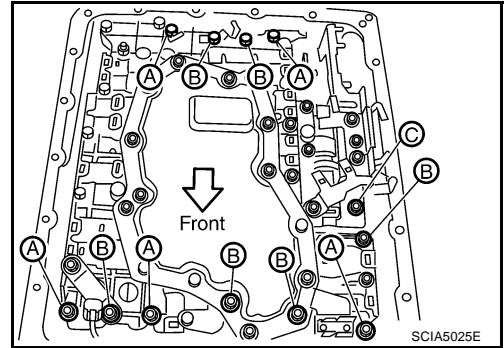
ASSEMBLY

- Assemble it so that manual valve cutout is engaged with manual plate projection.



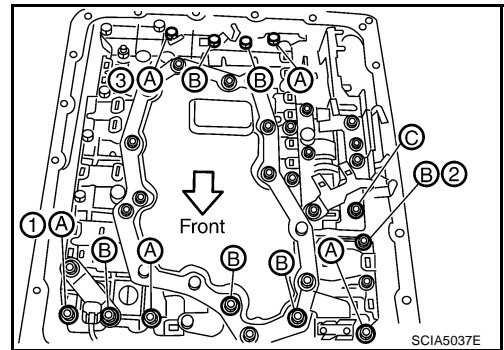
h. Install bolts A, B and C to control valve with TCM.

Bolt symbol	Length mm (in)	Number of bolts
A	42 (1.65)	5
B	55 (2.17)	6
C	40 (1.57)	1

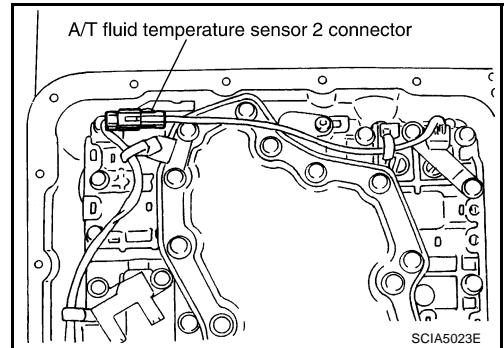


i. Tighten bolt 1, 2 and 3 temporarily to prevent dislocation. After that tighten them in order (1 → 2 → 3), and then tighten other bolts.

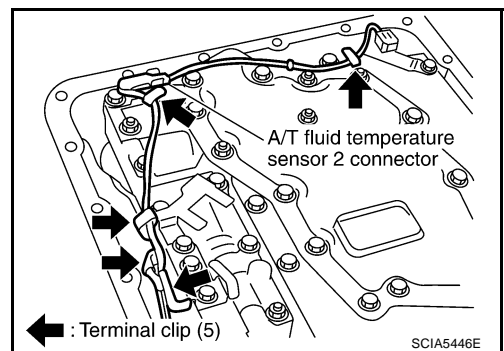
 : 7.9 N·m (0.81 kg·m, 70 in·lb)



10. Connect A/T fluid temperature sensor 2 connector.

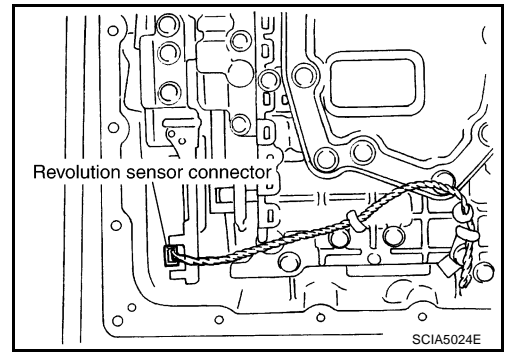


11. Securely fasten terminal cord assembly and A/T fluid temperature sensor 2 harness with terminal clips.

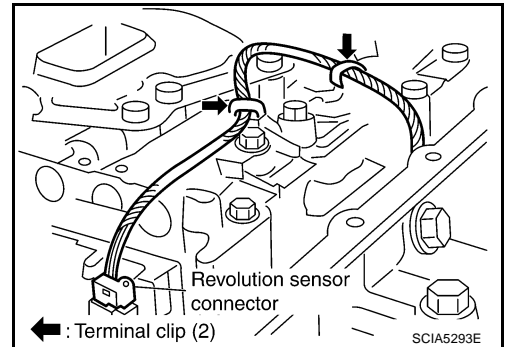


ASSEMBLY

12. Connect revolution sensor connector.

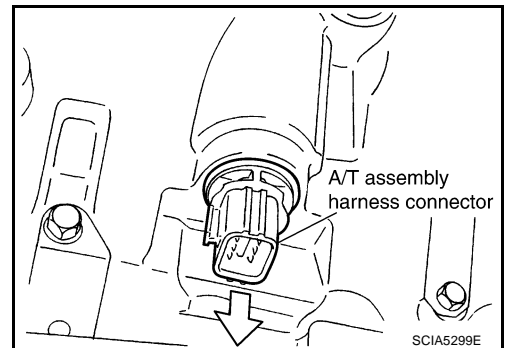


13. Securely fasten revolution sensor 2 harness with terminal clips.

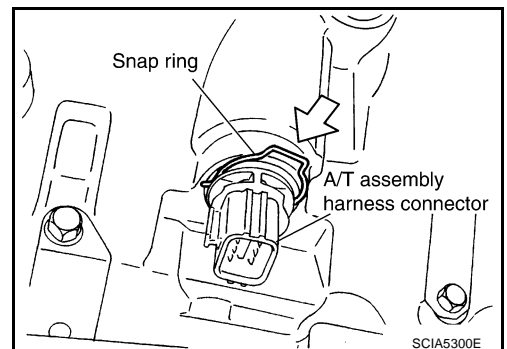


14. Pull down A/T assembly harness connector.

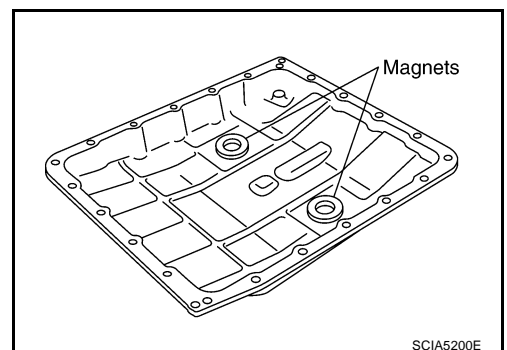
CAUTION:
Be careful not to damage connector.



15. Install snap ring to A/T assembly harness connector.



16. Install magnets in oil pan.



A
B
AT
D
E
F
G
H
I
J
K
L
M

ASSEMBLY

17. Install oil pan to transmission case.

a. Install oil pan gasket to transmission case.

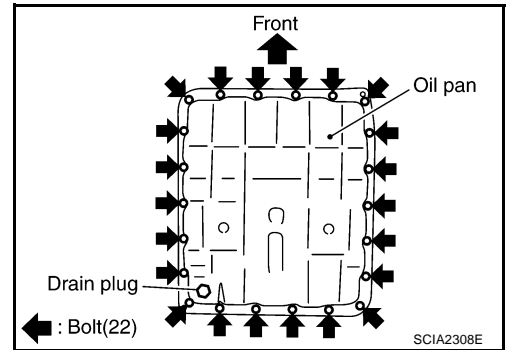
CAUTION:

- Do not reuse oil pan gasket.
- Install it in the direction to align hole positions.
- Completely remove all moisture, oil and old gasket, etc. from oil pan gasket mounting surface.

b. Install oil pan to transmission case.

CAUTION:

- Install it so that drain plug comes to the position as shown in the figure.
- Be careful not to pinch harnesses.
- Completely remove all moisture, oil and old gasket, etc. from oil pan gasket mounting surface.

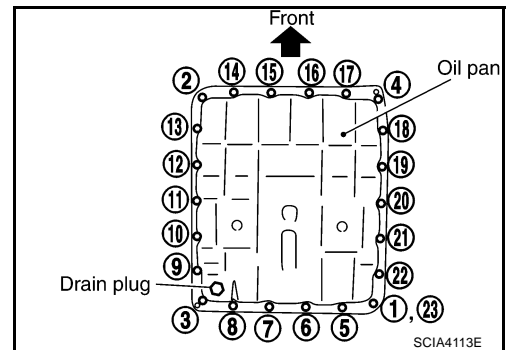


c. Tighten oil pan mounting bolts to the specified torque in numerical order shown in the figure after temporarily tightening them.

CAUTION:

Do not reuse oil pan mounting bolts.

 : 7.9 N·m (0.81 kg·m, 70 in-lb)



18. Install drain plug to oil pan.

CAUTION:

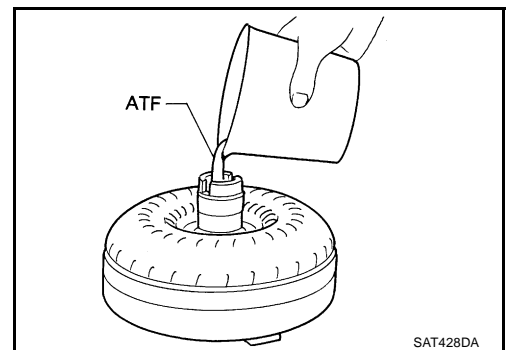
Do not reuse drain plug gasket.

 : 34 N·m (3.5 kg·m, 25 ft-lb)

19. Install torque converter.

a. Pour ATF into torque converter.

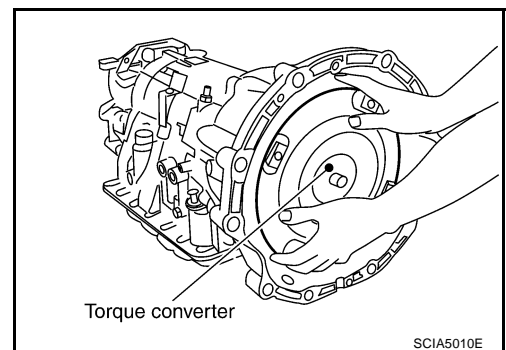
- Approximately 2 liter (2-1/8 US qt, 1-3/4 Imp qt) of fluid is required for a new torque converter.
- When reusing old torque converter, add the same amount of fluid as was drained.



b. Install torque converter while aligning notches of torque converter with notches of oil pump.

CAUTION:

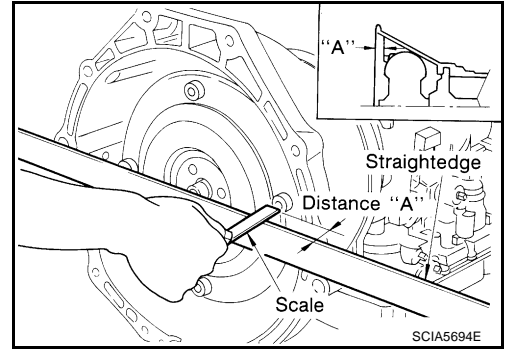
Install torque converter while rotating it.



ASSEMBLY

- c. Measure distance "A" to make sure that torque converter is in proper position.

Distance "A": 22.0 mm (0.87 in) or more



A
B
AT
D
E
F
G
H
I
J
K
L
M

SERVICE DATA AND SPECIFICATIONS (SDS)

SERVICE DATA AND SPECIFICATIONS (SDS)

PF0:00030

General Specifications

ECS008A3

Applied model		VK45DE engine
Automatic transmission model		RE5R05A
Transmission model code number		92X12
Stall torque ratio		2.0: 1
Transmission gear ratio	1st	3.540
	2nd	2.264
	3rd	1.472
	4th	1.000
	5th	0.834
	Reverse	2.370
Recommended fluid		Genuine Nissan Matic J ATF*1
Fluid capacity		10.3 liter (10-7/8 US qt, 9-1/8 Imp qt)

CAUTION:

- Use only Genuine Nissan Matic J ATF. Do not mix with other fluid.
- Using A/T fluid other than Genuine Nissan Matic J ATF will deteriorate in driveability and automatic transmission durability, and may damage the automatic transmission, which is not covered by the warranty.

*1: Refer to [MA-10. "Fluids and Lubricants"](#).

Vehicle Speed at Which Gear Shifting Occurs

ECS008A4

Throttle position	Vehicle speed km/h (MPH)							
	D1 →D2	D2 →D3	D3 →D4	D4 →D5	D5 →D4	D4 →D3	D3 →D2	D2 →D1
Full throttle	64 - 68 (40 - 42)	95 - 103 (59 - 64)	147 - 157 (91 - 98)	219 - 229 (136 - 142)	215 - 225 (134 - 140)	136 - 146 (85 - 91)	85 - 93 (53 - 58)	41 - 45 (25 - 28)
Half throttle	22 - 26 (14 - 16)	59 - 67 (37 - 42)	100 - 110 (62 - 68)	153 - 163 (95 - 101)	102 - 112 (63 - 70)	55 - 65 (34 - 40)	38 - 46 (24 - 29)	11 - 15 (7 - 9)

- At half throttle, the accelerator opening is 4/8 of the full opening.

Vehicle Speed at Which Lock-up Occurs/Releases

ECS008A5

Throttle position	Vehicle speed km/h (MPH)	
	Lock-up "ON"	Lock-up "OFF"
Closed throttle	71 - 79 (44 - 49)	53 - 61 (33 - 38)
Half throttle	191 - 199 (119 - 124)	136 - 144 (85 - 89)

- At closed throttle, the accelerator opening is less than 1/8.
- At half throttle, the accelerator opening is 4/8 of the full opening.

Vehicle Speed at Which Slip Lock-up Occurs/Releases

ECS008A6

Throttle position	Gear position	Vehicle speed km/h (MPH)	
		Slip lock-up "ON"	Slip lock-up "OFF"
Closed throttle	3rd	27 - 35 (17 - 22)	24 - 32 (15 - 20)
	4th	39 - 47 (24 - 29)	36 - 44 (22 - 27)
	5th	48 - 56 (30 - 35)	45 - 53 (28 - 33)

- At closed throttle, the accelerator opening is less than 1/8.

Stall Speed

ECS008A7

Stall speed	2,300 - 2,600 rpm
-------------	-------------------

SERVICE DATA AND SPECIFICATIONS (SDS)

Line Pressure

ECS008A8

Engine speed	Line pressure kPa (kg/cm ² , psi)	
	"R" position	"D", "M" positions
At idle speed	392 - 441 (4.0 - 4.5, 57 - 64)	373 - 422 (3.8 - 4.3, 54 - 61)
At stall speed	1,700 - 1,890 (17.3 - 19.3, 247 - 274)	1,310 - 1,500 (13.3 - 15.3, 190 - 218)

A/T Fluid Temperature Sensor

ECS00E2P

Name	Condition	CONSULT-II "DATA MONITOR" (Approx.) (V)	Resistance (Approx.) (kΩ)
A/T fluid temperature sensor 1	0°C (32°F)	2.2	15
	20°C (68°F)	1.8	6.5
	80°C (176°F)	0.6	0.9
A/T fluid temperature sensor 2	0°C (32°F)	2.2	10
	20°C (68°F)	1.7	4
	80°C (176°F)	0.45	0.5

Turbine Revolution Sensor

ECS00E2Q

Name	Condition	Data (Approx.)
Turbine revolution sensor 1	When running at 50 km/h (31 MPH) in 4th gear with the closed throttle position switch "OFF", use the CONSULT-II pulse frequency measuring function. CAUTION: Connect the diagnosis data link connector to the vehicle diagnosis connector.	1.3 (kHz)
Turbine revolution sensor 2	When running at 20 km/h (12 MPH) in 1st gear with the closed throttle position switch "OFF", use the CONSULT-II pulse frequency measuring function. CAUTION: Connect the diagnosis data link connector to the vehicle diagnosis connector.	

Vehicle Speed Sensor A/T (Revolution Sensor)

ECS00E2R

Name	Condition	Data (Approx.)
Revolution sensor	When running at 20 km/h (12 MPH), use the CONSULT-II pulse frequency measuring function. CAUTION: Connect the diagnosis data link connector to the vehicle diagnosis connector.	185 (Hz)

Reverse Brake

ECS00E2S

Number of drive plates	5	
Number of driven plates	5	
Clearance mm (in)	Standard	0.7 - 1.1 (0.028 - 0.043)
Thickness of retaining plates	Thickness mm (in)	Part number*
	4.2 (0.165)	31667 90X14
	4.4 (0.173)	31667 90X15
	4.6 (0.181)	31667 90X16
	4.8 (0.189)	31667 90X17
	5.0 (0.197)	31667 90X18
	5.2 (0.205)	31667 90X19

*: Always check with the Parts Department for the latest parts information.

SERVICE DATA AND SPECIFICATIONS (SDS)

Total End Play

ECS00E2T

Total end play mm (in)	0.25 - 0.55 (0.0098 - 0.0217)
------------------------	-------------------------------

BEARING RACE FOR ADJUSTING TOTAL END PLAY

Thickness mm (in)	Part number*
1.2 (0.047)	31435 90X02
1.4 (0.055)	31435 90X03
1.6 (0.063)	31435 90X04
1.8 (0.071)	31435 90X05
2.0 (0.079)	31435 90X06

*: Always check with the Parts Department for the latest parts information.