

A
EC
C
D
E
F
G
H
I
J
K
L
M

SECTION EC

ENGINE CONTROL SYSTEM

CONTENTS

<p>INDEX FOR DTC 9</p> <p style="padding-left: 20px;">DTC No. Index 9</p> <p style="padding-left: 20px;">Alphabetical Index 13</p> <p>PRECAUTIONS 17</p> <p style="padding-left: 20px;">Precautions for Supplemental Restraint System (SRS) "AIR BAG" and "SEAT BELT PRE-TENSIONER" 17</p> <p style="padding-left: 20px;">On Board Diagnostic (OBD) System of Engine and A/T 17</p> <p style="padding-left: 20px;">Precaution 17</p> <p>PREPARATION 21</p> <p style="padding-left: 20px;">Special Service Tools 21</p> <p style="padding-left: 20px;">Commercial Service Tools 22</p> <p>ENGINE CONTROL SYSTEM 23</p> <p style="padding-left: 20px;">System Diagram 23</p> <p style="padding-left: 20px;">Multiport Fuel Injection (MFI) System 24</p> <p style="padding-left: 20px;">Electronic Ignition (EI) System 26</p> <p style="padding-left: 20px;">Fuel Cut Control (at No Load and High Engine Speed) 27</p> <p>AIR CONDITIONING CUT CONTROL 28</p> <p style="padding-left: 20px;">Input/Output Signal Chart 28</p> <p style="padding-left: 20px;">System Description 28</p> <p>AUTOMATIC SPEED CONTROL DEVICE (ASCD).. 29</p> <p style="padding-left: 20px;">System Description 29</p> <p style="padding-left: 20px;">Component Description 30</p> <p>CAN COMMUNICATION 31</p> <p style="padding-left: 20px;">System Description 31</p> <p>EVAPORATIVE EMISSION SYSTEM 32</p> <p style="padding-left: 20px;">Description 32</p> <p style="padding-left: 20px;">Component Inspection 35</p> <p style="padding-left: 20px;">How to Detect Fuel Vapor Leakage 36</p> <p>ON BOARD REFUELING VAPOR RECOVERY (ORVR) 38</p> <p style="padding-left: 20px;">System Description 38</p> <p style="padding-left: 20px;">Diagnostic Procedure 39</p> <p style="padding-left: 20px;">Component Inspection 41</p> <p>POSITIVE CRANKCASE VENTILATION 44</p> <p style="padding-left: 20px;">Description 44</p> <p style="padding-left: 20px;">Component Inspection 44</p> <p>IVIS (INFINITI VEHICLE IMMOBILIZER SYSTEM-</p>	<p>NATS) 46</p> <p style="padding-left: 20px;">Description 46</p> <p>ON BOARD DIAGNOSTIC (OBD) SYSTEM 47</p> <p style="padding-left: 20px;">Introduction 47</p> <p style="padding-left: 20px;">Two Trip Detection Logic 47</p> <p style="padding-left: 20px;">Emission-related Diagnostic Information 48</p> <p style="padding-left: 20px;">Malfunction Indicator Lamp (MIL) 63</p> <p style="padding-left: 20px;">OBD System Operation Chart 66</p> <p>BASIC SERVICE PROCEDURE 71</p> <p style="padding-left: 20px;">Basic Inspection 71</p> <p style="padding-left: 20px;">Idle Speed and Ignition Timing Check 76</p> <p style="padding-left: 20px;">VIN Registration 77</p> <p style="padding-left: 20px;">Accelerator Pedal Released Position Learning 77</p> <p style="padding-left: 20px;">Throttle Valve Closed Position Learning 78</p> <p style="padding-left: 20px;">Idle Air Volume Learning 78</p> <p style="padding-left: 20px;">Fuel Pressure Check 80</p> <p>TROUBLE DIAGNOSIS 82</p> <p style="padding-left: 20px;">Trouble Diagnosis Introduction 82</p> <p style="padding-left: 20px;">DTC Inspection Priority Chart 88</p> <p style="padding-left: 20px;">Fail-Safe Chart 90</p> <p style="padding-left: 20px;">Symptom Matrix Chart 91</p> <p style="padding-left: 20px;">Engine Control Component Parts Location 95</p> <p style="padding-left: 20px;">Vacuum Hose Drawing 102</p> <p style="padding-left: 20px;">Circuit Diagram 103</p> <p style="padding-left: 20px;">ECM Harness Connector Terminal Layout 105</p> <p style="padding-left: 20px;">ECM Terminals and Reference Value 105</p> <p style="padding-left: 20px;">CONSULT-II Function (ENGINE) 115</p> <p style="padding-left: 20px;">Generic Scan Tool (GST) Function 127</p> <p style="padding-left: 20px;">CONSULT-II Reference Value in Data Monitor Mode 129</p> <p style="padding-left: 20px;">Major Sensor Reference Graph in Data Monitor Mode 133</p> <p>TROUBLE DIAGNOSIS - SPECIFICATION VALUE 135</p> <p style="padding-left: 20px;">Description 135</p> <p style="padding-left: 20px;">Testing Condition 135</p> <p style="padding-left: 20px;">Inspection Procedure 135</p> <p style="padding-left: 20px;">Diagnostic Procedure 136</p> <p>TROUBLE DIAGNOSIS FOR INTERMITTENT INCIDENT 145</p>
---	---

Description	145	Component Inspection	194
Diagnostic Procedure	145	Removal and Installation	194
POWER SUPPLY AND GROUND CIRCUIT	146	DTC P0101 MAF SENSOR	195
Wiring Diagram	146	Component Description	195
Diagnostic Procedure	149	CONSULT-II Reference Value in Data Monitor Mode	
Ground Inspection	154		195
Component Inspection	155	On Board Diagnosis Logic	195
DTC U1000, U1001 CAN COMMUNICATION LINE	156	DTC Confirmation Procedure	196
Description	156	Overall Function Check	197
On Board Diagnosis Logic	156	Wiring Diagram	198
DTC Confirmation Procedure	156	Diagnostic Procedure	199
Wiring Diagram	157	Component Inspection	201
Diagnostic Procedure	158	Removal and Installation	203
DTC U1010 CAN COMMUNICATION	159	DTC P0102, P0103 MAF SENSOR	204
Description	159	Component Description	204
On Board Diagnosis Logic	159	CONSULT-II Reference Value in Data Monitor Mode	
DTC Confirmation Procedure	159		204
Diagnostic Procedure	160	On Board Diagnosis Logic	204
DTC P0011, P0021 IVT CONTROL	161	DTC Confirmation Procedure	205
Description	161	Wiring Diagram	206
CONSULT-II Reference Value in Data Monitor Mode		Diagnostic Procedure	207
	162	Component Inspection	209
On Board Diagnosis Logic	162	Removal and Installation	210
DTC Confirmation Procedure	163	DTC P0112, P0113 IAT SENSOR	211
Wiring Diagram	164	Component Description	211
Diagnostic Procedure	167	On Board Diagnosis Logic	211
Component Inspection	171	DTC Confirmation Procedure	211
Removal and Installation	172	Wiring Diagram	212
DTC P0031, P0032, P0051, P0052 A/F SENSOR 1 HEATER	173	Diagnostic Procedure	213
Description	173	Component Inspection	214
CONSULT-II Reference Value in Data Monitor Mode		Removal and Installation	214
	173	DTC P0117, P0118 ECT SENSOR	215
On Board Diagnosis Logic	173	Component Description	215
DTC Confirmation Procedure	173	On Board Diagnosis Logic	215
Wiring Diagram	174	DTC Confirmation Procedure	216
Diagnostic Procedure	177	Wiring Diagram	217
Component Inspection	179	Diagnostic Procedure	218
Removal and Installation	179	Component Inspection	219
DTC P0037, P0038, P0057, P0058 HO2S2 HEATER	180	Removal and Installation	220
Description	180	DTC P0122, P0123 TP SENSOR	221
CONSULT-II Reference Value in Data Monitor Mode		Component Description	221
	180	CONSULT-II Reference Value in Data Monitor Mode	
On Board Diagnosis Logic	180		221
DTC Confirmation Procedure	181	On Board Diagnosis Logic	221
Wiring Diagram	182	DTC Confirmation Procedure	222
Diagnostic Procedure	185	Wiring Diagram	223
Component Inspection	187	Diagnostic Procedure	224
Removal and Installation	187	Component Inspection	227
DTC P0075, P0081 IVT CONTROL SOLENOID VALVE	188	Removal and Installation	227
Component Description	188	DTC P0125 ECT SENSOR	228
CONSULT-II Reference Value in Data Monitor Mode		Component Description	228
	188	On Board Diagnosis Logic	228
On Board Diagnosis Logic	188	DTC Confirmation Procedure	229
DTC Confirmation Procedure	188	Diagnostic Procedure	229
Wiring Diagram	189	Component Inspection	230
Diagnostic Procedure	193	Removal and Installation	230
		DTC P0127 IAT SENSOR	231
		Component Description	231
		On Board Diagnosis Logic	231

DTC Confirmation Procedure	231	Component Description	288
Diagnostic Procedure	232	CONSULT-II Reference Value in Data Monitor Mode	288
Component Inspection	233	On Board Diagnosis Logic	288
Removal and Installation	233	DTC Confirmation Procedure	289
DTC P0128 THERMOSTAT FUNCTION	234	Overall Function Check	290
On Board Diagnosis Logic	234	Wiring Diagram	292
DTC Confirmation Procedure	234	Diagnostic Procedure	295
Diagnostic Procedure	234	Component Inspection	302
Component Inspection	235	Removal and Installation	303
Removal and Installation	235	DTC P0139, P0159 HO2S2	304
DTC P0130, P0150 A/F SENSOR 1	236	Component Description	304
Component Description	236	CONSULT-II Reference Value in Data Monitor Mode	304
CONSULT-II Reference Value in Data Monitor Mode	236	On Board Diagnosis Logic	304
On Board Diagnosis Logic	236	DTC Confirmation Procedure	305
DTC Confirmation Procedure	236	Overall Function Check	305
Overall Function Check	237	Wiring Diagram	307
Wiring Diagram	239	Diagnostic Procedure	310
Diagnostic Procedure	242	Component Inspection	314
Removal and Installation	245	Removal and Installation	315
DTC P0131, P0151 A/F SENSOR 1	246	DTC P0171, P0174 FUEL INJECTION SYSTEM	
Component Description	246	FUNCTION	316
CONSULT-II Reference Value in Data Monitor Mode	246	On Board Diagnosis Logic	316
On Board Diagnosis Logic	246	DTC Confirmation Procedure	316
DTC Confirmation Procedure	246	Wiring Diagram	318
Wiring Diagram	248	Diagnostic Procedure	322
Diagnostic Procedure	251	DTC P0172, P0175 FUEL INJECTION SYSTEM	
Removal and Installation	254	FUNCTION	328
DTC P0132, P0152 A/F SENSOR 1	255	On Board Diagnosis Logic	328
Component Description	255	DTC Confirmation Procedure	328
CONSULT-II Reference Value in Data Monitor Mode	255	Wiring Diagram	330
On Board Diagnosis Logic	255	Diagnostic Procedure	334
DTC Confirmation Procedure	255	DTC P0181 FTT SENSOR	339
Wiring Diagram	257	Component Description	339
Diagnostic Procedure	260	On Board Diagnosis Logic	339
Removal and Installation	263	DTC Confirmation Procedure	339
DTC P0133, P0153 A/F SENSOR 1	264	Wiring Diagram	341
Component Description	264	Diagnostic Procedure	342
CONSULT-II Reference Value in Data Monitor Mode	264	Component Inspection	343
On Board Diagnosis Logic	264	Removal and Installation	343
DTC Confirmation Procedure	265	DTC P0182, P0183 FTT SENSOR	344
Wiring Diagram	267	Component Description	344
Diagnostic Procedure	270	On Board Diagnosis Logic	344
Removal and Installation	275	DTC Confirmation Procedure	344
DTC P0137, P0157 HO2S2	276	Wiring Diagram	345
Component Description	276	Diagnostic Procedure	346
CONSULT-II Reference Value in Data Monitor Mode	276	Component Inspection	347
On Board Diagnosis Logic	276	Removal and Installation	347
DTC Confirmation Procedure	277	DTC P0222, P0223 TP SENSOR	348
Overall Function Check	277	Component Description	348
Wiring Diagram	279	CONSULT-II Reference Value in Data Monitor Mode	348
Diagnostic Procedure	282	On Board Diagnosis Logic	348
Component Inspection	286	DTC Confirmation Procedure	349
Removal and Installation	287	Wiring Diagram	350
DTC P0138, P0158 HO2S2	288	Diagnostic Procedure	351
		Component Inspection	354
		Removal and Installation	354

DTC P0300 - P0308 MULTIPLE CYLINDER MISFIRE, NO. 1 - 8 CYLINDER MISFIRE	355	DTC P0444, P0445 EVAP CANISTER PURGE VOLUME CONTROL SOLENOID VALVE	412
On Board Diagnosis Logic	355	Description	412
DTC Confirmation Procedure	356	CONSULT-II Reference Value in Data Monitor Mode	412
Diagnostic Procedure	357	On Board Diagnosis Logic	413
DTC P0327, P0328, P0332, P0333 KS	365	DTC Confirmation Procedure	413
Component Description	365	Wiring Diagram	414
On Board Diagnosis Logic	365	Diagnostic Procedure	416
DTC Confirmation Procedure	365	Component Inspection	417
Wiring Diagram	366	Removal and Installation	418
Diagnostic Procedure	367	DTC P0447 EVAP CANISTER VENT CONTROL VALVE	419
Component Inspection	368	Component Description	419
Removal and Installation	369	CONSULT-II Reference Value in Data Monitor Mode	419
DTC P0335 CKP SENSOR (POS)	370	On Board Diagnosis Logic	419
Component Description	370	DTC Confirmation Procedure	420
CONSULT-II Reference Value in Data Monitor Mode	370	Overall Function Check	421
On Board Diagnosis Logic	370	Wiring Diagram	423
DTC Confirmation Procedure	371	Diagnostic Procedure	424
Wiring Diagram	372	Component Inspection	428
Diagnostic Procedure	375	DTC P0448 EVAP CANISTER VENT CONTROL VALVE	430
Component Inspection	378	Component Description	430
Removal and Installation	378	CONSULT-II Reference Value in Data Monitor Mode	430
DTC P0340 CMP SENSOR (PHASE)	379	On Board Diagnosis Logic	430
Component Description	379	DTC Confirmation Procedure	431
On Board Diagnosis Logic	379	Wiring Diagram	432
DTC Confirmation Procedure	380	Diagnostic Procedure	433
Wiring Diagram	381	Component Inspection	435
Diagnostic Procedure	382	DTC P0452 EVAP CONTROL SYSTEM PRESSURE SENSOR	436
Component Inspection	385	Component Description	436
Removal and Installation	385	CONSULT-II Reference Value in Data Monitor Mode	436
DTC P0420, P0430 THREE WAY CATALYST FUNCTION	386	On Board Diagnosis Logic	436
On Board Diagnosis Logic	386	DTC Confirmation Procedure	437
DTC Confirmation Procedure	386	Wiring Diagram	438
Overall Function Check	387	Diagnostic Procedure	439
Diagnostic Procedure	388	Component Inspection	442
DTC P0441 EVAP CONTROL SYSTEM	391	DTC P0453 EVAP CONTROL SYSTEM PRESSURE SENSOR	443
System Description	391	Component Description	443
On Board Diagnosis Logic	391	CONSULT-II Reference Value in Data Monitor Mode	443
DTC Confirmation Procedure	391	On Board Diagnosis Logic	443
Overall Function Check	392	DTC Confirmation Procedure	444
Diagnostic Procedure	393	Wiring Diagram	445
DTC P0442 EVAP CONTROL SYSTEM	396	Diagnostic Procedure	446
On Board Diagnosis Logic	396	Component Inspection	450
DTC Confirmation Procedure	397	DTC P0455 EVAP CONTROL SYSTEM	451
Diagnostic Procedure	398	On Board Diagnosis Logic	451
Component Inspection	403	DTC Confirmation Procedure	452
DTC P0443 EVAP CANISTER PURGE VOLUME CONTROL SOLENOID VALVE	404	Diagnostic Procedure	453
Description	404	DTC P0456 EVAP CONTROL SYSTEM	459
CONSULT-II Reference Value in Data Monitor Mode	404	On Board Diagnosis Logic	459
On Board Diagnosis Logic	404	DTC Confirmation Procedure	460
DTC Confirmation Procedure	405		
Wiring Diagram	406		
Diagnostic Procedure	408		
Component Inspection	411		
Removal and Installation	411		

Overall Function Check	461	On Board Diagnosis Logic	492
Diagnostic Procedure	462	DTC Confirmation Procedure	492
Component Inspection	467	Wiring Diagram	493
DTC P0460 FUEL LEVEL SENSOR	468	Diagnostic Procedure	495
Component Description	468	DTC P0850 PNP SWITCH	497
On Board Diagnosis Logic	468	Component Description	497
DTC Confirmation Procedure	468	CONSULT-II Reference Value in Data Monitor Mode	
Diagnostic Procedure	469		497
Removal and Installation	469	On Board Diagnosis Logic	497
DTC P0461 FUEL LEVEL SENSOR	470	DTC Confirmation Procedure	497
Component Description	470	Overall Function Check	498
On Board Diagnosis Logic	470	Wiring Diagram	499
Overall Function Check	470	Diagnostic Procedure	500
Diagnostic Procedure	471	DTC P1140, P1145 IVT CONTROL POSITION SEN-	
Removal and Installation	471	SOR	502
DTC P0462, P0463 FUEL LEVEL SENSOR	472	Component Description	502
Component Description	472	CONSULT-II Reference Value in Data Monitor Mode	
On Board Diagnosis Logic	472		502
DTC Confirmation Procedure	472	On Board Diagnosis Logic	502
Diagnostic Procedure	473	DTC Confirmation Procedure	502
Removal and Installation	473	Wiring Diagram	504
DTC P0500 VSS	474	Diagnostic Procedure	507
Description	474	Component Inspection	510
On Board Diagnosis Logic	474	Removal and Installation	510
DTC Confirmation Procedure	474	DTC P1148, P1168 CLOSED LOOP CONTROL ...	511
Overall Function Check	475	On Board Diagnosis Logic	511
Diagnostic Procedure	475	DTC P1211 TCS CONTROL UNIT	512
DTC P0506 ISC SYSTEM	476	Description	512
Description	476	On Board Diagnosis Logic	512
On Board Diagnosis Logic	476	DTC Confirmation Procedure	512
DTC Confirmation Procedure	476	Diagnostic Procedure	512
Diagnostic Procedure	477	DTC P1212 TCS COMMUNICATION LINE	513
DTC P0507 ISC SYSTEM	478	Description	513
Description	478	On Board Diagnosis Logic	513
On Board Diagnosis Logic	478	DTC Confirmation Procedure	513
DTC Confirmation Procedure	478	Diagnostic Procedure	513
Diagnostic Procedure	479	DTC P1217 ENGINE OVER TEMPERATURE	514
DTC P0550 PSP SENSOR	480	Description	514
Component Description	480	CONSULT-II Reference Value in Data Monitor Mode	
CONSULT-II Reference Value in Data Monitor Mode			515
	480	On Board Diagnosis Logic	516
On Board Diagnosis Logic	480	Overall Function Check	516
DTC Confirmation Procedure	480	Wiring Diagram	519
Wiring Diagram	481	Diagnostic Procedure	520
Diagnostic Procedure	482	Main 13 Causes of Overheating	532
Component Inspection	484	Component Inspection	532
Removal and Installation	484	DTC P1220 FUEL PUMP CONTROL MODULE	
DTC P0603 ECM POWER SUPPLY	485	(FPCM)	534
Component Description	485	Description	534
On Board Diagnosis Logic	485	CONSULT-II Reference Value in Data Monitor Mode	
DTC Confirmation Procedure	485		534
Wiring Diagram	486	On Board Diagnosis Logic	534
Diagnostic Procedure	487	DTC Confirmation Procedure	535
DTC P0605 ECM	489	Wiring Diagram	536
Component Description	489	Diagnostic Procedure	537
On Board Diagnosis Logic	489	Component Inspection	540
DTC Confirmation Procedure	489	DTC P1225 TP SENSOR	542
Diagnostic Procedure	490	Component Description	542
DTC P0643 SENSOR POWER SUPPLY	492	On Board Diagnosis Logic	542

DTC Confirmation Procedure	542	DTC Confirmation Procedure	593
Diagnostic Procedure	543	Diagnostic Procedure	593
Removal and Installation	543	DTC P1572 ICC BRAKE SWITCH	594
DTC P1226 TP SENSOR	544	Component Description	594
Component Description	544	CONSULT-II Reference Value in Data Monitor Mode	
On Board Diagnosis Logic	544		594
DTC Confirmation Procedure	544	On Board Diagnosis Logic	594
Diagnostic Procedure	545	DTC Confirmation Procedure	595
Removal and Installation	545	Wiring Diagram	596
DTC P1442 EVAP CONTROL SYSTEM	546	Diagnostic Procedure	597
On Board Diagnosis Logic	546	Component Inspection	602
DTC Confirmation Procedure	547	DTC P1572 ASCD BRAKE SWITCH	604
Diagnostic Procedure	548	Component Description	604
Component Inspection	553	CONSULT-II Reference Value in Data Monitor Mode	
DTC P1456 EVAP CONTROL SYSTEM	554		604
On Board Diagnosis Logic	554	On Board Diagnosis Logic	604
DTC Confirmation Procedure	555	DTC Confirmation Procedure	605
Overall Function Check	556	Wiring Diagram	606
Diagnostic Procedure	557	Diagnostic Procedure	607
Component Inspection	562	Component Inspection	611
DTC P1490 VACUUM CUT VALVE BYPASS VALVE 563	563	DTC P1574 ICC VEHICLE SPEED SENSOR	612
Description	563	Component Description	612
CONSULT-II Reference Value in Data Monitor Mode		On Board Diagnosis Logic	612
	563	DTC Confirmation Procedure	612
On Board Diagnosis Logic	563	Diagnostic Procedure	613
DTC Confirmation Procedure	564	DTC P1574 ASCD VEHICLE SPEED SENSOR	614
Wiring Diagram	565	Component Description	614
Diagnostic Procedure	566	On Board Diagnosis Logic	614
Component Inspection	568	DTC Confirmation Procedure	614
DTC P1491 VACUUM CUT VALVE BYPASS VALVE 570	570	Diagnostic Procedure	615
Description	570	DTC P1715 INPUT SPEED SENSOR (TURBINE	616
CONSULT-II Reference Value in Data Monitor Mode		REVOLUTION SENSOR)	616
	570	Description	616
On Board Diagnosis Logic	571	CONSULT-II Reference Value in Data Monitor Mode	
DTC Confirmation Procedure	571		616
Overall Function Check	572	On Board Diagnosis Logic	616
Wiring Diagram	573	Diagnostic Procedure	616
Diagnostic Procedure	574	DTC P1800 VIAS CONTROL SOLENOID VALVE .617	617
Component Inspection	577	Component Description	617
DTC P1564 ICC STEERING SWITCH	579	CONSULT-II Reference Value in Data Monitor Mode	
Component Description	579		617
CONSULT-II Reference Value in Data Monitor Mode		On Board Diagnosis Logic	617
	579	DTC Confirmation Procedure	617
On Board Diagnosis Logic	579	Wiring Diagram	618
DTC Confirmation Procedure	580	Diagnostic Procedure	619
Wiring Diagram	581	Component Inspection	620
Diagnostic Procedure	582	Removal and Installation	621
Component Inspection	585	DTC P1805 BRAKE SWITCH	622
DTC P1564 ASCD STEERING SWITCH	586	Description	622
Component Description	586	CONSULT-II Reference Value in Data Monitor Mode	
CONSULT-II Reference Value in Data Monitor Mode			622
	586	On Board Diagnosis Logic	622
On Board Diagnosis Logic	586	DTC Confirmation Procedure	622
DTC Confirmation Procedure	587	Wiring Diagram	623
Wiring Diagram	588	Diagnostic Procedure	624
Diagnostic Procedure	589	Component Inspection	626
Component Inspection	592	DTC P2100, P2103 THROTTLE CONTROL MOTOR	627
DTC P1568 ICC FUNCTION	593	RELAY	627
On Board Diagnosis Logic	593	Component Description	627

CONSULT-II Reference Value in Data Monitor Mode	627	Component Inspection	667	A
On Board Diagnosis Logic	627	Removal and Installation	667	
DTC Confirmation Procedure	627	DTC P2138 APP SENSOR	668	
Wiring Diagram	629	Component Description	668	
Diagnostic Procedure	630	CONSULT-II Reference Value in Data Monitor Mode	668	EC
Component Inspection	632	On Board Diagnosis Logic	668	
DTC P2101 ELECTRIC THROTTLE CONTROL		DTC Confirmation Procedure	669	
FUNCTION	633	Wiring Diagram	670	C
Description	633	Diagnostic Procedure	671	
On Board Diagnosis Logic	633	Component Inspection	675	D
DTC Confirmation Procedure	633	Removal and Installation	675	
Wiring Diagram	634	DTC P2A00, P2A03 A/F SENSOR 1	676	
Diagnostic Procedure	635	Component Description	676	
Component Inspection	639	CONSULT-II Reference Value in Data Monitor Mode	676	E
Removal and Installation	639	On Board Diagnosis Logic	676	
DTC P2118 THROTTLE CONTROL MOTOR	640	DTC Confirmation Procedure	676	F
Component Description	640	Wiring Diagram	678	
On Board Diagnosis Logic	640	Diagnostic Procedure	681	
DTC Confirmation Procedure	640	Removal and Installation	686	
Wiring Diagram	641	ASCD BRAKE SWITCH	687	G
Diagnostic Procedure	642	Component Description	687	
Component Inspection	643	CONSULT-II Reference Value in Data Monitor Mode	687	H
Removal and Installation	644	Wiring Diagram	688	
DTC P2119 ELECTRIC THROTTLE CONTROL		Diagnostic Procedure	689	
ACTUATOR	645	Component Inspection	693	I
Component Description	645	ASCD INDICATOR	695	
On Board Diagnosis Logic	645	Component Description	695	J
DTC Confirmation Procedure	645	CONSULT-II Reference Value in Data Monitor Mode	695	
Diagnostic Procedure	646	Wiring Diagram	696	
DTC P2122, P2123 APP SENSOR	647	Diagnostic Procedure	697	K
Component Description	647	ELECTRICAL LOAD SIGNAL	698	
CONSULT-II Reference Value in Data Monitor Mode	647	CONSULT-II Reference Value in Data Monitor Mode	698	
On Board Diagnosis Logic	647	Wiring Diagram	699	L
DTC Confirmation Procedure	648	Diagnostic Procedure	701	
Wiring Diagram	649	FUEL INJECTOR	706	
Diagnostic Procedure	650	Component Description	706	M
Component Inspection	652	CONSULT-II Reference Value in Data Monitor Mode	706	
Removal and Installation	653	Wiring Diagram	707	
DTC P2127, P2128 APP SENSOR	654	Diagnostic Procedure	710	
Component Description	654	Component Inspection	714	
CONSULT-II Reference Value in Data Monitor Mode	654	Removal and Installation	714	
On Board Diagnosis Logic	654	FUEL PUMP	715	
DTC Confirmation Procedure	655	Description	715	
Wiring Diagram	656	CONSULT-II Reference Value in Data Monitor Mode	715	
Diagnostic Procedure	657	Wiring Diagram	716	
Component Inspection	660	Diagnostic Procedure	717	
Removal and Installation	660	Component Inspection	721	
DTC P2135 TP SENSOR	661	Removal and Installation	721	
Component Description	661	ICC BRAKE SWITCH	722	
CONSULT-II Reference Value in Data Monitor Mode	661	Component Description	722	
On Board Diagnosis Logic	661	CONSULT-II Reference Value in Data Monitor Mode	722	
DTC Confirmation Procedure	662			
Wiring Diagram	663			
Diagnostic Procedure	664			

Wiring Diagram	723	Diagnostic Procedure	753
Diagnostic Procedure	724	Component Inspection	756
Component Inspection	730	Removal and Installation	756
IGNITION SIGNAL	731	MIL AND DATA LINK CONNECTOR	757
Component Description	731	Wiring Diagram	757
Wiring Diagram	732	SERVICE DATA AND SPECIFICATIONS (SDS) ...	759
Diagnostic Procedure	737	Fuel Pressure	759
Component Inspection	742	Idle Speed and Ignition Timing	759
Removal and Installation	743	Calculated Load Value	759
REFRIGERANT PRESSURE SENSOR	744	Mass Air Flow Sensor	759
Component Description	744	Intake Air Temperature Sensor	759
Wiring Diagram	745	Engine Coolant Temperature Sensor	759
Diagnostic Procedure	746	Fuel Temperature Sensor	759
Removal and Installation	748	Crankshaft Position Sensor (POS)	759
VARIABLE INDUCTION AIR CONTROL SYSTEM		Camshaft Position Sensor (PHASE)	759
(VIAS)	749	A/F Sensor 1 Heater	759
Description	749	Heated Oxygen sensor 2 Heater	760
CONSULT-II Reference Value in Data Monitor Mode	750	Throttle Control Motor	760
Wiring Diagram	751	Fuel Injector	760
		Fuel Pump	760

INDEX FOR DTC

INDEX FOR DTC

PF0:00024

DTC No. Index

NBS001PW

NOTE:

- If DTC U1000 or U1001 is displayed with other DTC, first perform the trouble diagnosis for DTC U1000, U1001. Refer to [EC-156, "DTC U1000, U1001 CAN COMMUNICATION LINE"](#) .
- If DTC U1010 is displayed with other DTC, first perform the trouble diagnosis for DTC U1010. Refer to [EC-159, "DTC U1010 CAN COMMUNICATION"](#) .

DTC*1		Items (CONSULT-II screen terms)	Reference page
CONSULT-II GST*2	ECM*3		
U1000	1000*4	CAN COMM CIRCUIT	EC-156
U1001	1001*4	CAN COMM CIRCUIT	EC-156
U1010	1010	CONTROL UNIT(CAN)	EC-159
P0000	0000	NO DTC IS DETECTED. FURTHER TESTING MAY BE REQUIRED.	—
P0011	0011	INT/V TIM CONT-B1	EC-161
P0021	0021	INT/V TIM CONT-B2	EC-161
P0031	0031	A/F SEN1 HTR (B1)	EC-173
P0032	0032	A/F SEN1 HTR (B1)	EC-173
P0037	0037	HO2S2 HTR (B1)	EC-180
P0038	0038	HO2S2 HTR (B1)	EC-180
P0051	0051	A/F SEN1 HTR (B2)	EC-173
P0052	0052	A/F SEN1 HTR (B2)	EC-173
P0057	0057	HO2S2 HTR (B2)	EC-180
P0058	0058	HO2S2 HTR (B2)	EC-180
P0075	0075	INT/V TIM V/CIR-B1	EC-188
P0081	0081	INT/V TIM V/CIR-B2	EC-188
P0101	0101	MAF SEN/CIRCUIT	EC-195
P0102	0102	MAF SEN/CIRCUIT	EC-204
P0103	0103	MAF SEN/CIRCUIT	EC-204
P0112	0112	IAT SEN/CIRCUIT	EC-211
P0113	0113	IAT SEN/CIRCUIT	EC-211
P0117	0117	ECT SEN/CIRC	EC-215
P0118	0118	ECT SEN/CIRC	EC-215
P0122	0122	TP SEN2/CIRC	EC-221
P0123	0123	TP SEN2/CIRC	EC-221
P0125	0125	ECT SENSOR	EC-228
P0127	0127	IAT SENSOR	EC-231
P0128	0128	THERMSTAT FNCTN	EC-234
P0130	0130	A/F SENSOR1 (B1)	EC-236
P0131	0131	A/F SENSOR1 (B1)	EC-246
P0132	0132	A/F SENSOR1 (B1)	EC-255
P0133	0133	A/F SENSOR1 (B1)	EC-264
P0137	0137	HO2S2 (B1)	EC-276
P0138	0138	HO2S2 (B1)	EC-288

INDEX FOR DTC

DTC*1		Items (CONSULT-II screen terms)	Reference page
CONSULT-II GST*2	ECM*3		
P0139	0139	HO2S2 (B1)	EC-304
P0150	0150	A/F SENSOR1 (B2)	EC-236
P0151	0151	A/F SENSOR1 (B2)	EC-246
P0152	0152	A/F SENSOR1 (B2)	EC-255
P0153	0153	A/F SENSOR1 (B2)	EC-264
P0157	0157	HO2S2 (B2)	EC-276
P0158	0158	HO2S2 (B2)	EC-288
P0159	0159	HO2S2 (B2)	EC-304
P0171	0171	FUEL SYS-LEAN-B1	EC-316
P0172	0172	FUEL SYS-RICH-B1	EC-328
P0174	0174	FUEL SYS-LEAN-B2	EC-316
P0175	0175	FUEL SYS-RICH-B2	EC-328
P0181	0181	FTT SENSOR	EC-339
P0182	0182	FTT SEN/CIRCUIT	EC-344
P0183	0183	FTT SEN/CIRCUIT	EC-344
P0222	0222	TP SEN 1/CIRC	EC-348
P0223	0223	TP SEN 1/CIRC	EC-348
P0300	0300	MULTI CYL MISFIRE	EC-355
P0301	0301	CYL 1 MISFIRE	EC-355
P0302	0302	CYL 2 MISFIRE	EC-355
P0303	0303	CYL 3 MISFIRE	EC-355
P0304	0304	CYL 4 MISFIRE	EC-355
P0305	0305	CYL 5 MISFIRE	EC-355
P0306	0306	CYL 6 MISFIRE	EC-355
P0307	0307	CYL 7 MISFIRE	EC-355
P0308	0308	CYL 8 MISFIRE	EC-355
P0327	0327	KNOCK SEN/CIRC-B1	EC-365
P0328	0328	KNOCK SEN/CIRC-B1	EC-365
P0332	0332	KNOCK SEN/CIRC-B2	EC-365
P0333	0333	KNOCK SEN/CIRC-B2	EC-365
P0335	0335	CKP SEN/CIRCUIT	EC-370
P0340	0340	CMP SEN/CIRC-B1	EC-379
P0420	0420	TW CATALYST SYS-B1	EC-386
P0430	0430	TW CATALYST SYS-B2	EC-386
P0441	0441	EVAP PURG FLOW/MON	EC-391
P0442	0442	EVAP SMALL LEAK	EC-396
P0443	0443	PURG VOLUME CONT/V	EC-404
P0444	0444	PURG VOLUME CONT/V	EC-412
P0445	0445	PURG VOLUME CONT/V	EC-412
P0447	0447	VENT CONTROL VALVE	EC-419
P0448	0448	VENT CONTROL VALVE	EC-430
P0452	0452	EVAP SYS PRES SEN	EC-436

INDEX FOR DTC

DTC*1		Items (CONSULT-II screen terms)	Reference page
CONSULT-II GST*2	ECM*3		
P0453	0453	EVAP SYS PRES SEN	EC-443
P0455	0455	EVAP GROSS LEAK	EC-451
P0456	0456	EVAP VERY SML LEAK	EC-459
P0460	0460	FUEL LEV SEN SLOSH	EC-468
P0461	0461	FUEL LEVEL SENSOR	EC-470
P0462	0462	FUEL LEVL SEN/CIRC	EC-472
P0463	0463	FUEL LEVL SEN/CIRC	EC-472
P0500	0500	VEH SPEED SEN/CIRC*5	EC-474
P0506	0506	ISC SYSTEM	EC-476
P0507	0507	ISC SYSTEM	EC-478
P0550	0550	PW ST P SEN/CIRC	EC-480
P0603	0603	ECM BACK UP/CIRCUIT	EC-485
P0605	0605	ECM	EC-489
P0643	0643	SENSOR POWER/CIRC	EC-492
P0700	0700	TCM	AT-106
P0705	0705	PNP SW/CIRC	AT-107
P0710	0710	ATF TEMP SEN/CIRC	AT-129
P0717	0717	TURBINE SENSOR	AT-111
P0720	0720	VEH SPD SEN/CIR AT*5	AT-113
P0740	0740	TCC SOLENOID/CIRC	AT-120
P0744	0744	A/T TCC S/V FNCTN	AT-122
P0745	0745	L/PRESS SOL/CIRC	AT-124
P0850	0850	P-N POS SW/CIRCUIT	EC-497
P1140	1140	INTK TIM S/CIRC-B1	EC-502
P1145	1145	INTK TIM S/CIRC-B2	EC-502
P1148	1148	CLOSED LOOP-B1	EC-511
P1168	1168	CLOSED LOOP-B2	EC-511
P1211	1211	TCS C/U FUNCTN	EC-512
P1212	1212	TCS/CIRC	EC-513
P1217	1217	ENG OVER TEMP	EC-514
P1220	1220	FPCM/CIRCUIT	EC-534
P1225	1225	CTP LEARNING	EC-542
P1226	1226	CTP LEARNING	EC-544
P1442	1442	EVAP SMALL LEAK	EC-546
P1456	1456	EVAP VERY SML LEAK	EC-554
P1490	1490	VC/V BYPASS/V	EC-563
P1491	1491	VC CUT/V BYPASS/V	EC-570
P1564	1564	ASCD SW	EC-579 (Models with ICC) EC-586 (Models with ASCD)
P1568	1568	ACC COMMAND VALUE*6	EC-593
P1572	1572	ASCD BRAKE SW	EC-594 (Models with ICC) EC-604 (Models with ASCD)

INDEX FOR DTC

DTC*1		Items (CONSULT-II screen terms)	Reference page
CONSULT-II GST*2	ECM*3		
P1574	1574	ASCD VHL SPD SEN	EC-612 (Models with ICC) EC-614 (Models with ASCD)
P1610 - P1615	1610 - 1615	NATS MALFUNCTION	EC-46
P1715	1715	IN PULY SPEED	EC-616
P1730	1730	A/T INTERLOCK	AT-136
P1752	1752	I/C SOLENOID/CIRC	AT-141
P1754	1754	I/C SOLENOID FNCTN	AT-143
P1757	1757	FR/B SOLENOID/CIRC	AT-145
P1759	1759	FR/B SOLENOID FNCT	AT-147
P1762	1762	D/C SOLENOID/CIRC	AT-149
P1764	1764	D/C SOLENOID FNCTN	AT-151
P1767	1767	HLR/C SOL/CIRC	AT-153
P1769	1769	HLR/C SOL FNCTN	AT-155
P1772	1772	LC/B SOLENOID/CIRC	AT-157
P1774	1774	LC/B SOLENOID FNCT	AT-159
P1800	1800	VIAS S/V CIRC	EC-617
P1805	1805	BRAKE SW/CIRCUIT	EC-622
P2100	2100	ETC MOT PWR	EC-627
P2101	2101	ETC FUNCTION/CIRC	EC-633
P2103	2103	ETC MOT PWR	EC-627
P2118	2118	ETC MOT	EC-640
P2119	2119	ETC ACTR	EC-645
P2122	2122	APP SEN 1/CIRC	EC-647
P2123	2123	APP SEN 1/CIRC	EC-647
P2127	2127	APP SEN 2/CIRC	EC-654
P2128	2128	APP SEN 2/CIRC	EC-654
P2135	2135	TP SENSOR	EC-661
P2138	2138	APP SENSOR	EC-668
P2A00	2A00	A/F SENSOR1 (B1)	EC-676
P2A03	2A03	A/F SENSOR1 (B2)	EC-676

*1: 1st trip DTC No. is the same as DTC No.

*2: This number is prescribed by SAE J2012.

*3: In Diagnostic Test Mode II (Self-diagnostic results), this number is controlled by NISSAN.

*4: The troubleshooting for this DTC needs CONSULT-II.

*5: When the fail-safe operations for both self-diagnoses occur at the same time, the MIL illuminates.

*6: Models with ICC.

INDEX FOR DTC

Alphabetical Index

NBS001PX

NOTE:

- If DTC U1000 or U1001 is displayed with other DTC, first perform the trouble diagnosis for DTC U1000, U1001. Refer to [EC-156, "DTC U1000, U1001 CAN COMMUNICATION LINE"](#).
- If DTC U1010 is displayed with other DTC, first perform the trouble diagnosis for DTC U1010. Refer to [EC-159, "DTC U1010 CAN COMMUNICATION"](#).

Items (CONSULT-II screen terms)	DTC*1		Reference page
	CONSULT-II GST*2	ECM*3	
A/F SEN1 HTR (B1)	P0031	0031	EC-173
A/F SEN1 HTR (B1)	P0032	0032	EC-173
A/F SEN1 HTR (B2)	P0051	0051	EC-173
A/F SEN1 HTR (B2)	P0052	0052	EC-173
A/F SENSOR1 (B1)	P0130	0130	EC-236
A/F SENSOR1 (B1)	P0131	0131	EC-246
A/F SENSOR1 (B1)	P0132	0132	EC-255
A/F SENSOR1 (B1)	P0133	0133	EC-264
A/F SENSOR1 (B1)	P2A00	2A00	EC-676
A/F SENSOR1 (B2)	P0150	0150	EC-236
A/F SENSOR1 (B2)	P0151	0151	EC-246
A/F SENSOR1 (B2)	P0152	0152	EC-255
A/F SENSOR1 (B2)	P0153	0153	EC-264
A/F SENSOR1 (B2)	P2A03	2A03	EC-676
A/T INTERLOCK	P1730	1730	AT-136
A/T TCC S/V FNCTN	P0744	0744	AT-122
ACC COMMAND VALUE*6	P1568	1568	EC-593
APP SEN 1/CIRC	P2122	2122	EC-647
APP SEN 1/CIRC	P2123	2123	EC-647
APP SEN 2/CIRC	P2127	2127	EC-654
APP SEN 2/CIRC	P2128	2128	EC-654
APP SENSOR	P2138	2138	EC-668
ASCD BRAKE SW	P1572	1572	EC-594 (Models with ICC) EC-604 (Models with ASCD)
ASCD SW	P1564	1564	EC-579 (Models with ICC) EC-586 (Models with ASCD)
ASCD VHL SPD SEN	P1574	1574	EC-612 (Models with ICC) EC-614 (Models with ASCD)
ATF TEMP SEN/CIRC	P0710	0710	AT-129
BRAKE SW/CIRCUIT	P1805	1805	EC-622
CAN COMM CIRCUIT	U1000	1000*4	EC-156
CAN COMM CIRCUIT	U1001	1001*4	EC-156
CKP SEN/CIRCUIT	P0335	0335	EC-370
CLOSED LOOP-B1	P1148	1148	EC-511
CLOSED LOOP-B2	P1168	1168	EC-511
CMP SEN/CIRC-B1	P0340	0340	EC-379
CONTROL UNIT(CAN)	U1010	1010	EC-159

INDEX FOR DTC

Items (CONSULT-II screen terms)	DTC*1		Reference page
	CONSULT-II GST*2	ECM*3	
CTP LEARNING	P1225	1225	EC-542
CTP LEARNING	P1226	1226	EC-544
CYL 1 MISFIRE	P0301	0301	EC-355
CYL 2 MISFIRE	P0302	0302	EC-355
CYL 3 MISFIRE	P0303	0303	EC-355
CYL 4 MISFIRE	P0304	0304	EC-355
CYL 5 MISFIRE	P0305	0305	EC-355
CYL 6 MISFIRE	P0306	0306	EC-355
CYL 7 MISFIRE	P0307	0307	EC-355
CYL 8 MISFIRE	P0308	0308	EC-355
D/C SOLENOID FNCTN	P1764	1764	AT-151
D/C SOLENOID/CIRC	P1762	1762	AT-149
ECM	P0605	0605	EC-489
ECM BACK UP/CIRCUIT	P0603	0603	EC-485
ECT SEN/CIRC	P0117	0117	EC-215
ECT SEN/CIRC	P0118	0118	EC-215
ECT SENSOR	P0125	0125	EC-228
ENG OVER TEMP	P1217	1217	EC-514
ETC ACTR	P2119	2119	EC-645
ETC FUNCTION/CIRC	P2101	2101	EC-633
ETC MOT	P2118	2118	EC-640
ETC MOT PWR	P2100	2100	EC-627
ETC MOT PWR	P2103	2103	EC-627
EVAP GROSS LEAK	P0455	0455	EC-451
EVAP PURG FLOW/MON	P0441	0441	EC-391
EVAP SMALL LEAK	P0442	0442	EC-396
EVAP SMALL LEAK	P1442	1442	EC-546
EVAP SYS PRES SEN	P0452	0452	EC-436
EVAP SYS PRES SEN	P0453	0453	EC-443
EVAP VERY SML LEAK	P0456	0456	EC-459
EVAP VERY SML LEAK	P1456	1456	EC-554
FPCM/CIRCUIT	P1220	1220	EC-534
FR/B SOLENOID FNCT	P1759	1759	AT-147
FR/B SOLENOID/CIRC	P1757	1757	AT-145
FTT SEN/CIRCUIT	P0182	0182	EC-344
FTT SEN/CIRCUIT	P0183	0183	EC-344
FTT SENSOR	P0181	0181	EC-339
FUEL LEV SEN SLOSH	P0460	0460	EC-468
FUEL LEVEL SENSOR	P0461	0461	EC-470
FUEL LEVL SEN/CIRC	P0462	0462	EC-472
FUEL LEVL SEN/CIRC	P0463	0463	EC-472
FUEL SYS-LEAN-B1	P0171	0171	EC-316

INDEX FOR DTC

Items (CONSULT-II screen terms)	DTC*1		Reference page
	CONSULT-II GST*2	ECM*3	
FUEL SYS-LEAN-B2	P0174	0174	EC-316
FUEL SYS-RICH-B1	P0172	0172	EC-328
FUEL SYS-RICH-B2	P0175	0175	EC-328
HLR/C SOL/CIRC	P1767	1767	AT-153
HLR/C SOL FNCTN	P1769	1769	AT-155
HO2S2 (B1)	P0137	0137	EC-276
HO2S2 (B1)	P0138	0138	EC-288
HO2S2 (B1)	P0139	0139	EC-304
HO2S2 (B2)	P0157	0157	EC-276
HO2S2 (B2)	P0158	0158	EC-288
HO2S2 (B2)	P0159	0159	EC-304
HO2S2 HTR (B1)	P0037	0037	EC-180
HO2S2 HTR (B1)	P0038	0038	EC-180
HO2S2 HTR (B2)	P0057	0057	EC-180
HO2S2 HTR (B2)	P0058	0058	EC-180
I/C SOLENOID/CIRC	P1752	1752	AT-141
I/C SOLENOID FNCTN	P1754	1754	AT-143
IAT SEN/CIRCUIT	P0112	0112	EC-211
IAT SEN/CIRCUIT	P0113	0113	EC-211
IAT SENSOR	P0127	0127	EC-231
IN PULY SPEED	P1715	1715	EC-616
INT/V TIM CONT-B1	P0011	0011	EC-161
INT/V TIM CONT-B2	P0021	0021	EC-161
INT/V TIM V/CIR-B1	P0075	0075	EC-188
INT/V TIM V/CIR-B2	P0081	0081	EC-188
INTK TIM S/CIRC-B1	P1140	1140	EC-502
INTK TIM S/CIRC-B2	P1145	1145	EC-502
ISC SYSTEM	P0506	0506	EC-476
ISC SYSTEM	P0507	0507	EC-478
KNOCK SEN/CIRC-B1	P0327	0327	EC-365
KNOCK SEN/CIRC-B1	P0328	0328	EC-365
KNOCK SEN/CIRC-B2	P0332	0332	EC-365
KNOCK SEN/CIRC-B2	P0333	0333	EC-365
L/PRESS SOL/CIRC	P0745	0745	AT-124
LC/B SOLENOID FNCT	P1774	1774	AT-159
LC/B SOLENOID/CIRC	P1772	1772	AT-157
MAF SEN/CIRCUIT	P0101	0101	EC-195
MAF SEN/CIRCUIT	P0102	0102	EC-204
MAF SEN/CIRCUIT	P0103	0103	EC-204
MULTI CYL MISFIRE	P0300	0300	EC-355
NATS MALFUNCTION	P1610 - P1615	1610 - 1615	EC-46

INDEX FOR DTC

Items (CONSULT-II screen terms)	DTC*1		Reference page
	CONSULT-II GST*2	ECM*3	
NO DTC IS DETECTED. FURTHER TESTING MAY BE REQUIRED.	P0000	0000	—
P-N POS SW/CIRCUIT	P0850	0850	EC-497
PNP SW/CIRC	P0705	0705	AT-107
PURG VOLUME CONT/V	P0443	0443	EC-404
PURG VOLUME CONT/V	P0444	0444	EC-412
PURG VOLUME CONT/V	P0445	0445	EC-412
PW ST P SEN/CIRC	P0550	0550	EC-480
SENSOR POWER/CIRC	P0643	0643	EC-492
TCC SOLENOID/CIRC	P0740	0740	AT-120
TCM	P0700	0700	AT-106
TCS C/U FUNCTN	P1211	1211	EC-512
TCS/CIRC	P1212	1212	EC-513
THERMSTAT FNCTN	P0128	0128	EC-234
TP SEN 1/CIRC	P0222	0222	EC-348
TP SEN 1/CIRC	P0223	0223	EC-348
TP SEN 2/CIRC	P0122	0122	EC-221
TP SEN 2/CIRC	P0123	0123	EC-221
TP SENSOR	P2135	2135	EC-661
TURBINE SENSOR	P0717	0717	AT-111
TW CATALYST SYS-B1	P0420	0420	EC-386
TW CATALYST SYS-B2	P0430	0430	EC-386
VC CUT/V BYPASS/V	P1491	1491	EC-570
VC/V BYPASS/V	P1490	1490	EC-563
VEH SPD SEN/CIR AT*5	P0720	0720	AT-113
VEH SPEED SEN/CIRC*5	P0500	0500	EC-474
VENT CONTROL VALVE	P0447	0447	EC-419
VENT CONTROL VALVE	P0448	0448	EC-430
VIAS S/V CIRC	P1800	1800	EC-617

*1: 1st trip DTC No. is the same as DTC No.

*2: This number is prescribed by SAE J2012.

*3: In Diagnostic Test Mode II (Self-diagnostic results), this number is controlled by NISSAN.

*4: The troubleshooting for this DTC needs CONSULT-II.

*5: When the fail-safe operations for both self-diagnoses occur at the same time, the MIL illuminates.

*6: Models with ICC.

PRECAUTIONS

PRECAUTIONS

PF0:00001

Precautions for Supplemental Restraint System (SRS) “AIR BAG” and “SEAT BELT PRE-TENSIONER”

NBS001PY

The Supplemental Restraint System such as “AIR BAG” and “SEAT BELT PRE-TENSIONER”, used along with a front seat belt, helps to reduce the risk or severity of injury to the driver and front passenger for certain types of collision. This system includes seat belt switch inputs and dual stage front air bag modules. The SRS system uses the seat belt switches to determine the front air bag deployment, and may only deploy one front air bag, depending on the severity of a collision and whether the front occupants are belted or unbelted. Information necessary to service the system safely is included in the SRS and SB section of this Service Manual.

WARNING:

- To avoid rendering the SRS inoperative, which could increase the risk of personal injury or death in the event of a collision which would result in air bag inflation, all maintenance must be performed by an authorized NISSAN/INFINITI dealer.
- Improper maintenance, including incorrect removal and installation of the SRS, can lead to personal injury caused by unintentional activation of the system. For removal of Spiral Cable and Air Bag Module, see the SRS section.
- Do not use electrical test equipment on any circuit related to the SRS unless instructed to in this Service Manual. SRS wiring harnesses can be identified by yellow and/or orange harnesses or harness connectors.

On Board Diagnostic (OBD) System of Engine and A/T

NBS001PZ

The ECM has an on board diagnostic system. It will light up the malfunction indicator lamp (MIL) to warn the driver of a malfunction causing emission deterioration.

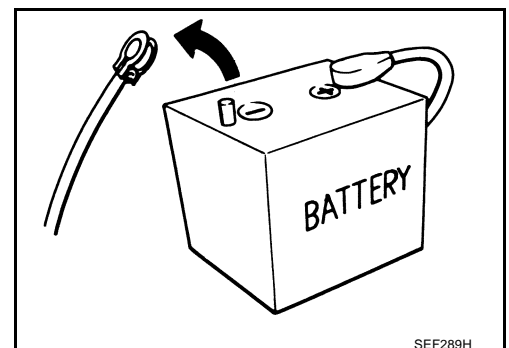
CAUTION:

- Be sure to turn the ignition switch OFF and disconnect the negative battery terminal before any repair or inspection work. The open/short circuit of related switches, sensors, solenoid valves, etc. will cause the MIL to light up.
- Be sure to connect and lock the connectors securely after work. A loose (unlocked) connector will cause the MIL to light up due to the open circuit. (Be sure the connector is free from water, grease, dirt, bent terminals, etc.)
- Certain systems and components, especially those related to OBD, may use a new style slide-locking type harness connector. For description and how to disconnect, refer to [PG-60. "HARNESS CONNECTOR"](#).
- Be sure to route and secure the harnesses properly after work. The interference of the harness with a bracket, etc. may cause the MIL to light up due to the short circuit.
- Be sure to connect rubber tubes properly after work. A misconnected or disconnected rubber tube may cause the MIL to light up due to the malfunction of the EVAP system or fuel injection system, etc.
- Be sure to erase the unnecessary malfunction information (repairs completed) from the ECM and TCM (Transmission control module) before returning the vehicle to the customer.

Precaution

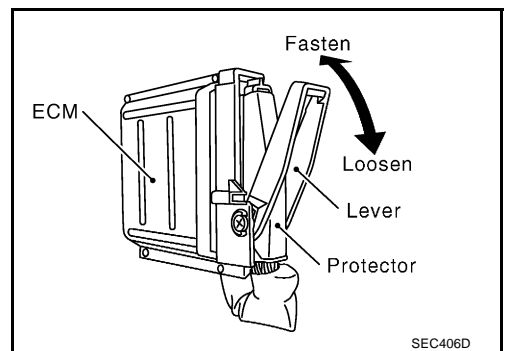
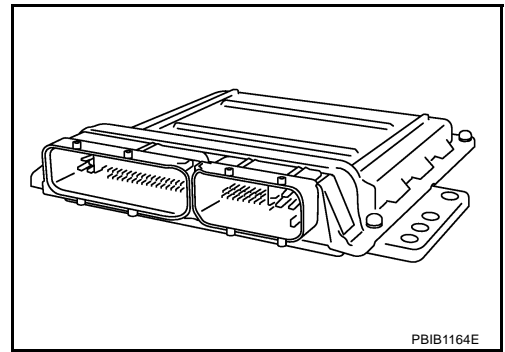
NBS001Q0

- Always use a 12 volt battery as power source.
- Do not attempt to disconnect battery cables while engine is running.
- Before connecting or disconnecting the ECM harness connector, turn ignition switch OFF and disconnect battery ground cable. Failure to do so may damage the ECM because battery voltage is applied to ECM even if ignition switch is turned OFF.
- Before removing parts, turn ignition switch OFF and then disconnect battery ground cable.

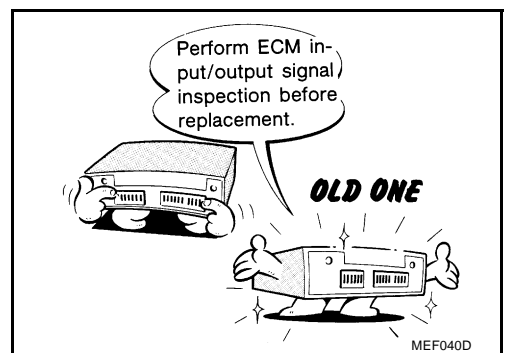
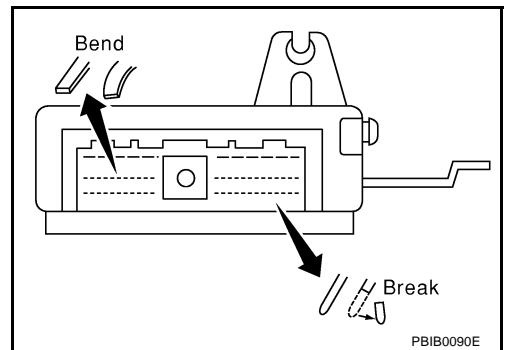


PRECAUTIONS

- Do not disassemble ECM.
- If a battery terminal is disconnected, the memory will return to the ECM value.
The ECM will now start to self-control at its initial value. Engine operation can vary slightly when the terminal is disconnected. However, this is not an indication of a malfunction. Do not replace parts because of a slight variation.
- If the battery is disconnected, the following emission-related diagnostic information will be lost within 24 hours.
 - Diagnostic trouble codes
 - 1st trip diagnostic trouble codes
 - Freeze frame data
 - 1st trip freeze frame data
 - System readiness test (SRT) codes
 - Test values
- When connecting ECM harness connector, fasten it securely with a lever as far as it will go as shown in the figure.

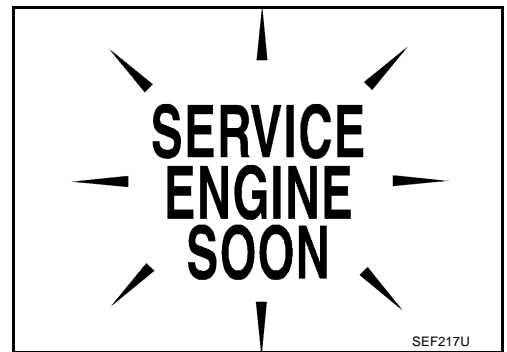


- When connecting or disconnecting pin connectors into or from ECM, take care not to damage pin terminals (bend or break).
Make sure that there are not any bends or breaks on ECM pin terminal, when connecting pin connectors.
- Securely connect ECM harness connectors.
A poor connection can cause an extremely high (surge) voltage to develop in coil and condenser, thus resulting in damage to ICs.
- Keep engine control system harness at least 10 cm (4 in) away from adjacent harness, to prevent engine control system malfunctions due to receiving external noise, degraded operation of ICs, etc.
- Keep engine control system parts and harness dry.
- Before replacing ECM, perform ECM Terminals and Reference Value inspection and make sure ECM functions properly. Refer to [EC-105. "ECM Terminals and Reference Value"](#).
- Handle mass air flow sensor carefully to avoid damage.
- Do not disassemble mass air flow sensor.
- Do not clean mass air flow sensor with any type of detergent.
- Do not disassemble electric throttle control actuator.
- Even a slight leak in the air intake system can cause serious incidents.
- Do not shock or jar the camshaft position sensor (PHASE), crankshaft position sensor (POS).

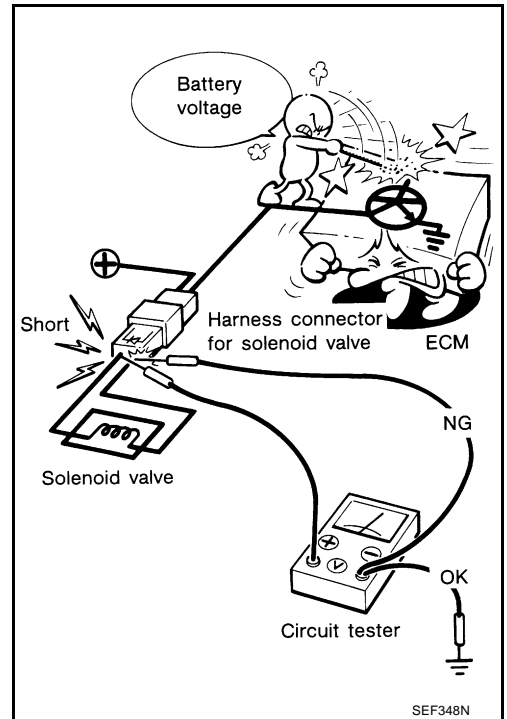


PRECAUTIONS

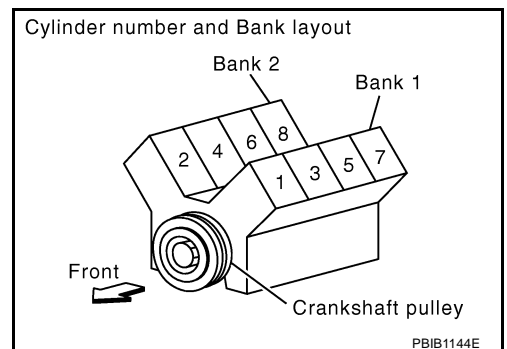
- After performing each TROUBLE DIAGNOSIS, perform DTC Confirmation Procedure or Overall Function Check. The DTC should not be displayed in the DTC Confirmation Procedure if the repair is completed. The Overall Function Check should be a good result if the repair is completed.



- When measuring ECM signals with a circuit tester, never allow the two tester probes to contact. Accidental contact of probes will cause a short circuit and damage the ECM power transistor.
- Do not use ECM ground terminals when measuring input/output voltage. Doing so may result in damage to the ECM's transistor. Use a ground other than ECM terminals, such as the ground.

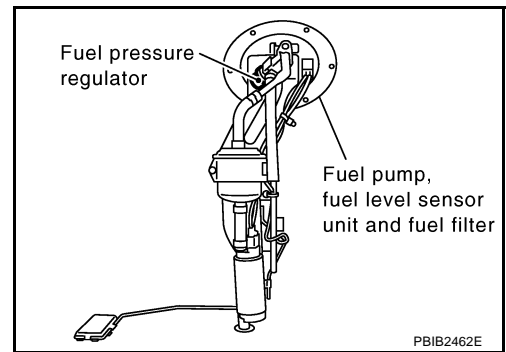


- B1 indicates the bank 1 and B2 indicates the bank 2 as shown in the figure.

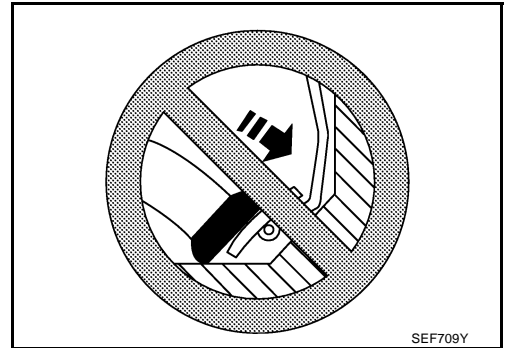


PRECAUTIONS

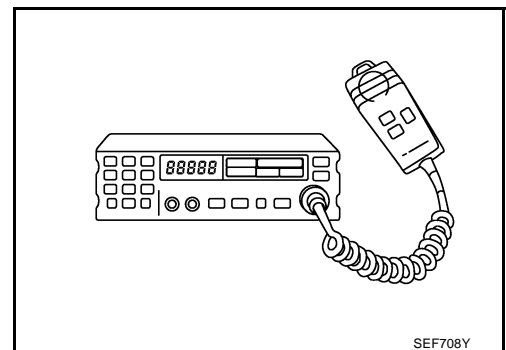
- Do not operate fuel pump when there is no fuel in lines.
- Tighten fuel hose clamps to the specified torque.



- Do not depress accelerator pedal when starting.
- Immediately after starting, do not rev up engine unnecessarily.
- Do not rev up engine just prior to shutdown.



- When installing C.B. ham radio or a mobile phone, be sure to observe the following as it may adversely affect electronic control systems depending on installation location.
 - Keep the antenna as far as possible from the electronic control units.
 - Keep the antenna feeder line more than 20 cm (8 in) away from the harness of electronic controls. Do not let them run parallel for a long distance.
 - Adjust the antenna and feeder line so that the standing-wave ratio can be kept smaller.
 - Be sure to ground the radio to vehicle body.



PREPARATION

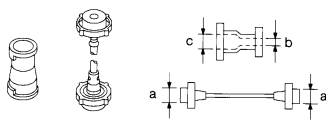
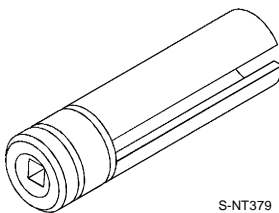
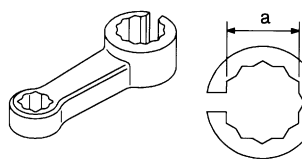
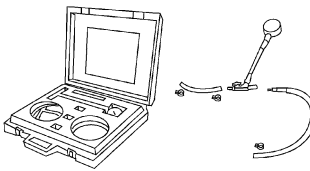
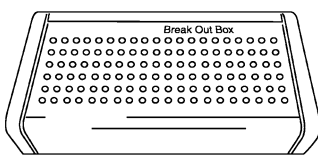
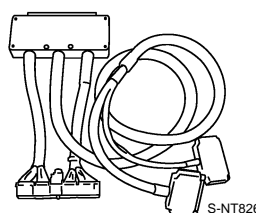
PREPARATION

PFP:00002

Special Service Tools

NBS001Q2

The actual shapes of Kent-Moore tools may differ from those of special service tools illustrated here.

Tool number (Kent-Moore No.) Tool name	Description
EG17650301 (J-33984-A) Radiator cap tester adapter  <p style="text-align: center;">S-NT564</p>	Adapting radiator cap tester to radiator cap and radiator filler neck a: 28 (1.10) dia. b: 31.4 (1.236) dia. c: 41.3 (1.626) dia. Unit: mm (in)
KV10117100 (J-36471-A) Heated oxygen sensor wrench  <p style="text-align: center;">S-NT379</p>	Loosening or tightening heated oxygen sensor 2 with 22 mm (0.87 in) hexagon nut
KV10114400 (J-38365) Heated oxygen sensor wrench  <p style="text-align: center;">S-NT636</p>	Loosening or tightening air fuel ratio sensor 1 a: 22 mm (0.87 in)
(J-44321) Fuel pressure gauge kit  <p style="text-align: center;">LEC642</p>	Checking fuel pressure
KV109E0010 (J-46209) Break-out box  <p style="text-align: center;">S-NT825</p>	Measuring the ECM signals with a circuit tester
KV109E0080 (J-45819) Y-cable adapter  <p style="text-align: center;">S-NT826</p>	Measuring the ECM signals with a circuit tester

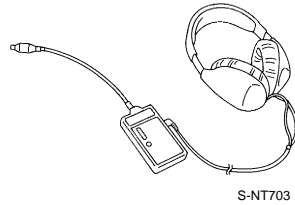
A
EC
C
D
E
F
G
H
I
J
K
L
M

PREPARATION

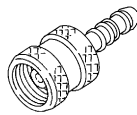
Commercial Service Tools

NBS001G3

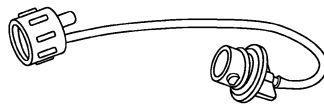
Tool name (Kent-Moore No.)	Description
Leak detector i.e.: (J-41416)	Locating the EVAP leak
EVAP service port adapter i.e.: (J-41413-OBD)	Applying positive pressure through EVAP service port
Fuel filler cap adapter i.e.: (MLR-8382)	Checking fuel tank vacuum relief valve opening pressure
Socket wrench	Removing and installing engine coolant temperature sensor
Oxygen sensor thread cleaner i.e.: (J-43897-18) (J-43897-12)	Reconditioning the exhaust system threads before installing a new oxygen sensor. Use with anti-seize lubricant shown below. a: J-43897-18 18 mm diameter with pitch 1.5 mm for Zirconia Oxygen Sensor b: J-43897-12 12 mm diameter with pitch 1.25 mm for Titania Oxygen Sensor
Anti-seize lubricant i.e.: (Permatex™ 133AR or equivalent meeting MIL specification MIL-A-907)	Lubricating oxygen sensor thread cleaning tool when reconditioning exhaust system threads.



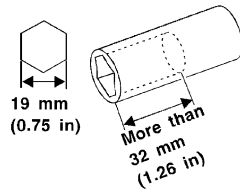
S-NT703



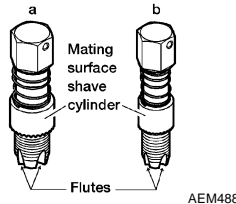
S-NT704



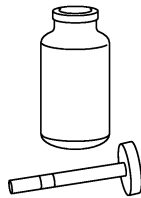
S-NT815



S-NT705



AEM488



S-NT779

ENGINE CONTROL SYSTEM

Multipoint Fuel Injection (MFI) System INPUT/OUTPUT SIGNAL CHART

NBS001Q5

Sensor	Input Signal to ECM	ECM function	Actuator
Crankshaft position sensor (POS)	Engine speed*3	Fuel injection & mixture ratio control	Fuel injector
Camshaft position sensor (PHASE)	Piston position		
Mass air flow sensor	Amount of intake air		
Engine coolant temperature sensor	Engine coolant temperature		
Air fuel ratio (A/F) sensor 1	Density of oxygen in exhaust gas		
Throttle position sensor	Throttle position		
Accelerator pedal position sensor	Accelerator pedal position		
Park/neutral position (PNP) switch	Gear position		
Battery	Battery voltage*3		
Knock sensor	Engine knocking condition		
Power steering pressure sensor	Power steering operation		
Heated oxygen sensor 2*1	Density of oxygen in exhaust gas		
VDC/TCS/ABS control unit	VDC/TCS operation command*2		
Air conditioner switch	Air conditioner operation		
Wheel sensor	Vehicle speed*2		

*1: This sensor is not used to control the engine system under normal conditions.

*2: This signal is sent to the ECM through CAN communication line.

*3: ECM determines the start signal status by the signals of engine speed and battery voltage.

SYSTEM DESCRIPTION

The amount of fuel injected from the fuel injector is determined by the ECM. The ECM controls the length of time the valve remains open (injection pulse duration). The amount of fuel injected is a program value in the ECM memory. The program value is preset by engine operating conditions. These conditions are determined by input signals (for engine speed and intake air) from the crankshaft position sensor (POS), camshaft position sensor (PHASE) and the mass air flow sensor.

VARIOUS FUEL INJECTION INCREASE/DECREASE COMPENSATION

In addition, the amount of fuel injected is compensated to improve engine performance under various operating conditions as listed below.

<Fuel increase>

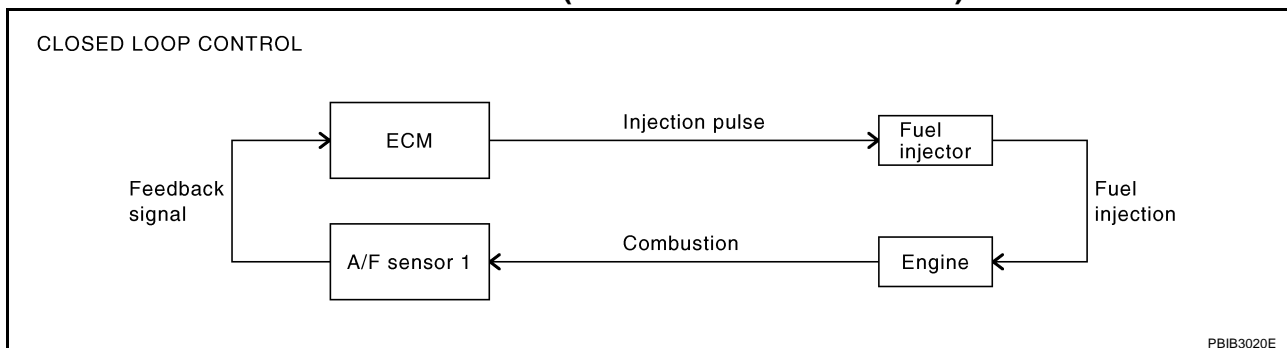
- During warm-up
- When starting the engine
- During acceleration
- Hot-engine operation
- When selector lever is changed from N to D
- High-load, high-speed operation

<Fuel decrease>

- During deceleration
- During high engine speed operation

ENGINE CONTROL SYSTEM

MIXTURE RATIO FEEDBACK CONTROL (CLOSED LOOP CONTROL)



The mixture ratio feedback system provides the best air-fuel mixture ratio for driveability and emission control. The three way catalyst (manifold) can then better reduce CO, HC and NOx emissions. This system uses A/F sensor 1 in the exhaust manifold to monitor whether the engine operation is rich or lean. The ECM adjusts the injection pulse width according to the sensor voltage signal. For more information about A/F sensor 1, refer to [EC-236](#). This maintains the mixture ratio within the range of stoichiometric (ideal air-fuel mixture).

This stage is referred to as the closed loop control condition.

Heated oxygen sensor 2 is located downstream of the three way catalyst (manifold). Even if the switching characteristics of A/F sensor 1 shift, the air-fuel ratio is controlled to stoichiometric by the signal from heated oxygen sensor 2.

Open Loop Control

The open loop system condition refers to when the ECM detects any of the following conditions. Feedback control stops in order to maintain stabilized fuel combustion.

- Deceleration and acceleration
- High-load, high-speed operation
- Malfunction of A/F sensor 1 or its circuit
- Insufficient activation of A/F sensor 1 at low engine coolant temperature
- High engine coolant temperature
- During warm-up
- After shifting from N to D
- When starting the engine

MIXTURE RATIO SELF-LEARNING CONTROL

The mixture ratio feedback control system monitors the mixture ratio signal transmitted from A/F sensor 1. This feedback signal is then sent to the ECM. The ECM controls the basic mixture ratio as close to the theoretical mixture ratio as possible. However, the basic mixture ratio is not necessarily controlled as originally designed. Both manufacturing differences (i.e., mass air flow sensor hot wire) and characteristic changes during operation (i.e., fuel injector clogging) directly affect mixture ratio.

Accordingly, the difference between the basic and theoretical mixture ratios is monitored in this system. This is then computed in terms of "injection pulse duration" to automatically compensate for the difference between the two ratios.

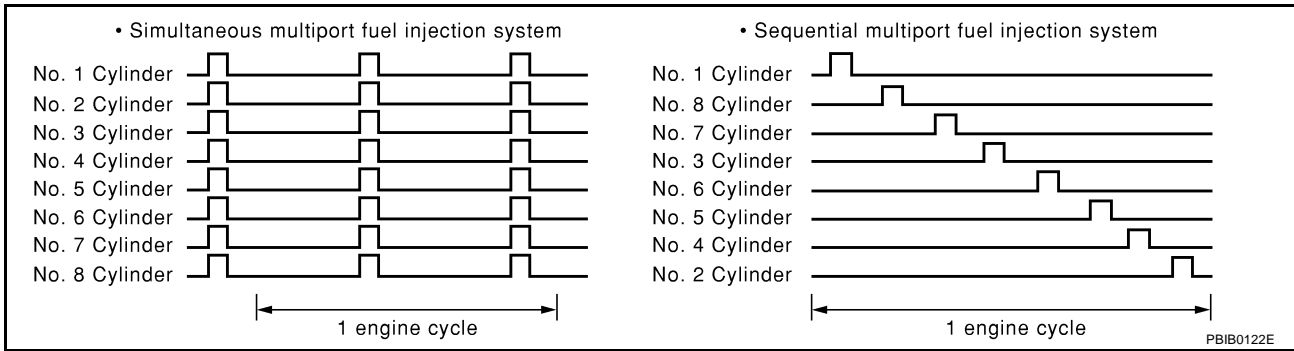
"Fuel trim" refers to the feedback compensation value compared against the basic injection duration. Fuel trim includes short term fuel trim and long term fuel trim.

"Short term fuel trim" is the short-term fuel compensation used to maintain the mixture ratio at its theoretical value. The signal from A/F sensor 1 indicates whether the mixture ratio is RICH or LEAN compared to the theoretical value. The signal then triggers a reduction in fuel volume if the mixture ratio is rich, and an increase in fuel volume if it is lean.

"Long term fuel trim" is overall fuel compensation carried out long-term to compensate for continual deviation of the short term fuel trim from the central value. Such deviation will occur due to individual engine differences, wear over time and changes in the usage environment.

ENGINE CONTROL SYSTEM

FUEL INJECTION TIMING



Two types of systems are used.

Sequential Multipoint Fuel Injection System

Fuel is injected into each cylinder during each engine cycle according to the firing order. This system is used when the engine is running.

Simultaneous Multipoint Fuel Injection System

Fuel is injected simultaneously into all eight cylinders twice each engine cycle. In other words, pulse signals of the same width are simultaneously transmitted from the ECM.

The eight fuel injectors will then receive the signals two times for each engine cycle.

This system is used when the engine is being started and/or if the fail-safe system (CPU) is operating.

FUEL SHUT-OFF

Fuel to each cylinder is cut off during deceleration, operation of the engine at excessively high speeds or operation of the vehicle at excessively high speeds.

Electronic Ignition (EI) System

INPUT/OUTPUT SIGNAL CHART

NBS00106

Sensor	Input Signal to ECM	ECM function	Actuator
Crankshaft position sensor (POS)	Engine speed*2 Piston position	Ignition timing control	Power transistor
Camshaft position sensor (PHASE)			
Mass air flow sensor	Amount of intake air		
Engine coolant temperature sensor	Engine coolant temperature		
Throttle position sensor	Throttle position		
Accelerator pedal position sensor	Accelerator pedal position		
Battery	Battery voltage*2		
Knock sensor	Engine knocking		
Park/neutral position (PNP) switch	Gear position		
Wheel sensor	Vehicle speed*1		

*1: This signal is sent to the ECM through CAN communication line.

*2: ECM determines the start signal status by the signals of engine speed and battery voltage.

SYSTEM DESCRIPTION

Firing order: 1 - 8 - 7 - 3 - 6 - 5 - 4 - 2

The ignition timing is controlled by the ECM to maintain the best air-fuel ratio for every running condition of the engine. The ignition timing data is stored in the ECM.

The ECM receives information such as the injection pulse width and camshaft position sensor (PHASE) signal. Computing this information, ignition signals are transmitted to the power transistor.

During the following conditions, the ignition timing is revised by the ECM according to the other data stored in the ECM.

- At starting
- During warm-up
- At idle
- At low battery voltage

ENGINE CONTROL SYSTEM

- During acceleration

The knock sensor retard system is designed only for emergencies. The basic ignition timing is programmed within the anti-knocking zone, if recommended fuel is used under dry conditions. The retard system does not operate under normal driving conditions. If engine knocking occurs, the knock sensor monitors the condition. The signal is transmitted to the ECM. The ECM retards the ignition timing to eliminate the knocking condition.

Fuel Cut Control (at No Load and High Engine Speed) INPUT/OUTPUT SIGNAL CHART

NBS001Q7

Sensor	Input Signal to ECM	ECM function	Actuator
Park/neutral position (PNP) switch	Neutral position	Fuel cut control	Fuel injector
Accelerator pedal position sensor	Accelerator pedal position		
Engine coolant temperature sensor	Engine coolant temperature		
Crankshaft position sensor (POS) Camshaft position sensor (PHASE)	Engine speed		
Wheel sensor	Vehicle speed*		

*: This signal is sent to the ECM through CAN communication line.

SYSTEM DESCRIPTION

If the engine speed is above 1,400 rpm under no load (for example, the selector lever position is neutral and engine speed is over 1,400 rpm) fuel will be cut off after some time. The exact time when the fuel is cut off varies based on engine speed.

Fuel cut will be operated until the engine speed reaches 1,000 rpm, then fuel cut will be cancelled.

NOTE:

This function is different from deceleration control listed under Multiport Fuel Injection (MFI) System, [EC-24](#).

AIR CONDITIONING CUT CONTROL

AIR CONDITIONING CUT CONTROL

PFP:23710

Input/Output Signal Chart

NBS001Q8

Sensor	Input Signal to ECM	ECM function	Actuator
Air conditioner switch	Air conditioner ON signal	Air conditioner cut control	Air conditioner relay
Accelerator pedal position sensor	Accelerator pedal position		
Crankshaft position sensor (POS) Camshaft position sensor (PHASE)	Engine speed*2		
Engine coolant temperature sensor	Engine coolant temperature		
Battery	Battery voltage*2		
Refrigerant pressure sensor	Refrigerant pressure		
Power steering pressure sensor	Power steering operation		
Wheel sensor	Vehicle speed*1		

*1: This signal is sent to the ECM through CAN communication line.

*2: ECM determines the start signal status by the signals of engine speed and battery voltage.

System Description

NBS001Q9

This system improves engine operation when the air conditioner is used. Under the following conditions, the air conditioner is turned off.

- When the accelerator pedal is fully depressed.
- When cranking the engine.
- At high engine speeds.
- When the engine coolant temperature becomes excessively high.
- When operating power steering during low engine speed or low vehicle speed.
- When engine speed is excessively low.
- When refrigerant pressure is excessively low or high.

AUTOMATIC SPEED CONTROL DEVICE (ASCD)

AUTOMATIC SPEED CONTROL DEVICE (ASCD)

PFP:18930

System Description INPUT/OUTPUT SIGNAL CHART

NBS001QA

Sensor	Input signal to ECM	ECM function	Actuator
ASCD brake switch	Brake pedal operation	ASCD vehicle speed control	Electric throttle control actuator
Stop lamp switch	Brake pedal operation		
ASCD steering switch	ASCD steering switch operation		
Park/Neutral position (PNP) switch	Gear position		
Wheel sensor	Vehicle speed*		
TCM	Powertrain revolution*		

*: This signal is sent to the ECM through CAN communication line

BASIC ASCD SYSTEM

Refer to Owner's Manual for ASCD operating instructions.

Automatic Speed Control Device (ASCD) allows a driver to keep vehicle at predetermined constant speed without depressing accelerator pedal. Driver can set vehicle speed in advance between approximately 40 km/h (25 MPH) and 144 km/h (89 MPH).

ECM controls throttle angle of electric throttle control actuator to regulate engine speed.

Operation status of ASCD is indicated by CRUISE lamp and SET lamp in combination meter. If any malfunction occurs in ASCD system, it automatically deactivates control.

NOTE:

Always drive vehicle in safe manner according to traffic conditions and obey all traffic laws.

SET OPERATION

Press MAIN switch. (The CRUISE lamp in combination meter illuminates.)

When vehicle speed reaches a desired speed between approximately 40 km/h (25 MPH) and 144 km/h (89 MPH), press SET/COAST switch. (Then SET lamp in combination meter illuminates.)

ACCELERATE OPERATION

If the RESUME/ACCELERATE switch is pressed during cruise control driving, increase the vehicle speed until the switch is released or vehicle speed reaches maximum speed controlled by the system.

And then ASCD will keep the new set speed.

CANCEL OPERATION

When any of following conditions exist, cruise operation will be canceled.

- CANCEL switch is pressed
- More than 2 switches at ASCD steering switch are pressed at the same time (Set speed will be cleared)
- Brake pedal is depressed
- Selector lever is changed to N, P, R position
- Vehicle speed decreased to 13 km/h (8 MPH) lower than the set speed
- TCS system is operated

When the ECM detects any of the following conditions, the ECM will cancel the cruise operation and inform the driver by blinking indicator lamp.

- Engine coolant temperature is slightly higher than the normal operating temperature, CRUISE lamp may blink slowly.
When the engine coolant temperature decreases to the normal operating temperature, CRUISE lamp will stop blinking and the cruise operation will be able to work by pressing SET/COAST switch or RESUME/ACCELERATE switch.
- Malfunction for some self-diagnoses regarding ASCD control: SET lamp will blink quickly.

If MAIN switch is turned to OFF during ASCD is activated, all of ASCD operations will be canceled and vehicle speed memory will be erased.

AUTOMATIC SPEED CONTROL DEVICE (ASCD)

COAST OPERATION

When the SET/COAST switch is pressed during cruise control driving, decrease vehicle set speed until the switch is released. And then ASCD will keep the new set speed.

RESUME OPERATION

When the RESUME/ACCELERATE switch is pressed after cancel operation other than pressing MAIN switch is performed, vehicle speed will return to last set speed. To resume vehicle set speed, vehicle condition must meet following conditions.

- Brake pedal is released
- A/T selector lever is in other than P and N positions
- Vehicle speed is greater than 40 km/h (25 MPH) and less than 144 km/h (89 MPH)

Component Description

ASCD STEERING SWITCH

Refer to [EC-586](#) .

ASCD BRAKE SWITCH

Refer to [EC-604](#) and [EC-687](#) .

STOP LAMP SWITCH

Refer to [EC-622](#) .

ELECTRIC THROTTLE CONTROL ACTUATOR

Refer to [EC-627](#) , [EC-633](#) , [EC-640](#) and [EC-645](#) .

ASCD INDICATOR

Refer to [EC-695](#) .

NBS001QB

CAN COMMUNICATION

CAN COMMUNICATION

PFP:23710

System Description

NBS001QC

CAN (Controller Area Network) is a serial communication line for real time application. It is an on-vehicle multiplex communication line with high data communication speed and excellent error detection ability. Many electronic control units are equipped onto a vehicle, and each control unit shares information and links with other control units during operation (not independent). In CAN communication, control units are connected with 2 communication lines (CAN H line, CAN L line) allowing a high rate of information transmission with less wiring. Each control unit transmits/receives data but selectively reads required data only.

Refer to [LAN-35, "CAN COMMUNICATION"](#) , about CAN communication for detail.

A

EC

C

D

E

F

G

H

I

J

K

L

M

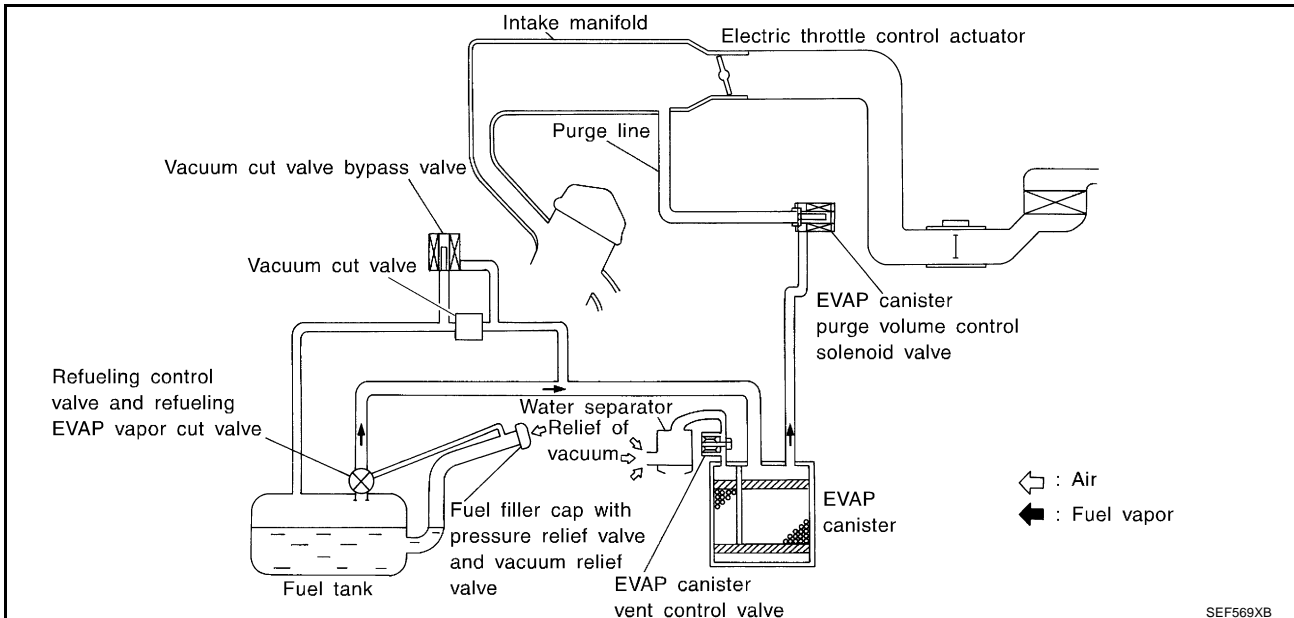
EVAPORATIVE EMISSION SYSTEM

EVAPORATIVE EMISSION SYSTEM

PFP:14950

Description SYSTEM DESCRIPTION

NBS001QD



The evaporative emission system is used to reduce hydrocarbons emitted into the atmosphere from the fuel system. This reduction of hydrocarbons is accomplished by activated charcoals in the EVAP canister. The fuel vapor in the sealed fuel tank is led into the EVAP canister which contains activated carbon and the vapor is stored there when the engine is not operating or when refueling to the fuel tank. The vapor in the EVAP canister is purged by the air through the purge line to the intake manifold when the engine is operating. EVAP canister purge volume control solenoid valve is controlled by ECM. When the engine operates, the flow rate of vapor controlled by EVAP canister purge volume control solenoid valve is proportionally regulated as the air flow increases. EVAP canister purge volume control solenoid valve also shuts off the vapor purge line during decelerating and idling.

EVAPORATIVE EMISSION SYSTEM

EVAPORATIVE EMISSION LINE DRAWING

A

EC

C

D

E

F

G

H

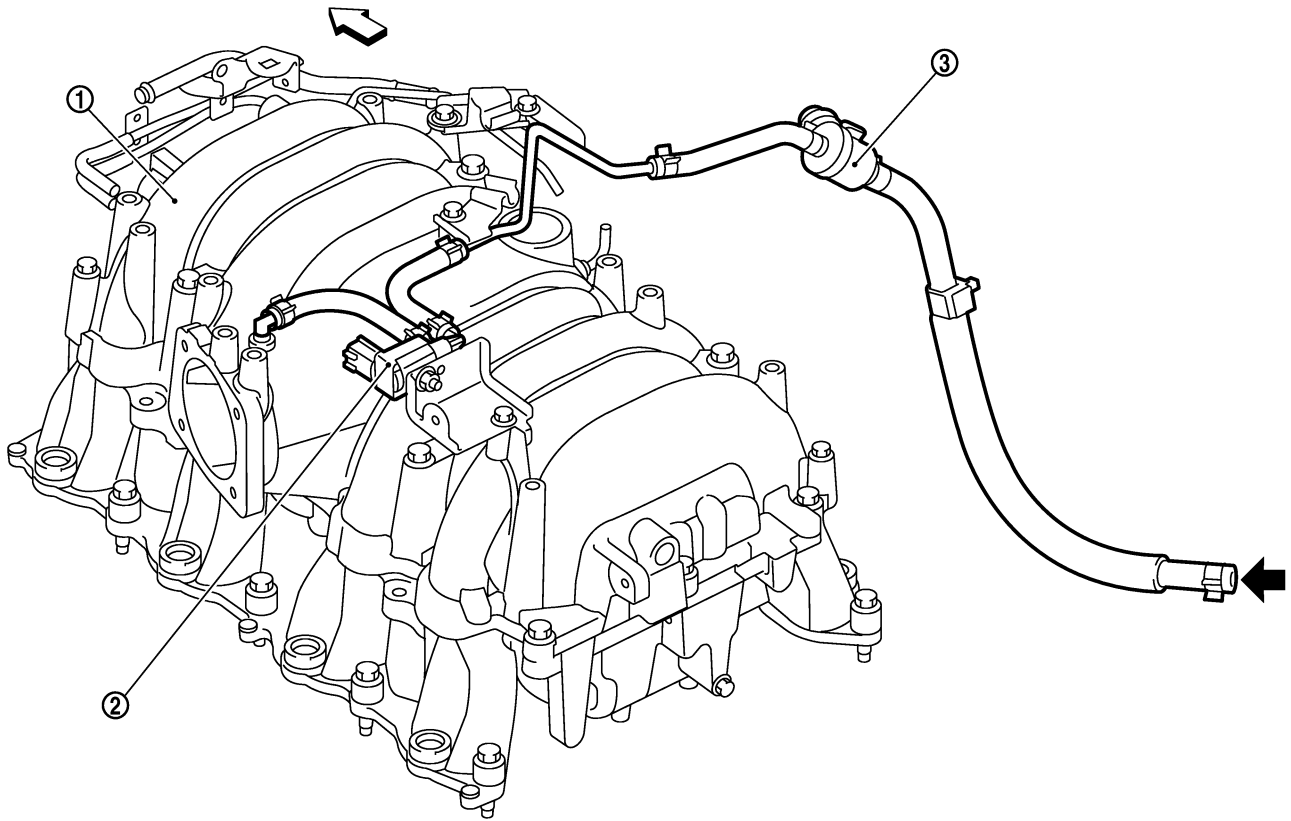
I

J

K

L

M



↔ : Vehicle front

← : From next page

1. Intake manifold collector

2. EVAP canister purge volume control

3. EVAP service port solenoid valve

NOTE:

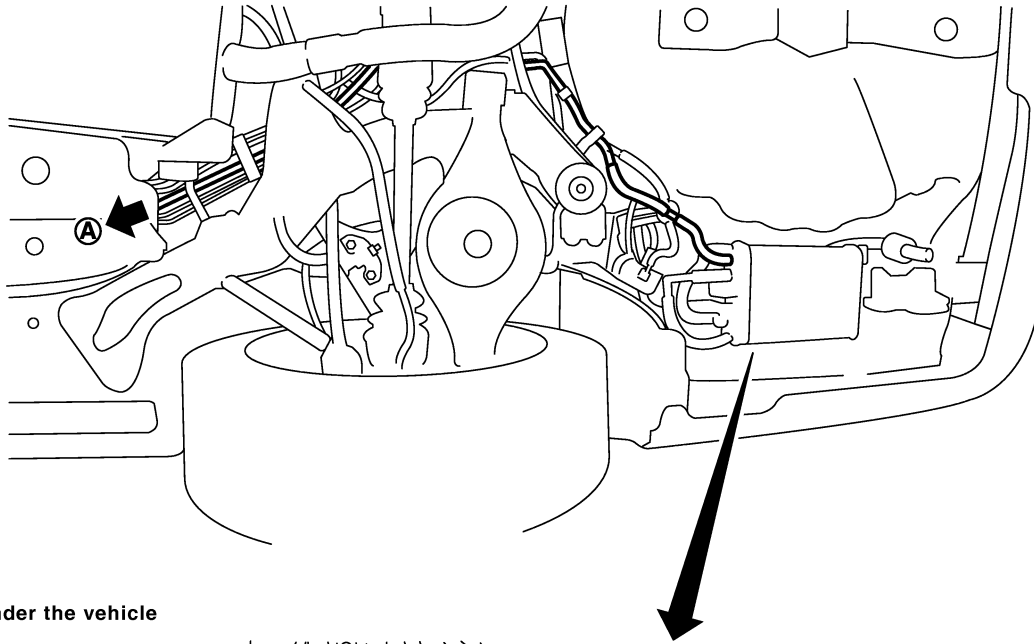
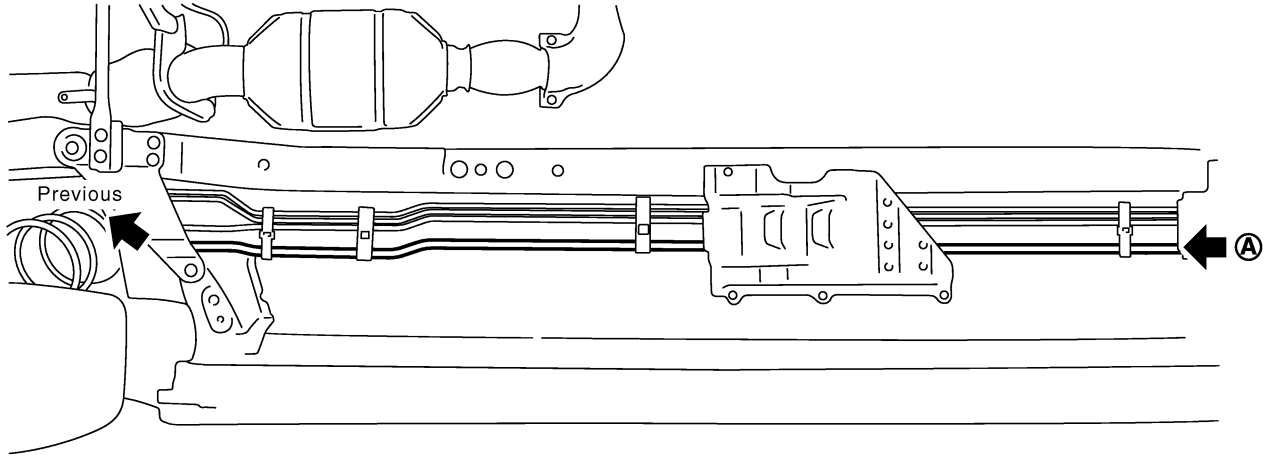
Do not use soapy water or any type of solvent while installing vacuum hose or purge hoses.

PBIB3136E

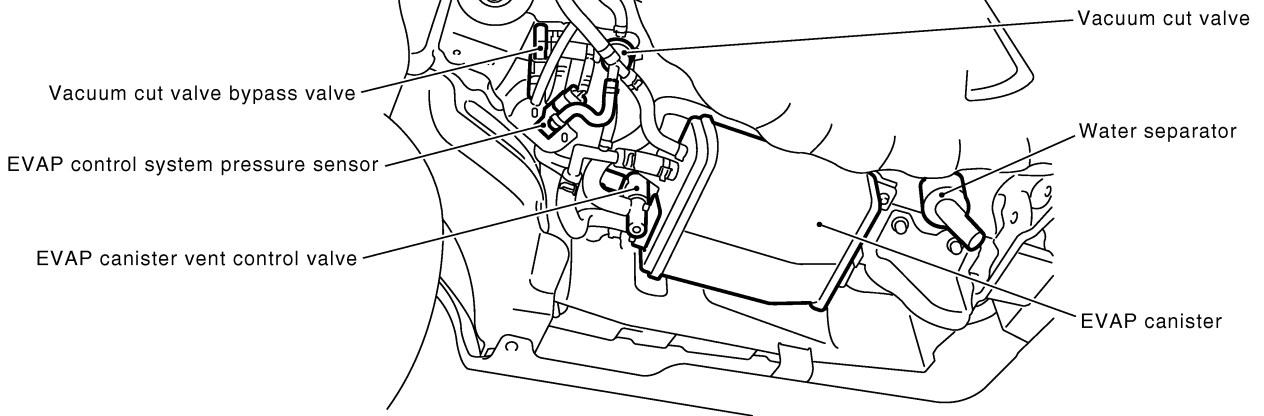
EVAPORATIVE EMISSION SYSTEM

View from under the vehicle

Vehicle front ←



View from under the vehicle



PBIB3137E

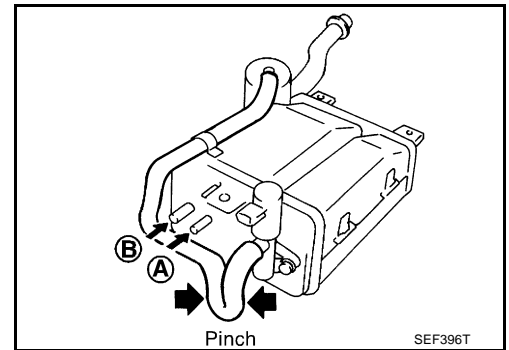
EVAPORATIVE EMISSION SYSTEM

Component Inspection EVAP CANISTER

NBS001QE

Check EVAP canister as follows:

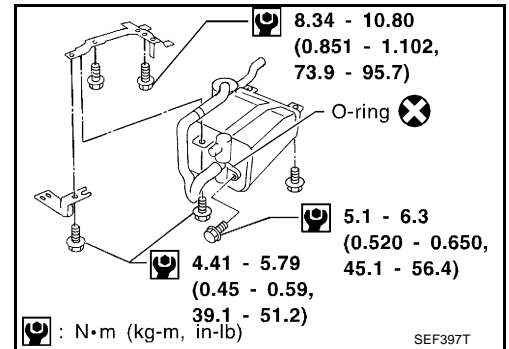
1. Pinch the fresh air hose.
2. Blow air into port **A** and check that it flows freely out of port **B**.



Tightening Torque

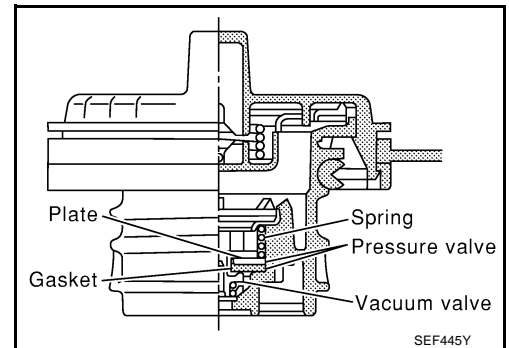
Tighten EVAP canister as shown in the figure.

Make sure new O-ring is installed properly between EVAP canister and EVAP canister vent control valve.



FUEL TANK VACUUM RELIEF VALVE (BUILT INTO FUEL FULLER CAP)

1. Wipe clean valve housing.



2. Check valve opening pressure and vacuum.

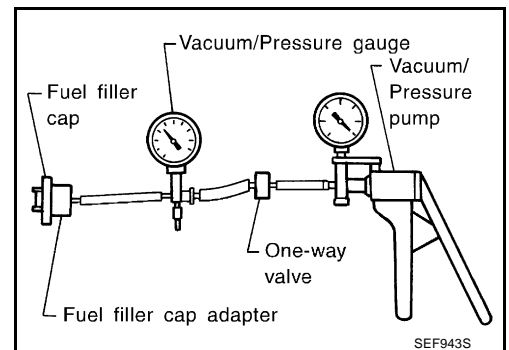
Pressure: 15.3 - 20.0 kPa (0.156 - 0.204 kg/cm², 2.22 - 2.90 psi)

Vacuum: -6.0 to -3.3 kPa (-0.061 to -0.034 kg/cm², -0.87 to -0.48 psi)

3. If out of specification, replace fuel filler cap as an assembly.

CAUTION:

Use only a genuine fuel filler cap as a replacement. If an incorrect fuel filler cap is used, the MIL may come on.



VACUUM CUT VALVE AND VACUUM CUT VALVE BYPASS VALVE

Refer to [EC-568](#).

EVAP CANISTER PURGE VOLUME CONTROL SOLENOID VALVE

Refer to [EC-411](#).

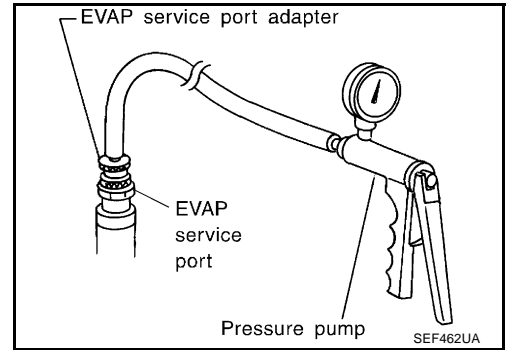
FUEL TANK TEMPERATURE SENSOR

Refer to [EC-343](#).

EVAPORATIVE EMISSION SYSTEM

EVAP SERVICE PORT

Positive pressure is delivered to the EVAP system through the EVAP service port. If fuel vapor leakage in the EVAP system occurs, use a leak detector to locate the leak.



NBS001QF

How to Detect Fuel Vapor Leakage

CAUTION:

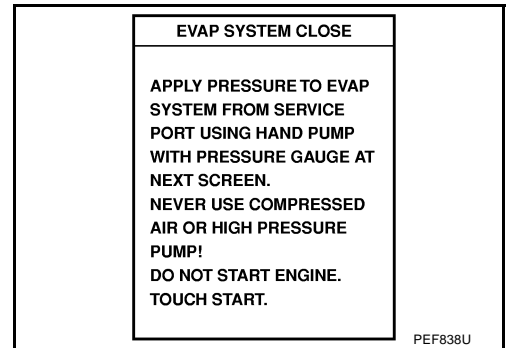
- Never use compressed air or a high pressure pump.
- Do not exceed 4.12 kPa (0.042 kg/cm² , 0.6 psi) of pressure in EVAP system.

NOTE:

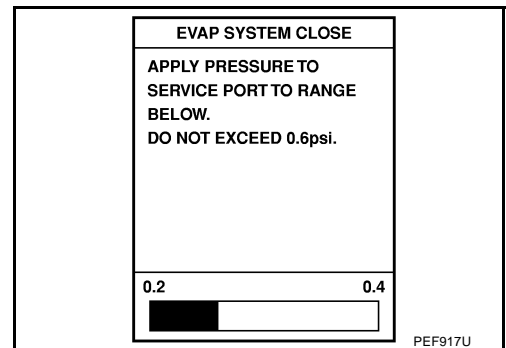
- Do not start engine.
- Improper installation of EVAP service port adapter to the EVAP service port may cause a leak.

WITH CONSULT-II

1. Attach the EVAP service port adapter securely to the EVAP service port.
2. Also attach the pressure pump and hose to the EVAP service port adapter.
3. Turn ignition switch ON.
4. Select the "EVAP SYSTEM CLOSE" of "WORK SUPPORT MODE" with CONSULT-II.
5. Touch "START". A bar graph (Pressure indicating display) will appear on the screen.

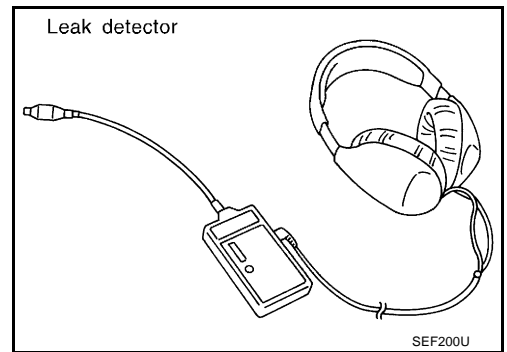


6. Apply positive pressure to the EVAP system until the pressure indicator reaches the middle of the bar graph.
7. Remove EVAP service port adapter and hose with pressure pump.



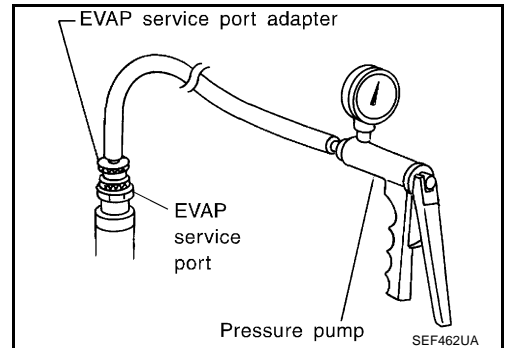
EVAPORATIVE EMISSION SYSTEM

8. Locate the leak using a leak detector. Refer to [EC-33, "EVAPORATIVE EMISSION LINE DRAWING"](#).

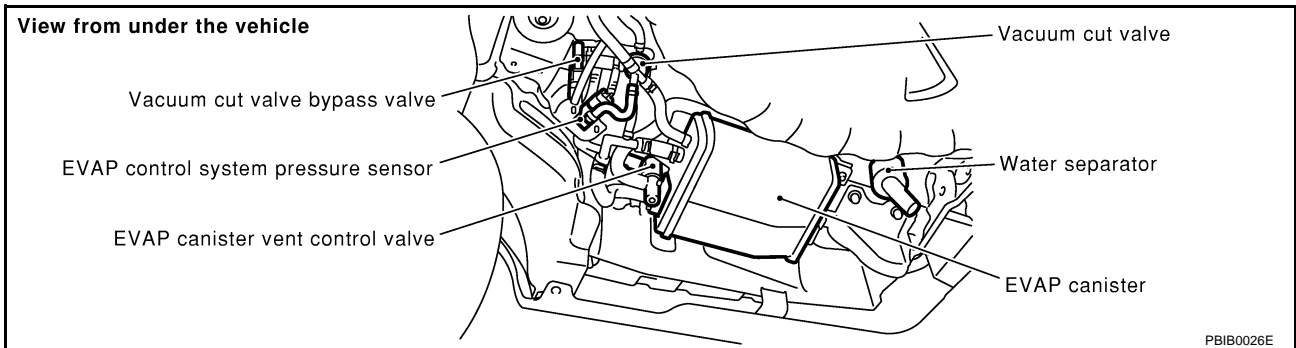


⊗ **WITHOUT CONSULT-II**

1. Attach the EVAP service port adapter securely to the EVAP service port.
2. Also attach the pressure pump with pressure gauge to the EVAP service port adapter.



3. Apply battery voltage to between the terminals of both EVAP canister vent control valve and vacuum cut valve bypass valve to make a closed EVAP system.



4. To locate the leak, deliver positive pressure to the EVAP system until pressure gauge points reach 1.38 to 2.76 kPa (0.014 to 0.028 kg/cm², 0.2 to 0.4 psi).
5. Remove EVAP service port adapter and hose with pressure pump.
6. Locate the leak using a leak detector. Refer to [EC-33, "EVAPORATIVE EMISSION LINE DRAWING"](#).

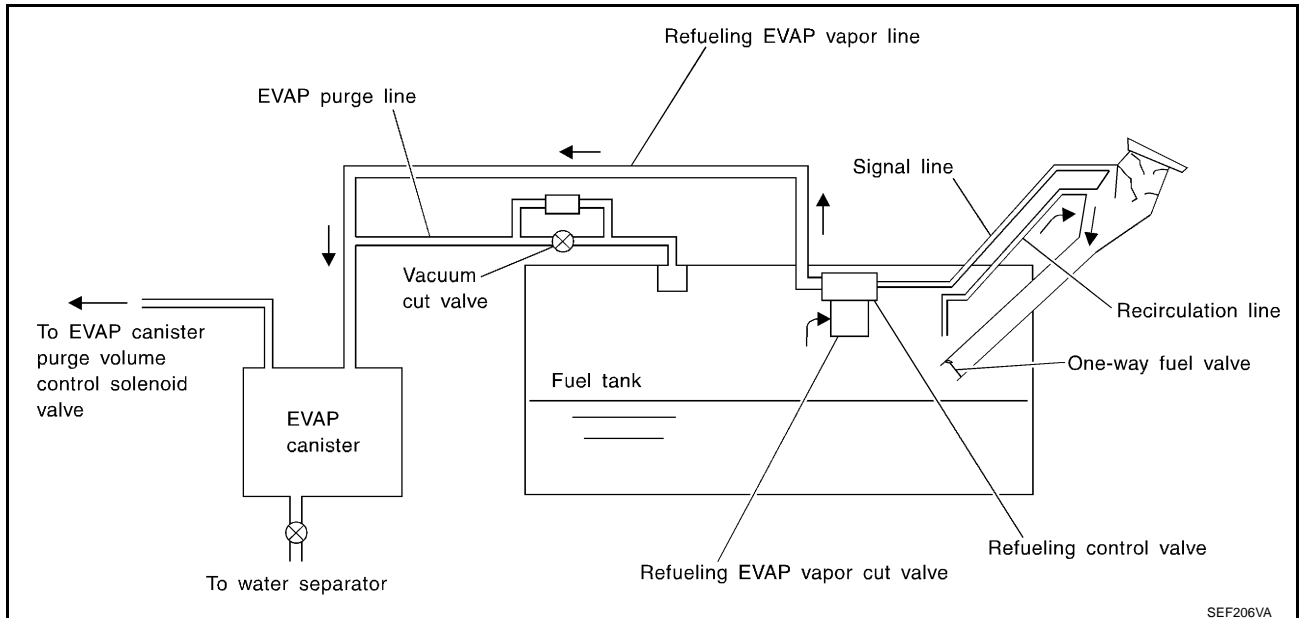
ON BOARD REFUELING VAPOR RECOVERY (ORVR)

ON BOARD REFUELING VAPOR RECOVERY (ORVR)

PFP:00032

System Description

NBS001QG



From the beginning of refueling, the fuel tank pressure goes up. When the pressure reaches the setting value of the refueling control valve (RCV) opening pressure, the RCV is opened. After RCV opens, the air and vapor inside the fuel tank go through refueling EVAP vapor cut valve, RCV and refueling vapor line to the EVAP canister. The vapor is absorbed by the EVAP canister and the air is released to the atmosphere.

When the refueling has reached the full level of the fuel tank, the refueling EVAP vapor cut valve is closed and refueling is stopped because of auto shut-off. The vapor which was absorbed by the EVAP canister is purged during driving.

The RCV is always closed during driving and the evaporative emission control system is operated the same as conventional system.

WARNING:

When conducting inspections below, be sure to observe the following:

- Put a "CAUTION: INFLAMMABLE" sign in workshop.
- Do not smoke while servicing fuel system. Keep open flames and sparks away from work area.
- Be sure to furnish the workshop with a CO₂ fire extinguisher.

CAUTION:

- Before removing fuel line parts, carry out the following procedures:
 - Put drained fuel in an explosion-proof container and put lid on securely.
 - Release fuel pressure from fuel line. Refer to [EC-80, "FUEL PRESSURE RELEASE"](#) .
 - Disconnect battery ground cable.
- Always replace O-ring when the fuel gauge retainer is removed.
- Do not kink or twist hose and tube when they are installed.
- Do not tighten hose and clamps excessively to avoid damaging hoses.
- After installation, run engine and check for fuel leaks at connection.
- Do not attempt to top off the fuel tank after the fuel pump nozzle shuts off automatically. Continued refueling may cause fuel overflow, resulting in fuel spray and possibly a fire.

ON BOARD REFUELING VAPOR RECOVERY (ORVR)

NBS001QH

Diagnostic Procedure

SYMPTOM: FUEL ODOR FROM EVAP CANISTER IS STRONG.

1. CHECK EVAP CANISTER

1. Remove EVAP canister with EVAP canister vent control valve attached.
2. Weigh the EVAP canister with EVAP canister vent control valve attached.
The weight should be less than 1.8 kg (4.0 lb).

OK or NG

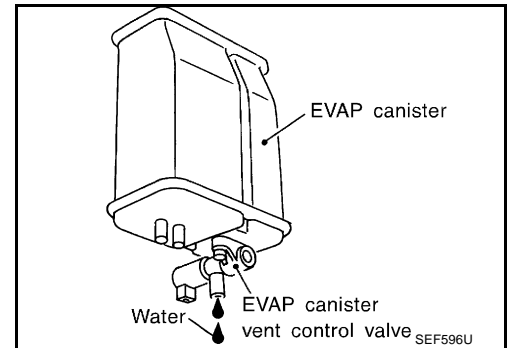
- OK >> GO TO 2.
NG >> GO TO 3.

2. CHECK IF EVAP CANISTER SATURATED WITH WATER

Does water drain from the EVAP canister?

Yes or No

- Yes >> GO TO 3.
No >> GO TO 6.



3. REPLACE EVAP CANISTER

Replace EVAP canister with a new one.

>> GO TO 4.

4. CHECK WATER SEPARATOR

Refer to [EC-41, "Component Inspection"](#).

OK or NG

- OK >> GO TO 5.
NG >> Replace water separator.

5. DETECT MALFUNCTIONING PART

Check the EVAP hose between EVAP canister and water separator for clogging or poor connection.

>> Repair or replace EVAP hose.

6. CHECK REFUELING EVAP VAPOR CUT VALVE

Refer to [EC-41, "Component Inspection"](#).

OK or NG

- OK >> GO TO 7.
NG >> Replace refueling EVAP vapor cut valve with fuel tank.

7. CHECK REFUELING CONTROL VALVE

Refer to [EC-41, "Component Inspection"](#).

OK or NG

- OK >> **INSPECTION END**
NG >> Replace refueling control valve with fuel tank.

ON BOARD REFUELING VAPOR RECOVERY (ORVR)

SYMPTOM: CANNOT REFUEL/FUEL ODOR FROM THE FUEL FILLER OPENING IS STRONG WHILE REFUELING.

1. CHECK EVAP CANISTER

1. Remove EVAP canister with EVAP canister vent control valve attached.
2. Weigh the EVAP canister with EVAP canister vent control valve attached.
The weight should be less than 1.8 kg (4.0 lb).

OK or NG

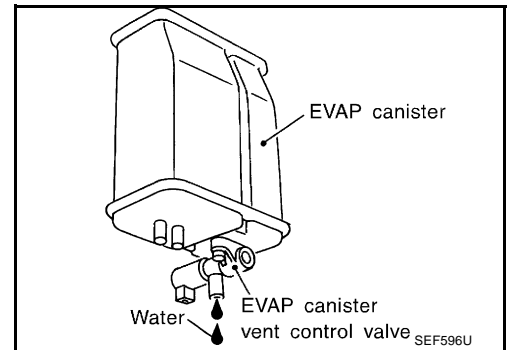
- OK >> GO TO 2.
NG >> GO TO 3.

2. CHECK IF EVAP CANISTER SATURATED WITH WATER

Does water drain from the EVAP canister?

Yes or No

- Yes >> GO TO 3.
No >> GO TO 6.



3. REPLACE EVAP CANISTER

Replace EVAP canister with a new one.

>> GO TO 4.

4. CHECK WATER SEPARATOR

Refer to [EC-41, "Component Inspection"](#).

OK or NG

- OK >> GO TO 5.
NG >> Replace water separator.

5. DETECT MALFUNCTIONING PART

Check the EVAP hose between EVAP canister and water separator for clogging or poor connection.

>> Repair or replace EVAP hose.

6. CHECK VENT HOSES AND VENT TUBES

Check hoses and tubes between EVAP canister and refueling control valve for clogging, kink, looseness and improper connection.

OK or NG

- OK >> GO TO 7.
NG >> Repair or replace hoses and tubes.

7. CHECK FILLER NECK TUBE

Check signal line and recirculation line for clogging, dents and cracks.

OK or NG

- OK >> GO TO 8.
NG >> Replace filler neck tube.

ON BOARD REFUELING VAPOR RECOVERY (ORVR)

8. CHECK REFUELING CONTROL VALVE

Refer to [EC-41, "Component Inspection"](#) .

OK or NG

- OK >> GO TO 9.
- NG >> Replace refueling control valve with fuel tank.

9. CHECK REFUELING EVAP VAPOR CUT VALVE

Refer to [EC-41, "Component Inspection"](#) .

OK or NG

- OK >> GO TO 10.
- NG >> Replace refueling EVAP vapor cut valve with fuel tank.

10. CHECK FUEL FILLER TUBE

Check filler neck tube and hose connected to the fuel tank for clogging, dents and cracks.

OK or NG

- OK >> GO TO 11.
- NG >> Replace fuel filler tube.

11. CHECK ONE-WAY FUEL VALVE-I

Check one-way valve for clogging.

OK or NG

- OK >> GO TO 12.
- NG >> Repair or replace one-way fuel valve with fuel tank.

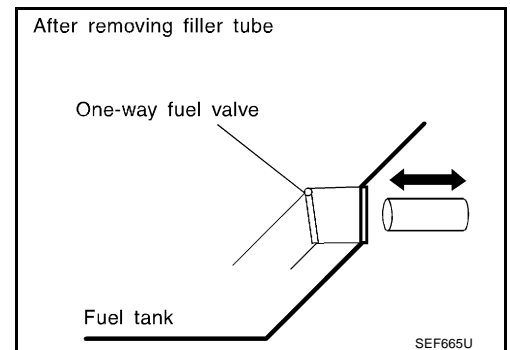
12. CHECK ONE-WAY FUEL VALVE-II

1. Make sure that fuel is drained from the tank.
2. Remove fuel filler tube and hose.
3. Check one-way fuel valve for operation as follows.
When a stick is inserted, the valve should open, when removing stick it should close.

Do not drop any material into the tank.

OK or NG

- OK >> **INSPECTION END**
- NG >> Replace fuel filler tube or replace one-way fuel valve with fuel tank.



NBS001Q1

Component Inspection WATER SEPARATOR

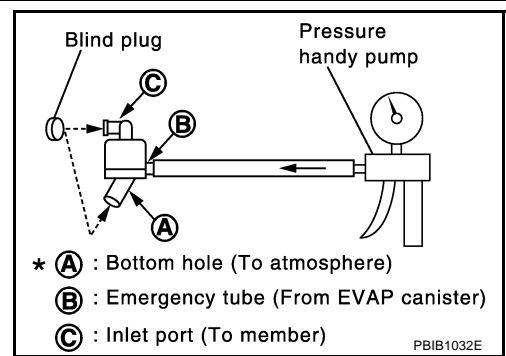
1. Check visually for insect nests in the water separator air inlet.
2. Check visually for cracks or flaws in the appearance.
3. Check visually for cracks or flaws in the hose.

ON BOARD REFUELING VAPOR RECOVERY (ORVR)

4. Check that **A** and **C** are not clogged by blowing air into **B** with **A**, and then **C** plugged.
5. In case of NG in items 2 - 4, replace the parts.

NOTE:

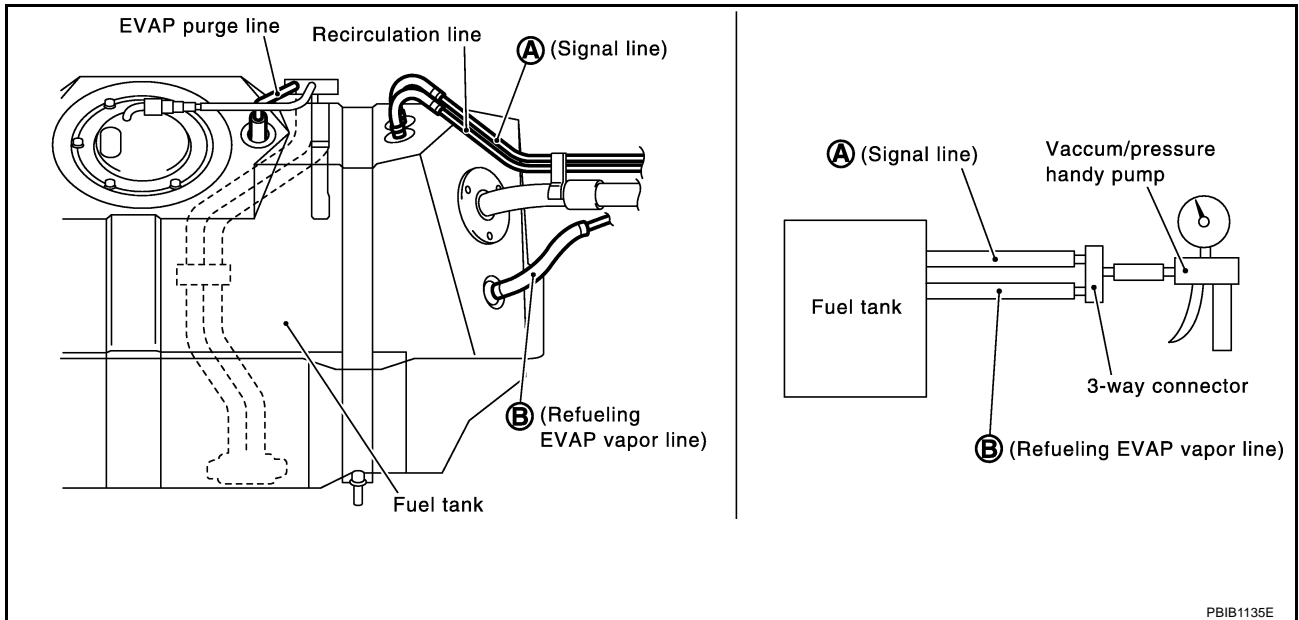
- Do not disassemble water separator.



REFUELING EVAP VAPOR CUT VALVE

With CONSULT-II

1. Remove fuel tank. Refer to [FL-8, "FUEL TANK"](#).
2. Drain fuel from the tank as follows:
 - a. Remove fuel feed hose located on the fuel gauge retainer.
 - b. Connect a spare fuel hose, one side to fuel gauge retainer where the hose was removed and the other side to a fuel container.
 - c. Drain fuel using "FUEL PUMP RELAY" in "ACTIVE TEST" mode with CONSULT-II.
3. Check refueling EVAP vapor cut valve for being stuck to close as follows.
 Blow air into the refueling EVAP vapor cut valve (from hose end B), and check that the air flows freely into the tank.
4. Check EVAP vapor cut valve for being stuck to open as follows.
 - a. Connect vacuum pump to hose ends A and B using a suitable 3-way connector.
 - b. Remove fuel gauge retainer with fuel gauge unit.
Always replace O-ring with new one.
 - c. Put fuel tank upside down.
 - d. Apply vacuum pressure to both hose ends A and B [-13.3 kPa (-100 mmHg, -3.94 inHg)] with fuel gauge retainer remaining open and check that the pressure is applicable.



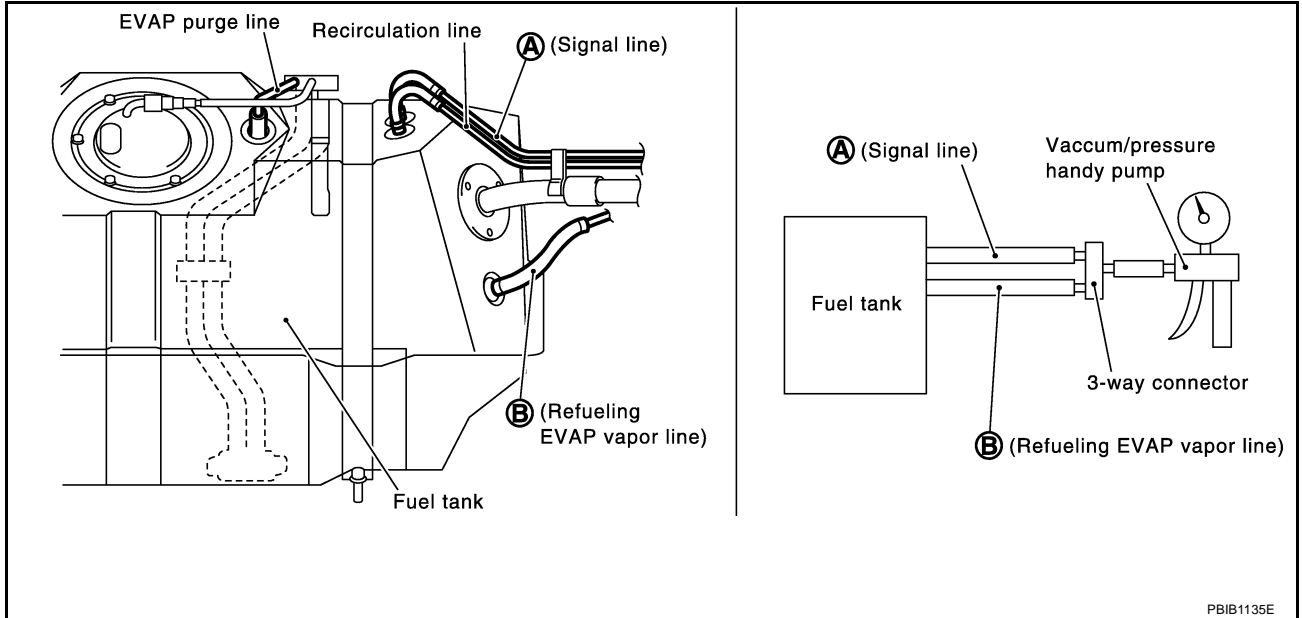
Without CONSULT-II

1. Remove fuel tank. Refer to [FL-8, "FUEL TANK"](#).
2. Drain fuel from the tank as follows:
 - a. Remove fuel gauge retainer.
 - b. Drain fuel from the tank using a handy pump into a fuel container.
3. Check refueling EVAP vapor cut valve for being stuck to close as follows.

ON BOARD REFUELING VAPOR RECOVERY (ORVR)

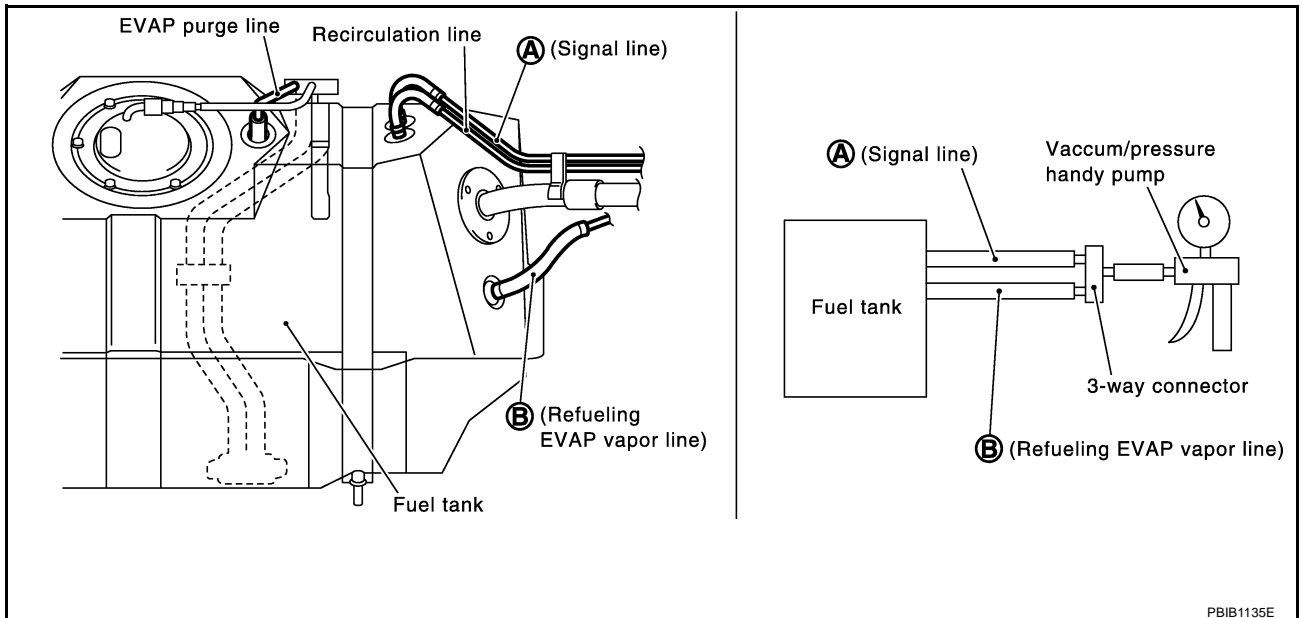
Blow air into the refueling EVAP vapor cut valve (from hose end B), and check that the air flows freely into the tank.

4. Check EVAP vapor cut valve for being stuck to open as follows.
 - a. Connect vacuum pump to hose ends A and B using a suitable 3-way connector.
 - b. Remove fuel gauge retainer with fuel gauge unit.
Always replace O-ring with new one.
 - c. Put fuel tank upside down.
 - d. Apply vacuum pressure to both hose ends A and B [-13.3 kPa (-100 mmHg, -3.94 inHg)] with fuel gauge retainer remaining open and check that the pressure is applicable.



REFUELING CONTROL VALVE

1. Remove fuel filler cap.
2. Check air continuity between hose ends A and B.
Blow air into the hose end B. Air should flow freely into the fuel tank.
3. Blow air into hose end A and check there is no leakage.
4. Apply pressure to both hose ends A and B [20 kPa (150 mmHg, 5.91 inHg)] using a pressure pump and a suitable 3-way connector. Check that there is no leakage.



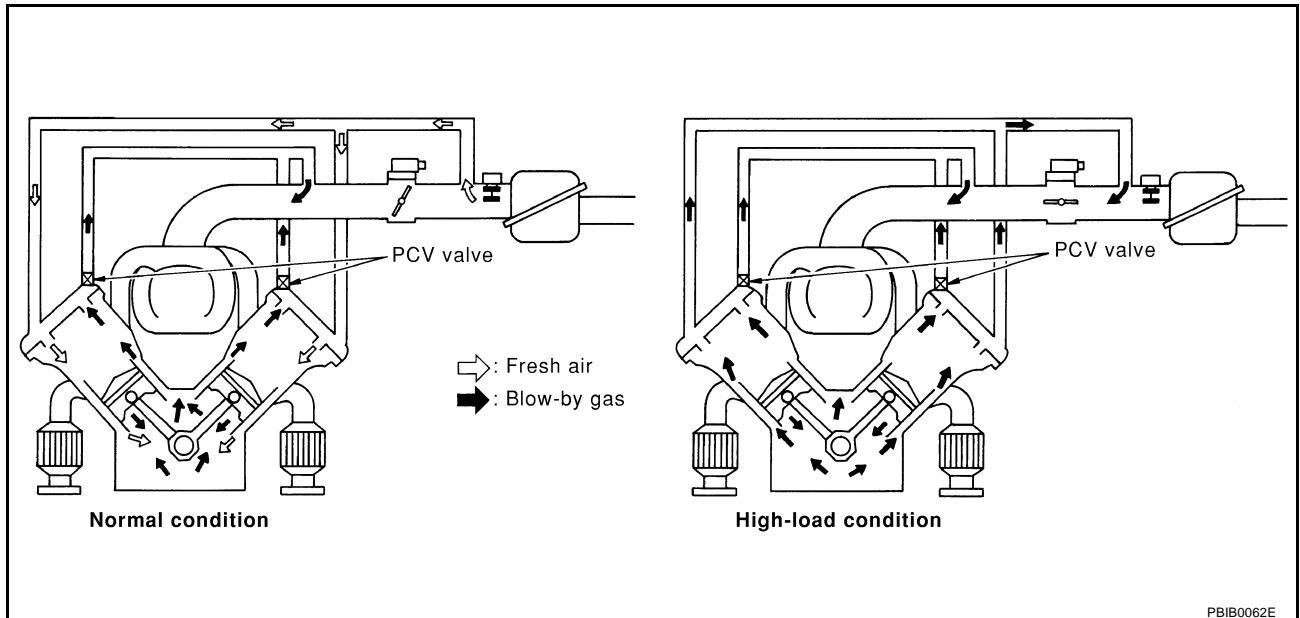
POSITIVE CRANKCASE VENTILATION

POSITIVE CRANKCASE VENTILATION

PFP:11810

Description SYSTEM DESCRIPTION

NBS001QJ



PBIB0062E

This system returns blow-by gas to the intake manifold.

The positive crankcase ventilation (PCV) valve is provided to conduct crankcase blow-by gas to the intake manifold.

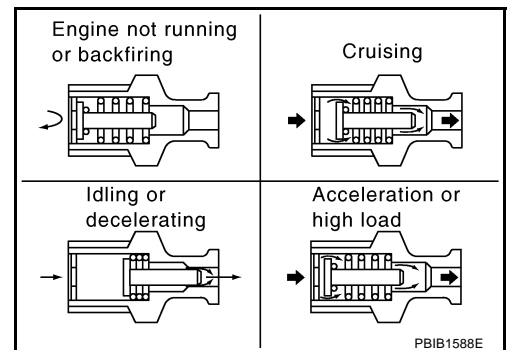
During partial throttle operation of the engine, the intake manifold sucks the blow-by gas through the PCV valve.

Normally, the capacity of the valve is sufficient to handle any blow-by and a small amount of ventilating air.

The ventilating air is then drawn from the air inlet tubes into the crankcase. In this process the air passes through the hose connecting air inlet tubes to rocker cover.

Under full-throttle condition, the manifold vacuum is insufficient to draw the blow-by flow through the valve. The flow goes through the hose connection in the reverse direction.

On vehicles with an excessively high blow-by, the valve does not meet the requirement. This is because some of the flow will go through the hose connection to the air inlet tubes under all conditions.

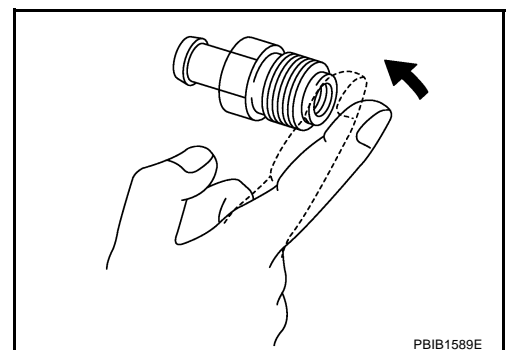


PBIB1588E

Component Inspection PCV (POSITIVE CRANKCASE VENTILATION) VALVE

NBS001QK

With engine running at idle, remove PCV valve ventilation hose from rocker cover. A properly working valve makes a hissing noise as air passes through it. A strong vacuum should be felt immediately when a finger is placed over valve inlet.

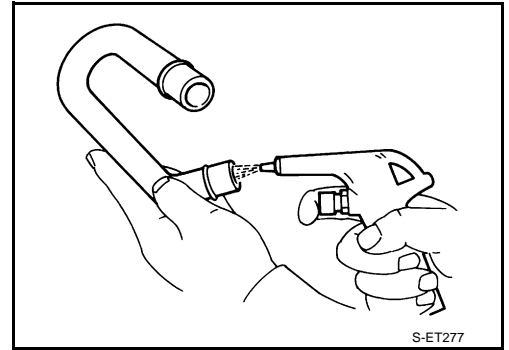


PBIB1589E

POSITIVE CRANKCASE VENTILATION

PCV VALVE VENTILATION HOSE

1. Check hoses and hose connections for leaks.
2. Disconnect all hoses and clean with compressed air. If any hose cannot be freed of obstructions, replace.



A

EC

C

D

E

F

G

H

I

J

K

L

M

IVIS (INFINITI VEHICLE IMMOBILIZER SYSTEM-NATS)

IVIS (INFINITI VEHICLE IMMOBILIZER SYSTEM-NATS)

PF2:28591

Description

NBS001QL

- If the security indicator lights up with the ignition switch in the ON position or "NATS MALFUNCTION" is displayed on "SELF-DIAG RESULTS" screen, perform self-diagnostic results mode with CONSULT-II using NATS program card. Refer to [BL-200, "IVIS \(INFINITI VEHICLE IMMOBILIZER SYSTEM-NATS\)"](#).
- Confirm no self-diagnostic results of IVIS (NATS) is displayed before touching "ERASE" in "SELF-DIAG RESULTS" mode with CONSULT-II.
- When replacing ECM, initialization of IVIS (NATS) system and registration of all IVIS (NATS) ignition key IDs must be carried out with CONSULT-II using NATS program card. Therefore, be sure to receive all keys from vehicle owner. Regarding the procedures of IVIS (NATS) initialization and all IVIS (NATS) ignition key ID registration, refer to CONSULT-II operation manual, IVIS/NVIS.

SELF DIAG RESULTS	
DTC RESULTS	TIME
NATS MALFUNCTION [P1610]	0

SEF543X

ON BOARD DIAGNOSTIC (OBD) SYSTEM

ON BOARD DIAGNOSTIC (OBD) SYSTEM

PPF:00028

Introduction

NBS002WA

The ECM has an on board diagnostic system, which detects malfunctions related to engine sensors or actuators. The ECM also records various emission-related diagnostic information including:

Emission-related diagnostic information	Diagnostic service
Diagnostic Trouble Code (DTC)	Service \$03 of SAE J1979
Freeze Frame data	Service \$02 of SAE J1979
System Readiness Test (SRT) code	Service \$01 of SAE J1979
1st Trip Diagnostic Trouble Code (1st Trip DTC)	Service \$07 of SAE J1979
1st Trip Freeze Frame data	
Test values and Test limits	Service \$06 of SAE J1979
Calibration ID	Service \$09 of SAE J1979

The above information can be checked using procedures listed in the table below.

×: Applicable —: Not applicable

	DTC	1st trip DTC	Freeze Frame data	1st trip Freeze Frame data	SRT code	SRT status	Test value
CONSULT-II	×	×	×	×	×	×	—
GST	×	×	×	—	×	×	×
ECM	×	×*	—	—	—	×	—

*: When DTC and 1st trip DTC simultaneously appear on the display, they cannot be clearly distinguished from each other.

The malfunction indicator lamp (MIL) on the instrument panel lights up when the same malfunction is detected in two consecutive trips (Two trip detection logic), or when the ECM enters fail-safe mode. (Refer to [EC-90, "Fail-Safe Chart"](#) .)

Two Trip Detection Logic

NBS002WB

When a malfunction is detected for the first time, 1st trip DTC and 1st trip Freeze Frame data are stored in the ECM memory. The MIL will not light up at this stage. <1st trip>

If the same malfunction is detected again during the next drive, the DTC and Freeze Frame data are stored in the ECM memory, and the MIL lights up. The MIL lights up at the same time when the DTC is stored. <2nd trip> The "trip" in the "Two Trip Detection Logic" means a driving mode in which self-diagnosis is performed during vehicle operation. Specific on board diagnostic items will cause the ECM to light up or blink the MIL, and store DTC and Freeze Frame data, even in the 1st trip, as shown below.

×: Applicable —: Not applicable

Items	MIL				DTC		1st trip DTC	
	1st trip		2nd trip		1st trip displaying	2nd trip displaying	1st trip displaying	2nd trip displaying
	Blinking	Lighting up	Blinking	Lighting up				
Misfire (Possible three way catalyst damage) — DTC: P0300 - P0308 is being detected	×	—	—	—	—	—	×	—
Misfire (Possible three way catalyst damage) — DTC: P0300 - P0308 is being detected	—	—	×	—	—	×	—	—
One trip detection diagnoses (Refer to EC-48, "EMISSION-RELATED DIAGNOSTIC INFORMATION ITEMS" .)	—	×	—	—	×	—	—	—
Except above	—	—	—	×	—	×	×	—

When there is an open circuit on MIL circuit, the ECM cannot warn the driver by lighting up MIL when there is malfunction on engine control system.

ON BOARD DIAGNOSTIC (OBD) SYSTEM

Therefore, when electrical controlled throttle and part of ECM related diagnoses are continuously detected as NG for 5 trips, ECM warns the driver that engine control system malfunctions and MIL circuit is open by means of operating fail-safe function.

The fail-safe function also operates when above diagnoses except MIL circuit are detected and demands the driver to repair the malfunction.

Engine operating condition in fail-safe mode

Engine speed will not rise more than 2,500 rpm due to the fuel cut

Emission-related Diagnostic Information EMISSION-RELATED DIAGNOSTIC INFORMATION ITEMS

NBS002WC

×:Applicable —: Not applicable

Items (CONSULT-II screen terms)	DTC*1		SRT code	Test value/ Test limit (GST only)	Trip	MIL	Reference page
	CONSULT-II GST*2	ECM*3					
CAN COMM CIRCUIT	U1000	1000*4	—	—	1	×	EC-156
CAN COMM CIRCUIT	U1001	1001*4	—	—	2	—	EC-156
CONTROL UNIT(CAN)	U1010	1010	—	—	1	×	EC-159
NO DTC IS DETECTED. FURTHER TESTING MAY BE REQUIRED.	P0000	0000	—	—	—	Flashing*8	—
INT/V TIM CONT-B1	P0011	0011	—	—	2	×	EC-161
INT/V TIM CONT-B2	P0021	0021	—	—	2	×	EC-161
A/F SEN1 HTR (B1)	P0031	0031	—	×	2	×	EC-173
A/F SEN1 HTR (B1)	P0032	0032	—	×	2	×	EC-173
HO2S2 HTR (B1)	P0037	0037	—	×	2	×	EC-180
HO2S2 HTR (B1)	P0038	0038	—	×	2	×	EC-180
A/F SEN1 HTR (B2)	P0051	0051	—	×	2	×	EC-173
A/F SEN1 HTR (B2)	P0052	0052	—	×	2	×	EC-173
HO2S2 HTR (B2)	P0057	0057	—	×	2	×	EC-180
HO2S2 HTR (B2)	P0058	0058	—	×	2	×	EC-180
INT/V TIM V/CIR-B1	P0075	0075	—	—	2	×	EC-188
INT/V TIM V/CIR-B2	P0081	0081	—	—	2	×	EC-188
MAF SEN/CIRCUIT	P0101	0101	—	—	2	×	EC-195
MAF SEN/CIRCUIT	P0102	0102	—	—	1	×	EC-204
MAF SEN/CIRCUIT	P0103	0103	—	—	1	×	EC-204
IAT SEN/CIRCUIT	P0112	0112	—	—	2	×	EC-211
IAT SEN/CIRCUIT	P0113	0113	—	—	2	×	EC-211
ECT SEN/CIRC	P0117	0117	—	—	1	×	EC-215
ECT SEN/CIRC	P0118	0118	—	—	1	×	EC-215
TP SEN 2/CIRC	P0122	0122	—	—	1	×	EC-221
TP SEN 2/CIRC	P0123	0123	—	—	1	×	EC-221
ECT SENSOR	P0125	0125	—	—	2	×	EC-228
IAT SENSOR	P0127	0127	—	—	2	×	EC-231
THERMSTAT FNCTN	P0128	0128	—	—	2	×	EC-234
A/F SENSOR1 (B1)	P0130	0130	—	×	2	×	EC-236
A/F SENSOR1 (B1)	P0131	0131	—	×	2	×	EC-246
A/F SENSOR1 (B1)	P0132	0132	—	×	2	×	EC-255
A/F SENSOR1 (B1)	P0133	0133	×	×	2	×	EC-264
HO2S2 (B1)	P0137	0137	×	×	2	×	EC-276

ON BOARD DIAGNOSTIC (OBD) SYSTEM

Items (CONSULT-II screen terms)	DTC*1		SRT code	Test value/ Test limit (GST only)	Trip	MIL	Reference page
	CONSULT-II GST*2	ECM*3					
HO2S2 (B1)	P0138	0138	×	×	2	×	EC-288
HO2S2 (B1)	P0139	0139	×	×	2	×	EC-304
A/F SENSOR1 (B2)	P0150	0150	—	×	2	×	EC-236
A/F SENSOR1 (B2)	P0151	0151	—	×	2	×	EC-246
A/F SENSOR1 (B2)	P0152	0152	—	×	2	×	EC-255
A/F SENSOR1 (B2)	P0153	0153	×	×	2	×	EC-264
HO2S2 (B2)	P0157	0157	×	×	2	×	EC-276
HO2S2 (B2)	P0158	0158	×	×	2	×	EC-288
HO2S2 (B2)	P0159	0159	×	×	2	×	EC-304
FUEL SYS-LEAN-B1	P0171	0171	—	—	2	×	EC-316
FUEL SYS-RICH-B1	P0172	0172	—	—	2	×	EC-328
FUEL SYS-LEAN-B2	P0174	0174	—	—	2	×	EC-316
FUEL SYS-RICH-B2	P0175	0175	—	—	2	×	EC-328
FTT SENSOR	P0181	0181	—	—	2	×	EC-339
FTT SEN/CIRCUIT	P0182	0182	—	—	2	×	EC-344
FTT SEN/CIRCUIT	P0183	0183	—	—	2	×	EC-344
TP SEN 1/CIRC	P0222	0222	—	—	1	×	EC-348
TP SEN 1/CIRC	P0223	0223	—	—	1	×	EC-348
MULTI CYL MISFIRE	P0300	0300	—	—	2	×	EC-355
CYL 1 MISFIRE	P0301	0301	—	—	2	×	EC-355
CYL 2 MISFIRE	P0302	0302	—	—	2	×	EC-355
CYL 3 MISFIRE	P0303	0303	—	—	2	×	EC-355
CYL 4 MISFIRE	P0304	0304	—	—	2	×	EC-355
CYL 5 MISFIRE	P0305	0305	—	—	2	×	EC-355
CYL 6 MISFIRE	P0306	0306	—	—	2	×	EC-355
CYL 7 MISFIRE	P0307	0307	—	—	2	×	EC-355
CYL 8 MISFIRE	P0308	0308	—	—	2	×	EC-355
KNOCK SEN/CIRC-B1	P0327	0327	—	—	2	—	EC-365
KNOCK SEN/CIRC-B1	P0328	0328	—	—	2	—	EC-365
KNOCK SEN/CIRC-B2	P0332	0332	—	—	2	—	EC-365
KNOCK SEN/CIRC-B2	P0333	0333	—	—	2	—	EC-365
CKP SEN/CIRCUIT	P0335	0335	—	—	2	×	EC-370
CMP SEN/CIRC-B1	P0340	0340	—	—	2	×	EC-379
TW CATALYST SYS-B1	P0420	0420	×	×	2	×	EC-386
TW CATALYST SYS-B2	P0430	0430	×	×	2	×	EC-386
EVAP PURG FLOW/MON	P0441	0441	×	×	2	×	EC-391
EVAP SMALL LEAK	P0442	0442	×	×	2	×	EC-396
PURG VOLUME CONT/V	P0443	0443	—	—	2	×	EC-404
PURG VOLUME CONT/V	P0444	0444	—	—	2	×	EC-412
PURG VOLUME CONT/V	P0445	0445	—	—	2	×	EC-412
VENT CONTROL VALVE	P0447	0447	—	—	2	×	EC-419
VENT CONTROL VALVE	P0448	0448	—	—	2	×	EC-430

ON BOARD DIAGNOSTIC (OBD) SYSTEM

Items (CONSULT-II screen terms)	DTC*1		SRT code	Test value/ Test limit (GST only)	Trip	MIL	Reference page
	CONSULT-II GST*2	ECM*3					
EVAP SYS PRES SEN	P0452	0452	—	—	2	×	EC-436
EVAP SYS PRES SEN	P0453	0453	—	—	2	×	EC-443
EVAP GROSS LEAK	P0455	0455	—	—	2	×	EC-451
EVAP VERY SML LEAK	P0456	0456	x*7	×	2	×	EC-459
FUEL LEV SEN SLOSH	P0460	0460	—	—	2	×	EC-468
FUEL LEVEL SENSOR	P0461	0461	—	—	2	×	EC-470
FUEL LEVL SEN/CIRC	P0462	0462	—	—	2	×	EC-472
FUEL LEVL SEN/CIRC	P0463	0463	—	—	2	×	EC-472
VEH SPEED SEN/CIRC*5	P0500	0500	—	—	2	×	EC-474
ISC SYSTEM	P0506	0506	—	—	2	×	EC-476
ISC SYSTEM	P0507	0507	—	—	2	×	EC-478
PW ST P SEN/CIRC	P0550	0550	—	—	2	—	EC-480
ECM BACK UP/CIRCUIT	P0603	0603	—	—	2	×	EC-485
ECM	P0605	0605	—	—	1 or 2	× or —	EC-489
SENSOR POWER/CIRC	P0643	0643	—	—	1	×	EC-492
TCM	P0700	0700	—	—	1	×	AT-106
PNP SW/CIRC	P0705	0705	—	—	2	×	AT-107
ATF TEMP SEN/CIRC	P0710	0710	—	—	2	×	AT-129
TURBINE SENSOR	P0717	0717	—	—	2	×	AT-111
VEH SPD SEN/CIR AT*5	P0720	0720	—	—	2	×	AT-113
TCC SOLENOID/CIRC	P0740	0740	—	—	2	×	AT-120
A/T TCC S/V FNCTN	P0744	0744	—	—	2	×	AT-122
L/PRESS SOL/CIRC	P0745	0745	—	—	2	×	AT-124
P-N POS SW/CIRCUIT	P0850	0850	—	—	2	×	EC-497
INTK TIM S/CIRC-B1	P1140	1140	—	—	2	×	EC-502
INTK TIM S/CIRC-B2	P1145	1145	—	—	2	×	EC-502
CLOSED LOOP-B1	P1148	1148	—	—	1	×	EC-511
CLOSED LOOP-B2	P1168	1168	—	—	1	×	EC-511
TCS C/U FUNCTN	P1211	1211	—	—	2	—	EC-512
TCS/CIRC	P1212	1212	—	—	2	—	EC-513
ENG OVER TEMP	P1217	1217	—	—	1	×	EC-514
FPCM/CIRCUIT	P1220	1220	—	—	2	×	EC-534
CTP LEARNING	P1225	1225	—	—	2	—	EC-542
CTP LEARNING	P1226	1226	—	—	2	—	EC-544
EVAP SMALL LEAK	P1442	1442	×	×	2	×	EC-546
EVAP VERY SML LEAK	P1456	1456	x*7	×	2	×	EC-554
VC/V BYPASS/V	P1490	1490	—	—	2	×	EC-563
VC CUT/V BYPASS/V	P1491	1491	—	—	2	×	EC-570

ON BOARD DIAGNOSTIC (OBD) SYSTEM

Items (CONSULT-II screen terms)	DTC*1		SRT code	Test value/ Test limit (GST only)	Trip	MIL	Reference page
	CONSULT-II GST*2	ECM*3					
ASCD SW	P1564	1564	—	—	1	—	EC-579 (Models with ICC) EC-586 (Models with ASCD)
ICC COMMAND VALUE*6	P1568	1568	—	—	1	—	EC-593
ASCD BRAKE SW	P1572	1572	—	—	1	—	EC-594 (Models with ICC) EC-604 (Models with ASCD)
ASCD VHL SPD SEN	P1574	1574	—	—	1	—	EC-612 (Models with ICC) EC-614 (Models with ASCD)
NATS MALFUNCTION	P1610 - P1615	1610 - 1615	—	—	2	—	EC-46
IN PULY SPEED	P1715	1715	—	—	2	—	EC-616
A/T INTERLOCK	P1730	1730	—	—	1	×	AT-136
I/C SOLENOID/CIRC	P1752	1752	—	—	1	×	AT-141
I/C SOLENOID FNCTN	P1754	1754	—	—	1	×	AT-143
FR/B SOLENOID/CIRC	P1757	1757	—	—	1	×	AT-145
FR/B SOLENOID FNCT	P1759	1759	—	—	1	×	AT-147
D/C SOLENOID/CIRC	P1762	1762	—	—	1	×	AT-149
D/C SOLENOID FNCTN	P1764	1764	—	—	1	×	AT-151
HLR/C SOL/CIRC	P1767	1767	—	—	1	×	AT-153
HLR/C SOL FNCTN	P1769	1769	—	—	1	×	AT-155
LC/B SOLENOID/CIRC	P1772	1772	—	—	1	×	AT-157
LC/B SOLENOID FNCT	P1774	1774	—	—	1	×	AT-159
VIAS S/V CIRC	P1800	1800	—	—	2	—	EC-617
BRAKE SW/CIRCUIT	P1805	1805	—	—	2	—	EC-622
ETC MOT PWR	P2100	2100	—	—	1	×	EC-627
ETC FUNCTION/CIRC	P2101	2101	—	—	1	×	EC-633
ETC MOT PWR	P2103	2103	—	—	1	×	EC-627
ETC MOT	P2118	2118	—	—	1	×	EC-640
ETC ACTR	P2119	2119	—	—	1	×	EC-645
APP SEN 1/CIRC	P2122	2122	—	—	1	×	EC-647
APP SEN 1/CIRC	P2123	2123	—	—	1	×	EC-647
APP SEN 2/CIRC	P2127	2127	—	—	1	×	EC-654
APP SEN 2/CIRC	P2128	2128	—	—	1	×	EC-654
TP SENSOR	P2135	2135	—	—	1	×	EC-661
APP SENSOR	P2138	2138	—	—	1	×	EC-668
A/F SENSOR1 (B1)	P2A00	2A00	—	×	2	×	EC-676
A/F SENSOR1 (B2)	P2A03	2A03	—	×	2	×	EC-676

A
 EC
 C
 D
 E
 F
 G
 H
 I
 J
 K
 L
 M

ON BOARD DIAGNOSTIC (OBD) SYSTEM

- *1: 1st trip DTC No. is the same as DTC No.
- *2: This number is prescribed by SAE J2012.
- *3: In Diagnostic Test Mode II (Self-diagnostic results), this number is controlled by NISSAN.
- *4: The troubleshooting for this DTC needs CONSULT-II.
- *5: When the fail-safe operations for both self-diagnoses occur at the same time, the MIL illuminates.
- *6: Models with ICC.
- *7: SRT code will not be set if the self-diagnostic result is NG.
- *8: When the ECM is in the mode of displaying SRT status, MIL may flash. For the details, refer to [EC-56. "How to Display SRT Status"](#).

DTC AND 1ST TRIP DTC

The 1st trip DTC (whose number is the same as the DTC number) is displayed for the latest self-diagnostic result obtained. If the ECM memory was cleared previously, and the 1st trip DTC did not reoccur, the 1st trip DTC will not be displayed.

If a malfunction is detected during the 1st trip, the 1st trip DTC is stored in the ECM memory. The MIL will not light up (two trip detection logic). If the same malfunction is not detected in the 2nd trip (meeting the required driving pattern), the 1st trip DTC is cleared from the ECM memory. If the same malfunction is detected in the 2nd trip, both the 1st trip DTC and DTC are stored in the ECM memory and the MIL lights up. In other words, the DTC is stored in the ECM memory and the MIL lights up when the same malfunction occurs in two consecutive trips. If a 1st trip DTC is stored and a non-diagnostic operation is performed between the 1st and 2nd trips, only the 1st trip DTC will continue to be stored. For malfunctions that blink or light up the MIL during the 1st trip, the DTC and 1st trip DTC are stored in the ECM memory.

Procedures for clearing the DTC and the 1st trip DTC from the ECM memory are described in [EC-61. "HOW TO ERASE EMISSION-RELATED DIAGNOSTIC INFORMATION"](#).

For malfunctions in which 1st trip DTCs are displayed, refer to [EC-48. "EMISSION-RELATED DIAGNOSTIC INFORMATION ITEMS"](#). These items are required by legal regulations to continuously monitor the system/component. In addition, the items monitored non-continuously are also displayed on CONSULT-II.

1st trip DTC is specified in Service \$07 of SAE J1979. 1st trip DTC detection occurs without lighting up the MIL and therefore does not warn the driver of a malfunction. However, 1st trip DTC detection will not prevent the vehicle from being tested, for example during Inspection/Maintenance (I/M) tests.

When a 1st trip DTC is detected, check, print out or write down and erase (1st trip) DTC and Freeze Frame data as specified in Work Flow procedure Step 2, refer to [EC-83. "WORK FLOW"](#). Then perform DTC Confirmation Procedure or Overall Function Check to try to duplicate the malfunction. If the malfunction is duplicated, the item requires repair.

How to Read DTC and 1st Trip DTC

DTC and 1st trip DTC can be read by the following methods.

 **With CONSULT-II**

 **With GST**

CONSULT-II or GST (Generic Scan Tool) Examples: P0340, P0850, P1148, etc.

These DTCs are prescribed by SAE J2012.

(CONSULT-II also displays the malfunctioning component or system.)

 **No Tools**

The number of blinks of the MIL in the Diagnostic Test Mode II (Self-Diagnostic Results) indicates the DTC.

Example: 0340, 0850, 1148, etc.

These DTCs are controlled by NISSAN.

- **1st trip DTC No. is the same as DTC No.**
- **Output of a DTC indicates a malfunction. However, GST or the Diagnostic Test Mode II do not indicate whether the malfunction is still occurring or has occurred in the past and has returned to normal. CONSULT-II can identify malfunction status as shown below. Therefore, using CONSULT-II (if available) is recommended.**

A sample of CONSULT-II display for DTC and 1st trip DTC is shown below. DTC or 1st trip DTC of a malfunction is displayed in SELF-DIAGNOSTIC RESULTS mode of CONSULT-II. Time data indicates how many times the vehicle was driven after the last detection of a DTC.

If the DTC is being detected currently, the time data will be [0].

ON BOARD DIAGNOSTIC (OBD) SYSTEM

If a 1st trip DTC is stored in the ECM, the time data will be [1t].

DTC display	SELF DIAG RESULTS		1st trip DTC display	SELF DIAG RESULTS	
	DTC RESULTS	TIME		DTC RESULTS	TIME
	CKP SEN/CIRCUIT [P0335]	0		CKP SEN/CIRCUIT [P0335]	1t

PBIB0911E

FREEZE FRAME DATA AND 1ST TRIP FREEZE FRAME DATA

The ECM records the driving conditions such as fuel system status, calculated load value, engine coolant temperature, short term fuel trim, long term fuel trim, engine speed, vehicle speed, absolute throttle position, base fuel schedule and intake air temperature at the moment a malfunction is detected.

Data which are stored in the ECM memory, along with the 1st trip DTC, are called 1st trip freeze frame data. The data, stored together with the DTC data, are called freeze frame data and displayed on CONSULT-II or GST. The 1st trip freeze frame data can only be displayed on the CONSULT-II screen, not on the GST. For details, see [EC-118, "Freeze Frame Data and 1st Trip Freeze Frame Data"](#).

Only one set of freeze frame data (either 1st trip freeze frame data or freeze frame data) can be stored in the ECM. 1st trip freeze frame data is stored in the ECM memory along with the 1st trip DTC. There is no priority for 1st trip freeze frame data and it is updated each time a different 1st trip DTC is detected. However, once freeze frame data (2nd trip detection/MIL on) is stored in the ECM memory, 1st trip freeze frame data is no longer stored. Remember, only one set of freeze frame data can be stored in the ECM. The ECM has the following priorities to update the data.

Priority	Items
1	Freeze frame data Misfire — DTC: P0300 - P0308 Fuel Injection System Function — DTC: P0171, P0172, P0174, P0175
2	Except the above items (Includes A/T related items)
3	1st trip freeze frame data

For example, the EGR malfunction (Priority: 2) was detected and the freeze frame data was stored in the 2nd trip. After that when the misfire (Priority: 1) is detected in another trip, the freeze frame data will be updated from the EGR malfunction to the misfire. The 1st trip freeze frame data is updated each time a different malfunction is detected. There is no priority for 1st trip freeze frame data. However, once freeze frame data is stored in the ECM memory, 1st trip freeze data is no longer stored (because only one freeze frame data or 1st trip freeze frame data can be stored in the ECM). If freeze frame data is stored in the ECM memory and freeze frame data with the same priority occurs later, the first (original) freeze frame data remains unchanged in the ECM memory.

Both 1st trip freeze frame data and freeze frame data (along with the DTCs) are cleared when the ECM memory is erased. Procedures for clearing the ECM memory are described in [EC-61, "HOW TO ERASE EMIS-SION-RELATED DIAGNOSTIC INFORMATION"](#).

SYSTEM READINESS TEST (SRT) CODE

System Readiness Test (SRT) code is specified in Service \$01 of SAE J1979.

As part of an enhanced emissions test for Inspection & Maintenance (I/M), certain states require the status of SRT be used to indicate whether the ECM has completed self-diagnosis of major emission systems and components. Completion must be verified in order for the emissions inspection to proceed.

If a vehicle is rejected for a State emissions inspection due to one or more SRT items indicating "INCMP", use the information in this Service Manual to set the SRT to "CMPLT".

In most cases the ECM will automatically complete its self-diagnosis cycle during normal usage, and the SRT status will indicate "CMPLT" for each application system. Once set as "CMPLT", the SRT status remains "CMPLT" until the self-diagnosis memory is erased.

Occasionally, certain portions of the self-diagnostic test may not be completed as a result of the customer's normal driving pattern; the SRT will indicate "INCMP" for these items.

NOTE:

The SRT will also indicate "INCMP" if the self-diagnosis memory is erased for any reason or if the ECM memory power supply is interrupted for several hours.

ON BOARD DIAGNOSTIC (OBD) SYSTEM

If, during the state emissions inspection, the SRT indicates “CMPLT” for all test items, the inspector will continue with the emissions test. However, if the SRT indicates “INCMP” for one or more of the SRT items the vehicle is returned to the customer untested.

NOTE:

If MIL is ON during the state emissions inspection, the vehicle is also returned to the customer untested even though the SRT indicates “CMPLT” for all test items. Therefore, it is important to check SRT (“CMPLT”) and DTC (No DTCs) before the inspection.

SRT Item

The table below shows required self-diagnostic items to set the SRT to “CMPLT”.

SRT item (CONSULT-II indication)	Performance Priority*	Required self-diagnostic items to set the SRT to “CMPLT”	Corresponding DTC No.
CATALYST	2	Three way catalyst function	P0420, P0430
EVAP SYSTEM	2	EVAP control system purge flow monitoring	P0441
	1	EVAP control system	P0442, P1442
	2	EVAP control system	P0456, P1456
HO2S	2	Air fuel ratio (A/F) sensor 1	P0133, P0153
		Heated oxygen sensor 2	P0137, P0157
		Heated oxygen sensor 2	P0138, P0158
		Heated oxygen sensor 2	P0139, P0159

*: If completion of several SRTs is required, perform driving patterns (DTC confirmation procedure), one by one based on the priority for models with CONSULT-II.

SRT Set Timing

SRT is set as “CMPLT” after self-diagnosis has been performed one or more times. Completion of SRT is done regardless of whether the result is OK or NG. The set timing is different between OK and NG results and is shown in the table below.

Self-diagnosis result		Example						
		Diagnosis	Ignition cycle					
			← ON →	OFF	← ON →	OFF	← ON →	OFF
All OK	Case 1	P0400	OK (1)	— (1)	OK (2)	— (2)		
		P0402	OK (1)	— (1)	— (1)	OK (2)		
		P1402	OK (1)	OK (2)	— (2)	— (2)		
		SRT of EGR	“CMPLT”	“CMPLT”	“CMPLT”	“CMPLT”		
	Case 2	P0400	OK (1)	— (1)	— (1)	— (1)		
		P0402	— (0)	— (0)	OK (1)	— (1)		
		P1402	OK (1)	OK (2)	— (2)	— (2)		
		SRT of EGR	“INCMP”	“INCMP”	“CMPLT”	“CMPLT”		
NG exists	Case 3	P0400	OK	OK	—	—		
		P0402	—	—	—	—		
		P1402	NG	—	NG	NG	NG (Consecutive NG)	
		(1st trip) DTC	1st trip DTC	—	1st trip DTC	DTC (= MIL ON)		
		SRT of EGR	“INCMP”	“INCMP”	“INCMP”	“CMPLT”		

OK: Self-diagnosis is carried out and the result is OK.

NG: Self-diagnosis is carried out and the result is NG.

—: Self-diagnosis is not carried out.

When all SRT related self-diagnoses showed OK results in a single cycle (Ignition OFF-ON-OFF), the SRT will indicate “CMPLT”. → Case 1 above

ON BOARD DIAGNOSTIC (OBD) SYSTEM

When all SRT related self-diagnoses showed OK results through several different cycles, the SRT will indicate "CMPLT" at the time the respective self-diagnoses have at least one OK result. → Case 2 above
If one or more SRT related self-diagnoses showed NG results in 2 consecutive cycles, the SRT will also indicate "CMPLT". → Case 3 above

The table above shows that the minimum number of cycles for setting SRT as "INCMP" is one (1) for each self-diagnosis (Case 1 & 2) or two (2) for one of self-diagnoses (Case 3). However, in preparation for the state emissions inspection, it is unnecessary for each self-diagnosis to be executed twice (Case 3) for the following reasons:

- The SRT will indicate "CMPLT" at the time the respective self-diagnoses have one (1) OK result.
- The emissions inspection requires "CMPLT" of the SRT only with OK self-diagnosis results.
- When, during SRT driving pattern, 1st trip DTC (NG) is detected prior to "CMPLT" of SRT, the self-diagnosis memory must be erased from ECM after repair.
- If the 1st trip DTC is erased, all the SRT will indicate "INCMP".

NOTE:

SRT can be set as "CMPLT" together with the DTC(s). Therefore, DTC check must always be carried out prior to the state emission inspection even though the SRT indicates "CMPLT".

SRT Service Procedure

If a vehicle has failed the state emissions inspection due to one or more SRT items indicating "INCMP", review the flowchart diagnostic sequence on the next page.

A

EC

C

D

E

F

G

H

I

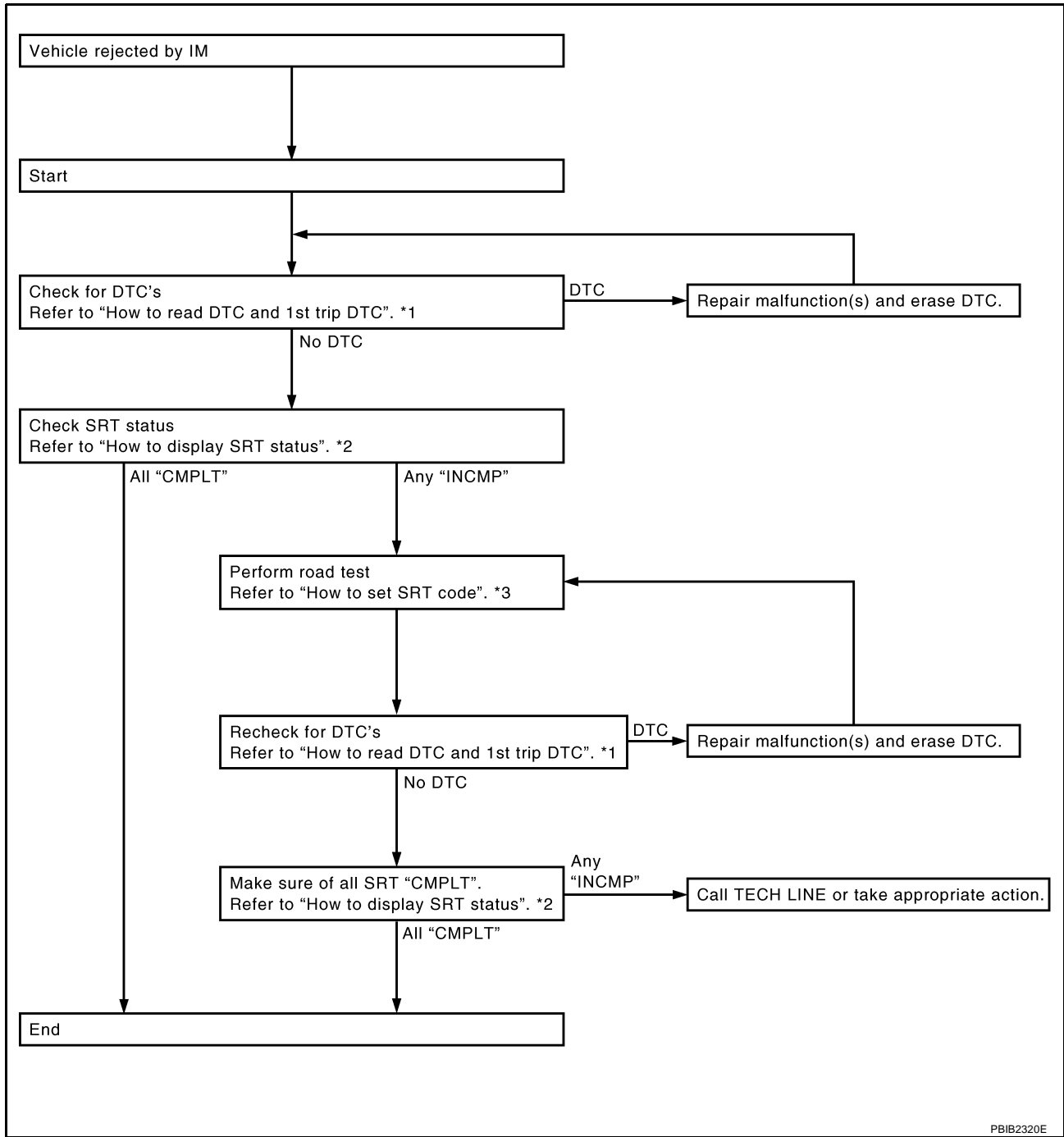
J

K

L

M

ON BOARD DIAGNOSTIC (OBD) SYSTEM



*1 [EC-52, "How to Read DTC and 1st Trip DTC"](#) *2 [EC-56, "How to Display SRT Status"](#) *3 [EC-57, "How to Set SRT Code"](#)

How to Display SRT Status

WITH CONSULT-II

Selecting "SRT STATUS" in "DTC CONFIRMATION" mode with CONSULT-II.

For items whose SRT codes are set, a "CMPLT" is displayed on the CONSULT-II screen; for items whose SRT codes are not set, "INCMP" is displayed.

A sample of CONSULT-II display for SRT code is shown in the figure.

"INCMP" means the self-diagnosis is incomplete and SRT is not set. "CMPLT" means the self-diagnosis is complete and SRT is set.

SRT STATUS	
CATALYST	CMPLT
EVAP SYSTEM	INCMP
HO2S HTR	CMPLT
HO2S	CMPLT

SEF935Z

ON BOARD DIAGNOSTIC (OBD) SYSTEM

NOTE:

Though displayed on the CONSULT-II screen, "HO2S HTR" is not SRT item.

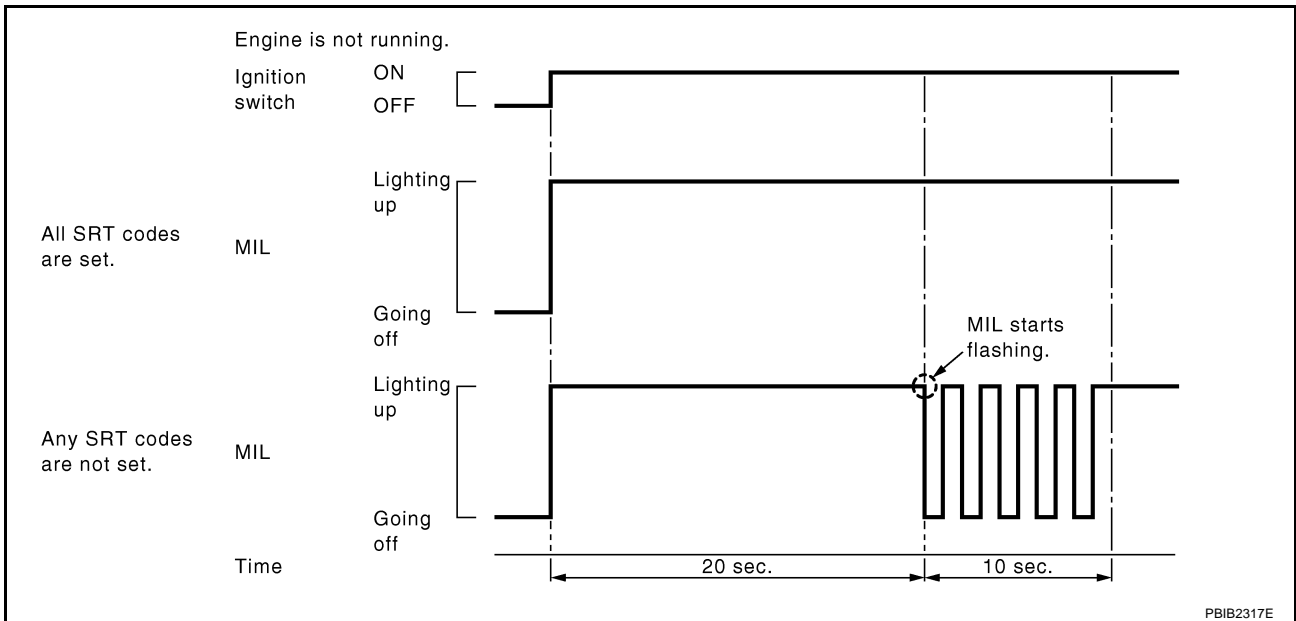
WITH GST

Selecting Service \$01 with GST (Generic Scan Tool)

NO TOOLS

A SRT code itself can not be displayed while only SRT status can be.

1. Turn ignition switch ON and wait 20 seconds.
2. SRT status is indicated as shown below.
 - When all SRT codes are set, MIL lights up continuously.
 - When any SRT codes are not set, MIL will flash periodically for 10 seconds.



How to Set SRT Code

To set all SRT codes, self-diagnosis for the items indicated above must be performed one or more times. Each diagnosis may require a long period of actual driving under various conditions.

WITH CONSULT-II

Perform corresponding DTC Confirmation Procedure one by one based on Performance Priority in the table on [EC-54, "SRT Item"](#).

WITHOUT CONSULT-II

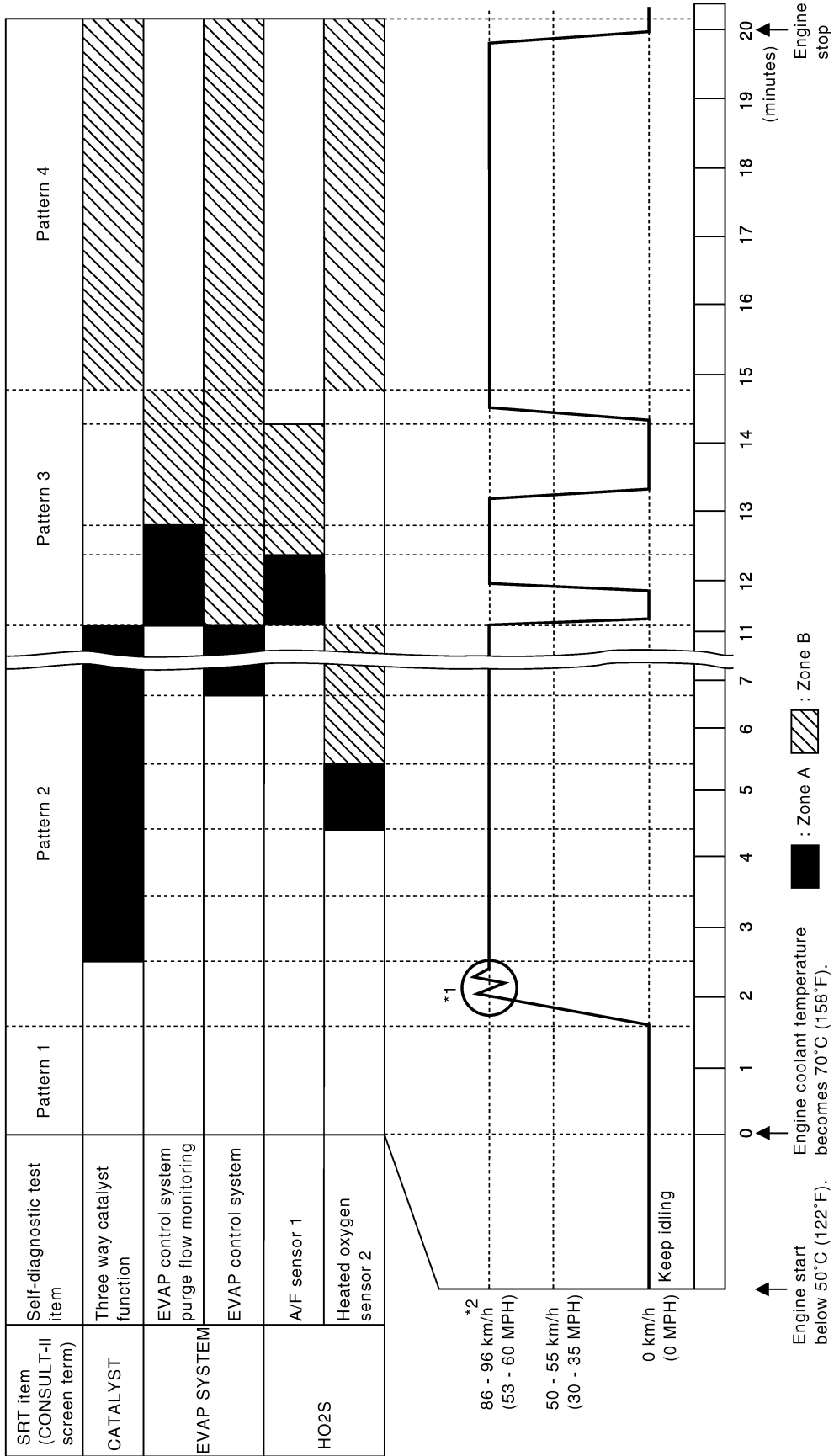
The most efficient driving pattern in which SRT codes can be properly set is explained on the next page. The driving pattern should be performed one or more times to set all SRT codes.

ON BOARD DIAGNOSTIC (OBD) SYSTEM

Driving Pattern

**Note: Always drive vehicle in safe manner according to traffic conditions and obey all traffic laws.
Refer to next page for more information and explanation of chart.**

Driving pattern



PBIB2906E

ON BOARD DIAGNOSTIC (OBD) SYSTEM

- The time required for each diagnosis varies with road surface conditions, weather, altitude, individual driving habits, etc.
Zone A refers to the range where the time, required for the diagnosis under normal conditions*, is the shortest.
Zone B refers to the range where the diagnosis can still be performed if the diagnosis is not completed within zone A.

*: Normal conditions refer to the following:

- Sea level
- Flat road
- Ambient air temperature: 20 - 30°C (68 - 86°F)
- Diagnosis is performed as quickly as possible under normal conditions.
Under different conditions [For example: ambient air temperature other than 20 - 30°C (68 - 86°F)], diagnosis may also be performed.

Pattern 1:

- **The engine is started at the engine coolant temperature of -10 to 35°C (14 to 95°F) (where the voltage between the ECM terminal 73 and ground is 3.0 - 4.3V).**
- **The engine must be operated at idle speed until the engine coolant temperature is greater than 70°C (158°F) (where the voltage between the ECM terminal 73 and ground is lower than 1.4V).**
- **The engine is started at the fuel tank temperature of warmer than 0°C (32°F) (where the voltage between the ECM terminal 107 and ground is less than 4.1V).**

Pattern 2:

- When steady-state driving is performed again even after it is interrupted, each diagnosis can be conducted. In this case, the time required for diagnosis may be extended.

Pattern 3:

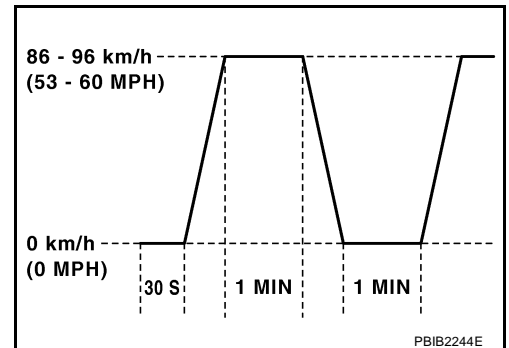
- Operate vehicle following the driving pattern shown in the figure.
- Release the accelerator pedal during decelerating vehicle speed from 90 km/h (56 MPH) to 0 km/h (0 MPH).

Pattern 4:

- The accelerator pedal must be held very steady during steady-state driving.
- If the accelerator pedal is moved, the test must be conducted all over again.

*1: Depress the accelerator pedal until vehicle speed is 90 km/h (56 MPH), then release the accelerator pedal and keep it released for more than 10 seconds. Depress the accelerator pedal until vehicle speed is 90 km/h (56 MPH) again.

*2: Checking the vehicle speed with GST is advised.



Suggested Transmission Gear Position

Set the selector lever in the D position with the overdrive switch turned ON.

ON BOARD DIAGNOSTIC (OBD) SYSTEM

TEST VALUE AND TEST LIMIT (GST ONLY — NOT APPLICABLE TO CONSULT-II)

The following is the information specified in Service \$06 of SAE J1979.

The test value is a parameter used to determine whether a system/circuit diagnostic test is OK or NG while being monitored by the ECM during self-diagnosis. The test limit is a reference value which is specified as the maximum or minimum value and is compared with the test value being monitored.

These data (test value and test limit) are specified by Test ID (TID) and Component ID (CID) and can be displayed on the GST screen.

Item	Self-diagnostic test item	DTC	Test value (GST display)		Test limit	Conversion
			TID	CID		
CATALYST	Three way catalyst function (Bank 1)	P0420	01H	01H	Max.	1/128
		P0420	02H	81H	Min.	1
	Three way catalyst function (Bank 2)	P0430	03H	02H	Max.	1/128
		P0430	04H	82H	Min.	1
EVAP SYSTEM	EVAP control system (Small leak)	P0442	05H	03H	Max.	1/128 mm ²
		P1442	05H	03H	Max.	1/128 mm ²
	EVAP control system purge flow monitoring	P0441	06H	83H	Min.	20 mV
	EVAP control system (Very small leak)	P0456	07H	03H	Max.	1/128 mm ²
		P1456	07H	03H	Max.	1/128 mm ²
HO2S	Air fuel ratio (A/F) sensor 1 (Bank 1)	P0131	41H	8EH	Min.	5mV
		P0132	42H	0EH	Max.	5mV
		P2A00	43H	0EH	Max.	0.002
			44H	8EH	Min.	0.002
		P0133	45H	8EH	Min.	0.004
		P0130	46H	0EH	Max.	5mV
		P0130	47H	8EH	Min.	5mV
	P0133	48H	8EH	Min.	0.004	
	Air fuel ratio (A/F) sensor 1 (Bank 2)	P0151	4CH	8FH	Min.	5mV
		P0152	4DH	0FH	Max.	5mV
		P2A03	4EH	0FH	Max.	0.002
			4FH	8FH	Min.	0.002
		P0153	50H	8FH	Min.	0.004
		P0150	51H	0FH	Max.	5mV
		P0150	52H	8FH	Min.	5mV
	P0153	53H	8FH	Min.	0.004	
	Heated oxygen sensor 2 (Bank 1)	P0139	19H	86H	Min.	10mV/500 ms
		P0137	1AH	86H	Min.	10 mV
		P0138	1BH	06H	Max.	10 mV
			1CH	06H	Max.	10mV
	Heated oxygen sensor 2 (Bank 2)	P0159	21H	87H	Min.	10 mV/500 ms
P0157		22H	87H	Min.	10 mV	
P0158		23H	07H	Max.	10 mV	
P0158		24H	07H	Max.	10mV	

ON BOARD DIAGNOSTIC (OBD) SYSTEM

Item	Self-diagnostic test item	DTC	Test value (GST display)		Test limit	Conversion
			TID	CID		
HO2S HEATER	A/F sensor 1 heater (Bank 1)	P0032	57H	10H	Max.	5 mV
		P0031	58H	90H	Min.	5 mV
	A/F sensor 1 heater (Bank 2)	P0052	59H	11H	Max.	5 mV
		P0051	5AH	91H	Min.	5 mV
	Heated oxygen sensor 2 heater (Bank 1)	P0038	2DH	0AH	Max.	20 mV
		P0037	2EH	8AH	Min.	20 mV
	Heated oxygen sensor 2 heater (Bank 2)	P0058	2FH	0BH	Max.	20 mV
		P0057	30H	8BH	Min.	20 mV

HOW TO ERASE EMISSION-RELATED DIAGNOSTIC INFORMATION

How to Erase DTC

WITH CONSULT-II

The emission related diagnostic information in the ECM can be erased by selecting “ERASE” in the “SELF-DIAG RESULTS” mode with CONSULT-II.

If DTCs are displayed for both ECM and TCM (Transmission control module), they need to be erased individually from the ECM and TCM (Transmission control module).

NOTE:

If the DTC is not for A/T related items (see [EC-9, "INDEX FOR DTC"](#)), skip steps 2 through 4.

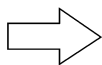
1. If the ignition switch stays ON after repair work, be sure to turn ignition switch OFF once. Wait at least 10 seconds and then turn it ON (engine stopped) again.
2. Turn CONSULT-II ON and touch “A/T”.
3. Touch “SELF-DIAG RESULTS”.
4. Touch “ERASE”. [The DTC in the TCM (Transmission control module) will be erased.] Then touch “BACK” twice.
5. Touch “ENGINE”.
6. Touch “SELF-DIAG RESULTS”.
7. Touch “ERASE”. (The DTC in the ECM will be erased.)

ON BOARD DIAGNOSTIC (OBD) SYSTEM

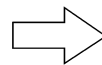
How to erase DTC (With CONSULT-II)

1. If the ignition switch stays "ON" after repair work, be sure to turn ignition switch "OFF" once. Wait at least 10 seconds and then turn it "ON" (engine stopped) again.

SELECT SYSTEM
A/T
ENGINE



SELECT DIAG MODE
SELF-DIAG RESULTS
DATA MONITOR
CAN DIAG SUPPORT MNTR
FUNCTION TEST
DTC WORK SUPPORT
ECU PART NUMBER

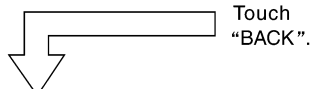


SELF-DIAG RESULTS
DTC RESULTS
TCC SOLENOID/CIRC [P0740]

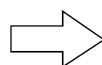
2. Turn CONSULT-II "ON", and touch "A/T".

3. Touch "SELF-DIAG RESULTS".

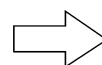
4. Touch "ERASE". (The DTC in the TCM will be erased.)



SELECT SYSTEM
A/T
ENGINE



SELECT DIAG MODE
WORK SUPPORT
SELF-DIAG RESULTS
DATA MONITOR
DATA MONITOR(SPEC)
CAN DIAG SUPPORT MNTR
ACTIVE TEST



SELF-DIAG RESULTS	
DTC RESULTS	TIME
TCC SOLENOID/CIRC [P0740]	0

5. Touch "ENGINE".

6. Touch "SELF-DIAG RESULTS".

7. Touch "ERASE". (The DTC in the TCM will be erased.)

SCIA5671E

WITH GST

The emission related diagnostic information in the ECM can be erased by selecting Service \$04 with GST.

NOTE:

If the DTC is not for A/T related items (see [EC-9, "INDEX FOR DTC"](#)), skip step 2.

1. If the ignition switch stays ON after repair work, be sure to turn ignition switch OFF once. Wait at least 10 seconds and then turn it ON (engine stopped) again.
2. Perform [AT-41, "HOW TO ERASE DTC \(WITH GST\)"](#). (The DTC in TCM will be erased)
3. Select Service \$04 with GST (Generic Scan Tool).

NO TOOLS

NOTE:

If the DTC is not for AT related items (see [EC-9, "INDEX FOR DTC"](#)), skip step 2.

1. If the ignition switch stays ON after repair work, be sure to turn ignition switch OFF once. Wait at least 10 seconds and then turn it ON (engine stopped) again.
2. Perform [AT-41, "HOW TO ERASE DTC \(NO TOOLS\)"](#). (The DTC in the TCM will be erased.)
3. Change the diagnostic test mode from Mode II to Mode I by depressing the accelerator pedal. Refer to [EC-64, "HOW TO SWITCH DIAGNOSTIC TEST MODE"](#).

● If the battery is disconnected, the emission-related diagnostic information will be lost within 24 hours.

● The following data are cleared when the ECM memory is erased.

- Diagnostic trouble codes
- 1st trip diagnostic trouble codes
- Freeze frame data
- 1st trip freeze frame data
- System readiness test (SRT) codes

ON BOARD DIAGNOSTIC (OBD) SYSTEM

- Test values

Actual work procedures are explained using a DTC as an example. Be careful so that not only the DTC, but all of the data listed above, are cleared from the ECM memory during work procedures.

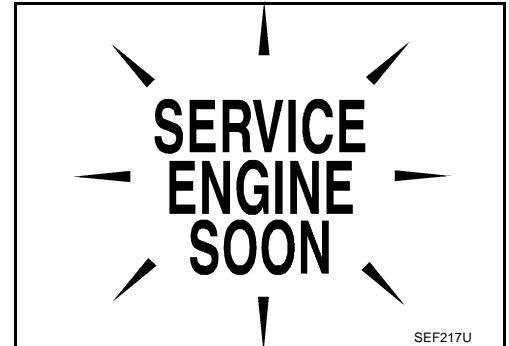
Malfunction Indicator Lamp (MIL)

NBS002WD

DESCRIPTION






The MIL is located on the instrument panel.

1. The MIL will light up when the ignition switch is turned ON without the engine running. This is a bulb check.
If the MIL does not light up, refer to [DI-26, "WARNING LAMPS"](#), or see [EC-757, "MIL AND DATA LINK CONNECTOR"](#).
2. When the engine is started, the MIL should go off.
If the MIL remains on, the on board diagnostic system has detected an engine system malfunction.



ON BOARD DIAGNOSTIC SYSTEM FUNCTION

The on board diagnostic system has the following three functions.

Diagnostic Test Mode	KEY and ENG. Status	Function	Explanation of Function
Mode I	Ignition switch in ON position  Engine stopped 	BULB CHECK	This function checks the MIL bulb for damage (blown, open circuit, etc.). If the MIL does not come on, check MIL circuit.
	Engine running 	MALFUNCTION WARNING	This is a usual driving condition. When a malfunction is detected twice in two consecutive driving cycles (two trip detection logic), the MIL will light up to inform the driver that a malfunction has been detected. The following malfunctions will light up or blink the MIL in the 1st trip. <ul style="list-style-type: none"> ● Misfire (Possible three way catalyst damage) ● One trip detection diagnoses
Mode II	Ignition switch in ON position  Engine stopped 	SELF-DIAGNOSTIC RESULTS	This function allows DTCs and 1st trip DTCs to be read.

When there is an open circuit on MIL circuit, the ECM cannot warn the driver by lighting up MIL when there is malfunction on engine control system.

Therefore, when electrical controlled throttle and part of ECM related diagnoses are continuously detected as NG for 5 trips, ECM warns the driver that engine control system malfunctions and MIL circuit is open by means of operating fail-safe function.

The fail-safe function also operates when above diagnoses except MIL circuit are detected and demands the driver to repair the malfunction.

Engine operating condition in fail-safe mode	Engine speed will not rise more than 2,500 rpm due to the fuel cut
--	--

ON BOARD DIAGNOSTIC (OBD) SYSTEM

MIL Flashing Without DTC

When any SRT codes are not set, MIL may flash without DTC. For the details, refer to [EC-56, "How to Display SRT Status"](#) .

HOW TO SWITCH DIAGNOSTIC TEST MODE

NOTE:

- It is better to count the time accurately with a clock.
- It is impossible to switch the diagnostic mode when an accelerator pedal position sensor circuit has a malfunction.
- Always ECM returns to Diagnostic Test Mode I after ignition switch is turned OFF.

How to Set Diagnostic Test Mode II (Self-diagnostic Results)

1. Confirm that accelerator pedal is fully released, turn ignition switch ON and wait 3 seconds.
2. Repeat the following procedure quickly five times within 5 seconds.
 - a. Fully depress the accelerator pedal.
 - b. Fully release the accelerator pedal.
3. Wait 7 seconds, fully depress the accelerator pedal and keep it for approx. 10 seconds until the MIL starts blinking.

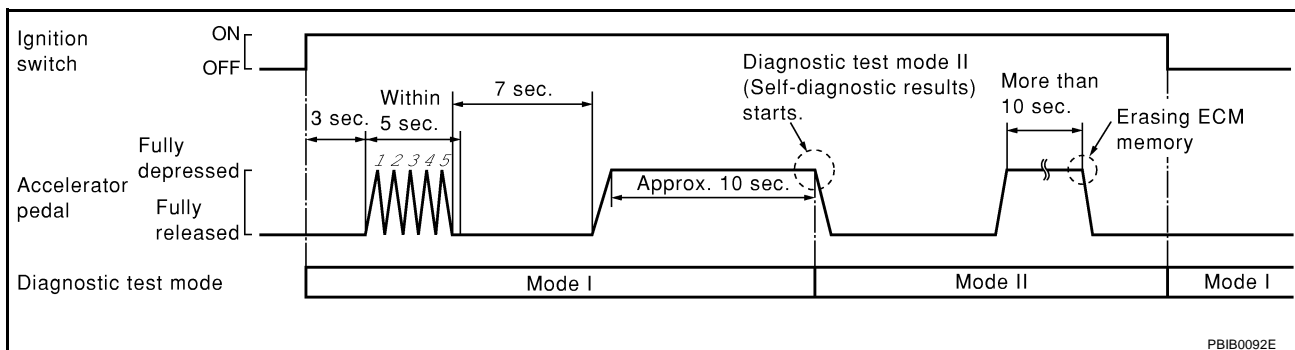
NOTE:

Do not release the accelerator pedal for 10 seconds if MIL may start blinking on the halfway of this 10 seconds. This blinking is displaying SRT status and is continued for another 10 seconds. For the details, refer to [EC-56, "How to Display SRT Status"](#) .

4. Fully release the accelerator pedal.
ECM has entered to Diagnostic Test Mode II (Self-diagnostic results).

NOTE:

Wait until the same DTC (or 1st trip DTC) appears to confirm all DTCs certainly.



How to Erase Diagnostic Test Mode II (Self-diagnostic Results)

1. Set ECM in Diagnostic Test Mode II (Self-diagnostic results). Refer to [EC-64, "How to Set Diagnostic Test Mode II \(Self-diagnostic Results\)"](#) .
2. Fully depress the accelerator pedal and keep it for more than 10 seconds.
The emission-related diagnostic information has been erased from the backup memory in the ECM.
3. Fully release the accelerator pedal, and confirm the DTC 0000 is displayed.

DIAGNOSTIC TEST MODE I — BULB CHECK

In this mode, the MIL on the instrument panel should stay ON. If it remains OFF, check the bulb. Refer to [DI-26, "WARNING LAMPS"](#) or see [EC-757, "MIL AND DATA LINK CONNECTOR"](#) .

DIAGNOSTIC TEST MODE I — MALFUNCTION WARNING

MIL	Condition
ON	When the malfunction is detected.
OFF	No malfunction.

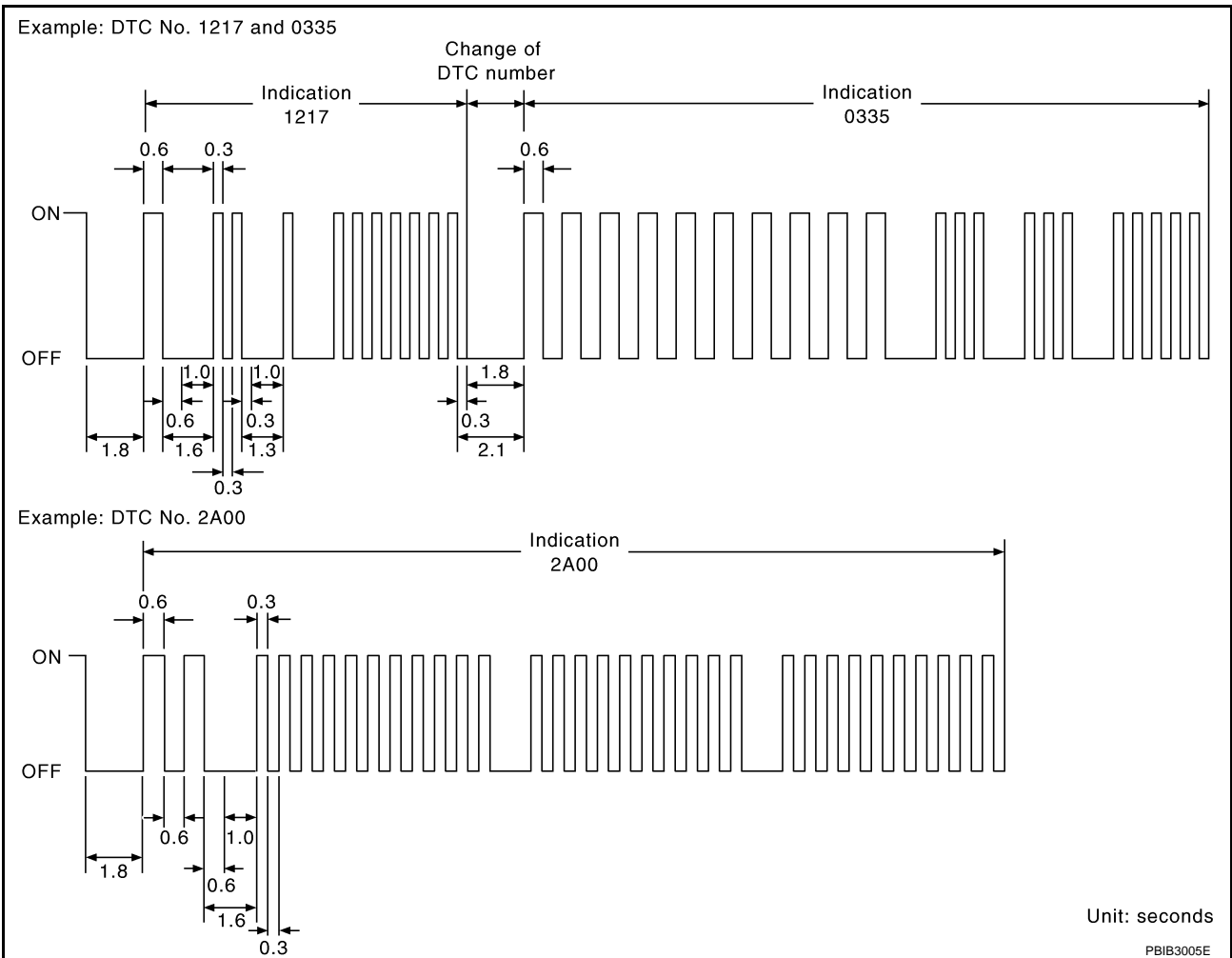
This DTC number is clarified in Diagnostic Test Mode II (SELF-DIAGNOSTIC RESULTS)

DIAGNOSTIC TEST MODE II — SELF-DIAGNOSTIC RESULTS

In this mode, the DTC and 1st trip DTC are indicated by the number of blinks of the MIL as shown below.

ON BOARD DIAGNOSTIC (OBD) SYSTEM

The DTC and 1st trip DTC are displayed at the same time. If the MIL does not illuminate in diagnostic test mode I (Malfunction warning), all displayed items are 1st trip DTCs. If only one code is displayed when the MIL illuminates in diagnostic test mode II (SELF-DIAGNOSTIC RESULTS), it is a DTC; if two or more codes are displayed, they may be either DTCs or 1st trip DTCs. DTC No. is same as that of 1st trip DTC. These unidentified codes can be identified by using the CONSULT-II or GST. A DTC will be used as an example for how to read a code.



A particular trouble code can be identified by the number of four-digit numeral flashes. The “zero” is indicated by the number of ten flashes. The “A” is indicated by the number of eleven flashes. The length of time the 1,000th-digit numeral flashes on and off is 1.2 seconds consisting of an ON (0.6-second) - OFF (0.6-second) cycle.

The 100th-digit numeral and lower digit numerals consist of a 0.3-second ON and 0.3-second OFF cycle.

A change from one digit numeral to another occurs at an interval of 1.0-second OFF. In other words, the later numeral appears on the display 1.3 seconds after the former numeral has disappeared.

A change from one trouble code to another occurs at an interval of 1.8-second OFF.

In this way, all the detected malfunctions are classified by their DTC numbers. The DTC 0000 refers to no malfunction. (See [EC-9, "INDEX FOR DTC"](#))

How to Erase Diagnostic Test Mode II (Self-diagnostic Results)

The DTC can be erased from the back up memory in the ECM by depressing accelerator pedal. Refer to [EC-64, "How to Erase Diagnostic Test Mode II \(Self-diagnostic Results\)"](#) .

- If the battery is disconnected, the DTC will be lost from the backup memory within 24 hours.
- Be careful not to erase the stored memory before starting trouble diagnoses.

ON BOARD DIAGNOSTIC (OBD) SYSTEM

NBS002WE

OBD System Operation Chart

RELATIONSHIP BETWEEN MIL, 1ST TRIP DTC, DTC, AND DETECTABLE ITEMS

- When a malfunction is detected for the first time, the 1st trip DTC and the 1st trip freeze frame data are stored in the ECM memory.
- When the same malfunction is detected in two consecutive trips, the DTC and the freeze frame data are stored in the ECM memory, and the MIL will come on. For details, refer to [EC-47, "Two Trip Detection Logic"](#).
- The MIL will go off after the vehicle is driven 3 times (driving pattern B) with no malfunction. The drive is counted only when the recorded driving pattern is met (as stored in the ECM). If another malfunction occurs while counting, the counter will reset.
- The DTC and the freeze frame data will be stored until the vehicle is driven 40 times (driving pattern A) without the same malfunction recurring (except for Misfire and Fuel Injection System). For Misfire and Fuel Injection System, the DTC and freeze frame data will be stored until the vehicle is driven 80 times (driving pattern C) without the same malfunction recurring. The "TIME" in "SELF-DIAGNOSTIC RESULTS" mode of CONSULT-II will count the number of times the vehicle is driven.
- The 1st trip DTC is not displayed when the self-diagnosis results in OK for the 2nd trip.

SUMMARY CHART

Items	Fuel Injection System	Misfire	Other
MIL (goes off)	3 (pattern B)	3 (pattern B)	3 (pattern B)
DTC, Freeze Frame Data (no display)	80 (pattern C)	80 (pattern C)	40 (pattern A)
1st Trip DTC (clear)	1 (pattern C), *1	1 (pattern C), *1	1 (pattern B)
1st Trip Freeze Frame Data (clear)	*1, *2	*1, *2	1 (pattern B)

For details about patterns B and C under "Fuel Injection System" and "Misfire", see [EC-68, "EXPLANATION FOR DRIVING PATTERNS FOR "MISFIRE <EXHAUST QUALITY DETERIORATION>," "FUEL INJECTION SYSTEM"](#).

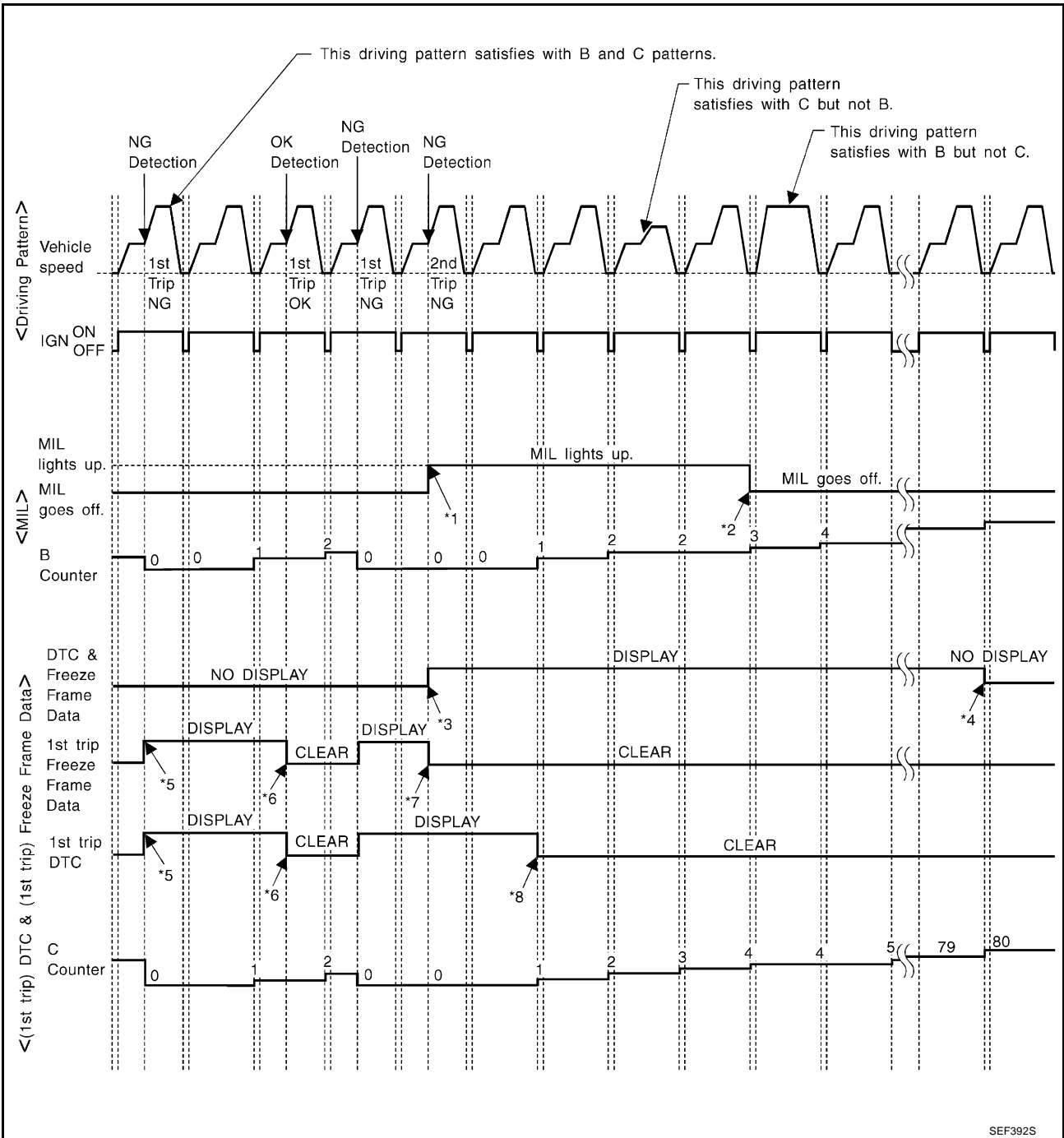
For details about patterns A and B under Other, see [EC-70, "EXPLANATION FOR DRIVING PATTERNS EXCEPT FOR "MISFIRE <EXHAUST QUALITY DETERIORATION>," "FUEL INJECTION SYSTEM"](#).

*1: Clear timing is at the moment OK is detected.

*2: Clear timing is when the same malfunction is detected in the 2nd trip.

ON BOARD DIAGNOSTIC (OBD) SYSTEM

RELATIONSHIP BETWEEN MIL, DTC, 1ST TRIP DTC AND DRIVING PATTERNS FOR “MISFIRE” <EXHAUST QUALITY DETERIORATION>, “FUEL INJECTION SYSTEM”



- *1: When the same malfunction is detected in two consecutive trips, MIL will light up.
- *2: MIL will go off after vehicle is driven 3 times (pattern B) without any malfunctions.
- *3: When the same malfunction is detected in two consecutive trips, the DTC and the freeze frame data will be stored in ECM.
- *4: The DTC and the freeze frame data will not be displayed any longer after vehicle is driven 80 times (pattern C) without the same malfunction. (The DTC and the freeze frame data still remain in ECM.)
- *5: When a malfunction is detected for the first time, the 1st trip DTC and the 1st trip freeze frame data will be stored in ECM.
- *6: The 1st trip DTC and the 1st trip freeze frame data will be cleared at the moment OK is detected.
- *7: When the same malfunction is detected in the 2nd trip, the 1st trip freeze frame data will be cleared.
- *8: 1st trip DTC will be cleared when vehicle is driven once (pattern C) without the same malfunction after DTC is stored in ECM.

ON BOARD DIAGNOSTIC (OBD) SYSTEM

EXPLANATION FOR DRIVING PATTERNS FOR “MISFIRE <EXHAUST QUALITY DETERIORATION>”, “FUEL INJECTION SYSTEM”

<Driving Pattern B>

Driving pattern B means the vehicle operation as follows:

All components and systems should be monitored at least once by the OBD system.

- The B counter will be cleared when the malfunction is detected once regardless of the driving pattern.
- The B counter will be counted up when driving pattern B is satisfied without any malfunction.
- The MIL will go off when the B counter reaches 3. (*2 in “OBD SYSTEM OPERATION CHART”)

<Driving Pattern C>

Driving pattern C means the vehicle operation as follows:

The following conditions should be satisfied at the same time:

Engine speed: (Engine speed in the freeze frame data) ± 375 rpm

Calculated load value: (Calculated load value in the freeze frame data) $\times (1 \pm 0.1)$ [%]

Engine coolant temperature (T) condition:

- When the freeze frame data shows lower than 70°C (158°F), T should be lower than 70°C (158°F).
- When the freeze frame data shows higher than or equal to 70°C (158°F), T should be higher than or equal to 70°C (158°F).

Example:

If the stored freeze frame data is as follows:

Engine speed: 850 rpm, Calculated load value: 30%, Engine coolant temperature: 80°C (176°F)

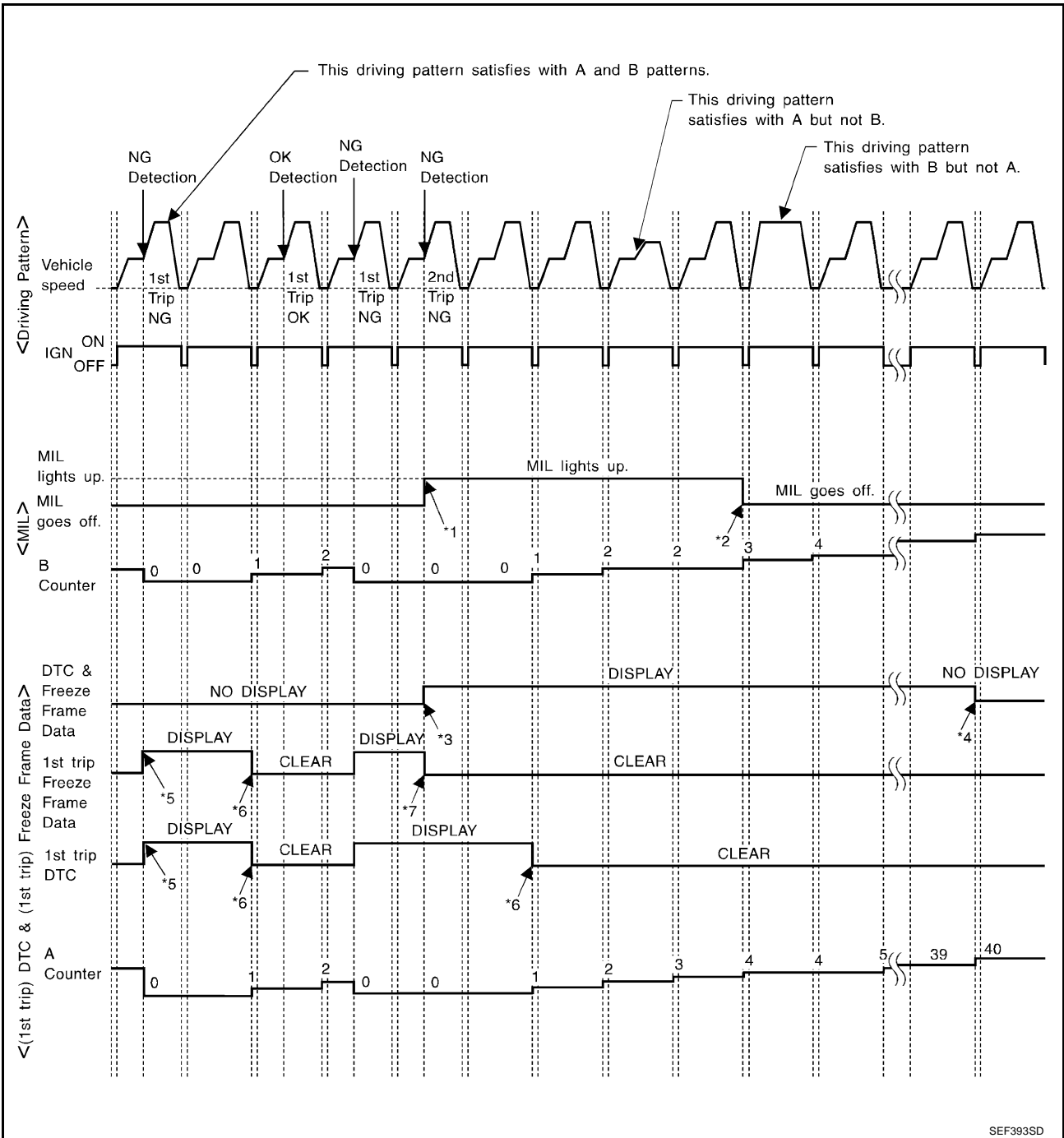
To be satisfied with driving pattern C, the vehicle should run under the following conditions:

Engine speed: 475 - 1,225 rpm, Calculated load value: 27 - 33%, Engine coolant temperature: more than 70°C (158°F)

- The C counter will be cleared when the malfunction is detected regardless of vehicle conditions above.
- The C counter will be counted up when vehicle conditions above is satisfied without the same malfunction.
- The DTC will not be displayed after C counter reaches 80.
- The 1st trip DTC will be cleared when C counter is counted once without the same malfunction after DTC is stored in ECM.

ON BOARD DIAGNOSTIC (OBD) SYSTEM

RELATIONSHIP BETWEEN MIL, DTC, 1ST TRIP DTC AND DRIVING PATTERNS EXCEPT FOR "MISFIRE <EXHAUST QUALITY DETERIORATION>", "FUEL INJECTION SYSTEM"



*1: When the same malfunction is detected in two consecutive trips, MIL will light up.

*2: MIL will go off after vehicle is driven 3 times (pattern B) without any malfunctions.

*3: When the same malfunction is detected in two consecutive trips, the DTC and the freeze frame data will be stored in ECM.

*4: The DTC and the freeze frame data will not be displayed any longer after vehicle is driven 40 times (pattern A) without the same malfunction. (The DTC and the freeze frame data still remain in ECM.)

*5: When a malfunction is detected for the first time, the 1st trip DTC and the 1st trip freeze frame data will be stored in ECM.

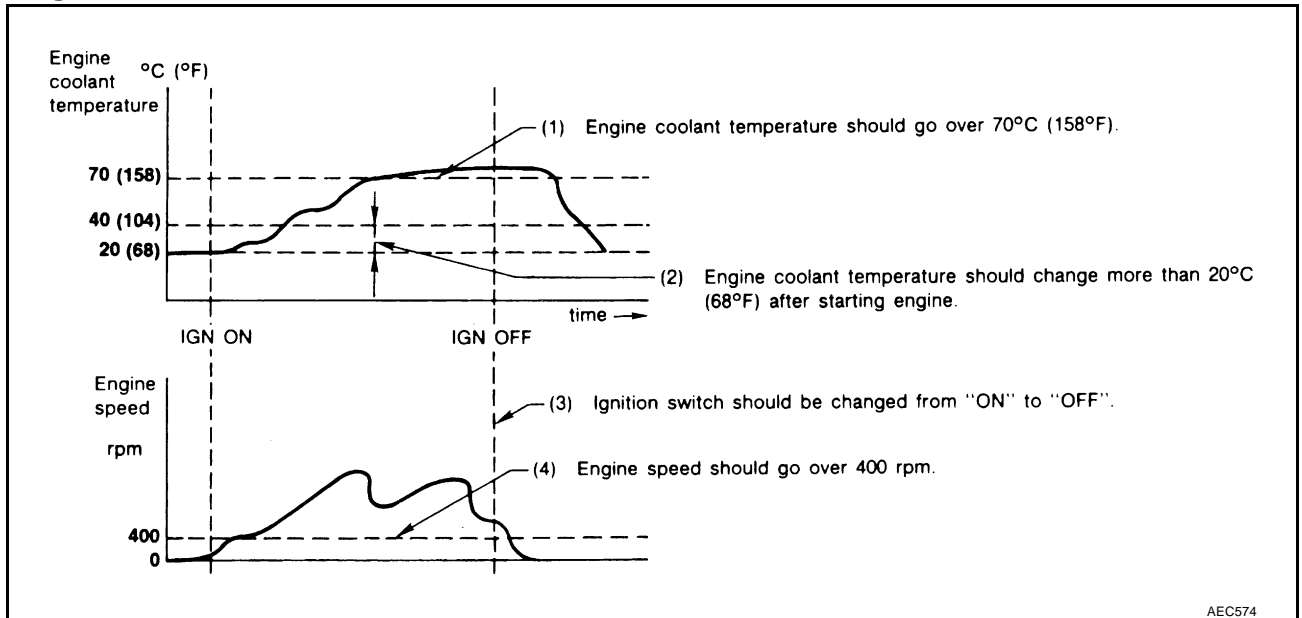
*6: 1st trip DTC will be cleared after vehicle is driven once (pattern B) without the same malfunction.

*7: When the same malfunction is detected in the 2nd trip, the 1st trip freeze frame data will be cleared.

ON BOARD DIAGNOSTIC (OBD) SYSTEM

EXPLANATION FOR DRIVING PATTERNS EXCEPT FOR "MISFIRE <EXHAUST QUALITY DETERIORATION>", "FUEL INJECTION SYSTEM"

<Driving Pattern A>



- The A counter will be cleared when the malfunction is detected regardless of (1) - (4).
- The A counter will be counted up when (1) - (4) are satisfied without the same malfunction.
- The DTC will not be displayed after the A counter reaches 40.

<Driving Pattern B>

Driving pattern B means the vehicle operation as follows:

All components and systems should be monitored at least once by the OBD system.

- The B counter will be cleared when the malfunction is detected once regardless of the driving pattern.
- The B counter will be counted up when driving pattern B is satisfied without any malfunctions.
- The MIL will go off when the B counter reaches 3 (*2 in OBD SYSTEM OPERATION CHART).

BASIC SERVICE PROCEDURE

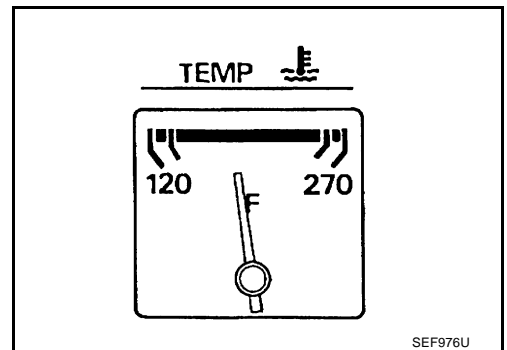
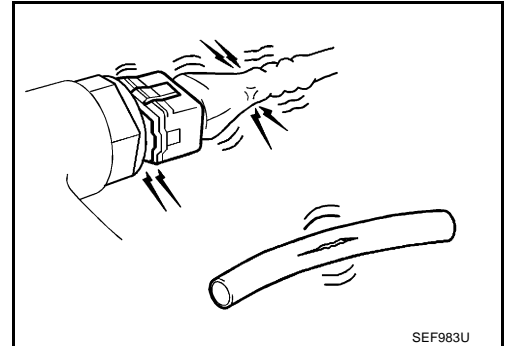
PFP:00018

Basic Inspection

NBS001QR

1. INSPECTION START

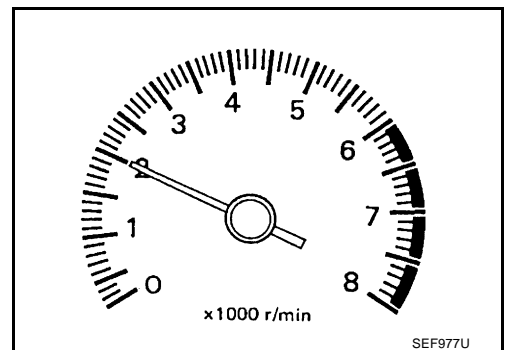
1. Check service records for any recent repairs that may indicate a related malfunction, or a current need for scheduled maintenance.
2. Open engine hood and check the following:
 - Harness connectors for improper connections
 - Wiring harness for improper connections, pinches and cut
 - Vacuum hoses for splits, kinks and improper connections
 - Hoses and ducts for leaks
 - Air cleaner clogging
 - Gasket
3. Confirm that electrical or mechanical loads are not applied.
 - Headlamp switch is OFF.
 - Air conditioner switch is OFF.
 - Rear window defogger switch is OFF.
 - Steering wheel is in the straight-ahead position, etc.
4. Start engine and warm it up until engine coolant temperature indicator points the middle of gauge.
Ensure engine stays below 1,000 rpm.



5. Run engine at about 2,000 rpm for about 2 minutes under no load.
6. Make sure that no DTC is displayed with CONSULT-II or GST.

OK or NG

- OK >> GO TO 3.
- NG >> GO TO 2.



2. REPAIR OR REPLACE

Repair or replace components as necessary according to corresponding Diagnostic Procedure.

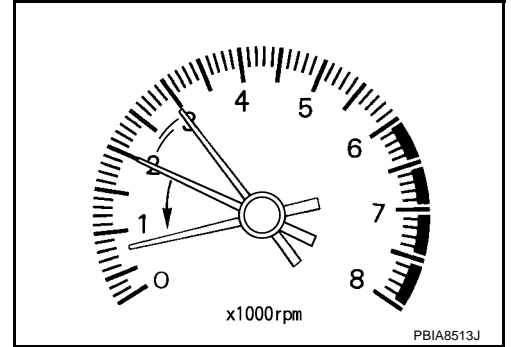
>> GO TO 3

BASIC SERVICE PROCEDURE

3. CHECK TARGET IDLE SPEED

④ With CONSULT-II

1. Run engine at about 2,000 rpm for about 2 minutes under no load.
2. Rev engine (2,000 to 3,000 rpm) two or three times under no load, then run engine at idle speed for about 1 minute.



3. Read idle speed in "DATA MONITOR" mode with CONSULT-II. Refer to [EC-76](#).

650 ± 50 rpm (in P or N position)

DATA MONITOR	
MONITOR	NO DTC
ENG SPEED	XXX rpm

SEF058Y

⊗ Without CONSULT-II

1. Run engine at about 2,000 rpm for about 2 minutes under no load.
2. Rev engine (2,000 to 3,000 rpm) two or three times under no load, then run engine at idle speed for about 1 minute.
3. Check idle speed. Refer to [EC-76](#).

650 ± 50 rpm (in P or N position)

OK or NG

- OK >> GO TO 10.
NG >> GO TO 4.

4. PERFORM ACCELERATOR PEDAL RELEASED POSITION LEARNING

1. Stop engine.
2. Perform [EC-77, "Accelerator Pedal Released Position Learning"](#).

>> GO TO 5.

5. PERFORM THROTTLE VALVE CLOSED POSITION LEARNING

Perform [EC-78, "Throttle Valve Closed Position Learning"](#).

>> GO TO 6.

BASIC SERVICE PROCEDURE

6. PERFORM IDLE AIR VOLUME LEARNING

Refer to [EC-78, "Idle Air Volume Learning"](#) .

Is Idle Air Volume Learning carried out successfully?

Yes or No

Yes >> GO TO 7.

No >> 1. Follow the instruction of Idle Air Volume Learning.
2. GO TO 4.

7. CHECK TARGET IDLE SPEED AGAIN

Ⓜ With CONSULT-II

1. Start engine and warm it up to normal operating temperature.
2. Read idle speed in "DATA MONITOR" mode with CONSULT-II. Refer to [EC-76](#) .

650 ± 50 rpm (in P or N position)

ⓧ Without CONSULT-II

1. Start engine and warm it up to normal operating temperature.
2. Check idle speed. Refer to [EC-76](#) .

650 ± 50 rpm (in P or N position)

OK or NG

OK >> GO TO 10.

NG >> GO TO 8.

DATA MONITOR	
MONITOR	NO DTC
ENG SPEED	XXX rpm
COOLAN TEMP/S	XXX °C

SEP174Y

8. DETECT MALFUNCTIONING PART

Check the Following.

- Check camshaft position sensor (PHASE) and circuit. Refer to [EC-379](#) .
- Check crankshaft position sensor (POS) and circuit. Refer to [EC-370](#) .

OK or NG

OK >> GO TO 9.

NG >> 1. Repair or replace.
2. GO TO 4.

9. CHECK ECM FUNCTION

1. Substitute another known-good ECM to check ECM function. (ECM may be the cause of an incident, but this is a rare case.)
2. Perform initialization of IVIS (NATS) system and registration of all IVIS (NATS) ignition key IDs. Refer to [BL-202, "ECM Re-Communicating Function"](#) .

>> GO TO 4.

BASIC SERVICE PROCEDURE

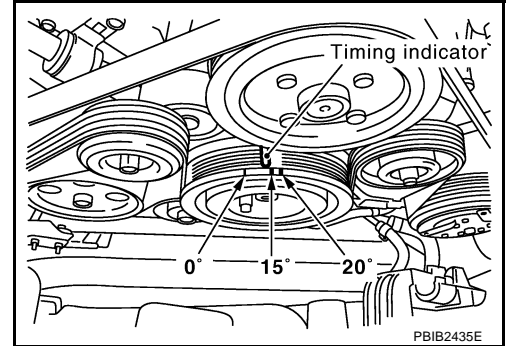
10. CHECK IGNITION TIMING

1. Run engine at idle.
2. Check ignition timing with a timing light. Refer to [EC-76](#) .

12 ± 5° BTDC (in P or N position)

OK or NG

- OK >> GO TO 19.
NG >> GO TO 11.



11. PERFORM ACCELERATOR PEDAL RELEASED POSITION LEARNING

1. Stop engine.
2. Perform [EC-77, "Accelerator Pedal Released Position Learning"](#) .

>> GO TO 12.

12. PERFORM THROTTLE VALVE CLOSED POSITION LEARNING

Perform [EC-78, "Throttle Valve Closed Position Learning"](#) .

>> GO TO 13.

13. PERFORM IDLE AIR VOLUME LEARNING

Refer to [EC-78, "Idle Air Volume Learning"](#) .

Is Idle Air Volume Learning carried out successfully?

Yes or No

- Yes >> GO TO 14.
No >> 1. Follow the instruction of Idle Air Volume Learning.
2. GO TO 4.

14. CHECK TARGET IDLE SPEED AGAIN

 **With CONSULT-II**

1. Start engine and warm it up to normal operating temperature.
2. Read idle speed in "DATA MONITOR" mode with CONSULT-II. Refer to [EC-76](#) .

650 ± 50 rpm (in P or N position)

 **Without CONSULT-II**

1. Start engine and warm it up to normal operating temperature.
2. Check idle speed. Refer to [EC-76](#) .

650 ± 50 rpm (in P or N position)

OK or NG

- OK >> GO TO 15.
NG >> GO TO 17.

DATA MONITOR	
MONITOR	NO DTC
ENG SPEED	XXX rpm
COOLAN TEMP/S	XXX °C

SEF174Y

BASIC SERVICE PROCEDURE

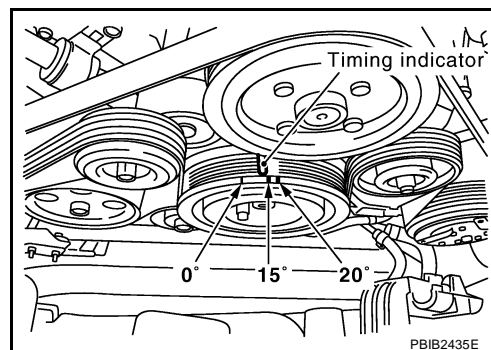
15. CHECK IGNITION TIMING AGAIN

1. Run engine at idle.
2. Check ignition timing with a timing light. Refer to [EC-76](#) .

12 ± 5° BTDC (in P or N position)

OK or NG

- OK >> GO TO 19.
NG >> GO TO 16.



16. CHECK TIMING CHAIN INSTALLATION

Check timing chain installation. Refer to [EM-39, "TIMING CHAIN"](#) .

OK or NG

- OK >> GO TO 17.
NG >> 1. Repair the timing chain installation.
2. GO TO 4.

17. DETECT MALFUNCTIONING PART

Check the following.

- Check camshaft position sensor (PHASE) and circuit. Refer to [EC-379](#) .
- Check crankshaft position sensor (POS) and circuit. Refer to [EC-370](#) .

OK or NG

- OK >> GO TO 18.
NG >> 1. Repair or replace.
2. GO TO 4.

18. CHECK ECM FUNCTION

1. Substitute another known-good ECM to check ECM function. (ECM may be the cause of an incident, but this is a rare case.)
2. Perform initialization of IVIS (NATS) system and registration of all IVIS (NATS) ignition key IDs. Refer to [BL-202, "ECM Re-Communicating Function"](#) .

>> GO TO 4.

19. INSPECTION END

Did you replace ECM, referring this Basic Inspection procedure?

Yes or No

- Yes >> 1. Perform [EC-77, "VIN Registration"](#) .
2. **INSPECTION END**
No >> **INSPECTION END**

BASIC SERVICE PROCEDURE

NBS001QS

Idle Speed and Ignition Timing Check

IDLE SPEED

With CONSULT-II

Check idle speed in "DATA MONITOR" mode with CONSULT-II.

DATA MONITOR	
MONITOR	NO DTC
ENG SPEED	XXX rpm

SEF058Y

With GST

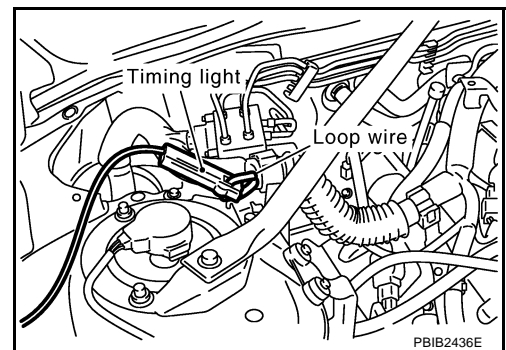
Check idle speed with GST.

IGNITION TIMING

Any of following two methods may be used.

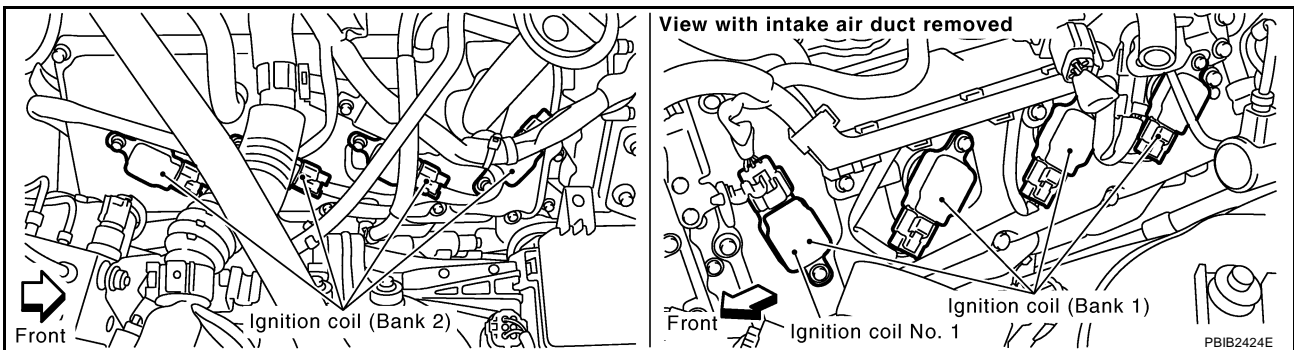
Method A

1. Attach timing light to loop wire as shown.
2. Check ignition timing.

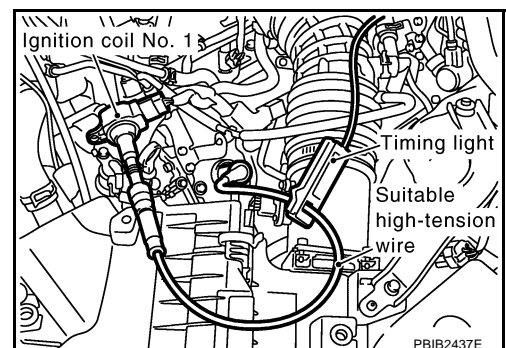


Method B

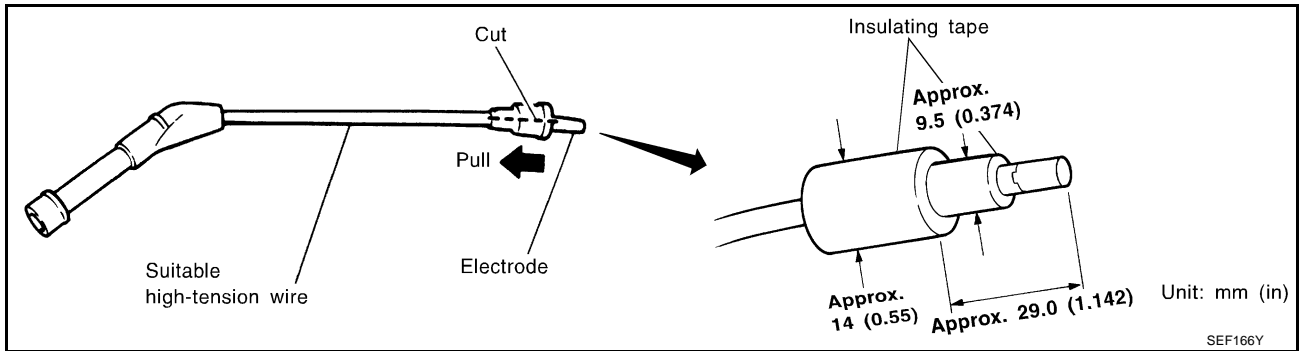
1. Remove ignition coil No. 1.



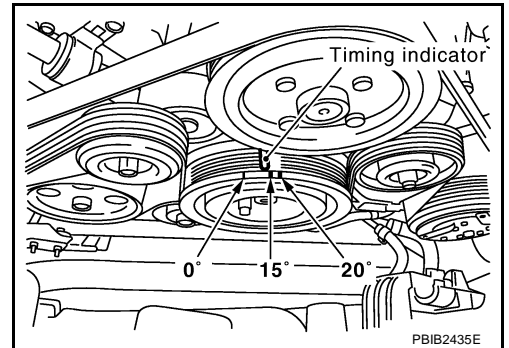
2. Connect ignition coil No. 1 and spark plug No. 1 with suitable high-tension wire as shown, and attach timing light clamp to this wire.



BASIC SERVICE PROCEDURE



3. Check ignition timing.



VIN Registration DESCRIPTION

VIN Registration is an operation to registering VIN in ECM. It must be performed each time ECM is replaced.

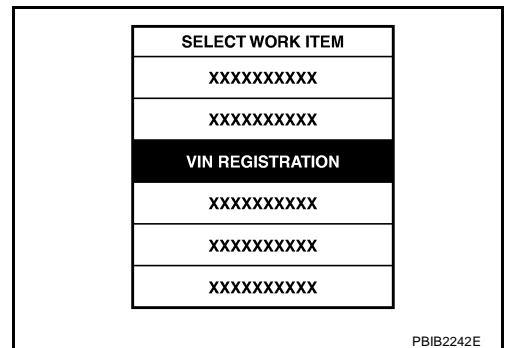
NOTE:

Accurate VIN which is registered in ECM may be required for Inspection & Maintenance (I/M).

OPERATION PROCEDURE

Ⓟ With CONSULT-II

1. Check the VIN of the vehicle and note it. Refer to [GI-46, "IDENTIFICATION INFORMATION"](#).
2. Turn ignition switch ON and engine stopped.
3. Select "VIN REGISTRATION" in "WORK SUPPORT" mode.
4. Follow the instruction of CONSULT-II display.



Accelerator Pedal Released Position Learning DESCRIPTION

Accelerator Pedal Released Position Learning is an operation to learn the fully released position of the accelerator pedal by monitoring the accelerator pedal position sensor output signal. It must be performed each time harness connector of accelerator pedal position sensor or ECM is disconnected.

OPERATION PROCEDURE

1. Make sure that accelerator pedal is fully released.
2. Turn ignition switch ON and wait at least 2 seconds.
3. Turn ignition switch OFF and wait at least 10 seconds.
4. Turn ignition switch ON and wait at least 2 seconds.
5. Turn ignition switch OFF and wait at least 10 seconds.

BASIC SERVICE PROCEDURE

Throttle Valve Closed Position Learning

NBS001QW

DESCRIPTION

Throttle Valve Closed Position Learning is an operation to learn the fully closed position of the throttle valve by monitoring the throttle position sensor output signal. It must be performed each time harness connector of electric throttle control actuator or ECM is disconnected.

OPERATION PROCEDURE

1. Make sure that accelerator pedal is fully released.
2. Turn ignition switch ON.
3. Turn ignition switch OFF and wait at least 10 seconds.
Make sure that throttle valve moves during above 10 seconds by confirming the operating sound.

Idle Air Volume Learning

NBS001QX

DESCRIPTION

Idle Air Volume Learning is an operation to learn the idle air volume that keeps each engine within the specific range. It must be performed under any of the following conditions:

- Each time electric throttle control actuator or ECM is replaced.
- Idle speed or ignition timing is out of specification.

PREPARATION

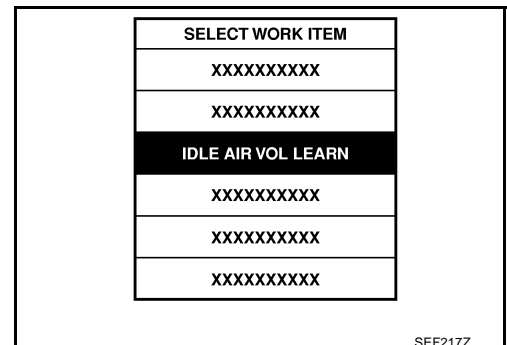
Before performing Idle Air Volume Learning, make sure that all of the following conditions are satisfied. Learning will be cancelled if any of the following conditions are missed for even a moment.

- Battery voltage: More than 12.9V (At idle)
- Engine coolant temperature: 70 - 99°C (158 - 210°F)
- PNP switch: ON
- Electric load switch: OFF
(Air conditioner, headlamp, rear window defogger)
On vehicles equipped with daytime light systems, if the parking brake is applied before the engine is started the headlamp will not be illuminated.
- Steering wheel: Neutral (Straight-ahead position)
- Vehicle speed: Stopped
- Transmission: Warmed-up
- With CONSULT-II: Drive vehicle until "ATF TEMP SE 1" in "DATA MONITOR" mode of "A/T" system indicates less than 0.9V.
- Without CONSULT-II: Drive vehicle for 10 minutes.

OPERATION PROCEDURE

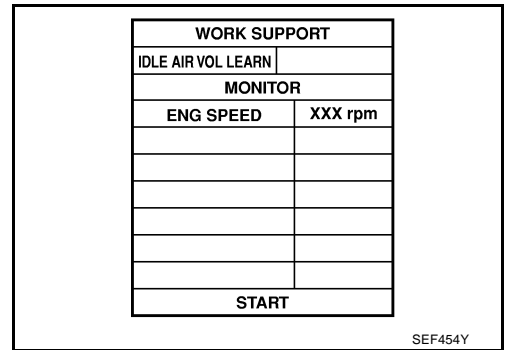
Ⓟ With CONSULT-II

1. Perform [EC-77, "Accelerator Pedal Released Position Learning"](#) .
2. Perform [EC-78, "Throttle Valve Closed Position Learning"](#) .
3. Start engine and warm it up to normal operating temperature.
4. Check that all items listed under the topic PREPARATION (previously mentioned) are in good order.
5. Select "IDLE AIR VOL LEARN" in "WORK SUPPORT" mode.



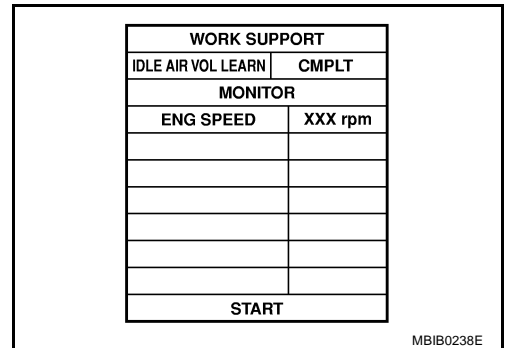
BASIC SERVICE PROCEDURE

6. Touch "START" and wait 20 seconds.



7. Make sure that "CMPLT" is displayed on CONSULT-II screen. If "CMPLT" is not displayed, Idle Air Volume Learning will not be carried out successfully. In this case, find the cause of the incident by referring to the DIAGNOSTIC PROCEDURE below.
8. Rev up the engine two or three times and make sure that idle speed and ignition timing are within the specifications.

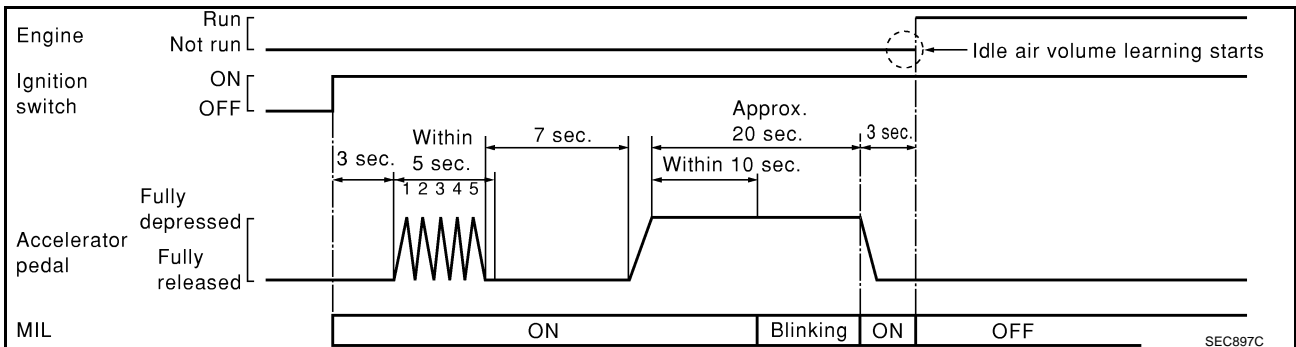
ITEM	SPECIFICATION
Idle speed	650 ± 50 rpm (in P or N position)
Ignition timing	12 ± 5° BTDC (in P or N position)



⊗ Without CONSULT-II

NOTE:

- It is better to count the time accurately with a clock.
 - It is impossible to switch the diagnostic mode when an accelerator pedal position sensor circuit has a malfunction.
1. Perform [EC-77, "Accelerator Pedal Released Position Learning"](#) .
 2. Perform [EC-78, "Throttle Valve Closed Position Learning"](#) .
 3. Start engine and warm it up to normal operating temperature.
 4. Check that all items listed under the topic PREPARATION (previously mentioned) are in good order.
 5. Turn ignition switch OFF and wait at least 10 seconds.
 6. Confirm that accelerator pedal is fully released, turn ignition switch ON and wait 3 seconds.
 7. Repeat the following procedure quickly five times within 5 seconds.
 - a. Fully depress the accelerator pedal.
 - b. Fully release the accelerator pedal.
 8. Wait 7 seconds, fully depress the accelerator pedal and keep it for approx. 20 seconds until the MIL stops blinking and turned ON.
 9. Fully release the accelerator pedal within 3 seconds after the MIL turned ON.
 10. Start engine and let it idle.
 11. Wait 20 seconds.



12. Rev up the engine two or three times and make sure that idle speed and ignition timing are within the specifications.

BASIC SERVICE PROCEDURE

ITEM	SPECIFICATION
Idle speed	650 ± 50 rpm (in P or N position)
Ignition timing	12 ± 5° BTDC (in P or N position)

13. If idle speed and ignition timing are not within the specification, Idle Air Volume Learning will not be carried out successfully. In this case, find the cause of the incident by referring to the Diagnostic Procedure below.

DIAGNOSTIC PROCEDURE

If idle air volume learning cannot be performed successfully, proceed as follows:

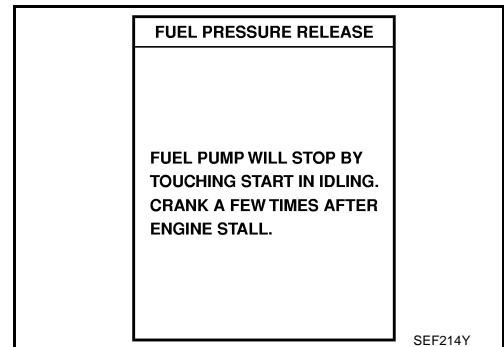
1. Check that throttle valve is fully closed.
2. Check PCV valve operation.
3. Check that downstream of throttle valve is free from air leakage.
4. When the above three items check out OK, engine component parts and their installation condition are questionable. Check and eliminate the cause of the incident.
It is useful to perform [EC-135, "TROUBLE DIAGNOSIS - SPECIFICATION VALUE"](#).
5. If any of the following conditions occur after the engine has started, eliminate the cause of the incident and perform Idle Air Volume Learning all over again:
 - Engine stalls.
 - Erroneous idle.

Fuel Pressure Check FUEL PRESSURE RELEASE

NBS001QY

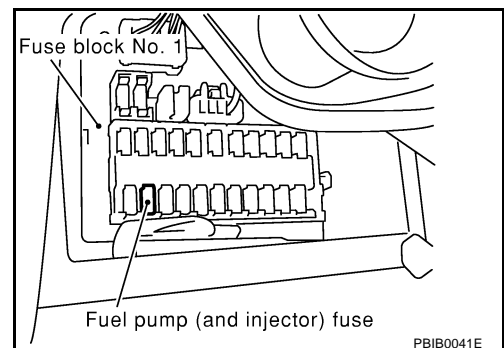
④ With CONSULT-II

1. Turn ignition switch ON.
2. Perform "FUEL PRESSURE RELEASE" in "WORK SUPPORT" mode with CONSULT-II.
3. Start engine.
4. After engine stalls, crank it two or three times to release all fuel pressure.
5. Turn ignition switch OFF.



⊗ Without CONSULT-II

1. Remove fuel pump fuse located in fuse box.
2. Start engine.
3. After engine stalls, crank it two or three times to release all fuel pressure.
4. Turn ignition switch OFF.
5. Reinstall fuel pump fuse after servicing fuel system.



FUEL PRESSURE CHECK

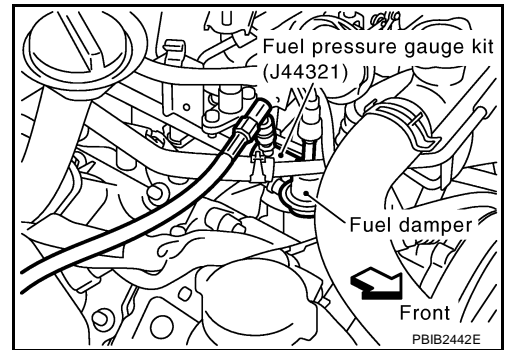
Before disconnecting fuel line, release fuel pressure from fuel line to eliminate danger.

NOTE:

- Use Fuel Pressure Gauge Kit (J-44321) to check fuel pressure.
 - Prepare pans or saucers under the disconnected fuel line because the fuel may spill out. The fuel pressure cannot be completely released because F50 models do not have fuel return system.
1. Release fuel pressure to zero. Refer to [EC-80, "FUEL PRESSURE RELEASE"](#).

BASIC SERVICE PROCEDURE

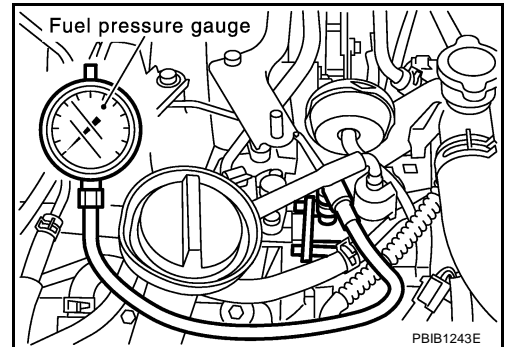
2. Install the inline fuel quick disconnected fitting between fuel damper and fuel tube.



3. Connect the fuel pressure test gauge (quick connector adapter hose) to the inline fuel quick disconnected fitting.
4. Turn ignition switch ON and check for fuel leakage.
5. Start engine and check for fuel leakage.
6. Read the indication of fuel pressure gauge.

**At idling: Approximately 350 kPa
(3.57 kg/cm² , 51 psi)**

7. If result is unsatisfactory, go to next step.
8. Check the following.
 - Fuel hoses and fuel tubes for clogging
 - Fuel filter for clogging
 - Fuel pump
 - Fuel pressure regulator for cloggingIf OK, replace fuel pressure regulator.
If NG, repair or replace.



A
EC
C
D
E
F
G
H
I
J
K
L
M

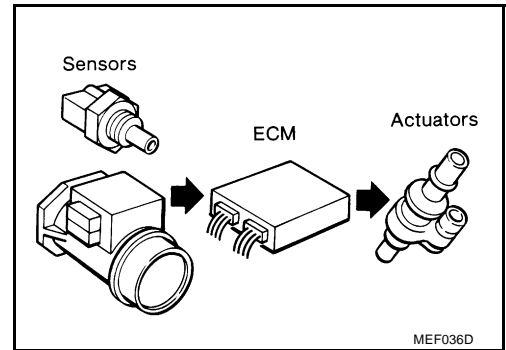
TROUBLE DIAGNOSIS

PFP:00004

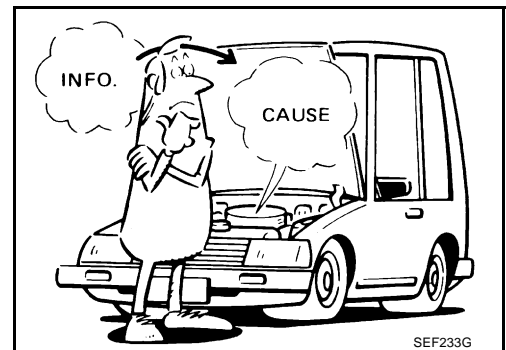
Trouble Diagnosis Introduction INTRODUCTION

NBS001QZ

The engine has an ECM to control major systems such as fuel control, ignition control, idle air control system, etc. The ECM accepts input signals from sensors and instantly drives actuators. It is essential that both input and output signals are proper and stable. At the same time, it is important that there are no malfunctions such as vacuum leaks, fouled spark plugs, or other malfunctions with the engine.



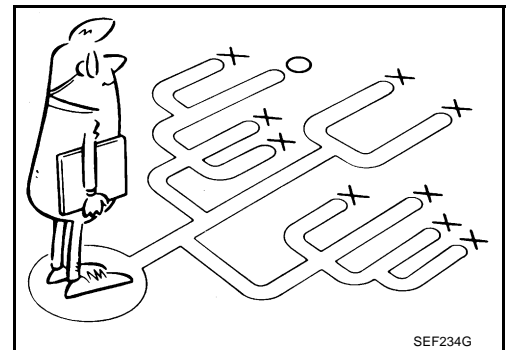
It is much more difficult to diagnose an incident that occurs intermittently rather than continuously. Most intermittent incidents are caused by poor electric connections or improper wiring. In this case, careful checking of suspected circuits may help prevent the replacement of good parts.



A visual check only may not find the cause of the incidents. A road test with CONSULT-II (or GST) or a circuit tester connected should be performed. Follow the Work Flow on [EC-83](#).

Before undertaking actual checks, take a few minutes to talk with a customer who approaches with a driveability complaint. The customer can supply good information about such incidents, especially intermittent ones. Find out what symptoms are present and under what conditions they occur. A Diagnostic Worksheet like the example on [EC-87](#) should be used.

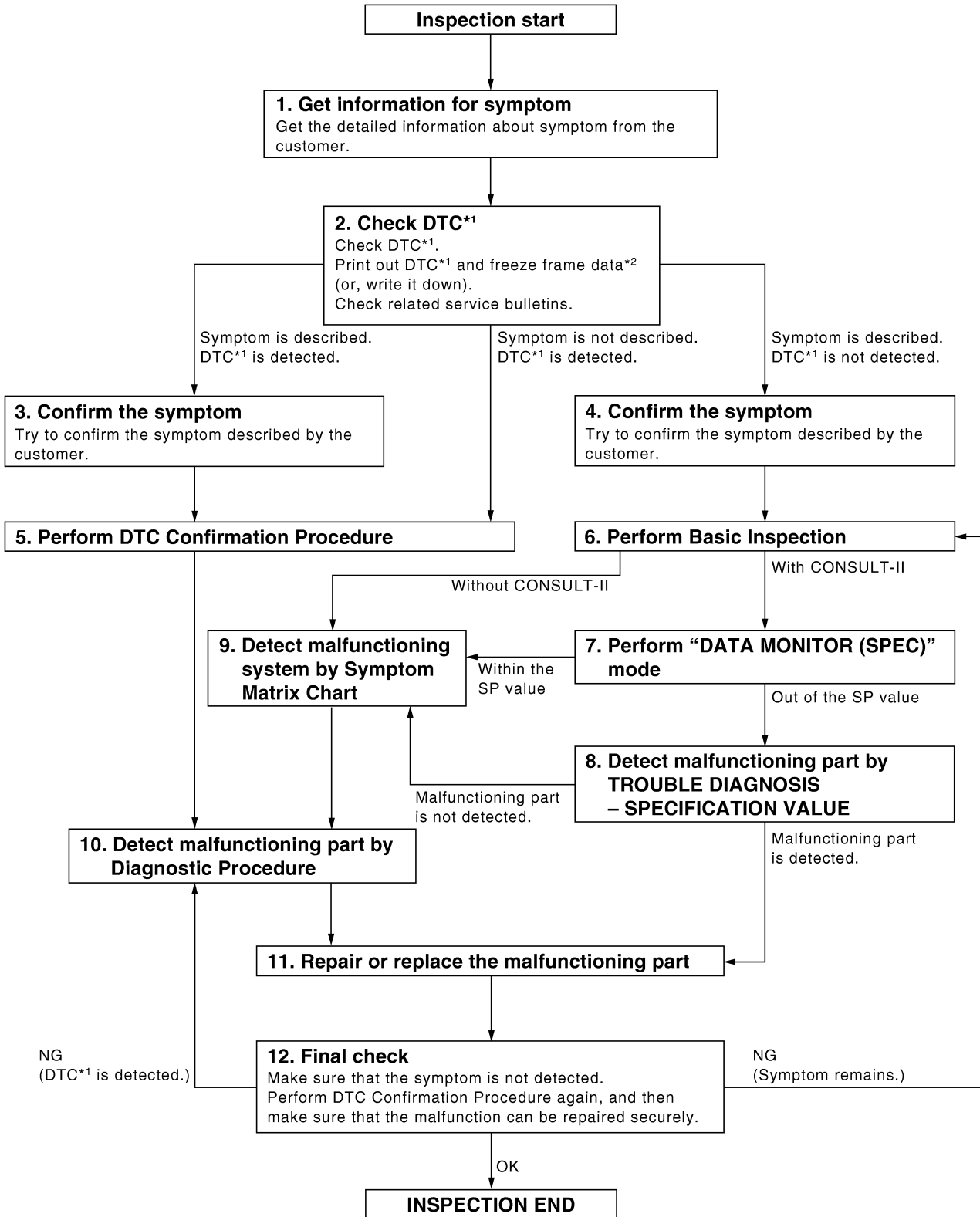
Start your diagnosis by looking for conventional malfunctions first. This will help troubleshoot driveability malfunctions on an electronically controlled engine vehicle.



TROUBLE DIAGNOSIS

WORK FLOW Overall Sequence

A
EC
C
D
E
F
G
H
I
J
K
L
M



*1: Include 1st trip DTC.
*2: Include 1st trip freeze frame data.

TROUBLE DIAGNOSIS

Detailed Flow

1. GET INFORMATION FOR SYMPTOM

Get the detailed information from the customer about the symptom (the condition and the environment when the incident/malfunction occurred) using the [EC-86, "DIAGNOSTIC WORKSHEET"](#) .

>> GO TO 2.

2. CHECK DTC*¹

1. Check DTC*¹ .
2. Perform the following procedure if DTC*¹ is displayed.
 - Record DTC*¹ and freeze frame data*² . (Print them out with CONSULT-II or GST.)
 - Erase DTC*¹ . (Refer to [EC-61, "HOW TO ERASE EMISSION-RELATED DIAGNOSTIC INFORMATION"](#) .)
 - Study the relationship between the cause detected by DTC*¹ and the symptom described by the customer. (Symptom Matrix Chart is useful. Refer to [EC-91](#) .)
3. Check related service bulletins for information.

Is any symptom described and any DTC detected?

Symptom is described, DTC*¹ is displayed>>GO TO 3.

Symptom is described, DTC*¹ is not displayed>>GO TO 4.

Symptom is not described, DTC*¹ is displayed>>GO TO 5.

3. CONFIRM THE SYMPTOM

Try to confirm the symptom described by the customer (except MIL ON).

DIAGNOSIS WORK SHEET is useful to verify the incident.

Connect CONSULT-II to the vehicle in "DATA MONITOR (AUTO TRIG)" mode and check real time diagnosis results.

Verify relation between the symptom and the condition when the symptom is detected.

>> GO TO 5.

4. CONFIRM THE SYMPTOM

Try to confirm the symptom described by the customer.

DIAGNOSIS WORK SHEET is useful to verify the incident.

Connect CONSULT-II to the vehicle in "DATA MONITOR (AUTO TRIG)" mode and check real time diagnosis results.

Verify relation between the symptom and the condition when the symptom is detected.

>> GO TO 6.

TROUBLE DIAGNOSIS

5. PERFORM DTC CONFIRMATION PROCEDURE

Perform DTC Confirmation Procedure for the displayed DTC*¹, and then make sure that DTC*¹ is detected again.

At this time, always connect CONSULT-II to the vehicle, and check diagnostic results in real time on "DATA MONITOR (AUTO TRIG)".

If two or more DTCs*¹ are detected, refer to [EC-88, "DTC Inspection Priority Chart"](#) and determine trouble diagnosis order.

NOTE:

- Freeze frame data*² is useful if the DTC*¹ is not detected.
- Perform Overall Function Check if DTC Confirmation Procedure is not included on Service Manual. This simplified check procedure is an effective alternative though DTC*¹ cannot be detected during this check. If the result of Overall Function Check is NG, it is the same as the detection of DTC*¹ by DTC Confirmation Procedure.

Is DTC*¹ detected?

Yes >> GO TO 10.

No >> Check according to [EC-145, "TROUBLE DIAGNOSIS FOR INTERMITTENT INCIDENT"](#).

6. PERFORM BASIC INSPECTION

Perform [EC-71, "Basic Inspection"](#).

With CONSULT-II>>GO TO 7.

Without CONSULT-II>>GO TO 9.

7. PERFORM DATA MONITOR (SPEC) MODE

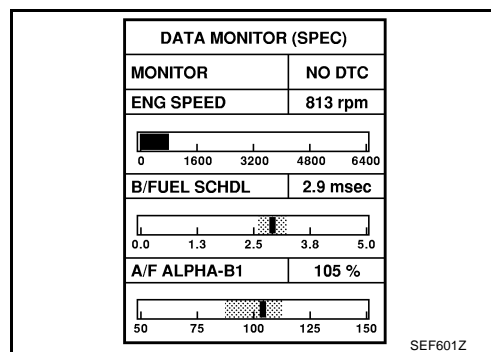
☑ With CONSULT-II

Make sure that "MAS A/F SE-B1", "B/FUEL SCHDL", and "A/F ALPHA-B1", "A/F ALPHA-B2" are within the SP value using CONSULT-II "DATA MONITOR (SPEC)" mode. Refer to [EC-136, "Diagnostic Procedure"](#).

Are they within the SP value?

Yes >> GO TO 9.

No >> GO TO 8.



8. DETECT MALFUNCTIONING PART BY TROUBLE DIAGNOSIS - SPECIFICATION VALUE

Detect malfunctioning part according to [EC-135, "TROUBLE DIAGNOSIS - SPECIFICATION VALUE"](#).

Is malfunctioning part detected?

Yes >> GO TO 11.

No >> GO TO 9.

9. DETECT MALFUNCTIONING SYSTEM BY SYMPTOM MATRIX CHART

Detect malfunctioning system according to [EC-91, "Symptom Matrix Chart"](#) based on the confirmed symptom in step 4, and determine the trouble diagnosis order based on possible causes and symptom.

>> GO TO 10.

TROUBLE DIAGNOSIS

10. DETECT MALFUNCTIONING PART BY DIAGNOSTIC PROCEDURE

Inspect according to Diagnostic Procedure of the system.

NOTE:

The Diagnostic Procedure in EC section described based on open circuit inspection. A short circuit inspection is also required for the circuit check in the Diagnostic Procedure. For details, refer to Circuit Inspection in [GI-26, "How to Perform Efficient Diagnosis for an Electrical Incident"](#) .

Is malfunctioning part detected?

Yes >> GO TO 11.

No >> Monitor input data from related sensors or check voltage of related ECM terminals using CONSULT-II. Refer to [EC-129, "CONSULT-II Reference Value in Data Monitor Mode"](#) , [EC-105, "ECM Terminals and Reference Value"](#) .

11. REPAIR OR REPLACE THE MALFUNCTIONING PART

1. Repair or replace the malfunctioning part.
2. Reconnect parts or connectors disconnected during Diagnostic Procedure again after repair and replacement.
3. Check DTC. If DTC is displayed, erase it, refer to [EC-61, "HOW TO ERASE EMISSION-RELATED DIAGNOSTIC INFORMATION"](#) .

>> GO TO 12.

12. FINAL CHECK

When DTC was detected in step 2, perform DTC Confirmation Procedure or Overall Function Check again, and then make sure that the malfunction have been repaired securely.

When symptom was described from the customer, refer to confirmed symptom in step 3 or 4, and make sure that the symptom is not detected.

OK or NG

NG (DTC*¹ is detected)>>GO TO 10.

NG (Symptom remains)>>GO TO 6.

OK >> 1. Before returning the vehicle to the customer, make sure to erase unnecessary DTC*¹ in ECM and TCM (Transmission Control Module). (Refer to [EC-61, "HOW TO ERASE EMISSION-RELATED DIAGNOSTIC INFORMATION"](#) and [AT-39, "HOW TO ERASE DTC"](#) .)

2. If the completion of SRT is needed, drive vehicle under the specific driving pattern. Refer to [EC-58, "Driving Pattern"](#) .

3. **INSPECTION END**

*1: Include 1st trip DTC.

*2: Include 1st trip freeze frame data.

DIAGNOSTIC WORKSHEET

Description

There are many operating conditions that lead to the malfunction of engine components. A good grasp of such conditions can make troubleshooting faster and more accurate.

In general, each customer feels differently about a incident. It is important to fully understand the symptoms or conditions for a customer complaint.

Utilize a diagnostic worksheet like the one on the next page in order to organize all the information for troubleshooting.

Some conditions may cause the MIL to come on steady or blink and DTC to be detected. Examples:

- Vehicle ran out of fuel, which caused the engine to misfire.
- Fuel filler cap was left off or incorrectly screwed on, allowing fuel to evaporate into the atmosphere.

KEY POINTS

WHAT Vehicle & engine model
WHEN Date, Frequencies
WHERE..... Road conditions
HOW Operating conditions,
Weather conditions,
Symptoms

SEF907L

TROUBLE DIAGNOSIS

NBS002WF

DTC Inspection Priority Chart

If some DTCs are displayed at the same time, perform inspections one by one based on the following priority chart.

NOTE:

- If DTC U1000 or U1001 is displayed with other DTC, first perform the trouble diagnosis for DTC U1000, U1001. Refer to [EC-156, "DTC U1000, U1001 CAN COMMUNICATION LINE"](#) .
- If DTC U1010 is displayed with other DTC, first perform the trouble diagnosis for DTC U1010. Refer to [EC-159, "DTC U1010 CAN COMMUNICATION"](#) .

Priority	Detected items (DTC)
1	<ul style="list-style-type: none">● U1000 U1001 CAN communication line● U1010 CAN communication● P0101 P0102 P0103 Mass air flow sensor● P0112 P0113 P0127 Intake air temperature sensor● P0117 P0118 P0125 Engine coolant temperature sensor● P0122 P0123 P0222 P0223 P1225 P1226 P2135 Throttle position sensor● P0128 Thermostat function● P0181 P0182 P0183 Fuel tank temperature sensor● P0327 P0328 P0332 P0333 Knock sensor● P0335 Crankshaft position sensor (POS)● P0340 Camshaft position sensor (PHASE)● P0460 P0461 P0462 P0463 Fuel level sensor● P0500 Vehicle speed sensor● P0605 ECM● P0643 Sensor power supply● P0700 TCM● P0705 Park/Neutral position (PNP) switch● P0850 Park/Neutral position (PNP) switch● P1610 - P1615 NATS● P2122 P2123 P2127 P2128 P2138 Accelerator pedal position sensor

TROUBLE DIAGNOSIS

Priority	Detected items (DTC)	
2	<ul style="list-style-type: none"> ● P0031 P0032 P0051 P0052 Air fuel ratio (A/F) sensor 1 heater ● P0037 P0038 P0057 P0058 Heated oxygen sensor 2 heater ● P0075 P0081 Intake valve timing control solenoid valve ● P0130 P0131 P0132 P0133 P0150 P0151 P0152 P0153 P2A00 P2A03 Air fuel ratio (A/F) sensor 1 ● P0137 P0138 P0139 P0157 P0158 P0159 Heated oxygen sensor 2 ● P0441 EVAP control system purge flow monitoring ● P0443 P0444 P0445 EVAP canister purge volume control solenoid valve ● P0447 P0448 EVAP canister vent control valve ● P0452 P0453 EVAP control system pressure sensor ● P0550 Power steering pressure sensor ● P0603 ECM power supply ● P0710 P0717 P0720 P0740 P0744 P0745 P1730 P1752 P1754 P1757 P1759 P1762 P1764 P1767 P1769 P1772 P1774 A/T related sensors, solenoid valves and switches ● P1140 P1145 Intake valve timing control position sensor ● P1217 Engine over temperature (OVERHEAT) ● P1220 Fuel pump control module ● P1490 P1491 Vacuum cut valve bypass valve ● P1805 Brake switch ● P2100 P2103 Throttle control motor relay ● P2101 Electric throttle control function ● P2118 Throttle control motor 	<p>A</p> <p>EC</p> <p>C</p> <p>D</p> <p>E</p> <p>F</p> <p>G</p> <p>H</p>
3	<ul style="list-style-type: none"> ● P0011 P0021 Intake valve timing control ● P0171 P0172 P0174 P0175 Fuel injection system function ● P0300 - P0308 Misfire ● P0420 P0430 Three way catalyst function ● P0442 P0456 P1442 P1456 EVAP control system (SMALL LEAK, VERY SMALL LEAK) ● P0455 EVAP control system (GROSS LEAK) ● P0506 P0507 Idle speed control system ● P1148 P1168 Closed loop control ● P1211 TCS control unit ● P1212 TCS communication line ● P1564 ICC steering switch / ASCD steering switch ● P1568 ICC command value ● P1572 ICC brake switch / ASCD brake switch ● P1574 ICC vehicle speed sensor / ASCD vehicle speed sensor ● P1715 Turbine revolution sensor ● P1800 VIAS control solenoid valve ● P2119 Electric throttle control actuator 	<p>I</p> <p>J</p> <p>K</p> <p>L</p> <p>M</p>

TROUBLE DIAGNOSIS

Fail-Safe Chart

NBS002WG

When the DTC listed below is detected, the ECM enters fail-safe mode and the MIL lights up.

DTC No.	Detected items	Engine operating condition in fail-safe mode	
P0102 P0103	Mass air flow sensor circuit	Engine speed will not rise more than 2,400 rpm due to the fuel cut.	
P0117 P0118	Engine coolant temperature sensor circuit	Engine coolant temperature will be determined by ECM based on the time after turning ignition switch ON or START. CONSULT-II displays the engine coolant temperature decided by ECM.	
		Condition	Engine coolant temperature decided (CONSULT-II display)
		Just as ignition switch is turned ON or START	40°C (104°F)
		More than approx. 4 minutes after ignition ON or START	80°C (176°F)
		Except as shown above	40 - 80°C (104 - 176°F) (Depends on the time)
		When the fail-safe system for engine coolant temperature sensor is activated, the cooling fan operates while engine is running.	
P0122 P0123 P0222 P0223 P2135	Throttle position sensor	The ECM controls the electric throttle control actuator in regulating the throttle opening in order for the idle position to be within +10 degrees. The ECM regulates the opening speed of the throttle valve to be slower than the normal condition. So, the acceleration will be poor.	
P0643	Sensor power supply	ECM stops the electric throttle control actuator control, throttle valve is maintained at a fixed opening (approx. 5 degrees) by the return spring.	
P2100 P2103	Throttle control motor relay	ECM stops the electric throttle control actuator control, throttle valve is maintained at a fixed opening (approx. 5 degrees) by the return spring.	
P2101	Electric throttle control function	ECM stops the electric throttle control actuator control, throttle valve is maintained at a fixed opening (approx. 5 degrees) by the return spring.	
P2118	Throttle control motor	ECM stops the electric throttle control actuator control, throttle valve is maintained at a fixed opening (approx. 5 degrees) by the return spring.	
P2119	Electric throttle control actuator	(When electric throttle control actuator does not function properly due to the return spring malfunction:) ECM controls the electric throttle actuator by regulating the throttle opening around the idle position. The engine speed will not rise more than 2,000 rpm.	
		(When throttle valve opening angle in fail-safe mode is not in specified range:) ECM controls the electric throttle control actuator by regulating the throttle opening to 20 degrees or less.	
		(When ECM detects the throttle valve is stuck open:) While the vehicle is driving, it slows down gradually by fuel cut. After the vehicle stops, the engine stalls. The engine can restart in N or P position, and engine speed will not exceed 1,000 rpm or more.	
P2122 P2123 P2127 P2128 P2138	Accelerator pedal position sensor	The ECM controls the electric throttle control actuator in regulating the throttle opening in order for the idle position to be within +10 degrees. The ECM regulates the opening speed of the throttle valve to be slower than the normal condition. So, the acceleration will be poor.	

- When there is an open circuit on MIL circuit, the ECM cannot warn the driver by lighting up MIL when there is malfunction on engine control system.
Therefore, when electrical controlled throttle and part of ECM related diagnoses are continuously detected as NG for 5 trips, ECM warns the driver that engine control system malfunctions and MIL circuit is open by means of operating fail-safe function.
The fail-safe function also operates when above diagnoses except MIL circuit are detected and demands the driver to repair the malfunction.

Engine operating condition in fail-safe mode

Engine speed will not rise more than 2,500 rpm due to the fuel cut

TROUBLE DIAGNOSIS

Symptom Matrix Chart SYSTEM — BASIC ENGINE CONTROL SYSTEM

NBS001R2

		SYMPTOM												Reference page	
		HARD/NO START/RESTART (EXCP. HA)	ENGINE STALL	HESITATION/SURGING/FLAT SPOT	SPARK KNOCK/DETONATION	LACK OF POWER/POOR ACCELERATION	HIGH IDLE/LOW IDLE	ROUGH IDLE/HUNTING	IDLING VIBRATION	SLOW/NO RETURN TO IDLE	OVERHEATS/WATER TEMPERATURE HIGH	EXCESSIVE FUEL CONSUMPTION	EXCESSIVE OIL CONSUMPTION		BATTERY DEAD (UNDER CHARGE)
Warranty symptom code		AA	AB	AC	AD	AE	AF	AG	AH	AJ	AK	AL	AM	HA	
Fuel	Fuel pump circuit	1	1	2	3	2		2	2			3		2	EC-715 , EC-534
	Fuel pressure regulator system	3	3	4	4	4	4	4	4	4		4			EC-80
	Fuel injector circuit	1	1	2	3	2		2	2			2			EC-706
	Evaporative emission system	3	3	4	4	4	4	4	4	4		4			EC-32
Air	Positive crankcase ventilation system	3	3	4	4	4	4	4	4	4		4	1		EC-44
	Incorrect idle speed adjustment						1	1	1	1		1			EC-71
	Electric throttle control actuator	1	1	2	3	3	2	2	2	2		2		2	EC-633 , EC-645
Ignition	Incorrect ignition timing adjustment	3	3	1	1	1		1	1			1			EC-71
	Ignition circuit	1	1	2	2	2		2	2			2			EC-731
Main power supply and ground circuit		2	2	3	3	3		3	3		2	3			EC-146
Mass air flow sensor circuit		1			2										EC-195 , EC-204
Engine coolant temperature sensor circuit							3			3					EC-215 , EC-228
A/F sensor 1 circuit			1	2	3	2		2	2			2			EC-236 , EC-246 , EC-255 , EC-264 , EC-676
Throttle position sensor circuit							2			2					EC-221 , EC-348 , EC-542 , EC-544 , EC-661
Accelerator pedal position sensor circuit				3	2	1									EC-492 , EC-647 , EC-654 , EC-668
Knock sensor circuit				2								3			EC-365
Crankshaft position sensor (POS) circuit		2	2												EC-370
Camshaft position sensor (PHASE) circuit		3	2												EC-379
Vehicle speed signal circuit			2	3		3						3			EC-474

TROUBLE DIAGNOSIS

	SYMPTOM													Reference page
	HARD/NO START/RESTART (EXCP. HA)	ENGINE STALL	HESITATION/SURGING/FLAT SPOT	SPARK KNOCK/DETONATION	LACK OF POWER/POOR ACCELERATION	HIGH IDLE/LOW IDLE	ROUGH IDLE/HUNTING	IDLING VIBRATION	SLOW/NO RETURN TO IDLE	OVERHEATS/WATER TEMPERATURE HIGH	EXCESSIVE FUEL CONSUMPTION	EXCESSIVE OIL CONSUMPTION	BATTERY DEAD (UNDER CHARGE)	
Warranty symptom code	AA	AB	AC	AD	AE	AF	AG	AH	AJ	AK	AL	AM	HA	
Power steering pressure sensor circuit		2					3	3						EC-480
ECM	2	2	3	3	3	3	3	3	3	3	3			EC-485 , EC-489
Intake valve timing control solenoid valve circuit		3	2		1	3	2	2	3		3			EC-188
PNP switch circuit			3		3		3	3			3			EC-497
Refrigerant pressure sensor circuit		2				3			3		4			EC-744
Electrical load signal circuit							3							EC-698
Air conditioner circuit	2	2	3	3	3	3	3	3	3		3		2	ATC-35
VIAS control solenoid valve circuit					1									EC-617
VDC/TCS/ABS control unit			4											BRC-10

1 - 6: The numbers refer to the order of inspection.
(continued on next page)

TROUBLE DIAGNOSIS

SYSTEM — ENGINE MECHANICAL & OTHER

		SYMPTOM												Reference page	
		HARD/NO START/RESTART (EXCP. HA)	ENGINE STALL	HESITATION/SURGING/FLAT SPOT	SPARK KNOCK/DETONATION	LACK OF POWER/POOR ACCELERATION	HIGH IDLE/LOW IDLE	ROUGH IDLE/HUNTING	IDLING VIBRATION	SLOW/NO RETURN TO IDLE	OVERHEATS/WATER TEMPERATURE HIGH	EXCESSIVE FUEL CONSUMPTION	EXCESSIVE OIL CONSUMPTION		BATTERY DEAD (UNDER CHARGE)
Warranty symptom code		AA	AB	AC	AD	AE	AF	AG	AH	AJ	AK	AL	AM	HA	
Fuel	Fuel tank	5													FL-8
	Fuel piping			5	5	5		5	5			5			FL-2
	Vapor lock		5												—
	Valve deposit														—
	Poor fuel (Heavy weight gasoline, Low octane)	5		5	5	5		5	5			5			—
Air	Air duct														EM-17
	Air cleaner														EM-17
	Air leakage from air duct (Mass air flow sensor — electric throttle control actuator)		5	5		5		5	5			5			EM-17
	Electric throttle control actuator	5			5		5			5					EM-19
	Air leakage from intake manifold/Collector/Gasket														EM-19
Cranking	Battery	1	1	1		1		1	1					1	SC-4
	Generator circuit														SC-16
	Starter circuit	3										1			SC-9
	Signal plate	6													EM-83
	PNP switch	4													AT-107
Engine	Cylinder head	5	5	5	5	5		5	5			5			EM-67
	Cylinder head gasket										4		3		
	Cylinder block														
	Piston												4		
	Piston ring	6	6	6	6	6		6	6			6			EM-83
	Connecting rod														
	Bearing														
	Crankshaft														
Valve mechanism	Timing chain														EM-39
	Camshaft														EM-50
	Intake valve timing control	5	5	5	5	5		5	5			5			EM-39
	Intake valve												3		EM-67
	Exhaust valve														

A
 EC
 C
 D
 E
 F
 G
 H
 I
 J
 K
 L
 M

TROUBLE DIAGNOSIS

		SYMPTOM												Reference page	
		HARD/NO START/RESTART (EXCP. HA)	ENGINE STALL	HESITATION/SURGING/FLAT SPOT	SPARK KNOCK/DETONATION	LACK OF POWER/POOR ACCELERATION	HIGH IDLE/LOW IDLE	ROUGH IDLE/HUNTING	IDLING VIBRATION	SLOW/NO RETURN TO IDLE	OVERHEATS/WATER TEMPERATURE HIGH	EXCESSIVE FUEL CONSUMPTION	EXCESSIVE OIL CONSUMPTION		BATTERY DEAD (UNDER CHARGE)
Warranty symptom code		AA	AB	AC	AD	AE	AF	AG	AH	AJ	AK	AL	AM	HA	
Exhaust	Exhaust manifold/Tube/Muffler/Gasket	5	5	5	5	5		5	5			5			EM-23 , EX-3
	Three way catalyst														
Lubrication	Oil pan/Oil strainer/Oil pump/Oil filter/Oil gallery	5	5	5	5	5		5	5			5			EM-26 , LU-10 , LU-9 LU-6
	Oil level (Low)/Filthy oil														
Cooling	Radiator/Hose/Radiator filler cap														CO-11 , CO-14 CO-22 CO-20 CO-6 CO-18 CO-8
	Thermostat								5						
	Water pump	5	5	5	5	5		5	5		4	5			
	Water gallery														
	Cooling fan								5						
	Coolant level (Low)/Contaminated coolant														
IVIS (INFINITI Vehicle Immobilizer System — NATS)		1	1												EC-46 or BL-200

1 - 6: The numbers refer to the order of inspection.

TROUBLE DIAGNOSIS

Engine Control Component Parts Location

NBS001R3

A

EC

C

D

E

F

G

H

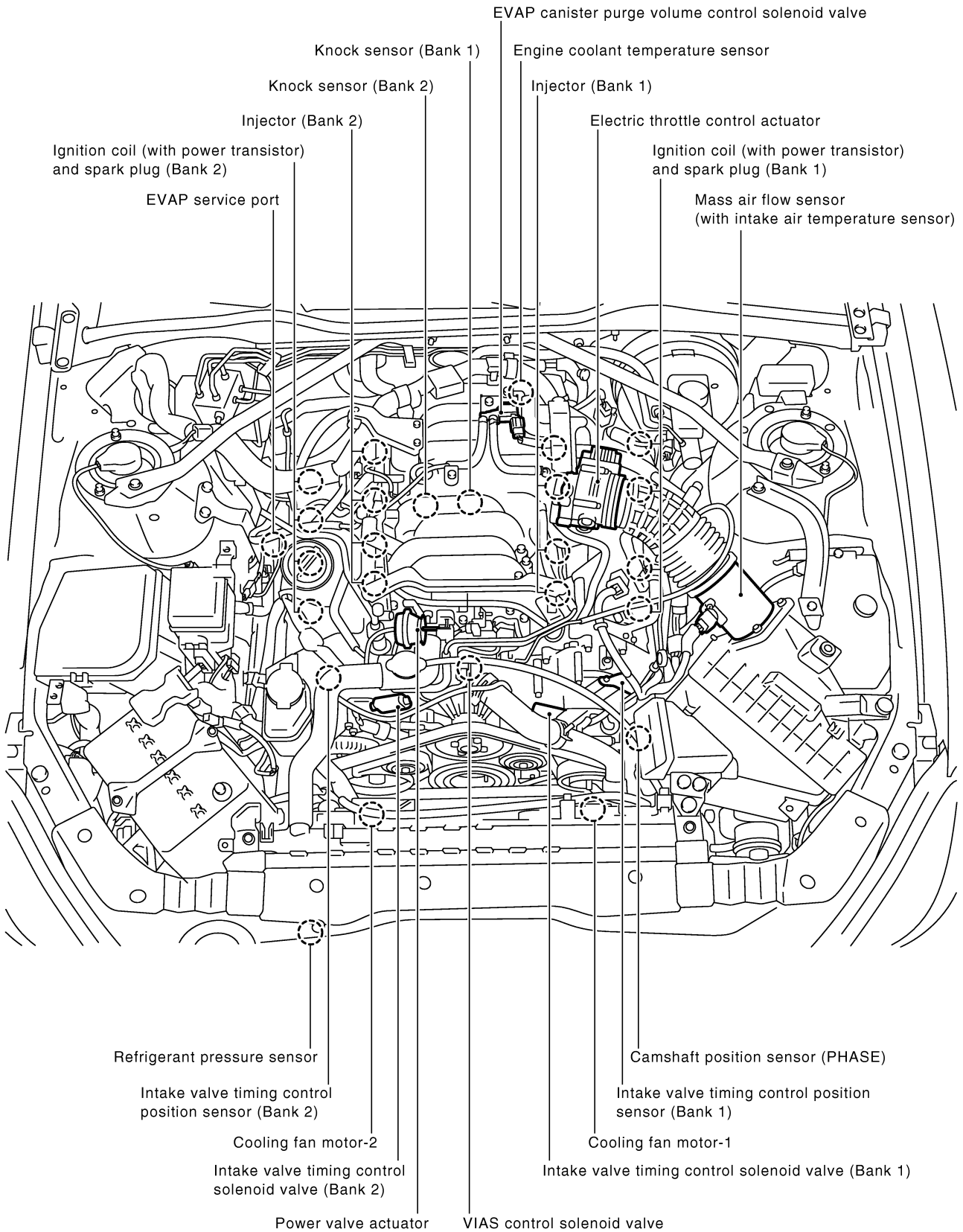
I

J

K

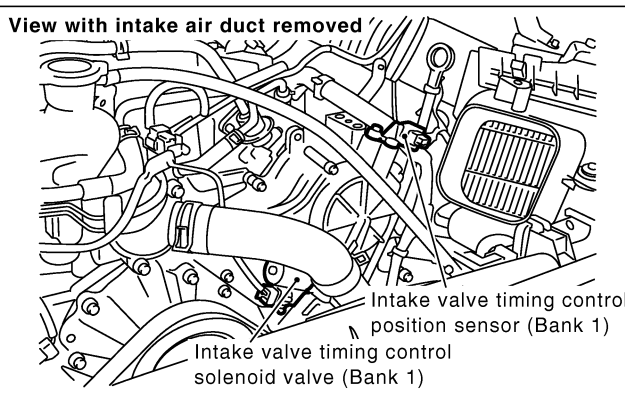
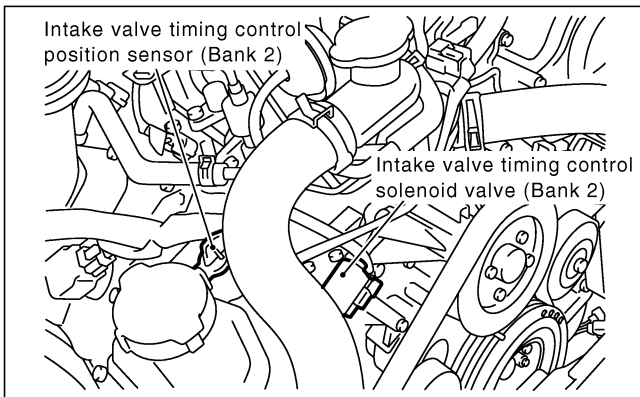
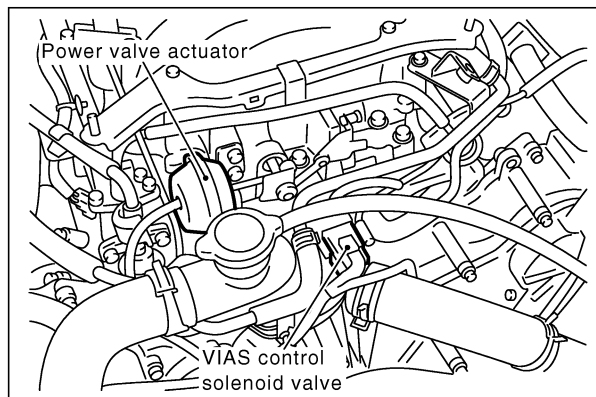
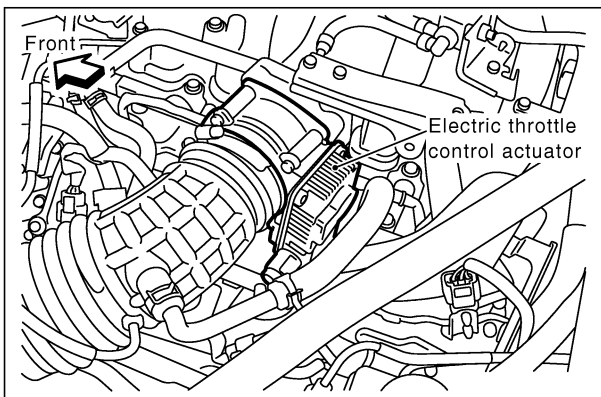
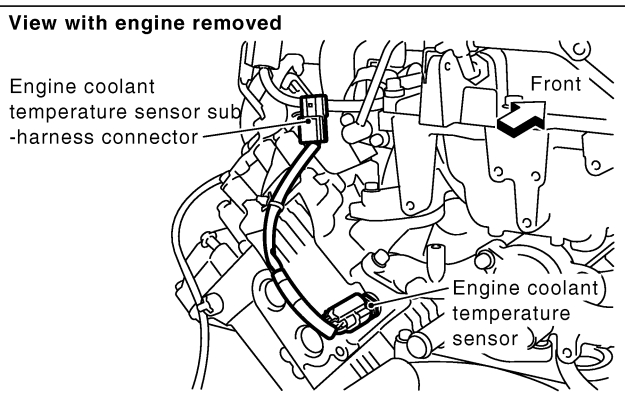
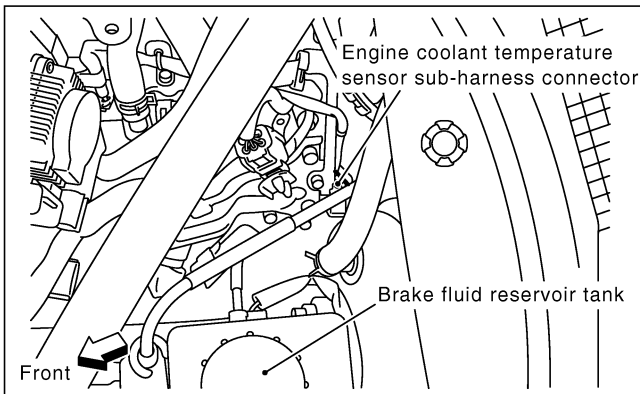
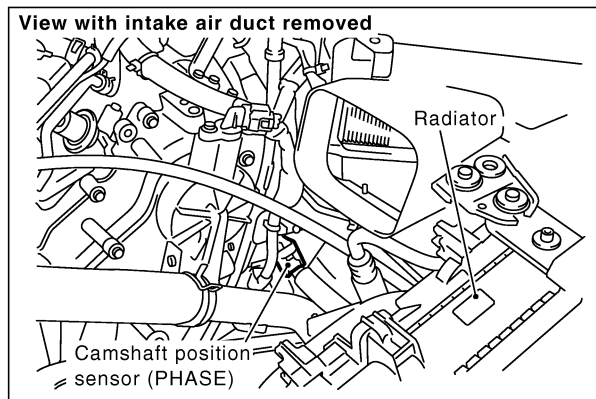
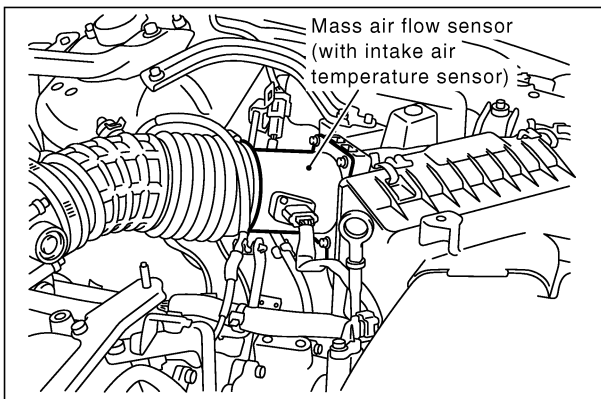
L

M



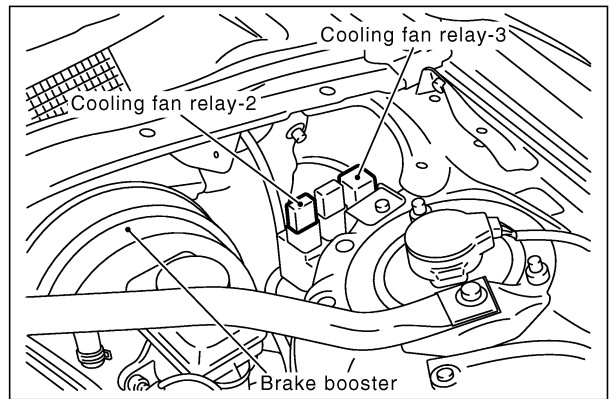
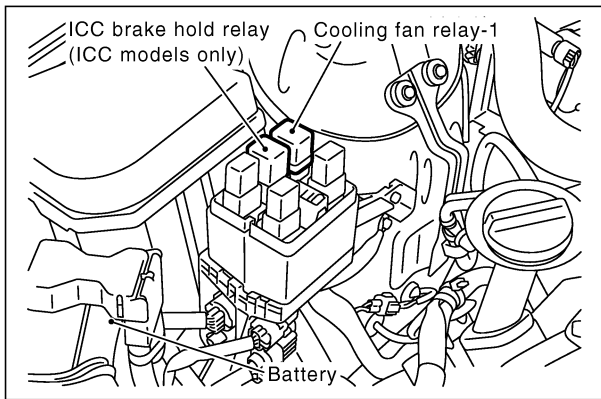
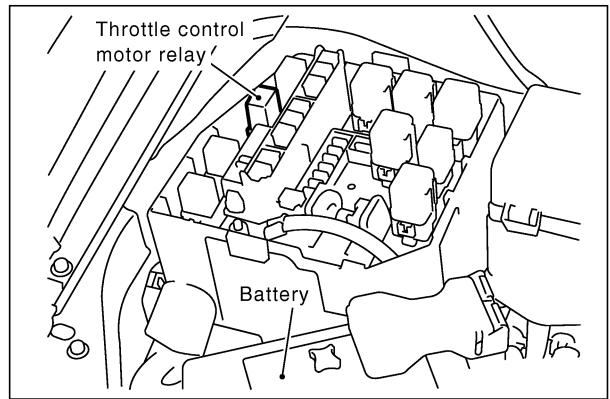
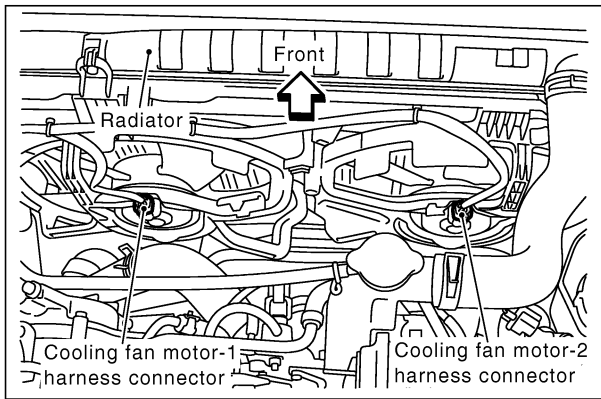
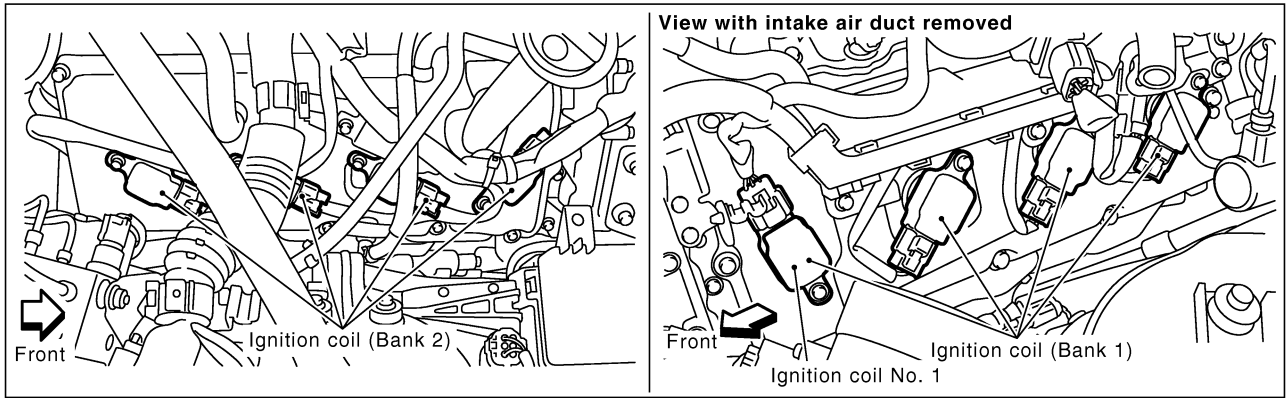
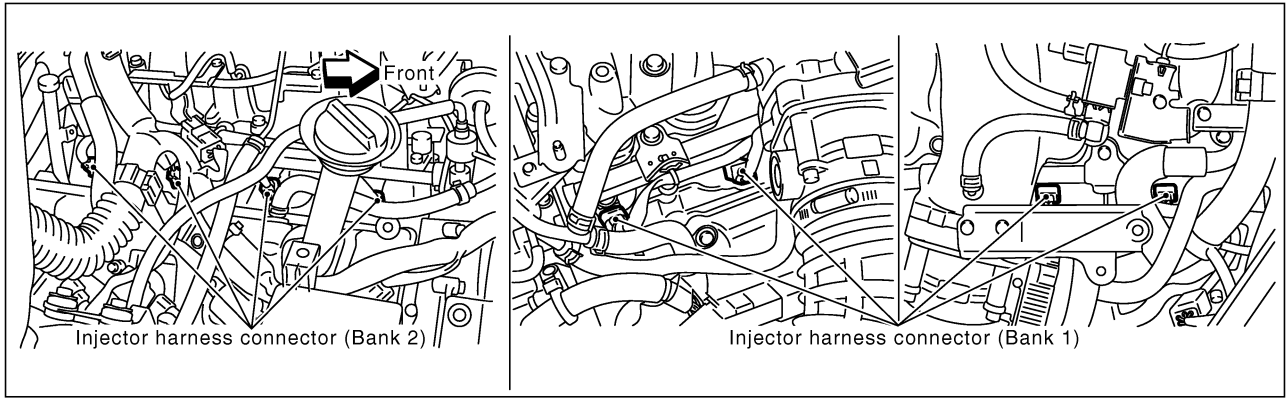
PBIB3128E

TROUBLE DIAGNOSIS



PBIB2412E

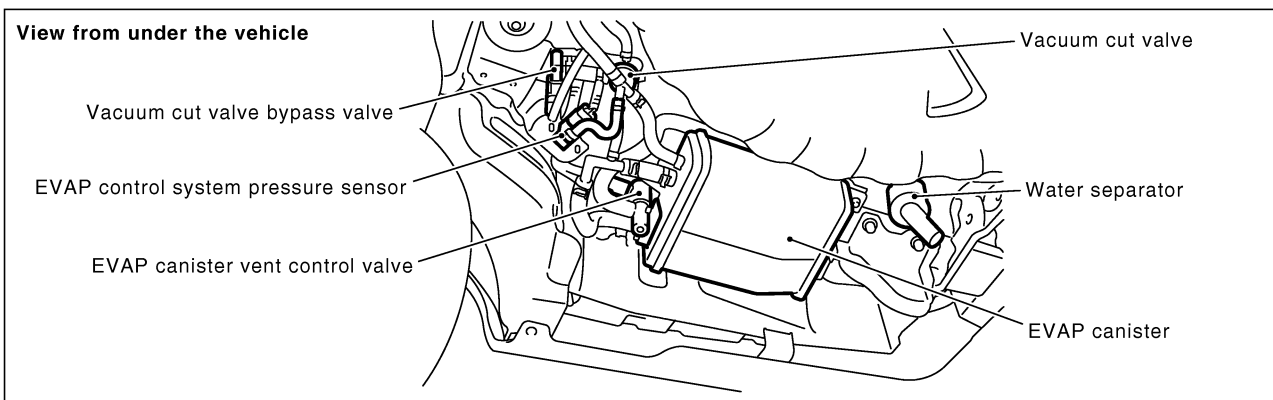
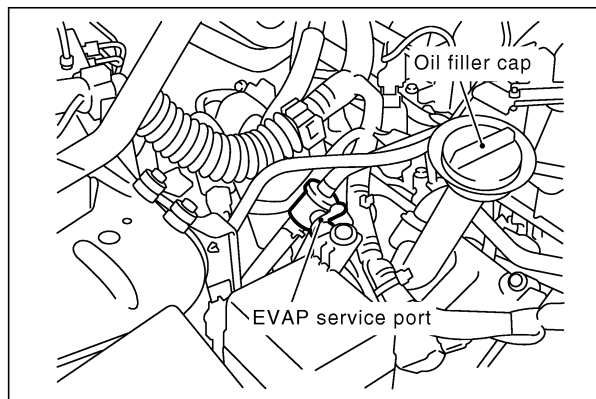
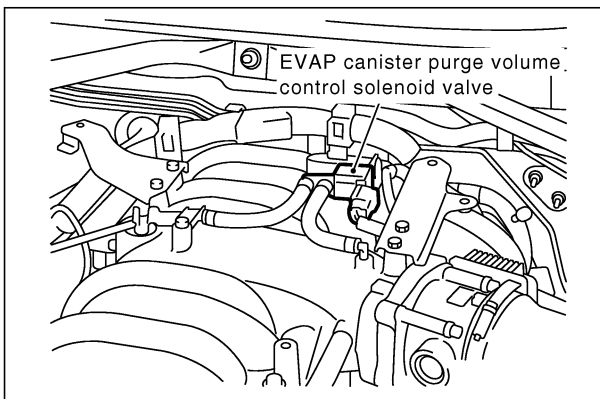
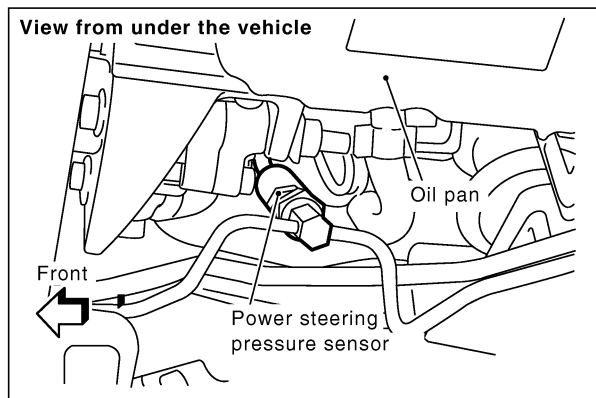
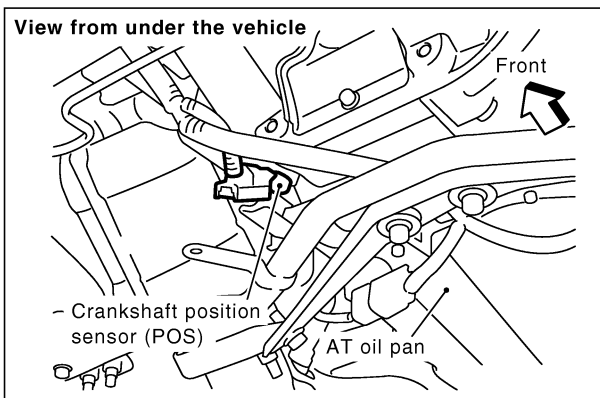
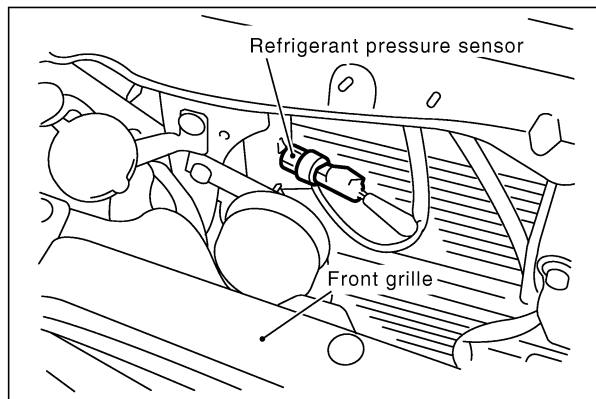
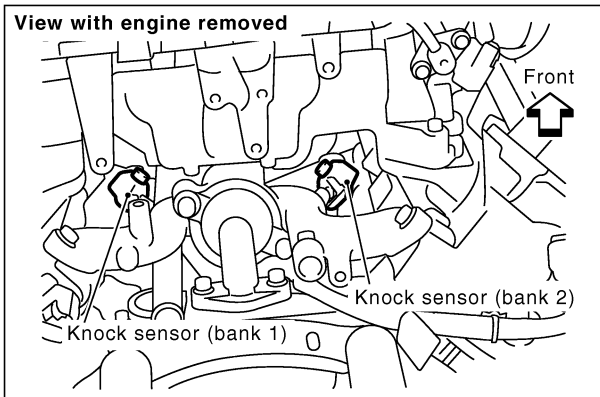
TROUBLE DIAGNOSIS



PBIB2413E

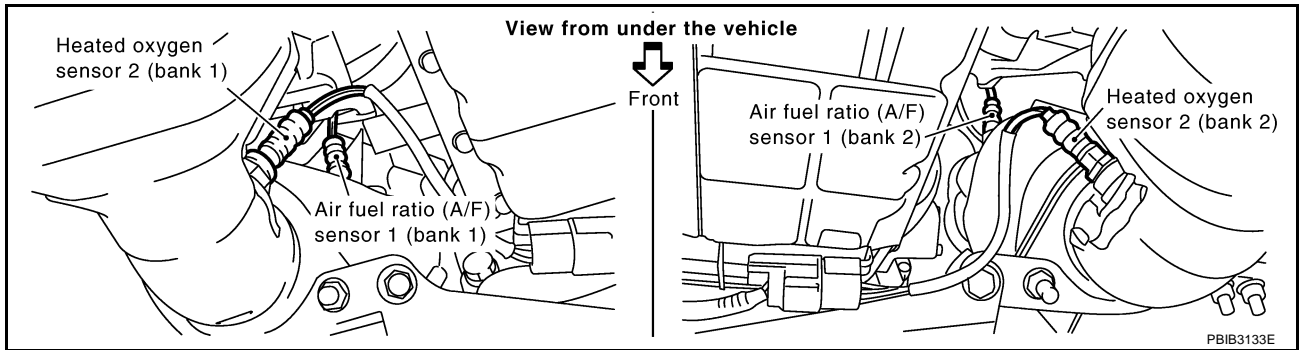
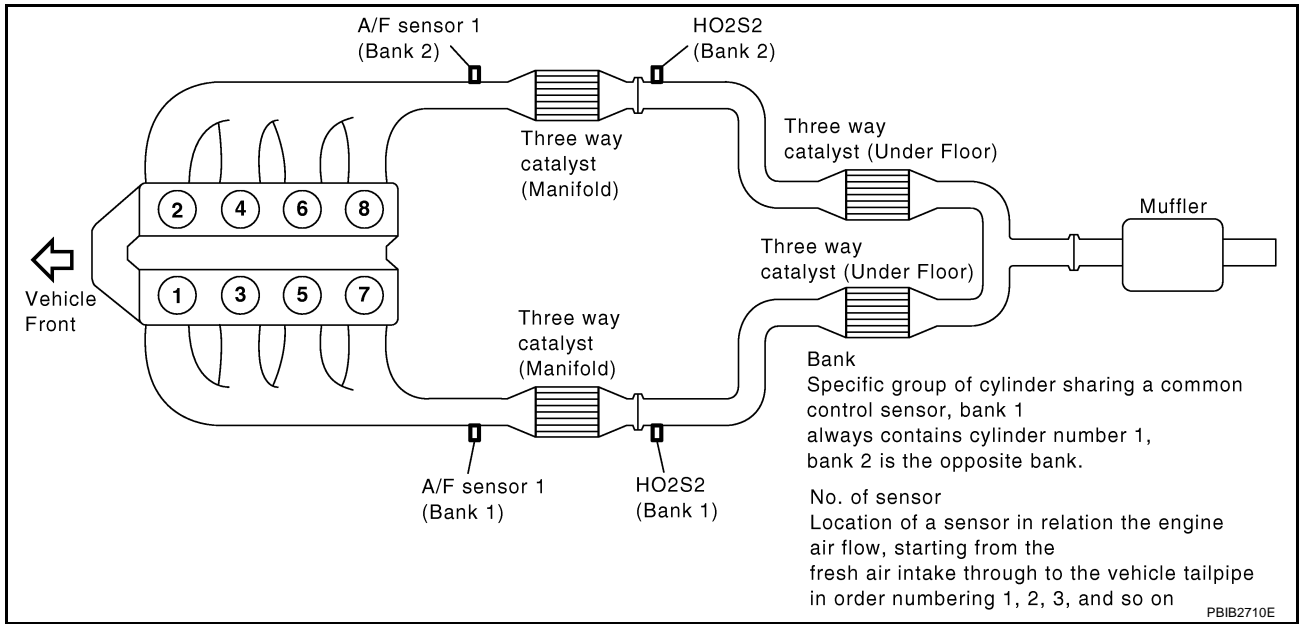
A
EC
C
D
E
F
G
H
I
J
K
L
M

TROUBLE DIAGNOSIS



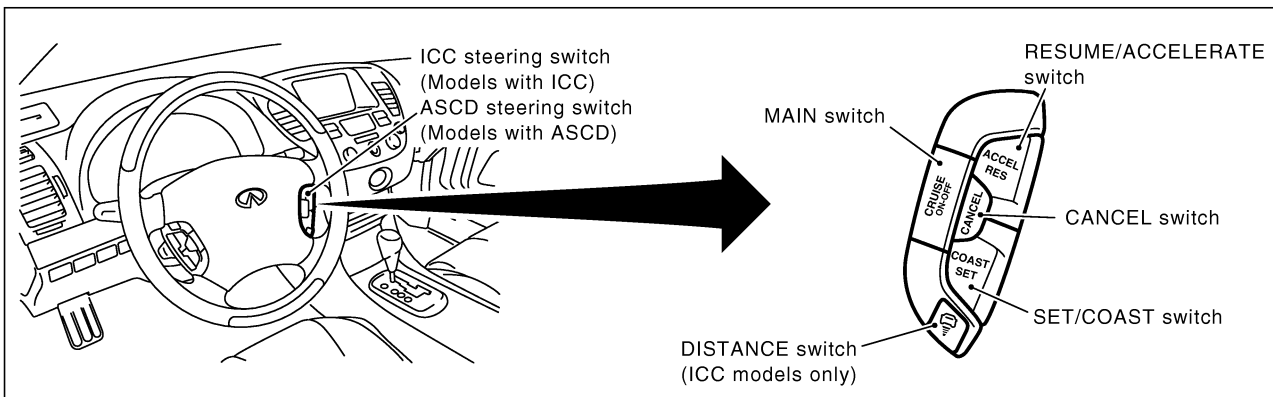
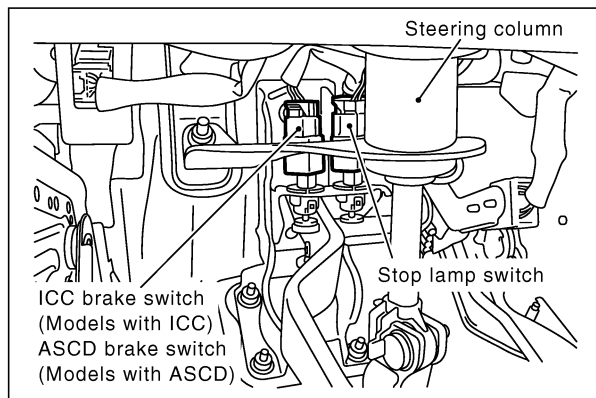
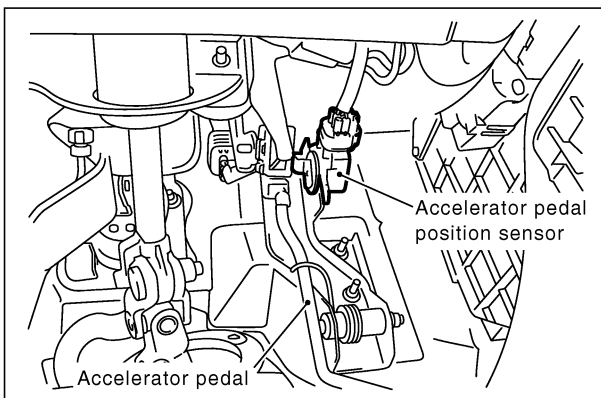
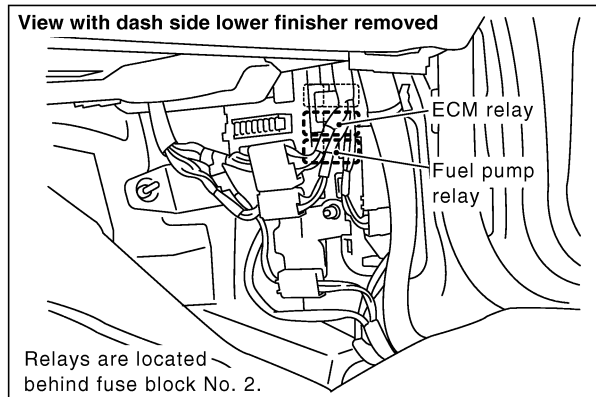
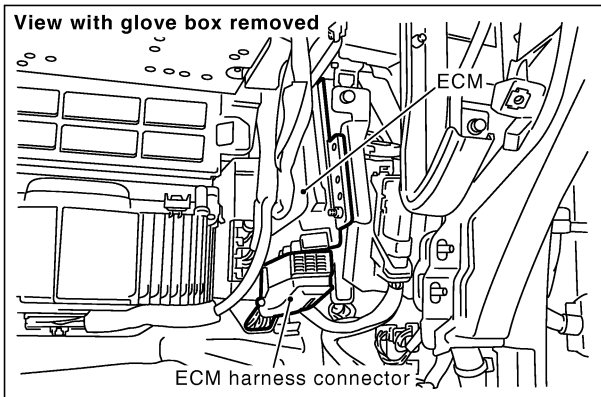
PBIB3132E

TROUBLE DIAGNOSIS

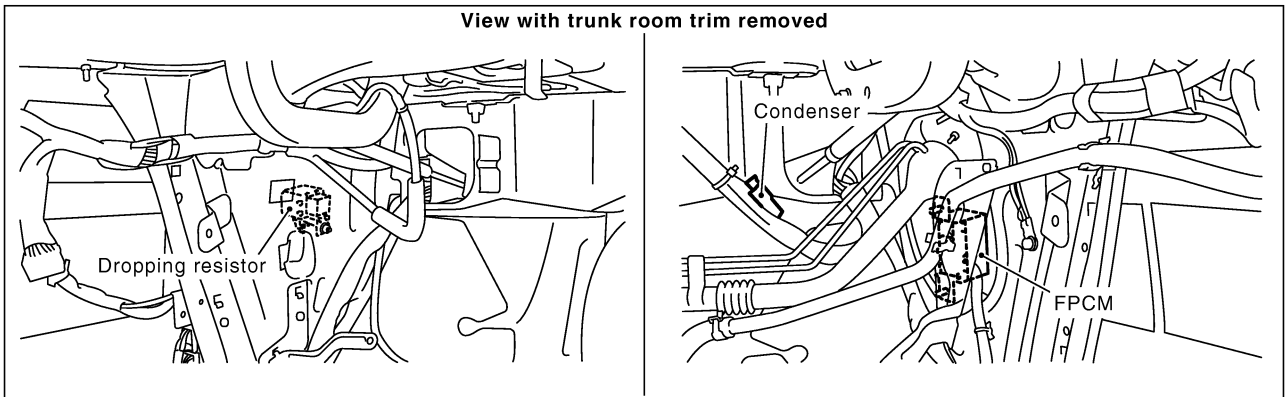
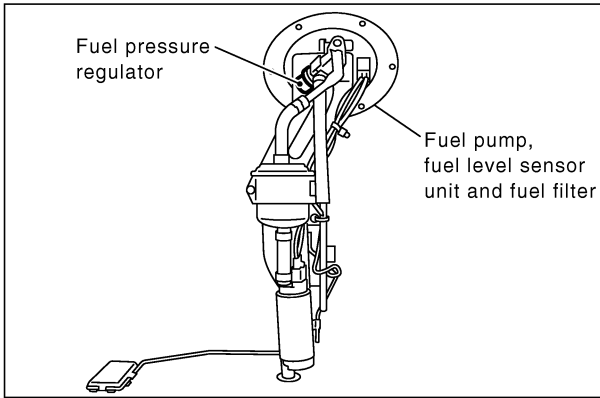
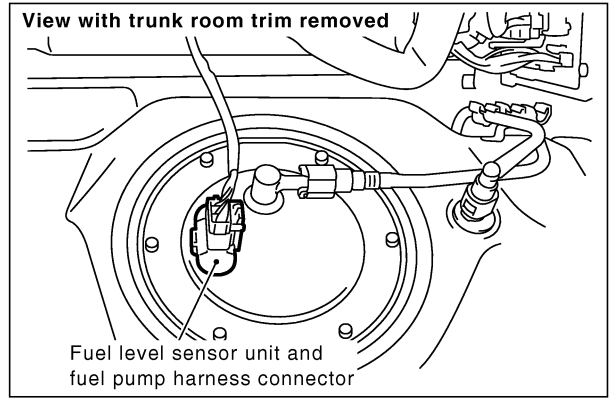
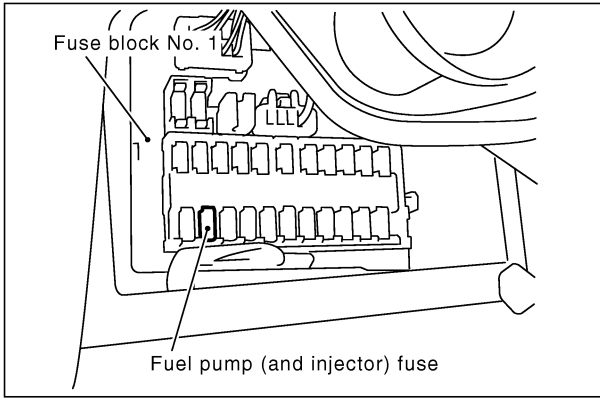


A
EC
C
D
E
F
G
H
I
J
K
L
M

TROUBLE DIAGNOSIS



TROUBLE DIAGNOSIS



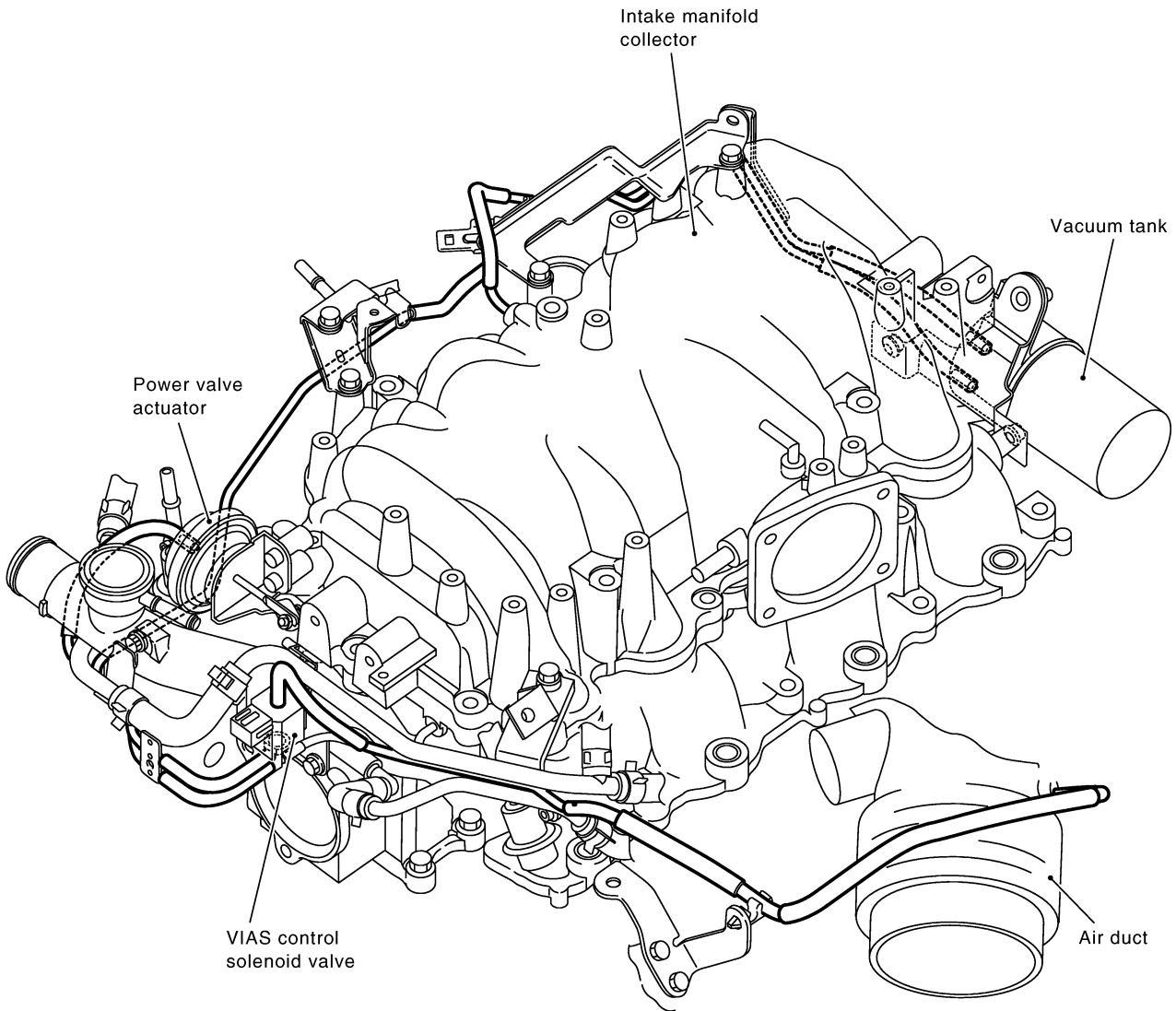
A
EC
C
D
E
F
G
H
I
J
K
L
M

PBIB2416E

TROUBLE DIAGNOSIS

Vacuum Hose Drawing

NBS001R4



NOTE:
Do not use soapy water or any type of solvent
while installing vacuum hoses or purge hoses.

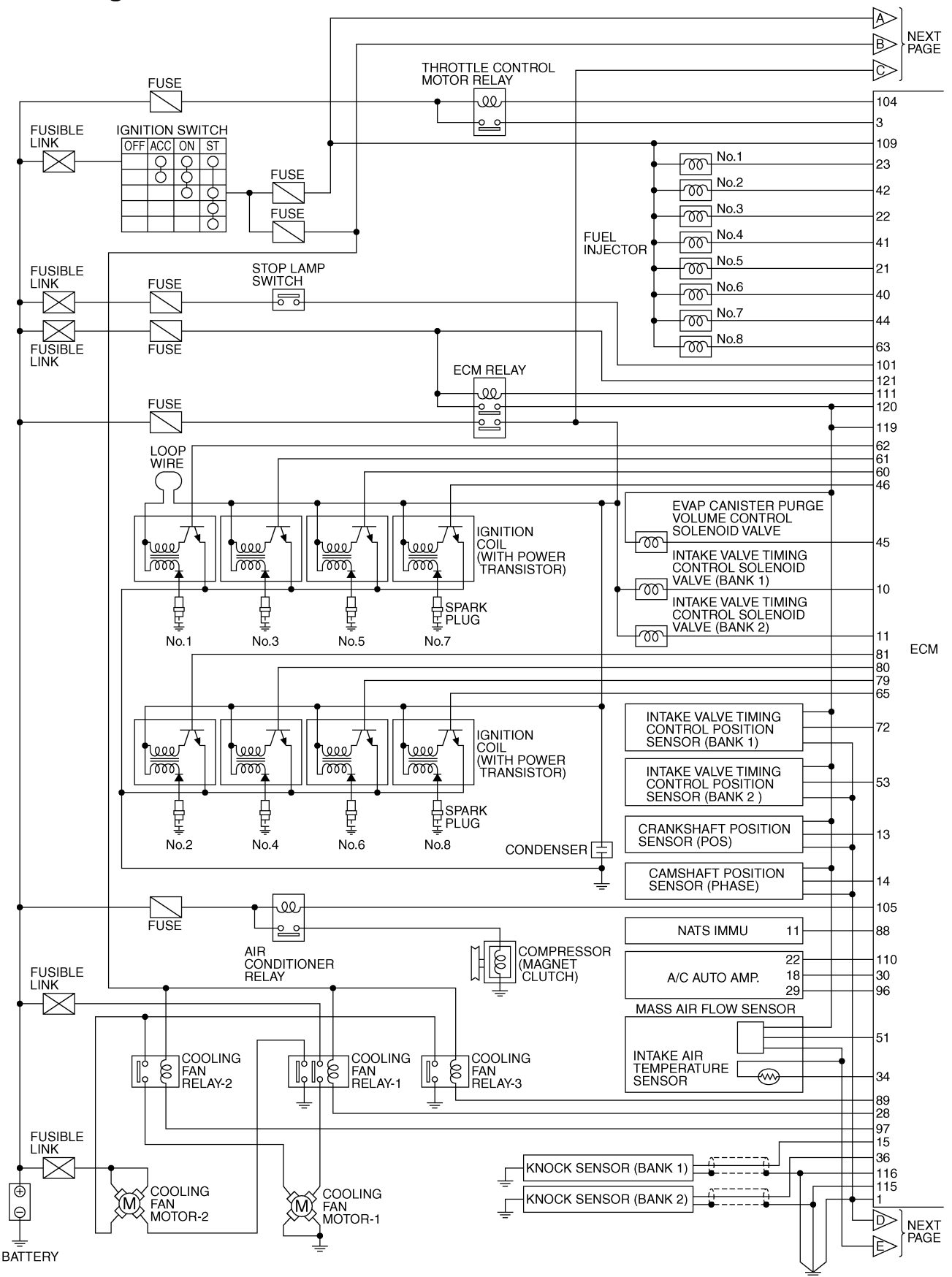
Refer to [EC-23](#) for Vacuum Control System.

PBIB1143E

TROUBLE DIAGNOSIS

Circuit Diagram

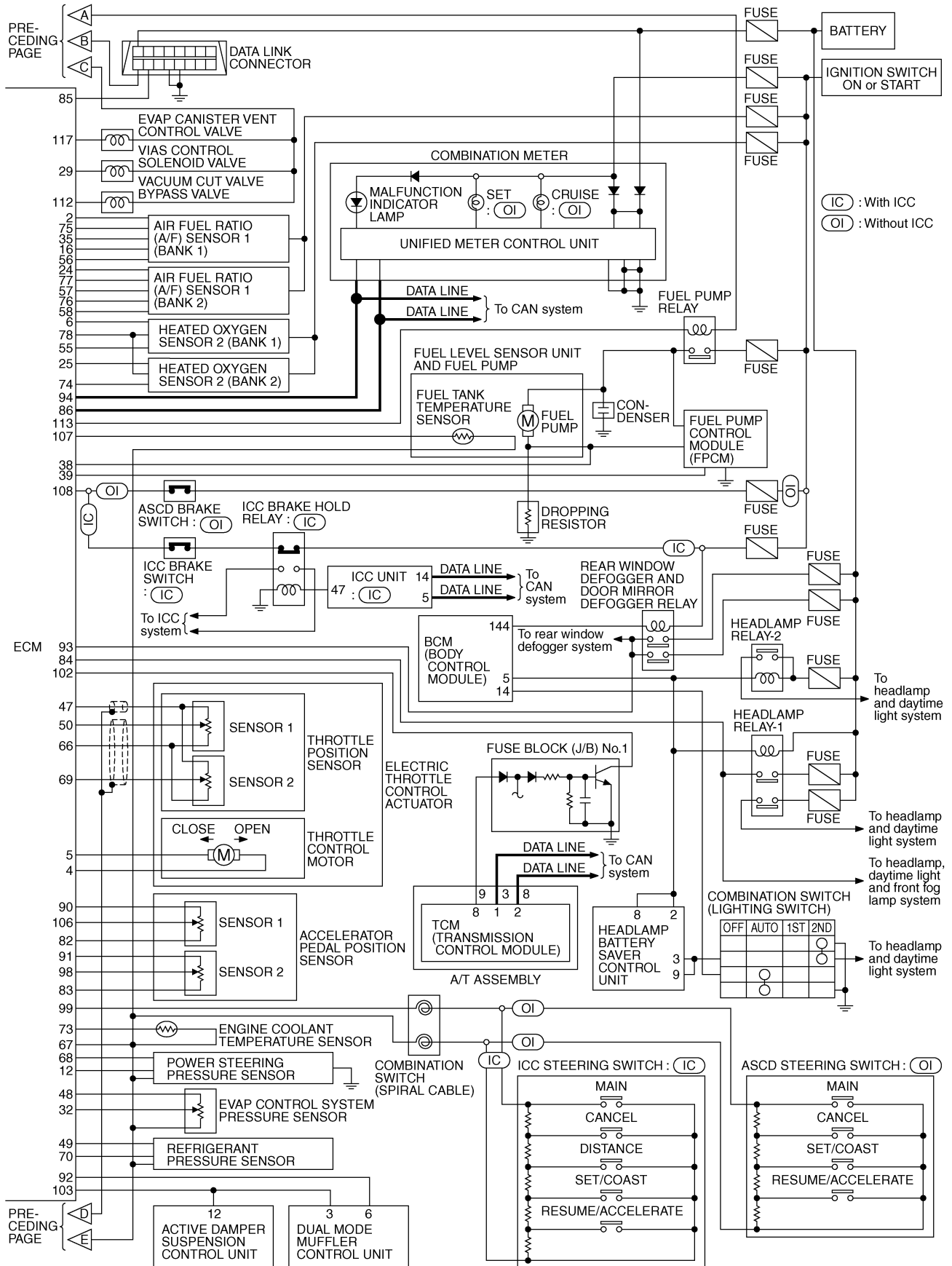
NBS001R5



A
EC
C
D
E
F
G
H
I
J
K
L
M

TBWM1214E

TROUBLE DIAGNOSIS

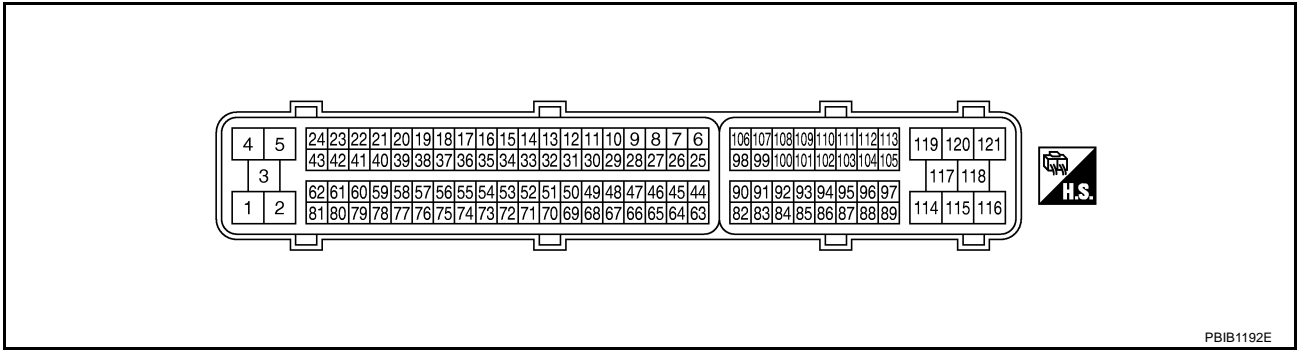


TBWM1215E

TROUBLE DIAGNOSIS

ECM Harness Connector Terminal Layout

NBS001R6

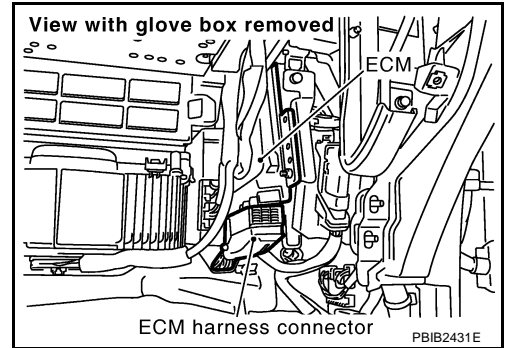


PBIB1192E

ECM Terminals and Reference Value PREPARATION

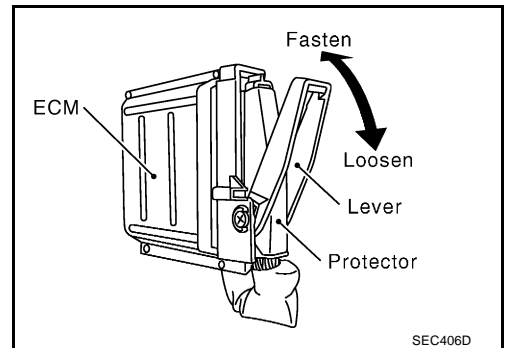
NBS001R7

1. ECM is located behind the glove box. For this inspection, remove glove box.
2. Remove ECM harness connector.



PBIB2431E

3. When disconnecting ECM harness connector, loosen it with levers as far as they will go as shown at right.
4. Connect a break-out box (SST) and Y-cable adapter (SST) between the ECM and ECM harness connector.
 - Use extreme care not to touch 2 pins at one time.
 - Data is for comparison and may not be exact.



SEC406D

ECM INSPECTION TABLE

Specification data are reference values and are measured between each terminal and ground. Pulse signal is measured by CONSULT-II.

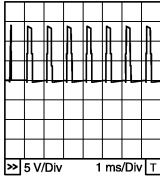
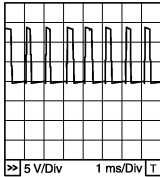
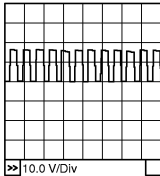
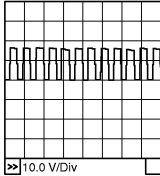
CAUTION:

Do not use ECM ground terminals when measuring input/output voltage. Doing so may result in damage to the ECMs transistor. Use a ground other than ECM terminals, such as the ground.

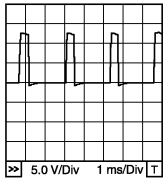
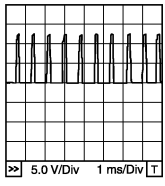
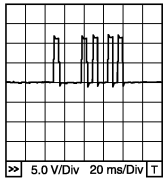
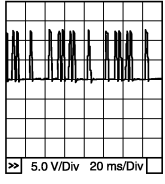
TER-MINAL NO.	WIRE COLOR	ITEM	CONDITION	DATA (DC Voltage)
1	B	ECM ground	[Engine is running] ● Idle speed	Body ground
2	OR	A/F sensor 1 heater (bank 1)	[Engine is running] ● Warm-up condition ● Idle speed	Approximately 5V★ 10.0V/Div 10 ms/Div

PBIB1584E

TROUBLE DIAGNOSIS

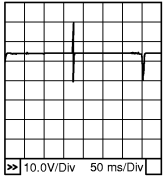
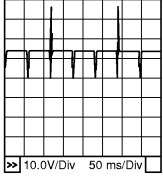
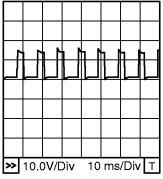
TER-MINAL NO.	WIRE COLOR	ITEM	CONDITION	DATA (DC Voltage)
3	L	Throttle control motor relay power supply	[Ignition switch: ON]	BATTERY VOLTAGE (11 - 14V)
4	L/W	Throttle control motor (Close)	[Ignition switch: ON] <ul style="list-style-type: none"> ● Engine stopped ● Selector lever: D ● Accelerator pedal: Fully released 	0 - 14V★  <small>PBIB1104E</small>
5	L/B	Throttle control motor (Open)	[Ignition switch: ON] <ul style="list-style-type: none"> ● Engine stopped ● Selector lever: D ● Accelerator pedal: Fully depressed 	0 - 14V★  <small>PBIB1105E</small>
6	GY	Heated oxygen sensor 2 heater (bank 1)	[Engine is running] <ul style="list-style-type: none"> ● Engine speed: Below 3,600 rpm after the following conditions are met <ul style="list-style-type: none"> - Engine: After warming up - Keeping the engine speed between 3,500 and 4,000 rpm for 1 minute and at idle for 1 minute under no load 	0 - 1.0V
			[Ignition switch: ON] <ul style="list-style-type: none"> ● Engine stopped [Engine is running] <ul style="list-style-type: none"> ● Engine speed: Above 3,600 rpm 	BATTERY VOLTAGE (11 - 14V)
10	P	Intake valve timing control solenoid valve (bank 1)	[Engine is running] <ul style="list-style-type: none"> ● Warm-up condition ● Idle speed 	BATTERY VOLTAGE (11 - 14V)
			[Engine is running] <ul style="list-style-type: none"> ● Warm-up condition ● Engine speed: 2,000rpm 	7 - 12V★  <small>PBIB1790E</small>
11	W/B	Intake valve timing control solenoid valve (bank 2)	[Engine is running] <ul style="list-style-type: none"> ● Warm-up condition ● Idle speed 	BATTERY VOLTAGE (11 - 14V)
			[Engine is running] <ul style="list-style-type: none"> ● Warm-up condition ● Engine speed: 2,000rpm 	7 - 12V★  <small>PBIB1790E</small>

TROUBLE DIAGNOSIS

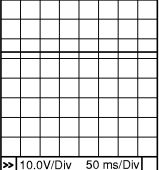
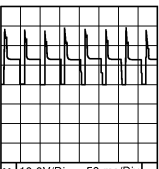
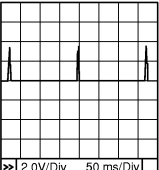
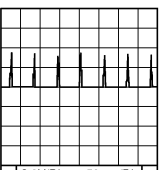
TER-MINAL NO.	WIRE COLOR	ITEM	CONDITION	DATA (DC Voltage)
12	R	Power steering pressure sensor	[Engine is running] ● Steering wheel: Being turned	0.5 - 4.5V
			[Engine is running] ● Steering wheel: Not being turned	0.4 - 0.8V
13	P/L	Crankshaft position sensor (POS)	[Engine is running] ● Warm-up condition ● Idle speed NOTE: The pulse cycle changes depending on rpm at idle	1.0 - 2.0V★  PBIB1041E
			[Engine is running] ● Engine speed: 2,000 rpm	1.0 - 2.0V★  PBIB1042E
14	L/W	Camshaft position sensor (PHASE)	[Engine is running] ● Warm-up condition ● Idle speed NOTE: The pulse cycle changes depending on rpm at idle	1.0 - 4.0V★  PBIB1039E
			[Engine is running] ● Engine speed: 2,000 rpm	1.0 - 4.0V★  PBIB1040E
15	W	Knock sensor (bank 1)	[Engine is running] ● Idle speed	Approximately 2.5V
16	W	A/F sensor 1 (bank 1)	[Engine is running] ● Warm-up condition ● Idle speed	Approximately 3.1V
35	R			Approximately 2.6V
56	R/L			Approximately 2.3V
75	BR			Approximately 2.3V

A
EC
C
D
E
F
G
H
I
J
K
L
M

TROUBLE DIAGNOSIS

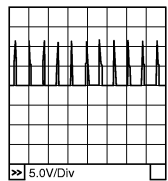
TER-MINAL NO.	WIRE COLOR	ITEM	CONDITION	DATA (DC Voltage)
21 22 23 40 41 42 44 63	W/B Y R/L BR G B/R BR L	Fuel injector No. 5 Fuel injector No. 3 Fuel injector No. 1 Fuel injector No. 6 Fuel injector No. 4 Fuel injector No. 2 Fuel injector No. 7 Fuel injector No. 8	[Engine is running] <ul style="list-style-type: none"> ● Warm-up condition ● Idle speed NOTE: The pulse cycle changes depending on rpm at idle	BATTERY VOLTAGE (11 - 14V)★  PBIB0042E
			[Engine is running] <ul style="list-style-type: none"> ● Warm-up condition ● Engine speed: 2,000 rpm 	BATTERY VOLTAGE (11 - 14V)★  PBIB0043E
24	SB	A/F sensor 1 heater (bank 2)	[Engine is running] <ul style="list-style-type: none"> ● Warm-up condition ● Idle speed 	Approximately 5V★  PBIB1584E
25	G	Heated oxygen sensor 2 heater (bank 2)	[Engine is running] <ul style="list-style-type: none"> ● Engine speed: Below 3,600 rpm after the following conditions are met <ul style="list-style-type: none"> - Engine: After warming up - Keeping the engine speed between 3,500 and 4,000 rpm for 1 minute and at idle for 1 minute under no load 	0 - 1.0V
			[Ignition switch: ON] <ul style="list-style-type: none"> ● Engine stopped [Engine is running] <ul style="list-style-type: none"> ● Engine speed: Above 3,600 rpm 	BATTERY VOLTAGE (11 - 14V)
28	LG	Cooling fan relay-1 (Middle)	[Engine is running] <ul style="list-style-type: none"> ● Cooling fan: Not operating 	BATTERY VOLTAGE (11 - 14V)
			[Engine is running] <ul style="list-style-type: none"> ● Cooling fan: Middle speed or high speed operating 	0 - 1.0V
29	PU	VIAS control solenoid valve	[Engine is running] <ul style="list-style-type: none"> ● Selector lever: P or N 	0 - 1.0V
			[Engine is running] <ul style="list-style-type: none"> ● Selector lever: D ● Engine speed: Below 5,000 rpm 	BATTERY VOLTAGE (11 - 14V)
			[Engine is running] <ul style="list-style-type: none"> ● Engine speed: Above 5,000 rpm 	0 - 1.0V
32	G	EVAP control system pressure sensor	[Ignition switch: ON]	Approximately 1.8 - 4.8V

TROUBLE DIAGNOSIS

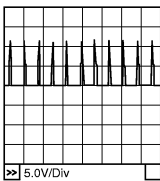
TER-MINAL NO.	WIRE COLOR	ITEM	CONDITION	DATA (DC Voltage)
34	L	Intake air temperature sensor	[Engine is running]	Approximately 0 - 4.8V Output voltage varies with intake air temperature.
36	W	Knock sensor (bank 2)	[Engine is running] ● Idle speed	Approximately 2.5V
38	G/R	Fuel pump control module (FPCM) check	[When cranking engine]	Approximately 0V
			[Engine is running] ● Warm-up condition ● Idle speed	4 - 6V
39	B/R	Fuel pump control module (FPCM)	[When cranking engine]	0 - 0.5V
			[Engine is running] ● Warm-up condition ● Idle speed	8 - 12V
45	L/Y	EVAP canister purge volume control solenoid valve	[Engine is running] ● Idle speed	BATTERY VOLTAGE (11 - 14V)★  10.0V/Div 50 ms/Div PBIB0050E
			[Engine is running] ● Engine speed: About 2,000 rpm (More than 100 seconds after starting engine)	11 - 14V★  10.0V/Div 50 ms/Div PBIB0051E
46 60 61 62 65 79 80 81	L/R GY/R GY Y/R G/R PU/W W/R W/G	Ignition signal No. 7 Ignition signal No. 5 Ignition signal No. 3 Ignition signal No. 1 Ignition signal No. 8 Ignition signal No. 6 Ignition signal No. 4 Ignition signal No. 2	[Engine is running] ● Warm-up condition ● Idle speed NOTE: The pulse cycle changes depending on rpm at idle	0 - 0.2V★  2.0V/Div 50 ms/Div PBIB0044E
			[Engine is running] ● Warm-up condition ● Engine speed: 2,000 rpm	0.1 - 0.4V★  2.0V/Div 50 ms/Div PBIB0045E
47	L/W	Sensor power supply (Throttle position sensor)	[Ignition switch: ON]	Approximately 5V
48	R	Sensor power supply (EVAP control system pressure sensor)	[Ignition switch: ON]	Approximately 5V

A
EC
C
D
E
F
G
H
I
J
K
L
M

TROUBLE DIAGNOSIS

TER-MINAL NO.	WIRE COLOR	ITEM	CONDITION	DATA (DC Voltage)
49	L	Sensor power supply (Refrigerant pressure sensor)	[Ignition switch: ON]	Approximately 5V
50	B	Throttle position sensor 1	[Ignition switch: ON] <ul style="list-style-type: none"> ● Engine stopped ● Selector lever: D ● Accelerator pedal: Fully released 	More than 0.36V
			[Ignition switch: ON] <ul style="list-style-type: none"> ● Engine stopped ● Selector lever: D ● Accelerator pedal: Fully depressed 	Less than 4.75V
51	B/Y	Mass air flow sensor	[Engine is running] <ul style="list-style-type: none"> ● Warm-up condition ● Idle speed 	1.0 - 1.2V
			[Engine is running] <ul style="list-style-type: none"> ● Warm-up condition ● Engine speed: 2,500 rpm 	1.6 - 1.9V
53	W	Intake valve timing control position sensor (bank 2)	[Engine is running] <ul style="list-style-type: none"> ● Warm-up condition ● Idle speed 	0 - 1.0V
			[Engine is running] <ul style="list-style-type: none"> ● Engine speed: 2,000 rpm 	0 - 1.0V★  <small>PBIB2046E</small>
55	PU	Heated oxygen sensor 2 (bank 1)	[Engine is running] <ul style="list-style-type: none"> ● Revving engine from idle to 3,000 rpm quickly after the following conditions are met <ul style="list-style-type: none"> - Engine: After warming up - After keeping the engine speed between 3,500 and 4,000 rpm for 1 minute and at idle for 1 minute under no load 	0 - Approximately 1.0V
57	G/Y	A/F sensor 1 (bank 2)	[Engine is running] <ul style="list-style-type: none"> ● Warm-up condition ● Idle speed 	Approximately 2.6V
58	G			Approximately 2.3V
76	L/W			Approximately 3.1V
77	GY			Approximately 2.3V
66	R	Sensor ground (Throttle position sensor)	[Engine is running] <ul style="list-style-type: none"> ● Warm-up condition ● Idle speed 	Approximately 0V
67	B	Sensor ground (MAF sensor, IAT sensor, ECT sensor, FTT sensor, EVAP control system pressure sensor, PSP sensor, ICC steering switch, ASCD steering switch, Refrigerant pressure sensor)	[Engine is running] <ul style="list-style-type: none"> ● Warm-up condition ● Idle speed 	Approximately 0V

TROUBLE DIAGNOSIS

TERMINAL NO.	WIRE COLOR	ITEM	CONDITION	DATA (DC Voltage)	
68	L	Sensor power supply (Power steering pressure sensor)	[Ignition switch: ON]	Approximately 5V	A EC
69	W	Throttle position sensor 2	[Ignition switch: ON] ● Engine stopped ● Selector lever: D ● Accelerator pedal: Fully released	Less than 4.75V	C
			[Ignition switch: ON] ● Engine stopped ● Selector lever: D ● Accelerator pedal: Fully depressed	More than 0.36V	D E
70	P	Refrigerant pressure sensor	[Engine is running] ● Warm-up condition ● Both A/C switch and blower fan motor switch: ON (Compressor operates)	1.0 - 4.0V	F
72	W	Intake valve timing control position sensor (bank 1)	[Engine is running] ● Warm-up condition ● Idle speed	0 - 1.0V	G
			[Engine is running] ● Engine speed: 2,000rpm	0 - 1.0V★  PBIB2046E	H I J
73	Y/B	Engine coolant temperature sensor	[Engine is running]	Approximately 0 - 4.8V Output voltage varies with engine coolant temperature.	K
74	B	Heated oxygen sensor 2 (bank 2)	[Engine is running] ● Revving engine from idle to 3,000 rpm quickly after the following conditions are met – Engine: After warming up – After keeping the engine speed between 3,500 and 4,000 rpm for 1 minute and at idle for 1 minute under no load	0 - Approximately 1.0V	L M
78	OR	Sensor ground (Heated oxygen sensor 2)	[Engine is running] ● Warm-up condition ● Idle speed	Approximately 0V	
82	L	Sensor ground (APP sensor 1)	[Engine is running] ● Warm-up condition ● Idle speed	Approximately 0V	
83	L	Sensor ground (APP sensor 2)	[Engine is running] ● Warm-up condition ● Idle speed	Approximately 0V	
84	Y/B	Electrical load signal (Headlamp switch)	[Ignition switch: ON] ● Lighting switch: 2nd position	BATTERY VOLTAGE (11 - 14V)	
			[Ignition switch: ON] ● Lighting switch: OFF	Approximately 0V	

TROUBLE DIAGNOSIS

TER-MINAL NO.	WIRE COLOR	ITEM	CONDITION	DATA (DC Voltage)
85	PU	Data link connector	[Ignition switch: ON] ● CONSULT-II or GST: Disconnected	Approximately 5V - Battery voltage (11 - 14V)
86	P	CAN communication line	[Ignition switch: ON]	Approximately 1.1 - 2.3V Output voltage varies with the communication status.
89	SB	Cooling fan relay -3(High)	[Engine is running] ● Cooling fan: Not operating	BATTERY VOLTAGE (11 - 14V)
			[Engine is running] ● Cooling fan: High speed operating	0 - 1.0V
90	R	Sensor power supply (APP sensor 1)	[Ignition switch: ON]	Approximately 5V
91	B	Sensor power supply (APP sensor 2)	[Ignition switch: ON]	Approximately 5V
93	L/R	Electrical load signal (Rear window defogger switch)	[Ignition switch: ON] ● Rear window defogger switch: ON	BATTERY VOLTAGE (11 - 14V)
			[Ignition switch: ON] ● Rear window defogger switch: OFF	Approximately 0V
94	L	CAN communication line	[Ignition switch: ON]	Approximately 2.6 - 3.2V Output voltage varies with the communication status.
96	SB	Heater fan switch	[Engine is running] ● Heater fan switch: ON	Approximately 0V
			[Engine is running] ● Heater fan switch: OFF	BATTERY VOLTAGE (11 - 14V)
97	L/OR	Cooling fan relay-2 (Low)	[Engine is running] ● Cooling fan: Not operating	BATTERY VOLTAGE (11 - 14V)
			[Engine is running] ● Cooling fan: Low speed operating	0 - 1.0V
98	R	Accelerator pedal position sensor 2	[Ignition switch: ON] ● Engine stopped ● Accelerator pedal: Fully released	0.15 - 0.60V
			[Ignition switch: ON] ● Engine stopped ● Accelerator pedal: Fully depressed	1.95 - 2.40V
99	G/OR	ICC steering switch (models with ICC system)	[Ignition switch: ON] ● ICC steering switch: OFF	Approximately 4.3V
			[Ignition switch: ON] ● MAIN switch: Pressed	Approximately 0V
			[Ignition switch: ON] ● CANCEL switch: Pressed	Approximately 1.3V
			[Ignition switch: ON] ● RESUME/ACCELERATE switch: Pressed	Approximately 3.7V
			[Ignition switch: ON] ● SET/COAST switch: Pressed	Approximately 3V
			[Ignition switch: ON] ● DISTANCE switch: Pressed	Approximately 2.2V

TROUBLE DIAGNOSIS

TER-MINAL NO.	WIRE COLOR	ITEM	CONDITION	DATA (DC Voltage)	
99	G/OR	ASCD steering switch (models with ASCD system)	[Ignition switch: ON] ● ASCD steering switch: OFF	Approximately 4V	A
			[Ignition switch: ON] ● MAIN switch: Pressed	Approximately 0V	EC
			[Ignition switch: ON] ● CANCEL switch: Pressed	Approximately 1V	C
			[Ignition switch: ON] ● RESUME/ACCELERATE switch: Pressed	Approximately 3V	D
			[Ignition switch: ON] ● SET/COAST switch: Pressed	Approximately 2V	E
101	R/W	Stop lamp switch	[Ignition switch: OFF] ● Brake pedal: Fully released	Approximately 0V	
			[Ignition switch: OFF] ● Brake pedal: Slightly depressed	BATTERY VOLTAGE (11 - 14V)	F
102	GY/R	PNP switch	[Ignition switch: ON] ● Selector lever: P or N	Approximately 0V	G
			[Ignition switch: ON] ● Selector lever: Except above	BATTERY VOLTAGE (11 - 14V)	H
104	OR	Throttle control motor relay	[Ignition switch: OFF]	BATTERY VOLTAGE (11 - 14V)	
			[Ignition switch: ON]	0 - 1.0V	I
106	W	Accelerator pedal position sensor 1	[Ignition switch: ON] ● Engine stopped ● Accelerator pedal: Fully released	0.5 - 1.0V	J
			[Ignition switch: ON] ● Engine stopped ● Accelerator pedal: Fully depressed	3.9 - 4.7V	K
107	PU/W	Fuel tank temperature sensor	[Engine is running]	Approximately 0 - 4.8V Output voltage varies with fuel tank temperature.	L
108	Y/PU	ICC brake switch (models with ICC system) ASCD brake switch (models with ASCD system)	[Ignition switch: ON] ● Brake pedal: Slightly depressed	Approximately 0V	
			[Ignition switch: ON] ● Brake pedal: Fully released	BATTERY VOLTAGE (11 - 14V)	M
109	W/G	Ignition switch	[Ignition switch: OFF]	0V	
			[Ignition switch: ON]	BATTERY VOLTAGE (11 - 14V)	
110	Y	Air conditioner switch	[Engine is running] ● Both air conditioner switch and blower fan motor switch: ON (Compressor operates)	Approximately 0V	
			[Engine is running] ● Air conditioner switch: OFF	Approximately 5V	

TROUBLE DIAGNOSIS

TER-MINAL NO.	WIRE COLOR	ITEM	CONDITION	DATA (DC Voltage)
111	W/B	ECM relay (Self shut-off)	[Engine is running] [Ignition switch: OFF] <ul style="list-style-type: none"> ● For a few seconds after turning ignition switch OFF 	0 - 1.5V
			[Ignition switch: OFF] <ul style="list-style-type: none"> ● More than a few seconds after turning ignition switch OFF 	BATTERY VOLTAGE (11 - 14V)
112	G/Y	Vacuum cut valve bypass valve	[Ignition switch: ON]	BATTERY VOLTAGE (11 - 14V)
113	GY	Fuel pump relay	[Ignition switch: ON] <ul style="list-style-type: none"> ● For 5 seconds after turning ignition switch ON 	0 - 1.5V
			[Engine is running] [Ignition switch: ON] <ul style="list-style-type: none"> ● More than 5 seconds after turning ignition switch ON 	BATTERY VOLTAGE (11 - 14V)
115 116	B B	ECM ground	[Engine is running] <ul style="list-style-type: none"> ● Idle speed 	Body ground
117	L/Y	EVAP canister vent control valve	[Ignition switch: ON]	BATTERY VOLTAGE (11 - 14V)
119 120	R R	Power supply for ECM	[Ignition switch: ON]	BATTERY VOLTAGE (11 - 14V)
121	W	Power supply for ECM (Back-up)	[Ignition switch: OFF]	BATTERY VOLTAGE (11 - 14V)

★: Average voltage for pulse signal (Actual pulse signal can be confirmed by oscilloscope.)

TROUBLE DIAGNOSIS

CONSULT-II Function (ENGINE) FUNCTION

NBS001R8

Diagnostic test mode	Function
Work support	This mode enables a technician to adjust some devices faster and more accurately by following the indications on the CONSULT-II unit.
Self-diagnostic results	Self-diagnostic results such as 1st trip DTC, DTCs and 1st trip freeze frame data or freeze frame data can be read and erased quickly.*
Data monitor	Input/Output data in the ECM can be read.
Data monitor (SPEC)	Input/Output of the specification for Basic fuel schedule, AFM, A/F feedback control value and the other data monitor items can be read.
CAN diagnostic support monitor	The results of transmit/receive diagnosis of CAN communication can be read.
Active test	Diagnostic Test Mode in which CONSULT-II drives some actuators apart from the ECMs and also shifts some parameters in a specified range.
DTC & SRT confirmation	The status of system monitoring tests and the self-diagnosis status/result can be confirmed.
Function test	This mode is used to inform customers when their vehicle condition requires periodic maintenance.
ECM part number	ECM part number can be read.

*: The following emission-related diagnostic information is cleared when the ECM memory is erased.

- Diagnostic trouble codes
- 1st trip diagnostic trouble codes
- Freeze frame data
- 1st trip freeze frame data
- System readiness test (SRT) codes
- Test values

A
EC
C
D
E
F
G
H
I
J
K
L
M

TROUBLE DIAGNOSIS

ENGINE CONTROL COMPONENT PARTS/CONTROL SYSTEMS APPLICATION

Item		DIAGNOSTIC TEST MODE							
		WORK SUP-PORT	SELF-DIAGNOSTIC RESULTS		DATA MONI-TOR	DATA MONI-TOR (SPEC)	ACTIVE TEST	DTC & SRT CONFIRMATION	
			DTC*1	FREEZE FRAME DATA*2				SRT STATUS	DTC WORK SUP-PORT
ENGINE CONTROL COMPONENT PARTS INPUT	Crankshaft position sensor (POS)		×	×	×	×			
	Camshaft position sensor (PHASE)		×	×	×	×			
	Mass air flow sensor		×		×	×			
	Engine coolant temperature sensor		×	×	×	×	×		
	Air fuel ratio (A/F) sensor 1		×		×	×		×	×
	Heated oxygen sensor 2		×		×	×		×	×
	Wheel sensor		×	×	×	×			
	Accelerator pedal position sensor		×		×	×			
	Throttle position sensor		×		×	×			
	Fuel tank temperature sensor		×		×	×	×		
	EVAP control system pressure sensor		×		×	×			
	Intake air temperature sensor		×	×	×	×			
	Knock sensor		×						
	Refrigerant pressure sensor				×	×			
	Closed throttle position switch (accelerator pedal position sensor signal)				×	×			
	Air conditioner switch				×	×			
	Park/neutral position (PNP) switch		×		×	×			
	Stop lamp switch		×		×	×			
	Power steering pressure sensor		×		×	×			
	Battery voltage				×	×			
	Load signal				×	×			
	Intake valve timing control position sensor		×		×	×			
	Fuel level sensor		×		×	×			
	ICC steering switch		×		×	×			
ASCD steering switch		×		×	×				
ICC brake switch		×		×	×				
ASCD brake switch		×		×	×				

TROUBLE DIAGNOSIS

Item		DIAGNOSTIC TEST MODE							
		WORK SUP-PORT	SELF-DIAGNOSTIC RESULTS		DATA MONI-TOR	DATA MONI-TOR (SPEC)	ACTIVE TEST	DTC & SRT CONFIRMATION	
			DTC*1	FREEZE FRAME DATA*2				SRT STATUS	DTC WORK SUP-PORT
ENGINE CONTROL COMPONENT PARTS OUTPUT	Fuel injector				×	×	×		
	Power transistor (Ignition timing)				×	×	×		
	Throttle control motor relay		×		×	×			
	Throttle control motor		×						
	EVAP canister purge volume control solenoid valve		×		×	×	×		×
	FPCM		×		×	×	×		
	Air conditioner relay				×	×			
	Fuel pump relay	×			×	×	×		
	Cooling fan relay		×		×	×	×		
	Air fuel ratio (A/F) sensor 1 heater		×		×	×		×*3	
	Heated oxygen sensor 2 heater		×		×	×		×*3	
	EVAP canister vent control valve	×	×		×	×	×		
	Vacuum cut valve bypass valve	×	×		×	×	×		×
	Intake valve timing control solenoid valve		×		×	×	×		
	VIAS control solenoid valve		×		×	×	×		
Calculated load value			×	×	×				

X: Applicable

*1: This item includes 1st trip DTCs.

*2: This mode includes 1st trip freeze frame data or freeze frame data. The items appear on CONSULT-II screen in freeze frame data mode only if a 1st trip DTC or DTC is detected. For details, refer to [EC-118](#).

*3: Always "CMPLT" is displayed.

INSPECTION PROCEDURE

Refer to [GI-36, "CONSULT-II Start Procedure"](#).

WORK SUPPORT MODE

Work Item

WORK ITEM	CONDITION	USAGE
FUEL PRESSURE RELEASE	<ul style="list-style-type: none"> FUEL PUMP WILL STOP BY TOUCHING "START" DURING IDLING. CRANK A FEW TIMES AFTER ENGINE STALLS. 	When releasing fuel pressure from fuel line
IDLE AIR VOL LEARN	<ul style="list-style-type: none"> THE IDLE AIR VOLUME THAT KEEPS THE ENGINE WITHIN THE SPECIFIED RANGE IS MEMORIZED IN ECM. 	When learning the idle air volume
SELF-LEARNING CONT	<ul style="list-style-type: none"> THE COEFFICIENT OF SELF-LEARNING CONTROL MIXTURE RATIO RETURNS TO THE ORIGINAL COEFFICIENT. 	When clearing the coefficient of self-learning control value

TROUBLE DIAGNOSIS

WORK ITEM	CONDITION	USAGE
EVAP SYSTEM CLOSE	<p>OPEN THE VACUUM CUT VALVE BYPASS VALVE AND CLOSE THE EVAP CANISTER VENT CONTROL VALVE IN ORDER TO MAKE EVAP SYSTEM CLOSE UNDER THE FOLLOWING CONDITIONS.</p> <ul style="list-style-type: none"> ● IGN SW ON ● ENGINE NOT RUNNING ● AMBIENT TEMPERATURE IS ABOVE 0°C (32°F). ● NO VACUUM AND NO HIGH PRESSURE IN EVAP SYSTEM ● TANK FUEL TEMP. IS MORE THAN 0°C (32°F). ● WITHIN 10 MINUTES AFTER STARTING "EVAP SYSTEM CLOSE" ● WHEN TRYING TO EXECUTE "EVAP SYSTEM CLOSE" UNDER THE CONDITION EXCEPT ABOVE, CONSULT-II WILL DISCONTINUE IT AND DISPLAY APPROPRIATE INSTRUCTION. <p>NOTE: WHEN STARTING ENGINE, CONSULT-II MAY DISPLAY "BATTERY VOLTAGE IS LOW. CHARGE BATTERY", EVEN IN USING CHARGED BATTERY.</p>	When detecting EVAP vapor leak point of EVAP system
VIN REGISTRATION	<ul style="list-style-type: none"> ● IN THIS MODE, VIN IS REGISTERED IN ECM 	When registering VIN in ECM
TARGET IDLE RPM ADJ*	<ul style="list-style-type: none"> ● IDLE CONDITION 	When setting target idle speed
TARGET IGNITION TIMING ADJ*	<ul style="list-style-type: none"> ● IDLE CONDITION 	When adjusting target ignition timing

*: This function is not necessary in the usual service procedure.

SELF-DIAG RESULTS MODE

Self Diagnostic Item

Regarding items of DTC and 1st trip DTC, refer to [EC-48, "EMISSION-RELATED DIAGNOSTIC INFORMATION ITEMS"](#) .

Freeze Frame Data and 1st Trip Freeze Frame Data

Freeze frame data item*	Description
DIAG TROUBLE CODE [PXXXX]	<ul style="list-style-type: none"> ● The engine control component part/control system has a trouble code, it is displayed as "PXXXX". (Refer to EC-9, "INDEX FOR DTC" .)
FUEL SYS-B1	<ul style="list-style-type: none"> ● "Fuel injection system status" at the moment a malfunction is detected is displayed.
FUEL SYS-B2	<ul style="list-style-type: none"> ● One mode in the following is displayed. Mode2: Open loop due to detected system malfunction Mode3: Open loop due to driving conditions (power enrichment, deceleration enleanment) Mode4: Closed loop - using oxygen sensor(s) as feedback for fuel control Mode5: Open loop - has not yet satisfied condition to go to closed loop
CAL/LD VALUE [%]	<ul style="list-style-type: none"> ● The calculated load value at the moment a malfunction is detected is displayed.
COOLANT TEMP [°C] or [°F]	<ul style="list-style-type: none"> ● The engine coolant temperature at the moment a malfunction is detected is displayed.
L-FUEL TRM-B1 [%]	<ul style="list-style-type: none"> ● "Long-term fuel trim" at the moment a malfunction is detected is displayed.
L-FUEL TRM-B2 [%]	<ul style="list-style-type: none"> ● The long-term fuel trim indicates much more gradual feedback compensation to the base fuel schedule than short-term fuel trim.
S-FUEL TRM-B1 [%]	<ul style="list-style-type: none"> ● "Short-term fuel trim" at the moment a malfunction is detected is displayed.
S-FUEL TRM-B2 [%]	<ul style="list-style-type: none"> ● The short-term fuel trim indicates dynamic or instantaneous feedback compensation to the base fuel schedule.
ENGINE SPEED [rpm]	<ul style="list-style-type: none"> ● The engine speed at the moment a malfunction is detected is displayed.

TROUBLE DIAGNOSIS

Freeze frame data item*	Description
VEHICL SPEED [km/h] or [mph]	<ul style="list-style-type: none"> The vehicle speed at the moment a malfunction is detected is displayed.
ABSOL TH-P/S [%]	<ul style="list-style-type: none"> The throttle valve opening angle at the moment a malfunction is detected is displayed.
B/FUEL SCHDL [msec]	<ul style="list-style-type: none"> The base fuel schedule at the moment a malfunction is detected is displayed.
INT/A TEMP SE [°C] or [°F]	<ul style="list-style-type: none"> The intake air temperature at the moment a malfunction is detected is displayed.

*: The items are the same as those of 1st trip freeze frame data.

DATA MONITOR MODE

Monitored Item

×: Applicable

Monitored item [Unit]	ECM INPUT SIGNALS	MAIN SIGNALS	Description	Remarks
ENG SPEED [rpm]	×	×	<ul style="list-style-type: none"> Indicates the engine speed computed from the signals of the crankshaft position sensor (POS) and camshaft position sensor (PHASE). 	<ul style="list-style-type: none"> Accuracy becomes poor if engine speed drops below the idle rpm. If the signal is interrupted while the engine is running, an abnormal value may be indicated.
MAS A/F SE-B1 [V]	×	×	<ul style="list-style-type: none"> The signal voltage of the mass air flow sensor is displayed. 	<ul style="list-style-type: none"> When the engine is stopped, a certain value is indicated.
B/FUEL SCHDL [msec]		×	<ul style="list-style-type: none"> "Base fuel schedule" indicates the fuel injection pulse width programmed into ECM, prior to any learned on board correction. 	
A/F ALPHA-B1 [%]		×	<ul style="list-style-type: none"> The mean value of the air-fuel ratio feedback correction factor per cycle is indicated. 	<ul style="list-style-type: none"> When the engine is stopped, a certain value is indicated. This data also includes the data for the air-fuel ratio learning control.
A/F ALPHA-B2 [%]		×		
COOLAN TEMP/S [°C] or [°F]	×	×	<ul style="list-style-type: none"> The engine coolant temperature (determined by the signal voltage of the engine coolant temperature sensor) is displayed. 	<ul style="list-style-type: none"> When the engine coolant temperature sensor is open or short-circuited, ECM enters fail-safe mode. The engine coolant temperature determined by the ECM is displayed.
A/F SEN1 (B1) [V]	×	×	<ul style="list-style-type: none"> The A/F signal computed from the input signal of the air fuel ratio (A/F) sensor 1 is displayed. 	
A/F SEN1 (B2) [V]	×			
HO2S2 (B1) [V]	×		<ul style="list-style-type: none"> The signal voltage of the heated oxygen sensor 2 is displayed. 	
HO2S2 (B2) [V]	×			
HO2S2 MNTR (B1) [RICH/LEAN]	×		<ul style="list-style-type: none"> Display of heated oxygen sensor 2 signal: RICH: Means the amount of oxygen after three way catalyst is relatively small. LEAN: Means the amount of oxygen after three way catalyst is relatively large. 	<ul style="list-style-type: none"> When the engine is stopped, a certain value is indicated.
HO2S2 MNTR (B2) [RICH/LEAN]	×			
VHCL SPEED SE [km/h] or [mph]	×	×	<ul style="list-style-type: none"> The vehicle speed computed from the vehicle speed signal is displayed. 	
BATTERY VOLT [V]	×	×	<ul style="list-style-type: none"> The power supply voltage of ECM is displayed. 	
ACCEL SEN 1 [V]	×	×	<ul style="list-style-type: none"> The accelerator pedal position sensor signal voltage is displayed. 	<ul style="list-style-type: none"> ACCEL SEN 2 signal is converted by ECM internally. Thus, it differs from ECM terminal voltage signal.
ACCEL SEN 2 [V]	×			

TROUBLE DIAGNOSIS

Monitored item [Unit]	ECM INPUT SIG- NALS	MAIN SIG- NALS	Description	Remarks
THRTL SEN 1 [V]	×	×	<ul style="list-style-type: none"> The throttle position sensor signal voltage is displayed. 	<ul style="list-style-type: none"> THRTL SEN 2 signal is converted by ECM internally. Thus, it differs from ECM terminal voltage signal.
THRTL SEN 2 [V]	×			
FUEL T/TEMP SE [°C] or [°F]	×		<ul style="list-style-type: none"> The fuel temperature (determined by the signal voltage of the fuel tank temperature sensor) is displayed. 	
INT/A TEMP SE [°C] or [°F]	×	×	<ul style="list-style-type: none"> The intake air temperature (determined by the signal voltage of the intake air temperature sensor) is indicated. 	
EVAP SYS PRES [V]	×		<ul style="list-style-type: none"> The signal voltage of EVAP control system pressure sensor is displayed. 	
FPCM DR VOLT [V]			<ul style="list-style-type: none"> The voltage between fuel pump and FPCM is displayed. 	
FUEL LEVEL SE [V]	×		<ul style="list-style-type: none"> The signal voltage of the fuel level sensor is displayed. 	
START SIGNAL [ON/OFF]	×	×	<ul style="list-style-type: none"> Indicates start signal status [ON/OFF] computed by the ECM according to the signals of engine speed and battery voltage. 	<ul style="list-style-type: none"> After starting the engine, [OFF] is displayed regardless of the starter signal.
CLSD THL POS [ON/OFF]	×	×	<ul style="list-style-type: none"> Indicates idle position [ON/OFF] computed by ECM according to the accelerator pedal position sensor signal. 	
AIR COND SIG [ON/OFF]	×	×	<ul style="list-style-type: none"> Indicates [ON/OFF] condition of the air conditioner switch determined by the air conditioner signal. 	
P/N POSI SW [ON/OFF]	×	×	<ul style="list-style-type: none"> Indicates [ON/OFF] condition from the park/neutral position (PNP) switch signal. 	
PW/ST SIGNAL [ON/OFF]	×	×	<ul style="list-style-type: none"> [ON/OFF] condition of the power steering system (determined by the signal voltage of the power steering pressure sensor signal) is indicated. 	
LOAD SIGNAL [ON/OFF]	×	×	<ul style="list-style-type: none"> Indicates [ON/OFF] condition from the electrical load signal. ON: Rear window defogger switch is ON and/or lighting switch is in 2nd position. OFF: Both rear window defogger switch and lighting switch are OFF. 	
IGNITION SW [ON/OFF]	×		<ul style="list-style-type: none"> Indicates [ON/OFF] condition from ignition switch. 	
HEATER FAN SW [ON/OFF]	×		<ul style="list-style-type: none"> Indicates [ON/OFF] condition from the heater fan switch signal. 	
BRAKE SW [ON/OFF]	×		<ul style="list-style-type: none"> Indicates [ON/OFF] condition from the stop lamp switch signal. 	
INJ PULSE-B1 [msec]		×	<ul style="list-style-type: none"> Indicates the actual fuel injection pulse width compensated by ECM according to the input signals. 	<ul style="list-style-type: none"> When the engine is stopped, a certain computed value is indicated.
INJ PULSE-B2 [msec]				
IGN TIMING [BTDC]		×	<ul style="list-style-type: none"> Indicates the ignition timing computed by ECM according to the input signals. 	<ul style="list-style-type: none"> When the engine is stopped, a certain value is indicated.
CAL/LD VALUE [%]			<ul style="list-style-type: none"> "Calculated load value" indicates the value of the current airflow divided by peak airflow. 	

TROUBLE DIAGNOSIS

Monitored item [Unit]	ECM INPUT SIG- NALS	MAIN SIG- NALS	Description	Remarks	
MASS AIRFLOW [g·m/s]			<ul style="list-style-type: none"> Indicates the mass airflow computed by ECM according to the signal voltage of the mass air flow sensor. 		A EC
PURG VOL C/V [%]			<ul style="list-style-type: none"> Indicates the EVAP canister purge volume control solenoid valve control value computed by the ECM according to the input signals. The opening becomes larger as the value increases. 		C D
INT/V TIM (B1) [°CA]			<ul style="list-style-type: none"> Indicates [°CA] of intake camshaft advanced angle. 		E
INT/V TIM (B2) [°CA]					
INT/V SOL (B1) [%]			<ul style="list-style-type: none"> The control value of the intake valve timing control solenoid valve (determined by ECM according to the input signal) is indicated. The advance angle becomes larger as the value increases. 		F
INT/V SOL (B2) [%]					
VIAS S/V [ON/OFF]			<ul style="list-style-type: none"> The control condition of the VIAS control solenoid valve (determined by ECM according to the input signals) is indicated. OFF: VIAS control solenoid valve is not operating. ON: VIAS control solenoid valve is operating. 		G H
AIR COND RLY [ON/OFF]		×	<ul style="list-style-type: none"> The air conditioner relay control condition (determined by ECM according to the input signals) is indicated. 		I
FUEL PUMP RLY [ON/OFF]		×	<ul style="list-style-type: none"> Indicates the fuel pump relay control condition determined by ECM according to the input signals. 		J
FPCM [HI/LOW]		×	<ul style="list-style-type: none"> The control condition of the fuel pump control module (FPCM) (determined by the ECM according to the input signals) is indicated. 		K
VC/V BYPASS/V [ON/OFF]			<ul style="list-style-type: none"> The control condition of the vacuum cut valve bypass valve (determined by ECM according to the input signals) is indicated. ON: Open OFF: Closed 		L M
VENT CONT/V [ON/OFF]			<ul style="list-style-type: none"> The control condition of the EVAP canister vent control valve (determined by ECM according to the input signals) is indicated. ON: Closed OFF: Open 		
THRTL RELAY [ON/OFF]		×	<ul style="list-style-type: none"> Indicates the throttle control motor relay control condition determined by the ECM according to the input signals. 		
COOLING FAN [HI/MID/LOW/OFF]			<ul style="list-style-type: none"> The control condition of the cooling fan (determined by ECM according to the input signals) is indicated. HI: High speed operation MID: Middle speed operation LOW: Low speed operation OFF: Stop 		

TROUBLE DIAGNOSIS

Monitored item [Unit]	ECM INPUT SIG- NALS	MAIN SIG- NALS	Description	Remarks
HO2S2 HTR (B1) [ON/OFF]			<ul style="list-style-type: none"> Indicates [ON/OFF] condition of heated oxygen sensor 2 heater determined by ECM according to the input signals. 	
HO2S2 HTR (B2) [ON/OFF]				
I/P PULLY SPD [rpm]			<ul style="list-style-type: none"> Indicates the engine speed computed from the turbine revolution sensor signal. 	
VEHICLE SPEED [km/h] or [mph]			<ul style="list-style-type: none"> Indicates the vehicle speed computed from the revolution sensor signal. 	
IDL A/V LEARN [YET/CMPLT]			<ul style="list-style-type: none"> Display the condition of idle air volume learning. YET: Idle Air Volume Learning has not been performed yet. CMPLT: Idle Air Volume Learning has already been performed successfully. 	
TRVL AFTER MIL [km] or [mile]			<ul style="list-style-type: none"> Distance traveled while MIL is activated. 	
A/F S1 HTR (B1) [%]			<ul style="list-style-type: none"> Air fuel ratio (A/F) sensor 1 heater control value computed by ECM according to the input signals. The current flow to the heater becomes larger as the value increases. 	
A/F S1 HTR (B2) [%]				
AC PRESS SEN [V]			<ul style="list-style-type: none"> The signal voltage from the refrigerant pressure sensor is displayed. 	
VHCL SPEED SE [km/h] or [mph]			<ul style="list-style-type: none"> The vehicle speed computed from the vehicle speed signal sent from combination meter is displayed. 	
SET VHCL SPD [km/h] or [mph]			<ul style="list-style-type: none"> The preset vehicle speed is displayed. 	
MAIN SW [ON/OFF]			<ul style="list-style-type: none"> Indicates [ON/OFF] condition from MAIN switch signal. 	
CANCEL SW [ON/OFF]			<ul style="list-style-type: none"> Indicates [ON/OFF] condition from CANCEL switch signal. 	
RESUME/ACC SW [ON/OFF]			<ul style="list-style-type: none"> Indicates [ON/OFF] condition from RESUME/ACCELERATE switch signal. 	
SET SW [ON/OFF]			<ul style="list-style-type: none"> Indicates [ON/OFF] condition from SET/COAST switch signal. 	
BRAKE SW1 [ON/OFF]			<ul style="list-style-type: none"> Indicates [ON/OFF] condition from ASCD brake switch signal. 	
BRAKE SW2 [ON/OFF]			<ul style="list-style-type: none"> Indicates [ON/OFF] condition of stop lamp switch signal. 	
DIST SW [ON/OFF]			<ul style="list-style-type: none"> Indicates [ON/OFF] condition from DISTANCE switch signal. 	
VHCL SPD CUT [NON/CUT]			<ul style="list-style-type: none"> Indicates the vehicle cruise condition. NON: Vehicle speed is maintained at the ASCD set speed. CUT: Vehicle speed increased to excessively high compared with the ASCD set speed, and ASCD operation is cut off. 	

TROUBLE DIAGNOSIS

Monitored item [Unit]	ECM INPUT SIGNALS	MAIN SIGNALS	Description	Remarks
LO SPEED CUT [NON/CUT]			<ul style="list-style-type: none"> Indicates the vehicle cruise condition. NON: Vehicle speed is maintained at the ASCD set speed. CUT: Vehicle speed decreased to excessively low compared with the ASCD set speed, and ASCD operation is cut off. 	
AT OD MONITOR [ON/OFF]			<ul style="list-style-type: none"> Indicates [ON/OFF] condition of A/T O/D according to the input signal from the TCM. 	
AT OD CANCEL [ON/OFF]			<ul style="list-style-type: none"> Indicates [ON/OFF] condition of A/T O/D cancel signal sent from the TCM. 	
CRUISE LAMP [ON/OFF]			<ul style="list-style-type: none"> Indicates [ON/OFF] condition of CRUISE lamp determined by the ECM according to the input signals. 	
SET LAMP [ON/OFF]			<ul style="list-style-type: none"> Indicates [ON/OFF] condition of SET lamp determined by the ECM according to the input signals. 	
Voltage [V]			<ul style="list-style-type: none"> Voltage, frequency, duty cycle or pulse width measured by the probe. 	<ul style="list-style-type: none"> Only “#” is displayed if item is unable to be measured. Figures with “#”s are temporary ones. They are the same figures as an actual piece of data which was just previously measured.
Frequency [msec], [Hz] or [%]				
DUTY-HI				
DUTY-LOW				
PLS WIDTH-HI				
PLS WIDTH-LOW				

NOTE:

Any monitored item that does not match the vehicle being diagnosed is deleted from the display automatically.

DATA MONITOR (SPEC) MODE

Monitored Item

Monitored item [Unit]	ECM INPUT SIGNALS	MAIN SIGNALS	Description	Remarks
ENG SPEED [rpm]	×	×	<ul style="list-style-type: none"> Indicates the engine speed computed from the signals of the crankshaft position sensor (POS) and camshaft position sensor (PHASE). 	
MAS A/F SE-B1 [V]	×	×	<ul style="list-style-type: none"> The signal voltage of the mass air flow sensor specification is displayed. 	<ul style="list-style-type: none"> When engine is running specification range is indicated.
B/FUEL SCHDL [msec]		×	<ul style="list-style-type: none"> “Base fuel schedule” indicates the fuel injection pulse width programmed into ECM, prior to any learned on board correction. 	<ul style="list-style-type: none"> When engine is running specification range is indicated.
A/F ALPHA-B1 [%] A/F ALPHA-B2 [%]		×	<ul style="list-style-type: none"> The mean value of the air-fuel ratio feedback correction factor per cycle is indicated. 	<ul style="list-style-type: none"> When engine is running specification range is indicated. This data also includes the data for the air-fuel ratio learning control.

NOTE:

Any monitored item that does not match the vehicle being diagnosed is deleted from the display automatically.

TROUBLE DIAGNOSIS

ACTIVE TEST MODE

Test Item

TEST ITEM	CONDITION	JUDGEMENT	CHECK ITEM (REMEDY)
FUEL INJECTION	<ul style="list-style-type: none"> ● Engine: Return to the original trouble condition ● Change the amount of fuel injection using CONSULT-II. 	If trouble symptom disappears, see CHECK ITEM.	<ul style="list-style-type: none"> ● Harness and connectors ● Fuel injector ● Air fuel ratio (A/F) sensor 1
IGNITION TIMING	<ul style="list-style-type: none"> ● Engine: Return to the original trouble condition ● Timing light: Set ● Retard the ignition timing using CONSULT-II. 	If trouble symptom disappears, see CHECK ITEM.	<ul style="list-style-type: none"> ● Perform Idle Air Volume Learning.
POWER BALANCE	<ul style="list-style-type: none"> ● Engine: After warming up, idle the engine. ● A/C switch: OFF ● Selector lever: P or N ● Cut off each fuel injector signal one at a time using CONSULT-II. 	Engine runs rough or dies.	<ul style="list-style-type: none"> ● Harness and connectors ● Compression ● Fuel injector ● Power transistor ● Spark plug ● Ignition coil
COOLING FAN*1 *2	<ul style="list-style-type: none"> ● Ignition switch: ON ● Turn the cooling fan "HI", "MID", "LOW" and "OFF" using CONSULT-II. 	Cooling fan moves and stops.	<ul style="list-style-type: none"> ● Harness and connectors ● Cooling fan motor ● Cooling fan relay
ENG COOLANT TEMP	<ul style="list-style-type: none"> ● Engine: Return to the original trouble condition ● Change the engine coolant temperature using CONSULT-II. 	If trouble symptom disappears, see CHECK ITEM.	<ul style="list-style-type: none"> ● Harness and connectors ● Engine coolant temperature sensor ● Fuel injector
FUEL PUMP RELAY	<ul style="list-style-type: none"> ● Ignition switch: ON (Engine stopped) ● Turn the fuel pump relay "ON" and "OFF" using CONSULT-II and listen to operating sound. 	Fuel pump relay makes the operating sound.	<ul style="list-style-type: none"> ● Harness and connectors ● Fuel pump relay
VIAS SOL VALVE	<ul style="list-style-type: none"> ● Ignition switch: ON ● Turn solenoid valve "ON" and "OFF" with CONSULT-II and listen for operating sound. 	Solenoid valve makes an operating sound.	<ul style="list-style-type: none"> ● Harness and connectors ● Solenoid valve
PURG VOL CONT/V	<ul style="list-style-type: none"> ● Engine: After warming up, run engine at 1,500 rpm. ● Change the EVAP canister purge volume control solenoid valve opening percent using CONSULT-II. 	Engine speed changes according to the opening percent.	<ul style="list-style-type: none"> ● Harness and connectors ● Solenoid valve
FUEL/T TEMP SEN	<ul style="list-style-type: none"> ● Change the fuel tank temperature using CONSULT-II. 		
VENT CONTROL/V	<ul style="list-style-type: none"> ● Ignition switch: ON (Engine stopped) ● Turn solenoid valve "ON" and "OFF" with the CONSULT-II and listen to operating sound. 	Solenoid valve makes an operating sound.	<ul style="list-style-type: none"> ● Harness and connectors ● Solenoid valve
FPCM	<ul style="list-style-type: none"> ● Engine: Returns to the original trouble condition ● Select "LOW" and "HI" with CONSULT-II. 	If trouble symptom disappears, see CHECK ITEM.	<ul style="list-style-type: none"> ● Harness and connectors ● FPCM

TROUBLE DIAGNOSIS

TEST ITEM	CONDITION	JUDGEMENT	CHECK ITEM (REMEDY)
VC/V BYPASS/V	<ul style="list-style-type: none"> ● Ignition switch: ON (Engine stopped) ● Turn solenoid valve "ON" and "OFF" with the CONSULT-II and listen to operating sound. 	Solenoid valve makes an operating sound.	<ul style="list-style-type: none"> ● Harness and connectors ● Solenoid valve
V/T ASSIGN ANGLE	<ul style="list-style-type: none"> ● Engine: Return to the original trouble condition ● Change intake valve timing using CONSULT-II. 	If trouble symptom disappears, see CHECK ITEM.	<ul style="list-style-type: none"> ● Harness and connectors ● Intake valve timing control solenoid valve

*1: Leaving cooling fan OFF with CONSULT-II while engine is running may cause the engine to overheat.

*2: Never change cooling fan speed from "LOW" to "HI" or from "HI" to "LOW" directory. Change the speed through "MID" to prevent cooling fan motor from damage.

DTC & SRT CONFIRMATION MODE

SRT STATUS Mode

For details, refer to [EC-53, "SYSTEM READINESS TEST \(SRT\) CODE"](#) .

SRT WORK SUPPORT Mode

This mode enables a technician to drive a vehicle to set the SRT while monitoring the SRT status.

DTC WORK SUPPORT Mode

Test mode	Test item	Corresponding DTC No.	Reference page
EVAPORATIVE SYSTEM	EVP SML LEAK P0442/P1442	P0442	EC-396
		P0447	EC-419
		P0455	EC-451
		P1442	EC-546
	EVP V/S LEAK P0456/P1456	P0456	EC-459
		P1456	EC-554
	PURG VOL CN/V P1444	P0443	EC-404
PURG FLOW P0441	P0441	EC-391	
VC CUT/V BP/V P1491	P1491	EC-570	
A/F SEN1	A/F SEN1 (B1) P1278/P1279	P0133	EC-264
	A/F SEN1 (B1) P1276	P0130	EC-236
	A/F SEN1 (B2) P1288/P1289	P0153	EC-264
	A/F SEN1 (B2) P1286	P0150	EC-236
HO2S2	HO2S2 (B1) P1146	P0138	EC-288
	HO2S2 (B1) P1147	P0137	EC-276
	HO2S2 (B1) P0139	P0139	EC-304
	HO2S2 (B2) P1166	P0158	EC-288
	HO2S2 (B2) P1167	P0157	EC-276
	HO2S2 (B2) P0159	P0159	EC-304

REAL TIME DIAGNOSIS IN DATA MONITOR MODE (RECORDING VEHICLE DATA)

Description

CONSULT-II has two kinds of triggers and they can be selected by touching "SETTING" in "DATA MONITOR" mode.

TROUBLE DIAGNOSIS

1. "AUTO TRIG" (Automatic trigger):

- The malfunction will be identified on the CONSULT-II screen in real time.
In other words, DTC/1st trip DTC and malfunction item will be displayed if the malfunction is detected by ECM.
At the moment a malfunction is detected by ECM, "MONITOR" in "DATA MONITOR" screen is changed to "Recording Data... xx%" as shown at right, and the data after the malfunction detection is recorded. Then when the percentage reached 100%, "REAL-TIME DIAG" screen is displayed. If "STOP" is touched on the screen during "Recording Data... xx%", "REAL-TIME DIAG" screen is also displayed.
The recording time after the malfunction detection and the recording speed can be changed by "TRIGGER POINT" and "Recording Speed". Refer to CONSULT-II Operation Manual.

DATA MONITOR	
Recording Data...11%	NO DTC
ENG SPEED	XXX rpm
MAS A/F SE-B1	XXX V
COOLAN TEMP/S	XXX °C
A/F SEN1 (B1)	XXX V
VHCL SPEED SE	XXX km/h

PBIB1593E

2. "MANU TRIG" (Manual trigger):

- DTC/1st trip DTC and malfunction item will not be displayed automatically on CONSULT-II screen even though a malfunction is detected by ECM.
DATA MONITOR can be performed continuously even though a malfunction is detected.

SET RECORDING CONDITION				
AUTO TRIG				
MANU TRIG				
TRIGGER POINT				
<div style="text-align: center;"> </div>				
RECORDING SPEED				
<div style="text-align: center;"> <table border="1"> <tr> <td>MIN</td> <td>MAX</td> </tr> <tr> <td>/64</td> <td>/32 /16 /8 /4 /2 FULL</td> </tr> </table> </div>	MIN	MAX	/64	/32 /16 /8 /4 /2 FULL
MIN	MAX			
/64	/32 /16 /8 /4 /2 FULL			

SEF707X

Operation

1. "AUTO TRIG"

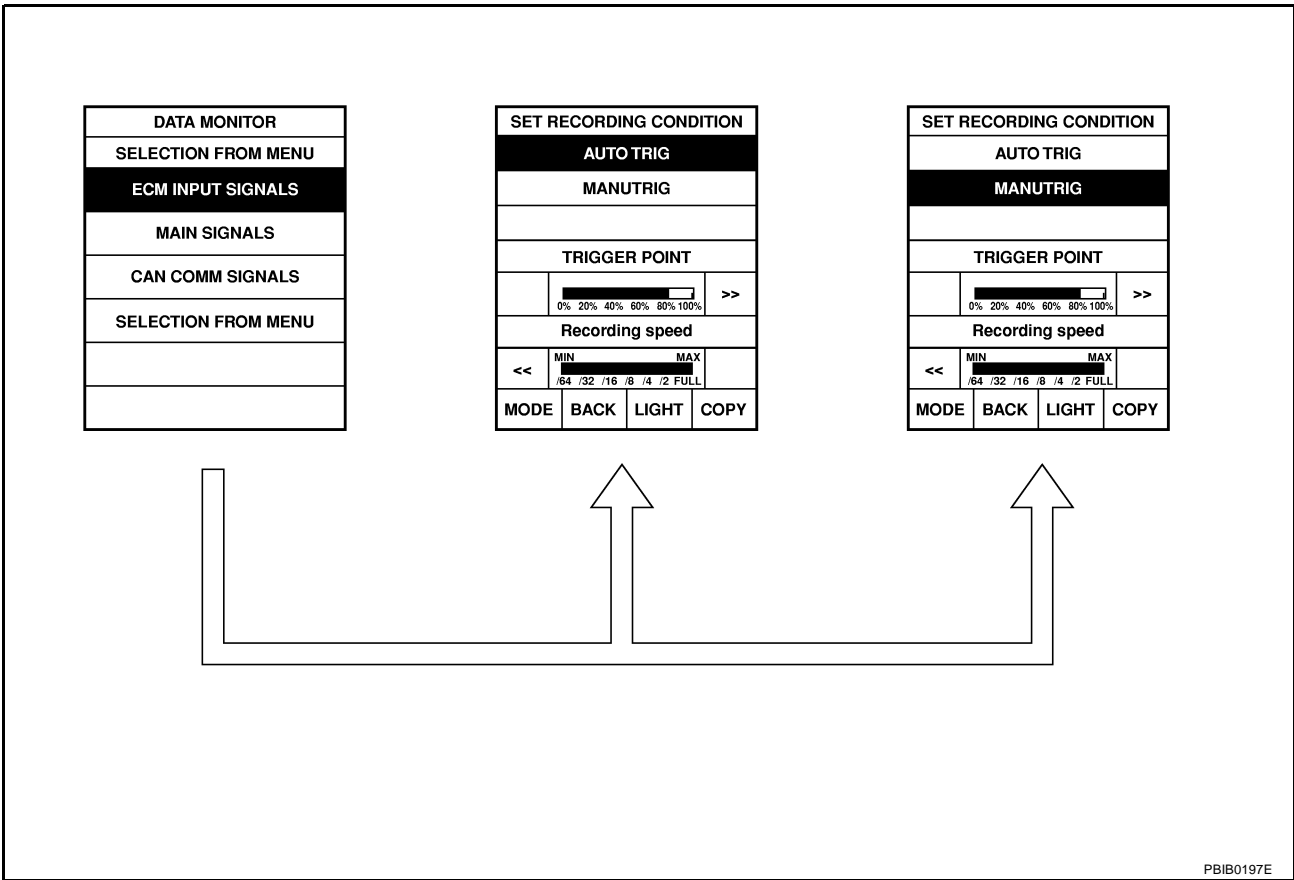
- While trying to detect the DTC/1st trip DTC by performing the DTC Confirmation Procedure, be sure to select to "DATA MONITOR (AUTO TRIG)" mode. You can confirm the malfunction at the moment it is detected.
- While narrowing down the possible causes, CONSULT-II should be set in "DATA MONITOR (AUTO TRIG)" mode, especially in case the incident is intermittent.
When you are inspecting the circuit by gently shaking (or twisting) the suspicious connectors, components and harness in the DTC Confirmation Procedure, the moment a malfunction is found the DTC/1st trip DTC will be displayed. (Refer to "Incident Simulation Tests" in [GI-26, "How to Perform Efficient Diagnosis for an Electrical Incident"](#) .)

2. "MANU TRIG"

- If the malfunction is displayed as soon as "DATA MONITOR" is selected, reset CONSULT-II to "MANU TRIG". By selecting "MANU TRIG" you can monitor and store the data. The data can be utilized for further diagnosis, such as a comparison with the value for the normal operating condition.

TROUBLE DIAGNOSIS

A
EC
C
D
E
F
G
H
I
J
K
L
M



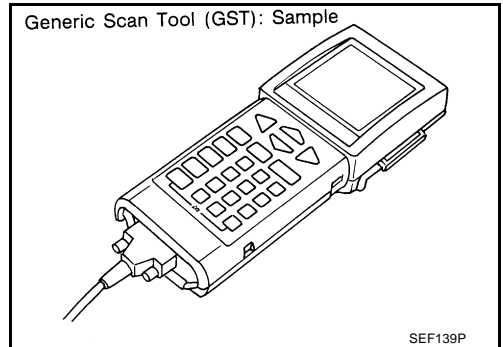
PBIB0197E

Generic Scan Tool (GST) Function DESCRIPTION

NBS001R9

Generic Scan Tool (OBDII scan tool) complying with SAE J1978 has 8 different functions explained below. ISO9141 is used as the protocol. The name "GST" or "Generic Scan Tool" is used in this service manual.

Generic Scan Tool (GST): Sample



SEF139P

FUNCTION

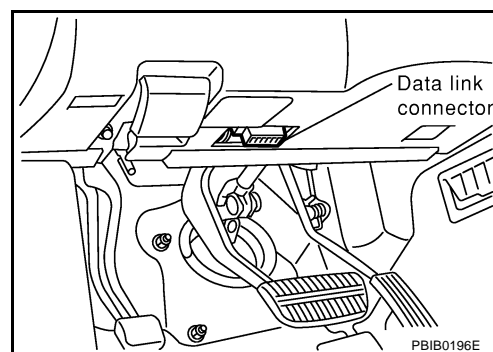
Diagnostic test mode		Function
Service \$01	READINESS TESTS	This diagnostic service gains access to current emission-related data values, including analog inputs and outputs, digital inputs and outputs, and system status information.
Service \$02	(FREEZE DATA)	This diagnostic service gains access to emission-related data value which were stored by ECM during the freeze frame. For details, refer to EC-53, "FREEZE FRAME DATA AND 1ST TRIP FREEZE FRAME DATA" .
Service \$03	DTCs	This diagnostic service gains access to emission-related power train trouble codes which were stored by ECM.

TROUBLE DIAGNOSIS

Diagnostic test mode		Function
Service \$04	CLEAR DIAG INFO	<p>This diagnostic service can clear all emission-related diagnostic information. This includes:</p> <ul style="list-style-type: none"> ● Clear number of diagnostic trouble codes (Service \$01) ● Clear diagnostic trouble codes (Service \$03) ● Clear trouble code for freeze frame data (Service \$01) ● Clear freeze frame data (Service \$02) ● Reset status of system monitoring test (Service \$01) ● Clear on board monitoring test results (Service \$06 and \$07)
Service \$06	(ON BOARD TESTS)	<p>This diagnostic service accesses the results of on board diagnostic monitoring tests of specific components/systems that are not continuously monitored.</p>
Service \$07	(ON BOARD TESTS)	<p>This diagnostic service enables the off board test drive to obtain test results for emission-related powertrain components/systems that are continuously monitored during normal driving conditions.</p>
Service \$08	—	<p>This diagnostic service can close EVAP system in ignition switch ON position (Engine stopped). When this diagnostic service is performed, the following parts can be opened or closed.</p> <ul style="list-style-type: none"> ● EVAP canister vent control valve: closed ● Vacuum cut valve bypass valve: open <p>In the following conditions, this diagnostic service cannot function.</p> <ul style="list-style-type: none"> ● Low ambient temperature ● Low battery voltage ● Engine running ● Ignition switch OFF ● Low fuel temperature ● Too much pressure is applied to EVAP system
Service \$09	(CALIBRATION ID)	<p>This diagnostic service enables the off-board test device to request specific vehicle information such as Vehicle Identification Number (VIN) and Calibration IDs.</p>

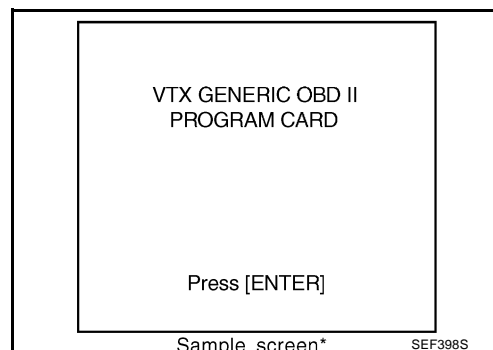
INSPECTION PROCEDURE

1. Turn ignition switch OFF.
2. Connect GST to data link connector, which is located under LH dash panel near the hood opener handle.



3. Turn ignition switch ON.
4. Enter the program according to instruction on the screen or in the operation manual.

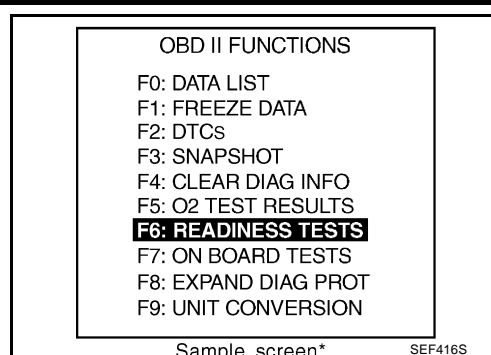
(*: Regarding GST screens in this section, sample screens are shown.)



TROUBLE DIAGNOSIS

5. Perform each diagnostic service according to each service procedure.

For further information, see the GST Operation Manual of the tool maker.



CONSULT-II Reference Value in Data Monitor Mode

NBS001RA

Remarks:

● Specification data are reference values.

● Specification data are output/input values which are detected or supplied by the ECM at the connector.

* Specification data may not be directly related to their components signals/values/operations.

i.e. Adjust ignition timing with a timing light before monitoring IGN TIMING, because the monitor may show the specification data in spite of the ignition timing not being adjusted to the specification data. This IGN TIMING monitors the data calculated by the ECM according to the signals input from the camshaft position sensor and other ignition timing related sensors.

MONITOR ITEM	CONDITION	SPECIFICATION	
ENG SPEED	● Run engine and compare CONSULT-II value with the tachometer indication.	Almost the same speed as the tachometer indication.	
MAS A/F SE-B1	See EC-135. "TROUBLE DIAGNOSIS - SPECIFICATION VALUE" .		
B/FUEL SCHDL	See EC-135. "TROUBLE DIAGNOSIS - SPECIFICATION VALUE" .		
A/F ALPHA-B1 A/F ALPHA-B2	See EC-135. "TROUBLE DIAGNOSIS - SPECIFICATION VALUE" .		
COOLAN TEMP/S	● Engine: After warming up	More than 70°C (158°F)	
A/F SEN1 (B1) A/F SEN1 (B2)	● Engine: After warming up Maintaining engine speed at 2,000 rpm	Fluctuates around 1.5 V	
HO2S2 (B1) HO2S2 (B2)	● Revving engine from idle to 3,000 rpm quickly after the following conditions are met. – Engine: After warming up – Keeping the engine speed between 3,500 and 4,000 rpm for 1 minute and at idle for 1 minute under no load	0 - 0.3V ↔ Approx. 0.6 - 1.0V	
HO2S2 MNTR (B1) HO2S2 MNTR (B2)	● Revving engine from idle to 3,000 rpm quickly after the following conditions are met. – Engine: After warming up – Keeping the engine speed between 3,500 and 4,000 rpm for 1 minute and at idle for 1 minute under no load	LEAN ↔ RICH	
VHCL SPEED SE	● Turn drive wheels and compare CONSULT-II value with the speedometer indication.	Almost the same speed as speedometer indication	
BATTERY VOLT	● Ignition switch: ON (Engine stopped)	11 - 14V	
ACCEL SEN 1	● Ignition switch: ON (engine stopped)	Accelerator pedal: Fully released	0.5 - 1.0V
		Accelerator pedal: Fully depressed	4.0 - 4.8V
ACCEL SEN 2*	● Ignition switch: ON (engine stopped)	Accelerator pedal: Fully released	0.3 - 1.2V
		Accelerator pedal: Fully depressed	3.9 - 4.8V
THRTL SEN 1 THRTL SEN 2*	● Ignition switch: ON (Engine stopped) ● Selector lever: D	Accelerator pedal: Fully released	More than 0.36V
		Accelerator pedal: Fully depressed	Less than 4.75V
EVAP SYS PRES	● Ignition switch: ON	Approx. 1.8 - 4.8V	
START SIGNAL	● Ignition switch: ON → START → ON	OFF → ON → OFF	
CLSD THL POS	● Ignition switch: ON (Engine stopped)	Accelerator pedal: Fully released	ON
		Accelerator pedal: Slightly depressed	OFF

TROUBLE DIAGNOSIS

MONITOR ITEM	CONDITION	SPECIFICATION	
AIR COND SIG	<ul style="list-style-type: none"> ● Engine: After warming up, idle the engine 	Air conditioner switch: OFF	OFF
		Air conditioner switch: ON (Compressor operates.)	ON
P/N POSI SW	<ul style="list-style-type: none"> ● Ignition switch: ON 	Selector lever: P or N	ON
		Selector lever: Except above	OFF
PW/ST SIGNAL	<ul style="list-style-type: none"> ● Engine: After warming up, idle the engine 	Steering wheel: Not being turned (Forward direction)	OFF
		Steering wheel: Being turned	ON
LOAD SIGNAL	<ul style="list-style-type: none"> ● Ignition switch: ON 	Rear window defogger switch: ON and/or Lighting switch: 2nd position	ON
		Rear window defogger switch and lighting switch: OFF	OFF
IGNITION SW	<ul style="list-style-type: none"> ● Ignition switch: ON → OFF → ON 		ON → OFF → ON
HEATER FAN SW	<ul style="list-style-type: none"> ● Engine: After warming up, idle the engine 	Heater fan switch: ON	ON
		Heater fan switch: OFF	OFF
BRAKE SW	<ul style="list-style-type: none"> ● Ignition switch: ON 	Brake pedal: Fully released	OFF
		Brake pedal: Slightly depressed	ON
INJ PULSE-B1 INJ PULSE-B2	<ul style="list-style-type: none"> ● Engine: After warming up ● Selector lever: P or N ● Air conditioner switch: OFF ● No load 	Idle	2.0 - 3.0 msec
		2,000 rpm	1.9 - 2.9 msec
IGN TIMING	<ul style="list-style-type: none"> ● Engine: After warming up ● Selector lever: P or N ● Air conditioner switch: OFF ● No load 	Idle	7° - 17° BTDC
		2,000 rpm	25° - 45° BTDC
CAL/LD VALUE	<ul style="list-style-type: none"> ● Engine: After warming up ● Selector lever: P or N ● Air conditioner switch: OFF ● No load 	Idle	15% - 35%
		2,500 rpm	10% - 35%
MASS AIRFLOW	<ul style="list-style-type: none"> ● Engine: After warming up ● Selector lever: P or N ● Air conditioner switch: OFF ● No load 	Idle	3.8 - 5.2 g·m/s
		2,500 rpm	16.0 - 21.5 g·m/s
PURG VOL C/V	<ul style="list-style-type: none"> ● Engine: After warming up ● Selector lever: P or N ● Air conditioner switch: OFF ● No load 	Idle	0%
		2,000 rpm	—
INT/V TIM (B1) INT/V TIM (B2)	<ul style="list-style-type: none"> ● Engine: After warming up ● Selector lever: P or N ● Air conditioner switch: OFF ● No load 	Idle	-5° - 5°C
		2,000 rpm	Approx. 0° - 20°C
INT/V SOL (B1) INT/V SOL (B2)	<ul style="list-style-type: none"> ● Engine: After warming up ● Selector lever: P or N ● Air conditioner switch: OFF ● No load 	Idle	0% - 2%
		2,000 rpm	Approx. 25% - 50%

TROUBLE DIAGNOSIS

MONITOR ITEM	CONDITION		SPECIFICATION
VIAS S/V	<ul style="list-style-type: none"> ● Selector lever: P or N ● Engine speed: More than 5,000 rpm 		ON
	<ul style="list-style-type: none"> ● Selector lever: Except P or N ● Engine speed: Less than 5,000 rpm 		OFF
AIR COND RLY	<ul style="list-style-type: none"> ● Engine: After warming up, idle the engine 	Air conditioner switch: OFF	OFF
		Air conditioner switch: ON (Compressor operates)	ON
FUEL PUMP RLY	<ul style="list-style-type: none"> ● For 5 seconds after turning ignition switch: ON ● Engine running or cranking 		ON
	<ul style="list-style-type: none"> ● Except above 		OFF
FPCM	<ul style="list-style-type: none"> ● Engine: Cranking 		HI
	<ul style="list-style-type: none"> ● Engine: Idle ● Engine coolant temperature: More than 10°C (50°F) 		LOW
VC/V BYPASS/V	<ul style="list-style-type: none"> ● Ignition switch: ON 		OFF
VENT CONT/V	<ul style="list-style-type: none"> ● Ignition switch: ON 		OFF
THRTL RELAY	<ul style="list-style-type: none"> ● Ignition switch: ON 		ON
COOLING FAN	<ul style="list-style-type: none"> ● Engine: After warming up, idle the engine ● Air conditioner switch: OFF 	Engine coolant temperature is 94°C (201°F) or less	OFF
		Engine coolant temperature is between 95°C (203°F) and 99°C (210°F)	LOW
		Engine coolant temperature is between 100°C (212°F) and 104°C (219°F)	MID
		Engine coolant temperature is 105°C (221°F) or more	HI
HO2S2 HTR (B1) HO2S2 HTR (B2)	<ul style="list-style-type: none"> ● Engine speed: Below 3,600 rpm after the following conditions are met. <ul style="list-style-type: none"> – Engine: After warming up – Keeping the engine speed between 3,500 and 4,000 rpm for 1 minute and at idle for 1 minute under no load 		ON
	<ul style="list-style-type: none"> ● Engine speed: Above 3,600 rpm 		OFF
I/P PULLY SPD	<ul style="list-style-type: none"> ● Vehicle speed: More than 20 km/h (12 MPH) 		Almost the same speed as the tachometer indication
VEHICLE SPEED	<ul style="list-style-type: none"> ● Turn drive wheels and compare CONSULT-II value with the speedometer indication. 		Almost the same speed as the speedometer indication
TRVL AFTER MIL	<ul style="list-style-type: none"> ● Ignition switch: ON 	Vehicle has traveled after MIL has turned ON.	0 - 65,535 km (0 - 40,723 miles)
A/F S1 HTR (B1) A/F S1 HTR (B2)	<ul style="list-style-type: none"> ● Engine: After warming up, idle the engine 		0 - 100%
AC PRESS SEN	<ul style="list-style-type: none"> ● Engine: Idle ● Both air conditioner switch and blower fan switch: ON (Compressor operates) 		1.0 - 4.0V
VHCL SPEED SE	<ul style="list-style-type: none"> ● Turn drive wheels and compare CONSULT-II value with the speedometer indication. 		Almost the same speed as the speedometer indication
SET VHCL SPD	<ul style="list-style-type: none"> ● Engine: Running 	ASCD: Operating	The preset vehicle speed is displayed
MAIN SW	<ul style="list-style-type: none"> ● Ignition switch: ON 	MAIN switch: Pressed	ON
		MAIN switch: Released	OFF
CANCEL SW	<ul style="list-style-type: none"> ● Ignition switch: ON 	CANCEL switch: Pressed	ON
		CANCEL switch: Released	OFF

TROUBLE DIAGNOSIS

MONITOR ITEM	CONDITION		SPECIFICATION
RESUME/ACC SW	● Ignition switch: ON	RESUME/ACCELERATE switch: Pressed	ON
		RESUME/ACCELERATE switch: Released	OFF
SET SW	● Ignition switch: ON	SET/COAST switch: Pressed	ON
		SET/COAST switch: Released	OFF
BRAKE SW1 (ICC/ASCD brake switch)	● Ignition switch: ON	Brake pedal: Fully released	ON
		Brake pedal: Slightly depressed	OFF
BRAKE SW2 (stop lamp switch)	● Ignition switch: ON	Brake pedal: Fully released	OFF
		Brake pedal: Slightly depressed	ON
DIST SW	● Ignition switch: ON	DISTANCE switch: Pressed	ON
		DISTANCE switch: Released	OFF
CRUISE LAMP	● Ignition switch: ON	MAIN switch: Pressed at the 1st time → at the 2nd time	ON → OFF
SET LAMP	● MAIN switch: ON ● When vehicle speed is between 40 km/h (25 MPH) and 144 km/h (89 MPH)	ASCD: Operating	ON
		ASCD: Not operating	OFF

*: Accelerator pedal position sensor 2 signal and throttle position sensor 2 signal are converted by ECM internally. Thus, they differ from ECM terminals voltage signal.

TROUBLE DIAGNOSIS

Major Sensor Reference Graph in Data Monitor Mode

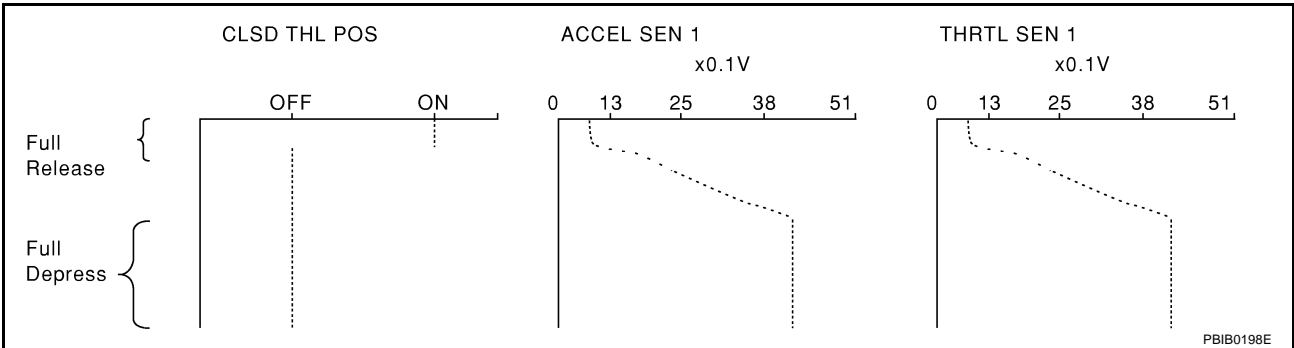
NBS002WH

The following are the major sensor reference graphs in "DATA MONITOR" mode.

CLSD THL POS, ACCEL SEN 1, THRTL SEN 1

Below is the data for "CLSD THL POS", "ACCEL SEN 1" and "THRTL SEN 1" when depressing the accelerator pedal with the ignition switch ON and with selector lever in D position.

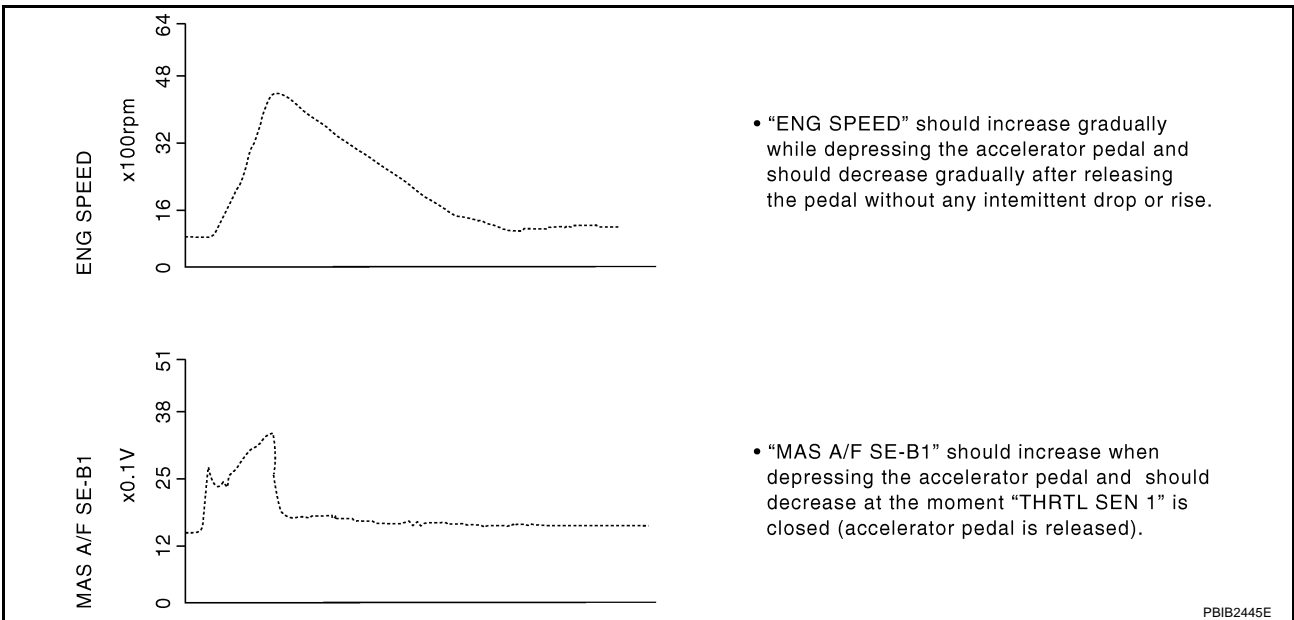
The signal of "ACCEL SEN 1" and "THRTL SEN 1" should rise gradually without any intermittent drop or rise after "CLSD THL POS" is changed from "ON" to "OFF".



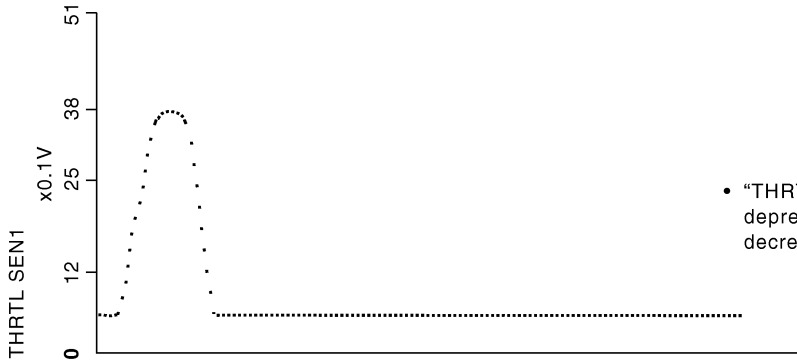
ENG SPEED, MAS A/F SE-B1, THRTL SEN 1, HO2S2 (B1), INJ PULSE-B1

Below is the data for "ENG SPEED", "MAS A/F SE-B1", "THRTL SEN 1", "HO2S2 (B1)" and "INJ PULSE-B1" when revving engine quickly up to 4,800 rpm under no load after warming up engine sufficiently.

Each value is for reference, the exact value may vary.



TROUBLE DIAGNOSIS



- "THRTL SEN1" should increase while depressing the accelerator pedal and should decrease while releasing it.



TROUBLE DIAGNOSIS - SPECIFICATION VALUE

TROUBLE DIAGNOSIS - SPECIFICATION VALUE

PFP:00031

Description

NBS002WI

The specification (SP) value indicates the tolerance of the value that is displayed in "DATA MONITOR (SPEC)" mode of CONSULT-II during normal operation of the Engine Control System. When the value in "DATA MONITOR (SPEC)" mode is within the SP value, the Engine Control System is confirmed OK. When the value in "DATA MONITOR (SPEC)" mode is NOT within the SP value, the Engine Control System may have one or more malfunctions.

The SP value is used to detect malfunctions that may affect the Engine Control System, but will not light the MIL.

The SP value will be displayed for the following three items:

- B/FUEL SCHDL (The fuel injection pulse width programmed into ECM prior to any learned on board correction)
- A/F ALPHA-B1/B2 (The mean value of air-fuel ratio feedback correction factor per cycle)
- MAS A/F SE-B1 (The signal voltage of the mass air flow sensor)

Testing Condition

NBS002WJ

- Vehicle driven distance: More than 5,000 km (3,107 miles)
- Barometric pressure: 98.3 - 104.3 kPa (1.003 - 1.064 kg/cm², 14.25 - 15.12 psi)
- Atmospheric temperature: 20 - 30°C (68 - 86°F)
- Engine coolant temperature: 75 - 95°C (167 - 203°F)
- Transmission: Warmed-up*¹
- Electrical load: Not applied*²
- Engine speed: Idle

*1: After the engine is warmed up to normal operating temperature, drive vehicle until "ATF TEMP SE 1" (AT fluid temperature sensor signal) indicates more than 60°C (140°F).

*2: Rear window defogger switch, air conditioner switch, lighting switch are OFF. Steering wheel is straight ahead.

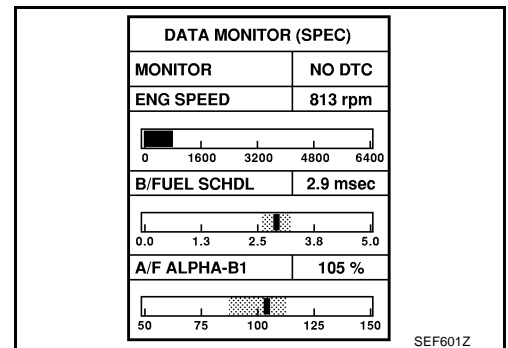
Inspection Procedure

NBS002WK

NOTE:

Perform "DATA MONITOR (SPEC)" mode in maximum scale display.

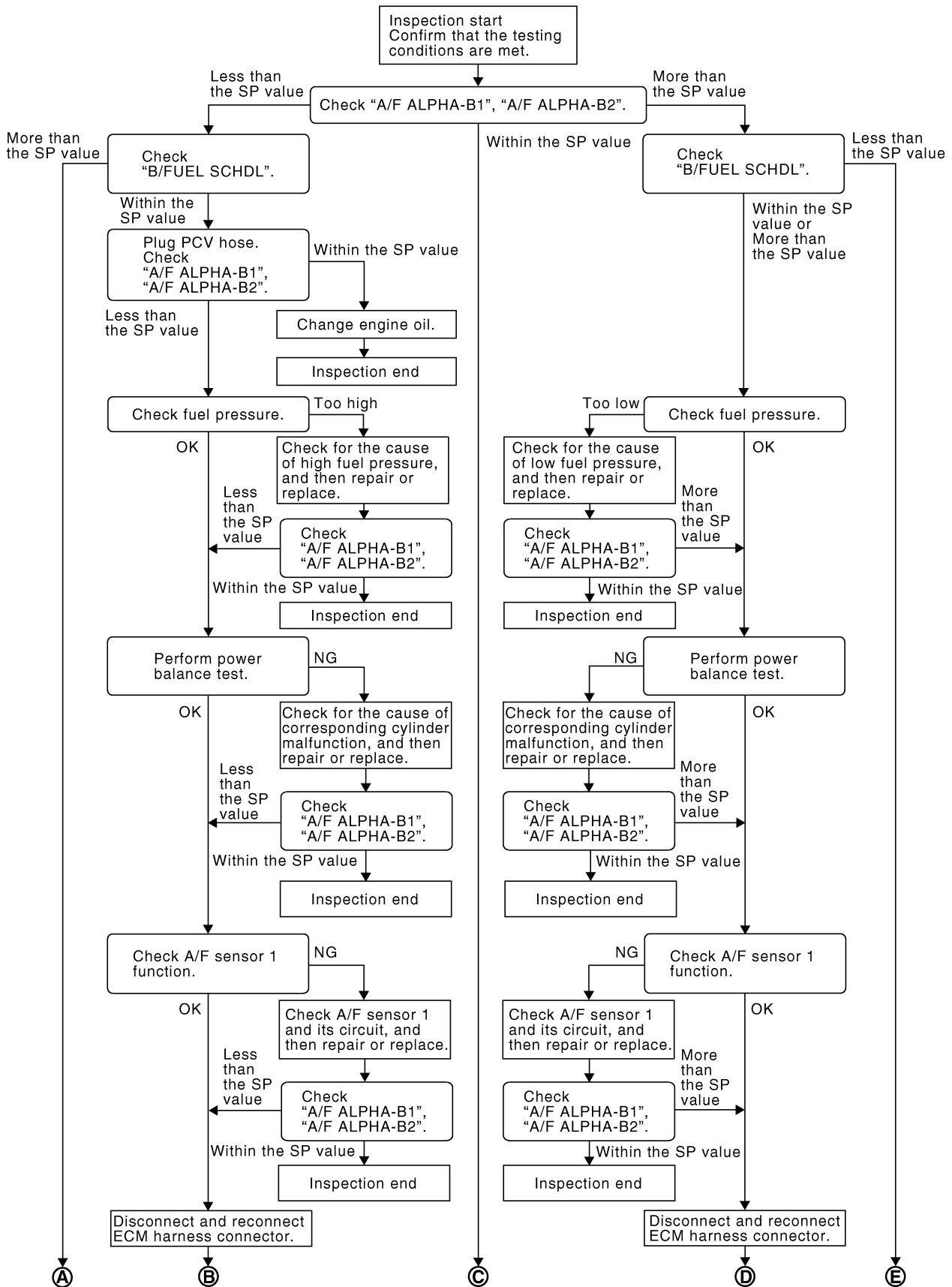
1. Perform [EC-71, "Basic Inspection"](#).
2. Confirm that the testing conditions indicated above are met.
3. Select "B/FUEL SCHDL", "A/F ALPHA-B1", "A/F ALPHA-B2" and "MAS A/F SE-B1" in "DATA MONITOR (SPEC)" mode with CONSULT-II.
4. Make sure that monitor items are within the SP value.
5. If NG, go to [EC-136, "Diagnostic Procedure"](#).



TROUBLE DIAGNOSIS - SPECIFICATION VALUE

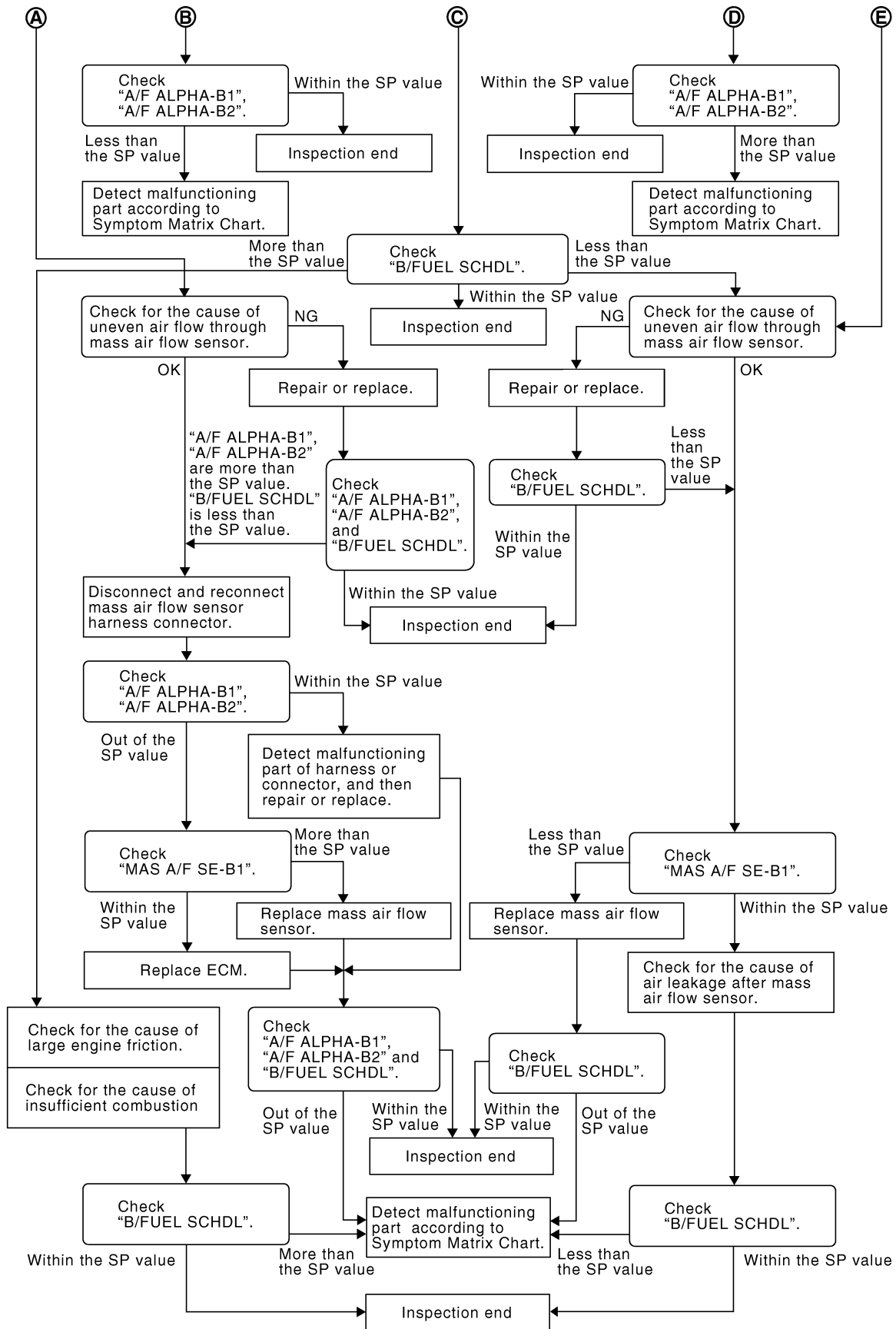
Diagnostic Procedure OVERALL SEQUENCE

NBS002WL



PBIB2268E

TROUBLE DIAGNOSIS - SPECIFICATION VALUE



PBIB2548E

TROUBLE DIAGNOSIS - SPECIFICATION VALUE

DETAILED PROCEDURE

1. CHECK "A/F ALPHA-B1", "A/F ALPHA-B2"

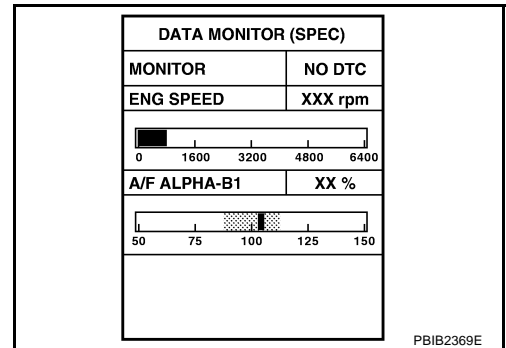
1. Start engine.
2. Confirm that the testing conditions are met. Refer to [EC-135, "Testing Condition"](#) .
3. Select "A/F ALPHA-B1", "A/F ALPHA-B2" in "DATA MONITOR (SPEC)" mode, and make sure that the each indication is within the SP value.

NOTE:

Check "A/F ALPHA-B1", "A/F ALPHA-B2" for approximately 1 minute because they may fluctuate. It is NG if the indication is out of the SP value even a little.

OK or NG

- OK >> GO TO 17.
NG (Less than the SP value)>>GO TO 2.
NG (More than the SP value)>>GO TO 3.

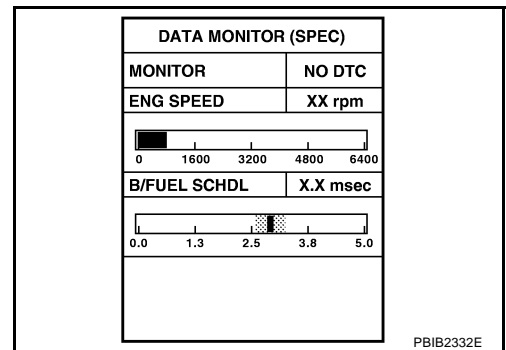


2. CHECK "B/FUEL SCHDL"

Select "B/FUEL SCHDL" in "DATA MONITOR (SPEC)" mode, and make sure that the indication is within the SP value.

OK or NG

- OK >> GO TO 4.
NG (More than the SP value)>>GO TO 19.

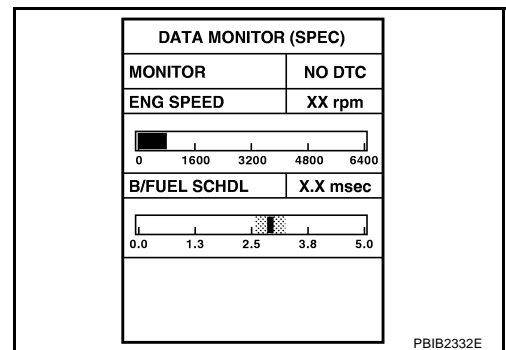


3. CHECK "B/FUEL SCHDL"

Select "B/FUEL SCHDL" in "DATA MONITOR (SPEC)" mode, and make sure that the indication is within the SP value.

OK or NG

- OK >> GO TO 6.
NG (More than the SP value)>>GO TO 6.
NG (Less than the SP value)>>GO TO 25.



4. CHECK "A/F ALPHA-B1", "A/F ALPHA-B2"

1. Stop the engine.
2. Disconnect PCV hose, and then plug it.
3. Start engine.
4. Select "A/F ALPHA-B1", "A/F ALPHA-B2" in "DATA MONITOR (SPEC)" mode, and make sure that the each indication is within the SP value.

OK or NG

- OK >> GO TO 5.
NG >> GO TO 6.

TROUBLE DIAGNOSIS - SPECIFICATION VALUE

5. CHANGE ENGINE OIL

1. Stop the engine.
2. Change engine oil.

NOTE:

This symptom may occur when a large amount of gasoline is mixed with engine oil because of driving conditions (such as when engine oil temperature does not rise enough since a journey distance is too short during winter). The symptom will not be detected after changing engine oil or changing driving condition.

>> **INSPECTION END**

6. CHECK FUEL PRESSURE

Check fuel pressure. (Refer to [EC-80, "Fuel Pressure Check"](#) .)

OK or NG

OK >> GO TO 9.

NG (Fuel pressure is too high)>>Replace fuel pressure regulator, refer to [EC-80, "FUEL PRESSURE CHECK"](#) . GO TO 8.

NG (Fuel pressure is too low)>>GO TO 7.

7. DETECT MALFUNCTIONING PART

1. Check the following.
 - Clogged and bent fuel hose and fuel tube
 - Clogged fuel filter
 - Fuel pump and its circuit (Refer to [EC-715, "FUEL PUMP"](#) .)
2. If NG, repair or replace the malfunctioning part. (Refer to [EC-80, "FUEL PRESSURE CHECK"](#) .)
If OK, replace fuel pressure regulator.

>> GO TO 8.

8. CHECK "A/F ALPHA-B1", "A/F ALPHA-B2"

1. Start engine.
2. Select "A/F ALPHA-B1", "A/F ALPHA-B2" in "DATA MONITOR (SPEC)" mode, and make sure that the each indication is within the SP value.

OK or NG

OK >> **INSPECTION END**

NG >> GO TO 9.

9. PERFORM POWER BALANCE TEST

1. Perform "POWER BALANCE" in "ACTIVE TEST" mode.
2. Make sure that the each cylinder produces a momentary engine speed drop.

OK or NG

OK >> GO TO 12.

NG >> GO TO 10.

ACTIVE TEST	
POWER BALANCE	
MONITOR	
ENG SPEED	XXX rpm
MAS A/F SE-B1	XXX V

PBIB0133E

TROUBLE DIAGNOSIS - SPECIFICATION VALUE

10. DETECT MALFUNCTIONING PART

1. Check the following.
 - Ignition coil and its circuit (Refer to [EC-731, "IGNITION SIGNAL"](#) .)
 - Fuel injector and its circuit (Refer to [EC-706, "FUEL INJECTOR"](#) .)
 - Intake air leakage
 - Low compression pressure (Refer to [EM-67, "CHECKING COMPRESSION PRESSURE"](#) .)
2. If NG, repair or replace the malfunctioning part.
If OK, replace fuel injector. (It may be caused by leakage from fuel injector or clogging.)

>> GO TO 11.

11. CHECK "A/F ALPHA-B1", "A/F ALPHA-B2"

1. Start engine.
2. Select "A/F ALPHA-B1", "A/F ALPHA-B2" in "DATA MONITOR (SPEC)" mode, and make sure that the each indication is within the SP value.

OK or NG

OK >> **INSPECTION END**
NG >> GO TO 12.

12. CHECK A/F SENSOR 1 FUNCTION

Perform all DTC Confirmation Procedure related with A/F sensor 1.

- For DTC P0130, P0150, refer to [EC-236, "DTC Confirmation Procedure"](#) .
- For DTC P0131, P0151, refer to [EC-246, "DTC Confirmation Procedure"](#) .
- For DTC P0132, P0152, refer to [EC-255, "DTC Confirmation Procedure"](#) .
- For DTC P0133, P0153, refer to [EC-265, "DTC Confirmation Procedure"](#) .
- For DTC P2A00, P2A03, refer to [EC-676, "DTC Confirmation Procedure"](#) .

OK or NG

OK >> GO TO 15.
NG >> GO TO 13.

13. CHECK A/F SENSOR 1 CIRCUIT

Perform Diagnostic Procedure according to corresponding DTC.

>> GO TO 14.

14. CHECK "A/F ALPHA-B1", "A/F ALPHA-B2"

1. Start engine.
2. Select "A/F ALPHA-B1", "A/F ALPHA-B2" in "DATA MONITOR (SPEC)" mode, and make sure that the each indication is within the SP value.

OK or NG

OK >> **INSPECTION END**
NG >> GO TO 15.

15. DISCONNECT AND RECONNECT ECM HARNESS CONNECTOR

1. Stop the engine.
2. Disconnect ECM harness connector. Check pin terminal and connector for damage, and then reconnect it.

>> GO TO 16.

TROUBLE DIAGNOSIS - SPECIFICATION VALUE

16. CHECK "A/F ALPHA-B1", "A/F ALPHA-B2"

1. Start engine.
2. Select "A/F ALPHA-B1", "A/F ALPHA-B2" in "DATA MONITOR (SPEC)" mode, and make sure that the each indication is within the SP value.

OK or NG

OK >> **INSPECTION END**

NG >> Detect malfunctioning part according to [EC-91, "Symptom Matrix Chart"](#) .

17. CHECK "B/FUEL SCHDL"

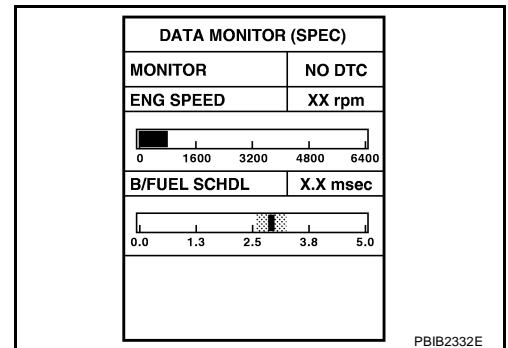
Select "B/FUEL SCHDL" in "DATA MONITOR (SPEC)" mode, and make sure that the indication is within the SP value.

OK or NG

OK >> **INSPECTION END**

NG (More than the SP value)>>GO TO 18.

NG (Less than the SP value)>>GO TO 25.



18. DETECT MALFUNCTIONING PART

1. Check for the cause of large engine friction. Refer to the following.
 - Engine oil level is too high
 - Engine oil viscosity
 - Belt tension of power steering, alternator, A/C compressor, etc. is excessive
 - Noise from engine
 - Noise from transmission, etc.
2. Check for the cause of insufficient combustion. Refer to the following.
 - Valve clearance malfunction
 - Intake valve timing control function malfunction
 - Camshaft sprocket installation malfunction, etc.

>> Repair or replace malfunctioning part, and then GO TO 30.

19. CHECK INTAKE SYSTEM

Check for the cause of uneven air flow through mass air flow sensor. Refer to the following.

- Crushed air ducts
- Malfunctioning seal of air cleaner element
- Uneven dirt of air cleaner element
- Improper specification of intake air system

OK or NG

OK >> GO TO 21.

NG >> Repair or replace malfunctioning part, and then GO TO 20.

TROUBLE DIAGNOSIS - SPECIFICATION VALUE

20. CHECK "A/F ALPHA-B1", "A/F ALPHA-B2", AND "B/FUEL SCHDL"

Select "A/F ALPHA-B1", "A/F ALPHA-B2", and "B/FUEL SCHDL" in "DATA MONITOR (SPEC)" mode, and make sure that the each indication is within the SP value.

OK or NG

OK >> **INSPECTION END**

NG ("B/FUEL SCHDL" is more, "A/F ALPHA-B1", "A/F ALPHA-B2" are less than the SP value)>>GO TO 21.

21. DISCONNECT AND RECONNECT MASS AIR FLOW SENSOR HARNESS CONNECTOR

1. Stop the engine.
2. Disconnect mass air flow sensor harness connector. Check pin terminal and connector for damage and then reconnect it again.

>> GO TO 22.

22. CHECK "A/F ALPHA-B1", "A/F ALPHA-B2"

1. Start engine.
2. Select "A/F ALPHA-B1", "A/F ALPHA-B2" in "DATA MONITOR (SPEC)" mode, and make sure that the each indication is within the SP value.

OK or NG

OK >> 1. Detect malfunctioning part of mass air flow sensor circuit and repair it. Refer to [EC-204, "DTC P0102, P0103 MAF SENSOR"](#) .

2. GO TO 29.

NG >> GO TO 23.

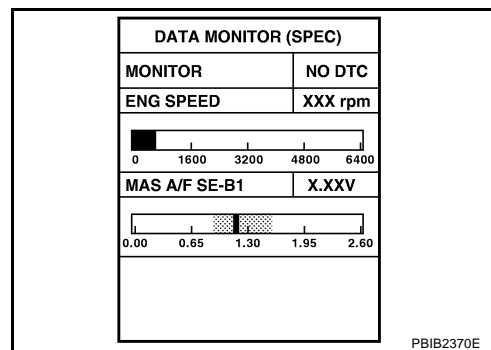
23. CHECK "MAS A/F SE-B1"

Select "MAS A/F SE-B1" in "DATA MONITOR (SPEC)" mode, and make sure that the indication is within the SP value.

OK or NG

OK >> GO TO 24.

NG (More than the SP value)>>Replace mass air flow sensor, and then GO TO 29.



24. REPLACE ECM

1. Replace ECM.
2. Perform initialization of IVIS(NATS) system and registration of all IVIS(NATS) ignition key IDs. Refer to [BL-202, "ECM Re-Communicating Function"](#) .
3. Perform [EC-77, "VIN Registration"](#) .
4. Perform [EC-77, "Accelerator Pedal Released Position Learning"](#) .
5. Perform [EC-78, "Throttle Valve Closed Position Learning"](#) .
6. Perform [EC-78, "Idle Air Volume Learning"](#) .

>> GO TO 29.

TROUBLE DIAGNOSIS - SPECIFICATION VALUE

25. CHECK INTAKE SYSTEM

Check for the cause of uneven air flow through mass air flow sensor. Refer to the following.

- Crushed air ducts
- Malfunctioning seal of air cleaner element
- Uneven dirt of air cleaner element
- Improper specification of intake air system

OK or NG

OK >> GO TO 27.

NG >> Repair or replace malfunctioning part, and then GO TO 26.

26. CHECK "B/FUEL SCHDL"

Select "B/FUEL SCHDL" in "DATA MONITOR (SPEC)" mode, and make sure that the indication is within the SP value.

OK or NG

OK >> **INSPECTION END**

NG (Less than the SP value)>>GO TO 27.

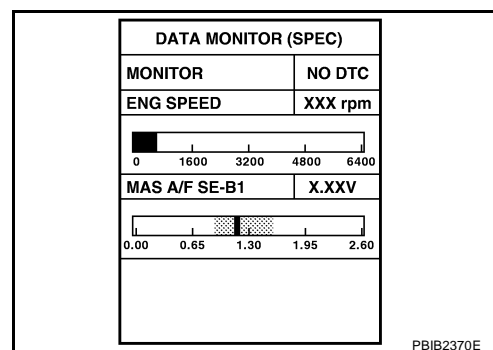
27. CHECK "MAS A/F SE-B1"

Select "MAS A/F SE-B1" in "DATA MONITOR (SPEC)" mode, and make sure that the indication is within the SP value.

OK or NG

OK >> GO TO 28.

NG (Less than the SP value)>>Replace mass air flow sensor, and then GO TO 30.



28. CHECK INTAKE SYSTEM

Check for the cause of air leak after the mass air flow sensor. Refer to the following.

- Disconnection, looseness, and cracks in air duct
- Looseness of oil filler cap
- Disconnection of oil level gauge
- Open stuck, breakage, hose disconnection, or cracks of PCV valve
- Disconnection or cracks of EVAP purge hose, open stuck of EVAP canister purge volume control solenoid valve
- Malfunctioning seal of rocker cover gasket
- Disconnection, looseness, or cracks of hoses, such as vacuum hose, connecting to intake air system parts
- Malfunctioning seal of intake air system, etc.

>> GO TO 30.

29. CHECK "A/F ALPHA-B1", "A/F ALPHA-B2", AND "B/FUEL SCHDL"

Select "A/F ALPHA-B1", "A/F ALPHA-B2", and "B/FUEL SCHDL" in "DATA MONITOR (SPEC)" mode, and make sure that the each indication is within the SP value.

OK or NG

OK >> **INSPECTION END**

NG >> Detect malfunctioning part according to [EC-91, "Symptom Matrix Chart"](#) .

TROUBLE DIAGNOSIS - SPECIFICATION VALUE

30. CHECK "B/FUEL SCHDL"

Select "B/FUEL SCHDL" in "DATA MONITOR (SPEC)" mode, and then make sure that the indication is within the SP value.

OK or NG

OK >> **INSPECTION END**

NG >> Detect malfunctioning part according to [EC-91, "Symptom Matrix Chart"](#) .

TROUBLE DIAGNOSIS FOR INTERMITTENT INCIDENT

TROUBLE DIAGNOSIS FOR INTERMITTENT INCIDENT

PFP:00006

Description

NBS001RG

Intermittent incidents may occur. In many cases, the malfunction resolves itself (the part or circuit function returns to normal without intervention). It is important to realize that the symptoms described in the customer's complaint often do not recur on (1st trip) DTC visits. Realize also that the most frequent cause of intermittent incidents occurrences is poor electrical connections. Because of this, the conditions under which the incident occurred may not be clear. Therefore, circuit checks made as part of the standard diagnostic procedure may not indicate the specific malfunctioning area.

Common Intermittent Incidents Report Situations

STEP in Work Flow	Situation
2	The CONSULT-II is used. The SELF-DIAG RESULTS screen shows time data other than [0] or [1t].
3 or 4	The symptom described by the customer does not recur.
5	(1st trip) DTC does not appear during the DTC Confirmation Procedure.
10	The Diagnostic Procedure for PXXXX does not indicate the malfunctioning area.

Diagnostic Procedure

NBS001RH

1. INSPECTION START

Erase (1st trip) DTCs. Refer to [EC-61, "HOW TO ERASE EMISSION-RELATED DIAGNOSTIC INFORMATION"](#).

>> GO TO 2.

2. CHECK GROUND TERMINALS

Check ground terminals for corroding or loose connection. Refer to [EC-154, "Ground Inspection"](#).

OK or NG

OK >> GO TO 3.

NG >> Repair or replace.

3. SEARCH FOR ELECTRICAL INCIDENT

Perform [GI-26, "How to Perform Efficient Diagnosis for an Electrical Incident"](#), "INCIDENT SIMULATION TESTS".

OK or NG

OK >> GO TO 4.

NG >> Repair or replace.

4. CHECK CONNECTOR TERMINALS

Refer to [GI-23, "How to Check Terminal"](#), "HOW TO PROBE CONNECTORS", "How to Check Enlarged Contact Spring of Terminal".

OK or NG

OK >> **INSPECTION END**

NG >> Repair or replace connector.

POWER SUPPLY AND GROUND CIRCUIT

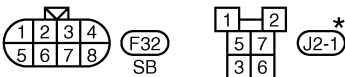
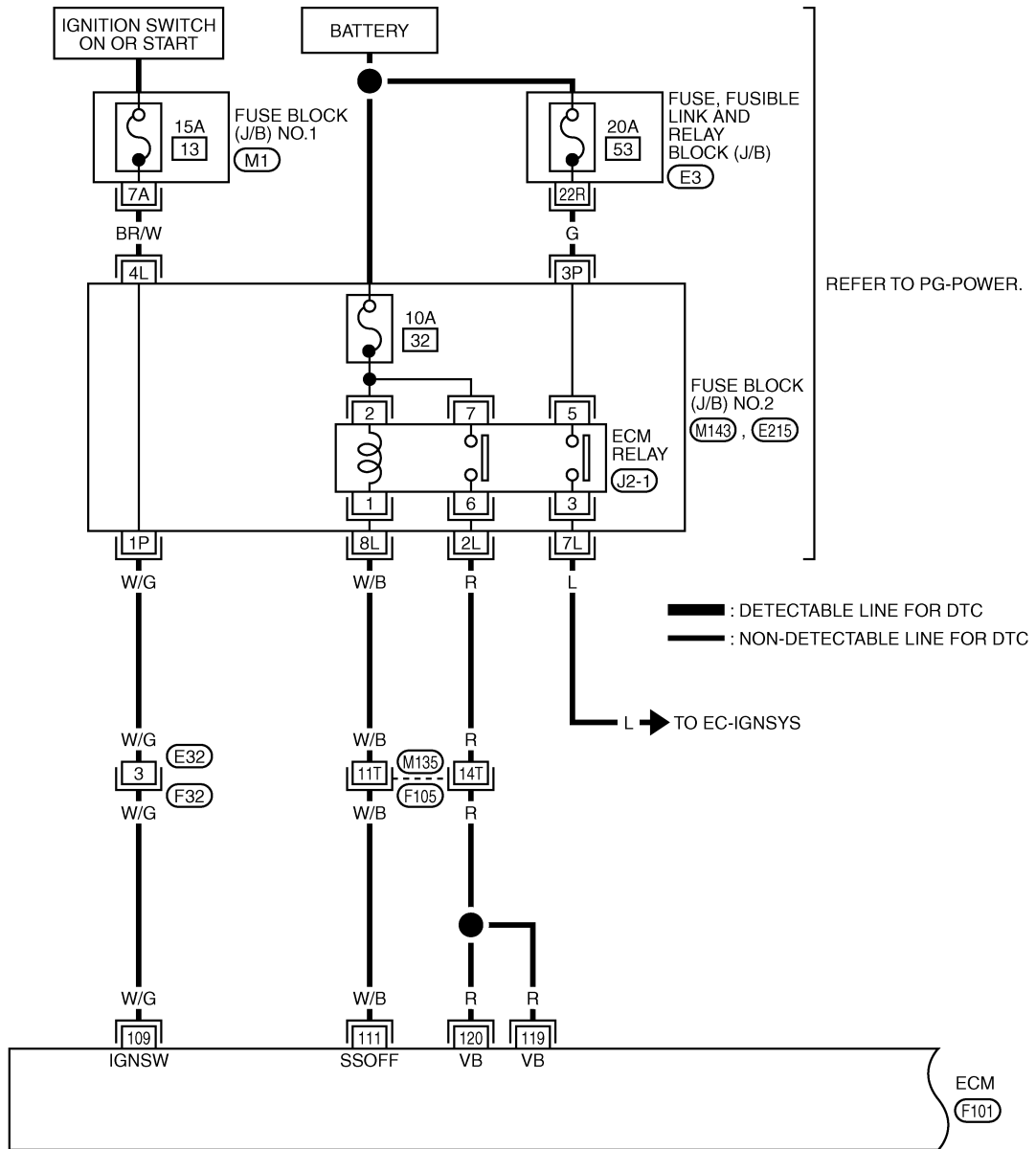
POWER SUPPLY AND GROUND CIRCUIT

PFP:24110

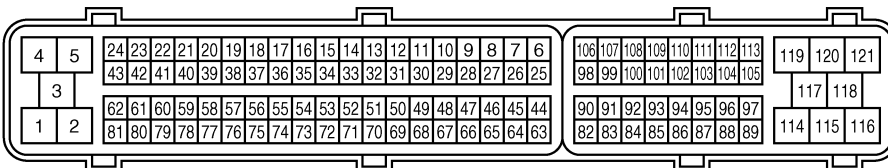
Wiring Diagram

NBS001R1

EC-MAIN-01



*: THIS CONNECTOR IS NOT SHOWN IN "HARNESS LAYOUT", PG SECTION.



REFER TO THE FOLLOWING.

- (F105) -SUPER MULTIPLE JUNCTION (SMJ)
- (M1) -FUSE BLOCK-JUNCTION BOX (J/B) NO.1
- (M143), (E215) -FUSE BLOCK-JUNCTION BOX (J/B) NO.2
- (E3) -FUSE, FUSIBLE LINK AND RELAY BLOCK (J/B)

POWER SUPPLY AND GROUND CIRCUIT

Specification data are reference values and are measured between each terminal and ground.

CAUTION:



Do not use ECM ground terminals when measuring input/output voltage. Doing so may result in damage to the ECM's transistor. Use a ground other than ECM terminals, such as the ground.

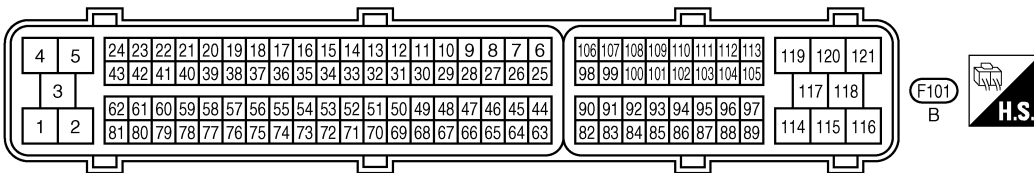
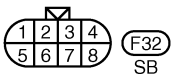
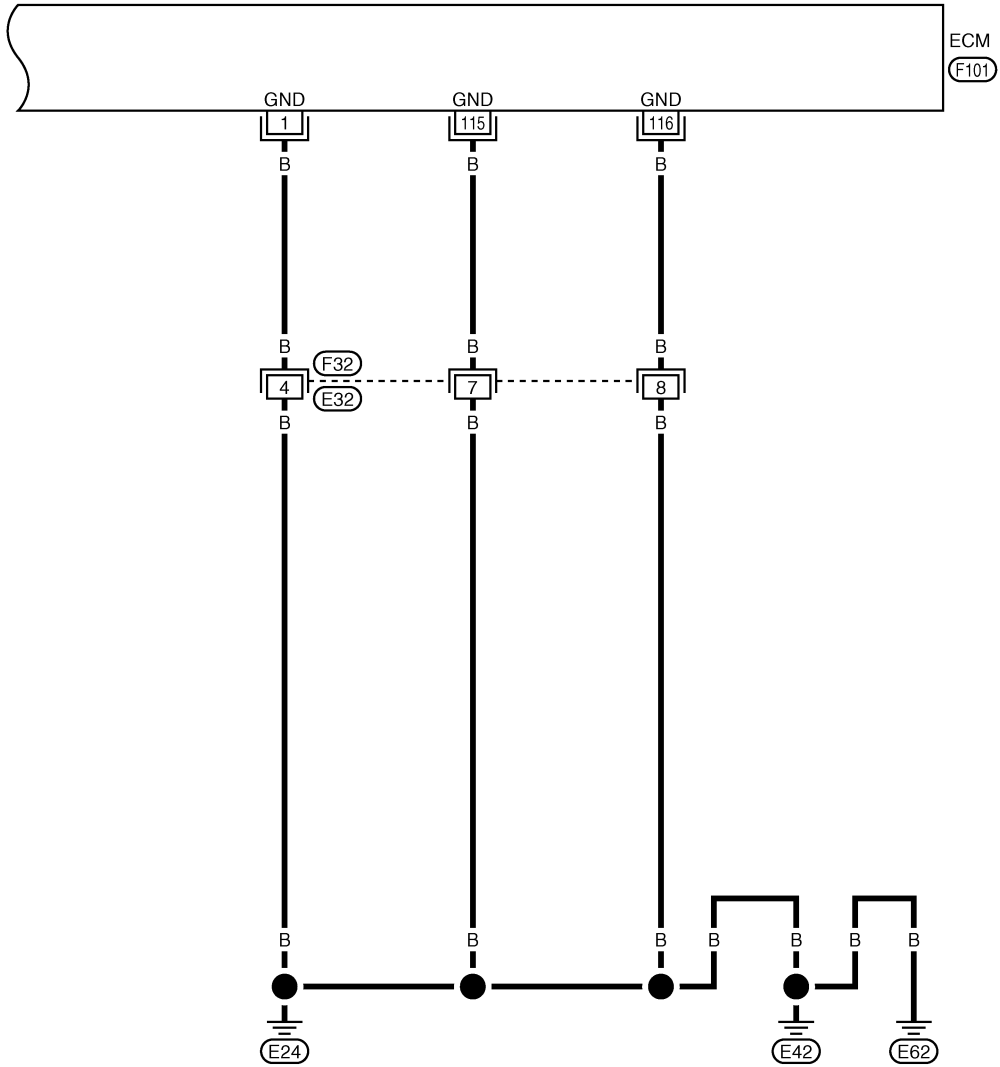
TER-MINAL NO.	WIRE COLOR	ITEM	CONDITION	DATA (DC Voltage)
109	W/G	Ignition switch	[Ignition switch: OFF]	0V
			[Ignition switch: ON]	BATTERY VOLTAGE (11 - 14V)
111	W/B	ECM relay (Self shut-off)	[Engine is running] [Ignition switch: OFF] <ul style="list-style-type: none"> ● For a few seconds after turning ignition switch OFF 	0 - 1.5V
			[Ignition switch: OFF] <ul style="list-style-type: none"> ● More than a few seconds after turning ignition switch OFF 	BATTERY VOLTAGE (11 - 14V)
119 120	R R	Power supply for ECM	[Ignition switch: ON]	BATTERY VOLTAGE (11 - 14V)

A
EC
C
D
E
F
G
H
I
J
K
L
M

POWER SUPPLY AND GROUND CIRCUIT

EC-MAIN-02

 : DETECTABLE LINE FOR DTC
 : NON-DETECTABLE LINE FOR DTC



TBWM0529E

POWER SUPPLY AND GROUND CIRCUIT

Specification data are reference values and are measured between each terminal and ground.

CAUTION:

Do not use ECM ground terminals when measuring input/output voltage. Doing so may result in damage to the ECM's transistor. Use a ground other than ECM terminals, such as the ground.

TER-MINAL NO.	WIRE COLOR	ITEM	CONDITION	DATA (DC Voltage)
1	B	ECM ground	[Engine is running] ● Idle speed	Body ground
115 116	B B	ECM ground	[Engine is running] ● Idle speed	Body ground

Diagnostic Procedure

NBS001RJ

1. INSPECTION START

Start engine.

Is engine running?

Yes or No

Yes >> GO TO 12.

No >> GO TO 2.

2. CHECK ECM POWER SUPPLY CIRCUIT-I

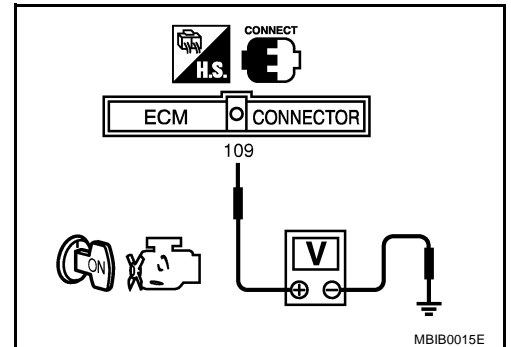
1. Turn ignition switch OFF and then ON.
2. Check voltage between ECM terminal 109 and ground with CONSULT-II or tester.

Voltage: Battery voltage

OK or NG

OK >> GO TO 4.

NG >> GO TO 3.



3. DETECT MALFUNCTIONING PART

Check the following.

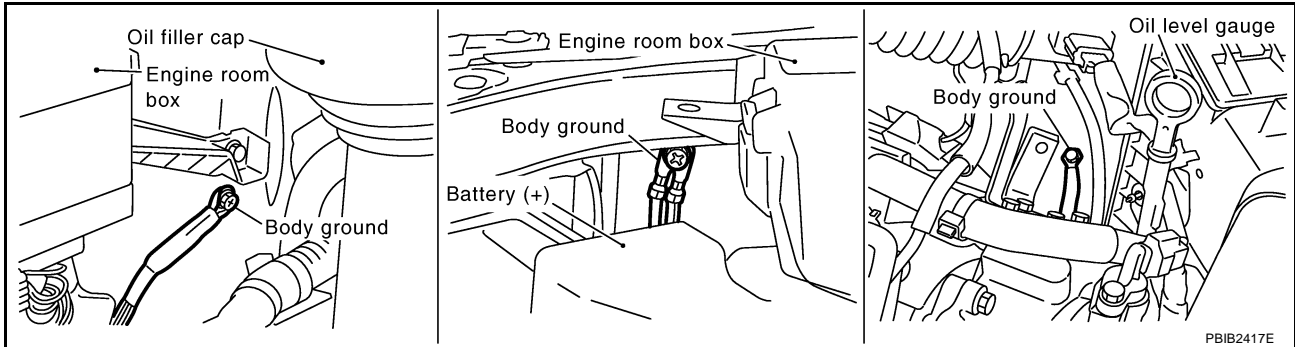
- Harness connectors E32, F32
- Fuse block (J/B) No. 1 connector M1
- Fuse block (J/B) No. 2 connectors M143, E215
- 15A fuse
- Harness for open or short between ECM and fuse

>> Repair open circuit or short to ground or short to power in harness or connectors.

POWER SUPPLY AND GROUND CIRCUIT

4. CHECK GROUND CONNECTIONS

1. Turn ignition switch OFF.
2. Loosen and retighten three ground screws on the body.
Refer to [EC-154, "Ground Inspection"](#).



OK or NG

- OK >> GO TO 5.
NG >> Repair or replace ground connections.

5. CHECK ECM GROUND CIRCUIT FOR OPEN AND SHORT-I

1. Disconnect ECM harness connector.
2. Check harness continuity between ECM terminals 1, 115, 116 and ground.
Refer to Wiring Diagram.

Continuity should exist.

3. Also check harness for short to power.

OK or NG

- OK >> GO TO 7.
NG >> GO TO 6.

6. DETECT MALFUNCTIONING PART

Check the following.

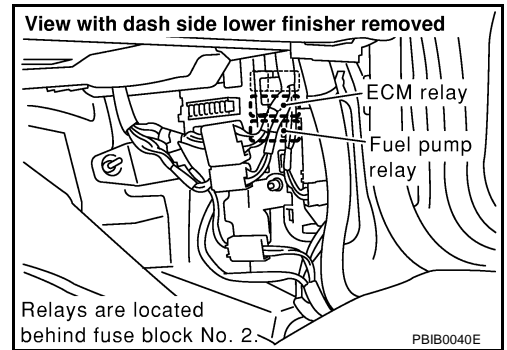
- Harness connectors F32, E32
- Harness for open or short between ECM and ground

>> Repair open circuit or short to power in harness or connectors.

POWER SUPPLY AND GROUND CIRCUIT

7. CHECK ECM POWER SUPPLY CIRCUIT-II

1. Disconnect ECM relay.

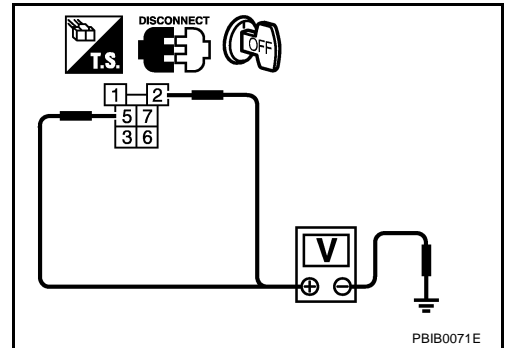


2. Check voltage between ECM relay terminals 2, 5 and ground with CONSULT-II or tester.

Voltage: Battery voltage

OK or NG

- OK >> GO TO 9.
NG >> GO TO 8.



8. DETECT MALFUNCTIONING PART

Check the following.

- 10A fuse
- 20A fuse
- Fuse block (J/B) No. 2 connector E215
- Fuse, fusible link and relay block (J/B) connector E3
- Harness for open or short between ECM relay and battery

>> Repair open circuit or short to ground or short to power in harness or connectors.

9. CHECK OUTPUT SIGNAL CIRCUIT FOR OPEN AND SHORT

1. Check harness continuity between ECM terminal 111 and ECM relay terminal 1. Refer to Wiring Diagram.

Continuity should exist.

2. Also check harness for short to ground and short to power.

OK or NG

- OK >> GO TO 11.
NG >> GO TO 10.

10. DETECT MALFUNCTIONING PART

Check the following.

- Harness connectors M135, F105
- Fuse block (J/B) No. 2 connector M143
- Harness for open or short between ECM relay and ECM

>> Repair open circuit or short to ground or short to power in harness or connectors.

POWER SUPPLY AND GROUND CIRCUIT

11. CHECK ECM RELAY

Refer to [EC-155, "Component Inspection"](#) .

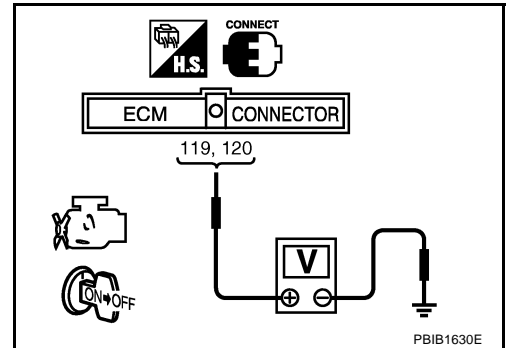
OK or NG

- OK >> Go to [EC-731, "IGNITION SIGNAL"](#) .
- NG >> Replace ECM relay.

12. CHECK ECM POWER SUPPLY CIRCUIT-III

1. Turn ignition switch OFF and wait at least 10 seconds.
2. Turn ignition switch ON and then OFF.
3. Check voltage between ECM terminals 119, 120 and ground with CONSULT-II or tester.

Voltage: After turning ignition switch OFF, battery voltage will exist for a few seconds, then drop approximately 0V.

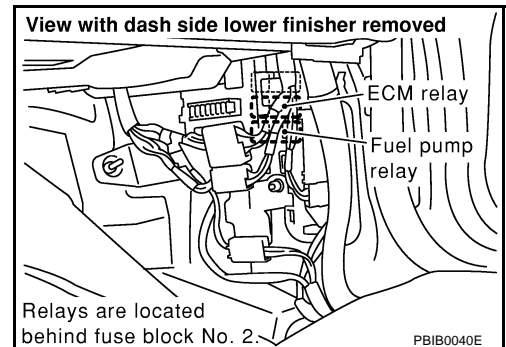


OK or NG

- OK >> GO TO 18.
- NG (Battery voltage does not exist.)>>GO TO 13.
- NG (Battery voltage exists for more than a few seconds.)>>GO TO 15.

13. CHECK ECM POWER SUPPLY CIRCUIT-IV

1. Disconnect ECM relay.

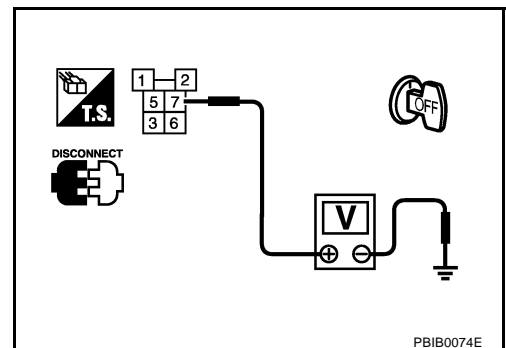


2. Check voltage between ECM relay terminal 7 and ground with CONSULT-II or tester.

Voltage: Battery voltage

OK or NG

- OK >> GO TO 15.
- NG >> GO TO 14.



POWER SUPPLY AND GROUND CIRCUIT

14. DETECT MALFUNCTIONING PART

Check harness for open or short between ECM relay and 10A fuse

>> Repair open circuit or short to ground or short to power in harness or connectors.

15. CHECK ECM POWER SUPPLY CIRCUIT-V

1. Disconnect ECM harness connector.
2. Check harness continuity between ECM terminals 119, 120 and ECM relay terminal 6.
Refer to Wiring Diagram.

Continuity should exist.

3. Also check harness for short to ground and short to power.

OK or NG

- OK >> GO TO 17.
- NG >> GO TO 16.

16. DETECT MALFUNCTIONING PART

Check the following.

- Harness connectors M135, F105
- Fuse block (J/B) No. 2 connector M143
- Harness for open or short between ECM and ECM relay

>> Repair open circuit or short to ground or short to power in harness or connectors.

17. CHECK ECM RELAY

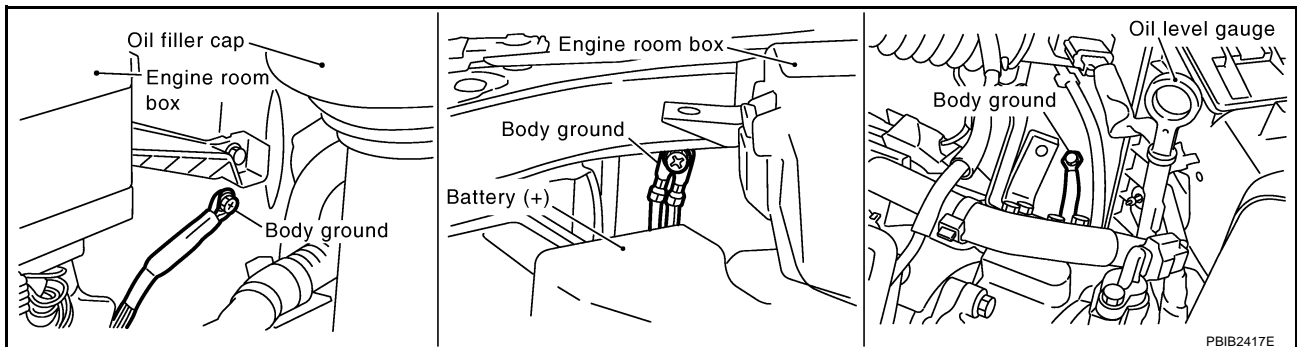
Refer to [EC-155, "Component Inspection"](#) .

OK or NG

- OK >> GO TO 18.
- NG >> Replace ECM relay.

18. CHECK GROUND CONNECTIONS

1. Turn ignition switch OFF.
2. Loosen and retighten three ground screws on the body.
Refer to [EC-154, "Ground Inspection"](#) .



OK or NG

- OK >> GO TO 19.
- NG >> Repair or replace ground connections.

POWER SUPPLY AND GROUND CIRCUIT

19. CHECK ECM GROUND CIRCUIT FOR OPEN AND SHORT-II

1. Disconnect ECM harness connector.
2. Check harness continuity between ECM terminals 1, 115, 116 and ground.
Refer to Wiring Diagram.

Continuity should exist.

3. Also check harness for short to power.

OK or NG

- OK >> GO TO 21.
NG >> GO TO 20.

20. DETECT MALFUNCTIONING PART

Check the following.

- Harness connectors F32, E32
- Harness for open or short between ECM and ground

>> Repair open circuit or short to power in harness or connectors.

21. CHECK INTERMITTENT INCIDENT

Refer to [EC-145. "TROUBLE DIAGNOSIS FOR INTERMITTENT INCIDENT"](#) .

>> **INSPECTION END**

Ground Inspection

NBS001RK

Ground connections are very important to the proper operation of electrical and electronic circuits. Ground connections are often exposed to moisture, dirt and other corrosive elements. The corrosion (rust) can become an unwanted resistance. This unwanted resistance can change the way a circuit works.

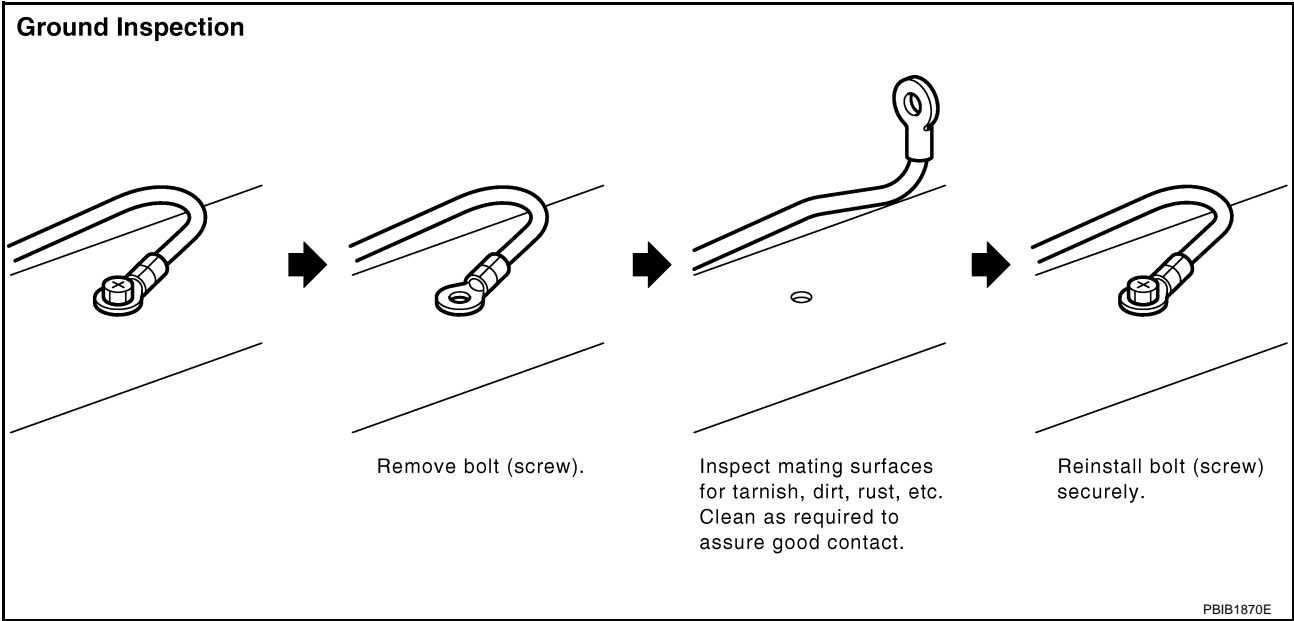
Electronically controlled circuits are very sensitive to proper grounding. A loose or corroded ground can drastically affect an electronically controlled circuit. A poor or corroded ground can easily affect the circuit. Even when the ground connection looks clean, there can be a thin film of rust on the surface.

When inspecting a ground connection follow these rules:

- Remove the ground bolt or screw.
- Inspect all mating surfaces for tarnish, dirt, rust, etc.
- Clean as required to assure good contact.
- Reinstall bolt or screw securely.
- Inspect for "add-on" accessories which may be interfering with the ground circuit.
- If several wires are crimped into one ground eyelet terminal, check for proper crimps. Make sure all of the wires are clean, securely fastened and providing a good ground path. If multiple wires are cased in one eyelet make sure no ground wires have excess wire insulation.

POWER SUPPLY AND GROUND CIRCUIT

For detailed ground distribution information, refer to [PG-15, "Ground Distribution"](#).



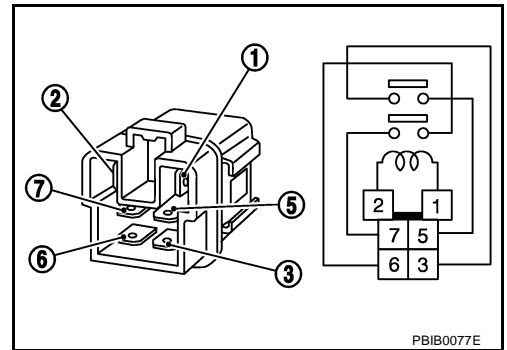
Component Inspection ECM RELAY

NBS001RL

1. Apply 12V direct current between ECM relay terminals 1 and 2.
2. Check continuity between relay terminals 3 and 5, 6 and 7.

Condition	Continuity
12V direct current supply between terminals 1 and 2	Yes
OFF	No

3. If NG, replace ECM relay.



A
EC
C
D
E
F
G
H
I
J
K
L
M

DTC U1000, U1001 CAN COMMUNICATION LINE

DTC U1000, U1001 CAN COMMUNICATION LINE

PFP:23710

Description

NBS001RM

CAN (Controller Area Network) is a serial communication line for real time application. It is an on-vehicle multiplex communication line with high data communication speed and excellent error detection ability. Many electronic control units are equipped onto a vehicle, and each control unit shares information and links with other control units during operation (not independent). In CAN communication, control units are connected with 2 communication lines (CAN H line, CAN L line) allowing a high rate of information transmission with less wiring. Each control unit transmits/receives data but selectively reads required data only.

On Board Diagnosis Logic

NBS001RN

DTC No.	Trouble diagnosis name	DTC detecting condition	Possible cause
U1000*1 1000*1	CAN communication line	<ul style="list-style-type: none">● ECM cannot communicate to other control units.● ECM cannot communicate for more than the specified time.	<ul style="list-style-type: none">● Harness or connectors (CAN communication line is open or shorted)
U1001*2 1001*2			

*1: This self-diagnosis has the one trip detection logic.

*2: The MIL will not light up for this diagnosis.

DTC Confirmation Procedure

NBS001RO




1. Turn ignition switch ON and wait at least 3 seconds.
2. Select "DATA MONITOR" mode with CONSULT-II.
3. If 1st trip DTC is detected, go to [EC-158, "Diagnostic Procedure"](#) .

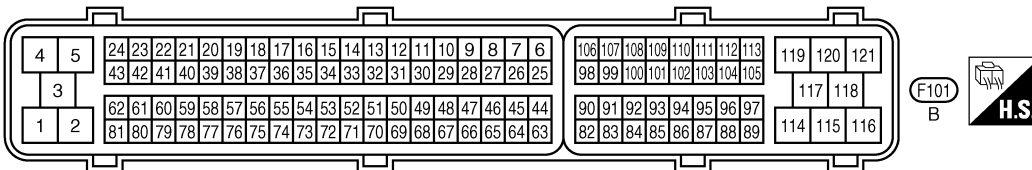
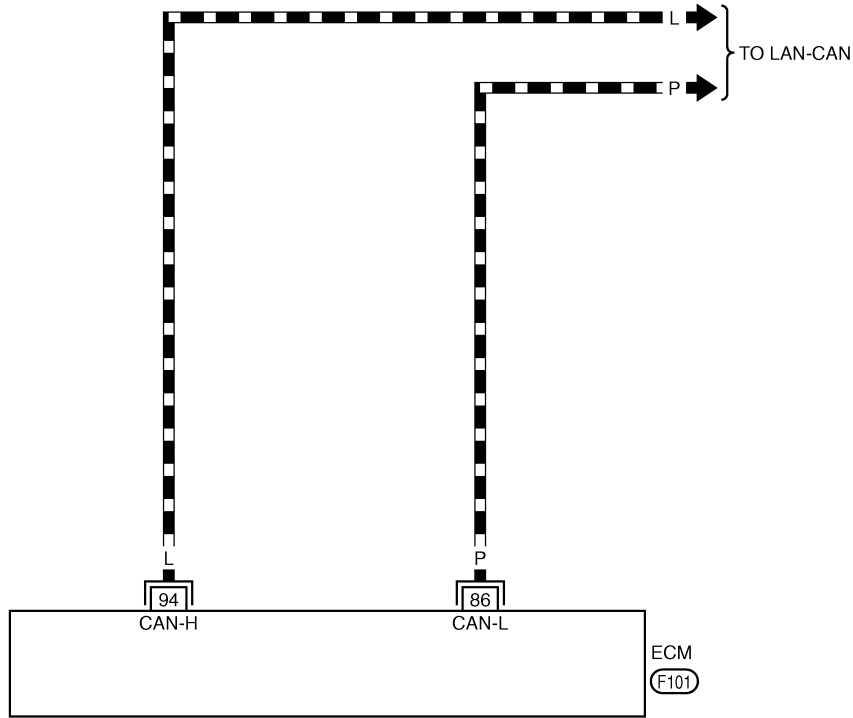
DTC U1000, U1001 CAN COMMUNICATION LINE

Wiring Diagram

NBS001RP

EC-CAN-01

-  : DETECTABLE LINE FOR DTC
-  : NON-DETECTABLE LINE FOR DTC
-  : DATA LINE



TBWT0698E

DTC U1000, U1001 CAN COMMUNICATION LINE

Diagnostic Procedure

NBS001RQ

Go to [LAN-17, "Precautions When Using CONSULT-II"](#) .

DTC U1010 CAN COMMUNICATION

DTC U1010 CAN COMMUNICATION

PFP:23710

Description

NBS002WM

CAN (Controller Area Network) is a serial communication line for real time application. It is an on-vehicle multiplex communication line with high data communication speed and excellent error detection ability. Many electronic control units are equipped onto a vehicle, and each control unit shares information and links with other control units during operation (not independent). In CAN communication, control units are connected with 2 communication lines (CAN H line, CAN L line) allowing a high rate of information transmission with less wiring. Each control unit transmits/receives data but selectively reads required data only.

On Board Diagnosis Logic

NBS002WN

This self-diagnosis has the one trip detection logic.

DTC No.	Trouble diagnosis name	DTC detecting condition	Possible cause
U1010 1010	CAN communication bus	Initializing CAN communication bus is malfunctioning.	● ECM

DTC Confirmation Procedure

NBS002WO

WITH CONSULT-II

1. Turn ignition switch ON.
2. Select "DATA MONITOR" mode with CONSULT-II.
3. If DTC is detected, go to [EC-160, "Diagnostic Procedure"](#) .

DATA MONITOR	
MONITOR	NO DTC
ENG SPEED	XXX rpm

SEF058Y

WITH GST

Follow the procedure "WITH CONSULT-II" above.

Diagnostic Procedure

1. INSPECTION START

With CONSULT-II

1. Turn ignition switch ON.
2. Select "SELF-DIAG RESULTS" mode with CONSULT-II.
3. Touch "ERASE".
4. **Perform DTC Confirmation Procedure.**
See [EC-159, "DTC Confirmation Procedure"](#) .
5. Is the DTC U1010 displayed again?

With GST

1. Turn ignition switch ON.
2. Select Service \$04 with GST.
3. **Perform DTC Confirmation Procedure.**
See [EC-159, "DTC Confirmation Procedure"](#) .
4. Is the DTC U1010 displayed again?

Yes or No

Yes >> GO TO 2.

No >> **INSPECTION END**

2. REPLACE ECM

1. Replace ECM.
2. Perform initialization of IVIS (NATS) system and registration of all IVIS (NATS) ignition key IDs. Refer to [BL-202, "ECM Re-Communicating Function"](#) .
3. Perform [EC-77, "VIN Registration"](#) .
4. Perform [EC-77, "Accelerator Pedal Released Position Learning"](#) .
5. Perform [EC-78, "Throttle Valve Closed Position Learning"](#) .
6. Perform [EC-78, "Idle Air Volume Learning"](#) .

>> **INSPECTION END**

DTC P0011, P0021 IVT CONTROL

Description

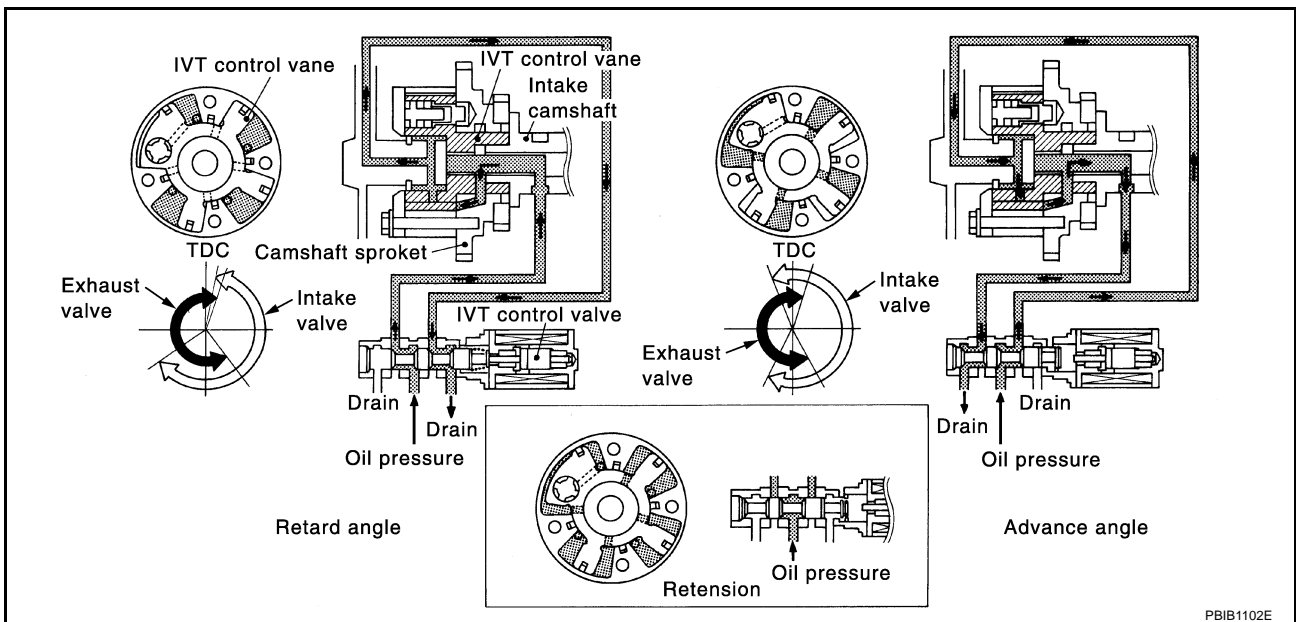
NBS001RR

If DTC P0011 or P0021 is displayed with DTC P0075, P0081, P1140 or P1145, first perform the trouble diagnosis for [EC-188, "DTC P0075, P0081 IVT CONTROL SOLENOID VALVE"](#) or [EC-502, "DTC P1140, P1145 IVT CONTROL POSITION SENSOR"](#).

SYSTEM DESCRIPTION

Sensor	Input signal to ECM function	ECM	Actuator
Crankshaft position sensor (POS) Camshaft position sensor (PHASE)	Engine speed	Intake valve timing control	Intake valve timing control solenoid valve
Intake valve timing control position sensor	Intake valve timing signal		
Engine coolant temperature sensor	Engine coolant temperature		
Wheel sensor	Vehicle speed*		

*: This signal is sent to the ECM through CAN communication line.



This mechanism hydraulically controls cam phases continuously with the fixed operating angle of the intake valve.

The ECM receives signals such as crankshaft position, camshaft position, engine speed, and engine coolant temperature. Then, the ECM sends ON/OFF pulse duty signals to the intake valve timing (IVT) control solenoid valve depending on driving status. This makes it possible to control the shut/open timing of the intake valve to increase engine torque in low/mid speed range and output in high-speed range.

COMPONENT INSPECTION

Intake Valve Timing Control Solenoid Valve

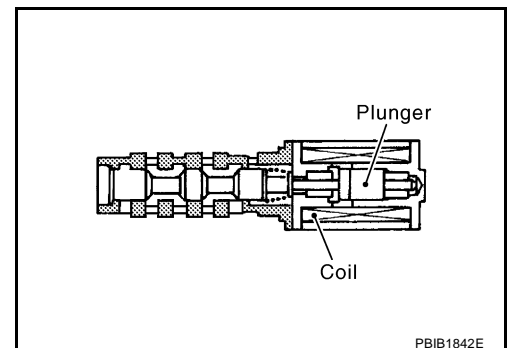
Intake Valve Timing (IVT) control solenoid valve is activated by ON/OFF pulse duty (ratio) signals from the ECM.

The IVT control solenoid valve changes the oil amount and direction of flow through intake valve timing control unit or stops oil flow.

The longer pulse width advances valve angle.

The shorter pulse width retards valve angle.

When ON and OFF pulse widths become equal, the solenoid valve stops oil pressure flow to fix the intake valve angle at the control position.



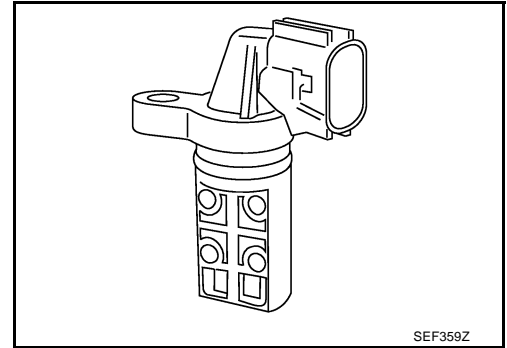
DTC P0011, P0021 IVT CONTROL

Intake Valve Timing Control Position Sensor

Intake valve timing control position sensors are located in the front of cylinder heads in both bank 1 and bank 2.

This sensor uses a Hall IC.

The cam position is determined by the intake primary cam sprocket concave (in three places). The ECM provides feedback to the intake valve timing control for appropriate target valve open-close timing according to drive conditions based on detected cam position.



CONSULT-II Reference Value in Data Monitor Mode

NBS001RS

Specification data are reference values.

MONITOR ITEM	CONDITION	SPECIFICATION
INT/V TIM (B1) INT/V TIM (B2)	● Engine: After warming up ● Selector lever: P or N Idle	-5° - 5°C
	● Air conditioner switch: OFF ● No load 2,000 rpm	Approx. 0° - 20°C
INT/V SOL (B1) INT/V SOL (B2)	● Engine: After warming up ● Selector lever: P or N Idle	0% - 2%
	● Air conditioner switch: OFF ● No load 2,000 rpm	Approx. 25% - 50%

On Board Diagnosis Logic

NBS001RT

DTC No.	Trouble diagnosis name	Detecting condition	Possible cause
P0011 0011 (Bank 1)	Intake valve timing control performance	A The alignment of the intake valve timing control has been misregistered.	<ul style="list-style-type: none"> ● Harness or connectors (Intake valve timing control solenoid valve circuit is open or shorted.)
P0021 0021 (Bank 2)		B There is a gap between angle of target and phase-control angle degree.	<ul style="list-style-type: none"> ● Harness or connectors (Intake valve timing control position sensor circuit is open or shorted.) ● Intake valve timing control solenoid valve ● Intake valve timing control position sensor ● Crankshaft position sensor (POS) ● Camshaft position sensor (PHASE) ● Accumulation of debris to the signal pick-up portion of the camshaft sprocket ● Timing chain installation ● Foreign matter caught in the oil groove for intake valve timing control

FAIL-SAFE MODE

When the malfunction is detected, the ECM enters fail-safe mode.

Detected items	Engine operating condition in fail-safe mode
Intake valve timing control	The signal is not energized to the solenoid valve and the valve control does not function

DTC P0011, P0021 IVT CONTROL

NBS001RU

DTC Confirmation Procedure

CAUTION:

Always drive at a safe speed.

NOTE:

If DTC Confirmation Procedure has been previously conducted, always turn ignition switch OFF and wait at least 10 seconds before conducting the next test.

TESTING CONDITION:

Before performing the following procedure, confirm that battery voltage is between 10V and 16V at idle.

PROCEDURE FOR MALFUNCTION A

Ⓟ With CONSULT-II

1. Turn ignition switch ON.
2. Select "DATA MONITOR" mode with CONSULT-II.
3. Maintain the following conditions for at least 10 consecutive seconds.

ENG SPEED	More than 2,000 rpm (A constant rotation is maintained.)
COOLAN TEMP/S	More than 70°C (158°F)
Selector lever	1st or 2nd position
Driving location uphill	Driving vehicle uphill (Increased engine load will help maintain the driving conditions required for this test.)

4. Maintain the following conditions for at least 20 consecutive seconds.

ENG SPEED	Idle
COOLAN TEMP/S	More than 70°C (158°F)
Selector lever	P or N position

5. If the 1st trip DTC is detected, go to [EC-167, "Diagnostic Procedure"](#).

Ⓢ With GST

Follow the procedure With CONSULT-II above.

PROCEDURE FOR MALFUNCTION B

Ⓟ With CONSULT-II

1. Turn ignition switch ON.
2. Select "DATA MONITOR" mode with CONSULT-II.
3. Maintain the following conditions for at least 10 consecutive seconds.

ENG SPEED	1,700 - 3,175 rpm (A constant rotation is maintained.)
COOLAN TEMP/S	70 - 105°C (158 - 221°F)
Selector lever	1st or 2nd position
Driving location uphill	Driving vehicle uphill (Increased engine load will help maintain the driving conditions required for this test.)

4. If the 1st trip DTC is detected, go to [EC-167, "Diagnostic Procedure"](#).

Ⓢ With GST

Follow the procedure With CONSULT-II above.

DATA MONITOR	
MONITOR	NO DTC
ENG SPEED	XXX rpm
COOLAN TEMP/S	XXX °C
VHCL SPEED SE	XXX km/h
B/FUEL SCHDL	XXX msec

PBIB0164E

DATA MONITOR	
MONITOR	NO DTC
ENG SPEED	XXX rpm
COOLAN TEMP/S	XXX °C
VHCL SPEED SE	XXX km/h
B/FUEL SCHDL	XXX msec

PBIB0164E

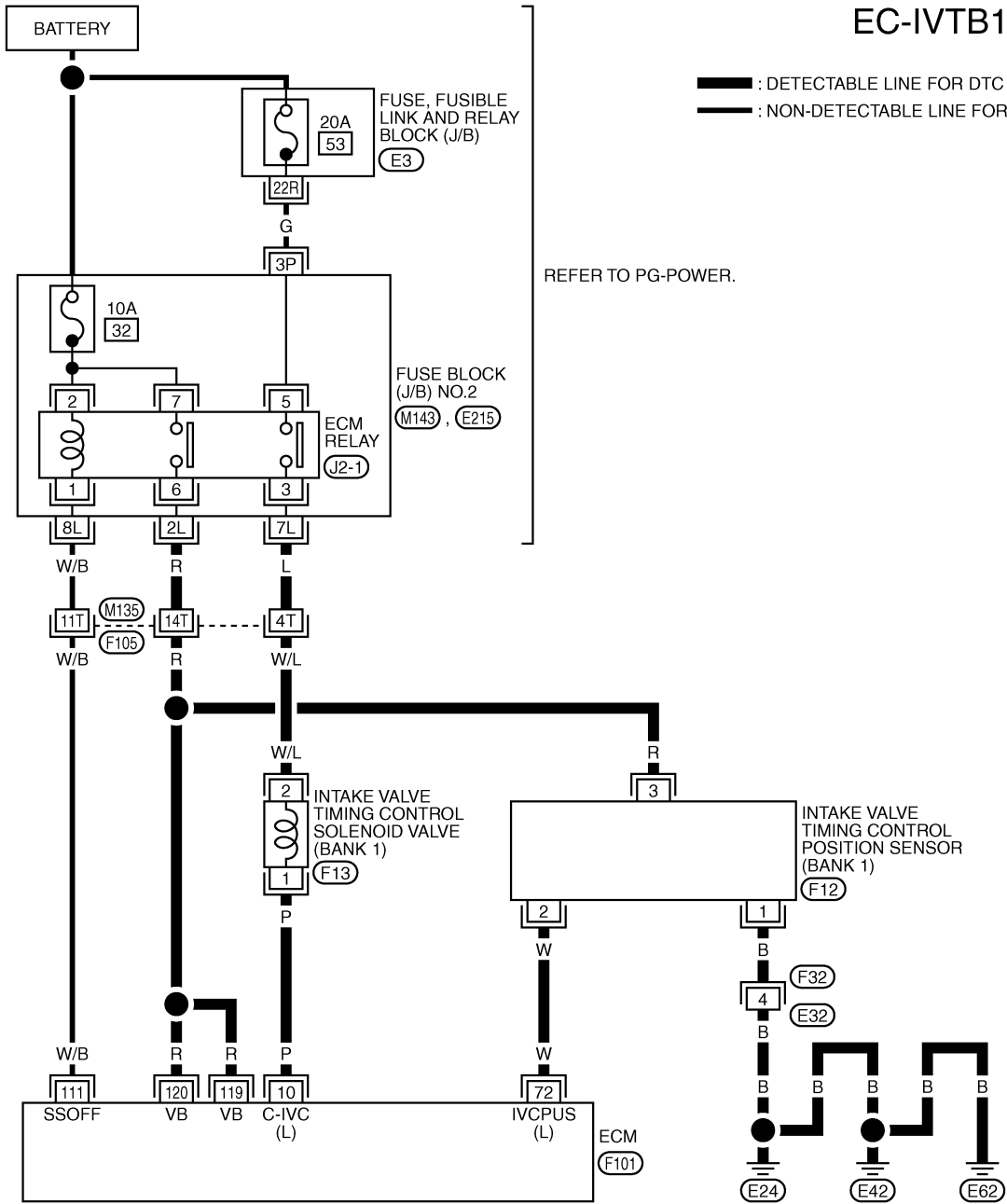
DTC P0011, P0021 IVT CONTROL

NBS001RV

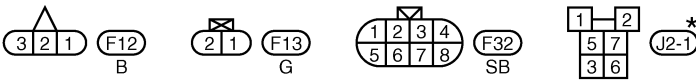
Wiring Diagram BANK 1

EC-IVTB1-01

— : DETECTABLE LINE FOR DTC
— : NON-DETECTABLE LINE FOR DTC



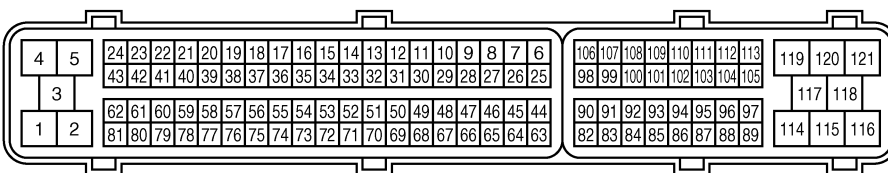
REFER TO PG-POWER.



*: THIS CONNECTOR IS NOT SHOWN IN "HARNESS LAYOUT", PG SECTION.

REFER TO THE FOLLOWING.

- (F105) -SUPER MULTIPLE JUNCTION (SMJ)
- (M143) , (E215) -FUSE BLOCK-JUNCTION BOX (J/B) NO.2
- (E3) -FUSE, FUSIBLE LINK AND RELAY BLOCK (J/B)



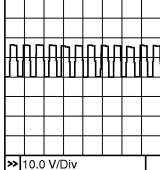
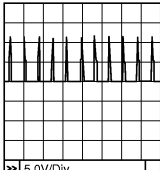
TBWM1217E

DTC P0011, P0021 IVT CONTROL

Specification data are reference values and are measured between each terminal and ground.
Pulse signal is measured by CONSULT-II.

CAUTION:

Do not use ECM ground terminals when measuring input/output voltage. Doing so may result in damage to the ECM's transistor. Use a ground other than ECM terminals, such as the ground.

TER-MINAL NO.	WIRE COLOR	ITEM	CONDITION	DATA (DC Voltage)
10	P	Intake valve timing control solenoid valve (bank 1)	[Engine is running] <ul style="list-style-type: none"> ● Warm-up condition ● Idle speed 	BATTERY VOLTAGE (11 - 14V)
			[Engine is running] <ul style="list-style-type: none"> ● Warm-up condition ● Engine speed: 2,000rpm 	7 - 12V★  <small>PBIB1790E</small>
72	W	Intake valve timing control position sensor (bank 1)	[Engine is running] <ul style="list-style-type: none"> ● Warm-up condition ● Idle speed 	0 - 1.0V
			[Engine is running] <ul style="list-style-type: none"> ● Engine speed: 2,000rpm 	0 - 1.0V★  <small>PBIB2046E</small>
111	W/B	ECM relay (Self shut-off)	[Engine is running] [Ignition switch: OFF] <ul style="list-style-type: none"> ● For a few seconds after turning ignition switch OFF 	0 - 1.5V
			[Ignition switch: OFF] <ul style="list-style-type: none"> ● More than a few seconds after turning ignition switch OFF 	BATTERY VOLTAGE (11 - 14V)
119 120	R R	Power supply for ECM	[Ignition switch: ON]	BATTERY VOLTAGE (11 - 14V)

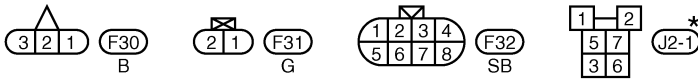
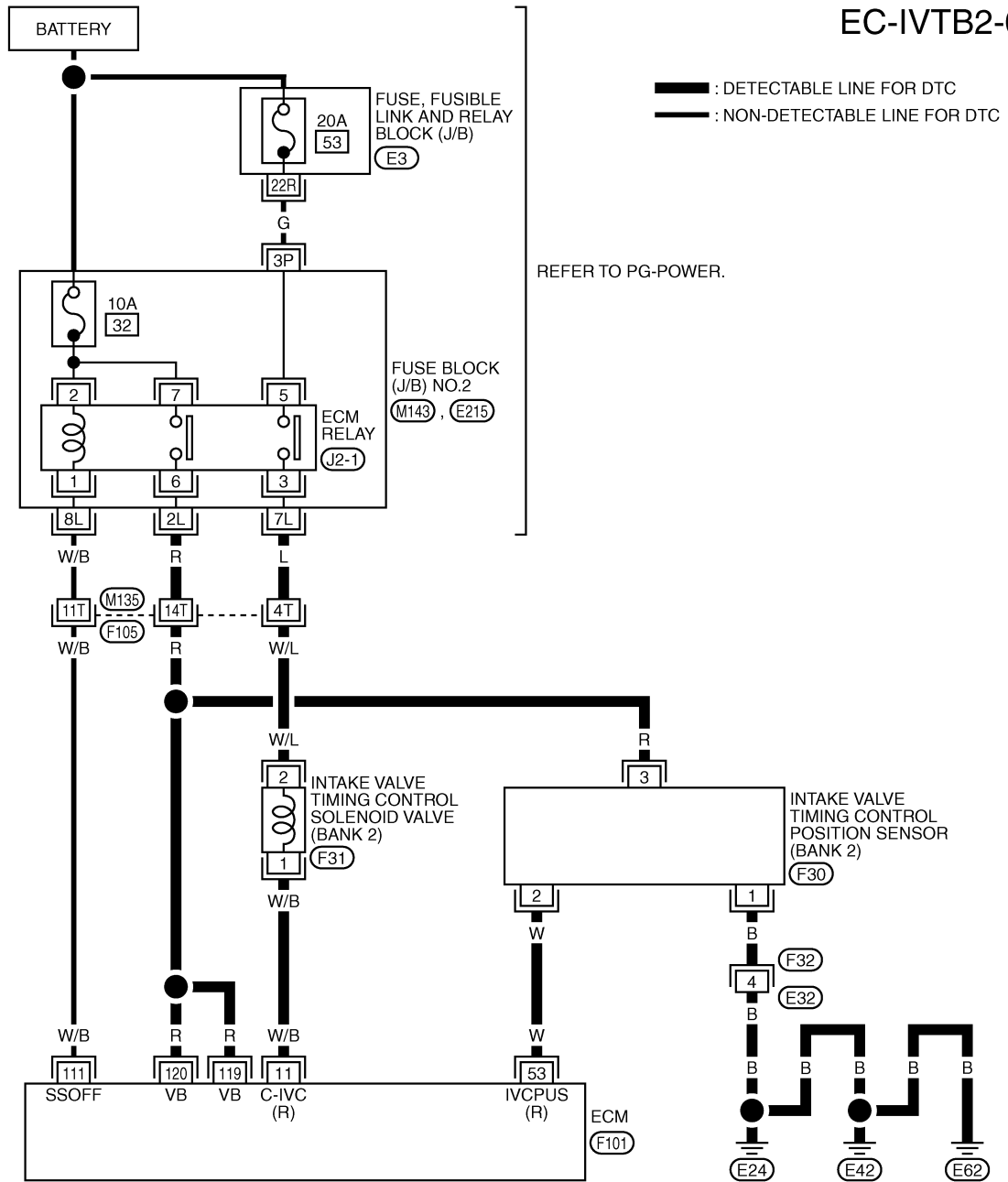
★: Average voltage for pulse signal (Actual pulse signal can be confirmed by oscilloscope.)

A
EC
C
D
E
F
G
H
I
J
K
L
M

DTC P0011, P0021 IVT CONTROL

BANK 2

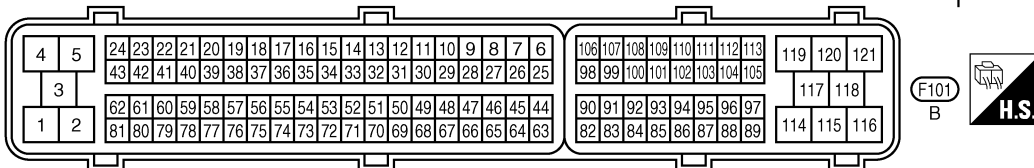
EC-IVTB2-01



*: THIS CONNECTOR IS NOT SHOWN IN "HARNESS LAYOUT", PG SECTION.

REFER TO THE FOLLOWING.

- F105 -SUPER MULTIPLE JUNCTION (SMJ)
- M143, E215 -FUSE BLOCK-JUNCTION BOX (J/B) NO.2
- E3 -FUSE, FUSIBLE LINK AND RELAY BLOCK (J/B)

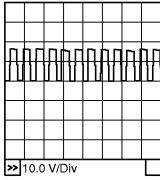
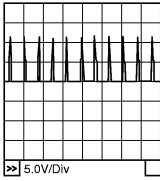


DTC P0011, P0021 IVT CONTROL

Specification data are reference values and are measured between each terminal and ground.
Pulse signal is measured by CONSULT-II.

CAUTION:

Do not use ECM ground terminals when measuring input/output voltage. Doing so may result in damage to the ECM's transistor. Use a ground other than ECM terminals, such as the ground.

TER-MINAL NO.	WIRE COLOR	ITEM	CONDITION	DATA (DC Voltage)
11	W/B	Intake valve timing control solenoid valve (bank 2)	[Engine is running] ● Warm-up condition ● Idle speed	BATTERY VOLTAGE (11 - 14V)
			[Engine is running] ● Warm-up condition ● Engine speed: 2,000rpm	7 - 12V★ 
53	W	Intake valve timing control position sensor (bank 2)	[Engine is running] ● Warm-up condition ● Idle speed	0 - 1.0V
			[Engine is running] ● Engine speed: 2,000 rpm	0 - 1.0V★ 
111	W/B	ECM relay (Self shut-off)	[Engine is running] [Ignition switch: OFF] ● For a few seconds after turning ignition switch OFF	0 - 1.5V
			[Ignition switch: OFF] ● More than a few seconds after turning ignition switch OFF	BATTERY VOLTAGE (11 - 14V)
119 120	R R	Power supply for ECM	[Ignition switch: ON]	BATTERY VOLTAGE (11 - 14V)

★: Average voltage for pulse signal (Actual pulse signal can be confirmed by oscilloscope.)

Diagnostic Procedure

NBS001RW

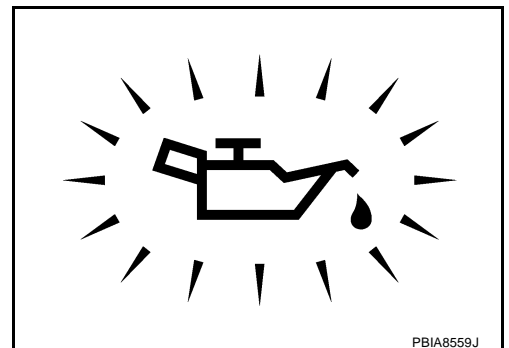
1. CHECK OIL PRESSURE WARNING LAMP

1. Start engine.
2. Check oil pressure warning lamp and confirm it is not illuminated.

OK or NG

OK >> GO TO 2.

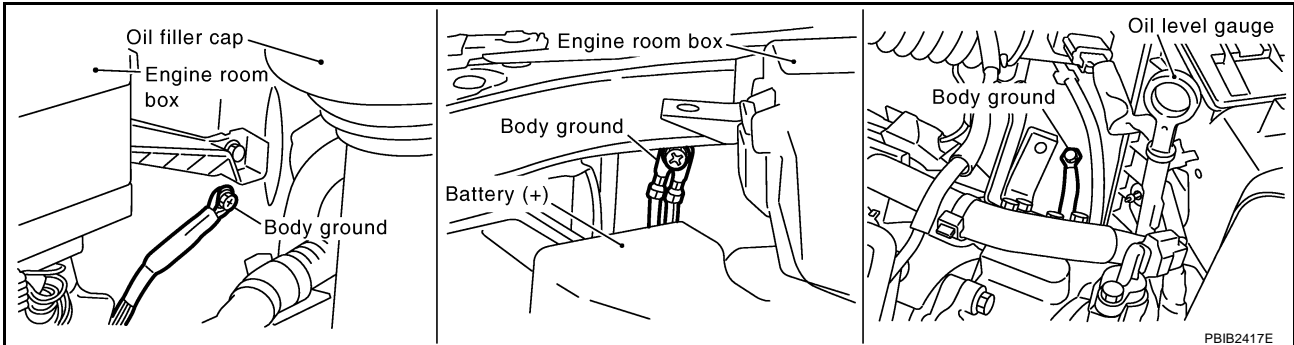
KG >> Go to [LU-6. "OIL PRESSURE CHECK"](#) .



DTC P0011, P0021 IVT CONTROL

2. CHECK GROUND CONNECTIONS

1. Turn ignition switch OFF.
2. Loosen and retighten three ground screws on the body.
Refer to [EC-154, "Ground Inspection"](#).

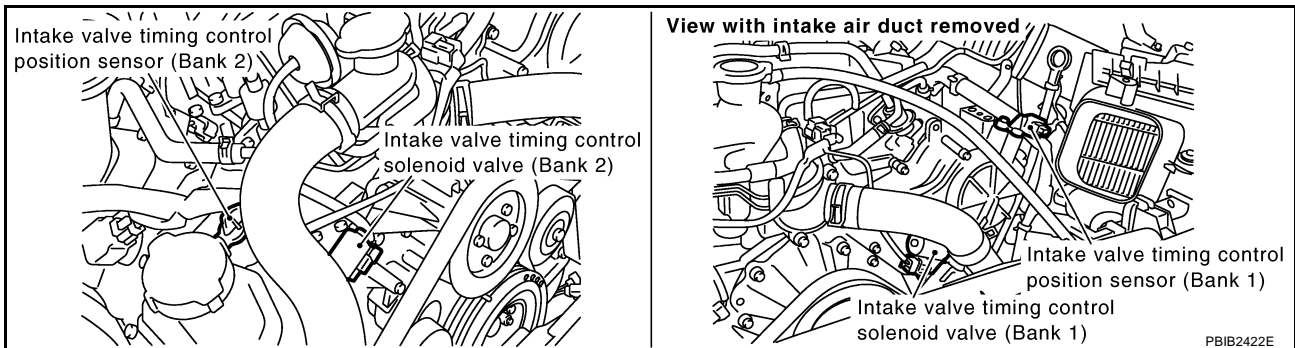


OK or NG

- OK >> GO TO 3.
NG >> Repair or replace ground connections.

3. CHECK INTAKE VALVE TIMING CONTROL POSITION SENSOR POWER SUPPLY CIRCUIT

1. Disconnect intake valve timing control position sensor harness connector.

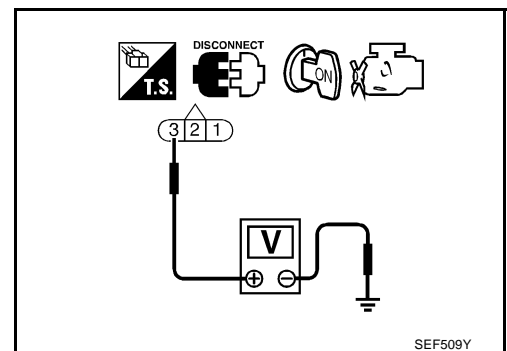


2. Turn ignition switch ON.
3. Check voltage between intake valve timing control position sensor terminal 3 and ground with CONSULT-II or tester.

Voltage: Battery voltage

OK or NG

- OK >> GO TO 5.
NG >> GO TO 4.



4. DETECT MALFUNCTIONING PART

Check the following.

- Harness connectors M135, F105
- Harness for open or short between intake valve timing control position sensor and ECM
- Harness for open or short between intake valve timing control position sensor and ECM relay

>> Repair open circuit or short to ground or short to power in harness or connectors.

DTC P0011, P0021 IVT CONTROL

5. CHECK INTAKE VALVE TIMING CONTROL POSITION SENSOR GROUND CIRCUIT FOR OPEN AND SHORT

A

1. Turn ignition switch OFF.
2. Check harness continuity between intake valve timing control position sensor terminal 1 and ground. Refer to Wiring Diagram.

EC

Continuity should exist.

3. Also check harness for short to power.

C

OK or NG

OK >> GO TO 7.

NG >> GO TO 6.

D

6. DETECT MALFUNCTIONING PART

E

Check the following.

- Harness connectors F32, E32
- Harness for open or short between intake valve timing control position sensor and ground

F

>> Repair open circuit or short to power in harness or connectors.

G

7. CHECK INTAKE VALVE TIMING CONTROL POSITION SENSOR INPUT SIGNAL CIRCUIT FOR OPEN AND SHORT

H

1. Disconnect ECM harness connector.
2. Check harness continuity between the following;
ECM terminal 72 and intake valve timing control position sensor (bank 1) terminal 2 or
ECM terminal 53 and intake valve timing control position sensor (bank 2) terminal 2.
Refer to Wiring Diagram.

I

Continuity should exist.

J

3. Also check harness for short to ground and short to power.

OK or NG

OK >> GO TO 8.

NG >> Repair open circuit or short to ground or short to power in harness or connectors.

K

8. CHECK INTAKE VALVE TIMING CONTROL POSITION SENSOR

L

Refer to [EC-171, "Component Inspection"](#) .

OK or NG

OK >> GO TO 9.

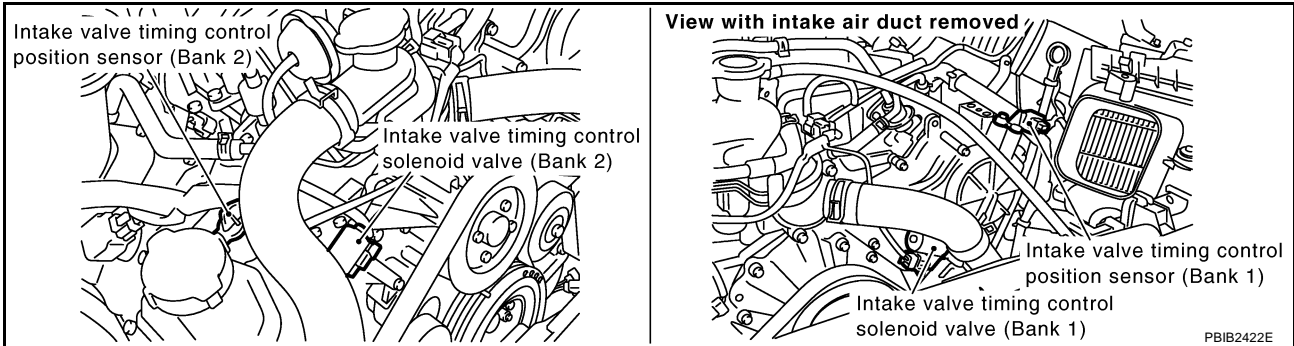
NG >> Replace intake valve timing control position sensor.

M

DTC P0011, P0021 IVT CONTROL

9. CHECK INTAKE VALVE TIMING CONTROL SOLENOID VALVE POWER SUPPLY CIRCUIT

1. Reconnect ECM harness connector.
2. Disconnect intake valve timing control solenoid valve harness connector.

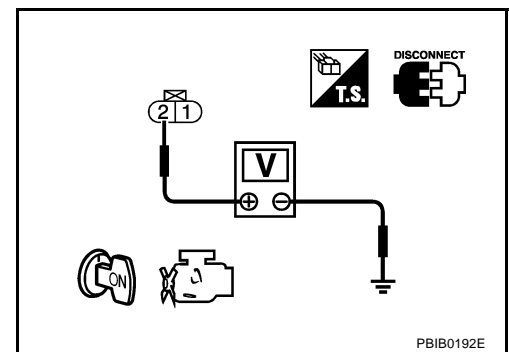


3. Turn ignition switch ON.
4. Check voltage between intake valve timing control solenoid valve terminal 2 and ground with CONSULT-II or tester.

Voltage: Battery voltage

OK or NG

- OK >> GO TO 11.
NG >> GO TO 10.



10. DETECT MALFUNCTIONING PART

Check the following.

- Harness connectors M135, F105
- Harness for open or short between intake valve timing control solenoid valve and ECM relay.

>> Repair open circuit or short to ground or short to power in harness or connectors.

11. CHECK INTAKE VALVE TIMING CONTROL SOLENOID VALVE OUTPUT SIGNAL CIRCUIT FOR OPEN AND SHORT

1. Disconnect ECM harness connector.
2. Check harness continuity between the following;
ECM terminal 10 and intake valve timing control solenoid valve (bank 1) terminal 1 or
ECM terminal 11 and intake valve timing control solenoid valve (bank 2) terminal 1.
Refer to Wiring Diagram.

Continuity should exist.

3. Also check harness for short to ground and short to power.

OK or NG

- OK >> GO TO 12.
NG >> Repair open circuit or short to ground or short to power in harness or connectors.

12. CHECK INTAKE VALVE TIMING CONTROL SOLENOID VALVE

Refer to [EC-171, "Component Inspection"](#) .

OK or NG

- OK >> GO TO 13.
NG >> Replace intake valve timing control solenoid valve.

13. CHECK CRANKSHAFT POSITION SENSOR (POS)

Refer to [EC-378, "Component Inspection"](#) .

OK or NG

- OK >> GO TO 14.
- NG >> Replace crankshaft position sensor (POS).

14. CHECK CAMSHAFT POSITION SENSOR (PHASE)

Refer to [EC-385, "Component Inspection"](#) .

OK or NG

- OK >> GO TO 15.
- NG >> Replace camshaft position sensor (PHASE).

15. CHECK CAMSHAFT SPROCKET

Check accumulation of debris to the signal pick-up portion of the camshaft sprocket. Refer to [EM-50, "CAM-SHAFT"](#) .

OK or NG

- OK >> GO TO 16.
- NG >> Remove debris and clean the signal pick-up cutout of camshaft sprocket.

16. CHECK TIMING CHAIN INSTALLATION

Check service records for any recent repairs that may cause timing chain misaligned.

Are there any service records that may cause timing chain misaligned?

Yes or No

- Yes >> Check timing chain installation. Refer to [EM-39, "TIMING CHAIN"](#) .
- No >> GO TO 17.

17. CHECK LUBRICATION CIRCUIT

Refer to [EM-56, "Inspection of Camshaft Sprocket \(INT\) Oil Groove"](#) .

OK or NG

- OK >> GO TO 18.
- NG >> Clean lubrication line.

18. CHECK INTERMITTENT INCIDENT

Refer to [EC-145, "TROUBLE DIAGNOSIS FOR INTERMITTENT INCIDENT"](#) .

>> INSPECTION END

Component Inspection

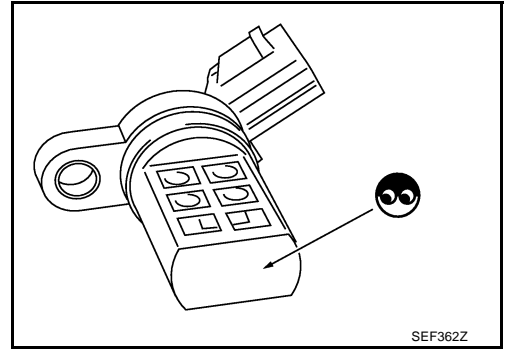
INTAKE VALVE TIMING CONTROL POSITION SENSOR

NBS001RX

1. Disconnect intake valve timing control position sensor harness connector.
2. Loosen the fixing bolt of the sensor.
3. Remove the sensor.

DTC P0011, P0021 IVT CONTROL

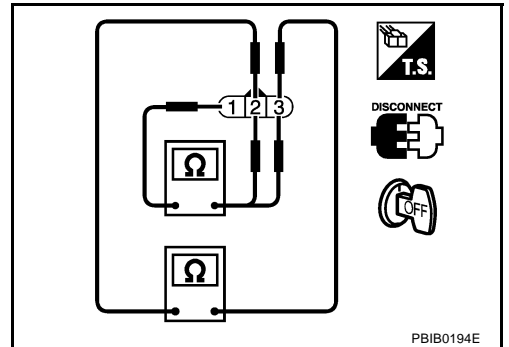
4. Visually check the sensor for chipping.



5. Check resistance as shown below.

Terminal No. (Polarity)	Resistance Ω [at 25°C (77°F)]
3 (+) - 1 (-)	Except 0 or ∞
2 (+) - 1 (-)	
3 (+) - 2 (-)	

6. If NG, replace intake valve timing control position sensor.



INTAKE VALVE TIMING CONTROL SOLENOID VALVE

1. Disconnect intake valve timing control solenoid valve harness connector.
2. Check resistance between intake valve timing control solenoid valve terminals as follows.

Terminals	Resistance
1 and 2	7.0 - 7.5 Ω [at 20°C (68°F)]
1 or 2 and ground	$\infty\Omega$ (Continuity should not exist)

If NG, replace intake valve timing control solenoid valve.
If OK, go to next step.

3. Remove intake valve timing control solenoid valve.
4. Provide 12V DC between intake valve timing control solenoid valve terminals and then interrupt it. Make sure that the plunger moves as shown in the figure.

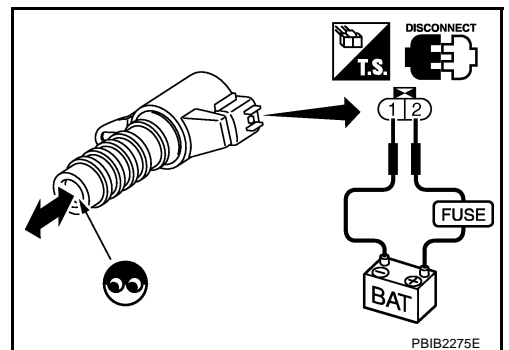
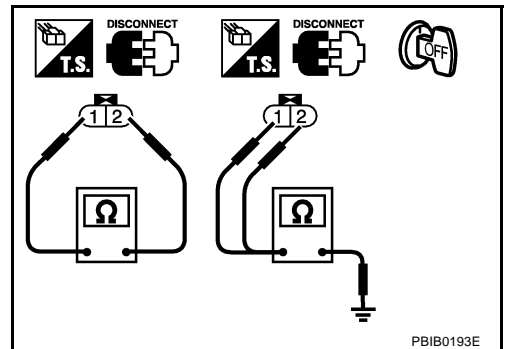
CAUTION:

Do not apply 12V DC continuously for 5 seconds or more. Doing so may result in damage to the coil in intake valve timing control solenoid valve.

If NG, replace intake valve timing control solenoid valve.

NOTE:

Always replace O-ring when intake valve timing control solenoid valve is removed.



Removal and Installation INTAKE VALVE TIMING CONTROL POSITION SENSOR

Refer to [EM-39, "TIMING CHAIN"](#) .

INTAKE VALVE TIMING CONTROL SOLENOID VALVE

Refer to [EM-39, "TIMING CHAIN"](#) .

DTC P0031, P0032, P0051, P0052 A/F SENSOR 1 HEATER

DTC P0031, P0032, P0051, P0052 A/F SENSOR 1 HEATER

PFP:22693

Description SYSTEM DESCRIPTION

NBS002WQ

Sensor	Input Signal to ECM	ECM function	Actuator
Camshaft position sensor (PHASE) Crankshaft position sensor (POS)	Engine speed	Air fuel ratio (A/F) sensor 1 heater control	Air fuel ratio (A/F) sensor 1 heater
Mass air flow sensor	Amount of intake air		

The ECM performs ON/OFF duty control of the A/F sensor 1 heater corresponding to the engine operating condition to keep the temperature of A/F sensor 1 element at the specified range.

CONSULT-II Reference Value in Data Monitor Mode

NBS002WR

Specification data are reference values.

MONITOR ITEM	CONDITION	SPECIFICATION
A/F S1 HTR (B1) A/F S1 HTR (B2)	<ul style="list-style-type: none"> Engine: After warming up, idle the engine 	0 - 100%

On Board Diagnosis Logic

NBS002WS

DTC No.	Trouble diagnosis name	DTC detecting condition	Possible cause
P0031 0031 (Bank 1)	Air fuel ratio (A/F) sensor 1 heater control circuit low	The current amperage in the A/F sensor 1 heater circuit is out of the normal range. (An excessively low voltage signal is sent to ECM through the A/F sensor 1 heater.)	<ul style="list-style-type: none"> Harness or connectors (The A/F sensor 1 heater circuit is open or shorted.) A/F sensor 1 heater
P0051 0051 (Bank 2)			
P0032 0032 (Bank 1)	Air fuel ratio (A/F) sensor 1 heater control circuit high	The current amperage in the A/F sensor 1 heater circuit is out of the normal range. (An excessively high voltage signal is sent to ECM through the A/F sensor 1 heater.)	<ul style="list-style-type: none"> Harness or connectors (The A/F sensor 1 heater circuit is shorted.) A/F sensor 1 heater
P0052 0052 (Bank 2)			

DTC Confirmation Procedure

NBS002WT

NOTE:

If DTC Confirmation Procedure has been previously conducted, always turn ignition switch OFF and wait at least 10 seconds before conducting the next test.

TESTING CONDITION:

Before performing the following procedure, confirm that battery voltage is between 10.5V and 16V at idle.

WITH CONSULT-II

- Turn ignition switch ON and select "DATA MONITOR" mode with CONSULT-II.
- Start engine and let it idle for at least 10 seconds.
- If 1st trip DTC is detected, go to [EC-177, "Diagnostic Procedure"](#)

DATA MONITOR	
MONITOR	NO DTC
ENG SPEED	XXX rpm

SEF058Y

WITH GST

Follow the procedure "WITH CONSULT-II" above.

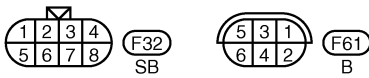
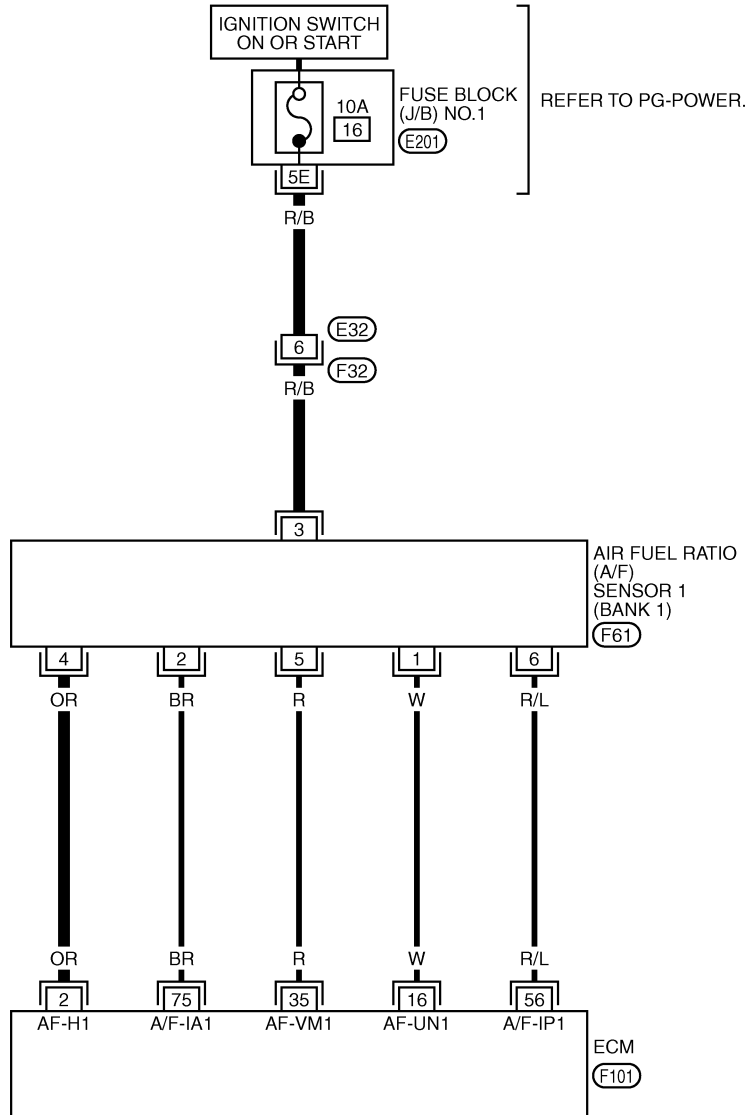
DTC P0031, P0032, P0051, P0052 A/F SENSOR 1 HEATER

NBS002WU

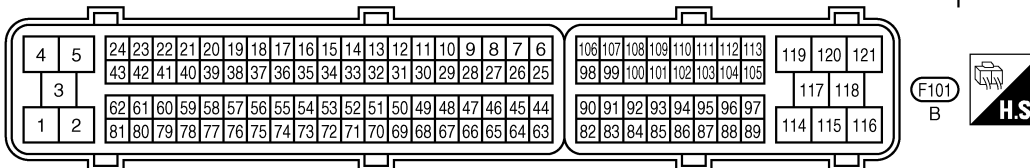
Wiring Diagram BANK 1

EC-AF1HB1-01

— : DETECTABLE LINE FOR DTC
— : NON-DETECTABLE LINE FOR DTC



REFER TO THE FOLLOWING.
E201 - FUSE BLOCK-JUNCTION BOX (J/B) NO.1



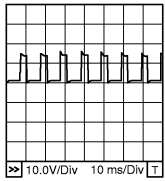
TBWM1219E

DTC P0031, P0032, P0051, P0052 A/F SENSOR 1 HEATER

Specification data are reference values and are measured between each terminal and ground.
Pulse signal is measured by CONSULT-II.

CAUTION:

Do not use ECM ground terminals when measuring input/output voltage. Doing so may result in damage to the ECM's transistor. Use a ground other than ECM terminals, such as the ground.

TER-MINAL NO.	WIRE COLOR	ITEM	CONDITION	DATA (DC Voltage)
2	OR	A/F sensor 1 heater (bank 1)	[Engine is running] ● Warm-up condition ● Idle speed	Approximately 5V★ 
16	W	A/F sensor 1 (bank 1)	[Engine is running] ● Warm-up condition ● Idle speed	Approximately 3.1V
35	R			Approximately 2.6V
56	R/L			Approximately 2.3V
75	BR			Approximately 2.3V

★: Average voltage for pulse signal (Actual pulse signal can be confirmed by oscilloscope.)

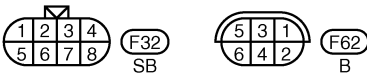
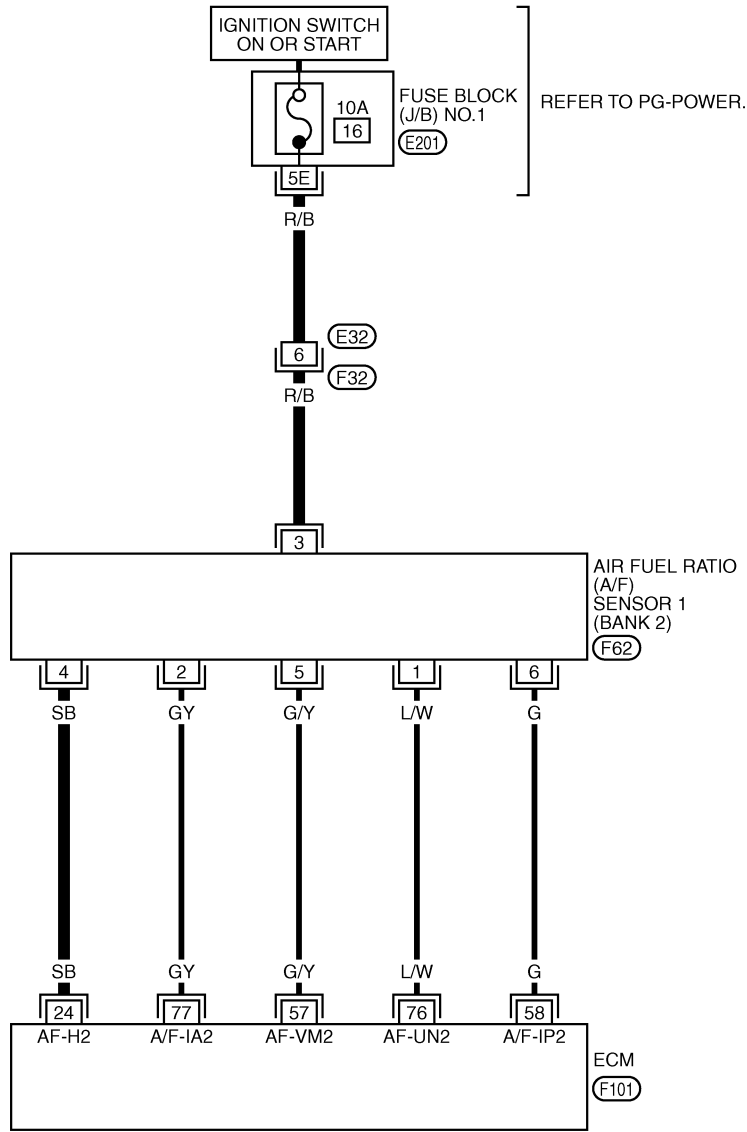
A
EC
C
D
E
F
G
H
I
J
K
L
M

DTC P0031, P0032, P0051, P0052 A/F SENSOR 1 HEATER

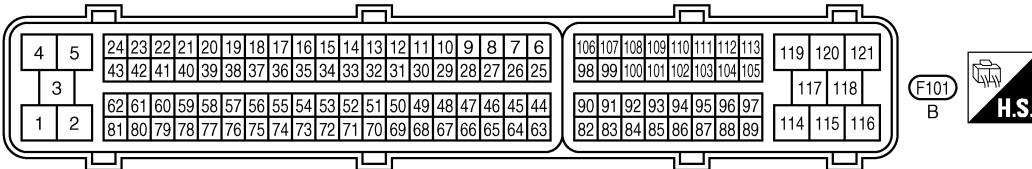
BANK 2

EC-AF1HB2-01

: DETECTABLE LINE FOR DTC
 : NON-DETECTABLE LINE FOR DTC



REFER TO THE FOLLOWING.
 (E201) - FUSE BLOCK-JUNCTION BOX (J/B) NO.1



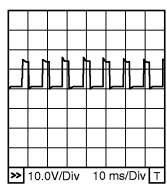
TBWM1220E

DTC P0031, P0032, P0051, P0052 A/F SENSOR 1 HEATER

Specification data are reference values and are measured between each terminal and ground.
Pulse signal is measured by CONSULT-II.

CAUTION:

Do not use ECM ground terminals when measuring input/output voltage. Doing so may result in damage to the ECM's transistor. Use a ground other than ECM terminals, such as the ground.

TER-MINAL NO.	WIRE COLOR	ITEM	CONDITION	DATA (DC Voltage)
24	SB	A/F sensor 1 heater (bank 2)	[Engine is running] ● Warm-up condition ● Idle speed	Approximately 5V★ 
57	G/Y	A/F sensor 1 (bank 2)	[Engine is running] ● Warm-up condition ● Idle speed	Approximately 2.6V
58	G			Approximately 2.3V
76	L/W			Approximately 3.1V
77	GY			Approximately 2.3V

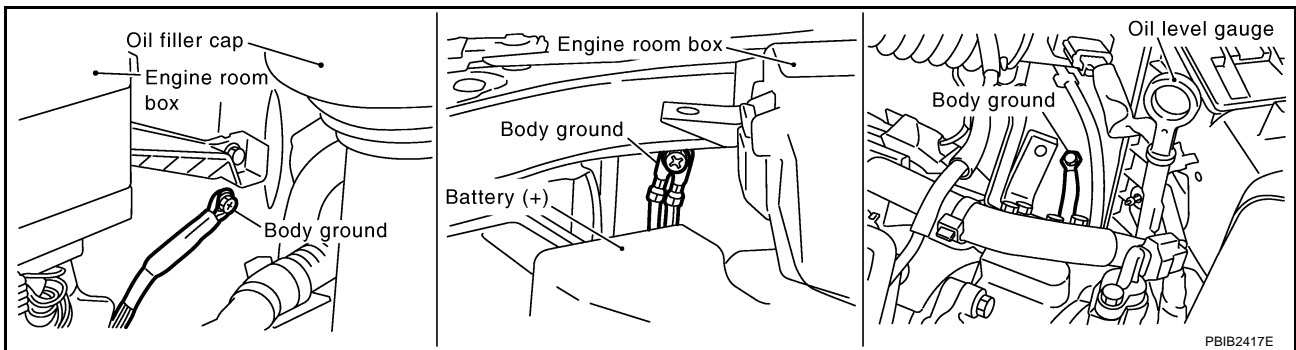
★: Average voltage for pulse signal (Actual pulse signal can be confirmed by oscilloscope.)

Diagnostic Procedure

NBS002WV

1. CHECK GROUND CONNECTIONS

1. Turn ignition switch OFF.
2. Loosen and retighten three ground screws on the body.
Refer to [EC-154, "Ground Inspection"](#).



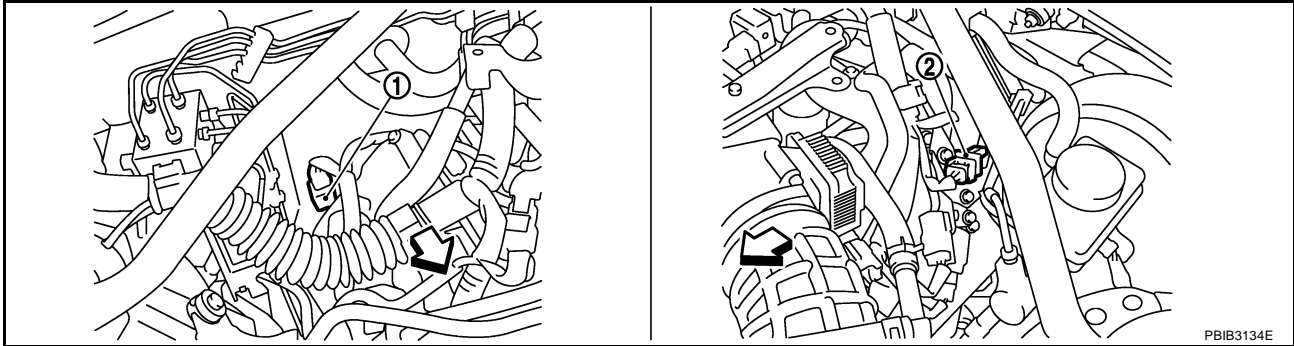
OK or NG

- OK >> GO TO 2.
- NG >> Repair or replace ground connections.

DTC P0031, P0032, P0051, P0052 A/F SENSOR 1 HEATER

2. CHECK AIR FUEL RATIO (A/F) SENSOR 1 POWER SUPPLY CIRCUIT

1. Disconnect air fuel ratio (A/F) sensor 1 harness connector.



← : Vehicle front

1. A/F sensor 1 (bank 2)
harness connector

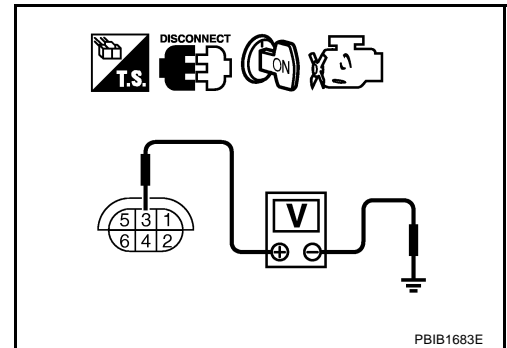
2. A/F sensor 1 (bank 1)
harness connector

2. Turn ignition switch ON.
3. Check voltage between A/F sensor 1 terminal 3 and ground with CONSULT-II or tester.

Voltage: Battery voltage

OK or NG

- OK >> GO TO 4.
NG >> GO TO 3.



3. DETECT MALFUNCTIONING PART

Check the following.

- Harness connectors E32, F32
- Fuse block (J/B) No.1 connector E201
- 10A fuse
- Harness for open or short between A/F sensor 1 and fuse

>> Repair or replace harness or connectors.

4. CHECK A/F SENSOR 1 HEATER OUTPUT SIGNAL CIRCUIT

1. Turn ignition switch OFF.
2. Disconnect ECM harness connector.
3. Check harness continuity between the following;
ECM terminal 2 and A/F sensor 1 (bank 1) terminal 4 or
ECM terminal 24 and A/F sensor 1 (bank 2) terminal 4.
Refer to Wiring Diagram.

Continuity should exist.

4. Also check harness for short to ground and short to power.

OK or NG

- OK >> GO TO 5.
NG >> Repair open circuit or short to ground or short to power in harness or connectors.

DTC P0031, P0032, P0051, P0052 A/F SENSOR 1 HEATER

5. CHECK A/F SENSOR 1 HEATER

Refer to [EC-179, "Component Inspection"](#) .

OK or NG

- OK >> GO TO 6.
- NG >> Replace malfunctioning air fuel ratio sensor 1.

6. CHECK INTERMITTENT INCIDENT

Refer to [EC-145, "TROUBLE DIAGNOSIS FOR INTERMITTENT INCIDENT"](#) .

>> INSPECTION END

Component Inspection AIR FUEL RATIO (A/F) SENSOR 1 HEATER

NBS002WW

Check resistance between terminals 3 and 4.

Resistance: 2.3 - 4.3Ω [at 25°C (77°F)]

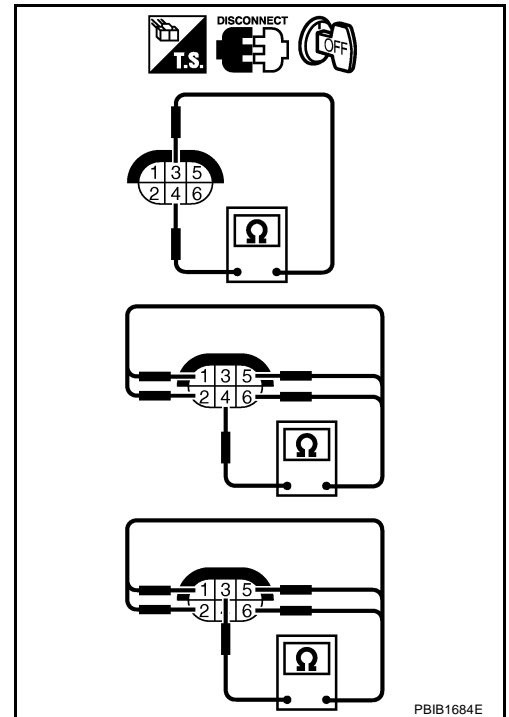
Check continuity between terminals 3 and 1, 2, 5, 6, terminals 4 and 1, 2, 5, 6.

Continuity should not exist.

If NG, replace the A/F sensor 1.

CAUTION:

- Discard any A/F sensor which has been dropped from a height of more than 0.5 m (19.7 in) onto a hard surface such as a concrete floor; use a new one.
- Before installing new A/F sensor, clean exhaust system threads using Heated Oxygen Sensor Thread Cleaner tool J-43897-18 or J-43897-12 and approved anti-seize lubricant.



PBIB1684E

Removal and Installation AIR FUEL RATIO (A/F) SENSOR 1

NBS002WX

Refer to [EM-23, "EXHAUST MANIFOLD AND THREE WAY CATALYST"](#) .

DTC P0037, P0038, P0057, P0058 HO2S2 HEATER

DTC P0037, P0038, P0057, P0058 HO2S2 HEATER

PF2:226A0

Description SYSTEM DESCRIPTION

NBS001S7

Sensor	Input Signal to ECM	ECM function	Actuator
Camshaft position sensor (PHASE)	Engine speed	Heated oxygen sensor 2 heater control	Heated oxygen sensor 2 heater
Crankshaft position sensor (POS)			
Engine coolant temperature sensor	Engine coolant temperature		
Mass air flow sensor	Amount of intake air		

The ECM performs ON/OFF control of the heated oxygen sensor 2 heater corresponding to the engine speed, amount of intake air and engine coolant temperature.

OPERATION

Engine speed rpm	Heated oxygen sensor 2 heater
Above 3,600	OFF
Below 3,600 rpm after the following conditions are met. <ul style="list-style-type: none"> ● Engine: After warming up ● Keeping the engine speed between 3,500 and 4,000 rpm for 1 minute and at idle for 1 minute under no load 	ON

CONSULT-II Reference Value in Data Monitor Mode

NBS001S8

Specification data are reference values.

MONITOR ITEM	CONDITION	SPECIFICATION
HO2S2 HTR (B1) HO2S2 HTR (B2)	<ul style="list-style-type: none"> ● Engine speed: Below 3,600 rpm after the following conditions are met. <ul style="list-style-type: none"> - Engine: After warming up - Keeping the engine speed between 3,500 and 4,000 rpm for 1 minute and at idle for 1 minute under no load 	ON
	<ul style="list-style-type: none"> ● Engine speed: Above 3,600 rpm 	OFF

On Board Diagnosis Logic

NBS001S9

DTC No.	Trouble diagnosis name	DTC detecting condition	Possible cause
P0037 0037 (Bank 1)	Heated oxygen sensor 2 heater control circuit low	The current amperage in the heated oxygen sensor 2 heater circuit is out of the normal range. (An excessively low voltage signal is sent to ECM through the heated oxygen sensor 2 heater.)	<ul style="list-style-type: none"> ● Harness or connectors (The heated oxygen sensor 2 heater circuit is open or shorted.) ● Heater oxygen sensor 2 heater
P0057 0057 (Bank 2)			
P0038 0038 (Bank 1)	Heated oxygen sensor 2 heater control circuit high	The current amperage in the heated oxygen sensor 2 heater circuit is out of the normal range. (An excessively high voltage signal is sent to ECM through the heated oxygen sensor 2 heater.)	<ul style="list-style-type: none"> ● Harness or connectors (The heated oxygen sensor 2 heater circuit is shorted.) ● Heater oxygen sensor 2 heater
P0058 0058 (Bank 2)			

DTC P0037, P0038, P0057, P0058 HO2S2 HEATER

NBS001SA

DTC Confirmation Procedure

NOTE:

If DTC Confirmation Procedure has been previously conducted, always turn ignition switch OFF and wait at least 10 seconds before conducting the next test.

TESTING CONDITION:

Before performing the following procedure, confirm that battery voltage is between 10.5V and 16V at idle.

④ WITH CONSULT-II

1. Turn ignition switch ON and select "DATA MONITOR" mode with CONSULT-II.
2. Start the engine and warm it up to the normal operating temperature.
3. Turn ignition switch OFF and wait at least 10 seconds.
4. Start engine and keep the engine speed between 3,500 and 4,000 rpm for at least 1 minute.
5. Let engine idle for 1 minute.
6. If 1st trip DTC is detected, go to [EC-185, "Diagnostic Procedure"](#)

DATA MONITOR	
MONITOR	NO DTC
ENG SPEED	XXX rpm
COOLAN TEMP/S	XXX °C

SEF174Y

④ WITH GST

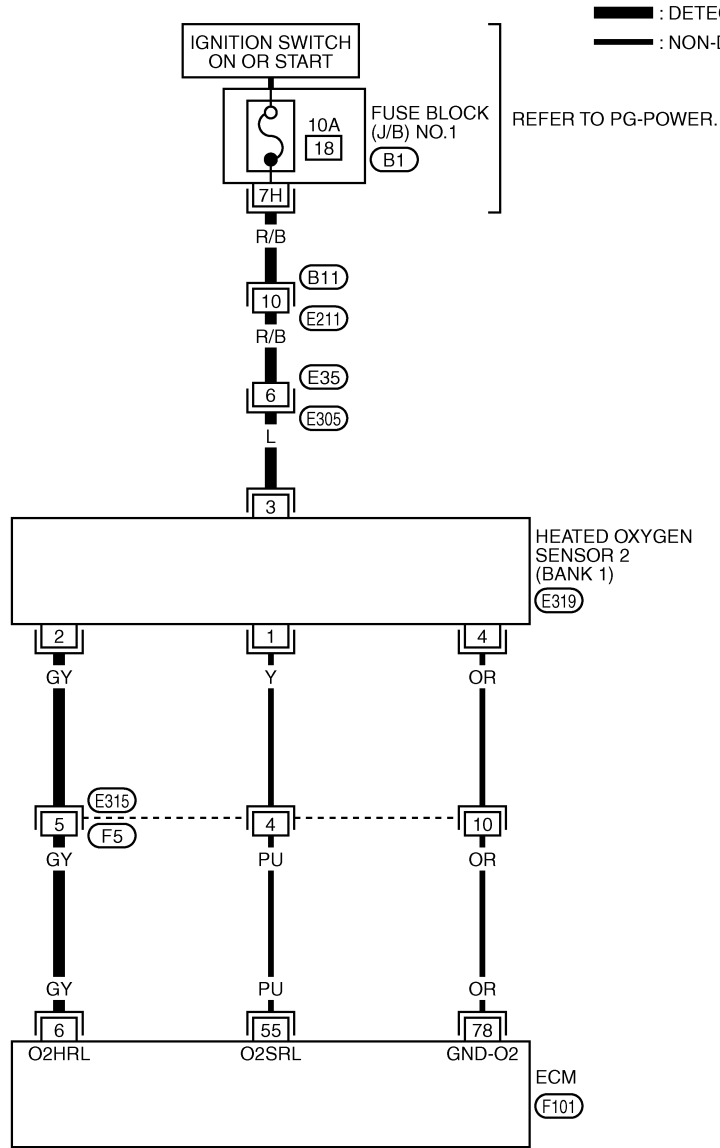
Follow the procedure "WITH CONSULT-II" above.

DTC P0037, P0038, P0057, P0058 HO2S2 HEATER

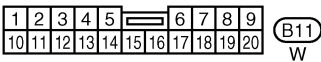
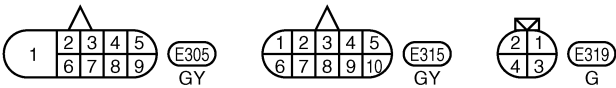
NBS001SB

Wiring Diagram BANK 1

EC-O2H2B1-01

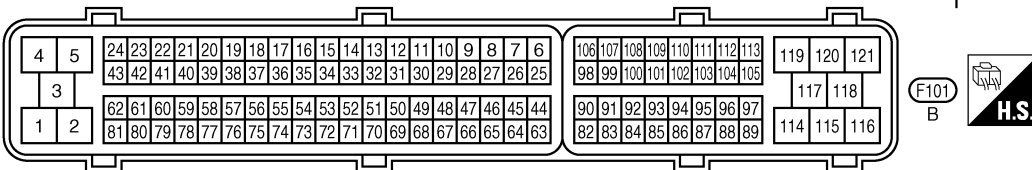


— : DETECTABLE LINE FOR DTC
 — : NON-DETECTABLE LINE FOR DTC



REFER TO THE FOLLOWING.

(B1) - FUSE BLOCK-JUNCTION BOX (J/B) NO.1



TBWM1221E

DTC P0037, P0038, P0057, P0058 HO2S2 HEATER

Specification data are reference values and are measured between each terminal and ground.

CAUTION:

Do not use ECM ground terminals when measuring input/output voltage. Doing so may result in damage to the ECM's transistor. Use a ground other than ECM terminals, such as the ground.

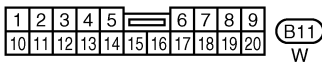
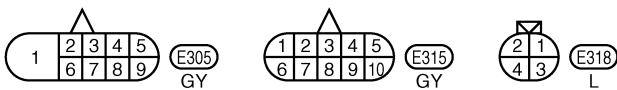
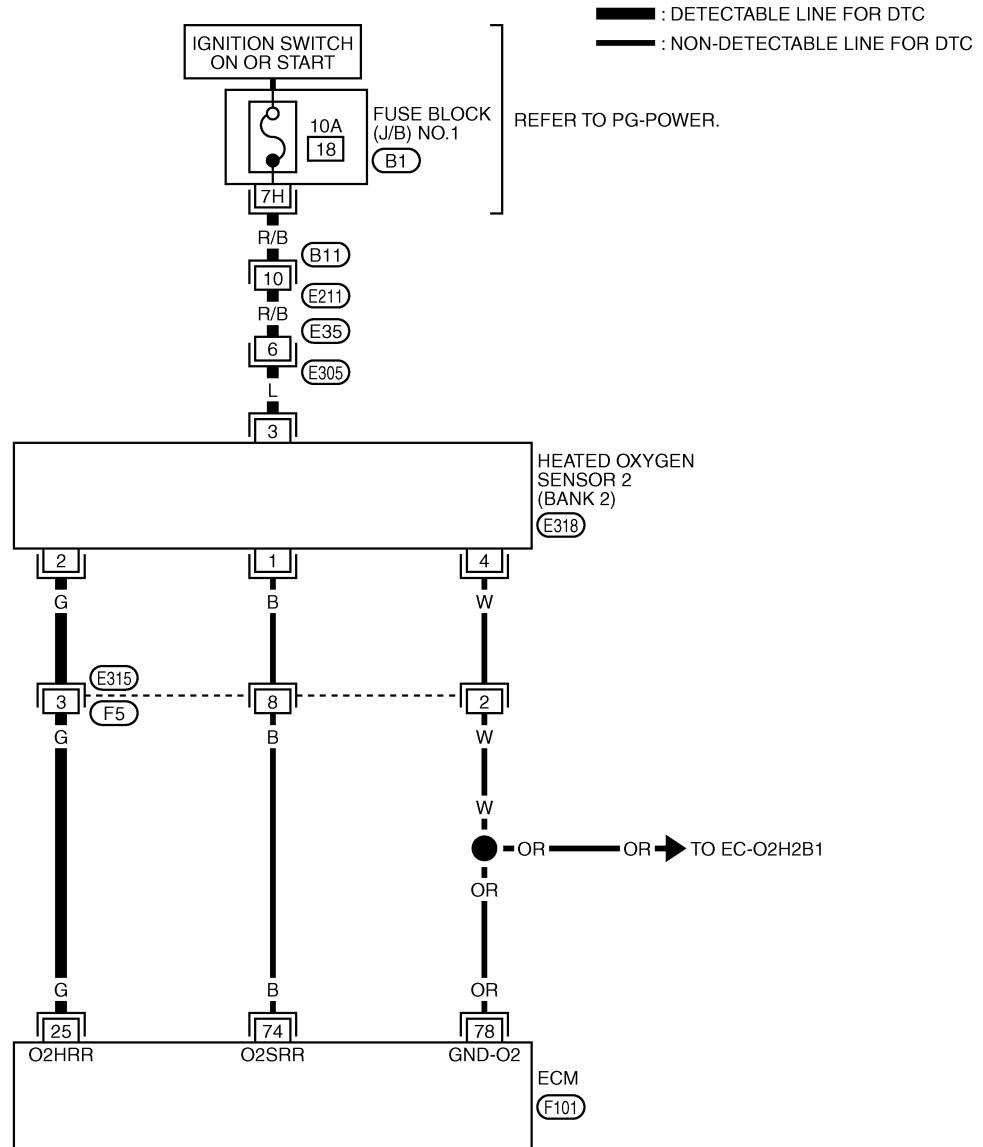
TER-MINAL NO.	WIRE COLOR	ITEM	CONDITION	DATA (DC Voltage)
6	GY	Heated oxygen sensor 2 heater (bank 1)	[Engine is running] <ul style="list-style-type: none"> ● Engine speed: Below 3,600 rpm after the following conditions are met <ul style="list-style-type: none"> - Engine: After warming up - Keeping the engine speed between 3,500 and 4,000 rpm for 1 minute and at idle for 1 minute under no load 	0 - 1.0V
			[Ignition switch: ON] <ul style="list-style-type: none"> ● Engine stopped [Engine is running] <ul style="list-style-type: none"> ● Engine speed: Above 3,600 rpm 	BATTERY VOLTAGE (11 - 14V)
55	PU	Heated oxygen sensor 2 (bank 1)	[Engine is running] <ul style="list-style-type: none"> ● Revving engine from idle to 3,000 rpm quickly after the following conditions are met <ul style="list-style-type: none"> - Engine: After warming up - After keeping the engine speed between 3,500 and 4,000 rpm for 1 minute and at idle for 1 minute under no load 	0 - Approximately 1.0V
78	OR	Sensor ground (Heated oxygen sensor 2)	[Engine is running] <ul style="list-style-type: none"> ● Warm-up condition ● Idle speed 	Approximately 0V

A
EC
C
D
E
F
G
H
I
J
K
L
M

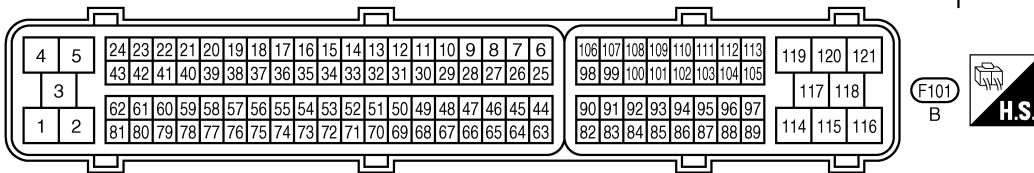
DTC P0037, P0038, P0057, P0058 HO2S2 HEATER

BANK 2

EC-O2H2B2-01



REFER TO THE FOLLOWING.
 (B1) -FUSE BLOCK-JUNCTION BOX (J/B) NO.1



TBWM1222E

DTC P0037, P0038, P0057, P0058 HO2S2 HEATER

Specification data are reference values and are measured between each terminal and ground.

CAUTION:

Do not use ECM ground terminals when measuring input/output voltage. Doing so may result in damage to the ECM's transistor. Use a ground other than ECM terminals, such as the ground.

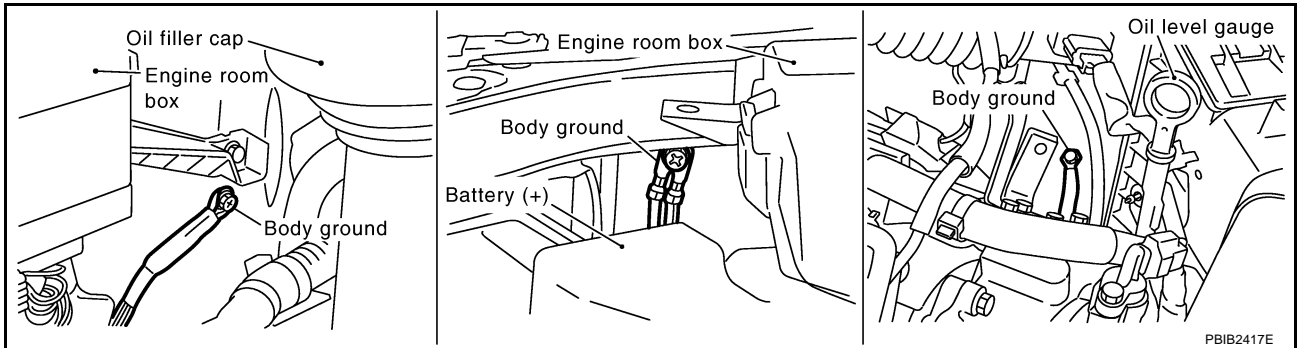
TER-MINAL NO.	WIRE COLOR	ITEM	CONDITION	DATA (DC Voltage)
25	G	Heated oxygen sensor 2 heater (bank 2)	[Engine is running] <ul style="list-style-type: none"> ● Engine speed: Below 3,600 rpm after the following conditions are met <ul style="list-style-type: none"> - Engine: After warming up - Keeping the engine speed between 3,500 and 4,000 rpm for 1 minute and at idle for 1 minute under no load 	0 - 1.0V
			[Ignition switch: ON] <ul style="list-style-type: none"> ● Engine stopped [Engine is running] <ul style="list-style-type: none"> ● Engine speed: Above 3,600 rpm 	BATTERY VOLTAGE (11 - 14V)
74	B	Heated oxygen sensor 2 (bank 2)	[Engine is running] <ul style="list-style-type: none"> ● Revving engine from idle to 3,000 rpm quickly after the following conditions are met <ul style="list-style-type: none"> - Engine: After warming up - After keeping the engine speed between 3,500 and 4,000 rpm for 1 minute and at idle for 1 minute under no load 	0 - Approximately 1.0V
78	OR	Sensor ground (Heated oxygen sensor 2)	[Engine is running] <ul style="list-style-type: none"> ● Warm-up condition ● Idle speed 	Approximately 0V

Diagnostic Procedure

NBS001SC

1. CHECK GROUND CONNECTIONS

1. Turn ignition switch OFF.
2. Loosen and retighten three ground screws on the body.
Refer to [EC-154, "Ground Inspection"](#).



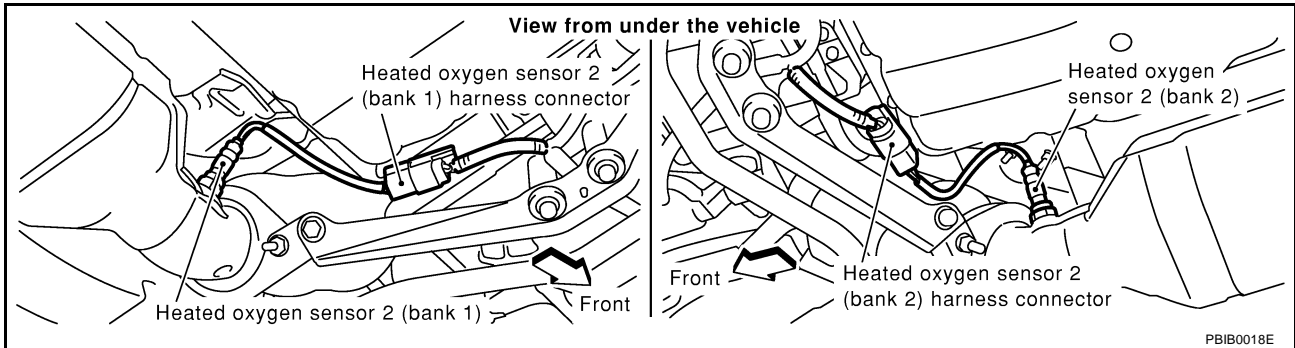
OK or NG

- OK >> GO TO 2.
- NG >> Repair or replace ground connections.

DTC P0037, P0038, P0057, P0058 HO2S2 HEATER

2. CHECK HO2S2 POWER SUPPLY CIRCUIT

1. Disconnect heated oxygen sensor 2 harness connector.

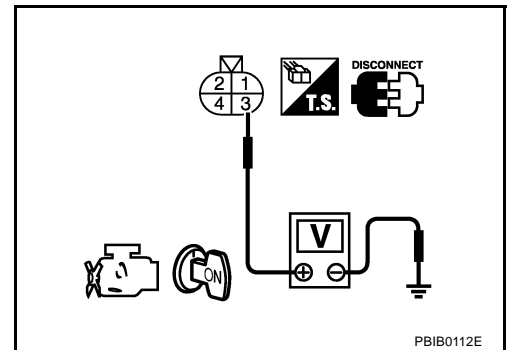


2. Turn ignition switch ON.
3. Check voltage between HO2S2 terminal 3 and ground with CONSULT-II or tester.

Voltage: Battery voltage

OK or NG

- OK >> GO TO 4.
- NG >> GO TO 3.



3. DETECT MALFUNCTIONING PART

Check the following.

- Harness connectors B11, E211
- Harness connectors E35, E305
- Fuse block (J/B) No.1 connector B1
- 10A fuse
- Harness for open or short between heated oxygen sensor 2 and fuse

>> Repair open circuit or short to ground or short to power in harness or connectors.

4. CHECK HO2S2 OUTPUT SIGNAL CIRCUIT FOR OPEN AND SHORT

1. Turn ignition switch OFF.
2. Disconnect ECM harness connector.
3. Check harness continuity between ECM terminal and HO2S2 terminal as follows. Refer to Wiring Diagram.

DTC	Terminals		Bank
	ECM	Sensor	
P0037, P0038	6	2	1
P0057, P0058	25	2	2

Continuity should exist.

4. Also check harness for short to ground and short to power.

OK or NG

- OK >> GO TO 6.
- NG >> GO TO 5.

DTC P0037, P0038, P0057, P0058 HO2S2 HEATER

5. DETECT MALFUNCTIONING PART

Check the following.

- Harness connectors E315, F5
- Harness for open or short between heated oxygen sensor 2 and ECM

>> Repair open circuit or short to ground or short to power in harness or connectors.

6. CHECK HEATED OXYGEN SENSOR 2 HEATER

Refer to [EC-187, "Component Inspection"](#) .

OK or NG

- OK >> GO TO 7.
- NG >> Replace malfunctioning heated oxygen sensor 2.

7. CHECK INTERMITTENT INCIDENT

Refer to [EC-145, "TROUBLE DIAGNOSIS FOR INTERMITTENT INCIDENT"](#) .

>> INSPECTION END

Component Inspection HEATED OXYGEN SENSOR 2 HEATER

NBS001SD

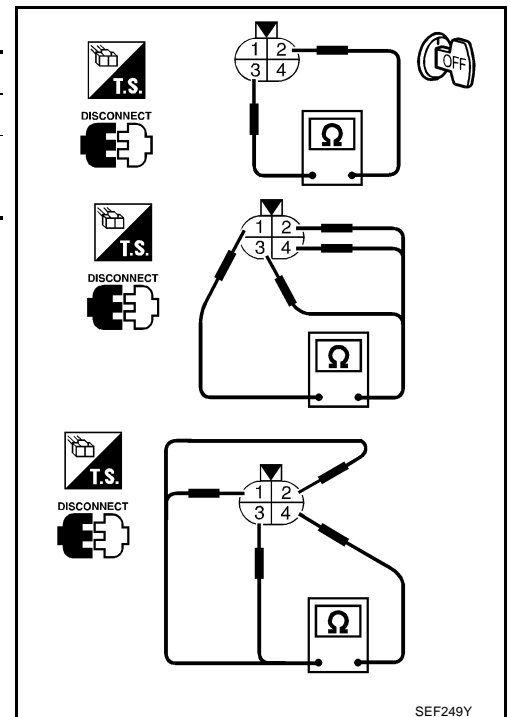
1. Check resistance between HO2S2 terminals as follows.

Terminal No.	Resistance
2 and 3	5.0 - 7.0 Ω [at 25°C (77°F)]
1 and 2, 3, 4	$\infty \Omega$
4 and 1, 2, 3	(Continuity should not exist)

2. If NG, replace heated oxygen sensor 2.

CAUTION:

- Discard any heated oxygen sensor which has been dropped from a height of more than 0.5 m (19.7 in) onto a hard surface such as a concrete floor; use a new one.
- Before installing new oxygen sensor, clean exhaust system threads using Oxygen Sensor Thread Cleaner tool J-43897-18 or J-43897-12 and approved anti-seize lubricant.



Removal and Installation HEATED OXYGEN SENSOR 2

NBS001SE

Refer to [EM-23, "EXHAUST MANIFOLD AND THREE WAY CATALYST"](#) .

DTC P0075, P0081 IVT CONTROL SOLENOID VALVE

DTC P0075, P0081 IVT CONTROL SOLENOID VALVE

PF2:23796

Component Description

NBS001ZC

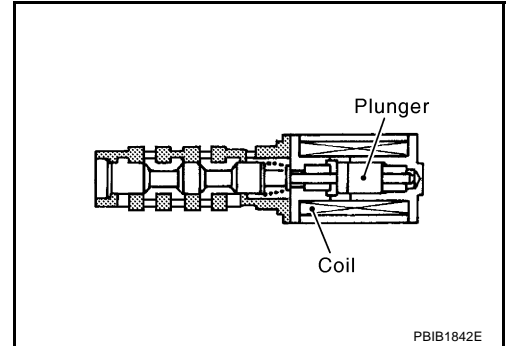
Intake valve timing control solenoid valve is activated by ON/OFF pulse duty (ratio) signals from the ECM.

The intake valve timing control solenoid valve changes the oil amount and direction of flow through intake valve timing control unit or stops oil flow.

The longer pulse width advances valve angle.

The shorter pulse width retards valve angle.

When ON and OFF pulse widths become equal, the solenoid valve stops oil pressure flow to fix the intake valve angle at the control position.



CONSULT-II Reference Value in Data Monitor Mode

NBS001ZD

Specification data are reference values.

MONITOR ITEM	CONDITION		SPECIFICATION
INT/V SOL (B1) INT/V SOL (B2)	<ul style="list-style-type: none"> ● Engine: After warming up ● Selector lever: P or N 	Idle	0% - 2%
	<ul style="list-style-type: none"> ● Air conditioner switch: OFF ● No load 	2,000 rpm	Approx. 25% - 50%

On Board Diagnosis Logic

NBS001ZE

DTC No.	Trouble diagnosis name	DTC detecting condition	Possible cause
P0075 0075 (bank 1)	Intake valve timing control solenoid valve circuit	An improper voltage is sent to the ECM through intake valve timing control solenoid valve.	<ul style="list-style-type: none"> ● Harness or connectors (Intake valve timing control solenoid valve circuit is open or shorted.) ● Intake valve timing control solenoid valve.
P0081 0081 (bank 2)			

DTC Confirmation Procedure

NBS001ZF

NOTE:

If DTC Confirmation Procedure has been previously conducted, always turn ignition switch OFF and wait at least 10 seconds before conducting the next test.

TESTING CONDITION:

Before performing the following procedure, confirm that battery voltage is more than 11V at idle.

Ⓜ WITH CONSULT-II

1. Turn ignition switch ON.
2. Select "DATA MONITOR" mode with CONSULT-II.
3. Start engine and wait let it idle for 5 seconds.
4. If 1st trip DTC is detected, go to [EC-193, "Diagnostic Procedure"](#)

DATA MONITOR	
MONITOR	NO DTC
ENG SPEED	XXX rpm

SEF058Y

Ⓜ WITH GST

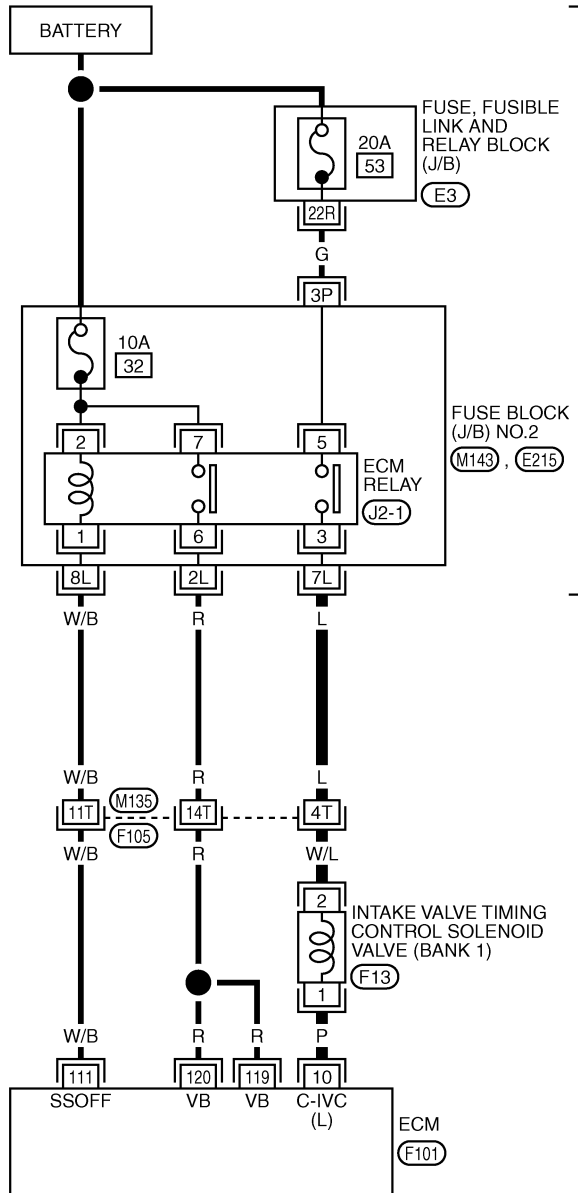
Following the procedure WITH CONSULT-II above.

DTC P0075, P0081 IVT CONTROL SOLENOID VALVE

NBS001ZG

Wiring Diagram BANK 1

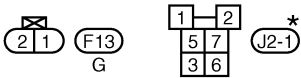
EC-IVCB1-01



: DETECTABLE LINE FOR DTC
 : NON-DETECTABLE LINE FOR DTC

REFER TO PG-POWER.

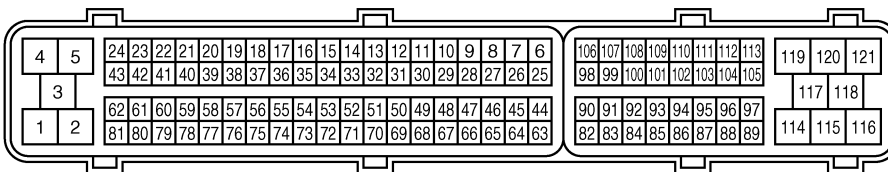
A
EC
C
D
E
F
G
H
I
J
K
L
M



*: THIS CONNECTOR IS NOT SHOWN IN "HARNESS LAYOUT", PG SECTION.

REFER TO THE FOLLOWING.

- (F105) -SUPER MULTIPLE JUNCTION (SMJ)
- (M143), (E215) -FUSE BLOCK-JUNCTION BOX (J/B) NO.2
- (E3) -FUSE, FUSIBLE LINK AND RELAY BLOCK (J/B)



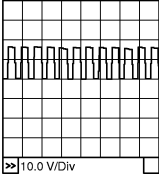
TBWM1235E

DTC P0075, P0081 IVT CONTROL SOLENOID VALVE

Specification data are reference values and are measured between each terminal and ground.
Pulse signal is measured by CONSULT-II.

CAUTION:

Do not use ECM ground terminals when measuring input/output voltage. Doing so may result in damage to the ECM's transistor. Use a ground other than ECM terminals, such as the ground.

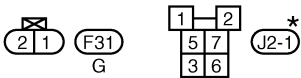
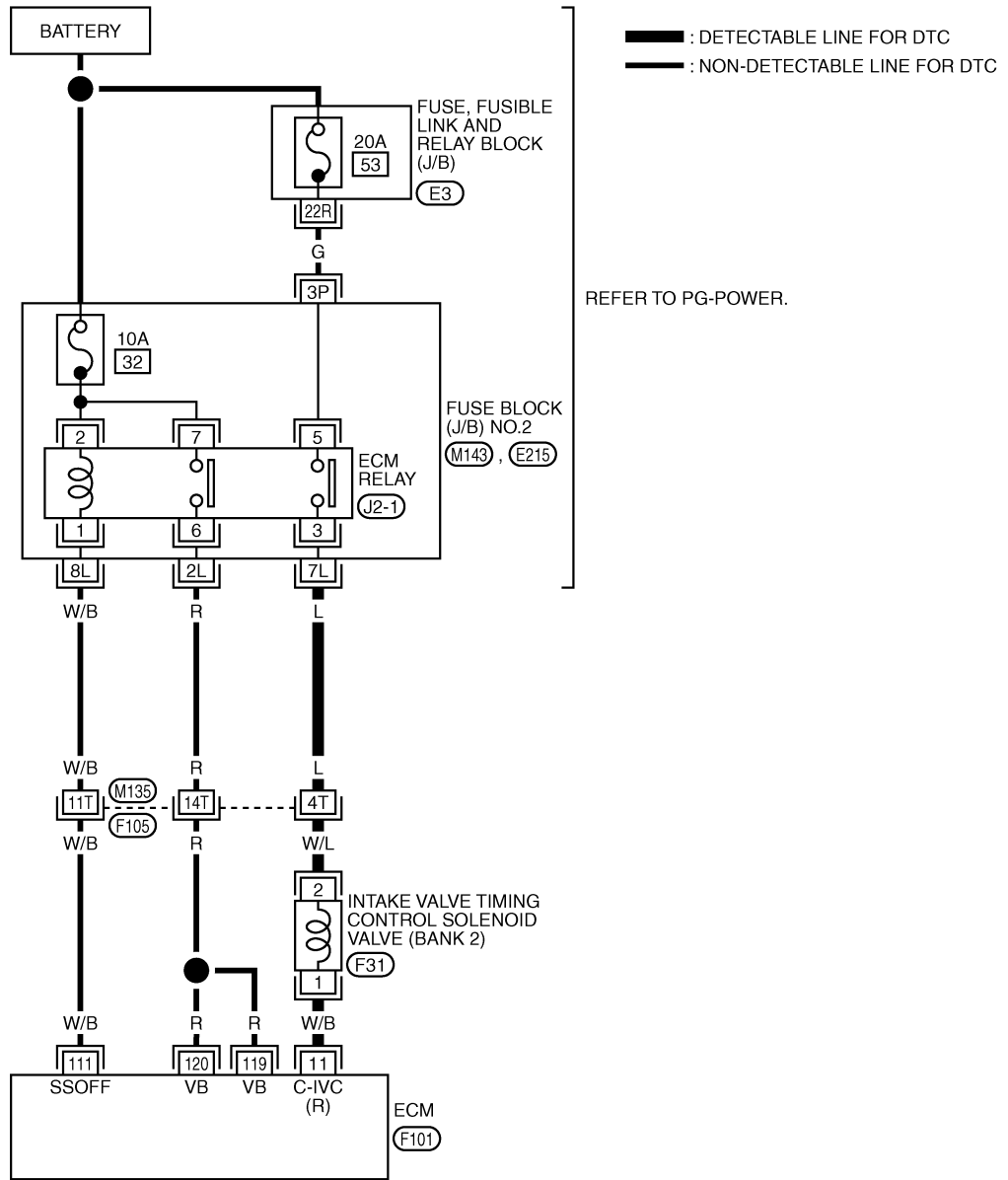
TER-MINAL NO.	WIRE COLOR	ITEM	CONDITION	DATA (DC Voltage)
10	P	Intake valve timing control solenoid valve (bank 1)	[Engine is running] <ul style="list-style-type: none"> ● Warm-up condition ● Idle speed 	BATTERY VOLTAGE (11 - 14V)
			[Engine is running] <ul style="list-style-type: none"> ● Warm-up condition ● Engine speed: 2,000rpm 	7 - 12V★ 
111	W/B	ECM relay (Self shut-off)	[Engine is running] [Ignition switch: OFF] <ul style="list-style-type: none"> ● For a few seconds after turning ignition switch OFF 	0 - 1.5V
			[Ignition switch: OFF] <ul style="list-style-type: none"> ● More than a few seconds after turning ignition switch OFF 	BATTERY VOLTAGE (11 - 14V)
119 120	R R	Power supply for ECM	[Ignition switch: ON]	BATTERY VOLTAGE (11 - 14V)

★: Average voltage for pulse signal (Actual pulse signal can be confirmed by oscilloscope.)

DTC P0075, P0081 IVT CONTROL SOLENOID VALVE

BANK 2

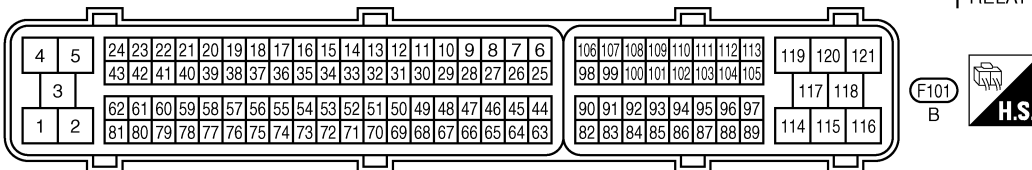
EC-IVCB2-01



*: THIS CONNECTOR IS NOT SHOWN IN "HARNESS LAYOUT", PG SECTION.

REFER TO THE FOLLOWING.

- (F105) -SUPER MULTIPLE JUNCTION (SMJ)
- (M143), (E215) -FUSE BLOCK-JUNCTION BOX (J/B) NO.2
- (E3) -FUSE, FUSIBLE LINK AND RELAY BLOCK (J/B)



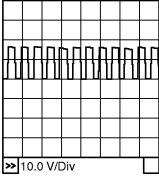
TBWM1236E

DTC P0075, P0081 IVT CONTROL SOLENOID VALVE

Specification data are reference values and are measured between each terminal and ground.
Pulse signal is measured by CONSULT-II.

CAUTION:

Do not use ECM ground terminals when measuring input/output voltage. Doing so may result in damage to the ECM's transistor. Use a ground other than ECM terminals, such as the ground.

TER-MINAL NO.	WIRE COLOR	ITEM	CONDITION	DATA (DC Voltage)
11	W/B	Intake valve timing control solenoid valve (bank 2)	[Engine is running] <ul style="list-style-type: none"> ● Warm-up condition ● Idle speed 	BATTERY VOLTAGE (11 - 14V)
			[Engine is running] <ul style="list-style-type: none"> ● Warm-up condition ● Engine speed: 2,000rpm 	7 - 12V★ 
111	W/B	ECM relay (Self shut-off)	[Engine is running] [Ignition switch: OFF] <ul style="list-style-type: none"> ● For a few seconds after turning ignition switch OFF 	0 - 1.5V
			[Ignition switch: OFF] <ul style="list-style-type: none"> ● More than a few seconds after turning ignition switch OFF 	BATTERY VOLTAGE (11 - 14V)
119 120	R R	Power supply for ECM	[Ignition switch: ON]	BATTERY VOLTAGE (11 - 14V)

★: Average voltage for pulse signal (Actual pulse signal can be confirmed by oscilloscope.)

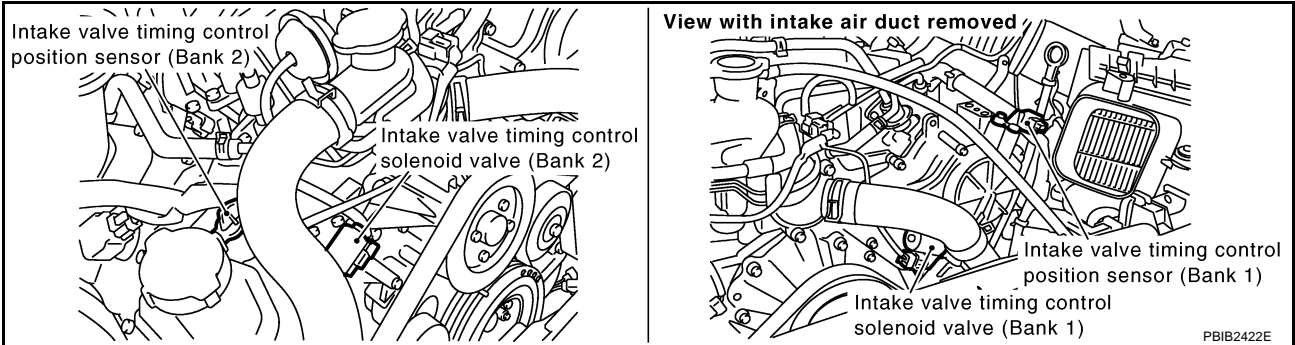
DTC P0075, P0081 IVT CONTROL SOLENOID VALVE

NBS001ZH

Diagnostic Procedure

1. CHECK INTAKE VALVE TIMING CONTROL SOLENOID VALVE POWER SUPPLY CIRCUIT

1. Turn ignition switch OFF.
2. Disconnect intake valve timing control solenoid valve harness connector.

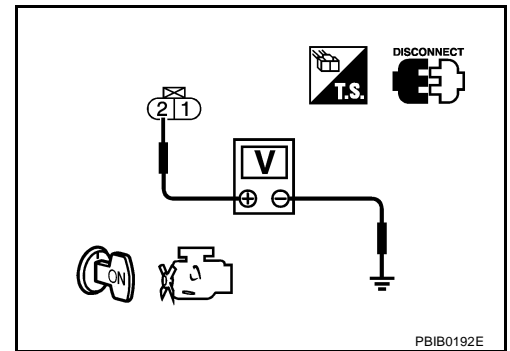


3. Turn ignition switch ON.
4. Check voltage between intake valve timing control solenoid valve terminal 2 and ground with CONSULT-II or tester.

Voltage: Battery voltage

OK or NG

- OK >> GO TO 3.
NG >> GO TO 2.



2. DETECT MALFUNCTIONING PART

Check the following.

- Harness connectors M135, F105
- Harness for open or short between intake valve timing control solenoid valve and ECM relay.

>> Repair open circuit or short to ground or short to power in harness or connectors.

3. CHECK INTAKE VALVE TIMING CONTROL SOLENOID VALVE OUTPUT SIGNAL CIRCUIT FOR OPEN AND SHORT

1. Turn ignition switch OFF.
2. Disconnect ECM harness connector.
3. Check harness continuity between the following;
ECM terminal 10 and intake valve timing control solenoid valve (bank 1) terminal 1 or
ECM terminal 11 and intake valve timing control solenoid valve (bank 2) terminal 1.
Refer to Wiring Diagram.

Continuity should exist.

4. Also check harness for short to ground and short to power.

OK or NG

- OK >> GO TO 4.
NG >> Repair open circuit or short to ground or short to power in harness or connectors.

DTC P0075, P0081 IVT CONTROL SOLENOID VALVE

4. CHECK INTAKE VALVE TIMING CONTROL SOLENOID VALVE

Refer to [EC-194, "Component Inspection"](#) .

OK or NG

- OK >> GO TO 5.
- NG >> Replace intake valve timing control solenoid valve.

5. CHECK INTERMITTENT INCIDENT

Refer to [EC-145, "TROUBLE DIAGNOSIS FOR INTERMITTENT INCIDENT"](#) .

>> INSPECTION END

Component Inspection INTAKE VALVE TIMING CONTROL SOLENOID VALVE

NBS001ZI

1. Disconnect intake valve timing control solenoid valve harness connector.
2. Check resistance between intake valve timing control solenoid valve terminals as follows.

Terminals	Resistance
1 and 2	7.0 - 7.7Ω [at 20°C (68°F)]
1 or 2 and ground	∞Ω (Continuity should not exist)

If NG, replace intake valve timing control solenoid valve.
If OK, go to next step.

3. Remove intake valve timing control solenoid valve.
4. Provide 12V DC between intake valve timing control solenoid valve terminals and then interrupt it. Make sure that the plunger moves as shown in the figure.

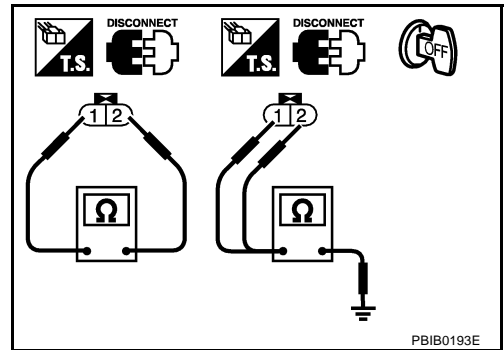
CAUTION:

Do not apply 12V DC continuously for 5 seconds or more. Doing so may result in damage to the coil in intake valve timing control solenoid valve.

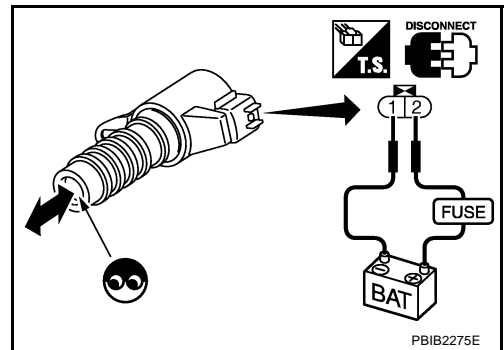
If NG, replace intake valve timing control solenoid valve.

NOTE:

Always replace O-ring when intake valve timing control solenoid valve is removed.



PBIB0193E



PBIB2275E

Removal and Installation INTAKE VALVE TIMING CONTROL SOLENOID VALVE

NBS001ZJ

Refer to [EM-39, "TIMING CHAIN"](#) .

DTC P0101 MAF SENSOR

DTC P0101 MAF SENSOR

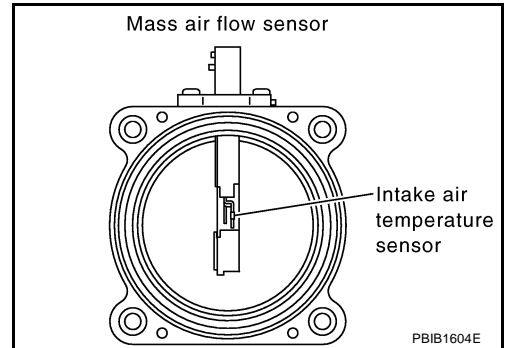
PFP:22680

Component Description

NBS001SF

The mass air flow sensor is placed in the stream of intake air. It measures the intake flow rate by measuring a part of the entire intake flow. The mass air flow sensor controls the temperature of the hot wire to a certain amount. The heat generated by the hot wire is reduced as the intake air flows around it. The more air, the greater the heat loss.

Therefore, the electric current supplied to hot wire is changed to maintain the temperature of the hot wire as air flow increases. The ECM detects the air flow by means of this current change.



CONSULT-II Reference Value in Data Monitor Mode

NBS001SG

Specification data are reference values.

MONITOR ITEM	CONDITION		SPECIFICATION
MAS A/F SE-B1	See EC-135. "TROUBLE DIAGNOSIS - SPECIFICATION VALUE" .		
CAL/LD VALUE	<ul style="list-style-type: none"> ● Engine: After warming up ● Selector lever: P or N ● Air conditioner switch: OFF ● No load 	Idle	15% - 35%
		2,500 rpm	10% - 35%
MASS AIRFLOW	<ul style="list-style-type: none"> ● Engine: After warming up ● Selector lever: P or N ● Air conditioner switch: OFF ● No load 	Idle	3.8 - 5.2 g·m/s
		2,500 rpm	16.0 - 21.5 g·m/s

On Board Diagnosis Logic

NBS001SH

DTC No.	Trouble diagnosis name	DTC detecting condition		Possible cause
P0101 0101	Mass air flow sensor circuit range/performance	A)	A high voltage from the sensor is sent to ECM under light load driving condition.	<ul style="list-style-type: none"> ● Harness or connectors (The sensor circuit is open or shorted.) ● Mass air flow sensor ● EVAP control system pressure sensor ● Intake air temperature sensor
		B)	A low voltage from the sensor is sent to ECM under heavy load driving condition.	<ul style="list-style-type: none"> ● Harness or connectors (The sensor circuit is open or shorted.) ● Intake air leaks ● Mass air flow sensor ● EVAP control system pressure sensor ● Intake air temperature sensor

DTC P0101 MAF SENSOR

NBS001SI

DTC Confirmation Procedure

Perform **PROCEDURE FOR MALFUNCTION A** first.

If DTC cannot be confirmed, perform **PROCEDURE FOR MALFUNCTION B**.

NOTE:

If DTC Confirmation Procedure has been previously conducted, always turn ignition switch OFF and wait at least 10 seconds before conducting the next test.

PROCEDURE FOR MALFUNCTION A

NOTE:

If engine will not start or stops soon, wait at least 10 seconds with engine stopped (Ignition switch ON) instead of running engine at idle speed.

With CONSULT-II

1. Turn ignition switch ON.
2. Select "DATA MONITOR" mode with CONSULT-II.
3. Start engine and warm it up to normal operating temperature.
4. Run engine for at least 10 seconds at idle speed.
5. If 1st trip DTC is detected, go to [EC-199, "Diagnostic Procedure"](#)

DATA MONITOR	
MONITOR	NO DTC
ENG SPEED	XXX rpm
COOLANT TEMP/S	XXX °C

SEF174Y

With GST

Follow the procedure With CONSULT-II above.

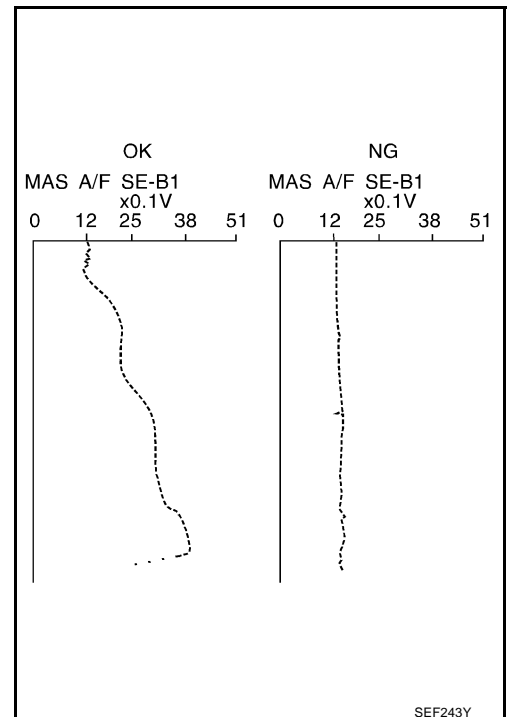
PROCEDURE FOR MALFUNCTION B

CAUTION:

Always drive vehicle at a safe speed.

With CONSULT-II

1. Turn ignition switch ON.
2. Start engine and warm it up to normal operating temperature.
If engine cannot be started, go to [EC-199, "Diagnostic Procedure"](#).
3. Select "DATA MONITOR" mode with CONSULT-II.
4. Check the voltage of "MAS A/F SE-B1" with "DATA MONITOR".
5. Increases engine speed to about 4,000 rpm.
6. Monitor the linear voltage rise in response to engine speed increases.
If NG, go to [EC-199, "Diagnostic Procedure"](#).
If OK, go to following step.



DTC P0101 MAF SENSOR

7. Maintain the following conditions for at least 10 consecutive seconds.

ENG SPEED	More than 2,000 rpm
THRTL SEN 1	More than 3V
THRTL SEN 2	More than 3V
Selector lever	Suitable position
Driving location	Driving vehicle uphill (Increased engine load) will help maintain the driving conditions required for this test.

DATA MONITOR	
MONITOR	NO DTC
ENG SPEED	XXX rpm
VHCL SPEED SE	XXX km/h
THRTL SEN 1	XXX V
THRTL SEN 2	XXX V

PBIB0199E

8. If 1st trip DTC is detected, go to [EC-199, "Diagnostic Procedure"](#)

Overall Function Check PROCEDURE FOR MALFUNCTION B

NBS001SJ

Use this procedure to check the overall function of the mass air flow sensor circuit. During this check, a DTC might not be confirmed.

With GST

1. Start engine and warm it up to normal operating temperature.
2. Select "Service \$01" with GST.
3. Check the mass air flow sensor signal with "Service \$01".
4. Check for linear mass air flow sensor signal value rise in response to increases to about 4,000 rpm in engine speed.
5. If NG, go to [EC-199, "Diagnostic Procedure"](#).

CALC LOAD	20%
COOLANT TEMP	95°C
SHORT FT #1	2%
LONG FT #1	0%
SHORT FT #2	4%
LONG FT #2	0%
ENGINE SPD	2637RPM
VEHICLE SPD	0MPH
IGN ADVANCE	41.0°
INTAKE AIR	41°C
MAF	14.1gm/sec
THROTTLE POS	3%

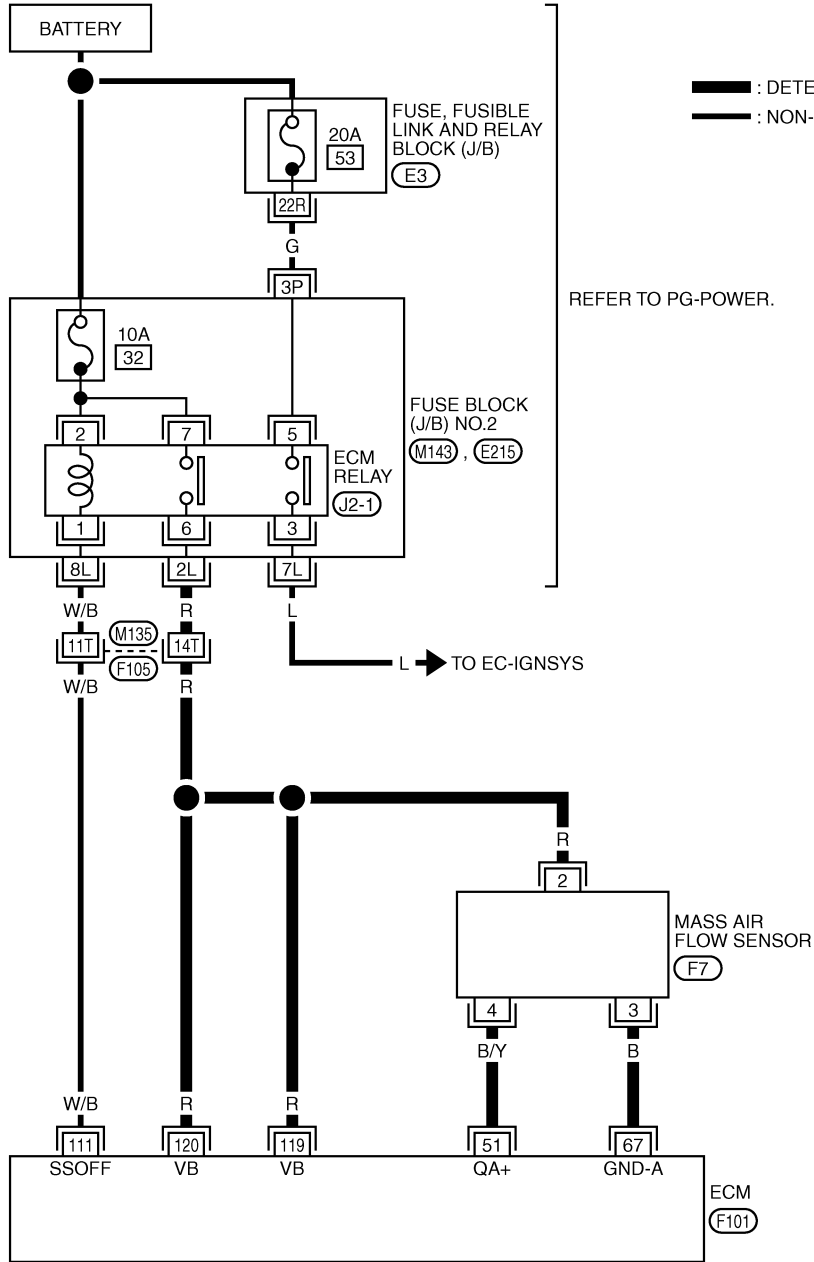
SEF534P

DTC P0101 MAF SENSOR

NBS001SK

Wiring Diagram

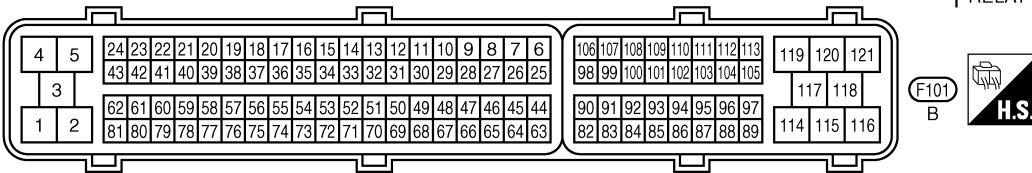
EC-MAFS-01



*: THIS CONNECTOR IS NOT SHOWN IN "HARNESS LAYOUT", PG SECTION.

REFER TO THE FOLLOWING.

- (F105) -SUPER MULTIPLE JUNCTION (SMJ)
- (M143), (E215) -FUSE BLOCK-JUNCTION BOX (J/B) NO.2
- (E3) -FUSE, FUSIBLE LINK AND RELAY BLOCK (J/B)



DTC P0101 MAF SENSOR

Specification data are reference values and are measured between each terminal and ground.

CAUTION:

Do not use ECM ground terminals when measuring input/output voltage. Doing so may result in damage to the ECM's transistor. Use a ground other than ECM terminals, such as the ground.

TER-MINAL NO.	WIRE COLOR	ITEM	CONDITION	DATA (DC Voltage)
51	B/Y	Mass air flow sensor	[Engine is running] ● Warm-up condition ● Idle speed	1.0 - 1.2V
			[Engine is running] ● Warm-up condition ● Engine speed: 2,500 rpm	1.6 - 1.9V
67	B	Sensor ground (MAF sensor, IAT sensor, ECT sensor, FTT sensor, EVAP control system pressure sensor, PSP sensor, ICC steering switch, ASCD steering switch, Refrigerant pressure sensor)	[Engine is running] ● Warm-up condition ● Idle speed	Approximately 0V
111	W/B	ECM relay (Self shut-off)	[Engine is running] [Ignition switch: OFF] ● For a few seconds after turning ignition switch OFF	0 - 1.5V
			[Ignition switch: OFF] ● More than a few seconds after turning ignition switch OFF	BATTERY VOLTAGE (11 - 14V)
119 120	R R	Power supply for ECM	[Ignition switch: ON]	BATTERY VOLTAGE (11 - 14V)

Diagnostic Procedure

NBS001SL

1. INSPECTION START

Which malfunction (A or B) is duplicated?

A or B

- A >> GO TO 3.
- B >> GO TO 2.

2. CHECK INTAKE SYSTEM

Check the following for connection.

- Air duct
- Vacuum hoses
- Intake air passage between air duct and intake manifold

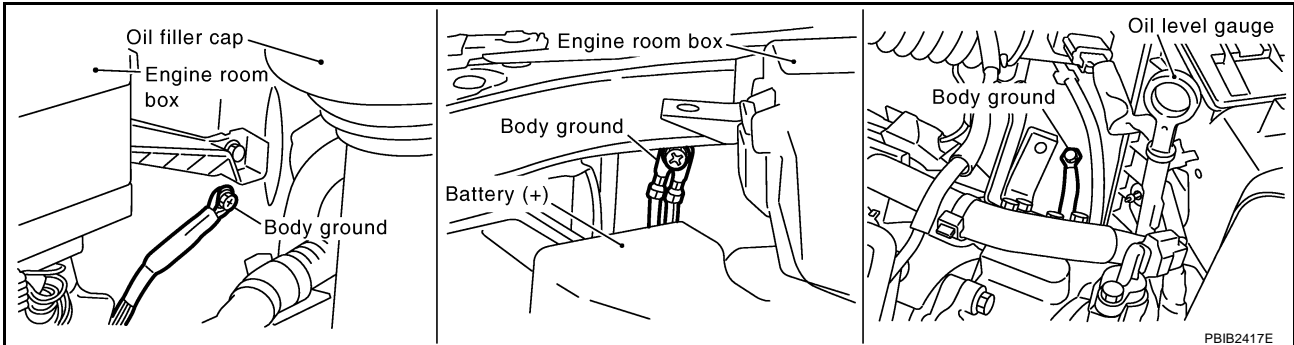
OK or NG

- OK >> GO TO 3.
- NG >> Reconnect the parts.

DTC P0101 MAF SENSOR

3. CHECK GROUND CONNECTIONS

1. Turn ignition switch OFF.
2. Loosen and retighten three ground screws on the body.
Refer to [EC-154, "Ground Inspection"](#).

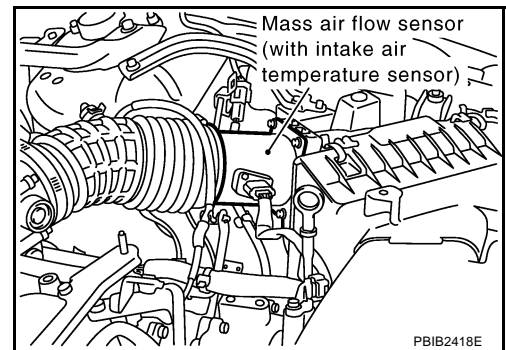


OK or NG

- OK >> GO TO 4.
- NG >> Repair or replace ground connections.

4. CHECK MAF SENSOR POWER SUPPLY CIRCUIT

1. Disconnect mass air flow (MAF) sensor harness connector.
2. Turn ignition switch ON.

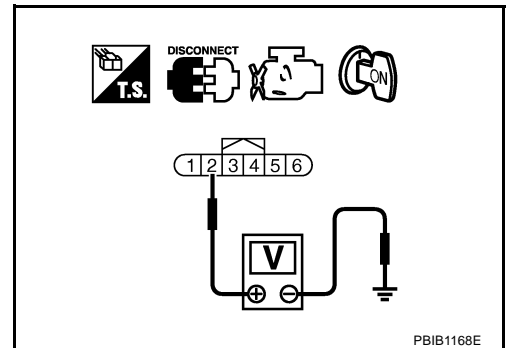


3. Check voltage between MAF sensor terminal 2 and ground with CONSULT-II or tester.

Voltage: Battery voltage

OK or NG

- OK >> GO TO 6.
- NG >> GO TO 5.



5. DETECT MALFUNCTIONING PART

Check the following.

- Harness connectors M135, F105
- Harness for open or short between mass air flow sensor and ECM relay
- Harness for open or short between mass air flow sensor and ECM

>> Repair open circuit or short to ground or short to power in harness or connectors.

DTC P0101 MAF SENSOR

6. CHECK MAF SENSOR GROUND CIRCUIT FOR OPEN AND SHORT

1. Turn ignition switch OFF.
2. Disconnect ECM harness connector.
3. Check harness continuity between MAF sensor terminal 3 and ECM terminal 67.
Refer to Wiring Diagram.

Continuity should exist.

4. Also check harness for short to ground and short to power.

OK or NG

OK >> GO TO 7.

NG >> Repair open circuit or short to ground or short to power in harness or connectors.

7. CHECK MAF SENSOR INPUT SIGNAL CIRCUIT FOR OPEN AND SHORT

1. Check harness continuity between MAF sensor terminal 4 and ECM terminal 51.
Refer to Wiring Diagram.

Continuity should exist.

2. Also check harness for short to ground and short to power.

OK or NG

OK >> GO TO 8.

NG >> Repair open circuit or short to ground or short to power in harness or connectors.

8. CHECK INTAKE AIR TEMPERATURE SENSOR

Refer to [EC-214, "Component Inspection"](#) .

OK or NG

OK >> GO TO 9.

NG >> Replace intake air temperature sensor.

9. CHECK EVAP CONTROL SYSTEM PRESSURE SENSOR

Refer to [EC-442, "Component Inspection"](#) .

OK or NG

OK >> GO TO 10.

NG >> Replace EVAP control system pressure sensor.

10. CHECK MASS AIR FLOW SENSOR

Refer to [EC-201, "Component Inspection"](#) .

OK or NG

OK >> GO TO 11.

NG >> Replace mass air flow sensor.

11. CHECK INTERMITTENT INCIDENT

Refer to [EC-145, "TROUBLE DIAGNOSIS FOR INTERMITTENT INCIDENT"](#) .

>> **INSPECTION END**

Component Inspection MASS AIR FLOW SENSOR

NBS001SM

 **With CONSULT-II**

1. Reconnect all harness connectors disconnected.
2. Start engine and warm it up to normal operating temperature.
3. Connect CONSULT-II and select "DATA MONITOR" mode.

DTC P0101 MAF SENSOR

4. Select "MAS A/F SE-B1" and check indication under the following conditions.

Condition	MAS A/F SE-B1 (V)
Ignition switch ON (Engine stopped.)	Approx. 0.4
Idle (Engine is warmed-up to normal operating temperature.)	1.0 - 1.2
2,500 rpm (Engine is warmed-up to normal operating temperature.)	1.6 - 1.9
Idle to about 4,000 rpm	1.0 - 1.2 to Approx. 2.4*

*: Check for linear voltage rise in response to engine being increased to about 4,000 rpm.

DATA MONITOR	
MONITOR	NO DTC
ENG SPEED	XXX rpm
MAS A/F SE-B1	XXX V

PBIB2371E

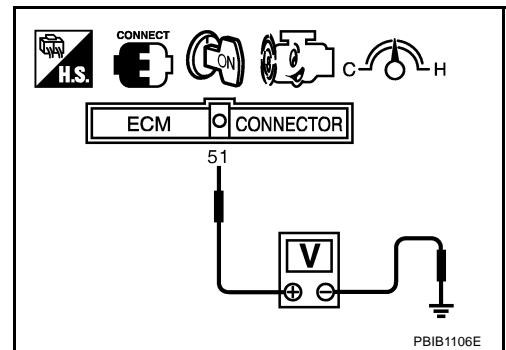
5. If the voltage is out of specification, proceed the following.
- a. Check for the cause of uneven air flow through mass air flow sensor. Refer to following.
 - Crushed air ducts
 - Malfunctioning seal of air cleaner element
 - Uneven dirt of air cleaner element
 - Improper specification of intake air system parts
 - b. If NG, repair or replace malfunctioning part and perform step 2 to 4 again. If OK, go to next step.
6. Turn ignition switch OFF.
7. Disconnect mass air flow sensor harness connector and reconnect it again.
8. Perform step 2 to 4 again.
9. If NG, clean or replace mass air flow sensor.

⊗ Without CONSULT-II

1. Reconnect all harness connectors disconnected.
2. Start engine and warm it up to normal operating temperature.
3. Check voltage between ECM terminal 51 (Mass air flow sensor signal) and ground.

Condition	Voltage V
Ignition switch ON (Engine stopped.)	Approx. 0.4
Idle (Engine is warmed-up to normal operating temperature.)	1.0 - 1.2
2,500 rpm (Engine is warmed-up to normal operating temperature.)	1.6 - 1.9
Idle to about 4,000 rpm	1.0 - 1.2 to Approx. 2.4*

*: Check for linear voltage rise in response to engine being increased to about 4,000 rpm.



4. If the voltage is out of specification, proceed the following.
- a. Check for the cause of uneven air flow through mass air flow sensor. Refer to following.
 - Crushed air ducts
 - Malfunctioning seal of air cleaner element
 - Uneven dirt of air cleaner element
 - Improper specification of intake air system parts
 - b. If NG, repair or replace malfunctioning part and perform step 2 to 3 again. If OK, go to next step.
5. Turn ignition switch OFF.
6. Disconnect mass air flow sensor harness connector and reconnect it again.
7. Perform step 2 and 3 again.
8. If NG, clean or replace mass air flow sensor.

DTC P0101 MAF SENSOR

Removal and Installation MASS AIR FLOW SENSOR

NBS001SN

Refer to [EM-17, "AIR CLEANER AND AIR DUCT"](#) .

A

EC

C

D

E

F

G

H

I

J

K

L

M

DTC P0102, P0103 MAF SENSOR

DTC P0102, P0103 MAF SENSOR

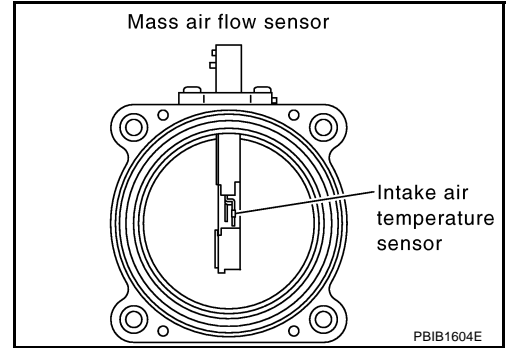
PFP:22680

Component Description

NBS001SO

The mass air flow sensor is placed in the stream of intake air. It measures the intake flow rate by measuring a part of the entire intake flow. The mass air flow sensor controls the temperature of the hot wire to a certain amount. The heat generated by the hot wire is reduced as the intake air flows around it. The more air, the greater the heat loss.

Therefore, the electric current supplied to hot wire is changed to maintain the temperature of the hot wire as air flow increases. The ECM detects the air flow by means of this current change.



CONSULT-II Reference Value in Data Monitor Mode

NBS001SP

Specification data are reference values.

MONITOR ITEM	CONDITION		SPECIFICATION
MAS A/F SE-B1	See EC-135. "TROUBLE DIAGNOSIS - SPECIFICATION VALUE" .		
CAL/LD VALUE	<ul style="list-style-type: none"> ● Engine: After warming up ● Selector lever: P or N ● Air conditioner switch: OFF ● No load 	Idle	15% - 35%
		2,500 rpm	10% - 35%
MASS AIRFLOW	<ul style="list-style-type: none"> ● Engine: After warming up ● Selector lever: P or N ● Air conditioner switch: OFF ● No load 	Idle	3.8 - 5.2 g·m/s
		2,500 rpm	16.0 - 21.5 g·m/s

On Board Diagnosis Logic

NBS001SQ

These self-diagnoses have the one trip detection logic.

DTC No.	Trouble diagnosis name	DTC detecting condition	Possible cause
P0102 0102	Mass air flow sensor circuit low input	An excessively low voltage from the sensor is sent to ECM. When engine is running.	<ul style="list-style-type: none"> ● Harness or connectors (The sensor circuit is open or shorted.) ● Intake air leaks ● Mass air flow sensor
P0103 0103	Mass air flow sensor circuit high input	An excessively high voltage from the sensor is sent to ECM.	<ul style="list-style-type: none"> ● Harness or connectors (The sensor circuit is open or shorted.) ● Mass air flow sensor

FAIL-SAFE MODE

When the malfunction is detected, the ECM enters fail-safe mode and the MIL lights up.

Detected items	Engine operating condition in fail-safe mode
Mass air flow sensor circuit	Engine speed will not rise more than 2,400 rpm due to the fuel cut.

DTC P0102, P0103 MAF SENSOR

NBS001SR

DTC Confirmation Procedure

NOTE:

If DTC Confirmation Procedure has been previously conducted, always turn ignition switch OFF and wait at least 10 seconds before conducting the next test.

PROCEDURE FOR DTC P0102

With CONSULT-II

1. Turn ignition switch ON.
2. Select "DATA MONITOR" mode with CONSULT-II.
3. Start engine and wait at least 5 seconds.
4. If DTC is detected, go to [EC-207, "Diagnostic Procedure"](#) .

DATA MONITOR	
MONITOR	NO DTC
ENG SPEED	XXX rpm

SEF058Y

With GST

Follow the procedure With CONSULT-II above.

PROCEDURE FOR DTC P0103

With CONSULT-II

1. Turn ignition switch ON.
2. Select "DATA MONITOR" mode with CONSULT-II.
3. Wait at least 5 seconds.
4. If DTC is detected, go to [EC-207, "Diagnostic Procedure"](#) .
If DTC is not detected, go to next step.
5. Start engine and wait at least 5 seconds.
6. If DTC is detected, go to [EC-207, "Diagnostic Procedure"](#) .

DATA MONITOR	
MONITOR	NO DTC
ENG SPEED	XXX rpm

SEF058Y

With GST

Follow the procedure With CONSULT-II above.

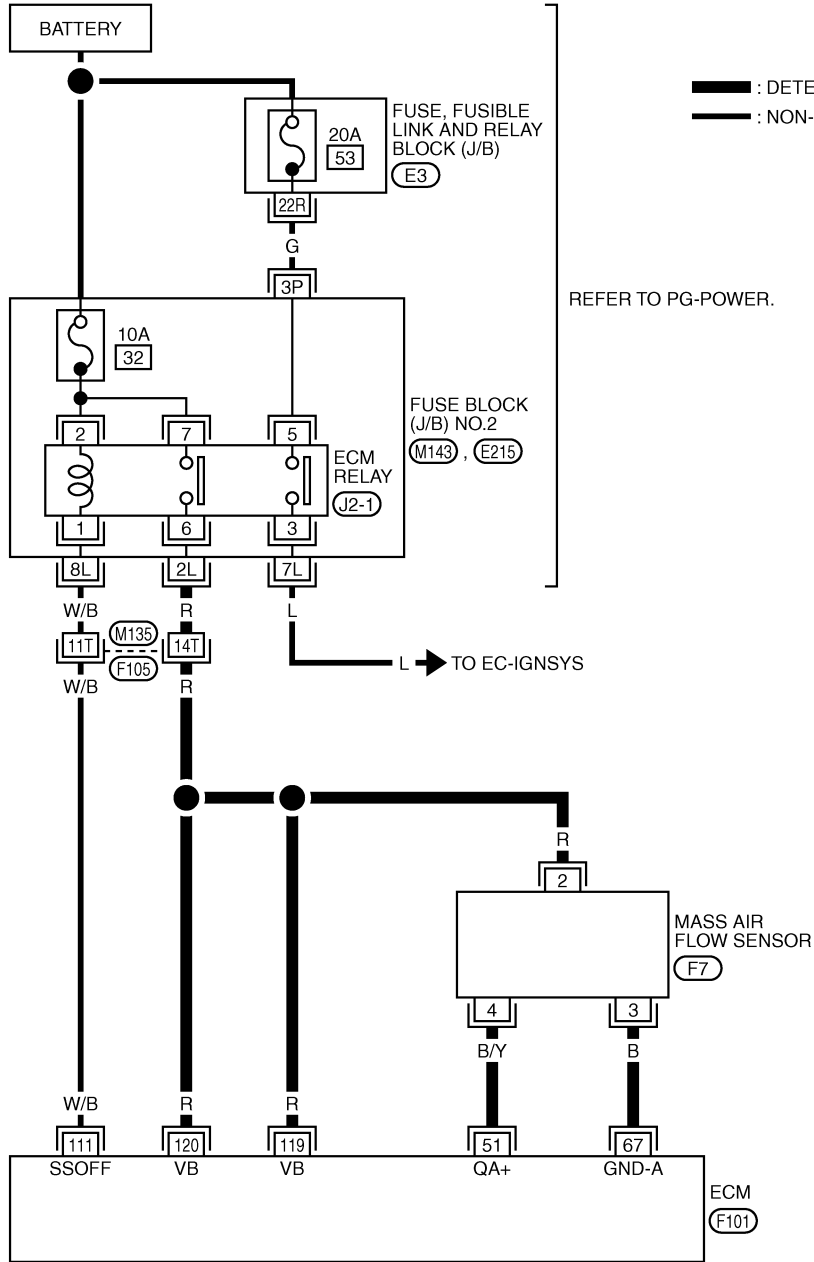
A
EC
C
D
E
F
G
H
I
J
K
L
M

DTC P0102, P0103 MAF SENSOR

NBS001SS

Wiring Diagram

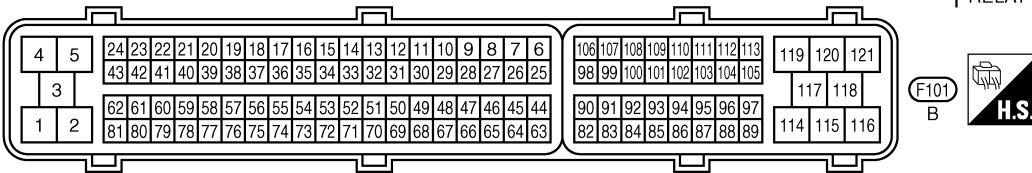
EC-MAFS-01



*: THIS CONNECTOR IS NOT SHOWN IN "HARNESS LAYOUT", PG SECTION.

REFER TO THE FOLLOWING.

- (F105) -SUPER MULTIPLE JUNCTION (SMJ)
- (M143), (E215) -FUSE BLOCK-JUNCTION BOX (J/B) NO.2
- (E3) -FUSE, FUSIBLE LINK AND RELAY BLOCK (J/B)



DTC P0102, P0103 MAF SENSOR

Specification data are reference values and are measured between each terminal and ground.

CAUTION:

Do not use ECM ground terminals when measuring input/output voltage. Doing so may result in damage to the ECM's transistor. Use a ground other than ECM terminals, such as the ground.

TER-MINAL NO.	WIRE COLOR	ITEM	CONDITION	DATA (DC Voltage)
51	B/Y	Mass air flow sensor	[Engine is running] ● Warm-up condition ● Idle speed	1.0 - 1.2V
			[Engine is running] ● Warm-up condition ● Engine speed: 2,500 rpm	1.6 - 1.9V
67	B	Sensor ground (MAF sensor, IAT sensor, ECT sensor, FTT sensor, EVAP control system pressure sensor, PSP sensor, ICC steering switch, ASCD steering switch, Refrigerant pressure sensor)	[Engine is running] ● Warm-up condition ● Idle speed	Approximately 0V
111	W/B	ECM relay (Self shut-off)	[Engine is running] [Ignition switch: OFF] ● For a few seconds after turning ignition switch OFF	0 - 1.5V
			[Ignition switch: OFF] ● More than a few seconds after turning ignition switch OFF	BATTERY VOLTAGE (11 - 14V)
119 120	R R	Power supply for ECM	[Ignition switch: ON]	BATTERY VOLTAGE (11 - 14V)

Diagnostic Procedure

NBS001ST

1. INSPECTION START

Which malfunction (P0102 or P0103) is duplicated?

P0102 or P0103

P0102 >> GO TO 2.

P0103 >> GO TO 3.

2. CHECK INTAKE SYSTEM

Check the following for connection.

- Air duct
- Vacuum hoses
- Intake air passage between air duct and intake manifold

OK or NG

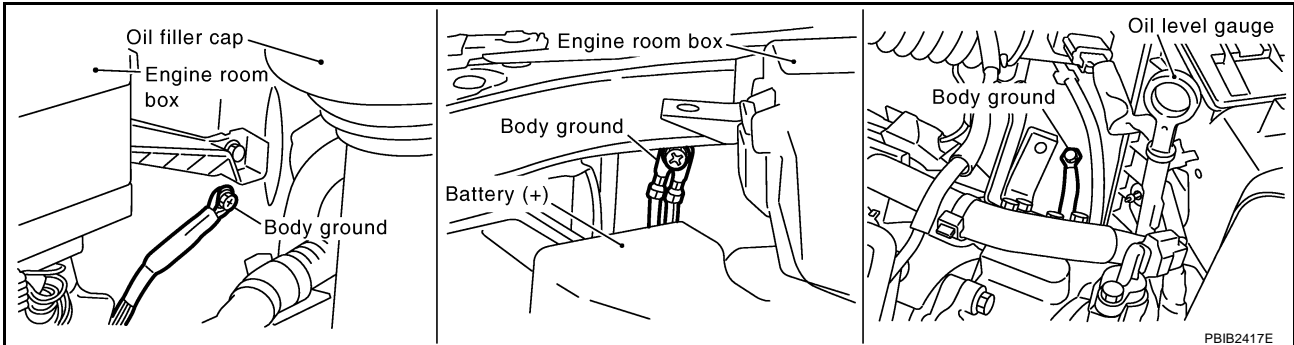
OK >> GO TO 3.

NG >> Reconnect the parts.

DTC P0102, P0103 MAF SENSOR

3. CHECK GROUND CONNECTIONS

1. Turn ignition switch OFF.
2. Loosen and retighten three ground screws on the body.
Refer to [EC-154, "Ground Inspection"](#).

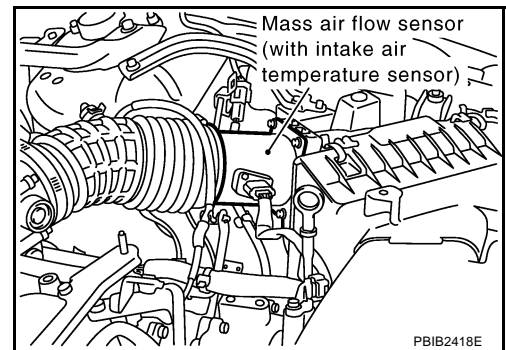


OK or NG

- OK >> GO TO 4.
- NG >> Repair or replace ground connections.

4. CHECK MAF SENSOR POWER SUPPLY CIRCUIT

1. Disconnect mass air flow (MAF) sensor harness connector.
2. Turn ignition switch ON.

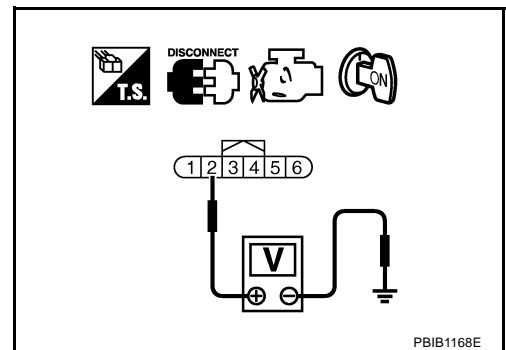


3. Check voltage between MAF sensor terminal 2 and ground with CONSULT-II or tester.

Voltage: Battery voltage

OK or NG

- OK >> GO TO 6.
- NG >> GO TO 5.



5. DETECT MALFUNCTIONING PART

Check the following.

- Harness connectors M135, F105
- Harness for open or short between mass air flow sensor and ECM relay
- Harness for open or short between mass air flow sensor and ECM

>> Repair open circuit or short to ground or short to power in harness or connectors.

DTC P0102, P0103 MAF SENSOR

6. CHECK MAF SENSOR GROUND CIRCUIT FOR OPEN AND SHORT

1. Turn ignition switch OFF.
2. Disconnect ECM harness connector.
3. Check harness continuity between MAF sensor terminal 3 and ECM terminal 67.
Refer to Wiring Diagram.

Continuity should exist.

4. Also check harness for short to ground and short to power.

OK or NG

OK >> GO TO 7.

NG >> Repair open circuit or short to ground or short to power in harness or connectors.

7. CHECK MAF SENSOR INPUT SIGNAL CIRCUIT FOR OPEN AND SHORT

1. Check harness continuity between MAF sensor terminal 4 and ECM terminal 51.
Refer to Wiring Diagram.

Continuity should exist.

2. Also check harness for short to ground and short to power.

OK or NG

OK >> GO TO 8.

NG >> Repair open circuit or short to ground or short to power in harness or connectors.

8. CHECK MASS AIR FLOW SENSOR

Refer to [EC-209, "Component Inspection"](#) .

OK or NG

OK >> GO TO 9.

NG >> Replace mass air flow sensor.

9. CHECK INTERMITTENT INCIDENT

Refer to [EC-145, "TROUBLE DIAGNOSIS FOR INTERMITTENT INCIDENT"](#) .

>> INSPECTION END

Component Inspection MASS AIR FLOW SENSOR

NBS001SU

With CONSULT-II

1. Reconnect all harness connectors disconnected.
2. Start engine and warm it up to normal operating temperature.
3. Connect CONSULT-II and select "DATA MONITOR" mode.
4. Select "MAS A/F SE-B1" and check indication under the following conditions.

Condition	MAS A/F SE-B1 (V)
Ignition switch ON (Engine stopped.)	Approx. 0.4
Idle (Engine is warmed-up to normal operating temperature.)	1.0 - 1.2
2,500 rpm (Engine is warmed-up to normal operating temperature.)	1.6 - 1.9
Idle to about 4,000 rpm	1.0 - 1.2 to Approx. 2.4*

*: Check for linear voltage rise in response to engine being increased to about 4,000 rpm.

5. If the voltage is out of specification, proceed the following.

DATA MONITOR	
MONITOR	NO DTC
ENG SPEED	XXX rpm
MAS A/F SE-B1	XXX V

PBIB2371E

DTC P0102, P0103 MAF SENSOR

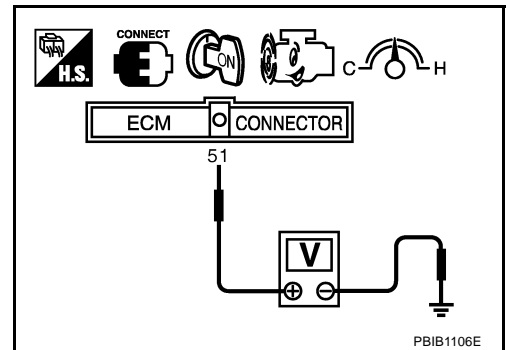
- a. Check for the cause of uneven air flow through mass air flow sensor. Refer to following.
 - Crushed air ducts
 - Malfunctioning seal of air cleaner element
 - Uneven dirt of air cleaner element
 - Improper specification of intake air system parts
- b. If NG, repair or replace malfunctioning part and perform step 2 to 4 again.
If OK, go to next step.
6. Turn ignition switch OFF.
7. Disconnect mass air flow sensor harness connector and reconnect it again.
8. Perform step 2 to 4 again.
9. If NG, clean or replace mass air flow sensor.

Without CONSULT-II

1. Reconnect all harness connectors disconnected.
2. Start engine and warm it up to normal operating temperature.
3. Check voltage between ECM terminal 51 (Mass air flow sensor signal) and ground.

Condition	Voltage V
Ignition switch ON (Engine stopped.)	Approx. 0.4
Idle (Engine is warmed-up to normal operating temperature.)	1.0 - 1.2
2,500 rpm (Engine is warmed-up to normal operating temperature.)	1.6 - 1.9
Idle to about 4,000 rpm	1.0 - 1.2 to Approx. 2.4*

*: Check for linear voltage rise in response to engine being increased to about 4,000 rpm.



4. If the voltage is out of specification, proceed the following.
 - a. Check for the cause of uneven air flow through mass air flow sensor. Refer to following.
 - Crushed air ducts
 - Malfunctioning seal of air cleaner element
 - Uneven dirt of air cleaner element
 - Improper specification of intake air system parts
 - b. If NG, repair or replace malfunctioning part and perform step 2 to 3 again.
If OK, go to next step.
5. Turn ignition switch OFF.
6. Disconnect mass air flow sensor harness connector and reconnect it again.
7. Perform step 2 and 3 again.
8. If NG, clean or replace mass air flow sensor.

Removal and Installation MASS AIR FLOW SENSOR

Refer to [EM-17, "AIR CLEANER AND AIR DUCT"](#) .

NBS001SV

DTC P0112, P0113 IAT SENSOR

DTC P0112, P0113 IAT SENSOR

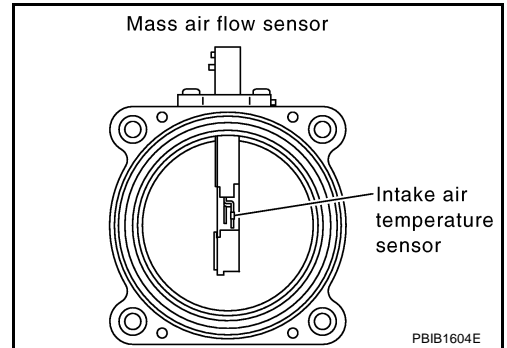
PF2:22630

Component Description

NBS001SW

The intake air temperature sensor is built-into mass air flow sensor. The sensor detects intake air temperature and transmits a signal to the ECM.

The temperature sensing unit uses a thermistor which is sensitive to the change in temperature. Electrical resistance of the thermistor decreases in response to the temperature rise.



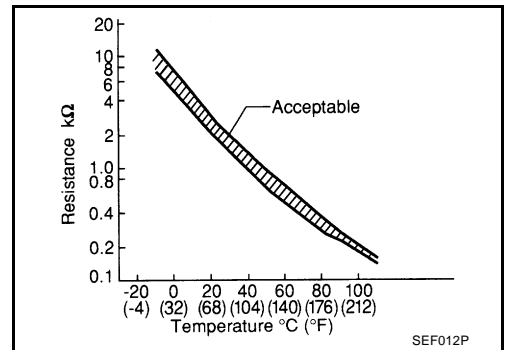
<Reference data>

Intake air temperature °C (°F)	Voltage* V	Resistance kΩ
25 (77)	3.3	1.800 - 2.200
80 (176)	1.2	0.283 - 0.359

*: This data is reference value and is measured between ECM terminal 34 (Intake air temperature sensor) and ground.

CAUTION:

Do not use ECM ground terminals when measuring input/output voltage. Doing so may result in damage to the ECM's transistor. Use a ground other than ECM terminals, such as the ground.



On Board Diagnosis Logic

NBS001SX

DTC No.	Trouble diagnosis name	DTC detecting condition	Possible cause
P0112 0112	Intake air temperature sensor circuit low input	An excessively low voltage from the sensor is sent to ECM.	<ul style="list-style-type: none"> ● Harness or connectors (The sensor circuit is open or shorted.) ● Intake air temperature sensor
P0113 0113	Intake air temperature sensor circuit high input	An excessively high voltage from the sensor is sent to ECM.	

DTC Confirmation Procedure

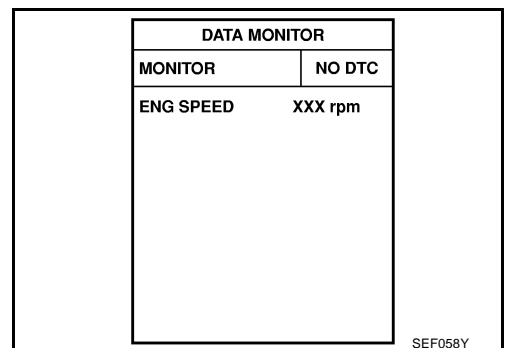
NBS001SY

NOTE:

If DTC Confirmation Procedure has been previously conducted, always turn ignition switch OFF and wait at least 10 seconds before conducting the next test.

WITH CONSULT-II

1. Turn ignition switch ON.
2. Select "DATA MONITOR" mode with CONSULT-II.
3. Wait at least 5 seconds.
4. If 1st trip DTC is detected, go to [EC-213, "Diagnostic Procedure"](#)



WITH GST

Follow the procedure WITH CONSULT-II above.

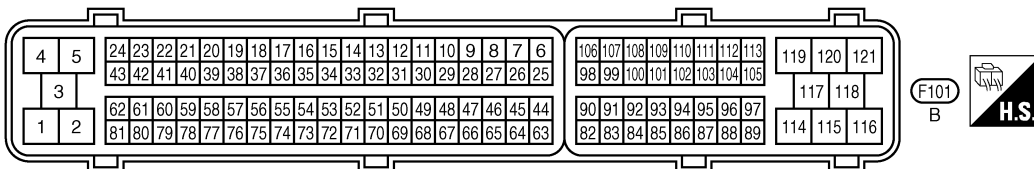
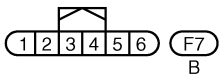
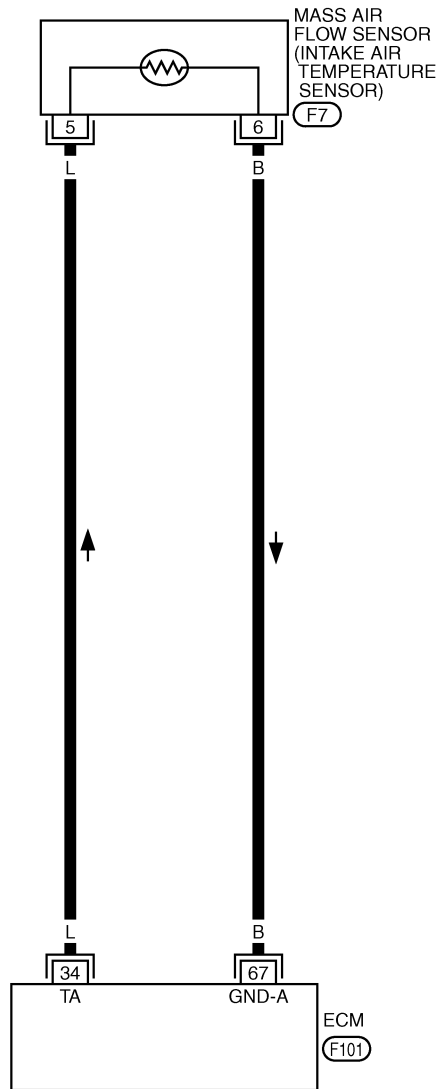
DTC P0112, P0113 IAT SENSOR

Wiring Diagram

NBS001SZ

EC-IATS-01

: DETECTABLE LINE FOR DTC
 : NON-DETECTABLE LINE FOR DTC



TBWM0538E

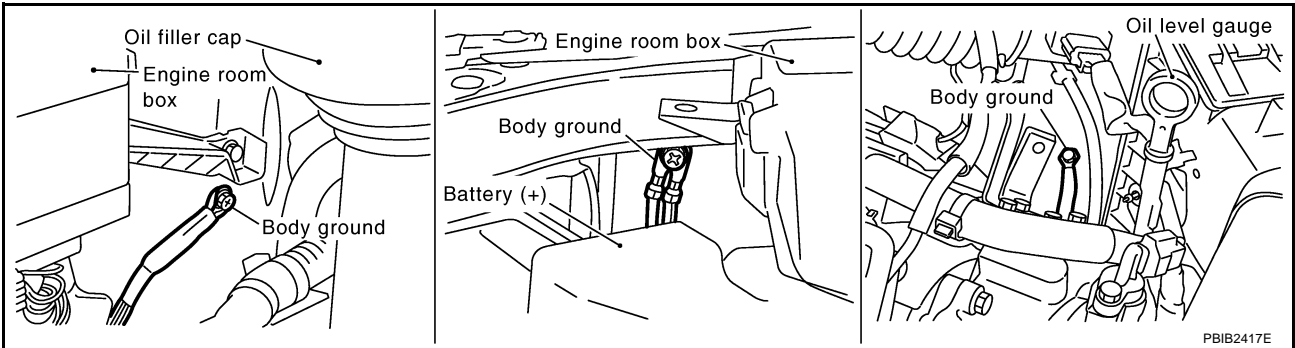
DTC P0112, P0113 IAT SENSOR

NBS00170

Diagnostic Procedure

1. CHECK GROUND CONNECTIONS

1. Turn ignition switch OFF.
2. Loosen and retighten three ground screws on the body.
Refer to [EC-154, "Ground Inspection"](#).

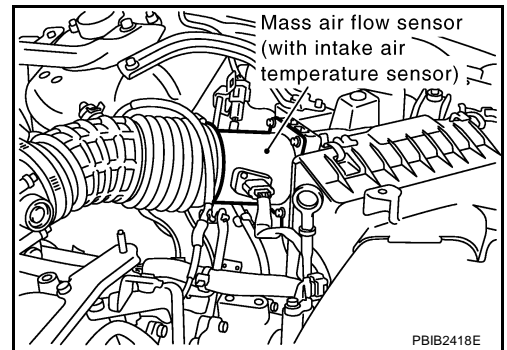


OK or NG

- OK >> GO TO 2.
- NG >> Repair or replace ground connections.

2. CHECK INTAKE AIR TEMPERATURE SENSOR POWER SUPPLY CIRCUIT

1. Disconnect mass air flow sensor (intake air temperature sensor is built-into) harness connector.
2. Turn ignition switch ON.

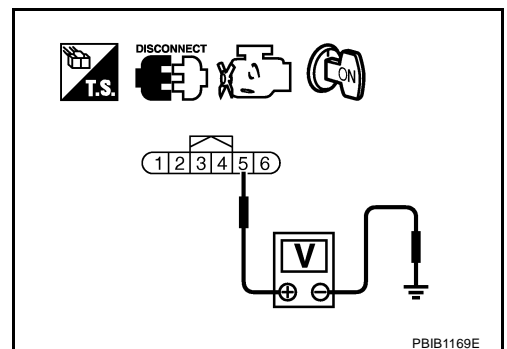


3. Check voltage between mass air flow sensor terminal 5 and ground.

Voltage: Approximately 5V

OK or NG

- OK >> GO TO 3.
- NG >> Repair open circuit or short to ground or short to power in harness or connectors.



A
EC
C
D
E
F
G
H
I
J
K
L
M

DTC P0112, P0113 IAT SENSOR

3. CHECK INTAKE AIR TEMPERATURE SENSOR GROUND CIRCUIT FOR OPEN AND SHORT

1. Turn ignition switch OFF.
2. Disconnect ECM harness connector.
3. Check harness continuity between mass air flow sensor terminal 6 and ECM terminal 67.
Refer to Wiring Diagram.

Continuity should exist.

4. Also check harness for short to ground and short to power.

OK or NG

OK >> GO TO 4.

NG >> Repair open circuit or short to ground or short to power in harness or connectors.

4. CHECK INTAKE AIR TEMPERATURE SENSOR

Refer to [EC-213, "Diagnostic Procedure"](#) .

OK or NG

OK >> GO TO 5.

NG >> Replace mass air flow sensor (with intake air temperature sensor).

5. CHECK INTERMITTENT INCIDENT

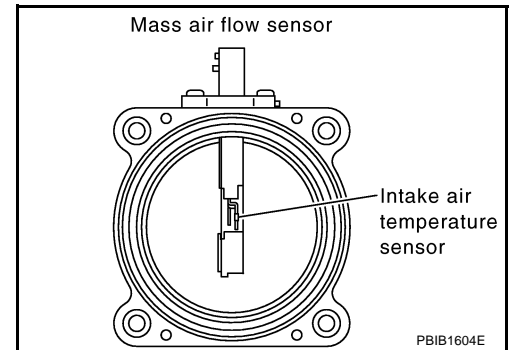
Refer to [EC-145, "TROUBLE DIAGNOSIS FOR INTERMITTENT INCIDENT"](#) .

>> INSPECTION END

Component Inspection INTAKE AIR TEMPERATURE SENSOR

NBS001T1

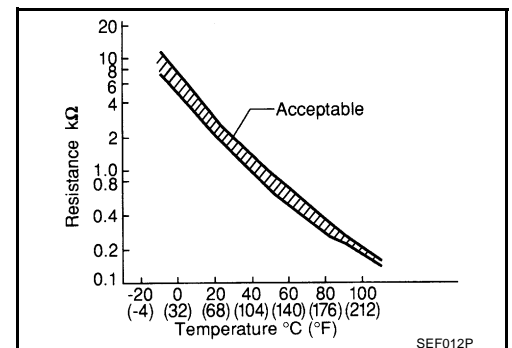
1. Check resistance between intake air temperature sensor terminals 5 and 6 under the following conditions.



<Reference data>

Intake air temperature °C (°F)	Resistance kΩ
25 (77)	1.800 - 2.200

2. If NG, replace mass air flow sensor (with intake air temperature sensor).



Removal and Installation MASS AIR FLOW SENSOR

NBS001T2

Refer to [EM-17, "AIR CLEANER AND AIR DUCT"](#) .

DTC P0117, P0118 ECT SENSOR

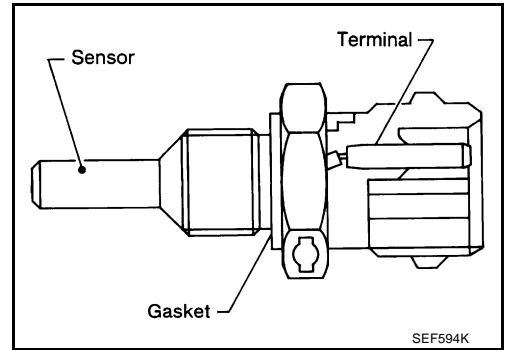
DTC P0117, P0118 ECT SENSOR

PF2:22630

Component Description

NBS001T3

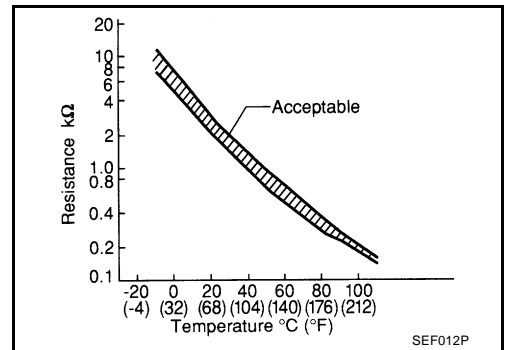
The engine coolant temperature sensor is used to detect the engine coolant temperature. The sensor modifies a voltage signal from the ECM. The modified signal returns to the ECM as the engine coolant temperature input. The sensor uses a thermistor which is sensitive to the change in temperature. The electrical resistance of the thermistor decreases as temperature increases.



<Reference data>

Engine coolant temperature °C (°F)	Voltage* V	Resistance kΩ
- 10 (14)	4.4	7.0 - 11.4
20 (68)	3.5	2.1 - 2.9
50 (122)	2.2	0.68 - 1.00
90 (194)	0.9	0.236 - 0.260

*: This data is reference value and is measured between ECM terminal 73 (Engine coolant temperature sensor) and ground.



CAUTION:

Do not use ECM ground terminals when measuring input/output voltage. Doing so may result in damage to the ECM's transistor. Use a ground other than ECM terminals, such as the ground.

On Board Diagnosis Logic

NBS001T4

These self-diagnoses have the one trip detection logic.

DTC No.	Trouble Diagnosis Name	DTC Detecting Condition	Possible Cause
P0117 0117	Engine coolant temperature sensor circuit low input	An excessively low voltage from the sensor is sent to ECM.	<ul style="list-style-type: none"> ● Harness or connectors (The sensor circuit is open or shorted.) ● Engine coolant temperature sensor
P0118 0118	Engine coolant temperature sensor circuit high input	An excessively high voltage from the sensor is sent to ECM.	

FAIL-SAFE MODE

When the malfunction is detected, the ECM enters fail-safe mode and the MIL lights up.

Detected items	Engine operating condition in fail-safe mode	
Engine coolant temperature sensor circuit	Engine coolant temperature will be determined by ECM based on the time after turning ignition switch ON or START. CONSULT-II displays the engine coolant temperature decided by ECM.	
	Condition	Engine coolant temperature decided (CONSULT-II display)
	Just as ignition switch is turned ON or START	40°C (104°F)
	More than approx. 4 minutes after ignition ON or START	80°C (176°F)
	Except as shown above	40 - 80°C (104 - 176°F) (Depends on the time)
When the fail-safe system for engine coolant temperature sensor is activated, the cooling fan operates while engine is running.		

DTC P0117, P0118 ECT SENSOR

NBS00175

DTC Confirmation Procedure

NOTE:

If DTC Confirmation Procedure has been previously conducted, always turn ignition switch OFF and wait at least 10 seconds before conducting the next test.

WITH CONSULT-II

1. Turn ignition switch ON.
2. Select "DATA MONITOR" mode with CONSULT-II.
3. Wait at least 5 seconds.
4. If DTC is detected, go to [EC-218, "Diagnostic Procedure"](#) .

DATA MONITOR	
MONITOR	NO DTC
ENG SPEED	XXX rpm

SEF058Y

WITH GST

Follow the procedure WITH CONSULT-II above.

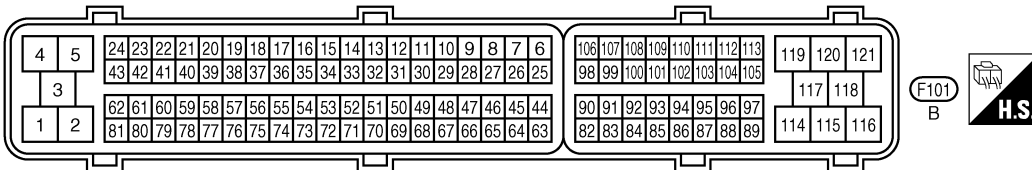
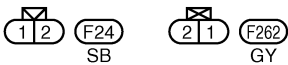
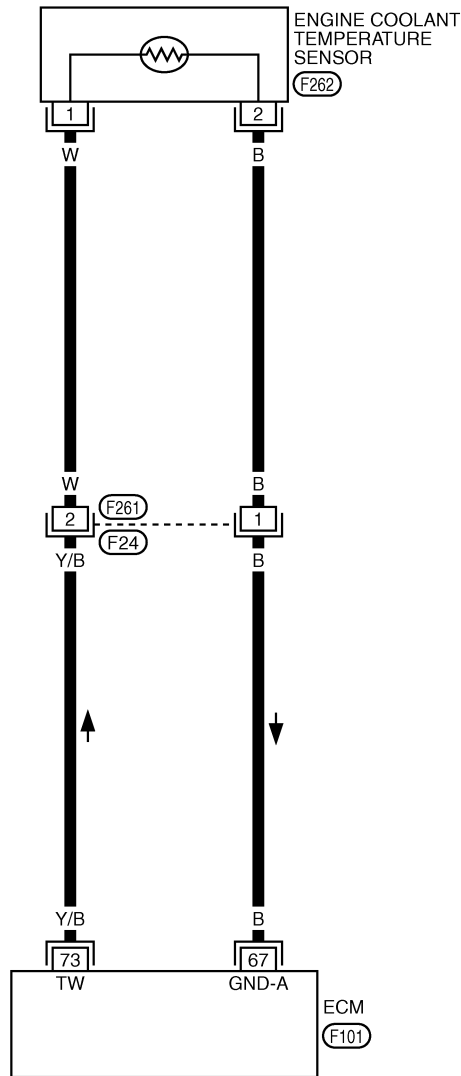
DTC P0117, P0118 ECT SENSOR

Wiring Diagram

NBS00176

EC-ECTS-01

: DETECTABLE LINE FOR DTC
 : NON-DETECTABLE LINE FOR DTC



TBWM0539E

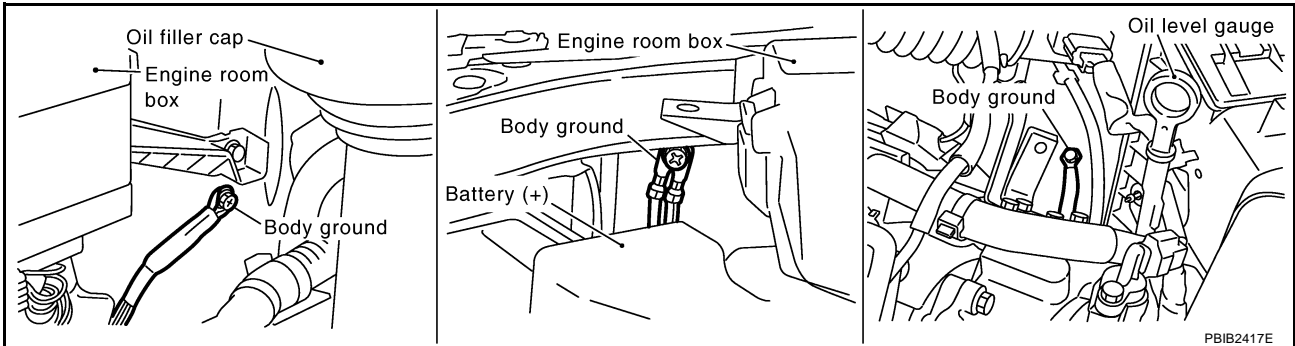
DTC P0117, P0118 ECT SENSOR

NBS00177

Diagnostic Procedure

1. CHECK GROUND CONNECTIONS

1. Turn ignition switch OFF.
2. Loosen and retighten three ground screws on the body.
Refer to [EC-154, "Ground Inspection"](#).

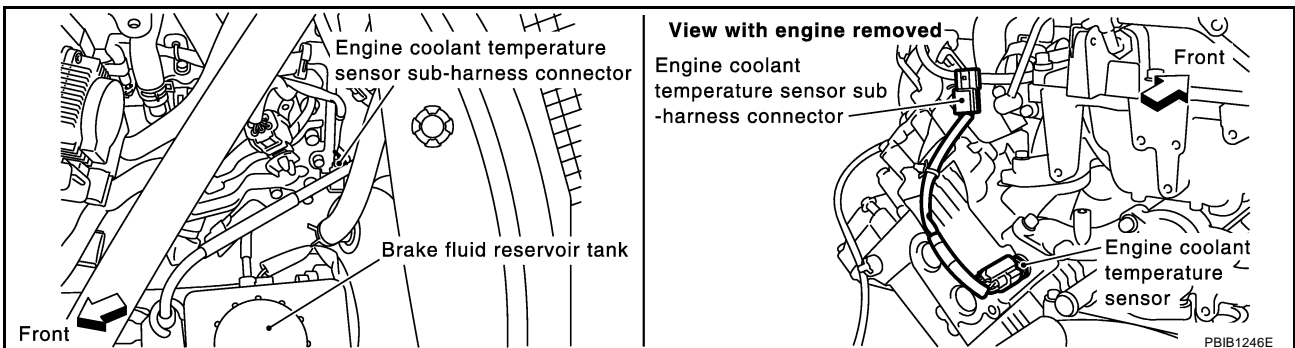


OK or NG

- OK >> GO TO 2.
- NG >> Repair or replace ground connections.

2. CHECK ECT SENSOR POWER SUPPLY CIRCUIT

1. Disconnect engine coolant temperature (ECT) sensor harness connector.

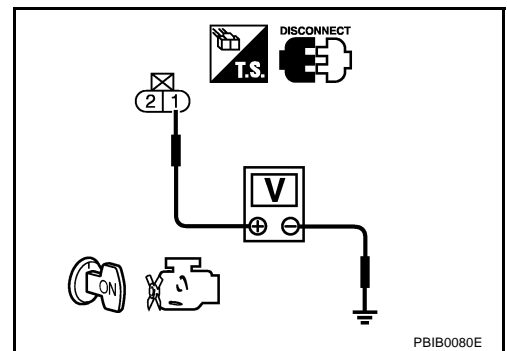


2. Turn ignition switch ON.
3. Check voltage between ECT sensor terminal 1 and ground with CONSULT-II or tester.

Voltage: Approximately 5V

OK or NG

- OK >> GO TO 4.
- NG >> GO TO 3.



3. DETECT MALFUNCTIONING PART

Check the following.

- Harness connectors F261, F24
- Harness for open and short between ECT sensor and ECM

>> Repair open circuit or short to ground or short to power in harness or connectors.

DTC P0117, P0118 ECT SENSOR

4. CHECK ECT SENSOR GROUND CIRCUIT FOR OPEN AND SHORT

1. Turn ignition switch OFF.
2. Disconnect ECM harness connector.
3. Check harness continuity between ECT sensor terminal 2 and ECM terminal 67.
Refer to Wiring Diagram.

Continuity should exist.

4. Also check harness for short to ground and short to power.

OK or NG

- OK >> GO TO 6.
- NG >> GO TO 5.

5. DETECT MALFUNCTIONING PART

Check the following.

- Harness connectors F261, F24
- Harness for open and short between ECT sensor and ECM

>> Repair open circuit or short to ground or short to power in harness or connectors.

6. CHECK ENGINE COOLANT TEMPERATURE SENSOR

Refer to [EC-219, "Component Inspection"](#) .

OK or NG

- OK >> GO TO 7.
- NG >> Replace engine coolant temperature sensor.

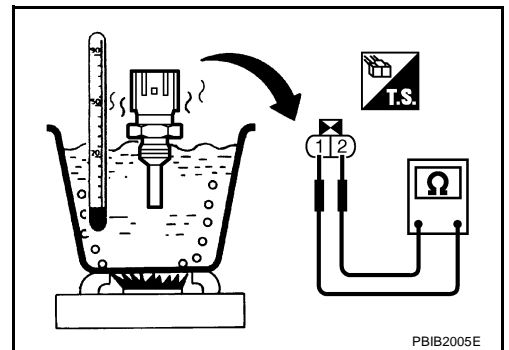
7. CHECK INTERMITTENT INCIDENT

Refer to [EC-145, "TROUBLE DIAGNOSIS FOR INTERMITTENT INCIDENT"](#) .

>> INSPECTION END

Component Inspection ENGINE COOLANT TEMPERATURE SENSOR

1. Check resistance between engine coolant temperature sensor terminals 1 and 2 as shown in the figure.

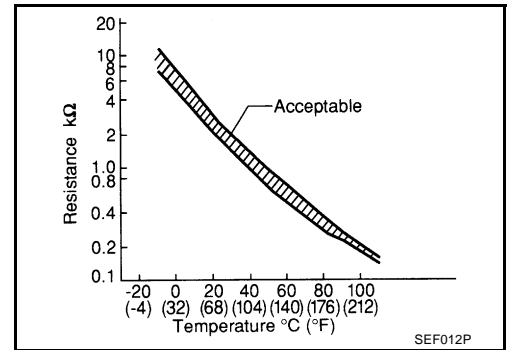


DTC P0117, P0118 ECT SENSOR

<Reference data>

Engine coolant temperature °C (°F)	Resistance kΩ
20 (68)	2.1 - 2.9
50 (122)	0.68 - 1.00
90 (194)	0.236 - 0.260

2. If NG, replace engine coolant temperature sensor.



NBS001T9

Removal and Installation ENGINE COOLANT TEMPERATURE SENSOR

Refer to [EM-67, "CYLINDER HEAD"](#) .

DTC P0122, P0123 TP SENSOR

PF16119

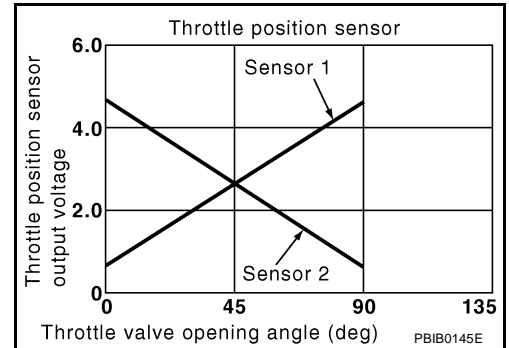
DTC P0122, P0123 TP SENSOR

Component Description

NBS001TA

Electric throttle control actuator consists of throttle control motor, throttle position sensor, etc. The throttle position sensor responds to the throttle valve movement.

The throttle position sensor has the two sensors. These sensors are a kind of potentiometers which transform the throttle valve position into output voltage, and emit the voltage signal to the ECM. In addition, these sensors detect the opening and closing speed of the throttle valve and feed the voltage signals to the ECM. The ECM judges the current opening angle of the throttle valve from these signals and the ECM controls the throttle control motor to make the throttle valve opening angle properly in response to driving condition.



CONSULT-II Reference Value in Data Monitor Mode

NBS001TB

Specification data are reference values.

MONITOR ITEM	CONDITION		SPECIFICATION
THRTL SEN 1 THRTL SEN 2*	<ul style="list-style-type: none"> Ignition switch: ON (Engine stopped) Selector lever: D 	Accelerator pedal: Fully released	More than 0.36V
		Accelerator pedal: Fully depressed	Less than 4.75V

*: Throttle position sensor 2 signal is converted by ECM internally. Thus, it differs from ECM terminal voltage signal.

On Board Diagnosis Logic

NBS001TC

These self-diagnoses have the one trip detection logic.

DTC No.	Trouble diagnosis name	DTC detecting condition	Possible cause
P0122 0122	Throttle position sensor 2 circuit low input	An excessively low voltage from the TP sensor 2 is sent to ECM.	<ul style="list-style-type: none"> Harness or connectors (The TP sensor 2 circuit is open or shorted.) (APP sensor 2 circuit is shorted.) Electric throttle control actuator (TP sensor 2) Accelerator pedal position sensor (APP sensor 2)
P0123 0123	Throttle position sensor 2 circuit high input	An excessively high voltage from the TP sensor 2 is sent to ECM.	

FAIL-SAFE MODE

When the malfunction is detected, ECM enters fail-safe mode and the MIL lights up.

Engine operation condition in fail-safe mode

The ECM controls the electric throttle control actuator in regulating the throttle opening in order for the idle position to be within +10 degrees.

The ECM regulates the opening speed of the throttle valve to be slower than the normal condition.

So, the acceleration will be poor.

DTC P0122, P0123 TP SENSOR

NBS001TD

DTC Confirmation Procedure

NOTE:

If DTC Confirmation Procedure has been previously conducted, always turn ignition switch OFF and wait at least 10 seconds before conducting the next test.

TESTING CONDITION:

Before performing the following procedure, confirm that battery voltage is more than 10V at idle.

WITH CONSULT-II

1. Turn ignition switch ON.
2. Select "DATA MONITOR" mode with CONSULT-II.
3. Start engine and let it idle for 1 second.
4. If DTC is detected, go to [EC-224, "Diagnostic Procedure"](#) .

DATA MONITOR	
MONITOR	NO DTC
ENG SPEED	XXX rpm

SEF058Y

WITH GST

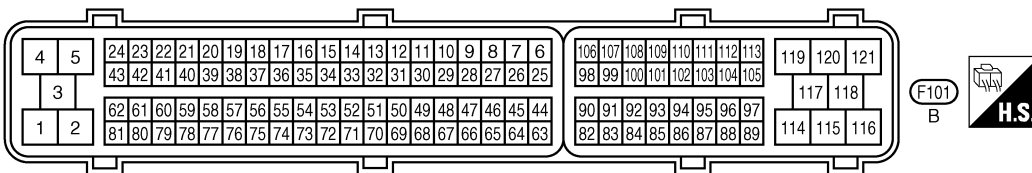
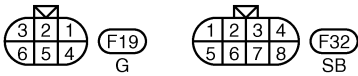
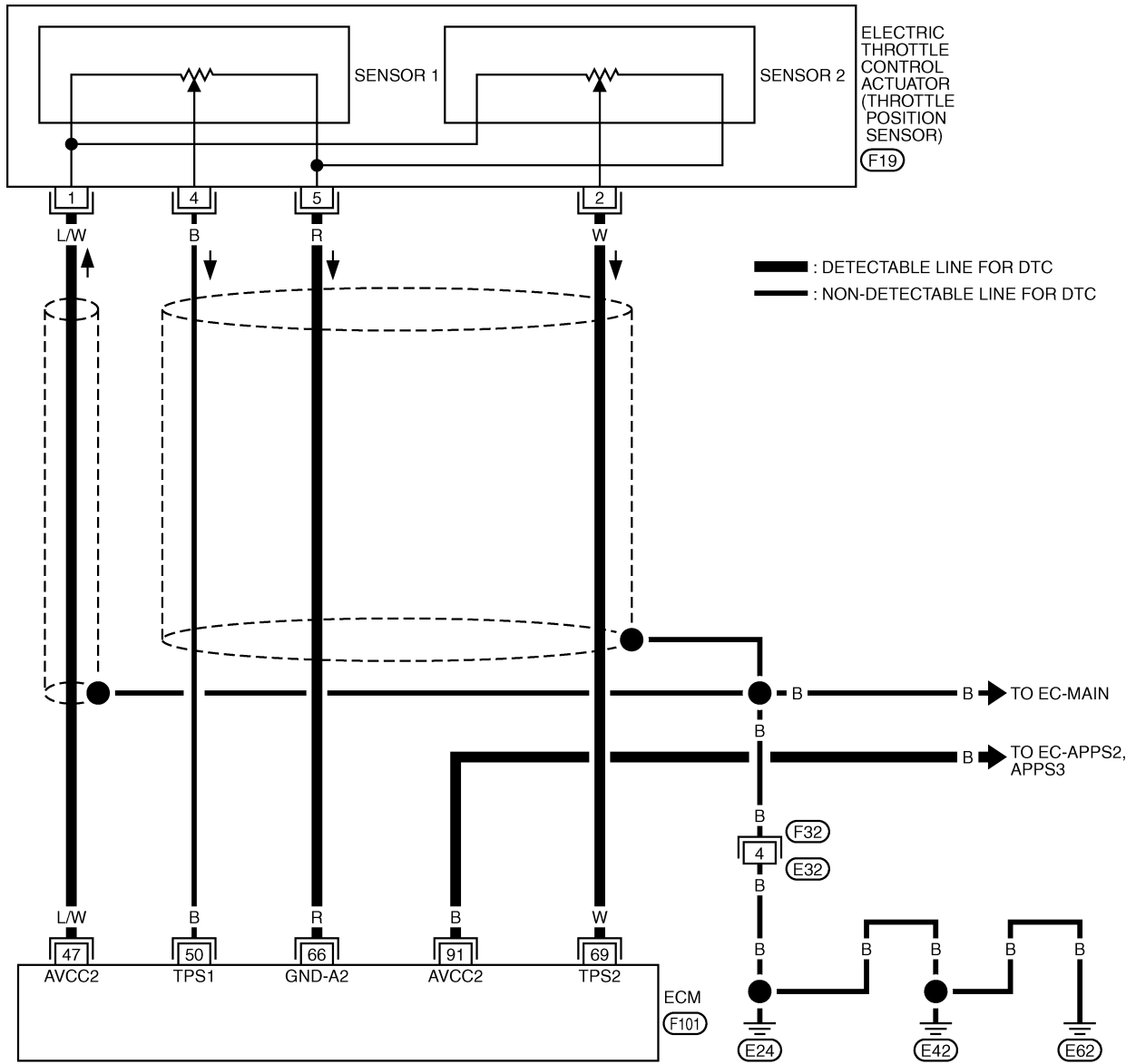
Follow the procedure "WITH CONSULT-II" above.

DTC P0122, P0123 TP SENSOR

Wiring Diagram

NBS001TE

EC-TPS2-01



TBWM0540E

DTC P0122, P0123 TP SENSOR

Specification data are reference values and are measured between each terminal and ground.

CAUTION:

Do not use ECM ground terminals when measuring input/output voltage. Doing so may result in damage to the ECM's transistor. Use a ground other than ECM terminals, such as the ground.

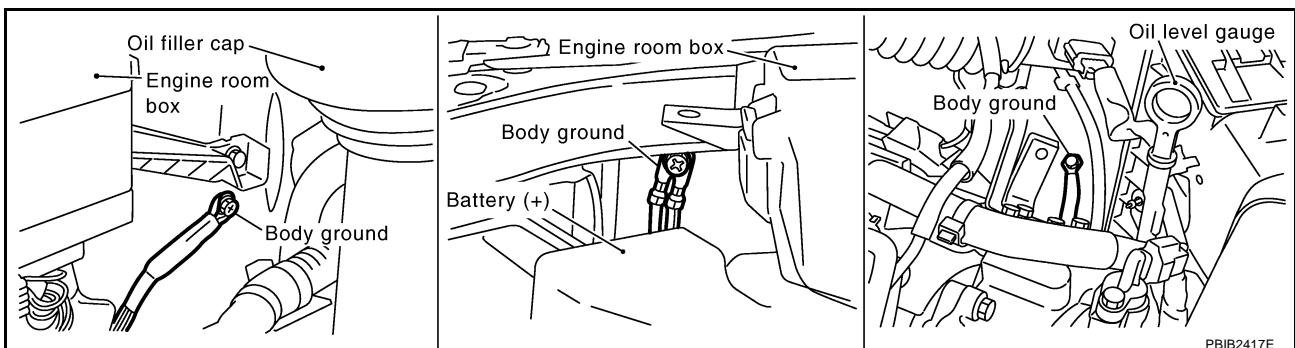
TER-MINAL NO.	WIRE COLOR	ITEM	CONDITION	DATA (DC Voltage)
47	L/W	Sensor power supply (Throttle position sensor)	[Ignition switch: ON]	Approximately 5V
50	B	Throttle position sensor 1	[Ignition switch: ON] <ul style="list-style-type: none"> ● Engine stopped ● Selector lever: D ● Accelerator pedal: Fully released 	More than 0.36V
			[Ignition switch: ON] <ul style="list-style-type: none"> ● Engine stopped ● Selector lever: D ● Accelerator pedal: Fully depressed 	Less than 4.75V
66	R	Sensor ground (Throttle position sensor)	[Engine is running] <ul style="list-style-type: none"> ● Warm-up condition ● Idle speed 	Approximately 0V
69	W	Throttle position sensor 2	[Ignition switch: ON] <ul style="list-style-type: none"> ● Engine stopped ● Selector lever: D ● Accelerator pedal: Fully released 	Less than 4.75V
			[Ignition switch: ON] <ul style="list-style-type: none"> ● Engine stopped ● Selector lever: D ● Accelerator pedal: Fully depressed 	More than 0.36V
91	B	Sensor power supply (APP sensor 2)	[Ignition switch: ON]	Approximately 5V

Diagnostic Procedure

NBS001TF

1. CHECK GROUND CONNECTIONS

1. Turn ignition switch OFF.
2. Loosen and retighten three ground screws on the body.
Refer to [EC-154, "Ground Inspection"](#).



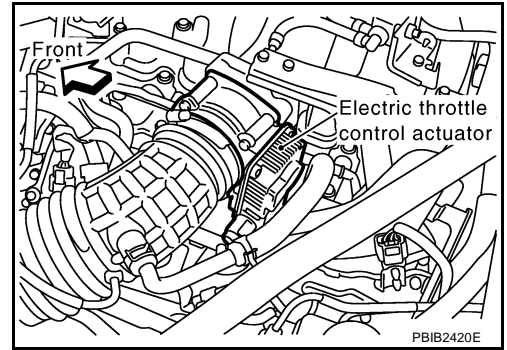
OK or NG

- OK >> GO TO 2.
- NG >> Repair or replace ground connections.

DTC P0122, P0123 TP SENSOR

2. CHECK THROTTLE POSITION SENSOR 2 POWER SUPPLY CIRCUIT-I

1. Disconnect electric throttle control actuator harness connector.
2. Turn ignition switch ON.

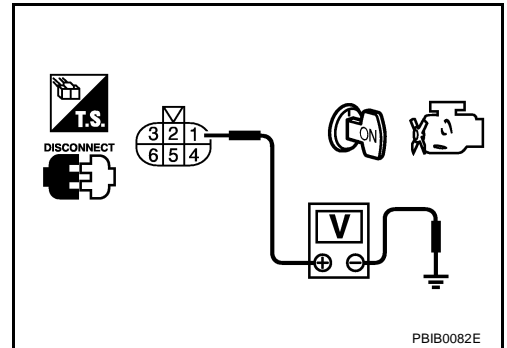


3. Check voltage between electric throttle control actuator terminal 1 and ground with CONSULT-II or tester.

Voltage: Approximately 5V

OK or NG

- OK >> GO TO 7.
NG >> GO TO 3.



3. CHECK THROTTLE POSITION SENSOR 2 POWER SUPPLY CIRCUIT-II

1. Turn ignition switch OFF.
2. Disconnect ECM harness connector.
3. Check harness continuity between electric throttle control actuator terminal 1 and ECM terminal 47. Refer to Wiring Diagram.

Continuity should exist.

OK or NG

- OK >> GO TO 4.
NG >> Repair or replace open circuit.

4. CHECK THROTTLE POSITION SENSOR 2 POWER SUPPLY CIRCUIT-III

Check harness for short to power and short to ground, between the following terminals.

ECM terminal	Sensor terminal	Reference Wiring Diagram
47	Electric throttle control actuator terminal 1	EC-223
91	APP sensor terminal 4	EC-656

OK or NG

- OK >> GO TO 5.
NG >> Repair short to ground or short to power in harness or connectors.

5. CHECK APP SENSOR

Refer to [EC-660, "Component Inspection"](#) .

OK or NG

- OK >> GO TO 11.
NG >> GO TO 6.

DTC P0122, P0123 TP SENSOR

6. REPLACE ACCELERATOR PEDAL ASSEMBLY

1. Replace accelerator pedal assembly.
2. Perform [EC-77, "Accelerator Pedal Released Position Learning"](#) .
3. Perform [EC-78, "Throttle Valve Closed Position Learning"](#) .
4. Perform [EC-78, "Idle Air Volume Learning"](#) .

>> INSPECTION END

7. CHECK THROTTLE POSITION SENSOR 2 GROUND CIRCUIT FOR OPEN AND SHORT

1. Turn ignition switch OFF.
2. Disconnect ECM harness connector.
3. Check harness continuity between electric throttle control actuator terminal 5 and ECM terminal 66.
Refer to Wiring Diagram.

Continuity should exist.

4. Also check harness for short to ground and short to power.

OK or NG

OK >> GO TO 8.

NG >> Repair open circuit or short to ground or short to power in harness or connectors.

8. CHECK THROTTLE POSITION SENSOR 2 INPUT SIGNAL CIRCUIT FOR OPEN AND SHORT

1. Check harness continuity between ECM terminal 69 and electric throttle control actuator terminal 2.
Refer to Wiring Diagram.

Continuity should exist.

2. Also check harness for short to ground and short to power.

OK or NG

OK >> GO TO 9.

NG >> Repair open circuit or short to ground or short to power in harness or connectors.

9. CHECK THROTTLE POSITION SENSOR

Refer to [EC-227, "Component Inspection"](#) .

OK or NG

OK >> GO TO 11.

NG >> GO TO 10.

10. REPLACE ELECTRIC THROTTLE CONTROL ACTUATOR

1. Replace the electric throttle control actuator.
2. Perform [EC-78, "Throttle Valve Closed Position Learning"](#) .
3. Perform [EC-78, "Idle Air Volume Learning"](#) .

>> INSPECTION END

11. CHECK INTERMITTENT INCIDENT

Refer to [EC-145, "TROUBLE DIAGNOSIS FOR INTERMITTENT INCIDENT"](#) .

>> INSPECTION END

DTC P0122, P0123 TP SENSOR

NBS001TG

Component Inspection THROTTLE POSITION SENSOR

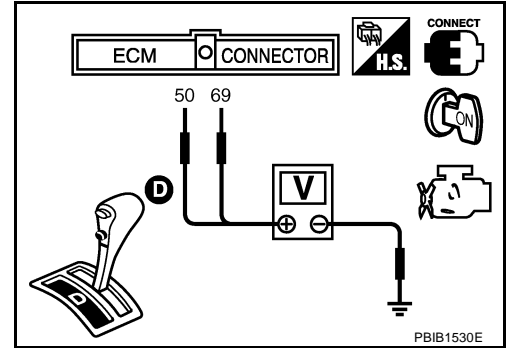
1. Reconnect all harness connectors disconnected.
2. Perform [EC-78, "Throttle Valve Closed Position Learning"](#) .
3. Turn ignition switch ON.
4. Set selector lever to D position.
5. Check voltage between ECM terminals 50 (TP sensor 1 signal), 69 (TP sensor 2 signal) and ground under the following conditions.

Terminal	Accelerator pedal	Voltage
50 (Throttle position sensor 1)	Fully released	More than 0.36V
	Fully depressed	Less than 4.75V
69 (Throttle position sensor 2)	Fully released	Less than 4.75V
	Fully depressed	More than 0.36V

6. If NG, replace electric throttle control actuator and go to the next step.
7. Perform [EC-78, "Throttle Valve Closed Position Learning"](#) .
8. Perform [EC-78, "Idle Air Volume Learning"](#) .

Removal and Installation ELECTRIC THROTTLE CONTROL ACTUATOR

Refer to [EM-19, "INTAKE MANIFOLD"](#) .



A
EC
C
D
E
F
G
H
I
J
K
L
M

NBS001TH

DTC P0125 ECT SENSOR

DTC P0125 ECT SENSOR

PF2:22630

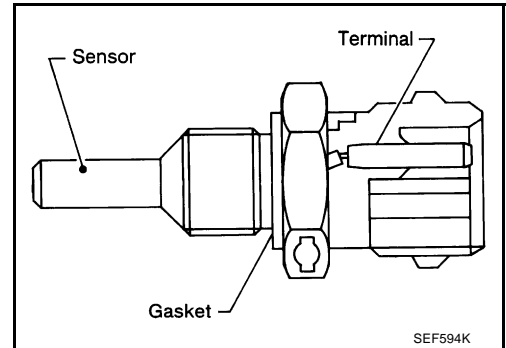
Component Description

NBS001TJ

NOTE:

If DTC P0125 is displayed with P0117 or P0118, first perform the trouble diagnosis for DTC P0117 or P0118. Refer to [EC-215, "DTC P0117, P0118 ECT SENSOR"](#).

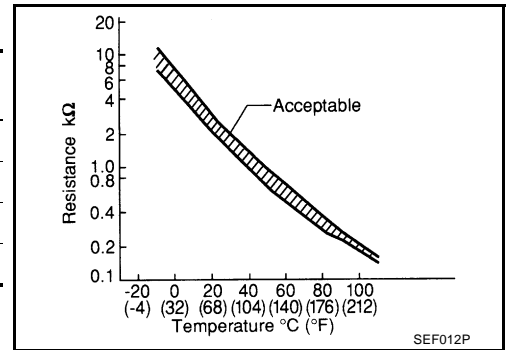
The engine coolant temperature sensor is used to detect the engine coolant temperature. The sensor modifies a voltage signal from the ECM. The modified signal returns to the ECM as the engine coolant temperature input. The sensor uses a thermistor which is sensitive to the change in temperature. The electrical resistance of the thermistor decreases as temperature increases.



<Reference data>

Engine coolant temperature °C (°F)	Voltage* V	Resistance kΩ
- 10 (14)	4.4	7.0 - 11.4
20 (68)	3.5	2.1 - 2.9
50 (122)	2.2	0.68 - 1.00
90 (194)	0.9	0.236 - 0.260

*: This data is reference value and is measured between ECM terminal 73 (Engine coolant temperature sensor) and ground.



CAUTION:

Do not use ECM ground terminals when measuring input/output voltage. Doing so may result in damage to the ECM's transistor. Use a ground other than ECM terminals, such as the ground.

On Board Diagnosis Logic

NBS001TJ

DTC No.	Trouble diagnosis name	DTC detecting condition	Possible cause
P0125 0125	Insufficient engine coolant temperature for closed loop fuel control	<ul style="list-style-type: none"> ● Voltage sent to ECM from the sensor is not practical, even when some time has passed after starting the engine. ● Engine coolant temperature is insufficient for closed loop fuel control. 	<ul style="list-style-type: none"> ● Harness or connectors (High resistance in the circuit) ● Engine coolant temperature sensor ● Thermostat

DTC P0125 ECT SENSOR

NBS001TK

DTC Confirmation Procedure

CAUTION:

Be careful not to overheat engine.

NOTE:

If DTC Confirmation Procedure has been previously conducted, always turn ignition switch OFF and wait at least 10 seconds before conducting the next test.

WITH CONSULT-II

1. Turn ignition switch ON.
2. Select "DATA MONITOR" mode with CONSULT-II.
3. Check that "COOLAN TEMP/S" is above 10°C (50°F).
If it is above 10°C (50°F), the test result will be OK.
If it is below 10°C (50°F), go to following step.
4. Start engine and run it for 65 minutes at idle speed.
If "COOLAN TEMP/S" increases to more than 10°C (50°F) within 65 minutes, stop engine because the test result will be OK.
5. If 1st trip DTC is detected, go to [EC-229, "Diagnostic Procedure"](#)

DATA MONITOR	
MONITOR	NO DTC
ENG SPEED	XXX rpm
COOLAN TEMP/S	XXX °C

SEF174Y

WITH GST

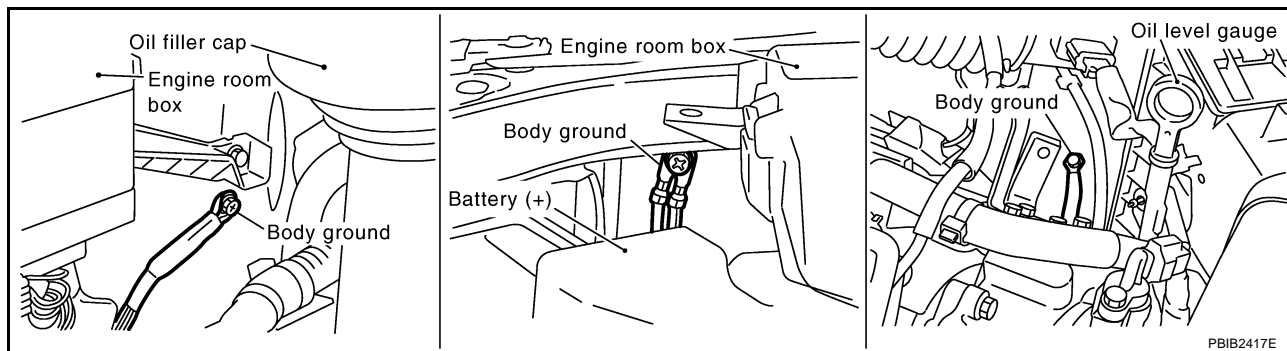
Follow the procedure WITH CONSULT-II above.

Diagnostic Procedure

NBS001TL

1. CHECK GROUND CONNECTIONS

1. Turn ignition switch OFF.
2. Loosen and retighten three ground screws on the body.
Refer to [EC-154, "Ground Inspection"](#).



OK or NG

- OK >> GO TO 2.
- NG >> Repair or replace ground connections.

2. CHECK ENGINE COOLANT TEMPERATURE SENSOR

Refer to [EC-230, "Component Inspection"](#).

OK or NG

- OK >> GO TO 3.
- NG >> Replace engine coolant temperature sensor.

DTC P0125 ECT SENSOR

3. CHECK THERMOSTAT OPERATION

When the engine is under cold [lower than 70°C (158°F)] condition, grasp lower radiator hose and confirm the engine coolant does not flow.

OK or NG

OK >> GO TO 4.

NG >> Repair or replace thermostat. Refer to [CO-22, "THERMOSTAT AND WATER CONTROL VALVE"](#).

4. CHECK INTERMITTENT INCIDENT

Refer to [EC-145, "TROUBLE DIAGNOSIS FOR INTERMITTENT INCIDENT"](#).

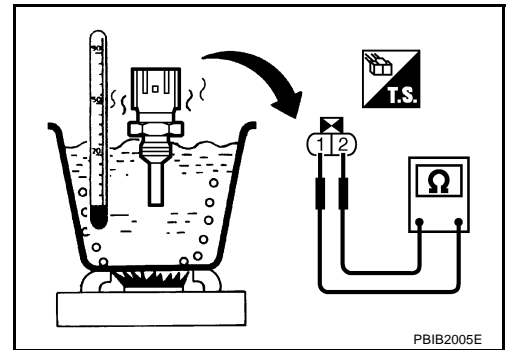
Refer to [EC-217, "Wiring Diagram"](#).

>> INSPECTION END

Component Inspection ENGINE COOLANT TEMPERATURE SENSOR

NBS0017M

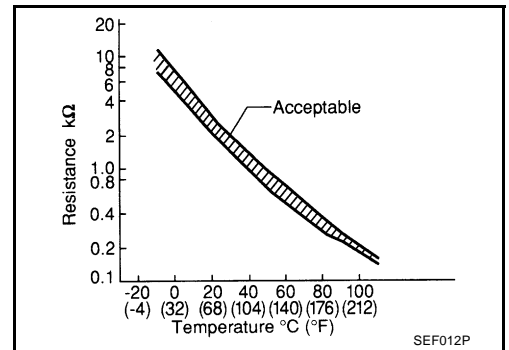
1. Check resistance between engine coolant temperature sensor terminals 1 and 2 as shown in the figure.



<Reference data>

Engine coolant temperature °C (°F)	Resistance kΩ
20 (68)	2.1 - 2.9
50 (122)	0.68 - 1.00
90 (194)	0.236 - 0.260

2. If NG, replace engine coolant temperature sensor.



Removal and Installation ENGINE COOLANT TEMPERATURE SENSOR

NBS0017N

Refer to [EM-67, "CYLINDER HEAD"](#).

DTC P0127 IAT SENSOR

DTC P0127 IAT SENSOR

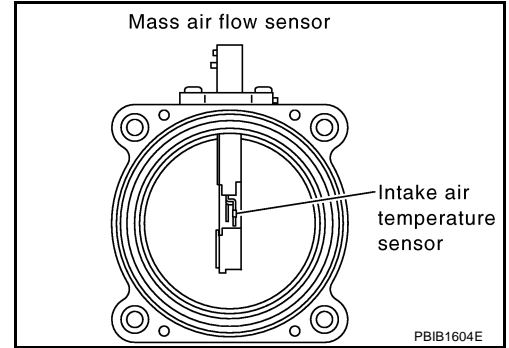
PFP:22630

Component Description

NBS001TO

The intake air temperature sensor is built-into mass air flow sensor. The sensor detects intake air temperature and transmits a signal to the ECM.

The temperature sensing unit uses a thermistor which is sensitive to the change in temperature. Electrical resistance of the thermistor decreases in response to the temperature rise.



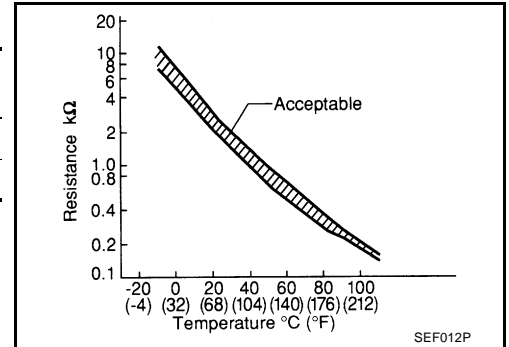
<Reference data>

Intake air temperature °C (°F)	Voltage* V	Resistance kΩ
25 (77)	3.3	1.800 - 2.200
80 (176)	1.2	0.283 - 0.359

*: This data is reference value and is measured between ECM terminal 34 (Intake air temperature sensor) and ground.

CAUTION:

Do not use ECM ground terminals when measuring input/output voltage. Doing so may result in damage to the ECM's transistor. Use a ground other than ECM terminals, such as the ground.



On Board Diagnosis Logic

NBS001TP

DTC No.	Trouble diagnosis name	DTC detecting condition	Possible cause
P0127 0127	Intake air temperature too high	Rationally incorrect voltage from the sensor is sent to ECM, compared with the voltage signal from engine coolant temperature sensor.	<ul style="list-style-type: none"> ● Harness or connectors (The sensor circuit is open or shorted) ● Intake air temperature sensor

DTC Confirmation Procedure

NBS001TQ

NOTE:

If DTC Confirmation Procedure has been previously conducted, always turn ignition switch OFF and wait at least 10 seconds before conducting the next test.

CAUTION:

Always drive vehicle at a safe speed.

TESTING CONDITION:

This test may be conducted with the drive wheels lifted in the shop or by driving the vehicle. If a road test is expected to be easier, it is unnecessary to lift the vehicle.

Ⓜ WITH CONSULT-II

1. Wait until engine coolant temperature is less than 90°C (194°F)
 - a. Turn ignition switch ON.

DTC P0127 IAT SENSOR

- b. Select "DATA MONITOR" mode with CONSULT-II.
- c. Check the engine coolant temperature.
- d. If the engine coolant temperature is not less than 90°C (194°F), turn ignition switch OFF and cool down engine.
 - Perform the following steps before engine coolant temperature reaches 90°C (194°F).
2. Turn ignition switch ON.
3. Select "DATA MONITOR" mode with CONSULT-II.
4. Start engine.
5. Hold vehicle speed at more than 70 km/h (43 MPH) for 100 consecutive seconds.
6. If 1st trip DTC is detected, go to [EC-232, "Diagnostic Procedure"](#).

DATA MONITOR	
MONITOR	NO DTC
ENG SPEED	XXX rpm
COOLAN TEMP/S	XXX °C
VHCL SPEED SE	XXX km/h

PBIB1917E

WITH GST

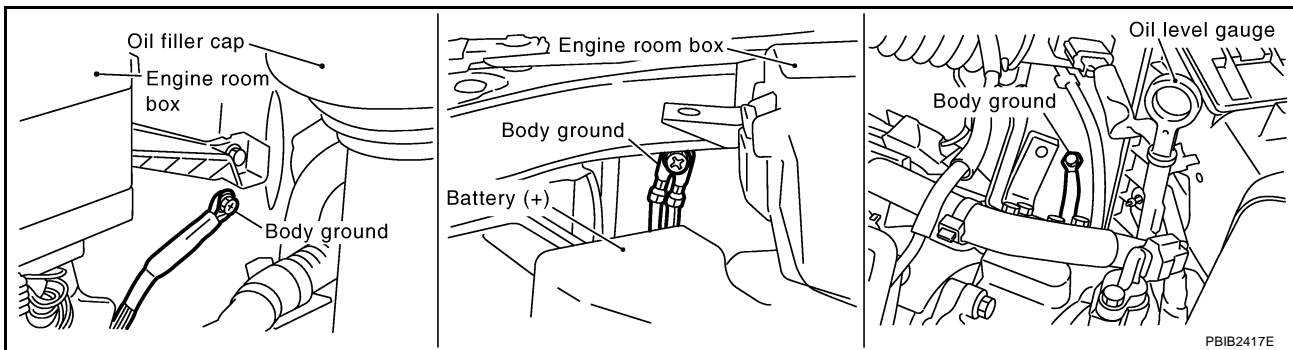
Follow the procedure WITH CONSULT-II above.

Diagnostic Procedure

NBS001TR

1. CHECK GROUND CONNECTIONS

1. Turn ignition switch OFF.
2. Loosen and retighten three ground screws on the body.
Refer to [EC-154, "Ground Inspection"](#).



OK or NG

- OK >> GO TO 2.
- NG >> Repair or replace ground connections.

2. CHECK INTAKE AIR TEMPERATURE SENSOR

Refer to [EC-233, "Component Inspection"](#).

OK or NG

- OK >> GO TO 3.
- NG >> Replace mass air flow sensor (with intake air temperature sensor).

3. CHECK INTERMITTENT INCIDENT

Refer to [EC-145, "TROUBLE DIAGNOSIS FOR INTERMITTENT INCIDENT"](#).
Refer to [EC-212, "Wiring Diagram"](#).

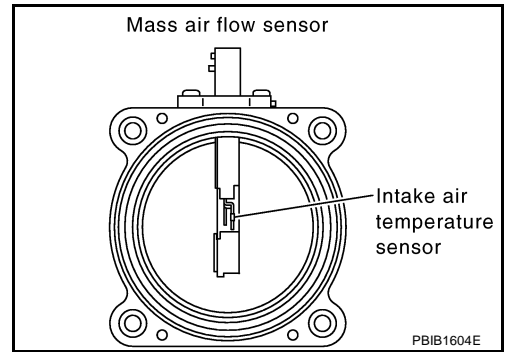
>> INSPECTION END

DTC P0127 IAT SENSOR

Component Inspection INTAKE AIR TEMPERATURE SENSOR

NBS001TS

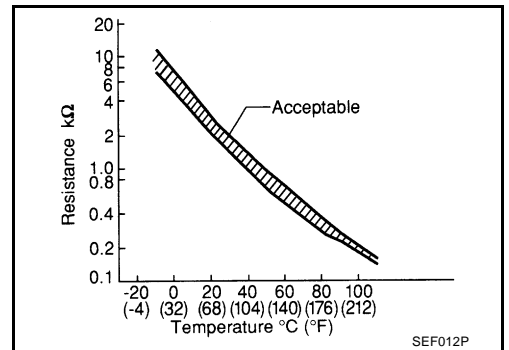
1. Check resistance between intake air temperature sensor terminals 5 and 6 under the following conditions.



<Reference data>

Intake air temperature °C (°F)	Resistance kΩ
25 (77)	1.800 - 2.200

2. If NG, replace mass air flow sensor (with intake air temperature sensor).



Removal and Installation MASS AIR FLOW SENSOR

NBS001TT

Refer to [EM-17, "AIR CLEANER AND AIR DUCT"](#) .

DTC P0128 THERMOSTAT FUNCTION

DTC P0128 THERMOSTAT FUNCTION

PFP:21200

On Board Diagnosis Logic

NBS001TU

Engine coolant temperature has not risen enough to open the thermostat even though the engine has run long enough.

This is due to a leak in the seal or the thermostat stuck open.

DTC No.	Trouble diagnosis name	DTC detecting condition	Possible cause
P0128 0128	Thermostat function	The engine coolant temperature does not reach to specified temperature even though the engine has run long enough.	<ul style="list-style-type: none"> ● Thermostat ● Leakage from sealing portion of thermostat ● Engine coolant temperature sensor

DTC Confirmation Procedure

NBS001TV

NOTE:

If DTC Confirmation Procedure has been previously conducted, always turn ignition switch OFF and wait at least 10 seconds before conducting the next test.

TESTING CONDITION:

- For best results, perform at ambient temperature of -10°C (14°F) or higher.
- For best results, perform at engine coolant temperature of -10°C (14°F) to 60°C (140°F).

WITH CONSULT-II

1. Replace thermostat with new one. Refer to [CO-22, "THERMOSTAT AND WATER CONTROL VALVE"](#). Use only a genuine NISSAN thermostat as a replacement. If an incorrect thermostat is used, the MIL may come on.
2. Turn ignition switch ON.
3. Select "COOLAN TEMP/S" in "DATA MONITOR" mode with CONSULT-II.
4. Check that the "COOLAN TEMP/S" is above 60°C (140°F).
If it is below 60°C (140°F), go to following step.
If it is above 60°C (140°F), cool down the engine to less than 60°C (140°F), then retry from step 1.
5. Drive vehicle for 10 consecutive minutes under the following conditions.

DATA MONITOR	
MONITOR	NO DTC
ENG SPEED	XXX rpm
COOLAN TEMP/S	XXX °C
VHCL SPEED SE	XXX km/h

PBIB1917E

VHCL SPEED SE	80 - 120 km/h (50 - 75 MPH)
---------------	-----------------------------

If 1st trip DTC is detected, go to [EC-234, "Diagnostic Procedure"](#).

WITH GST

1. Follow the procedure WITH CONSULT-II above.

Diagnostic Procedure

NBS001TW

1. CHECK ENGINE COOLANT TEMPERATURE SENSOR

Refer to [EC-235, "Component Inspection"](#).

OK or NG

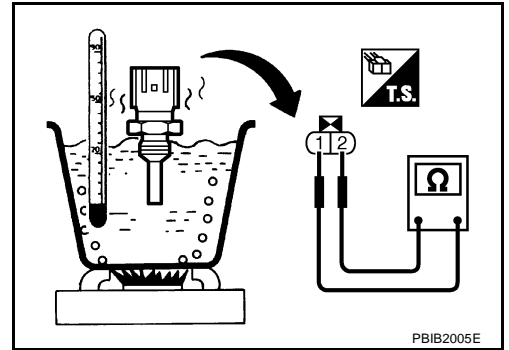
- OK >> **INSPECTION END**
 NG >> Replace engine coolant temperature sensor.

DTC P0128 THERMOSTAT FUNCTION

Component Inspection ENGINE COOLANT TEMPERATURE SENSOR

NBS001TX

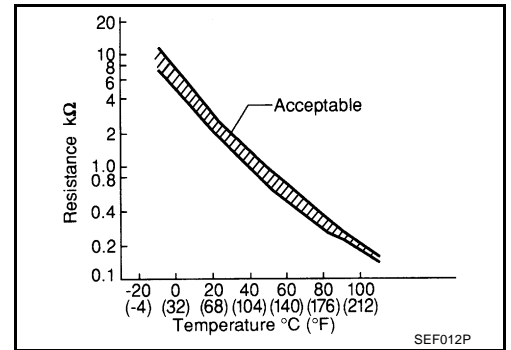
1. Check resistance between engine coolant temperature sensor terminals 1 and 2 as shown in the figure.



<Reference data>

Engine coolant temperature °C (°F)	Resistance kΩ
20 (68)	2.1 - 2.9
50 (122)	0.68 - 1.00
90 (194)	0.236 - 0.260

2. If NG, replace engine coolant temperature sensor.



Removal and Installation ENGINE COOLANT TEMPERATURE SENSOR

NBS001TY

Refer to [EM-67, "CYLINDER HEAD"](#) .

DTC P0130, P0150 A/F SENSOR 1

PFP:22693

DTC P0130, P0150 A/F SENSOR 1

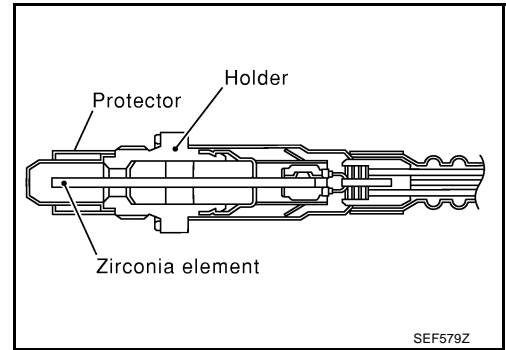
Component Description

NBS002WY

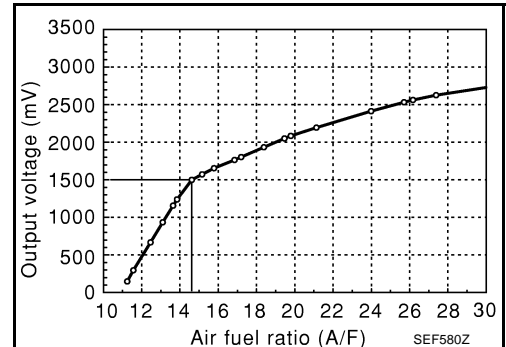
The air fuel ratio (A/F) sensor 1 is a planar dual-cell limit current sensor. The sensor element of the A/F sensor 1 is the combination of a Nernst concentration cell (sensor cell) with an oxygen-pump cell, which transports ions. It has a heater in the element.

The sensor is capable of precise measurement $\lambda = 1$, but also in the lean and rich range. Together with its control electronics, the sensor outputs a clear, continuous signal throughout a wide λ range ($0.7 < \lambda < \text{air}$).

The exhaust gas components diffuse through the diffusion gap at the electrode of the oxygen pump and Nernst concentration cell, where they are brought to thermodynamic balance.



An electronic circuit controls the pump current through the oxygen-pump cell so that the composition of the exhaust gas in the diffusion gap remains constant at $\lambda = 1$. Therefore, the A/F sensor 1 is able to indicate air/fuel ratio by this pumping of current. In addition, a heater is integrated in the sensor to ensure the required operating temperature of 700 - 800°C (1,292 - 1,472°F).



CONSULT-II Reference Value in Data Monitor Mode

NBS002WZ

Specification data are reference values.

MONITOR ITEM	CONDITION		SPECIFICATION
A/F SEN1 (B1) A/F SEN1 (B2)	● Engine: After warming up	Maintaining engine speed at 2,000 rpm	Fluctuates around 1.5 V

On Board Diagnosis Logic

NBS002X0

To judge the malfunction, the diagnosis checks that the A/F signal computed by ECM from the A/F sensor 1 signal fluctuates according to fuel feedback control.

DTC No.	Trouble diagnosis name	DTC detecting condition	Possible Cause
P0130 0130 (Bank 1)	Air fuel ratio (A/F) sensor 1 circuit	● The A/F signal computed by ECM from the A/F sensor 1 signal is constantly approx. 1.5V.	<ul style="list-style-type: none"> ● Harness or connectors (The A/F sensor 1 circuit is open or shorted.) ● A/F sensor 1
P0150 0150 (Bank 2)			

DTC Confirmation Procedure

NBS002X1

CAUTION:

Always drive vehicle at a safe speed.

NOTE:

If DTC Confirmation Procedure has been previously conducted, always turn ignition switch OFF and wait at least 10 seconds before conducting the next test.

TESTING CONDITION:

Before performing the following procedure, confirm that battery voltage is more than 11V at idle.

WITH CONSULT-II

1. Start engine and warm it up to normal operating temperature.
2. Select "A/F SEN1 (B1)" or "A/F SEN1 (B2)" in "DATA MONITOR" mode with CONSULT-II.
3. Check "A/F SEN1 (B1)" or "A/F SEN1 (B2)" indication.

DTC P0130, P0150 A/F SENSOR 1

If the indication is constantly approx. 1.5V and does not fluctuates, go to [EC-242, "Diagnostic Procedure"](#).
If the indication fluctuates around 1.5V, go to next step.

4. Select "A/F SEN1 (B1) P1276" (for DTC P0130) or "A/F SEN1 (B2) P1286" (for DTC P0150) of "A/F SEN1" in "DTC WORK SUPPORT" mode with CONSULT-II.
5. Touch "START".
6. When the following conditions are met, "TESTING" will be displayed on the CONSULT-II screen.

ENG SPEED	1,300 - 3,200 rpm
Vehicle speed	More than 64 km/h (40 MPH)
B/FUEL SCHDL	1.0 - 8.0 msec
Selector lever	D position

If "TESTING" is not displayed after 20 seconds, retry from step 2.

A/F SEN1 (B1) P1276	
OUT OF CONDITION	
MONITOR	
ENG SPEED	XXX rpm
B/FUEL SCHDL	XXX msec
COOLANT TEMP/S	XXX °C
VHCL SPEED SE	XXX km/h

SEF576Z

7. Release accelerator pedal fully.

NOTE:

Never apply brake during releasing the accelerator pedal.

A/F SEN1 (B1) P1276	
TESTING	
SELECT 3RD GEAR AND THEN RELEASE ACCELERATOR PEDAL OFF	
MONITOR	
ENG SPEED	XXX rpm
B/FUEL SCHDL	XXX msec
COOLANT TEMP/S	XXX °C
VHCL SPEED SE	XXX km/h

SEF577Z

8. Make sure that "TESTING" changes to "COMPLETED".
If "TESTING" changed to "OUT OF CONDITION", retry from step 6.
9. Make sure that "OK" is displayed after touching "SELF-DIAG RESULT".
If "NG" is displayed, go to [EC-242, "Diagnostic Procedure"](#).

A/F SEN1 (B1) P1276	
COMPLETED	

SEF578Z

Overall Function Check

NBS002X2

Use this procedure to check the overall function of the A/F sensor 1 circuit. During this check, a 1st trip DTC might not be confirmed.

 **WITH GST**

1. Start engine and warm it up to normal operating temperature.
2. Drive the vehicle at a speed of 80 km/h (50 MPH) for a few minutes in the suitable gear position.
3. Set D position, then release the accelerator pedal fully until the vehicle speed decreases to 50 km/h (30 MPH).

NOTE:

Never apply brake during releasing the accelerator pedal.

4. Repeat steps 2 to 3 for five times.
5. Stop the vehicle and turn ignition switch OFF.
6. Wait at least 10 seconds and restart engine.
7. Repeat steps 2 to 3 for five times.
8. Stop the vehicle and connect GST to the vehicle.

DTC P0130, P0150 A/F SENSOR 1

9. Make sure that no DTC is displayed.
If the DTC is displayed, go to [EC-242, "Diagnostic Procedure"](#).

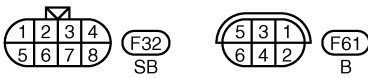
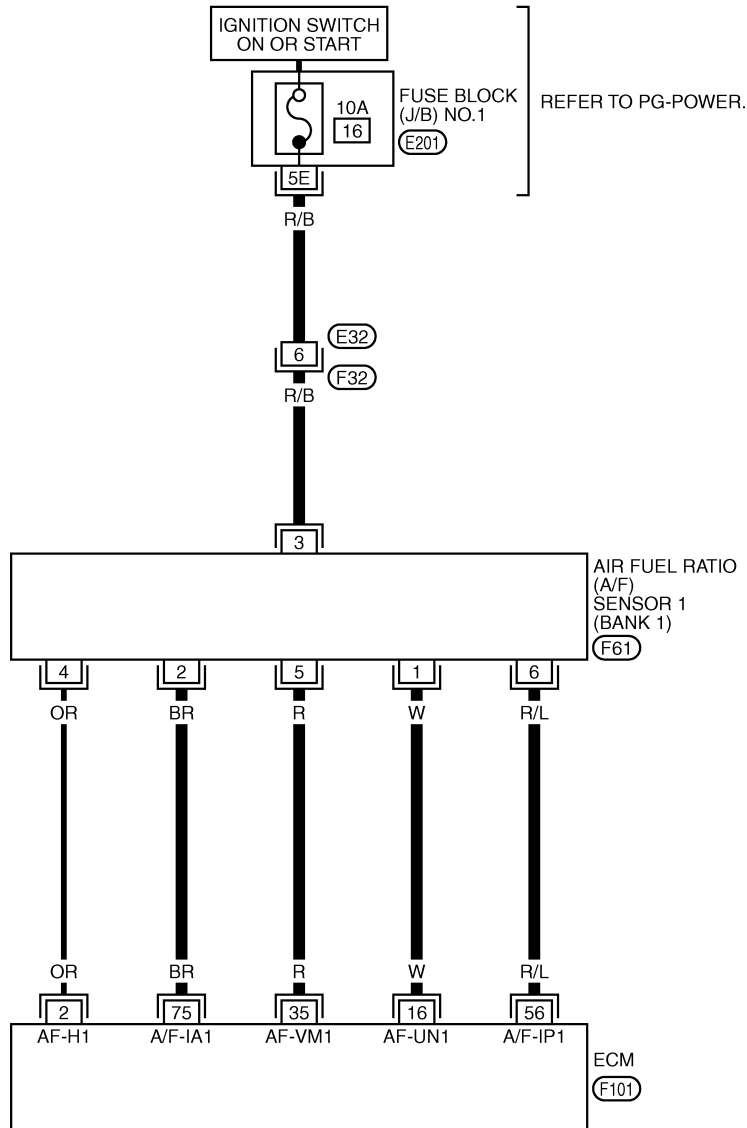
DTC P0130, P0150 A/F SENSOR 1

Wiring Diagram BANK 1

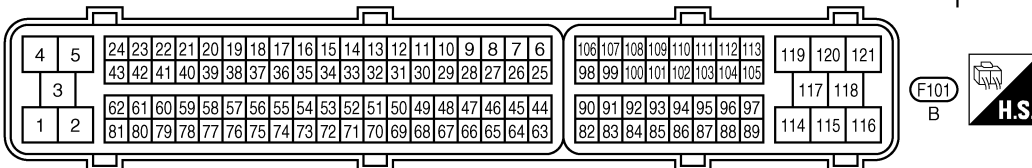
NBS002X3

EC-AF1B1-01

— : DETECTABLE LINE FOR DTC
 — : NON-DETECTABLE LINE FOR DTC



REFER TO THE FOLLOWING.
 E201 - FUSE BLOCK-JUNCTION
 BOX (J/B) NO.1



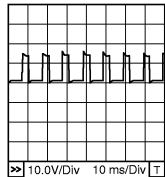
TBWM1224E

DTC P0130, P0150 A/F SENSOR 1

Specification data are reference values and are measured between each terminal and ground.
Pulse signal is measured by CONSULT-II.

CAUTION:

Do not use ECM ground terminals when measuring input/output voltage. Doing so may result in damage to the ECM's transistor. Use a ground other than ECM terminals, such as the ground.

TER-MINAL NO.	WIRE COLOR	ITEM	CONDITION	DATA (DC Voltage)
2	OR	A/F sensor 1 heater (bank 1)	[Engine is running] <ul style="list-style-type: none"> ● Warm-up condition ● Idle speed 	Approximately 5V★  <small>PBIB1584E</small>
16	W	A/F sensor 1 (bank 1)	[Engine is running] <ul style="list-style-type: none"> ● Warm-up condition ● Idle speed 	Approximately 3.1V
35	R			Approximately 2.6V
56	R/L			Approximately 2.3V
75	BR			Approximately 2.3V

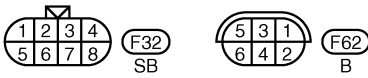
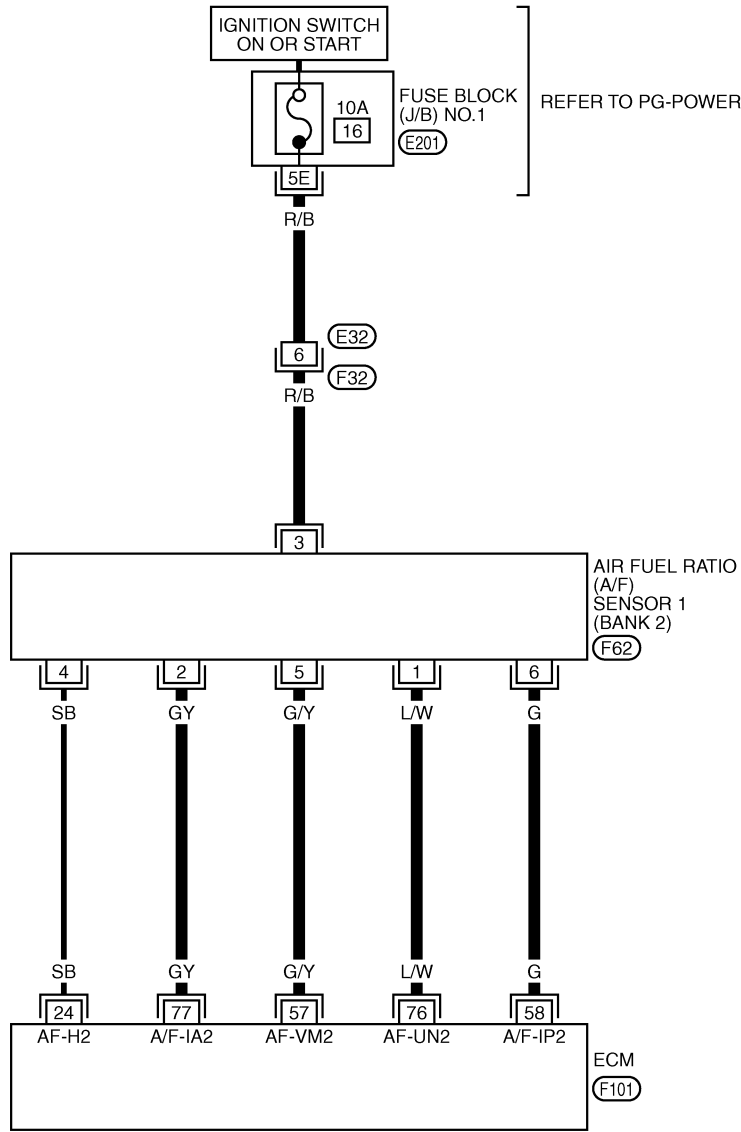
★: Average voltage for pulse signal (Actual pulse signal can be confirmed by oscilloscope.)

DTC P0130, P0150 A/F SENSOR 1

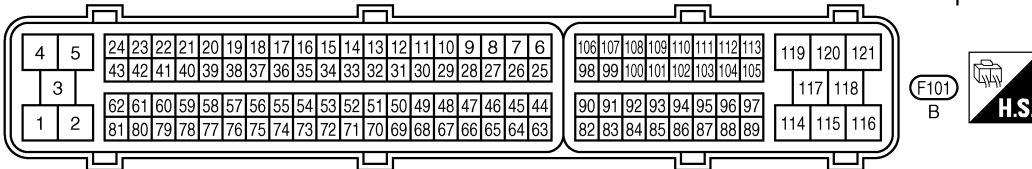
BANK 2

EC-AF1B2-01

— : DETECTABLE LINE FOR DTC
 — : NON-DETECTABLE LINE FOR DTC



REFER TO THE FOLLOWING.
 (E201) - FUSE BLOCK-JUNCTION BOX (J/B) NO.1



TBWM1225E

DTC P0130, P0150 A/F SENSOR 1

Specification data are reference values and are measured between each terminal and ground.
Pulse signal is measured by CONSULT-II.

CAUTION:

Do not use ECM ground terminals when measuring input/output voltage. Doing so may result in damage to the ECM's transistor. Use a ground other than ECM terminals, such as the ground.

TER-MINAL NO.	WIRE COLOR	ITEM	CONDITION	DATA (DC Voltage)
24	SB	A/F sensor 1 heater (bank 2)	[Engine is running] ● Warm-up condition ● Idle speed	Approximately 5V★ PBIB1584E
57	G/Y	A/F sensor 1 (bank 2)	[Engine is running] ● Warm-up condition ● Idle speed	Approximately 2.6V
58	G			Approximately 2.3V
76	L/W			Approximately 3.1V
77	GY			Approximately 2.3V

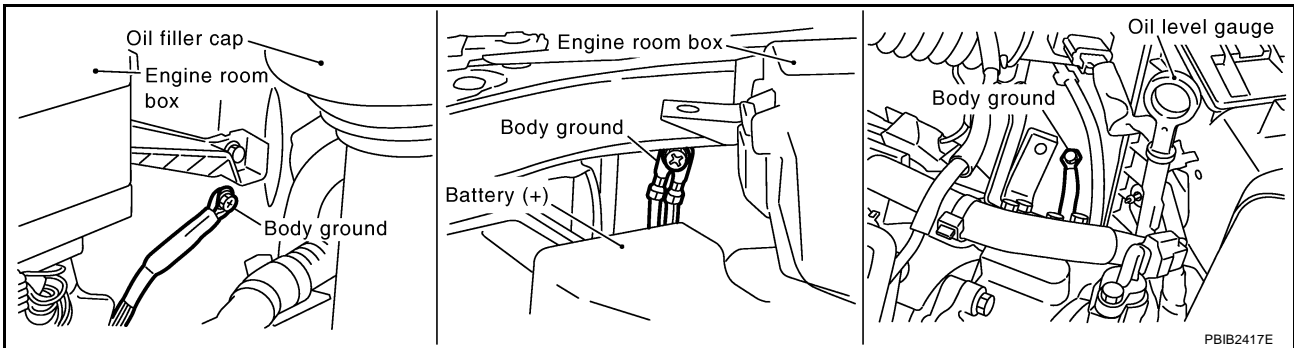
★: Average voltage for pulse signal (Actual pulse signal can be confirmed by oscilloscope.)

Diagnostic Procedure

NBS002X4

1. CHECK GROUND CONNECTIONS

1. Turn ignition switch OFF.
2. Loosen and retighten three ground screws on the body.
Refer to [EC-154, "Ground Inspection"](#).



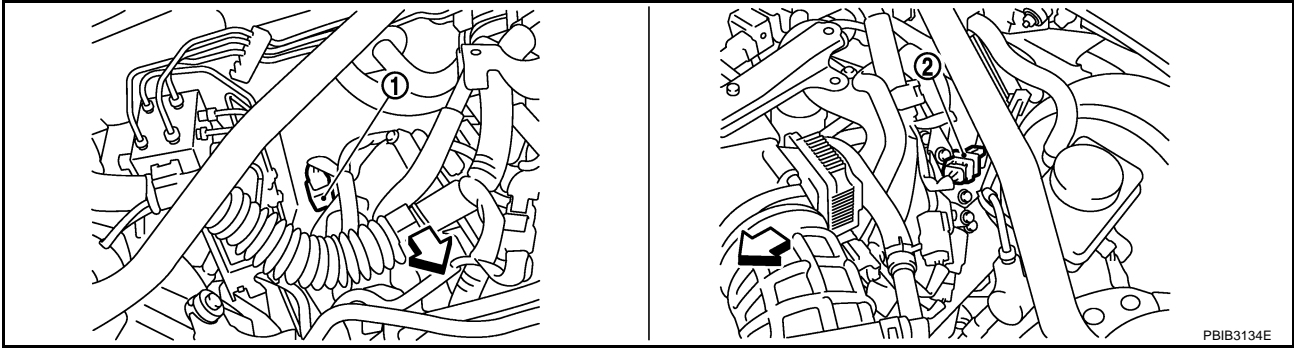
OK or NG

- OK >> GO TO 2.
- NG >> Repair or replace ground connections.

DTC P0130, P0150 A/F SENSOR 1

2. CHECK AIR FUEL RATIO (A/F) SENSOR 1 POWER SUPPLY CIRCUIT

1. Disconnect air fuel ratio (A/F) sensor 1 harness connector.



↶ : Vehicle front

1. A/F sensor 1 (bank 2) harness connector

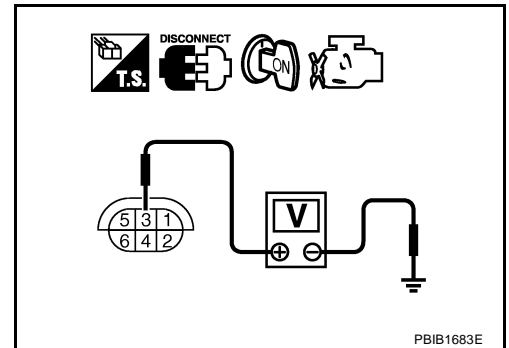
2. A/F sensor 1 (bank 1) harness connector

2. Turn ignition switch ON.
3. Check voltage between A/F sensor 1 terminal 3 and ground with CONSULT-II or tester.

Voltage: Battery voltage

OK or NG

- OK >> GO TO 4.
- NG >> GO TO 3.



3. DETECT MALFUNCTIONING PART

Check the following.

- Harness connectors E32, F32
- Fuse block (J/B) No.1 connector E201
- 10A fuse
- Harness for open or short between A/F sensor 1 and fuse

>> Repair or replace harness or connectors.

DTC P0130, P0150 A/F SENSOR 1

4. CHECK A/F SENSOR 1 INPUT SIGNAL CIRCUIT FOR OPEN AND SHORT

1. Turn ignition switch OFF.
2. Disconnect ECM harness connector.
3. Check harness continuity between A/F sensor 1 terminal and ECM terminal as follows. Refer to Wiring Diagram.

	A/F sensor 1 terminal	ECM terminal
Bank1	1	16
	2	75
	5	35
	6	56
Bank 2	1	76
	2	77
	5	57
	6	58

Continuity should exist.

4. Check harness continuity between the following terminals and ground. Refer to Wiring Diagram.

Bank 1		Bank 2	
A/F sensor 1 terminal	ECM terminal	A/F sensor 1 terminal	ECM terminal
1	16	1	76
2	75	2	77
5	35	5	57
6	56	6	58

Continuity should not exist.

5. Also check harness for short to power.

OK or NG

OK >> GO TO 5.

NG >> Repair open circuit or short to ground or short to power in harness or connectors.

5. CHECK INTERMITTENT INCIDENT

Perform [EC-145, "TROUBLE DIAGNOSIS FOR INTERMITTENT INCIDENT"](#) .

OK or NG

OK >> GO TO 6.

NG >> Repair or replace.

6. REPLACE AIR FUEL RATIO (A/F) SENSOR 1

Replace air fuel ratio (A/F) sensor 1.

CAUTION:

- Discard any A/F sensor which has been dropped from a height of more than 0.5 m (19.7 in) onto a hard surface such as a concrete floor; use a new one.
- Before installing new A/F sensor, clean exhaust system threads using Oxygen Sensor Thread Cleaner tool J-43897-18 or J-43897-12 and approved anti-seize lubricant.

>> INSPECTION END

DTC P0130, P0150 A/F SENSOR 1

Removal and Installation AIR FUEL RATIO (A/F) SENSOR 1

NBS002X5

Refer to [EM-23, "EXHAUST MANIFOLD AND THREE WAY CATALYST"](#) .

A

EC

C

D

E

F

G

H

I

J

K

L

M

DTC P0131, P0151 A/F SENSOR 1

DTC P0131, P0151 A/F SENSOR 1

PFP:22693

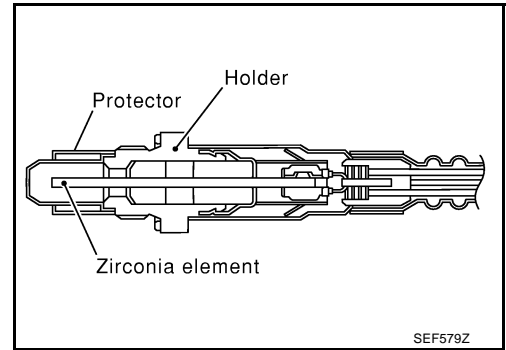
Component Description

NBS002X6

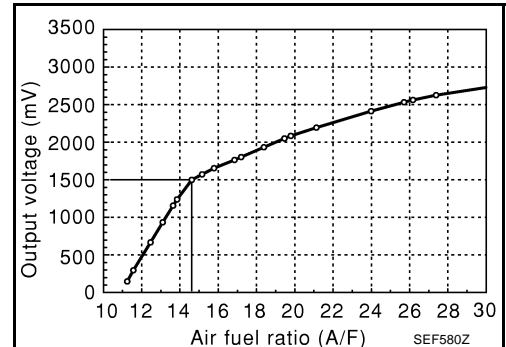
The air fuel ratio (A/F) sensor 1 is a planar dual-cell limit current sensor. The sensor element of the A/F sensor 1 is the combination of a Nernst concentration cell (sensor cell) with an oxygen-pump cell, which transports ions. It has a heater in the element.

The sensor is capable of precise measurement $\lambda = 1$, but also in the lean and rich range. Together with its control electronics, the sensor outputs a clear, continuous signal throughout a wide λ range ($0.7 < \lambda < \text{air}$).

The exhaust gas components diffuse through the diffusion gap at the electrode of the oxygen pump and Nernst concentration cell, where they are brought to thermodynamic balance.



An electronic circuit controls the pump current through the oxygen-pump cell so that the composition of the exhaust gas in the diffusion gap remains constant at $\lambda = 1$. Therefore, the A/F sensor 1 is able to indicate air/fuel ratio by this pumping of current. In addition, a heater is integrated in the sensor to ensure the required operating temperature of 700 - 800°C (1,292 - 1,472°F).



CONSULT-II Reference Value in Data Monitor Mode

NBS002X7

Specification data are reference values.

MONITOR ITEM	CONDITION		SPECIFICATION
A/F SEN1 (B1) A/F SEN1 (B2)	● Engine: After warming up	Maintaining engine speed at 2,000 rpm	Fluctuates around 1.5 V

On Board Diagnosis Logic

NBS002X8

To judge the malfunction, the diagnosis checks that the A/F signal computed by ECM from the A/F sensor 1 signal is not inordinately low.

DTC No.	Trouble diagnosis name	DTC detecting condition	Possible Cause
P0131 0131 (Bank 1)	Air fuel ratio (A/F) sensor 1 circuit low voltage	● The A/F signal computed by ECM from the A/F sensor 1 signal is constantly approx. 0V.	<ul style="list-style-type: none"> ● Harness or connectors (The A/F sensor 1 circuit is open or shorted.) ● A/F sensor 1
P0151 0151 (Bank 2)			

DTC Confirmation Procedure

NBS002X9

NOTE:

If DTC Confirmation Procedure has been previously conducted, always turn ignition switch OFF and wait at least 10 seconds before conducting the next test.

TESTING CONDITION:

Before performing the following procedure, confirm that battery voltage is more than 10.5V at idle.

Ⓟ WITH CONSULT-II

1. Start engine and warm it up to normal operating temperature.
2. Select "A/F SEN1 (B1)" or "A/F SEN1 (B2)" in "DATA MONITOR" mode with CONSULT-II.

DTC P0131, P0151 A/F SENSOR 1

3. Check "A/F SEN1 (B1)" or "A/F SEN1 (B2)" indication.
If the indication is constantly approx. 0V, go to [EC-251, "Diagnostic Procedure"](#).
If the indication is not constantly approx. 0V, go to next step.
4. Turn ignition switch OFF, wait at least 10 seconds and then restart engine.
5. Drive and accelerate vehicle to more than 40 km/h (25 MPH) within 20 seconds after restarting engine.
6. Maintain the following conditions for about 20 consecutive seconds.

DATA MONITOR	
MONITOR	NO DTC
ENG SPEED	XXX rpm
COOLAN TEMP/S	XXX °C
A/F SEN1 (B1)	XXX V
SEF581Z	

ENG SPEED	1,000 - 3,200 rpm
VHCL SPEED SE	More than 40 km/h (25 MPH)
B/FUEL SCHDL	1.5 - 9.0 msec
Gear position	Suitable position

NOTE:

- Keep the accelerator pedal as steady as possible during the cruising.
 - If this procedure is not completed within 1 minute after restarting engine at step 4, return to step 4.
7. If 1st trip DTC is displayed, go to [EC-251, "Diagnostic Procedure"](#).

WITH GST

Follow the procedure "WITH CONSULT-II" above.

A
EC
C
D
E
F
G
H
I
J
K
L
M

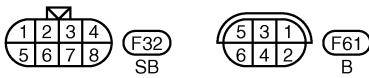
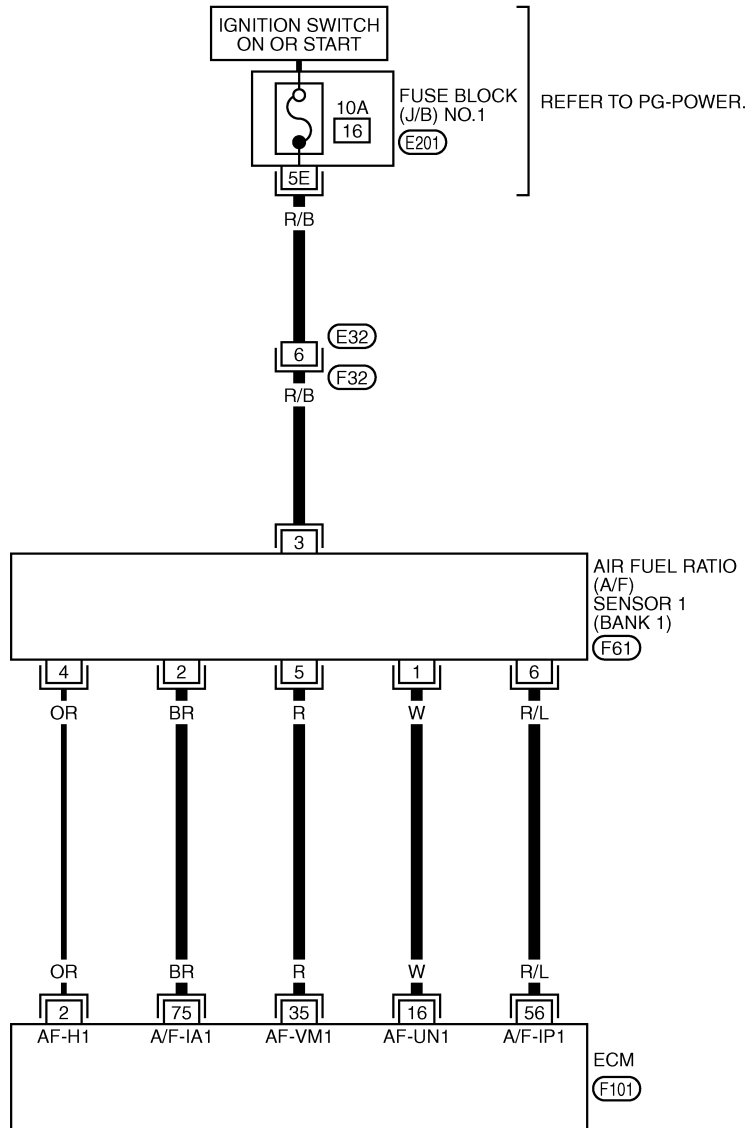
DTC P0131, P0151 A/F SENSOR 1

NBS002XA

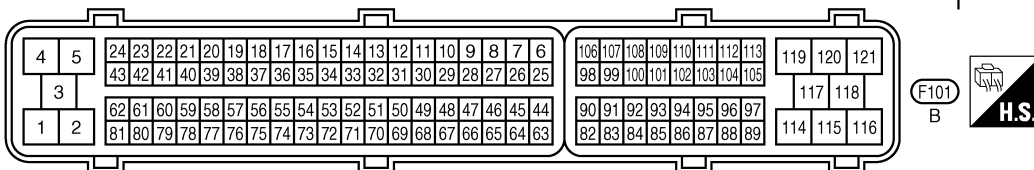
Wiring Diagram BANK 1

EC-AF1B1-01

— : DETECTABLE LINE FOR DTC
 — : NON-DETECTABLE LINE FOR DTC



REFER TO THE FOLLOWING.
 (E201) - FUSE BLOCK-JUNCTION BOX (J/B) NO.1



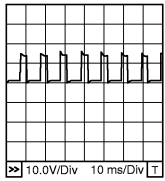
TBWM1224E

DTC P0131, P0151 A/F SENSOR 1

Specification data are reference values and are measured between each terminal and ground.
Pulse signal is measured by CONSULT-II.

CAUTION:

Do not use ECM ground terminals when measuring input/output voltage. Doing so may result in damage to the ECM's transistor. Use a ground other than ECM terminals, such as the ground.

TER-MINAL NO.	WIRE COLOR	ITEM	CONDITION	DATA (DC Voltage)
2	OR	A/F sensor 1 heater (bank 1)	[Engine is running] ● Warm-up condition ● Idle speed	Approximately 5V★ 
16	W	A/F sensor 1 (bank 1)	[Engine is running] ● Warm-up condition ● Idle speed	Approximately 3.1V
35	R			Approximately 2.6V
56	R/L			Approximately 2.3V
75	BR			Approximately 2.3V

★: Average voltage for pulse signal (Actual pulse signal can be confirmed by oscilloscope.)

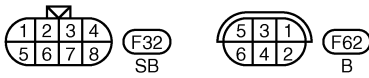
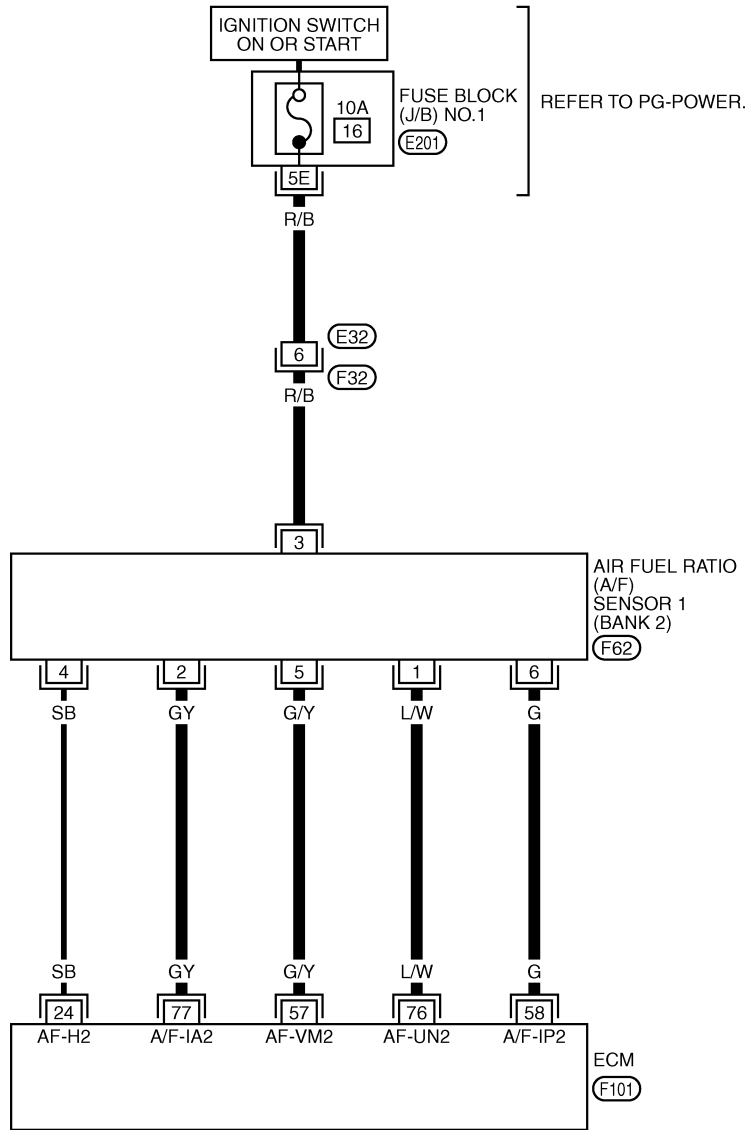
A
EC
C
D
E
F
G
H
I
J
K
L
M

DTC P0131, P0151 A/F SENSOR 1

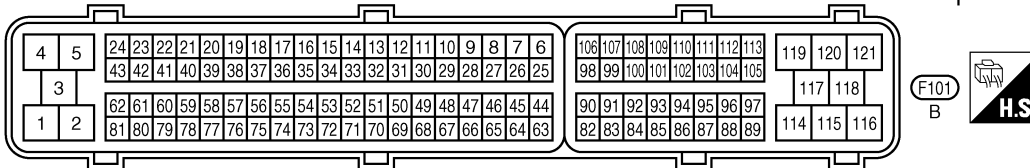
BANK 2

EC-AF1B2-01

: DETECTABLE LINE FOR DTC
 : NON-DETECTABLE LINE FOR DTC



REFER TO THE FOLLOWING.
 (E201) - FUSE BLOCK-JUNCTION BOX (J/B) NO.1

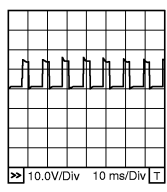


DTC P0131, P0151 A/F SENSOR 1

Specification data are reference values and are measured between each terminal and ground.
Pulse signal is measured by CONSULT-II.

CAUTION:

Do not use ECM ground terminals when measuring input/output voltage. Doing so may result in damage to the ECM's transistor. Use a ground other than ECM terminals, such as the ground.

TER-MINAL NO.	WIRE COLOR	ITEM	CONDITION	DATA (DC Voltage)
24	SB	A/F sensor 1 heater (bank 2)	[Engine is running] ● Warm-up condition ● Idle speed	Approximately 5V★ 
57	G/Y	A/F sensor 1 (bank 2)	[Engine is running] ● Warm-up condition ● Idle speed	Approximately 2.6V
58	G			Approximately 2.3V
76	L/W			Approximately 3.1V
77	GY			Approximately 2.3V

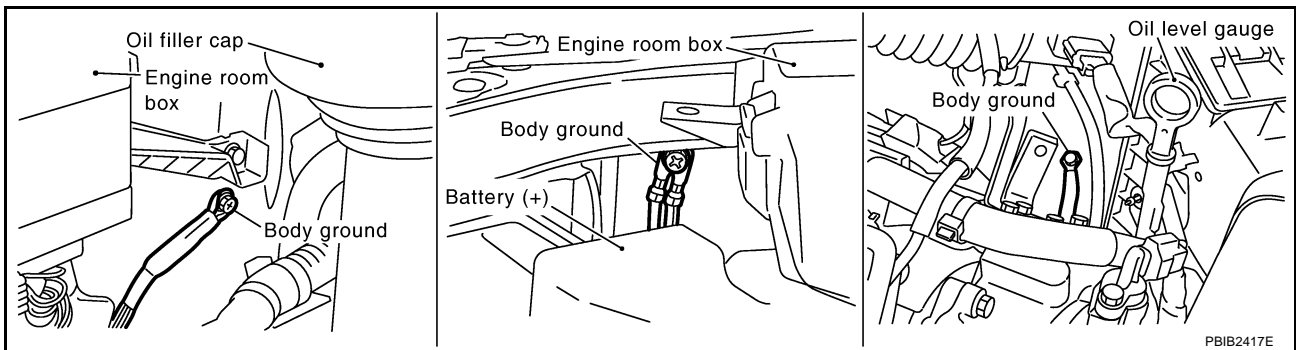
★: Average voltage for pulse signal (Actual pulse signal can be confirmed by oscilloscope.)

Diagnostic Procedure

NBS002XB

1. CHECK GROUND CONNECTIONS

1. Turn ignition switch OFF.
2. Loosen and retighten three ground screws on the body.
Refer to [EC-154, "Ground Inspection"](#).



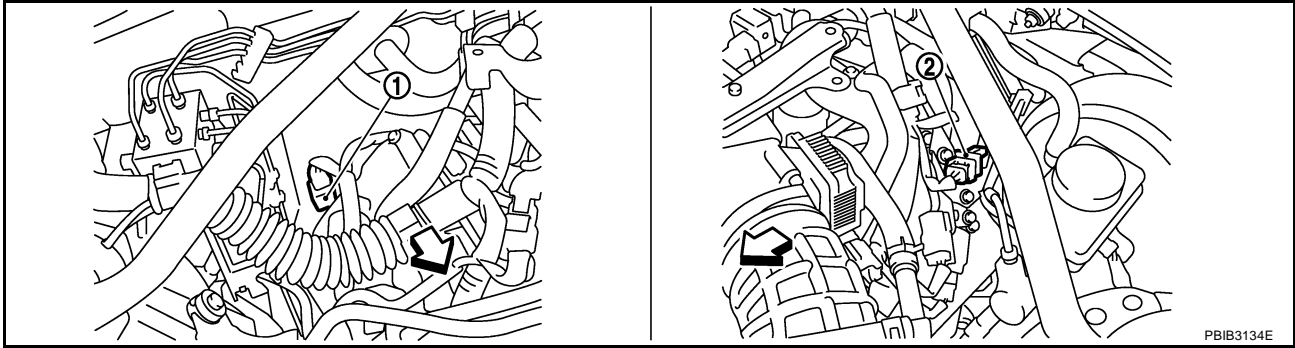
OK or NG

- OK >> GO TO 2.
- NG >> Repair or replace ground connections.

DTC P0131, P0151 A/F SENSOR 1

2. CHECK AIR FUEL RATIO (A/F) SENSOR 1 POWER SUPPLY CIRCUIT

1. Disconnect air fuel ratio (A/F) sensor 1 harness connector.



← : Vehicle front

1. A/F sensor 1 (bank 2) harness connector

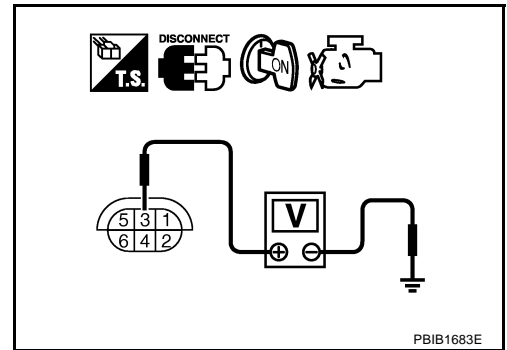
2. A/F sensor 1 (bank 1) harness connector

2. Turn ignition switch ON.
3. Check voltage between A/F sensor 1 terminal 3 and ground with CONSULT-II or tester.

Voltage: Battery voltage

OK or NG

- OK >> GO TO 4.
- NG >> GO TO 3.



3. DETECT MALFUNCTIONING PART

Check the following.

- Harness connectors E32, F32
- Fuse block (J/B) No.1 connector E201
- 10A fuse
- Harness for open or short between A/F sensor 1 and fuse

>> Repair or replace harness or connectors.

DTC P0131, P0151 A/F SENSOR 1

4. CHECK A/F SENSOR 1 INPUT SIGNAL CIRCUIT FOR OPEN AND SHORT

1. Turn ignition switch OFF.
2. Disconnect ECM harness connector.
3. Check harness continuity between A/F sensor 1 terminal and ECM terminal as follows. Refer to Wiring Diagram.

	A/F sensor 1 terminal	ECM terminal
Bank1	1	16
	2	75
	5	35
	6	56
Bank 2	1	76
	2	77
	5	57
	6	58

Continuity should exist.

4. Check harness continuity between the following terminals and ground. Refer to Wiring Diagram.

Bank 1		Bank 2	
A/F sensor 1 terminal	ECM terminal	A/F sensor 1 terminal	ECM terminal
1	16	1	76
2	75	2	77
5	35	5	57
6	56	6	58

Continuity should not exist.

5. Also check harness for short to power.

OK or NG

OK >> GO TO 5.

NG >> Repair open circuit or short to ground or short to power in harness or connectors.

5. CHECK INTERMITTENT INCIDENT

Perform [EC-145, "TROUBLE DIAGNOSIS FOR INTERMITTENT INCIDENT"](#) .

OK or NG

OK >> GO TO 6.

NG >> Repair or replace.

6. REPLACE AIR FUEL RATIO (A/F) SENSOR 1

Replace air fuel ratio (A/F) sensor 1.

CAUTION:

- Discard any A/F sensor which has been dropped from a height of more than 0.5 m (19.7 in) onto a hard surface such as a concrete floor; use a new one.
- Before installing new A/F sensor, clean exhaust system threads using Oxygen Sensor Thread Cleaner tool J-43897-18 or J-43897-12 and approved anti-seize lubricant.

>> INSPECTION END

DTC P0131, P0151 A/F SENSOR 1

Removal and Installation AIR FUEL RATIO (A/F) SENSOR 1

NBS002XC

Refer to [EM-23, "EXHAUST MANIFOLD AND THREE WAY CATALYST"](#) .

DTC P0132, P0152 A/F SENSOR 1

PFP:22693

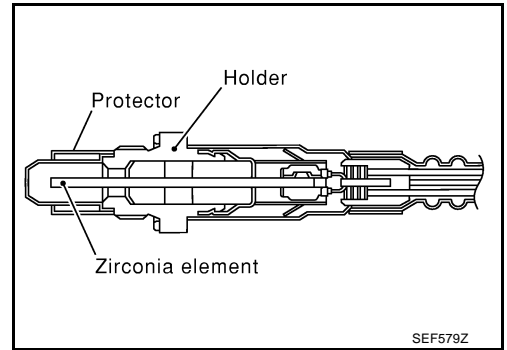
Component Description

NBS002XD

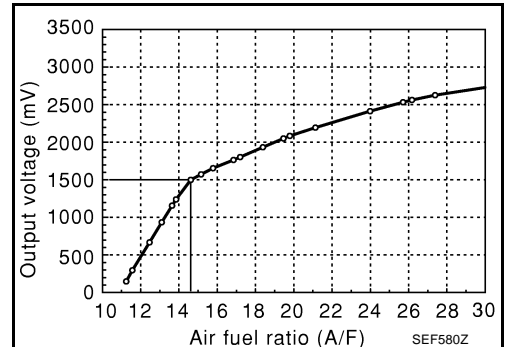
The air fuel ratio (A/F) sensor 1 is a planar dual-cell limit current sensor. The sensor element of the A/F sensor 1 is the combination of a Nernst concentration cell (sensor cell) with an oxygen-pump cell, which transports ions. It has a heater in the element.

The sensor is capable of precise measurement $\lambda = 1$, but also in the lean and rich range. Together with its control electronics, the sensor outputs a clear, continuous signal throughout a wide λ range ($0.7 < \lambda < \text{air}$).

The exhaust gas components diffuse through the diffusion gap at the electrode of the oxygen pump and Nernst concentration cell, where they are brought to thermodynamic balance.



An electronic circuit controls the pump current through the oxygen-pump cell so that the composition of the exhaust gas in the diffusion gap remains constant at $\lambda = 1$. Therefore, the A/F sensor 1 is able to indicate air/fuel ratio by this pumping of current. In addition, a heater is integrated in the sensor to ensure the required operating temperature of 700 - 800°C (1,292 - 1,472°F).



CONSULT-II Reference Value in Data Monitor Mode

NBS002XE

Specification data are reference values.

MONITOR ITEM	CONDITION		SPECIFICATION
A/F SEN1 (B1) A/F SEN1 (B2)	● Engine: After warming up	Maintaining engine speed at 2,000 rpm	Fluctuates around 1.5 V

On Board Diagnosis Logic

NBS002XF

To judge the malfunction, the diagnosis checks that the A/F signal computed by ECM from the A/F sensor 1 signal is not inordinately high.

DTC No.	Trouble diagnosis name	DTC detecting condition	Possible Cause
P0132 0132 (Bank 1)	Air fuel ratio (A/F) sensor 1 circuit high voltage	● The A/F signal computed by ECM from the A/F sensor 1 signal is constantly approx. 5V.	<ul style="list-style-type: none"> ● Harness or connectors (The A/F sensor 1 circuit is open or shorted.) ● A/F sensor 1
P0152 0152 (Bank 2)			

DTC Confirmation Procedure

NBS002XG

NOTE:

If DTC Confirmation Procedure has been previously conducted, always turn ignition switch OFF and wait at least 10 seconds before conducting the next test.

TESTING CONDITION:

Before performing the following procedure, confirm that battery voltage is more than 10.5V at idle.

Ⓟ WITH CONSULT-II

1. Start engine and warm it up to normal operating temperature.
2. Select "A/F SEN1 (B1)" or "A/F SEN1 (B2)" in "DATA MONITOR" mode with CONSULT-II.

DTC P0132, P0152 A/F SENSOR 1

3. Check "A/F SEN1 (B1)" or "A/F SEN1 (B2)" indication.
If the indication is constantly approx. 5V, go to [EC-260, "Diagnostic Procedure"](#).
If the indication is not constantly approx. 5V, go to next step.
4. Turn ignition switch OFF, wait at least 10 seconds and then restart engine.
5. Drive and accelerate vehicle to more than 40 km/h (25 MPH) within 20 seconds after restarting engine.
6. Maintain the following conditions for about 20 consecutive seconds.

DATA MONITOR	
MONITOR	NO DTC
ENG SPEED	XXX rpm
COOLAN TEMP/S	XXX °C
A/F SEN1 (B1)	XXX V

SEF581Z

ENG SPEED	1,000 - 3,200 rpm
VHCL SPEED SE	More than 40 km/h (25 MPH)
B/FUEL SCHDL	1.5 - 9.0 msec
Gear position	Suitable position

NOTE:

- Keep the accelerator pedal as steady as possible during the cruising.
 - If this procedure is not completed within 1 minute after restarting engine at step 4, return to step 4.
7. If 1st trip DTC is displayed, go to [EC-260, "Diagnostic Procedure"](#).

WITH GST

Follow the procedure "WITH CONSULT-II" above.

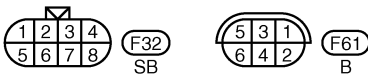
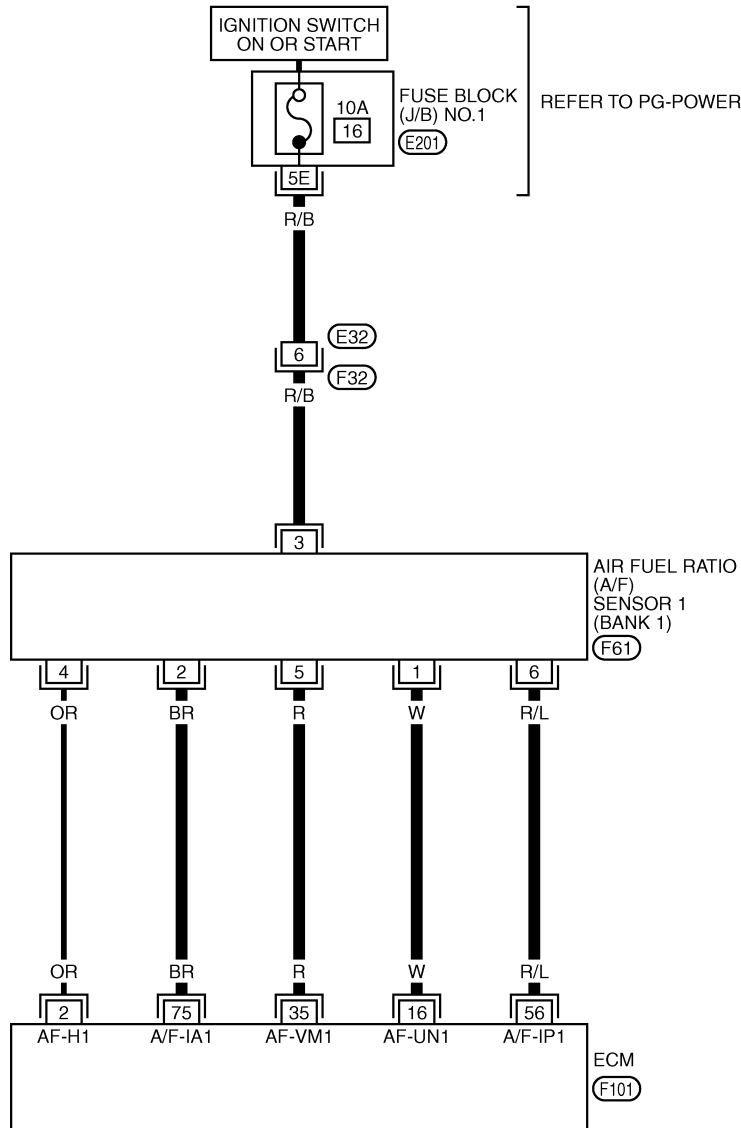
DTC P0132, P0152 A/F SENSOR 1

Wiring Diagram BANK 1

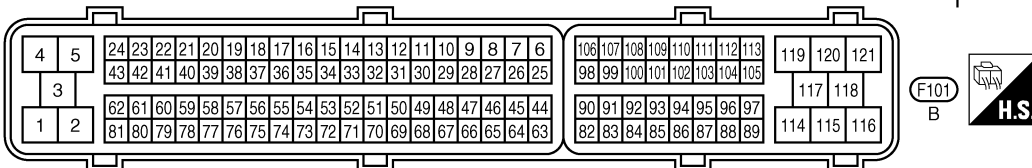
NBS002XH

EC-AF1B1-01

— : DETECTABLE LINE FOR DTC
 — : NON-DETECTABLE LINE FOR DTC



REFER TO THE FOLLOWING.
 E201 - FUSE BLOCK-JUNCTION
 BOX (J/B) NO.1



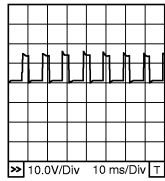
TBWM1224E

DTC P0132, P0152 A/F SENSOR 1

Specification data are reference values and are measured between each terminal and ground.
Pulse signal is measured by CONSULT-II.

CAUTION:

Do not use ECM ground terminals when measuring input/output voltage. Doing so may result in damage to the ECM's transistor. Use a ground other than ECM terminals, such as the ground.

TER-MINAL NO.	WIRE COLOR	ITEM	CONDITION	DATA (DC Voltage)
2	OR	A/F sensor 1 heater (bank 1)	[Engine is running] <ul style="list-style-type: none"> ● Warm-up condition ● Idle speed 	Approximately 5V★  <small>PBIB1584E</small>
16	W	A/F sensor 1 (bank 1)	[Engine is running] <ul style="list-style-type: none"> ● Warm-up condition ● Idle speed 	Approximately 3.1V
35	R			Approximately 2.6V
56	R/L			Approximately 2.3V
75	BR			Approximately 2.3V

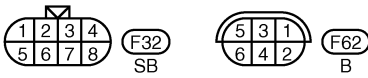
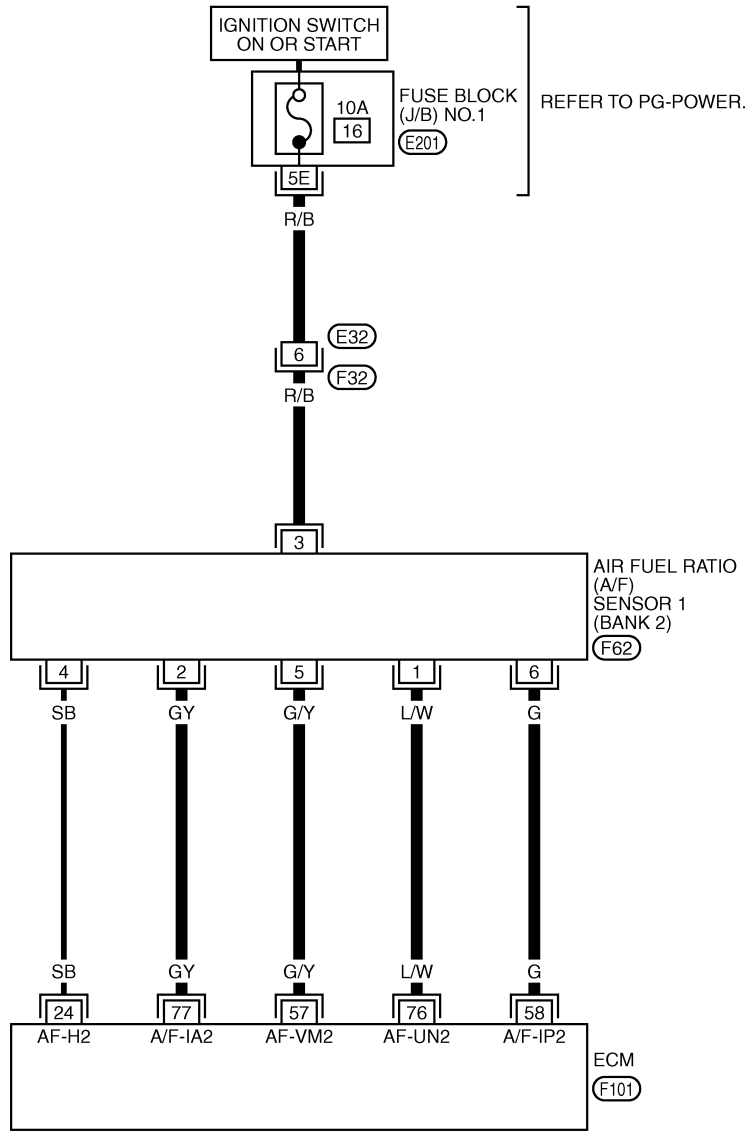
★: Average voltage for pulse signal (Actual pulse signal can be confirmed by oscilloscope.)

DTC P0132, P0152 A/F SENSOR 1

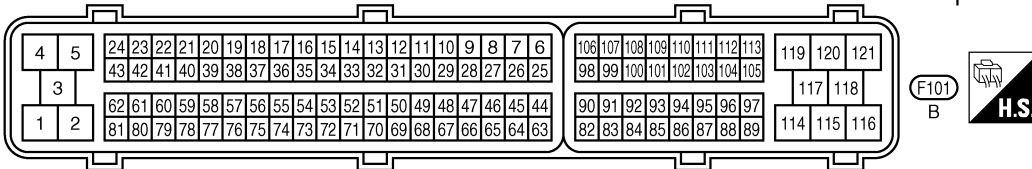
BANK 2

EC-AF1B2-01

: DETECTABLE LINE FOR DTC
 : NON-DETECTABLE LINE FOR DTC



REFER TO THE FOLLOWING.
 E201 - FUSE BLOCK-JUNCTION BOX (J/B) NO.1



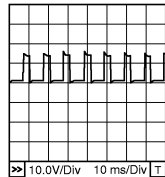
TBWM1225E

DTC P0132, P0152 A/F SENSOR 1

Specification data are reference values and are measured between each terminal and ground.
Pulse signal is measured by CONSULT-II.

CAUTION:

Do not use ECM ground terminals when measuring input/output voltage. Doing so may result in damage to the ECM's transistor. Use a ground other than ECM terminals, such as the ground.

TER-MINAL NO.	WIRE COLOR	ITEM	CONDITION	DATA (DC Voltage)
24	SB	A/F sensor 1 heater (bank 2)	[Engine is running] ● Warm-up condition ● Idle speed	Approximately 5V★  PBIB1584E
57	G/Y	A/F sensor 1 (bank 2)	[Engine is running] ● Warm-up condition ● Idle speed	Approximately 2.6V
58	G			Approximately 2.3V
76	L/W			Approximately 3.1V
77	GY			Approximately 2.3V

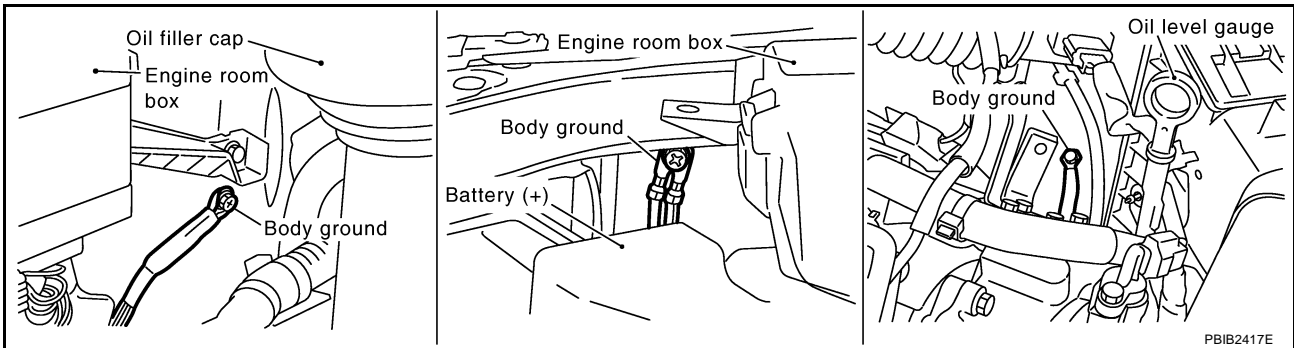
★: Average voltage for pulse signal (Actual pulse signal can be confirmed by oscilloscope.)

Diagnostic Procedure

NBS002X1

1. CHECK GROUND CONNECTIONS

1. Turn ignition switch OFF.
2. Loosen and retighten three ground screws on the body.
Refer to [EC-154, "Ground Inspection"](#).



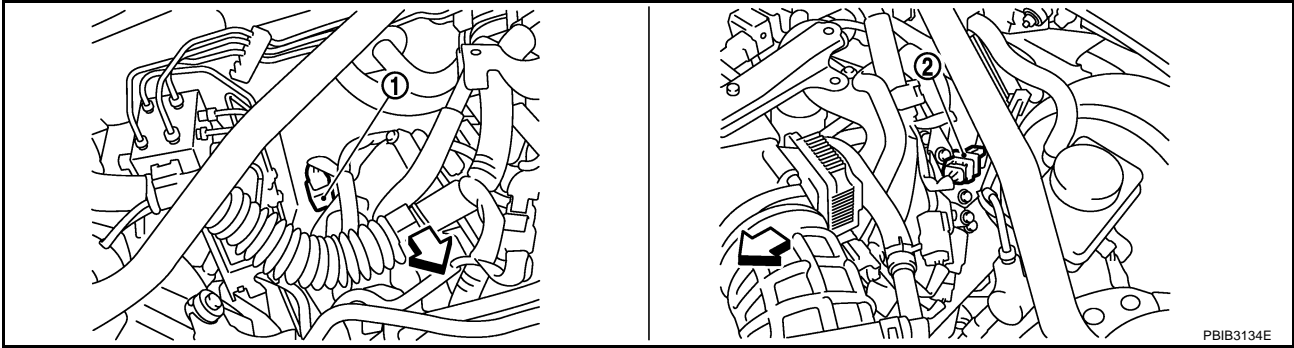
OK or NG

- OK >> GO TO 2.
- NG >> Repair or replace ground connections.

DTC P0132, P0152 A/F SENSOR 1

2. CHECK AIR FUEL RATIO (A/F) SENSOR 1 POWER SUPPLY CIRCUIT

1. Disconnect air fuel ratio (A/F) sensor 1 harness connector.



↶ : Vehicle front

1. A/F sensor 1 (bank 2) harness connector

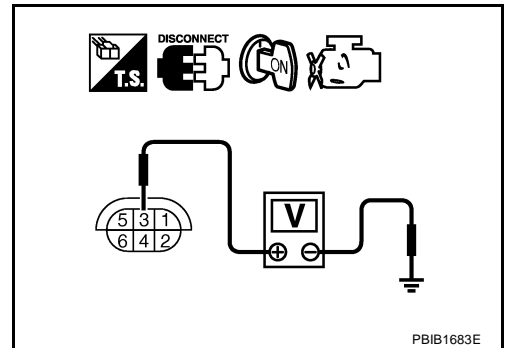
2. A/F sensor 1 (bank 1) harness connector

2. Turn ignition switch ON.
3. Check voltage between A/F sensor 1 terminal 3 and ground with CONSULT-II or tester.

Voltage: Battery voltage

OK or NG

- OK >> GO TO 4.
- NG >> GO TO 3.



3. DETECT MALFUNCTIONING PART

Check the following.

- Harness connectors E32, F32
- Fuse block (J/B) No.1 connector E201
- 10A fuse
- Harness for open or short between A/F sensor 1 and fuse

>> Repair or replace harness or connectors.

DTC P0132, P0152 A/F SENSOR 1

4. CHECK A/F SENSOR 1 INPUT SIGNAL CIRCUIT FOR OPEN AND SHORT

1. Turn ignition switch OFF.
2. Disconnect ECM harness connector.
3. Check harness continuity between A/F sensor 1 terminal and ECM terminal as follows. Refer to Wiring Diagram.

	A/F sensor 1 terminal	ECM terminal
Bank1	1	16
	2	75
	5	35
	6	56
Bank 2	1	76
	2	77
	5	57
	6	58

Continuity should exist.

4. Check harness continuity between the following terminals and ground. Refer to Wiring Diagram.

Bank 1		Bank 2	
A/F sensor 1 terminal	ECM terminal	A/F sensor 1 terminal	ECM terminal
1	16	1	76
2	75	2	77
5	35	5	57
6	56	6	58

Continuity should not exist.

5. Also check harness for short to power.

OK or NG

OK >> GO TO 5.

NG >> Repair open circuit or short to ground or short to power in harness or connectors.

5. CHECK INTERMITTENT INCIDENT

Perform [EC-145, "TROUBLE DIAGNOSIS FOR INTERMITTENT INCIDENT"](#) .

OK or NG

OK >> GO TO 6.

NG >> Repair or replace.

6. REPLACE AIR FUEL RATIO (A/F) SENSOR 1

Replace air fuel ratio (A/F) sensor 1.

CAUTION:

- Discard any A/F sensor which has been dropped from a height of more than 0.5 m (19.7 in) onto a hard surface such as a concrete floor; use a new one.
- Before installing new A/F sensor, clean exhaust system threads using Oxygen Sensor Thread Cleaner tool J-43897-18 or J-43897-12 and approved anti-seize lubricant.

>> INSPECTION END

DTC P0132, P0152 A/F SENSOR 1

Removal and Installation AIR FUEL RATIO (A/F) SENSOR 1

NBS002XJ

Refer to [EM-23, "EXHAUST MANIFOLD AND THREE WAY CATALYST"](#) .

A

EC

C

D

E

F

G

H

I

J

K

L

M

DTC P0133, P0153 A/F SENSOR 1

PFP:22693

DTC P0133, P0153 A/F SENSOR 1

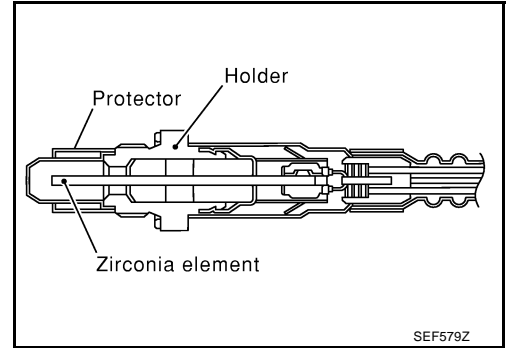
Component Description

NBS002XK

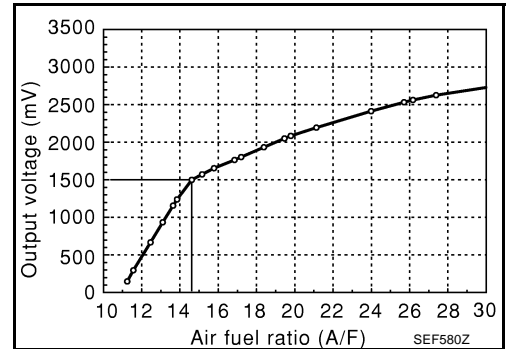
The air fuel ratio (A/F) sensor 1 is a planar dual-cell limit current sensor. The sensor element of the A/F sensor 1 is the combination of a Nernst concentration cell (sensor cell) with an oxygen-pump cell, which transports ions. It has a heater in the element.

The sensor is capable of precise measurement $\lambda = 1$, but also in the lean and rich range. Together with its control electronics, the sensor outputs a clear, continuous signal throughout a wide λ range ($0.7 < \lambda < \text{air}$).

The exhaust gas components diffuse through the diffusion gap at the electrode of the oxygen pump and Nernst concentration cell, where they are brought to thermodynamic balance.



An electronic circuit controls the pump current through the oxygen-pump cell so that the composition of the exhaust gas in the diffusion gap remains constant at $\lambda = 1$. Therefore, the A/F sensor 1 is able to indicate air/fuel ratio by this pumping of current. In addition, a heater is integrated in the sensor to ensure the required operating temperature of 700 - 800°C (1,292 - 1,472°F).



CONSULT-II Reference Value in Data Monitor Mode

NBS002XL

Specification data are reference values.

MONITOR ITEM	CONDITION		SPECIFICATION
A/F SEN1 (B1) A/F SEN1 (B2)	● Engine: After warming up	Maintaining engine speed at 2,000 rpm	Fluctuates around 1.5 V

On Board Diagnosis Logic

NBS002XM

To judge the malfunction of A/F sensor 1, this diagnosis measures response time of the A/F signal computed by ECM from the A/F sensor 1 signal. The time is compensated by engine operating (speed and load), fuel feedback control constant, and the A/F sensor 1 temperature index. Judgment is based on whether the compensated time (the A/F signal cycling time index) is inordinately long or not.

DTC No.	Trouble diagnosis name	DTC detecting condition	Possible Cause
P0133 0133 (Bank 1)	Air fuel ratio (A/F) sensor 1 circuit slow response	● The response of the A/F signal computed by ECM from A/F sensor 1 signal takes more than the specified time.	<ul style="list-style-type: none"> ● Harness or connectors (The A/F sensor 1 circuit is open or shorted.) ● A/F sensor 1 ● A/F sensor 1 heater ● Fuel pressure ● Fuel injector ● Intake air leaks ● Exhaust gas leaks ● PCV ● Mass air flow sensor
P0153 0153 (Bank 2)			

DTC Confirmation Procedure

NOTE:

If DTC Confirmation Procedure has been previously conducted, always turn ignition switch OFF and wait at least 10 seconds before conducting the next test.

TESTING CONDITION:

Before performing the following procedure, confirm that battery voltage is more than 11V at idle.

WITH CONSULT-II

1. Start engine and warm it up to normal operating temperature.
2. Turn ignition switch OFF and wait at least 10 seconds.
3. Start engine and keep the engine speed between 3,500 and 4,000 rpm for at least 1 minute under no load.
4. Let engine idle for 1 minute.
5. Select "A/F SEN1(B1) P1278/P1279" (for DTC P0133) or "A/F SEN1(B1) P1288/P1289" (for DTC P0153) of "A/F SEN1" in "DTC WORK SUPPORT" mode with CONSULT-II.
6. Touch "START".
If "COMPLETED" appears on CONSULT-II screen, go to step 10.
If "COMPLETED" does not appear on CONSULT-II screen, go to the following step.

A/F SEN1 (B1) P1278/P1279	
OUT OF CONDITION	
MONITOR	
ENG SPEED	XXX rpm
B/FUEL SCHDL	XXX msec
COOLAN TEMP/S	XXX °C
VHCL SPEED SE	XXX km/h

PBIB0756E

7. After perform the following procedure, "TESTING" will be displayed on the CONSULT-II screen.
 - a. Increase the engine speed up to 4,000 to 5,000 rpm and keep it for 10 seconds.
 - b. Fully release accelerator pedal and then let engine idle for about 10 seconds.
If "TESTING" is not displayed after 10 seconds, refer to [EC-135, "TROUBLE DIAGNOSIS - SPECIFICATION VALUE"](#) .
8. Wait for about 20 seconds at idle at under the condition that "TESTING" is displayed on the CONSULT-II screen.

A/F SEN1 (B1) P1278/P1279	
TESTING	
MONITOR	
ENG SPEED	XXX rpm
B/FUEL SCHDL	XXX msec
COOLAN TEMP/S	XXX °C
VHCL SPEED SE	XXX km/h

PBIB1925E

9. Make sure that "TESTING" changes to "COMPLETED".
If "TESTING" changed to "OUT OF CONDITION", refer to [EC-135, "TROUBLE DIAGNOSIS - SPECIFICATION VALUE"](#) .
10. Make sure that "OK" is displayed after touching "SELF-DIAG RESULT".
If "NG" is displayed, go to [EC-270, "Diagnostic Procedure"](#) .

A/F SEN1 (B1) P1278/P1279	
COMPLETED	

PBIB0758E

WITH GST

1. Start engine and warm it up to normal operating temperature.
2. Select Service \$01 with GST.
3. Calculate the total value of "Short term fuel trim" and "Long term fuel trim" indications.
Make sure that the total percentage should be within $\pm 15\%$.
If OK, go to the following step.
If NG, check the following.

DTC P0133, P0153 A/F SENSOR 1

- Intake air leaks
 - Exhaust gas leaks
 - Incorrect fuel pressure
 - Lack of fuel
 - Fuel injector
 - Incorrect PCV hose connection
 - PCV valve
 - Mass air flow sensor
4. Turn ignition switch OFF and wait at least 10 seconds.
 5. Start engine and keep the engine speed between 3,500 and 4,000 rpm for at least 1 minute under no load.
 6. Let engine idle for 1 minute.
 7. Increase the engine speed up to 4,000 to 5,000 rpm and keep it for 10 seconds.
 8. Fully release accelerator pedal and then let engine idle for about 1 minute.
 9. Select Service \$07 with GST.
If the 1st trip DTC is displayed, go to [EC-270. "Diagnostic Procedure"](#) .

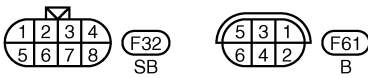
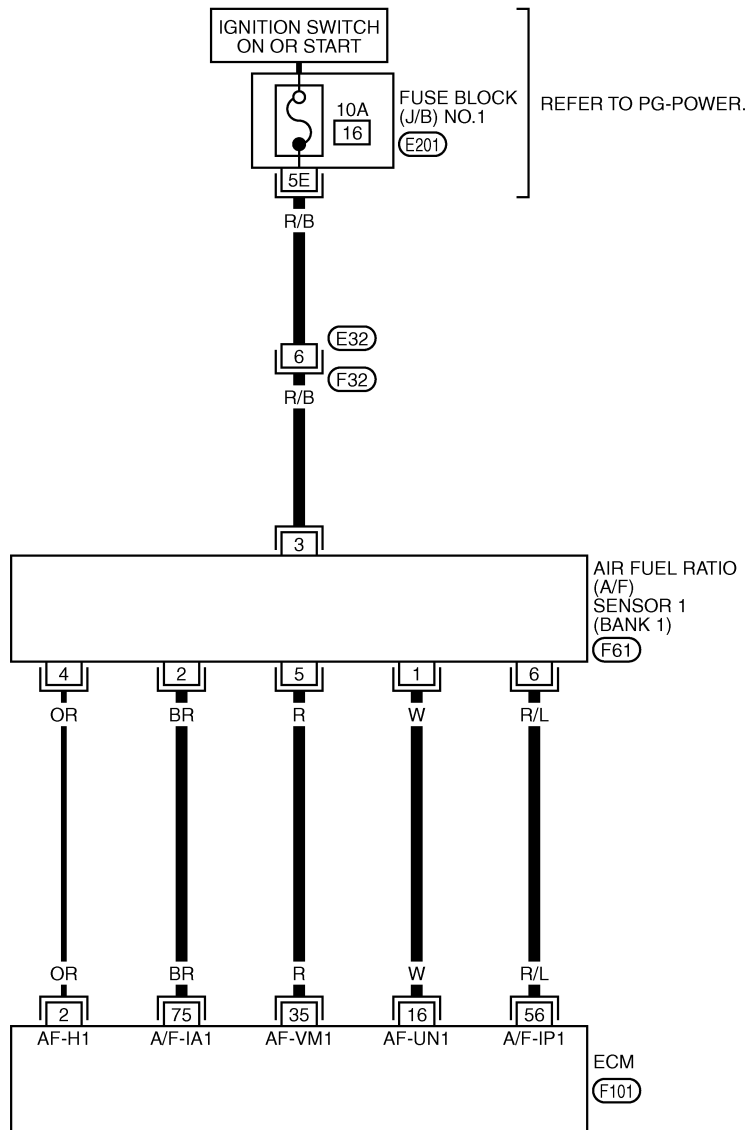
DTC P0133, P0153 A/F SENSOR 1

Wiring Diagram BANK 1

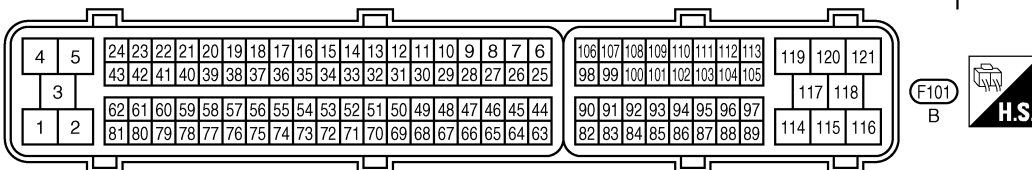
NBS002X0

EC-AF1B1-01

— : DETECTABLE LINE FOR DTC
 — : NON-DETECTABLE LINE FOR DTC



REFER TO THE FOLLOWING.
 E201 - FUSE BLOCK-JUNCTION BOX (J/B) NO.1



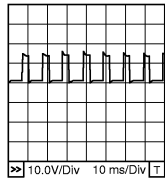
TBWM1224E

DTC P0133, P0153 A/F SENSOR 1

Specification data are reference values and are measured between each terminal and ground.
Pulse signal is measured by CONSULT-II.

CAUTION:

Do not use ECM ground terminals when measuring input/output voltage. Doing so may result in damage to the ECM's transistor. Use a ground other than ECM terminals, such as the ground.

TER-MINAL NO.	WIRE COLOR	ITEM	CONDITION	DATA (DC Voltage)
2	OR	A/F sensor 1 heater (bank 1)	[Engine is running] <ul style="list-style-type: none"> ● Warm-up condition ● Idle speed 	Approximately 5V★  <small>PBIB1584E</small>
16	W	A/F sensor 1 (bank 1)	[Engine is running] <ul style="list-style-type: none"> ● Warm-up condition ● Idle speed 	Approximately 3.1V
35	R			Approximately 2.6V
56	R/L			Approximately 2.3V
75	BR			Approximately 2.3V

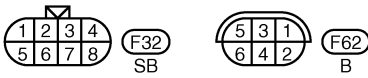
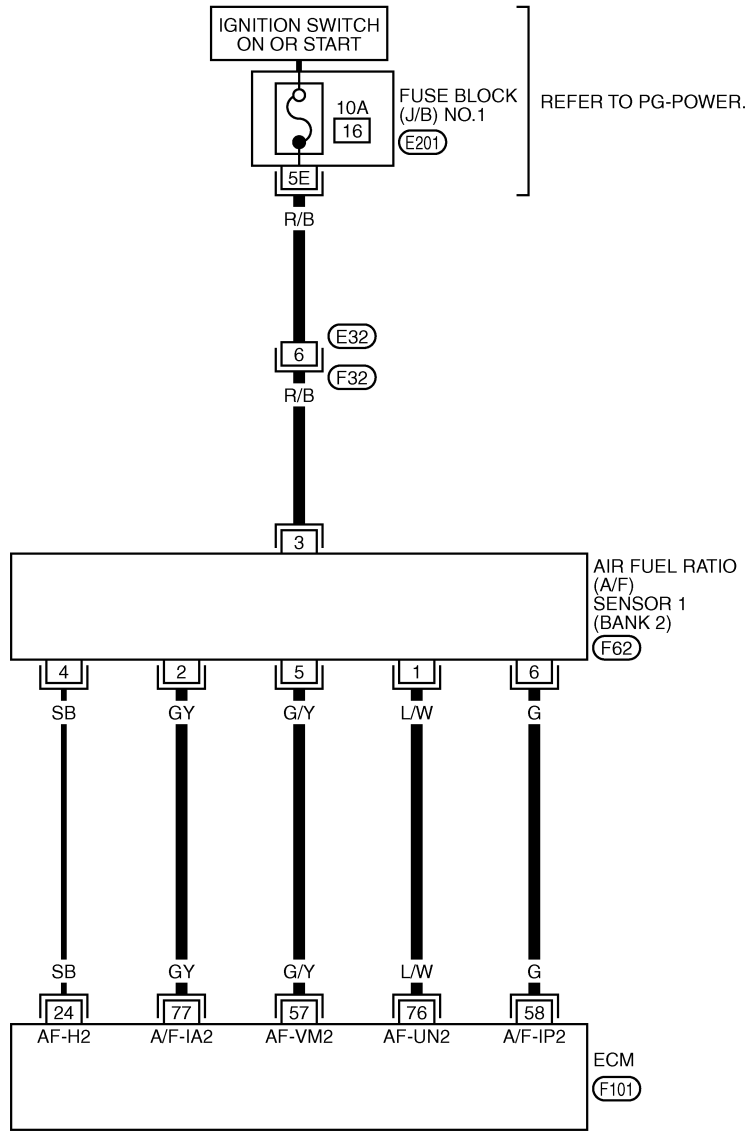
★: Average voltage for pulse signal (Actual pulse signal can be confirmed by oscilloscope.)

DTC P0133, P0153 A/F SENSOR 1

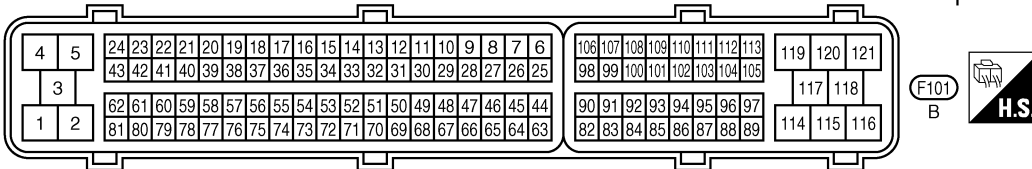
BANK 2

EC-AF1B2-01

— : DETECTABLE LINE FOR DTC
 — : NON-DETECTABLE LINE FOR DTC



REFER TO THE FOLLOWING.
 (E201) -FUSE BLOCK-JUNCTION BOX (J/B) NO.1



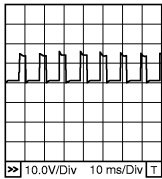
TBWM1225E

DTC P0133, P0153 A/F SENSOR 1

Specification data are reference values and are measured between each terminal and ground.
Pulse signal is measured by CONSULT-II.

CAUTION:

Do not use ECM ground terminals when measuring input/output voltage. Doing so may result in damage to the ECM's transistor. Use a ground other than ECM terminals, such as the ground.

TER-MINAL NO.	WIRE COLOR	ITEM	CONDITION	DATA (DC Voltage)
24	SB	A/F sensor 1 heater (bank 2)	[Engine is running] ● Warm-up condition ● Idle speed	Approximately 5V★  PBIB1584E
57	G/Y	A/F sensor 1 (bank 2)	[Engine is running] ● Warm-up condition ● Idle speed	Approximately 2.6V
58	G			Approximately 2.3V
76	L/W			Approximately 3.1V
77	GY			Approximately 2.3V

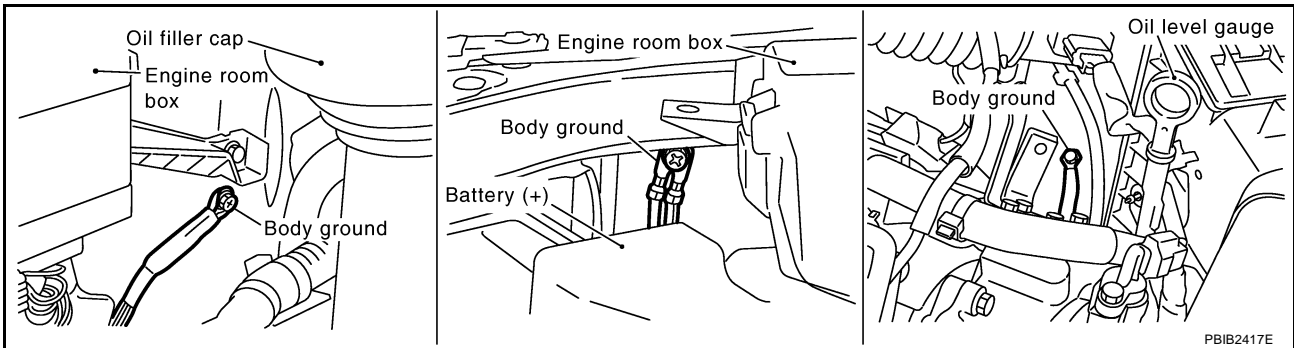
★: Average voltage for pulse signal (Actual pulse signal can be confirmed by oscilloscope.)

Diagnostic Procedure

NBS002XP

1. CHECK GROUND CONNECTIONS

1. Turn ignition switch OFF.
2. Loosen and retighten three ground screws on the body.
Refer to [EC-154, "Ground Inspection"](#).



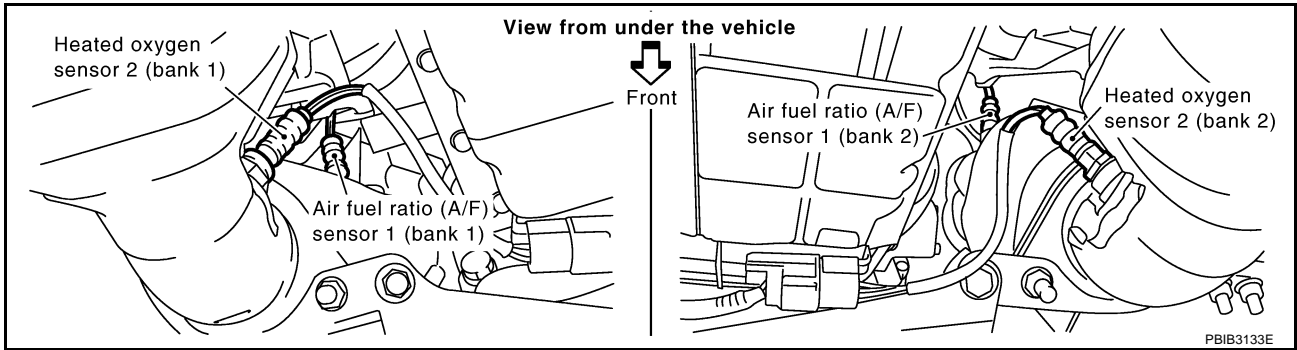
OK or NG

- OK >> GO TO 2.
- NG >> Repair or replace ground connections.

DTC P0133, P0153 A/F SENSOR 1

2. RETIGHTEN AIR FUEL RATIO (A/F) SENSOR 1

1. Loosen and retighten the air fuel ratio (A/F) sensor 1.

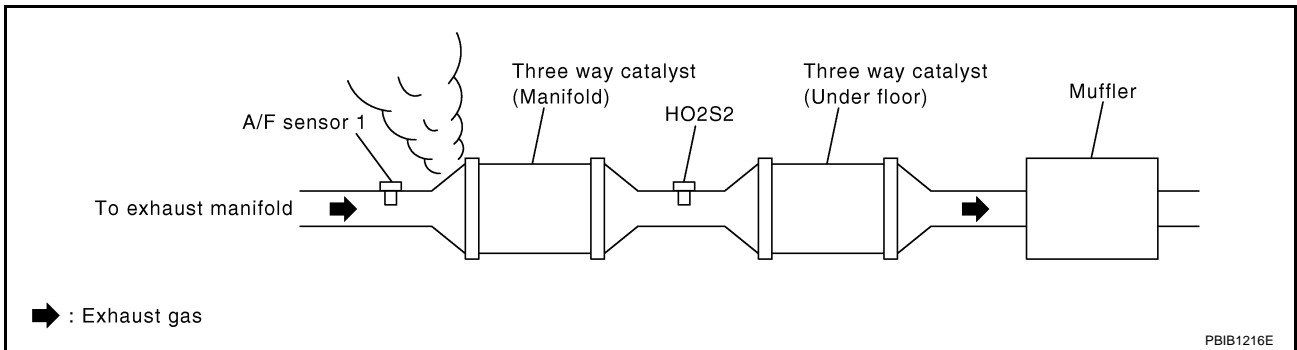


Tightening torque: 50 N-m (5.1 kg-m, 37 ft-lb)

>> GO TO 3.

3. CHECK EXHAUST GAS LEAK

1. Start engine and run it at idle.
2. Listen for an exhaust gas leak before three way catalyst (manifold).



OK or NG

- OK >> GO TO 4.
NG >> Repair or replace.

4. CHECK FOR INTAKE AIR LEAK

Listen for an intake air leak after the mass air flow sensor.

OK or NG

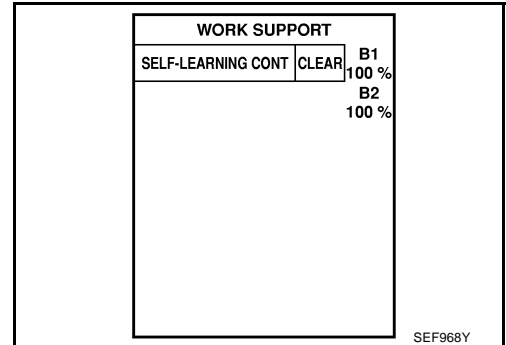
- OK >> GO TO 5.
NG >> Repair or replace.

DTC P0133, P0153 A/F SENSOR 1

5. CLEAR THE SELF-LEARNING DATA

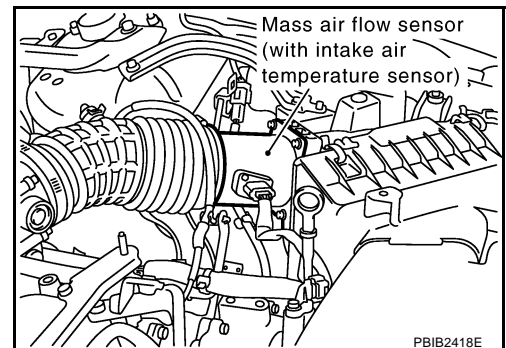
With CONSULT-II

1. Start engine and warm it up to normal operating temperature.
2. Select "SELF-LEARNING CONT" in "WORK SUPPORT" mode with CONSULT-II.
3. Clear the self-learning control coefficient by touching "CLEAR" or "START".
4. Run engine for at least 10 minutes at idle speed.
**Is the 1st trip DTC P0171, P172, P0174 or P0175 detected?
Is it difficult to start engine?**



Without CONSULT-II

1. Start engine and warm it up to normal operating temperature.
2. Turn ignition switch OFF.
3. Disconnect mass air flow sensor harness connector.
4. Restart engine and let it idle for at least 5 seconds.
5. Stop engine and reconnect mass air flow sensor harness connector.
6. Make sure DTC P0102 is displayed.
7. Erase the DTC memory. Refer to [EC-61, "HOW TO ERASE EMISSION-RELATED DIAGNOSTIC INFORMATION"](#).
8. Make sure DTC P0000 is displayed.
9. Run engine for at least 10 minutes at idle speed.
**Is the 1st trip DTC P0171, P0172, P0174 or P0175 detected?
Is it difficult to start engine?**



Yes or No

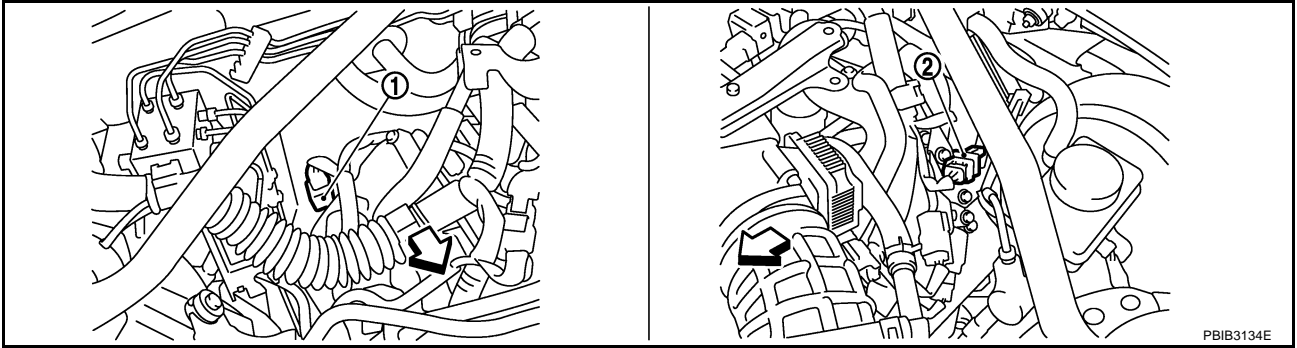
Yes >> Perform trouble diagnosis for DTC P0171, P0174 or P0172, P0175. Refer to [EC-316, "DTC P0171, P0174 FUEL INJECTION SYSTEM FUNCTION"](#) or [EC-328, "DTC P0172, P0175 FUEL INJECTION SYSTEM FUNCTION"](#).

No >> GO TO 6.

DTC P0133, P0153 A/F SENSOR 1

6. CHECK A/F SENSOR 1 POWER SUPPLY CIRCUIT

1. Disconnect A/F sensor 1 harness connector.



↶ : Vehicle front

1. A/F sensor 1 (bank 2) harness connector

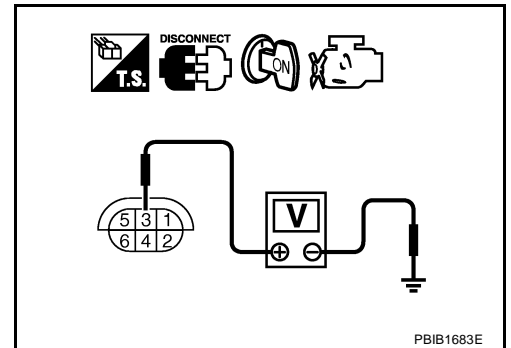
2. A/F sensor 1 (bank 1) harness connector

2. Turn ignition switch ON.
3. Check voltage between A/F sensor 1 terminal 3 and ground with CONSULT-II or tester.

Voltage: Battery voltage

OK or NG

- OK >> GO TO 8.
- NG >> GO TO 7.



7. DETECT MALFUNCTIONING PART

Check the following.

- Harness connectors E32, F32
- Fuse block (J/B) No.1 connector E201
- 10A fuse
- Harness for open or short between A/F sensor 1 and fuse

>> Repair or replace harness or connectors.

DTC P0133, P0153 A/F SENSOR 1

8. CHECK A/F SENSOR 1 INPUT SIGNAL CIRCUIT FOR OPEN AND SHORT

1. Turn ignition switch OFF.
2. Disconnect ECM harness connector.
3. Check harness continuity between A/F sensor 1 terminal and ECM terminal as follows.
Refer to Wiring Diagram.

	A/F sensor 1 terminal	ECM terminal
Bank1	1	16
	2	75
	5	35
	6	56
Bank 2	1	76
	2	77
	5	57
	6	58

Continuity should exist.

4. Check harness continuity between the following terminals and ground.
Refer to Wiring Diagram.

Bank 1		Bank 2	
A/F sensor 1 terminal	ECM terminal	A/F sensor 1 terminal	ECM terminal
1	16	1	76
2	75	2	77
5	35	5	57
6	56	6	58

Continuity should not exist.

5. Also check harness for short to power.

OK or NG

OK >> GO TO 9.

NG >> Repair open circuit or short to ground or short to power in harness or connectors.

9. CHECK AIR FUEL RATIO (A/F) SENSOR 1 HEATER

Refer to [EC-179, "Component Inspection"](#) .

OK or NG

OK >> GO TO 10.

NG >> GO TO 13.

10. CHECK MASS AIR FLOW SENSOR

Refer to [EC-201, "Component Inspection"](#) .

OK or NG

OK >> GO TO 11.

NG >> Replace mass air flow sensor.

11. CHECK PCV VALVE

Refer to [EC-44, "Component Inspection"](#) .

OK or NG

- OK >> GO TO 12.
- NG >> Repair or replace PCV valve.

12. CHECK INTERMITTENT INCIDENT

Perform [EC-145, "TROUBLE DIAGNOSIS FOR INTERMITTENT INCIDENT"](#) .

OK or NG

- OK >> GO TO 13.
- NG >> Repair or replace.

13. REPLACE AIR FUEL RATIO (A/F) SENSOR 1

Replace air fuel ratio (A/F) sensor 1.

CAUTION:

- Discard any A/F sensor which has been dropped from a height of more than 0.5 m (19.7 in) onto a hard surface such as a concrete floor; use a new one.
- Before installing new A/F sensor, clean exhaust system threads using Oxygen Sensor Thread Cleaner tool J-43897-18 or J-43897-12 and approved anti-seize lubricant.

>> INSPECTION END

Removal and Installation AIR FUEL RATIO (A/F) SENSOR 1

NBS002XQ

Refer to [EM-23, "EXHAUST MANIFOLD AND THREE WAY CATALYST"](#) .

A
EC
C
D
E
F
G
H
I
J
K
L
M

DTC P0137, P0157 HO2S2

Component Description

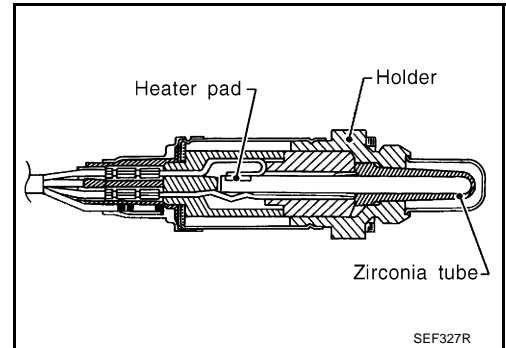
NBS002XR

The heated oxygen sensor 2, after three way catalyst (manifold), monitors the oxygen level in the exhaust gas on each bank.

Even if switching characteristics of the air fuel ratio (A/F) sensor 1 are shifted, the air-fuel ratio is controlled to stoichiometric, by the signal from the heated oxygen sensor 2.

This sensor is made of ceramic zirconia. The zirconia generates voltage from approximately 1V in richer conditions to 0V in leaner conditions.

Under normal conditions the heated oxygen sensor 2 is not used for engine control operation.



CONSULT-II Reference Value in Data Monitor Mode

NBS00217

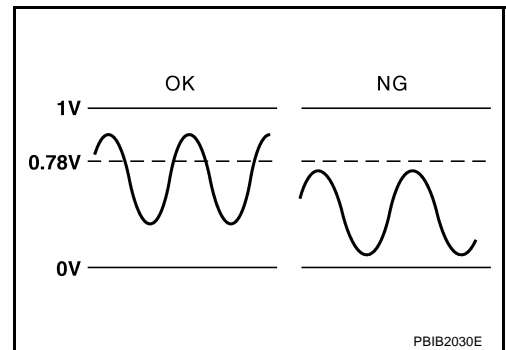
Specification data are reference values.

MONITOR ITEM	CONDITION	SPECIFICATION
HO2S2 (B1) HO2S2 (B2)	<ul style="list-style-type: none"> ● Revving engine from idle to 3,000 rpm quickly after the following conditions are met. <ul style="list-style-type: none"> - Engine: After warming up - Keeping the engine speed between 3,500 and 4,000 rpm for 1 minute and at idle for 1 minute under no load 	0 - 0.3V ↔ Approx. 0.6 - 1.0V
HO2S2 MNTR (B1) HO2S2 MNTR (B2)	<ul style="list-style-type: none"> ● Revving engine from idle to 3,000 rpm quickly after the following conditions are met. <ul style="list-style-type: none"> - Engine: After warming up - Keeping the engine speed between 3,500 and 4,000 rpm for 1 minute and at idle for 1 minute under no load 	LEAN ↔ RICH

On Board Diagnosis Logic

NBS00218

The heated oxygen sensor 2 has a much longer switching time between rich and lean than the A/F sensor 1. The oxygen storage capacity of the three way catalyst (manifold) causes the longer switching time. To judge the malfunctions of heated oxygen sensor 2, ECM monitors whether the maximum voltage of the sensor is sufficiently high during the various driving condition such as fuel-cut.



DTC No.	Trouble diagnosis name	DTC detecting condition	Possible cause
P0137 0137 (Bank 1)	Heated oxygen sensor 2 circuit low voltage	The maximum voltage from the sensor is not reached to the specified voltage.	<ul style="list-style-type: none"> ● Harness or connectors (The sensor circuit is open or shorted) ● Heated oxygen sensor 2 ● Fuel pressure ● Fuel injector ● Intake air leaks
P0157 0157 (Bank 2)			

DTC Confirmation Procedure

A

NOTE:

If DTC confirmation Procedure has been previously conducted, always turn ignition switch OFF and wait at least 10 seconds before conducting the next test.

EC

WITH CONSULT-II

TESTING CONDITION:

For better results, perform “DTC WORK SUPPORT” at a temperature of 0 to 30 °C (32 to 86 °F).

1. Turn ignition switch ON and select “DATA MONITOR” mode with CONSULT-II.
2. Start engine and warm it up to the normal operating temperature.
3. Turn ignition switch OFF and wait at least 10 seconds.
4. Start engine and keep the engine speed between 3,500 and 4,000 rpm for at least 1 minute under no load.
5. Let engine idle for 1 minute.
6. Make sure that “COOLAN TEMP/S” indicates more than 70°C (158°F).
If not, warm up engine and go to next step when “COOLAN TEMP/S” indication reaches to 70°C (158°F).
7. Open engine hood.
8. Select “HO2S2 (B1) P1147” (for DTC P0137) or “HO2S2 (B2) P1167” (for DTC P0157) of “HO2S2” in “DTC WORK SUPPORT” mode with CONSULT-II.
9. Start engine and following the instruction of CONSULT-II.

DATA MONITOR	
MONITOR	NO DTC
ENG SPEED	XXX rpm
COOLAN TEMP/S	XXX °C

SEF174Y

C

D

E

F

G

H

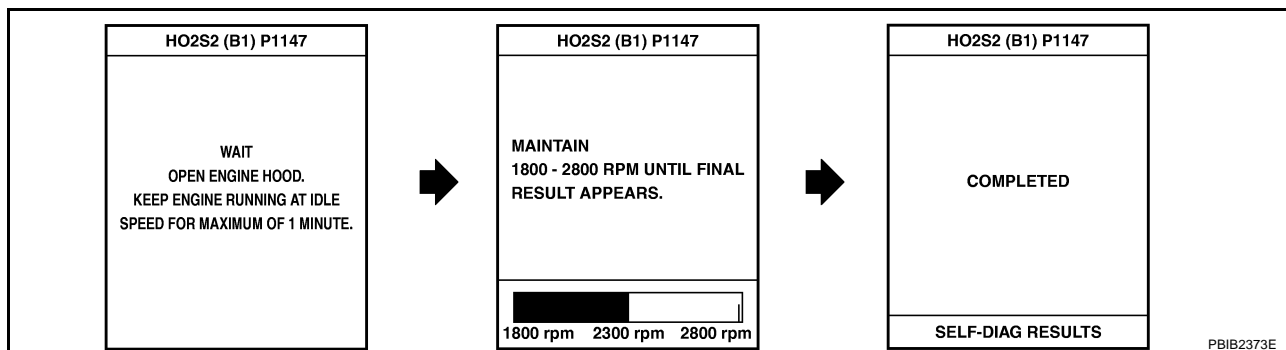
I

J

K

L

M



NOTE:

It will take at most 10 minutes until “COMPLETED” is displayed.

10. Make sure that “OK” is displayed after touching “SELF-DIAG RESULTS”.
If “NG” is displayed, refer to [EC-282, "Diagnostic Procedure"](#).
If “CAN NOT BE DIAGNOSED” is displayed, perform the following.
 - a. Turn ignition switch OFF and leave the vehicle in a cool place (soak the vehicle).
 - b. Return to step 1.

Overall Function Check

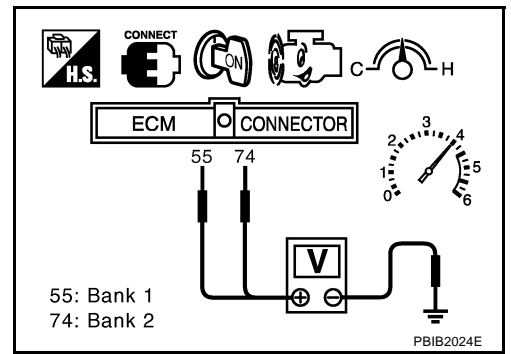
Use this procedure to check the overall function of the heated oxygen sensor 2 circuit. During this check, a 1st trip DTC might not be confirmed.

WITH GST

1. Start engine and warm it up to the normal operating temperature.
2. Turn ignition switch OFF and wait at least 10 seconds.
3. Start engine and keep the engine speed between 3,500 and 4,000 rpm for at least 1 minute under no load.
4. Let engine idle for 1 minute.
5. Set voltmeter probes between ECM terminal 55 [HO2S2 (B1) signal] or 74 [HO2S2 (B2) signal] and ground.

DTC P0137, P0157 HO2S2

6. Check the voltage when revving up to 4,000 rpm under no load at least 10 times.
(Depress and release accelerator pedal as soon as possible.)
The voltage should be above 0.78V at least once during this procedure.
If the voltage can be confirmed in step 6, step 7 is not necessary.
7. Keep vehicle at idling for 10 minutes, then check the voltage. Or check the voltage when coasting from 80 km/h (50 MPH) in D position.
The voltage should be above 0.78V at least once during this procedure.
8. If NG, go to [EC-282, "Diagnostic Procedure"](#).



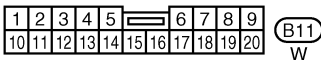
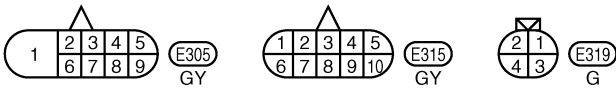
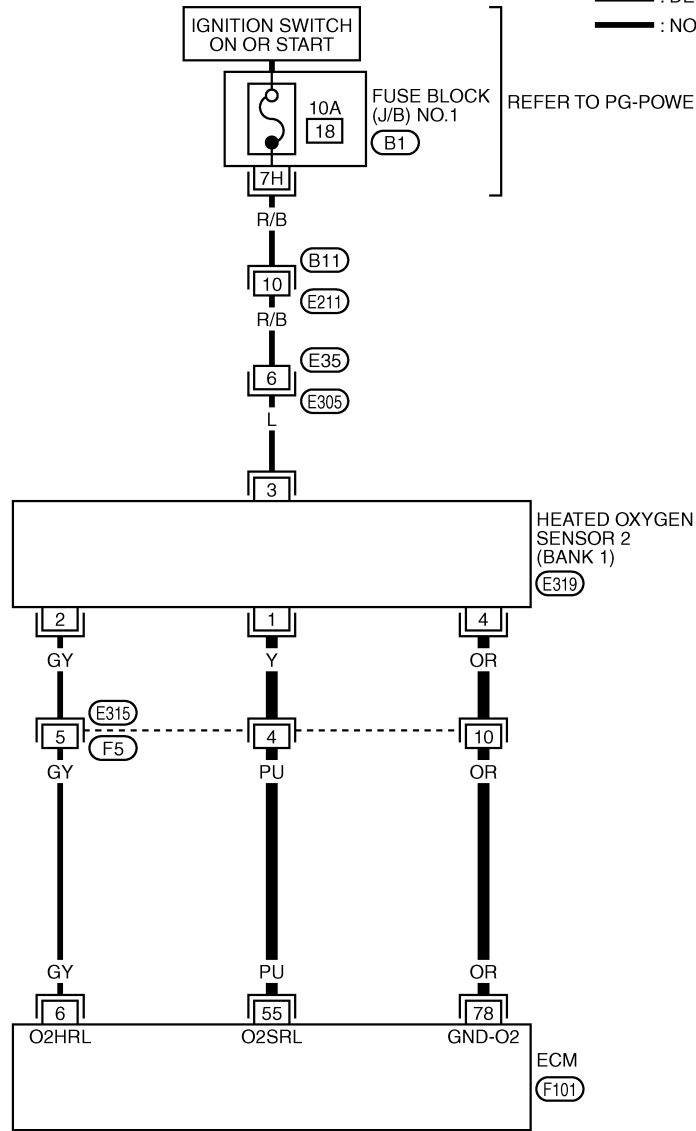
DTC P0137, P0157 HO2S2

NBS0021B

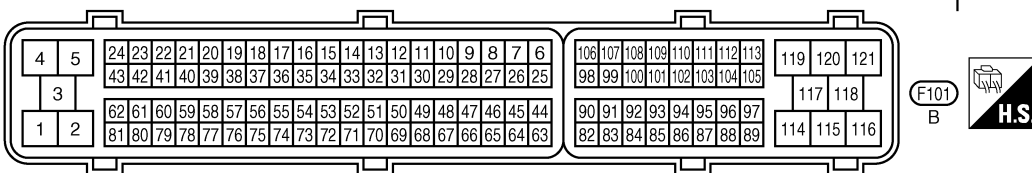
Wiring Diagram BANK 1

EC-O2S2B1-01

: DETECTABLE LINE FOR DTC
 : NON-DETECTABLE LINE FOR DTC



REFER TO THE FOLLOWING.
 (B1) - FUSE BLOCK-JUNCTION BOX (J/B) NO.1



DTC P0137, P0157 HO2S2

Specification data are reference values and are measured between each terminal and ground.

CAUTION:

Do not use ECM ground terminals when measuring input/output voltage. Doing so may result in damage to the ECM's transistor. Use a ground other than ECM terminals, such as the ground.

TER-MINAL NO.	WIRE COLOR	ITEM	CONDITION	DATA (DC Voltage)
6	GY	Heated oxygen sensor 2 heater (bank 1)	[Engine is running] <ul style="list-style-type: none"> ● Engine speed: Below 3,600 rpm after the following conditions are met <ul style="list-style-type: none"> - Engine: After warming up - Keeping the engine speed between 3,500 and 4,000 rpm for 1 minute and at idle for 1 minute under no load 	0 - 1.0V
			[Ignition switch: ON] <ul style="list-style-type: none"> ● Engine stopped [Engine is running] <ul style="list-style-type: none"> ● Engine speed: Above 3,600 rpm 	BATTERY VOLTAGE (11 - 14V)
55	PU	Heated oxygen sensor 2 (bank 1)	[Engine is running] <ul style="list-style-type: none"> ● Revving engine from idle to 3,000 rpm quickly after the following conditions are met <ul style="list-style-type: none"> - Engine: After warming up - After keeping the engine speed between 3,500 and 4,000 rpm for 1 minute and at idle for 1 minute under no load 	0 - Approximately 1.0V
78	OR	Sensor ground (Heated oxygen sensor 2)	[Engine is running] <ul style="list-style-type: none"> ● Warm-up condition ● Idle speed 	Approximately 0V

DTC P0137, P0157 HO2S2

Specification data are reference values and are measured between each terminal and ground.

CAUTION:

Do not use ECM ground terminals when measuring input/output voltage. Doing so may result in damage to the ECM's transistor. Use a ground other than ECM terminals, such as the ground.

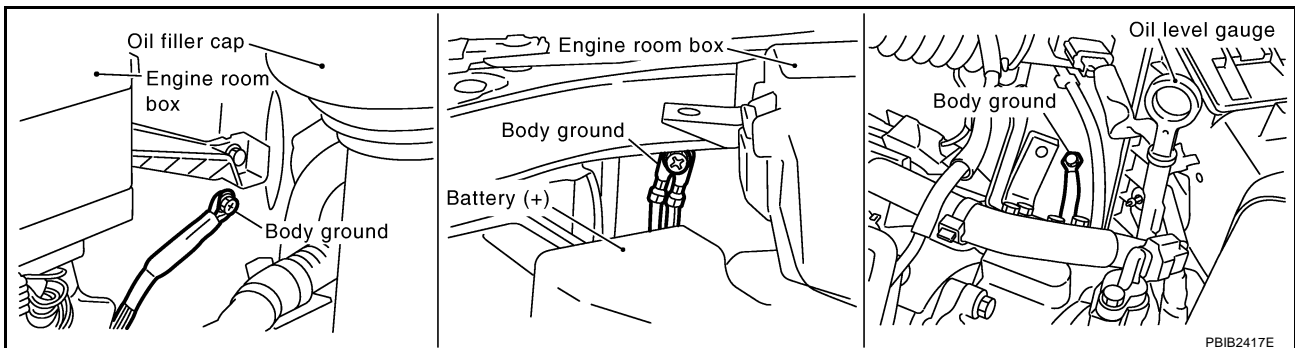
TER-MINAL NO.	WIRE COLOR	ITEM	CONDITION	DATA (DC Voltage)
25	G	Heated oxygen sensor 2 heater (bank 2)	[Engine is running] <ul style="list-style-type: none"> ● Engine speed: Below 3,600 rpm after the following conditions are met <ul style="list-style-type: none"> - Engine: After warming up - Keeping the engine speed between 3,500 and 4,000 rpm for 1 minute and at idle for 1 minute under no load 	0 - 1.0V
			[Ignition switch: ON] <ul style="list-style-type: none"> ● Engine stopped [Engine is running] <ul style="list-style-type: none"> ● Engine speed: Above 3,600 rpm 	BATTERY VOLTAGE (11 - 14V)
74	B	Heated oxygen sensor 2 (bank 2)	[Engine is running] <ul style="list-style-type: none"> ● Revving engine from idle to 3,000 rpm quickly after the following conditions are met <ul style="list-style-type: none"> - Engine: After warming up - After keeping the engine speed between 3,500 and 4,000 rpm for 1 minute and at idle for 1 minute under no load 	0 - Approximately 1.0V
78	OR	Sensor ground (Heated oxygen sensor 2)	[Engine is running] <ul style="list-style-type: none"> ● Warm-up condition ● Idle speed 	Approximately 0V

Diagnostic Procedure

NBS0021C

1. CHECK GROUND CONNECTIONS

1. Turn ignition switch OFF.
2. Loosen and retighten three ground screws on the body.
Refer to [EC-154, "Ground Inspection"](#).



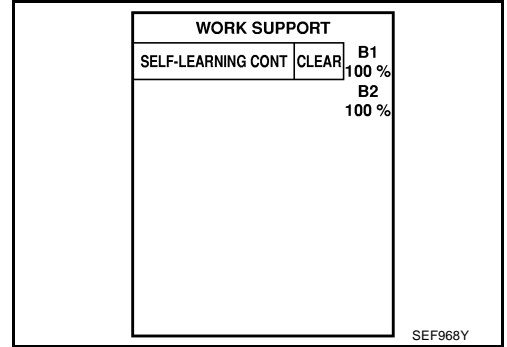
OK or NG

- OK >> GO TO 2.
- NG >> Repair or replace ground connections.

2. CLEAR THE SELF-LEARNING DATA

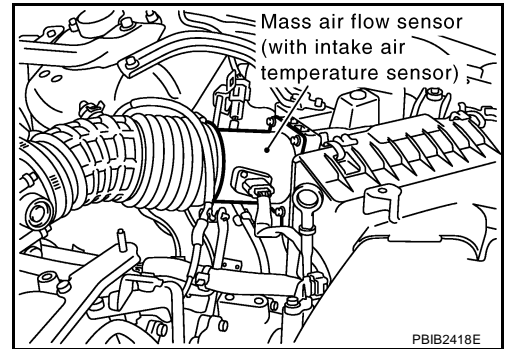
🔧 With CONSULT-II

1. Start engine and warm it up to normal operating temperature.
2. Select "SELF-LEARNING CONT" in "WORK SUPPORT" mode with CONSULT-II.
3. Clear the self-learning control coefficient by touching "CLEAR".
4. Run engine for at least 10 minutes at idle speed.
Is the 1st trip DTC P0171 or P0174 detected?
Is it difficult to start engine?



⊗ Without CONSULT-II

1. Start engine and warm it up to normal operating temperature.
2. Turn ignition switch OFF.
3. Disconnect mass air flow sensor harness connector, and restart and run engine for at least 5 seconds at idle speed.
4. Stop engine and reconnect mass air flow sensor harness connector.
5. Make sure DTC P0102 is displayed.
6. Erase the DTC memory. Refer to [EC-61, "HOW TO ERASE EMISSION-RELATED DIAGNOSTIC INFORMATION"](#).
7. Make sure DTC P0000 is displayed.
8. Run engine for at least 10 minutes at idle speed.
Is the 1st trip DTC P0171 or P0174 detected?
Is it difficult to start engine?



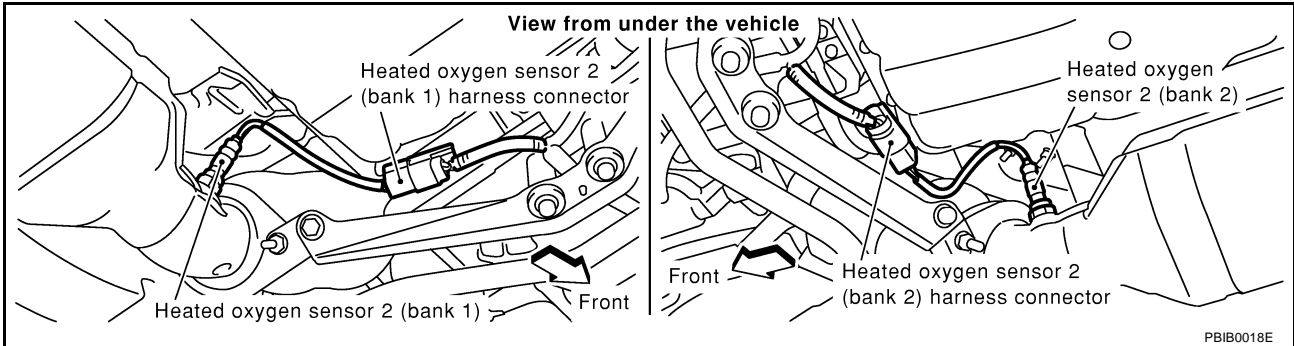
Yes or No

- Yes >> Perform trouble diagnosis for DTC P017, P0174. Refer to [EC-316](#).
- No >> GO TO 3.

DTC P0137, P0157 HO2S2

3. CHECK HO2S2 GROUND CIRCUIT FOR OPEN AND SHORT

1. Turn ignition switch OFF.
2. Disconnect heated oxygen sensor 2 harness connector.



3. Disconnect ECM harness connector.
4. Check harness continuity between HO2S2 terminal 4 and ECM terminal 78. Refer to Wiring Diagram.

Continuity should exist.

5. Also check harness for short to ground and short to power.

OK or NG

- OK >> GO TO 5.
- NG >> GO TO 4.

4. DETECT MALFUNCTIONING PART

Check the following.

- Harness connectors E315, F5
- Harness for open or short between heated oxygen sensor 2 and ECM

>> Repair open circuit or short to ground or short to power in harness or connectors.

DTC P0137, P0157 HO2S2

5. CHECK HO2S2 INPUT SIGNAL CIRCUIT FOR OPEN AND SHORT

1. Check harness continuity between ECM terminal and HO2S2 terminal as follows.
Refer to Wiring Diagram.

DTC	Terminals		Bank
	ECM	Sensor	
P0137	55	1	1
P0157	74	1	2

Continuity should exist.

2. Check harness continuity between the following terminals and ground.
Refer to Wiring Diagram.

DTC	Terminals		Bank
	ECM	Sensor	
P0137	55	1	1
P0157	74	1	2

Continuity should not exist.

3. Also check harness for short to ground and short to power.

OK or NG

- OK >> GO TO 7.
- NG >> GO TO 6.

6. DETECT MALFUNCTIONING PART

Check the following.

- Harness connectors E315, F5
- Harness for open or short between heated oxygen sensor 2 and ECM

>> Repair open circuit or short to ground or short to power in harness or connectors.

7. CHECK HEATED OXYGEN SENSOR 2

Refer to [EC-286, "Component Inspection"](#) .

OK or NG

- OK >> GO TO 8.
- NG >> Replace malfunctioning heated oxygen sensor 2.

8. CHECK INTERMITTENT INCIDENT

Refer to [EC-145, "TROUBLE DIAGNOSIS FOR INTERMITTENT INCIDENT"](#) .

>> **INSPECTION END**

Component Inspection HEATED OXYGEN SENSOR 2

With CONSULT-II

1. Turn ignition switch ON and select "DATA MONITOR" mode with CONSULT-II.
2. Start engine and warm it up to the normal operating temperature.
3. Turn ignition switch OFF and wait at least 10 seconds.
4. Start engine and keep the engine speed between 3,500 and 4,000 rpm for at least 1 minute under no load.
5. Let engine idle for 1 minute.

DATA MONITOR	
MONITOR	NO DTC
ENG SPEED	XXX rpm
COOLANT TEMP/S	XXX °C

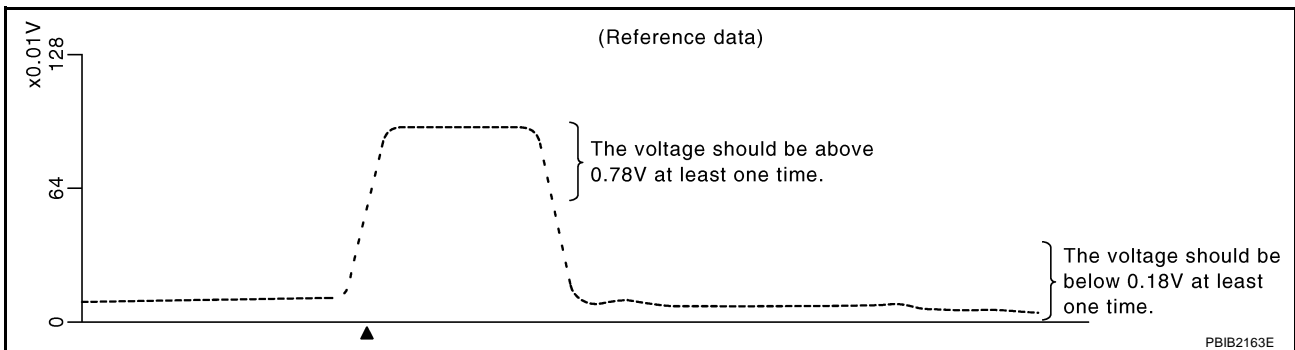
SEF174Y

6. Select "FUEL INJECTION" in "ACTIVE TEST" mode, and select "HO2S2 (B1)/(B2)" as the monitor item with CONSULT-II.

ACTIVE TEST	
FUEL INJECTION	25 %
MONITOR	
ENG SPEED	XXX rpm
HO2S2 (B1)	XXX V
HO2S2 (B2)	XXX V

PBIB1672E

7. Check "HO2S2 (B1)/(B2)" at idle speed when adjusting "FUEL INJECTION" to $\pm 25\%$.



"HO2S2 (B1)/(B2)" should be above 0.78V at least once when the "FUEL INJECTION" is +25%.
 "HO2S2 (B1)/(B2)" should be below 0.18V at least once when the "FUEL INJECTION" is -25%.

CAUTION:

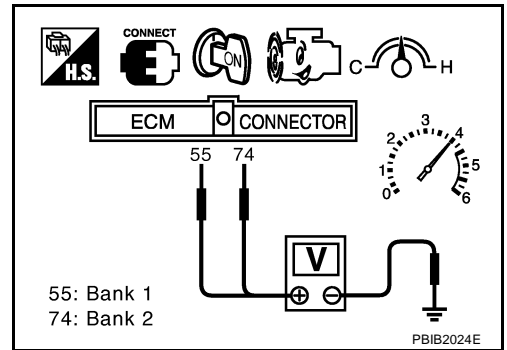
- Discard any heated oxygen sensor which has been dropped from a height of more than 0.5 m (19.7 in) onto a hard surface such as a concrete floor; use a new one.
- Before installing new oxygen sensor, clean exhaust system threads using Oxygen Sensor Thread Cleaner tool J-43897-18 or J-43897-12 and approved anti-seize lubricant.

Without CONSULT-II

1. Start engine and warm it up to the normal operating temperature.
2. Turn ignition switch OFF and wait at least 10 seconds.
3. Start engine and keep the engine speed between 3,500 and 4,000 rpm for at least 1 minute under no load.
4. Let engine idle for 1 minute.
5. Set voltmeter probes between ECM terminal 55 [HO2S2 (B1) signal] or 74 [HO2S2 (B2) signal] and ground.

DTC P0137, P0157 HO2S2

6. Check the voltage when revving up to 4,000 rpm under no load at least 10 times.
(Depress and release accelerator pedal as soon as possible.)
The voltage should be above 0.78V at least once during this procedure.
If the voltage is above 0.78V at step 6, step 7 is not necessary.
7. Keep vehicle at idling for 10 minutes, then check voltage. Or check the voltage when coasting from 80 km/h (50 MPH) in D position.
The voltage should be below 0.18V at least once during this procedure.
8. If NG, replace heated oxygen sensor 2.



CAUTION:

- Discard any heated oxygen sensor which has been dropped from a height of more than 0.5 m (19.7 in) onto a hard surface such as a concrete floor; use a new one.
- Before installing new oxygen sensor, clean exhaust system threads using Oxygen Sensor Thread Cleaner tool J-43897-18 or J-43897-12 and approved anti-seize lubricant.

Removal and Installation HEATED OXYGEN SENSOR 2

NBS0021E

Refer to [EX-3, "EXHAUST SYSTEM"](#)

DTC P0138, P0158 HO2S2

PFP:226A0

Component Description

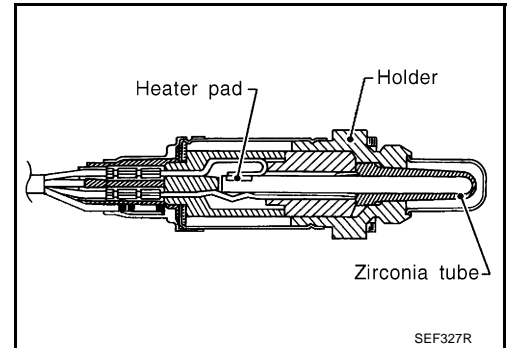
NBS002XS

The heated oxygen sensor 2, after three way catalyst (manifold), monitors the oxygen level in the exhaust gas on each bank.

Even if switching characteristics of the air fuel ratio (A/F) sensor 1 are shifted, the air-fuel ratio is controlled to stoichiometric, by the signal from the heated oxygen sensor 2.

This sensor is made of ceramic zirconia. The zirconia generates voltage from approximately 1V in richer conditions to 0V in leaner conditions.

Under normal conditions the heated oxygen sensor 2 is not used for engine control operation.



CONSULT-II Reference Value in Data Monitor Mode

NBS002XT

Specification data are reference values.

MONITOR ITEM	CONDITION	SPECIFICATION
HO2S2 (B1) HO2S2 (B2)	<ul style="list-style-type: none"> ● Revving engine from idle to 3,000 rpm quickly after the following conditions are met. – Engine: After warming up – Keeping the engine speed between 3,500 and 4,000 rpm for 1 minute and at idle for 1 minute under no load 	0 - 0.3V ↔ Approx. 0.6 - 1.0V
HO2S2 MNTR (B1) HO2S2 MNTR (B2)	<ul style="list-style-type: none"> ● Revving engine from idle to 3,000 rpm quickly after the following conditions are met. – Engine: After warming up – Keeping the engine speed between 3,500 and 4,000 rpm for 1 minute and at idle for 1 minute under no load 	LEAN ↔ RICH

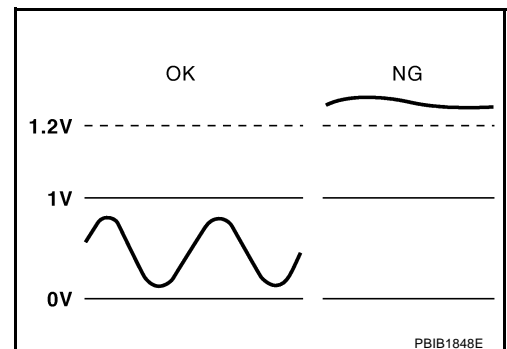
On Board Diagnosis Logic

NBS002XU

The heated oxygen sensor 2 has a much longer switching time between rich and lean than the air fuel ratio (A/F) sensor 1. The oxygen storage capacity of the three way catalyst (manifold) causes the longer switching time.

MALFUNCTION A

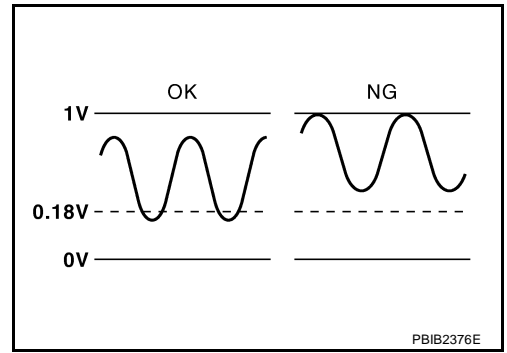
To judge the malfunctions of heated oxygen sensor 2, ECM monitors whether the voltage is unusually high during the various driving condition such as fuel-cut.



DTC P0138, P0158 HO2S2

MALFUNCTION B

To judge the malfunctions of heated oxygen sensor 2, ECM monitors whether the minimum voltage of sensor is sufficiently low during the various driving condition such as fuel-cut.



DTC No.	Trouble diagnosis name	DTC detecting condition		Possible cause
P0138 0138 (Bank 1)	Heated oxygen sensor 2 circuit high voltage	A)	An excessively high voltage from the sensor is sent to ECM.	<ul style="list-style-type: none"> ● Harness or connectors (The sensor circuit is open or shorted) ● Heated oxygen sensor 2
P0158 0158 (Bank 2)		B)	The minimum voltage from the sensor is not reached to the specified voltage.	<ul style="list-style-type: none"> ● Harness or connectors (The sensor circuit is open or shorted) ● Heated oxygen sensor 2 ● Fuel pressure ● Fuel injector

DTC Confirmation Procedure

NBS002XV

Perform PROCEDURE FOR MALFUNCTION A first.

If DTC cannot be confirmed, perform PROCEDURE FOR MALFUNCTION B.

NOTE:

If DTC Confirmation Procedure has been previously conducted, always turn ignition switch OFF and wait at least 10 seconds before conducting the next test.

PROCEDURE FOR MALFUNCTION A

With CONSULT-II

1. Turn ignition switch ON and select "DATA MONITOR" mode with CONSULT-II.
2. Start engine and warm it up to the normal operating temperature.
3. Turn ignition switch OFF and wait at least 10 seconds.
4. Start engine and keep the engine speed between 3,500 and 4,000 rpm for at least 1 minute under no load.
5. Let engine idle for 2 minutes.
6. If 1st trip DTC is detected, go to [EC-295, "Diagnostic Procedure"](#)

DATA MONITOR	
MONITOR	NO DTC
ENG SPEED	XXX rpm
COOLAN TEMP/S	XXX °C

SEP174Y

With GST

Follow the procedure "With CONSULT-II" above.

PROCEDURE FOR MALFUNCTION B

With CONSULT-II

TESTING CONDITION:

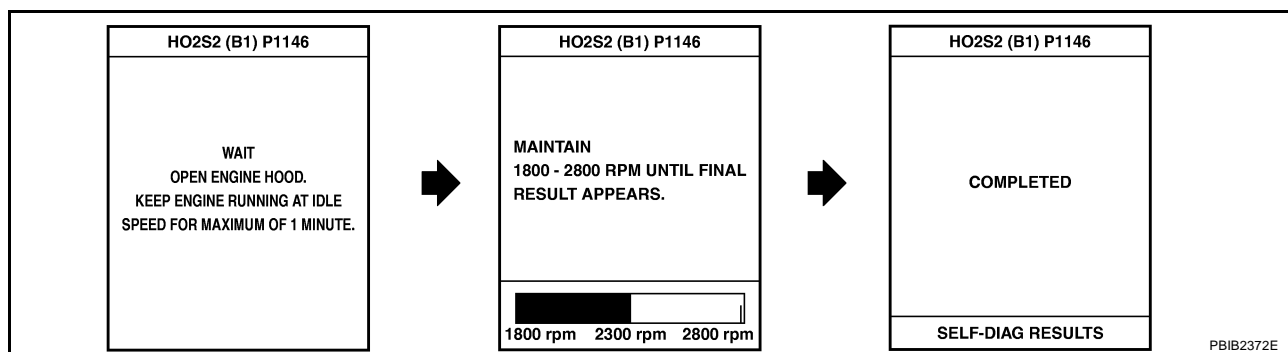
For better results, perform "DTC WORK SUPPORT" at a temperature of 0 to 30 °C (32 to 86 °F).

DTC P0138, P0158 HO2S2

1. Turn ignition switch ON and select "DATA MONITOR" mode with CONSULT-II.
2. Start engine and warm it up to the normal operating temperature.
3. Turn ignition switch OFF and wait at least 10 seconds.
4. Start engine and keep the engine speed between 3,500 and 4,000 rpm for at least 1 minute under no load.
5. Let engine idle for 1 minute.
6. Make sure that "COOLAN TEMP/S" indicates more than 70°C (158°F).
If not, warm up engine and go to next step when "COOLAN TEMP/S" indication reaches to 70°C (158°F).
7. Open engine hood.
8. Select "HO2S2 (B1) P1146" (for DTC P0138) or "HO2S2 (B2) P1166" (for DTC P0158) of "HO2S2" in "DTC WORK SUPPORT" mode with CONSULT-II.
9. Start engine and following the instruction of CONSULT-II.

DATA MONITOR	
MONITOR	NO DTC
ENG SPEED	XXX rpm
COOLAN TEMP/S	XXX °C

SEF174Y



NOTE:

It will take at most 10 minutes until "COMPLETED" is displayed.

10. Make sure that "OK" is displayed after touching "SELF-DIAG RESULTS".
If "NG" is displayed, refer to [EC-295, "Diagnostic Procedure"](#).
If "CAN NOT BE DIAGNOSED" is displayed, perform the following.
 - a. Turn ignition switch OFF and leave the vehicle in a cool place (soak the vehicle).
 - b. Return to step 1.

Overall Function Check PROCEDURE FOR MALFUNCTION B

NBS002XW

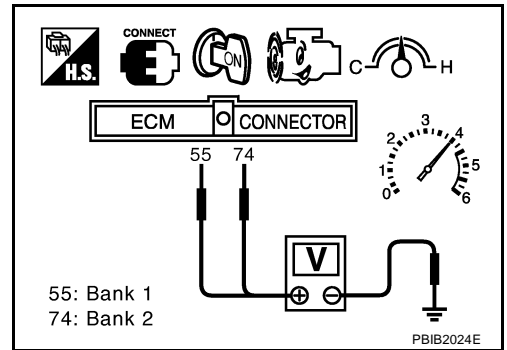
Use this procedure to check the overall function of the heated oxygen sensor 2 circuit. During this check, a 1st trip DTC might not be confirmed.

With GST

1. Start engine and warm it up to the normal operating temperature.
2. Turn ignition switch OFF and wait at least 10 seconds.
3. Start engine and keep the engine speed between 3,500 and 4,000 rpm for at least 1 minute under no load.
4. Let engine idle for 1 minute.
5. Set voltmeter probes between ECM terminal 55 [HO2S2 (B1) signal] or 74 [HO2S2 (B2) signal] and ground.

DTC P0138, P0158 HO2S2

6. Check the voltage when revving up to 4,000 rpm under no load at least 10 times.
(Depress and release accelerator pedal as soon as possible.)
The voltage should be below 0.18V at least once during this procedure.
If the voltage can be confirmed in step 6, step 7 is not necessary.
7. Keep vehicle at idling for 10 minutes, then check the voltage. Or check the voltage when coasting from 80 km/h (50 MPH) in D position.
The voltage should be below 0.18V at least once during this procedure.
8. If NG, go to [EC-295, "Diagnostic Procedure"](#) .



A
EC
C
D
E
F
G
H
I
J
K
L
M

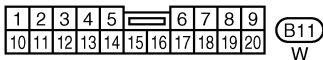
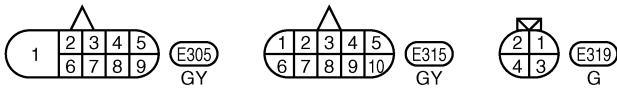
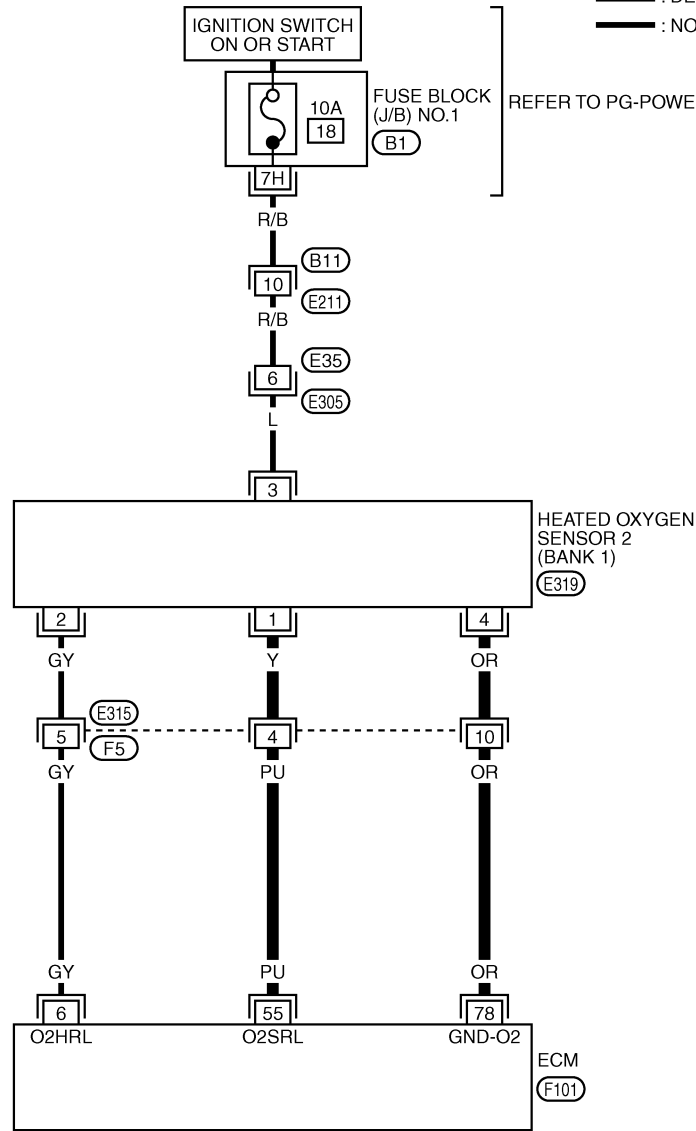
DTC P0138, P0158 HO2S2

NBS001UT

Wiring Diagram BANK 1

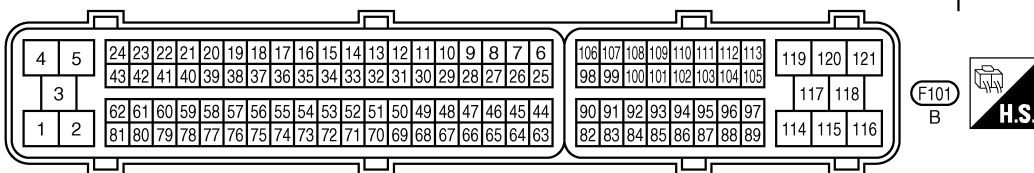
EC-O2S2B1-01

: DETECTABLE LINE FOR DTC
 : NON-DETECTABLE LINE FOR DTC



REFER TO THE FOLLOWING.

(B1) - FUSE BLOCK-JUNCTION BOX (J/B) NO.1



TBWM1226E

DTC P0138, P0158 HO2S2

Specification data are reference values and are measured between each terminal and ground.

CAUTION:

Do not use ECM ground terminals when measuring input/output voltage. Doing so may result in damage to the ECM's transistor. Use a ground other than ECM terminals, such as the ground.

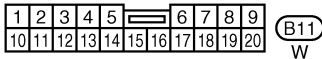
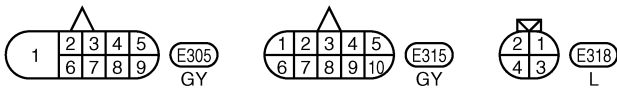
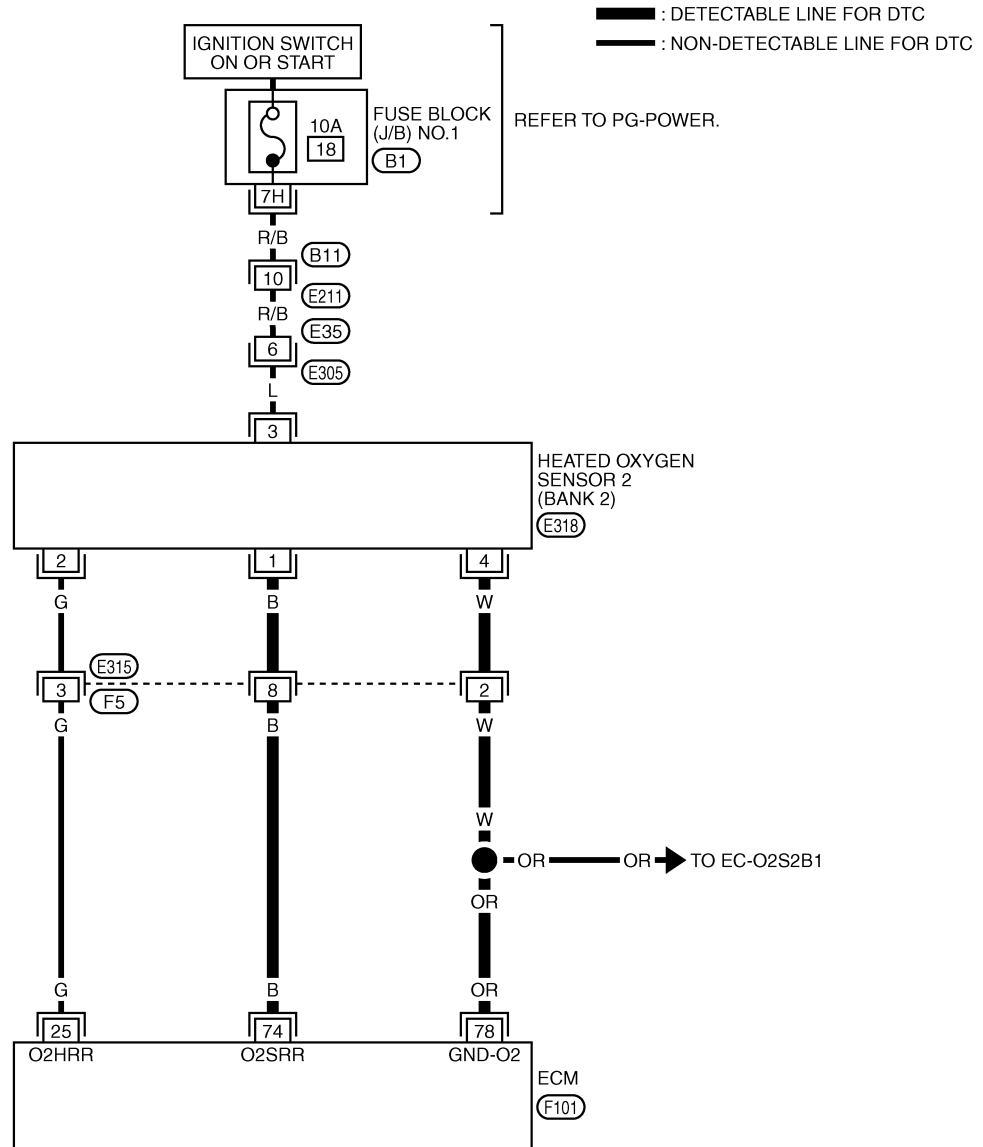
TER-MINAL NO.	WIRE COLOR	ITEM	CONDITION	DATA (DC Voltage)
6	GY	Heated oxygen sensor 2 heater (bank 1)	[Engine is running] <ul style="list-style-type: none"> ● Engine speed: Below 3,600 rpm after the following conditions are met <ul style="list-style-type: none"> - Engine: After warming up - Keeping the engine speed between 3,500 and 4,000 rpm for 1 minute and at idle for 1 minute under no load 	0 - 1.0V
			[Ignition switch: ON] <ul style="list-style-type: none"> ● Engine stopped [Engine is running] <ul style="list-style-type: none"> ● Engine speed: Above 3,600 rpm 	BATTERY VOLTAGE (11 - 14V)
55	PU	Heated oxygen sensor 2 (bank 1)	[Engine is running] <ul style="list-style-type: none"> ● Revving engine from idle to 3,000 rpm quickly after the following conditions are met <ul style="list-style-type: none"> - Engine: After warming up - After keeping the engine speed between 3,500 and 4,000 rpm for 1 minute and at idle for 1 minute under no load 	0 - Approximately 1.0V
78	OR	Sensor ground (Heated oxygen sensor 2)	[Engine is running] <ul style="list-style-type: none"> ● Warm-up condition ● Idle speed 	Approximately 0V

A
EC
C
D
E
F
G
H
I
J
K
L
M

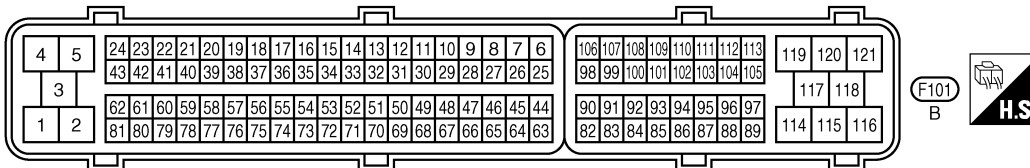
DTC P0138, P0158 HO2S2

BANK 2

EC-O2S2B2-01



REFER TO THE FOLLOWING.
 (B1) - FUSE BLOCK-JUNCTION BOX (J/B) NO.1



TBWM1227E

DTC P0138, P0158 HO2S2

Specification data are reference values and are measured between each terminal and ground.

CAUTION:

Do not use ECM ground terminals when measuring input/output voltage. Doing so may result in damage to the ECM's transistor. Use a ground other than ECM terminals, such as the ground.

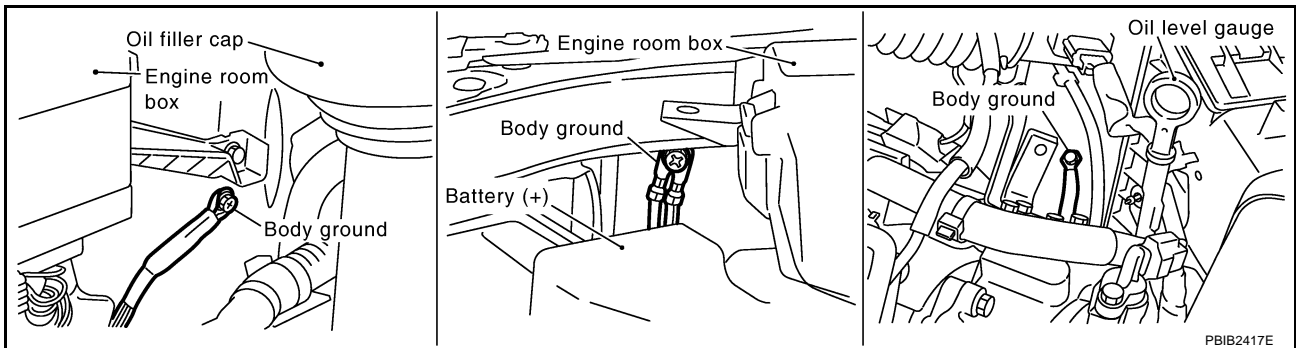
TER-MINAL NO.	WIRE COLOR	ITEM	CONDITION	DATA (DC Voltage)
25	G	Heated oxygen sensor 2 heater (bank 2)	[Engine is running] <ul style="list-style-type: none"> ● Engine speed: Below 3,600 rpm after the following conditions are met <ul style="list-style-type: none"> - Engine: After warming up - Keeping the engine speed between 3,500 and 4,000 rpm for 1 minute and at idle for 1 minute under no load 	0 - 1.0V
			[Ignition switch: ON] <ul style="list-style-type: none"> ● Engine stopped [Engine is running] <ul style="list-style-type: none"> ● Engine speed: Above 3,600 rpm 	BATTERY VOLTAGE (11 - 14V)
74	B	Heated oxygen sensor 2 (bank 2)	[Engine is running] <ul style="list-style-type: none"> ● Revving engine from idle to 3,000 rpm quickly after the following conditions are met <ul style="list-style-type: none"> - Engine: After warming up - After keeping the engine speed between 3,500 and 4,000 rpm for 1 minute and at idle for 1 minute under no load 	0 - Approximately 1.0V
78	OR	Sensor ground (Heated oxygen sensor 2)	[Engine is running] <ul style="list-style-type: none"> ● Warm-up condition ● Idle speed 	Approximately 0V

Diagnostic Procedure PROCEDURE FOR MALFUNCTION A

NBS001UU

1. CHECK GROUND CONNECTIONS

1. Turn ignition switch OFF.
2. Loosen and retighten three ground screws on the body.
Refer to [EC-154, "Ground Inspection"](#).



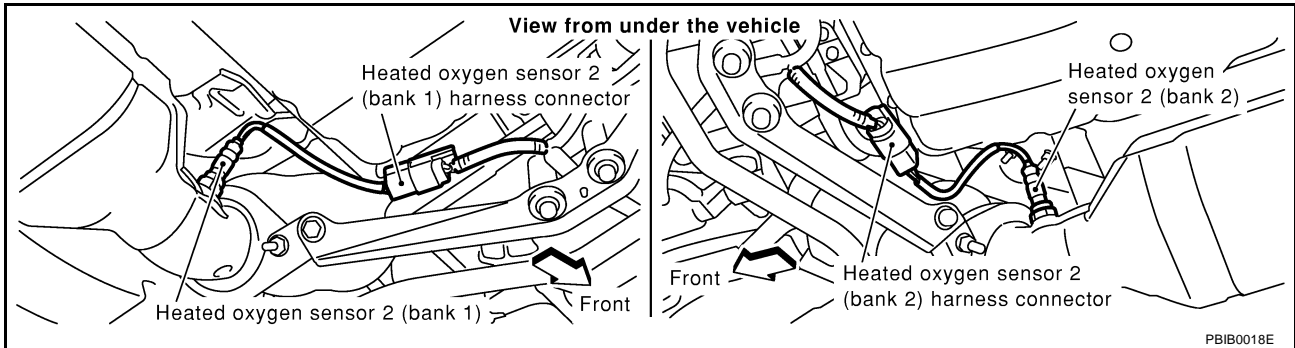
OK or NG

- OK >> GO TO 2.
- NG >> Repair or replace ground connections.

DTC P0138, P0158 HO2S2

2. CHECK HO2S2 GROUND CIRCUIT FOR OPEN AND SHORT

1. Disconnect heated oxygen sensor 2 harness connector.



2. Disconnect ECM harness connector.
3. Check harness continuity between HO2S2 terminal 4 and ECM terminal 78.
Refer to Wiring Diagram.

Continuity should exist.

4. Also check harness for short to ground or short to power.

OK or NG

- OK >> GO TO 4.
- NG >> GO TO 3.

3. DETECT MALFUNCTIONING PART

Check the following.

- Harness connectors E315, F5
- Harness for open or short between heated oxygen sensor 2 and ECM

>> Repair open circuit or short to ground or short to power in harness or connectors.

DTC P0138, P0158 HO2S2

4. CHECK HO2S2 INPUT SIGNAL CIRCUIT FOR OPEN AND SHORT

1. Check harness continuity between ECM terminal and HO2S2 terminal as follows.
Refer to Wiring Diagram.

DTC	Terminals		Bank
	ECM	Sensor	
P0138	55	1	1
P0158	74	1	2

Continuity should exist.

2. Check harness continuity between the following terminals and ground.
Refer to Wiring Diagram.

DTC	Terminals		Bank
	ECM	Sensor	
P0138	55	1	1
P0158	74	1	2

Continuity should not exist.

3. Also check harness for short to ground and short to power.

OK or NG

- OK >> GO TO 6.
- NG >> GO TO 5.

5. DETECT MALFUNCTIONING PART

Check the following.

- Harness connectors E315, F5
- Harness for open or short between heated oxygen sensor 2 and ECM

>> Repair open circuit or short to ground or short to power in harness or connectors.

6. CHECK HO2S2 CONNECTOR FOR WATER

1. Turn ignition switch OFF.
2. Disconnect heated oxygen sensor 2 harness connector.
3. Check connectors for water.

Water should not exist.

OK or NG

- OK >> GO TO 7.
- NG >> Repair or replace harness or connectors.

7. CHECK HEATED OXYGEN SENSOR 2

Refer to [EC-302, "Component Inspection"](#) .

OK or NG

- OK >> GO TO 8.
- NG >> Replace malfunctioning heated oxygen sensor 2.

8. CHECK INTERMITTENT INCIDENT

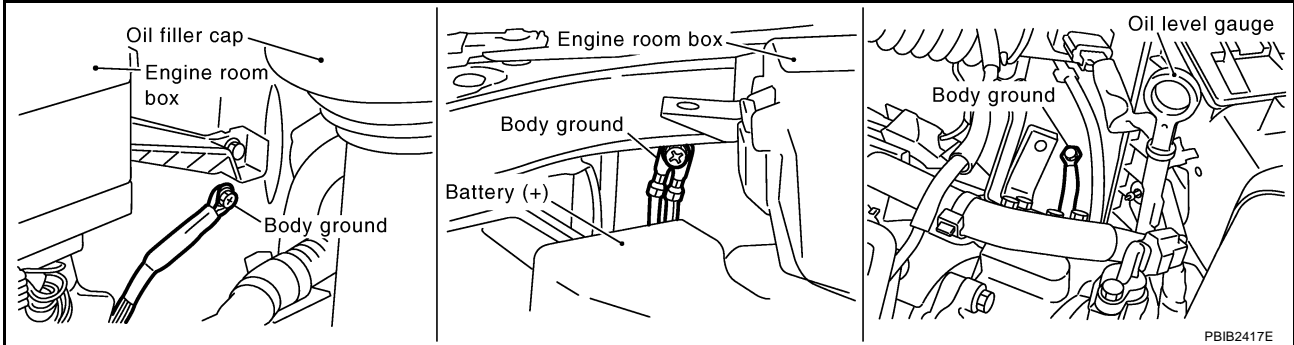
Refer to [EC-145, "TROUBLE DIAGNOSIS FOR INTERMITTENT INCIDENT"](#) .

>> INSPECTION END

PROCEDURE FOR MALFUNCTION A

1. CHECK GROUND CONNECTIONS

1. Turn ignition switch OFF.
2. Loosen and retighten three ground screws on the body.
Refer to [EC-154, "Ground Inspection"](#) .



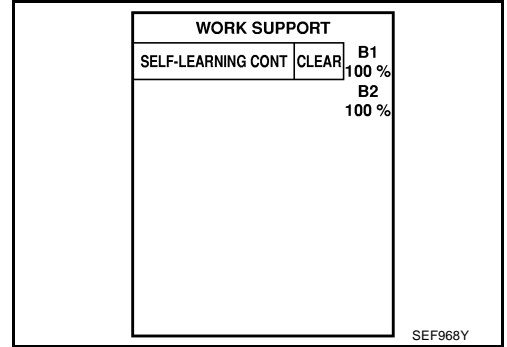
OK or NG

- OK >> GO TO 2.
- NG >> Repair or replace ground connections.

2. CLEAR THE SELF-LEARNING DATA

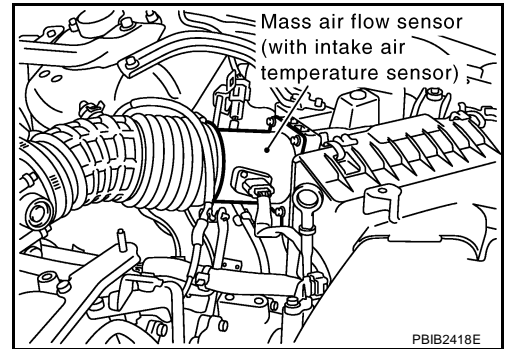
🔧 With CONSULT-II

1. Start engine and warm it up to normal operating temperature.
2. Select "SELF-LEARNING CONT" in "WORK SUPPORT" mode with CONSULT-II.
3. Clear the self-learning control coefficient by touching "CLEAR".
4. Run engine for at least 10 minutes at idle speed.
Is the 1st trip DTC P0172 or P0175 detected?
Is it difficult to start engine?



⊗ Without CONSULT-II

1. Start engine and warm it up to normal operating temperature.
2. Turn ignition switch OFF.
3. Disconnect mass air flow sensor harness connector, and restart and run engine for at least 5 seconds at idle speed.
4. Stop engine and reconnect mass air flow sensor harness connector.
5. Make sure DTC P0102 is displayed.
6. Erase the DTC memory. Refer to [EC-61, "HOW TO ERASE EMISSION-RELATED DIAGNOSTIC INFORMATION"](#).
7. Make sure DTC P0000 is displayed.
8. Run engine for at least 10 minutes at idle speed.
Is the 1st trip DTC P0172 or P0175 detected?
Is it difficult to start engine?



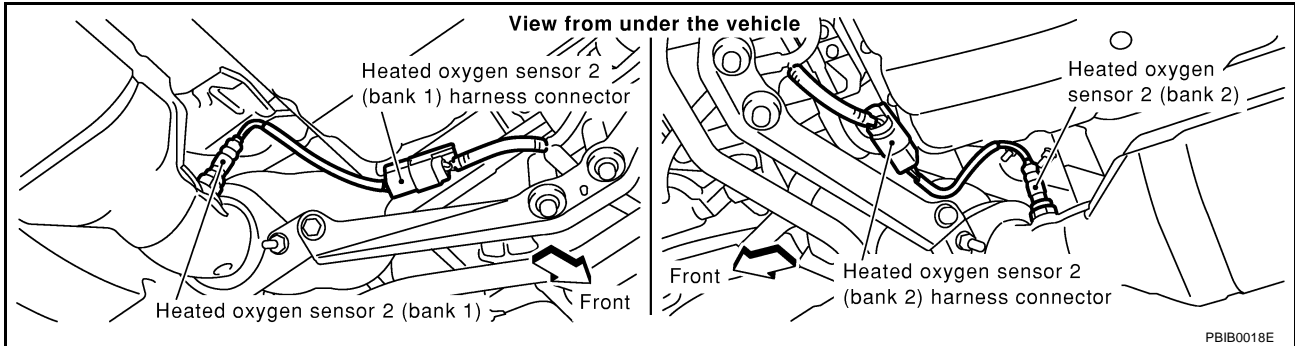
Yes or No

- Yes >> Perform trouble diagnosis for DTC P0172, P0175. Refer to [EC-328, "DTC P0172, P0175 FUEL INJECTION SYSTEM FUNCTION"](#).
- No >> GO TO 3.

DTC P0138, P0158 HO2S2

3. CHECK HO2S2 GROUND CIRCUIT FOR OPEN AND SHORT

1. Turn ignition switch OFF.
2. Disconnect heated oxygen sensor 2 harness connector.



3. Disconnect ECM harness connector.
4. Check harness continuity between HO2S2 terminal 4 and ECM terminal 78.
Refer to Wiring Diagram.

Continuity should exist.

5. Also check harness for short to ground and short to power.

OK or NG

- OK >> GO TO 5.
- NG >> GO TO 4.

4. DETECT MALFUNCTIONING PART

Check the following.

- Harness connectors E315, F5
- Harness for open or short between heated oxygen sensor 2 and ECM

>> Repair open circuit or short to ground or short to power in harness or connectors.

DTC P0138, P0158 HO2S2

5. CHECK HO2S2 INPUT SIGNAL CIRCUIT FOR OPEN AND SHORT

1. Check harness continuity between ECM terminal and HO2S2 terminal as follows.
Refer to Wiring Diagram.

DTC	Terminals		Bank
	ECM	Sensor	
P0138	55	1	1
P0158	74	1	2

Continuity should exist.

2. Check harness continuity between the following terminals and ground.
Refer to Wiring Diagram.

DTC	Terminals		Bank
	ECM	Sensor	
P0138	55	1	1
P0158	74	1	2

Continuity should not exist.

3. Also check harness for short to ground and short to power.

OK or NG

- OK >> GO TO 7.
- NG >> GO TO 6.

6. DETECT MALFUNCTIONING PART

Check the following.

- Harness connectors E315, F5
- Harness for open or short between heated oxygen sensor 2 and ECM

>> Repair open circuit or short to ground or short to power in harness or connectors.

7. CHECK HEATED OXYGEN SENSOR 2

Refer to [EC-302, "Component Inspection"](#) .

OK or NG

- OK >> GO TO 8.
- NG >> Replace malfunctioning heated oxygen sensor 2.

8. CHECK INTERMITTENT INCIDENT

Refer to [EC-145, "TROUBLE DIAGNOSIS FOR INTERMITTENT INCIDENT"](#) .

>> **INSPECTION END**

Component Inspection HEATED OXYGEN SENSOR 2

With CONSULT-II

1. Turn ignition switch ON and select "DATA MONITOR" mode with CONSULT-II.
2. Start engine and warm it up to the normal operating temperature.
3. Turn ignition switch OFF and wait at least 10 seconds.
4. Start engine and keep the engine speed between 3,500 and 4,000 rpm for at least 1 minute under no load.
5. Let engine idle for 1 minute.

DATA MONITOR	
MONITOR	NO DTC
ENG SPEED	XXX rpm
COOLANT TEMP/S	XXX °C

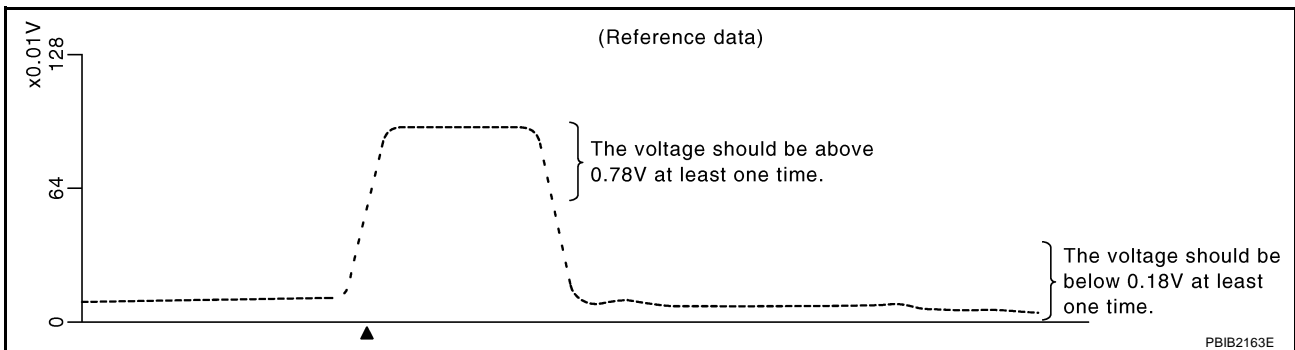
SEF174Y

6. Select "FUEL INJECTION" in "ACTIVE TEST" mode, and select "HO2S2 (B1)/(B2)" as the monitor item with CONSULT-II.

ACTIVE TEST	
FUEL INJECTION	25 %
MONITOR	
ENG SPEED	XXX rpm
HO2S2 (B1)	XXX V
HO2S2 (B2)	XXX V

PBIB1672E

7. Check "HO2S2 (B1)/(B2)" at idle speed when adjusting "FUEL INJECTION" to $\pm 25\%$.



"HO2S2 (B1)/(B2)" should be above 0.78V at least once when the "FUEL INJECTION" is +25%.
 "HO2S2 (B1)/(B2)" should be below 0.18V at least once when the "FUEL INJECTION" is -25%.

CAUTION:

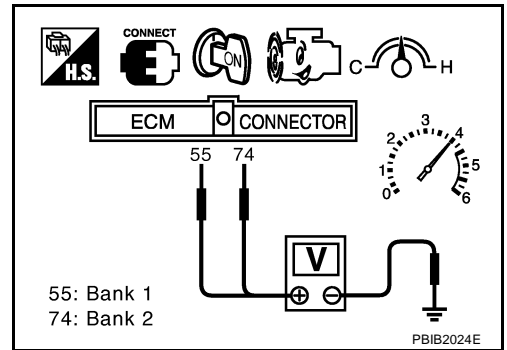
- Discard any heated oxygen sensor which has been dropped from a height of more than 0.5 m (19.7 in) onto a hard surface such as a concrete floor; use a new one.
- Before installing new oxygen sensor, clean exhaust system threads using Oxygen Sensor Thread Cleaner tool J-43897-18 or J-43897-12 and approved anti-seize lubricant.

Without CONSULT-II

1. Start engine and warm it up to the normal operating temperature.
2. Turn ignition switch OFF and wait at least 10 seconds.
3. Start engine and keep the engine speed between 3,500 and 4,000 rpm for at least 1 minute under no load.
4. Let engine idle for 1 minute.
5. Set voltmeter probes between ECM terminal 55 [HO2S2 (B1) signal] or 74 [HO2S2 (B2) signal] and ground.

DTC P0138, P0158 HO2S2

6. Check the voltage when revving up to 4,000 rpm under no load at least 10 times.
(Depress and release accelerator pedal as soon as possible.)
The voltage should be above 0.78V at least once during this procedure.
If the voltage is above 0.78V at step 6, step 7 is not necessary.
7. Keep vehicle at idling for 10 minutes, then check voltage. Or check the voltage when coasting from 80 km/h (50 MPH) in D position.
The voltage should be below 0.18V at least once during this procedure.
8. If NG, replace heated oxygen sensor 2.



CAUTION:

- Discard any heated oxygen sensor which has been dropped from a height of more than 0.5 m (19.7 in) onto a hard surface such as a concrete floor; use a new one.
- Before installing new oxygen sensor, clean exhaust system threads (using Oxygen Sensor Thread Cleaner tool J-43897-18 or J-43897-12) and approved anti-seize lubricant.

Removal and Installation HEATED OXYGEN SENSOR 2

Refer to [EX-3, "EXHAUST SYSTEM"](#) .

NBS001UW

DTC P0139, P0159 HO2S2

PFP:226A0

Component Description

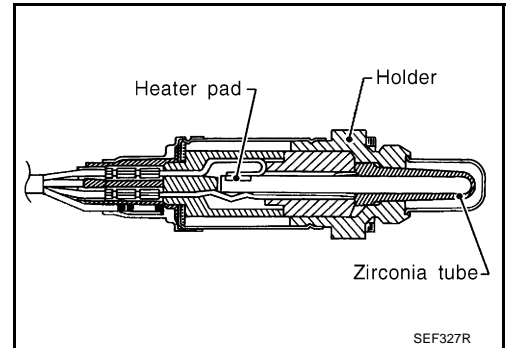
NBS002XX

The heated oxygen sensor 2, after three way catalyst (manifold), monitors the oxygen level in the exhaust gas on each bank.

Even if switching characteristics of the air fuel ratio (A/F) sensor 1 are shifted, the air-fuel ratio is controlled to stoichiometric, by the signal from the heated oxygen sensor 2.

This sensor is made of ceramic zirconia. The zirconia generates voltage from approximately 1V in richer conditions to 0V in leaner conditions.

Under normal conditions the heated oxygen sensor 2 is not used for engine control operation.



CONSULT-II Reference Value in Data Monitor Mode

NBS001UY

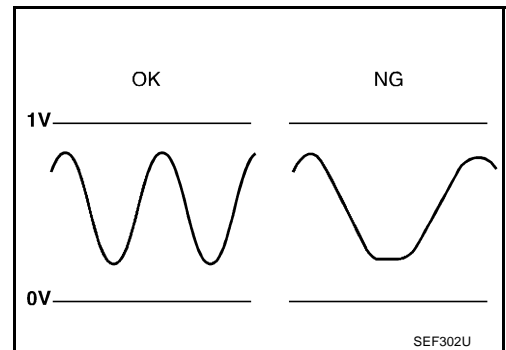
Specification data are reference values.

MONITOR ITEM	CONDITION	SPECIFICATION
HO2S2 (B1) HO2S2 (B2)	<ul style="list-style-type: none"> ● Revving engine from idle to 3,000 rpm quickly after the following conditions are met. <ul style="list-style-type: none"> - Engine: After warming up - Keeping the engine speed between 3,500 and 4,000 rpm for 1 minute and at idle for 1 minute under no load 	0 - 0.3V ↔ Approx. 0.6 - 1.0V
HO2S2 MNTR (B1) HO2S2 MNTR (B2)	<ul style="list-style-type: none"> ● Revving engine from idle to 3,000 rpm quickly after the following conditions are met. <ul style="list-style-type: none"> - Engine: After warming up - Keeping the engine speed between 3,500 and 4,000 rpm for 1 minute and at idle for 1 minute under no load 	LEAN ↔ RICH

On Board Diagnosis Logic

NBS001UZ

The heated oxygen sensor 2 has a much longer switching time between rich and lean than the A/F sensor 1. The oxygen storage capacity of the three way catalyst (manifold) causes the longer switching time. To judge the malfunctions of heated oxygen sensor 2, ECM monitors whether the switching response of the sensor's voltage is faster than specified during the various driving condition such as fuel-cut.



DTC No.	Trouble diagnosis name	DTC detecting condition	Possible cause
P0139 0139 (Bank 1)	Heated oxygen sensor 2 circuit slow response	It takes more time for the sensor to respond between rich and lean than the specified time.	<ul style="list-style-type: none"> ● Harness or connectors (The sensor circuit is open or shorted) ● Heated oxygen sensor 2 ● Fuel pressure ● Fuel injector ● Intake air leaks
P0159 0159 (Bank 2)			

DTC P0139, P0159 HO2S2

NBS001V0

DTC Confirmation Procedure

NOTE:

If DTC Confirmation Procedure has been previously conducted, always turn ignition switch OFF and wait at least 10 seconds before conducting the next test.

WITH CONSULT-II

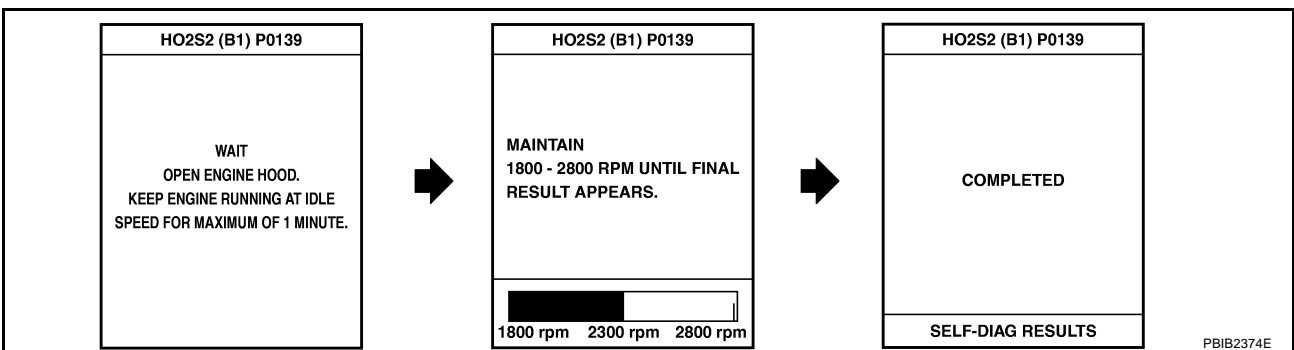
TESTING CONDITION:

For better results, perform "DTC WORK SUPPORT" at a temperature of 0 to 30 °C (32 to 86 °F).

1. Turn ignition switch ON and select "DATA MONITOR" mode with CONSULT-II.
2. Start engine and warm it up to the normal operating temperature.
3. Turn ignition switch OFF and wait at least 10 seconds.
4. Start engine and keep the engine speed between 3,500 and 4,000 rpm for at least 1 minute under no load.
5. Let engine idle for 1 minute.
6. Make sure that "COOLAN TEMP/S" indicates more than 70°C (158°F).
If not, warm up engine and go to next step when "COOLAN TEMP/S" indication reaches to 70°C (158°F).
7. Select "HO2S2 (B1) P0139" or "HO2S2 (B2) P0159" of "HO2S2" in "DTC WORK SUPPORT" mode with CONSULT-II.
8. Start engine and following the instruction of CONSULT-II.

DATA MONITOR	
MONITOR	NO DTC
ENG SPEED	XXX rpm
COOLAN TEMP/S	XXX °C

SEF174Y



NOTE:

It will take at most 10 minutes until "COMPLETED" is displayed.

9. Make sure that "OK" is displayed after touching "SELF-DIAG RESULTS".
If "NG" is displayed, refer to [EC-310, "Diagnostic Procedure"](#).
If "CAN NOT BE DIAGNOSED" is displayed, perform the following.
 - a. Turn ignition switch OFF and leave the vehicle in a cool place (soak the vehicle).
 - b. Return to step 1.

Overall Function Check

NBS001V1

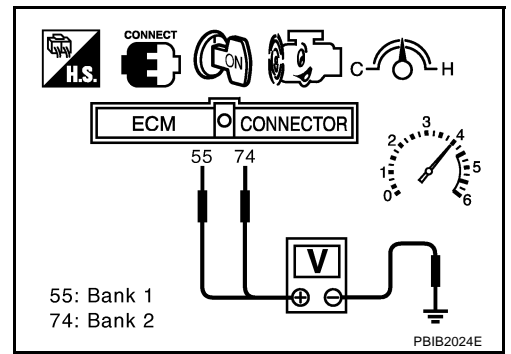
Use this procedure to check the overall function of the heated oxygen sensor 2 circuit. During this check, a 1st trip DTC might not be confirmed.

WITH GST

1. Start engine and warm it up to the normal operating temperature.
2. Turn ignition switch OFF and wait at least 10 seconds.
3. Start engine and keep the engine speed between 3,500 and 4,000 rpm for at least 1 minute under no load.
4. Let engine idle for 1 minute.
5. Set voltmeter probes between ECM terminal 55 [HO2S2 (B1) signal] or 74 [HO2S2 (B2) signal] and ground.

DTC P0139, P0159 HO2S2

6. Check the voltage when revving up to 4,000 rpm under no load at least 10 times.
(Depress and release accelerator pedal as soon as possible.)
A change of voltage should be more than 0.06V for 1 second during this procedure.
If the voltage can be confirmed in step 6, step 7 is not necessary.
7. Keep vehicle at idling for 10 minutes, then check the voltage. Or check the voltage when coasting from 80 km/h (50 MPH) in D position.
A change of voltage should be more than 0.06V for 1 second during this procedure.
8. If NG, go to [EC-310, "Diagnostic Procedure"](#).



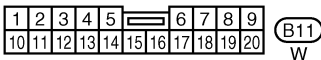
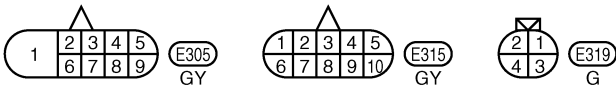
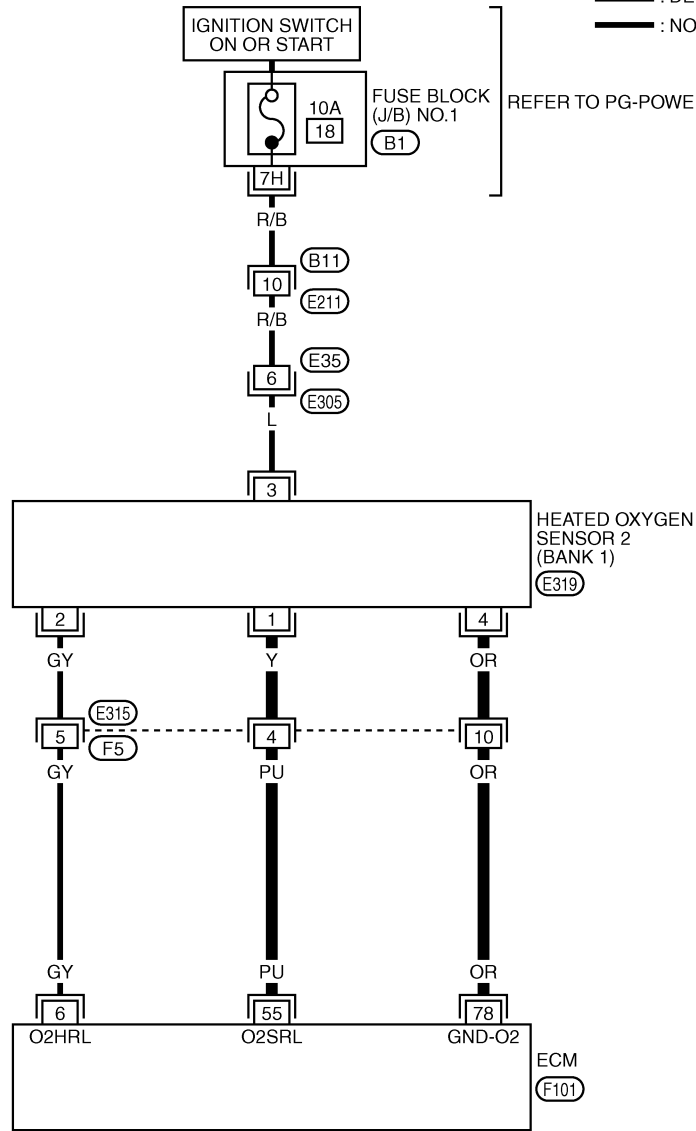
DTC P0139, P0159 HO2S2

NBS001V2

Wiring Diagram BANK 1

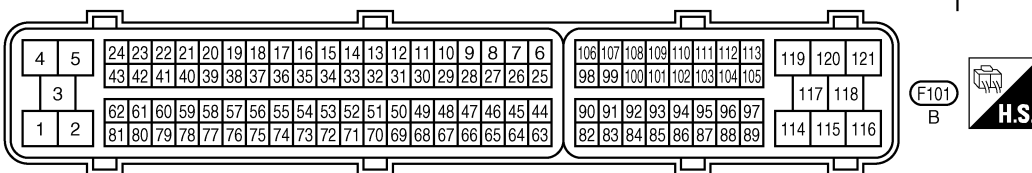
EC-O2S2B1-01

: DETECTABLE LINE FOR DTC
 : NON-DETECTABLE LINE FOR DTC



REFER TO THE FOLLOWING.

(B1) - FUSE BLOCK-JUNCTION BOX (J/B) NO.1



TBWM1226E

DTC P0139, P0159 HO2S2

Specification data are reference values and are measured between each terminal and ground.

CAUTION:

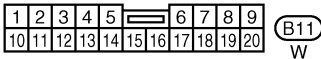
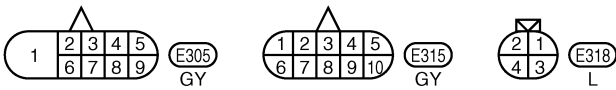
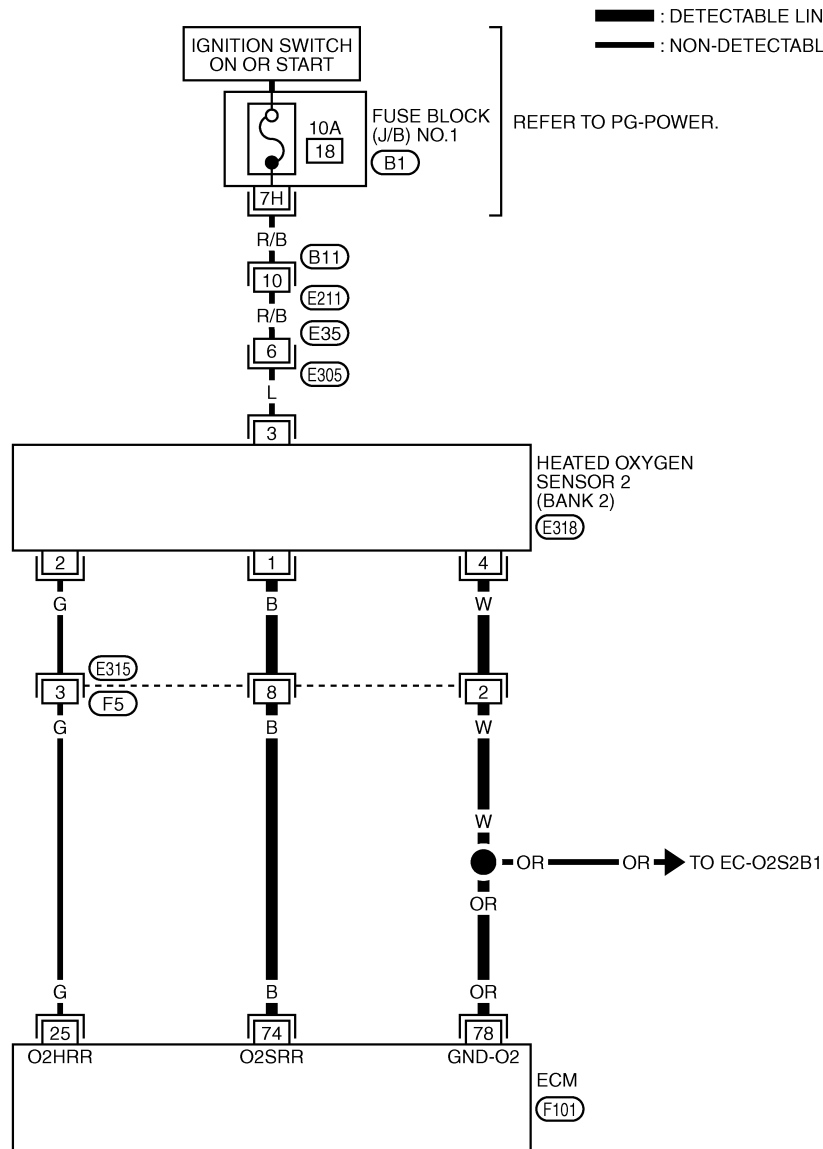
Do not use ECM ground terminals when measuring input/output voltage. Doing so may result in damage to the ECM's transistor. Use a ground other than ECM terminals, such as the ground.

TER-MINAL NO.	WIRE COLOR	ITEM	CONDITION	DATA (DC Voltage)
6	GY	Heated oxygen sensor 2 heater (bank 1)	[Engine is running] <ul style="list-style-type: none"> ● Engine speed: Below 3,600 rpm after the following conditions are met <ul style="list-style-type: none"> - Engine: After warming up - Keeping the engine speed between 3,500 and 4,000 rpm for 1 minute and at idle for 1 minute under no load 	0 - 1.0V
			[Ignition switch: ON] <ul style="list-style-type: none"> ● Engine stopped [Engine is running] <ul style="list-style-type: none"> ● Engine speed: Above 3,600 rpm 	BATTERY VOLTAGE (11 - 14V)
55	PU	Heated oxygen sensor 2 (bank 1)	[Engine is running] <ul style="list-style-type: none"> ● Revving engine from idle to 3,000 rpm quickly after the following conditions are met <ul style="list-style-type: none"> - Engine: After warming up - After keeping the engine speed between 3,500 and 4,000 rpm for 1 minute and at idle for 1 minute under no load 	0 - Approximately 1.0V
78	OR	Sensor ground (Heated oxygen sensor 2)	[Engine is running] <ul style="list-style-type: none"> ● Warm-up condition ● Idle speed 	Approximately 0V

DTC P0139, P0159 HO2S2

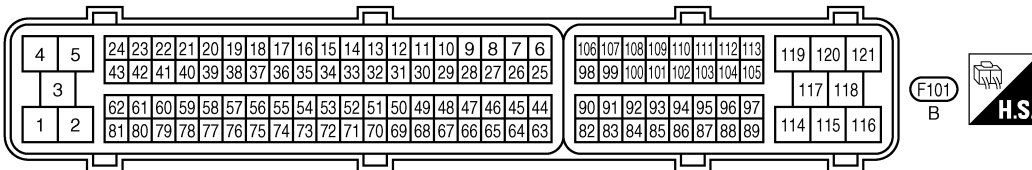
BANK 2

EC-O2S2B2-01



REFER TO THE FOLLOWING.

(B1) - FUSE BLOCK-JUNCTION BOX (J/B) NO.1



TBWM1227E

DTC P0139, P0159 HO2S2

Specification data are reference values and are measured between each terminal and ground.

CAUTION:

Do not use ECM ground terminals when measuring input/output voltage. Doing so may result in damage to the ECM's transistor. Use a ground other than ECM terminals, such as the ground.

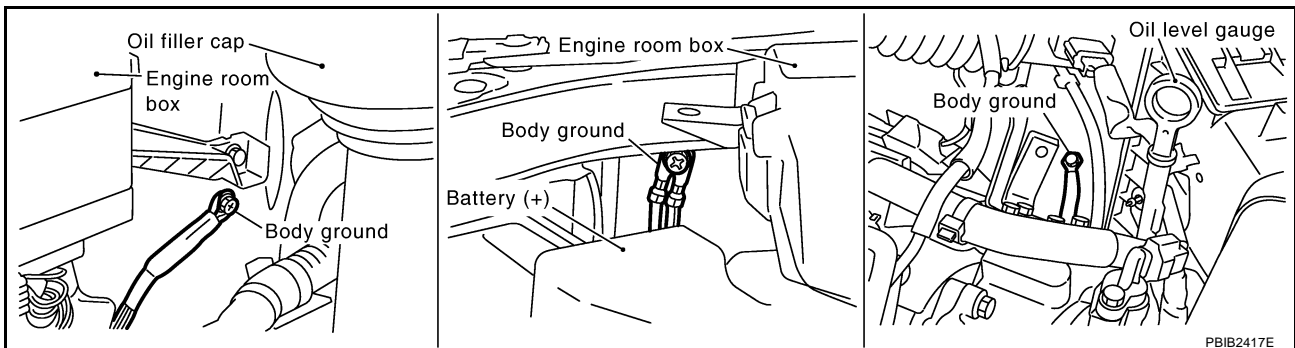
TER-MINAL NO.	WIRE COLOR	ITEM	CONDITION	DATA (DC Voltage)
25	G	Heated oxygen sensor 2 heater (bank 2)	[Engine is running] <ul style="list-style-type: none"> ● Engine speed: Below 3,600 rpm after the following conditions are met <ul style="list-style-type: none"> - Engine: After warming up - Keeping the engine speed between 3,500 and 4,000 rpm for 1 minute and at idle for 1 minute under no load 	0 - 1.0V
			[Ignition switch: ON] <ul style="list-style-type: none"> ● Engine stopped [Engine is running] <ul style="list-style-type: none"> ● Engine speed: Above 3,600 rpm 	BATTERY VOLTAGE (11 - 14V)
74	B	Heated oxygen sensor 2 (bank 2)	[Engine is running] <ul style="list-style-type: none"> ● Revving engine from idle to 3,000 rpm quickly after the following conditions are met <ul style="list-style-type: none"> - Engine: After warming up - After keeping the engine speed between 3,500 and 4,000 rpm for 1 minute and at idle for 1 minute under no load 	0 - Approximately 1.0V
78	OR	Sensor ground (Heated oxygen sensor 2)	[Engine is running] <ul style="list-style-type: none"> ● Warm-up condition ● Idle speed 	Approximately 0V

Diagnostic Procedure

NBS001V3

1. CHECK GROUND CONNECTIONS

1. Turn ignition switch OFF.
2. Loosen and retighten three ground screws on the body.
Refer to [EC-154, "Ground Inspection"](#).



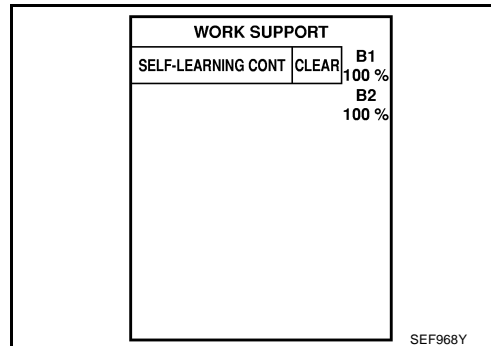
OK or NG

- OK >> GO TO 2.
- NG >> Repair or replace ground connections.

2. CLEAR THE SELF-LEARNING DATA

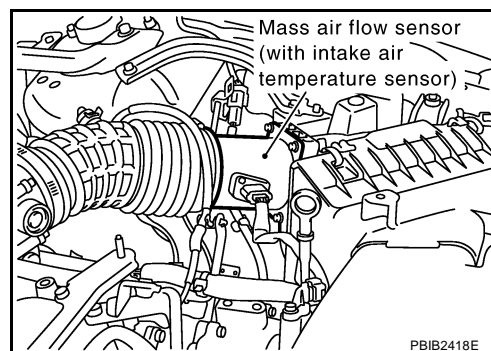
With CONSULT-II

1. Start engine and warm it up to normal operating temperature.
2. Select "SELF-LEARNING CONT" in "WORK SUPPORT" mode with CONSULT-II.
3. Clear the self-learning control coefficient by touching "CLEAR".
4. Run engine for at least 10 minutes at idle speed.
**Is the 1st trip DTC P0171, P0172, P0174 or P0175 detected?
 Is it difficult to start engine?**



Without CONSULT-II

1. Start engine and warm it up to normal operating temperature.
2. Turn ignition switch OFF.
3. Disconnect mass air flow sensor harness connector, and restart and run engine for at least 5 seconds at idle speed.
4. Stop engine and reconnect mass air flow sensor harness connector.
5. Make sure DTC P0102 is displayed.
6. Erase the DTC memory. Refer to [EC-61, "HOW TO ERASE EMISSION-RELATED DIAGNOSTIC INFORMATION"](#).
7. Make sure DTC P0000 is displayed.
8. Run engine for at least 10 minutes at idle speed.
**Is the 1st trip DTC P0171, P0172, P0174 or P0175 detected?
 Is it difficult to start engine?**



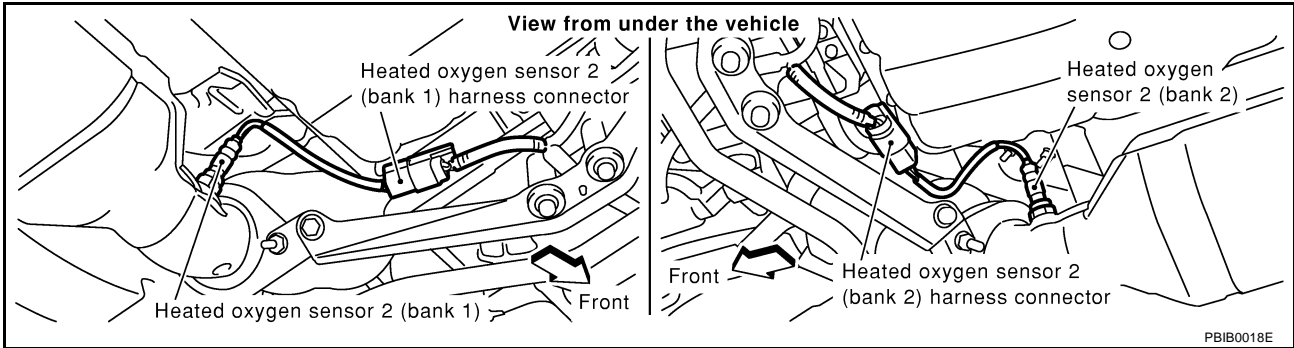
Yes or No

- Yes >> Perform trouble diagnosis for DTC P0171, P0174 or P0172, P0175. Refer to [EC-316, "DTC P0171, P0174 FUEL INJECTION SYSTEM FUNCTION"](#) or [EC-328, "DTC P0172, P0175 FUEL INJECTION SYSTEM FUNCTION"](#).
- No >> GO TO 3.

DTC P0139, P0159 HO2S2

3. CHECK HO2S2 GROUND CIRCUIT FOR OPEN AND SHORT

1. Turn ignition switch OFF.
2. Disconnect heated oxygen sensor 2 harness connector.



3. Disconnect ECM harness connector.
4. Check harness continuity between HO2S2 terminal 4 and ECM terminal 78.
Refer to Wiring Diagram.

Continuity should exist.

5. Also check harness for short to ground and short to power.

OK or NG

- OK >> GO TO 5.
- NG >> GO TO 4.

4. DETECT MALFUNCTIONING PART

Check the following.

- Harness connectors E315, F5
- Harness for open or short between heated oxygen sensor 2 and ECM

>> Repair open circuit or short to ground or short to power in harness or connectors.

DTC P0139, P0159 HO2S2

5. CHECK HO2S2 INPUT SIGNAL CIRCUIT FOR OPEN AND SHORT

1. Check harness continuity between ECM terminal and HO2S2 terminal as follows.
Refer to Wiring Diagram.

DTC	Terminals		Bank
	ECM	Sensor	
P0139	55	1	1
P0159	74	1	2

Continuity should exist.

2. Check harness continuity between the following terminals and ground.
Refer to Wiring Diagram.

DTC	Terminals		Bank
	ECM	Sensor	
P0139	55	1	1
P0159	74	1	2

Continuity should not exist.

3. Also check harness for short to ground and short to power.

OK or NG

- OK >> GO TO 7.
- NG >> GO TO 6.

6. DETECT MALFUNCTIONING PART

Check the following.

- Harness connectors E315, F5
- Harness for open or short between heated oxygen sensor 2 and ECM

>> Repair open circuit or short to ground or short to power in harness or connectors.

7. CHECK HEATED OXYGEN SENSOR 2

Refer to [EC-314, "Component Inspection"](#) .

OK or NG

- OK >> GO TO 8.
- NG >> Replace malfunctioning heated oxygen sensor 2.

8. CHECK INTERMITTENT INCIDENT

Refer to [EC-145, "TROUBLE DIAGNOSIS FOR INTERMITTENT INCIDENT"](#) .

>> **INSPECTION END**

Component Inspection HEATED OXYGEN SENSOR 2

With CONSULT-II

1. Turn ignition switch ON and select "DATA MONITOR" mode with CONSULT-II.
2. Start engine and warm it up to the normal operating temperature.
3. Turn ignition switch OFF and wait at least 10 seconds.
4. Start engine and keep the engine speed between 3,500 and 4,000 rpm for at least 1 minute under no load.
5. Let engine idle for 1 minute.

DATA MONITOR	
MONITOR	NO DTC
ENG SPEED	XXX rpm
COOLANT TEMP/S	XXX °C

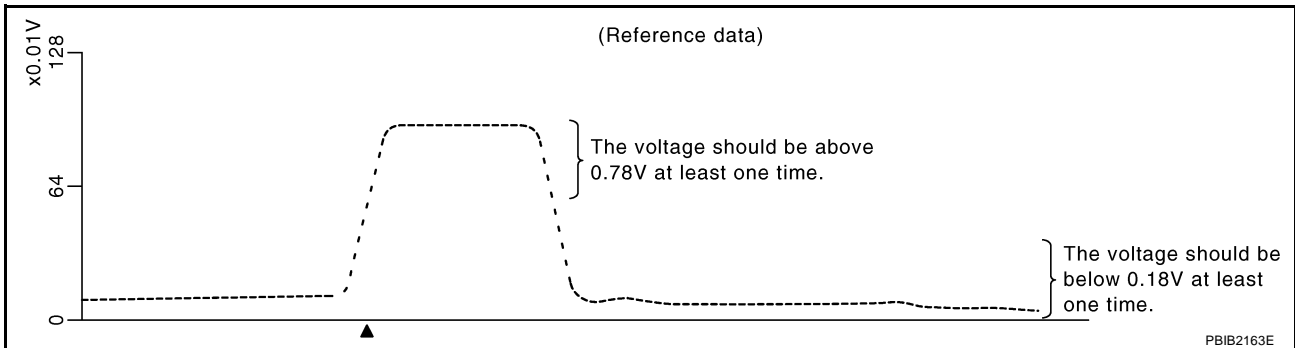
SEF174Y

6. Select "FUEL INJECTION" in "ACTIVE TEST" mode, and select "HO2S2 (B1)/(B2)" as the monitor item with CONSULT-II.

ACTIVE TEST	
FUEL INJECTION	25 %
MONITOR	
ENG SPEED	XXX rpm
HO2S2 (B1)	XXX V
HO2S2 (B2)	XXX V

PBIB1672E

7. Check "HO2S2 (B1)/(B2)" at idle speed when adjusting "FUEL INJECTION" to $\pm 25\%$.



"HO2S2 (B1)/(B2)" should be above 0.78V at least once when the "FUEL INJECTION" is +25%.
 "HO2S2 (B1)/(B2)" should be below 0.18V at least once when the "FUEL INJECTION" is -25%.

CAUTION:

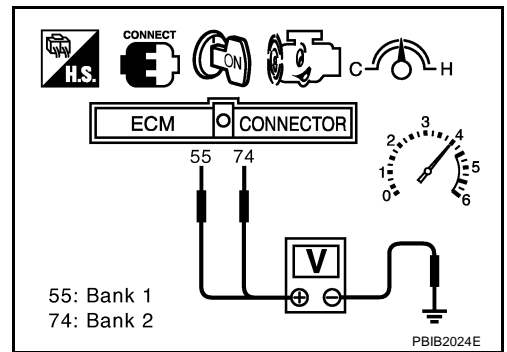
- Discard any heated oxygen sensor which has been dropped from a height of more than 0.5 m (19.7 in) onto a hard surface such as a concrete floor; use a new one.
- Before installing new oxygen sensor, clean exhaust system threads using Oxygen Sensor Thread Cleaner tool J-43897-18 or J-43897-12 and approved anti-seize lubricant.

Without CONSULT-II

1. Start engine and warm it up to the normal operating temperature.
2. Turn ignition switch OFF and wait at least 10 seconds.
3. Start engine and keep the engine speed between 3,500 and 4,000 rpm for at least 1 minute under no load.
4. Let engine idle for 1 minute.
5. Set voltmeter probes between ECM terminal 55 [HO2S2 (B1) signal] or 74 [HO2S2 (B2) signal] and ground.

DTC P0139, P0159 HO2S2

6. Check the voltage when revving up to 4,000 rpm under no load at least 10 times.
(Depress and release accelerator pedal as soon as possible.)
The voltage should be above 0.78V at least once during this procedure.
If the voltage is above 0.78V at step 6, step 7 is not necessary.
7. Keep vehicle at idling for 10 minutes, then check voltage. Or check the voltage when coasting from 80 km/h (50 MPH) in D position.
The voltage should be below 0.18V at least once during this procedure.
8. If NG, replace heated oxygen sensor 2.



CAUTION:

- Discard any heated oxygen sensor which has been dropped from a height of more than 0.5 m (19.7 in) onto a hard surface such as a concrete floor; use a new one.
- Before installing new oxygen sensor, clean exhaust system threads using Oxygen Sensor Thread Cleaner tool J-43897-18 or J-43897-12 and approved anti-seize lubricant.

Removal and Installation HEATED OXYGEN SENSOR 2

NBS001V5

Refer to [EX-3, "EXHAUST SYSTEM"](#) .

DTC P0171, P0174 FUEL INJECTION SYSTEM FUNCTION

DTC P0171, P0174 FUEL INJECTION SYSTEM FUNCTION

PFP:16600

On Board Diagnosis Logic

NBS001V6

With the Air-Fuel Mixture Ratio Self-Learning Control, the actual mixture ratio can be brought closely to the theoretical mixture ratio based on the mixture ratio feedback signal from the air fuel ratio (A/F) sensor 1. The ECM calculates the necessary compensation to correct the offset between the actual and the theoretical ratios.

In case the amount of the compensation value is extremely large (The actual mixture ratio is too lean.), the ECM judges the condition as the fuel injection system malfunction and lights up the MIL (2 trip detection logic).

Sensor	Input Signal to ECM	ECM function	Actuator
A/F sensor 1	Density of oxygen in exhaust gas (Mixture ratio feedback signal)	Fuel injection control	Fuel injector

DTC No.	Trouble diagnosis name	DTC detecting condition	Possible cause
P0171 0171 (Bank 1)	Fuel injection system too lean	<ul style="list-style-type: none"> Fuel injection system does not operate properly. The amount of mixture ratio compensation is too large. (The mixture ratio is too lean.) 	<ul style="list-style-type: none"> Intake air leaks A/F sensor 1 Fuel injector Exhaust gas leaks Incorrect fuel pressure Lack of fuel Mass air flow sensor Incorrect PCV hose connection
P0174 0174 (Bank 2)			

DTC Confirmation Procedure

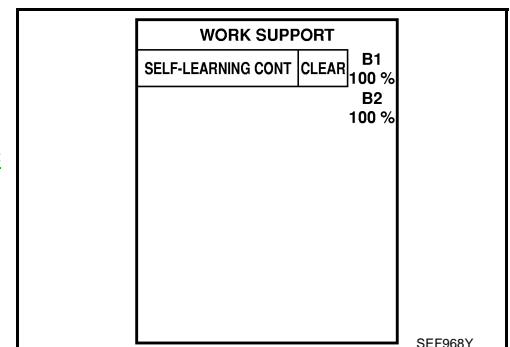
NBS001V7

NOTE:

If DTC Confirmation Procedure has been previously conducted, always turn ignition switch OFF and wait at least 10 seconds before conducting the next test.

WITH CONSULT-II

- Start engine and warm it up to normal operating temperature.
- Turn ignition switch OFF and wait at least 10 seconds.
- Turn ignition switch ON and select "SELF-LEARNING CONT" in "WORK SUPPORT" mode with CONSULT-II.
- Clear the self-learning control coefficient by touching "CLEAR".
- Select "DATA MONITOR" mode with CONSULT-II.
- Start engine again and let it idle for at least 10 minutes. The 1st trip DTC P0171 or P0174 should be detected at this stage, if a malfunction exists. If so, go to [EC-322, "Diagnostic Procedure"](#).



SEF968Y

NOTE:

If 1st trip DTC is not detected during above procedure, performing the following procedure is advised.

- Turn ignition switch OFF and wait at least 10 seconds.
- Start engine and drive the vehicle under the similar conditions to (1st trip) Freeze Frame Data for 10 minutes. Refer to the table below. **Hold the accelerator pedal as steady as possible.**

The similar conditions to (1st trip) Freeze Frame Data means the vehicle operation that the following conditions should be satisfied at the same time.

Engine speed	Engine speed in the freeze frame data \pm 400 rpm
Vehicle speed	Vehicle speed in the freeze frame data \pm 10 km/h (6 MPH)

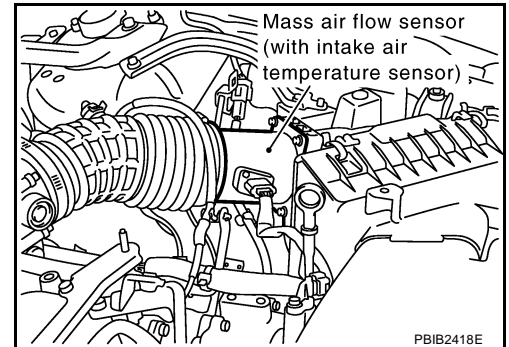
DTC P0171, P0174 FUEL INJECTION SYSTEM FUNCTION

Engine coolant temperature (T) condition	When the freeze frame data shows lower than 70 °C (158 °F), T should be lower than 70 °C (158 °F).
	When the freeze frame data shows higher than or equal to 70 °C (158 °F), T should be higher than or equal to 70 °C (158 °F).

7. If it is difficult to start engine at step 6, the fuel injection system has a malfunction, too.
8. Crank engine while depressing accelerator pedal. If engine starts, go to [EC-322, "Diagnostic Procedure"](#). If engine does not start, check exhaust and intake air leak visually.

WITH GST

1. Start engine and warm it up to normal operating temperature.
2. Turn ignition switch OFF and wait at least 10 seconds.
3. Disconnect mass air flow sensor harness connector.
4. Restart engine and let it idle for at least 5 seconds.
5. Stop engine and reconnect mass air flow sensor harness connector.
6. Select Service \$03 with GST. Make sure DTC P0102 is detected.
7. Select Service \$04 with GST and erase the DTC P0102.
8. Start engine again and let it idle for at least 10 minutes.
9. Select Service \$07 with GST. The 1st trip DTC P0171 or P0174 should be detected at this stage, if a malfunction exists. If so, go to [EC-322, "Diagnostic Procedure"](#).



NOTE:

If 1st trip DTC is not detected during above procedure, performing the following procedure is advised.

- a. Turn ignition switch OFF and wait at least 10 seconds.
- b. Start engine and drive the vehicle under the similar conditions to (1st trip) Freeze Frame Data for 10 minutes. Refer to the table below.

Hold the accelerator pedal as steady as possible.

The similar conditions to (1st trip) Freeze Frame Data means the vehicle operation that the following conditions should be satisfied at the same time.

Engine speed	Engine speed in the freeze frame data \pm 400 rpm
Vehicle speed	Vehicle speed in the freeze frame data \pm 10 km/h (6 MPH)
Engine coolant temperature (T) condition	When the freeze frame data shows lower than 70 °C (158 °F), T should be lower than 70 °C (158 °F).
	When the freeze frame data shows higher than or equal to 70 °C (158 °F), T should be higher than or equal to 70 °C (158 °F).

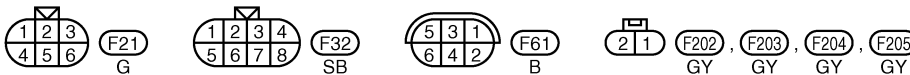
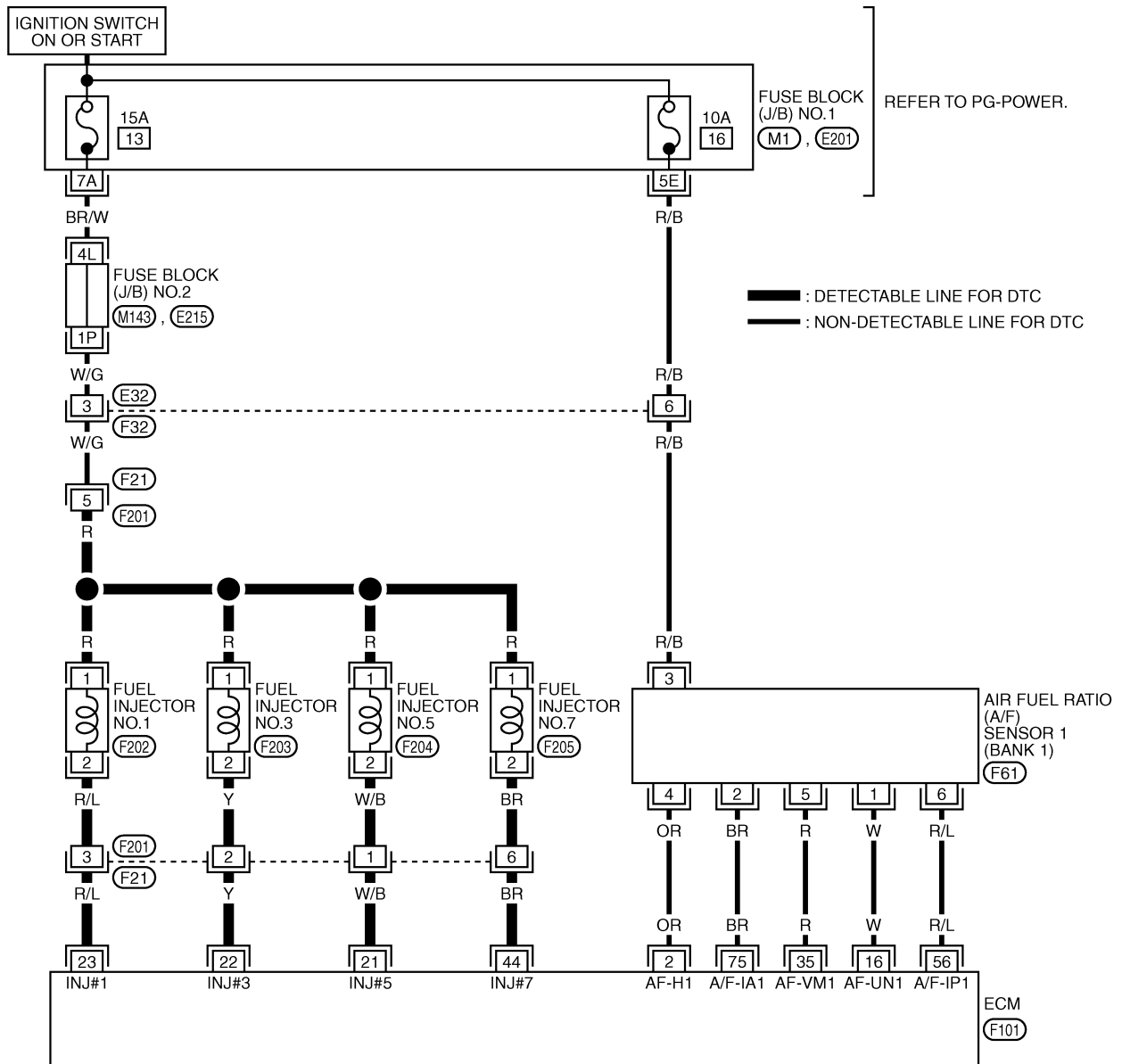
10. If it is difficult to start engine at step 8, the fuel injection system has a malfunction.
11. Crank engine while depressing accelerator pedal. If engine starts, go to [EC-322, "Diagnostic Procedure"](#). If engine does not start, check exhaust and intake air leak visually.

DTC P0171, P0174 FUEL INJECTION SYSTEM FUNCTION

NBS001V8

Wiring Diagram BANK 1

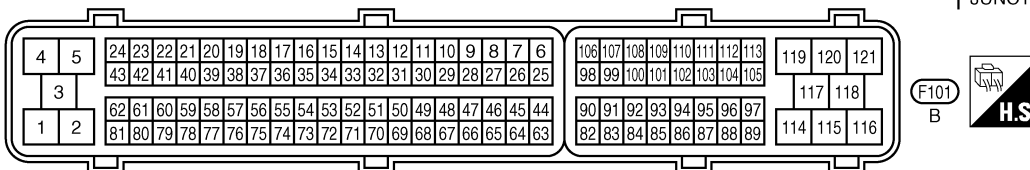
EC-FUELB1-01



REFER TO THE FOLLOWING.

(M1, E201) - FUSE BLOCK-JUNCTION BOX (J/B) NO.1

(M143, E215) - FUSE BLOCK-JUNCTION BOX (J/B) NO.2



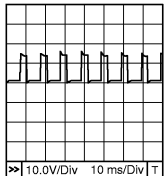
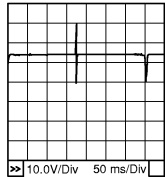
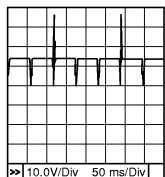
TBWM1228E

DTC P0171, P0174 FUEL INJECTION SYSTEM FUNCTION

Specification data are reference values and are measured between each terminal and ground.
Pulse signal is measured by CONSULT-II.

CAUTION:

Do not use ECM ground terminals when measuring input/output voltage. Doing so may result in damage to the ECM's transistor. Use a ground other than ECM terminals, such as the ground.

TER-MINAL NO.	WIRE COLOR	ITEM	CONDITION	DATA (DC Voltage)
2	OR	A/F sensor 1 heater (bank 1)	<p>[Engine is running]</p> <ul style="list-style-type: none"> ● Warm-up condition ● Idle speed 	<p>Approximately 5V★</p>  <p style="text-align: right;">PBIB1584E</p>
16	W	A/F sensor 1 (bank 1)	<p>[Engine is running]</p> <ul style="list-style-type: none"> ● Warm-up condition ● Idle speed 	Approximately 3.1V
35	R			Approximately 2.6V
56	R/L			Approximately 2.3V
75	BR			Approximately 2.3V
21 22 23 44	W/B Y R/L BR	Fuel injector No. 5 Fuel injector No. 3 Fuel injector No. 1 Fuel injector No. 7	<p>[Engine is running]</p> <ul style="list-style-type: none"> ● Warm-up condition ● Idle speed <p>NOTE: The pulse cycle changes depending on rpm at idle</p>	<p>BATTERY VOLTAGE (11 - 14V)★</p>  <p style="text-align: right;">PBIB0042E</p>
			<p>[Engine is running]</p> <ul style="list-style-type: none"> ● Warm-up condition ● Engine speed: 2,000 rpm 	<p>BATTERY VOLTAGE (11 - 14V)★</p>  <p style="text-align: right;">PBIB0043E</p>

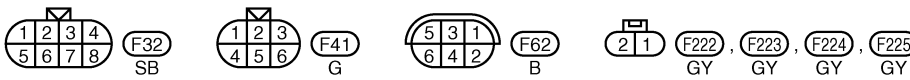
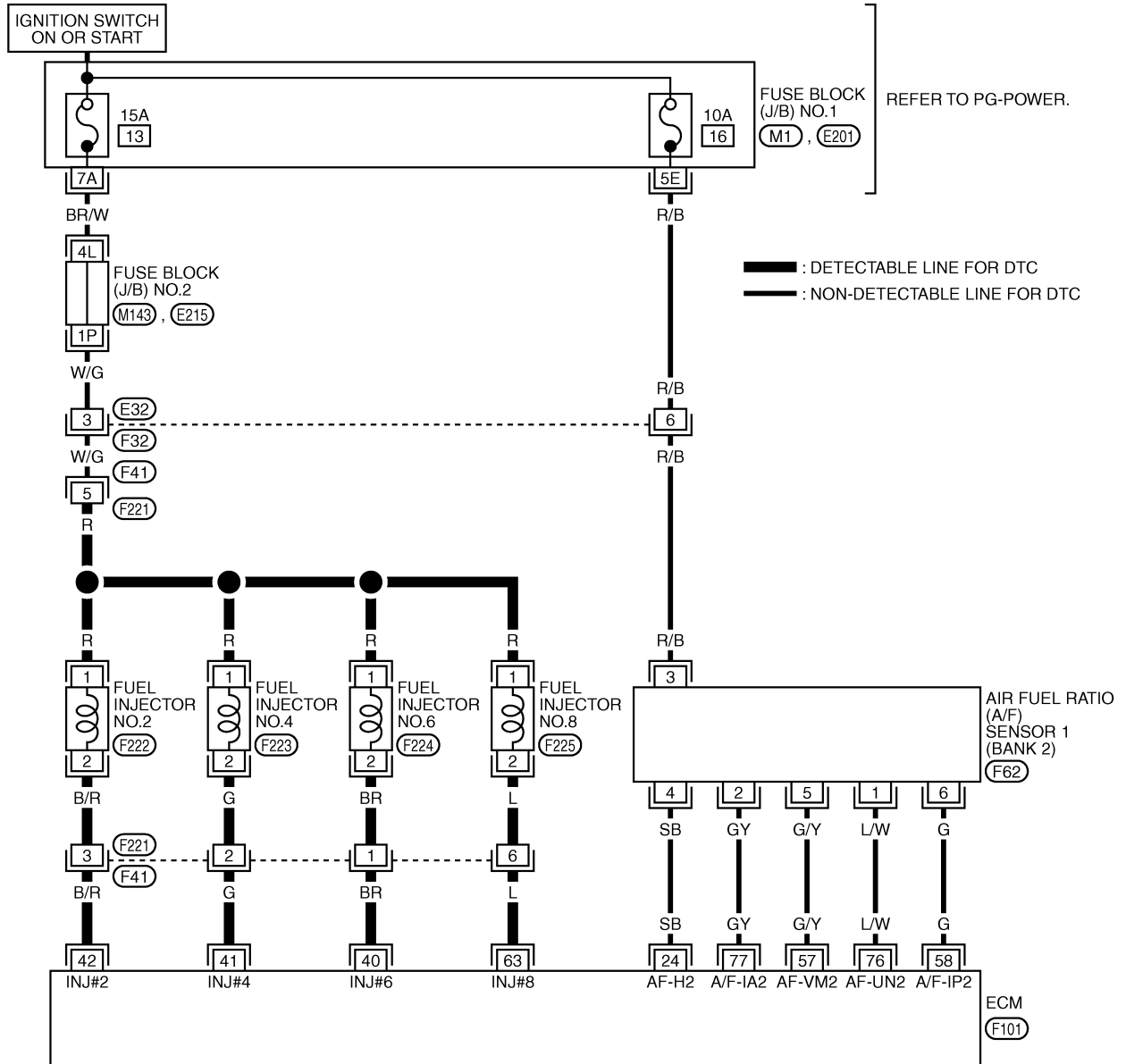
★: Average voltage for pulse signal (Actual pulse signal can be confirmed by oscilloscope.)

A
EC
C
D
E
F
G
H
I
J
K
L
M

DTC P0171, P0174 FUEL INJECTION SYSTEM FUNCTION

BANK 2

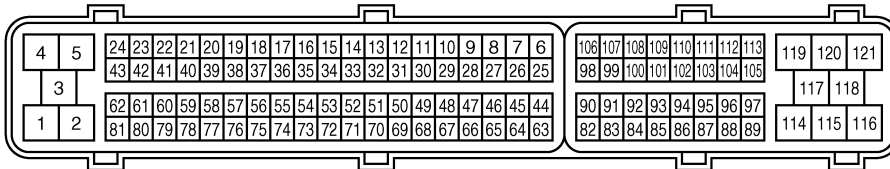
EC-FUELB2-01



REFER TO THE FOLLOWING.

(M1), (E201) - FUSE BLOCK-JUNCTION BOX (J/B) NO.1

(M143), (E215) - FUSE BLOCK-JUNCTION BOX (J/B) NO.2



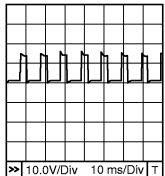
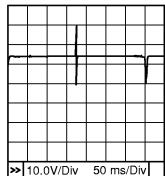
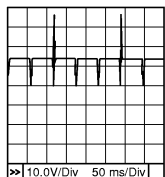
TBWM1229E

DTC P0171, P0174 FUEL INJECTION SYSTEM FUNCTION

Specification data are reference values and are measured between each terminal and ground.
Pulse signal is measured by CONSULT-II.

CAUTION:

Do not use ECM ground terminals when measuring input/output voltage. Doing so may result in damage to the ECM's transistor. Use a ground other than ECM terminals, such as the ground.

TER-MINAL NO.	WIRE COLOR	ITEM	CONDITION	DATA (DC Voltage)
24	SB	A/F sensor 1 heater (bank 2)	<p>[Engine is running]</p> <ul style="list-style-type: none"> ● Warm-up condition ● Idle speed 	<p>Approximately 5V★</p>  <p style="text-align: right;">PBIB1584E</p>
40 41 42 63	BR G B/R L	Fuel injector No. 6 Fuel injector No. 4 Fuel injector No. 2 Fuel injector No. 8	<p>[Engine is running]</p> <ul style="list-style-type: none"> ● Warm-up condition ● Idle speed <p>NOTE: The pulse cycle changes depending on rpm at idle</p>	<p>BATTERY VOLTAGE (11 - 14V)★</p>  <p style="text-align: right;">PBIB0042E</p>
			<p>[Engine is running]</p> <ul style="list-style-type: none"> ● Warm-up condition ● Engine speed: 2,000 rpm 	<p>BATTERY VOLTAGE (11 - 14V)★</p>  <p style="text-align: right;">PBIB0043E</p>
57 58 76 77	G/Y G L/W GY	A/F sensor 1 (bank 2)	<p>[Engine is running]</p> <ul style="list-style-type: none"> ● Warm-up condition ● Idle speed 	<p>Approximately 2.6V</p> <hr/> <p>Approximately 2.3V</p> <hr/> <p>Approximately 3.1V</p> <hr/> <p>Approximately 2.3V</p>

★: Average voltage for pulse signal (Actual pulse signal can be confirmed by oscilloscope.)

A
EC
C
D
E
F
G
H
I
J
K
L
M

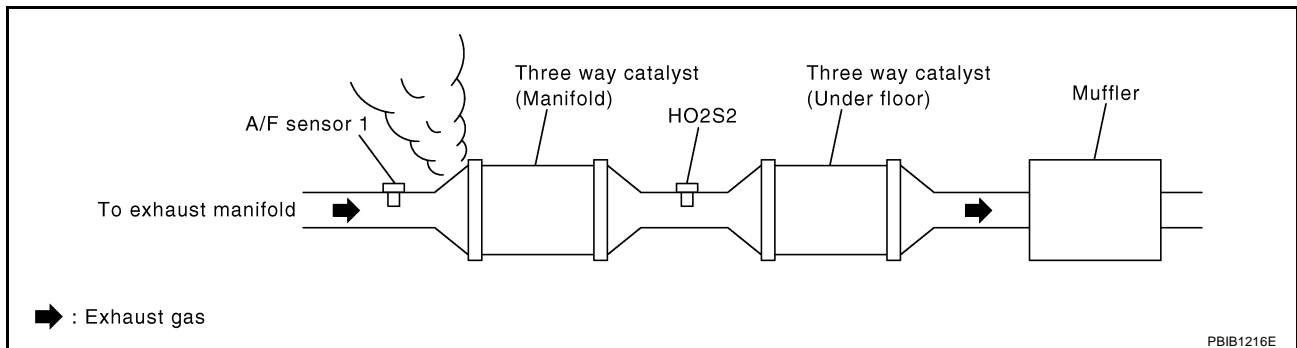
DTC P0171, P0174 FUEL INJECTION SYSTEM FUNCTION

Diagnostic Procedure

NBS001V9

1. CHECK EXHAUST GAS LEAK

1. Start engine and run it at idle.
2. Listen for an exhaust gas leak before three way catalyst (manifold).



OK or NG

- OK >> GO TO 2.
- NG >> Repair or replace.

2. CHECK FOR INTAKE AIR LEAK

1. Listen for an intake air leak after the mass air flow sensor.
2. Check PCV hose connection.

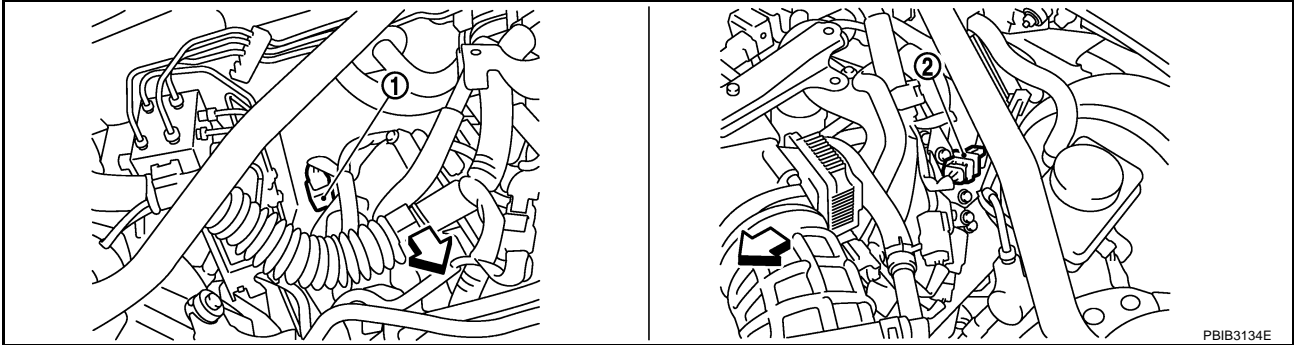
OK or NG

- OK >> GO TO 3.
- NG >> Repair or replace.

DTC P0171, P0174 FUEL INJECTION SYSTEM FUNCTION

3. CHECK AIR FUEL RATIO (A/F) SENSOR 1 INPUT SIGNAL CIRCUIT

1. Turn ignition switch OFF.
2. Disconnect corresponding air fuel ratio (A/F) sensor 1 harness connector.



↶ : Vehicle front

1. A/F sensor 1 (bank 2) harness connector

2. A/F sensor 1 (bank 1) harness connector

3. Disconnect ECM harness connector.
4. Check harness continuity between the following terminals. Refer to Wiring Diagram.

	A/F sensor 1 terminal	ECM terminal
Bank 1	1	16
	2	75
	5	35
	6	56
Bank 2	1	76
	2	77
	5	57
	6	58

Continuity should exist.

5. Check harness continuity between the following terminals and ground. Refer to Wiring Diagram.

Bank 1		Bank 2	
A/F sensor 1 terminal	ECM terminal	A/F sensor 1 terminal	ECM terminal
1	16	1	76
2	75	2	77
5	35	5	57
6	56	6	58

Continuity should not exist.

6. Also check harness for short to power.

OK or NG

OK >> GO TO 4.

NG >> Repair open circuit or short to ground or short to power in harness or connectors.

DTC P0171, P0174 FUEL INJECTION SYSTEM FUNCTION

4. CHECK FUEL PRESSURE

1. Release fuel pressure to zero. Refer to [EC-80, "FUEL PRESSURE RELEASE"](#) .
2. Install fuel pressure gauge and check fuel pressure. Refer to [EC-80, "FUEL PRESSURE CHECK"](#) .

At idling: 350 kPa (3.57 kg/cm² , 51 psi)

OK or NG

- OK >> GO TO 6.
NG >> GO TO 5.

5. DETECT MALFUNCTIONING PART

Check the following.

- Fuel pump and circuit (Refer to [EC-534, "DTC P1220 FUEL PUMP CONTROL MODULE \(FPCM\)"](#) , [EC-715, "FUEL PUMP"](#) .)
- Fuel pressure regulator (Refer to [EC-80, "FUEL PRESSURE CHECK"](#) .)
- Fuel lines (Refer to [MA-15, "Checking Fuel Lines"](#) .)
- Fuel filter for clogging

>> Repair or replace.

6. CHECK MASS AIR FLOW SENSOR

 **With CONSULT-II**

1. Install all removed parts.
2. Check "MASS AIR FLOW" in "DATA MONITOR" mode with CONSULT-II.

3.8 - 5.2 g-m/sec: at idling
16.0 - 21.5 g-m/sec: at 2,500 rpm

 **With GST**

1. Install all removed parts.
2. Check mass air flow sensor signal in "Service \$01" with GST.

3.8 - 5.2 g-m/sec: at idling
16.0 - 21.5 g-m/sec: at 2,500 rpm

OK or NG

- OK (With CONSULT-II)>>GO TO 7.
OK (Without CONSULT-II)>>GO TO 8.
NG >> Check connectors for rusted terminals or loose connections in the mass air flow sensor circuit or grounds. Refer to [EC-195, "DTC P0101 MAF SENSOR"](#) .

DTC P0171, P0174 FUEL INJECTION SYSTEM FUNCTION

7. CHECK FUNCTION OF FUEL INJECTOR

④ With CONSULT-II

1. Start engine.
2. Perform "POWER BALANCE" in "ACTIVE TEST" mode with CONSULT-II.
3. Make sure that each circuit produces a momentary engine speed drop.

ACTIVE TEST	
POWER BALANCE	
MONITOR	
ENG SPEED	XXX rpm
MAS A/F SE-B1	XXX V

PBIB0133E

OK or NG

- OK >> GO TO 10.
NG >> Perform trouble diagnosis for [EC-706, "FUEL INJECTOR"](#) .

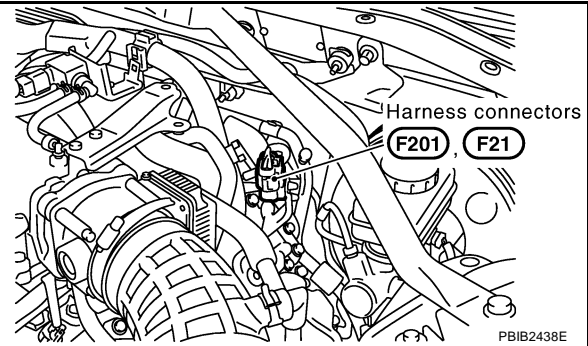
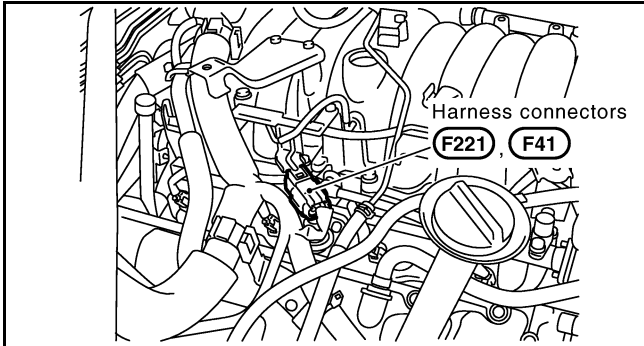
A
EC
C
D
E
F
G
H
I
J
K
L
M

DTC P0171, P0174 FUEL INJECTION SYSTEM FUNCTION

8. CHECK FUNCTION OF FUEL INJECTOR-I

⊗ Without CONSULT-II

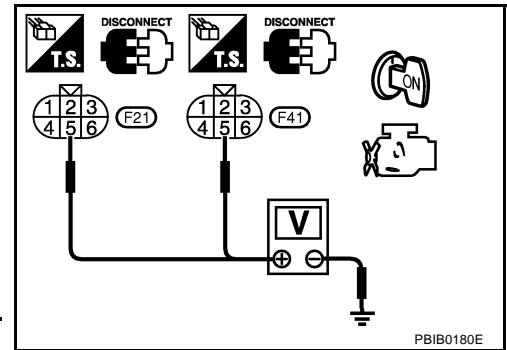
1. Turn ignition switch OFF.
2. Disconnect harness connectors F21, F201 (bank 1) and F41, F221 (bank 2).



3. Turn ignition switch ON.
4. Check voltage between the following; harness connector F21 terminal 5 and ground, harness connector F41 terminal 5 and ground with CONSULT-II or tester.

Voltage: Battery voltage

5. Turn ignition switch OFF.
6. Disconnect ECM harness connector.
7. Check harness continuity between the following terminals.



Cylinder	Harness connector terminal	ECM terminal
1	F21 terminal 3	23
3	F21 terminal 2	22
5	F21 terminal 1	21
7	F21 terminal 6	44
2	F41 terminal 3	42
4	F41 terminal 2	41
6	F41 terminal 1	40
8	F41 terminal 6	63

Continuity should exist.

8. Also check harness for short to ground and short to power.

OK or NG

OK >> GO TO 9.

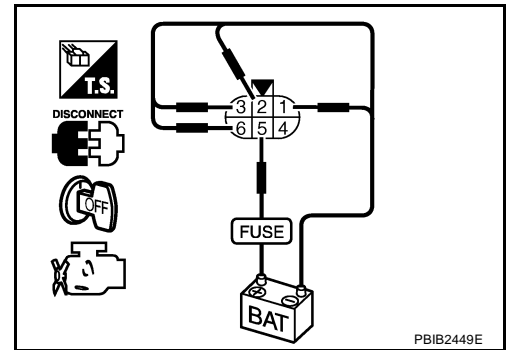
NG >> Perform trouble diagnosis for [EC-706. "FUEL INJECTOR"](#).

DTC P0171, P0174 FUEL INJECTION SYSTEM FUNCTION

9. CHECK FUNCTION OF FUEL INJECTOR-II

Provide battery voltage between the following terminals, and then interrupt it. Listen to each fuel injector operating sound.

Cylinder	Harness connector	terminal	
		(+)	(-)
1	F201	5	3
3			2
5			1
7			6
2	F221	5	3
4			2
6			1
8			6



Operating sound should exist.

OK or NG

OK >> GO TO 10.

NG >> Perform trouble diagnosis for [EC-706, "FUEL INJECTOR"](#) .

10. CHECK FUEL INJECTOR

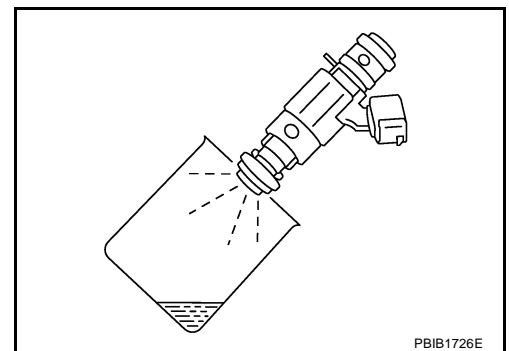
- Turn ignition switch OFF.
- Confirm that the engine is cooled down and there are no fire hazards near the vehicle.
- Disconnect all fuel injector harness connectors.
- Remove fuel tube assembly. Refer to [EM-32, "FUEL INJECTOR AND FUEL TUBE"](#) .
Keep fuel hose and all fuel injectors connected to fuel tube.
- For DTC P0171, reconnect fuel injector harness connectors on bank 1.
For DTC P0174, reconnect fuel injector harness connectors on bank 2.
- Disconnect all ignition coil harness connectors.
- Prepare pans or saucers under each fuel injector.
- Crank engine for about 3 seconds.
For DTC P0171, make sure that fuel sprays out from fuel injectors on bank 1.
For DTC P0174, make sure that fuel sprays out from fuel injectors on bank 2.

Fuel should be sprayed evenly for each fuel injector.

OK or NG

OK >> GO TO 11.

NG >> Replace fuel injectors from which fuel does not spray out. Always replace O-ring with new ones.



11. CHECK INTERMITTENT INCIDENT

Refer to [EC-145, "TROUBLE DIAGNOSIS FOR INTERMITTENT INCIDENT"](#) .

>> **INSPECTION END**

DTC P0172, P0175 FUEL INJECTION SYSTEM FUNCTION

DTC P0172, P0175 FUEL INJECTION SYSTEM FUNCTION

PF16600

On Board Diagnosis Logic

NBS001VA

With the Air-Fuel Mixture Ratio Self-Learning Control, the actual mixture ratio can be brought closely to the theoretical mixture ratio based on the mixture ratio feedback signal from the air fuel ratio (A/F) sensor 1. The ECM calculates the necessary compensation to correct the offset between the actual and the theoretical ratios.

In case the amount of the compensation value is extremely large (The actual mixture ratio is too rich.), the ECM judges the condition as the fuel injection system malfunction and lights up the MIL (2 trip detection logic).

Sensor	Input Signal to ECM	ECM function	Actuator
A/F sensor 1	Density of oxygen in exhaust gas (Mixture ratio feedback signal)	Fuel injection control	Fuel injector

DTC No.	Trouble diagnosis name	DTC detecting condition	Possible cause
P0172 0172 (Bank 1)	Fuel injection system too rich	<ul style="list-style-type: none"> Fuel injection system does not operate properly. The amount of mixture ratio compensation is too large. (The mixture ratio is too rich.) 	<ul style="list-style-type: none"> A/F sensor 1 Fuel injector Exhaust gas leaks Incorrect fuel pressure Mass air flow sensor
P0175 0175 (Bank 2)			

DTC Confirmation Procedure

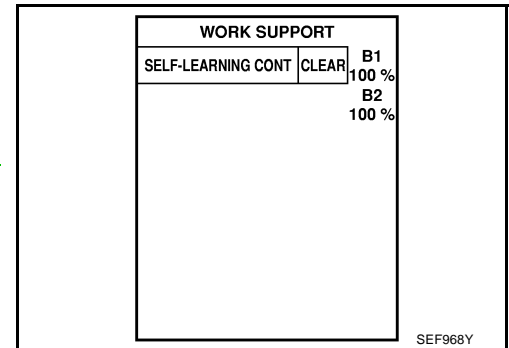
NBS001VB

NOTE:

If DTC Confirmation Procedure has been previously conducted, always turn ignition switch OFF and wait at least 10 seconds before conducting the next test.

WITH CONSULT-II

- Start engine and warm it up to normal operating temperature.
- Turn ignition switch OFF and wait at least 10 seconds.
- Turn ignition switch ON and select "SELF-LEARNING CONT" in "WORK SUPPORT" mode with CONSULT-II.
- Clear the self-learning control coefficient by touching "CLEAR".
- Select "DATA MONITOR" mode with CONSULT-II.
- Start engine again and let it idle for at least 10 minutes.
The 1st trip DTC P0172, P0175 should be detected at this stage, if a malfunction exists. If so, go to [EC-334, "Diagnostic Procedure"](#).



NOTE:

If 1st trip DTC is not detected during above procedure, performing the following procedure is advised.

- Turn ignition switch OFF and wait at least 10 seconds.
- Start engine and drive the vehicle under the similar conditions to (1st trip) Freeze Frame Data for a certain time. Refer to the table below.
Hold the accelerator pedal as steady as possible.

The similar conditions to (1st trip) Freeze Frame Data means the vehicle operation that the following conditions should be satisfied at the same time.

Engine speed	Engine speed in the freeze frame data \pm 400 rpm
Vehicle speed	Vehicle speed in the freeze frame data \pm 10 km/h (6 MPH)
Engine coolant temperature (T) condition	When the freeze frame data shows lower than 70 °C (158 °F), T should be lower than 70 °C (158 °F). When the freeze frame data shows higher than or equal to 70 °C (158 °F), T should be higher than or equal to 70 °C (158 °F).

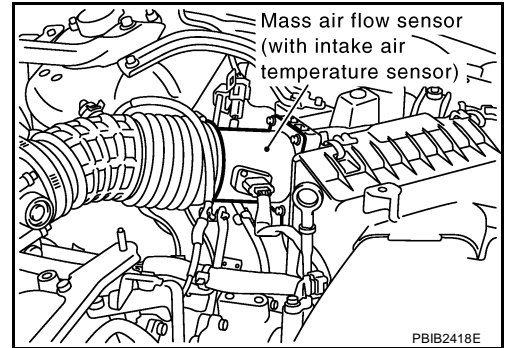
- If it is difficult to start engine at step 6, the fuel injection system has a malfunction, too.
- Crank engine while depressing accelerator pedal.

DTC P0172, P0175 FUEL INJECTION SYSTEM FUNCTION

If engine starts, go to [EC-334, "Diagnostic Procedure"](#) . If engine does not start, remove ignition plugs and check for fouling, etc.

WITH GST

1. Start engine and warm it up to normal operating temperature.
2. Turn ignition switch OFF and wait at least 10 seconds.
3. Disconnect mass air flow sensor harness connector. Then restart and run engine for at least 5 seconds at idle speed.
4. Stop engine and reconnect mass air flow sensor harness connector.
5. Select Service \$03 with GST. Make sure DTC P0102 is detected.
6. Select Service \$04 with GST and erase the DTC P0102.
7. Start engine again and let it idle for at least 10 minutes.
8. Select Service \$07 with GST. The 1st trip DTC P0172 or P0175 should be detected at this stage, if a malfunction exists. If so, go to [EC-334, "Diagnostic Procedure"](#) .



NOTE:

If 1st trip DTC is not detected during above procedure, performing the following procedure is advised.

- a. Turn ignition switch OFF and wait at least 10 seconds.
- b. Start engine and drive the vehicle under the similar conditions to (1st trip) Freeze Frame Data for a certain time. Refer to the table below.

Hold the accelerator pedal as steady as possible.

The similar conditions to (1st trip) Freeze Frame Data means the vehicle operation that the following conditions should be satisfied at the same time.

Engine speed	Engine speed in the freeze frame data \pm 400 rpm
Vehicle speed	Vehicle speed in the freeze frame data \pm 10 km/h (6 MPH)
Engine coolant temperature (T) condition	When the freeze frame data shows lower than 70 °C (158 °F), T should be lower than 70 °C (158 °F).
	When the freeze frame data shows higher than or equal to 70 °C (158 °F), T should be higher than or equal to 70 °C (158 °F).

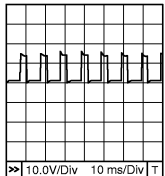
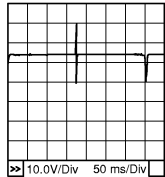
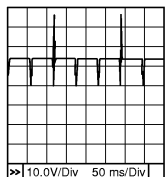
9. If it is difficult to start engine at step 7, the fuel injection system has a malfunction.
10. Crank engine while depressing accelerator pedal.
If engine starts, go to [EC-334, "Diagnostic Procedure"](#) . If engine does not start, remove spark plugs and check for fouling, etc.

DTC P0172, P0175 FUEL INJECTION SYSTEM FUNCTION

Specification data are reference values and are measured between each terminal and ground.
Pulse signal is measured by CONSULT-II.

CAUTION:

Do not use ECM ground terminals when measuring input/output voltage. Doing so may result in damage to the ECM's transistor. Use a ground other than ECM terminals, such as the ground.

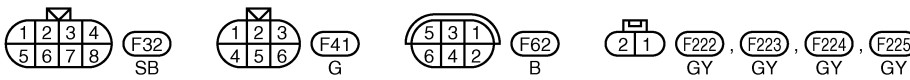
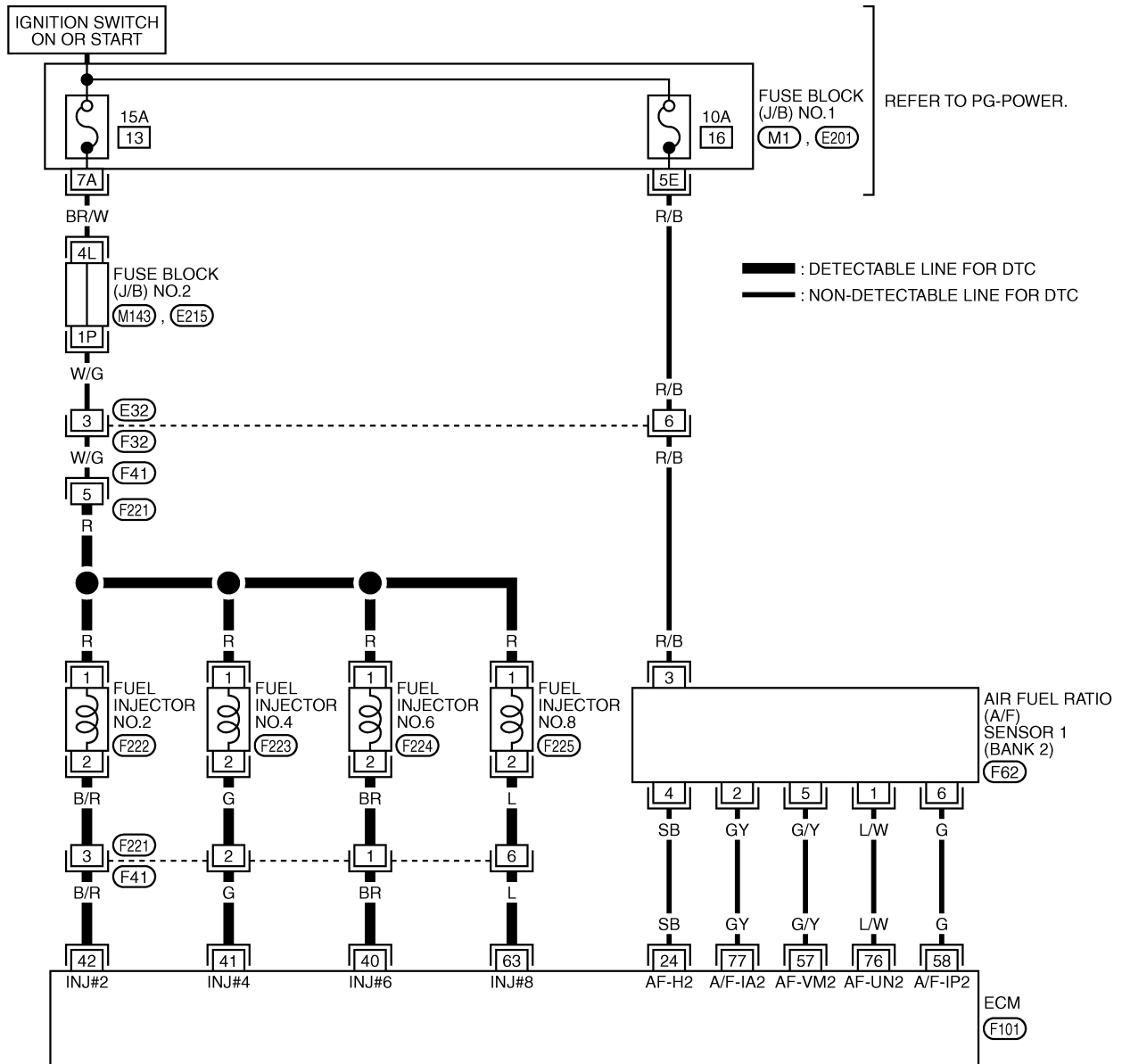
TER-MINAL NO.	WIRE COLOR	ITEM	CONDITION	DATA (DC Voltage)
2	OR	A/F sensor 1 heater (bank 1)	<p>[Engine is running]</p> <ul style="list-style-type: none"> ● Warm-up condition ● Idle speed 	<p>Approximately 5V★</p>  <p style="text-align: right;">PBIB1584E</p>
16	W	A/F sensor 1 (bank 1)	<p>[Engine is running]</p> <ul style="list-style-type: none"> ● Warm-up condition ● Idle speed 	Approximately 3.1V
35	R			Approximately 2.6V
56	R/L			Approximately 2.3V
75	BR			Approximately 2.3V
21 22 23 44	W/B Y R/L BR	Fuel injector No. 5 Fuel injector No. 3 Fuel injector No. 1 Fuel injector No. 7	<p>[Engine is running]</p> <ul style="list-style-type: none"> ● Warm-up condition ● Idle speed <p>NOTE: The pulse cycle changes depending on rpm at idle</p>	<p>BATTERY VOLTAGE (11 - 14V)★</p>  <p style="text-align: right;">PBIB0042E</p>
			<p>[Engine is running]</p> <ul style="list-style-type: none"> ● Warm-up condition ● Engine speed: 2,000 rpm 	<p>BATTERY VOLTAGE (11 - 14V)★</p>  <p style="text-align: right;">PBIB0043E</p>

★: Average voltage for pulse signal (Actual pulse signal can be confirmed by oscilloscope.)

DTC P0172, P0175 FUEL INJECTION SYSTEM FUNCTION

BANK 2

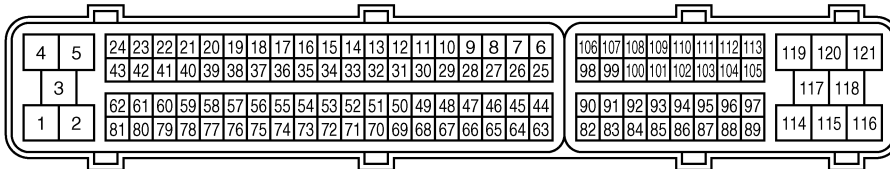
EC-FUELB2-01



REFER TO THE FOLLOWING.

(M1), (E201) - FUSE BLOCK-JUNCTION BOX (J/B) NO.1

(M143), (E215) - FUSE BLOCK-JUNCTION BOX (J/B) NO.2



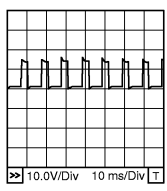
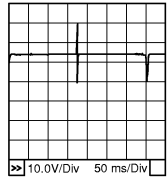
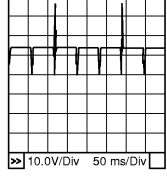
TBWM1229E

DTC P0172, P0175 FUEL INJECTION SYSTEM FUNCTION

Specification data are reference values and are measured between each terminal and ground.
Pulse signal is measured by CONSULT-II.

CAUTION:

Do not use ECM ground terminals when measuring input/output voltage. Doing so may result in damage to the ECM's transistor. Use a ground other than ECM terminals, such as the ground.

TER-MINAL NO.	WIRE COLOR	ITEM	CONDITION	DATA (DC Voltage)
24	SB	A/F sensor 1 heater (bank 2)	<p>[Engine is running]</p> <ul style="list-style-type: none"> ● Warm-up condition ● Idle speed 	<p>Approximately 5V★</p>  <p style="text-align: right;">PBIB1584E</p>
40 41 42 63	BR G B/R L	Fuel injector No. 6 Fuel injector No. 4 Fuel injector No. 2 Fuel injector No. 8	<p>[Engine is running]</p> <ul style="list-style-type: none"> ● Warm-up condition ● Idle speed <p>NOTE: The pulse cycle changes depending on rpm at idle</p>	<p>BATTERY VOLTAGE (11 - 14V)★</p>  <p style="text-align: right;">PBIB0042E</p>
			<p>[Engine is running]</p> <ul style="list-style-type: none"> ● Warm-up condition ● Engine speed: 2,000 rpm 	<p>BATTERY VOLTAGE (11 - 14V)★</p>  <p style="text-align: right;">PBIB0043E</p>
57 58 76 77	G/Y G L/W GY	A/F sensor 1 (bank 2)	<p>[Engine is running]</p> <ul style="list-style-type: none"> ● Warm-up condition ● Idle speed 	<p>Approximately 2.6V</p> <hr/> <p>Approximately 2.3V</p> <hr/> <p>Approximately 3.1V</p> <hr/> <p>Approximately 2.3V</p>

★: Average voltage for pulse signal (Actual pulse signal can be confirmed by oscilloscope.)

A
EC
C
D
E
F
G
H
I
J
K
L
M

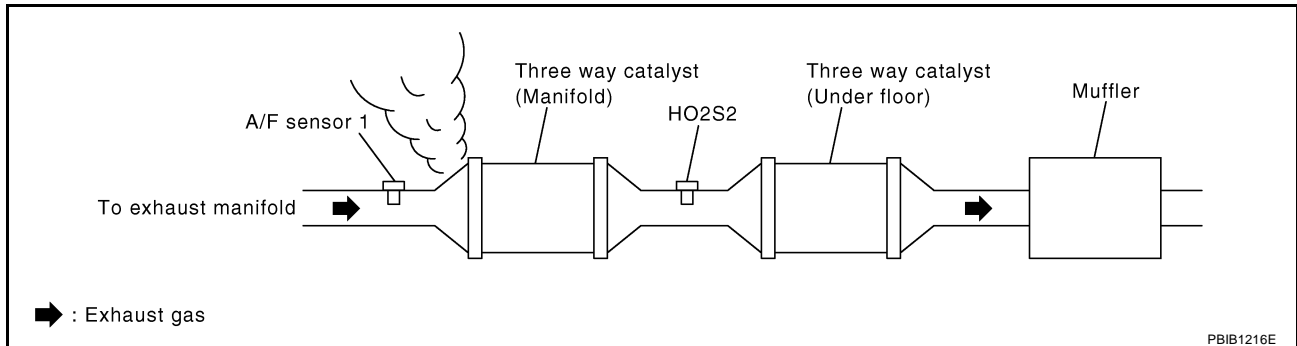
DTC P0172, P0175 FUEL INJECTION SYSTEM FUNCTION

Diagnostic Procedure

NBS001VD

1. CHECK EXHAUST GAS LEAK

1. Start engine and run it at idle.
2. Listen for an exhaust gas leak before three way catalyst (manifold).



OK or NG

- OK >> GO TO 2.
- NG >> Repair or replace.

2. CHECK FOR INTAKE AIR LEAK

Listen for an intake air leak after the mass air flow sensor.

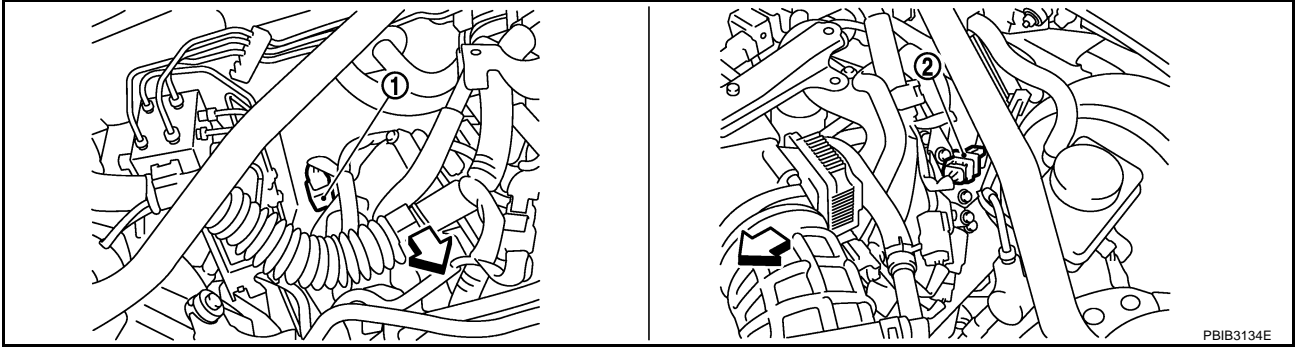
OK or NG

- OK >> GO TO 3.
- NG >> Repair or replace.

DTC P0172, P0175 FUEL INJECTION SYSTEM FUNCTION

3. CHECK AIR FUEL RATIO (A/F) SENSOR 1 INPUT SIGNAL CIRCUIT

1. Turn ignition switch OFF.
2. Disconnect corresponding air fuel ratio (A/F) sensor 1 harness connector.



↔ : Vehicle front

1. A/F sensor 1 (bank 2)
harness connector

2. A/F sensor 1 (bank 1)
harness connector

3. Disconnect ECM harness connector.
4. Check harness continuity between the following terminals.
Refer to Wiring Diagram.

	A/F sensor 1 terminal	ECM terminal
Bank 1	1	16
	2	75
	5	35
	6	56
Bank 2	1	76
	2	77
	5	57
	6	58

Continuity should exist.

5. Check harness continuity between the following terminals and ground.
Refer to Wiring Diagram.

Bank 1		Bank 2	
A/F sensor 1 terminal	ECM terminal	A/F sensor 1 terminal	ECM terminal
1	16	1	76
2	75	2	77
5	35	5	57
6	56	6	58

Continuity should not exist.

6. Also check harness for short to power.

OK or NG

OK >> GO TO 4.

NG >> Repair open circuit or short to ground or short to power in harness or connectors.

DTC P0172, P0175 FUEL INJECTION SYSTEM FUNCTION

4. CHECK FUEL PRESSURE

1. Release fuel pressure to zero. Refer to [EC-80, "FUEL PRESSURE RELEASE"](#) .
2. Install fuel pressure gauge and check fuel pressure. Refer to [EC-80, "FUEL PRESSURE CHECK"](#) .

At idling: 350 kPa (3.57 kg/cm² , 51 psi)

OK or NG

- OK >> GO TO 6.
NG >> GO TO 5.

5. DETECT MALFUNCTIONING PART

Check the following.

- Fuel pump and circuit (Refer to [EC-534, "DTC P1220 FUEL PUMP CONTROL MODULE \(FPCM\)"](#) , [EC-715, "FUEL PUMP"](#) .)
- Fuel pressure regulator (Refer to [EC-80, "FUEL PRESSURE CHECK"](#) .)

>> Repair or replace.

6. CHECK MASS AIR FLOW SENSOR

 **With CONSULT-II**

1. Install all removed parts.
2. Check "MASS AIR FLOW" in "DATA MONITOR" mode with CONSULT-II.

3.8 - 5.2 g-m/sec: at idling
16.0 - 21.5 g-m/sec: at 2,500 rpm

 **With GST**

1. Install all removed parts.
2. Check mass air flow sensor signal in "Service \$01" with GST.

3.8 - 5.2 g-m/sec: at idling
16.0 - 21.5 g-m/sec: at 2,500 rpm

OK or NG

- OK (With CONSULT-II)>>GO TO 7.
OK (Without CONSULT-II)>>GO TO 8.
NG >> Check connectors for rusted terminals or loose connections in the mass air flow sensor circuit or grounds. Refer to [EC-195, "DTC P0101 MAF SENSOR"](#) .

7. CHECK FUNCTION OF FUEL INJECTORS

 **With CONSULT-II**

1. Start engine.
2. Perform "POWER BALANCE" in "ACTIVE TEST" mode with CONSULT-II.
3. Make sure that each circuit produces a momentary engine speed drop.

ACTIVE TEST	
POWER BALANCE	
MONITOR	
ENG SPEED	XXX rpm
MAS A/F SE-B1	XXX V

PBIB0133E

DTC P0172, P0175 FUEL INJECTION SYSTEM FUNCTION

OK or NG

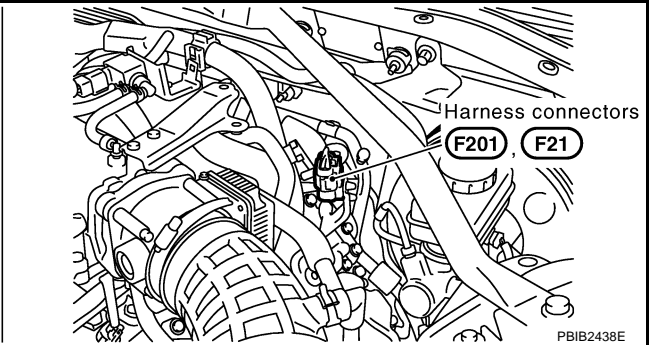
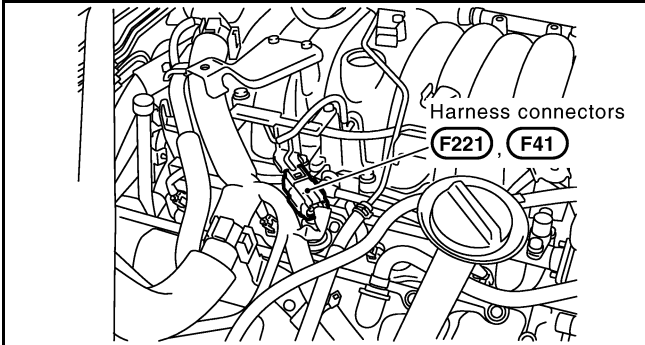
OK >> GO TO 10.

NG >> Perform trouble diagnosis for [EC-706, "FUEL INJECTOR"](#).

8. CHECK FUNCTION OF FUEL INJECTOR-I

⊗ Without CONSULT-II

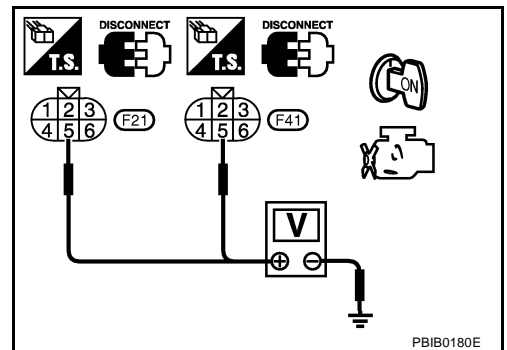
1. Turn ignition switch OFF.
2. Disconnect harness connectors F21, F201 (bank 1) and F41, F221 (bank 2).



3. Turn ignition switch ON.
4. Check voltage between the following; harness connector F21 terminal 5 and ground, harness connector F41 terminal 5 and ground with CONSULT-II or tester.

Voltage: Battery voltage

5. Turn ignition switch OFF.
6. Disconnect ECM harness connector.
7. Check harness continuity between the following terminals.



Cylinder	Harness connector terminal	ECM terminal
1	F21 terminal 3	23
3	F21 terminal 2	22
5	F21 terminal 1	21
7	F21 terminal 6	44
2	F41 terminal 3	42
4	F41 terminal 2	41
6	F41 terminal 1	40
8	F41 terminal 6	63

Continuity should exist.

8. Also check harness for short to ground and short to power.

OK or NG

OK >> GO TO 9.

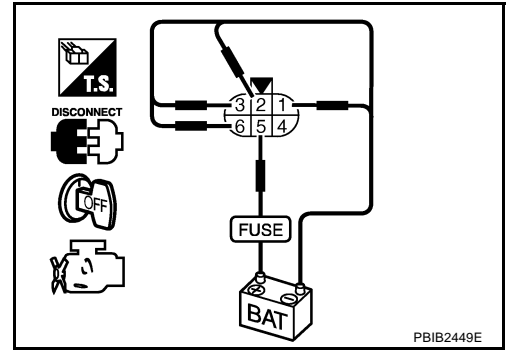
NG >> Perform trouble diagnosis for [EC-706, "FUEL INJECTOR"](#).

DTC P0172, P0175 FUEL INJECTION SYSTEM FUNCTION

9. CHECK FUNCTION OF FUELINJECTOR-II

Provide battery voltage between the following terminals, and then interrupt it. Listen to each fuel injector operating sound.

Cylinder	Harness connector	terminal	
		(+)	(-)
1	F201	5	3
3			2
5			1
7			6
2	F221	5	3
4			2
6			1
8			6



Operating sound should exist.

OK or NG

OK >> GO TO 10.

NG >> Perform trouble diagnosis for [EC-706, "FUEL INJECTOR"](#) .

10. CHECK FUEL INJECTOR

1. Turn ignition switch OFF.
2. Confirm that the engine is cooled down and there are no fire hazards near the vehicle.
3. Remove fuel tube assembly. Refer to [EM-32, "FUEL INJECTOR AND FUEL TUBE"](#) .
Keep fuel hose and all fuel injectors connected to fuel tube.
4. Disconnect all fuel injector harness connectors.
5. Disconnect all ignition coil harness connectors.
6. Prepare pans or saucers under each fuel injectors.
7. Crank engine for about 3 seconds.
Make sure fuel does not drip from fuel injector.

OK or NG

OK (Does not drip.)>>GO TO 11.

NG (Drips.)>>Replace the fuel injectors from which fuel is dripping. Always replace O-ring with new one.

11. CHECK INTERMITTENT INCIDENT

Refer to [EC-145, "TROUBLE DIAGNOSIS FOR INTERMITTENT INCIDENT"](#) .

>> INSPECTION END

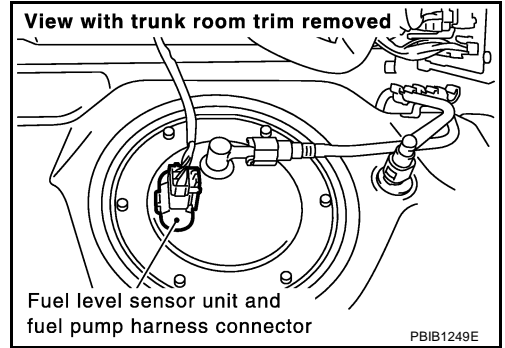
DTC P0181 FTT SENSOR

DTC P0181 FTT SENSOR

PFP:22630

Component Description

The fuel tank temperature sensor is used to detect the fuel temperature inside the fuel tank. The sensor modifies a voltage signal from the ECM. The modified signal returns to the ECM as the fuel temperature input. The sensor uses a thermistor which is sensitive to the change in temperature. The electrical resistance of the thermistor decreases as temperature increases.



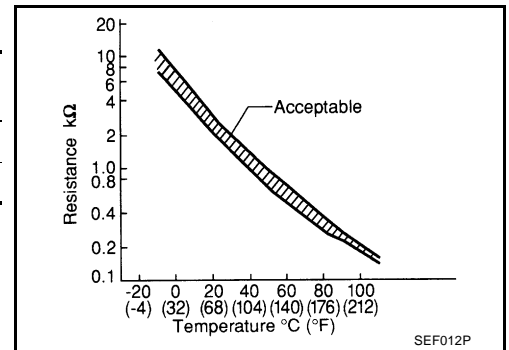
<Reference data>

Fluid temperature °C (°F)	Voltage* V	Resistance kΩ
20 (68)	3.5	2.3 - 2.7
50 (122)	2.2	0.79 - 0.90

*: This data is reference value and is measured between ECM terminal 107 (Fuel tank temperature sensor) and ground.

CAUTION:

Do not use ECM ground terminals when measuring input/output voltage. Doing so may result in damage to the ECM's transistor. Use a ground other than ECM terminals, such as the ground.



On Board Diagnosis Logic

NBS001VF

DTC No.	Trouble diagnosis name	DTC detecting condition	Possible cause
P0181 0181	Fuel tank temperature sensor circuit range/performance	Rationally incorrect voltage from the sensor is sent to ECM, compared with the voltage signals from engine coolant temperature sensor and intake air temperature sensor.	<ul style="list-style-type: none"> ● Harness or connectors (The sensor circuit is open or shorted) ● Fuel tank temperature sensor

DTC Confirmation Procedure

NBS001VG

NOTE:

If DTC Confirmation Procedure has been previously conducted, always turn ignition switch OFF and wait at least 10 seconds before conducting the next test.

WITH CONSULT-II

- Turn ignition switch ON.
- Select "DATA MONITOR" mode with CONSULT-II.
- Wait at least 10 seconds.
If 1st trip DTC is detected, go to [EC-342, "Diagnostic Procedure"](#).
If 1st trip DTC is not detected, go to following step.
- Check "COOLAN TEMP/S" value.
If "COOLAN TEMP/S" is less than 60°C (140°F), the result will be OK.
If "COOLAN TEMP/S" is above 60°C (140°F), go to the following step.
- Cool engine down until "COOLAN TEMP/S" is less than 60°C (140°F).
- Wait at least 10 seconds.
- If 1st trip DTC is detected, go to [EC-342, "Diagnostic Procedure"](#).

DATA MONITOR	
MONITOR	NO DTC
ENG SPEED	XXX rpm
COOLAN TEMP/S	XXX °C

SEF174Y

DTC P0181 FTT SENSOR

 **WITH GST**

Follow the procedure WITH CONSULT-II above.

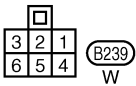
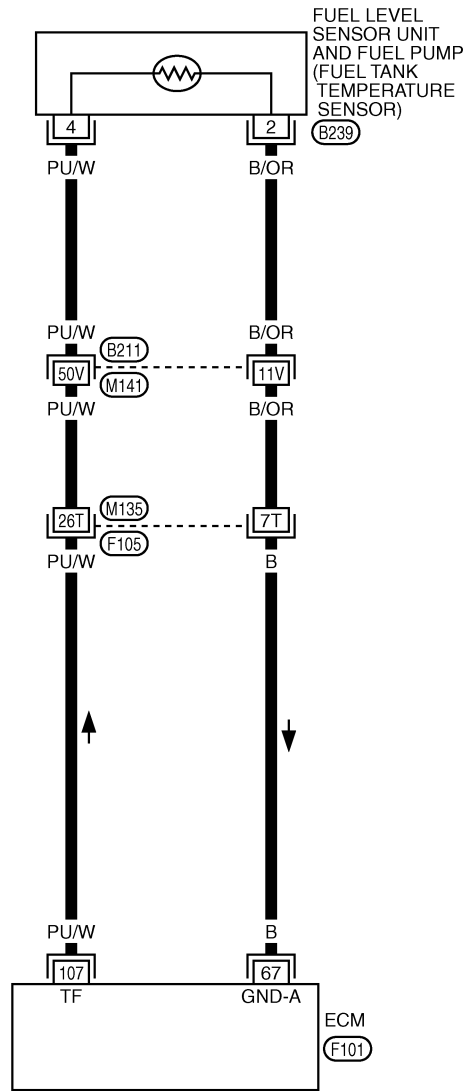
DTC P0181 FTT SENSOR

Wiring Diagram

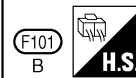
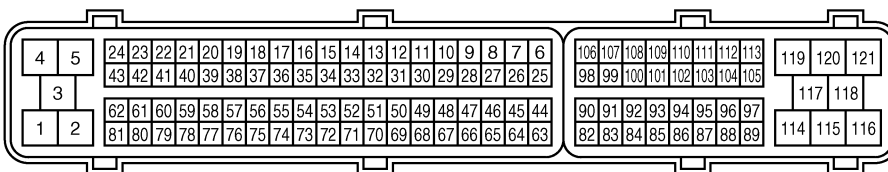
NBS001VH

EC-FTTS-01

: DETECTABLE LINE FOR DTC
 : NON-DETECTABLE LINE FOR DTC



REFER TO THE FOLLOWING.
 (F105), (B211) -SUPER MULTIPLE JUNCTION (SMJ)



TBWM0547E

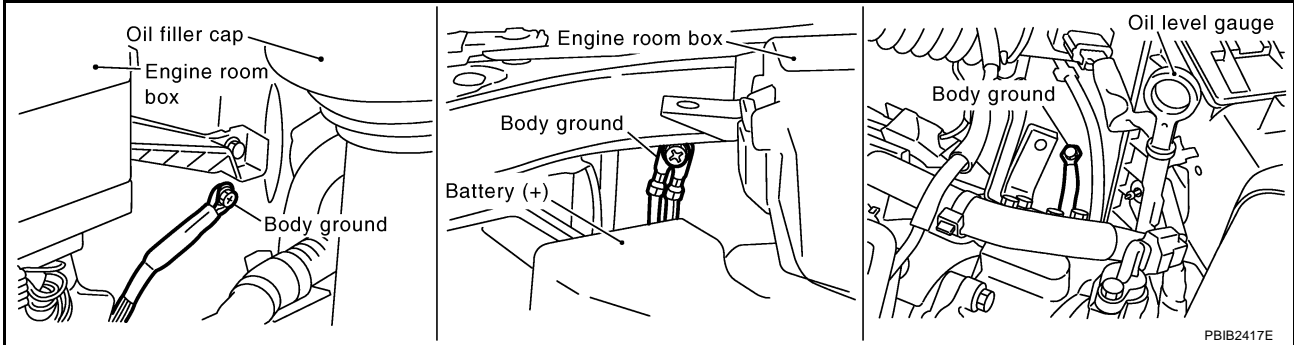
DTC P0181 FTT SENSOR

NBS001VI

Diagnostic Procedure

1. CHECK GROUND CONNECTIONS

1. Turn ignition switch OFF.
2. Loosen and retighten three ground screws on the body.
Refer to [EC-154, "Ground Inspection"](#).

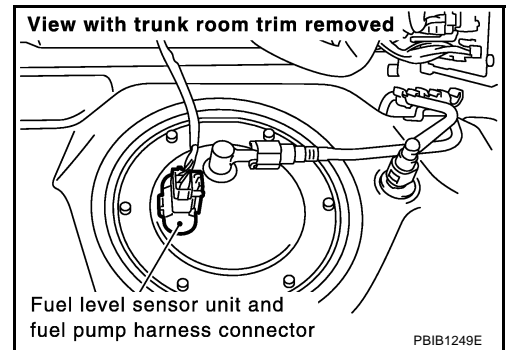


OK or NG

- OK >> GO TO 2.
- NG >> Repair or replace ground connections.

2. CHECK FUEL TANK TEMPERATURE SENSOR POWER SUPPLY CIRCUIT

1. Disconnect "fuel level sensor unit and fuel pump" harness connector.
2. Turn ignition switch ON.

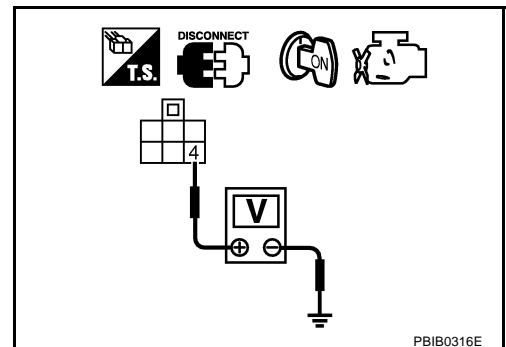


3. Check voltage between "fuel level sensor unit and fuel pump" terminal 4 and ground with CONSULT-II or tester.

Voltage: Approximately 5V

OK or NG

- OK >> GO TO 4.
- NG >> GO TO 3.



3. DETECT MALFUNCTIONING PART

Check the following.

- Harness connectors B211, M141
- Harness connectors M135, F105
- Harness for open or short between ECM and "fuel level sensor unit and fuel pump"

>> Repair open circuit or short to ground or short to power in harness or connector.

DTC P0181 FTT SENSOR

4. CHECK FUEL TANK TEMPERATURE SENSOR GROUND CIRCUIT FOR OPEN AND SHORT

1. Turn ignition switch OFF.
2. Disconnect ECM harness connector.
3. Check harness continuity between “fuel level sensor unit and fuel pump” terminal 2 and ECM terminal 67. Refer to Wiring Diagram.

Continuity should exist.

4. Also check harness for short to ground and short to power.

OK or NG

- OK >> GO TO 6.
- NG >> GO TO 5.

5. DETECT MALFUNCTIONING PART

Check the following.

- Harness connectors B211, M141
- Harness connectors M135, F105
- Harness for open or short between ECM and “fuel level sensor unit and fuel pump”

>> Repair open circuit or short to ground or short to power in harness or connector.

6. CHECK FUEL TANK TEMPERATURE SENSOR

Refer to [EC-343, "Component Inspection"](#) .

OK or NG

- OK >> GO TO 7.
- NG >> Replace fuel level sensor unit.

7. CHECK INTERMITTENT INCIDENT

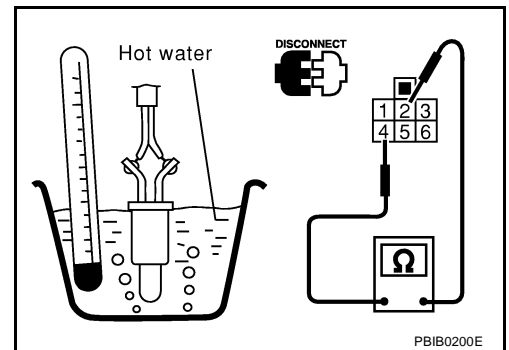
Refer to [EC-145, "TROUBLE DIAGNOSIS FOR INTERMITTENT INCIDENT"](#) .

>> **INSPECTION END**

Component Inspection FUEL TANK TEMPERATURE SENSOR

1. Remove fuel level sensor unit.
2. Check resistance between “fuel level sensor unit and fuel pump” terminals 4 and 2 by heating with hot water or heat gun as shown in the figure.

Temperature °C (°F)	Resistance kΩ
20 (68)	2.3 - 2.7
50 (122)	0.79 - 0.90



Removal and Installation FUEL TANK TEMPERATURE SENSOR

Refer to [FL-3, "FUEL LEVEL SENSOR UNIT, FUEL FILTER AND FUEL PUMP ASSEMBLY"](#) .

DTC P0182, P0183 FTT SENSOR

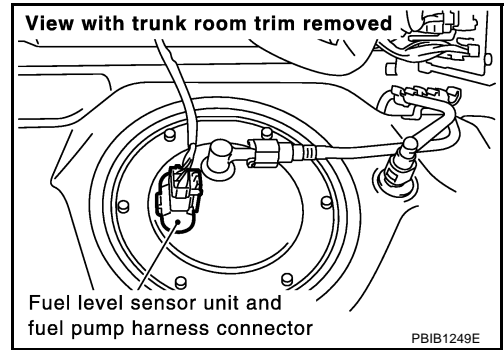
PFP:22630

DTC P0182, P0183 FTT SENSOR

Component Description

NBS001VL

The fuel tank temperature sensor is used to detect the fuel temperature inside the fuel tank. The sensor modifies a voltage signal from the ECM. The modified signal returns to the ECM as the fuel temperature input. The sensor uses a thermistor which is sensitive to the change in temperature. The electrical resistance of the thermistor decreases as temperature increases.



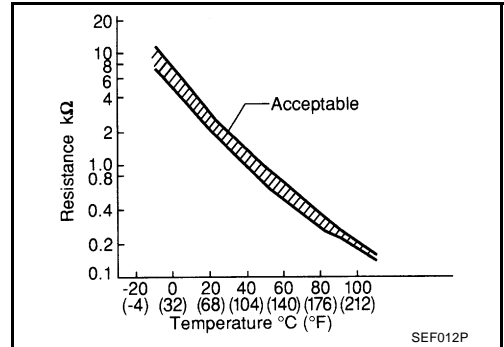
<Reference data>

Fluid temperature °C (°F)	Voltage* V	Resistance kΩ
20 (68)	3.5	2.3 - 2.7
50 (122)	2.2	0.79 - 0.90

*: This data is reference value and is measured between ECM terminal 107 (Fuel tank temperature sensor) and ground.

CAUTION:

Do not use ECM ground terminals when measuring input/output voltage. Doing so may result in damage to the ECM's transistor. Use a ground other than ECM terminals, such as the ground.



On Board Diagnosis Logic

NBS001VM

DTC No.	Trouble diagnosis name	DTC detecting condition	Possible cause
P0182 0182	Fuel tank temperature sensor circuit low input	An excessively low voltage from the sensor is sent to ECM.	<ul style="list-style-type: none"> ● Harness or connectors (The sensor circuit is open or shorted.) ● Fuel tank temperature sensor
P0183 0183	Fuel tank temperature sensor circuit high input	An excessively high voltage from the sensor is sent to ECM.	

DTC Confirmation Procedure

NBS001VN

NOTE:

If DTC Confirmation Procedure has been previously conducted, always turn ignition switch OFF and wait at least 10 seconds before conducting the next test.

WITH CONSULT-II

1. Turn ignition switch ON.
2. Select "DATA MONITOR" mode with CONSULT-II.
3. Wait at least 5 seconds.
4. If 1st trip DTC is detected, go to [EC-346, "Diagnostic Procedure"](#)

DATA MONITOR	
MONITOR	NO DTC
ENG SPEED	XXX rpm
COOLAN TEMP/S	XXX °C

SEF174Y

WITH GST

Follow the procedure With CONSULT-II above.

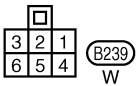
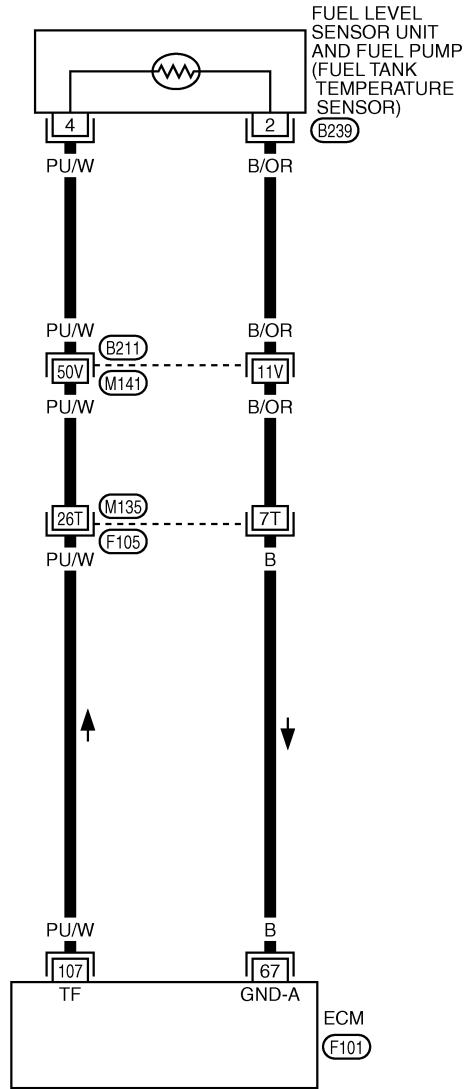
DTC P0182, P0183 FTT SENSOR

Wiring Diagram

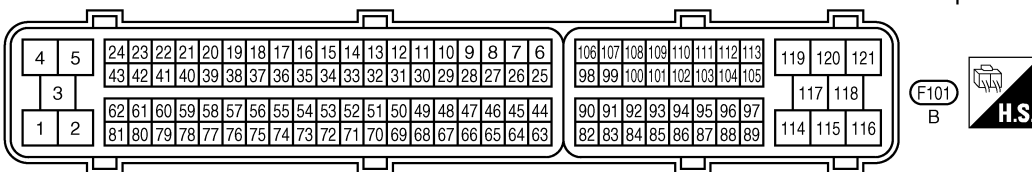
NBS001V0

EC-FTTS-01

: DETECTABLE LINE FOR DTC
 : NON-DETECTABLE LINE FOR DTC



REFER TO THE FOLLOWING.
 (F105), (B211) -SUPER MULTIPLE JUNCTION (SMJ)



TBWM0547E

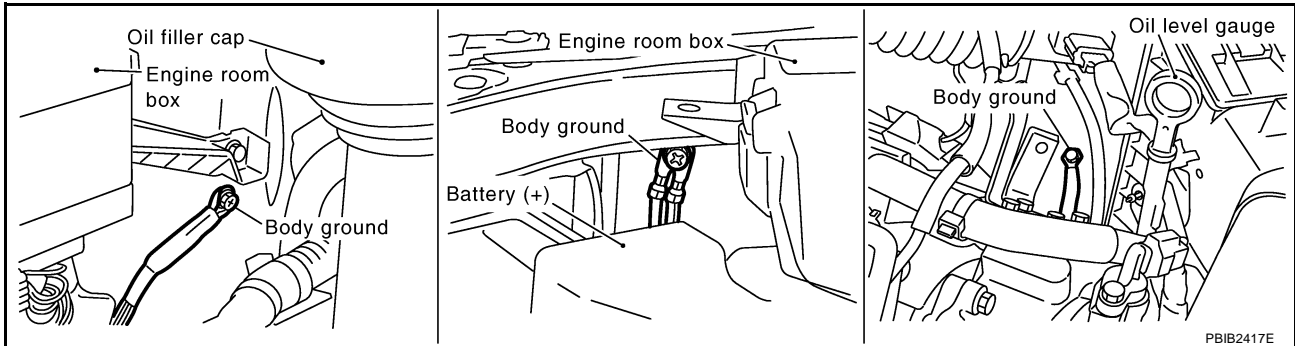
DTC P0182, P0183 FTT SENSOR

NBS001VP

Diagnostic Procedure

1. CHECK GROUND CONNECTIONS

1. Turn ignition switch OFF.
2. Loosen and retighten three ground screws on the body.
Refer to [EC-154, "Ground Inspection"](#).

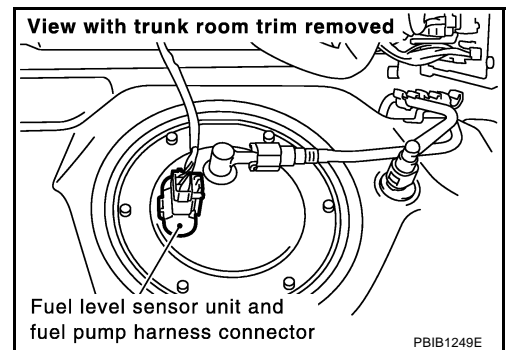


OK or NG

- OK >> GO TO 2.
- NG >> Repair or replace ground connections.

2. CHECK FUEL TANK TEMPERATURE SENSOR POWER SUPPLY CIRCUIT

1. Disconnect "fuel level sensor unit and fuel pump" harness connector.
2. Turn ignition switch ON.

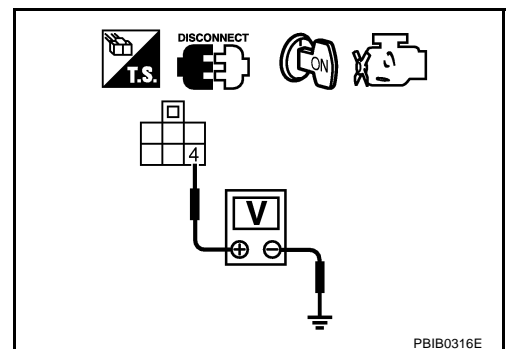


3. Check voltage between "fuel level sensor unit and fuel pump" terminal 4 and ground with CONSULT-II or tester.

Voltage: Approximately 5V

OK or NG

- OK >> GO TO 4.
- NG >> GO TO 3.



3. DETECT MALFUNCTIONING PART

Check the following.

- Harness connectors B211, M141
- Harness connectors M135, F105
- Harness for open or short between ECM and "fuel level sensor unit and fuel pump"

>> Repair open circuit or short to ground or short to power in harness or connector.

DTC P0182, P0183 FTT SENSOR

4. CHECK FUEL TANK TEMPERATURE SENSOR GROUND CIRCUIT FOR OPEN AND SHORT

1. Turn ignition switch OFF.
2. Disconnect ECM harness connector.
3. Check harness continuity between “fuel level sensor unit and fuel pump” terminal 2 and ECM terminal 67. Refer to Wiring Diagram.

Continuity should exist.

4. Also check harness for short to ground and short to power.

OK or NG

- OK >> GO TO 6.
- NG >> GO TO 5.

5. DETECT MALFUNCTIONING PART

Check the following.

- Harness connectors B211, M141
- Harness connectors M135, F105
- Harness for open or short between ECM and “fuel level sensor unit and fuel pump”

>> Repair open circuit or short to ground or short to power in harness or connector.

6. CHECK FUEL TANK TEMPERATURE SENSOR

Refer to [EC-346, "Diagnostic Procedure"](#) .

OK or NG

- OK >> GO TO 7.
- NG >> Replace fuel level sensor unit.

7. CHECK INTERMITTENT INCIDENT

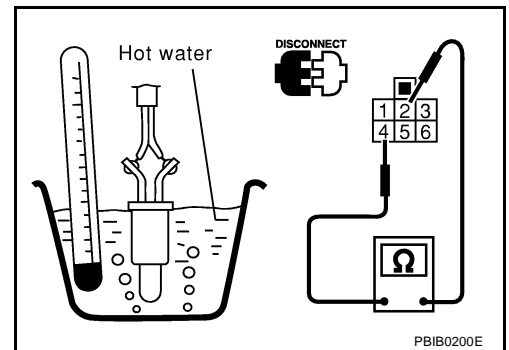
Refer to [EC-145, "TROUBLE DIAGNOSIS FOR INTERMITTENT INCIDENT"](#) .

>> **INSPECTION END**

Component Inspection FUEL TANK TEMPERATURE SENSOR

1. Remove fuel level sensor unit.
2. Check resistance between “fuel level sensor unit and fuel pump” terminals 4 and 2 by heating with hot water or heat gun as shown in the figure.

Temperature °C (°F)	Resistance kΩ
20 (68)	2.3 - 2.7
50 (122)	0.79 - 0.90



Removal and Installation FUEL TANK TEMPERATURE SENSOR

Refer to [FL-3, "FUEL LEVEL SENSOR UNIT, FUEL FILTER AND FUEL PUMP ASSEMBLY"](#) .

DTC P0222, P0223 TP SENSOR

PFP:16119

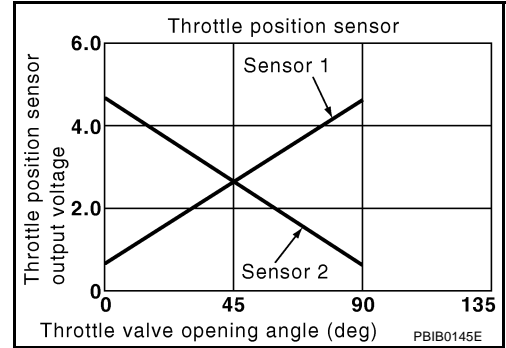
DTC P0222, P0223 TP SENSOR

Component Description

NBS001VS

Electric throttle control actuator consists of throttle control motor, throttle position sensor, etc. The throttle position sensor responds to the throttle valve movement.

The throttle position sensor has the two sensors. These sensors are a kind of potentiometers which transform the throttle valve position into output voltage, and emit the voltage signal to the ECM. In addition, these sensors detect the opening and closing speed of the throttle valve and feed the voltage signals to the ECM. The ECM judges the current opening angle of the throttle valve from these signals and the ECM controls the throttle control motor to make the throttle valve opening angle properly in response to driving condition.



CONSULT-II Reference Value in Data Monitor Mode

NBS001VT

Specification data are reference values.

MONITOR ITEM	CONDITION		SPECIFICATION
THRTL SEN 1 THRTL SEN 2*	<ul style="list-style-type: none"> Ignition switch: ON (Engine stopped) Selector lever: D 	Accelerator pedal: Fully released	More than 0.36V
		Accelerator pedal: Fully depressed	Less than 4.75V

*: Throttle position sensor 2 signal is converted by ECM internally. Thus, it differs from ECM terminal voltage signal.

On Board Diagnosis Logic

NBS001VU

These self-diagnoses have the one trip detection logic.

DTC No.	Trouble diagnosis name	DTC detecting condition	Possible cause
P0222 0222	Throttle position sensor 1 circuit low input	An excessively low voltage from the TP sensor 1 is sent to ECM.	<ul style="list-style-type: none"> Harness or connectors (The TP sensor 1 circuit is open or shorted.) (APP sensor 2 circuit is shorted.) Electric throttle control actuator (TP sensor 1) Accelerator pedal position sensor (APP sensor 2)
P0223 0223	Throttle position sensor 1 circuit high input	An excessively high voltage from the TP sensor 1 is sent to ECM.	

FAIL-SAFE MODE

When the malfunction is detected, ECM enters fail-safe mode and the MIL lights up.

Engine operation condition in fail-safe mode

The ECM controls the electric throttle control actuator in regulating the throttle opening in order for the idle position to be within +10 degrees.

The ECM regulates the opening speed of the throttle valve to be slower than the normal condition.

So, the acceleration will be poor.

DTC P0222, P0223 TP SENSOR

NBS001VV

DTC Confirmation Procedure

NOTE:

If DTC Confirmation Procedure has been previously conducted, always turn ignition switch OFF and wait at least 10 seconds before conducting the next test.

TESTING CONDITION:

Before performing the following procedure, confirm that battery voltage is more than 10V at idle.

WITH CONSULT-II

1. Turn ignition switch ON.
2. Select "DATA MONITOR" mode with CONSULT-II.
3. Start engine and let it idle for 1 second.
4. If DTC is detected, go to [EC-351, "Diagnostic Procedure"](#) .

DATA MONITOR	
MONITOR	NO DTC
ENG SPEED	XXX rpm

SEF058Y

WITH GST

Follow the procedure "WITH CONSULT-II" above.

A
EC
C
D
E
F
G
H
I
J
K
L
M

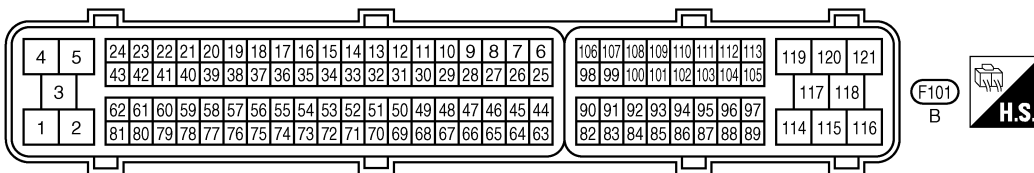
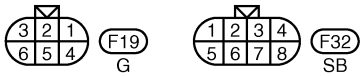
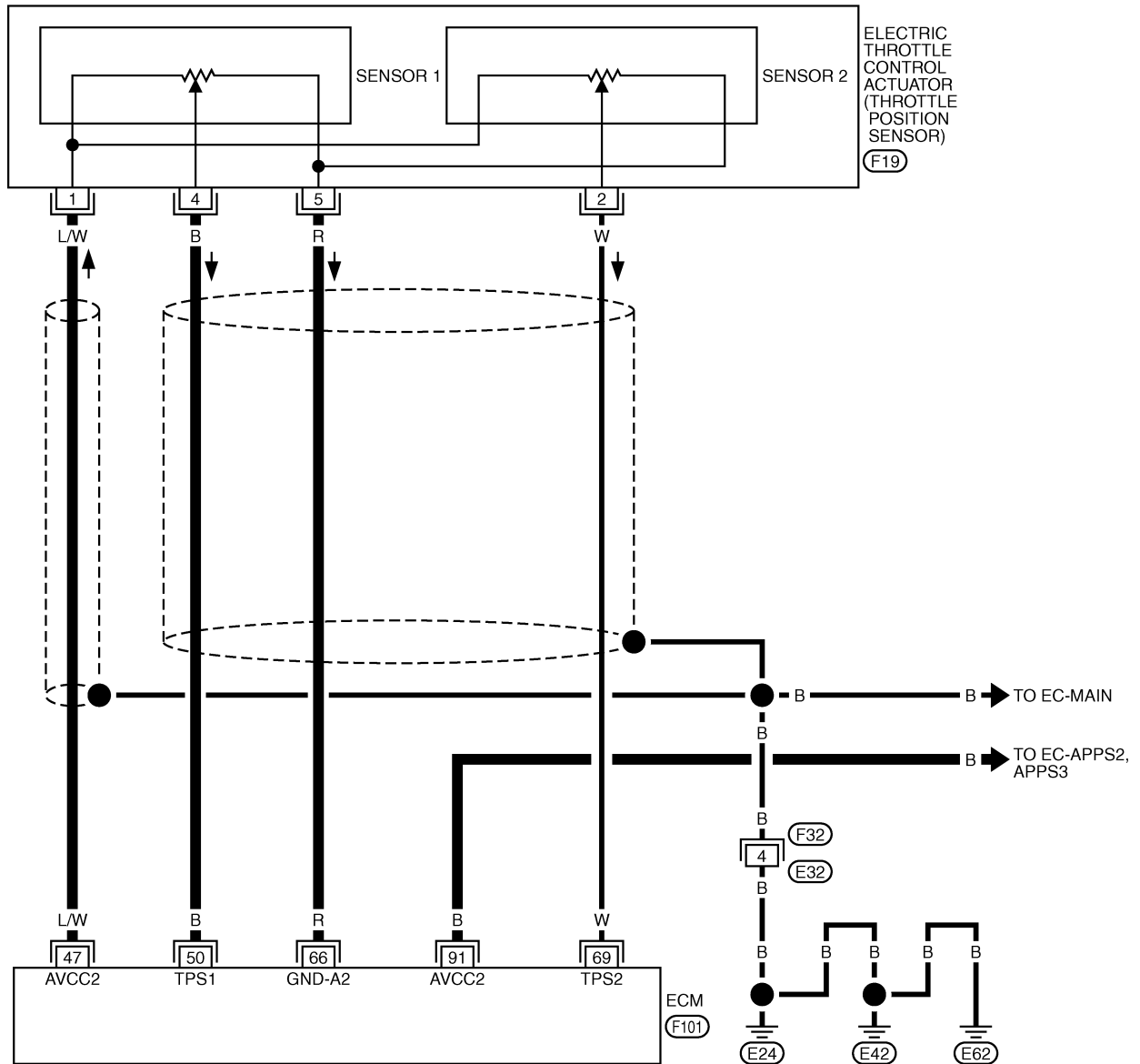
DTC P0222, P0223 TP SENSOR

Wiring Diagram

NBS001VW

EC-TPS1-01

— : DETECTABLE LINE FOR DTC
— : NON-DETECTABLE LINE FOR DTC



TBWM0548E

DTC P0222, P0223 TP SENSOR

Specification data are reference values and are measured between each terminal and ground.

CAUTION:

Do not use ECM ground terminals when measuring input/output voltage. Doing so may result in damage to the ECM's transistor. Use a ground other than ECM terminals, such as the ground.

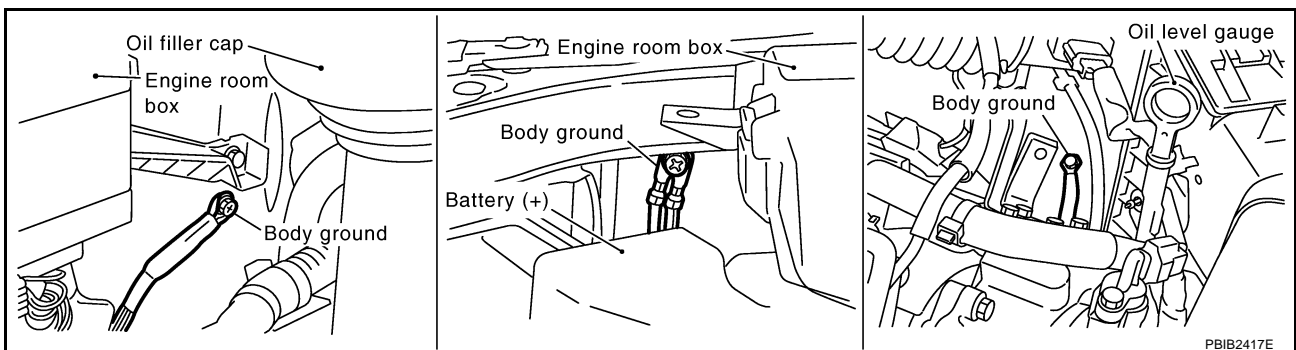
TER-MINAL NO.	WIRE COLOR	ITEM	CONDITION	DATA (DC Voltage)
47	L/W	Sensor power supply (Throttle position sensor)	[Ignition switch: ON]	Approximately 5V
50	B	Throttle position sensor 1	[Ignition switch: ON] <ul style="list-style-type: none"> ● Engine stopped ● Selector lever: D ● Accelerator pedal: Fully released 	More than 0.36V
			[Ignition switch: ON] <ul style="list-style-type: none"> ● Engine stopped ● Selector lever: D ● Accelerator pedal: Fully depressed 	Less than 4.75V
66	R	Sensor ground (Throttle position sensor)	[Engine is running] <ul style="list-style-type: none"> ● Warm-up condition ● Idle speed 	Approximately 0V
69	W	Throttle position sensor 2	[Ignition switch: ON] <ul style="list-style-type: none"> ● Engine stopped ● Selector lever: D ● Accelerator pedal: Fully released 	Less than 4.75V
			[Ignition switch: ON] <ul style="list-style-type: none"> ● Engine stopped ● Selector lever: D ● Accelerator pedal: Fully depressed 	More than 0.36V
91	B	Sensor power supply (APP sensor 2)	[Ignition switch: ON]	Approximately 5V

Diagnostic Procedure

NBS001VX

1. CHECK GROUND CONNECTIONS

1. Turn ignition switch OFF.
2. Loosen and retighten three ground screws on the body.
Refer to [EC-154, "Ground Inspection"](#) .



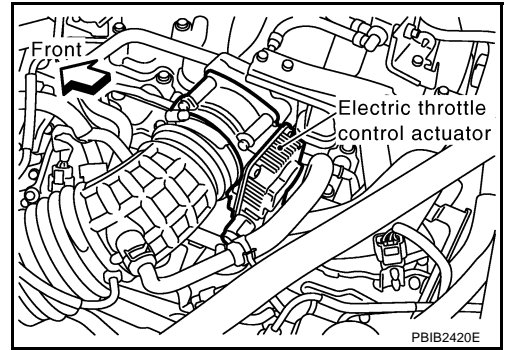
OK or NG

- OK >> GO TO 2.
- NG >> Repair or replace ground connections.

DTC P0222, P0223 TP SENSOR

2. CHECK THROTTLE POSITION SENSOR 1 POWER SUPPLY CIRCUIT-I

1. Disconnect electric throttle control actuator harness connector.
2. Turn ignition switch ON.

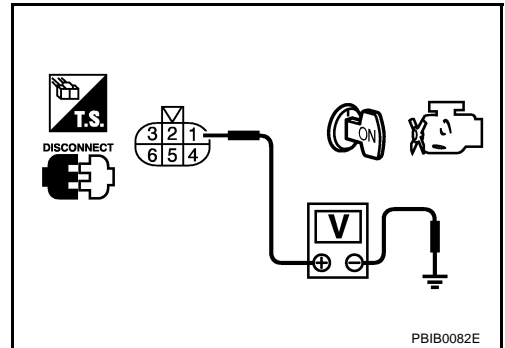


3. Check voltage between electric throttle control actuator terminal 1 and ground with CONSULT-II or tester.

Voltage: Approximately 5V

OK or NG

- OK >> GO TO 7.
- NG >> GO TO 3.



3. CHECK THROTTLE POSITION SENSOR 1 POWER SUPPLY CIRCUIT-II

1. Turn ignition switch OFF.
2. Disconnect ECM harness connector.
3. Check harness continuity between electric throttle control actuator terminal 1 and ECM terminal 47. Refer to Wiring Diagram.

Continuity should exist.

OK or NG

- OK >> GO TO 4.
- NG >> Repair or replace open circuit.

4. CHECK THROTTLE POSITION SENSOR 1 POWER SUPPLY CIRCUIT-III

Check harness for short to power and short to ground, between the following terminals.

ECM terminal	Sensor terminal	Reference Wiring Diagram
47	Electric throttle control actuator terminal 1	EC-350
91	APP sensor terminal 4	EC-656

OK or NG

- OK >> GO TO 5.
- NG >> Repair short to ground or short to power in harness or connectors.

5. CHECK APP SENSOR

Refer to [EC-660, "Component Inspection"](#).

OK or NG

- OK >> GO TO 11.
- NG >> GO TO 6.

DTC P0222, P0223 TP SENSOR

6. REPLACE ACCELERATOR PEDAL ASSEMBLY

1. Replace accelerator pedal assembly.
2. Perform [EC-77, "Accelerator Pedal Released Position Learning"](#) .
3. Perform [EC-78, "Throttle Valve Closed Position Learning"](#) .
4. Perform [EC-78, "Idle Air Volume Learning"](#) .

>> INSPECTION END

7. CHECK THROTTLE POSITION SENSOR 1 GROUND CIRCUIT FOR OPEN AND SHORT

1. Turn ignition switch OFF.
2. Disconnect ECM harness connector.
3. Check harness continuity between electric throttle control actuator terminal 5 and ECM terminal 66.
Refer to Wiring Diagram.

Continuity should exist.

4. Also check harness for short to ground and short to power.

OK or NG

OK >> GO TO 8.

NG >> Repair open circuit or short to ground or short to power in harness or connectors.

8. CHECK THROTTLE POSITION SENSOR 1 INPUT SIGNAL CIRCUIT FOR OPEN AND SHORT

1. Check harness continuity between ECM terminal 50 and electric throttle control actuator terminal 4.
Refer to Wiring Diagram.

Continuity should exist.

2. Also check harness for short to ground and short to power.

OK or NG

OK >> GO TO 9.

NG >> Repair open circuit or short to ground or short to power in harness or connectors.

9. CHECK THROTTLE POSITION SENSOR

Refer to [EC-354, "Component Inspection"](#) .

OK or NG

OK >> GO TO 11.

NG >> GO TO 10.

10. REPLACE ELECTRIC THROTTLE CONTROL ACTUATOR

1. Replace the electric throttle control actuator.
2. Perform [EC-78, "Throttle Valve Closed Position Learning"](#) .
3. Perform [EC-78, "Idle Air Volume Learning"](#) .

>> INSPECTION END

11. CHECK INTERMITTENT INCIDENT

Refer to [EC-145, "TROUBLE DIAGNOSIS FOR INTERMITTENT INCIDENT"](#) .

>> INSPECTION END

DTC P0222, P0223 TP SENSOR

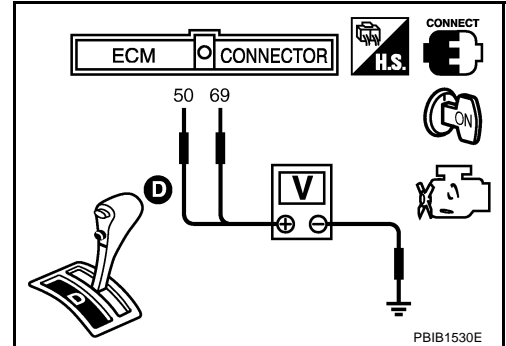
NBS001VY

Component Inspection THROTTLE POSITION SENSOR

1. Reconnect all harness connectors disconnected.
2. Perform [EC-78, "Throttle Valve Closed Position Learning"](#) .
3. Turn ignition switch ON.
4. Set selector lever to D position.
5. Check voltage between ECM terminals 50 (TP sensor 1 signal), 69 (TP sensor 2 signal) and ground under the following conditions.

Terminal	Accelerator pedal	Voltage
50 (Throttle position sensor 1)	Fully released	More than 0.36V
	Fully depressed	Less than 4.75V
69 (Throttle position sensor 2)	Fully released	Less than 4.75V
	Fully depressed	More than 0.36V

6. If NG, replace electric throttle control actuator and go to the next step.
7. Perform [EC-78, "Throttle Valve Closed Position Learning"](#) .
8. Perform [EC-78, "Idle Air Volume Learning"](#) .



Removal and Installation ELECTRIC THROTTLE CONTROL ACTUATOR

NBS001VZ

Refer to [EM-19, "INTAKE MANIFOLD"](#) .

DTC P0300 - P0308 MULTIPLE CYLINDER MISFIRE, NO. 1 - 8 CYLINDER MISFIRE

DTC P0300 - P0308 MULTIPLE CYLINDER MISFIRE, NO. 1 - 8 CYLINDER MISFIRE

PF0:00000

On Board Diagnosis Logic

NBS001W0

When a misfire occurs, engine speed will fluctuate. If the engine speed fluctuates enough to cause the crankshaft position (CKP) sensor (POS) signal to vary, ECM can determine that a misfire is occurring.

Sensor	Input Signal to ECM	ECM function
Crankshaft position sensor (POS)	Engine speed	On board diagnosis of misfire

The misfire detection logic consists of the following two conditions.

1. One Trip Detection Logic (Three Way Catalyst Damage)

On the first trip that a misfire condition occurs that can damage the three way catalyst (TWC) due to overheating, the MIL will blink.

When a misfire condition occurs, the ECM monitors the CKP sensor signal every 200 engine revolutions for a change.

When the misfire condition decreases to a level that will not damage the TWC, the MIL will turn off.

If another misfire condition occurs that can damage the TWC on a second trip, the MIL will blink.

When the misfire condition decreases to a level that will not damage the TWC, the MIL will remain on.

If another misfire condition occurs that can damage the TWC, the MIL will begin to blink again.

2. Two Trip Detection Logic (Exhaust quality deterioration)

For misfire conditions that will not damage the TWC (but will affect vehicle emissions), the MIL will only light when the misfire is detected on a second trip. During this condition, the ECM monitors the CKP sensor signal every 1,000 engine revolutions.

A misfire malfunction can be detected on any one cylinder or on multiple cylinders.

DTC No.	Trouble diagnosis name	DTC detecting condition	Possible cause
P0300 0300	Multiple cylinder misfire detected	Multiple cylinder misfire.	<ul style="list-style-type: none"> ● Improper spark plug ● Insufficient compression ● Incorrect fuel pressure ● The fuel injector circuit is open or shorted ● Fuel injector ● Intake air leak ● The ignition signal circuit is open or shorted ● Lack of fuel ● Drive plate ● A/F sensor 1 ● Incorrect PCV hose connection
P0301 0301	No.1 cylinder misfire detected	No. 1 cylinder misfires.	
P0302 0302	No. 2 cylinder misfire detected	No. 2 cylinder misfires.	
P0303 0303	No. 3 cylinder misfire detected	No. 3 cylinder misfires.	
P0304 0304	No. 4 cylinder misfire detected	No. 4 cylinder misfires.	
P0305 0305	No. 5 cylinder misfire detected	No. 5 cylinder misfires.	
P0306 0306	No. 6 cylinder misfire detected	No. 6 cylinder misfires.	
P0307 0307	No. 7 cylinder misfire detected	No. 7 cylinder misfires.	
P0308 0308	No. 8 cylinder misfire detected	No. 8 cylinder misfires.	

DTC P0300 - P0308 MULTIPLE CYLINDER MISFIRE, NO. 1 - 8 CYLINDER MISFIRE

NBS001W1

DTC Confirmation Procedure

CAUTION:

Always drive vehicle in safe manner according to traffic conditions and obey all traffic laws when driving.

NOTE:

If DTC Confirmation Procedure has been previously conducted, always turn ignition switch OFF and wait at least 10 seconds before conducting the next test.

WITH CONSULT-II

1. Turn ignition switch ON, and select "DATA MONITOR" mode with CONSULT-II.
2. Start engine and warm it up to normal operating temperature.
3. Turn ignition switch OFF and wait at least 10 seconds.
4. Restart engine and let it idle for about 15 minutes.
5. If 1st trip DTC is detected, go to [EC-357, "Diagnostic Procedure"](#)

DATA MONITOR	
MONITOR	NO DTC
ENG SPEED	XXX rpm
COOLAN TEMP/S	XXX °C
VHCL SPEED SE	XXX km/h
B/FUEL SCHDL	XXX msec

PBIB0164E

NOTE:

If 1st trip DTC is not detected during above procedure, performing the following procedure is advised.

- a. Turn ignition switch OFF and wait at least 10 seconds.
- b. Start engine and drive the vehicle under the similar conditions to (1st trip) Freeze Frame Data for a certain time. Refer to the table below.

Hold the accelerator pedal as steady as possible.

The similar conditions to (1st trip) Freeze Frame Data means the vehicle operation that the following conditions should be satisfied at the same time.

Engine speed	Engine speed in the freeze frame data \pm 400 rpm
Vehicle speed	Vehicle speed in the freeze frame data \pm 10 km/h (6 MPH)
Engine coolant temperature (T) condition	When the freeze frame data shows lower than 70 °C (158 °F), T should be lower than 70 °C (158 °F).
	When the freeze frame data shows higher than or equal to 70 °C (158 °F), T should be higher than or equal to 70 °C (158 °F).

The time to driving varies according to the engine speed in the freeze frame data.

Engine speed	Time
Around 1,000 rpm	Approximately 10 minutes
Around 2,000 rpm	Approximately 5 minutes
More than 3,000 rpm	Approximately 3.5 minutes

WITH GST

Follow the procedure "WITH CONSULT-II" above.

DTC P0300 - P0308 MULTIPLE CYLINDER MISFIRE, NO. 1 - 8 CYLINDER MISFIRE

Diagnostic Procedure

NBS001W2

1. CHECK FOR INTAKE AIR LEAK

1. Start engine and run it at idle speed.
2. Listen for the sound of the intake air leak.
3. Check PCV hose connection.

OK or NG

- OK >> GO TO 2.
NG >> Discover air leak location and repair.

2. CHECK FOR EXHAUST SYSTEM CLOGGING

1. Stop engine
2. Turn ignition switch OFF
3. Visually check exhaust tube, three way catalyst (manifold) and muffler for dents.

OK or NG

- OK (With CONSULT-II)>>GO TO 3.
OK (Without CONSULT-II)>>GO TO 4.
NG >> Repair or replace it.

3. PERFORM POWER BALANCE TEST

With CONSULT-II

1. Perform "POWER BALANCE" in "ACTIVE TEST" mode.
2. Is there any cylinder which does not produce a momentary engine speed drop?

ACTIVE TEST	
POWER BALANCE	
MONITOR	
ENG SPEED	XXX rpm
MAS A/F SE-B1	XXX V

PBIB0133E

Yes or No

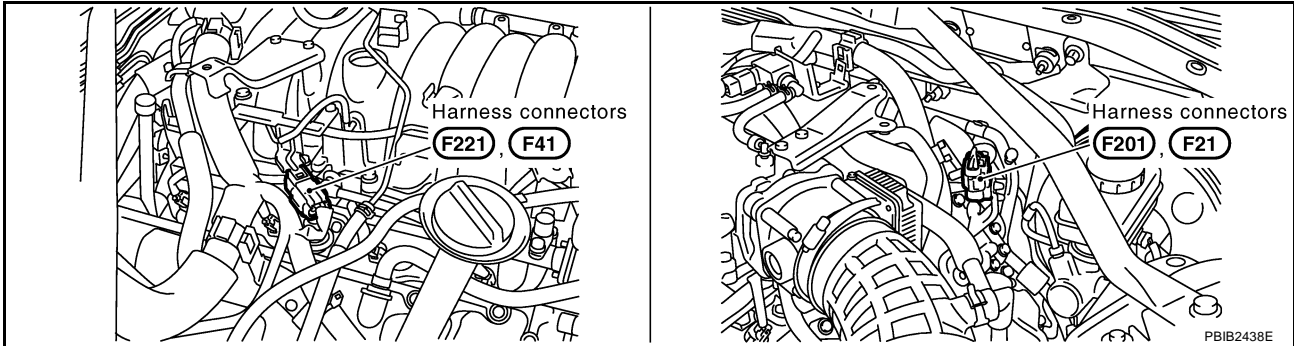
- Yes >> GO TO 4.
No >> GO TO 10.

DTC P0300 - P0308 MULTIPLE CYLINDER MISFIRE, NO. 1 - 8 CYLINDER MISFIRE

4. CHECK FUNCTION OF FUEL INJECTOR-I

⊗ Without CONSULT-II

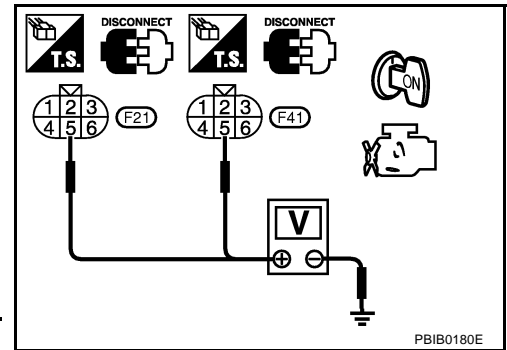
1. Turn ignition switch OFF.
2. Disconnect harness connectors F21, F201 (bank 1) and F41, F221 (bank 2).



3. Turn ignition switch ON.
4. Check voltage between the following; harness connector F21 terminal 5 and ground, harness connector F41 terminal 5 and ground with CONSULT-II or tester.

Voltage: Battery voltage

5. Turn ignition switch OFF.
6. Disconnect ECM harness connector.
7. Check harness continuity between the following terminals.



Cylinder	Harness connector terminal	ECM terminal
1	F21 terminal 3	23
3	F21 terminal 2	22
5	F21 terminal 1	21
7	F21 terminal 6	44
2	F41 terminal 3	42
4	F41 terminal 2	41
6	F41 terminal 1	40
8	F41 terminal 6	63

Continuity should exist.

8. Also check harness for short to ground and short to power.

OK or NG

OK >> GO TO 5.

NG >> Perform trouble diagnosis for [EC-706. "FUEL INJECTOR"](#).

DTC P0300 - P0308 MULTIPLE CYLINDER MISFIRE, NO. 1 - 8 CYLINDER MIS-FIRE

5. CHECK FUNCTION OF FUEL INJECTOR-II

Provide battery voltage between the following terminals, and then interrupt it. Listen to each fuel injector operating sound.

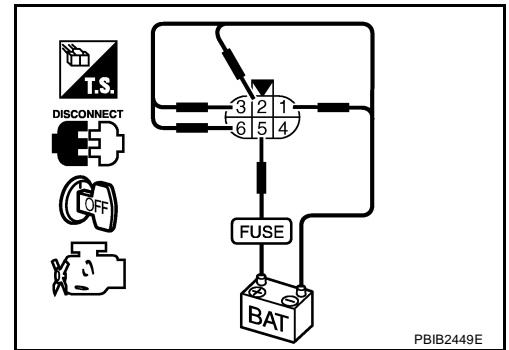
Cylinder	Harness connector	terminal	
		(+)	(-)
1	F201	5	3
3			2
5			1
7			6
2	F221	5	3
4			2
6			1
8			6

Operating sound should exist.

OK or NG

OK >> GO TO 6.

NG >> Perform trouble diagnosis for [EC-706, "FUEL INJECTOR"](#).



A
EC
C
D
E
F
G
H
I
J
K
L
M

DTC P0300 - P0308 MULTIPLE CYLINDER MISFIRE, NO. 1 - 8 CYLINDER MISFIRE

6. CHECK FUNCTION OF IGNITION COIL-I

CAUTION:

Do the following procedure in the place where ventilation is good without the combustible.

1. Turn ignition switch OFF.
2. Remove fuel pump fuse in fuse block No. 1 to release fuel pressure.

NOTE:

Do not use CONSULT-II to release fuel pressure, or fuel pressure applies again during the following procedure.

3. Start engine.
4. After engine stalls, crank it two or three times to release all fuel pressure.
5. Turn ignition switch OFF.
6. Remove all ignition coil harness connectors to avoid the electrical discharge from the ignition coils.
7. Remove ignition coil and spark plug of the cylinder to be checked.
8. Crank engine for 5 seconds or more to remove combustion gas in the cylinder.
9. Connect spark plug and harness connector to ignition coil.
10. Fix ignition coil using a rope etc. with gap of 13 - 17 mm between the edge of the spark plug and grounded metal portion as shown in the figure.
11. Crank engine for about three seconds, and check whether spark is generated between the spark plug and the grounded metal portion.

Spark should be generated.

CAUTION:

- Do not approach to the spark plug and the ignition coil within 50cm. Be careful not to get an electrical shock while checking, because the electrical discharge voltage becomes 20kV or more.

- It might cause to damage the ignition coil if the gap of more than 17 mm is taken.

NOTE:

When the gap is less than 13 mm, the spark might be generated even if the coil is malfunctioning.

OK or NG

- OK >> GO TO 10.
NG >> GO TO 7.

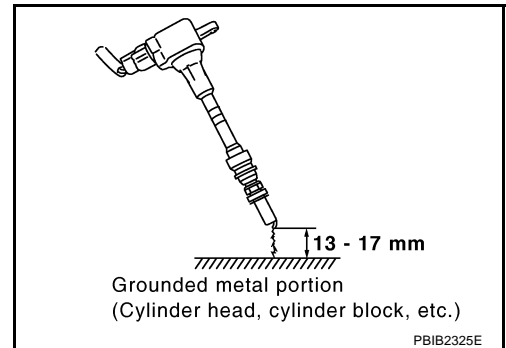
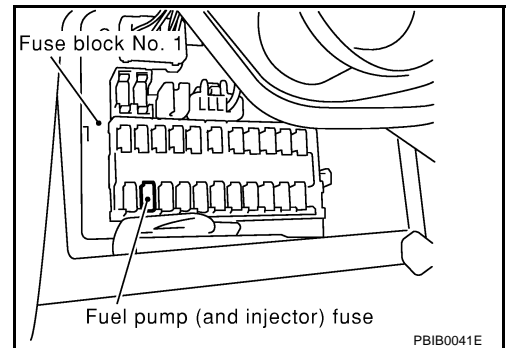
7. CHECK FUNCTION OF IGNITION COIL-II

1. Turn ignition switch OFF.
2. Disconnect spark plug and connect a known-good spark plug.
3. Crank engine for about 3 seconds, and recheck whether spark is generated between the spark plug and the grounded metal portion.

Spark should be generated.

OK or NG

- OK >> GO TO 8.
NG >> Check ignition coil, power transistor and their circuits. Refer to [EC-731](#).

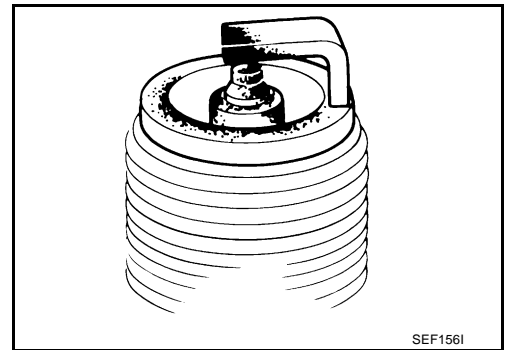


8. CHECK SPARK PLUG

Check the initial spark plug for fouling, etc.

OK or NG

- OK >> Replace spark plug(s) with standard type one(s). For spark plug type, refer to [EM-30](#) .
- NG >> 1. Repair or clean spark plug.
2. GO TO 9.



9. CHECK FUNCTION OF IGNITION COIL-III

1. Reconnect the initial spark plugs.
2. Crank engine for about three seconds, and recheck whether spark is generated between the spark plug and the grounded portion.

Spark should be generated.

OK or NG

- OK >> **INSPECTION END**
- NG >> Replace spark plug(s) with standard type one(s). For spark plug type, refer to [EM-30](#) .

10. CHECK COMPRESSION PRESSURE

Check compression pressure. Refer to [EM-67, "CHECKING COMPRESSION PRESSURE"](#) ,.

OK or NG

- OK >> GO TO 11.
- NG >> Check pistons, piston rings, valves, valve seats and cylinder head gaskets.

11. CHECK FUEL PRESSURE

1. Install all removed parts.
2. Release fuel pressure to zero. Refer to [EC-80, "FUEL PRESSURE RELEASE"](#) .
3. Install fuel pressure gauge and check fuel pressure. Refer to [EC-80, "FUEL PRESSURE CHECK"](#) .

At idle: Approx. 350 kPa (3.57 kg/cm² , 51 psi)

OK or NG

- OK >> GO TO 13.
- NG >> GO TO 12.

12. DETECT MALFUNCTIONING PART

Check the following.

- Fuel pump and circuit (Refer to [EC-534, "DTC P1220 FUEL PUMP CONTROL MODULE \(FPCM\)"](#) , [EC-715, "FUEL PUMP"](#) .)
- Fuel pressure regulator (Refer to [EC-80](#) .)
- Fuel lines (Refer to [MA-15, "Checking Fuel Lines"](#) .)
- Fuel filter for clogging

>> Repair or replace.

DTC P0300 - P0308 MULTIPLE CYLINDER MISFIRE, NO. 1 - 8 CYLINDER MIS-FIRE

13. CHECK IGNITION TIMING

Check the following items. Refer to [EC-71, "Basic Inspection"](#) .

Items	Specifications
Target idle speed	650 ± 50 rpm (in P or N position)
Ignition timing	12 ± 5° BTDC (in P or N position)

OK or NG

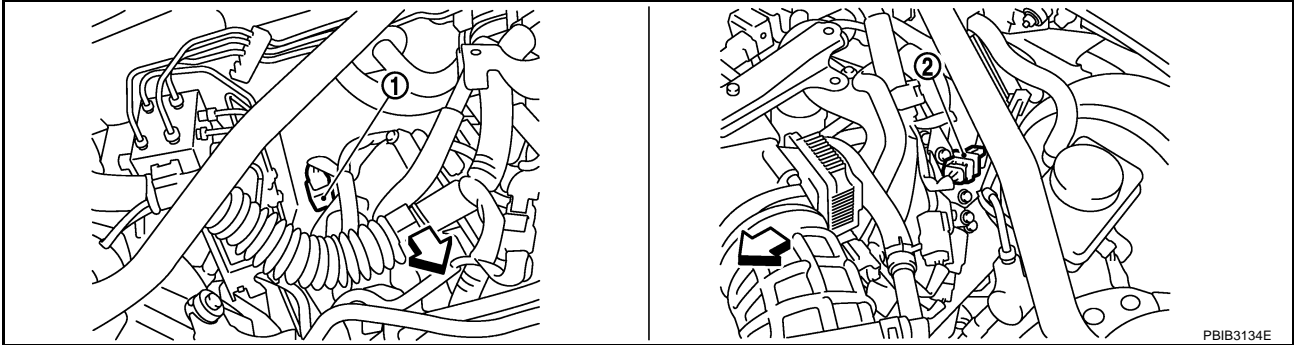
OK >> GO TO 14.

NG >> Follow the Basic Inspection.

DTC P0300 - P0308 MULTIPLE CYLINDER MISFIRE, NO. 1 - 8 CYLINDER MISFIRE

14. CHECK AIR FUEL RATIO (A/F) SENSOR 1 INPUT SIGNAL CIRCUIT

1. Turn ignition switch OFF.
2. Disconnect corresponding air fuel ratio (A/F) sensor 1 harness connector.



↶ : Vehicle front

1. A/F sensor 1 (bank 2) harness connector

2. A/F sensor 1 (bank 1) harness connector

3. Disconnect ECM harness connector.
4. Check harness continuity between the following terminals. Refer to Wiring Diagram.

	A/F sensor 1 terminal	ECM terminal
Bank 1	1	16
	2	75
	5	35
	6	56
Bank 2	1	76
	2	77
	5	57
	6	58

Continuity should exist.

5. Check harness continuity between the following terminals and ground. Refer to Wiring Diagram.

Bank 1		Bank 2	
A/F sensor 1 terminal	ECM terminal	A/F sensor 1 terminal	ECM terminal
1	16	1	76
2	75	2	77
5	35	5	57
6	56	6	58

Continuity should not exist.

6. Also check harness for short to power.

OK or NG

OK >> GO TO 15.

NG >> Repair open circuit or short to ground or short to power in harness or connectors.

DTC P0300 - P0308 MULTIPLE CYLINDER MISFIRE, NO. 1 - 8 CYLINDER MISFIRE

15. CHECK A/F SENSOR 1 HEATER

Refer to [EC-179, "Component Inspection"](#) .

OK or NG

- OK >> GO TO 16.
- NG >> Replace malfunctioning A/F sensor 1.

16. CHECK MASS AIR FLOW SENSOR

 **With CONSULT-II**

Check mass air flow sensor signal in "DATA MONITOR" mode with CONSULT-II.

- | | |
|-----------------------------|---------------------|
| 3.8 - 5.2 g-m/sec: | at idling |
| 16.0 - 21.5 g-m/sec: | at 2,500 rpm |

 **With GST**

Check mass air flow sensor signal in "Service \$01" with GST.

- | | |
|-----------------------------|---------------------|
| 3.8 - 5.2 g-m/sec: | at idling |
| 16.0 - 21.5 g-m/sec: | at 2,500 rpm |

OK or NG

- OK >> GO TO 17.
- NG >> Check connectors for rusted terminals or loose connections in the mass air flow sensor circuit or grounds. Refer to [EC-204, "DTC P0102, P0103 MAF SENSOR"](#) .

17. CHECK SYMPTOM MATRIX CHART

Check items on the rough idle symptom in [EC-91, "Symptom Matrix Chart"](#) .

OK or NG

- OK >> GO TO 18.
- NG >> Repair or replace.

18. ERASE THE 1ST TRIP DTC

Some tests may cause a 1st trip DTC to be set.

Erase the 1st trip DTC from the ECM memory after performing the tests. Refer to [EC-61, "HOW TO ERASE EMISSION-RELATED DIAGNOSTIC INFORMATION"](#) .

>> GO TO 19.

19. CHECK INTERMITTENT INCIDENT

Refer to [EC-145, "TROUBLE DIAGNOSIS FOR INTERMITTENT INCIDENT"](#) .

>> INSPECTION END

DTC P0327, P0328, P0332, P0333 KS

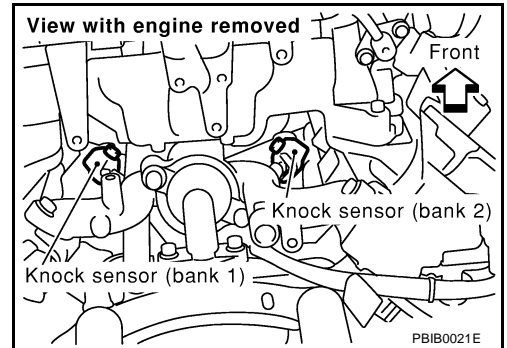
PF2:22060

DTC P0327, P0328, P0332, P0333 KS

Component Description

NBS001W3

The knock sensor is attached to the cylinder block. It senses engine knocking using a piezoelectric element. A knocking vibration from the cylinder block is sensed as vibrational pressure. This pressure is converted into a voltage signal and sent to the ECM.



On Board Diagnosis Logic

NBS001W4

The MIL will not light up for these diagnoses.

DTC No.	Trouble Diagnosis Name	DTC Detected Condition	Possible Cause
P0327 0327 (bank 1)	Knock sensor circuit low input	An excessively low voltage from the sensor is sent to ECM.	<ul style="list-style-type: none"> ● Harness or connectors (The sensor circuit is open or shorted.) ● Knock sensor
P0332 0332 (bank 2)			
P0328 0328 (bank 1)	Knock sensor circuit high input	An excessively high voltage from the sensor is sent to ECM.	
P0333 0333 (bank 2)			

DTC Confirmation Procedure

NBS001W5

NOTE:

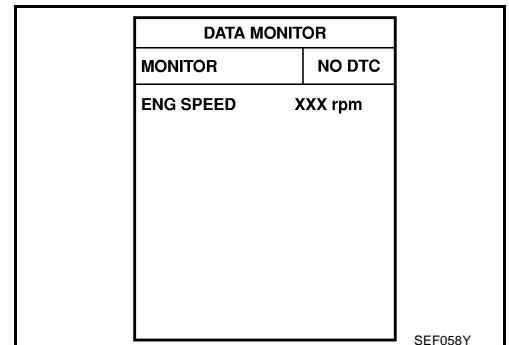
If DTC Confirmation Procedure has been previously conducted, always turn ignition switch OFF and wait at least 10 seconds before conducting the next test.

TESTING CONDITION:

Before performing the following procedure, confirm that battery voltage is more than 10V at idle.

WITH CONSULT-II

1. Turn ignition switch ON and select "DATA MONITOR" mode with CONSULT-II.
2. Start engine and run it for at least 5 seconds at idle speed.
3. If 1st trip DTC is detected, go to [EC-367, "Diagnostic Procedure"](#)



WITH GST

Follow the procedure WITH CONSULT-II above.

DTC P0327, P0328, P0332, P0333 KS

Specification data are reference values and are measured between each terminal and ground.

CAUTION:

Do not use ECM ground terminals when measuring input/output voltage. Doing so may result in damage to the ECM's transistor. Use a ground other than ECM terminals, such as the ground.

TER-MINAL NO.	WIRE COLOR	ITEM	CONDITION	DATA (DC Voltage)
15	W	Knock sensor (bank 1)	[Engine is running] ● Idle speed	Approximately 2.5V
36	W	Knock sensor (bank 2)	[Engine is running] ● Idle speed	Approximately 2.5V

Diagnostic Procedure

NBS001W7

1. CHECK KNOCK SENSOR INPUT SIGNAL CIRCUIT FOR OPEN AND SHORT-I

1. Turn ignition switch OFF.
2. Disconnect ECM harness connector.
3. Check resistance between ECM terminals 15, 36 and ground.
Refer to Wiring Diagram.

NOTE:

It is necessary to use an ohmmeter which can measure more than 10 MΩ.

Resistance: Approximately 530 - 590kΩ [at 20°C (68°F)]

4. Also check harness for short to ground and short to power.

OK or NG

- OK >> GO TO 4.
NG >> GO TO 2.

2. CHECK KNOCK SENSOR INPUT SIGNAL CIRCUIT FOR OPEN AND SHORT-II

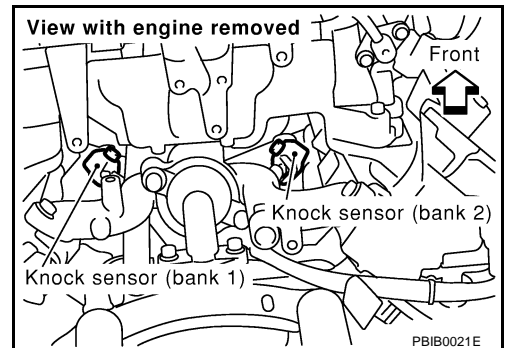
1. Disconnect knock sensor harness connector.
2. Check harness continuity between the following;
ECM terminal 15 and knock sensor (bank 1) terminal 1,
ECM terminal 36 and knock sensor (bank 2) terminal 1.
Refer to Wiring Diagram.

Continuity should exist.

3. Also check harness for short to ground and short to power.

OK or NG

- OK >> GO TO 4.
NG >> GO TO 3.



3. DETECT MALFUNCTIONING PART

Check the following.

- Harness connector F40, F241
- Harness for open or short between ECM and knock sensor

>> Repair open circuit or short to ground or short to power in harness or connectors.

4. CHECK KNOCK SENSOR

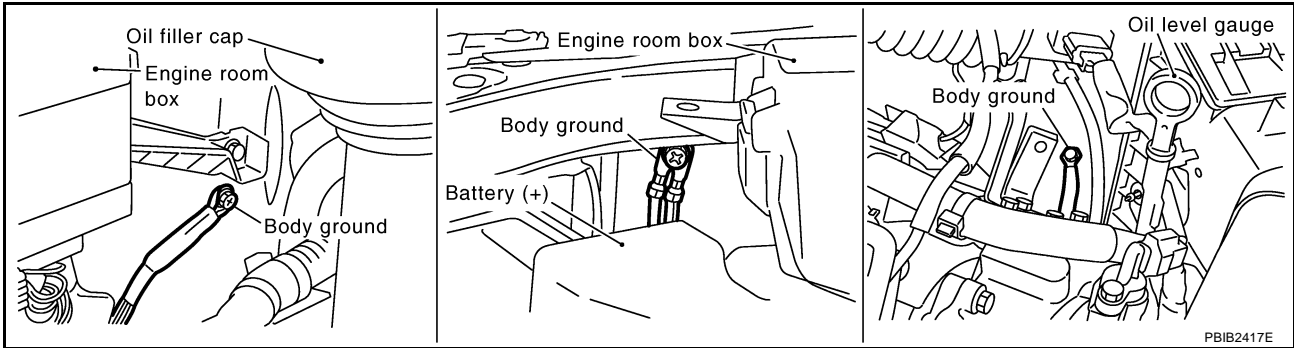
Refer to [EC-368, "Component Inspection"](#).

OK or NG

- OK >> GO TO 5.
NG >> Replace knock sensor.

5. CHECK GROUND CONNECTIONS

Loosen and retighten three ground screws on the body.
Refer to [EC-154, "Ground Inspection"](#) .



OK or NG

- OK >> GO TO 6.
- NG >> Repair or replace ground connections.

6. CHECK KNOCK SENSOR SHIELD CIRCUIT FOR OPEN AND SHORT

Check harness continuity between knock sensor terminal 2 and ground.
Refer to wiring Diagram.

Continuity should exist.

OK or NG

- OK >> GO TO 8.
- NG >> GO TO 7.

7. DETECT MALFUNCTIONING PART

Check the following.

- Harness connector F40, F241
- Harness connector F32, E32
- Harness for open or short between knock sensor and ground.

>> Repair open circuit or short to power in harness or connectors.

8. CHECK INTERMITTENT INCIDENT

Refer to [EC-145, "TROUBLE DIAGNOSIS FOR INTERMITTENT INCIDENT"](#) .

>> INSPECTION END

Component Inspection KNOCK SENSOR

Check resistance between knock sensor terminal 1 and ground.

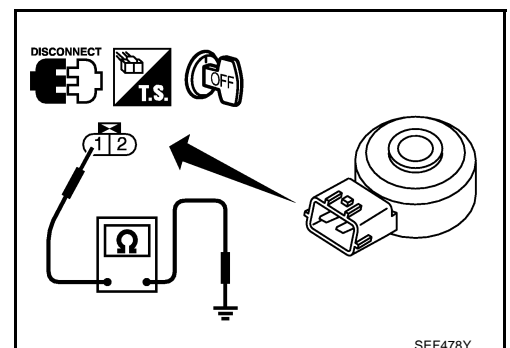
NOTE:

It is necessary to use an ohmmeter which can measure more than 10 MΩ.

Resistance: Approximately 530 - 590kΩ [at 20°C (68°F)]

CAUTION:

Do not use any knock sensors that have been dropped or physically damaged. Use only new ones.



NBS001W8

SEF478Y

Removal and Installation
KNOCK SENSOR

NBS001W9

Refer to [EM-83, "CYLINDER BLOCK"](#) .

A
EC

C

D

E

F

G

H

I

J

K

L

M

DTC P0335 CKP SENSOR (POS)

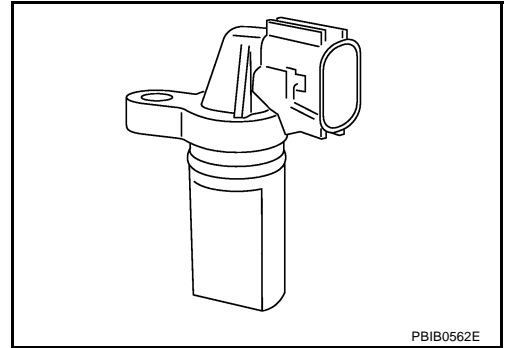
DTC P0335 CKP SENSOR (POS)

PFP:23731

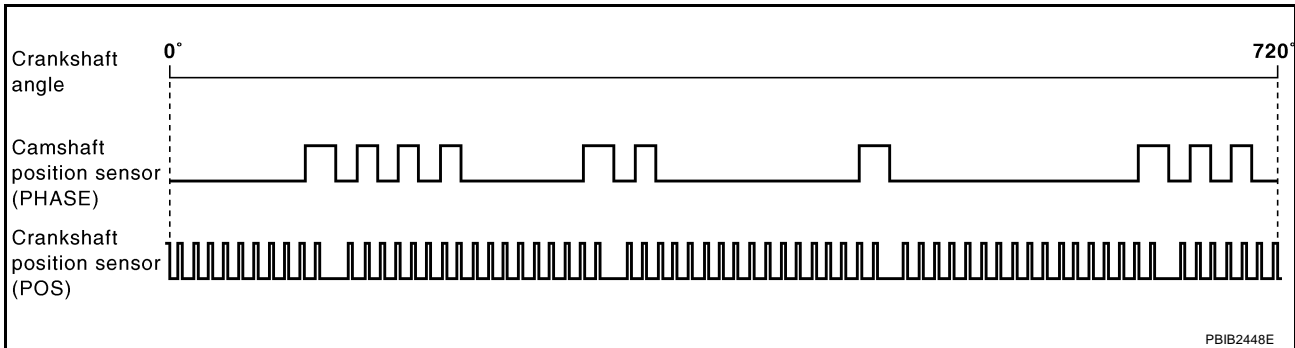
Component Description

NBS001WA

The crankshaft position sensor (POS) is located on A/T assembly facing the gear teeth (cogs) of the signal plate at the end of the crankshaft. It detects the fluctuation of the engine revolution. The sensor consists of a permanent magnet and Hall IC. When the engine is running, the high and low parts of the teeth cause the gap with the sensor to change. The changing gap causes the magnetic field near the sensor to change. Due to the changing magnetic field, the voltage from the sensor changes. The ECM receives the voltage signal and detects the fluctuation of the engine revolution. ECM receives the signals as shown in the figure.



PBIB0562E



PBIB2448E

CONSULT-II Reference Value in Data Monitor Mode

NBS001WB

Specification data are reference values.

MONITOR ITEM	CONDITION	SPECIFICATION
ENG SPEED	<ul style="list-style-type: none"> Run engine and compare CONSULT-II value with the tachometer indication. 	Almost the same speed as the tachometer indication.

On Board Diagnosis Logic

NBS001WC

DTC No.	Trouble diagnosis name	DTC detecting condition	Possible cause
P0335 0335	Crankshaft position sensor (POS) circuit	<ul style="list-style-type: none"> The crankshaft position sensor (POS) signal is not detected by the ECM during the first few seconds of engine cranking. The proper pulse signal from the crankshaft position sensor (POS) is not sent to ECM while the engine is running. The crankshaft position sensor (POS) signal is not in the normal pattern during engine running. 	<ul style="list-style-type: none"> Harness or connectors (The sensor circuit is open or shorted) Crankshaft position sensor (POS) Signal plate

DTC P0335 CKP SENSOR (POS)

NBS001WD

DTC Confirmation Procedure

NOTE:

If DTC Confirmation Procedure has been previously conducted, always turn ignition switch OFF and wait at least 10 seconds before conducting the next test.

TESTING CONDITION:

Before performing the following procedure, confirm that battery voltage is more than 10.5V with ignition switch ON.

① WITH CONSULT-II

1. Turn ignition switch ON and select "DATA MONITOR" mode with CONSULT-II.
2. Crank engine for at least 2 seconds and run it for at least 5 seconds at idle speed.
3. If 1st trip DTC is detected, go to [EC-375, "Diagnostic Procedure"](#).
If 1st trip DTC is not detected, go to next step.
4. Maintaining engine speed at more than 800 rpm for at least 5 seconds.
5. If 1st trip DTC is detected, go to [EC-375, "Diagnostic Procedure"](#).

DATA MONITOR	
MONITOR	NO DTC
ENG SPEED	XXX rpm

SEP058Y

② WITH GST

Follow the procedure WITH CONSULT-II above.

A
EC
C
D
E
F
G
H
I
J
K
L
M

DTC P0335 CKP SENSOR (POS)

Specification data are reference values and are measured between each terminal and ground.

CAUTION:

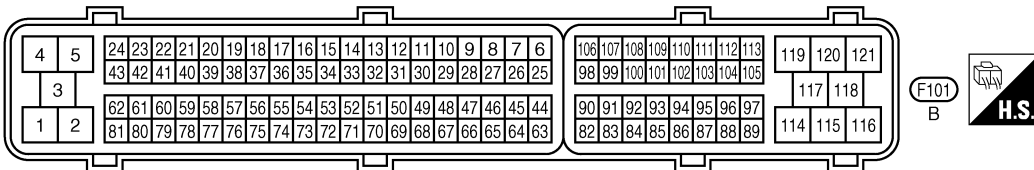
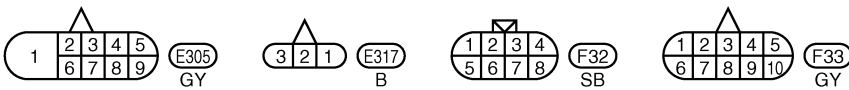
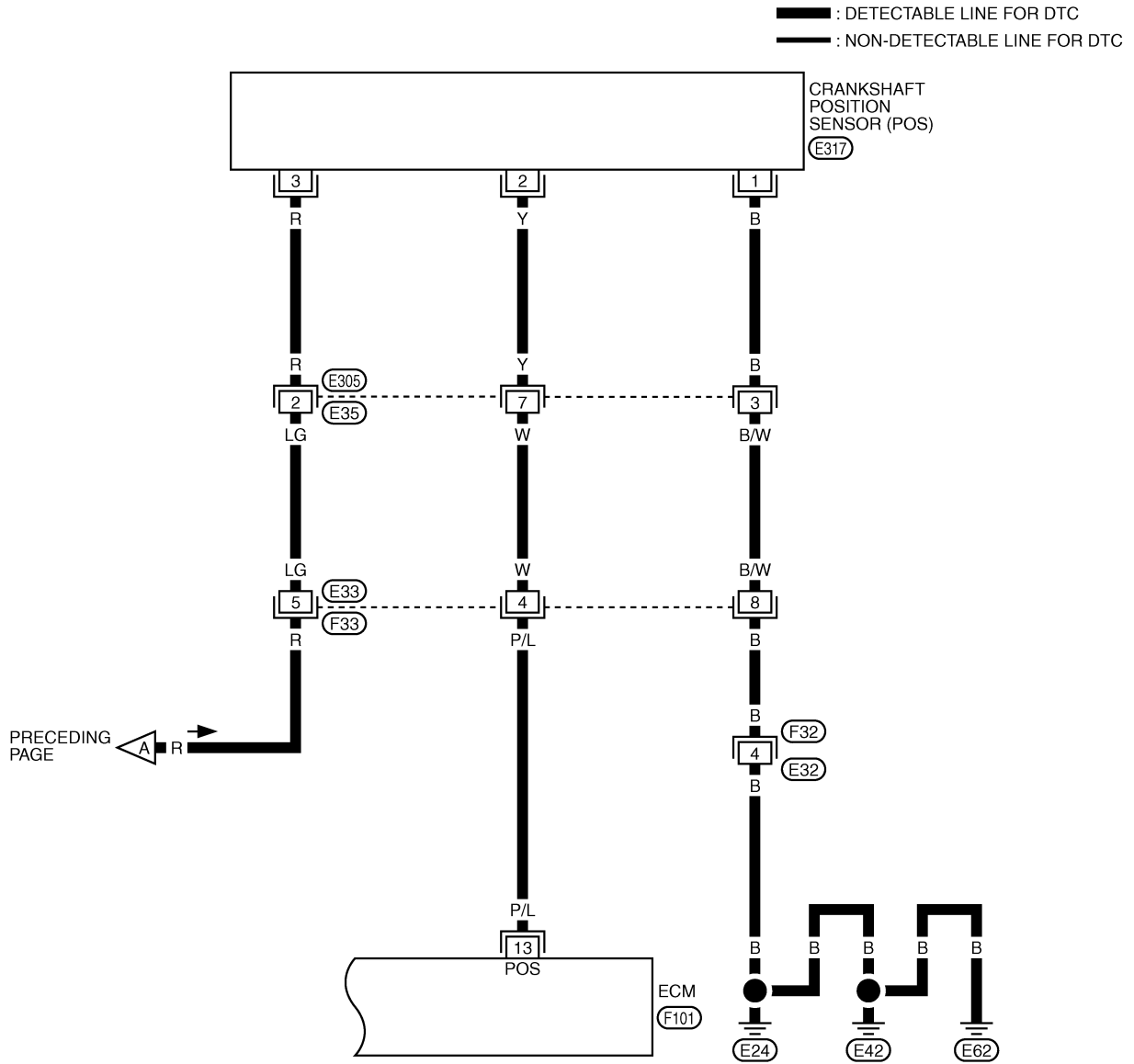
Do not use ECM ground terminals when measuring input/output voltage. Doing so may result in damage to the ECM's transistor. Use a ground other than ECM terminals, such as the ground.

TER-MINAL NO.	WIRE COLOR	ITEM	CONDITION	DATA (DC Voltage)
111	W/B	ECM relay (Self shut-off)	[Engine is running] [Ignition switch: OFF] <ul style="list-style-type: none"> ● For a few seconds after turning ignition switch OFF 	0 - 1.5V
			[Ignition switch: OFF] <ul style="list-style-type: none"> ● More than a few seconds after turning ignition switch OFF 	BATTERY VOLTAGE (11 - 14V)
119 120	R R	Power supply for ECM	[Ignition switch: ON]	BATTERY VOLTAGE (11 - 14V)

A
EC
C
D
E
F
G
H
I
J
K
L
M

DTC P0335 CKP SENSOR (POS)

EC-POS-02



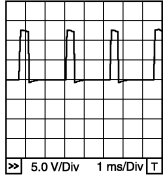
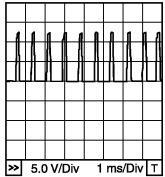
TBWM0551E

DTC P0335 CKP SENSOR (POS)

Specification data are reference values and are measured between each terminal and ground.
Pulse signal is measured by CONSULT-II.

CAUTION:

Do not use ECM ground terminals when measuring input/output voltage. Doing so may result in damage to the ECM's transistor. Use a ground other than ECM terminals, such as the ground.

TER-MINAL NO.	WIRE COLOR	ITEM	CONDITION	DATA (DC Voltage)
13	P/L	Crankshaft position sensor (POS)	<p>[Engine is running]</p> <ul style="list-style-type: none"> ● Warm-up condition ● Idle speed <p>NOTE: The pulse cycle changes depending on rpm at idle</p>	<p>1.0 - 2.0V★</p>  <p>PBIB1041E</p>
			<p>[Engine is running]</p> <ul style="list-style-type: none"> ● Engine speed: 2,000 rpm 	<p>1.0 - 2.0V★</p>  <p>PBIB1042E</p>

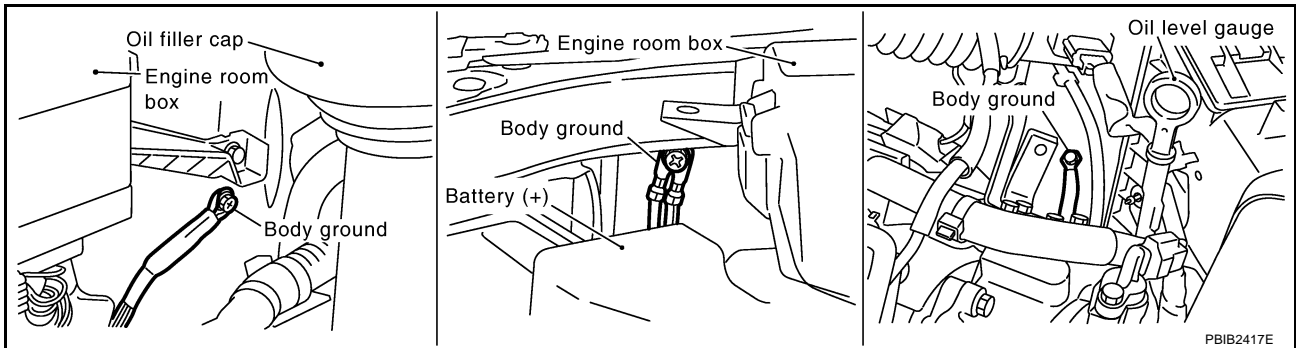
★: Average voltage for pulse signal (Actual pulse signal can be confirmed by oscilloscope.)

Diagnostic Procedure

NBS001WF

1. CHECK GROUND CONNECTIONS

1. Turn ignition switch OFF.
2. Loosen and retighten three ground screws on the body.
Refer to [EC-154, "Ground Inspection"](#).



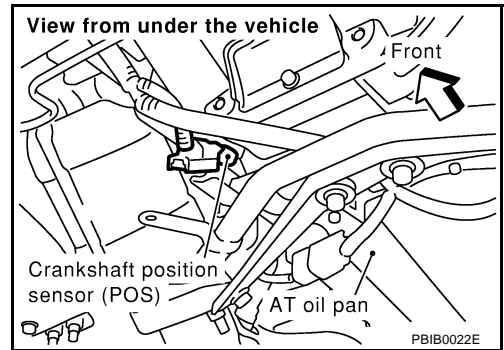
OK or NG

- OK >> GO TO 2.
- NG >> Repair or replace ground connections.

DTC P0335 CKP SENSOR (POS)

2. CHECK CRANKSHAFT POSITION (CKP) SENSOR (POS) POWER SUPPLY CIRCUIT

1. Disconnect crankshaft position (CKP) sensor (POS) harness connector.
2. Turn ignition switch ON.

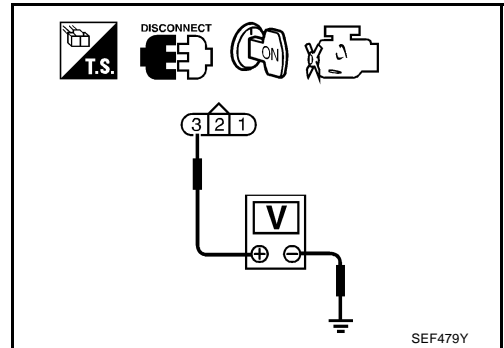


3. Check voltage between CKP sensor (POS) terminal 3 and ground with CONSULT-II or tester.

Voltage: Battery voltage

OK or NG

- OK >> GO TO 4.
NG >> GO TO 3.



3. DETECT MALFUNCTIONING PART

Check the following.

- Harness connectors M135, F105
- Harness connectors F33, E33
- Harness connectors E35, E305
- Harness for open or short between crankshaft position sensor (POS) and ECM
- Harness for open or short between crankshaft position sensor (POS) and ECM relay

>> Repair open circuit or short to ground or short to power in harness or connectors.

4. CHECK CKP SENSOR (POS) GROUND CIRCUIT FOR OPEN AND SHORT

1. Turn ignition switch OFF.
2. Check harness continuity between CKP sensor (POS) terminal 1 and ground. Refer to Wiring Diagram.

Continuity should exist.

3. Also check harness for short to power.

OK or NG

- OK >> GO TO 6.
NG >> GO TO 5.

DTC P0335 CKP SENSOR (POS)

5. DETECT MALFUNCTIONING PART

Check the following.

- Harness connectors E305, E35
- Harness connectors E33, F33
- Harness connectors E32, F32
- Harness for open or short between crankshaft position sensor (POS) and ground

>> Repair open circuit or short to power in harness or connectors.

6. CHECK CKP SENSOR (POS) INPUT SIGNAL CIRCUIT FOR OPEN AND SHORT

1. Disconnect ECM harness connector.
2. Check harness continuity between ECM terminal 13 and CKP sensor (POS) terminal 2. Refer to Wiring Diagram.

Continuity should exist.

3. Also check harness for short to ground and short to power.

OK or NG

- OK >> GO TO 8.
NG >> GO TO 7.

7. DETECT MALFUNCTIONING PART

Check the following.

- Harness connectors E305, E35
- Harness connectors E33, F33
- Harness for open or short between crankshaft position sensor (POS) and ECM

>> Repair open circuit or short to ground or short to power in harness or connectors.

8. CHECK CRANKSHAFT POSITION SENSOR (POS)

Refer to [EC-378, "Component Inspection"](#) .

OK or NG

- OK >> GO TO 9.
NG >> Replace crankshaft position sensor (POS).

9. CHECK GEAR TOOTH

Visually check for chipping signal plate gear tooth.

OK or NG

- OK >> GO TO 10.
NG >> Replace the signal plate.

10. CHECK INTERMITTENT INCIDENT

Refer to [EC-145, "TROUBLE DIAGNOSIS FOR INTERMITTENT INCIDENT"](#) .

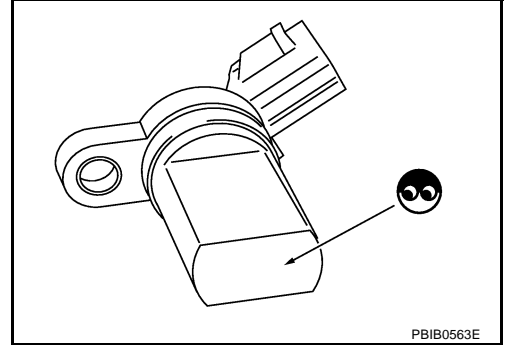
>> **INSPECTION END**

DTC P0335 CKP SENSOR (POS)

NBS001WG

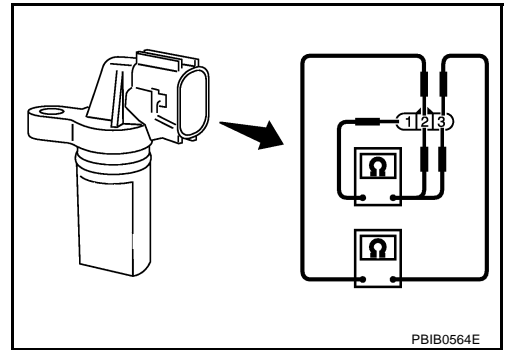
Component Inspection CRANKSHAFT POSITION SENSOR (POS)

1. Loosen the fixing bolt of the sensor.
2. Disconnect crankshaft position sensor (POS) harness connector.
3. Remove the sensor.
4. Visually check the sensor for chipping.



5. Check resistance as shown in the figure.

Terminal No. (Polarity)	Resistance Ω [at 25°C (77°F)]
1 (+) - 2 (-)	Except 0 or ∞
1 (+) - 3 (-)	
2 (+) - 3 (-)	



Removal and Installation CRANKSHAFT POSITION SENSOR (POS)

NBS001WH

Refer to [EM-26, "OIL PAN AND OIL STRAINER"](#).

DTC P0340 CMP SENSOR (PHASE)

DTC P0340 CMP SENSOR (PHASE)

PPF:23731

Component Description

NBS001WJ

The camshaft position sensor (PHASE) senses the protrusion of exhaust camshaft sprocket to identify a particular cylinder. The crankshaft position sensor (POS) senses the piston position. When the crankshaft position sensor (POS) system becomes inoperative, the camshaft position sensor (PHASE) provides various controls of engine parts instead, utilizing timing of cylinder identification signals.

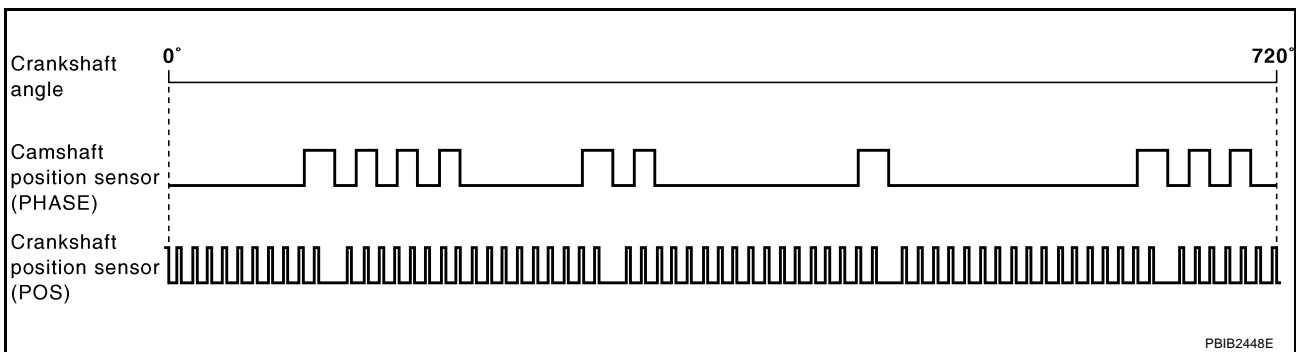
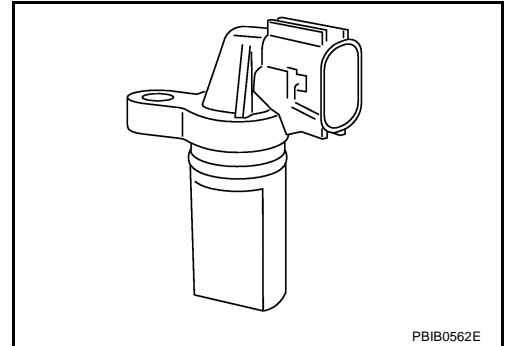
The sensor consists of a permanent magnet and Hall IC.

When engine is running, the high and low parts of the teeth cause the gap with the sensor to change.

The changing gap causes the magnetic field near the sensor to change.

Due to the changing magnetic field, the voltage from the sensor changes.

ECM receives the signals as shown in the figure.



On Board Diagnosis Logic

NBS001WJ

DTC No.	Trouble diagnosis name	DTC detecting condition	Possible cause
P0340 0340	Camshaft position sensor (PHASE) circuit	<ul style="list-style-type: none"> The cylinder No. signal is not sent to ECM for the first few seconds during engine cranking. The cylinder No. signal is not sent to ECM during engine running. The cylinder No. signal is not in the normal pattern during engine running. 	<ul style="list-style-type: none"> Harness or connectors (The sensor circuit is open or shorted) Camshaft position sensor (PHASE) Starter motor (Refer to SC-9, "STARTING SYSTEM" .) Starting system circuit (Refer to SC-9, "STARTING SYSTEM" .) Dead (Weak) battery

DTC P0340 CMP SENSOR (PHASE)

NBS001WK

DTC Confirmation Procedure

NOTE:

If DTC Confirmation Procedure has been previously conducted, always turn ignition switch OFF and wait at least 10 seconds before conducting the next test.

TESTING CONDITION:

Before performing the following procedure, confirm that battery voltage is more than 10.5V with ignition switch ON.

WITH CONSULT-II

1. Turn ignition switch ON.
2. Select "DATA MONITOR" mode with CONSULT-II.
3. Crank engine for at least 2 seconds and run it for at least 5 seconds at idle speed.
4. If 1st trip DTC is detected, go to [EC-382. "Diagnostic Procedure"](#).
If 1st trip DTC is not detected, go to next step.
5. Maintain engine speed at more than 800 rpm for at least 5 seconds.
6. If 1st trip DTC is detected, go to [EC-382. "Diagnostic Procedure"](#).

DATA MONITOR	
MONITOR	NO DTC
ENG SPEED	XXX rpm

SEF058Y

WITH GST

Follow the procedure WITH CONSULT-II above.

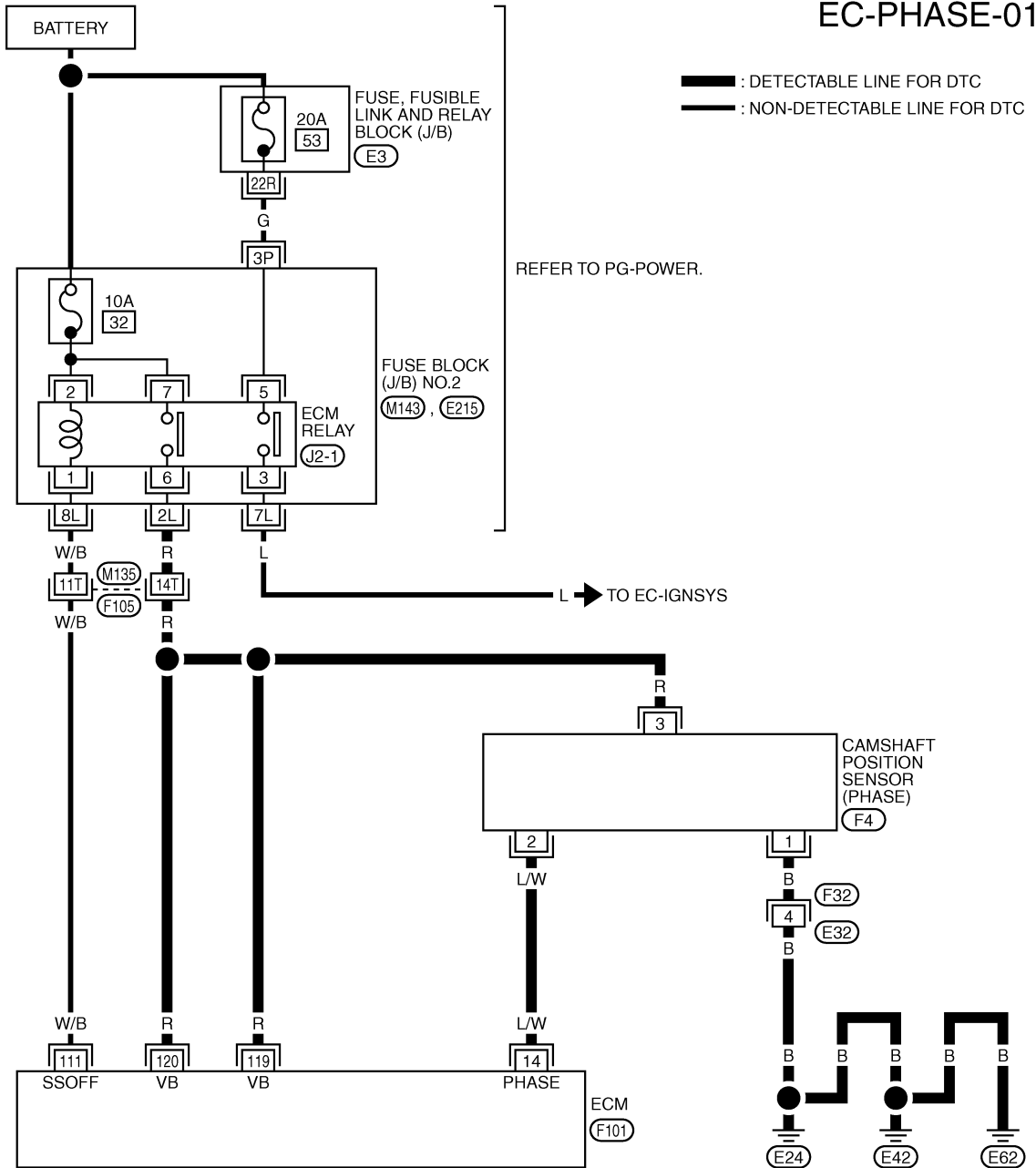
DTC P0340 CMP SENSOR (PHASE)

NBS001WL

Wiring Diagram

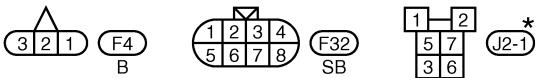
EC-PHASE-01

A
EC
C
D
E
F
G
H
I
J
K
L
M



REFER TO PG-POWER.

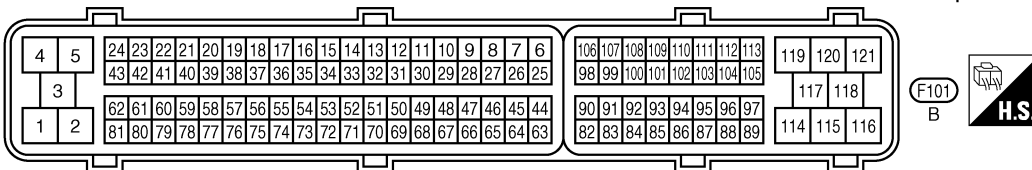
L → TO EC-IGNSYS



*: THIS CONNECTOR IS NOT SHOWN IN "HARNESS LAYOUT", PG SECTION.

REFER TO THE FOLLOWING.

- F105 -SUPER MULTIPLE JUNCTION (SMJ)
- M143, E215 -FUSE BLOCK-JUNCTION BOX (J/B) NO.2
- E3 -FUSE, FUSIBLE LINK AND RELAY BLOCK (J/B)

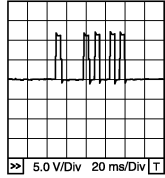
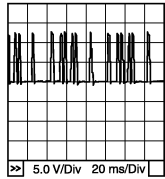


DTC P0340 CMP SENSOR (PHASE)

Specification data are reference values and are measured between each terminal and ground.
Pulse signal is measured by CONSULT-II.

CAUTION:

Do not use ECM ground terminals when measuring input/output voltage. Doing so may result in damage to the ECM's transistor. Use a ground other than ECM terminals, such as the ground.

TER-MINAL NO.	WIRE COLOR	ITEM	CONDITION	DATA (DC Voltage)
14	L/W	Camshaft position sensor (PHASE)	[Engine is running] <ul style="list-style-type: none"> ● Warm-up condition ● Idle speed NOTE: The pulse cycle changes depending on rpm at idle	1.0 - 4.0V★  <small>PBIB1039E</small>
			[Engine is running] <ul style="list-style-type: none"> ● Engine speed: 2,000 rpm 	1.0 - 4.0V★  <small>PBIB1040E</small>
111	W/B	ECM relay (Self shut-off)	[Engine is running] [Ignition switch: OFF] <ul style="list-style-type: none"> ● For a few seconds after turning ignition switch OFF 	0 - 1.5V
			[Ignition switch: OFF] <ul style="list-style-type: none"> ● More than a few seconds after turning ignition switch OFF 	BATTERY VOLTAGE (11 - 14V)
119 120	R R	Power supply for ECM	[Ignition switch: ON]	BATTERY VOLTAGE (11 - 14V)

★: Average voltage for pulse signal (Actual pulse signal can be confirmed by oscilloscope.)

Diagnostic Procedure

NBS001WM

1. CHECK STARTING SYSTEM

Turn ignition switch to START position.

Does the engine turn over?

Does the starter motor operate?

Yes or No

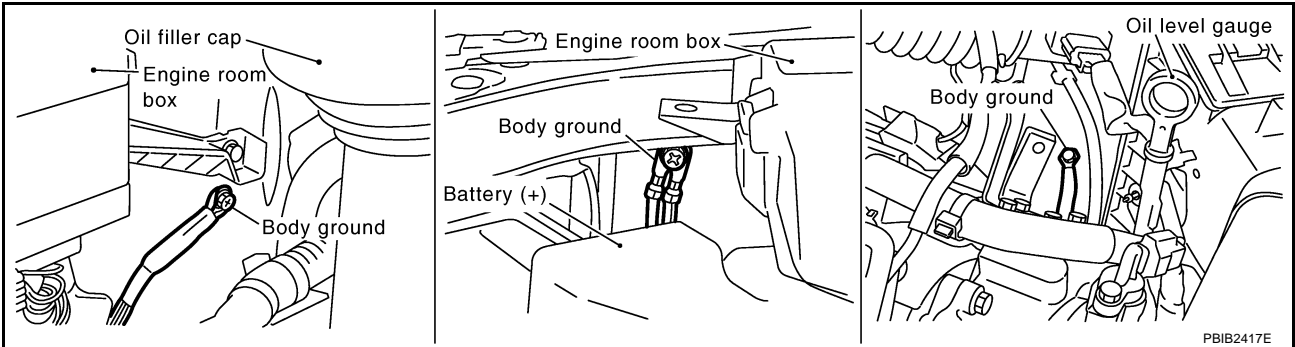
Yes >> GO TO 2.

No >> Check starting system. (Refer to [SC-9, "STARTING SYSTEM"](#) .)

DTC P0340 CMP SENSOR (PHASE)

2. CHECK GROUND CONNECTIONS

1. Turn ignition switch OFF.
2. Loosen and retighten three ground screws on the body.
Refer to [EC-154, "Ground Inspection"](#) .

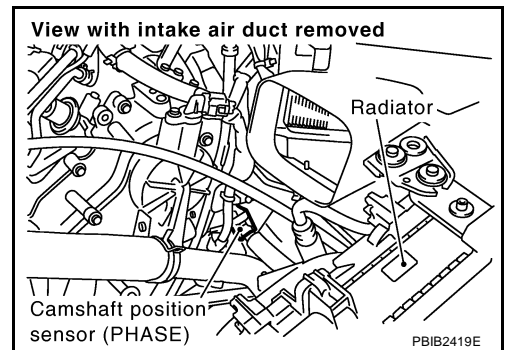


OK or NG

- OK >> GO TO 3.
- NG >> Repair or replace ground connections.

3. CHECK CAMSHAFT POSITION (CMP) SENSOR (PHASE) POWER SUPPLY CIRCUIT

1. Disconnect camshaft position (CMP) sensor (PHASE) harness connector.
2. Turn ignition switch ON.

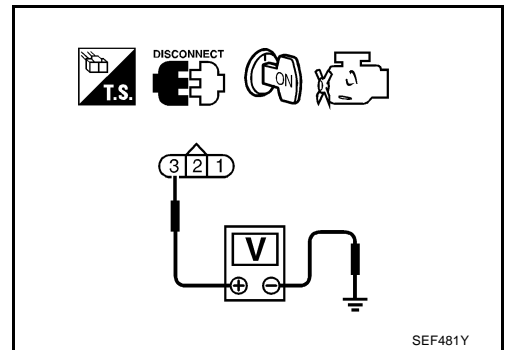


3. Check voltage between CMP sensor (PHASE) terminal 3 and ground with CONSULT-II or tester.

Voltage: Battery voltage

OK or NG

- OK >> GO TO 5.
- NG >> GO TO 4.



4. DETECT MALFUNCTIONING PART

Check the following.

- Harness connectors F105, M135
- Harness for open or short between ECM and camshaft position sensor (PHASE)
- Harness for open or short between ECM relay and camshaft position sensor (PHASE)

>> Repair open circuit or short to ground or short to power in harness or connectors.

DTC P0340 CMP SENSOR (PHASE)

5. CHECK CMP SENSOR (PHASE) GROUND CIRCUIT FOR OPEN AND SHORT

1. Turn ignition switch OFF.
2. Check harness continuity between CMP sensor (PHASE) terminal 1 and ground.
Refer to Wiring Diagram.

Continuity should exist.

3. Also check harness for short to power.

OK or NG

- OK >> GO TO 7.
NG >> GO TO 6.

6. DETECT MALFUNCTIONING PART

Check the following.

- Harness connectors F32, E32
- Harness for open or short between camshaft position sensor (PHASE) and ground

>> Repair open circuit or short to power in harness or connectors.

7. CHECK CMP SENSOR (PHASE) INPUT SIGNAL CIRCUIT FOR OPEN AND SHORT

1. Disconnect ECM harness connector.
2. Check harness continuity between ECM terminal 14 and CMP sensor (PHASE) terminal 2.
Refer to Wiring Diagram.

Continuity should exist.

3. Also check harness for short to ground and short to power.

OK or NG

- OK >> GO TO 8.
NG >> Repair open circuit or short to ground or short to power in harness or connectors.

8. CHECK CAMSHAFT POSITION SENSOR (PHASE)

Refer to [EC-385, "Component Inspection"](#) .

OK or NG

- OK >> GO TO 9.
NG >> Replace camshaft position sensor (PHASE).

9. CHECK INTERMITTENT INCIDENT

Refer to [EC-145, "TROUBLE DIAGNOSIS FOR INTERMITTENT INCIDENT"](#) .

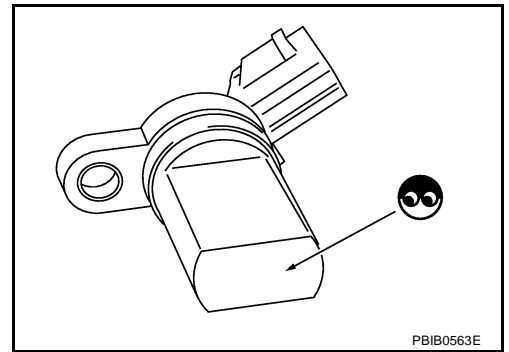
>> **INSPECTION END**

DTC P0340 CMP SENSOR (PHASE)

Component Inspection CAMSHAFT POSITION SENSOR (PHASE)

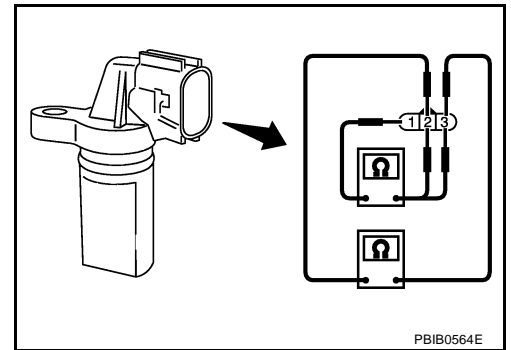
1. Loosen the fixing bolt of the sensor.
2. Disconnect camshaft position sensor (PHASE) harness connector.
3. Remove the sensor.
4. Visually check the sensor for chipping.

NBS001WN



5. Check resistance as shown in the figure.

Terminal No. (Polarity)	Resistance Ω [at 25°C (77°F)]
3 (+) - 1 (-)	Except 0 or ∞
2 (+) - 1 (-)	
3 (+) - 2 (-)	



Removal and Installation CAMSHAFT POSITION SENSOR (PHASE)

Refer to [EM-39, "TIMING CHAIN"](#) .

NBS001WO

DTC P0420, P0430 THREE WAY CATALYST FUNCTION

DTC P0420, P0430 THREE WAY CATALYST FUNCTION

PFP:20905

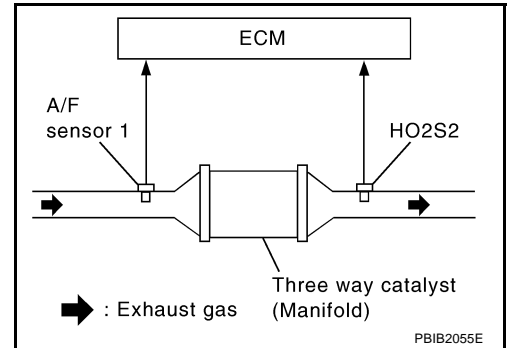
On Board Diagnosis Logic

NBS002XY

The ECM monitors the switching frequency ratio of air fuel ratio (A/F) sensor 1 and heated oxygen sensor 2.

A three way catalyst (manifold) with high oxygen storage capacity will indicate a low switching frequency of heated oxygen sensor 2. As oxygen storage capacity decreases, the heated oxygen sensor 2 switching frequency will increase.

When the frequency ratio of A/F sensor 1 and heated oxygen sensor 2 approaches a specified limit value, the three way catalyst (manifold) malfunction is diagnosed.



DTC No.	Trouble diagnosis name	DTC detecting condition	Possible cause
P0420 0420 (Bank 1)	Catalyst system efficiency below threshold	<ul style="list-style-type: none"> ● Three way catalyst (manifold) does not operate properly. ● Three way catalyst (manifold) does not have enough oxygen storage capacity. 	<ul style="list-style-type: none"> ● Three way catalyst (manifold) ● Exhaust tube ● Intake air leaks ● Fuel injector ● Fuel injector leaks ● Spark plug ● Improper ignition timing
P0430 0430 (Bank 2)			

DTC Confirmation Procedure

NBS002XZ

NOTE:

If DTC Confirmation Procedure has been previously conducted, always turn ignition switch OFF and wait at least 10 seconds before conducting the next test.

Ⓟ WITH CONSULT-II

TESTING CONDITION:

Do not hold engine speed for more than the specified minutes below.

1. Turn ignition switch ON and select "DATA MONITOR" mode with CONSULT-II.
2. Start engine and warm it up to the normal operating temperature.
3. Turn ignition switch OFF and wait at least 10 seconds.
4. Start engine and keep the engine speed between 3,500 and 4,000 rpm for at least 1 minute under no load.
5. Let engine idle for 1 minute.
6. Make sure that "COOLAN TEMP/S" indicates more than 70°C (158°F).
If not, warm up engine and go to next step when "COOLAN TEMP/S" indication reaches to 70°C (158°F).
7. Open engine hood.

DATA MONITOR	
MONITOR	NO DTC
ENG SPEED	XXX rpm
COOLAN TEMP/S	XXX °C
VHCL SPEED SE	XXX km/h
B/FUEL SCHDL	XXX msec

SEF189Y

DTC P0420, P0430 THREE WAY CATALYST FUNCTION

8. Select "DTC & SRT CONFIRMATION" then "SRT WORK SUPPORT" mode with CONSULT-II.
9. Rev engine up to 2,000 to 3,000 rpm and hold it for 3 consecutive minutes then release the accelerator pedal completely. If "INCMP" of "CATALYST" changed to "CMPLT", go to step 12.
10. Wait 5 seconds at idle.

SRT WORK SUPPORT	
CATALYST	INCMP
EVAP SYSTEM	INCMP
HO2S HTR	CMPLT
HO2S	INCMP
MONITOR	
ENG SPEED	XXX rpm
MAS A/F SE-B1	XXX V
B/FUEL SCHDL	XXX msec
A/F ALPHA-B1	XXX V
COOLAN TEMP/S	XX °C
A/F SEN1 (B1)	XXX V

PBIB1784E

11. Rev engine up to 2,000 to 3,000 rpm and maintain it until "INCMP" of "CATALYST" changes to "CMPLT" (It will take approximately 5 minutes). If not "CMPLT", stop engine and cool it down to less than 70°C (158°F) and then retest from step 1.

SRT WORK SUPPORT	
CATALYST	CMPLT
EVAP SYSTEM	INCMP
HO2S HTR	CMPLT
HO2S	INCMP
MONITOR	
ENG SPEED	XXX rpm
MAS A/F SE-B1	XXX V
B/FUEL SCHDL	XXX msec
A/F ALPHA-B1	XXX V
COOLAN TEMP/S	XX °C
A/F SEN1 (B1)	XXX V

PBIB1785E

12. Select "SELF-DIAG RESULTS" mode with CONSULT-II.
13. Confirm that the 1st trip DTC is not detected. If the 1st trip DTC is detected, go to [EC-388, "Diagnostic Procedure"](#).

SELF DIAG RESULTS	
DTC RESULTS	TIME
NO DTC IS DETECTED. FURTHER TESTING MAY BE REQUIRED.	

SEF535Z

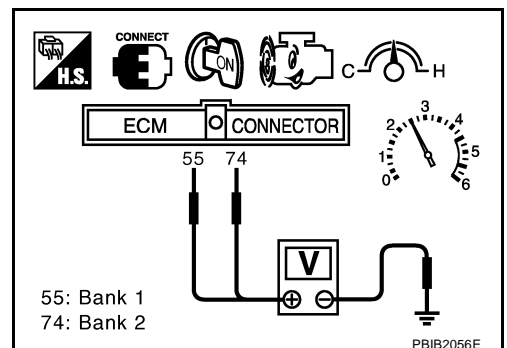
Overall Function Check

NBS002Y0

Use this procedure to check the overall function of the three way catalyst (manifold). During this check, a 1st trip DTC might not be confirmed.

WITH GST

1. Start engine and warm it up to the normal operating temperature.
2. Turn ignition switch OFF and wait at least 10 seconds.
3. Start engine and keep the engine speed between 3,500 and 4,000 rpm for at least 1 minute under no load.
4. Let engine idle for 1 minute.
5. Open engine hood.
6. Set voltmeter probe between ECM terminals ECM terminals 55 [HO2S2 (bank 1) signal], 74 [HO2S2 (bank 2) signal] and ground.
7. Keep engine speed at 2,500 rpm constant under no load.
8. Make sure that the voltage does not vary for more than 5 seconds. If the voltage fluctuation cycle takes less than 5 seconds, go to [EC-388, "Diagnostic Procedure"](#).
 - 1 cycle: 0.6 - 1.0 → 0 - 0.3 → 0.6 - 1.0



DTC P0420, P0430 THREE WAY CATALYST FUNCTION

NBS001WS

Diagnostic Procedure

1. CHECK EXHAUST SYSTEM

Visually check exhaust tubes and muffler for dent.

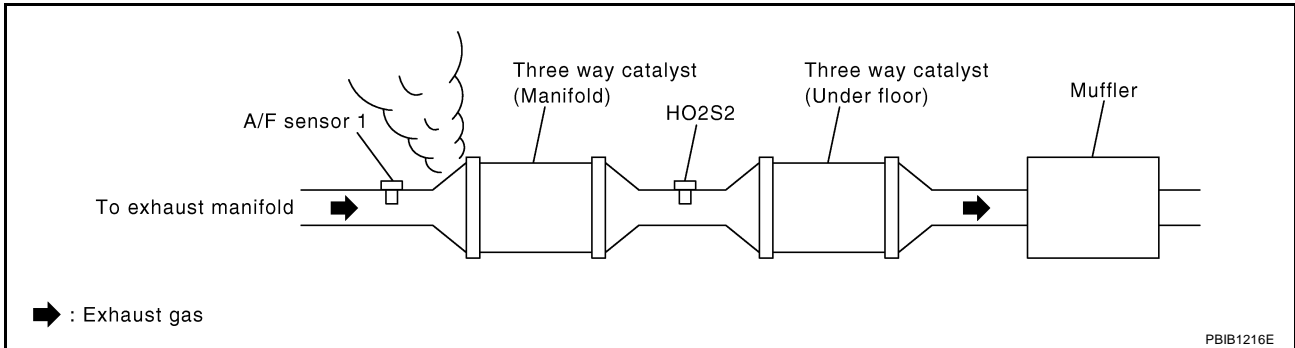
OK or NG

OK >> GO TO 2.

NG >> Repair or replace.

2. CHECK EXHAUST GAS LEAK

1. Start engine and run it at idle.
2. Listen for an exhaust gas leak before the three way catalyst (Manifold).



OK or NG

OK >> GO TO 3.

NG >> Repair or replace.

3. CHECK INTAKE AIR LEAK

Listen for an intake air leak after the mass air flow sensor.

OK or NG

OK >> GO TO 4.

NG >> Repair or replace.

4. CHECK IGNITION TIMING

Check the following items. Refer to [EC-71, "Basic Inspection"](#) .

Items	Specifications
Ignition timing	$12^{\circ} \pm 5^{\circ}$ BTDC (in P or N position)
Target idle speed	650 ± 50 rpm (in P or N position)

OK or NG

OK >> GO TO 5.

NG >> Follow the [EC-71, "Basic Inspection"](#) .

DTC P0420, P0430 THREE WAY CATALYST FUNCTION

5. CHECK FUEL INJECTORS

1. Stop engine and then turn ignition switch ON.
2. Check voltage between ECM terminals 21, 22, 23, 40, 41, 42, 44, 63 and ground with CONSULT-II or tester.

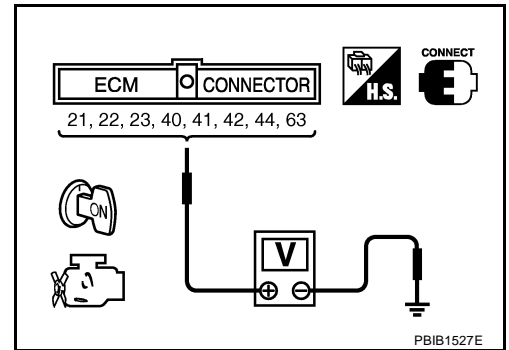
Voltage: Battery voltage

3. Refer to Wiring Diagram for fuel injectors, [EC-707](#).

OK or NG

OK >> GO TO 6.

NG >> Perform [EC-710, "Diagnostic Procedure"](#).



6. CHECK FUNCTION OF IGNITION COIL-I

CAUTION:

Do the following procedure in the place where ventilation is good without the combustible.

1. Turn ignition switch OFF.
2. Remove fuel pump fuse in fuse block No. 1 to release fuel pressure.

NOTE:

Do not use CONSULT-II to release fuel pressure, or fuel pressure applies again during the following procedure.

3. Start engine.
4. After engine stalls, crank it two or three times to release all fuel pressure.
5. Turn ignition switch OFF.
6. Remove all ignition coil harness connectors to avoid the electrical discharge from the ignition coils.
7. Remove ignition coil and spark plug of the cylinder to be checked.
8. Crank engine for 5 seconds or more to remove combustion gas in the cylinder.
9. Connect spark plug and harness connector to ignition coil.
10. Fix ignition coil using a rope etc. with gap of 13 - 17 mm between the edge of the spark plug and grounded metal portion as shown in the figure.
11. Crank engine for about three seconds, and check whether spark is generated between the spark plug and the grounded metal portion.

Spark should be generated.

CAUTION:

- Do not approach to the spark plug and the ignition coil within 50cm. Be careful not to get an electrical shock while checking, because the electrical discharge voltage becomes 20kV or more.

- It might cause to damage the ignition coil if the gap of more than 17 mm is taken.

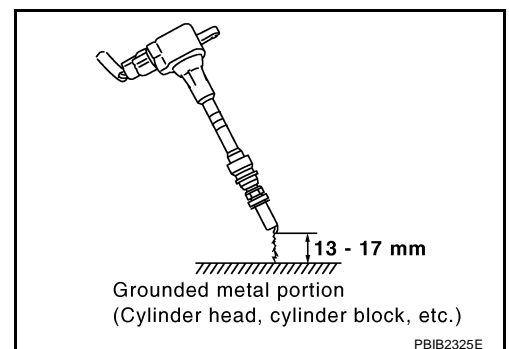
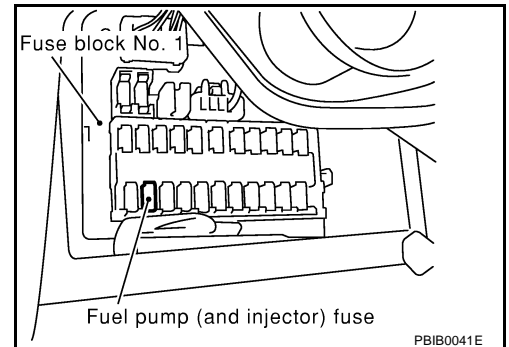
NOTE:

When the gap is less than 13 mm, the spark might be generated even if the coil is malfunctioning.

OK or NG

OK >> GO TO 10.

NG >> GO TO 7.



DTC P0420, P0430 THREE WAY CATALYST FUNCTION

7. CHECK FUNCTION OF IGNITION COIL-II

1. Turn ignition switch OFF.
2. Disconnect spark plug and connect a known-good spark plug.
3. Crank engine for about 3 seconds, and recheck whether spark is generated between the spark plug and the grounded metal portion.

Spark should be generated.

OK or NG

OK >> GO TO 8.

NG >> Check ignition coil, power transistor and their circuits. Refer to [EC-731](#) .

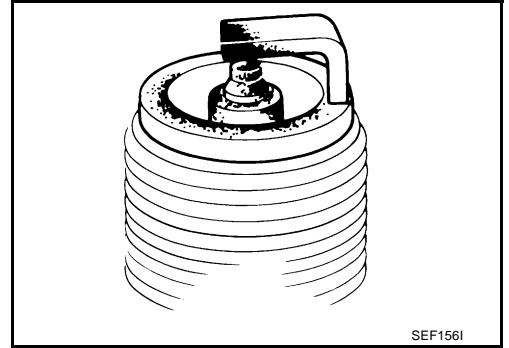
8. CHECK SPARK PLUG

Check the initial spark plug for fouling, etc.

OK or NG

OK >> Replace spark plug(s) with standard type one(s). For spark plug type, refer to [EM-30](#) .

NG >> 1. Repair or clean spark plug.
2. GO TO 9.



9. CHECK FUNCTION OF IGNITION COIL-III

1. Reconnect the initial spark plugs.
2. Crank engine for about three seconds, and recheck whether spark is generated between the spark plug and the grounded portion.

Spark should be generated.

OK or NG

OK >> **INSPECTION END**

NG >> Replace spark plug(s) with standard type one(s). For spark plug type, refer to [EM-30](#) .

10. CHECK FUEL INJECTOR

1. Turn ignition switch OFF.
2. Remove fuel tube assembly.
Refer to [EM-32, "FUEL INJECTOR AND FUEL TUBE"](#) .
Keep fuel hose and all fuel injectors connected to fuel tube.
3. Reconnect all fuel injector harness connectors disconnected.
4. Disconnect all ignition coil harness connectors.
5. Turn ignition switch ON.
Make sure fuel does not drip from fuel injector.

OK or NG

OK (Does not drip.)>>GO TO 11.

NG (Drips.)>>Replace the fuel injector(s) from which fuel is dripping.

11. CHECK INTERMITTENT INCIDENT

Refer to [EC-145, "TROUBLE DIAGNOSIS FOR INTERMITTENT INCIDENT"](#) .

Trouble is fixed.>>**INSPECTION END**

Trouble is not fixed.>>Replace three way catalyst assembly.

DTC P0441 EVAP CONTROL SYSTEM

DTC P0441 EVAP CONTROL SYSTEM

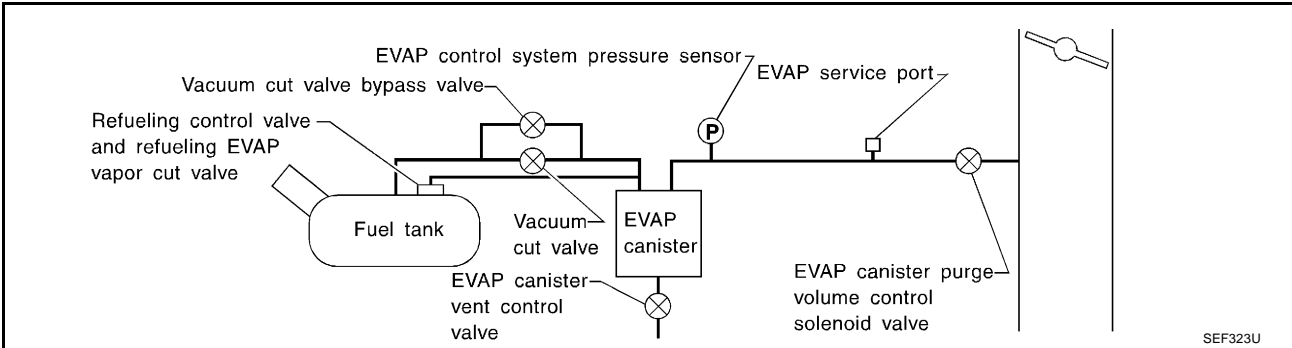
PPF:14950

System Description

NBS001WT

NOTE:

If DTC P0441 is displayed with other DTC such as P2122, P2123, P2127, P2128 or P2138, first perform trouble diagnosis for other DTC.



In this evaporative emission (EVAP) control system, purge flow occurs during non-closed throttle conditions. Purge volume is related to air intake volume. Under normal purge conditions (non-closed throttle), the EVAP canister purge volume control solenoid valve is open to admit purge flow. Purge flow exposes the EVAP control system pressure sensor to intake manifold vacuum.

On Board Diagnosis Logic

NBS001WU

Under normal conditions (non-closed throttle), sensor output voltage indicates if pressure drop and purge flow are adequate. If not, a malfunction is determined.

DTC No.	Trouble diagnosis name	DTC detecting condition	Possible cause
P0441 0441	EVAP control system incorrect purge flow	EVAP control system does not operate properly, EVAP control system has a leak between intake manifold and EVAP control system pressure sensor.	<ul style="list-style-type: none"> ● EVAP canister purge volume control solenoid valve stuck closed ● EVAP control system pressure sensor and the circuit ● Loose, disconnected or improper connection of rubber tube ● Blocked rubber tube ● Cracked EVAP canister ● EVAP canister purge volume control solenoid valve circuit ● Accelerator pedal position sensor ● Blocked purge port ● EVAP canister vent control valve

DTC Confirmation Procedure

NBS001WV

CAUTION:

Always drive vehicle at a safe speed.

NOTE:

If DTC Confirmation Procedure has been previously conducted, always turn ignition switch OFF and wait at least 10 seconds before conducting the next test.

TESTING CONDITION:

Always perform test at a temperature of more than 5°C (41°F).

DTC P0441 EVAP CONTROL SYSTEM

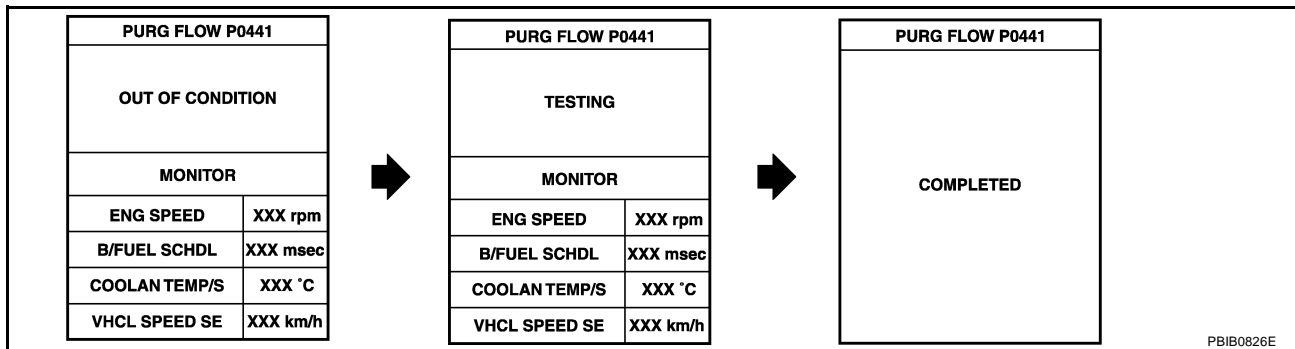
WITH CONSULT-II

1. Start engine and warm it up to normal operating temperature.
2. Turn ignition switch OFF and wait at least 10 seconds.
3. Start engine and let it idle for at least 70 seconds.
4. Select "PURG FLOW P0441" of "EVAPORATIVE SYSTEM" in "DTC WORK SUPPORT" mode with CONSULT-II.
5. Touch "START".
If "COMPLETED" is displayed, go to step 7.
6. When the following conditions are met, "TESTING" will be displayed on the CONSULT-II screen. Maintain the conditions continuously until "TESTING" changes to "COMPLETED". (It will take at least 35 seconds.)

DATA MONITOR	
MONITOR	NO DTC
ENG SPEED	XXX rpm
COOLAN TEMP/S	XXX °C
VHCL SPEED SE	XXX km/h
B/FUEL SCHDL	XXX msec

SEF189Y

Selector lever	Suitable position
VHCL SPEED SE	32 - 120 km/h (20 - 75 MPH)
ENG SPEED	500 - 3,800 rpm
B/FUEL SCHDL	1.0 - 10.0 msec
COOLAN TEMP/S	70 - 100°C (158 - 212°F)



If "TESTING" is not changed for a long time, retry from step 2.

7. Make sure that "OK" is displayed after touching "SELF-DIAG RESULTS". If "NG" is displayed, refer to [EC-393, "Diagnostic Procedure"](#).

Overall Function Check

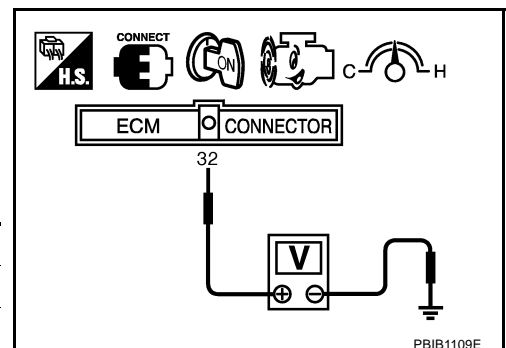
NBS001WW

Use this procedure to check the overall monitoring function of the EVAP control system purge flow monitoring. During this check, a 1st trip DTC might not be confirmed.

WITH GST

1. Lift up drive wheels.
2. Start engine (VDC switch OFF) and warm it up to normal operating temperature.
3. Turn ignition switch OFF and wait at least 10 seconds.
4. Start engine and wait at least 70 seconds.
5. Set voltmeter probes to ECM terminal 32 (EVAP control system pressure sensor signal) and ground.
6. Check EVAP control system pressure sensor value at idle speed and note it.
7. Establish and maintain the following conditions for at least 1 minute.

Air conditioner switch	ON
Headlamp switch	ON
Rear window defogger switch	ON
Engine speed	Approx. 3,000 rpm
Gear position	Any position other than P, N or R



DTC P0441 EVAP CONTROL SYSTEM

- Verify that EVAP control system pressure sensor value stays 0.1V less than the value at idle speed (measured at step 6) for at least 1 second.
- If NG, go to [EC-393, "Diagnostic Procedure"](#).

Diagnostic Procedure

NBS001WX

1. CHECK EVAP CANISTER

- Turn ignition switch OFF.
- Check EVAP canister for cracks.

OK or NG

- OK (With CONSULT-II)>>GO TO 2.
OK (Without CONSULT-II)>>GO TO 3.
NG >> Replace EVAP canister.

2. CHECK PURGE FLOW

Ⓟ With CONSULT-II

- Disconnect vacuum hose connected to EVAP canister purge volume control solenoid valve at EVAP service port and install vacuum gauge. For the location of EVAP service port, refer to [EC-33, "EVAPORATIVE EMISSION LINE DRAWING"](#).
- Start engine and let it idle.
- Select "PURG VOL CONT/V" in "ACTIVE TEST" mode with CONSULT-II.
- Rev engine up to 2,000 rpm.
- Touch "Qd" and "Qu" on CONSULT-II screen to adjust "PURG VOL CONT/V" opening and check vacuum existence.

PURG VOL CONT/V	Vacuum
100%	Should exist.
0%	Should not exist.

OK or NG

- OK >> GO TO 7.
NG >> GO TO 4.

ACTIVE TEST	
PURG VOL CONT/V	XXX %
MONITOR	
ENG SPEED	XXX rpm
A/F ALPHA-B1	XX %
A/F ALPHA-B2	XX %

PBIB1678E

3. CHECK PURGE FLOW

⊗ Without CONSULT-II

- Start engine and warm it up to normal operating temperature.
- Stop engine.
- Disconnect vacuum hose connected to EVAP canister purge volume control solenoid valve at EVAP service port and install vacuum gauge. For the location of EVAP service port, refer to [EC-33, "EVAPORATIVE EMISSION LINE DRAWING"](#).
- Start engine and let it idle for at least 80 seconds.
- Check vacuum gauge indication when revving engine up to 2,000 rpm.

Vacuum should exist.

- Release the accelerator pedal fully and let engine idle.

Vacuum should not exist.

OK or NG

- OK >> GO TO 7.
NG >> GO TO 4.

DTC P0441 EVAP CONTROL SYSTEM

4. CHECK EVAP PURGE LINE

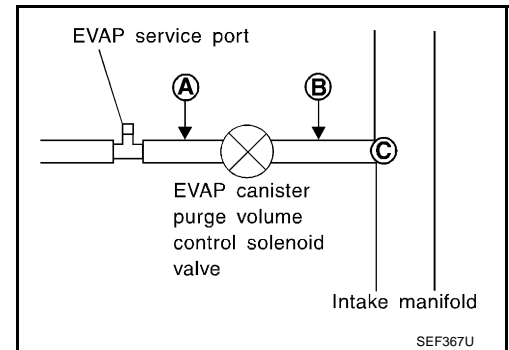
1. Turn ignition switch OFF.
2. Check EVAP purge line for improper connection or disconnection.
Refer to [EC-33, "EVAPORATIVE EMISSION LINE DRAWING"](#) .

OK or NG

- OK >> GO TO 5.
NG >> Repair it.

5. CHECK EVAP PURGE HOSE AND PURGE PORT

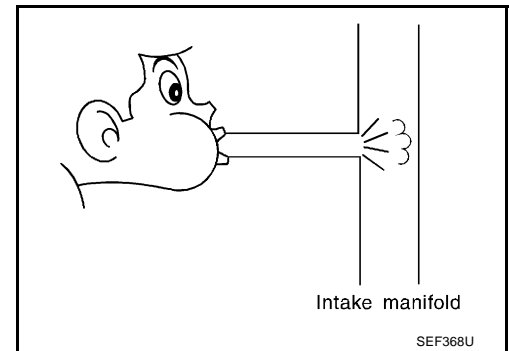
1. Disconnect purge hoses connected to EVAP service port **A** and EVAP canister purge volume control solenoid valve **B** .
2. Blow air into each hose and EVAP purge port **C** .



3. Check that air flows freely.

OK or NG

- OK (With CONSULT-II)>>GO TO 6.
OK (Without CONSULT-II)>>GO TO 7.
NG >> Repair or clean hoses and/or purge port.



6. CHECK EVAP CANISTER PURGE VOLUME CONTROL SOLENOID VALVE

 **With CONSULT-II**

1. Start engine.
2. Perform "PURG VOL CONT/V" in "ACTIVE TEST" mode with CONSULT-II. Check that engine speed varies according to the valve opening.

OK or NG

- OK >> GO TO 8.
NG >> GO TO 7.

ACTIVE TEST	
PURG VOL CONT/V	XXX %
MONITOR	
ENG SPEED	XXX rpm
A/F ALPHA-B1	XX %
A/F ALPHA-B2	XX %

PBIB1678E

7. CHECK EVAP CANISTER PURGE VOLUME CONTROL SOLENOID VALVE

Refer to [EC-411, "Component Inspection"](#) .

OK or NG

- OK >> GO TO 8.
NG >> Replace EVAP canister purge volume control solenoid valve.

DTC P0441 EVAP CONTROL SYSTEM

8. CHECK EVAP CONTROL SYSTEM PRESSURE SENSOR CONNECTOR

1. Disconnect EVAP control system pressure sensor harness connector.
2. Check connectors for water.

Water should not exist.

OK or NG

- OK >> GO TO 9.
NG >> Replace EVAP control system pressure sensor.

9. CHECK EVAP CONTROL SYSTEM PRESSURE SENSOR FUNCTION

Refer to DTC Confirmation Procedure for DTC P0452 [EC-437](#) , P0453 [EC-444](#) .

OK or NG

- OK >> GO TO 10.
NG >> Replace EVAP control system pressure sensor.

10. CHECK RUBBER TUBE FOR CLOGGING

1. Disconnect rubber tube connected to EVAP canister vent control valve.
2. Check the rubber tube for clogging.

OK or NG

- OK >> GO TO 11.
NG >> Clean the rubber tube using an air blower.

11. CHECK EVAP CANISTER VENT CONTROL VALVE

Refer to [EC-435, "Component Inspection"](#) .

OK or NG

- OK >> GO TO 12.
NG >> Replace EVAP canister vent control valve.

12. CHECK EVAP PURGE LINE

Inspect EVAP purge line (pipe and rubber tube). Check for evidence of leaks.
Refer to [EC-33, "EVAPORATIVE EMISSION LINE DRAWING"](#) .

OK or NG

- OK >> GO TO 13.
NG >> Replace it.

13. CLEAN EVAP PURGE LINE

Clean EVAP purge line (pipe and rubber tube) using air blower.

>> GO TO 14.

14. CHECK INTERMITTENT INCIDENT

Refer to [EC-145, "TROUBLE DIAGNOSIS FOR INTERMITTENT INCIDENT"](#) .

>> **INSPECTION END**

A

EC

C

D

E

F

G

H

I

J

K

L

M

DTC P0442 EVAP CONTROL SYSTEM

DTC P0442 EVAP CONTROL SYSTEM

PFP:14950

On Board Diagnosis Logic

NBS001WY

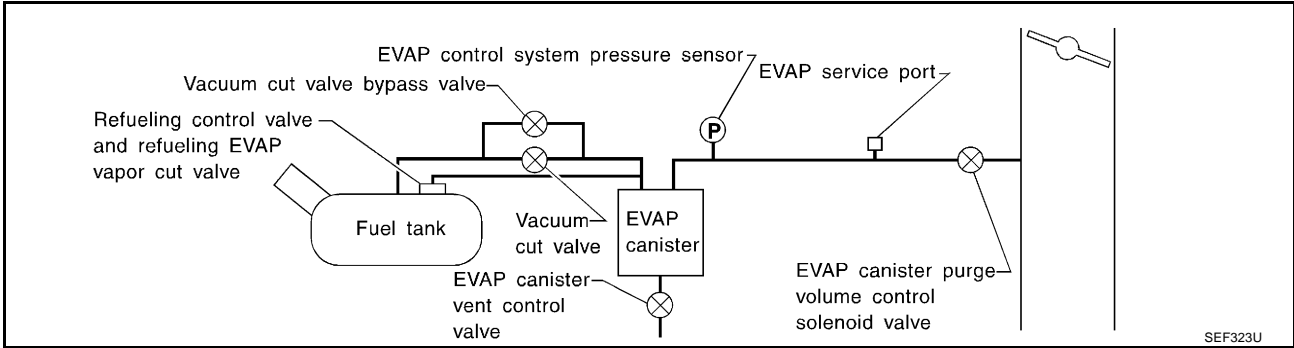
NOTE:

If DTC P0442 is displayed with P0447, first perform trouble diagnosis for DTC P0447. (See EC-419.)

This diagnosis detects leaks in the EVAP purge line using engine intake manifold vacuum.

If pressure does not increase, the ECM will check for leaks in the line between the fuel tank and EVAP canister purge volume control solenoid valve, under the following "Vacuum test" conditions.

The vacuum cut valve bypass valve is opened to clear the line between the fuel tank and the EVAP canister purge volume control solenoid valve. The EVAP canister vent control valve will then be closed to shut the EVAP purge line off. The EVAP canister purge volume control solenoid valve is opened to depressurize the EVAP purge line using intake manifold vacuum. After this occurs, the EVAP canister purge volume control solenoid valve will be closed.



DTC No.	Trouble diagnosis name	DTC detecting condition	Possible cause
P0442 0442	EVAP control system small leak detected (negative pressure)	EVAP control system has a leak, EVAP control system does not operate properly.	<ul style="list-style-type: none"> ● Incorrect fuel tank vacuum relief valve ● Incorrect fuel filler cap used ● Fuel filler cap remains open or fails to close. ● Foreign matter caught in fuel filler cap. ● Leak is in line between intake manifold and EVAP canister purge volume control solenoid valve. ● Foreign matter caught in EVAP canister vent control valve. ● EVAP canister or fuel tank leaks ● EVAP purge line (pipe and rubber tube) leaks ● EVAP purge line rubber tube bent ● Blocked or bent rubber tube to EVAP control system pressure sensor ● Loose or disconnected rubber tube ● EVAP canister vent control valve and the circuit ● EVAP canister purge volume control solenoid valve and the circuit ● Fuel tank temperature sensor ● O-ring of EVAP canister vent control valve is missing or damaged ● Water separator ● EVAP canister is saturated with water ● EVAP control system pressure sensor ● Fuel level sensor and the circuit ● Refueling control valve ● ORVR system leaks

DTC P0442 EVAP CONTROL SYSTEM

CAUTION:

- Use only a genuine NISSAN fuel filler cap as a replacement. If an incorrect fuel filler cap is used, the MIL may come on.
- If the fuel filler cap is not tightened properly, the MIL may come on.
- Use only a genuine NISSAN rubber tube as a replacement.

DTC Confirmation Procedure

NBS001WZ

NOTE:

- If DTC Confirmation Procedure has been previously conducted, always turn ignition switch OFF and wait at least 10 seconds before conducting the next test.

TESTING CONDITION:

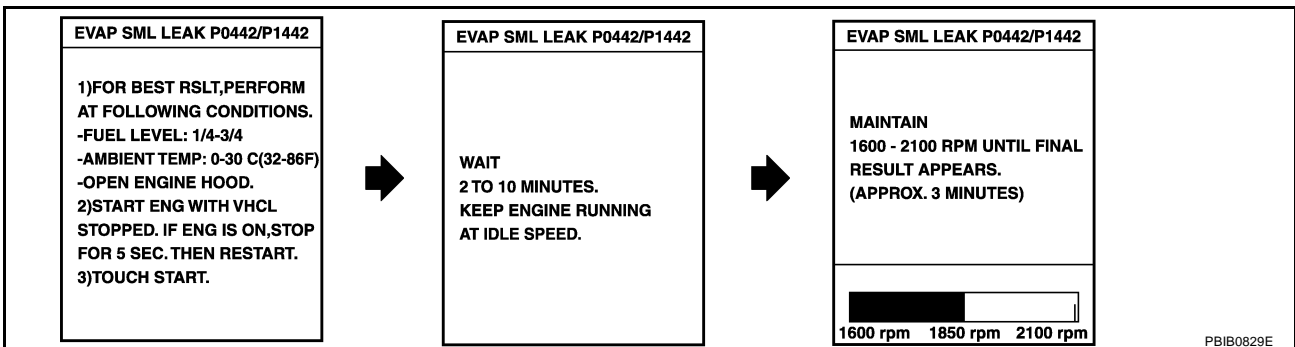
- Perform "DTC WORK SUPPORT" when the fuel level is between 1/4 and 3/4 full, and vehicle is placed on flat level surface.
- Always perform test at a temperature of 0 to 30°C (32 to 86°F).

WITH CONSULT-II

1. Turn ignition switch ON.
2. Turn ignition switch OFF and wait at least 10 seconds.
3. Turn ignition switch ON and select "DATA MONITOR" mode with CONSULT-II.
4. Make sure that the following conditions are met.
COOLAN TEMP/S: 0 - 70°C (32 - 158°F)
INT/A TEMP SE: 0 - 30°C (32 - 86°F)
5. Select "EVAP SML LEAK P0442/P1442" of "EVAPORATIVE SYSTEM" in "DTC WORK SUPPORT" mode with CONSULT-II. Follow the instruction displayed.

DATA MONITOR	
MONITOR	DTC
ENG SPEED	XXX rpm
COOLAN TEMP/S	XXX °C
INT/A TEMP/S	XXX °C

SEF475Y



NOTE:

If the engine speed cannot be maintained within the range displayed on the CONSULT-II screen, go to [EC-71, "Basic Inspection"](#).

6. Make sure that "OK" is displayed. If "NG" is displayed, refer to [EC-398, "Diagnostic Procedure"](#).

NOTE:

Make sure that EVAP hoses are connected to EVAP canister purge volume control solenoid valve properly.

EVAP SML LEAK P0442/P1442
OK
SELF-DIAG RESULTS
NO DTC DETECTED. FURTHER TESTING MAY BE REQUIRED.

SEC763C

DTC P0442 EVAP CONTROL SYSTEM

WITH GST

NOTE:

Be sure to read the explanation of [EC-58, "Driving Pattern"](#) before driving vehicle.

1. Start engine.
2. Drive vehicle according to [EC-58, "Driving Pattern"](#) .
3. Stop vehicle.
4. Turn ignition switch OFF, wait at least 10 seconds and then turn ON.
5. Select "Service \$07" with GST.
 - If P0442 is displayed on the screen, go to [EC-398, "Diagnostic Procedure"](#) .
 - If P0441 is displayed on the screen, go to [EC-393, "Diagnostic Procedure"](#) .
 - If P1442 is displayed on the screen, go to [EC-548, "Diagnostic Procedure"](#) .

Diagnostic Procedure

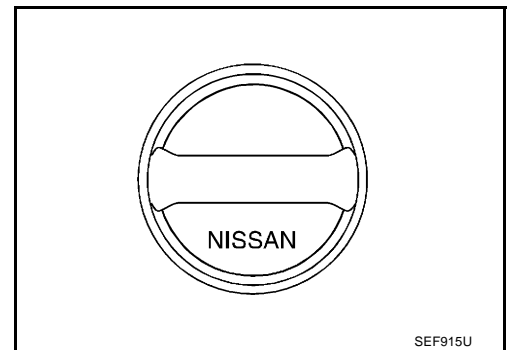
NBS001X0

1. CHECK FUEL FILLER CAP DESIGN

1. Turn ignition switch OFF.
2. Check for genuine NISSAN fuel filler cap design.

OK or NG

- OK >> GO TO 2.
NG >> Replace with genuine NISSAN fuel filler cap.



2. CHECK FUEL FILLER CAP INSTALLATION

Check that the cap is tightened properly by rotating the cap clockwise.

OK or NG

- OK >> GO TO 3.
NG >> 1. Open fuel filler cap, then clean cap and fuel filler neck threads using air blower.
2. Retighten until ratcheting sound is heard.

3. CHECK FUEL FILLER CAP FUNCTION

Check for air releasing sound while opening the fuel filler cap.

OK or NG

- OK >> GO TO 5.
NG >> GO TO 4.

4. CHECK FUEL TANK VACUUM RELIEF VALVE

Refer to [EC-35, "FUEL TANK VACUUM RELIEF VALVE \(BUILT INTO FUEL FULLER CAP\)"](#) .

OK or NG

- OK >> GO TO 5.
NG >> Replace fuel filler cap with a genuine one.

DTC P0442 EVAP CONTROL SYSTEM

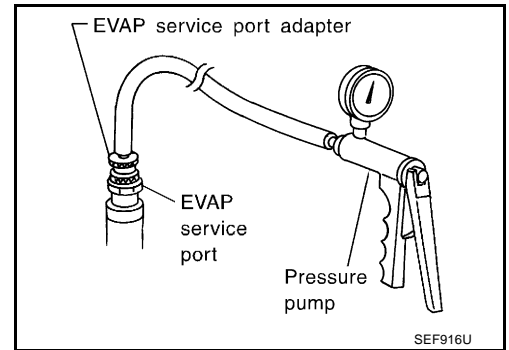
5. INSTALL THE PRESSURE PUMP

To locate the EVAP leak, install EVAP service port adapter and pressure pump to EVAP service port securely. For the location of EVAP service port, refer to [EC-33, "EVAPORATIVE EMISSION LINE DRAWING"](#).

NOTE:

Improper installation of the EVAP service port adapter to the EVAP service port may cause leaking.

With CONSULT-II>>GO TO 6.
Without CONSULT-II>>GO TO 7.



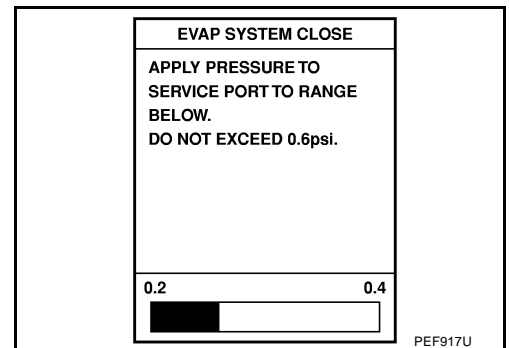
6. CHECK FOR EVAP LEAK

With CONSULT-II

1. Turn ignition switch ON.
2. Select "EVAP SYSTEM CLOSE" of "WORK SUPPORT" mode with CONSULT-II.
3. Touch "START" and apply pressure into the EVAP line until the pressure indicator reaches the middle of the bar graph.

NOTE:

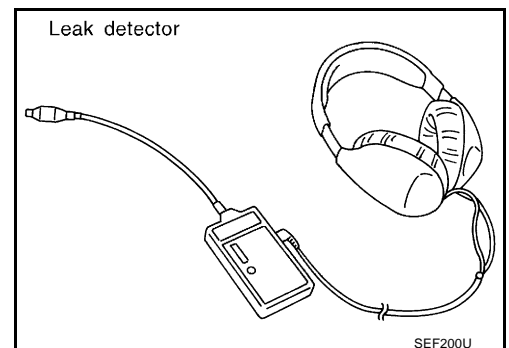
- Never use compressed air or a high pressure pump.
- Do not exceed 4.12 kPa (0.042 kg/cm², 0.6 psi) of pressure in the system.



4. Using EVAP leak detector, locate the EVAP leak. For the leak detector, refer to the instruction manual for more details. Refer to [EC-33, "EVAPORATIVE EMISSION LINE DRAWING"](#).

OK or NG

- OK >> GO TO 8.
NG >> Repair or replace.

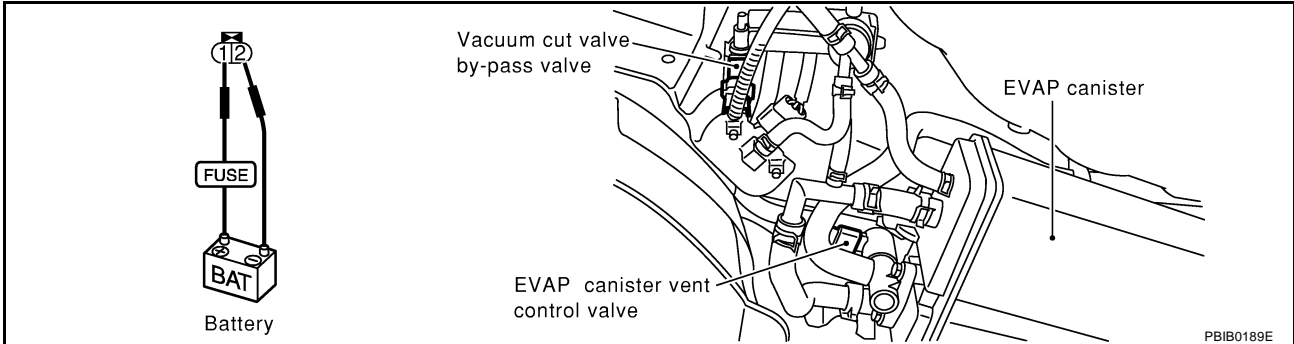


DTC P0442 EVAP CONTROL SYSTEM

7. CHECK FOR EVAP LEAK

⊗ Without CONSULT-II

1. Turn ignition switch OFF.
2. Apply 12 volts DC to EVAP canister vent control valve. The valve will close. (Continue to apply 12 volts until the end of test.)
3. Apply 12 volts DC to vacuum cut valve bypass valve. The valve will open. (Continue to apply 12 volts until the end of test.)



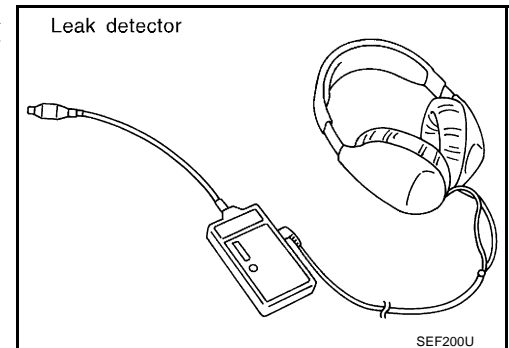
4. Pressurize the EVAP line using pressure pump with 1.3 to 2.7 kPa (10 to 20 mmHg, 0.39 to 0.79 inHg), then remove pump and EVAP service port adapter.

NOTE:

- Never use compressed air or a high pressure pump.
 - Do not exceed 4.12 kPa (0.042 kg/cm², 0.6 psi) of pressure in the system.
5. Using EVAP leak detector, locate the EVAP leak. For the leak detector, refer to the instruction manual for more details. Refer to [EC-33, "EVAPORATIVE EMISSION LINE DRAWING"](#).

OK or NG

- OK >> GO TO 8.
NG >> Repair or replace.



8. CHECK WATER SEPARATOR

Refer to [EC-403, "Component Inspection"](#).

OK or NG

- OK >> GO TO 9.
NG >> Replace water separator.

9. CHECK EVAP CANISTER VENT CONTROL VALVE, O-RING AND CIRCUIT

Refer to [EC-420, "DTC Confirmation Procedure"](#).

OK or NG

- OK >> GO TO 10.
NG >> Repair or replace EVAP canister vent control valve and O-ring or harness/connector.

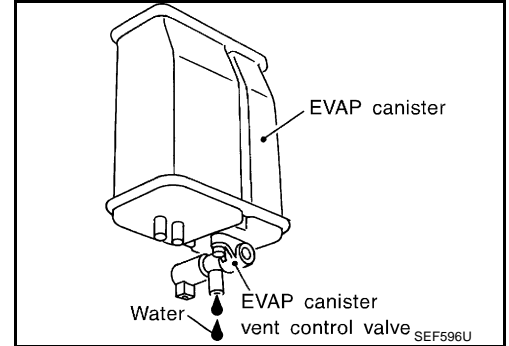
DTC P0442 EVAP CONTROL SYSTEM

10. CHECK IF EVAP CANISTER SATURATED WITH WATER

1. Remove EVAP canister with EVAP canister vent control valve attached.
2. Does water drain from the EVAP canister?

Yes or No

- Yes >> GO TO 11.
No (With CONSULT-II)>>GO TO 13.
No (Without CONSULT-II)>>GO TO 14.



11. CHECK EVAP CANISTER

Weigh the EVAP canister with the EVAP canister vent control valve attached.
The weight should be less than 1.8 kg (4.0 lb).

OK or NG

- OK (With CONSULT-II)>>GO TO 13.
OK (Without CONSULT-II)>>GO TO 14.
NG >> GO TO 12.

12. DETECT MALFUNCTIONING PART

Check the following.

- EVAP canister for damage
- EVAP hose between EVAP canister and water separator for clogging or poor connection

>> Repair hose or replace EVAP canister.

13. CHECK EVAP CANISTER PURGE VOLUME CONTROL SOLENOID VALVE OPERATION

Ⓟ With CONSULT-II

1. Disconnect vacuum hose to EVAP canister purge volume control solenoid valve at EVAP service port.
2. Start engine.
3. Perform "PURG VOL CONT/V" in "ACTIVE TEST" mode.
4. Touch "Qu" on CONSULT-II screen to increase "PURG VOL CONT/V" opening to 100%.
5. Check vacuum hose for vacuum when revving engine up to 2,000 rpm.

Vacuum should exist.

OK or NG

- OK >> GO TO 16.
NG >> GO TO 15.

ACTIVE TEST	
PURG VOL CONT/V	XXX %
MONITOR	
ENG SPEED	XXX rpm
A/F ALPHA-B1	XX %
A/F ALPHA-B2	XX %

PBIB1678E

DTC P0442 EVAP CONTROL SYSTEM

14. CHECK EVAP CANISTER PURGE VOLUME CONTROL SOLENOID VALVE OPERATION

⊗ **Without CONSULT-II**

1. Start engine and warm it up to normal operating temperature.
2. Stop engine.
3. Disconnect vacuum hose to EVAP canister purge volume control solenoid valve at EVAP service port.
4. Start engine and let it idle for at least 80 seconds.
5. Check vacuum hose for vacuum when revving engine up to 2,000 rpm.

Vacuum should exist.

OK or NG

- OK >> GO TO 17.
NG >> GO TO 15.

15. CHECK VACUUM HOSE

Check vacuum hoses for clogging or disconnection. Refer to [EC-102, "Vacuum Hose Drawing"](#) .

OK or NG

- OK >> GO TO 16.
NG >> Repair or reconnect the hose.

16. CHECK EVAP CANISTER PURGE VOLUME CONTROL SOLENOID VALVE

Refer to [EC-411, "Component Inspection"](#) .

OK or NG

- OK >> GO TO 17.
NG >> Replace EVAP canister purge volume control solenoid valve.

17. CHECK FUEL TANK TEMPERATURE SENSOR

Refer to [EC-343, "Component Inspection"](#) .

OK or NG

- OK >> GO TO 18.
NG >> Replace fuel level sensor unit.

18. CHECK EVAP CONTROL SYSTEM PRESSURE SENSOR

Refer to [EC-442, "Component Inspection"](#) .

OK or NG

- OK >> GO TO 19.
NG >> Replace EVAP control system pressure sensor.

19. CHECK EVAP PURGE LINE

Check EVAP purge line (pipe, rubber tube, fuel tank and EVAP canister) for cracks or improper connection. Refer to [EC-33, "EVAPORATIVE EMISSION LINE DRAWING"](#) .

OK or NG

- OK >> GO TO 20.
NG >> Repair or reconnect the hose.

20. CLEAN EVAP PURGE LINE

Clean EVAP purge line (pipe and rubber tube) using air blower.

>> GO TO 21.

DTC P0442 EVAP CONTROL SYSTEM

21. CHECK REFUELING EVAP VAPOR LINE

Check refuelling EVAP vapor line between EVAP canister and fuel tank for clogging, kink, looseness and improper connection. For location, refer to [EC-38, "ON BOARD REFUELING VAPOR RECOVERY \(ORVR\)"](#) .

OK or NG

- OK >> GO TO 22.
- NG >> Repair or replace hoses and tubes.

22. CHECK SIGNAL LINE AND RECIRCULATION LINE

Check signal line and recirculation line between filler neck tube and fuel tank for clogging, kink, cracks, looseness and improper connection.

OK or NG

- OK >> GO TO 23.
- NG >> Repair or replace hose, tube or filler neck tube.

23. CHECK REFUELING CONTROL VALVE

Refer to [EC-41, "Component Inspection"](#) .

OK or NG

- OK >> GO TO 24.
- NG >> Replace refueling EVAP vapor cut valve with fuel tank.

24. CHECK FUEL LEVEL SENSOR

Refer to [DI-22, "CHECK FUEL LEVEL SENSOR UNIT"](#) .

OK or NG

- OK >> GO TO 25.
- NG >> Replace fuel level sensor unit.

25. CHECK INTERMITTENT INCIDENT

Refer to [EC-145, "TROUBLE DIAGNOSIS FOR INTERMITTENT INCIDENT"](#) .

>> INSPECTION END

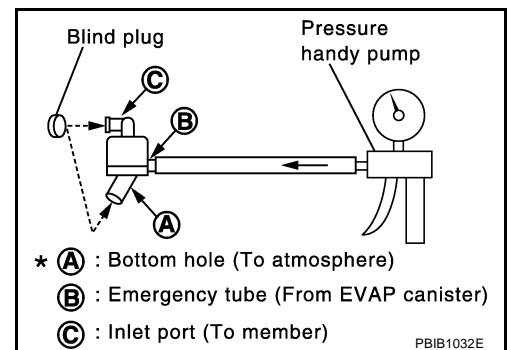
Component Inspection WATER SEPARATOR

NBS001X1

1. Check visually for insect nests in the water separator air inlet.
2. Check visually for cracks or flaws in the appearance.
3. Check visually for cracks or flaws in the hose.
4. Check that **A** and **C** are not clogged by blowing air into **B** with **A** , and then **C** plugged.
5. In case of NG in items 2 - 4, replace the parts.

NOTE:

- Do not disassemble water separator.



DTC P0443 EVAP CANISTER PURGE VOLUME CONTROL SOLENOID VALVE

DTC P0443 EVAP CANISTER PURGE VOLUME CONTROL SOLENOID VALVE

PFP:14920

Description SYSTEM DESCRIPTION

NBS00220

Sensor	Input Signal to ECM	ECM function	Actuator
Crankshaft position sensor (POS) Camshaft position sensor (PHASE)	Engine speed*1	EVAP canister purge flow control	EVAP canister purge volume control solenoid valve
Mass air flow sensor	Amount of intake air		
Engine coolant temperature sensor	Engine coolant temperature		
Battery	Battery voltage*1		
Throttle position sensor	Throttle position		
Accelerator pedal position sensor	Accelerator pedal position		
A/F sensor 1	Density of oxygen in exhaust gas (Mixture ratio feedback signal)		
Fuel tank temperature sensor	Fuel temperature in fuel tank		
Wheel sensor	Vehicle speed*2		

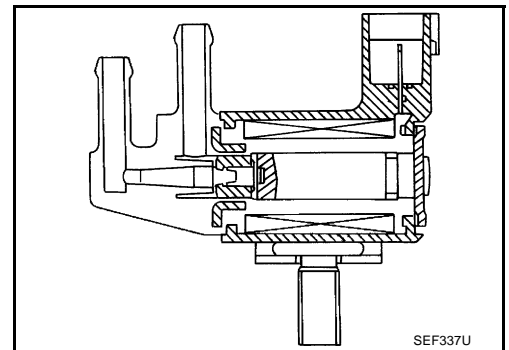
*1: ECM determines the start signal status by the signals of engine speed and battery voltage.

*2: This signal is sent to the ECM through CAN communication.

This system controls flow rate of fuel vapor from the EVAP canister. The opening of the vapor by-pass passage in the EVAP canister purge volume control solenoid valve changes to control the flow rate. The EVAP canister purge volume control solenoid valve repeats ON/OFF operation according to the signal sent from the ECM. The opening of the valve varies for optimum engine control. The optimum value stored in the ECM is determined by considering various engine conditions. When the engine is operating, the flow rate of fuel vapor from the EVAP canister is regulated as the air flow changes.

COMPONENT DESCRIPTION

The EVAP canister purge volume control solenoid valve uses a ON/OFF duty to control the flow rate of fuel vapor from the EVAP canister. The EVAP canister purge volume control solenoid valve is moved by ON/OFF pulses from the ECM. The longer the ON pulse, the greater the amount of fuel vapor that will flow through the valve.



CONSULT-II Reference Value in Data Monitor Mode

NBS0022P

Specification data are reference values.

MONITOR ITEM	CONDITION		SPECIFICATION
PURG VOL C/V	<ul style="list-style-type: none"> ● Engine: After warming up ● Selector lever: P or N ● Air conditioner switch: OFF ● No load 	Idle	0%
		2,000 rpm	—

DTC P0443 EVAP CANISTER PURGE VOLUME CONTROL SOLENOID VALVE

On Board Diagnosis Logic

NBS0022Q

DTC No.	Trouble diagnosis name	DTC detecting condition	Possible cause
P0443 0443	EVAP canister purge volume control solenoid valve	The canister purge flow is detected during the specified driving conditions, even when EVAP canister purge volume control solenoid valve is completely closed.	<ul style="list-style-type: none"> ● EVAP control system pressure sensor ● EVAP canister purge volume control solenoid valve (The valve is stuck open.) ● EVAP canister vent control valve ● EVAP canister ● Hoses (Hoses are connected incorrectly or clogged.)

DTC Confirmation Procedure

NBS0022R

NOTE:

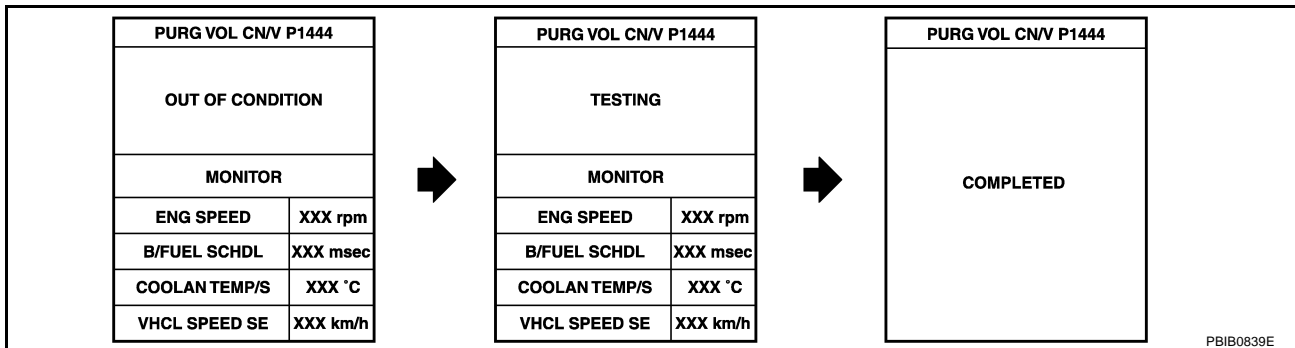
If DTC Confirmation Procedure has been previously conducted, always turn ignition switch OFF and wait at least 10 seconds before conducting the next test.

TESTING CONDITION:

Always perform test at a temperature of 5°C (41°F) or more.

WITH CONSULT-II

1. Start engine and warm it up to normal operating temperature.
2. Turn ignition switch OFF and wait at least 10 seconds.
3. Turn ignition switch ON.
4. Select "PURG VOL CN/V P1444" of "EVAPORATIVE SYSTEM" in "DTC WORK SUPPORT" mode with CONSULT-II.
5. Touch "START".



6. Start engine and let it idle until "TESTING" on CONSULT-II changes to "COMPLETED". (It will take approximately 10 seconds.)
If "TESTING" is not displayed after 5 minutes, retry from step 2.
7. Make sure that "OK" is displayed after touching "SELF-DIAG RESULTS". If "NG" is displayed, refer to [EC-408, "Diagnostic Procedure"](#).

WITH GST

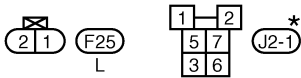
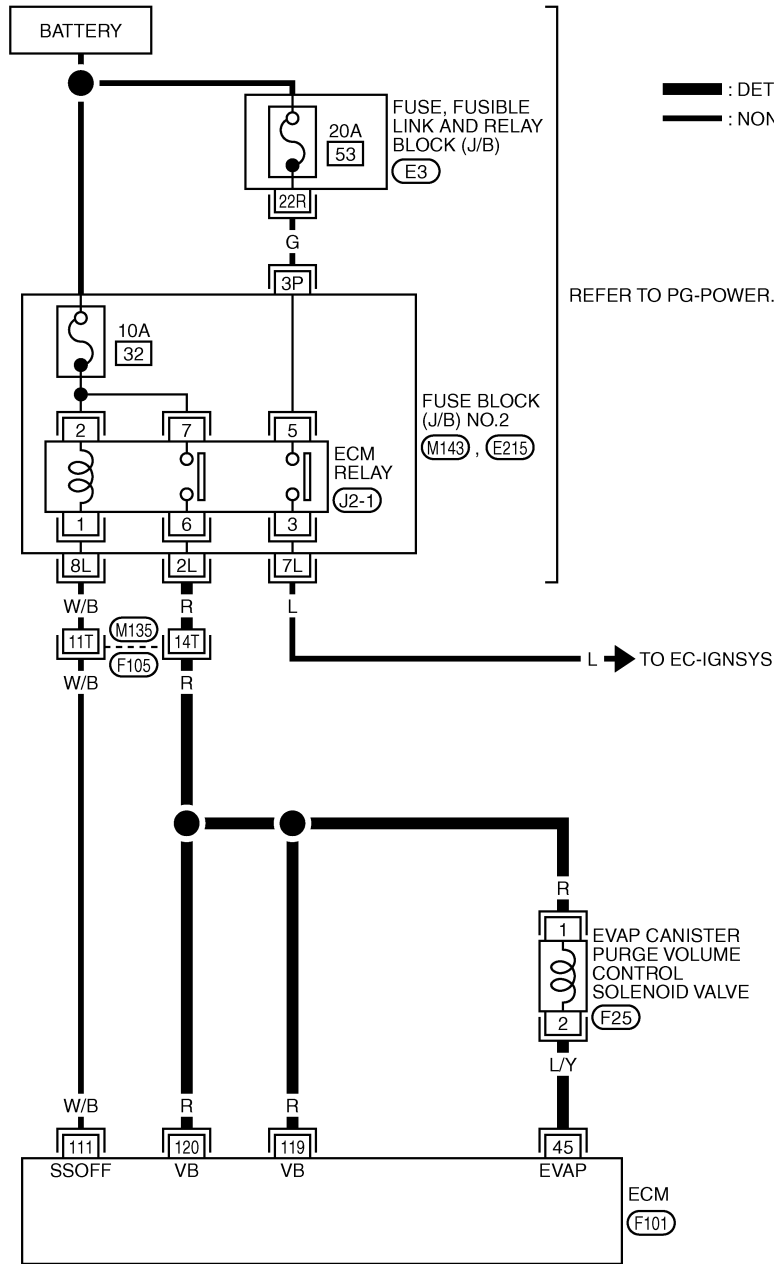
1. Start engine and warm it up to normal operating temperature.
2. Turn ignition switch OFF and wait at least 10 seconds.
3. Start engine and let it idle for at least 20 seconds.
4. Select "Service \$07" with GST.
5. If 1st trip DTC is detected, go to [EC-408, "Diagnostic Procedure"](#).

DTC P0443 EVAP CANISTER PURGE VOLUME CONTROL SOLENOID VALVE

NBS0022S

Wiring Diagram

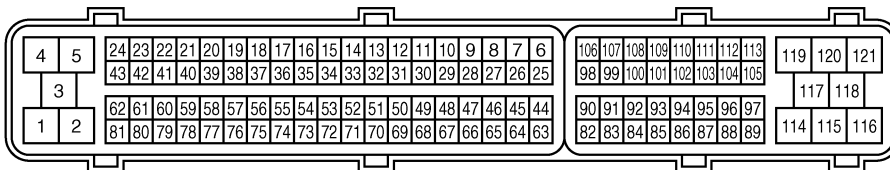
EC-PGC/V-01



*: THIS CONNECTOR IS NOT SHOWN IN "HARNESS LAYOUT", PG SECTION.

REFER TO THE FOLLOWING.

- (F105) -SUPER MULTIPLE JUNCTION (SMJ)
- (M143), (E215) -FUSE BLOCK-JUNCTION BOX (J/B) NO.2
- (E3) -FUSE, FUSIBLE LINK AND RELAY BLOCK (J/B)



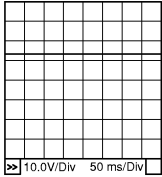
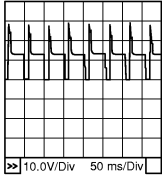
TBWM1232E

DTC P0443 EVAP CANISTER PURGE VOLUME CONTROL SOLENOID VALVE

Specification data are reference values and are measured between each terminal and ground.
Pulse signal is measured by CONSULT-II.

CAUTION:

Do not use ECM ground terminals when measuring input/output voltage. Doing so may result in damage to the ECM's transistor. Use a ground other than ECM terminals, such as the ground.

TER-MINAL NO.	WIRE COLOR	ITEM	CONDITION	DATA (DC Voltage)
45	L/Y	EVAP canister purge volume control solenoid valve	[Engine is running] <ul style="list-style-type: none"> ● Idle speed 	BATTERY VOLTAGE (11 - 14V)★  <small>10.0V/Div 50 ms/Div</small> PBIB0050E
			[Engine is running] <ul style="list-style-type: none"> ● Engine speed: About 2,000 rpm (More than 100 seconds after starting engine) 	11 - 14V★  <small>10.0V/Div 50 ms/Div</small> PBIB0051E
111	W/B	ECM relay (Self shut-off)	[Engine is running] [Ignition switch: OFF] <ul style="list-style-type: none"> ● For a few seconds after turning ignition switch OFF 	0 - 1.5V
			[Ignition switch: OFF] <ul style="list-style-type: none"> ● More than a few seconds after turning ignition switch OFF 	BATTERY VOLTAGE (11 - 14V)
119 120	R R	Power supply for ECM	[Ignition switch: ON]	BATTERY VOLTAGE (11 - 14V)

★: Average voltage for pulse signal (Actual pulse signal can be confirmed by oscilloscope.)

A
EC
C
D
E
F
G
H
I
J
K
L
M

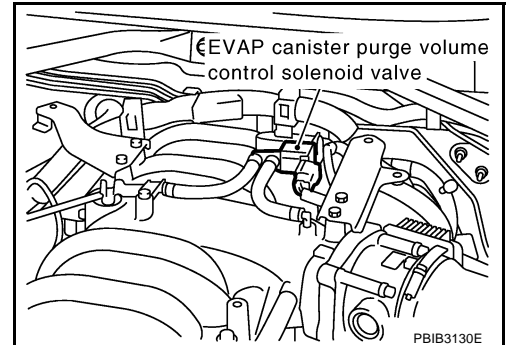
DTC P0443 EVAP CANISTER PURGE VOLUME CONTROL SOLENOID VALVE

NBS0022T

Diagnostic Procedure

1. CHECK EVAP CANISTER PURGE VOLUME CONTROL SOLENOID VALVE POWER SUPPLY CIRCUIT

1. Turn ignition switch OFF.
2. Disconnect EVAP canister purge volume control solenoid valve harness connector.
3. Turn ignition switch ON.

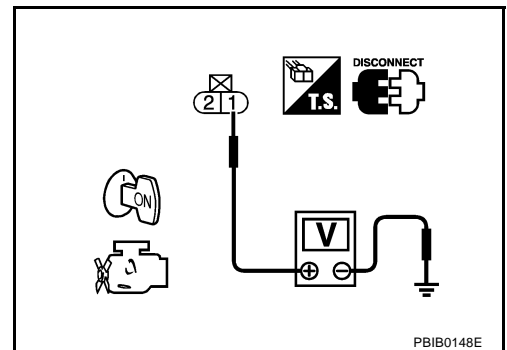


4. Check voltage between EVAP canister purge volume control solenoid valve terminal 1 and ground with CONSULT-II or tester.

Voltage: Battery voltage

OK or NG

- OK >> GO TO 3.
- NG >> GO TO 2.



2. DETECT MALFUNCTIONING PART

Check the following.

- Harness connectors M135, F105
- Harness for open or short between EVAP canister purge volume control solenoid valve and ECM relay
- Harness for open or short between EVAP canister purge volume control solenoid valve and ECM

>> Repair open circuit or short to ground or short to power in harness or connectors.

3. CHECK EVAP CANISTER PURGE VOLUME CONTROL SOLENOID VALVE OUTPUT SIGNAL CIRCUIT FOR OPEN AND SHORT

1. Turn ignition switch OFF.
2. Disconnect ECM harness connector.
3. Check harness continuity between ECM terminal 45 and EVAP canister purge volume control solenoid valve terminal 2.
Refer to Wiring Diagram.

Continuity should exist.

4. Also check harness for short to ground and short to power.

OK or NG

- OK >> GO TO 4.
- NG >> Repair open circuit or short to ground or short to power in harness or connectors.

DTC P0443 EVAP CANISTER PURGE VOLUME CONTROL SOLENOID VALVE

4. CHECK EVAP CONTROL SYSTEM PRESSURE SENSOR CONNECTOR

1. Disconnect EVAP control system pressure sensor harness connector.
2. Check connectors for water.

Water should not exist.

OK or NG

- OK >> GO TO 5.
NG >> Replace EVAP control system pressure sensor.

5. CHECK EVAP CONTROL SYSTEM PRESSURE SENSOR

Refer to [EC-442, "Component Inspection"](#) .

OK or NG

- OK (With CONSULT-II)>>GO TO 6.
OK (Without CONSULT-II)>>GO TO 7.
NG >> Replace EVAP control system pressure sensor.

6. CHECK EVAP CANISTER PURGE VOLUME CONTROL SOLENOID VALVE

 **With CONSULT-II**

1. Turn ignition switch OFF.
2. Reconnect harness connectors disconnected.
3. Start engine.
4. Perform "PURG VOL CONT/V" in "ACTIVE TEST" mode with CONSULT-II. Check that engine speed varies according to the valve opening.

OK or NG

- OK >> GO TO 8.
NG >> GO TO 7.

ACTIVE TEST	
PURG VOL CONT/V	XXX %
MONITOR	
ENG SPEED	XXX rpm
A/F ALPHA-B1	XX %
A/F ALPHA-B2	XX %

PBIB1678E

7. CHECK EVAP CANISTER PURGE VOLUME CONTROL SOLENOID VALVE

Refer to [EC-411, "Component Inspection"](#) .

OK or NG

- OK >> GO TO 8.
NG >> Replace EVAP canister purge volume control solenoid valve.

8. CHECK RUBBER TUBE FOR CLOGGING

1. Disconnect rubber tube connected to EVAP canister vent control valve.
2. Check the rubber tube for clogging.

OK or NG

- OK >> GO TO 9.
NG >> Clean the rubber tube using an air blower.

9. CHECK EVAP CANISTER VENT CONTROL VALVE

Refer to [EC-435, "Component Inspection"](#) .

OK or NG

- OK >> GO TO 10.
NG >> Replace EVAP canister vent control valve.

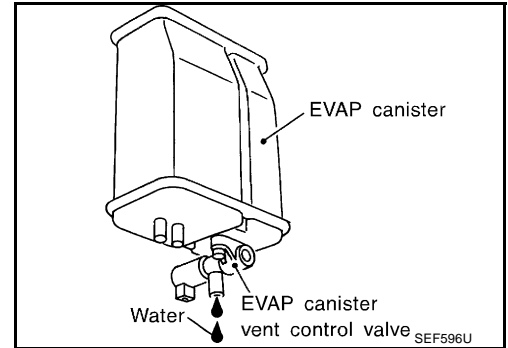
DTC P0443 EVAP CANISTER PURGE VOLUME CONTROL SOLENOID VALVE

10. CHECK IF EVAP CANISTER SATURATED WITH WATER

1. Remove EVAP canister with EVAP canister vent control valve attached.
2. Does water drain from the EVAP canister.

Yes or No

- Yes >> GO TO 11.
No >> GO TO 14.



11. CHECK EVAP CANISTER

Weigh the EVAP canister with the EVAP canister vent control valve attached.

The weight should be less than 1.8 kg (4.0 lb).

OK or NG

- OK >> GO TO 13.
NG >> GO TO 12.

12. DETECT MALFUNCTIONING PART

Check the following.

- EVAP canister for damage
- EVAP hose between EVAP canister and water separator for clogging or poor connection

>> Repair hose or replace EVAP canister.

13. CHECK WATER SEPARATOR

Refer to [EC-553, "Component Inspection"](#) .

OK or NG

- OK >> GO TO 14.
NG >> Clean or replace water separator.

14. CHECK INTERMITTENT INCIDENT

Refer to [EC-145, "TROUBLE DIAGNOSIS FOR INTERMITTENT INCIDENT"](#) .

>> INSPECTION END

DTC P0443 EVAP CANISTER PURGE VOLUME CONTROL SOLENOID VALVE

Component Inspection

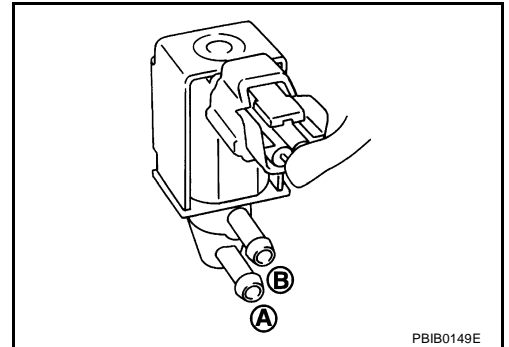
EVAP CANISTER PURGE VOLUME CONTROL SOLENOID VALVE

NBS0022U

With CONSULT-II

Check air passage continuity of EVAP canister purge volume control solenoid valve under the following conditions.

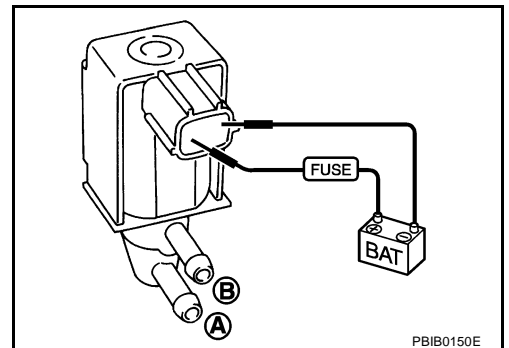
Condition (PURG VOL CONT/V value)	Air passage continuity between A and B
100%	Yes
0%	No



Without CONSULT-II

Check air passage continuity of EVAP canister purge volume control solenoid valve under the following conditions.

Condition	Air passage continuity between A and B
12V direct current supply between terminals 1 and 2	Yes
No supply	No



Removal and Installation

EVAP CANISTER PURGE VOLUME CONTROL SOLENOID VALVE

NBS0022V

Refer to [EM-19, "INTAKE MANIFOLD"](#) .

DTC P0444, P0445 EVAP CANISTER PURGE VOLUME CONTROL SOLENOID VALVE

DTC P0444, P0445 EVAP CANISTER PURGE VOLUME CONTROL SOLENOID VALVE

PFP:14920

Description SYSTEM DESCRIPTION

NBS001X2

Sensor	Input Signal to ECM	ECM function	Actuator
Crankshaft position sensor (POS) Camshaft position sensor (PHASE)	Engine speed*1	EVAP canister purge flow control	EVAP canister purge volume control solenoid valve
Mass air flow sensor	Amount of intake air		
Engine coolant temperature sensor	Engine coolant temperature		
Battery	Battery voltage*1		
Throttle position sensor	Throttle position		
Accelerator pedal position sensor	Accelerator pedal position		
A/F sensor 1	Density of oxygen in exhaust gas (Mixture ratio feedback signal)		
Fuel tank temperature sensor	Fuel temperature in fuel tank		
Wheel sensor	Vehicle speed*2		

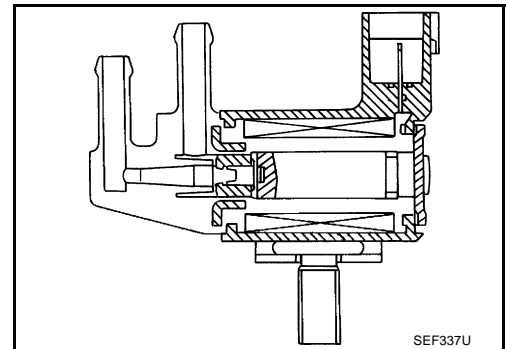
*1: ECM determines the start signal status by the signal of engine speed and battery voltage.

*2: This signal is sent to the ECM through CAN communication.

This system controls flow rate of fuel vapor from the EVAP canister. The opening of the vapor by-pass passage in the EVAP canister purge volume control solenoid valve changes to control the flow rate. The EVAP canister purge volume control solenoid valve repeats ON/OFF operation according to the signal sent from the ECM. The opening of the valve varies for optimum engine control. The optimum value stored in the ECM is determined by considering various engine conditions. When the engine is operating, the flow rate of fuel vapor from the EVAP canister is regulated as the air flow changes.

COMPONENT DESCRIPTION

The EVAP canister purge volume control solenoid valve uses a ON/OFF duty to control the flow rate of fuel vapor from the EVAP canister. The EVAP canister purge volume control solenoid valve is moved by ON/OFF pulses from the ECM. The longer the ON pulse, the greater the amount of fuel vapor that will flow through the valve.



CONSULT-II Reference Value in Data Monitor Mode

NBS001X3

Specification data are reference values.

MONITOR ITEM	CONDITION	SPECIFICATION
PURG VOL C/V	● Engine: After warming up ● Selector lever: P or N ● Air conditioner switch: OFF ● No load	Idle 0%
	2,000 rpm	—

DTC P0444, P0445 EVAP CANISTER PURGE VOLUME CONTROL SOLENOID VALVE

On Board Diagnosis Logic

NBS001X4

DTC No.	Trouble diagnosis name	DTC detecting condition	Possible cause
P0444 0444	EVAP canister purge volume control solenoid valve circuit open	An excessively low voltage signal is sent to ECM through the valve	<ul style="list-style-type: none"> ● Harness or connectors (The solenoid valve circuit is open or shorted.) ● EVAP canister purge volume control solenoid valve
P0445 0445	EVAP canister purge volume control solenoid valve circuit shorted	An excessively high voltage signal is sent to ECM through the valve	<ul style="list-style-type: none"> ● Harness or connectors (The solenoid valve circuit is shorted.) ● EVAP canister purge volume control solenoid valve

DTC Confirmation Procedure

NBS001X5

NOTE:

If DTC Confirmation Procedure has been previously conducted, always turn ignition switch OFF and wait at least 10 seconds before conducting the next test.

TESTING CONDITION:

Before performing the following procedure, confirm battery voltage is more than 11V at idle.

WITH CONSULT-II

1. Turn ignition switch ON.
2. Select "DATA MONITOR" mode with CONSULT-II.
3. Start engine and let it idle for at least 13 seconds.
4. If 1st trip DTC is detected, go to [EC-416, "Diagnostic Procedure"](#)

DATA MONITOR	
MONITOR	NO DTC
ENG SPEED	XXX rpm

SEF058Y

WITH GST

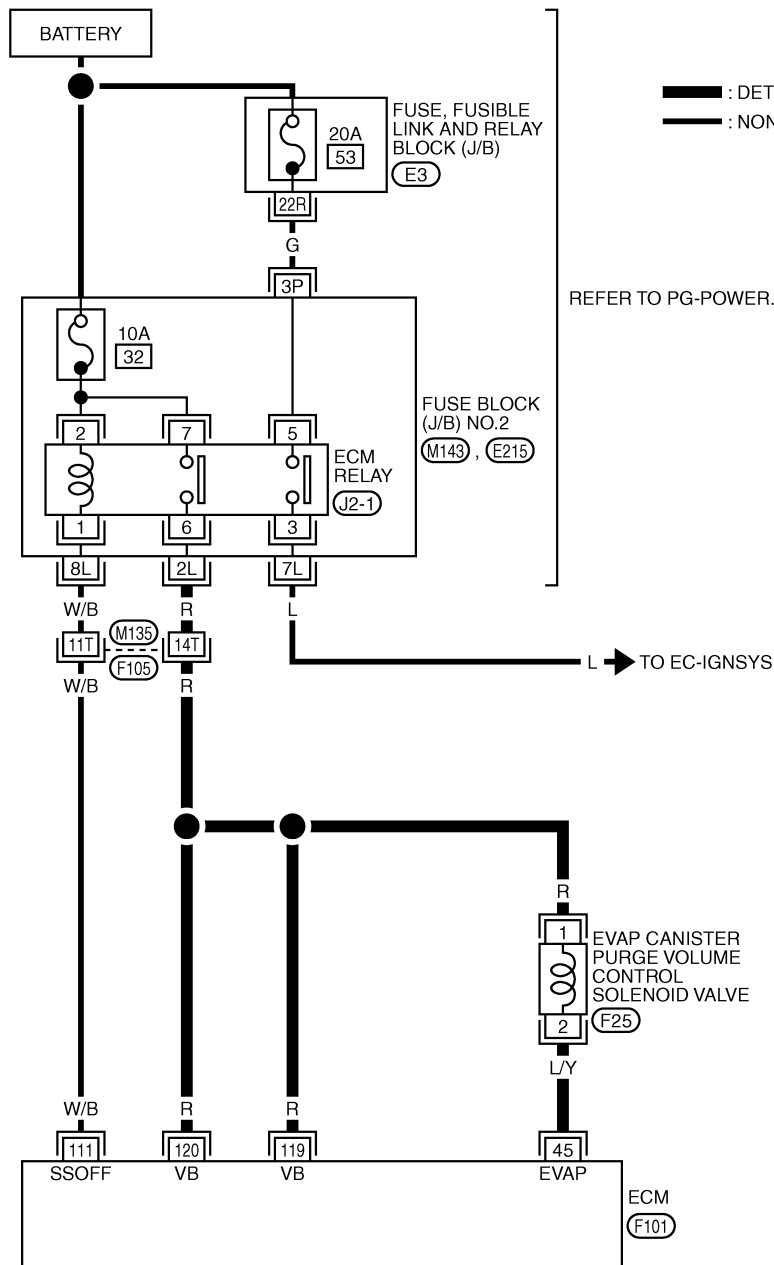
Follow the procedure WITH CONSULT-II above.

DTC P0444, P0445 EVAP CANISTER PURGE VOLUME CONTROL SOLENOID VALVE

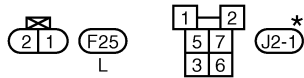
NBS001X6

Wiring Diagram

EC-PGC/V-01



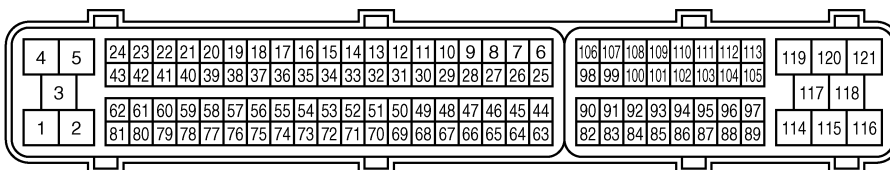
— : DETECTABLE LINE FOR DTC
— : NON-DETECTABLE LINE FOR DTC



*: THIS CONNECTOR IS NOT SHOWN IN "HARNESS LAYOUT", PG SECTION.

REFER TO THE FOLLOWING.

- (F105) -SUPER MULTIPLE JUNCTION (SMJ)
- (M143), (E215) -FUSE BLOCK-JUNCTION BOX (J/B) NO.2
- (E3) -FUSE, FUSIBLE LINK AND RELAY BLOCK (J/B)



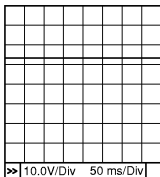
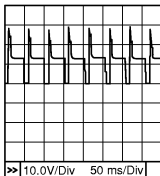
TBWM1232E

DTC P0444, P0445 EVAP CANISTER PURGE VOLUME CONTROL SOLENOID VALVE

Specification data are reference values and are measured between each terminal and ground.
Pulse signal is measured by CONSULT-II.

CAUTION:

Do not use ECM ground terminals when measuring input/output voltage. Doing so may result in damage to the ECM's transistor. Use a ground other than ECM terminals, such as the ground.

TER-MINAL NO.	WIRE COLOR	ITEM	CONDITION	DATA (DC Voltage)
45	L/Y	EVAP canister purge volume control solenoid valve	[Engine is running] <ul style="list-style-type: none"> ● Idle speed 	BATTERY VOLTAGE (11 - 14V)★  <small>10.0V/Div 50 ms/Div</small> PBIB0050E
			[Engine is running] <ul style="list-style-type: none"> ● Engine speed: About 2,000 rpm (More than 100 seconds after starting engine) 	11 - 14V★  <small>10.0V/Div 50 ms/Div</small> PBIB0051E
111	W/B	ECM relay (Self shut-off)	[Engine is running] [Ignition switch: OFF] <ul style="list-style-type: none"> ● For a few seconds after turning ignition switch OFF 	0 - 1.5V
			[Ignition switch: OFF] <ul style="list-style-type: none"> ● More than a few seconds after turning ignition switch OFF 	BATTERY VOLTAGE (11 - 14V)
119 120	R R	Power supply for ECM	[Ignition switch: ON]	BATTERY VOLTAGE (11 - 14V)

★: Average voltage for pulse signal (Actual pulse signal can be confirmed by oscilloscope.)

A
EC
C
D
E
F
G
H
I
J
K
L
M

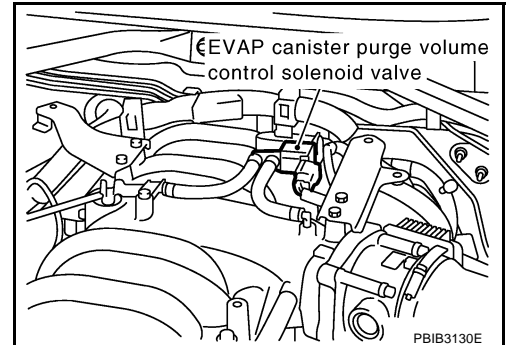
DTC P0444, P0445 EVAP CANISTER PURGE VOLUME CONTROL SOLENOID VALVE

Diagnostic Procedure

NBS001X7

1. CHECK EVAP CANISTER PURGE VOLUME CONTROL SOLENOID VALVE POWER SUPPLY CIRCUIT

1. Turn ignition switch OFF.
2. Disconnect EVAP canister purge volume control solenoid valve harness connector.
3. Turn ignition switch ON.

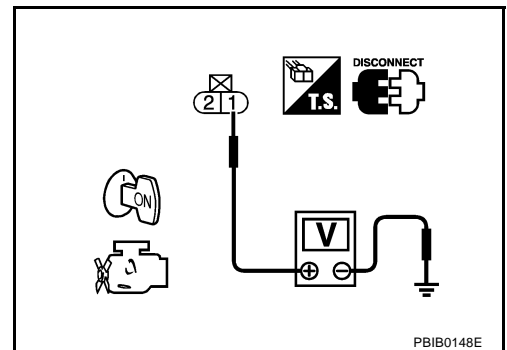


4. Check voltage between EVAP canister purge volume control solenoid valve terminal 1 and ground with CONSULT-II or tester.

Voltage: Battery voltage

OK or NG

- OK >> GO TO 3.
- NG >> GO TO 2.



2. DETECT MALFUNCTIONING PART

Check the following.

- Harness connectors M135, F105
- Harness for open or short between EVAP canister purge volume control solenoid valve and ECM relay
- Harness for open or short between EVAP canister purge volume control solenoid valve and ECM

>> Repair open circuit or short to ground or short to power in harness or connectors.

3. CHECK EVAP CANISTER PURGE VOLUME CONTROL SOLENOID VALVE OUTPUT SIGNAL CIRCUIT FOR OPEN AND SHORT

1. Turn ignition switch OFF.
2. Disconnect ECM harness connector.
3. Check harness continuity between ECM terminal 45 and EVAP canister purge volume control solenoid valve terminal 2. Refer to Wiring Diagram.

Continuity should exist.

4. Also check harness for short to ground and short to power.

OK or NG

- OK (With CONSULT-II)>>GO TO 4.
- OK (Without CONSULT-II)>>GO TO 5.
- NG >> Repair open circuit or short to ground or short to power in harness or connectors.

DTC P0444, P0445 EVAP CANISTER PURGE VOLUME CONTROL SOLENOID VALVE

4. CHECK EVAP CANISTER PURGE VOLUME CONTROL SOLENOID VALVE OPERATION

With CONSULT-II

1. Reconnect all harness connectors disconnected.
2. Start engine.
3. Perform "PURG VOL CONT/V" in "ACTIVE TEST" mode with CONSULT-II. Check that engine speed varies according to the valve opening.

OK or NG

- OK >> GO TO 6.
 NG >> GO TO 5.

ACTIVE TEST	
PURG VOL CONT/V	XXX %
MONITOR	
ENG SPEED	XXX rpm
A/F ALPHA-B1	XX %
A/F ALPHA-B2	XX %

PBIB1678E

5. CHECK EVAP CANISTER PURGE VOLUME CONTROL SOLENOID VALVE

Refer to [EC-417, "Component Inspection"](#) .

OK or NG

- OK >> GO TO 6.
 NG >> Replace EVAP canister purge volume control solenoid valve.

6. CHECK INTERMITTENT INCIDENT

Refer to [EC-145, "TROUBLE DIAGNOSIS FOR INTERMITTENT INCIDENT"](#) .

>> INSPECTION END

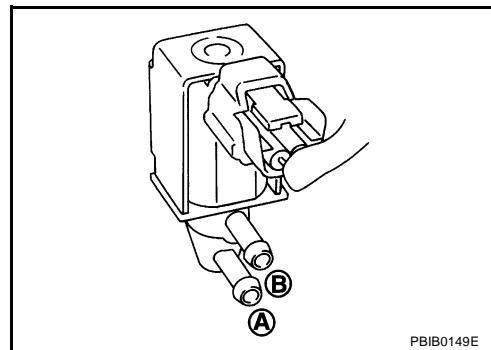
Component Inspection EVAP CANISTER PURGE VOLUME CONTROL SOLENOID VALVE

NBS001X8

With CONSULT-II

Check air passage continuity of EVAP canister purge volume control solenoid valve under the following conditions.

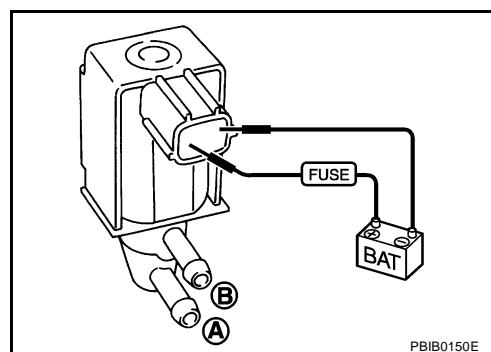
Condition (PURG VOL CONT/V value)	Air passage continuity between A and B
100%	Yes
0%	No



Without CONSULT-II

Check air passage continuity of EVAP canister purge volume control solenoid valve under the following conditions.

Condition	Air passage continuity between A and B
12V direct current supply between terminals 1 and 2	Yes
No supply	No



DTC P0444, P0445 EVAP CANISTER PURGE VOLUME CONTROL SOLENOID VALVE

Removal and Installation

EVAP CANISTER PURGE VOLUME CONTROL SOLENOID VALVE

NBS001X9

Refer to [EM-19, "INTAKE MANIFOLD"](#) .

DTC P0447 EVAP CANISTER VENT CONTROL VALVE

DTC P0447 EVAP CANISTER VENT CONTROL VALVE

PF0:14935

Component Description

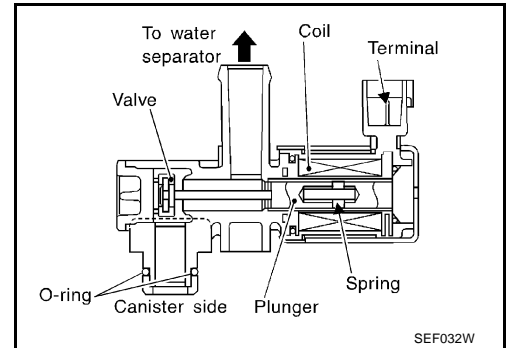
NBS001XA

The EVAP canister vent control valve is located on the EVAP canister and is used to seal the canister vent.

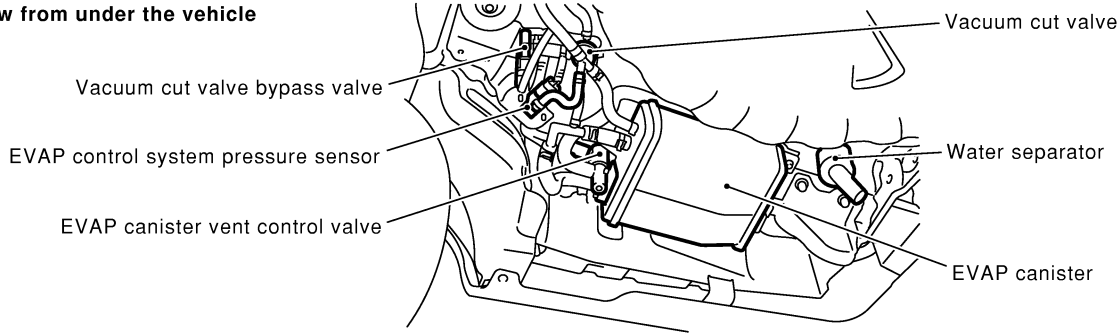
This solenoid valve responds to signals from the ECM. When the ECM sends an ON signal, the coil in the solenoid valve is energized. A plunger will then move to seal the canister vent. The ability to seal the vent is necessary for the on board diagnosis of other evaporative emission control system components.

This solenoid valve is used only for diagnosis, and usually remains opened.

When the vent is closed, under normal purge conditions, the evaporative emission control system is depressurized and allows "EVAP Control System" diagnosis.



View from under the vehicle



CONSULT-II Reference Value in Data Monitor Mode

NBS001XB

Specification data are reference values.

MONITOR ITEM	CONDITION	SPECIFICATION
VENT CONT/V	● Ignition switch: ON	OFF

On Board Diagnosis Logic

NBS001XC

DTC No.	Trouble diagnosis name	DTC detecting condition	Possible cause
P0447 0447	EVAP canister vent control valve circuit open	A) An improper voltage signal is sent to ECM through EVAP canister vent control valve.	<ul style="list-style-type: none"> ● Harness or connectors (The valve circuit is open or shorted.) ● EVAP canister vent control valve
		B) EVAP canister vent control valve remains open under specified driving conditions.	<ul style="list-style-type: none"> ● EVAP canister vent control valve ● EVAP control system pressure sensor and the circuit ● Blocked rubber tube to EVAP canister vent control valve ● Water separator ● EVAP canister is saturated with water ● Vacuum cut valve

DTC P0447 EVAP CANISTER VENT CONTROL VALVE

NBS001XD

DTC Confirmation Procedure

Perform PROCEDURE FOR MALFUNCTION A first.

If DTC cannot be confirmed, perform PROCEDURE FOR MALFUNCTION B.

NOTE:

- If DTC P0447 is displayed with P0442, P0455, P0456, P1442 or P1456, first perform trouble diagnosis for DTC P0447.
- If DTC Confirmation Procedure has been previously conducted, always turn ignition switch OFF and wait at least 10 seconds before conducting the next test.

PROCEDURE FOR MALFUNCTION A

TESTING CONDITION:

Before performing the following procedure, confirm battery voltage is more than 11V at idle.

With CONSULT-II

1. Turn ignition switch ON.
2. Select "DATA MONITOR" mode with CONSULT-II.
3. Start engine and wait at least 8 seconds.
4. If 1st trip DTC is detected, go to [EC-424, "Diagnostic Procedure"](#)

DATA MONITOR	
MONITOR	NO DTC
ENG SPEED	XXX rpm

SEF058Y

With GST

Follow the procedure With CONSULT-II above.

PROCEDURE FOR MALFUNCTION B

TESTING CONDITION:

- Perform "DTC WORK SUPPORT" when the fuel level is between 1/4 and 3/4 full, and vehicle is placed on flat level surface.
- Always perform test at a temperature of 0 to 30°C (32 to 86°F).

With CONSULT-II

1. Turn ignition switch ON.
2. Turn ignition switch OFF and wait at least 10 seconds.
3. Turn ignition switch ON and select "DATA MONITOR" mode with CONSULT-II.
4. Make sure that the following conditions are met.

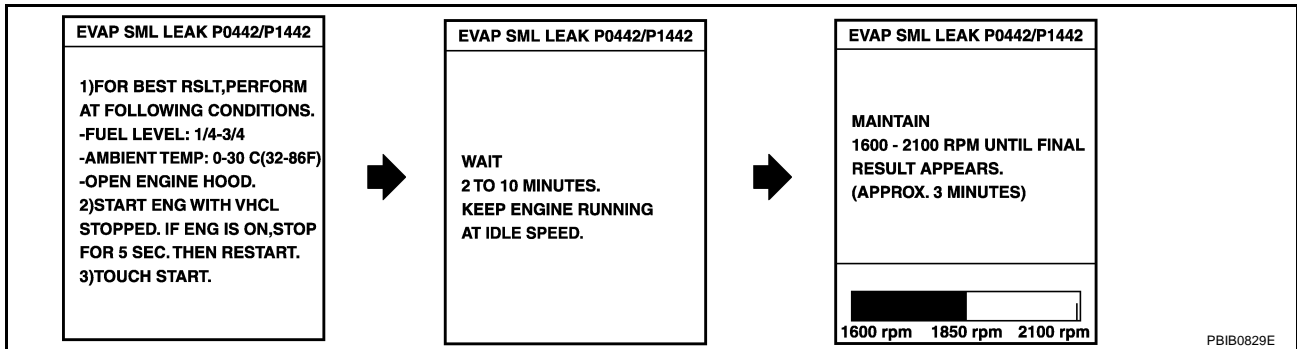
COOLAN TEMP/S	0 - 70°C (32 - 158°F)
INT/A TEMP SE	0 - 30°C (32 - 86°F)

5. Select "EVAP SML LEAK P0442/P1442" of "EVAPORATIVE SYSTEM" in "DTC WORK SUPPORT" mode with CONSULT-II. Follow the instruction displayed.

DATA MONITOR	
MONITOR	DTC
ENG SPEED	XXX rpm
COOLAN TEMP/S	XXX °C
INT/A TEMP/S	XXX °C

SEF475Y

DTC P0447 EVAP CANISTER VENT CONTROL VALVE



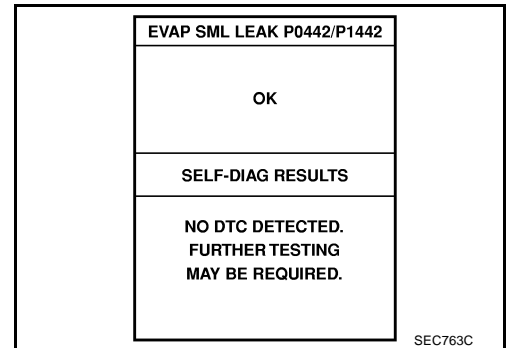
If the engine speed cannot be maintained within the range displayed on the CONSULT-II screen, go to [EC-71, "Basic Inspection"](#).

6. Make sure that "OK" is displayed.
If "NG" is displayed, go to the following step.

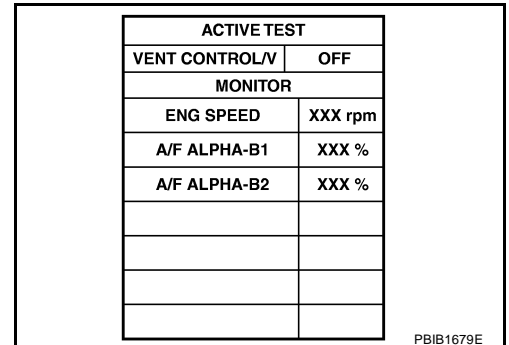
NOTE:

Make sure that EVAP hoses are connected to EVAP canister purge volume control solenoid valve properly.

7. Stop engine and wait at least 10 seconds, then turn ON.
8. Disconnect hose from water separator.



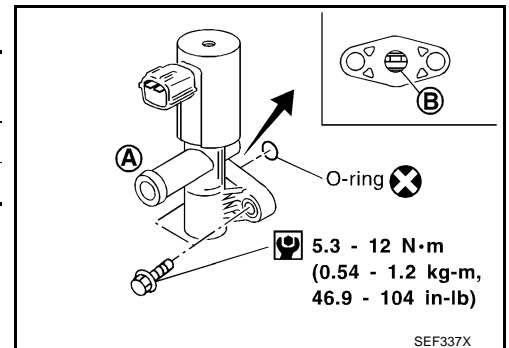
9. Select "VENT CONTROL/V" of "ACTIVE TEST" mode with CONSULT-II.
10. Touch "ON" and "OFF" alternately.



11. Make sure the following.

Condition VENT CONTROL/V	Air passage continuity between A and B
ON	No
OFF	Yes

If the result is NG, go to [EC-424, "Diagnostic Procedure"](#).
If the result is OK, go to "Diagnostic Procedure" for DTC P0442, [EC-398](#).



Overall Function Check PROCEDURE FOR MALFUNCTION B

NBS00237

Use this procedure to check the overall function of the EVAP canister vent control valve circuit. During this check, a 1st trip DTC might not be confirmed.

With GST

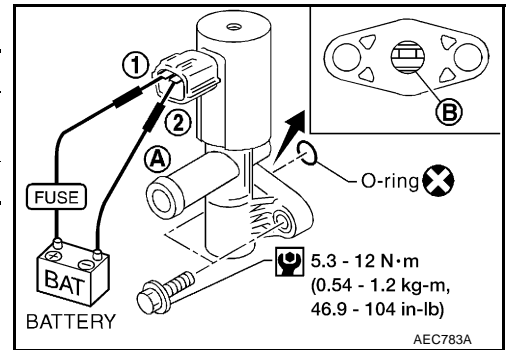
1. Disconnect hose from water separator.
2. Disconnect EVAP canister vent control valve harness connector.

DTC P0447 EVAP CANISTER VENT CONTROL VALVE

3. Verify the following.

Condition	Air passage continuity
12V direct current supply between terminals 1 and 2	No
No supply	Yes

If the result is NG, go to [EC-424, "Diagnostic Procedure"](#) .
If the result is OK, go to "Diagnostic Procedure" for DTC P0442, [EC-398](#) .

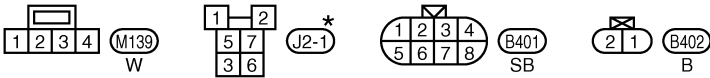
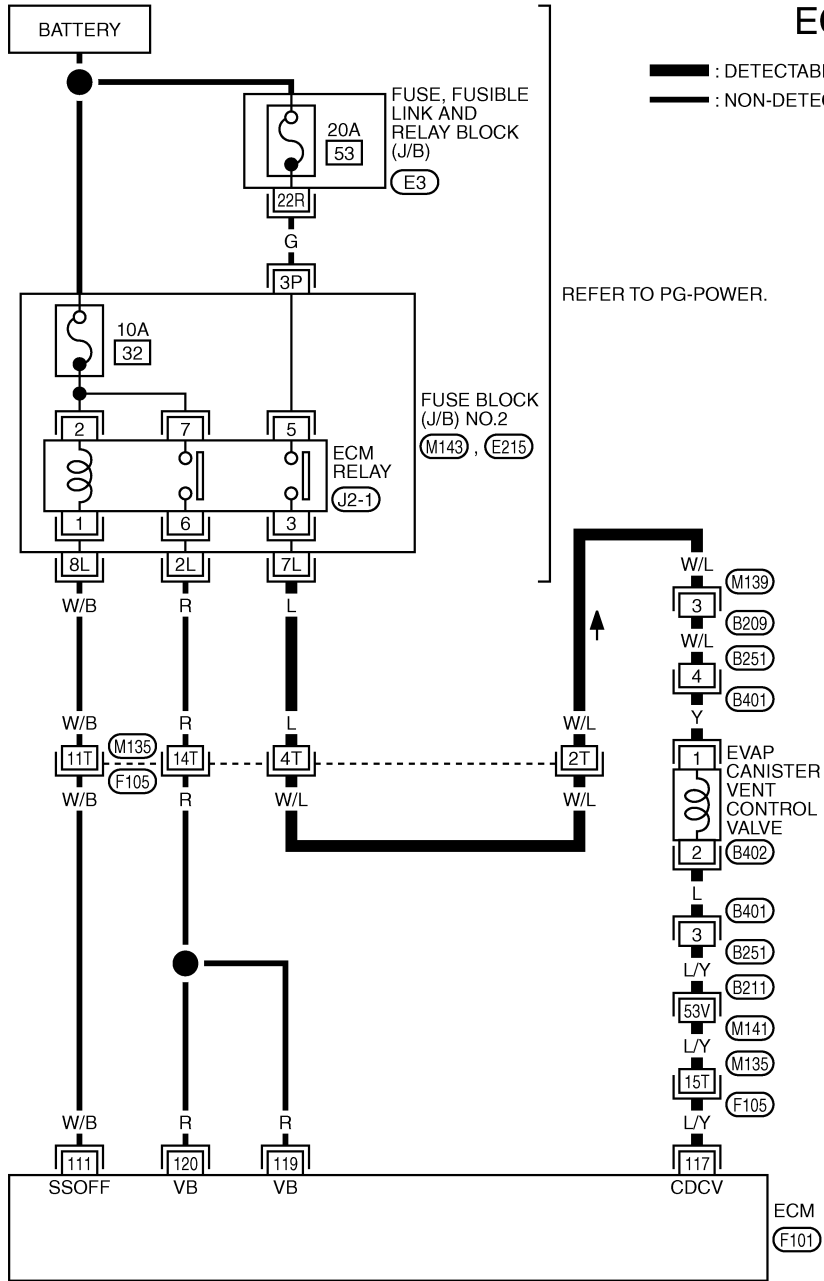


DTC P0447 EVAP CANISTER VENT CONTROL VALVE

Wiring Diagram

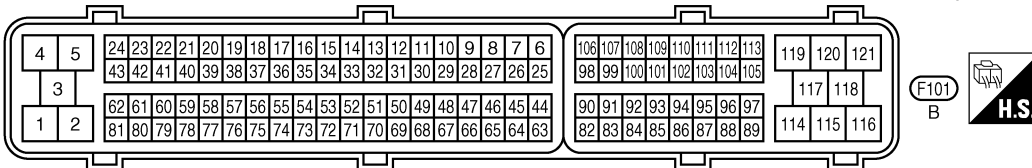
NBS001XE

EC-VENT/V-01



*: THIS CONNECTOR IS NOT SHOWN IN "HARNESS LAYOUT", PG SECTION.

REFER TO THE FOLLOWING.
 (F105), (B211) -SUPER MULTIPLE JUNCTION (SMJ)
 (M143), (E215) -FUSE BLOCK-JUNCTION BOX (J/B) NO.2
 (E3) -FUSE, FUSIBLE LINK AND RELAY BLOCK (J/B)



TBWM1233E

DTC P0447 EVAP CANISTER VENT CONTROL VALVE

Specification data are reference values and are measured between each terminal and ground.

CAUTION:

Do not use ECM ground terminals when measuring input/output voltage. Doing so may result in damage to the ECM's transistor. Use a ground other than ECM terminals, such as the ground.

TER-MINAL NO.	WIRE COLOR	ITEM	CONDITION	DATA (DC Voltage)
111	W/B	ECM relay (Self shut-off)	[Engine is running] [Ignition switch: OFF] ● For a few seconds after turning ignition switch OFF	0 - 1.5V
			[Ignition switch: OFF] ● More than a few seconds after turning ignition switch OFF	BATTERY VOLTAGE (11 - 14V)
117	L/Y	EVAP canister vent control valve	[Ignition switch: ON]	BATTERY VOLTAGE (11 - 14V)
119 120	R R	Power supply for ECM	[Ignition switch: ON]	BATTERY VOLTAGE (11 - 14V)

Diagnostic Procedure PROCEDURE FOR MALFUNCTION A

NBS001XF

1. INSPECTION START

Do you have CONSULT-II?

Yes or No

- Yes >> GO TO 2.
- No >> GO TO 3.

2. CHECK EVAP CANISTER VENT CONTROL VALVE CIRCUIT

 **With CONSULT-II**

1. Turn ignition switch OFF and then turn ON
2. Select "VENT CONTROL/V" in "ACTIVE TEST" mode with CONSULT-II.
3. Touch "ON/OFF" on CONSULT-II screen.
4. Check for operating sound of the valve.
Clicking noise should be heard.

OK or NG

- OK >> GO TO 7.
- NG >> GO TO 3.

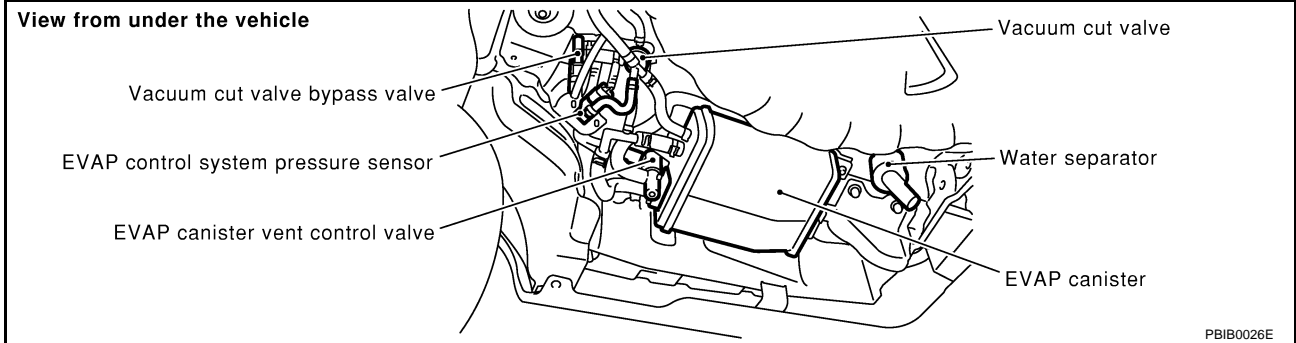
ACTIVE TEST	
VENT CONTROL/V	OFF
MONITOR	
ENG SPEED	XXX rpm
A/F ALPHA-B1	XXX %
A/F ALPHA-B2	XXX %

PBIB1679E

DTC P0447 EVAP CANISTER VENT CONTROL VALVE

3. CHECK EVAP CANISTER VENT CONTROL VALVE POWER SUPPLY CIRCUIT

1. Turn ignition switch OFF.
2. Disconnect EVAP canister vent control valve harness connector.

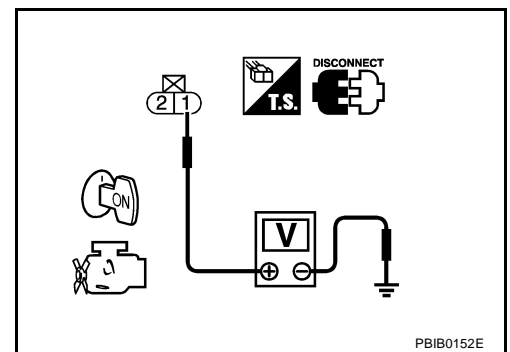


3. Turn ignition switch ON.
4. Check voltage between EVAP canister vent control valve terminal 1 and ground with CONSULT-II or tester.

Voltage: Battery voltage

OK or NG

- OK >> GO TO 5.
- NG >> GO TO 4.



4. DETECT MALFUNCTIONING PART

Check the following.

- Harness connectors M135, F105
- Harness connectors M139, B209
- Harness connectors B251, B401
- Harness for open or short between EVAP canister vent control valve and ECM relay

>> Repair open circuit or short to ground or short to power in harness or connectors.

5. CHECK EVAP CANISTER VENT CONTROL VALVE OUTPUT SIGNAL CIRCUIT FOR OPEN AND SHORT

1. Turn ignition switch OFF.
2. Disconnect ECM harness connector.
3. Check harness continuity between ECM terminal 117 and EVAP canister vent control valve terminal 2. Refer to Wiring Diagram.

Continuity should exist.

4. Also check harness for short to ground and short to power.

OK or NG

- OK >> GO TO 7.
- NG >> GO TO 6.

DTC P0447 EVAP CANISTER VENT CONTROL VALVE

6. DETECT MALFUNCTIONING PART

Check the following.

- Harness connectors F105, M135
- Harness connectors M141, B211
- Harness connectors B251, B401
- Harness for open or short between EVAP canister vent control valve and ECM

>> Repair open circuit or short to ground or short to power in harness or connectors.

7. CHECK RUBBER TUBE FOR CLOGGING

1. Disconnect rubber tube connected to EVAP canister vent control valve.
2. Check the rubber tube for clogging.

OK or NG

OK >> GO TO 8.

NG >> Clean the rubber tube using an air blower.

8. CHECK EVAP CANISTER VENT CONTROL VALVE

Refer to [EC-428, "Component Inspection"](#) .

OK or NG

OK >> GO TO 9.

NG >> Replace EVAP canister vent control valve.

9. CHECK INTERMITTENT INCIDENT

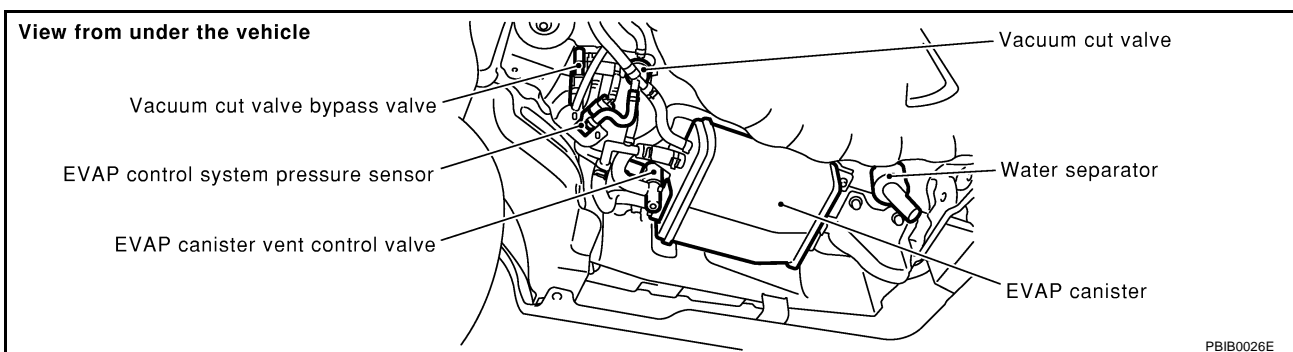
Refer to [EC-145, "TROUBLE DIAGNOSIS FOR INTERMITTENT INCIDENT"](#) .

>> **INSPECTION END**

PROCEDURE FOR MALFUNCTION B

1. CHECK RUBBER TUBE

1. Turn ignition switch OFF.
2. Disconnect rubber tube connected to EVAP canister vent control valve.



3. Check the rubber tube for clogging.

OK or NG

OK >> GO TO 2.

NG >> Clean rubber tube using an air blower.

DTC P0447 EVAP CANISTER VENT CONTROL VALVE

2. CHECK EVAP CANISTER VENT CONTROL VALVE

Refer to [EC-428, "Component Inspection"](#) .

OK or NG

- OK >> GO TO 3.
- NG >> Replace EVAP canister vent control valve.

3. CHECK VACUUM CUT VALVE

Refer to [EC-577, "Component Inspection"](#) .

OK or NG

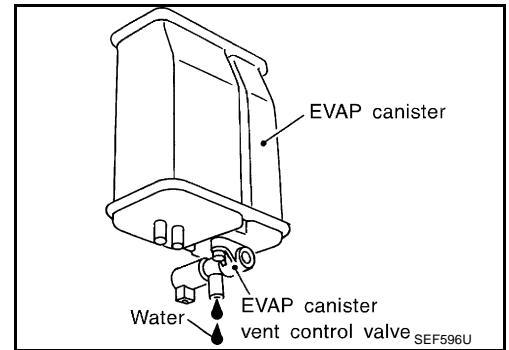
- OK >> GO TO 4.
- NG >> Replace vacuum cut valve.

4. CHECK IF EVAP CANISTER SATURATED WITH WATER

1. Remove EVAP canister with EVAP canister vent control valve attached.
2. Does water drain from the EVAP canister.

Yes or No

- Yes >> GO TO 5.
- No >> GO TO 7.



5. CHECK EVAP CANISTER

Weigh the EVAP canister with the EVAP canister vent control valve attached.

The weight should be less than 1.8 kg (4.0 lb).

OK or NG

- OK >> GO TO 7.
- NG >> GO TO 6.

6. DETECT MALFUNCTIONING PART

Check the following.

- EVAP canister for damage
- EVAP hose between EVAP canister and water separator for clogging or poor connection

>> Repair hose or replace EVAP canister.

7. CHECK EVAP CONTROL SYSTEM PRESSURE SENSOR HOSE

Check disconnection or improper connection of hose connected to EVAP control system pressure sensor.

OK or NG

- OK >> GO TO 8.
- NG >> Repair it.

DTC P0447 EVAP CANISTER VENT CONTROL VALVE

8. CHECK EVAP CONTROL SYSTEM PRESSURE SENSOR CONNECTOR

1. Disconnect EVAP control system pressure sensor harness connector.
2. Check connectors for water.

Water should not exist.

OK or NG

- OK >> GO TO 9.
 NG >> Replace EVAP control system pressure sensor.

9. CHECK EVAP CONTROL SYSTEM PRESSURE SENSOR

Refer to [EC-450, "Component Inspection"](#) .

OK or NG

- OK >> GO TO 10.
 NG >> Replace EVAP control system pressure sensor.

10. CHECK INTERMITTENT INCIDENT

Refer to [EC-145, "TROUBLE DIAGNOSIS FOR INTERMITTENT INCIDENT"](#) .

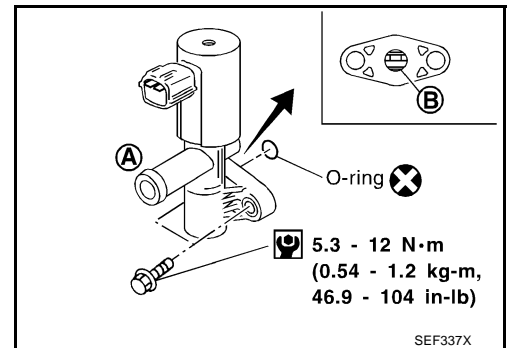
>> INSPECTION END

Component Inspection EVAP CANISTER VENT CONTROL VALVE

NBS001XG

 With CONSULT-II

1. Remove EVAP canister vent control valve from EVAP canister.
2. Check portion **B** of EVAP canister vent control valve for being rusted.
 If NG, replace EVAP canister vent control valve.
 If OK, go to next step.
3. Reconnect harness connectors disconnected.
4. Turn ignition switch ON.



5. Perform "VENT CONTROL/V" in "ACTIVE TEST" mode.
6. Check air passage continuity and operation delay time.
Make sure new O-ring is installed properly.

Condition VENT CONTROL/V	Air passage continuity between A and B
ON	No
OFF	Yes

Operation takes less than 1 second.

If NG, replace EVAP canister vent control valve.
 If OK, go to next step.

7. Clean the air passage (Portion **A** to **B**) of EVAP canister vent control valve using an air blower.
8. Perform step 6 again.

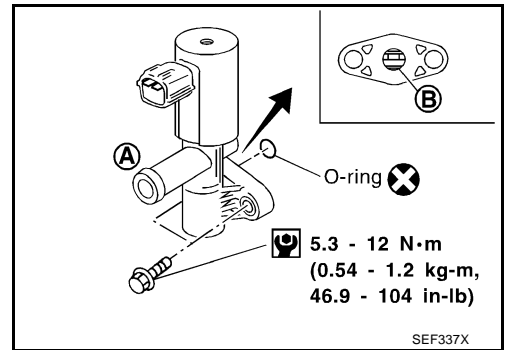
ACTIVE TEST	
VENT CONTROL/V	OFF
MONITOR	
ENG SPEED	XXX rpm
A/F ALPHA-B1	XXX %
A/F ALPHA-B2	XXX %

PBIB1679E

DTC P0447 EVAP CANISTER VENT CONTROL VALVE

⊗ Without CONSULT-II

1. Remove EVAP canister vent control valve from EVAP canister.
2. Check portion **B** of EVAP canister vent control valve for being rusted.



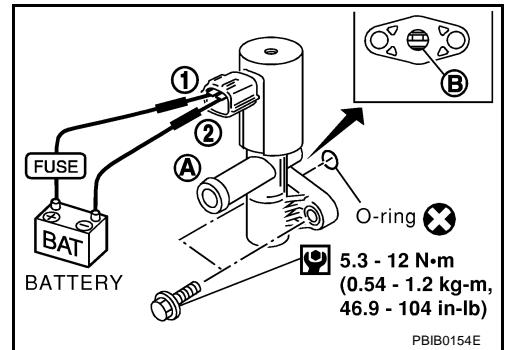
3. Check air passage continuity and operation delay time under the following conditions.
Make sure new O-ring is installed properly.

Condition	Air passage continuity between A and B
12V direct current supply between terminals 1 and 2	No
OFF	Yes

Operation takes less than 1 second.

If NG, replace EVAP canister vent control valve.
If OK, go to next step.

4. Clean the air passage (Portion **A** to **B**) of EVAP canister vent control valve using an air blower.
5. Perform step 3 again.



A
EC
C
D
E
F
G
H
I
J
K
L
M

DTC P0448 EVAP CANISTER VENT CONTROL VALVE

DTC P0448 EVAP CANISTER VENT CONTROL VALVE

PFP:16935

Component Description

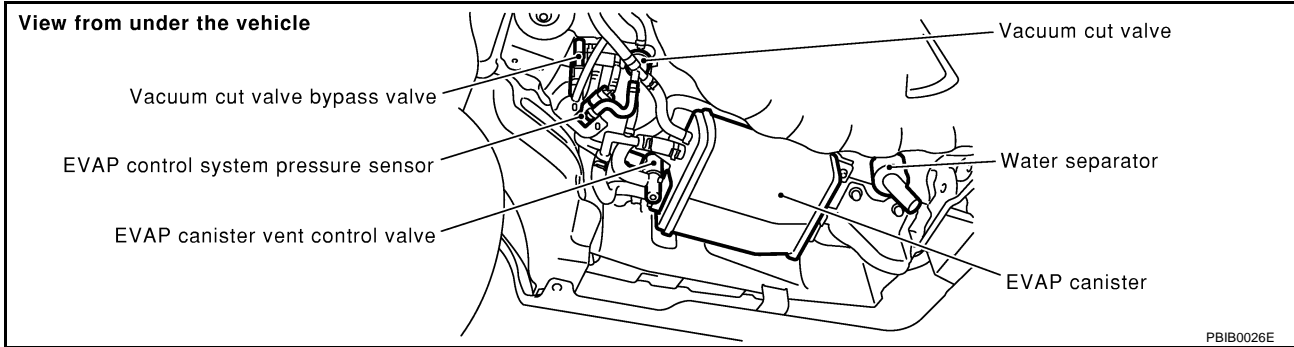
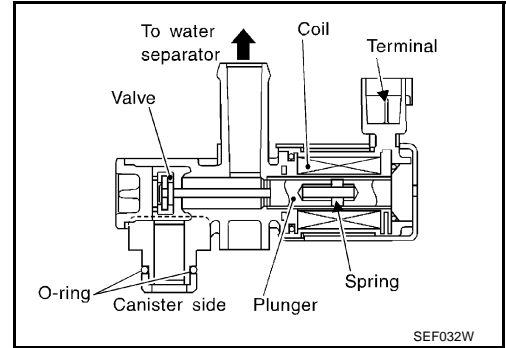
NBS0022W

The EVAP canister vent control valve is located on the EVAP canister and is used to seal the canister vent.

This solenoid valve responds to signals from the ECM. When the ECM sends an ON signal, the coil in the solenoid valve is energized. A plunger will then move to seal the canister vent. The ability to seal the vent is necessary for the on board diagnosis of other evaporative emission control system components.

This solenoid valve is used only for diagnosis, and usually remains opened.

When the vent is closed, under normal purge conditions, the evaporative emission control system is depressurized and allows EVAP Control System diagnosis.



CONSULT-II Reference Value in Data Monitor Mode

NBS0022X

Specification data are reference values.

MONITOR ITEM	CONDITION	SPECIFICATION
VENT CONT/V	● Ignition switch: ON	OFF

On Board Diagnosis Logic

NBS0022Y

DTC No.	Trouble diagnosis name	DTC detecting condition	Possible cause
P0448 0448	EVAP canister vent control valve close	EVAP canister vent control valve remains closed under specified driving conditions.	<ul style="list-style-type: none"> ● EVAP canister vent control valve ● EVAP control system pressure sensor and the circuit ● Blocked rubber tube to EVAP canister vent control valve ● Water separator ● EVAP canister is saturated with water

DTC P0448 EVAP CANISTER VENT CONTROL VALVE

NBS0022Z

DTC Confirmation Procedure

CAUTION:

Always drive vehicle at a safe speed.

NOTE:

If DTC Confirmation Procedure has been previously conducted, always turn ignition switch OFF and wait at least 10 seconds before conducting the next test.

WITH CONSULT-II

1. Turn ignition switch ON.
2. Select "DATA MONITOR" mode with CONSULT-II.
3. Start engine.
4. Drive vehicle at a speed of approximately 80 km/h (50 MPH) for a maximum of 15 minutes.

NOTE:

If a malfunction exists, NG result may be displayed quicker.

5. If 1st trip DTC is detected, go to [EC-433, "Diagnostic Procedure"](#)

DATA MONITOR	
MONITOR	NO DTC
ENG SPEED	XXX rpm
COOLAN TEMP/S	XXX °C
VHCL SPEED SE	XXX km/h

PBIB1917E

WITH GST

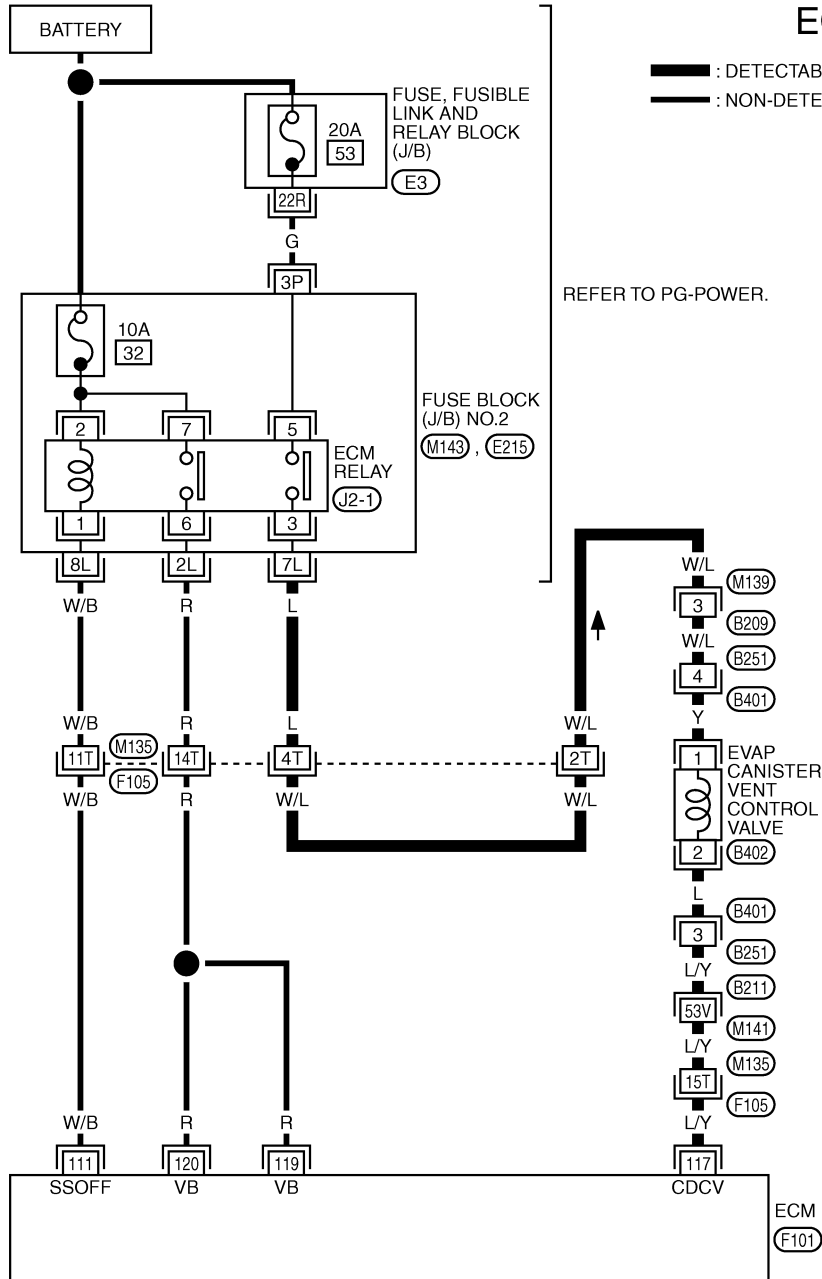
Follow the procedure WITH CONSULT-II above.

DTC P0448 EVAP CANISTER VENT CONTROL VALVE

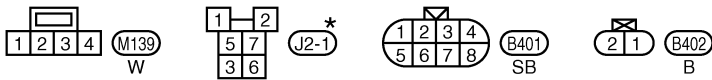
NBS00230

Wiring Diagram

EC-VENT/V-01



REFER TO PG-POWER.



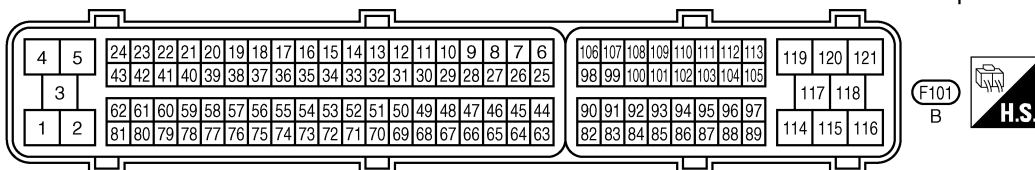
*: THIS CONNECTOR IS NOT SHOWN IN "HARNESS LAYOUT", PG SECTION.

REFER TO THE FOLLOWING.

(F105), (B211) -SUPER MULTIPLE JUNCTION (SMJ)

(M143), (E215) -FUSE BLOCK-JUNCTION BOX (J/B) NO.2

(E3) -FUSE, FUSIBLE LINK AND RELAY BLOCK (J/B)



TBWM1233E

DTC P0448 EVAP CANISTER VENT CONTROL VALVE

Specification data are reference values and are measured between each terminal and ground.

CAUTION:

Do not use ECM ground terminals when measuring input/output voltage. Doing so may result in damage to the ECM's transistor. Use a ground other than ECM terminals, such as the ground.

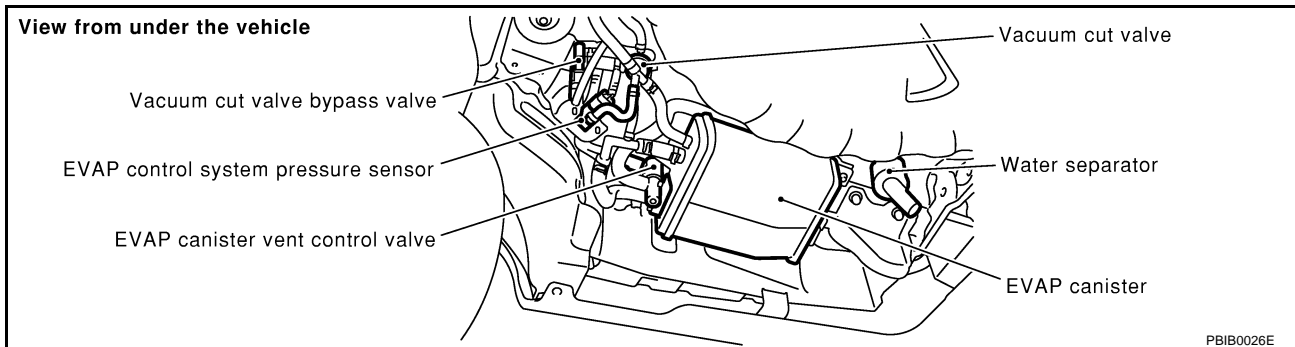
TER-MINAL NO.	WIRE COLOR	ITEM	CONDITION	DATA (DC Voltage)
111	W/B	ECM relay (Self shut-off)	[Engine is running] [Ignition switch: OFF] ● For a few seconds after turning ignition switch OFF	0 - 1.5V
			[Ignition switch: OFF] ● More than a few seconds after turning ignition switch OFF	BATTERY VOLTAGE (11 - 14V)
117	L/Y	EVAP canister vent control valve	[Ignition switch: ON]	BATTERY VOLTAGE (11 - 14V)
119 120	R R	Power supply for ECM	[Ignition switch: ON]	BATTERY VOLTAGE (11 - 14V)

Diagnostic Procedure

NBS00231

1. CHECK RUBBER TUBE

1. Turn ignition switch OFF.
2. Disconnect rubber tube connected to EVAP canister vent control valve.



3. Check the rubber tube for clogging.

OK or NG

- OK >> GO TO 2.
- NG >> Clean rubber tube using an air blower.

2. CHECK WATER SEPARATOR

Refer to [EC-403, "Component Inspection"](#) .

OK or NG

- OK >> GO TO 3.
- NG >> Clean or replace water separator.

3. CHECK EVAP CANISTER VENT CONTROL VALVE

Refer to [EC-435, "Component Inspection"](#) .

OK or NG

- OK >> GO TO 4.
- NG >> Replace EVAP canister vent control valve.

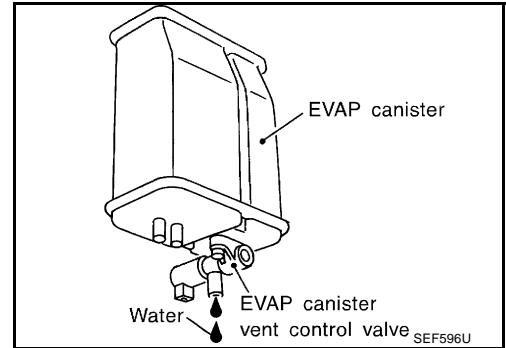
DTC P0448 EVAP CANISTER VENT CONTROL VALVE

4. CHECK IF EVAP CANISTER SATURATED WITH WATER

1. Remove EVAP canister with EVAP canister vent control valve attached.
2. Does water drain from the EVAP canister.

Yes or No

- Yes >> GO TO 5.
No >> GO TO 7.



5. CHECK EVAP CANISTER

Weigh the EVAP canister with the EVAP canister vent control valve attached.
The weight should be less than 1.8 kg (4.0 lb).

OK or NG

- OK >> GO TO 7.
NG >> GO TO 6.

6. DETECT MALFUNCTIONING PART

Check the following.

- EVAP canister for damage
- EVAP hose between EVAP canister and water separator for clogging or poor connection

>> Repair hose or replace EVAP canister.

7. CHECK EVAP CONTROL SYSTEM PRESSURE SENSOR CONNECTOR

1. Disconnect EVAP control system pressure sensor harness connector.
2. Check connectors for water.

Water should not exist.

OK or NG

- OK >> GO TO 8.
NG >> Replace EVAP control system pressure sensor.

8. CHECK EVAP CONTROL SYSTEM PRESSURE SENSOR

Refer to [EC-450, "Component Inspection"](#) .

OK or NG

- OK >> GO TO 9.
NG >> Replace EVAP control system pressure sensor.

9. CHECK INTERMITTENT INCIDENT

Refer to [EC-145, "TROUBLE DIAGNOSIS FOR INTERMITTENT INCIDENT"](#) .

>> **INSPECTION END**

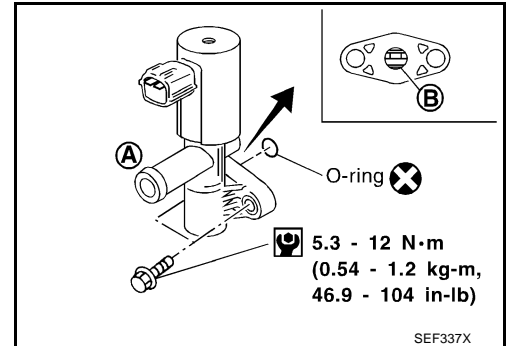
DTC P0448 EVAP CANISTER VENT CONTROL VALVE

NBS00232

Component Inspection EVAP CANISTER VENT CONTROL VALVE

With CONSULT-II

1. Remove EVAP canister vent control valve from EVAP canister.
2. Check portion **B** of EVAP canister vent control valve for being rusted.
If NG, replace EVAP canister vent control valve.
If OK, go to next step.
3. Reconnect harness connectors disconnected.
4. Turn ignition switch ON.



5. Perform "VENT CONTROL/V" in "ACTIVE TEST" mode.
6. Check air passage continuity and operation delay time.
Make sure new O-ring is installed properly.

Condition VENT CONTROL/V	Air passage continuity between A and B
ON	No
OFF	Yes

Operation takes less than 1 second.

If NG, replace EVAP canister vent control valve.
If OK, go to next step.

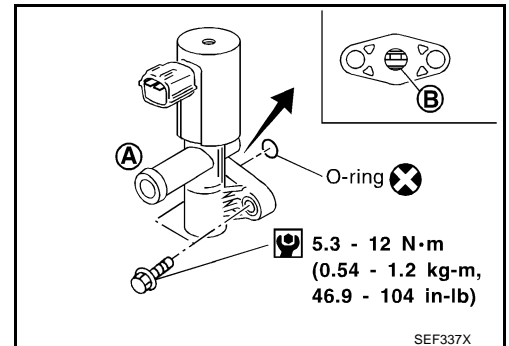
7. Clean the air passage (Portion **A** to **B**) of EVAP canister vent control valve using an air blower.
8. Perform step 5 again.

ACTIVE TEST	
VENT CONTROL/V	OFF
MONITOR	
ENG SPEED	XXX rpm
A/F ALPHA-B1	XXX %
A/F ALPHA-B2	XXX %

Reference code: PBIB1679E

Without CONSULT-II

1. Remove EVAP canister vent control valve from EVAP canister.
2. Check portion **B** of EVAP canister vent control valve for being rusted.



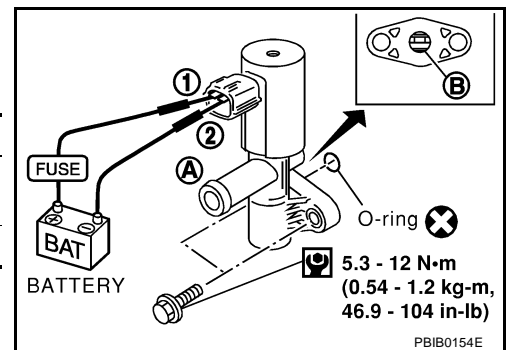
3. Check air passage continuity and operation delay time under the following conditions.
Make sure new O-ring is installed properly.

Condition	Air passage continuity between A and B
12V direct current supply between terminals 1 and 2	No
OFF	Yes

Operation takes less than 1 second.

If NG, replace EVAP canister vent control valve.
If OK, go to next step.

4. Clean the air passage (Portion **A** to **B**) of EVAP canister vent control valve using an air blower.
5. Perform step 3 again.



DTC P0452 EVAP CONTROL SYSTEM PRESSURE SENSOR

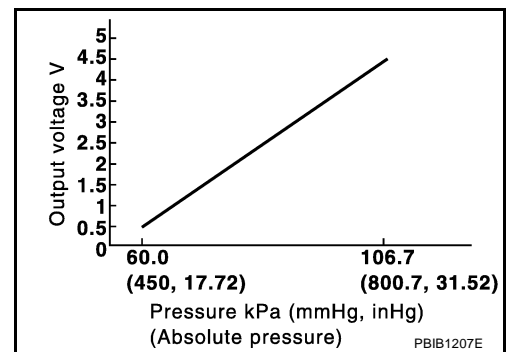
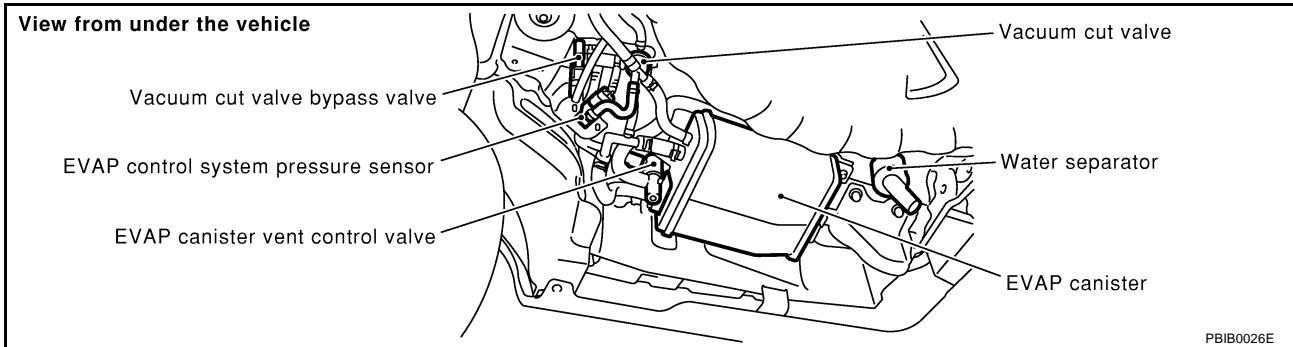
DTC P0452 EVAP CONTROL SYSTEM PRESSURE SENSOR

PFP:25085

Component Description

NBS001XH

The EVAP control system pressure sensor detects pressure in the purge line. The sensor output voltage to the ECM increases as pressure increases.



CONSULT-II Reference Value in Data Monitor Mode

NBS001XI

Specification data are reference values.

MONITOR ITEM	CONDITION	SPECIFICATION
EVAP SYS PRES	● Ignition switch: ON	Approx. 1.8 - 4.8V

On Board Diagnosis Logic

NBS001XJ

NOTE:

If DTC P0452 is displayed with DTC P0643, first perform the trouble diagnosis for DTC P0643.

Refer to [EC-492. "DTC P0643 SENSOR POWER SUPPLY"](#).

DTC No.	Trouble diagnosis name	DTC detecting condition	Possible cause
P0452 0452	EVAP control system pressure sensor low input	An excessively low voltage from the sensor is sent to ECM.	<ul style="list-style-type: none"> ● Harness or connectors (The sensor circuit is open or shorted.) ● EVAP control system pressure sensor

DTC P0452 EVAP CONTROL SYSTEM PRESSURE SENSOR

NBS001XX

DTC Confirmation Procedure

NOTE:

If DTC Confirmation Procedure has been previously conducted, always turn ignition switch OFF and wait at least 10 seconds before conducting the next test.

TESTING CONDITION:

Always perform test at a temperature of more than 5°C (41°F).

WITH CONSULT-II

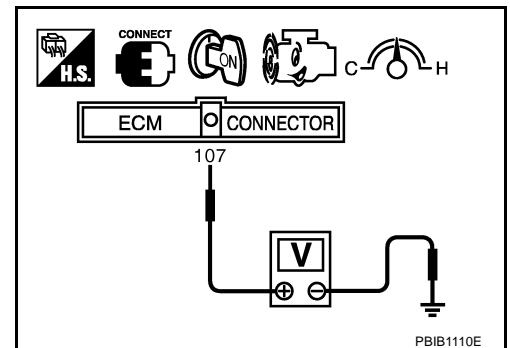
1. Start engine and warm it up to normal operating temperature.
2. Turn ignition switch OFF and wait at least 10 seconds.
3. Turn ignition switch ON.
4. Select "DATA MONITOR" mode with CONSULT-II.
5. Make sure that "FUEL T/TEMP SE" is more than 0°C (32°F).
6. Start engine and wait at least 20 seconds.
If 1st trip DTC is detected, go to [EC-439, "Diagnostic Procedure"](#)

DATA MONITOR	
MONITOR	NO DTC
ENG SPEED	XXX rpm
COOLAN TEMP/S	XXX °C
FUEL T/TMP SE	XXX °C

SEF194Y

WITH GST

1. Start engine and warm it up to normal operating temperature.
2. Check that voltage between ECM terminal 107 (Fuel tank temperature sensor signal) and ground is less than 4.2V.
3. Turn ignition switch OFF and wait at least 10 seconds.
4. Start engine and wait at least 20 seconds.
5. Select "Service \$07" with GST.
If 1st trip DTC is detected, go to [EC-439, "Diagnostic Procedure"](#)



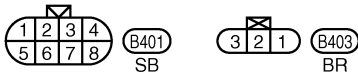
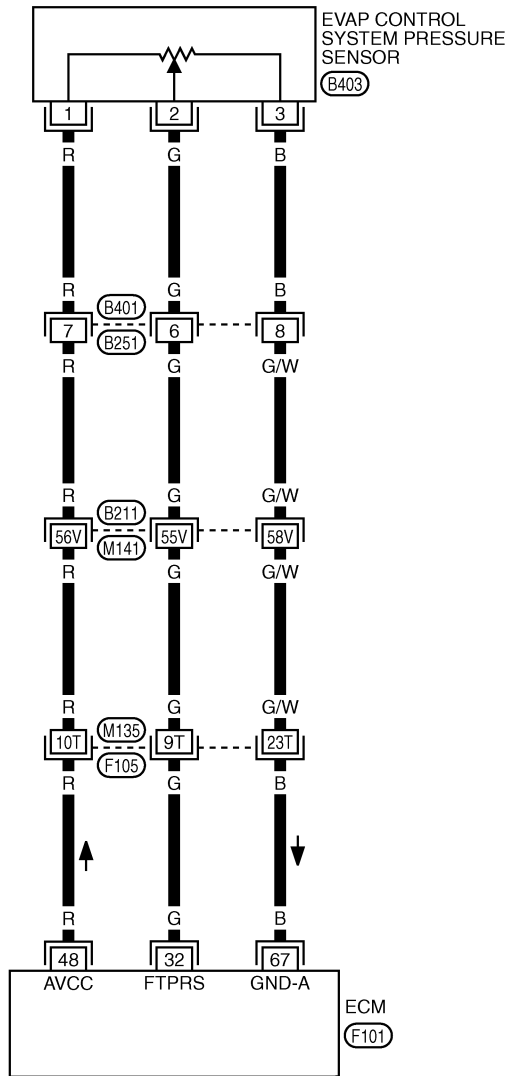
DTC P0452 EVAP CONTROL SYSTEM PRESSURE SENSOR

Wiring Diagram

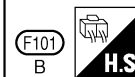
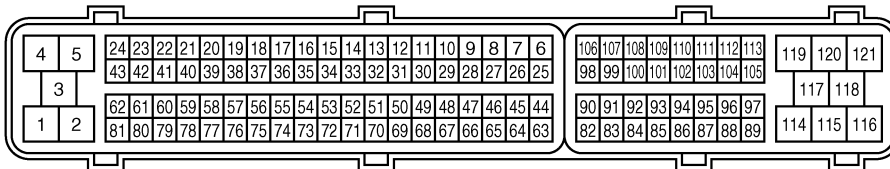
NBS001XL

EC-PRE/SE-01

— : DETECTABLE LINE FOR DTC
— : NON-DETECTABLE LINE FOR DTC



REFER TO THE FOLLOWING.
 (F105), (B211) -SUPER MULTIPLE
 JUNCTION (SMJ)



TBWM1234E

DTC P0452 EVAP CONTROL SYSTEM PRESSURE SENSOR

Specification data are reference values and are measured between each terminal and ground.

CAUTION:

Do not use ECM ground terminals when measuring input/output voltage. Doing so may result in damage to the ECM's transistor. Use a ground other than ECM terminals, such as the ground.

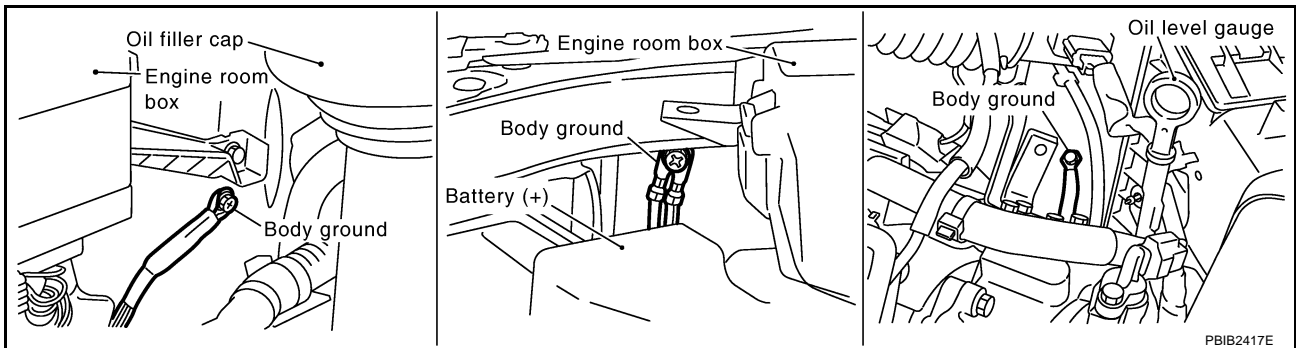
TERMINAL NO.	WIRE COLOR	ITEM	CONDITION	DATA (DC Voltage)
32	G	EVAP control system pressure sensor	[Ignition switch: ON]	Approximately 1.8 - 4.8V
48	R	Sensor power supply (EVAP control system pressure sensor)	[Ignition switch: ON]	Approximately 5V
67	B	Sensor ground (MAF sensor, IAT sensor, ECT sensor, FTT sensor, EVAP control system pressure sensor, PSP sensor, ICC steering switch, ASCD steering switch, Refrigerant pressure sensor)	[Engine is running] ● Warm-up condition ● Idle speed	Approximately 0V

Diagnostic Procedure

NBS001XM

1. CHECK GROUND CONNECTIONS

1. Turn ignition switch OFF.
2. Loosen and retighten three ground screws on the body.
Refer to [EC-154, "Ground Inspection"](#).



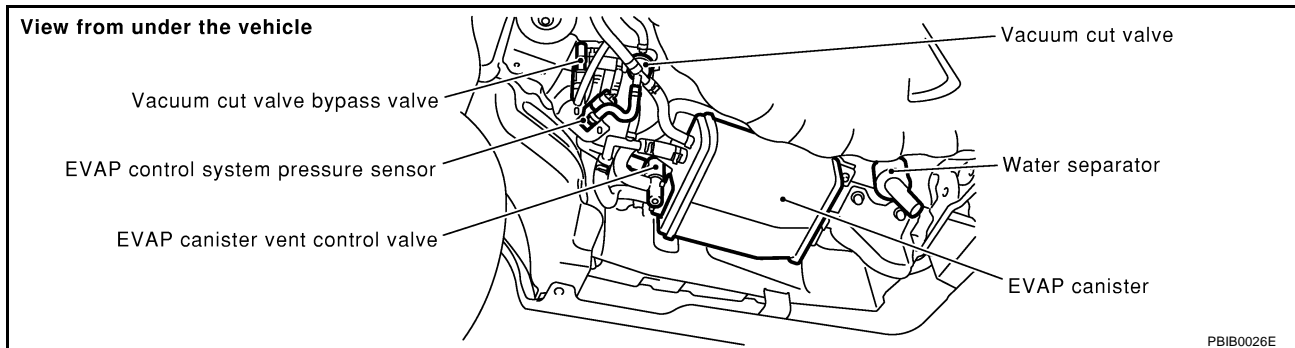
OK or NG

- OK >> GO TO 2.
NG >> Repair or replace ground connections.

DTC P0452 EVAP CONTROL SYSTEM PRESSURE SENSOR

2. CHECK CONNECTOR

1. Disconnect EVAP control system pressure sensor harness connector.



2. Check sensor harness connector for water.

Water should not exist.

OK or NG

OK >> GO TO 3.

NG >> Repair or replace harness connector.

3. CHECK EVAP CONTROL SYSTEM PRESSURE SENSOR POWER SUPPLY CIRCUIT

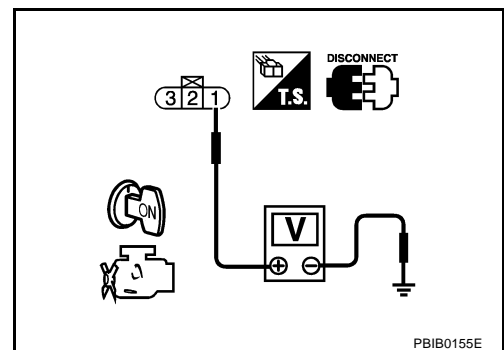
1. Turn ignition switch ON.
2. Check voltage between EVAP control system pressure sensor terminal 1 and ground with CONSULT-II or tester.

Voltage: Approximately 5V

OK or NG

OK >> GO TO 5.

NG >> GO TO 4.



4. DETECT MALFUNCTIONING PART

Check the following.

- Harness connectors B401, B251
- Harness connectors B211, M141
- Harness connectors M135, F105
- Harness for open or short between EVAP control system pressure sensor and ECM

>> Repair open circuit or short to ground or short to power in harness or connectors.

DTC P0452 EVAP CONTROL SYSTEM PRESSURE SENSOR

5. CHECK EVAP CONTROL SYSTEM PRESSURE SENSOR GROUND CIRCUIT FOR OPEN AND SHORT

A

1. Turn ignition switch OFF.
2. Disconnect ECM harness connector.
3. Check harness continuity between EVAP control system pressure sensor terminal 3 and ECM terminal 67.
Refer to Wiring Diagram.

EC

Continuity should exist.

C

4. Also check harness for short to ground and short to power.

D

OK or NG

- OK >> GO TO 7.
NG >> GO TO 6.

E

6. DETECT MALFUNCTIONING PART

Check the following.

F

- Harness connectors B401, B251
- Harness connectors B211, M141
- Harness connectors M135, F105
- Harness for open or short between EVAP control system pressure sensor and ECM

G

>> Repair open circuit or short to ground or short to power in harness or connectors.

H

7. CHECK EVAP CONTROL SYSTEM PRESSURE SENSOR INPUT SIGNAL CIRCUIT FOR OPEN AND SHORT

I

1. Check harness continuity between ECM terminal 32 and EVAP control system pressure sensor terminal 2.
Refer to Wiring Diagram.

J

Continuity should exist.

K

2. Also check harness for short to ground and short to power.

OK or NG

- OK >> GO TO 9.
NG >> GO TO 8.

L

8. DETECT MALFUNCTIONING PART

Check the following.

M

- Harness connectors B401, B251
- Harness connectors B211, M141
- Harness connectors M135, F105
- Harness for open or short between EVAP control system pressure sensor and ECM

>> Repair open circuit or short to ground or short to power in harness or connectors.

9. CHECK EVAP CONTROL SYSTEM PRESSURE SENSOR

Refer to [EC-442, "Component Inspection"](#) .

OK or NG

- OK >> GO TO 10.
NG >> Replace EVAP control system pressure sensor.

DTC P0452 EVAP CONTROL SYSTEM PRESSURE SENSOR

10. CHECK INTERMITTENT INCIDENT

Refer to [EC-145, "TROUBLE DIAGNOSIS FOR INTERMITTENT INCIDENT"](#) .

>> INSPECTION END

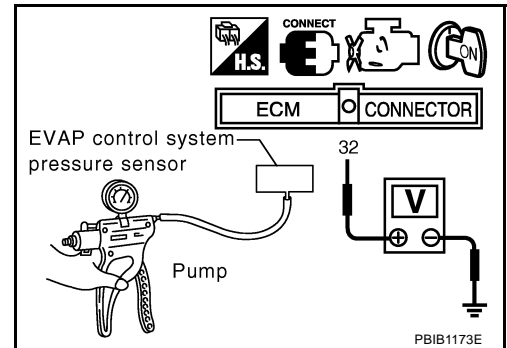
Component Inspection EVAP CONTROL SYSTEM PRESSURE SENSOR

NBS001XN

1. Remove EVAP control system pressure sensor with its harness connector connected.
2. Remove hose from EVAP control system pressure sensor.
3. Install a vacuum pump to EVAP control system pressure sensor.
4. Turn ignition switch ON.
5. Use pump to apply vacuum and pressure to EVAP control system pressure sensor as shown in figure.

CAUTION:

- Always calibrate the vacuum pump gauge when using it.
 - Do not apply below -93.3 kPa (-700 mmHg, -27.56 inHg) or pressure over 101.3 kPa (760 mmHg, 29.92 inHg).
6. Check voltage between ECM terminal 32 and ground with CONSULT-II or tester.



Applied vacuum kPa (mmHg, inHg)	Voltage V
Not applied	1.8 - 4.8
-26.7 (-200 mmHg, -7.87)	2.1 to 2.5V lower than above value

CAUTION:

Discard any EVAP control system pressure sensor which has dropped from a height of more than 0.5 m (19.7 in) onto a hard surface such a concrete floor; use a new one.

7. If NG, replace EVAP control system pressure sensor.

DTC P0453 EVAP CONTROL SYSTEM PRESSURE SENSOR

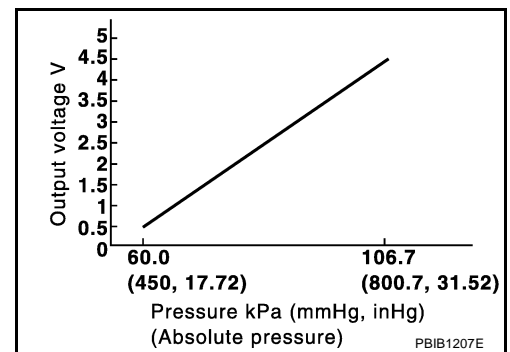
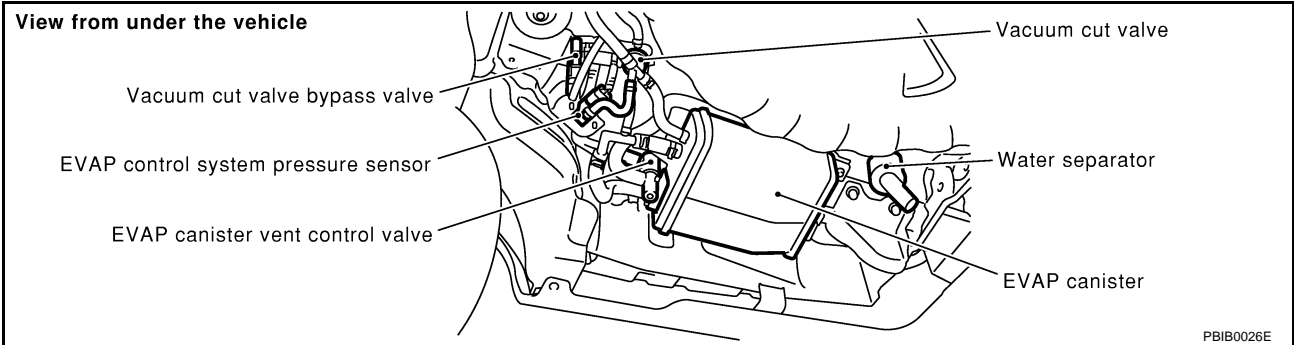
DTC P0453 EVAP CONTROL SYSTEM PRESSURE SENSOR

PF25085

Component Description

NBS001XO

The EVAP control system pressure sensor detects pressure in the purge line. The sensor output voltage to the ECM increases as pressure increases.



CONSULT-II Reference Value in Data Monitor Mode

NBS001XP

Specification data are reference values.

MONITOR ITEM	CONDITION	SPECIFICATION
EVAP SYS PRES	● Ignition switch: ON	Approx. 1.8 - 4.8V

On Board Diagnosis Logic

NBS001XQ

NOTE:

If DTC P0453 is displayed with DTC P0643, first perform the trouble diagnosis for DTC P0643.

Refer to [EC-492, "DTC P0643 SENSOR POWER SUPPLY"](#).

DTC No.	Trouble diagnosis name	DTC detecting condition	Possible cause
P0453 0453	EVAP control system pressure sensor high input	An excessively high voltage from the sensor is sent to ECM.	<ul style="list-style-type: none"> ● Harness or connectors (The sensor circuit is open or shorted.) ● EVAP control system pressure sensor ● EVAP canister vent control valve ● EVAP canister ● Water separator ● Rubber hose from EVAP canister vent control valve to water separator

DTC P0453 EVAP CONTROL SYSTEM PRESSURE SENSOR

NBS001XR

DTC Confirmation Procedure

NOTE:

If DTC Confirmation Procedure has been previously conducted, always turn ignition switch OFF and wait at least 10 seconds before conducting the next test.

TESTING CONDITION:

Always perform test at a temperature of more than 5°C (41°F).

WITH CONSULT-II

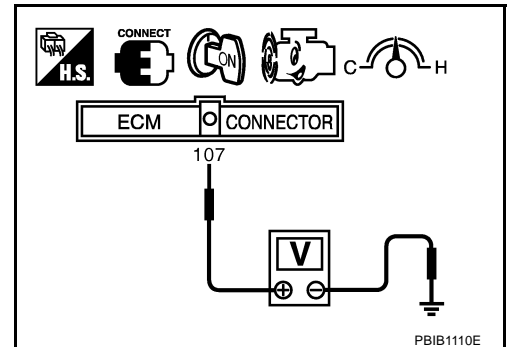
1. Start engine and warm it up to normal operating temperature.
2. Turn ignition switch OFF and wait at least 10 seconds.
3. Turn ignition switch ON.
4. Select "DATA MONITOR" mode with CONSULT-II.
5. Make sure that "FUEL T/TEMP SE" is more than 0°C (32°F).
6. Wait at least 10 seconds.
7. If 1st trip DTC is detected, go to [EC-446. "Diagnostic Procedure"](#)

DATA MONITOR	
MONITOR	NO DTC
ENG SPEED	XXX rpm
COOLAN TEMP/S	XXX °C
FUEL T/TMP SE	XXX °C

SEF194Y

WITH GST

1. Start engine and warm it up to normal operating temperature.
2. Check that voltage between ECM terminal 107 (Fuel tank temperature sensor signal) and ground is less than 4.2V.
3. Turn ignition switch OFF and wait at least 10 seconds.
4. Wait at least 10 seconds.
5. Select "Service \$07" with GST.
If 1st trip DTC is detected, go to [EC-446. "Diagnostic Procedure"](#)



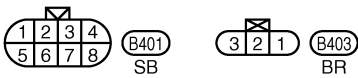
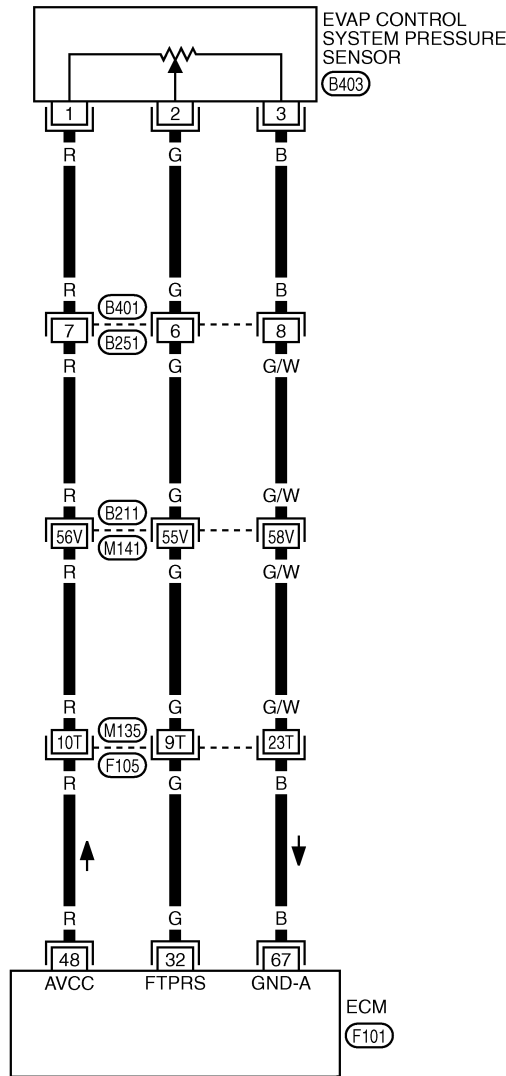
DTC P0453 EVAP CONTROL SYSTEM PRESSURE SENSOR

Wiring Diagram

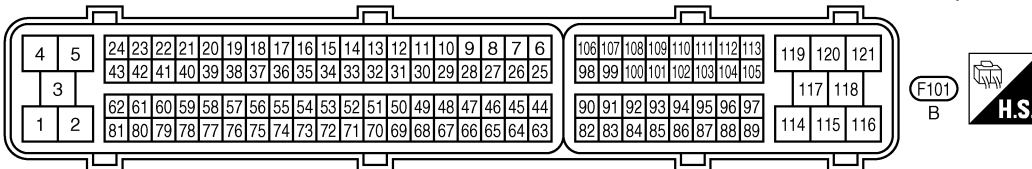
NBS001XS

EC-PRE/SE-01

: DETECTABLE LINE FOR DTC
 : NON-DETECTABLE LINE FOR DTC



REFER TO THE FOLLOWING.
 (F105), (B211) -SUPER MULTIPLE JUNCTION (SMJ)



TBWM1234E

DTC P0453 EVAP CONTROL SYSTEM PRESSURE SENSOR

Specification data are reference values and are measured between each terminal and ground.

CAUTION:

Do not use ECM ground terminals when measuring input/output voltage. Doing so may result in damage to the ECM's transistor. Use a ground other than ECM terminals, such as the ground.

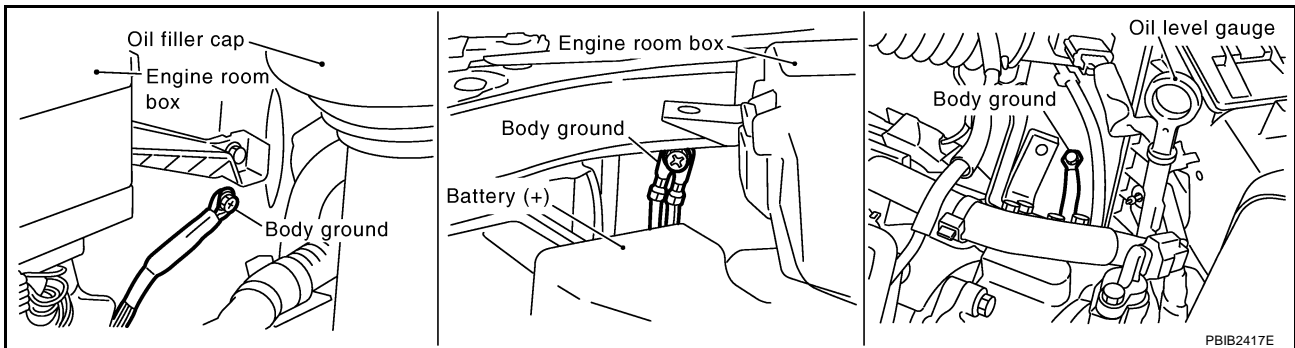
TERMINAL NO.	WIRE COLOR	ITEM	CONDITION	DATA (DC Voltage)
32	G	EVAP control system pressure sensor	[Ignition switch: ON]	Approximately 1.8 - 4.8V
48	R	Sensor power supply (EVAP control system pressure sensor)	[Ignition switch: ON]	Approximately 5V
67	B	Sensor ground (MAF sensor, IAT sensor, ECT sensor, FTT sensor, EVAP control system pressure sensor, PSP sensor, ICC steering switch, ASCD steering switch, Refrigerant pressure sensor)	[Engine is running] ● Warm-up condition ● Idle speed	Approximately 0V

Diagnostic Procedure

NBS001XT

1. CHECK GROUND CONNECTIONS

1. Turn ignition switch OFF.
2. Loosen and retighten three ground screws on the body.
Refer to [EC-154, "Ground Inspection"](#).



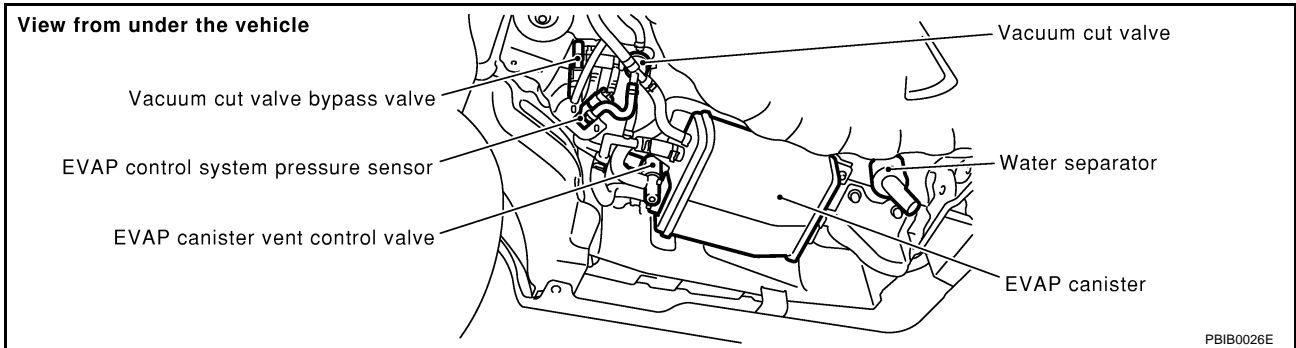
OK or NG

- OK >> GO TO 2.
- NG >> Repair or replace ground connections.

DTC P0453 EVAP CONTROL SYSTEM PRESSURE SENSOR

2. CHECK CONNECTOR

1. Disconnect EVAP control system pressure sensor harness connector.



2. Check sensor harness connector for water.

Water should not exist.

OK or NG

- OK >> GO TO 3.
- NG >> Repair or replace harness connector.

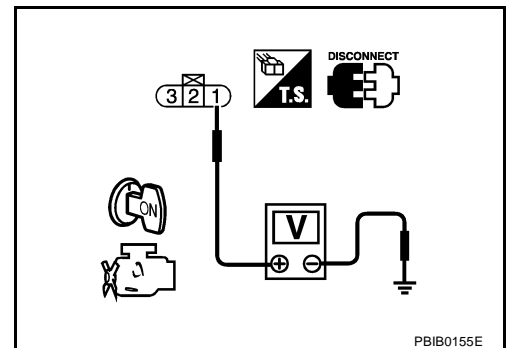
3. CHECK EVAP CONTROL SYSTEM PRESSURE SENSOR POWER SUPPLY CIRCUIT

1. Turn ignition switch ON.
2. Check voltage between EVAP control system pressure sensor terminal 1 and ground with CONSULT-II or tester.

Voltage: Approximately 5V

OK or NG

- OK >> GO TO 5.
- NG >> GO TO 4.



4. DETECT MALFUNCTIONING PART

Check the following.

- Harness connectors B401, B251
- Harness connectors B211, M141
- Harness connectors M135, F105
- Harness for open or short between EVAP control system pressure sensor and ECM

>> Repair open circuit or short to ground or short to power in harness or connectors.

DTC P0453 EVAP CONTROL SYSTEM PRESSURE SENSOR

5. CHECK EVAP CONTROL SYSTEM PRESSURE SENSOR GROUND CIRCUIT FOR OPEN AND SHORT

1. Turn ignition switch OFF.
2. Disconnect ECM harness connector.
3. Check harness continuity between EVAP control system pressure sensor terminal 3 and ECM terminal 67.
Refer to Wiring Diagram.

Continuity should exist.

4. Also check harness for short to ground and short to power.

OK or NG

- OK >> GO TO 7.
NG >> GO TO 6.

6. DETECT MALFUNCTIONING PART

Check the following.

- Harness connectors B401, B251
- Harness connectors B211, M141
- Harness connectors M135, F105
- Harness for open or short between EVAP control system pressure sensor and ECM

>> Repair open circuit or short to ground or short to power in harness or connectors.

7. CHECK EVAP CONTROL SYSTEM PRESSURE SENSOR INPUT SIGNAL CIRCUIT FOR OPEN AND SHORT

1. Check harness continuity between ECM terminal 32 and EVAP control system pressure sensor terminal 2.
Refer to Wiring Diagram.

Continuity should exist.

2. Also check harness for short to ground and short to power.

OK or NG

- OK >> GO TO 9.
NG >> GO TO 8.

8. DETECT MALFUNCTIONING PART

Check the following.

- Harness connectors B401, B251
- Harness connectors B211, M141
- Harness connectors M135, F105
- Harness for open or short between EVAP control system pressure sensor and ECM

>> Repair open circuit or short to ground or short to power in harness or connectors.

9. CHECK RUBBER TUBE

1. Disconnect rubber tube connected to EVAP canister vent control valve.
2. Check the rubber tube for clogging, vent and kinked.

OK or NG

- OK >> GO TO 10.
NG >> Clean the rubber tube using an air blower.

DTC P0453 EVAP CONTROL SYSTEM PRESSURE SENSOR

10. CHECK EVAP CANISTER VENT CONTROL VALVE

Refer to [EC-428, "Component Inspection"](#) .

OK or NG

OK >> GO TO 11.

NG >> Replace EVAP canister vent control valve.

11. CHECK EVAP CONTROL SYSTEM PRESSURE SENSOR

Refer to [EC-450, "Component Inspection"](#) .

OK or NG

OK >> GO TO 12.

NG >> Replace EVAP control system pressure sensor.

12. CHECK WATER SEPARATOR

Refer to [EC-403, "Component Inspection"](#) .

OK or NG

OK >> GO TO 13.

NG >> Replace water separator.

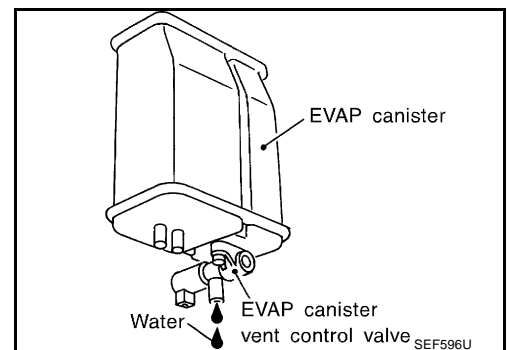
13. CHECK IF EVAP CANISTER SATURATED WITH WATER

1. Remove EVAP canister with EVAP canister vent control valve attached.
2. Does water drain from the EVAP canister.

Yes or No

Yes >> GO TO 14.

No >> GO TO 16.



14. CHECK EVAP CANISTER

Weigh the EVAP canister with the EVAP canister vent control valve attached.

The weight should be less than 1.8 kg (4.0 lb).

OK or NG

OK >> GO TO 16.

NG >> GO TO 15.

15. DETECT MALFUNCTIONING PART

Check the following.

- EVAP canister for damage
- EVAP hose between EVAP canister and water separator for clogging or poor connection

>> Repair hose or replace EVAP canister.

16. CHECK INTERMITTENT INCIDENT

Refer to [EC-145, "TROUBLE DIAGNOSIS FOR INTERMITTENT INCIDENT"](#) .

>> **INSPECTION END**

DTC P0453 EVAP CONTROL SYSTEM PRESSURE SENSOR

NBS001XU

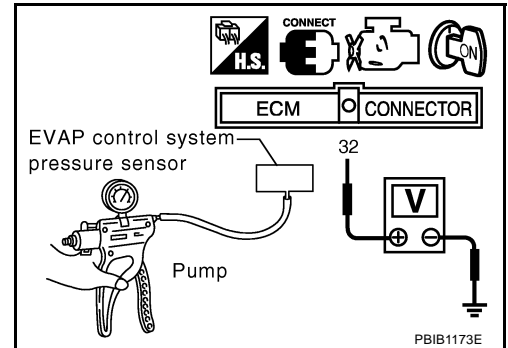
Component Inspection

EVAP CONTROL SYSTEM PRESSURE SENSOR

1. Remove EVAP control system pressure sensor with its harness connector connected.
2. Remove hose from EVAP control system pressure sensor.
3. Install a vacuum pump to EVAP control system pressure sensor.
4. Turn ignition switch ON.
5. Use pump to apply vacuum and pressure to EVAP control system pressure sensor as shown in figure.

CAUTION:

- Always calibrate the vacuum pump gauge when using it.
 - Do not apply below -93.3 kPa (-700 mmHg, -27.56 inHg) or pressure over 101.3 kPa (760 mmHg, 29.92 inHg).
6. Check voltage between ECM terminal 32 and ground with CONSULT-II or tester.



Applied vacuum kPa (mmHg, inHg)	Voltage V
Not applied	1.8 - 4.8
-26.7 (-200 mmHg, -7.87)	2.1 to 2.5V lower than above value

CAUTION:

Discard any EVAP control system pressure sensor which has dropped from a height of more than 0.5 m (19.7 in) onto a hard surface such a concrete floor; use a new one.

7. If NG, replace EVAP control system pressure sensor.

DTC P0455 EVAP CONTROL SYSTEM

DTC P0455 EVAP CONTROL SYSTEM

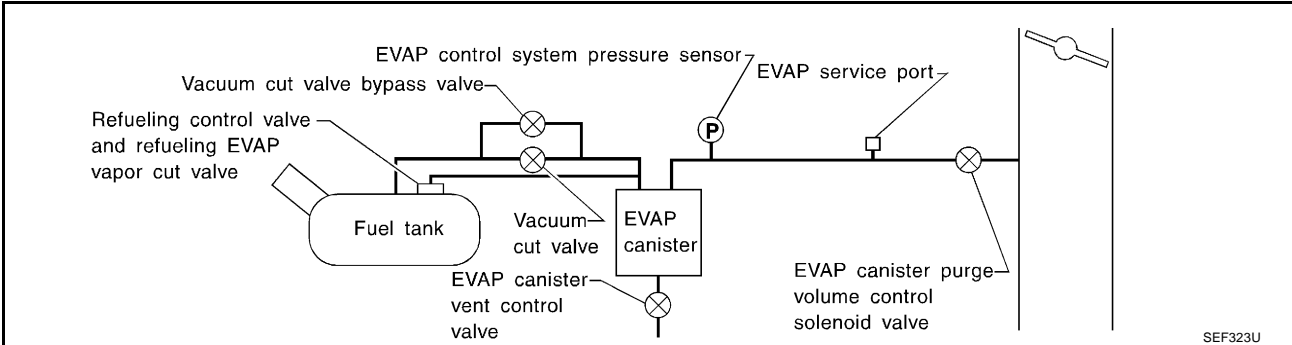
PPF:14950

On Board Diagnosis Logic

NBS001XV

NOTE:

If DTC P0455 is displayed with P0447, first perform trouble diagnosis for DTC P0447. (See [EC-419](#).) This diagnosis detects a very large leak (fuel filler cap fell off etc.) in EVAP system between the fuel tank and EVAP canister purge volume control solenoid valve.



DTC No.	Trouble diagnosis name	DTC detecting condition	Possible cause
P0455 0455	EVAP control system gross leak detected	EVAP control system has a very large leak such as fuel filler cap fell off, EVAP control system does not operate properly.	<ul style="list-style-type: none"> ● Fuel filler cap remains open or fails to close. ● Incorrect fuel tank vacuum relief valve ● Incorrect fuel filler cap used ● Foreign matter caught in fuel filler cap. ● Leak is in line between intake manifold and EVAP canister purge volume control solenoid valve. ● Foreign matter caught in EVAP canister vent control valve. ● EVAP canister or fuel tank leaks ● EVAP purge line (pipe and rubber tube) leaks ● EVAP purge line rubber tube bent. ● Blocked or bent rubber tube to EVAP control system pressure sensor ● Loose or disconnected rubber tube ● EVAP canister vent control valve and the circuit ● EVAP canister purge volume control solenoid valve and the circuit ● Fuel tank temperature sensor ● O-ring of EVAP canister vent control valve is missing or damaged. ● EVAP control system pressure sensor ● Refueling control valve ● ORVR system leaks

CAUTION:

- Use only a genuine NISSAN fuel filler cap as a replacement. If an incorrect fuel filler cap is used, the MIL may come on.
- If the fuel filler cap is not tightened properly, the MIL may come on.
- Use only a genuine NISSAN rubber tube as a replacement.

DTC P0455 EVAP CONTROL SYSTEM

NBS001XW

DTC Confirmation Procedure

CAUTION:

Never remove fuel filler cap during the DTC Confirmation Procedure.

NOTE:

- Make sure that EVAP hoses are connected to EVAP canister purge volume control solenoid valve properly.
- If DTC Confirmation Procedure has been previously conducted, always turn ignition switch OFF and wait at least 10 seconds before conducting the next test.

TESTING CONDITION:

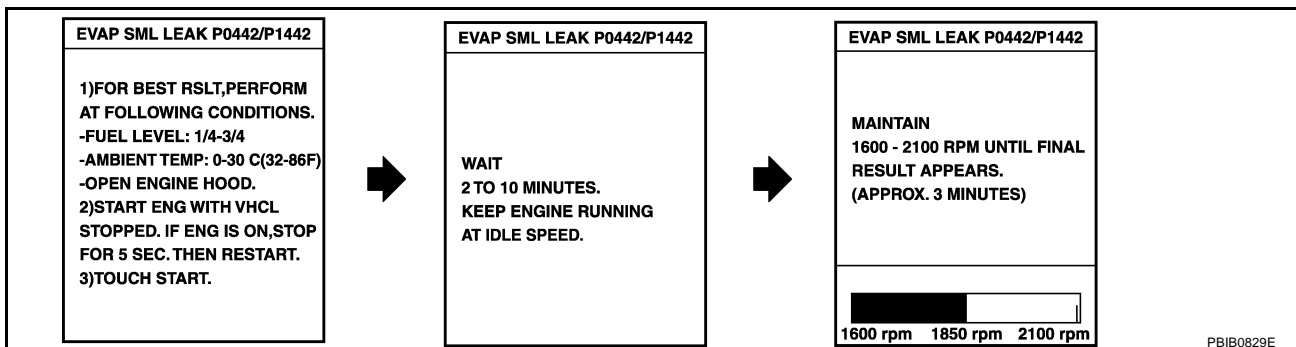
- Perform "DTC WORK SUPPORT" when the fuel level is between 1/4 and 3/4 full, and vehicle is placed on flat level surface.
- Open engine hood before conducting the following procedures.

WITH CONSULT-II

1. Tighten fuel filler cap securely until ratcheting sound is heard.
2. Turn ignition switch ON.
3. Turn ignition switch OFF and wait at least 10 seconds.
4. Turn ignition switch ON and select "DATA MONITOR" mode with CONSULT-II.
5. Make sure that the following conditions are met.
COOLAN TEMP/S: 0 - 70°C (32 - 158°F)
INT/A TEMP SE: 0 - 60°C (32 - 140°F)
6. Select "EVAP SML LEAK P0442/P1442" of "EVAPORATIVE SYSTEM" in "DTC WORK SUPPORT" mode with CONSULT-II. Follow the instruction displayed.

DATA MONITOR	
MONITOR	DTC
ENG SPEED	XXX rpm
COOLAN TEMP/S	XXX °C
INT/A TEMP SE	XXX °C

PBIB2869E



NOTE:

If the engine speed cannot be maintained within the range displayed on the CONSULT-II screen, go to [EC-71, "Basic Inspection"](#).

7. Make sure that "OK" is displayed.
 If "NG" is displayed, select "SELF-DIAG RESULTS" mode and make sure that "EVAP GROSS LEAK [P0455]" is displayed. If it is displayed, refer to [EC-453, "Diagnostic Procedure"](#).
 If P0442 is displayed, go to [EC-398, "Diagnostic Procedure"](#).
 If P1442 is displayed, go to [EC-548, "Diagnostic Procedure"](#).

EVAP SML LEAK P0442/P1442
OK
SELF-DIAG RESULTS
NO DTC DETECTED. FURTHER TESTING MAY BE REQUIRED.

SEC763C

DTC P0455 EVAP CONTROL SYSTEM

WITH GST

NOTE:

Be sure to read the explanation of [EC-58, "Driving Pattern"](#) before driving vehicle.

1. Start engine.
2. Drive vehicle according to [EC-58, "Driving Pattern"](#) .
3. Stop vehicle.
4. Turn ignition switch OFF, wait at least 10 seconds and then turn ON.
5. Select "Service \$07" with GST.
 - If P0455 is displayed on the screen, go to [EC-453, "Diagnostic Procedure"](#) .
 - If P0442 is displayed on the screen, go to [EC-398, "Diagnostic Procedure"](#) .
 - If P0441 is displayed on the screen, go to [EC-393, "Diagnostic Procedure"](#) .
 - If P1442 is displayed on the screen, go to [EC-548, "Diagnostic Procedure"](#) .

Diagnostic Procedure

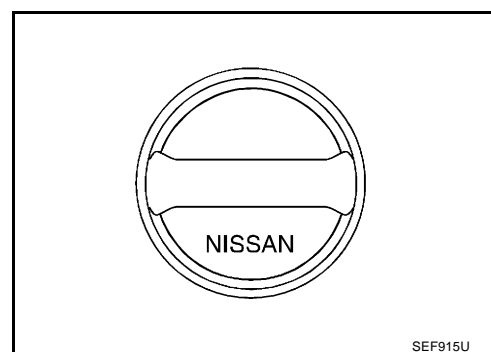
NBS001XX

1. CHECK FUEL FILLER CAP DESIGN

1. Turn ignition switch OFF.
2. Check for genuine NISSAN fuel filler cap design.

OK or NG

- OK >> GO TO 2.
NG >> Replace with genuine NISSAN fuel filler cap.



2. CHECK FUEL FILLER CAP INSTALLATION

Check that the cap is tightened properly by rotating the cap clockwise.

OK or NG

- OK >> GO TO 3.
NG >> 1. Open fuel filler cap, then clean cap and fuel filler neck threads using air blower.
2. Retighten until ratcheting sound is heard.

3. CHECK FUEL FILLER CAP FUNCTION

Check for air releasing sound while opening the fuel filler cap.

OK or NG

- OK >> GO TO 5.
NG >> GO TO 4.

4. CHECK FUEL TANK VACUUM RELIEF VALVE

Refer to [EC-35, "FUEL TANK VACUUM RELIEF VALVE \(BUILT INTO FUEL FULLER CAP\)"](#) .

OK or NG

- OK >> GO TO 5.
NG >> Replace fuel filler cap with a genuine one.

DTC P0455 EVAP CONTROL SYSTEM

5. CHECK EVAP PURGE LINE

Check EVAP purge line (pipe, rubber tube, fuel tank and EVAP canister) for cracks, improper connection or disconnection.

Refer to [EC-33, "EVAPORATIVE EMISSION LINE DRAWING"](#) .

OK or NG

OK >> GO TO 6.

NG >> Repair or reconnect the hose.

6. CLEAN EVAP PURGE LINE

Clean EVAP purge line (pipe and rubber tube) using air blower.

>> GO TO 7.

7. CHECK EVAP CANISTER VENT CONTROL VALVE, O-RING AND CIRCUIT

Refer to [EC-420, "DTC Confirmation Procedure"](#) .

OK or NG

OK >> GO TO 8.

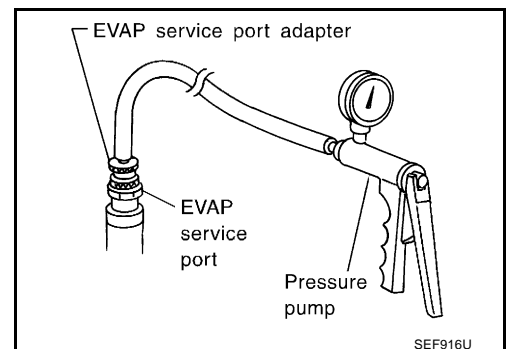
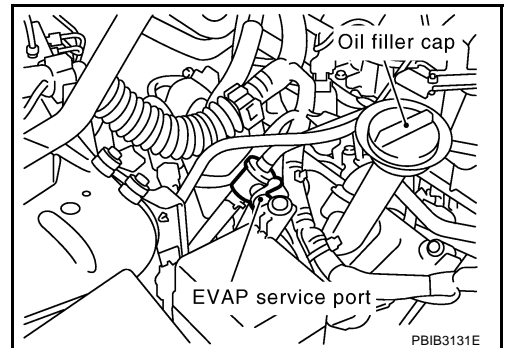
NG >> Repair or replace EVAP canister vent control valve and O-ring or harness/connector.

8. INSTALL THE PRESSURE PUMP

To locate the EVAP leak, install EVAP service port adapter and pressure pump to EVAP service port securely.

NOTE:

Improper installation of the EVAP service port adapter to the EVAP service port may cause leaking.



With CONSULT-II>>GO TO 9.

Without CONSULT-II>>GO TO 10.

DTC P0455 EVAP CONTROL SYSTEM

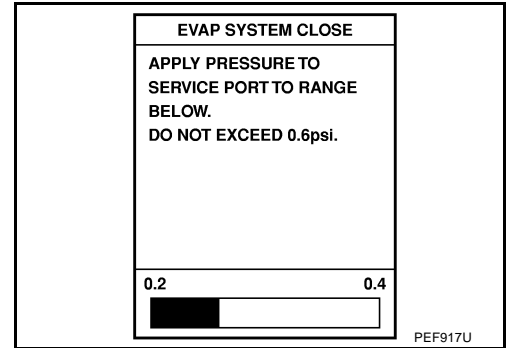
9. CHECK FOR EVAP LEAK

With CONSULT-II

1. Turn ignition switch ON.
2. Select "EVAP SYSTEM CLOSE" of "WORK SUPPORT" mode with CONSULT-II.
3. Touch "START" and apply pressure into the EVAP line until the pressure indicator reaches the middle of the bar graph.

NOTE:

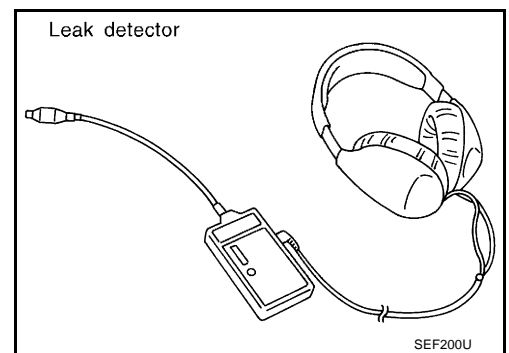
- Never use compressed air or a high pressure pump.
- Do not exceed 4.12 kPa (0.042 kg/cm² , 0.6 psi) of pressure in the system.



4. Using EVAP leak detector, locate the EVAP leak. For the leak detector, refer to the instruction manual for more details. Refer to [EC-33, "EVAPORATIVE EMISSION LINE DRAWING"](#) .

OK or NG

- OK >> GO TO 11.
NG >> Repair or replace.



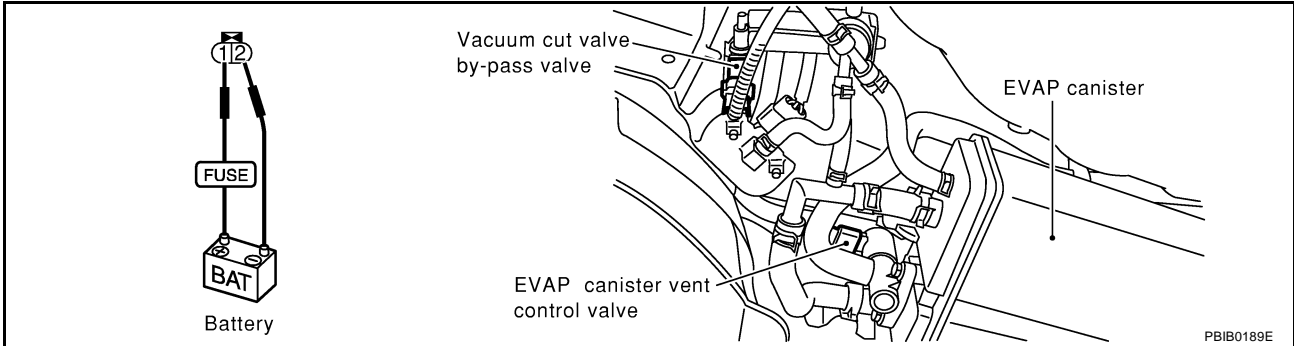
A
EC
C
D
E
F
G
H
I
J
K
L
M

DTC P0455 EVAP CONTROL SYSTEM

10. CHECK FOR EVAP LEAK

⊗ Without CONSULT-II

1. Turn ignition switch OFF.
2. Apply 12 volts DC to EVAP canister vent control valve. The valve will close. (Continue to apply 12 volts until the end of test.)
3. Apply 12 volts DC to vacuum cut valve bypass valve. The valve will open. (Continue to apply 12 volts until the end of test.)



4. Pressurize the EVAP line using pressure pump with 1.3 to 2.7 kPa (10 to 20 mmHg, 0.39 to 0.79 inHg), then remove pump and EVAP service port adapter.

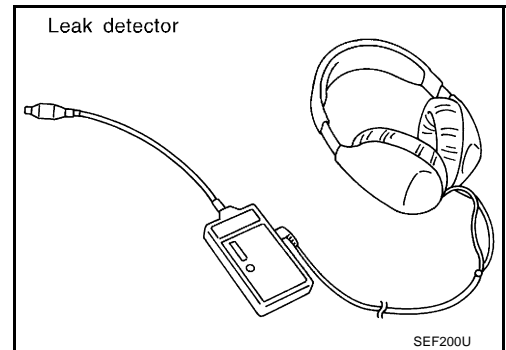
NOTE:

- Never use compressed air or a high pressure pump.
- Do not exceed 4.12 kPa (0.042 kg/cm², 0.6 psi) of pressure in the system.

5. Using EVAP leak detector, locate the EVAP leak. For the leak detector, refer to the instruction manual for more details. Refer to [EC-33, "EVAPORATIVE EMISSION LINE DRAWING"](#).

OK or NG

- OK >> GO TO 12.
NG >> Repair or replace.



11. CHECK EVAP CANISTER PURGE VOLUME CONTROL SOLENOID VALVE OPERATION

Ⓟ With CONSULT-II

1. Disconnect vacuum hose to EVAP canister purge volume control solenoid valve at EVAP service port.
2. Start engine.
3. Perform "PURG VOL CONT/V" in "ACTIVE TEST" mode.
4. Touch "Qu" on CONSULT-II screen to increase "PURG VOL CONT/V" opening to 100%.
5. Check vacuum hose for vacuum when revving engine up to 2,000 rpm.

Vacuum should exist.

OK or NG

- OK >> GO TO 14.
NG >> GO TO 13.

ACTIVE TEST	
PURG VOL CONT/V	XXX %
MONITOR	
ENG SPEED	XXX rpm
A/F ALPHA-B1	XX %
A/F ALPHA-B2	XX %

PBIB1678E

DTC P0455 EVAP CONTROL SYSTEM

12. CHECK EVAP CANISTER PURGE VOLUME CONTROL SOLENOID VALVE OPERATION

⊗ Without CONSULT-II

1. Start engine and warm it up to normal operating temperature.
2. Stop engine.
3. Disconnect vacuum hose to EVAP canister purge volume control solenoid valve at EVAP service port.
4. Start engine and let it idle for at least 80 seconds.
5. Check vacuum hose for vacuum when revving engine up to 2,000 rpm.

Vacuum should exist.

OK or NG

- OK >> GO TO 15.
NG >> GO TO 13.

13. CHECK VACUUM HOSE

Check vacuum hoses for clogging or disconnection. Refer to [EC-102, "Vacuum Hose Drawing"](#).

OK or NG

- OK (With CONSULT-II)>>GO TO 14.
OK (Without CONSULT-II)>>GO TO 15.
NG >> Repair or reconnect the hose.

14. CHECK EVAP CANISTER PURGE VOLUME CONTROL SOLENOID VALVE

Ⓜ With CONSULT-II

1. Start engine.
2. Perform "PURG VOL CONT/V" in "ACTIVE TEST" mode with CONSULT-II. Check that engine speed varies according to the valve opening.

OK or NG

- OK >> GO TO 16.
NG >> GO TO 15.

ACTIVE TEST	
PURG VOL CONT/V	XXX %
MONITOR	
ENG SPEED	XXX rpm
A/F ALPHA-B1	XX %
A/F ALPHA-B2	XX %

PBIB1678E

15. CHECK EVAP CANISTER PURGE VOLUME CONTROL SOLENOID VALVE

Refer to [EC-411, "Component Inspection"](#).

OK or NG

- OK >> GO TO 16.
NG >> Replace EVAP canister purge volume control solenoid valve.

16. CHECK FUEL TANK TEMPERATURE SENSOR

Refer to [EC-347, "Component Inspection"](#).

OK or NG

- OK >> GO TO 17.
NG >> Replace fuel level sensor unit.

DTC P0455 EVAP CONTROL SYSTEM

17. CHECK EVAP CONTROL SYSTEM PRESSURE SENSOR

Refer to [EC-450, "Component Inspection"](#) .

OK or NG

OK >> GO TO 18.

NG >> Replace EVAP control system pressure sensor.

18. CHECK REFUELING EVAP VAPOR LINE

Check refueling EVAP vapor line between EVAP canister and fuel tank for clogging, kink, looseness and improper connection. For location, refer to [EC-38, "ON BOARD REFUELING VAPOR RECOVERY \(ORVR\)"](#) .

OK or NG

OK >> GO TO 19.

NG >> Repair or replace hoses and tubes.

19. CHECK SIGNAL LINE AND RECIRCULATION LINE

Check signal line and recirculation line between filler neck tube and fuel tank for clogging, kink, cracks, looseness and improper connection.

OK or NG

OK >> GO TO 20.

NG >> Repair or replace hose, tube or filler neck tube.

20. CHECK REFUELING CONTROL VALVE

Refer to [EC-41, "Component Inspection"](#) .

OK or NG

OK >> GO TO 21.

NG >> Replace refueling EVAP vapor cut valve with fuel tank.

21. CHECK INTERMITTENT INCIDENT

Refer to [EC-145, "TROUBLE DIAGNOSIS FOR INTERMITTENT INCIDENT"](#) .

>> **INSPECTION END**

DTC P0456 EVAP CONTROL SYSTEM

DTC P0456 EVAP CONTROL SYSTEM

PPF:14950

On Board Diagnosis Logic

NBS001XY

NOTE:

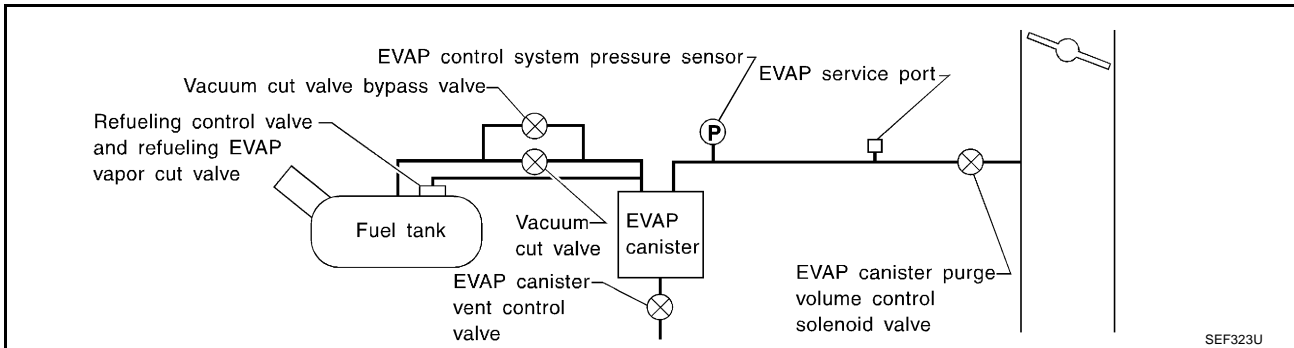
If DTC P0456 is displayed with P0442, first perform trouble diagnosis for DTC P0456.

This diagnosis detects very small leaks in the EVAP line between fuel tank and EVAP canister purge volume control solenoid valve, using the intake manifold vacuum in the same way as conventional EVAP small leak diagnosis.

If ECM judges a leak which corresponds to a very small leak, the very small leak P0456 will be detected.

If ECM judges a leak equivalent to a small leak, EVAP small leak P0442 will be detected.

If ECM judges there are no leaks, the diagnosis will be OK.



DTC No.	Trouble diagnosis name	DTC detecting condition	Possible cause
P0456 0456	Evaporative emission control system very small leak (negative pressure check)	<ul style="list-style-type: none"> ● EVAP system has a very small leak. ● EVAP system does not operate properly. 	<ul style="list-style-type: none"> ● Incorrect fuel tank vacuum relief valve ● Incorrect fuel filler cap used ● Fuel filler cap remains open or fails to close. ● Foreign matter caught in fuel filler cap. ● Leak is in line between intake manifold and EVAP canister purge volume control solenoid valve. ● Foreign matter caught in EVAP canister vent control valve. ● EVAP canister or fuel tank leaks ● EVAP purge line (pipe and rubber tube) leaks ● EVAP purge line rubber tube bent ● Blocked or bent rubber tube to EVAP control system pressure sensor ● Loose or disconnected rubber tube ● EVAP canister vent control valve and the circuit ● EVAP canister purge volume control solenoid valve and the circuit ● Fuel tank temperature sensor ● O-ring of EVAP canister vent control valve is missing or damaged ● Water separator ● EVAP canister is saturated with water ● EVAP control system pressure sensor ● Refueling control valve ● ORVR system leaks ● Fuel level sensor and the circuit ● Foreign matter caught in EVAP canister purge volume control solenoid valve

CAUTION:

- Use only a genuine NISSAN fuel filler cap as a replacement. If an incorrect fuel filler cap is used, the MIL may come on.

DTC P0456 EVAP CONTROL SYSTEM

- If the fuel filler cap is not tightened properly, the MIL may come on.
- Use only a genuine NISSAN rubber tube as a replacement.

DTC Confirmation Procedure

NBS001XZ

NOTE:

- After repair, make sure that the hoses and clips are installed properly.
- If DTC Confirmation Procedure has been previously conducted, always turn ignition switch OFF and wait at least 10 seconds before conducting the next test.

TESTING CONDITION:

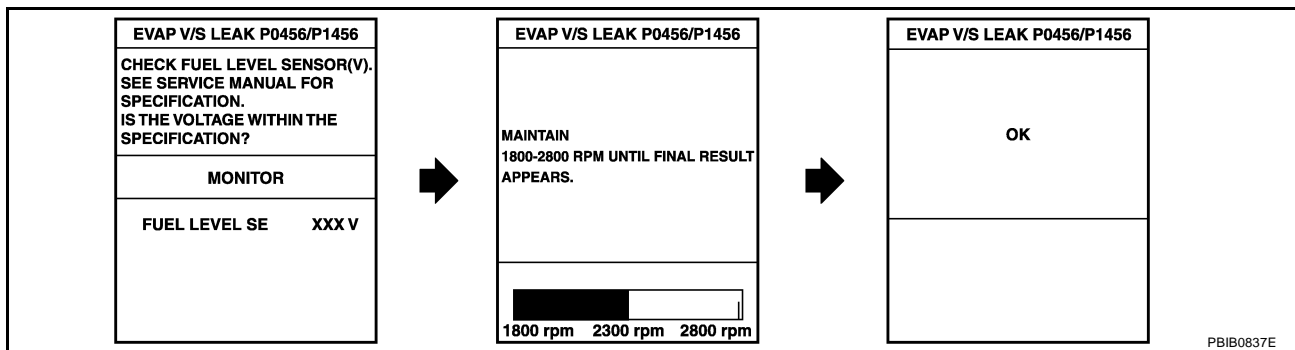
- Open engine hood before conducting following procedure.
- If any of following conditions are met just before the DTC confirmation procedure, leave the vehicle for more than 1 hour.
 - Fuel filler cap is removed.
 - Refilled or drained the fuel.
 - EVAP component parts is/are removed.
- Before performing the following procedure, confirm that battery voltage is more than 11V at idle.

WITH CONSULT-II

1. Turn ignition switch ON and select "DATA MONITOR" mode with CONSULT-II.
2. Make sure the following conditions are met.
 - FUEL LEVEL SE: 0.25 - 1.4V**
 - COOLAN TEMP/S: 0 - 32°C (32 - 90°F)**
 - FUEL T/TMP SE: 0 - 35°C (32 - 95°F)**
 - INT/A TEMP SE: More than 0°C (32°F)**
 If NG, turn ignition switch "OFF" and leave the vehicle in a cool place (soak the vehicle) or refilling/draining fuel until the output voltage condition of the "FUEL LEVEL SE" meets within the range above and leave the vehicle for more than 1 hour. Then start from step 1).
3. Turn ignition switch OFF and wait at least 10 seconds.
4. Turn ignition switch ON.
5. Select "EVAP V/S LEAK P0456/P1456" of "EVAPORATIVE SYSTEM" in "DTC WORK SUPPORT" mode with CONSULT-II.
Follow the instruction displayed.

DATA MONITOR	
MONITOR	DTC
ENG SPEED	XXX rpm
COOLAN TEMP/S	XXX °C
INT/A TEMP SE	XXX °C
FUEL LEVEL SE	XXX V
FUEL T/TEMP SE	XXX °C

PBIB2870E



6. Make sure that "OK" is displayed.
If "NG" is displayed, refer to [EC-462, "Diagnostic Procedure"](#).

NOTE:

- If the engine speed cannot be maintained within the range displayed on CONSULT-II screen, go to [EC-71, "Basic Inspection"](#).
- Make sure that EVAP hoses are connected to EVAP canister purge volume control solenoid valve properly.

DTC P0456 EVAP CONTROL SYSTEM

NBS001Y0

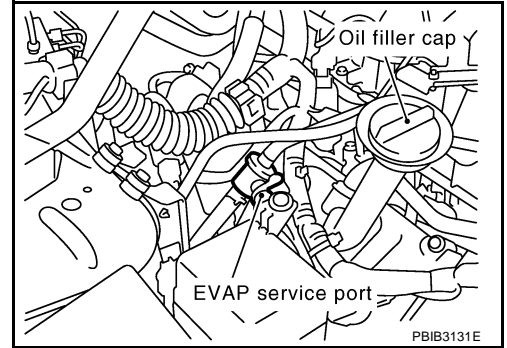
Overall Function Check WITH GST

Use this procedure to check the overall function of the EVAP very small leak function. During this check, a 1st trip DTC might not be confirmed.

CAUTION:

- Never use compressed air, doing so may damage the EVAP system.
- Do not start engine.
- Do not exceeded 4.12 kPa (0.042 kg/cm² , 0.6 psi).

1. Attach the EVAP service port adapter securely to the EVAP service port.



2. Set the pressure pump and a hose.
3. Also set a vacuum gauge via 3-way connector and a hose.
4. Turn ignition switch ON.
5. Connect GST and select "Service \$08".
6. Using "Service \$08" control the EVAP canister vent control valve (close) and vacuum cut valve bypass valve (open).
7. Apply pressure and make sure the following conditions are satisfied.

Pressure to be applied: 2.7 kPa (20 mmHg, 0.79 inHg)

Time to be waited after the pressure drawn in to the EVAP system and the pressure to be dropped: 60 seconds and the pressure should not be dropped more than 0.4 kPa (3 mmHg, 0.12 inHg).

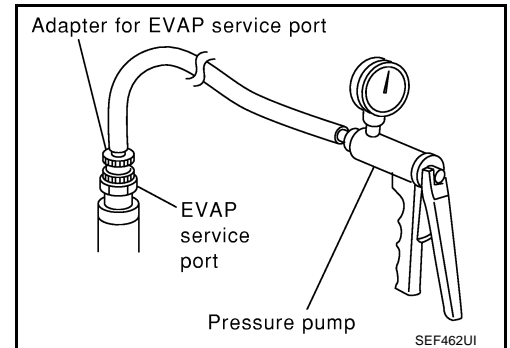
If NG, go to [EC-462, "Diagnostic Procedure"](#) .

If OK, go to next step.

8. Disconnect GST.
9. Start engine and warm it up to normal operating temperature.
10. Turn ignition switch OFF and wait at least 10 seconds.
11. Restart engine and let it idle for 90 seconds.
12. Keep engine speed at 2,000 rpm for 30 seconds.
13. Turn ignition switch OFF.

NOTE:

For more information, refer to GST Instruction Manual.



DTC P0456 EVAP CONTROL SYSTEM

NBS001Y1

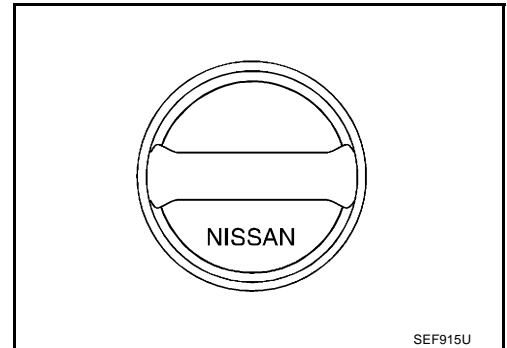
Diagnostic Procedure

1. CHECK FUEL FILLER CAP DESIGN

1. Turn ignition switch OFF.
2. Check for genuine NISSAN fuel filler cap design.

OK or NG

- OK >> GO TO 2.
NG >> Replace with genuine NISSAN fuel filler cap.



2. CHECK FUEL FILLER CAP INSTALLATION

Check that the cap is tightened properly by rotating the cap clockwise.

OK or NG

- OK >> GO TO 3.
NG >> 1. Open fuel filler cap, then clean cap and fuel filler neck threads using air blower.
2. Retighten until ratcheting sound is heard.

3. CHECK FUEL FILLER CAP FUNCTION

Check for air releasing sound while opening the fuel filler cap.

OK or NG

- OK >> GO TO 5.
NG >> GO TO 4.

4. CHECK FUEL TANK VACUUM RELIEF VALVE

Refer to [EC-35, "FUEL TANK VACUUM RELIEF VALVE \(BUILT INTO FUEL FULLER CAP\)"](#).

OK or NG

- OK >> GO TO 5.
NG >> Replace fuel filler cap with a genuine one.

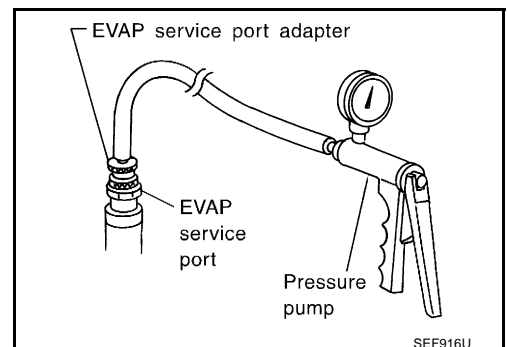
5. INSTALL THE PRESSURE PUMP

To locate the EVAP leak, install EVAP service port adapter and pressure pump to EVAP service port securely. For the location of EVAP service port, refer to [EC-33, "EVAPORATIVE EMISSION LINE DRAWING"](#).

NOTE:

Improper installation of the EVAP service port adapter to the EVAP service port may cause leaking.

- With CONSULT-II>>GO TO 6.
Without CONSULT-II>>GO TO 7.



DTC P0456 EVAP CONTROL SYSTEM

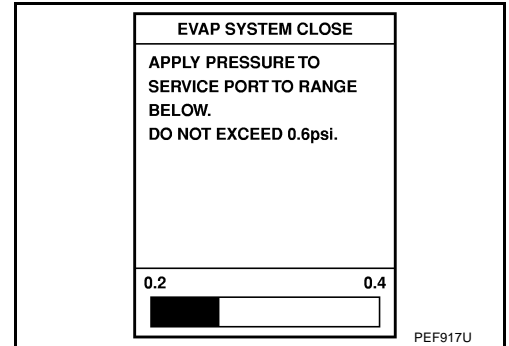
6. CHECK FOR EVAP LEAK

With CONSULT-II

1. Turn ignition switch ON.
2. Select "EVAP SYSTEM CLOSE" of "WORK SUPPORT" mode with CONSULT-II.
3. Touch "START" and apply pressure into the EVAP line until the pressure indicator reaches the middle of the bar graph.

NOTE:

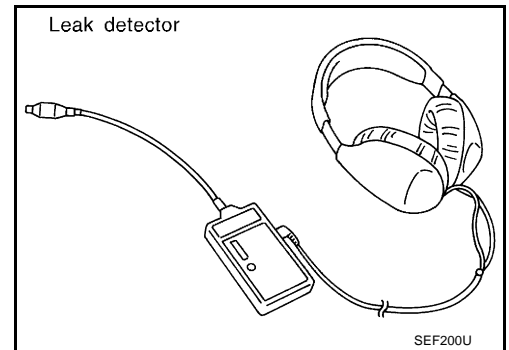
- Never use compressed air or a high pressure pump.
- Do not exceed 4.12 kPa (0.042 kg/cm² , 0.6 psi) of pressure in the system.



4. Using EVAP leak detector, locate the EVAP leak. For the leak detector, refer to the instruction manual for more details. Refer to [EC-33. "EVAPORATIVE EMISSION LINE DRAWING"](#) .

OK or NG

- OK >> GO TO 8.
NG >> Repair or replace.



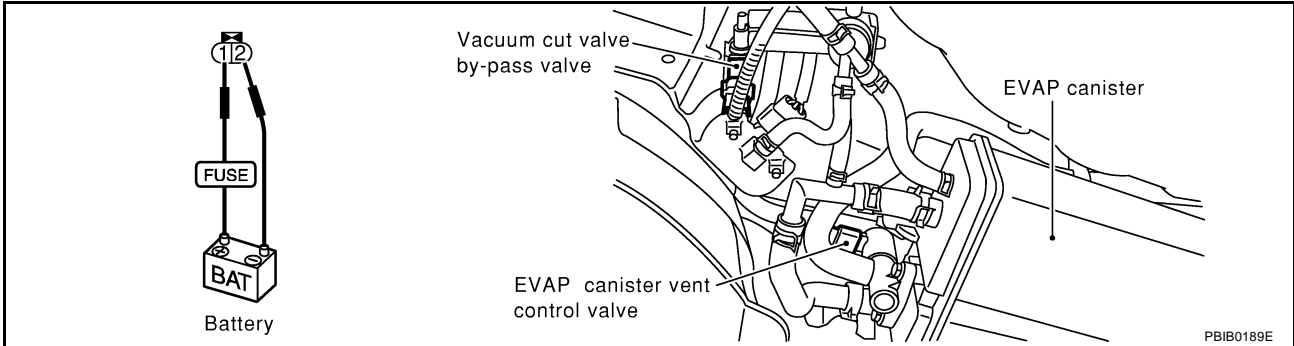
A
EC
C
D
E
F
G
H
I
J
K
L
M

DTC P0456 EVAP CONTROL SYSTEM

7. CHECK FOR EVAP LEAK

⊗ Without CONSULT-II

1. Turn ignition switch OFF.
2. Apply 12 volts DC to EVAP canister vent control valve. The valve will close. (Continue to apply 12 volts until the end of test.)
3. Apply 12 volts DC to vacuum cut valve bypass valve. The valve will open. (Continue to apply 12 volts until the end of test.)



4. Pressurize the EVAP line using pressure pump with 1.3 to 2.7 kPa (10 to 20 mmHg, 0.39 to 0.79 inHg), then remove pump and EVAP service port adapter.

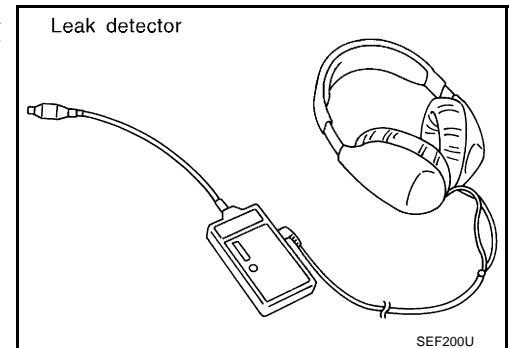
NOTE:

- Never use compressed air or a high pressure pump.
- Do not exceed 4.12 kPa (0.042 kg/cm², 0.6 psi) of pressure in the system.

5. Using EVAP leak detector, locate the EVAP leak. For the leak detector, refer to the instruction manual for more details. Refer to [EC-33, "EVAPORATIVE EMISSION LINE DRAWING"](#).

OK or NG

- OK >> GO TO 8.
NG >> Repair or replace.



8. CHECK WATER SEPARATOR

Refer to [EC-467, "Component Inspection"](#).

OK or NG

- OK >> GO TO 9.
NG >> Replace water separator.

9. CHECK EVAP CANISTER VENT CONTROL VALVE, O-RING AND CIRCUIT

Refer to [EC-420, "DTC Confirmation Procedure"](#).

OK or NG

- OK >> GO TO 10.
NG >> Repair or replace EVAP canister vent control valve and O-ring or harness/connector.

DTC P0456 EVAP CONTROL SYSTEM

10. CHECK IF EVAP CANISTER SATURATED WITH WATER

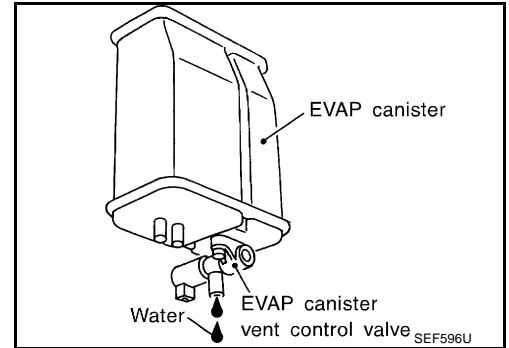
1. Remove EVAP canister with EVAP canister vent control valve attached.
2. Does water drain from the EVAP canister?

Yes or No

Yes >> GO TO 11.

No (With CONSULT-II)>>GO TO 13.

No (Without CONSULT-II)>>GO TO 14.



11. CHECK EVAP CANISTER

Weigh the EVAP canister with the EVAP canister vent control valve attached.

The weight should be less than 1.8 kg (4.0 lb).

OK or NG

OK (With CONSULT-II)>>GO TO 13.

OK (Without CONSULT-II)>>GO TO 14.

NG >> GO TO 12.

12. DETECT MALFUNCTIONING PART

Check the following.

- EVAP canister for damage
- EVAP hose between EVAP canister and water separator for clogging or poor connection

>> Repair hose or replace EVAP canister.

13. CHECK EVAP CANISTER PURGE VOLUME CONTROL SOLENOID VALVE OPERATION

Ⓟ With CONSULT-II

1. Disconnect vacuum hose to EVAP canister purge volume control solenoid valve at EVAP service port.
2. Start engine.
3. Perform "PURG VOL CONT/V" in "ACTIVE TEST" mode.
4. Touch "Qu" on CONSULT-II screen to increase "PURG VOL CONT/V" opening to 100%.
5. Check vacuum hose for vacuum when revving engine up to 2,000 rpm.

Vacuum should exist.

OK or NG

OK >> GO TO 16.

NG >> GO TO 15.

ACTIVE TEST	
PURG VOL CONT/V	XXX %
MONITOR	
ENG SPEED	XXX rpm
A/F ALPHA-B1	XX %
A/F ALPHA-B2	XX %

PBIB1678E

DTC P0456 EVAP CONTROL SYSTEM

14. CHECK EVAP CANISTER PURGE VOLUME CONTROL SOLENOID VALVE OPERATION

⊗ Without CONSULT-II

1. Start engine and warm it up to normal operating temperature.
2. Stop engine.
3. Disconnect vacuum hose to EVAP canister purge volume control solenoid valve at EVAP service port.
4. Start engine and let it idle for at least 80 seconds.
5. Check vacuum hose for vacuum when revving engine up to 2,000 rpm.

Vacuum should exist.

OK or NG

- OK >> GO TO 17.
NG >> GO TO 15.

15. CHECK VACUUM HOSE

Check vacuum hoses for clogging or disconnection. Refer to [EC-102, "Vacuum Hose Drawing"](#) .

OK or NG

- OK >> GO TO 16.
NG >> Repair or reconnect the hose.

16. CHECK EVAP CANISTER PURGE VOLUME CONTROL SOLENOID VALVE

Refer to [EC-411, "Component Inspection"](#) .

OK or NG

- OK >> GO TO 17.
NG >> Replace EVAP canister purge volume control solenoid valve.

17. CHECK FUEL TANK TEMPERATURE SENSOR

Refer to [EC-347, "Component Inspection"](#) .

OK or NG

- OK >> GO TO 18.
NG >> Replace fuel level sensor unit.

18. CHECK EVAP CONTROL SYSTEM PRESSURE SENSOR

Refer to [EC-450, "Component Inspection"](#) .

OK or NG

- OK >> GO TO 19.
NG >> Replace EVAP control system pressure sensor.

19. CHECK EVAP PURGE LINE

Check EVAP purge line (pipe, rubber tube, fuel tank and EVAP canister) for cracks or improper connection. Refer to [EC-33, "EVAPORATIVE EMISSION LINE DRAWING"](#) .

OK or NG

- OK >> GO TO 20.
NG >> Repair or reconnect the hose.

20. CLEAN EVAP PURGE LINE

Clean EVAP purge line (pipe and rubber tube) using air blower.

>> GO TO 21.

DTC P0456 EVAP CONTROL SYSTEM

21. CHECK REFUELING EVAP VAPOR LINE

Check refueling EVAP vapor line between EVAP canister and fuel tank for clogging, kink, looseness and improper connection. For location, refer to [EC-38, "ON BOARD REFUELING VAPOR RECOVERY \(ORVR\)"](#) .

OK or NG

- OK >> GO TO 22.
- NG >> Repair or replace hoses and tubes.

22. CHECK SIGNAL LINE AND RECIRCULATION LINE

Check signal line and recirculation line between filler neck tube and fuel tank for clogging, kink, cracks, looseness and improper connection.

OK or NG

- OK >> GO TO 23.
- NG >> Repair or replace hose, tube or filler neck tube.

23. CHECK REFUELING CONTROL VALVE

Refer to [EC-41, "Component Inspection"](#) .

OK or NG

- OK >> GO TO 24.
- NG >> Replace refueling EVAP vapor cut valve with fuel tank.

24. CHECK FUEL LEVEL SENSOR

Refer to [DI-22, "CHECK FUEL LEVEL SENSOR UNIT"](#) .

OK or NG

- OK >> GO TO 25.
- NG >> Replace fuel level sensor unit.

25. CHECK INTERMITTENT INCIDENT

Refer to [EC-145, "TROUBLE DIAGNOSIS FOR INTERMITTENT INCIDENT"](#) .

>> INSPECTION END

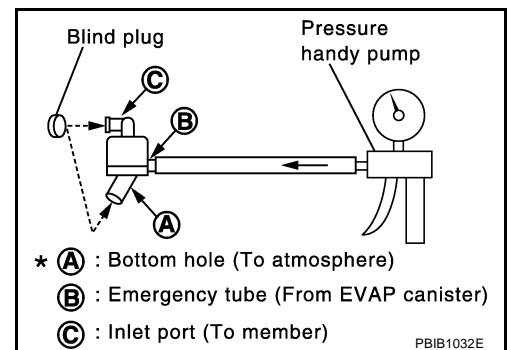
Component Inspection WATER SEPARATOR

NBS001Y2

1. Check visually for insect nests in the water separator air inlet.
2. Check visually for cracks or flaws in the appearance.
3. Check visually for cracks or flaws in the hose.
4. Check that **A** and **C** are not clogged by blowing air into **B** with **A** , and then **C** plugged.
5. In case of NG in items 2 - 4, replace the parts.

NOTE:

- Do not disassemble water separator.



DTC P0460 FUEL LEVEL SENSOR

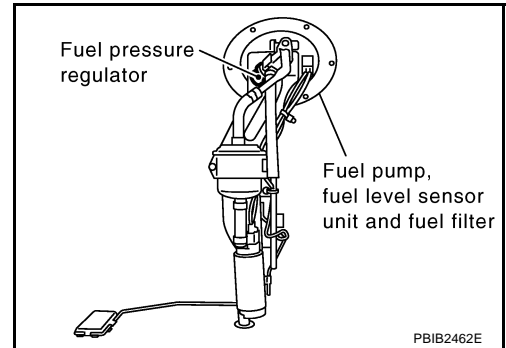
DTC P0460 FUEL LEVEL SENSOR

PFP:25060

Component Description

NBS001Y3

The fuel level sensor is mounted in the fuel level sensor unit. The sensor detects a fuel level in the fuel tank and transmits a signal to the combination meter. The combination meter sends the fuel level sensor signal to the ECM through CAN communication line. It consists of two parts, one is mechanical float and the other is variable resistor. Fuel level sensor output voltage changes depending on the movement of the fuel mechanical float.



PBIB2462E

On Board Diagnosis Logic

NBS001Y4

NOTE:

- If DTC P0460 is displayed with DTC U1000 or U1001, first perform the trouble diagnosis for DTC U1000, U1001. Refer to [EC-156, "DTC U1000, U1001 CAN COMMUNICATION LINE"](#).
- If DTC P0460 is displayed with DTC U1010, first perform the trouble diagnosis for DTC U1010. Refer to [EC-159, "DTC U1010 CAN COMMUNICATION"](#).

When the vehicle is parked, naturally the fuel level in the fuel tank is stable. It means that output signal of the fuel level sensor does not change. If ECM senses sloshing signal from the sensor, fuel level sensor malfunction is detected.

DTC No.	Trouble diagnosis name	DTC detecting condition	Possible cause
P0460 0460	Fuel level sensor circuit noise	Even though the vehicle is parked, a signal being varied is sent from the fuel level sensor to ECM.	<ul style="list-style-type: none"> ● Harness or connectors (The CAN communication line is open or shorted) ● Harness or connectors (The sensor circuit is open or shorted) ● Combination meter ● Fuel level sensor

DTC Confirmation Procedure

NBS001Y5

NOTE:

If DTC Confirmation Procedure has been previously conducted, always turn ignition switch OFF and wait at least 10 seconds before conducting the next test.

WITH CONSULT-II

1. Turn ignition switch ON.
2. Select "DATA MONITOR" mode with CONSULT-II.
3. Start engine and wait maximum of 2 consecutive minutes.
4. If 1st trip DTC is detected, go to [EC-469, "Diagnostic Procedure"](#).

DATA MONITOR	
MONITOR	NO DTC
FUEL T/TMP SE	XXX °C
FUEL LEVEL SE	XXX V

SEF195Y

WITH GST

Follow the procedure "WITH CONSULT-II" above.

DTC P0460 FUEL LEVEL SENSOR

Diagnostic Procedure

NBS001Y6

1. CHECK FUEL GAUGE OPERATION

Refer to [DI-16, "Self-Diagnosis Mode of Combination Meter"](#) .

OK or NG

OK >> GO TO 2.

NG >> Follow the instruction of [DI-16, "Self-Diagnosis Mode of Combination Meter"](#) .

2. CHECK FUEL LEVEL SENSOR AND CIRCUIT

Refer to [DI-20, "Fuel Level Sensor Signal Inspection"](#) .

OK or NG

OK >> GO TO 3.

NG >> Repair or replace malfunctioning parts.

3. CHECK INTERMITTENT INCIDENT

Refer to [EC-145, "TROUBLE DIAGNOSIS FOR INTERMITTENT INCIDENT"](#) .

>> INSPECTION END

Removal and Installation FUEL LEVEL SENSOR

NBS001Y7

Refer to [FL-3, "FUEL LEVEL SENSOR UNIT, FUEL FILTER AND FUEL PUMP ASSEMBLY"](#) .

A

EC

C

D

E

F

G

H

I

J

K

L

M

DTC P0461 FUEL LEVEL SENSOR

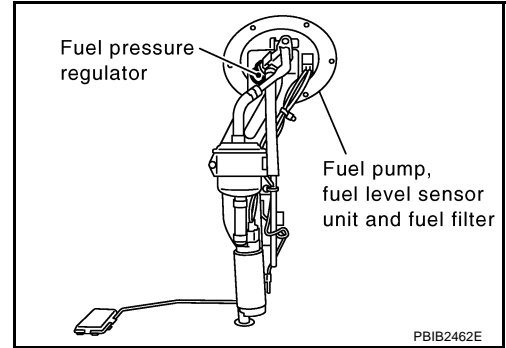
DTC P0461 FUEL LEVEL SENSOR

PFP:25060

Component Description

NBS001Y8

The fuel level sensor is mounted in the fuel level sensor unit. The sensor detects a fuel level in the fuel tank and transmits a signal to the combination meter. The combination meter sends the fuel level sensor signal to the ECM through CAN communication line. It consists of two parts, one is mechanical float and the other is variable resistor. Fuel level sensor output voltage changes depending on the movement of the fuel mechanical float.



PBIB2462E

On Board Diagnosis Logic

NBS001Y9

NOTE:

- If DTC P0461 is displayed with DTC U1000 or U1001, first perform the trouble diagnosis for DTC U1000, U1001. Refer to [EC-156, "DTC U1000, U1001 CAN COMMUNICATION LINE"](#).
- If DTC P0461 is displayed with DTC U1010, first perform the trouble diagnosis for DTC U1010. Refer to [EC-159, "DTC U1010 CAN COMMUNICATION"](#).

Driving long distances naturally affect fuel gauge level.

This diagnosis detects the fuel gauge malfunction of the gauge not moving even after a long distance has been driven.

DTC No.	Trouble diagnosis name	DTC detecting condition	Possible cause
P0461 0461	Fuel level sensor circuit range/performance	The output signal of the fuel level sensor does not change within the specified range even though the vehicle has been driven a long distance.	<ul style="list-style-type: none"> ● Harness or connectors (The CAN communication line is open or shorted) ● Harness or connectors (The sensor circuit is open or shorted) ● Combination meter ● Fuel level sensor

Overall Function Check

NBS001YA

Use this procedure to check the overall function of the fuel level sensor function. During this check, a 1st trip DTC might not be confirmed.

WARNING:

When performing following procedure, be sure to observe the handling of the fuel. Refer to [FL-8, "FUEL TANK"](#).

TESTING CONDITION:

Before starting overall function check, preparation of draining fuel and refilling fuel is required.

WITH CONSULT-II

NOTE:

Start from step 10, if it is possible to confirm that the fuel cannot be drained by 30 ℓ (7-7/8 US gal, 6-5/8 Imp gal) in advance.

1. Prepare a fuel container and a spare hose.
2. Release fuel pressure from fuel line, refer to [EC-80, "FUEL PRESSURE RELEASE"](#).
3. Remove the fuel feed hose on the fuel level sensor unit.
4. Connect a spare fuel hose where the fuel feed hose was removed.
5. Turn ignition switch OFF and wait at least 10 seconds then turn ON.
6. Select "FUEL LEVEL SE" in "DATA MONITOR" mode with CONSULT-II.

DTC P0461 FUEL LEVEL SENSOR

7. Check "FUEL LEVEL SE" output voltage and note it.
8. Select "FUEL PUMP" in "ACTIVE TEST" mode with CONSULT-II.
9. Touch ON and drain fuel approximately 30 ℓ (7-7/8 US gal, 6-5/8 Imp gal) and stop it.
10. Check "FUEL LEVEL SE" output voltage and note it.
11. Fill fuel into the fuel tank for 30 ℓ (7-7/8 US gal, 6-5/8 Imp gal).
12. Check "FUEL LEVEL SE" output voltage and note it.
13. Confirm whether the voltage changes more than 0.03V during step 7 to 10 and 10 to 12.
If NG, go to [EC-471, "Diagnostic Procedure"](#) .

DATA MONITOR	
MONITOR	NO DTC
FUEL T/TMP SE	XXX °C
FUEL LEVEL SE	XXX V

SEP195Y

WITH GST

NOTE:

Start from step 8, if it is possible to confirm that the fuel cannot be drained by 30 ℓ (7-7/8 US gal, 6-5/8 Imp gal) in advance.

1. Prepare a fuel container and a spare hose.
2. Release fuel pressure from fuel line. Refer to [EC-80, "FUEL PRESSURE RELEASE"](#) .
3. Remove the fuel feed hose on the fuel level sensor unit.
4. Connect a spare fuel hose where the fuel feed hose was removed.
5. Turn ignition switch ON.
6. Drain fuel by 30 ℓ (7-7/8 US gal, 6-5/8 Imp gal) from the fuel tank using proper equipment.
7. Confirm that the fuel gauge indication varies.
8. Fill fuel into the fuel tank for 30 ℓ (7-7/8 US gal, 6-5/8 Imp gal).
9. Confirm that the fuel gauge indication varies.
10. If NG, go to [EC-471, "Diagnostic Procedure"](#) .

Diagnostic Procedure

NBS001YB

1. CHECK FUEL GAUGE OPERATION

Refer to [DI-16, "Self-Diagnosis Mode of Combination Meter"](#) .

OK or NG

OK >> GO TO 2.

NG >> Follow the instruction of [DI-16, "Self-Diagnosis Mode of Combination Meter"](#) .

2. CHECK FUEL LEVEL SENSOR AND CIRCUIT

Refer to [DI-20, "Fuel Level Sensor Signal Inspection"](#) .

OK or NG

OK >> GO TO 3.

NG >> Repair or replace malfunctioning parts.

3. CHECK INTERMITTENT INCIDENT

Refer to [EC-145, "TROUBLE DIAGNOSIS FOR INTERMITTENT INCIDENT"](#) .

>> INSPECTION END

Removal and Installation FUEL LEVEL SENSOR

NBS001YC

Refer to [FL-3, "FUEL LEVEL SENSOR UNIT, FUEL FILTER AND FUEL PUMP ASSEMBLY"](#) .

DTC P0462, P0463 FUEL LEVEL SENSOR

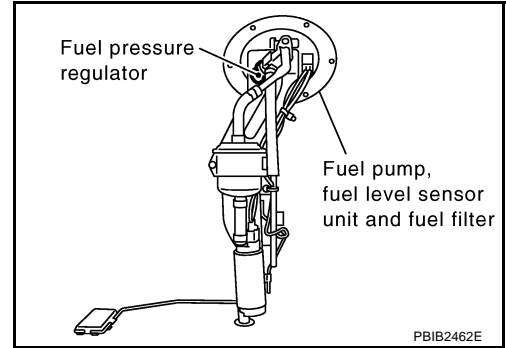
PF2:25060

DTC P0462, P0463 FUEL LEVEL SENSOR

Component Description

NBS001YD

The fuel level sensor is mounted in the fuel level sensor unit. The sensor detects a fuel level in the fuel tank and transmits a signal to the combination meter. The combination meter sends the fuel level sensor signal to the ECM through CAN communication line. It consists of two parts, one is mechanical float and the other is variable resistor. Fuel level sensor output voltage changes depending on the movement of the fuel mechanical float.



PBIB2462E

On Board Diagnosis Logic

NBS001YE

NOTE:

- If DTC P0462 or P0463 is displayed with DTC U1000 or U1001, first perform the trouble diagnosis for DTC U1000, U1001. Refer to [EC-156, "DTC U1000, U1001 CAN COMMUNICATION LINE"](#).
- If DTC P0462 or P0463 is displayed with DTC U1010, first perform the trouble diagnosis for DTC U1010. Refer to [EC-159, "DTC U1010 CAN COMMUNICATION"](#).

This diagnosis indicates the former, to detect open or short circuit malfunction.

DTC No.	Trouble diagnosis name	DTC detecting condition	Possible cause
P0462 0462	Fuel level sensor circuit low input	An excessively low voltage from the sensor is sent to ECM.	<ul style="list-style-type: none"> ● Harness or connectors (The CAN communication line is open or shorted) ● Harness or connectors (The sensor circuit is open or shorted) ● Combination meter ● Fuel level sensor
P0463 0463	Fuel level sensor circuit high input	An excessively high voltage from the sensor is sent to ECM.	

DTC Confirmation Procedure

NBS001YF

NOTE:

If DTC Confirmation Procedure has been previously conducted, always turn ignition switch OFF and wait at least 10 seconds before conducting the next test.

TESTING CONDITION:

Before performing the following procedure, confirm that battery voltage is more than 11V at ignition switch ON.

WITH CONSULT-II

1. Turn ignition switch ON.
2. Select "DATA MONITOR" mode with CONSULT-II.
3. Wait at least 5 seconds.
4. If 1st trip DTC is detected, go to [EC-473, "Diagnostic Procedure"](#).

DATA MONITOR	
MONITOR	NO DTC
FUEL T/TMP SE	XXX °C
FUEL LEVEL SE	XXX V

SEF195Y

WITH GST

Follow the procedure "WITH CONSULT-II" above.

DTC P0462, P0463 FUEL LEVEL SENSOR

Diagnostic Procedure

NBS001YG

1. CHECK FUEL GAUGE OPERATION

Refer to [DI-16, "Self-Diagnosis Mode of Combination Meter"](#) .

OK or NG

OK >> GO TO 2.

NG >> Follow the instruction of [DI-16, "Self-Diagnosis Mode of Combination Meter"](#) .

2. CHECK FUEL LEVEL SENSOR AND CIRCUIT

Refer to [DI-20, "Fuel Level Sensor Signal Inspection"](#) .

OK or NG

OK >> GO TO 3.

NG >> Repair or replace malfunctioning parts.

3. CHECK INTERMITTENT INCIDENT

Refer to [EC-145, "TROUBLE DIAGNOSIS FOR INTERMITTENT INCIDENT"](#) .

>> INSPECTION END

Removal and Installation FUEL LEVEL SENSOR

NBS001YH

Refer to [FL-3, "FUEL LEVEL SENSOR UNIT, FUEL FILTER AND FUEL PUMP ASSEMBLY"](#) .

A

EC

C

D

E

F

G

H

I

J

K

L

M

DTC P0500 VSS

PF3:32702

DTC P0500 VSS

Description

NBS001YI

NOTE:

- If DTC P0500 is displayed with DTC U1000 or U1001, first perform the trouble diagnosis for DTC U1000, U1001. Refer to [EC-156, "DTC U1000, U1001 CAN COMMUNICATION LINE"](#).
- If DTC P0500 is displayed with DTC U1010, first perform the trouble diagnosis for DTC U1010. Refer to [EC-159, "DTC U1010 CAN COMMUNICATION"](#).

The vehicle speed signal is sent to the combination meter from the VDC/TCS/ABS control unit by CAN communication line. The combination meter then sends a signal to the ECM by CAN communication line.

On Board Diagnosis Logic

NBS001YJ

DTC No.	Trouble diagnosis name	DTC detecting condition	Possible cause
P0500 0500	Vehicle speed sensor	The almost 0 km/h (0 MPH) signal from vehicle speed sensor is sent to ECM even when vehicle is being driven.	<ul style="list-style-type: none"> ● Harness or connectors (The CAN communication line is open or shorted) ● Harness or connectors (The vehicle speed signal circuit is open or shorted) ● Wheel sensor ● Combination meter ● VDC/TCS/ABS control unit

DTC Confirmation Procedure

NBS001YK

CAUTION:

Always drive vehicle at a safe speed.

NOTE:

If DTC Confirmation Procedure has been previously conducted, always turn ignition switch OFF and wait at least 10 seconds before conducting the next test.

TESTING CONDITION:

Steps 1 and 2 may be conducted with the drive wheels lifted in the shop or by driving the vehicle. If a road test is expected to be easier, it is unnecessary to lift the vehicle.

WITH CONSULT-II

1. Start engine (VDC switch OFF).
2. Read "VHCL SPEED SE" in "DATA MONITOR" mode with CONSULT-II. The vehicle speed on CONSULT-II should exceed 10 km/h (6 MPH) when rotating wheels with suitable gear position.
If NG, go to [EC-475, "Diagnostic Procedure"](#).
If OK, go to following step.
3. Select "DATA MONITOR" mode with CONSULT-II.
4. Warm engine up to normal operating temperature.
5. Maintain the following conditions for at least 60 consecutive seconds.

ENG SPEED	1,400 - 6,000 rpm
COOLAN TEMP/S	More than 70°C (158°F)
B/FUEL SCHDL	More than 4.5 msec
Selector lever	Except P or N position
PW/ST SIGNAL	OFF

6. If 1st trip DTC is detected, go to [EC-475, "Diagnostic Procedure"](#)

DATA MONITOR	
MONITOR	NO DTC
ENG SPEED	XXX rpm
COOLANTEMP/S	XXX °C
B/FUEL SCHDL	XXX msec
PW/ST SIGNAL	OFF
VHCL SPEED SE	XXX km/h

SEF196Y

DTC P0500 VSS

Overall Function Check

NBS001YL

Use this procedure to check the overall function of the vehicle speed sensor circuit. During this check, a 1st trip DTC might not be confirmed.

WITH GST

1. Lift up drive wheels.
2. Start engine.
3. Read vehicle speed sensor signal in "Service \$01" with GST.
The vehicle speed sensor on GST should be able to exceed 10 km/h (6 MPH) when rotating wheels with suitable gear position.
4. If NG, go to [EC-475, "Diagnostic Procedure"](#) .

Diagnostic Procedure

NBS001YM

1. CHECK DTC WITH VDC/TCS/ABS CONTROL UNIT

Refer to [BRC-10, "TROUBLE DIAGNOSIS"](#) .

OK or NG

- OK >> GO TO 2.
NG >> Repair or replace.

2. CHECK COMBINATION METER

Check combination meter function.

Refer to [DI-7, "COMBINATION METERS"](#) .

>> INSPECTION END

A

EC

C

D

E

F

G

H

I

J

K

L

M

DTC P0506 ISC SYSTEM

DTC P0506 ISC SYSTEM

PFP:23781

Description

NBS001YN

NOTE:

If DTC P0506 is displayed with other DTC, first perform the trouble diagnosis for the other DTC.

The ECM controls the engine idle speed to a specified level through the fine adjustment of the air, which is let into the intake manifold, by operating the electric throttle control actuator. The operating of the throttle valve is varied to allow for optimum control of the engine idling speed. The crankshaft position sensor (POS) detects the actual engine speed and sends a signal to the ECM.

The ECM controls the electric throttle control actuator so that the engine speed coincides with the target value memorized in the ECM. The target engine speed is the lowest speed at which the engine can operate steadily. The optimum value stored in the ECM is determined by taking into consideration various engine conditions, such as during warming up, deceleration, and engine load (air conditioner, power steering and cooling fan operation, etc.).

On Board Diagnosis Logic

NBS001YO

DTC No.	Trouble diagnosis name	DTC detecting condition	Possible cause
P0506 0506	Idle speed control system RPM lower than expected	The idle speed is less than the target idle speed by 100 rpm or more.	<ul style="list-style-type: none">● Electric throttle control actuator● Intake air leak

DTC Confirmation Procedure

NBS001YP

NOTE:

- If DTC Confirmation Procedure has been previously conducted, always turn ignition switch OFF and wait at least 10 seconds before conducting the next test.
- If the target idle speed is out of the specified value, perform [EC-78, "Idle Air Volume Learning"](#), before conducting DTC Confirmation Procedure. For the target idle speed, refer to the [EC-759, "SERVICE DATA AND SPECIFICATIONS \(SDS\)"](#).

TESTING CONDITION:

- Before performing the following procedure, confirm that battery voltage is more than 11V at idle.
- Always perform the test at a temperature above -10°C (14°F).

WITH CONSULT-II

1. Open engine hood.
2. Start engine and warm it up to normal operating temperature.
3. Turn ignition switch OFF and wait at least 10 seconds.
4. Turn ignition switch ON again and select "DATA MONITOR" mode with CONSULT-II.
5. Start engine and run it for at least 1 minute at idle speed.
6. If 1st trip DTC is detected, go to [EC-477, "Diagnostic Procedure"](#).

DATA MONITOR	
MONITOR	NO DTC
ENG SPEED	XXX rpm
COOLAN TEMP/S	XXX °C

SEF174Y

WITH GST

Follow the procedure WITH CONSULT-II above.

DTC P0506 ISC SYSTEM

Diagnostic Procedure

NBS001YQ

1. CHECK INTAKE AIR LEAK

1. Start engine and let it idle.
2. Listen for an intake air leak after the mass air flow sensor.

OK or NG

- OK >> GO TO 2.
- NG >> Discover air leak location and repair.

2. REPLACE ECM

1. Stop engine.
2. Replace ECM.
3. Perform initialization of IVIS (NATS) system and registration of all IVIS (NATS) ignition key IDs. Refer to [BL-202, "ECM Re-Communicating Function"](#) .
4. Perform [EC-77, "VIN Registration"](#) .
5. Perform [EC-77, "Accelerator Pedal Released Position Learning"](#) .
6. Perform [EC-78, "Throttle Valve Closed Position Learning"](#) .
7. Perform [EC-78, "Idle Air Volume Learning"](#) .

>> INSPECTION END

A

EC

C

D

E

F

G

H

I

J

K

L

M

DTC P0507 ISC SYSTEM

DTC P0507 ISC SYSTEM

PF:23781

Description

NBS001YR

NOTE:

If DTC P0507 is displayed with other DTC, first perform the trouble diagnosis for the other DTC.

The ECM controls the engine idle speed to a specified level through the fine adjustment of the air, which is let into the intake manifold, by operating the electric throttle control actuator. The operating of the throttle valve is varied to allow for optimum control of the engine idling speed. The crankshaft position sensor (POS) detects the actual engine speed and sends a signal to the ECM.

The ECM controls the electric throttle control actuator so that the engine speed coincides with the target value memorized in the ECM. The target engine speed is the lowest speed at which the engine can operate steadily. The optimum value stored in the ECM is determined by taking into consideration various engine conditions, such as during warming up, deceleration, and engine load (air conditioner, power steering and cooling fan operation, etc.).

On Board Diagnosis Logic

NBS001YS

DTC No.	Trouble diagnosis name	DTC detecting condition	Possible cause
P0507 0507	Idle speed control system RPM higher than expected	The idle speed is more than the target idle speed by 200 rpm or more.	<ul style="list-style-type: none">● Electric throttle control actuator● Intake air leak● PCV system

DTC Confirmation Procedure

NBS001YT

NOTE:

- If DTC Confirmation Procedure has been previously conducted, always turn ignition switch OFF and wait at least 10 seconds before conducting the next test.
- If the target idle speed is out of the specified value, perform [EC-78. "Idle Air Volume Learning"](#), before conducting DTC Confirmation Procedure. For the target idle speed, refer to the [EC-759. "SERVICE DATA AND SPECIFICATIONS \(SDS\)"](#).

TESTING CONDITION:

- Before performing the following procedure, confirm that battery voltage is more than 11V at idle.
- Always perform the test at a temperature above -10°C (14°F).

WITH CONSULT-II

1. Open engine hood.
2. Start engine and warm it up to normal operating temperature.
3. Turn ignition switch OFF and wait at least 10 seconds.
4. Turn ignition switch ON again and select "DATA MONITOR" mode with CONSULT-II.
5. Start engine and run it for at least 1 minute at idle speed.
6. If 1st trip DTC is detected, go to [EC-479. "Diagnostic Procedure"](#).

DATA MONITOR	
MONITOR	NO DTC
ENG SPEED	XXX rpm
COOLAN TEMP/S	XXX °C

SEF174Y

WITH GST

Follow the procedure WITH CONSULT-II above.

DTC P0507 ISC SYSTEM

Diagnostic Procedure

NBS001YU

1. CHECK PCV HOSE CONNECTION

Confirm that PCV hose is connected correctly.

OK or NG

OK >> GO TO 2.

NG >> Repair or replace.

2. CHECK INTAKE AIR LEAK

1. Start engine and let it idle.
2. Listen for an intake air leak after the mass air flow sensor.

OK or NG

OK >> GO TO 3.

NG >> Discover air leak location and repair.

3. REPLACE ECM

1. Stop engine.
2. Replace ECM.
3. Perform initialization of IVIS (NATS) system and registration of all IVIS (NATS) ignition key IDs. Refer to [BL-202, "ECM Re-Communicating Function"](#) .
4. Perform [EC-77, "VIN Registration"](#) .
5. Perform [EC-77, "Accelerator Pedal Released Position Learning"](#) .
6. Perform [EC-78, "Throttle Valve Closed Position Learning"](#) .
7. Perform [EC-78, "Idle Air Volume Learning"](#) .

>> INSPECTION END

A

EC

C

D

E

F

G

H

I

J

K

L

M

DTC P0550 PSP SENSOR

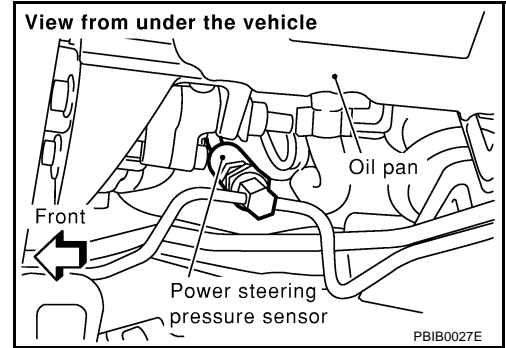
DTC P0550 PSP SENSOR

PF:49763

Component Description

NBS001YV

Power steering pressure (PSP) sensor is installed to the power steering high-pressure tube and detects a power steering load. This sensor is a potentiometer which transforms the power steering load into output voltage, and emits the voltage signal to the ECM. The ECM controls the electric throttle control actuator and adjusts the throttle valve opening angle to increase the engine speed and adjusts the idle speed for the increased load.



CONSULT-II Reference Value in Data Monitor Mode

NBS001YV

Specification data are reference values.

MONITOR ITEM	CONDITION		SPECIFICATION
PW/ST SIGNAL	<ul style="list-style-type: none"> Engine: After warming up, idle the engine 	Steering wheel: Not being turned	OFF
		Steering wheel: Being turned	ON

On Board Diagnosis Logic

NBS001YX

The MIL will not light up for this diagnosis.

NOTE:

If DTC P0550 is displayed with DTC P0643, first perform the trouble diagnosis for DTC P0643. Refer to [EC-492. "DTC P0643 SENSOR POWER SUPPLY"](#).

DTC No.	Trouble diagnosis name	DTC detecting condition	Possible cause
P0550 0550	Power steering pressure sensor circuit	An excessively low or high voltage from the sensor is sent to ECM.	<ul style="list-style-type: none"> Harness or connectors (The sensor circuit is open or shorted) Power steering pressure sensor

DTC Confirmation Procedure

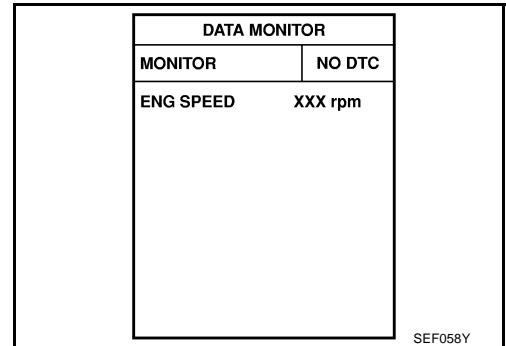
NBS001YY

NOTE:

If DTC Confirmation Procedure has been previously conducted, always turn ignition switch OFF and wait at least 10 seconds before conducting the next test.

WITH CONSULT-II

- Turn ignition switch ON.
- Select "DATA MONITOR" mode with CONSULT-II.
- Start engine and let it idle for at least 5 seconds.
- If 1st trip DTC is detected, go to [EC-482. "Diagnostic Procedure"](#).



WITH GST

Follow the procedure WITH CONSULT-II above.

DTC P0550 PSP SENSOR

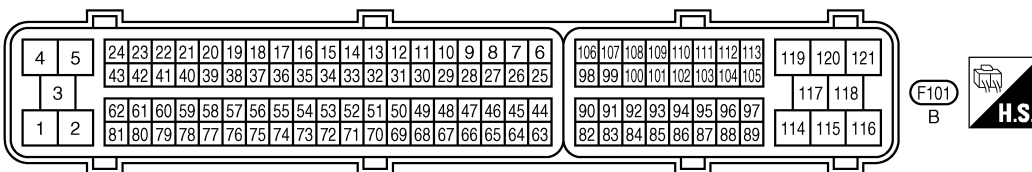
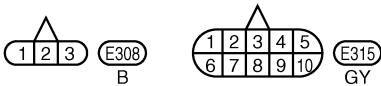
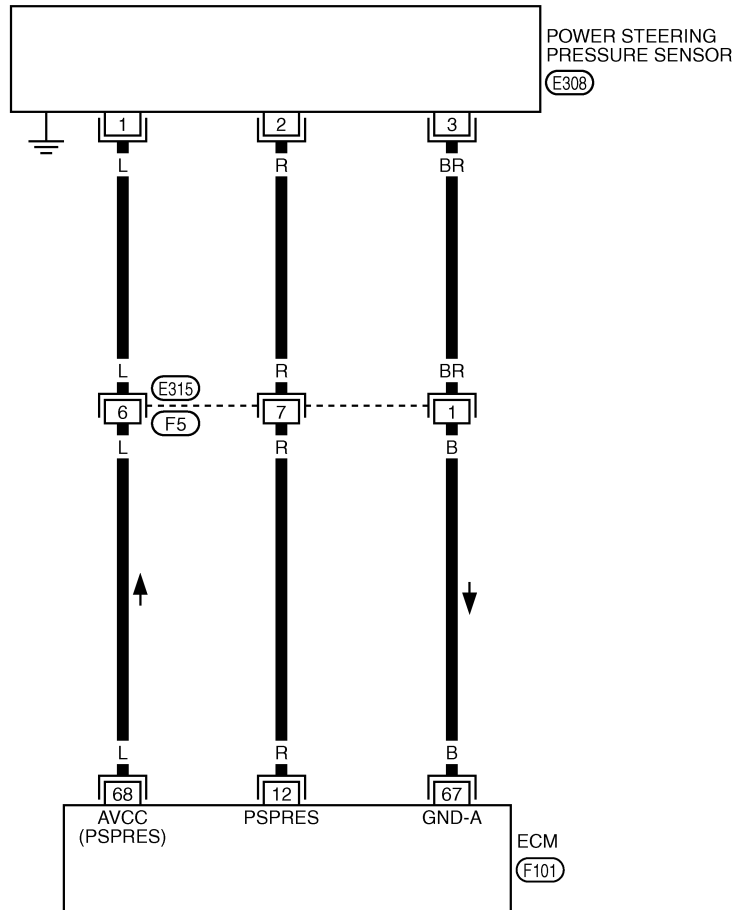
Wiring Diagram

NBS001YZ

EC-PS/SEN-01

A
EC
C
D
E
F
G
H
I
J
K
L
M

— : DETECTABLE LINE FOR DTC
— : NON-DETECTABLE LINE FOR DTC



TBWM0556E

DTC P0550 PSP SENSOR

Specification data are reference values and are measured between each terminal and ground.

CAUTION:

Do not use ECM ground terminals when measuring input/output voltage. Doing so may result in damage to the ECM's transistor. Use a ground other than ECM terminals, such as the ground.

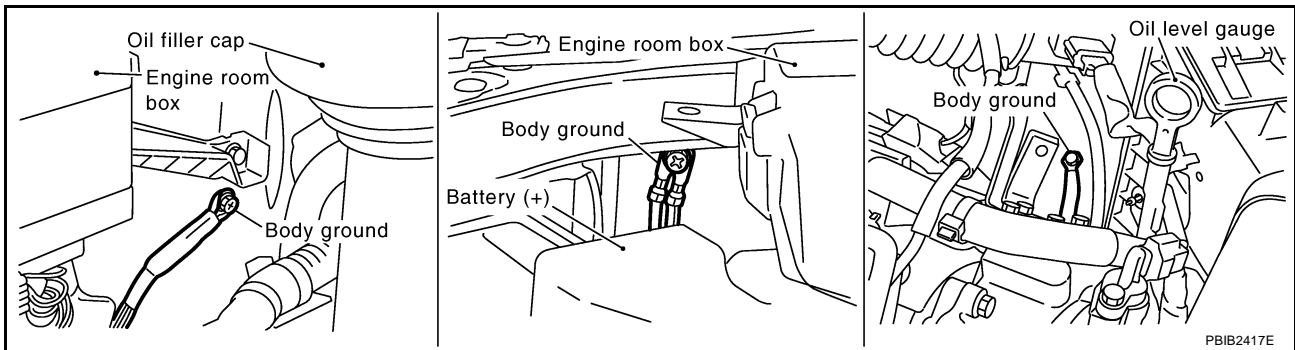
TER-MINAL NO.	WIRE COLOR	ITEM	CONDITION	DATA (DC Voltage)
12	R	Power steering pressure sensor	[Engine is running] ● Steering wheel: Being turned	0.5 - 4.5V
			[Engine is running] ● Steering wheel: Not being turned	0.4 - 0.8V
67	B	Sensor ground (MAF sensor, IAT sensor, ECT sensor, FTT sensor, EVAP control system pressure sensor, PSP sensor, ICC steering switch, ASCD steering switch, Refrigerant pressure sensor)	[Engine is running] ● Warm-up condition ● Idle speed	Approximately 0V
68	L	Sensor power supply (Power steering pressure sensor)	[Ignition switch: ON]	Approximately 5V

Diagnostic Procedure

NBS001Z0

1. CHECK GROUND CONNECTIONS

1. Turn ignition switch OFF.
2. Loosen and retighten three ground screws on the body.
Refer to [EC-154, "Ground Inspection"](#).



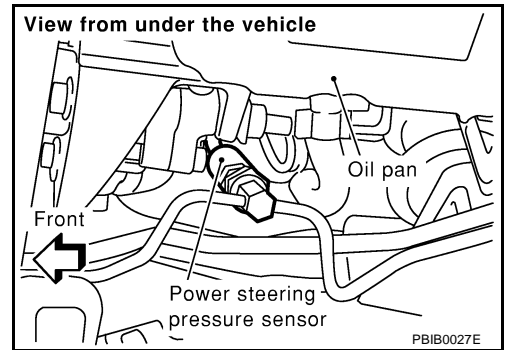
OK or NG

- OK >> GO TO 2.
- NG >> Repair or replace ground connections.

DTC P0550 PSP SENSOR

2. CHECK PSP SENSOR POWER SUPPLY CIRCUIT

1. Disconnect power steering pressure (PSP) sensor harness connector.
2. Turn ignition switch ON.

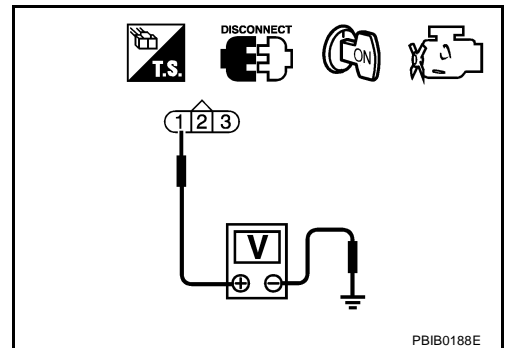


3. Check voltage between PSP sensor terminal 1 and ground with CONSULT-II or tester.

Voltage: Approximately 5V

OK or NG

- OK >> GO TO 4.
- NG >> GO TO 3.



3. DETECT MALFUNCTIONING PART

Check the following.

- Harness connectors F5, E315
- Harness for open or short between ECM and PSP sensor

>> Repair open circuit or short to ground or short to power in harness or connectors.

4. CHECK PSP SENSOR GROUND CIRCUIT FOR OPEN AND SHORT

1. Turn ignition switch OFF.
2. Disconnect ECM harness connector.
3. Check harness continuity between PSP sensor terminal 3 and ECM terminal 67. Refer to Wiring Diagram.

Continuity should exist.

4. Also check harness for short to ground and short to power.

OK or NG

- OK >> GO TO 6.
- NG >> GO TO 5.

5. DETECT MALFUNCTIONING PART

Check the following.

- Harness connectors F5, E315
- Harness for open or short between PSP sensor and ECM

>> Repair open circuit or short to ground or short to power in harness or connectors.

DTC P0550 PSP SENSOR

6. CHECK PSP SENSOR INPUT SIGNAL CIRCUIT FOR OPEN AND SHORT

1. Check harness continuity between ECM terminal 12 and PSP sensor terminal 2.
Refer to Wiring Diagram.

Continuity should exist.

2. Also check harness for short to ground and short to power.

OK or NG

- OK >> GO TO 8.
- NG >> GO TO 7.

7. DETECT MALFUNCTIONING PART

Check the following.

- Harness connectors F5, E315
- Harness for open or short between ECM and PSP sensor

>> Repair open circuit or short to ground or short to power in harness or connectors.

8. CHECK PSP SENSOR

Refer to [EC-484, "Component Inspection"](#) .

OK or NG

- OK >> GO TO 9.
- NG >> Replace PSP sensor.

9. CHECK INTERMITTENT INCIDENT

Refer to [EC-145, "TROUBLE DIAGNOSIS FOR INTERMITTENT INCIDENT"](#) .

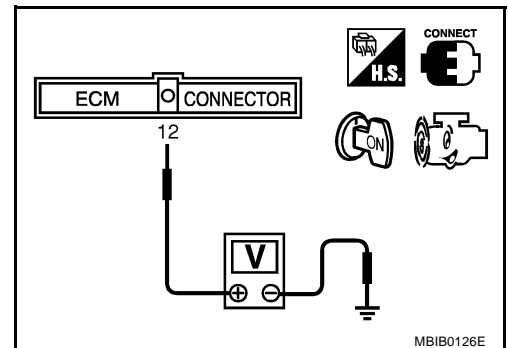
>> **INSPECTION END**

Component Inspection POWER STEERING PRESSURE SENSOR

NBS001Z1

1. Reconnect all harness connectors disconnected.
2. Start engine and let it idle.
3. Check voltage between ECM terminal 12 and ground under the following conditions.

Condition	Voltage
Steering wheel: Being turned.	0.5 - 4.5V
Steering wheel: Not being turned.	0.4 - 0.8V



MBIB0126E

NBS001Z2

Removal and Installation POWER STEERING PRESSURE SENSOR

Refer to [PS-32, "HYDRAULIC LINE"](#) .

DTC P0603 ECM POWER SUPPLY

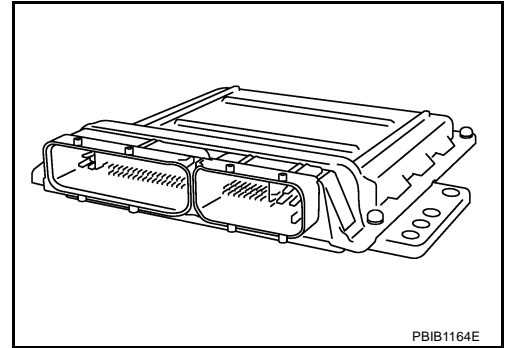
DTC P0603 ECM POWER SUPPLY

PF2:23710

Component Description

NBS001Z7

Battery voltage is supplied to the ECM even when the ignition switch is turned OFF for the ECM memory function of the DTC memory, the air-fuel ratio feedback compensation value memory, the idle air volume learning value memory, etc.



On Board Diagnosis Logic

NBS001Z8

DTC No.	Trouble diagnosis name	DTC detecting condition	Possible cause
P0603 0603	ECM power supply circuit	ECM back-up RAM system does not function properly.	<ul style="list-style-type: none"> ● Harness or connectors [ECM power supply (back-up) circuit is open or shorted.] ● ECM

DTC Confirmation Procedure

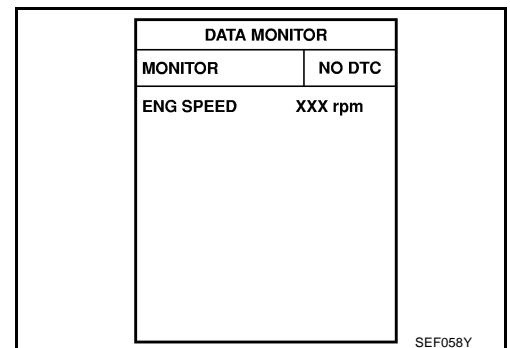
NBS001Z9

NOTE:

If DTC Confirmation Procedure has been previously conducted, always turn ignition switch OFF and wait at least 10 seconds before conducting the next test.

④ WITH CONSULT-II

1. Turn ignition switch ON and wait at least 1 second.
2. Select "DATA MONITOR" mode with CONSULT-II.
3. Start engine and let it idle for 1 second.
4. Turn ignition switch OFF, wait at least 10 seconds, and then turn ON.
5. Repeat steps 3 and 4 for 4 times.
6. If 1st trip DTC is detected, go to [EC-487, "Diagnostic Procedure"](#)



④ WITH GST

Follow the procedure "WITH CONSULT-II" above.

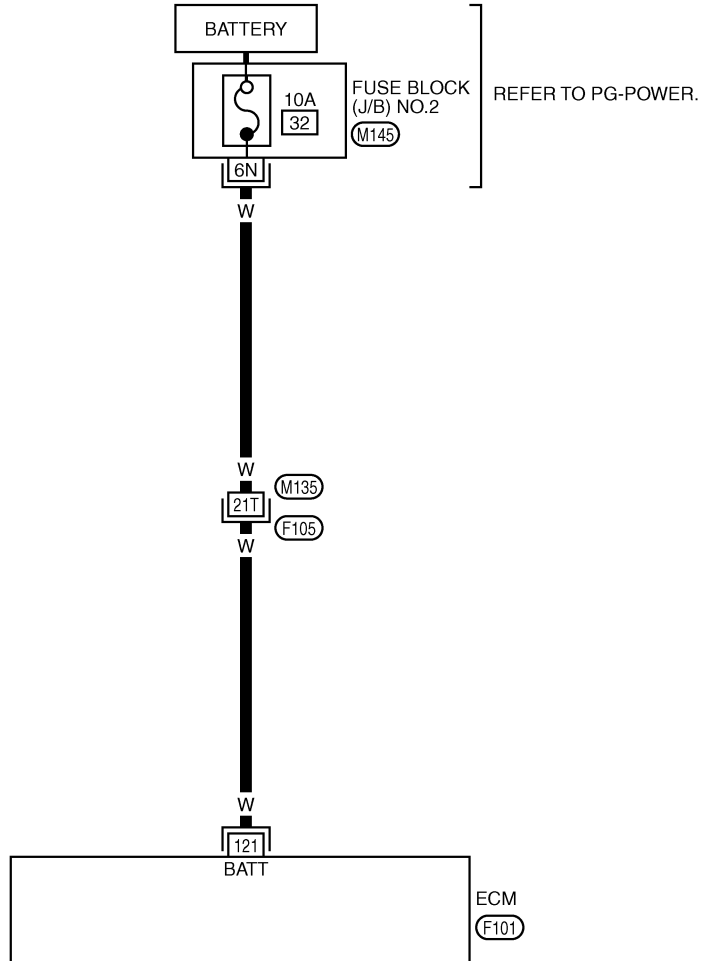
DTC P0603 ECM POWER SUPPLY

Wiring Diagram

NBS001ZA

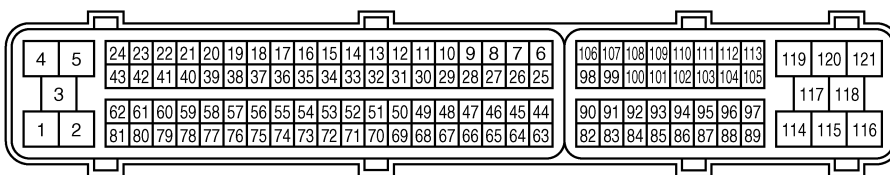
EC-ECM/PW-01

: DETECTABLE LINE FOR DTC
 : NON-DETECTABLE LINE FOR DTC



REFER TO THE FOLLOWING.

- F105 -SUPER MULTIPLE JUNCTION (SMJ)
- M145 -FUSE BLOCK-JUNCTION BOX (J/B) NO.2



TBWM0557E

DTC P0603 ECM POWER SUPPLY

Specification data are reference values and are measured between each terminal and ground.

CAUTION:

Do not use ECM ground terminals when measuring input/output voltage. Doing so may result in damage to the ECM's transistor. Use a ground other than ECM terminals, such as the ground.

TER-MINAL NO.	WIRE COLOR	ITEM	CONDITION	DATA (DC Voltage)
121	W	Power supply for ECM (Back-up)	[Ignition switch: OFF]	BATTERY VOLTAGE (11 - 14V)

Diagnostic Procedure

NBS001ZB

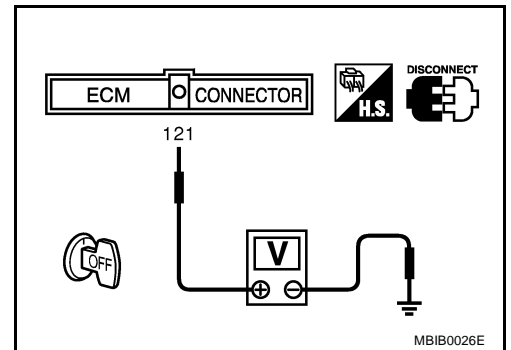
1. CHECK ECM POWER SUPPLY

1. Turn ignition switch OFF.
2. Disconnect ECM harness connector.
3. Check voltage between ECM terminal 121 and ground with CONSULT-II or tester.

Voltage: Battery voltage

OK or NG

- OK >> GO TO 3.
- NG >> GO TO 2.



2. DETECT MALFUNCTIONING PART

Check the following.

- Harness connectors M135, F105
- 10A fuse
- Fuse block (J/B) No. 2 harness connector M145
- Harness for open or short between ECM and battery

>> Repair or replace harness or connectors.

3. CHECK INTERMITTENT INCIDENT

Refer to [EC-145, "TROUBLE DIAGNOSIS FOR INTERMITTENT INCIDENT"](#) .

OK or NG

- OK >> GO TO 4.
- NG >> Repair or replace harness or connectors.

DTC P0603 ECM POWER SUPPLY

4. PERFORM DTC CONFIRMATION PROCEDURE

With CONSULT-II

1. Turn ignition switch ON.
2. Select "SELF DIAG RESULTS" mode with CONSULT-II.
3. Touch "ERASE".
4. **Perform DTC Confirmation Procedure.**
See [EC-485, "DTC Confirmation Procedure"](#) .
5. Is the 1st trip DTC P0603 displayed again?

With GST

1. Turn ignition switch ON.
2. Select "Service \$04" with GST.
3. **Perform DTC Confirmation Procedure.**
See [EC-485, "DTC Confirmation Procedure"](#) .
4. Is the 1st trip DTC P0603 displayed again?

Yes or No

Yes >> GO TO 5.

No >> **INSPECTION END**

5. REPLACE ECM

1. Replace ECM.
2. Perform initialization of IVIS (NATS) system and registration of all IVIS (NATS) ignition key IDs. Refer to [BL-202, "ECM Re-Communicating Function"](#) .
3. Perform [EC-77, "VIN Registration"](#) .
4. Perform [EC-77, "Accelerator Pedal Released Position Learning"](#) .
5. Perform [EC-78, "Throttle Valve Closed Position Learning"](#) .
6. Perform [EC-78, "Idle Air Volume Learning"](#) .

>> **INSPECTION END**

DTC P0605 ECM

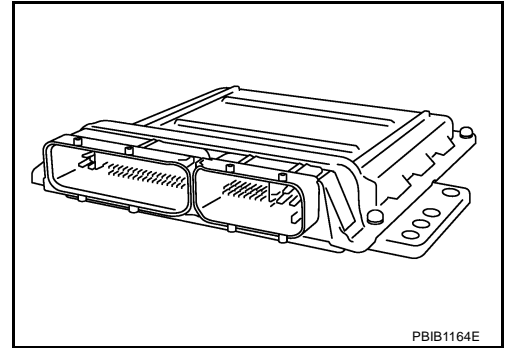
DTC P0605 ECM

PF2:23710

Component Description

NBS001Z3

The ECM consists of a microcomputer and connectors for signal input and output and for power supply. The ECM controls the engine.



NBS001Z4

On Board Diagnosis Logic

This self-diagnosis has one or two trip detection logic.

DTC No.	Trouble diagnosis name	DTC detecting condition		Possible cause
P0605 0605	Engine control module	A)	ECM calculation function is malfunctioning.	● ECM
		B)	ECM EEPROM system is malfunctioning.	
		C)	ECM self shut-off function is malfunctioning.	

FAIL-SAFE MODE

ECM enters fail-safe mode when the malfunction A is detected.

Detected items	Engine operation condition in fail-safe mode
Malfunction A	<ul style="list-style-type: none"> ● ECM stops the electric throttle control actuator control, throttle valve is maintained at a fixed opening (approx. 5 degrees) by the return spring. ● ECM deactivates ASCD operation.

DTC Confirmation Procedure

NBS001Z5

Perform **PROCEDURE FOR MALFUNCTION A** first. If the 1st trip DTC cannot be confirmed, perform **PROCEDURE FOR MALFUNCTION B**. If there is no malfunction on **PROCEDURE FOR MALFUNCTION B**, perform **PROCEDURE FOR MALFUNCTION C**.

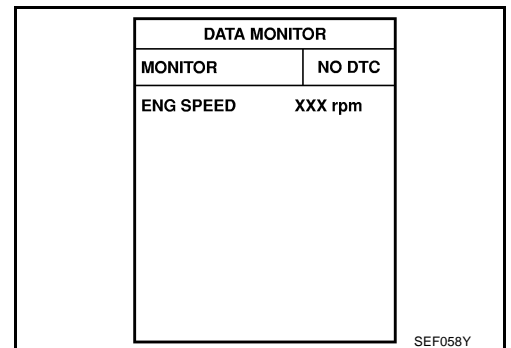
NOTE:

If DTC Confirmation Procedure has been previously conducted, always turn ignition switch OFF and wait at least 10 seconds before conducting the next test.

PROCEDURE FOR MALFUNCTION A

Ⓟ With CONSULT-II

1. Turn ignition switch ON.
2. Select "DATA MONITOR" mode with CONSULT-II.
3. If 1st trip DTC is detected, go to [EC-490, "Diagnostic Procedure"](#)



Ⓟ With GST

Follow the procedure "With CONSULT-II" above.

DTC P0605 ECM

PROCEDURE FOR MALFUNCTION B

With CONSULT-II

1. Turn ignition switch ON and wait at least 1 second.
2. Select "DATA MONITOR" mode with CONSULT-II.
3. Turn ignition switch OFF, wait at least 10 seconds, and then turn ON.
4. If 1st trip DTC is detected, go to [EC-490, "Diagnostic Procedure"](#).

DATA MONITOR	
MONITOR	NO DTC
ENG SPEED	XXX rpm

SEF058Y

With GST

Follow the procedure "With CONSULT-II" above.

PROCEDURE FOR MALFUNCTION C

With CONSULT-II

1. Turn ignition switch ON and wait at least 1 second.
2. Select "DATA MONITOR" mode with CONSULT-II.
3. Turn ignition switch OFF, wait at least 10 seconds, and then turn ON.
4. Repeat step 3 for 32 times.
5. If 1st trip DTC is detected, go to [EC-490, "Diagnostic Procedure"](#).

DATA MONITOR	
MONITOR	NO DTC
ENG SPEED	XXX rpm

SEF058Y

With GST

Follow the procedure "With CONSULT-II" above.

Diagnostic Procedure

1. INSPECTION START

NBS001Z6

With CONSULT-II

1. Turn ignition switch ON.
2. Select "SELF DIAG RESULTS" mode with CONSULT-II.
3. Touch "ERASE".
4. **Perform DTC Confirmation Procedure.**
See [EC-489, "DTC Confirmation Procedure"](#).
5. Is the 1st trip DTC P0605 displayed again?

With GST

1. Turn ignition switch ON.
2. Select "Service \$04" with GST.
3. **Perform DTC Confirmation Procedure.**
See [EC-489, "DTC Confirmation Procedure"](#).
4. Is the 1st trip DTC P0605 displayed again?

Yes or No

Yes >> GO TO 2.

No >> **INSPECTION END**

2. REPLACE ECM

1. Replace ECM.
2. Perform initialization of IVIS (NATS) system and registration of all IVIS (NATS) ignition key IDs. Refer to [BL-202, "ECM Re-Communicating Function"](#) .
3. Perform [EC-77, "VIN Registration"](#) .
4. Perform [EC-77, "Accelerator Pedal Released Position Learning"](#) .
5. Perform [EC-78, "Throttle Valve Closed Position Learning"](#) .
6. Perform [EC-78, "Idle Air Volume Learning"](#) .

>> INSPECTION END

A

EC

C

D

E

F

G

H

I

J

K

L

M

DTC P0643 SENSOR POWER SUPPLY

DTC P0643 SENSOR POWER SUPPLY

PF1:18919

On Board Diagnosis Logic

NBS0022G

This self-diagnosis has the one trip detection logic.

DTC No.	Trouble diagnosis name	DTC detecting condition	Possible cause
P0643 0643	Sensor power supply circuit short	ECM detects a voltage of power source for sensor is excessively low or high.	<ul style="list-style-type: none"> ● Harness or connectors (APP sensor 1 circuit is shorted.) (EVAP control system pressure sensor is shorted.) (Refrigerant pressure sensor circuit is shorted.) (PSP sensor circuit is shorted.) ● Accelerator pedal position sensor ● EVAP control system pressure sensor ● Refrigerant pressure sensor ● Power steering pressure sensor

FAIL-SAFE MODE

When the malfunction is detected, ECM enters fail-safe mode and the MIL lights up.

Engine operation condition in fail-safe mode

ECM stops the electric throttle control actuator control, throttle valve is maintained at a fixed opening (approx. 5 degrees) by the return spring.

DTC Confirmation Procedure

NBS0022H

NOTE:

If DTC Confirmation Procedure has been previously conducted, always turn ignition switch OFF and wait at least 10 seconds before conducting the next test.

TESTING CONDITION:

Before performing the following procedure, confirm that battery voltage is more than 10V at idle.

WITH CONSULT-II

1. Turn ignition switch ON.
2. Select "DATA MONITOR" mode with CONSULT-II.
3. Start engine and let it idle for 1 second.
4. If DTC is detected, go to [EC-495, "Diagnostic Procedure"](#).

DATA MONITOR	
MONITOR	NO DTC
ENG SPEED	XXX rpm

SEF058Y

WITH GST

Follow the procedure "WITH CONSULT-II" above.

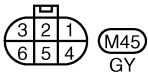
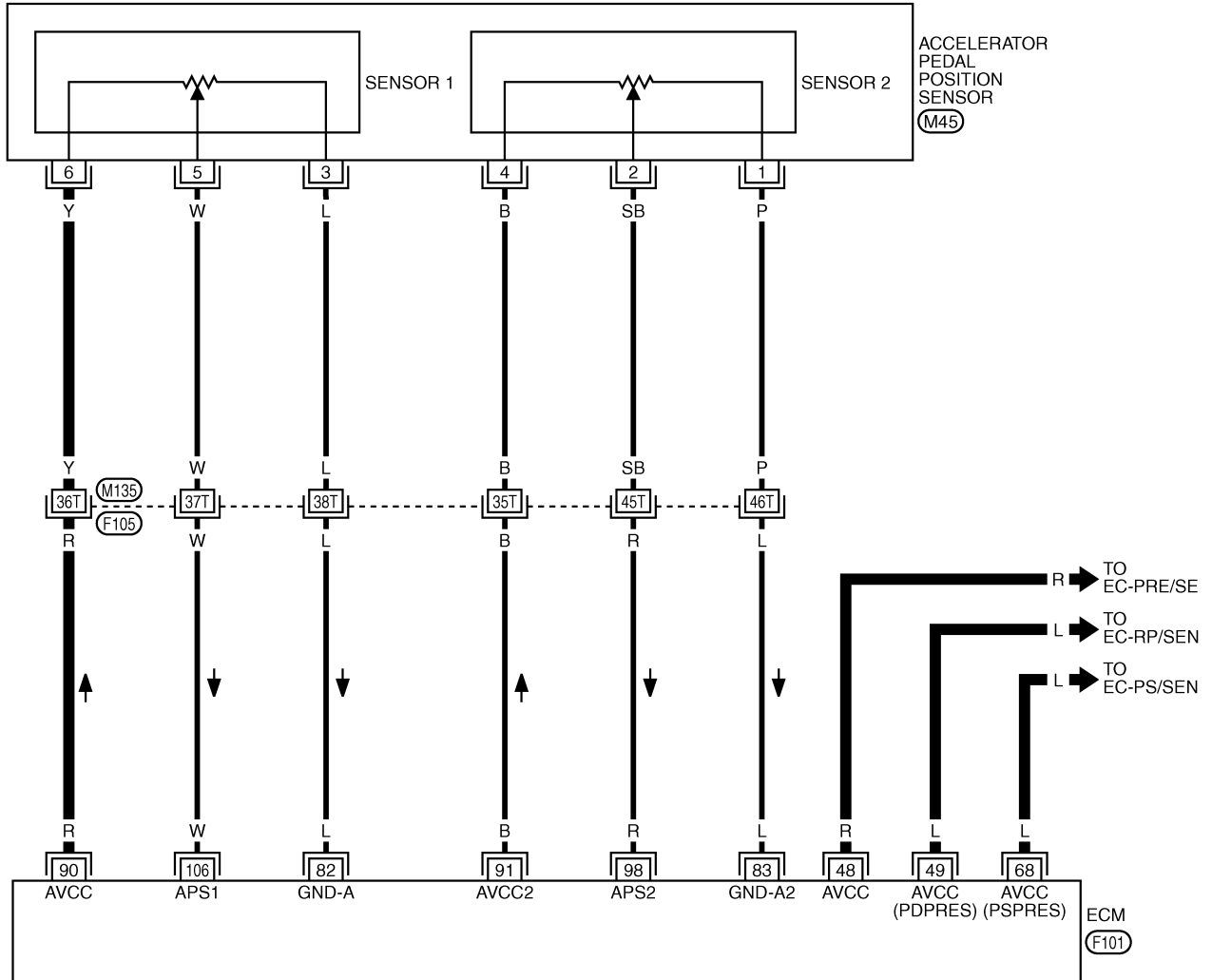
DTC P0643 SENSOR POWER SUPPLY

Wiring Diagram

NBS00221

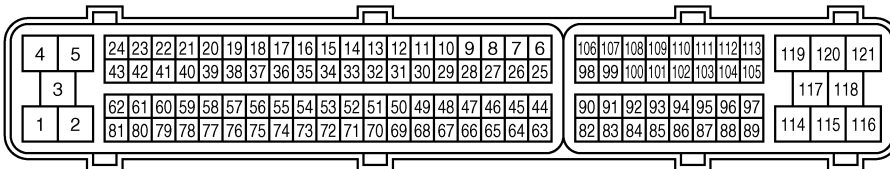
EC-SEN/PW-01

: DETECTABLE LINE FOR DTC
 : NON-DETECTABLE LINE FOR DTC



REFER TO THE FOLLOWING.

F105 -SUPER MULTIPLE JUNCTION (SMJ)



TBWM1243E

DTC P0643 SENSOR POWER SUPPLY

Specification data are reference values and are measured between each terminal and ground.

CAUTION:

Do not use ECM ground terminals when measuring input/output voltage. Doing so may result in damage to the ECM's transistor. Use a ground other than ECM terminals, such as the ground.

TERMINAL NO.	WIRE COLOR	ITEM	CONDITION	DATA (DC Voltage)
48	R	Sensor power supply (EVAP control system pressure sensor)	[Ignition switch: ON]	Approximately 5V
49	L	Sensor power supply (Refrigerant pressure sensor)	[Ignition switch: ON]	Approximately 5V
68	L	Sensor power supply (Power steering pressure sensor)	[Ignition switch: ON]	Approximately 5V
82	L	Sensor ground (APP sensor 1)	[Engine is running] ● Warm-up condition ● Idle speed	Approximately 0V
83	L	Sensor ground (APP sensor 2)	[Engine is running] ● Warm-up condition ● Idle speed	Approximately 0V
90	R	Sensor power supply (APP sensor 1)	[Ignition switch: ON]	Approximately 5V
91	B	Sensor power supply (APP sensor 2)	[Ignition switch: ON]	Approximately 5V
98	R	Accelerator pedal position sensor 2	[Ignition switch: ON] ● Engine stopped ● Accelerator pedal: Fully released	0.15 - 0.60V
			[Ignition switch: ON] ● Engine stopped ● Accelerator pedal: Fully depressed	1.95 - 2.40V
106	W	Accelerator pedal position sensor 1	[Ignition switch: ON] ● Engine stopped ● Accelerator pedal: Fully released	0.5 - 1.0V
			[Ignition switch: ON] ● Engine stopped ● Accelerator pedal: Fully depressed	3.9 - 4.7V

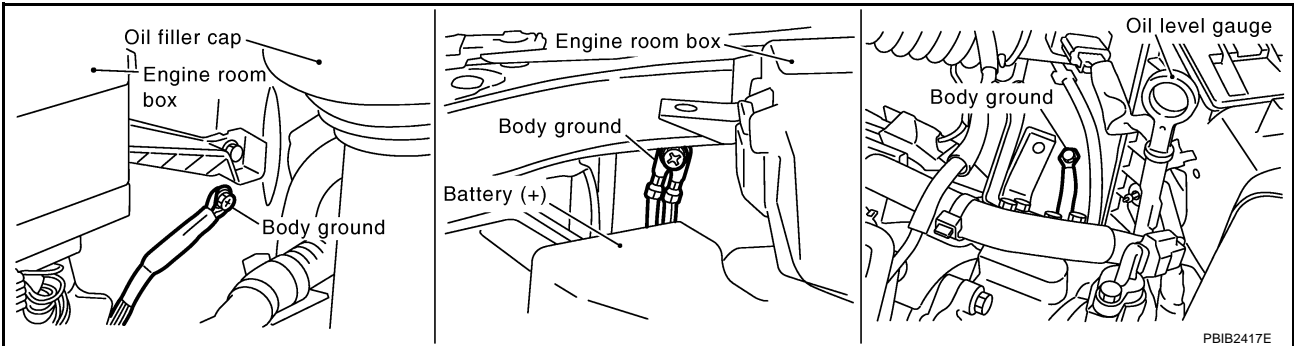
DTC P0643 SENSOR POWER SUPPLY

NBS0022J

Diagnostic Procedure

1. CHECK GROUND CONNECTIONS

1. Turn ignition switch OFF.
2. Loosen and retighten three ground screws on the body.
Refer to [EC-154, "Ground Inspection"](#).

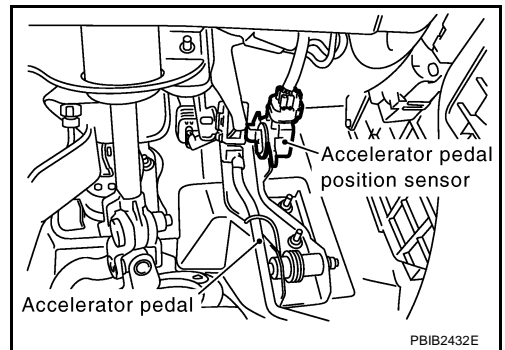


OK or NG

- OK >> GO TO 2.
- NG >> Repair or replace ground connections.

2. CHECK ACCELERATOR PEDAL POSITION SENSOR 1 POWER SUPPLY CIRCUIT

1. Disconnect accelerator pedal position (APP) sensor harness connector.
2. Turn ignition switch ON.

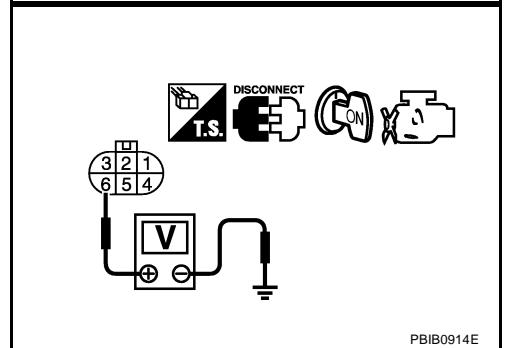


3. Check voltage between APP sensor terminal 6 and ground with CONSULT-II or tester.

Voltage: Approximately 5V

OK or NG

- OK >> GO TO 5.
- NG >> GO TO 3.



DTC P0643 SENSOR POWER SUPPLY

3. CHECK SENSOR POWER SUPPLY CIRCUITS

Check harness for short to power and short to ground, between the following terminals.

ECM terminal	Sensor terminal	Reference Wiring Diagram
90	APP sensor terminal 6	EC-493
48	EVAP control pressure sensor terminal 1	EC-438
49	Refrigerant pressure sensor terminal 1	EC-745
68	PSP sensor terminal 1	EC-481

OK or NG

OK >> GO TO 4.

NG >> Repair short to ground or short to power in harness or connectors.

4. CHECK COMPONENTS

Check the following.

- EVAP control pressure sensor (Refer to [EC-442, "Component Inspection"](#) .)
- Refrigerant pressure sensor (Refer to [ATC-92, "COMPONENT INSPECTION"](#) .)
- Power steering pressure sensor (Refer to [EC-484, "Component Inspection"](#) .)

OK or NG

OK >> GO TO 7.

NG >> Replace malfunctioning component.

5. CHECK APP SENSOR

Refer to [EC-652, "Component Inspection"](#) .

OK or NG

OK >> GO TO 7.

NG >> GO TO 6.

6. REPLACE ACCELERATOR PEDAL ASSEMBLY

1. Replace accelerator pedal assembly.
2. Perform [EC-77, "Accelerator Pedal Released Position Learning"](#) .
3. Perform [EC-78, "Throttle Valve Closed Position Learning"](#) .
4. Perform [EC-78, "Idle Air Volume Learning"](#) .

>> INSPECTION END

7. CHECK INTERMITTENT INCIDENT

Refer to [EC-145, "TROUBLE DIAGNOSIS FOR INTERMITTENT INCIDENT"](#) .

>> INSPECTION END

DTC P0850 PNP SWITCH

DTC P0850 PNP SWITCH

PFP:23006

Component Description

NBS0024Y

When the selector lever position is P or N, park/neutral position (PNP) switch is ON. ECM detects the position because the continuity of the line (the "ON" signal) exists.

CONSULT-II Reference Value in Data Monitor Mode

NBS0024Z

Specification data are reference values.

MONITOR ITEM	CONDITION		SPECIFICATION
P/N POSI SW	● Ignition switch: ON	Selector lever: P or N	ON
		Selector lever: Except above	OFF

On Board Diagnosis Logic

NBS00250

DTC No.	Trouble diagnosis name	DTC detecting condition	Possible cause
P0850 0850	Park/neutral position switch	The signal of the park/neutral position (PNP) switch is not changed in the process of engine starting and driving.	<ul style="list-style-type: none"> ● Harness or connectors [The park/neutral position (PNP) switch circuit is open or shorted.] ● Park/neutral position (PNP) switch ● TCM

DTC Confirmation Procedure

NBS00251

CAUTION:

Always drive vehicle at a safe speed.

NOTE:

If DTC Confirmation Procedure has been previously conducted, always turn ignition switch OFF and wait at least 10 seconds before conducting the next test.

Ⓟ WITH CONSULT-II

1. Turn ignition switch ON.
2. Select "P/N POSI SW" in "DATA MONITOR" mode with CONSULT-II. Then check the "P/N POSI SW" signal under the following conditions.

Position (Selector lever)	Known-good signal
N or P position	ON
Except above position	OFF

If NG, go to [EC-500, "Diagnostic Procedure"](#) .

If OK, go to following step.

3. Select "DATA MONITOR" mode with CONSULT-II.
4. Start engine and warm it up to normal operating temperature.
5. Maintain the following conditions for at least 60 consecutive seconds.

ENG SPEED	More than 1,200 rpm
COOLAN TEMP/S	More than 70°C (158°F)
B/FUEL SCHDL	2.0 - 31.8 msec
VHCL SPEED SE	More than 64 km/h (40 MPH)
Selector lever	Suitable position

6. If 1st trip DTC is detected, go to [EC-500, "Diagnostic Procedure"](#)

DATA MONITOR	
MONITOR	NO DTC
P/N POSI SW	ON

SEF212Y

DATA MONITOR	
MONITOR	NO DTC
ENG SPEED	XXX rpm
COOLAN TEMP/S	XXX °C
VHCL SPEED SE	XXX km/h
P/N POSI SW	OFF
B/FUEL SCHDL	XXX msec

SEF213Y

DTC P0850 PNP SWITCH

NBS00252

Overall Function Check

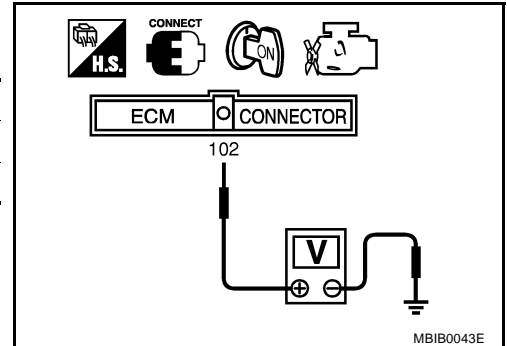
Use this procedure to check the overall function of the park/neutral position (PNP) switch circuit. During this check, a 1st trip DTC might not be confirmed.

WITH GST

1. Turn ignition switch ON.
2. Check voltage between ECM terminal 102 (PNP switch signal) and ground under the following conditions.

Position (Selector lever)	Voltage (Known good data)
P or N position	Approx. 0V
Except above position	BATTERY VOLTAGE (11 - 14V)

3. If NG, go to [EC-500. "Diagnostic Procedure"](#).



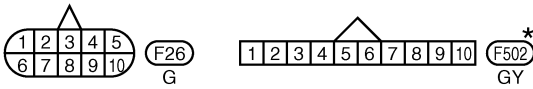
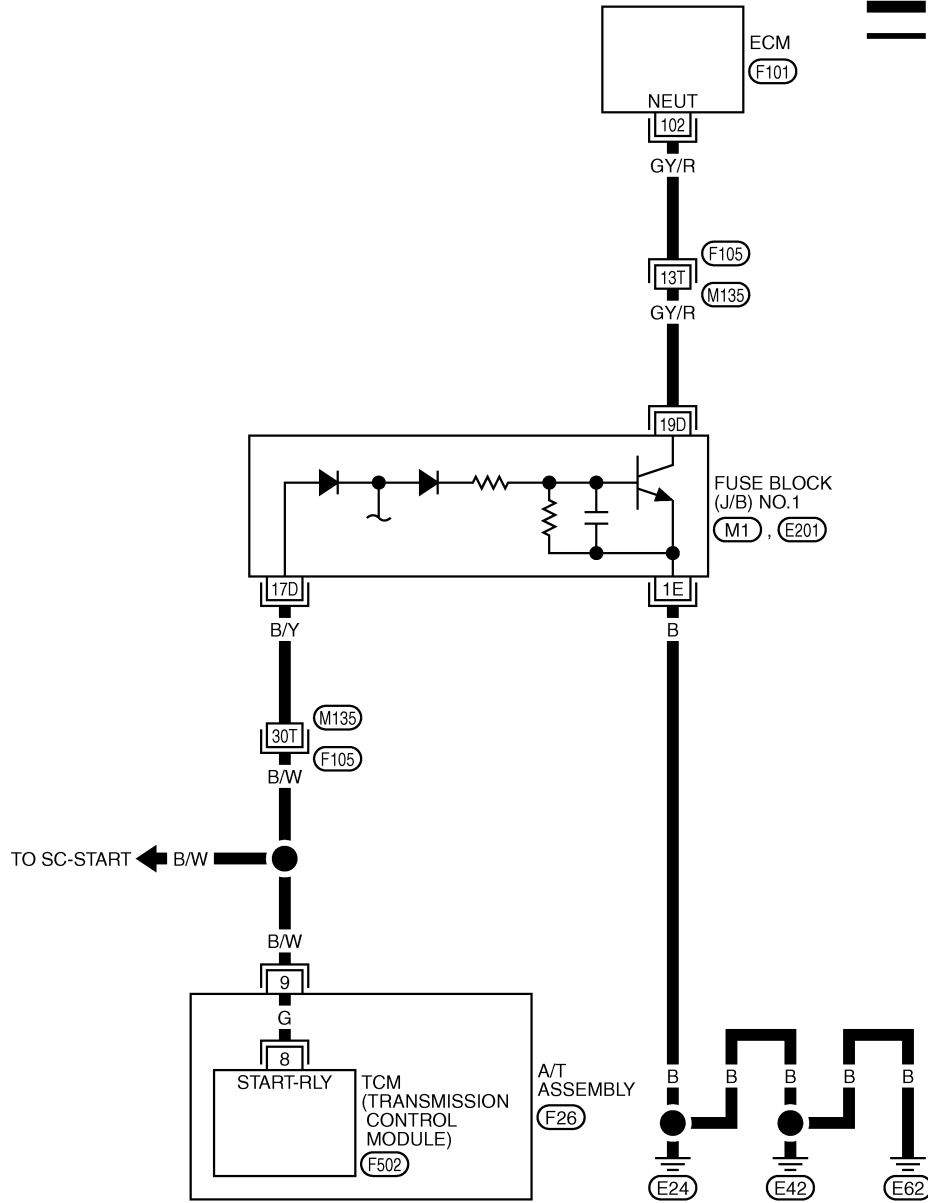
DTC P0850 PNP SWITCH

Wiring Diagram

NBS00253

EC-PNP/SW-01

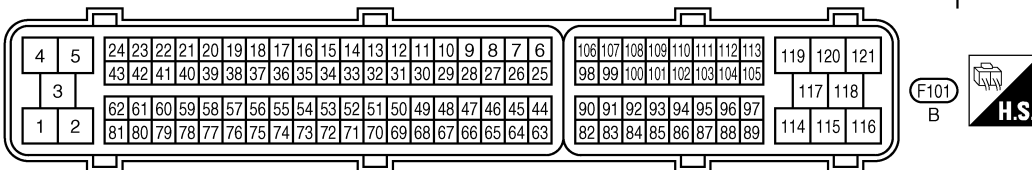
— : DETECTABLE LINE FOR DTC
— : NON-DETECTABLE LINE FOR DTC



*: THIS CONNECTOR IS NOT SHOWN IN "HARNESS LAYOUT", PG SECTION.

REFER TO THE FOLLOWING.

- (F105) -SUPER MULTIPLE JUNCTION (SMJ)
- (M1), (E201) -FUSE BLOCK-JUNCTION BOX (J/B) NO.1



TBWM0573E

DTC P0850 PNP SWITCH

Specification data are reference values and are measured between each terminal and ground.

CAUTION:

Do not use ECM ground terminals when measuring input/output voltage. Doing so may result in damage to the ECM's transistor. Use a ground other than ECM terminals, such as the ground.

TER-MINAL NO.	WIRE COLOR	ITEM	CONDITION	DATA (DC Voltage)
102	GY/R	PNP switch	[Ignition switch: ON] ● Selector lever: P or N	Approximately 0V
			[Ignition switch: ON] ● Selector lever: Except above	BATTERY VOLTAGE (11 - 14V)

Diagnostic Procedure

NBS00254

1. CHECK DTC WITH TCM

Refer to [AT-38, "ON BOARD DIAGNOSTIC \(OBD\) SYSTEM"](#).

OK or NG

- OK >> GO TO 2.
- NG >> Repair or replace.

2. CHECK STARTING SYSTEM

Turn ignition switch OFF, then turn it to START.

Does starter motor operate?

Yes or No

- Yes >> GO TO 3.
- No >> Refer to [SC-9, "STARTING SYSTEM"](#).

3. CHECK PNP SWITCH INPUT SIGNAL CIRCUIT FOR OPEN AND SHORT-I

1. Turn ignition switch OFF.
2. Disconnect A/T assembly harness connector.
3. Disconnect fuse block (J/B) No. 1 connector M1.
4. Check harness continuity between A/T assembly terminal 9 and fuse block (J/B) No. 1 terminal 17D. Refer to Wiring Diagram.

Continuity should exist.

5. Also check harness for short to ground and short to power.

OK or NG

- OK >> GO TO 5.
- NG >> GO TO 4.

4. DETECT MALFUNCTIONING PART

Check the following.

- Harness connectors M135, F105
- Harness for open or short between A/T assembly and fuse block (J/B) No. 1

>> Repair open circuit or short to ground or short to power in harness or connectors.

DTC P0850 PNP SWITCH

5. CHECK PNP SWITCH INPUT SIGNAL CIRCUIT FOR OPEN AND SHORT-II

1. Disconnect fuse block (J/B) No. 1 connector E201.
2. Check harness continuity between fuse block (J/B) No. 1 terminal 1E and ground.
Refer to Wiring Diagram.

Continuity should exist.

3. Also check harness for short to power.

OK or NG

OK >> GO TO 6.

NG >> Repair open circuit or short to power in harness or connectors.

6. CHECK PNP SWITCH INPUT SIGNAL CIRCUIT FOR OPEN AND SHORT-III

1. Disconnect ECM harness connector.
2. Check harness continuity between ECM terminal 102 and fuse block (J/B) No. 1 terminal 19D.
Refer to Wiring Diagram.

Continuity should exist.

3. Also check harness for short to ground and short to power.

OK or NG

OK >> GO TO 8.

NG >> GO TO 7.

7. DETECT MALFUNCTIONING PART

Check the following.

- Harness connectors F105, M135
- Harness for open or short between ECM and fuse block (J/B) No. 1

>> Repair open circuit or short to ground or short to power in harness or connectors.

8. CHECK FUSE BLOCK (J/B) NO. 1

Refer to [PG-70, "FUSE BLOCK - JUNCTION BOX \(J/B\) NO. 1"](#) .

OK or NG

OK >> GO TO 9.

NG >> Replace fuse block (J/B) No. 1

9. CHECK PNP SWITCH INPUT SIGNAL CIRCUIT FOR OPEN AND SHORT-III

1. Check harness continuity between A/T assembly terminal 9 and TCM terminal 8.
Refer to [AT-102, "DTC P0615 START SIGNAL CIRCUIT"](#) .

Continuity should exist.

2. Also check harness for short to ground and short to power.

OK or NG

OK >> GO TO 10.

NG >> Repair open circuit or short to ground or short to power in harness or connectors.

10. CHECK INTERMITTENT INCIDENT

Refer to [EC-145, "TROUBLE DIAGNOSIS FOR INTERMITTENT INCIDENT"](#) .

>> **INSPECTION END**

DTC P1140, P1145 IVT CONTROL POSITION SENSOR

DTC P1140, P1145 IVT CONTROL POSITION SENSOR

PFP:23731

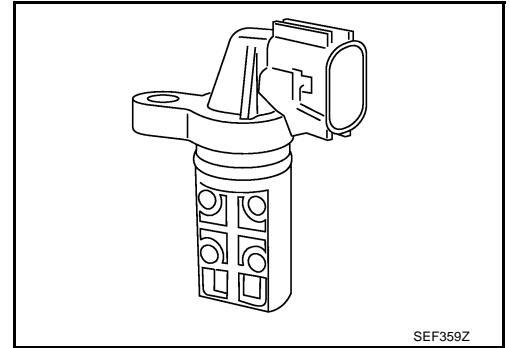
Component Description

NBS00209

Intake valve timing control position sensors are located in the front of cylinder heads in both bank 1 and bank 2.

This sensor uses a Hall IC.

The cam position is determined by the intake primary cam sprocket concave (in four places). The ECM provides feedback to the intake valve timing control for appropriate target valve open-close timing according to drive conditions based on detected cam position.



CONSULT-II Reference Value in Data Monitor Mode

NBS0020A

Specification data are reference values.

MONITOR ITEM	CONDITION		SPECIFICATION
INT/V TIM (B1) INT/V TIM (B2)	<ul style="list-style-type: none"> ● Engine: After warming up ● Selector lever: P or N 	Idle	-5° - 5°C
	<ul style="list-style-type: none"> ● Air conditioner switch: OFF ● No load 	2,000 rpm	Approx. 0° - 20°C

On Board Diagnosis Logic

NBS0020B

DTC No.	Trouble diagnosis name	DTC detecting condition	Possible cause
P1140 1140 (bank 1)	Intake valve timing control position sensor circuit	An excessively high or low voltage from the sensor is sent to ECM.	<ul style="list-style-type: none"> ● Harness or connectors (Intake valve timing control position sensor circuit is open or shorted) ● Intake valve timing control position sensor ● Crankshaft position sensor (POS) ● Camshaft position sensor (PHASE) ● Accumulation of debris to the signal pick-up portion of the camshaft sprocket
P1145 1145 (bank 2)			

DTC Confirmation Procedure

NBS0020C

NOTE:

If DTC Confirmation Procedure has been previously conducted, always turn ignition switch OFF and wait at least 10 seconds before conducting the next test.

WITH CONSULT-II

1. Turn ignition switch ON.
2. Select "DATA MONITOR" mode with CONSULT-II.
3. Start engine and let it idle for 10 seconds.
4. If 1st trip DTC is detected, go to [EC-507, "Diagnostic Procedure"](#)

DATA MONITOR	
MONITOR	NO DTC
ENG SPEED	XXX rpm

SEF058Y

DTC P1140, P1145 IVT CONTROL POSITION SENSOR

 **WITH GST**

Follow the procedure WITH CONSULT-II above.

A

EC

C

D

E

F

G

H

I

J

K

L

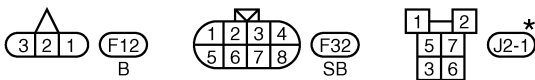
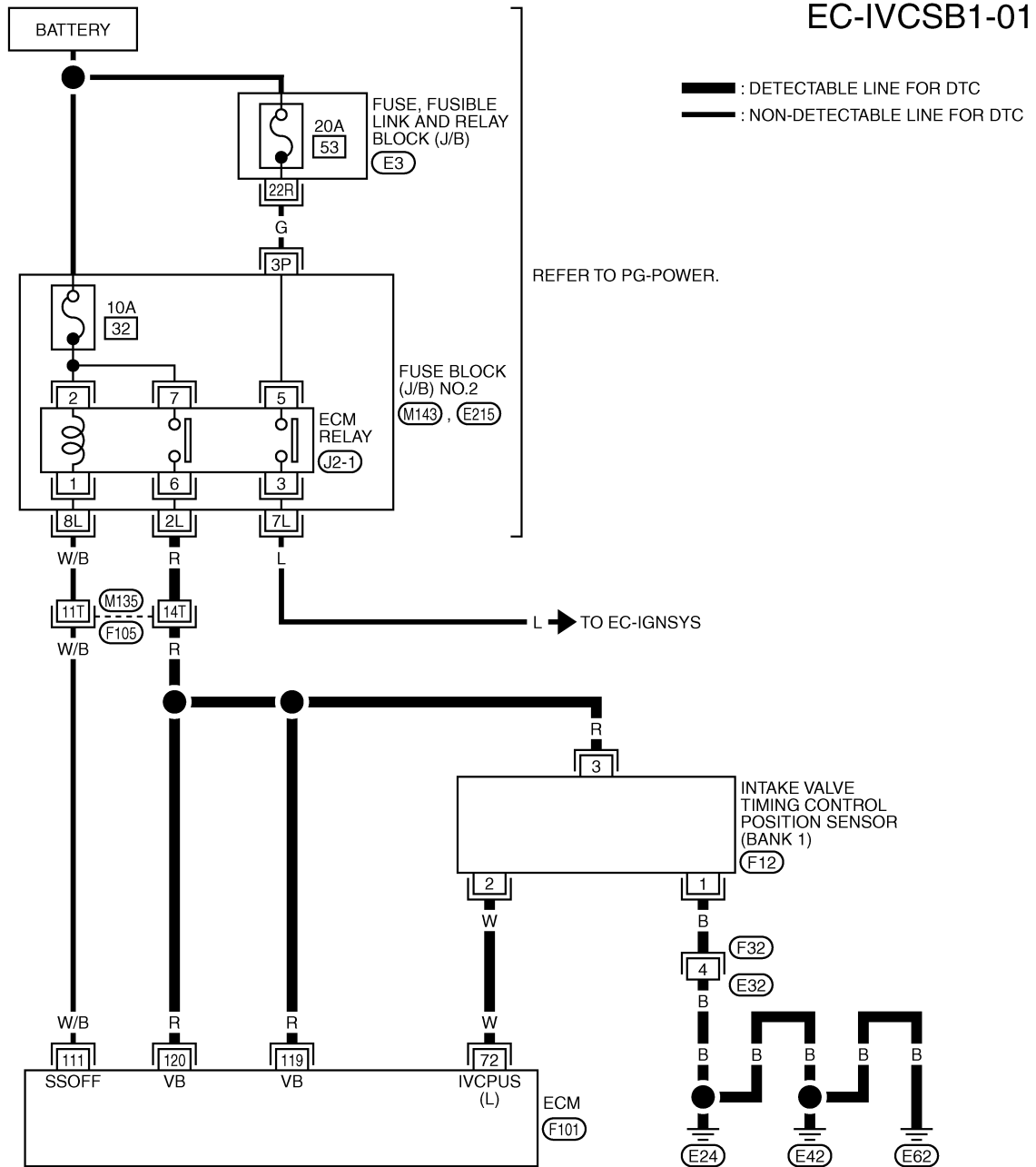
M

DTC P1140, P1145 IVT CONTROL POSITION SENSOR

NBS0020D

Wiring Diagram BANK 1

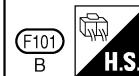
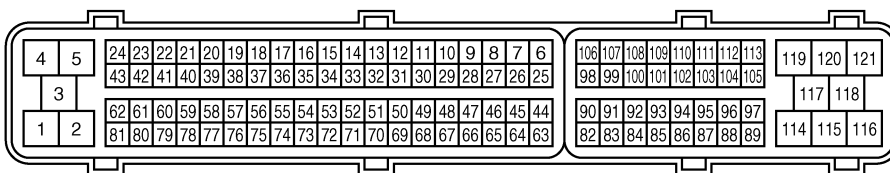
EC-IVCSB1-01



*: THIS CONNECTOR IS NOT SHOWN IN "HARNESS LAYOUT", PG SECTION.

REFER TO THE FOLLOWING.

- (F105) -SUPER MULTIPLE JUNCTION (SMJ)
- (M143) , (E215) -FUSE BLOCK-JUNCTION BOX (J/B) NO.2
- (E3) -FUSE, FUSIBLE LINK AND RELAY BLOCK (J/B)



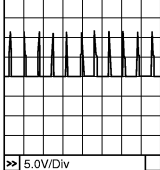
TBWM1240E

DTC P1140, P1145 IVT CONTROL POSITION SENSOR

Specification data are reference values and are measured between each terminal and ground.
Pulse signal is measured by CONSULT-II.

CAUTION:

Do not use ECM ground terminals when measuring input/output voltage. Doing so may result in damage to the ECM's transistor. Use a ground other than ECM terminals, such as the ground.

TER-MINAL NO.	WIRE COLOR	ITEM	CONDITION	DATA (DC Voltage)
72	W	Intake valve timing control position sensor (bank 1)	[Engine is running] <ul style="list-style-type: none"> ● Warm-up condition ● Idle speed 	0 - 1.0V
			[Engine is running] <ul style="list-style-type: none"> ● Engine speed: 2,000rpm 	0 - 1.0V★  <small>PBIB2046E</small>
111	W/B	ECM relay (Self shut-off)	[Engine is running] [Ignition switch: OFF] <ul style="list-style-type: none"> ● For a few seconds after turning ignition switch OFF 	0 - 1.5V
			[Ignition switch: OFF] <ul style="list-style-type: none"> ● More than a few seconds after turning ignition switch OFF 	BATTERY VOLTAGE (11 - 14V)
119 120	R R	Power supply for ECM	[Ignition switch: ON]	BATTERY VOLTAGE (11 - 14V)

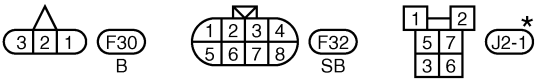
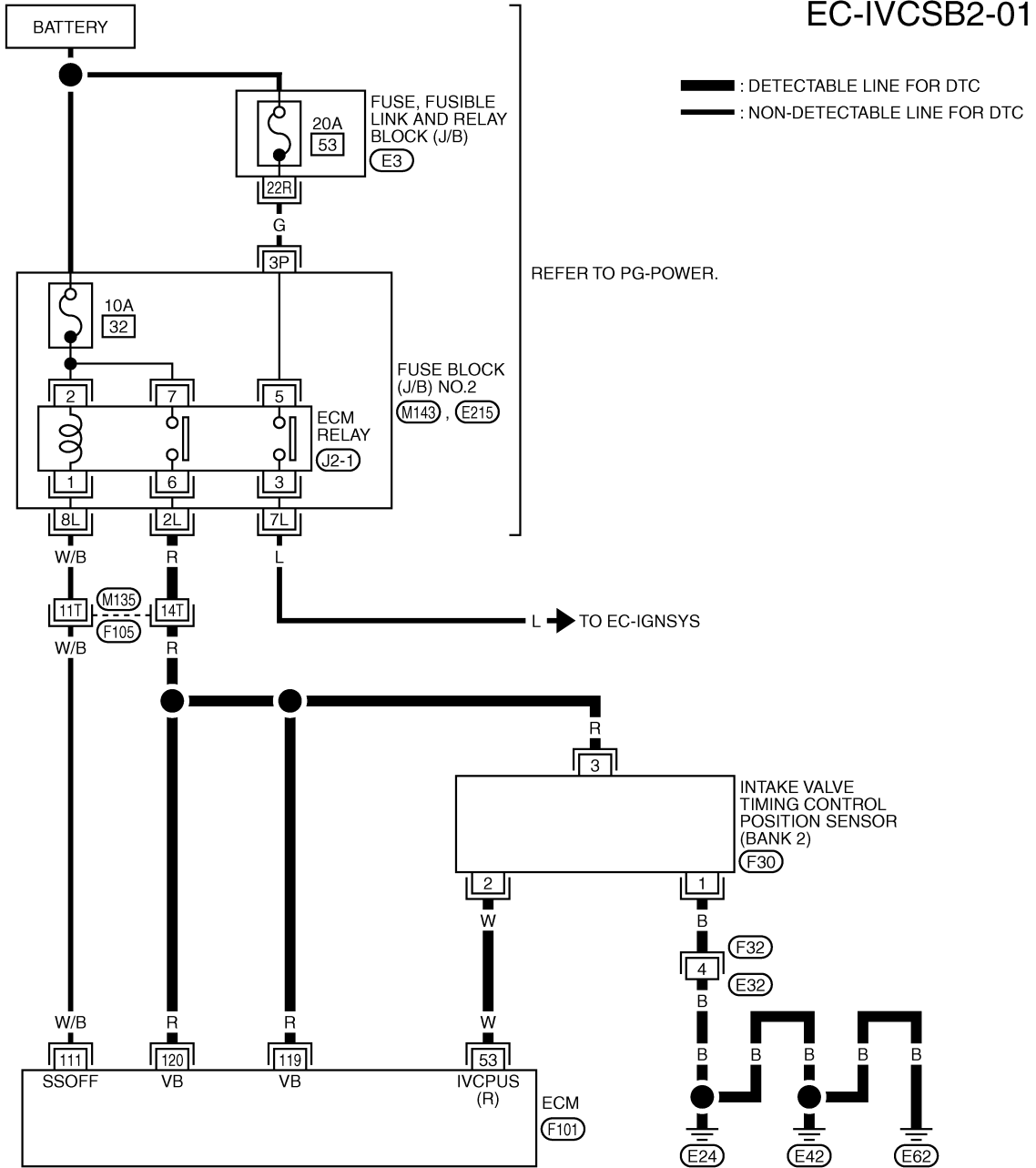
★: Average voltage for pulse signal (Actual pulse signal can be confirmed by oscilloscope.)

A
EC
C
D
E
F
G
H
I
J
K
L
M

DTC P1140, P1145 IVT CONTROL POSITION SENSOR

BANK 2

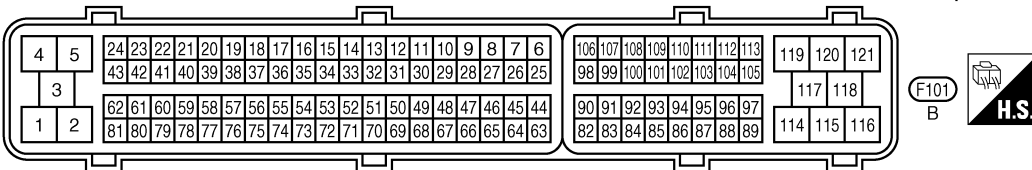
EC-IVCSB2-01



*: THIS CONNECTOR IS NOT SHOWN IN "HARNESS LAYOUT", PG SECTION.

REFER TO THE FOLLOWING.

- F105 -SUPER MULTIPLE JUNCTION (SMJ)
- M143, E215 -FUSE BLOCK-JUNCTION BOX (J/B) NO.2
- E3 -FUSE, FUSIBLE LINK AND RELAY BLOCK (J/B)



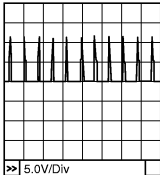
TBWM1241E

DTC P1140, P1145 IVT CONTROL POSITION SENSOR

Specification data are reference values and are measured between each terminal and ground.
Pulse signal is measured by CONSULT-II.

CAUTION:

Do not use ECM ground terminals when measuring input/output voltage. Doing so may result in damage to the ECM's transistor. Use a ground other than ECM terminals, such as the ground.

TER-MINAL NO.	WIRE COLOR	ITEM	CONDITION	DATA (DC Voltage)
53	W	Intake valve timing control position sensor (bank 2)	[Engine is running] ● Warm-up condition ● Idle speed	0 - 1.0V
			[Engine is running] ● Engine speed: 2,000 rpm	0 - 1.0V★ 
111	W/B	ECM relay (Self shut-off)	[Engine is running] [Ignition switch: OFF] ● For a few seconds after turning ignition switch OFF	0 - 1.5V
			[Ignition switch: OFF] ● More than a few seconds after turning ignition switch OFF	BATTERY VOLTAGE (11 - 14V)
119 120	R R	Power supply for ECM	[Ignition switch: ON]	BATTERY VOLTAGE (11 - 14V)

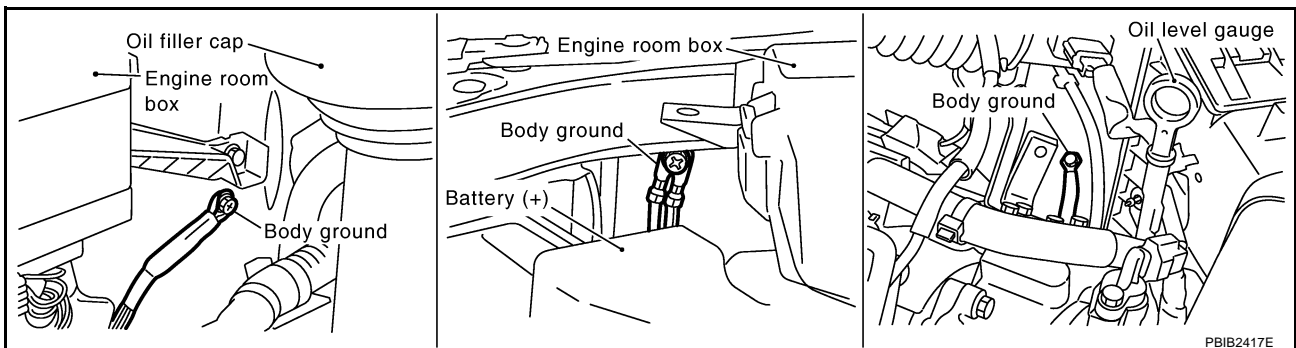
★: Average voltage for pulse signal (Actual pulse signal can be confirmed by oscilloscope.)

Diagnostic Procedure

NBS0020E

1. CHECK GROUND CONNECTIONS

1. Turn ignition switch OFF.
2. Loosen and retighten three ground screws on the body.
Refer to [EC-154, "Ground Inspection"](#) .



PBIB2417E

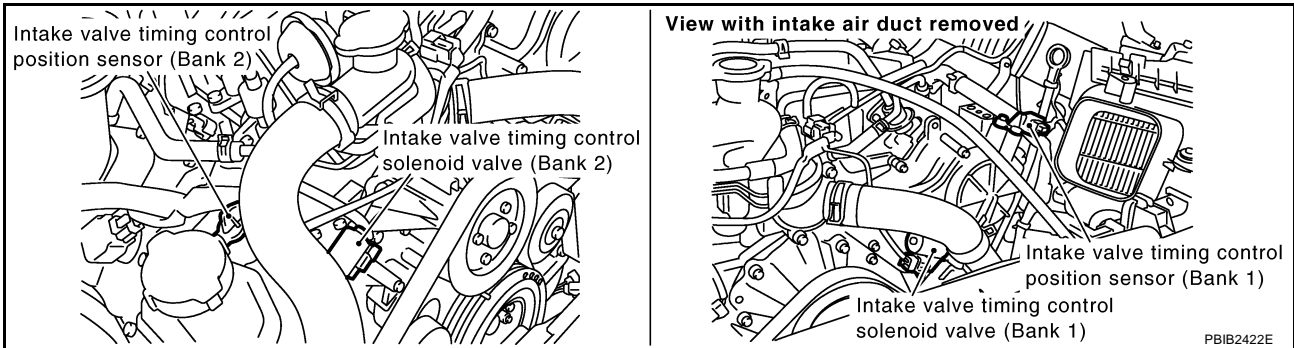
OK or NG

- OK >> GO TO 2.
- NG >> Repair or replace ground connections.

DTC P1140, P1145 IVT CONTROL POSITION SENSOR

2. CHECK INTAKE VALVE TIMING CONTROL POSITION SENSOR POWER SUPPLY CIRCUIT

1. Disconnect intake valve timing control position sensor harness connector.

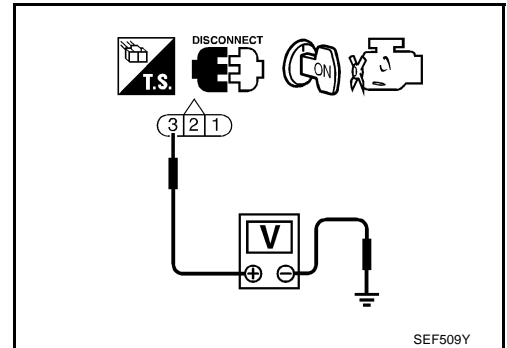


2. Turn ignition switch ON.
3. Check voltage between intake valve timing control position sensor terminal 3 and ground with CONSULT-II or tester.

Voltage: Battery voltage

OK or NG

- OK >> GO TO 4.
- NG >> GO TO 3.



3. DETECT MALFUNCTIONING PART

Check the following.

- Harness connectors M135, F105
- Harness for open or short between intake valve timing control position sensor and ECM relay
- Harness for open or short between intake valve timing control position sensor and ECM

>> Repair open circuit or short to ground or short to power in harness or connectors.

4. CHECK INTAKE VALVE TIMING CONTROL POSITION SENSOR GROUND CIRCUIT FOR OPEN AND SHORT

1. Turn ignition switch OFF.
2. Check harness continuity between intake valve timing control position sensor terminal 1 and ground. Refer to Wiring Diagram.

Continuity should exist.

3. Also check harness for short to power.

OK or NG

- OK >> GO TO 6.
- NG >> GO TO 5.

5. DETECT MALFUNCTIONING PART

Check the following.

- Harness connectors F32, E32
- Harness for open or short between intake valve timing control position sensor and ground

>> Repair open circuit or short to power in harness or connectors.

DTC P1140, P1145 IVT CONTROL POSITION SENSOR

6. CHECK INTAKE VALVE TIMING CONTROL POSITION SENSOR INPUT SIGNAL CIRCUIT FOR OPEN AND SHORT

1. Disconnect ECM harness connector.
2. Check harness continuity between the following;
ECM terminal 72 and intake valve timing control position sensor (bank 1) terminal 2 or
ECM terminal 53 and intake valve timing control position sensor (bank 2) terminal 2.
Refer to Wiring Diagram.

Continuity should exist.

3. Also check harness for short to ground and short to power.

OK or NG

OK >> GO TO 7.

NG >> Repair open circuit or short to ground or short to power in harness or connectors.

7. CHECK INTAKE VALVE TIMING CONTROL POSITION SENSOR

Refer to [EC-510, "Component Inspection"](#) .

OK or NG

OK >> GO TO 8.

NG >> Replace intake valve timing control position sensor.

8. CHECK CRANKSHAFT POSITION SENSOR (POS)

Refer to [EC-378, "Component Inspection"](#) .

OK or NG

OK >> GO TO 9.

NG >> Replace crankshaft position sensor (POS).

9. CHECK CAMSHAFT POSITION SENSOR (PHASE)

Refer to [EC-385, "Component Inspection"](#) .

OK or NG

OK >> GO TO 10.

NG >> Replace camshaft position sensor (PHASE).

10. CHECK CAMSHAFT SPROCKET

Check accumulation of debris to the signal pick-up portion of the camshaft sprocket. Refer to [EM-39, "TIMING CHAIN"](#) .

OK or NG

OK >> GO TO 11.

NG >> Remove debris and clean the signal pick-up cutout of camshaft sprocket.

11. CHECK INTERMITTENT INCIDENT

Refer to [EC-145, "TROUBLE DIAGNOSIS FOR INTERMITTENT INCIDENT"](#) .

>> **INSPECTION END**

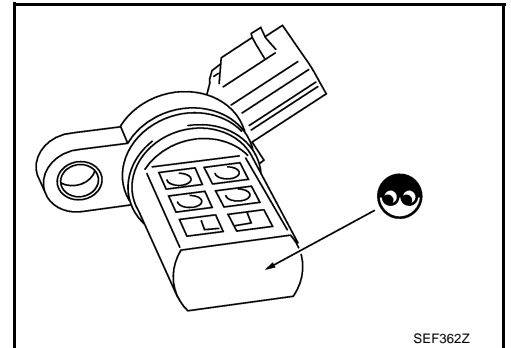
DTC P1140, P1145 IVT CONTROL POSITION SENSOR

NBS0020F

Component Inspection

INTAKE VALVE TIMING CONTROL POSITION SENSOR

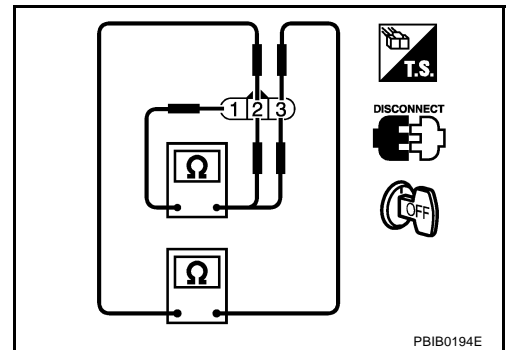
1. Disconnect intake valve timing control position sensor harness connector.
2. Loosen the fixing bolt of the sensor.
3. Remove the sensor.
4. Visually check the sensor for chipping.



5. Check resistance as shown below.

Terminal No. (Polarity)	Resistance Ω [at 25°C (77°F)]
3 (+) - 1 (-)	Except 0 or ∞
2 (+) - 1 (-)	
3 (+) - 2 (-)	

6. If NG, replace intake valve timing control position sensor.



Removal and Installation

INTAKE VALVE TIMING CONTROL POSITION SENSOR

Refer to [EM-39, "TIMING CHAIN"](#) .

NBS0020G

DTC P1148, P1168 CLOSED LOOP CONTROL

DTC P1148, P1168 CLOSED LOOP CONTROL

PFP:22690

On Board Diagnosis Logic

NBS002Y1

These self-diagnoses have the one trip detection logic.

DTC No.	Trouble diagnosis name	DTC detecting condition	Possible cause
P1148 1148 (Bank 1)	Closed loop control function	The closed loop control function for bank 1 does not operate even when vehicle is driving in the specified condition.	<ul style="list-style-type: none"> ● Harness or connectors (The A/F sensor 1 circuit is open or shorted.) ● A/F sensor 1 ● A/F sensor 1 heater
P1168 1168 (Bank 2)		The closed loop control function for bank 2 does not operate even when vehicle is driving in the specified condition.	

DTC P1148 or P1168 is displayed with another DTC for A/F sensor 1.
Perform the trouble diagnosis for the corresponding DTC.

A
EC
C
D
E
F
G
H
I
J
K
L
M

DTC P1211 TCS CONTROL UNIT

DTC P1211 TCS CONTROL UNIT

PFP:47850

Description

NBS0021J

The malfunction information related to TCS is transferred through the CAN communication line from VDC/TCS/ABS control unit to ECM.

Be sure to erase the malfunction information such as DTC not only for VDC/TCS/ABS control unit but also for ECM after TCS related repair.

On Board Diagnosis Logic

NBS0021K

**Freeze frame data is not stored in the ECM for this self-diagnosis.
The MIL will not light up for this self-diagnosis.**

DTC No.	Trouble diagnosis name	DTC detecting condition	Possible cause
P1211 1211	TCS control unit	ECM receives a malfunction information from VDC/TCS/ABS control unit.	<ul style="list-style-type: none">● VDC/TCS/ABS control unit● TCS related parts

DTC Confirmation Procedure

NBS0021L

TESTING CONDITION:

Before performing the following procedure, confirm that battery voltage is more than 10.5V at idle.

④ WITH CONSULT-II

1. Turn ignition switch ON.
2. Select "DATA MONITOR" mode with CONSULT-II.
3. Start engine and let it idle for at least 60 seconds.
4. If 1st trip DTC is detected, go to [EC-512, "Diagnostic Procedure"](#).

DATA MONITOR	
MONITOR	NO DTC
ENG SPEED	XXX rpm

SEF058Y

④ WITH GST

Follow the procedure WITH CONSULT-II above.

Diagnostic Procedure

NBS0021M

Go to [BRC-10, "TROUBLE DIAGNOSIS"](#).

DTC P1212 TCS COMMUNICATION LINE

DTC P1212 TCS COMMUNICATION LINE

PDF:47850

Description

NBS0021N

NOTE:

- If DTC P1212 is displayed with DTC U1000 or U1001, first perform the trouble diagnosis for DTC U1000, U1001. Refer to [EC-156, "DTC U1000, U1001 CAN COMMUNICATION LINE"](#).
- If DTC P1212 is displayed with DTC U1010, first perform the trouble diagnosis for DTC U1010. Refer to [EC-159, "DTC U1010 CAN COMMUNICATION"](#).

This CAN communication line is used to control the smooth engine operation during the TCS operation. Pulse signals are exchanged between ECM and VDC/TCS/ABS control unit.

Be sure to erase the malfunction information such as DTC not only for VDC/TCS/ABS control unit but also for ECM after TCS related repair.

On Board Diagnosis Logic

NBS0021O

**Freeze frame data is not stored in the ECM for this self-diagnosis.
The MIL will not light up for this self-diagnosis.**

DTC No.	Trouble diagnosis name	DTC detecting condition	Possible cause
P1212 1212	TCS communication line	ECM can not receive the information from VDC/TCS/ABS control unit continuously.	<ul style="list-style-type: none">● Harness or connectors (The CAN communication line is open or shorted.)● VDC/TCS/ABS control unit● Dead (Weak) battery

DTC Confirmation Procedure

NBS0021P

TESTING CONDITION:

Before performing the following procedure, confirm that battery voltage is more than 10.5V at idle.

④ WITH CONSULT-II

1. Turn ignition switch ON.
2. Select "DATA MONITOR" mode with CONSULT-II.
3. Start engine and let it idle for at least 10 seconds.
4. If 1st trip DTC is detected, go to [EC-513, "Diagnostic Procedure"](#).

DATA MONITOR	
MONITOR	NO DTC
ENG SPEED	XXX rpm

SEP058Y

④ WITH GST

Follow the procedure WITH CONSULT-II above.

Diagnostic Procedure

NBS0021Q

Refer to [BRC-10, "TROUBLE DIAGNOSIS"](#).

DTC P1217 ENGINE OVER TEMPERATURE

DTC P1217 ENGINE OVER TEMPERATURE

PFP:00000

Description SYSTEM DESCRIPTION

NBS0021R

Cooling Fan Control

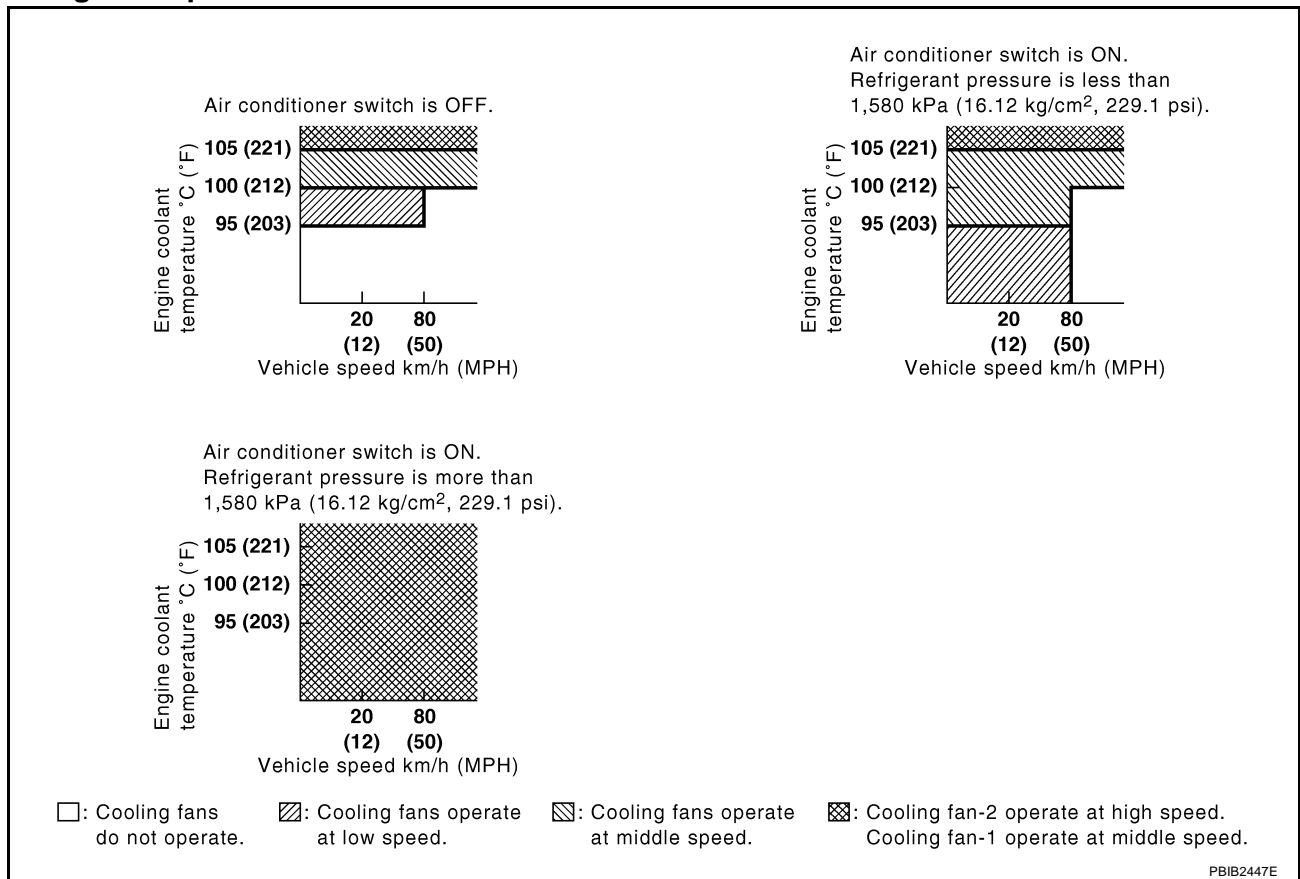
Sensor	Input Signal to ECM	ECM function	Actuator
Crankshaft position sensor (POS) Camshaft position sensor (PHASE)	Engine speed*1	Cooling fan control	Cooling fan relay
Battery	Battery voltage*1		
Wheel sensor	Vehicle speed*2		
Engine coolant temperature sensor	Engine coolant temperature		
Air conditioner switch	Air conditioner ON signal		
Refrigerant pressure sensor	Refrigerant pressure		

*1: The ECM determines the start signal status by the signals of engine speed and battery voltage.

*2: This signal is sent to ECM through CAN communication line.

The ECM controls the cooling fan corresponding to the vehicle speed, engine coolant temperature, refrigerant pressure, and air conditioner ON signal. The control system has 4-step control [HIGH/MIDDLE/LOW/OFF].

Cooling Fan Operation



DTC P1217 ENGINE OVER TEMPERATURE

Cooling Fan Relay Operation

The ECM controls cooling fan relays as follows.

Cooling fan speed	Cooling fan relay		
	1	2	3
Stop (OFF)	OFF	OFF	OFF
Low (LOW)	OFF	ON	OFF
Middle (MID)	ON	OFF	OFF
High (HI)*	ON	OFF	ON

*: Cooling fan-2 operates at high speed, and cooling fan-1 operates at middle speed.

COMPONENT DESCRIPTION

Cooling Fan Motor

The cooling fan operates at each speed when the current flows in the cooling fan motor as follows.

Cooling fan speed	Cooling fan motor terminals	
	(+)	(-)
Middle (MID)	1	3 and 4
	2	3 and 4
	1 and 2	3
	1 and 2	4
High (HI)	1 and 2	3 and 4

The cooling fan operates at low (LOW) speed when cooling fan motors-1 and -2 are circuited in series under middle speed condition.

CONSULT-II Reference Value in Data Monitor Mode

NBS0021S

Specification data are reference values.

MONITOR ITEM	CONDITION	SPECIFICATION
COOLING FAN	Engine coolant temperature is 94°C (201°F) or less	OFF
	● Engine: After warming up, idle the engine ● Air conditioner switch: OFF Engine coolant temperature is between 95°C (203°F) and 99°C (210°F)	LOW
	Engine coolant temperature is between 100°C (212°F) and 104°C (219°F)	MID
	Engine coolant temperature is 105°C (221°F) or more	HI

DTC P1217 ENGINE OVER TEMPERATURE

NBS0021T

On Board Diagnosis Logic

If the cooling fan or another component in the cooling system malfunctions, engine coolant temperature will rise.

When the engine coolant temperature reaches an abnormally high temperature condition, a malfunction is indicated.

This self-diagnosis has the one trip detection logic.

DTC No.	Trouble diagnosis name	DTC detecting condition	Possible cause
P1217 1217	Engine over temperature (Overheat)	<ul style="list-style-type: none">● Cooling fan does not operate properly (Overheat).● Cooling fan system does not operate properly (Overheat).● Engine coolant level was not added to the system using the proper filling method.● Engine coolant is not within the specified range.	<ul style="list-style-type: none">● Harness or connectors (The cooling fan circuit is open or shorted.)● Cooling fan● Radiator hose● Radiator● Radiator cap● Water pump● Thermostat <p>For more information, refer to EC-532, "Main 13 Causes of Overheating".</p>

CAUTION:

When a malfunction is indicated, be sure to replace the coolant. Refer to [CO-8, "Changing Engine Coolant"](#). Also, replace the engine oil. Refer to [LU-7, "Changing Engine Oil"](#).

1. Fill radiator with coolant up to specified level with a filling speed of 2 liters per minute. Be sure to use coolant with the proper mixture ratio. Refer to [MA-11, "Anti-Freeze Coolant Mixture Ratio"](#).
2. After refilling coolant, run engine to ensure that no water-flow noise is emitted.

Overall Function Check

NBS0021U

Use this procedure to check the overall function of the cooling fan. During this check, a DTC might not be confirmed.

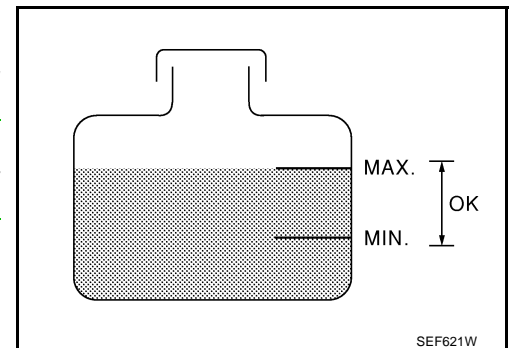
WARNING:

Never remove the radiator cap when the engine is hot. Serious burns could be caused by high pressure fluid escaping from the radiator.

Wrap a thick cloth around cap. Carefully remove the cap by turning it a quarter turn to allow built-up pressure to escape. Then turn the cap all the way off.

WITH CONSULT-II

1. Check the coolant level in the reservoir tank and radiator.
Allow engine to cool before checking coolant level.
If the coolant level in the reservoir tank and/or radiator is below the proper range, skip the following steps and go to [EC-520, "Diagnostic Procedure"](#).
2. Confirm whether customer filled the coolant or not. If customer filled the coolant, skip the following steps and go to [EC-520, "Diagnostic Procedure"](#).
3. Turn ignition switch ON.



DTC P1217 ENGINE OVER TEMPERATURE

- Perform "COOLING FAN" in "ACTIVE TEST" mode with CONSULT-II.

CAUTION:

Never change cooling fan speed from "LOW" to "HI" or from "HI" to "LOW" directly. Change the speed through "MID" to prevent cooling fan motor from damage.

- If the results are NG, go to [EC-520, "Diagnostic Procedure"](#).

ACTIVE TEST	
COOLING FAN	OFF
MONITOR	
COOLANT TEMP/S	XXX °C

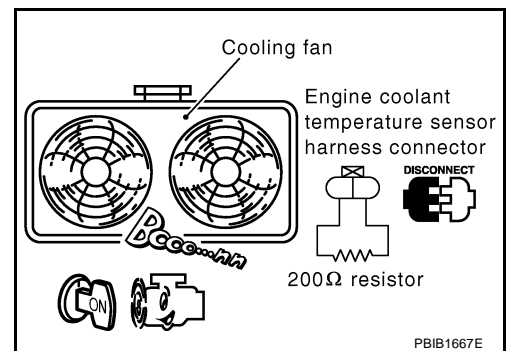
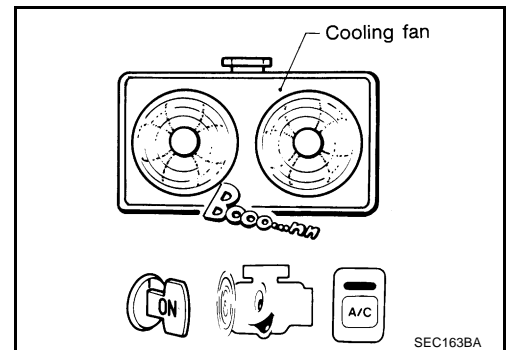
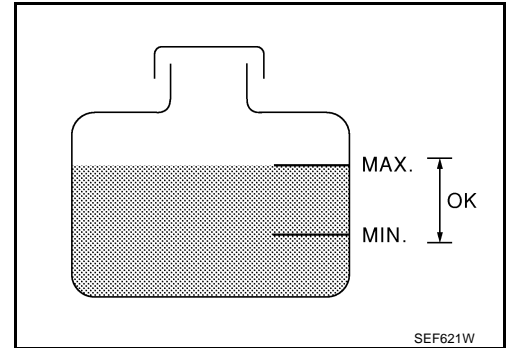
SEF646X

WITH GST

- Check the coolant level in the reservoir tank and radiator.
Allow engine to cool before checking coolant level.
If the coolant level in the reservoir tank and/or radiator is below the proper range, skip the following steps and go to [EC-520, "Diagnostic Procedure"](#).
- Confirm whether customer filled the coolant or not. If customer filled the coolant, skip the following steps and go to [EC-520, "Diagnostic Procedure"](#).
- Start engine.
Be careful not to overheat engine.
- Turn air conditioner switch ON.
- Turn blower fan switch ON.
- Make sure that cooling fan operates at low speed.
If NG, go to [EC-520, "Diagnostic Procedure"](#).
If OK, go to the following step.
- Turn ignition switch OFF.
- Disconnect engine coolant temperature sensor harness connector.
- Connect 200Ω resistor to engine coolant temperature sensor harness connector.
- Restart engine.
- Turn air conditioner switch and blower fan switch ON.
- Make sure that cooling fan operates at higher speed than low speed.

Be careful not to overheat engine.

- If NG, go to [EC-520, "Diagnostic Procedure"](#).
If OK, go to the following step.
- Turn ignition switch OFF.
- Turn air conditioner switch and blower fan switch OFF.
- Disconnect 200Ω resistor then connect 150Ω resistor to engine coolant temperature sensor harness connector.

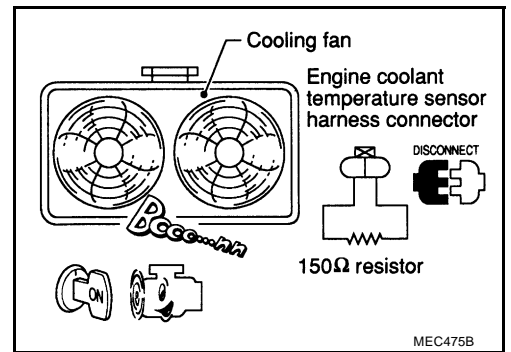


DTC P1217 ENGINE OVER TEMPERATURE

17. Restart engine and make sure that cooling fan-2 operates at higher speed than the speed at step 12.

Be careful not to overheat engine.

18. If NG, go to [EC-520, "Diagnostic Procedure"](#).

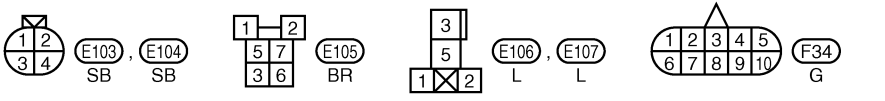
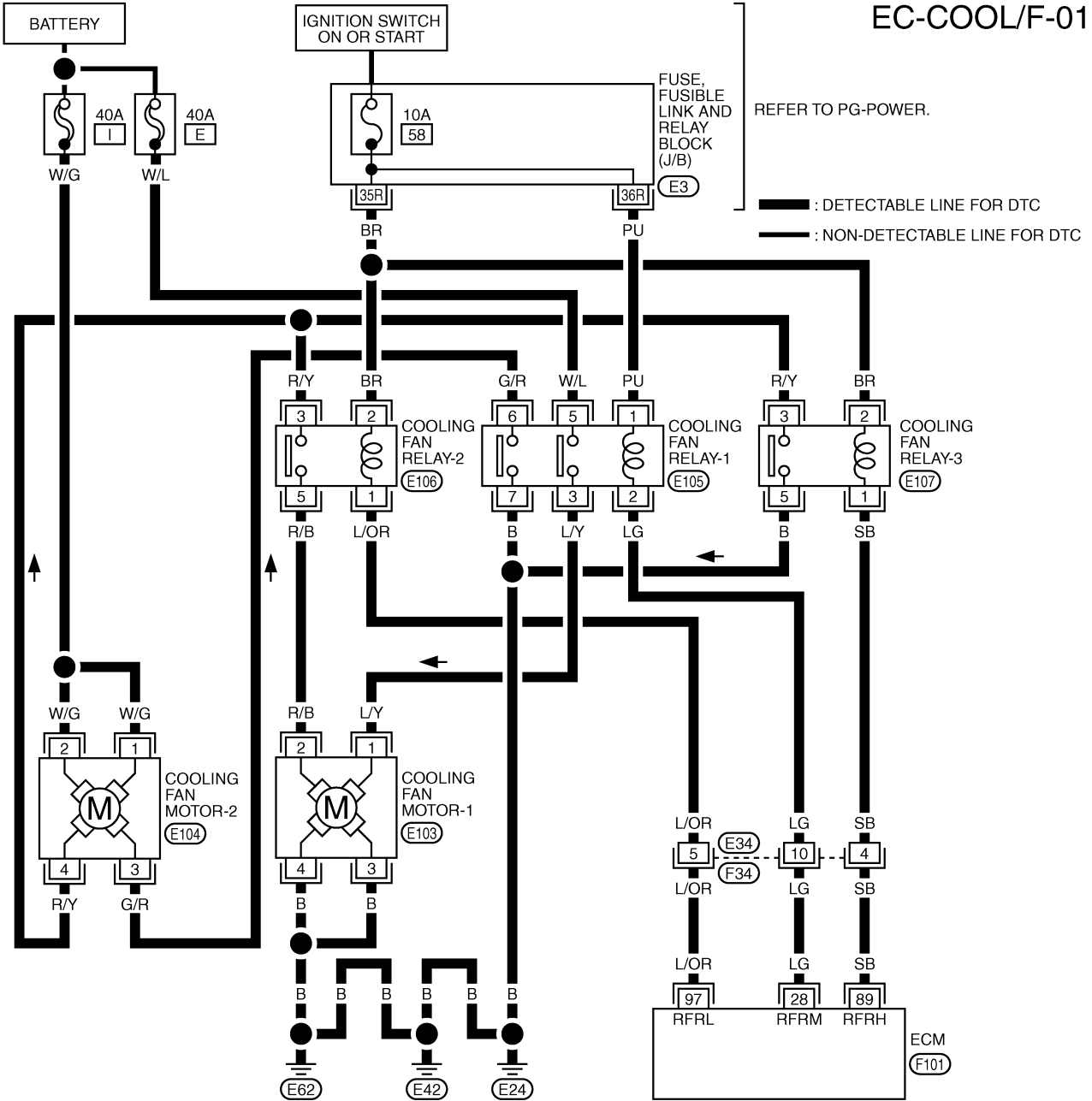


DTC P1217 ENGINE OVER TEMPERATURE

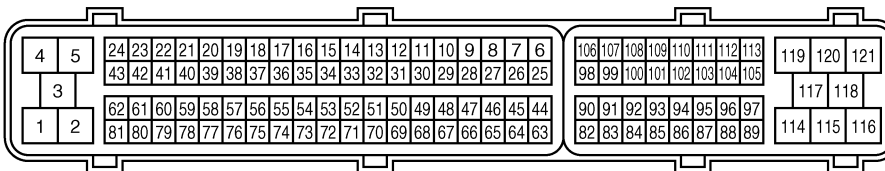
Wiring Diagram

NBS0021V

EC-COOL/F-01



REFER TO THE FOLLOWING.
 (E3) - FUSE, FUSIBLE LINK AND RELAY BLOCK (J/B)



DTC P1217 ENGINE OVER TEMPERATURE

Specification data are reference values and are measured between each terminal and ground.

CAUTION:

Do not use ECM ground terminals when measuring input/output voltage. Doing so may result in damage to the ECM's transistor. Use a ground other than ECM terminals, such as the ground.

TER-MINAL NO.	WIRE COLOR	ITEM	CONDITION	DATA (DC Voltage)
28	LG	Cooling fan relay-1 (Middle)	[Engine is running] ● Cooling fan: Not operating	BATTERY VOLTAGE (11 - 14V)
			[Engine is running] ● Cooling fan: Middle speed or high speed operating	0 - 1.0V
89	SB	Cooling fan relay -3(High)	[Engine is running] ● Cooling fan: Not operating	BATTERY VOLTAGE (11 - 14V)
			[Engine is running] ● Cooling fan: High speed operating	0 - 1.0V
97	L/OR	Cooling fan relay-2 (Low)	[Engine is running] ● Cooling fan: Not operating	BATTERY VOLTAGE (11 - 14V)
			[Engine is running] ● Cooling fan: Low speed operating	0 - 1.0V

Diagnostic Procedure

NBS0021W

1. INSPECTION START

Do you have CONSULT-II?

Yes or No

- Yes >> GO TO 2.
- No >> GO TO 5.

2. CHECK COOLING FAN LOW SPEED OPERATION

Ⓟ **With CONSULT-II**

1. Start engine and let it idle.
2. Perform "COOLING FAN" in "ACTIVE TEST" mode with CONSULT-II and touch "LOW" on the CONSULT-II screen.

CAUTION:

Never change cooling fan speed from "LOW" to "HI" or from "HI" to "LOW" directly. Change the speed through "MID" to prevent cooling fan motor from damage.

3. Make sure that cooling fans-1 and -2 operate at low speed.

OK or NG

- OK >> GO TO 3.
- NG >> Check cooling fan low speed control circuit. (Go to [EC-525](#), "PROCEDURE A".)

ACTIVE TEST	
COOLING FAN	LOW
MONITOR	
COOLAN TEMP/S	XXX °C

SEF784Z

DTC P1217 ENGINE OVER TEMPERATURE

3. CHECK COOLING FAN MIDDLE SPEED OPERATION

With CONSULT-II

1. Perform "COOLING FAN" in "ACTIVE TEST" mode with CONSULT-II and touch "MID" on the CONSULT-II screen.
2. Make sure that cooling fans-1 and -2 operate at higher speed than low speed.

OK or NG

OK >> GO TO 4.

NG >> Check cooling fan middle speed control circuit. (Go to [EC-528, "PROCEDURE B"](#) .)

ACTIVE TEST	
COOLING FAN	MID
MONITOR	
COOLAN TEMP/S	XXX °C

PBIB1668E

4. CHECK COOLING FAN HIGH SPEED OPERATION

With CONSULT-II

1. Perform "COOLING FAN" in "ACTIVE TEST" mode with CONSULT-II and touch "HI" on the CONSULT-II screen.

CAUTION:

Never change cooling fan speed from "LOW" to "HI" or from "HI" to "LOW" directly. Change the speed through "MID" to prevent cooling fan motor from damage.

2. Make sure that cooling fan-2 operates at higher speed than middle speed.

OK or NG

OK >> GO TO 8.

NG >> Check cooling fan high speed control circuit. (Go to [EC-530, "PROCEDURE C"](#) .)

ACTIVE TEST	
COOLING FAN	HIGH
MONITOR	
COOLAN TEMP/S	XXX °C

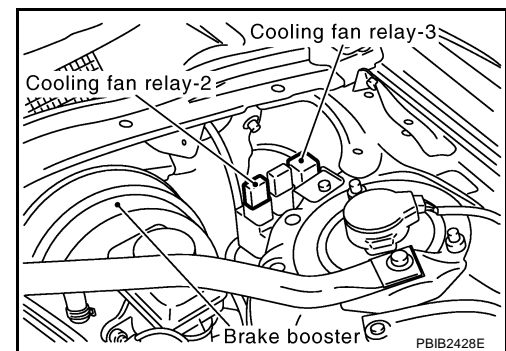
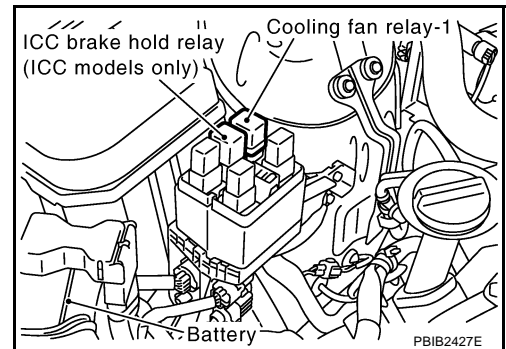
SEF785Z

DTC P1217 ENGINE OVER TEMPERATURE

5. CHECK COOLING FAN LOW SPEED OPERATION

⊗ Without CONSULT-II

1. Turn ignition switch ON.
2. Disconnect cooling fan relay-1 and -3.
3. Start engine and let it idle.
4. Set temperature lever at full cold position.
5. Turn air conditioner switch ON.
6. Turn blower fan switch ON.

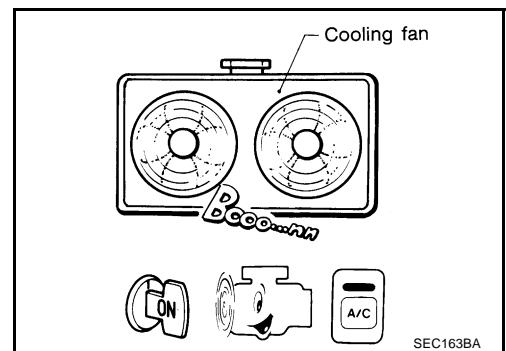


7. Make sure that cooling fans-1 and -2 operate at low speed.

OK or NG

OK >> GO TO 6.

NG >> Check cooling fan low speed control circuit. (Go to [EC-525, "PROCEDURE A"](#).)



6. CHECK COOLING FAN MIDDLE SPEED OPERATION

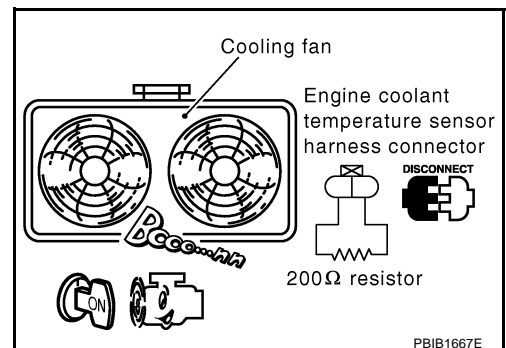
⊗ Without CONSULT-II

1. Turn ignition switch OFF.
2. Reconnect cooling fan relay-1 and disconnect cooling fan relay-2.
3. Disconnect engine coolant temperature sensor harness connector.
4. Connect 200Ω resistor to engine coolant temperature sensor harness connector.
5. Restart engine and make sure that cooling fans-1 and -2 operate at higher speed than low speed.

OK or NG

OK >> GO TO 7.

NG >> Check cooling fan middle speed control circuit. (Go to [EC-528, "PROCEDURE B"](#).)



DTC P1217 ENGINE OVER TEMPERATURE

7. CHECK COOLING FAN HIGH SPEED OPERATION

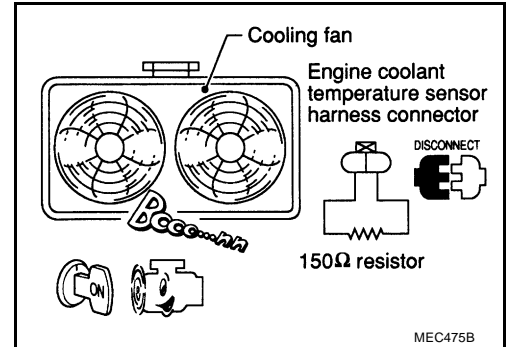
⊗ Without CONSULT-II

1. Turn ignition switch OFF.
2. Reconnect cooling fan relay-3.
3. Turn air conditioner switch and blower fan switch OFF.
4. Disconnect 200Ω resistor then connect 150Ω resistor to engine coolant temperature sensor harness connector.
5. Restart engine and make sure that cooling fan-2 operates at higher speed than middle speed.

OK or NG

OK >> GO TO 8.

NG >> Check cooling fan high speed control circuit. (Go to [EC-530](#), "PROCEDURE C" .)



8. CHECK COOLING SYSTEM FOR LEAK

Apply pressure to the cooling system with a tester, and check if the pressure drops.

Testing pressure: 157 kPa (1.6 kg/cm² , 23 psi)

CAUTION:

Higher than the specified pressure may cause radiator damage. Pressure should not drop.

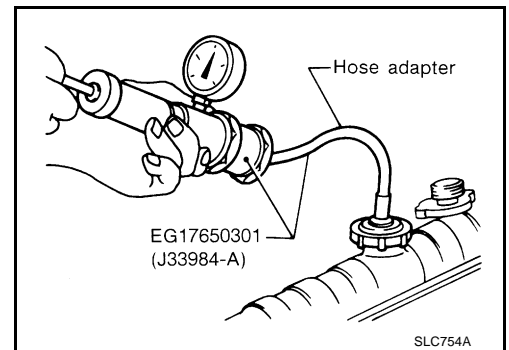
OK or NG

OK >> GO TO 9.

NG >> Check the following for leak

- Hose
- Radiator
- Water pump

Refer to [CO-20](#), "WATER PUMP" .



9. CHECK RADIATOR CAP

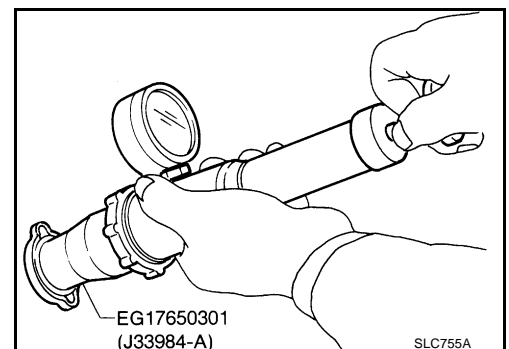
Apply pressure to cap with a tester.

Radiator cap relief pressure : 59 - 98 kPa (0.6 - 1.0 kg/cm² , 9 - 14 psi)

OK or NG

OK >> GO TO 10.

NG >> Replace radiator cap.



10. CHECK COMPONENT PARTS

Check the following.

- Thermostat (Refer to [CO-22](#), "THERMOSTAT AND WATER CONTROL VALVE" .)
- Water control valve (Refer to [CO-22](#), "THERMOSTAT AND WATER CONTROL VALVE" .)
- Engine coolant temperature sensor (Refer to [EC-219](#), "Component Inspection" .)

OK or NG

OK >> GO TO 11.

NG >> Replace malfunctioning component.

DTC P1217 ENGINE OVER TEMPERATURE

11. CHECK MAIN 13 CAUSES

If the cause cannot be isolated, go to [EC-532, "Main 13 Causes of Overheating"](#) .

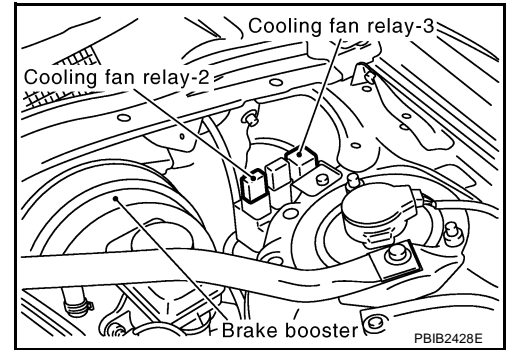
>> INSPECTION END

DTC P1217 ENGINE OVER TEMPERATURE

PROCEDURE A

1. CHECK COOLING FAN MOTOR POWER SUPPLY CIRCUIT-I

1. Turn ignition switch OFF.
2. Disconnect cooling fan relay-2.
3. Turn ignition switch ON.

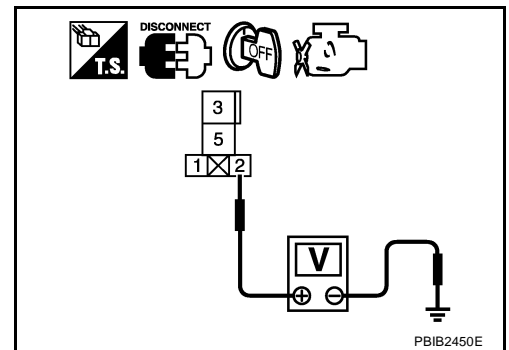


4. Check voltage between cooling fan relay-2 terminal 2 and ground with CONSULT-II or tester.

Voltage: Battery voltage

OK or NG

- OK >> GO TO 3.
- NG >> GO TO 2.



2. DETECT MALFUNCTIONING PART

Check the following.

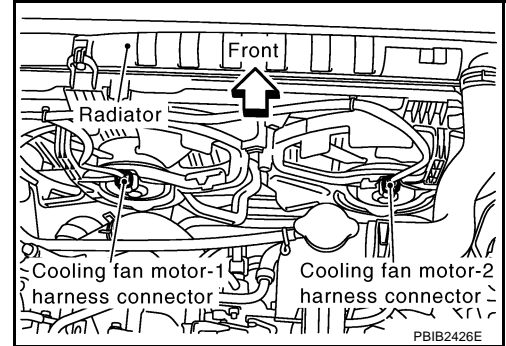
- 10A fuse
- Fuse, fusible link and relay block (J/B) connector E3
- Harness for open or short between cooling fan relay-2 and fuse

>> Repair open circuit or short to ground or short to power in harness or connectors.

DTC P1217 ENGINE OVER TEMPERATURE

3. CHECK COOLING FAN MOTOR POWER SUPPLY CIRCUIT-II

1. Turn ignition switch OFF.
2. Disconnect cooling fan motor-2 harness connector.

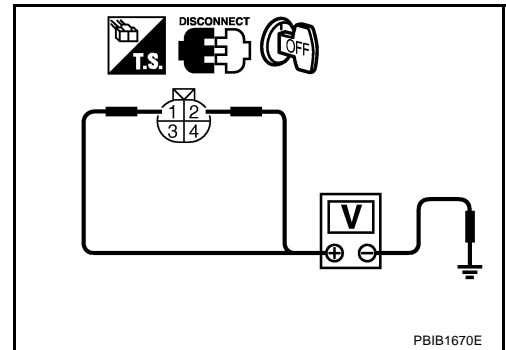


3. Check voltage between cooling fan motor-2 terminals 1, 2 and ground with CONSULT-II or tester.

Voltage: Battery voltage

OK or NG

- OK >> GO TO 5.
- NG >> GO TO 4.



4. DETECT MALFUNCTIONING PART

Check the following.

- 40A fusible link
- Harness for open or short between cooling fan motor-2 and battery

>> Repair open circuit or short to ground or short to power in harness or connectors.

5. CHECK COOLING FAN MOTOR CONTROL CIRCUIT FOR OPEN AND SHORT

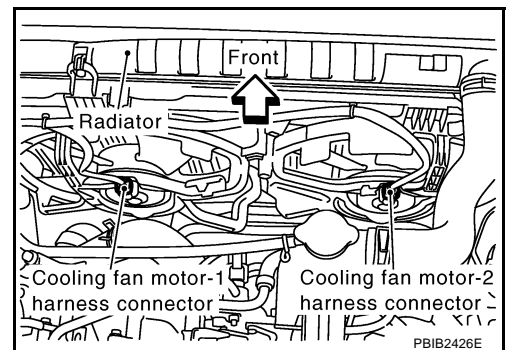
1. Turn ignition switch OFF.
2. Disconnect cooling fan motor-1 harness connector.
3. Check harness continuity between the following terminals.
cooling fan motor-2 terminal 4 and cooling fan relay-2 terminal 3,
cooling fan relay-2 terminal 5 and cooling fan motor-1 terminal 2,
cooling fan motor-1 terminal 3 and ground,
cooling fan motor-1 terminal 4 and ground.
Refer to Wiring Diagram.

Continuity should exist.

4. Also check harness for short to ground and short to power.

OK or NG

- OK >> GO TO 6.
- NG >> Repair open circuit or short to ground or short to power in harness or connectors.



DTC P1217 ENGINE OVER TEMPERATURE

6. CHECK COOLING FAN MOTOR OUTPUT SIGNAL CIRCUIT FOR OPEN AND SHORT

1. Disconnect ECM harness connector.
2. Check harness continuity between cooling fan relay-2 terminal 1 and ECM terminal 97.
Refer to Wiring Diagram.

Continuity should exist.

3. Also check harness for short to ground and short to power.

OK or NG

- OK >> GO TO 8.
NG >> GO TO 7.

7. DETECT MALFUNCTIONING PART

Check the following.

- Harness connectors E34, F34
- Harness for open or short between cooling fan relay-2 and ECM

>> Repair open circuit or short to ground or short to power in harness or connectors.

8. CHECK COOLING FAN RELAY-2

Refer to [EC-532, "Component Inspection"](#) .

OK or NG

- OK >> GO TO 9.
NG >> Replace cooling fan relay.

9. CHECK COOLING FAN MOTORS-1 AND -2

Refer to [EC-532, "Component Inspection"](#) .

OK or NG

- OK >> GO TO 10.
NG >> Replace cooling fan motors.

10. CHECK INTERMITTENT INCIDENT

Refer to [EC-145, "TROUBLE DIAGNOSIS FOR INTERMITTENT INCIDENT"](#) .

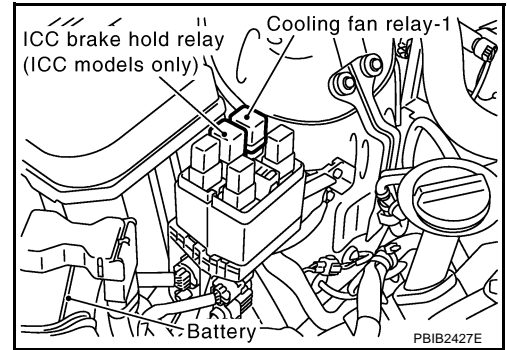
>> **INSPECTION END**

DTC P1217 ENGINE OVER TEMPERATURE

PROCEDURE B

1. CHECK COOLING FAN MOTOR POWER SUPPLY CIRCUIT

1. Turn ignition switch OFF.
2. Disconnect cooling fan relay-1.
3. Turn ignition switch ON.

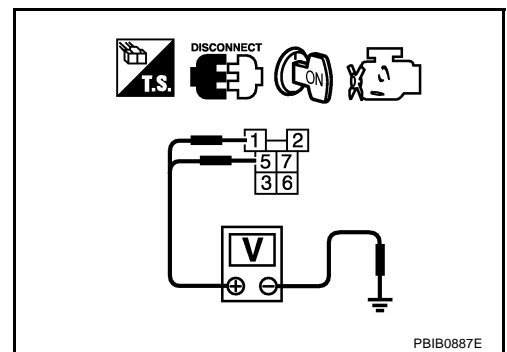


4. Check voltage between cooling fan relay-1 terminals 1, 5 and ground with CONSULT-II or tester.

Voltage: Battery voltage

OK or NG

- OK >> GO TO 3.
- NG >> GO TO 2.



2. DETECT MALFUNCTIONING PART

Check the following.

- 10A fuse
- 40A fusible link
- Fuse, fusible link and relay block (J/B) connector E3
- Harness for open or short between cooling fan relay-1 and fuse
- Harness for open or short between cooling fan relay-1 and battery

>> Repair open circuit or short to ground or short to power in harness or connectors.

3. CHECK COOLING FAN MOTOR CONTROL CIRCUIT FOR OPEN AND SHORT

1. Turn ignition switch OFF.
2. Disconnect cooling fan motors-1 and -2 harness connector.
3. Check harness continuity between the following terminals.
cooling fan motor-2 terminal 3 and cooling fan relay-1 terminal 6,
cooling fan relay-1 terminal 7 and ground,
cooling fan relay-1 terminal 3 and cooling fan motor-1 terminal 1.
Refer to Wiring Diagram.

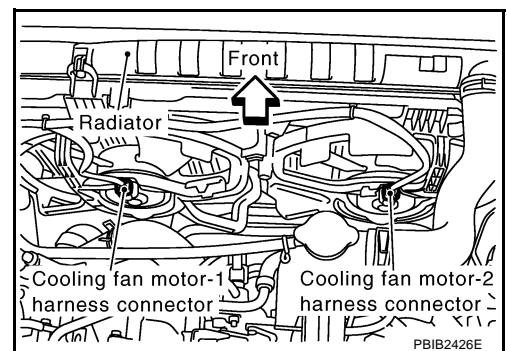
Continuity should exist.

4. Also check harness for short to ground and short to power.

OK or NG

OK >> GO TO 4.

NG >> Repair open circuit or short to ground or short to power in harness or connectors.



DTC P1217 ENGINE OVER TEMPERATURE

4. CHECK COOLING FAN MOTOR OUTPUT SIGNAL CIRCUIT FOR OPEN AND SHORT

1. Disconnect ECM harness connector.
2. Check harness continuity between cooling fan relay-1 terminal 2 and ECM terminal 28.
Refer to Wiring Diagram.

Continuity should exist.

3. Also check harness for short to ground and short to power.

OK or NG

- OK >> GO TO 6.
- NG >> GO TO 5.

5. DETECT MALFUNCTIONING PART

Check the following.

- Harness connectors E34, F34
- Harness for open or short between cooling fan relay-2 and ECM

>> Repair open circuit or short to ground or short to power in harness or connectors.

6. CHECK COOLING FAN RELAY-1

Refer to [EC-532, "Component Inspection"](#) .

OK or NG

- OK >> GO TO 7.
- NG >> Replace cooling fan relay.

7. CHECK COOLING FAN MOTORS-1 AND -2

Refer to [EC-532, "Component Inspection"](#) .

OK or NG

- OK >> GO TO 8.
- NG >> Replace cooling fan motors.

8. CHECK INTERMITTENT INCIDENT

Refer to [EC-145, "TROUBLE DIAGNOSIS FOR INTERMITTENT INCIDENT"](#) .

>> **INSPECTION END**

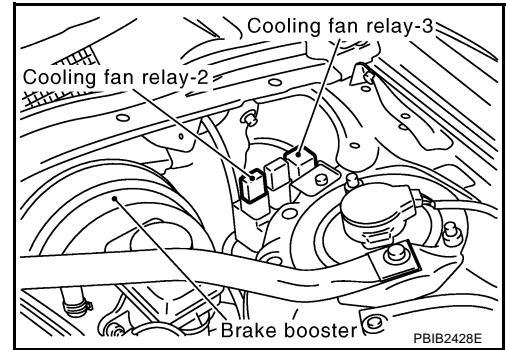
A
EC
C
D
E
F
G
H
I
J
K
L
M

DTC P1217 ENGINE OVER TEMPERATURE

PROCEDURE C

1. CHECK COOLING FAN MOTOR POWER SUPPLY CIRCUIT

1. Turn ignition switch OFF.
2. Disconnect cooling fan relay-3.
3. Turn ignition switch ON.

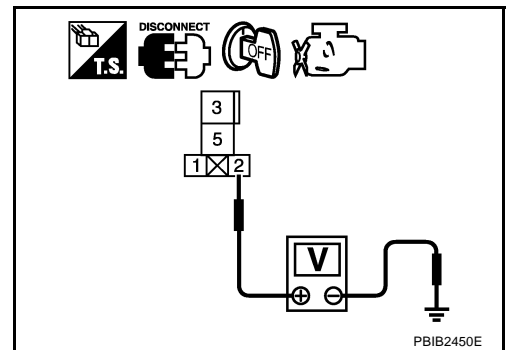


4. Check voltage between cooling fan relay-3 terminal 2 and ground with CONSULT-II or tester.

Voltage: Battery voltage

OK or NG

- OK >> GO TO 3.
- NG >> GO TO 2.



2. DETECT MALFUNCTIONING PART

Check the following.

- 10A fuse
- Fuse, fusible link and relay block (J/B) connector E3
- Harness for open or short between cooling fan relay-1 and fuse

>> Repair open circuit or short to ground or short to power in harness or connectors.

3. CHECK COOLING FAN MOTOR CONTROL CIRCUIT FOR OPEN AND SHORT

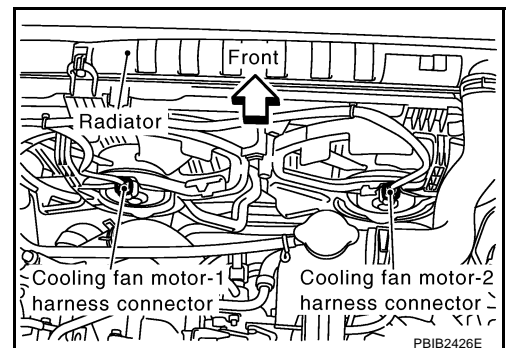
1. Turn ignition switch OFF.
2. Disconnect cooling fan motor-2 harness connector.
3. Check harness continuity between the following terminals.
cooling fan motor-2 terminal 4 and cooling fan relay-3 terminal 3,
cooling fan relay-3 terminal 5 and ground.
Refer to Wiring Diagram.

Continuity should exist.

4. Also check harness for short to ground and short to power.

OK or NG

- OK >> GO TO 4.
- NG >> Repair open circuit or short to ground or short to power in harness or connectors.



DTC P1217 ENGINE OVER TEMPERATURE

4. CHECK COOLING FAN MOTOR OUTPUT SIGNAL CIRCUIT FOR OPEN AND SHORT

1. Disconnect ECM harness connector.
2. Check harness continuity between cooling fan relay-3 terminal 1 and ECM terminal 89.
Refer to Wiring Diagram.

Continuity should exist.

3. Also check harness for short to ground and short to power.

OK or NG

- OK >> GO TO 6.
- NG >> GO TO 5.

5. DETECT MALFUNCTIONING PART

Check the following.

- Harness connectors E34, F34
- Harness for open or short between cooling fan relay-2 and ECM

>> Repair open circuit or short to ground or short to power in harness or connectors.

6. CHECK COOLING FAN RELAY-3

Refer to [EC-532, "Component Inspection"](#) .

OK or NG

- OK >> GO TO 7.
- NG >> Replace cooling fan relay.

7. CHECK COOLING FAN MOTOR-2

Refer to [EC-532, "Component Inspection"](#) .

OK or NG

- OK >> GO TO 8.
- NG >> Replace cooling fan motors.

8. CHECK INTERMITTENT INCIDENT

Refer to [EC-145, "TROUBLE DIAGNOSIS FOR INTERMITTENT INCIDENT"](#) .

>> **INSPECTION END**

DTC P1217 ENGINE OVER TEMPERATURE

Main 13 Causes of Overheating

NBS0021X

Engine	Step	Inspection item	Equipment	Standard	Reference page
OFF	1	<ul style="list-style-type: none"> Blocked radiator Blocked condenser Blocked radiator grille Blocked bumper 	<ul style="list-style-type: none"> Visual 	No blocking	—
	2	<ul style="list-style-type: none"> Coolant mixture 	<ul style="list-style-type: none"> Coolant tester 	50 - 50% coolant mixture	MA-11
	3	<ul style="list-style-type: none"> Coolant level 	<ul style="list-style-type: none"> Visual 	Coolant up to MAX level in reservoir tank and radiator filler neck	CO-8
	4	<ul style="list-style-type: none"> Radiator cap 	<ul style="list-style-type: none"> Pressure tester 	59 - 98 kPa (0.6 - 1.0 kg/cm ² , 9 - 14 psi) (Limit)	CO-12
ON*2	5	<ul style="list-style-type: none"> Coolant leaks 	<ul style="list-style-type: none"> Visual 	No leaks	CO-8
ON*2	6	<ul style="list-style-type: none"> Thermostat 	<ul style="list-style-type: none"> Touch the upper and lower radiator hoses 	Both hoses should be hot	CO-22
ON*1	7	<ul style="list-style-type: none"> Cooling fan 	<ul style="list-style-type: none"> CONSULT-II 	Operating	See trouble diagnosis for DTC P1217 (EC-514).
OFF	8	<ul style="list-style-type: none"> Combustion gas leak 	<ul style="list-style-type: none"> Color checker chemical tester 4 Gas analyzer 	Negative	—
ON*3	9	<ul style="list-style-type: none"> Coolant temperature gauge 	<ul style="list-style-type: none"> Visual 	Gauge less than 3/4 when driving	—
		<ul style="list-style-type: none"> Coolant overflow to reservoir tank 	<ul style="list-style-type: none"> Visual 	No overflow during driving and idling	CO-8
OFF*4	10	<ul style="list-style-type: none"> Coolant return from reservoir tank to radiator 	<ul style="list-style-type: none"> Visual 	Should be initial level in reservoir tank	CO-8
OFF	11	<ul style="list-style-type: none"> Water control valve 	<ul style="list-style-type: none"> Remove and inspect the valve 	Within the specified value	CO-22
OFF	12	<ul style="list-style-type: none"> Cylinder head 	<ul style="list-style-type: none"> Straight gauge feeler gauge 	0.1 mm (0.004 in) Maximum distortion (warping)	EM-67
	13	<ul style="list-style-type: none"> Cylinder block and pistons 	<ul style="list-style-type: none"> Visual 	No scuffing on cylinder walls or piston	EM-83

*1: Turn the ignition switch ON.

*2: Engine running at 3,000 rpm for 10 minutes.

*3: Drive at 90 km/h (55 MPH) for 30 minutes and then let idle for 10 minutes.

*4: After 60 minutes of cool down time.

For more information, refer to [CO-4, "OVERHEATING CAUSE ANALYSIS"](#).

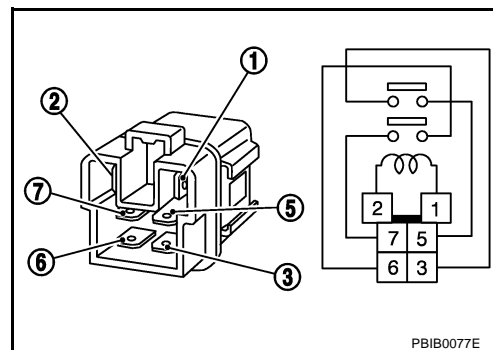
Component Inspection COOLING FAN RELAY-1

NBS0021Y

- Apply 12V direct current between relay terminals 1 and 2.
- Check continuity between relay terminals 3 and 5, 6 and 7.

Condition	Continuity
12V direct current supply between terminals 1 and 2	Yes
OFF	No

- If NG, replace relay.



PBIB0077E

COOLING FAN RELAYS-2 AND -3

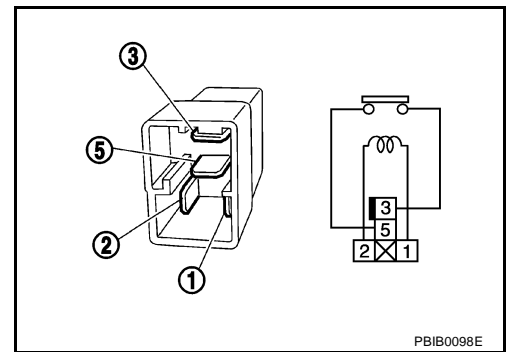
- Apply 12V direct current between relay terminals 1 and 2.

DTC P1217 ENGINE OVER TEMPERATURE

2. Check continuity between relay terminals 3 and 5.

Conditions	Continuity
12V direct current supply between terminals 1 and 2	Yes
No current supply	No

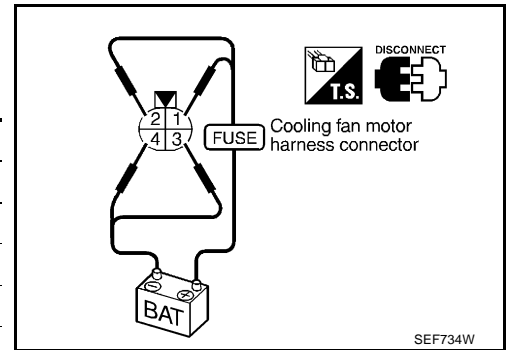
3. If NG, replace relay.



COOLING FAN MOTORS-1 AND -2

1. Disconnect cooling fan motor harness connectors.
2. Supply cooling fan motor terminals with battery voltage and check operation.

Cooling fan speed	Cooling fan motor terminals	
	(+)	(-)
Middle (MID)	1	3 and 4
	2	3 and 4
	1 and 2	3
	1 and 2	4
High (HI)	1 and 2	3 and 4



Cooling fan motor should operate.

If NG, replace cooling fan motor.

A
EC
C
D
E
F
G
H
I
J
K
L
M

DTC P1220 FUEL PUMP CONTROL MODULE (FPCM)

DTC P1220 FUEL PUMP CONTROL MODULE (FPCM)

PFP:17001

Description SYSTEM DESCRIPTION

NBS0021Z

Sensor	Input Signal to ECM	ECM function	Actuator
Crankshaft position sensor (POS) Camshaft position sensor (PHASE)	Engine speed*	Fuel pump control	Fuel pump control module (FPCM)
Mass air flow sensor	Amount of intake air		
Engine coolant temperature sensor	Engine coolant temperature		
Battery	Battery voltage*		

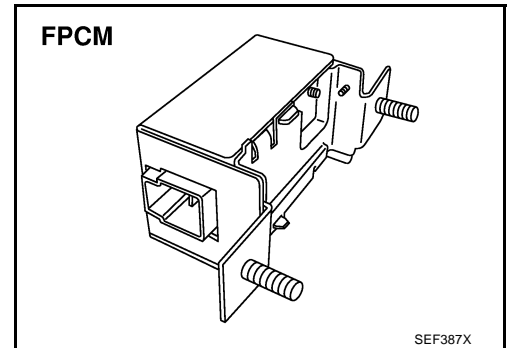
*: ECM determines the start signal status by the signals of engine speed and battery voltage.

This system controls the fuel pump operation. The amount of fuel flow delivered from the fuel pump is altered between two flow rates by the FPCM operation. The FPCM determines the voltage supplied to the fuel pump (and therefore fuel flow) according to the following conditions.

Conditions	Amount of fuel flow	Supplied voltage
<ul style="list-style-type: none"> ● Engine cranking ● Engine coolant temperature is below 10°C (50°F). ● Engine is running under heavy load and high speed conditions 	high	Battery voltage (11 - 14V)
Except the above	low	Approximately 8V

COMPONENT DESCRIPTION

The FPCM adjusts the voltage supplied to the fuel pump to control the amount of fuel flow. When the FPCM increases the voltage supplied to the fuel pump, the fuel flow is increased. When the FPCM decreases the voltage, the fuel flow is decreased.



CONSULT-II Reference Value in Data Monitor Mode

NBS00220

Specification data are reference values.

MONITOR ITEM	CONDITION	SPECIFICATION
FPCM	<ul style="list-style-type: none"> ● Engine: Cranking 	HI
	<ul style="list-style-type: none"> ● Engine: Idle ● Engine coolant temperature: More than 10°C (50°F) 	LOW

On Board Diagnosis Logic

NBS00221

DTC No.	Trouble diagnosis name	DTC detecting condition	Possible cause
P1220 1220	Fuel pump control module (FPCM)	An improper voltage signal from the FPCM, which is supplied to a point between the fuel pump and the dropping resistor, is detected by ECM.	<ul style="list-style-type: none"> ● Harness or connectors (FPCM circuit is shorted.) ● Dropping resistor ● FPCM

DTC P1220 FUEL PUMP CONTROL MODULE (FPCM)

NBS00222

DTC Confirmation Procedure

CAUTION:

Always drive vehicle at a safe speed.

NOTE:

If DTC Confirmation Procedure has been previously conducted, always turn ignition switch OFF and wait at least 10 seconds before conducting the next test.

TESTING CONDITION:

Before performing the following procedure, confirm that battery voltage is more than 10V with ignition switch ON.

Ⓟ WITH CONSULT-II

1. Turn ignition switch ON and select "DATA MONITOR" mode with CONSULT-II.
2. Make sure that "COOLAN TEMP/S" indicates less than 70°C (158°F). If not, cool down the engine.
3. Start engine.
4. Hold vehicle at the following conditions for 12 seconds.

ENG SPEED	1,175 - 3,075 rpm
VHCL SPEED SE	More than 70 km/h (43 MPH)
B/FUEL SCHDL	2.0 - 31.7 msec
Selector lever	Suitable position

DATA MONITOR	
MONITOR	NO DTC
ENG SPEED	XXX rpm
COOLAN TEMP/S	XXX °C
VHCL SPEED SE	XXX km/h
B/FUEL SCHDL	XXX msec

SEF189Y

5. If 1st trip DTC is detected, go to [EC-537, "Diagnostic Procedure"](#).

Ⓢ WITH GST

Follow the procedure WITH CONSULT-II above.

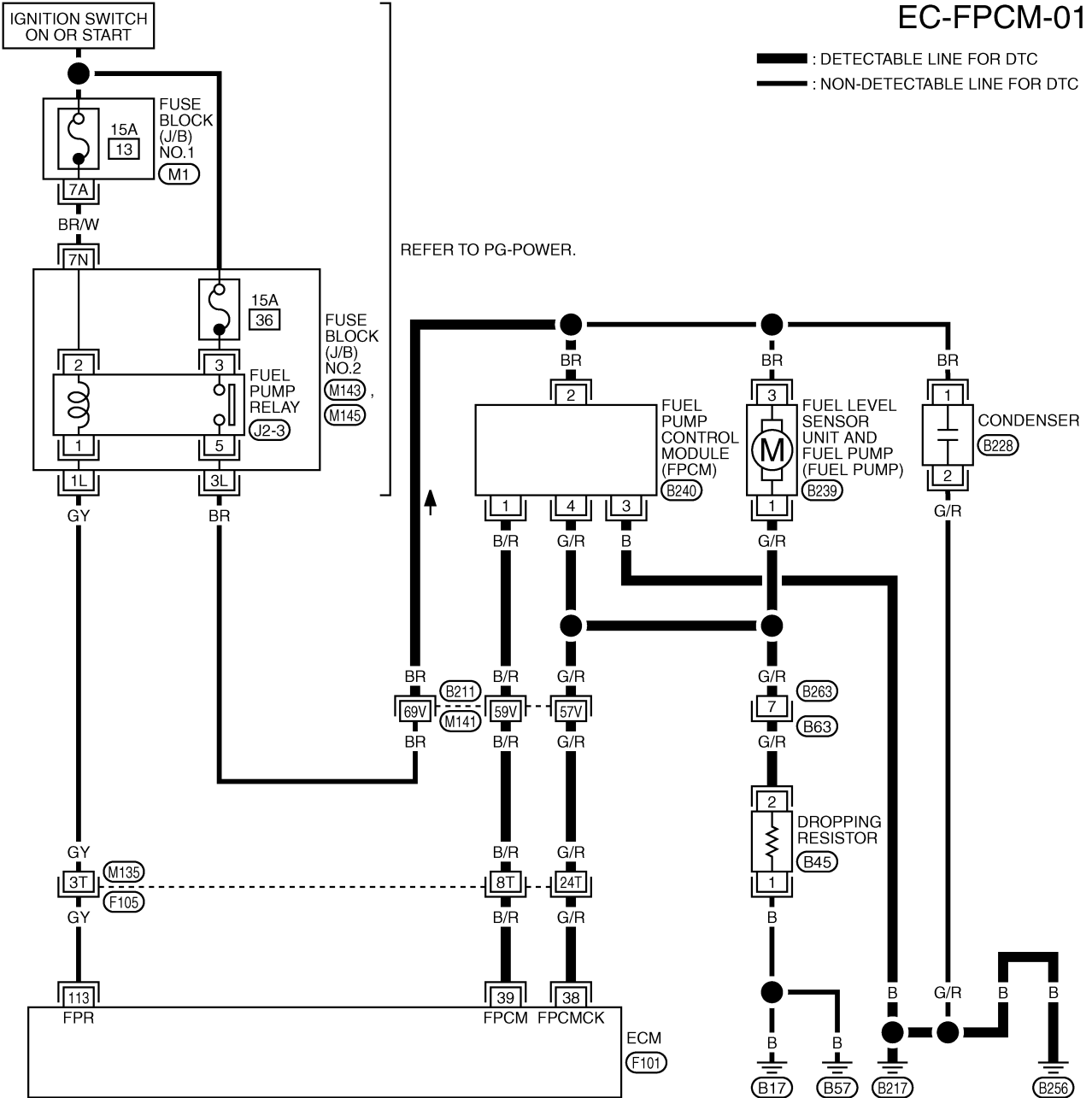
DTC P1220 FUEL PUMP CONTROL MODULE (FPCM)

NBS00223

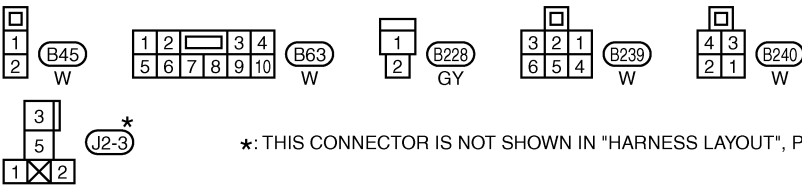
Wiring Diagram

EC-FPCM-01

— : DETECTABLE LINE FOR DTC
 - - - : NON-DETECTABLE LINE FOR DTC

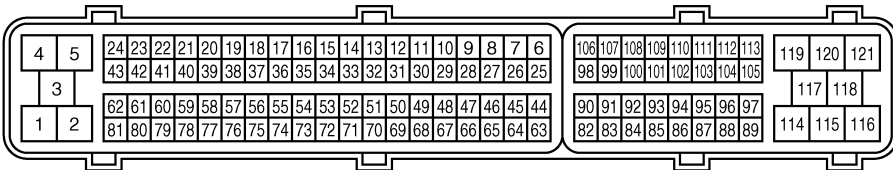


REFER TO PG-POWER.



*: THIS CONNECTOR IS NOT SHOWN IN "HARNESS LAYOUT", PG SECTION.

REFER TO THE FOLLOWING.
 (F105), (B211) -SUPER MULTIPLE JUNCTION (SMJ)
 (M1) -FUSE BLOCK-JUNCTION BOX (J/B) NO.1
 (M143), (M145) -FUSE BLOCK-JUNCTION BOX (J/B) NO.2



DTC P1220 FUEL PUMP CONTROL MODULE (FPCM)

Specification data are reference values and are measured between each terminal and ground.

CAUTION:

Do not use ECM ground terminals when measuring input/output voltage. Doing so may result in damage to the ECM's transistor. Use a ground other than ECM terminals, such as the ground.

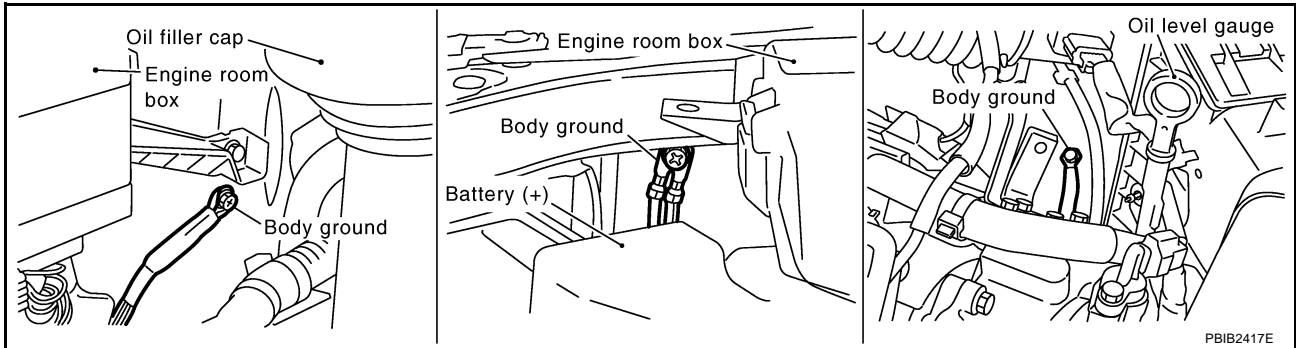
TER-MINAL NO.	WIRE COLOR	ITEM	CONDITION	DATA (DC Voltage)
38	G/R	Fuel pump control module (FPCM) check	[When cranking engine]	Approximately 0V
			[Engine is running] ● Warm-up condition ● Idle speed	4 - 6V
39	B/R	Fuel pump control module (FPCM)	[When cranking engine]	0 - 0.5V
			[Engine is running] ● Warm-up condition ● Idle speed	8 - 12V
113	GY	Fuel pump relay	[Ignition switch: ON] ● For 5 seconds after turning ignition switch ON	0 - 1.5V
			[Engine is running] [Ignition switch: ON] ● More than 5 seconds after turning ignition switch ON	BATTERY VOLTAGE (11 - 14V)

Diagnostic Procedure

NBS00224

1. CHECK GROUND CONNECTIONS

1. Turn ignition switch OFF.
2. Loosen and retighten three ground screws on the body.
Refer to [EC-154, "Ground Inspection"](#).



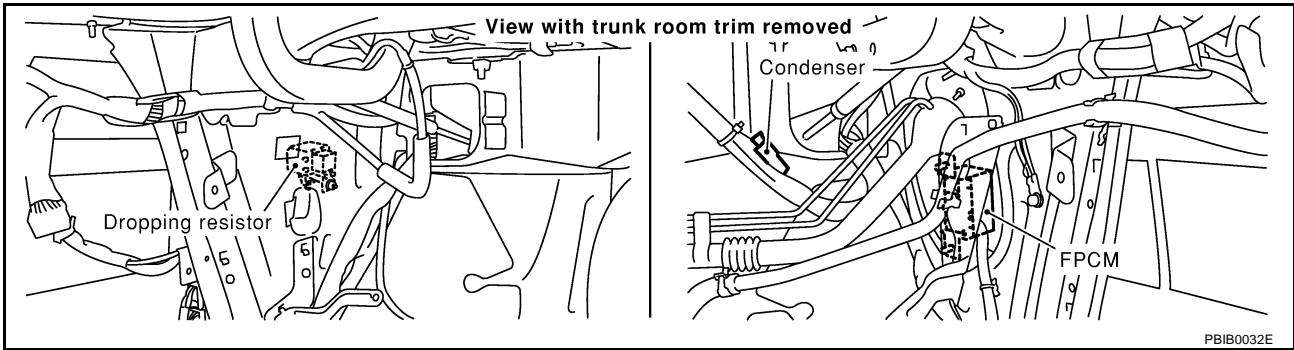
OK or NG

- OK >> GO TO 2.
- NG >> Repair or replace ground connections.

DTC P1220 FUEL PUMP CONTROL MODULE (FPCM)

2. CHECK FPCM POWER SUPPLY CIRCUIT

1. Disconnect fuel pump control module (FPCM) harness connector.

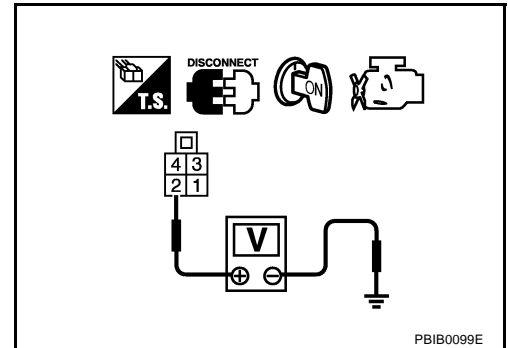


2. Turn ignition switch ON.
3. Check voltage between FPCM terminal 2 and ground with CONSULT-II or tester.

Voltage: Battery voltage

OK or NG

- OK >> GO TO 4.
- NG >> GO TO 3.



3. DETECT MALFUNCTIONING PART

Check the following.

- Harness connectors M141, B211
- Harness for open or short between FPCM and harness connector B211

>> Repair open circuit or short to ground or short to power in harness or connectors.

4. CHECK FPCM GROUND CIRCUIT-I FOR OPEN AND SHORT

1. Turn ignition switch OFF.
2. Check harness continuity between FPCM terminal 3 and ground. Refer to Wiring Diagram.

Continuity should exist.

3. Also check harness for short to power.

OK or NG

- OK >> GO TO 5.
- NG >> Repair open circuit or short to power in harness or connectors.

DTC P1220 FUEL PUMP CONTROL MODULE (FPCM)

5. CHECK FPCM GROUND CIRCUIT-II FOR OPEN AND SHORT

1. Disconnect "fuel level sensor unit and fuel pump" harness connector.
2. Disconnect dropping resistor harness connector.
3. Check harness continuity between the following;
"fuel level sensor unit and fuel pump" terminal 1 and dropping resistor terminal 2,
FPCM terminal 4 and dropping resistor terminal 2.
Refer to Wiring Diagram.

Continuity should exist.

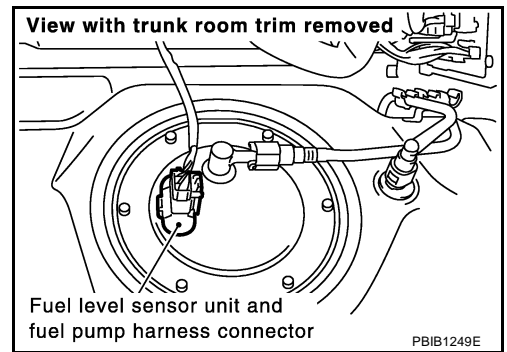
4. Check harness continuity between the following;
FPCM terminal 4 and ground,
"fuel level sensor and fuel pump" terminal 1 and ground.
Refer to Wiring Diagram.

Continuity should not exist.

5. Also check harness for short to power.

OK or NG

- OK >> GO TO 7.
- NG >> GO TO 6.



6. DETECT MALFUNCTIONING PART

Check the following.

- Harness connectors B63, B263
- Harness for open or short between "fuel level sensor unit and fuel pump" and dropping resistor
- Harness for open or short between FPCM and dropping resistor
- Harness for open or short between "fuel level sensor unit and fuel pump" and ground
- Harness for open or short between FPCM and ground

>> Repair open circuit or short to ground or short to power in harness or connectors.

7. CHECK FPCM INPUT SIGNAL CIRCUIT FOR OPEN AND SHORT

1. Disconnect ECM harness connector.
2. Check harness continuity between ECM terminal 38 and FPCM terminal 4.
Refer to Wiring Diagram.

Continuity should exist.

3. Check harness continuity between ECM terminal 38 and ground.
Refer to Wiring Diagram.

Continuity should not exist.

4. Also check harness for short to power.

OK or NG

- OK >> GO TO 9.
- NG >> GO TO 8.

DTC P1220 FUEL PUMP CONTROL MODULE (FPCM)

8. DETECT MALFUNCTIONING PART

Check the following.

- Harness connectors F105, M135
- Harness connectors M141, B211
- Harness for open or short between ECM and FPCM

>> Repair open circuit or short to ground or short to power in harness or connectors.

9. CHECK FPCM OUTPUT SIGNAL CIRCUIT FOR OPEN AND SHORT

1. Check harness continuity between ECM terminal 39 and FPCM terminal 1.
Refer to Wiring Diagram.

Continuity should exist.

2. Also check harness for short to ground and short to power.

OK or NG

OK >> GO TO 11.

NG >> GO TO 10.

10. DETECT MALFUNCTIONING PART

Check the following.

- Harness connectors F105, M135
- Harness connectors M141, B211
- Harness for open or short between ECM and FPCM

>> Repair open circuit or short to ground or short to power in harness or connectors.

11. CHECK FPCM

Refer to [EC-540, "Component Inspection"](#) .

OK or NG

OK >> GO TO 12.

NG >> Replace FPCM.

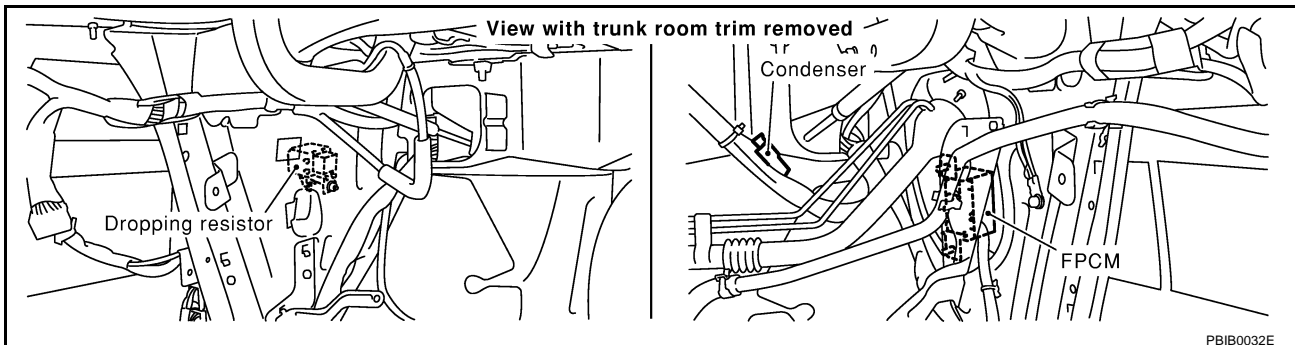
12. CHECK INTERMITTENT INCIDENT

Refer to [EC-145, "TROUBLE DIAGNOSIS FOR INTERMITTENT INCIDENT"](#) .

>> INSPECTION END

Component Inspection FUEL PUMP CONTROL MODULE

NBS00225



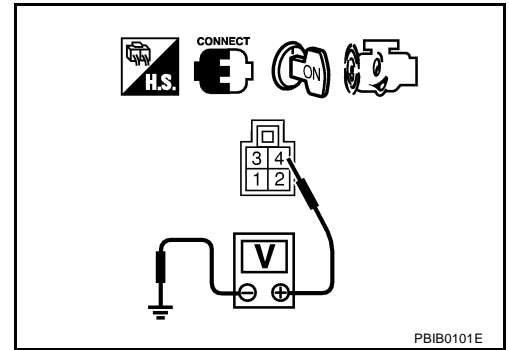
1. Start engine and warm it up to normal operating temperature.

DTC P1220 FUEL PUMP CONTROL MODULE (FPCM)

- Turn ignition switch OFF and wait at least 10 seconds.
- Check voltage between FPCM terminal 4 and ground under the following conditions.

Condition	Voltage
When engine cranking	Approx. 0V
After starting engine	Approx. 5V

- If NG, replace fuel pump control module.



A

EC

C

D

E

F

G

H

I

J

K

L

M

DTC P1225 TP SENSOR

PDF:16119

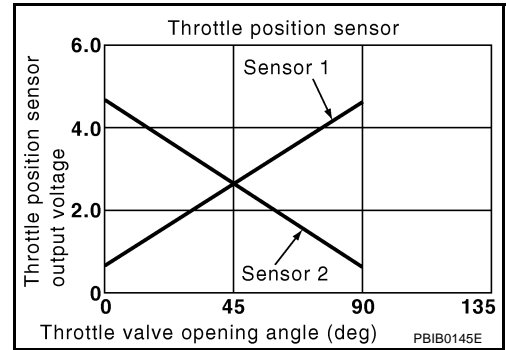
DTC P1225 TP SENSOR

Component Description

NBS00226

Electric throttle control actuator consists of throttle control motor, throttle position sensor, etc. The throttle position sensor responds to the throttle valve movement.

The throttle position sensor has the two sensors. These sensors are a kind of potentiometers which transform the throttle valve position into output voltage, and emit the voltage signal to the ECM. In addition, these sensors detect the opening and closing speed of the throttle valve and feed the voltage signals to the ECM. The ECM judges the current opening angle of the throttle valve from these signals and the ECM controls the throttle control motor to make the throttle valve opening angle properly in response to driving condition.



On Board Diagnosis Logic

NBS00227

The MIL will not light up for this diagnosis.

DTC No.	Trouble diagnosis name	DTC detecting condition	Possible cause
P1225 1225	Closed throttle position learning performance	Closed throttle position learning value is excessively low.	● Electric throttle control actuator (TP sensor 1 and 2)

DTC Confirmation Procedure

NBS00228

NOTE:

If DTC Confirmation Procedure has been previously conducted, always turn ignition switch OFF and wait at least 10 seconds before conducting the next test.

TESTING CONDITION:

Before performing the following procedure, confirm that battery voltage is more than 10V at idle.

WITH CONSULT-II

1. Turn ignition switch ON.
2. Select "DATA MONITOR" mode with CONSULT-II.
3. Turn ignition switch OFF, wait at least 10 seconds.
4. Turn ignition switch ON.
5. If 1st trip DTC is detected, go to [EC-543, "Diagnostic Procedure"](#)

The screenshot shows the CONSULT-II interface. At the top, it says 'DATA MONITOR'. Below that, there are two columns: 'MONITOR' and 'NO DTC'. Under 'MONITOR', it displays 'ENG SPEED' and 'XXX rpm'. The 'NO DTC' column is empty. The bottom right corner of the screen shows 'SEF058Y'.

WITH GST

Follow the procedure "WITH CONSULT-II" above.

DTC P1225 TP SENSOR

Diagnostic Procedure

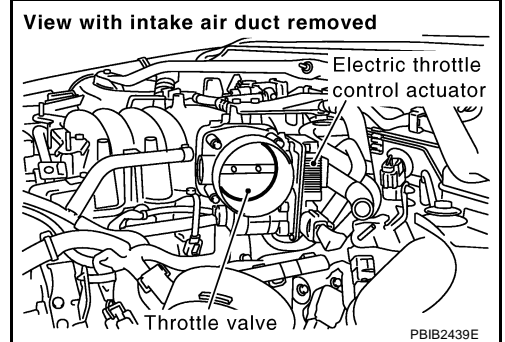
NBS00229

1. CHECK ELECTRIC THROTTLE CONTROL ACTUATOR VISUALLY

1. Turn ignition switch OFF.
2. Remove the intake air duct.
3. Check if foreign matter is caught between the throttle valve and the housing.

OK or NG

- OK >> GO TO 2.
NG >> Remove the foreign matter and clean the electric throttle control actuator inside.



2. REPLACE ELECTRIC THROTTLE CONTROL ACTUATOR

1. Replace the electric throttle control actuator.
2. Perform [EC-78, "Throttle Valve Closed Position Learning"](#) .
3. Perform [EC-78, "Idle Air Volume Learning"](#) .

>> INSPECTION END

Removal and Installation ELECTRIC THROTTLE CONTROL ACTUATOR

NBS0022A

Refer to [EM-19, "INTAKE MANIFOLD"](#) .

DTC P1226 TP SENSOR

PFP:16119

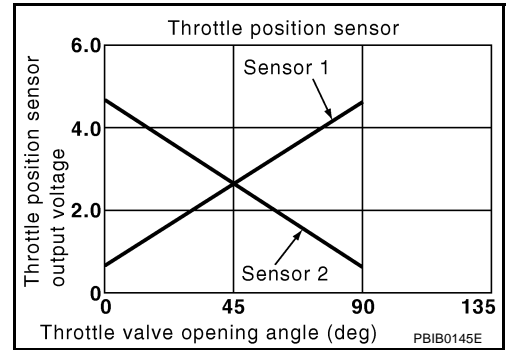
DTC P1226 TP SENSOR

Component Description

NBS0022B

Electric throttle control actuator consists of throttle control motor, throttle position sensor, etc. The throttle position sensor responds to the throttle valve movement.

The throttle position sensor has the two sensors. These sensors are a kind of potentiometers which transform the throttle valve position into output voltage, and emit the voltage signal to the ECM. In addition, these sensors detect the opening and closing speed of the throttle valve and feed the voltage signals to the ECM. The ECM judges the current opening angle of the throttle valve from these signals and the ECM controls the throttle control motor to make the throttle valve opening angle properly in response to driving condition.



On Board Diagnosis Logic

NBS0022C

The MIL will not light up for this diagnosis.

DTC No.	Trouble diagnosis name	DTC detecting condition	Possible cause
P1226 1226	Closed throttle position learning performance	Closed throttle position learning is not performed successfully, repeatedly.	<ul style="list-style-type: none"> Electric throttle control actuator (TP sensor 1 and 2)

DTC Confirmation Procedure

NBS0022D

NOTE:

If DTC Confirmation Procedure has been previously conducted, always turn ignition switch OFF and wait at least 10 seconds before conducting the next test.

TESTING CONDITION:

Before performing the following procedure, confirm that battery voltage is more than 10V at idle.

WITH CONSULT-II

- Turn ignition switch ON.
- Select "DATA MONITOR" mode with CONSULT-II.
- Turn ignition switch OFF, wait at least 10 seconds.
- Turn ignition switch ON.
- Repeat steps 3 and 4 for 32 times.
- If 1st trip DTC is detected, go to [EC-545, "Diagnostic Procedure"](#)

DATA MONITOR	
MONITOR	NO DTC
ENG SPEED	XXX rpm

SEF058Y

WITH GST

Follow the procedure "WITH CONSULT-II" above.

DTC P1226 TP SENSOR

Diagnostic Procedure

NBS0022E

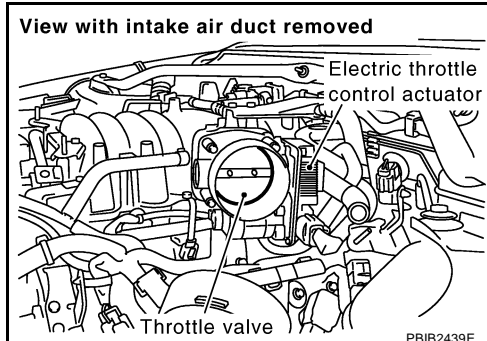
1. CHECK ELECTRIC THROTTLE CONTROL ACTUATOR VISUALLY

1. Turn ignition switch OFF.
2. Remove the intake air duct.
3. Check if foreign matter is caught between the throttle valve and the housing.

OK or NG

OK >> GO TO 2.

NG >> Remove the foreign matter and clean the electric throttle control actuator inside.



2. REPLACE ELECTRIC THROTTLE CONTROL ACTUATOR

1. Replace the electric throttle control actuator.
2. Perform [EC-78, "Throttle Valve Closed Position Learning"](#) .
3. Perform [EC-78, "Idle Air Volume Learning"](#) .

>> INSPECTION END

Removal and Installation ELECTRIC THROTTLE CONTROL ACTUATOR

NBS0022F

Refer to [EM-19, "INTAKE MANIFOLD"](#) .

DTC P1442 EVAP CONTROL SYSTEM

DTC P1442 EVAP CONTROL SYSTEM

PFP:14950

On Board Diagnosis Logic

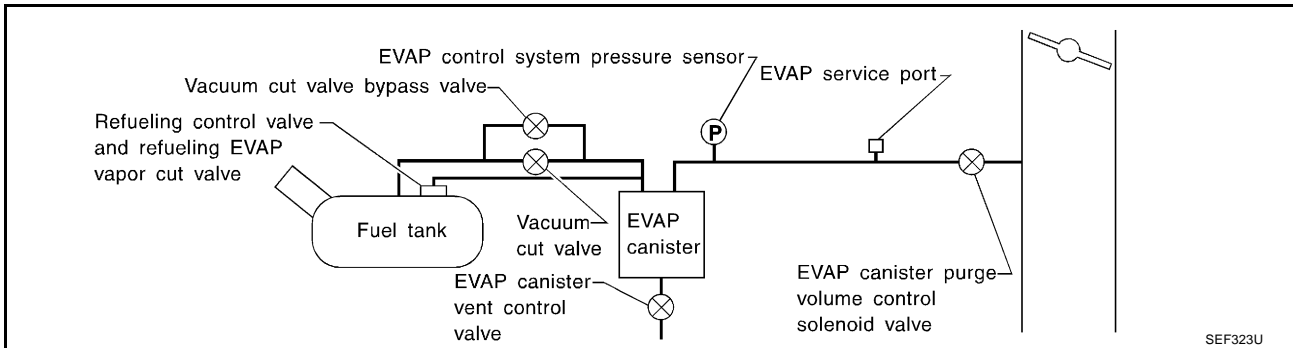
NBS0022K

NOTE:

If DTC P1442 is displayed with P0447, perform trouble diagnosis for DTC P0447 first. (See [EC-419](#).)

This diagnosis detects leaks in the EVAP purge line using vapor pressure in the fuel tank.

The EVAP canister vent control valve is closed to shut the EVAP purge line. The vacuum cut valve bypass valve will then be opened to clear the line between the fuel tank and the EVAP canister purge volume control solenoid valve. The EVAP control system pressure sensor can now monitor the pressure inside the fuel tank. If pressure increases, the ECM will check for leaks in the line between the vacuum cut valve and EVAP canister purge volume control solenoid valve.



DTC No.	Trouble diagnosis name	DTC detecting condition	Possible cause
P1442 1442	EVAP control system small leak detected (positive pressure)	EVAP control system has a leak, EVAP control system does not operate properly.	<ul style="list-style-type: none"> ● Incorrect fuel tank vacuum relief valve ● Incorrect fuel filler cap used ● Fuel filler cap remains open or fails to close. ● Foreign matter caught in fuel filler cap. ● Leak is in line between intake manifold and EVAP canister purge volume control solenoid valve. ● Foreign matter caught in EVAP canister vent control valve. ● EVAP canister or fuel tank leaks ● EVAP purge line (pipe and rubber tube) leaks ● EVAP purge line rubber tube bent ● Blocked or bent rubber tube to EVAP control system pressure sensor ● Loose or disconnected rubber tube ● EVAP canister vent control valve and the circuit ● EVAP canister purge volume control solenoid valve and the circuit ● Fuel tank temperature sensor ● O-ring of EVAP canister vent control valve is missing or damaged ● Water separator ● EVAP canister is saturated with water ● EVAP control system pressure sensor ● Fuel level sensor and the circuit ● Refueling control valve ● ORVR system leaks

CAUTION:

- Use only a genuine NISSAN fuel filler cap as a replacement. If an incorrect fuel filler cap is used, the MIL may come on.
- If the fuel filler cap is not tightened properly, the MIL may come on.

DTC P1442 EVAP CONTROL SYSTEM

- Use only a genuine NISSAN rubber tube as a replacement.

DTC Confirmation Procedure

NBS0022L

NOTE:

If DTC Confirmation Procedure has been previously conducted, always turn ignition switch OFF and wait at least 10 seconds before conducting the next test.

TESTING CONDITION:

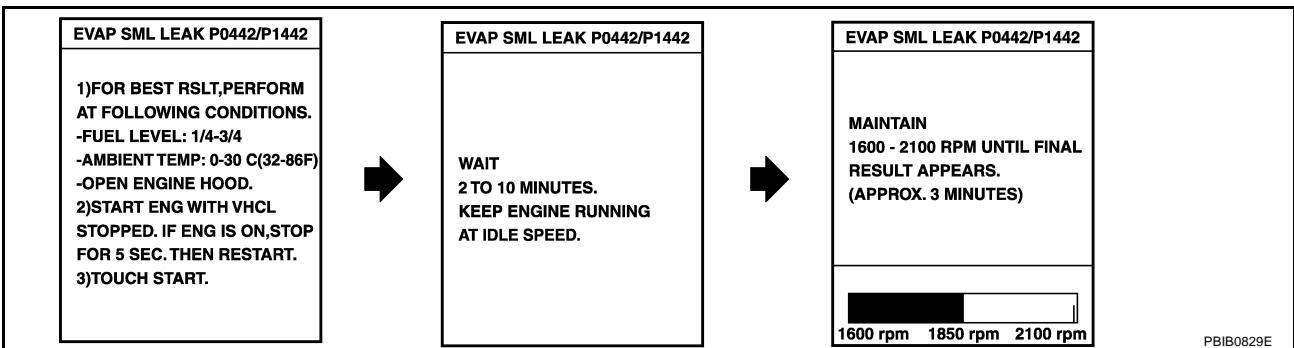
- Perform "DTC WORK SUPPORT" when the fuel level is between 1/4 and 3/4 full, and vehicle is placed on flat level surface.
- Always perform test at a temperature of 0 to 30°C (32 to 86°F).

WITH CONSULT-II

1. Turn ignition switch ON.
2. Turn ignition switch OFF and wait at least 10 seconds.
3. Turn ignition switch ON and select "DATA MONITOR" mode with CONSULT-II.
4. Make sure that the following conditions are met.
COOLAN TEMP/S: 0 - 70°C (32 - 158°F)
INT/A TEMP SE: 0 - 30°C (32 - 86°F)
5. Select "EVAP SML LEAK P0442/P1442" of "EVAPORATIVE SYSTEM" in "DTC WORK SUPPORT" mode with CONSULT-II. Follow the instruction displayed.

DATA MONITOR	
MONITOR	DTC
ENG SPEED	XXX rpm
COOLAN TEMP/S	XXX °C
INT/A TEMP SE	XXX °C

PBIB2869E



NOTE:

If the engine speed cannot be maintained within the range displayed on the CONSULT-II screen, go to [EC-71, "Basic Inspection"](#).

6. Make sure that "OK" is displayed. If "NG" is displayed, refer to [EC-548, "Diagnostic Procedure"](#).

NOTE:

Make sure that EVAP hoses are connected to EVAP canister purge volume control solenoid valve properly.

EVAP SML LEAK P0442/P1442
OK
SELF-DIAG RESULTS
NO DTC DETECTED. FURTHER TESTING MAY BE REQUIRED.

SEC763C

DTC P1442 EVAP CONTROL SYSTEM

WITH GST

NOTE:

Be sure to read the explanation of [EC-58, "Driving Pattern"](#) before driving vehicle.

1. Start engine.
2. Drive vehicle according to [EC-58, "Driving Pattern"](#) .
3. Stop vehicle.
4. Turn ignition switch OFF, wait at least 10 seconds and then turn ON.
5. Select "Service \$07" with GST.
 - If P1442 is displayed on the screen, go to [EC-548, "Diagnostic Procedure"](#) .
 - If P0441 is displayed on the screen, go to [EC-393, "Diagnostic Procedure"](#) .
 - If P0442 is displayed on the screen, go to [EC-398, "Diagnostic Procedure"](#) .

Diagnostic Procedure

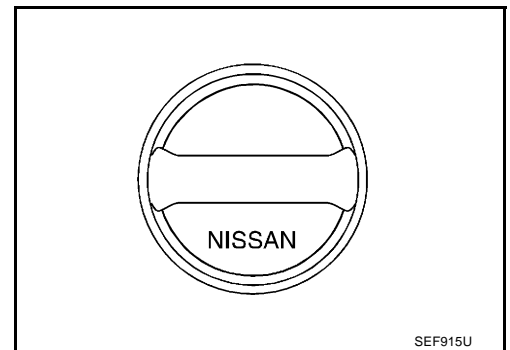
NBS0022M

1. CHECK FUEL FILLER CAP DESIGN

1. Turn ignition switch OFF.
2. Check for genuine NISSAN fuel filler cap design.

OK or NG

- OK >> GO TO 2.
NG >> Replace with genuine NISSAN fuel filler cap.



2. CHECK FUEL FILLER CAP INSTALLATION

Check that the cap is tightened properly by rotating the cap clockwise.

OK or NG

- OK >> GO TO 3.
NG >> ● Open fuel filler cap, then clean cap and fuel filler neck threads using air blower.
● Retighten until ratcheting sound is heard.

3. CHECK FUEL FILLER CAP FUNCTION

Check for air releasing sound while opening the fuel filler cap.

OK or NG

- OK >> GO TO 5.
NG >> GO TO 4.

4. CHECK FUEL TANK VACUUM RELIEF VALVE

Refer to [EC-35, "FUEL TANK VACUUM RELIEF VALVE \(BUILT INTO FUEL FULLER CAP\)"](#) .

OK or NG

- OK >> GO TO 5.
NG >> Replace fuel filler cap with a genuine one.

DTC P1442 EVAP CONTROL SYSTEM

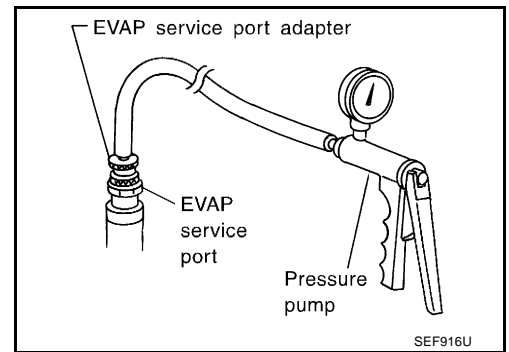
5. INSTALL THE PRESSURE PUMP

To locate the EVAP leak, install EVAP service port adapter and pressure pump to EVAP service port securely. For the location of EVAP service port, refer to [EC-33, "EVAPORATIVE EMISSION LINE DRAWING"](#).

NOTE:

Improper installation of the EVAP service port adapter to the EVAP service port may cause leaking.

With CONSULT-II>>GO TO 6.
Without CONSULT-II>>GO TO 7.



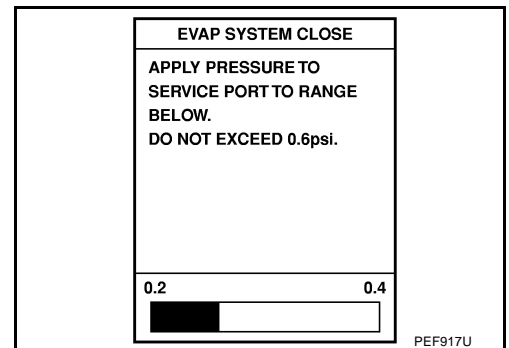
6. CHECK FOR EVAP LEAK

With CONSULT-II

1. Turn ignition switch ON.
2. Select "EVAP SYSTEM CLOSE" of "WORK SUPPORT" mode with CONSULT-II.
3. Touch "START" and apply pressure into the EVAP line until the pressure indicator reaches the middle of the bar graph.

NOTE:

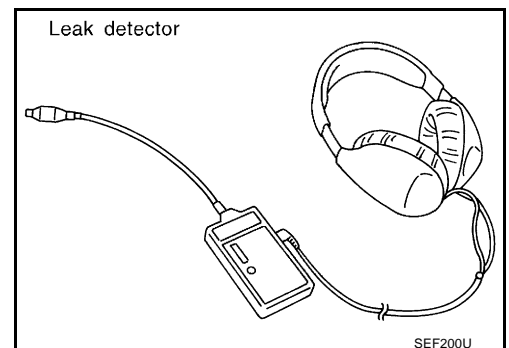
- Never use compressed air or a high pressure pump.
- Do not exceed 4.12 kPa (0.042 kg/cm², 0.6 psi) of pressure in the system.



4. Using EVAP leak detector, locate the EVAP leak. For the leak detector, refer to the instruction manual for more details. Refer to [EC-33, "EVAPORATIVE EMISSION LINE DRAWING"](#).

OK or NG

- OK >> GO TO 8.
NG >> Repair or replace.

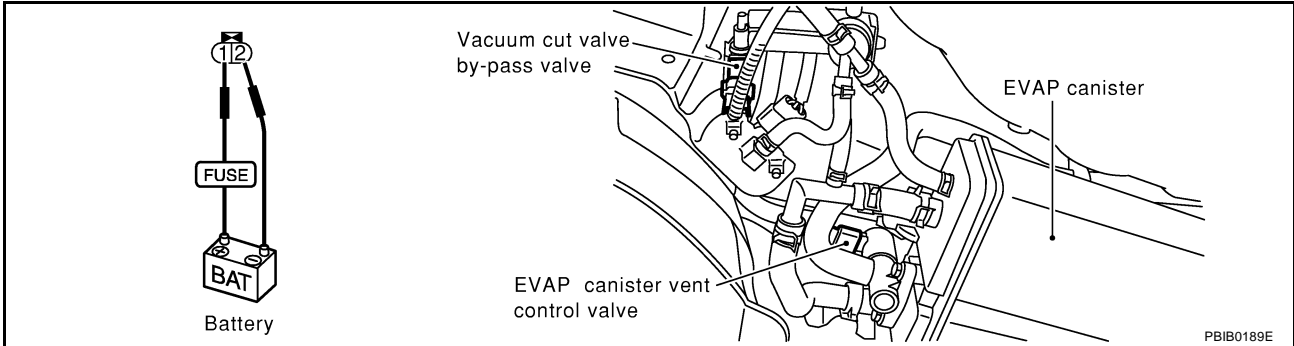


DTC P1442 EVAP CONTROL SYSTEM

7. CHECK FOR EVAP LEAK

⊗ Without CONSULT-II

1. Turn ignition switch OFF.
2. Apply 12 volts DC to EVAP canister vent control valve. The valve will close. (Continue to apply 12 volts until the end of test.)
3. Apply 12 volts DC to vacuum cut valve bypass valve. The valve will open. (Continue to apply 12V until the end of test.)



4. Pressurize the EVAP line using pressure pump with 1.3 to 2.7 kPa (10 to 20 mmHg, 0.39 to 0.79 inHg), then remove pump and EVAP service port adapter.

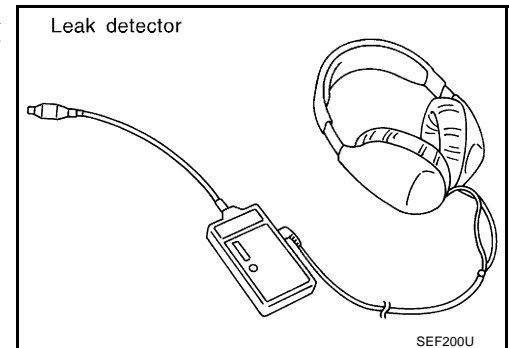
NOTE:

- Never use compressed air or a high pressure pump.
- Do not exceed 4.12 kPa (0.042 kg/cm², 0.6 psi) of pressure in the system.

5. Using EVAP leak detector, locate the EVAP leak. For the leak detector, refer to the instruction manual for more details. Refer to [EC-33, "EVAPORATIVE EMISSION LINE DRAWING"](#).

OK or NG

- OK >> GO TO 8.
NG >> Repair or replace.



8. CHECK WATER SEPARATOR

Refer to [EC-553, "Component Inspection"](#).

OK or NG

- OK >> GO TO 9.
NG >> Replace water separator.

9. CHECK EVAP CANISTER VENT CONTROL VALVE, O-RING AND CIRCUIT

Refer to [EC-420, "DTC Confirmation Procedure"](#).

OK or NG

- OK >> GO TO 10.
NG >> Repair or replace EVAP canister vent control valve and O-ring or harness/connector.

DTC P1442 EVAP CONTROL SYSTEM

10. CHECK IF EVAP CANISTER SATURATED WITH WATER

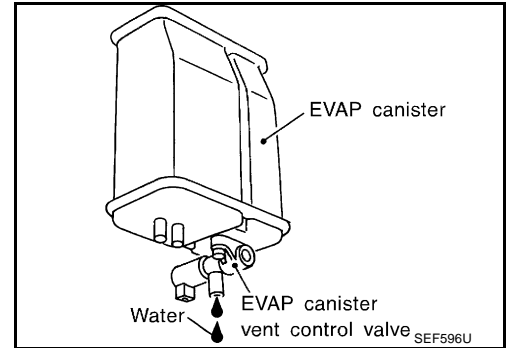
1. Remove EVAP canister with EVAP canister vent control valve attached.
2. Does water drain from the EVAP canister?

Yes or No

Yes >> GO TO 11.

No (With CONSULT-II)>>GO TO 13.

No (Without CONSULT-II)>>GO TO 14.



11. CHECK EVAP CANISTER

Weigh the EVAP canister with the EVAP canister vent control valve attached.

The weight should be less than 1.8 kg (4.0 lb).

OK or NG

OK (With CONSULT-II)>>GO TO 13.

OK (Without CONSULT-II)>>GO TO 14.

NG >> GO TO 12.

12. DETECT MALFUNCTIONING PART

Check the following.

- EVAP canister for damage
- EVAP hose between EVAP canister and water separator for clogging or poor connection

>> Repair hose or replace EVAP canister.

13. CHECK EVAP CANISTER PURGE VOLUME CONTROL SOLENOID VALVE OPERATION

Ⓟ With CONSULT-II

1. Disconnect vacuum hose to EVAP canister purge volume control solenoid valve at EVAP service port.
2. Start engine.
3. Perform "PURG VOL CONT/V" in "ACTIVE TEST" mode.
4. Touch "Qu" on CONSULT-II screen to increase "PURG VOL CONT/V" opening to 100%.
5. Check vacuum hose for vacuum when revving engine up to 2,000 rpm.

Vacuum should exist.

OK or NG

OK >> GO TO 16.

NG >> GO TO 15.

ACTIVE TEST	
PURG VOL CONT/V	XXX %
MONITOR	
ENG SPEED	XXX rpm
A/F ALPHA-B1	XX %
A/F ALPHA-B2	XX %

PBIB1678E

DTC P1442 EVAP CONTROL SYSTEM

14. CHECK EVAP CANISTER PURGE VOLUME CONTROL SOLENOID VALVE OPERATION

⊗ **Without CONSULT-II**

1. Start engine and warm it up to normal operating temperature.
2. Stop engine.
3. Disconnect vacuum hose to EVAP canister purge volume control solenoid valve at EVAP service port.
4. Start engine and let it idle for at least 80 seconds.
5. Check vacuum hose for vacuum when revving engine up to 2,000 rpm.

Vacuum should exist.

OK or NG

- OK >> GO TO 17.
NG >> GO TO 15.

15. CHECK VACUUM HOSE

Check vacuum hoses for clogging or disconnection. Refer to [EC-102, "Vacuum Hose Drawing"](#) .

OK or NG

- OK >> GO TO 16.
NG >> Repair or reconnect the hose.

16. CHECK EVAP CANISTER PURGE VOLUME CONTROL SOLENOID VALVE

Refer to [EC-411, "Component Inspection"](#) .

OK or NG

- OK >> GO TO 17.
NG >> Replace EVAP canister purge volume control solenoid valve.

17. CHECK FUEL TANK TEMPERATURE SENSOR

Refer to [EC-347, "Component Inspection"](#) .

OK or NG

- OK >> GO TO 18.
NG >> Replace fuel level sensor unit.

18. CHECK EVAP CONTROL SYSTEM PRESSURE SENSOR

Refer to [EC-450, "Component Inspection"](#) .

OK or NG

- OK >> GO TO 19.
NG >> Replace EVAP control system pressure sensor.

19. CHECK EVAP PURGE LINE

Check EVAP purge line (pipe, rubber tube, fuel tank and EVAP canister) for cracks or improper connection. Refer to [EC-33, "EVAPORATIVE EMISSION LINE DRAWING"](#) .

OK or NG

- OK >> GO TO 20.
NG >> Repair or reconnect the hose.

20. CLEAN EVAP PURGE LINE

Clean EVAP purge line (pipe and rubber tube) using air blower.

>> GO TO 21.

DTC P1442 EVAP CONTROL SYSTEM

21. CHECK REFUELING EVAP VAPOR LINE

Check refueling EVAP vapor line between EVAP canister and fuel tank for clogging, kink, looseness and improper connection. For location, refer to [EC-38, "ON BOARD REFUELING VAPOR RECOVERY \(ORVR\)"](#) .

OK or NG

- OK >> GO TO 22.
- NG >> Repair or replace hoses and tubes.

22. CHECK SIGNAL LINE AND RECIRCULATION LINE

Check signal line and recirculation line between filler neck tube and fuel tank for clogging, kink, cracks, looseness and improper connection.

OK or NG

- OK >> GO TO 23.
- NG >> Repair or replace hoses, tubes or filler neck tube.

23. CHECK REFUELING CONTROL VALVE

Refer to [EC-41, "Component Inspection"](#) .

OK or NG

- OK >> GO TO 24.
- NG >> Replace refueling control valve with fuel tank.

24. CHECK FUEL LEVEL SENSOR

Refer to [DI-22, "CHECK FUEL LEVEL SENSOR UNIT"](#) .

OK or NG

- OK >> GO TO 25.
- NG >> Replace fuel level sensor unit.

25. CHECK INTERMITTENT INCIDENT

Refer to [EC-145, "TROUBLE DIAGNOSIS FOR INTERMITTENT INCIDENT"](#) .

>> INSPECTION END

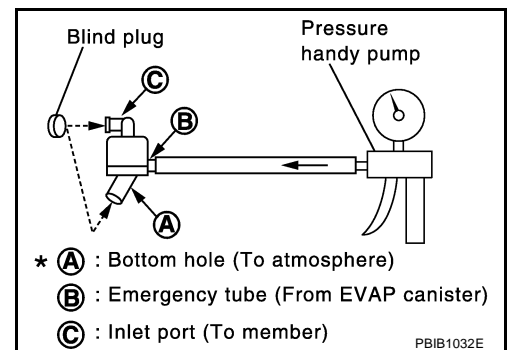
Component Inspection WATER SEPARATOR

NBS0022N

1. Check visually for insect nests in the water separator air inlet.
2. Check visually for cracks or flaws in the appearance.
3. Check visually for cracks or flaws in the hose.
4. Check that **A** and **C** are not clogged by blowing air into **B** with **A** , and then **C** plugged.
5. In case of NG in items 2 - 4, replace the parts.

NOTE:

- Do not disassemble water separator.



DTC P1456 EVAP CONTROL SYSTEM

DTC P1456 EVAP CONTROL SYSTEM

PFP:14710

On Board Diagnosis Logic

NBS0023B

NOTE:

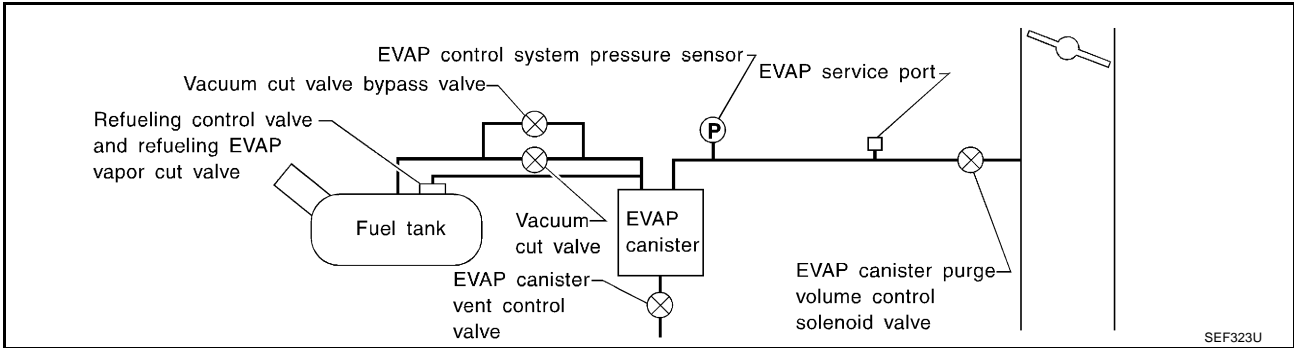
If DTC P1456 is displayed with P1442, perform TROUBLE DIAGNOSIS FOR DTC P1456 first.

This diagnosis detects very small leaks in the EVAP line between fuel tank and EVAP canister purge volume control solenoid valve, using vapor pressure in the fuel tank in the same way as conventional EVAP small leak diagnosis.

If ECM judges a leak which corresponds to a very small leak, the very small leak P0456 will be detected.

If ECM judges a leak equivalent to a small leak, EVAP small leak P1442 will be detected.

If ECM judges there are no leaks, the diagnosis will be OK.



DTC No.	Trouble diagnosis name	DTC detecting condition	Possible cause
P0456 0456	Evaporative emission control system very small leak (negative pressure check)	<ul style="list-style-type: none"> ● EVAP system has a very small leak. ● EVAP system does not operate properly. 	<ul style="list-style-type: none"> ● Incorrect fuel tank vacuum relief valve ● Incorrect fuel filler cap used ● Fuel filler cap remains open or fails to close. ● Foreign matter caught in fuel filler cap. ● Leak is in line between intake manifold and EVAP canister purge volume control solenoid valve. ● Foreign matter caught in EVAP canister vent control valve. ● EVAP canister or fuel tank leaks ● EVAP purge line (pipe and rubber tube) leaks ● EVAP purge line rubber tube bent ● Blocked or bent rubber tube to EVAP control system pressure sensor ● Loose or disconnected rubber tube ● EVAP canister vent control valve and the circuit ● EVAP canister purge volume control solenoid valve and the circuit ● Absolute pressure sensor ● Fuel tank temperature sensor ● O-ring of EVAP canister vent control valve is missing or damaged ● Water separator ● EVAP canister is saturated with water ● EVAP control system pressure sensor ● Refueling control valve ● ORVR system leaks ● Fuel level sensor and the circuit ● Foreign matter caught in EVAP canister purge volume control solenoid valve

DTC P1456 EVAP CONTROL SYSTEM

CAUTION:

- Use only a genuine NISSAN fuel filler cap as a replacement. If an incorrect fuel filler cap is used, the MIL may come on.
- If the fuel filler cap is not tightened properly, the MIL may come on.
- Use only a genuine NISSAN rubber tube as a replacement.

DTC Confirmation Procedure

NBS0023C

NOTE:

- After repair, make sure that the hoses and clips are installed properly.
- If DTC Confirmation Procedure has been previously conducted, always turn ignition switch OFF and wait at least 10 seconds before conducting the next test.

TESTING CONDITION:

- Open engine hood before conducting following procedure.
- If any of following conditions are met just before the DTC confirmation procedure, leave the vehicle for more than 1 hour.
 - Fuel filler cap is removed.
 - Refilled or drained the fuel.
 - EVAP component parts is/are removed.
- Before performing the following procedure, confirm that battery voltage is more than 11V at idle.

WITH CONSULT-II

1. Turn ignition switch ON and select "DATA MONITOR" mode with CONSULT-II.

2. Make sure the following conditions are met.

FUEL LEVEL SE: 0.25 - 1.15V

COOLANT TEMP/S: 0 - 32°C (32 - 90°F)

FUEL T/TEMP SE: 0 - 35°C (32 - 95°F)

INT/A TEMP SE: More than 0°C (32°F)

If NG, turn ignition switch OFF and leave the vehicle in a cool place (soak the vehicle) or refilling/draining fuel until the output voltage condition of the "FUEL LEVEL SE" meets within the range above and leave the vehicle for more than 1 hour. Then start from step 1).

DATA MONITOR	
MONITOR	DTC
ENG SPEED	XXX rpm
COOLANT TEMP/S	XXX °C
INT/A TEMP SE	XXX °C
FUEL LEVEL SE	XXX V
FUEL T/TEMP SE	XXX °C

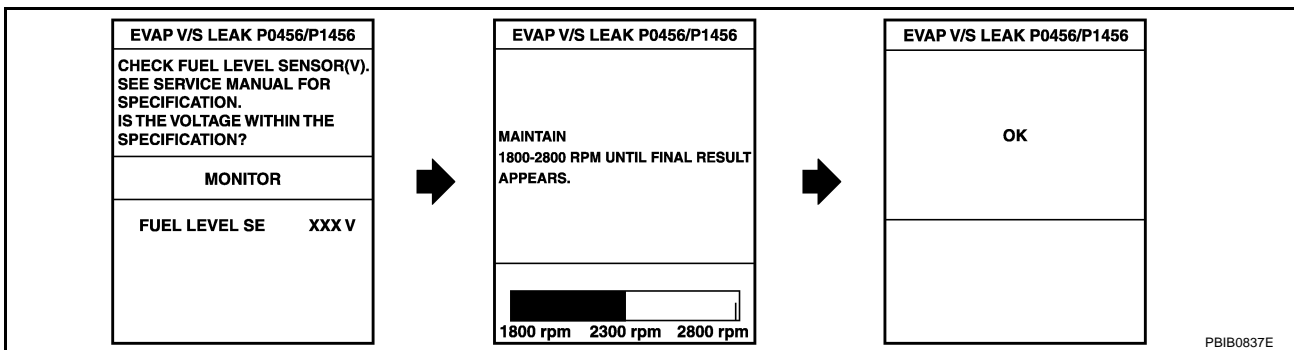
PBIB2870E

3. Turn ignition switch OFF and wait at least 10 seconds.

4. Turn ignition switch ON.

5. Select "EVAP V/S LEAK P0456/P1456" of "EVAPORATIVE SYSTEM" in "DTC WORK SUPPORT" mode with CONSULT-II.

Follow the instruction displayed.



6. Make sure that "OK" is displayed. If "NG" is displayed, refer to [EC-557, "Diagnostic Procedure"](#).

NOTE:

- If the engine speed cannot be maintained within the range displayed on CONSULT-II screen, go to [EC-71, "Basic Inspection"](#).
- Make sure that EVAP hoses are connected to EVAP canister purge volume control solenoid valve properly.

DTC P1456 EVAP CONTROL SYSTEM

NBS0023D

Overall Function Check

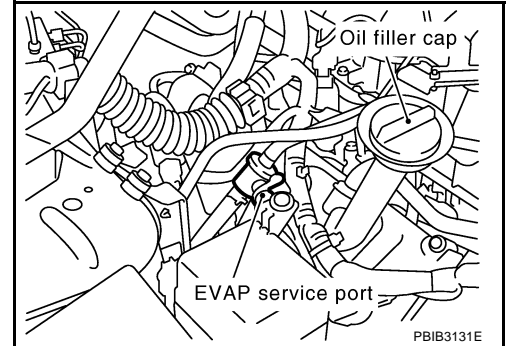
WITH GST

Use this procedure to check the overall function of the EVAP very small leak function. During this check, a 1st trip DTC might not be confirmed.

CAUTION:

- Never use compressed air, doing so may damage the EVAP system.
- Do not start engine.
- Do not exceeded 4.12 kPa (0.042 kg/cm² , 0.6 psi).

1. Attach the EVAP service port adapter securely to the EVAP service port.



2. Set the pressure pump and a hose.
3. Also set a vacuum gauge via 3-way connector and a hose.
4. Turn ignition switch ON.
5. Connect GST and select "Service \$08".
6. Using "Service \$08" control the EVAP canister vent control valve (close) and vacuum cut valve bypass valve (open).
7. Apply pressure and make sure the following conditions are satisfied.

Pressure to be applied: 2.7 kPa (20 mmHg, 0.79 inHg)

Time to be waited after the pressure drawn in to the EVAP system and the pressure to be dropped: 60 seconds and the pressure should not be dropped more than 0.4 kPa (3 mmHg, 0.12 inHg).

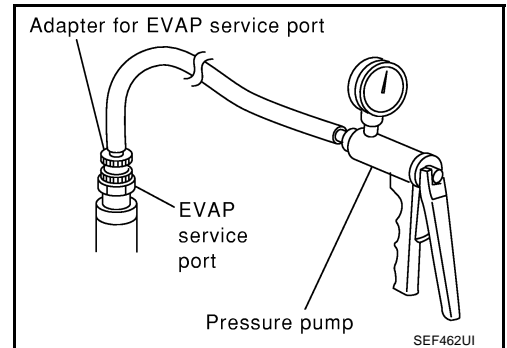
If NG, go to [EC-557, "Diagnostic Procedure"](#).

If OK, go to next step.

8. Disconnect GST.
9. Start engine and warm it up to normal operating temperature.
10. Turn ignition switch OFF and wait at least 10 seconds.
11. Restart engine and let it idle for 90 seconds.
12. Keep engine speed at 2,000 rpm for 30 seconds.
13. Turn ignition switch OFF.

NOTE:

For more information, refer to GST instruction manual.



DTC P1456 EVAP CONTROL SYSTEM

NBS0023E

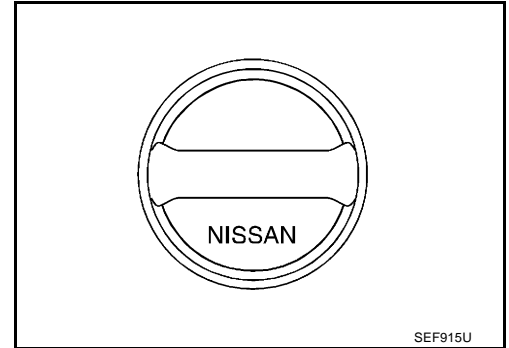
Diagnostic Procedure

1. CHECK FUEL FILLER CAP DESIGN

1. Turn ignition switch OFF.
2. Check for genuine NISSAN fuel filler cap design.

OK or NG

- OK >> GO TO 2.
NG >> Replace with genuine NISSAN fuel filler cap.



2. CHECK FUEL FILLER CAP INSTALLATION

Check that the cap is tightened properly by rotating the cap clockwise.

OK or NG

- OK >> GO TO 3.
NG >> ● Open fuel filler cap, then clean cap and fuel filler neck threads using air blower.
● Retighten until ratcheting sound is heard.

3. CHECK FUEL FILLER CAP FUNCTION

Check for air releasing sound while opening the fuel filler cap.

OK or NG

- OK >> GO TO 5.
NG >> GO TO 4.

4. CHECK FUEL TANK VACUUM RELIEF VALVE

Refer to [EC-35. "FUEL TANK VACUUM RELIEF VALVE \(BUILT INTO FUEL FULLER CAP\)"](#) .

OK or NG

- OK >> GO TO 5.
NG >> Replace fuel filler cap with a genuine one.

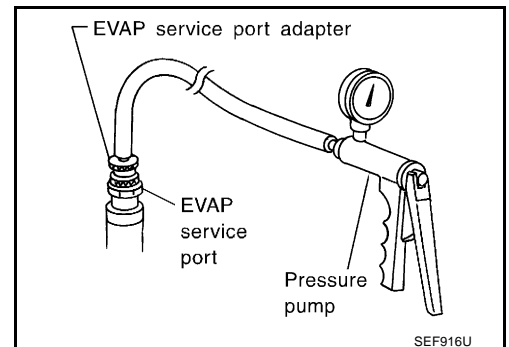
5. INSTALL THE PRESSURE PUMP

To locate the EVAP leak, install EVAP service port adapter and pressure pump to EVAP service port securely. For the location of EVAP service port, refer to [EC-33. "EVAPORATIVE EMISSION LINE DRAWING"](#) .

NOTE:

Improper installation of the EVAP service port adapter to the EVAP service port may cause leaking.

- With CONSULT-II>>GO TO 6.
Without CONSULT-II>>GO TO 7.



DTC P1456 EVAP CONTROL SYSTEM

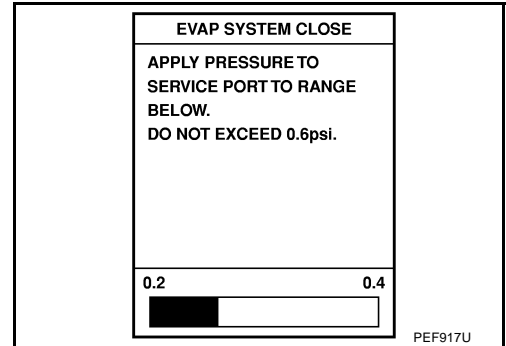
6. CHECK FOR EVAP LEAK

④ With CONSULT-II

1. Turn ignition switch ON.
2. Select "EVAP SYSTEM CLOSE" of "WORK SUPPORT" mode with CONSULT-II.
3. Touch "START" and apply pressure into the EVAP line until the pressure indicator reaches the middle of the bar graph.

NOTE:

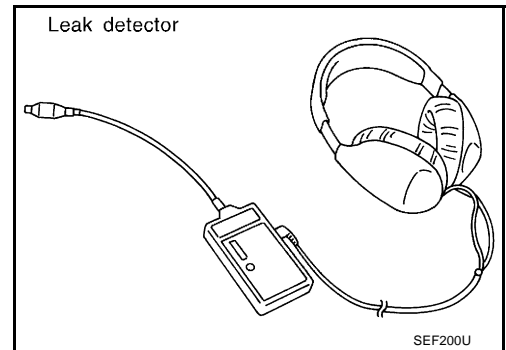
- Never use compressed air or a high pressure pump.
- Do not exceed 4.12 kPa (0.042 kg/cm² , 0.6 psi) of pressure in the system.



4. Using EVAP leak detector, locate the EVAP leak. For the leak detector, refer to the instruction manual for more details. Refer to [EC-33, "EVAPORATIVE EMISSION LINE DRAWING"](#) .

OK or NG

- OK >> GO TO 8.
NG >> Repair or replace.

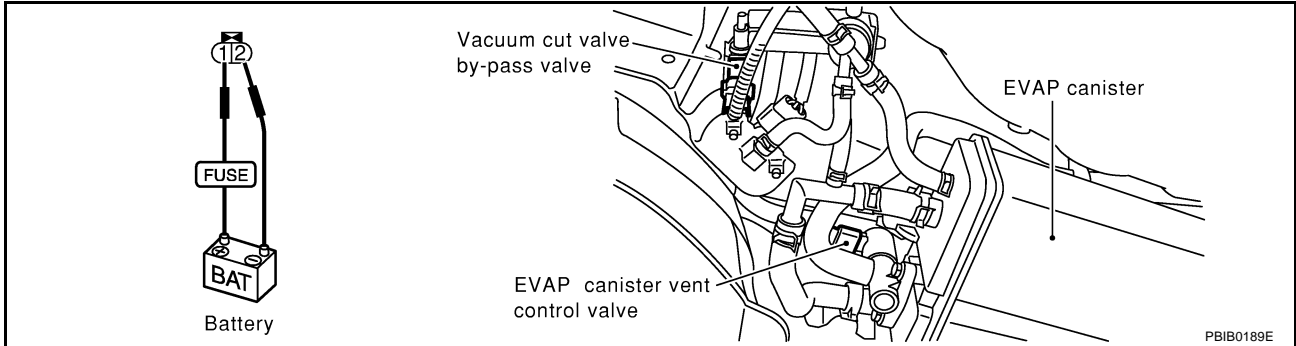


DTC P1456 EVAP CONTROL SYSTEM

7. CHECK FOR EVAP LEAK

⊗ Without CONSULT-II

1. Turn ignition switch OFF.
2. Apply 12 volts DC to EVAP canister vent control valve. The valve will close. (Continue to apply 12 volts until the end of test.)
3. Apply 12 volts DC to vacuum cut valve bypass valve. The valve will open. (Continue to apply 12V until the end of test.)



4. Pressurize the EVAP line using pressure pump with 1.3 to 2.7 kPa (10 to 20 mmHg, 0.39 to 0.79 inHg), then remove pump and EVAP service port adapter.

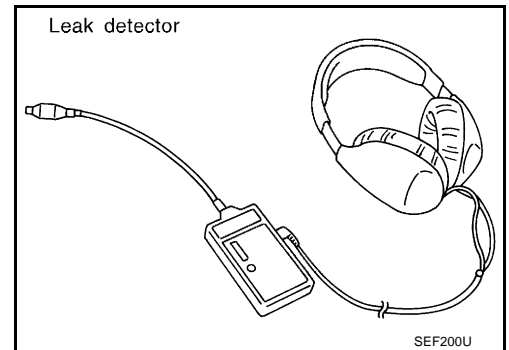
NOTE:

- Never use compressed air or a high pressure pump.
- Do not exceed 4.12 kPa (0.042 kg/cm², 0.6 psi) of pressure in the system.

5. Using EVAP leak detector, locate the EVAP leak. For the leak detector, refer to the instruction manual for more details. Refer to [EC-33, "EVAPORATIVE EMISSION LINE DRAWING"](#).

OK or NG

- OK >> GO TO 8.
NG >> Repair or replace.



8. CHECK WATER SEPARATOR

Refer to [EC-562, "Component Inspection"](#).

OK or NG

- OK >> GO TO 9.
NG >> Replace water separator.

9. CHECK EVAP CANISTER VENT CONTROL VALVE, O-RING AND CIRCUIT

Refer to [EC-420, "DTC Confirmation Procedure"](#).

OK or NG

- OK >> GO TO 10.
NG >> Repair or replace EVAP canister vent control valve and O-ring or harness/connector.

DTC P1456 EVAP CONTROL SYSTEM

10. CHECK IF EVAP CANISTER SATURATED WITH WATER

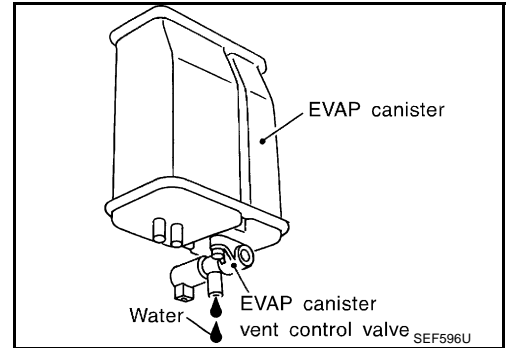
1. Remove EVAP canister with EVAP canister vent control valve attached.
2. Does water drain from the EVAP canister?

Yes or No

Yes >> GO TO 11.

No (With CONSULT-II)>>GO TO 13.

No (Without CONSULT-II)>>GO TO 14.



11. CHECK EVAP CANISTER

Weigh the EVAP canister with the EVAP canister vent control valve attached.

The weight should be less than 1.8 kg (4.0 lb).

OK or NG

OK (With CONSULT-II)>>GO TO 13.

OK (Without CONSULT-II)>>GO TO 14.

NG >> GO TO 12.

12. DETECT MALFUNCTIONING PART

Check the following.

- EVAP canister for damage
- EVAP hose between EVAP canister and water separator for clogging or poor connection

>> Repair hose or replace EVAP canister.

13. CHECK EVAP CANISTER PURGE VOLUME CONTROL SOLENOID VALVE OPERATION

Ⓜ With CONSULT-II

1. Disconnect vacuum hose to EVAP canister purge volume control solenoid valve at EVAP service port.
2. Start engine.
3. Perform "PURG VOL CONT/V" in "ACTIVE TEST" mode.
4. Touch "Qu" on CONSULT-II screen to increase "PURG VOL CONT/V" opening to 100%.
5. Check vacuum hose for vacuum when revving engine up to 2,000 rpm.

Vacuum should exist.

OK or NG

OK >> GO TO 16.

NG >> GO TO 15.

ACTIVE TEST	
PURG VOL CONT/V	XXX %
MONITOR	
ENG SPEED	XXX rpm
A/F ALPHA-B1	XX %
A/F ALPHA-B2	XX %

PBIB1678E

DTC P1456 EVAP CONTROL SYSTEM

14. CHECK EVAP CANISTER PURGE VOLUME CONTROL SOLENOID VALVE OPERATION

⊗ Without CONSULT-II

1. Start engine and warm it up to normal operating temperature.
2. Stop engine.
3. Disconnect vacuum hose to EVAP canister purge volume control solenoid valve at EVAP service port.
4. Start engine and let it idle for at least 80 seconds.
5. Check vacuum hose for vacuum when revving engine up to 2,000 rpm.

Vacuum should exist.

OK or NG

- OK >> GO TO 17.
NG >> GO TO 15.

15. CHECK VACUUM HOSE

Check vacuum hoses for clogging or disconnection. Refer to [EC-102, "Vacuum Hose Drawing"](#).

OK or NG

- OK >> GO TO 16.
NG >> Repair or reconnect the hose.

16. CHECK EVAP CANISTER PURGE VOLUME CONTROL SOLENOID VALVE

Refer to [EC-411, "Component Inspection"](#).

OK or NG

- OK >> GO TO 17.
NG >> Replace EVAP canister purge volume control solenoid valve.

17. CHECK FUEL TANK TEMPERATURE SENSOR

Refer to [EC-347, "Component Inspection"](#).

OK or NG

- OK >> GO TO 18.
NG >> Replace fuel level sensor unit.

18. CHECK EVAP CONTROL SYSTEM PRESSURE SENSOR

Refer to [EC-450, "Component Inspection"](#).

OK or NG

- OK >> GO TO 19.
NG >> Replace EVAP control system pressure sensor.

19. CHECK EVAP PURGE LINE

Check EVAP purge line (pipe, rubber tube, fuel tank and EVAP canister) for cracks or improper connection. Refer to [EC-33, "EVAPORATIVE EMISSION LINE DRAWING"](#).

OK or NG

- OK >> GO TO 20.
NG >> Repair or reconnect the hose.

20. CLEAN EVAP PURGE LINE

Clean EVAP purge line (pipe and rubber tube) using air blower.

>> GO TO 21.

A

EC

C

D

E

F

G

H

I

J

K

L

M

DTC P1456 EVAP CONTROL SYSTEM

21. CHECK REFUELING EVAP VAPOR LINE

Check refueling EVAP vapor line between EVAP canister and fuel tank for clogging, kink, looseness and improper connection. For location, refer to [EC-38, "ON BOARD REFUELING VAPOR RECOVERY \(ORVR\)"](#) .

OK or NG

- OK >> GO TO 22.
- NG >> Repair or replace hoses and tubes.

22. CHECK SIGNAL LINE AND RECIRCULATION LINE

Check signal line and recirculation line between filler neck tube and fuel tank for clogging, kink, cracks, looseness and improper connection.

OK or NG

- OK >> GO TO 23.
- NG >> Repair or replace hoses, tubes or filler neck tube.

23. CHECK REFUELING CONTROL VALVE

Refer to [EC-41, "Component Inspection"](#) .

OK or NG

- OK >> GO TO 24.
- NG >> Replace refueling control valve with fuel tank.

24. CHECK FUEL LEVEL SENSOR

Refer to [DI-22, "CHECK FUEL LEVEL SENSOR UNIT"](#) .

OK or NG

- OK >> GO TO 25.
- NG >> Replace fuel level sensor unit.

25. CHECK INTERMITTENT INCIDENT

Refer to [EC-145, "TROUBLE DIAGNOSIS FOR INTERMITTENT INCIDENT"](#) .

>> INSPECTION END

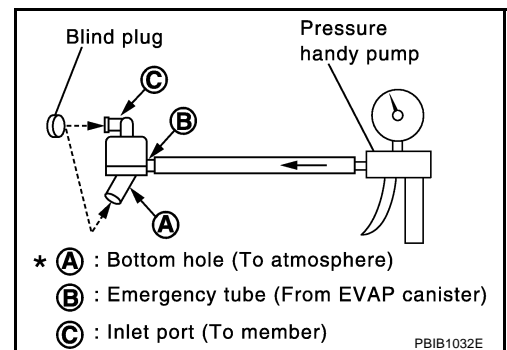
Component Inspection WATER SEPARATOR

NBS0023F

1. Check visually for insect nests in the water separator air inlet.
2. Check visually for cracks or flaws in the appearance.
3. Check visually for cracks or flaws in the hose.
4. Check that **A** and **C** are not clogged by blowing air into **B** with **A** , and then **C** plugged.
5. In case of NG in items 2 - 4, replace the parts.

NOTE:

- Do not disassemble water separator.



DTC P1490 VACUUM CUT VALVE BYPASS VALVE

DTC P1490 VACUUM CUT VALVE BYPASS VALVE

PF17372

Description

NBS0023G

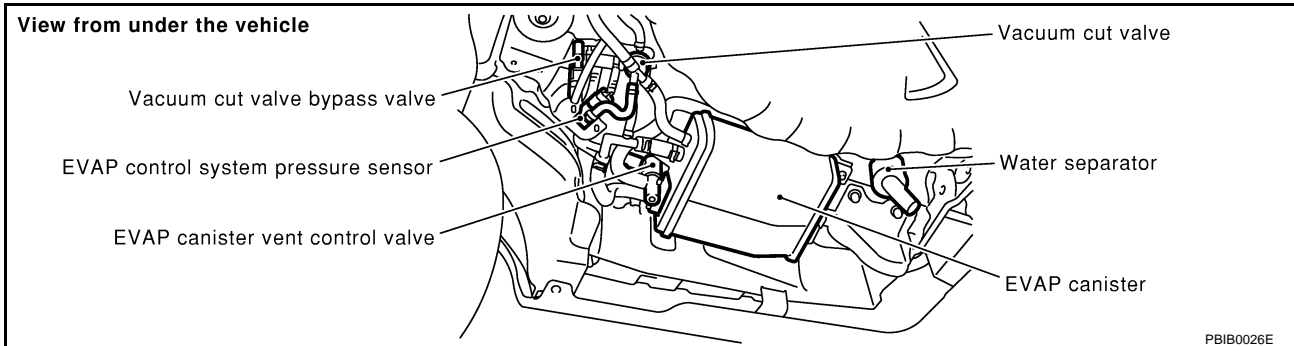
COMPONENT DESCRIPTION

The vacuum cut valve and vacuum cut valve bypass valve are installed in parallel on the EVAP purge line between the fuel tank and the EVAP canister.

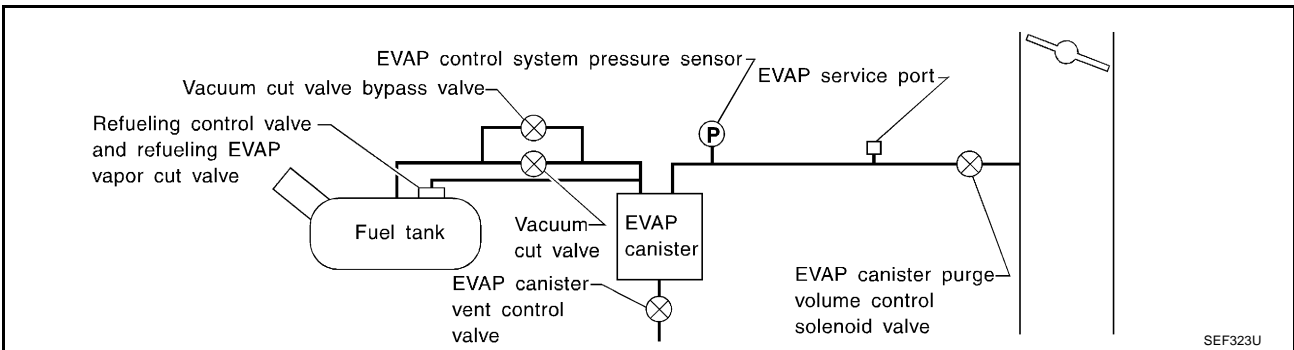
The vacuum cut valve prevents the intake manifold vacuum from being applied to the fuel tank.

The vacuum cut valve bypass valve is a solenoid type valve and generally remains closed. It opens only for on board diagnosis.

The vacuum cut valve bypass valve responds to signals from the ECM. When the ECM sends an ON (ground) signal, the valve is opened. The vacuum cut valve is then bypassed to apply intake manifold vacuum to the fuel tank.



EVAPORATIVE EMISSION SYSTEM DIAGRAM



CONSULT-II Reference Value in Data Monitor Mode

NBS0023H

Specification data are reference values.

MONITOR ITEM	CONDITION	SPECIFICATION
VC/V BYPASS/V	● Ignition switch: ON	OFF

On Board Diagnosis Logic

NBS0023I

DTC No.	Trouble diagnosis name	DTC detecting condition	Possible cause
P1490 1490	Vacuum cut valve bypass valve circuit	An improper voltage signal is sent to ECM through vacuum cut valve bypass valve.	<ul style="list-style-type: none"> ● Harness or connectors (The valve circuit is open or shorted.) ● Vacuum cut valve bypass valve

DTC P1490 VACUUM CUT VALVE BYPASS VALVE

NBS0023J

DTC Confirmation Procedure

NOTE:

If DTC Confirmation Procedure has been previously conducted, always turn ignition switch OFF and wait at least 10 seconds before conducting the next test.

TESTING CONDITION:

Before performing the following procedure, confirm that battery voltage is more than 11V at idle.

WITH CONSULT-II

1. Turn ignition switch ON.
2. Select "DATA MONITOR" mode with CONSULT-II.
3. Start engine and wait at least 5 seconds.
4. If 1st trip DTC is detected, go to [EC-566, "Diagnostic Procedure"](#).

DATA MONITOR	
MONITOR	NO DTC
ENG SPEED	XXX rpm

SEF058Y

WITH GST

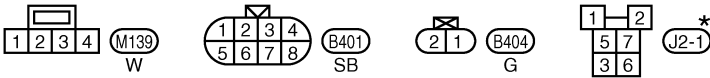
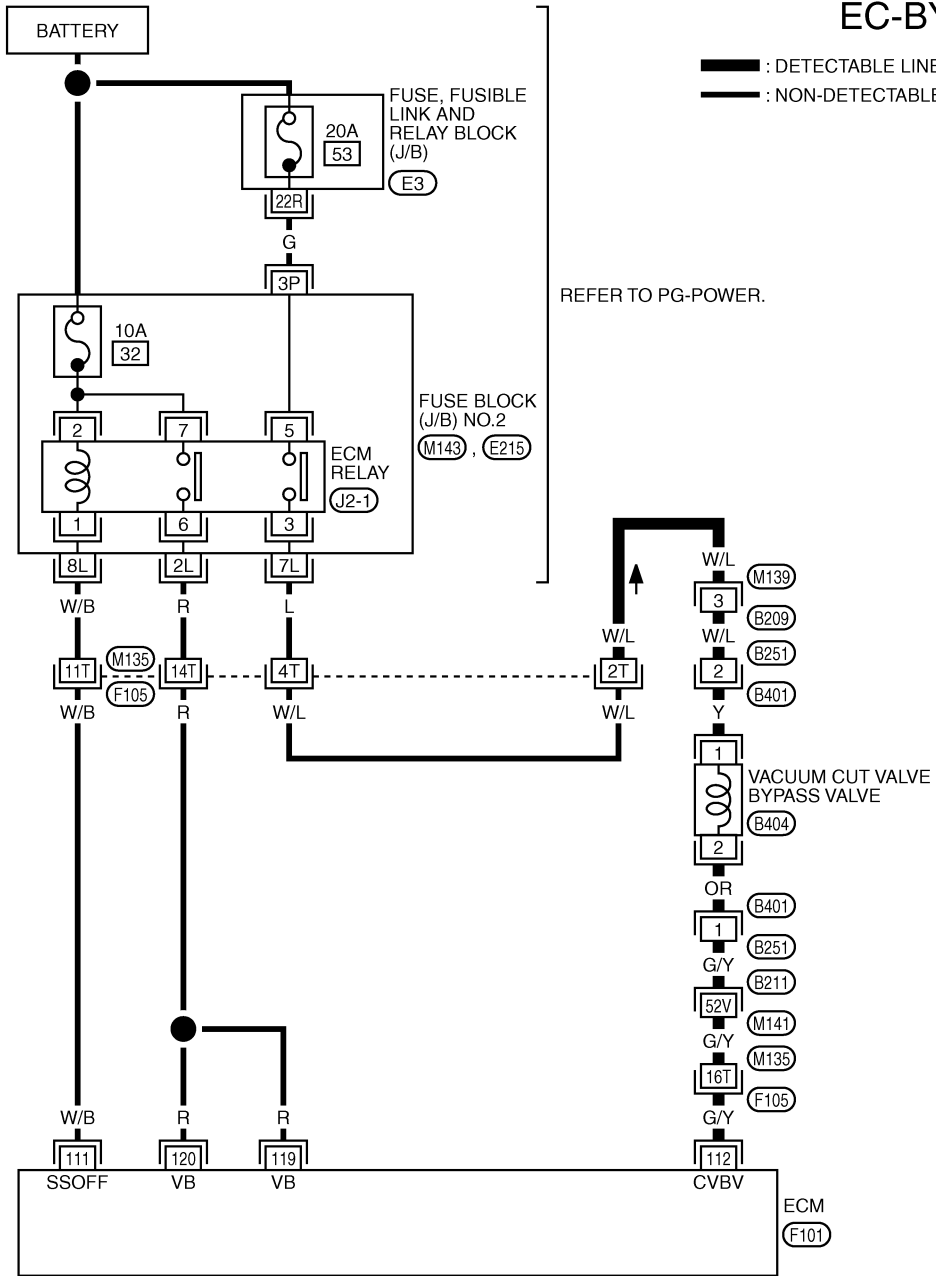
Follow the procedure WITH CONSULT-II above.

DTC P1490 VACUUM CUT VALVE BYPASS VALVE

Wiring Diagram

NBS0023K

EC-BYPS/V-01



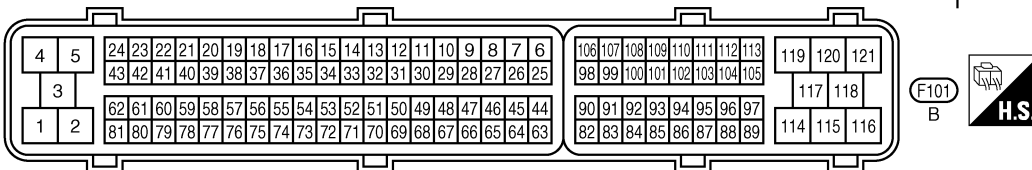
*: THIS CONNECTOR IS NOT SHOWN IN "HARNESS LAYOUT", PG SECTION.

REFER TO THE FOLLOWING.

(F105), (B211) -SUPER MULTIPLE JUNCTION (SMJ)

(M143), (E215) -FUSE BLOCK-JUNCTION BOX (J/B) NO.2

(E3) -FUSE, FUSIBLE LINK AND RELAY BLOCK (J/B)



TBWM1244E

DTC P1490 VACUUM CUT VALVE BYPASS VALVE

Specification data are reference values and are measured between each terminal and ground.

CAUTION:

Do not use ECM ground terminals when measuring input/output voltage. Doing so may result in damage to the ECM's transistor. Use a ground other than ECM terminals, such as the ground.

TER-MINAL NO.	WIRE COLOR	ITEM	CONDITION	DATA (DC Voltage)
111	W/B	ECM relay (Self shut-off)	[Engine is running] [Ignition switch: OFF] ● For a few seconds after turning ignition switch OFF	0 - 1.5V
			[Ignition switch: OFF] ● More than a few seconds after turning ignition switch OFF	BATTERY VOLTAGE (11 - 14V)
112	G/Y	Vacuum cut valve bypass valve	[Ignition switch: ON]	BATTERY VOLTAGE (11 - 14V)
119 120	R R	Power supply for ECM	[Ignition switch: ON]	BATTERY VOLTAGE (11 - 14V)

Diagnostic Procedure

NBS0023L

1. INSPECTION START

Do you have CONSULT-II?

Yes or No

- Yes >> GO TO 2.
- No >> GO TO 3.

2. CHECK VACUUM CUT VALVE BYPASS VALVE CIRCUIT

 **With CONSULT-II**

1. Turn ignition switch OFF and then ON.
2. Select "VC/V BYPASS/V" in "ACTIVE TEST" mode with CONSULT-II.
3. Touch "ON/OFF" on CONSULT-II screen.
4. Make sure that clicking sound is heard from the vacuum cut valve bypass valve.

OK or NG

- OK >> GO TO 7.
- NG >> GO TO 3.

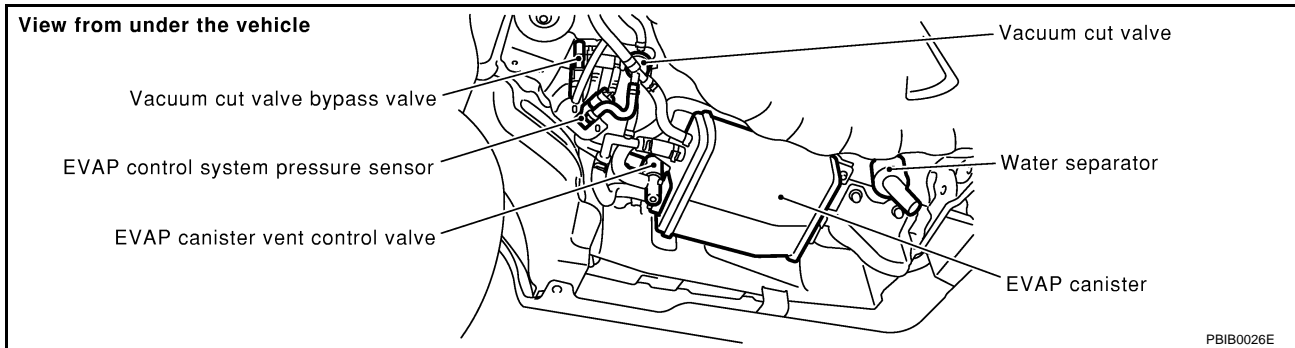
ACTIVE TEST	
VC/V BYPASS/V	OFF
MONITOR	
ENG SPEED	XXX rpm
A/F ALPHA-B1	XXX %
A/F ALPHA-B2	XXX %

PBIB3138E

DTC P1490 VACUUM CUT VALVE BYPASS VALVE

3. CHECK VACUUM CUT VALVE BYPASS VALVE POWER SUPPLY CIRCUIT

1. Turn ignition switch OFF.
2. Disconnect vacuum cut valve bypass valve harness connector.

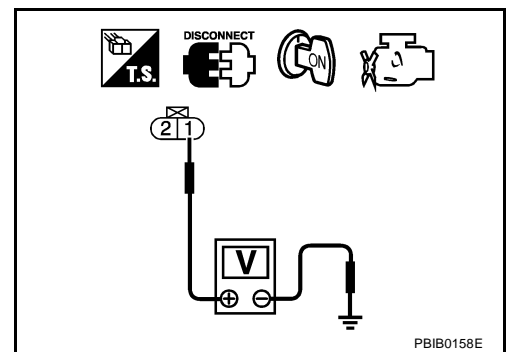


3. Turn ignition switch ON.
4. Check voltage between vacuum cut valve bypass valve terminal 1 and ground with CONSULT-II or tester.

Voltage: Battery voltage

OK or NG

- OK >> GO TO 5.
NG >> GO TO 4.



4. DETECT MALFUNCTIONING PART

Check the following.

- Harness connectors B401, B251
- Harness connectors B209, M139
- Harness connectors M135, F105
- Harness for open or short between vacuum cut valve bypass valve and ECM relay

>> Repair open circuit or short to ground or short to power in harness or connectors.

5. CHECK VACUUM CUT VALVE BYPASS VALVE OUTPUT SIGNAL CIRCUIT FOR OPEN AND SHORT

1. Turn ignition switch OFF.
2. Disconnect ECM harness connector.
3. Check harness continuity between ECM terminal 112 and vacuum cut valve bypass valve terminal 2. Refer to Wiring Diagram.

Continuity should exist.

4. Also check harness for short to ground and short to power.

OK or NG

- OK >> GO TO 7.
NG >> GO TO 6.

DTC P1490 VACUUM CUT VALVE BYPASS VALVE

6. DETECT MALFUNCTIONING PART

Check the following.

- Harness connectors B401, B251
- Harness connectors B211, M141
- Harness connectors M135, F105
- Harness for open or short between vacuum cut valve bypass valve and ECM

>> Repair open circuit or short to ground or short to power in harness or connectors.

7. CHECK VACUUM CUT VALVE BYPASS VALVE

Refer to [EC-568, "Component Inspection"](#) .

OK or NG

OK >> GO TO 8.

NG >> Replace vacuum cut valve bypass valve.

8. CHECK INTERMITTENT INCIDENT

Refer to [EC-145, "TROUBLE DIAGNOSIS FOR INTERMITTENT INCIDENT"](#) .

>> INSPECTION END

Component Inspection VACUUM CUT VALVE BYPASS VALVE

NBS0023M

 With CONSULT-II

1. Reconnect all harness connectors disconnected.
2. Turn ignition switch ON.
3. Perform "VC/V BYPASS/V" in "ACTIVE TEST" mode.

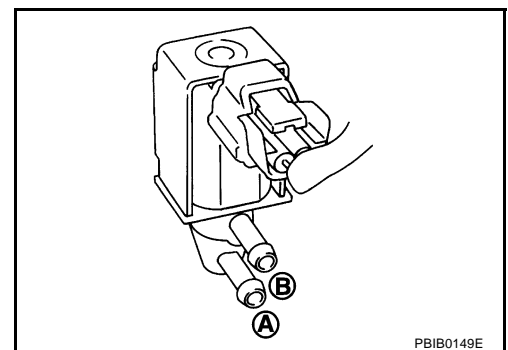
ACTIVE TEST	
VC/V BYPASS/V	OFF
MONITOR	
ENG SPEED	XXX rpm
A/F ALPHA-B1	XXX %
A/F ALPHA-B2	XXX %

PBIB3138E

4. Check air passage continuity and operation delay time under the following conditions.

Condition VC/V BYPASS/V	Air passage continuity between A and B
ON	Yes
OFF	No

Operation takes less than 1 second.



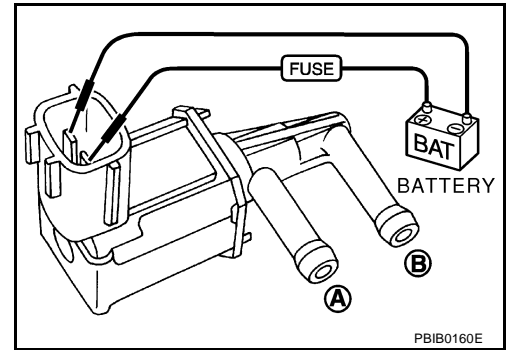
DTC P1490 VACUUM CUT VALVE BYPASS VALVE

With GST

Check air passage continuity and operation delay time under the following conditions.

Condition	Air passage continuity between A and B
12V direct current supply between terminals 1 and 2	Yes
No supply	No

Operation takes less than 1 second.



A
EC
C
D
E
F
G
H
I
J
K
L
M

DTC P1491 VACUUM CUT VALVE BYPASS VALVE

DTC P1491 VACUUM CUT VALVE BYPASS VALVE

PF17372

Description

NBS0023N

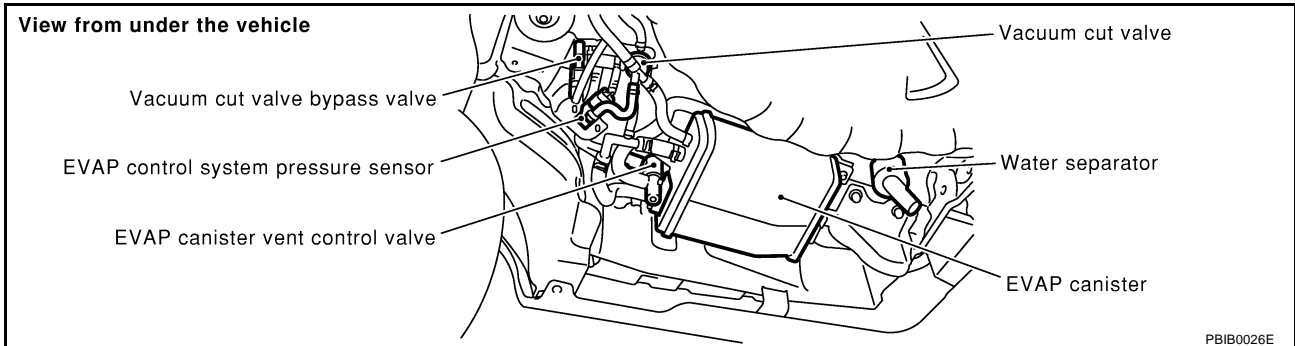
COMPONENT DESCRIPTION

The vacuum cut valve and vacuum cut valve bypass valve are installed in parallel on the EVAP purge line between the fuel tank and the EVAP canister.

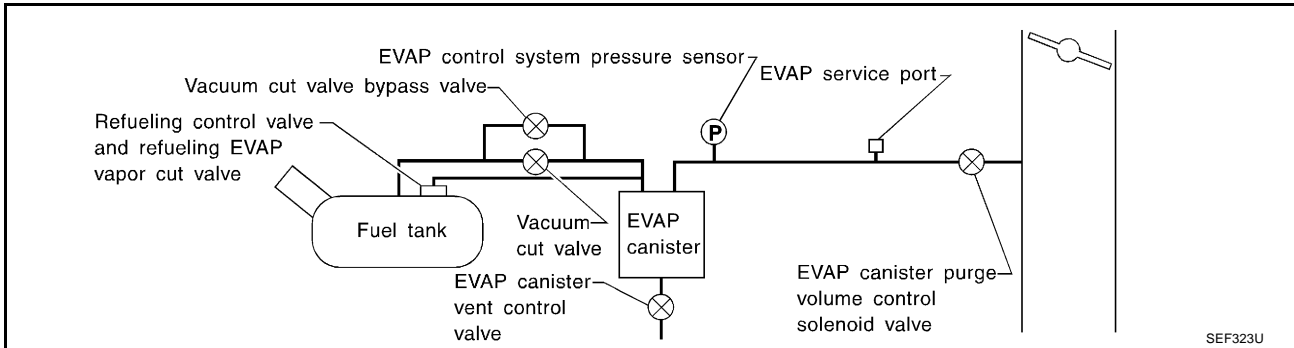
The vacuum cut valve prevents the intake manifold vacuum from being applied to the fuel tank.

The vacuum cut valve bypass valve is a solenoid type valve and generally remains closed. It opens only for on board diagnosis.

The vacuum cut valve bypass valve responds to signals from the ECM. When the ECM sends an ON (ground) signal, the valve is opened. The vacuum cut valve is then bypassed to apply intake manifold vacuum to the fuel tank.



EVAPORATIVE EMISSION SYSTEM DIAGRAM



CONSULT-II Reference Value in Data Monitor Mode

NBS0023O

Specification data are reference values.

MONITOR ITEM	CONDITION	SPECIFICATION
VC/V BYPASS/V	● Ignition switch: ON	OFF

DTC P1491 VACUUM CUT VALVE BYPASS VALVE

On Board Diagnosis Logic

NBS0023P

DTC No.	Trouble diagnosis name	DTC detecting condition	Possible cause
P1491 1491	Vacuum cut valve bypass valve	Vacuum cut valve bypass valve dose not operate properly.	<ul style="list-style-type: none"> ● Vacuum cut valve bypass valve ● Vacuum cut valve ● Bypass hoses for clogging ● EVAP control system pressure sensor and circuit ● EVAP canister vent control valve ● Hose between fuel tank and vacuum cut valve clogged ● Hose between vacuum cut valve and EVAP canister clogged ● EVAP canister ● EVAP purge port of fuel tank for clogging ● Refueling EVAP vapor cut valve ● Refueling control valve

DTC Confirmation Procedure

NBS0023Q

CAUTION:

Always drive vehicle at a safe speed.

NOTE:

If DTC Confirmation Procedure has been previously conducted, always turn ignition switch OFF and wait at least 10 seconds before conducting the next test.

TESTING CONDITION:

- Always perform test at a temperature of 5 to 30°C (41 to 86°F).
- Before performing the following procedure, confirm that battery voltage is more than 11V at idle.

WITH CONSULT-II

1. Turn ignition switch ON.
2. Start engine and warm it up to normal operating temperature.
3. Turn ignition switch OFF and wait at least 10 seconds.
4. Start engine and let it idle for at least 70 seconds.
5. Select "VC CUT/V BP/V P1491" of "EVAPORATIVE SYSTEM" in "DTC WORK SUPPORT" mode with CONSULT-II.
6. Touch "START".

VC CUT/V BP/V P1491	
OUT OF CONDITION	
MONITOR	
ENG SPEED	XXX rpm
VHCL SPEED SE	XXX km/h
B/FUEL SCHDL	XXX msec

SEF210Y

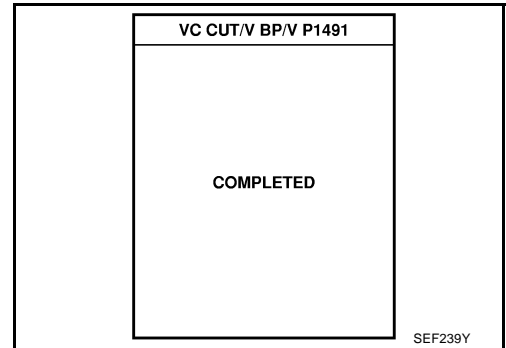
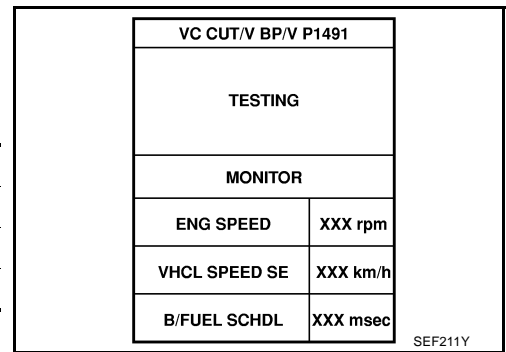
DTC P1491 VACUUM CUT VALVE BYPASS VALVE

7. When the following conditions are met, "TESTING" will be displayed on the CONSULT-II screen. Maintain the conditions continuously until "TESTING" changes to "COMPLETED". (It will take at least 30 seconds.)

ENG SPEED	More than 1,000 rpm
Selector lever	Suitable position
VHCL SPEED SE	More than 36 km/h (22 MPH)
B/FUEL SCHDL	1.0 - 10.0 msec

If "TESTING" is not displayed after 5 minutes, retry from step 3.

8. Make sure that "OK" is displayed after touching "SELF-DIAG RESULTS". If "NG" is displayed, refer to [EC-574, "Diagnostic Procedure"](#).



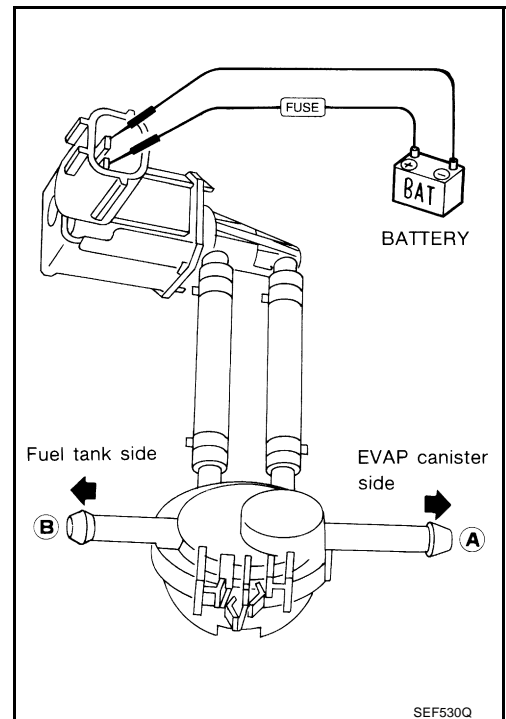
Overall Function Check

NBS0023R

Use this procedure to check the overall function of vacuum cut valve bypass valve. During this check, the 1st trip DTC might not be confirmed.

WITH GST

1. Remove vacuum cut valve and vacuum cut valve bypass valve as an assembly.
2. Apply vacuum to port **A** and check that there is no suction from port **B**.
3. Apply vacuum to port **B** and check that there is suction from port **A**.
4. Blow air in port **B** and check that there is a resistance to flow out of port **A**.
5. Supply battery voltage to the terminal.
6. Blow air in port **A** and check that air flows freely out of port **B**.
7. Blow air in port **B** and check that air flows freely out of port **A**.
8. If NG, go to ["EC-574, "Diagnostic Procedure"](#).

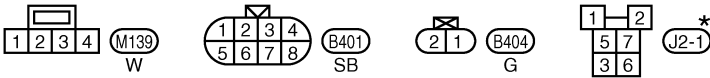
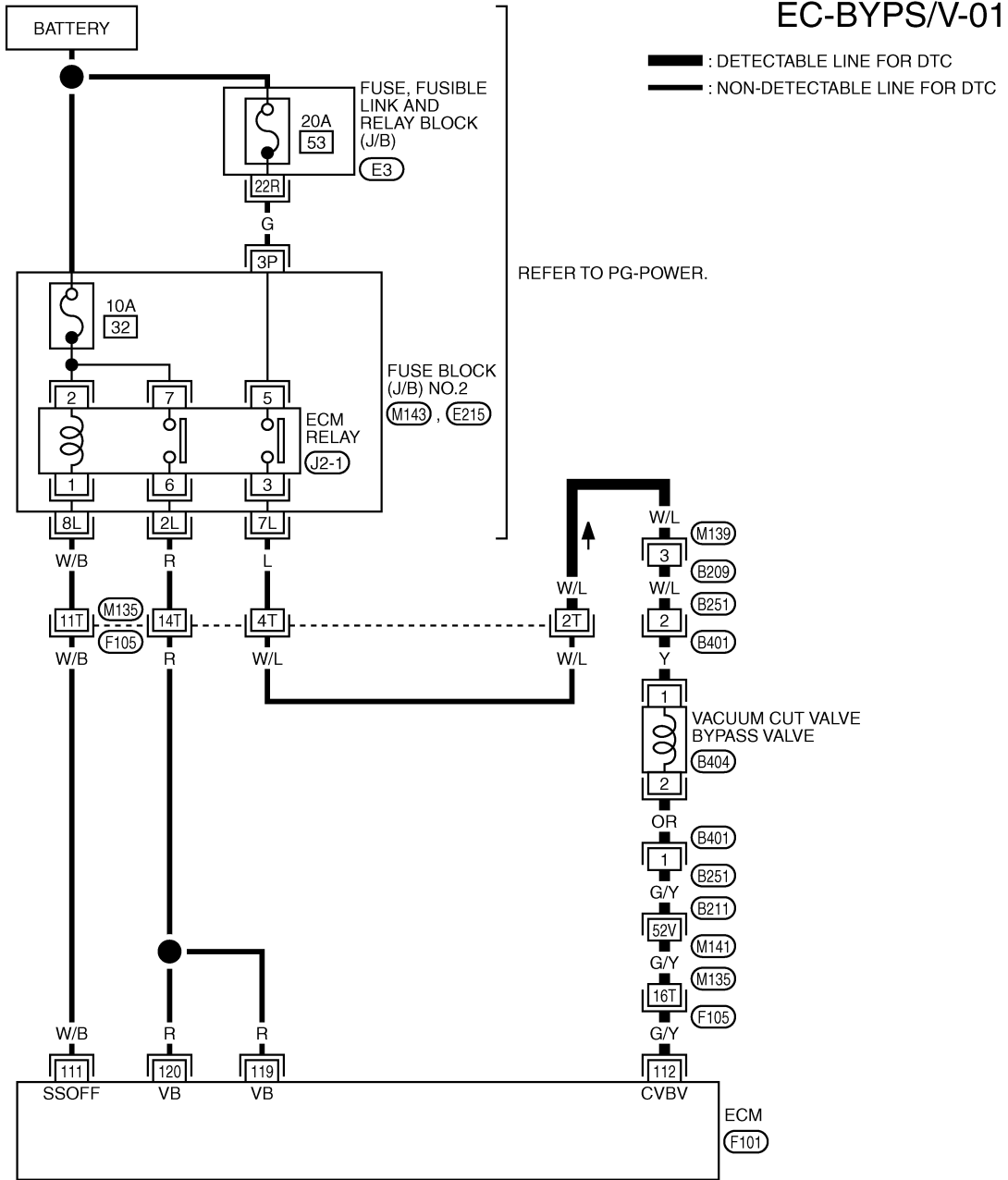


DTC P1491 VACUUM CUT VALVE BYPASS VALVE

Wiring Diagram

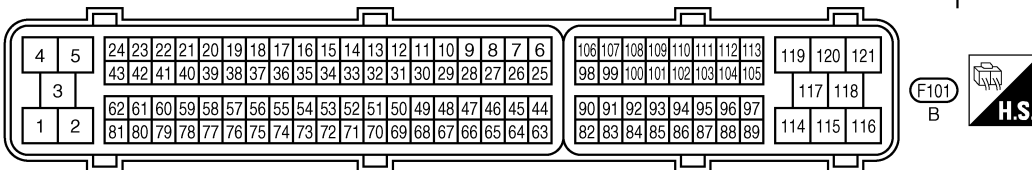
NBS0023S

EC-BYPS/V-01



*: THIS CONNECTOR IS NOT SHOWN IN "HARNESS LAYOUT", PG SECTION.

REFER TO THE FOLLOWING.
 (F105), (B211) -SUPER MULTIPLE JUNCTION (SMJ)
 (M143), (E215) -FUSE BLOCK-JUNCTION BOX (J/B) NO.2
 (E3) -FUSE, FUSIBLE LINK AND RELAY BLOCK (J/B)



TBWM1244E

DTC P1491 VACUUM CUT VALVE BYPASS VALVE

Specification data are reference values and are measured between each terminal and ground.

CAUTION:

Do not use ECM ground terminals when measuring input/output voltage. Doing so may result in damage to the ECM's transistor. Use a ground other than ECM terminals, such as the ground.

TER-MINAL NO.	WIRE COLOR	ITEM	CONDITION	DATA (DC Voltage)
111	W/B	ECM relay (Self shut-off)	[Engine is running] [Ignition switch: OFF] ● For a few seconds after turning ignition switch OFF	0 - 1.5V
			[Ignition switch: OFF] ● More than a few seconds after turning ignition switch OFF	BATTERY VOLTAGE (11 - 14V)
112	G/Y	Vacuum cut valve bypass valve	[Ignition switch: ON]	BATTERY VOLTAGE (11 - 14V)
119 120	R R	Power supply for ECM	[Ignition switch: ON]	BATTERY VOLTAGE (11 - 14V)

Diagnostic Procedure

NBS0023T

1. INSPECTION START

Do you have CONSULT-II?

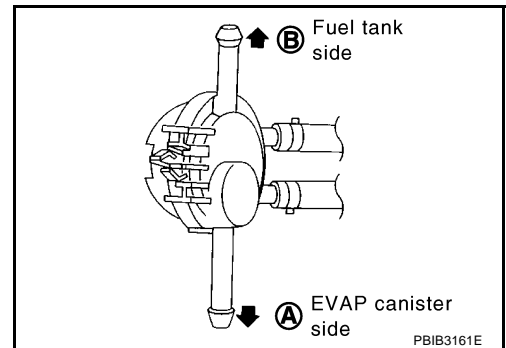
Yes or No

- Yes >> GO TO 2.
No >> GO TO 3.

2. CHECK VACUUM CUT VALVE BYPASS VALVE OPERATION

Ⓟ With CONSULT-II

- Turn ignition switch OFF.
- Remove vacuum cut valve and vacuum cut valve bypass valve as an assembly.
- Apply vacuum to port A and check that there is no suction from port B.
- Apply vacuum to port B and check that there is suction from port A.
- Blow air in port B and check that there is a resistance to flow out of port A.
- Turn ignition switch ON.



- Select "VC/V BYPASS/V" in "ACTIVE TEST" mode with CONSULT-II and touch "ON".
- Blow air in port A and check that air flows freely out of port B.
- Blow air in port B and check that air flows freely out of port A.

OK or NG

- OK >> GO TO 4.
NG >> GO TO 7.

ACTIVE TEST	
VC/V BYPASS/V	OFF
MONITOR	
ENG SPEED	XXX rpm
A/F ALPHA-B1	XXX %
A/F ALPHA-B2	XXX %

PBIB3138E

DTC P1491 VACUUM CUT VALVE BYPASS VALVE

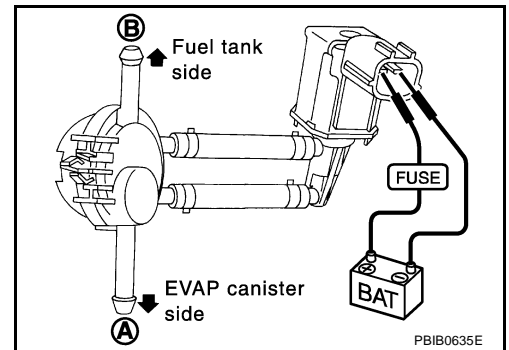
3. CHECK VACUUM CUT VALVE BYPASS VALVE OPERATION

⊗ Without CONSULT-II

1. Turn ignition switch OFF.
2. Remove vacuum cut valve and vacuum cut valve bypass valve as an assembly.
3. Apply vacuum to port A and check that there is no suction from port B.
4. Apply vacuum to port B and check that there is suction from port A.
5. Blow air in port B and check that there is a resistance to flow out of port A.
6. Disconnect vacuum cut valve bypass valve harness connector.
7. Supply battery voltage to the terminal.
8. Blow air in port A and check that air flows freely out of port B.
9. Blow air in port B and check that air flows freely out of port A.

OK or NG

- OK >> GO TO 4.
NG >> GO TO 7.



4. CHECK EVAP PURGE LINE

Check EVAP purge line between EVAP canister and fuel tank for clogging or disconnection.

OK or NG

- OK >> GO TO 5.
NG >> Repair it.

5. CHECK EVAP PURGE PORT

Check EVAP purge port of fuel tank for clogging.

OK or NG

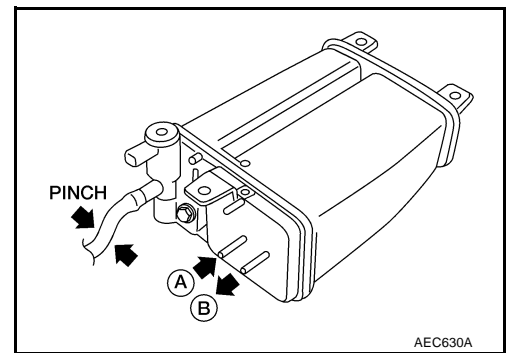
- OK >> GO TO 6.
NG >> Clean EVAP purge port.

6. CHECK EVAP CANISTER

1. Pinch the fresh air hose.
2. Blow air into port A and check that it flows freely out of port B.

OK or NG

- OK >> GO TO 12.
NG >> Replace EVAP canister.



DTC P1491 VACUUM CUT VALVE BYPASS VALVE

7. CHECK BYPASS HOSE

Check bypass hoses for clogging.

OK or NG

OK >> GO TO 8.

NG >> Repair or replace hoses.

8. CHECK VACUUM CUT VALVE BYPASS VALVE

Refer to [EC-577, "Component Inspection"](#) .

OK or NG

OK >> GO TO 9.

NG >> Replace vacuum cut valve bypass valve.

9. CHECK VACUUM CUT VALVE

Refer to [EC-577, "Component Inspection"](#) .

OK or NG

OK >> GO TO 10.

NG >> Replace vacuum cut valve.

10. CHECK EVAP CONTROL SYSTEM PRESSURE SENSOR HOSE

1. Turn ignition switch OFF.
2. Check disconnection or improper connection of hose connected to EVAP control system pressure sensor.

OK or NG

OK >> GO TO 11.

NG >> Repair or replace.

11. CHECK EVAP CONTROL SYSTEM PRESSURE SENSOR CONNECTOR

1. Disconnect EVAP control system pressure sensor harness connector.
2. Check connectors for water.

Water should not exist.

OK or NG

OK >> GO TO 12.

NG >> Replace EVAP control system pressure sensor.

12. CHECK EVAP CONTROL SYSTEM PRESSURE SENSOR

Refer to [EC-450, "Component Inspection"](#) .

OK or NG

OK >> GO TO 13.

NG >> Replace EVAP control system pressure sensor.

13. CHECK RUBBER TUBE FOR CLOGGING

1. Disconnect rubber tube connected to EVAP canister vent control valve.
2. Check the rubber tube for clogging.

OK or NG

OK >> GO TO 14.

NG >> Clean the rubber tube using an air blower.

DTC P1491 VACUUM CUT VALVE BYPASS VALVE

14. CHECK EVAP CANISTER VENT CONTROL VALVE

Refer to [EC-428, "Component Inspection"](#) .

OK or NG

- OK >> GO TO 15.
- NG >> Replace EVAP canister vent control valve.

15. CHECK REFUELING EVAP VAPOR CUT VALVE

Refer to [EC-41, "Component Inspection"](#) .

OK or NG

- OK >> GO TO 16.
- NG >> Replace fuel tank.

16. CHECK REFUELING CONTROL VALVE

Refer to [EC-41, "Component Inspection"](#) .

OK or NG

- OK >> GO TO 17.
- NG >> Replace fuel tank.

17. CHECK INTERMITTENT INCIDENT

Refer to [EC-145, "TROUBLE DIAGNOSIS FOR INTERMITTENT INCIDENT"](#) .

>> INSPECTION END

Component Inspection VACUUM CUT VALVE BYPASS VALVE

NBS0023U

Ⓟ With CONSULT-II

1. Reconnect all harness connectors disconnected.
2. Turn ignition switch ON.
3. Perform "VC/V BYPASS/V" in "ACTIVE TEST" mode.

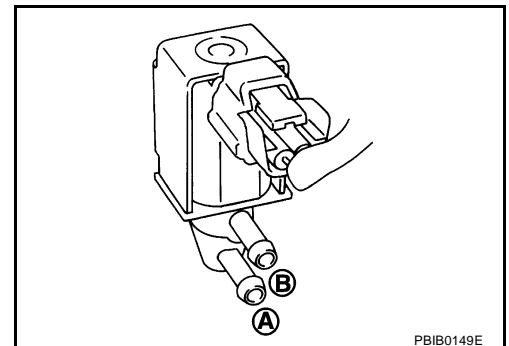
ACTIVE TEST	
VC/V BYPASS/V	OFF
MONITOR	
ENG SPEED	XXX rpm
A/F ALPHA-B1	XXX %
A/F ALPHA-B2	XXX %

PBIB3138E

4. Check air passage continuity and operation delay time under the following conditions.

Condition VC/V BYPASS/V	Air passage continuity between A and B
ON	Yes
OFF	No

Operation takes less than 1 second.



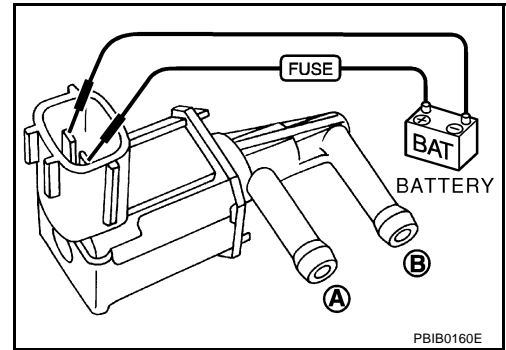
DTC P1491 VACUUM CUT VALVE BYPASS VALVE

With GST

Check air passage continuity and operation delay time under the following conditions.

Condition	Air passage continuity between A and B
12V direct current supply between terminals 1 and 2	Yes
No supply	No

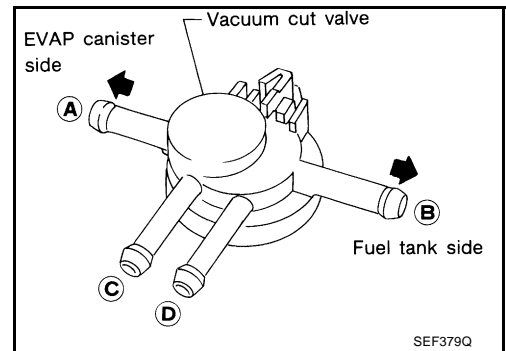
Operation takes less than 1 second.



VACUUM CUT VALVE

Check vacuum cut valve as follows:

- Plug port **C** and **D** with fingers.
- Apply vacuum to port **A** and check that there is no suction from port **B**.
- Apply vacuum to port **B** and check that there is suction from port **A**.
- Blow air in port **B** and check that there is a resistance to flow out of port **A**.
- Open port **C** and **D**.
- Blow air in port **A** check that air flows freely out of port **C**.
- Blow air in port **B** check that air flows freely out of port **D**.



DTC P1564 ICC STEERING SWITCH

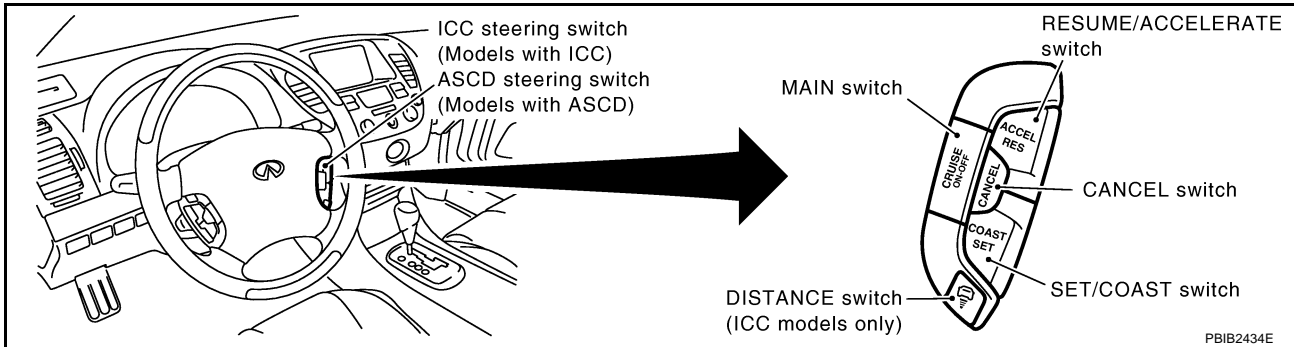
DTC P1564 ICC STEERING SWITCH

PF2:25551

Component Description

NBS0023V

ICC steering switch has variant values of electrical resistance for each button. ECM reads voltage variation of switch, and determines which button is operated.



Refer to [ACS-6. "DESCRIPTION"](#) for the ICC function.

CONSULT-II Reference Value in Data Monitor Mode

NBS0023W

Specification data are reference values.

MONITOR ITEM	CONDITION	SPECIFICATION
MAIN SW	● Ignition switch: ON	MAIN switch: Pressed ON
		MAIN switch: Released OFF
CANCEL SW	● Ignition switch: ON	CANCEL switch: Pressed ON
		CANCEL switch: Released OFF
RESUME/ACC SW	● Ignition switch: ON	RESUME/ACCELERATE switch: Pressed ON
		RESUME/ACCELERATE switch: Released OFF
SET SW	● Ignition switch: ON	SET/COAST switch: Pressed ON
		SET/COAST switch: Released OFF
DIST SW	● Ignition switch: ON	DISTANCE switch: Pressed ON
		DISTANCE switch: Released OFF

On Board Diagnosis Logic

NBS0023X

This self-diagnosis has the one trip detection logic.
The MIL will not light up for this diagnosis.

NOTE:

If DTC P1564 is displayed with DTC P0605, first perform the trouble diagnosis for DTC P0605. Refer to [EC-489](#).

DTC No.	Trouble diagnosis name	DTC detecting condition	Possible cause
P1564 1564	ICC steering switch	<ul style="list-style-type: none"> ● An excessively high voltage signal from the ICC steering switch is sent to ECM. ● ECM detects that input signal from the ICC steering switch is out of the specified range. ● ECM detects that the ICC steering switch is stuck ON. 	<ul style="list-style-type: none"> ● Harness or connectors (The switch circuit is open or shorted.) ● ICC steering switch ● ECM

DTC P1564 ICC STEERING SWITCH

NBS0023Y

DTC Confirmation Procedure

NOTE:

If DTC Confirmation Procedure has been previously conducted, always turn ignition switch OFF and wait at least 10 seconds before conducting the next test.

WITH CONSULT-II

1. Turn ignition switch ON.
2. Select "DATA MONITOR" mode with CONSULT-II.
3. Wait at least 10 seconds.
4. Press MAIN switch for at least 10 seconds, then release it and wait at least 10 seconds.
5. Press CANCEL switch for at least 10 seconds, then release it and wait at least 10 seconds.
6. Press RESUME/ACCELERATE switch for at least 10 seconds, then release it and wait at least 10 seconds.
7. Press SET/COAST switch for at least 10 seconds, then release it and wait at least 10 seconds.
8. Press DISTANCE switch for at least 10 seconds, then release it and wait at least 10 seconds.
9. If DTC is detected, go to [EC-582, "Diagnostic Procedure"](#) .

DATA MONITOR	
MONITOR	NO DTC
ENG SPEED	XXX rpm

SEF058Y

WITH GST

Follow the procedure "WITH CONSULT-II" above.

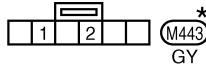
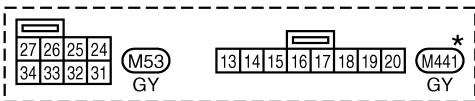
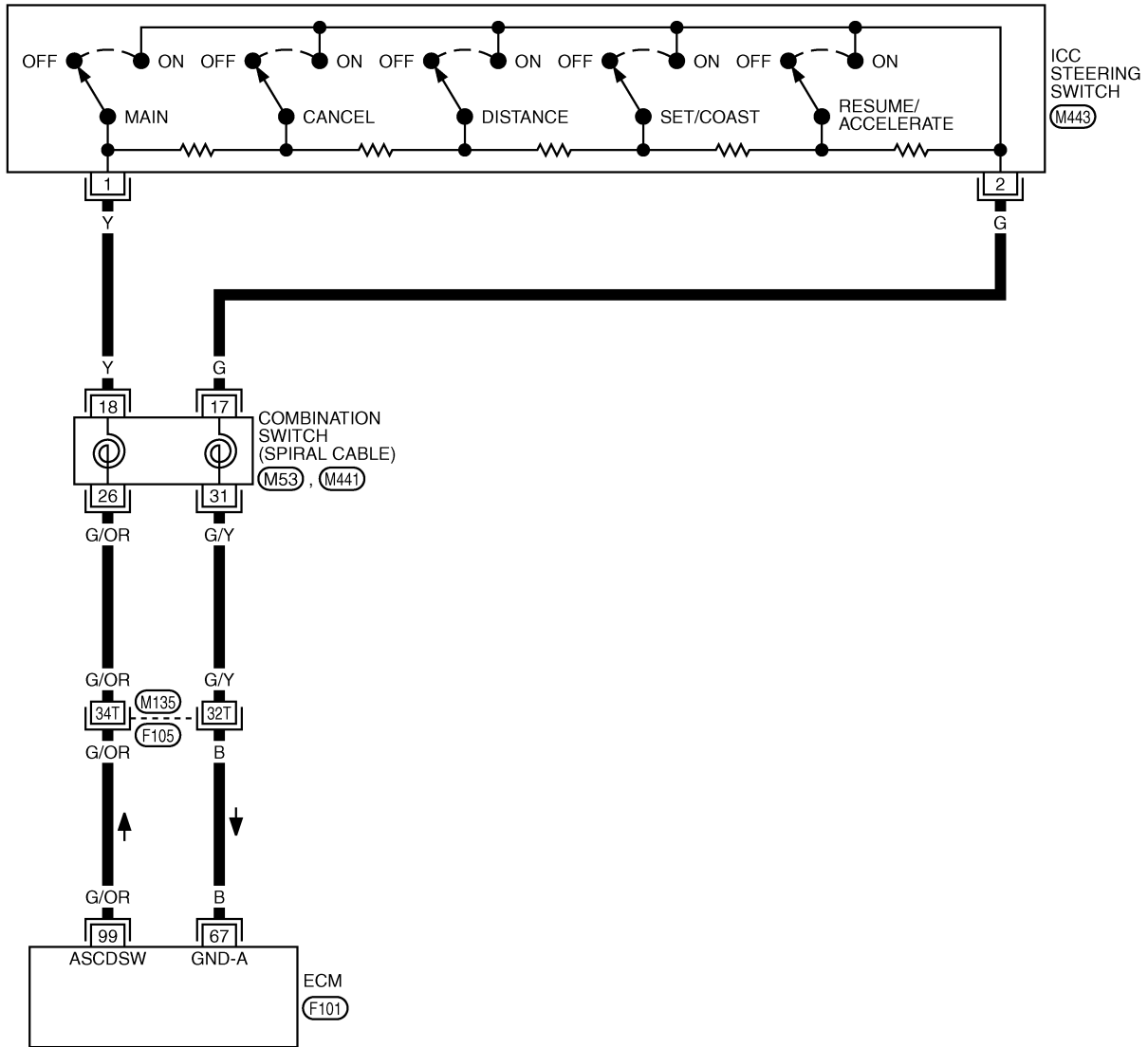
DTC P1564 ICC STEERING SWITCH

Wiring Diagram

NBS0023Z

EC-ICC/SW-01

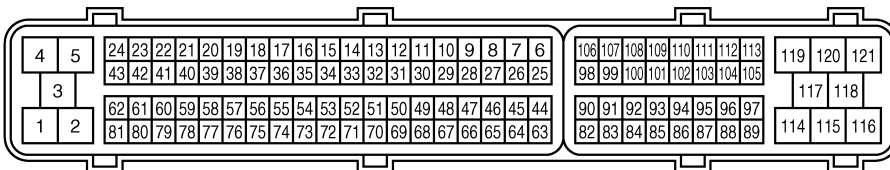
— : DETECTABLE LINE FOR DTC
 - - - : NON-DETECTABLE LINE FOR DTC



REFER TO THE FOLLOWING.

F105 -SUPER MULTIPLE JUNCTION (SMJ)

*: THIS CONNECTOR IS NOT SHOWN IN "HARNESS LAYOUT", PG SECTION.



TBWM1245E

DTC P1564 ICC STEERING SWITCH

Specification data are reference values and are measured between each terminal and ground.

CAUTION:

Do not use ECM ground terminals when measuring input/output voltage. Doing so may result in damage to the ECM's transistor. Use a ground other than ECM terminals, such as the ground.

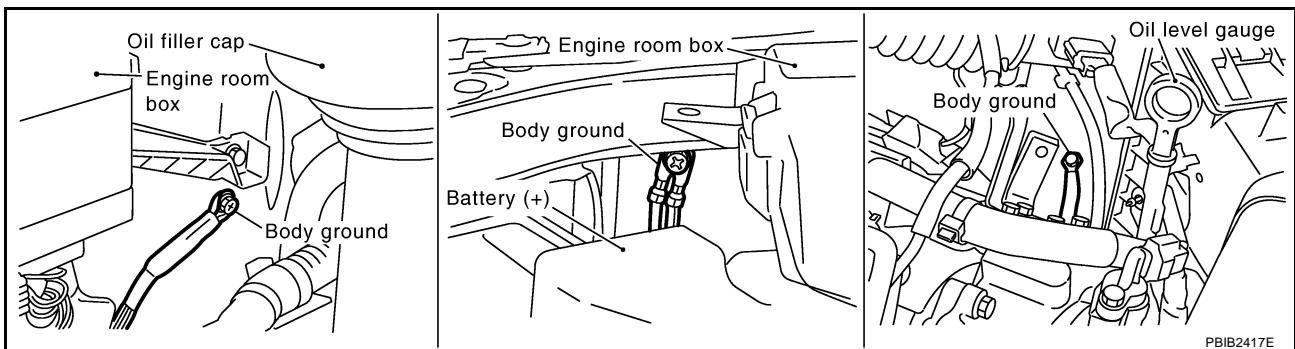
TERMINAL NO.	WIRE COLOR	ITEM	CONDITION	DATA (DC Voltage)
67	B	Sensor ground (MAF sensor, IAT sensor, ECT sensor, FTT sensor, EVAP control system pressure sensor, PSP sensor, ICC steering switch, Refrigerant pressure sensor)	[Engine is running] ● Warm-up condition ● Idle speed	Approximately 0V
99	G/OR	ICC steering switch	[Ignition switch: ON] ● ICC steering switch: OFF	Approximately 4.3V
			[Ignition switch: ON] ● MAIN switch: Pressed	Approximately 0V
			[Ignition switch: ON] ● CANCEL switch: Pressed	Approximately 1.3V
			[Ignition switch: ON] ● RESUME/ACCELERATE switch: Pressed	Approximately 3.7V
			[Ignition switch: ON] ● SET/COAST switch: Pressed	Approximately 3V
			[Ignition switch: ON] ● DISTANCE switch: Pressed	Approximately 2.2V

Diagnostic Procedure

NBS00240

1. CHECK GROUND CONNECTIONS

1. Turn ignition switch OFF.
2. Loosen and retighten three ground screws on the body.
Refer to [EC-154, "Ground Inspection"](#).



OK or NG

- OK >> GO TO 2.
- NG >> Repair or replace ground connections.

DTC P1564 ICC STEERING SWITCH

2. CHECK ICC STEERING SWITCH CIRCUIT

With CONSULT-II

1. Turn ignition switch ON.
2. Select "MAIN SW", "RESUME/ACC SW", "SET SW", "DIST SW" and "CANCEL SW" in "DATA MONITOR" mode with CONSULT-II.
3. Check each item indication under the following conditions.

Switch	Monitor item	Condition	Indication
MAIN switch	MAIN SW	Pressed	ON
		Released	OFF
CANCEL switch	CANCEL SW	Pressed	ON
		Released	OFF
RESUME/ACCELERATE switch	RESUME/ACC SW	Pressed	ON
		Released	OFF
SET/COAST switch	SET SW	Pressed	ON
		Released	OFF
DISTANCE switch	DIST SW	Pressed	ON
		Released	OFF

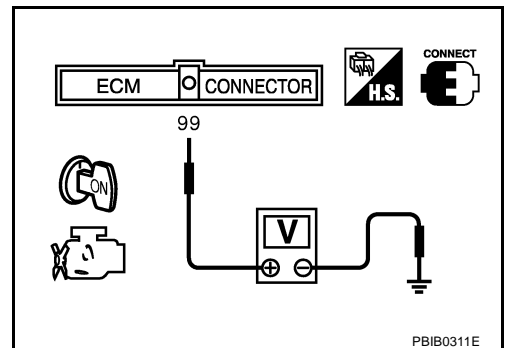
DATA MONITOR	
MONITOR	NO DTC
MAIN SW	OFF
CANCEL SW	OFF
RESUME/ACC SW	OFF
SET SW	OFF
DIST SW	OFF

MBIB0064E

Without CONSULT-II

1. Turn ignition switch ON.
2. Check voltage between ECM terminal 99 and ground with pressing each button.

Switch	Condition	Voltage [V]
MAIN switch	Pressed	Approx. 0
	Released	Approx. 4.3
CANCEL switch	Pressed	Approx. 1.3
	Released	Approx. 4.3
RESUME/ACCELERATE switch	Pressed	Approx. 3.7
	Released	Approx. 4.3
SET/COAST switch	Pressed	Approx. 3.0
	Released	Approx. 4.3
DISTANCE switch	Pressed	Approx. 2.2
	Released	Approx. 4.3



OK or NG

- OK >> GO TO 8.
 NG >> GO TO 3.

DTC P1564 ICC STEERING SWITCH

3. CHECK ICC STEERING SWITCH GROUND CIRCUIT FOR OPEN AND SHORT

1. Turn ignition switch OFF.
2. Disconnect ECM harness connector.
3. Disconnect ICC steering switch harness connector.
4. Check harness continuity between ICC steering switch terminal 2 and ECM terminal 67.
Refer to Wiring Diagram.

Continuity should exist.

5. Also check harness for short to ground and short to power.

OK or NG

- OK >> GO TO 5.
NG >> GO TO 4.

4. DETECT MALFUNCTIONING PART

Check the following.

- Harness connectors M135, F105
- Combination switch (spiral cable)
- Harness for open and short between ECM and ICC steering switch

>> Repair open circuit or short to ground or short to power in harness or connectors.

5. CHECK ICC STEERING SWITCH INPUT SIGNAL CIRCUIT FOR OPEN AND SHORT

1. Check harness continuity between ECM terminal 99 and ICC steering switch terminal 1.
Refer to Wiring Diagram.

Continuity should exist.

2. Also check harness for short to ground and short to power.

OK or NG

- OK >> GO TO 7.
NG >> GO TO 6.

6. DETECT MALFUNCTIONING PART

Check the following.

- Harness connectors M135, F105
- Combination switch (spiral cable)
- Harness for open and short between ECM and ICC steering switch

>> Repair open circuit or short to ground or short to power in harness or connectors.

7. CHECK ICC STEERING SWITCH

Refer to [EC-585, "Component Inspection"](#) .

OK or NG

- OK >> GO TO 8.
NG >> Replace ICC steering switch.

8. CHECK INTERMITTENT INCIDENT

Refer to [EC-145, "TROUBLE DIAGNOSIS FOR INTERMITTENT INCIDENT"](#) .

>> **INSPECTION END**

DTC P1564 ICC STEERING SWITCH

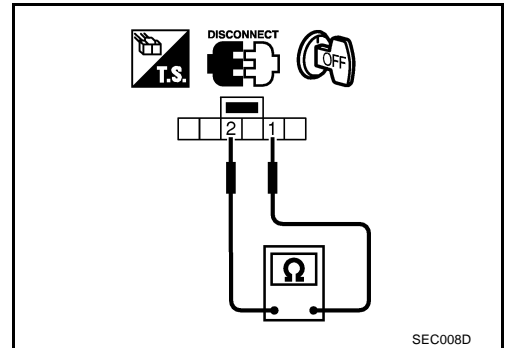
NBS00241

Component Inspection ICC STEERING SWITCH

1. Disconnect ICC steering switch.
2. Check continuity between ICC steering switch terminals 1 and 2 with pushing each switch.

Switch	Condition	Resistance [Ω]
MAIN switch	Pressed	Approx. 0
	Released	Approx. 5,500
CANCEL switch	Pressed	Approx. 310
	Released	Approx. 5,500
RESUME/ACCELERATE switch	Pressed	Approx. 2,600
	Released	Approx. 5,500
SET/COAST switch	Pressed	Approx. 1,400
	Released	Approx. 5,500
DISTANCE switch	Pressed	Approx. 740
	Released	Approx. 5,500

If NG, replace ICC steering switch.



A

EC

C

D

E

F

G

H

I

J

K

L

M

DTC P1564 ASCD STEERING SWITCH

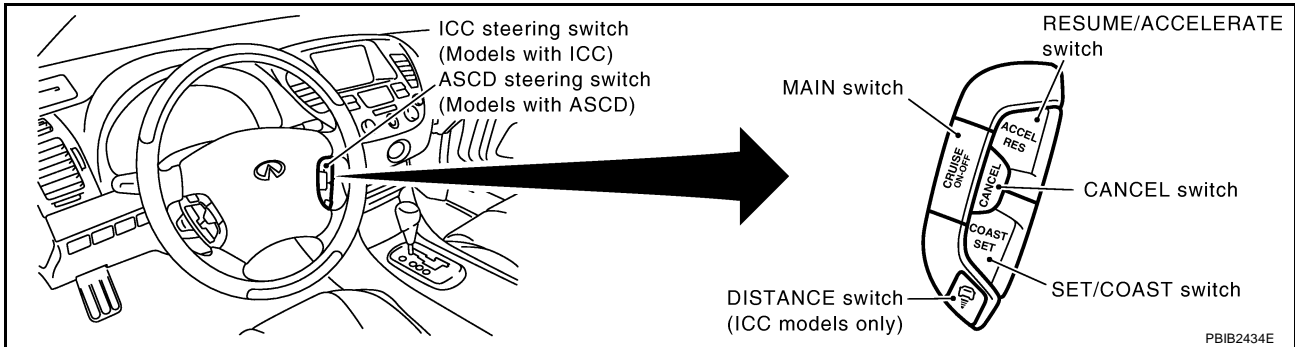
PFP:25551

DTC P1564 ASCD STEERING SWITCH

Component Description

NBS00242

ASCD steering switch has variant values of electrical resistance for each button. ECM reads voltage variation of switch, and determines which button is operated.



Refer to [EC-29. "AUTOMATIC SPEED CONTROL DEVICE \(ASCD\)"](#) for the ASCD function.

CONSULT-II Reference Value in Data Monitor Mode

NBS00243

Specification data are reference values.

MONITOR ITEM	CONDITION	SPECIFICATION
MAIN SW	● Ignition switch: ON	MAIN switch: Pressed ON
		MAIN switch: Released OFF
CANCEL SW	● Ignition switch: ON	CANCEL switch: Pressed ON
		CANCEL switch: Released OFF
RESUME/ACC SW	● Ignition switch: ON	RESUME/ACCELERATE switch: Pressed ON
		RESUME/ACCELERATE switch: Released OFF
SET SW	● Ignition switch: ON	SET/COAST switch: Pressed ON
		SET/COAST switch: Released OFF

On Board Diagnosis Logic

NBS00244

This self-diagnosis has the one trip detection logic.
The MIL will not light up for this diagnosis.

NOTE:

If DTC P1564 is displayed with DTC P0605, first perform the trouble diagnosis for DTC P0605. Refer to [EC-489](#).

DTC No.	Trouble diagnosis name	DTC detecting condition	Possible cause
P1564 1564	ASCD steering switch	<ul style="list-style-type: none"> ● An excessively high voltage signal from the ASCD steering switch is sent to ECM. ● ECM detects that input signal from the ASCD steering switch is out of the specified range. ● ECM detects that the ASCD steering switch is stuck ON. 	<ul style="list-style-type: none"> ● Harness or connectors (The switch circuit is open or shorted.) ● ASCD steering switch ● ECM

DTC P1564 ASCD STEERING SWITCH

DTC Confirmation Procedure

NBS00245

NOTE:

If DTC Confirmation Procedure has been previously conducted, always turn ignition switch OFF and wait at least 10 seconds before conducting the next test.

WITH CONSULT-II

1. Turn ignition switch ON.
2. Select "DATA MONITOR" mode with CONSULT-II.
3. Wait at least 10 seconds.
4. Press MAIN switch for at least 10 seconds, then release it and wait at least 10 seconds.
5. Press CANCEL switch for at least 10 seconds, then release it and wait at least 10 seconds.
6. Press RESUME/ACCELERATE switch for at least 10 seconds, then release it and wait at least 10 seconds.
7. Press SET/COAST switch for at least 10 seconds, then release it and wait at least 10 seconds.
8. If DTC is detected, go to [EC-589, "Diagnostic Procedure"](#) .

WITH GST

Follow the procedure "WITH CONSULT-II" above.

A

EC

C

D

E

F

G

H

I

J

K

L

M

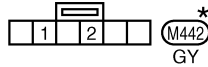
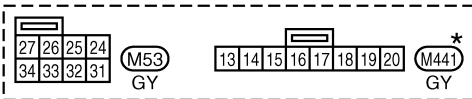
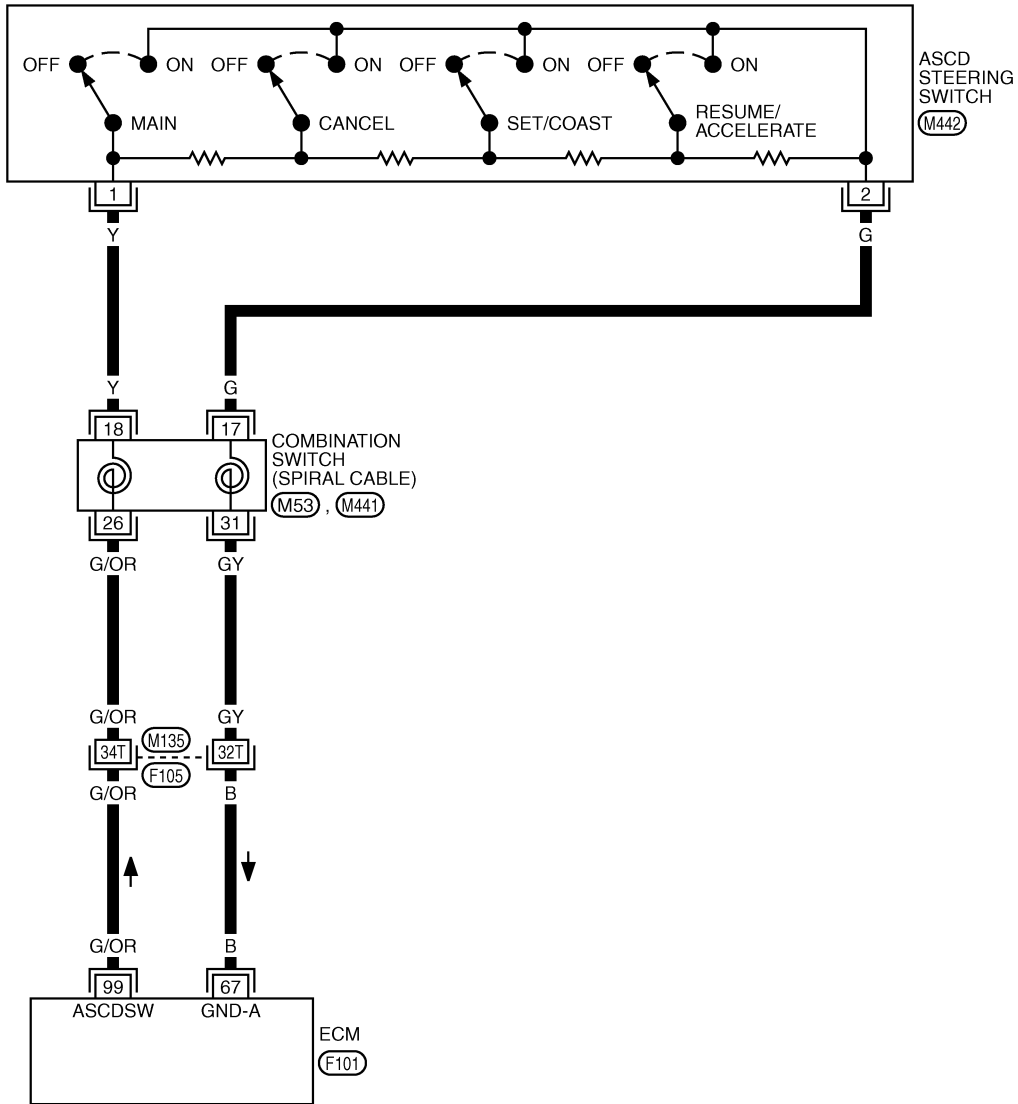
DTC P1564 ASCD STEERING SWITCH

NBS00246

Wiring Diagram

EC-ASC/SW-01

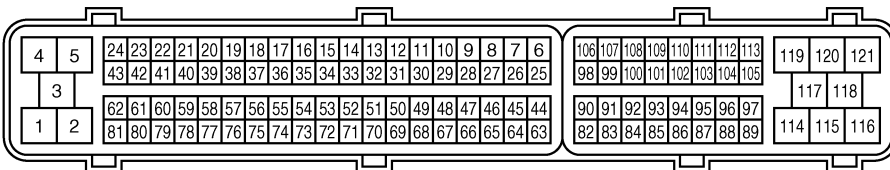
— : DETECTABLE LINE FOR DTC
 - - - : NON-DETECTABLE LINE FOR DTC



REFER TO THE FOLLOWING.

(F105) -SUPER MULTIPLE JUNCTION (SMJ)

*: THIS CONNECTOR IS NOT SHOWN IN "HARNESS LAYOUT", PG SECTION.



TBWM1246E

DTC P1564 ASCD STEERING SWITCH

Specification data are reference values and are measured between each terminal and ground.

CAUTION:

Do not use ECM ground terminals when measuring input/output voltage. Doing so may result in damage to the ECM's transistor. Use a ground other than ECM terminals, such as the ground.

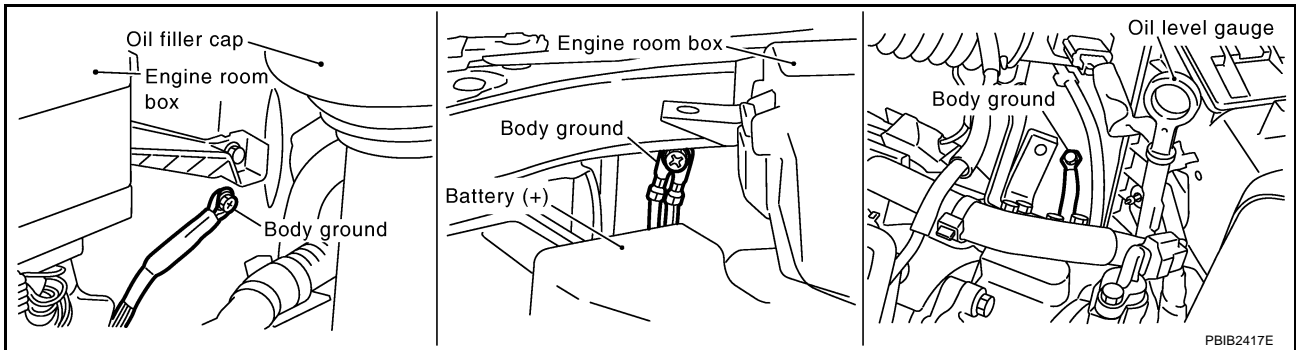
TERMINAL NO.	WIRE COLOR	ITEM	CONDITION	DATA (DC Voltage)
67	B	Sensor ground (MAF sensor, IAT sensor, ECT sensor, FTT sensor, EVAP control system pressure sensor, PSP sensor, ASCD steering switch, Refrigerant pressure sensor)	[Engine is running] ● Warm-up condition ● Idle speed	Approximately 0V
99	G/OR	ASCD steering switch	[Ignition switch: ON] ● ASCD steering switch: OFF	Approximately 4V
			[Ignition switch: ON] ● MAIN switch: Pressed	Approximately 0V
			[Ignition switch: ON] ● CANCEL switch: Pressed	Approximately 1V
			[Ignition switch: ON] ● RESUME/ACCELERATE switch: Pressed	Approximately 3V
			[Ignition switch: ON] ● SET/COAST switch: Pressed	Approximately 2V

Diagnostic Procedure

NBS00247

1. CHECK GROUND CONNECTIONS

1. Turn ignition switch OFF.
2. Loosen and retighten three ground screws on the body.
Refer to [EC-154, "Ground Inspection"](#).



OK or NG

- OK >> GO TO 2.
- NG >> Repair or replace ground connections.

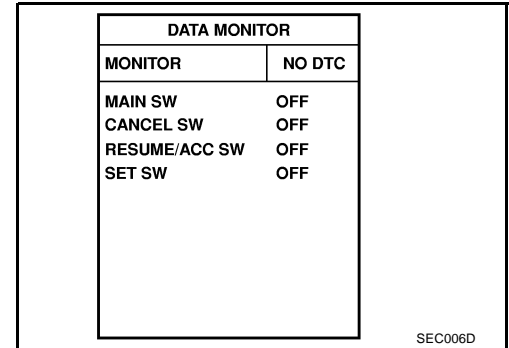
DTC P1564 ASCD STEERING SWITCH

2. CHECK ASCD STEERING SWITCH CIRCUIT

With CONSULT-II

- Turn ignition switch ON.
- Select "MAIN SW", "RESUME/ACC SW", "SET SW" and "CANCEL SW" in "DATA MONITOR" mode with CONSULT-II.
- Check each item indication under the following conditions.

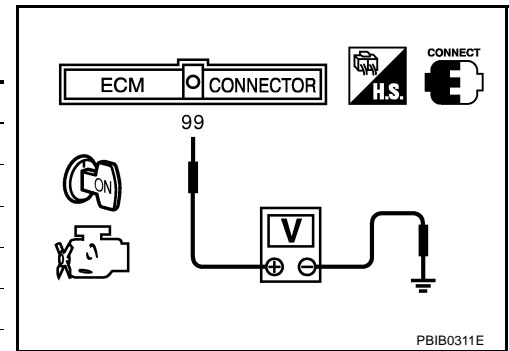
Switch	Monitor item	Condition	Indication
MAIN switch	MAIN SW	Pressed	ON
		Released	OFF
CANCEL switch	CANCEL SW	Pressed	ON
		Released	OFF
RESUME/ACCEL-ERATE switch	RESUME/ACC SW	Pressed	ON
		Released	OFF
SET/COAST switch	SET SW	Pressed	ON
		Released	OFF



Without CONSULT-II

- Turn ignition switch ON.
- Check voltage between ECM terminal 99 and ground with pressing each button.

Switch	Condition	Voltage [V]
MAIN switch	Pressed	Approx. 1
	Released	Approx. 4
CANCEL switch	Pressed	Approx. 1
	Released	Approx. 4
RESUME/ACCELERATE switch	Pressed	Approx. 3
	Released	Approx. 4
SET/COAST switch	Pressed	Approx. 2
	Released	Approx. 4



OK or NG

- OK >> GO TO 8.
 NG >> GO TO 3.

3. CHECK ASCD STEERING SWITCH GROUND CIRCUIT FOR OPEN AND SHORT

- Turn ignition switch OFF.
- Disconnect ECM harness connector.
- Disconnect ASCD steering switch harness connector.
- Check harness continuity between ASCD steering switch terminal 2 and ECM terminal 67. Refer to Wiring Diagram.

Continuity should exist.

- Also check harness for short to ground and short to power.

OK or NG

- OK >> GO TO 5.
 NG >> GO TO 4.

DTC P1564 ASCD STEERING SWITCH

4. DETECT MALFUNCTIONING PART

Check the following.

- Harness connectors M135, F105
- Combination switch (spiral cable)
- Harness for open and short between ECM and ASCD steering switch

>> Repair open circuit or short to ground or short to power in harness or connectors.

5. CHECK ASCD STEERING SWITCH INPUT SIGNAL CIRCUIT FOR OPEN AND SHORT

1. Check harness continuity between ECM terminal 99 and ASCD steering switch terminal 1. Refer to Wiring Diagram.

Continuity should exist.

2. Also check harness for short to ground and short to power.

OK or NG

- OK >> GO TO 7.
NG >> GO TO 6.

6. DETECT MALFUNCTIONING PART

Check the following.

- Harness connectors M135, F105
- Combination switch (spiral cable)
- Harness for open and short between ECM and ASCD steering switch

>> Repair open circuit or short to ground or short to power in harness or connectors.

7. CHECK ASCD STEERING SWITCH

Refer to [EC-592, "Component Inspection"](#) .

OK or NG

- OK >> GO TO 8.
NG >> Replace ASCD steering switch.

8. CHECK INTERMITTENT INCIDENT

Refer to [EC-145, "TROUBLE DIAGNOSIS FOR INTERMITTENT INCIDENT"](#) .

>> **INSPECTION END**

DTC P1564 ASCD STEERING SWITCH

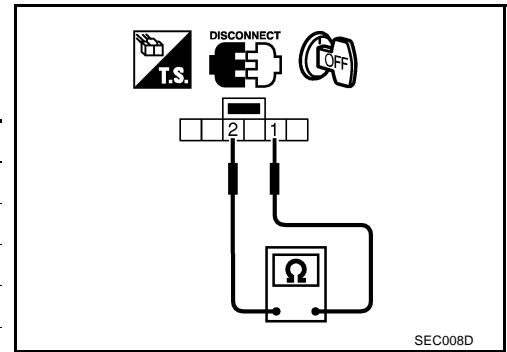
NBS00248

Component Inspection ASCD STEERING SWITCH

1. Disconnect ASCD steering switch.
2. Check continuity between ASCD steering switch terminals 1 and 2 with pushing each switch.

Switch	Condition	Resistance [Ω]
MAIN switch	Pressed	Approx. 0
	Released	Approx. 4,000
CANCEL switch	Pressed	Approx. 250
	Released	Approx. 4,000
RESUME/ACCELERATE switch	Pressed	Approx. 1,480
	Released	Approx. 4,000
SET/COAST switch	Pressed	Approx. 660
	Released	Approx. 4,000

If NG, replace ASCD steering switch.



DTC P1568 ICC FUNCTION

DTC P1568 ICC FUNCTION

PPF:18995

On Board Diagnosis Logic

NBS00249

This self-diagnosis has the one trip detection logic.
The MIL will not light up for this diagnosis.

NOTE:

- If DTC P1568 is displayed with DTC U1000, U1001, first perform the trouble diagnosis for DTC U1000, U1001. Refer to [EC-156, "DTC U1000, U1001 CAN COMMUNICATION LINE"](#) .
- If DTC P1568 is displayed with DTC U1010, first perform the trouble diagnosis for DTC U1010. Refer to [EC-159, "DTC U1010 CAN COMMUNICATION"](#) .
- If DTC P1568 is displayed with DTC P0605, first perform the trouble diagnosis for DTC P0605. Refer to [EC-489, "DTC P0605 ECM"](#) .

DTC No.	Trouble Diagnosis Name	DTC Detecting Condition	Possible Cause
P1568 1568	ICC function	ECM detects a difference between signals from ICC unit is out of specified range.	<ul style="list-style-type: none">● Harness or connectors (The CAN communication line is open or shorted.)● ICC unit● ECM

DTC Confirmation Procedure

NBS0024A

CAUTION:

Always drive vehicle at a safe speed.

NOTE:

If DTC Confirmation Procedure has been previously conducted, always turn ignition switch OFF and wait at least 10 seconds before conducting the next test.

TESTING CONDITION:

Step 4 may be conducted with the drive wheels lifted in the shop or by driving the vehicle. If a road test is expected to be easier, it is unnecessary to lift the vehicle.

Ⓟ WITH CONSULT-II

1. Turn ignition switch ON.
2. Select "DATA MONITOR" mode with CONSULT-II.
3. Press MAIN switch on ICC steering switch.
4. Drive the vehicle at more than 40 km/h (25 MPH).
5. Press SET/COAST switch.
6. If DTC is detected, go to [EC-593, "Diagnostic Procedure"](#) .

DATA MONITOR	
MONITOR	NO DTC
ENG SPEED	XXX rpm

SEF058Y

Ⓢ WITH GST

Follow the procedure "WITH CONSULT-II" above.

Diagnostic Procedure

NBS0024B

1. REPLACE ICC UNIT

1. Replace ICC unit.
2. Perform [ACS-11, "ACTION TEST"](#) .
3. Check DTC of ICC unit. Refer to [ACS-43, "TROUBLE DIAGNOSIS FOR SELF-DIAGNOSTIC ITEMS"](#) .

>> INSPECTION END

DTC P1572 ICC BRAKE SWITCH

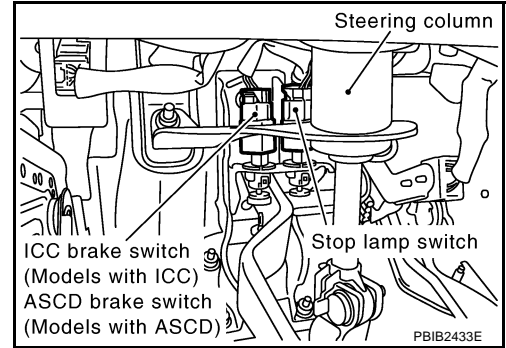
DTC P1572 ICC BRAKE SWITCH

PFP:25320

Component Description

NBS0024C

When the brake pedal is depressed, ICC brake switch is turned OFF and stop lamp switch is turned ON. ECM detects the state of the brake pedal by this input of two kinds (ON/OFF signal). Refer to [ACS-6, "DESCRIPTION"](#) for the ICC function.



CONSULT-II Reference Value in Data Monitor Mode

NBS0024D

Specification data are reference values.

MONITOR ITEM	CONDITION		SPECIFICATION
BRAKE SW1 (ICC brake switch)	● Ignition switch: ON	Brake pedal: Fully released	ON
		Brake pedal: Slightly depressed	OFF
BRAKE SW2 (stop lamp switch)	● Ignition switch: ON	Brake pedal: Fully released	OFF
		Brake pedal: Slightly depressed	ON

On Board Diagnosis Logic

NBS0024E

This diagnosis has the one trip detection logic.
The MIL will not light up for this diagnosis.

NOTE:

- If DTC P1572 is displayed with DTC P0605, first perform the trouble diagnosis for DTC P0605. Refer to [EC-489](#).
- This self-diagnosis has the one trip detection logic. When malfunction A is detected, DTC is not stored in ECM memory. And in that case, 1st trip DTC and 1st trip freeze frame data are displayed. 1st trip DTC is erased when ignition switch OFF. And even when malfunction A is detected in two consecutive trips, DTC is not stored in ECM memory.

DTC No.	Trouble diagnosis name	DTC detecting condition		Possible cause
P1572 1572	ICC brake switch	A)	When the vehicle speed is above 30 km/h (19 MPH), ON signals from the stop lamp switch and the ICC brake switch are sent to ECM at the same time.	<ul style="list-style-type: none"> ● Harness or connectors (The stop lamp switch circuit is shorted.) ● Harness or connectors (The ICC brake switch circuit is shorted.) ● Stop lamp switch ● ICC brake switch ● ICC brake hold relay ● Incorrect stop lamp switch installation ● Incorrect ICC brake switch installation ● ECM
		B)	ICC brake switch signal is not sent to ECM for extremely long time while the vehicle is driving	

DTC P1572 ICC BRAKE SWITCH

NBS0024F

DTC Confirmation Procedure

CAUTION:

Always drive vehicle at a safe speed.

NOTE:

- If DTC Confirmation Procedure has been previously conducted, always turn ignition switch OFF and wait at least 10 seconds before conducting the next test.
- Procedure for malfunction B is not described here. It takes extremely long time to complete procedure for malfunction B. By performing procedure for malfunction A, the incident that causes malfunction B can be detected.

TESTING CONDITION:

Steps 4 and 5 may be conducted with the drive wheels lifted in the shop or by driving the vehicle. If a road test is expected to be easier, it is unnecessary to lift the vehicle.

WITH CONSULT-II

1. Start engine (VDC switch OFF).
2. Select "DATA MONITOR" mode with CONSULT-II.
3. Press MAIN switch and make sure that CRUISE lamp lights up.
4. Drive the vehicle for at least 5 consecutive seconds under the following conditions.

VHCL SPEED SE	More than 30 km/h (19 MPH)
Selector lever	Suitable position

If 1st trip DTC is detected, go to [EC-597. "Diagnostic Procedure"](#)

If 1st trip DTC is not detected, go to the following step.

DATA MONITOR	
MONITOR	NO DTC
ENG SPEED	XXX rpm
VHCL SPEED SE	XXX km/h
CRUISE LAMP	ON
BRAKE SW 1	ON
BRAKE SW 2	OFF

PBIB2386E

5. Drive the vehicle for at least 5 consecutive seconds under the following conditions.

VHCL SPEED SE	More than 30 km/h (19 MPH)
Selector lever	Suitable position
Driving location	Depress the brake pedal for more than five seconds so as not to come off from the above-mentioned vehicle speed.

6. If 1st trip DTC is detected, go to [EC-597. "Diagnostic Procedure"](#).

WITH GST

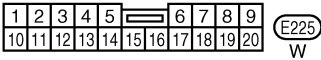
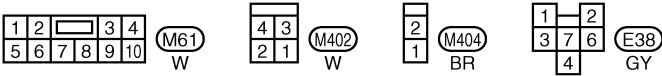
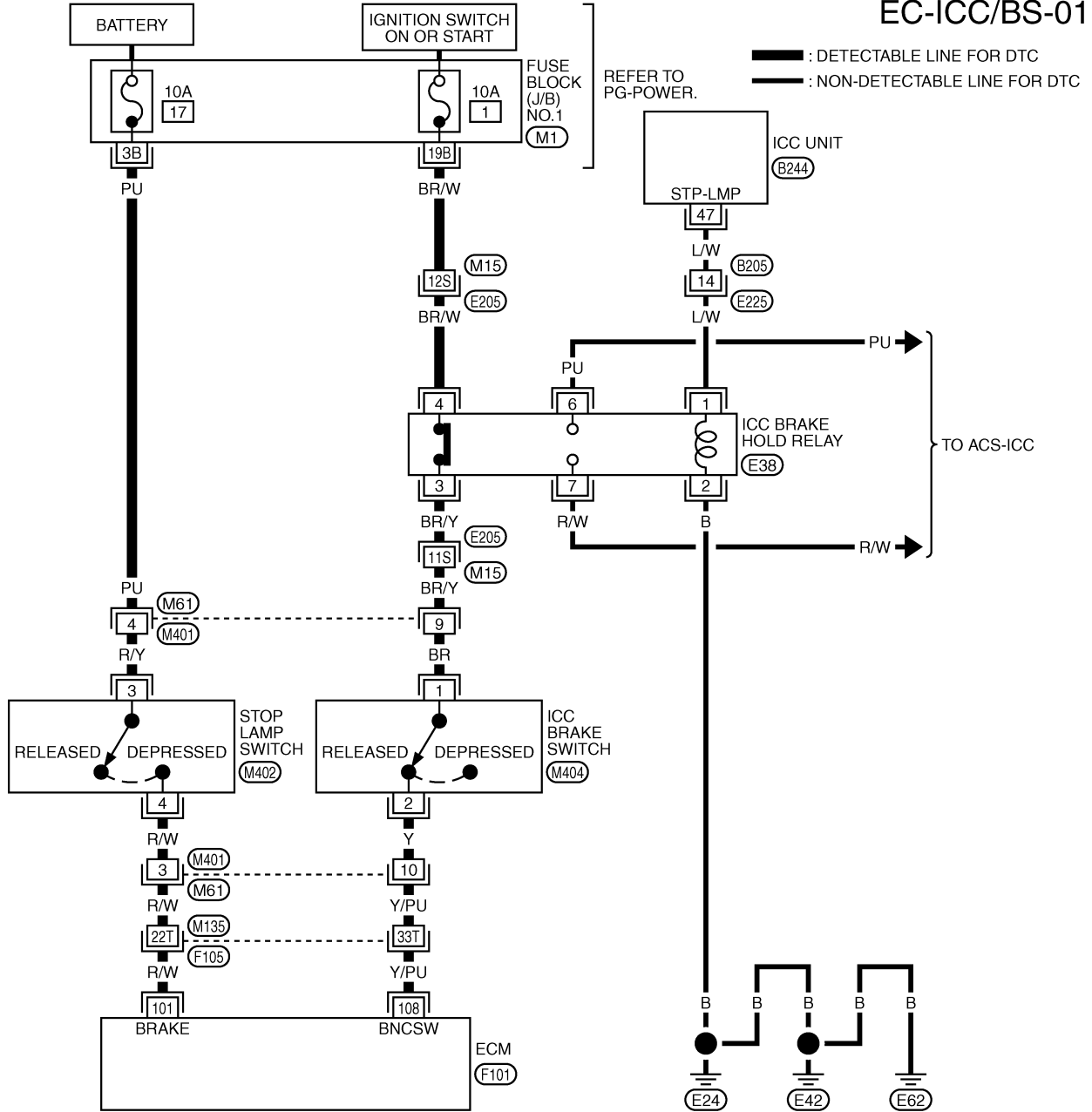
Follow the procedure "WITH CONSULT-II" above.

DTC P1572 ICC BRAKE SWITCH

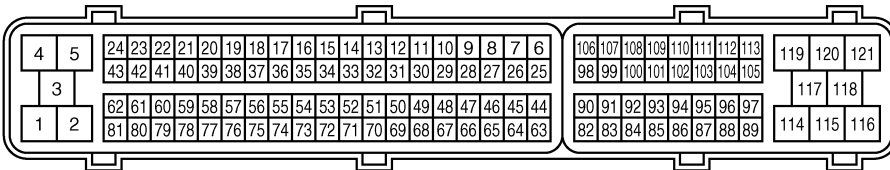
NBS0024G

Wiring Diagram

EC-ICC/BS-01



REFER TO THE FOLLOWING.
 (E205), (F105) -SUPER MULTIPLE JUNCTION (SMJ)
 (M1) -FUSE BLOCK-JUNCTION BOX (J/B) NO.1
 (B244) -ELECTRICAL UNITS



TBWM1247E

DTC P1572 ICC BRAKE SWITCH

Specification data are reference values and are measured between each terminal and ground.

CAUTION:

Do not use ECM ground terminals when measuring input/output voltage. Doing so may result in damage to the ECM's transistor. Use a ground other than ECM terminals, such as the ground.

TER-MINAL NO.	WIRE COLOR	ITEM	CONDITION	DATA (DC Voltage)
101	R/W	Stop lamp switch	[Ignition switch: OFF] ● Brake pedal: Fully released	Approximately 0V
			[Ignition switch: OFF] ● Brake pedal: Slightly depressed	BATTERY VOLTAGE (11 - 14V)
108	Y/PU	ICC brake switch	[Ignition switch: ON] ● Brake pedal: Slightly depressed	Approximately 0V
			[Ignition switch: ON] ● Brake pedal: Fully released	BATTERY VOLTAGE (11 - 14V)

Diagnostic Procedure

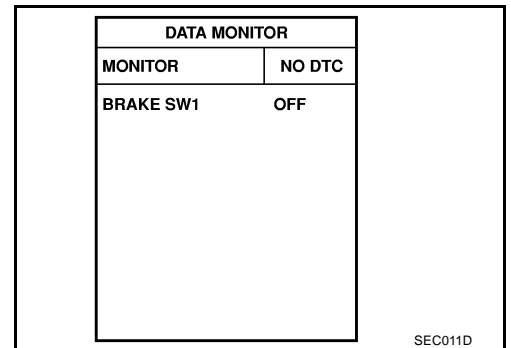
NBS0024H

1. CHECK OVERALL FUNCTION-I

With CONSULT-II

- Turn ignition switch ON.
- Select "BRAKE SW1" in "DATA MONITOR" mode with CONSULT-II.
- Check "BRAKE SW1" indication under the following conditions.

CONDITION	INDICATION
When brake pedal: Slightly depressed	OFF
When brake pedal: Fully released	ON



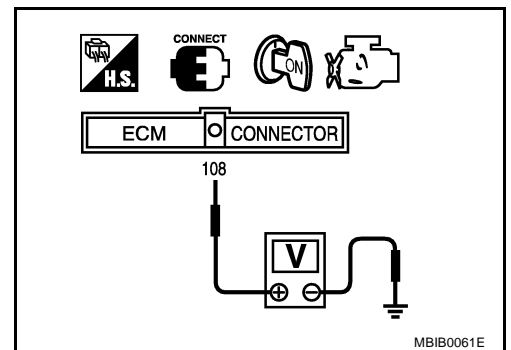
Without CONSULT-II

- Turn ignition switch ON.
- Check voltage between ECM terminal 108 and ground under the following conditions.

CONDITION	VOLTAGE
When brake pedal: Slightly depressed	Approximately 0V
When brake pedal: Fully released	Battery voltage

OK or NG

- OK >> GO TO 2.
- NG >> GO TO 3.



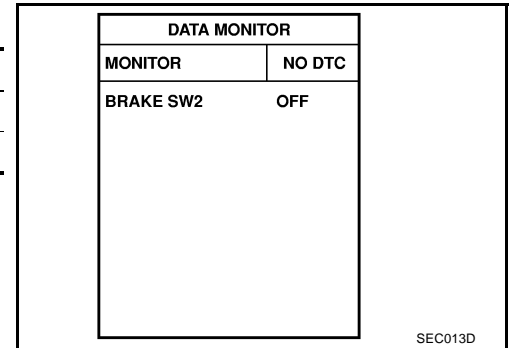
DTC P1572 ICC BRAKE SWITCH

2. CHECK OVERALL FUNCTION-II

With CONSULT-II

Check "BRAKE SW2" indication in "DATA MONITOR" mode.

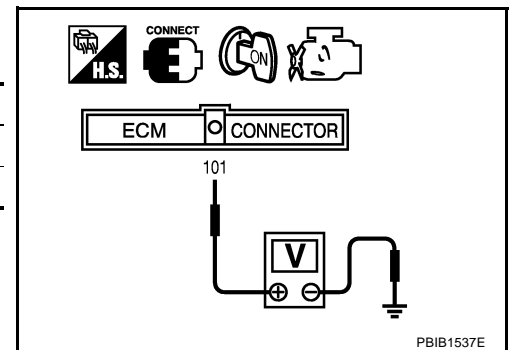
CONDITION	INDICATION
When brake pedal: Fully released	OFF
When brake pedal: Slightly depressed	ON



Without CONSULT-II

Check voltage between ECM terminal 101 and ground under the following conditions.

CONDITION	VOLTAGE
When brake pedal: Fully released	Approximately 0V
When brake pedal: Slightly depressed	Battery voltage



OK or NG

- OK >> GO TO 18.
- NG >> GO TO 13.

3. CHECK DTC WITH ICC UNIT

Refer to [ACS-43, "TROUBLE DIAGNOSIS FOR SELF-DIAGNOSTIC ITEMS"](#) .

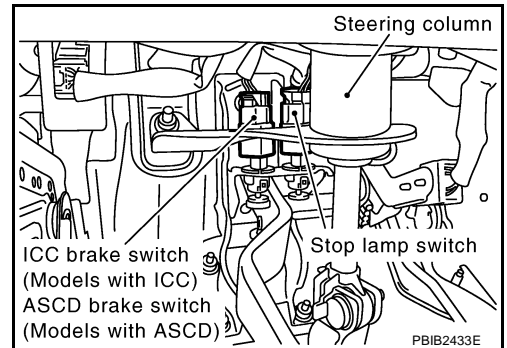
OK or NG

- OK >> GO TO 4.
- NG >> Repair or replace.

DTC P1572 ICC BRAKE SWITCH

4. CHECK ICC BRAKE SWITCH POWER SUPPLY CIRCUIT-I

1. Turn ignition switch OFF.
2. Disconnect ICC brake switch harness connector.
3. Turn ignition switch ON.

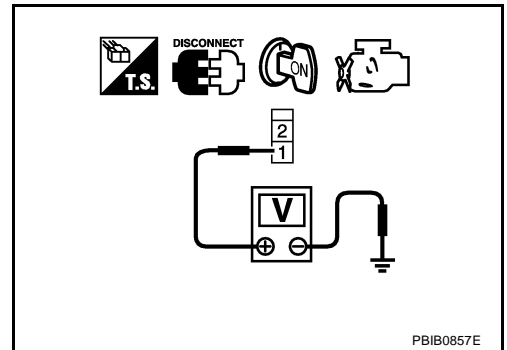


4. Check voltage between ICC brake switch terminal 1 and ground with CONSULT-II or tester.

Voltage: Battery voltage

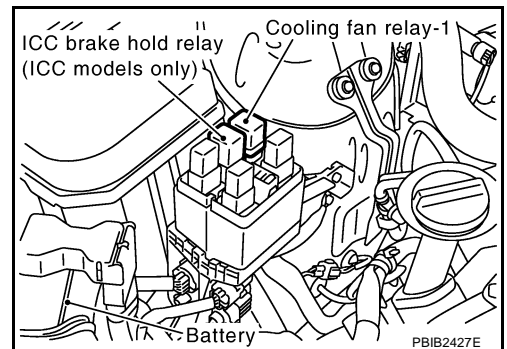
OK or NG

- OK >> GO TO 10.
NG >> GO TO 5.



5. CHECK ICC BRAKE SWITCH CIRCUIT-II

1. Turn ignition switch OFF.
2. Disconnect ICC brake hold relay.
3. Turn ignition switch ON.

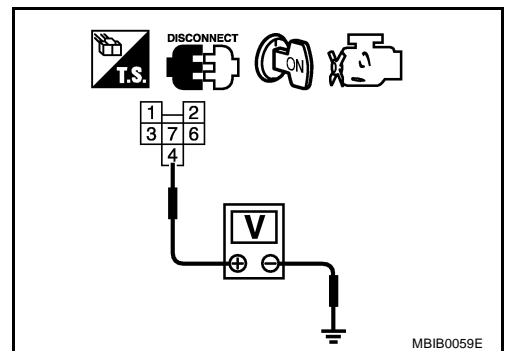


4. Check voltage between ICC brake hold relay terminal 4 and ground with CONSULT-II or tester.

Voltage: Battery voltage

OK or NG

- OK >> GO TO 7.
NG >> GO TO 6.



DTC P1572 ICC BRAKE SWITCH

6. DETECT MALFUNCTIONING PART

Check the following.

- Fuse block (J/B) No. 1 connector M1
- 10A fuse
- Harness connectors M15, E205
- Harness for open or short between ICC brake hold relay and fuse

>> Repair open circuit or short to ground or short to power in harness or connectors.

7. CHECK ICC BRAKE SWITCH POWER SUPPLY CIRCUIT-III

1. Turn ignition switch OFF.
2. Check harness continuity between ICC brake hold relay terminal 3 and ICC brake switch terminal 1.
Refer to Wiring Diagram.

Continuity should exist.

3. Also check harness for short to ground and short to power.

OK or NG

- OK >> GO TO 9.
NG >> GO TO 8.

8. DETECT MALFUNCTIONING PART

Check the following.

- Harness connectors E205, M15
- Harness connectors M61, M401
- Harness for open or short between ICC brake hold relay and ICC brake switch

>> Repair open circuit or short to ground or short to power in harness or connectors.

9. CHECK ICC BRAKE HOLD RELAY

Refer to [EC-602, "Component Inspection"](#) .

- OK >> GO TO 18.
NG >> Replace ICC brake hold relay.

10. CHECK ICC BRAKE SWITCH INPUT SIGNAL CIRCUIT FOR OPEN AND SHORT

1. Turn ignition switch OFF.
2. Disconnect ECM harness connector.
3. Check harness continuity between ICC brake switch terminal 2 and ECM terminal 108.
Refer Wiring Diagram.

Continuity should exist.

4. Also check harness for short to ground and short to power.

OK or NG

- OK >> GO TO 12.
NG >> GO TO 11.

DTC P1572 ICC BRAKE SWITCH

11. DETECT MALFUNCTIONING PART

Check the following.

- Harness connectors M401, M61
- Harness connectors M135, F105
- Harness for open or short between ICC brake switch and ECM

>> Repair open circuit or short to ground or short to power in harness or connectors.

12. CHECK ICC BRAKE SWITCH

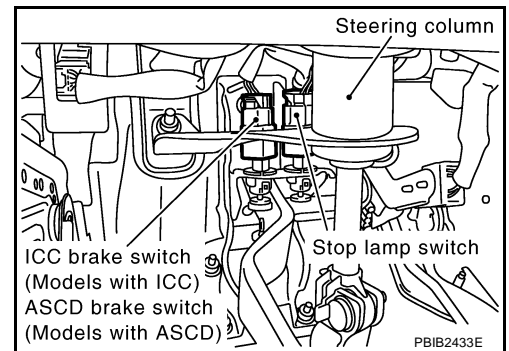
Refer to [EC-602. "Component Inspection"](#).

OK or NG

- OK >> GO TO 18.
- NG >> Replace ICC brake switch.

13. CHECK STOP LAMP SWITCH POWER SUPPLY CIRCUIT

1. Turn ignition switch OFF.
2. Disconnect stop lamp switch harness connector.

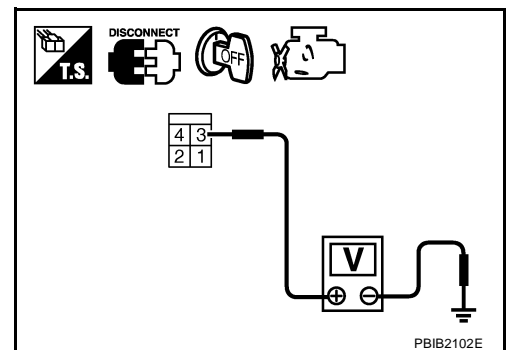


3. Check voltage between stop lamp switch terminal 3 and ground with CONSULT -II or tester.

Voltage: Battery voltage

OK or NG

- OK >> GO TO 15.
- NG >> GO TO 14.



14. DETECT MALFUNCTIONING PART

Check the following.

- Fuse block (J/B) No. 1 connector M1
- 10A fuse
- Harness connectors M61, M401
- Harness for open or short between stop lamp switch and battery

>> Repair open circuit or short to ground or short to power in harness or connectors.

A
EC
C
D
E
F
G
H
I
J
K
L
M

DTC P1572 ICC BRAKE SWITCH

15. CHECK STOP LAMP SWITCH INPUT SIGNAL CIRCUIT FOR OPEN AND SHORT

1. Disconnect ECM harness connector.
2. Check harness continuity between ECM terminal 101 and stop lamp switch terminal 4. Refer to Wiring Diagram.

Continuity should exist.

3. Also check harness for short to ground and short to power.

OK or NG

- OK >> GO TO 17.
NG >> GO TO 16.

16. DETECT MALFUNCTIONING PART

Check the following.

- Harness connectors M401, M61
- Harness connectors M135, F105
- Harness for open or short between ECM and stop lamp switch

>> Repair open circuit or short to ground or short to power in harness or connectors.

17. CHECK STOP LAMP SWITCH

Refer to [EC-602, "Component Inspection"](#)

OK or NG

- OK >> GO TO 18.
NG >> Replace stop lamp switch.

18. CHECK INTERMITTENT INCIDENT

Refer to [EC-145, "TROUBLE DIAGNOSIS FOR INTERMITTENT INCIDENT"](#) .

>> **INSPECTION END**

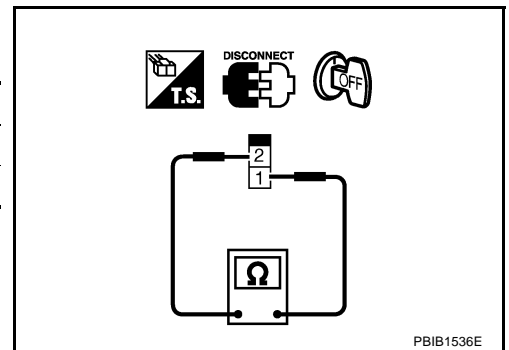
Component Inspection ICC BRAKE SWITCH

NBS0024I

1. Turn ignition switch OFF.
2. Disconnect ICC brake switch harness connector.
3. Check continuity between ICC brake switch terminals 1 and 2 under the following conditions.

Condition	Continuity
When brake pedal: Fully released.	Should exist.
When brake pedal: Slightly depressed.	Should not exist.

If NG, adjust ICC brake switch installation, refer to [BR-6, "BRAKE PEDAL"](#) , and perform step 3 again.



PBIB1536E

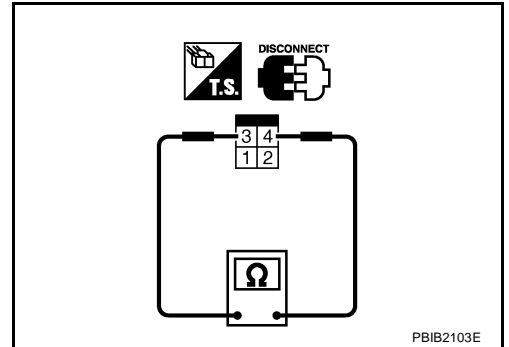
DTC P1572 ICC BRAKE SWITCH

STOP LAMP SWITCH

1. Turn ignition switch OFF.
2. Disconnect stop lamp switch harness connector.
3. Check continuity between stop lamp switch terminals 3 and 4 under the following conditions.

Condition	Continuity
When brake pedal: Fully released.	Should not exist.
When brake pedal: Slightly depressed.	Should exist.

If NG, adjust stop lamp switch installation, refer to [BR-6](#), "[BRAKE PEDAL](#)", and perform step 3 again.

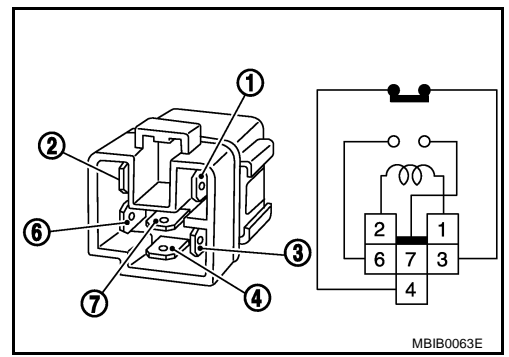


ICC BRAKE HOLD RELAY

1. Apply 12V direct current between ICC brake hold relay terminals 1 and 2.
2. Check continuity between relay terminals 3 and 4, 6 and 7 under the following conditions.

Condition	Between terminals	Continuity
12V direct current supply between terminals 1 and 2	3 and 4	Should not exist
	6 and 7	Should exist
No current supply	3 and 4	Should exist
	6 and 7	Should not exist

3. If NG, replace ICC brake hold relay.



A
EC
C
D
E
F
G
H
I
J
K
L
M

DTC P1572 ASCD BRAKE SWITCH

DTC P1572 ASCD BRAKE SWITCH

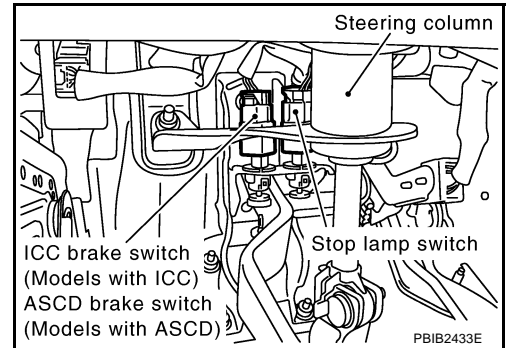
PFP:25320

Component Description

NBS0024J

When the brake pedal is depressed, ASCD brake switch is turned OFF and stop lamp switch is turned ON. ECM detects the state of the brake pedal by this input of two kinds (ON/OFF signal).

Refer to [EC-29. "AUTOMATIC SPEED CONTROL DEVICE \(ASCD\)"](#) for the ASCD function.



CONSULT-II Reference Value in Data Monitor Mode

NBS0024K

Specification data are reference values.

MONITOR ITEM	CONDITION		SPECIFICATION
BRAKE SW1 (ASCD brake switch)	● Ignition switch: ON	Brake pedal: Fully released	ON
		Brake pedal: Slightly depressed	OFF
BRAKE SW2 (stop lamp switch)	● Ignition switch: ON	Brake pedal: Fully released	OFF
		Brake pedal: Slightly depressed	ON

On Board Diagnosis Logic

NBS0024L

This self-diagnosis has the one trip detection logic.

The MIL will not light up for this diagnosis.

NOTE:

- If DTC P 1572 is displayed with DTC P0605, first perform the trouble diagnosis for DTC P0605. Refer to [EC-489](#)
- This self-diagnosis has the one trip detection logic. When malfunction A is detected, DTC is not stored in ECM memory. And in that case, 1st trip DTC and 1st trip freeze frame data are displayed. 1st trip DTC is erased when ignition switch OFF. And even when malfunction A is detected in two consecutive trips, DTC is not stored in ECM memory.

DTC No.	Trouble diagnosis name	DTC detecting condition		Possible cause
P1572 1572	ASCD brake switch	A)	When the vehicle speed is above 30 km/h (19 MPH), ON signals from the stop lamp switch and the ASCD brake switch are sent to the ECM at the same time.	<ul style="list-style-type: none"> ● Harness or connectors (The stop lamp switch circuit is shorted.) ● Harness or connectors (The ASCD brake switch circuit is shorted.)
		B)	ASCD brake switch signal is not sent to ECM for extremely long time while the vehicle is driving.	<ul style="list-style-type: none"> ● Stop lamp switch ● ASCD brake switch ● Incorrect stop lamp switch installation ● Incorrect ASCD brake switch installation ● ECM

DTC P1572 ASCD BRAKE SWITCH

NBS0024M

DTC Confirmation Procedure

CAUTION:

Always drive vehicle at a safe speed.

NOTE:

- If DTC Confirmation Procedure has been previously conducted, always turn ignition switch OFF and wait at least 10 seconds before conducting the next test.
- Procedure for malfunction B is not described here. It takes extremely long time to complete procedure for malfunction B. By performing procedure for malfunction A, the incident that causes malfunction B can be detected.

TESTING CONDITION:

Steps 4 and 5 may be conducted with the drive wheels lifted in the shop or by driving the vehicle. If a road test is expected to be easier, it is unnecessary to lift the vehicle.

WITH CONSULT-II

1. Start engine (VDC switch OFF).
2. Select "DATA MONITOR" mode with CONSULT-II.
3. Press MAIN switch and make sure that CRUISE lamp lights up.
4. Drive the vehicle for at least 5 consecutive seconds under the following conditions.

VHCL SPEED SE	More than 30 km/h (19 MPH)
Selector lever	Suitable position

If 1st trip DTC is detected, go to [EC-607. "Diagnostic Procedure"](#)

If 1st trip DTC is not detected, go to the following step.

DATA MONITOR	
MONITOR	NO DTC
ENG SPEED	XXX rpm
VHCL SPEED SE	XXX km/h
CRUISE LAMP	ON
BRAKE SW 1	ON
BRAKE SW 2	OFF

PBIB2386E

5. Drive the vehicle for at least 5 consecutive seconds under the following conditions.

VHCL SPEED SE	More than 30 km/h (19 MPH)
Selector lever	Suitable position
Driving location	Depress the brake pedal for more than five seconds so as not to come off from the above-mentioned vehicle speed.

6. If 1st trip DTC is detected, go to [EC-607. "Diagnostic Procedure"](#).

WITH GST

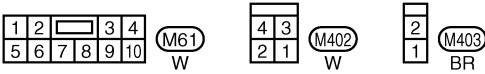
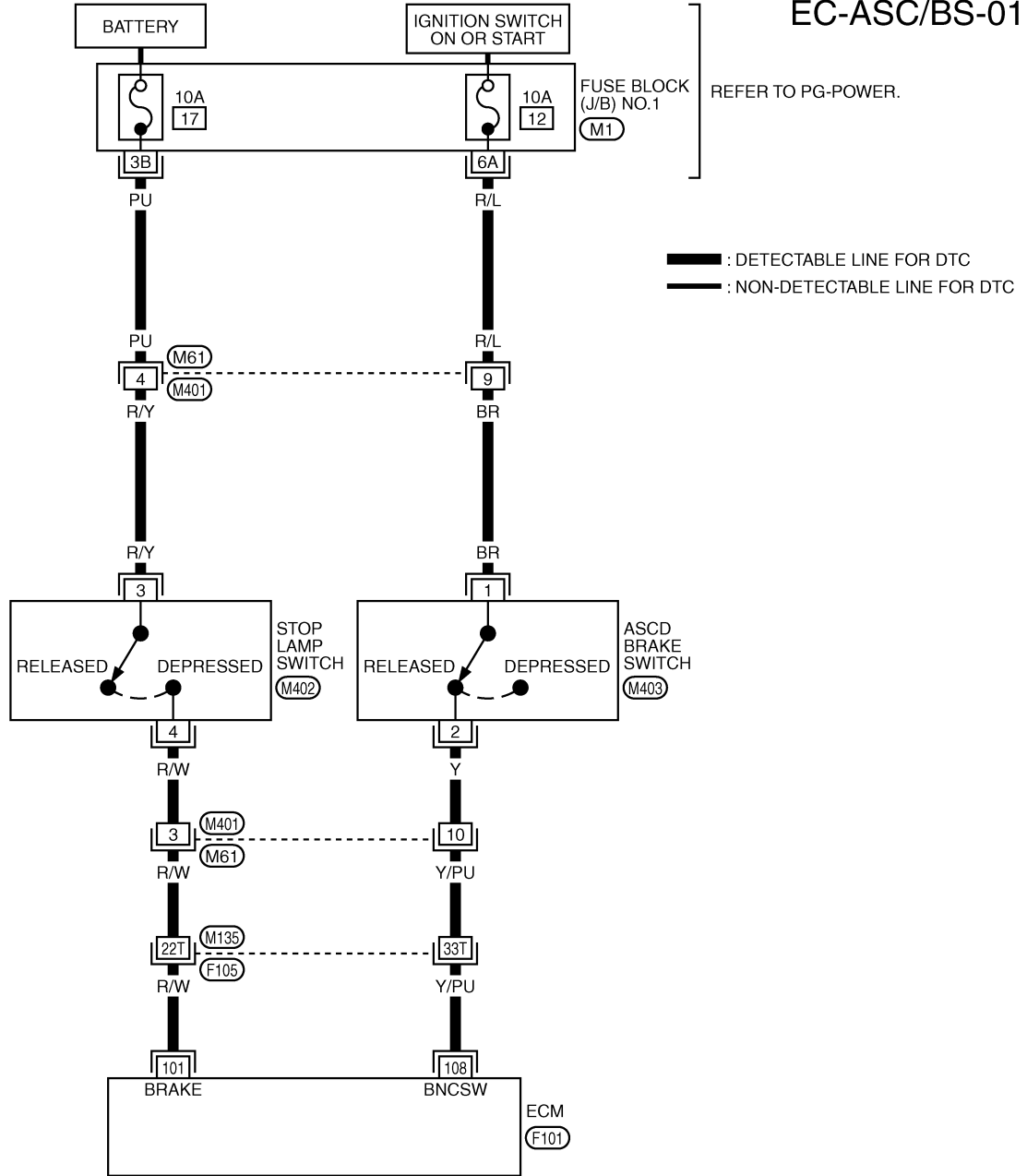
Follow the procedure "WITH CONSULT-II" above.

DTC P1572 ASCD BRAKE SWITCH

NBS0024N

Wiring Diagram

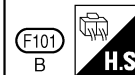
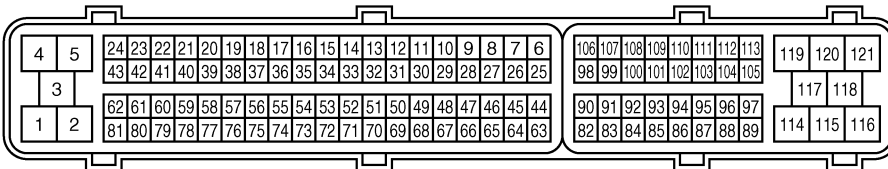
EC-ASC/BS-01



REFER TO THE FOLLOWING.

(F105) -SUPER MULTIPLE JUNCTION (SMJ)

(M1) -FUSE BLOCK-JUNCTION BOX (J/B) NO.1



TBWM1248E

DTC P1572 ASCD BRAKE SWITCH

Specification data are reference values and are measured between each terminal and ground.

CAUTION:

Do not use ECM ground terminals when measuring input/output voltage. Doing so may result in damage to the ECM's transistor. Use a ground other than ECM terminals, such as the ground.

TER-MINAL NO.	WIRE COLOR	ITEM	CONDITION	DATA (DC Voltage)
101	R/W	Stop lamp switch	[Ignition switch: OFF] ● Brake pedal: Fully released	Approximately 0V
			[Ignition switch: OFF] ● Brake pedal: Slightly depressed	BATTERY VOLTAGE (11 - 14V)
108	Y/PU	ASCD brake switch	[Ignition switch: ON] ● Brake pedal: Slightly depressed	Approximately 0V
			[Ignition switch: ON] ● Brake pedal: Fully released	BATTERY VOLTAGE (11 - 14V)

Diagnostic Procedure

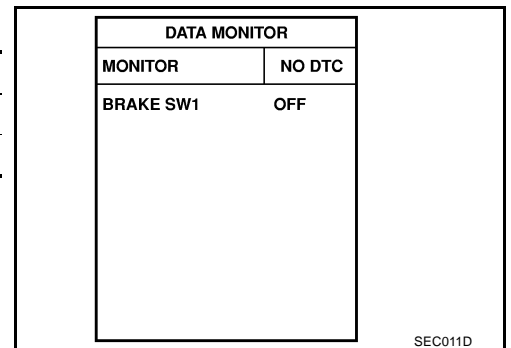
NBS00240

1. CHECK OVERALL FUNCTION-I

With CONSULT-II

- Turn ignition switch ON.
- Select "BRAKE SW1" in "DATA MONITOR" mode with CONSULT-II.
- Check "BRAKE SW1" indication under the following conditions.

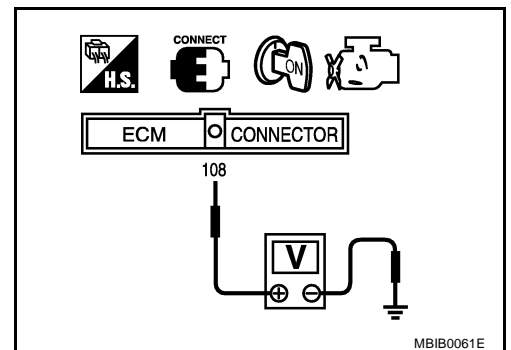
CONDITION	INDICATION
When brake pedal: Slightly depressed	OFF
When brake pedal: Fully released	ON



Without CONSULT-II

- Turn ignition switch ON.
- Check voltage between ECM terminal 108 and ground under the following conditions.

CONDITION	VOLTAGE
When brake pedal: Slightly depressed	Approximately 0V
When brake pedal: Fully released	Battery voltage



OK or NG

- OK >> GO TO 2.
NG >> GO TO 3.

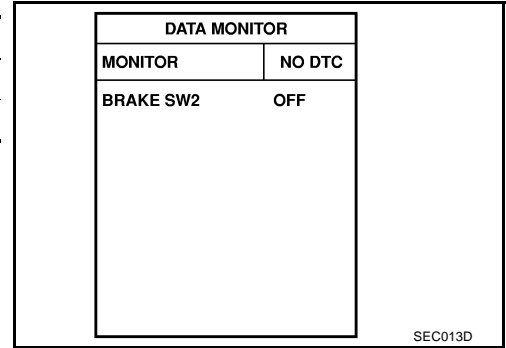
DTC P1572 ASCD BRAKE SWITCH

2. CHECK OVERALL FUNCTION-II

With CONSULT-II

Check "BRAKE SW2" indication in "DATA MONITOR" mode.

CONDITION	INDICATION
When brake pedal: Fully released	OFF
When brake pedal: Slightly depressed	ON



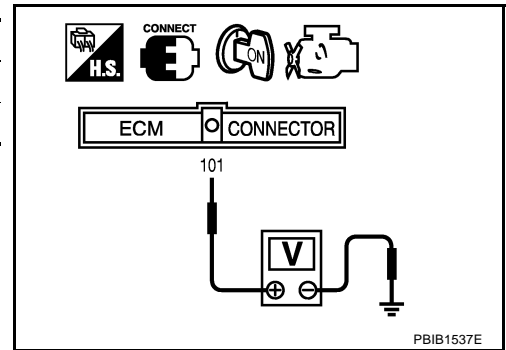
Without CONSULT-II

Check voltage between ECM terminal 101 and ground under the following conditions.

CONDITION	VOLTAGE
When brake pedal: Fully released	Approximately 0V
When brake pedal: Slightly depressed	Battery voltage

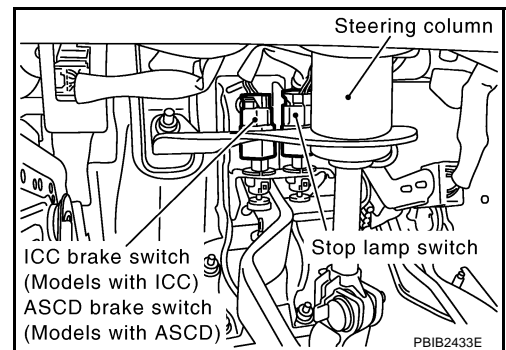
OK or NG

- OK >> GO TO 13.
- NG >> GO TO 8.



3. CHECK ASCD BRAKE SWITCH POWER SUPPLY CIRCUIT

1. Turn ignition switch OFF.
2. Disconnect ASCD brake switch harness connector.
3. Turn ignition switch ON.

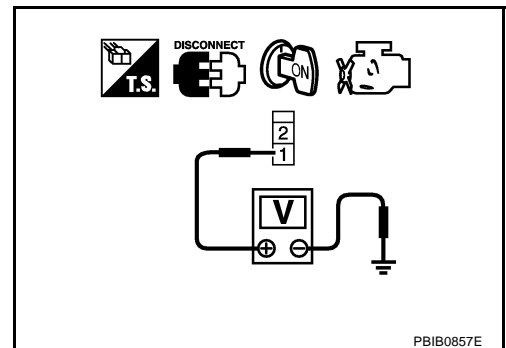


4. Check voltage between ASCD brake switch terminal 1 and ground with CONSULT-II or tester.

Voltage: Battery voltage

OK or NG

- OK >> GO TO 5.
- NG >> GO TO 4.



DTC P1572 ASCD BRAKE SWITCH

4. DETECT MALFUNCTIONING PART

Check the following.

- Fuse block (J/B) No. 1 connector M1
- 10A fuse
- Harness connectors M61, M401
- Harness for open or short between ASCD brake switch and fuse

>> Repair open circuit or short to ground or short to power in harness or connectors.

5. CHECK ASCD BRAKE SWITCH INPUT SIGNAL CIRCUIT FOR OPEN AND SHORT

1. Turn ignition switch OFF.
2. Disconnect ECM harness connector.
3. Check harness continuity between ECM terminal 108 and ASCD brake switch terminal 2.
Refer to Wiring Diagram.

Continuity should exist.

4. Also check harness for short to ground and short to power.

OK or NG

OK >> GO TO 7.

NG >> GO TO 6.

6. DETECT MALFUNCTIONING PART

Check the following.

- Harness connectors M401, M61
- Harness connectors M135, F105
- Harness for open or short between ECM and ASCD brake switch

>> Repair open circuit or short to ground or short to power in harness or connectors.

7. CHECK ASCD BRAKE SWITCH

Refer to [EC-611, "Component Inspection"](#)

OK or NG

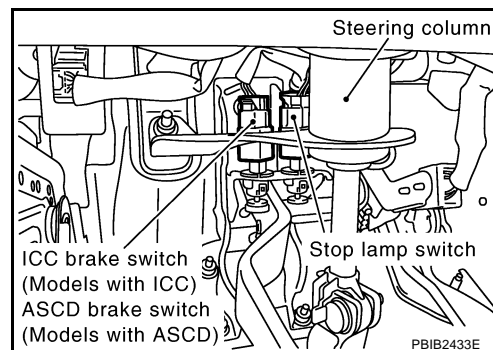
OK >> GO TO 13.

NG >> Replace ASCD brake switch.

DTC P1572 ASCD BRAKE SWITCH

8. CHECK STOP LAMP SWITCH POWER SUPPLY CIRCUIT

1. Turn ignition switch OFF.
2. Disconnect stop lamp switch harness connector.

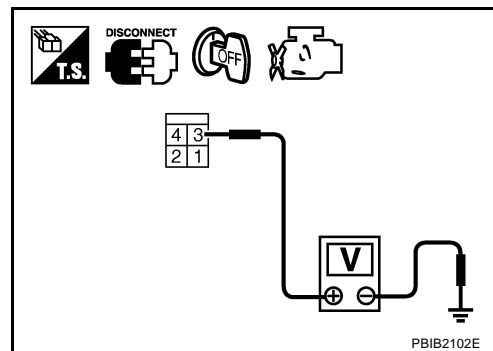


3. Check voltage between stop lamp switch terminal 3 and ground with CONSULT-II or tester.

Voltage: Battery voltage

OK or NG

- OK >> GO TO 10.
NG >> GO TO 9.



9. DETECT MALFUNCTIONING PART

Check the following.

- Fuse block (J/B) No. 1 connector M1
- 10A fuse
- Harness connectors M61, M401
- Harness for open or short between stop lamp switch and battery

>> Repair open circuit or short to ground or short to power in harness or connectors.

10. CHECK STOP LAMP SWITCH INPUT SIGNAL CIRCUIT FOR OPEN AND SHORT

1. Disconnect ECM harness connector.
2. Check harness continuity between ECM terminal 101 and stop lamp switch terminal 4. Refer to Wiring Diagram.

Continuity should exist.

3. Also check harness for short to ground and short to power.

OK or NG

- OK >> GO TO 12.
NG >> GO TO 11.

DTC P1572 ASCD BRAKE SWITCH

11. DETECT MALFUNCTIONING PART

Check the following.

- Harness connectors M401, M61
- Harness connectors M135, F105
- Harness for open or short between ECM and stop lamp switch

>> Repair open circuit or short to ground or short to power in harness or connectors.

12. CHECK STOP LAMP SWITCH

Refer to [EC-611, "Component Inspection"](#)

OK or NG

- OK >> GO TO 13.
- NG >> Replace stop lamp switch.

13. CHECK INTERMITTENT INCIDENT

Refer to [EC-145, "TROUBLE DIAGNOSIS FOR INTERMITTENT INCIDENT"](#) .

>> INSPECTION END

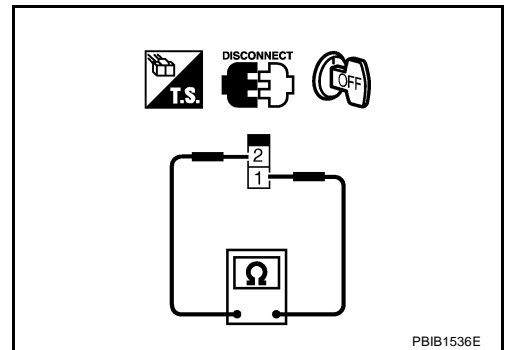
Component Inspection ASCD BRAKE SWITCH

NBS0024P

1. Turn ignition switch OFF.
2. Disconnect ASCD brake switch harness connector.
3. Check continuity between ASCD brake switch terminals 1 and 2 under the following conditions.

Condition	Continuity
When brake pedal: Fully released.	Should exist.
When brake pedal: Slightly depressed.	Should not exist.

If NG, adjust ASCD brake switch installation, refer to [BR-6, "BRAKE PEDAL"](#) , and perform step 3 again.

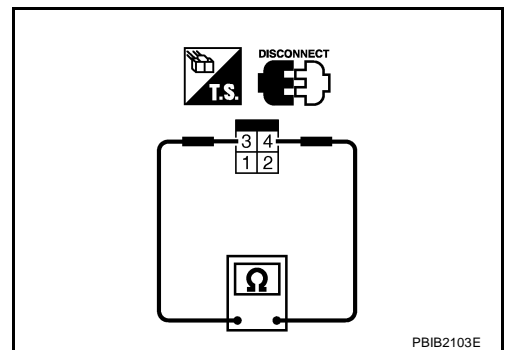


STOP LAMP SWITCH

1. Turn ignition switch OFF.
2. Disconnect stop lamp switch harness connector.
3. Check continuity between stop lamp switch terminals 3 and 4 under the following conditions.

Condition	Continuity
When brake pedal: Fully released.	Should not exist.
When brake pedal: Slightly depressed.	Should exist.

If NG, adjust stop lamp switch installation, refer to [BR-6, "BRAKE PEDAL"](#) , and perform step 3 again.



DTC P1574 ICC VEHICLE SPEED SENSOR

DTC P1574 ICC VEHICLE SPEED SENSOR

PF3:31036

Component Description

NBS00240

The ECM receives two vehicle speed signals via CAN communication line. One is sent from combination meter, and the other is from TCM (Transmission control module). The ECM uses these signals for ICC control. Refer to [ACS-6, "DESCRIPTION"](#) for ICC functions.

On Board Diagnosis Logic

NBS0024R

This self-diagnosis has the one trip detection logic.
The MIL will not light up for this diagnosis.

NOTE:

- If DTC P1574 is displayed with DTC U1000, U1001, first perform the trouble diagnosis for DTC U1000, U1001. Refer to [EC-156, "DTC U1000, U1001 CAN COMMUNICATION LINE"](#).
- If DTC P1574 is displayed with DTC U1010, first perform the trouble diagnosis for DTC U1010. Refer to [EC-159, "DTC U1010 CAN COMMUNICATION"](#).
- If DTC P1574 is displayed with DTC P0500, first perform the trouble diagnosis for DTC P0500. Refer to [EC-474, "DTC P0500 VSS"](#).
- If DTC P1574 is displayed with DTC P0605, first perform the trouble diagnosis for DTC P0605. Refer to [EC-489, "DTC P0605 ECM"](#).

DTC No.	Trouble diagnosis name	DTC detecting condition	Possible cause
P1574 1574	ICC vehicle speed sensor	ECM detects a difference between two vehicle speed signals is out of the specified range.	<ul style="list-style-type: none"> ● Harness or connectors (The CAN communication line is open or shorted.) ● Combination meter ● VDC/TCS/ABS control unit ● Wheel sensor ● TCM ● ECM

DTC Confirmation Procedure

NBS0024S

CAUTION:

Always drive vehicle at a safe speed.

NOTE:

If DTC Confirmation Procedure has been previously conducted, always turn ignition switch OFF and wait at least 10 seconds before conducting the next test.

TESTING CONDITION:

Step 3 may be conducted with the drive wheels lifted in the shop or by driving the vehicle. If a road test is expected to be easier, it is unnecessary to lift the vehicle.

WITH CONSULT-II

1. Start engine (VDC switch OFF).
2. Select "DATA MONITOR" mode with CONSULT-II.
3. Drive the vehicle at more than 40 km/h (25MPH).
4. If DTC is detected, go to [EC-613, "Diagnostic Procedure"](#).

DATA MONITOR	
MONITOR	NO DTC
ENG SPEED	XXX rpm

SEF058Y

WITH GST

Follow the procedure "WITH CONSULT-II" above.

DTC P1574 ICC VEHICLE SPEED SENSOR

Diagnostic Procedure

NBS0024T

1. CHECK DTC WITH TCM

Check DTC with TCM. Refer to [AT-38, "ON BOARD DIAGNOSTIC \(OBD\) SYSTEM"](#) .

OK or NG

OK >> GO TO 2.

NG >> Perform trouble shooting relevant to DTC indicated.

2. CHECK DTC WITH VDC/TCS/ABS CONTROL UNIT

Refer to [BRC-10, "TROUBLE DIAGNOSIS"](#) .

OK or NG

OK >> GO TO 3.

NG >> Repair or replace.

3. CHECK COMBINATION METER

Check combination meter function.

Refer to [DI-7, "COMBINATION METERS"](#) .

>> INSPECTION END

A

EC

C

D

E

F

G

H

I

J

K

L

M

DTC P1574 ASCD VEHICLE SPEED SENSOR

DTC P1574 ASCD VEHICLE SPEED SENSOR

PFP:31036

Component Description

NBS0024U

The ECM receives two vehicle speed signals via CAN communication line. One is sent from combination meter, and the other is from TCM (Transmission control module). The ECM uses these signals for ASCD control. Refer to [EC-29, "AUTOMATIC SPEED CONTROL DEVICE \(ASCD\)"](#) for ASCD functions.

On Board Diagnosis Logic

NBS0024V

This self-diagnosis has the one trip detection logic.
The MIL will not light up for this diagnosis.

NOTE:

- If DTC P1574 is displayed with DTC U1000, U1001, first perform the trouble diagnosis for DTC U1000, U1001. Refer to [EC-156, "DTC U1000, U1001 CAN COMMUNICATION LINE"](#) .
- If DTC P1574 is displayed with DTC U1010, first perform the trouble diagnosis for DTC U1010. Refer to [EC-159, "DTC U1010 CAN COMMUNICATION"](#) .
- If DTC P1574 is displayed with DTC P0500, first perform the trouble diagnosis for DTC P0500. Refer to [EC-474, "DTC P0500 VSS"](#) .
- If DTC P1574 is displayed with DTC P0605, first perform the trouble diagnosis for DTC P0605. Refer to [EC-489, "DTC P0605 ECM"](#) .

DTC No.	Trouble diagnosis name	DTC detecting condition	Possible cause
P1574 1574	ASCD vehicle speed sensor	ECM detects a difference between two vehicle speed signals is out of the specified range.	<ul style="list-style-type: none"> ● Harness or connectors (The CAN communication line is open or shorted.) ● Combination meter ● VDC/TCS/ABS control unit ● Wheel sensor ● TCM ● ECM

DTC Confirmation Procedure

NBS0024W

CAUTION:

Always drive vehicle at a safe speed.

NOTE:

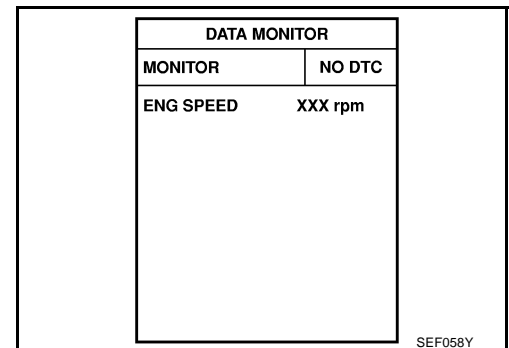
If DTC Confirmation Procedure has been previously conducted, always turn ignition switch OFF and wait at least 10 seconds before conducting the next test.

TESTING CONDITION:

Step 3 may be conducted with the drive wheels lifted in the shop or by driving the vehicle. If a road test is expected to be easier, it is unnecessary to lift the vehicle.

WITH CONSULT-II

1. Start engine (VDC switch OFF).
2. Select "DATA MONITOR" mode with CONSULT-II.
3. Drive the vehicle at more than 40 km/h (25 MPH).
4. If DTC is detected, go to [EC-615, "Diagnostic Procedure"](#) .



WITH GST

Follow the procedure "WITH CONSULT-II" above.

DTC P1574 ASCD VEHICLE SPEED SENSOR

Diagnostic Procedure

NBS0024X

1. CHECK DTC WITH TCM

Check DTC with TCM. Refer to [AT-38, "ON BOARD DIAGNOSTIC \(OBD\) SYSTEM"](#) .

OK or NG

OK >> GO TO 2.

NG >> Perform trouble shooting relevant to DTC indicated.

2. CHECK DTC WITH VDC/TCS/ABS CONTROL UNIT

Refer to [BRC-10, "TROUBLE DIAGNOSIS"](#) .

OK or NG

OK >> GO TO 3.

NG >> Repair or replace.

3. CHECK COMBINATION METER

Refer to [DI-7, "COMBINATION METERS"](#) .

>> INSPECTION END

A

EC

C

D

E

F

G

H

I

J

K

L

M

DTC P1715 INPUT SPEED SENSOR (TURBINE REVOLUTION SENSOR)

DTC P1715 INPUT SPEED SENSOR (TURBINE REVOLUTION SENSOR)

PFP:31935

Description

NBS00255

ECM receives turbine revolution sensor signal from TCM through CAN communication line. ECM uses this signal for engine control.

CONSULT-II Reference Value in Data Monitor Mode

NBS00256

Specification data are reference values.

MONITOR ITEM	CONDITION	SPECIFICATION
I/P PULLY SPD	● Vehicle speed: More than 20 km/h (12MPH)	Almost the same speed as the tachometer indication

On Board Diagnosis Logic

NBS00257

NOTE:

- If DTC P1715 is displayed with DTC U1000, U1001 first perform the trouble diagnosis for DTC U1000, U1001. Refer to [EC-156, "DTC U1000, U1001 CAN COMMUNICATION LINE"](#) .
- If DTC P1715 is displayed with DTC U1010 first perform the trouble diagnosis for DTC U1010. Refer to [EC-159, "DTC U1010 CAN COMMUNICATION"](#) .
- If DTC P1715 is displayed with DTC P0605, first perform the trouble diagnosis for DTC P0605. Refer to [EC-489, "DTC P0605 ECM"](#) .
- If DTC P1715 is displayed with DTC P0335, first perform the trouble diagnosis for DTC P0335. Refer to [EC-370, "DTC P0335 CKP SENSOR \(POS\)"](#) .
- If DTC P1715 is displayed with DTC P0340, first perform the trouble diagnosis for DTC P0340. Refer to [EC-379, "DTC P0340 CMP SENSOR \(PHASE\)"](#) .

The MIL will not lights up for this diagnosis.

DTC No.	Trouble diagnosis name	DTC detecting condition	Possible cause
P1715 1715	Input speed sensor (Turbine revolution sensor) (TCM output)	Turbine revolution sensor signal is different from the theoretical value calculated by ECM from revolution sensor signal and engine rpm signal.	<ul style="list-style-type: none">● Harness or connectors (The CAN communication line is open or shorted)● Harness or connectors (Turbine revolution sensor circuit is open or shorted)● TCM

Diagnostic Procedure

NBS00258

1. CHECK DTC WITH TCM

Check DTC with TCM. Refer to [AT-38, "ON BOARD DIAGNOSTIC \(OBD\) SYSTEM"](#) .

OK or NG

OK >> GO TO 2.

NG >> Perform trouble shooting relevant to DTC indicated.

2. REPLACE TCM

Replace TCM. Refer to [AT-42, "TROUBLE DIAGNOSIS"](#) .

>> INSPECTION END

DTC P1800 VIAS CONTROL SOLENOID VALVE

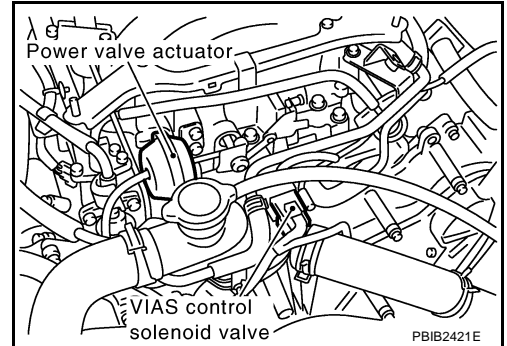
DTC P1800 VIAS CONTROL SOLENOID VALVE

PF14955

Component Description

NBS0025I

The VIAS control solenoid valve cuts the intake manifold vacuum signal for power valve actuator. It responds to ON/OFF signals from the ECM. When the solenoid is off, the vacuum signal from the intake manifold is cut. When the ECM sends an ON signal the coil pulls the plunger downward and feeds the vacuum signal to the power valve actuator.



CONSULT-II Reference Value in Data Monitor Mode

NBS0025J

Specification data are reference values.

MONITOR ITEM	CONDITION	SPECIFICATION
VIAS S/V	<ul style="list-style-type: none"> ● Selector lever: P or N ● Engine speed: More than 5,000 rpm 	ON
	<ul style="list-style-type: none"> ● Selector lever: Except P or N ● Engine speed: Less than 5,000 rpm 	OFF

On Board Diagnosis Logic

NBS0025K

The MIL will not light up for this self-diagnosis.

DTC No.	Trouble diagnosis name	DTC detecting condition	Possible cause
P1800 1800	VIAS control solenoid valve circuit	An excessively low or high voltage signal is sent to ECM through the valve	<ul style="list-style-type: none"> ● Harness or connectors (The solenoid valve circuit is open or shorted.) ● VIAS control solenoid valve

DTC Confirmation Procedure

NBS0025L

NOTE:

If DTC Confirmation Procedure has been previously conducted, always turn ignition switch OFF and wait at least 10 seconds before conducting the next test.

TESTING CONDITION:

Before performing the following procedure, confirm that battery voltage is between 11V at idle.

WITH CONSULT-II

1. Turn ignition switch ON.
2. Select "DATA MONITOR" mode with CONSULT-II.
3. Start engine and let it idle for at least 5 seconds.
4. If 1st trip DTC is detected, go to [EC-619, "Diagnostic Procedure"](#)

DATA MONITOR	
MONITOR	NO DTC
ENG SPEED	XXX rpm

SEF058Y

WITH GST

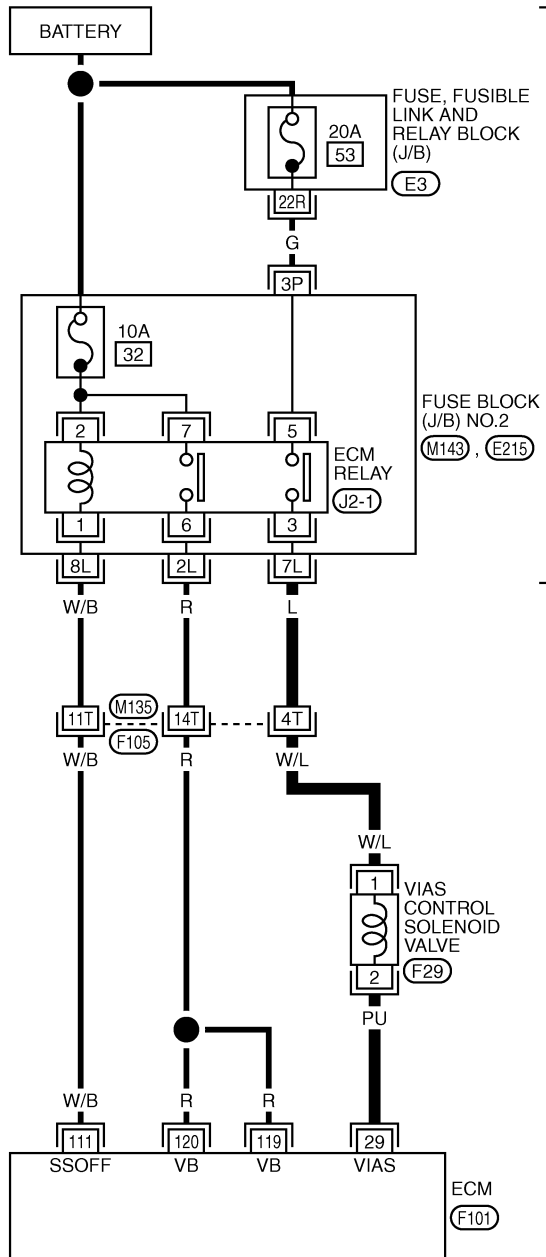
Follow the procedure "WITH CONSULT-II" above.

DTC P1800 VIAS CONTROL SOLENOID VALVE

NBS0025M

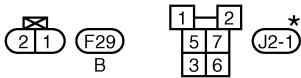
Wiring Diagram

EC-VIAS/V-01



— : DETECTABLE LINE FOR DTC
 - - - : NON-DETECTABLE LINE FOR DTC

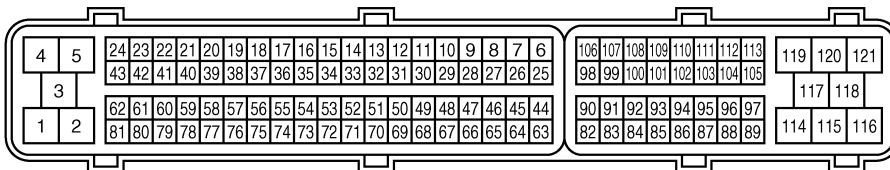
REFER TO PG-POWER.



*: THIS CONNECTOR IS NOT SHOWN IN "HARNESS LAYOUT", PG SECTION.

REFER TO THE FOLLOWING.

- F105 -SUPER MULTIPLE JUNCTION (SMJ)
- M143, E215 -FUSE BLOCK-JUNCTION BOX (J/B) NO.2
- E3 -FUSE, FUSIBLE LINK AND RELAY BLOCK (J/B)



TBWM1263E

DTC P1800 VIAS CONTROL SOLENOID VALVE

Specification data are reference values and are measured between each terminal and ground.

CAUTION:

Do not use ECM ground terminals when measuring input/output voltage. Doing so may result in damage to the ECM's transistor. Use a ground other than ECM terminals, such as the ground.

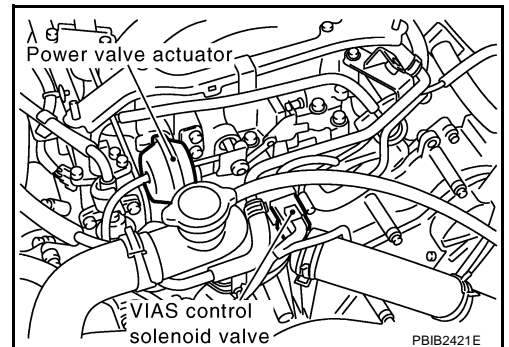
TER-MINAL NO.	WIRE COLOR	ITEM	CONDITION	DATA (DC Voltage)
29	PU	VIAS control solenoid valve	[Engine is running] ● Selector lever: P or N	0 - 1.0V
			[Engine is running] ● Selector lever: D ● Engine speed: Below 5,000 rpm	BATTERY VOLTAGE (11 - 14V)
			[Engine is running] ● Engine speed: Above 5,000 rpm	0 - 1.0V
111	W/B	ECM relay (Self shut-off)	[Engine is running] [Ignition switch: OFF] ● For a few seconds after turning ignition switch OFF	0 - 1.5V
			[Ignition switch: OFF] ● More than a few seconds after turning ignition switch OFF	BATTERY VOLTAGE (11 - 14V)
119 120	R R	Power supply for ECM	[Ignition switch: ON]	BATTERY VOLTAGE (11 - 14V)

Diagnostic Procedure

NBS0025N

1. CHECK VIAS CONTROL SOLENOID VALVE POWER SUPPLY CIRCUIT

1. Turn ignition switch OFF.
2. Disconnect VIAS control solenoid valve harness connector.
3. Turn ignition switch ON.

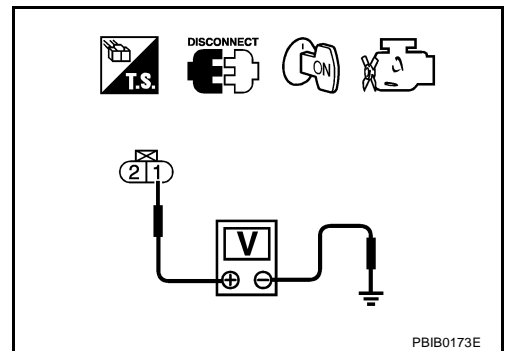


4. Check voltage between VIAS control solenoid valve terminal 1 and ground with CONSULT-II or tester.

Voltage: Battery voltage

OK or NG

- OK >> GO TO 3.
- NG >> GO TO 2.



DTC P1800 VIAS CONTROL SOLENOID VALVE

2. DETECT MALFUNCTIONING PART

Check the following.

- Harness connectors M135, F105
- Harness for open or short between VIAS control solenoid valve and ECM relay

>> Repair harness or connectors.

3. CHECK VIAS CONTROL SOLENOID VALVE OUTPUT SIGNAL CIRCUIT FOR OPEN AND SHORT

1. Turn ignition switch OFF.
2. Disconnect ECM harness connector.
3. Check harness continuity between ECM terminal 29 and VIAS control solenoid valve terminal 2. Refer to Wiring Diagram.

Continuity should exist.

4. Also check harness for short to ground and short to power.

OK or NG

OK >> GO TO 4.

NG >> Repair open circuit or short to ground or short to power in harness or connectors.

4. CHECK VIAS CONTROL SOLENOID VALVE

Refer to [EC-620, "Component Inspection"](#) .

OK or NG

OK >> GO TO 5.

NG >> Replace VIAS control solenoid valve.

5. CHECK INTERMITTENT INCIDENT

Refer to [EC-145, "TROUBLE DIAGNOSIS FOR INTERMITTENT INCIDENT"](#) .

>> INSPECTION END

Component Inspection VIAS CONTROL SOLENOID VALVE

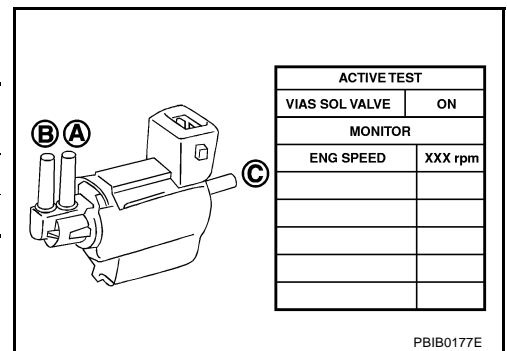
NBS00250

Ⓟ With CONSULT-II

1. Reconnect harness connectors disconnected.
2. Turn ignition switch ON.
3. Perform "VIAS SOL VALVE" in "ACTIVE TEST" mode.
4. Check air passage continuity and operation delay time under the following conditions.

Condition VIAS SOL VALVE	Air passage continuity between A and B	Air passage continuity between A and C
ON	Yes	No
OFF	No	Yes

Operation takes less than 1 second.



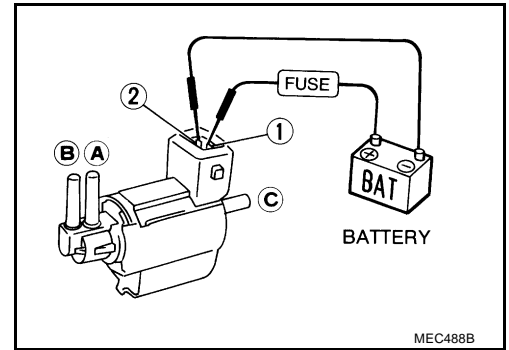
DTC P1800 VIAS CONTROL SOLENOID VALVE

⊗ Without CONSULT-II

Check air passage continuity and operation delay time under the following conditions.

Condition	Air passage continuity between A and B	Air passage continuity between A and C
12V direct current supply between terminals 1 and 2	Yes	No
No supply	No	Yes

Operation takes less than 1 second.



Removal and Installation VIAS CONTROL SOLENOID VALVE

Refer to [EM-19, "INTAKE MANIFOLD"](#) .

A
EC
C
D
E
F
G
H
I
J
K
L
M

DTC P1805 BRAKE SWITCH

DTC P1805 BRAKE SWITCH

PFP:25320

Description

NBS00250

Brake switch signal is applied to the ECM through the stop lamp switch when the brake pedal is depressed. This signal is used mainly to decrease the engine speed when the vehicle is driving.

CONSULT-II Reference Value in Data Monitor Mode

NBS0025R

Specification data are reference values.

MONITOR ITEM	CONDITION		SPECIFICATION
BRAKE SW	● Ignition switch: ON	Brake pedal: Fully released	OFF
		Brake pedal: Slightly depressed	ON

On Board Diagnosis Logic

NBS0025S

The MIL will not light up for this diagnosis.

DTC No.	Trouble diagnosis name	DTC detecting condition	Possible cause
P1805 1805	Brake switch	A brake switch signal is not sent to ECM for extremely long time while the vehicle is driving.	<ul style="list-style-type: none"> ● Harness or connectors (Stop lamp switch circuit is open or shorted.) ● Stop lamp switch

FAIL-SAFE MODE

When the malfunction is detected, the ECM enters fail-safe mode.

Engine operation condition in fail-fail safe mode

ECM controls the electric throttle control actuator by regulating the throttle opening to a small range. Therefore, acceleration will be poor.

Vehicle condition	Driving condition
When engine is idling	Normal
When accelerating	Poor acceleration

DTC Confirmation Procedure

NBS0025T

WITH CONSULT-II

1. Turn ignition switch ON.
2. Fully depress the brake pedal for at least 5 seconds.
3. Erase the DTC with CONSULT-II.
4. Select "DATA MONITOR" mode with CONSULT-II.
5. If 1st trip DTC is detected, go to [EC-624, "Diagnostic Procedure"](#)

DATA MONITOR	
MONITOR	NO DTC
ENG SPEED	XXX rpm
BRAKE SW	ON

PBIB1952E

WITH GST

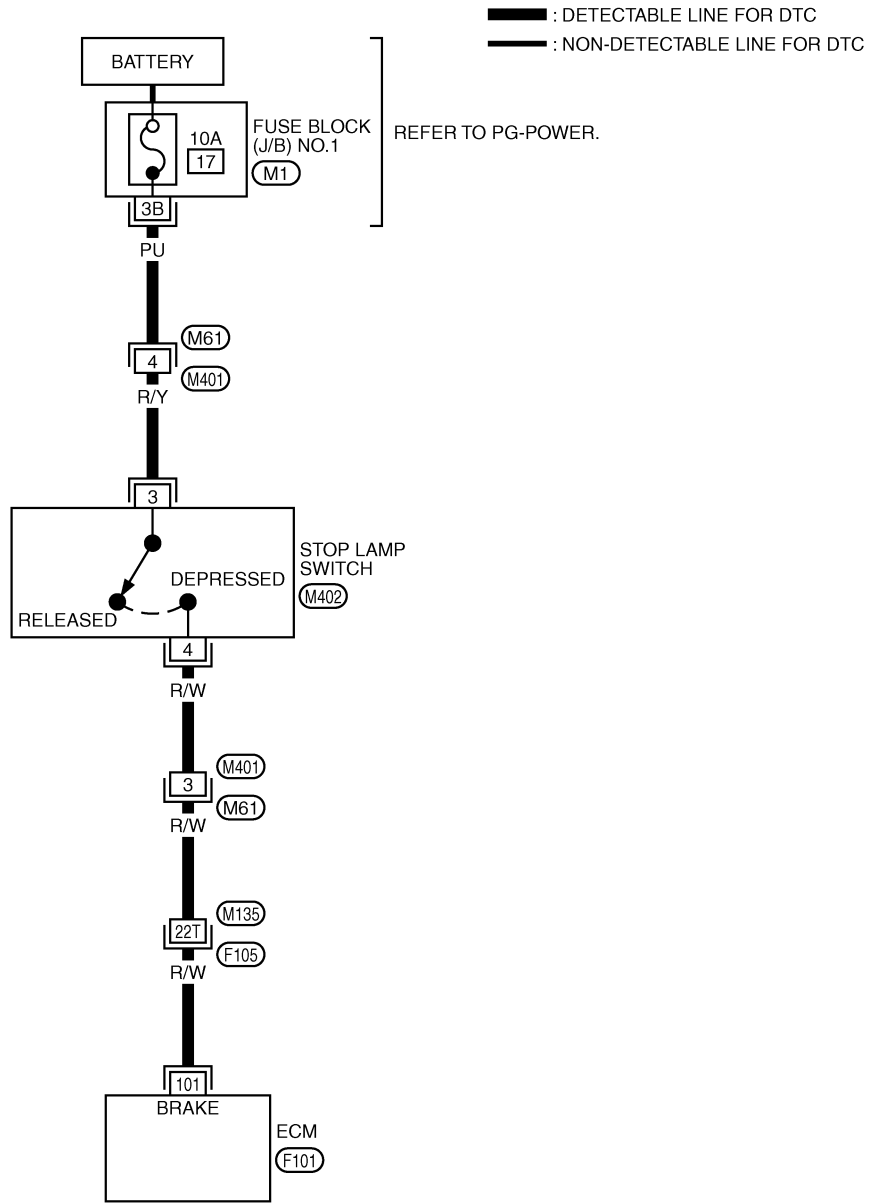
Follow the procedure WITH CONSULT-II above.

DTC P1805 BRAKE SWITCH

Wiring Diagram

NBS0025U

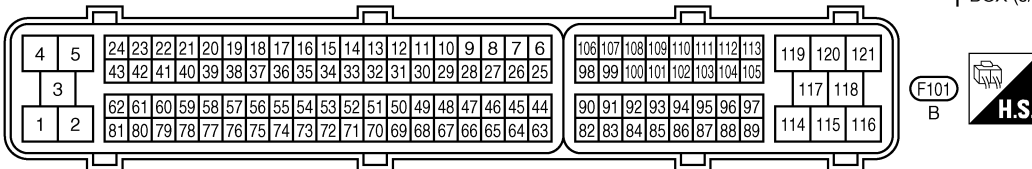
EC-BRK/SW-01



REFER TO THE FOLLOWING.

(F105) -SUPER MULTIPLE JUNCTION (SMJ)

(M1) -FUSE BLOCK-JUNCTION BOX (J/B) NO.1



TBWM1249E

DTC P1805 BRAKE SWITCH

Specification data are reference values and are measured between each terminal and ground.

CAUTION:

Do not use ECM ground terminals when measuring input/output voltage. Doing so may result in damage to the ECM's transistor. Use a ground other than ECM terminals, such as the ground.

TER-MINAL NO.	WIRE COLOR	ITEM	CONDITION	DATA (DC Voltage)
101	R/W	Stop lamp switch	[Ignition switch: OFF] ● Brake pedal: Fully released	Approximately 0V
			[Ignition switch: OFF] ● Brake pedal: Slightly depressed	BATTERY VOLTAGE (11 - 14V)

Diagnostic Procedure

NBS0025V

1. CHECK STOP LAMP SWITCH CIRCUIT

1. Turn ignition switch OFF.
2. Check the stop lamp when depressing and releasing the brake pedal.

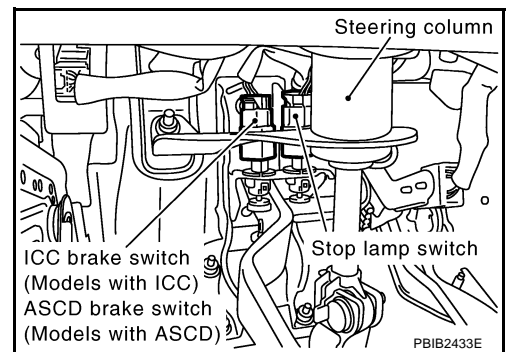
Brake pedal	Stop lamp
Fully released	Not illuminated
Slightly depressed	Illuminated

OK or NG

- OK >> GO TO 4.
NG >> GO TO 2.

2. CHECK STOP LAMP SWITCH POWER SUPPLY CIRCUIT

1. Disconnect stop lamp switch harness connector.

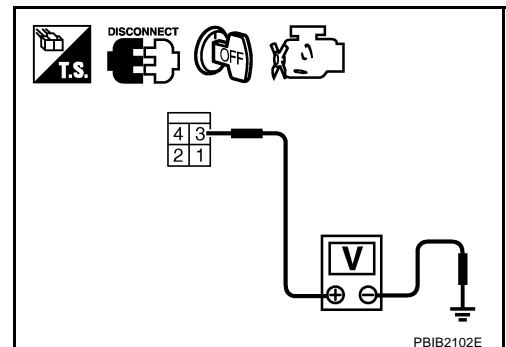


2. Check voltage between stop lamp switch terminal 3 and ground with CONSULT-II or tester.

Voltage: Battery voltage

OK or NG

- OK >> GO TO 4.
NG >> GO TO 3.



DTC P1805 BRAKE SWITCH

3. DETECT MALFUNCTIONING PART

Check the following.

- Fuse block (J/B) No. 1 connector M1
- 10A fuse
- Harness connectors M61, M401
- Harness for open and short between stop lamp switch and battery

>> Repair open circuit or short to ground or short to power in harness or connectors.

4. CHECK STOP LAMP SWITCH INPUT SIGNAL CIRCUIT FOR OPEN AND SHORT

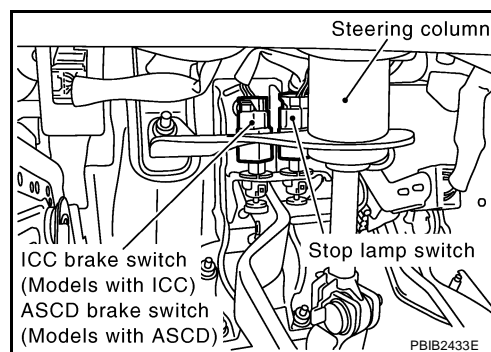
1. Disconnect ECM harness connector.
2. Disconnect stop lamp switch harness connector.
3. Check harness continuity between ECM terminal 101 and stop lamp switch terminal 4.
Refer to Wiring Diagram.

Continuity should exist.

4. Also check harness for short to ground and short to power.

OK or NG

- OK >> GO TO 6.
- NG >> GO TO 5.



5. DETECT MALFUNCTIONING PART

Check the following.

- Harness connectors M401, M61
- Harness connectors M135, F105
- Harness for open or short between ECM and stop lamp switch

>> Repair open circuit or short to ground or short to power in harness or connectors.

6. CHECK STOP LAMP SWITCH

Refer to [EC-626, "Component Inspection"](#) .

OK or NG

- OK >> GO TO 7.
- NG >> Replace stop lamp switch.

7. CHECK INTERMITTENT INCIDENT

Refer to [EC-145, "TROUBLE DIAGNOSIS FOR INTERMITTENT INCIDENT"](#) .

>> **INSPECTION END**

DTC P1805 BRAKE SWITCH

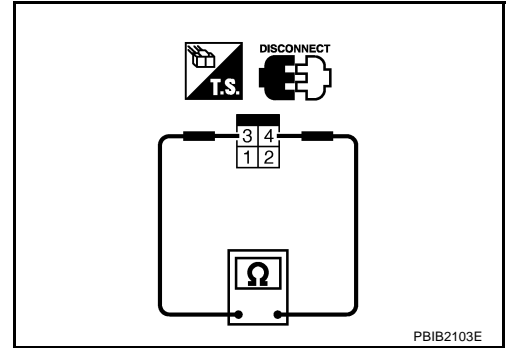
NBS0025W

Component Inspection STOP LAMP SWITCH

1. Turn ignition switch OFF.
2. Disconnect stop lamp switch harness connector.
3. Check continuity between stop lamp switch terminals 3 and 4 under the following conditions.

Conditions	Continuity
Brake pedal: Fully released	Should not exist.
Brake pedal: Slightly depressed	Should exist.

4. If NG, adjust stop lamp switch installation, refer to [BR-6](#), "[BRAKE PEDAL](#)", and perform step 3 again.



DTC P2100, P2103 THROTTLE CONTROL MOTOR RELAY

DTC P2100, P2103 THROTTLE CONTROL MOTOR RELAY

PF:16119

Component Description

NBS001ZV

Power supply for the throttle control motor is provided to the ECM via throttle control motor relay. The throttle control motor relay is ON/OFF controlled by the ECM. When the ignition switch is turned ON, the ECM sends an ON signal to throttle control motor relay and battery voltage is provided to the ECM. When the ignition switch is turned OFF, the ECM sends an OFF signal to throttle control motor relay and battery voltage is not provided to the ECM.

CONSULT-II Reference Value in Data Monitor Mode

NBS001ZW

Specification data are reference values.

MONITOR ITEM	CONDITION	SPECIFICATION
THRTL RELAY	● Ignition switch: ON	ON

On Board Diagnosis Logic

NBS001ZX

These self-diagnoses have the one trip detection logic.

DTC No.	Trouble diagnosis name	DTC detecting condition	Possible cause
P2100 2100	Throttle control motor relay circuit open	ECM detects a voltage of power source for throttle control motor is excessively low.	<ul style="list-style-type: none"> ● Harness or connectors (Throttle control motor relay circuit is open) ● Throttle control motor relay
P2103 2103	Throttle control motor relay circuit short	ECM detect the throttle control motor relay is stuck ON.	<ul style="list-style-type: none"> ● Harness or connectors (Throttle control motor relay circuit is shorted) ● Throttle control motor relay

FAIL-SAFE MODE

When the malfunction is detected, ECM enters fail-safe mode and the MIL lights up.

Engine operating condition in fail-safe mode

ECM stops the electric throttle control actuator control, throttle valve is maintained at a fixed opening (approx. 5 degrees) by the return spring.

DTC Confirmation Procedure

NBS001ZY

NOTE:

If DTC Confirmation Procedure has been previously conducted, always turn ignition switch OFF and wait at least 10 seconds before conducting the next test.

PROCEDURE FOR DTC P2100

④ With CONSULT-II

1. Turn ignition switch ON and wait at least 2 seconds.
2. Select "DATA MONITOR" mode with CONSULT-II.
3. Start engine and let it idle for 5 seconds.
4. If DTC is detected, go to [EC-630, "Diagnostic Procedure"](#).

DATA MONITOR	
MONITOR	NO DTC
ENG SPEED	XXX rpm

SEF058Y

④ With GST

Follow the procedure "With CONSULT-II" above.

DTC P2100, P2103 THROTTLE CONTROL MOTOR RELAY

PROCEDURE FOR DTC P2103

TESTING CONDITION:

Before performing the following procedure, confirm that battery voltage is more than 8V.

With CONSULT-II

1. Turn ignition switch ON and wait at least 1 second.
2. Select "DATA MONITOR" mode with CONSULT-II.
3. If DTC is detected, go to [EC-630, "Diagnostic Procedure"](#) .

DATA MONITOR	
MONITOR	NO DTC
ENG SPEED	XXX rpm

SEF058Y

With GST

Follow the procedure "With CONSULT-II" above.

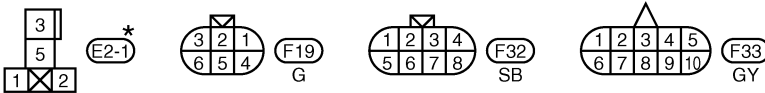
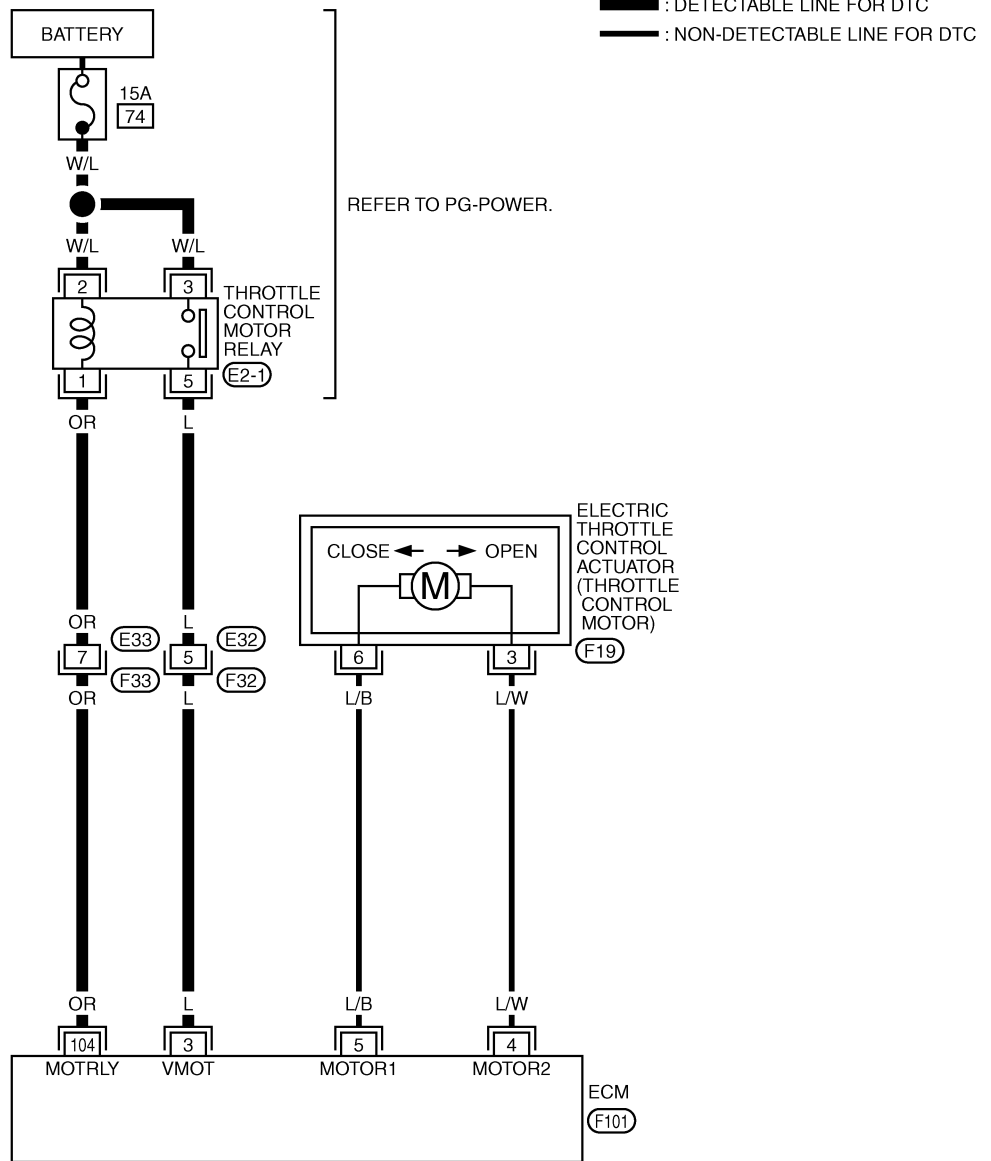
DTC P2100, P2103 THROTTLE CONTROL MOTOR RELAY

Wiring Diagram

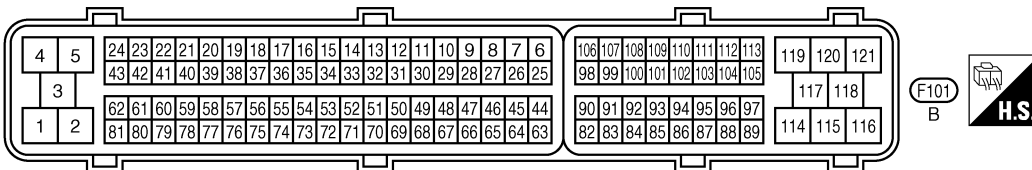
NBS001ZZ

EC-ETC2-01

A
EC
C
D
E
F
G
H
I
J
K
L
M



*: THIS CONNECTOR IS NOT SHOWN IN "HARNESS LAYOUT", PG SECTION.



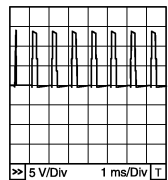
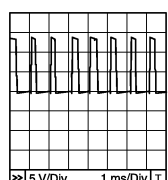
TBWM1238E

DTC P2100, P2103 THROTTLE CONTROL MOTOR RELAY

Specification data are reference values and are measured between each terminal and ground.

CAUTION:

Do not use ECM ground terminals when measuring input/output voltage. Doing so may result in damage to the ECM's transistor. Use a ground other than ECM terminals, such as the ground.

TER-MINAL NO.	WIRE COLOR	ITEM	CONDITION	DATA (DC Voltage)
3	L	Throttle control motor relay power supply	[Ignition switch: ON]	BATTERY VOLTAGE (11 - 14V)
4	L/W	Throttle control motor (Close)	[Ignition switch: ON] <ul style="list-style-type: none"> ● Engine stopped ● Selector lever: D ● Accelerator pedal: Released 	0 - 14V★  PBIB1104E
5	L/B	Throttle control motor (Open)	[Ignition switch: ON] <ul style="list-style-type: none"> ● Engine stopped ● Selector lever: D ● Accelerator pedal: Fully depressed 	0 - 14V★  PBIB1105E
104	OR	Throttle control motor relay	[Ignition switch: OFF]	BATTERY VOLTAGE (11 - 14V)
			[Ignition switch: ON]	0 - 1.0V

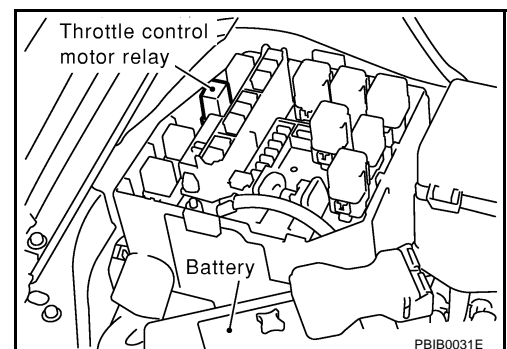
★: Average voltage for pulse signal (Actual pulse signal can be confirmed by oscilloscope.)

Diagnostic Procedure

NBS00200

1. CHECK THROTTLE CONTROL MOTOR RELAY POWER SUPPLY

1. Turn ignition switch OFF.
2. Disconnect throttle control motor relay harness connector.

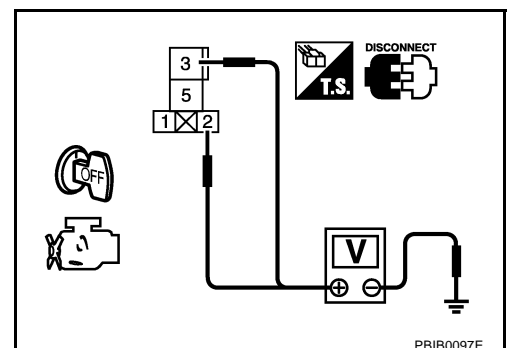


3. Check voltage between throttle control motor relay terminals 2, 3 and ground with CONSULT-II or tester.

Voltage: Battery voltage

OK or NG

- OK >> GO TO 3.
 NG >> GO TO 2.



DTC P2100, P2103 THROTTLE CONTROL MOTOR RELAY

2. DETECT MALFUNCTIONING PART

Check the following.

- 15A fuse
- Harness for open or short between throttle control motor relay and battery

>> Repair or replace harness or connectors.

3. CHECK THROTTLE CONTROL MOTOR RELAY INPUT SIGNAL CIRCUIT

1. Disconnect ECM harness connector.
2. Check continuity between ECM terminal 3 and throttle control motor relay terminal 5.
Refer to Wiring Diagram.

Continuity should exist.

3. Also check harness for short to ground and short to power.

OK or NG

- OK >> GO TO 5.
NG >> GO TO 4.

4. DETECT MALFUNCTIONING PART

Check the following.

- Harness connectors E32, F32
- Harness for open or short between ECM and throttle control motor relay

>> Repair open circuit or short to ground or short to power in harness or connectors.

5. CHECK THROTTLE CONTROL MOTOR RELAY OUTPUT SIGNAL CIRCUIT FOR OPEN AND SHORT

1. Check continuity between ECM terminal 104 and throttle control motor relay terminal 1.
Refer to Wiring Diagram.

Continuity should exist.

2. Also check harness for short to ground and short to power.

OK or NG

- OK >> GO TO 7.
NG >> GO TO 6.

6. DETECT MALFUNCTIONING PART

Check the following.

- Harness connectors E33, F33
- Harness for open or short between ECM and throttle control motor relay

>> Repair open circuit or short to ground or short to power in harness or connectors.

7. CHECK THROTTLE CONTROL MOTOR RELAY

Refer to [EC-632, "Component Inspection"](#) .

OK or NG

- OK >> GO TO 8.
NG >> Replace throttle control motor relay.

DTC P2100, P2103 THROTTLE CONTROL MOTOR RELAY

8. CHECK INTERMITTENT INCIDENT

Refer to [EC-145, "TROUBLE DIAGNOSIS FOR INTERMITTENT INCIDENT"](#) .

>> INSPECTION END

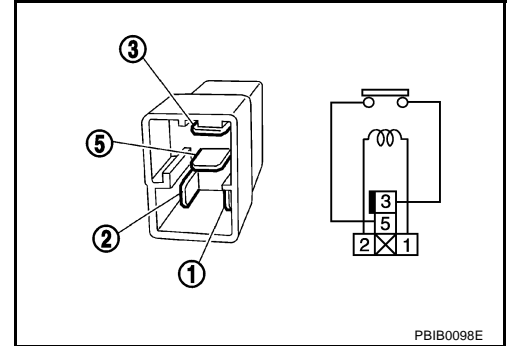
Component Inspection THROTTLE CONTROL MOTOR RELAY

NBS00201

1. Apply 12V direct current between relay terminals 1 and 2.
2. Check continuity between relay terminals 3 and 5.

Conditions	Continuity
12V direct current supply between terminals 1 and 2	Yes
No current supply	No

3. If NG, replace throttle control motor relay.



DTC P2101 ELECTRIC THROTTLE CONTROL FUNCTION

DTC P2101 ELECTRIC THROTTLE CONTROL FUNCTION

PF0:16119

Description

NBS001Z0

NOTE:

If DTC P2101 is displayed with DTC P2100 or 2119, first perform the trouble diagnosis for DTC P2100 or P2119. Refer to [EC-627, "DTC P2100, P2103 THROTTLE CONTROL MOTOR RELAY"](#) or [EC-645, "DTC P2119 ELECTRIC THROTTLE CONTROL ACTUATOR"](#).

Electric throttle control actuator consists of throttle control motor, throttle position sensor, etc.

The throttle control motor is operated by the ECM and it opens and closes the throttle valve.

The current opening angle of the throttle valve is detected by the throttle position sensor and it provides feedback to the ECM to control the throttle control motor to make the throttle valve opening angle properly in response to driving condition.

On Board Diagnosis Logic

NBS001ZP

This self-diagnosis has the one trip detection logic.

DTC No.	Trouble diagnosis name	DTC detecting condition	Possible cause
P2101 2101	Electric throttle control performance	Electric throttle control function does not operate properly.	<ul style="list-style-type: none">● Harness or connectors (Throttle control motor circuit is open or shorted)● Electric throttle control actuator

FAIL-SAFE MODE

When the malfunction is detected, ECM enters fail-safe mode and the MIL lights up.

Engine operating condition in fail-safe mode

ECM stops the electric throttle control actuator control, throttle valve is maintained at a fixed opening (approx. 5 degrees) by the return spring.

DTC Confirmation Procedure

NBS001ZQ

NOTE:

If DTC Confirmation Procedure has been previously conducted, always turn ignition switch OFF and wait at least 10 seconds before conducting the next test.

TESTING CONDITION:

Before performing the following procedure, confirm that battery voltage is more than 11V when engine is running.

WITH CONSULT-II

1. Turn ignition switch ON and wait at least 2 seconds.
2. Select "DATA MONITOR" mode with CONSULT-II.
3. Start engine and let it idle for 5 seconds.
4. If DTC is detected, go to [EC-635, "Diagnostic Procedure"](#).

DATA MONITOR	
MONITOR	NO DTC
ENG SPEED	XXX rpm

SEF058Y

WITH GST


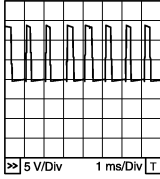
Follow the procedure "WITH CONSULT-II" above.

DTC P2101 ELECTRIC THROTTLE CONTROL FUNCTION

Specification data are reference values and are measured between each terminal and ground.
Pulse signal is measured by CONSULT-II.

CAUTION:

Do not use ECM ground terminals when measuring input/output voltage. Doing so may result in damage to the ECM's transistor. Use a ground other than ECM terminals, such as the ground.

TER-MINAL NO.	WIRE COLOR	ITEM	CONDITION	DATA (DC Voltage)
3	L	Throttle control motor relay power supply	[Ignition switch: ON]	BATTERY VOLTAGE (11 - 14V)
4	L/W	Throttle control motor (Close)	[Ignition switch: ON] ● Engine stopped ● Selector lever: D ● Accelerator pedal: Released	0 - 14V★  PBIB1104E
5	L/B	Throttle control motor (Open)	[Ignition switch: ON] ● Engine stopped ● Selector lever: D ● Accelerator pedal: Fully depressed	0 - 14V★  PBIB1105E
104	OR	Throttle control motor relay	[Ignition switch: OFF]	BATTERY VOLTAGE (11 - 14V)
			[Ignition switch: ON]	0 - 1.0V

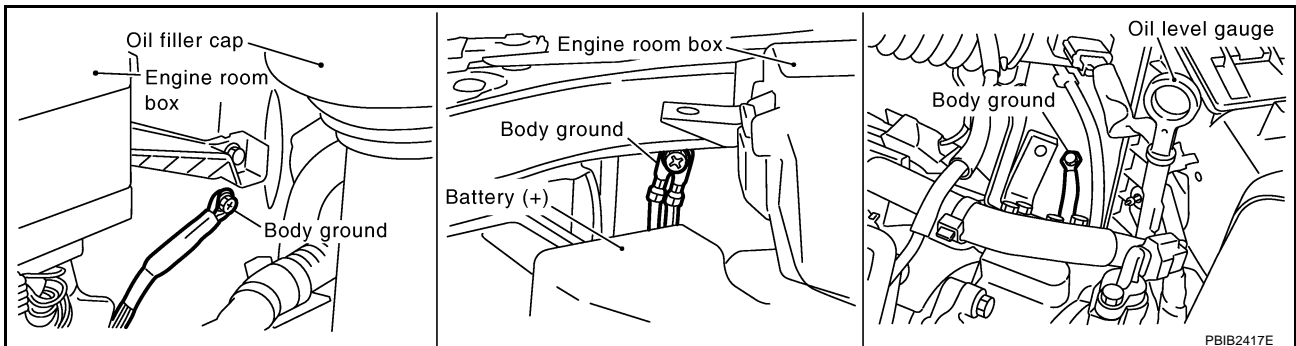
★: Average voltage for pulse signal (Actual pulse signal can be confirmed by oscilloscope.)

Diagnostic Procedure

NBS001ZS

1. CHECK GROUND CONNECTIONS

1. Turn ignition switch OFF.
2. Loosen and retighten three ground screws on the body.
Refer to [EC-154, "Ground Inspection"](#).



OK or NG

- OK >> GO TO 2.
NG >> Repair or replace ground connections.

DTC P2101 ELECTRIC THROTTLE CONTROL FUNCTION

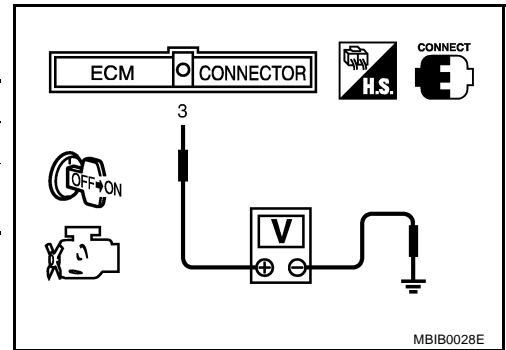
2. CHECK THROTTLE CONTROL MOTOR RELAY INPUT SIGNAL CIRCUIT-I

Check voltage between ECM terminal 3 and ground under the following conditions with CONSULT-II or tester.

Ignition switch	Voltage
OFF	Approximately 0V
ON	Battery voltage (11 - 14V)

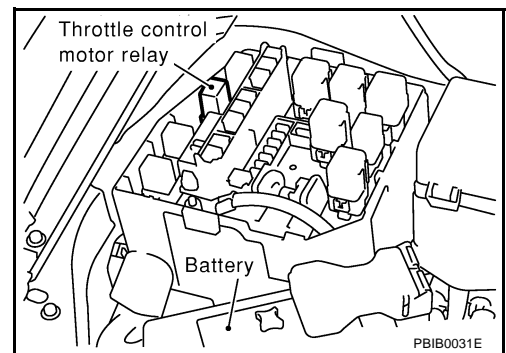
OK or NG

- OK >> GO TO 10.
- NG >> GO TO 3.



3. CHECK THROTTLE CONTROL MOTOR RELAY POWER SUPPLY

1. Turn ignition switch OFF.
2. Disconnect throttle control motor relay harness connector.

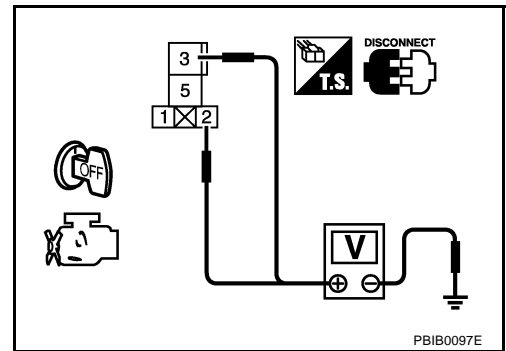


3. Check voltage between throttle control motor relay terminals 2, 3 and ground with CONSULT-II or tester.

Voltage: Battery voltage

OK or NG

- OK >> GO TO 5.
- NG >> GO TO 4.



4. DETECT MALFUNCTIONING PART

Check the following.

- 15A fuse
- Harness for open or short between throttle control motor relay and battery

>> Repair or replace harness or connectors.

DTC P2101 ELECTRIC THROTTLE CONTROL FUNCTION

5. CHECK THROTTLE CONTROL MOTOR RELAY INPUT SIGNAL CIRCUIT

1. Disconnect ECM harness connector.
2. Check continuity between ECM terminal 3 and throttle control motor relay terminal 5.
Refer to Wiring Diagram.

Continuity should exist.

3. Also check harness for short to ground and short to power.

OK or NG

- OK >> GO TO 7.
- NG >> GO TO 6.

6. DETECT MALFUNCTIONING PART

Check the following.

- Harness connectors E32, F32
- Harness for open or short between ECM and throttle control motor relay

>> Repair open circuit or short to ground or short to power in harness or connectors.

7. CHECK THROTTLE CONTROL MOTOR RELAY OUTPUT SIGNAL CIRCUIT FOR OPEN AND SHORT

1. Check continuity between ECM terminal 104 and throttle control motor relay terminal 1.
Refer to Wiring Diagram.

Continuity should exist.

2. Also check harness for short to ground and short to power.

OK or NG

- OK >> GO TO 9.
- NG >> GO TO 8.

8. DETECT MALFUNCTIONING PART

Check the following.

- Harness connectors E33, F33
- Harness for open or short between ECM and throttle control motor relay

>> Repair open circuit or short to ground or short to power in harness or connectors.

9. CHECK THROTTLE CONTROL MOTOR RELAY

Refer to [EC-639, "Component Inspection"](#) .

OK or NG

- OK >> GO TO 13.
- NG >> Replace throttle control motor relay.

A

EC

C

D

E

F

G

H

I

J

K

L

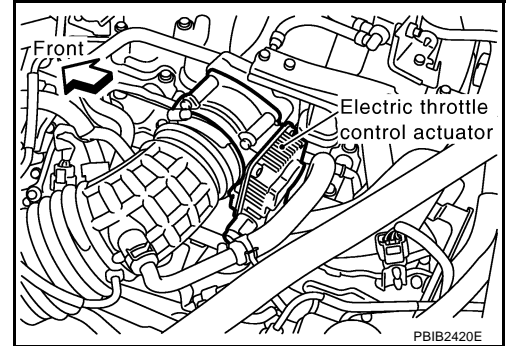
M

DTC P2101 ELECTRIC THROTTLE CONTROL FUNCTION

10. CHECK THROTTLE CONTROL MOTOR OUTPUT SIGNAL CIRCUIT FOR OPEN OR SHORT

1. Turn ignition switch OFF.
2. Disconnect electric throttle control actuator harness connector.
3. Disconnect ECM harness connector.
4. Check harness continuity between the following terminals. Refer to Wiring Diagram.

Electric throttle control actuator terminal	ECM terminal	Continuity
3	5	Should not exist
	4	Should exist
6	5	Should exist
	4	Should not exist



5. Also check harness for short to ground and short to power.

OK or NG

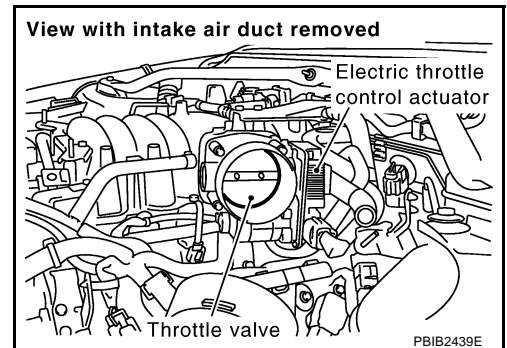
- OK >> GO TO 11.
NG >> Repair or replace.

11. CHECK ELECTRIC THROTTLE CONTROL ACTUATOR VISUALLY

1. Remove the intake air duct.
2. Check if foreign matter is caught between the throttle valve and the housing.

OK or NG

- OK >> GO TO 12.
NG >> Remove the foreign matter and clean the electric throttle control actuator inside.



12. CHECK THROTTLE CONTROL MOTOR

Refer to [EC-639, "Component Inspection"](#) .

OK or NG

- OK >> GO TO 13.
NG >> GO TO 14.

13. CHECK INTERMITTENT INCIDENT

Refer to [EC-145, "TROUBLE DIAGNOSIS FOR INTERMITTENT INCIDENT"](#) .

OK or NG

- OK >> GO TO 14.
NG >> Repair or replace harness or connectors.

14. REPLACE ELECTRIC THROTTLE CONTROL ACTUATOR

1. Replace the electric throttle control actuator.
2. Perform [EC-78, "Throttle Valve Closed Position Learning"](#) .
3. Perform [EC-78, "Idle Air Volume Learning"](#) .

>> **INSPECTION END**

DTC P2101 ELECTRIC THROTTLE CONTROL FUNCTION

Component Inspection

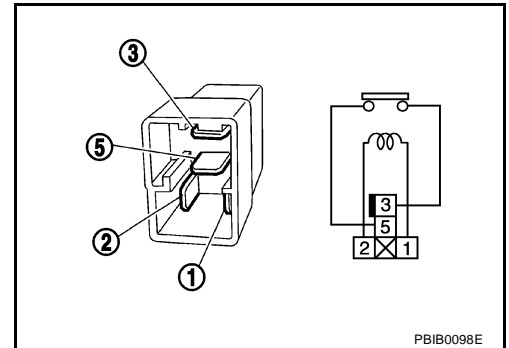
NBS001ZT

THROTTLE CONTROL MOTOR RELAY

1. Apply 12V direct current between relay terminals 1 and 2.
2. Check continuity between relay terminals 3 and 5.

Conditions	Continuity
12V direct current supply between terminals 1 and 2	Yes
No current supply	No

3. If NG, replace throttle control motor relay.

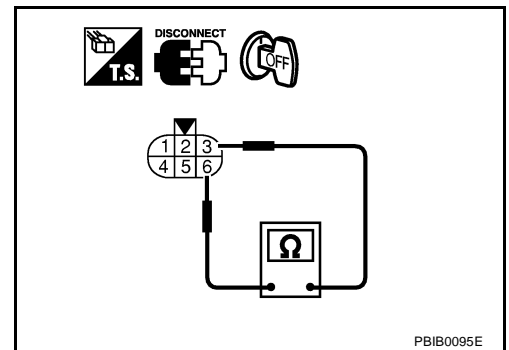


THROTTLE CONTROL MOTOR

1. Disconnect electric throttle control actuator harness connector.
2. Check resistance between terminals 3 and 6.

Resistance: Approximately 1 - 15 Ω [at 25 °C (77°F)]

3. If NG, replace electric throttle control actuator and go to next step.
4. Perform [EC-78, "Throttle Valve Closed Position Learning"](#).
5. Perform [EC-78, "Idle Air Volume Learning"](#).



Removal and Installation

ELECTRIC THROTTLE CONTROL ACTUATOR

NBS001ZU

Refer to [EM-19, "INTAKE MANIFOLD"](#).

DTC P2118 THROTTLE CONTROL MOTOR

DTC P2118 THROTTLE CONTROL MOTOR

PFP:16119

Component Description

NBS00202

The throttle control motor is operated by the ECM and it opens and closes the throttle valve. The current opening angle of the throttle valve is detected by the throttle position sensor and it provides feedback to the ECM to control the throttle control motor to make the throttle valve opening angle properly in response to driving condition.

On Board Diagnosis Logic

NBS00203

This self-diagnosis has the one trip detection logic.

DTC No.	Trouble diagnosis name	DTC detecting condition	Possible cause
P2118 2118	Throttle control motor circuit short	ECM detects short in both circuits between ECM and throttle control motor.	<ul style="list-style-type: none">● Harness or connectors (Throttle control motor circuit is shorted.)● Electric throttle control actuator (Throttle control motor)

FAIL-SAFE MODE

When the malfunction is detected, the ECM enters fail-safe mode and the MIL lights up.

Engine operating condition in fail-safe mode

ECM stops the electric throttle control actuator control, throttle valve is maintained at a fixed opening (approx. 5 degrees) by the return spring.

DTC Confirmation Procedure

NBS00204

NOTE:

If DTC Confirmation Procedure has been previously conducted, always turn ignition switch OFF and wait at least 10 seconds before conducting the next test.

WITH CONSULT-II

1. Turn ignition switch ON and wait at least 2 seconds.
2. Select "DATA MONITOR" mode with CONSULT-II.
3. Start engine and let it idle for 5 seconds.
4. If DTC is detected, go to [EC-642, "Diagnostic Procedure"](#).

DATA MONITOR	
MONITOR	NO DTC
ENG SPEED	XXX rpm

SEF058Y

WITH GST

Follow the procedure "WITH CONSULT-II" above.

DTC P2118 THROTTLE CONTROL MOTOR

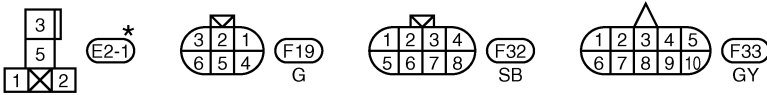
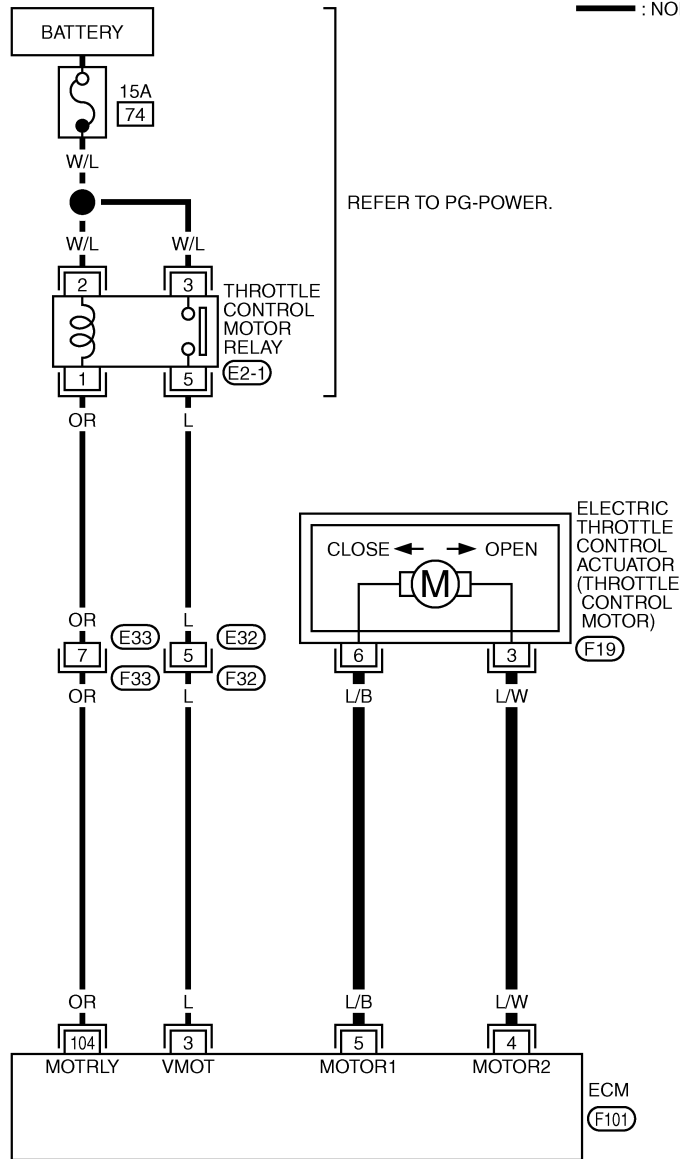
Wiring Diagram

NBS00205

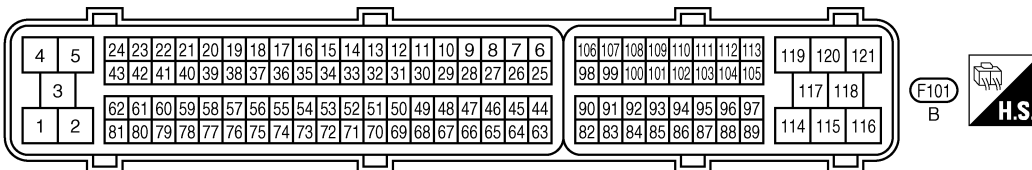
EC-ETC3-01

A
EC
C
D
E
F
G
H
I
J
K
L
M

— : DETECTABLE LINE FOR DTC
— : NON-DETECTABLE LINE FOR DTC



*: THIS CONNECTOR IS NOT SHOWN IN "HARNESS LAYOUT", PG SECTION.



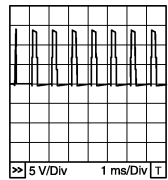
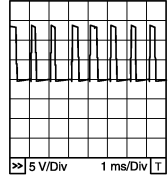
TBWM1239E

DTC P2118 THROTTLE CONTROL MOTOR

Specification data are reference values and are measured between each terminal and ground.
Pulse signal is measured by CONSULT-II.

CAUTION:

Do not use ECM ground terminals when measuring input/output voltage. Doing so may result in damage to the ECM's transistor. Use a ground other than ECM terminals, such as the ground.

TER-MINAL NO.	WIRE COLOR	ITEM	CONDITION	DATA (DC Voltage)
3	L	Throttle control motor relay power supply	[Ignition switch: ON]	BATTERY VOLTAGE (11 - 14V)
4	L/W	Throttle control motor (Close)	[Ignition switch: ON] ● Engine stopped ● Selector lever: D ● Accelerator pedal: Released	0 - 14V★  PBIB1104E
5	L/B	Throttle control motor (Open)	[Ignition switch: ON] ● Engine stopped ● Selector lever: D ● Accelerator pedal: Fully depressed	0 - 14V★  PBIB1105E
104	OR	Throttle control motor relay	[Ignition switch: OFF]	BATTERY VOLTAGE (11 - 14V)
			[Ignition switch: ON]	0 - 1.0V

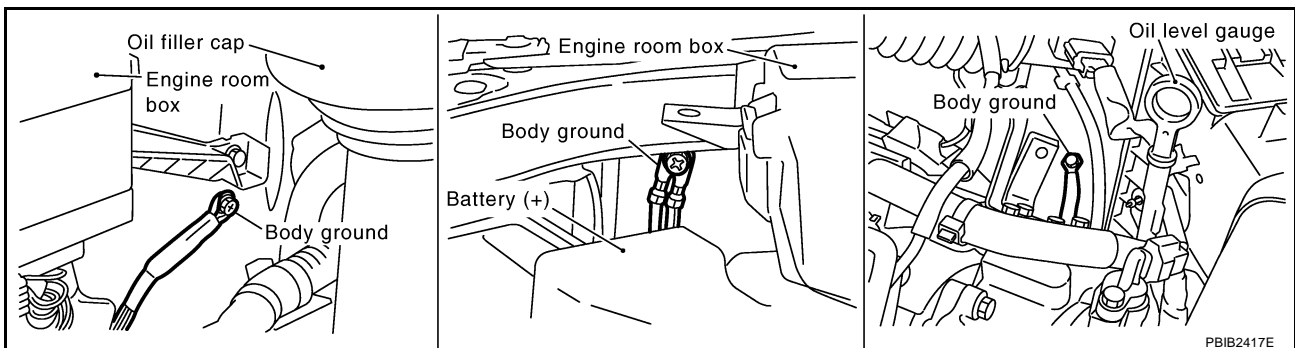
★: Average voltage for pulse signal (Actual pulse signal can be confirmed by oscilloscope.)

Diagnostic Procedure

NBS00206

1. CHECK GROUND CONNECTIONS

1. Turn ignition switch OFF.
2. Loosen and retighten three ground screws on the body.
Refer to [EC-154, "Ground Inspection"](#).



OK or NG

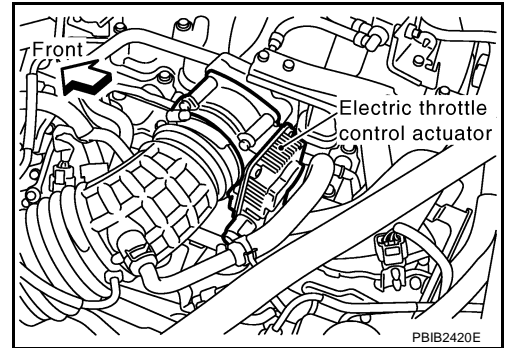
- OK >> GO TO 2.
NG >> Repair or replace ground connections.

DTC P2118 THROTTLE CONTROL MOTOR

2. CHECK THROTTLE CONTROL MOTOR OUTPUT SIGNAL CIRCUIT FOR OPEN OR SHORT

1. Disconnect electric throttle control actuator harness connector.
2. Disconnect ECM harness connector.
3. Check harness continuity between the following terminals. Refer to Wiring Diagram.

Electric throttle control actuator terminal	ECM terminal	Continuity
3	5	Should not exist
	4	Should exist
6	5	Should exist
	4	Should not exist



4. Also check harness for short to ground and short to power.

OK or NG

- OK >> GO TO 3.
- NG >> Repair or replace.

3. CHECK THROTTLE CONTROL MOTOR

Refer to [EC-643, "Component Inspection"](#) .

OK or NG

- OK >> GO TO 4.
- NG >> GO TO 5.

4. CHECK INTERMITTENT INCIDENT

Refer to [EC-145, "TROUBLE DIAGNOSIS FOR INTERMITTENT INCIDENT"](#) .

OK or NG

- OK >> GO TO 5.
- NG >> Repair or replace harness or connectors.

5. REPLACE ELECTRIC THROTTLE CONTROL ACTUATOR

1. Replace the electric throttle control actuator.
2. Perform [EC-78, "Throttle Valve Closed Position Learning"](#) .
3. Perform [EC-78, "Idle Air Volume Learning"](#) .

>> INSPECTION END

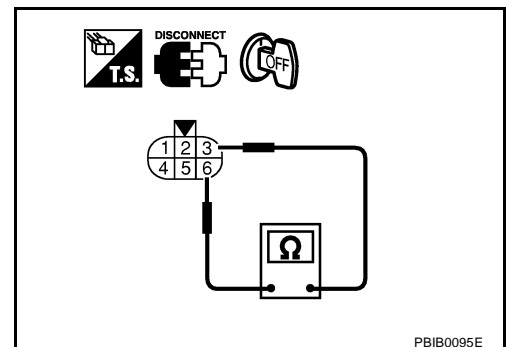
Component Inspection THROTTLE CONTROL MOTOR

NBS00207

1. Disconnect electric throttle control actuator harness connector.
2. Check resistance between terminals 3 and 6.

Resistance: Approximately 1 - 15 Ω [at 25 °C (77°F)]

3. If NG, replace electric throttle control actuator and go to next step.
4. Perform [EC-78, "Throttle Valve Closed Position Learning"](#) .
5. Perform [EC-78, "Idle Air Volume Learning"](#) .



DTC P2118 THROTTLE CONTROL MOTOR

Removal and Installation **ELECTRIC THROTTLE CONTROL ACTUATOR**

NBS00208

Refer to [EM-19, "INTAKE MANIFOLD"](#) .

DTC P2119 ELECTRIC THROTTLE CONTROL ACTUATOR

DTC P2119 ELECTRIC THROTTLE CONTROL ACTUATOR

PF16:16119

Component Description

NBS001ZK

Electric throttle control actuator consists of throttle control motor, throttle position sensor, etc. The throttle control motor is operated by the ECM and it opens and closes the throttle valve. The throttle position sensor detects the throttle valve position, and the opening and closing speed of the throttle valve and feeds the voltage signals to the ECM. The ECM judges the current opening angle of the throttle valve from these signals and the ECM controls the throttle control motor to make the throttle valve opening angle properly in response to driving condition.

On Board Diagnosis Logic

NBS001ZL

This self-diagnosis has one trip detection logic.

DTC No.	Trouble diagnosis name	DTC detecting condition		Possible cause
P2119 2119	Electric throttle control actuator	A)	Electric throttle control actuator does not function properly due to the return spring malfunction.	● Electric throttle control actuator
		B)	Throttle valve opening angle in fail-safe mode is not in specified range.	
		C)	ECM detect the throttle valve is stuck open.	

FAIL-SAFE MODE

When the malfunction is detected, ECM enters fail-safe mode and the MIL lights up.

Detected items	Engine operating condition in fail-safe mode
Malfunction A	The ECM controls the electric throttle actuator by regulating the throttle opening around the idle position. The engine speed will not rise more than 2,000 rpm.
Malfunction B	ECM controls the electric throttle control actuator by regulating the throttle opening to 20 degrees or less.
Malfunction C	While the vehicle is driving, it slows down gradually by fuel cut. After the vehicle stops, the engine stalls. The engine can restart in N or P position, and engine speed will not exceed 1,000 rpm or more.

DTC Confirmation Procedure

NBS001ZM

NOTE:

- Perform **PROCEDURE FOR MALFUNCTION A AND B** first. If the DTC cannot be confirmed, perform **PROCEDURE FOR MALFUNCTION C**.
- If DTC Confirmation Procedure has been previously conducted, always turn ignition switch OFF and wait at least 10 seconds before conducting the next test.

PROCEDURE FOR MALFUNCTION A AND B

With CONSULT-II

1. Turn ignition switch ON and wait at least 1 second.
2. Select "DATA MONITOR" mode with CONSULT-II.
3. Shift selector lever to D position and wait at least 3 seconds.
4. Shift selector lever to P position.
5. Turn ignition switch OFF and wait at least 10 seconds.
6. Turn ignition switch ON and wait at least 1 second.
7. Shift selector lever to D position and wait at least 3 seconds.
8. Shift selector lever to P position.
9. Turn ignition switch OFF, wait at least 10 seconds, and then turn ON.
10. If DTC is detected, go to [EC-646, "Diagnostic Procedure"](#).

DATA MONITOR	
MONITOR	NO DTC
ENG SPEED	XXX rpm

SEF058Y

With GST

Follow the procedure "With CONSULT-II" above.

DTC P2119 ELECTRIC THROTTLE CONTROL ACTUATOR

PROCEDURE FOR MALFUNCTION C

With CONSULT-II

1. Turn ignition switch ON and wait at least 1 second.
2. Select "DATA MONITOR" mode with CONSULT-II.
3. Shift selector lever to D position and wait at least 3 seconds.
4. Shift selector lever to N, P position.
5. Start engine and let it idle for 3 seconds.
6. If DTC is detected, go to [EC-646, "Diagnostic Procedure"](#) .

DATA MONITOR	
MONITOR	NO DTC
ENG SPEED	XXX rpm

SEF058Y

With GST

Follow the procedure "With CONSULT-II" above.

Diagnostic Procedure

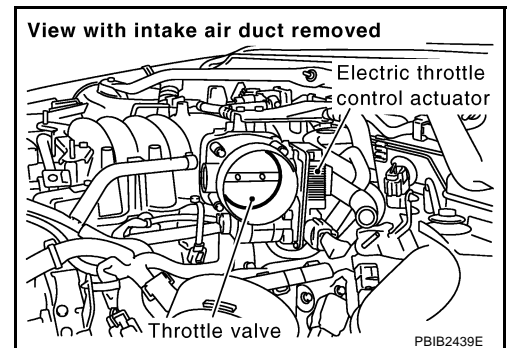
NBS001ZN

1. CHECK ELECTRIC THROTTLE CONTROL ACTUATOR VISUALLY

1. Remove the intake air duct.
2. Check if a foreign matter is caught between the throttle valve and the housing.

OK or NG

- OK >> GO TO 2.
NG >> Remove the foreign matter and clean the electric throttle control actuator inside.



2. REPLACE ELECTRIC THROTTLE CONTROL ACTUATOR

1. Replace the electric throttle control actuator.
2. Perform [EC-78, "Throttle Valve Closed Position Learning"](#) .
3. Perform [EC-78, "Idle Air Volume Learning"](#) .

>> INSPECTION END

DTC P2122, P2123 APP SENSOR

DTC P2122, P2123 APP SENSOR

PF18002

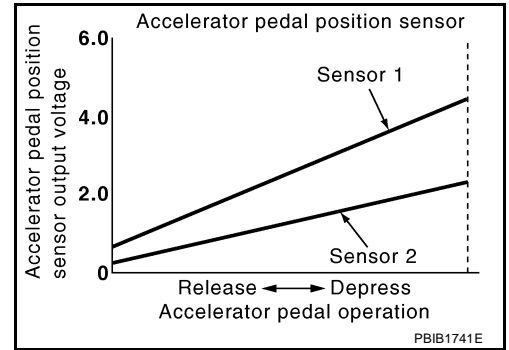
Component Description

NBS0025X

The accelerator pedal position sensor is installed on the upper end of the accelerator pedal assembly. The sensor detects the accelerator position and sends a signal to the ECM.

Accelerator pedal position sensor has two sensors. These sensors are a kind of potentiometers which transform the accelerator pedal position into output voltage, and emit the voltage signal to the ECM. In addition, these sensors detect the opening and closing speed of the accelerator pedal and feed the voltage signals to the ECM. The ECM judges the current opening angle of the accelerator pedal from these signals and controls the throttle control motor based on these signals.

Idle position of the accelerator pedal is determined by the ECM receiving the signal from the accelerator pedal position sensor. The ECM uses this signal for the engine operation such as fuel cut.



CONSULT-II Reference Value in Data Monitor Mode

NBS0025Y

Specification data are reference values.

MONITOR ITEM	CONDITION		SPECIFICATION
ACCEL SEN 1	● Ignition switch: ON (engine stopped)	Accelerator pedal: Fully released	0.5 - 1.0V
		Accelerator pedal: Fully depressed	4.0 - 4.8V
ACCEL SEN 2*	● Ignition switch: ON (engine stopped)	Accelerator pedal: Fully released	0.3 - 1.2V
		Accelerator pedal: Fully depressed	3.9 - 4.8V
CLSD THL POS	● Ignition switch: ON (Engine stopped)	Accelerator pedal: Fully released	ON
		Accelerator pedal: Slightly depressed	OFF

*: Accelerator pedal position sensor 2 signal is converted by ECM internally. Thus, it differs from ECM terminal voltage.

On Board Diagnosis Logic

NBS0025Z

These self-diagnoses have the one trip detection logic.

NOTE:

If DTC P2122 or P2123 is displayed with DTC P0643, first perform the trouble diagnosis for DTC P0643. Refer to [EC-492, "DTC P0643 SENSOR POWER SUPPLY"](#).

DTC No.	Trouble diagnosis name	DTC detecting condition	Possible cause
P2122 2122	Accelerator pedal position sensor 1 circuit low input	An excessively low voltage from the APP sensor 1 is sent to ECM.	● Harness or connectors (The APP sensor 1 circuit is open or shorted.) ● Accelerator pedal position sensor (Accelerator pedal position sensor 1)
P2123 2123	Accelerator pedal position sensor 1 circuit high input	An excessively high voltage from the APP sensor 1 is sent to ECM.	

FAIL-SAFE MODE

When the malfunction is detected, ECM enters fail-safe mode and the MIL lights up.

Engine operating condition in fail-safe mode

The ECM controls the electric throttle control actuator in regulating the throttle opening in order for the idle position to be within +10 degrees.

The ECM regulates the opening speed of the throttle valve to be slower than the normal condition.

So, the acceleration will be poor.

DTC P2122, P2123 APP SENSOR

NBS00260

DTC Confirmation Procedure

NOTE:

If DTC Confirmation Procedure has been previously conducted, always turn ignition switch OFF and wait at least 10 seconds before conducting the next test.

TESTING CONDITION:

Before performing the following procedure, confirm that battery voltage is more than 10V at idle.

WITH CONSULT-II

1. Turn ignition switch ON.
2. Select "DATA MONITOR" mode with CONSULT-II.
3. Start engine and let it idle for 1 second.
4. If DTC is detected, go to [EC-650, "Diagnostic Procedure"](#) .

DATA MONITOR	
MONITOR	NO DTC
ENG SPEED	XXX rpm

SEF058Y

WITH GST

Follow the procedure "WITH CONSULT-II" above.

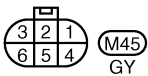
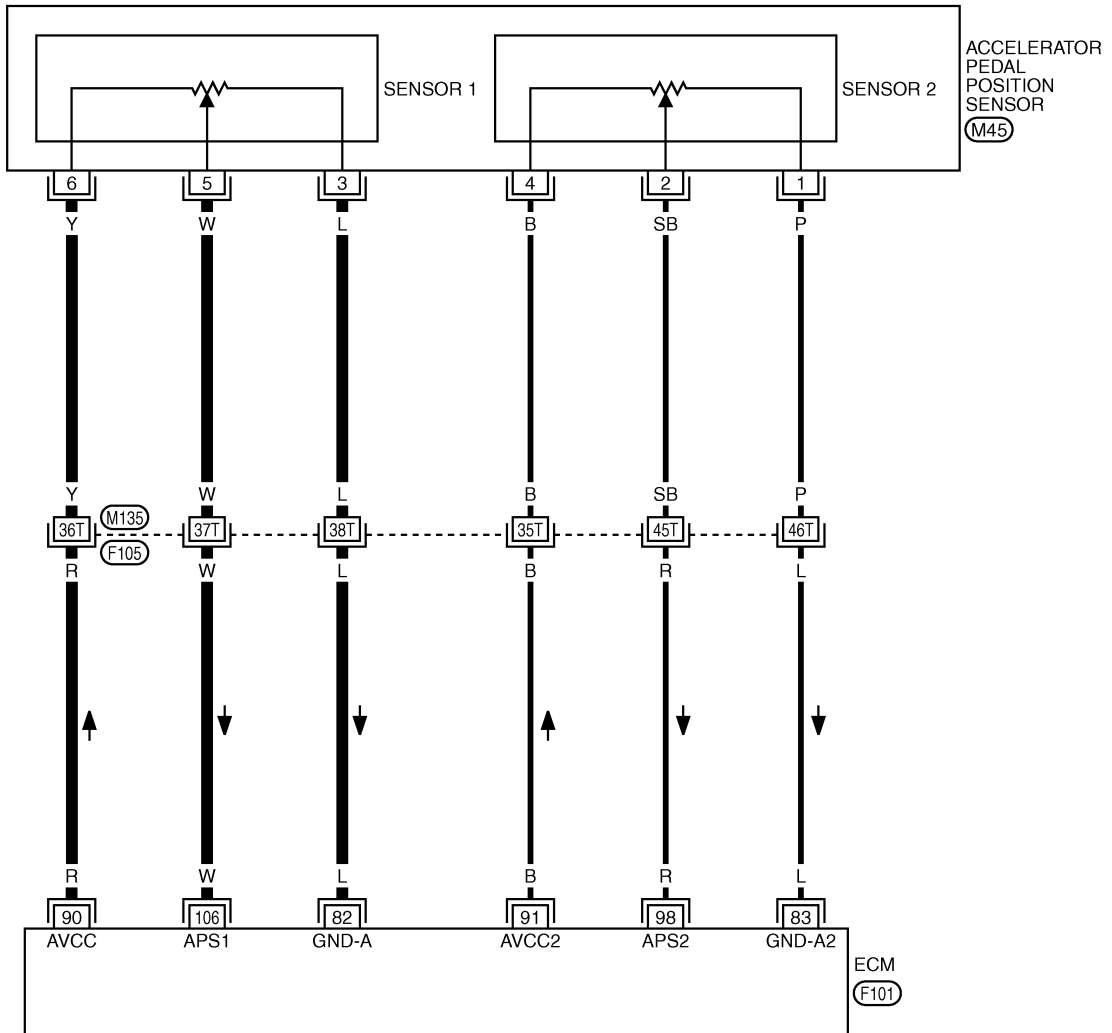
DTC P2122, P2123 APP SENSOR

Wiring Diagram

NBS00261

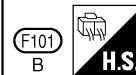
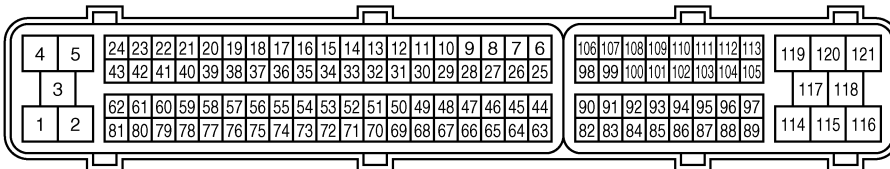
EC-APPS1-01

: DETECTABLE LINE FOR DTC
 : NON-DETECTABLE LINE FOR DTC



REFER TO THE FOLLOWING.

(F105) -SUPER MULTIPLE JUNCTION (SMJ)



TBWM1250E

DTC P2122, P2123 APP SENSOR

Specification data are reference values and are measured between each terminal and ground.

CAUTION:

Do not use ECM ground terminals when measuring input/output voltage. Doing so may result in damage to the ECM's transistor. Use a ground other than ECM terminals, such as the ground.

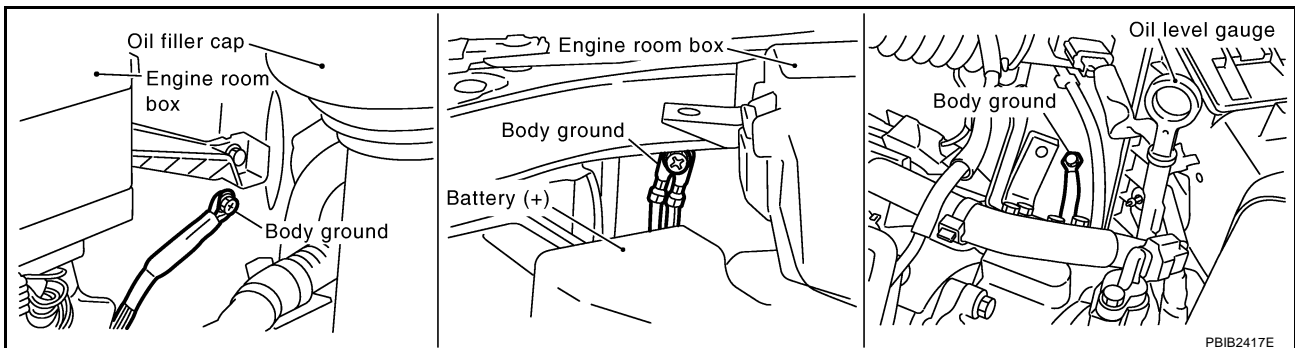
TER-MINAL NO.	WIRE COLOR	ITEM	CONDITION	DATA (DC Voltage)
82	L	Sensor ground (APP sensor 1)	[Engine is running] ● Warm-up condition ● Idle speed	Approximately 0V
83	L	Sensor ground (APP sensor 2)	[Engine is running] ● Warm-up condition ● Idle speed	Approximately 0V
90	R	Sensor power supply (APP sensor 1)	[Ignition switch: ON]	Approximately 5V
91	B	Sensor power supply (APP sensor 2)	[Ignition switch: ON]	Approximately 5V
98	R	Accelerator pedal position sensor 2	[Ignition switch: ON] ● Engine stopped ● Accelerator pedal: Fully released	0.15 - 0.60V
			[Ignition switch: ON] ● Engine stopped ● Accelerator pedal: Fully depressed	1.95 - 2.40V
106	W	Accelerator pedal position sensor 1	[Ignition switch: ON] ● Engine stopped ● Accelerator pedal: Fully released	0.5 - 1.0V
			[Ignition switch: ON] ● Engine stopped ● Accelerator pedal: Fully depressed	3.9 - 4.7V

Diagnostic Procedure

NBS00262

1. CHECK GROUND CONNECTIONS

1. Turn ignition switch OFF.
2. Loosen and retighten three ground screws on the body.
Refer to [EC-154, "Ground Inspection"](#) .



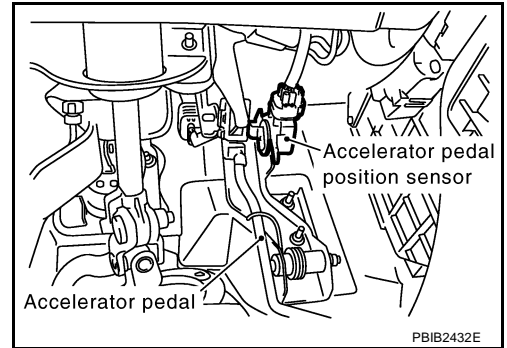
OK or NG

- OK >> GO TO 2.
- NG >> Repair or replace ground connections.

DTC P2122, P2123 APP SENSOR

2. CHECK APP SENSOR 1 POWER SUPPLY CIRCUIT

1. Disconnect accelerator pedal position (APP) sensor harness connector.
2. Turn ignition switch ON.

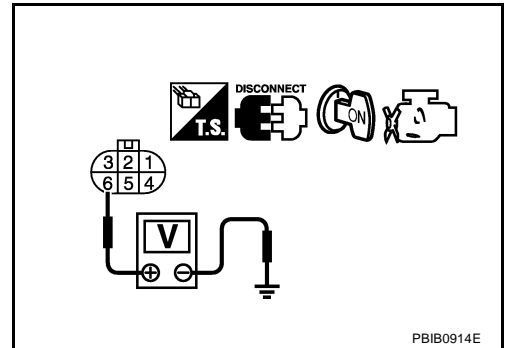


3. Check voltage between APP sensor terminal 6 and ground with CONSULT-II or tester.

Voltage: Approximately 5V

OK or NG

- OK >> GO TO 4.
- NG >> GO TO 3.



3. DETECT MALFUNCTIONING PART

Check the following.

- Harness connectors M135, F105
- Harness for open or short between ECM and accelerator pedal position sensor

>> Repair open circuit or short to ground or short to power in harness or connectors.

4. CHECK APP SENSOR 1 GROUND CIRCUIT FOR OPEN AND SHORT

1. Turn ignition switch OFF.
2. Disconnect ECM harness connector.
3. Check harness continuity between APP sensor terminal 3 and ECM terminal 82. Refer to Wiring Diagram.

Continuity should exist.

4. Also check harness for short to ground and short to power.

OK or NG

- OK >> GO TO 6.
- NG >> GO TO 5.

5. DETECT MALFUNCTIONING PART

Check the following.

- Harness connectors M135, F105
- Harness for open or short between ECM and accelerator pedal position sensor

>> Repair open circuit or short to ground or short to power in harness or connectors.

DTC P2122, P2123 APP SENSOR

6. CHECK APP SENSOR INPUT SIGNAL CIRCUIT FOR OPEN AND SHORT

1. Check harness continuity between ECM terminal 106 and APP sensor terminal 5.
Refer to Wiring Diagram.

Continuity should exist.

2. Also check harness for short to ground and short to power.

OK or NG

- OK >> GO TO 8.
- NG >> GO TO 7.

7. DETECT MALFUNCTIONING PART

Check the following.

- Harness connectors M135, F105
- Harness for open or short between ECM and accelerator pedal position sensor

>> Repair open circuit or short to ground or short to power in harness or connectors.

8. CHECK APP SENSOR

Refer to [EC-652, "Component Inspection"](#) .

OK or NG

- OK >> GO TO 10.
- NG >> GO TO 9.

9. REPLACE ACCELERATOR PEDAL ASSEMBLY

1. Replace accelerator pedal assembly.
2. Perform [EC-77, "Accelerator Pedal Released Position Learning"](#) .
3. Perform [EC-78, "Throttle Valve Closed Position Learning"](#) .
4. Perform [EC-78, "Idle Air Volume Learning"](#) .

>> **INSPECTION END**

10. CHECK INTERMITTENT INCIDENT

Refer to [EC-145, "TROUBLE DIAGNOSIS FOR INTERMITTENT INCIDENT"](#) .

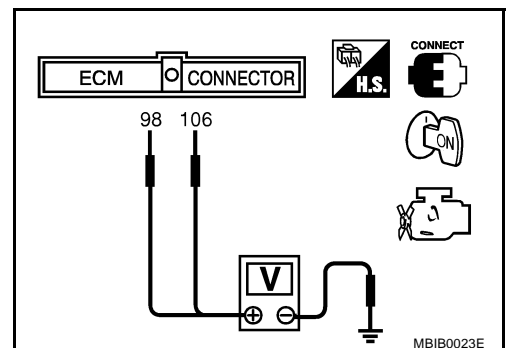
>> **INSPECTION END**

Component Inspection ACCELERATOR PEDAL POSITION SENSOR

NBS00263

1. Reconnect all harness connectors disconnected.
2. Turn ignition switch ON.
3. Check voltage between ECM terminals 106 (APP sensor 1 signal), 98 (APP sensor 2 signal) and ground under the following conditions.

Terminal	Accelerator pedal	Voltage
106 (Accelerator pedal position sensor 1)	Fully released	0.5 - 1.0V
	Fully depressed	3.9 - 4.7V
98 (Accelerator pedal position sensor 2)	Fully released	0.15 - 0.60V
	Fully depressed	1.95 - 2.40V



DTC P2122, P2123 APP SENSOR

4. If NG, replace accelerator pedal assembly and go to next step.
5. Perform [EC-77, "Accelerator Pedal Released Position Learning"](#) .
6. Perform [EC-78, "Throttle Valve Closed Position Learning"](#) .
7. Perform [EC-78, "Idle Air Volume Learning"](#) .

Removal and Installation ACCELERATOR PEDAL

Refer to [ACC-3, "ACCELERATOR CONTROL SYSTEM"](#) .

A

EC

NBS00264

C

D

E

F

G

H

I

J

K

L

M

DTC P2127, P2128 APP SENSOR

DTC P2127, P2128 APP SENSOR

PFP:18002

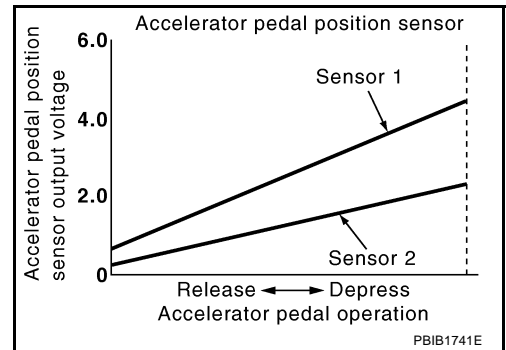
Component Description

NBS00265

The accelerator pedal position sensor is installed on the upper end of the accelerator pedal assembly. The sensor detects the accelerator position and sends a signal to the ECM.

Accelerator pedal position sensor has two sensors. These sensors are a kind of potentiometers which transform the accelerator pedal position into output voltage, and emit the voltage signal to the ECM. In addition, these sensors detect the opening and closing speed of the accelerator pedal and feed the voltage signals to the ECM. The ECM judges the current opening angle of the accelerator pedal from these signals and controls the throttle control motor based on these signals.

Idle position of the accelerator pedal is determined by the ECM receiving the signal from the accelerator pedal position sensor. The ECM uses this signal for the engine operation such as fuel cut.



CONSULT-II Reference Value in Data Monitor Mode

NBS00266

Specification data are reference values.

MONITOR ITEM	CONDITION		SPECIFICATION
ACCEL SEN 1	● Ignition switch: ON (engine stopped)	Accelerator pedal: Fully released	0.5 - 1.0V
		Accelerator pedal: Fully depressed	4.0 - 4.8V
ACCEL SEN 2*	● Ignition switch: ON (engine stopped)	Accelerator pedal: Fully released	0.3 - 1.2V
		Accelerator pedal: Fully depressed	3.9 - 4.8V
CLSD THL POS	● Ignition switch: ON (Engine stopped)	Accelerator pedal: Fully released	ON
		Accelerator pedal: Slightly depressed	OFF

*: Accelerator pedal position sensor 2 signal is converted by ECM internally. Thus, it differs from ECM terminal voltage.

On Board Diagnosis Logic

NBS00267

These self-diagnoses have the one trip detection logic.

DTC No.	Trouble diagnosis name	DTC detecting condition	Possible cause
P2127 2127	Accelerator pedal position sensor 2 circuit low input	An excessively low voltage from the APP sensor 2 is sent to ECM.	<ul style="list-style-type: none"> ● Harness or connectors (APP sensor 2 circuit is open or shorted.) (TP sensor circuit is shorted.) ● Accelerator pedal position sensor (Accelerator pedal position sensor 2) ● Electric throttle control actuator (TP sensor 1 and 2)
P2128 2128	Accelerator pedal position sensor 2 circuit high input	An excessively high voltage from the APP sensor 2 is sent to ECM.	

FAIL-SAFE MODE

When the malfunction is detected, ECM enters fail-safe mode and the MIL lights up.

Engine operating condition in fail-safe mode

The ECM controls the electric throttle control actuator in regulating the throttle opening in order for the idle position to be within +10 degrees.

The ECM regulates the opening speed of the throttle valve to be slower than the normal condition.

So, the acceleration will be poor.

DTC P2127, P2128 APP SENSOR

NBS00268

DTC Confirmation Procedure

NOTE:

If DTC Confirmation Procedure has been previously conducted, always turn ignition switch OFF and wait at least 10 seconds before conducting the next test.

TESTING CONDITION:

Before performing the following procedure, confirm that battery voltage is more than 10V at idle.

WITH CONSULT-II

1. Turn ignition switch ON.
2. Select "DATA MONITOR" mode with CONSULT-II.
3. Start engine and let it idle for 1 second.
4. If DTC is detected, go to [EC-657, "Diagnostic Procedure"](#) .

DATA MONITOR	
MONITOR	NO DTC
ENG SPEED	XXX rpm

SEF058Y

WITH GST

Follow the procedure "WITH CONSULT-II" above.

A

EC

C

D

E

F

G

H

I

J

K

L

M

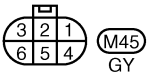
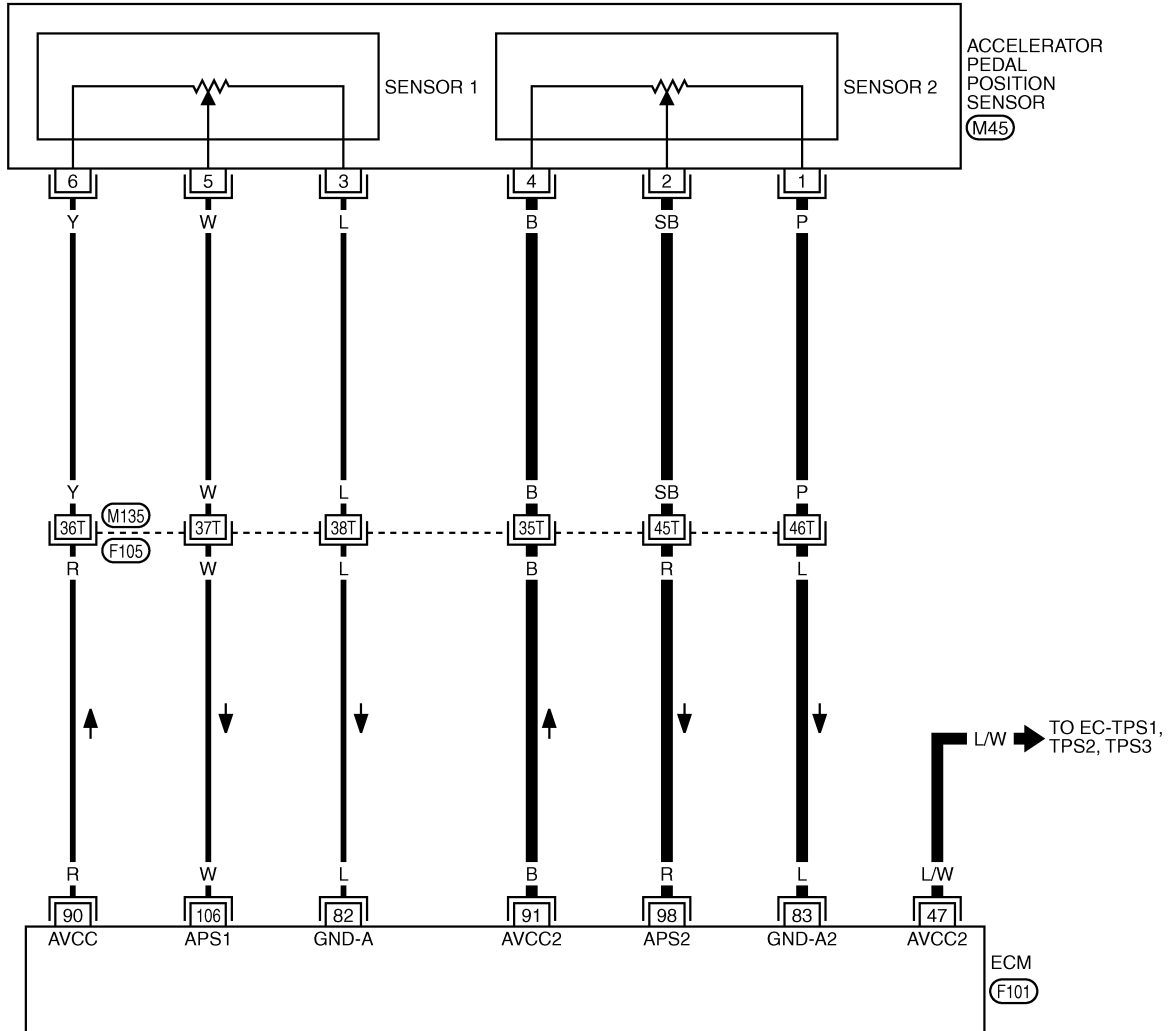
DTC P2127, P2128 APP SENSOR

NBS00269

Wiring Diagram

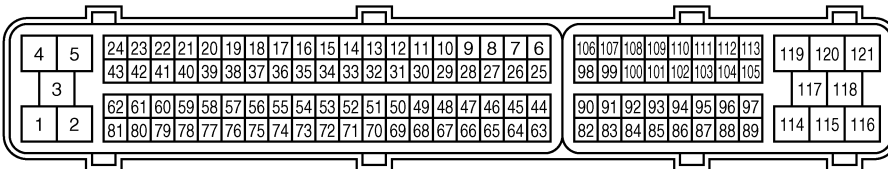
EC-APPS2-01

: DETECTABLE LINE FOR DTC
 : NON-DETECTABLE LINE FOR DTC



REFER TO THE FOLLOWING.

(F105) -SUPER MULTIPLE JUNCTION (SMJ)



TBWM1251E

DTC P2127, P2128 APP SENSOR

Specification data are reference values and are measured between each terminal and ground.

CAUTION:

Do not use ECM ground terminals when measuring input/output voltage. Doing so may result in damage to the ECM's transistor. Use a ground other than ECM terminals, such as the ground.

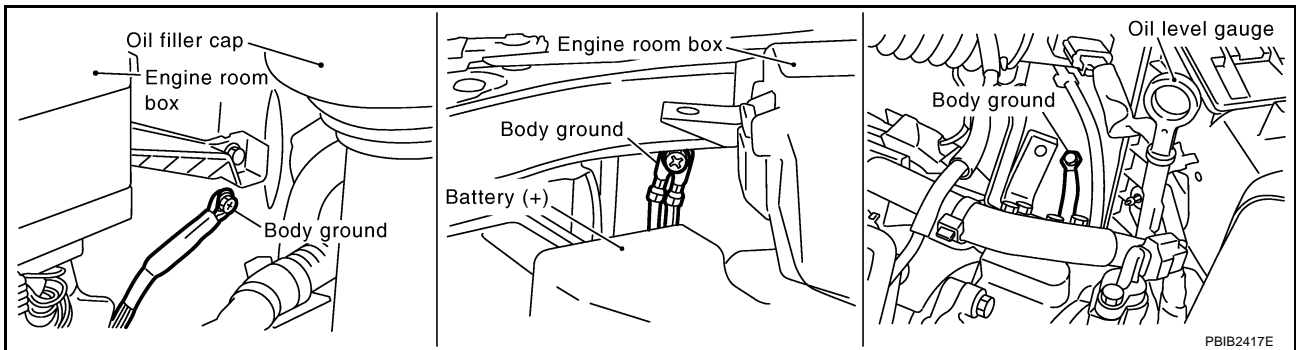
TER-MINAL NO.	WIRE COLOR	ITEM	CONDITION	DATA (DC Voltage)
47	L/W	Sensor power supply (Throttle position sensor)	[Ignition switch: ON]	Approximately 5V
82	L	Sensor ground (APP sensor 1)	[Engine is running] ● Warm-up condition ● Idle speed	Approximately 0V
83	L	Sensor ground (APP sensor 2)	[Engine is running] ● Warm-up condition ● Idle speed	Approximately 0V
90	R	Sensor power supply (APP sensor 1)	[Ignition switch: ON]	Approximately 5V
91	B	Sensor power supply (APP sensor 2)	[Ignition switch: ON]	Approximately 5V
98	R	Accelerator pedal position sensor 2	[Ignition switch: ON] ● Engine stopped ● Accelerator pedal: Fully released	0.15 - 0.60V
			[Ignition switch: ON] ● Engine stopped ● Accelerator pedal: Fully depressed	1.95 - 2.40V
106	W	Accelerator pedal position sensor 1	[Ignition switch: ON] ● Engine stopped ● Accelerator pedal: Fully released	0.5 - 1.0V
			[Ignition switch: ON] ● Engine stopped ● Accelerator pedal: Fully depressed	3.9 - 4.7V

Diagnostic Procedure

NBS0026A

1. CHECK GROUND CONNECTIONS

1. Turn ignition switch OFF.
2. Loosen and retighten three ground screws on the body.
Refer to [EC-154, "Ground Inspection"](#).



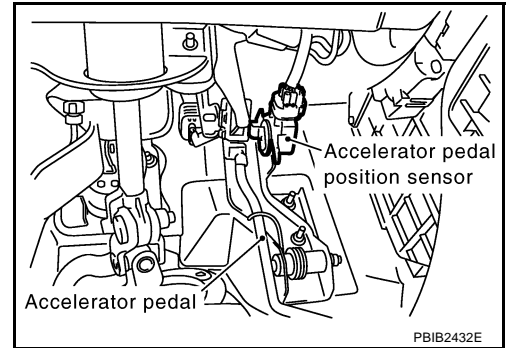
OK or NG

- OK >> GO TO 2.
- NG >> Repair or replace ground connections.

DTC P2127, P2128 APP SENSOR

2. CHECK APP SENSOR 2 POWER SUPPLY CIRCUIT-I

1. Disconnect accelerator pedal position (APP) sensor harness connector.
2. Turn ignition switch ON.

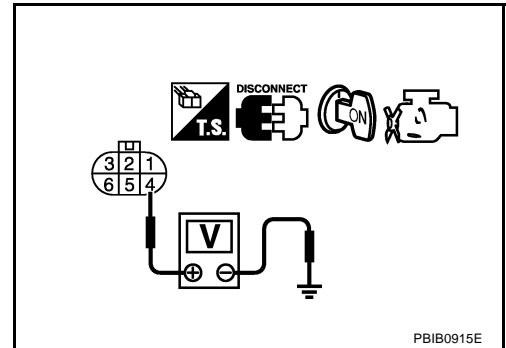


3. Check voltage between APP sensor terminal 4 and ground with CONSULT-II or tester.

Voltage: Approximately 5V

OK or NG

- OK >> GO TO 8.
NG >> GO TO 3.



3. CHECK APP SENSOR 2 POWER SUPPLY CIRCUIT-II

1. Turn ignition switch OFF.
2. Disconnect ECM harness connector.
3. Check harness continuity between APP sensor terminal 4 and ECM terminal 91. Refer to Wiring Diagram.

Continuity should exist.

OK or NG

- OK >> GO TO 5.
NG >> GO TO 4.

4. DETECT MALFUNCTIONING PART

Check the following.

- Harness connectors M135, F105
- Harness for open or short between ECM and accelerator pedal position sensor

>> Repair or replace open circuit.

5. CHECK APP SENSOR 2 POWER SUPPLY CIRCUIT-III

Check harness for short to power and short to ground, between the following terminals.

ECM terminal	Sensor terminal	Reference Wiring Diagram
91	APP sensor terminal 4	EC-656
47	Electric throttle control actuator terminal 1	EC-663

OK or NG

- OK >> GO TO 6.
NG >> Repair short to ground or short to power in harness or connectors.

DTC P2127, P2128 APP SENSOR

6. CHECK THROTTLE POSITION SENSOR

A

Refer to [EC-667, "Component Inspection"](#) .

OK or NG

- OK >> GO TO 14.
- NG >> GO TO 7.

EC

7. REPLACE ELECTRIC THROTTLE CONTROL ACTUATOR

C

1. Replace the electric throttle control actuator.
2. Perform [EC-78, "Throttle Valve Closed Position Learning"](#) .
3. Perform [EC-78, "Idle Air Volume Learning"](#) .

D

>> INSPECTION END

E

8. CHECK APP SENSOR 2 GROUND CIRCUIT FOR OPEN AND SHORT

F

1. Turn ignition switch OFF.
2. Disconnect ECM harness connector.
3. Check harness continuity between APP sensor terminal 1 and ECM terminal 83.
Refer to Wiring Diagram.

G

Continuity should exist.

4. Also check harness for short to ground and short to power.

H

OK or NG

- OK >> GO TO 10.
- NG >> GO TO 9.

I

9. DETECT MALFUNCTIONING PART

J

Check the following.

- Harness connectors M135, F105
- Harness for open or short between ECM and accelerator pedal position sensor

K

>> Repair open circuit or short to ground or short to power in harness or connectors.

10. CHECK APP SENSOR 2 INPUT SIGNAL CIRCUIT FOR OPEN AND SHORT

L

1. Check harness continuity between ECM terminal 98 and APP sensor terminal 2.
Refer to Wiring Diagram.

M

Continuity should exist.

2. Also check harness for short to ground and short to power.

OK or NG

- OK >> GO TO 12.
- NG >> GO TO 11.

11. DETECT MALFUNCTIONING PART

Check the following.

- Harness connectors M135, F105
- Harness for open or short between ECM and accelerator pedal position sensor

>> Repair open circuit or short to ground or short to power in harness or connectors.

DTC P2127, P2128 APP SENSOR

12. CHECK APP SENSOR

Refer to [EC-660, "Component Inspection"](#) .

OK or NG

- OK >> GO TO 14.
- NG >> GO TO 13.

13. REPLACE ACCELERATOR PEDAL ASSEMBLY

1. Replace accelerator pedal assembly.
2. Perform [EC-77, "Accelerator Pedal Released Position Learning"](#) .
3. Perform [EC-78, "Throttle Valve Closed Position Learning"](#) .
4. Perform [EC-78, "Idle Air Volume Learning"](#) .

>> INSPECTION END

14. CHECK INTERMITTENT INCIDENT

Refer to [EC-145, "TROUBLE DIAGNOSIS FOR INTERMITTENT INCIDENT"](#) .

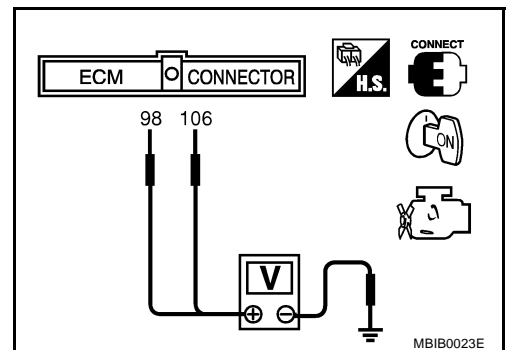
>> INSPECTION END

Component Inspection ACCELERATOR PEDAL POSITION SENSOR

NBS0026B

1. Reconnect all harness connectors disconnected.
2. Turn ignition switch ON.
3. Check voltage between ECM terminals 106 (APP sensor 1 signal), 98 (APP sensor 2 signal) and ground under the following conditions.

Terminal	Accelerator pedal	Voltage
106 (Accelerator pedal position sensor 1)	Fully released	0.5 - 1.0V
	Fully depressed	3.9 - 4.7V
98 (Accelerator pedal position sensor 2)	Fully released	0.15 - 0.60V
	Fully depressed	1.95 - 2.40V



4. If NG, replace accelerator pedal assembly and go to next step.
5. Perform [EC-77, "Accelerator Pedal Released Position Learning"](#) .
6. Perform [EC-78, "Throttle Valve Closed Position Learning"](#) .
7. Perform [EC-78, "Idle Air Volume Learning"](#) .

Removal and Installation ACCELERATOR PEDAL

NBS0026C

Refer to [ACC-3, "ACCELERATOR CONTROL SYSTEM"](#) .

DTC P2135 TP SENSOR

PF16:16119

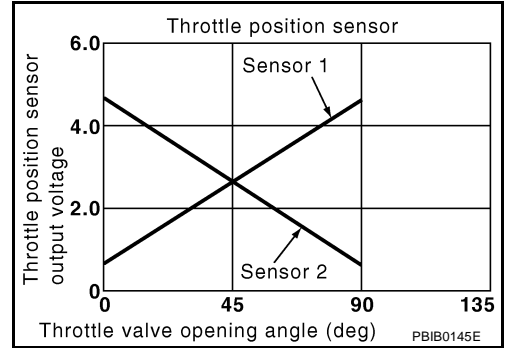
DTC P2135 TP SENSOR

Component Description

NBS0026D

Electric throttle control actuator consists of throttle control motor, throttle position sensor, etc. The throttle position sensor responds to the throttle valve movement.

The throttle position sensor has the two sensors. These sensors are a kind of potentiometers which transform the throttle valve position into output voltage, and emit the voltage signal to the ECM. In addition, these sensors detect the opening and closing speed of the throttle valve and feed the voltage signals to the ECM. The ECM judges the current opening angle of the throttle valve from these signals and the ECM controls the throttle control motor to make the throttle valve opening angle properly in response to driving condition.



CONSULT-II Reference Value in Data Monitor Mode

NBS0026E

Specification data are reference values.

MONITOR ITEM	CONDITION		SPECIFICATION
THRTL SEN 1 THRTL SEN 2*	<ul style="list-style-type: none"> Ignition switch: ON (Engine stopped) Selector lever: D 	Accelerator pedal: Fully released	More than 0.36V
		Accelerator pedal: Fully depressed	Less than 4.75V

*: Throttle position sensor 2 signal is converted by ECM internally. Thus, it differs from ECM terminal voltage signal.

On Board Diagnosis Logic

NBS0026F

This self-diagnosis has the one trip detection logic.

DTC No.	Trouble diagnosis name	DTC detecting condition	Possible cause
P2135 2135	Throttle position sensor circuit range/performance	Rationally incorrect voltage is sent to ECM compared with the signals from TP sensor 1 and TP sensor 2.	<ul style="list-style-type: none"> Harness or connector (The TP sensor 1 and 2 circuit is open or shorted.) (APP sensor 2 circuit is shorted.) Electric throttle control actuator (TP sensor 1 and 2) Accelerator pedal position sensor (APP sensor 2)

FAIL-SAFE MODE

When the malfunction is detected, the ECM enters fail-safe mode and the MIL lights up.

Engine operation condition in fail-safe mode

The ECM controls the electric throttle control actuator in regulating the throttle opening in order for the idle position to be within +10 degrees.

The ECM regulates the opening speed of the throttle valve to be slower than the normal condition.

So, the acceleration will be poor.

DTC P2135 TP SENSOR

NBS0026G

DTC Confirmation Procedure

NOTE:

If DTC Confirmation Procedure has been previously conducted, always turn ignition switch OFF and wait at least 10 seconds before conducting the next test.

TESTING CONDITION:

Before performing the following procedure, confirm that battery voltage is more than 10V at idle.

WITH CONSULT-II

1. Turn ignition switch ON.
2. Select "DATA MONITOR" mode with CONSULT-II.
3. Start engine and let it idle for 1 second.
4. If DTC is detected, go to [EC-664, "Diagnostic Procedure"](#) .

DATA MONITOR	
MONITOR	NO DTC
ENG SPEED	XXX rpm

SEF058Y

WITH GST

Follow the procedure "WITH CONSULT-II" above.

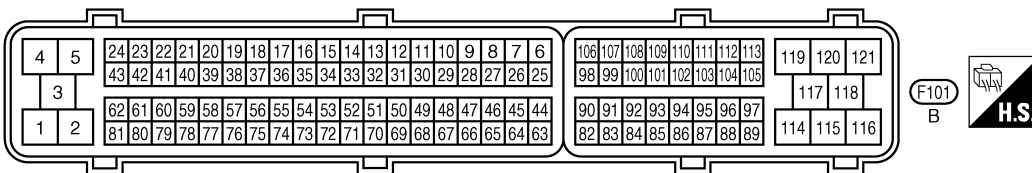
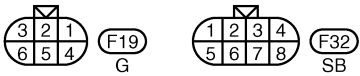
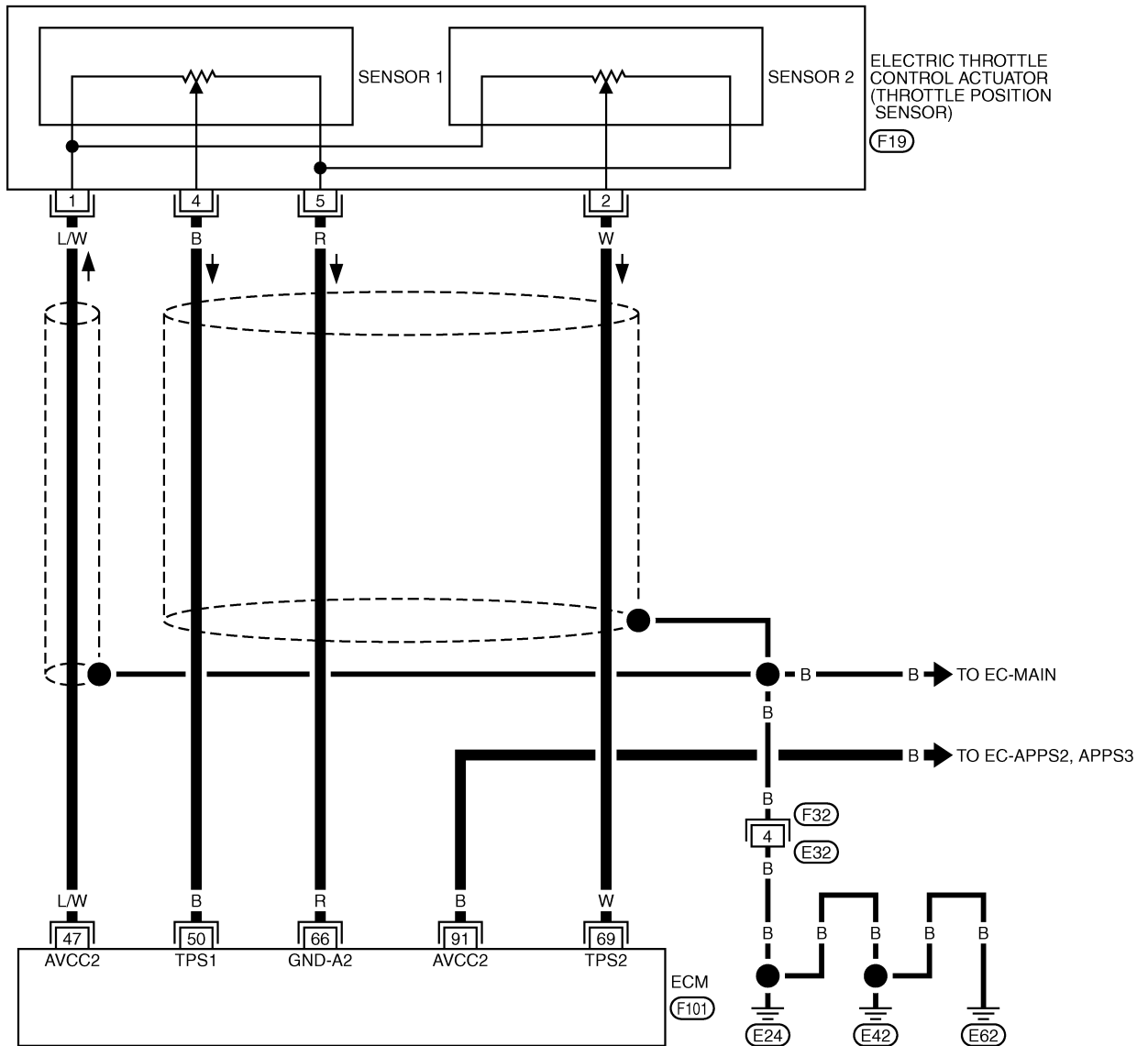
DTC P2135 TP SENSOR

Wiring Diagram

NBS0026H

EC-TPS3-01

: DETECTABLE LINE FOR DTC
 : NON-DETECTABLE LINE FOR DTC



TBWM0577E

DTC P2135 TP SENSOR

Specification data are reference values and are measured between each terminal and ground.

CAUTION:

Do not use ECM ground terminals when measuring input/output voltage. Doing so may result in damage to the ECM's transistor. Use a ground other than ECM terminals, such as the ground.

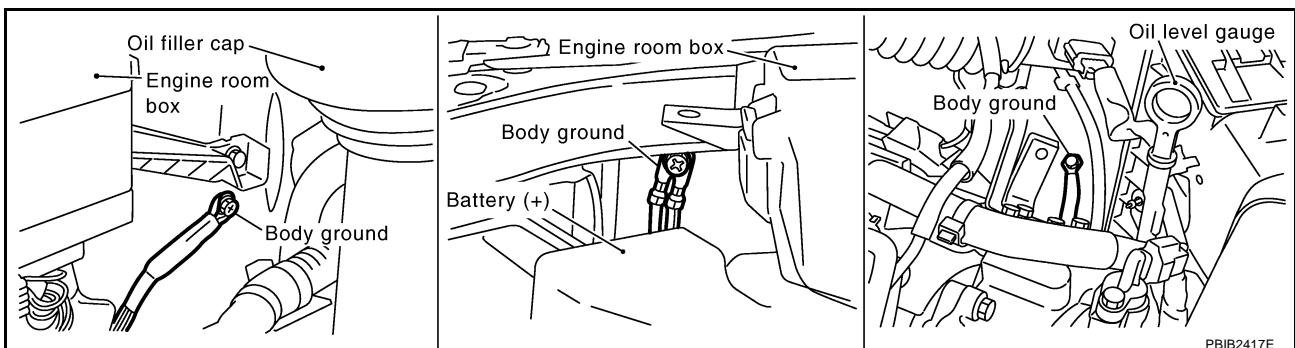
TER-MINAL NO.	WIRE COLOR	ITEM	CONDITION	DATA (DC Voltage)
47	L/W	Sensor power supply (Throttle position sensor)	[Ignition switch: ON]	Approximately 5V
50	B	Throttle position sensor 1	[Ignition switch: ON] <ul style="list-style-type: none"> ● Engine stopped ● Selector lever: D ● Accelerator pedal: Fully released 	More than 0.36V
			[Ignition switch: ON] <ul style="list-style-type: none"> ● Engine stopped ● Selector lever: D ● Accelerator pedal: Fully depressed 	Less than 4.75V
66	R	Sensor ground (Throttle position sensor)	[Engine is running] <ul style="list-style-type: none"> ● Warm-up condition ● Idle speed 	Approximately 0V
69	W	Throttle position sensor 2	[Ignition switch: ON] <ul style="list-style-type: none"> ● Engine stopped ● Selector lever: D ● Accelerator pedal: Fully released 	Less than 4.75V
			[Ignition switch: ON] <ul style="list-style-type: none"> ● Engine stopped ● Selector lever: D ● Accelerator pedal: Fully depressed 	More than 0.36V
91	B	Sensor power supply (APP sensor 2)	[Ignition switch: ON]	Approximately 5V

Diagnostic Procedure

NBS0026I

1. CHECK GROUND CONNECTIONS

1. Turn ignition switch OFF.
2. Loosen and retighten three ground screws on the body.
Refer to [EC-154, "Ground Inspection"](#).



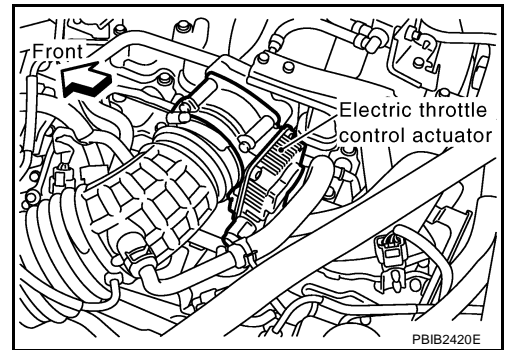
OK or NG

- OK >> GO TO 2.
- NG >> Repair or replace ground connections.

DTC P2135 TP SENSOR

2. CHECK THROTTLE POSITION SENSOR POWER SUPPLY CIRCUIT-I

1. Disconnect electric throttle control actuator harness connector.
2. Turn ignition switch ON.

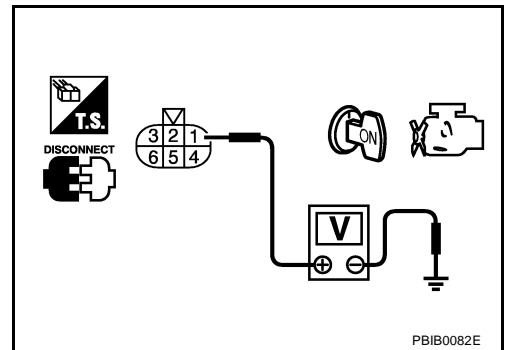


3. Check voltage between electric throttle control actuator terminal 1 and ground with CONSULT-II or tester.

Voltage: Approximately 5V

OK or NG

- OK >> GO TO 7.
- NG >> GO TO 3.



3. CHECK THROTTLE POSITION SENSOR POWER SUPPLY CIRCUIT-II

1. Turn ignition switch OFF.
2. Disconnect ECM harness connector.
3. Check harness continuity between electric throttle control actuator terminal 1 and ECM terminal 47. Refer to Wiring Diagram.

Continuity should exist.

OK or NG

- OK >> GO TO 4.
- NG >> Repair or replace open circuit.

4. CHECK THROTTLE POSITION SENSOR POWER SUPPLY CIRCUIT-III

Check harness for short to power and short to ground, between the following terminals.

ECM terminal	Sensor terminal	Reference Wiring Diagram
47	Electric throttle control actuator terminal 1	EC-663
91	APP sensor terminal 4	EC-656

OK or NG

- OK >> GO TO 5.
- NG >> Repair short to ground or short to power in harness or connectors.

5. CHECK APP SENSOR

Refer to [EC-660, "Component Inspection"](#) .

OK or NG

- OK >> GO TO 11.
- NG >> GO TO 6.

DTC P2135 TP SENSOR

6. REPLACE ACCELERATOR PEDAL ASSEMBLY

1. Replace accelerator pedal assembly.
2. Perform [EC-77, "Accelerator Pedal Released Position Learning"](#) .
3. Perform [EC-78, "Throttle Valve Closed Position Learning"](#) .
4. Perform [EC-78, "Idle Air Volume Learning"](#) .

>> INSPECTION END

7. CHECK THROTTLE POSITION SENSOR GROUND CIRCUIT FOR OPEN AND SHORT

1. Turn ignition switch OFF.
2. Disconnect ECM harness connector.
3. Check harness continuity between electric throttle control actuator terminal 5 and ECM terminal 66.
Refer to Wiring Diagram.

Continuity should exist.

4. Also check harness for short to ground and short to power.

OK or NG

OK >> GO TO 8.

NG >> Repair open circuit or short to ground or short to power in harness or connectors.

8. CHECK THROTTLE POSITION SENSOR INPUT SIGNAL CIRCUIT FOR OPEN AND SHORT

1. Check harness continuity between ECM terminal 50 and electric throttle control actuator terminal 4, ECM terminal 69 and electric throttle control actuator terminal 2.
Refer to Wiring Diagram.

Continuity should exist.

2. Also check harness for short to ground and short to power.

OK or NG

OK >> GO TO 9.

NG >> Repair open circuit or short to ground or short to power in harness or connectors.

9. CHECK THROTTLE POSITION SENSOR

Refer to [EC-667, "Component Inspection"](#) .

OK or NG

OK >> GO TO 11.

NG >> GO TO 10.

10. REPLACE ELECTRIC THROTTLE CONTROL ACTUATOR

1. Replace the electric throttle control actuator.
2. Perform [EC-78, "Throttle Valve Closed Position Learning"](#) .
3. Perform [EC-78, "Idle Air Volume Learning"](#) .

>> INSPECTION END

11. CHECK INTERMITTENT INCIDENT

Refer to [EC-145, "TROUBLE DIAGNOSIS FOR INTERMITTENT INCIDENT"](#) .

>> INSPECTION END

DTC P2135 TP SENSOR

NBS0026J

Component Inspection THROTTLE POSITION SENSOR

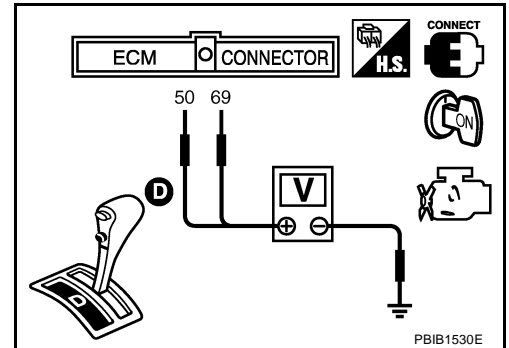
1. Reconnect all harness connectors disconnected.
2. Perform [EC-78, "Throttle Valve Closed Position Learning"](#) .
3. Turn ignition switch ON.
4. Set selector lever to D position.
5. Check voltage between ECM terminals 50 (TP sensor 1 signal), 69 (TP sensor 2 signal) and ground under the following conditions.

Terminal	Accelerator pedal	Voltage
50 (Throttle position sensor 1)	Fully released	More than 0.36V
	Fully depressed	Less than 4.75V
69 (Throttle position sensor 2)	Fully released	Less than 4.75V
	Fully depressed	More than 0.36V

6. If NG, replace electric throttle control actuator and go to the next step.
7. Perform [EC-78, "Throttle Valve Closed Position Learning"](#) .
8. Perform [EC-78, "Idle Air Volume Learning"](#) .

Removal and Installation ELECTRIC THROTTLE CONTROL ACTUATOR

Refer to [EM-19, "INTAKE MANIFOLD"](#) .



PBIB1530E

NBS0026K

DTC P2138 APP SENSOR

DTC P2138 APP SENSOR

PFP:18002

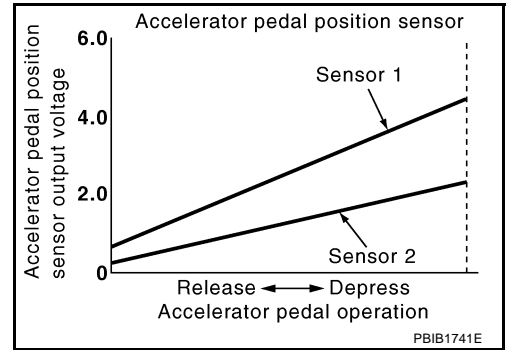
Component Description

NBS0026L

The accelerator pedal position sensor is installed on the upper end of the accelerator pedal assembly. The sensor detects the accelerator position and sends a signal to the ECM.

Accelerator pedal position sensor has two sensors. These sensors are a kind of potentiometers which transform the accelerator pedal position into output voltage, and emit the voltage signal to the ECM. In addition, these sensors detect the opening and closing speed of the accelerator pedal and feed the voltage signals to the ECM. The ECM judges the current opening angle of the accelerator pedal from these signals and controls the throttle control motor based on these signals.

Idle position of the accelerator pedal is determined by the ECM receiving the signal from the accelerator pedal position sensor. The ECM uses this signal for the engine operation such as fuel cut.



CONSULT-II Reference Value in Data Monitor Mode

NBS0026M

Specification data are reference values.

MONITOR ITEM	CONDITION		SPECIFICATION
ACCEL SEN 1	● Ignition switch: ON (engine stopped)	Accelerator pedal: Fully released	0.5 - 1.0V
		Accelerator pedal: Fully depressed	4.0 - 4.8V
ACCEL SEN 2*	● Ignition switch: ON (engine stopped)	Accelerator pedal: Fully released	0.3 - 1.2V
		Accelerator pedal: Fully depressed	3.9 - 4.8V
CLSD THL POS	● Ignition switch: ON (Engine stopped)	Accelerator pedal: Fully released	ON
		Accelerator pedal: Slightly depressed	OFF

*: Accelerator pedal position sensor 2 signal is converted by ECM internally. Thus, it differs from ECM terminal voltage.

On Board Diagnosis Logic

NBS0026N

This self-diagnosis has the one trip detection logic.

NOTE:

If DTC P2138 is displayed with DTC P0643, first perform the trouble diagnosis for DTC P0643. Refer to [EC-492. "DTC P0643 SENSOR POWER SUPPLY"](#).

DTC No.	Trouble diagnosis name	DTC detecting condition	Possible cause
P2138 2138	Accelerator pedal position sensor circuit range/performance	Rationally incorrect voltage is sent to ECM compared with the signals from APP sensor 1 and APP sensor 2.	<ul style="list-style-type: none"> ● Harness or connector (The APP sensor 1 and 2 circuit is open or shorted.) (TP sensor circuit is shorted.) ● Accelerator pedal position sensor 1 and 2 ● Electric throttle control actuator (TP sensor 1 and 2)

FAIL-SAFE MODE

When the malfunction is detected, ECM enters fail-safe mode and the MIL lights up.

Engine operating condition in fail-safe mode

The ECM controls the electric throttle control actuator in regulating the throttle opening in order for the idle position to be within +10 degrees.

The ECM regulates the opening speed of the throttle valve to be slower than the normal condition.

So, the acceleration will be poor.

DTC P2138 APP SENSOR

NBS00260

DTC Confirmation Procedure

NOTE:

If DTC Confirmation Procedure has been previously conducted, always turn ignition switch OFF and wait at least 10 seconds before conducting the next test.

TESTING CONDITION:

Before performing the following procedure, confirm that battery voltage is more than 10V at idle.

④ WITH CONSULT-II

1. Turn ignition switch ON.
2. Select "DATA MONITOR" mode with CONSULT-II.
3. Start engine and let it idle for 1 second.
4. If DTC is detected, go to [EC-671, "Diagnostic Procedure"](#) .

DATA MONITOR	
MONITOR	NO DTC
ENG SPEED	XXX rpm

SEF058Y

④ WITH GST

Follow the procedure "WITH CONSULT-II" above.

A

EC

C

D

E

F

G

H

I

J

K

L

M

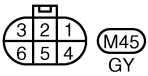
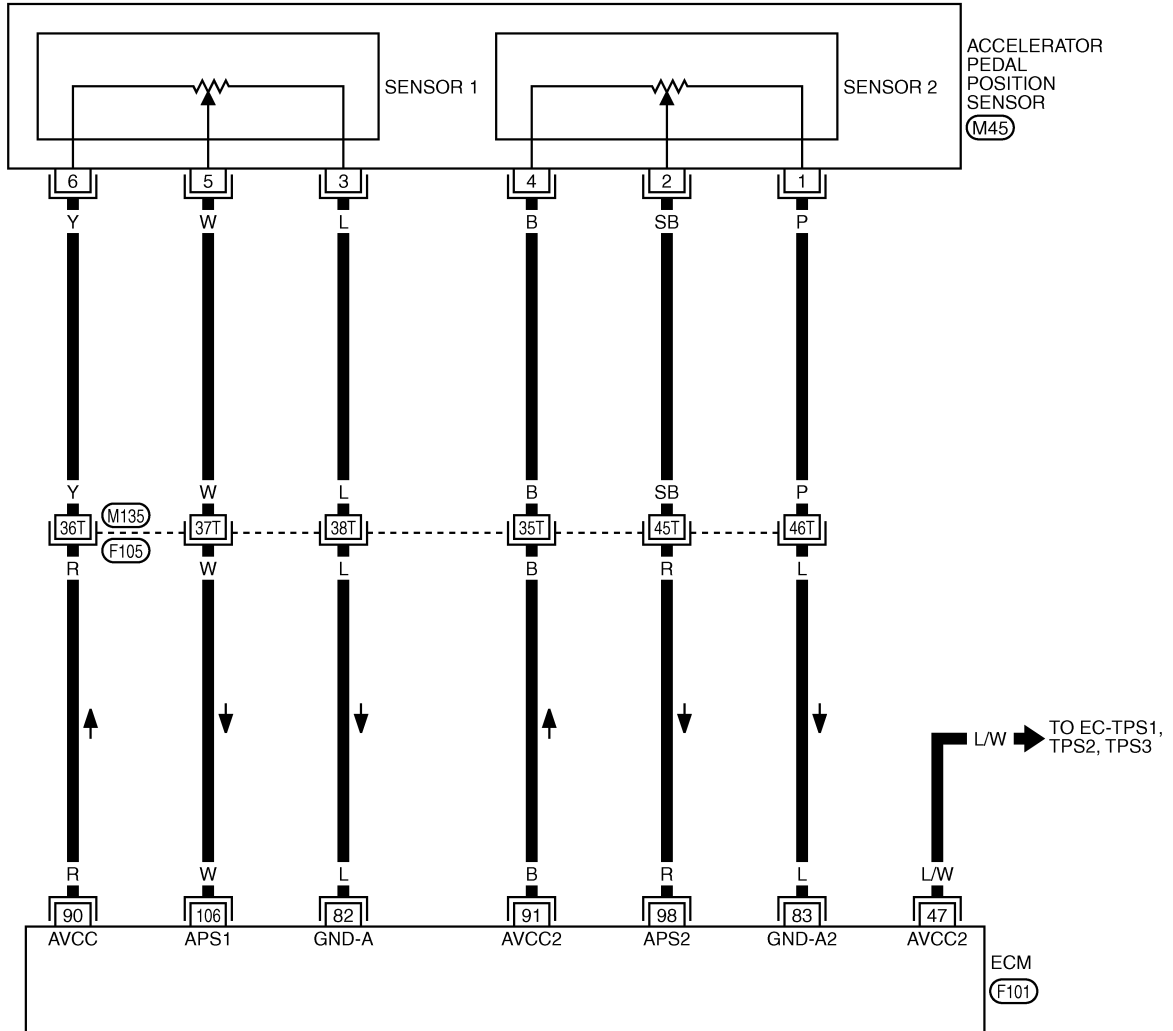
DTC P2138 APP SENSOR

NBS0026P

EC-APPS3-01

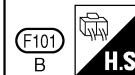
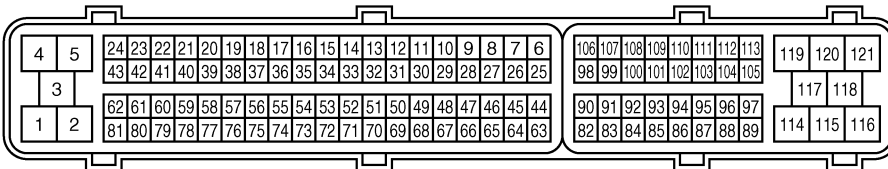
Wiring Diagram

: DETECTABLE LINE FOR DTC
 : NON-DETECTABLE LINE FOR DTC



REFER TO THE FOLLOWING.

(F105) -SUPER MULTIPLE JUNCTION (SMJ)



TBWM1252E

DTC P2138 APP SENSOR

Specification data are reference values and are measured between each terminal and ground.

CAUTION:

Do not use ECM ground terminals when measuring input/output voltage. Doing so may result in damage to the ECM's transistor. Use a ground other than ECM terminals, such as the ground.

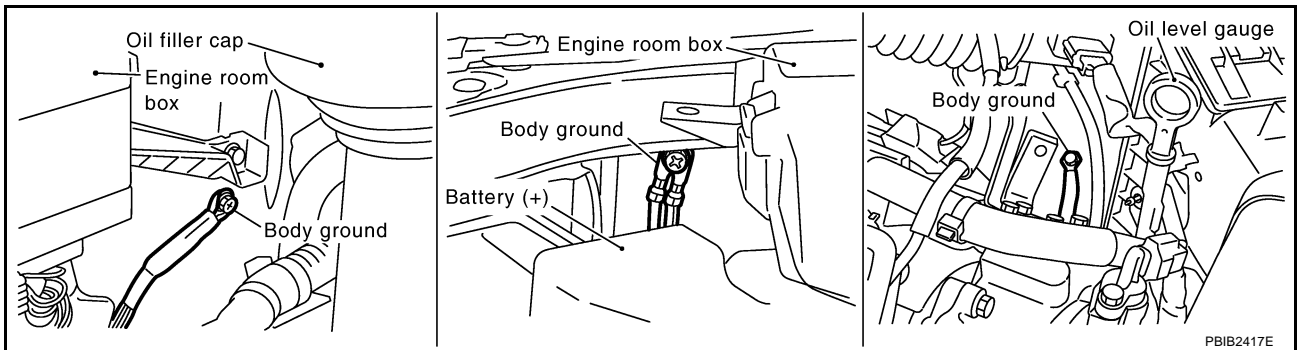
TER-MINAL NO.	WIRE COLOR	ITEM	CONDITION	DATA (DC Voltage)
47	L/W	Sensor power supply (Throttle position sensor)	[Ignition switch: ON]	Approximately 5V
82	L	Sensor ground (APP sensor 1)	[Engine is running] ● Warm-up condition ● Idle speed	Approximately 0V
83	L	Sensor ground (APP sensor 2)	[Engine is running] ● Warm-up condition ● Idle speed	Approximately 0V
90	R	Sensor power supply (APP sensor 1)	[Ignition switch: ON]	Approximately 5V
91	B	Sensor power supply (APP sensor 2)	[Ignition switch: ON]	Approximately 5V
98	R	Accelerator pedal position sensor 2	[Ignition switch: ON] ● Engine stopped ● Accelerator pedal: Fully released	0.15 - 0.60V
			[Ignition switch: ON] ● Engine stopped ● Accelerator pedal: Fully depressed	1.95 - 2.40V
106	W	Accelerator pedal position sensor 1	[Ignition switch: ON] ● Engine stopped ● Accelerator pedal: Fully released	0.5 - 1.0V
			[Ignition switch: ON] ● Engine stopped ● Accelerator pedal: Fully depressed	3.9 - 4.7V

Diagnostic Procedure

NBS0026Q

1. CHECK GROUND CONNECTIONS

1. Turn ignition switch OFF.
2. Loosen and retighten three ground screws on the body.
Refer to [EC-154, "Ground Inspection"](#).



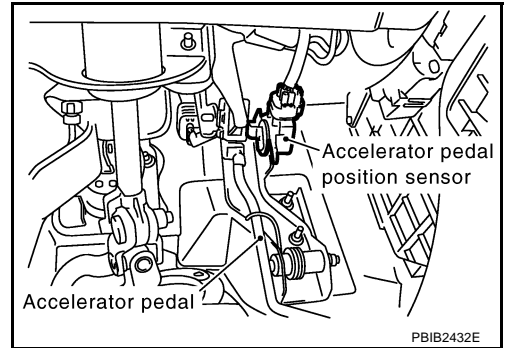
OK or NG

- OK >> GO TO 2.
- NG >> Repair or replace ground connections.

DTC P2138 APP SENSOR

2. CHECK APP SENSOR 1 POWER SUPPLY CIRCUIT

1. Disconnect accelerator pedal position (APP) sensor harness connector.
2. Turn ignition switch ON.

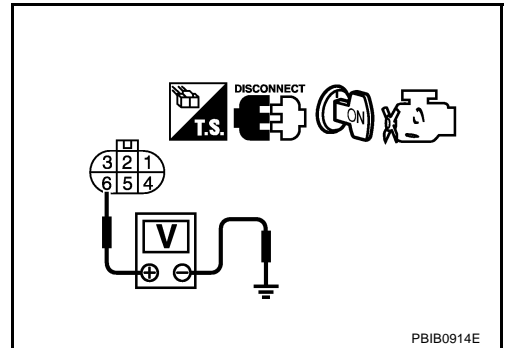


3. Check voltage between APP sensor terminal 6 and ground with CONSULT-II or tester.

Voltage: Approximately 5V

OK or NG

- OK >> GO TO 4.
NG >> GO TO 3.



3. DETECT MALFUNCTIONING PART

Check the following.

- Harness connectors M135, F105
- Harness for open or short between ECM and accelerator pedal position sensor

>> Repair open circuit or short to ground or short to power in harness or connectors.

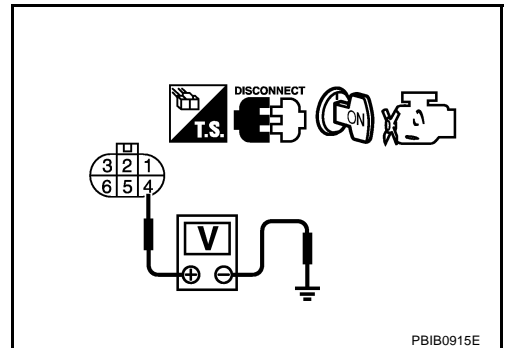
4. CHECK APP SENSOR 2 POWER SUPPLY CIRCUIT-I

1. Turn ignition switch ON.
2. Check voltage between APP sensor terminal 4 and ground with CONSULT-II or tester.

Voltage: Approximately 5V

OK or NG

- OK >> GO TO 10.
NG >> GO TO 5.



DTC P2138 APP SENSOR

5. CHECK APP SENSOR 2 POWER SUPPLY CIRCUIT-II

1. Turn ignition switch OFF.
2. Disconnect ECM harness connector.
3. Check harness continuity between APP sensor terminal 4 and ECM terminal 91.
Refer to Wiring Diagram.

Continuity should exist.

OK or NG

- OK >> GO TO 7.
NG >> GO TO 6.

6. DETECT MALFUNCTIONING PART

Check the following.

- Harness connectors M135, F105
- Harness for open or short between ECM and accelerator pedal position sensor

>> Repair or replace open circuit.

7. CHECK APP SENSOR 2 POWER SUPPLY CIRCUIT-III

Check harness for short to power and short to ground, between the following terminals.

ECM terminal	Sensor terminal	Reference Wiring Diagram
91	APP sensor terminal 4	EC-670
47	Electric throttle control actuator terminal 1	EC-663

OK or NG

- OK >> GO TO 8.
NG >> Repair short to ground or short to power in harness or connectors.

8. CHECK THROTTLE POSITION SENSOR

Refer to [EC-667, "Component Inspection"](#) .

OK or NG

- OK >> GO TO 16.
NG >> GO TO 9.

9. REPLACE ELECTRIC THROTTLE CONTROL ACTUATOR

1. Replace the electric throttle control actuator.
2. Perform [EC-78, "Throttle Valve Closed Position Learning"](#) .
3. Perform [EC-78, "Idle Air Volume Learning"](#) .

>> **INSPECTION END**

DTC P2138 APP SENSOR

10. CHECK APP SENSOR GROUND CIRCUIT FOR OPEN AND SHORT

1. Turn ignition switch OFF.
2. Disconnect ECM harness connector.
3. Check harness continuity between APP sensor terminal 3 and ECM terminal 82, APP sensor terminal 1 and ECM terminal 83.
Refer to Wiring Diagram.

Continuity should exist.

4. Also check harness for short to ground and short to power.

OK or NG

OK >> GO TO 12.

NG >> GO TO 11.

11. DETECT MALFUNCTIONING PART

Check the following.

- Harness connectors M135, F105
- Harness for open or short between ECM and accelerator pedal position sensor

>> Repair open circuit or short to ground or short to power in harness or connectors.

12. CHECK APP SENSOR INPUT SIGNAL CIRCUIT FOR OPEN AND SHORT

1. Check harness continuity between ECM terminal 106 and APP sensor terminal 5, ECM terminal 98 and APP sensor terminal 2.
Refer to Wiring Diagram.

Continuity should exist.

2. Also check harness for short to ground and short to power.

OK or NG

OK >> GO TO 14.

NG >> GO TO 13.

13. DETECT MALFUNCTIONING PART

Check the following.

- Harness connectors M135, F105
- Harness for open or short between ECM and accelerator pedal position sensor

>> Repair open circuit or short to ground or short to power in harness or connectors.

14. CHECK APP SENSOR

Refer to [EC-675, "Component Inspection"](#) .

OK or NG

OK >> GO TO 16.

NG >> GO TO 15.

DTC P2138 APP SENSOR

15. REPLACE ACCELERATOR PEDAL ASSEMBLY

1. Replace accelerator pedal assembly.
2. Perform [EC-77, "Accelerator Pedal Released Position Learning"](#) .
3. Perform [EC-78, "Throttle Valve Closed Position Learning"](#) .
4. Perform [EC-78, "Idle Air Volume Learning"](#) .

>> INSPECTION END

16. CHECK INTERMITTENT INCIDENT

Refer to [EC-145, "TROUBLE DIAGNOSIS FOR INTERMITTENT INCIDENT"](#) .

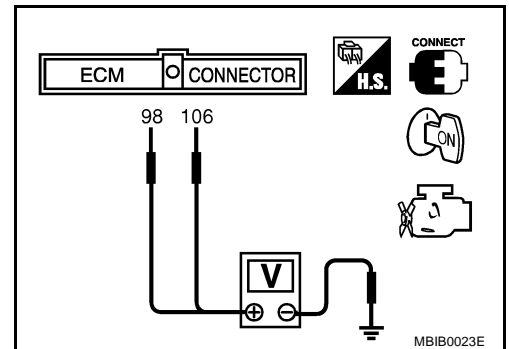
>> INSPECTION END

Component Inspection ACCELERATOR PEDAL POSITION SENSOR

NBS0026R

1. Reconnect all harness connectors disconnected.
2. Turn ignition switch ON.
3. Check voltage between ECM terminals 106 (APP sensor 1 signal), 98 (APP sensor 2 signal) and ground under the following conditions.

Terminal	Accelerator pedal	Voltage
106 (Accelerator pedal position sensor 1)	Fully released	0.5 - 1.0V
	Fully depressed	3.9 - 4.7V
98 (Accelerator pedal position sensor 2)	Fully released	0.15 - 0.60V
	Fully depressed	1.95 - 2.40V



4. If NG, replace accelerator pedal assembly and go to next step.
5. Perform [EC-77, "Accelerator Pedal Released Position Learning"](#) .
6. Perform [EC-78, "Throttle Valve Closed Position Learning"](#) .
7. Perform [EC-78, "Idle Air Volume Learning"](#) .

Removal and Installation ACCELERATOR PEDAL

NBS0026S

Refer to [ACC-3, "ACCELERATOR CONTROL SYSTEM"](#) .

DTC P2A00, P2A03 A/F SENSOR 1

PFP:22693

DTC P2A00, P2A03 A/F SENSOR 1

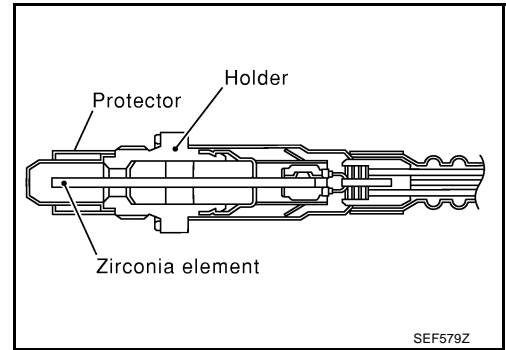
Component Description

NBS002Y2

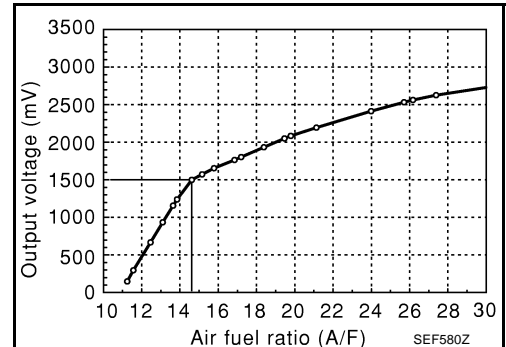
The air fuel ratio (A/F) sensor 1 is a planar dual-cell limit current sensor. The sensor element of the A/F sensor 1 is the combination of a Nernst concentration cell (sensor cell) with an oxygen-pump cell, which transports ions. It has a heater in the element.

The sensor is capable of precise measurement $\lambda = 1$, but also in the lean and rich range. Together with its control electronics, the sensor outputs a clear, continuous signal throughout a wide λ range ($0.7 < \lambda < \text{air}$).

The exhaust gas components diffuse through the diffusion gap at the electrode of the oxygen pump and Nernst concentration cell, where they are brought to thermodynamic balance.



An electronic circuit controls the pump current through the oxygen-pump cell so that the composition of the exhaust gas in the diffusion gap remains constant at $\lambda = 1$. Therefore, the A/F sensor 1 is able to indicate air/fuel ratio by this pumping of current. In addition, a heater is integrated in the sensor to ensure the required operating temperature of 700 - 800°C (1,292 - 1,472°F).



CONSULT-II Reference Value in Data Monitor Mode

NBS002Y3

Specification data are reference values.

MONITOR ITEM	CONDITION		SPECIFICATION
A/F SEN1 (B1) A/F SEN1 (B2)	● Engine: After warming up	Maintaining engine speed at 2,000 rpm	Fluctuates around 1.5 V

On Board Diagnosis Logic

NBS002Y4

To judge the malfunction, the A/F signal computed by ECM from the A/F sensor 1 signal is monitored not to be shifted to LEAN side or RICH side.

DTC No.	Trouble diagnosis name	DTC detecting condition	Possible Cause
P2A00 2A00 (Bank 1)	Air fuel ratio (A/F) sensor 1 circuit range/performance	● The output voltage computed by ECM from the A/F sensor 1 signal is shifted to the lean side for a specified period.	● A/F sensor 1 ● A/F sensor 1 heater ● Fuel pressure ● Fuel injector
P2A03 2A03 (Bank 2)		● The A/F signal computed by ECM from the A/F sensor 1 signal is shifted to the rich side for a specified period.	● Intake air leaks

DTC Confirmation Procedure

NBS002Y5

NOTE:

If DTC Confirmation Procedure has been previously conducted, always turn ignition switch OFF and wait at least 10 seconds before conducting the next test.

TESTING CONDITION:

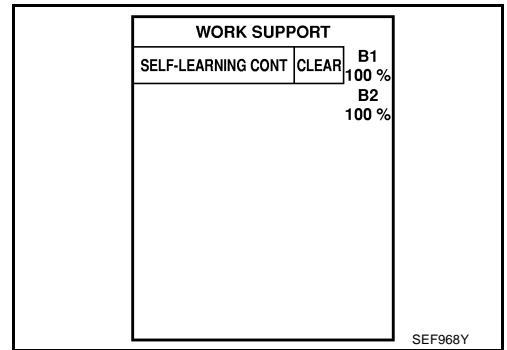
Before performing the following procedure, confirm that battery voltage is more than 11V at idle.

Ⓟ WITH CONSULT-II

1. Start engine and warm it up to normal operating temperature.
2. Turn ignition switch OFF and wait at least 10 seconds.
3. Turn ignition switch ON and select "SELF-LEARNING CONT" in "WORK SUPPORT" mode with CONSULT-II.

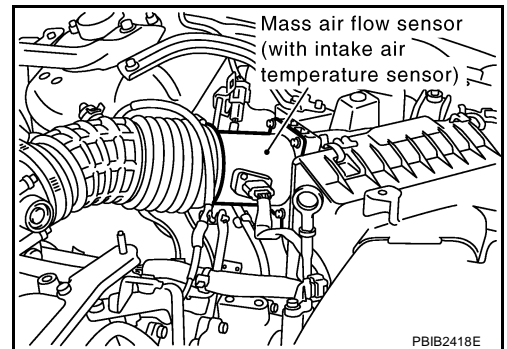
DTC P2A00, P2A03 A/F SENSOR 1

4. Clear the self-learning coefficient by touching "CLEAR".
5. Turn ignition switch OFF and wait at least 10 seconds.
6. Start engine and keep the engine speed between 3,500 and 4,000 rpm for 1 minute under no load.
7. Let engine idle for 1 minute.
8. Keep engine speed between 2,500 and 3,000 rpm for 20 minutes.
9. If 1st trip DTC is detected, go to [EC-681, "Diagnostic Procedure"](#).



WITH GST

1. Start engine and warm it up to normal operating temperature.
2. Turn ignition switch OFF and wait at least 10 seconds.
3. Disconnect mass air flow sensor harness connector.
4. Start engine and let it idle for at least 5 seconds.
5. Stop engine and reconnect mass air flow sensor harness connector.
6. Select Service \$03 with GST and make sure that DTC P0102 is detected.
7. Select Service \$04 with GST and erase the DTC P0102.
8. Start engine and keep the engine speed between 3,500 and 4,000 rpm for 1 minute under no load.
9. Let engine idle for 1 minute.
10. Keep engine speed between 2,500 and 3,000 rpm for 20 minutes.
11. Select Service \$07 with GST.
If 1st trip DTC is detected, go to [EC-681, "Diagnostic Procedure"](#).



A
EC
C
D
E
F
G
H
I
J
K
L
M

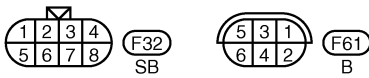
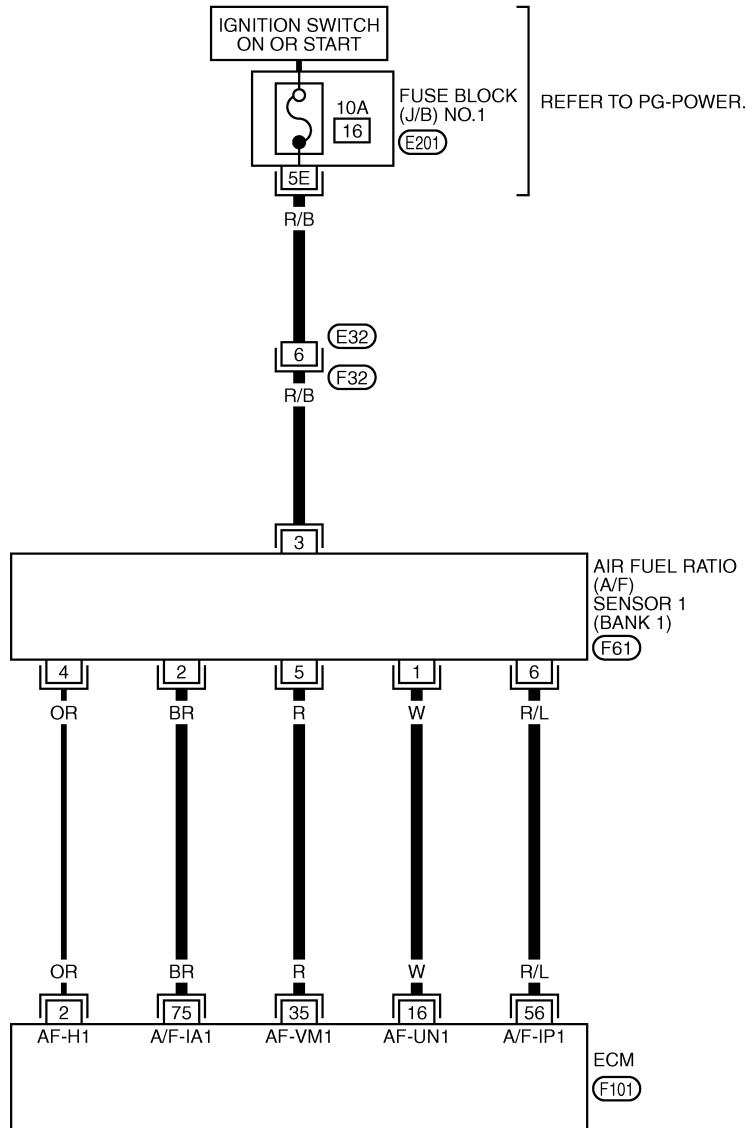
DTC P2A00, P2A03 A/F SENSOR 1

NBS002Y6

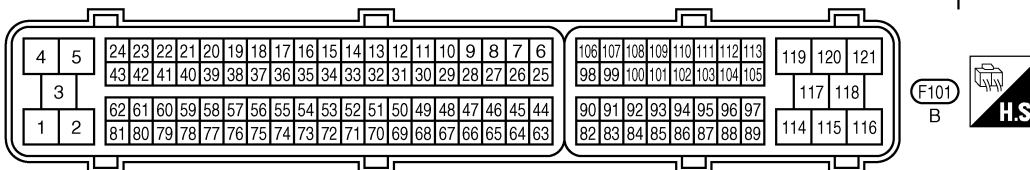
Wiring Diagram BANK 1

EC-AF1B1-01

— : DETECTABLE LINE FOR DTC
 — : NON-DETECTABLE LINE FOR DTC



REFER TO THE FOLLOWING.
 (E201) - FUSE BLOCK-JUNCTION BOX (J/B) NO.1



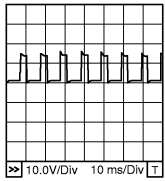
TBWM1224E

DTC P2A00, P2A03 A/F SENSOR 1

Specification data are reference values and are measured between each terminal and ground.
Pulse signal is measured by CONSULT-II.

CAUTION:

Do not use ECM ground terminals when measuring input/output voltage. Doing so may result in damage to the ECM's transistor. Use a ground other than ECM terminals, such as the ground.

TER-MINAL NO.	WIRE COLOR	ITEM	CONDITION	DATA (DC Voltage)
2	OR	A/F sensor 1 heater (bank 1)	[Engine is running] <ul style="list-style-type: none"> ● Warm-up condition ● Idle speed 	Approximately 5V★ 
16	W	A/F sensor 1 (bank 1)	[Engine is running] <ul style="list-style-type: none"> ● Warm-up condition ● Idle speed 	Approximately 3.1V
35	R			Approximately 2.6V
56	R/L			Approximately 2.3V
75	BR			Approximately 2.3V

★: Average voltage for pulse signal (Actual pulse signal can be confirmed by oscilloscope.)

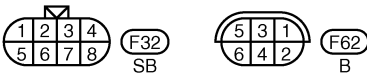
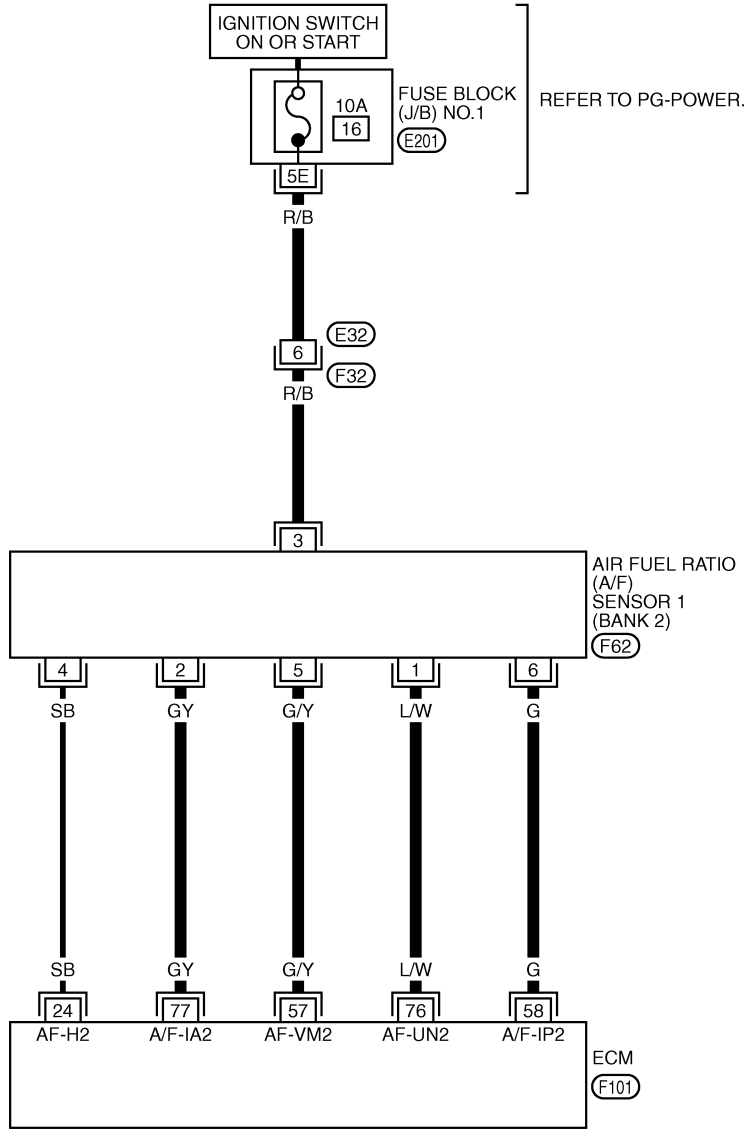
A
EC
C
D
E
F
G
H
I
J
K
L
M

DTC P2A00, P2A03 A/F SENSOR 1

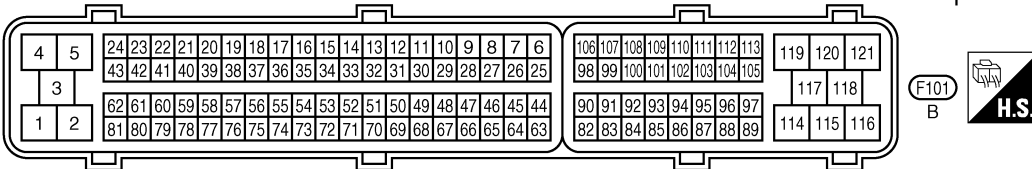
BANK 2

EC-AF1B2-01

: DETECTABLE LINE FOR DTC
 : NON-DETECTABLE LINE FOR DTC



REFER TO THE FOLLOWING.
 (E201) - FUSE BLOCK-JUNCTION BOX (J/B) NO.1



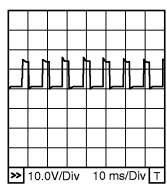
TBWM1225E

DTC P2A00, P2A03 A/F SENSOR 1

Specification data are reference values and are measured between each terminal and ground.
Pulse signal is measured by CONSULT-II.

CAUTION:

Do not use ECM ground terminals when measuring input/output voltage. Doing so may result in damage to the ECM's transistor. Use a ground other than ECM terminals, such as the ground.

TER-MINAL NO.	WIRE COLOR	ITEM	CONDITION	DATA (DC Voltage)
24	SB	A/F sensor 1 heater (bank 2)	[Engine is running] ● Warm-up condition ● Idle speed	Approximately 5V★ 
57	G/Y	A/F sensor 1 (bank 2)	[Engine is running] ● Warm-up condition ● Idle speed	Approximately 2.6V
58	G			Approximately 2.3V
76	L/W			Approximately 3.1V
77	GY			Approximately 2.3V

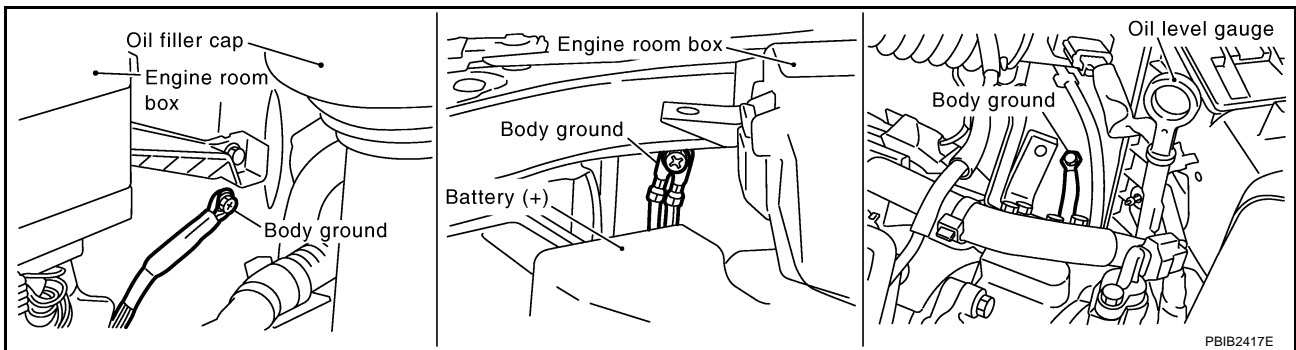
★: Average voltage for pulse signal (Actual pulse signal can be confirmed by oscilloscope.)

Diagnostic Procedure

NBS002Y7

1. CHECK GROUND CONNECTIONS

1. Turn ignition switch OFF.
2. Loosen and retighten three ground screws on the body.
Refer to [EC-154, "Ground Inspection"](#).



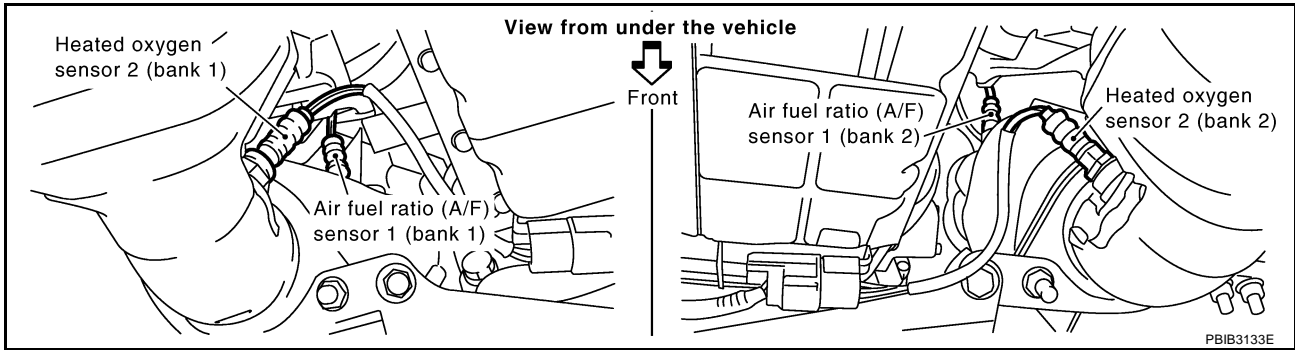
OK or NG

- OK >> GO TO 2.
- NG >> Repair or replace ground connections.

DTC P2A00, P2A03 A/F SENSOR 1

2. RETIGHTEN AIR FUEL RATIO (A/F) SENSOR 1

1. Loosen and retighten the air fuel ratio (A/F) sensor 1.



Tightening torque: 50 N-m (5.1 kg-m, 37 ft-lb)

>> GO TO 3.

3. CHECK FOR INTAKE AIR LEAK

1. Start engine and run it at idle.
2. Listen for an intake air leak after the mass air flow sensor.

OK or NG

- OK >> GO TO 4.
NG >> Repair or replace.

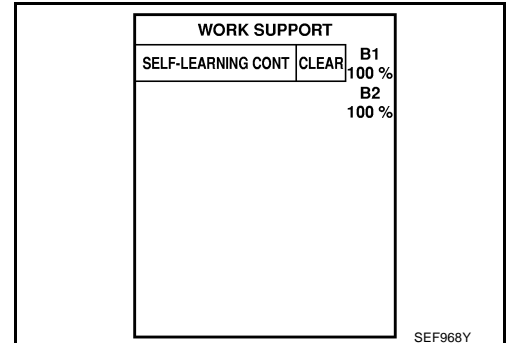
DTC P2A00, P2A03 A/F SENSOR 1

4. CLEAR THE SELF-LEARNING DATA

With CONSULT-II

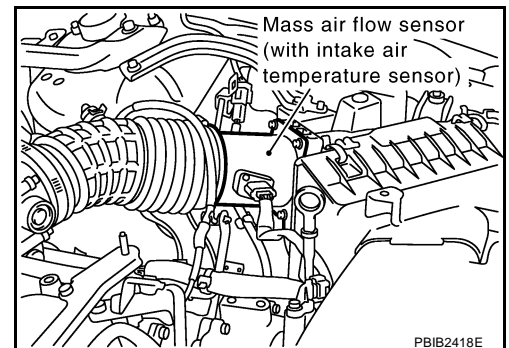
1. Start engine and warm it up to normal operating temperature.
2. Select "SELF-LEARNING CONT" in "WORK SUPPORT" mode with CONSULT-II.
3. Clear the self-learning control coefficient by touching "CLEAR".
4. Run engine for at least 10 minutes at idle speed.

**Is the 1st trip DTC P0171, P0172, P0174 or P0175 detected?
Is it difficult to start engine?**



Without CONSULT-II

1. Start engine and warm it up to normal operating temperature.
 2. Turn ignition switch OFF.
 3. Disconnect mass air flow sensor harness connector.
 4. Restart engine and let it idle for at least 5 seconds.
 5. Stop engine and reconnect mass air flow sensor harness connector.
 6. Make sure DTC P0102 is displayed.
 7. Erase the DTC memory. Refer to [EC-61, "HOW TO ERASE EMISSION-RELATED DIAGNOSTIC INFORMATION"](#).
 8. Make sure DTC P0000 is displayed.
 9. Run engine for at least 10 minutes at idle speed.
- Is the 1st trip DTC P0171, P0172, P0174 or P0175 detected?
Is it difficult to start engine?**



Yes or No

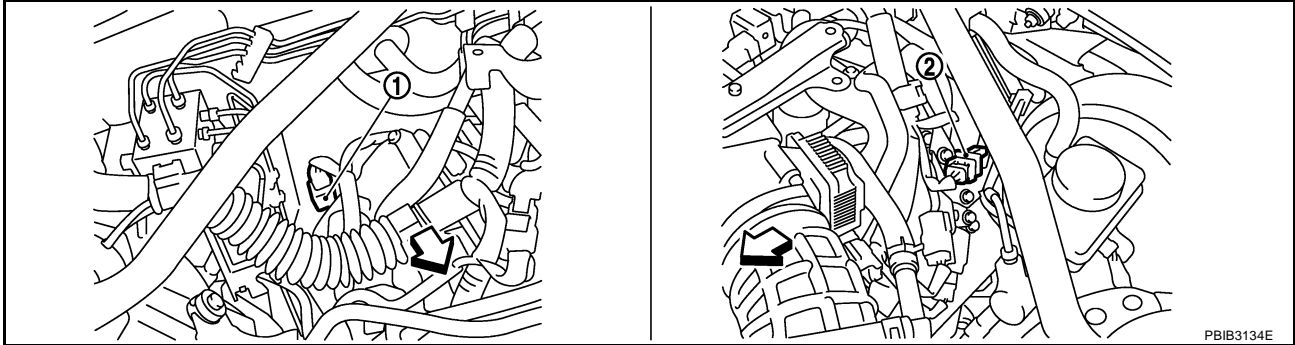
Yes >> Perform trouble diagnosis for DTC P0171, P0174 or P0172, P0175. Refer to [EC-316, "DTC P0171, P0174 FUEL INJECTION SYSTEM FUNCTION"](#) or [EC-328, "DTC P0172, P0175 FUEL INJECTION SYSTEM FUNCTION"](#).

No >> GO TO 5.

DTC P2A00, P2A03 A/F SENSOR 1

5. CHECK HARNESS CONNECTOR

1. Turn ignition switch OFF.
2. Disconnect A/F sensor 1 harness connector.



↔ : Vehicle front

1. A/F sensor 1 (bank 2)
harness connector

2. A/F sensor 1 (bank 1)
harness connector

3. Check harness connector for water.

Water should not exit.

OK or NG

OK >> GO TO 6.

NG >> Repair or replace harness connector.

6. CHECK A/F SENSOR 1 POWER SUPPLY CIRCUIT

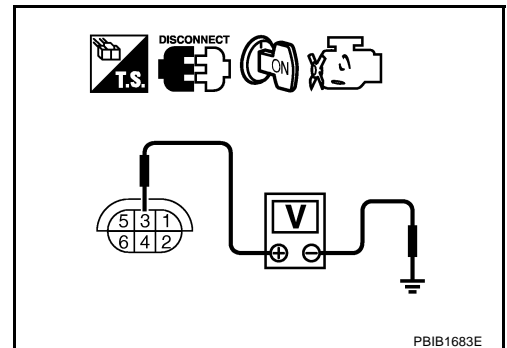
1. Turn ignition switch ON.
2. Check voltage between A/F sensor 1 terminal 3 and ground with CONSULT-II or tester.

Voltage: Battery voltage

OK or NG

OK >> GO TO 8.

NG >> GO TO 7.



7. DETECT MALFUNCTIONING PART

Check the following.

- Harness connectors E32, F32
- Fuse block (J/B) No.1 connector E201
- 10A fuse
- Harness for open or short between A/F sensor 1 and fuse

>> Repair or replace harness or connectors.

DTC P2A00, P2A03 A/F SENSOR 1

8. CHECK A/F SENSOR 1 INPUT SIGNAL CIRCUIT FOR OPEN AND SHORT

1. Turn ignition switch OFF.
2. Disconnect ECM harness connector.
3. Check harness continuity between A/F sensor 1 terminal and ECM terminal as follows.
Refer to Wiring Diagram.

	A/F sensor 1 terminal	ECM terminal
Bank1	1	16
	2	75
	5	35
	6	56
Bank 2	1	76
	2	77
	5	57
	6	58

Continuity should exist.

4. Check harness continuity between the following terminals and ground.
Refer to Wiring Diagram.

Bank 1		Bank 2	
A/F sensor 1 terminal	ECM terminal	A/F sensor 1 terminal	ECM terminal
1	16	1	76
2	75	2	77
5	35	5	57
6	56	6	58

Continuity should not exist.

5. Also check harness for short to power.

OK or NG

OK >> GO TO 9.

NG >> Repair open circuit or short to ground or short to power in harness or connectors.

9. CHECK A/F SENSOR 1 HEATER

Refer to [EC-179, "Component Inspection"](#) .

OK or NG

OK >> GO TO 10.

NG >> GO TO 11.

10. CHECK INTERMITTENT INCIDENT

Perform [EC-145, "TROUBLE DIAGNOSIS FOR INTERMITTENT INCIDENT"](#) .

OK or NG

OK >> GO TO 11.

NG >> Repair or replace.

DTC P2A00, P2A03 A/F SENSOR 1

11. REPLACE AIR FUEL RATIO (A/F) SENSOR 1

Replace air fuel ratio (A/F) sensor 1.

CAUTION:

- Discard any A/F sensor which has been dropped from a height of more than 0.5 m (19.7 in) onto a hard surface such as a concrete floor; use a new one.
- Before installing new A/F sensor, clean exhaust system threads using Oxygen Sensor Thread Cleaner tool J-43897-18 or J-43897-12 and approved anti-seize lubricant.

>> INSPECTION END

Removal and Installation AIR FUEL RATIO (A/F) SENSOR 1

NBS002Y8

Refer to [EM-23, "EXHAUST MANIFOLD AND THREE WAY CATALYST"](#) .

ASCD BRAKE SWITCH

ASCD BRAKE SWITCH

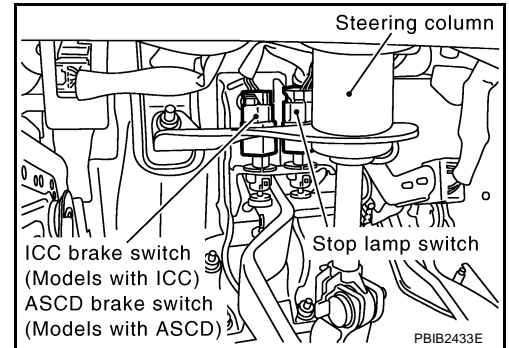
PFP:25320

Component Description

NBS0027S

When the brake pedal is depressed, ASCD brake switch is turned OFF and stop lamp switch is turned ON. ECM detects the state of the brake pedal by this input of two kinds (ON/OFF signal).

Refer to [EC-29, "AUTOMATIC SPEED CONTROL DEVICE \(ASCD\)"](#) for the ASCD function.



CONSULT-II Reference Value in Data Monitor Mode

NBS0027T

Specification data are reference values.

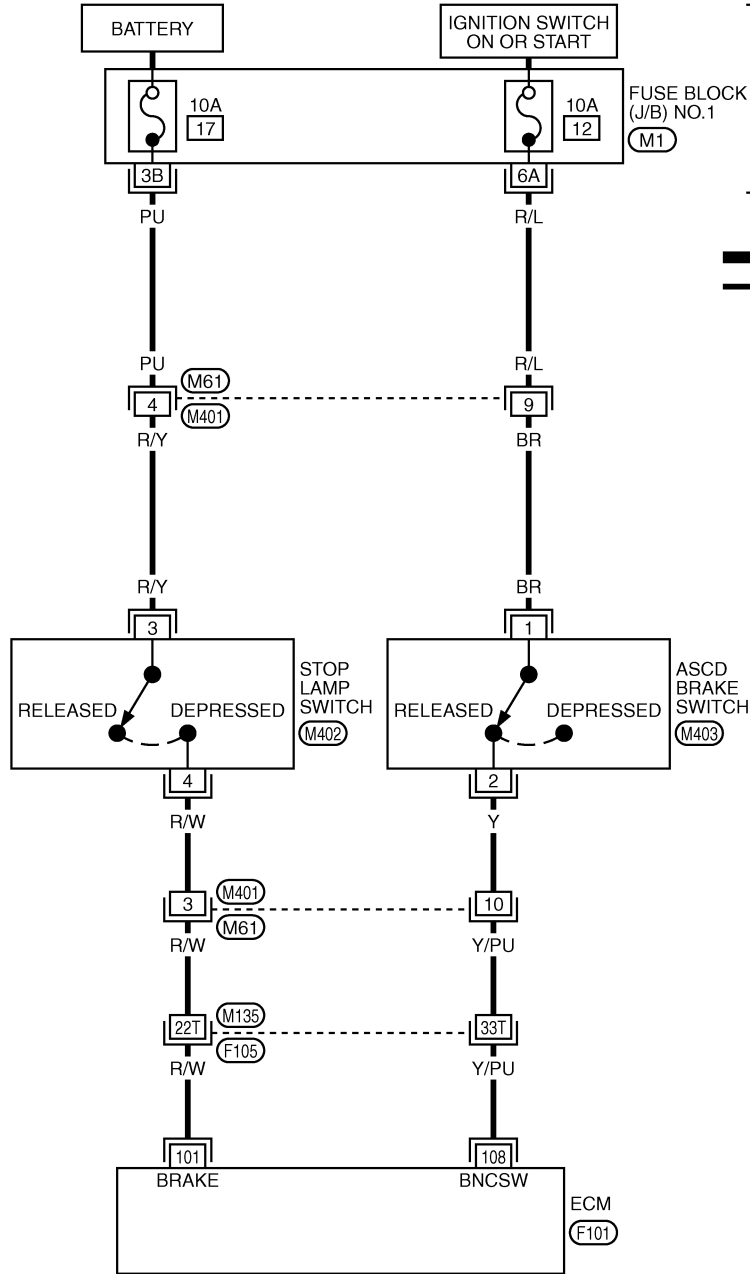
MONITOR ITEM	CONDITION		SPECIFICATION
BRAKE SW1 (ASCD brake switch)	● Ignition switch: ON	Brake pedal: Fully released	ON
		Brake pedal: Slightly depressed	OFF
BRAKE SW2 (stop lamp switch)	● Ignition switch: ON	Brake pedal: Fully released	OFF
		Brake pedal: Slightly depressed	ON

ASC D BRAKE SWITCH

NBS0027U

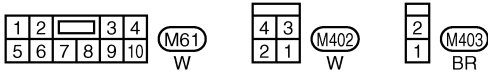
Wiring Diagram

EC-ASCBOF-01



REFER TO PG-POWER.

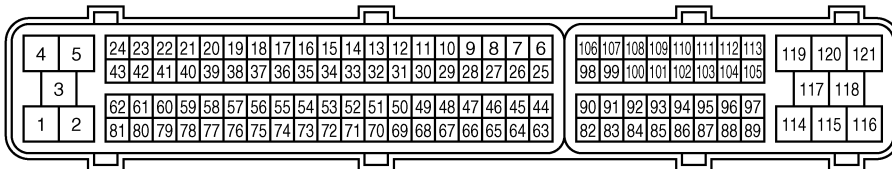
: DETECTABLE LINE FOR DTC
 : NON-DETECTABLE LINE FOR DTC



REFER TO THE FOLLOWING.

(F105) -SUPER MULTIPLE JUNCTION (SMJ)

(M1) -FUSE BLOCK-JUNCTION BOX (J/B) NO.1



TBWM1260E

ASCD BRAKE SWITCH

Specification data are reference values and are measured between each terminal and ground.

CAUTION:

Do not use ECM ground terminals when measuring input/output voltage. Doing so may result in damage to the ECM's transistor. Use a ground other than ECM terminals, such as the ground.

TER-MINAL NO.	WIRE COLOR	ITEM	CONDITION	DATA (DC Voltage)
101	R/W	Stop lamp switch	[Ignition switch: OFF] ● Brake pedal: Fully released	Approximately 0V
			[Ignition switch: OFF] ● Brake pedal: Slightly depressed	BATTERY VOLTAGE (11 - 14V)
108	Y/PU	ASCD brake switch	[Ignition switch: ON] ● Brake pedal: Slightly depressed	Approximately 0V
			[Ignition switch: ON] ● Brake pedal: Fully released	BATTERY VOLTAGE (11 - 14V)

Diagnostic Procedure

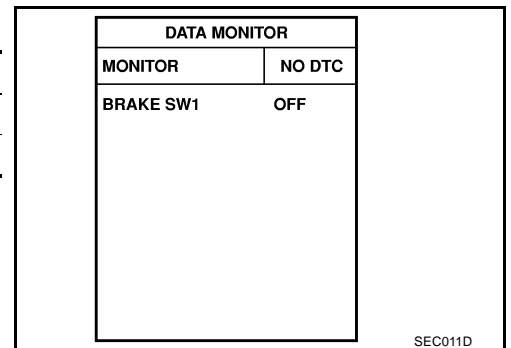
NBS0027V

1. CHECK OVERALL FUNCTION-I

With CONSULT-II

1. Turn ignition switch ON.
2. Select "BRAKE SW1" in "DATA MONITOR" mode with CONSULT-II.
3. Check "BRAKE SW1" indication under the following conditions.

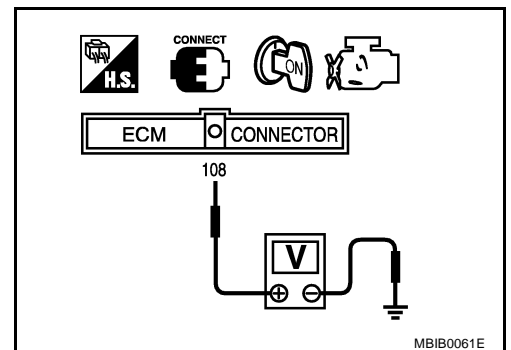
CONDITION	INDICATION
When brake pedal: Slightly depressed	OFF
When brake pedal: Fully released	ON



Without CONSULT-II

1. Turn ignition switch ON.
2. Check voltage between ECM terminal 108 and ground under the following conditions.

CONDITION	VOLTAGE
When brake pedal: Slightly depressed	Approximately 0V
When brake pedal: Fully released	Battery voltage



OK or NG

- OK >> GO TO 2.
 NG >> GO TO 3.

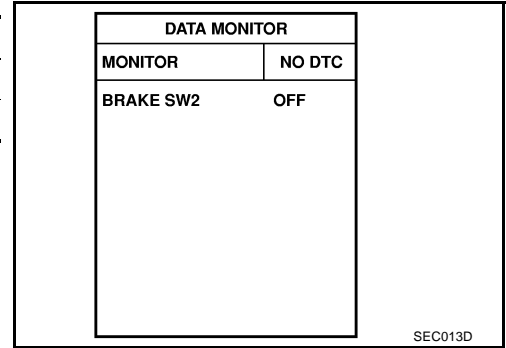
ASCD BRAKE SWITCH

2. CHECK OVERALL FUNCTION-II

④ With CONSULT-II

Check "BRAKE SW2" indication in "DATA MONITOR" mode.

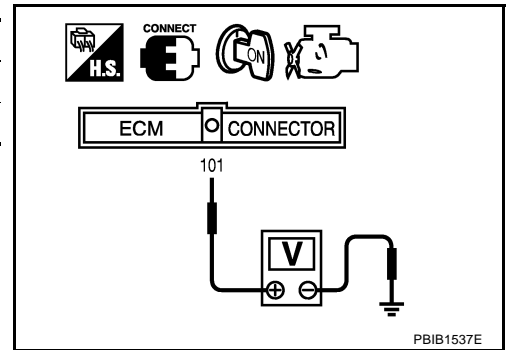
CONDITION	INDICATION
When brake pedal: Fully released	OFF
When brake pedal: Slightly depressed	ON



⊗ Without CONSULT-II

Check voltage between ECM terminal 101 and ground under the following conditions.

CONDITION	VOLTAGE
When brake pedal: Fully released	Approximately 0V
When brake pedal: Slightly depressed	Battery voltage



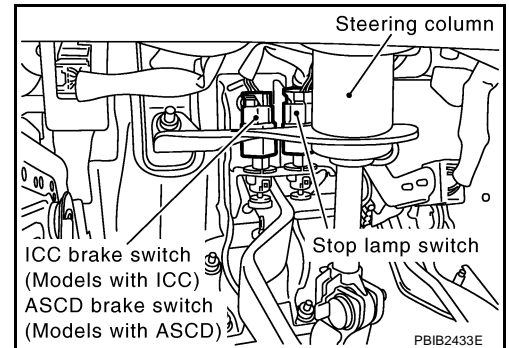
OK or NG

- OK >> **INSPECTION END**
- NG >> GO TO 8.

ASCD BRAKE SWITCH

3. CHECK ASCD BRAKE SWITCH POWER SUPPLY CIRCUIT

1. Turn ignition switch OFF.
2. Disconnect ASCD brake switch harness connector.
3. Turn ignition switch ON.

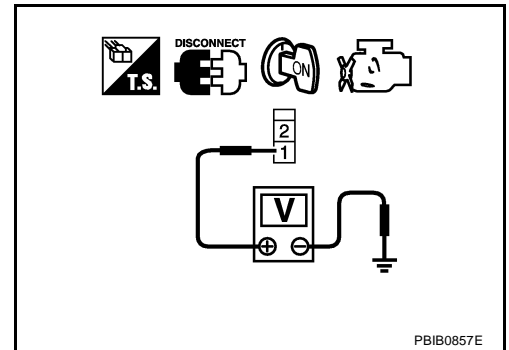


4. Check voltage between ASCD brake switch terminal 1 and ground with CONSULT-II or tester.

Voltage: Battery voltage

OK or NG

- OK >> GO TO 5.
- NG >> GO TO 4.



4. DETECT MALFUNCTIONING PART

Check the following.

- Fuse block (J/B) No. 1 connector M1
- 10A fuse
- Harness connectors M61, M401
- Harness for open or short between ASCD brake switch and fuse

>> Repair open circuit or short to ground or short to power in harness or connectors.

5. CHECK ASCD BRAKE SWITCH INPUT SIGNAL CIRCUIT FOR OPEN AND SHORT

1. Turn ignition switch OFF.
2. Disconnect ECM harness connector.
3. Check harness continuity between ECM terminal 108 and ASCD brake switch terminal 2. Refer to Wiring Diagram.

Continuity should exist.

4. Also check harness for short to ground or short to power.

OK or NG

- OK >> GO TO 7.
- NG >> GO TO 6.

ASCD BRAKE SWITCH

6. DETECT MALFUNCTIONING PART

Check the following.

- Harness connectors M401, M61
- Harness connectors M135, F105
- Harness for open or short between ECM and ASCD brake switch

>> Repair open circuit or short to ground or short to power in harness or connectors.

7. CHECK ASCD BRAKE SWITCH

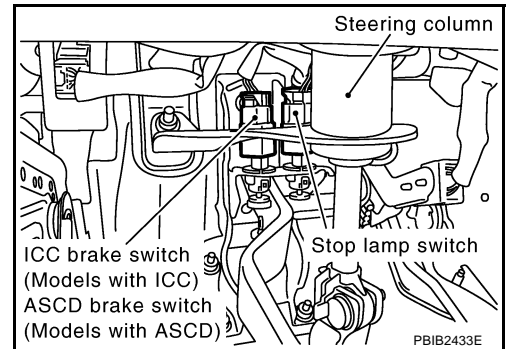
Refer to [EC-611, "Component Inspection"](#)

OK or NG

- OK >> GO TO 13.
NG >> Replace ASCD brake switch.

8. CHECK STOP LAMP SWITCH POWER SUPPLY CIRCUIT

1. Turn ignition switch OFF.
2. Disconnect stop lamp switch harness connector.

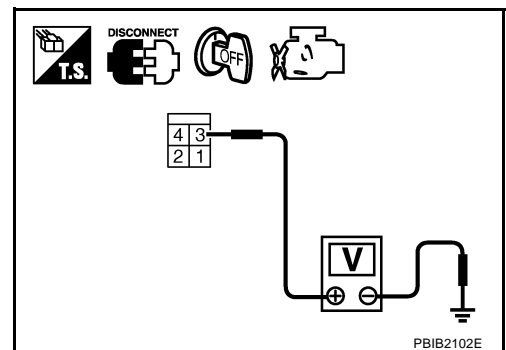


3. Check voltage between stop lamp switch terminal 3 and ground with CONSULT -II or tester.

Voltage: Battery voltage

OK or NG

- OK >> GO TO 10.
NG >> GO TO 9.



9. DETECT MALFUNCTIONING PART

Check the following.

- Fuse block (J/B) No. 1 connector M1
- 10A fuse
- Harness connectors M61, M401
- Harness for open or short between stop lamp switch and battery

>> Repair open circuit or short to ground or short to power in harness or connectors.

ASCD BRAKE SWITCH

10. CHECK STOP LAMP SWITCH INPUT SIGNAL CIRCUIT FOR OPEN AND SHORT

1. Disconnect ECM harness connector.
2. Check harness continuity between ECM terminal 101 and stop lamp switch terminal 4. Refer to Wiring Diagram.

Continuity should exist.

3. Also check harness for short to ground and short to power.

OK or NG

- OK >> GO TO 12.
- NG >> GO TO 11.

11. DETECT MALFUNCTIONING PART

Check the following.

- Harness connectors M401, M61
- Harness connectors M135, F105
- Harness for open or short between ECM and stop lamp switch

>> Repair open circuit or short to ground or short to power in harness or connectors.

12. CHECK STOP LAMP SWITCH

Refer to [EC-611, "Component Inspection"](#)

OK or NG

- OK >> GO TO 13.
- NG >> Replace stop lamp switch.

13. CHECK INTERMITTENT INCIDENT

Refer to [EC-145, "TROUBLE DIAGNOSIS FOR INTERMITTENT INCIDENT"](#) .

>> **INSPECTION END**

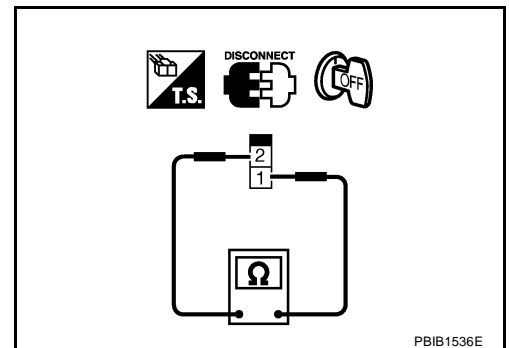
Component Inspection ASCD BRAKE SWITCH

NBS0027W

1. Turn ignition switch OFF.
2. Disconnect ASCD brake switch harness connector.
3. Check continuity between ASCD brake switch terminals 1 and 2 under the following conditions.

Condition	Continuity
When brake pedal: Fully released.	Should exist.
When brake pedal: Slightly depressed.	Should not exist.

If NG, adjust ASCD brake switch installation, refer to [BR-6, "BRAKE PEDAL"](#) , and perform step 3 again.



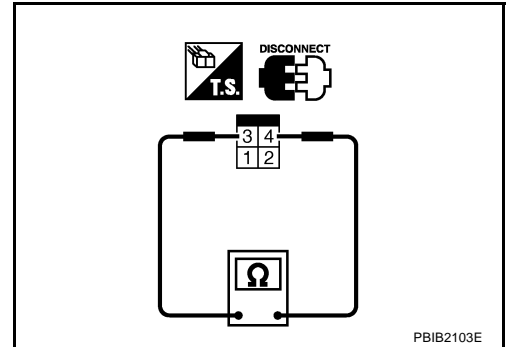
ASCD BRAKE SWITCH

STOP LAMP SWITCH

1. Turn ignition switch OFF.
2. Disconnect stop lamp switch harness connector.
3. Check continuity between stop lamp switch terminals 3 and 4 under the following conditions.

Condition	Continuity
When brake pedal: Fully released.	Should not exist.
When brake pedal: Slightly depressed.	Should exist.

If NG, adjust stop lamp switch installation, refer to [BR-6](#), "[BRAKE PEDAL](#)", and perform step 3 again.



ASCD INDICATOR

ASCD INDICATOR

PFP:24814

Component Description

NBS0027X

ASCD indicator lamp illuminates to indicate ASCD operation status. Lamp has two indicators, CRUISE and SET, and is integrated in combination meter.

CRUISE lamp illuminates when MAIN switch on ASCD steering switch is turned ON to indicated that ASCD system is ready for operation.

SET lamp illuminates when following conditions are met.

- CRUISE lamp is illuminated.
- SET/COAST switch on ASCD steering switch is turned ON while vehicle speed is within the range of ASCD setting.

SET lamp remains lit during ASCD control.

Refer to [EC-29, "AUTOMATIC SPEED CONTROL DEVICE \(ASCD\)"](#) for the ASCD function.

CONSULT-II Reference Value in Data Monitor Mode

NBS0027Y

Specification data are reference value.

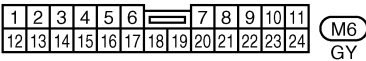
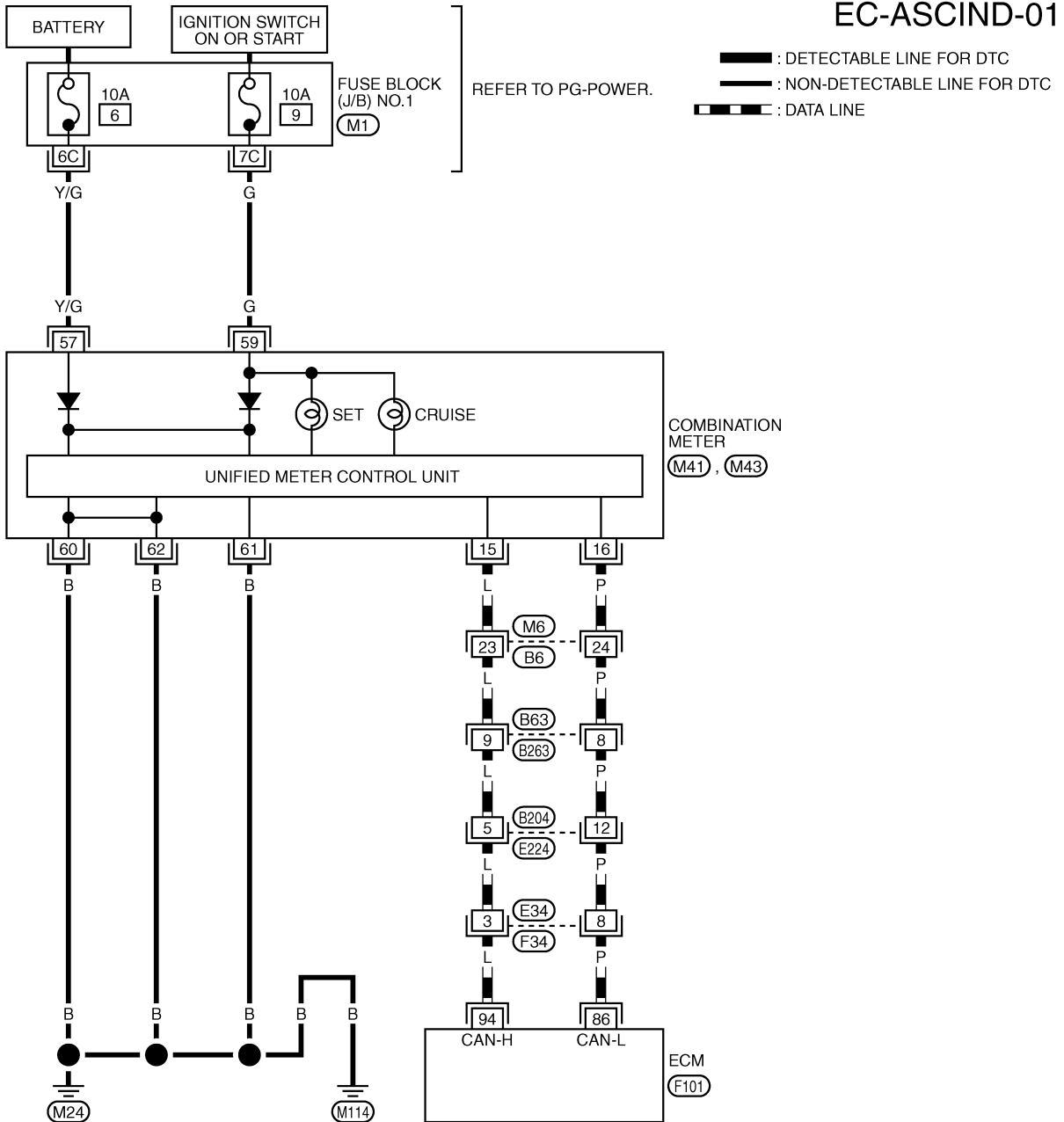
MONITOR ITEM	CONDITION		SPECIFICATION
CRUISE LAMP	● Ignition switch: ON	MAIN switch: Pressed at the 1st time → at the 2nd time	ON → OFF
SET LAMP	● MAIN switch: ON ● When vehicle speed is between 40 km/h (25 MPH) and 144 km/h (89 MPH)	ASCD: Operating	ON
		ASCD: Not operating	OFF

ASC D INDICATOR

NBS0027Z

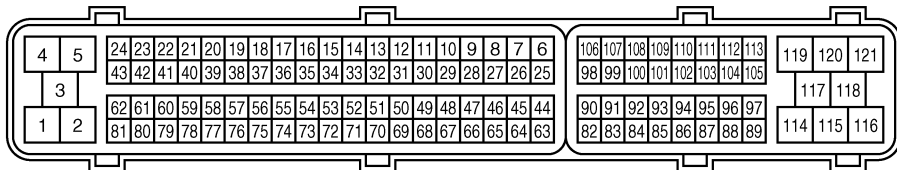
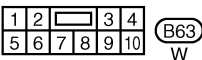
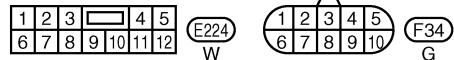
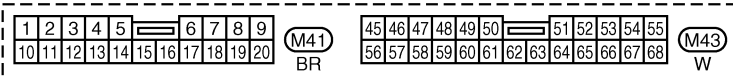
Wiring Diagram

EC-ASCIND-01



REFER TO THE FOLLOWING.

M1 - FUSE BLOCK-JUNCTION BOX (J/B) NO.1



TBWM0591E

ASCD INDICATOR

Diagnostic Procedure

NBS00280

1. CHECK OVERALL FUNCTION

Check ASCD indicator under the following conditions.

ASCD INDICATOR	CONDITION		SPECIFICATION
CRUISE LAMP	● Ignition switch: ON	MAIN switch: Pressed at the 1st time → at the 2nd time	ON → OFF
SET LAMP	● MAIN switch: ON	ASCD: Operating	ON
	● When vehicle speed is between 40 km/h (25 MPH) and 144 km/h (89 MPH)	ASCD: Not operating	OFF

OK or NG

OK >> **INSPECTION END**

NG >> GO TO 2.

2. CHECK DTC

Check that DTC U1000 or U1001 is not displayed.

OK or NG

OK >> GO TO 3.

NG >> Perform trouble diagnosis for DTC U1000, U1001. Refer to [EC-156, "DTC U1000, U1001 CAN COMMUNICATION LINE"](#) .

3. CHECK COMBINATION METER OPERATION

Does combination meter operate normally?

Yes or No

Yes >> GO TO 4.

No >> Check combination meter circuit. Refer to [DI-7, "COMBINATION METERS"](#) .

4. CHECK INTERMITTENT INCIDENT

Refer to [EC-145, "TROUBLE DIAGNOSIS FOR INTERMITTENT INCIDENT"](#) .

>> **INSPECTION END**

ELECTRICAL LOAD SIGNAL

ELECTRICAL LOAD SIGNAL

PFP:25350

CONSULT-II Reference Value in Data Monitor Mode

NBS0027K

Specification data are reference values.

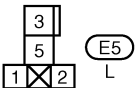
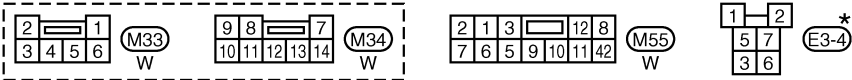
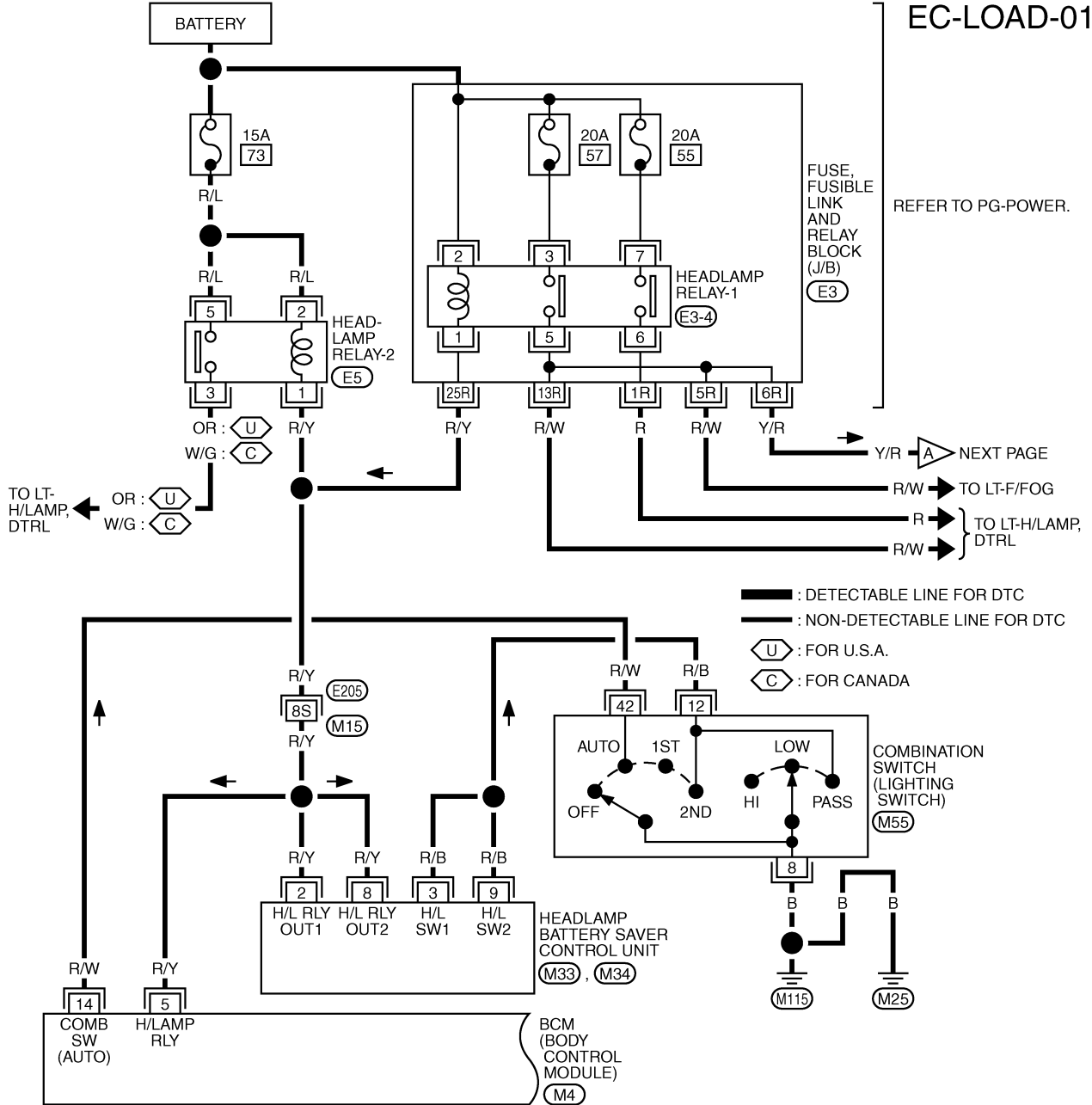
MONITOR ITEM	CONDITION		SPECIFICATION
LOAD SIGNAL	● Ignition switch: ON	Rear window defogger switch: ON and/or Lighting switch: 2nd position	ON
		Rear window defogger switch and lighting switch: OFF	OFF
HEATER FAN SW	● Engine: After warming up, idle the engine	Heater fan switch: ON	ON
		Heater fan switch: OFF	OFF

ELECTRICAL LOAD SIGNAL

Wiring Diagram

NBS0027L

EC-LOAD-01



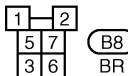
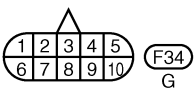
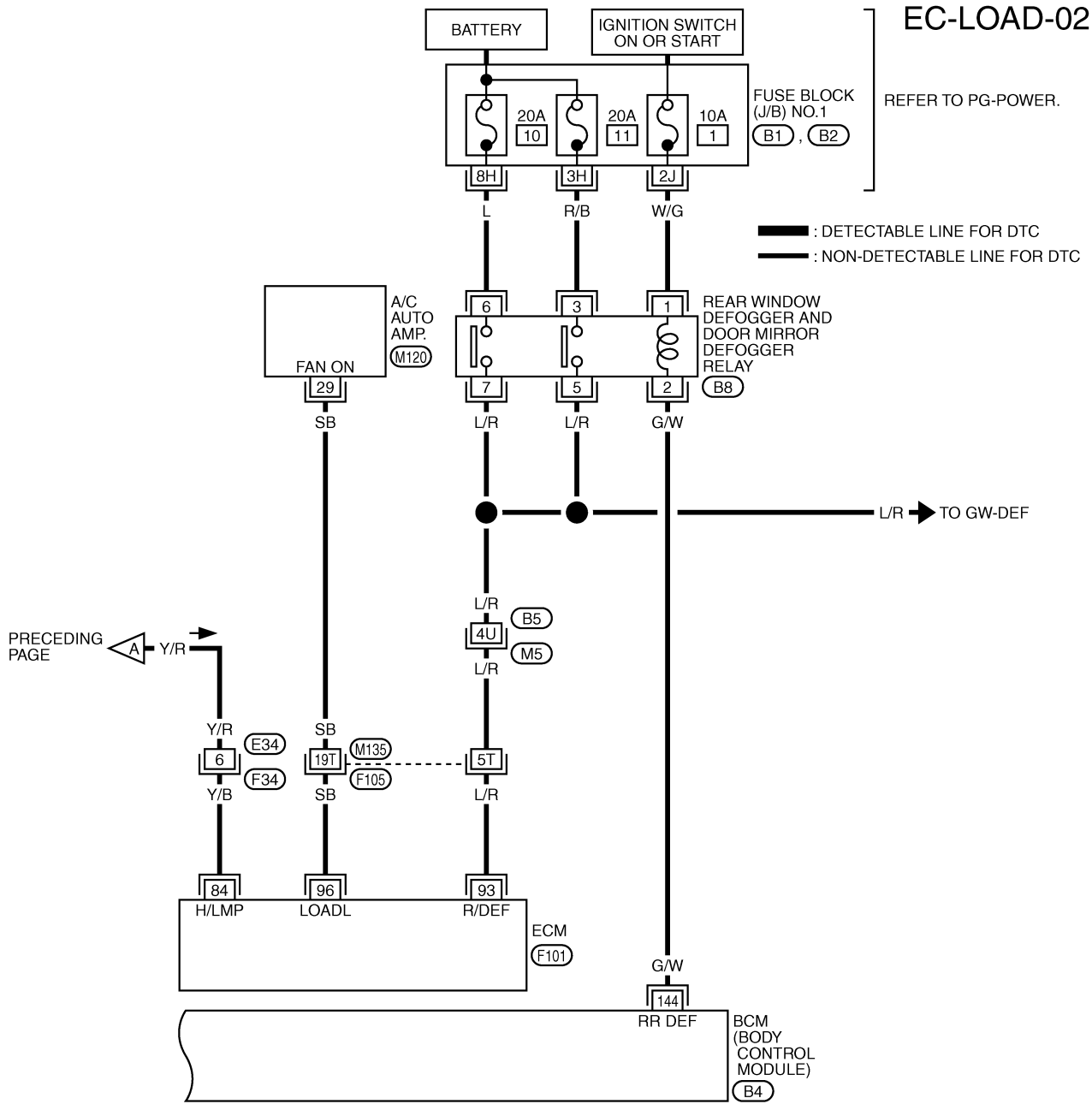
*: THIS CONNECTOR IS NOT SHOWN IN "HARNES LAYOUT", PG SECTION.

REFER TO THE FOLLOWING.

- E205 -SUPER MULTIPLE JUNCTION (SMJ)
- E3 -FUSE, FUSIBLE LINK AND RELAY BLOCK (J/B)
- M4 -ELECTRICAL UNITS

ELECTRICAL LOAD SIGNAL

EC-LOAD-02

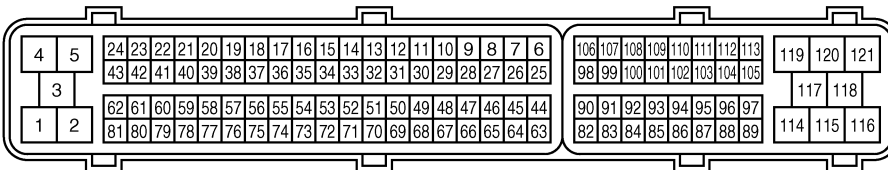


REFER TO THE FOLLOWING.

(M5), (F105) -SUPER MULTIPLE JUNCTION (SMJ)

(B1), (B2) -FUSE BLOCK-JUNCTION BOX (J/B) NO.1

(M120), (B4) -ELECTRICAL UNITS



ELECTRICAL LOAD SIGNAL

Specification data are reference values and are measured between each terminal and ground.

CAUTION:

Do not use ECM ground terminals when measuring input/output voltage. Doing so may result in damage to the ECM's transistor. Use a ground other than ECM terminals, such as the ground.

TER-MINAL NO.	WIRE COLOR	ITEM	CONDITION	DATA (DC Voltage)
84	Y/B	Electrical load signal (Headlamp switch)	[Ignition switch: ON] ● Lighting switch: 2nd position	BATTERY VOLTAGE (11 - 14V)
			[Ignition switch: ON] ● Lighting switch: OFF	Approximately 0V
93	L/R	Electrical load signal (Rear window defogger switch)	[Ignition switch: ON] ● Rear window defogger switch: ON	BATTERY VOLTAGE (11 - 14V)
			[Ignition switch: ON] ● Rear window defogger switch: OFF	Approximately 0V
96	SB	Heater fan switch	[Engine is running] ● Heater fan switch: ON	Approximately 0V
			[Engine is running] ● Heater fan switch: OFF	BATTERY VOLTAGE (11 - 14V)

Diagnostic Procedure

NBS0027M

1. INSPECTION START

Do you have CONSULT-II?

Yes or No

- Yes >> GO TO 2.
- No >> GO TO 3.

2. CHECK LOAD SIGNAL CIRCUIT OVERALL FUNCTION-I

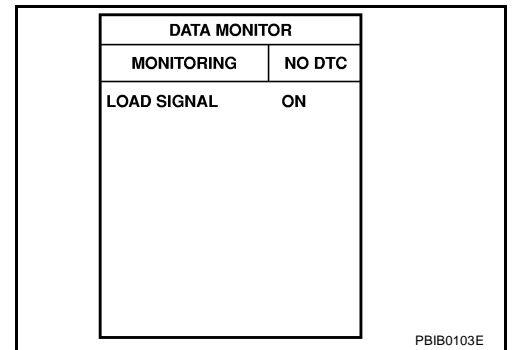
With CONSULT-II

- Turn ignition switch ON.
- Check "LOAD SIGNAL" in "DATA MONITOR" mode with CONSULT-II under the following conditions.

Condition	LOAD SIGNAL
Lighting switch: ON at 2nd position	ON
Lighting switch: OFF	OFF

OK or NG

- OK >> GO TO 4.
- NG >> GO TO 8.



PBIB0103E

ELECTRICAL LOAD SIGNAL

3. CHECK LOAD SIGNAL CIRCUIT OVERALL FUNCTION-I

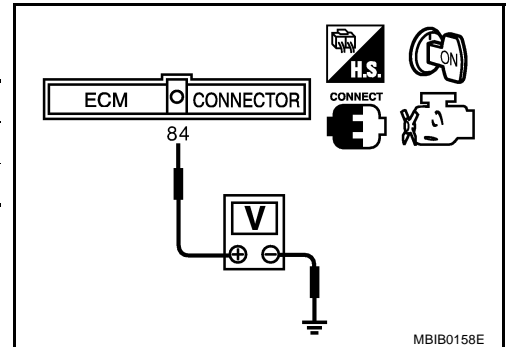
⊗ Without CONSULT-II

1. Turn ignition switch ON.
2. Check voltage between ECM terminal 84 and ground under the following conditions.

Condition	Voltage
Lighting switch: ON at 2nd position	BATTERY VOLTAGE
Lighting switch: OFF	0V

OK or NG

- OK >> GO TO 5.
 NG >> GO TO 8.



4. CHECK LOAD SIGNAL CIRCUIT OVERALL FUNCTION-II

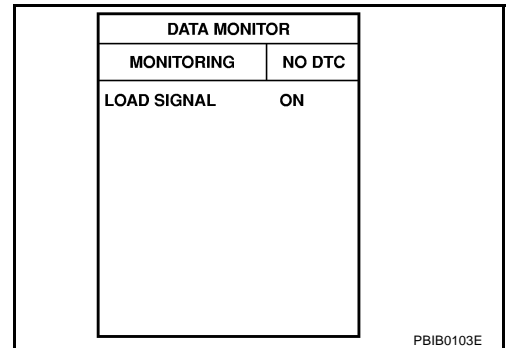
Ⓜ With CONSULT-II

Check "LOAD SIGNAL" in "DATA MONITOR" mode with CONSULT-II under the following conditions.

Condition	LOAD SIGNAL
Rear window defogger switch: ON	ON
Rear window defogger switch: OFF	OFF

OK or NG

- OK >> GO TO 6.
 NG >> GO TO 11.



5. CHECK LOAD SIGNAL CIRCUIT OVERALL FUNCTION-II

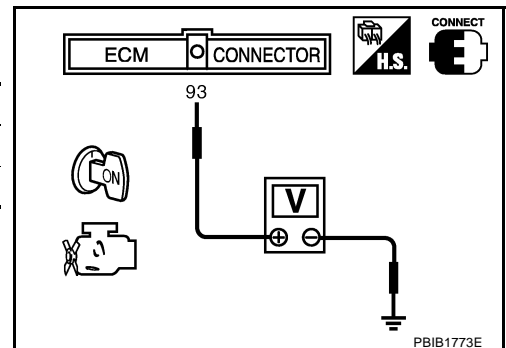
⊗ Without CONSULT-II

Check voltage between ECM terminal 93 and ground under the following conditions.

Condition	Voltage
Rear window defogger switch: ON	BATTERY VOLTAGE
Rear window defogger switch: OFF	0V

OK or NG

- OK >> GO TO 7.
 NG >> GO TO 11.



ELECTRICAL LOAD SIGNAL

6. CHECK HEATER FAN SIGNAL CIRCUIT OVERALL FUNCTION

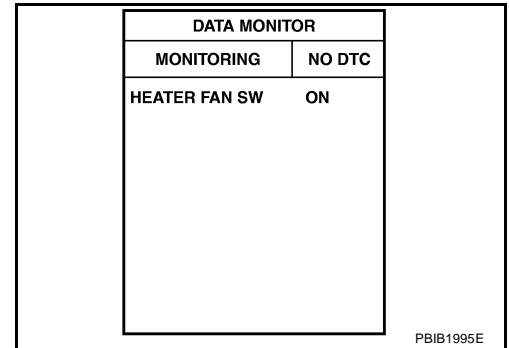
With CONSULT-II

Check "HEATER FAN SW" in "DATA MONITOR" mode with CONSULT-II under the following conditions.

Condition	LOAD SIGNAL
Heater fan control switch: ON	ON
Heater fan control switch: OFF	OFF

OK or NG

- OK >> **INSPECTION END.**
 NG >> GO TO 14.



7. CHECK HEATER FAN SIGNAL CIRCUIT OVERALL FUNCTION

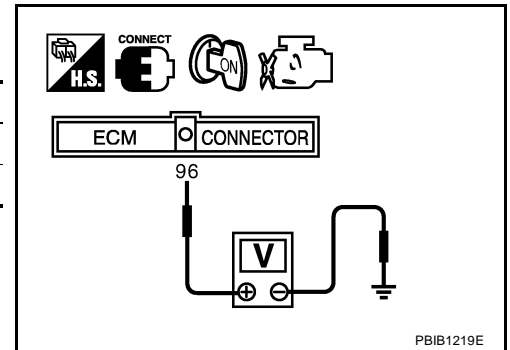
Without CONSULT-II

Check voltage between ECM terminal 96 and ground under the following conditions.

Condition	Voltage
Heater fan control switch: ON	0V
heater fan control switch: OFF	BATTERY VOLTAGE

OK or NG

- OK >> **INSPECTION END.**
 NG >> GO TO 14.



8. CHECK HEADLAMP FUNCTION

1. Start engine.
2. Turn the lighting switch ON at 2nd position.
3. Check that headlamps are illuminated.

OK or NG

- OK >> GO TO 9.
 NG >> Refer to [LT-5, "HEADLAMP \(FOR USA\)"](#) or [LT-36, "HEADLAMP \(FOR CANADA\) - DAYTIME LIGHT SYSTEM -"](#) .

9. CHECK HEADLAMP INPUT SIGNAL CIRCUIT FOR OPEN OR SHORT

1. Stop engine.
2. Disconnect ECM harness connector.
3. Disconnect headlamp relay-1 harness connector.
4. Check harness continuity between headlamp relay-1 terminal 5 and ECM terminal 84. Refer to Wiring Diagram.

Continuity should exist.

5. Also check harness for short to ground and short to power.

OK or NG

- OK >> GO TO 16.
 NG >> GO TO 10.

ELECTRICAL LOAD SIGNAL

10. DETECT MALFUNCTIONING PART

Check the following.

- Fuse, fusible link and relay block (J/B) connector E3
- Harness connectors E34, F34
- Harness for open and short between headlamp relay-1 and ECM

>> Repair open circuit or short to ground or short to power in harness or connectors.

11. CHECK REAR WINDOW DEFOGGER FUNCTION

1. Start engine.
2. Turn ON the rear window defogger switch.
3. Check the rear windshield. Is the rear windshield heated up?

Yes or No

Yes >> GO TO 12.

No >> Refer to [GW-61, "REAR WINDOW DEFOGGER"](#) .

12. CHECK REAR WINDOW DEFOGGER INPUT SIGNAL CIRCUIT FOR OPEN OR SHORT

1. Stop engine.
2. Disconnect ECM harness connector.
3. Disconnect rear window defogger relay.
4. Check harness continuity between rear window defogger relay terminals 5, 7 and ECM terminal 93. Refer to Wiring Diagram.

Continuity should exist.

5. Also check harness for short to ground and short to power.

OK or NG

OK >> GO TO 16.

NG >> GO TO 13.

13. DETECT MALFUNCTIONING PART

Check the following.

- Harness connectors B5, M5
- Harness connectors M135, F105
- Harness for open and short between rear window defogger relay and ECM

>> Repair open circuit or short to ground or short to power in harness or connectors.

14. CHECK HEATER FAN CONTROL FUNCTION

1. Start engine.
2. Turn ON the fan control switch.
3. Check the blower fan motor. Does the blower fan motor activate?

Yes or No

Yes >> GO TO 15.

No >> Refer to [ATC-35, "TROUBLE DIAGNOSIS"](#) .

ELECTRICAL LOAD SIGNAL

15. CHECK HEATER FAN SIGNAL CIRCUIT FOR OPEN OR SHORT

1. Stop engine.
2. Disconnect ECM harness connector.
3. Disconnect A/C AUTO AMP. harness connector.
4. Check harness continuity between A/C AUTO AMP. terminal 29 and ECM terminal 96.
Refer to Wiring Diagram.

Continuity should exist.

5. Also check harness for short to ground and short to power.

OK or NG

OK >> GO TO 16.

NG >> Repair open circuit or short to ground or short to power in harness or connectors.

16. CHECK INTERMITTENT INCIDENT

Perform [EC-145, "TROUBLE DIAGNOSIS FOR INTERMITTENT INCIDENT"](#) .

>> INSPECTION END

A

EC

C

D

E

F

G

H

I

J

K

L

M

FUEL INJECTOR

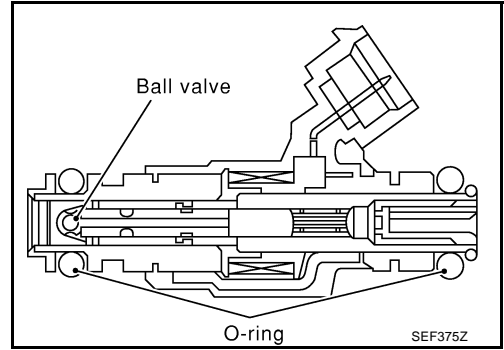
FUEL INJECTOR

PFP:16600

Component Description

NBS00274

The fuel injector is a small, precise solenoid valve. When the ECM supplies a ground to the fuel injector circuit, the coil in the fuel injector is energized. The energized coil pulls the ball valve back and allows fuel to flow through the fuel injector into the intake manifold. The amount of fuel injected depends upon the injection pulse duration. Pulse duration is the length of time the fuel injector remains open. The ECM controls the injection pulse duration based on engine fuel needs.



CONSULT-II Reference Value in Data Monitor Mode

NBS00275

Specification data are reference values.

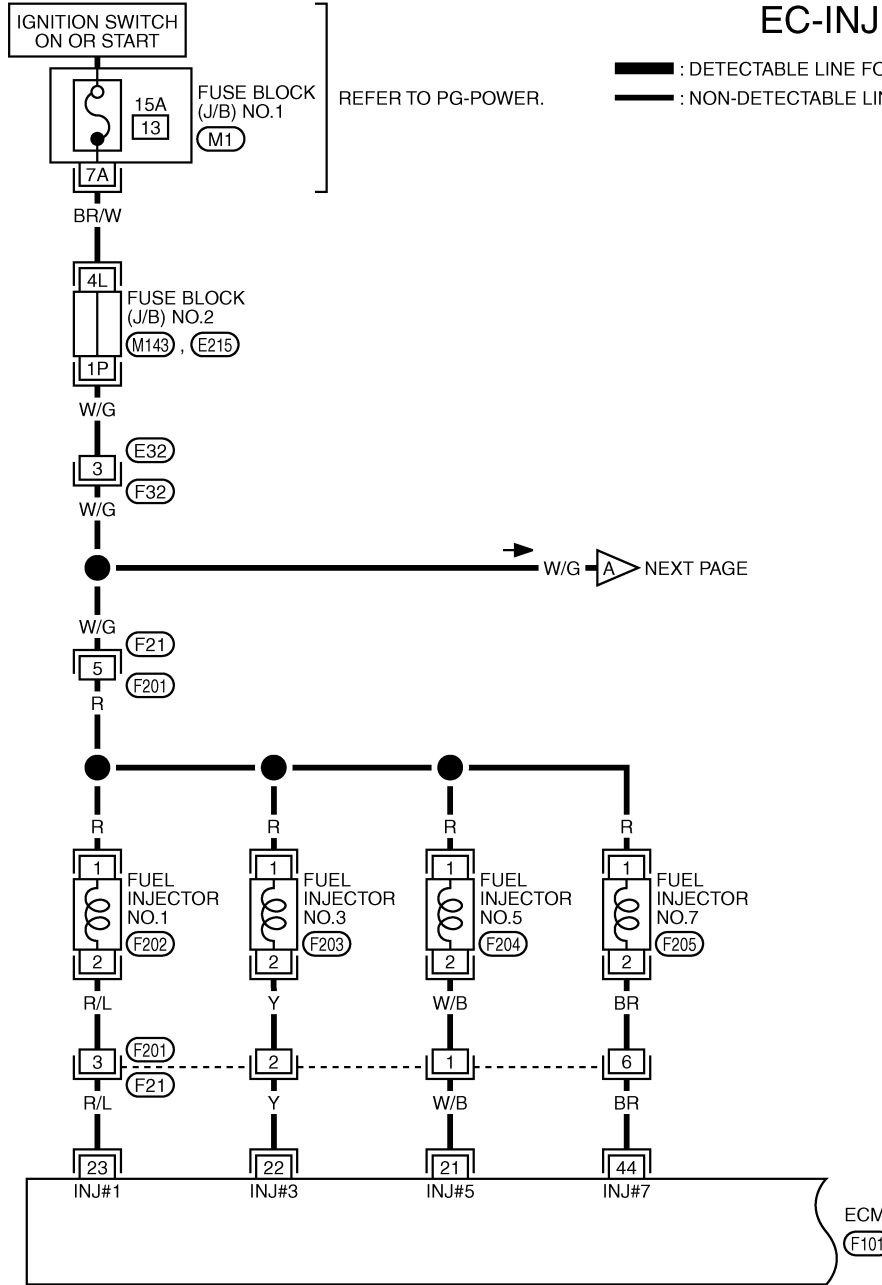
MONITOR ITEM	CONDITION		SPECIFICATION
B/FUEL SCHDL	See EC-135. "TROUBLE DIAGNOSIS - SPECIFICATION VALUE" .		
INJ PULSE-B1 INJ PULSE-B2	<ul style="list-style-type: none"> ● Engine: After warming up ● Selector lever: P or N 	Idle	2.0 - 3.0 msec
	<ul style="list-style-type: none"> ● Air conditioner switch: OFF ● No load 	2,000 rpm	1.9 - 2.9 msec

FUEL INJECTOR

Wiring Diagram

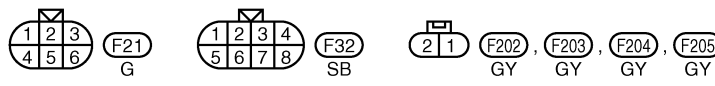
NBS00276

EC-INJECT-01

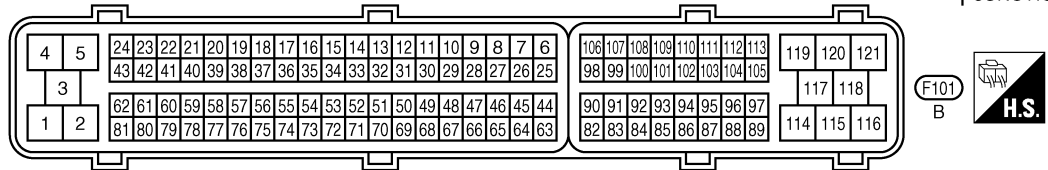


: DETECTABLE LINE FOR DTC
 : NON-DETECTABLE LINE FOR DTC

W/G → A NEXT PAGE



REFER TO THE FOLLOWING.
 M1 - FUSE BLOCK-JUNCTION BOX (J/B) NO.1
 M143, E215 - FUSE BLOCK-JUNCTION BOX (J/B) NO.2

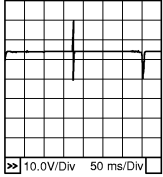
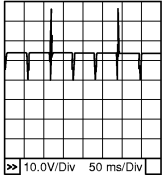


FUEL INJECTOR

Specification data are reference values and are measured between each terminal and ground.
Pulse signal is measured by CONSULT-II.

CAUTION:

Do not use ECM ground terminals when measuring input/output voltage. Doing so may result in damage to the ECM's transistor. Use a ground other than ECM terminals, such as the ground.

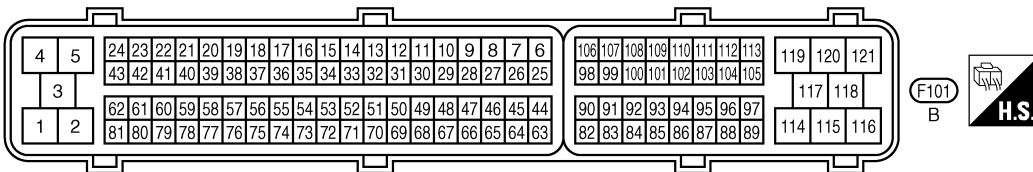
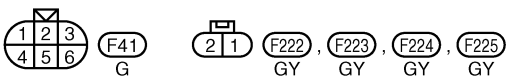
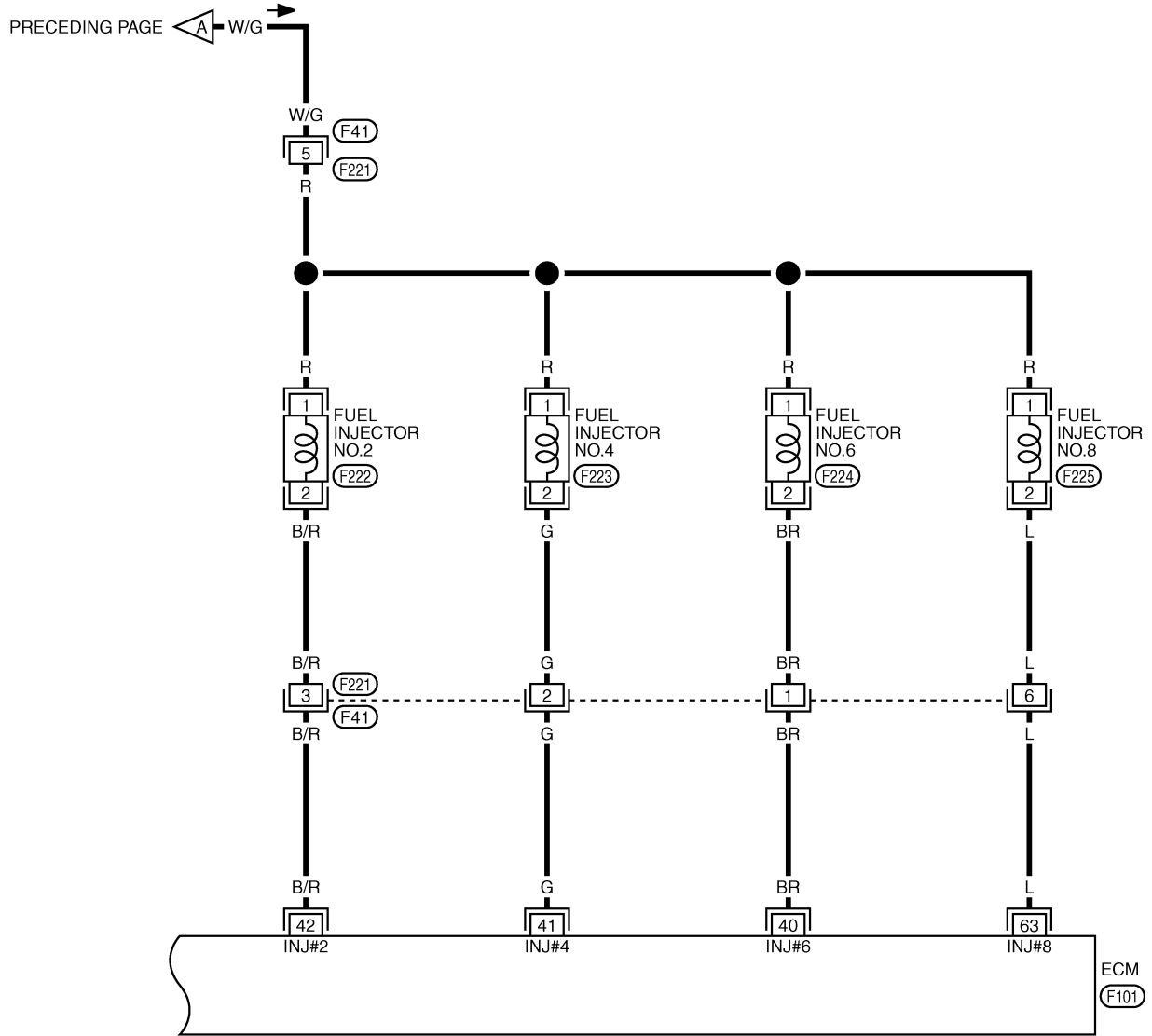
TER-MINAL NO.	WIRE COLOR	ITEM	CONDITION	DATA (DC Voltage)
21 22 23 44	W/B Y R/L BR	Fuel injector No. 5 Fuel injector No. 3 Fuel injector No. 1 Fuel injector No. 7	<p>[Engine is running]</p> <ul style="list-style-type: none"> ● Warm-up condition ● Idle speed <p>NOTE: The pulse cycle changes depending on rpm at idle</p>	<p>BATTERY VOLTAGE (11 - 14V)★</p>  <p>PBIB0042E</p>
			<p>[Engine is running]</p> <ul style="list-style-type: none"> ● Warm-up condition ● Engine speed: 2,000 rpm 	<p>BATTERY VOLTAGE (11 - 14V)★</p>  <p>PBIB0043E</p>

★: Average voltage for pulse signal (Actual pulse signal can be confirmed by oscilloscope.)

FUEL INJECTOR

EC-INJECT-02

: DETECTABLE LINE FOR DTC
 : NON-DETECTABLE LINE FOR DTC



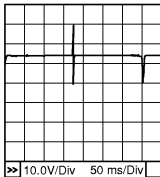
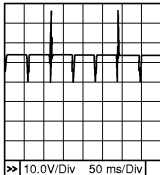
TBWM1256E

FUEL INJECTOR

Specification data are reference values and are measured between each terminal and ground.
Pulse signal is measured by CONSULT-II.

CAUTION:

Do not use ECM ground terminals when measuring input/output voltage. Doing so may result in damage to the ECM's transistor. Use a ground other than ECM terminals, such as the ground.

TER-MINAL NO.	WIRE COLOR	ITEM	CONDITION	DATA (DC Voltage)
40 41 42 63	BR G B/R L	Fuel injector No. 6 Fuel injector No. 4 Fuel injector No. 2 Fuel injector No. 8	<p>[Engine is running]</p> <ul style="list-style-type: none"> ● Warm-up condition ● Idle speed <p>NOTE: The pulse cycle changes depending on rpm at idle</p>	<p>BATTERY VOLTAGE (11 - 14V)★</p>  <p>PBIB0042E</p>
			<p>[Engine is running]</p> <ul style="list-style-type: none"> ● Warm-up condition ● Engine speed: 2,000 rpm 	<p>BATTERY VOLTAGE (11 - 14V)★</p>  <p>PBIB0043E</p>

★: Average voltage for pulse signal (Actual pulse signal can be confirmed by oscilloscope.)

Diagnostic Procedure

NBS00277

1. INSPECTION START

Turn ignition switch to START.

Is any cylinder ignited?

Yes or No

Yes (With CONSULT-II)>>GO TO 2.

Yes (Without CONSULT-II)>>GO TO 3.

No >> GO TO 3.

2. CHECK OVERALL FUNCTION

Ⓟ With CONSULT-II

1. Start engine.
2. Perform "POWER BALANCE" in "ACTIVE TEST" mode with CONSULT-II.
3. Make sure that each circuit produces a momentary engine speed drop.

OK or NG

OK >> **INSPECTION END**

NG >> GO TO 3.

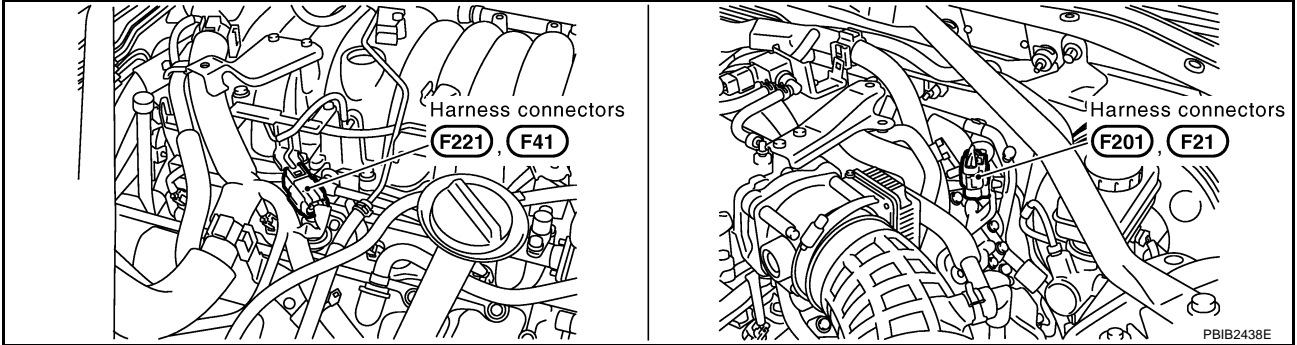
ACTIVE TEST	
POWER BALANCE	
MONITOR	
ENG SPEED	XXX rpm
MAS A/F SE-B1	XXX V

PBIB0133E

FUEL INJECTOR

3. CHECK FUNCTION OF FUEL INJECTOR-I

1. Turn ignition switch OFF.
2. Disconnect harness connector F21, F201 (bank 1) and F41, F221 (bank 2).



3. Turn ignition switch ON.
4. Check voltage between the following; harness connector F21 terminal 5 and ground, harness connector F41 terminal 5 and ground with CONSULT-II or tester.

Voltage: Battery voltage

5. Turn ignition switch OFF.
6. Disconnect ECM harness connector.
7. Check harness continuity between the following terminals.

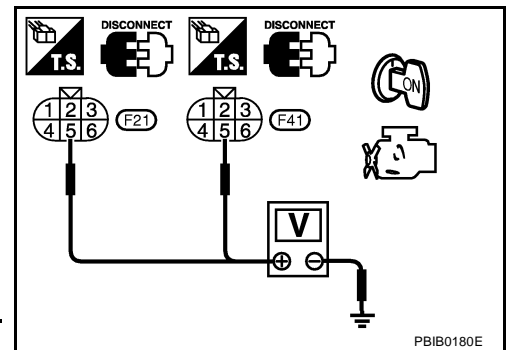
Cylinder	Harness connector terminal	ECM terminal
1	F21 terminal 3	23
3	F21 terminal 2	22
5	F21 terminal 1	21
7	F21 terminal 6	44
2	F41 terminal 3	42
4	F41 terminal 2	41
6	F41 terminal 1	40
8	F41 terminal 6	63

Continuity should exist.

8. Also check harness for short to ground and short to power.

OK or NG

- OK >> GO TO 5.
 NG >> GO TO 4.



A
 EC
 C
 D
 E
 F
 G
 H
 I
 J
 K
 L
 M

FUEL INJECTOR

4. DETECT MALFUNCTIONING PART

Check the following.

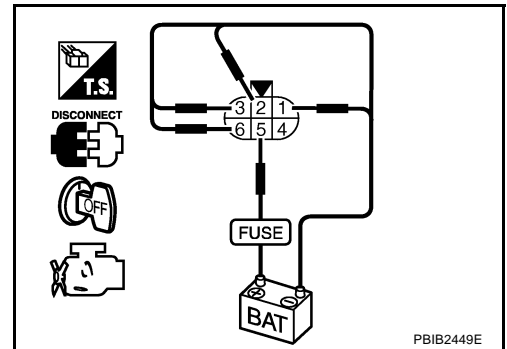
- Harness connectors E32, F32
- Harness connectors F21, F201
- Harness connectors F41, F221
- Fuse block (J/B) No. 1 connector M1
- Fuse block (J/B) No. 2 connectors M143, E215
- 15A fuse
- Harness for open or short between harness connector F21 and fuse
- Harness for open or short between harness connector F41 and fuse
- Harness for open or short between harness connector F21 and ECM
- Harness for open or short between harness connector F41 and ECM

>> Repair open circuit or short to ground or short to power in harness or connectors.

5. CHECK FUNCTION OF FUEL INJECTOR-II

Provide battery voltage between the following terminals, and then interrupt it. Listen to each fuel injector operating sound.

Cylinder	Harness connector	terminal	
		(+)	(-)
1	F201	5	3
3			2
5			1
7			6
2	F221	5	3
4			2
6			1
8			6



Operating sound should exist.

OK or NG

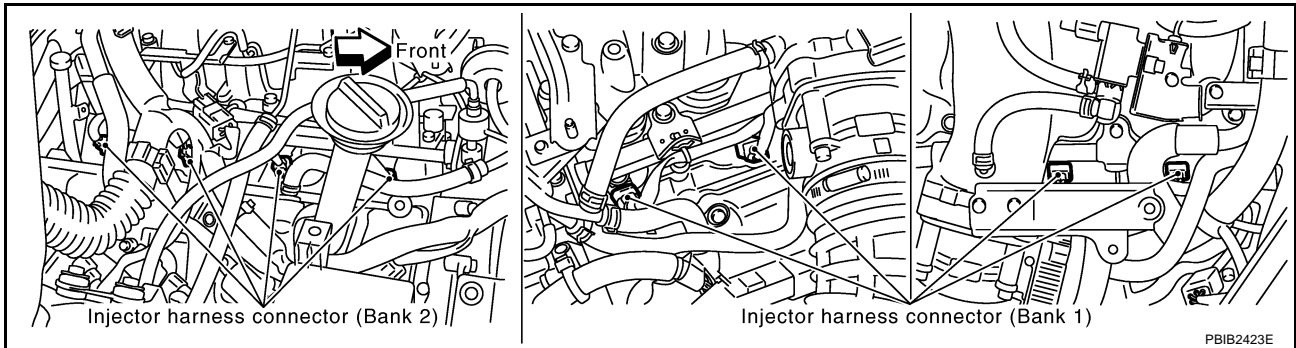
OK >> **INSPECTION END**

NG >> GO TO 6.

FUEL INJECTOR

6. CHECK SUB-HARNESS CIRCUIT FOR OPEN AND SHORT

1. Disconnect injector harness connectors.



2. Check harness continuity between the following terminals. Refer to Wiring Diagram.

Harness connector terminal	Fuel injector terminal
F201 terminal 1	2
F201 terminal 2	
F201 terminal 3	
F201 terminal 6	
F201 terminal 5	1
F221 terminal 1	2
F221 terminal 2	
F221 terminal 3	
F221 terminal 6	
F221 terminal 5	1

Continuity should exist.

3. Also check harness for short to ground and short to power.

OK or NG

OK >> GO TO 7.

NG >> Repair open circuit or short to ground or short to power in harness or connectors.

7. CHECK FUEL INJECTOR

Refer to [EC-714, "Component Inspection"](#) .

OK or NG

OK >> GO TO 8.

NG >> Replace fuel injector.

8. CHECK INTERMITTENT INCIDENT

Refer to [EC-145, "TROUBLE DIAGNOSIS FOR INTERMITTENT INCIDENT"](#) .

>> INSPECTION END

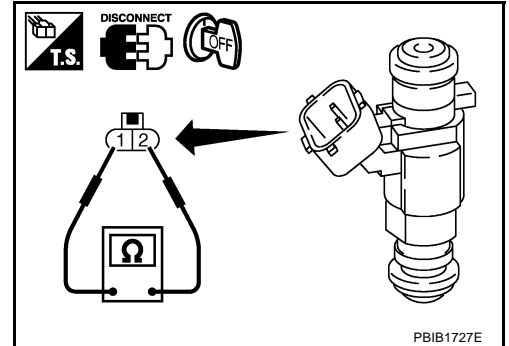
FUEL INJECTOR

NBS00278

Component Inspection FUEL INJECTOR

1. Disconnect fuel injector harness connector.
2. Check resistance between terminals as shown in the figure.

Resistance: 13.5 - 17.5Ω [at 10 - 60°C (50 - 140°F)]



NBS00279

Removal and Installation FUEL INJECTOR

Refer to [EM-32, "FUEL INJECTOR AND FUEL TUBE"](#) .

FUEL PUMP

FUEL PUMP

PFP:17042

Description SYSTEM DESCRIPTION

NBS0027A

Sensor	Input Signal to ECM	ECM function	Actuator
Crankshaft position sensor (POS) Camshaft position sensor (PHASE)	Engine speed*	Fuel pump control	Fuel pump relay
Battery	Battery voltage*		

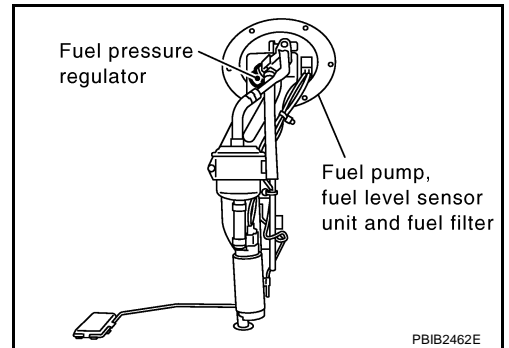
*: ECM determines the start signal status by the signals of engine speed and battery voltage.

The ECM activates the fuel pump for several seconds after the ignition switch is turned ON to improve engine startability. If the ECM receives a engine speed signal from the camshaft position sensor (PHASE), it knows that the engine is rotating, and causes the pump to operate. If the engine speed signal is not received when the ignition switch is ON, the engine stalls. The ECM stops pump operation and prevents battery discharging, thereby improving safety. The ECM does not directly drive the fuel pump. It controls the ON/OFF fuel pump relay, which in turn controls the fuel pump.

Condition	Fuel pump operation
Ignition switch is turned to ON.	Operates for 5 seconds.
Engine running and cranking	Operates.
When engine is stopped	Stops in 1.5 seconds.
Except as shown above	Stops.

COMPONENT DESCRIPTION

The fuel pump with a fuel pressure regulator is an in-tank type (the pump and pressure regulator are located in the fuel tank).



CONSULT-II Reference Value in Data Monitor Mode

NBS0027B

Specification data are reference values.

MONITOR ITEM	CONDITION	SPECIFICATION
FUEL PUMP RLY	<ul style="list-style-type: none"> For 5 seconds after turning ignition switch: ON Engine running or cranking 	ON
	<ul style="list-style-type: none"> Except above 	OFF

FUEL PUMP

Specification data are reference values and are measured between each terminal and ground.

CAUTION:

Do not use ECM ground terminals when measuring input/output voltage. Doing so may result in damage to the ECM's transistor. Use a ground other than ECM terminals, such as the ground.

TER-MINAL NO.	WIRE COLOR	ITEM	CONDITION	DATA (DC Voltage)
38	G/R	Fuel pump control module (FPCM) check	[When cranking engine]	Approximately 0V
			[Engine is running] ● Warm-up condition ● Idle speed	4 - 6V
39	B/R	Fuel pump control module (FPCM)	[When cranking engine]	0 - 0.5V
			[Engine is running] ● Warm-up condition ● Idle speed	8 - 12V
113	GY	Fuel pump relay	[Ignition switch: ON] ● For 5 seconds after turning ignition switch ON	0 - 1.5V
			[Engine is running] [Ignition switch: ON] ● More than 5 seconds after turning ignition switch ON	BATTERY VOLTAGE (11 - 14V)

Diagnostic Procedure

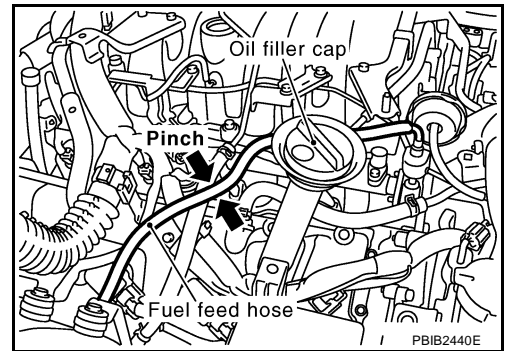
NBS0027D

1. CHECK OVERALL FUNCTION

- Turn ignition switch ON.
- Pinch fuel feed hose with two fingers.
Fuel pressure pulsation should be felt on the fuel feed hose for 5 second after ignition switch is turned ON.

OK or NG

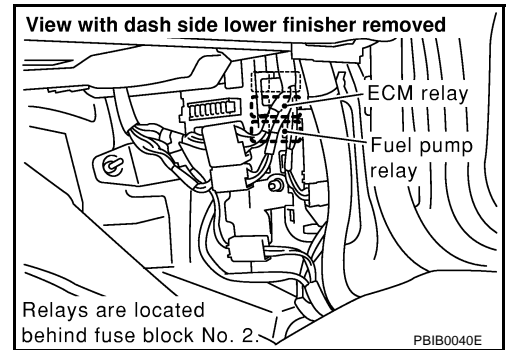
- OK >> **INSPECTION END**
 NG >> **GO TO 2.**



FUEL PUMP

2. CHECK FUEL PUMP RELAY POWER SUPPLY CIRCUIT

1. Turn ignition switch OFF.
2. Disconnect fuel pump relay.
3. Turn ignition switch ON.

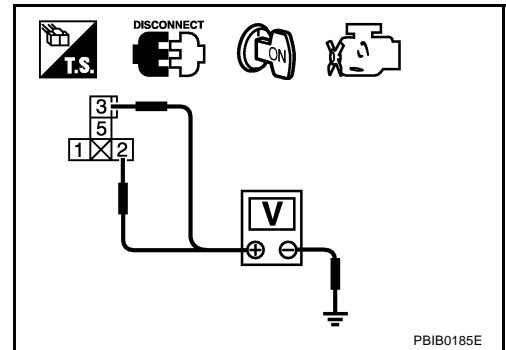


4. Check voltage between fuel pump relay terminals 2, 3 and ground with CONSULT-II or tester.

Voltage: Battery voltage

OK or NG

- OK >> GO TO 4.
- NG >> GO TO 3.



3. DETECT MALFUNCTIONING PART

Check the following.

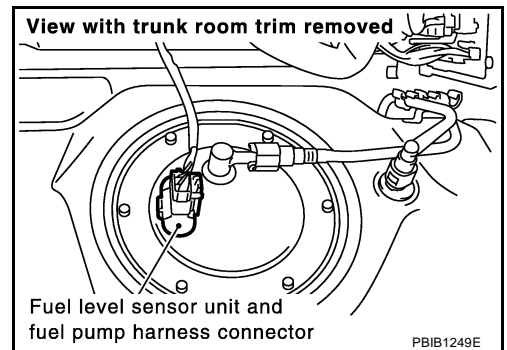
- Fuse block (J/B) No. 1 connector M1
- Fuse block (J/B) No. 2 connectors M143, M145
- 15A fuses
- Harness for open or short between fuse and fuel pump relay

>> Repair open circuit or short to ground or short to power in harness or connectors.

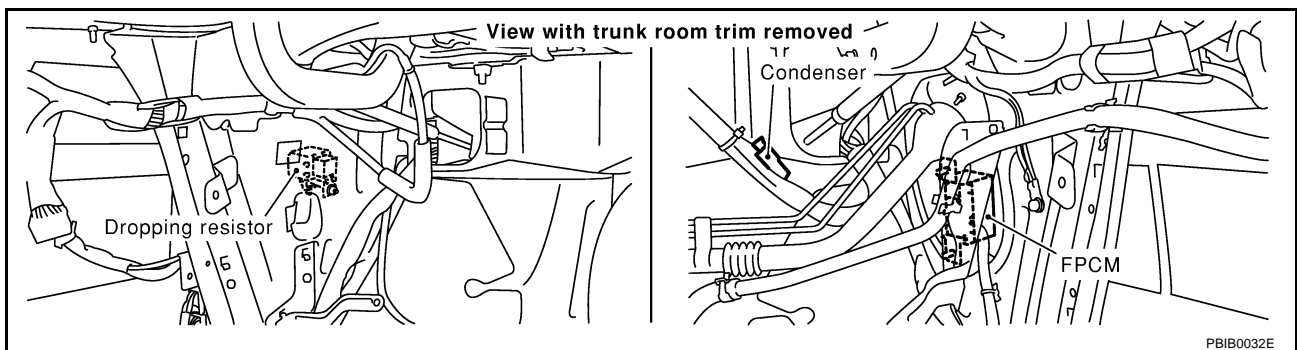
FUEL PUMP

4. CHECK FUEL PUMP POWER SUPPLY AND GROUND CIRCUIT FOR OPEN AND SHORT

1. Turn ignition switch OFF.
2. Disconnect "fuel level sensor unit and fuel pump" harness connector.



3. Disconnect dropping resistor harness connector.



4. Check harness continuity between the following;
fuel pump relay terminal 5 and fuel pump terminal 3,
fuel pump terminal 1 and dropping resistor terminal 2,
dropping resistor terminal 1 and ground.
Refer to Wiring Diagram.

Continuity should exist.

5. Also check harness for short to ground and short to power.

OK or NG

- OK >> GO TO 6.
NG >> GO TO 5.

5. DETECT MALFUNCTIONING PART

Check the following.

- Harness connectors B211, M141
- Harness connectors B63, B263
- Fuse block (J/B) No. 2 connector M143
- Harness for open or short between fuel pump relay and fuel pump
- Harness for open or short between fuel pump and dropping resistor
- Harness for open or short between dropping resistor and ground

>> Repair open circuit or short to ground or short to power in harness or connectors.

FUEL PUMP

6. CHECK FUEL PUMP RELAY OUTPUT SIGNAL CIRCUIT FOR OPEN AND SHORT

1. Disconnect ECM harness connector.
2. Check harness continuity between ECM terminal 113 and fuel pump relay terminal 1.
Refer to Wiring Diagram.

Continuity should exist.

3. Also check harness for short to ground and short to power.

OK or NG

- OK >> GO TO 8.
NG >> GO TO 7.

7. DETECT MALFUNCTIONING PART

Check the following.

- Harness connectors M135, F105
- Fuse block (J/B) No. 2 connector M143
- Harness for open or short between ECM and fuel pump relay

>> Repair open circuit or short to ground or short to power in harness or connectors.

8. CHECK DROPPING RESISTOR

Refer to [EC-721, "Component Inspection"](#) .

OK or NG

- OK >> GO TO 9.
NG >> Replace dropping resistor.

9. CHECK FUEL PUMP RELAY

Refer to [EC-721, "Component Inspection"](#) .

OK or NG

- OK >> GO TO 10.
NG >> Replace fuel pump relay.

10. CHECK FUEL PUMP

Refer to [EC-721, "Component Inspection"](#) .

OK or NG

- OK >> GO TO 11.
NG >> Replace fuel pump.

11. CHECK INTERMITTENT INCIDENT

Refer to [EC-145, "TROUBLE DIAGNOSIS FOR INTERMITTENT INCIDENT"](#) .

>> **INSPECTION END**

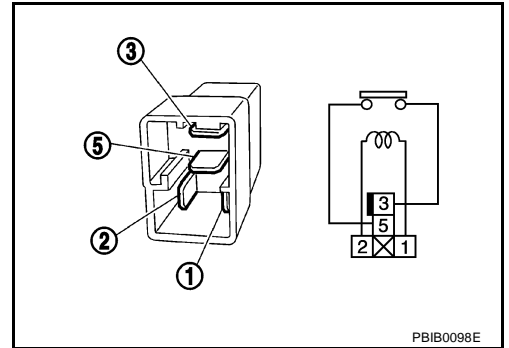
FUEL PUMP

NBS0027E

Component Inspection FUEL PUMP RELAY

Check continuity between terminals 3 and 5 under the following conditions.

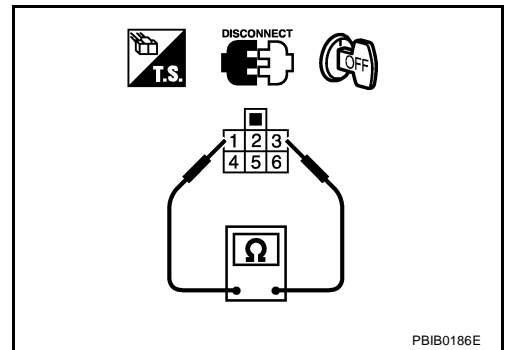
Conditions	Continuity
12V direct current supply between terminals 1 and 2	Yes
No current supply	No



FUEL PUMP

1. Disconnect "fuel level sensor unit and fuel pump" harness connector.
2. Check resistance between "fuel level sensor unit and fuel pump" terminals 1 and 3.

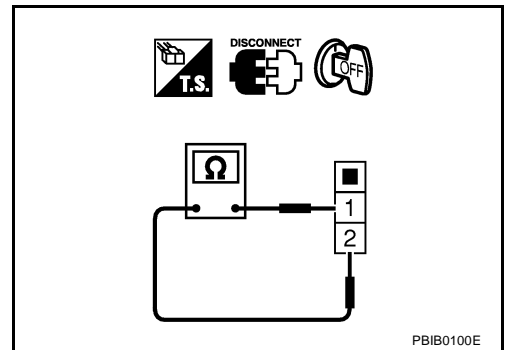
Resistance: 0.2 - 5.0Ω [at 25°C (77°F)]



DROPPING RESISTOR

Check resistance between dropping resistor terminals 1 and 2.

Resistance: Approximately 0.9Ω [at 20°C (68°F)]



Removal and Installation FUEL PUMP

NBS0027F

Refer to [FL-3, "FUEL LEVEL SENSOR UNIT, FUEL FILTER AND FUEL PUMP ASSEMBLY"](#) .

ICC BRAKE SWITCH

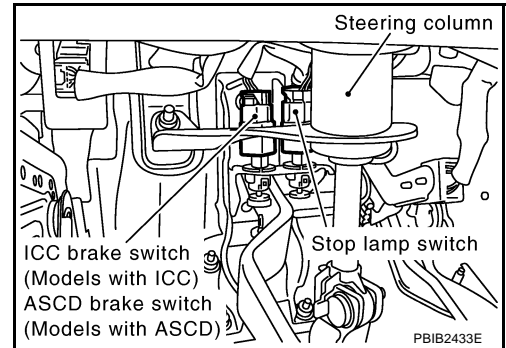
ICC BRAKE SWITCH

PFP:25320

Component Description

NBS0027N

When depress on the brake pedal, ICC brake switch is turned OFF and stop lamp switch is turned ON. ECM detects the state of the brake pedal by this input of two kinds (ON/OFF signal)
Refer to [ACS-6, "DESCRIPTION"](#) for the ICC function.



CONSULT-II Reference Value in Data Monitor Mode

NBS0027O

Specification data are reference values.

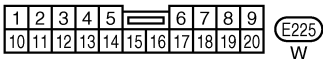
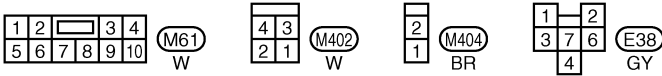
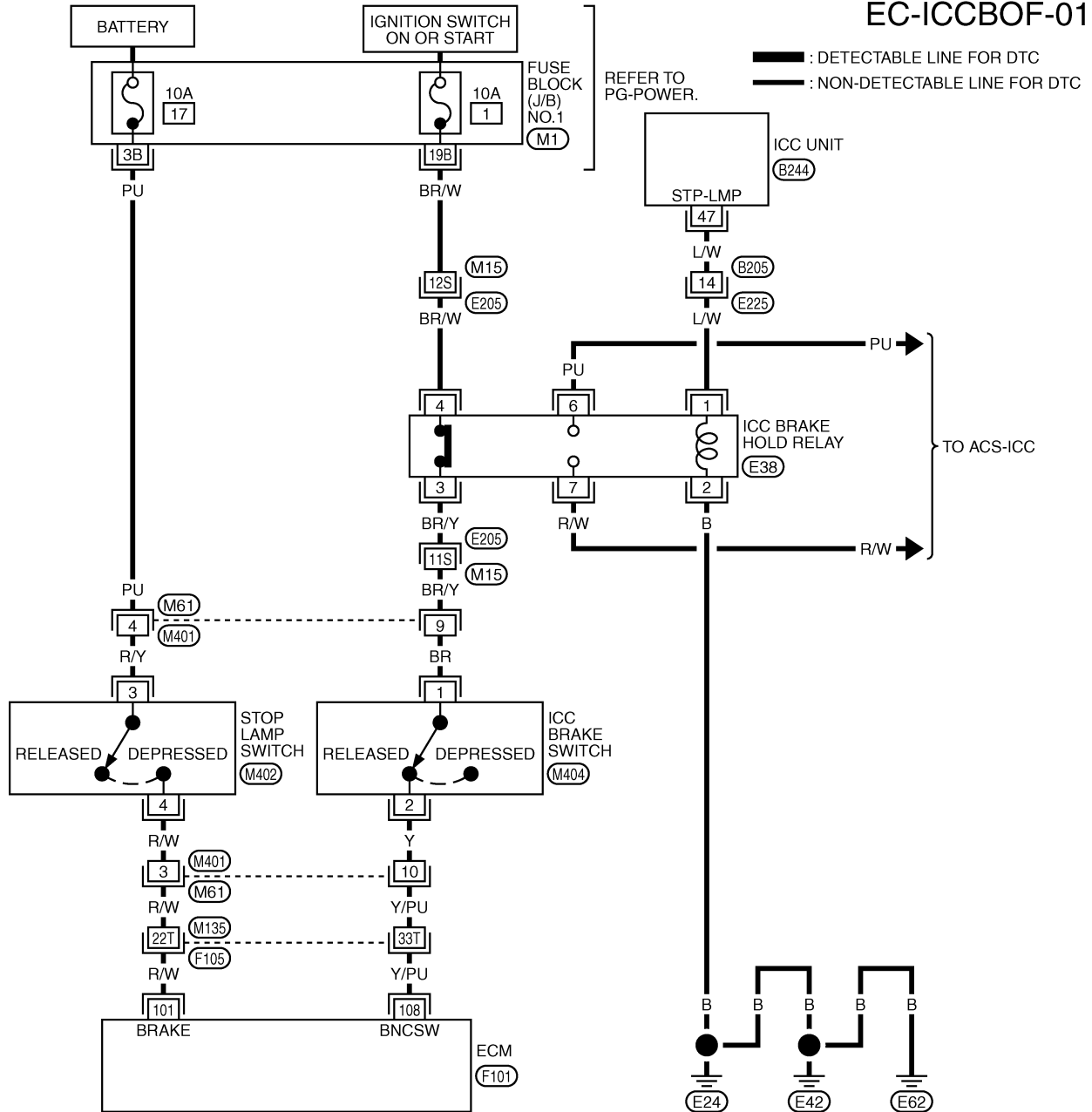
MONITOR ITEM	CONDITION		SPECIFICATION
BRAKE SW1 (ICC brake switch)	● Ignition switch: ON	Brake pedal: Fully released	ON
		Brake pedal: Slightly depressed	OFF
BRAKE SW2 (stop lamp switch)	● Ignition switch: ON	Brake pedal: Fully released	OFF
		Brake pedal: Slightly depressed	ON

ICC BRAKE SWITCH

Wiring Diagram

NBS0027P

EC-ICCB0F-01

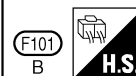
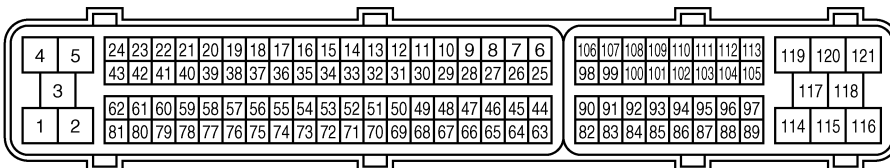


REFER TO THE FOLLOWING.

E205, F105 -SUPER MULTIPLE JUNCTION (SMJ)

M1 -FUSE BLOCK-JUNCTION BOX (J/B) NO.1

B244 -ELECTRICAL UNITS



TBWM1259E

ICC BRAKE SWITCH

Specification data are reference values and are measured between each terminal and ground.

CAUTION:

Do not use ECM ground terminals when measuring input/output voltage. Doing so may result in damage to the ECM's transistor. Use a ground other than ECM terminals, such as the ground.

TER-MINAL NO.	WIRE COLOR	ITEM	CONDITION	DATA (DC Voltage)
101	R/W	Stop lamp switch	[Ignition switch: OFF] ● Brake pedal: Fully released	Approximately 0V
			[Ignition switch: OFF] ● Brake pedal: Slightly depressed	BATTERY VOLTAGE (11 - 14V)
108	Y/PU	ICC brake switch	[Ignition switch: ON] ● Brake pedal: Slightly depressed	Approximately 0V
			[Ignition switch: ON] ● Brake pedal: Fully released	BATTERY VOLTAGE (11 - 14V)

Diagnostic Procedure

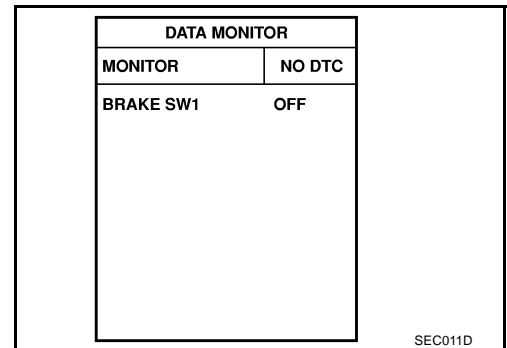
NBS0027Q

1. CHECK OVERALL FUNCTION-I

④ With CONSULT-II

- Turn ignition switch ON.
- Select "BRAKE SW1" in "DATA MONITOR" mode with CONSULT-II.
- Check "BRAKE SW1" indication under the following conditions.

CONDITION	INDICATION
When brake pedal: Slightly depress	OFF
When brake pedal: Fully released	ON



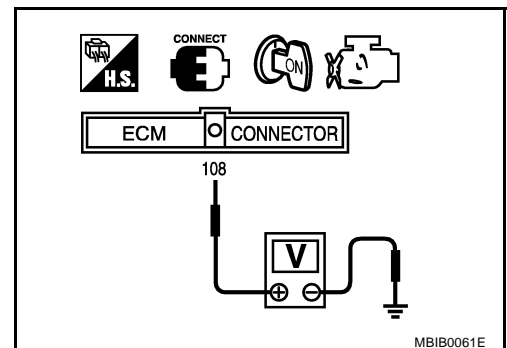
⊗ Without CONSULT-II

- Turn ignition switch ON.
- Check voltage between ECM terminal 108 and ground under the following conditions.

CONDITION	VOLTAGE
When brake pedal: Slightly depress	Approximately 0V
When brake pedal: Fully released	Battery voltage

OK or NG

- OK >> GO TO 2.
NG >> GO TO 3.



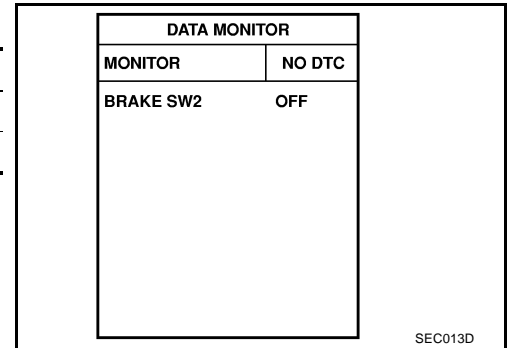
ICC BRAKE SWITCH

2. CHECK OVERALL FUNCTION-II

With CONSULT-II

Check "BRAKE SW2" indication in "DATA MONITOR" mode.

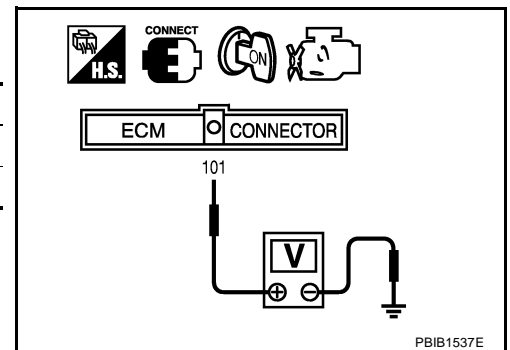
CONDITION	INDICATION
When brake pedal: Fully released	OFF
When brake pedal: Slightly depressed	ON



Without CONSULT-II

Check voltage between ECM terminal 101 and ground under the following conditions.

CONDITION	VOLTAGE
When brake pedal: Fully released	Approximately 0V
When brake pedal: Slightly depressed	Battery voltage



OK or NG

- OK >> **INSPECTION END**
- NG >> GO TO 13.

3. CHECK DTC WITH ICC UNIT

Refer to [ACS-43, "TROUBLE DIAGNOSIS FOR SELF-DIAGNOSTIC ITEMS"](#) .

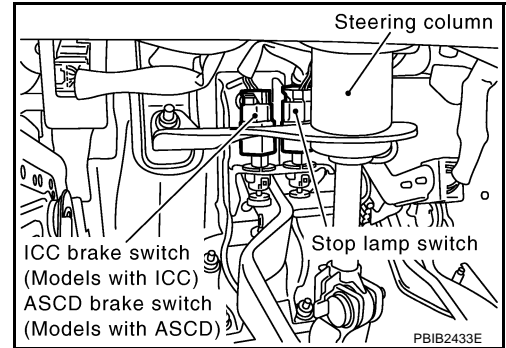
OK or NG

- OK >> GO TO 4.
- NG >> Repair or replace.

ICC BRAKE SWITCH

4. CHECK ICC BRAKE SWITCH POWER SUPPLY CIRCUIT-I

1. Turn ignition switch OFF.
2. Disconnect ICC brake switch harness connector.
3. Turn ignition switch ON.

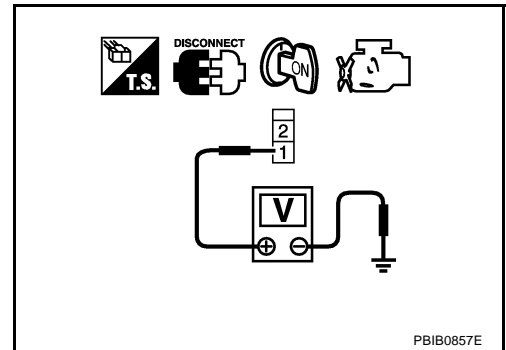


4. Check voltage between ICC brake switch terminal 1 and ground with CONSULT-II or tester.

Voltage: Battery voltage

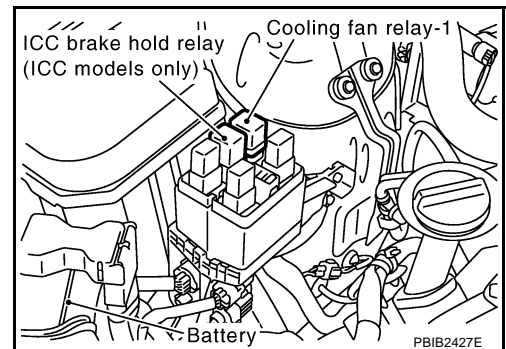
OK or NG

- OK >> GO TO 10.
NG >> GO TO 5.



5. CHECK ICC BRAKE SWITCH CIRCUIT-II

1. Turn ignition switch OFF.
2. Disconnect ICC brake hold relay.
3. Turn ignition switch ON.

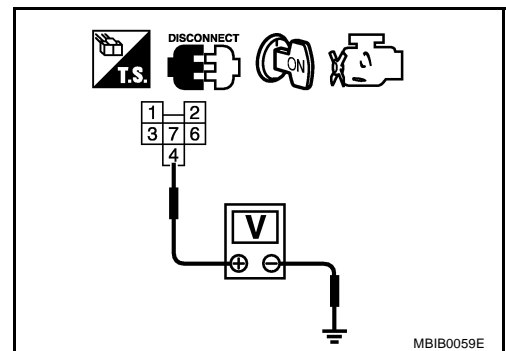


4. Check voltage between ICC brake hold relay terminal 4 and ground with CONSULT-II or tester.

Voltage: Battery voltage

OK or NG

- OK >> GO TO 7.
NG >> GO TO 6.



ICC BRAKE SWITCH

6. DETECT MALFUNCTIONING PART

Check the following.

- Fuse block (J/B) No. 1 connector M1
- 10A fuse
- Harness connectors M15, E205
- Harness for open or short between ICC brake hold relay and fuse

>> Repair open circuit or short to ground or short to power in harness or connectors.

7. CHECK ICC BRAKE SWITCH POWER SUPPLY CIRCUIT-III

1. Turn ignition switch OFF.
2. Check harness continuity between ICC brake hold relay terminal 3 and ICC brake switch terminal 1. Refer to Wiring Diagram.

Continuity should exist.

3. Also check harness for short to ground and short to power.

OK or NG

- OK >> GO TO 9.
- NG >> GO TO 8.

8. DETECT MALFUNCTIONING PART

Check the following.

- Harness connectors E205, M15
- Harness connectors M61, M401
- Harness for open or short between ICC brake hold relay and ICC brake switch

>> Repair open circuit or short to ground or short to power in harness or connectors.

9. CHECK ICC BRAKE HOLD RELAY

Refer to [EC-730, "Component Inspection"](#) .

- OK >> GO TO 18.
- NG >> Replace ICC brake fold relay.

10. CHECK ICC BRAKE SWITCH INPUT SIGNAL CIRCUIT FOR OPEN AND SHORT-II

1. Turn ignition switch OFF.
2. Disconnect ECM harness connector.
3. Check harness continuity between ICC brake switch terminal 2 and ECM terminal 108. Refer Wiring Diagram.

Continuity should exist.

4. Also check harness for short to ground and short to power.

OK or NG

- OK >> GO TO 12.
- NG >> GO TO 11.

ICC BRAKE SWITCH

11. DETECT MALFUNCTIONING PART

Check the following.

- Harness connectors M401, M61
- Harness connectors M135, F105
- Harness for open or short between ICC brake switch and ECM

>> Repair open circuit or short to ground or short to power in harness or connectors.

12. CHECK ICC BRAKE SWITCH

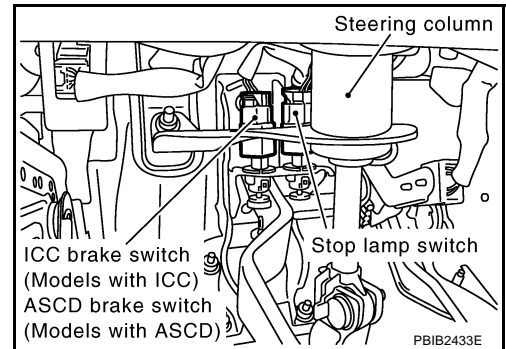
Refer to [EC-730, "Component Inspection"](#).

OK or NG

- OK >> GO TO 18.
NG >> Replace ICC brake switch.

13. CHECK STOP LAMP SWITCH POWER SUPPLY CIRCUIT

1. Turn ignition switch OFF.
2. Disconnect stop lamp switch harness connector.

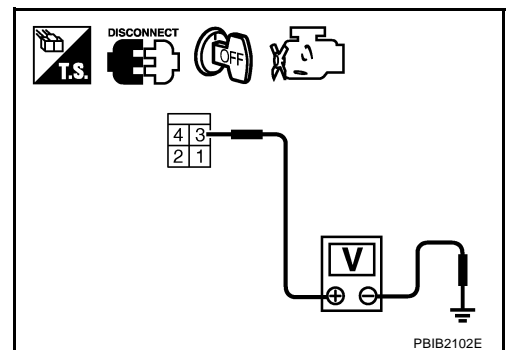


3. Check voltage between stop lamp switch terminal 3 and ground with CONSULT -II or tester.

Voltage: Battery voltage

OK or NG

- OK >> GO TO 15.
NG >> GO TO 14.



14. DETECT MALFUNCTIONING PART

Check the following.

- Fuse block (J/B) No. 1 connector M1
- 10A fuse
- Harness connectors M61, M401
- Harness for open or short between stop lamp switch and battery

>> Repair open circuit or short to ground or short to power in harness or connectors.

ICC BRAKE SWITCH

15. CHECK STOP LAMP SWITCH INPUT SIGNAL CIRCUIT FOR OPEN AND SHORT

1. Disconnect ECM harness connector.
2. Check harness continuity between ECM terminal 101 and stop lamp switch terminal 4.
Refer to Wiring Diagram.

Continuity should exist.

3. Also check harness for short to ground and short to power.

OK or NG

- OK >> GO TO 17.
- NG >> GO TO 16.

16. DETECT MALFUNCTIONING PART

Check the following.

- Harness connectors M401, M61
- Harness connectors M135, F105
- Harness for open or short between ECM and stop lamp switch

>> Repair open circuit or short to ground or short to power in harness or connectors.

17. CHECK STOP LAMP SWITCH

Refer to [EC-730, "Component Inspection"](#)

OK or NG

- OK >> GO TO 18.
- NG >> Replace stop lamp switch.

18. CHECK INTERMITTENT INCIDENT

Refer to [EC-145, "TROUBLE DIAGNOSIS FOR INTERMITTENT INCIDENT"](#) .

>> **INSPECTION END**

A

EC

C

D

E

F

G

H

I

J

K

L

M

ICC BRAKE SWITCH

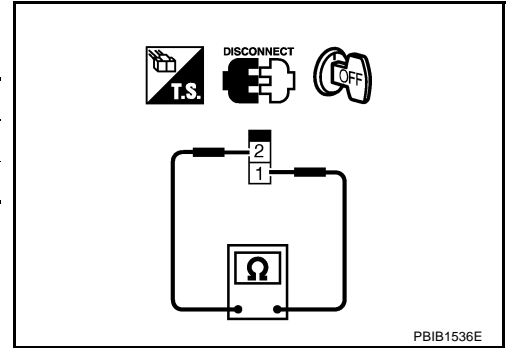
NBS0027R

Component Inspection ICC BRAKE SWITCH

1. Turn ignition switch OFF.
2. Disconnect ICC brake switch harness connector.
3. Check continuity between ICC brake switch terminals 1 and 2 under the following conditions.

Condition	Continuity
When brake pedal: Fully released.	Should exist.
When brake pedal: Slightly depressed.	Should not exist.

If NG, adjust ICC brake switch installation, refer to [BR-6](#), "[BRAKE PEDAL](#)", and perform step 3 again.

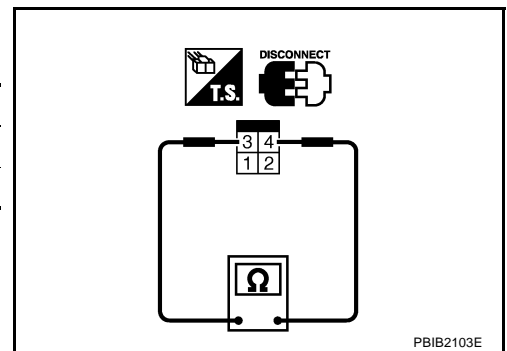


STOP LAMP SWITCH

1. Turn ignition switch OFF.
2. Disconnect stop lamp switch harness connector.
3. Check continuity between stop lamp switch terminals 3 and 4 under the following conditions.

Condition	Continuity
When brake pedal: Fully released.	Should not exist.
When brake pedal: Slightly depressed.	Should exist.

If NG, adjust stop lamp switch installation, refer to [BR-6](#), "[BRAKE PEDAL](#)", and perform step 3 again.

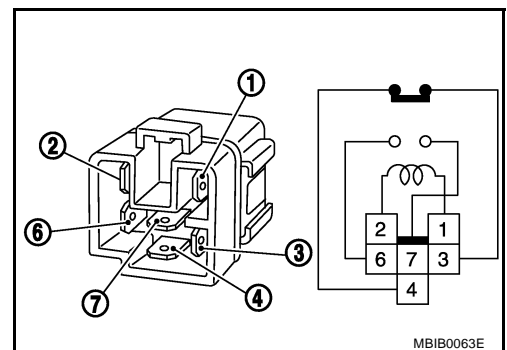


ICC BRAKE HOLD RELAY

1. Apply 12V direct current between ICC brake hold relay terminals 1 and 2.
2. Check continuity between relay terminals 3 and 4, 6 and 7 under the following conditions.

Condition	Between terminals	Continuity
12V direct current supply between terminals 1 and 2	3 and 4	Should not exist
	6 and 7	Should exist
No current supply	3 and 4	Should exist
	6 and 7	Should not exist

3. If NG, replace ICC brake hold relay.



IGNITION SIGNAL

IGNITION SIGNAL

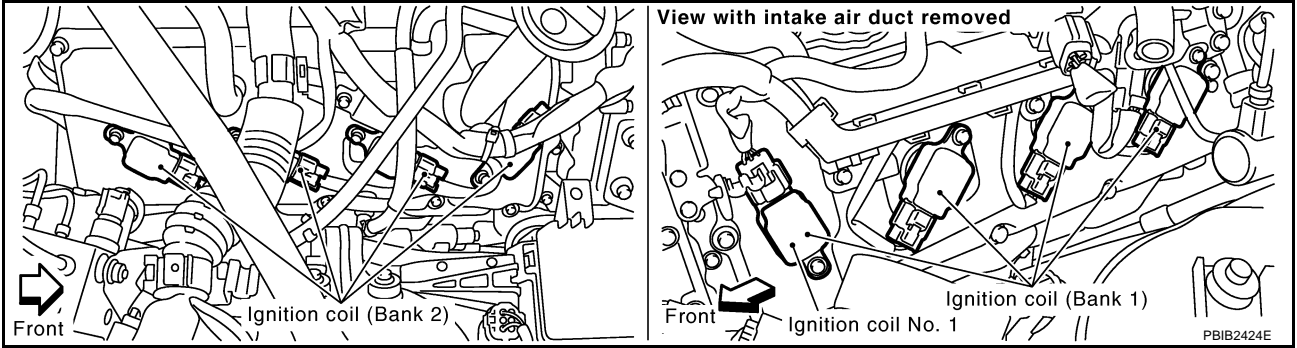
PFP:22448

Component Description

NBS0026Z

IGNITION COIL & POWER TRANSISTOR

The ignition signal from the ECM is sent to and amplified by the power transistor. The power transistor turns ON and OFF the ignition coil primary circuit. This ON/OFF operation induces the proper high voltage in the coil secondary circuit.



A
EC
C
D
E
F
G
H
I
J
K
L
M

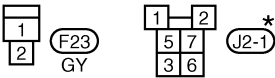
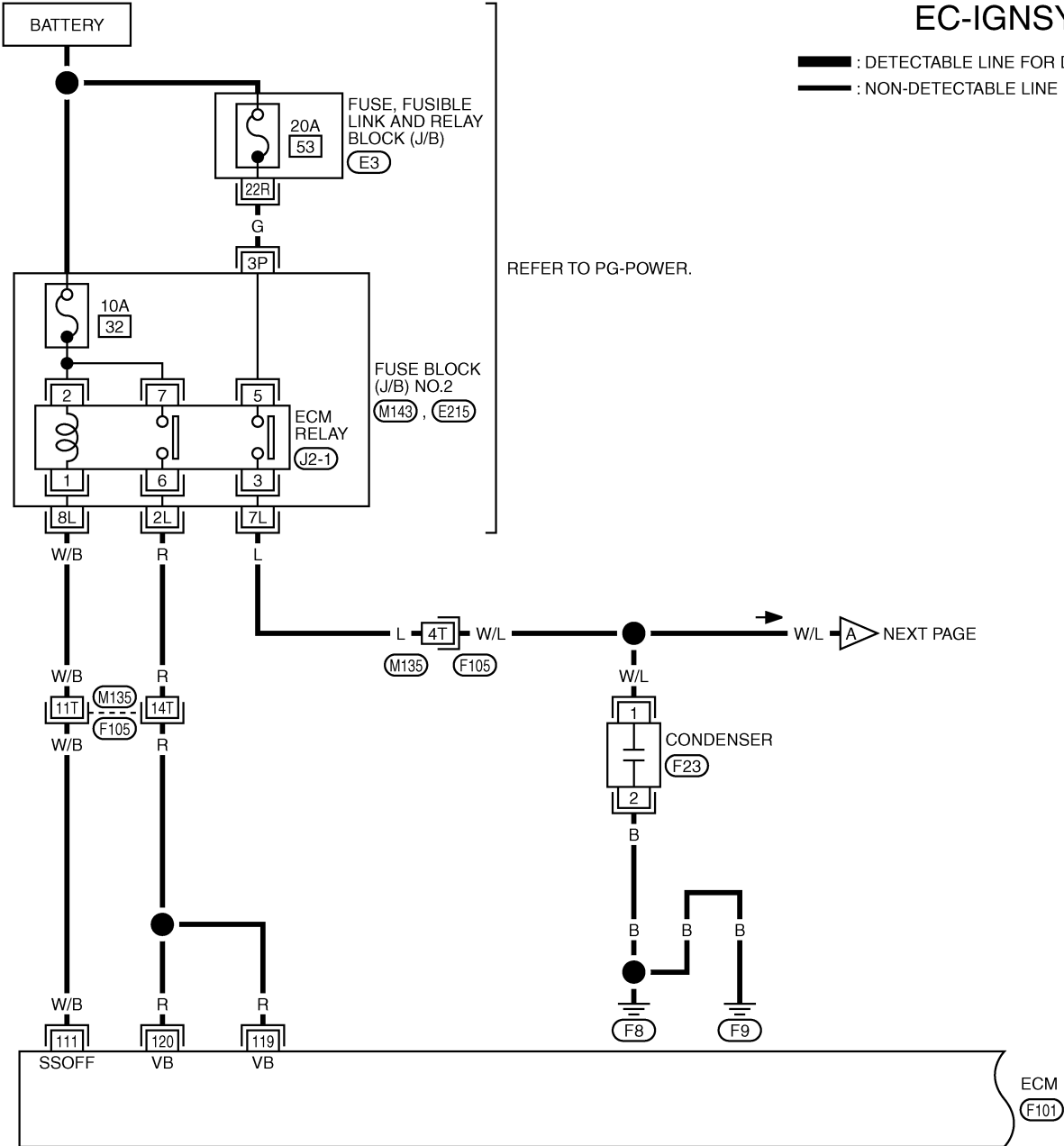
IGNITION SIGNAL

NBS00270

Wiring Diagram

EC-IGNSYS-01

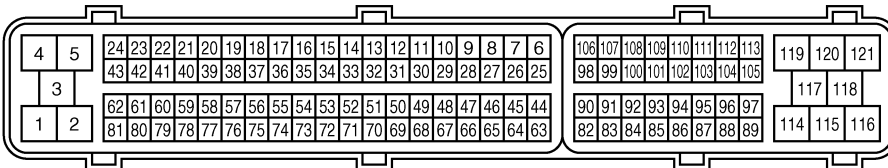
— : DETECTABLE LINE FOR DTC
 - - - : NON-DETECTABLE LINE FOR DTC



*: THIS CONNECTOR IS NOT SHOWN IN "HARNESS LAYOUT", PG SECTION.

REFER TO THE FOLLOWING.

- (F105) -SUPER MULTIPLE JUNCTION (SMJ)
- (M143), (E215) -FUSE BLOCK-JUNCTION BOX (J/B) NO.2
- (E3) -FUSE, FUSIBLE LINK AND RELAY BLOCK (J/B)



TBWM1254E

IGNITION SIGNAL

Specification data are reference values and are measured between each terminal and ground.

CAUTION:

Do not use ECM ground terminals when measuring input/output voltage. Doing so may result in damage to the ECM's transistor. Use a ground other than ECM terminals, such as the ground.

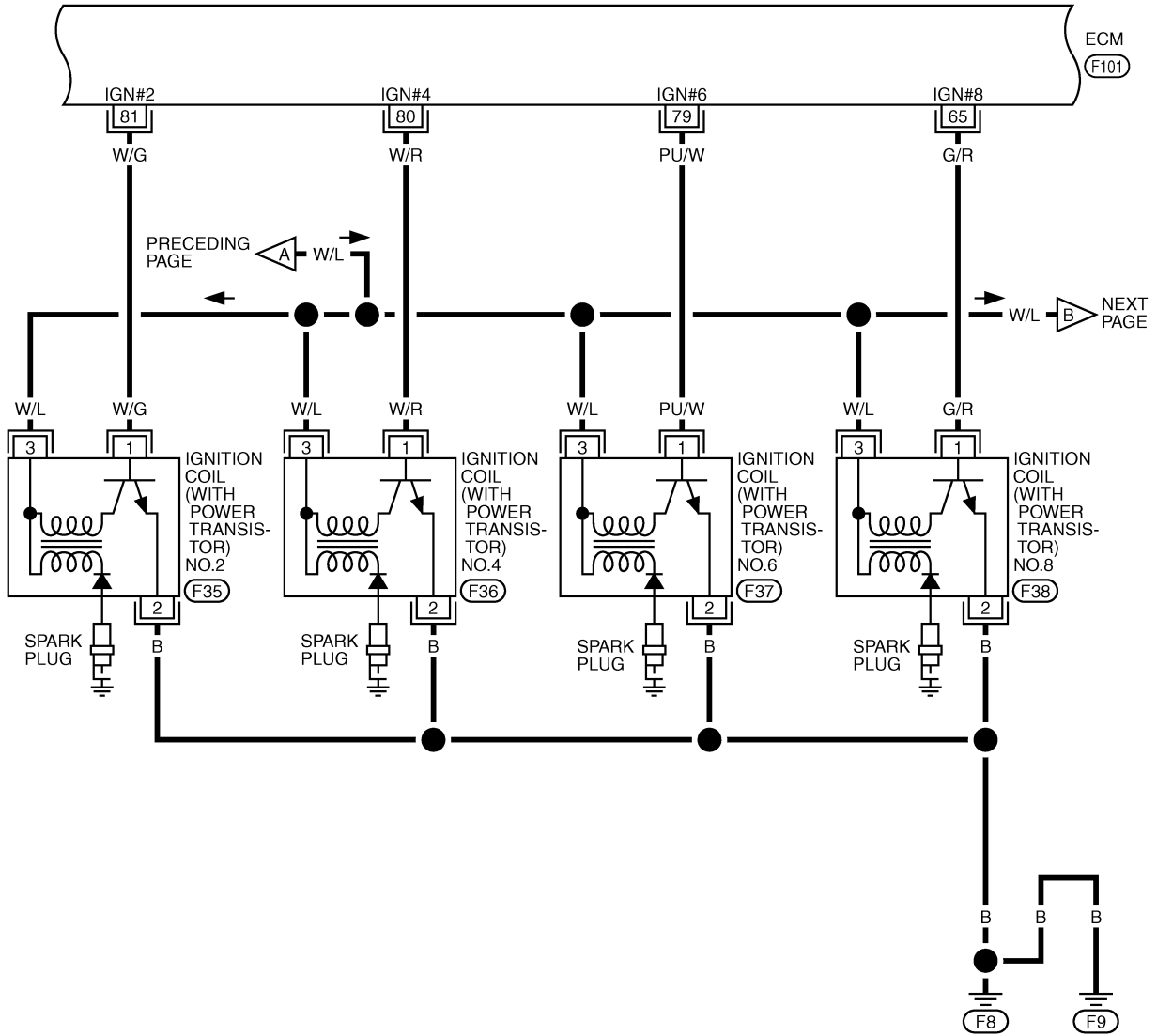
TER-MINAL NO.	WIRE COLOR	ITEM	CONDITION	DATA (DC Voltage)
111	W/B	ECM relay (Self shut-off)	[Engine is running] [Ignition switch: OFF] <ul style="list-style-type: none"> ● For a few seconds after turning ignition switch OFF 	0 - 1.5V
			[Ignition switch: OFF] <ul style="list-style-type: none"> ● More than a few seconds after turning ignition switch OFF 	BATTERY VOLTAGE (11 - 14V)
119 120	R R	Power supply for ECM	[Ignition switch: ON]	BATTERY VOLTAGE (11 - 14V)

A
EC
C
D
E
F
G
H
I
J
K
L
M

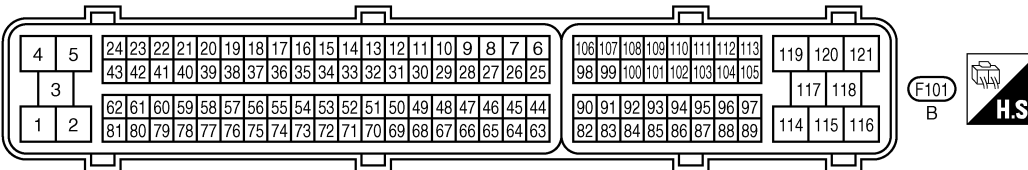
IGNITION SIGNAL

EC-IGNSYS-02

: DETECTABLE LINE FOR DTC
 : NON-DETECTABLE LINE FOR DTC



3 2 1 , F35 , F36 , F37 , F38
 GY GY GY GY



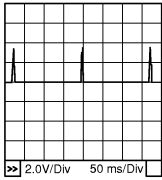
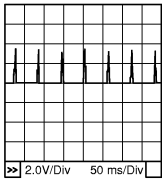
TBWM0581E

IGNITION SIGNAL

Specification data are reference values and are measured between each terminal and ground.
Pulse signal is measured by CONSULT-II.

CAUTION:

Do not use ECM ground terminals when measuring input/output voltage. Doing so may result in damage to the ECM's transistor. Use a ground other than ECM terminals, such as the ground.

TER-MINAL NO.	WIRE COLOR	ITEM	CONDITION	DATA (DC Voltage)
65 79 80 81	G/R PU/W W/R W/G	Ignition signal No. 8 Ignition signal No. 6 Ignition signal No. 4 Ignition signal No. 2	<p>[Engine is running]</p> <ul style="list-style-type: none"> ● Warm-up condition ● Idle speed <p>NOTE: The pulse cycle changes depending on rpm at idle</p>	<p>0 - 0.2V★</p>  <p style="text-align: right;">PBIB0044E</p>
			<p>[Engine is running]</p> <ul style="list-style-type: none"> ● Warm-up condition ● Engine speed: 2,000 rpm 	<p>0.1 - 0.4V★</p>  <p style="text-align: right;">PBIB0045E</p>

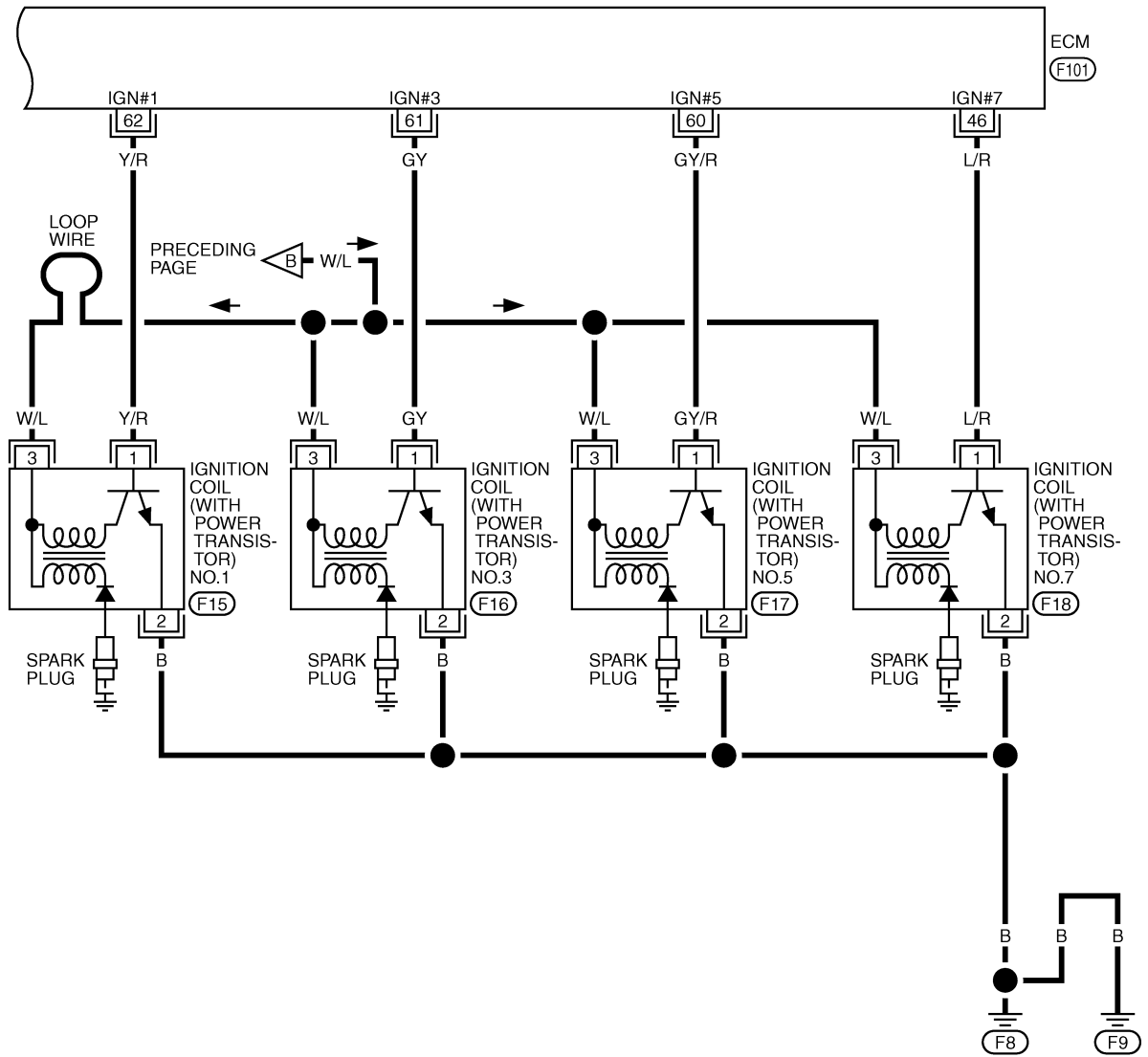
★: Average voltage for pulse signal (Actual pulse signal can be confirmed by oscilloscope.)

A
EC
C
D
E
F
G
H
I
J
K
L
M

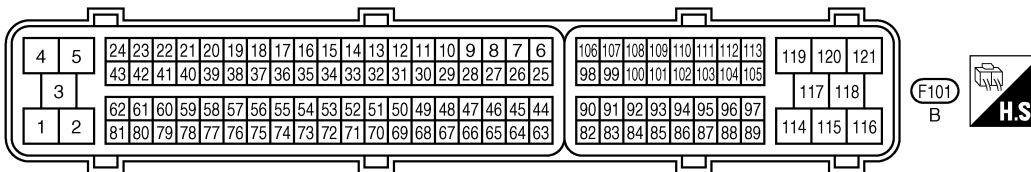
IGNITION SIGNAL

EC-IGNSYS-03

: DETECTABLE LINE FOR DTC
 : NON-DETECTABLE LINE FOR DTC



3 2 1 , F15 , F16 , F17 , F18
 GY , GY , GY , GY



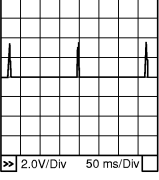
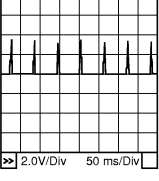
TBWM0582E

IGNITION SIGNAL

Specification data are reference values and are measured between each terminal and ground.
Pulse signal is measured by CONSULT-II.

CAUTION:

Do not use ECM ground terminals when measuring input/output voltage. Doing so may result in damage to the ECM's transistor. Use a ground other than ECM terminals, such as the ground.

TER-MINAL NO.	WIRE COLOR	ITEM	CONDITION	DATA (DC Voltage)	
46	L/R	Ignition signal No. 7	<p>[Engine is running]</p> <ul style="list-style-type: none"> ● Warm-up condition ● Idle speed <p>NOTE: The pulse cycle changes depending on rpm at idle</p>	<p>0 - 0.2V★</p>  <p>PBIB0044E</p>	
60	GY/R	Ignition signal No. 5		<p>[Engine is running]</p> <ul style="list-style-type: none"> ● Warm-up condition ● Engine speed: 2,000 rpm 	<p>0.1 - 0.4V★</p>  <p>PBIB0045E</p>
61	GY	Ignition signal No. 3			
62	Y/R	Ignition signal No. 1			

★: Average voltage for pulse signal (Actual pulse signal can be confirmed by oscilloscope.)

Diagnostic Procedure

NBS00271

1. CHECK ENGINE START

Turn ignition switch OFF, and restart engine.

Is engine running?

Yes or No

Yes (With CONSULT-II)>>GO TO 2.

Yes (Without CONSULT-II)>>GO TO 3.

No >> GO TO 4.

2. CHECK OVERALL FUNCTION

🔧 **With CONSULT-II**

1. Perform "POWER BALANCE" in "ACTIVE TEST" mode with CONSULT-II.
2. Make sure that each circuit produces a momentary engine speed drop.

OK or NG

OK >> **INSPECTION END**

NG >> GO TO 13.

ACTIVE TEST	
POWER BALANCE	
MONITOR	
ENG SPEED	XXX rpm
MAS A/F SE-B1	XXX V

PBIB0133E

IGNITION SIGNAL

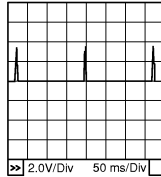
3. CHECK OVERALL FUNCTION

⊗ Without CONSULT-II

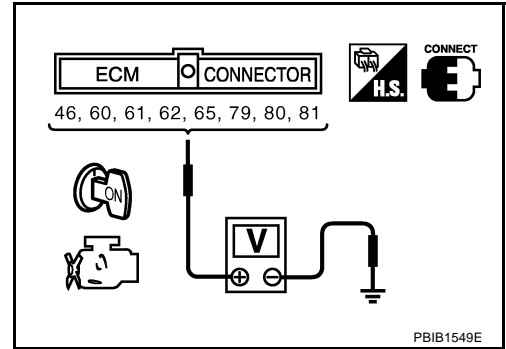
1. Let engine idle.
2. Read the voltage signal between ECM terminals 46, 60, 61, 62, 65, 79, 80, 81 and ground with an oscilloscope.
3. Verify that the oscilloscope screen shows the signal wave as shown below.

NOTE:

The pulse cycle changes depending on rpm at idle.



PBIB0044E



PBIB1549E

OK or NG

- OK >> **INSPECTION END**
- NG >> GO TO 13.

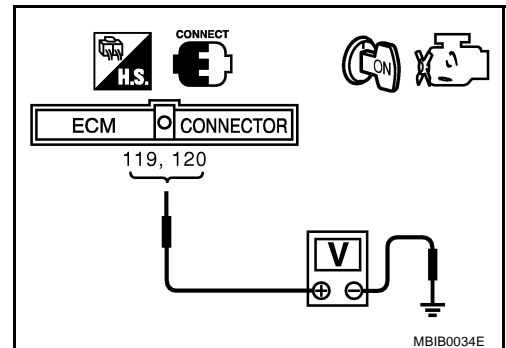
4. CHECK IGNITION COIL POWER SUPPLY CIRCUIT-I

1. Turn ignition switch OFF, wait at least 10 seconds and then turn ON.
2. Check voltage between ECM terminals 119, 120 and ground with CONSULT-II or tester.

Voltage: Battery voltage

OK or NG

- OK >> GO TO 5.
- NG >> Go to [EC-146. "POWER SUPPLY AND GROUND CIRCUIT"](#).

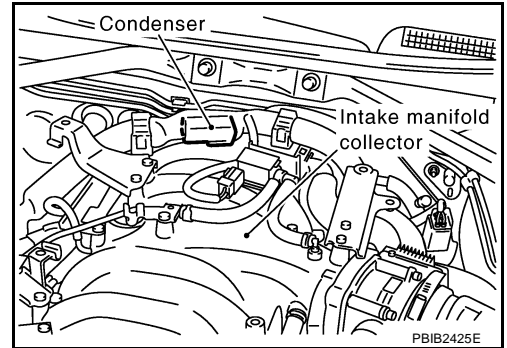


MBIB0034E

IGNITION SIGNAL

5. CHECK IGNITION COIL POWER SUPPLY CIRCUIT-II

1. Turn ignition switch OFF.
2. Disconnect condenser harness connector.
3. Turn ignition switch ON.

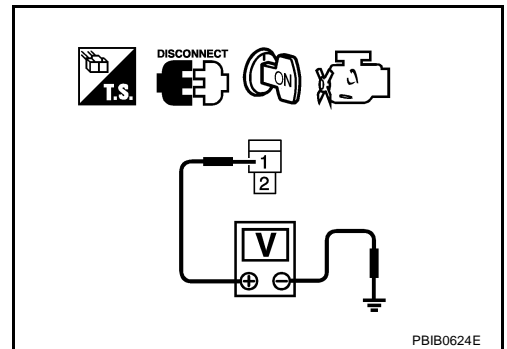


4. Check voltage between condenser terminal 1 and ground with CONSULT-II or tester.

Voltage: Battery voltage

OK or NG

- OK >> GO TO 11.
NG >> GO TO 6.



6. CHECK IGNITION COIL POWER SUPPLY CIRCUIT-III

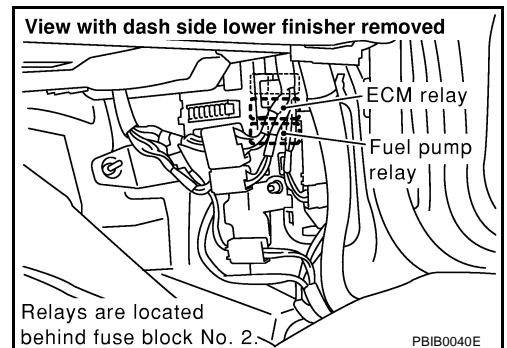
1. Turn ignition switch OFF.
2. Disconnect ECM relay.
3. Check harness continuity between ECM relay terminal 3 and condenser terminal 1. Refer to Wiring Diagram.

Continuity should exist.

4. Also check harness for short to ground and short to power.

OK or NG

- OK >> GO TO 8.
NG >> GO TO 7.



7. DETECT MALFUNCTIONING PART

Check the following.

- Harness connectors M135, F105
- Fuse block (J/B) No. 2 harness connector M143
- Harness for open or short between ECM relay and condenser

>> Repair open circuit or short to ground or short to power in harness or connectors.

IGNITION SIGNAL

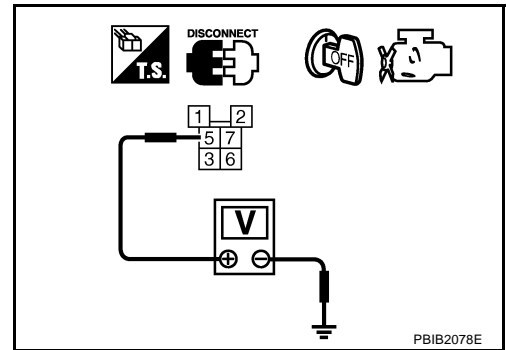
8. CHECK IGNITION COIL POWER SUPPLY CIRCUIT-IV

Check voltage between ECM relay terminal 5 and ground with CONSULT-II or tester.

Voltage: Battery voltage

OK or NG

- OK >> GO TO 10.
- NG >> GO TO 9.



9. DETECT MALFUNCTIONING PART

Check the following.

- 20A fuse
- Fuse, fusible link and relay block (J/B) harness connector E3
- Fuse block (J/B) No. 2 harness connector E215
- Harness for open and short between ECM relay and fuse

>> Repair or replace harness or connectors.

10. CHECK ECM RELAY

Refer to [EC-155, "Component Inspection"](#).

OK or NG

- OK >> GO TO 18.
- NG >> Replace ECM relay.

11. CHECK CONDENSER CIRCUIT FOR OPEN AND SHORT

1. Turn ignition switch OFF.
2. Disconnect condenser harness connector.
3. Check harness continuity between condenser terminal 2 and ground. Refer to Wiring Diagram.

Continuity should exist.

4. Also check harness for short to power.

OK or NG

- OK >> GO TO 12.
- NG >> Repair open circuit or short to power in harness or connectors.

12. CHECK CONDENSER

Refer to [EC-742, "Component Inspection"](#).

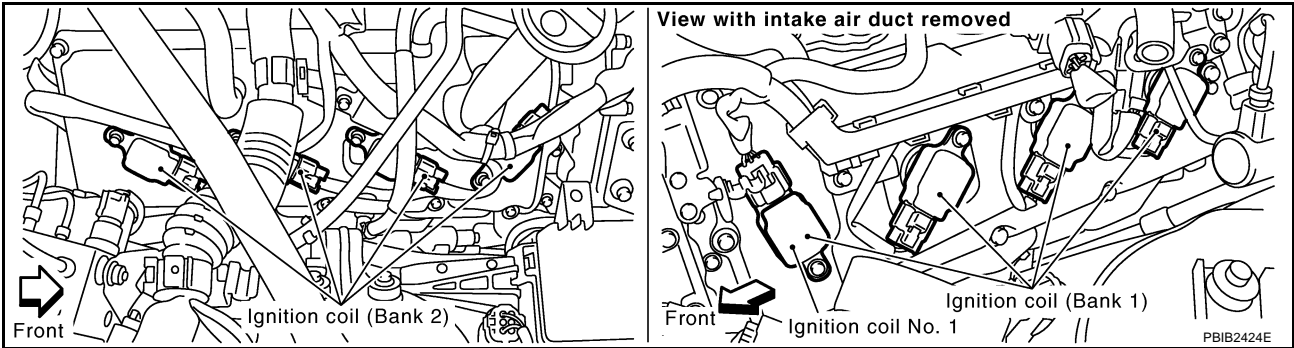
OK or NG

- OK >> GO TO 13.
- NG >> Replace condenser.

IGNITION SIGNAL

13. CHECK IGNITION COIL POWER SUPPLY CIRCUIT-V

1. Reconnect all harness connectors disconnected.
2. Disconnect ignition coil harness connector.

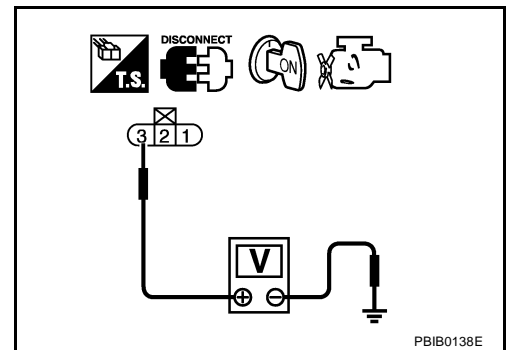


3. Turn ignition switch ON.
4. Check voltage between ignition coil terminal 3 and ground with CONSULT-II or tester.

Voltage: Battery voltage

OK or NG

- OK >> GO TO 15.
- NG >> GO TO 14.



14. DETECT MALFUNCTIONING PART

Check the harness for open or short between ignition coil and ECM relay.

>> Repair or replace harness or connectors.

15. CHECK IGNITION COIL GROUND CIRCUIT FOR OPEN AND SHORT

1. Turn ignition switch OFF.
2. Check harness continuity between ignition coil terminal 2 and ground. Refer to Wiring Diagram.

Continuity should exist.

3. Also check harness for short to power.

OK or NG

- OK >> GO TO 16.
- NG >> Repair open circuit or short to power in harness or connectors.

16. CHECK IGNITION COIL OUTPUT SIGNAL CIRCUIT FOR OPEN AND SHORT

1. Disconnect ECM harness connector.
2. Check harness continuity between ECM terminals 46, 60, 61, 62, 65, 79, 80, 81 and ignition coil terminal 1. Refer to Wiring Diagram.

Continuity should exist.

3. Also check harness for short to ground and short to power.

OK or NG

- OK >> GO TO 17.
- NG >> Repair open circuit or short to ground or short to power in harness or connectors.

IGNITION SIGNAL

17. CHECK IGNITION COIL WITH POWER TRANSISTOR

Refer to [EC-742, "Component Inspection"](#) .

OK or NG

- OK >> GO TO 18.
- NG >> Replace ignition coil with power transistor.

18. CHECK INTERMITTENT INCIDENT

Refer to [EC-145, "TROUBLE DIAGNOSIS FOR INTERMITTENT INCIDENT"](#) .

>> INSPECTION END

Component Inspection IGNITION COIL WITH POWER TRANSISTOR

NBS00272

CAUTION:

Do the following procedure in the place where ventilation is good without the combustible.

1. Turn ignition switch OFF.
2. Disconnect ignition coil harness connector.
3. Check resistance between ignition coil terminals as follows.

Terminal No. (Polarity)	Resistance Ω [at 25°C (77°F)]
1 and 2	Except 0 or ∞
1 and 3	Except 0
2 and 3	

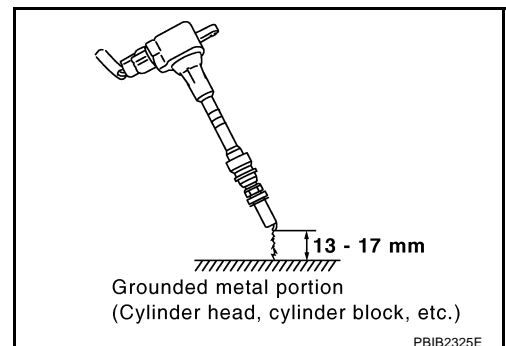
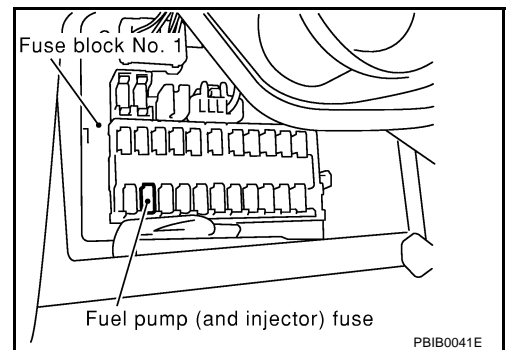
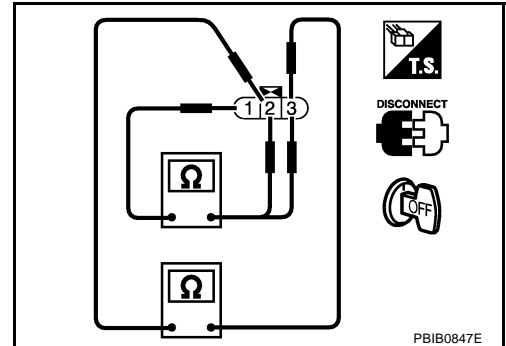
4. If NG, replace ignition coil with power transistor.
If OK, go to next step.
5. Turn ignition switch OFF.
6. Reconnect all harness connectors disconnected.
7. Remove fuel pump fuse in fuse block No. 1 to release fuel pressure.

NOTE:

Do not use CONSULT-II to release fuel pressure, or fuel pressure applies again during the following procedure.

8. Start engine.
9. After engine stalls, crank it two or three times to release all fuel pressure.
10. Turn ignition switch OFF.
11. Remove all ignition coil harness connectors to avoid the electrical discharge from the ignition coils.
12. Remove ignition coil and spark plug of the cylinder to be checked.
13. Crank engine for 5 seconds or more to remove combustion gas in the cylinder.
14. Connect spark plug and harness connector to ignition coil.
15. Fix ignition coil using a rope etc. with gap of 13 - 17 mm between the edge of the spark plug and grounded metal portion as shown in the figure.
16. Crank engine for about 3 seconds, and check whether spark is generated between the spark plug and the grounded metal portion.

Spark should be generated.



IGNITION SIGNAL

CAUTION:

- Do not approach to the spark plug and the ignition coil within 50cm. Be careful not to get an electrical shock while checking, because the electrical discharge voltage becomes 20kV or more.
- It might cause to damage the ignition coil if the gap of more than 17 mm is taken.

NOTE:

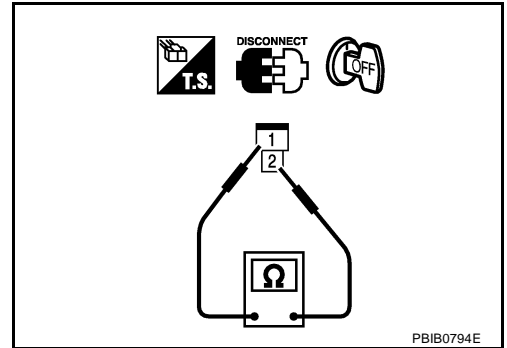
When the gap is less than 13 mm, the spark might be generated even if the coil is malfunctioning.

17. If NG, replace ignition coil with power transistor.

CONDENSER

1. Turn ignition switch OFF.
2. Disconnect condenser harness connector.
3. Check resistance between condenser terminals 1 and 2.

Resistance: Above 1 MΩ [at 25°C (77°F)]



NBS00273

Removal and Installation IGNITION COIL WITH POWER TRANSISTOR

Refer to [EM-29, "IGNITION COIL"](#) .

REFRIGERANT PRESSURE SENSOR

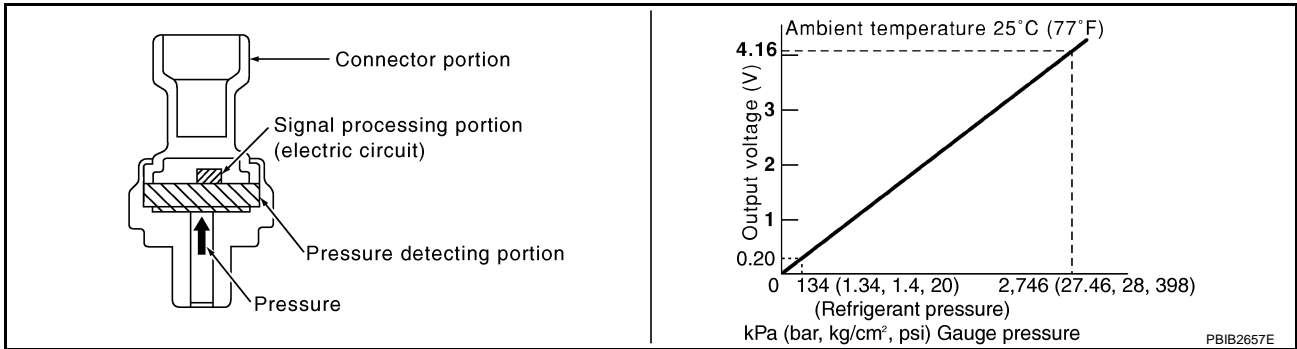
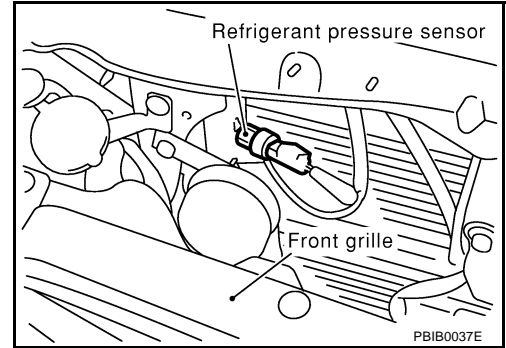
REFRIGERANT PRESSURE SENSOR

PFP:92136

Component Description

NBS0027G

The refrigerant pressure sensor is installed at the condenser of the air conditioner system. The sensor uses an electrostatic volume pressure transducer to convert refrigerant pressure to voltage. The voltage signal is sent to ECM, and ECM controls cooling fan system.



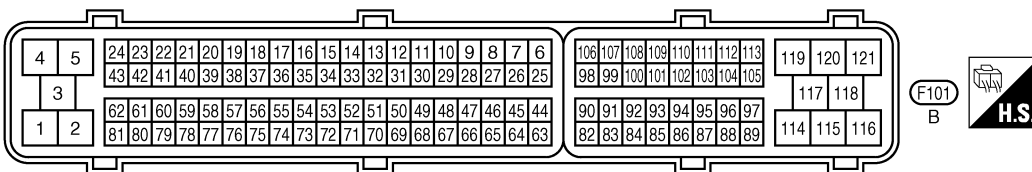
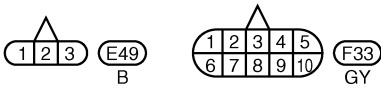
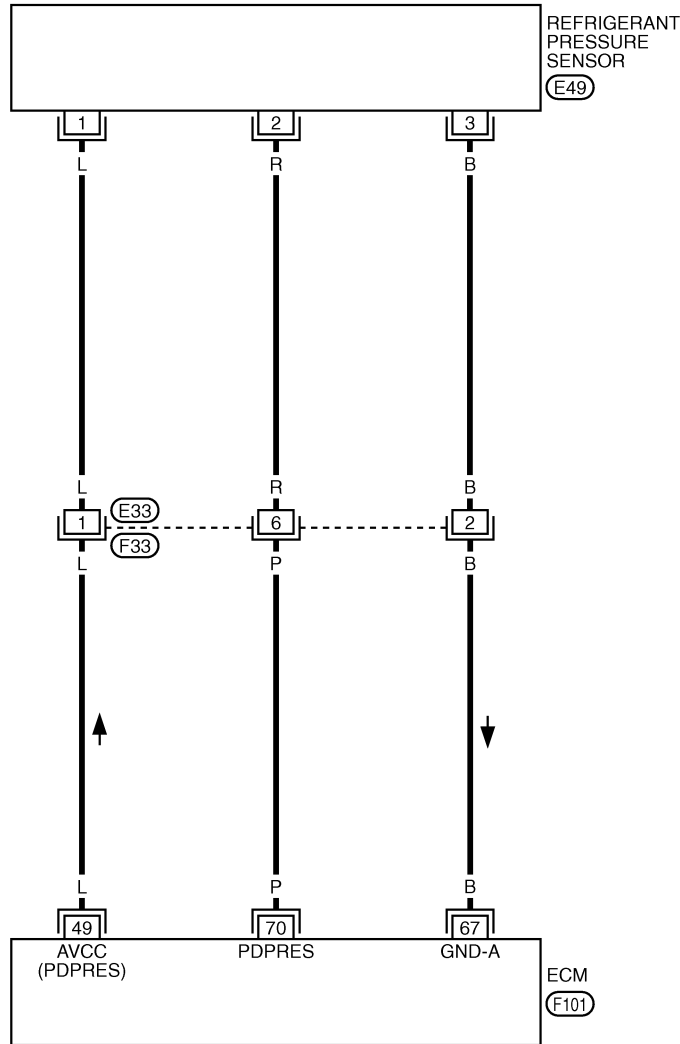
REFRIGERANT PRESSURE SENSOR

Wiring Diagram

NBS0027H

EC-RP/SEN-01

: DETECTABLE LINE FOR DTC
 : NON-DETECTABLE LINE FOR DTC



TBWM0586E

REFRIGERANT PRESSURE SENSOR

Specification data are reference values and are measured between each terminal and ground.

CAUTION:

Do not use ECM ground terminals when measuring input/output voltage. Doing so may result in damage to the ECM's transistor. Use a ground other than ECM terminals, such as the ground.

TERMINAL NO.	WIRE COLOR	ITEM	CONDITION	DATA (DC Voltage)
49	L	Sensor power supply (Refrigerant pressure sensor)	[Ignition switch: ON]	Approximately 5V
67	B	Sensor ground (MAF sensor, IAT sensor, ECT sensor, FTT sensor, EVAP control system pressure sensor, PSP sensor, ICC steering switch, ASCD steering switch, Refrigerant pressure sensor)	[Engine is running] ● Warm-up condition ● Idle speed	Approximately 0V
70	P	Refrigerant pressure sensor	[Engine is running] ● Warm-up condition ● Both A/C switch and blower fan motor switch: ON (Compressor operates)	1.0 - 4.0V

Diagnostic Procedure

NBS00271

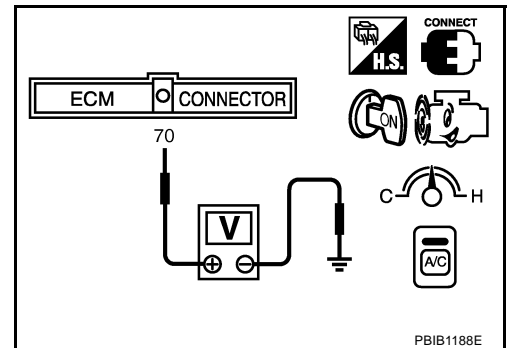
1. CHECK REFRIGERANT PRESSURE SENSOR OVERALL FUNCTION

1. Start engine and warm it up to normal operating temperature.
2. Turn A/C switch and blower switch ON.
3. Check voltage between ECM terminal 70 and ground with CONSULT-II or tester.

Voltage: 1.0 - 4.0V

OK or NG

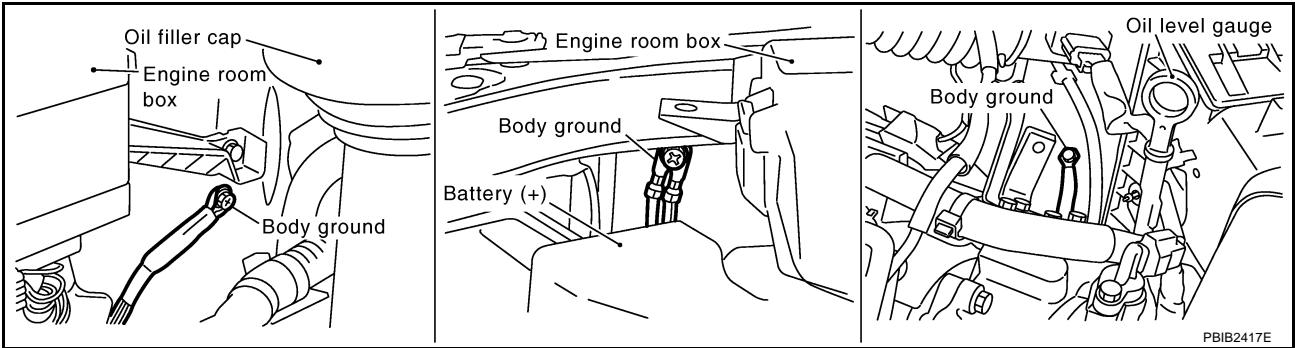
- OK >> **INSPECTION END**
 NG >> GO TO 2.



REFRIGERANT PRESSURE SENSOR

2. CHECK GROUND CONNECTIONS

1. Turn A/C switch and blower switch OFF.
2. Stop engine.
3. Turn ignition switch OFF.
4. Loosen and retighten three ground screws on the body.
Refer to [EC-154, "Ground Inspection"](#).

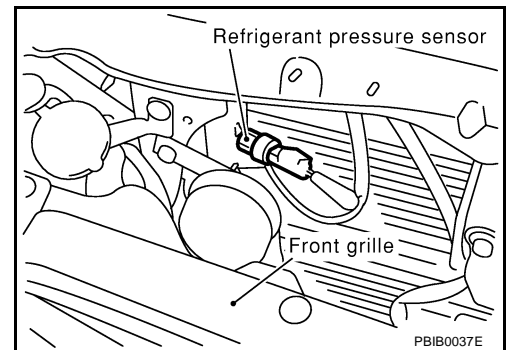


OK or NG

- OK >> GO TO 3.
- NG >> Repair or replace ground connections.

3. CHECK REFRIGERANT PRESSURE SENSOR POWER SUPPLY CIRCUIT

1. Disconnect refrigerant pressure sensor harness connector.
2. Turn ignition switch ON.

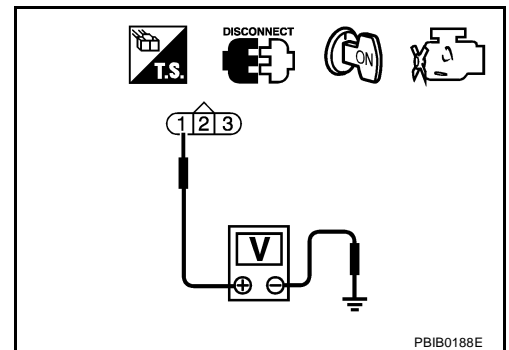


3. Check voltage between refrigerant pressure sensor terminal 1 and ground with CONSULT-II or tester.

Voltage: Approximately 5V

OK or NG

- OK >> GO TO 5.
- NG >> GO TO 4.



4. DETECT MALFUNCTIONING PART

Check the following.

- Harness connectors E33, F33
- Harness for open or short between ECM and refrigerant pressure sensor

>> Repair open circuit or short to ground or short to power in harness or connectors.

REFRIGERANT PRESSURE SENSOR

5. CHECK REFRIGERANT PRESSURE SENSOR GROUND CIRCUIT FOR OPEN AND SHORT

1. Turn ignition switch OFF.
2. Disconnect ECM harness connector.
3. Check harness continuity between refrigerant pressure sensor terminal 3 and ECM terminal 67.
Refer to Wiring Diagram.

Continuity should exist.

4. Also check harness for short to ground or short to power.

OK or NG

- OK >> GO TO 7.
NG >> GO TO 6.

6. DETECT MALFUNCTIONING PART

Check the following.

- Harness connectors E33, F33
- Harness for open or short between ECM and refrigerant pressure sensor

>> Repair open circuit or short to ground or short to power in harness or connectors.

7. CHECK REFRIGERANT PRESSURE SENSOR INPUT SIGNAL CIRCUIT FOR OPEN AND SHORT

1. Check harness continuity between ECM terminal 70 and refrigerant pressure sensor terminal 2.
Refer to Wiring Diagram.

Continuity should exist.

2. Also check harness for short to ground and short to power.

OK or NG

- OK >> GO TO 9.
NG >> GO TO 8.

8. DETECT MALFUNCTIONING PART

Check the following.

- Harness connectors E33, F33
- Harness for open or short between ECM and refrigerant pressure sensor

>> Repair open circuit or short to ground or short to power in harness or connectors.

9. CHECK INTERMITTENT INCIDENT

Refer to [EC-145, "TROUBLE DIAGNOSIS FOR INTERMITTENT INCIDENT"](#) .

OK or NG

- OK >> Replace refrigerant pressure sensor.
NG >> Repair or replace.

Removal and Installation REFRIGERANT PRESSURE SENSOR

Refer to [ATC-156, "Removal and Installation of Refrigerant Pressure Sensor"](#) .

NBS0027J

VARIABLE INDUCTION AIR CONTROL SYSTEM (VIAS)

VARIABLE INDUCTION AIR CONTROL SYSTEM (VIAS)

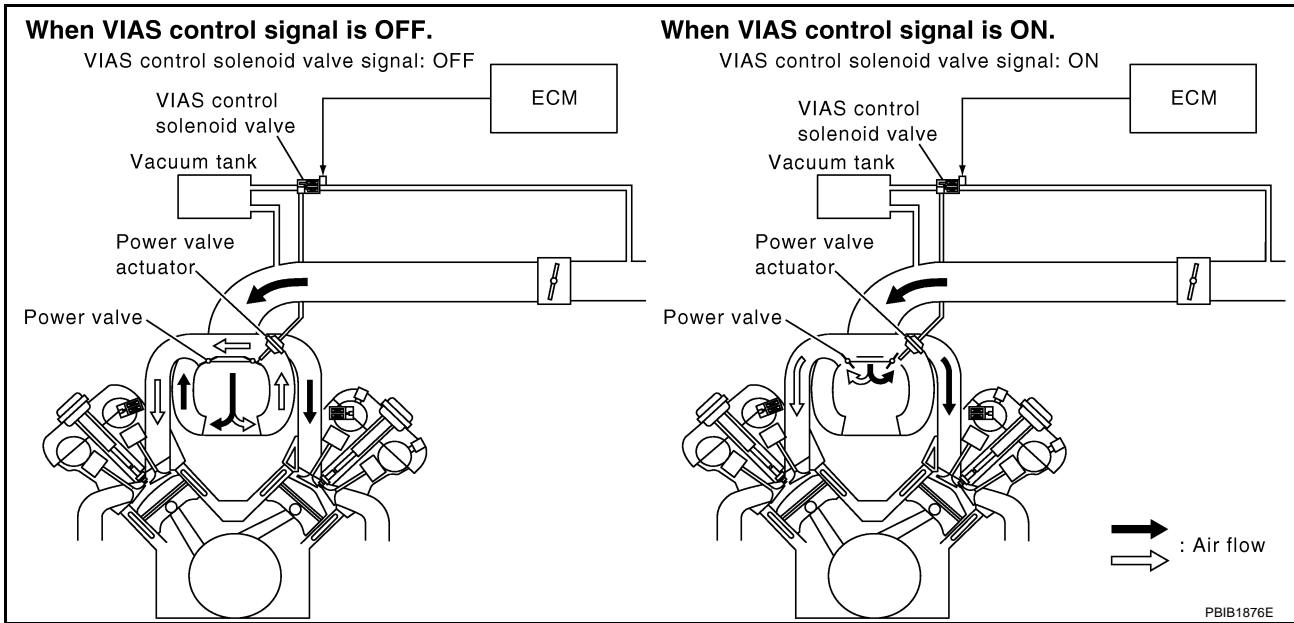
PFP:14956

Description SYSTEM DESCRIPTION

NBS0026T

Sensor	Input Signal to ECM	ECM function	Actuator
Crankshaft position sensor (POS) Camshaft position sensor (PHASE)	Engine speed*	VIAS control	VIAS control solenoid valve
Mass air flow sensor	Amount of intake air		
Engine coolant temperature sensor	Engine coolant temperature		
Throttle position sensor	Throttle position		
Accelerator pedal position sensor	Accelerator pedal position		
Battery	Battery voltage*		

*: ECM determines the start signal status by the signals of engine speed and battery voltage.



When the engine is running at low or medium speed, the power valve is fully closed. Under this condition, the effective suction port length is equivalent to the total length of the intake manifold collector's suction port including the intake valve. This long suction port provides increased air intake which results in improved suction efficiency and higher torque generation.

The surge tank and one-way valve are provided. When engine is running at high speed, the ECM sends the signal to the VIAS control solenoid valve. This signal introduces the intake manifold vacuum into the power valve actuator and therefore opens the power valve to two suction passages together in the collector.

Under this condition, the effective port length is equivalent to the length of the suction port provided independently for each cylinder. This shortened port length results in enhanced engine output with reduced suction resistance under high speeds.

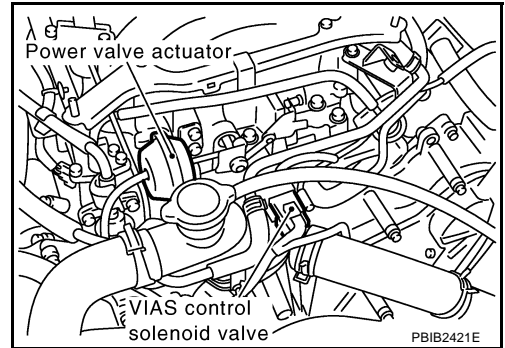
The power valve is always open regardless of the engine speed when selector lever position is in N or P.

VARIABLE INDUCTION AIR CONTROL SYSTEM (VIAS)

COMPONENT DESCRIPTION

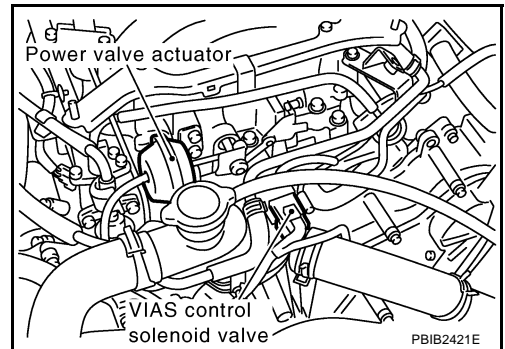
Power Valve

The power valve is installed in intake manifold collector and used to control the suction passage of the variable induction air control system. It is set in the fully closed or fully opened position by the power valve actuator operated by the vacuum stored in the surge tank. The vacuum in the surge tank is controlled by the VIAS control solenoid valve.



VIAS Control Solenoid Valve

The VIAS control solenoid valve cuts the intake manifold vacuum signal for power valve control. It responds to ON/OFF signals from the ECM. When the solenoid is OFF, the vacuum signal from the intake manifold is cut. When the ECM sends an ON signal the coil pulls the plunger downward and feeds the vacuum signal to the power valve actuator.



CONSULT-II Reference Value in Data Monitor Mode

NBS0026U

Specification data are reference values.

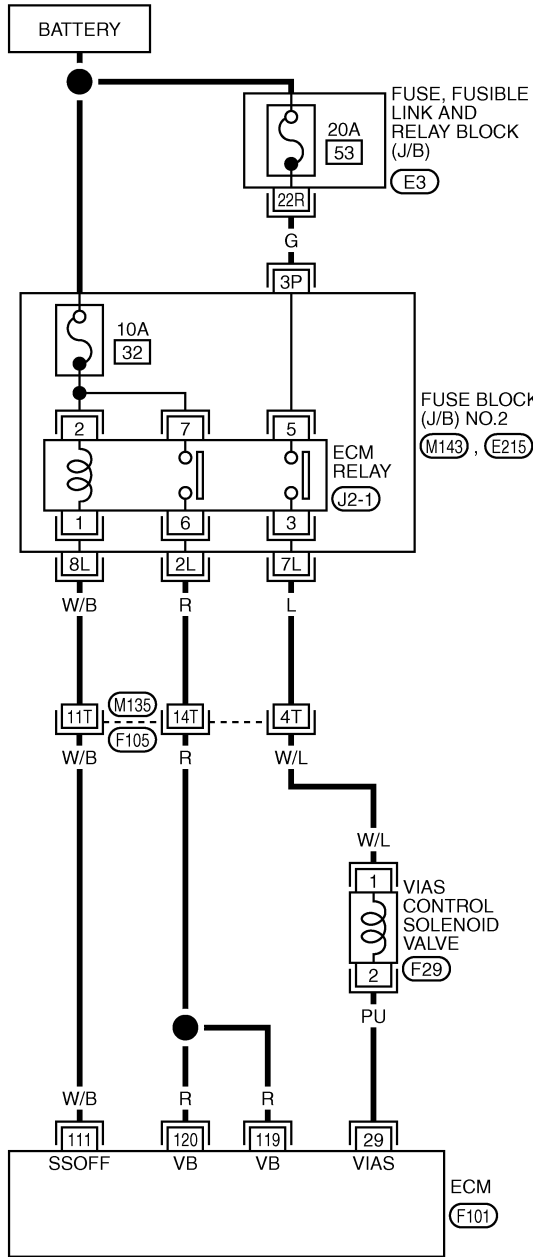
MONITOR ITEM	CONDITION	SPECIFICATION
VIAS S/V	<ul style="list-style-type: none"> ● Selector lever: P or N ● Engine speed: More than 5,000 rpm 	ON
	<ul style="list-style-type: none"> ● Selector lever: Except P or N ● Engine speed: Less than 5,000 rpm 	OFF

VARIABLE INDUCTION AIR CONTROL SYSTEM (VIAS)

Wiring Diagram

NBS0026V

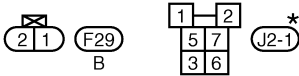
EC-VIAS-01



— : DETECTABLE LINE FOR DTC
 — : NON-DETECTABLE LINE FOR DTC

REFER TO PG-POWER.

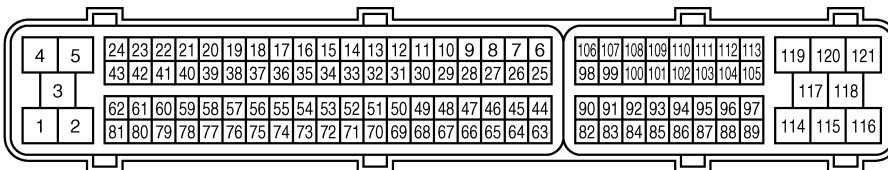
A
 EC
 C
 D
 E
 F
 G
 H
 I
 J
 K
 L
 M



*: THIS CONNECTOR IS NOT SHOWN IN "HARNESS LAYOUT", PG SECTION.

REFER TO THE FOLLOWING.

- (F105) -SUPER MULTIPLE JUNCTION (SMJ)
- (M143), (E215) -FUSE BLOCK-JUNCTION BOX (J/B) NO.2
- (E3) -FUSE, FUSIBLE LINK AND RELAY BLOCK (J/B)



TBWM1253E

VARIABLE INDUCTION AIR CONTROL SYSTEM (VIAS)

Specification data are reference values and are measured between each terminal and ground.

CAUTION:

Do not use ECM ground terminals when measuring input/output voltage. Doing so may result in damage to the ECM's transistor. Use a ground other than ECM terminals, such as the ground.

TER-MINAL NO.	WIRE COLOR	ITEM	CONDITION	DATA (DC Voltage)
29	PU	VIAS control solenoid valve	[Engine is running] ● Selector lever: P or N	0 - 1.0V
			[Engine is running] ● Selector lever: D ● Engine speed: Below 5,000 rpm	BATTERY VOLTAGE (11 - 14V)
			[Engine is running] ● Engine speed: Above 5,000 rpm	0 - 1.0V
111	W/B	ECM relay (Self shut-off)	[Engine is running] [Ignition switch: OFF] ● For a few seconds after turning ignition switch OFF	0 - 1.5V
			[Ignition switch: OFF] ● More than a few seconds after turning ignition switch OFF	BATTERY VOLTAGE (11 - 14V)
119 120	R R	Power supply for ECM	[Ignition switch: ON]	BATTERY VOLTAGE (11 - 14V)

VARIABLE INDUCTION AIR CONTROL SYSTEM (VIAS)

Diagnostic Procedure

NBS0026W

1. CHECK OVERALL FUNCTION

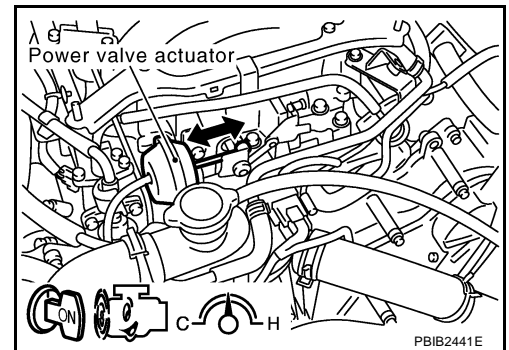
① With CONSULT-II

1. Start engine and warm it up to normal operating temperature.
2. Perform "VIAS SOL VALVE" in "ACTIVE TEST" mode with CONSULT-II.

ACTIVE TEST	
VIAS SOL VALVE	OFF
MONITOR	
ENG SPEED	XXX rpm

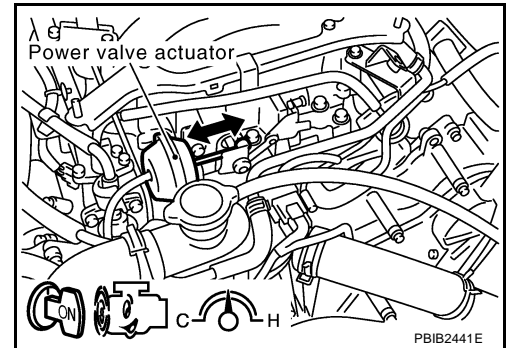
PBIB0844E

3. Turn VIAS control solenoid valve "ON" and "OFF", and make sure that power valve actuator rod moves.



⊗ Without CONSULT-II

1. Lift up the vehicle.
2. Start engine and warm it up to normal operating temperature.
3. Make sure that power valve actuator rod moves when changing the selector lever position to N and D alternately.



OK or NG

OK >> **INSPECTION END**

NG (With CONSULT-II)>>GO TO 2.

NG (Without CONSULT-II)>>GO TO 3.

VARIABLE INDUCTION AIR CONTROL SYSTEM (VIAS)

2. CHECK VACUUM EXISTENCE

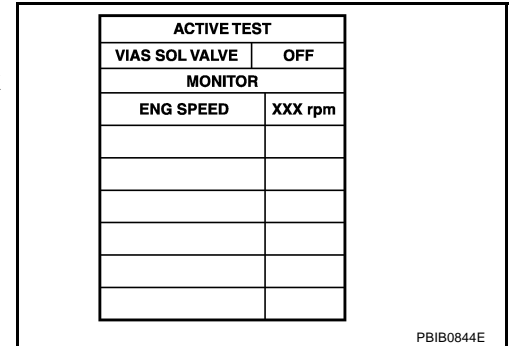
With CONSULT-II

1. Stop engine and disconnect vacuum hose connected to power valve actuator.
2. Start engine and let it idle.
3. Perform "VIAS SOL VALVE" in "ACTIVE TEST" mode with CONSULT-II.
4. Turn VIAS control solenoid valve "ON" and "OFF", and check vacuum existence under the following conditions.

VIAS SOL VALVE	Vacuum
ON	Should exist.
OFF	Should not exist.

OK or NG

- OK >> Repair or replace power valve actuator.
 NG >> GO TO 4.



3. CHECK VACUUM EXISTENCE

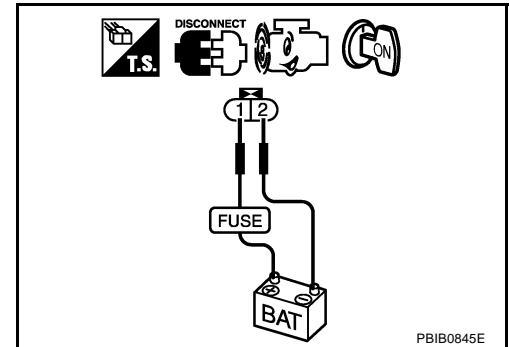
Without CONSULT-II

1. Stop engine and disconnect vacuum hose connected to power valve actuator.
2. Disconnect VIAS control solenoid valve harness connector.
3. Start engine and let it idle.
4. Apply 12V of direct current between VIAS control solenoid valve terminals 1 and 2.
5. Check vacuum existence under the following conditions.

Condition	Vacuum
12V direct current supply	Should exist.
No supply	Should not exist.

OK or NG

- OK >> Repair or replace power valve actuator.
 NG >> GO TO 4.

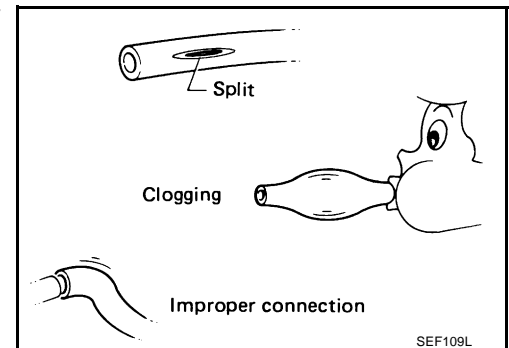


4. CHECK VACUUM HOSE

1. Stop engine.
2. Check hoses and tubes between intake manifold and power valve actuator for crack, clogging, improper connection or disconnection. Refer to [EC-102, "Vacuum Hose Drawing"](#).

OK or NG

- OK >> GO TO 5.
 NG >> Repair hoses or tubes.



5. CHECK VACUUM TANK

Refer to [EC-756, "Component Inspection"](#).

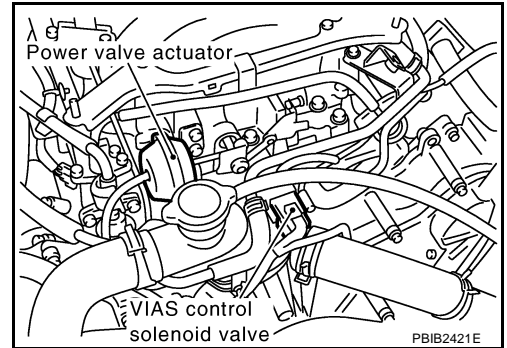
OK or NG

- OK >> GO TO 6.
 NG >> Replace vacuum tank.

VARIABLE INDUCTION AIR CONTROL SYSTEM (VIAS)

6. CHECK VIAS CONTROL SOLENOID VALVE POWER SUPPLY CIRCUIT

1. Turn ignition switch OFF.
2. Disconnect VIAS control solenoid valve harness connector.
3. Turn ignition switch ON.

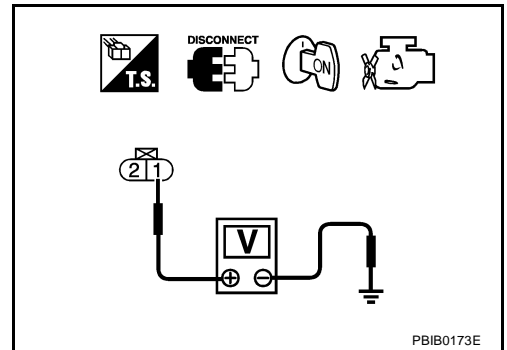


4. Check voltage between VIAS control solenoid valve terminal 1 and ground with CONSULT-II or tester.

Voltage: Battery voltage

OK or NG

- OK >> GO TO 8.
- NG >> GO TO 7.



7. DETECT MALFUNCTIONING PART

Check the following.

- Harness connectors M135, F105
- Harness continuity between VIAS control solenoid valve and ECM relay

>> Repair open circuit or short to ground or short to power in harness or connectors.

8. CHECK VIAS CONTROL SOLENOID VALVE OUTPUT SIGNAL CIRCUIT FOR OPEN AND SHORT

1. Turn ignition switch OFF.
2. Disconnect ECM harness connector.
3. Check harness continuity between ECM terminal 29 and terminal 2. Refer to Wiring Diagram.

Continuity should exist.

4. Also check harness for short to ground and short to power.

OK or NG

- OK >> GO TO 9.
- NG >> Repair open circuit or short to ground or short to power in harness or connectors.

9. CHECK VIAS CONTROL SOLENOID VALVE

Refer to [EC-756, "Component Inspection"](#).

OK or NG

- OK >> GO TO 10.
- NG >> Replace VIAS control solenoid valve.

VARIABLE INDUCTION AIR CONTROL SYSTEM (VIAS)

10. CHECK INTERMITTENT INCIDENT

Refer to [EC-145, "TROUBLE DIAGNOSIS FOR INTERMITTENT INCIDENT"](#) .

>> INSPECTION END

Component Inspection VIAS CONTROL SOLENOID VALVE

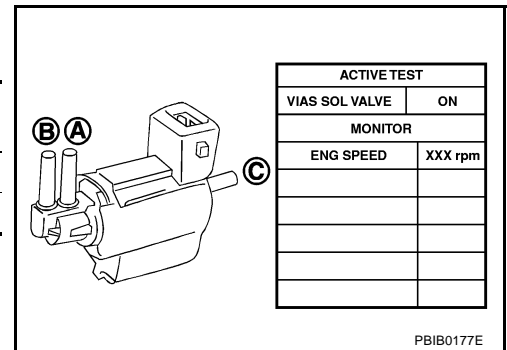
NBS0026X

☑ With CONSULT-II

1. Reconnect harness connectors disconnected.
2. Turn ignition switch ON.
3. Perform "VIAS SOL VALVE" in "ACTIVE TEST" mode.
4. Check air passage continuity and operation delay time under the following conditions.

Condition VIAS SOL VALVE	Air passage continuity between A and B	Air passage continuity between A and C
ON	Yes	No
OFF	No	Yes

Operation takes less than 1 second.

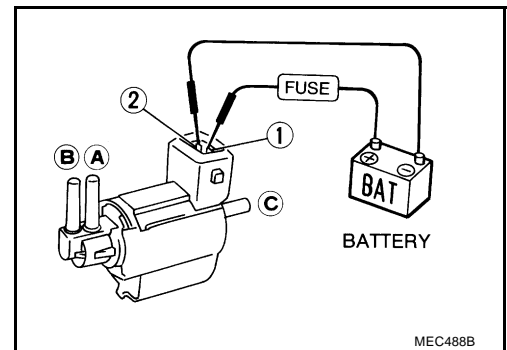


☒ Without CONSULT-II

Check air passage continuity and operation delay time under the following conditions.

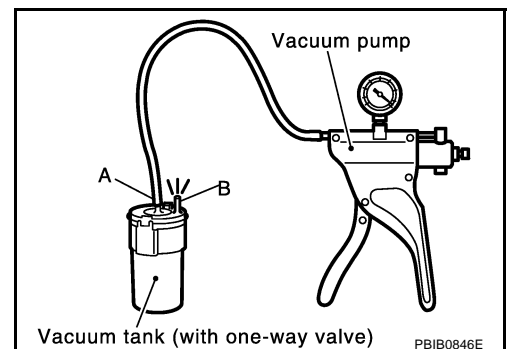
Condition	Air passage continuity between A and B	Air passage continuity between A and C
12V direct current supply between terminals 1 and 2	Yes	No
No supply	No	Yes

Operation takes less than 1 second.



VACUUM TANK

1. Disconnect vacuum hose connected to vacuum tank.
2. Connect a vacuum pump to the port A of vacuum tank.
3. Apply vacuum and make sure that vacuum exists at the port B.



Removal and Installation VIAS CONTROL SOLENOID VALVE

NBS0026Y

Refer to [EM-19, "INTAKE MANIFOLD"](#) .

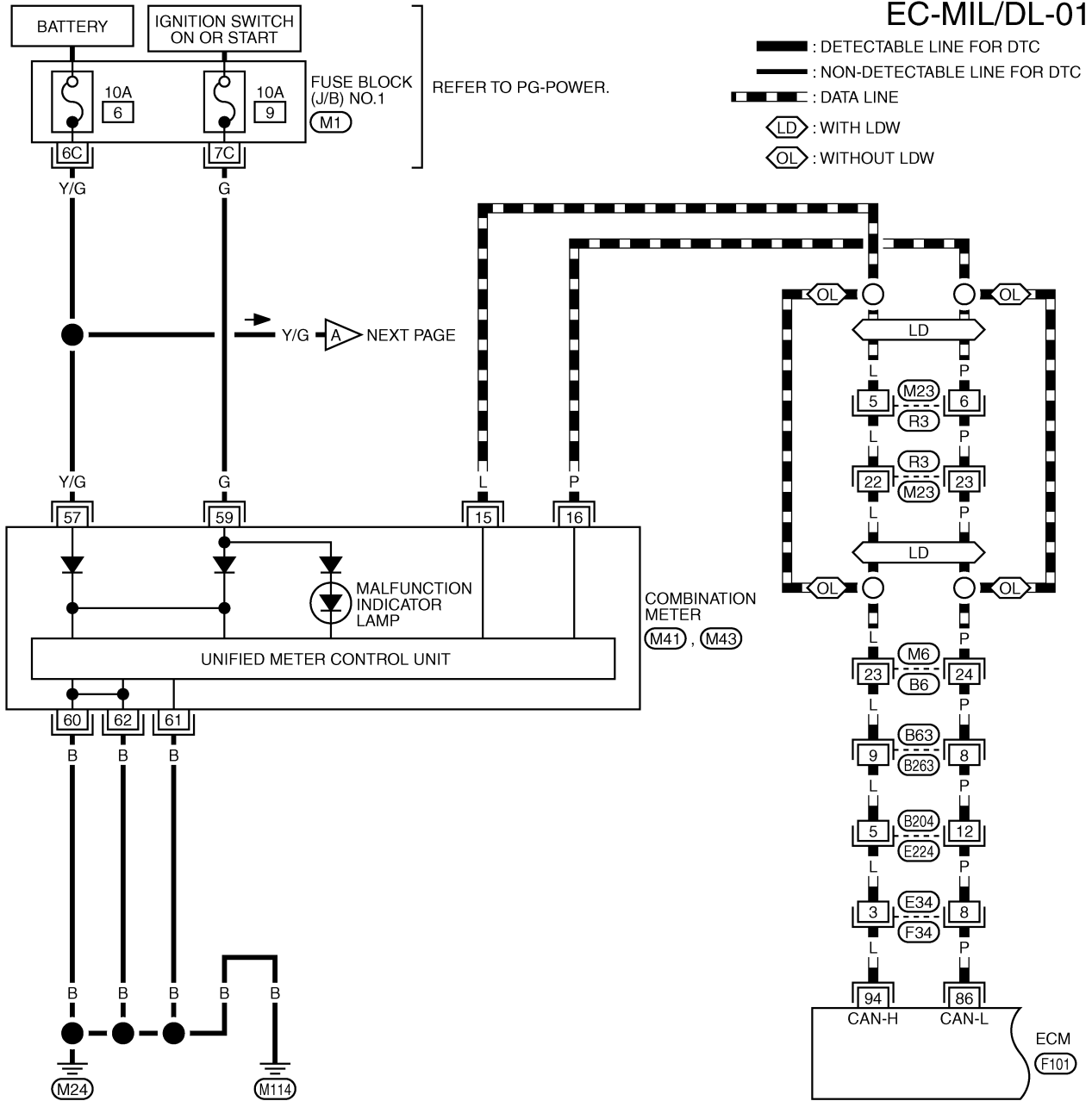
MIL AND DATA LINK CONNECTOR

PPF:24814

MIL AND DATA LINK CONNECTOR

Wiring Diagram

NBS00281



1	2	3	4	5	6	7	8	9	10	11		
12	13	14	15	16	17	18	19	20	21	22	23	24

1	2	3	4	5	6	7	8	9	10	11	12	13	14	15	16
17	18	19	20	21	22	23	24	25	26	27	28	29	30	31	32

REFER TO THE FOLLOWING.

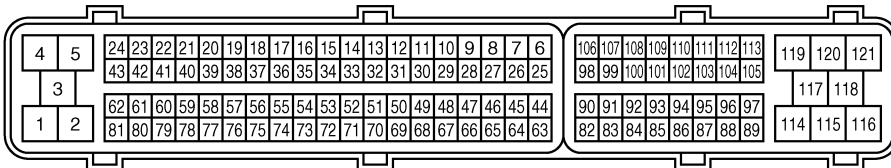
(M1) - FUSE BLOCK-JUNCTION BOX (J/B) NO.1

1	2	3	4	5	6	7	8	9		
10	11	12	13	14	15	16	17	18	19	20

45	46	47	48	49	50	51	52	53	54	55		
56	57	58	59	60	61	62	63	64	65	66	67	68

1	2	3	4	5		
6	7	8	9	10	11	12

1	2	3	4	5
6	7	8	9	10

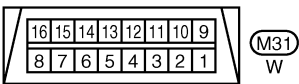
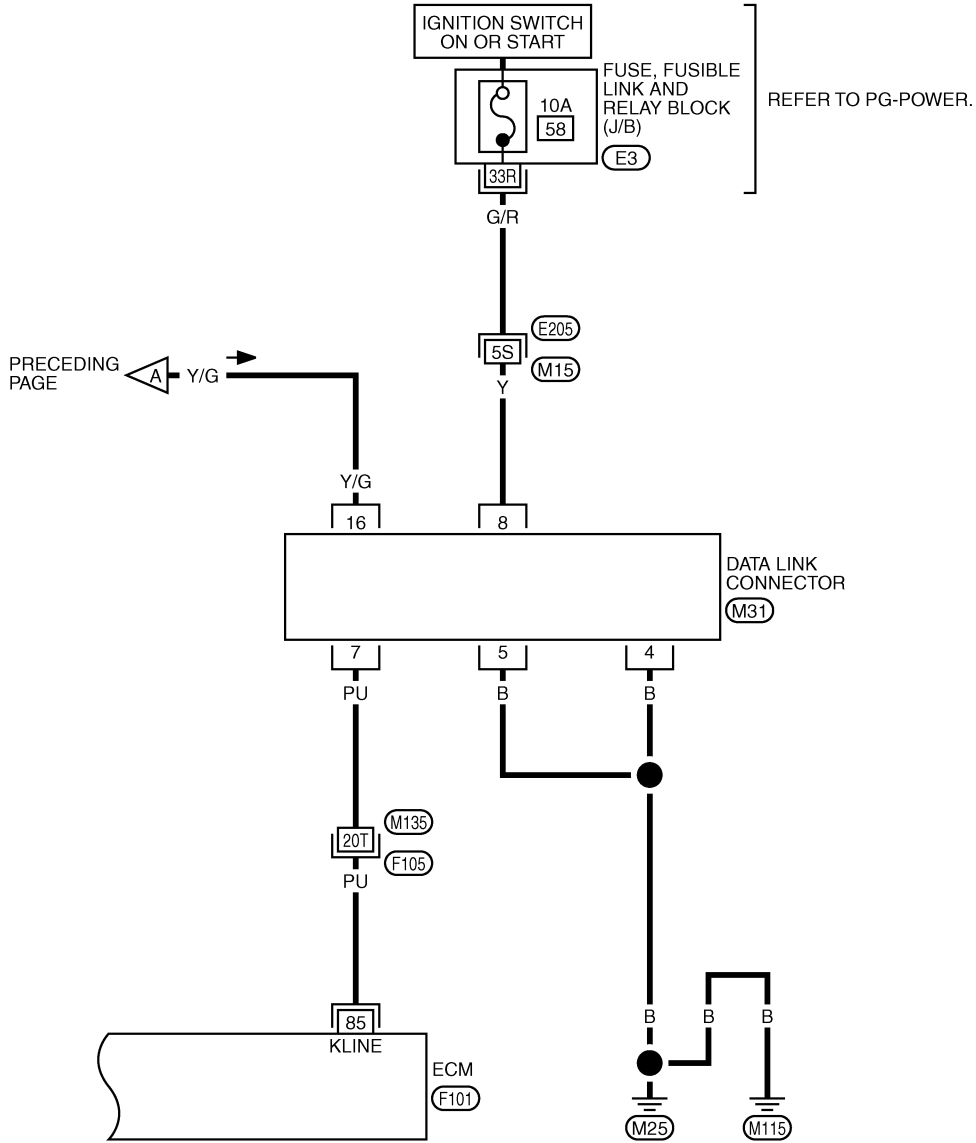


TBWM1261E

MIL AND DATA LINK CONNECTOR

EC-MIL/DL-02

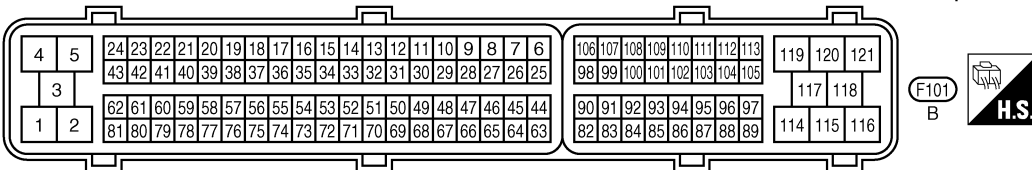
— : DETECTABLE LINE FOR DTC
 — : NON-DETECTABLE LINE FOR DTC



REFER TO THE FOLLOWING.

(E205), (F105) -SUPER MULTIPLE JUNCTION (SMJ)

(E3) -FUSE, FUSIBLE LINK AND RELAY BLOCK (J/B)



TBWM1262E

SERVICE DATA AND SPECIFICATIONS (SDS)

SERVICE DATA AND SPECIFICATIONS (SDS)

PFP:00030

Fuel Pressure

NBS00282

Fuel pressure at idling kPa (kg/cm ² , psi)	Approximately 350 (3.57, 51)
--	------------------------------

Idle Speed and Ignition Timing

NBS00283

Target idle speed	No load* (in P or N position)	650±50 rpm
Air conditioner: ON	In P or N position	700 rpm or more
Ignition timing	In P or N position	12°±5° BTDC

*: Under the following conditions:

- Air conditioner switch: OFF
- Electric load: OFF (Lights, heater fan & rear window defogger)
- Steering wheel: Kept in straight-ahead position

Calculated Load Value

NBS00284

Conditions	Calculated load value % (Using CONSULT-II or GST)
At idle	15.0 - 35.0
At 2,500 rpm	10.0 - 35.0

Mass Air Flow Sensor

NBS00285

Supply voltage	Battery voltage (11 - 14V)
Output voltage at idle	1.0 - 1.2V*
Mass air flow (Using CONSULT-II or GST)	3.8 - 5.2 g-m/sec at idle* 16.0 - 21.5 g-m/sec at 2,500 rpm*

*: Engine is warmed up to normal operating temperature and running under no load.

Intake Air Temperature Sensor

NBS00286

Temperature °C (°F)	Resistance kΩ
25 (77)	1.800 - 2.200

Engine Coolant Temperature Sensor

NBS00287

Temperature °C (°F)	Resistance kΩ
20 (68)	2.1 - 2.9
50 (122)	0.68 - 1.00
90 (194)	0.236 - 0.260

Fuel Temperature Sensor

NBS0028A

Temperature °C (°F)	Resistance kΩ
20 (68)	2.3 - 2.7
50 (122)	0.79 - 0.90

Crankshaft Position Sensor (POS)

NBS0028B

Refer to [EC-378, "Component Inspection"](#).

Camshaft Position Sensor (PHASE)

NBS0028C

Refer to [EC-385, "Component Inspection"](#).

A/F Sensor 1 Heater

NBS002Y9

Resistance [at 25°C (77°F)]	2.3 - 4.3Ω
-----------------------------	------------

SERVICE DATA AND SPECIFICATIONS (SDS)

Heated Oxygen sensor 2 Heater

NBS00289

Resistance [at 25°C (77°F)]

5.0 - 7.0Ω

Throttle Control Motor

NBS0028D

Resistance [at 25°C (77°F)]

Approximately 1 - 15Ω

Fuel Injector

NBS0028E

Resistance [at 10 - 60°C (50 - 140°F)]

13.5 - 17.5Ω

Fuel Pump

NBS0028F

Resistance [at 25°C (77°F)]

0.2 - 5.0Ω
