

SECTION **HRN**
HORN

A
B
C
D
E
F
G
H
I
J
K
M
N
O
P

CONTENTS

COMPONENT DIAGNOSIS	2	Precaution for Supplemental Restraint System (SRS) "AIR BAG" and "SEAT BELT PRE-TENSIONER"	4
HORN	2	ON-VEHICLE REPAIR	5
Wiring Diagram - HORN -	2	HORN	5
PRECAUTION	4	Exploded View	5
PRECAUTIONS	4	Removal and Installation	5

HRN

HORN

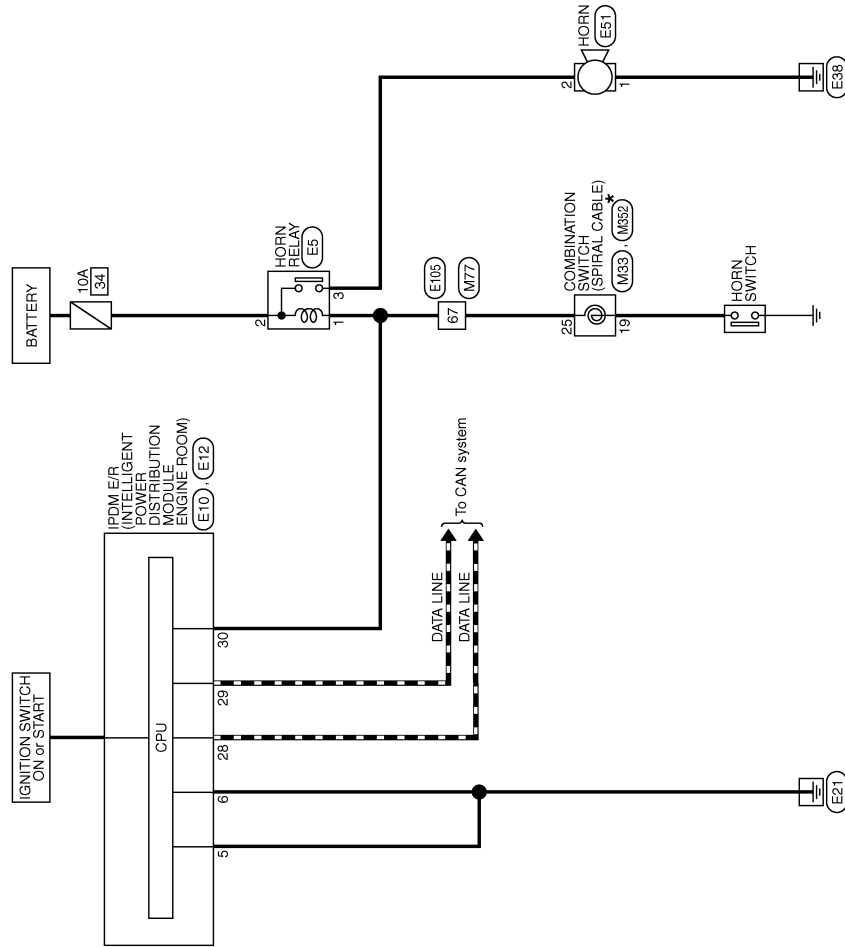
< COMPONENT DIAGNOSIS >

COMPONENT DIAGNOSIS

HORN

Wiring Diagram - HORN -

INFOID:000000001189099



*: This connector is not shown in "Harness Layout".

HORN

HRN-2

2006/12/06
JCLWA0412GB

HORN

< COMPONENT DIAGNOSIS >

HORN

Connector No.	E5
Connector Name	HORN RELAY
Connector Type	-



2	31
---	----

Terminal No.	Color of Wire	Signal Name [Specification]
1	L	-
2	GR/L	-
3	G	-

Connector No.	E10
Connector Name	IPDM E/R (INTELLIGENT POWER DISTRIBUTION MODULE ENGINE ROOM)
Connector Type	M08FB-LC



5	4	3
8	7	6

Terminal No.	Color of Wire	Signal Name [Specification]
5	B	-
6	B	-

Connector No.	E12
Connector Name	IPDM E/R (INTELLIGENT POWER DISTRIBUTION MODULE ENGINE ROOM)
Connector Type	NI12FW-2S



25	24	23	22	21		
32	31	30	29	28	27	26

Terminal No.	Color of Wire	Signal Name [Specification]
28	L	-
29	P	-
30	L	-

Connector No.	E31
Connector Name	HORN
Connector Type	DELPHI 15419715



1	2
---	---

Terminal No.	Color of Wire	Signal Name [Specification]
1	B	-
2	G	-

Connector No.	E105
Connector Name	WIRE TO WIRE
Connector Type	TH60MW-NS16-TM4



Terminal No.	Color of Wire	Signal Name [Specification]
67	L	-

Connector No.	M83
Connector Name	COMBINATION SWITCH (SPIRAL CABLE)
Connector Type	TK08FGY-IV



24	28	26	27
31	32	33	34

Terminal No.	Color of Wire	Signal Name [Specification]
25	L	-

Connector No.	M77
Connector Name	WIRE TO WIRE
Connector Type	TH60FW-NS16-TM4



Terminal No.	Color of Wire	Signal Name [Specification]
67	L	-

Connector No.	M82
Connector Name	COMBINATION SWITCH (SPIRAL CABLE)
Connector Type	TK08MGY-X



14	15	16	17	18	19	20	21
----	----	----	----	----	----	----	----

Terminal No.	Color of Wire	Signal Name [Specification]
19	-	-

JCLWA0413GB

A
B
C
D
E
F
G
H
I
J
K
HRN
M
N
O
P

PRECAUTIONS

< PRECAUTION >

PRECAUTION

PRECAUTIONS

Precaution for Supplemental Restraint System (SRS) "AIR BAG" and "SEAT BELT PRE-TENSIONER"

INFOID:000000001189100

The Supplemental Restraint System such as "AIR BAG" and "SEAT BELT PRE-TENSIONER", used along with a front seat belt, helps to reduce the risk or severity of injury to the driver and front passenger for certain types of collision. This system includes seat belt switch inputs and dual stage front air bag modules. The SRS system uses the seat belt switches to determine the front air bag deployment, and may only deploy one front air bag, depending on the severity of a collision and whether the front occupants are belted or unbelted. Information necessary to service the system safely is included in the "SRS AIRBAG" and "SEAT BELT" of this Service Manual.

WARNING:

- **To avoid rendering the SRS inoperative, which could increase the risk of personal injury or death in the event of a collision which would result in air bag inflation, all maintenance must be performed by an authorized NISSAN/INFINITI dealer.**
- **Improper maintenance, including incorrect removal and installation of the SRS, can lead to personal injury caused by unintentional activation of the system. For removal of Spiral Cable and Air Bag Module, see the "SRS AIRBAG".**
- **Do not use electrical test equipment on any circuit related to the SRS unless instructed to in this Service Manual. SRS wiring harnesses can be identified by yellow and/or orange harnesses or harness connectors.**

HORN

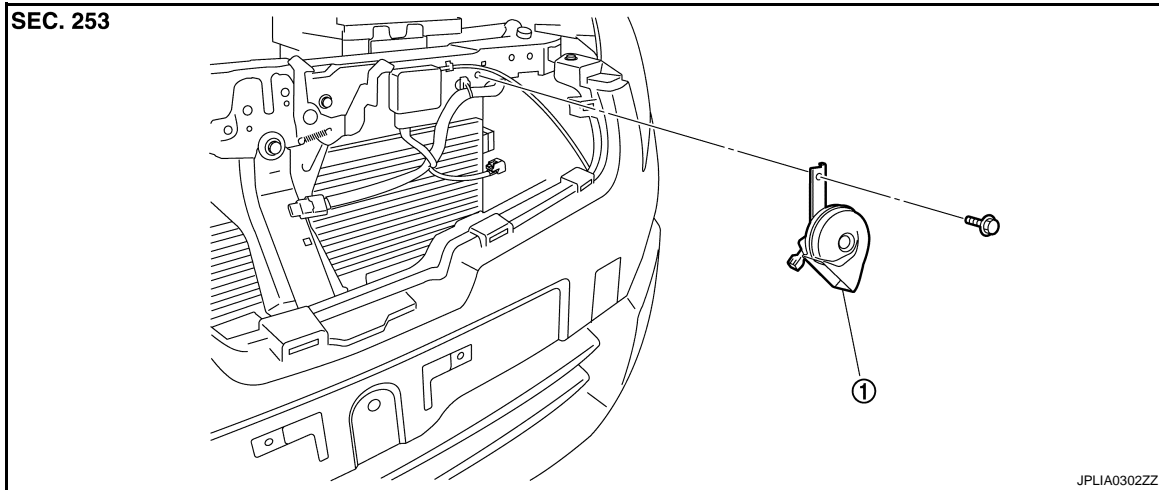
< ON-VEHICLE REPAIR >

ON-VEHICLE REPAIR

HORN

Exploded View

INFOID:000000001189101



1. Horn

Removal and Installation

INFOID:000000001189102

REMOVAL

1. Remove the front grille. Refer to [EXT-17. "Exploded View"](#).
2. Disconnect the horn connector.
3. Remove the horn mounting bolt, and remove the horn from the vehicle.

INSTALLATION

Install in the reverse order of removal.

A
B
C
D
E
F
G
H
I
J
K
L
M
N
O
P

HRN