

SECTION **PWO**
POWER OUTLET

A
B
C
D
E
F
G
H
I
J
K
L
N
O
P

CONTENTS

| | | | |
|---------------------------------------|---|--|---|
| COMPONENT DIAGNOSIS | 2 | Precaution for Supplemental Restraint System (SRS) "AIR BAG" and "SEAT BELT PRE-TENSIONER" | 4 |
| POWER SOCKET | 2 | ON-VEHICLE REPAIR | 5 |
| Wiring Diagram - POWER SOCKET - | 2 | POWER SOCKET | 5 |
| PRECAUTION | 4 | Exploded View | 5 |
| PRECAUTIONS | 4 | Removal and Installation | 5 |

PWO

POWER SOCKET

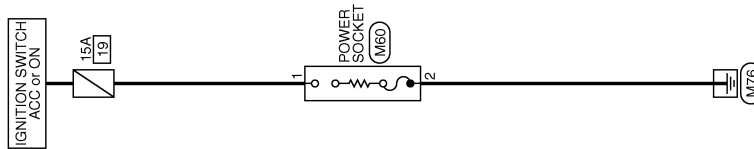
< COMPONENT DIAGNOSIS >

COMPONENT DIAGNOSIS

POWER SOCKET

Wiring Diagram - POWER SOCKET -

INFOID:000000001189852



POWER SOCKET

2006/12/06

JCMWA0405GE



POWER SOCKET

< COMPONENT DIAGNOSIS >

A
B
C
D
E
F
G
H
I
J
K
L
P

POWER SOCKET

| | |
|----------------|--------------|
| Connector No. | M60 |
| Connector Name | POWER SOCKET |
| Connector Type | PO2FB-Z |

| Terminal No. | Color of Wire | Signal Name [Specification] |
|--------------|---------------|-----------------------------|
| 1 | LG | - |
| 2 | B | - |

PWO

JCMWA0406GE

PRECAUTIONS

< PRECAUTION >

PRECAUTION

PRECAUTIONS

Precaution for Supplemental Restraint System (SRS) "AIR BAG" and "SEAT BELT PRE-TENSIONER"

INFOID:000000001189853

The Supplemental Restraint System such as "AIR BAG" and "SEAT BELT PRE-TENSIONER", used along with a front seat belt, helps to reduce the risk or severity of injury to the driver and front passenger for certain types of collision. This system includes seat belt switch inputs and dual stage front air bag modules. The SRS system uses the seat belt switches to determine the front air bag deployment, and may only deploy one front air bag, depending on the severity of a collision and whether the front occupants are belted or unbelted. Information necessary to service the system safely is included in the "SRS AIRBAG" and "SEAT BELT" of this Service Manual.

WARNING:

- **To avoid rendering the SRS inoperative, which could increase the risk of personal injury or death in the event of a collision which would result in air bag inflation, all maintenance must be performed by an authorized NISSAN/INFINITI dealer.**
- **Improper maintenance, including incorrect removal and installation of the SRS, can lead to personal injury caused by unintentional activation of the system. For removal of Spiral Cable and Air Bag Module, see the "SRS AIRBAG".**
- **Do not use electrical test equipment on any circuit related to the SRS unless instructed to in this Service Manual. SRS wiring harnesses can be identified by yellow and/or orange harnesses or harness connectors.**

POWER SOCKET

< ON-VEHICLE REPAIR >

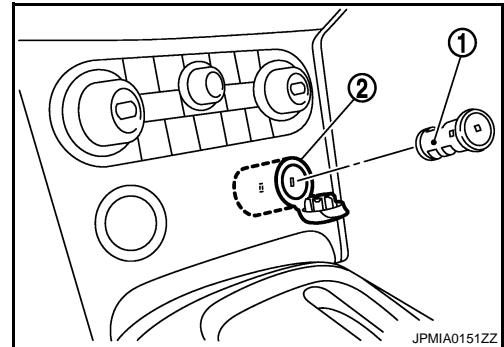
ON-VEHICLE REPAIR

POWER SOCKET

Exploded View

- 1 : Inner socket
- 2 : Ring

INFOID:000000001189854

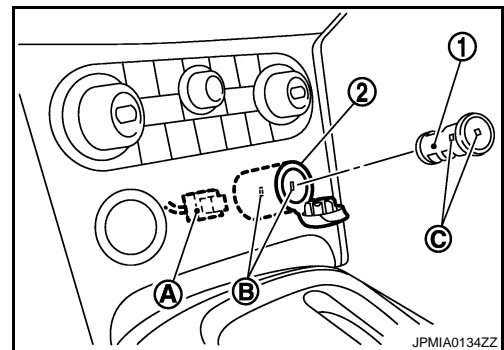


Removal and Installation

INFOID:000000001189855

REMOVAL

1. Remove console finisher. Refer to [IP-12, "Removal and Installation"](#).
2. Disconnect power socket connector (A).
3. Pull out the inner socket (1) by pushing the ring pawl (B) from the inner socket hole (square) (C).
4. Remove ring (2) from console finisher while pressing pawls.



INSTALLATION

Install in the reverse order of removal.

A
B
C
D
E
F
G
H
I
J
K
L
N
O
P

PWO