

SECTION **SR**  
SRS AIRBAG

A  
B  
C  
D  
E  
F  
G  
SR  
I  
J  
K  
L  
M  
N  
O  
P

CONTENTS

<b>PRECAUTION</b> .....	2	<b>SIDE CURTAIN AIR BAG MODULE</b> .....	10
<b>PRECAUTIONS</b> .....	2	Exploded View .....	10
Precaution for Supplemental Restraint System (SRS) "AIR BAG" and "SEAT BELT PRE-TEN- SIONER" .....	2	Removal and Installation .....	10
Service .....	2	<b>FRONT SIDE AIR BAG MODULE</b> .....	12
<b>PREPARATION</b> .....	3	Exploded View .....	12
<b>PREPARATION</b> .....	3	Removal and Installation .....	12
Special Service Tool .....	3	<b>CRASH ZONE SENSOR</b> .....	14
<b>ON-VEHICLE REPAIR</b> .....	4	Exploded View .....	14
<b>DRIVER AIR BAG MODULE</b> .....	4	Removal and Installation .....	14
Exploded View .....	4	<b>SIDE AIR BAG (SATELLITE) SENSOR</b> .....	15
Removal and Installation .....	4	Exploded View .....	15
<b>SPIRAL CABLE</b> .....	6	Removal and Installation .....	15
Exploded View .....	6	<b>DIAGNOSIS SENSOR UNIT</b> .....	16
Removal and Installation .....	6	Exploded View .....	16
<b>FRONT PASSENGER AIR BAG MODULE</b> .....	8	Removal and Installation .....	16
Exploded View .....	8	<b>FRONT SEAT BELT PRE-TENSIONER</b> .....	18
Removal and Installation .....	8	Removal and Installation .....	18
<b>FRONT PASSENGER AIR BAG MODULE</b> .....	8	<b>DISPOSAL OF AIR BAG MODULE AND</b> <b>SEAT BELT PRE-TENSIONER</b> .....	19
Exploded View .....	8	Caution for Air Bag Module and Seat Belt Pre-ten- sioner .....	19
Removal and Installation .....	8		

# PRECAUTIONS

< PRECAUTION >

## PRECAUTION

### PRECAUTIONS

#### Precaution for Supplemental Restraint System (SRS) "AIR BAG" and "SEAT BELT PRE-TENSIONER"

INFOID:000000001182760

The Supplemental Restraint System such as "AIR BAG" and "SEAT BELT PRE-TENSIONER", used along with a front seat belt, helps to reduce the risk or severity of injury to the driver and front passenger for certain types of collision. This system includes seat belt switch inputs and dual stage front air bag modules. The SRS system uses the seat belt switches to determine the front air bag deployment, and may only deploy one front air bag, depending on the severity of a collision and whether the front occupants are belted or unbelted. Information necessary to service the system safely is included in the SRS and SB section of this Service Manual.

#### **WARNING:**

- **To avoid rendering the SRS inoperative, which could increase the risk of personal injury or death in the event of a collision which would result in air bag inflation, all maintenance must be performed by an authorized NISSAN/INFINITI dealer.**
- **Improper maintenance, including incorrect removal and installation of the SRS, can lead to personal injury caused by unintentional activation of the system. For removal of Spiral Cable and Air Bag Module, see the SRS section.**
- **Do not use electrical test equipment on any circuit related to the SRS unless instructed to in this Service Manual. SRS wiring harnesses can be identified by yellow and/or orange harnesses or harness connectors.**

#### Service

INFOID:000000001182761

- Do not use electrical test equipment to check SRS circuits unless instructed to in this Service Manual.
- Before servicing the SRS, turn ignition switch OFF, disconnect both battery cables and wait at least 3 minutes.  
For approximately 3 minutes after the cables are removed, it is still possible for the air bag and seat belt pretensioner to deploy. Therefore, do not work on any SRS connectors or wires until at least 3 minutes have elapsed.
- Diagnosis sensor unit must always be installed with their arrow marks "←" pointing towards the front of the vehicle for proper operation. Also check diagnosis sensor unit for cracks, deformities or rust before installation and replace as required.
- The spiral cable must be aligned in the neutral position since its rotations are limited. Do not turn steering wheel and column after removal of steering gear.
- Handle air bag module carefully. Always place driver and front passenger air bag modules with the pad side facing upward and seat mounted front side air bag module standing with the stud bolt side facing down.
- Conduct self-diagnosis to check entire SRS for proper function after replacing any components.
- After air bag inflates, the front instrument panel assembly should be replaced if damaged.
- Always replace instrument panel pad following front passenger air bag deployment.

# PREPARATION

< PREPARATION >

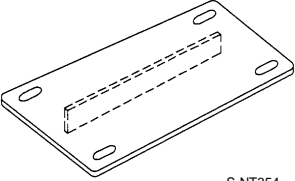
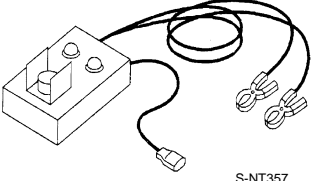
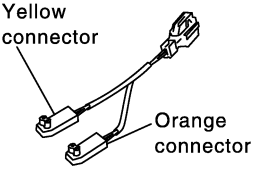
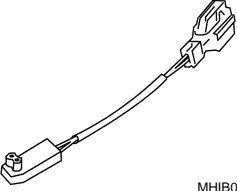
## PREPARATION

### PREPARATION

#### Special Service Tool

INFOID:000000001182762

The actual shapes of Kent-Moore tools may differ from those of special service tools illustrated here.

Tool number Tool name	Description
KV99105300 Air bag module bracket	 <p style="text-align: right;">S-NT354</p>
KV99106400 Deployment tool	 <p style="text-align: right;">S-NT357</p>
KV99110500 <ul style="list-style-type: none"> <li>• Deployment tool adapter for driver air bag module (Yellow and orange connectors)</li> <li>• Deployment tool adapter for seat belt pre-tensioner (Yellow connector)</li> <li>• Deployment tool adapter for seat belt pre-tensioner2 (Orange connector)</li> <li>• Deployment tool adapter for front passenger air bag module (Yellow and orange connector)</li> </ul>	 <p style="text-align: right;">PHIA0184E</p> <ul style="list-style-type: none"> <li>• Connecting between the deployment tool and driver air bag module</li> <li>• Connecting between the deployment tool and front seat belt pre-tensioner</li> <li>• Connecting between the deployment tool and seat belt pre-tensioner2</li> <li>• Connecting between the deployment tool and front passenger air bag module</li> </ul>
KV99109800 Deployment tool adapter for front side air bag module, side curtain air bag module	 <p style="text-align: right;">MHIB0112E</p>

A  
B  
C  
D  
E  
F  
G  
SR  
I  
J  
K  
L  
M  
N  
O  
P

# DRIVER AIR BAG MODULE

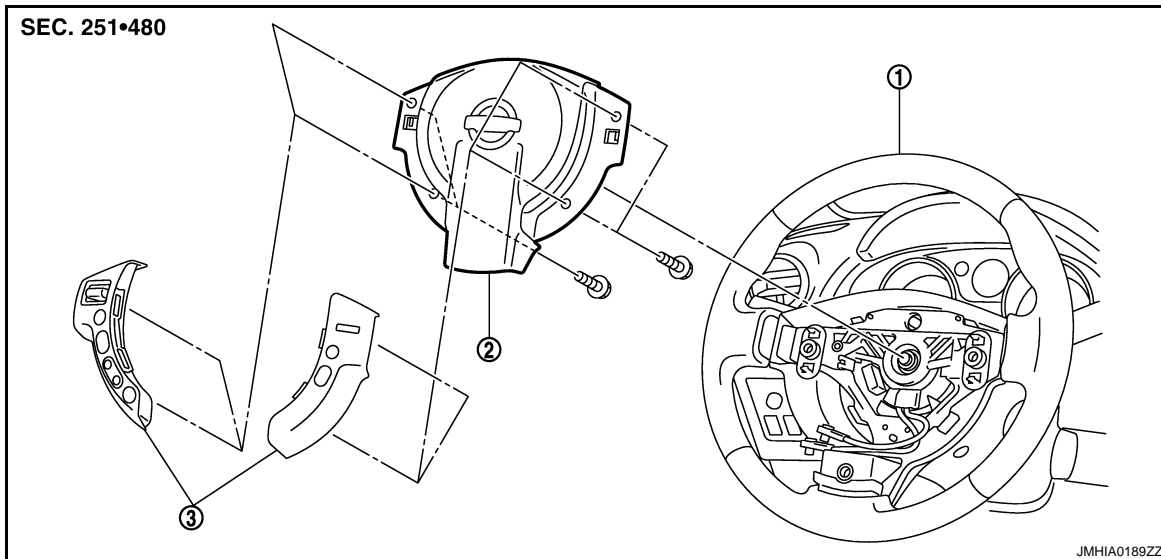
< ON-VEHICLE REPAIR >

## ON-VEHICLE REPAIR

### DRIVER AIR BAG MODULE

#### Exploded View

INFOID:000000001182763



1. Steering wheel

2. Driver air bag module

3. Steering switch

#### Removal and Installation

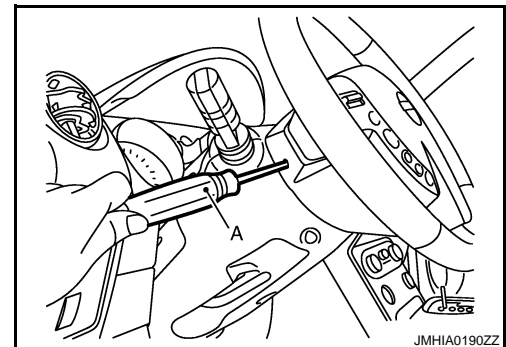
INFOID:000000001182764

##### REMOVAL

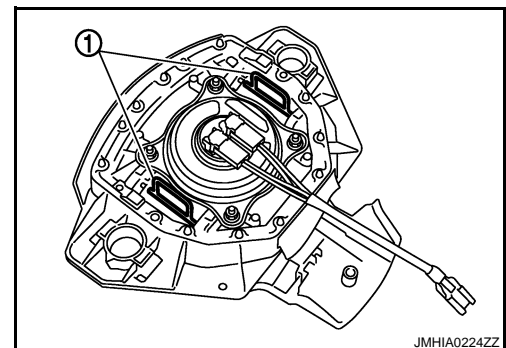
##### **WARNING:**

- Before servicing, turn ignition switch OFF, disconnect both battery terminals and wait at least 3 minutes.
- Always work from the side of air bag module. Do not work in front of it.
- Do not use air tools or electric tools for servicing.

1. Locate retaining clip access hole (left/right) and insert a 5.0 mm diameter, blunt-ended tool (A).



2. Press upward on retaining clip (1) until driver air bag module is released from steering wheel.



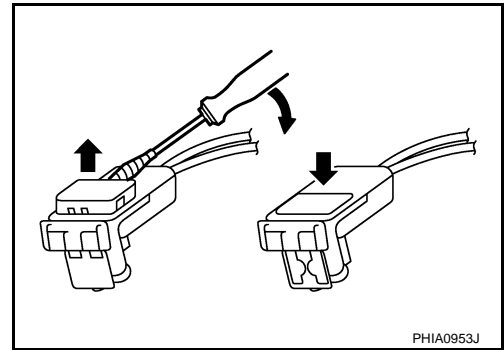
# DRIVER AIR BAG MODULE

## < ON-VEHICLE REPAIR >

- Lift the driver air bag module from the steering wheel.
- Disconnect the driver air bag module and horn connectors, then remove the driver air bag module.

### NOTE:

- For installing/removing driver air bag module connector, insert thin screwdriver wrapped in tape into notch, lift lock and remove connector.
- Install connector with lock raised, and push lock into connector.
- After installing the connector, check that the lock is pushed securely into it.

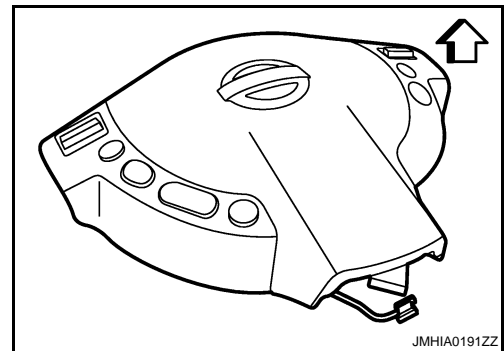


### CAUTION:

- Always place air bag module with pad side facing upward.

↖: Upward

- Do not insert any foreign objects (screwdriver, etc.) into air bag module.
- Do not disassemble air bag module.
- Do not expose the air bag module to temperatures exceeding 90°C (194°F).
- Do not allow oil, grease or water to come in contact with the air bag module.



- Replace the air bag module if it has been dropped or sustained an impact.



## INSTALLATION

Install in the reverse order of removal.

### CAUTION:

- Do not damage the harness while installing.
- In case that malfunction is detected by the air bag warning lamp, reset by the self-diagnosis function and delete the memory by CONSULT-III.
- In case that malfunction is still detected after the above operations, perform self-diagnosis to repair malfunctions.
- After the work is completed, check that no malfunctioning system is detected by air bag warning lamp. Refer to [SRC-10, "Diagnosis Description"](#).

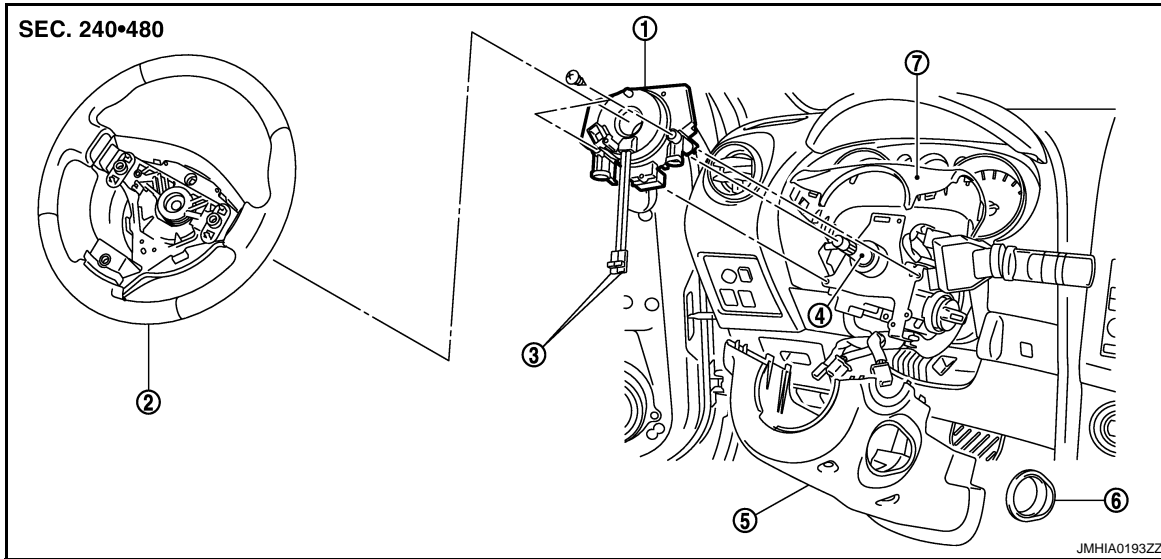
A  
B  
C  
D  
E  
F  
G  
SR  
I  
J  
K  
L  
M  
N  
O  
P

# SPIRAL CABLE

< ON-VEHICLE REPAIR >

## SPIRAL CABLE

### Exploded View



- |                                  |                                  |   |
|----------------------------------|----------------------------------|---|
| 1. Spiral cable                  | 2. Steering wheel                | 3. Driver air bag module harness connectors |
| 4. Steering column assembly      | 5. Steering column cover (lower) | 6. Steering lock escation                   |
| 7. Steering column cover (upper) |                                  |   |

### Removal and Installation

INFOID:000000001182766

#### REMOVAL

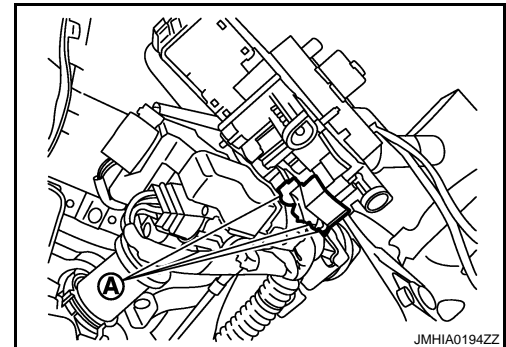
##### **WARNING:**

- Before servicing, turn ignition switch OFF, disconnect both battery terminals and wait at least 3 minutes.
- Do not use air tools or electric tools for servicing.

1. Remove the driver air bag module. Refer to [SR-4, "Removal and Installation"](#).
2. Remove the steering wheel. Refer to [ST-9, "Removal and Installation"](#).
3. Remove the column cover (upper/lower). Refer to [JP-11, "Exploded View"](#).
4. Disconnect spiral cable body side connectors (A).

##### **NOTE:**

Disconnect spiral cable body side connectors after remove the spiral cable.



5. Remove spiral cable fixing screws, and pawls (left/right).
6. Pull out forward the spiral cable.

##### **CAUTION:**

- Do not disassemble the spiral cable.
- Do not apply lubricant to the spiral cable.
- Do not allow oil, grease, detergent or water to come in contact with the spiral cable.

# SPIRAL CABLE

## < ON-VEHICLE REPAIR >

- Do not make an impact the spiral cable by dropping etc. Replace the spiral cable if it has been dropped or sustained an impact.

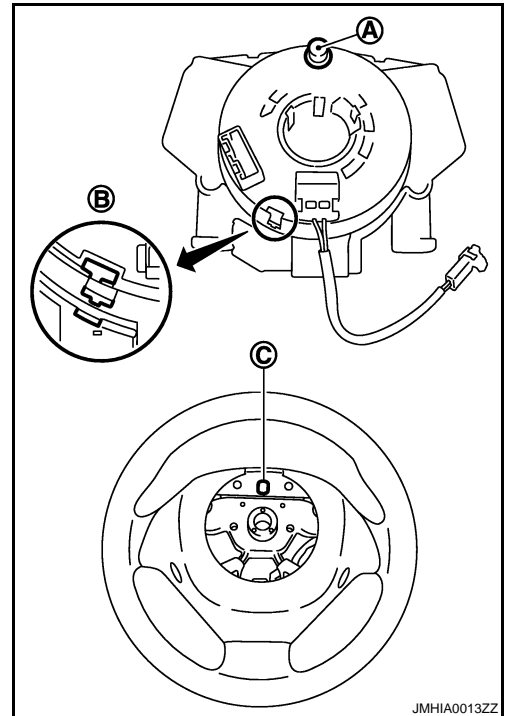


## INSTALLATION

Install in the reverse order of removal.

### CAUTION:

- The spiral cable may snap by steering operation if the cable is installed in an improper position.
- The neutral position is set as follows.
- Turn carefully the spiral cable clockwise to the end position. Then turn it counterclockwise (about 2 and half turns) and stop turning at the point (B) on which the stopper insertion holes are in the same position.
- The service part is installed in the neutral position by the stopper and can be set without adjusting after the stopper is removed.
- Do not over turn spiral cable or beyond number of turns required. (These will cause cable snap.)
- Adjust the spiral cable locating pin (A) to the steering wheel locating pin hole (C).
- Secure the air bag harness with the harness fixing hook.



- In case that malfunction is detected by the air bag warning lamp, reset by the self-diagnosis function and delete the memory by CONSULT-III.
- In case that malfunction is still detected after the above operations, perform self-diagnosis to repair malfunctions.
- After the work is completed, check that no malfunctioning system is detected by air bag warning lamp. Refer to [SRC-10, "Diagnosis Description"](#).

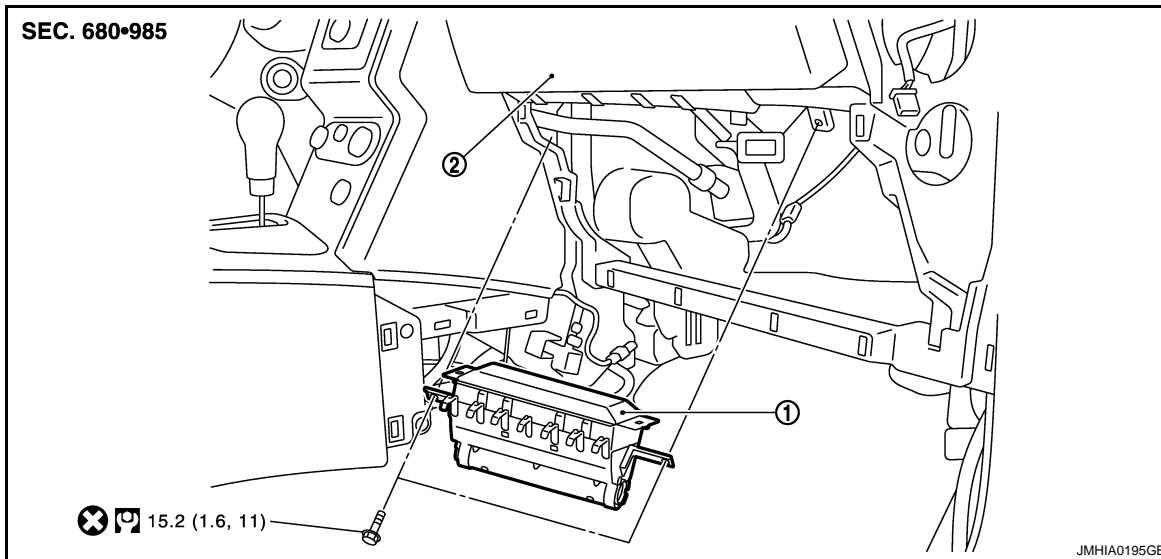
# FRONT PASSENGER AIR BAG MODULE

< ON-VEHICLE REPAIR >

## FRONT PASSENGER AIR BAG MODULE

Exploded View

INFOID:000000001182767



1. Passenger air bag module
2. Instrument panel ASSY

Refer to [GI-4. "Components"](#) for symbols in the figure.

## Removal and Installation

INFOID:000000001182768

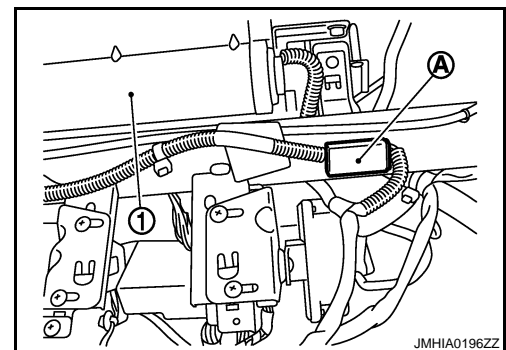
### REMOVAL

#### **WARNING:**

- Before servicing, turn ignition switch OFF, disconnect both battery terminals and wait at least 3 minutes.
- Always work from the side of air bag module. Do not work in front of it.
- Do not use air tools or electric tools for servicing.

1. Remove the glove box assemblies. Refer to [IP-12. "Removal and Installation"](#).
2. Remove the Instrument lower assist panel. Refer to [IP-12. "Removal and Installation"](#).
3. Disconnect passenger air bag module harness connector (A).

(1): Passenger air bag module



4. Remove the passenger air bag module fixing bolts.

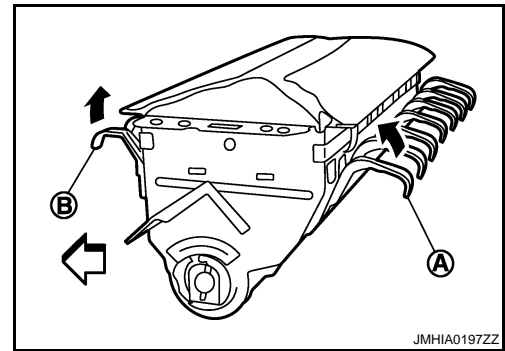


# FRONT PASSENGER AIR BAG MODULE

## < ON-VEHICLE REPAIR >

5. Disconnect rearward pawl (B) first by rotating passenger air bag car forwards, rear of air bag can then be pulled downwards to disconnect toward pawl (A).

←: Vehicle rear

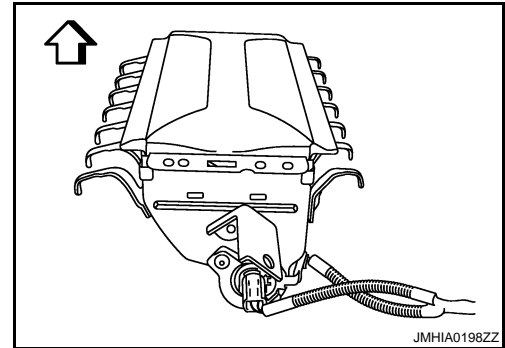


### CAUTION:

- Always place air bag module with pad side facing upward.

↑: Upward

- Do not insert any foreign objects (screwdriver, etc.) into air bag module.
- Do not disassemble air bag module.
- Do not use old fixing bolts after removal; replace with new bolts.
- Do not expose the air bag module to temperatures exceeding 90°C (194°F).
- Do not allow oil, grease or water to come in contact with the air bag module.
- Replace the air bag module if it has been dropped or sustained an impact.



## INSTALLATION

Install in the reverse order of removal.

### CAUTION:

- Do not damage the harness while installing.
- In case that malfunction is detected by the air bag warning lamp, reset by the self-diagnosis function and delete the memory by CONSULT-III.
- In case that malfunction is still detected after the above operations, perform self-diagnosis to repair malfunctions.
- After the work is completed, check that no malfunctioning system is detected by air bag warning lamp. Refer to [SRC-10, "Diagnosis Description"](#).

A  
B  
C  
D  
E  
F  
G  
SR  
I  
J  
K  
L  
M  
N  
O  
P

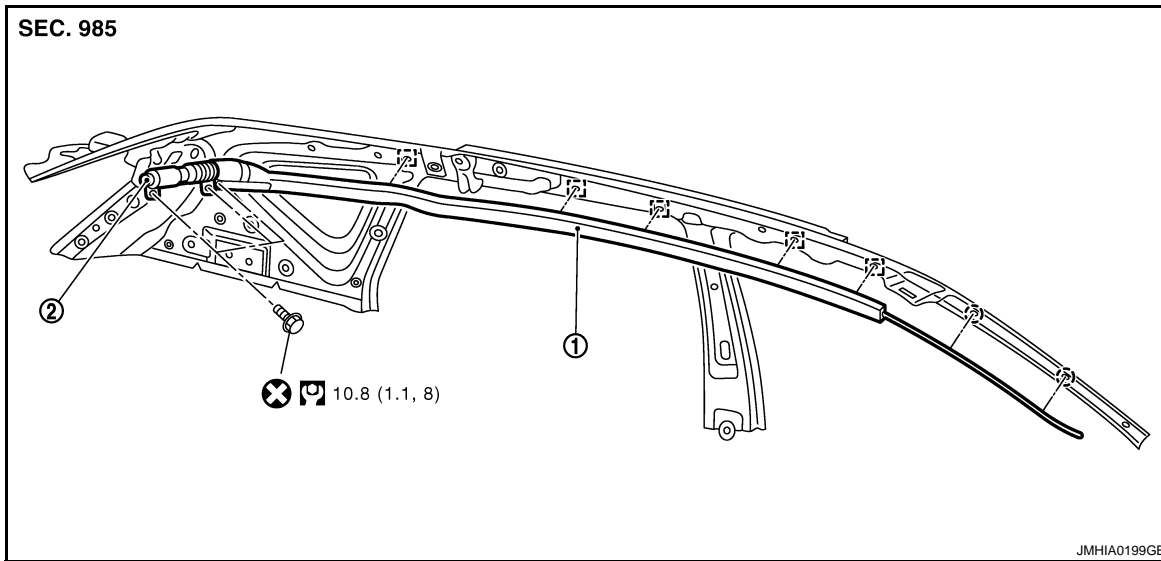
# SIDE CURTAIN AIR BAG MODULE

< ON-VEHICLE REPAIR >

## SIDE CURTAIN AIR BAG MODULE

### Exploded View

INFOID:000000001182769



1. Side curtain air bag module      2. Side curtain air bag inflator

○ : Clip

□ : Metal clip

Refer to [GI-4. "Components"](#) for symbols in the figure.

### Removal and Installation

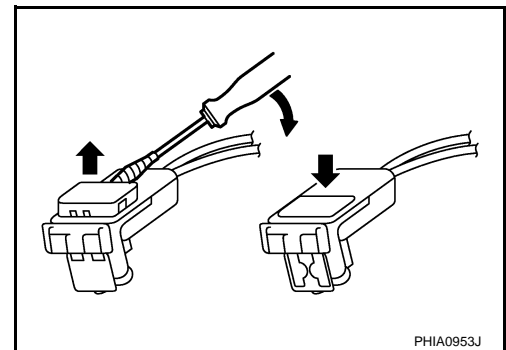
INFOID:000000001182770

#### REMOVAL

##### **WARNING:**

- Before servicing, turn ignition switch OFF, disconnect both battery terminals and wait at least 3 minutes.
- Do not use air tools or electric tools for servicing.

1. Remove the headlining. Refer to [INT-21. "Removal and Installation"](#).
2. Remove the side curtain air bag module connector.



3. Remove the side air bag module fixing bolts and clips.
4. Remove the side curtain air bag module.

##### **CAUTION:**

- Do not insert any foreign objects (screwdriver, etc.) into air bag module.
- Do not disassemble air bag module.
- Do not use old fixing nut after removal; replace with new bolts.
- Do not expose the air bag module to temperatures exceeding 90°C (194°F).
- Do not allow oil, grease or water to come in contact with the air bag module.

## SIDE CURTAIN AIR BAG MODULE

### < ON-VEHICLE REPAIR >

- Replace the air bag module if it has been dropped or sustained an impact.



### INSTALLATION

Install in the reverse order of removal.

#### **CAUTION:**

- Do not damage the air bag harness.
- In case that malfunction is detected by the air bag warning lamp, reset by the self-diagnosis function and delete the memory by CONSULT-III.
- In case that malfunction is still detected after the above operations, perform self-diagnosis to repair malfunctions.
- After the work is completed, check that no malfunctioning system is detected by air bag warning lamp. Refer to [SRC-10, "Diagnosis Description"](#).

A  
B  
C  
D  
E  
F  
G  
I  
J  
K  
L  
M  
N  
O  
P

SR

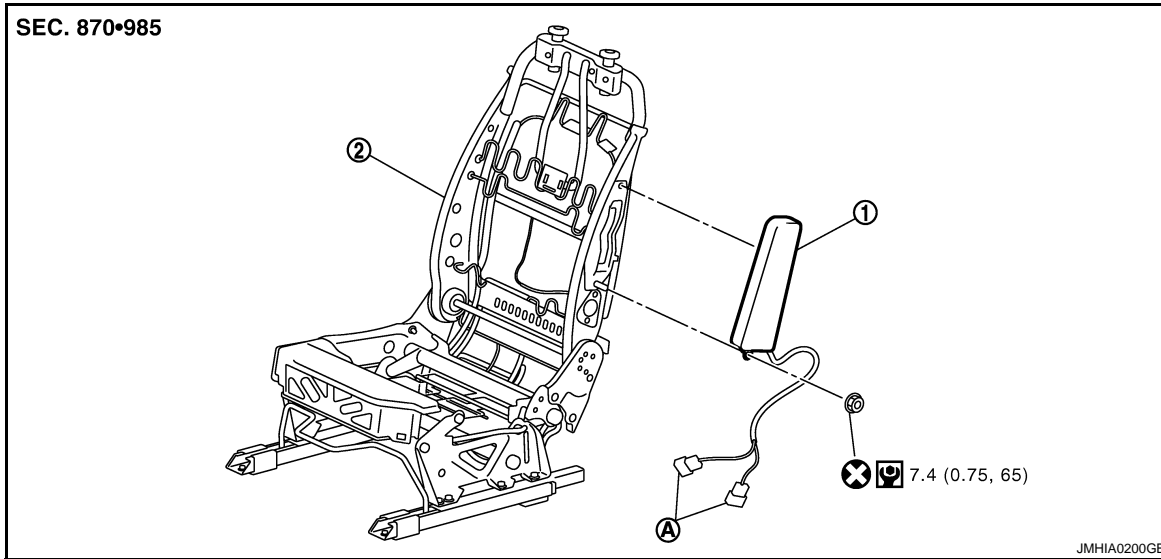
# FRONT SIDE AIR BAG MODULE

< ON-VEHICLE REPAIR >

## FRONT SIDE AIR BAG MODULE

### Exploded View

INFOID:000000001182771



1. Front side air bag module      2. Front seatback frame  
A. Front side air bag module connector

Refer to [GI-4. "Components"](#) for symbols in the figure.

### Removal and Installation

INFOID:000000001182772

#### REMOVAL

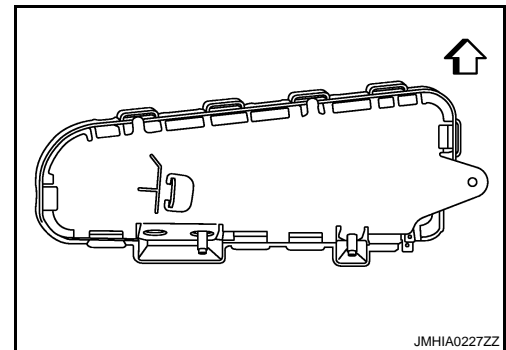
##### **WARNING:**

- Before servicing, turn ignition switch OFF, disconnect both battery terminals and wait at least 3 minutes.
  - Always work from the rear of the front side air bag module.
  - Do not use air tools or electric tools for servicing.
1. Remove the front seat. Refer to [SE-15. "Removal and Installation"](#).
  2. Remove the seatback trim and pad. Refer to [SE-13. "Exploded View"](#).
  3. Remove the side air bag module fixing nut, and/or harness connector.
  4. Remove the side air bag module.

##### **CAUTION:**

- Always place air bag module with pad side facing upward.

⇐ : Upward



- Do not insert any foreign objects (screwdriver, etc.) into air bag module.
- Do not disassemble air bag module.
- Do not use old fixing nut after removal; replace with new nut.
- Do not expose the air bag module to temperatures exceeding 90°C (194°F).
- Do not allow oil, grease or water to come in contact with the air bag module.

## FRONT SIDE AIR BAG MODULE

### < ON-VEHICLE REPAIR >

- Replace the air bag module if it has been dropped or sustained an impact.



### INSTALLATION

Install in the reverse order of removal.

#### **CAUTION:**

- Do not damage the air bag harness.
- In case that malfunction is detected by the air bag warning lamp, reset by the self-diagnosis function and delete the memory by CONSULT-III.
- In case that malfunction is still detected after the above operations, perform self-diagnosis to repair malfunctions.
- After the work is completed, check that no malfunctioning system is detected by air bag warning lamp. Refer to [SRC-10, "Diagnosis Description"](#).

A  
B  
C  
D  
E  
F  
G  
I  
J  
K  
L  
M  
N  
O  
P

SR

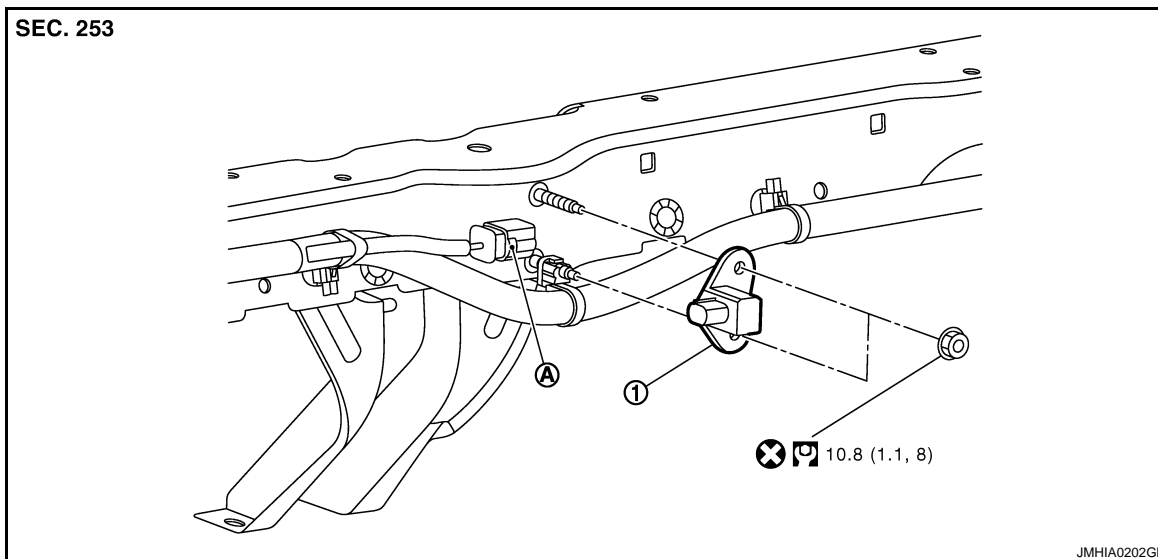
# CRASH ZONE SENSOR

< ON-VEHICLE REPAIR >

## CRASH ZONE SENSOR

### Exploded View

INFOID:000000001182773



1. Crash zone sensor

A. Harness connector

Refer to [GI-4. "Components"](#) for symbols in the figure.

### Removal and Installation

INFOID:000000001182774

#### REMOVAL

##### **WARNING:**

- Before servicing, turn ignition switch OFF, disconnect both battery terminals and wait at least 3 minutes.
- Do not use air tools or electric tools for servicing.

1. Remove the crash zone sensor fixing nuts.
2. Disconnect harness connector, and then remove crash zone sensor.

##### **CAUTION:**

- Replace the crash zone sensor if it has been dropped or sustained an impact.
- Do not use old fixing nuts after removal; replace with new nuts.
- Replace the crash zone sensor of deployed SRS driver air bag and deployed SRS front passenger air bag.



#### INSTALLATION

Install in the reverse order of removal.

##### **CAUTION:**

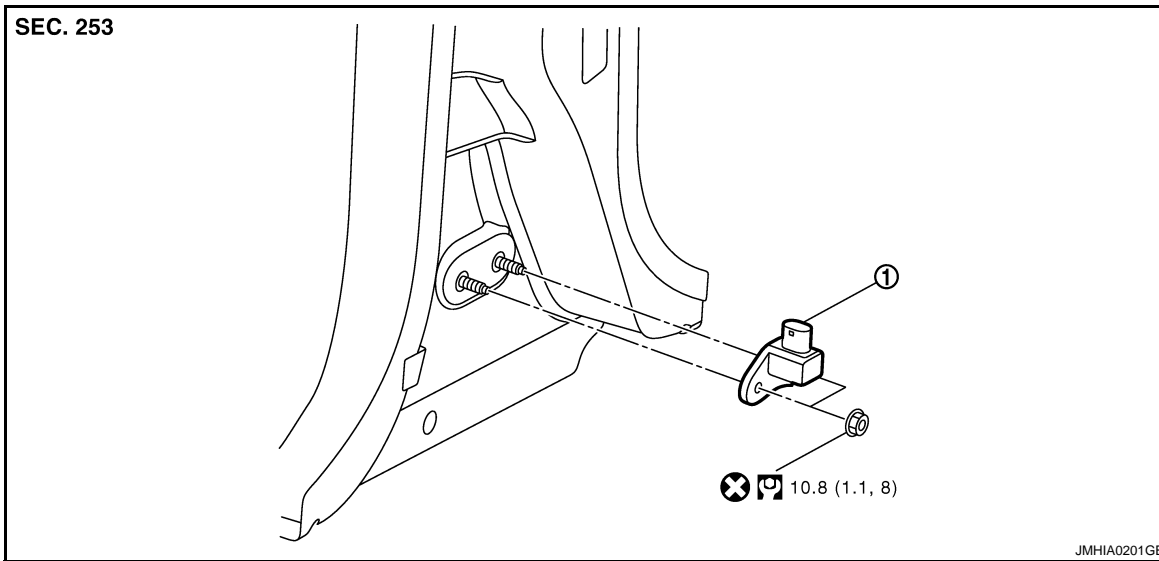
- Do not damage the crash zone sensor harness.
- In case that malfunction is detected by the air bag warning lamp, reset by the self-diagnosis function and delete the memory by CONSULT-III.
- In case that malfunction is still detected after the above operations, perform self-diagnosis to repair malfunctions.
- After the work is completed, check that no malfunctioning system is detected by air bag warning lamp. Refer to [SRC-10. "Diagnosis Description"](#).

# SIDE AIR BAG (SATELLITE) SENSOR

< ON-VEHICLE REPAIR >

## SIDE AIR BAG (SATELLITE) SENSOR

### Exploded View



1. Satellite sensor

Refer to [GI-4. "Components"](#) for symbols in the figure.

### Removal and Installation

INFOID:000000001182776

SR

#### REMOVAL

##### **WARNING:**

- Before servicing, turn ignition switch OFF, disconnect both battery terminals and wait at least 3 minutes.
  - Do not use air tools or electric tools for servicing.
1. Remove the front seat belt. Refer to [SB-6. "SEAT BELT RETRACTOR : Exploded View"](#).
  2. Remove the side air bag (satellite) sensor fixing nuts.
  3. Disconnect harness connector and then remove side air bag (satellite) sensor.

##### **CAUTION:**

- Replace the side air bag (satellite) sensor if it has been dropped or sustained an impact.
- Do not use old fixing nuts after removal; replace with new nuts.
- Replace the satellite sensor of deployed SRS front side air bag and deployed SRS side curtain air bag.



#### INSTALLATION

Install in the reverse order of removal.

##### **CAUTION:**

- Do not damage the satellite sensor harness.
- In case that malfunction is detected by the air bag warning lamp, reset by the self-diagnosis function and delete the memory by CONSULT-III.
- In case that malfunction is still detected after the above operations, perform self-diagnosis to repair malfunctions.
- After the work is completed, check that no malfunctioning system is detected by air bag warning lamp. Refer to [SRC-10. "Diagnosis Description"](#).

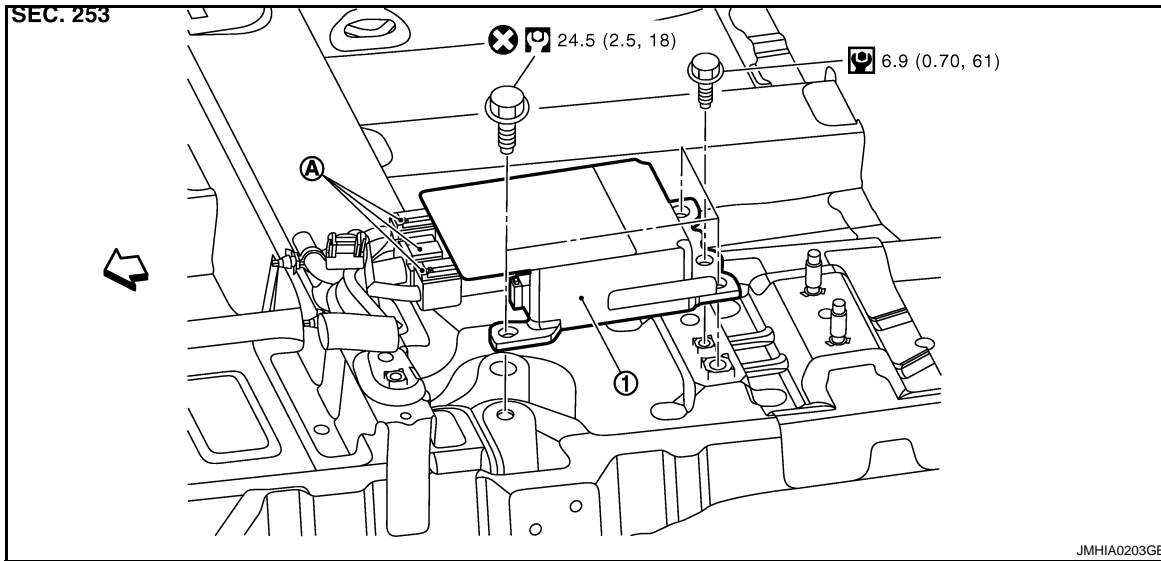
# DIAGNOSIS SENSOR UNIT

< ON-VEHICLE REPAIR >

## DIAGNOSIS SENSOR UNIT

### Exploded View

INFOID:000000001182777



1. Diagnosis sensor unit
- A. Harness connectors

Refer to [GI-4. "Components"](#) for symbols in the figure.

### Removal and Installation

INFOID:000000001182778

#### REMOVAL

##### **WARNING:**

- Before servicing, turn ignition switch OFF, disconnect both battery terminals and wait at least 3 minutes.
- Before disconnecting the air bag sensor unit harness connector, be sure to disconnect the each harness connector of the air bag module and pre-tensioner seat belt to prevent air bag deployment by static electricity and pre-tensioner seat belt operation.
- Do not use air tools or electric tools for servicing.

1. Disconnect each connector of all air bag modules and pre-tensioner seat belts.
2. Remove the center console assembly. Refer to [IP-18. "Exploded View"](#).
3. Disconnect diagnosis sensor unit harness connectors.
4. Remove fixed bolts and ground bolt, and then remove diagnosis sensor unit.

##### **CAUTION:**

- Replace the diagnosis sensor unit if it has been dropped or sustained an impact.
- Do not use old fixing bolts after removal; replace with new bolts.
- Replace the diagnosis sensor unit of deployed SRS air bag and deployed SRS front seat belt pre-tensioner.



#### INSTALLATION

Install in the reverse order of removal.

##### **CAUTION:**

- Do not damage the diagnosis sensor harness.



# DIAGNOSIS SENSOR UNIT

## < ON-VEHICLE REPAIR >

- In case that malfunction is detected by the air bag warning lamp, reset by the self-diagnosis function and delete the memory by CONSULT-III.
- In case that malfunction is still detected after the above operations, perform self-diagnosis to repair malfunctions.
- After the work is completed, check that no malfunctioning system is detected by air bag warning lamp. Refer to [SRC-10. "Diagnosis Description"](#).

### ECU DISCRIMINATED NO.

After replacing the diagnosis sensor unit, confirm that the diagnosis sensor unit identification is correct for the vehicle as equipped.

	Specification	ECU DISCRIMINATED No.
LHD	Models with driver and passenger air bags, seat belt pre-tensioners, seat belt pre-tensioner2, side air bags and curtain air bags	F902
RHD	Models with driver and passenger air bags, seat belt pre-tensioners, seat belt pre-tensioner2, side air bags and curtain air bags	F900

A  
B  
C  
D  
E  
F  
G  
I  
J  
K  
L  
M  
N  
O  
P

SR

## FRONT SEAT BELT PRE-TENSIONER

< ON-VEHICLE REPAIR >

---

### FRONT SEAT BELT PRE-TENSIONER

#### Removal and Installation

INFOID:000000001182779

For removal and installation procedures, refer to [SB-6. "SEAT BELT RETRACTOR : Exploded View"](#).

# DISPOSAL OF AIR BAG MODULE AND SEAT BELT PRE-TENSIONER

< ON-VEHICLE REPAIR >

## DISPOSAL OF AIR BAG MODULE AND SEAT BELT PRE-TENSIONER

### Caution for Air Bag Module and Seat Belt Pre-tensioner

INFOID:000000001182780

- Before disposing of air bag module and seat belt pre-tensioner, or vehicles equipped with such systems, deploy the systems. If such systems have already been deployed due to an accident, dispose of them as indicated in Disposing of Air Bag Module and Seat Belt Pre-tensioner.
- When deploying the air bag module and seat belt pre-tensioner, always use the Special Service Tool; Deployment tool (SST: KV99106400).
- When deploying the air bag module and seat belt pre-tensioner, stand at least 5 m (16 ft) away from the deployment component.
- When deploying air bag module and seat belt pre-tensioner, a fairly loud noise is made, followed by smoke being released. The smoke is not poisonous, however, be careful not to inhale smoke since it irritates the throat and can cause choking.
- Always activate one air bag module at a time.
- Due to heat, leave air bag module unattended for more than 30 minutes after deployment. Also leave seat belt pre-tensioner unattended for more than 10 minutes after deployment.
- Wear gloves when handling a deployed air bag module and seat belt pre-tensioner.
- Never apply water to the deployed air bag module and seat belt pre-tensioner.
- Wash your hands after finishing work.
- Place the vehicle outdoors with an open space of at least 6 m (20 ft) on all sides when deploying air bag module and seat belt pre-tensioner while mounted in vehicle.
- Use a volt meter to make sure the vehicle battery is fully charged.
- Do not dispose of the air bag module and seat belt pre-tensioner undeployed.

### CHECKING DEPLOYMENT TOOL

Connecting to Battery

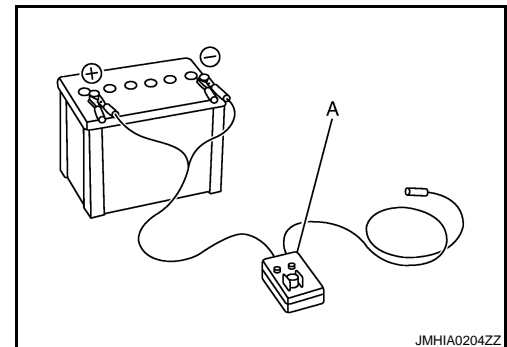
**CAUTION:**

**The battery must show voltage of 9.6 V or more.**

Remove the battery from the vehicle and place it on dry wood blocks approximately 5 m (16 ft) away from the vehicle.

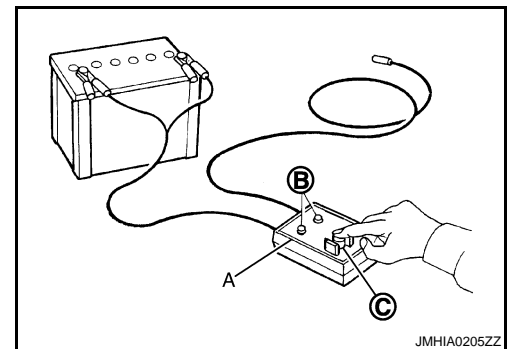
- Wait 3 minutes after the vehicle battery is disconnected before proceeding.
- Connect red clip of deployment tool (A) to battery positive terminal and black clip to negative terminal.

**Check that the polarity is correct. The right side lamp in the tool, marked “deployment tool power”, should glow with a green light. If the right side lamp glows red, reverse the connections to the battery.**



Deployment Tool Check

Press the deployment tool switch (C) to the ON position. The left side lamp in the tool, marked “air bag connector voltage” should illuminate (B). If it does not illuminate, replace the deployment tool (A).



Air Bag Deployment Tool Lamp Illumination Chart (Battery Connected)

Switch operation	Left side lamp, green* “AIR BAG CONNECTOR VOLTAGE”	Right side lamp, green* “DEPLOYMENT TOOL POWER”
OFF	OFF	ON
ON	ON	ON

A  
B  
C  
D  
E  
F  
G  
SR  
I  
J  
K  
L  
M  
N  
O  
P

# DISPOSAL OF AIR BAG MODULE AND SEAT BELT PRE-TENSIONER

## < ON-VEHICLE REPAIR >

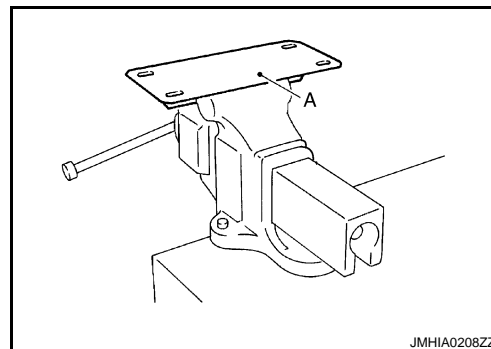
\*: If this lamp glows red, the tool is connected to the battery incorrectly. Reverse the connections and check the lamp glows green.

### DEPLOYMENT OF AIR BAG MODULE (OUTSIDE OF VEHICLE)

#### Deployment of Driver Air Bag Module (Outside of Vehicle)

1. Unless the vehicle is being scrapped, deploying the air bag in the vehicle is not recommended. This may cause damage to the vehicle interior.

Anchor air bag module bracket (SST: KV99105300) (A) in a vice secured to a firm foundation deployment.

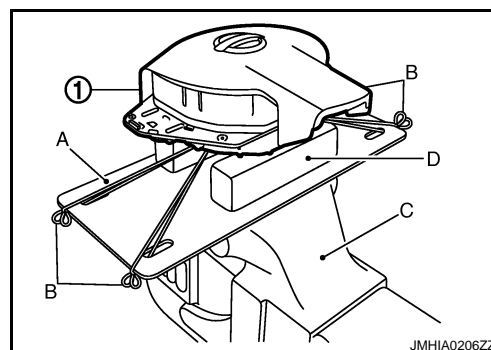


2. Using wire (B), secure air bag module (1) to air bag module bracket (SST: KV99105300) (A) at four places.

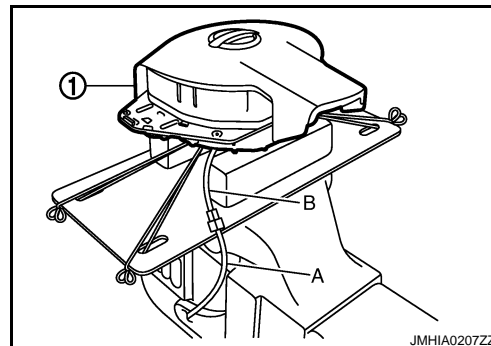
**CAUTION:**

- Use wire of at least 1 mm (0.04 in) diameter.
- If a gap exists between air bag module and air bag module bracket, use a piece of wood (D) inserted in the gap to stabilize the air bag module.

3. Firmly secure air bag module bracket (SST: KV99105300) (A) with air bag module attached, in a vise (C).



4. Connect deployment tool adapter (SST: KV99110500) (B) to air bag module (1) and deployment tool connector (SST: KV99106400) (A).



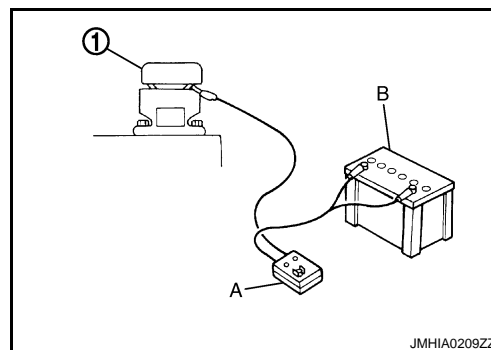
5. Connect red clip of deployment tool (A) to battery positive terminal and black clip to negative terminal (B).

6. The lamp on the right side of the tool, marked "deployment tool power", should glow green, not red.

7. Press the button on the deployment tool (A). The left side lamp on the tool, marked "air bag connector voltage", will illuminate and the air bag module (1) will deploy.

**CAUTION:**

When deploying the driver air bag module, stand at least 5 m (16 ft) away from the air bag module.



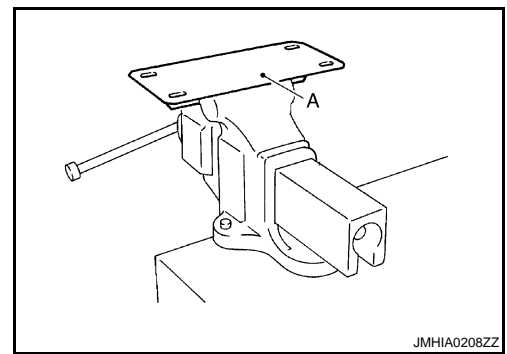
### DEPLOYMENT OF AIR BAG MODULE (OUTSIDE OF VEHICLE)

#### Deployment of Front Passenger Air Bag Module (Outside of Vehicle)

# DISPOSAL OF AIR BAG MODULE AND SEAT BELT PRE-TENSIONER

## < ON-VEHICLE REPAIR >

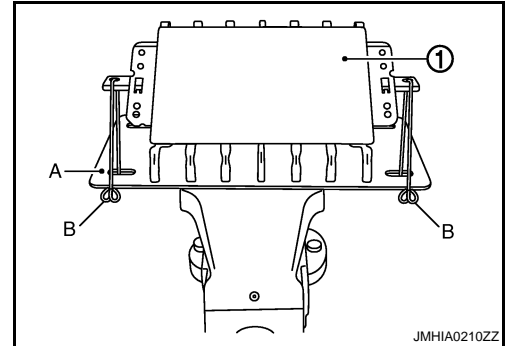
1. Firmly secure air bag module bracket (SST: KV99105300) (A) in a vise.



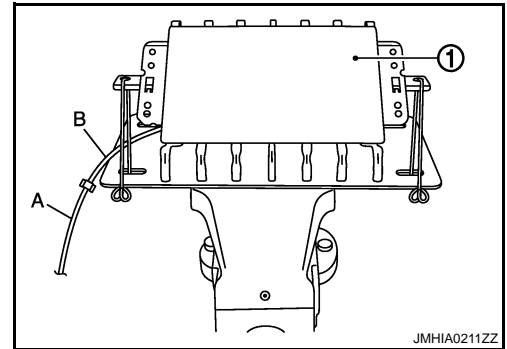
2. Using wire, secure air bag module to air bag module bracket (SST: KV99105300) (A) at two places.

**CAUTION:**

**Use wire of at least 1 mm (0.04 in) diameter.**



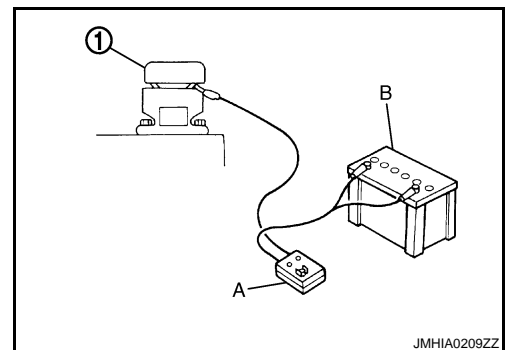
3. Connect deployment tool (SST: KV99106400) (A) and deployment tool adapter (SST: KV99110500) (B) to front passenger air bag module connector (1).



4. Connect red clip of deployment tool (A) to battery positive terminal and black clip to negative terminal (B).
5. The lamp on the right side of the tool, marked "deployment tool power", should glow green, not red.
6. Press the button on the deployment tool (A). The left side lamp on the tool, marked "air bag connector voltage", will illuminate and the air bag module (1) will deploy.

**CAUTION:**

- When deploying the front passenger air bag module, do not stand on the deploying side.
- Stand at least 5 m (16 ft) away from the air bag module.



## DEPLOYMENT OF AIR BAG MODULE (OUTSIDE VEHICLE)

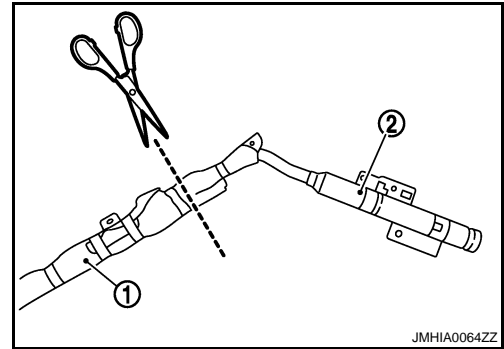
Deployment of Side Curtain Air Bag Module (Outside of Vehicle)

A  
B  
C  
D  
E  
F  
G  
SR  
I  
J  
K  
L  
M  
N  
O  
P

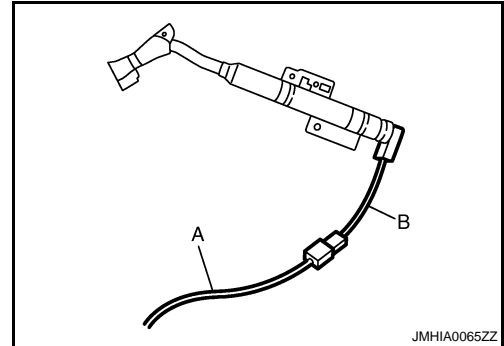
# DISPOSAL OF AIR BAG MODULE AND SEAT BELT PRE-TENSIONER

## < ON-VEHICLE REPAIR >

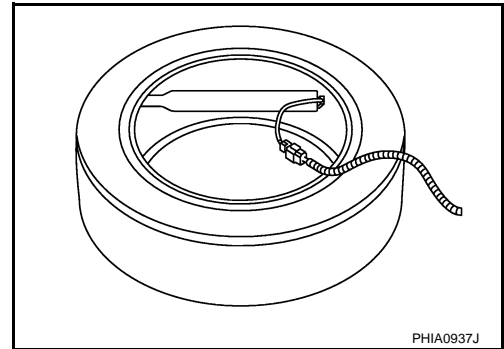
1. Cut the inflator (2) from side curtain air bag module (1).



2. Connect deployment tool (SST: KV99106400) (A) and deployment tool adapter (SST: KV99109800) (B) to the inflator.



3. Put the inflator connected with the deployment tool (SST: KV99106400) and deployment tool adapter (SST: KV99109800) into a tire without a wheel.

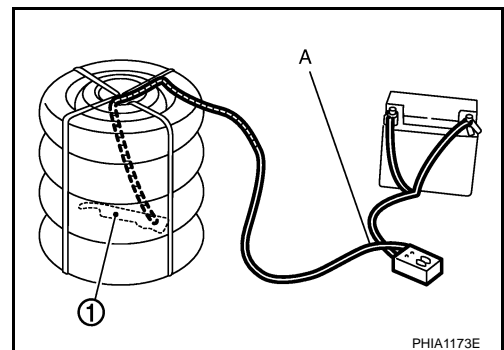


4. Put the tire with the inflator (1) onto another tire without wheel. Add an additional tire without a wheel and then a tire mounted on a wheel on top.

### **CAUTION:**

**Tie all tires together with a strap in order keep them standing.**

5. Connect red clip of deployment tool (A) to battery positive terminal and black clip to negative terminal.
6. The lamp on the right side of the tool, marked "deployment tool power", should glow green, not red.
7. Press the button on the deployment tool (A). The left side lamp on the tool, marked "air bag connector voltage", will illuminate and the air bag module inflator (1) will deploy.



### **CAUTION:**

**When deploying the side curtain air bag module, stand at least 5 m (16ft) away from the side curtain air bag module.**

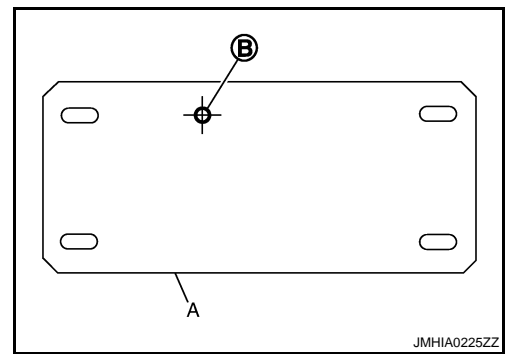
## DEPLOYMENT OF AIR BAG MODULE (OUTSIDE VEHICLE)

### Deployment of Front Side Air Bag Module (Outside of Vehicle)

# DISPOSAL OF AIR BAG MODULE AND SEAT BELT PRE-TENSIONER

## < ON-VEHICLE REPAIR >

1. Make 6.5 mm (0.256 in) diameter hole (B) in air bag module bracket (SST: KV99105300) (A) at the position shown in figure.

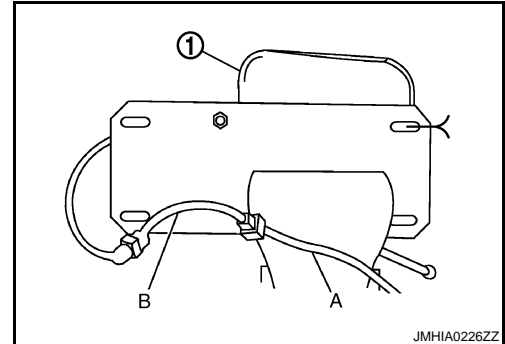


2. Firmly secure air bag module bracket in a vise.
3. Insert one bolt through air bag module bracket and air bag module upper side holes, and fix them with one M6 bolt/nut. Insert wire through air bag module bracket and air bag module lower side holes, and fix them.

**CAUTION:**

**Using wire, of at least 1 mm (0.04 in) diameter.**

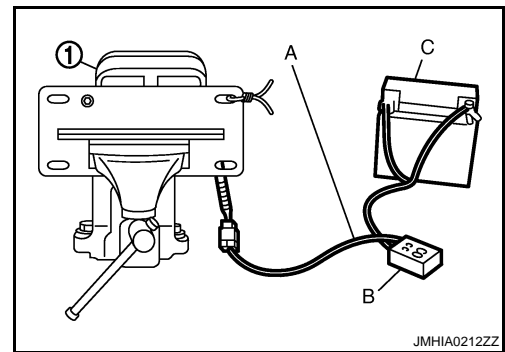
4. Connect deployment tool (SST: KV99106400) (A) and deployment tool adapter (SST: KV99109800) (B) to air bag module (1) connector.



5. Connect red clip of deployment tool (SST: KV99106400) (A),(B) to battery positive terminal and black clip to negative terminal (C).
6. The lamp on the right side of the tool, marked "deployment tool power", should glow green, not red.
7. Press the button on the deployment tool. The left side lamp on the tool, marked "air bag connector voltage", will illuminate and the air bag module (1) will deploy.

**CAUTION:**

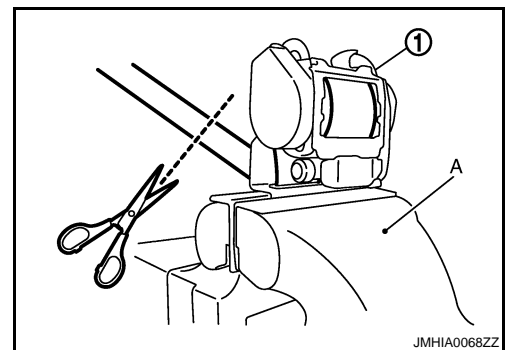
**When deploying the front side air bag module, stand at least 5 m (16ft) away from the air bag module.**



## DEPLOYMENT OF SEAT BELT PRE-TENSIONER (OUTSIDE OF VEHICLE)

### Deployment of Front Seat Belt Pre-Tensioner (Outside of Vehicle)

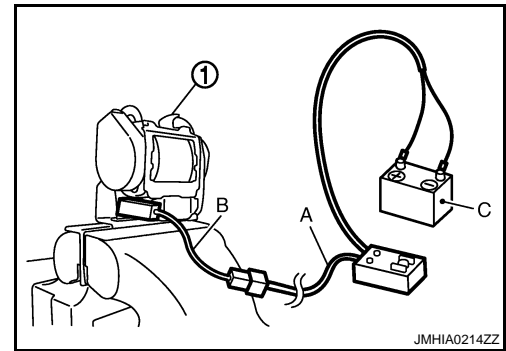
1. Firmly grip pre-tensioner (1) in a vise (A) and cut off the webbing.



# DISPOSAL OF AIR BAG MODULE AND SEAT BELT PRE-TENSIONER

## < ON-VEHICLE REPAIR >

2. Connect deployment tool (SST: KV99106400) (A) and deployment tool adapter (SST: KV99110500) (B) yellow connector to front seat belt pre-tensioner (1).
3. Connect red clip of deployment tool to battery positive terminal and black clip to negative terminal (C).
4. The lamp on the right side of the tool, marked "deployment tool power", should glow green, not red.
5. Press the button on the deployment tool. The left side lamp on the tool, marked "seat belt pre-tensioner connector voltage", will illuminate and the seat belt pre-tensioner (1) will deploy.



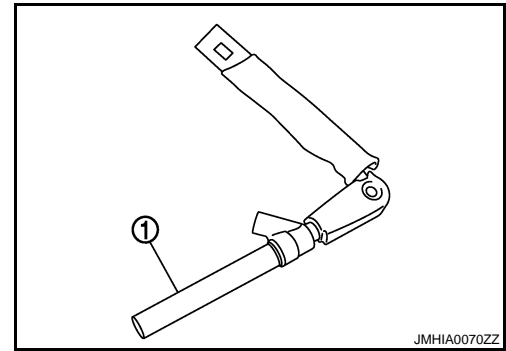
### **CAUTION:**

**When deploying the front seat belt pre-tensioner, stand at least 5 m(16 ft) away from the seat belt pre-tensioner.**

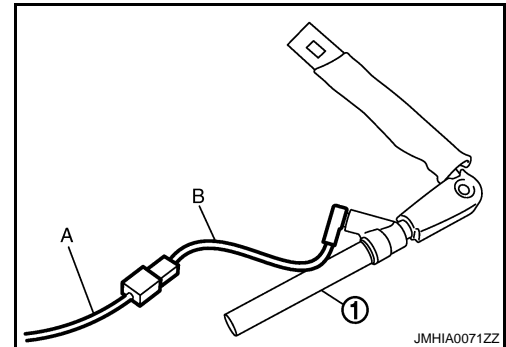
## DEPLOYMENT OF SEAT BELT PRE-TENSIONER (OUTSIDE OF VEHICLE)

### Deployment of Front Seat Belt Pre-Tensioner 2 (Outside of Vehicle)

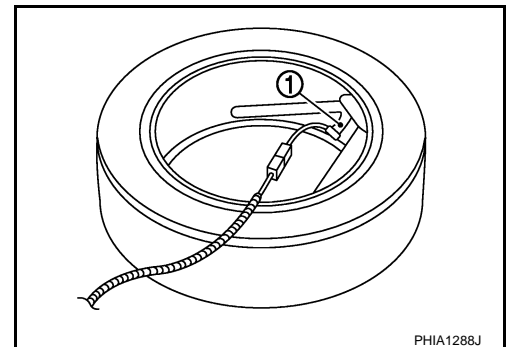
1. Disconnect the webbing of seat belt pre-tensioner 2 (1).



2. Connect deployment tool (SST: KV99106400) (A) and deployment tool adapter (SST: KV99110500) (B) orange connector to seat belt pre-tensioner 2 (1).



3. Put the seat belt pre-tensioner 2 (1) connected with the deployment tool into a tire without a wheel.





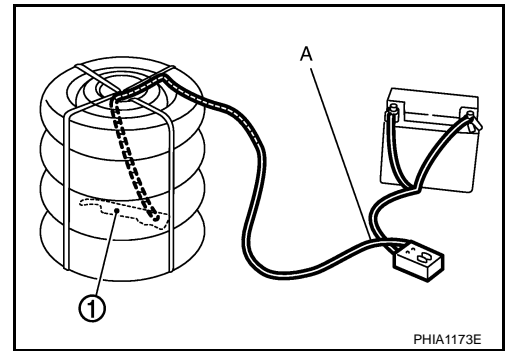
# DISPOSAL OF AIR BAG MODULE AND SEAT BELT PRE-TENSIONER

## < ON-VEHICLE REPAIR >

4. Connect red clip of deployment tool (A) to battery positive terminal and black clip to negative terminal.
5. The lamp on the right side of the tool, marked "deployment tool power", should glow green, not red.
6. Press the button on the deployment tool (A). The left side lamp on the tool, marked "seat belt pre-tensioner 2 connector voltage", will illuminate and the seat belt pre-tensioner 2 (1) will deploy.

**CAUTION:**

**When deploying the front seat belt pre-tensioner 2, stand at least 5 m(16 ft) away from the seat belt pre-tensioner 2.**

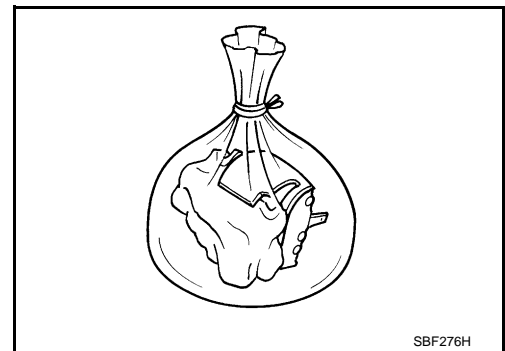


## DISPOSING OF AIR BAG MODULE AND SEAT BELT PRE-TENSIONER

Deployed air bag module and seat belt pre-tensioner are very hot. Before disposing of air bag module and seat belt pre-tensioner, wait at least 30 minutes, and 10 minutes, respectively. Seal them in a plastic bag before disposal.

**CAUTION:**

- Never apply water to a deployed air bag module or seat belt pre-tensioner.
- Wear gloves when handling a deployed air bag module or seat belt pre-tensioner.
- No poisonous gas is produced upon air bag module deployment. However, be careful not to inhale gas since it irritates the throat and can cause choking.
- Do not disassemble air bag module and seat belt pre-tensioner.
- Air bag module and seat belt pre-tensioner cannot be reused.
- Wash your hands clean after finishing work.



A  
B  
C  
D  
E  
F  
G  
SR  
I  
J  
K  
L  
M  
N  
O  
P