

SECTION **FSU**  
FRONT SUSPENSION

A  
B  
C  
D

FSU

CONTENTS

<b>PRECAUTIONS</b> .....	<b>2</b>	<b>STABILIZER BAR</b> .....	<b>12</b>	<b>F</b>
Precautions .....	2	Removal and Installation .....	12	
<b>PREPARATION</b> .....	<b>3</b>	REMOVAL .....	12	
Special Service Tools .....	3	INSPECTION AFTER REMOVAL .....	12	<b>G</b>
Commercial Service Tools .....	3	INSTALLATION .....	12	
<b>NOISE, VIBRATION, AND HARSHNESS (NVH)</b>		<b>UPPER LINK</b> .....	<b>13</b>	<b>H</b>
<b>TROUBLESHOOTING</b> .....	<b>4</b>	Removal and Installation .....	13	
NVH Troubleshooting Chart .....	4	REMOVAL .....	13	
<b>FRONT SUSPENSION ASSEMBLY</b> .....	<b>5</b>	INSPECTION AFTER REMOVAL .....	13	
Components .....	5	INSTALLATION .....	13	<b>I</b>
<b>ON-VEHICLE SERVICE</b> .....	<b>6</b>	<b>LOWER LINK</b> .....	<b>14</b>	<b>J</b>
Front Suspension Parts .....	6	Removal and Installation .....	14	
Front Wheel Alignment .....	6	REMOVAL .....	14	
PRELIMINARY INSPECTION .....	6	INSPECTION AFTER REMOVAL .....	14	
GENERAL INFORMATION AND RECOMMEN-		INSTALLATION .....	14	<b>K</b>
DATIONS .....	6	<b>UPPER BALL JOINT AND LOWER BALL JOINT...</b>	<b>15</b>	
THE ALIGNMENT PROCESS .....	7	Removal and Installation .....	15	
CAMBER AND CASTER .....	7	Inspection .....	15	
TOE-IN .....	8	SWINGING FORCE .....	15	
FRONT WHEEL TURNING ANGLE .....	8	TURNING FORCE .....	15	
<b>COIL SPRING AND SHOCK ABSORBER</b> .....	<b>10</b>	VERTICAL END PLAY .....	16	<b>L</b>
Removal and Installation .....	10	<b>KNUCKLE</b> .....	<b>17</b>	
REMOVAL .....	10	On-Vehicle Inspection and Service .....	17	
INSTALLATION .....	10	Removal and Installation .....	17	<b>M</b>
Disassembly and Assembly .....	10	REMOVAL .....	17	
DISASSEMBLY .....	10	INSPECTION AFTER REMOVAL .....	18	
INSPECTION AFTER DISASSEMBLY .....	10	INSTALLATION .....	19	
ASSEMBLY .....	11	<b>SERVICE DATA AND SPECIFICATIONS (SDS)</b> .....	<b>20</b>	
		General Specifications (Front) .....	20	
		Wheel Alignment (Unladen* <sup>1</sup> ) .....	20	
		Ball Joint .....	21	
		Wheelarch Height (Unladen* <sup>1</sup> ) .....	21	

# PRECAUTIONS

---

## PRECAUTIONS

PF0:00001

### Precautions

EES0010D

- When installing the rubber bushings, the final tightening must be done under unladen condition and with the tires on level ground. Oil will shorten the life of the rubber bushings, so wipe off any spilled oil immediately.
- Unladen condition means the fuel tank, engine coolant and lubricants are at the full specification. The spare tire, jack, hand tools, and mats are in their designated positions.
- After installing suspension components, check the wheel alignment.
- Lock nuts are not reusable. Always use new lock nuts for installation. New lock nuts are pre-oiled, do not apply any additional lubrication.

# PREPARATION

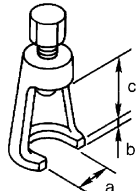
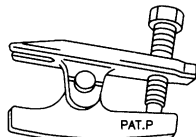
## PREPARATION

PF0:00002

### Special Service Tools

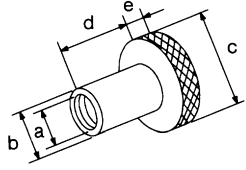
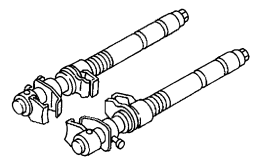
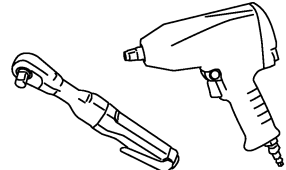
EES0010E

The actual shapes of Kent-Moore tools may differ from those of special service tools illustrated here.

Tool number (Kent-Moore No.) Tool name	Description
ST29020001 (J-24319-01) Gear arm puller   NT694	Removing ball joint for knuckle spindle <b>a: 34 mm (1.34 in)</b> <b>b: 6.5 mm (0.256 in)</b> <b>c: 61.5 mm (2.421 in)</b>
HT72520000 (J-25730-A) Ball joint remover   NT146	Removing tie-rod outer end

### Commercial Service Tools

EES0010F

Tool name	Description
Attachment wheel alignment   NT148	Measure wheel alignment <b>a: Screw M24 x 1.5 pitch</b> <b>b: 35 mm (1.38 in) dia.</b> <b>c: 65 mm (2.56 in) dia.</b> <b>d: 56 mm (2.20 in)</b> <b>e: 12 mm (0.47 in)</b>
Spring compressor   NT717	Removing and installing coil spring
Power tool   PBIC0190E	Loosening bolts and nuts

# NOISE, VIBRATION, AND HARSHNESS (NVH) TROUBLESHOOTING

## NOISE, VIBRATION, AND HARSHNESS (NVH) TROUBLESHOOTING

PF0:00003

### NVH Troubleshooting Chart

EES0010G

Use the chart below to help you find the cause of the symptom. Repair or replace parts as necessary.

Reference page		<a href="#">FSU-5</a>	<a href="#">FSU-10</a>	<a href="#">FSU-5</a>	<a href="#">FSU-5</a>	<a href="#">FSU-21</a>	<a href="#">FSU-6</a>	<a href="#">FSU-6</a>	<a href="#">FSU-6</a>	<a href="#">PR-3, "NVH Troubleshooting Chart"</a>	<a href="#">FFD-7, "NVH Troubleshooting Chart"</a>	<a href="#">FAX-4, "NVH Troubleshooting Chart"</a>	<a href="#">WT-3, "NVH Troubleshooting Chart"</a>	<a href="#">WT-3, "NVH Troubleshooting Chart"</a>	<a href="#">BR-5, "NVH Troubleshooting Chart"</a>	<a href="#">PS-5, "NVH Troubleshooting Chart"</a>
Possible Cause and SUSPECTED PARTS		Improper installation, looseness	Shock absorber deformation, damage or deflection	Bushing or mounting deterioration	Parts interference	Spring fatigue	Suspension looseness	Incorrect wheel alignment	Stabilizer bar fatigue	PROPELLER SHAFT	DIFFERENTIAL	AXLE	TIRES	ROAD WHEEL	BRAKES	STEERING
Symptom	Noise	x	x	x	x	x	x			x	x	x	x	x	x	x
	Shake	x	x	x	x		x			x		x	x	x	x	x
	Vibration	x	x	x	x	x				x		x	x			x
	Shimmy	x	x	x	x			x				x	x	x	x	x
	Shudder	x	x	x								x	x	x	x	x
	Poor quality ride or handling	x	x	x	x	x		x	x			x	x	x		

x: Applicable

# FRONT SUSPENSION ASSEMBLY

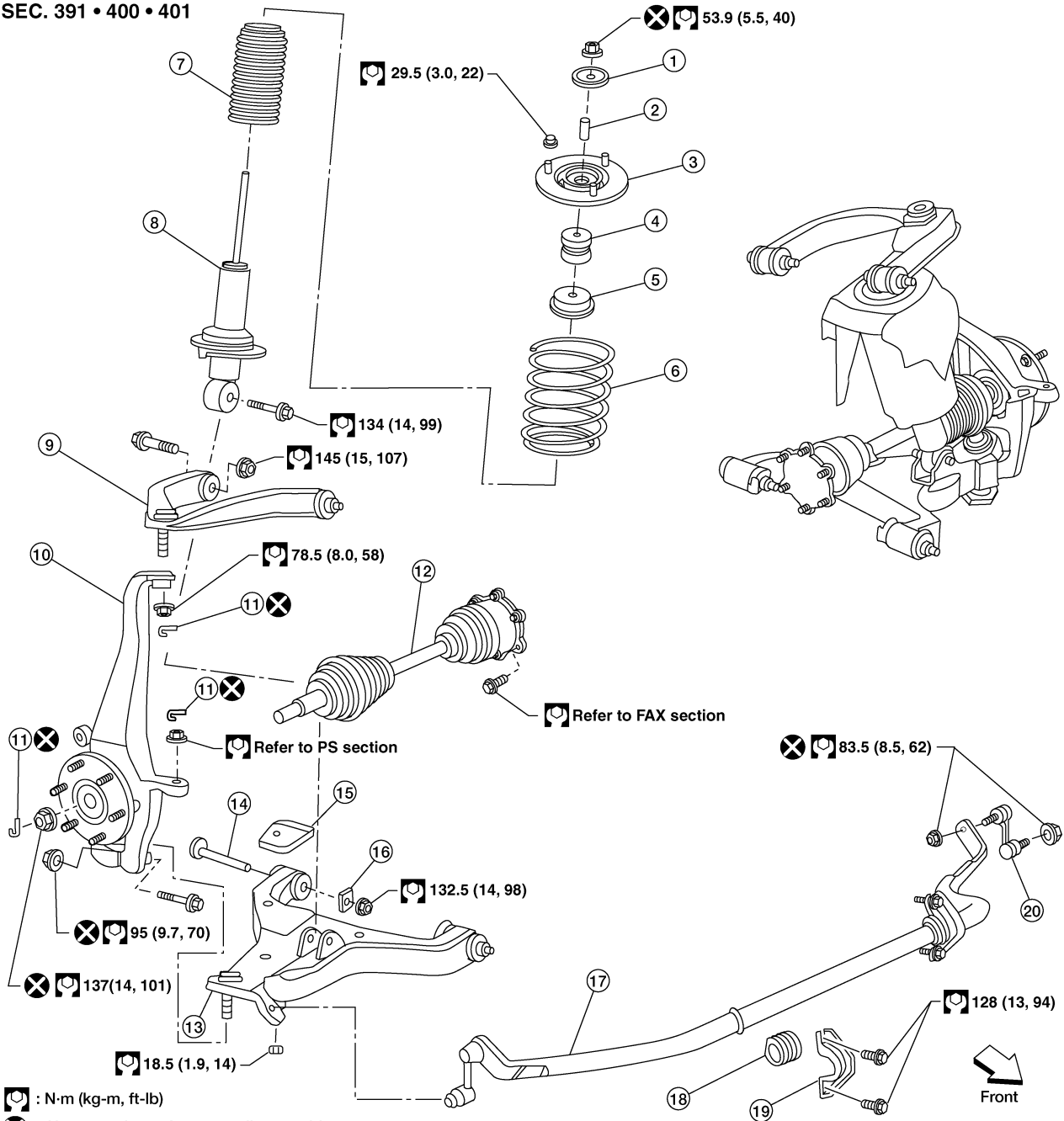
## FRONT SUSPENSION ASSEMBLY

PFP:54010

### Components

EES0010H

SEC. 391 • 400 • 401



: N·m (kg-m, ft-lb)

: Always replace after every disassembly.

- |                                     |                    |                                      |
|-------------------------------------|--------------------|--------------------------------------|
| 1. Washer                           | 2. Spacer          | 3. Shock absorber mounting insulator |
| 4. Shock absorber bushing           | 5. Upper seat      | 6. Coil spring                       |
| 7. Dust cover                       | 8. Shock absorber  | 9. Upper link                        |
| 10. Steering knuckle                | 11. Cotter pin     | 12. Drive shaft                      |
| 13. Lower link                      | 14. Bolt           | 15. Jounce bumper                    |
| 16. Cam washer                      | 17. Stabilizer bar | 18. Stabilizer bar bushing           |
| 19. Stabilizer bar mounting bracket | 20. Connecting rod |                                      |

WEIA0083E

## ON-VEHICLE SERVICE

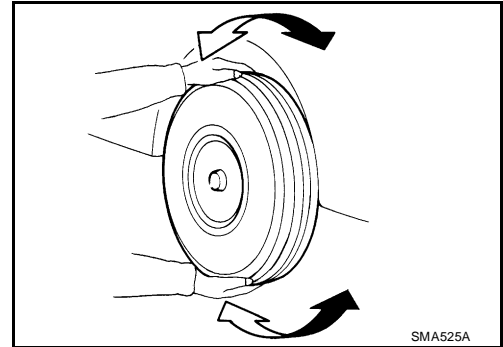
### Front Suspension Parts

EES0010J

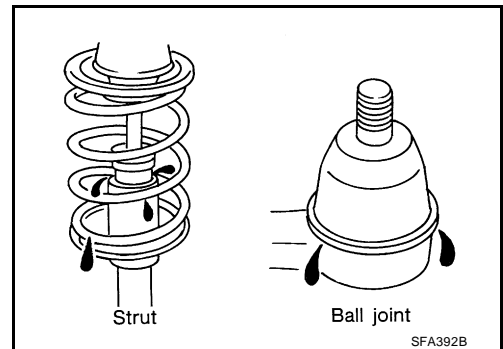
Check front suspension parts for excessive play, cracks, wear and other damage.

- Shake each front wheel to check for excessive play. If looseness is noted, inspect wheel bearing end play, then check ball joint end play. Refer to [FSU-15, "Inspection"](#) .
- Make sure that the cotter pin is inserted (4WD only).
- Retighten all nuts and bolts to the specified torque.

**Suspension component torques** : Refer to [FSU-5, "Components"](#) .



- Check shock absorber for oil leakage and other damage.
- Check suspension ball joint for grease leakage and ball joint dust cover for cracks and other damage.



### Front Wheel Alignment PRELIMINARY INSPECTION

EES0010J

**WARNING:**

**Always adjust the alignment with the vehicle on a flat surface.**

**NOTE:**

If alignment is out of specification, inspect and replace any damaged or worn rear suspension parts before making any adjustments.

1. Check and adjust the wheel alignment with the vehicle under unladen conditions. "Unladen conditions" means that the fuel, coolant, and lubricant are full; and that the spare tire, jack, hand tools and mats are in their designated positions.
2. Check the tires for incorrect air pressure and excessive wear.
3. Check the wheels for run out and damage. Refer to [WT-4, "Inspection"](#) .
4. Check the wheel bearing axial end play. Refer to [FAX-5, "WHEEL BEARING INSPECTION"](#) .
5. Check the shock absorbers for leaks or damage.
6. Check each mounting point of the suspension components for any excessive looseness or damage.
7. Check each link, arm, and the rear suspension member for any damage.
8. Check the vehicle height. Refer to [FSU-21, "Wheelarch Height \(Unladen\\*<sup>1</sup>\)"](#) .
  - For air leveling vehicles, verify the level using Consult-II memory register 1103 and set to 0 ± 10 mm (0 ± 0.39 in) as necessary.

### GENERAL INFORMATION AND RECOMMENDATIONS

1. A Four-Wheel Thrust Alignment should be performed.
  - This type of alignment is recommended for any NISSAN vehicle.
  - The four-wheel "thrust" process helps ensure that the vehicle is properly aligned and the steering wheel is centered.
  - The alignment machine itself should be capable of accepting any NISSAN vehicle.
  - The alignment machine should be checked to ensure that it is level.
2. Make sure the alignment machine is properly calibrated.
  - Your alignment machine should be regularly calibrated in order to give correct information.

# ON-VEHICLE SERVICE

- Check with the manufacturer of your specific alignment machine for their recommended Service/Calibration Schedule.

## THE ALIGNMENT PROCESS

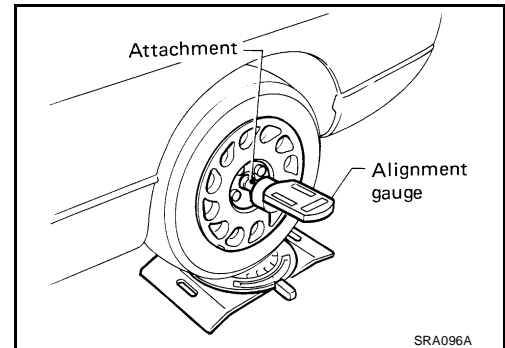
**IMPORTANT:** Use only the alignment specifications listed in this Service Manual. Refer to [FSU-21, "Wheelarch Height \(Unladen\\*1\)"](#) .

1. When displaying the alignment settings, many alignment machines use "indicators": (Green/red, plus or minus, Go/No Go). **Do NOT use these indicators.**
  - The alignment specifications programmed into your alignment machine that operate these indicators may not be correct.
  - This may result in an ERROR.
2. Some newer alignment machines are equipped with an optional "Rolling Compensation" method to "compensate" the sensors (alignment targets or head units). **Do NOT use this "Rolling Compensation" method.**
  - Use the "Jacking Compensation" method. After installing the alignment targets or head units, raise the vehicle and rotate the wheels 1/2 turn both ways.
  - See Instructions in the alignment machine you are using for more information.

## CAMBER AND CASTER

1. Measure camber and caster of both the right and left wheels with a suitable alignment gauge and adjust as necessary to specification.

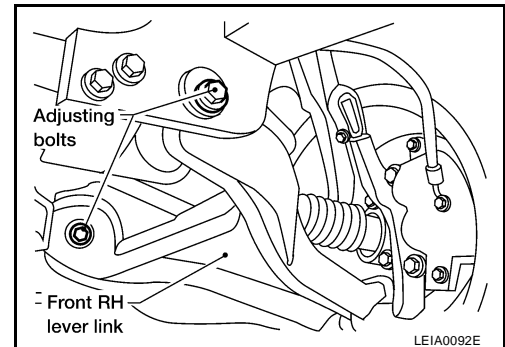
**Camber** : Refer to [FSU-20, "Wheel Alignment \(Unladen\\*1\)"](#) .



2. If outside of the specified value, adjust camber and caster using the adjusting bolts in the front lower link.

**CAUTION:**  
After adjusting the camber then check the toe-in.

**NOTE:**  
Camber changes about 3' (0.11°) with each graduation of one adjusting bolt. Refer to table below for examples of lower link adjusting bolt effect on camber and caster.



Rear adjusting bolt	1 In	1 Out	1 In	1 Out	0	0	1 In	1 Out
Front adjusting bolt	1 Out	1 In	1 In	1 Out	1 In	1 Out	0	0
Camber Degree minute (Decimal degree)	0 (0)	0 (0)	7' (0.11°)	-7' (-0.11°)	3' (0.11°)	-3' (-0.11°)	3' (0.11°)	-3' (-0.11°)
Caster Degree minute (Decimal degree)	-14' (-0.11°)	14' (0.11°)	0 (0)	0 (0)	7' (0.11°)	-7' (-0.11°)	-7' (-0.11°)	7' (0.11°)

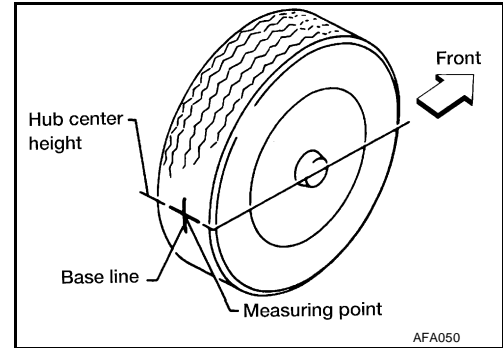
3. Tighten the adjusting bolt nuts to specification. Refer to [FSU-5, "Components"](#) .

# ON-VEHICLE SERVICE

## TOE-IN

### WARNING:

- Always perform the following procedure on a flat surface.
  - Make sure that no person is in front of the vehicle before pushing it.
1. Bounce the front of vehicle up and down to stabilize the vehicle height (posture).
  2. Push the vehicle straight ahead about 5 m (16 ft).
  3. Put a mark on base line of the tread (rear side) of both front tires at the same height as hub center as shown. These marks are measuring points.



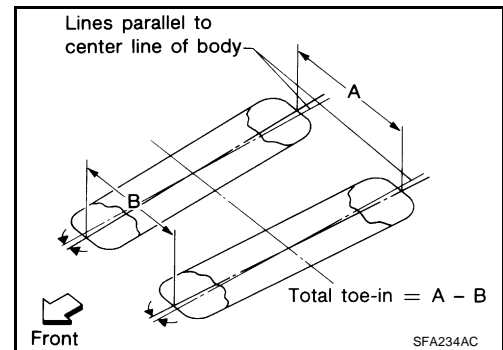
4. Measure the distance "A" on the rear side of the front tires as shown.
5. Push the vehicle slowly ahead to rotate the wheels 180° degrees (1/2 a turn).

### CAUTION:

If the wheels have rotated more than 180° degrees (1/2 turn), start this procedure again from the beginning. Never push the vehicle backward.

6. Measure the distance "B" on the front side of the front tires at the same marks as shown. Total toe-in is calculated as "A" – "B".

**Total toe-in** : Refer to [FSU-20, "Wheel Alignment \(Unladen\\*1\)"](#) .

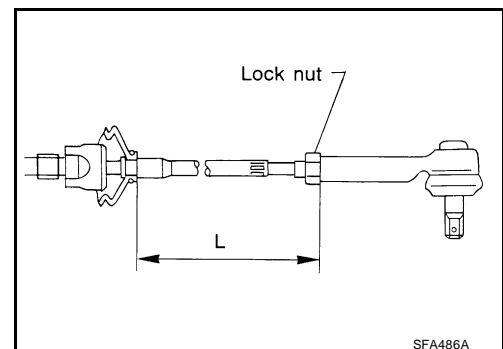


7. Adjust the toe-in by varying the length of the steering outer tie-rods.
  - a. Loosen the outer tie-rod lock nuts.
  - b. Adjust the toe-in by screwing the outer tie-rods in or out.

**Standard length "L"** : Refer to [PS-15, "POWER STEERING GEAR AND LINK-AGE"](#) .

- c. Tighten the outer tie-rod lock nuts to specification.

**Lock nut** : Refer to [PS-15, "Removal and Installation"](#) .

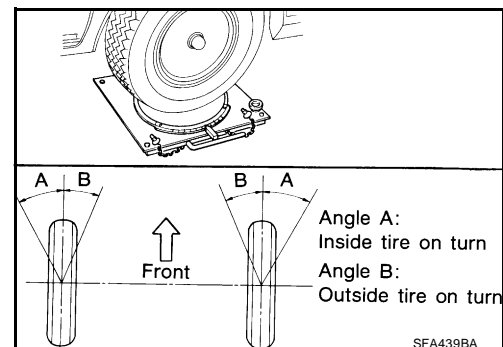


## FRONT WHEEL TURNING ANGLE

1. Start engine and run at idle.
2. Set wheels in straight-ahead position. Then move vehicle forward until front wheels rest on turning radius gauge properly.
  - Make sure vehicle is level.
3. Rotate steering wheel all the way right and left; measure turning angle.

**Wheel turning angle (full turn)** : Refer to [FSU-20, "Wheel Alignment \(Unladen\\*1\)"](#) .

- If front wheel turning angles are out of the specification, check if the following parts are worn or damaged.





## ON-VEHICLE SERVICE

---

- Steering gear
- Steering column
- Front suspension components  
If found that they are worn or damaged, replace them with new ones.

A

B

C

D

**FSU**

F

G

H

I

J

K

L

M

# COIL SPRING AND SHOCK ABSORBER

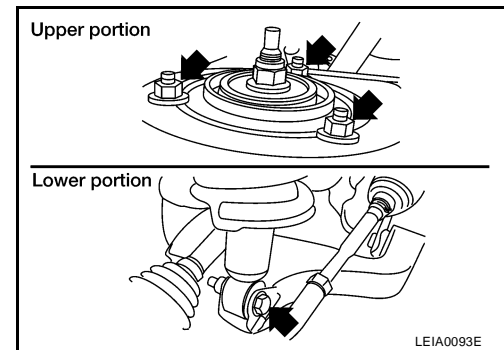
## COIL SPRING AND SHOCK ABSORBER

PFP:56210

### Removal and Installation REMOVAL

EES0010K

1. Remove the wheel and tire using power tool.
2. Remove the shock absorber lower bolt using power tool.
3. Remove the three shock absorber upper mounting nuts using power tool.
4. Remove the coil spring and shock absorber assembly.
  - Turn steering knuckle out to gain enough clearance for removal.



### INSTALLATION

Installation is in the reverse order of removal.

- The step in the shock absorber assembly lower seat faces outside of vehicle.
- Tighten all nuts and bolts to specification. Refer to [FSU-5, "Components"](#) .
- When installing wheel and tire, refer to [WT-6, "Rotation"](#) .

### Disassembly and Assembly DISASSEMBLY

EES0010L

1. Set the shock absorber in a vise, then loosen (without removing) the piston rod lock nut as shown.

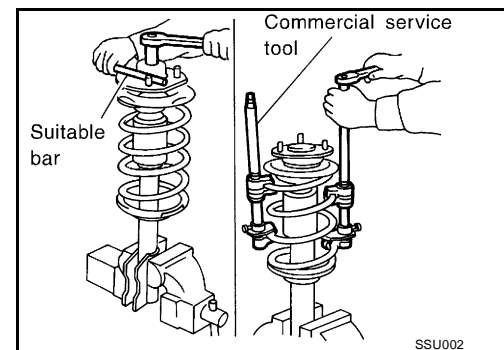
#### **CAUTION:**

**Do not remove piston rod lock nut at this time.**

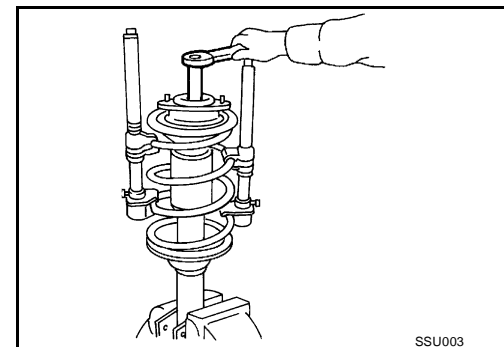
2. Compress the spring using commercial service tool until the shock absorber mounting insulator can be turned by hand.

#### **WARNING:**

**Make sure that the pawls of the two spring compressors are firmly hooked on the spring. The spring compressors must be tightened alternately and evenly so as not to tilt the spring.**



3. Remove the piston rod lock nut.
  - Discard the piston rod lock nut, use a new nut for assembly.



### INSPECTION AFTER DISASSEMBLY

#### Shock Absorber Assembly

- Check for smooth operation through a full stroke, both compression and extension.
- Check for oil leakage on welded or gland packing portions.
- Check piston rod for cracks, deformation or other damage and replace if necessary.

#### Mounting Insulator and Rubber Parts

Check cemented rubber-to-metal portion for separation or cracks. Check rubber parts for deterioration and replace if necessary.

# COIL SPRING AND SHOCK ABSORBER

## Coil Spring

- Check for cracks, deformation or other damage and replace if necessary.
- Check the free spring height.

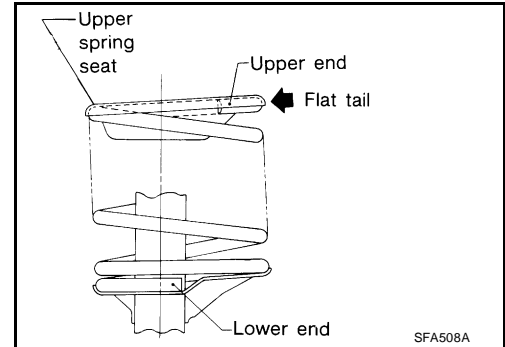
### Front spring free height

2WD :  $325.5 \pm 3$  mm ( $12.8 \pm 0.1$  in)

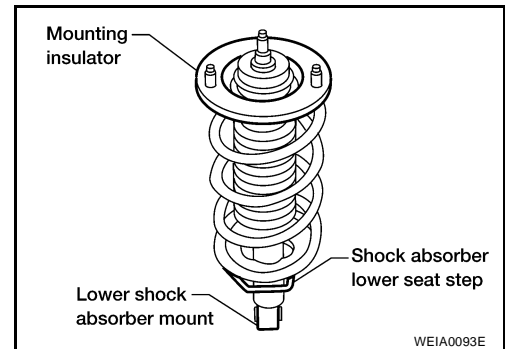
4WD :  $335.0 \pm 3$  mm ( $13.2 \pm 0.1$  in)

## ASSEMBLY

1. When installing coil spring on shock absorber, it must be positioned as shown.



2. Install upper mounting insulator as shown in line with lower shock absorber mount and step in shock absorber lower seat.
  - The step in the shock absorber lower seat faces outside of vehicle.
3. Tighten the piston rod lock nut to specification. Refer to [FSU-5, "Components"](#) .
  - Use a new piston rod lock nut for assembly.



# STABILIZER BAR

## STABILIZER BAR

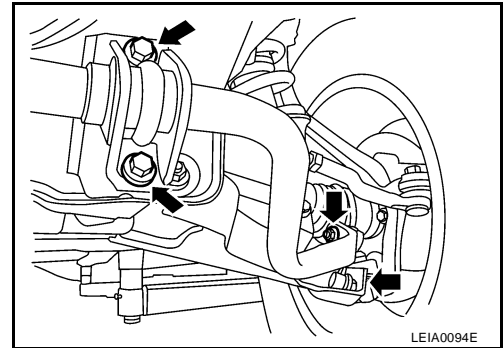
PF5:54611

### Removal and Installation

EES0010M

#### REMOVAL

1. Remove engine under cover using power tool.
2. Remove stabilizer bar mounting bracket bolts and connecting rod nuts as shown, using power tool.
3. Remove bushings from stabilizer bar.



#### INSPECTION AFTER REMOVAL

- Check stabilizer bar for twist and deformation. Replace if necessary.
- Check rubber bushing for cracks, wear and deterioration. Replace if necessary.

#### INSTALLATION

Installation is in the reverse order of removal.

- Tighten all nuts and bolts to specification. Refer to [FSU-5, "Components"](#) .

# UPPER LINK

PFP:54524

EES0010N

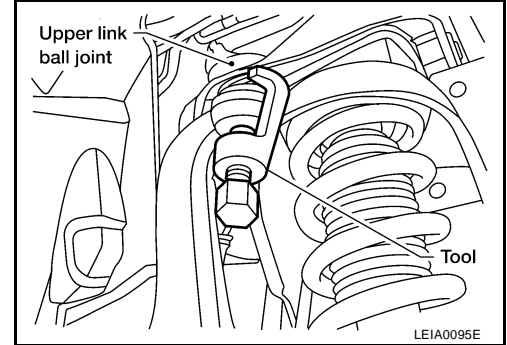
## UPPER LINK

### Removal and Installation

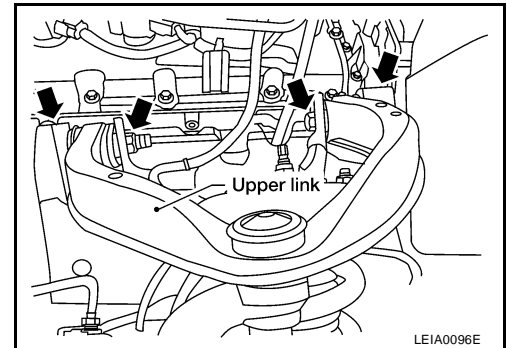
#### REMOVAL

1. Remove the wheel and tire using power tool.
2. Remove wheel opening shield.
3. Remove cotter pin and nut from upper link ball joint.
4. Separate upper link ball joint stud from steering knuckle using Tool.
  - Support lower link with jack.

**Tool number : ST29020001 (J24319-01)**



5. Remove upper link mounting bolts and nuts.



#### INSPECTION AFTER REMOVAL

##### Upper Link

Check for deformation and cracks. Replace if necessary.

##### Upper Link Ball Joint

Check for distortion and damage. Replace if necessary.

#### INSTALLATION

Installation is in the reverse order of removal.

- Tighten all nuts and bolts to specification. Refer to [FSU-5, "Components"](#) .
- When installing wheel and tire, refer to [WT-6, "Rotation"](#) .
- After installation, check that the front wheel alignment is within specification. Refer to [FSU-6, "Front Wheel Alignment"](#) .

A  
B  
C  
D  
FSU  
F  
G  
H  
I  
J  
K  
L  
M

# LOWER LINK

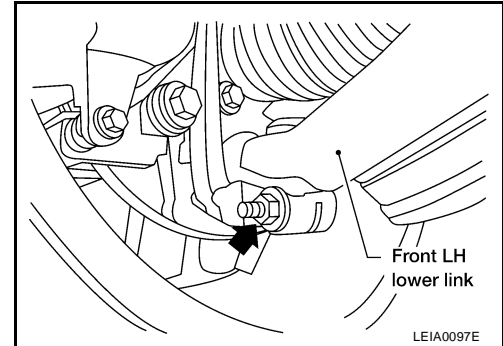
## LOWER LINK

PF:55020

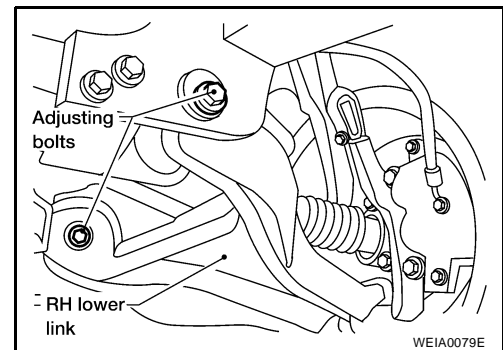
### Removal and Installation

EES00100

1. Remove the wheel and tire using power tool.
2. Remove lower shock absorber bolt.
3. Remove stabilizer bar connecting rod lower nut using power tool, then separate connecting rod from lower link. Refer to [FSU-12, "Removal and Installation"](#) .
4. Remove drive shaft, if equipped. Refer to [FAX-7, "Removal and Installation"](#) .
5. Remove pinch bolt from steering knuckle using power tool, then separate lower link ball joint from steering knuckle.



6. Remove lower link adjusting bolts and nuts, then the lower link.



### INSPECTION AFTER REMOVAL

#### Lower Link

Check for deformation and cracks. Replace if necessary.

#### Lower Link Bushing

Check for distortion and damage. Replace if necessary.

### INSTALLATION

Installation is in the reverse order of removal.

- Tighten all nuts and bolts to specification. Refer to [FSU-5, "Components"](#) .
- When installing wheel and tire, refer to [WT-6, "Rotation"](#) .
- After installation, check that the front wheel alignment is within specification. Refer to [FSU-6, "Front Wheel Alignment"](#) .

# UPPER BALL JOINT AND LOWER BALL JOINT

## UPPER BALL JOINT AND LOWER BALL JOINT

PPF:40110

### Removal and Installation

EES0010P

The ball joints are part of the upper and lower links. Refer to [FSU-13, "Removal and Installation"](#) (upper link), [FSU-14, "Removal and Installation"](#) (lower link).

### Inspection

EES0010Q

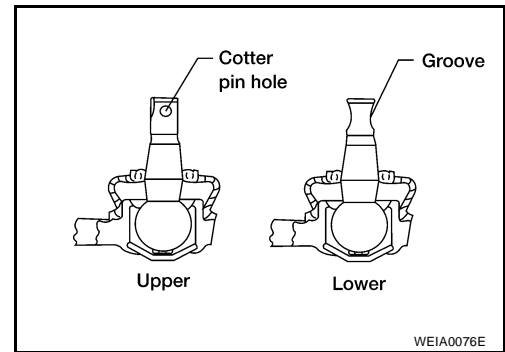
- Check the ball joint for excessive play. Replace the upper or lower link assembly if any of the following exists:
- Ball joint stud is worn.
- Ball joint is hard to swing.
- Ball joint play in axial directions or end play is excessive.

### SWINGING FORCE

#### NOTE:

Before checking the axial forces and end play, turn the lower ball joint at least 10 revolutions so that the ball joint is properly broken in.

1. Measure the ball joint swinging force using a suitable tool.
  - Measure at the cotter pin hole for upper ball joint as shown.
  - Measure at the groove for lower ball joint as shown.

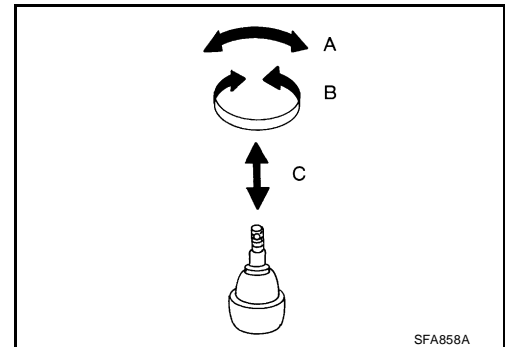


2. Verify the ball joint swinging force is within specification.

#### Swinging force "A"

**Upper ball joint** : 8.1–103.2 N (0.8–10.5 kg-f, 1.8–23.2 lb-f)

**Lower ball joint** : 11.4–145.5 N (1.1–14.8 kg-f, 2.5–32.7 lb-f)



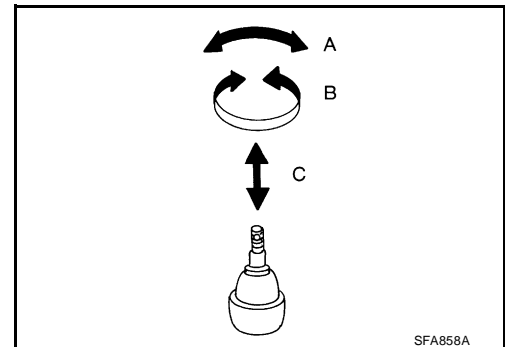
### TURNING FORCE

Check the turning torque using a suitable tool.

#### NOTE:

Before checking the axial forces and end play, turn the lower ball joint at least 10 revolutions so that the ball joint is properly broken in.

**Turning torque "B"** : 0.5 - 6.4 N·m (0.05 - 0.65 kg-m, 4 - 57 in-lb)



A  
B  
C  
D

FSU

F  
G  
H  
I  
J  
K  
L  
M

# UPPER BALL JOINT AND LOWER BALL JOINT

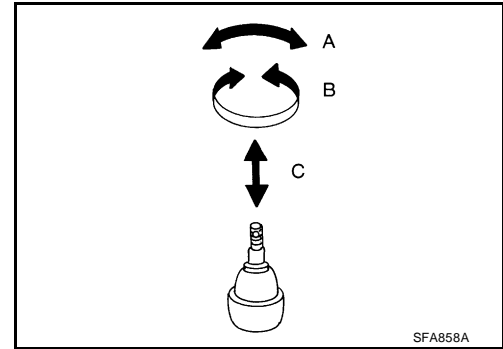
## VERTICAL END PLAY

- Measure the vertical end play using a suitable tool.
- Check dust cover for damage. Replace it and the cover clamp if necessary.

### NOTE:

Before checking the axial forces and end play, turn the lower ball joint at least 10 revolutions so that the ball joint is properly broken in.

**Vertical end play "C" : 0 mm (0 in)**





## KNUCKLE

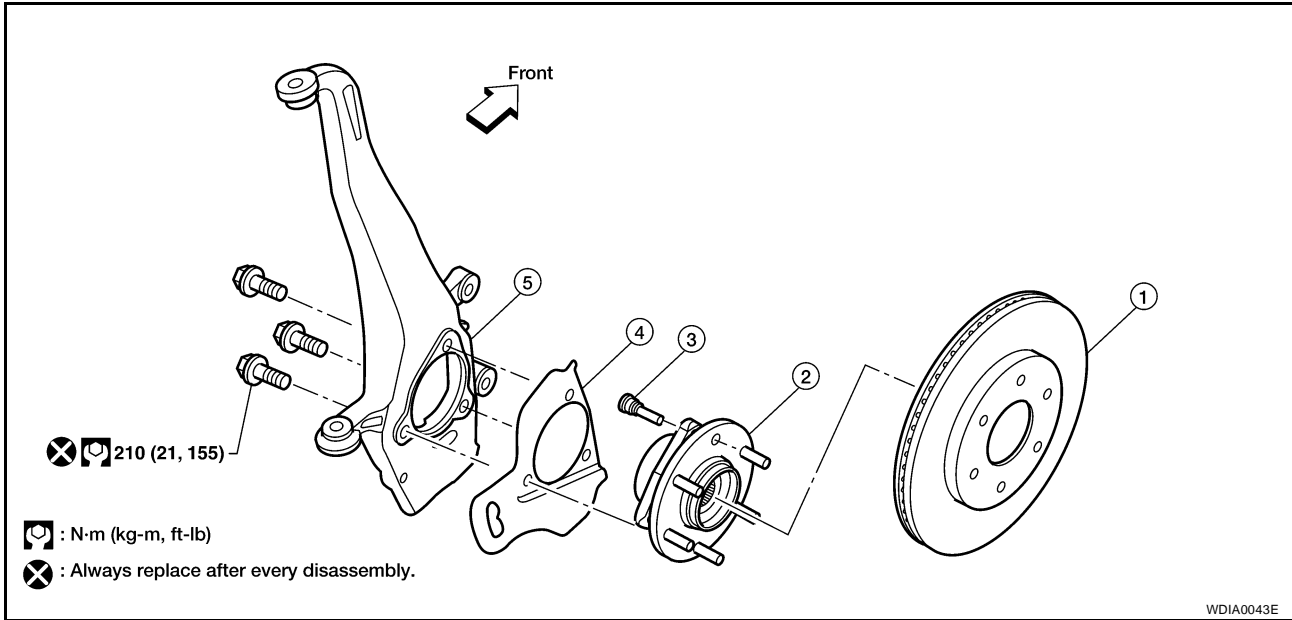
### On-Vehicle Inspection and Service

EES0010R

Make sure the mounting conditions (looseness, backlash) of each component and component status (wear, damage) are within specifications. Refer to [FSU-21, "Ball Joint"](#) .

### Removal and Installation

EES0010S



- |                 |                                   |               |
|-----------------|-----------------------------------|---------------|
| 1. Disc rotor   | 2. Wheel hub and bearing assembly | 3. Wheel stud |
| 4. Splash guard | 5. Steering knuckle               |               |

### REMOVAL

1. Remove wheel and tire from vehicle using power tool.
2. Without disconnecting the hydraulic lines, remove brake caliper using power tool. Reposition it aside with wire. Refer to [BR-22, "Removal and Installation of Brake Caliper and Disc Rotor"](#) .

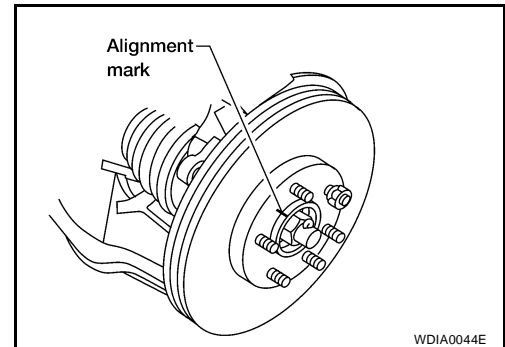
**CAUTION:**

It is not necessary to remove bolts on torque member and brake hose except for disassembly or replacement of caliper assembly. In this case, hang cylinder body with a wire so that the brake hose is not under tension.

**NOTE:**

Avoid depressing brake pedal while brake caliper is removed.

3. Put alignment marks on disc rotor and wheel hub and bearing assembly, then remove disc rotor.



4. Remove ABS sensor from steering knuckle. Refer to [BRC-64, "Removal and Installation"](#) .

**CAUTION:**

Do not pull on ABS sensor harness.

5. Remove cotter pin, then remove lock nut from drive shaft using power tool.
6. Remove steering outer socket cotter pin at steering knuckle, then loosen mounting nut using power tool.

A  
B  
C  
D  
FSU  
F  
G  
H  
I  
J  
K  
L  
M

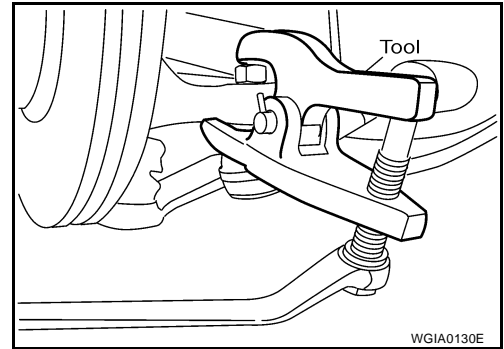
# KNUCKLE

7. Disconnect steering outer socket from steering knuckle using Tool. Be careful not to damage ball joint boot.

**Tool number** : HT72520000 (J-25730-A)

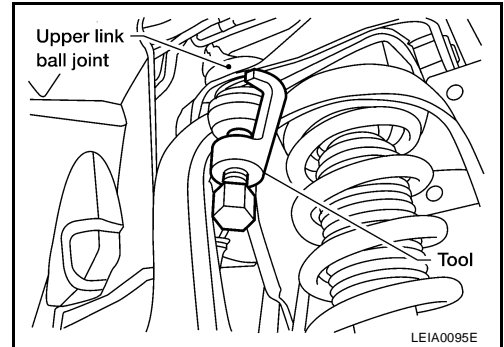
**CAUTION:**

To prevent damage to threads and to prevent Tool from coming off suddenly, temporarily install mounting nut loosely.

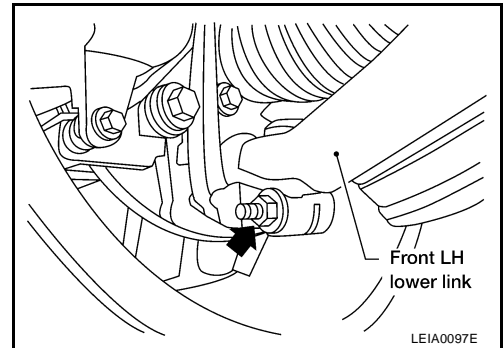


8. Remove drive shaft, if equipped. Refer to [FAX-7, "Removal and Installation"](#) .
9. Remove wheel hub and bearing assembly bolts using power tool.
10. Remove splash guard and wheel hub and bearing assembly from steering knuckle.
11. Support lower link using a suitable jack.
12. Remove cotter pin and nut from upper link ball joint.
13. Separate upper link ball joint from steering knuckle using Tool.

**Tool number** : ST29020001 (J-24319-01)



14. Remove pinch bolt from steering knuckle using power tool. Then remove steering knuckle from lower link ball joint.



15. Remove steering knuckle from vehicle.

## INSPECTION AFTER REMOVAL

Check for deformity, cracks and damage on each part, replace if necessary.

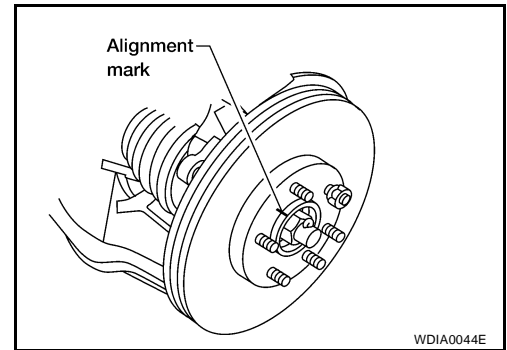
- Perform ball joint inspection. Refer to [FSU-15, "Inspection"](#) .

# KNUCKLE

## INSTALLATION

Installation is in the reverse order of removal.

- Refer to [FSU-5, "Components"](#) for tightening torques.
- When installing disc rotor on wheel hub and bearing assembly, align the marks.  
(When not using the alignment mark, refer to [BR-25, "DISC ROTOR INSPECTION"](#) .)
- When installing wheel and tire, refer to [WT-6, "Rotation"](#) .



A  
B  
C  
D  
F  
G  
H  
I  
J  
K  
L  
M

FSU

# SERVICE DATA AND SPECIFICATIONS (SDS)

## SERVICE DATA AND SPECIFICATIONS (SDS)

PF0:00030

### General Specifications (Front)

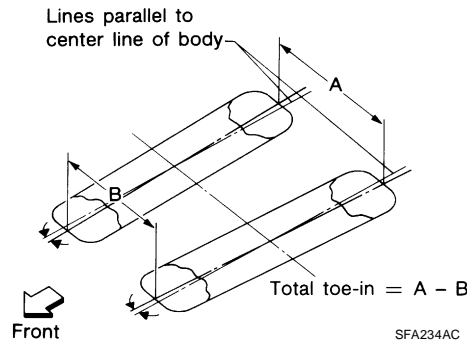
EES0010T

Suspension type	Independent double wishbone coil over shock
Shock absorber type	Double-acting hydraulic
Stabilizer	Standard equipment

### Wheel Alignment (Unladen\*<sup>1</sup>)

EES0012Y

Drive type		2WD	4WD
Camber Degree minute (decimal degree)	Minimum	-0° 51' (-0.85°)	-0° 33' (-0.55°)
	Nominal	-0° 6' (-0.10°)	0° 12' (0.20°)
	Maximum	0° 39' (0.65°)	0° 57' (0.95°)
	Cross camber	0° 45' (0.75°) or less	0° 45' (0.75°) or less
Caster Degree minute (decimal degree)	Minimum	3° 15' (3.25°)	2°45' (2.75°)
	Nominal	4° 0' (4.00°)	3° 30' (3.50°)
	Maximum	4° 45' (4.75°)	4° 15' (4.25°)
	Cross caster	0° 45' (0.75°) or less	0° 45' (0.75°) or less
Kingpin inclination Degree minute (decimal degree)		13° 32' (13.53°)	13°13' (13.22°)



Total toe-in	Distance (A - B)	Minimum	1.8 mm (0.07 in)	1.8 mm (0.07 in)
		Nominal	2.8 mm (0.11 in)	2.8 mm (0.11 in)
		Maximum	3.8 mm (0.15 in)	3.8 mm (0.15 in)
	Angle (left side and right side) Degree minute (decimal degree)	Minimum	0° 3' (0.05°)	0° 3' (0.05°)
		Nominal	0° 5' (0.08°)	0° 5' (0.08°)
		Maximum	0° 7' (0.12°)	0° 7' (0.12°)
Wheel turning angle (full turn)	Inside Degree minute (decimal degree)	34° 31' - 38° 31' *2 (34.52° - 38.52°)	34° 44' - 38° 44' *4 (34.73° - 38.73°)	
	Outside Degree minute (decimal degree)	30° 59' - 34° 59' *3 (30.98° - 34.98°)	30° 29' - 34° 29' *5 (30.48° - 34.48°)	

\*1: Fuel, radiator coolant and engine oil full. Spare tire, jack, hand tools and mats in designated positions.

\*2: Target value 37° 31' (37.52°)

\*3: Target value 33° 59' (33.98°)

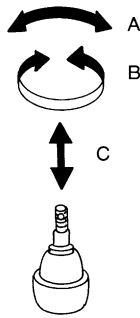
\*4: Target value 37° 44' (37.73°)

\*5: Target value 33° 29' (33.48°)

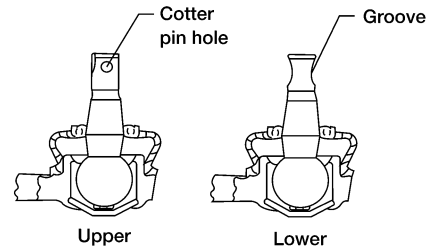
# SERVICE DATA AND SPECIFICATIONS (SDS)

## Ball Joint

EES0013H



SFA858A



WEIA0076E

Swinging force "A"	Upper ball joint	8.1 – 103.2 N (0.8 – 10.5 kg-f, 1.8 – 23.2 lb-f) *1
	Lower ball joint	11.4 – 145.5 N (1.1 – 14.8 kg-f, 2.5 – 32.7 lb-f) *2
Turning torque "B"		0.5 - 6.4 N·m (0.05 - 0.65 kg-m, 4 - 57 in-lb)
Vertical end play "C"		0 mm (0 in)

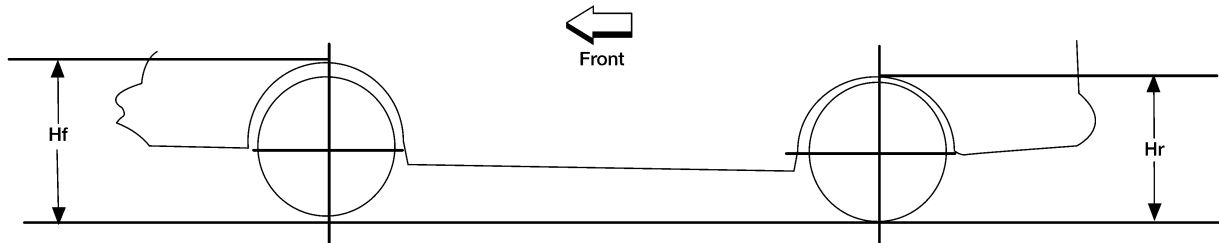
\*1 Measure at cotter pin hole

\*2 Measure at groove

## Wheelarch Height (Unladen\*1 )

EES0010W

Unit: mm (in)



LEIA0085E

Suspension type	Air leveling*2	
	2WD	4WD
Applied model		
Front wheelarch height (Hf)	913 (35.94)	931 (36.65)
Rear wheelarch height (Hr)	912 (35.91)	932 (36.69)

\*1: Fuel, radiator coolant and engine oil full. Spare tire, jack, hand tools and mats in designated positions.

\*2: Confirm level using Consult-II, register 1103. Set rear wheel arch height to "0" if necessary.

# SERVICE DATA AND SPECIFICATIONS (SDS)

---