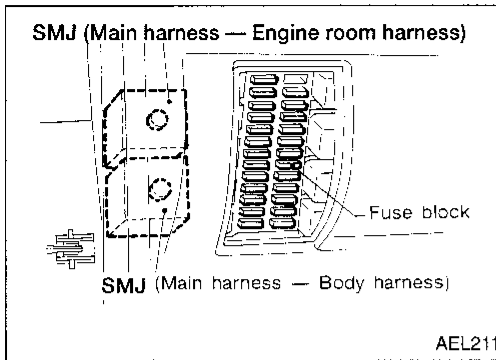



SUPER MULTIPLE JUNCTION (SMJ)



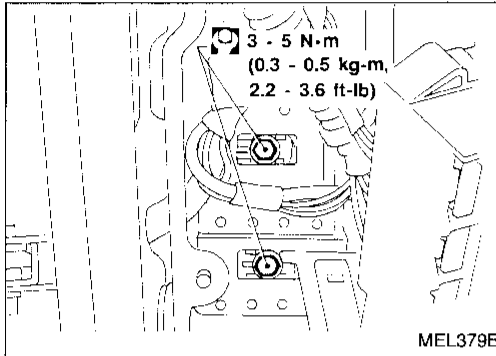
INSTALLATION

To install SMJ, tighten bolts until orange "fulltight" mark appears and then retighten to specified torque as required.

: 3 - 5 N·m
(0.3 - 0.5 kg-m, 2.2 - 3.6 ft-lb)

CAUTION:

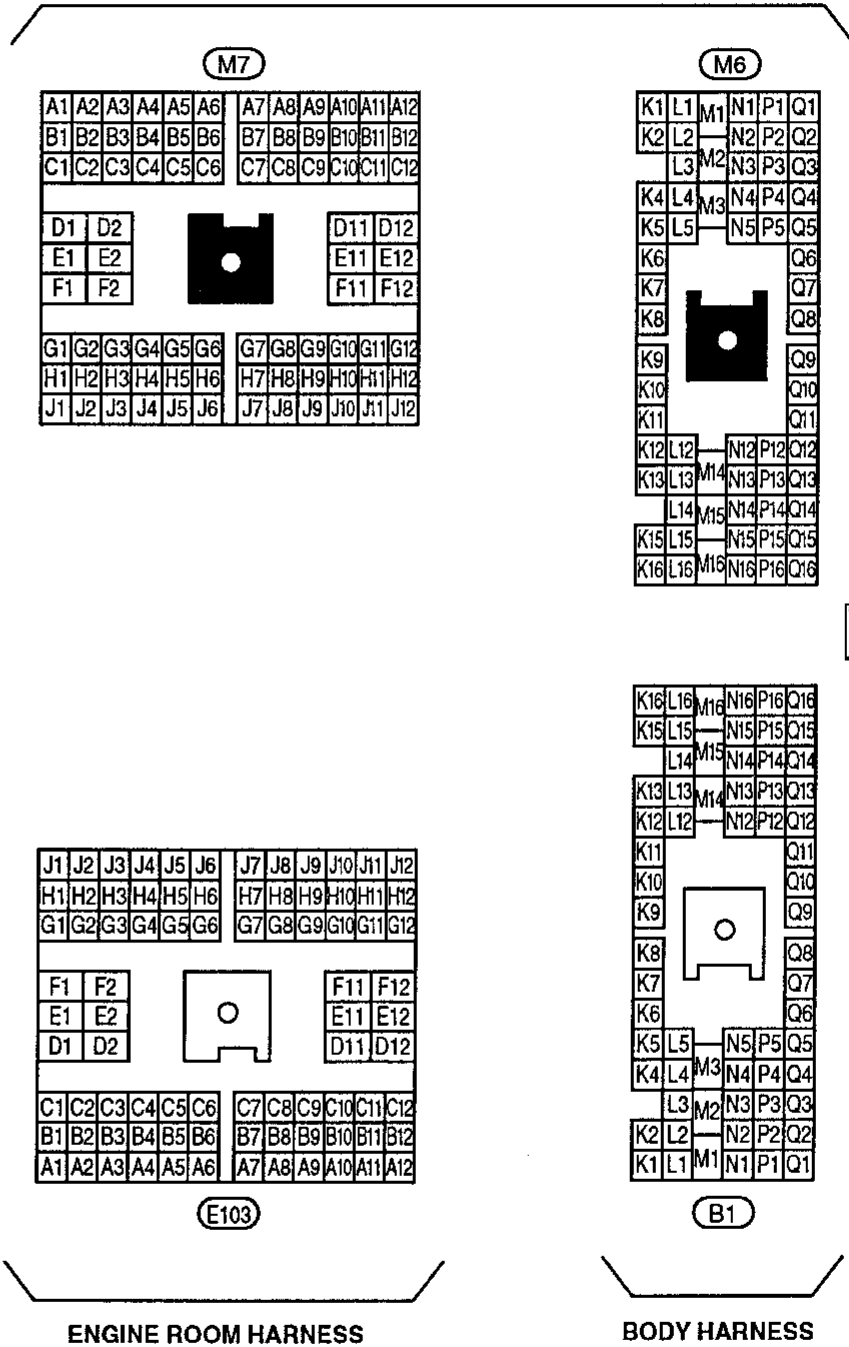
Do not overtighten bolts, otherwise, they may be damaged.



SUPER MULTIPLE JUNCTION (SMJ)

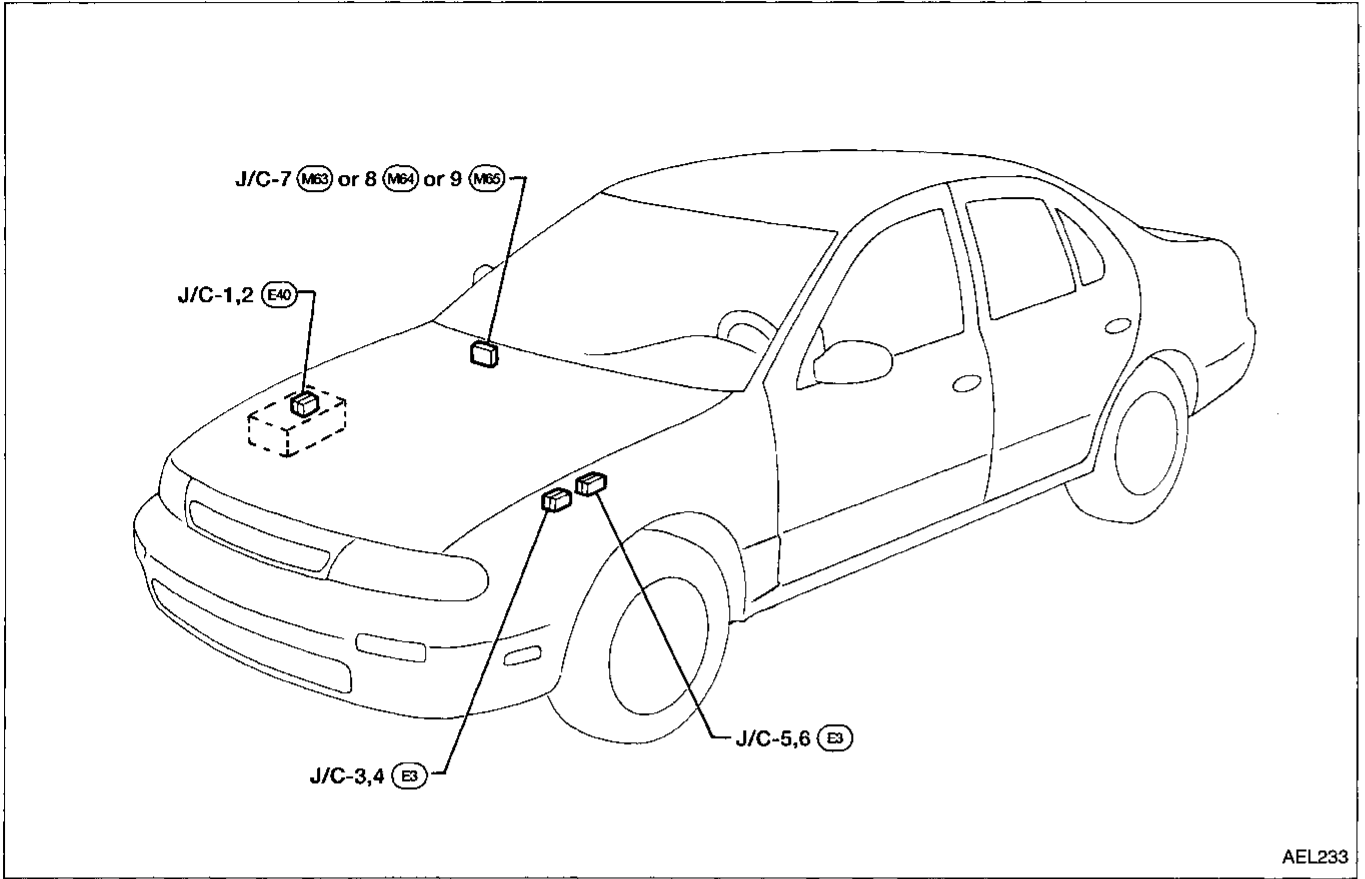
Terminal Arrangement

MAIN HARNESS



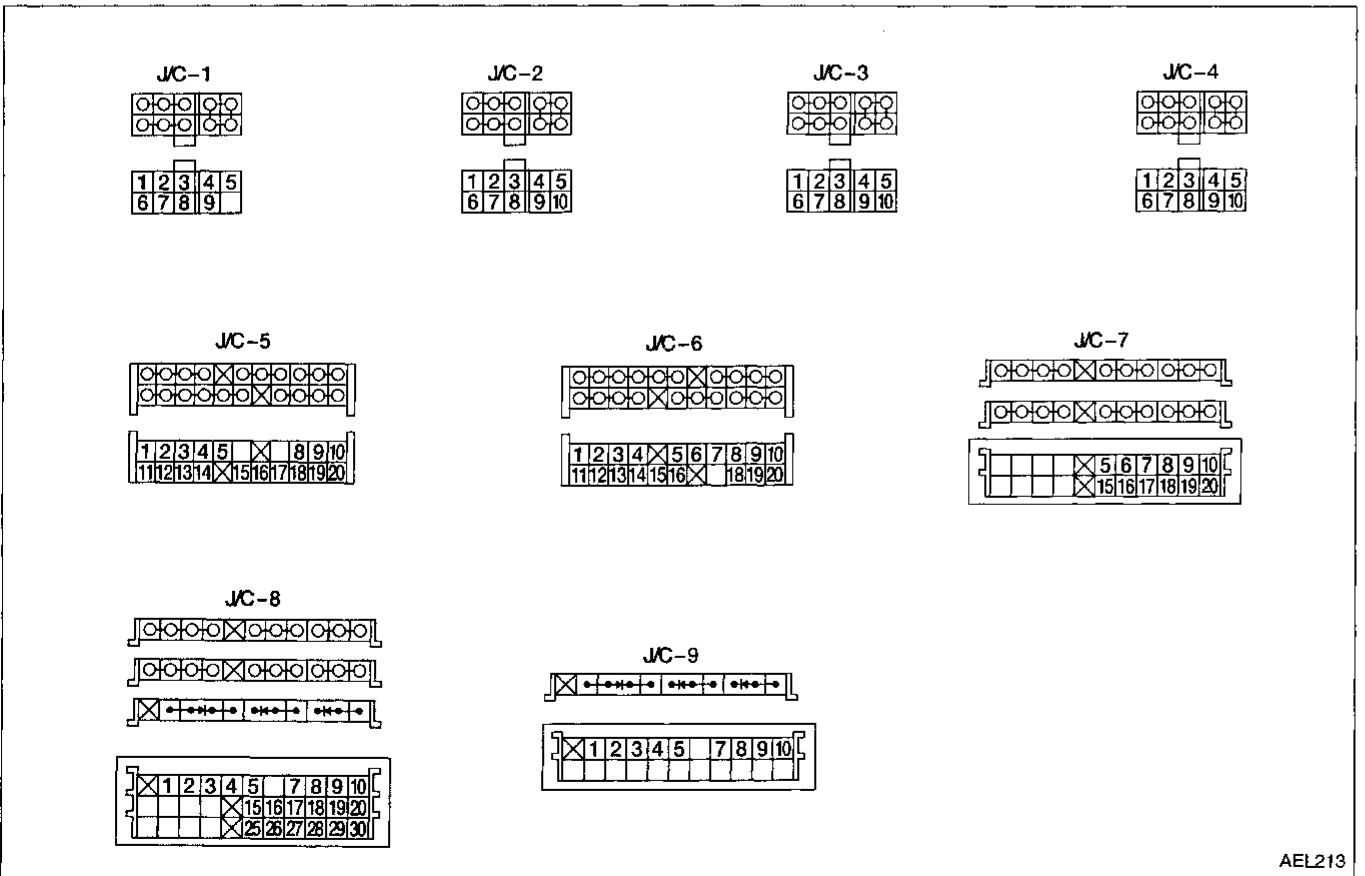
JOINT CONNECTOR (J/C)

Location



AEL233

Terminal Arrangement

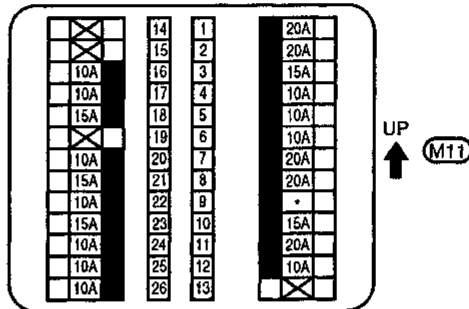


AEL213

FUSE BLOCK/FUSIBLE LINK AND FUSE BOX

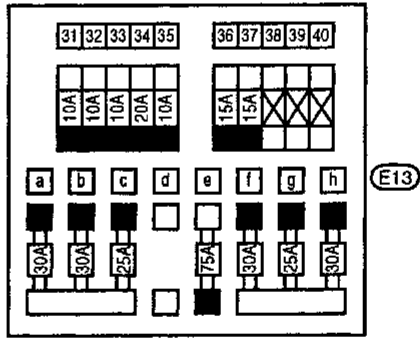
Fuse Arrangement

FUSE BLOCK



UP (M1)

FUSIBLE LINK AND FUSE BOX



(E13)

CONTROL MODULES

AIRBAG DIAGNOSIS SENSOR UNIT



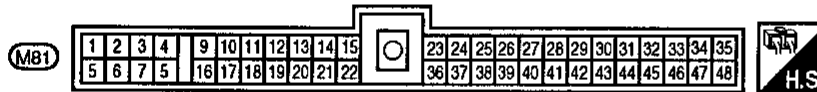
View from harness side

ABS CONTROL MODULE



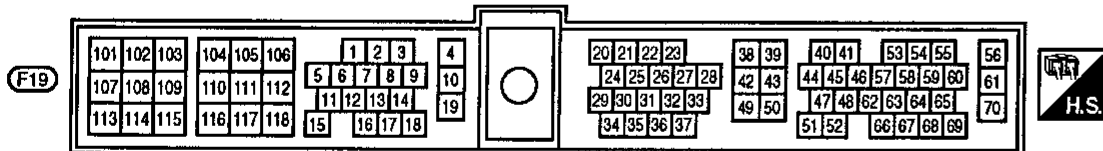
View from harness side

A/T CONTROL UNIT



View from harness side

ECM (ECCS CONTROL MODULE)



View from harness side