

SECTION **RS**

GI

MA

EM

LC

EC

FE

GL

MT

AT

FA

RA

BR

ST

RS

BT

HA

EL

IDX

CONTENTS

PRECAUTIONS AND PREPARATION	2	TROUBLE DIAGNOSES — Supplemental	
Supplemental Restraint System (SRS)		Restraint System (SRS)	23
“AIR BAG”	2	Trouble Diagnosis Introduction	23
SEAT BELTS	3	How to Perform Trouble Diagnoses for Quick	
Front Seat Belt.....	4	and Accurate Repair	26
Rear Seat Belt	6	Schematic	27
Seat Belt Inspection.....	7	Wiring Diagram –SRS–	28
SUPPLEMENTAL RESTRAINT SYSTEM (SRS)	10	SRS Operation Check	30
Precautions for SRS “AIR BAG” Service.....	10	Trouble Diagnoses with CONSULT	31
Special Service Tools.....	10	Trouble Diagnoses without CONSULT	39
Description	11	Trouble Diagnoses: “AIR BAG” Warning Lamp	
SRS Component Parts Location.....	11	Does Not Turn Off.....	43
Maintenance Items.....	12	Trouble Diagnoses: “AIR BAG” Warning Lamp	
Diagnosis Sensor Unit	13	Does Not Turn On.....	44
Driver Air Bag Module and Spiral Cable	14	Trouble Diagnoses: SRS Does Not Enter	
Passenger Air Bag Module	16	Diagnosis Mode Using Door Switch.....	45
Disposal of Air Bag Module	19	COLLISION DIAGNOSIS	46

When you read wiring diagrams:

- Read GI section, “HOW TO READ WIRING DIAGRAMS”.
- See EL section, “POWER SUPPLY ROUTING” for power distribution circuit.

When you perform trouble diagnoses, read GI section, “HOW TO FOLLOW FLOW CHART IN TROUBLE DIAGNOSES” and “HOW TO PERFORM EFFICIENT DIAGNOSIS FOR AN ELECTRICAL INCIDENT”.

Supplemental Restraint System (SRS) “AIR BAG”

The Supplemental Restraint System “AIR BAG”, used along with a seat belt, helps to reduce the risk or severity of injury to the driver and front passenger in a frontal collision. The Supplemental Restraint System consists of air bag modules (located in the center of the steering wheel and in the instrument panel on the passenger side), a diagnosis sensor unit, warning lamp, wiring harness and spiral cable.

WARNING:

- To avoid rendering the SRS inoperative, which could increase the risk of personal injury or death in the event of a collision which would result in air bag inflation, all maintenance should be performed by an authorized NISSAN dealer.
- Improper maintenance, including incorrect removal and installation of the SRS, can lead to personal injury caused by unintentional activation of the system.
- Do not use electrical test equipment on any circuit related to the SRS unless instructed to in this Service Manual. SRS wiring harnesses are covered with yellow insulation either just before the harness connectors or on the complete harness, for easy identification.

CAUTION:

- Certain systems and components, especially those related to OBD, may use a new style slide-locking type harness connector. For description and how to disconnect, refer to EL section (“Description”, “HARNESS CONNECTOR”).

SEAT BELTS

CAUTION:

- Do not disassemble buckle or seat belt assembly.
- Replace anchor bolts if they are deformed or worn out.
- Never oil tongue and buckle.
- If any component of seat belt assembly is questionable, do not repair. Replace the seat belt assembly.
- If webbing is cut, frayed, or damaged, replace seat belt assembly.
- When replacing seat belt assembly, use a genuine NISSAN seat belt assembly.
- After any collision, inspect all seat belt assemblies, including retractors and other attached hardware.

GI

MA

EM

LC

EC

FE

CL

MT

AT

FA

RA

BR

ST

RS

BT

HA

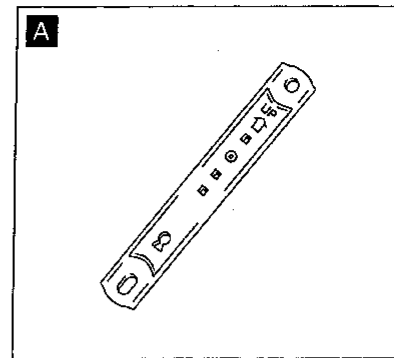
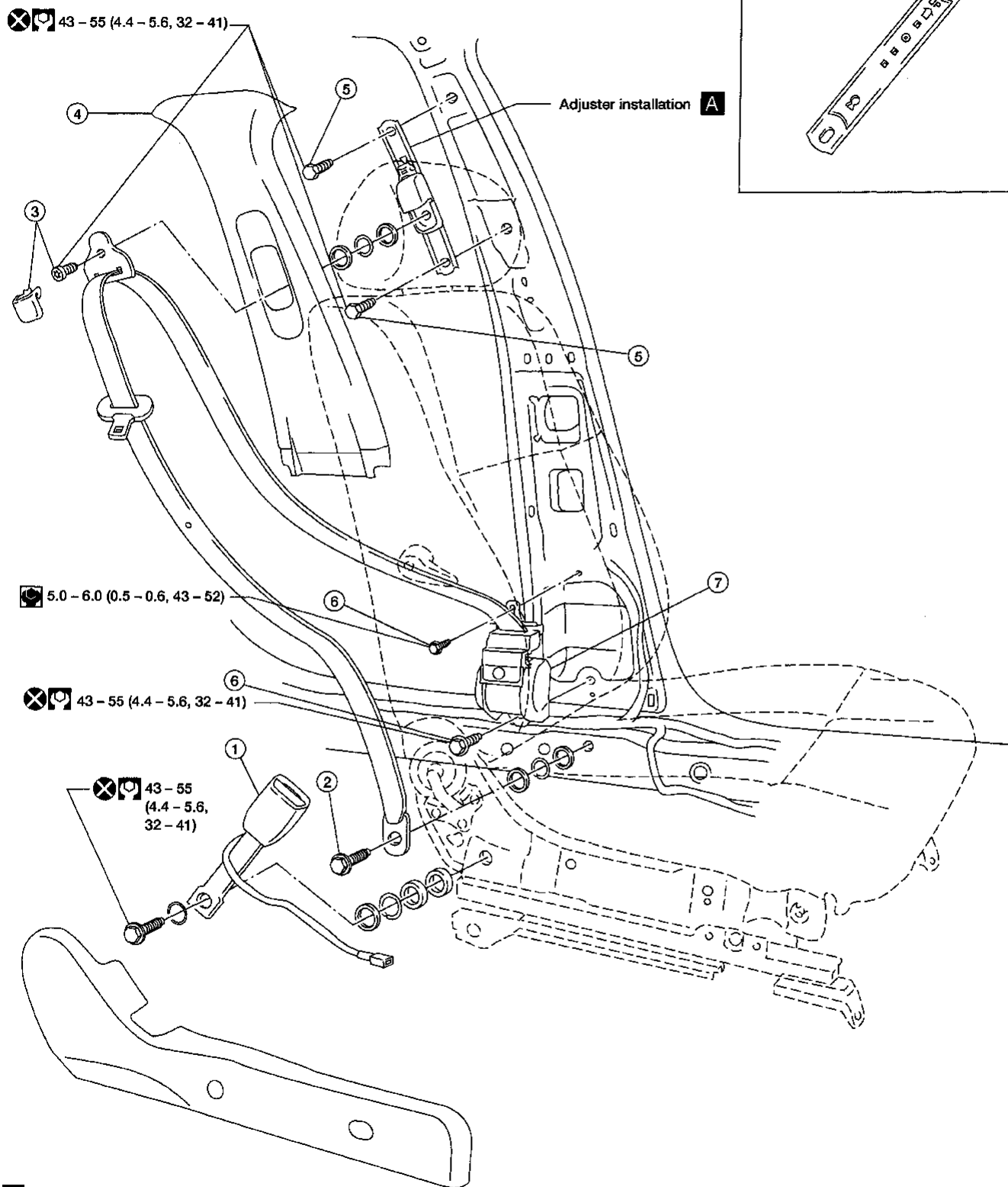
EL

IDX

SEAT BELTS

Front Seat Belt

SEC. 868



$\otimes \square$: N-m (kg-m, ft-lb)
 $\otimes \square$: N-m (kg-m, in-lb)

ARS315

SEAT BELTS

Front Seat Belt (Cont'd)

REMOVAL

Remove front seat. Refer to BT section ("Front Seat", "SEAT").

- ① Remove buckle.
Remove front and rear inner kick plates.
- ② Remove belt anchor bolt.
Remove center pillar lower garnish.
- ③ Remove adjuster cover and upper guide loop anchor bolt.
- ④ Remove center pillar upper garnish.
- ⑤ Remove two adjuster bolts and adjuster assembly. **A**
- ⑥ Remove retractor bolt and screw.
- ⑦ Remove retractor.

GI

MA

EM

LC

EC

FE

CL

MT

AT

FA

RA

BR

ST

RS

BT

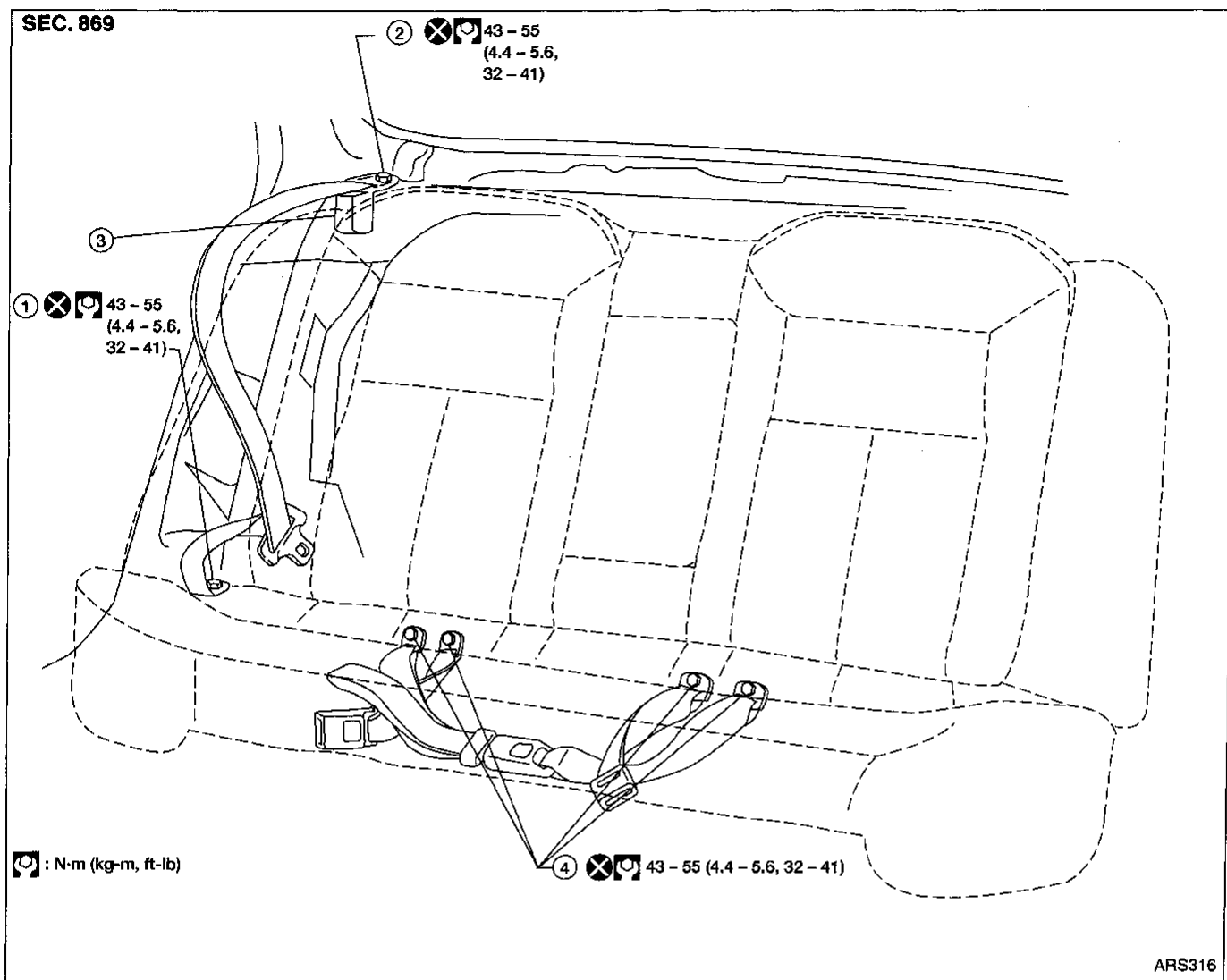
HA

EL

IDX

SEAT BELTS

Rear Seat Belt



REMOVAL

Remove rear seat cushion and rear seat back. Refer to BT section ("Rear Seat", "SEAT").

- ① Remove outer floor anchor bolt.
Remove rear parcel shelf finisher.
- ② Remove retractor anchor bolt.
- ③ Remove retractor.
- ④ Remove inner floor anchor bolt.

SEAT BELTS

Seat Belt Inspection

AFTER A COLLISION

WARNING:

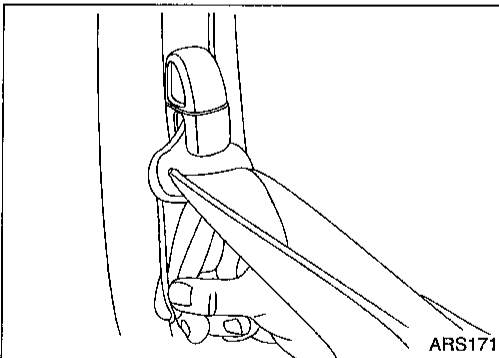
Inspect all seat belt assemblies including retractors and attaching hardware after any collision. NISSAN recommends that all seat belt assemblies in use during a collision be replaced unless the collision was minor and the belts show no damage and continue to operate properly. Failure to do so could result in serious personal injury in an accident. Seat belt assemblies not in use during a collision should also be replaced if either damage or improper operation is noted.

Replace any seat belt assembly if:

- The seat belt was in use at the time of a collision (except for minor collisions when the belts, retractors and buckles show no damage and continue to operate properly.)
- The seat belt was damaged in an accident (i.e. torn webbing, bent retractor or guide, etc.).
- The seat belt attaching point was damaged in an accident. Inspect the seat belt attaching area for damage or distortion and repair as necessary before installing a new seat belt assembly.

PRELIMINARY CHECKS

1. Check the seat belt warning lamp/chime for proper operation as follows:
 - a. Turn ignition switch ON. The seat belt warning lamp should illuminate. Also, the seat belt warning chime should sound for about seven seconds.
 - b. Fasten driver's seat belt. The seat belt warning lamp should go out and the chime (if sounding) should stop.
2. Check that the seat belt retractor, seat belt anchor and buckle bolts are securely attached.
3. Check the shoulder seat belt guide and shoulder belt height adjuster for front seats. Ensure guide swivels freely and that belt lays flat and does not bind in guide. Ensure height adjuster operates properly and holds securely.
4. Check retractor operation including:
 - a. Fully extend the seat belt webbing and check for twists, tears or other damage.
 - b. Allow the seat belt to retract. Ensure that belt returns smoothly and completely into the retractor. If the seat belt does not return smoothly, wipe the inside of the loops with a clean paper cloth, etc. because dirt built up in the loops of the upper anchors can cause the seat belts to retract slowly.



- c. Fasten the seat belt. Pull firmly on belt and buckle to ensure belt remains latched. Unfasten seat belt. Ensure belt releases freely and buckle button returns to original position.
 5. For center (non-retractable) seat belts, check that the seat belts are accessible. Check seat belt webbing for twists, tears or other damage. Fasten the seat belt. Pull firmly on belt and buckle to ensure belt remains latched. Unfasten seat belts. Ensure belt releases freely and buckle button returns to original position.
 6. Repeat steps above as necessary to check the other seat belts.

SEAT BELTS

Seat Belt Inspection (Cont'd)

SEAT BELT RETRACTOR ON-VEHICLE CHECK

Emergency Locking Retractors (ELR) and Automatic Locking Retractors (ALR)

NOTE:

All seat belt retractors are of the Emergency Locking (ELR) type. In an emergency (sudden stop) the retractor will lock and prevent the belt from extending any further. All outboard 3-point type seat belt retractors except the driver's seat belt also have an Automatic Locking (ALR) mode. The ALR mode (also called child restraint mode) is used when installing child seats in outboard seating positions. The ALR mode is activated when the seat belt is fully extended. When the belt is then retracted partially, the ALR mode automatically locks the seat belt in a specific position so the belt cannot be extended any further. To cancel the ALR mode, allow the seat belt to fully wind back into the retractor.

Check the seat belt retractors using the following test(s) to determine if a retractor assembly is operating properly.

ELR function stationary check

Grasp the shoulder belt and pull forward quickly. The retractor should lock and prevent the belt from extending further.

ALR function stationary check

1. Pull out entire length of seat belt from retractor until a click is heard.
2. Retract the belt partially; a clicking noise should be heard as the belt retracts indicating retractor is in the automatic locking (ALR) mode.
3. Grasp the seat belt and try to pull out of retractor. Belt must lock and not extend further. If NG, replace the retractor assembly.
4. Allow the entire length of belt to retract to cancel the automatic locking mode.

ELR function moving check (all outboard seating positions)

WARNING:

Perform the following test in a safe, open area clear of other vehicles and obstructions (for example, a large, empty parking lot). Road surface must be paved and dry. **DO NOT** perform the following test on wet or gravel roads or on public streets and highways. This could result in an accident and serious personal injury. The driver and passenger must be prepared to brace themselves in the event the retractor does not lock.

1. Fasten driver's seat belt. Buckle a passenger into the seat for the belt that is to be tested.
2. Proceed to the designated safe area.
3. Drive the vehicle at approximately 16 km/h (10 mph). Notify any passengers of a pending sudden stop. The driver and passenger must be prepared to brace themselves in the event the retractor does not lock. Apply brakes firmly and make a very hard stop.

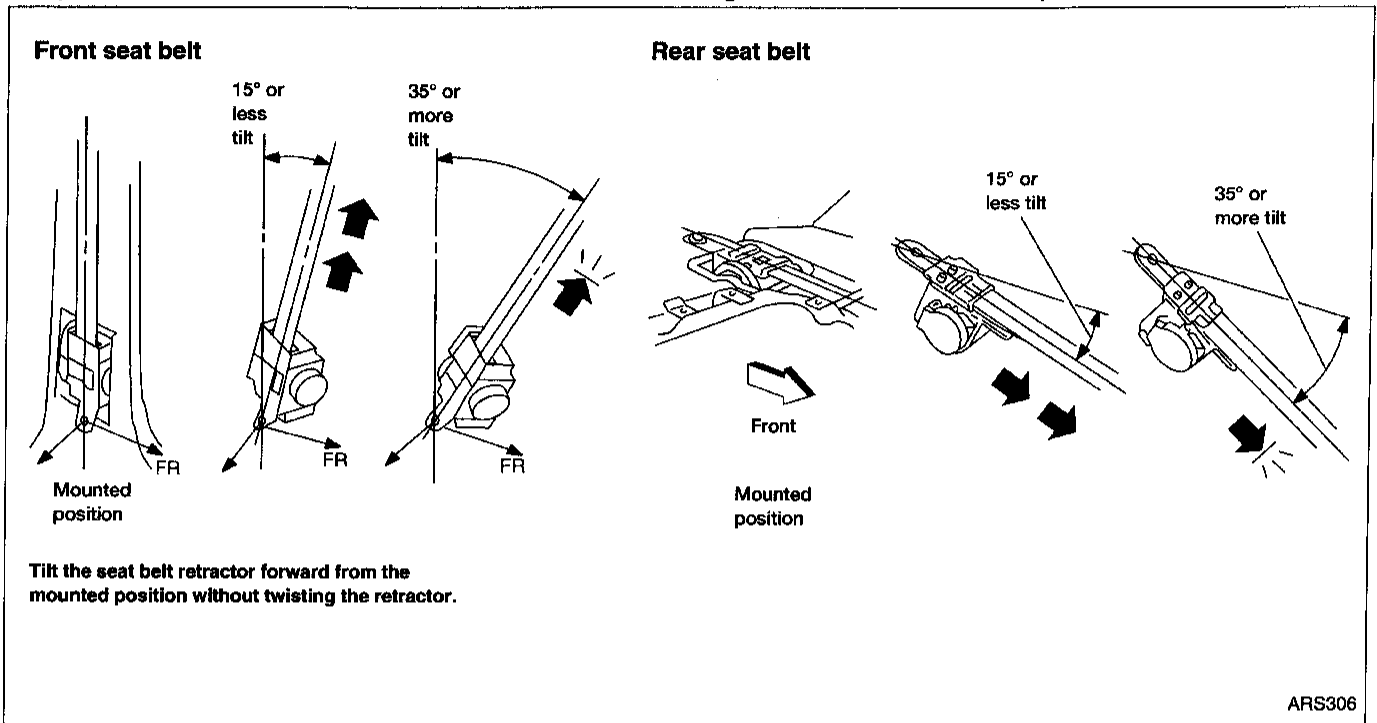
During stop, seat belts should lock and not extend. If the seat belt retractor assembly does not lock, perform the retractor off-vehicle check.

SEAT BELTS

Seat Belt Inspection (Cont'd)

SEAT BELT RETRACTOR OFF-VEHICLE CHECK

1. Remove the seat belt retractor assembly.
2. Slowly pull out belt while tilting the retractor assembly as shown in the illustration. Belt can be pulled out when retractor is tilted 15 degrees or less from its mounted position. Belt locks and cannot be pulled out when retractor is tilted more than 35 degrees from its mounted position.



If NG replace the retractor assembly.

GI

MA

EM

LC

EC

FE

CL

MT

AT

FA

RA

BR

ST

RS

BT

HA

EL

IDX

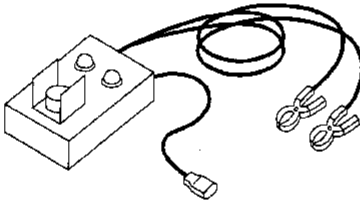
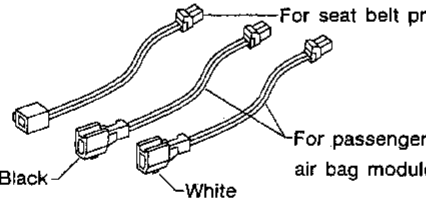
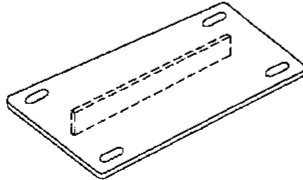
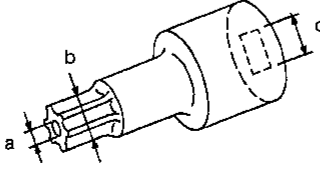
SUPPLEMENTAL RESTRAINT SYSTEM (SRS)

Precautions for SRS "AIR BAG" Service

- Do not use electrical test equipment on any circuit related to the SRS unless instructed to in this Service Manual. SRS wiring harnesses are covered with yellow insulation either just before the harness connectors or on the complete harness, for easy identification.
- Before servicing the SRS, turn ignition switch OFF, disconnect both battery cables and wait at least 3 minutes.
For approximately 3 minutes after the cables are removed, it is still possible for the air bag to deploy. Therefore, do not work on any air bag system connectors or wires until at least 3 minutes have passed.
- Diagnosis sensor unit must always be installed with arrow mark "◊" pointing towards the front of the vehicle for proper operation. Also check diagnosis sensor unit for cracks, deformities and rust before installation and replace as required.
- The rotation of the spiral cable is limited. The spiral cable must be aligned in the neutral position. If the steering gear must be removed, set the front wheels in the straight-ahead direction. Do not rotate the steering column while the steering gear is removed to avoid damaging the spiral cable.
- Handle air bag modules carefully. Always place them with the pad side facing upward.
- Do not use old bolts after removing any SRS parts; replace with new bolts. Conduct self-diagnosis to check entire SRS for proper operation.
- After air bag inflates, the instrument panel assembly should be replaced if damaged.

Special Service Tools

The actual shapes of Kent-Moore tools may differ from those of special service tools illustrated here.

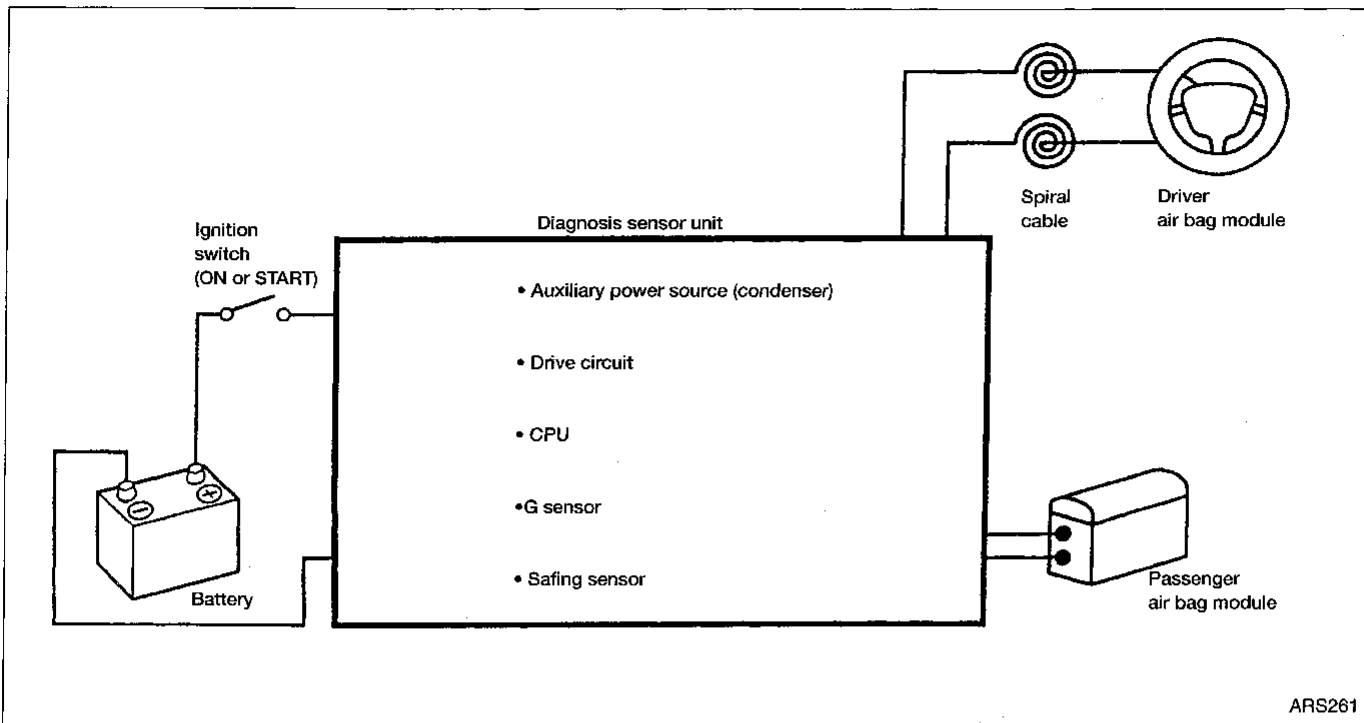
Tool number (Kent-Moore No.) Tool name	Description
KV991072S0 (J38381-KIT) Air bag deployment kit KV99106400 (J38381) Deployment tool	 <p>Disposing of air bag module</p> <p>NT357</p>
KV991065S0 (J38381-30) Deployment tool adapters	 <p>For seat belt pre-tensioner</p> <p>For passenger air bag module</p> <p>Black</p> <p>White</p> <p>NT353</p>
KV99105300 (J41246) Air bag module bracket	 <p>Anchor the air bag module</p> <p>NT354</p>
HT61961000 and HT62152000 combined (J38219) *Special torx bit	 <p>Use for special bolts [TAMPER RESISTANT TORX (Size T50)]</p> <p>a: 3.5 (0.138) dia. b: 8.5 - 8.6 (0.335 - 0.339) dia. c: approx. 10 (0.39) sq.</p> <p>NT361</p> <p style="text-align: right;">Unit: mm (in)</p>

*: Special tool or commercial equivalent

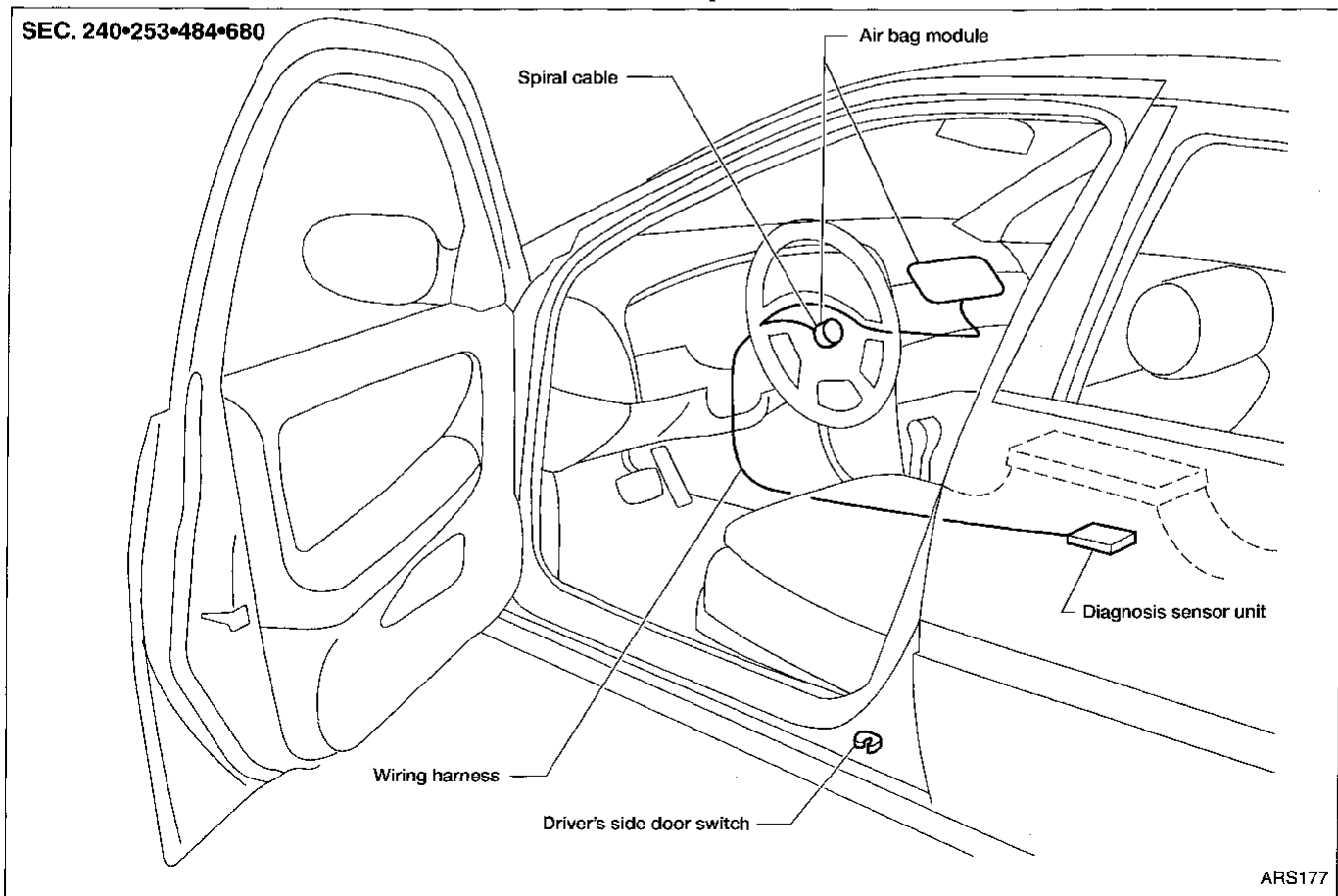
SUPPLEMENTAL RESTRAINT SYSTEM (SRS)

Description

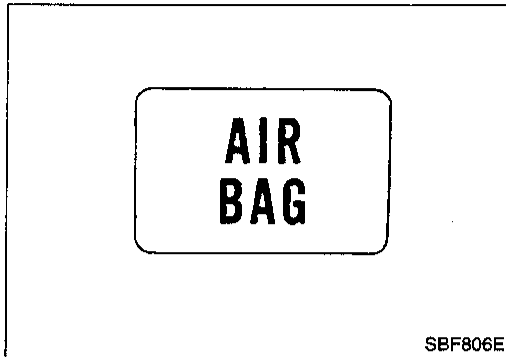
The air bags deploy if the diagnosis sensor unit activates while the ignition switch is in the ON or START position.



SRS Component Parts Location



GI
MA
EM
LC
EC
FE
CL
MT
AT
FA
RA
BR
ST
RS
BT
HA
EL
IDX



Maintenance Items

1. Check "AIR BAG" warning lamp operation
After turning the ignition switch ON, "AIR BAG" warning lamp illuminates. The "AIR BAG" warning lamp will turn off after about 7 seconds if no malfunction is detected.
If any of the following "AIR BAG" warning lamp conditions occur, immediately check the air bag system. Refer to "TROUBLE DIAGNOSES - Supplemental Restraint System (SRS)", "SRS Operation Check", RS-30.
 - The warning lamp does not illuminate when the ignition switch is turned ON.
 - The warning lamp does not turn off about 7 seconds after the ignition switch is turned ON.
 - The warning lamp turns on or blinks about 7 seconds after the ignition switch is turned ON.

2. Visually check SRS components
 - (1) Diagnosis sensor unit
 - Check diagnosis sensor unit and bracket for dents, cracks and deformities.
 - Check connectors for damage and terminals for deformities.

 - (2) Air bag module and steering wheel
 - Remove air bag module from steering wheel or instrument panel. Check harness cover and connectors for damage, terminals for deformities, and harness for binding.
 - Install driver air bag module in steering wheel to check fit and alignment with the wheel.
 - Check steering wheel for excessive free play.
 - Install passenger air bag module in instrument panel to check fit and alignment with the instrument panel.

 - (3) Spiral cable
 - Check spiral cable for dents, cracks, and deformities.
 - Check connectors and protective tape for damage.
 - Check steering wheel for noise, binding and heavy operation.

 - (4) Main harness and air bag harness
 - Check connectors for poor connections, damage, and terminals for deformities.
 - Check harnesses for binding, chafing and cuts.

CAUTION:

Replace previously used special bolts and ground bolt with new ones.

Diagnosis Sensor Unit

CAUTION:

- Before servicing SRS, turn the ignition switch OFF, disconnect both battery cables and wait at least 3 minutes.
- The special bolts are coated with bonding agent while the other bolt is for ground. Do not use old bolts after removal; replace with new coated bolts.
- Check diagnosis sensor unit for proper installation.
- Check diagnosis sensor unit for deformities, dents, cracks and rust. If there are any visible signs of damage, replace with a new one.
- Check diagnosis sensor unit brackets to ensure they are free of deformities and rust.
- Replace diagnosis sensor unit if it has been dropped or sustained an impact.

REMOVAL AND INSTALLATION

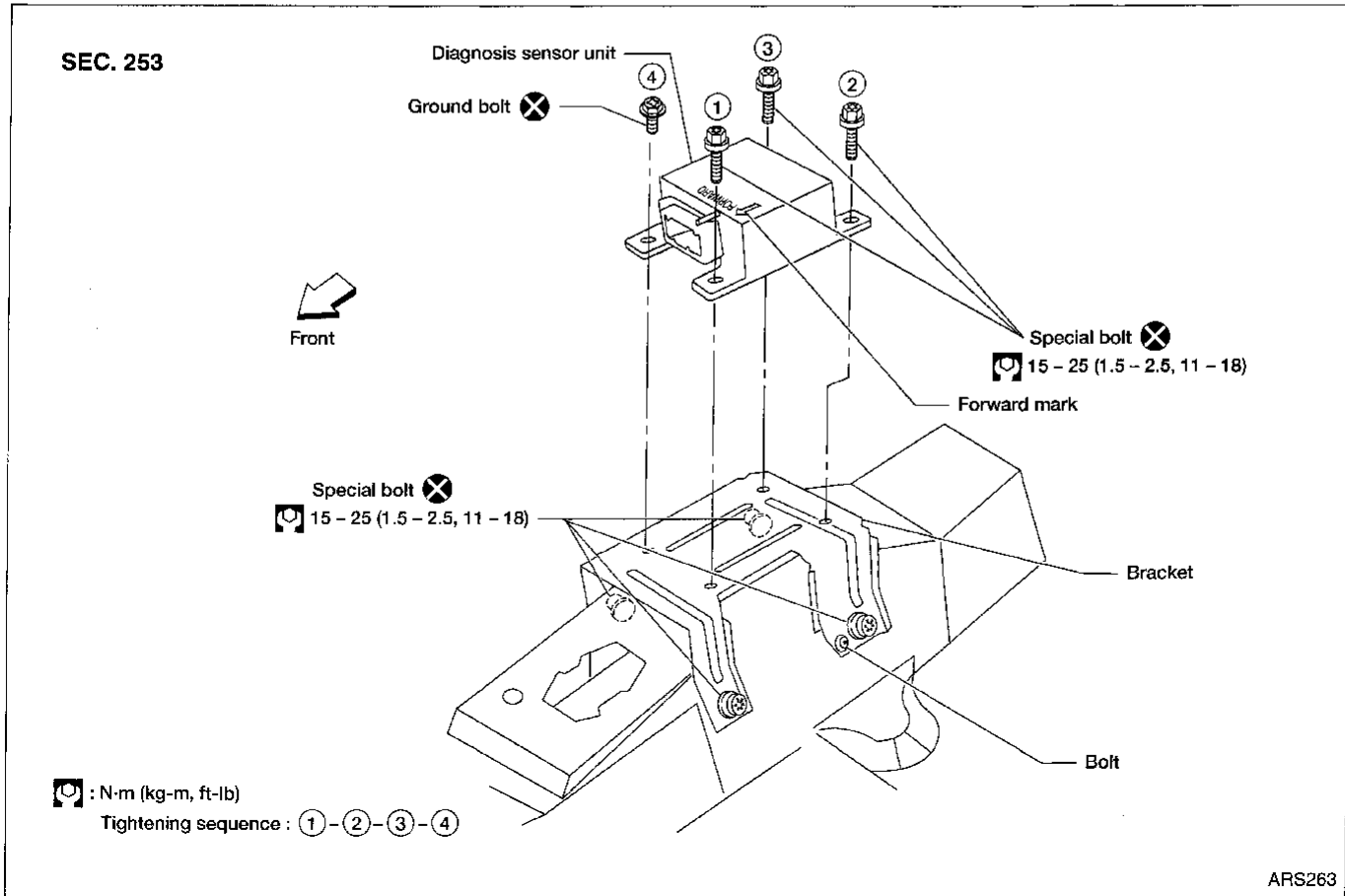
1. Disconnect driver and passenger air bag module connectors.
2. Remove console box. Refer to BT section ("INSTRUMENT PANEL").
3. Disconnect diagnosis sensor unit connector.
4. Remove bolts from diagnosis sensor unit. Use TAMPER RESISTANT TORX (Size T50) to remove special bolts.
5. Remove the diagnosis sensor unit.

NOTE:

- To install, reverse the removal procedure.
- Tighten bolts in the order shown in the illustration.
- After replacement, perform self-diagnosis for SRS. Refer to "TROUBLE DIAGNOSES — Supplemental Restraint System (SRS)", "SRS Operation Check", RS-30.

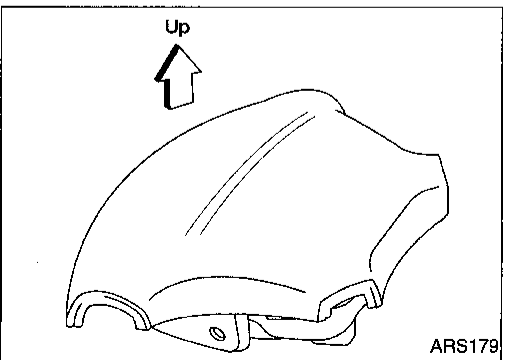
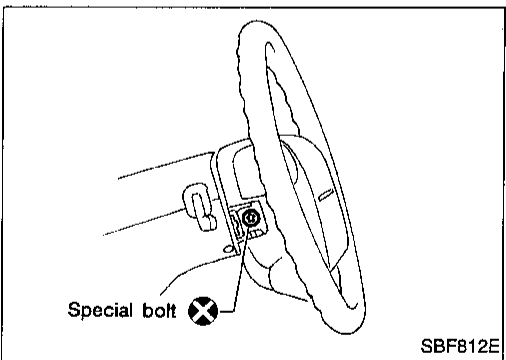
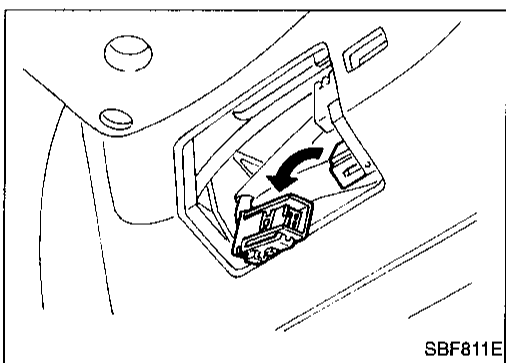
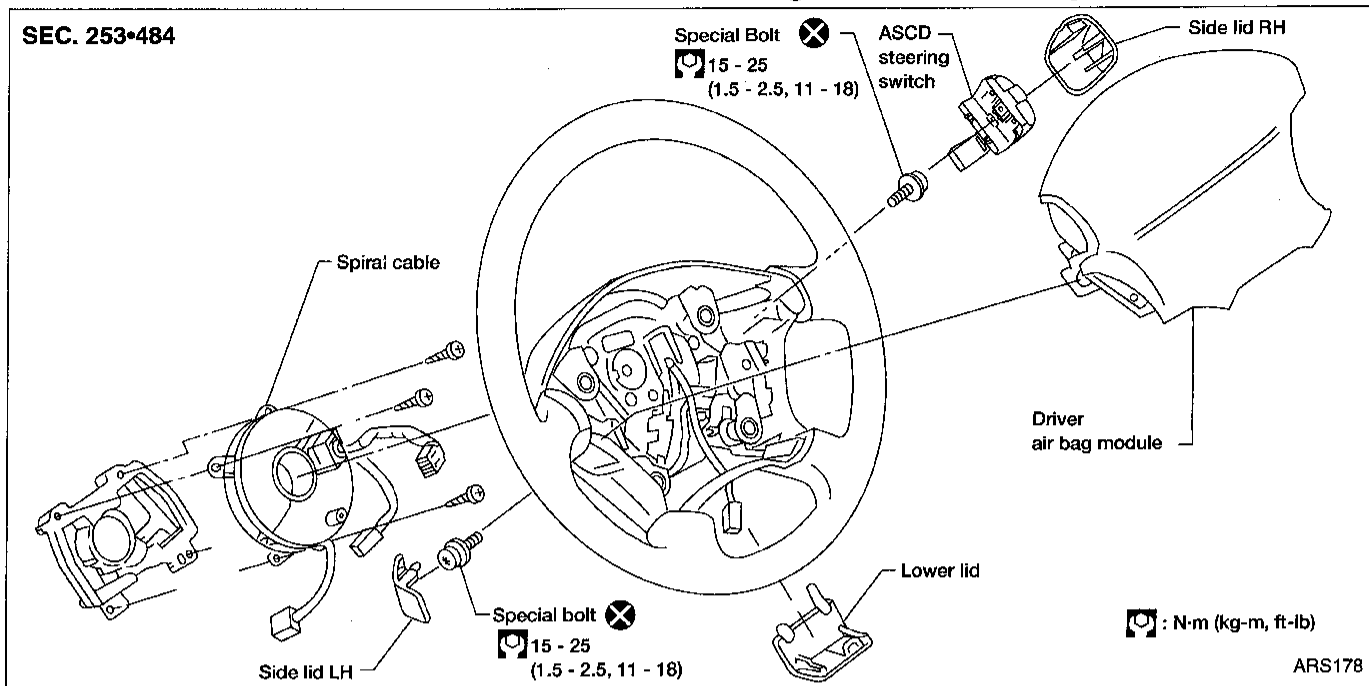
CAUTION:

Diagnosis sensor unit must always be installed with forward mark "↖" pointing towards the front of the vehicle for proper operation. Also check diagnosis sensor unit for cracks, deformities and rust before installation and replace as required.



Driver Air Bag Module and Spiral Cable

SEC. 253•484



REMOVAL

CAUTION:

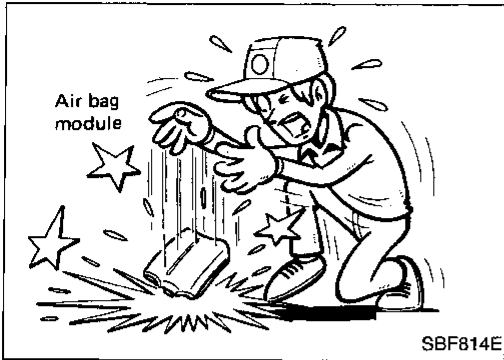
- Before servicing SRS, turn the ignition switch OFF, disconnect both battery cables and wait for at least 3 minutes.
 - Always work from the side of an air bag module.
1. Remove lower lid from steering wheel, and disconnect driver air bag module connector.
 2. Remove side lids. Using the TAMPER RESISTANT TORX (Size T50), remove left and right special bolts. Driver air bag module can then be removed.

CAUTION:

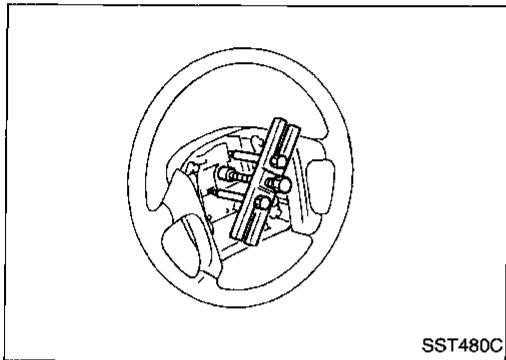
- Always place air bag module with pad side facing upward.
- Do not attempt to disassemble air bag module.
- The special bolts are coated with bonding agent. Do not use old bolts after removal; replace with new coated bolts.
- Do not insert any foreign objects (screwdriver, etc.) into air bag module connector.

SUPPLEMENTAL RESTRAINT SYSTEM (SRS)

Driver Air Bag Module and Spiral Cable (Cont'd)



- Do not drop or impact air bag module. If any portion is deformed or cracked, replace the module.
- Do not expose the air bag module to temperatures exceeding 90°C (194°F).
- Do not allow oil, grease or water to come in contact with the air bag module.

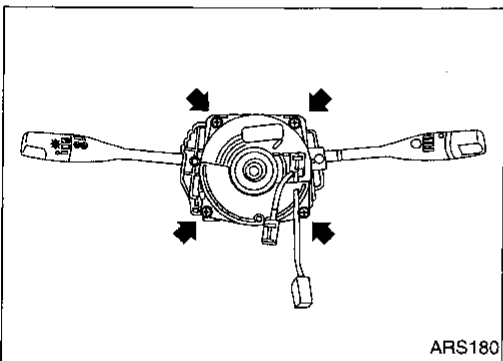


3. Set steering wheel in the neutral position.
4. Disconnect horn connector and remove steering wheel nut.
5. Using steering wheel puller, remove steering wheel. Be careful not to over-tighten puller bolt on steering wheel.

CAUTION:

Do not tap or bump the steering wheel.

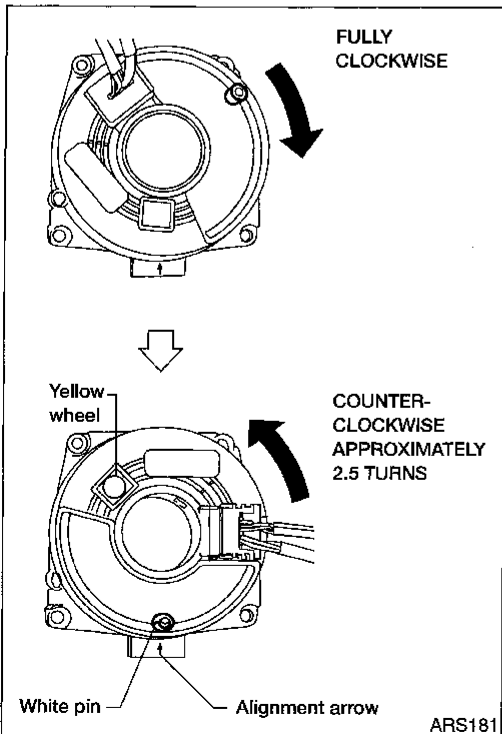
6. Remove driver side instrument lower panel.
7. Remove steering column covers.
8. Disconnect spiral cable and driver air bag harness connectors.



9. Remove the four spiral cable retaining screws. The spiral cable can then be removed.

CAUTION:

- Do not attempt to disassemble spiral cable.
- Do not apply lubricant to the spiral cable.



INSTALLATION

1. Set the front wheels in the straight-ahead position.
 2. Rotate the spiral cable fully clockwise until tight.
 3. Rotate the spiral cable counterclockwise approximately 2.5 turns and align white pin with arrow on housing.
- When spiral cable is centered, white pin is aligned with arrow on housing and yellow wheel shows in window.

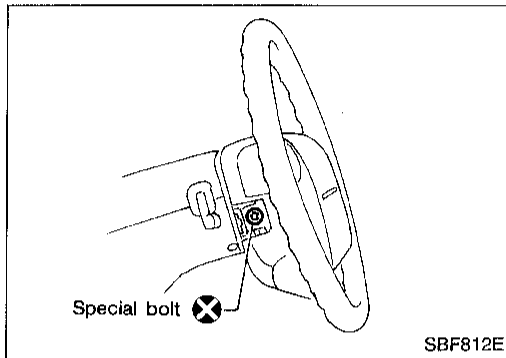
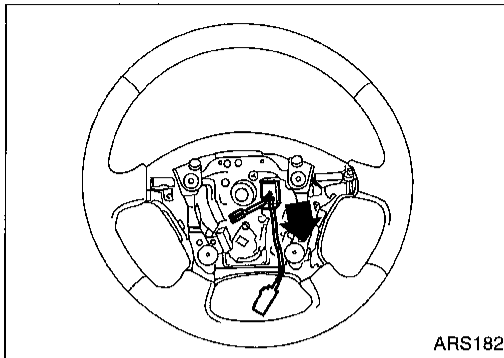
CAUTION:

The spiral cable may snap during steering operation if the cable is installed improperly. Also, with the steering linkage disconnected, the cable may snap by turning the steering wheel more than 2.5 turns to the left or right of the neutral position.


4. Connect spiral cable and driver air bag harness connectors and tighten screws. Install steering column covers and driver side instrument lower panel.

SUPPLEMENTAL RESTRAINT SYSTEM (SRS)


Driver Air Bag Module and Spiral Cable (Cont'd)



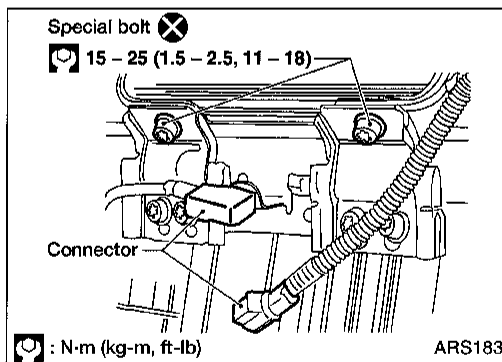
5. Install steering wheel, setting spiral cable pin guide, and pull spiral cable connectors through.
6. Connect horn connector and engage spiral cable with pawls in steering wheel.
7. Tighten steering wheel nut.

: 29 - 39 N·m (3.0 - 4.0 kg-m, 22 - 29 ft-lb)

8. Position driver air bag module and tighten with new special bolts.

: 15 - 25 N·m (1.5 - 2.5 kg-m, 11 - 18 ft-lb)

9. Connect driver air bag module connector.
10. Install all lids.
11. Connect both battery cables.
12. Conduct Self-diagnosis to ensure entire SRS operates properly. (Use CONSULT or warning lamp check.) Turn the steering wheel fully to the right and left to check that the spiral cable is set in the neutral position.
13. If air bag warning lamp blinks (in User mode), it shows the spiral cable may be snapped due to its improper position. Perform self-diagnosis again. (Use CONSULT or warning lamp check.) If a malfunction is detected, replace the spiral cable with a new one.



Passenger Air Bag Module

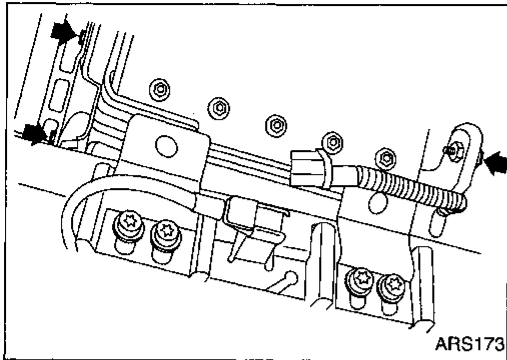
REMOVAL

CAUTION:

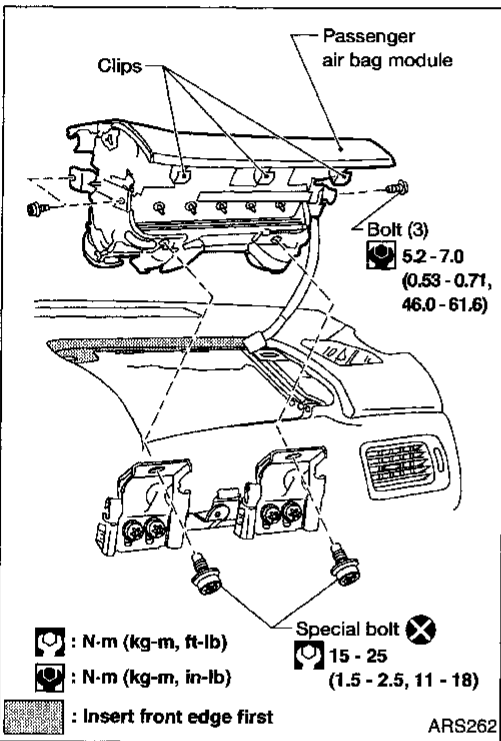
- Before servicing SRS, turn the ignition switch OFF, disconnect both battery cables and wait for at least 3 minutes.
 - Always work from the side of an air bag module.
1. Remove glove box assembly.
 2. Disconnect passenger air bag module connector.
 3. Remove RH upper knee protector.
 4. Remove RH side ventilator duct.
 5. Using the TAMPER RESISTANT TORX (Size T50), remove two special bolts.

SUPPLEMENTAL RESTRAINT SYSTEM (SRS)

Passenger Air Bag Module (Cont'd)



6. Remove three mounting bolts.

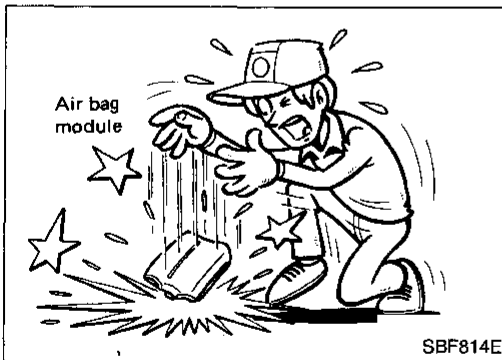


7. Remove air bag module by releasing the clips from the top of the instrument panel.

- Air bag module is heavy and should be supported using both hands during removal.

CAUTION:

- Always place air bag module with pad side facing upward.
- Do not attempt to disassemble air bag module.
- The special bolts are coated with bonding agent. Do not use old bolts after removal; replace with new coated bolts.
- Do not insert any foreign objects (screwdriver, etc.) into air bag module connector.



- Do not drop or impact air bag module. If any portion is deformed or cracked, replace the module.
- Do not expose the air bag module to temperatures exceeding 90°C (194°F).
- Do not allow oil, grease or water to come in contact with the air bag module.

GI

MA

EM

LC

EC

FE

CL

MT

AT

FA

RA

BR

ST

RS

BT

HA

EL

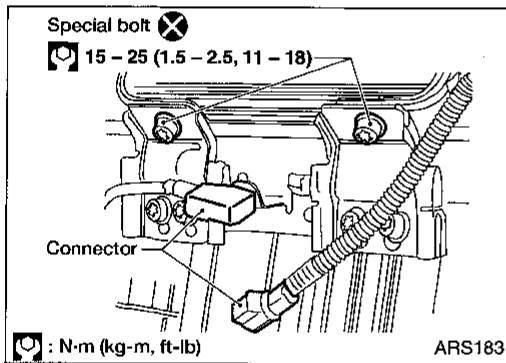
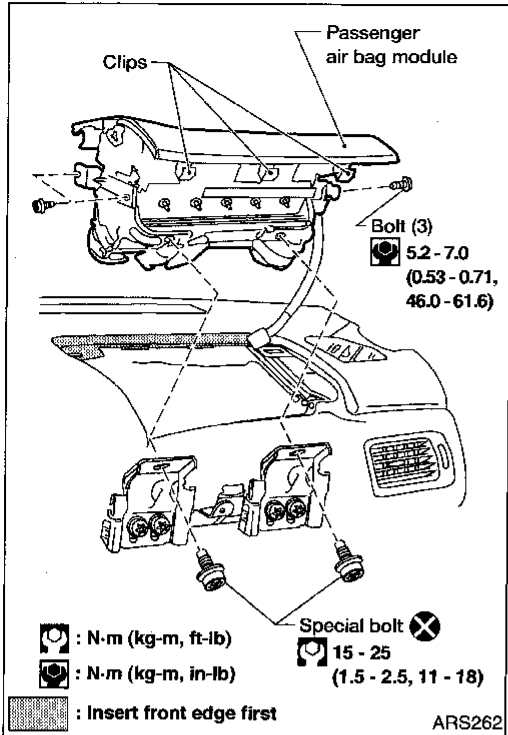
IDX

SUPPLEMENTAL RESTRAINT SYSTEM (SRS)

Passenger Air Bag Module (Cont'd)

INSTALLATION

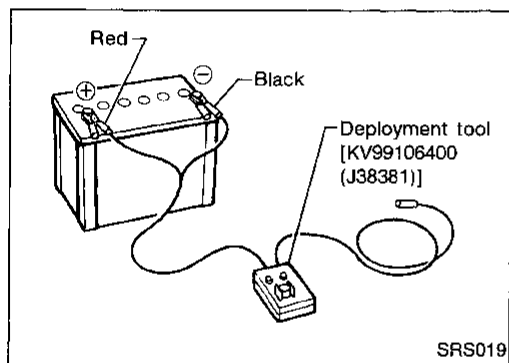
1. Install passenger air bag module in instrument panel.
 - Insert front edge of air bag module first to ease installation.
 - Ensure harness is not caught between air bag module and support bracket.
 - Install three mounting bolts.
 - Install two new special bolts using TAMPER RESISTANT TORX (Size T50).



2. Connect passenger air bag module connector to air bag harness.
3. Install glove box assembly.
4. Conduct Self-diagnosis to ensure SRS operates properly. (Use CONSULT or warning lamp check.)

Disposal of Air Bag Module

- Before disposing of air bag module, or vehicles equipped with such a system, deploy the system. If such a system has already been deployed due to an accident, dispose of as indicated in "DISPOSING OF AIR BAG MODULE", RS-22. GI
- When deploying the air bag module, always use the Special Service Tool; Deployment tool KV99106400 (Kent-Moore No. J38381). MA
- When deploying the air bag module, stand at least 5 m (16 ft) away from the deployment component. EM
- When deploying air bag module, a fairly loud noise is made, followed by smoke being released. The smoke is not poisonous, however, be careful not to inhale smoke since it irritates the throat and can cause choking. LC
- Always activate one air bag module at a time. EC
- Due to heat, leave air bag module unattended for more than 30 minutes after deployment. FE
- Be sure to wear gloves when handling a deployed air bag module. CL
- Never apply water to a deployed air bag module. MT
- Wash your hands clean after finishing work. AT
- Place the vehicle outdoors with an open space of at least 6 m (20 ft) on all sides when deploying air bag module while mounted in vehicle. FA
- Use a voltmeter to make sure the vehicle battery is fully charged. RA
- Do not dispose of the air bag module un-deployed. BR



CHECKING DEPLOYMENT TOOL

Connecting to battery

- Place vehicle outdoors with at least 6 m (20 ft) of open space on all sides. ST
- Use a voltmeter to make sure the vehicle battery is fully charged. RS

CAUTION:

The battery must show voltage of 9.6V or more.

Remove the battery from the vehicle and place it on dry wood blocks approximately 5 m (16 ft) away from the vehicle. BT

- Wait 3 minutes after the vehicle battery is disconnected before proceeding. HA
- Connect red clip of deployment tool to battery positive terminal and black clip to negative terminal. EL

CAUTION:

Make sure the polarity is correct. The right side lamp in the tool, marked "deployment tool power", should glow with a green light. If the right side lamp glows red, reverse the connections to the battery. IDX

SUPPLEMENTAL RESTRAINT SYSTEM (SRS)

Disposal of Air Bag Module (Cont'd)

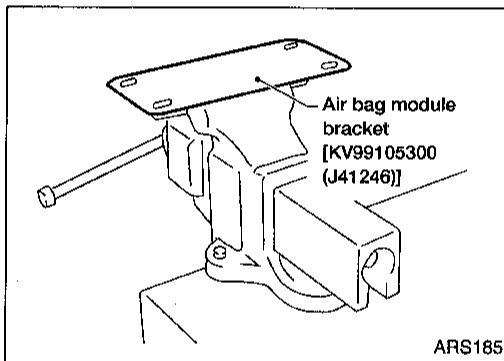
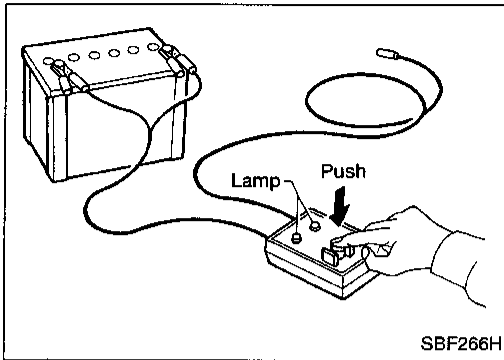
Deployment tool check

Press the deployment tool switch to the ON position. The left side lamp in the tool, marked "air bag connector voltage" should illuminate. If it does not illuminate, replace the tool.

Air bag deployment tool lamp illumination chart (Battery connected)

Switch operation	Left side lamp, green* "AIR BAG CONNECTOR VOLTAGE"	Right side lamp, green* "DEPLOYMENT TOOL POWER"
OFF	OFF	ON
ON	ON	ON

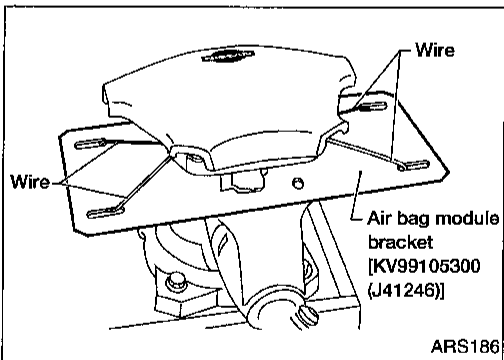
*: If this lamp glows red, the tool is connected to the battery incorrectly. Reverse the connections and make sure the lamp glows green.



DEPLOYMENT PROCEDURES FOR AIR BAG MODULE (OUTSIDE OF VEHICLE)

Unless the vehicle is being scrapped, deploying the air bag in the vehicle is not recommended. This may cause damage to the vehicle interior.

Anchor air bag module bracket [KV99105300 (J41246)] in a vise secured to a firm foundation during deployment.



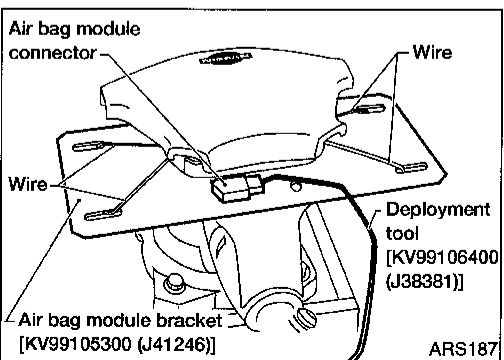
Deployment of driver air bag module (outside of vehicle)

1. Using wire, firmly secure air bag module to air bag module bracket [SST: KV99105300 (J41246)] at two places.

CAUTION:

Use wire of at least 1 mm (0.04 in) diameter.

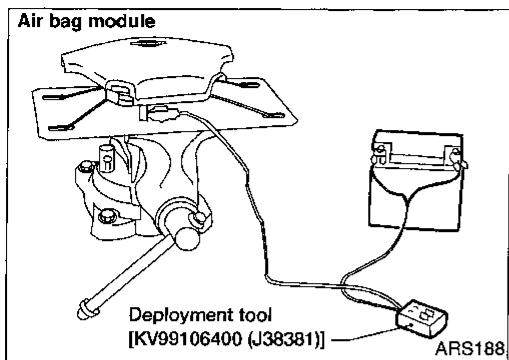
2. Firmly secure air bag module bracket [SST: KV99105300 (J41246)] with air bag module attached, in a vise.



3. Connect deployment tool [SST: KV99106400 (J38381)] to air bag module connector.

SUPPLEMENTAL RESTRAINT SYSTEM (SRS)

Disposal of Air Bag Module (Cont'd)

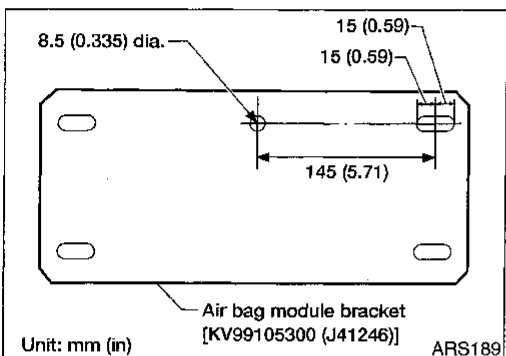


4. Connect red clip of deployment tool to battery positive terminal and black clip to negative terminal.
5. The lamp on the right side of the tool, marked "deployment tool power", should glow green, not red.
6. Press the button on the deployment tool. The left side lamp on the tool, marked "air bag connector voltage", will illuminate and the air bag module will deploy.

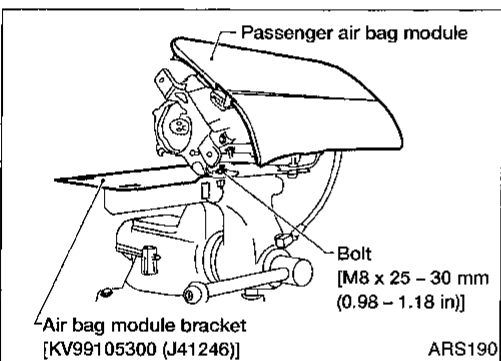
CAUTION:

When deploying the air bag module, stand at least 5 m (16 ft) away from the air bag module.

Deployment of passenger air bag module (outside of vehicle)



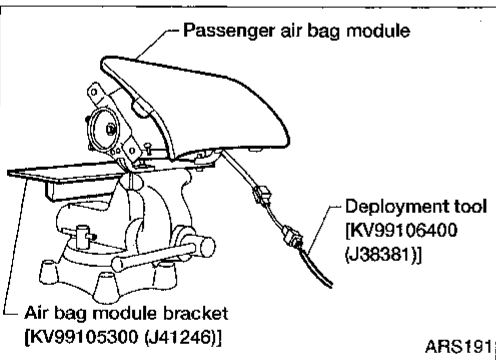
1. Make an 8.5 mm (0.335 in) diameter hole in air bag module bracket [SST: KV99105300 (J41246)] at the position shown in figure at left.



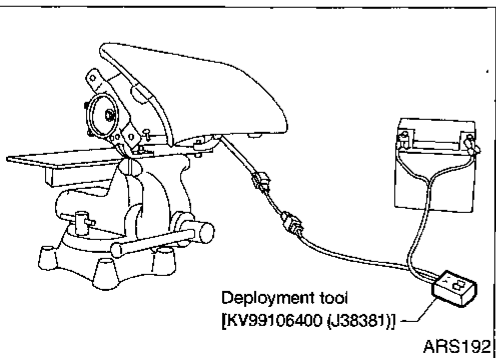
2. Firmly secure air bag module bracket [SST: KV99105300 (J41246)] in a vise.
3. Match the two holes in air bag module bracket (held in vise) and passenger air bag module and fix them with two bolts [M8 x 25 - 30 mm (0.98 - 1.18 in)].

CAUTION:

If a gap exists between passenger air bag module and air bag module bracket, use a piece of wood inserted in the gap to stabilize the air bag module.



4. Connect deployment tool adapter [SST: KV991065S0 (J38381-30)] to deployment tool [SST: KV99106400 (J38381)] connector and air bag module connector.



5. Connect red clip of deployment tool to battery positive terminal and black clip to negative terminal.
6. The lamp on the right side of the tool, marked "deployment tool power", should glow green, not red.
7. Press the button on the deployment tool. The left side lamp on the tool, marked "air bag connector voltage", will illuminate and the air bag module will deploy.

CAUTION:

When deploying the air bag module, stand at least 5 m (16 ft) away from the air bag module.

SUPPLEMENTAL RESTRAINT SYSTEM (SRS)

Disposal of Air Bag Module (Cont'd)

DEPLOYMENT OF AIR BAG MODULE WHILE MOUNTED IN VEHICLE

When disposing of vehicles, deploy air bag module while it is mounted in vehicle.

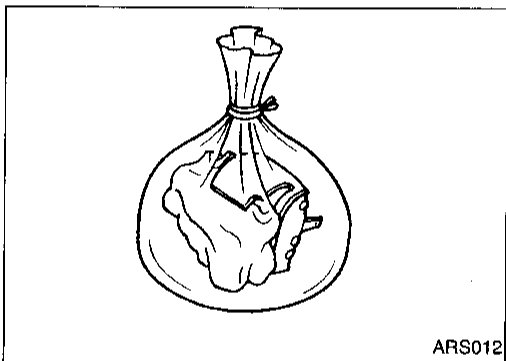
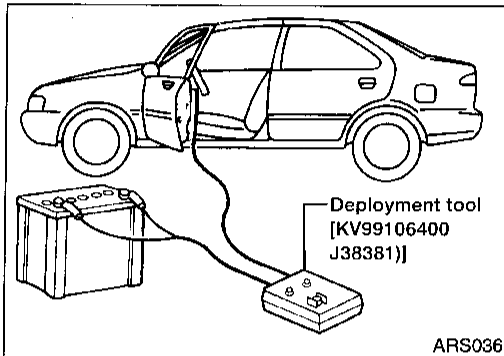
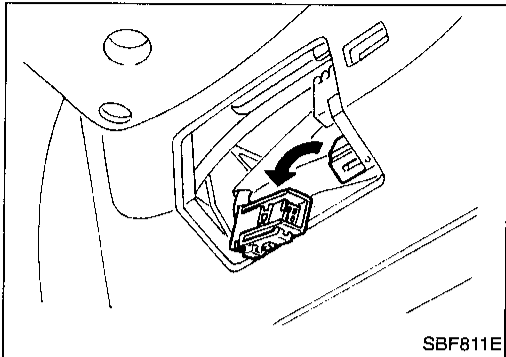
CAUTION:

When deploying air bag module, ensure vehicle is empty.

1. Turn ignition switch OFF, disconnect both battery cables and wait at least 3 minutes.
2. Disconnect air bag module connector.
3. Connect deployment tool [SST:KV99106400 (J38381)] connector to air bag module.

For passenger air bag module, use adapter [SST:KV99106400 (J38381-30)] to attach module to deployment tool connector.

4. Connect red clip of deployment tool to battery positive terminal and black clip to negative terminal.
5. The lamp on the right side of the tool, marked "deployment tool power", should glow green, not red.
6. Press the button on the deployment tool. The left side lamp on the tool, marked "air bag connector voltage", will illuminate and the air bag module will deploy.



DISPOSING OF AIR BAG MODULE

Deployed air bag module is very hot. Before disposing of air bag module, wait at least 30 minutes. Seal them in a plastic bag before disposal.

CAUTION:

- Never apply water to a deployed air bag module.
- Be sure to wear gloves when handling a deployed air bag module.
- No poisonous gas is produced upon air bag module deployment. However, be careful not to inhale gas since it irritates the throat and can cause choking.
- Do not attempt to disassemble air bag module.
- Air bag module cannot be reused.
- Wash your hands clean after finishing work.

Trouble Diagnosis Introduction

CAUTION:

- Do not use electrical test equipment on any circuit related to the SRS unless instructed to in this Service Manual. SRS wiring harnesses are covered with yellow insulation either just before the harness connectors or on the complete harness, for easy identification.
- Do not attempt to repair, splice or modify the SRS wiring harness. If the harness is damaged, replace it with a new one.
- Keep ground portion clean.

DIAGNOSIS FUNCTION

The SRS self-diagnosis results can be read by using the "AIR BAG" warning lamp and/or CONSULT. The reading of these results is accomplished using one of two modes — "User mode" and "Diagnosis mode". The User mode is exclusively prepared for the customer (driver). This mode warns the driver of a system malfunction through the operation of the "AIR BAG" warning lamp.

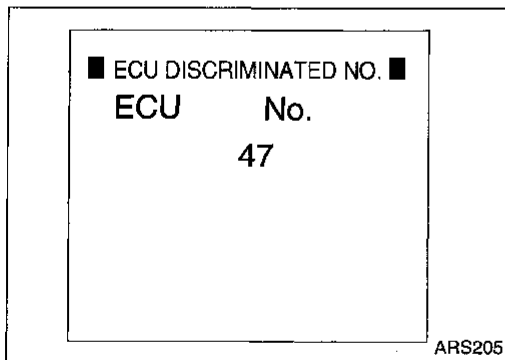
The Diagnosis mode allows the technician to locate and inspect the malfunctioning part.

The mode applications for the "AIR BAG" warning lamp and CONSULT are as follows:

	User mode	Diagnosis mode	Display type
"AIR BAG" warning lamp	X	X	ON-OFF operation
CONSULT	—	X	Monitoring

DIAGNOSIS MODE FOR CONSULT

- "SELF-DIAG [CURRENT]"
A current Self-diagnosis result (also indicated by the number of warning lamp flashes in the Diagnosis mode) is displayed on the CONSULT screen in real time. This refers to a malfunctioning part requiring repairs.
- "SELF-DIAG [PAST]"
Diagnosis results previously stored in the memory are displayed on the CONSULT screen. The stored results are not cleared until memory erasing is executed.
- "TROUBLE DIAG RECORD"
With "TROUBLE DIAG RECORD", diagnosis results previously erased by a reset operation can be displayed on the CONSULT screen.



- ECU DISCRIMINATED NO.
The diagnosis sensor unit for each vehicle model is assigned with its own, individual classification number. This number will be displayed on the CONSULT screen, as shown at left. When replacing the diagnosis sensor unit, refer to the part number for the compatibility. After installation, replacement with a correct unit can be checked by confirming this classification number on the CONSULT screen.

For NISSAN model L30, the diagnosis sensor unit classification number assigned is 47.

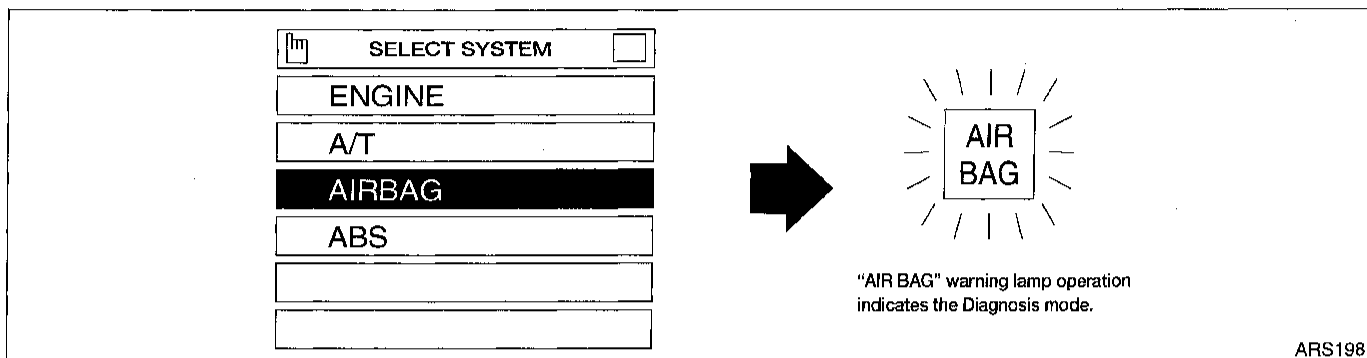
Trouble Diagnosis Introduction (Cont'd)

HOW TO CHANGE SELF DIAGNOSIS MODE

With CONSULT

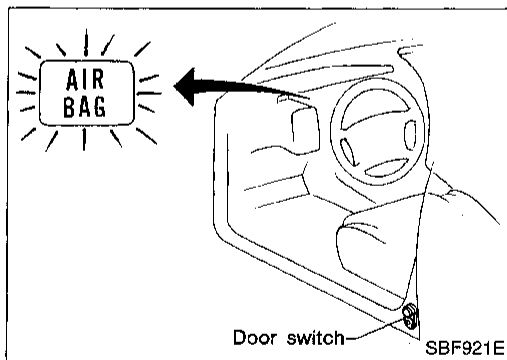
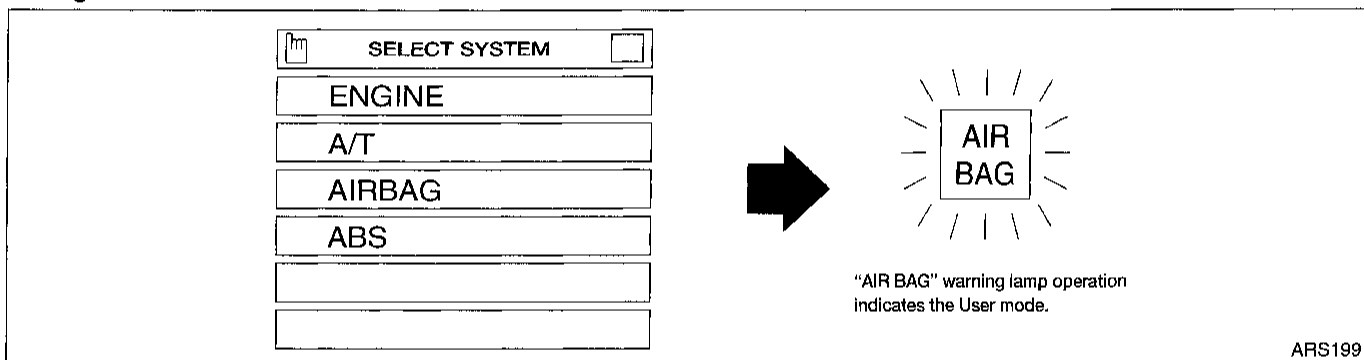
From User mode to Diagnosis mode

Touch "AIRBAG" on the "SELECT SYSTEM" screen. User mode automatically changes to Diagnosis mode.



From Diagnosis mode to User mode

Touch "BACK" key of CONSULT until "SELECT SYSTEM" appears, Diagnosis mode automatically changes to User mode.



Without CONSULT

From User mode to Diagnosis mode

Diagnosis mode can be activated only when a malfunction is detected, by pressing the driver's door switch at least 5 times within 7 seconds after turning the ignition switch ON. SRS will not enter Diagnosis mode if no malfunction is detected.

From Diagnosis mode to User mode

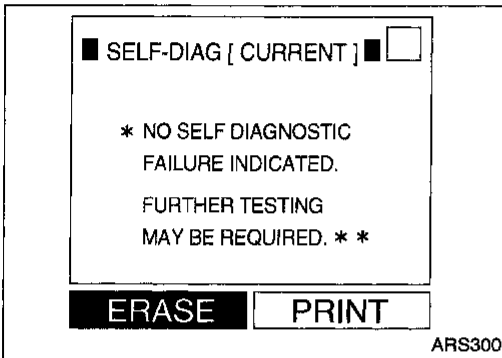
- To return to User mode while a malfunction is detected, turn ignition switch OFF, then back ON and press the driver's door switch at least 5 times within 7 seconds.
- After a malfunction is repaired, turn ignition switch OFF for at least one second, then back ON. Diagnosis mode returns to User mode.

HOW TO ERASE SELF DIAGNOSIS RESULTS

With CONSULT

SELF-DIAG [CURRENT]

A current Self-diagnosis result is displayed on the CONSULT screen in real time. After the malfunction is repaired completely, no malfunction is detected on "SELF-DIAG [CURRENT]".



SELF-DIAG [PAST]

Return to the "SELF-DIAG [CURRENT]" CONSULT screen by pushing "BACK" key of CONSULT and select "SELF-DIAG [CURRENT]" in "SELECT DIAG MODE". Touch "ERASE" in "SELF-DIAG [CURRENT]" mode.

NOTE:

If the memory of the malfunction in "SELF-DIAG [PAST]" is not erased, the User mode shows the system malfunction by the operation of the warning lamp even if the malfunction is repaired completely.

TROUBLE DIAG RECORD

The memory of "TROUBLE DIAG RECORD" cannot be erased.

Without CONSULT

After a malfunction is repaired, turn ignition switch OFF for at least one second, then back ON. Diagnosis mode returns to User mode. At that time, the self-diagnosis result is cleared.

GI

MA

EM

LC

EC

FE

CL

MT

AT

FA

RA

BR

ST

RS

BT

HA

EL

IDX

How to Perform Trouble Diagnoses for Quick and Accurate Repair

A good understanding of the malfunction conditions can make troubleshooting faster and more accurate. In general, each customer feels differently about a malfunction. It is important to fully understand the symptoms or conditions of a customer complaint.

INFORMATION FROM CUSTOMER

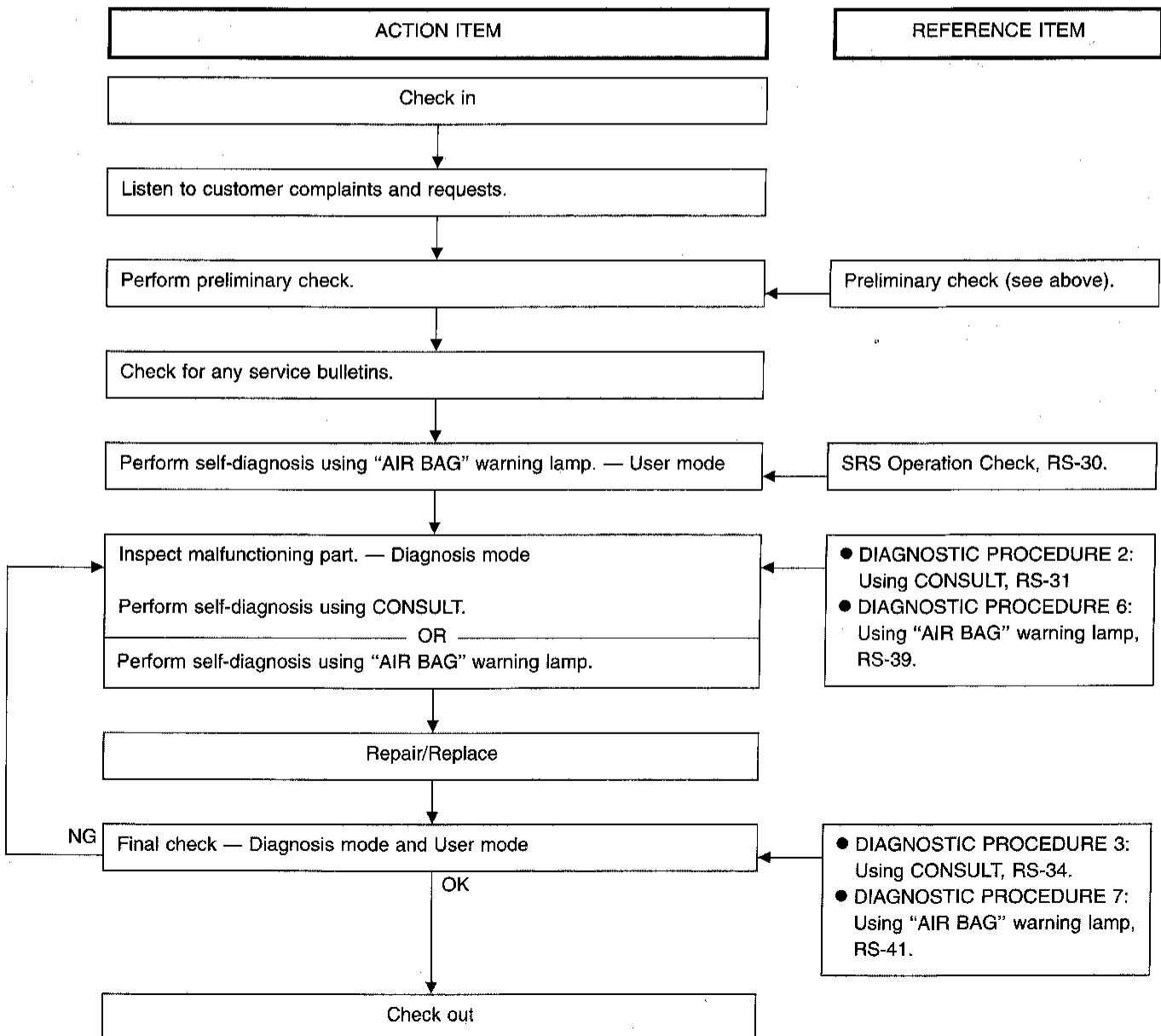
- WHAT Vehicle model
- WHEN Date, Frequencies
- WHERE Road conditions
- HOW Operating conditions, Symptoms

PRELIMINARY CHECK

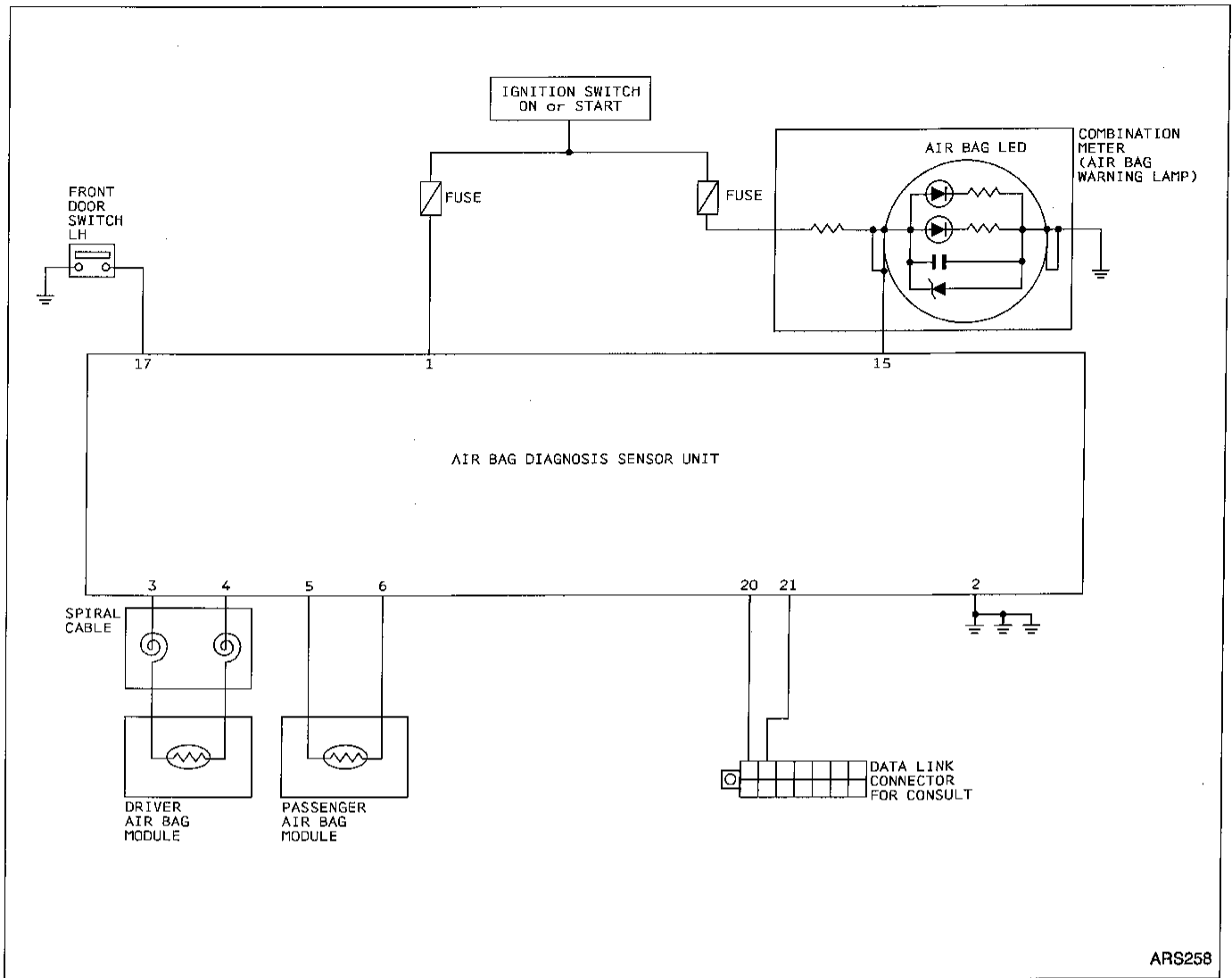
Check that the following parts are in good order.

- Battery [Refer to EL section (“BATTERY”).]
- Fuse [Refer to EL section (“Fuse”, “POWER SUPPLY ROUTING”).]
- System component-to-harness connections

WORK FLOW



Schematic



GI

MA

EM

LC

EC

FE

CL

MT

AT

FA

RA

BR

ST

RS

BT

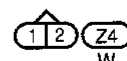
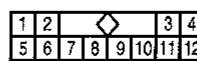
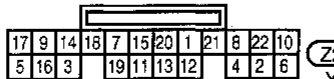
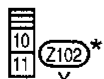
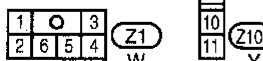
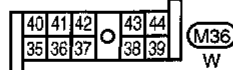
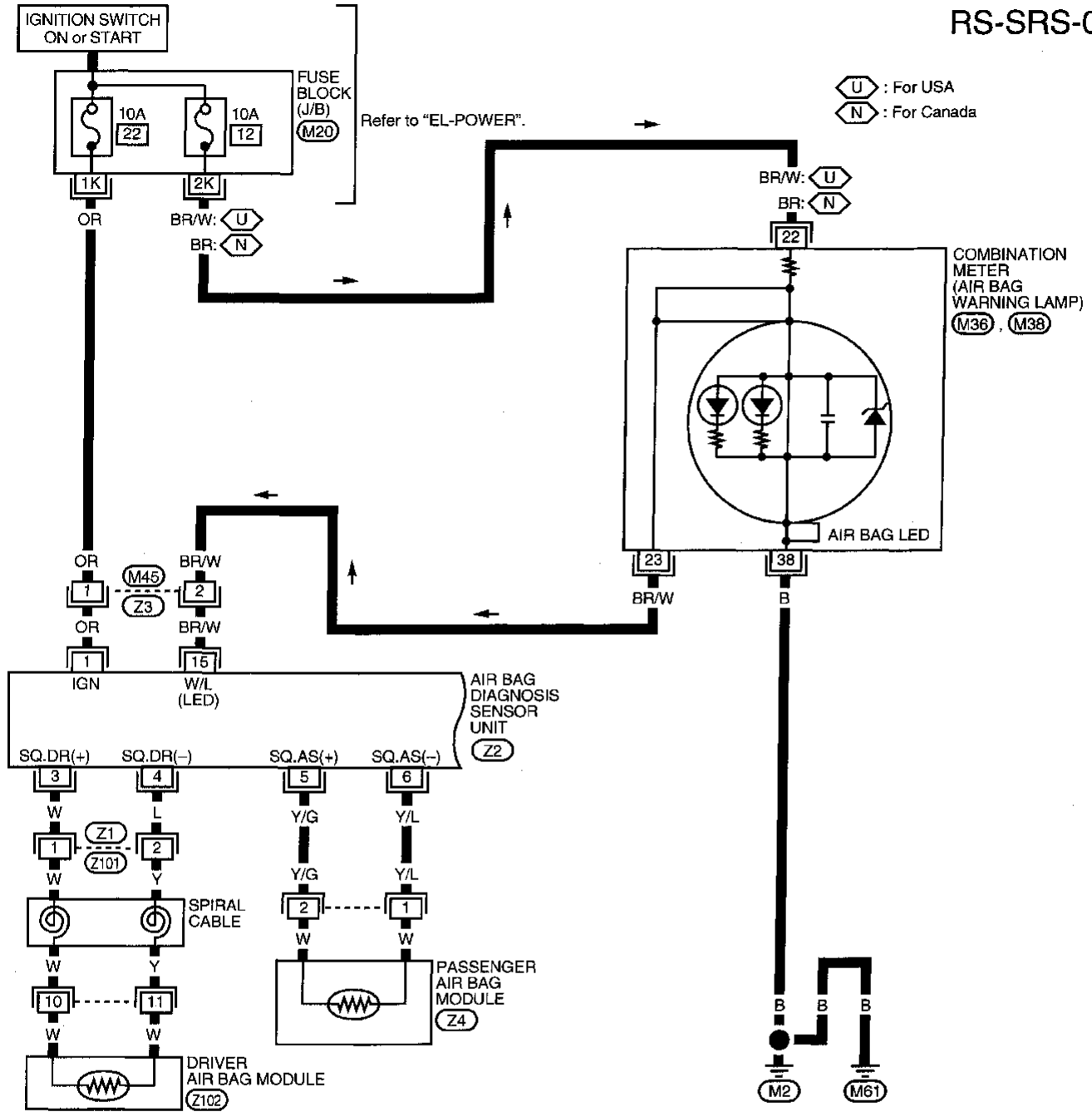
HA

EL

IDX

Wiring Diagram -SRS-

RS-SRS-01

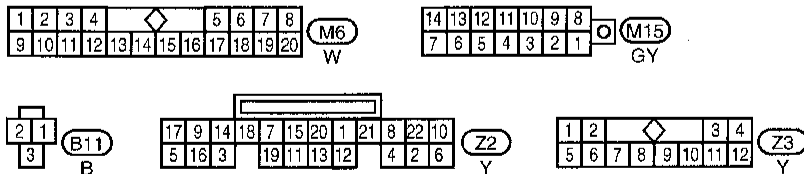
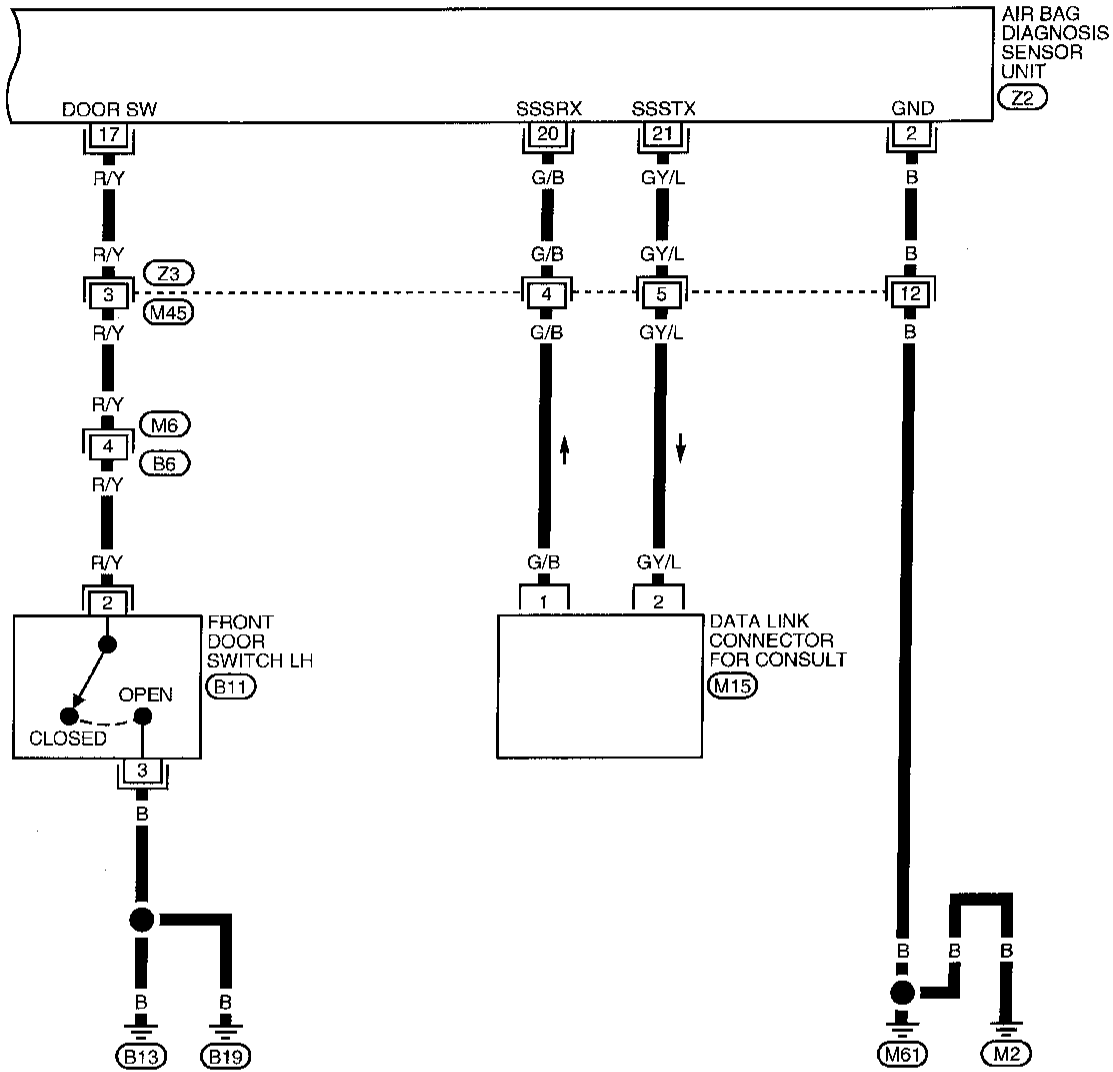


*: This connector is not shown in "HARNESS LAYOUT" of EL section.

TROUBLE DIAGNOSES — Supplemental Restraint System (SRS)

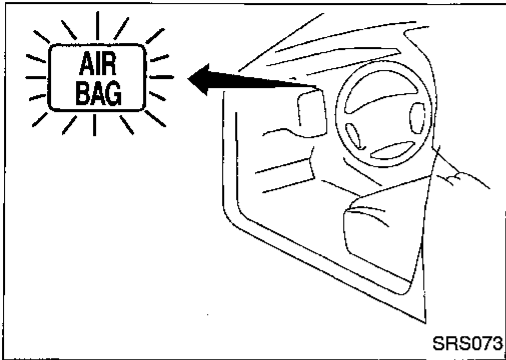
Wiring Diagram -SRS- (Cont'd)

RS-SRS-02



GI
 MA
 EM
 LC
 EC
 FE
 CL
 MT
 AT
 FA
 RA
 BR
 ST
RS

BT
 HA
 EL
 IDX



SRS Operation Check

DIAGNOSTIC PROCEDURE 1

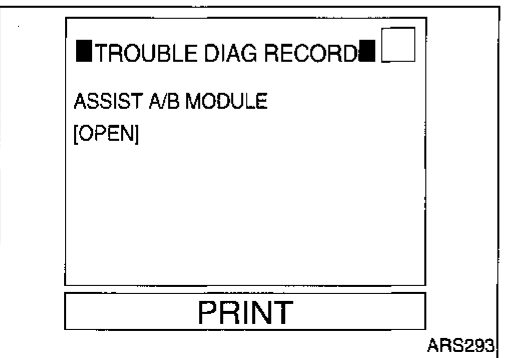
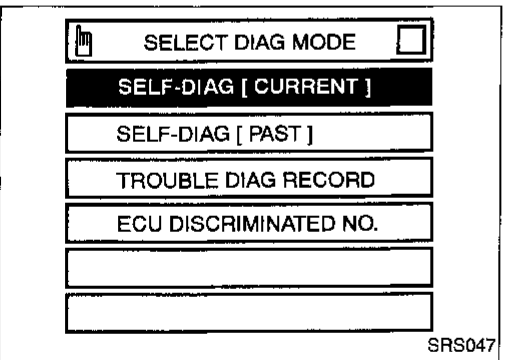
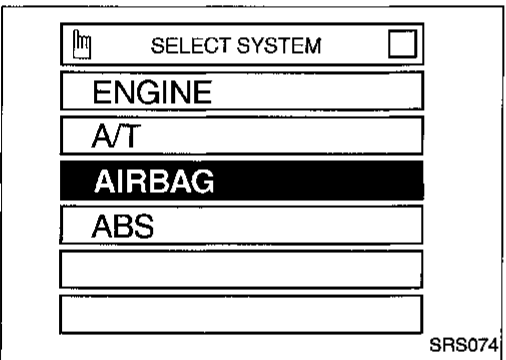
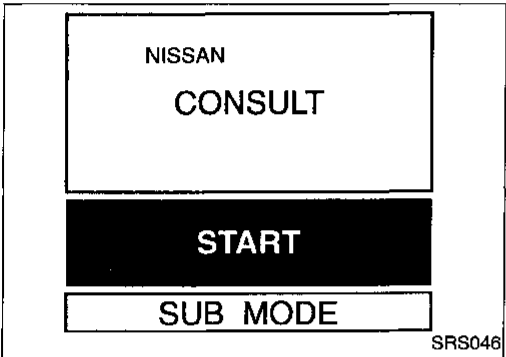
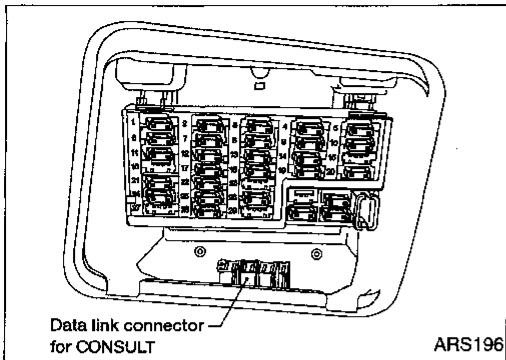
Checking SRS operation by using "AIR BAG" warning lamp — User mode

1. After turning ignition switch from OFF to ON, "AIR BAG" warning lamp operates.
2. Compare "AIR BAG" warning lamp operation to the chart below.

"AIR BAG" warning lamp operation — User mode —	SRS condition	Reference item
<p style="text-align: right;">MRS095A</p>	<p>No malfunction is detected. No further action is necessary.</p>	—
<p style="text-align: right;">MRS096A</p>	<p>The system is malfunctioning and needs to be repaired as indicated.</p>	<p>Go to DIAGNOSTIC PROCEDURE 2, or 6, RS-31 or 39.</p>
<p style="text-align: right;">MRS097A</p>	<p>Air bag is deployed.</p> <p>Air bag fuse for diagnosis sensor unit or circuit is malfunctioning and needs to be repaired.</p>	<p>Go to COLLISION DIAGNOSIS, RS-46.</p> <p>Go to DIAGNOSTIC PROCEDURE 9, RS-43.</p>
<p style="text-align: right;">MRS098A</p>	<p>One of the following has occurred and needs to be repaired.</p> <ul style="list-style-type: none"> ● Meter fuse is open. ● "AIR BAG" warning lamp circuit is shorted or open. ● Diagnosis sensor unit is malfunctioning. 	<p>Go to DIAGNOSTIC PROCEDURE 10, RS-44.</p>

NOTE:

If "AIR BAG" warning lamp operates differently from the operations shown above, refer to "AIR BAG" warning lamp operation — Diagnosis mode —, DIAGNOSTIC PROCEDURE 6, step 4, RS-39. Then repair as necessary.



Trouble Diagnoses with CONSULT

DIAGNOSTIC PROCEDURE 2

Inspecting SRS malfunctioning parts by using CONSULT — Diagnosis mode

1. Turn ignition switch OFF.
2. Connect CONSULT to Data link connector.

3. Turn ignition switch ON.
4. Touch "START".

5. Touch "AIRBAG".

6. Touch "SELF-DIAG [CURRENT]".

7. Diagnostic codes are displayed on "SELF-DIAG [CURRENT]".

GI

MA

EM

LC

EC

FE

CL

MT

AT

FA

RA

BR

ST

RS

BT

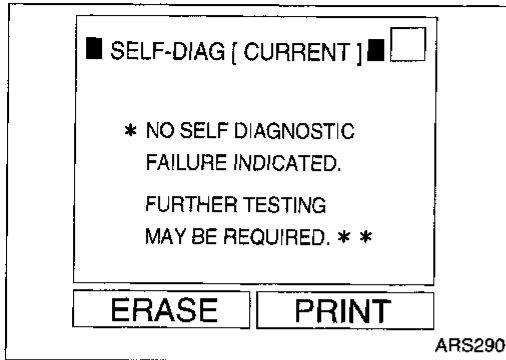
HA

EL

IDX

TROUBLE DIAGNOSES — Supplemental Restraint System (SRS)

Trouble Diagnoses with CONSULT (Cont'd)



- If no malfunction is detected on “SELF-DIAG [CURRENT]” but malfunction is indicated by the “AIR BAG” warning lamp, go to DIAGNOSTIC PROCEDURE 4, RS-35 for diagnosing the following cases:
 - “SELF-DIAG [PAST]” (which was previously entered) is still retained in memory.
 - The SRS system is malfunctioning intermittently.
8. Touch “PRINT”.
 9. Compare diagnostic codes to the CONSULT DIAGNOSTIC CODE CHART.
 10. Touch “BACK” key of CONSULT until “SELECT SYSTEM” appears in order to return to User mode from Diagnosis mode, then turn off CONSULT.
 11. Turn ignition switch OFF, then disconnect CONSULT and both battery cables.
 12. Repair the system as outlined by the Repair order in CONSULT DIAGNOSTIC CODE CHART, that corresponds to the self-diagnostic result. For replacement procedure of component parts, refer to RS-13.
 13. After repairing the system, connect battery cables and go to DIAGNOSTIC PROCEDURE 3, RS-34 for final checking.

TROUBLE DIAGNOSES — Supplemental Restraint System (SRS)

Trouble Diagnoses with CONSULT (Cont'd)

CONSULT DIAGNOSTIC CODE CHART (“SELF-DIAG [CURRENT]”)

Diagnostic item	Explanation/Possible causes	Repair order *Recheck SRS using CONSULT at each replacement	GI
NO SELF DIAGNOSTIC FAILURE INDICATED	<ul style="list-style-type: none"> No malfunction is detected. 	If no self-diagnostic result is detected but malfunction is indicated by the “AIR BAG” warning lamp in User mode, go to DIAGNOSTIC PROCEDURE 4, RS-35.	MA EM
AIRBAG MODULE [OPEN]	<ul style="list-style-type: none"> Driver air bag module circuit is open (including the spiral cable). 	<ol style="list-style-type: none"> Visually check the wiring harness connections. Install new diagnosis sensor unit and recheck SRS using CONSULT. If no malfunction is detected on “SELF-DIAG [CURRENT]”, replace the diagnosis sensor unit with special bolts and ground bolt. If malfunction is still sensed, do not replace the diagnosis sensor unit and install the original diagnosis sensor unit with new special bolts and ground bolt. Replace the spiral cable. Replace the driver air bag module. (Before disposing of it, it must be deployed.) Replace the air bag harness. 	LC
AIRBAG MODULE [VB-SHORT]	<ul style="list-style-type: none"> Driver air bag module circuit is shorted to some power supply circuit (including the spiral cable). 		EC
AIRBAG MODULE [GND-SHORT]	<ul style="list-style-type: none"> Driver air bag module circuit is shorted to ground (including the spiral cable). 		FE
AIRBAG MODULE [SHORT]	<ul style="list-style-type: none"> Driver air bag module circuits are shorted to each other. 		CL
ASSIST A/B MODULE [VB-SHORT]	<ul style="list-style-type: none"> Passenger air bag module circuit is shorted to some power supply circuit. 		MT
ASSIST A/B MODULE [OPEN]	<ul style="list-style-type: none"> Passenger air bag module circuit is open. 	<ol style="list-style-type: none"> Visually check wiring harness connections. Install new diagnosis sensor unit and recheck SRS using CONSULT. If no malfunction is detected on “SELF-DIAG [CURRENT]”, replace the diagnosis sensor unit with special bolts and ground bolt. If malfunction is still sensed, do not replace the diagnosis sensor unit and install the original diagnosis sensor unit with new special bolts and ground bolt. Replace the air bag harness. 	AT FA RA
ASSIST A/B MODULE 1 [GND-SHORT]	<ul style="list-style-type: none"> Passenger air bag module circuit is shorted to ground. 		BR
ASSIST A/B MODULE 1 [SHORT]	<ul style="list-style-type: none"> Passenger air bag module circuits are shorted to each other. 		ST
CONTROL UNIT	<ul style="list-style-type: none"> Low battery voltage (less than 9V) 	Go to DIAGNOSTIC PROCEDURE 3 (Page RS-34) after charging battery. (Do not replace the diagnosis sensor unit.)	HA
	<ul style="list-style-type: none"> Diagnosis sensor unit is out of order. 	<ol style="list-style-type: none"> Visually check wiring harness connections. Replace diagnosis sensor unit. Replace air bag harness. 	EL IDX

*Follow the procedures in numerical order when repairing malfunctioning parts. Confirm whether malfunction is eliminated using the “AIR BAG” warning lamp (in Diagnosis mode) or CONSULT each time repair is finished. If malfunction is still observed, proceed to the next step. When malfunction is eliminated, further repair work is not required.

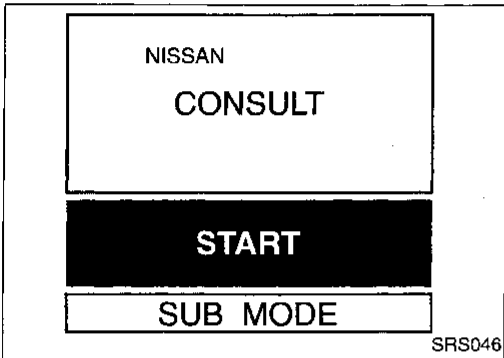
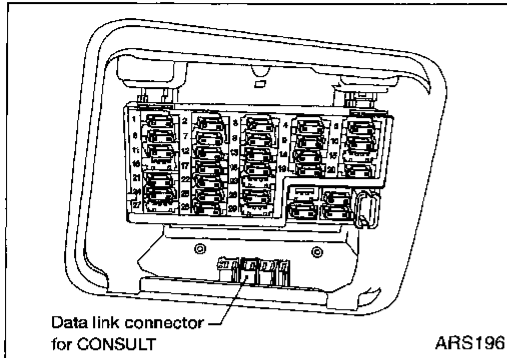
TROUBLE DIAGNOSES — Supplemental Restraint System (SRS)

Trouble Diagnoses with CONSULT (Cont'd)

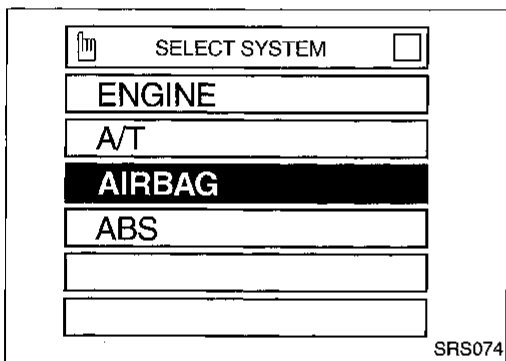
DIAGNOSTIC PROCEDURE 3

Final checking after repairing SRS by using CONSULT — Diagnosis mode

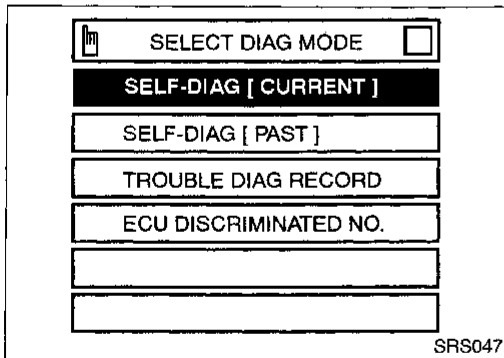
1. Check that both battery cables are connected.
2. Connect CONSULT to Data link connector.
3. Turn ignition switch from OFF to ON.



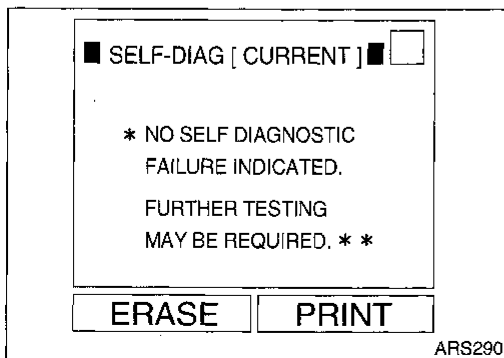
4. Touch "START".



5. Touch "AIRBAG".



6. Touch "SELF-DIAG [CURRENT]".

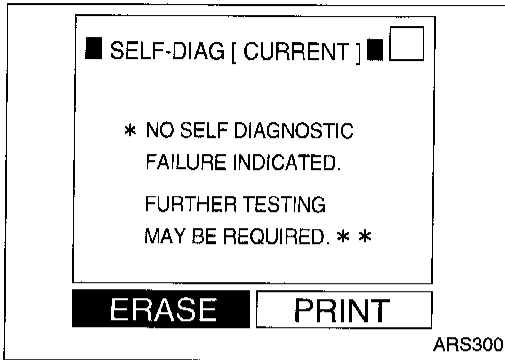


7. If no malfunction is detected on "SELF-DIAG [CURRENT]", repair of SRS is completed.

- If any malfunction was detected on "SELF-DIAG [CURRENT]", the malfunctioning part is not repaired completely or another malfunctioning part is detected. Go to DIAGNOSTIC PROCEDURE 2, RS-31 and repair malfunctioning part completely.

TROUBLE DIAGNOSES — Supplemental Restraint System (SRS)

Trouble Diagnoses with CONSULT (Cont'd)

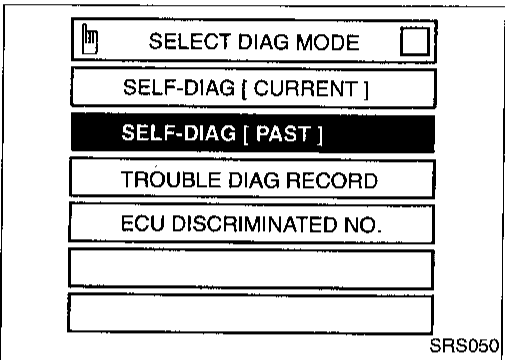


8. Touch "ERASE".

NOTE:

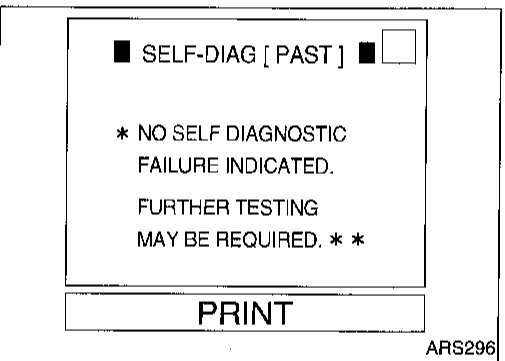
Touch "ERASE" to clear the memory of the malfunction ("SELF-DIAG [PAST]").

If the memory of the malfunction in "SELF-DIAG [PAST]" is not erased, the User mode shows the system malfunction by the operation of the warning lamp even if the malfunction is repaired completely.



9. Touch "BACK" key of CONSULT to "SELECT DIAG MODE" screen.

Touch "SELF-DIAG [PAST]".



10. Check that no malfunction is detected on "SELF-DIAG [PAST]".

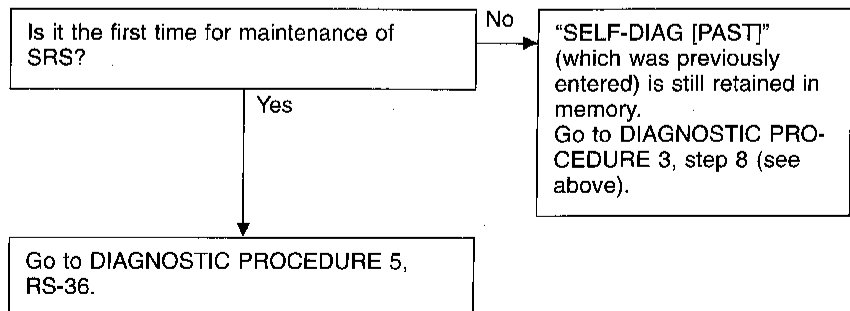
11. Touch "BACK" key of CONSULT until "SELECT SYSTEM" appears in order to return to User mode from Diagnosis mode, turn off CONSULT, then disconnect CONSULT.

12. Turn ignition switch OFF.

13. Go to DIAGNOSTIC PROCEDURE 1, RS-30 to check SRS operation by using "AIR BAG" warning lamp with User mode.

DIAGNOSTIC PROCEDURE 4 (Continued from DIAGNOSTIC PROCEDURE 2)

Inspecting SRS malfunctioning record



GI

MA

EM

LC

EC

FE

CL

MT

AT

FA

RA

BR

ST

RS

BT

HA

EL

IDX

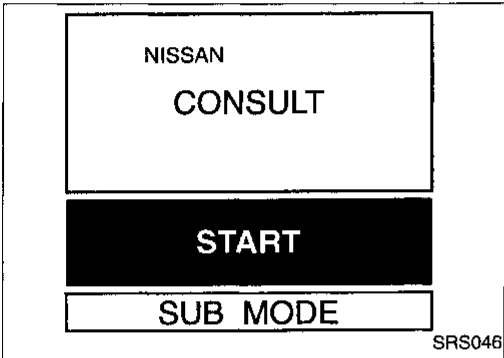
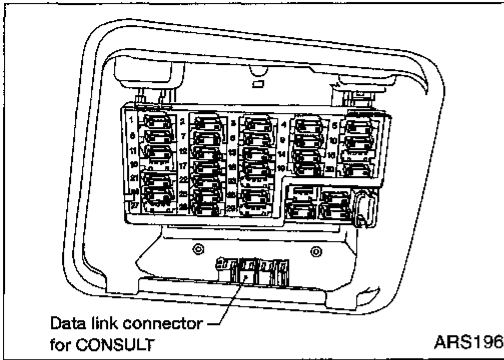
TROUBLE DIAGNOSES — Supplemental Restraint System (SRS)

Trouble Diagnoses with CONSULT (Cont'd)

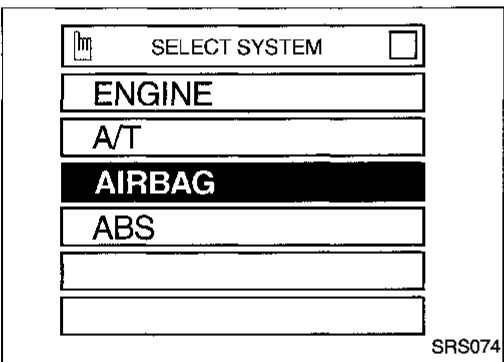
DIAGNOSTIC PROCEDURE 5

Inspecting SRS intermittent malfunction by using CONSULT — Diagnosis mode

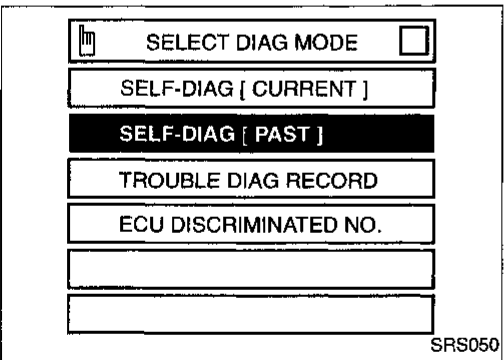
1. Turn ignition switch OFF.
2. Connect CONSULT to Data link connector.



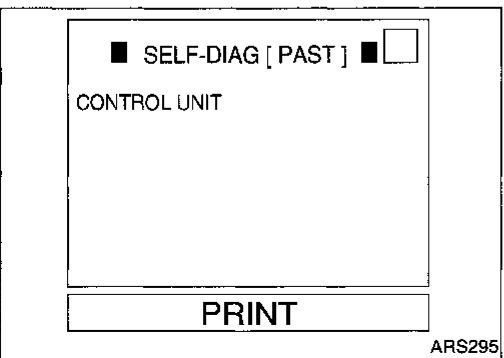
3. Turn ignition switch ON.
4. Touch "START".



5. Touch "AIRBAG".



6. Touch "SELF-DIAG [PAST]".



7. If diagnostic codes are displayed on "SELF-DIAG [PAST]", go to step 10.

TROUBLE DIAGNOSES — Supplemental Restraint System (SRS)

Trouble Diagnoses with CONSULT (Cont'd)

If no malfunction is detected on "SELF-DIAG [PAST]", touch "BACK" and go back to "SELECT DIAG MODE".

■ SELF-DIAG [PAST] ■

* NO SELF DIAGNOSTIC FAILURE INDICATED.
FURTHER TESTING MAY BE REQUIRED. * *

PRINT

ARS296

SELECT DIAG MODE

SELF-DIAG [CURRENT]

SELF-DIAG [PAST]

TROUBLE DIAG RECORD

ECU DISCRIMINATED NO.

PRINT

SRS055

■ TROUBLE DIAG RECORD ■

ASSIST A/B MODULE
[OPEN]

PRINT

ARS297

8. Touch "TROUBLE DIAG RECORD".

NOTE:

With "TROUBLE DIAG RECORD", diagnosis results previously erased by a reset operation can be displayed.

9. Diagnostic code is displayed on "TROUBLE DIAG RECORD".

10. Touch "PRINT".
11. Compare diagnostic codes to the INTERMITTENT MALFUNCTION DIAGNOSTIC CODE CHART, RS-38.
12. Touch "BACK" key of CONSULT until "SELECT SYSTEM" appears, then turn off CONSULT.
13. Turn ignition switch OFF, then disconnect CONSULT and both battery cables.
14. Repair the system as outlined by the Repair order that corresponds to the self-diagnostic result in INTERMITTENT MALFUNCTION DIAGNOSTIC CODE CHART, RS-38. For replacement procedure of component parts, refer to RS-13.
15. Go to DIAGNOSTIC PROCEDURE 3, RS-34.

GI

MA

EM

LC

EC

FE

CL

MT

AT

FA

RA

BR

ST

RS

BT

HA

EL

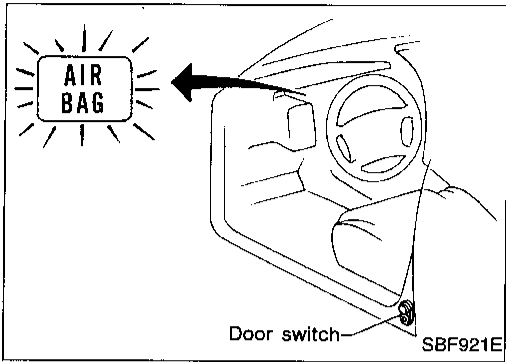
IDX

TROUBLE DIAGNOSES — Supplemental Restraint System (SRS)

Trouble Diagnoses with CONSULT (Cont'd)

INTERMITTENT MALFUNCTION DIAGNOSTIC CODE CHART (SELF-DIAG [PAST] of TROUBLE DIAG RECORD)

Diagnostic item	Explanation	Repair order
NO SELF DIAGNOSTIC FAILURE INDICATED.	<ul style="list-style-type: none"> ● No malfunction is detected. 	—
AIRBAG MODULE [OPEN]	<ul style="list-style-type: none"> ● Driver air bag module circuit is open (including the spiral cable). 	<ol style="list-style-type: none"> 1. Visually check the wiring harness connection. 2. Replace the harness if it has visible damage. 3. If the harness checks OK, replace driver air bag module (Before disposing of it, it must be deployed.), the diagnosis sensor unit and the spiral cable.
AIRBAG MODULE [VB-SHORT]	<ul style="list-style-type: none"> ● Driver air bag module circuit is shorted to some power supply circuit (including the spiral cable). 	
AIRBAG MODULE [GND-SHORT]	<ul style="list-style-type: none"> ● Driver air bag module circuit is shorted to ground (including the spiral cable). 	
AIRBAG MODULE [SHORT]	<ul style="list-style-type: none"> ● Driver air bag module circuits are shorted to each other. 	
ASSIST A/B MODULE [VB-SHORT]	<ul style="list-style-type: none"> ● Passenger air bag module circuit is shorted to some power supply circuit. 	<ol style="list-style-type: none"> 1. Visually check the wiring harness connection. 2. Replace the harness if it has visible damage. 3. If the harness checks OK, replace the diagnosis sensor unit and the air bag harness.
ASSIST A/B MODULE [OPEN]	<ul style="list-style-type: none"> ● Passenger air bag module circuit is open. 	
ASSIST A/B MODULE [GND-SHORT]	<ul style="list-style-type: none"> ● Passenger air bag module circuit is shorted to ground. 	
ASSIST A/B MODULE [SHORT]	<ul style="list-style-type: none"> ● Passenger air bag module circuits are shorted to each other. 	
CONTROL UNIT	<ul style="list-style-type: none"> ● Diagnosis sensor unit is malfunctioning. 	<ul style="list-style-type: none"> ● Replace the diagnosis sensor unit.



Trouble Diagnoses without CONSULT

DIAGNOSTIC PROCEDURE 6

Inspecting SRS malfunctioning parts by using "AIR BAG" warning lamp — Diagnosis mode

NOTE:

SRS will not enter Diagnosis mode if no malfunction is detected in User mode.

1. Open driver's door.
2. Turn ignition switch from OFF to ON.
3. Press driver's door switch at least 5 times within 7 seconds after turning ignition switch ON.
SRS is now in Diagnosis mode.
4. "AIR BAG" warning lamp operates in Diagnosis mode as follows:

NOTE:

If SRS does not enter Diagnosis mode even though malfunction is detected in User mode, go to DIAGNOSTIC PROCEDURE 11, RS-45.

No.	"AIR BAG" warning lamp operation — Diagnosis mode —	SRS condition
1	<p style="text-align: right;">(a) through (b) are repeated.</p>	<ul style="list-style-type: none"> ● No malfunction is detected (in Diagnosis mode). ● "SELF-DIAG [PAST]" (which was previously entered) is still retained in memory. ● Intermittent malfunction has been detected in the past. <p>Go to DIAGNOSTIC PROCEDURE 8, RS-43.</p>
2	<p style="text-align: right;">(a) through (d) are repeated.</p> <p>NOTE:</p> <ul style="list-style-type: none"> (a) — Interval I (b) — Start signal (Start signal identifies display modes) (c) — Interval II (d) — Indicates malfunctioning part (0.5 sec. ON and 0.5 sec. OFF is counted as one flash.) 	<p>The system is malfunctioning and needs to be repaired.</p>

TROUBLE DIAGNOSES — Supplemental Restraint System (SRS)

Trouble Diagnoses without CONSULT (Cont'd)

5. Malfunctioning part is indicated by the number of flashes (part ④). Compare the number of flashes to WARNING LAMP FLASH CODE CHART and locate malfunctioning part.
6. Turn ignition switch OFF, and disconnect both battery cables.
7. Repair the system as outlined by the Repair order in WARNING LAMP FLASH CODE CHART that corresponds to the flash code. For replacement procedure of component parts, refer to RS-13.
8. After repairing the system, go to DIAGNOSTIC PROCEDURE 7, RS-41.

WARNING LAMP FLASH CODE CHART

Warning lamp	Flash code ④ (# of flashes)	Explanation	Repair order *Recheck SRS at each replacement
"AIR BAG" warning lamp	0	● No malfunction is detected.	● Go to DIAGNOSTIC PROCEDURE 8, RS-43.
	2	● Driver air bag module circuit is malfunctioning.	<ol style="list-style-type: none"> 1. Visually check the wiring harness connections. 2. Install new diagnosis sensor unit and recheck SRS using "AIR BAG" warning lamp. If no malfunction is detected in Diagnosis mode, replace the diagnosis sensor unit with special bolts and ground bolt. If malfunction is still sensed, do not replace the diagnosis sensor unit and install the original diagnosis sensor unit with new special bolts and ground bolt. 3. Replace the spiral cable. 4. Replace the driver air bag module. (Before disposing of it, it must be deployed.) 5. Replace the air bag harness.
	7	● Diagnosis sensor unit is malfunctioning.	<ol style="list-style-type: none"> 1. Visually check the wiring harness connections. 2. Replace the diagnosis sensor unit. 3. Replace air bag harness.
	8	● Passenger air bag module circuit is malfunctioning.	<ol style="list-style-type: none"> 1. Visually check the wiring harness connections. 2. Install new diagnosis sensor unit and recheck SRS using "AIR BAG" warning lamp. If no malfunction is detected in Diagnosis mode, replace the diagnosis sensor unit with special bolts and ground bolt. If malfunction is still sensed, do not replace the diagnosis sensor unit and install the original diagnosis sensor unit with new special bolts and ground bolt. 3. Replace the passenger air bag module. (Before disposing of it, it must be deployed.) 4. Replace the air bag harness.

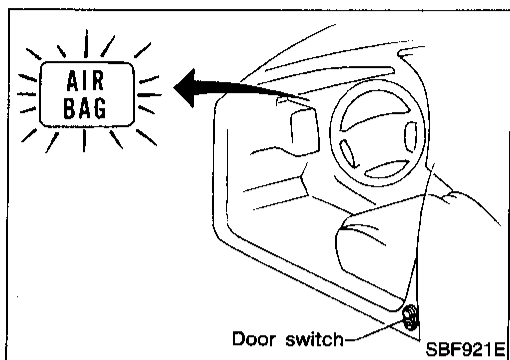
*Follow the procedures in numerical order when repairing malfunctioning parts. Confirm whether malfunction is eliminated using the "AIR BAG" warning lamp (in Diagnosis mode) or CONSULT each time repair is finished. If malfunction is still observed, proceed to the next step. When malfunction is eliminated, further repair work is not required.

Trouble Diagnoses without CONSULT (Cont'd)

DIAGNOSTIC PROCEDURE 7

Final checking after repairing SRS by using "AIR BAG" warning lamp — Diagnosis mode and User mode

1. After repairing SRS connect both battery cables.
2. Open driver's door.
3. Turn ignition switch from OFF to ON.
4. "AIR BAG" warning lamp operates in Diagnosis mode as follows:



No.	"AIR BAG" warning lamp operation — Diagnosis mode —	SRS condition
1	<p style="text-align: right;">(a) through (b) are repeated.</p> <p style="text-align: center;">MRS100A</p>	No malfunction is detected or repair is completed. No further action is necessary.
2	<p style="text-align: right;">(a) through (d) are repeated. NOTE: (a) — Interval I (b) — Start signal (Start signal identifies display modes) (c) — Interval II (d) — Indicates malfunctioning part (0.5 sec. ON and 0.5 sec. OFF is counted as one flash.)</p> <p style="text-align: center;">MRS099A</p>	The system is malfunctioning and needs to be repaired.

NOTE:

When diagnosis sensor unit is replaced with a new one; the "AIR BAG" warning lamp will operate in User mode. Checking the "AIR BAG" warning lamp operation in Diagnosis mode is not required. Go to step 6.

5. If "AIR BAG" warning lamp operates as shown in No. 1 in the chart above, turn ignition switch OFF to reset from Diagnosis mode to User mode and to erase the memory of the malfunction.

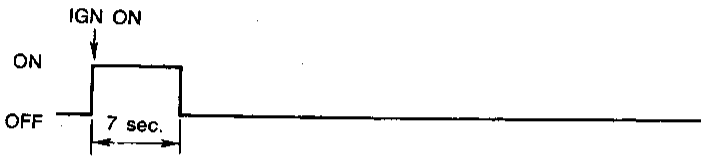
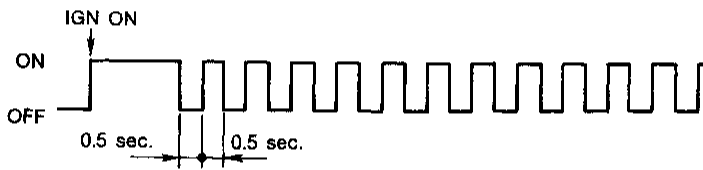


If "AIR BAG" warning lamp operates as in No. 2 in the chart above, the malfunctioning part is not repaired completely, or another malfunctioning part is detected. Go to DIAGNOSTIC PROCEDURE 6, RS-39 and repair malfunctioning part completely.

Trouble Diagnoses without CONSULT (Cont'd)

6. Turn ignition switch ON. "AIR BAG" warning lamp operates in User mode. Compare "AIR BAG" warning lamp operation to the chart below.

NOTE:

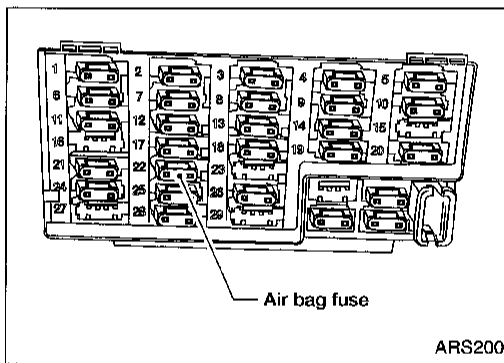
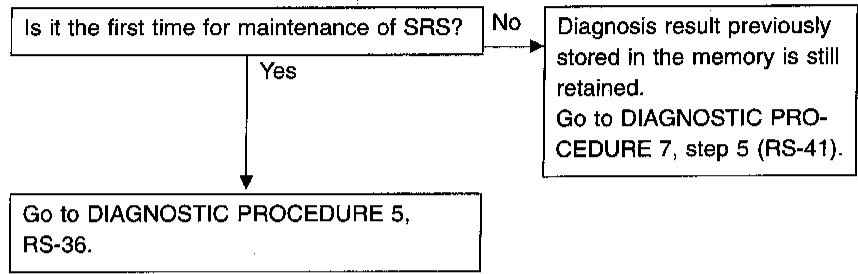
If switching Diagnosis mode to User mode is required while malfunction is being detected, turn ignition switch from OFF to ON. Then press driver's door switch at least 5 times within 7 seconds after turning ignition switch ON. SRS is now in User mode.

"AIR BAG" warning lamp operation — User mode —	SRS condition	Reference item
 <p style="text-align: right; margin-top: 10px;">MRS095A</p>	<p>No malfunction is detected. No further action is necessary.</p>	<p>—</p>
 <p style="text-align: right; margin-top: 10px;">MRS096A</p>	<p>The system is malfunctioning and needs to be repaired as indicated.</p>	<p>Go to DIAGNOSTIC PROCEDURE 2 or 6, RS-31 or 39.</p>
 <p style="text-align: right; margin-top: 10px;">MRS097A</p>	<p>Air bag is deployed.</p> <p>Air bag fuse for diagnosis sensor unit or circuit is malfunctioning and needs to be repaired.</p>	<p>Go to COLLISION DIAGNOSIS, RS-46.</p> <p>Go to DIAGNOSTIC PROCEDURE 9, RS-43.</p>
 <p style="text-align: right; margin-top: 10px;">MRS098A</p>	<p>One of the following has occurred and needs to be repaired.</p> <ul style="list-style-type: none"> ● Meter fuse is open. ● "AIR BAG" warning lamp circuit is shorted or open. ● Diagnosis sensor unit is malfunctioning. 	<p>Go to DIAGNOSTIC PROCEDURE 10, RS-44.</p>

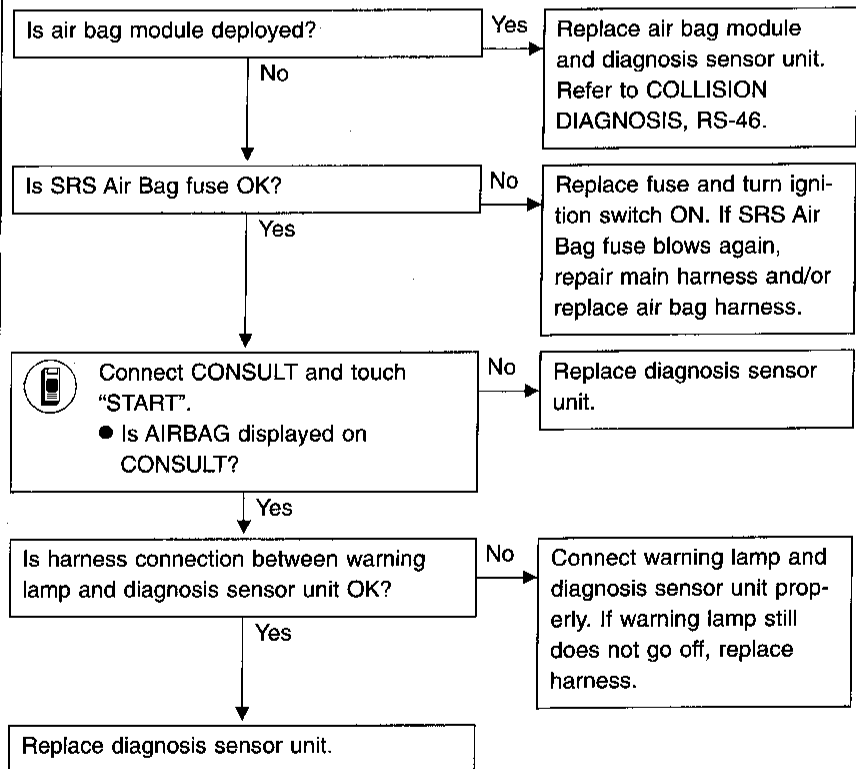
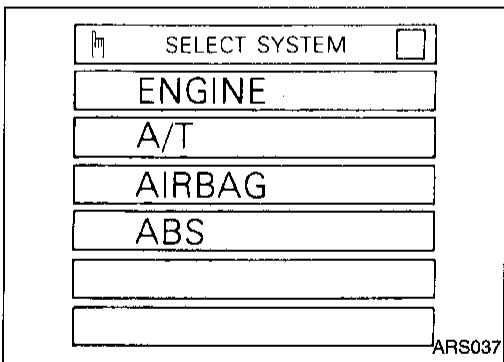
Trouble Diagnoses without CONSULT (Cont'd)

DIAGNOSTIC PROCEDURE 8 (Continued from DIAGNOSTIC PROCEDURE 6)

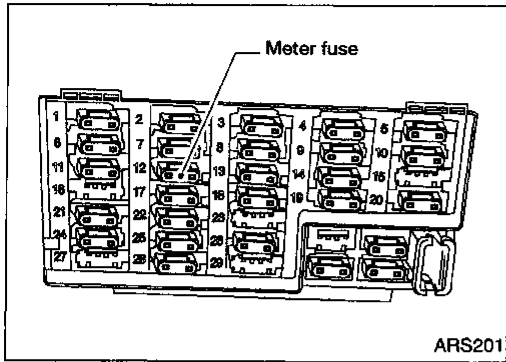
Inspection SRS malfunctioning record



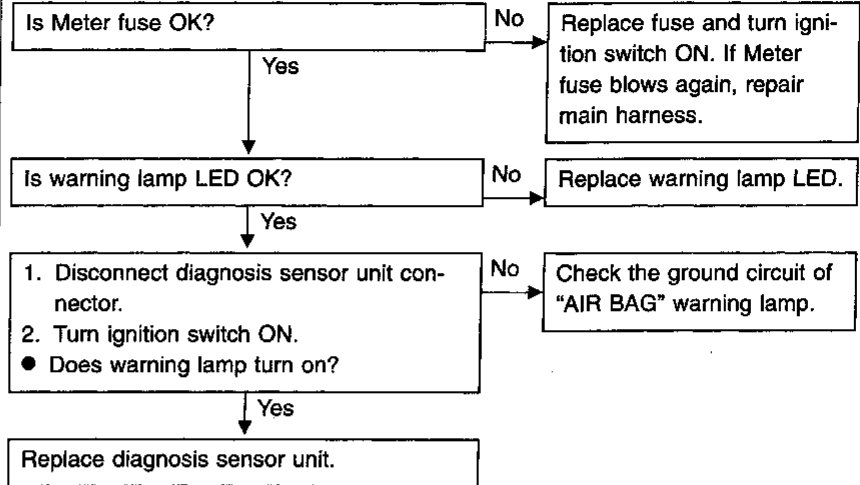
Trouble Diagnoses: "AIR BAG" Warning Lamp Does Not Turn Off DIAGNOSTIC PROCEDURE 9

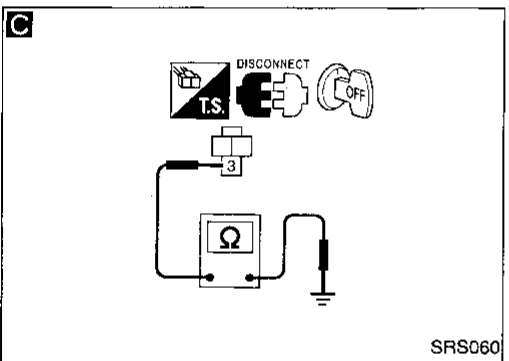
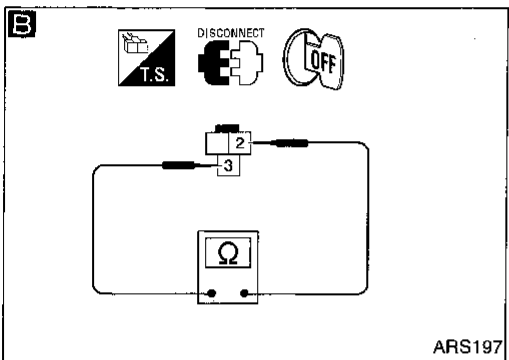
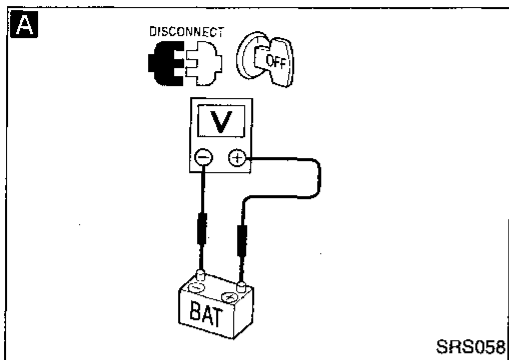


GI
MA
EM
LC
EC
FE
CL
MT
AT
FA
RA
BR
ST
RS
BT
HA
EL
IDX

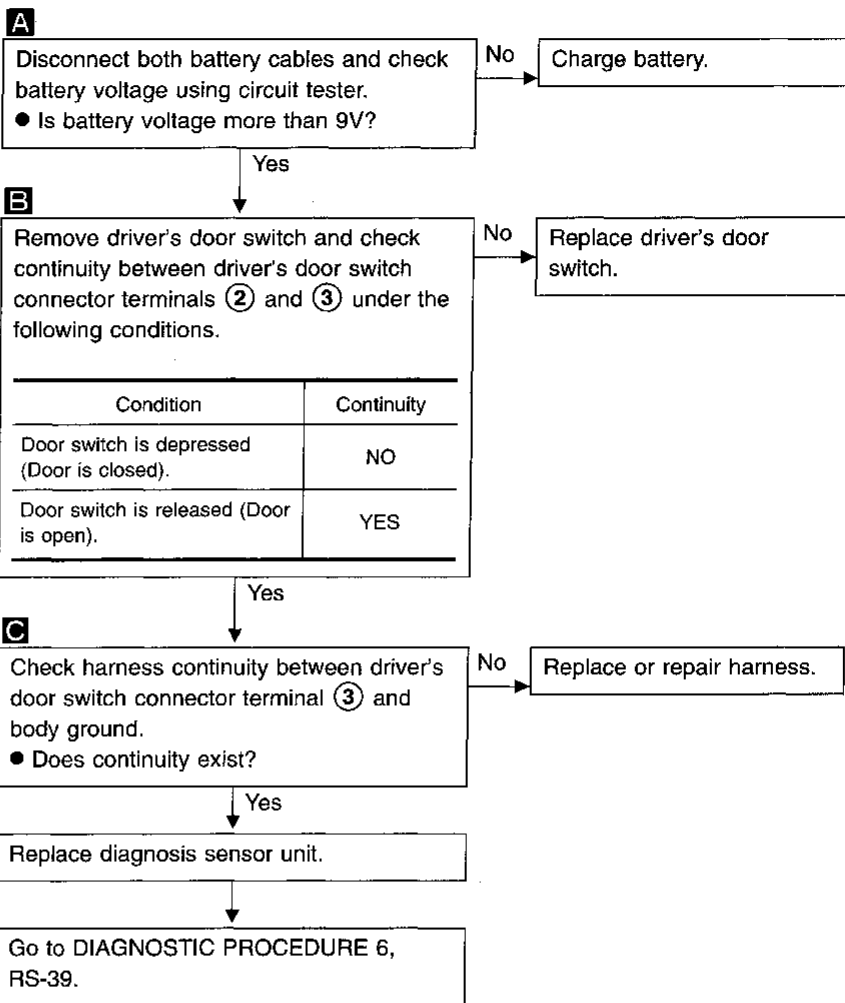


Trouble Diagnoses: "AIR BAG" Warning Lamp Does Not Turn On DIAGNOSTIC PROCEDURE 10





Trouble Diagnoses: SRS Does Not Enter Diagnosis Mode Using Door Switch DIAGNOSTIC PROCEDURE 11



GI
MA
EM
LC
EC
FE
CL
MT
AT
FA
RA
BR
ST
RS
BT
HA
EL
IDX

COLLISION DIAGNOSIS

To repair the SRS, perform the following steps.

When SRS is activated in a collision:

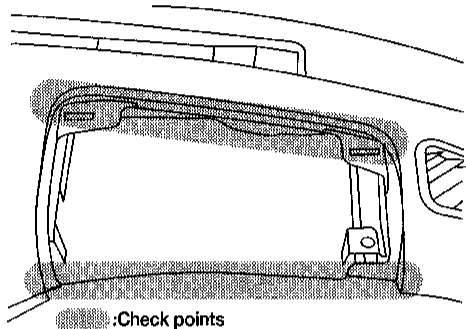
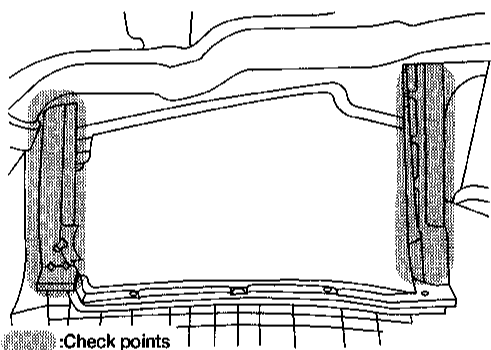
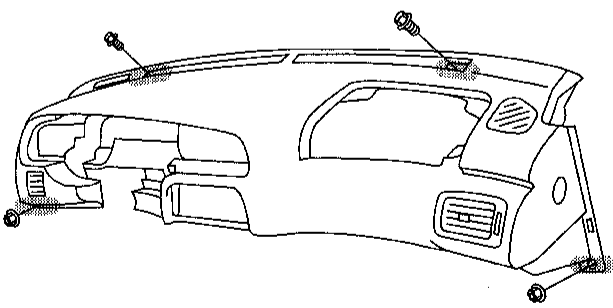
- ① Replace the diagnosis sensor unit.
- ② Remove the air bag modules.
- ③ Check the SRS components. Refer to "SRS inspection", RS-47.
 - Replace any SRS components showing visible signs of damage (dents, cracks, deformation).
- ④ Install new air bag modules.
- ⑤ Conduct self-diagnosis. Refer to "SRS Operation Check", RS-30. Ensure the remainder of the SRS is operating properly.

When SRS is not activated in a collision:

- ① Check the SRS components. Refer to "SRS inspection", RS-47.
 - Replace any SRS components showing visible signs of damage (dents, cracks, deformation).
- ② Conduct self-diagnosis using CONSULT and "AIR BAG" warning lamp. Refer to "SRS Operation Check", RS-30. Ensure entire SRS operates properly.

COLLISION DIAGNOSIS

SRS inspection

Part	SRS is activated	SRS is NOT activated
Air bag module (driver and passenger side)	REPLACE Install with new bolts.	<ol style="list-style-type: none"> 1. Remove air bag module. Check harness cover and connectors for damage, terminals for deformities, and harness for binding. 2-1. Install driver air bag module into the steering wheel to check fit and alignment with the wheel. 2-2. Install passenger air bag module into the instrument panel to check fit and alignment with the instrument panel. 3. No damage found, reinstall with new bolts. 4. If damaged—REPLACE. Air bag must be deployed before discarding.
Instrument panel	<ol style="list-style-type: none"> 1. When passenger air bag inflates, check the following points for bending, deformities and cracks: <ul style="list-style-type: none"> ● Opening portion for passenger air bag ex. (Details differ among models.) <div style="text-align: center; margin: 10px 0;">  <p>● Check points</p> </div> <ul style="list-style-type: none"> ● Passenger air bag module brackets ex. (Details differ among models.) <div style="text-align: center; margin: 10px 0;">  <p>● Check points</p> </div> <ul style="list-style-type: none"> ● The portions securing the instrument panel ex. (Details differ among models.) <div style="text-align: center; margin: 10px 0;">  <p>● Check points</p> </div> <ol style="list-style-type: none"> 2. If no damage is found, reinstall the instrument panel. 3. If damaged - REPLACE the instrument panel with new bolts. 	
Diagnosis sensor unit	REPLACE Install with new bolts.	<ol style="list-style-type: none"> 1. Check case and bracket for dents, cracks and deformities. 2. Check connectors for damage, and terminals for deformities. 3. If no damage is found, reinstall with new bolts. 4. If damaged—REPLACE.

GI
MA
EM
LC
EC
FE
CL
MT
AT
FA
RA
BR
ST
RS
BT
HA
EL
IDX

COLLISION DIAGNOSIS

Part	SRS is activated	SRS is NOT activated
Steering wheel	<ol style="list-style-type: none">1. Visually check steering wheel for deformities.2. Check harness (built into steering wheel) and connectors for damage, and terminals for deformities.3. Install air bag module to check fit and alignment with steering wheel.4. Check steering wheel for excessive free play.5. If no damage is found, reinstall with new bolts.6. If damaged—REPLACE.	
Spiral cable	<ol style="list-style-type: none">1. Visually check spiral cable and combination switch for damage.2. Check connectors, flat cable and protective tape for damage.3. Check steering wheel for noise, binding or heavy operation.4. If no damage is found, reinstall with new bolts.5. If damaged—REPLACE.	
Harness and Connectors	<ol style="list-style-type: none">1. Check connectors for poor connection, damage, and terminals for deformities.2. Check harness for binding, chafing, cuts and deformities.3. If no damage is found, reinstall.4. Damaged—REPLACE damaged section of harness. Do not attempt to repair, splice or modify any SRS harness.	