

A
LU

SECTION LU

ENGINE LUBRICATION SYSTEM

C
D
E

CONTENTS

QR25DE		F
PRECAUTIONS	2	
Precautions for Liquid Gasket	2	
REMOVAL OF LIQUID GASKET SEALING	2	
LIQUID GASKET APPLICATION PROCEDURE.....	2	
PREPARATION	3	
Special Service Tools	3	
Commercial Service Tools	3	
LUBRICATION SYSTEM	5	G
Lubrication Circuit	5	
System Drawing	6	
ENGINE OIL	7	H
Inspection	7	
OIL LEVEL	7	
ENGINE OIL APPEARANCE	7	
OIL LEAKAGE	7	I
OIL PRESSURE CHECK	8	
Changing Engine Oil	8	
OIL FILTER	10	J
Removal and Installation	10	
REMOVAL	10	
INSTALLATION	10	
OIL PUMP	11	K
Removal and Installation	11	
Disassembly and Assembly	11	
DISASSEMBLY	11	
INSPECTION AFTER DISASSEMBLY	11	
ASSEMBLY	13	L
SERVICE DATA AND SPECIFICATIONS (SDS)	14	M
Oil Pressure	14	
Oil Pump	14	
Regulator Valve	14	
Oil Capacity	14	
VQ35DE		
PRECAUTIONS	15	
Precautions for Liquid Gasket	15	
REMOVAL OF LIQUID GASKET SEALING	15	
LIQUID GASKET APPLICATION PROCEDURE..	15	
		A LU C D E F G H I J K L M

PRECAUTIONS

Precautions for Liquid Gasket REMOVAL OF LIQUID GASKET SEALING

- After removing nuts and bolts, separate the mating surface, using Tool and remove old liquid gasket sealing.

Tool number : KV10111100 (J-37228)

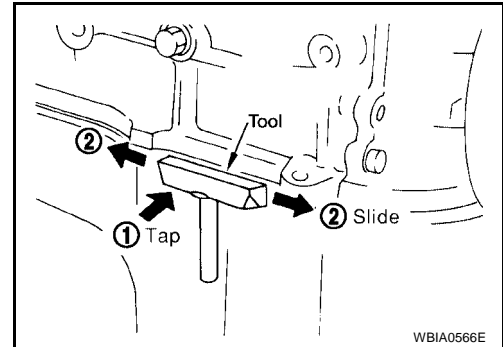
CAUTION:

Be careful not to damage the mating surfaces.

- Tap Tool to insert it, and then slide it by tapping on the side as shown.
- In areas where Tool is difficult to use, use plastic hammer to lightly tap the parts, to remove it.

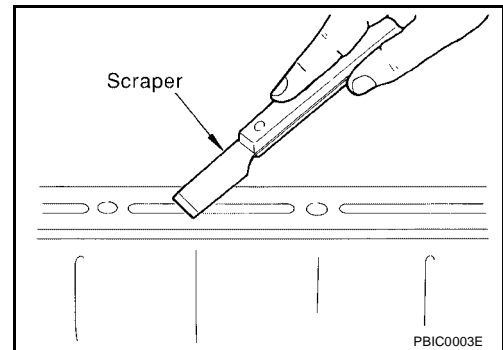
CAUTION:

If for some unavoidable reason suitable tool such as screwdriver is used, be careful not to damage the mating surfaces.



LIQUID GASKET APPLICATION PROCEDURE

- Remove old liquid gasket adhering to the liquid gasket application surface and the mating surface, Using scraper.
 - Remove liquid gasket completely from the groove of the liquid gasket application surface, bolts, and bolt holes.
- Thoroughly clean the mating surfaces and remove adhering moisture, grease and foreign materials.

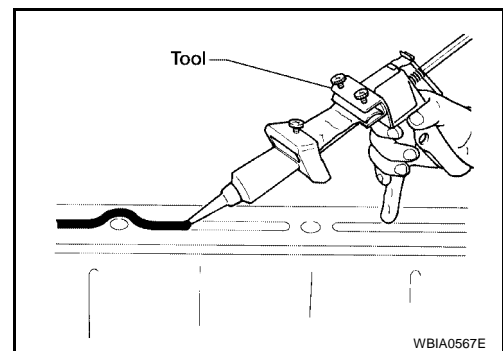


- Attach liquid gasket tube to Tool.

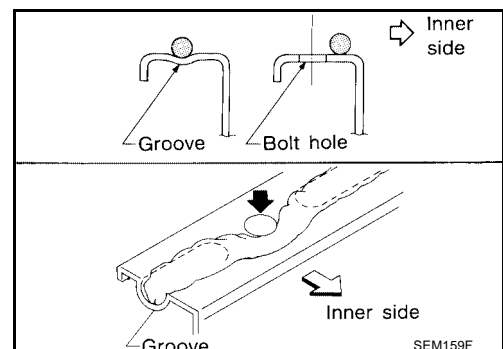
Tool number : WS39930000 (—)

Use Genuine RTV Silicone Sealant or equivalent. Refer to GI-45, "Recommended Chemical Products and Sealants".

- Apply liquid gasket without breaks to the specified location with the specified dimensions.
 - If there is a groove for the liquid gasket application, apply liquid gasket to the groove.



- As for the bolt holes, normally apply liquid gasket inside the holes. Occasionally, it should be applied outside the holes. Make sure to read the text of service manual.
- Within five minutes of liquid gasket application, install the mating component.
- If liquid gasket protrudes, wipe it off immediately.
- Do not retighten nuts or bolts after the installation.
- After 30 minutes or more have passed from the installation, fill engine oil and engine coolant.



CAUTION:

If there are specific instructions in this manual, observe them.

PREPARATION

[QR25DE]

PF0:00002

EBS00J6J

PREPARATION

Special Service Tools

The actual shape of the Kent-Moore tools may differ from those tools illustrated here.

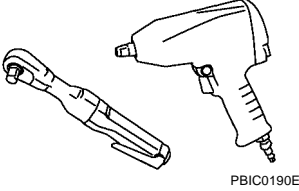
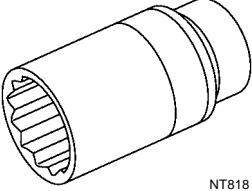
Tool number (Kent Moore No.) Tool name	Description
ST25051001 (J-25695-1) Oil pressure gauge	Measuring oil pressure Maximum measuring range: 2,452 kPa (25 kg/cm² , 356 psi)
ST25052000 (J-25695-2) Hose	Adapting oil pressure gauge to cylinder block
KV10115801 (J-38956) Oil filter wrench	Removing and installing oil filter
KV10111100 (J-37228) Seal cutter	Removing steel oil pan and rear timing chain case
WS39930000 (—) Tube presser	Pressing the tube of liquid gasket

Commercial Service Tools

EBS00J6K

PREPARATION

[QR25DE]

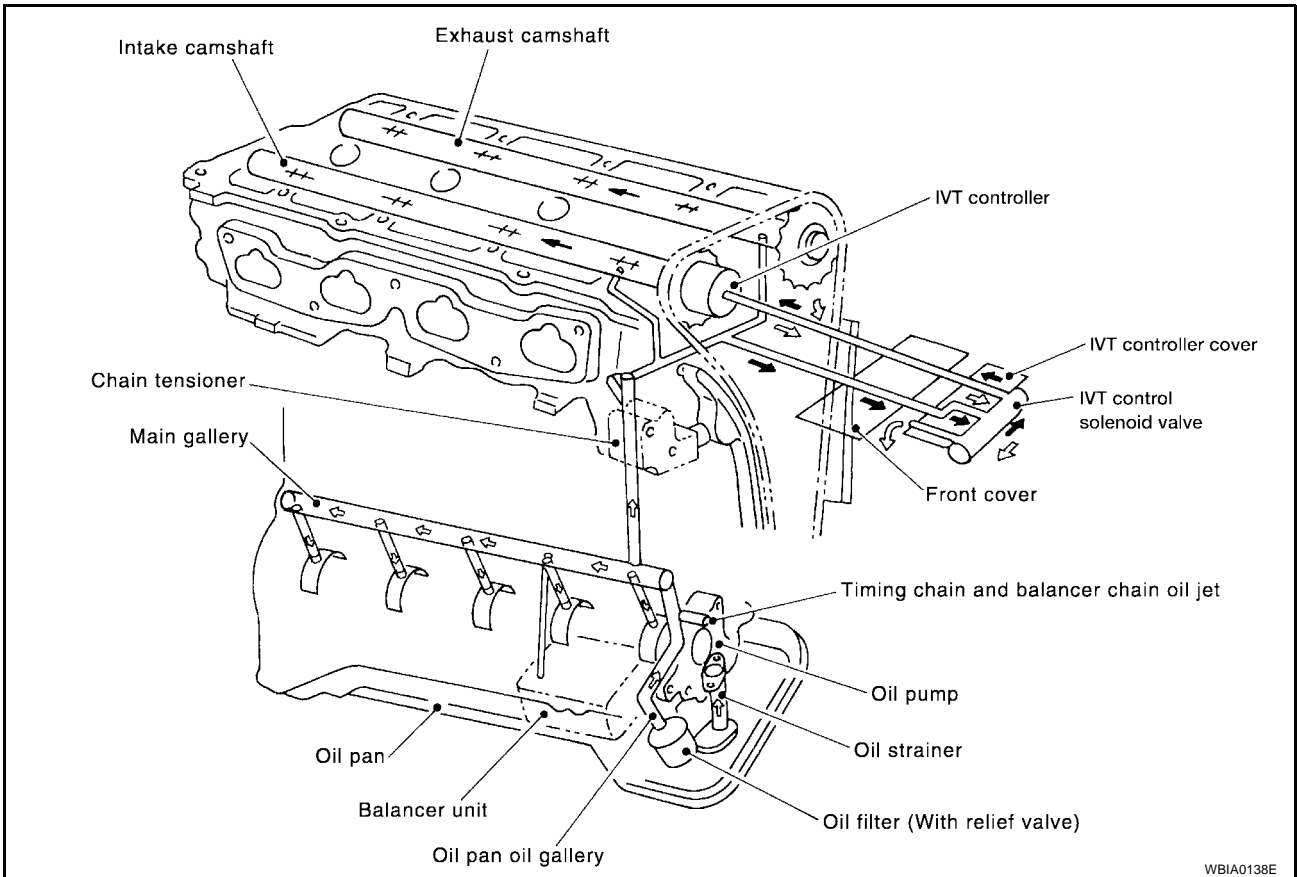
Tool name	Description
<p data-bbox="164 197 272 222">Power tool</p>  <p data-bbox="852 401 922 426">PBIC0190E</p>	<p data-bbox="1013 197 1263 222">Loosening bolts and nuts</p>
<p data-bbox="164 432 289 457">Deep socket</p>  <p data-bbox="852 632 896 657">NT818</p>	<p data-bbox="1013 432 1451 491">Removing and installing oil pressure sensor Deep socket 26 mm, 3/8 drive</p>

LUBRICATION SYSTEM

PFP:15010

Lubrication Circuit

EBS00J6L



A

LU

C

D

E

F

G

H

I

J

K

L

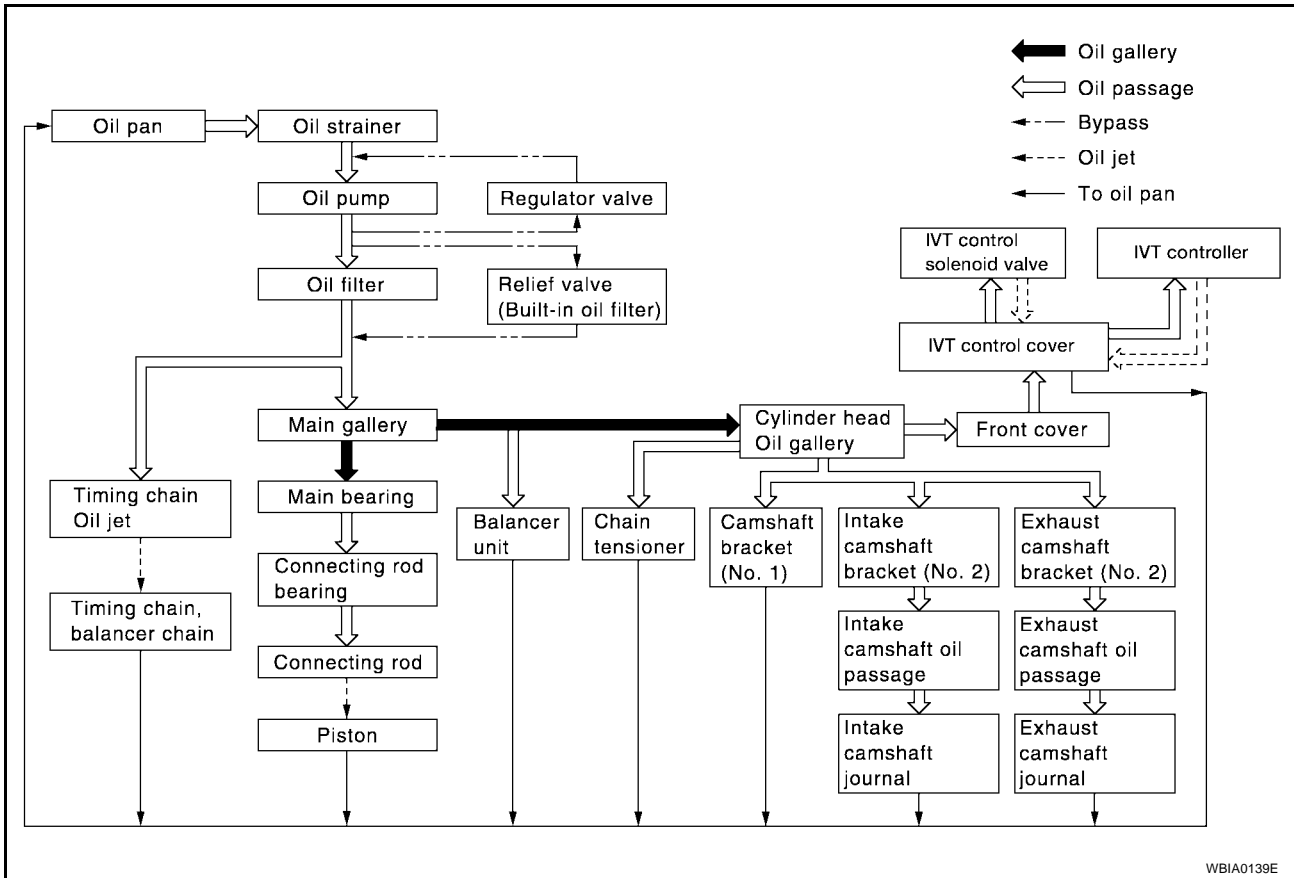
M

LUBRICATION SYSTEM

[QR25DE]

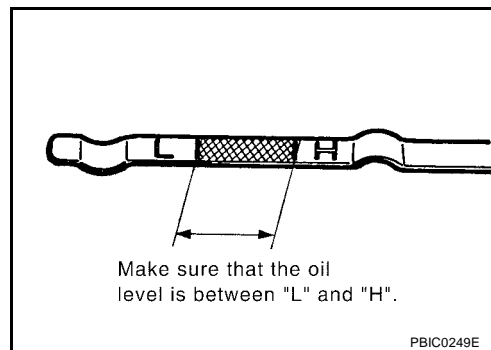
System Drawing

EBS00J6M



ENGINE OIL**Inspection
OIL LEVEL**

- Before starting the engine, check the oil level. If the engine is already started, stop it and allow 10 minutes before checking.
- Check that the oil level is within the range on the dipstick.
- If it is out of range, add oil as necessary. Refer to [MA-12, "RECOMMENDED FLUIDS AND LUBRICANTS"](#) .

**ENGINE OIL APPEARANCE**

- Check engine oil for white milky or excessive contamination.
- If engine oil becomes milky, it is highly probable that it is contaminated with engine coolant. Repair or replace damaged parts.

OIL LEAKAGE

Check for oil leakage around the following areas:

- Oil pan
- Oil pan drain plug
- Oil pressure sensor
- Oil filter
- IVTC cover
- Front cover
- Mating surface between cylinder block and cylinder head
- Mating surface between cylinder head and rocker cover
- Crankshaft oil seal

OIL PRESSURE CHECK

WARNING:

- Be careful not to burn yourself, as engine oil may be hot.
 - For M/T models, put the gearshift lever in the Neutral "N" position. For A/T models, put the selector lever in the Park "P" position.
1. Check engine oil level. Refer to [LU-7, "OIL LEVEL"](#).
 2. Remove undercover using power tool.
 3. Disconnect oil pressure sensor harness connector at oil pressure sensor, and remove oil pressure sensor.

CAUTION:

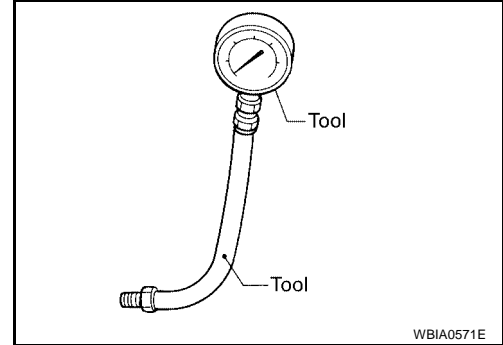
Do not drop or shock oil pressure sensor.

4. Start engine and warm it up to normal operating temperature.
5. Check oil pressure with engine running under no-load, using Tool

Tool numbers : **ST25051001 (J-25695-1)**
 : **ST25052000 (J-25695-2)**

NOTE:

When engine oil temperature is low, engine oil pressure becomes high.



Engine oil pressure [Oil temperature 80 °C (176 °F)]

Engine speed (rpm)	Idle speed	2,000	6,000
Engine pressure kPa (kg/cm ² , psi)	Approx. 98 (1.0, 14) or more	Approx. 294 (3.0, 43) or more	Approx. 392 (4.0, 57) or more

If difference is extreme, check oil passage and oil pump for oil leaks.

6. After the inspections, install oil pressure sensor as follows:
 - a. Remove old liquid gasket adhering to oil pressure sensor and engine.
 - b. Apply liquid gasket and tighten oil pressure sensor to the specification.
Use Genuine RTV Silicone Sealant or equivalent. Refer to [GI-45, "Recommended Chemical Products and Sealants"](#).

Oil pressure sensor torque : **14.7 N·m (1.5 kg-m, 11 ft-lb)**

- c. After warming up engine, make sure there is no leakage of engine oil with running engine.

Changing Engine Oil

EBS00J60

WARNING:

- Be careful not to burn yourself, as the engine oil may be hot.
 - Prolonged and repeated contact with used engine oil may cause skin cancer: try to avoid direct skin contact with used oil. If skin contact is made, wash thoroughly with soap or hand cleaner as soon as possible.
1. Position the vehicle so it is level on the hoist.
 2. Warm up the engine, and check for oil leaks from the engine.
 3. Stop engine and wait for 10 minutes.
 4. Remove the oil pan drain plug and oil filler cap.
 5. Drain the engine oil.
 6. Install the oil pan drain plug with a new washer and refill the engine with new engine oil.
 - Oil specification and viscosity. Refer to [MA-12, "RECOMMENDED FLUIDS AND LUBRICANTS"](#).

ENGINE OIL

[QR25DE]

Oil Capacity (Approximate)

Drain and refill	With oil filter change	4.2 ℓ (4 1/2 US qt, 3 3/4 Imp qt)
	Without oil filter change	4.0 ℓ (4 1/4 US qt, 3 1/2 Imp qt)
Dry engine (engine overhaul)		4.6 ℓ (4 7/8 US qt, 4 Imp qt)

CAUTION:

- Be sure to clean the drain plug and install using a new washer.

Oil pan drain plug : 34.3 N·m (3.5 kg·m, 25 ft·lb)

- The refill capacity depends on the oil temperature and drain time. Use these specifications for reference only. Always use the dipstick to determine when the proper amount of oil is in the engine.
7. Warm up the engine and check the area around the drain plug and oil filter for oil leakage.
 8. Stop the engine and wait for 10 minutes.
 9. Check the oil level using the dipstick.

CAUTION:

Do not overfill the engine oil.

OIL FILTER

Removal and Installation

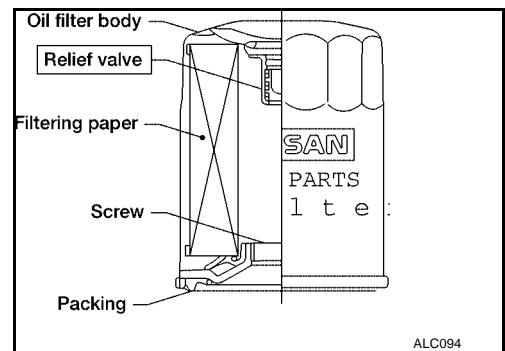
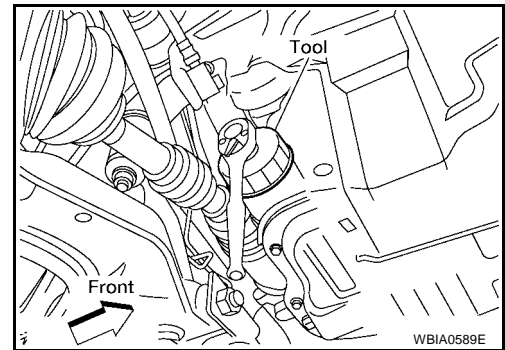
REMOVAL

1. Remove the oil filter using Tool.

Tool number : KV10115801 (J-38956)

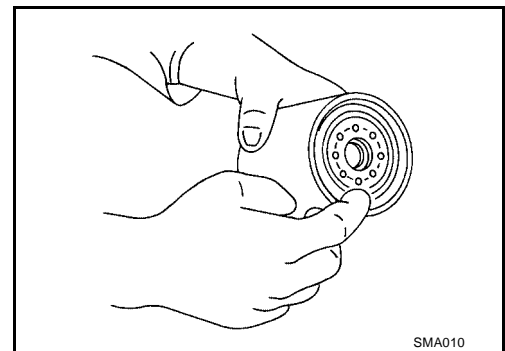
CAUTION:

- Be careful not to get burned when the engine and engine oil are hot.
- When removing, prepare a shop cloth to absorb any oil leakage or spillage.
- Do not allow engine oil to adhere to the drive belts.
- Completely wipe off any oil that adheres to the engine and the vehicle.
- The oil filter has a built in pressure relief valve. Use a genuine NISSAN oil filter or equivalent



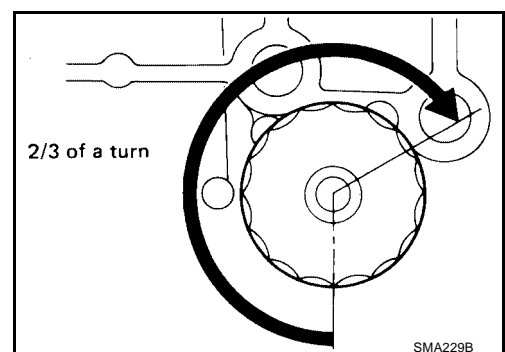
INSTALLATION

1. Clean off any foreign materials adhering to the oil filter installation surface.
2. Apply engine oil to the oil seal surface of the new oil filter.



3. Screw the oil filter manually until it touches the installation surface, then tighten it by 2/3 turn. Or tighten to specification below.

Oil filter : 17.6 N-m (1.8 kg-m, 13 ft-lb)



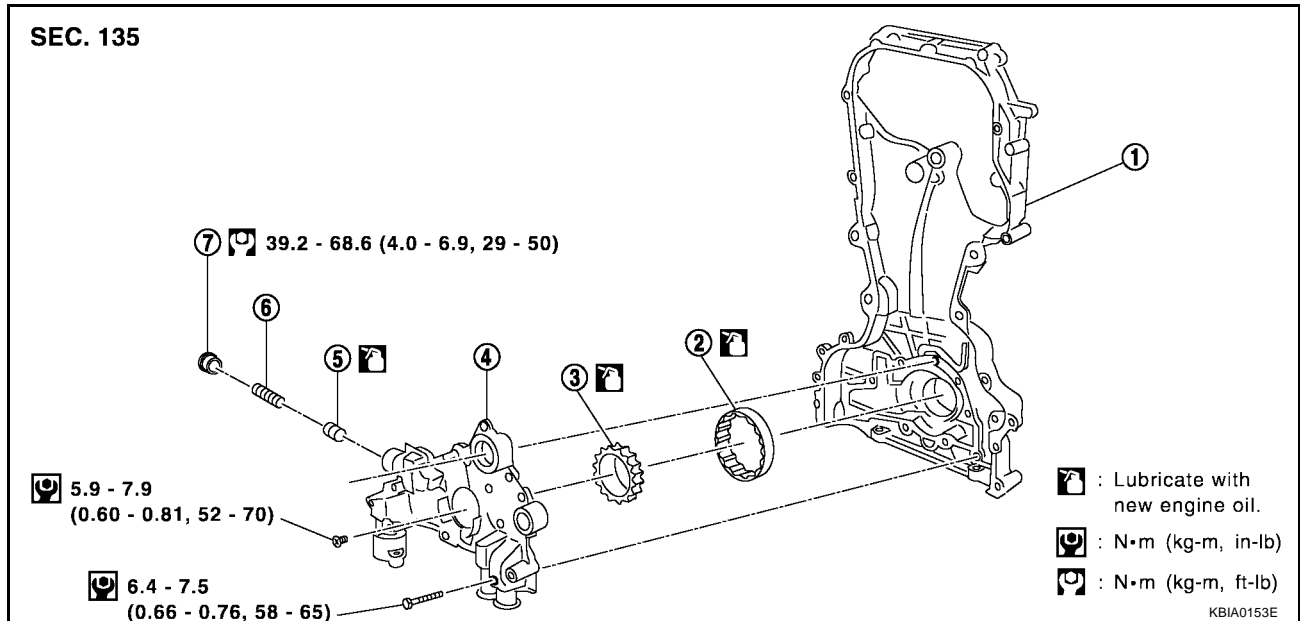
4. Check oil level and add engine oil as necessary. Refer to [LU-7, "ENGINE OIL"](#).
5. After warming up the engine, check for oil leaks.

OIL PUMP

Removal and Installation

- Remove the front cover. Refer to [EM-48, "TIMING CHAIN"](#).

Disassembly and Assembly



- | | | |
|-------------------|--------------------|----------------|
| 1. Front cover | 2. Outer rotor | 3. Inner rotor |
| 4. Oil pump cover | 5. Regulator valve | 6. Spring |
| 7. Regulator plug | | |

CAUTION:

Before installation, apply new engine oil to the parts as instructed in the figure above.

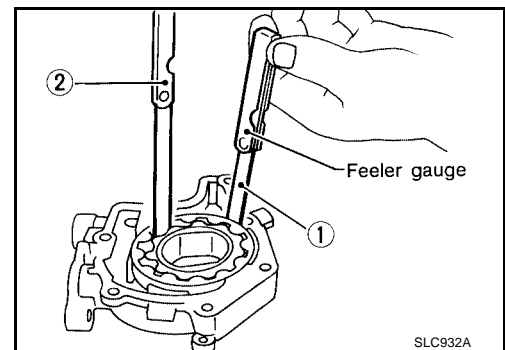
DISASSEMBLY

- Remove the oil pump cover.
- Remove inner rotor and outer rotor from front cover.
- After removing regulator plug, remove regulator spring and regulator valve.

INSPECTION AFTER DISASSEMBLY

Measure the clearance of the oil pump parts.

- Measure clearance with feeler gauge.
- Clearance between outer rotor and oil pump body (position 1).
Standard : 0.114 - 0.179 mm (0.0045 - 0.0070 in)
- Tip clearance between inner rotor and outer rotor (position 2).
Standard : Below 0.220 mm (0.0087 in)



OIL PUMP

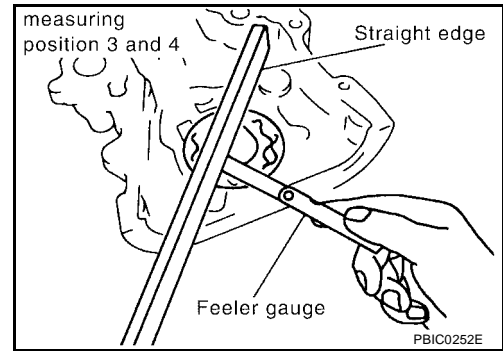
[QR25DE]

- Measure clearance with feeler gauge and straightedge.
- Side clearance between inner rotor and oil pump body (position 3).

Standard : 0.030 - 0.070 mm (0.0012 - 0.0028 in)

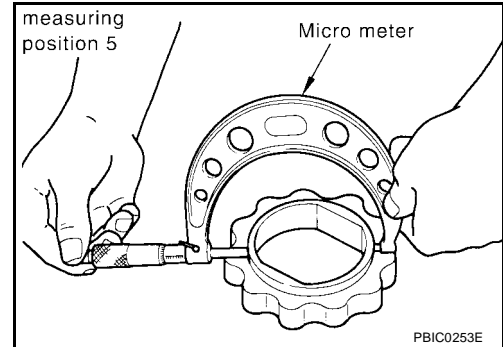
- Side clearance between outer rotor and oil pump body (position 4).

Standard : 0.060 - 0.110 mm (0.0024 - 0.0043 in)



- Calculate the clearance between inner rotor and oil pump body as follows:

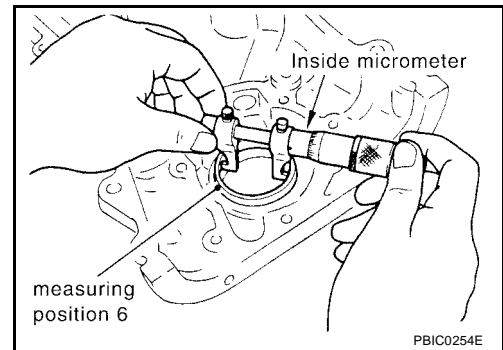
1. Measure the outer diameter of protruded portion of inner rotor (Position 5).



2. Measure the inner diameter of oil pump body with inside micrometer (Position 6).

(Clearance) = (Inner diameter of oil pump body) – (Outer diameter of inner rotor).

Standard : 0.035 - 0.070 mm (0.0014 - 0.0028 in)

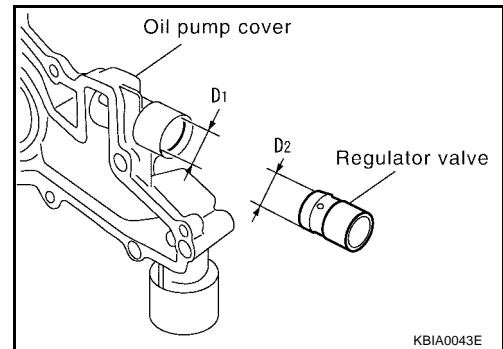


- Regulator valve clearance:
(Clearance) = D1 (Valve hole diameter) – D2 (Outer diameter of valve)

Standard : 0.040 - 0.097 mm (0.0016 - 0.0038 in)

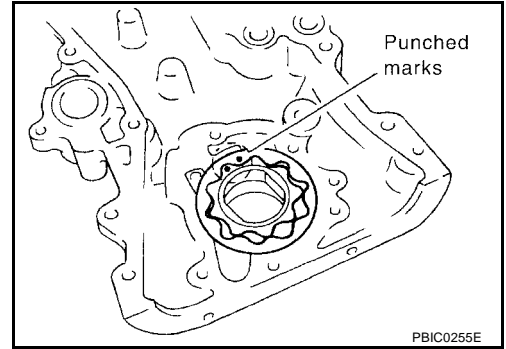
CAUTION:

**Coat regulator valve with engine oil.
Check that it falls smoothly into the valve hole by its own weight.**



ASSEMBLY

- Assembly is in the reverse order of disassembly.
- Install the inner rotor and outer rotor with the punched marks on the oil pump cover side.



A

LU

C

D

E

F

G

H

I

J

K

L

M

SERVICE DATA AND SPECIFICATIONS (SDS)

[QR25DE]

SERVICE DATA AND SPECIFICATIONS (SDS)

PFP:00030

Oil Pressure

EBS00J6S

Engine speed rpm	Approximate discharge pressure kPa (kg/cm ² , psi)
Idle speed	More than 98 (1.0, 14)
2,000	294 (3.0, 43)
6,000	392 (4.0, 57)

Oil Pump

EBS00J6T

Unit: mm (in)

Body to outer rotor radial clearance	0.114 - 0.179 (0.0045 - 0.0070)
Inner rotor to outer rotor tip clearance	Below 0.220 (0.0087)
Body to inner rotor axial clearance	0.030 - 0.070 (0.0012 - 0.0028)
Body to outer rotor axial clearance	0.060 - 0.110 (0.0024 - 0.0043)
Inner rotor to brazed portion of housing clearance	0.035 - 0.070 (0.0014 - 0.0028)

Regulator Valve

EBS00J6U

Unit: mm (in)

Regulator valve to oil pump cover clearance	0.040 - 0.097 (0.0016 - 0.0038)
---	---------------------------------

Oil Capacity

EBS00J6V

Unit: ℓ (US qt, Imp qt)

Drain and refill	With oil filter change	Approximately 4.2 (4 1/2, 3 3/4)
	Without oil filter change	Approximately 4.0 (4 1/4, 3 1/2)
Dry engine (engine overhaul)		Approximately 4.6 (4 7/8, 4)

PRECAUTIONS

Precautions for Liquid Gasket

REMOVAL OF LIQUID GASKET SEALING

- After removing nuts and bolts, separate the mating surface, using Tool and remove old liquid gasket sealing.

Tool number : KV10111100 (J-37228)

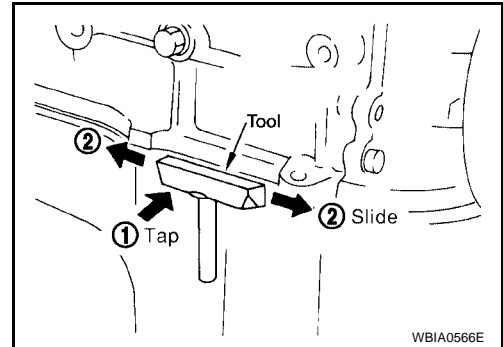
CAUTION:

Be careful not to damage the mating surfaces.

- Tap Tool to insert it, and then slide it by tapping on the side as shown.
- In areas where Tool is difficult to use, use plastic hammer to lightly tap the parts, to remove it.

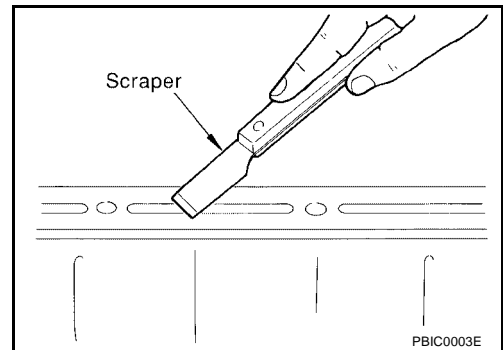
CAUTION:

If for some unavoidable reason suitable tool such as screwdriver is used, be careful not to damage the mating surfaces.



LIQUID GASKET APPLICATION PROCEDURE

- Remove old liquid gasket adhering to the liquid gasket application surface and the mating surface, Using scraper.
 - Remove liquid gasket completely from the groove of the liquid gasket application surface, bolts, and bolt holes.
- Thoroughly clean the mating surfaces and remove adhering moisture, grease and foreign materials.

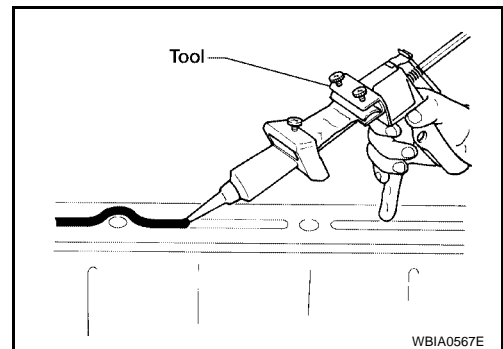


- Attach liquid gasket tube to Tool.

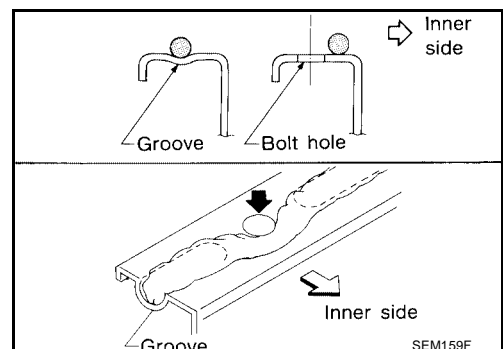
Tool number : WS39930000 (—)

Use Genuine RTV Silicone Sealant or equivalent. Refer to [GI-45, "Recommended Chemical Products and Sealants"](#).

- Apply liquid gasket without breaks to the specified location with the specified dimensions.
 - If there is a groove for the liquid gasket application, apply liquid gasket to the groove.



- As for the bolt holes, normally apply liquid gasket inside the holes. Occasionally, it should be applied outside the holes. Make sure to read the text of service manual.
- Within five minutes of liquid gasket application, install the mating component.
- If liquid gasket protrudes, wipe it off immediately.
- Do not retighten nuts or bolts after the installation.
- After 30 minutes or more have passed from the installation, fill engine oil and engine coolant.



CAUTION:

If there are specific instructions in this manual, observe them.

PREPARATION

[VQ35DE]

PFP:00002

PREPARATION

Special Service Tools

EBS00J6X

The actual shapes of Kent-Moore tools may differ from those of special service tools illustrated here.

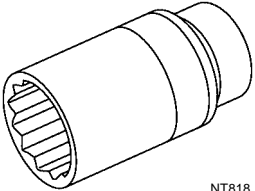
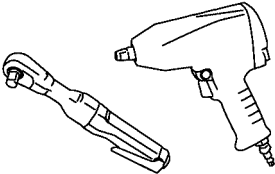
Tool number (Kent-Moore No.) Tool name	Description
ST25051001 (J-25695-1) Oil pressure gauge	Measuring oil pressure Maximum measuring range: 2,452 kPa (25 kg-cm² , 356 psi)
ST25052000 (J-25695-2) Hose	Adapting oil pressure gauge to upper oil pan
KV10115801 (J-38956) Oil filter wrench	Removing and installing oil filter
KV10111100 (J-37228) Seal cutter	Removing steel oil pan and rear timing chain case
WS39930000 (—) Tube presser	Pressing the tube of liquid gasket

Commercial Service Tool

EBS00J6Y

PREPARATION

[VQ35DE]

Tool name	Description
<p data-bbox="162 197 292 222">Deep socket</p>  <p data-bbox="850 394 899 415">NT818</p>	<p data-bbox="1013 197 1451 252">Removing and installing oil pressure switch Deep socket 26 mm, 3/8 drive</p>
<p data-bbox="162 436 285 462">Power tools</p>  <p data-bbox="850 646 925 667">PBIC0190E</p>	<p data-bbox="1013 436 1266 462">Loosening nuts and bolts</p>

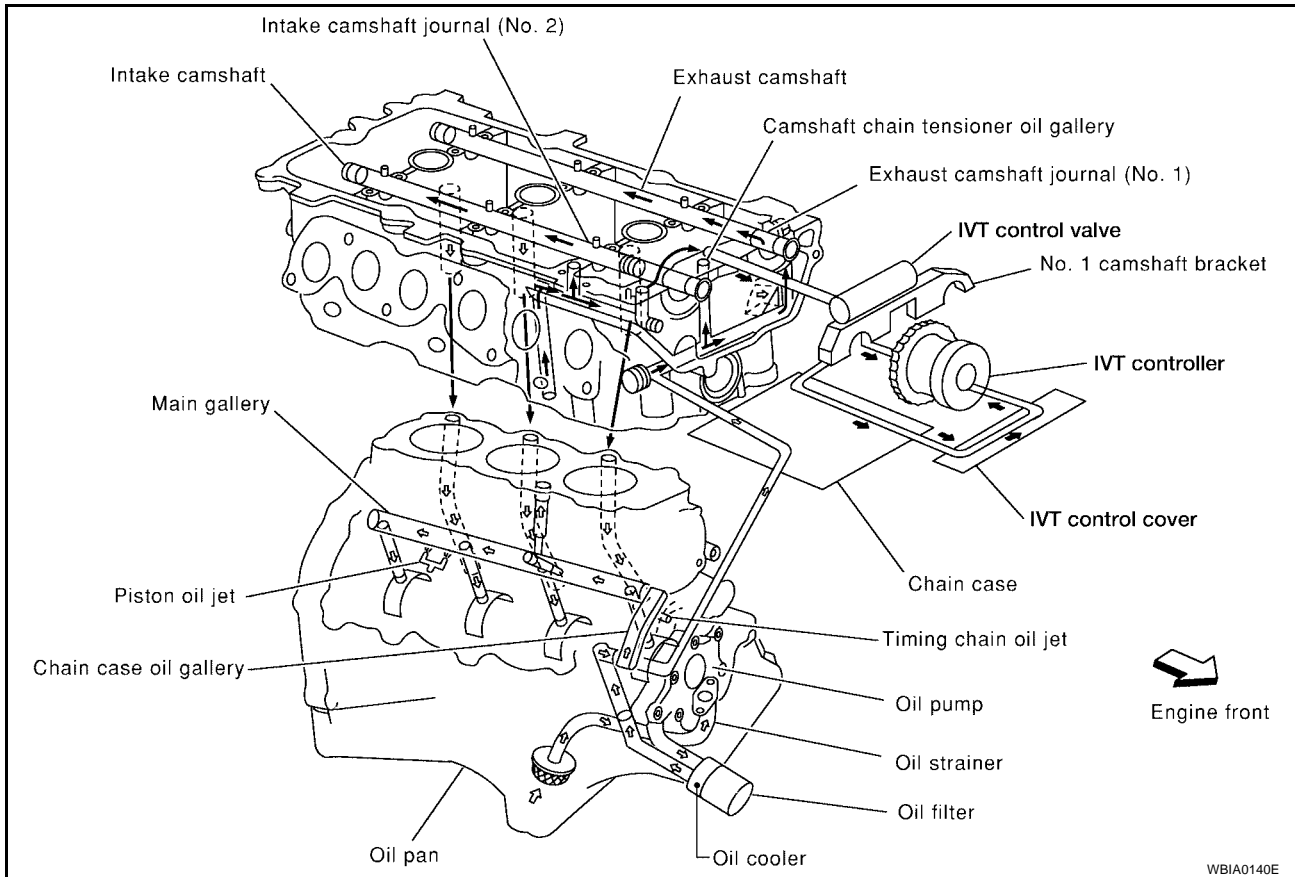
A
LU
C
D
E
F
G
H
I
J
K
L
M

LUBRICATION SYSTEM

PF15010

Lubrication Circuit

EBS00J6Z

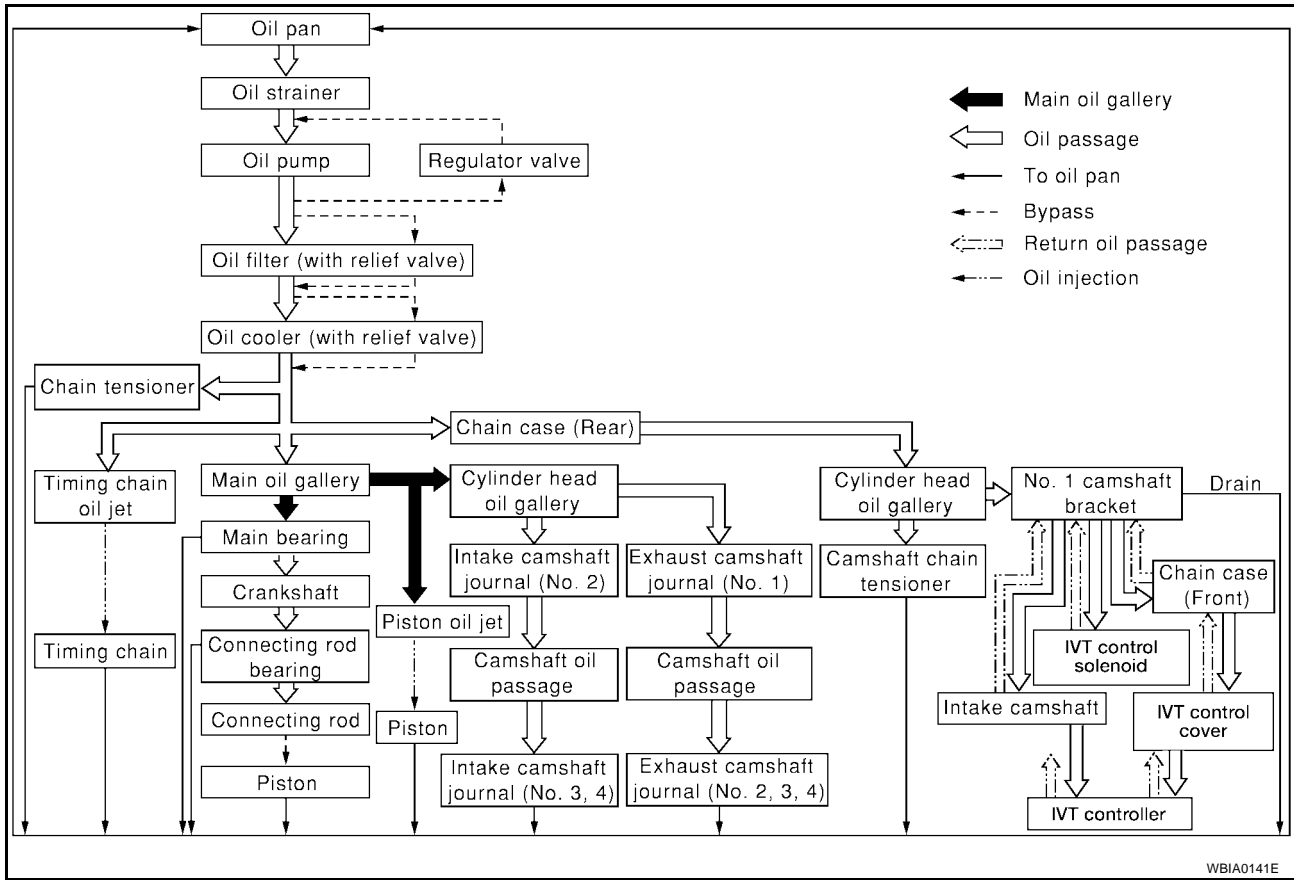


LUBRICATION SYSTEM

[VQ35DE]

EBS00J70

System Drawing



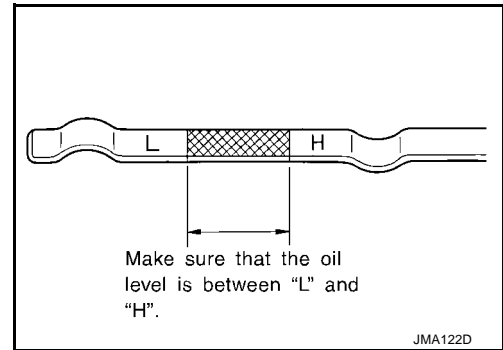
A
 LU
 C
 D
 E
 F
 G
 H
 I
 J
 K
 L
 M

ENGINE OIL

Inspection OIL LEVEL

NOTE:

- Before starting the engine, check the oil level. If the engine is already started, stop it and allow 10 minutes before checking.
- Check that the oil level is within the range as indicated on the dipstick.
- If it is out of range, add oil as necessary. Refer to [MA-12. "RECOMMENDED FLUIDS AND LUBRICANTS"](#) .



ENGINE OIL APPEARANCE

- Check engine oil for white milky or excessive contamination.
- If engine oil becomes milky, it is highly probable that it is contaminated with engine coolant. Repair or replace damaged parts.

OIL LEAKAGE

Check for oil leakage around the following areas:

- Oil pan
- Oil pan drain plug
- Oil pressure sensor
- Oil filter
- Oil cooler
- IVTC cover
- Intake valve timing control cover
- Front cover
- Mating surface between cylinder block and cylinder head
- Mating surface between cylinder head and rocker cover
- Crank oil seal (front and rear)

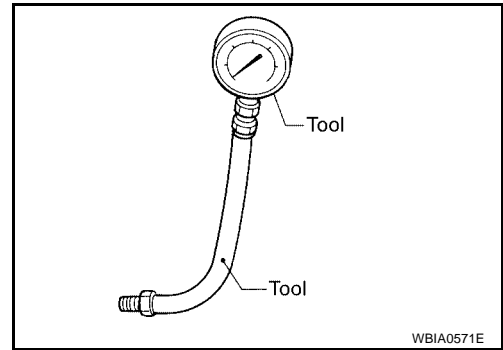
OIL PRESSURE CHECK

WARNING:

- Be careful not to burn yourself, as engine oil may be hot.
- For M/T models, put the gearshift lever in the Neutral "N" position. For A/T models, put the selector lever in the Park "P" position.

1. Check the oil level.
2. Disconnect oil pressure switch harness connector.
3. Remove oil pressure sensor.
4. Install the pressure gauge.
5. Start the engine and warm it up to normal operating temperature.
6. Check oil pressure with engine running under no-load, using Tool

Tool numbers : ST25051001 (J-25695-1)
: ST25052000 (J-25695-2)



Engine speed rpm	Approximate discharge pressure kPa (kg/cm ² , psi)
Idle speed	More than 98 (1.0, 14)
2,000	294 (3.0, 43)

If difference is extreme, check oil passage and oil pump for oil leaks.

7. After the inspections, install the oil pressure switch as follows:
 - a. Remove the old sealant adhering to switch and engine.
 - b. Apply thread sealant and tighten the oil pressure switch to specification.
Use Genuine High Performance Thread Sealant, or equivalent. Refer to [GI-45, "RECOMMENDED CHEMICAL PRODUCTS AND SEALANTS"](#) .

Oil pressure switch : 14.7 N·m (1.5 kg·m, 11 ft·lb)

Changing Engine Oil

EBS00J72

WARNING:

- Be careful not to burn yourself, as the engine oil may be hot.
- Prolonged and repeated contact with used engine oil may cause skin cancer; try to avoid direct skin contact with used oil. If skin contact is made, wash thoroughly with soap or hand cleaner as soon as possible.

1. Position the vehicle so it is level on the hoist.
2. Warm up the engine and check for oil leaks from the engine.
3. Stop engine and wait for 10 minutes.
4. Remove the oil pan drain plug and oil filler cap.
5. Drain the engine oil.
6. Install the oil pan drain plug with a new washer and refill the engine with new engine oil.

Oil pan drain plug : 34.3 N·m (3.5 kg·m, 25 ft·lb)

- Refer to [MA-12, "RECOMMENDED FLUIDS AND LUBRICANTS"](#) .

Oil Capacity (Approximate)

Drain and refill	With oil filter change	Approximately 4.0 ℓ (4 1/4 qt.)
	Without oil filter change	Approximately 3.7 ℓ (3 7/8 qt.)
Dry engine (engine overhaul)		Approximately 5.0 ℓ (5 1/4 qt.)

CAUTION:

- Be sure to clean the oil pan drain plug and install with a new washer.

ENGINE OIL

[VQ35DE]

-
- The refill capacity depends on the oil temperature and drain time. Use these specifications for reference only. Always use the dipstick to determine when the proper amount of oil is in the engine.
7. Warm up the engine and check around the oil pan drain plug and oil filter for oil leaks.
 8. Stop engine and wait for 10 minutes.
 9. Check the engine oil level using the dipstick.

CAUTION:

Do not overfill the engine oil.

OIL FILTER

Removal and Installation

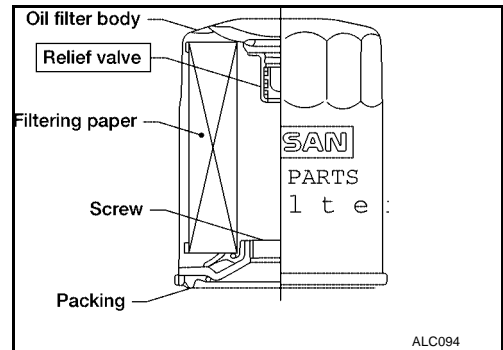
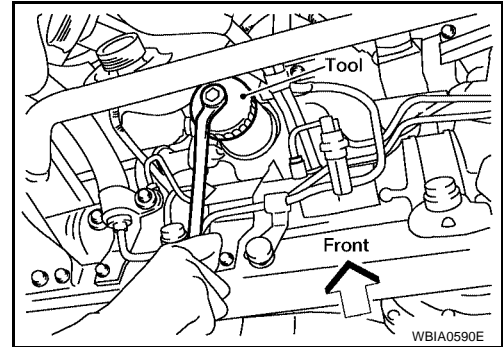
REMOVAL

1. Remove the oil filter using Tool as shown.

Tool number : KV10115801 (J-38956)

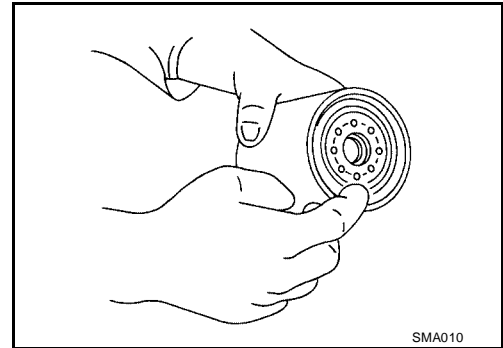
CAUTION:

- Be careful not to get burned, the engine oil may be hot.
 - When removing, prepare a shop cloth to absorb any oil leakage or spillage.
 - Do not allow engine oil to adhere to the drive belts.
 - Completely wipe off any oil that adheres to the engine and the vehicle.
- The oil filter is provided with a relief valve. Use a genuine NISSAN oil filter or equivalent



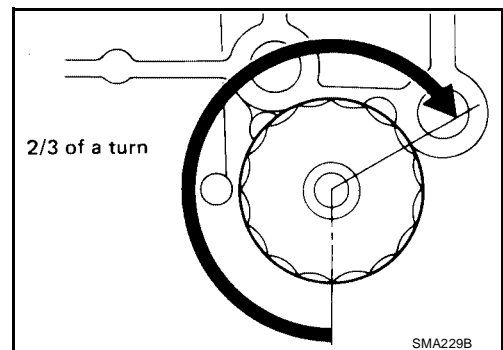
INSTALLATION

1. Remove foreign materials adhering to the oil filter installation surface.
2. Apply clean engine oil to the oil seal contact surface of the new oil filter.



3. Screw the oil filter manually until it touches the installation surface, then tighten it by turning another 2/3 turn, or tighten to specification.

Oil filter : 17.6 N·m (1.8 kg·m, 13 ft·lb)



4. Check the oil level and add engine oil as necessary. Refer to [LU-20, "ENGINE OIL"](#).
5. After warming up the engine, check for any engine oil leaks.

A
C
D
E
F
G
H
I
J
K
L
M

LU

OIL PUMP

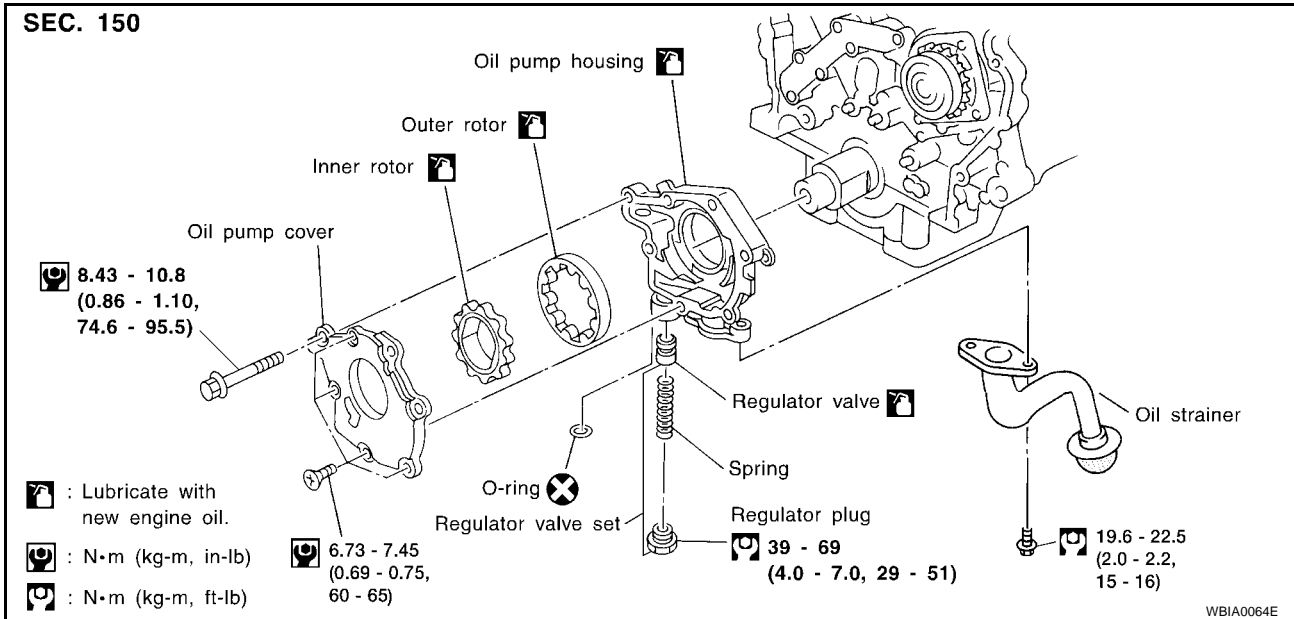
Removal and Installation

1. Remove the timing chain. Refer to [EM-162, "Removal"](#).
2. Remove oil pump assembly.

INSTALLATION

- Installation is in the reverse order of removal.

Disassembly and Assembly



- Disassemble as shown.
- Assembly is in the reverse order of Disassembly. When assembling the oil pump, apply engine oil to the rotors.

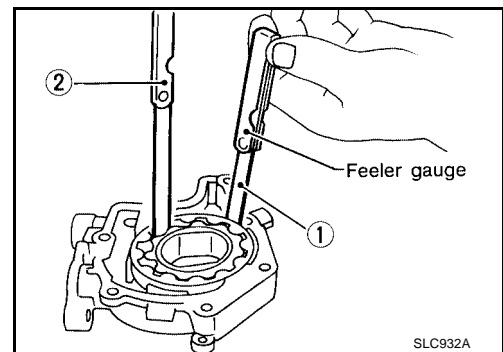
INSPECTION AFTER DISASSEMBLY

Clearance of Oil Pump Parts

- Measure clearance with feeler gauge.
 - Clearance between outer rotor and oil pump body (position 1)

Standard : 0.114 - 0.200 mm (0.0045 - 0.0079 in)
 - Tip clearance between inner rotor and outer rotor (position 2)

Standard : Below 0.180 mm (0.0071 in)



OIL PUMP

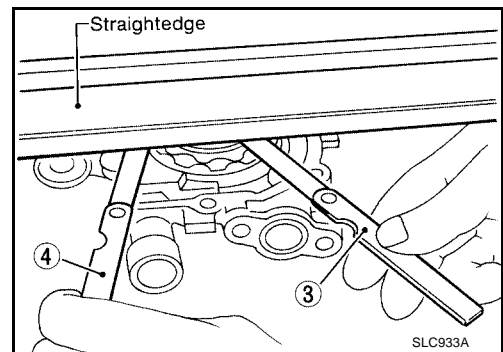
[VQ35DE]

- Measure clearance with feeler gauge and straightedge. Side clearance between inner rotor and oil pump body (position 3).

Standard : 0.030 - 0.070 mm (0.0012 - 0.0028 in)

Side clearance between outer rotor and oil pump body (position 4).

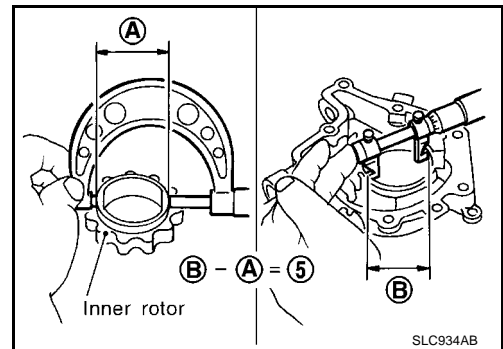
Standard : 0.050 - 0.110 mm (0.0020 - 0.0043 in)



- Calculate the clearance between inner rotor and oil pump body as follows.

1. Measure the outer diameter of protruded portion of inner rotor (position A).
2. Measure the inner diameter of oil pump body with inside micrometer (position B).
(clearance 5) = (inner diameter of oil pump body B) – (outer diameter of inner rotor A)

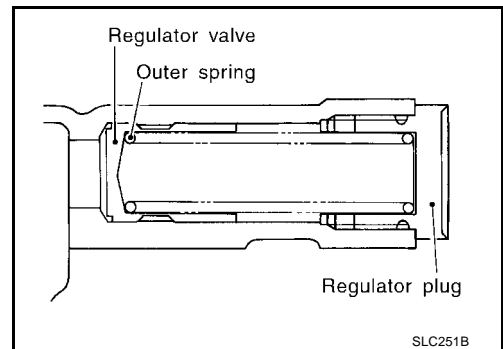
Standard : 0.045 - 0.091 mm (0.0018 - 0.0036 in)



Regulator Valve

1. Visually inspect components for wear and damage.
2. Check oil pressure regulator valve sliding surface and valve spring.
3. Coat regulator valve with engine oil. Check that it falls smoothly into the valve hole by its own weight.

If damaged, replace regulator valve set or oil pump body.



Regulator Valve Clearance

(Clearance 6) = D (Valve hole diameter) – E (Outer diameter of valve)

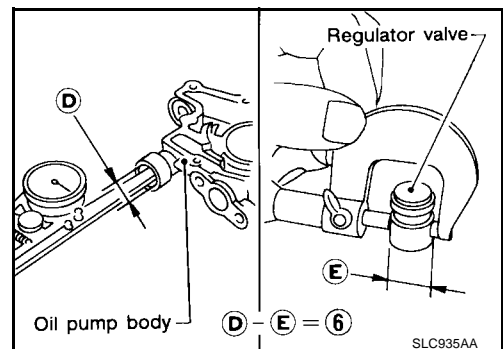
Standard : 0.040 - 0.097 mm (0.0016 - 0.0038 in)

If it exceeds the standard, replace the oil pump body.

CAUTION:

Coat regulator valve with engine oil.

Check that it falls smoothly into the valve hole by its own weight.

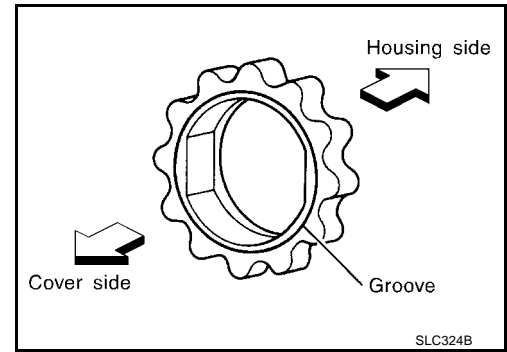


OIL PUMP

[VQ35DE]

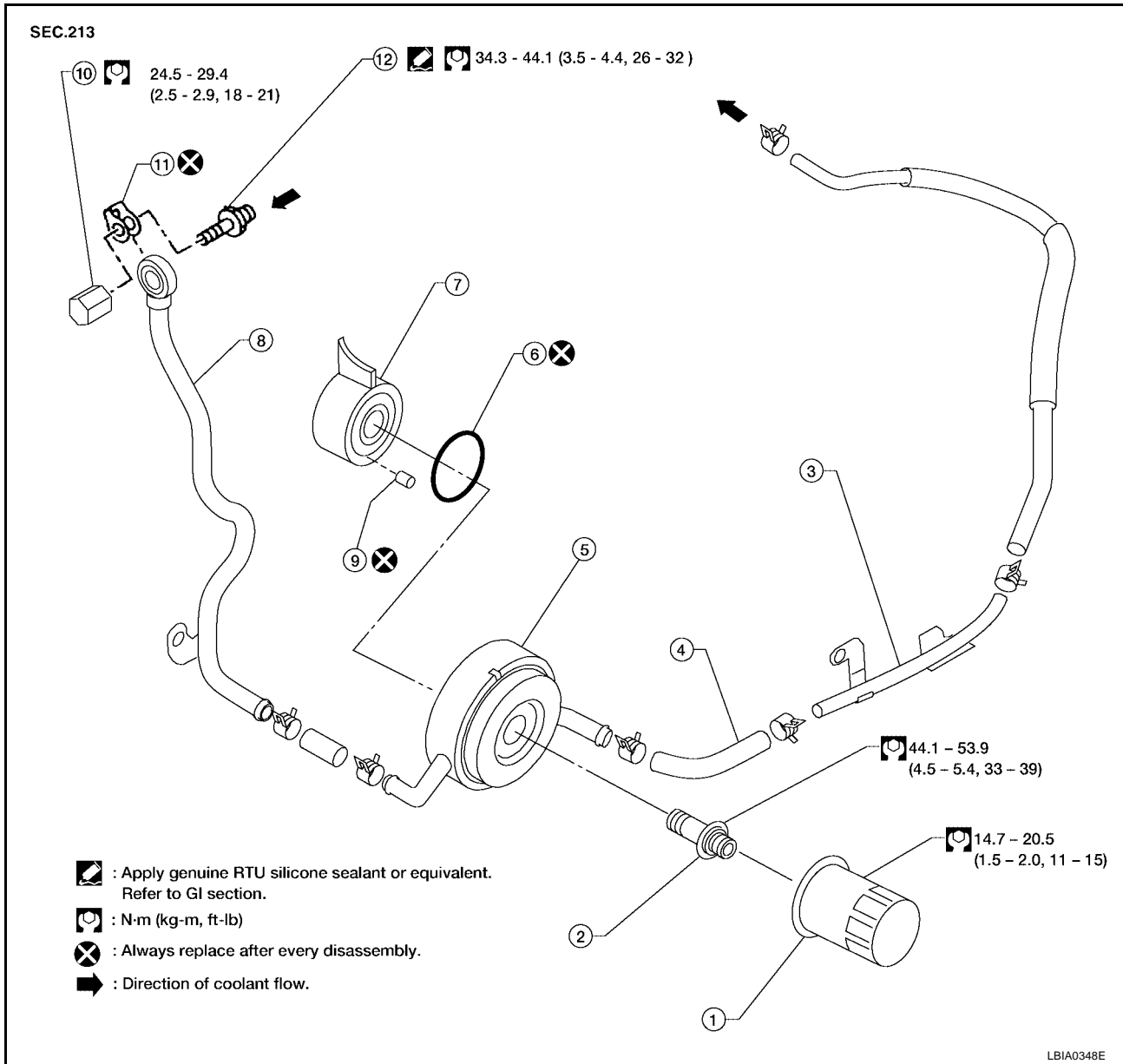
ASSEMBLY

- Assembly is in the reverse order of disassembly.
- Assemble the inner rotor and outer rotor with the punched marks on the oil pump cover side.



OIL COOLER

Removal and Installation



- | | | |
|-------------------|--------------------|---------------------|
| 1. Oil filter | 2. Oil cooler bolt | 3. Oil inlet pipe |
| 4. Oil inlet hose | 5. Oil cooler | 6. O-ring |
| 7. Oil pan | 8. Oil outlet pipe | 9. Relief valve |
| 10. Drain plug | 11. Copper gasket | 12. Water connector |

REMOVAL

1. Drain engine oil. Refer to [MA-26, "Changing Engine Oil"](#) .
2. Drain engine coolant. Refer to [CO-31, "DRAINING ENGINE COOLANT"](#) .
 - Do not spill coolant on the drive belt.
3. Remove the oil filter and the oil cooler.

INSPECTION AFTER REMOVAL

1. Check oil cooler for cracks.
2. Check oil cooler for clogging by blowing through coolant inlet. If necessary, replace oil cooler assembly.

A
 LU
 C
 D
 E
 F
 G
 H
 I
 J
 K
 L
 M

Oil Pressure Relief Valve

Inspect oil pressure relief valve for movement, cracks and breaks by pushing the ball. If replacement is necessary, remove valve by prying it out with a suitable tool. Install a new valve in place by tapping it.

INSTALLATION

- Installation is in reverse order of removal.
- **When installing the oil cooler, align the oil cooler stopper with the stopper of the oil pan.**

INSPECTION AFTER INSTALLATION

Start engine and check there are no leaks of engine oil or coolant.

SERVICE DATA AND SPECIFICATIONS (SDS)

[VQ35DE]

SERVICE DATA AND SPECIFICATIONS (SDS)

PF0:00100

Oil Pressure

EBS00J77

Engine speed rpm	Approximate discharge pressure kPa (kg/cm ² , psi)
Idle speed	More than 98 (1.0, 14)
2,000	294 (3.0, 43)

Regulator Valve

EBS00J78

Unit: mm (in)

Regulator valve to oil pump cover clearance	0.040 - 0.097 (0.0016 - 0.0038)
---	---------------------------------

Oil Pump

EBS00J79

Unit: mm (in)

Body to outer rotor radial clearance	0.114 - 0.200 (0.0045 - 0.0079)
Inner rotor to outer rotor tip clearance	Below 0.18 (0.0071)
Body to inner rotor axial clearance	0.030 - 0.070 (0.0012 - 0.0028)
Body to outer rotor axial clearance	0.050 - 0.110 (0.0020 - 0.0043)
Inner rotor to brazed portion of housing clearance	0.045 - 0.091 (0.0018 - 0.0036)

Oil Capacity

EBS00J7A

Unit: ℓ (US qt, Imp qt)

Drain and refill	With oil filter change	Approximately 4.2 (4 1/4, 3 3/4)
	Without oil filter change	Approximately 4.0 (4 1/4, 3 1/2)
Dry engine (engine overhaul)		Approximately 4.6 (4 7/8, 4)

