

SECTION WCS

WARNING CHIME SYSTEM

A
B
C
D
E
F
G
H
I
J
K
L
M
O
P

CONTENTS

BASIC INSPECTION	3	PARKING BRAKE RELEASE WARNING CHIME : System Description	10
DIAGNOSIS AND REPAIR WORKFLOW	3	PARKING BRAKE RELEASE WARNING CHIME : Component Parts Location	11
Work Flow	3	PARKING BRAKE RELEASE WARNING CHIME : Component Description	12
FUNCTION DIAGNOSIS	4	DIAGNOSIS SYSTEM (METER)	13
WARNING CHIME SYSTEM	4	CONSULT-III Function (METER/M&A)	13
WARNING CHIME SYSTEM	4	DIAGNOSIS SYSTEM (BCM)	15
WARNING CHIME SYSTEM : System Diagram	4	BUZZER	15
WARNING CHIME SYSTEM : System Description	4	BUZZER : CONSULT-III Function (BCM - BUZZ- ER)	15
WARNING CHIME SYSTEM : Component Parts Location	5	COMPONENT DIAGNOSIS	16
WARNING CHIME SYSTEM : Component De- scription	6	POWER SUPPLY AND GROUND CIRCUIT	16
LIGHT REMINDER WARNING CHIME	6	COMBINATION METER	16
LIGHT REMINDER WARNING CHIME : System Diagram	6	COMBINATION METER : Diagnosis Procedure	16
LIGHT REMINDER WARNING CHIME : System Description	6	BCM (BODY CONTROL MODULE)	16
LIGHT REMINDER WARNING CHIME : Compo- nent Parts Location	7	BCM (BODY CONTROL MODULE) : Diagnosis Procedure	17
LIGHT REMINDER WARNING CHIME : Compo- nent Description	7	BCM (BODY CONTROL MODULE) : Special Re- pair Requirement	17
SEAT BELT WARNING CHIME	8	METER BUZZER CIRCUIT	18
SEAT BELT WARNING CHIME : System Diagram	8	Description	18
SEAT BELT WARNING CHIME : System Descrip- tion	8	Component Function Check	18
SEAT BELT WARNING CHIME : Component Parts Location	9	Diagnosis Procedure	18
SEAT BELT WARNING CHIME : Component De- scription	9	SEAT BELT BUCKLE SWITCH SIGNAL CIR- CUIT	19
PARKING BRAKE RELEASE WARNING CHIME	10	Description	19
PARKING BRAKE RELEASE WARNING CHIME : System Diagram	10	Component Function Check	19
		Diagnosis Procedure	19
		Component Inspection	20
		WARNING CHIME SYSTEM	21
		Wiring Diagram-Coupe	21

WCS

Wiring Diagram-Sedan	27	THE PARKING BRAKE RELEASE WARNING CONTINUES SOUNDING, OR DOES NOT SOUND	35
ECU DIAGNOSIS	33	Description	35
COMBINATION METER	33	Diagnosis Procedure	35
Reference Value	33	THE LIGHT REMINDER WARNING DOES NOT SOUND	36
Wiring Diagram	33	Description	36
Fail Safe	33	Diagnosis Procedure	36
DTC Index	33	THE SEAT BELT WARNING CONTINUES SOUNDING, OR DOES NOT SOUND	37
BCM (BODY CONTROL MODULE)	34	Description	37
Reference Value	34	Diagnosis Procedure	37
Terminal Layout	34	PRECAUTION	38
Physical Values	34	PRECAUTIONS	38
Wiring Diagram	34	Supplemental Restraint System (SRS) "AIR BAG" and "SEAT BELT PRE-TENSIONER"	38
Fail Safe	34		
DTC Inspection Priority Chart	34		
DTC Index	34		
SYMPTOM DIAGNOSIS	35		

DIAGNOSIS AND REPAIR WORKFLOW

< BASIC INSPECTION >

BASIC INSPECTION

DIAGNOSIS AND REPAIR WORKFLOW

Work Flow

INFOID:000000001345878

DETAILED FLOW

1.OBTAIN INFORMATION ABOUT SYMPTOM

Interview the customer to obtain as much information as possible about the conditions and environment under which the malfunction occurred.

>> GO TO 2

2.CHECK SYMPTOM

- Check the symptom based on the information obtained from the customer.
- Check to see if any other malfunctions are present.

>> GO TO 3

3.CHECK CONSULT-III SELF-DIAGNOSIS RESULTS

Connect CONSULT-III and perform "SELF-DIAGNOSIS". Refer to [MWI-38. "CONSULT-III Function \(METER/M&A\)".](#)

Are self-diagnosis results normal?

YES >> GO TO 4

NO >> Repair or replace the malfunctioning parts, GO TO 5

4.NARROW DOWN MALFUNCTIONING PARTS THROUGH SYMPTOM DIAGNOSIS

Perform symptom diagnosis and repair or replace the identified malfunctioning parts.

>> GO TO 5

5.FINAL CHECK

Check that the warning buzzer in the combination meter operates normally.

Does it operate normally?

YES >> Inspection End.

NO >> GO TO 1

A

B

C

D

E

F

G

H

I

J

K

L

M

WCS

O

P

WARNING CHIME SYSTEM

< FUNCTION DIAGNOSIS >

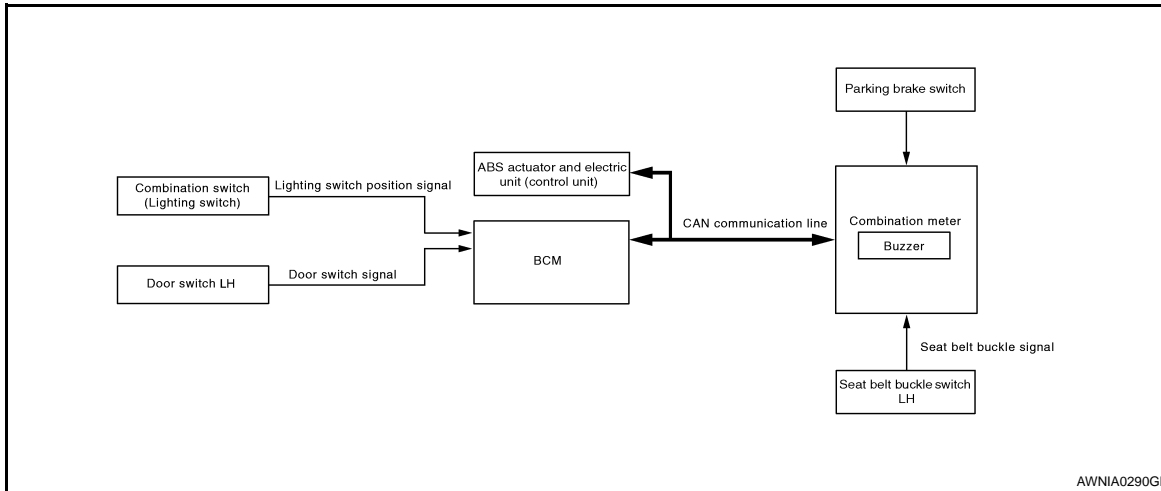
FUNCTION DIAGNOSIS

WARNING CHIME SYSTEM

WARNING CHIME SYSTEM

WARNING CHIME SYSTEM : System Diagram

INFOID:000000001345879

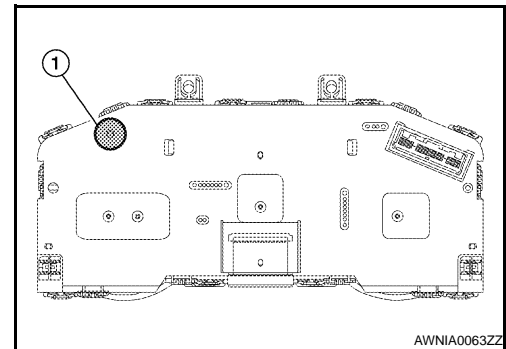


WARNING CHIME SYSTEM : System Description

INFOID:000000001345880

COMBINATION METER

- The buzzer (1) for warning chime system is installed in the combination meter.
- The buzzer sounds when the combination meter receives a buzzer output signal from each unit.



BCM

BCM receives signals from various units and transmits a buzzer output signal to the combination meter with CAN communication line if it judges that the warning buzzer should be activated.

BCM warning function list

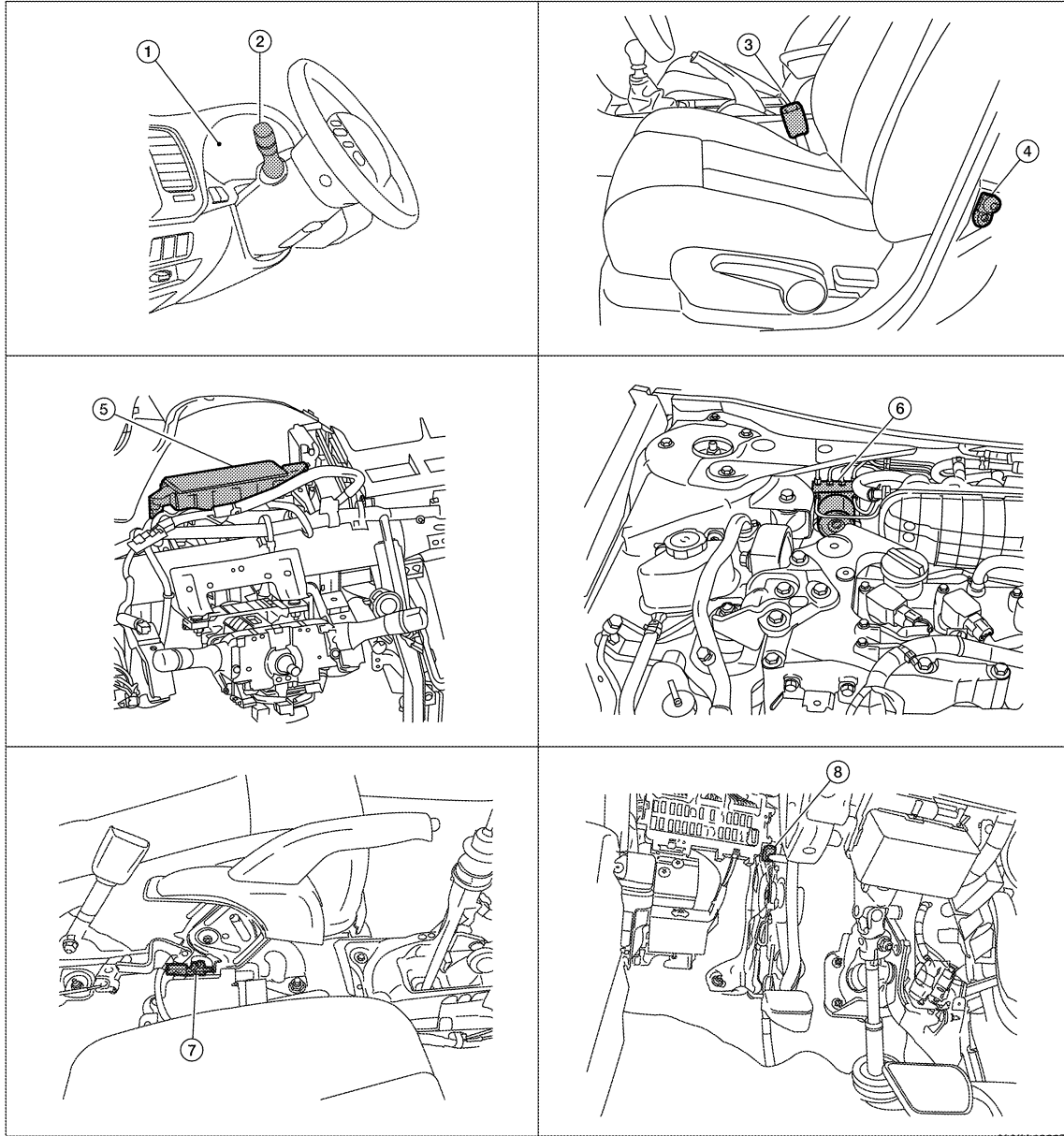
Warning functions	Signal name
Light reminder warning chime	<ul style="list-style-type: none"> • Lighting switch position signal • Door switch signal
Seat belt warning chime	Seat belt buckle switch signal

WARNING CHIME SYSTEM

< FUNCTION DIAGNOSIS >

WARNING CHIME SYSTEM : Component Parts Location

INFOID:000000001345881



- | | | |
|--|--|--|
| 1. Combination meter M24 | 2. Combination switch (lighting switch) M28 | 3. Seat belt buckle switch LH B202 |
| 4. Door switch LH B8 | 5. BCM M16, M17, M18, M19 (view with instrument panel removed) | 6. ABS actuator and electric unit (control unit) E26 |
| 7. Parking brake switch M73 (sedan with M/T or coupe) (view with center console removed) | 8. Parking brake switch E35 (sedan with CVT) [view with instrument panel lower cover (LH) removed] | |

ALNIA1068ZZ

A
B
C
D
E
F
G
H
I
J
K
L
M
O
P

WCS

WARNING CHIME SYSTEM

< FUNCTION DIAGNOSIS >

WARNING CHIME SYSTEM : Component Description

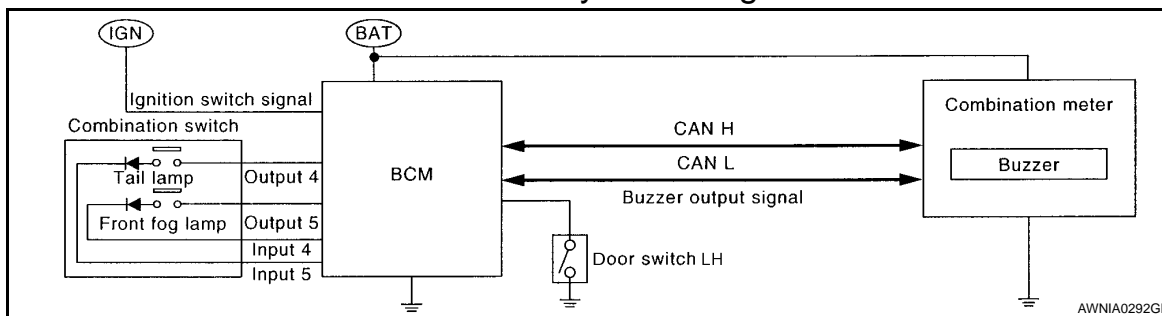
INFOID:000000001345882

Unit	Description
Combination meter	<ul style="list-style-type: none"> Judges whether the parking brake is released using the vehicle speed signal and the parking brake switch signal, and sounds the buzzer if necessary. Receives the seat belt buckle switch signal from the seat belt buckle switch and transmits it to BCM with CAN communication line. Receives a buzzer output signal from BCM with CAN communication line.
BCM	Transmits signals provided by various units to the combination meter with CAN communication line.
ABS actuator and electric unit (control unit)	Transmits the vehicle speed signal to combination meter with CAN communication line.
Seat belt buckle switch LH	Transmits a seat belt buckle switch signal to the combination meter.
Combination switch (Lighting switch)	Transmits the lighting switch position signal to BCM.
Door switch LH	Transmits the door switch signal to BCM.
Parking brake switch	Transmits parking brake signal to combination meter.

LIGHT REMINDER WARNING CHIME

LIGHT REMINDER WARNING CHIME : System Diagram

INFOID:000000001345883



LIGHT REMINDER WARNING CHIME : System Description

INFOID:000000001345884

DESCRIPTION

With ignition switch in OFF or ACC position, driver door open, and lighting switch in 1ST or 2ND position, the light warning chime will sound.

- BCM detects ignition switch in OFF or ACC position, door switch LH ON, and lighting switch in 1ST or 2ND position. And then transmits buzzer output signal (light reminder warning chime) to combination meter with CAN communication line.
- When combination meter receives buzzer output signal (light reminder warning chime), it sounds the buzzer.

WARNING OPERATION CONDITIONS

If all of the following conditions are fulfilled

- Lighting switch is at 1st or 2nd position
- Ignition switch is at OFF or ACC
- Door switch LH is ON

WARNING CANCEL CONDITIONS

Warning is canceled if any of the following conditions is fulfilled.

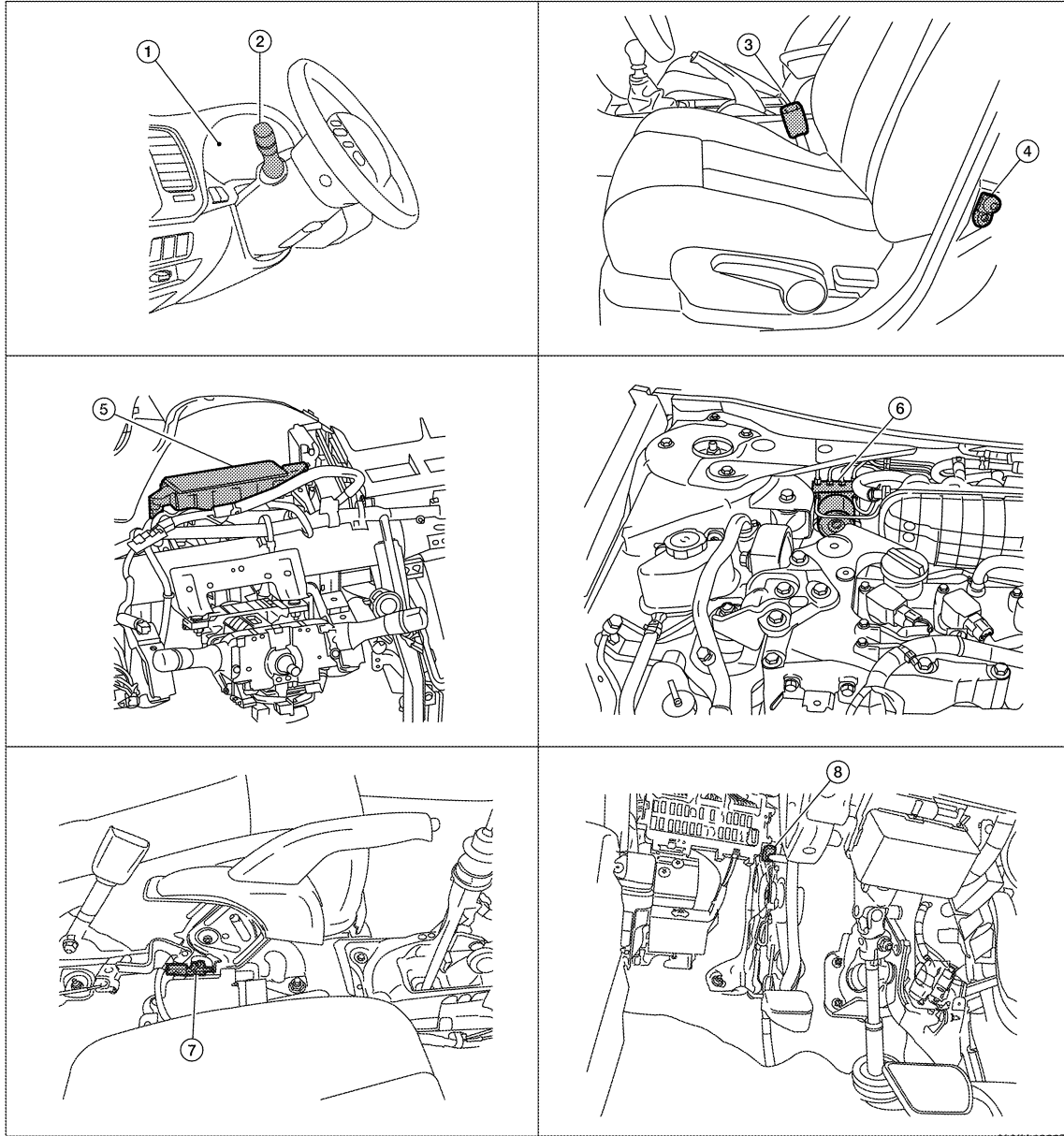
- Lighting switch OFF
- Ignition switch ON
- Door switch LH is OFF

WARNING CHIME SYSTEM

< FUNCTION DIAGNOSIS >

LIGHT REMINDER WARNING CHIME : Component Parts Location

INFOID:000000001737208



ALNIA1068ZZ

- | | | |
|--|--|--|
| 1. Combination meter M24 | 2. Combination switch (lighting switch) M28 | 3. Seat belt buckle switch LH B202 |
| 4. Door switch LH B8 | 5. BCM M16, M17, M18, M19 (view with instrument panel removed) | 6. ABS actuator and electric unit (control unit) E26 |
| 7. Parking brake switch M73 (sedan with M/T or coupe) (view with center console removed) | 8. Parking brake switch E35 (sedan with CVT) [view with instrument panel lower cover (LH) removed] | |

LIGHT REMINDER WARNING CHIME : Component Description

INFOID:000000001345886

Unit	Description
Combination meter	Receives a buzzer output signal from BCM via CAN communication line and sounds the buzzer.
BCM	Judges the light warning conditions from the signals provided by various switches and transmits a buzzer output signal to the combination meter via CAN communication line if necessary.

A
B
C
D
E
F
G
H
I
J
K
L
M
O
P

WCS

WARNING CHIME SYSTEM

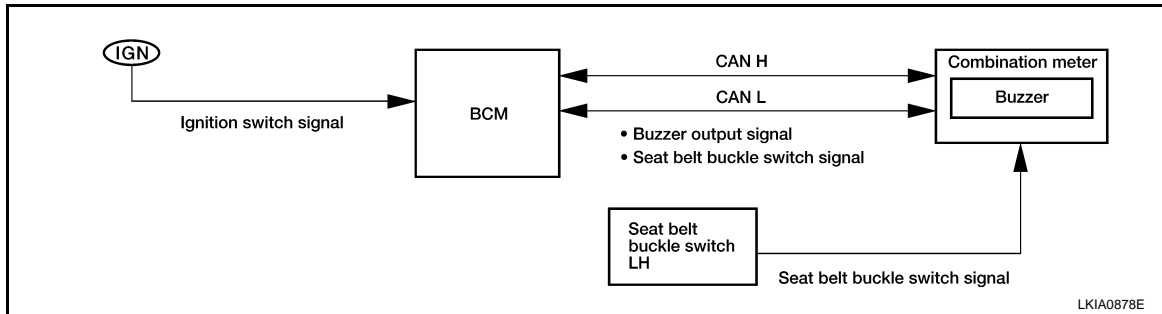
< FUNCTION DIAGNOSIS >

Unit	Description
Combination switch (Lighting switch)	Transmits the lighting switch position signal to BCM.
Door switch LH	Transmits the door switch signal to BCM.

SEAT BELT WARNING CHIME

SEAT BELT WARNING CHIME : System Diagram

INFOID:000000001345887



SEAT BELT WARNING CHIME : System Description

INFOID:000000001345888

DESCRIPTION

With ignition switch turned ON and driver seat belt unfastened, seat belt warning chime will sound for approximately 6 seconds.

- BCM receives seat belt buckle switch signal from combination meter with CAN communication line.
- BCM detects ignition switch turned ON and seat belt buckle switch LH ON. And then transmits buzzer output signal (seat belt warning chime) to combination meter with CAN communication line.
- When combination meter receives buzzer output signal (seat belt warning chime), it sounds the buzzer.

WARNING OPERATION CONDITIONS

If all of the following conditions are fulfilled

- Ignition switch OFF→ON
- Seat buckle switch LH is ON (driver seat belt not fastened)

WARNING CANCEL CONDITIONS

Cancels the warning if any of the following conditions is fulfilled.

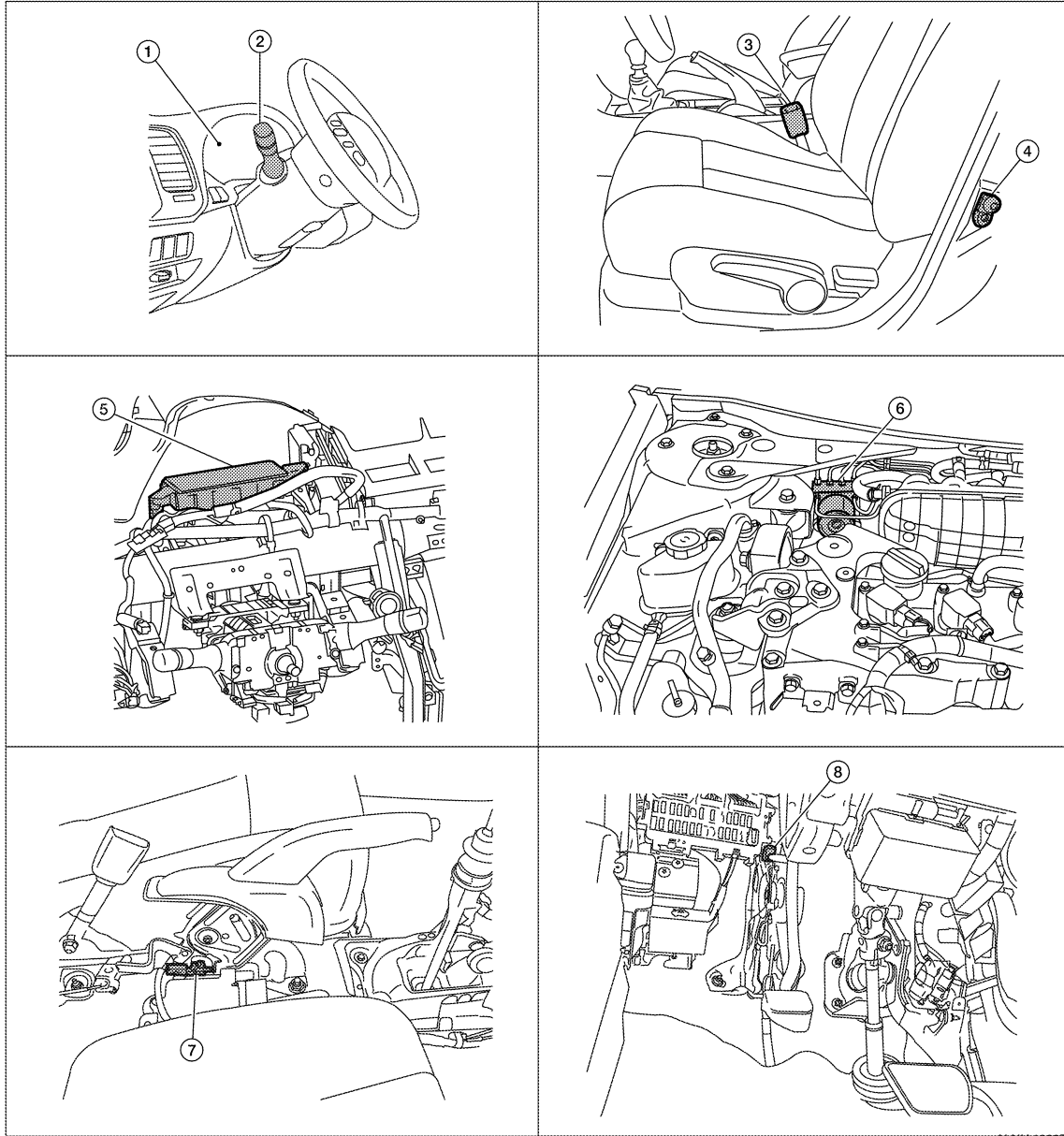
- Ignition switch OFF
- Seat buckle switch LH is OFF (driver seat belt fastened)
- 90 seconds have passed since the start of the warning

WARNING CHIME SYSTEM

< FUNCTION DIAGNOSIS >

SEAT BELT WARNING CHIME : Component Parts Location

INFOID:000000001737209



ALNIA1068ZZ

- | | | |
|--|--|--|
| 1. Combination meter M24 | 2. Combination switch (lighting switch) M28 | 3. Seat belt buckle switch LH B202 |
| 4. Door switch LH B8 | 5. BCM M16, M17, M18, M19 (view with instrument panel removed) | 6. ABS actuator and electric unit (control unit) E26 |
| 7. Parking brake switch M73 (sedan with M/T or coupe) (view with center console removed) | 8. Parking brake switch E35 (sedan with CVT) [view with instrument panel lower cover (LH) removed] | |

SEAT BELT WARNING CHIME : Component Description

INFOID:000000001345890

Unit	Description
Combination meter	<ul style="list-style-type: none"> • Receives the seat belt buckle switch signal from the seat belt buckle switch and transmits it to BCM via CAN communication line. • Receives a buzzer output signal from BCM via CAN communication line and sounds the buzzer.

A
B
C
D
E
F
G
H
I
J
K
L
M
O
P

WCS

WARNING CHIME SYSTEM

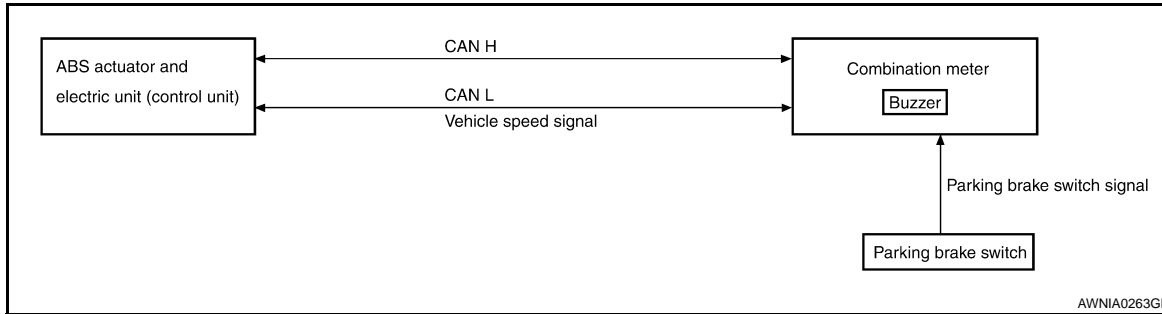
< FUNCTION DIAGNOSIS >

Unit	Description
BCM	Judges the seat belt warning condition from the seat belt buckle switch signal received from the combination meter and transmits a buzzer output signal to the combination meter via CAN communication line if necessary.
Seat belt buckle switch LH	Transmits seat belt buckle switch signal to combination meter.

PARKING BRAKE RELEASE WARNING CHIME

PARKING BRAKE RELEASE WARNING CHIME : System Diagram

INFOID:000000001345891



PARKING BRAKE RELEASE WARNING CHIME : System Description

INFOID:000000001345892

DESCRIPTION

- The combination meter receives the vehicle speed signal from the ABS actuator and electric unit (control unit) via CAN communication line.
- The combination meter judges whether the parking brake is released using the parking brake switch signal from the parking brake switch, and sounds the warning buzzer if necessary.

WARNING OPERATION CONDITIONS

If all of the following conditions are fulfilled

- Vehicle speed is approximately 7 km/h (4.3 MPH) or higher
- Parking brake switch ON

WARNING CANCEL CONDITIONS

Warning is canceled if any of the following conditions is fulfilled.

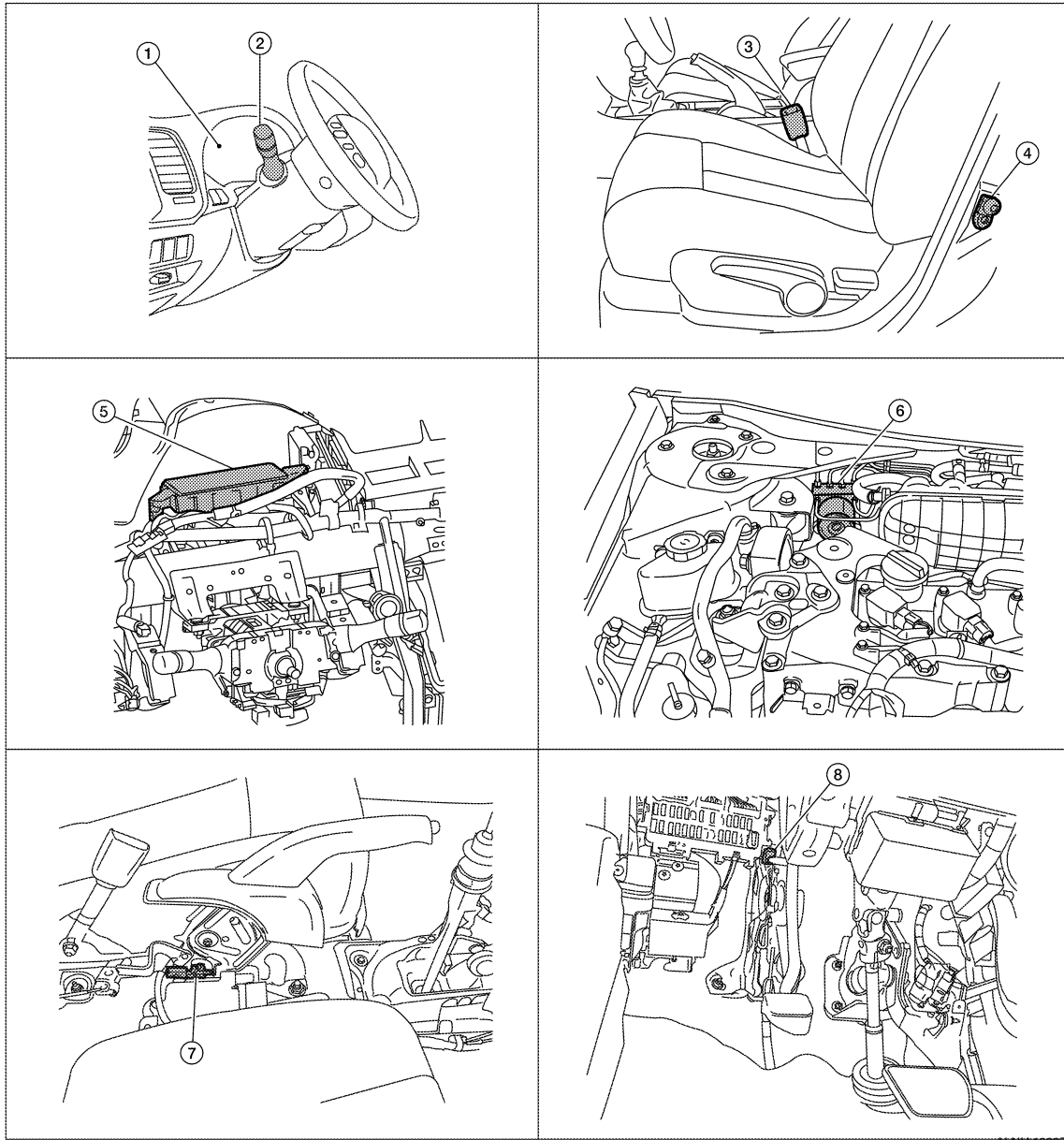
- Vehicle speed is approximately 3 km/h (1.9 MPH) or less
- Parking brake switch OFF

WARNING CHIME SYSTEM

< FUNCTION DIAGNOSIS >

PARKING BRAKE RELEASE WARNING CHIME : Component Parts Location

INFOID:000000001737210



ALNIA1068ZZ

- | | | |
|--|--|--|
| 1. Combination meter M24 | 2. Combination switch (lighting switch) M28 | 3. Seat belt buckle switch LH B202 |
| 4. Door switch LH B8 | 5. BCM M16, M17, M18, M19 (view with instrument panel removed) | 6. ABS actuator and electric unit (control unit) E26 |
| 7. Parking brake switch M73 (sedan with M/T or coupe) (view with center console removed) | 8. Parking brake switch E35 (sedan with CVT) [view with instrument panel lower cover (LH) removed] | |

A
B
C
D
E
F
G
H
I
J
K
L
M
N
O
P

WCS

WARNING CHIME SYSTEM

< FUNCTION DIAGNOSIS >

PARKING BRAKE RELEASE WARNING CHIME : Component Description INFOID:000000001345894

Unit	Description
Combination meter	<ul style="list-style-type: none">Judges whether the parking brake is released using the parking brake switch signal from the parking brake switch, and sounds the buzzer if necessary.Receives a vehicle speed signal from ABS actuator and electric unit (control unit) via CAN communication line.
ABS actuator and electric unit (control unit)	Transmits the vehicle speed signal to combination meter via CAN communication line.
Parking brake switch	Transmits parking brake switch signal to the combination meter.

DIAGNOSIS SYSTEM (METER)

< FUNCTION DIAGNOSIS >

DIAGNOSIS SYSTEM (METER)

CONSULT-III Function (METER/M&A)

INFOID:000000001737211

CONSULT-III can display each diagnostic item using the diagnostic test modes shown following.

METER/M&A diagnosis mode	Description
SELF-DIAG RESULTS	Displays combination meter self-diagnosis results.
DATA MONITOR	Displays combination meter input/output data in real time.
CAN DIAG SUPPORT MNTR	The result of transmit/receive diagnosis of CAN communication can be read.

SELF-DIAG RESULTS

Display Item List

Refer to [MWI-92, "DTC Index"](#).

DATA MONITOR

Display Item List

X: Applicable

Display item [Unit]	MAIN SIGNALS	SELECTION FROM MENU	Description
SPEED METER [km/h] or [mph]	X	X	Displays the value of vehicle speed signal.
SPEED OUTPUT [km/h] or [mph]	X	X	Displays the value of vehicle speed signal, which is transmitted to each unit with CAN communication.
ODO OUTPUT		X	Displays the value, which is calculated by vehicle speed signal.
TACHO METER [rpm]	X	X	Displays the value of engine speed signal, which is input from ECM.
FUEL METER [lit.]	X	X	Displays the value, which processes a resistance signal from fuel gauge.
W TEMP METER [°C] or [°F]	X	X	Displays the value of engine coolant temperature signal, which is input from ECM.
ABS W/L [ON/OFF]		X	Displays [ON/OFF] condition of ABS warning lamp.
VDC/TCS IND [ON/OFF]		X	Displays [ON/OFF] condition of VDC/TCS OFF indicator lamp.
SLIP IND [ON/OFF]		X	Displays [ON/OFF] condition of SLIP indicator lamp.
BRAKE W/L [ON/OFF]		X	Displays [ON/OFF] condition of brake warning lamp.*
DOOR W/L [ON/OFF]		X	Displays [ON/OFF] condition of door warning lamp.
TRUNK/GLAS-H [ON/OFF]		X	Displays [ON/OFF] condition of trunk warning lamp.
HI-BEAM IND [ON/OFF]		X	Displays [ON/OFF] condition of high beam indicator.
TURN IND [ON/OFF]		X	Displays [ON/OFF] condition of turn indicator.
OIL W/L [ON/OFF]		X	Displays [ON/OFF] condition of oil pressure warning lamp.
MIL [ON/OFF]		X	Displays [ON/OFF] condition of malfunction indicator lamp.
CRUISE IND [ON/OFF]		X	Displays [ON/OFF] condition of CRUISE indicator.
SET IND [ON/OFF]		X	Displays [ON/OFF] condition of SET indicator.
ATC/T-AMT W/L [ON/OFF]		X	Displays [ON/OFF] condition of AT CHECK warning lamp.
FUEL W/L [ON/OFF]		X	Displays [ON/OFF] condition of low-fuel warning lamp.
WASHER W/L [ON/OFF]		X	Displays [ON/OFF] condition of low-washer fluid warning lamp.
AIR PRES W/L [ON/OFF]		X	Displays [ON/OFF] condition of tire pressure warning lamp.
KEY G W/L [ON/OFF]		X	Displays [ON/OFF] condition of key warning lamp.
LCD		X	Displays the value of Intelligent Key system message indication.
SHIFT IND [P, R, N, D, L]		X	Displays [P, R, N, D, L] range position of CVT.
M RANGE SW [ON/OFF]		X	Displays [ON/OFF] condition of manual mode range switch.

DIAGNOSIS SYSTEM (METER)

< FUNCTION DIAGNOSIS >

Display item [Unit]	MAIN SIGNALS	SELECTION FROM MENU	Description
NM RANGE SW [ON/OFF]		X	Displays [ON/OFF] condition of except for manual mode range switch.
AT SFT UP SW [ON/OFF]		X	Displays [ON/OFF] condition of A/T shift-up switch.
AT SFT DWN SW [ON/OFF]		X	Displays [ON/OFF] condition of A/T shift-down switch.
COMP F/B SIG [ON/OFF]		X	A/C compressor activation condition that ECM judges according to the water temperature and the acceleration degree.
PKB SW [ON/OFF]		X	Displays [ON/OFF] condition of parking brake switch.
BUCKLE SW [ON/OFF]		X	Displays [ON/OFF] condition of seat belt buckle switch LH.
BRAKE OIL SW [ON/OFF]		X	Displays [ON/OFF] condition of brake fluid level switch.
DISTANCE [km] or [mile]		X	Displays the value, which is calculated by vehicle speed signal, fuel gauge and fuel consumption from ECM.
OUTSIDE TEMP [°C]		X	Displays the ambient air temperature, which is input from ambient sensor.
FUEL LOW SIG [ON/FF]		X	Displays [ON/OFF] condition of low-fuel warning signal.
BUZZER [ON/OFF]	X	X	Displays [ON/OFF] condition of buzzer.

NOTE:

Some items are not available due to vehicle specification.

*: The monitor will indicate "OFF" even though the brake warning lamp is on if either of the following conditions exist.

- The parking brake is engaged
- The brake fluid level is low

DIAGNOSIS SYSTEM (BCM)

< FUNCTION DIAGNOSIS >

DIAGNOSIS SYSTEM (BCM)

BUZZER

BUZZER : CONSULT-III Function (BCM - BUZZER)

INFOID:000000001345896

CONSULT-III APPLICATION ITEMS

Test item	Diagnosis mode	Description
BUZZER	Data Monitor	Displays BCM input data in real time.
	Active Test	Operation of electrical loads can be checked by sending driving signal to them.

DATA MONITOR

Display item [Unit]	Description
VEH SPEED 1 [Km/h]	Value of vehicle speed signal received from ABS actuator and electric unit (control unit) (with ABS), TCM (with CVT, without ABS) or vehicle speed sensor (without ABS or CVT).
PUSH SW [On/Off]	Status of push button ignition switch judged by BCM.
UNLK SEN-DR [On/Off]	Status of unlock sensor judged by BCM.
KEY SW-SLOT [On/Off]	Status of key slot judged by BCM.
TAIL LAMP SW [On/Off]	Status of each switch judged by BCM using the combination switch readout function.
FR FOG SW [On/Off]	Status of front fog lamp switch judged by BCM.
DOOR SW-DR [On/Off]	Status of driver side door switch judged by BCM.

ACTIVE TEST

Display item [Unit]	Description
IGN KEY WARN ALM	The key warning chime operation can be checked by operating the relevant function (On/Off).
SEAT BELT WARN TEST	The seat belt warning chime operation can be checked by operating the relevant function (On/Off).
ID REGIST WARNING	The ID regist warning chime operation can be checked by operating the relevant function (On/Off).
LIGHT WARN ALM	The light warning chime operation can be checked by operating the relevant function (On/Off).
RUN FLAT/T WARN BUZZER	The run-flat tire warning chime operation can be checked by operating the relevant function (On/Off).

A

B

C

D

E

F

G

H

I

J

K

L

M

WCS

O

P

POWER SUPPLY AND GROUND CIRCUIT

< COMPONENT DIAGNOSIS >

COMPONENT DIAGNOSIS

POWER SUPPLY AND GROUND CIRCUIT COMBINATION METER

COMBINATION METER : Diagnosis Procedure

INFOID:000000001737212

1. CHECK FUSES

Check for blown combination meter fuses.

Unit	Power source	Fuse No.
Combination meter	Battery	11
	Ignition switch ON or START	4
	Ignition switch ACC or ON	19

Is the inspection result normal?

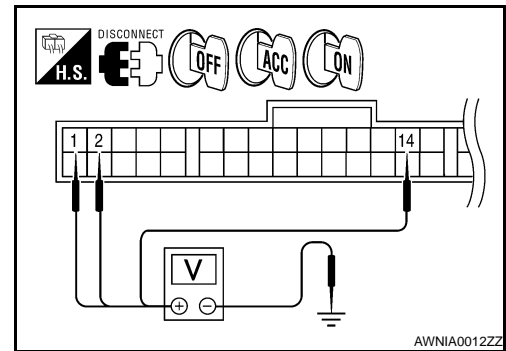
YES >> GO TO 2

NO >> If fuse is blown, be sure to eliminate cause of malfunction before installing new fuse.

2. POWER SUPPLY CIRCUIT CHECK

1. Disconnect combination meter connector.
2. Check voltage between combination meter harness connector M24 terminals 1, 2, 14 and ground.

Terminals		(-)	Ignition switch position			
(+)	Connector		Terminal	OFF	ACC	ON
M24	1	Ground	Battery voltage	Battery voltage	Battery voltage	Battery voltage
	2		0V	0V	Battery voltage	Battery voltage
	14		0V	Battery voltage	Battery voltage	Battery voltage



Is the inspection result normal?

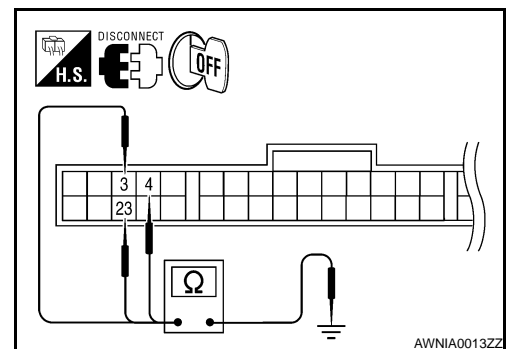
YES >> GO TO 3

NO >> Check harness for open between combination meter and fuse.

3. GROUND CIRCUIT CHECK

1. Turn ignition switch OFF.
2. Check continuity between combination meter harness connector terminals 3, 4, 23 and ground.

Terminals		(-)	Continuity
(+)	Connector		
M24	3	Ground	Yes
	4		
	23		



Is the inspection result normal?

YES >> Inspection End.

NO >> Check ground harness.

BCM (BODY CONTROL MODULE)

POWER SUPPLY AND GROUND CIRCUIT

< COMPONENT DIAGNOSIS >

BCM (BODY CONTROL MODULE) : Diagnosis Procedure

INFOID:000000001737213

1. CHECK FUSE AND FUSIBLE LINK

Check if the following BCM fuse or fusible link are blown.

Terminal No.	Signal name	Fuse and fusible link No.
1	Battery power supply	I
11		10

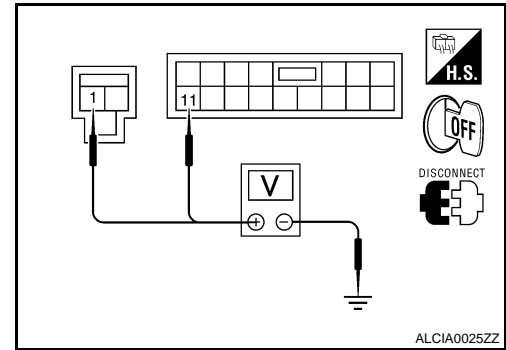
Is the fuse or fusible link blown?

- YES >> Replace the blown fuse or fusible link after repairing the affected circuit.
 NO >> GO TO 2

2. CHECK POWER SUPPLY CIRCUIT

- Turn ignition switch OFF.
- Disconnect BCM.
- Check voltage between BCM harness connector and ground.

Terminals		Voltage (Approx.)
(+)	(-)	
BCM		Ground
Connector	Terminal	
M16	1	
M17	11	
		Battery voltage



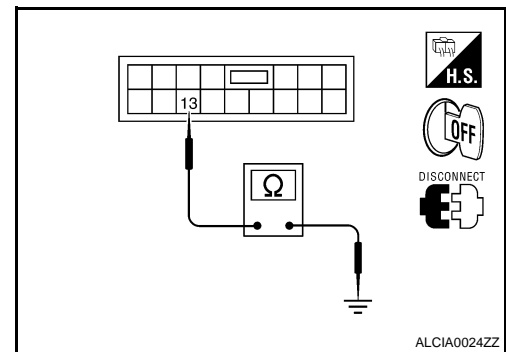
Is the measurement normal?

- YES >> GO TO 3
 NO >> Repair or replace harness.

3. CHECK GROUND CIRCUIT

Check continuity between BCM harness connector and ground.

BCM		Ground	Continuity
Connector	Terminal		Yes
M17	13		Yes



Does continuity exist?

- YES >> Inspection End.
 NO >> Repair or replace harness.

BCM (BODY CONTROL MODULE) : Special Repair Requirement

INFOID:000000001737214

1. REQUIRED WORK WHEN REPLACING BCM

Initialize control unit. Refer to CONSULT-III Operation Manual.

>> Work end.

A
B
C
D
E
F
G
H
I
J
K
L
M
O
P

METER BUZZER CIRCUIT

< COMPONENT DIAGNOSIS >

METER BUZZER CIRCUIT

Description

INFOID:000000001345899

- The buzzer for warning chime system is installed in the combination meter.
- The combination meter sounds the alarm buzzer based on the signals transmitted from various units.

Component Function Check

INFOID:000000001345900

1. CHECK OPERATION OF METER BUZZER

1. Select "BUZZER" of "BCM" on CONSULT-III.
2. Perform "LIGHT WARN ALM" of "ACTIVE TEST".

Does meter buzzer activate?

- YES >> Inspection End.
NO >> Replace combination meter. Refer to [MWI-172. "Removal and Installation"](#).

Diagnosis Procedure

INFOID:000000001345901

1. CHECK POWER SUPPLY OF COMBINATION METER

Check power supply of combination meter. Refer to [WCS-16. "COMBINATION METER : Diagnosis Procedure"](#).

Is the inspection result normal?

- YES >> Inspection End.
NO >> Repair or replace harness.

SEAT BELT BUCKLE SWITCH SIGNAL CIRCUIT

< COMPONENT DIAGNOSIS >

SEAT BELT BUCKLE SWITCH SIGNAL CIRCUIT

Description

INFOID:000000001345902

Transmits a seat belt buckle switch signal to the combination meter.

Component Function Check

INFOID:000000001345903

1. CHECK COMBINATION METER INPUT SIGNAL

Select "DATA MONITOR" for "METER/M&A" and check the "BUCKLE SW" monitor value.

BUCKLE SW

When seat belt is fastened : OFF

When seat belt is unfastened : ON

>> Inspection End.

Diagnosis Procedure

INFOID:000000001345904

1. CHECK COMBINATION METER INPUT SIGNAL

1. Turn ignition switch ON.
2. Check voltage between combination meter harness connector M24 terminal 35 and ground.

35 - Ground

When driver seat belt is fastened : Approx. 12V

When driver seat belt is unfastened : Approx. 0V

Is the inspection result normal?

YES >> Replace combination meter. Refer to [MWI-172](#), "Removal and Installation".

NO >> GO TO 2

2. CHECK SEAT BELT BUCKLE SWITCH CIRCUIT

1. Turn ignition switch OFF.
2. Disconnect combination meter and seat belt buckle switch LH.
3. Check continuity between combination meter harness connector M24 terminal 35 and seat belt buckle switch LH harness connector B202 terminal 1.

35 - 1 : Continuity should exist.

4. Check harness continuity between combination meter harness connector M24 terminal 35 and ground.

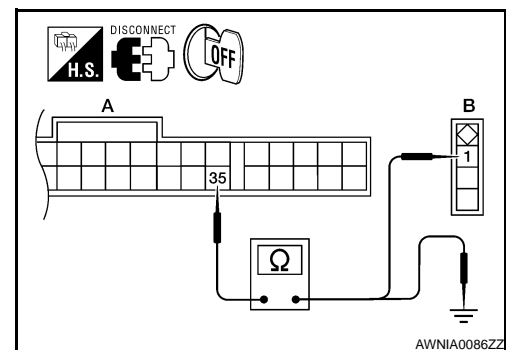
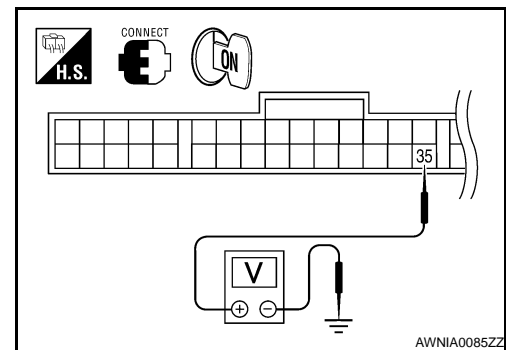
35 - Ground : Continuity should not exist.

Is the inspection result normal?

YES >> GO TO 3

NO >> Repair or replace harness.

3. CHECK SEAT BELT BUCKLE SWITCH GROUND CIRCUIT



A
B
C
D
E
F
G
H
I
J
K
L
M
N
O
P

WCS

SEAT BELT BUCKLE SWITCH SIGNAL CIRCUIT

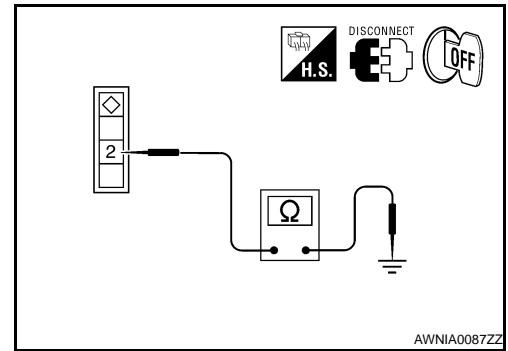
< COMPONENT DIAGNOSIS >

Check harness continuity between seat belt buckle switch LH harness connector B202 terminal 2 and ground.

2 - Ground : Continuity should exist.

Is the inspection result normal?

- YES >> Inspection End.
- NO >> Repair or replace harness.



INFOID:000000001345905

Component Inspection

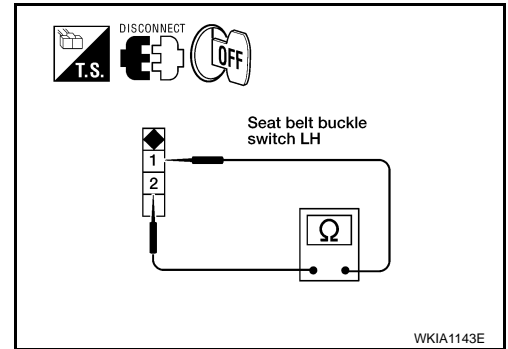
1. CHECK SEAT BELT BUCKLE SWITCH

1. Turn ignition switch OFF.
2. Disconnect the seat belt buckle switch.
3. Check continuity between terminals 1 and 2.

1-2
When seat belt is fastened : Continuity should not exist.
When seat belt is unfastened : Continuity should exist.

Is the inspection result normal?

- YES >> Inspection End.
- NO >> Replace the seat belt buckle switch LH.



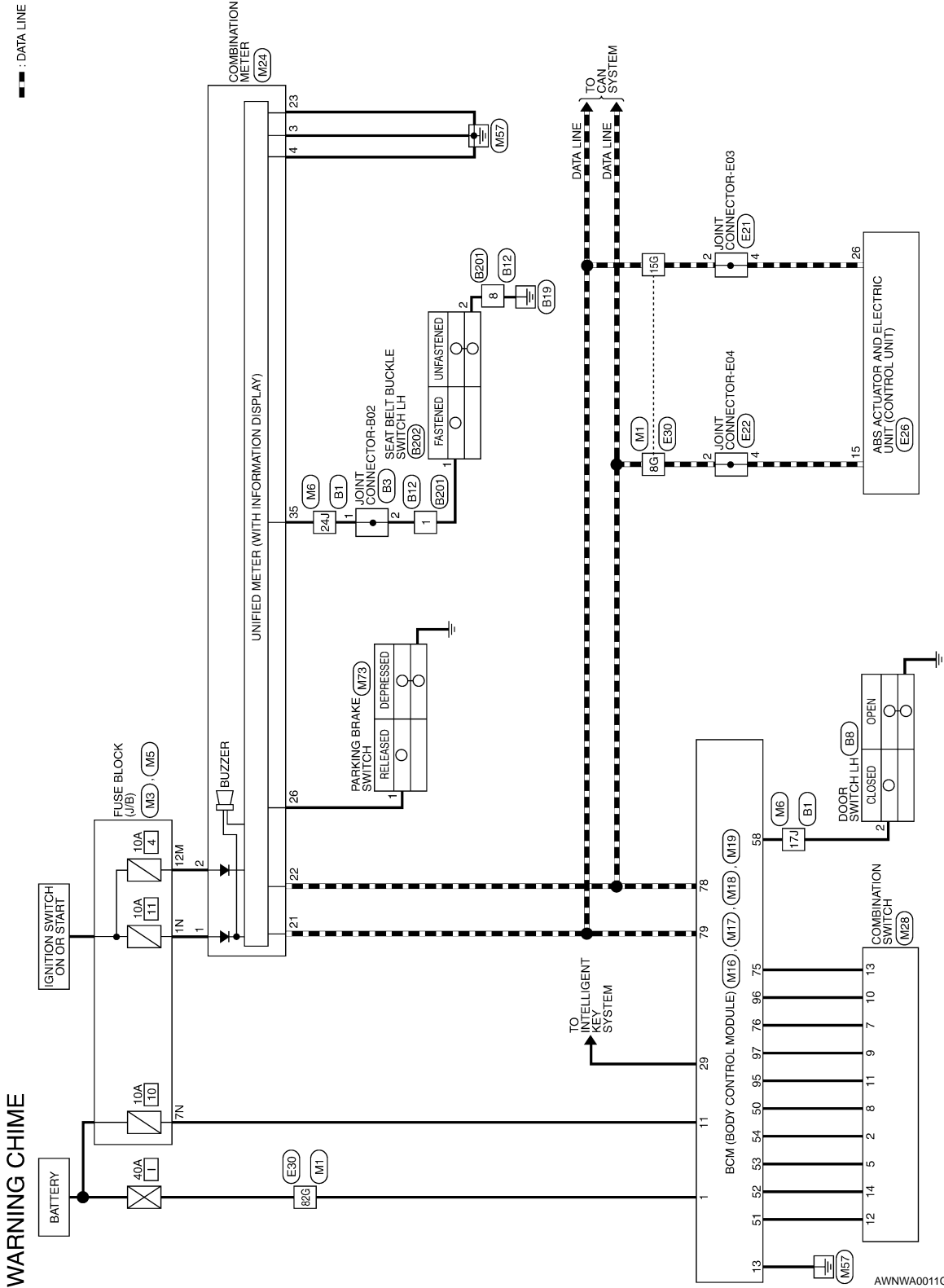
WARNING CHIME SYSTEM

< COMPONENT DIAGNOSIS >

WARNING CHIME SYSTEM

Wiring Diagram-Coupe

INFOID:000000001345906



AWNWA0011GI

A
B
C
D
E
F
G
H
I
J
K
L
M
N
O
P

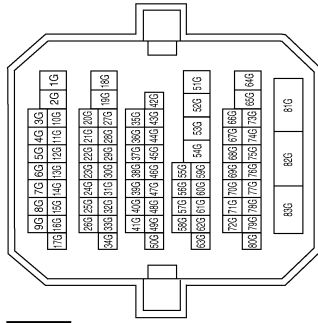
WCS

WARNING CHIME SYSTEM

< COMPONENT DIAGNOSIS >

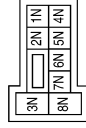
WARNING CHIME CONNECTORS

Connector No.	M1
Connector Name	WIRE TO WIRE
Connector Color	WHITE



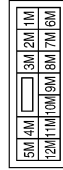
Terminal No.	Color of Wire	Signal Name
8G	P	—
15G	L	—
82G	W/B	—

Connector No.	M3
Connector Name	FUSE BLOCK (J/B)
Connector Color	WHITE

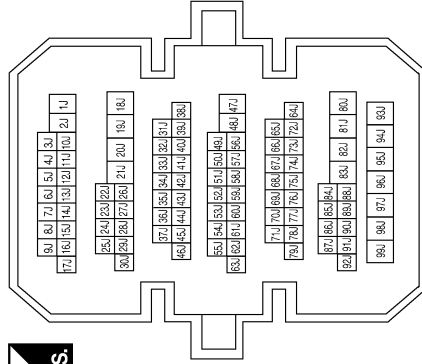


Terminal No.	Color of Wire	Signal Name
1N	W/L	—
7N	Y/R	—

Connector No.	M5
Connector Name	FUSE BLOCK (J/B)
Connector Color	WHITE



Connector No.	M6
Connector Name	WIRE TO WIRE
Connector Color	WHITE





Terminal No.	Color of Wire	Signal Name
12M	P	—

AWNIA0364GB

WARNING CHIME SYSTEM

< COMPONENT DIAGNOSIS >

Connector No.	M18
Connector Name	BCM (BODY CONTROL MODULE)
Connector Color	GREEN






38	37	36	35	34	33	32	31	30	28	27	26	25	24	23	22	21	20		
59	58	57	56	55	54	53	52	51	50	49	48	47	46	45	44	43	42	41	40

Terminal No.	Color of Wire	Signal Name
29	Y	FOB_IN_SW_1
50	LG/B	INPUT_5
51	LW	INPUT_1
52	G/B	INPUT_2
53	LG/R	INPUT_3
54	G/Y	INPUT_4
58	SB	DR_DOOR_SW

Terminal No.	Color of Wire	Signal Name
1	W/L	BATT
2	O	IGN
3	B	GND
4	B	GND
21	L	CAN-H
22	P	CAN-L
23	B	GND
26	G/R	PKB
35	W/B	DR_BELT


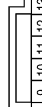
Connector No.	M17
Connector Name	BCM (BODY CONTROL MODULE)
Connector Color	WHITE

4	5	6	7	8	9	10		
11	12	13	14	15	16	17	18	19

Terminal No.	Color of Wire	Signal Name
11	Y/R	BAT_BCM_FUSE
13	B	GND1


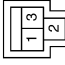
Connector No.	M24
Connector Name	COMBINATION METER
Connector Color	WHITE

1	2	3	4	5	6	7	8	9	10	11	12	13	14	15	16	17	18	19	20
21	22	23	24	25	26	27	28	29	30	31	32	33	34	35	36	37	38	39	40

Terminal No.	Color of Wire	Signal Name
11	Y/R	BAT_BCM_FUSE
13	B	GND1



Connector No.	M16
Connector Name	BCM (BODY CONTROL MODULE)
Connector Color	BLACK

1	2	3
---	---	---

Terminal No.	Color of Wire	Signal Name
1	W/B	BAT_POWER_F/L

Connector No.	M19
Connector Name	BCM (Body Control Module)
Connector Color	BLACK

79	78	77	76	75	74	73	72	71	70	69	68	67	66	65	64	63	62	61	60
99	98	97	96	95	94	93	92	91	90	89	88	87	86	85	84	83	82	81	80

Terminal No.	Color of Wire	Signal Name
75	R/Y	OUTPUT_5
76	R/G	OUTPUT_3
78	P	CAN-L
79	L	CAN-H
95	R/W	OUTPUT_1
96	P/B	OUTPUT_4
97	R/B	OUTPUT_2

AWNIA0293GB

A
B
C
D
E
F
G
H
I
J
K
L
M
O
P



WARNING CHIME SYSTEM

< COMPONENT DIAGNOSIS >

Connector No.	E21
Connector Name	JOINT CONNECTOR-E03
Connector Color	WHITE



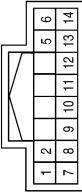
Terminal No.	Color of Wire	Signal Name
2	L	—
4	L	—

Connector No.	M73
Connector Name	PARKING BRAKE SWITCH
Connector Color	BLACK



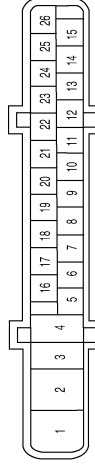
Terminal No.	Color of Wire	Signal Name
1	G/R	—

Connector No.	M28
Connector Name	COMBINATION SWITCH
Connector Color	WHITE



Terminal No.	Color of Wire	Signal Name
2	G/Y	OUTPUT_4
5	LG/R	OUTPUT_3
7	R/G	INPUT_3
8	LG/B	OUTPUT_5
9	R/B	INPUT_2
10	P/B	INPUT_4
11	R/W	INPUT_1
12	L/W	OUTPUT_1
13	R/Y	INPUT_5
14	G/B	OUTPUT_2

Connector No.	E26
Connector Name	ABS ACTUATOR AND ELECTRIC UNIT (CONTROL UNIT)
Connector Color	BLACK



Terminal No.	Color of Wire	Signal Name
15	P	CAN-L
26	L	CAN-H

Connector No.	E22
Connector Name	JOINT CONNECTOR-E04
Connector Color	WHITE



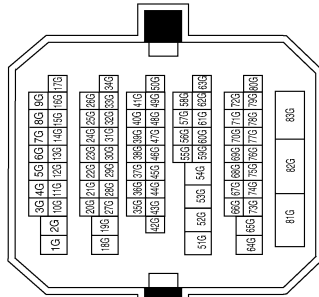
Terminal No.	Color of Wire	Signal Name
2	P	—
4	P	—

AWNIA0294GB

WARNING CHIME SYSTEM

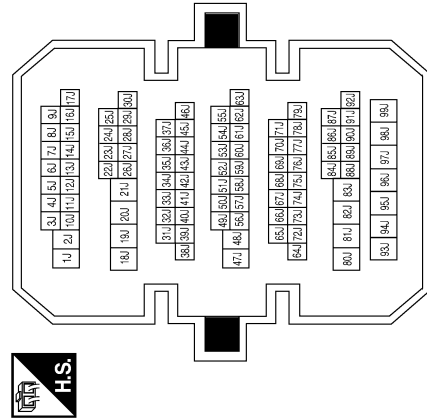
< COMPONENT DIAGNOSIS >

Connector No.	E30
Connector Name	WIRE TO WIRE
Connector Color	WHITE



Terminal No.	Color of Wire	Signal Name
8G	P	—
15G	L	—
82G	W/B	—

Connector No.	B1
Connector Name	WIRE TO WIRE
Connector Color	WHITE



Terminal No.	Color of Wire	Signal Name
17J	SB	—
24J	W/B	—

Connector No.	B3
Connector Name	JOINT CONNECTOR-B02
Connector Color	WHITE



Terminal No.	Color of Wire	Signal Name
1	W/B	—
2	W/B	—

AWNIA0295GB

WARNING CHIME SYSTEM

< COMPONENT DIAGNOSIS >

Connector No.	B201
Connector Name	WIRE TO WIRE
Connector Color	WHITE



1	2	3
4	5	6
7	8	

Terminal No.	Color of Wire	Signal Name
1	W/B	—
8	B/Y	—

Connector No.	B12
Connector Name	WIRE TO WIRE
Connector Color	WHITE



3	2	1
8	7	6
5	4	

Terminal No.	Color of Wire	Signal Name
1	W/B	—
8	B/Y	—

Connector No.	B8
Connector Name	DOOR SWITCH LH
Connector Color	WHITE



◇	1	2	3
---	---	---	---

Terminal No.	Color of Wire	Signal Name
2	SB	DOOR SW(DR)

Connector No.	B202
Connector Name	SEAT BELT BUCKLE SWITCH LH
Connector Color	WHITE



◇	1	2	3
---	---	---	---

Terminal No.	Color of Wire	Signal Name
1	W/B	BUCKLE SWITCH FR LH
2	B/Y	GND

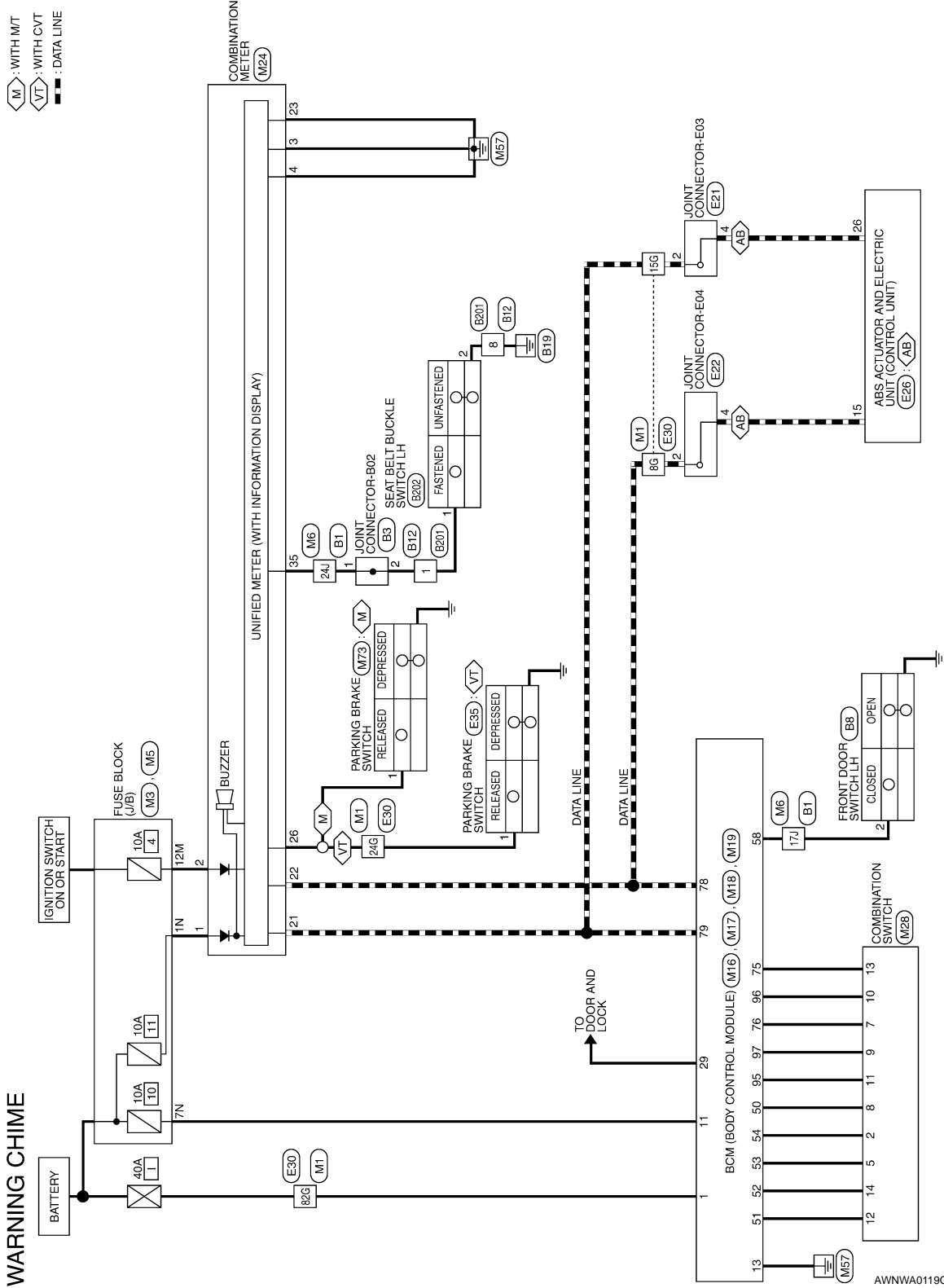
AWNIA0296GB

WARNING CHIME SYSTEM

< COMPONENT DIAGNOSIS >

Wiring Diagram-Sedan

INFOID:000000003198108



A
B
C
D
E
F
G
H
I
J
K
L
M
N
O
P

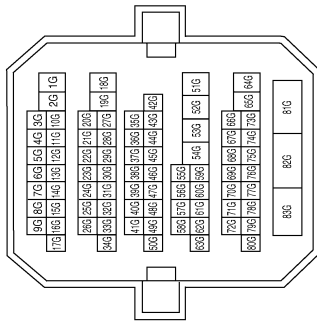
WCS

WARNING CHIME SYSTEM

< COMPONENT DIAGNOSIS >

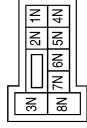
WARNING CHIME CONNECTORS

Connector No.	M1
Connector Name	WIRE TO WIRE
Connector Color	WHITE



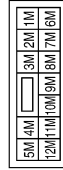
Terminal No.	Color of Wire	Signal Name
8G	P	—
15G	L	—
24G	G/R	—
82G	W/B	—

Connector No.	M3
Connector Name	FUSE BLOCK (J/B)
Connector Color	WHITE

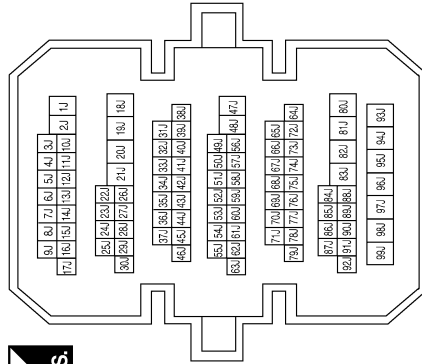


Terminal No.	Color of Wire	Signal Name
1N	W/L	—
7N	Y/R	—

Connector No.	M5
Connector Name	FUSE BLOCK (J/B)
Connector Color	WHITE



Connector No.	M6
Connector Name	WIRE TO WIRE
Connector Color	WHITE



Terminal No.	Color of Wire	Signal Name
12M	P	—

ALNIA0107GB

WARNING CHIME SYSTEM

< COMPONENT DIAGNOSIS >

Connector No.	M16
Connector Name	BCM (BODY CONTROL MODULE)
Connector Color	BLACK



Terminal No.	Color of Wire	Signal Name
1	W/B	BAT_POWER_F/L

Connector No.	M17
Connector Name	BCM (BODY CONTROL MODULE)
Connector Color	WHITE



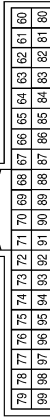
Terminal No.	Color of Wire	Signal Name
11	Y/R	BAT_BCM_FUSE
13	B	GND1

Connector No.	M18
Connector Name	BCM (BODY CONTROL MODULE)
Connector Color	GREEN



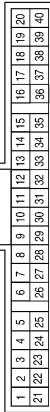
Terminal No.	Color of Wire	Signal Name
29	Y	FOB_IN_SW_1
50	LG/B	INPUT_5
51	L/W	INPUT_1
52	G/B	INPUT_2
53	LG/R	INPUT_3
54	G/Y	INPUT_4
58	SB	DR_DOOR_SW

Connector No.	M19
Connector Name	BCM (Body Control Module)
Connector Color	BLACK



Terminal No.	Color of Wire	Signal Name
75	R/Y	OUTPUT_5
76	R/G	OUTPUT_3
78	P	CAN-L
79	L	CAN-H
95	R/W	OUTPUT_1
96	P/B	OUTPUT_4
97	R/B	OUTPUT_2

Connector No.	M24
Connector Name	COMBINATION METER
Connector Color	WHITE



Terminal No.	Color of Wire	Signal Name
1	W/L	BATT
2	O	IGN
3	B	GND
4	B	GND
21	L	CAN-H
22	P	CAN-L
23	B	GND
26	G/R	PKB
35	W/B	DR_BELT

A
B
C
D
E
F
G
H
I
J
K
L
M
N
O
P

WARNING CHIME SYSTEM

< COMPONENT DIAGNOSIS >

Connector No.	E21
Connector Name	JOINT CONNECTOR-E03
Connector Color	WHITE



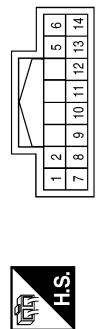
Terminal No.	Color of Wire	Signal Name
2	L	—
3	L	—
4	L	—

Connector No.	M73
Connector Name	PARKING BRAKE SWITCH (WITH M/T)
Connector Color	BLACK



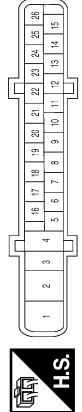
Terminal No.	Color of Wire	Signal Name
1	G/R	—

Connector No.	M28
Connector Name	COMBINATION SWITCH
Connector Color	WHITE



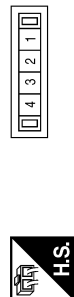
Terminal No.	Color of Wire	Signal Name
2	G/Y	OUTPUT_4
5	LG/R	OUTPUT_3
7	R/G	INPUT_3
8	LG/B	OUTPUT_5
9	R/B	INPUT_2
10	P/B	INPUT_4
11	R/W	INPUT_1
12	L/W	OUTPUT_1
13	R/Y	INPUT_5
14	G/B	OUTPUT_2

Connector No.	E26
Connector Name	ABS ACTUATOR AND ELECTRIC UNIT (CONTROL UNIT)
Connector Color	BLACK



Terminal No.	Color of Wire	Signal Name
15	P	CAN-L
26	L	CAN-H

Connector No.	E22
Connector Name	JOINT CONNECTOR-E04
Connector Color	WHITE



Terminal No.	Color of Wire	Signal Name
2	P	—
4	P	—

AWNIA0598GB

WARNING CHIME SYSTEM

< COMPONENT DIAGNOSIS >

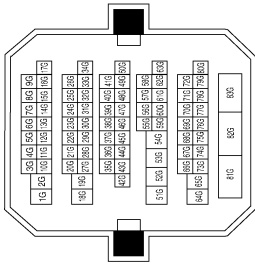
Connector No.	E35
Connector Name	PARKING BRAKE SWITCH (WITH CVT)
Connector Color	BLACK



Terminal No.	Color of Wire	Signal Name
1	G/R	—

Terminal No.	Color of Wire	Signal Name
8G	P	—
15G	L	—
24G	G/R	—
82G	W/B	—

Connector No.	E30
Connector Name	WIRE TO WIRE
Connector Color	WHITE



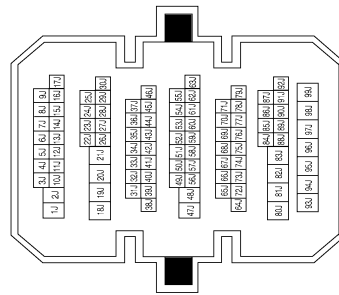
Connector No.	B3
Connector Name	JOINT CONNECTOR-B02
Connector Color	WHITE



Terminal No.	Color of Wire	Signal Name
1	W/B	—
2	W/B	—

Terminal No.	Color of Wire	Signal Name
17J	SB	—
24J	W/B	—

Connector No.	B1
Connector Name	WIRE TO WIRE
Connector Color	WHITE



AWNIA0599GB

WARNING CHIME SYSTEM

< COMPONENT DIAGNOSIS >

Connector No.	B201
Connector Name	WIRE TO WIRE
Connector Color	WHITE



1	2	3
4	5	6
7	7	8

Terminal No.	Color of Wire	Signal Name
1	W/B	—
8	B/Y	—

Connector No.	B12
Connector Name	WIRE TO WIRE
Connector Color	WHITE



3	2	1
8	7	6
5	4	4

Terminal No.	Color of Wire	Signal Name
1	W/B	—
8	B/Y	—

Connector No.	B8
Connector Name	FRONT DOOR SWITCH LH
Connector Color	WHITE



1	2	3
---	---	---

Terminal No.	Color of Wire	Signal Name
2	SB	DOOR SW(DR)

Connector No.	B202
Connector Name	SEAT BELT BUCKLE SWITCH LH
Connector Color	WHITE



1	2	3
---	---	---

Terminal No.	Color of Wire	Signal Name
1	W/B	BUCKLE SWITCH FR LH
2	B/Y	GND

AWNIA0600GB

COMBINATION METER

< ECU DIAGNOSIS >

ECU DIAGNOSIS

COMBINATION METER

Reference Value

INFOID:000000001737215

Refer to [MWI-59, "Reference Value"](#).

Wiring Diagram

INFOID:000000001737216

Refer to [MWI-77, "Wiring Diagram - Sedan"](#).

Fail Safe

INFOID:000000001737217

Refer to [MWI-91, "Fail Safe"](#).

DTC Index

INFOID:000000001737218

Refer to [MWI-92, "DTC Index"](#).

A

B

C

D

E

F

G

H

I

J

K

L

M

WCS

O

P

BCM (BODY CONTROL MODULE)

< ECU DIAGNOSIS >

BCM (BODY CONTROL MODULE)

Reference Value

INFOID:000000001836891

Refer to [BCS-41, "Reference Value"](#).

Terminal Layout

INFOID:000000001836892

Refer to [BCS-45, "Terminal Layout"](#).

Physical Values

INFOID:000000001836893

Refer to [BCS-45, "Physical Values"](#).

Wiring Diagram

INFOID:000000001836894

Refer to [BCS-64, "Wiring Diagram-Coupe"](#) or [BCS-73, "Wiring Diagram-Sedan"](#).

Fail Safe

INFOID:000000001836895

Refer to [BCS-81, "Fail Safe"](#).

DTC Inspection Priority Chart

INFOID:000000001836896

Refer to [BCS-83, "DTC Inspection Priority Chart"](#).

DTC Index

INFOID:000000001836897

Refer to [BCS-85, "DTC Index"](#).

THE PARKING BRAKE RELEASE WARNING CONTINUES SOUNDING, OR DOES NOT SOUND

< SYMPTOM DIAGNOSIS >

SYMPTOM DIAGNOSIS

THE PARKING BRAKE RELEASE WARNING CONTINUES SOUNDING, OR DOES NOT SOUND

Description

INFOID:000000001345916

- The parking brake warning buzzer sounds continuously during vehicle travel though the parking brake is released
- The parking brake warning buzzer does not sound at all even though driving the vehicle with the parking brake applied.

Diagnosis Procedure

INFOID:000000001345917

1. CHECK PARKING BRAKE WARNING LAMP

1. Start the engine.
2. Check the operation of the brake warning lamp by operating the parking brake.

Parking brake ON : ON
Parking brake OFF : OFF

Is the inspection result normal?

- YES >> Replace the combination meter. Refer to [MWI-172, "Removal and Installation"](#).
NO >> GO TO 2

2. CHECK PARKING BRAKE SWITCH SIGNAL CIRCUIT

Perform inspection of the parking brake switch signal circuit. Refer to [MWI-49, "Diagnosis Procedure"](#).

Is the inspection result normal?

- YES >> GO TO 3
NO >> Repair or replace harness.

3. CHECK PARKING BRAKE SWITCH UNIT

Perform a unit inspection for the parking brake switch. Refer to [MWI-50, "Component Inspection"](#).

Is the inspection result normal?

- YES >> Replace the combination meter. Refer to [MWI-172, "Removal and Installation"](#).
NO >> Replace the parking brake switch.

A
B
C
D
E
F
G
H
I
J
K
L
M
O
P

WCS

THE LIGHT REMINDER WARNING DOES NOT SOUND

< SYMPTOM DIAGNOSIS >

THE LIGHT REMINDER WARNING DOES NOT SOUND

Description

INFOID:000000001345918

Light reminder warning does not sound even though headlamp is illuminated.

Diagnosis Procedure

INFOID:000000001345919

1. CHECK COMBINATION SWITCH (LIGHT SWITCH) OPERATION

Check that the headlamps operate normally by operating the combination switch (light switch).

Do they operate normally?

YES >> GO TO 2

NO >> Refer to [EXL-4, "Work Flow"](#).

2. CHECK DOOR SWITCH LH SIGNAL CIRCUIT

Perform inspection of the door switch LH signal circuit. Refer to [DLK-54, "Diagnosis Procedure"](#).

Is the inspection result normal?

YES >> GO TO 3

NO >> Repair or replace harness.

3. CHECK DOOR SWITCH LH

Perform a unit inspection for the door switch LH. Refer to [DLK-56, "Component Inspection"](#).

Is the inspection result normal?

YES >> Replace the BCM. Refer to [BCS-88, "Removal and Installation"](#).

NO >> Replace the front door switch LH.

THE SEAT BELT WARNING CONTINUES SOUNDING, OR DOES NOT SOUND

< SYMPTOM DIAGNOSIS >

THE SEAT BELT WARNING CONTINUES SOUNDING, OR DOES NOT SOUND

Description

INFOID:000000001345920

- Seat belt warning does not sound even though driver seat belt is not fastened.
- Seat belt warning sounds even though driver seat belt is fastened.

Diagnosis Procedure

INFOID:000000001345921

1. CHECK WARNING CHIME OPERATION

With the driver door open, turn lighting switch to 1st or 2nd position.

Does warning chime sound?

YES >> GO TO 2

NO >> Replace combination meter. Refer to [MWI-172, "Removal and Installation"](#).

2. CHECK SEAT BELT WARNING LAMP

1. Turn ignition switch ON.
2. Check the operation of the seat belt warning lamp in the combination meter.

Seat belt fastened : OFF

Seat belt not fastened : ON

Is the inspection result normal?

YES >> Replace BCM. Refer to [BCS-88, "Removal and Installation"](#).

NO >> GO TO 3

3. CHECK SEAT BELT BUCKLE SWITCH CIRCUIT

Perform inspection of the seat belt buckle switch circuit. Refer to [WCS-19, "Diagnosis Procedure"](#).

Is the inspection result normal?

YES >> GO TO 4

NO >> Repair or replace harness.

4. CHECK SEAT BELT BUCKLE SWITCH UNIT

Perform a unit inspection for the seat belt buckle switch. Refer to [WCS-20, "Component Inspection"](#).

Is the inspection result normal?

YES >> Replace the combination meter. Refer to [MWI-172, "Removal and Installation"](#).

NO >> Replace the seat belt buckle switch LH.

A
B
C
D
E
F
G
H
I
J
K
L
M
O
P

WCS

PRECAUTIONS

< PRECAUTION >

PRECAUTION

PRECAUTIONS

Supplemental Restraint System (SRS) "AIR BAG" and "SEAT BELT PRE-TENSIONER"

INFOID:000000001345922

The Supplemental Restraint System such as "AIR BAG" and "SEAT BELT PRE-TENSIONER", used along with a front seat belt, helps to reduce the risk or severity of injury to the driver and front passenger for certain types of collision. This system includes seat belt switch inputs and dual stage front air bag modules. The SRS system uses the seat belt switches to determine the front air bag deployment, and may only deploy one front air bag, depending on the severity of a collision and whether the front occupants are belted or unbelted. Information necessary to service the system safely is included in the SR and SB section of this Service Manual.

WARNING:

- To avoid rendering the SRS inoperative, which could increase the risk of personal injury or death in the event of a collision which would result in air bag inflation, all maintenance must be performed by an authorized NISSAN/INFINITI dealer.
- Improper maintenance, including incorrect removal and installation of the SRS, can lead to personal injury caused by unintentional activation of the system. For removal of Spiral Cable and Air Bag Module, see the SR section.
- Do not use electrical test equipment on any circuit related to the SRS unless instructed to in this Service Manual. SRS wiring harnesses can be identified by yellow and/or orange harnesses or harness connectors.